

460SJ PARTS MANUAL

GENERAL INFORMATION

460SJ GENERAL INFORMATION	1-1
---------------------------------	-----

REPAIR PARTS

FRONT AXLE ASSEMBLY 400S 460SJ	2-1
FRONT AXLE DRIVE SYSTEM INSTALLATION	2-2
DRIVE SYSTEM REAR INSTALLATION	2-3
TORQUE DRIVE HUB OMNI GEAR	2-4
STANDARD TIRES AND WHEELS INSTALLATION 400S 460SJ	2-5
TIRE AND WHEEL ASSEMBLY GNM OTR	2-6
TIRE AND WHEEL ASSEMBLY GNM EXMILE	2-7
NON MARKING TIRES AND WHEELS INSTALLATION	2-8
FLOATATION TIRES AND WHEELS INSTALLATION 400S 460SJ	2-9
CHASSIS COUNTERWEIGHT INSTALLATION 460SJ	2-10
CHASSIS COVERS INSTALLATION	2-11
SLEW BEARING INSTALLATION	2-12
TURRET INSTALLATION 400S 460SJ	2-13
TURRET COUNTERWEIGHT INSTALLATION 460SJ	2-14
SWING DRIVE INSTALLATION 400S 460SJ JUNE 2019 AND BEFORE	2-15
SWING DRIVE INSTALLATION 400S 460SJ JULY 2019 AND AFTER	2-16
PINION GUARD INSTALLATION JANUARY 2020 AND AFTER	2-17
ROTARY MANIFOLD INSTALLATION 400S 460SJ	2-18
LIFT AND MASTER LEVEL CYLINDER INSTALLATION 400S 460SJ	2-19
BATTERY INSTALLATION 400S 460SJ	2-20
ENGINE WITH TRAY INSTALLATION	2-21
ENGINE TRAY LOWER LATCH ASSEMBLY 400S 460SJ	2-22
ENGINE ASSEMBLY DEUTZ D2.9 L4 400S 460SJ	2-23
ENGINE DEUTZ D2.9 L4 NON TURBO APRIL 2018 AND AFTER	2-24
ENGINE DEUTZ D2.9 L4 NON TURBO MARCH 2019 AND AFTER	2-25
DEUTZ ENGINE D2.9 L4 81414737 REPLACEMENT PARTS	2-26
KIT (ONLY) HAYES COUPLER	2-27
PUMP HENGLI 45CC 460SJ INSTALLATION FIRST SN 460-11-181000001 - 460-11-190800010 AND AFTER	2-28
PUMP HENGLI TORQUE LIMIT 50KW 400S 460SJ DEUTZ	2-29
AIR CLEANER DEUTZ D2.9 400S 460SJ	2-30
HYDRAULIC COOLER INSTALLATION 400S 460SJ JANUARY 2020 AND BEFORE	2-31
HYDRAULIC COOLER INSTALLATION 400S 460SJ FEBURARY 2020 AND AFTER	2-32
LOWER CONTROL BOX INSTALLATION DEUTZ TIER 4 FINAL 460SJ 660SJ	2-33
LOWER CONTROL BOX ASSEMBLY DEUTZ 460SJ	2-34
LOWER CONTROL BOX INSTALLATION 400S APRIL 2019 AND AFTER	2-35
DIESEL TANK INSTALLATION 400S 460SJ	2-36
DIESEL TANK 400S 460SJ	2-37
HYDRAULIC TANK INSTALLATION 400S/460SJ MARCH 2018 AND BEFORE	2-38
HYDRAULIC TANK INSTALLATION APRIL 2018 AND AFTER	2-39
HYDRAULIC TANK 400S 460SJ MARCH 2018 AND BEFORE	2-40

HYDRAULIC TANK 400S 460SJ APRIL 2018 AND AFTER	2-41
MAIN MANIFOLD OSCILATING ASSEMBLY 400S 460SJ	2-42
EMERGENCY POWER UNIT INSTALLATION 400S 460SJ	2-43
HORN INSTLLATION 400S 460SJ	2-44
TURRET HOODS INSTALLATION	2-45
BASE BOOM ASSEMBLY 400S 460SJ	2-46
MAIN BOOM INSTALLATION 400/460 MARCH 2020 AND AFTER	2-47
BOOM ASSEMBLY INNER 400S 460SJ	2-48
EXTEND CYLINDER ASSEMBLY 400S 460SJ	2-49
CARRIER TRACK INSTALLATION 400S 460SJ	2-50
BOOM HOSES INSTALLATION 460SJ	2-51
INNER BOOM ASSEMBLY	2-52
INNER TO BASE BOOM INSTALLATION	2-53
78 INCHE JIB ASSEMBLY FEBURARY 2019 AND AFTER	2-54
78 INCHES JIB ASSEMBLY JANUARY 2019 AND BEFORE	2-55
JIB INSTALLATION APRIL 2019 AND BEFORE	2-56
JIB INSTALLATION	2-57
ROTARY JIB ACTUATOR BEFORE SERIAL NUMBER 660SJ-04-200401001 EXCLUDING 600SJ-11-180800163	2-58
6' WIDE PLATFORM INSTALLATION JIB DECEMBER 2019 AND AFTER	2-59
PLATFORM INSTALLATION 8 FOOT WIDE ANSI CE EXPORT CSA EXPORT	2-60
8 FOOT PLATFORM WITH JIB INSTALLATION FEBRUARY 2019 AND AFTER	2-61
PLATFORM JIB WITH SALOON GATE INSTALLATION	2-62
UPPER CONTROL BOX INSTALLATION DEUTZ T4F 460SJ 660SJ	2-63
DECALS INSTALLATION ANSI 460SJ	2-64
DECAL INSTALLATION DOMESTIC 460SJ	2-65
DECAL INSTALLATION ANSI 460SJ	2-66
DECALS INSTALLATION CE 460SJ	2-67
DECAL KIT CE AS 460SJ	2-68
DECAL KIT CE AS EXPORT 460SJ GERMAN	2-69
DECAL KIT FRENCH 460SJ	2-70
DECAL KIT ENGLISH FRENCH 460SJ	2-71
DECAL KIT EXPORT CE AS SWEDISH 460SJ SEPTEMBER 2019 AND AFTER	2-72

HYDRAULICS

CHASSIS HYDRAULIC HOSE INSTALLATION 400S 460SJ JANUARY 2020 AND BEFORE	3-1
CHASSIS HYDRAULIC HOSE INSTALLATION 400S 460SJ FEBURARY 2020 AND AFTER	3-2
BOOM HOSES 460SJ INSTALLATION	3-3
DRIVE MOTOR HENGLI	3-4
TRACTION MANIFOLD ASSEMBLY	3-5
TRACTION MANIFOLD	3-6
TURRET HYDRAULIC HOSE INSTALLATION JANUARY 2020 AND BEFORE	3-7
TURRET HOSE INSTALLATION 400S 460SJ FEBURARY 2020 AND AFTER	3-8
SWING DRIVE GEARBOX	3-9
ROTATY MANIFOLD ASSEMBLY 400S 460SJ	3-10

MAIN MANIFOLD OSCILATING AXLE ASSEMBLY 400S 460SJ	3-11
MAIN MANIFOLD ASSEMBLY 400/460 KUBOTA 460SJ-04-210100300 AND AFTER	3-12
MAIN CONTROL VALVE	3-13
HEATER VALVE	3-14
SHUTTLE VALVE ASSEMBLY	3-15
EMERGENCY POWER UNIT ASSEMBLY	3-16
LOAD SENSE PUMP HENGLI	3-17
PUMP HENGLI 45CC TORQUE LIMIT 32KW NOVEMBER 2019 AND AFTER	3-18
PRESSURE FILTER ASSEMBLY	3-19
STEER CYLINDER HENGLI	3-20
OSCILATING AXLE CYLINDER	3-21
LIFT CYLINDER ROSENBOOM	3-22
LIFT CYLINDER HINGLI 400S 460SJ	3-23
MASTER LEVEL CYLINDER HENGLI	3-24
MASTER LEVEL CYLINDER ROSENBOOM	3-25
TELESCOPE CYLINDER ROSENBOOM	3-26
SLAVE LEVEL CYLINDER HENGLI	3-27
SLAVE LEVEL CYLINDER ROSENBOOM	3-28
JIB CYLINDER HENGLI	3-29
JIB CYLINDER ROSENBOOM	3-30
JIB CYLINDER FISHER	3-31
JIB CYLINDER ROSENBOOM	3-32
JIB CYLINDER HYDRATECH	3-33
HELAC ROTATOR HOSE FITTING installation	3-34

ELECTRICAL

GP400C ADJUSTMENTS SETUPS V6.0	4-1
LOWER CONTROL BOX ASSEMBLY 460 660 DEUTZ S5 JANUARY 2020 AND BEFORE	4-2
LOWER CONTROL BOX ASSEMBLY DEUTZ STAGE 5 400S 600S MARCH 2019 AND AFTER ..	4-3
4 LOWER CONTROL BOX ASSEMBLY DEUTZ TIER 4 400S 600S JANUARY 2020 AND BEFORE .	4-
6 LOWER CONTROL BOX ASSEMBLY DEUTZ 460SJ JANUARY 2020 AND BEFORE	4-5
LOWER CONTROL BOX ASSEMBLY DEUTZ TIER 4 460SJ 660SJ FEBURARY 2020 AND AFTER	4-
HARNES ANGLE PROXCIMITY SENSOR	4-7
TURRET ELECTRICAL HARNESSES INSTALLATION DEUTZ STAGE 5	4-8
TURRET ELECTRICAL HARNESSES INSTALLATION	4-9
TURNTABLE ELECTRICAL HARNES INSTALLATION 400S 460SJ	4-10
TURNTABLE ELECTRICAL HARNESSES INSTALLATION 400S 460SJ	4-11
TURRET ELECTRICAL INSTALLATION 400/460 KUBOTA FEBURARY 2020 AND AFTER	4-12
ENGINE HARNES KUBOTA V1505 400S 460SJ	4-13
ENGINE HARNES KUBOTA V1505 400S 460SJ FEBURARY 2020 AND AFTER	4-14
HYDRAULIC MANIFOLD HARNES 400S 460SJ	4-15
LOWER CONTROL TO PRESSURE SWITCH HARNES	4-16
HYDRAULIC COOLER HARNES	4-17
AC POWER TO PLATFORM INSTALLATION ANSI 460SJ	4-18

AC POWER TO PLATFORM NON ANSI INSTALLATION 460SJ	4-19
HORN ASSEMBLY	4-20
LED LIGHT ASSEMBLY	4-21
BEACON LIGHT HARNESS	4-22
DRIVE LIGHTS HARNESS	4-23
BOOM ELECTRICAL INSTALLATION 460SJ	4-24
BOOM ELECTRICAL INSTALLATION 460SJ	4-25
BOOM ELECTRICAL INSTALLATION 460SJ	4-26
UPPER CONTROL BOX INSTALLATION 460SJ FEBURARY 2020 AND BEFORE	4-27
UPPER CONTROL BOX INSTALLATION 460SJ 660SJ MARCH 2020 AND AFTER	4-28
UPPER CONTROL BOX ASSEMBLY 460 660 DEUTZ TIER 4 FINAL	4-29
UPPER CONTROL BOX ASSEMBLY 460SJ 660SJ DEUTZ STAGE 5 MAY 2019 AND AFTER	4-30
PLATFORM CONTROL BOX WITH JIB ASSEMBLY 460SJ	4-31
COLD WEATHER UPPER TOGGLE HARNESS	4-32
FOOT SWITCH WIDE TREDLE ASSEMBLY	4-33
PUSH PULL ASSEMBLY WITH CONTACT	4-34

OPTIONS

AIRLINE TO PLATFORM INSTALL 460SJ	5-1
FLOTTATION TIRES AND WHEELS INSTALLATION 400S 460SJ AUGUST 2019 AND AFTER ..	5-2
FLOATATION TIRE AND WHEEL INSTALLATION	5-3
BIODEGRADABLE OIL INSTALLATION	5-4
AMBER BEACON INSTALLATION	5-5
KIT LIGHT PACKAGE 400S 460SJ	5-6
TURRET WORK LIGHT PACKAGE, INSTALL	5-7
PLATFORM LIGHT PACKAGE SQUARE PLATFORM	5-8
DRIVE LIGHTS HARNESS	5-9
LED LIGHT ASSEMBLY	5-10
PLATFORM CONTROL BOX UTILITY LAMP HARNESS	5-11
ACCESSORY SWITCH ENCLOSURE INSTALLATION	5-12
CONTROL BOX COVER INSTALLATION	5-13
PLATFORM TOOL TRAY INSTALLATION ANSI CE CSA AS	5-14
BASE WELDER PACKAGE INSTALLATION	5-15
LINCOLN WELDER INSTALLATION	5-16
WELDER ASSEMBLY LINCOLN	5-17
GROUND WIRE ASSEMBLY	5-18
ELECTRODE HOLDER WIRE ASSEMBLY	5-19
10KW GENERATOR INSTALLATION 400S 460SJ JANUARY 2020 AND AFTER	5-20
GENERATOR TOGGLE SW ITCH HARNESS	5-21
AC POWER CABLE 10KW GENERATOR 600S INSTALLATION	5-22
PLATFORM AC POWER DOMESTIC INSTALLATION	5-23
10KW GENERATOR HARNESS	5-24
10KW GENERATOR 400S 460SJ 600S 660SJ	5-25
2.5 KW GENERATOR INSTALLATION KUBOTA	5-26
2KW FABCO SINGLE V-BELT GENERATOR ASSEMBLY	5-27

2.5 kw GENERATOR DEUTZ 2.9D INSTALLATION 400S 460SJ NOVEMBER 2019 AND BEFORE	5-28
2.5K GENERATOR DEUTZ 2.9D 460SJ INSTALLATION 460SJ-11-200100016 AND AFTER	5-29
GENERATOR 2kW FABCO SINGLE V-BELT ASSEMBLY	5-30
HARNESS 2.5kW GENERATOR 460	5-31
EXTREME COLD WEATHER PACKAGE INSTALLATION 400S 460SJ JANUARY 2020 AND AFTER	5-32
COLD WEATHER PACKAGE INSTALLATION 400S 460SJ	5-33
GLAZIER PACKAGE INSTALLATION	5-34
UPPER CONTROL BOX COVER INSTALLATION	5-35
8' PLATFORM INSTALLATION AS WITH JIB NOVEMBER 2019 AND AFTER	5-36

MAINTENANCE

460SJ MAINTENANCE	6-1
-------------------	-----

SCHEMATICS

400S 460SJ ADJUSTMENT SETTINGS GP400C	7-1
400S 460SJ ELECTRICAL SCHEMATIC 1433077B DEUTZ D2.9	7-2
400S 460SJ ELECTRICAL SCHEMATIC 1433077C DEUTZ D2.9 OIL COOLER FAN IN LINE WAS IN FUSE BLOCK	7-3
400S 460SJ ELECTRICAL SCHEMATIC 1433077D DEUTZ D2.9 STARTER RELAY REWIRED	7-4
400S 460SJ ELECTRICAL SCHEMATIC 1433077E DEUTZ D2.9 REMOVED FUSE AND REROUTED EPUMP	7-5
400S 460SJ HYDRAULIC SCHEMATIC 1433078A	7-6
400S 460SJ HYDRAULIC SCHEMATIC 1433078B BRAKE RELEASE PRESSURE REDUCTION VALVE SETTING WAS 2000PSI	7-7
A	A
B	B

snorkel

460SJ



CE

REPAIR PARTS **MANUAL**

Part Number 1433687
October 2018

ANSI/CSA/CE/AS/NZS
Serial number 00000 and after

DANGER

The aerial platform is not electrically insulated. Death or serious injury will result from contact with, or inadequate clearance from, an energized conductor.

Do not go closer than the minimum safe approach distance as defined by national safety regulations.

Regard all conductors as energized.

Allow for electrical wire sag and aerial platform sway.

If the platform, boom structure, or any part of the aerial platform contacts a high-voltage electrical conductor, the entire machine can become electrically charged.

If that happens, remain on the machine and do not contact any other structure or object. This includes the ground, adjacent buildings, poles, and any other objects that are not part of the aerial platform.

Such contact could make your body a conductor to the other object, creating an electrical shock hazard resulting in death or serious injury.

If an aerial platform is in contact with an energized conductor the platform operator must warn ground personnel in the vicinity to stay away. Their bodies can conduct electricity creating an electrical shock hazard resulting in death or serious injury.

Do not approach or leave the aerial platform until the electricity has been turned off.

Do not attempt to operate the lower controls when the platform, scissors structure, or any part of the aerial platform is in contact with a high-voltage electrical conductor or if there is an immediate danger of such contact.

Personnel on or near an aerial platform must be continuously aware of electrical hazards, recognizing that death or serious injury can result from contact with an energized conductor.

California

Proposition 65 Warning

Battery posts, terminals and related accessories contain lead and lead components, chemicals known to the State of California to cause cancer and birth defects or other reproductive harm. Wash hands after handling.

California

Proposition 65 Warning

Diesel and gasoline engine exhaust and some of its constituents are known by the State of California to cause cancer, birth defects or other reproductive harm.

General Information

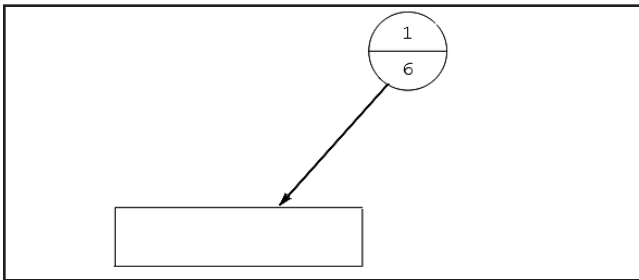
About This Manual

This manual covers 460SJ aerial platforms. Information is included for machines that have been manufactured to conform to all applicable requirements of the following:

- American National Standards Institute (ANSI)
- Canadian Standards Association (CSA)
- European Committee for Standardization (CE)
- Australian/New Zealand Standards (AS/NZS)

Part pages include a drawing and a bill of material. The bill of material lists the item number that is on the drawing, the Snorkel part number, quantity used and a description of the item.

Some callouts in the drawings may have a balloon with two numbers. The top number is the item number and the bottom number is the quantity of the item at that location.



While Snorkel has attempted in every way to confirm that all information in this manual is correct, improvements are being constantly made to the machine that may not be reflected in this manual.

If you find information in this manual that is not correct or is confusing, you are urged to report your findings to Snorkel for our evaluation. Your input is important to us and will be used in future printings of this manual.

This machine is covered by a limited warranty that specifically identifies items warrantied by Snorkel and those items covered by original manufacturer's warranty.

Repairs and Maintenance

Every person who maintains, inspects, tests or repairs the machine must be qualified and authorized to do so.

⚠Caution

Do not modify this aerial platform without prior written consent of Snorkel Engineering Department. Modification may void the warranty, adversely affect stability or affect the operational characteristics of the aerial platform.

Abbreviations

The following abbreviations may be used in this manual.

AC	alternating current
ANSI	American National Standards Institute
AR	as required
CCA	cold cranking amps
cm	centimeter
DC	direct current
ft	feet
GFCI	ground fault circuit interruptor
in	inch
lbs	pounds
mm	millimeter
no	number
NPT	national pipe thread
psi	pounds per square inch
qty	quantity
rpm	revolutions per minute
UL	Underwriters Laboratories Inc.

Additional Information

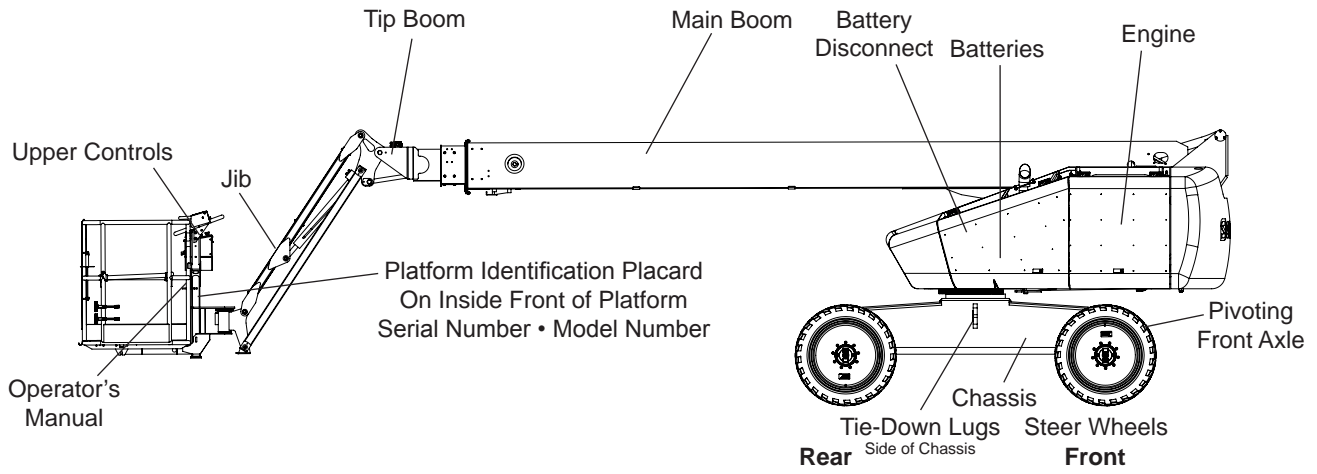
All correspondence relative to this machine, such as field reports, discrepancy reports, requests for information, etc., should be directed to:

Snorkel North America
P.O. Box 1160
St. Joseph, MO 64502-1160 USA
Phone: 1-800-255-0317

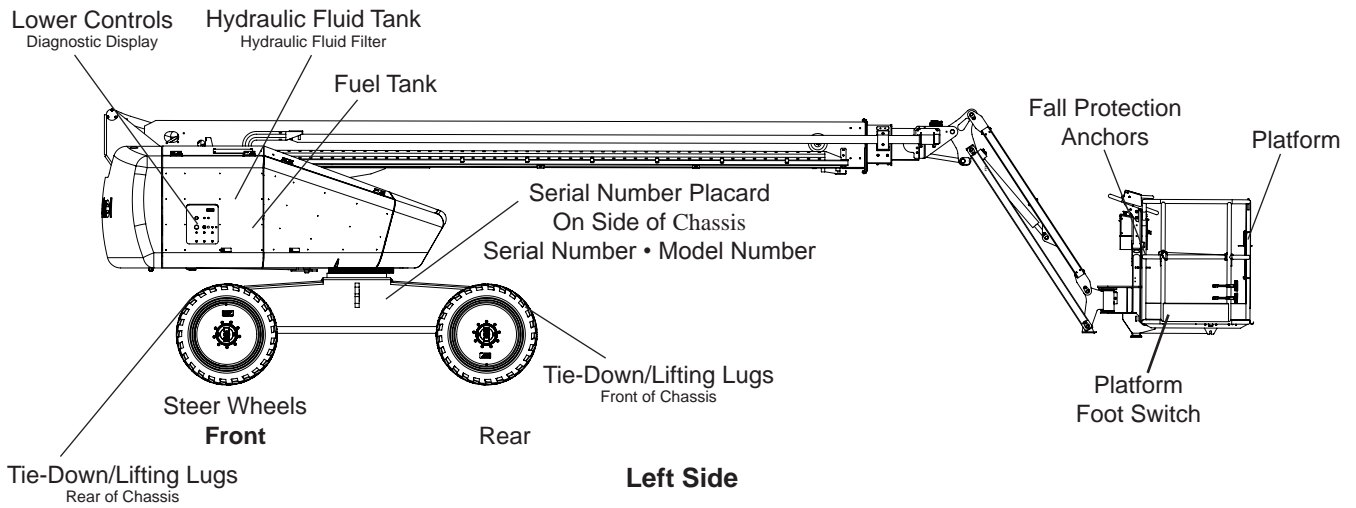
Snorkel Europe
Vigo Centre
Birtley Road
Washington
Tyne & Wear
NE38 9DA
Phone: +44 (0) 845 1550 058

<http://www.snorkellifts.com>

Component Identification



Right Side



Left Side

Service and Parts Information

Ordering Parts

When placing an order for service or repair parts, please have the following machine information readily available.

- Model number
- Serial number
- Snorkel part number
- Description of part
- Quantity of parts required
- Your purchase order number
- Address for order to ship to
- The desired shipment method

If ordering parts off-line, the parts order form on the following page may be mailed or faxed to the attention of the Parts Department at the following location:

Snorkel North America
P.O. Box 1160
St. Joseph, MO 64502-1160 USA
Phone: 1-800-255-0317
Parts Fax: 1-785-989-3077

Snorkel Europe
Vigo Centre
Birtley Road
Washington
Tyne & Wear
NE38 9DA
Phone: +44 (0) 845 1550 058
Parts Fax: +44 (0) 1952 607 678

Attention: Parts Department

For your convenience, our electronic on-line ordering system is accessible from the following Internet location:

<http://www.snorkellifts.com>

ANSI and OSHA Compliance

All owners and users of the aerial platform must read, understand and comply with all applicable regulations. Ultimate compliance to OSHA regulations is the responsibility of the user and their employer.

ANSI publications clearly identify the responsibilities of all personnel who may be involved with the aerial platform. A reprint of the "Manual of Responsibilities for Dealers, Owners, Users, Operators, Lessors and Lessees of ANSI/SIA A92.5-2006 Boom-Supported Elevating Work Platforms" is available from Snorkel dealers or from the factory upon request.

Copies are also available from:

Scaffold Industry Association, Inc.
P.O. Box 20574
Phoenix, AZ 85036-0574 USA

Manuals

Manuals are available from Snorkel to support any of the machines that we produce.

The specific manuals for 460SJ aerial platforms are as follows:

460SJ – Operator's Manual ANSI/CSA/CE/AS/NZS
Snorkel part number – 1433685

460SJ – Repair Parts Manual
Snorkel part number – 1433687

ANSI Manual of Responsibilities
ANSI/SIA A92.5-2006
Snorkel part number – 0084053

Machine Information

Model Number: _____

Serial Number: _____

Date of Purchase: _____

Purchased From: _____

Snorkel Dealer or Distributor: _____

Parts Order Form

Fill out completely and fax attention Parts Department to:
Snorkel USA 1-785-989-3077
Snorkel Europe +44 (0) 1952 607 678

Date: _____

Account Number: _____

Company: _____

Purchase Order Number: _____

Address: _____

Model Number: _____

Serial Number: _____

Ship To: _____

Contact Name: _____

Phone Number: _____

Fax Number: _____

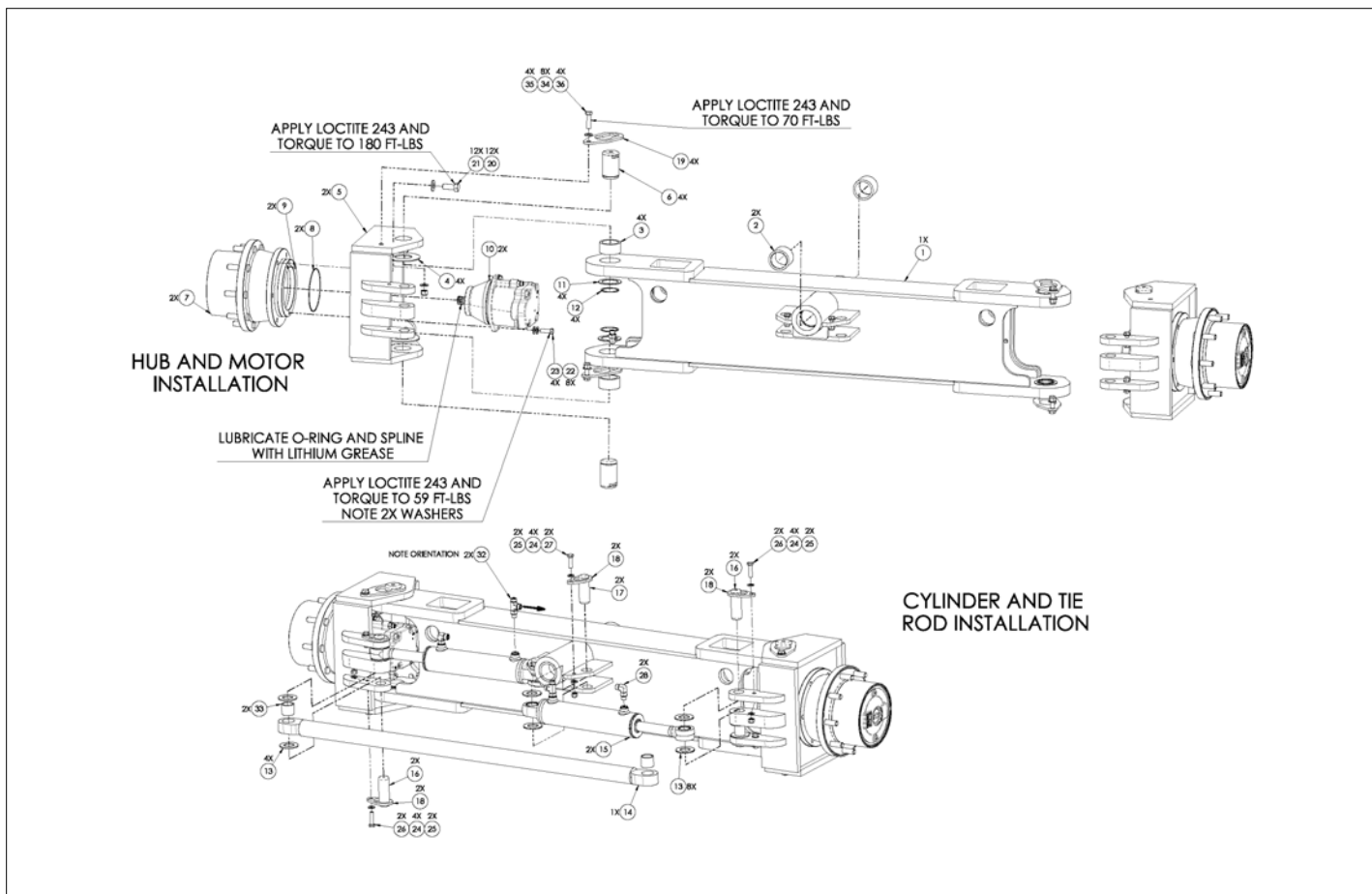
Shipping Method: _____

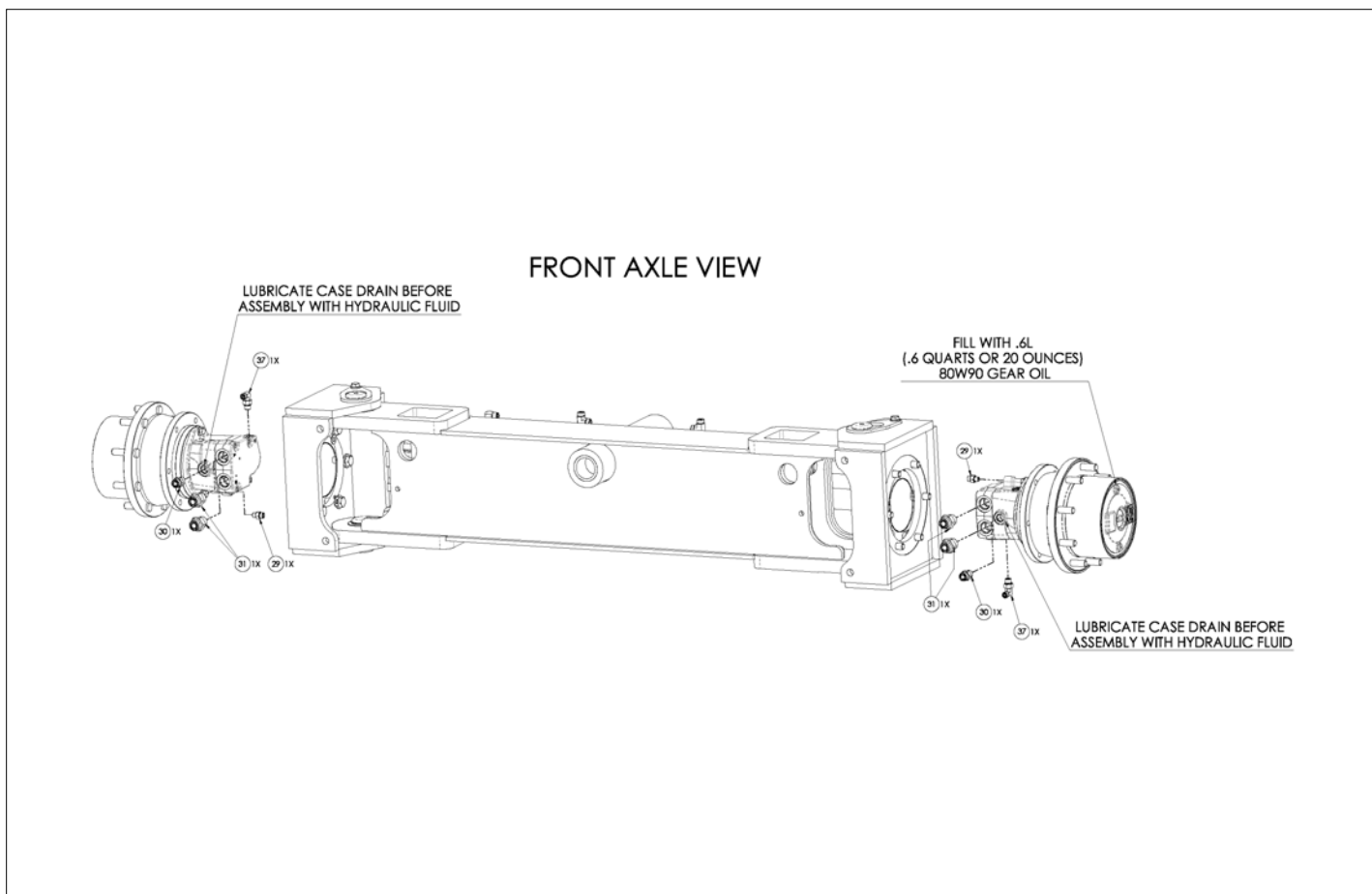
Part Number	Description	Quantity

Note: Backordered parts will be shipped as soon as available using the same shipping method as the original order unless otherwise indicated below.

- Ship complete order only. Do not backorder parts.
- Ship all available parts and disposition of backordered parts.
- Other instructions as specified: _____

REPAIR PARTS

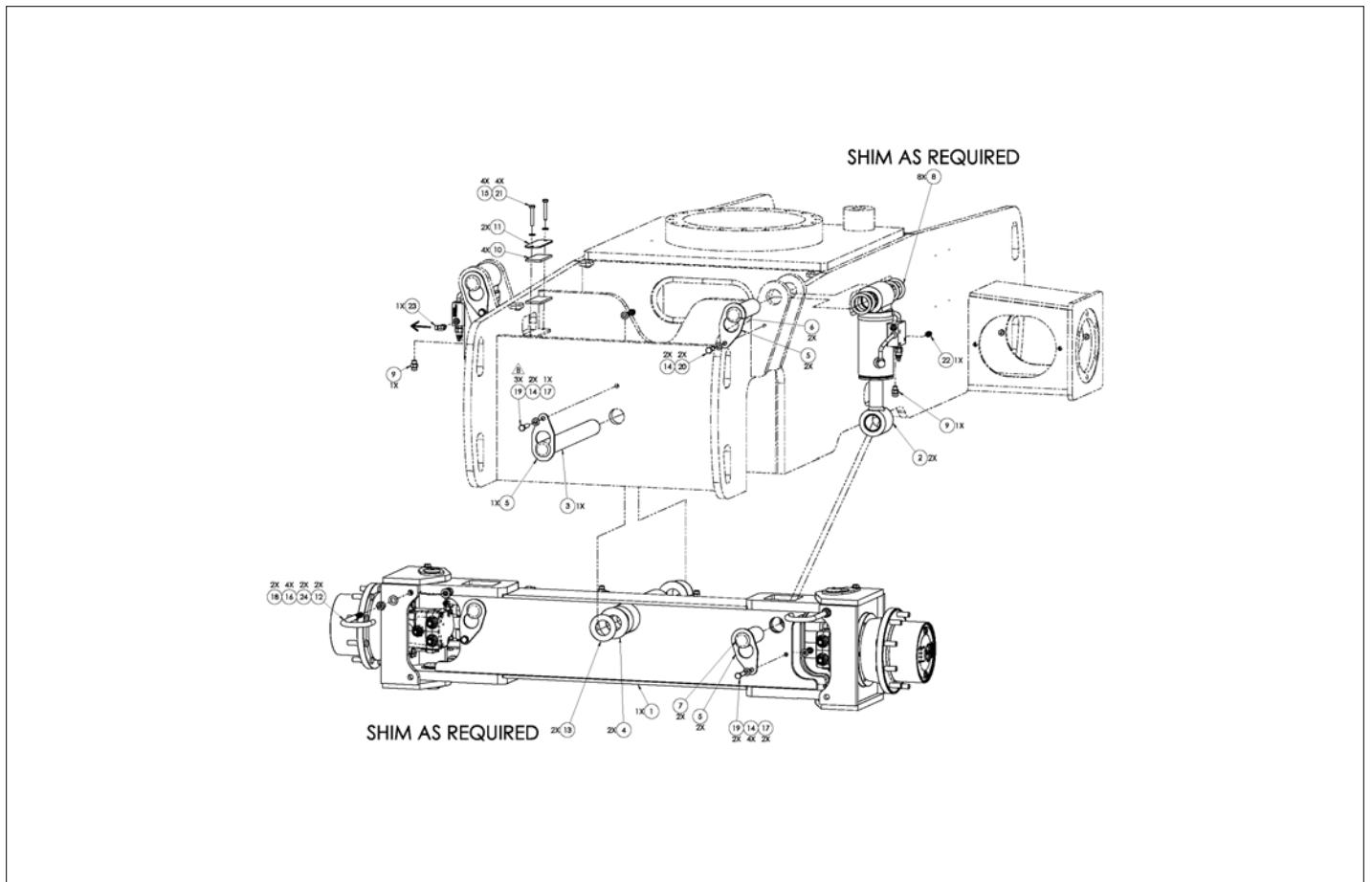




アイテム	部品番号	名前	数量	UOM
	1433006A	FRONT AXLE ASSEMBLY 400S/460SJ		EA
1	1433007	WLDMT AXLE FRONT 400S/460SJ	1	EA
2	2509856	GARMAX BRG 2X2.5X2	2	EA
3	2509857	GARMAX BRG 2X2.5X1.25	4	EA
4	2509859	OILITE BRONZE THRUST 2.0 X 4.0	4	EA
5	1433011	UPRIGHT 400S/460SJ	2	EA
6	1432602	KINGPIN AXLE	4	EA
7	116324 000	Wheel Gearbox	2	EA
8	0260099	O Ring	2	EA
9	0260070	O Ring	2	EA
10	104665 001	DRIVE MOTOR HYD 38cc/9.22cc	2	EA
	6092096	SEAL KIT FOR 104665 001	1	EA
11	5563838	BUSHING MACHINE 2.00X2.75X.063	4	EA
12	5592024	SPIRAL SNAP RING EXT 2.00"	4	EA
13	2509858	GARMAX THRUST WASHER 1.25x.125	12	EA
14	1433016	TIE ROD STEERING	1	EA
15	5290014	CYLINDER, STEER	2	EA
16	1432603	PIN UPRIGHT, STEER	4	EA
17	1432605	PIN AXLE TIE ROD	2	EA
18	1432604	PIN RETAINER STEER	6	EA
19	1432612	PIN RETAINER 2.0"	4	EA
20	5560169	WSHR FLAT HARD .625 SP	12	EA
21	5563118	BOLT HEXHD 5/8 11 x 1 1/4 GR8	12	EA
22	5563393	WASHER FLAT .438 HARDENED	8	EA
23	5563116	Bolt, HDD	4	EA

アイテム	部品番号	名前	数量	UOM
24	056069 010	Washer, SteelFlatWasher DIN125A M10 ZincPlated	12	EA
25	056064 010	Nut NylockNut DIN985 M10 10.0	6	EA
26	058509 040	BOLT HEXBOLT DIN931 M12 X 40MM 10.9 DACROMET	4	EA
27	5563898	HHCS M10 X 35 G10.9 DIN 931	2	EA
28	511481 000	FTG, 90 ° , 6MORFF X 6MORB	2	EA
29	100432 002	Hyd Fitting Straight ORFS(04) SAE(04)	2	EA
30	100432 015	FTG, STR, 8MORFF X 8MORB	2	EA
31	106964 002	FTG, STR, 10MORFF X 12MORB	4	EA
32	5033095	TEE RUN, 6MORB X 6MORFS X MMORFS	2	EA
33	2500035	BEARING	2	EA
34	056069 012	WASHER DIN125A M12 ZP	8	EA
35	056064 012	NUT HEX M12 X 1.75 GR 10.9 SELF LOCKING DIN 985	4	EA
36	5563920	HHCS M12 X 1.75 X 45 GR 10.9	4	EA
37	100434 004	Hyd Fitting 90 Elbow ORFS(04) SAE(06)	2	EA

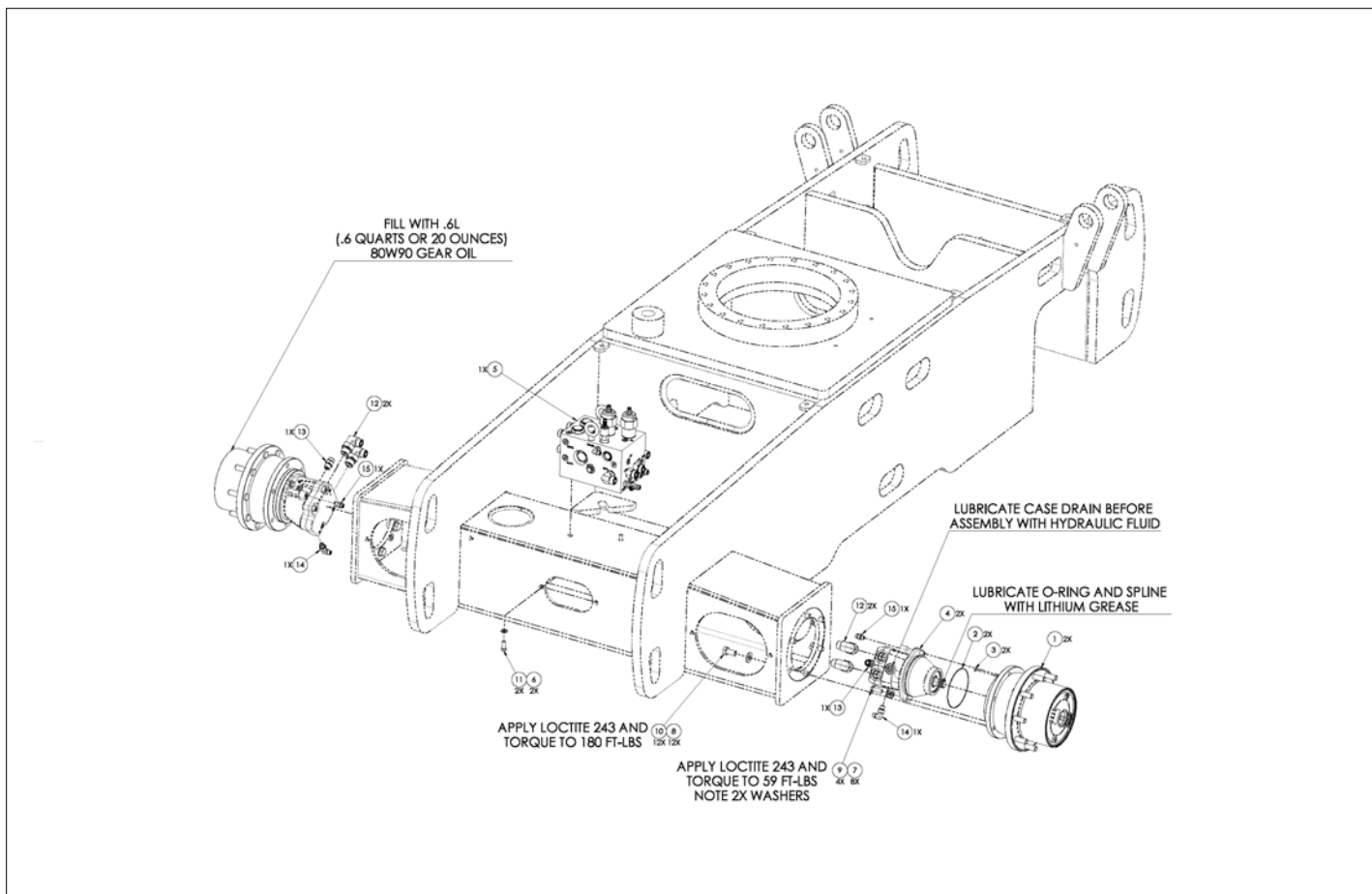
REPAIR PARTS



アイテム	部品番号	名前	数量	UOM
	1433005D	FRONT AXLE AND DRIVE SYSTEM INSTALL		EA
1	1433006	ASSY FRONT AXLE, 400S/460SJ	1	EA
2	5290012	CYLINDER, OSC	2	EA
3	1432613	PIN OSC AXLE PIVOT	1	EA
4	2509859	OILITE BRONZE THRUST 2.0 X 4.0	2	EA
5	1432612	PIN RETAINER 2.0"	5	EA
6	1432609	PIN OSC CYLINDER	2	EA
7	1432610	PIN OSC CYL, LOWER	2	EA
8	5563838	BUSHING MACHINE 2.00X2.75X.063	8	EA
9	100432 009	Hyd Fitting Straight ORFS(06) SAE(06)	8	EA
10	1432618	SPACER RUBBER	4	EA
11	1432619	CLAMP FLAT HOSE	2	EA
12	1432833	HOOK AXLE HOSE	2	EA
13	5563888	SHIM 2.00 X 3.50 X .048	2	EA
14	056069 012	WASHER DIN125A M12 ZP	8	EA
15	056069 010	Washer, SteelFlatWasher DIN125A M10 ZincPlated	4	EA
16	056069 016	WASHER STEELFLATWASHER M16 DIN	4	EA
17	056064 012	NUT HEX M12 X 1.75 GR 10.9 SELF LOCKING DIN 985	3	EA
18	056064 016	NUT NYLOCKNUT DIN985 M16 10.0	2	EA
19	057052 050	BOLTHEXBOLT DIN983 M12 X 50MM 10.9 DACROMET	2	EA
20	514160 035	Bolt, HexSetScrew DIN933 M12 x 35MM	2	EA
21	058059 075	HHCS M10 X 75MM	4	EA
22	100432 002	Hyd Fitting Straight ORFS(04) SAE(04)	1	EA

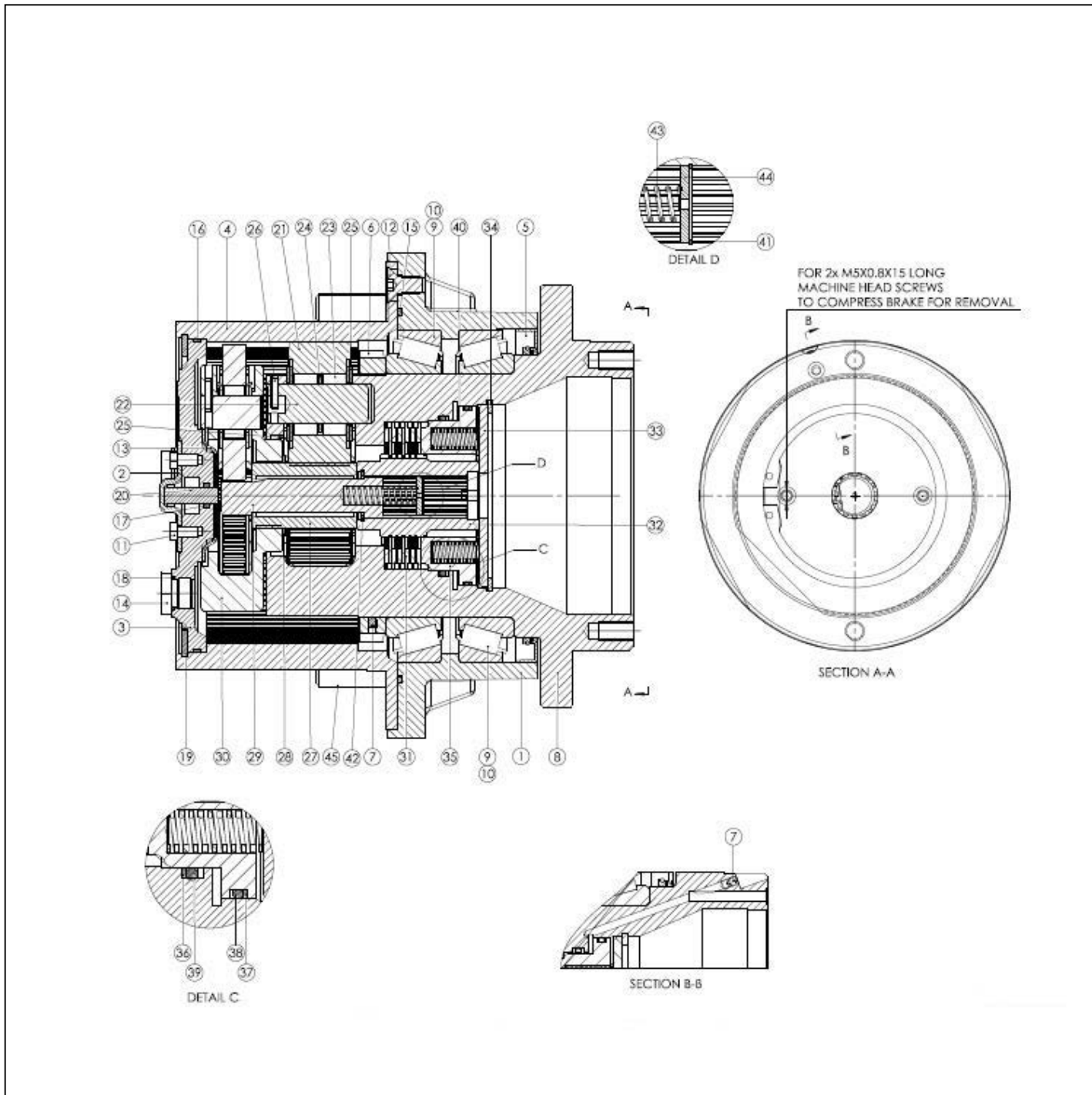
アイテム	部品番号	名前	数量	UOM
23	100434 002	FITTING 4MORFF X 4MORB 90 °	1	EA
24	056067 016	NUT, HEX NUT DIN934 M16 8.0 ZINCPLATED	2	EA

REPAIR PARTS



アイテム	部品番号	名前	数量	UOM
Not Shown	1433019A	DRIVE SYSTEM REAR INSTALLATION		EA
1	116324 000	Wheel Gearbox	2	EA
2	0260099	O Ring	2	EA
3	0260070	O Ring	2	EA
4	104665 001	DRIVE MOTOR HYD 38cc/9.22cc	2	EA
	6092096	SEAL KIT FOR 104665 001	1	EA
5	1432753	ASSY TRACTION MNFLD 600S/660SJ	1	EA
6	056069 010	Washer, SteelFlatWasher DIN125A M10 ZincPlated	2	EA
7	5563393	WASHER FLAT .438 HARDENED	8	EA
8	5560169	WSHR FLAT HARD .625 SP	12	EA
9	5563116	Bolt, HDD	4	EA
10	5563117	BLT HEXHD .625 11 X 1.250 GR8	12	EA
11	058493 025	HHCS M10 X 25MM GR10.9 DIN933	2	EA
12	100434 018	FTG, 90 ° , 10MORFF X 12MORB	4	EA
13	100432 015	FTG, STR, 8MORFF X 8MORB	2	EA
14	100434 004	Hyd Fitting 90 Elbow ORFS(04) SAE(06)	2	EA
15	100432 002	Hyd Fitting Straight ORFS(04) SAE(04)	2	EA

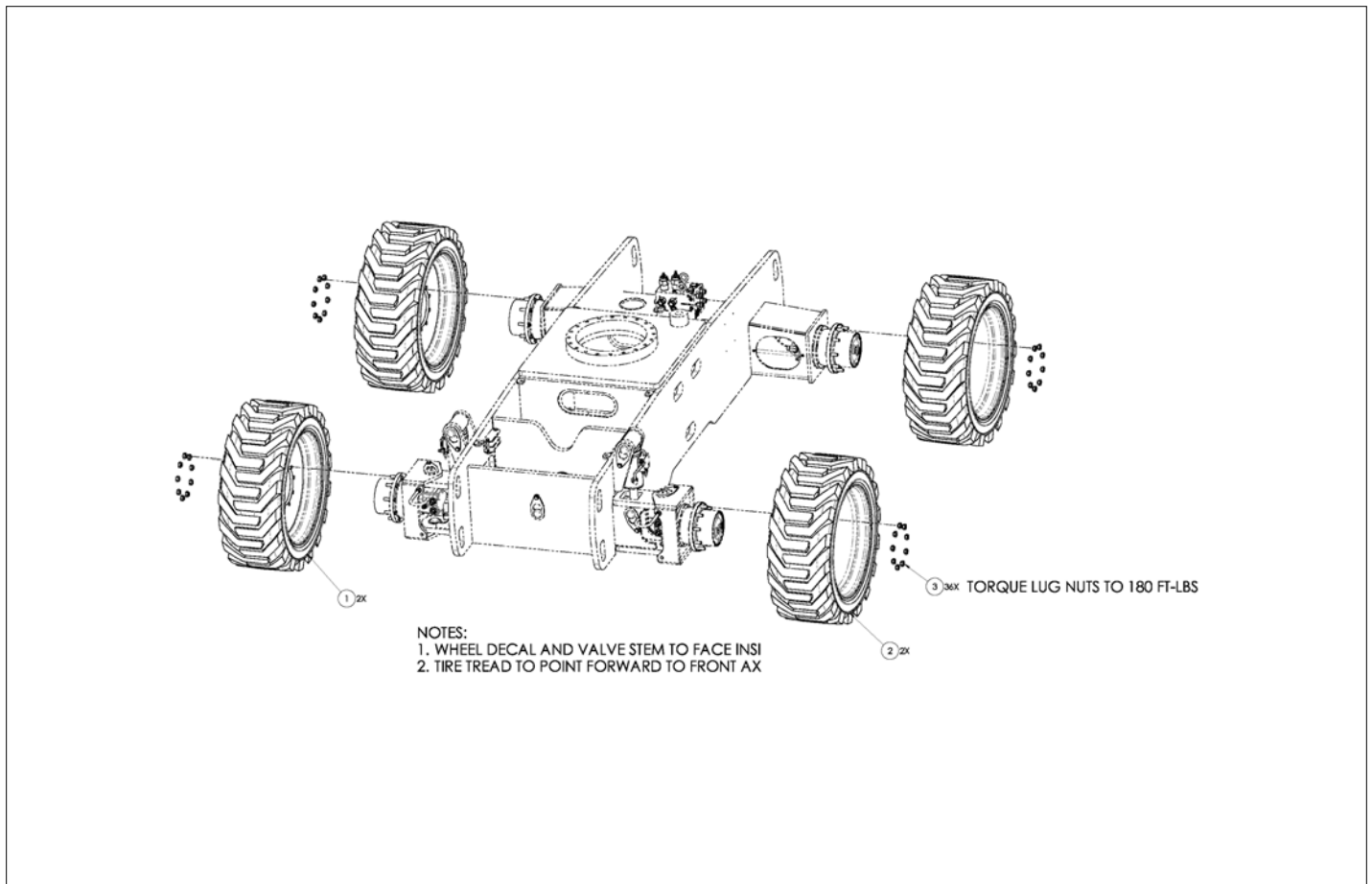
REPAIR PARTS



アイテム	部品番号	名前	数量	UOM
	116324 000 A	TORQUE DRIVE HUB OMNI GEAR	1	EA
1	8010399	HOUSING VB07 H1	1	EA
2	8010401	CAP LOCKOUT VB07	1	EA
3	8010400	CAP END VB07	1	EA
4	8010402	GEAR RING VB07 119T	1	EA
5	8010412	SEAL OIL; 0637 60008	1	EA
6	056066 014	NUT NYLOCK DIN985 M14 8.0 ZINC PLTD	1	EA
7	058490 000	SET SCREW, M5 X 0.8 X 6	4	EA
8	8010406	SPINDLE VB07	1	EA
9	8010409	BEARING CONE 32928	2	EA
10	8010408	BEARING CUP 32928	2	EA
11	056058 012	BLT HEXBOLT 6MM X 12MM DIN931 GR8.8 ZP	2	EA
12	512727 020	CAPSCREW, MACH. HD. M10 X 1.5 X 20	3	EA
13	8010444	THRUSTWASHER SUN VB07	1	EA
14	8010421	FLANGE PLUG MAGNETIC; M18 X 1.5	2	EA
15	8010414	SEAL O RING; 172	1	EA
16	8010411	SEAL O RING 166	1	EA
17	8010413	SEAL O RING; 110	3	EA
18	8010417	O RING (113) VITON MAT'L	2	EA
19	8010432	SNAP RING; GB#180; INTERNAL	1	EA
20	8010434	PLUNGER; VB07	1	EA
21	8010404	GEAR PLANET VB07 46T LS	3	EA
22	8010407	SHAFT SEC. PLANET VB07	3	EA
23	8010410	BEARING NEEDLE VB07	84	EA
24	8010418	SPACER BEARING; VB07 2.2 THICK	3	EA
25	8010443	WASHER BRG RETAINING VB07 1.5MM	12	EA

アイテム	部品番号	名前	数量	UOM
26	8010419	ROLL PIN HD; 4MM X19	3	EA
27	8010405	GEAR SUN VB07 25T LS	1	EA
28	8010429	SNAP RING; GB#40	1	EA
29	8010403	INPUT SHAFT VB07 13T	1	EA
30	8010422	CARRIER ASSY; VB07 PRI 10.15	1	EA
31	8010428	BRAKE ASSY; VB07	1	EA
32	8010440	BRAKE ROTOR; VB07	1	EA
33	8010436	PLATE SPRING RETAINING VB07	1	EA
34	8010430	SNAP RING; GB#105; INTERNAL	1	EA
35	8010441	HYDRAULIC PISTON; VB07	1	EA
36	8010438	BACKUP RING; VB07	1	EA
37	8010437	BACKUP RING; VB07	1	EA
38	8010415	SEAL O RING 154	1	EA
39	8010416	SEAL O RING; 237	1	EA
40	8010442	SPRING; VB07	12	EA
41	8010431	SNAP RING; GB#19; INTERNAL	1	EA
42	8010432	SNAP RING; GB#180; INTERNAL	1	EA
43	8010439	SPRING; VB07	1	EA
44	8010435	PLUG SPRING RETAINING VB07	1	EA
45	8010420	STUD; 5/8 18 UNFX2A	9	EA
Not Shown	7220055	KIT SEAL TORQUE HUB OMNI GEAR 116324 000	1	EA
Not Shown	7220056	BRAKE KIT TORQUE HUB OMNI GEAR 116324 000	1	EA

REPAIR PARTS



アイテム	部品番号	名前	数量	UOM
	1433018A	STANDARD TIRES AND WHEELS INSTALL 400S/460SJ		EA
1	7280137	ASSY WHEEL AND TIRE BLACK RH	2	EA
2	7280136	ASSY WHEEL AND TIRE BLACK LH	2	EA
3	5563848	LUG NUT-5/8X18 RH, 1.06 FLAT	36	EA

REPAIR PARTS

画像が存在しません

アイテム	部品番号	名前	数量	UOM
	*	TIRE AND WHEEL ASSEMBLY GNM OTR		EA
1	7280131 002	TIRE ASSY GRAY NON MARKING LH	2	EA
2	7280132 002	TIRE ASSY GRAY NON MARKING RH	2	EA
	*	TIRE AND WHEEL ASSEMBLY GNM OTR		EA
1	7280136 002	ASSY WHEEL AND TIRE BLACK LH	2	EA
2	7280137 002	ASSY WHEEL AND TIRE BLACK RH	2	EA

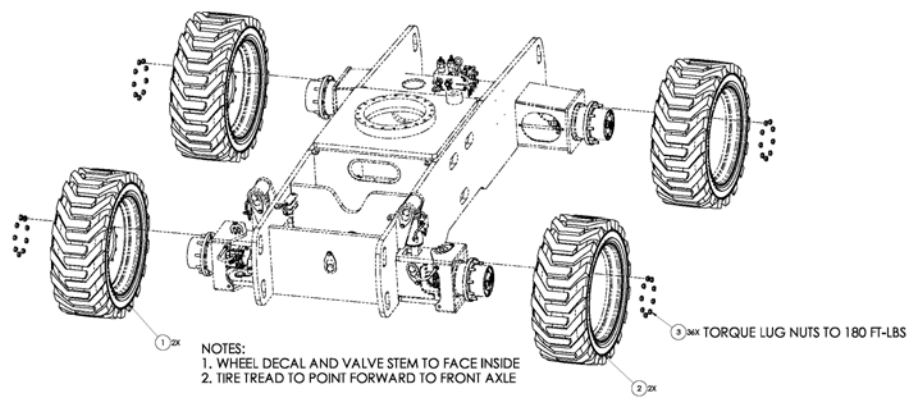
REPAIR PARTS



NO IMAGE AVAILABLE
(BOM FOR REFERENCE ONLY)

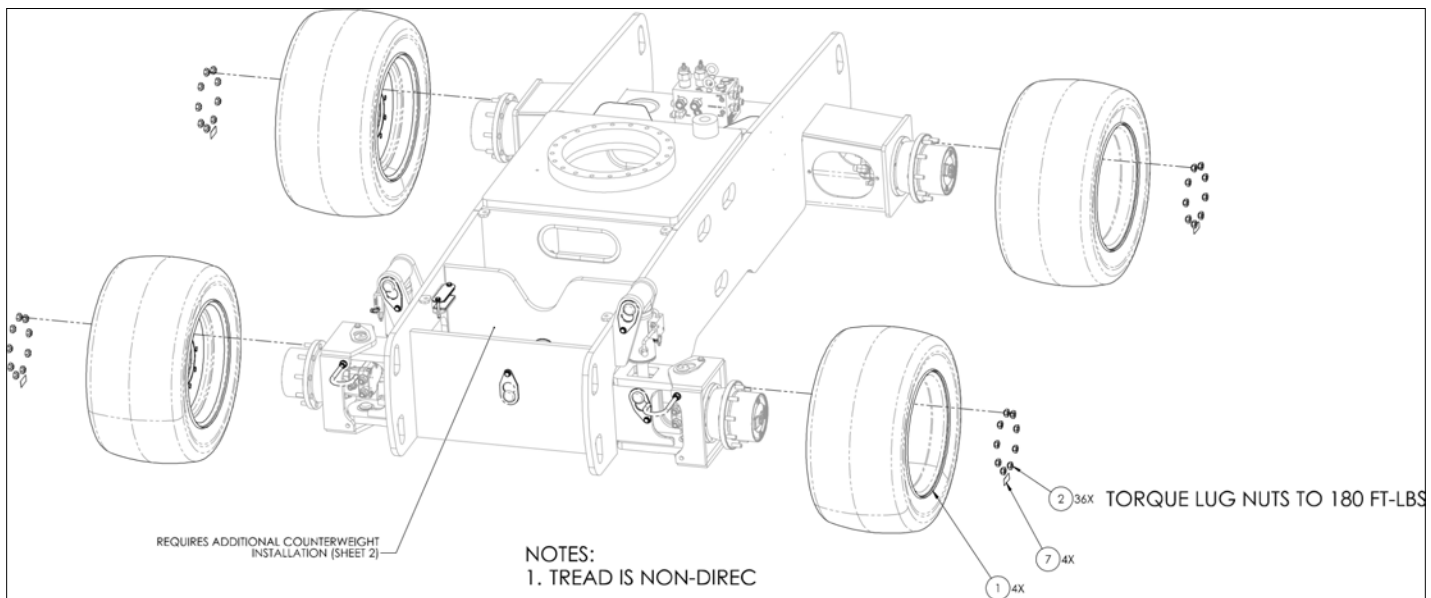
アイテム	部品番号	名前	数量	UOM
	*	TIRE AND WHEEL ASSEMBLY GNM OTR		EA
1	7280131 001	TIRE ASSY GRAY NON MARKING LH	2	EA
2	7280132 001	TIRE ASSY GRAY NON MARKING RH	2	EA
	*	TIRE AND WHEEL ASSEMBLY GNM OTR		EA
1	7280136 001	ASSY WHEEL AND TIRE BLACK LH	2	EA
2	7280137 001	ASSY WHEEL AND TIRE BLACK RH	2	EA

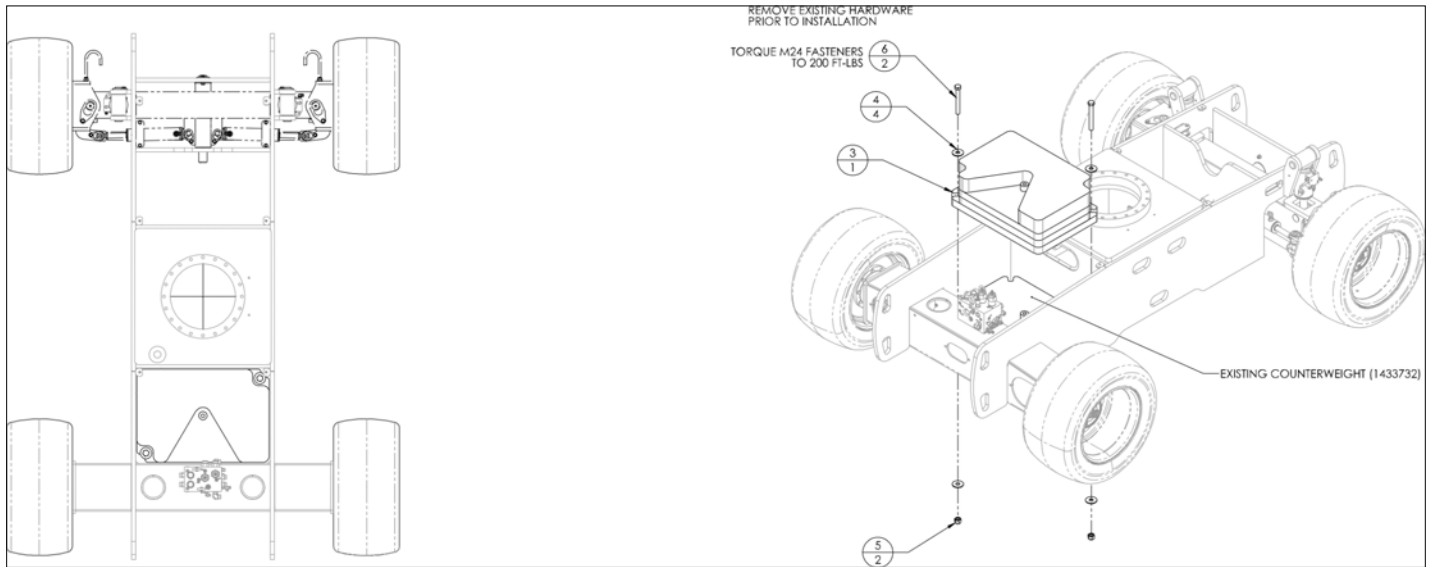
REPAIR PARTS



アイテム	部品番号	名前	数量	UOM
	1433020B	NON MARK TIRES AND WHEELS INSTALL 400S/460SJ		EA
1	7280132	TIRE ASSY GRAY NON MARKING RH	2	EA
2	7280131	TIRE ASSY GRAY NON MARKING LH	2	EA
3	5563848	LUG NUT-5/8X18 RH, 1.06 FLAT	36	EA

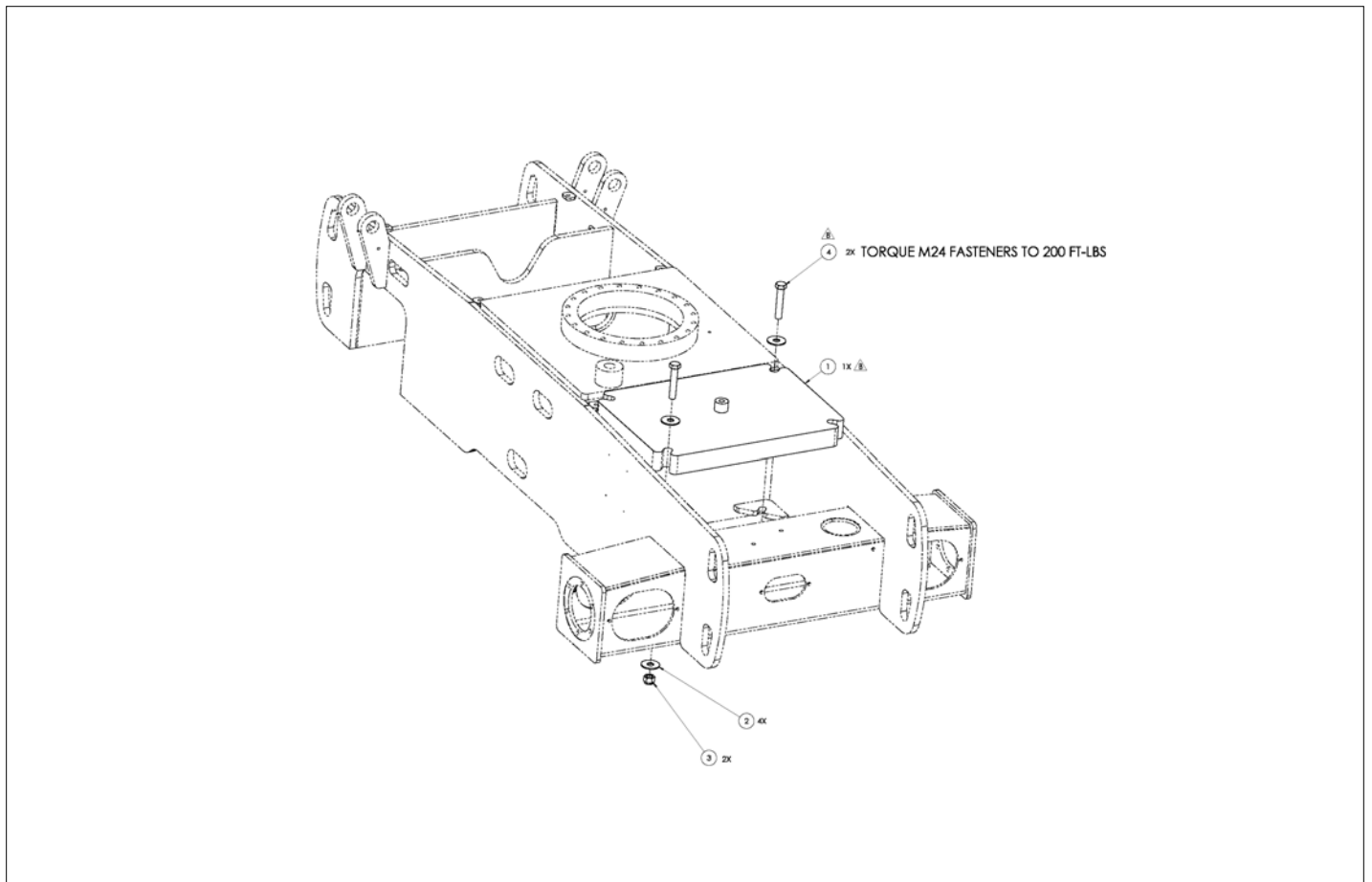
REPAIR PARTS





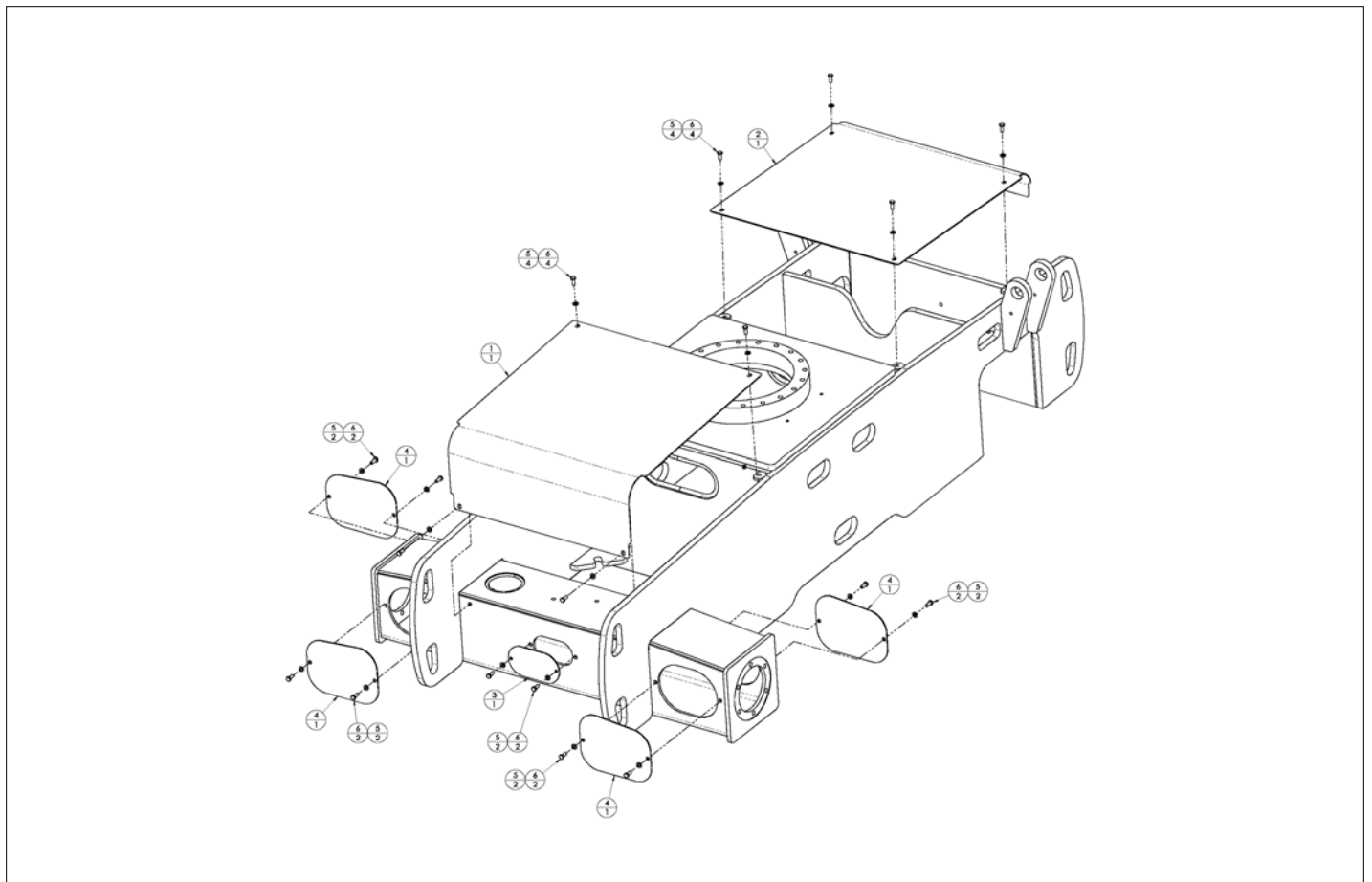
アイテム	部品番号	名前	数量	UOM
	1434229 C	FLOATATION TIRES AND WHEELS INSTALLATION 400S 460SJ		EA
1	7280145	FLOTATION TIRE AND WHEEL 33/16 500	4	EA
2	5563848	LUG NUT-5/8X18 RH, 1.06 FLAT	36	EA
3	1434273	WELDMENT,CHASSIS CWT, NON FOAM TIRES	1	EA
4	5563727	WASHER FENDER M24X72OD GR10.9	4	EA
5	056066 024	Nut, NylockNut DIN985 M24 8.0	2	EA
6	5563876	HHCS M24 X 3.00 X 190 GR10.9 DIN 931	2	EA
7	560285	DECAL TIRE PRESSURE 42 PSI	4	EA

REPAIR PARTS



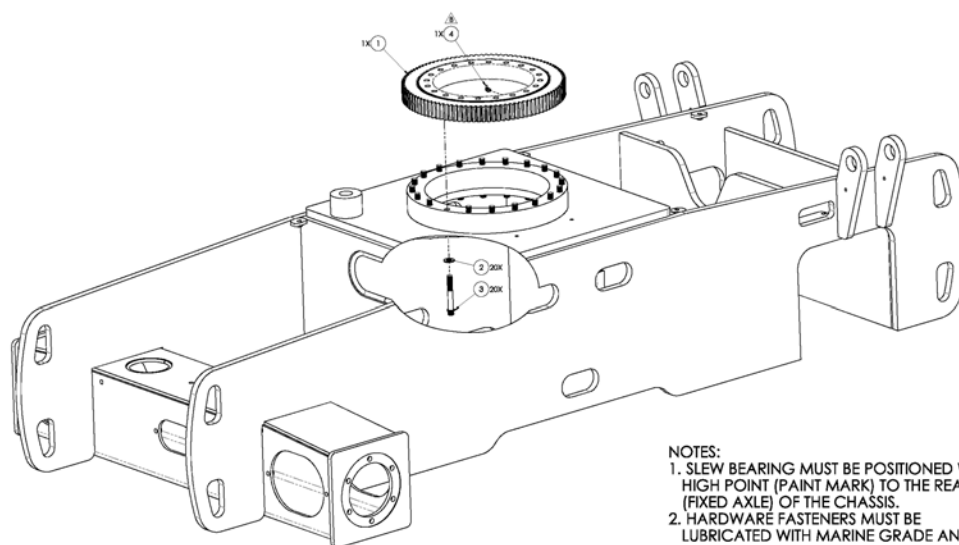
アイテム	部品番号	名前	数量	UOM
	1433026B	CHASSIS COUNTERWEIGHT INSTALL 460SJ		EA
1	1433732	COUNTERWEIGHT CHASSIS	1	EA
2	5563727	WASHER FENDER M24X72OD GR10.9	4	EA
3	056064 024	Nut, NylockNut DIN985 M24 10.0	2	EA
4	5563978	HHCS M24 X 3.0 X 130 GR 10.9 DIN 931 ZP	2	EA

REPAIR PARTS



アイテム	部品番号	名前	数量	UOM
	1433726A	CHASSIS COVERS INSTALL		EA
1	1433727	COVER CHASSIS REAR	1	EA
2	1433728	COVER CHASSIS FRONT	1	EA
3	1432611	COVER REAR AXLE	1	EA
4	1432617	COVER AXLE HUB	1	EA
5	056069 010	Washer, SteelFlatWasher DIN125A M10 ZincPlated	18	EA
6	058493 025	HHCS M10 X 25MM GR10.9 DIN933	18	EA

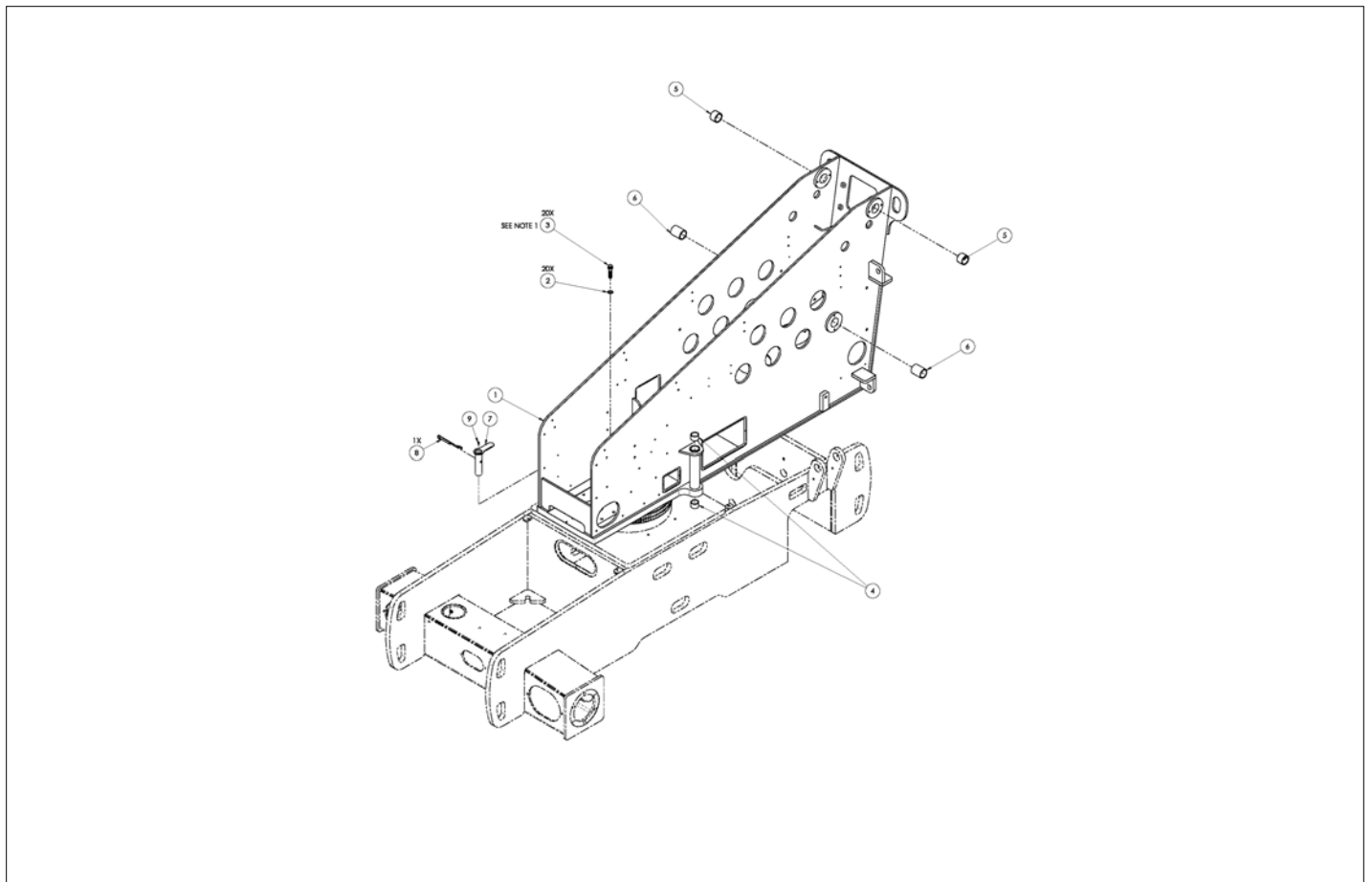
REPAIR PARTS



- NOTES:
- 1. SLEW BEARING MUST BE POSITIONED WITH HIGH POINT (PAINT MARK) TO THE REAR (FIXED AXLE) OF THE CHASSIS.
 - 2. HARDWARE FASTENERS MUST BE LUBRICATED WITH MARINE GRADE ANTI-SEIZE THEN TORQUED IN A NON-CIRCULAR BUTSTAR-LIKE PATTERN TO 240 FT-LBS.

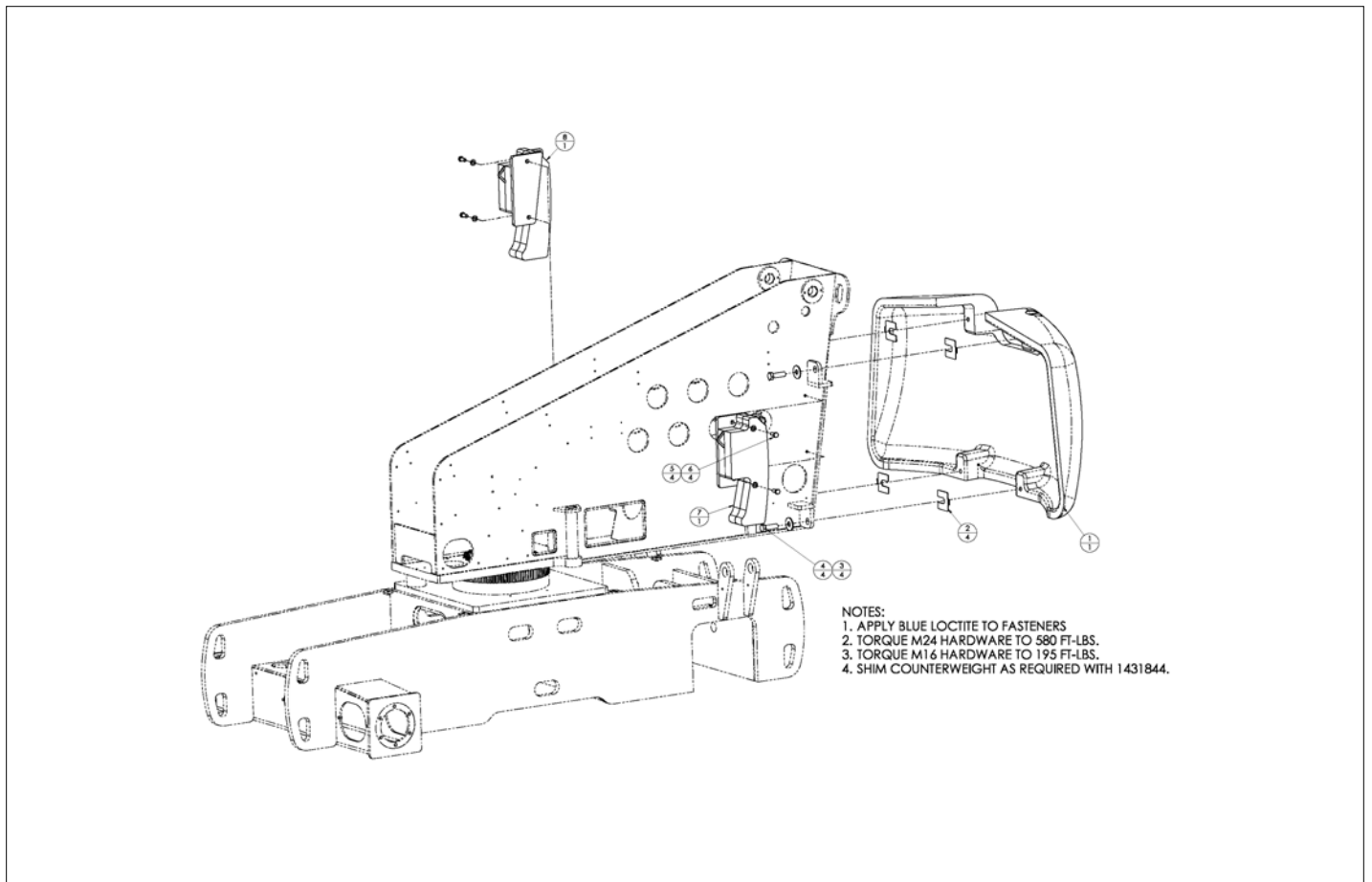
アイテム	部品番号	名前	数量	UOM
	1433025B	SLEW BEARING INSTALL		EA
1	1430832	BEARING SLEW	1	EA
2	5560169	WSHR FLAT HARD .625 SP	20	EA
3	5563885	FHCS .625-11X4.50 GR.9 12PT	20	EA
4	5570003	GREASE FTG 1/8 27 NPT 90 DEG	1	EA

REPAIR PARTS



アイテム	部品番号	名前	数量	UOM
	1433263B	TURRET INSTLL 400S/460SJ		EA
1	1431174	TURRET WELDMENT 460SJ	1	EA
2	5560170	WSHR FLAT HARD .750 SP	20	EA
3	5563452	FHCS 3/4 10 x 2.75 GR9 12PT	20	EA
4	2509716	BUSHING 40mmID x 48mmOD x 30mm	2	EA
5	5563470	GARMAX BRG 5060 40	2	EA
6	2509864	GARMAX BRG 5060 75	2	EA
7	1433352	PIN TURRET LOCK 400S/460SJ	1	EA
8	5516375	PIN .375 od x 2.5l, 6.0" LANYARD	1	EA
9	505082 016	Bolt, SktButCapScrew DIN9427 M	1	EA

REPAIR PARTS

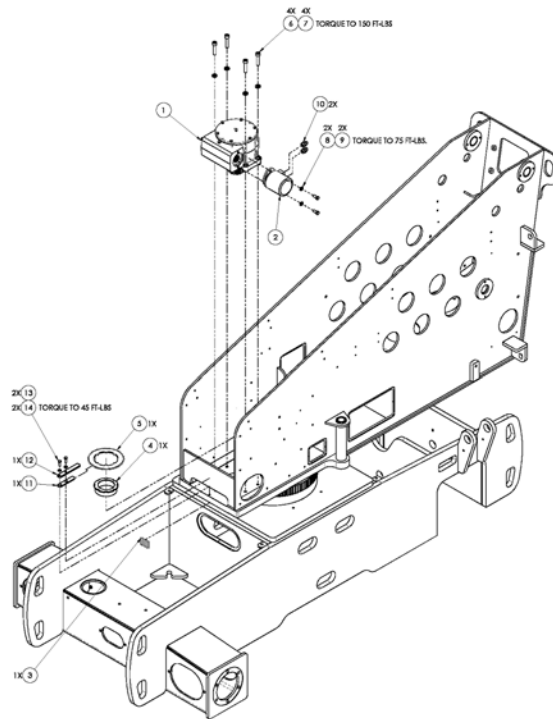


アイテム	部品番号	名前	数量	UOM
	1433689A	TURRET COUNTERWEIGHT INSTALL 460SJ		EA
1	1433610	COUNTERWEIGHT, TURRET, 400/460	1	EA
2	1431844	SHIM .125" THK, 1.25" HOLE	4	EA
3	5563727	WASHER FENDER M24X72OD GR10.9	4	EA
4	512648 080	Bolt,HexBolt DIN933 M24 x 80mm	4	EA
5	056069 016	WASHER STEELFLATWASHER M16 DIN	4	EA
6	058480 035	Bolt, HexBolt DIN931 M16 x 35m	4	EA
7	1433690	COUNTERWEIGHT JIB, RIGHT 460SJ	1	EA
8	1433691	COUNTERWEIGHT JIB, LEFT 460SJ	1	EA

REPAIR PARTS

SLEW ADJUSTMENT PROCEDURE

- 1.) LUBRICATE M16 FASTENERS WITH MARINE GRADE ANTI-SEIZE.
- 2.) SLEW/ROTATE TURRET OFF THE GREEN HIGH POINT OF THE BEARING, WHICH MUST BE FACING THE REAR AXLE.
- 3.) LOCATE CAM, ADJUSTMENT RING AND GEARBOX INTO PLACE ON TURRET WITH LOOSE HARDWARE.
- 4.) ROTATE ADJUSTMENT RING TO MOVE GEARBOX AS FAR AWAY FROM BEARING AS POSSIBLE.
- 5.) PLACE SHIM ON GREEN HIGH POINT ON BEARING.
- 6.) SLEW/ROTATE TURRET UNTIL CENTERED ON SHIM.
- 7.) ROTATE ADJUSTMENT RING UNTIL GEARBOX PINION IS AGAINST SHIM.
- 8.) INSTALL LOCK AND HOLD DOWN, AND TORQUE GEARBOX HARDWARE.
- 9.) SLEW/ROTATE TURRET OFF SHIM AND DISCARD SHIM. BACKLASH IS NOW SET TO .020"
- 10.) CHECK TOTAL BACKLASH AT END OF BOOM.
- 11.) LUBRICATE SLEW BEARING WITH SPRAY-ON MOLYBDENUM DISULPHATE LUBRICANT.

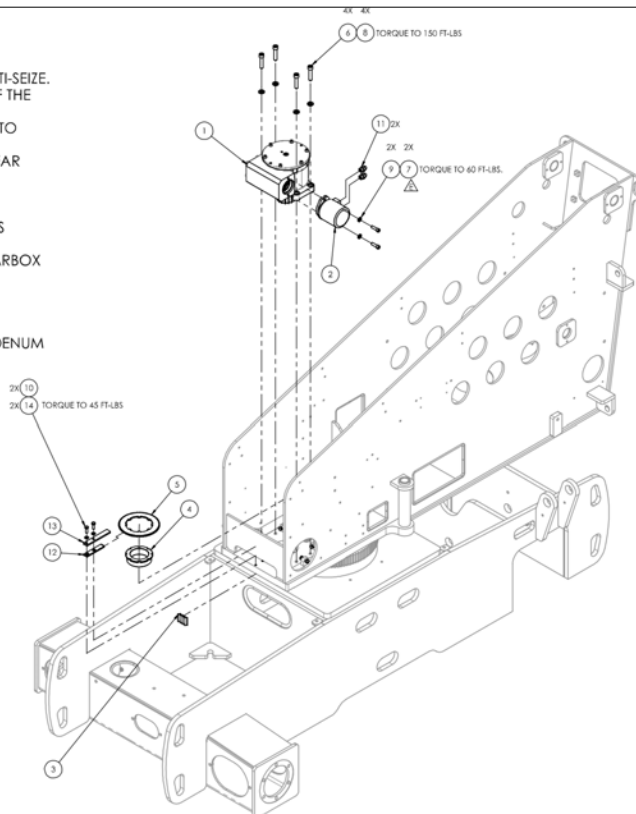


アイテム	部品番号	名前	数量	UOM
	1433265 B	SWING DRIVE INSTALLATION 400S/460SJ JUNE 2019 AND BEFORE		EA
1	106755 000	Swing Gearbox	1	EA
2	1430681	SWING MOTOR	1	EA
3	1433053	SHIM, SLEW DRIVE, .010"	1	EA
4	106759 000	Swing GearBox Eccentric	1	EA
5	106762 000	SWING GEARBOX ECCENTRIC ADJUSTMENT RING	1	EA
6	511159 000	BOLT, SKTCAPSCREW DIN912 M16 DIN912 M16 1.5 X 70MM 12.9 ZINCPLATED	4	EA
7	500281 000	WSHR M16 HARDEND STL DIN 6016 PLTD	4	EA
8	5563963	WASHER, M12 HARDENED STEEL DIN 6916 PLATED	2	EA
9	5563508	BOLT HEXBOLT DIN931 M12 X 1.75 X 30 10.11	2	EA
10	511327 000	Adapter JICM > UNO Straight, 9/16 > 7/8	2	EA
11	1433761	Eccentric Lock 6mm/.25in	1	EA
12	106793 000	ECCENTRIC HOLD DOWN	1	EA
13	056069 010	Washer, SteelFlatWasher DIN125A M10 ZincPlated	2	EA
14	056060 030	BOLT HEXBOLT DIN931 M10 X 30MM 8.8 ZP	2	EA

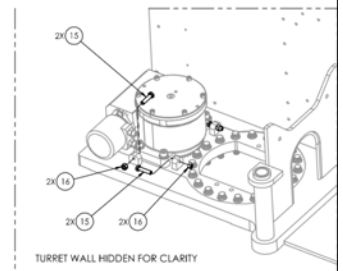
REPAIR PARTS

SLEW ADJUSTMENT PROCEDURE

- 1.) LUBRICATE M16 FASTENERS WITH MARINE GRADE ANTI-SEIZE.
- 2.) SLEW/ROTATE TURRET OFF THE GREEN HIGH POINT OF THE BEARING, WHICH MUST BE FACING THE REAR AXLE.
- 3.) LOCATE CAM, ADJUSTMENT RING AND GEARBOX INTO PLACE ON TURRET WITH LOOSE HARDWARE.
- 4.) ROTATE ADJUSTMENT RING TO MOVE GEARBOX AS FAR AWAY FROM BEARING AS POSSIBLE.
- 5.) PLACE SHIM ON GREEN HIGH POINT ON BEARING.
- 6.) SLEW/ROTATE TURRET UNTIL CENTERED ON SHIM.
- 7.) ROTATE ADJUSTMENT RING UNTIL GEARBOX PINION IS AGAINST SHIM.
- 8.) INSTALL LOCK AND HOLD DOWN, AND TORQUE GEARBOX HARDWARE.
- 9.) SLEW/ROTATE TURRET OFF SHIM AND DISCARD SHIM. BACKLASH IS NOW SET TO .020"
- 10.) CHECK TOTAL BACKLASH AT END OF BOOM.
- 11.) LUBRICATE SLEW BEARING WITH SPRAY-ON MOLYBDENUM DISULPHATE LUBRICANT.

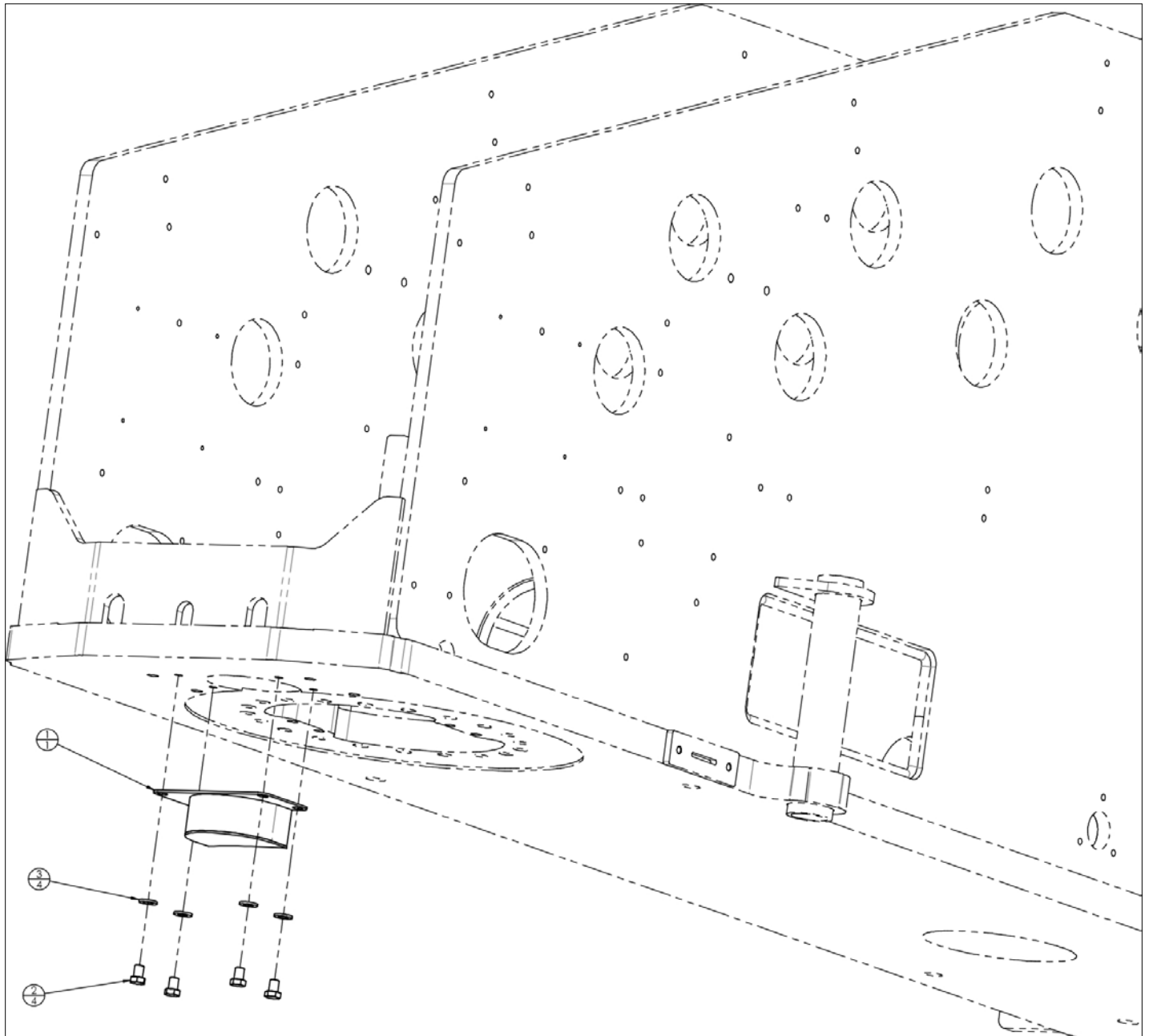


HARDWARE MUST BE INSTALLED PRIOR TO SWING DRIVE.



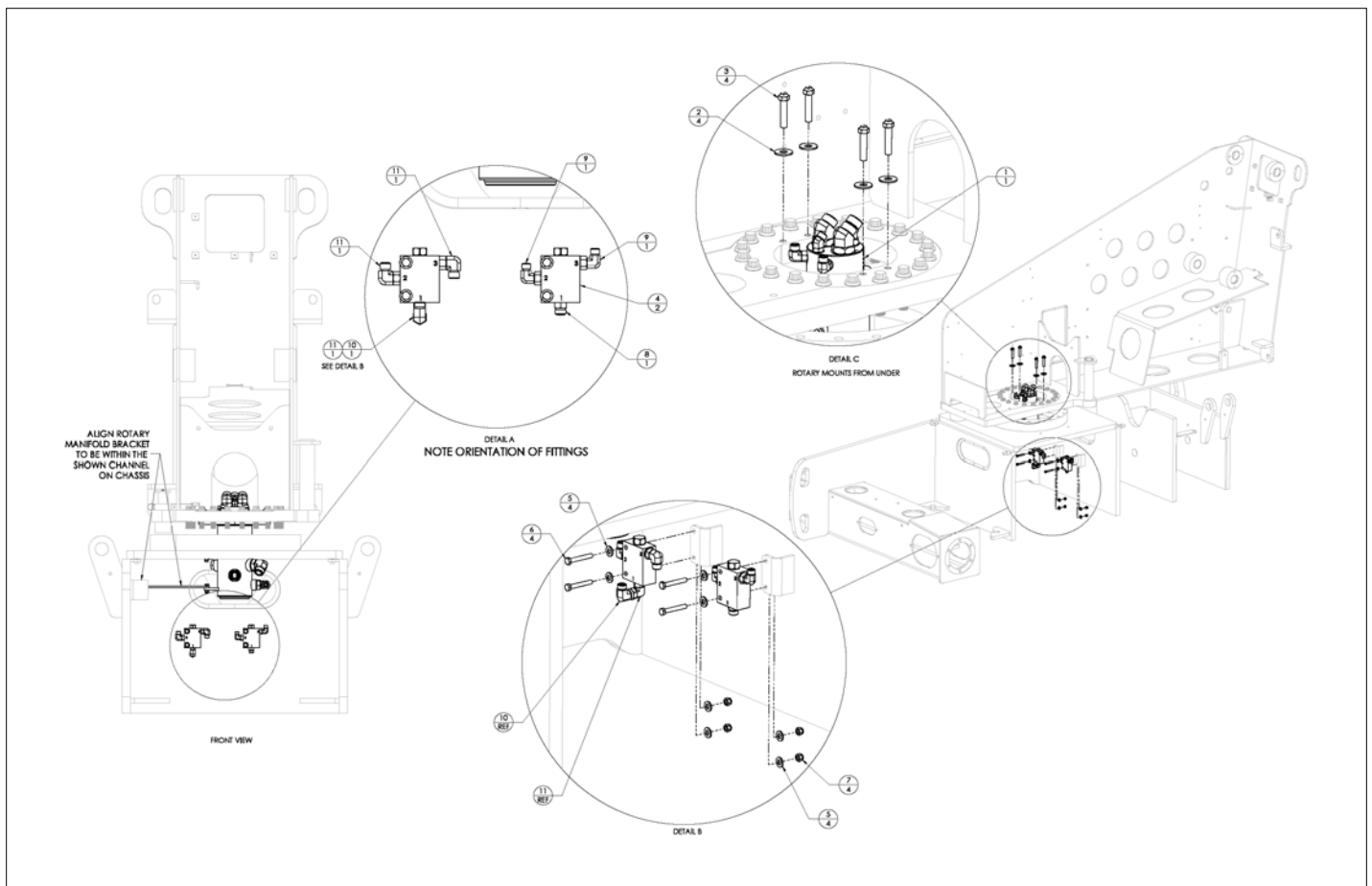
アイテム	部品番号	名前	数量	UOM
	1433265 E	SWING DRIVE INSTALLATION 400S 460SJ JULY 2019 AND AFTER		EA
1	106755 001	SWING DRIVE	1	EA
2	1430681	SWING MOTOR	1	EA
3	1433053	SHIM, SLEW DRIVE, .010"	1	EA
4	106759 000	Swing GearBox Eccentric	1	EA
5	106762 000	SWING GEARBOX ECCENTRIC ADJUSTMENT RING	1	EA
6	511159 000	BOLT, SKTCAPSCREW DIN912 M16 DIN912 M16 1.5 X 70MM 12.9 ZINCPLATED	4	EA
7	5564034	SHCS M12 X 1.75 X 40 G12.9 ZP	2	EA
8	500281 000	WSHR M16 HARDEND STL DIN 6016 PLTD	4	EA
9	5563963	WASHER, M12 HARDENED STEEL DIN 6916 PLATED	2	EA
10	056069 010	Washer, SteelFlatWasher DIN125A M10 ZincPlated	2	EA
11	511327 000	Adapter JICM > UNO Straight, 9/16 > 7/8	2	EA
12	1433761	Eccentric Lock 6mm/.25in	1	EA
13	106793 000	ECCENTRIC HOLD DOWN	1	EA
14	056060 030	BOLT HEXBOLT DIN931 M10 X 30MM 8.8 ZP	2	EA
15	5564029	HHCS M12 X 1.75 X 50 G10.9 DIN933	4	EA
16	056067 012	NUT, HEX, M12 X 1.75 DIN 934	4	EA

REPAIR PARTS



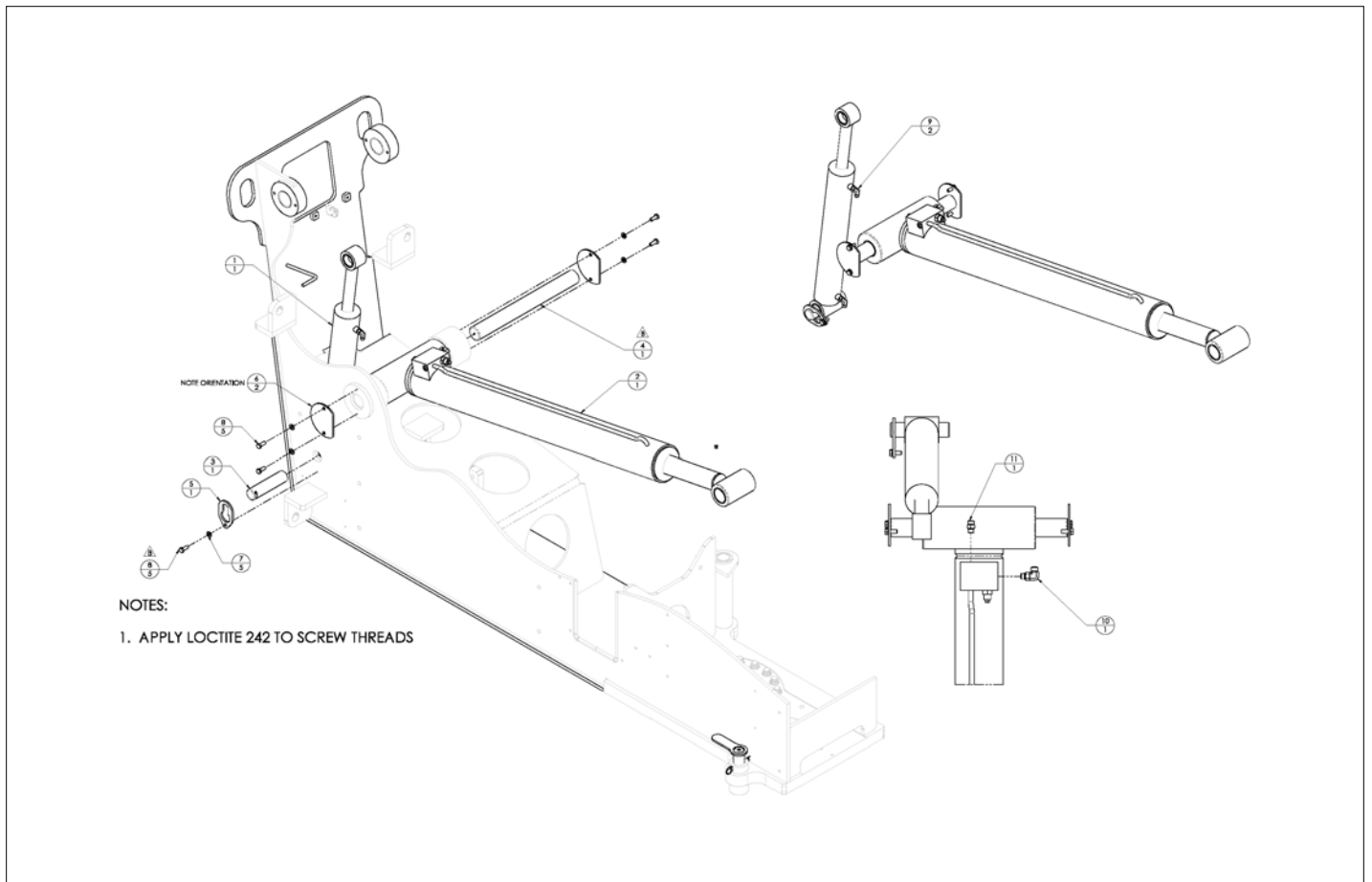
アイテム	部品番号	名前	数量	UOM
	1434493 A	PINION GUARD INSTALLATION JANUARY 2020 AND AFTER		EA
1	1434491	GUARD WLDMT PINION GEAR 460/660	1	EA
2	10406 016	SCREW M12 1.75 HHC X 16MM LG	4	EA
3	5563544	WSHR, FLAT M12 YL ZN GR 10.9	4	EA

REPAIR PARTS



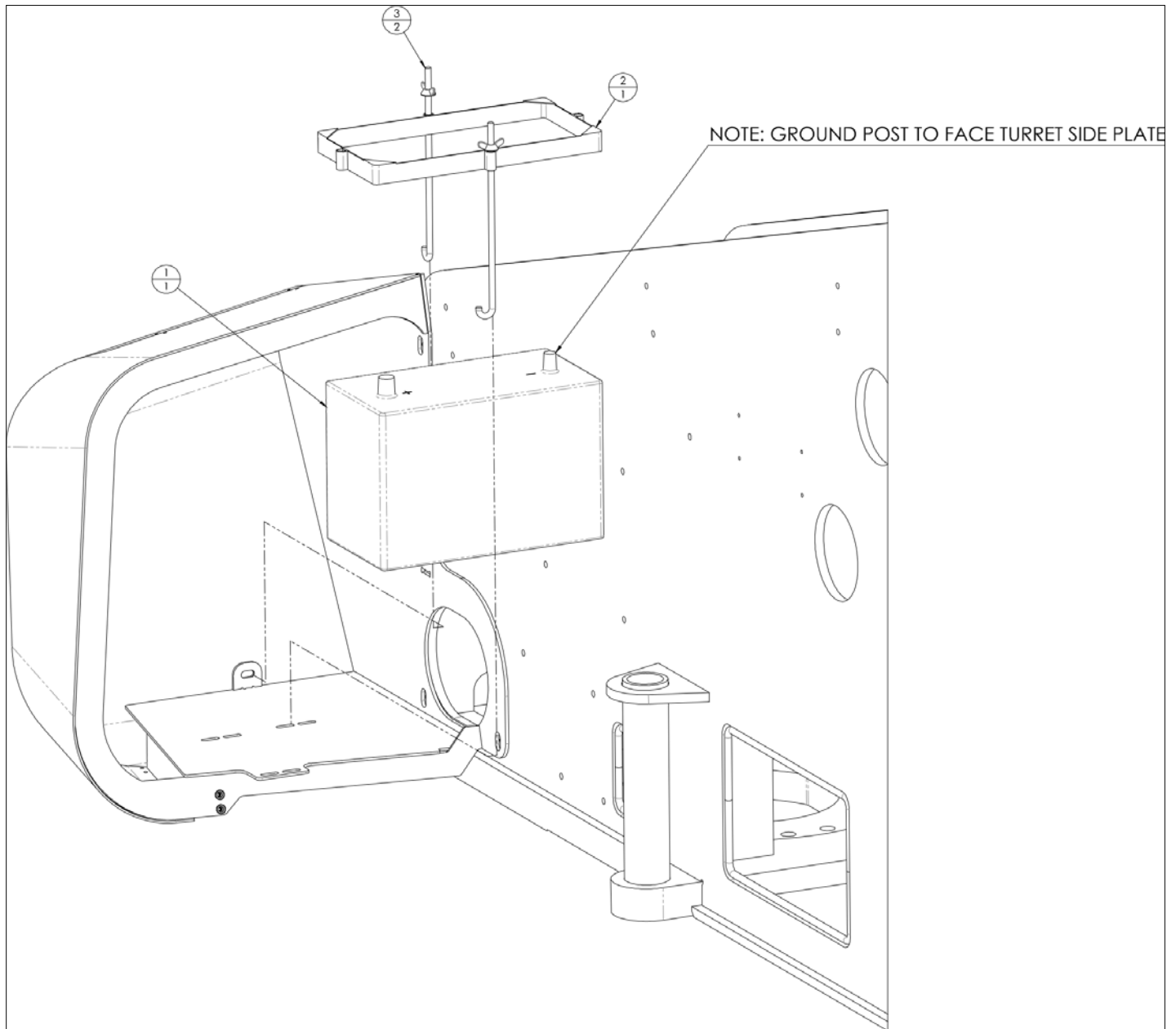
アイテム	部品番号	名前	数量	UOM
	1433661B	ROTARY MANIFOLD INSTALLATION 400S 460SJ		EA
1	1433031	ASSY ROTARY MANIFOLD 660SJ	1	EA
2	986359	FLATWASHER 1/2"	4	EA
3	5563812	HHCS .500 13UNC STL GR8 2.25LG	4	EA
4	6019427	SHUTTLE VALVE ASSY	2	EA
5	510561 010	WASHER, STEELFLATWASHER DIN125A M10 STAINLESS	8	EA
6	056059 055	HHD BLT M8 1.25 X 55 8.8	4	EA
7	056064 008	NUT HEX M8 1.25 GR10.9 SELF LOCKING DIN 985	4	EA
8	100432 009	Hyd Fitting Straight ORFS(06) SAE(06)	1	EA
9	100434 004	Hyd Fitting 90 Elbow ORFS(04) SAE(06)	2	EA
10	5033065	FTG, 90 ° , 6MORFF X 6FORFF	1	EA
11	511481 000	FTG, 90 ° , 6MORFF X 6MORB	3	EA

REPAIR PARTS



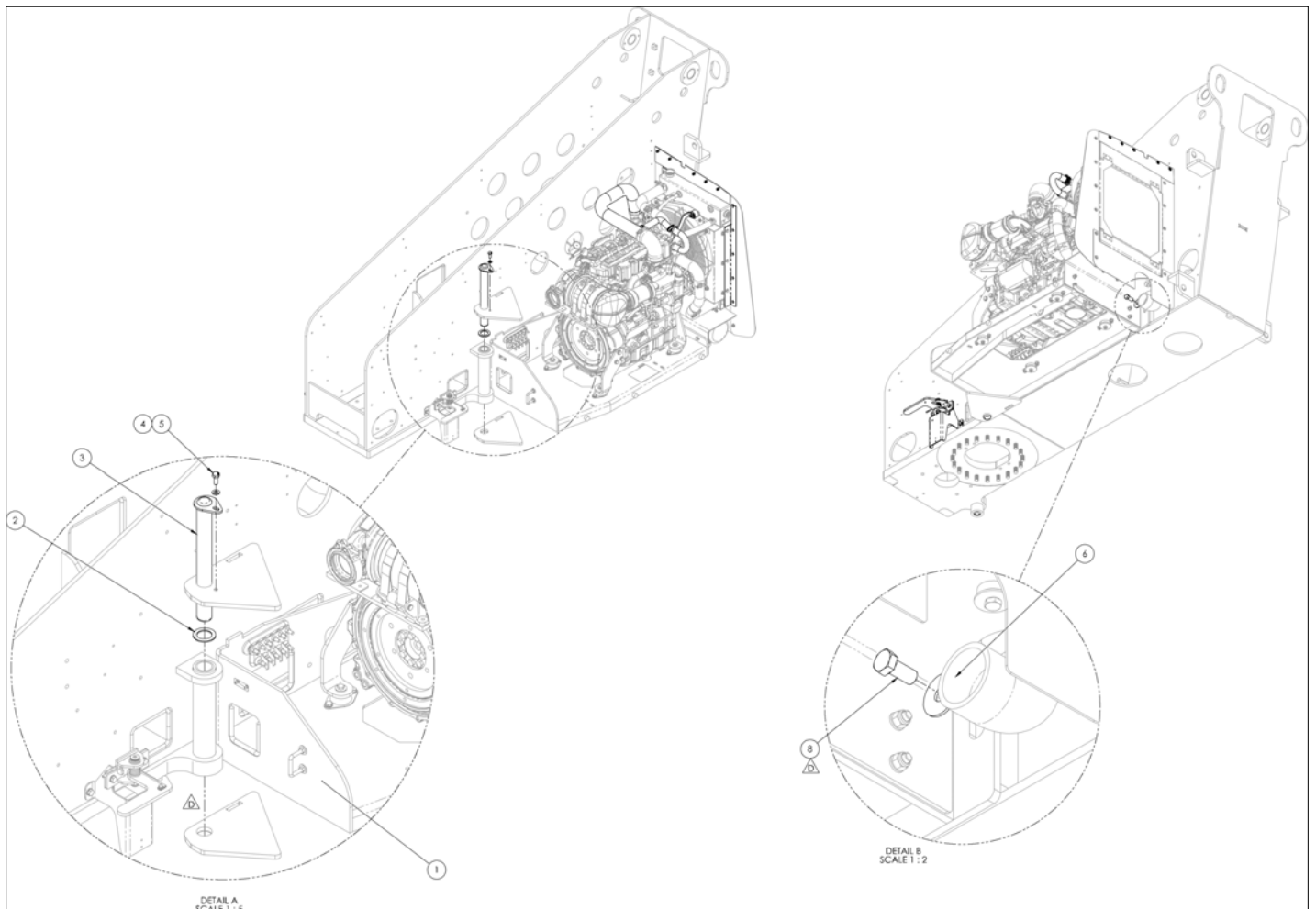
アイテム	部品番号	名前	数量	UOM
	1433392B	LIFT/MASTER LEVEL CYLINDER INSTALL 400S/460SJ		EA
1	100553 100	CYLINDER, MASTER LEVEL	1	EA
2	104260 100	CYL LIFT, 400S/460SJ	1	EA
3	1433314	PIN, MASTER CYL TO TURRET	1	EA
4	1433316	PIN, MAIN PIVOT 400S/460SJ	1	EA
5	1431361	PLT PIN RETAINER	1	EA
6	1431364	PLATE, RETAINER	2	EA
7	5563543	WSHR, FLAT M10 YL ZN GR 10.9	5	EA
8	058493 025	HHCS M10 X 25MM GR10.9 DIN933	4	EA
9	100434 002	FITTING 4MORFF X 4MORB 90 °	2	EA
10	511481 000	FTG, 90 ° , 6MORFF X 6MORB	1	EA
11	100432 009	Hyd Fitting Straight ORFS(06) SAE(06)	1	EA

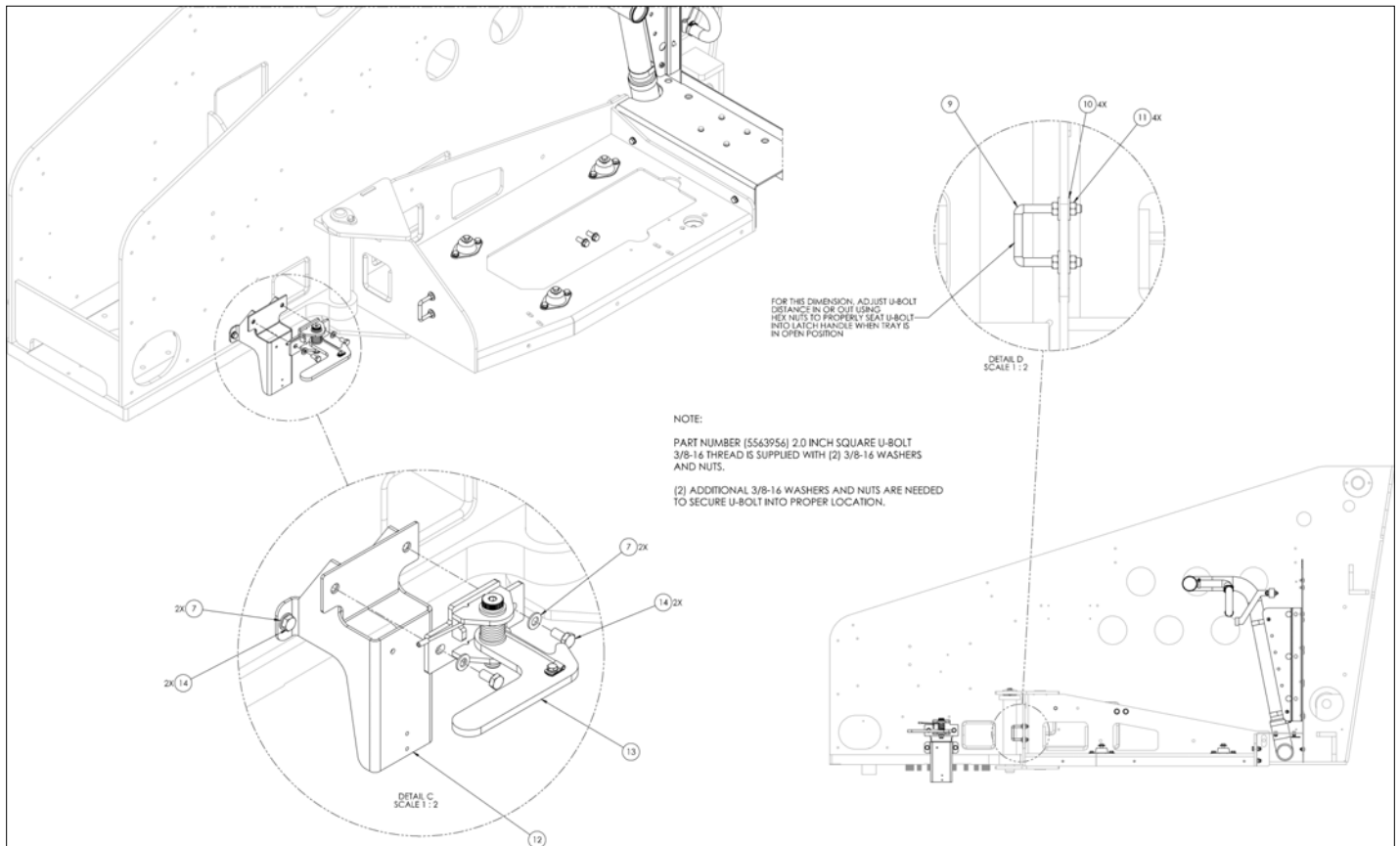
REPAIR PARTS

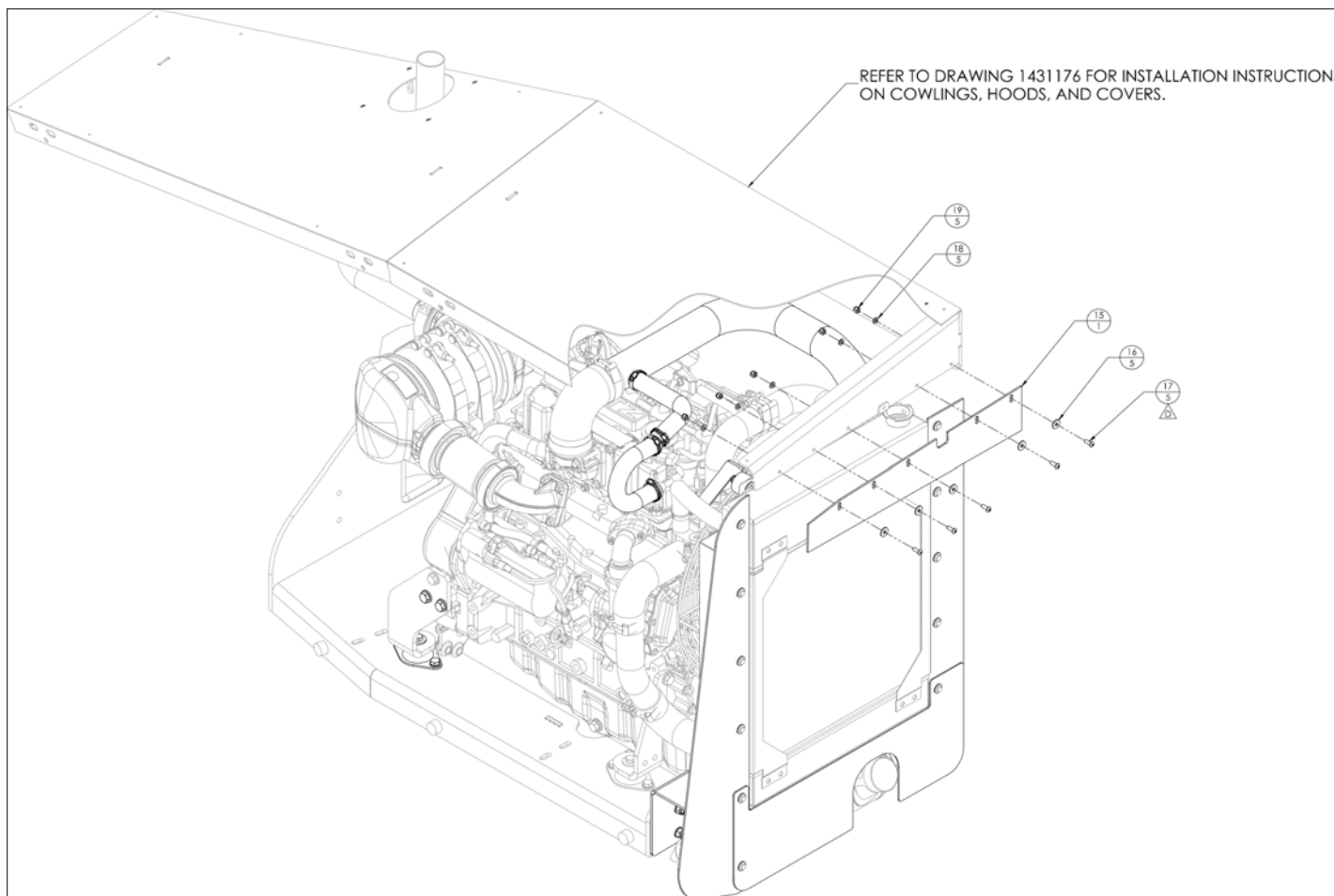


アイテム	部品番号	名前	数量	UOM
	1433264A	BATTERY INSTALL 400S/460SJ		EA
1	14450 000	BATTERY 12VDC GRP31	1	EA
2	14452 000	BATTERY HOLD DOWN	1	EA
3	14451 000	BATTERY J BOLT	2	EA

REPAIR PARTS

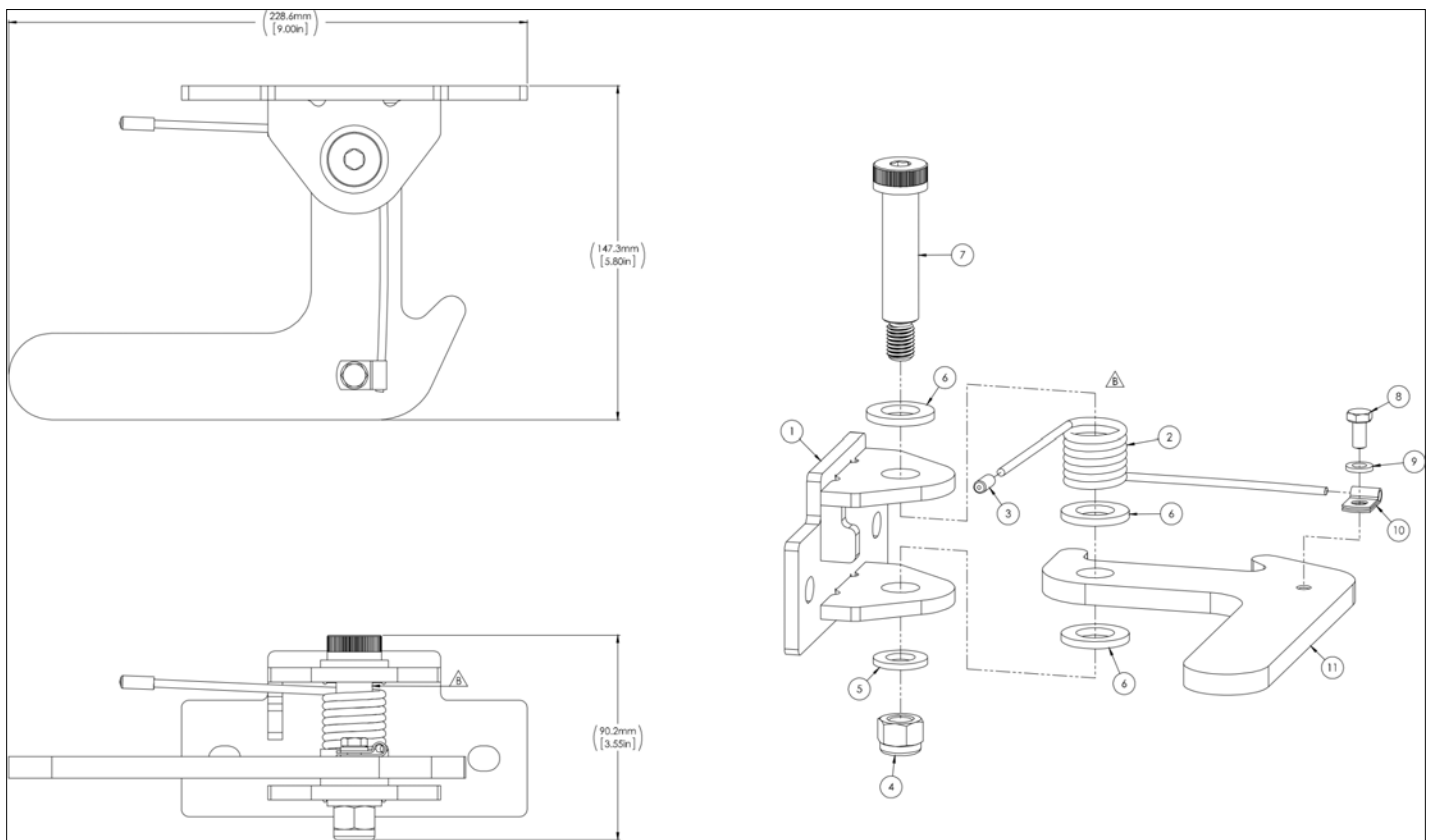






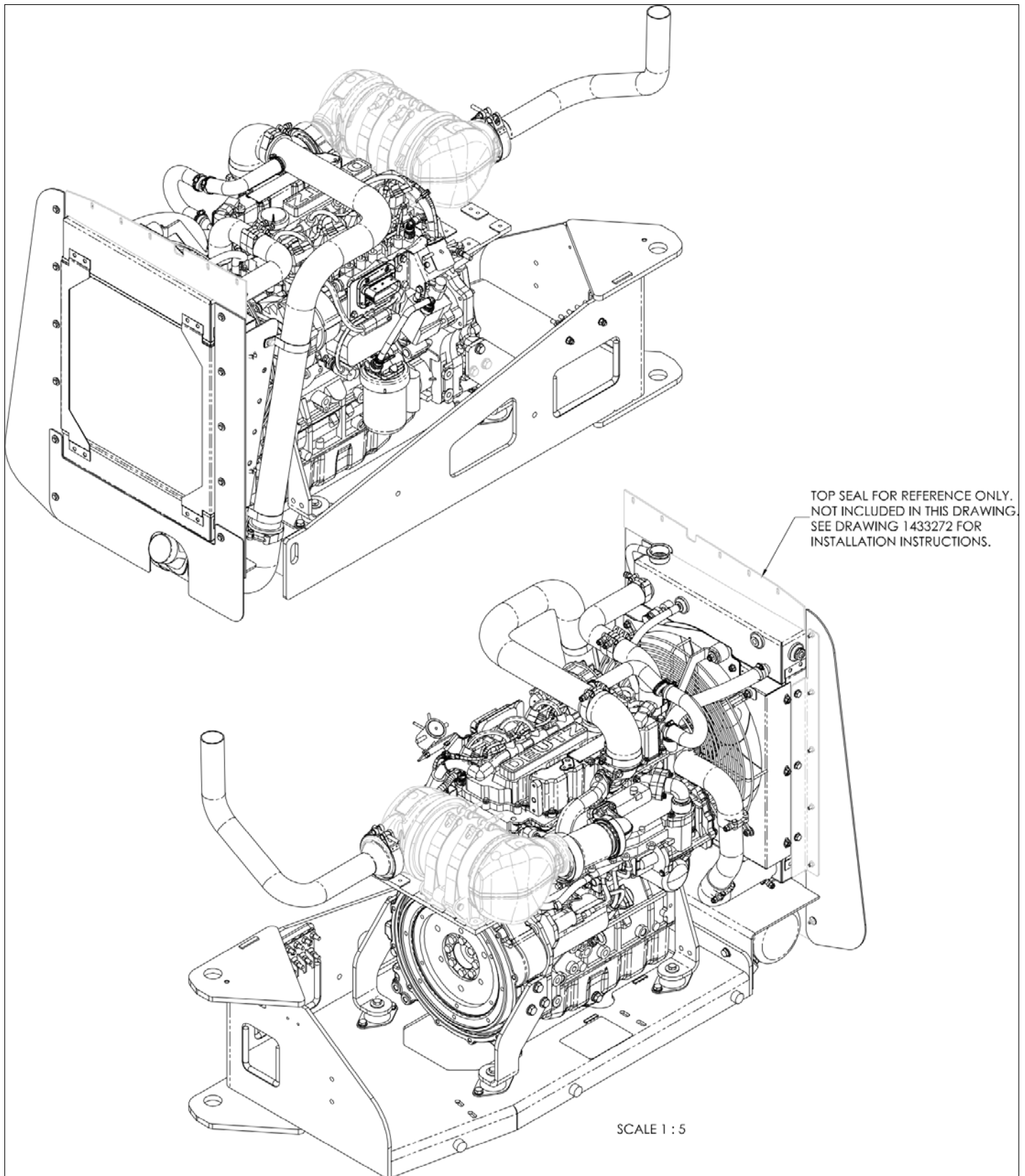
アイテム	部品番号	名前	数量	UOM
	1433272 D	ENGINE WITH TRAY INSTALLATION		EA
1	1433185	ENG ASSY, DEUTZ D2.9, 400/600	1	EA
2	104640 000	UHMW THRUST WASHER	1	EA
3	104713 000	TRAY PIN WELDMENT	1	EA
4	5563543	WSHR, FLAT M10 YL ZN GR 10.9	1	EA
5	5563499	BOLT, HX HD M10X1.5X25 YL ZN GR10.9	1	EA
6	208247 016	BOLT, HX HD M10X1.5X25 YL ZN GR10.9	1	EA
7	510561 010	WASHER, STEELFLATWASHER DIN125A M10 STAINLESS	4	EA
8	056687 035	HHCS M16 X 2.0 X 35 G8.8 ISO 4014 DIN 931	1	EA
9	5563956	SQUARE U BOLT, 2.0 IN 3/8 16	1	EA
10	986299	WASHER, FLAT, .375 STANDARD, PLATED	4	EA
11	984109	NUT HEX .375 16	4	EA
12	1433626	WLDMNT, SLEW/PROP, BRKT	1	EA
13	1433412	LATCH ASSY, ENG TRAY, LWR 460/660	1	EA
14	058493 020	BOLT HEXSETSCREW DIN933 M10 X 20MM 8.8 ZP	4	EA
15	1433854	SEAL, RECIRC TOP, 400/460	1	EA
16	508247 006	WASHER OVERSIZED M6 X 18MM DIN9021 ZP	5	EA
17	512912 016	SBHCS M6 X 1.0X 16 GR10.9 BLK FINISH	5	EA
18	056069 006	WSHR STEELFLATWSHE M6 DIN125A	5	EA
19	056064 006	NUT NYLOCK DIN985 M6 10.0 ZP	5	EA

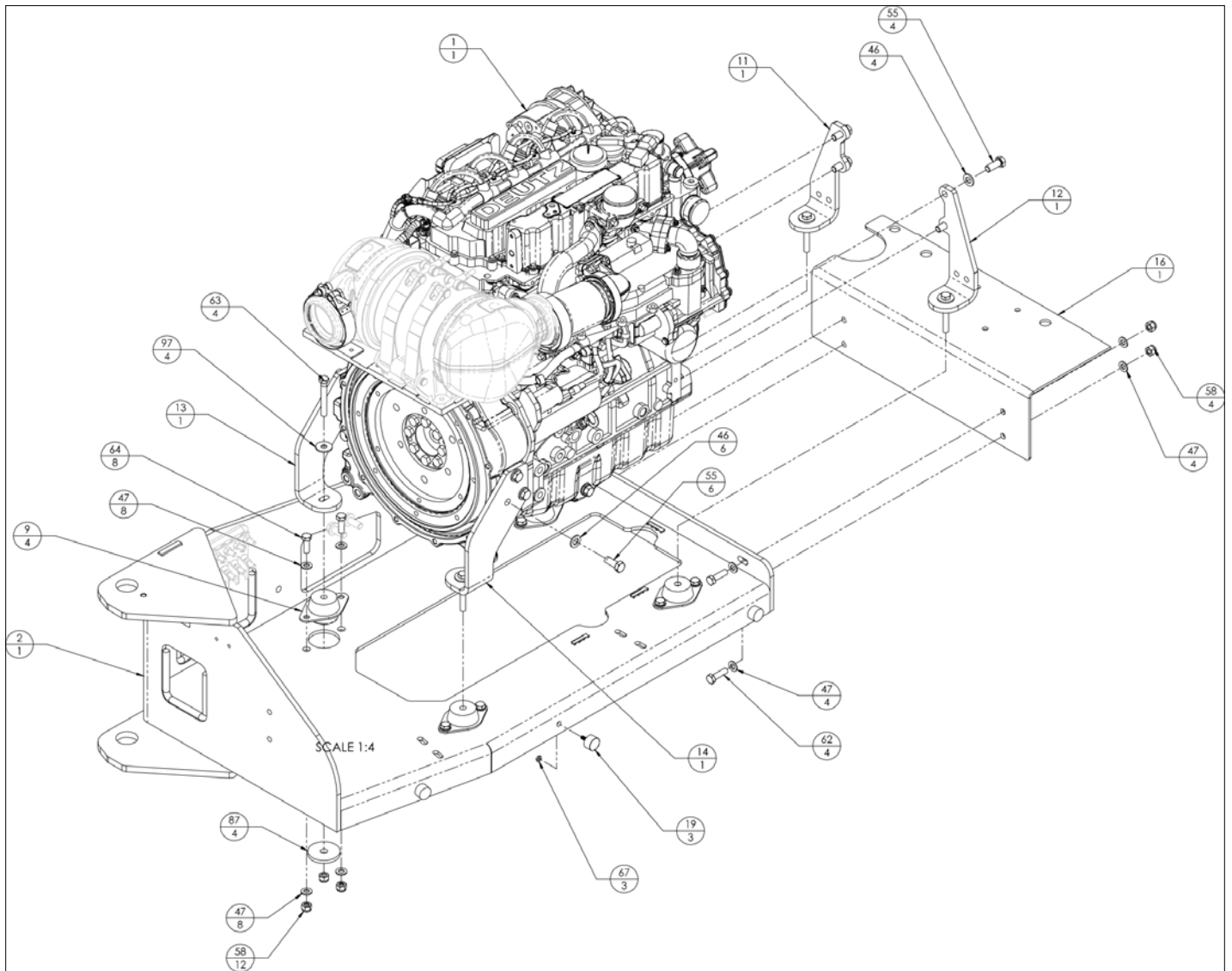
REPAIR PARTS

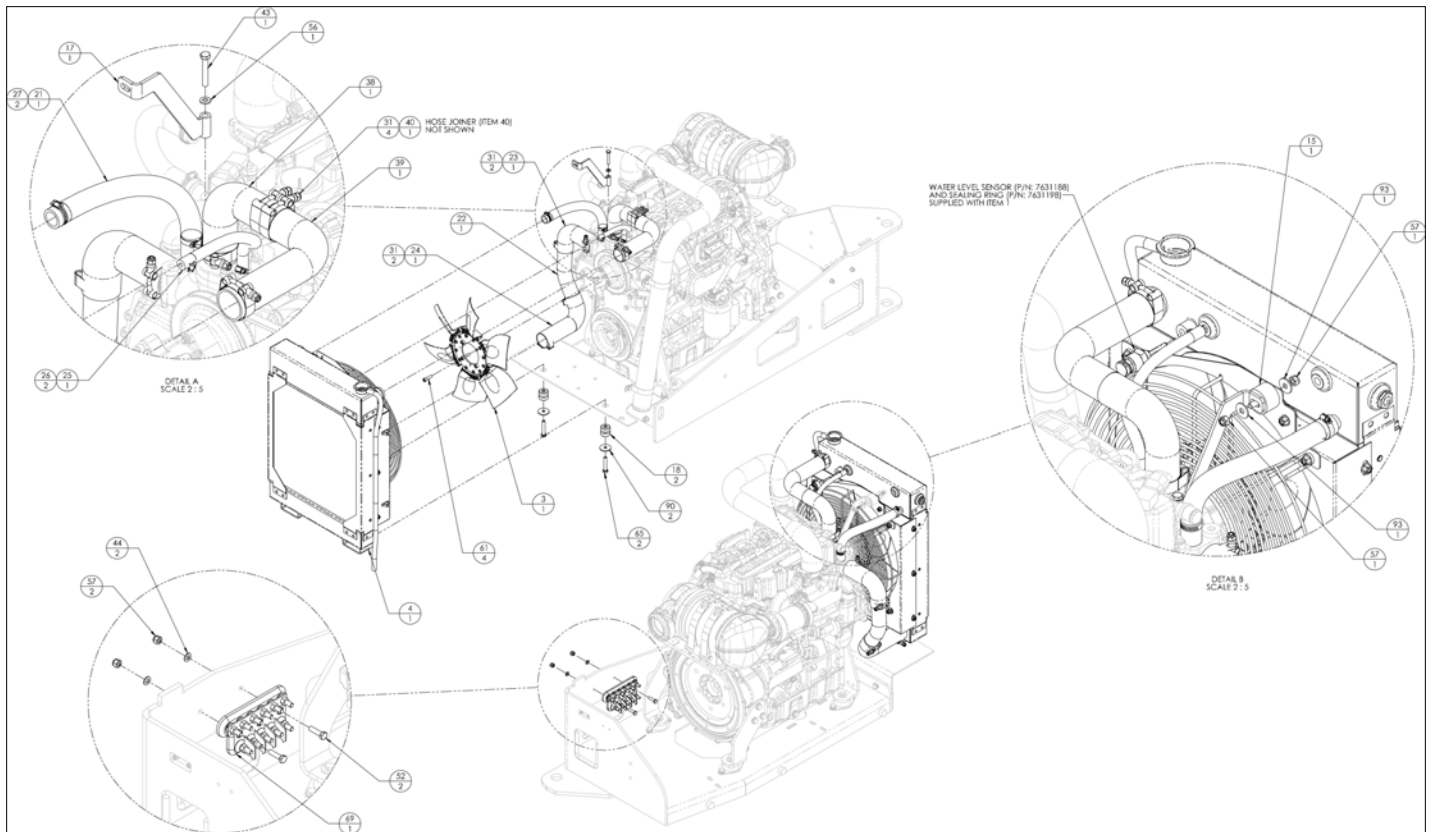


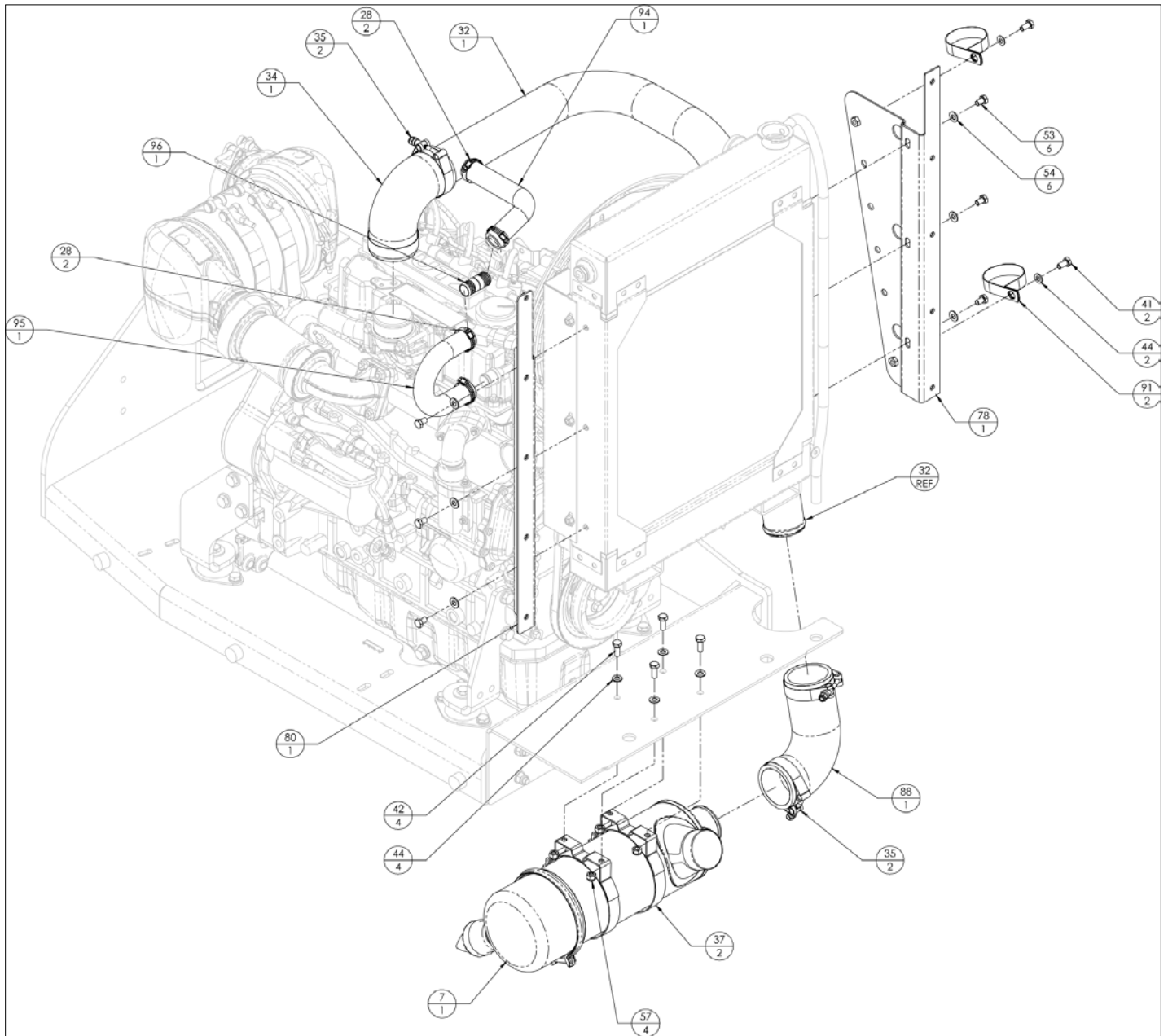
アイテム	部品番号	名前	数量	UOM
	1433412B	ENGINE TRAY LOWER LATCH ASSEMBLY 400S 460SJ		EA
1	1433411	LATCH WELDMENT	1	EA
2	5534391	TORSION SPRING 120 RH	1	EA
3	2540016	CAP, PUSH ON	1	EA
4	056064 012	NUT HEX M12 X 1.75 GR 10.9 SELF LOCKING DIN 985	1	EA
5	5563544	WSHR, FLAT M12 YL ZN GR 10.9	1	EA
6	5563546	WASHER, FLAT M16 GR10.9	3	EA
7	5563879	BOLT SHDR SKTHD 16MM X 60MM X	1	EA
8	512630 012	HHCS M6X1X12 G10.9 ISO 4017	1	EA
9	5563541	WASHER, FLAT, M6, STEEL, C10.9, YELLOW ZINC	1	EA
10	5059730	LOOP CLAMP, .188ID x 1.0 LONG	1	EA
11	1433410	HANDLE LATCH	1	EA

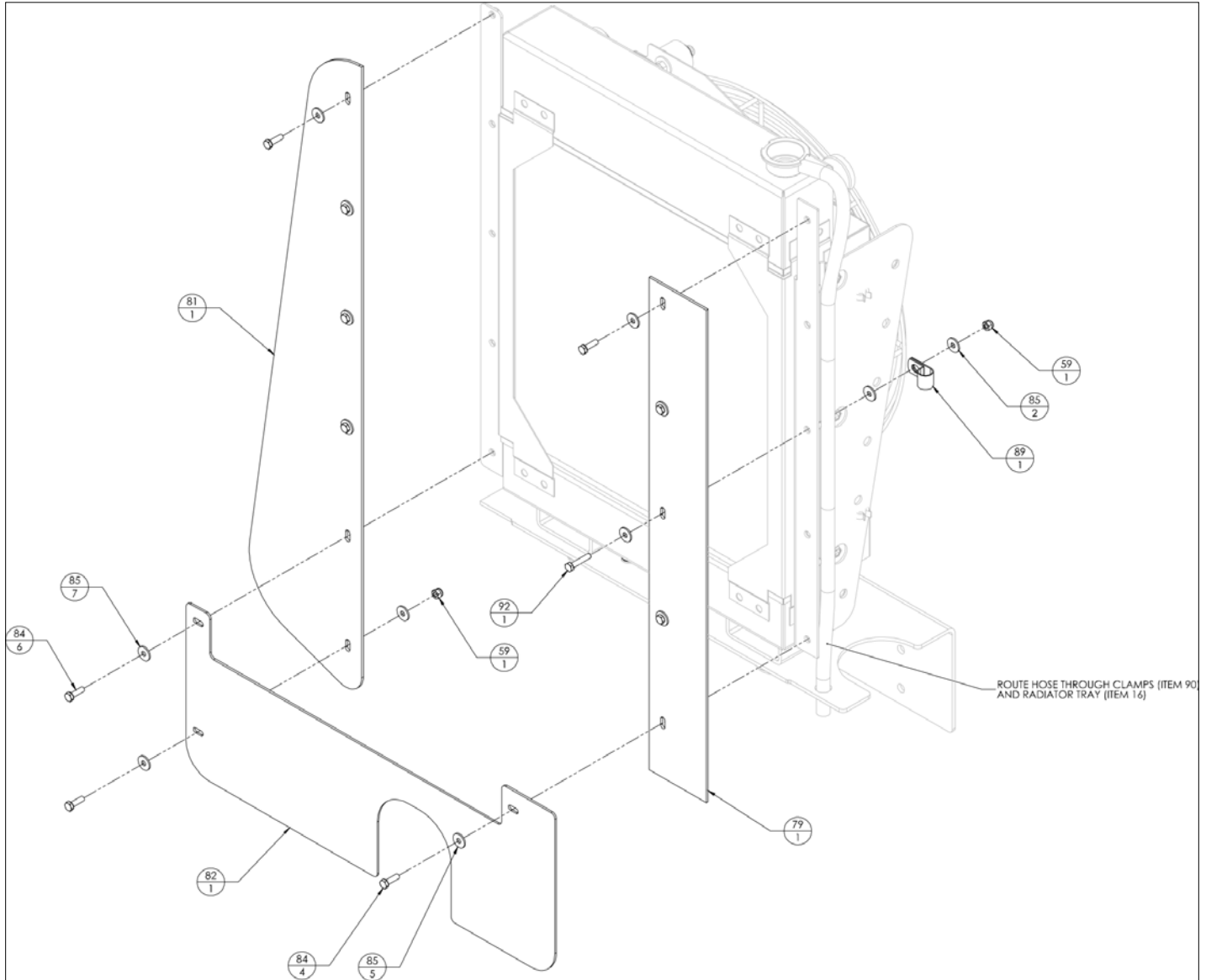
REPAIR PARTS

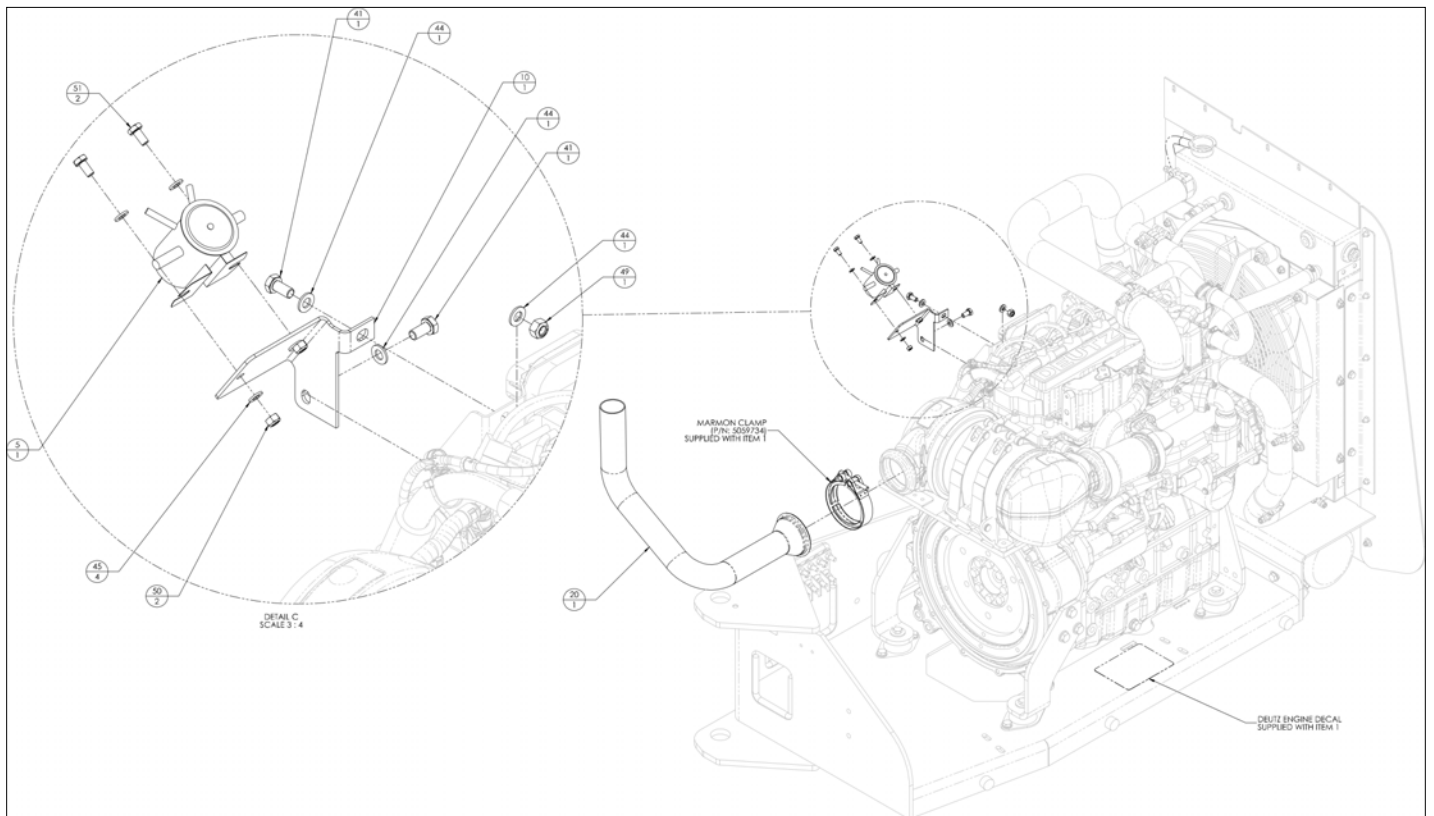


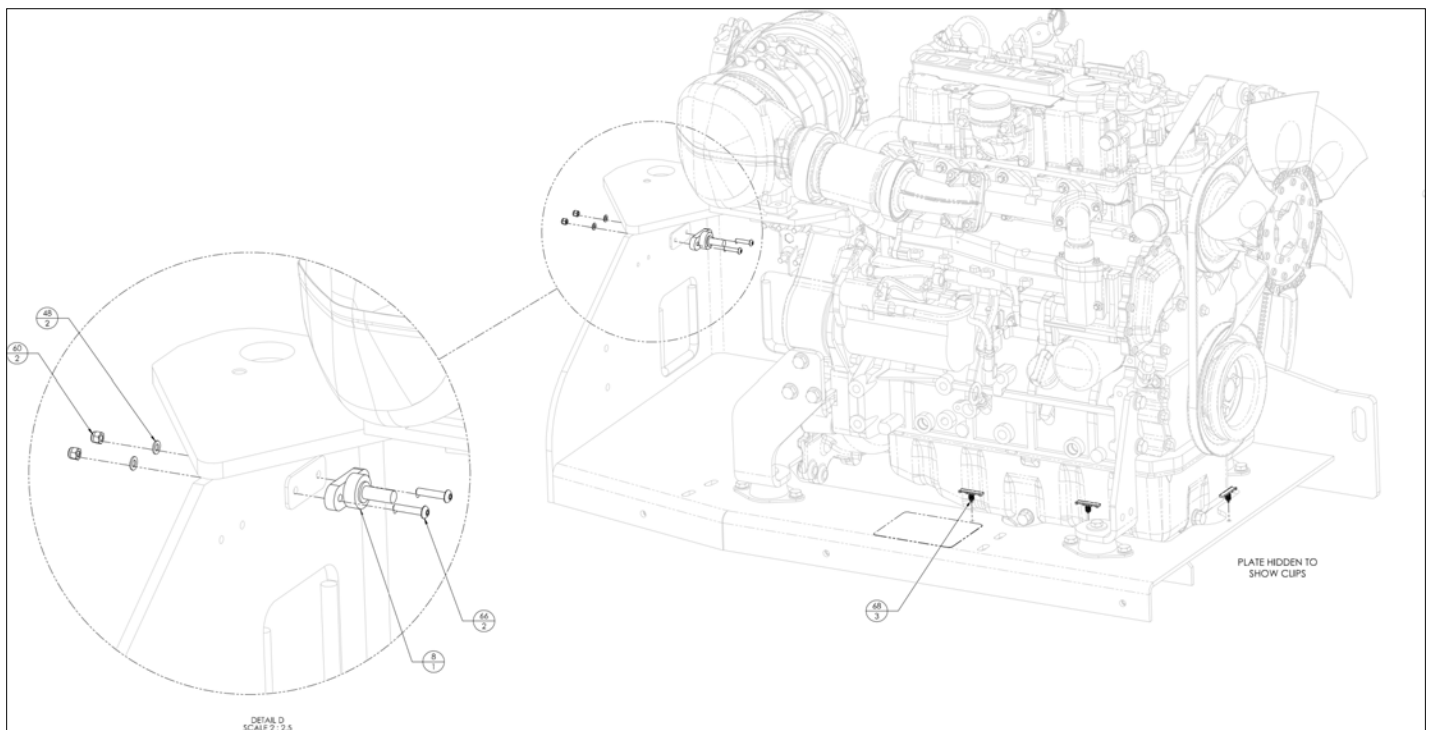


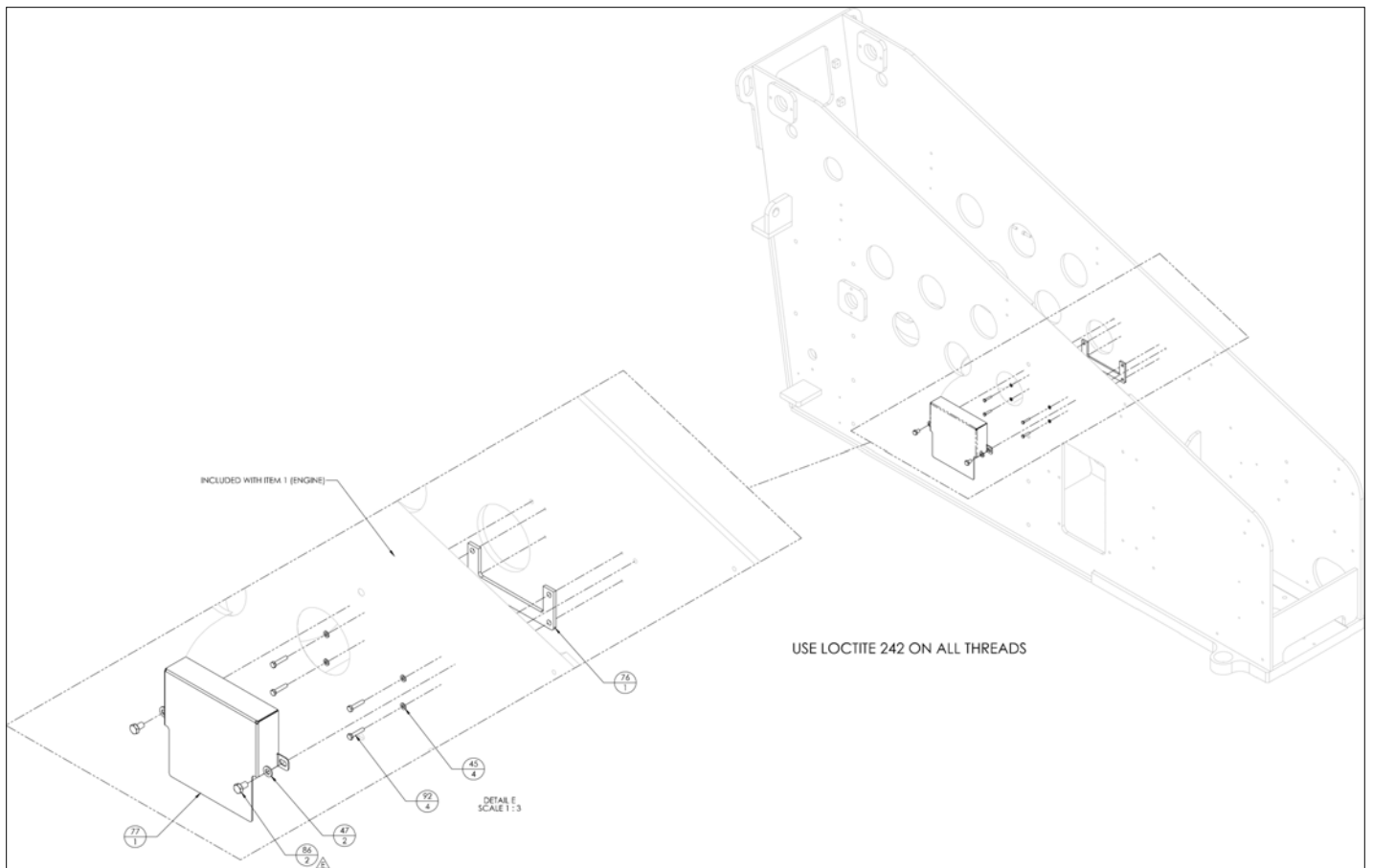


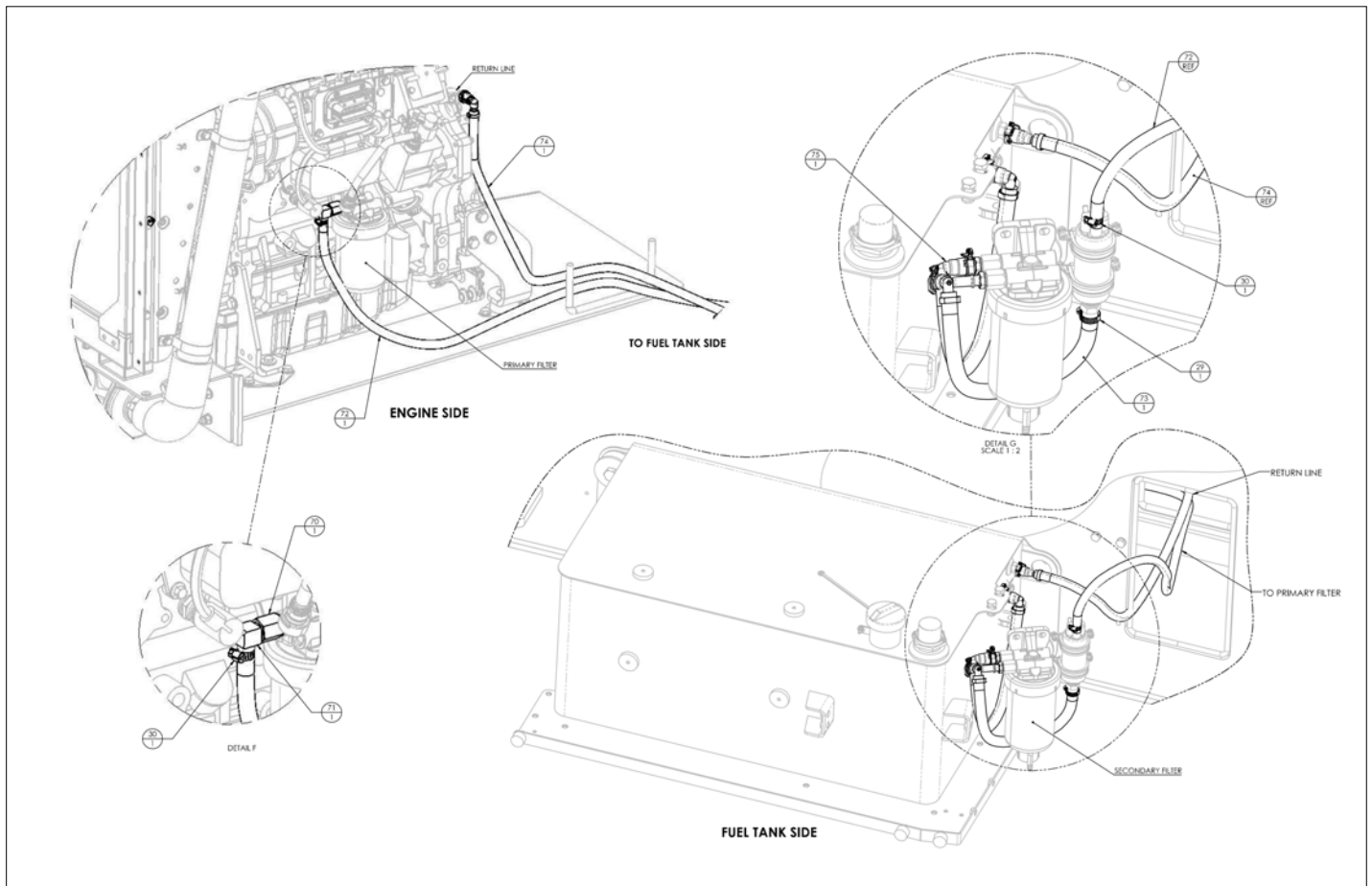












アイテム	部品番号	名前	数量	UOM
	1433185 G	ENGINE ASSEMBLY DEUTZ D2.9		EA
1	7624820	ENGINE DEUTZ D2.9 L4 81414737	1	EA
2	1433195	ENGINE TRAY WELDMENT 460	1	EA
3	7631199	FAN PULLER CW 16.93 DIA	1	EA
4	1433204	RADIATOR DEUTZ D2.9 L4,400/460	1	EA
5	3040506	SOLENOID 12V 150	1	EA
7	5089689	AIR CLEANER DEUTZ D2.9 400S/460SJ	1	EA
8	3220282	STUD GND LUG BUSSMAN	1	EA
9	1431761	VIB MNT RUBR BAR CTLS 507 5NS	4	EA
10	1433212	BRACKET, GRID HEATER RELAY	1	EA
11	1433068	FRONT LH ENG MTG BRKT 3/8" THK	1	EA
12	1433067	FRONT RH ENG MTG BRKT 3/8" THK	1	EA
13	1433070	ENGINE MTG BRACKET RR 3/8" THK	1	EA
14	1433069	ENG MNTG BRKT RR 3/8" THK	1	EA
15	1431806	VIBRATION DAMPER MCM 9225K81	1	EA
16	1433860	BRKT, RADIATOR MOUNT 400/460	1	EA
17	1433984	WLDMT, TOP RADIATOR BRACKET	1	EA
18	9906068	ISOLATOR TUBE MOUNT	2	EA
19	5563642	BUMPER RUBBER M6X1.0	3	EA
20	1433743	EXHAUST TUBE, DEUTZ 2.9, 400/460	1	EA
21	5018902	HOSE, HEATER BYPASS	1	EA
22	1433318	TUBE LOWER RADIATOR	1	EA
23	1433208	ELBOW, RADIATOR, 2" ID	1	EA

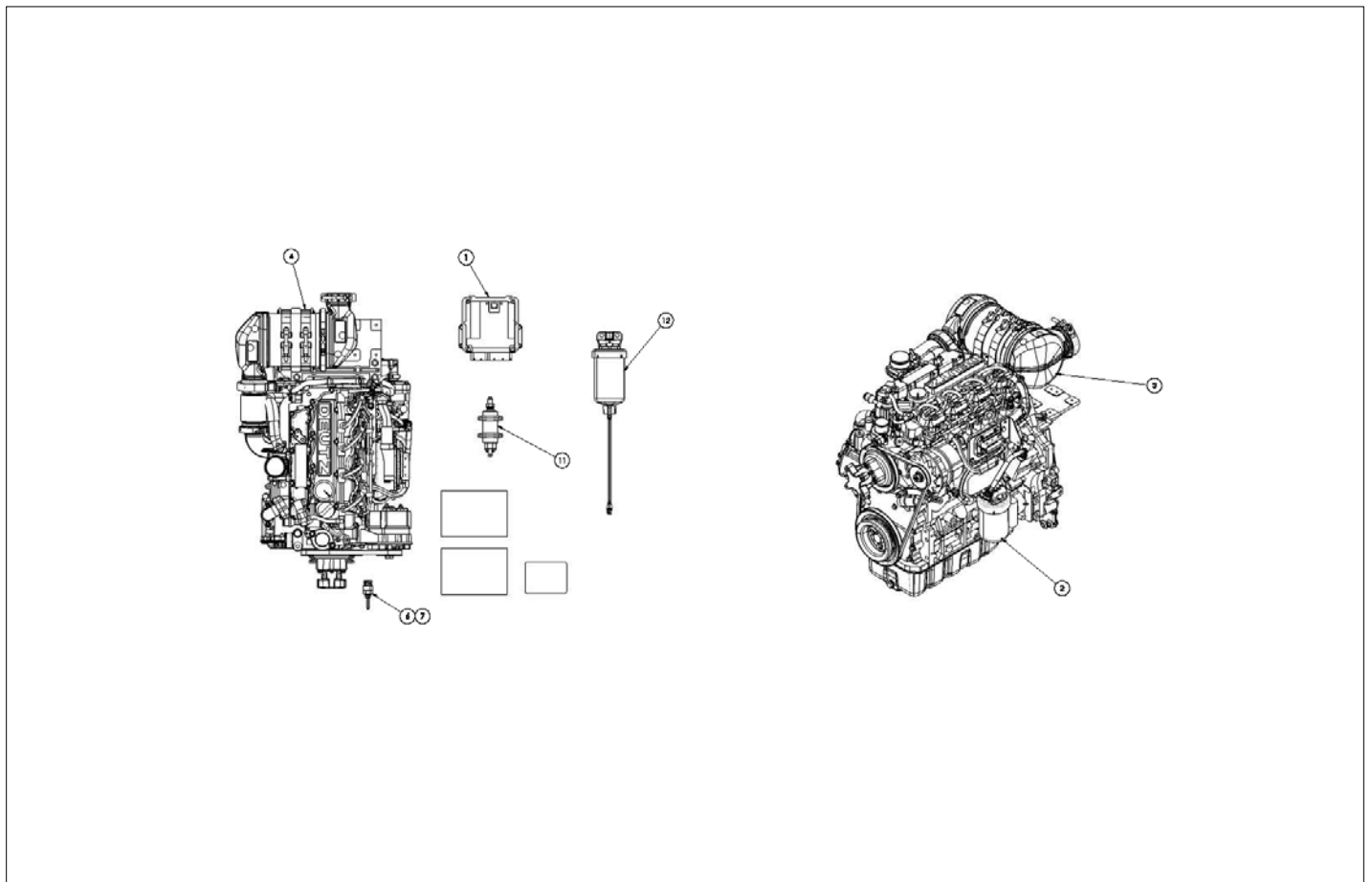
アイテム	部品番号	名前	数量	UOM
24	1433207	ELBOW, RADIATOR, 2" ID	1	EA
25	5018899	HOSE, BLEED LINE	1	EA
26	604716	CLP WORM DRV .25 .69 SAE#5	2	EA
27	457406	CLP WORM DRV .50 1.25 SAE#12	2	EA
28	5550037	CLP WORM DRV 1.00 2.00 SAE#24	4	EA
29	5554380	CLP WORM DRV .81 1.5 SAE#16	1	EA
30	5550010	CLP WORM DRV .50 1.06 SAE#10	2	EA
31	1432054	CLAMP T BOLT 2 IN	8	EA
32	1433898	WLDMT, AIR INTAKE TUBE, 400S/460SJ	1	EA
34	1433371	HOSE, 90DEG INTAKE	1	EA
35	5550040	CLP WORM DRV 2.00 3.00 SAE#40	4	EA
37	5089688	MOUNTING BAND, DONALDSON	2	EA
38	1433929	ELBOW, RADIATOR, 1.75INCH ID	1	EA
Not Shown	1432053	HOSE JOINER 1.75 IN	1	EA
40	1433928	ELBOW, RADIATOR, 1.75INCH ID	1	EA
41	510681 016	HHCS M8X1.25X16 G10.9 ISO 4014	4	EA
42	510681 020	HHCS M8X1.25X20 G10.9 ISO 4014 DIN 933	4	EA
43	5563921	HHCS M8 X 1.25 X 50 G10.9 DIN 931 ZP	1	EA
44	056069 008	WASHER, STEELFLATWASHER DIN12M8 FLAT WASHER DIN 125	11	EA
45	056069 006	WSHR STEELFLATWSHE M6 DIN125A	8	EA
46	056069 012	WASHER DIN125A M12 ZP	12	EA
47	056069 010	Washer, SteelFlatWasher DIN125A M10 ZincPlated	26	EA

アイテム	部品番号	名前	数量	UOM
48	056069 005	Washer SteelFlatWasher DIN125A	2	EA
49	5563555	NUT HEX M8X1.25 YL ZN GR10.9	1	EA
50	5563554	NUT HEX M6X1 YL ZN PLT GR10.9	2	EA
51	512630 012	HHCS M6X1X12 G10.9 ISO 4017	2	EA
52	5563492	HHCS M10 X 1.5 X 35 GR10.9 DIN 933	2	EA
53	970219	BLT HEXHD .313 18 .500 GR5 PLT	6	EA
54	5563815	WASHER FLAT .313 NARROW PLTD	6	EA
55	5563508	BOLT HEXBOLT DIN931 M12 X 1.75 X 30 10.11	12	EA
56	5563542	WSHR, FLAT M8 YL ZN GR 10.9	1	EA
57	056064 008	NUT HEX M8 1.25 GR10.9 SELF LOCKING DIN 985	8	EA
58	056064 010	Nut NylockNut DIN985 M10 10.0	16	EA
59	056064 006	NUT NYLOCK DIN985 M6 10.0 ZP	2	EA
60	056066 005	Nut NylockNut DIN985 M5 8.0 Zi	2	EA
61	10424 030	SCREW M8 1.25 SHC X 30MM	7	EA
62	5563898	HHCS M10 X 35 G10.9 DIN 931	4	EA
63	058509 075	HHCS M10 X 1.50 X .75 GR 10.9 DIN 933	4	EA
64	056060 030	BOLT HEXBOLT DIN931 M10 X 30MM 8.8 ZP	8	EA
65	058509 055	HHCS M10X1.50X55 GR10.9 DIN933	2	EA
66	5563764	BHCS M5X0.8X25MM ZP CL 10.9	2	EA
67	056067 506	Nut, HexJamNut DIN936 M6 1.0 Z	3	EA
68	3220344	CLIP HARNESS .04 .25 THK	3	EA

アイテム	部品番号	名前	数量	UOM
69	13253 000	POWER BUSS, FUSE HOLDER	1	EA
70	5028048	ADAPTER, REDUCER/EXPANDER M16X	1	EA
71	5033101	FTG, 90 DEG ELBOW 1/2 BEADED	1	EA
72	1433932	FUEL INJECTOR HOSE 3/8INCH ID PUMP TO MAIN FILTER, 400S/460SJ	1	EA
73	1433934	HOSE ASSY PRE FILTER LINE 400S/460SJ	1	EA
74	1433931	HOSE ASSY FUEL RETURN LINE 400S/460SJ	1	EA
75	1433933	HOSE ASSY TANK TO PRE FILTER 400S/460SJ	1	EA
76	1433752	SPACER, ECU TO TURRET, 400/460	1	EA
77	1433784	BRACKET, WEATHER RESISTANT, ECU, 400/460	1	EA
78	1433901	WLDMT SEAL AND TUBE MOUNT 400S 460SJ	1	EA
79	1433853	SEAL, RECIRC TURRET SIDE, 400/460	1	EA
80	1433982	WLDMT SEAL MNT DOOR SIDE 400S/460SJ	1	EA
81	1433852	SEAL, RECIRC DOOR SIDE 400/460	1	EA
82	1433863	PLT, RECIRC SEAL COVER 400/460	1	EA
84	512630 020	HHCS M6 X X 20 G10.9 DIN 933	10	EA
85	508247 006	WASHER OVERSIZED M6 X 18MM DIN9021 ZP	14	EA
86	058493 016	BOLT HEXSCREW DIN933 M10 X 16MM 8.8 ZINCPLATED	2	EA
87	27121 000	ISOLATER RETAINER PLATE	4	EA
88	1433873	ELBOW, 2.5" ID, 90 ° , 4X6" LEGS	1	EA
89	5093021	CLP CUSH .625 VINYL COATED	1	EA
90	9906066	MOUNT, WASHER SNUBBING	2	EA

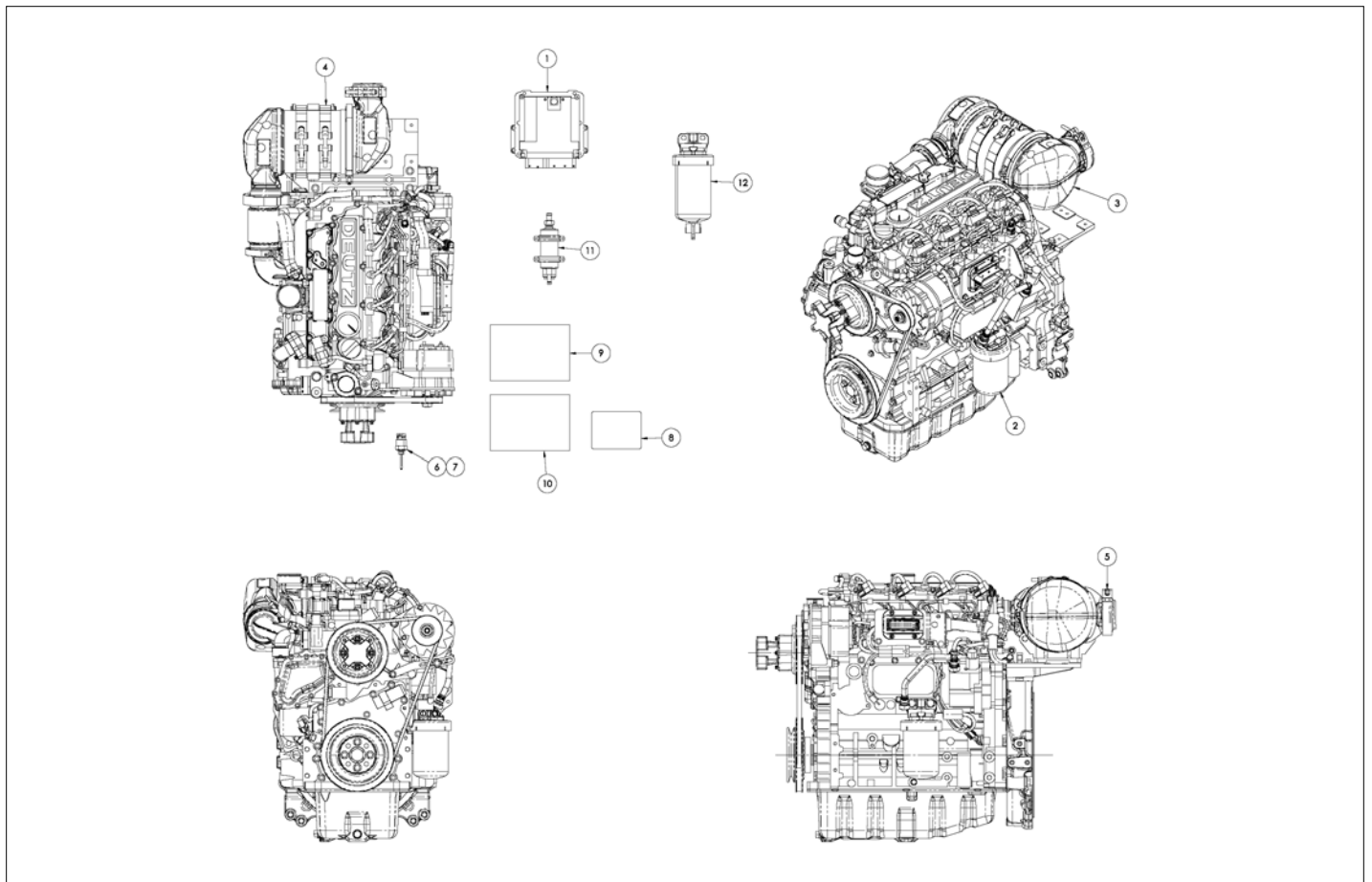
アイテム	部品番号	名前	数量	UOM
91	5093030	CLP CUSH 2.50 VINYL COATED	2	EA
92	512630 030	HHCS M6 X 1 30 G10.9 DIN933	5	EA
93	508247 008	Washer, pennywasher, DIN9021, M8	2	EA
94	1433926	HOSE 0.88 ID 90 ° ELBOW, 3.5INCH X 5.5INCH LEGS, EGR 400S/460SJ	1	EA
95	1433925	HOSE 0.88 ID, U SHAPE 4INCH LEGS, EGR 400S/460SJ	1	EA
96	1433927	JOINER, HOSE .875INCH	1	EA
97	508247 010	Washer, PennyWasher, DIN9021, M1	4	EA

REPAIR PARTS



アイテム	部品番号	名前	数量	UOM
	7624820A	ENGINE DEUTZ D2.9 L4 NON TURBO APRIL 2018 AND AFTER		EA
1	7631025	ECU, DEUTZ TD 2.9L	1	EA
2	7631195	FUEL FILTER DEUTZ 2.9L	1	EA
3	7631186	DOC, DEUTZ SHORT CLOCKABLE	1	EA
4	7631187	HOLDER DOC	1	EA
6	7631188	SENSOR, WATER LEVEL	1	EA
7	7631290	SEALING RING LEVEL SENSOR	1	EA
11	7631191	ELECTRIC FUEL PUMP 12V	1	EA
12	7631190	DEUTZ 2.9L PREFILTER WATER SEP	1	EA
13	7631260	ALTERNATOR	1	EA
14	7631291	MAINTENANCE DECAL, DEUTZ (NOT SHOWN)	1	EA

REPAIR PARTS



アイテム	部品番号	名前	数量	UOM
*	7624820 B	ENGINE DEUTZ D2.9 L4 NON TURBO MARCH 2019 AND AFTER		EA
1	7631025	ECU, DEUTZ TD 2.9L	1	EA
2	7631195	FUEL FILTER DEUTZ 2.9L	1	EA
3	7631186	DOC, DEUTZ SHORT CLOCKABLE	1	EA
4	7631187	HOLDER DOC	1	EA
5	5059734	CLAMP V BAND ,AR,ON	1	EA
6	7631188	SENSOR, WATER LEVEL	1	EA
7	7631290	SEALING RING LEVEL SENSOR	1	EA
8	7030234	DECAL DEUTZ ENGINE	1	EA
9	7631103	PRIMARY ELEMENT FOR 7624808	1	EA
10	7631204	MANUAL SPARE PARTS DEUTZ 2.9L	1	EA
11	7631191	ELECTRIC FUEL PUMP 12V	1	EA
12	7631190	DEUTZ 2.9L PREFILTER WATER SEP	1	EA
13	7631260	ALTERNATOR	1	EA
14	7631291	MAINTENANCE DECAL, DEUTZ (NOT SHOWN)	1	EA

REPAIR PARTS



NO IMAGE AVAILABLE
(BOM FOR REFERENCE ONLY)

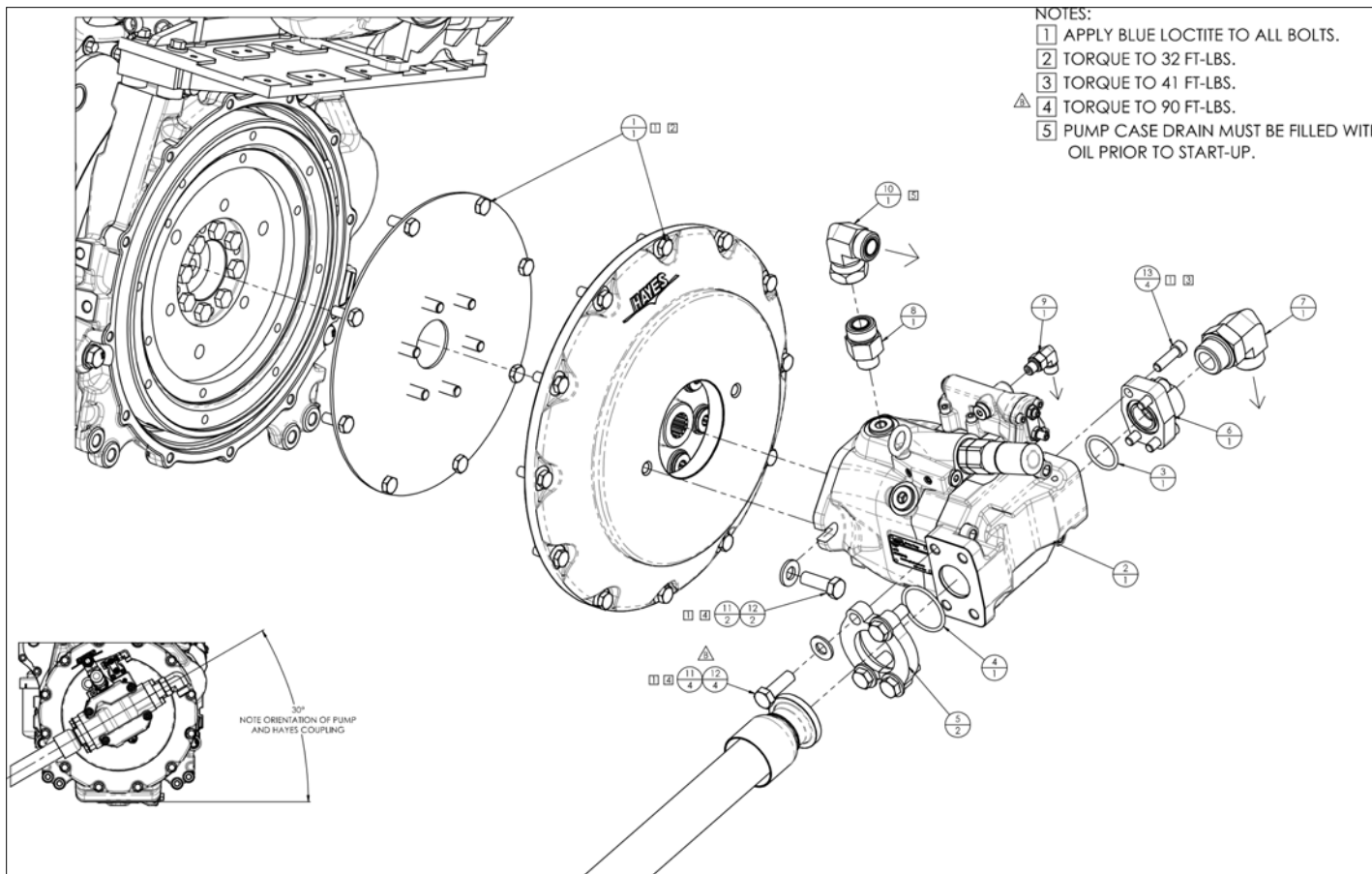
アイテム	部品番号	名前	数量	UOM
	7624820	ENGINE DEUTZ D2.9 L4 81414737		EA
1	7631380	ALTERNATOR	1	EA
2	7631382	FANBELT	1	EA
3	7631383	HOSE CLAMP	1	EA
4	7631384	HOSE WATER	1	EA
5	7631385	STARTER ASSY	1	EA
6	7631386	STOP SOLENOID	1	EA
7	7631388	TURBO	1	EA
8	7631370	ALTERNATOR	1	EA
9	7631371	DIPSTICK	1	EA
10	7631372	EXHAUST MANIFOLD	1	EA
11	7631373	FUEL FILTER ASSY	1	EA
12	7631374	HOSE CLAMP	1	EA
13	7631375	STARTER ASSY	1	EA
14	7631376	THERMOSTAT GASKET	1	EA
15	7631377	WATER PUMP	1	EA
16	7631378	TURBO	1	EA
17	7631379	THERMOSTAT HOUSING	1	EA

REPAIR PARTS



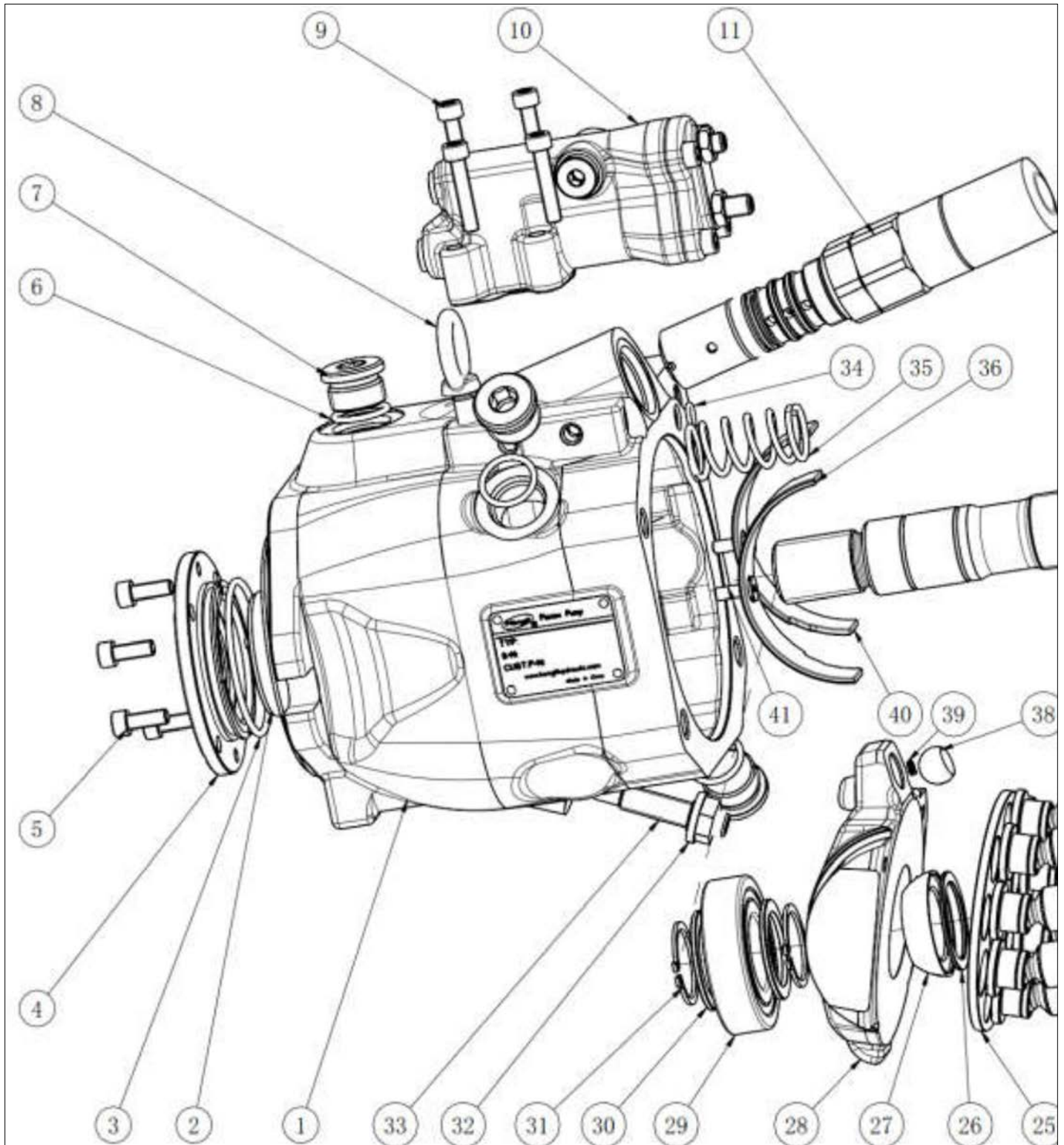
アイテム	部品番号	名前	数量	UOM
*	7249580 B	KIT (ONLY) HAYES COUPLER		EA
1	056060 030	BOLT HEXBOLT DIN931 M10 X 30MM 8.8 ZP	12	EA
2	510587 025	BLT HEXSETSCREW DIN961 M10 X 1.25X	8	EA

REPAIR PARTS



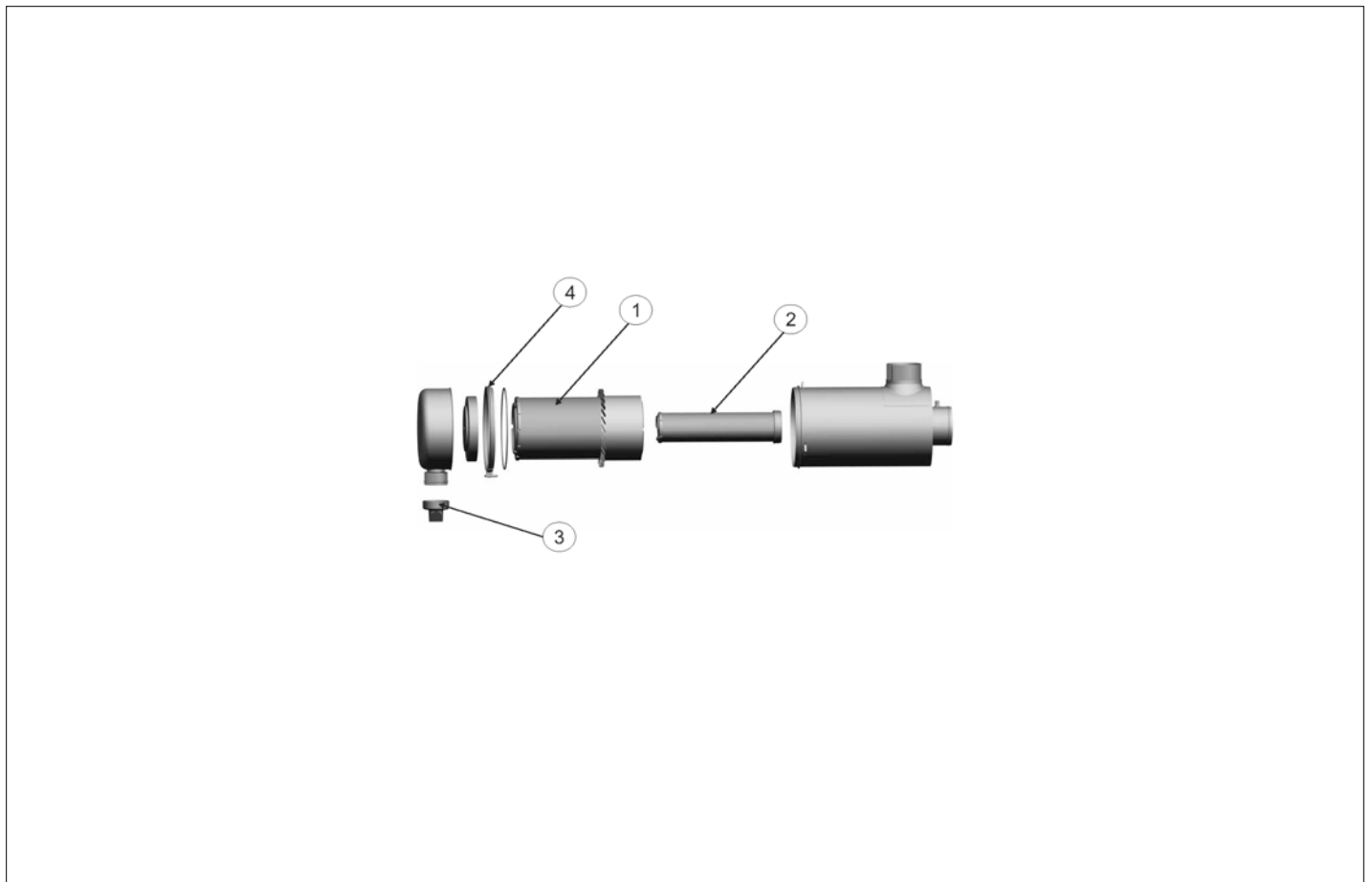
アイテム	部品番号	名前	数量	UOM
	1433758 B	PUMP HENGLI 45CC 460SJ INSTALLATION		EA
1	7249580	KIT, HAYES PUMP COUPLER	1	EA
2	6029704	PUMP HP5V45	1	EA
3	7119925	O RING 219 NBR 90	1	EA
4	7119926	O RING, 225 NBR 90	1	EA
5	511604 000	SPLIT FLANGE 1.50	2	EA
6	511605 000	SAE PORT BLOCK ADAPTER 16ORB 16	1	EA
7	104762 000	FTG 12MORFF X 16MORB 90 °	1	EA
8	511585 000	GTG STR 10 MORB X 12 MORFS	1	EA
9	100434 002	FITTING 4MORFF X 4MORB 90 °	1	EA
10	5033067	ELBOW 90 ° SWIVEL 12 MORFS/FORFS	1	EA
11	5560168	WSHR FLAT HARD .500 SP	2	EA
12	5563590	HHCS .500 13 UNC STL GR8 1.50 LG ZP	2	EA
13	5563904	SHCS .375 16UNC GR8 1.25LG PLT	4	EA

REPAIR PARTS



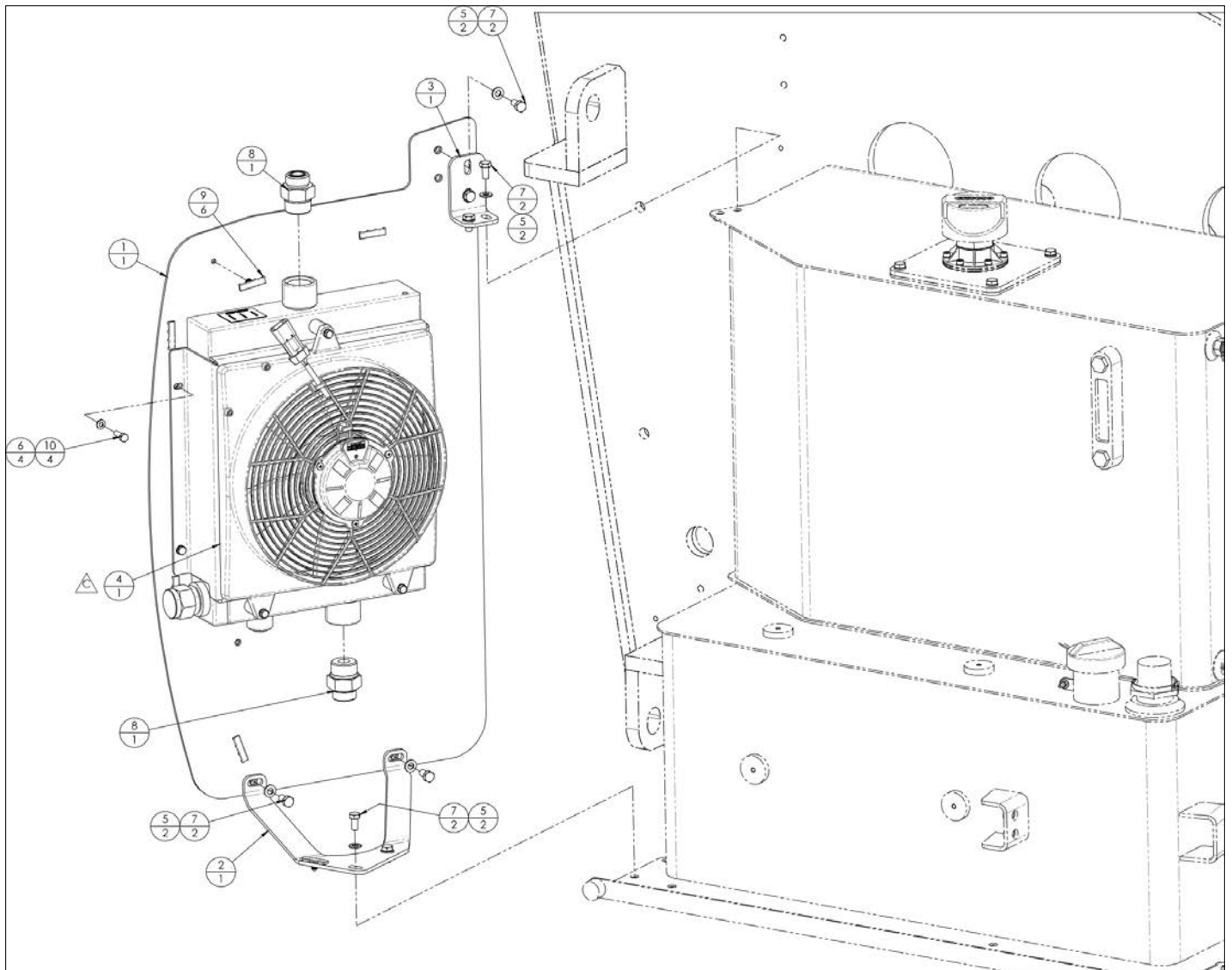
アイテム	部品番号	名前	数量	UOM
*	6029705 B	PUMP HINGLI TORQUE LIMIT 50KW 400S 460SJ DEUTZ		EA
Not Shown	6092123	PUMP SEAL KIT	1	EA
10	6092121	CONTROL VALVE	1	EA
11	6092122	TORQUE LIMIT CONTROL VALVE	1	EA

REPAIR PARTS



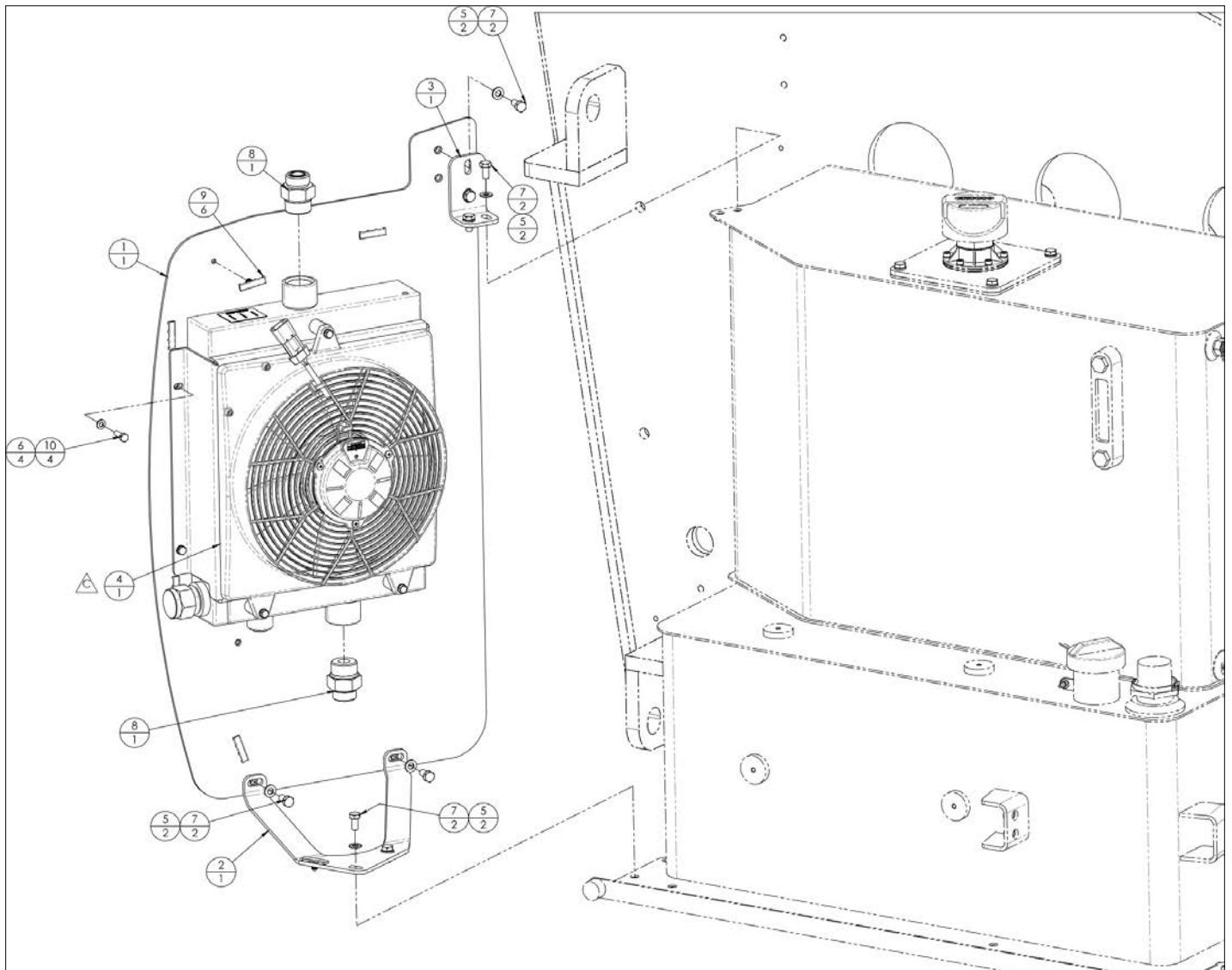
アイテム	部品番号	名前	数量	UOM
	5089689	AIR CLEANER DEUTZ D2.9 400S/460SJ		EA
1	5089690	PRIMARY FILTER	1	EA
2	5089691	SAFETY FILTER	1	EA
3	5089692	VACUATOR, VALVE	1	EA
4	8040136	CLAMP	1	EA

REPAIR PARTS



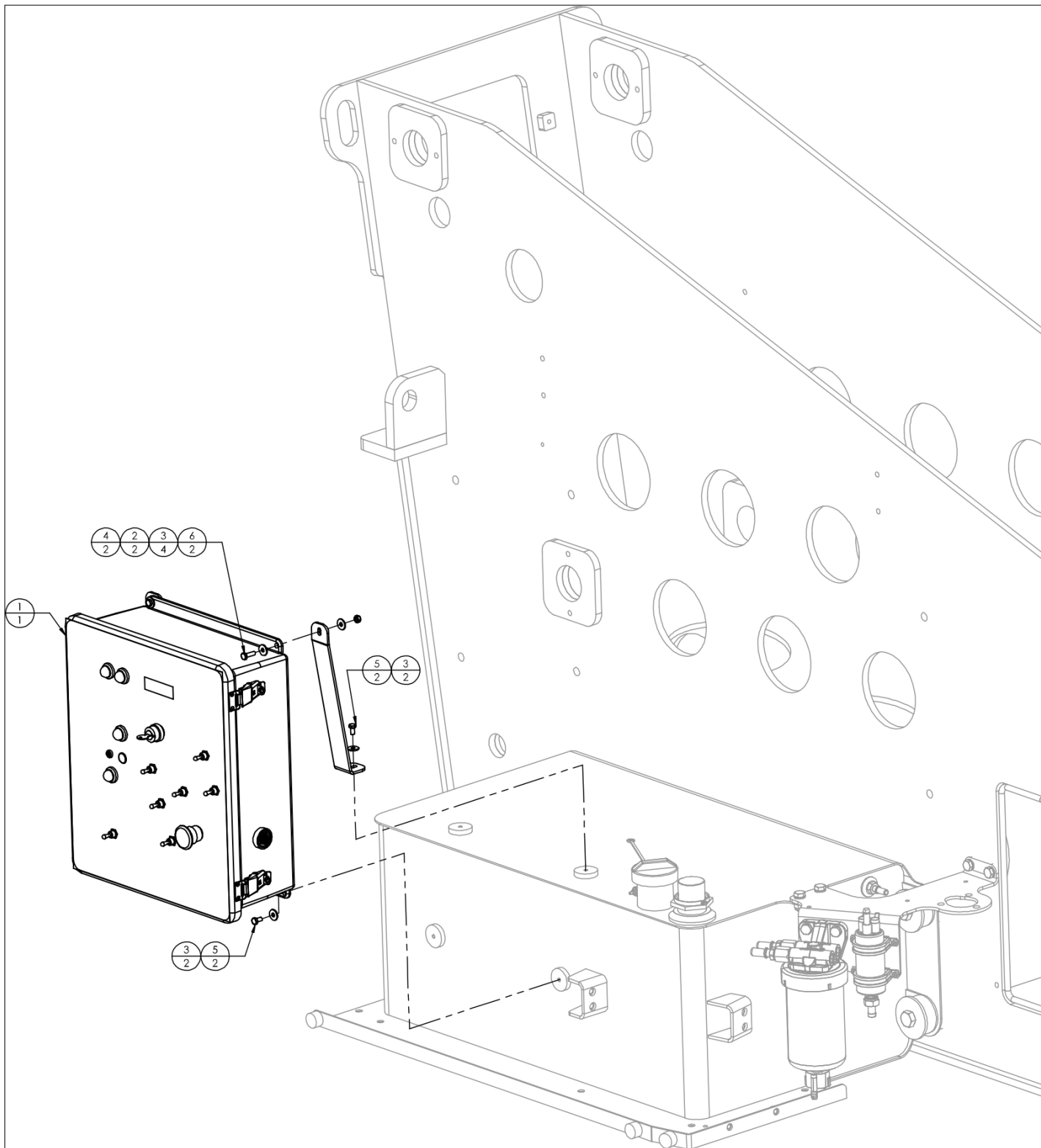
アイテム	部品番号	名前	数量	UOM
	1433257 B	HYDRALULC COOLER INSTALL 400S/460SJ JANUARY 2020 AND BEFPRE		EA
1	1433258	HYD SHROUD WELDMENT 400S/460SJ	1	EA
2	1433261	BRACKET LOWER, HYD COOLER	1	EA
3	1433260	ANGLE HYD COOLER	1	EA
4	6050012	HYD OIL COOLER AKG	1	EA
5	056069 008	WASHER, STEELFLATWASHER DIN12M8 FLAT WASHER DIN 125	8	EA
6	056069 006	WSHR STEELFLATWSHE M6 DIN125A	4	EA
7	510681 016	HHCS M8X1.25X16 G10.9 ISO 4014	8	EA
8	100432 029	FTG, STR, 12MORFF X 16MORB	2	EA
9	3220344	CLIP HARNESS .04 .25 THK	6	EA
10	512630 020	HHCS M6 X X 20 G10.9 DIN 933	4	EA

REPAIR PARTS



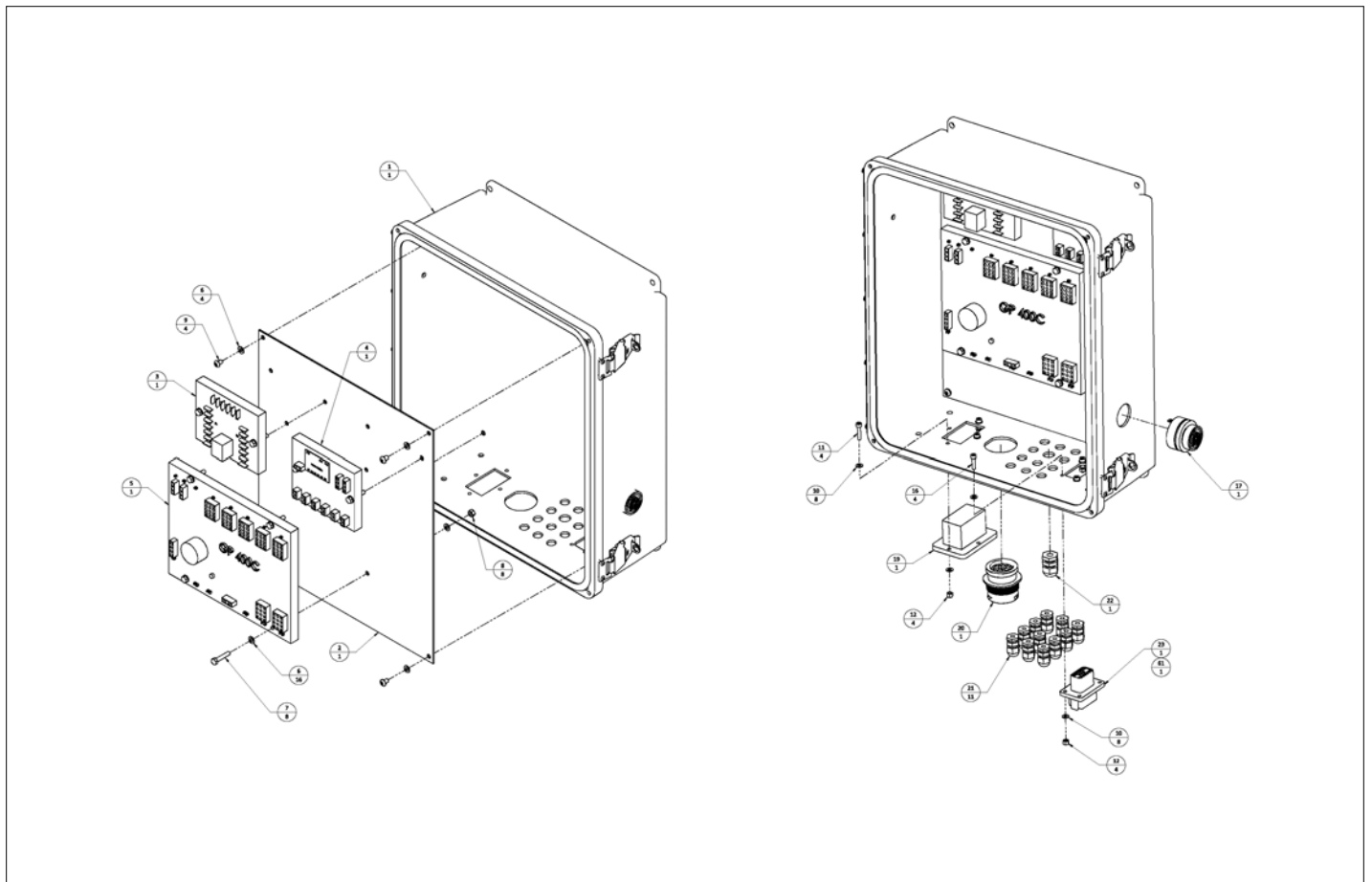
アイテム	部品番号	名前	数量	UOM
	1433257 C	HYDRALULC COOLER INSTALL 400S/460SJ FEBURARY 2020 AND AFTER		EA
1	1433258	HYD SHROUD WELDMENT 400S/460SJ	1	EA
2	1433261	BRACKET LOWER, HYD COOLER	1	EA
3	1433260	ANGLE HYD COOLER	1	EA
4	6050012 001	HYD COOLER IEA	1	EA
5	056069 008	WASHER, STEELFLATWASHER DIN12M8 FLAT WASHER DIN 125	8	EA
6	056069 006	WSHR STEELFLATWSHE M6 DIN125A	4	EA
7	510681 016	HHCS M8X1.25X16 G10.9 ISO 4014	8	EA
8	100432 029	FTG, STR, 12MORFF X 16MORB	2	EA
9	3220344	CLIP HARNESS .04 .25 THK	6	EA
10	512630 020	HHCS M6 X X 20 G10.9 DIN 933	4	EA

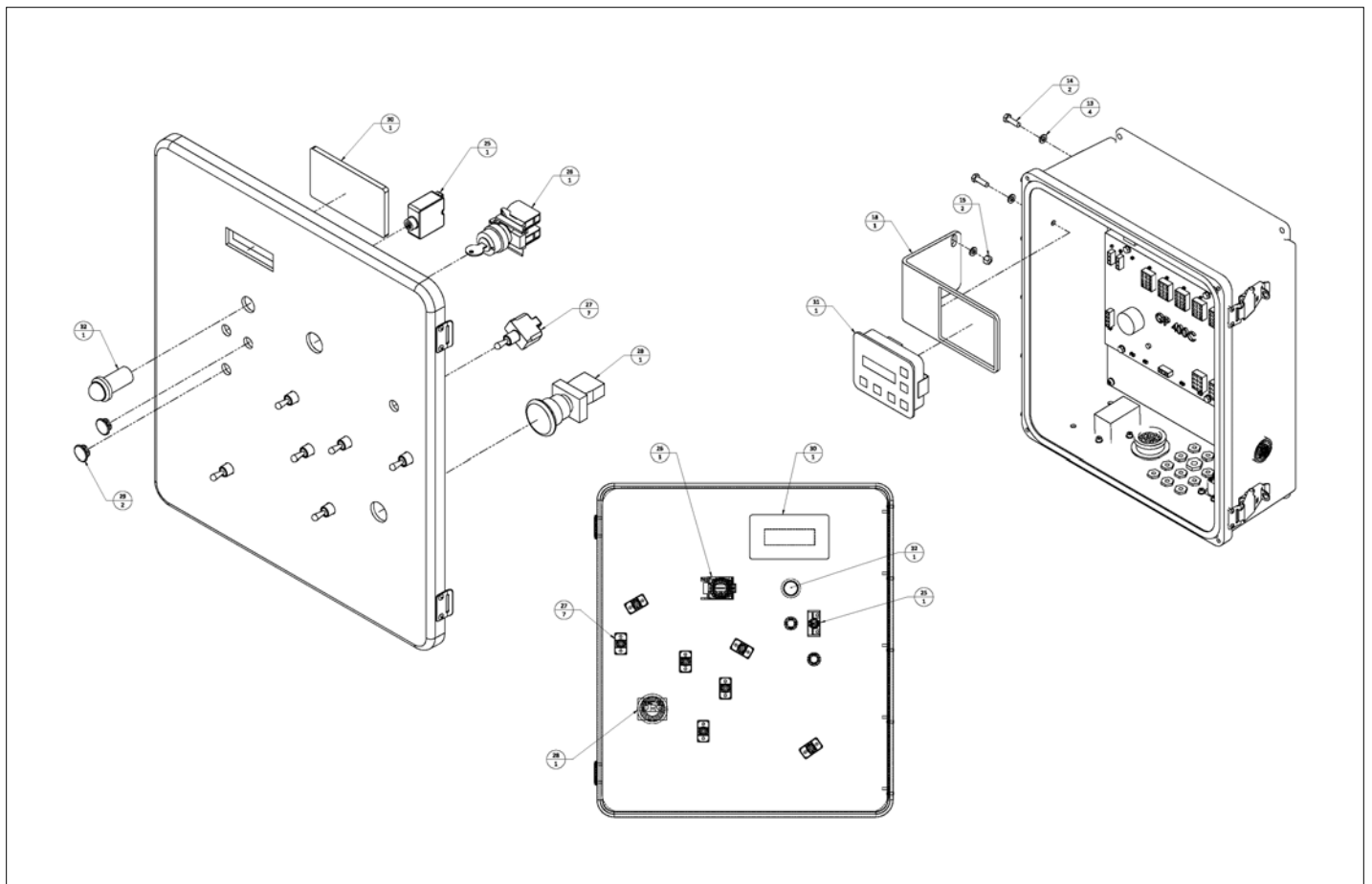
REPAIR PARTS

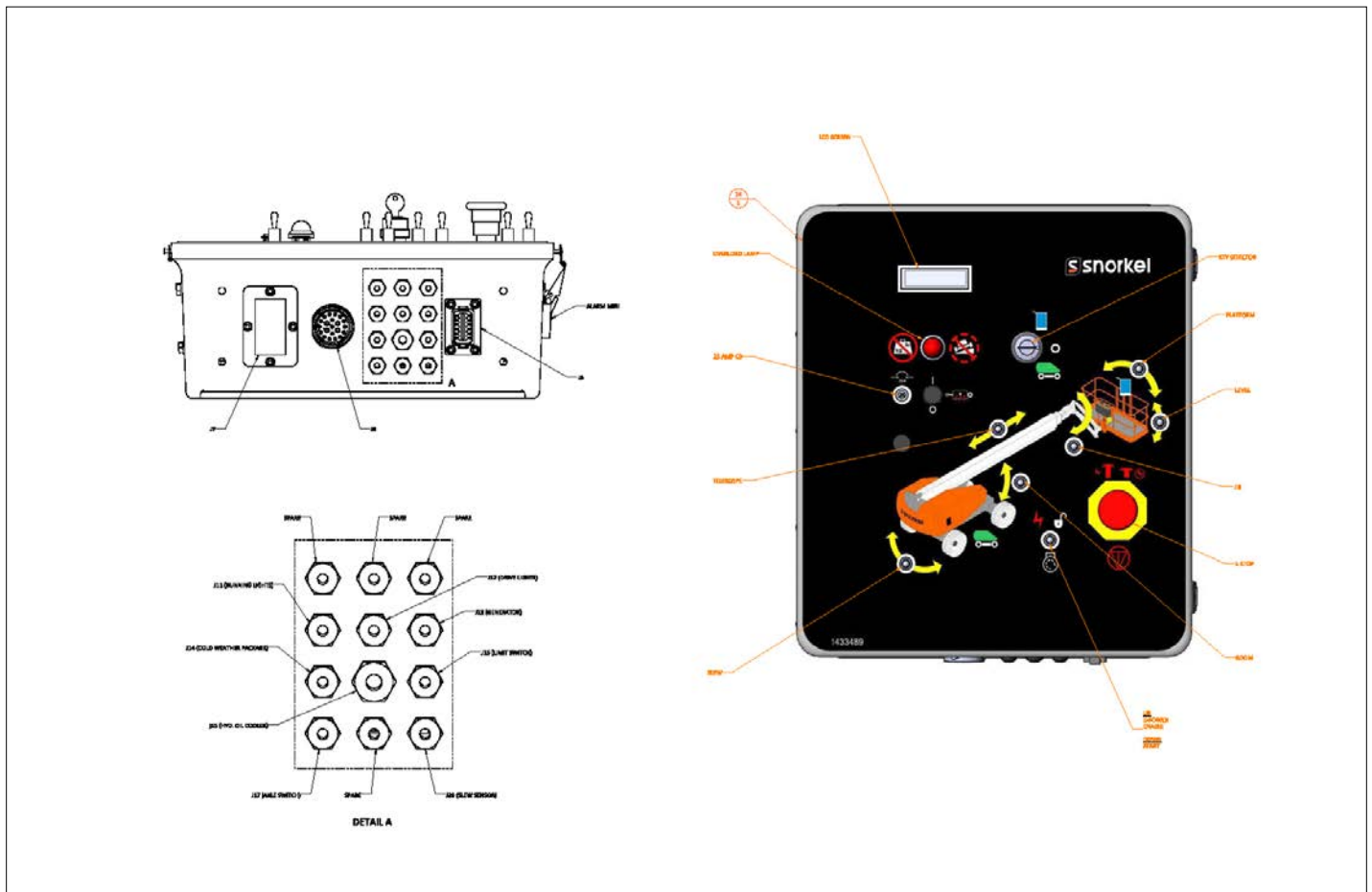


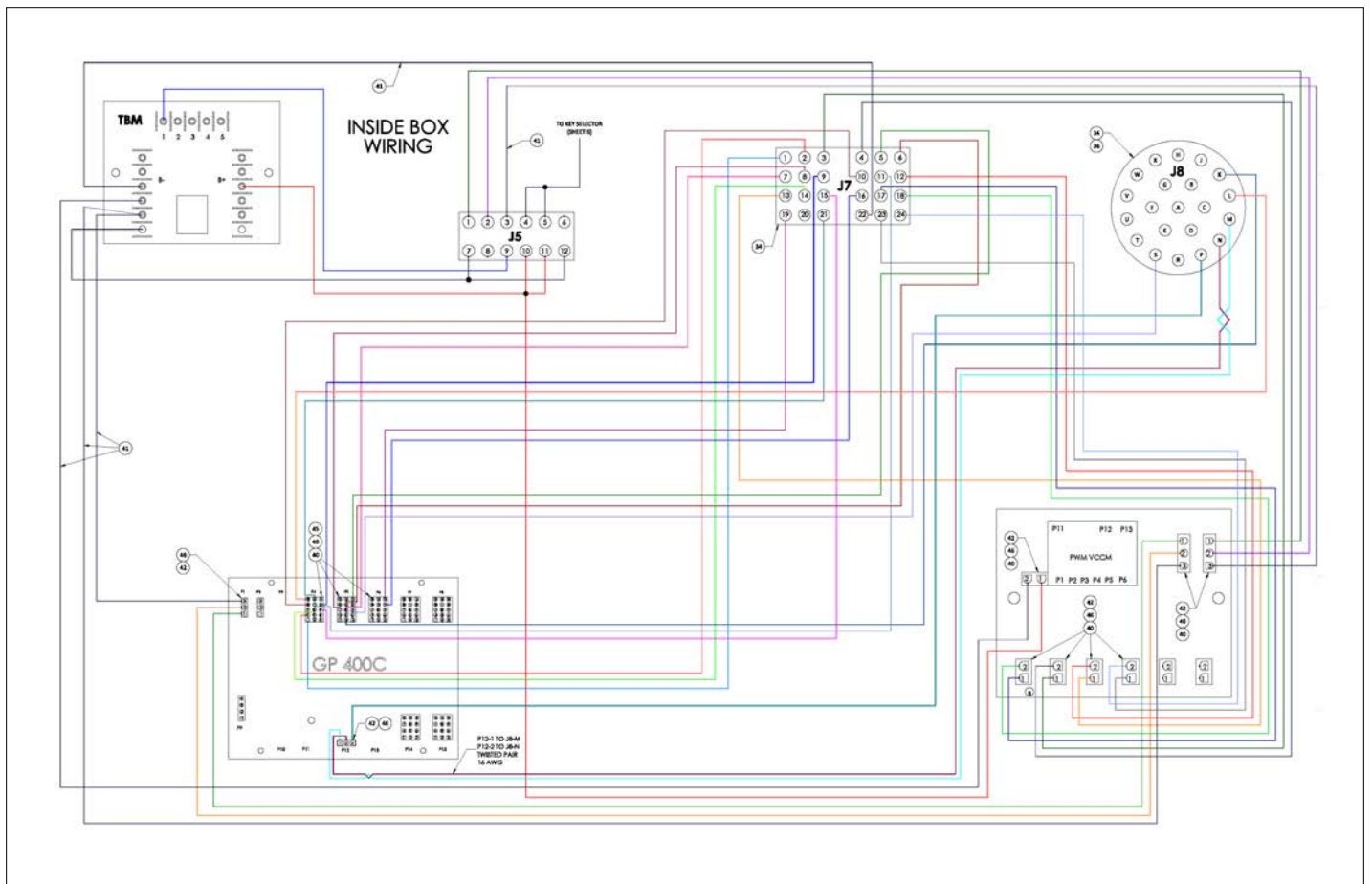
アイテム	部品番号	名前	数量	UOM
	1433291 D	LOWER CONTROL BOX INSTALLATION DEUTZ TIER4 FINAL460SJ 660SJ		EA
1	1434128	ASSEMBLY LOWER CONTROL BOX 460/660 DEUTZ T4F	1	EA
2	1433256	BRACKET CONTROL BOX	2	EA
3	508247 006	WASHER OVERSIZED M6 X 18MM DIN9021 ZP	8	EA
4	056064 006	NUT NYLOCK DIN985 M6 10.0 ZP	2	EA
5	512630 012	HHCS M6X1X12 G10.9 ISO 4017	4	EA
6	512630 020	HHCS M6 X X 20 G10.9 DIN 933	2	EA

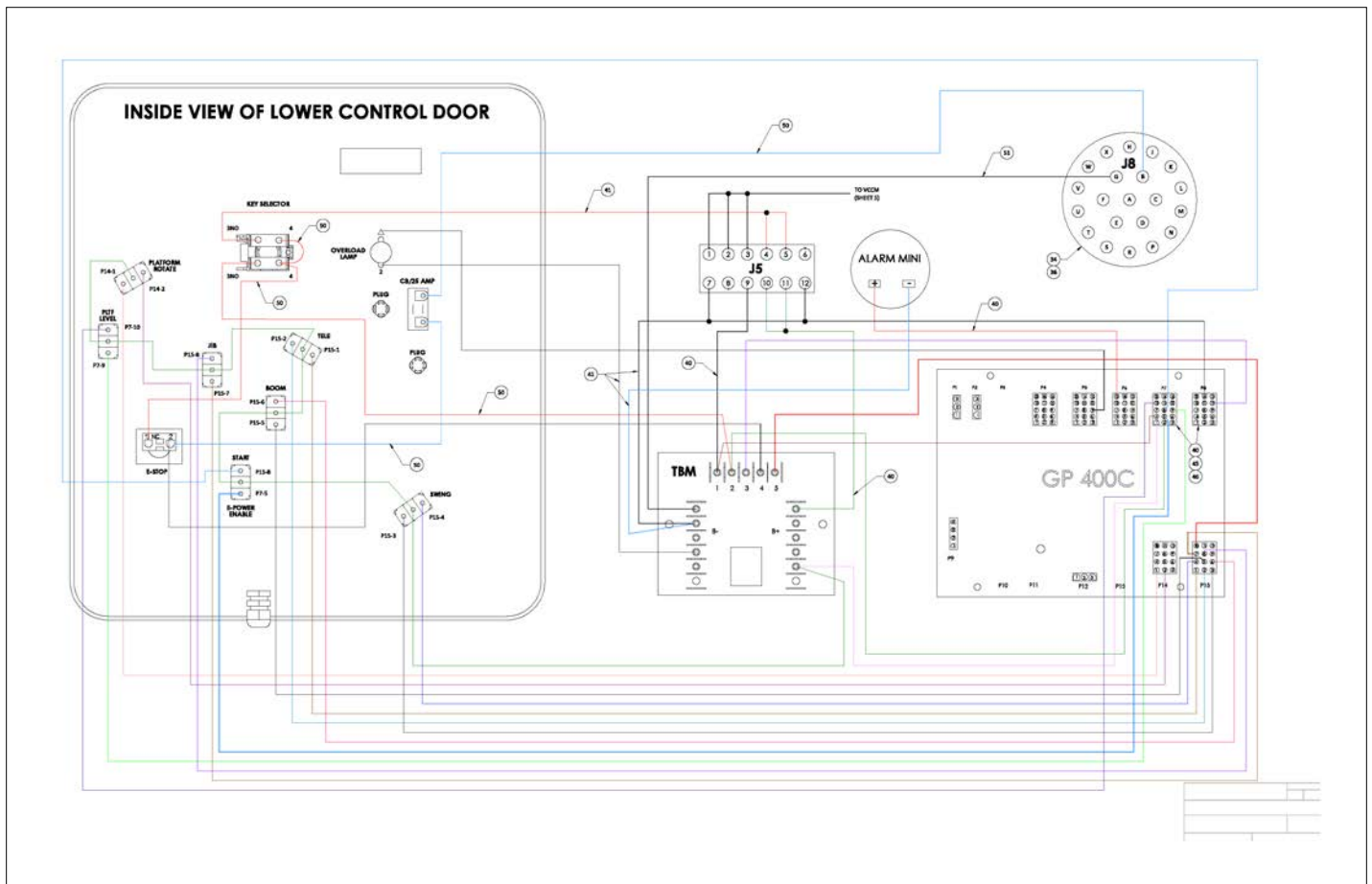
REPAIR PARTS

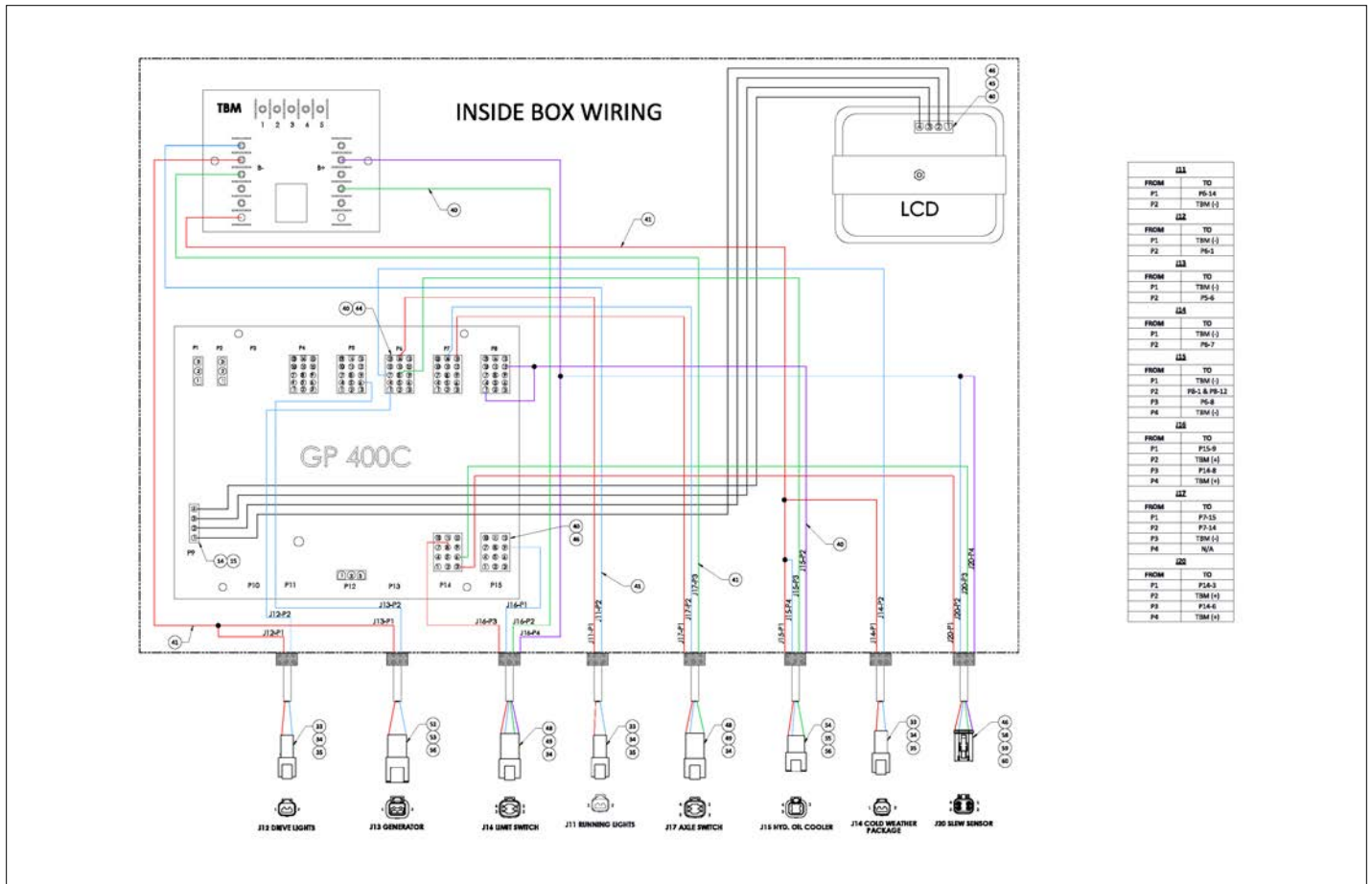












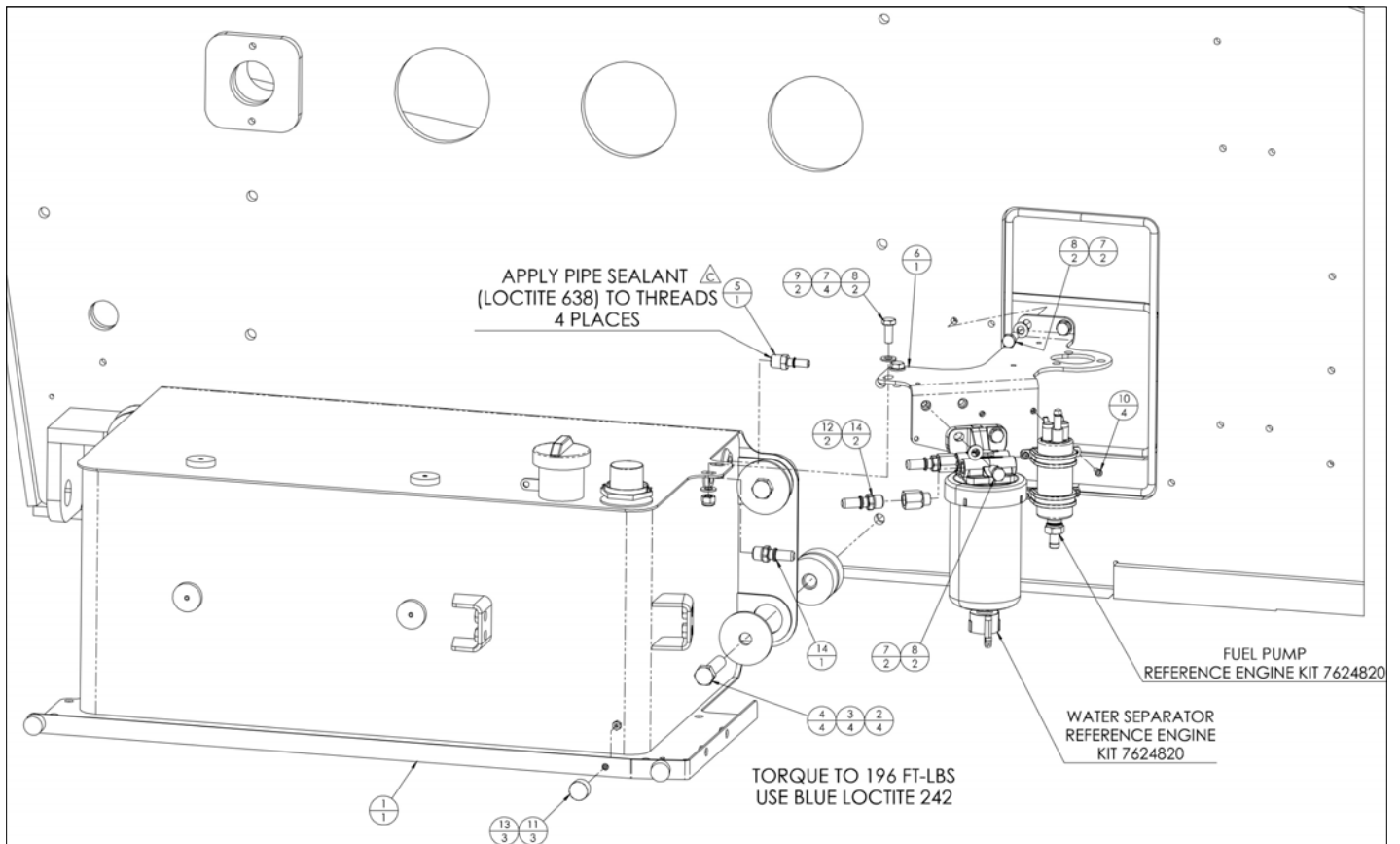
アイテム	部品番号	名前	数量	UOM
	1433408A	LOWER CONTROL BOX ASSEMBLY DEUTZ 460SJ		EA
1	1433475	ENCL, LWR CTRL BOX DEUTZ 460SJ	1	EA
2	1430787	BACKING PLATE	1	EA
3	3030181	Trionics TBM	1	EA
4	3030174	VALVE CURRENT CONTROL MODULE	1	EA
5	1433307	GP400C	1	EA
6	056069 005	Washer SteelFlatWasher DIN125A	20	EA
7	056057 025	Bolt, HexBolt DIN931 M5 x 25mm	8	EA
8	056064 005	Nut, NylockNut DIN985 M5 10.0	8	EA
9	5563760	SCS BUTN HD M5X0.8X8 ZN 10.9	4	EA
10	056069 004	Wshr, SteelFlatWshr M4 DIN125	16	EA
11	058500 020	Bolt, SktCapScrew DIN912 M4 x	4	EA
12	056066 004	NUT NYLOCK DIN985 M4 8.0 ZP	8	EA
13	056069 006	WSHR STEELFLATWSHE M6 DIN125A	4	EA
14	056058 020	Bolt, HexBolt DIN931 M6 x 20mm	2	EA
15	056064 006	NUT NYLOCK DIN985 M6 10.0 ZP	2	EA
16	510563 016	Bolt, SktCapScrew DIN912 M4 x	4	EA
17	3040411	Alarm Buzzer	1	EA
18	1433487	BRKT, LCD SCREEN, LWR CNTRL BX	1	EA
19	015790 011	DEUTSCH 24PIN CONN DRC 12 24PA	1	EA
20	100338 001	RECPT. DEUTSCH	1	EA
21	3220366	HEYCO CORD GRIP 3207	11	EA
22	3220365	HEYCO CORD GRIP 3210	1	EA

アイテム	部品番号	名前	数量	UOM
23	3049837	CONNECTOR 12 PIN BHD	1	EA
24	1433489	DECAL, LWR CTRL BOX DEUTZ 460S	1	EA
25	3040069	CIRCUIT BREAKER 25AMP	1	EA
26	3028886	ASY KEY SW 3 POS CPTV2XNO	1	EA
*	09 1008	REPLACEMENT KEY	1	EA
27	3020016	Switch, Toggle Honeywell INTI 7	7	EA
28	3028810	PUSH/PULL EMERGENCY STOP	1	EA
*	1450107	PUSH BOTTON OPERATOR	1	EA
*	09 1931	SHITCH CLAMP BODY	1	EA
*	3028842	SINGLE NC CONTACT BLOCK	1	EA
29	5563889	PLUG PLASTIC SNAP IN ID.50"BLK	2	EA
30	1431983	WINDOW, CLEAR PLEXIGLASS	1	EA
31	3087803	EZCal Panel Trionics	1	EA
32	3069524	LIGHT RED LED 12V	1	EA
33	3028879	CNCTR 2WAY PLUG GREY DT04 2P	3	EA
34	3040341	PIN CONTACT SIZE 16 16/18 GA	46	EA
35	3049808	LOCK WEDGE 2 PIN DEUTSCH RECEP	2	EA
36	3040650	SOCKET CONTACT 12 DEUTSCH DEU	3	EA
37	3011201	WIRE 12GA RED SINGLE CONDUCTOR	1	EA
38	3011251	WIRE 12GA SINGLE CONDUCTOR BLK	1	EA
39	3040700	LOCK WEDGE 8 PIN REC	1	EA
40	3011641	WIRE 16GA SINGLE CONDUCTOR WHT	1	EA
41	3011601	WIRE 16GA SINGLE CONDUCTOR BLK	1	EA

アイテム	部品番号	名前	数量	UOM
42	3220199	CONNECTOR AMP 3 PIN	3	EA
43	3220181	CONN AMP 2PIN P/N:1 480698 0	5	EA
44	3220024	CONNECTOR AMP 12 PIN 1 480 708	2	EA
45	3220142	CONNECTOR AMP 15 PIN PLUG	5	EA
46	3049986	AMP SOCKET CONTACT	77	EA
47	3220163	CONNECTOR AMP 4 PIN 1 480702 0	2	EA
48	3028875	CNCTR 4WAY PLUG GREY DT04 4P	2	EA
49	3028884	LOCK WEDGE 4 PIN DEUTSCH W4 P	2	EA
50	3014785	WIRE 10GA SINGLE COND RED	1	EA
51	3014786	WIRE 10GA SINGLE COND BLACK	1	EA
52	12554 009	RECEPTACLE 2 WIRE	1	EA
53	12554 016	WEDGELOCK FOR DTP04 2P	1	EA
54	12554 008	CONNECTOR DEUTSCH DTP04 4P	1	EA
55	12554 018	WEDGELOCK FOR DTP04 4P	1	EA
56	12554 026	PIN SIZE 12 (12 14GA) DTP	6	EA
57	3220365	HEYCO CORD GRIP 3210	1	EA
58	3049890	LOCK WEDGE 4 PIN	1	EA
59	3049888	CONNECTOR 4 PIN	1	EA
60	3040342	SOCKET CONTACT SIZE 16 16/18GA	1	EA
61	3049849	LOCK WEDGE 12 PIN DEUTSCH REC	1	EA

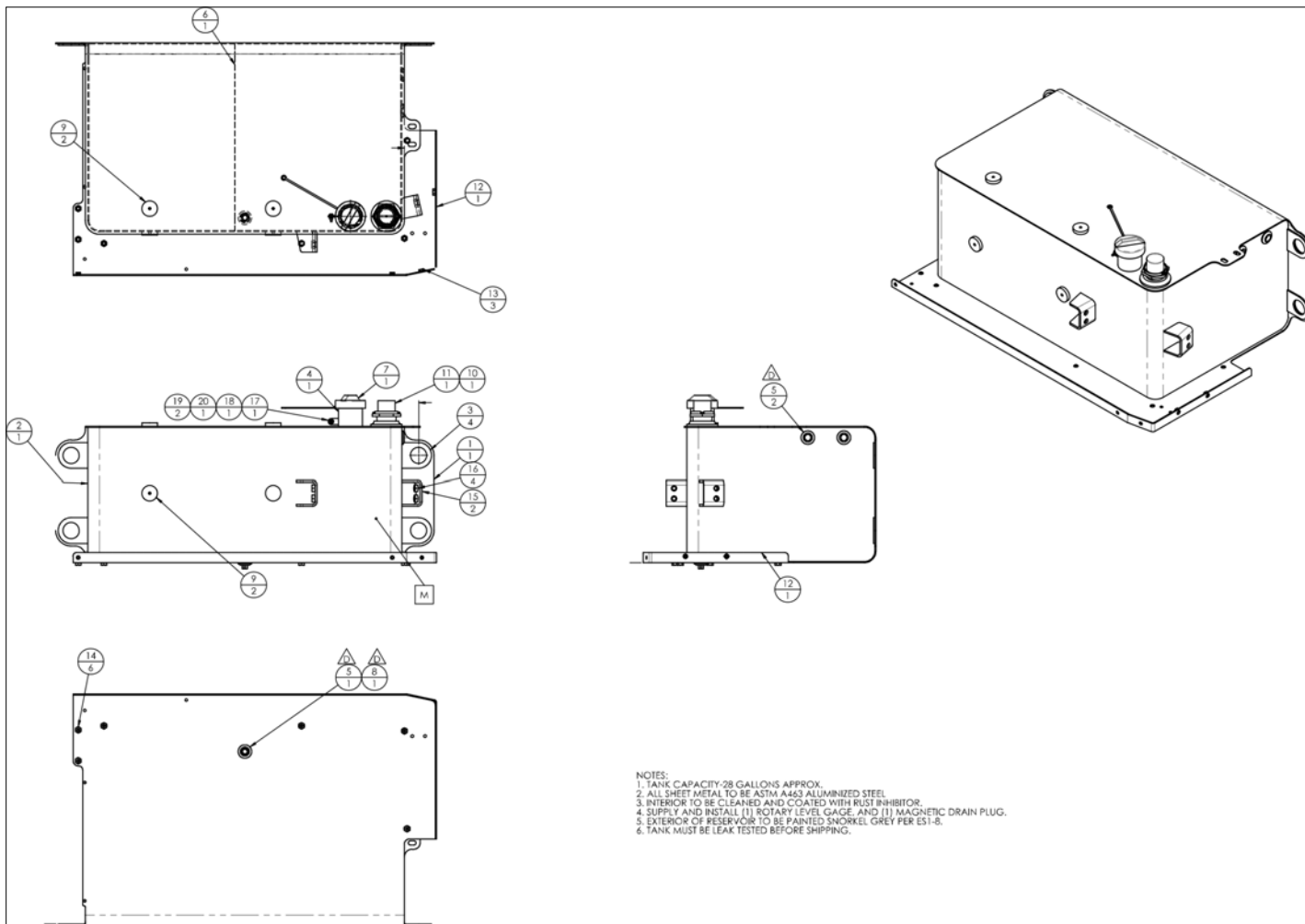
アイテム	部品番号	名前	数量	UOM
*	1434126 A	LOWER CONTROL BOX INSTALLATION 400S APRIL 2019 AND AFTER		EA
1	1434073	ASSY,LWR CTRL BX, 460/660 DEU	1	EA
2	1433256	BRACKET CONTROL BOX	2	EA
3	508247 006	WASHER OVERSIZED M6 X 18MM DIN9021 ZP	8	EA
4	056064 006	NUT NYLOCK DIN985 M6 10.0 ZP	2	EA
5	512630 012	HHCS M6X1X12 G10.9 ISO 4017	4	EA
6	512630 020	HHCS M6 X X 20 G10.9 DIN 933	2	EA

REPAIR PARTS



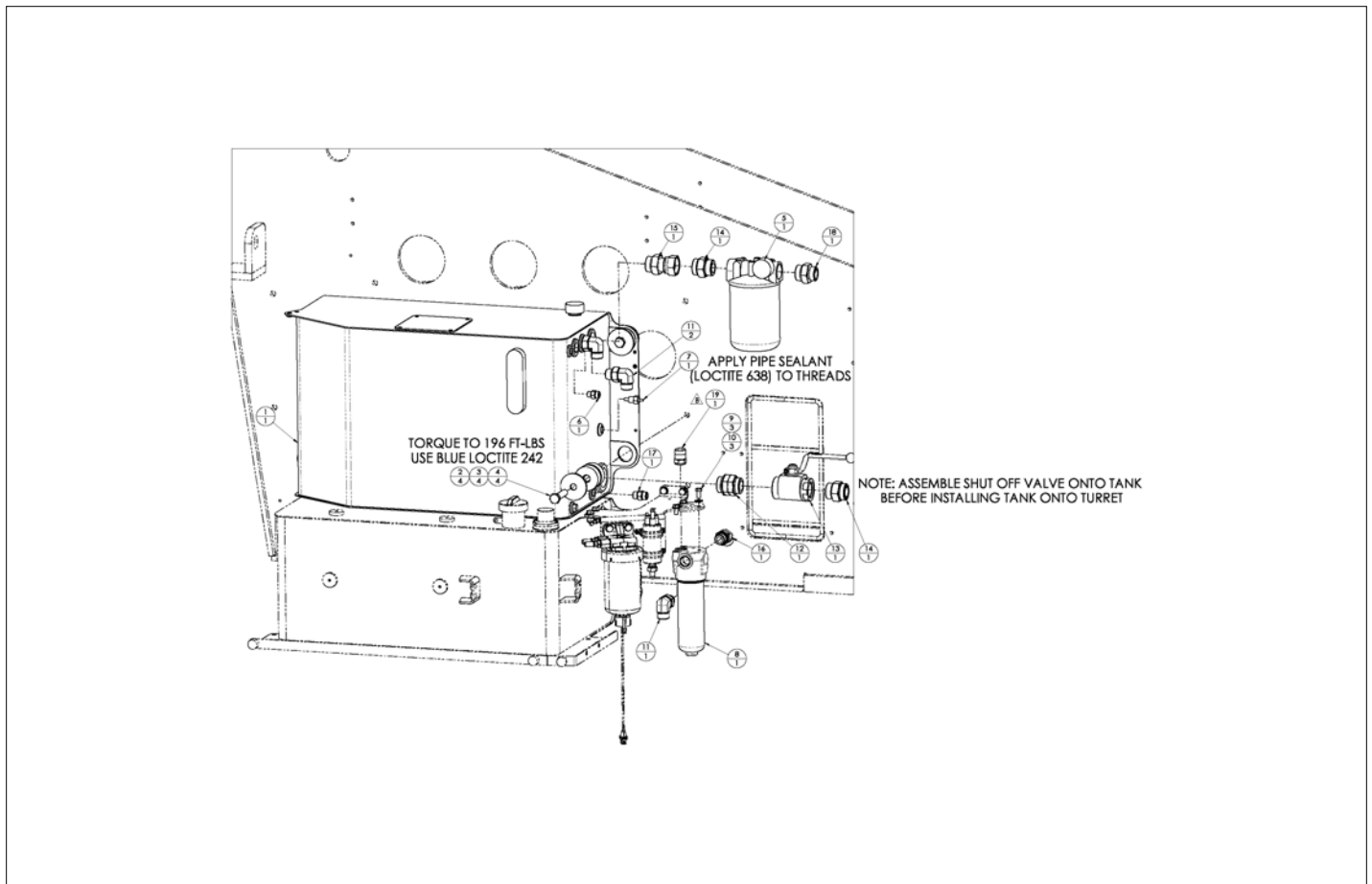
アイテム	部品番号	名前	数量	UOM
*	1433247 C	DIESEL TANK INSTALLATION 400S 460SJ		EA
1	1433248	DIESEL FUEL TANK 400S/460SJ	1	EA
2	1433252	ISOLATOR 2.5"OD X .64"ID X .25	4	EA
3	1433255	WASHER ISOLATOR 2.81 X .675	4	EA
4	058480 071	HHCS M16 X 2.0 X 70 G10.9 DIN 931	4	EA
5	5028502	CONTR,3/8X3/8,STRT SAFE LOCK	1	EA
6	1433388	BRACKET FILTER, PUMP	1	EA
7	056069 010	Washer, SteelFlatWasher DIN125A M10 ZincPlated	8	EA
8	058493 025	HHCS M10 X 25MM GR10.9 DIN933	6	EA
9	056064 010	Nut NylockNut DIN985 M10 10.0	2	EA
10	5563951	SCHS M5 X 0.8 X 14 DIN 912 SS	4	EA
11	5563642	BUMPER RUBBER M6X1.0	3	EA
12	5028048	ADAPTER, REDUCER/EXPANDER M16X	2	EA
13	056067 006	NUT HEX NUT M6 DIN934 ZINC PLATED	3	EA
14	5028050	FUEL FTG, 3/8NPT X 1/2 SAFELOC	3	EA

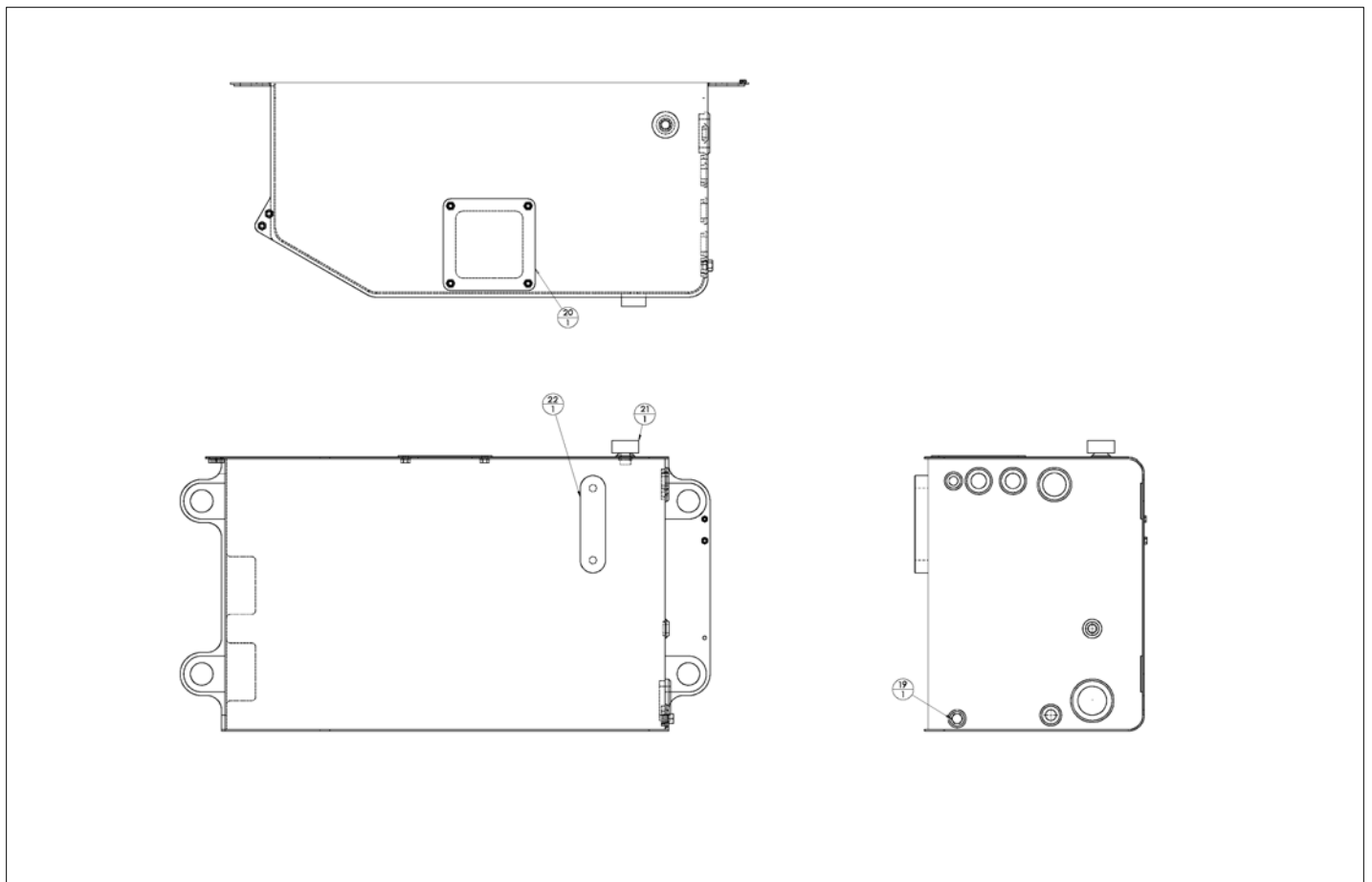
REPAIR PARTS



アイテム	部品番号	名前	数量	UOM
	1433248 D	DIESEL TANK 400S 460SJ		EA
1	1433248 001	CHANNEL DIESEL TANK #1	1	EA
2	1433248 002	CHANNEL DIESEL TANK #2	1	EA
3	1433254 003	TAB HYDRAULIC TANK	4	EA
4	9940242	NECK, FILL, DIESEL	1	EA
5	9940244	WELD BUNG, 3/8 18 NPTF	3	EA
6	1433248 003	BAFFLE DIESEL TANK	1	EA
7	1434080	CAP DIESEL FUEL THREADED	1	EA
8	7714203	FTG PLUG .375 NPT SQ HD BLK	1	EA
9	1433504	MTG BOSS, CTRL BOX TO TANK	4	EA
10	9940253	WELD BUNG, 1 1/2" NPT, STEEL	1	EA
11	9940254	FUEL GAGE SIDE READ 12.125" LG X 1 1/2"NPT	1	EA
12	1433248 004	RIB DIESEL TANK	1	EA
13	5563246	M6 X 1.0 HEX WELD NUT	3	EA
14	5563339	M8 x 1.25 Hex weld nut	8	EA
15	1433248 005	CHANNEL DIESEL TANK	2	EA
16	5563340	M10x1.5 HEX WELD NUT	4	EA
17	9940243	TAB, TETHER, FILL NECK	1	EA
18	512459 016	BLT HEXHD M4 X 0.7 X 16MM DIN 933 8.8 ZP	1	EA
19	508247 004	Washer, Penny Washer, DIN9021, M4 ZINC PLATED	2	EA
20	056066 004	NUT NYLOCK DIN985 M4 8.0 ZP	1	EA

REPAIR PARTS

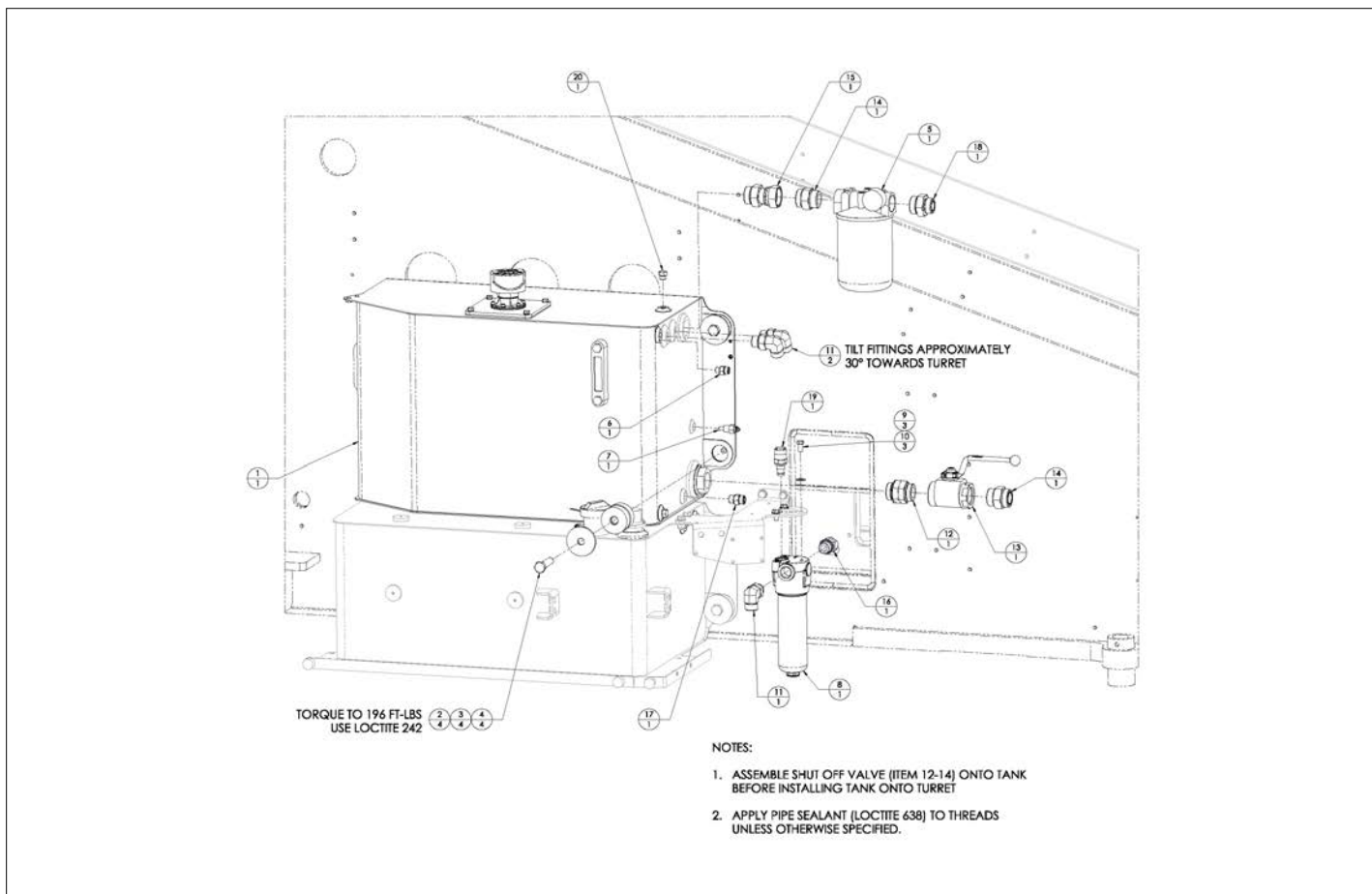




アイテム	部品番号	名前	数量	UOM
	1433253 B	HYDRAULIC TANK INSTALLATION 400S/460SJ MARCH 2018 AND BEFORE		EA
1	1433254	HYD TANK 400S/460SJ	1	EA
2	1433252	ISOLATOR 2.5"OD X .64"ID X .25	4	EA
3	1433255	WASHER ISOLATOR 2.81 X .675	4	EA
4	058480 075	Bolt, HexBolt DIN931 M16 x 75m	4	EA
5	5080044	FILTER RETURN LINE W/GAUGE	1	EA
Not Shown	5080017	FILTER ELEMENT	1	EA
6	100432 009	Hyd Fitting Straight ORFS(06) SAE(06)	1	EA
7	560395	TEMP SENSOR	1	EA
8	6019325	Pressure Filter	1	EA
Not Shown	6091845	REPLACEMENT FILTER ELEMENT	1	EA
9	5560222	WSHR FLAT HARD .375 SP	3	EA
10	970449	HHD BLT .375 16 X .750 GR5	3	EA
11	100434 021	Hyd Fitting 90 Elbow ORFS(12) SAE(12)	3	EA
12	5111686	FTG, 20MORB X 20 MORG UNION	1	EA
13	6019445	SAE 20, BALL VALVE, ALUM	1	EA
14	11700 030	FITTING STR 20MB 20MFS	2	EA
15	5028049	FTG 20 MORB X 20FORFS SWIVEL STRAIGHT	1	EA
16	511586 000	FTG, 45 ° , 12MORFF X 12MORB	1	EA
17	100432 015	FTG, STR, 8MORFF X 8MORB	1	EA
18	11700 028	FTNG STR 20MB 16MFS F5OLO	1	EA
19	5075205	FTG PL HEXHD 6B STL	1	EA
20	1433254 9	CAP HYDRAULIC TANK	1	EA
21	PNNA	BREATHER	1	EA

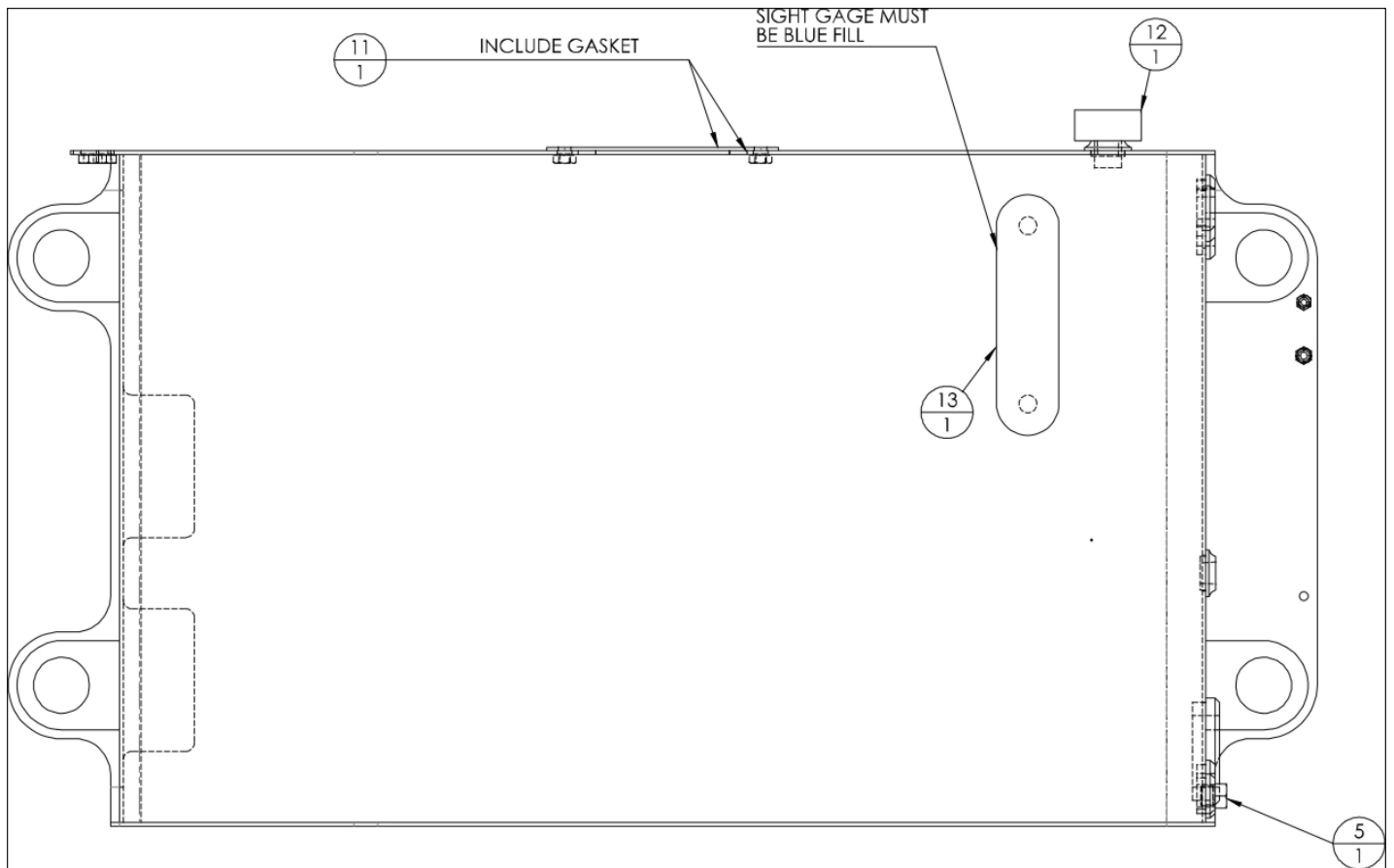
アイテム	部品番号	名前	数量	UOM
22	PNNA	SIGHT GAUGE BLUE FILL	1	EA

REPAIR PARTS



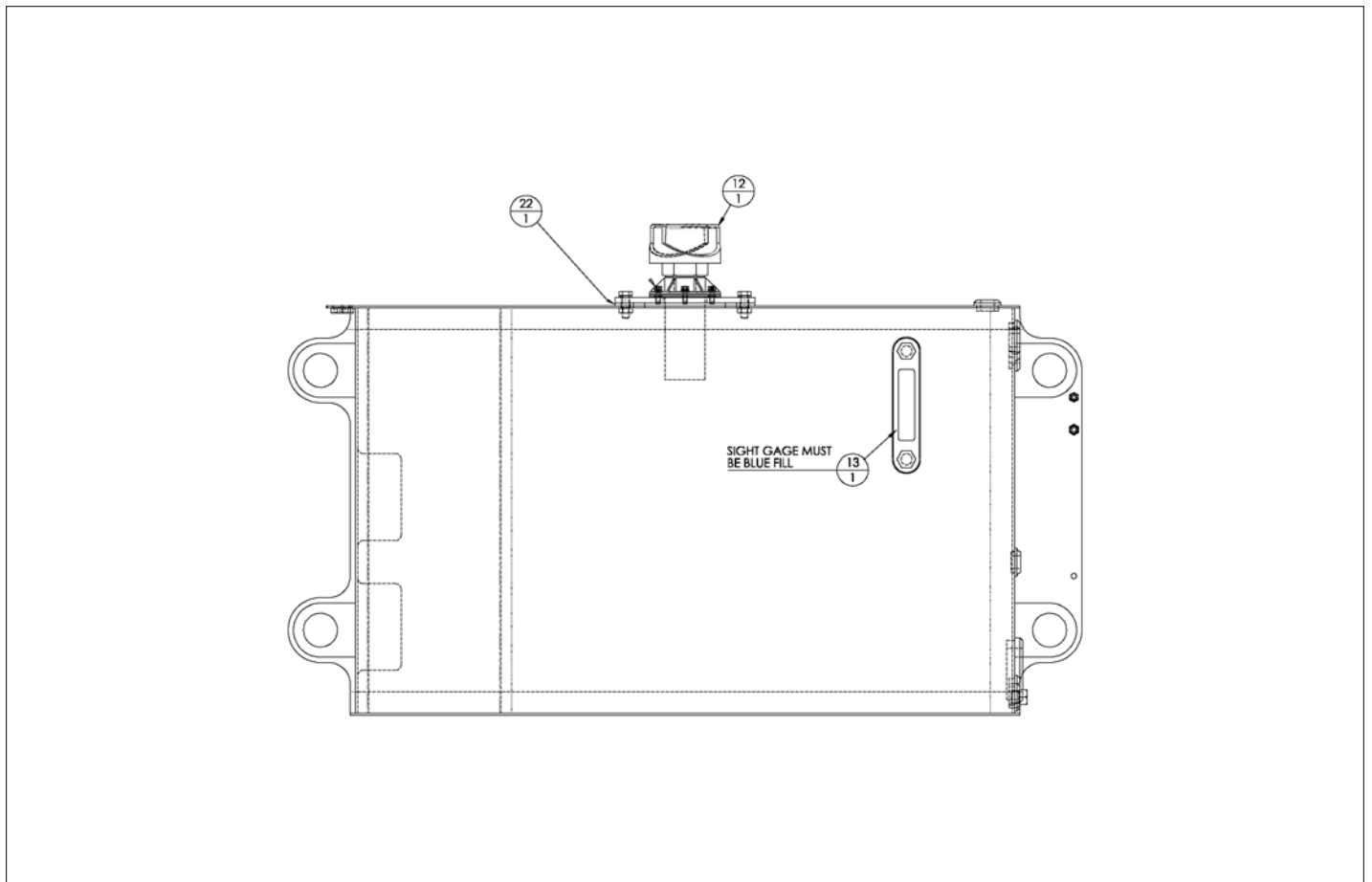
アイテム	部品番号	名前	数量	UOM
*	1433253 D	HYDRAULIC TANK INSTALLATION APRIL 2018 AND AFTER		EA
1	1433254 8	HYD TANK 400S/460SJ	1	EA
2	1433252	ISOLATOR 2.5"OD X .64"ID X .25	4	EA
3	1433255	WASHER ISOLATOR 2.81 X .675	4	EA
4	058480 071	HHCS M16 X 2.0 X 70 G10.9 DIN 931	4	EA
5	5080044	FILTER RETURN LINE W/GAUGE	1	EA
6	100432 009	Hyd Fitting Straight ORFS(06) SAE(06)	1	EA
7	560395	TEMP SENSOR	1	EA
8	6019325	Pressure Filter	1	EA
9	5560222	WSHR FLAT HARD .375 SP	3	EA
10	970449	HHD BLT .375 16 X .750 GR5	3	EA
11	100434 021	Hyd Fitting 90 Elbow ORFS(12) SAE(12)	1	EA
12	5111686	FTG, 20MORB X 20 MORG UNION	1	EA
13	6019445	SAE 20, BALL VALVE, ALUM	1	EA
14	11700 030	FITTING STR 20MB 20MFS	2	EA
15	5028049	FTG 20 MORB X 20FORFS SWIVEL STRAIGHT	1	EA
16	511586 000	FTG, 45 ° , 12MORFF X 12MORB	1	EA
17	100432 015	FTG, STR, 8MORFF X 8MORB	1	EA
18	11700 028	FTNG STR 20MB 16MFS F5OLO	1	EA
19	6029706	INDICATOR HYD BYPASS, 5 BAR	1	EA
20	5075205	FTG PL HEXHD 6B STL	1	EA

REPAIR PARTS



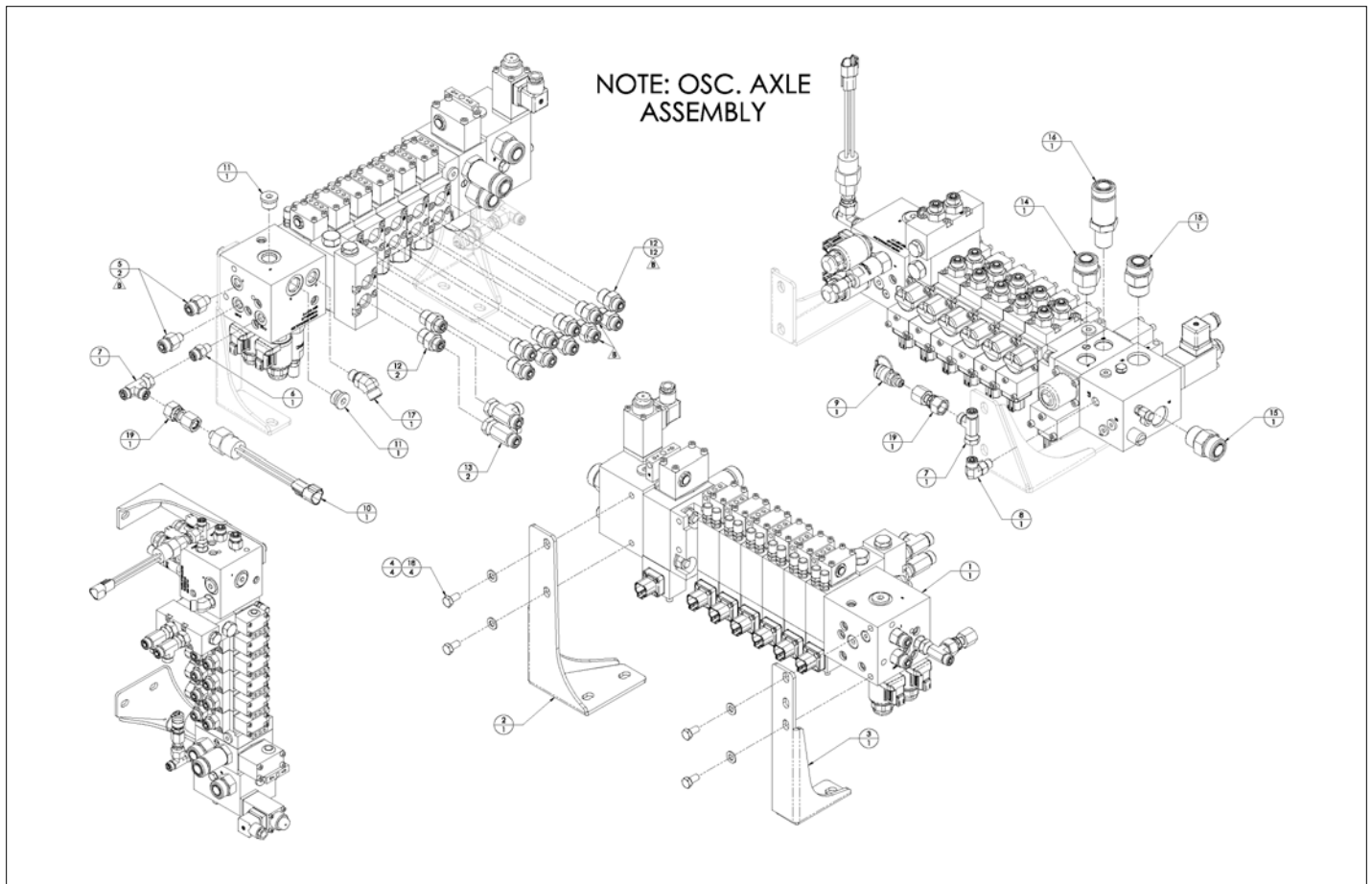
アイテム	部品番号	名前	数量	UOM
	1433254 B	HYDRAULIC TANK 400S 460SJ MARCH 2018 AND BEFORE		EA
5	5075205	FTG PL HEXHD 6B STL	1	EA
11	1433254 9	CAP HYDRAULIC TANK	1	EA
12	212463	BREATHER	1	EA
13	254036	SIGHT GAUGE BLUE FILL	1	EA

REPAIR PARTS



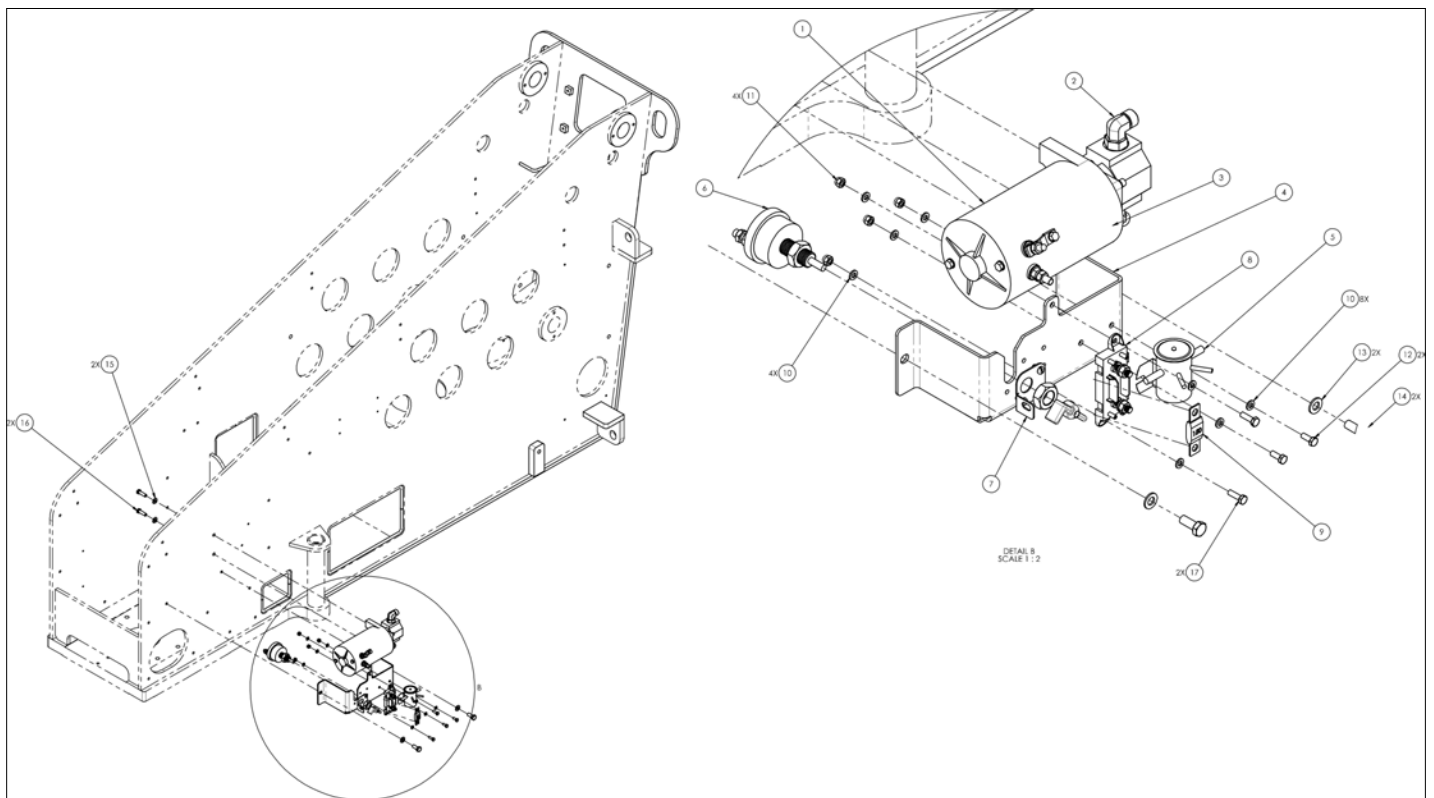
アイテム	部品番号	名前	数量	UOM
	1433254 E	HYDRAULIC TANK 400S 460SJ APRIL 2018 AND AFTER		EA
12	0260685	FILLER CAP	1	EA
13	5210018	SIGHT LEVEL GAUGE BLUE FILL	1	EA
22	7190009	GASKET CAP ADAPTER PLATE 400S/460SJ	1	EA

REPAIR PARTS



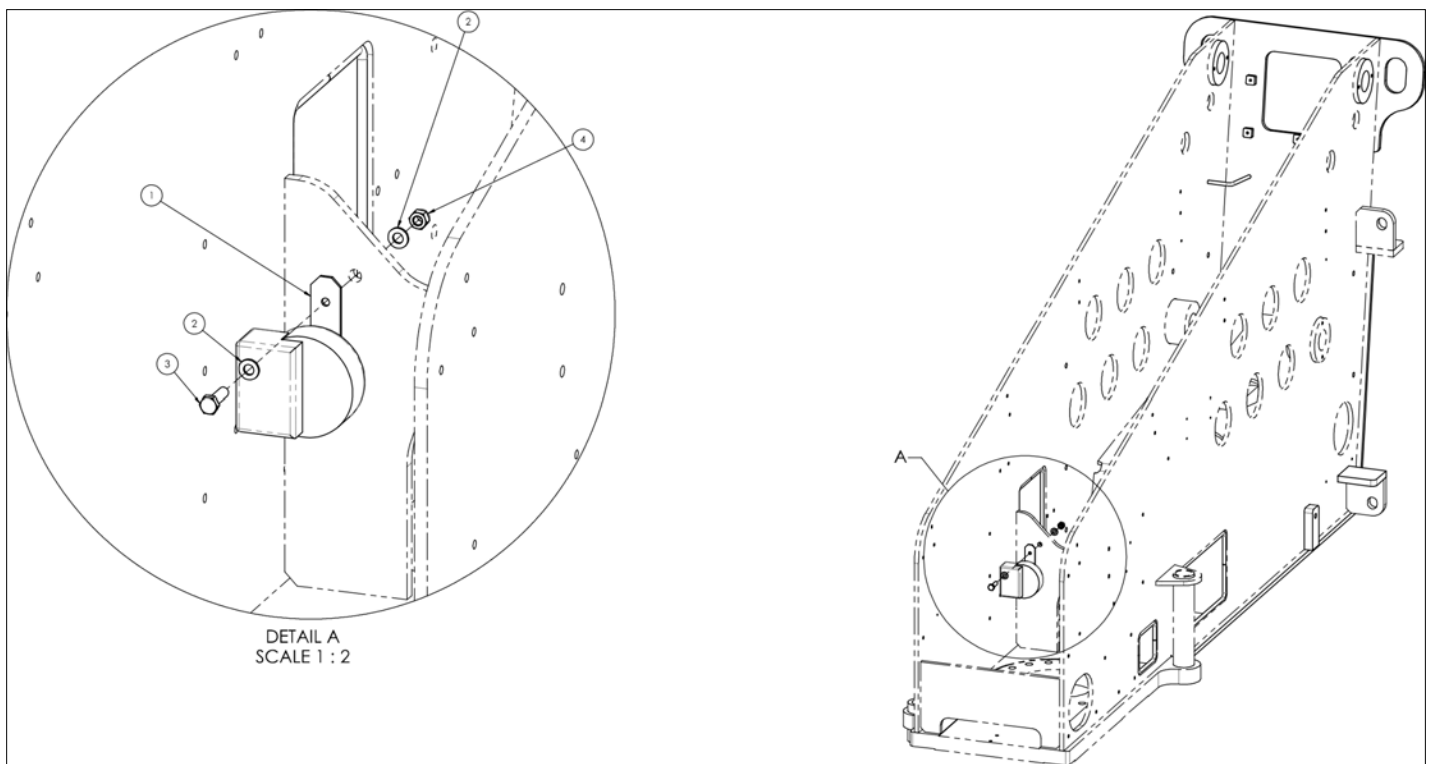
アイテム	部品番号	名前	数量	UOM
	1433630B	MAIN MANIFOLD OSCILATING ASSEMBLY 400S 460SJ		EA
1	6019349	HYD MANIFOLD OSC AXLE	1	EA
2	1431495 8	BRKT, BOTTOM HAWE VLV MNT	1	EA
3	1431494 8	BRKT, TOP HAWE VALVE MOUNT	1	EA
4	056069 008	WASHER, STEELFLATWASHER DIN12M8 FLAT WASHER DIN 125	4	EA
5	100432 007	Hyd Fitting Straight ORFS(06) SAE(04)	2	EA
6	100432 002	Hyd Fitting Straight ORFS(04) SAE(04)	1	EA
7	5033035	TEE RUN SWVL, 4FORRFS X 4FORFS X 4 MORFS	2	EA
8	100434 002	FITTING 4MORFF X 4MORB 90 °	1	EA
9	063965 001	PLUG TEST PORT	1	EA
10	3014766	SWITCH PRESS 200PSI #4SAE	1	EA
11	5075306	HEX PLUG	2	EA
12	511339 000	FTG, STR, 6MORFF X 8MORB	12	EA
13	511356 000	FTG 6FORF 6MORF X 6MORF RUN TEE	2	EA
14	511585 000	GTG STR 10 MORB X 12 MORFS	1	EA
15	100432 027	Hyd Fitting Straight ORFS(12) SAE(12)	2	EA
16	5028034	12 ORFM X 10 ORFM FF5OLO LONG FTG	1	EA
17	100433 005	FTG, 45 ° , 6MORFF X 6MORB	1	EA
18	510681 016	HHCS M8X1.25X16 G10.9 ISO 4014	4	EA
19	511587 000	4FB X 4FW ORFF ADAPTER FITTING	2	EA

REPAIR PARTS



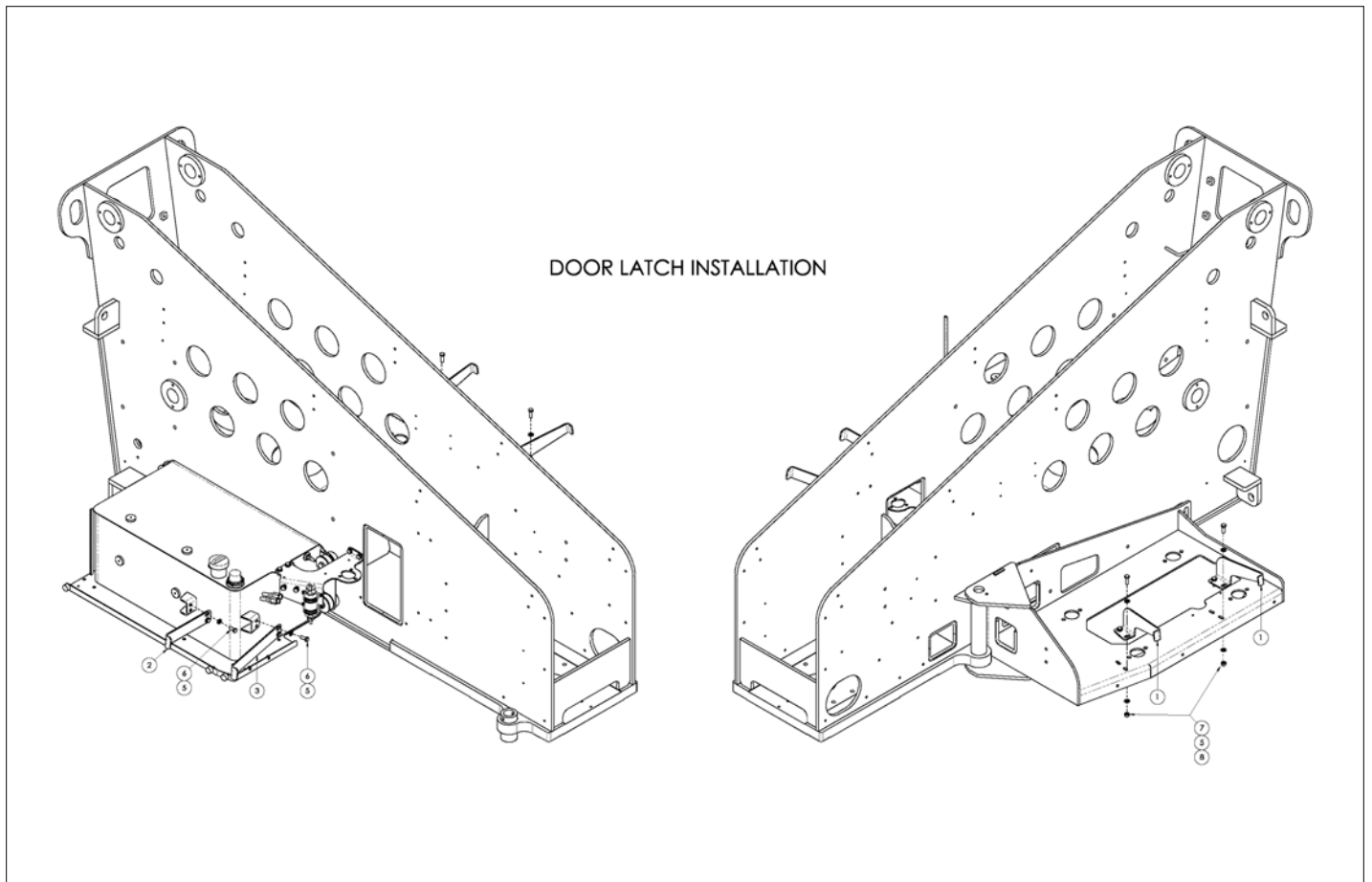
アイテム	部品番号	名前	数量	UOM
	1433267A	EMERGENCY POWER UNIT INSTALL 400S/460SJ		EA
1	6020058	EMERGENCY PWR UNIT TB/ATB	1	EA
2	100434 013	Hyd Fitting 90 Elbow ORFS(08) SAE(08)	1	EA
3	100433 005	FTG, 45 ° , 6MORFF X 6MORB	1	EA
4	1432220	PLT, BATTERY DISCONNECT ORG	1	EA
5	3040506	SOLENOID 12V 150	1	EA
6	13161 000	SWITCH	1	EA
7	13162 000	SWITCH LOCK	1	EA
8	13006 006	150 AMP FUSE	1	EA
9	13006 016	FUSE BLOCK BOLT IN LITTLE	1	EA
10	056069 006	WSHR STEELFLATWSHE M6 DIN125A	8	EA
11	056064 006	NUT NYLOCK DIN985 M6 10.0 ZP	4	EA
12	512630 016	BOLT, HEXBOLT DIN933 M6 x 16mm 10.9 ZINCPLATED	2	EA
13	056069 010	Washer, SteelFlatWasher DIN125A M10 ZincPlated	2	EA
14	058493 025	HHCS M10 X 25MM GR10.9 DIN933	2	EA
15	5560222	WSHR FLAT HARD .375 SP	2	EA
16	5560704	BLT HEXHD .375 16 1.25 GR8	2	EA
17	512630 020	HHCS M6 X X 20 G10.9 DIN 933	2	EA

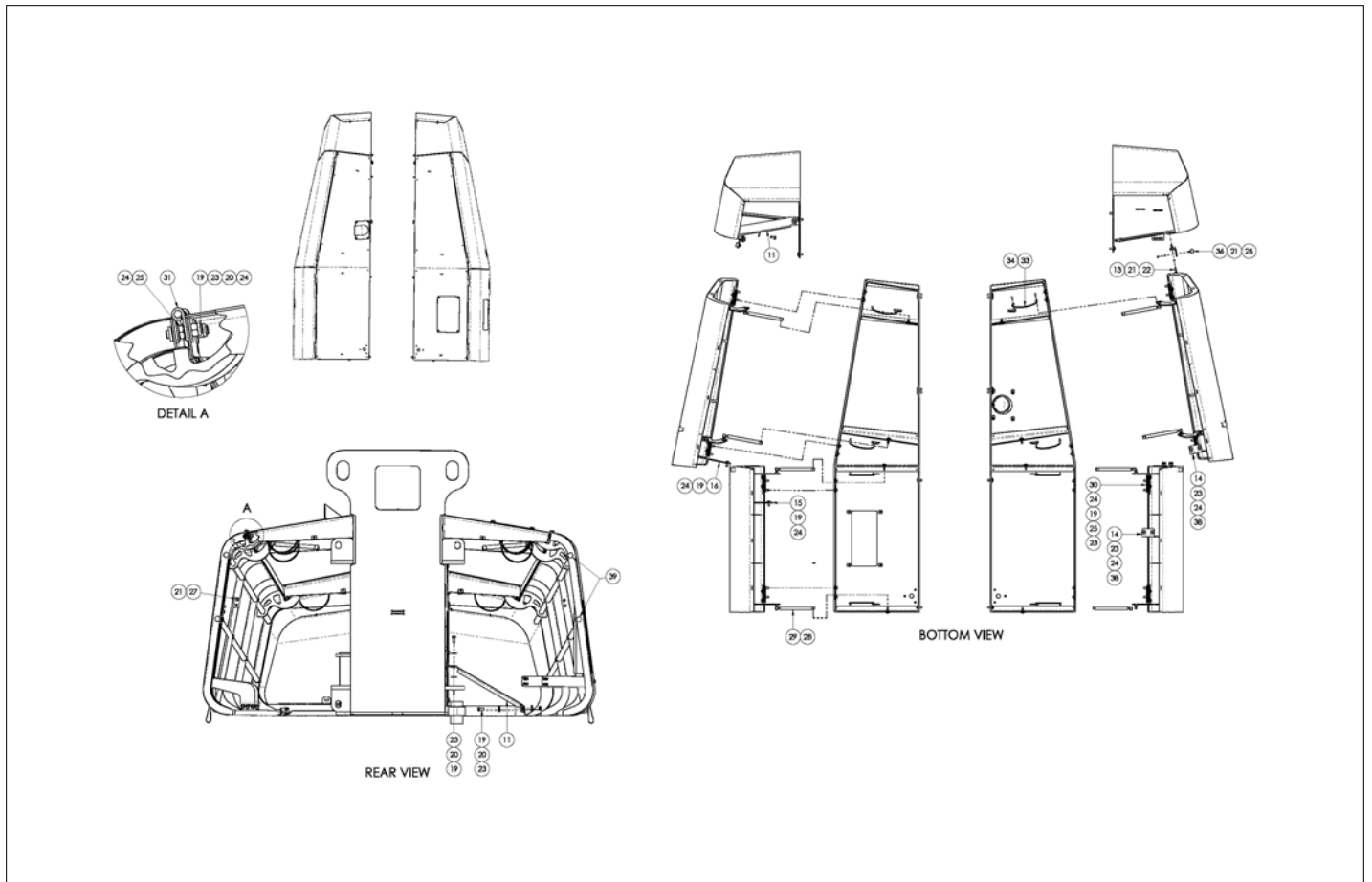
REPAIR PARTS

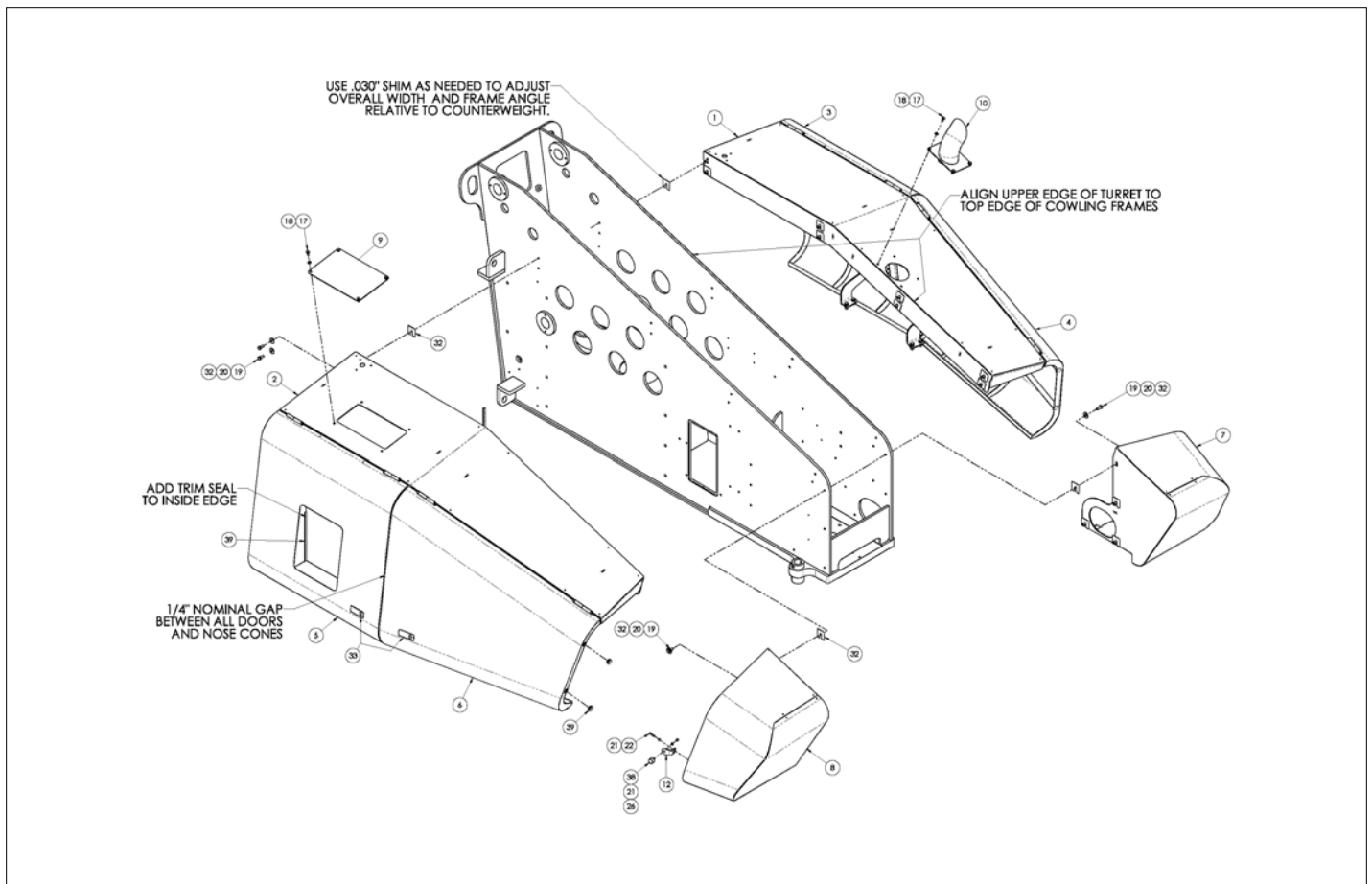


アイテム	部品番号	名前	数量	UOM
	1433268A	HORN INSTL 400/460SJ		EA
1	3014787	ASSY HORN	1	EA
2	5563543	WSHR, FLAT M10 YL ZN GR 10.9	2	EA
3	5563898	HHCS M10 X 35 G10.9 DIN 931	1	EA
4	056064 010	Nut NylockNut DIN985 M10 10.0	1	EA

REPAIR PARTS



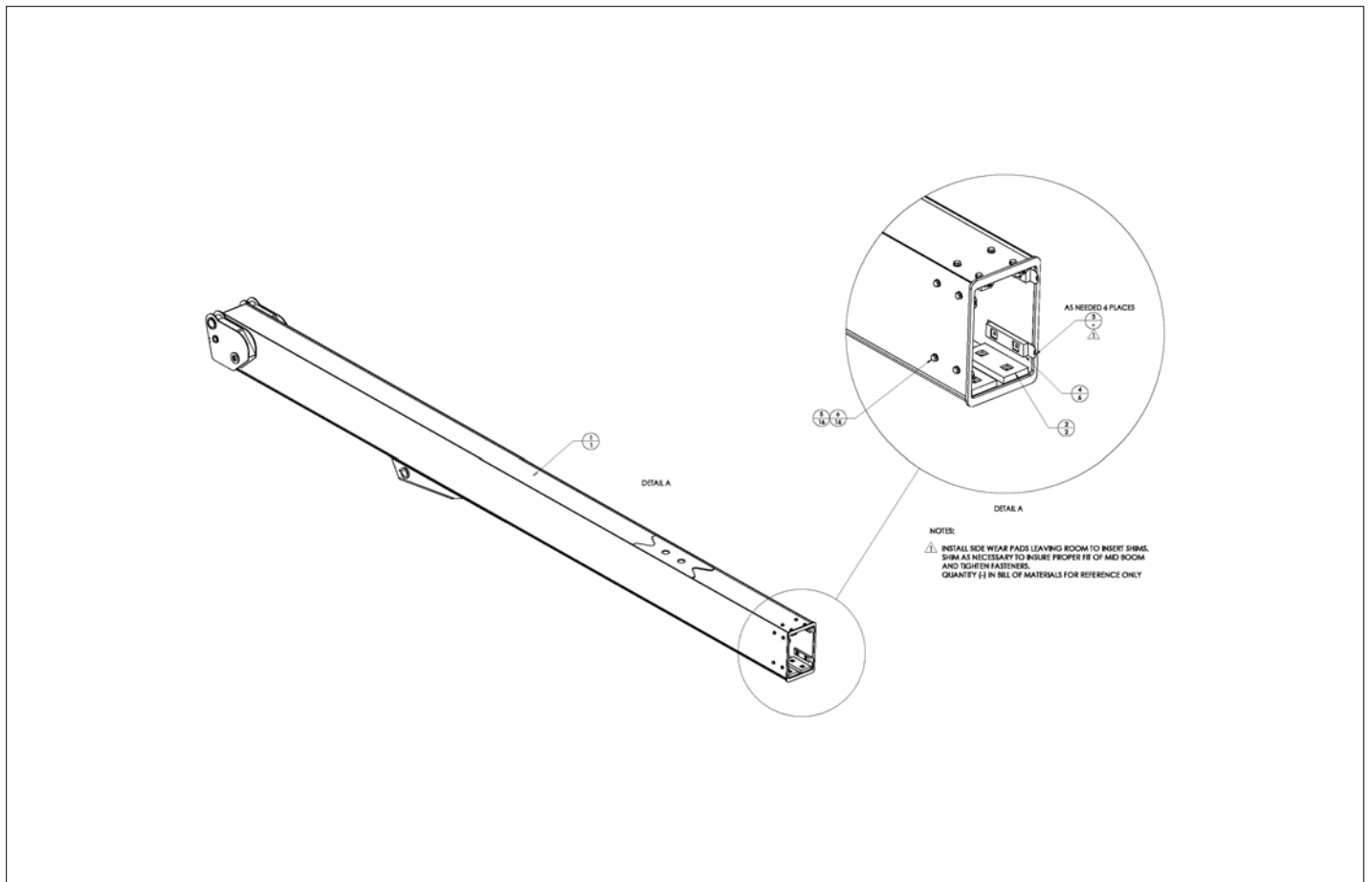




アイテム	部品番号	名前	数量	UOM
	1431176B	TURRET HOODS INSTALL		EA
1	1431183	FRAME WELDMENT, RH	1	EA
2	1431217	FRAME WELDMENT, LH	1	EA
3	1431181	REAR DOOR, RH 400S/460SJ	1	EA
4	1431200	FRONT DOOR, RH 400S/460SJ	1	EA
5	1431213	REAR DOOR, LH 400S/460SJ	1	EA
6	1431226	FRONT DOOR, LH 400S/460SJ	1	EA
7	1433323	NOSE CONE, RH 400S/460SJ	1	EA
8	1433329	NOSE CONE, LH 400S/460SJ	1	EA
9	1431544	COVER HAND	1	EA
10	1431073	MUFFLER WA	1	EA
11	1433351	SUPPORT NOSE CONE, 400S/460SJ	1	EA
12	1431966	BRACKET BUMPER	1	EA
13	1431967	BRACKET BUMPER	1	EA
14	1431514	MOUNT, BUMPER	2	EA
15	1433923 8	LATCH LH FRONT DOOR 400S 460SJ	1	EA
16	1433924 8	LATCH LH REAR DOOR 400S 460SJ	1	EA
17	510681 016	HHCS M8X1.25X16 G10.9 ISO 4014	8	EA
18	056069 008	WASHER, STEELFLATWASHER DIN12M8 FLAT WASHER DIN 125	8	EA
19	058493 025	HHCS M10 X 25MM GR10.9 DIN933	45	EA
20	508247 010	Washer,PennyWasher, DIN9021,M1	43	EA
21	056069 006	WSHR STEELFLATWSHE M6 DIN125A	22	EA
22	512630 025	HHCS M6 X 1 X 25 GR 10.9 DIN 933	4	EA

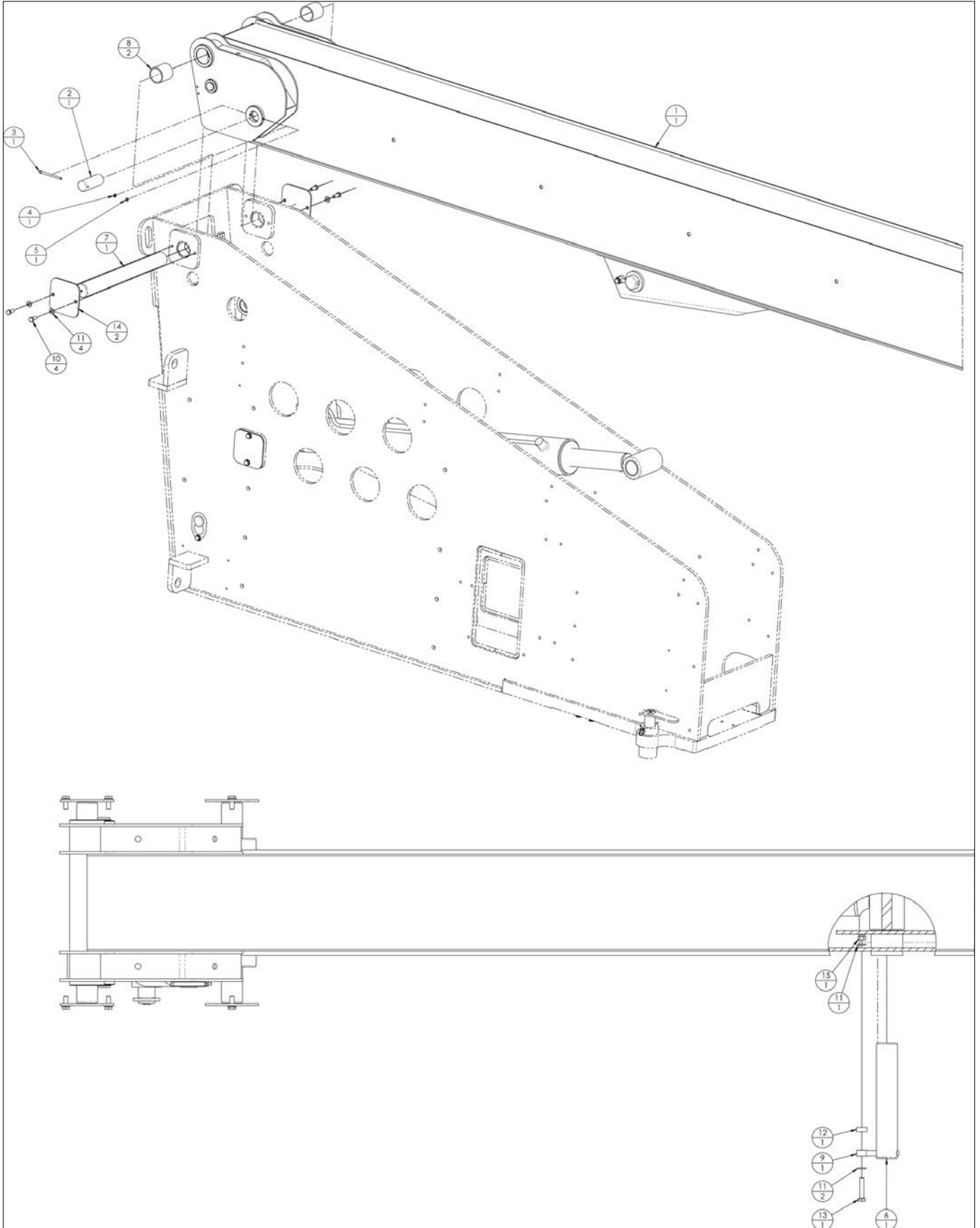
アイテム	部品番号	名前	数量	UOM
23	056064 010	Nut NylockNut DIN985 M10 10.0	22	EA
24	056069 010	Washer, SteelFlatWasher DIN125A M10 ZincPlated	44	EA
25	058493 016	BOLT HEXSCREW DIN933 M10 X 16MM 8.8 ZINCPLATED	16	EA
26	056064 006	NUT NYLOCK DIN985 M6 10.0 ZP	10	EA
27	056058 018	BOLT, HEXBOLT DIN 931 M6 X 16MM 8.8 ZP	8	EA
28	5534385	10 MM BALL STUD, .3125 18	16	EA
29	5516368	GAS SPRING 150#x15.25	8	EA
30	5516370	HINGE .375 PIN ASSY	8	EA
31	1431849	SHIM COWLING, .030"	24	EA
32	5510022	ADJUSTABLE LEVER LATCH	4	EA
33	1431539	CABLE DOOR	8	EA
34	5534390	SHOULDR BOLT 6mm x4MM	16	EA
35	5516357	STRAP NYLON, 24 INCH	4	EA
36	5563642	BUMPER RUBBER M6X1.0	2	EA
37	2540015	PLUG PIPE, .84 .93" ID	16	EA
38	056060 030	BOLT HEXBOLT DIN931 M10 X 30MM 8.8 ZP	4	EA
39	9920035	TRIMSEAL X3/16G TRIM LOK	5	EA

REPAIR PARTS



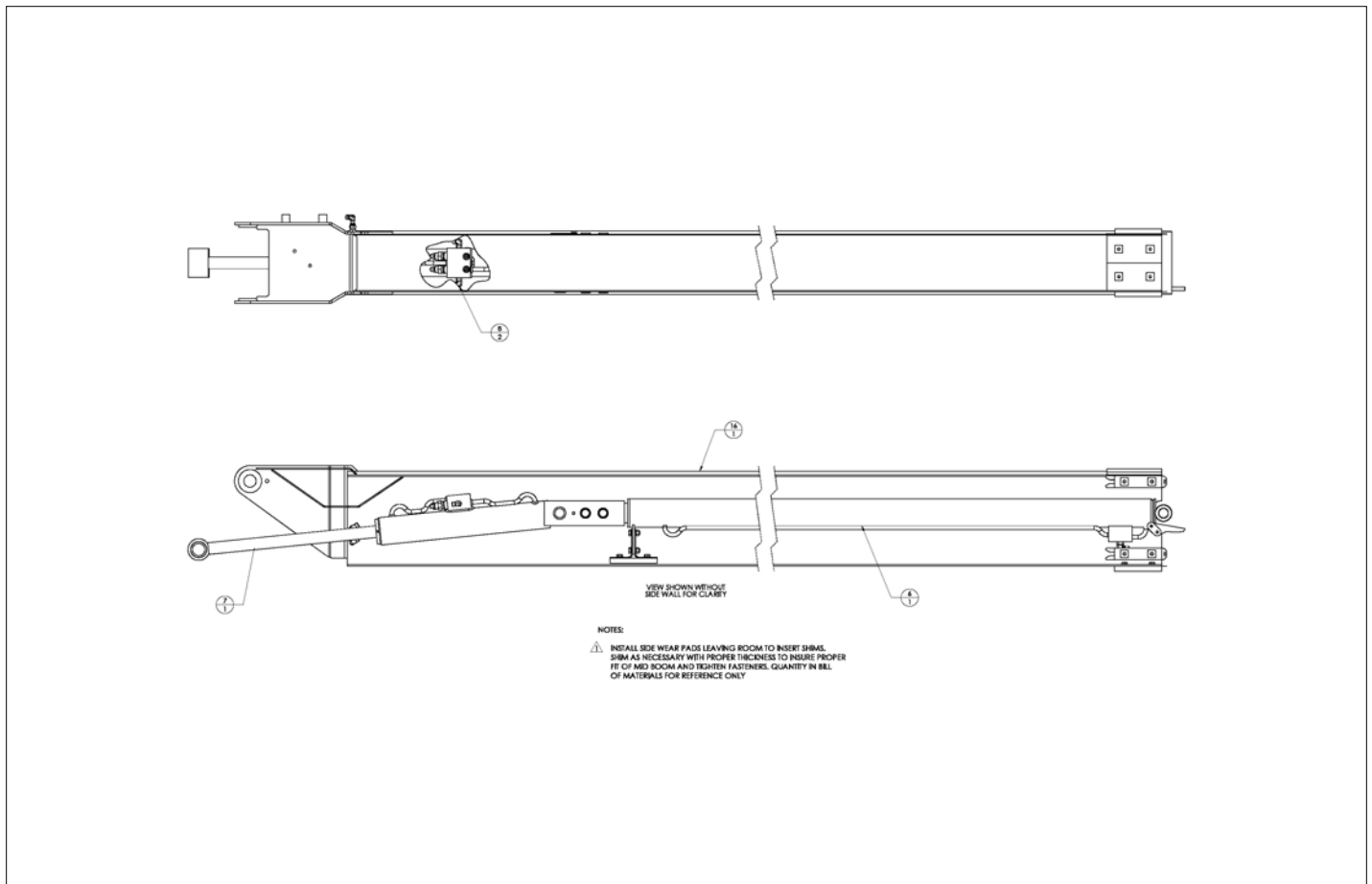
アイテム	部品番号	名前	数量	UOM
	1433224A	BASE BOOM ASSEMBLY 400S/460SJ		EA
1	106528 300	WLDMT BASE BOOM 400/460	1	EA
2	1433227	WEAR PAD ASSY, BASE BOTTOM	2	EA
3	1431402	SHIM, WEAR PAD 0.030"	6	EA
4	1432307	WEAR PAD ASSY, SIDE, MID BOOM	6	EA
5	5563543	WSHR, FLAT M10 YL ZN GR 10.9	16	EA
6	058493 020	BOLT HEXSETSCREW DIN933 M10 X 20MM 8.8 ZP	16	EA

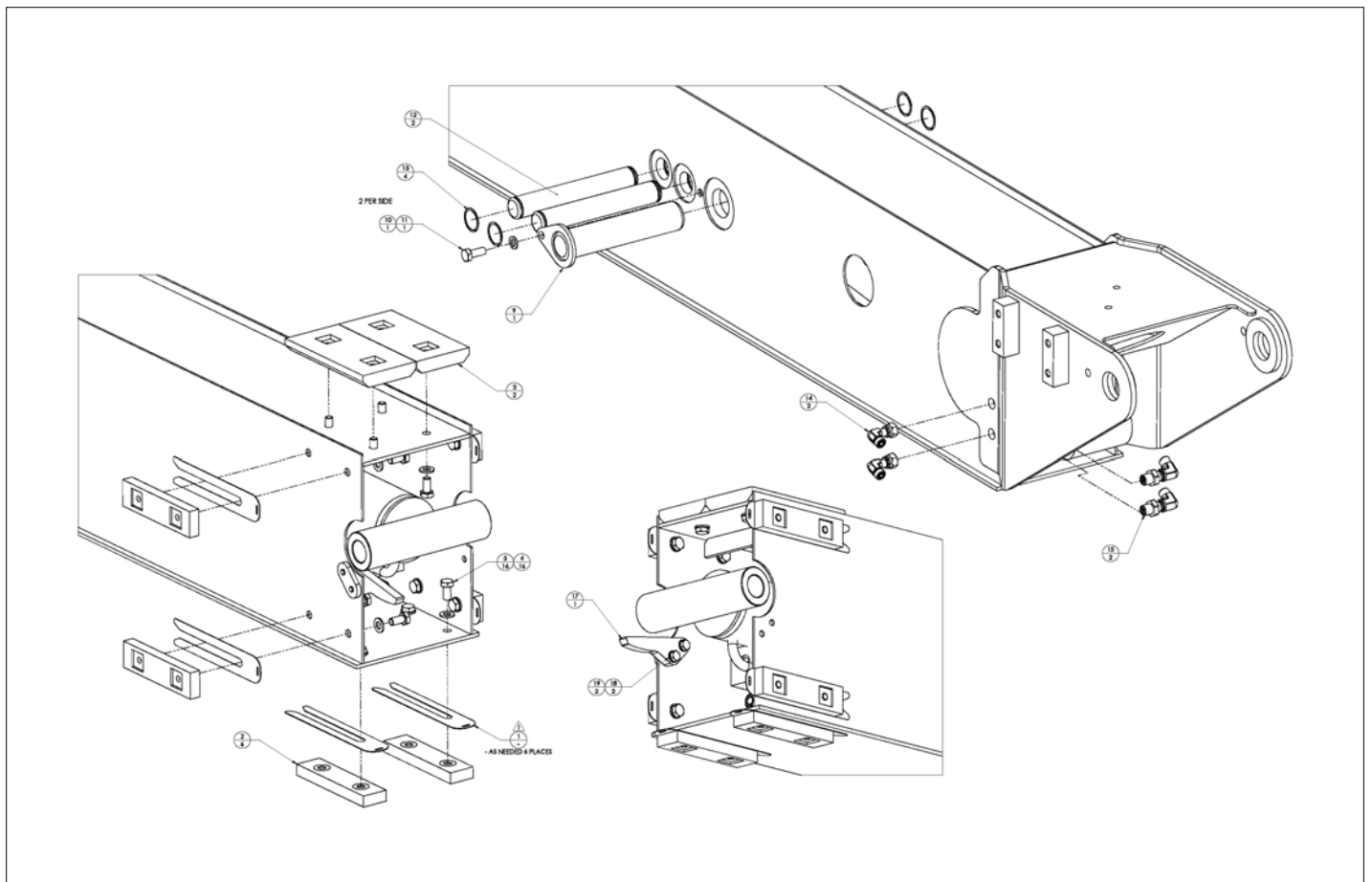
REPAIR PARTS



アイテム	部品番号	名前	数量	UOM
	1433370 C	MAIN BOOM INSTALLATION 400/460 MARCH 2020 AND AFTER		EA
1	1433226	BOOM INSTALL, INNER TO BASE	1	EA
2	1433235	PIN, BASE BOOM TO MASTER CYL	1	EA
3	5563953	SHCS M6 X 1.0 X 90MM SS	1	EA
4	5563541	WASHER, FLAT, M6, STEEL, C10.9, YELLOW ZINC	1	EA
5	056066 006	Nut NylockNut DIN985 M6 8.0 Zi	1	EA
6	1433313	PIN, MAIN LIFT TO BASE BOOM	1	EA
7	1433316	PIN, MAIN PIVOT 400S/460SJ	1	EA
8	106968 000	MAIN PIVOT BRNG BOOM	2	EA
9	065214 001	ROD END 1/2 X 3 1/2	1	EA
10	058493 025	HHCS M10 X 25MM GR10.9 DIN933	4	EA
11	5563543	WSHR, FLAT M10 YL ZN GR 10.9	6	EA
12	1431818	SPACER, BANJO PIN, LIFT CYL	1	EA
13	058509 050	HHCS M10X1.5X50 G10.9 DIN 933	1	EA
14	1434031 8	PIN RETAINER 400S/460SJ	2	EA
15	056064 010	Nut NylockNut DIN985 M10 10.0	1	EA

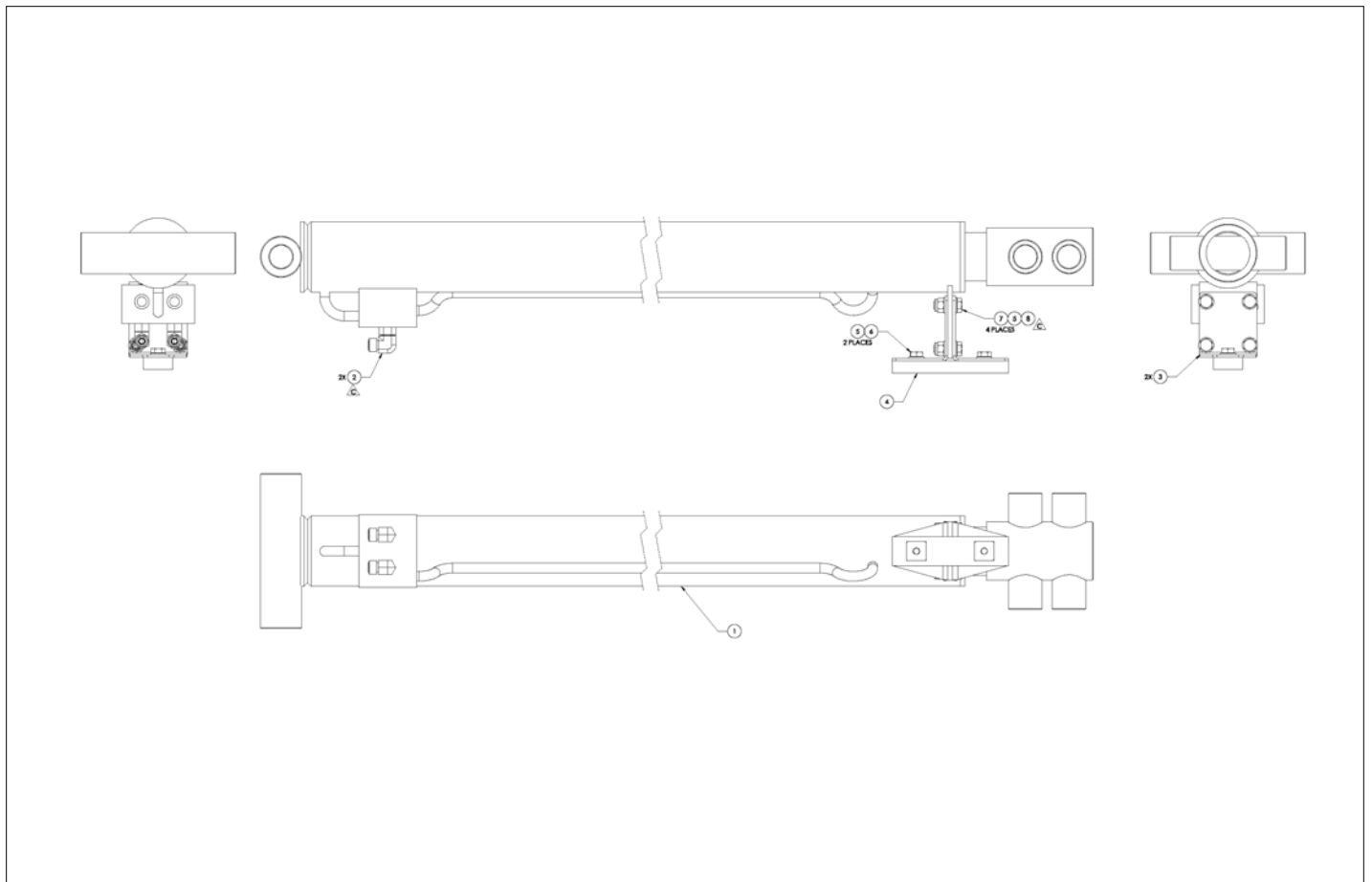
REPAIR PARTS





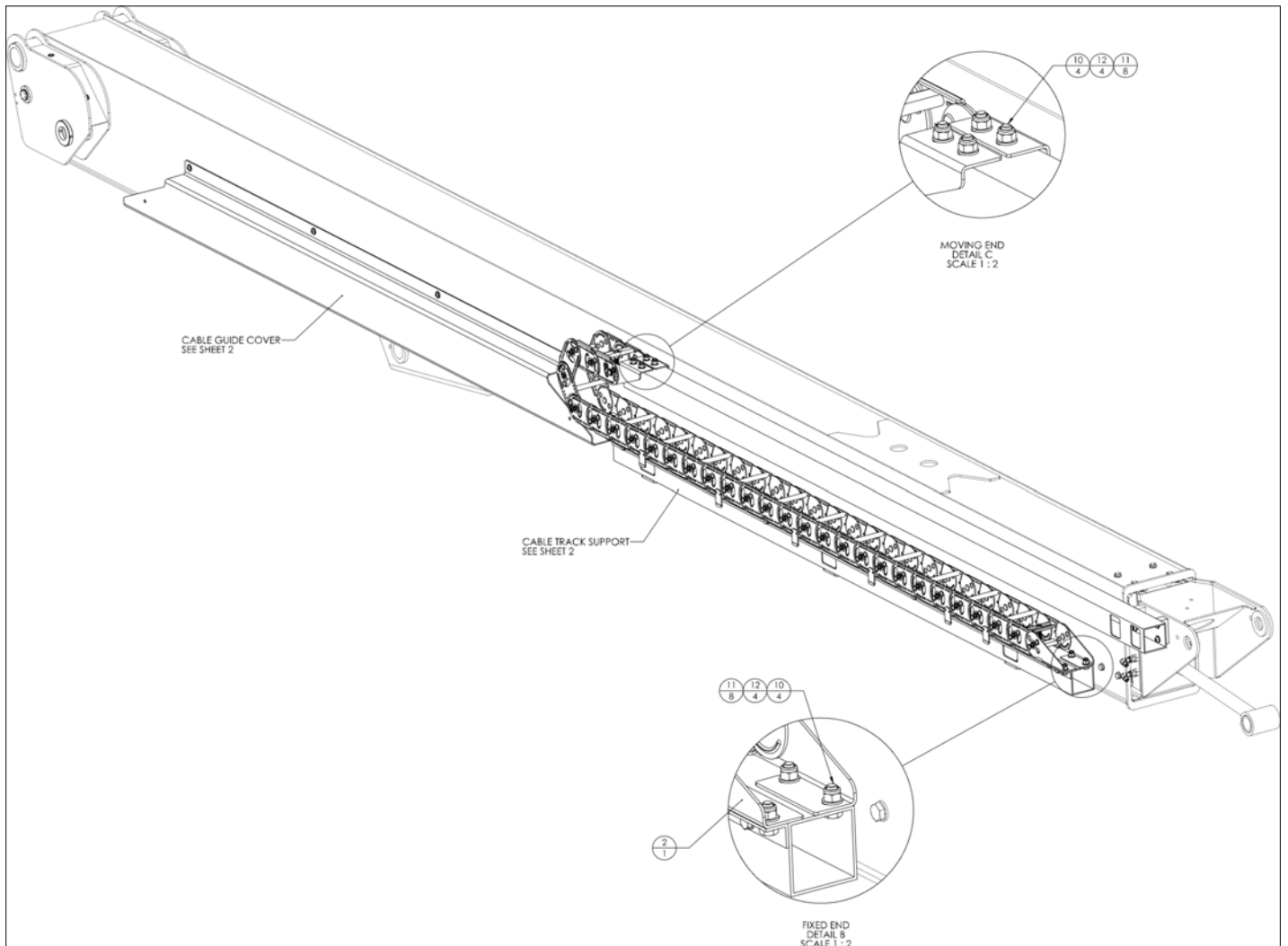
アイテム	部品番号	名前	数量	UOM
	1433225B	BOOM ASSEMBLY INNER 400S/460SJ		EA
1	1431402	SHIM, WEAR PAD 0.030"	6	EA
2	1432307	WEAR PAD ASSY, SIDE, MID BOOM	6	EA
3	1433229	WEAR PAD ASSY, INNER TOP	2	EA
4	056069 010	Washer, SteelFlatWasher DIN125A M10 ZincPlated	16	EA
5	058493 020	BOLT HEXSETSCREW DIN933 M10 X 20MM 8.8 ZP	16	EA
6	1433241	EXTEND CYL ASSY, 400/460	1	EA
7	106540 100	SLAVE LEVEL CYLINDER	1	EA
8	100434 002	FITTING 4MORFF X 4MORB 90 °	2	EA
9	1433240	PIN WELDMENT, SLAVE CYL TO EXT	1	EA
10	056021 010	Washer, SpringWasher DIN127B M	1	EA
11	058493 025	HHCS M10 X 25MM GR10.9 DIN933	1	EA
12	1433237	PIN, EXTEND CYL TO INNER BOOM	2	EA
13	5592025	EXT RTNG RING, SPIRAL 1.118 GR	4	EA
14	5033089	FTG, 4MORFF X 4MORFF 90 ° BULKHEAD UNION	2	EA
15	511347 000	4MORFF X 4MORFF 90 ° UNION FITTING	2	EA
16	106529 300	WLDMT INNER BOOM 400/460	1	EA
17	1433616	TRIGGER PAD, LIMIT SWITCH 400S	1	EA
18	056069 008	WASHER, STEELFLATWASHER DIN12M8 FLAT WASHER DIN 125	2	EA
19	510681 020	HHCS M8X1.25X20 G10.9 ISO 4014 DIN 933	2	EA

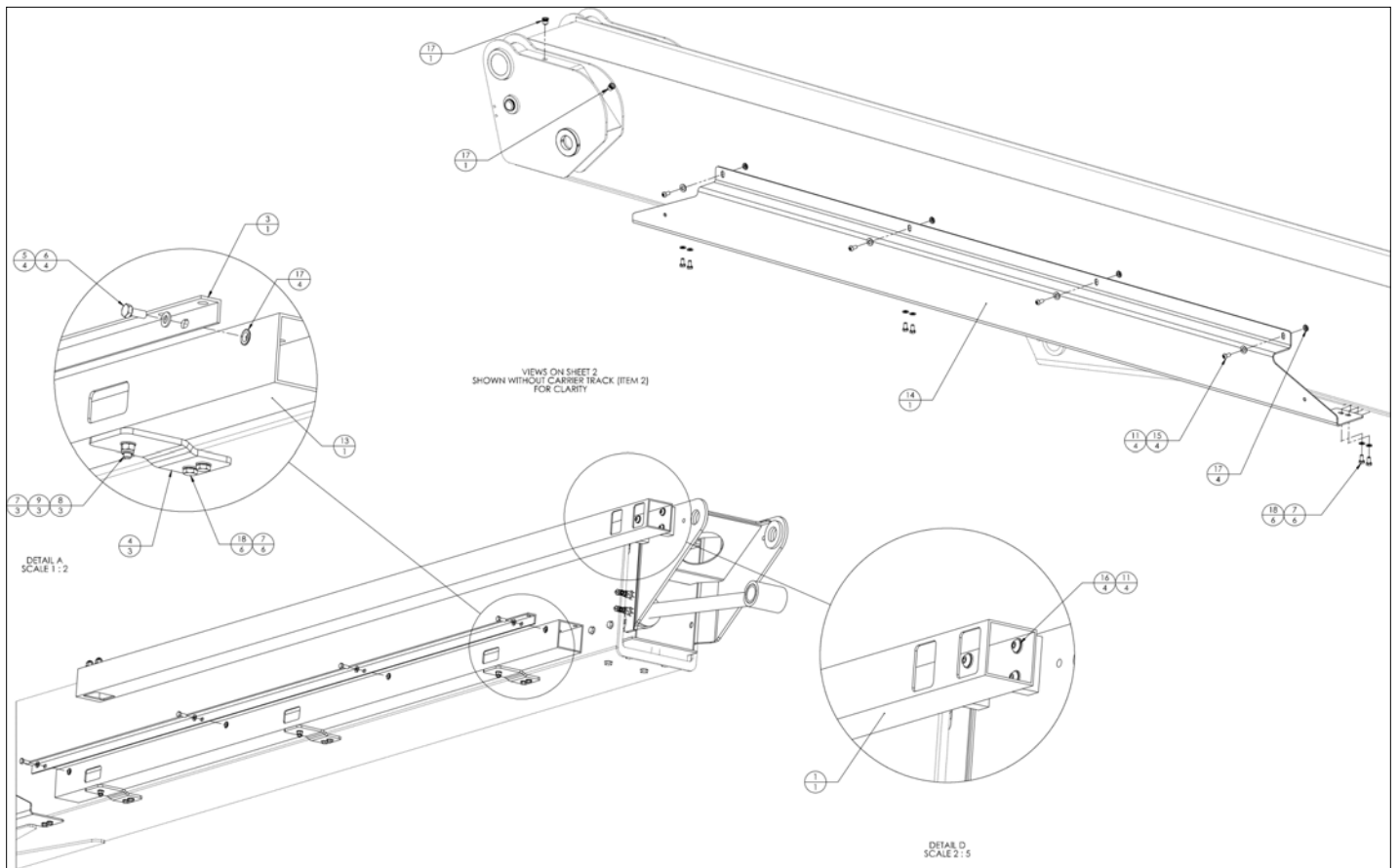
REPAIR PARTS



アイテム	部品番号	名前	数量	UOM
	1463241C	EXTEND CYLINDER ASSEMBLY 400S 460SJ		EA
1	106815 000	CYLINDER, MAIN BOOM EXTEND	1	EA
2	511481 000	FTG, 90 ° , 6MORFF X 6MORB	2	EA
3	1433242	SUPPORT BRKT, EXTEND CYL	2	EA
4	1432307	WEAR PAD ASSY, SIDE, MID BOOM	1	EA
5	5563543	WSHR, FLAT M10 YL ZN GR 10.9	10	EA
6	058493 016	BOLT HEXSCREW DIN933 M10 X 16MM 8.8 ZINCPLATED	2	EA
7	056060 030	BOLT HEXBOLT DIN931 M10 X 30MM 8.8 ZP	4	EA
8	056066 010	Nut, NylockNut DIN985 M10 8.0ZincPlated	4	EA

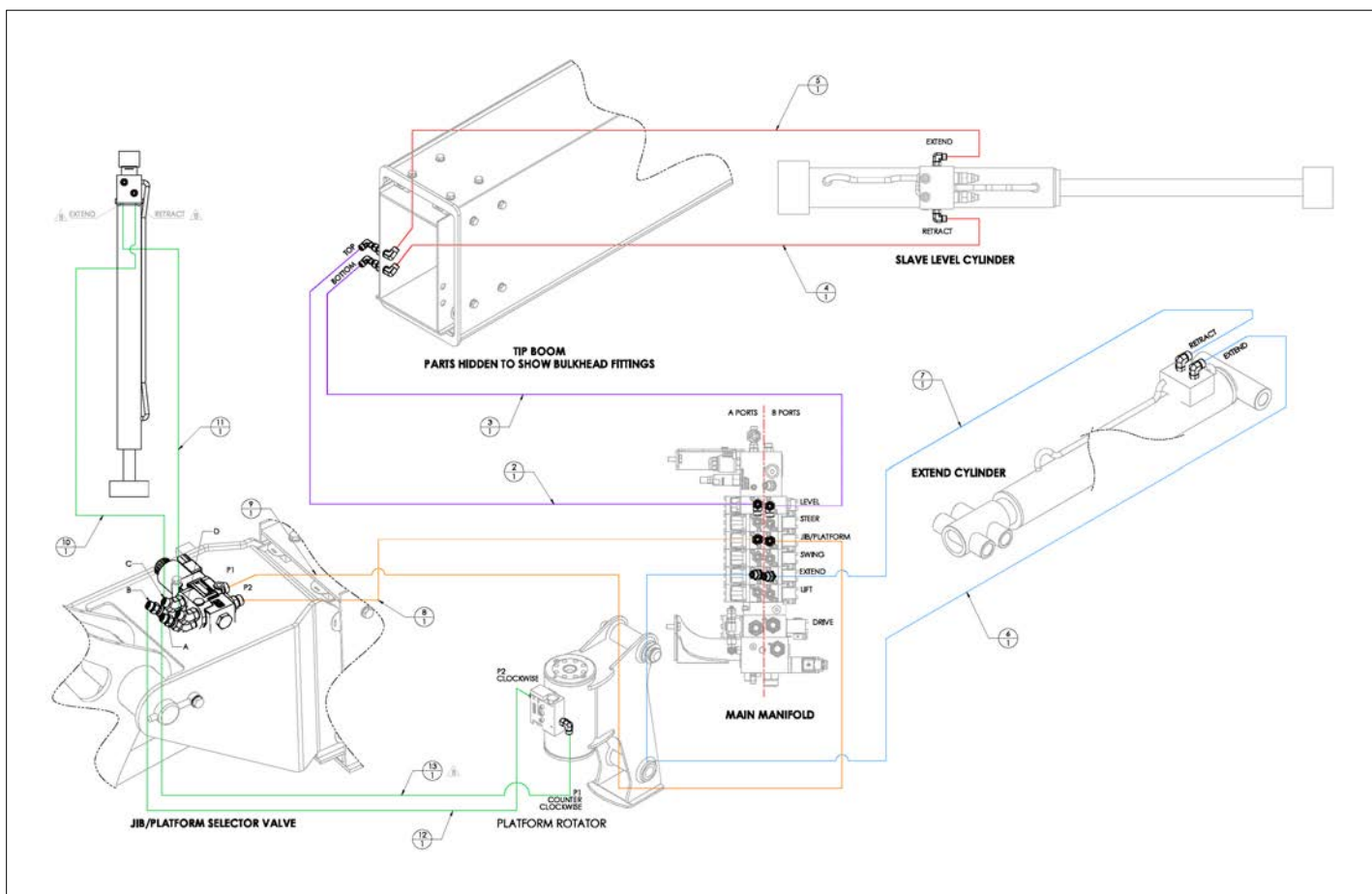
REPAIR PARTS

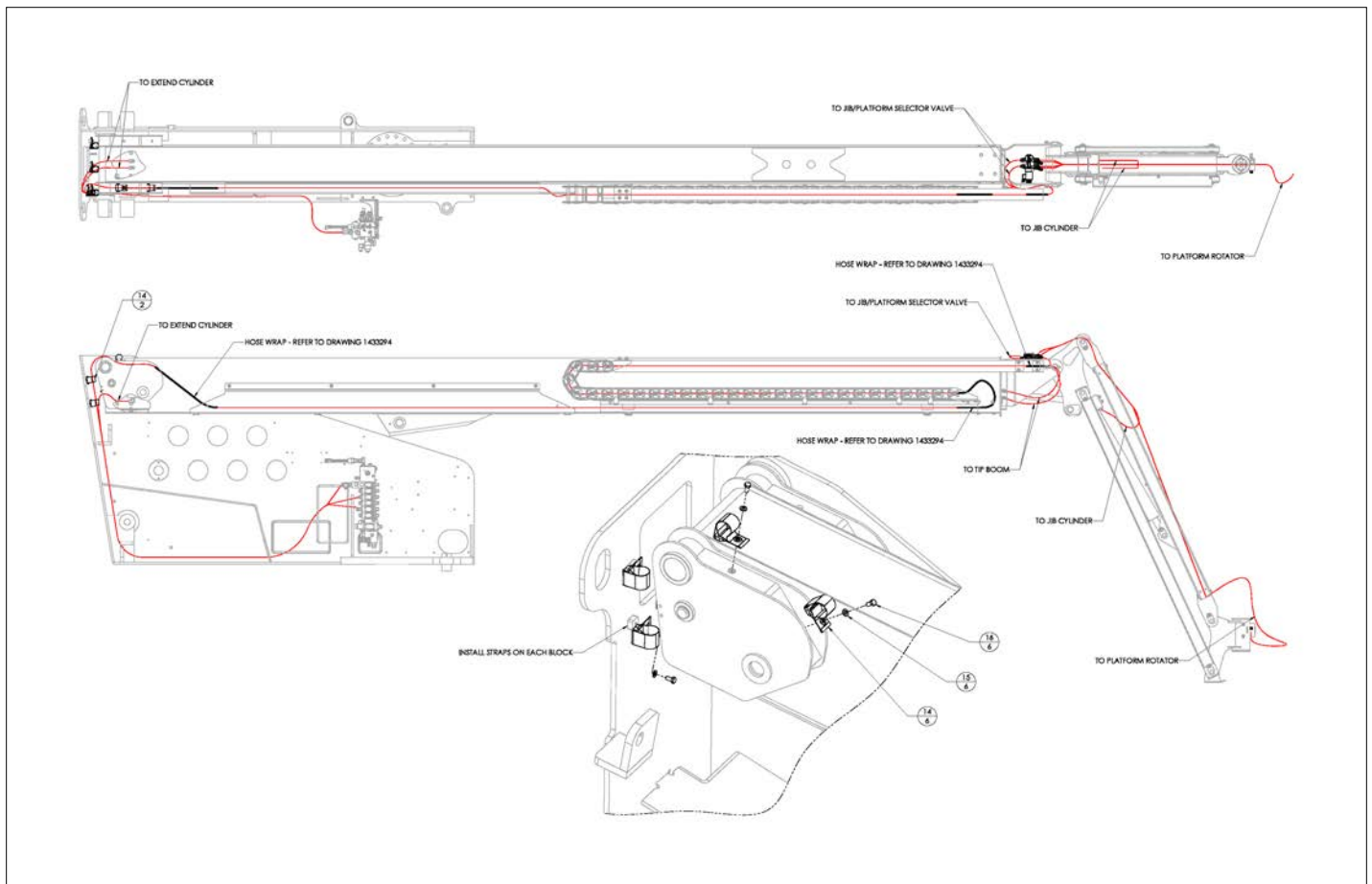




アイテム	部品番号	名前	数量	UOM
	1433364 B	CARRIER TRACK INSTALLATION 400S 460SJ		EA
1	1433243	TUBE, UPPER HOSE CAR 400/460	1	EA
2	1433234	GORTRAC CABLE & HOSE CARRIER	1	EA
3	1433275	BASE SUPPORT, HOSE CAR 400/460	1	EA
4	1433245	SUPPORT BRKT, CARRIER TRACK	3	EA
5	5563542	WSHR, FLAT M8 YL ZN GR 10.9	4	EA
6	058492 020	Bolt HexSetScrew DIN933 M8 x 2	4	EA
7	056069 008	WASHER, STEELFLATWASHER DIN12M8 FLAT WASHER DIN 125	15	EA
8	5563755	SCS BUTN HD M8X1.25X25 ZN 10.9	3	EA
9	056066 008	NUT NYLOCKNUT DIN985 M8 8.0 ZP	3	EA
10	058493 025	HHCS M10 X 25MM GR10.9 DIN933	8	EA
11	056069 010	Washer, SteelFlatWasher DIN125A M10 ZincPlated	24	EA
12	056066 010	Nut, NylockNut DIN985 M10 8.0ZincPlated	8	EA
13	1433597	TRACK GUIDE, LOWER, FORWARD	1	EA
14	1433595	CABLE GUIDE CARRIER TRACK	1	EA
15	5563754	SCS BUTN HD M8X1.25X20 ZN 10.9	4	EA
16	5563758	SCS BUTN HD M10X1.5X25 ZN 10.9 (SEE SERVICE NOTE BELOW)	4	EA
17	5076531	RIVET NUT M8X1.25, HEAVY DUTY	10	EA
18	510681 016	HHCS M8X1.25X16 G10.9 ISO 4014	12	EA

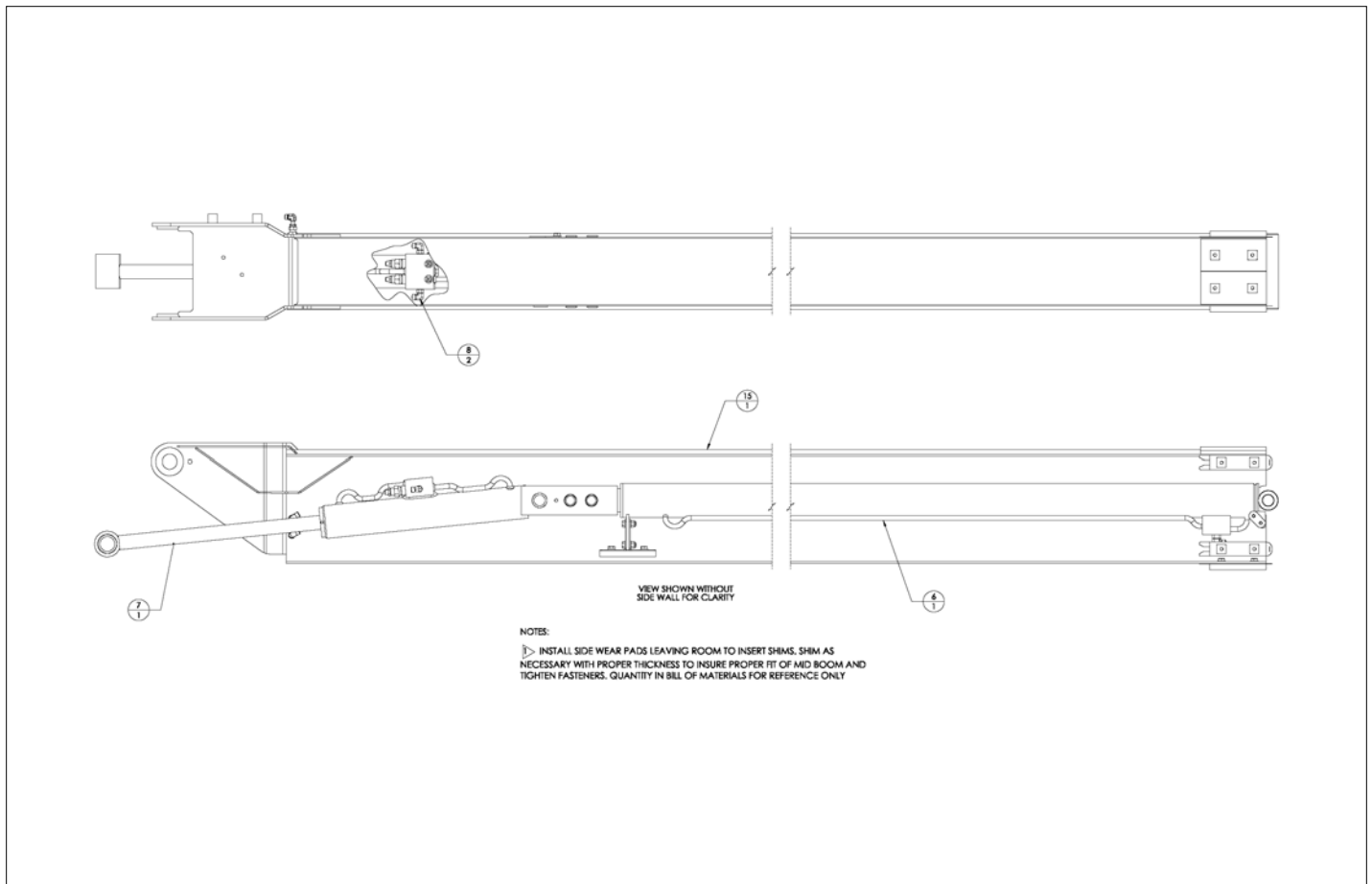
REPAIR PARTS

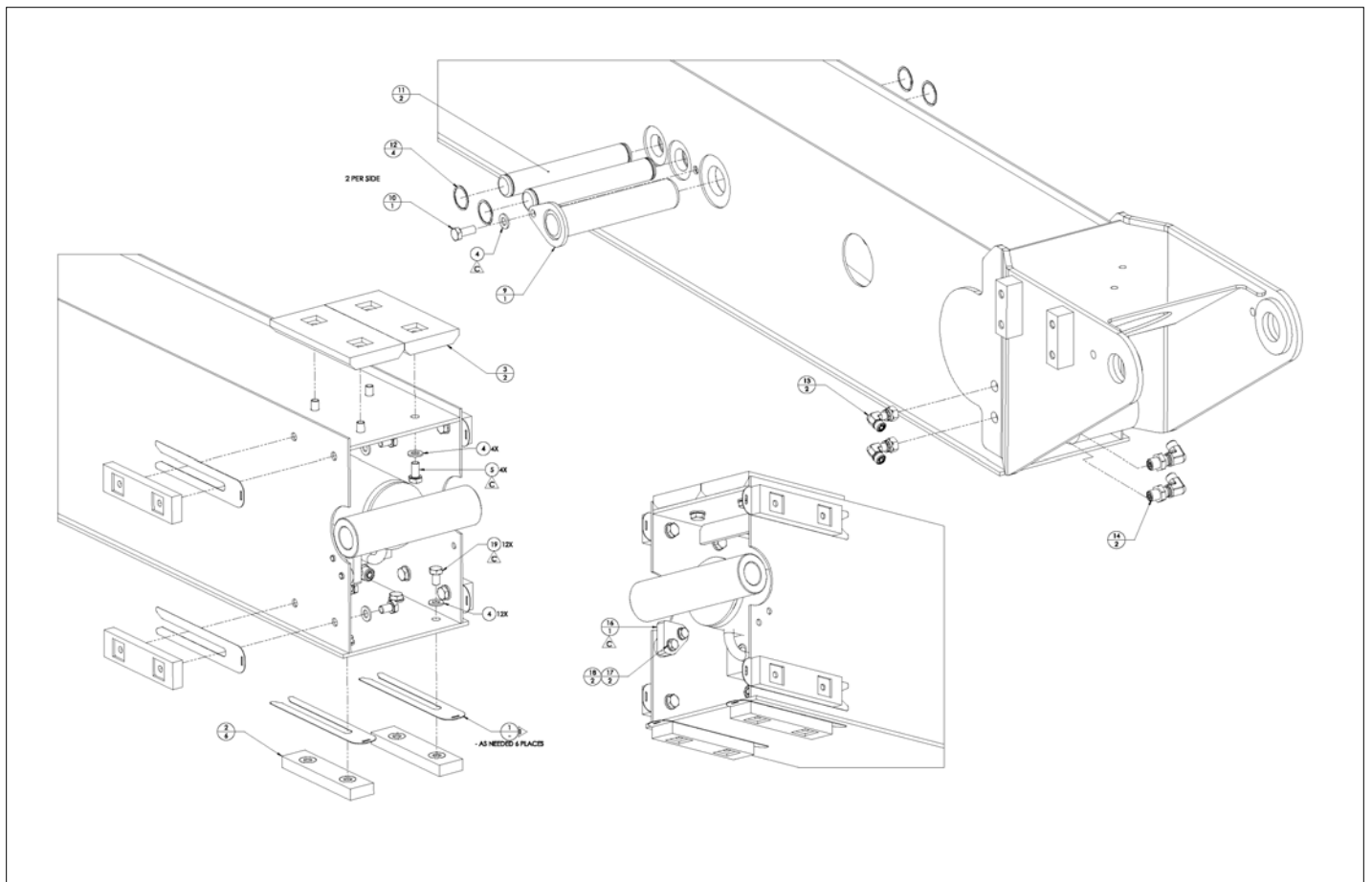




アイテム	部品番号	名前	数量	UOM
	1433673B	BOOM HOSES INSTALL 460SJ		EA
1	1433674	HOSE KIT, BOOM, 460SJ (REF ONLY)	1	EA
2	1433664	HYD HOSE 471TC 4 3000PSI 609"	1	EA
3	1433663	HYD HOSE 471TC 4 3000PSI 609"	1	EA
4	1432265	HYD HOSE 471 TC 4 3000 PSI X 13.5"	1	EA
5	1432266	HYD HOSE 471 TC 4 3000 PSI X 15.0"	1	EA
6	1433667	HYD HOSE 471TC 6 3000PSI 130"	1	EA
7	1433668	HYD HOSE 471TC 6 3000PSI 133"	1	EA
8	1433669	HYD HOSE 471TC 4 3000PSI 609"	1	EA
9	1433670	HYD HOSE 471TC 4 3000PSI 609"	1	EA
10	1432267	HYD HOSE 471 TC 4 3000 PSI X 54.25"	1	EA
11	1432268	HYD HOSE 471 TC 4 3000 PSI X 54.25"	1	EA
12	1433768	HYD HOSE471TC 4 3000PSI 112"	1	EA
13	1433767	HYD HOSE471TC 4 3000PSI 112"	1	EA
14	9960023	PYTHON STRAP, ADJUSTABLE 1 1.5	6	EA
15	056069 008	WASHER, STEELFLATWASHER DIN12M8 FLAT WASHER DIN 125	6	EA
16	058492 016	HHCS M8 x 1. 25 X 16GR 8.8 DIN933	6	EA

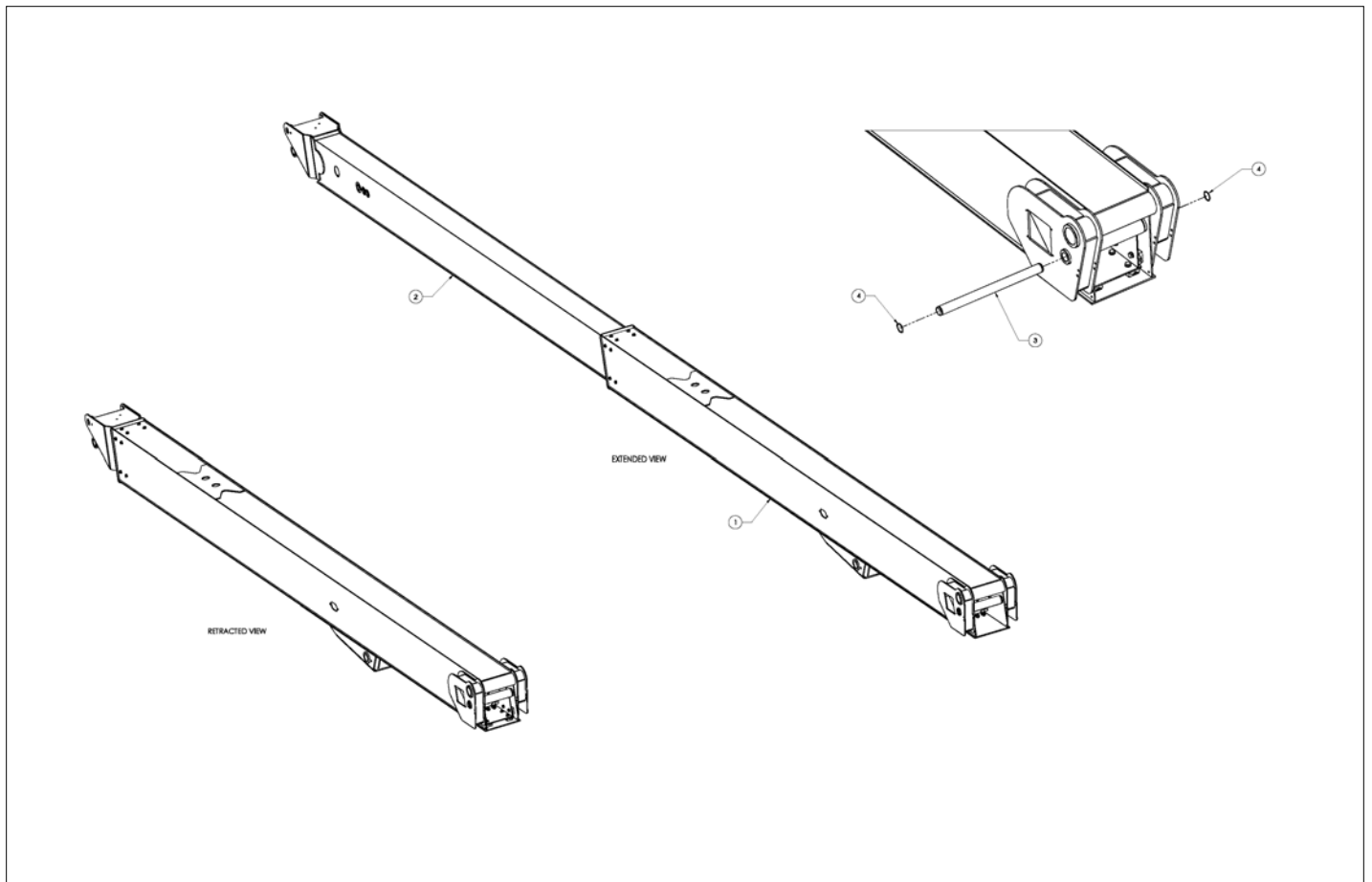
REPAIR PARTS





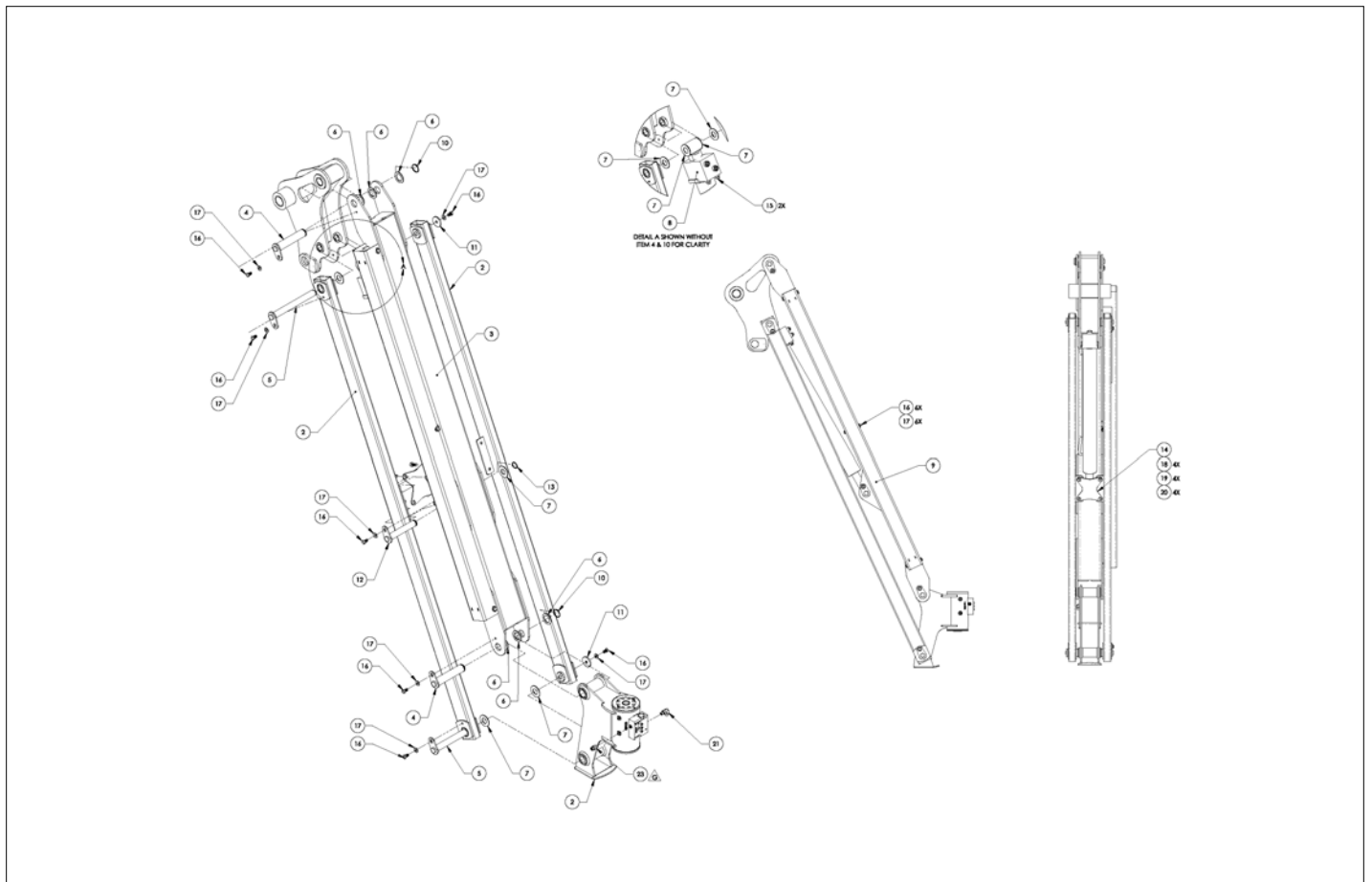
アイテム	部品番号	名前	数量	UOM
	1433225C	INNER BOOM ASSEMBLY		EA
1	1431402	SHIM, WEAR PAD 0.030"	6	EA
2	1432307	WEAR PAD ASSY, SIDE, MID BOOM	6	EA
3	1433229	WEAR PAD ASSY, INNER TOP	2	EA
4	056069 010	Washer, SteelFlatWasher DIN125A M10 ZincPlated	17	EA
5	058493 020	BOLT HEXSETSCREW DIN933 M10 X 20MM 8.8 ZP	4	EA
6	1433241	EXTEND CYL ASSY, 400/460	1	EA
7	106540 100 3	HYDRAULIC CYL SLAVE LEVEL	1	EA
8	100434 002	FITTING 4MORFF X 4MORB 90 °	2	EA
9	1433240	PIN WELDMENT, SLAVE CYL TO EXT	1	EA
10	058493 025	HHCS M10 X 25MM GR10.9 DIN933	1	EA
11	1433237	PIN, EXTEND CYL TO INNER BOOM	2	EA
12	5592025	EXT RTNG RING, SPIRAL 1.118 GR	4	EA
13	5033089	FTG, 4MORFF X 4MORFF 90 ° BULKHEAD UNION	2	EA
14	511347 000	4MORFF X 4MORFF 90 ° UNION FITTING	2	EA
15	106529 300 1	WLDMT INNER BOOM 400/460	1	EA
16	1433941 1	TRIGGER PAD, LIMIT SWITCH, 400	1	EA
17	056069 008	WASHER, STEELFLATWASHER DIN12M8 FLAT WASHER DIN 125	2	EA
18	058492 020	Bolt HexSetScrew DIN933 M8 x 2	2	EA
19	058493 016	BOLT HEXSCREW DIN933 M10 X 16MM 8.8 ZINCPLATED	12	EA

REPAIR PARTS



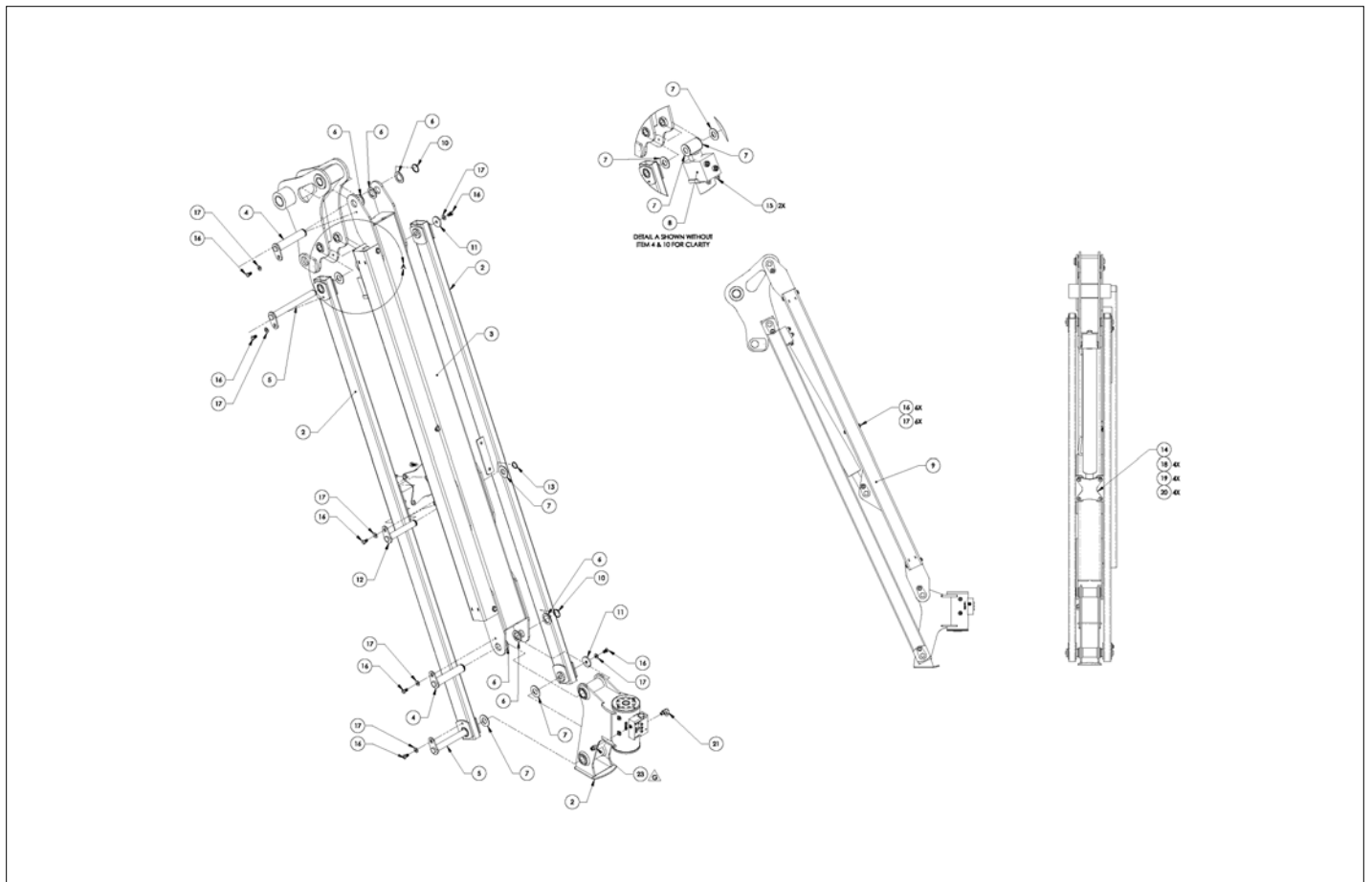
アイテム	部品番号	名前	数量	UOM
	1433226A	INNER TO BASE BOOM INSTALL 400S/460SJ		EA
1	1433224	BOOM ASSY, BASE, 400/460	1	EA
2	1433225	BOOM ASSY, INNER, 400/460	1	EA
3	1433236	PIN, EXTEND CYL TO BASE BOOM	1	EA
4	5592025	EXT RTNG RING, SPIRAL 1.118 GR	2	EA

REPAIR PARTS



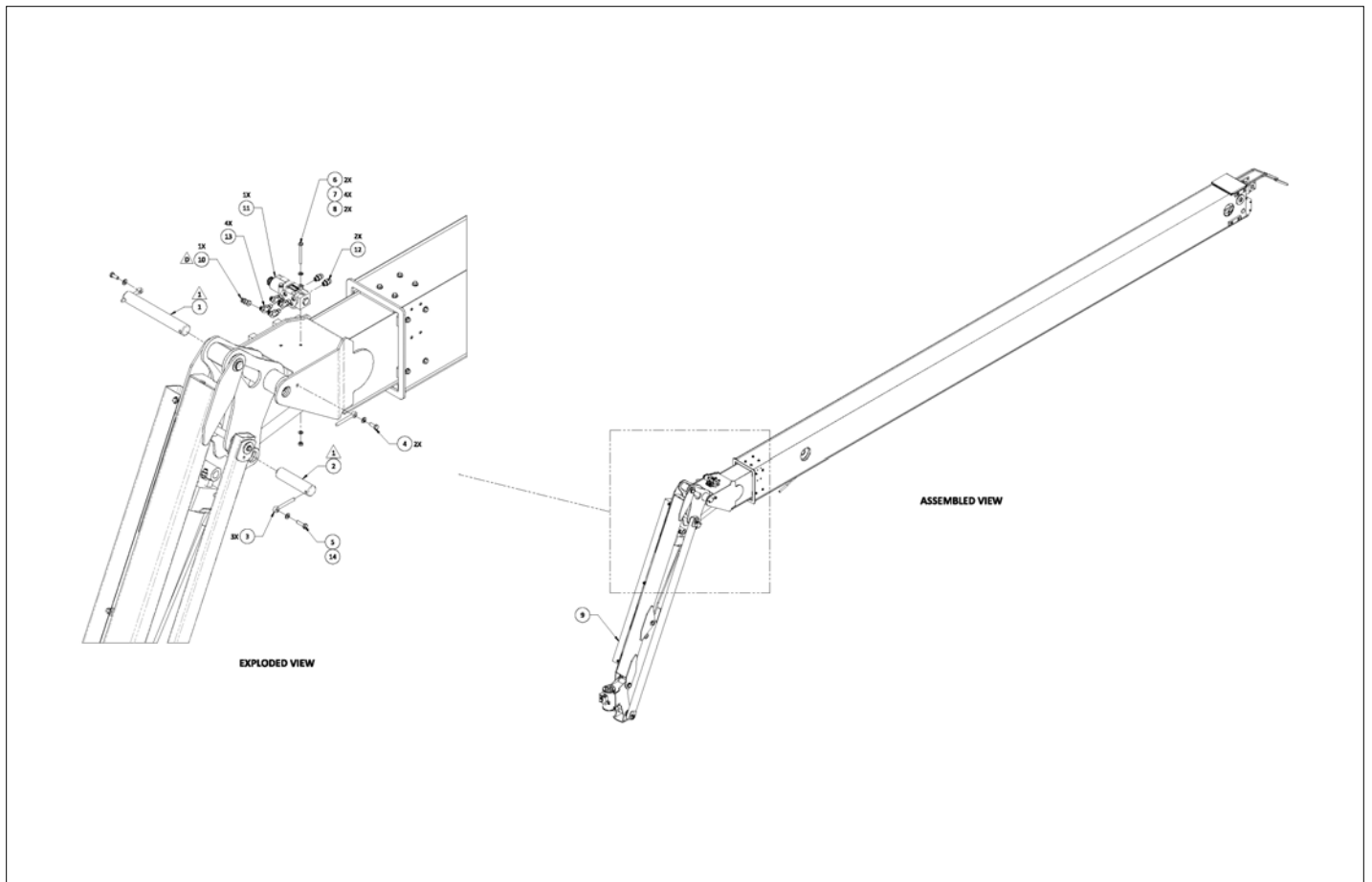
アイテム	部品番号	名前	数量	UOM
*	1430842 H	JIB POLARIS 78 INCHES ASSEMBLY FEBURARY 2019 AND AFTER		EA
1	0420732 1	WLDMT JIB ARM LOWER 7' JIB	2	EA
2	1432689 001	ROTARY ACTUATOR SUNJI	1	EA
3	0420731 1	WLDMTUPPER JIB ARM 7' JIB	1	EA
4	1431664	PIN, 1.25 DIA X 5.915 GRIP	2	EA
5	0172216	PIN TEARDROP 1.0 X 9.43	2	EA
6	5560712	MACH BSHG 1.25 ID X 1.88 OD X	6	EA
7	5560713	MACH BSHG 1.00IDX2.00ODX.075	7	EA
8	0420111 3	CYLINDER JIB	1	EA
9	0420878 1	COVER HOSE 7' JIB	1	EA
10	300541	1.25 SNAPRING	2	EA
11	0172214	END CAP	2	EA
12	0172213	WELDMENT 1.0 5.79 GRIP	1	EA
13	300542	1.00 SNAPRING	1	EA
14	0420132 1	PLT TIE 7' JIB	1	EA
15	100432 004	Hyd Fitting Straight ORFS(04) SAE(06)	2	EA
16	970439	BLTHHD .375 16 X .625 GR5	13	EA
17	986299	WASHER, FLAT, .375 STANDARD, PLATED	13	EA
18	056064 010	Nut NylockNut DIN985 M10 10.0	4	EA
19	056069 010	Washer, SteelFlatWasher DIN125A M10 ZincPlated	4	EA
20	056060 025	HHD BLTM 10 1.5 X 25 GR8.8	4	EA
21	100434 002	FITTING 4MORFF X 4MORB 90 °	1	EA
22	1430860	QUADRANT ASSEMBLY	1	EA
23	100432 002	Hyd Fitting Straight ORFS(04) SAE(04)	1	EA

REPAIR PARTS



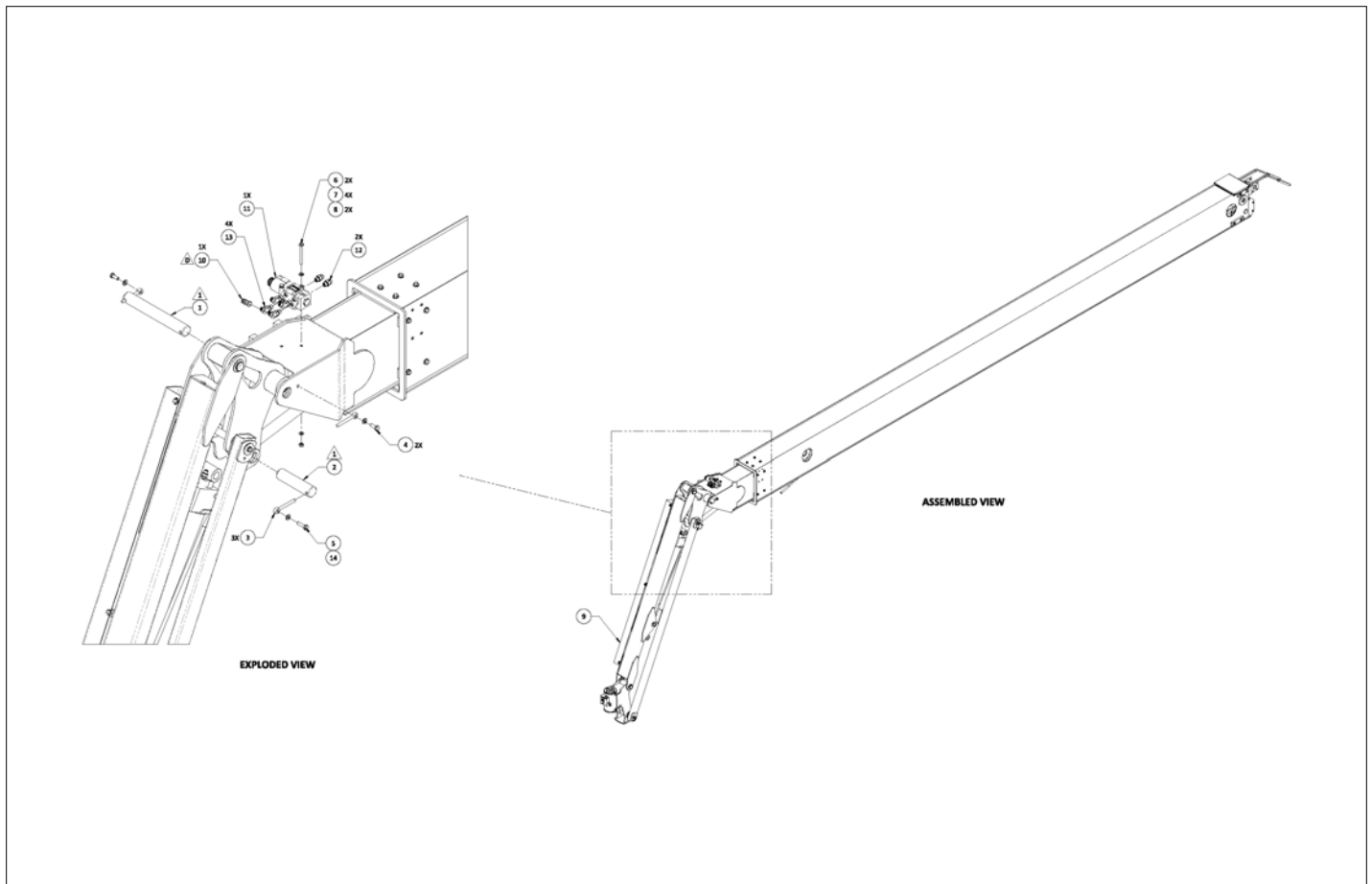
アイテム	部品番号	名前	数量	UOM
*	1430842G	JIB POLARIS 78 INCHES ASSEMBLY FEBURARY 2019 AND BEFORE		EA
1	0420732 1	WLDMT JIB ARM LOWER 7' JIB	2	EA
2	1432689	ACULATOR HELAC ROTATOR	1	EA
3	0420731 1	WLDMTUPPER JIB ARM 7' JIB	1	EA
4	1431664	PIN, 1.25 DIA X 5.915 GRIP	2	EA
5	0172216	PIN TEARDROP 1.0 X 9.43	2	EA
6	5560712	MACH BSHG 1.25 ID X 1.88 OD X	6	EA
7	5560713	MACH BSHG 1.00IDX2.00ODX.075	7	EA
8	0420111 3	CYLINDER JIB	1	EA
9	0420878 1	COVER HOSE 7' JIB	1	EA
10	300541	1.25 SNAPRING	2	EA
11	0172214	END CAP	2	EA
12	0172213	WELDMENT 1.0 5.79 GRIP	1	EA
13	300542	1.00 SNAPRING	1	EA
14	0420132 1	PLT TIE 7' JIB	1	EA
15	100432 004	Hyd Fitting Straight ORFS(04) SAE(06)	2	EA
16	970439	BLTHHD .375 16 X .625 GR5	13	EA
17	986299	WASHER, FLAT, .375 STANDARD, PLATED	13	EA
18	056064 010	Nut NylockNut DIN985 M10 10.0	4	EA
19	056069 010	Washer, SteelFlatWasher DIN125A M10 ZincPlated	4	EA
20	056060 025	HHD BLTM 10 1.5 X 25 GR8.8	4	EA
21	100434 002	FITTING 4MORFF X 4MORB 90 °	1	EA
22	1430860	QUADRANT ASSEMBLY	1	EA
23	100432 002	Hyd Fitting Straight ORFS(04) SAE(04)	1	EA

REPAIR PARTS



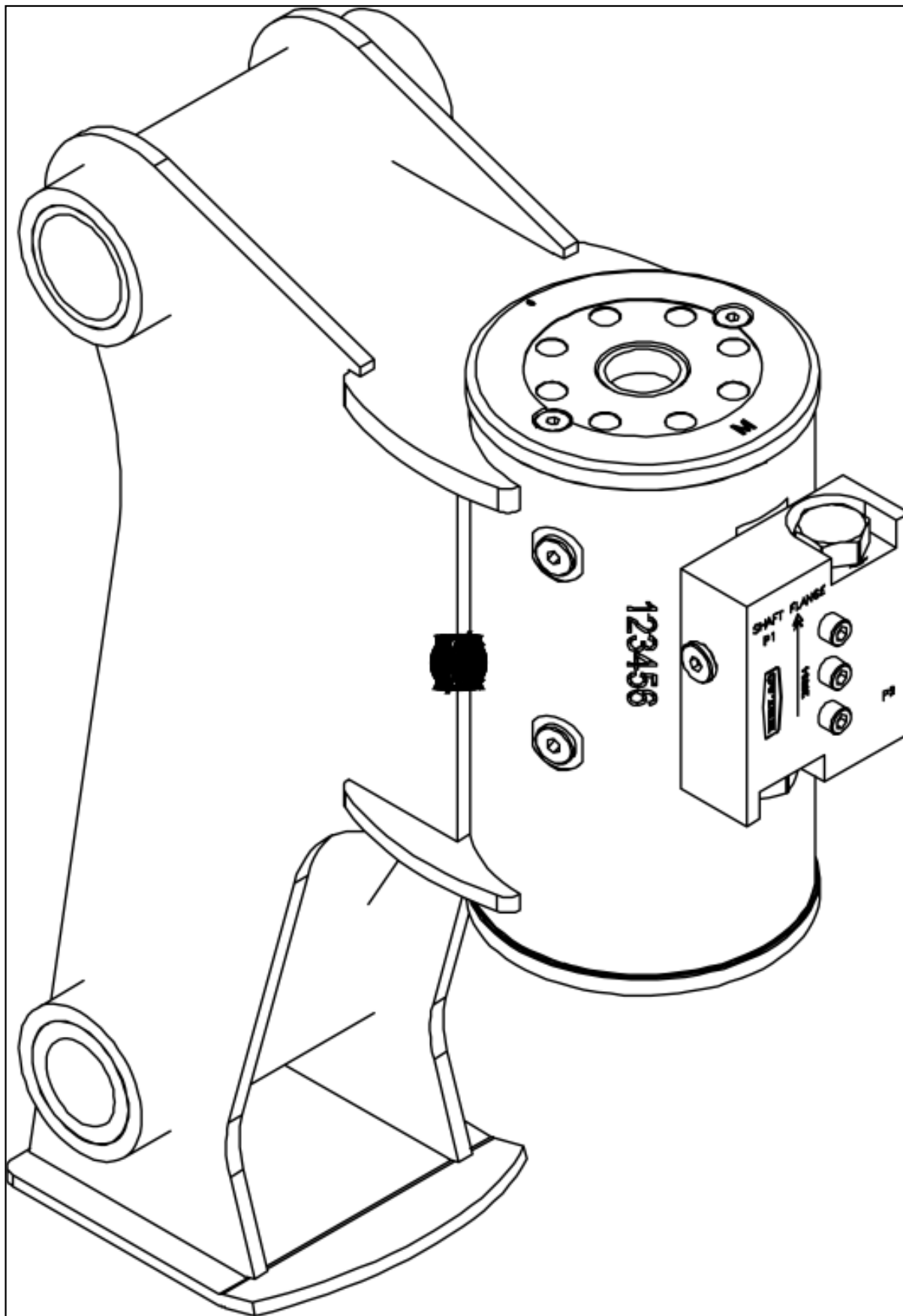
アイテム	部品番号	名前	数量	UOM
	1432218D	JIB INSTALL		EA
1	106568 100	TIP BOOM PIVOT PIN	1	EA
2	1430852	SLAVE CYL ROD PIN	1	EA
3	065214 000	ROD END 3/8"	3	EA
4	058493 025	HHCS M10 X 25MM GR10.9 DIN933	2	EA
5	5563898	HHCS M10 X 35 G10.9 DIN 931	1	EA
6	056059 080	Bolt, HexBolt DIN931 M8 x 80mm	2	EA
7	056069 008	WASHER, STEELFLATWASHER DIN12M8 FLAT WASHER DIN 125	4	EA
8	056064 008	NUT HEX M8 1.25 GR10.9 SELF LOCKING DIN 985	2	EA
9	1430842	ASSEMBLY, JIB POLARIS 78INCH	1	EA
10	5111693	FITTING, .015 ORIFICE, 4MORF C 4FPRF	1	EA
11	6019324	SELECTOR VALVE 12VDC	1	EA
12	100432 009	Hyd Fitting Straight ORFS(06) SAE(06)	2	EA
13	5033058	FTG, 45 ° , 4MORFF X 6MORB	4	EA
14	056069 010	Washer, SteelFlatWasher DIN125A M10 ZincPlated	3	EA

REPAIR PARTS



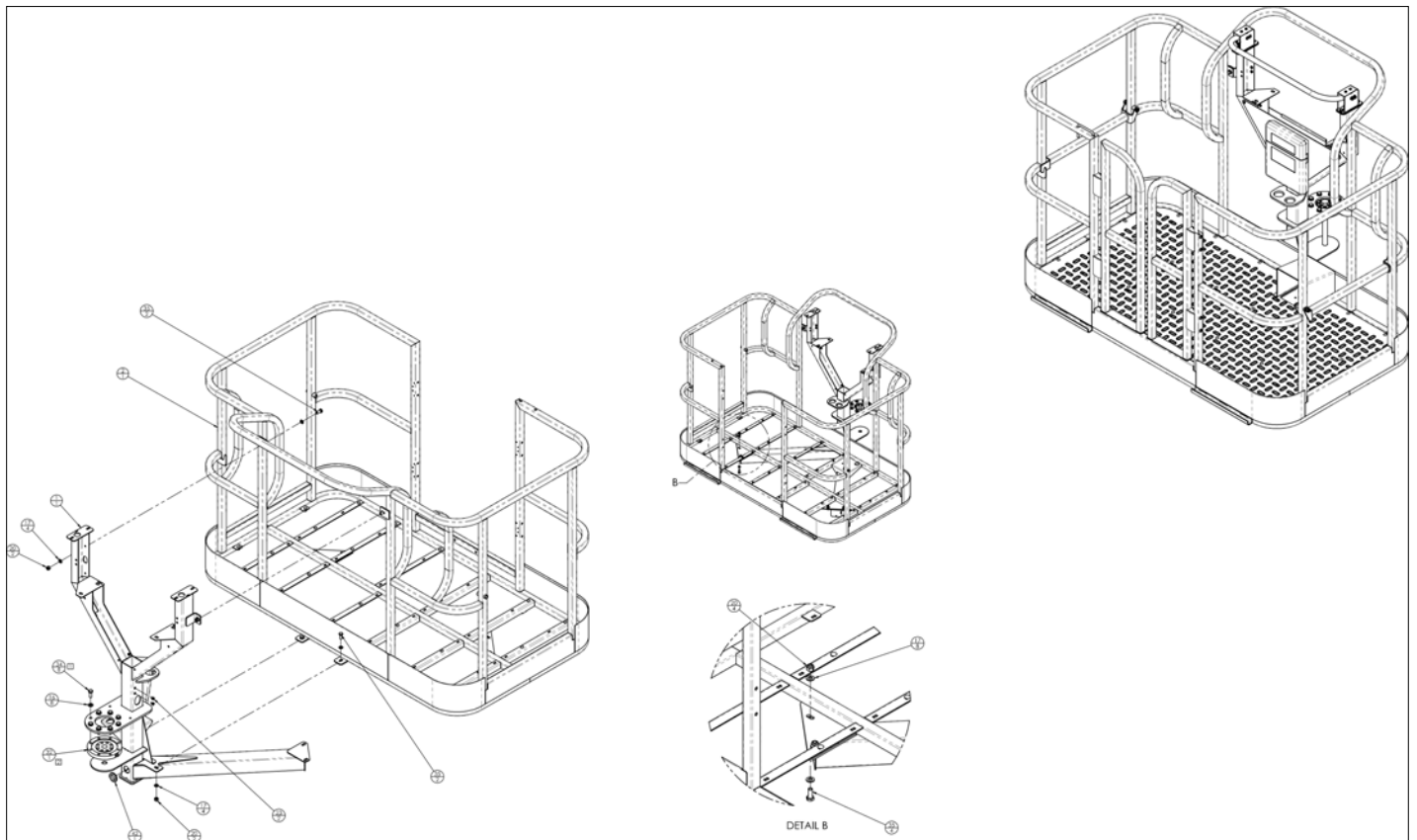
アイテム	部品番号	名前	数量	UOM
	1432218 F	JIB INSTALL		EA
1	106568 100	TIP BOOM PIVOT PIN	1	EA
2	1430852	SLAVE CYL ROD PIN	1	EA
3	065214 000	ROD END 3/8"	3	EA
4	058509 040	BOLT HEXBOLT DIN931 M12 X 40MM 10.9 DACROMET	2	EA
5	5563898	HHCS M10 X 35 G10.9 DIN 931	1	EA
6	056059 080	Bolt, HexBolt DIN931 M8 x 80mm	2	EA
7	056069 008	WASHER, STEELFLATWASHER DIN12M8 FLAT WASHER DIN 125	4	EA
8	056064 008	NUT HEX M8 1.25 GR10.9 SELF LOCKING DIN 985	2	EA
9	1430842	ASSEMBLY, JIB POLARIS 78INCH	1	EA
10	5111695	FITTING, .031 ORIFICE, 4MORF X 4FORF	1	EA
11	6019324	SELECTOR VALVE 12VDC	1	EA
12	100432 009	Hyd Fitting Straight ORFS(06) SAE(06)	2	EA
13	5033058	FTG, 45 ° , 4MORFF X 6MORB	4	EA
14	056069 010	Washer, SteelFlatWasher DIN125A M10 ZincPlated	3	EA

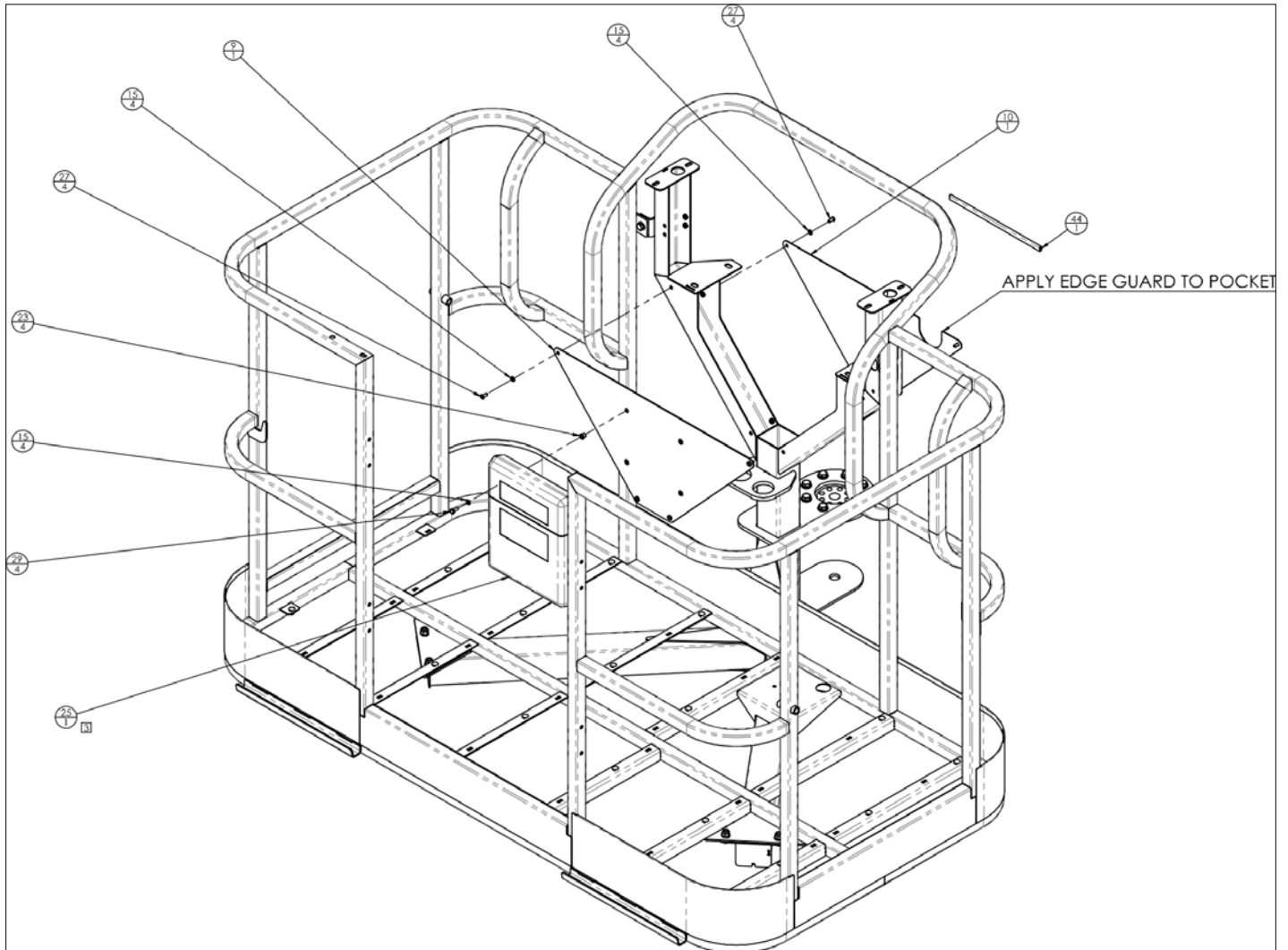
REPAIR PARTS

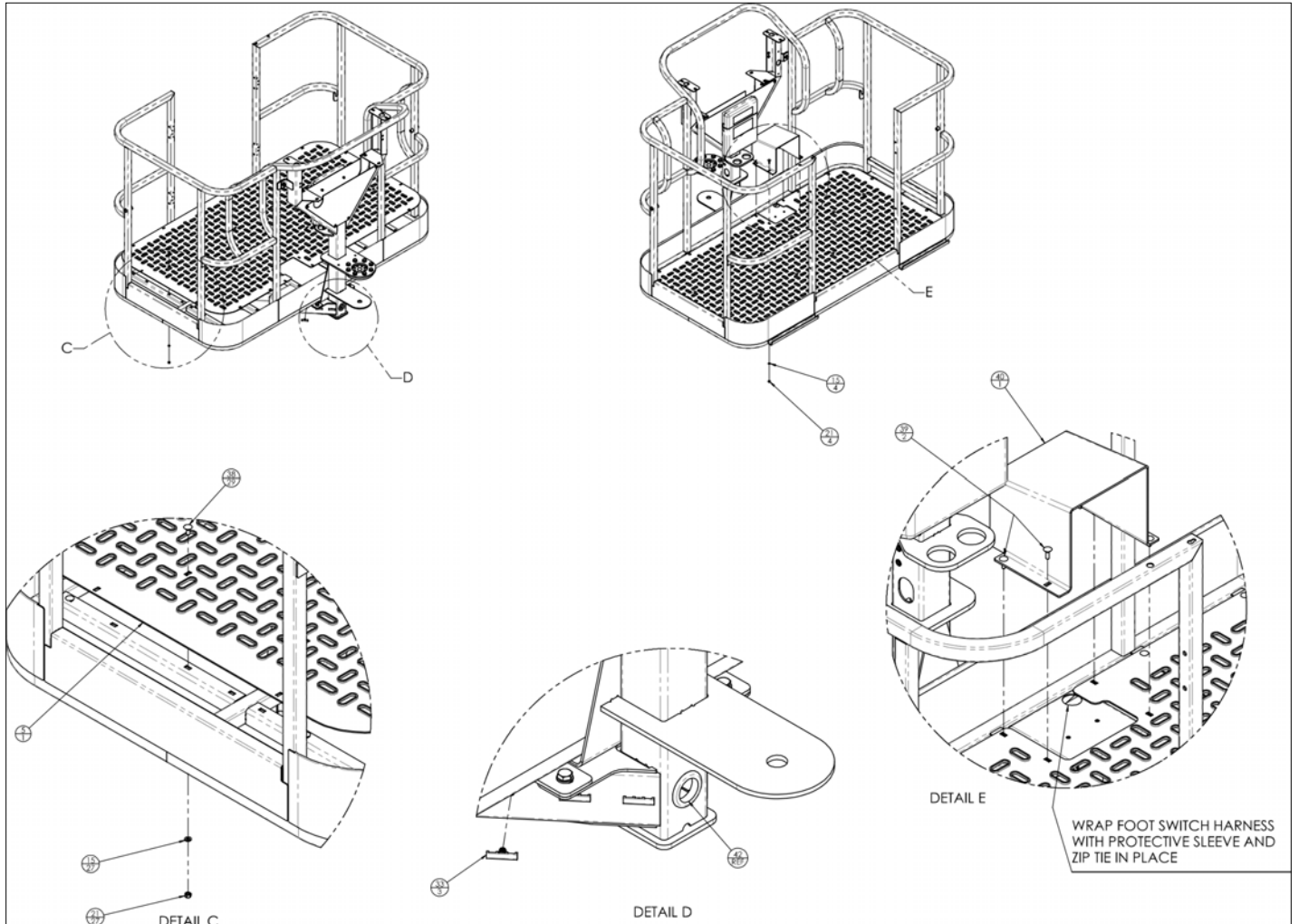


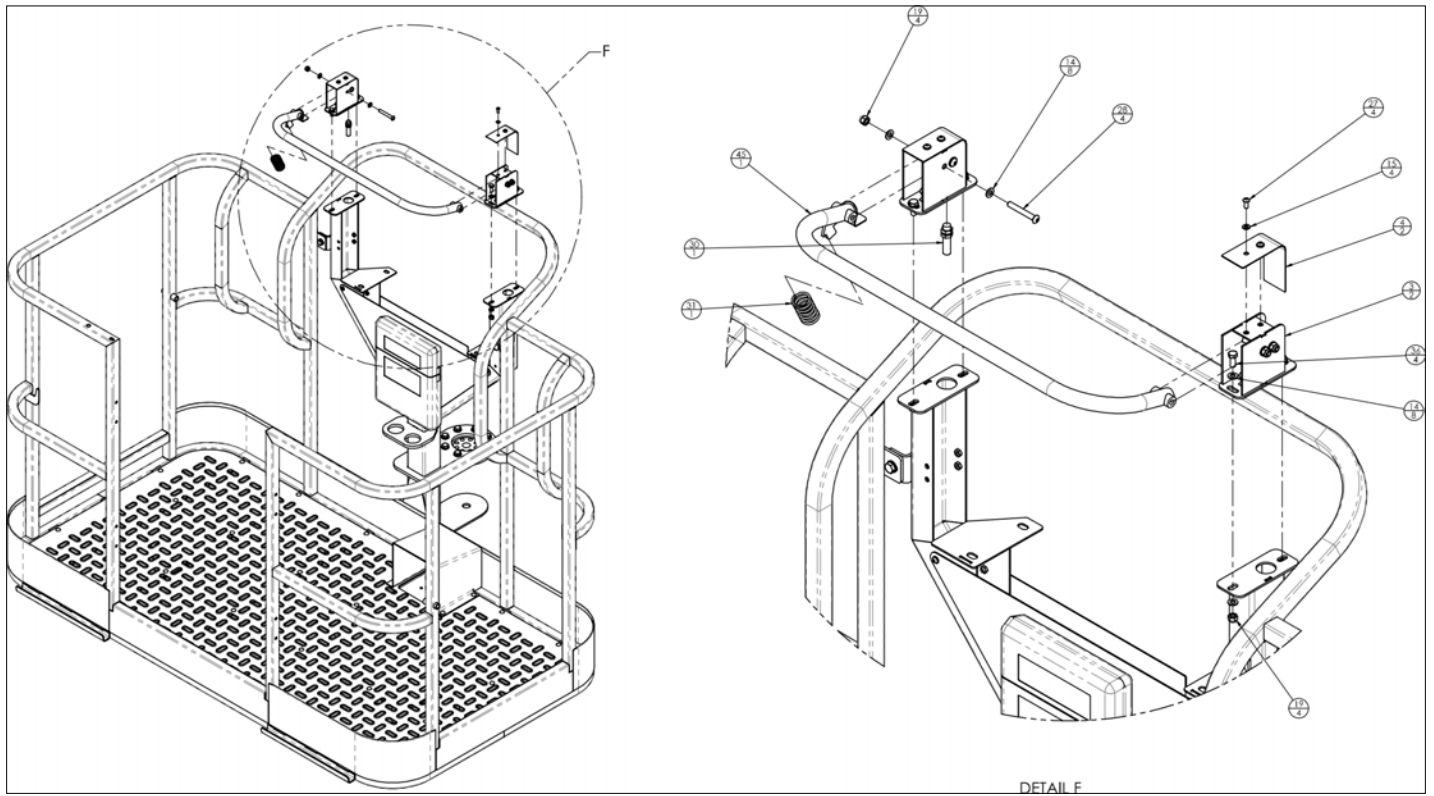
アイテム	部品番号	名前	数量	UOM
	1434394 A	ROTARY JIB ACTUATOR BEFORE SERIAL NUMBER 660SJ 04 200401001 EXCLUDING 600SJ 11 180800163		EA
1	1434394	ROTARY JIB ACTUATOR SERIAL NUMBER 660SJ 11 180800163 and 660SJ 04 200401001 and AFTER	1	EA

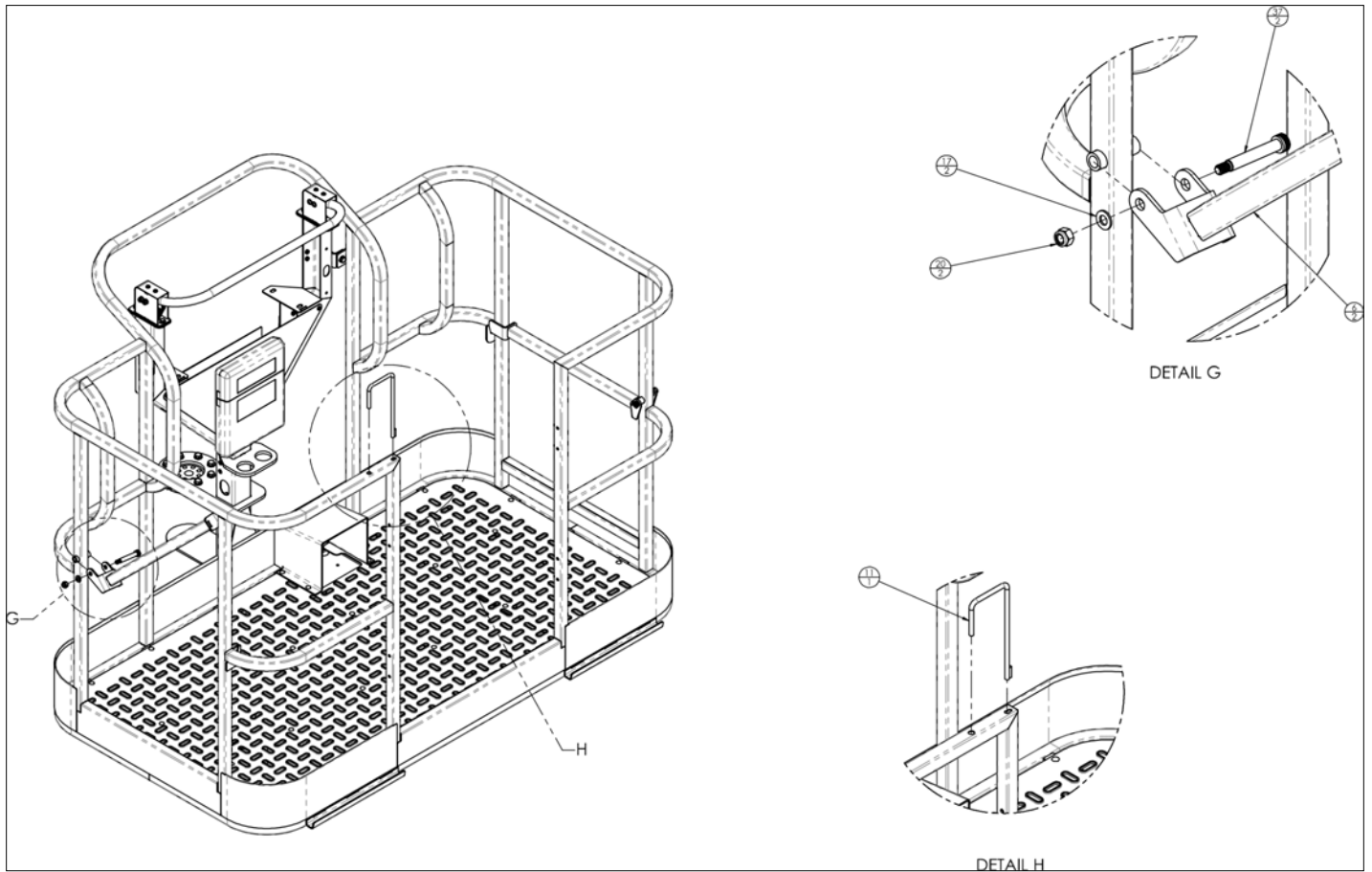
REPAIR PARTS

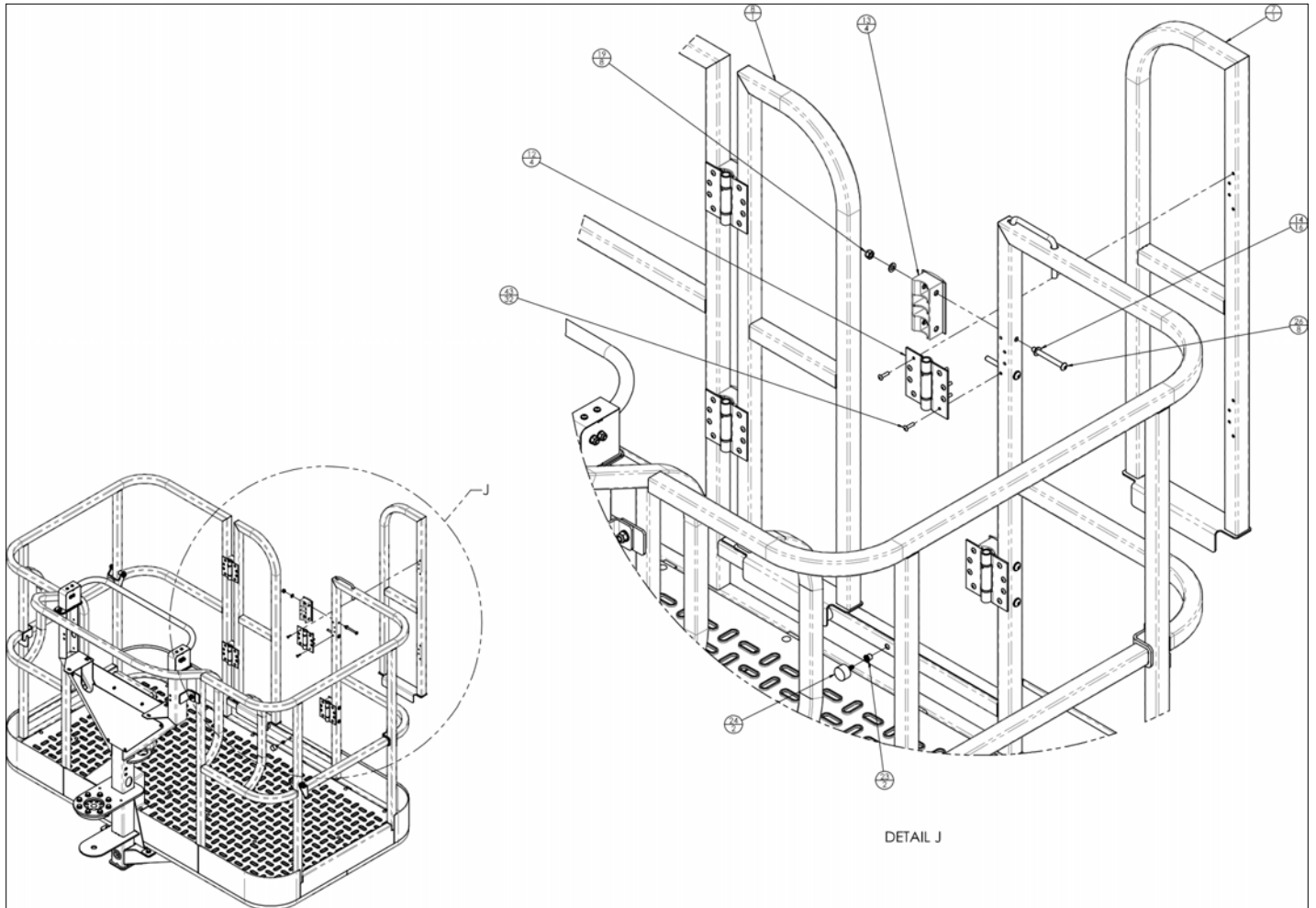


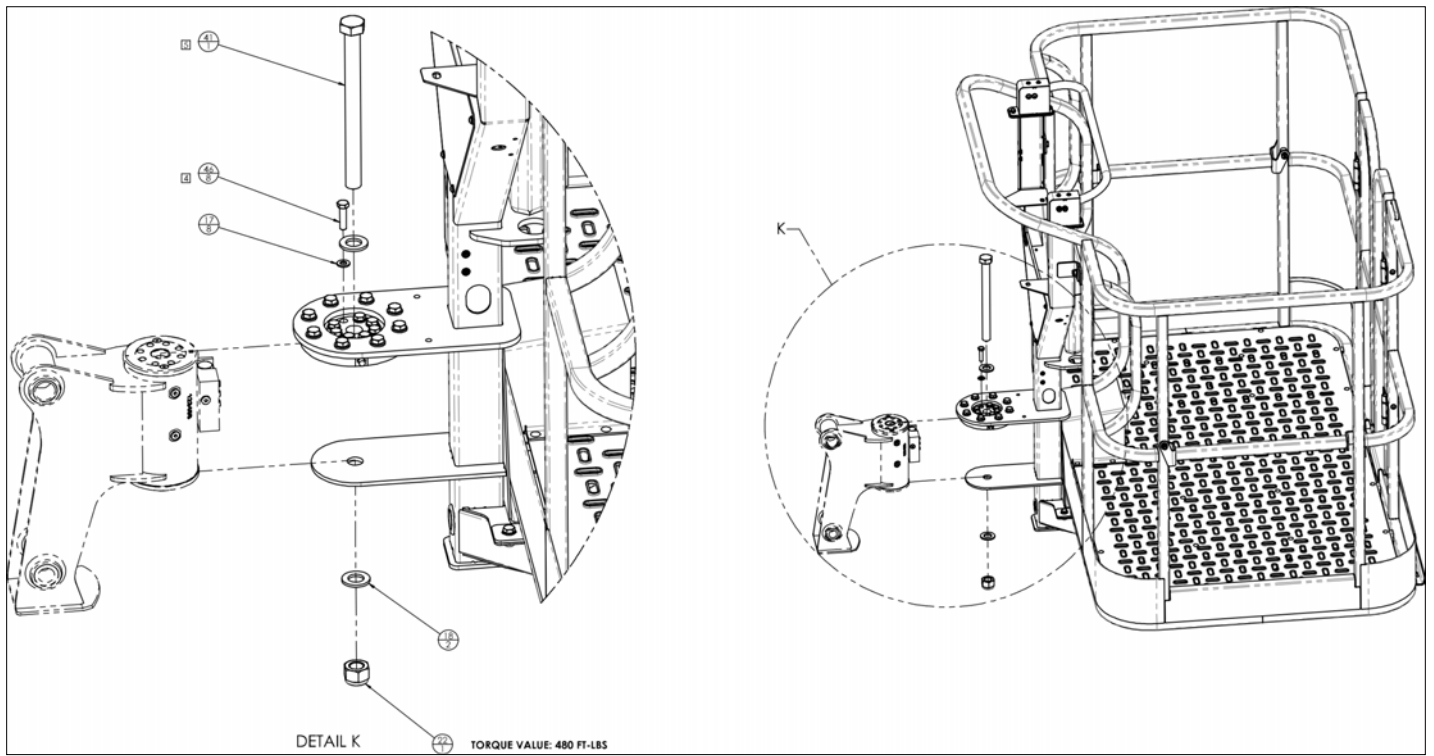










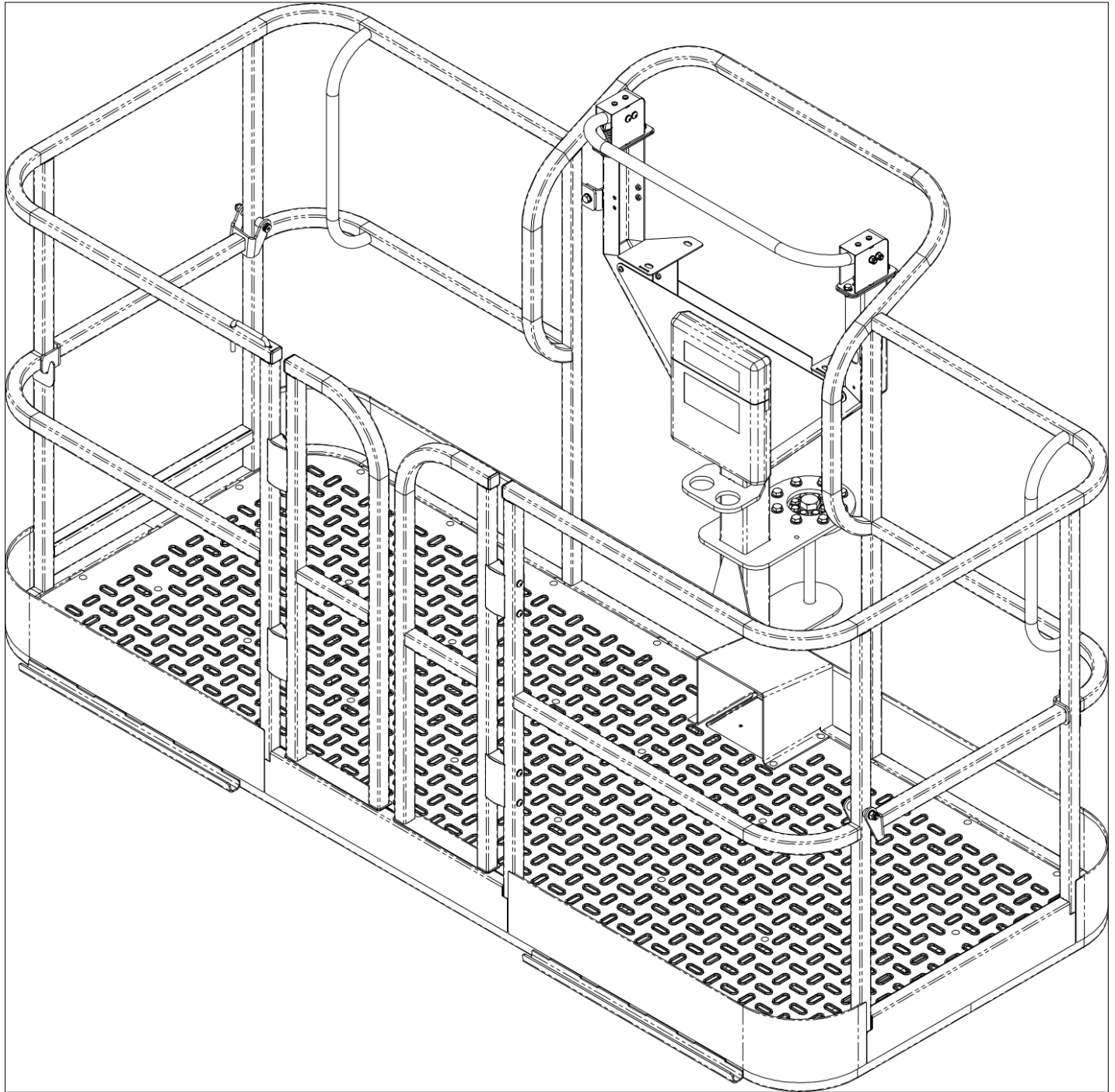


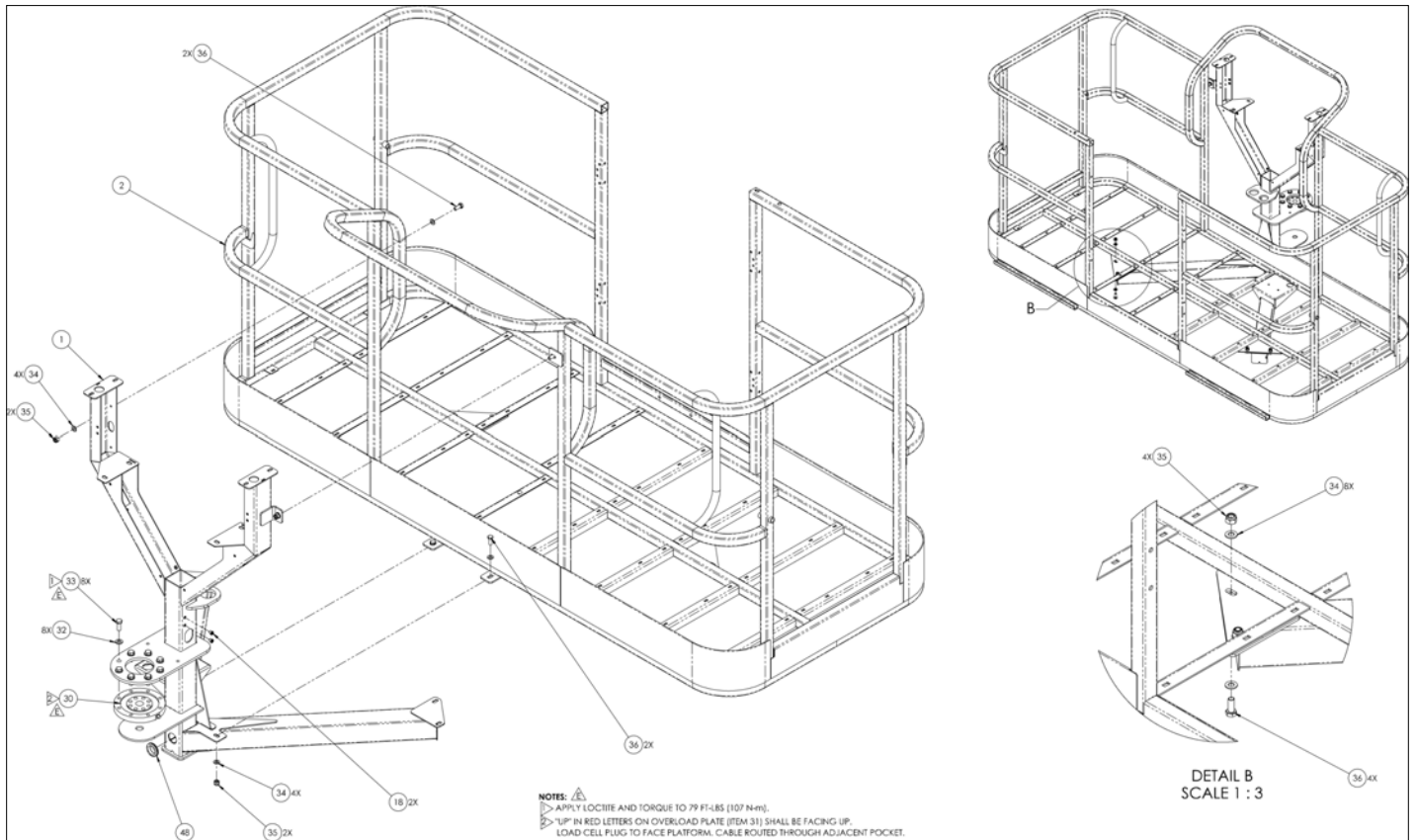
アイテム	部品番号	名前	数量	UOM
	1434516 A	6' WIDE PLATFORM INSTALLATION JIB DECEMBER 2019 AND AFTER		EA
1	1433081	PLATFORM MOUNT WELDMENT	1	EA
2	1434499	PLATFORM WELDMENT, 6 FT	1	EA
3	1433135	SNORKELGUARD SUPPORT	2	EA
4	1433140	COVER, SNORKELGUARD	2	EA
5	1434498	FLOOR PLATFORM, ALUMINUM 6FT	1	EA
6	1433141	WELDMENT, SIDE GATE	2	EA
7	1434255	SALOON GATE LEFT	1	EA
8	1434256	SALOON GATE RIGHT	1	EA
9	1433145	COVER, PLATFORM, REAR	1	EA
10	1433146	COVER, PLATFORM, FRONT	1	EA
11	1433148	HOOK, WELDMENT	1	EA
12	5516359	HINGE, SPRING	4	EA
13	1501844	BUMPER, GATES	4	EA
14	056069 008	WASHER, STEELFLATWASHER DIN12M8 FLAT WASHER DIN 125	32	EA
15	056069 006	WSHR STEELFLATWSHE M6 DIN125A	47	EA
16	056069 012	WASHER DIN125A M12 ZP	8	EA
17	056069 010	Washer, SteelFlatWasher DIN125A M10 ZincPlated	26	EA
18	510595 024	WASHER, FLAT M24 DIN 125	2	EA
19	056064 008	NUT HEX M8 1.25 GR10.9 SELF LOCKING DIN 985	16	EA
20	056064 010	Nut NylockNut DIN985 M10 10.0	10	EA
21	056064 006	NUT NYLOCK DIN985 M6 10.0 ZP	31	EA
22	056064 024	Nut, NylockNut DIN985 M24 10.0	1	EA

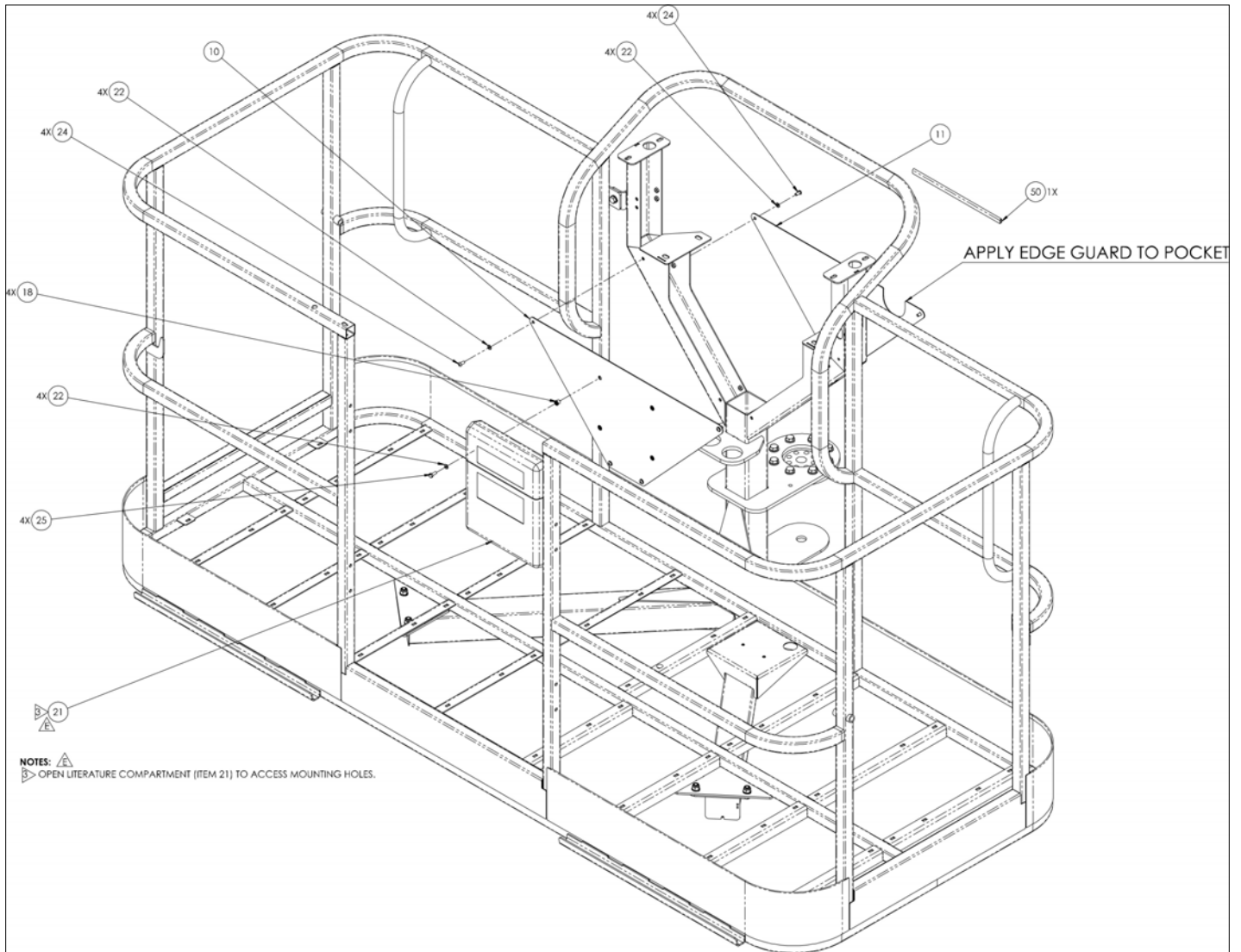
アイテム	部品番号	名前	数量	UOM
23	5076534	RIVET NUT M6X1.0,4.2 GRIP	8	EA
24	5563642	BUMPER RUBBER M6X1.0	2	EA
25	562386	Literature Compartment	1	EA
26	500595 075	Bolt, SktButCapScrew DIN9427 M	8	EA
27	5563280	SBHCS M6 X 1.0 X 14 GR 12.9 ZP	12	EA
28	10504 060	BUTTON HEAD HEX M8 1.25 X 60MM	4	EA
29	512630 016	BOLT, HEXBOLT DIN933 M6 x 16mm 10.9 ZINCPLATED	4	EA
30	3028844	IFS241 (IFM PROXY)	1	EA
31	0113530	SPRING ANTI ENTRAPMENT	1	EA
32	3030188	OVERLOAD SENSOR PLATE	1	EA
33	3220344	CLIP HARNESS .04 .25 THK	3	EA
34	5563508	BOLT HEXBOLT DIN931 M12 X 1.75 X 30 10.11	8	EA
35	058493 025	HHCS M10 X 25MM GR10.9 DIN933	8	EA
36	510681 020	HHCS M8X1.25X20 G10.9 ISO 4014 DIN 933	4	EA
37	5563940	BLT SHDR SKTHD 12MMx70xM10x1.5	2	EA
38	5563934	BLT CRG M6 1.0x16LG GR8.8 ZINCPLATED	29	EA
39	5563980	BLT CRG M6 1.0 X 20 LG GR8.8 ZP	2	EA
40	1433470	COVER FOOTSWITCH	1	EA
41	512649 280	BOLT,HexBolt,DIN931,M24 x 280m	1	EA
42	5563883	GROMMET 1.5 ID X 1.875OD	1	EA
43	5563973	POP RIVET .188 X .13 .25 ST	32	EA
44	9920035	TRIMSEAL X3/16G TRIM LOK	1	EA
45	1433131	SNORKELGUARD TUBE WELDMENT	1	EA

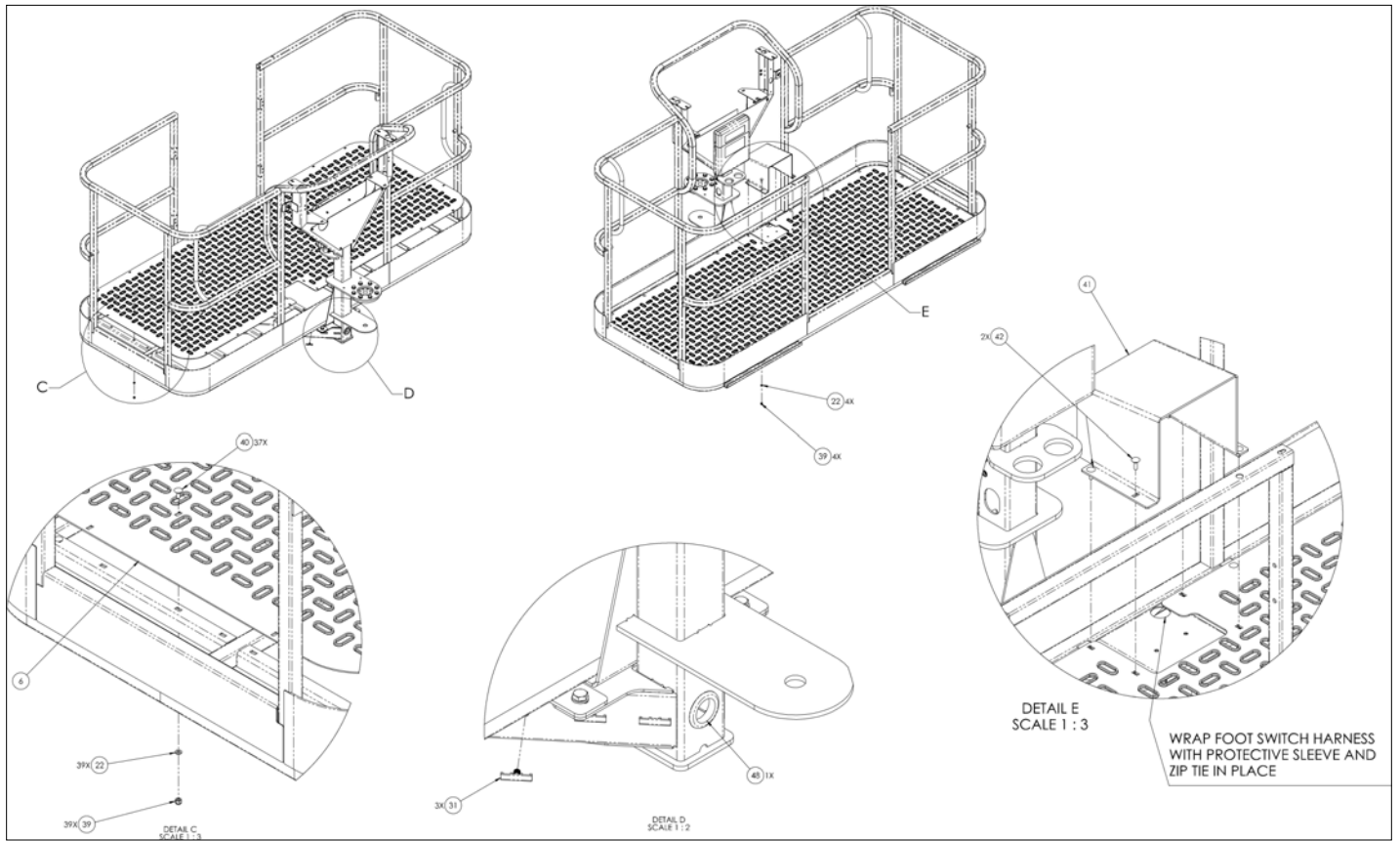
アイテム	部品番号	名前	数量	UOM
46	058509 040	BOLT HEXBOLT DIN931 M12 X 40MM 10.9 DACROMET	8	EA

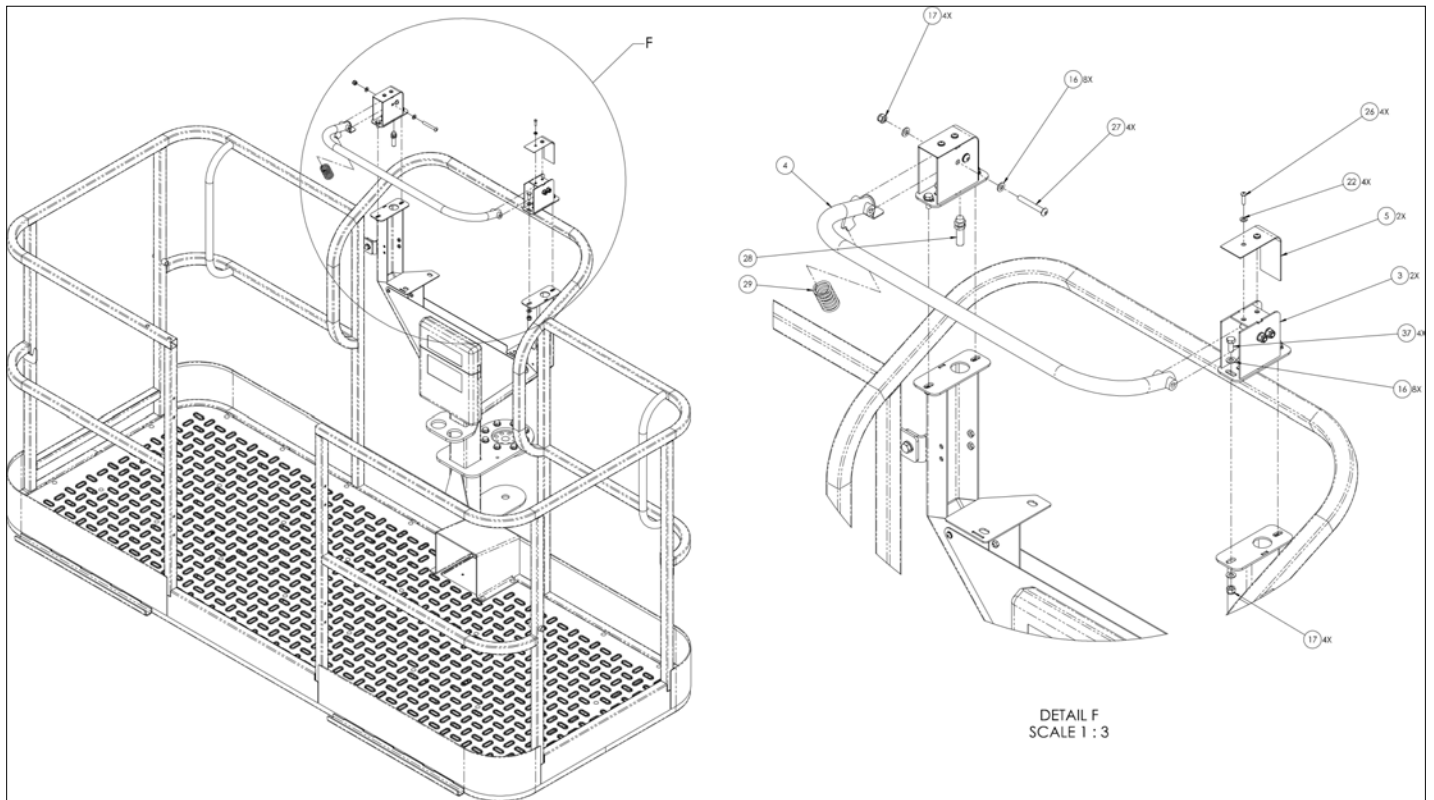
REPAIR PARTS

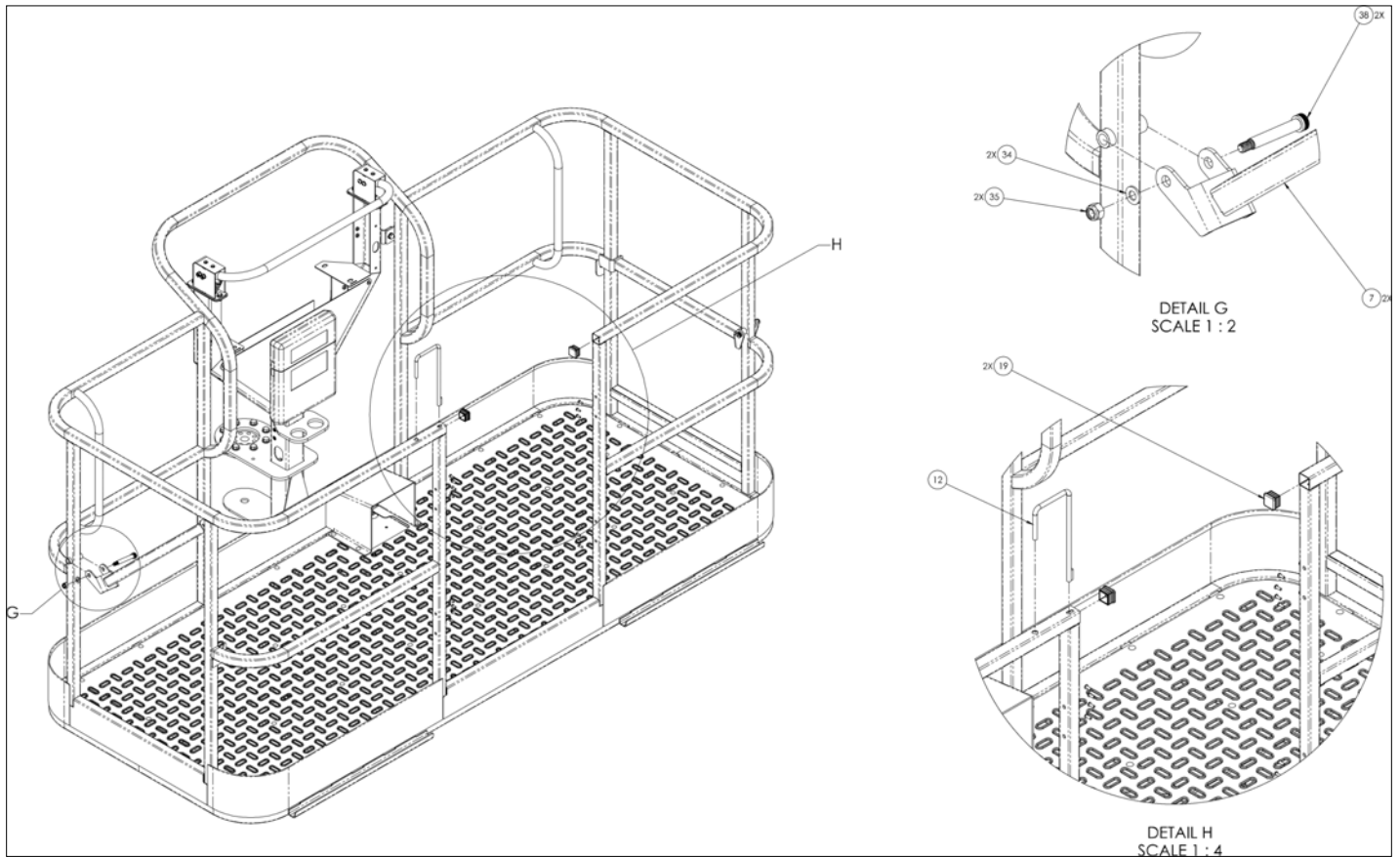


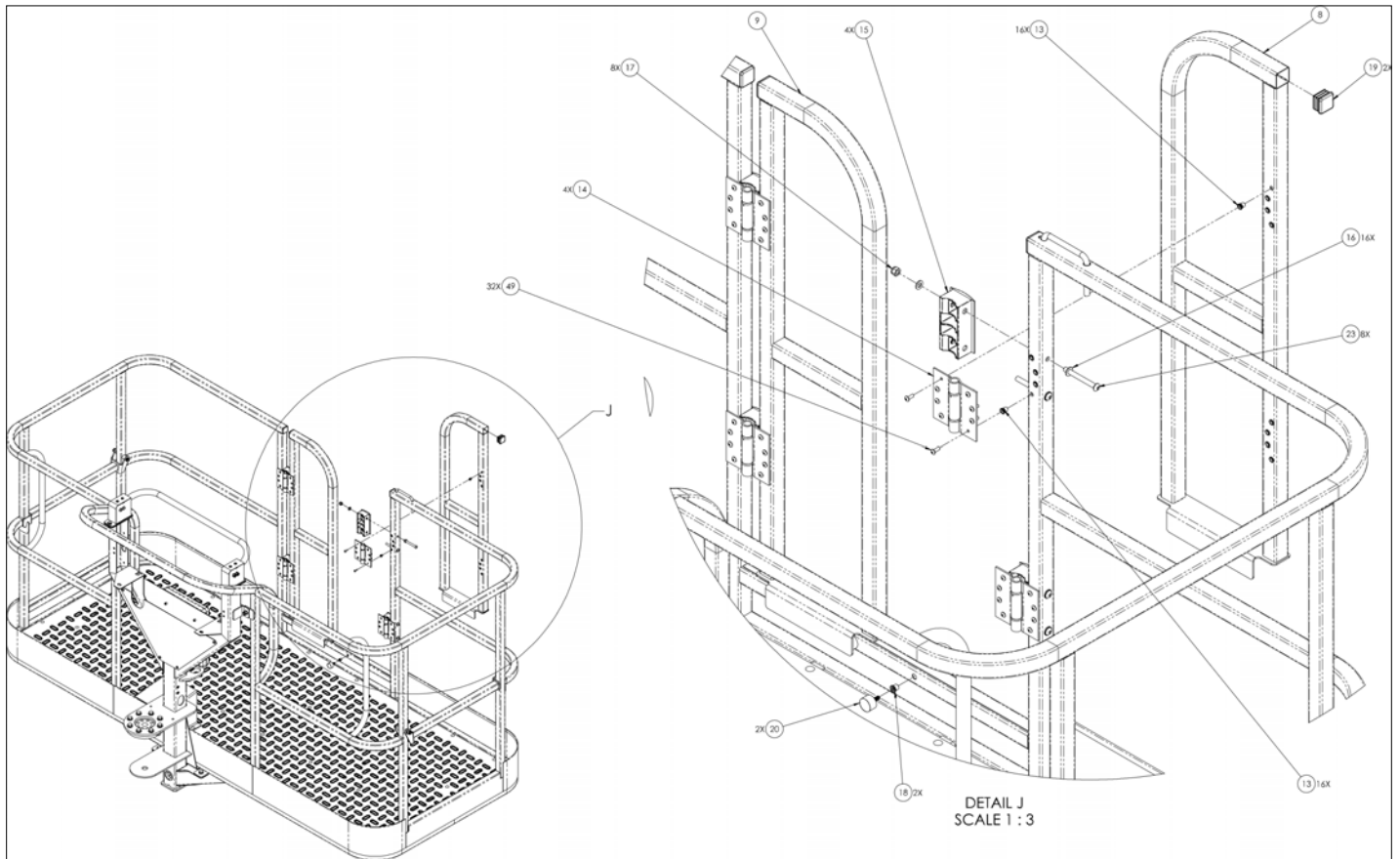


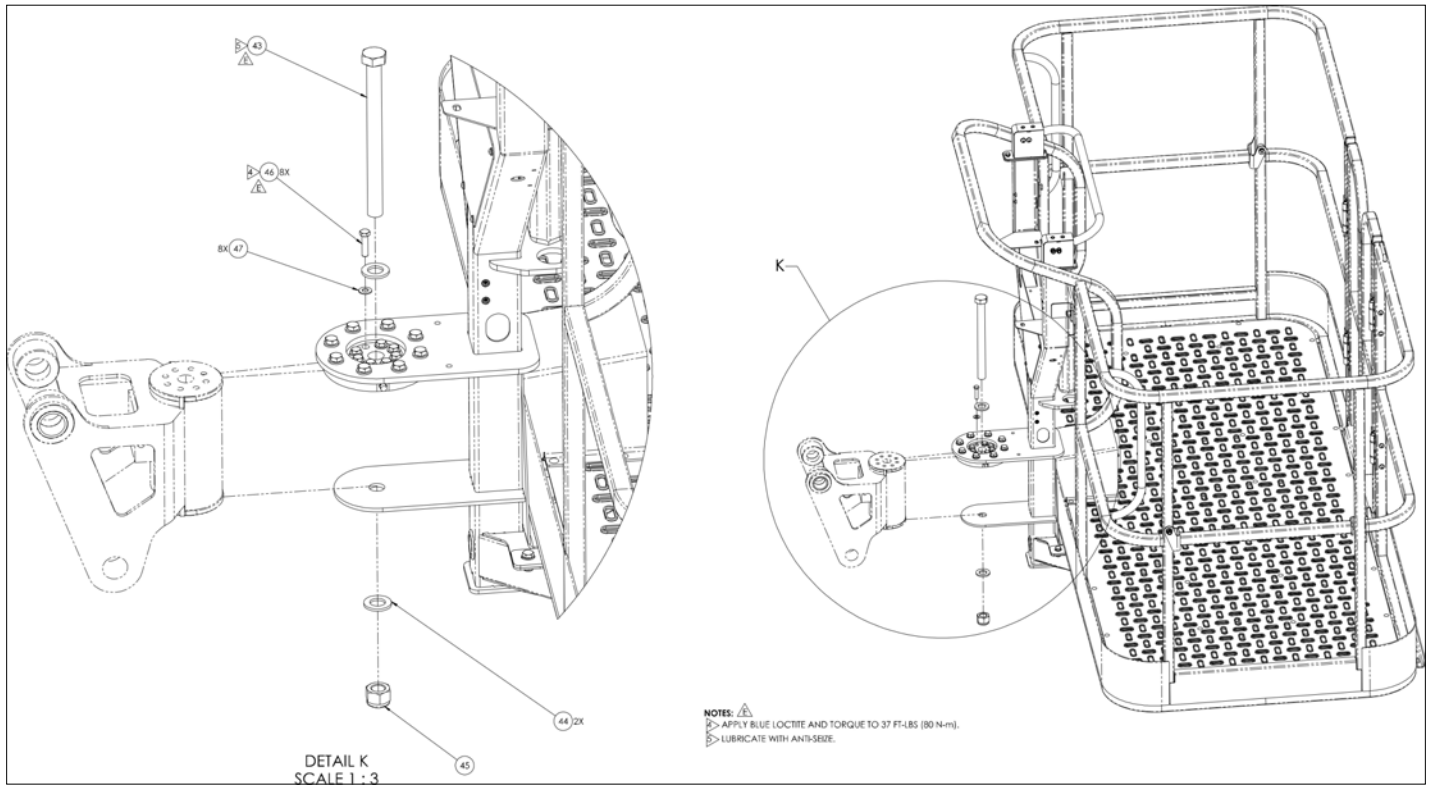










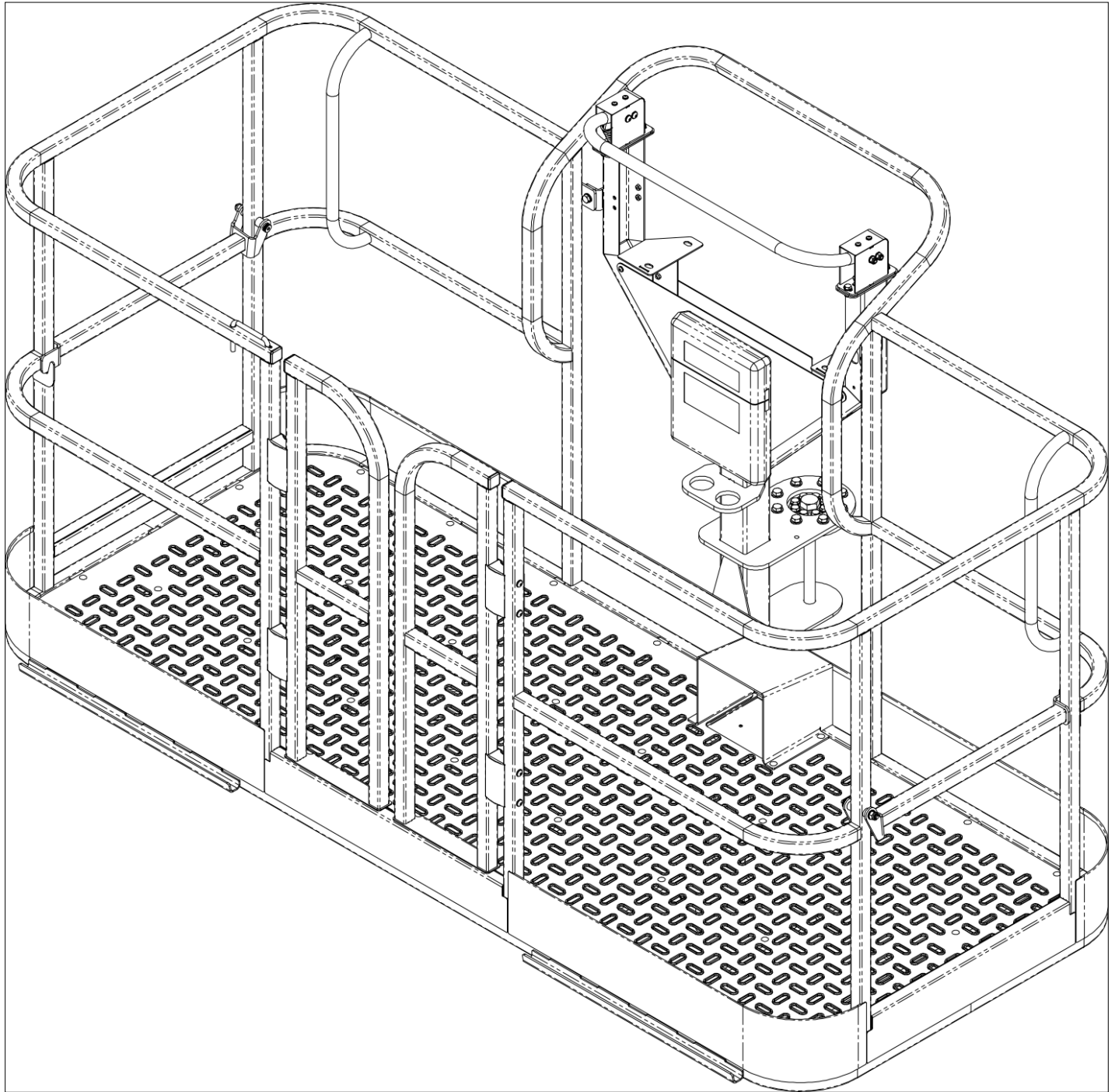


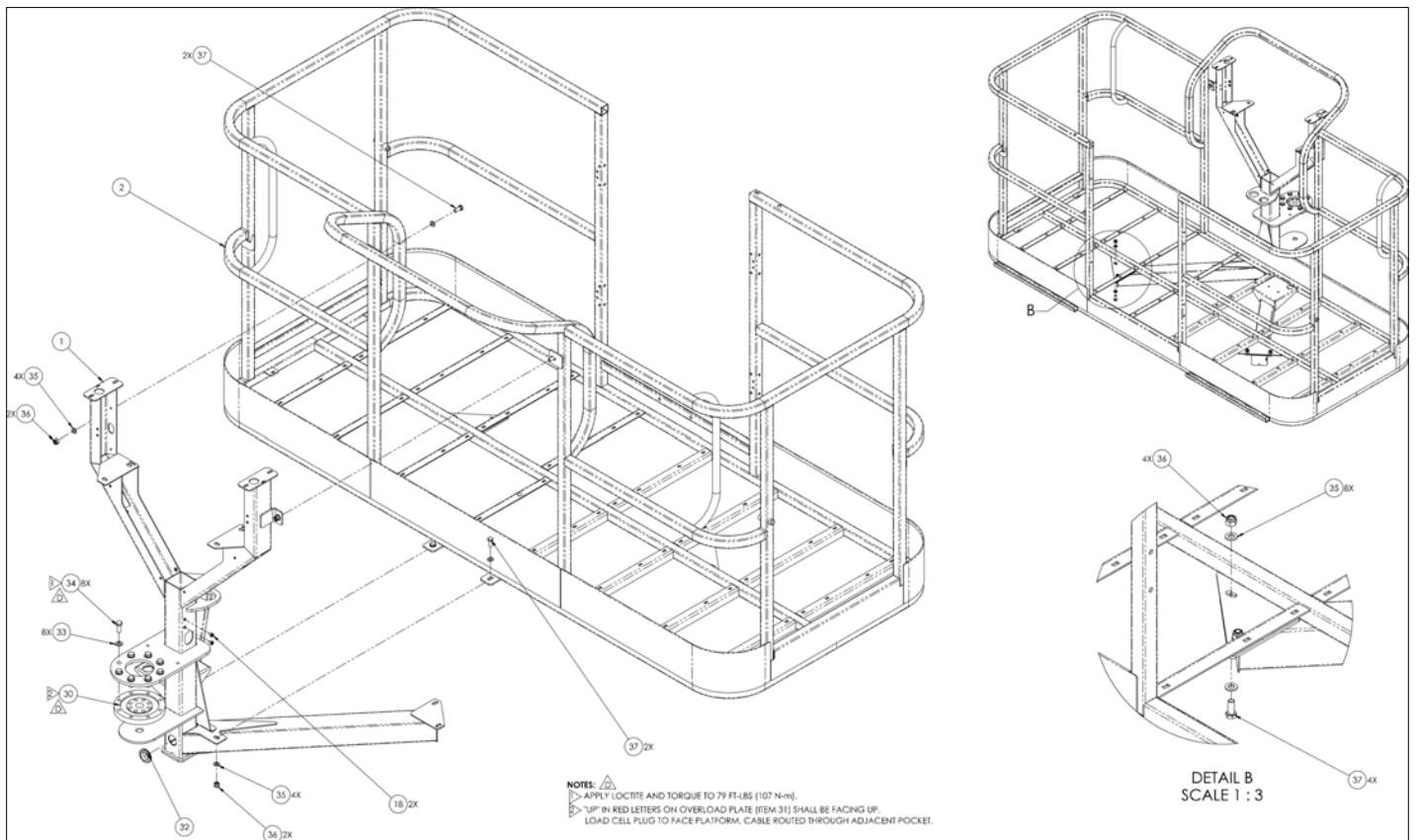
アイテム	部品番号	名前	数量	UOM
	1433174 E	PLATFORM INSTALLATION, 8 FOOT WIDE ANSI CE EXPORT CSA EXPORT		EA
1	1433081	PLATFORM MOUNT WELDMENT	1	EA
2	1433100	PLATFORM WELDMENT	1	EA
3	1433135	SNORKELGUARD SUPPORT	2	EA
4	1433131	SNORKELGUARD TUBE WELDMENT	1	EA
5	1433140	COVER, SNORKELGUARD	2	EA
6	1433147	FLOOR, PLATFORM, ALUMINUM	1	EA
7	1433141	WELDMENT, SIDE GATE	2	EA
8	1433152	SALOON GATE, LEFT	1	EA
9	1433157	SALOON GATE, RIGHT	1	EA
10	1433145	COVER, PLATFORM, REAR	1	EA
11	1433146	COVER, PLATFORM, FRONT	1	EA
12	1433148	HOOK, WELDMENT	1	EA
13	10001218	NUTSERT M5 0.8 X 3.3 GRIP	32	EA
14	5516359	HINGE, SPRING	4	EA
15	1501844	BUMPER, GATES	4	EA
16	056069 008	WASHER, STEELFLATWASHER DIN12M8 FLAT WASHER DIN 125	32	EA
17	056064 008	NUT HEX M8 1.25 GR10.9 SELF LOCKING DIN 985	16	EA
18	5076534	RIVET NUT M6X1.0,4.2 GRIP	8	EA
19	5563881	CAP 1.25"X14 20GA SQ TUBE	4	EA
20	5563642	BUMPER RUBBER M6X1.0	2	EA
21	562386	Literature Compartment	1	EA
22	056069 006	WSHR STEELFLATWSHE M6 DIN125A	55	EA
23	500595 075	Bolt, SktButCapScrew DIN9427 M	8	EA

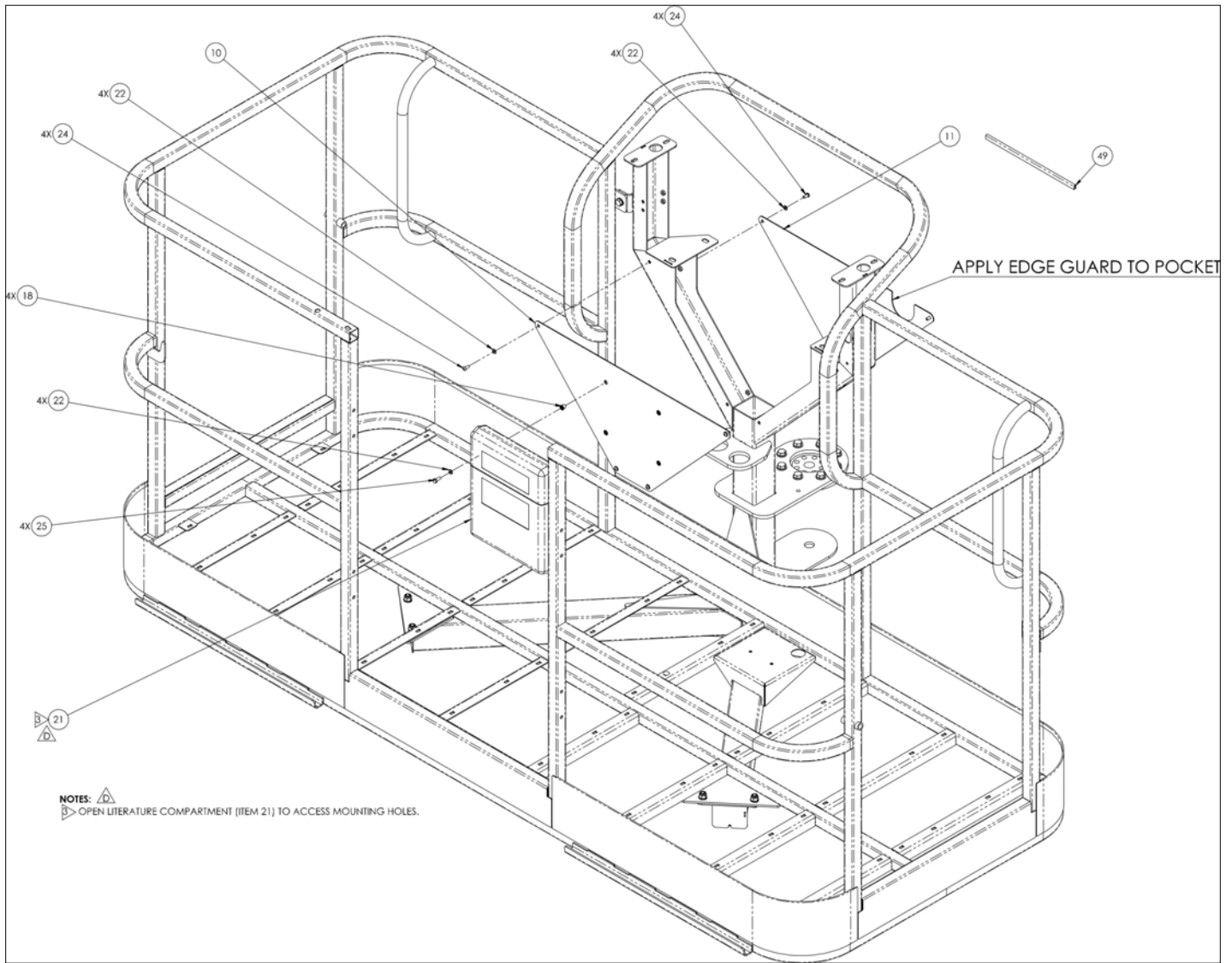
アイテム	部品番号	名前	数量	UOM
24	5563280	SBHCS M6 X 1.0 X 14 GR 12.9 ZP	8	EA
25	512630 016	BOLT, HEXBOLT DIN933 M6 x 16mm 10.9 ZINCPLATED	4	EA
26	505082 020	Bolt, SktButCapScrew DIN9427 M5 x 20mm 10.9 ZincPlated	4	EA
27	10504 060	BUTTON HEAD HEX M8 1.25 X 60MM	4	EA
28	3028844	IFS241 (IFM PROXY)	1	EA
29	0113530	SPRING ANTI ENTRAPMENT	1	EA
30	3030188	OVERLOAD SENSOR PLATE	1	EA
31	3220344	CLIP HARNESS .04 .25 THK	3	EA
32	056069 012	WASHER DIN125A M12 ZP	8	EA
33	5563508	BOLT HEXBOLT DIN931 M12 X 1.75 X 30 10.11	8	EA
34	056069 010	Washer, SteelFlatWasher DIN125A M10 ZincPlated	18	EA
35	056064 010	Nut NylockNut DIN985 M10 10.0	10	EA
36	058493 025	HHCS M10 X 25MM GR10.9 DIN933	8	EA
37	510681 020	HHCS M8X1.25X20 G10.9 ISO 4014 DIN 933	4	EA
38	5563940	BLT SHDR SKTHD 12MMx70xM10x1.5	2	EA
39	056064 006	NUT NYLOCK DIN985 M6 10.0 ZP	39	EA
40	5563934	BLT CRG M6 1.0x16LG GR8.8 ZINCPLATED	37	EA
41	1433470	COVER FOOTSWITCH	1	EA
42	5563980	BLT CRG M6 1.0 X 20 LG GR8.8 ZP	2	EA
43	512649 280	BOLT,HexBolt,DIN931,M24 x 280m	1	EA
44	510595 024	WASHER, FLAT M24 DIN 125	2	EA

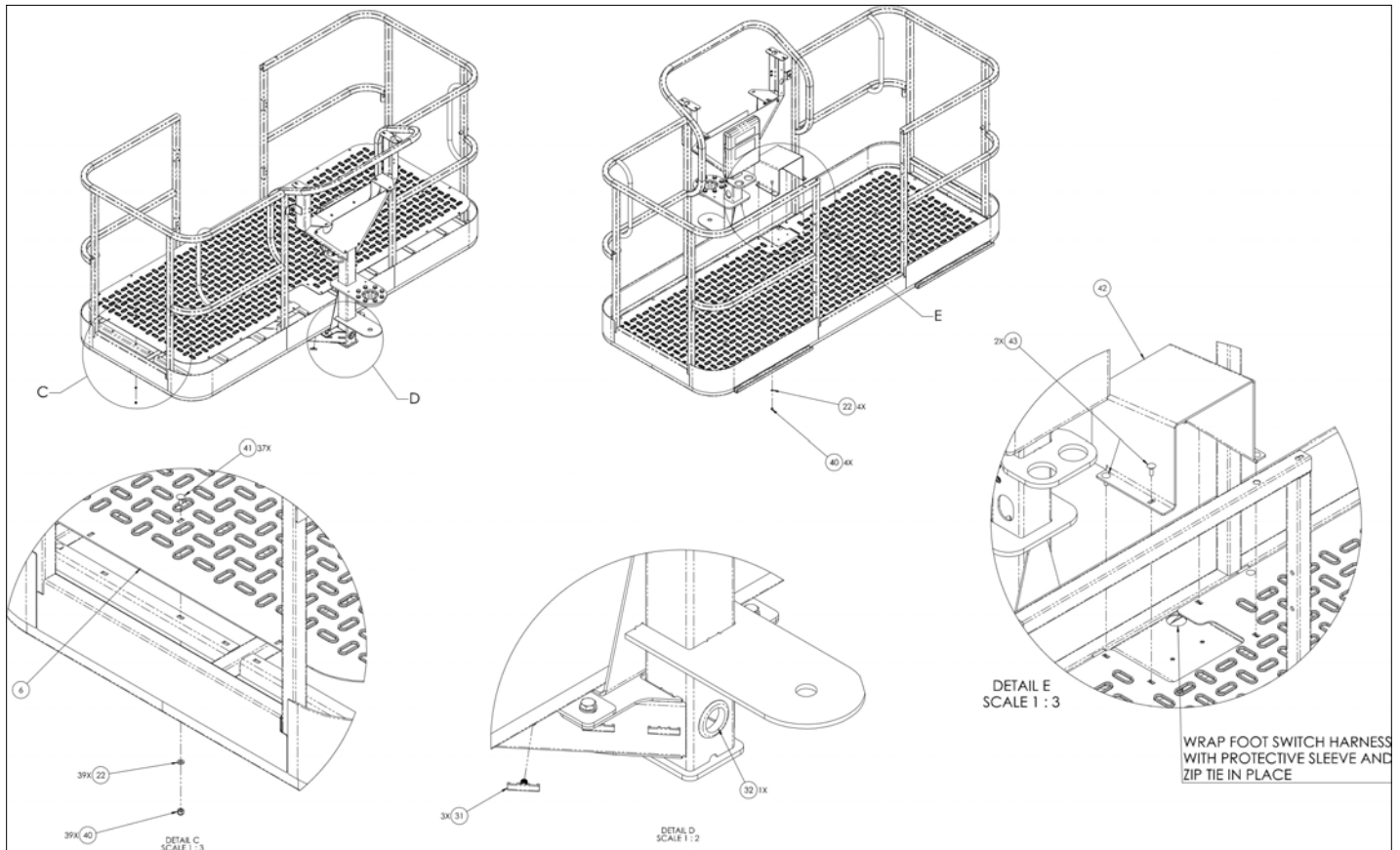
アイテム	部品番号	名前	数量	UOM
45	056064 024	Nut, NylockNut DIN985 M24 10.0	1	EA
46	5563422	BLT HEXHD .375 16x1.50 GR8 ZP	8	EA
47	5560222	WSHR FLAT HARD .375 SP	8	EA
48	5563883	GROMMET 1.5 ID X 1.875OD	1	EA
49	5563981	SBHCS M5 X .8 X 14 GR 10.9 ZP	32	EA
50	9920035	TRIMSEAL X3/16G TRIM LOK	1	EA

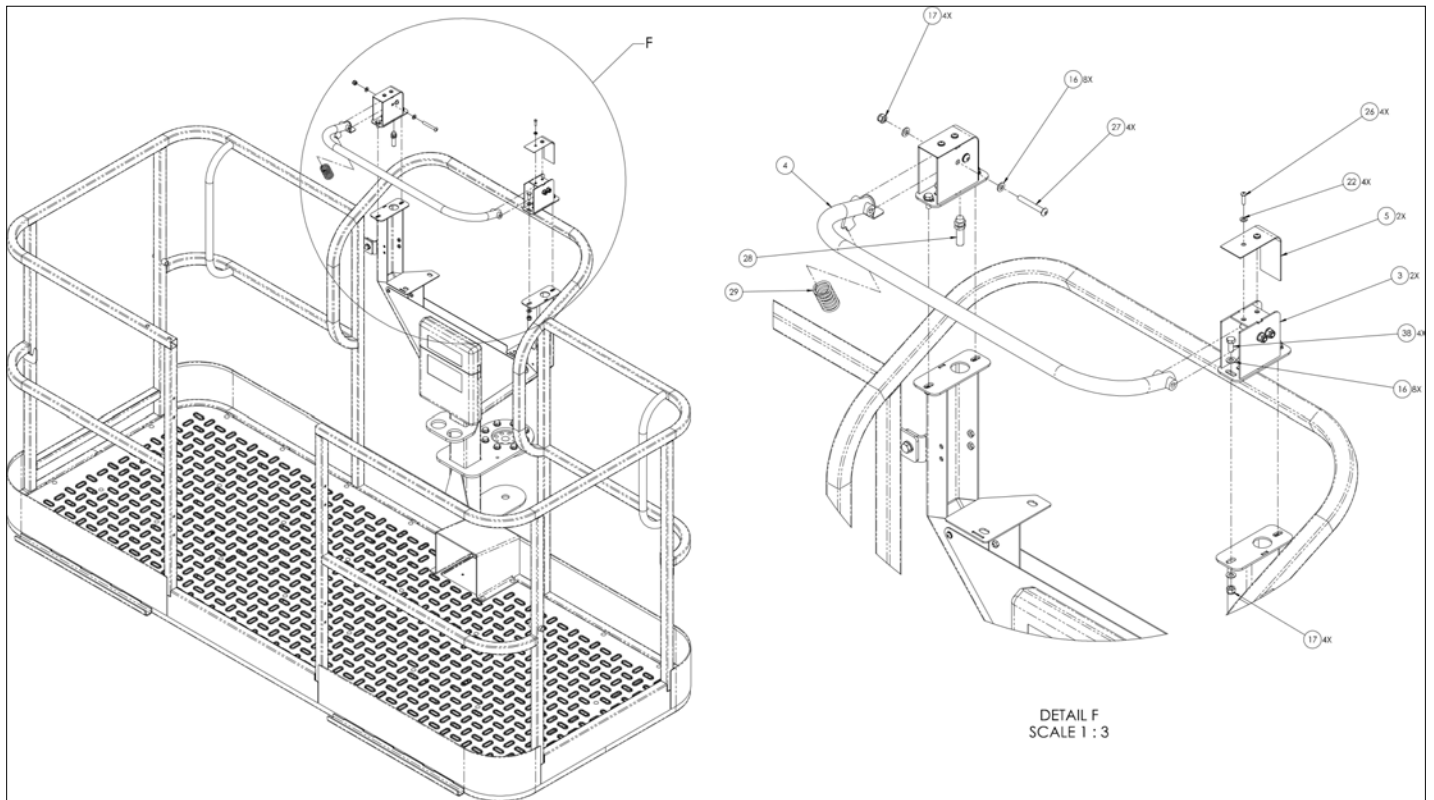
REPAIR PARTS

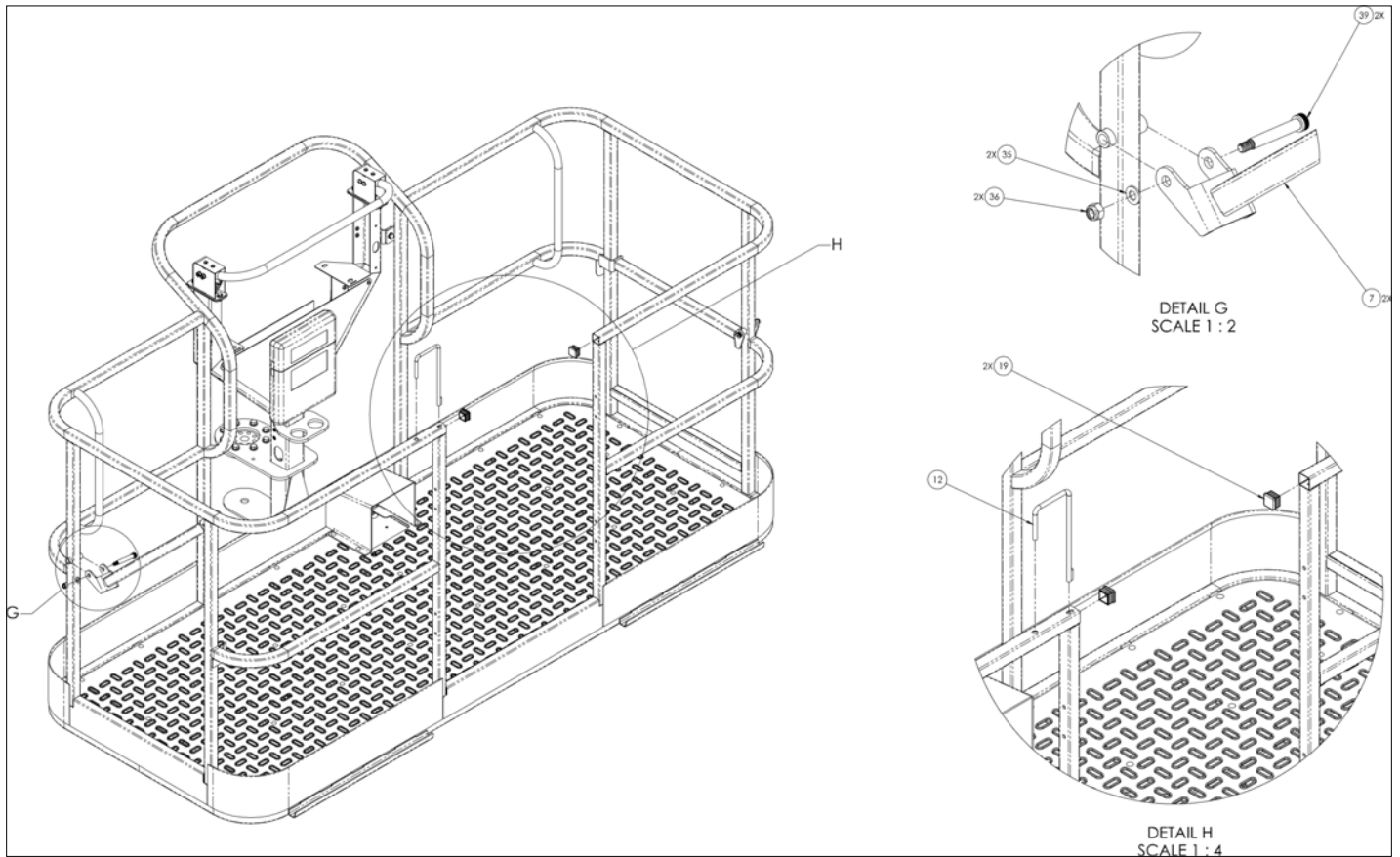


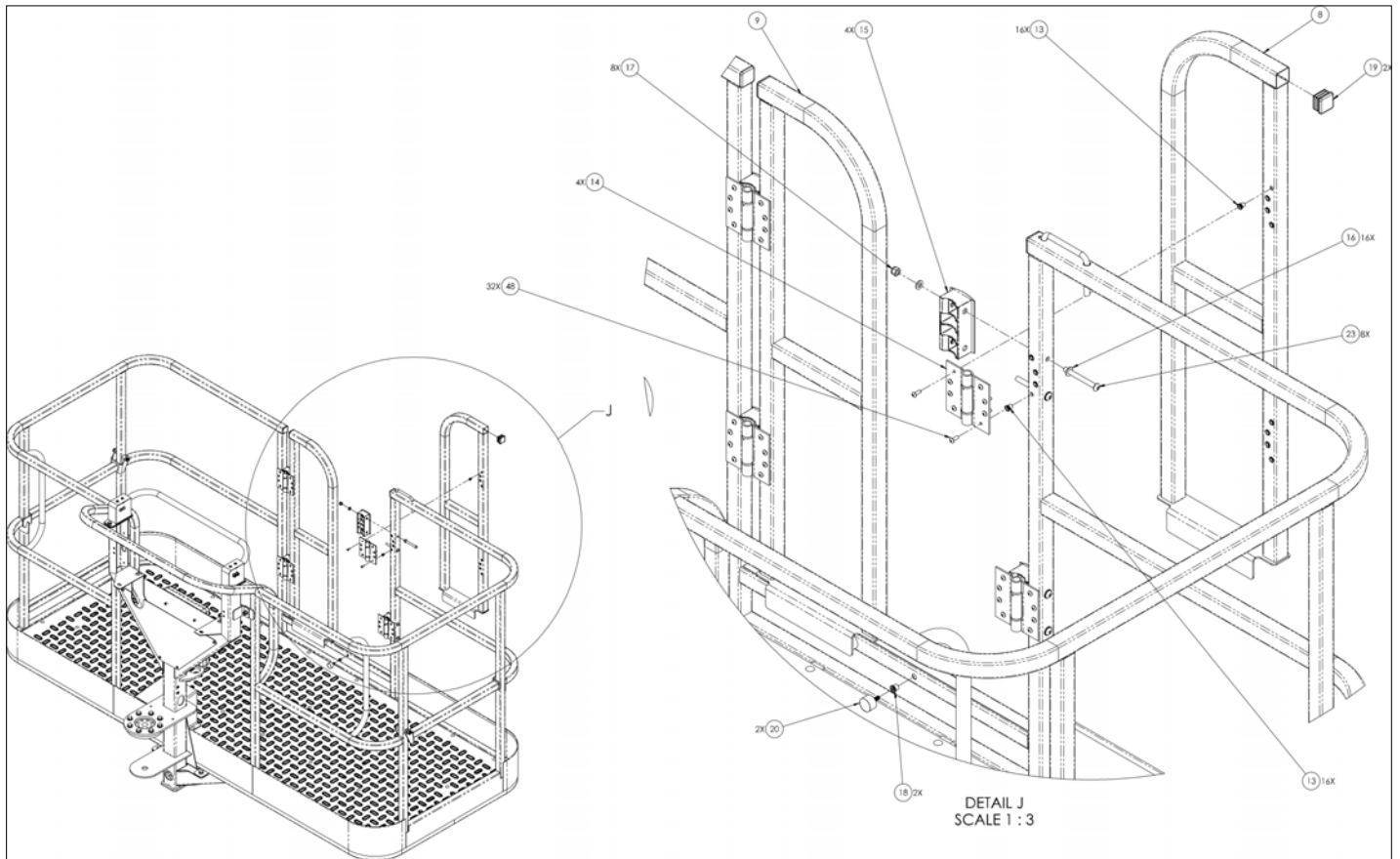


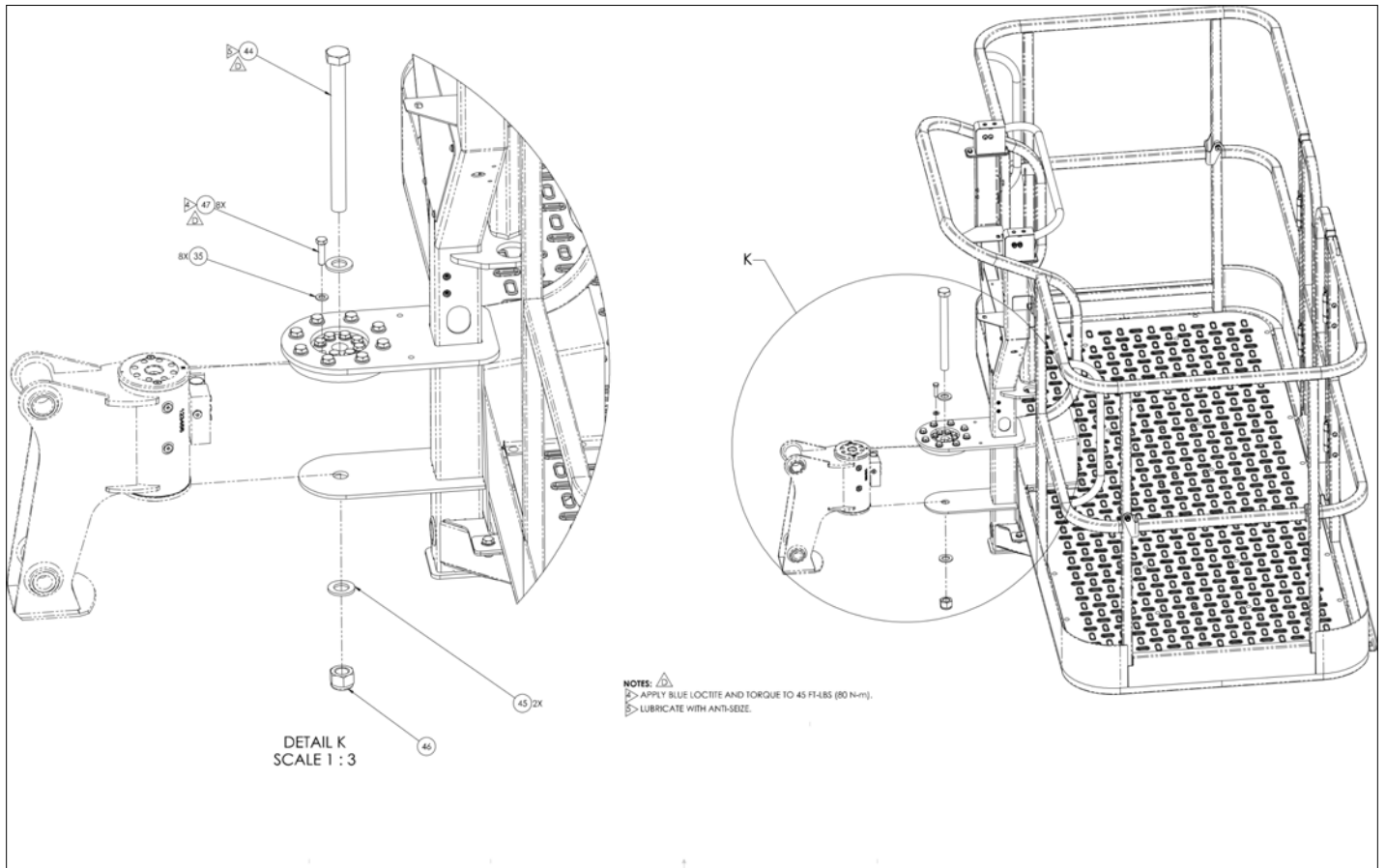










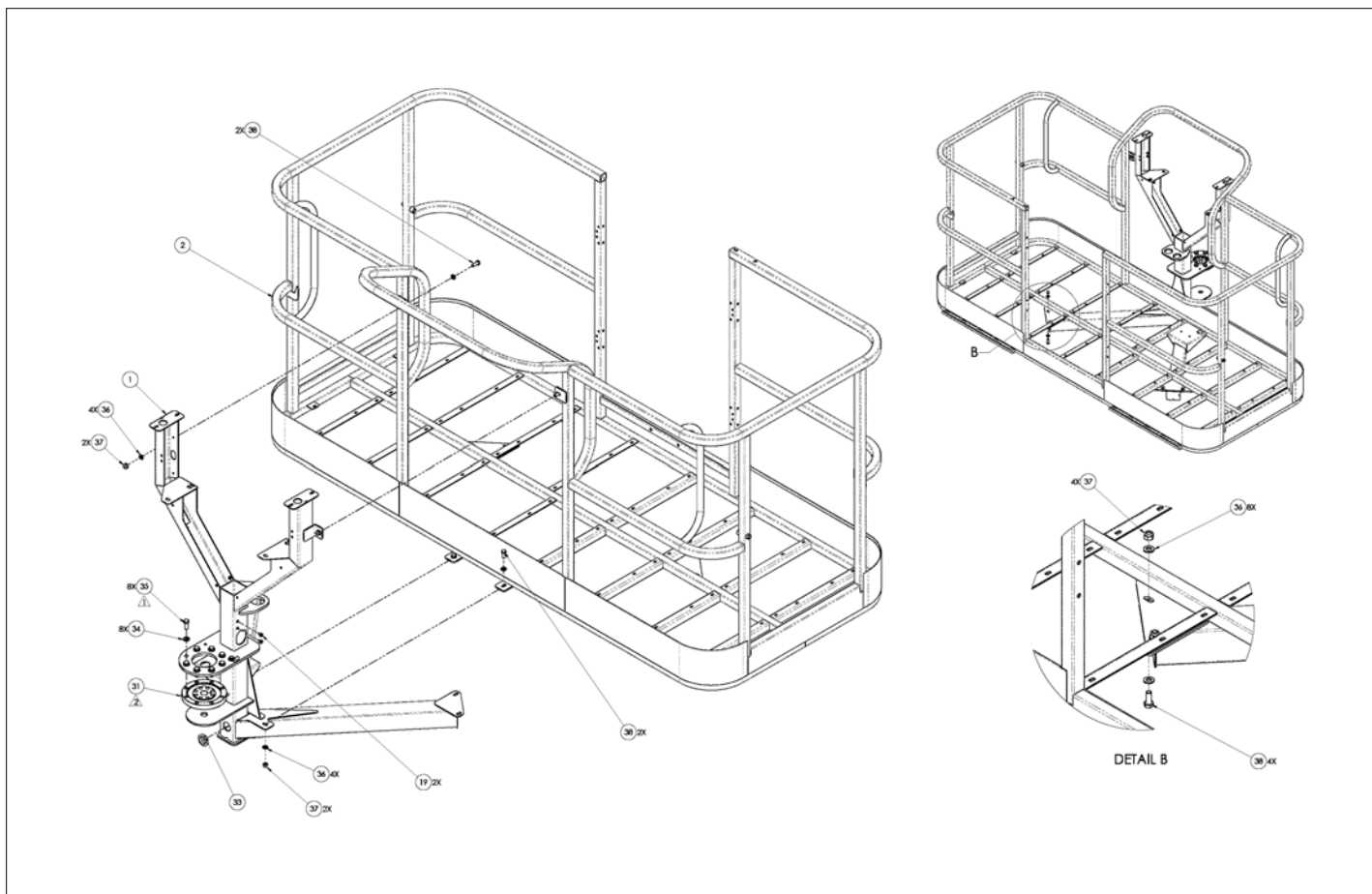


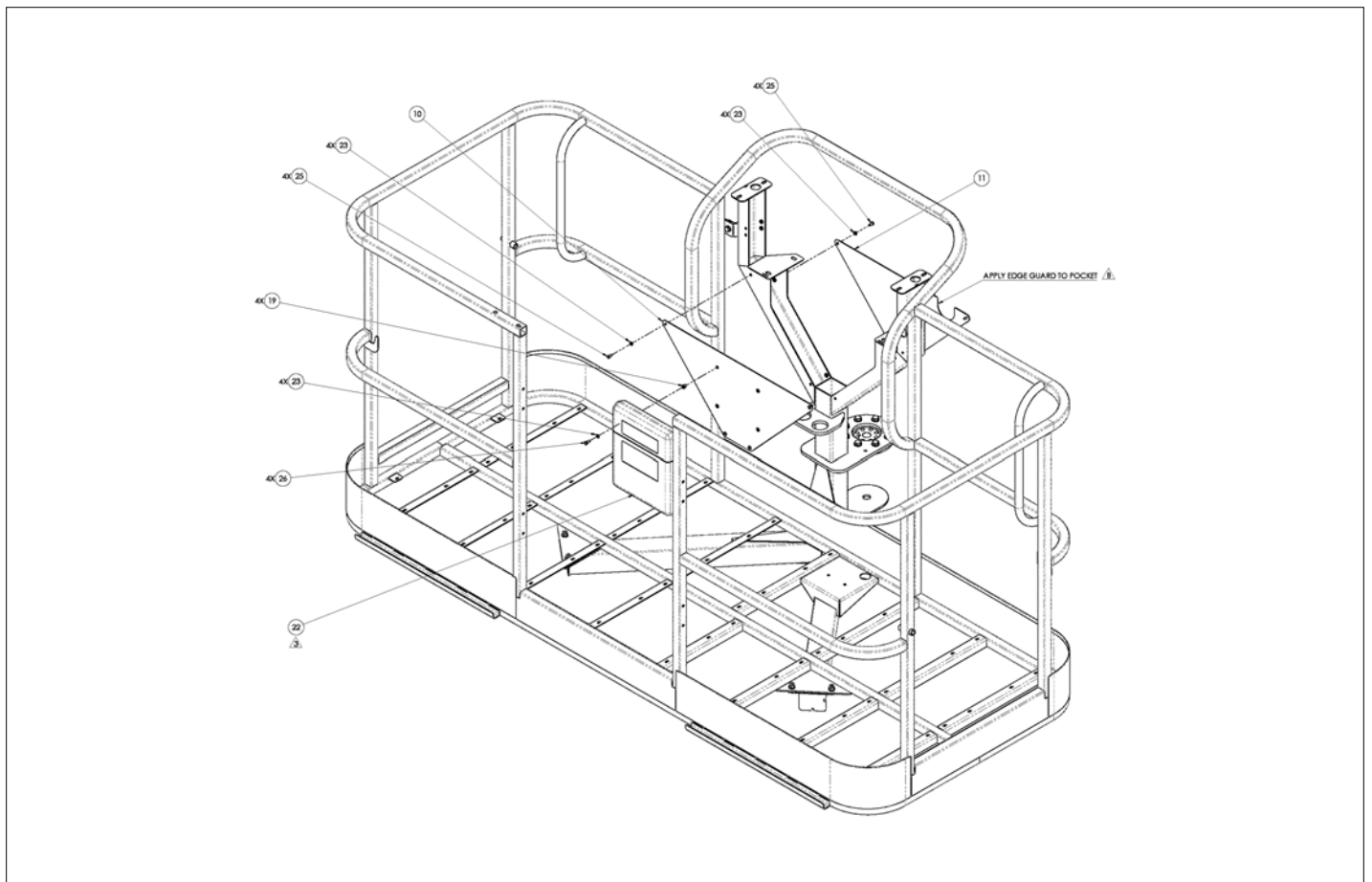
アイテム	部品番号	名前	数量	UOM
	1433505 D	PLATFORM, JIB INSTALLATION		EA
1	1433081	PLATFORM MOUNT WELDMENT	1	EA
2	1433100	PLATFORM WELDMENT	1	EA
3	1433135	SNORKELGUARD SUPPORT	2	EA
4	1433131	SNORKELGUARD TUBE WELDMENT	1	EA
5	1433140	COVER, SNORKELGUARD	2	EA
6	1433147	FLOOR, PLATFORM, ALUMINUM	1	EA
7	1433141	WELDMENT, SIDE GATE	2	EA
8	1433152	SALOON GATE, LEFT	1	EA
9	1433157	SALOON GATE, RIGHT	1	EA
10	1433145	COVER, PLATFORM, REAR	1	EA
11	1433146	COVER, PLATFORM, FRONT	1	EA
12	1433148	HOOK, WELDMENT	1	EA
13	10001218	NUTSERT M5 0.8 X 3.3 GRIP	32	EA
14	5516359	HINGE, SPRING	4	EA
15	1501844	BUMPER, GATES	4	EA
16	056069 008	WASHER, STEELFLATWASHER DIN12M8 FLAT WASHER DIN 125	32	EA
17	056064 008	NUT HEX M8 1.25 GR10.9 SELF LOCKING DIN 985	16	EA
18	5076534	RIVET NUT M6X1.0,4.2 GRIP	8	EA
19	5563881	CAP 1.25"X14 20GA SQ TUBE	4	EA
20	5563642	BUMPER RUBBER M6X1.0	2	EA
21	562386	Literature Compartment	1	EA
22	056069 006	WSHR STEELFLATWSHE M6 DIN125A	55	EA
23	500595 075	Bolt, SktButCapScrew DIN9427 M	8	EA
24	5563280	SBHCS M6 X 1.0 X 14 GR 12.9 ZP	8	EA

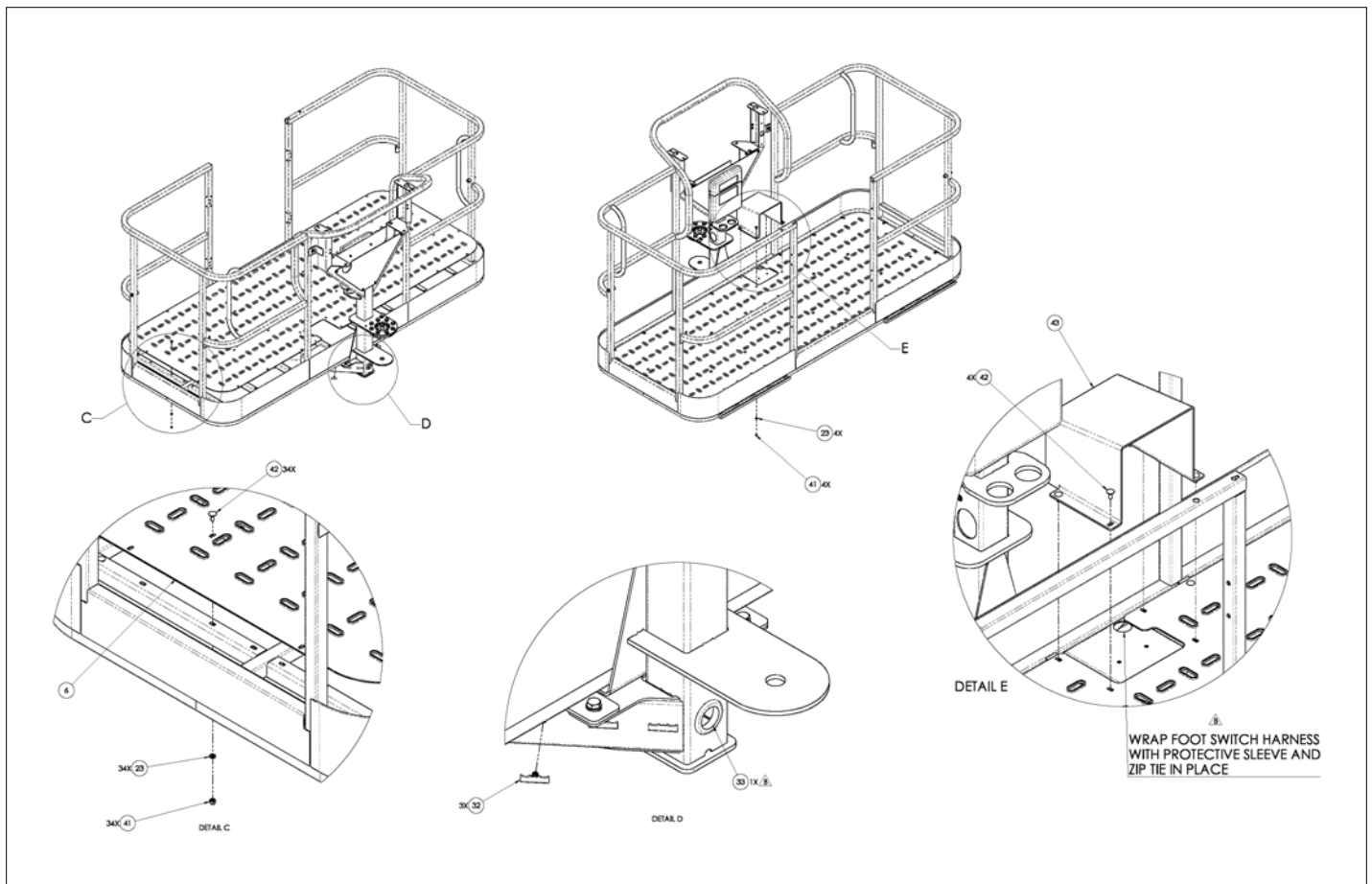
アイテム	部品番号	名前	数量	UOM
25	512630 016	BOLT, HEXBOLT DIN933 M6 x 16mm 10.9 ZINCPLATED	4	EA
26	505082 020	Bolt, SktButCapScrew DIN9427 M5 x 20mm 10.9 ZincPlated	4	EA
27	10504 060	BUTTON HEAD HEX M8 1.25 X 60MM	4	EA
28	3028844	IFS241 (IFM PROXY)	1	EA
29	0113530	SPRING ANTI ENTRAPMENT	1	EA
30	3030188	OVERLOAD SENSOR PLATE	1	EA
31	3220344	CLIP HARNESS .04 .25 THK	3	EA
32	5563883	GROMMET 1.5 ID X 1.875OD	1	EA
33	056069 012	WASHER DIN125A M12 ZP	8	EA
34	5563508	BOLT HEXBOLT DIN931 M12 X 1.75 X 30 10.11	8	EA
35	056069 010	Washer, SteelFlatWasher DIN125A M10 ZincPlated	26	EA
36	056064 010	Nut NylockNut DIN985 M10 10.0	10	EA
37	058493 025	HHCS M10 X 25MM GR10.9 DIN933	8	EA
38	510681 020	HHCS M8X1.25X20 G10.9 ISO 4014 DIN 933	4	EA
39	5563940	BLT SHDR SKTHD 12MMx70xM10x1.5	2	EA
40	056064 006	NUT NYLOCK DIN985 M6 10.0 ZP	39	EA
41	5563934	BLT CRG M6 1.0x16LG GR8.8 ZINCPLATED	37	EA
42	1433470	COVER FOOTSWITCH	1	EA
43	5563980	BLT CRG M6 1.0 X 20 LG GR8.8 ZP	2	EA
44	512649 280	BOLT,HexBolt,DIN931,M24 x 280m	1	EA
45	510595 024	WASHER, FLAT M24 DIN 125	2	EA
46	056064 024	Nut, NylockNut DIN985 M24 10.0	1	EA

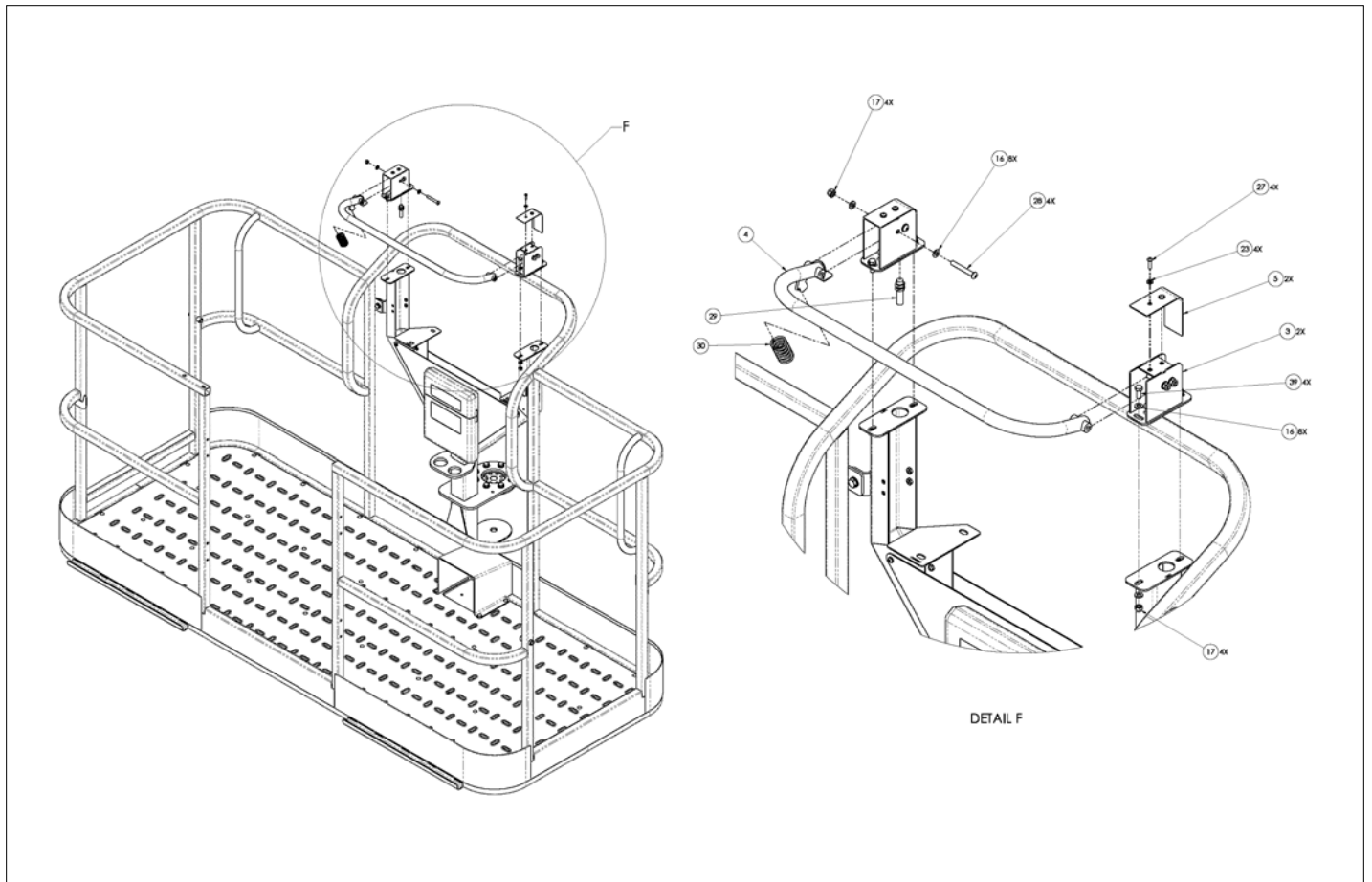
アイテム	部品番号	名前	数量	UOM
47	058509 040	BOLT HEXBOLT DIN931 M12 X 40MM 10.9 DACROMET	8	EA
48	5563981	SBHCS M5 X .8 X 14 GR 10.9 ZP	32	EA
49	9920035	TRIMSEAL X3/16G TRIM LOK	1	EA

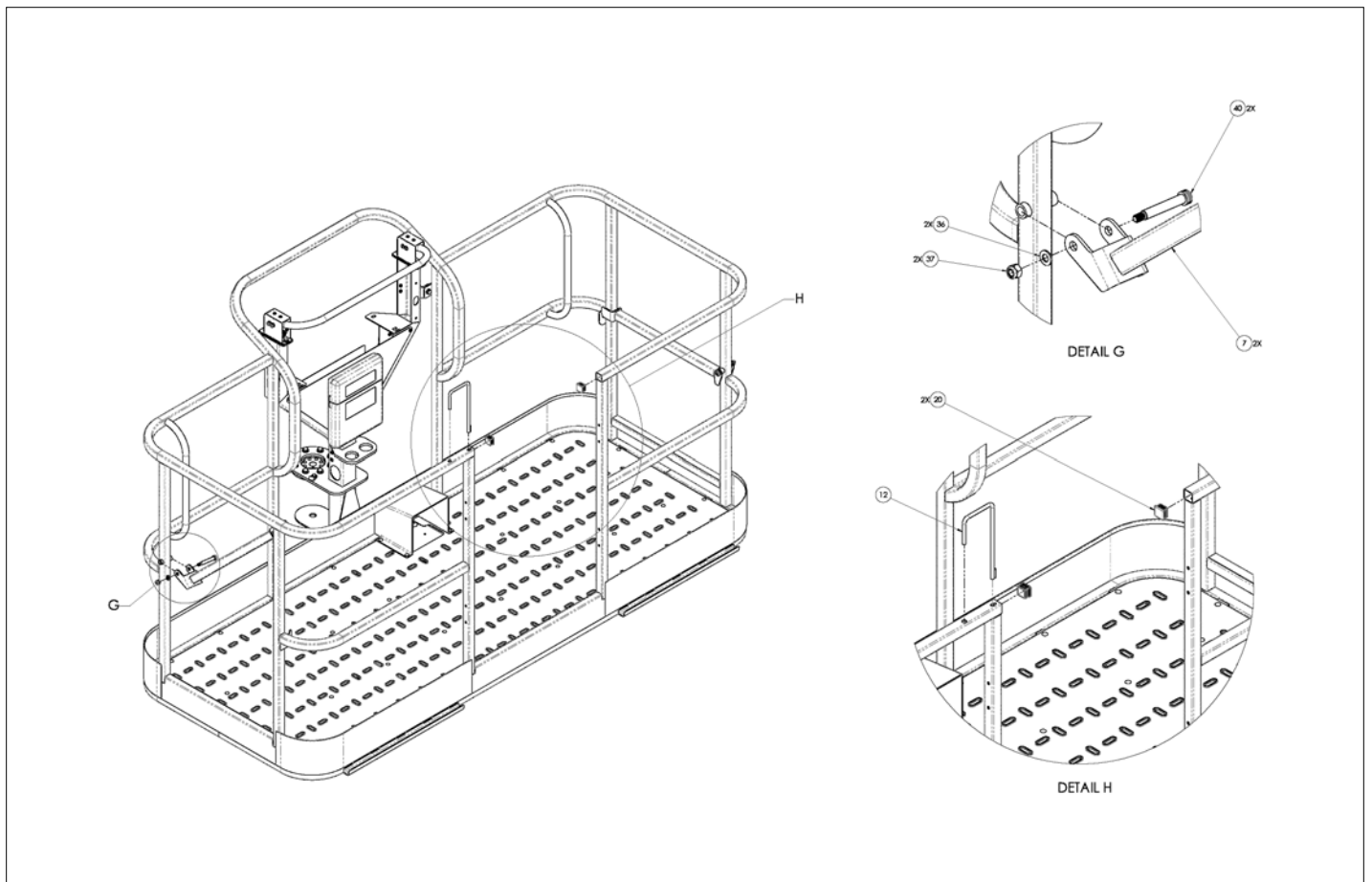
REPAIR PARTS

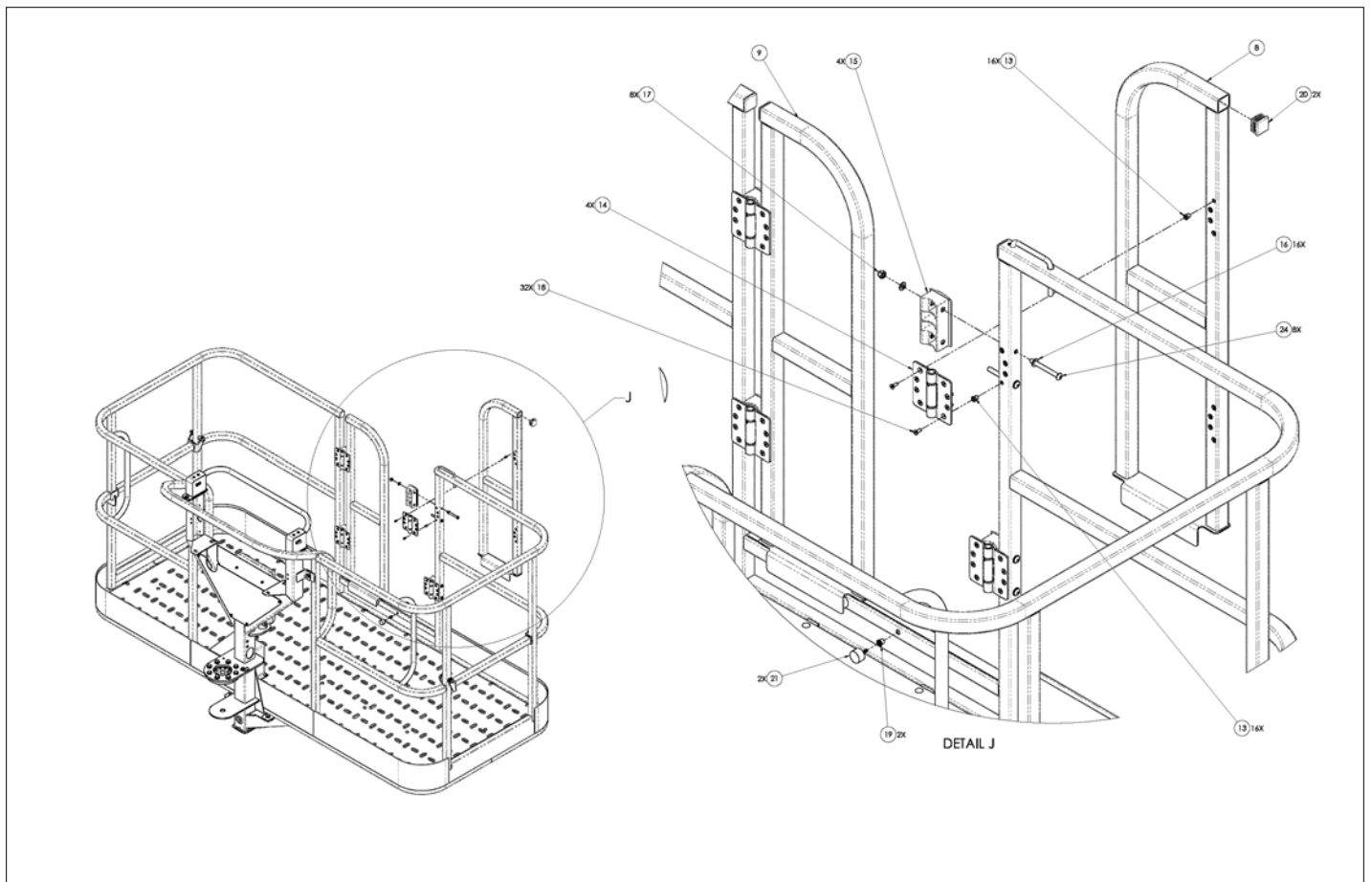


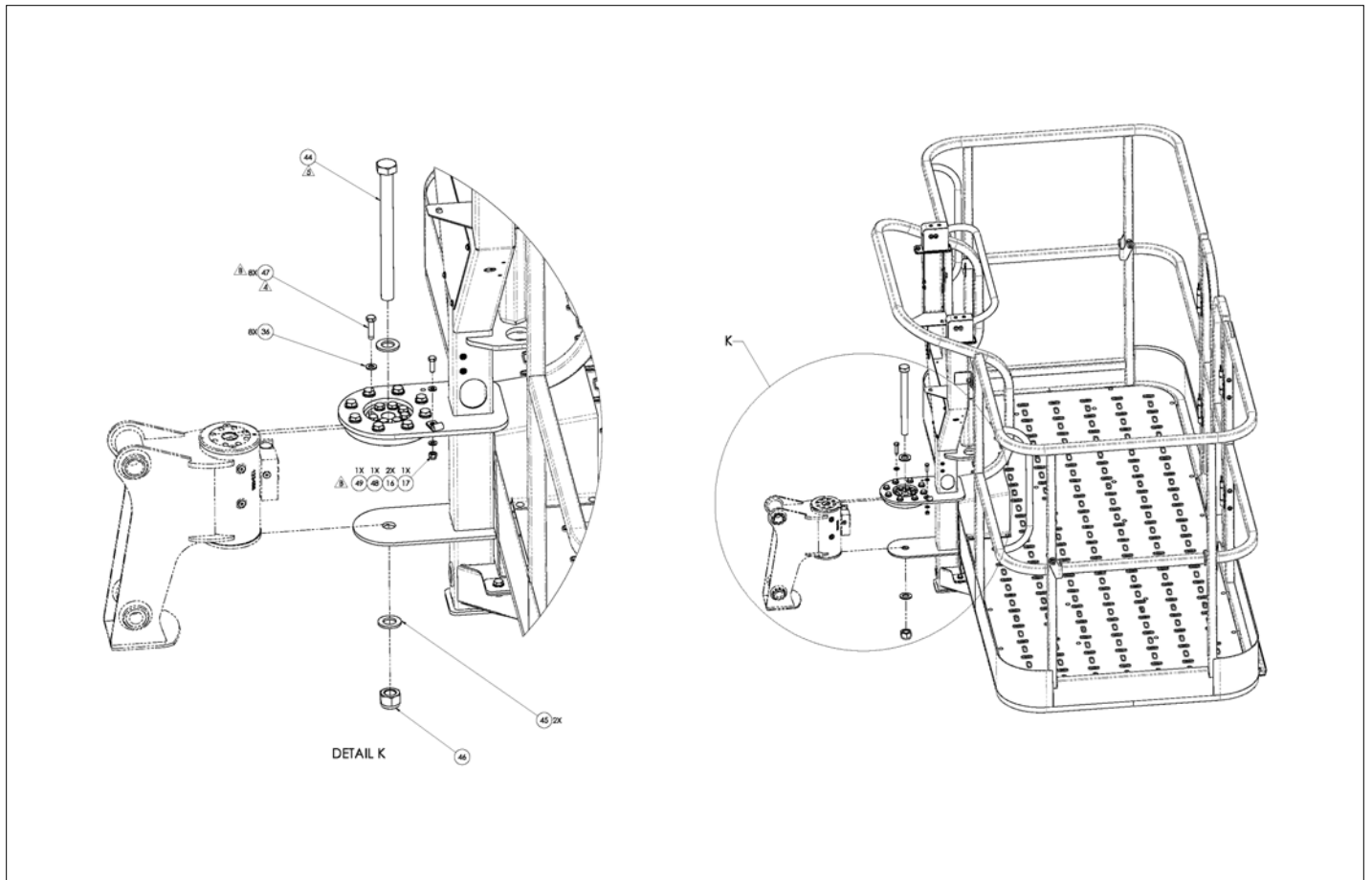










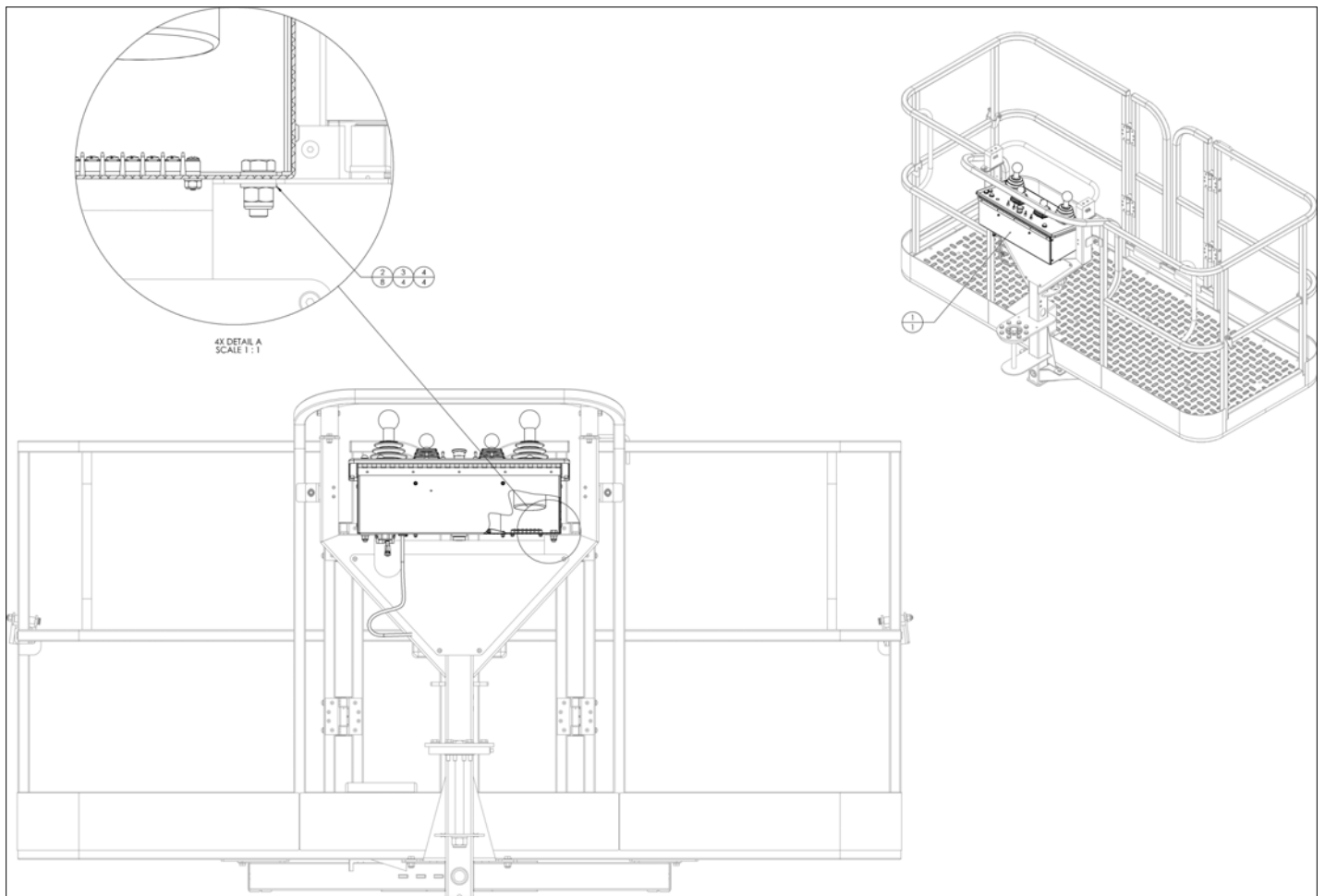


アイテム	部品番号	名前	数量	UOM
	1433505B	PLATFORM JIB WITH SALOON GATE INSTALL		EA
1	1433081	PLATFORM MOUNT WELDMENT	1	EA
2	1433100	PLATFORM WELDMENT	1	EA
3	1433135	SNORKELGUARD SUPPORT	2	EA
4	1433131	SNORKELGUARD TUBE WELDMENT	1	EA
5	1433140	COVER, SNORKELGUARD	2	EA
6	1433147	FLOOR, PLATFORM, ALUMINUM	1	EA
7	1433141	WELDMENT, SIDE GATE	2	EA
8	1433152	SALOON GATE, LEFT	1	EA
9	1433157	SALOON GATE, RIGHT	1	EA
10	1433145	COVER, PLATFORM, REAR	1	EA
11	1433146	COVER, PLATFORM, FRONT	1	EA
12	1433148	HOOK, WELDMENT	1	EA
13	10001218	NUTSERT M5 0.8 X 3.3 GRIP	32	EA
14	5516359	HINGE, SPRING	4	EA
15	1501844	BUMPER, GATES	4	EA
16	056069 008	WASHER, STEELFLATWASHER DIN12M8 FLAT WASHER DIN 125	34	EA
17	056064 008	NUT HEX M8 1.25 GR10.9 SELF LOCKING DIN 985	17	EA
18	058490 016	BOLT, HEXSETSCREW DIN 933 M5	32	EA
19	5076534	RIVET NUT M6X1.0,4.2 GRIP	8	EA
20	5563881	CAP 1.25"X14 20GA SQ TUBE	4	EA
21	5563642	BUMPER RUBBER M6X1.0	2	EA
22	562386	Literature Compartment	1	EA
23	056069 006	WSHR STEELFLATWSHE M6 DIN125A	54	EA
24	500595 075	Bolt, SktButCapScrew DIN9427 M	8	EA

アイテム	部品番号	名前	数量	UOM
25	5563280	SBHCS M6 X 1.0 X 14 GR 12.9 ZP	8	EA
26	512630 016	BOLT, HEXBOLT DIN933 M6 x 16mm 10.9 ZINCPLATED	4	EA
27	505082 020	Bolt, SktButCapScrew DIN9427 M5 x 20mm 10.9 ZincPlated	4	EA
28	10504 060	BUTTON HEAD HEX M8 1.25 X 60MM	4	EA
29	3028844	IFS241 (IFM PROXY)	1	EA
30	0113530	SPRING ANTI ENTRAPMENT	1	EA
31	3030188	OVERLOAD SENSOR PLATE	1	EA
32	3220344	CLIP HARNESS .04 .25 THK	3	EA
33	5563883	GROMMET 1.5 ID X 1.875OD	1	EA
34	056069 012	WASHER DIN125A M12 ZP	8	EA
35	5563508	BOLT HEXBOLT DIN931 M12 X 1.75 X 30 10.11	8	EA
36	056069 010	Washer, SteelFlatWasher DIN125A M10 ZincPlated	26	EA
37	056064 010	Nut NylockNut DIN985 M10 10.0	10	EA
38	058493 025	HHCS M10 X 25MM GR10.9 DIN933	8	EA
39	510681 020	HHCS M8X1.25X20 G10.9 ISO 4014 DIN 933	4	EA
40	5563940	BLT SHDR SKTHD 12MMx70xM10x1.5	2	EA
41	056064 006	NUT NYLOCK DIN985 M6 10.0 ZP	38	EA
42	5563934	BLT CRG M6 1.0x16LG GR8.8 ZINCPLATED	38	EA
43	1433470	COVER FOOTSWITCH	1	EA
44	512649 280	BOLT,HexBolt,DIN931,M24 x 280m	1	EA
45	510595 024	WASHER, FLAT M24 DIN 125	2	EA
46	056064 024	Nut, NylockNut DIN985 M24 10.0	1	EA

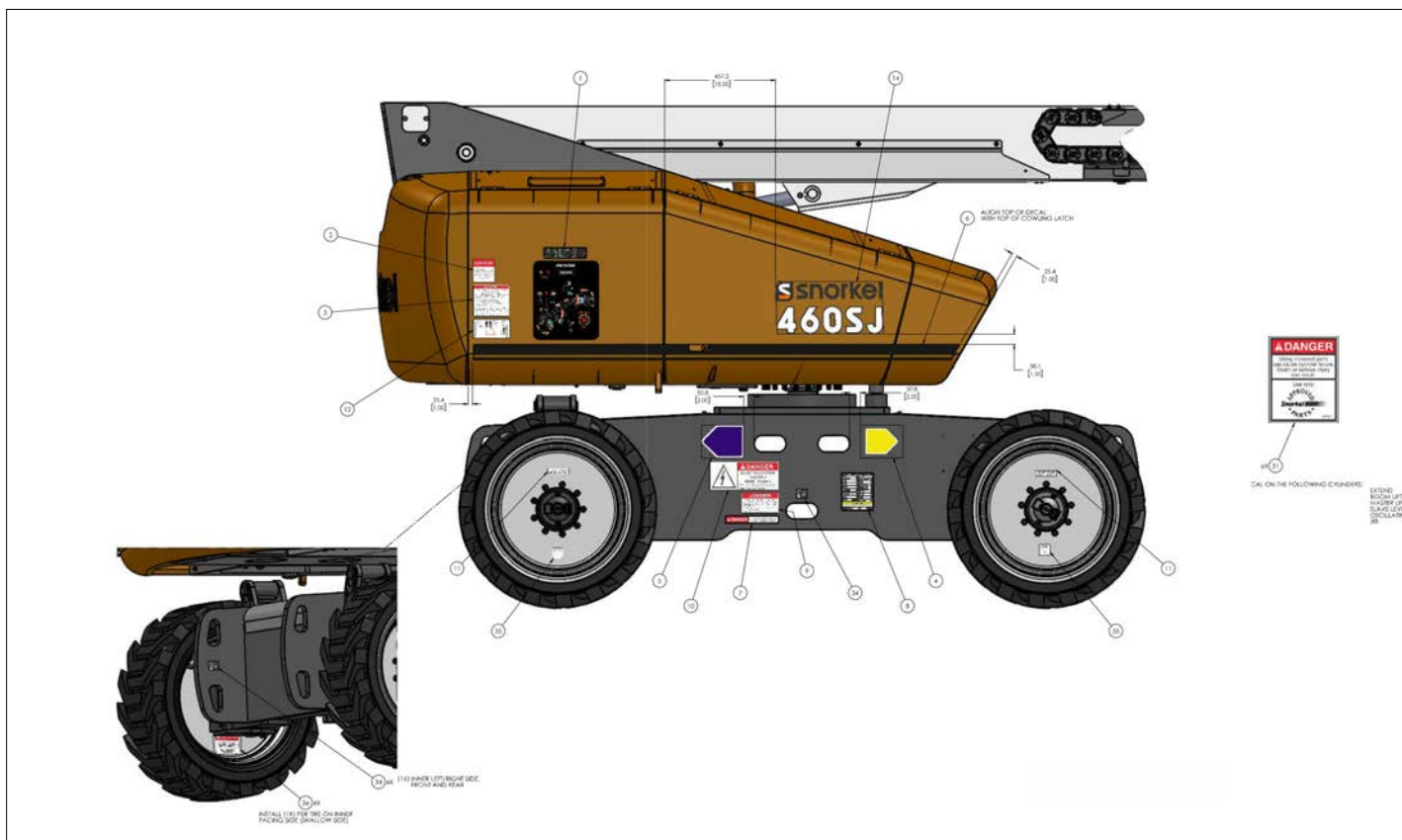
アイテム	部品番号	名前	数量	UOM
47	058509 040	BOLT HEXBOLT DIN931 M12 X 40MM 10.9 DACROMET	8	EA
48	5093000	CLP CUSH .438 VINYL COATED	1	EA
49	510681 025	HHCS M8 X 1.25 X 25 GR10.9 DIN933	1	EA

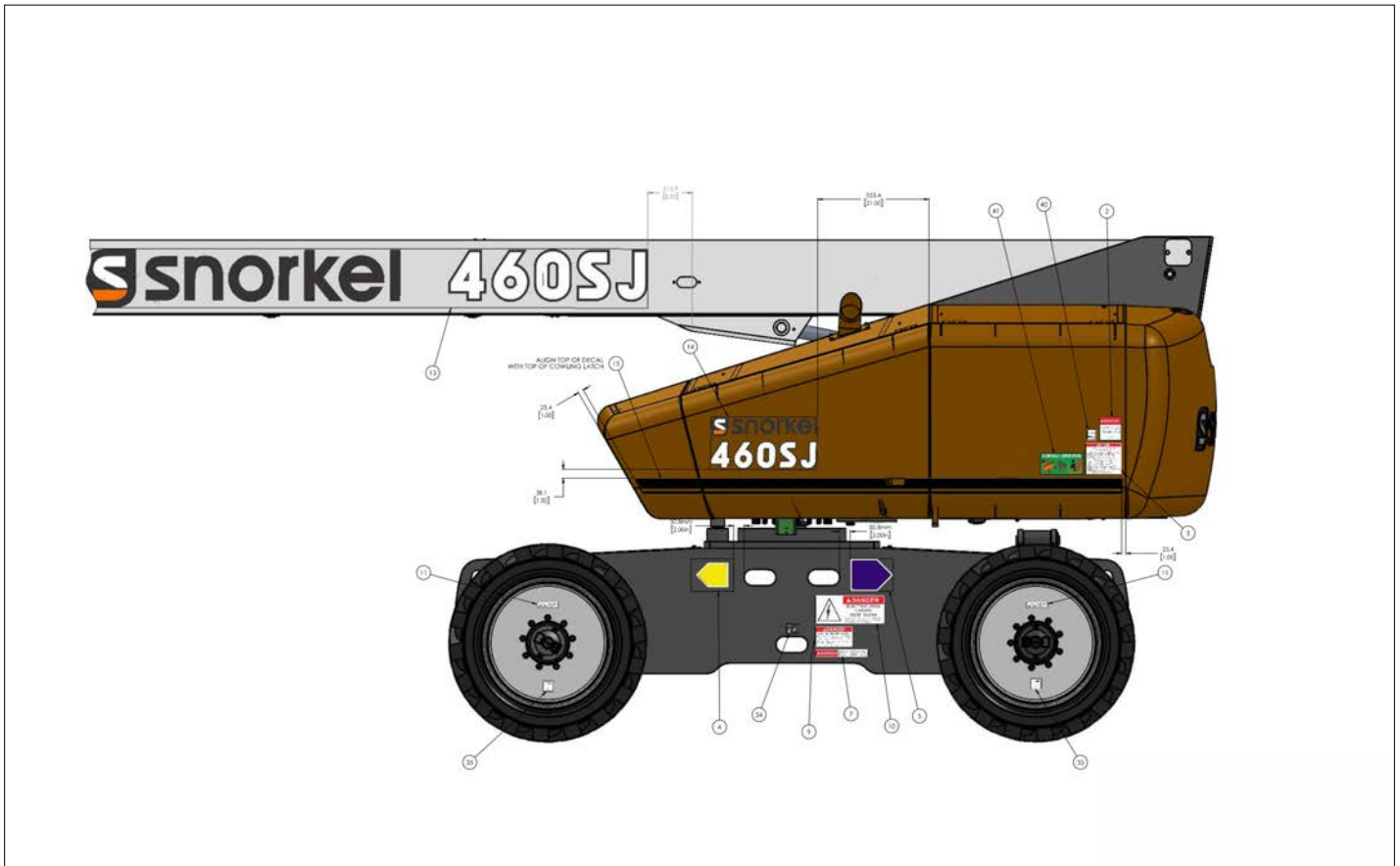
REPAIR PARTS

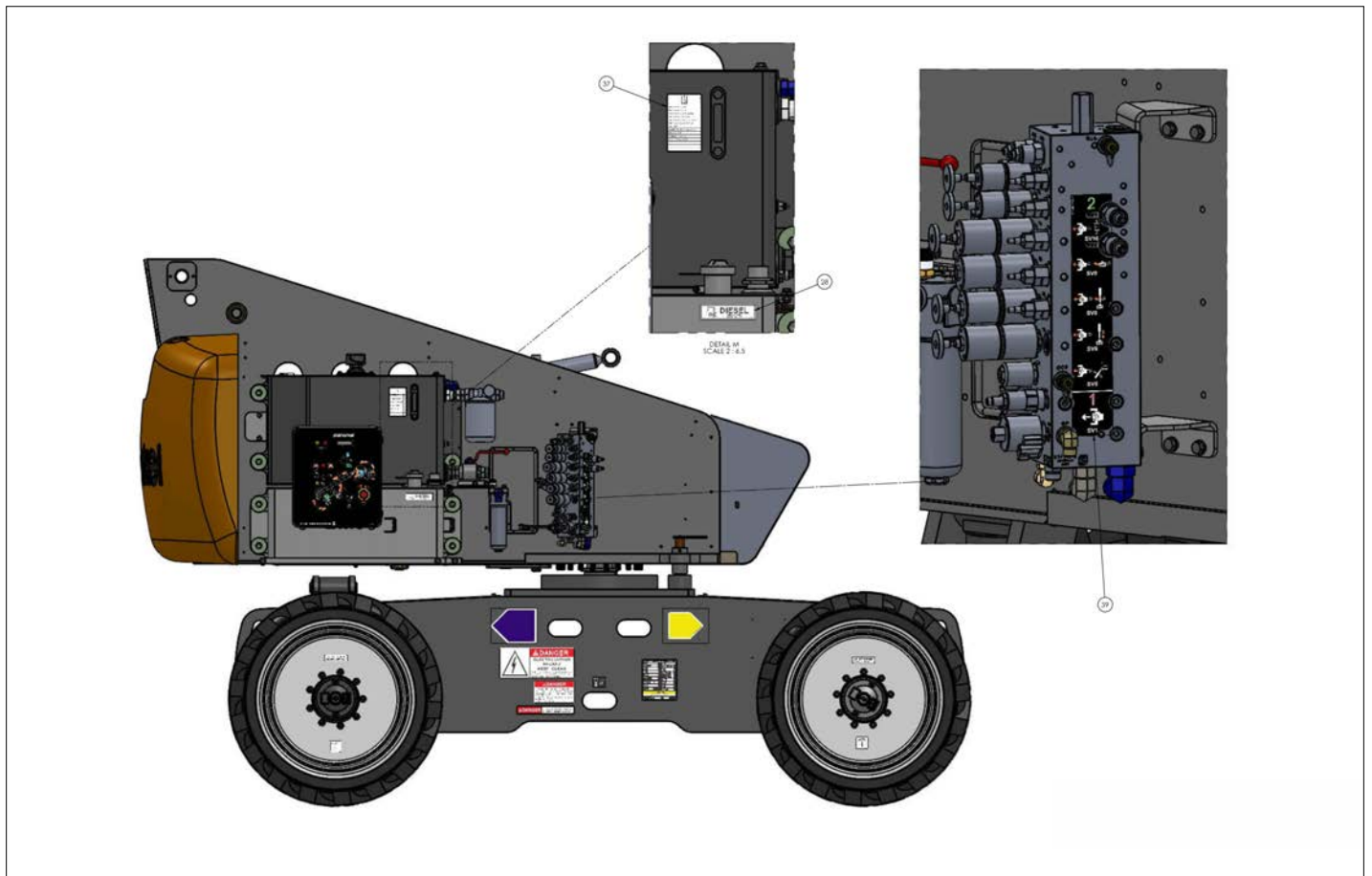


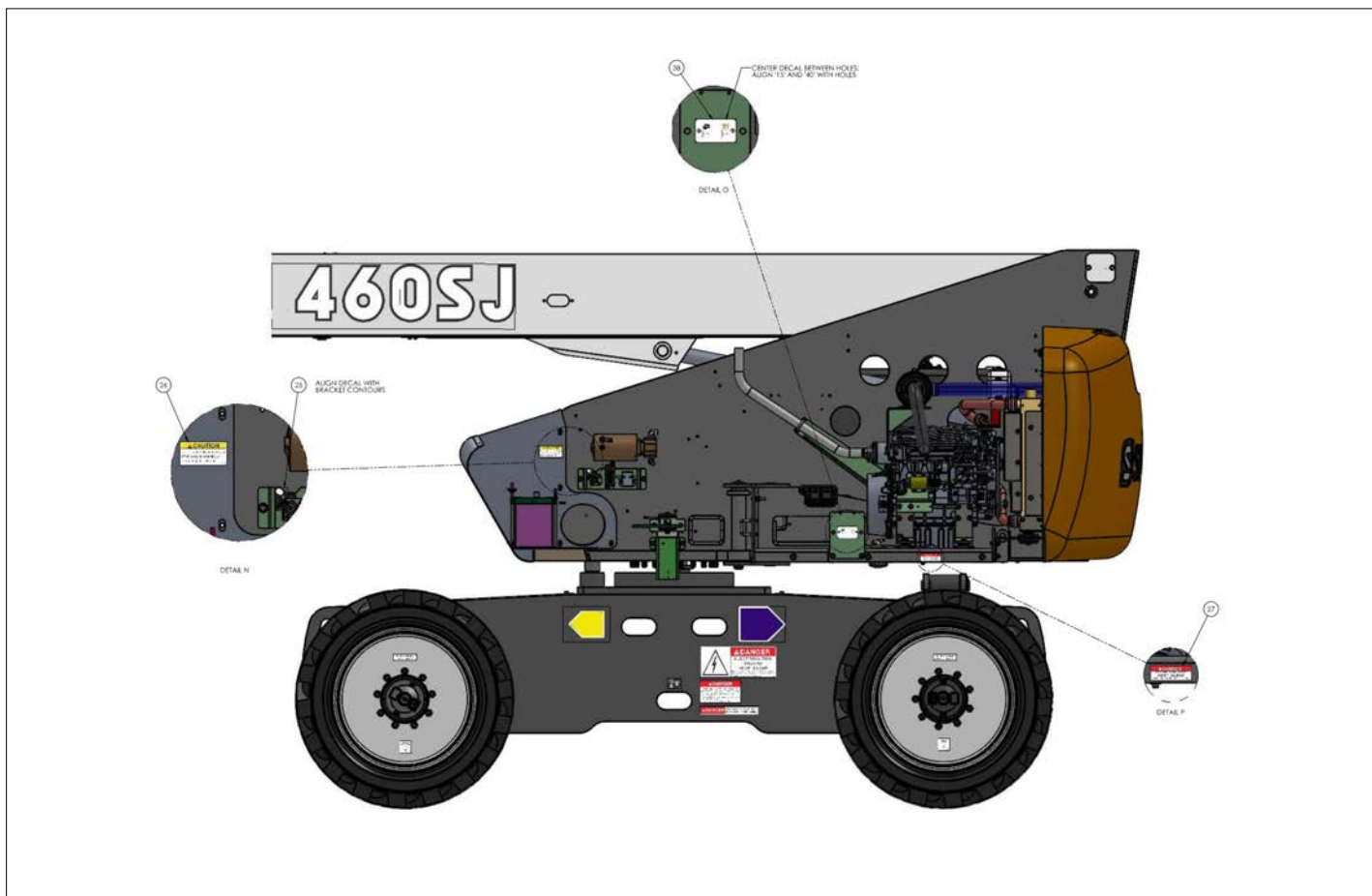
アイテム	部品番号	名前	数量	UOM
	1434106 A	UPPER CONTROL BOX INSTALLATION DEUTZ T4F 460SJ 660SJ		EA
1	1434146	ASSY, UPPR CTRL BX 460/660	1	EA
2	056069 010	Washer, SteelFlatWasher DIN125A M10 ZincPlated	8	EA
3	058493 025	HHCS M10 X 25MM GR10.9 DIN933	4	EA
4	056064 010	Nut NylockNut DIN985 M10 10.0	4	EA

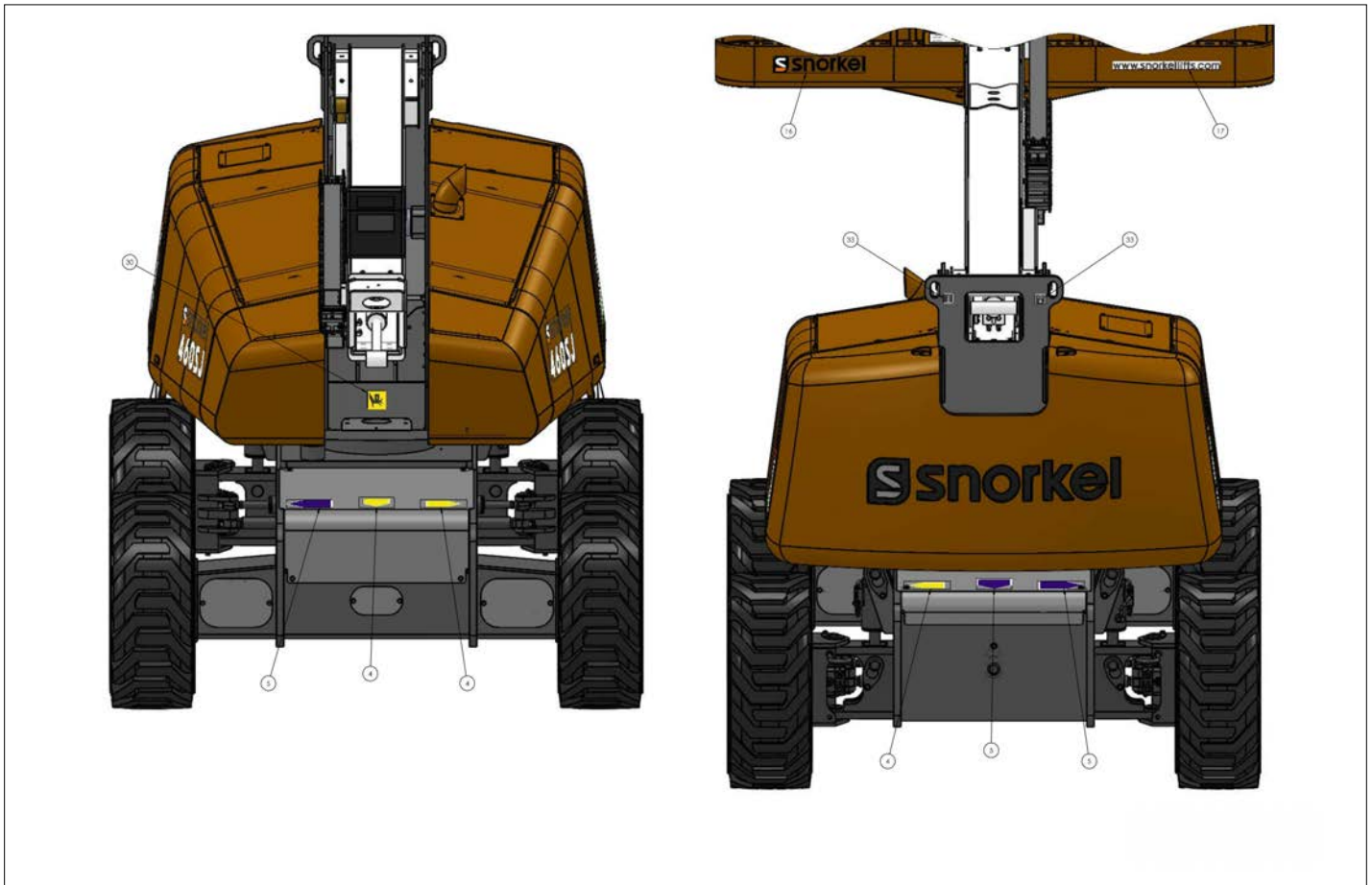
REPAIR PARTS

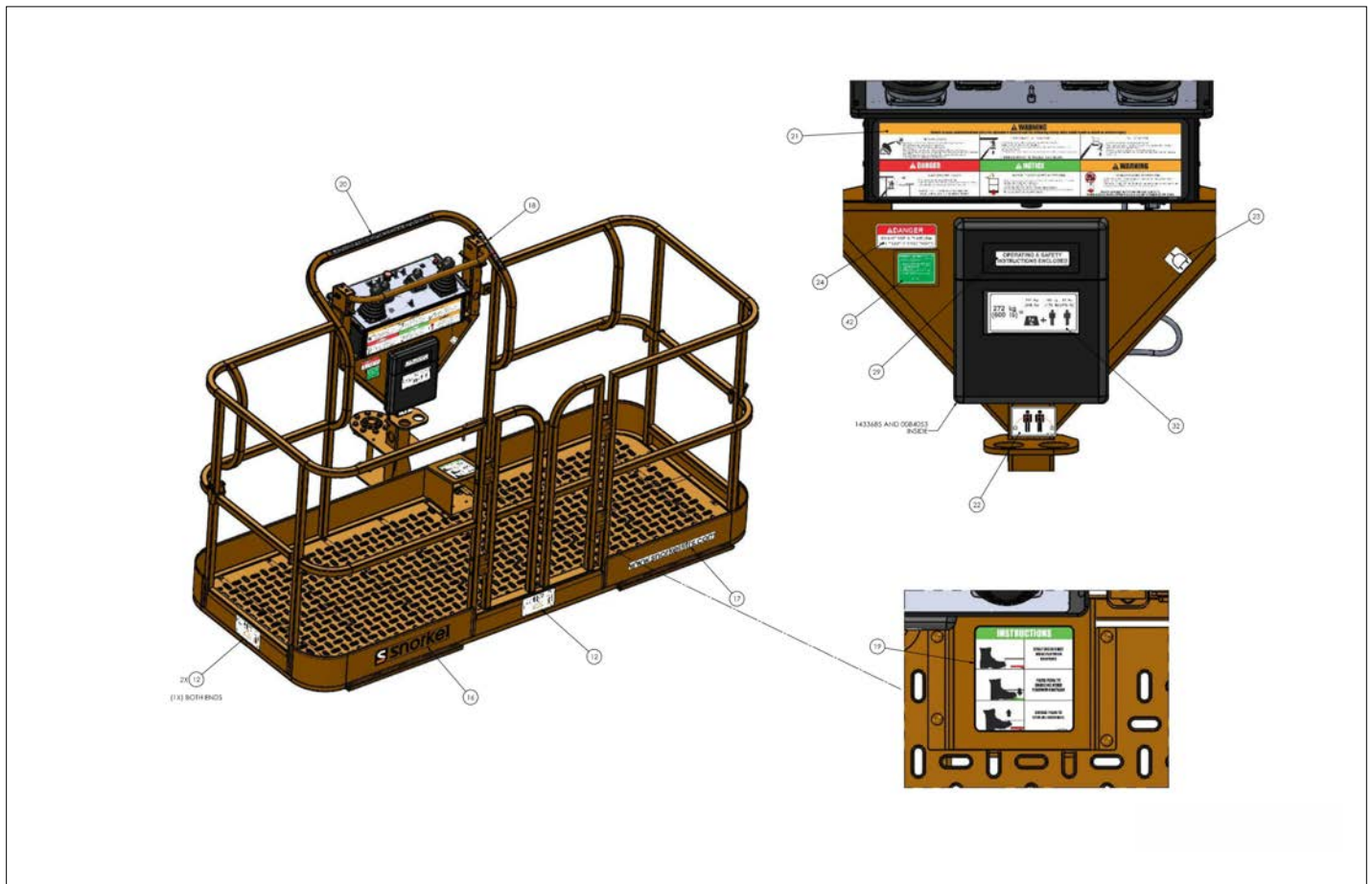








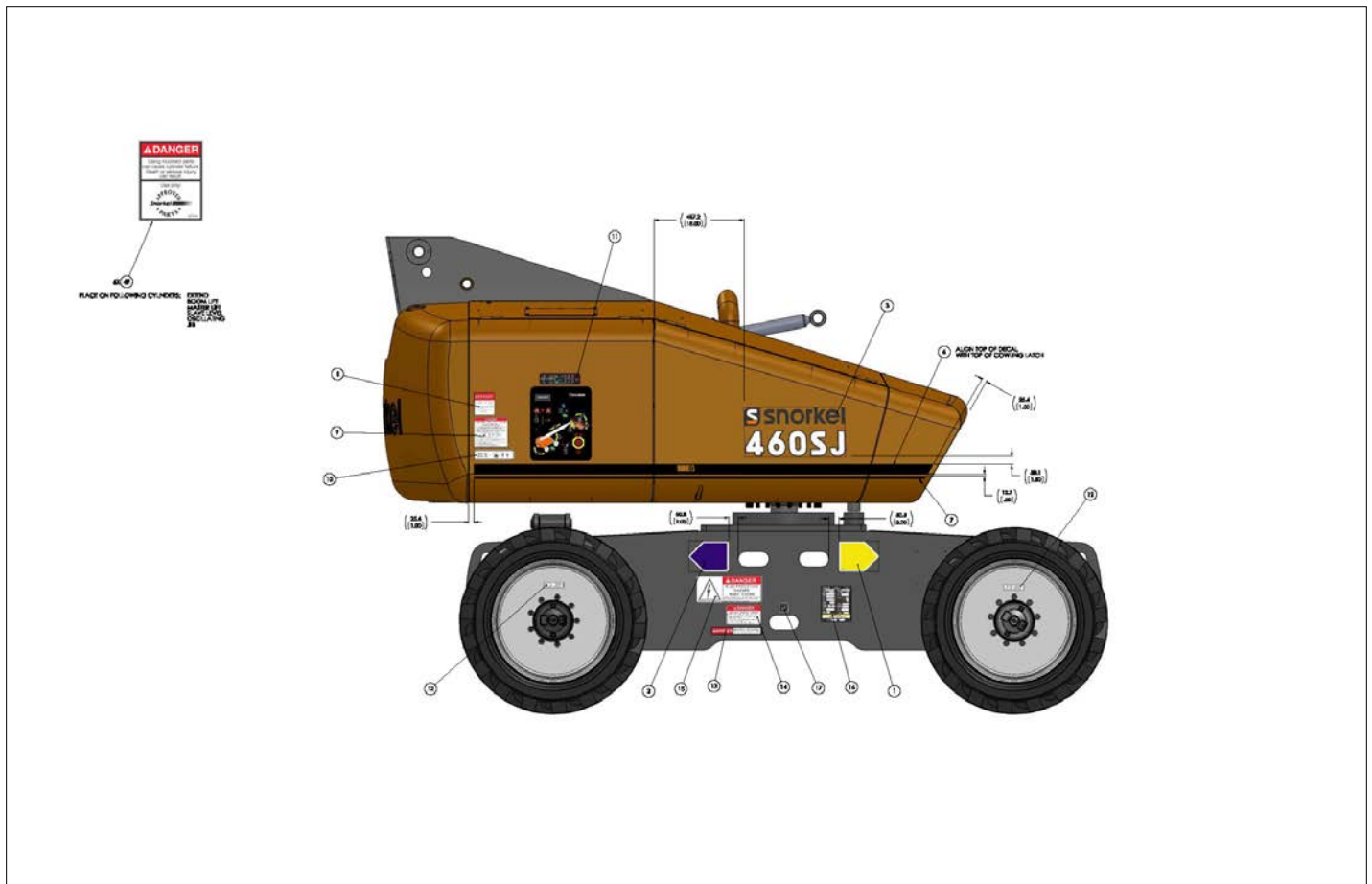


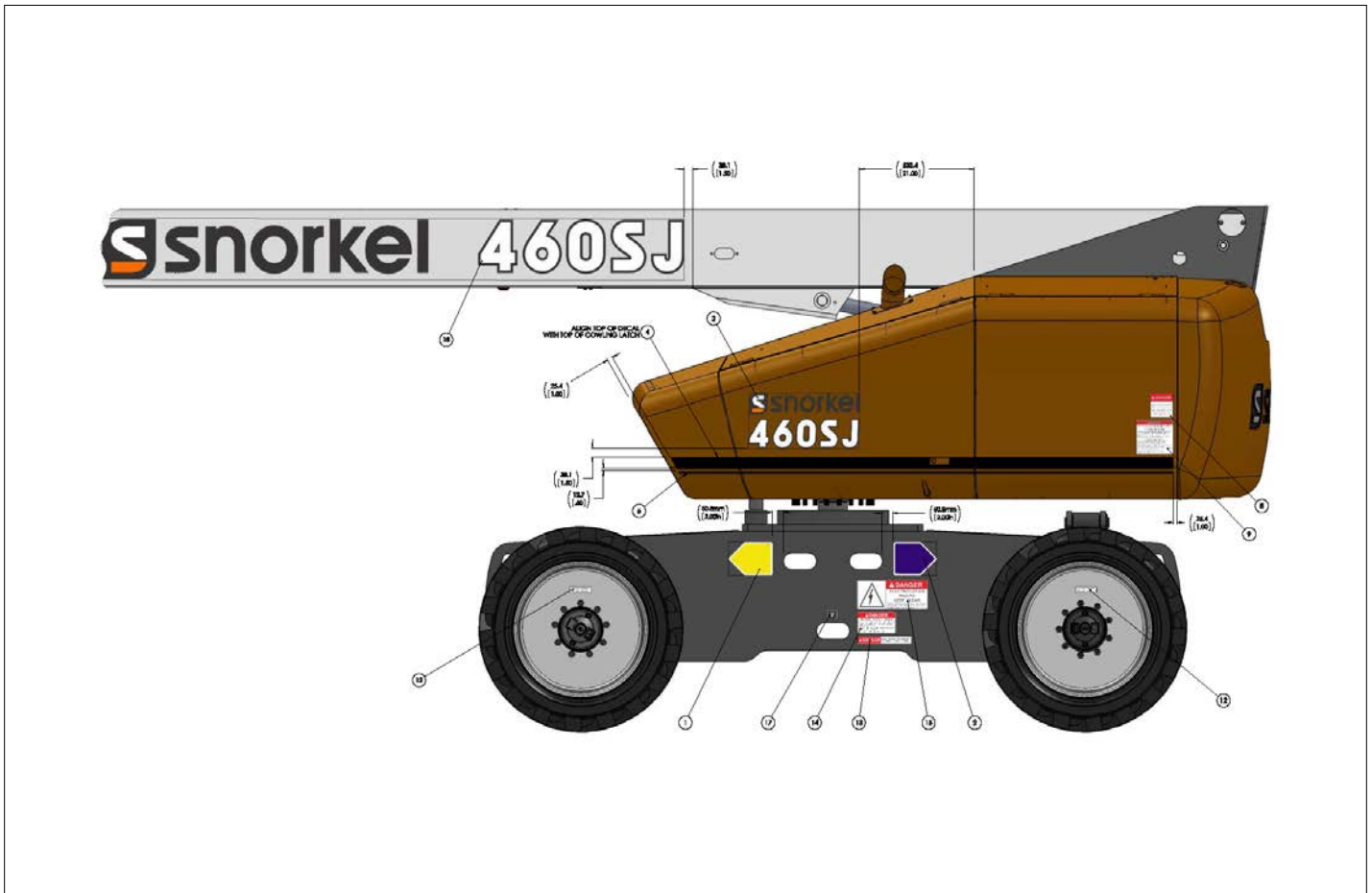


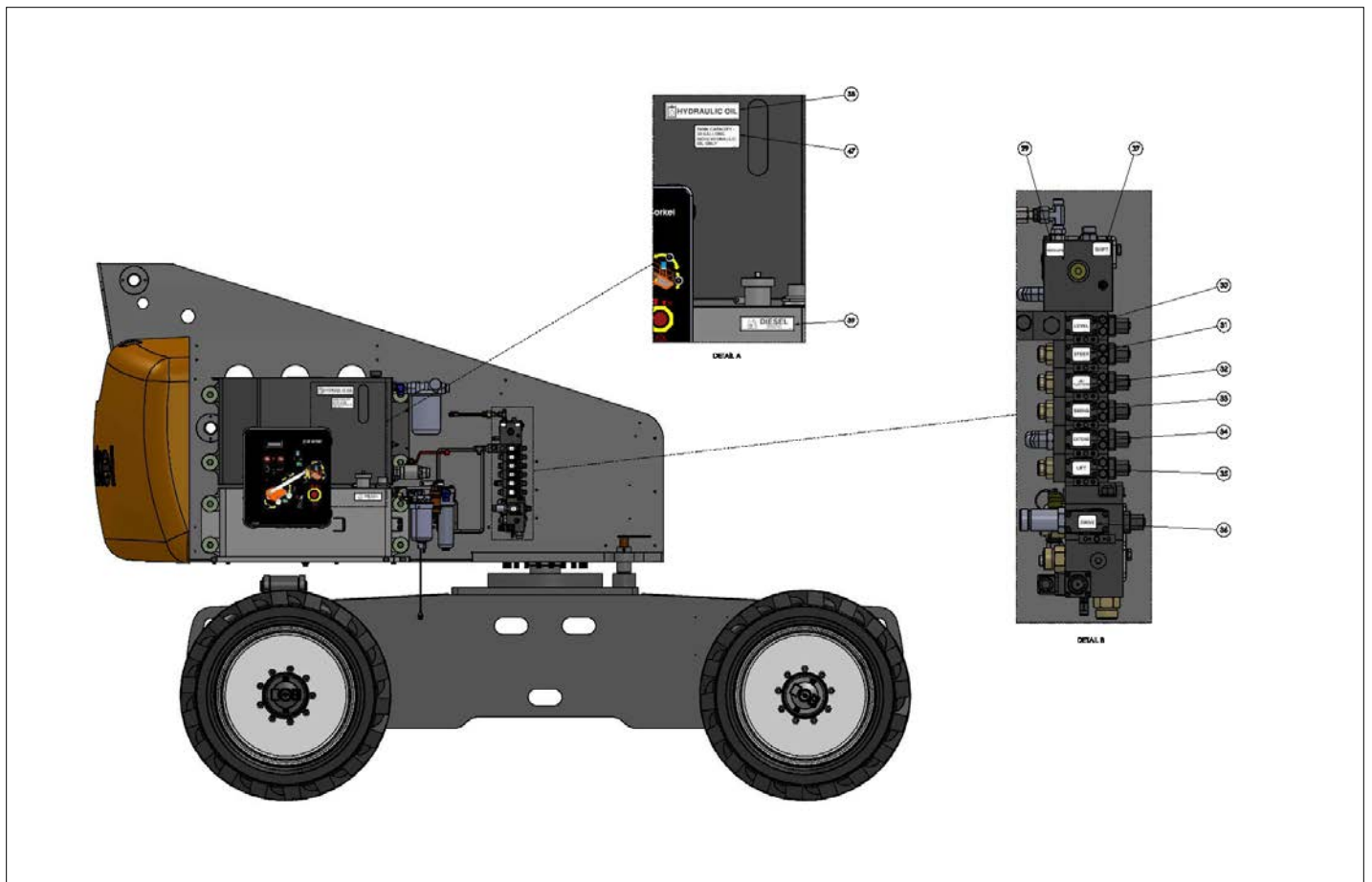
アイテム	部品番号	名前	数量	UOM
	1434569 A	DECALS INSTALLATION ANSI 460SJ		EA
1	1433540	DECAL, GRND CTRL SYMBOLS	1	EA
2	0323897	Decal, Must Not Operate	2	EA
3	0074210	DECAL, DANGER ELEC/TIP HAZARD	2	EA
4	0070540	DECAL, YELLOW ARROW	5	EA
5	0070541	DECAL, BLUE ARROW	5	EA
6	1434578	DECAL, STRIPES, LEFT SIDE, 400	1	EA
7	0072531	DECAL, ELECTROCUTION HAZ	2	EA
8	0070901	Serial Number Plate, US Machines	1	EA
9	0073298	Decal, Foam Tyres	2	EA
10	0323896	DECAL DNGR ELEC HAZARD	2	EA
11	7030171	DECAL, WHEEL TORQUE	4	EA
12	1432798	DECAL WEIGHT CAPACITY	4	EA
13	1433558	DECAL, SNORKEL 460SJ BOOM	1	EA
14	1433556	DECAL, SNORKEL 460SJ COWLING	2	EA
15	1434577	DECAL, STRIPES, RIGHT SIDE, 40	1	EA
16	569295	DECAL, SNORKEL BRAND LOGO 3.00	2	EA
17	7030068	DECAL, SNORKELIFTS.COM	2	EA
18	1433539	DECAL, PLTFRM LGTS	1	EA
19	1433544	DECAL, FOOT SWITCH OPERATION	1	EA
20	1433537	DECAL, PLTFRM SYMBOLS	1	EA
21	1433541	DECAL, PLTFRM CTRL WARNING	1	EA
22	1433772	DECAL, HARNESS TETHER, TWO MAN	1	EA
23	0075921	DECAL, POWER TO PLATFORM	1	EA
24	0082164	DECAL DNGR DO NOT RIDE PLATF	1	EA

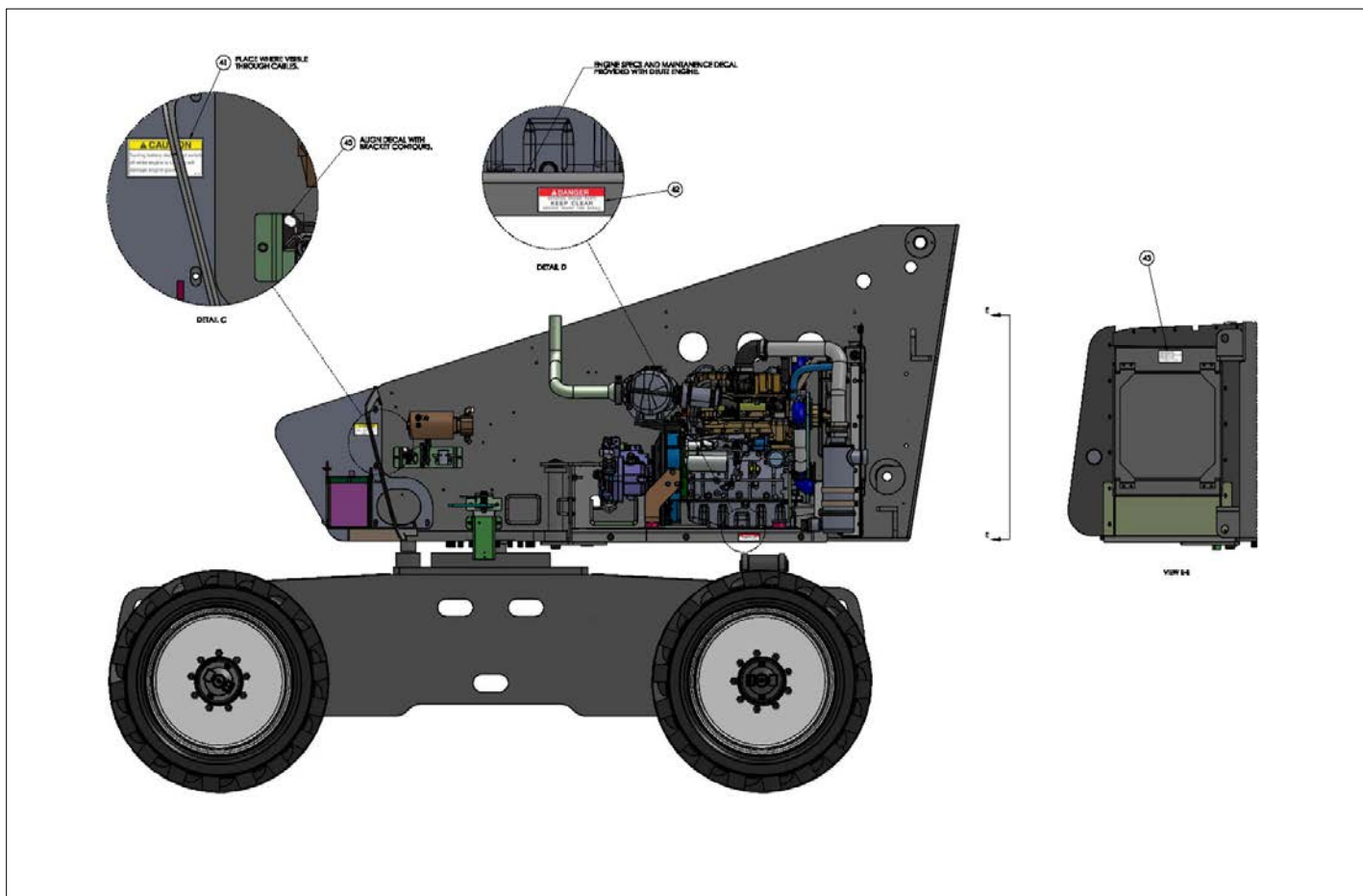
アイテム	部品番号	名前	数量	UOM
25	7030194	DECAL BATTERY ON/OFF	1	EA
26	0074316	DECAL, CAUTION GOVERNOR DAMAGE	1	EA
27	0151410	DECAL, DANGER ROTATING PARTS	1	EA
28	0113885	DECAL DIESEL ULTRA LOW SULFER	1	EA
29	0075899	DECAL, OPERATING & SAFETY INST	1	EA
30	0190989	DECAL DNGR DO NOT REACH	1	EA
31	0074311	DECAL DANGER CYLINDER FAILURE	6	EA
32	1433730	DECAL, WEIGHT CAPACITY ALT	1	EA
33	1433748	DECAL, ANCHOR LIFT	2	EA
34	0083427	Decal, Lifting/Tie Down	6	EA
35	0113989	DECAL, MAXIMUM WHEEL LOAD, 460	4	EA
36	106717 003	decal, danger wheel position CE ONLY	4	EA
37	18086 002	LABEL, HYDRAULIC OIL	1	EA
38	1434555	DECAL, GLOW PLUG/THROTTLE	1	EA
39	1434558	DECAL, MANIFOLD FUNCTIONS	1	EA
40	0182639	DECAL, NOISE LWA, 90 95 DB, KU	1	EA
41	7030190	DECAL EMERGENCY LOWER VALVE	1	EA
42	0161819	DECAL EMER LOWERING PROCEDURE	1	EA
43	1433685	MANUAL OPERATOR 460SJ ANSI	1	EA
44	0084053	MANUAL RESPONSIBILITY A92.5 2006 AN	1	EA

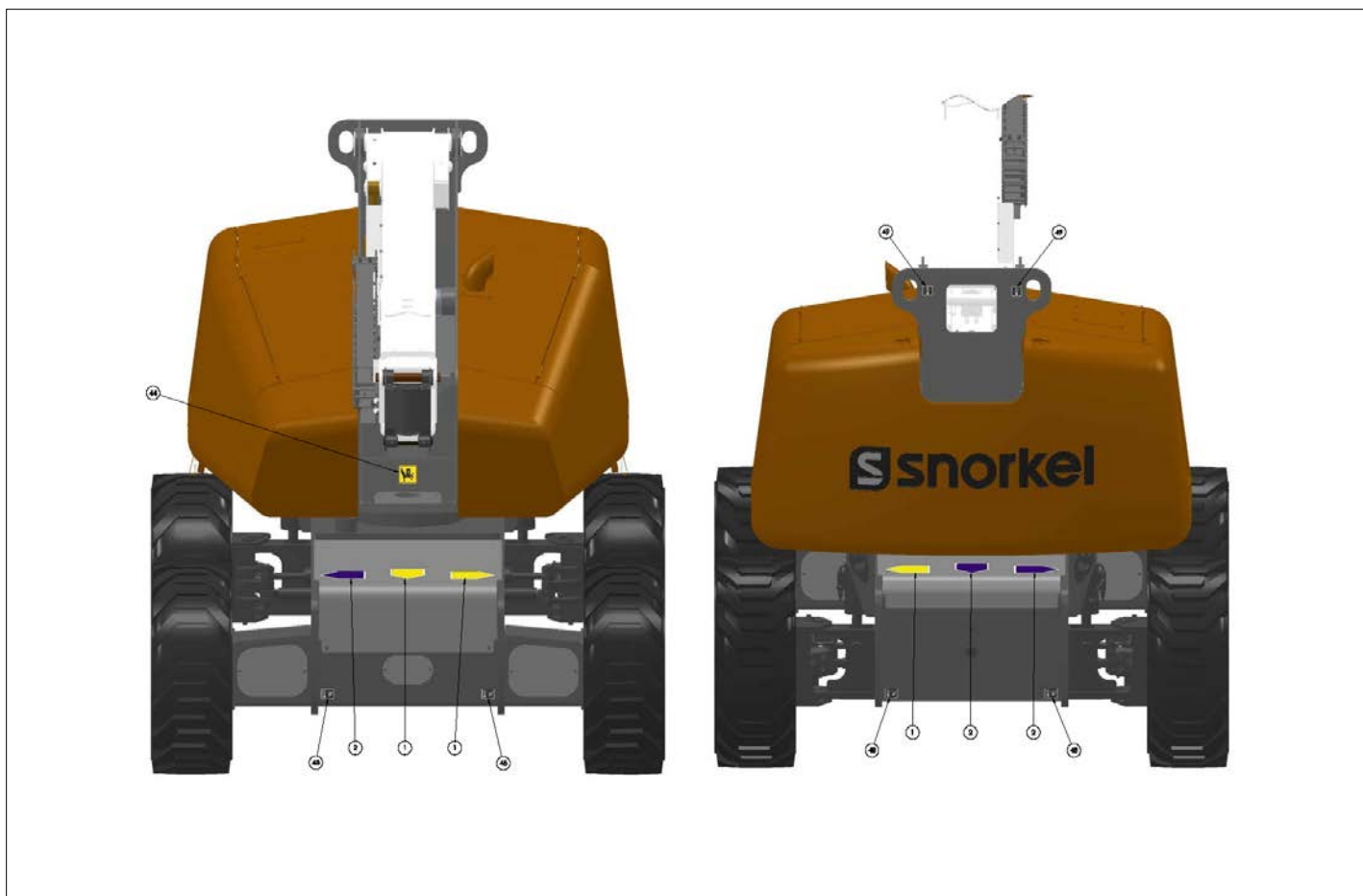
REPAIR PARTS

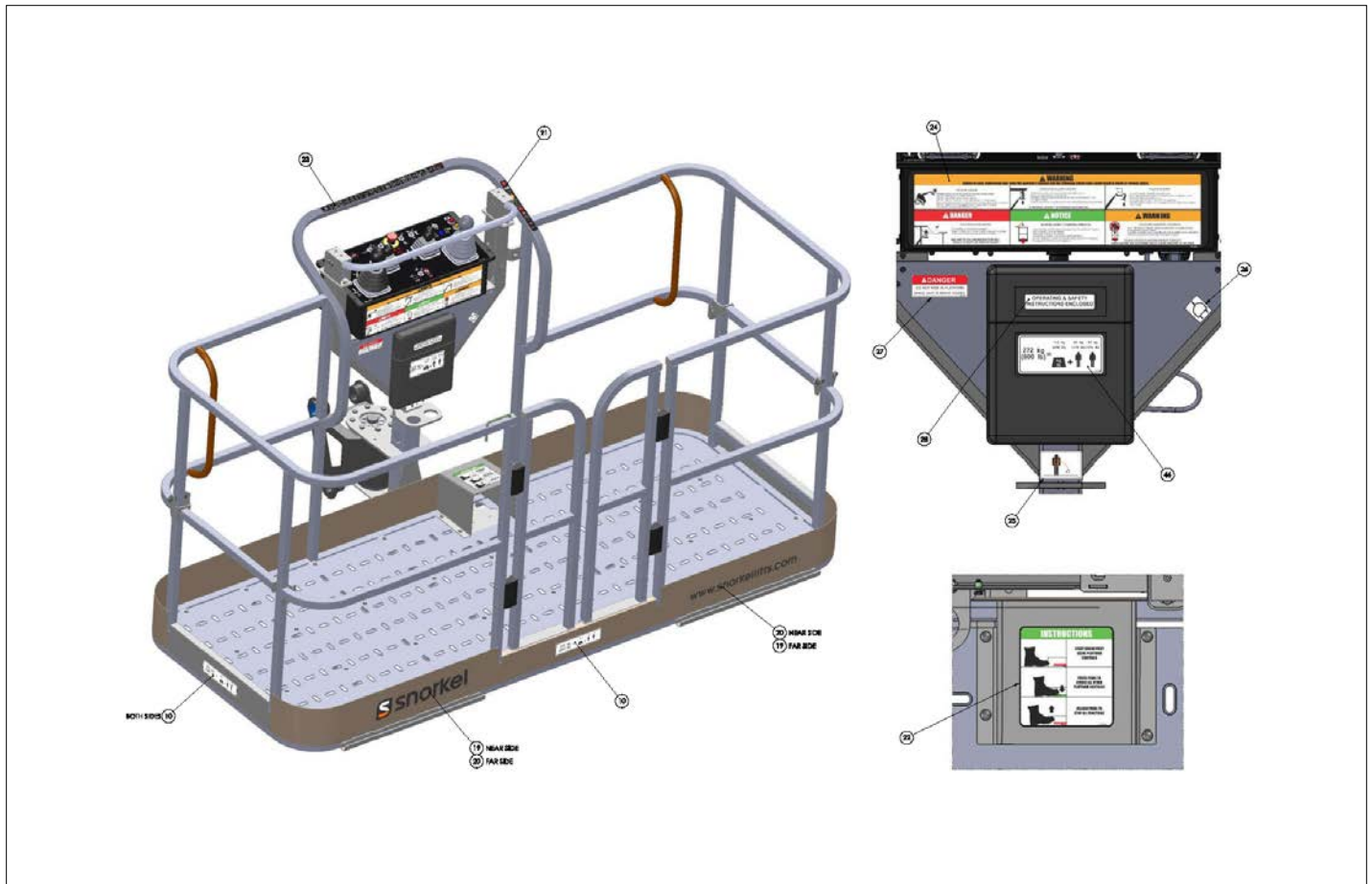










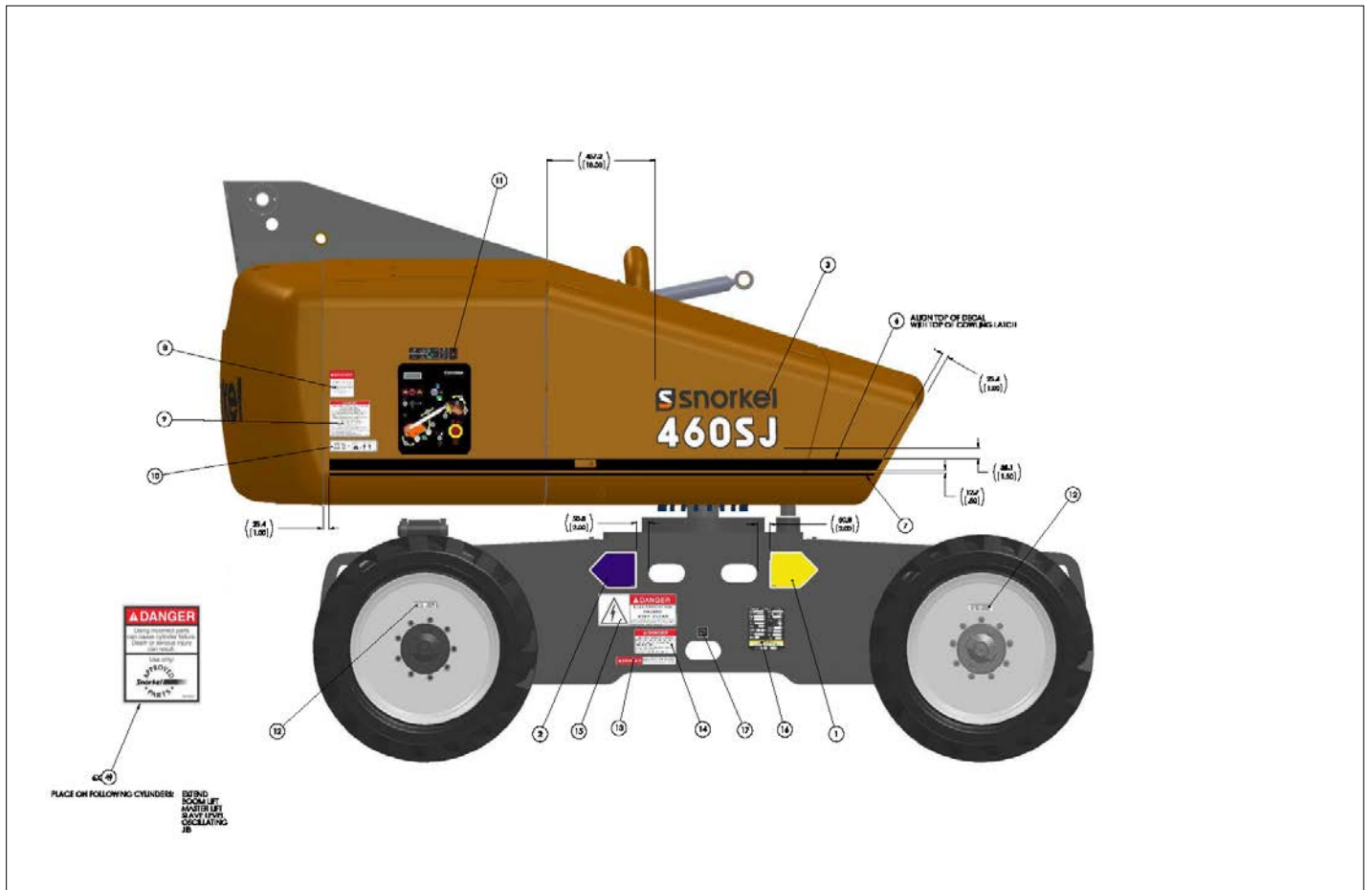


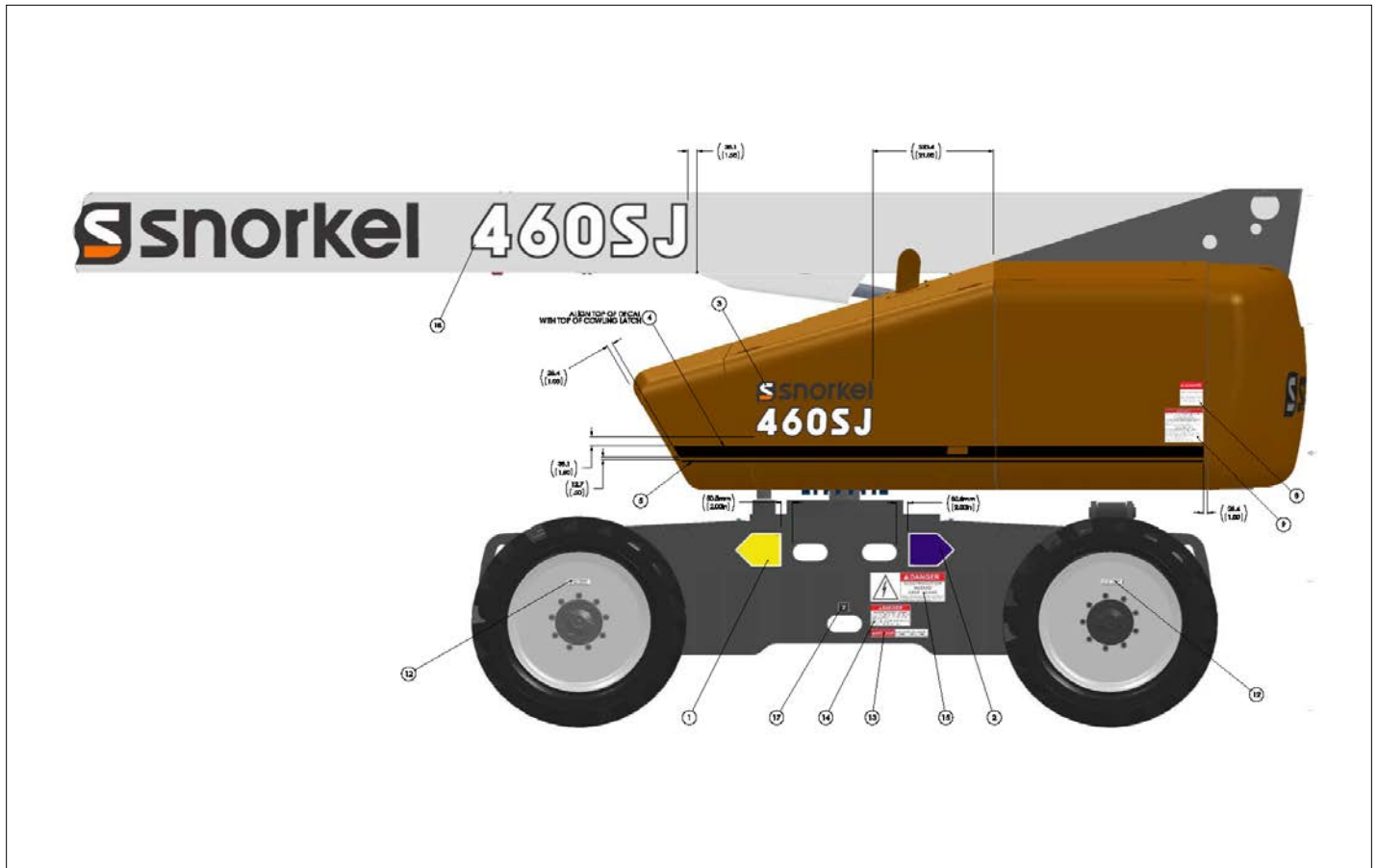
アイテム	部品番号	名前	数量	UOM
*	1463302 B	DECAL INSTALLATION DOMESTIC 460SJ		EA
1	0070540	DECAL, YELLOW ARROW	5	EA
2	0070541	DECAL, BLUE ARROW	5	EA
3	1433556	DECAL, SNORKEL 460SJ COWLING	2	EA
4	1432803	DECAL 2" STRIPE RIGHT	1	EA
5	1432804	DECAL 1/2" STRIPE RIGHT	1	EA
6	1432801	DECAL 2" STRIPE LEFT	1	EA
7	1432802	DECAL 1/2" STRIPE LEFT	1	EA
8	0323897	Decal, Must Not Operate	2	EA
9	0074210	DECAL, DANGER ELEC/TIP HAZARD	2	EA
10	1431454	DECAL WEIGHT CAPACITY	4	EA
11	1433540	DECAL, GRND CTRL SYMBOLS	1	EA
12	7030171	DECAL, WHEEL TORQUE	4	EA
13	0072531	DECAL, ELECTROCUTION HAZ	2	EA
14	0073298	Decal, Foam Tyres	2	EA
15	0323896	DECAL DNGR ELEC HAZARD	2	EA
16	0070901	Serial Number Plate, US Machines	1	EA
17	0083426	Decal, Lifting and Tie Down	6	EA
18	1433558	DECAL, SNORKEL 460SJ BOOM	1	EA
19	569295	DECAL, SNORKEL BRAND LOGO 3.00	2	EA
20	7030068	DECAL, SNORKELLIFTS.COM	2	EA
21	1433539	DECAL, PLTFRM LGTS	1	EA
22	1433544	DECAL, FOOT SWITCH OPERATION	1	EA
23	1433537	DECAL, PLTFRM SYMBOLS	1	EA
24	1433541	DECAL, PLTFRM CTRL WARNING	1	EA

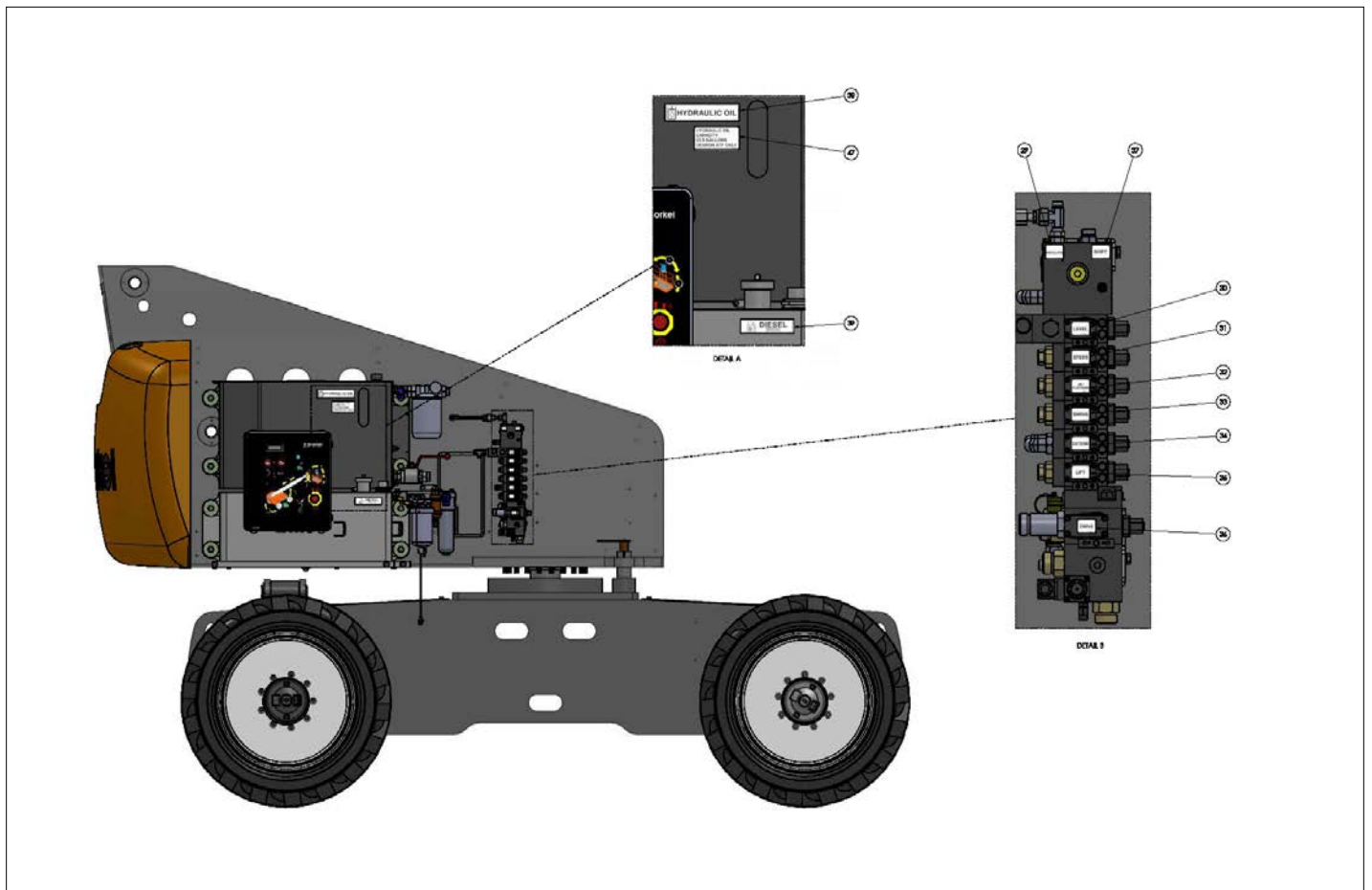
アイテム	部品番号	名前	数量	UOM
25	0150448	DECAL ATTACH FALL RESTRAINT	1	EA
26	0075921	DECAL, POWER TO PLATFORM	1	EA
27	0082164	DECAL DNGR DO NOT RIDE PLATF	1	EA
28	0075899	DECAL, OPERATING & SAFETY INST	1	EA
29	0075895	DECAL, MANIFOLD OSCILLATE	1	EA
30	0075893	DECAL, MANIFOLD LEVEL	1	EA
31	0075892	DECAL, MANIFOLD STEER	1	EA
32	0075891	DECAL, MANIFOLD JIB/PLATFORM	1	EA
33	0075890	DECAL, MANIFOLD SWING	1	EA
34	0075889	DECAL, MANIFOLD EXTEND	1	EA
35	0075888	DECAL, MANIFOLD LIFT	1	EA
36	0075887	DECAL, MANIFOLD DRIVE	1	EA
37	0075894	DECAL, MANIFOLD SHIFT	1	EA
38	0071927	DECAL, HYDRAULIC OIL	1	EA
39	0113885	DECAL DIESEL ULTRA LOW SULFER	1	EA
40	7030194	DECAL BATTERY ON/OFF	1	EA
41	0074316	DECAL, CAUTION GOVERNOR DAMAGE	1	EA
42	0151410	DECAL, DANGER ROTATING PARTS	1	EA
43	1433568	DECAL, COOLANT CAPACITY DEUTZ	1	EA
44	0190989	DECAL DNGR DO NOT REACH	1	EA
45	0074311	DECAL DANGER CYLINDER FAILURE	5	EA
46	1433730	DECAL, WEIGHT CAPACITY ALT	1	EA
47	1433731	DECAL, HYD CAPACITY 400S/460SJ	1	EA
48	0083427	Decal, Lifting/Tie Down	4	EA

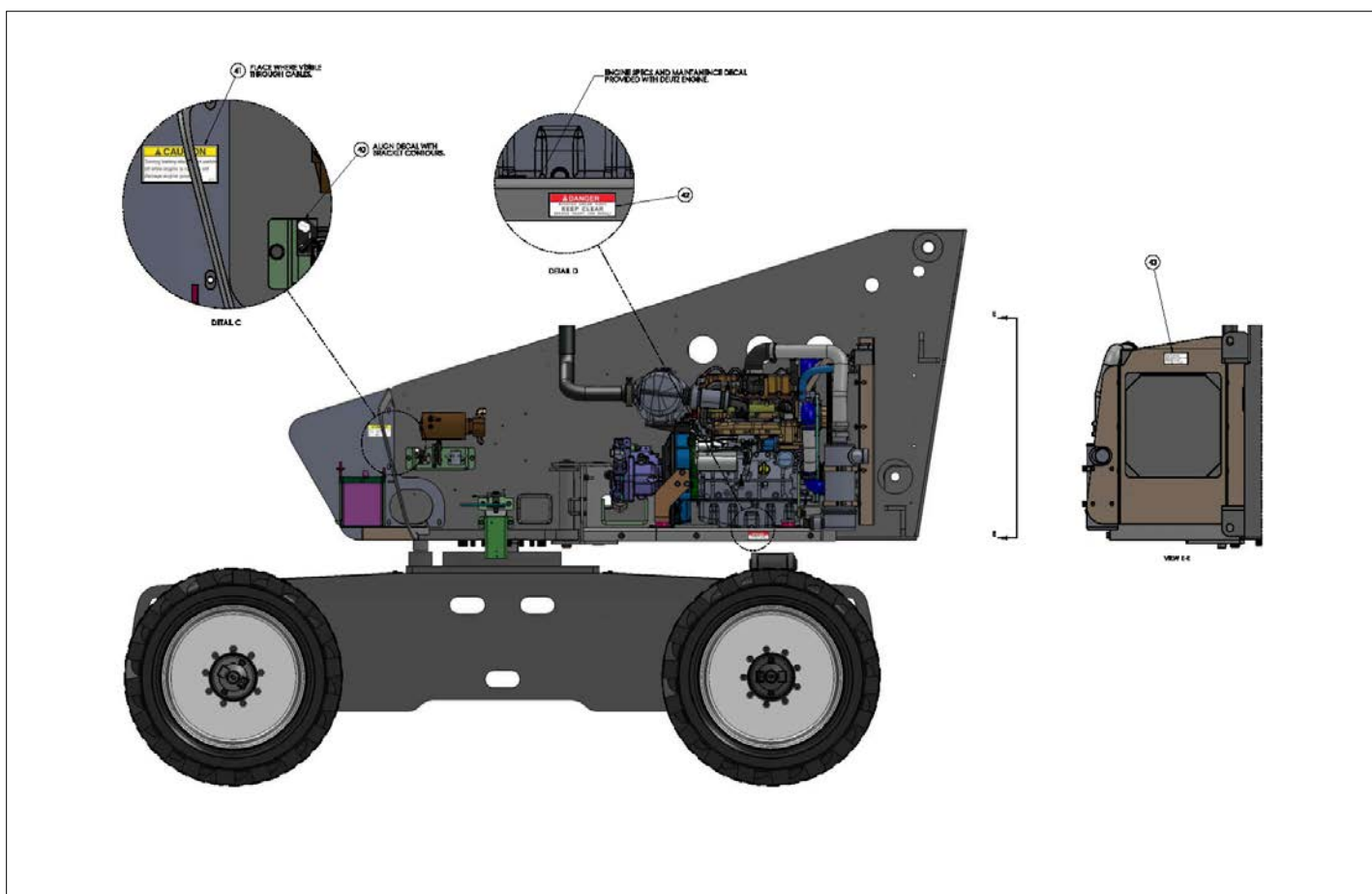
アイテム	部品番号	名前	数量	UOM
49	1433748	DECAL, ANCHOR LIFT	2	EA
50	1433685	MANUAL OPERATOR 460SJ ANSI	1	EA

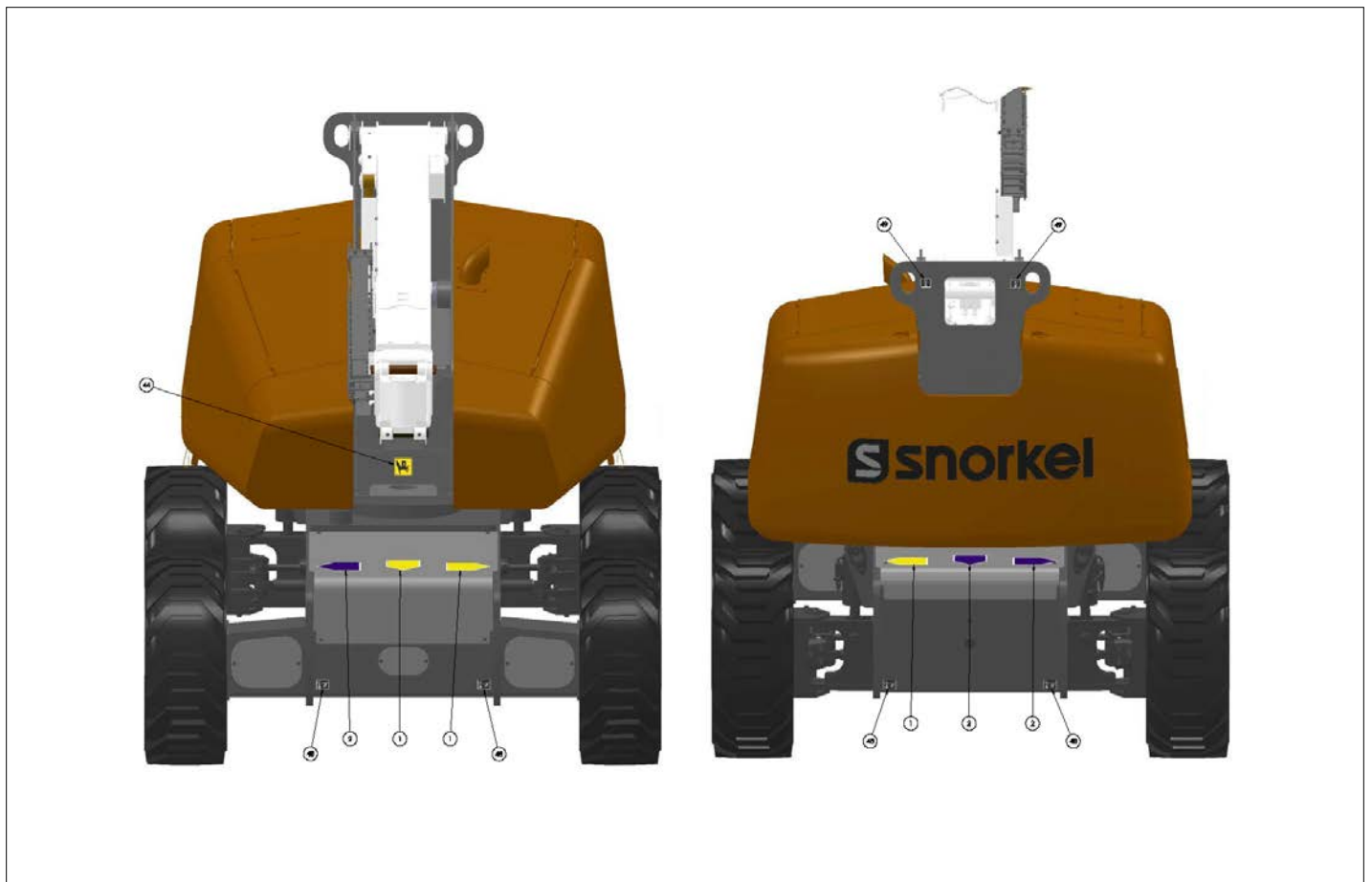
REPAIR PARTS

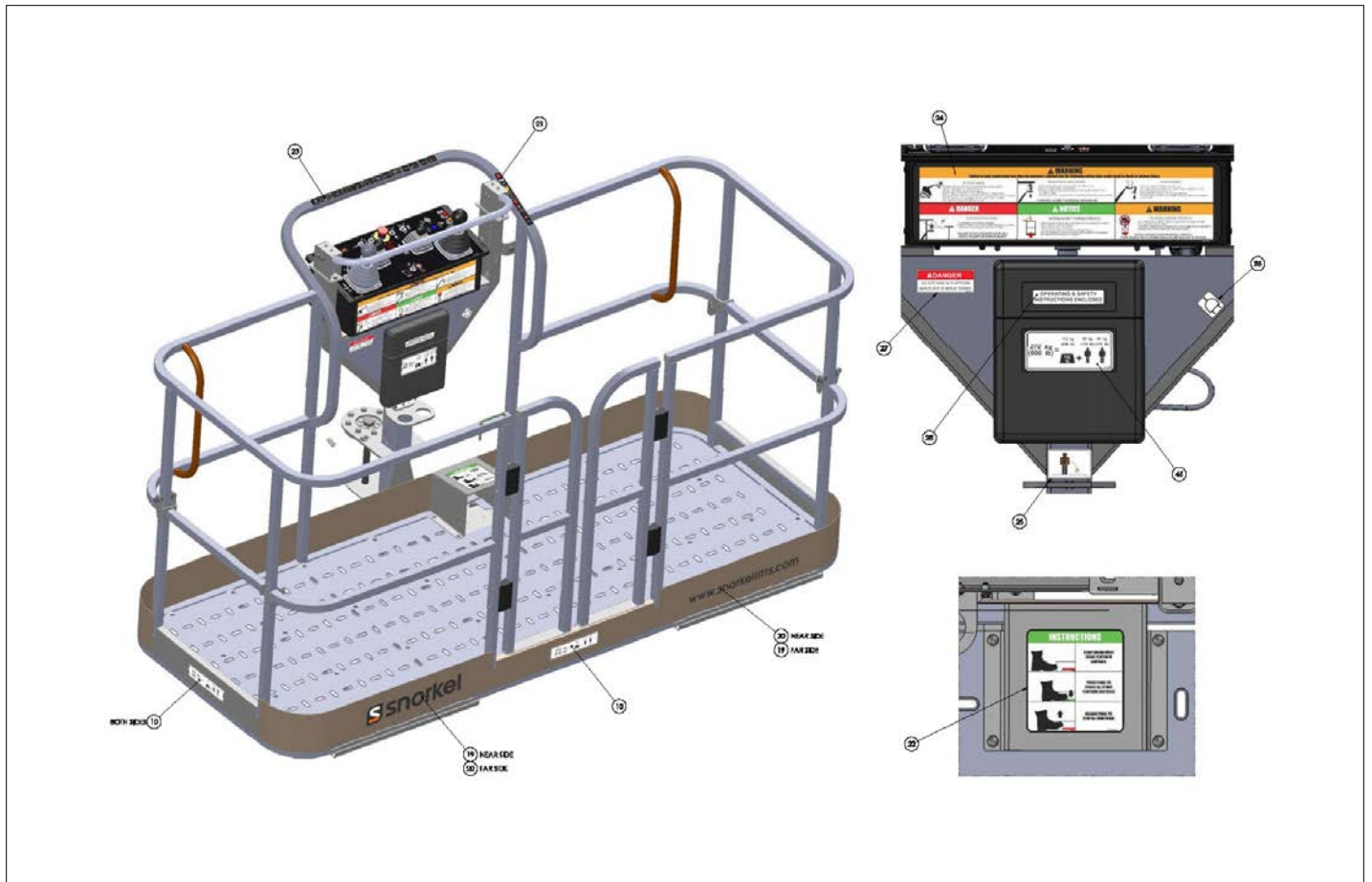








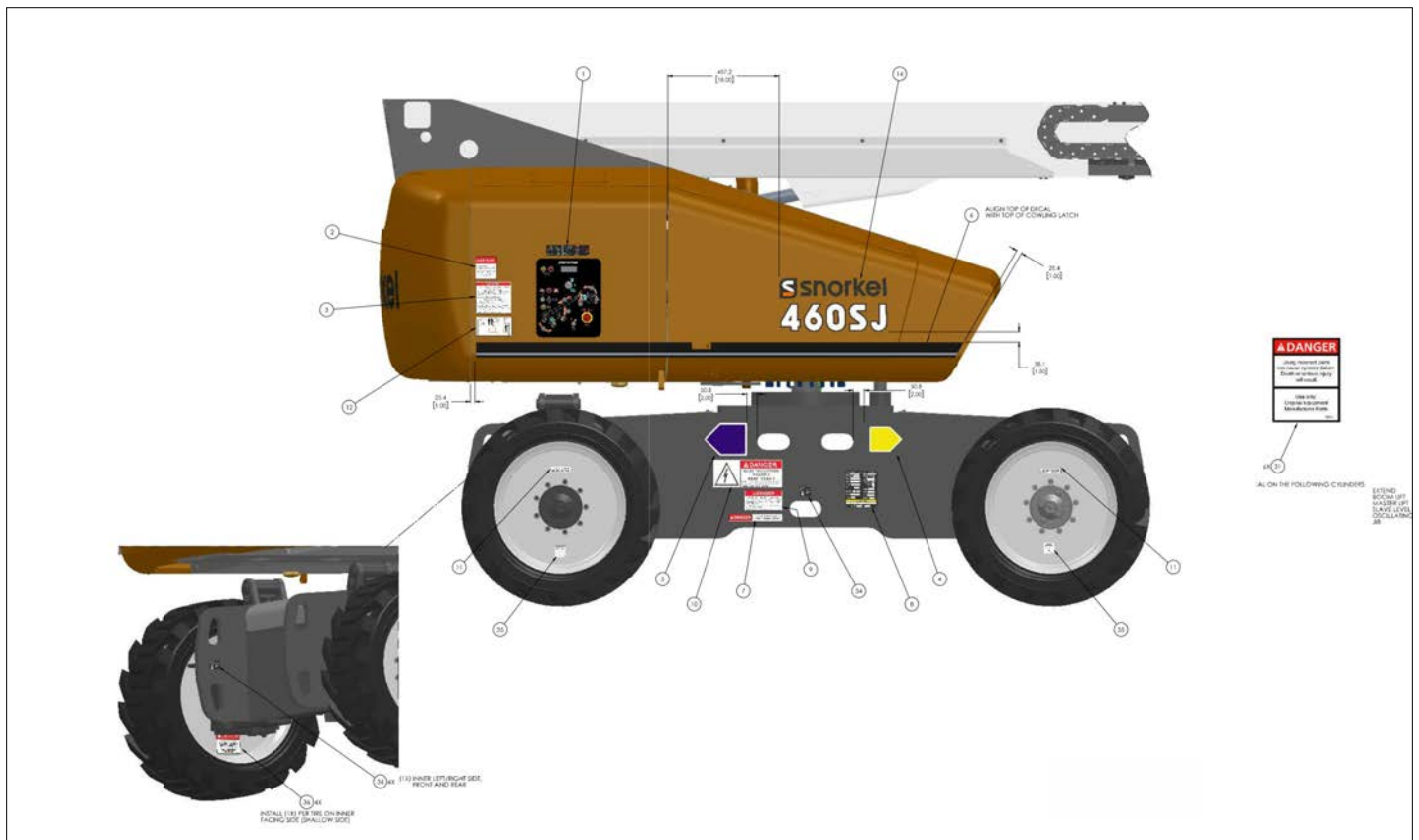


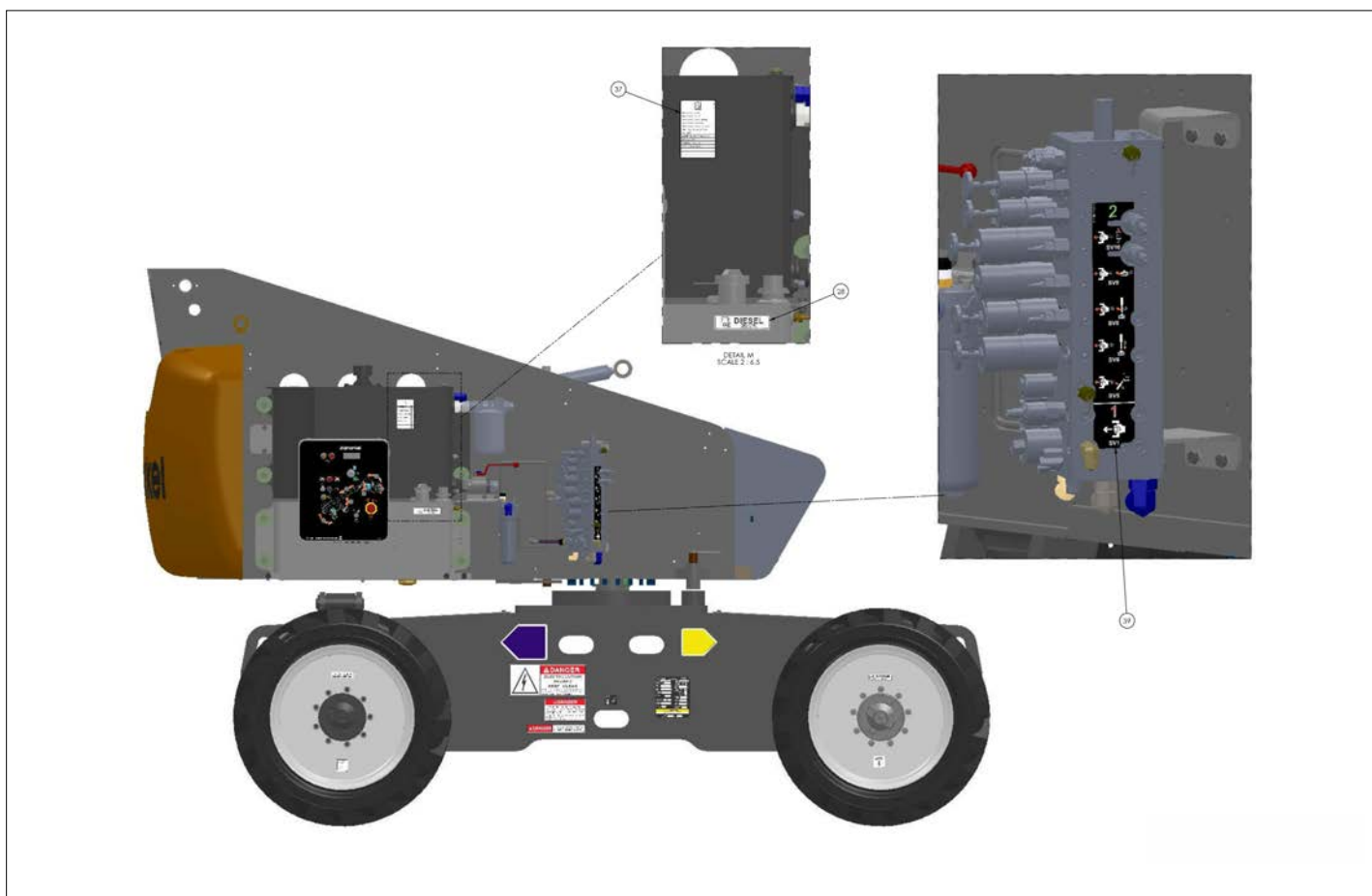


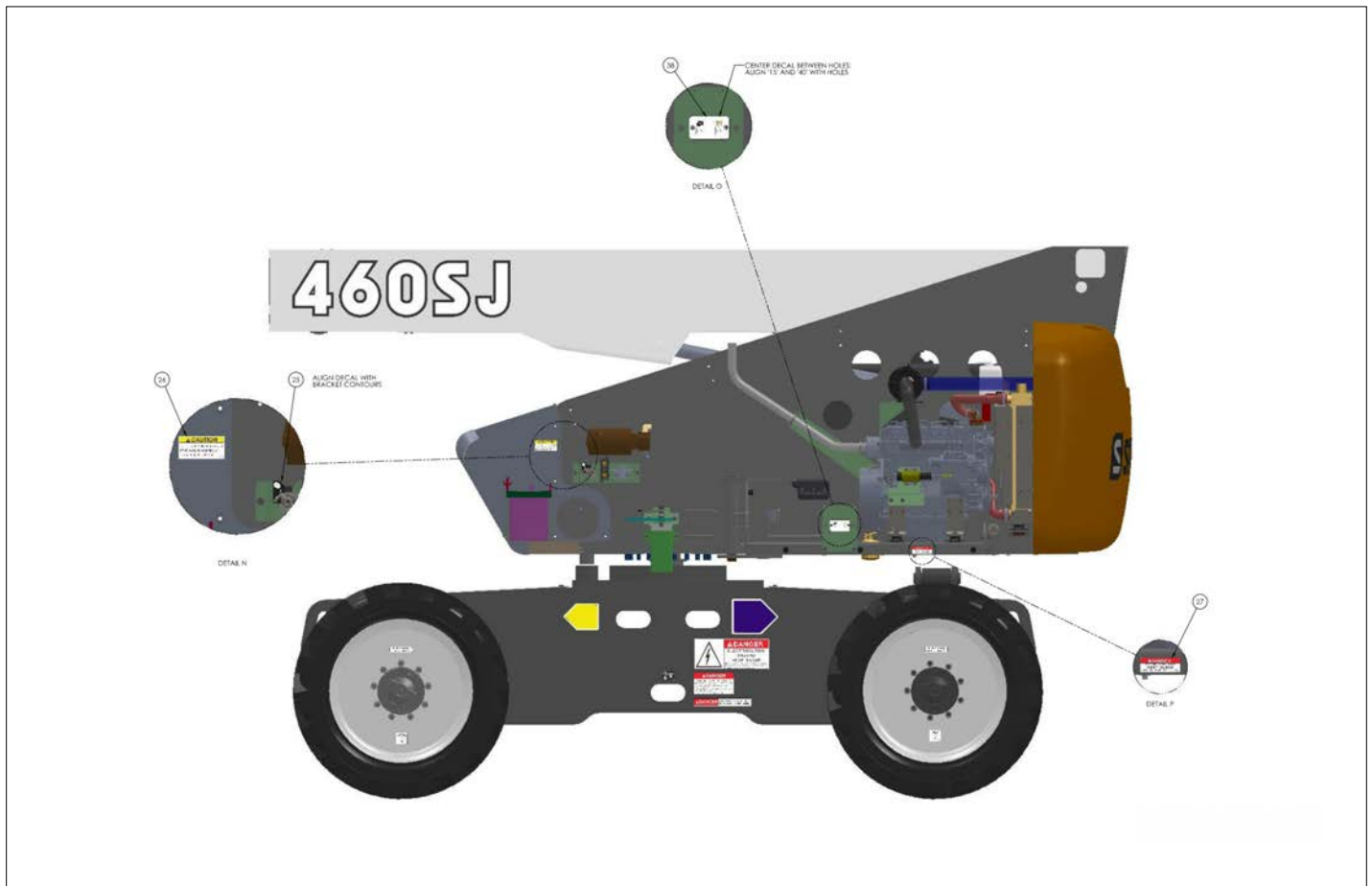
アイテム	部品番号	名前	数量	UOM
	1433302A	DECAL INSTALL 460SJ		EA
1	0070540	DECAL, YELLOW ARROW	5	EA
2	0070541	DECAL, BLUE ARROW	5	EA
3	1433556	DECAL, SNORKEL 460SJ COWLING	2	EA
4	1432803	DECAL 2" STRIPE RIGHT	1	EA
5	1432804	DECAL 1/2" STRIPE RIGHT	1	EA
6	1432801	DECAL 2" STRIPE LEFT	1	EA
7	1432802	DECAL 1/2" STRIPE LEFT	1	EA
8	0323897	Decal, Must Not Operate	2	EA
9	0074210	DECAL, DANGER ELEC/TIP HAZARD	2	EA
10	1431454	DECAL WEIGHT CAPACITY	4	EA
11	1433540	DECAL, GRND CTRL SYMBOLS	1	EA
12	7030171	DECAL, WHEEL TORQUE	4	EA
13	0072531	DECAL, ELECTROCUTION HAZ	2	EA
14	0073298	Decal, Foam Tyres	2	EA
15	0323896	DECAL DNGR ELEC HAZARD	2	EA
16	0070901	Serial Number Plate, US Machines	1	EA
17	0083426	Decal, Lifting and Tie Down	6	EA
18	1433558	DECAL, SNORKEL 460SJ BOOM	1	EA
19	569295	DECAL, SNORKEL BRAND LOGO 3.00	2	EA
20	7030068	DECAL, SNORKELLIFTS.COM	2	EA
21	1433539	DECAL, PLTFRM LGTS	1	EA
22	1433544	DECAL, FOOT SWITCH OPERATION	1	EA
23	1433537	DECAL, PLTFRM SYMBOLS	1	EA
24	1433541	DECAL, PLTFRM CTRL WARNING	1	EA
25	0150448	DECAL ATTACH FALL RESTRAINT	1	EA

アイテム	部品番号	名前	数量	UOM
26	0075921	DECAL, POWER TO PLATFORM	1	EA
27	0082164	DECAL DNGR DO NOT RIDE PLATF	1	EA
28	0075899	DECAL, OPERATING & SAFETY INST	1	EA
29	0075895	DECAL, MANIFOLD OSCILLATE	1	EA
30	0075893	DECAL, MANIFOLD LEVEL	1	EA
31	0075892	DECAL, MANIFOLD STEER	1	EA
32	0075891	DECAL, MANIFOLD JIB/PLATFORM	1	EA
33	0075890	DECAL, MANIFOLD SWING	1	EA
34	0075889	DECAL, MANIFOLD EXTEND	1	EA
35	0075888	DECAL, MANIFOLD LIFT	1	EA
36	0075887	DECAL, MANIFOLD DRIVE	1	EA
37	0075894	DECAL, MANIFOLD SHIFT	1	EA
38	0071927	DECAL, HYDRAULIC OIL	1	EA
39	0113885	DECAL DIESEL ULTRA LOW SULFER	1	EA
40	7030194	DECAL BATTERY ON/OFF	1	EA
41	0074316	DECAL, CAUTION GOVERNOR DAMAGE	1	EA
42	0151410	DECAL, DANGER ROTATING PARTS	1	EA
43	1433568	DECAL, COOLANT CAPACITY DEUTZ	1	EA
44	0190989	DECAL DNGR DO NOT REACH	1	EA
45	0074311	DECAL DANGER CYLINDER FAILURE	5	EA
46	1433730	DECAL, WEIGHT CAPACITY ALT	1	EA
47	1433731	DECAL, HYD CAPACITY 400S/460SJ	1	EA
48	0083427	Decal, Lifting/Tie Down	4	EA
49	1433748	DECAL, ANCHOR LIFT	2	EA

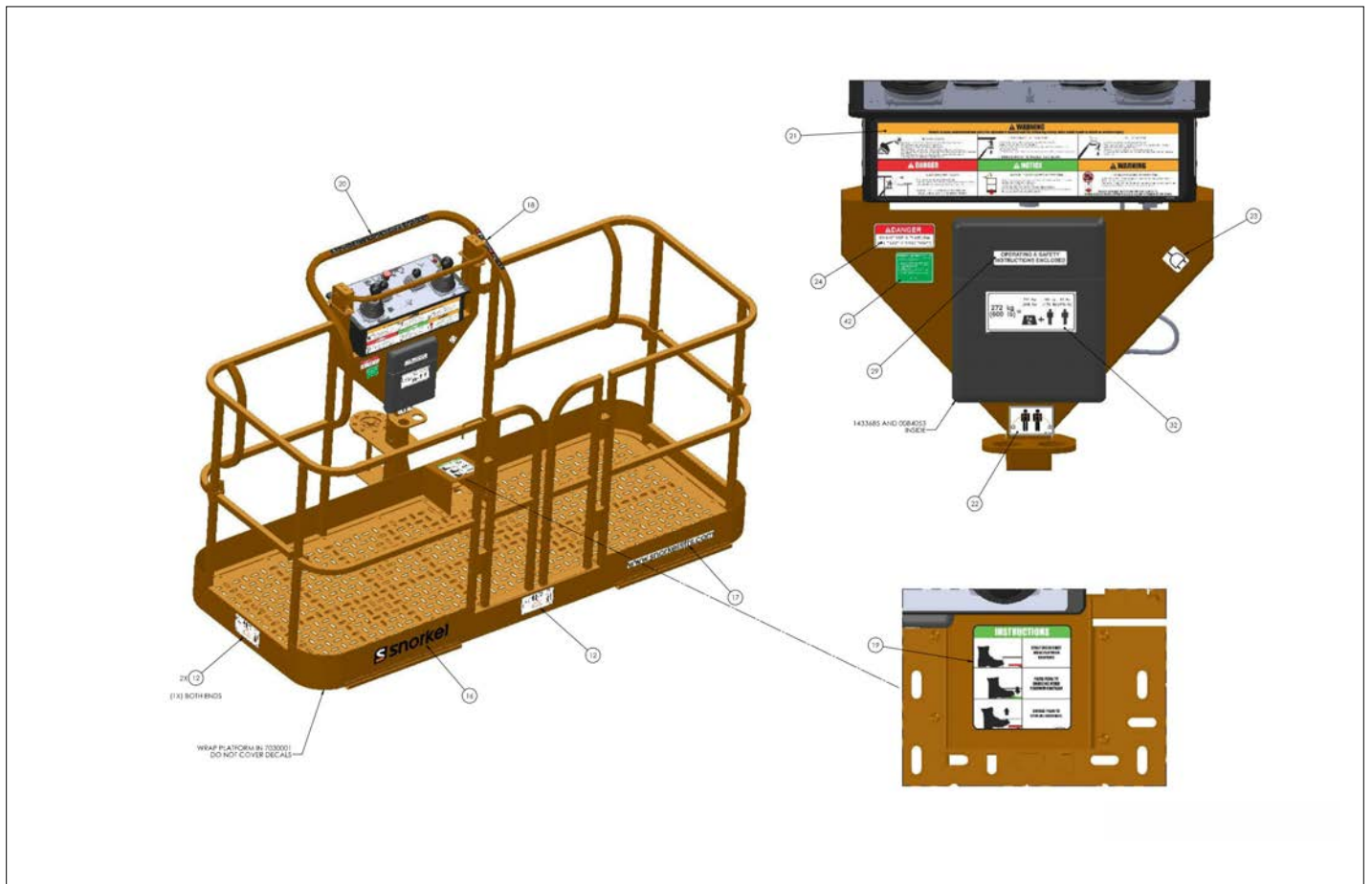
REPAIR PARTS











アイテム	部品番号	名前	数量	UOM
	1434571 A	DECALS INSTALLATION CE 460SJ		EA
1	1433540	DECAL, GRND CTRL SYMBOLS	1	EA
2	0323897	Decal, Must Not Operate	2	EA
3	0074210	DECAL, DANGER ELEC/TIP HAZARD	2	EA
4	0070540	DECAL, YELLOW ARROW	5	EA
5	0070541	DECAL, BLUE ARROW	5	EA
6	1434578	DECAL, STRIPES, LEFT SIDE, 400	1	EA
7	0072531	DECAL, ELECTROCUTION HAZ	2	EA
8	0070901	Serial Number Plate, US Machines	1	EA
9	0073298	Decal, Foam Tyres	2	EA
10	0323896	DECAL DNDR ELEC HAZARD	2	EA
11	7030171	DECAL, WHEEL TORQUE	4	EA
12	1432798	DECAL WEIGHT CAPACITY	4	EA
13	1433558	DECAL, SNORKEL 460SJ BOOM	1	EA
14	1433556	DECAL, SNORKEL 460SJ COWLING	2	EA
15	1434577	DECAL, STRIPES, RIGHT SIDE, 40	1	EA
16	569295	DECAL, SNORKEL BRAND LOGO 3.00	2	EA
17	7030068	DECAL, SNORKELIFTS.COM	2	EA
18	1433539	DECAL, PLTFRM LGTS	1	EA
19	1433544	DECAL, FOOT SWITCH OPERATION	1	EA
20	1433537	DECAL, PLTFRM SYMBOLS	1	EA
21	1433541	DECAL, PLTFRM CTRL WARNING	1	EA
22	1433772	DECAL, HARNESS TETHER, TWO MAN	1	EA
23	0075921	DECAL, POWER TO PLATFORM	1	EA
24	0082164	DECAL DNDR DO NOT RIDE PLATF	1	EA

アイテム	部品番号	名前	数量	UOM
25	7030194	DECAL BATTERY ON/OFF	1	EA
26	0074316	DECAL, CAUTION GOVERNOR DAMAGE	1	EA
27	0151410	DECAL, DANGER ROTATING PARTS	1	EA
28	0113885	DECAL DIESEL ULTRA LOW SULFER	1	EA
29	0075899	DECAL, OPERATING & SAFETY INST	1	EA
30	0190989	DECAL DNGR DO NOT REACH	1	EA
31	0074311	DECAL DANGER CYLINDER FAILURE	6	EA
32	1433730	DECAL, WEIGHT CAPACITY ALT	1	EA
33	1433748	DECAL, ANCHOR LIFT	2	EA
34	0083427	Decal, Lifting/Tie Down	6	EA
35	0113989	DECAL, MAXIMUM WHEEL LOAD, 460	4	EA
36	106717 003	decal, danger wheel position CE ONLY	4	EA
37	18086 002	LABEL, HYDRAULIC OIL	1	EA
38	1434555	DECAL, GLOW PLUG/THROTTLE	1	EA
39	1434558	DECAL, MANIFOLD FUNCTIONS	1	EA
40	0182639	DECAL, NOISE LWA, 90 95 DB, KU	1	EA
41	7030190	DECAL EMERGENCY LOWER VALVE	1	EA
42	0161819	DECAL EMER LOWERING PROCEDURE	1	EA
43	1433685	MANUAL OPERATOR 460SJ ANSI	1	EA
44	0084053	MANUAL RESPONSIBILITY A92.5 2006 AN	1	EA
45	7030001	DECAL STRIPE RED /WHT 2 in	20	EA

REPAIR PARTS

**NO IMAGE AVAILABLE
(BOM FOR REFERENCE ONLY)**

アイテム	部品番号	名前	数量	UOM
	1433797A	DECAL KIT CE/AU EXPORTS 460SJ		EA
1	0070540	DECAL, YELLOW ARROW	5	EA
2	0070541	DECAL, BLUE ARROW	5	EA
3	1433556	DECAL, SNORKEL 460SJ COWLING	2	EA
4	1432803	DECAL 2" STRIPE RIGHT	1	EA
5	1432804	DECAL 1/2" STRIPE RIGHT	1	EA
6	1432801	DECAL 2" STRIPE LEFT	1	EA
7	1432802	DECAL 1/2" STRIPE LEFT	1	EA
8	0323897	Decal, Must Not Operate	2	EA
9	0074210	DECAL, DANGER ELEC/TIP HAZARD	2	EA
10	1432798	DECAL WEIGHT CAPACITY	5	EA
11	1433540	DECAL, GRND CTRL SYMBOLS	1	EA
12	7030171	DECAL, WHEEL TORQUE	4	EA
13	0072531	DECAL, ELECTROCUTION HAZ	2	EA
14	0073298	Decal, Foam Tyres	2	EA
15	0323896	DECAL DNGR ELEC HAZARD	2	EA
16	0070901	Serial Number Plate, US Machines	1	EA
17	0083426	Decal, Lifting and Tie Down	6	EA
18	1433558	DECAL, SNORKEL 460SJ BOOM	1	EA
19	569295	DECAL, SNORKEL BRAND LOGO 3.00	2	EA
20	7030068	DECAL, SNORKELLIFTS.COM	2	EA
21	1433539	DECAL, PLTFRM LGTS	1	EA
22	1433544	DECAL, FOOT SWITCH OPERATION	1	EA
23	1433537	DECAL, PLTFRM SYMBOLS	1	EA
24	1433541	DECAL, PLTFRM CTRL WARNING	1	EA

アイテム	部品番号	名前	数量	UOM
25	1433772	DECAL, HARNESS TETHER, TWO MAN	1	EA
26	0075921	DECAL, POWER TO PLATFORM	1	EA
27	0082164	DECAL DNGR DO NOT RIDE PLATF	1	EA
28	0075899	DECAL, OPERATING & SAFETY INST	1	EA
29	0075895	DECAL, MANIFOLD OSCILLATE	1	EA
30	0075893	DECAL, MANIFOLD LEVEL	1	EA
31	0075892	DECAL, MANIFOLD STEER	1	EA
32	0075891	DECAL, MANIFOLD JIB/PLATFORM	1	EA
33	0075890	DECAL, MANIFOLD SWING	1	EA
34	0075889	DECAL, MANIFOLD EXTEND	1	EA
35	0075888	DECAL, MANIFOLD LIFT	1	EA
36	0075887	DECAL, MANIFOLD DRIVE	1	EA
37	0075894	DECAL, MANIFOLD SHIFT	1	EA
38	0071927	DECAL, HYDRAULIC OIL	1	EA
39	0113885	DECAL DIESEL ULTRA LOW SULFER	1	EA
40	7030194	DECAL BATTERY ON/OFF	1	EA
41	0151410	DECAL, DANGER ROTATING PARTS	1	EA
42	1433568	DECAL, COOLANT CAPACITY DEUTZ	1	EA
43	0190989	DECAL DNGR DO NOT REACH	1	EA
44	0074311	DECAL DANGER CYLINDER FAILURE	6	EA
45	1433731	DECAL, HYD CAPACITY 400S/460SJ	1	EA
46	0083427	Decal, Lifting/Tie Down	4	EA
47	1433748	DECAL, ANCHOR LIFT	2	EA
48	106717 003	decal, danger wheel position CE ONLY	4	EA

アイテム	部品番号	名前	数量	UOM
49	0113989	DECAL, MAXIMUM WHEEL LOAD, 460	4	EA
50	0161819	DECAL EMER LOWERING PROCEDURE	1	EA
51	0182586	DECAL, CE NOISE LEVEL, 400/460	1	EA
52	1433569	DECAL, COOLANT LEVEL DEUTZ	1	EA
53	7030001	DECAL STRIPE RED /WHT 2 in	20	EA

REPAIR PARTS

**NO IMAGE AVAILABLE
(BOM FOR REFERENCE ONLY)**

アイテム	部品番号	名前	数量	UOM
	1433797DE A	DECAL KIT CE AS EXPORT 460SJ GERMAN		EA
1	0070540	DECAL, YELLOW ARROW	5	EA
2	0070541	DECAL, BLUE ARROW	5	EA
3	0073298	Decal, Foam Tyres	2	EA
4	0075921	DECAL, POWER TO PLATFORM	1	EA
5	0083426	Decal, Lifting and Tie Down	6	EA
6	0083427	Decal, Lifting/Tie Down	4	EA
7	0161819	DECAL EMER LOWERING PROCEDURE	1	EA
8	0182586	DECAL, CE NOISE LEVEL, 400/460	1	EA
9	0190989	DECAL DNGR DO NOT REACH	1	EA
10	569295	DECAL, SNORKEL BRAND LOGO 3.00	2	EA
11	1432798	DECAL WEIGHT CAPACITY	5	EA
12	1432801	DECAL 2" STRIPE LEFT	1	EA
13	1432802	DECAL 1/2" STRIPE LEFT	1	EA
14	1432803	DECAL 2" STRIPE RIGHT	1	EA
15	1432804	DECAL 1/2" STRIPE RIGHT	1	EA
16	1433556	DECAL, SNORKEL 460SJ COWLING	2	EA
17	1433558	DECAL, SNORKEL 460SJ BOOM	1	EA
18	1433748	DECAL, ANCHOR LIFT	2	EA
19	1433772	DECAL, HARNESS TETHER, TWO MAN	1	EA
20	7030001	DECAL STRIPE RED /WHT 2 in	20	EA
21	7030068	DECAL, SNORKEL LIFTS.COM	2	EA
22	7030194	DECAL BATTERY ON/OFF	1	EA
23	0070901DE	PLACARD, CAUTION SERIAL NUMBER	1	EA
24	0071927DE	DECAL, HYDRAULIC FLUID	1	EA

アイテム	部品番号	名前	数量	UOM
25	0072531DE	DECAL, ELECTRONCUTION HAZARD	2	EA
26	0074210DE	DECAL, DANGER COMPLY INST.	2	EA
27	0074311DE	DECAL, DANGER CYLINDER FAILURE	6	EA
28	0075887DE	DECAL, MANIFOLD DRIVE	1	EA
29	0075888DE	DECAL, MANIFOLD LIFT	1	EA
30	0075889DE	DECAL, MANIFOLD EXTEND	1	EA
31	0075890DE	DECAL, MANIFOLD SWING	1	EA
32	0075891DE	DECAL, MANIFOLD JIB/PLATFORM	1	EA
33	0075892DE	DECAL, MANIFOLD STEER	1	EA
34	0075893DE	DECAL, MANIFOLD LEVEL	1	EA
35	0075894DE	DECAL, MANIFOLD SHIFT	1	EA
36	0075895DE	DECAL, MANIFOLD OSCILLATE	1	EA
37	0075899DE	DECAL, OPERATOR MANUAL	1	EA
38	0082164DE	DECAL, DO NOT RIDE	1	EA
39	0113885DE	DECAL, DIESEL ULTRA LOW SULFUR	1	EA
40	0113989DE	DECAL, MAXWHEEL LOAD, 460, DE	4	EA
41	0151410DE	DECAL, DANGER KEEP CLEAR	1	EA
42	0323896DE	DECAL, DANGER, ELEC. HAZARD	2	EA
43	0323897DE	DECAL, DANGER/OPERATE	2	EA
44	106717 003DE	DECAL, WHEEL ORIENTATION	4	EA
45	1433537DE	DECAL, FUNCTION SYMBOLS, PLATF	1	EA
46	1433539DE	DECAL, LAMP SYMBOLS, PLATFORM	1	EA
47	1433540DE	DECAL, FUNCTION SYMBOLS, GROUN	1	EA
48	1433541DE	DECAL, PLTFRM CTRL WARNING, DE	1	EA

アイテム	部品番号	名前	数量	UOM
49	1433544DE	DECAL, FOOT SWITCH, PLATFORM	1	EA
50	1433568DE	DECAL, COOLANT CAP DEUTZ, DE	1	EA
51	1433569DE	DECAL, COOLANT LEVEL DEUTZ, DE	1	EA
52	1433685DE	MANUAL OPERATOR 460SJ ANSI, DE	1	EA
53	1433731DE	DECAL, HYD CAPACITY 400/460 DE	1	EA
54	7030171DE	DECAL, WHEEL TORQUE	4	EA

REPAIR PARTS

**NO IMAGE AVAILABLE
(BOM FOR REFERENCE ONLY)**

アイテム	部品番号	名前	数量	UOM
*	1453797 A	DECAL KIT FRENCH 460SJ		EA
1	1433685FR	460SJ OPERATORS MANUAL, FRENCH	1	EA
2	7030001	DECAL STRIPE RED /WHT 2 in	1	EA
3	0182586	DECAL, CE NOISE LEVEL, 400/460	1	EA
4	0161819FR	DECAL, EMERGENCY LOWERING, FR	1	EA
5	1433569FR	DECAL, COOLANT LVL DEUTZ, FR	1	EA
6	1433748	DECAL, ANCHOR LIFT	2	EA
7	0083427	Decal, Lifting/Tie Down	4	EA
8	1433731FR	DECAL, HYD CAP, 400S/460SJ, FR	1	EA
9	0113989FR	DECAL, MAX WHL LOAD 460SJ, FR	4	EA
10	0074311FR	DECAL DNGR CYLINDER FAILURE	6	EA
11	1433568FR	DECAL, COOLANT CAP DEUTZ, FR	1	EA
12	0151410FR	DECAL DNGR ROTATING PARTS	1	EA
13	106717 003FR	DECAL, DANGR WHL ORIENTATN, FR	4	EA
14	7030194	DECAL BATTERY ON/OFF	1	EA
15	0113885FR	DECAL, DIESEL ULTRA LOW SULFUR	1	EA
16	0071927FR	DECAL HYDRAULIC OIL	1	EA
17	0075894FR	DECAL, MANIFOLD SHIFT	1	EA
18	0075887FR	DECAL, MANIFOLD DRIVE	1	EA
19	0075888FR	DECAL, MANIFOLD LIFT	1	EA
20	0075889FR	DECAL, MANIFOLD EXTEND	1	EA
21	0075890FR	DECAL, MANIFOLD SWING	1	EA
22	0075891FR	DECAL, MANIFOLD JIB/PLATFORM	1	EA

アイテム	部品番号	名前	数量	UOM
23	0075892FR	DECAL, MANIFOLD STEER	1	EA
24	0075893FR	DECAL, MANIFOLD LEVEL	1	EA
25	0075895FR	DECAL, MANIFOLD OSCILLATE	1	EA
26	0075899FR	DECAL, OPERATING & SAFETY INST	1	EA
27	0082164FR	DECAL DNGR DO NOT RIDE PLATF	1	EA
28	0075921	DECAL, POWER TO PLATFORM	1	EA
29	1433772	DECAL, HARNESS TETHER, TWO MAN	1	EA
30	1433541FR	DECAL, HAZ, PLTFM CTRL BOX, FR	1	EA
31	1433537FR	DECAL, FUNCTN, PLTF CTRL BX,FR	1	EA
32	1433544FR	DECAL, FT SWTCH, PLTFM, FR	1	EA
33	1433539FR	DECAL, LMP SYB, PLFT CTRL, FR	1	EA
34	7030068	DECAL, SNORKELLIFTS.COM	2	EA
35	569295	DECAL, SNORKEL BRAND LOGO 3.00	2	EA
36	1433558	DECAL, SNORKEL 460SJ BOOM	1	EA
37	0083426	Decal, Lifting and Tie Down	6	EA
38	0070901FR	PLAC CAUTN SERIAL NUMBER	1	EA
39	0323896FR	DECAL DNGR ELEC HAZARD	2	EA
40	0073298FR	DECAL DNGR FOAM/SOLID TIRES	2	EA
41	0072531FR	DECAL DNGR ELEC HAZARD	2	EA
42	7030171FR	DECAL, WHEEL TORQUE	4	EA
43	1433540FR	DECAL, FNCT SYM, PLTF CTRL, FR	1	EA
44	1432798	DECAL WEIGHT CAPACITY	5	EA
45	0074210FR	DECAL DNGR ELEC/TIPPING HAZARD	2	EA
46	0323897FR	DECAL DNGR YOU MUST NOT OPR	2	EA

アイテム	部品番号	名前	数量	UOM
47	1432802	DECAL 1/2" STRIPE LEFT	1	EA
48	1432801	DECAL 2" STRIPE LEFT	1	EA
49	1432804	DECAL 1/2" STRIPE RIGHT	1	EA
50	1432803	DECAL 2" STRIPE RIGHT	1	EA
51	1433556	DECAL, SNORKEL 460SJ COWLING	2	EA
52	0070541	DECAL, BLUE ARROW	5	EA
53	0070540	DECAL, YELLOW ARROW	5	EA
54	0190989	DECAL DNGR DO NOT REACH	1	EA

REPAIR PARTS

**NO IMAGE AVAILABLE
(BOM FOR REFERENCE ONLY)**

アイテム	部品番号	名前	数量	UOM
*	1433797ENFR A	DECAL KIT ENGLISH FRENCH 460SJ		EA
1	0161819	DECAL EMER LOWERING PROCEDURE	1	EA
2	1433569	DECAL, COOLANT LEVEL DEUTZ	1	EA
3	1433731	DECAL, HYD CAPACITY 400S/460SJ	1	EA
4	0113989	DECAL, MAXIMUM WHEEL LOAD, 460	4	EA
5	0074311	DECAL DANGER CYLINDER FAILURE	6	EA
6	1433568	DECAL, COOLANT CAPACITY DEUTZ	1	EA
7	0151410	DECAL, DANGER ROTATING PARTS	1	EA
8	106717 003	decal, danger wheel position CE ONLY	4	EA
9	0113885	DECAL DIESEL ULTRA LOW SULFER	1	EA
10	0071927	DECAL, HYDRAULIC OIL	1	EA
11	0075895	DECAL, MANIFOLD OSCILLATE	1	EA
12	0075894	DECAL, MANIFOLD SHIFT	1	EA
13	0075893	DECAL, MANIFOLD LEVEL	1	EA
14	0075892	DECAL, MANIFOLD STEER	1	EA
15	0075891	DECAL, MANIFOLD JIB/PLATFORM	1	EA
16	0075890	DECAL, MANIFOLD SWING	1	EA
17	0075889	DECAL, MANIFOLD EXTEND	1	EA
18	0075888	DECAL, MANIFOLD LIFT	1	EA
19	0075887	DECAL, MANIFOLD DRIVE	1	EA
20	0075899	DECAL, OPERATING & SAFETY INST	1	EA
21	0082164	DECAL DNGR DO NOT RIDE PLATF	1	EA

アイテム	部品番号	名前	数量	UOM
22	1433541	DECAL, PLTFRM CTRL WARNING	1	EA
23	1433537	DECAL, PLTFRM SYMBOLS	1	EA
24	1433544	DECAL, FOOT SWITCH OPERATION	1	EA
25	1433539	DECAL, PLTFRM LGTS	1	EA
26	0070901	Serial Number Plate, US Machines	1	EA
27	0323896	DECAL DNGR ELEC HAZARD	2	EA
28	0073298	Decal, Foam Tyres	2	EA
29	0072531	DECAL, ELECTROCUTION HAZ	2	EA
30	7030171	DECAL, WHEEL TORQUE	4	EA
31	1433540	DECAL, GRND CTRL SYMBOLS	1	EA
32	0074210	DECAL, DANGER ELEC/TIP HAZARD	2	EA
33	0323897	Decal, Must Not Operate	2	EA
34	1433685	MANUAL OPERATOR 460SJ ANSI	1	EA
35	1433685FR	460SJ OPERATORS MANUAL, FRENCH	1	EA
36	7030001	DECAL STRIPE RED /WHT 2 in	1	EA
37	0182586	DECAL, CE NOISE LEVEL, 400/460	1	EA
38	1433748	DECAL, ANCHOR LIFT	2	EA
39	0083427	Decal, Lifting/Tie Down	4	EA
40	0190989	DECAL DNGR DO NOT REACH	1	EA
41	7030194	DECAL BATTERY ON/OFF	1	EA
42	0075921	DECAL, POWER TO PLATFORM	1	EA
43	1433772	DECAL, HARNESS TETHER, TWO MAN	1	EA
44	7030068	DECAL, SNORKELLIFTS.COM	2	EA
45	569295	DECAL, SNORKEL BRAND LOGO 3.00	2	EA
46	1433558	DECAL, SNORKEL 460SJ BOOM	1	EA

アイテム	部品番号	名前	数量	UOM
47	0083426	Decal, Lifting and Tie Down	6	EA
48	1432798	DECAL WEIGHT CAPACITY	5	EA
49	1432802	DECAL 1/2" STRIPE LEFT	1	EA
50	1432801	DECAL 2" STRIPE LEFT	1	EA
51	1432804	DECAL 1/2" STRIPE RIGHT	1	EA
52	1432803	DECAL 2" STRIPE RIGHT	1	EA
53	1433556	DECAL, SNORKEL 460SJ COWLING	2	EA
54	0070541	DECAL, BLUE ARROW	5	EA
55	0070540	DECAL, YELLOW ARROW	5	EA
56	0161819FR	DECAL, EMERGENCY LOWERING, FR	1	EA
57	1433569FR	DECAL, COOLANT LVL DEUTZ, FR	1	EA
58	1433731FR	DECAL, HYD CAP, 400S/460SJ, FR	1	EA
59	0113989FR	DECAL, MAX WHL LOAD 460SJ, FR	4	EA
60	0074311FR	DECAL DNGR CYLINDER FAILURE	6	EA
61	1433568FR	DECAL, COOLANT CAP DEUTZ, FR	1	EA
62	0151410FR	DECAL DNGR ROTATING PARTS	1	EA
63	106717 003FR	DECAL, DANGR WHL ORIENTATN, FR	4	EA
64	0113885FR	DECAL, DIESEL ULTRA LOW SULFUR	1	EA
65	0071927FR	DECAL HYDRAULIC OIL	1	EA
66	0075895FR	DECAL, MANIFOLD OSCILLATE	1	EA
67	0075894FR	DECAL, MANIFOLD SHIFT	1	EA
68	0075893FR	DECAL, MANIFOLD LEVEL	1	EA
69	0075892FR	DECAL, MANIFOLD STEER	1	EA
70	0075891FR	DECAL, MANIFOLD JIB/PLATFORM	1	EA

アイテム	部品番号	名前	数量	UOM
71	0075890FR	DECAL, MANIFOLD SWING	1	EA
72	0075889FR	DECAL, MANIFOLD EXTEND	1	EA
73	0075888FR	DECAL, MANIFOLD LIFT	1	EA
74	0075887FR	DECAL, MANIFOLD DRIVE	1	EA
75	0075899FR	DECAL, OPERATING & SAFETY INST	1	EA
76	0082164FR	DECAL DNGR DO NOT RIDE PLATF	1	EA
77	1433541FR	DECAL, HAZ, PLTFM CTRL BOX, FR	1	EA
78	1433537FR	DECAL, FUNCTN, PLTF CTRL BX,FR	1	EA
79	1433544FR	DECAL, FT SWTCH, PLTFM, FR	1	EA
80	1433539FR	DECAL, LMP SYB, PLFT CTRL, FR	1	EA
81	0070901FR	PLAC CAUTN SERIAL NUMBER	1	EA
82	0323896FR	DECAL DNGR ELEC HAZARD	2	EA
83	0073298FR	DECAL DNGR FOAM/SOLID TIRES	2	EA
84	0072531FR	DECAL DNGR ELEC HAZARD	2	EA
85	7030171FR	DECAL, WHEEL TORQUE	4	EA
86	1433540FR	DECAL, FNCT SYM, PLTF CTRL, FR	1	EA
87	0074210FR	DECAL DNGR ELEC/TIPPING HAZARD	2	EA
88	0323897FR	DECAL DNGR YOU MUST NOT OPR	2	EA

REPAIR PARTS

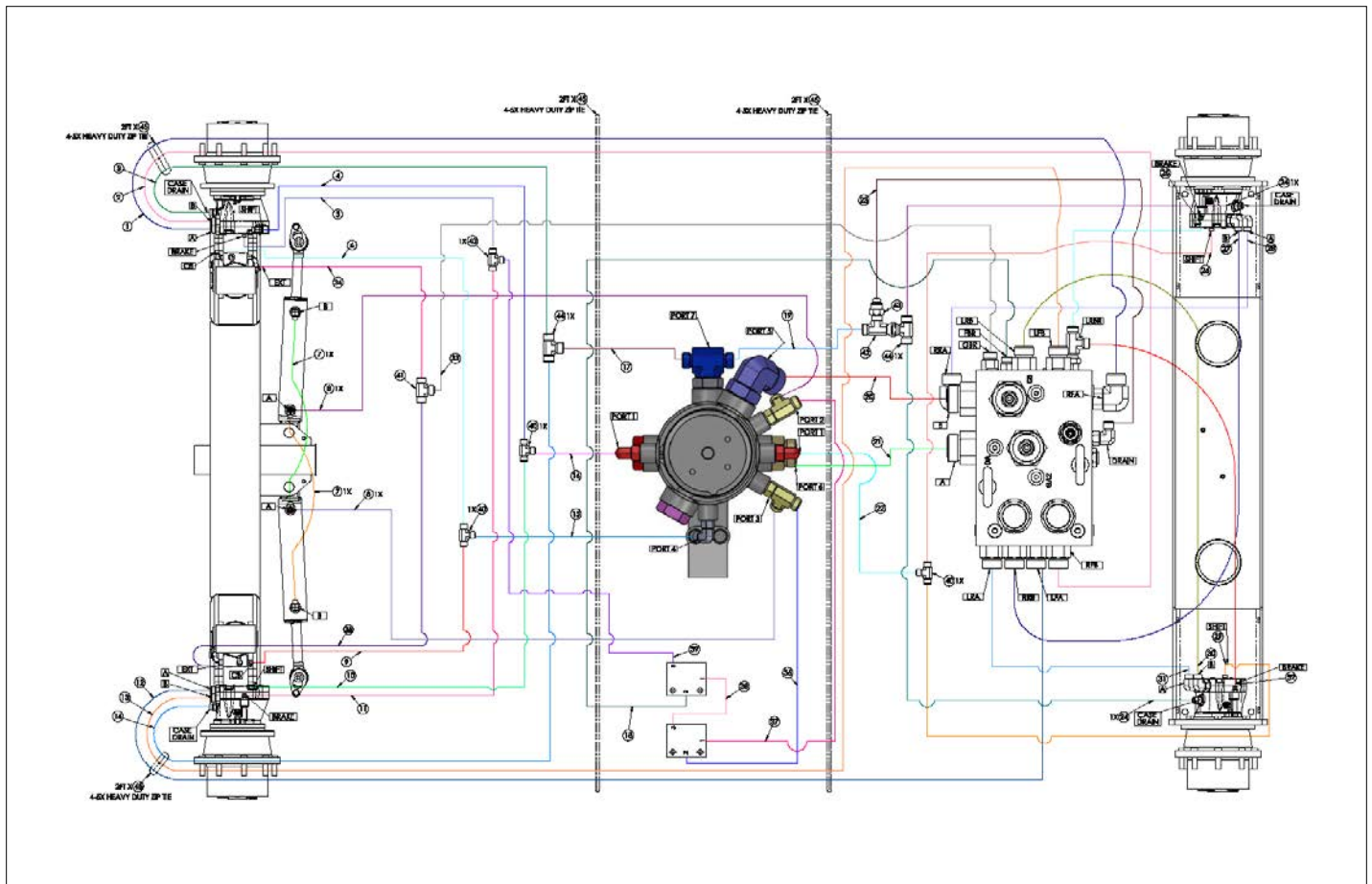
NO IMAGE AVAILABLE
(BOM FOR REFERENCE ONLY)

アイテム	部品番号	名前	数量	UOM
	1433797SW A	DECAL KIT EXPORT CE AS SWEDISH 460SJ SEPTEMBER 2019 AND AFTER		EA
1	0070540	DECAL, YELLOW ARROW		EA
2	0070541	DECAL, BLUE ARROW		EA
3	1433556	DECAL, SNORKEL 460SJ COWLING		EA
4	1432803	DECAL 2" STRIPE RIGHT		EA
5	1432804	DECAL 1/2" STRIPE RIGHT		EA
6	1432801	DECAL 2" STRIPE LEFT		EA
7	1432802	DECAL 1/2" STRIPE LEFT		EA
8	0323897SW	DECAL DNGR YOU MUST NOT OPR		EA
9	0074210SW	DECAL, DANGER ELEC/TIP HAZARD		EA
10	1432798	DECAL WEIGHT CAPACITY		EA
11	1433540SW	DECAL, GRND CTRL SYMBOLS		EA
12	7030171SW	DECAL, WHEEL TORQUE		EA
13	0072531SW	DECAL, ELECTROCUTION HAZ		EA
14	0073298SW	DECAL DANGER FOAM FILL TIRE		EA
15	0323896SW	DECAL DNGR ELEC HAZARD		EA
16	0070901SW	PLAC CAUTN SERIAL NUMBER		EA
17	0083426	Decal, Lifting and Tie Down		EA
18	1433558	DECAL, SNORKEL 460SJ BOOM		EA
19	569295	DECAL, SNORKEL BRAND LOGO 3.00		EA
20	7030068	DECAL, SNORKELIFTS.COM		EA
21	1433539SW	DECAL, PLTFRM LGTS		EA
22	1433544SW	DECAL, FOOT SWITCH OPERATION		EA
23	1433537SW	DECAL, PLTFRM SYMBOLS		EA
24	1433541SW	DECAL, PLTFRM CTRL WARNING		EA

アイテム	部品番号	名前	数量	UOM
25	1433772	DECAL, HARNESS TETHER, TWO MAN		EA
26	0075921	DECAL, POWER TO PLATFORM		EA
27	0082164SW	DECAL DNGR DO NOT RIDE PLATF		EA
28	0075899SW	DECAL, OPERATING & SAFETY INST		EA
29	0075895SW	DECAL, MANIFOLD OSCILLATE		EA
30	0075893SW	DECAL, MANIFOLD LEVEL		EA
31	0075892SW	DECAL, MANIFOLD STEER		EA
32	0075891SW	DECAL, MANIFOLD JIB/PLATFORM		EA
33	0075890SW	DECAL, MANIFOLD SWING		EA
34	0075889SW	DECAL, MANIFOLD EXTEND		EA
35	0075888SW	DECAL, MANIFOLD LIFT		EA
36	0075887SW	DECAL, MANIFOLD DRIVE		EA
37	0075894SW	DECAL, MANIFOLD SHIFT		EA
38	0071927SW	DECAL, HYDRAULIC OIL		EA
39	0113885SW	DECAL DIESEL ULTRA LOW SULFUR		EA
40	7030194	DECAL BATTERY ON/OFF		EA
41	0151410SW	DECAL, ROTATING PARTS		EA
42	1433568SW	DECAL, COOLANT CAPACITY DEUTZ		EA
43	0190989SW	DECAL, DNGR DO NOT REACH		EA
44	0074311SW	DECAL DANGER CYLINDER FAILURE		EA
45	1433731SW	DECAL, HYD CAPACITY 400S/460SJ		EA
46	0083427	Decal, Lifting/Tie Down		EA
47	1433748	DECAL, ANCHOR LIFT		EA
48	106717 003SW	DECAL, WHEEL AND TIRE		EA

アイテム	部品番号	名前	数量	UOM
49	0113989	DECAL, MAXIMUM WHEEL LOAD, 460		EA
50	0161819SW	DECAL, EMER LOWERING PROCEDURE		EA
51	0182586	DECAL, CE NOISE LEVEL, 400/460		EA
52	1433569SW	DECAL, COOLANT LEVEL DEUTZ		EA
53	7030001	DECAL STRIPE RED /WHT 2 in		EA
54	1433685SW	MANUAL, OPERATOR 460SJ ANSI		EA

HYDRAULICS

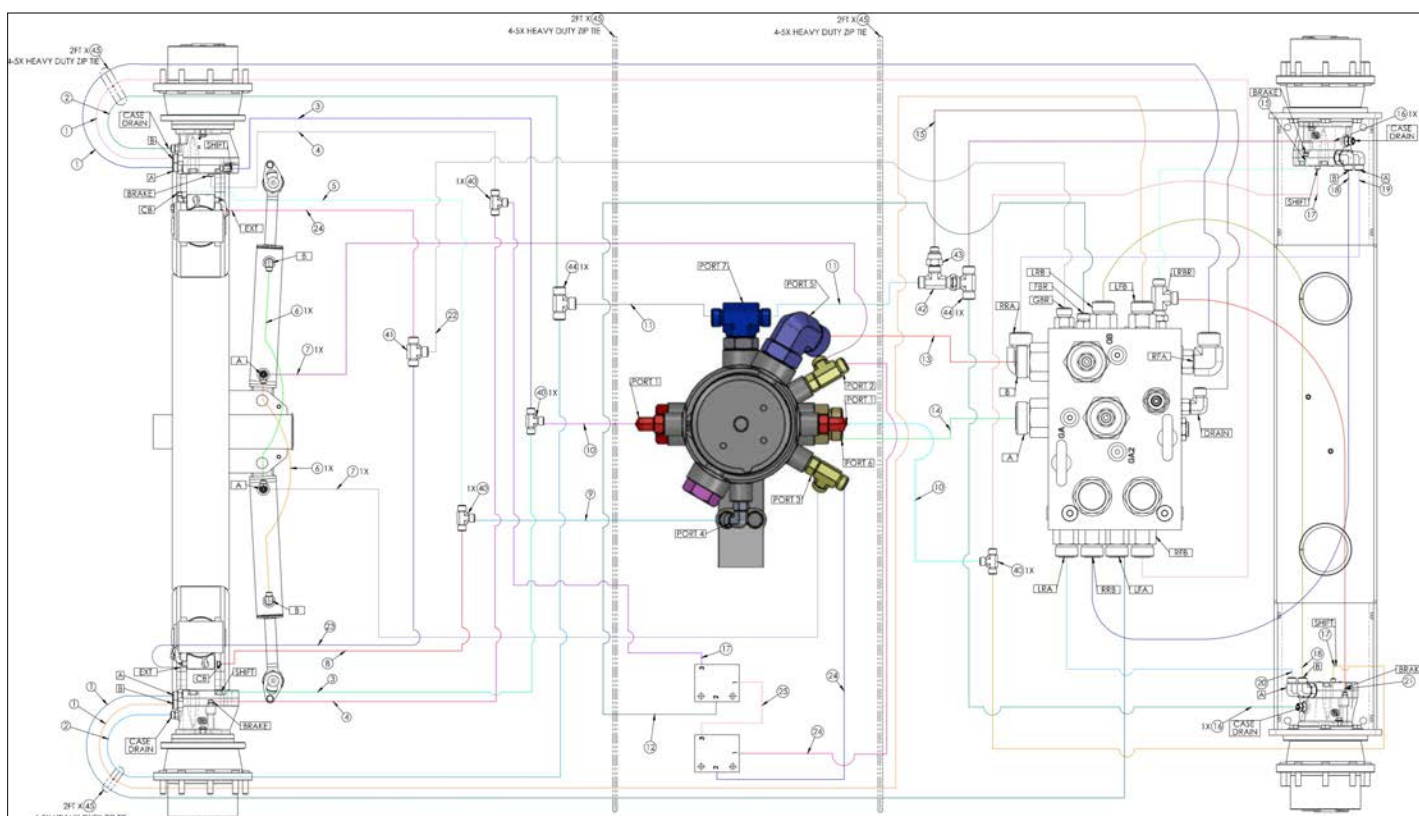


アイテム	部品番号	名前	数量	UOM
	1433021 B	CHASSIS HYDRAULIC HOSE INSTALLATION 400S 460SJ JANUARY 2020 AND BEFORE		EA
1	1433415	HYD HOSE 787TC 10 5000PSI 10F	1	EA
2	1433416	HYD HOSE 787TC 10 5000PSI 10F	1	EA
3	1433417	HYD HOSE 471TC 8 3000PSI 8FOR	1	EA
4	1433418	HYD HOSE 471TC 4 3000PSI 4FOR	1	EA
5	1433419	HYD HOSE 471TC 4 3000PSI 4FOR	1	EA
6	1433420	HYD HOSE 471TC 4 3000PSI 4FOR	1	EA
7	1433421	HYD HOSE 471TC 6 3000PSI 6FOR	2	EA
8	1433422	HYD HOSE 471TC 6 3000PSI 6FOR	2	EA
9	1433423	HYD HOSE 471TC 4 3000PSI 4FOR	1	EA
10	1433424	HYD HOSE 471TC 4 3000PSI 4FOR	1	EA
11	1433425	HYD HOSE 471TC 4 3000PSI 4FOR	1	EA
12	1433426	HYD HOSE 787TC 10 5000PSI 10F	1	EA
13	1433427	HYD HOSE 787TC 10 5000PSI 10F	1	EA
14	1433428	HYD HOSE 471TC 8 3000PSI 8FOR	1	EA
15	1433429	HYD HOSE 471TC 4 3000PSI 4FOR	1	EA
16	1433430	HYD HOSE 471TC 4 3000PSI 4FOR	1	EA
17	1433431	HYD HOSE 471TC 8 3000PSI 8FOR	1	EA

アイテム	部品番号	名前	数量	UOM
18	1433432	HYD HOSE 471TC 4 3000PSI 4FOR	1	EA
19	1433433	HYD HOSE 471TC 8 3000PSI 8FOR	1	EA
20	1433434	HYD HOSE 787TC 16 5000PSI 16F	1	EA
21	1433435	HYD HOSE 787TC 16 5000PSI 16F	1	EA
22	1433436	HYD HOSE 471TC 4 3000PSI 4FOR	1	EA
23	1433437	HYD HOSE 471TC 4 3000PSI 4FOR	1	EA
24	1433438	HYD HOSE 471TC 8 3000PSI 8FOR	2	EA
25	1433439	HYD HOSE 471TC 4 3000PSI 4FOR	1	EA
26	1433440	HYD HOSE 471TC 4 3000PSI 4FOR	1	EA
27	1433441	HYD HOSE 787TC 10 5000PSI 10F	1	EA
28	1433442	HYD HOSE 787TC 10 5000PSI 10F	1	EA
29	1433443	HYD HOSE 471TC 4 3000PSI 4FOR	1	EA
30	1433444	HYD HOSE 787TC 10 5000PSI 10F	1	EA
31	1433445	HYD HOSE 787TC 10 5000PSI 10F	1	EA
32	1433446	HYD HOSE 471TC 4 3000PSI 4FOR	1	EA
33	1433447	HYD HOSE 471TC 6 3000PSI 6FOR	1	EA
34	1433448	HYD HOSE 471TC 6 3000PSI 6FOR	1	EA
35	1433449	HYD HOSE 471TC 6 3000PSI 6FOR	1	EA
36	1433450	HYD HOSE 471TC 6 3000PSI 6FOR	1	EA

アイテム	部品番号	名前	数量	UOM
37	1433451	HYD HOSE 471TC 6 3000PSI 6FOR	1	EA
38	1433452	HYD HOSE 471TC 6 3000PSI 6FOR	1	EA
39	1433453	HYD HOSE 471TC 4 3000PSI 4FOR	1	EA
40	104769 000	FTG, 4MORFF X 4MORFF X 4MORFF UTEE	4	EA
41	104773 000	FTG HYD 06OM 06OM 06OM TN	1	EA
42	5033071	FTG RT 8MORFFX8MORFFX8FORFF	1	EA
43	5111675	FTG 8 ORFF X 4 ORFM REDUCER	1	EA
44	511617 000	FTG, 8MORFF X 8MORFF X 8MORFF UTEE	2	EA
45	121139 999	NYLON HOSE WRAP 3.00	8FT	EA
46	1433414	CHASSIS HOSE KIT, 400S/460SJ REFERANCE ONLY	1	EA

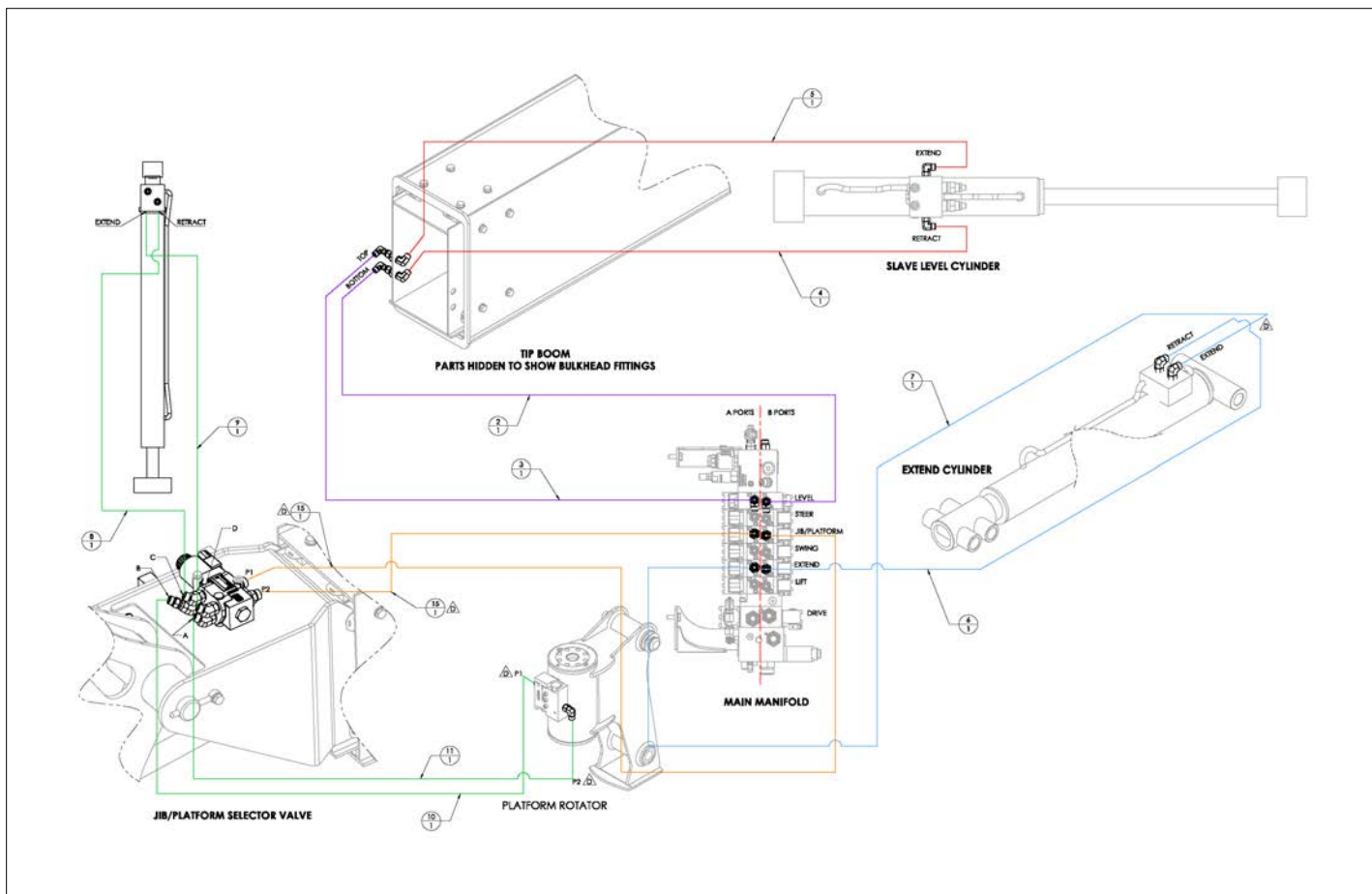
HYDRAULICS

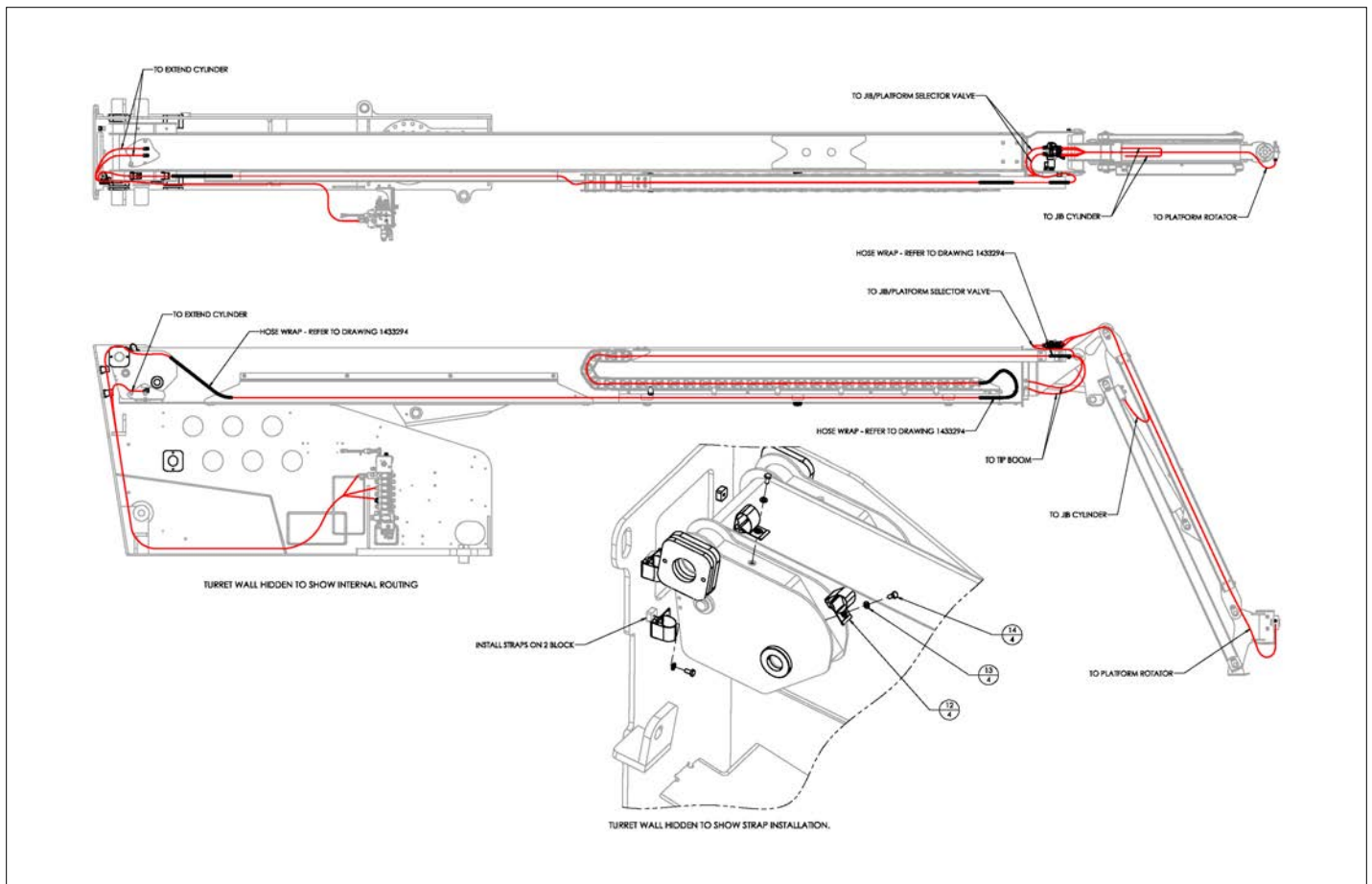


アイテム	部品番号	名前	数量	UOM
	1433021 C	CHASSIS HYDRAULIC HOSE INSTALLATION 400S 460SJ FEBURARY 2020 AND AFTER		EA
1	1433415	HYD HOSE 787TC 10 5000PSI 10F	4	EA
2	1432854	HYD HOSE 471TC 8 3000PSI	2	EA
3	1432861	HYD HOSE 471TC 4 3000PSI	2	EA
4	1432862	HYD HOSE 471TC 4 3000PSI	2	EA
5	1432857	HYD HOSE 471TC 4 3000PSI	1	EA
6	1432858	HYD HOSE 471TC 6 3000PSI	2	EA
7	1432859	HYD HOSE 471TC 6 3000PSI	2	EA
8	1432860	HYD HOSE 471TC 4 3000PSI	1	EA
9	1432867	HYD HOSE 471TC 4 3000PSI	1	EA
10	1433430	HYD HOSE 471TC 4 3000PSI 4FOR	2	EA
11	1432868	HYD HOSE 471TC 8 3000PSI	2	EA
12	1433058	HYD HOSE 471TC 4 3000PSI 4FORFF 90 ° LONG X 4FORFF STR	1	EA
13	1433434	HYD HOSE 787TC 16 5000PSI 16F	1	EA
14	1433435	HYD HOSE 787TC 16 5000PSI 16F	1	EA
15	1432876	HYD HOSE 471TC 4 3000 PSI	2	EA
16	1432875	HYD HOSE 471TC 8 3000 PSI	2	EA
17	1433059	HYD HOSE 471TC 4 3000 PSI 4FORFF X 6FORFF STR X 4FORFF STR	3	EA
18	1432881	HYD HOSE 787TC 10 5000 PSI	2	EA
19	1432879	HYD HOSE 787TC 10 5000 PSI	1	EA
20	1432882	HYD HOSE 787TC 10 5000 PSI	1	EA
21	1432883	HYD HOSE 471TC 4 3000 PSI	1	EA
22	1432884	HYD HOSE 471TC 6 3000 PSI	1	EA
23	1432886	HYD HOSE 471TC 4 3000 PSI	1	EA

アイテム	部品番号	名前	数量	UOM
24	1433451	HYD HOSE 471TC 6 3000PSI 6FOR	3	EA
25	1433057	HYD HOSE 471TC 6 3000 PSI 6FORFF X 6FORFF STR	1	EA
26	104769 000	FTG, 4MORFF X 4MORFF X 4MORFF UTEE	4	EA
27	104773 000	FTG HYD 06OM 06OM 06OM TN	1	EA
28	5033071	FTG RT 8MORFFX8MORFFX8FORFF	1	EA
29	5111675	FTG 8 ORFF X 4 ORFM REDUCER	1	EA
30	511617 000	FTG, 8MORFF X 8MORFF X 8MORFF UTEE	2	EA
31	12139 999	GUARD HOSE WRAP SL 3.0 1050B	8	EA

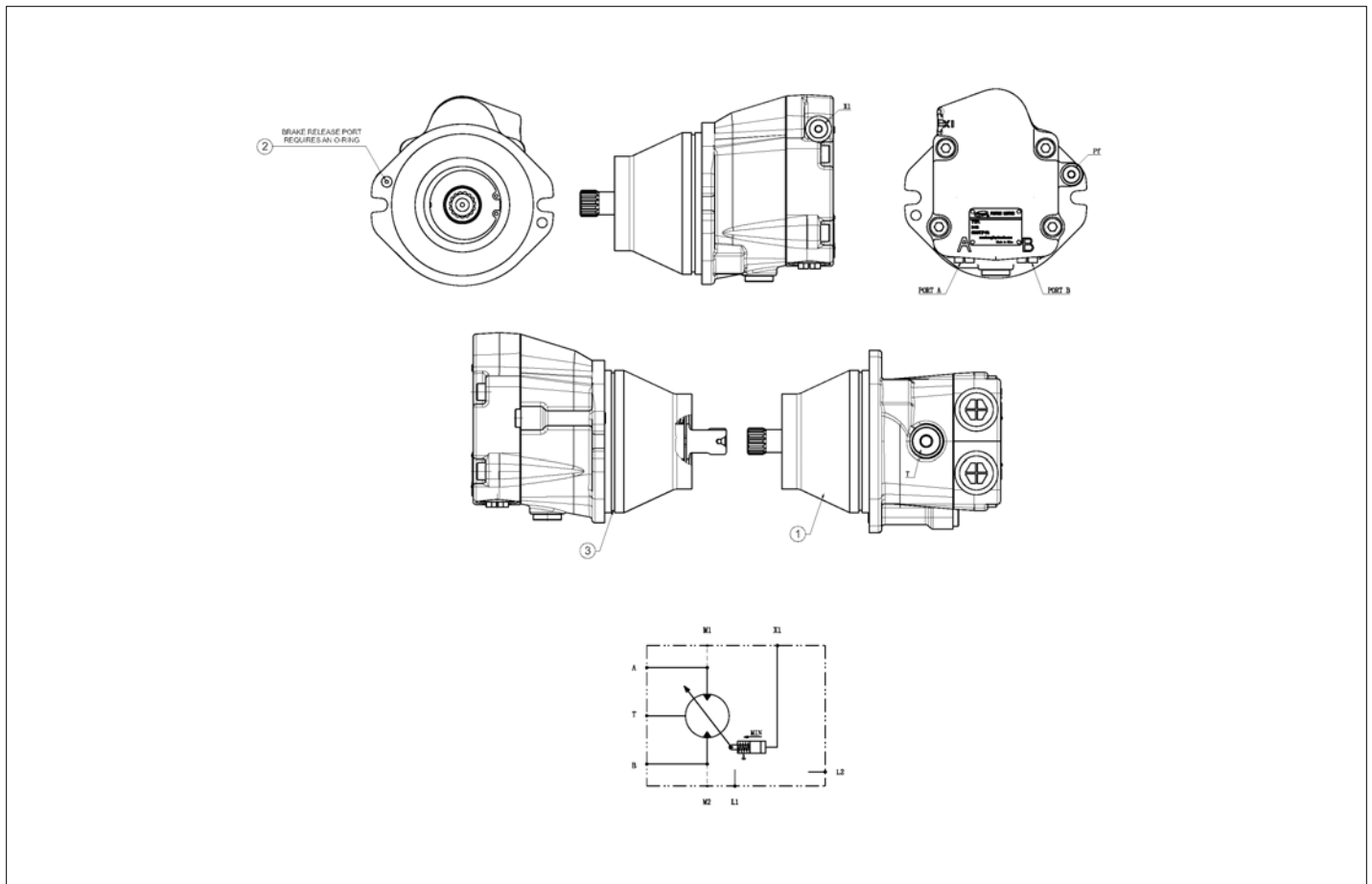
HYDRAULICS





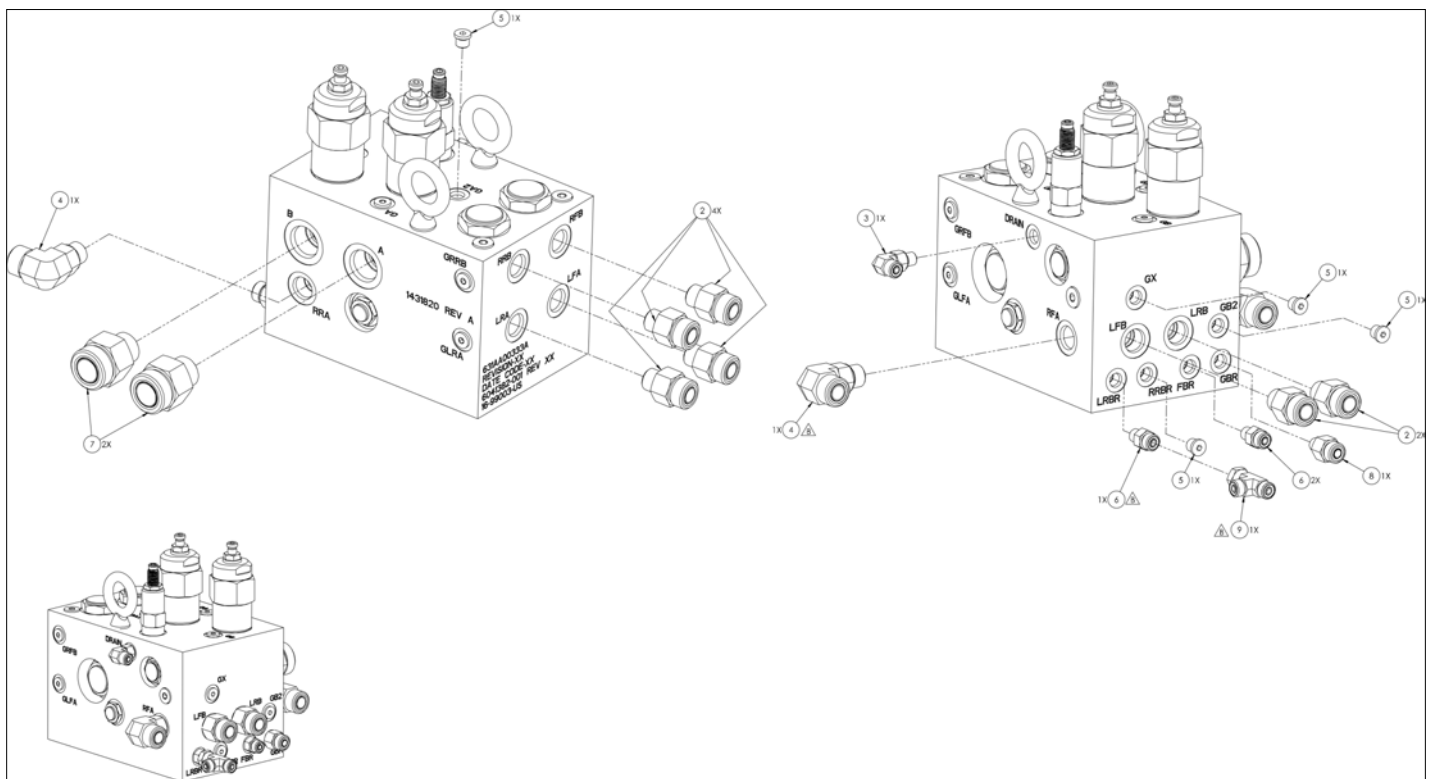
アイテム	部品番号	名前	数量	UOM
*	1433673 D	BOOM HOSES 460SJ INSTALLATION		EA
1	1433674	HOSE KIT, BOOM, 460SJ (REF ONLY)	1	EA
2	1433964	HYD HOSE, 4, 4 STR X 6 90 °	1	EA
3	1433663	HYD HOSE 471TC 4 3000PSI 609"	1	EA
4	1432265	HYD HOSE 471 TC 4 3000 PSI X 13.5"	1	EA
5	1432266	HYD HOSE 471 TC 4 3000 PSI X 15.0"	1	EA
6	1433667	HYD HOSE 471TC 6 3000PSI 130"	1	EA
7	1433668	HYD HOSE 471TC 6 3000PSI 133"	1	EA
8	1432267	HYD HOSE 471 TC 4 3000 PSI X 54.25"	1	EA
9	1432268	HYD HOSE 471 TC 4 3000 PSI X 54.25"	1	EA
10	1432269	HYD HOSE 471 TC 4 3000 PSI X 111.75"	1	EA
11	1432270	HYD HOSE 471 TC 4 3000 PSI X 111.75"	1	EA
12	9960024	PYTHON STRAP, ADJUSTABLE 2 2.5	4	EA
13	056069 008	WASHER, STEELFLATWASHER DIN12M8 FLAT WASHER DIN 125	4	EA
14	058492 016	HHCS M8 x 1.25 X 16GR 8.8 DIN933	4	EA
15	1434101	HYD HOSE 471TC 4 3000 PSI 6FORFF STR X 6FORFF 45 °	3	EA

HYDRAULICS



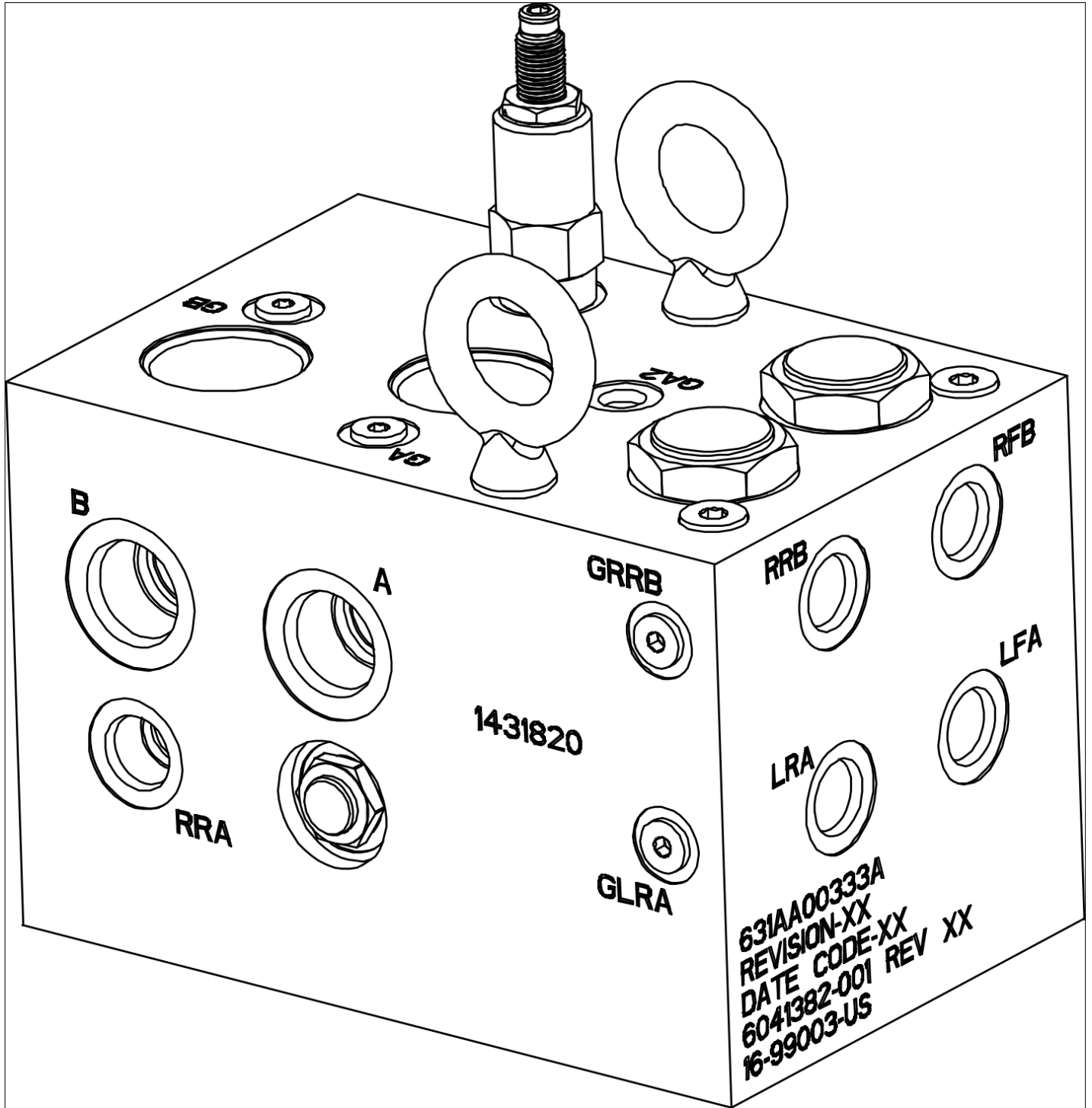
アイテム	部品番号	名前	数量	UOM
	104665 001A	DRIVE MOTOR HENGLI		EA
1	6092096	SEAL KIT FOR 104665 001	1	EA
2	0260099	O Ring	1	EA
3	0260070	O Ring	1	EA

HYDRAULICS



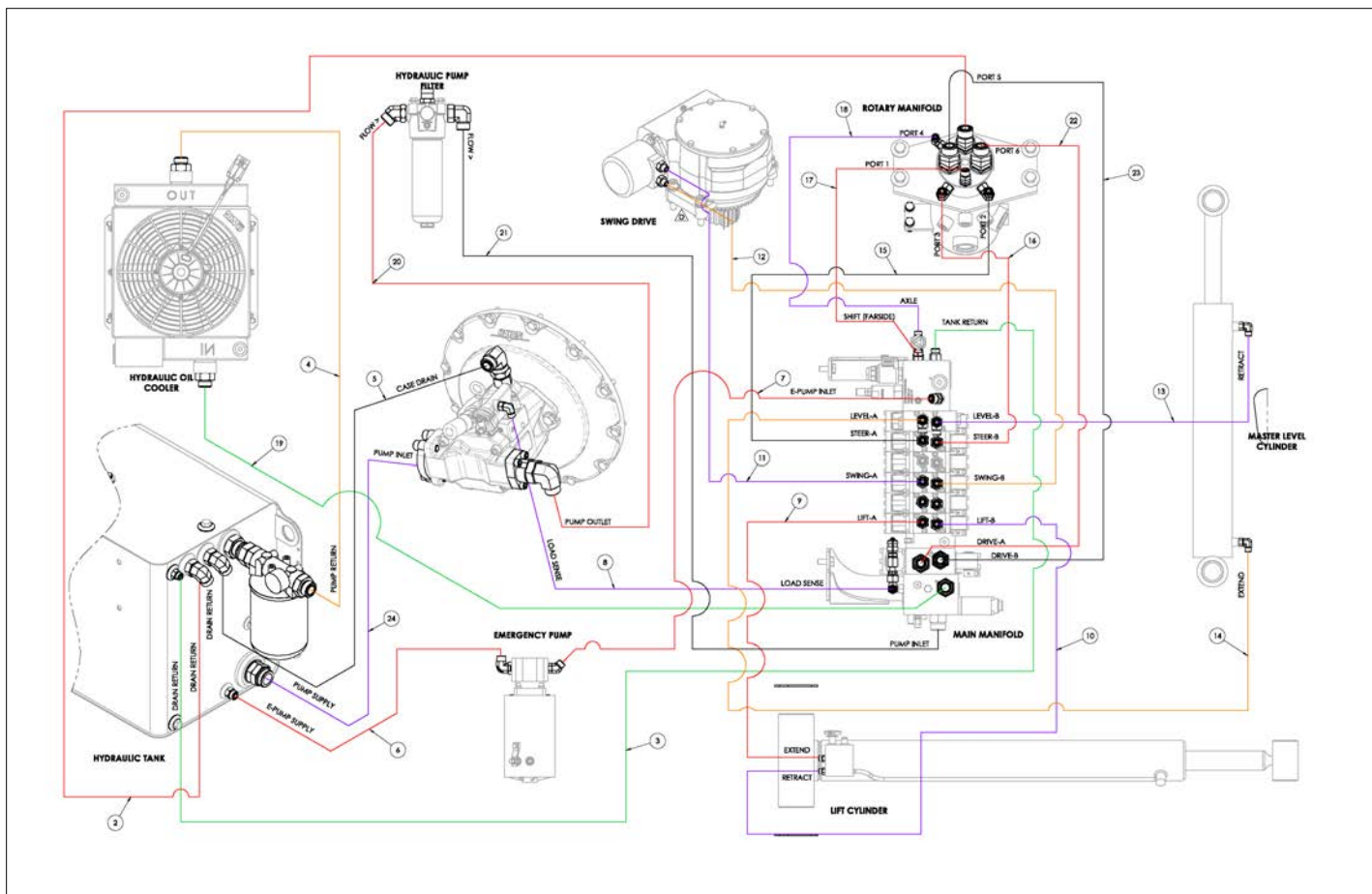
アイテム	部品番号	名前	数量	UOM
	1432753 B	TRACTION MANIFOLD ASSEMBLY		EA
1	1431820	TRACTION MANIFOLD 660SJ	1	EA
2	511542 000	FTG, STR, 10MORFF X 8MORB	6	EA
3	100434 002	FITTING 4MORFF X 4MORB 90 °	1	EA
4	5033062	FTG, 90 ° , 10MORFF X 8MORB	2	EA
5	5075303	ADAPTER PLUG SOCKET 4 SAE	4	EA
6	100432 002	Hyd Fitting Straight ORFS(04) SAE(04)	2	EA
7	5111677	FTG STR 16 MORFS X 12 MORB	2	EA
8	100432 007	Hyd Fitting Straight ORFS(06) SAE(04)	1	EA
9	5033035	TEE RUN SWVL, 4FORRFS X 4FORFS X 4 MORFS	1	EA

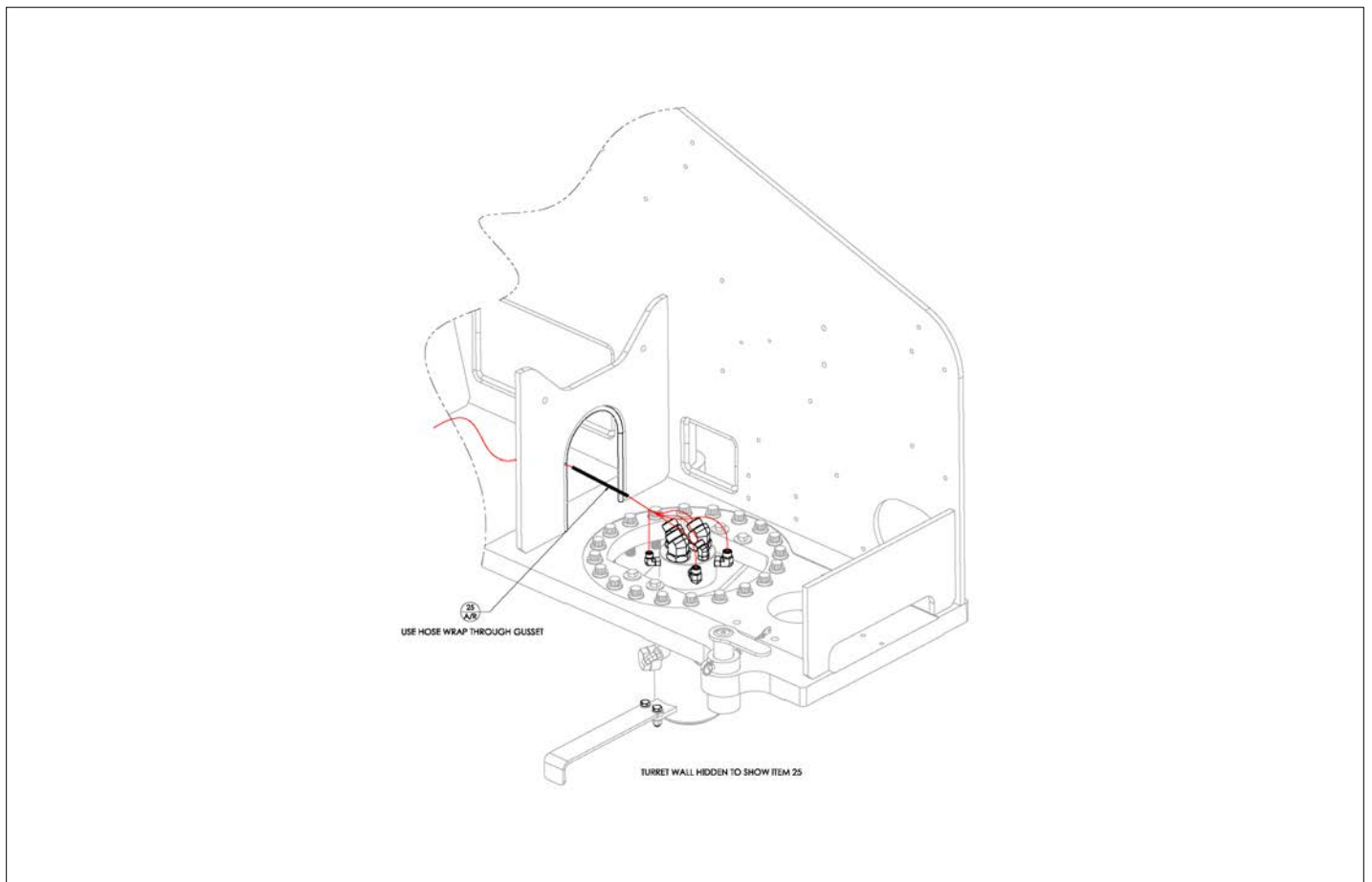
HYDRAULICS



アイテム	部品番号	名前	数量	UOM
	1431820C	TRACTION MANIFOLD		EA
2	6091931	FLOW DIVIDER COMBINER	2	EA
	6091931	FLOW DIVIDER COMBINER	2	EA
3	6091932	FLOW DIVIDER COMBINER	1	EA
	6091932	FLOW DIVIDER COMBINER	1	EA
4	6091933	OVERCENTER VALVE	2	EA
	6091933	OVERCENTER VALVE	2	EA
5	6091934	SHUTTLE VALVE	1	EA
	6091934	SHUTTLE VALVE	1	EA
6	6091935	PRESSURE REDUCING VALVE	1	EA
	6091935	PRESSURE REDUCING VALVE	1	EA
7	6091936	CHECK VALVE	1	EA
14	6091937	ORIFICE PLUG	1	EA
15	6091938	ORIFICE PLUG	2	EA

HYDRAULICS

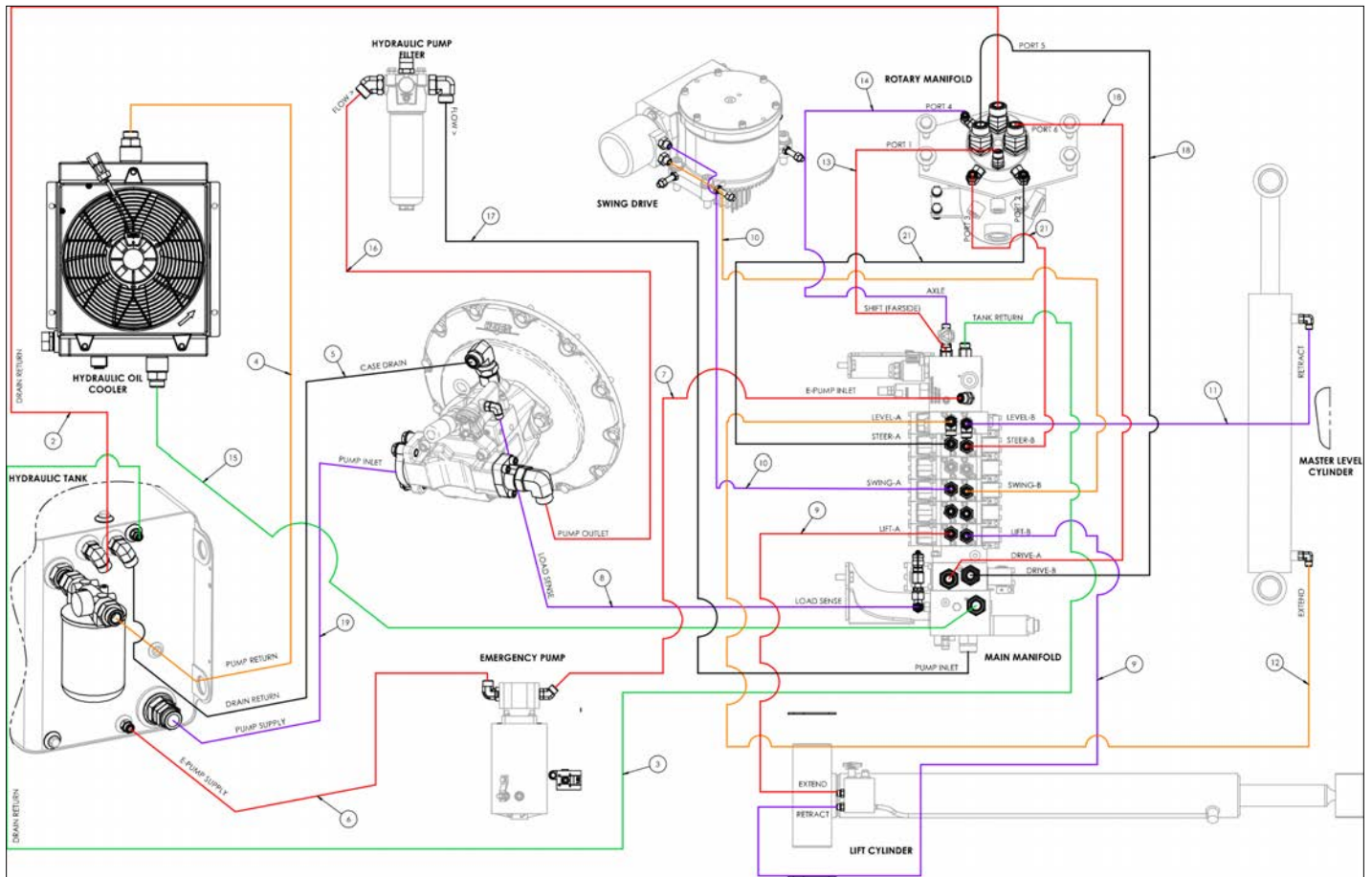




アイテム	部品番号	名前	数量	UOM
	1433656 E	TURRET HYDRAULIC HOSE INSTALLATION JANUARY 2020 AND BEFORE		EA
1	1433655	HOSE KIT, TURRET	1	EA
2	1433949	HYD HOSE, 12, 12 STR X12 45 °	1	EA
3	1433950	HYD HOSE, 6, 6 STR X 6 90 °	1	EA
4	1433957	HYD HOSE, 12, 16 STR X 12 90 °	1	EA
5	1433955	HYD HOSE, 12, 12 STR X 12 45 °	1	EA
6	1433958	HYD HOSE, 8, 8 STR X 8 90 °	1	EA
7	1433636	HYD HOSE 471TC 6 3000PSI 52.5"	1	EA
8	1433956	HYD HOSE, 4, 4 STR X 4 45 °	1	EA
9	1433951	HYD HOSE, 6, 6 STR X 6 45 °	1	EA
10	1433952	HYD HOSE, 6, 6 STR X 6 45 °	1	EA
11	1433640	HYD HOSE 471TC 6 3000PSI 50.5"	1	EA
12	1433641	HYD HOSE 471TC 6 3000PSI 51.5"	1	EA
13	1433642	HYD HOSE 471TC 4 3000PSI 91.5"	1	EA
14	1433643	HYD HOSE 471TC 4 3000PSI 74"	1	EA
15	1433644	HYD HOSE 471TC 6 3000PSI 40"	1	EA
16	1433645	HYD HOSE 471TC 6 3000PSI 41.5"	1	EA
17	1433646	HYD HOSE 471TC 6 3000PSI 43.5"	1	EA
18	1433647	HYD HOSE 471TC 6 3000PSI 41.5"	1	EA
19	1433648	HYD HOSE 471TC 12 3000PSI 81.5	1	EA
20	1433649	HYD HOSE 787TC 12 5000PSI 53"	1	EA

アイテム	部品番号	名前	数量	UOM
21	1433650	HYD HOSE 787TC 12 5000PSI 20"	1	EA
22	1433651	HYD HOSE 787TC 12 5000PSI 33.5	1	EA
23	1433948	HYD HOSE, 12, 12 STR X12 45 °	1	EA
24	1433759	SUCTION HOSE ASSY, MAIN PUMP	1	EA
25	12139 999	GUARD HOSE WRAP SL 3.0 1050B	AR	EA

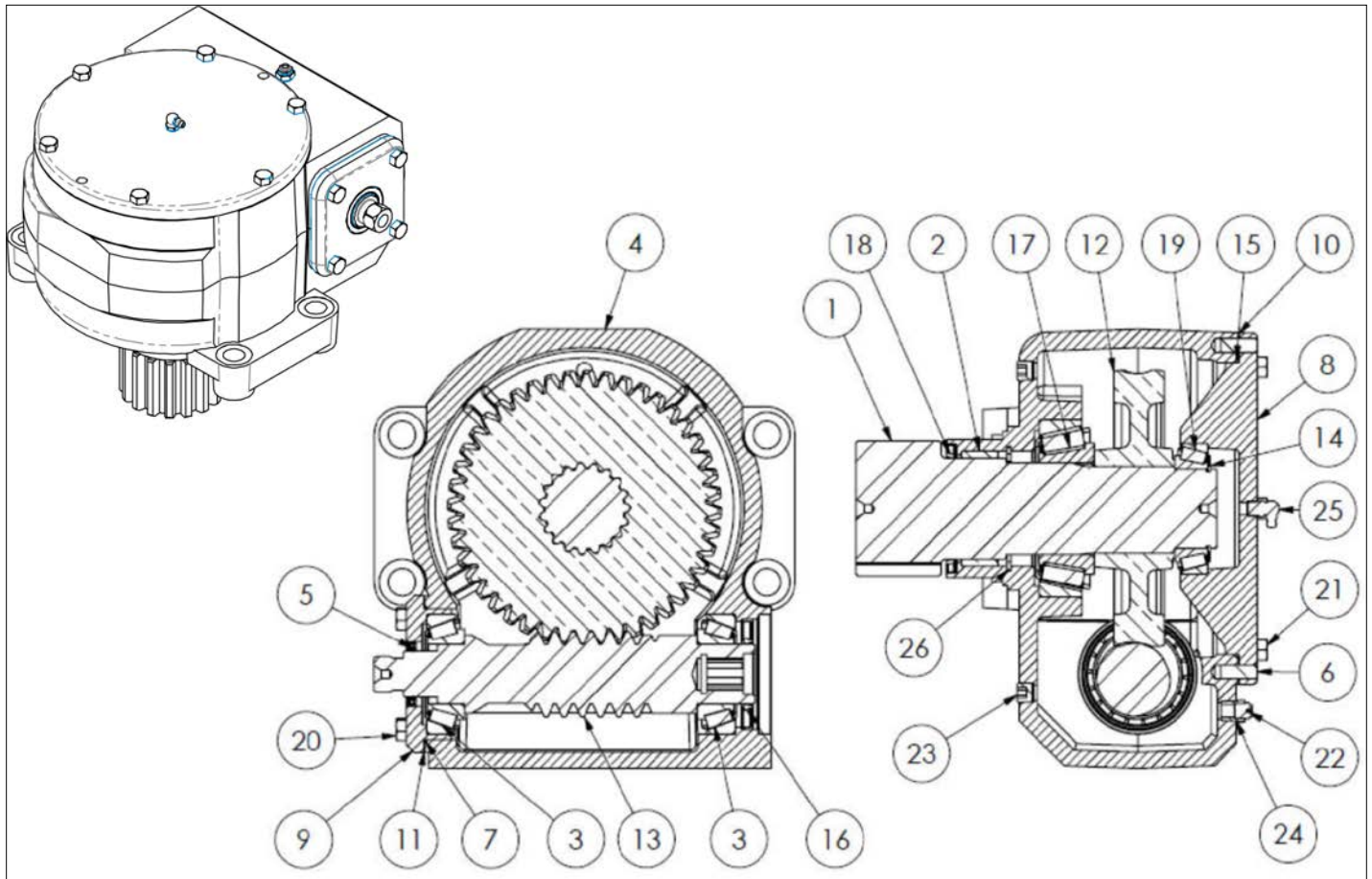
HYDRAULICS



アイテム	部品番号	名前	数量	UOM
	1433656 F	TURRET HOSE INSTALLATION 400S 460SJ FEBURARY 2020 AND AFTER		EA
2	1433949	HYD HOSE, 12, 12 STR X12 45 °	1	EA
3	1433950	HYD HOSE, 6, 6 STR X 6 90 °	1	EA
4	1433957	HYD HOSE, 12, 16 STR X 12 90 °	1	EA
5	1433955	HYD HOSE, 12, 12 STR X 12 45 °	1	EA
6	1433958	HYD HOSE, 8, 8 STR X 8 90 °	1	EA
7	1433636	HYD HOSE 471TC 6 3000PSI 52.5"	1	EA
8	1433956	HYD HOSE, 4, 4 STR X 4 45 °	1	EA
9	1433951	HYD HOSE, 6, 6 STR X 6 45 °	2	EA
10	1433641	HYD HOSE 471TC 6 3000PSI 51.5"	2	EA
11	1433642	HYD HOSE 471TC 4 3000PSI 91.5"	1	EA
12	1433643	HYD HOSE 471TC 4 3000PSI 74"	1	EA
13	1433646	HYD HOSE 471TC 6 3000PSI 43.5"	1	EA
14	1433647	HYD HOSE 471TC 6 3000PSI 41.5"	1	EA
15	1433648	HYD HOSE 471TC 12 3000PSI 81.5	1	EA
16	1433649	HYD HOSE 787TC 12 5000PSI 53"	1	EA
17	1433650	HYD HOSE 787TC 12 5000PSI 20"	1	EA
18	1433651	HYD HOSE 787TC 12 5000PSI 33.5	2	EA
19	1433759	SUCTION HOSE ASSY, MAIN PUMP	1	EA
20	12139 999	GUARD HOSE WRAP SL 3.0 1050B	A/R	EA

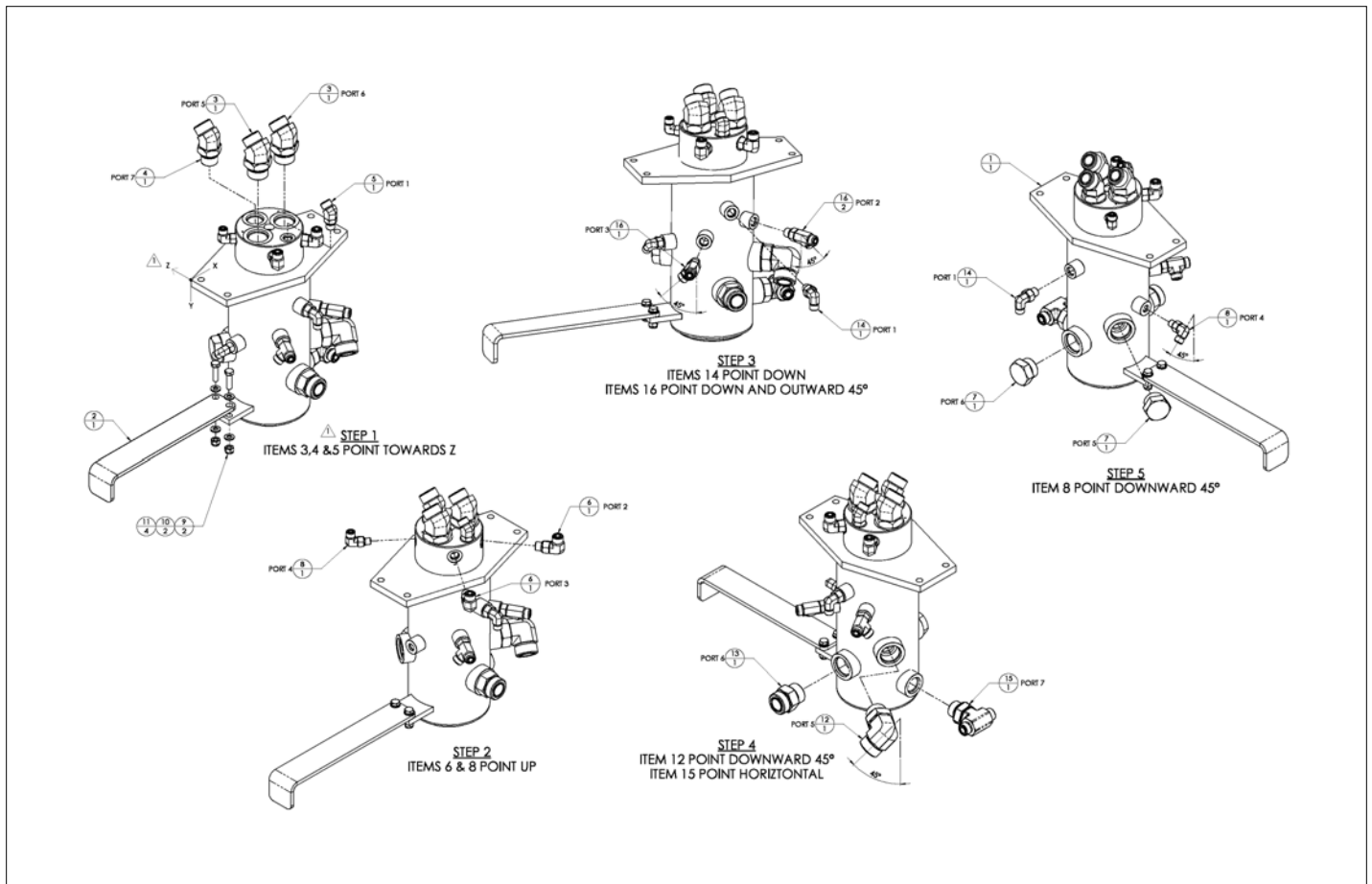
アイテム	部品番号	名前	数量	UOM
21	1433645	HYD HOSE 471TC 6 3000PSI 41.5"	2	EA

HYDRAULICS



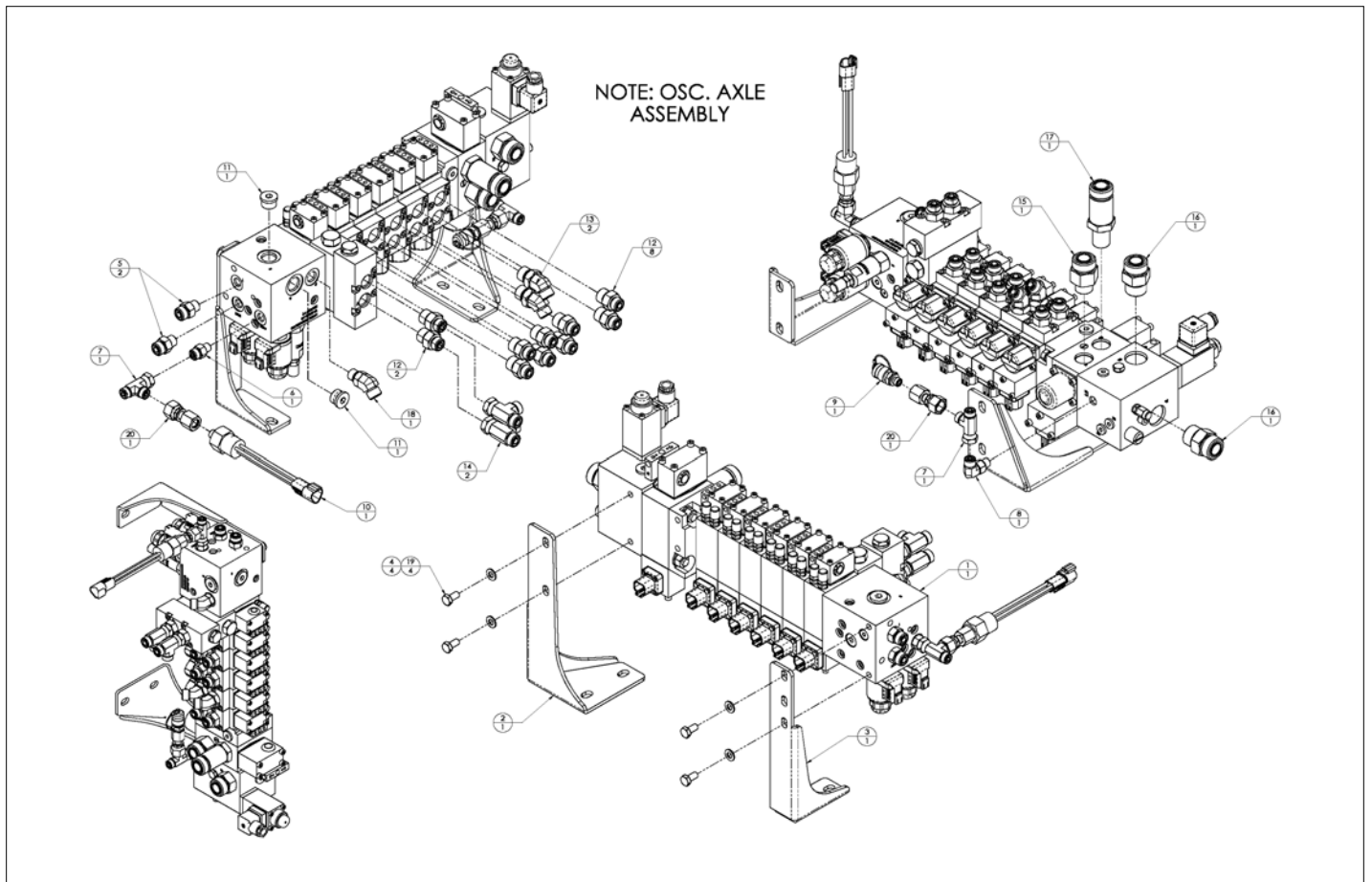
アイテム	部品番号	名前	数量	UOM
	106755 000 A	SWING DRIVE GEARBOX		EA
1	106755 100	PINION, OUTPUT	1	EA
2	106755 101	BUSHING, BRONZE	1	EA
3	106755 102	BRG, ROLL CUP M802011 & CONE M802048	2	EA
4	N/A	NOT SOLD SEPARATELY	N/A	EA
5	106755 103	SEAL, OIL #12172PTC	1	EA
6	106755 104	PIN, DOWELL 3/8x1"	2	EA
7	106755 105	O RING, PARKER 2 043	1	EA
8	106755 106	CAP, BLIND GEAR	1	EA
9	106755 107	CAP, WORM	1	EA
10	N/A	NOT SOLD SEPARATELY	N/A	EA
11	N/A	NOT SOLD SEPARATELY	N/A	EA
12	106755 108	WORM GEAR 44:1	1	EA
13	106755 109	WORM 44:1	1	EA
14	106755 110	SNAP RING EXT MRRXAN 215	1	EA
15	106755 111	O RING, PARKER 2 170	1	EA
16	106755 112	SEAL, OIL#16422	1	EA
17	106755 113	BRG, ROLLER CUP HM212011 & CONE HM212049 1		EA
18	106755 114	SEAL, OIL #27271	1	EA
19	106755 115	BRG, ROLL SET 32011XM 90KMI	1	EA
20	106755 116	3/8 16X1"LG HHCS	4	EA
21	106755 117	3/8 16X1 1/8"LG HHCS	6	EA
22	106755 118	VENT, PRESSURE 1 5 PSIG	1	EA
23	106755 119	1/4 18 NPTF HEX PLUG	2	EA
24	106755 120	BUSHING, RED 1/4 1/8 NPTF	1	EA
25	106755 121	GREASE FITTING #1613 B	1	EA
26	106755 122	SNAP RING INT HO315STPA	1	EA

HYDRAULICS



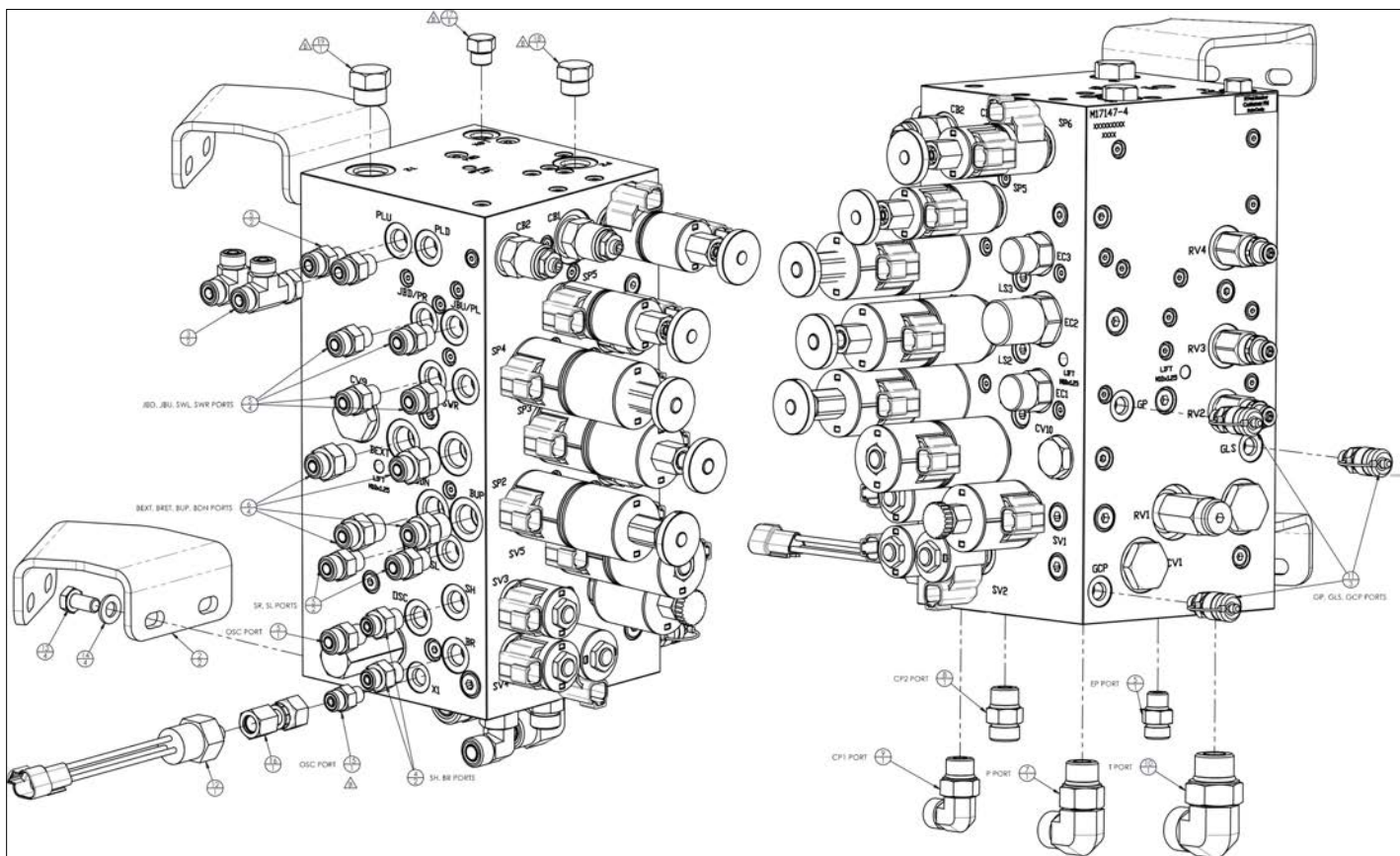
アイテム	部品番号	名前	数量	UOM
	1433031B	ROTARY MANIFOLD ASSEMBLY 400S/460SJ		EA
1	6019377	7 PRT ROT. MFD HYDMTN	1	EA
2	1433032	ROTARY MANIFOLD STOP	1	EA
3	104811 000	16MORFF X 12MB 45 ° FITTING	2	EA
4	511586 000	FTG, 45 ° , 12MORFF X 12MORB	1	EA
5	100433 005	FTG, 45 ° , 6MORFF X 6MORB	1	EA
6	511481 000	FTG, 90 ° , 6MORFF X 6MORB	2	EA
7	5075210	FTG PL HEX HD 16B STL	6	EA
8	100434 002	FITTING 4MORFF X 4MORB 90 °	2	EA
9	056064 008	NUT HEX M8 1.25 GR10.9 SELF LOCKING DIN 985	2	EA
10	5563492	HHCS M10 X 1.5 X 35 GR10.9 DIN 933	2	EA
11	5563542	WSHR, FLAT M8 YL ZN GR 10.9	4	EA
12	100434 026	FTG, 90 ° , 16MORFF X 16MORB	1	EA
13	5028026	FTG, STR, 16MORFF X 16MORB	1	EA
14	100434 004	Hyd Fitting 90 Elbow ORFS(04) SAE(06)	2	EA
15	5033083	SWV TEE 12MORB X 8MORFF X 8MORFF SUB FOR 100435 003 SN 660SJ 04 0075 AND AFTER	1	EA
16	5033095	TEE RUN, 6MORB X 6MORFS X MMORFS	2	EA

HYDRAULICS



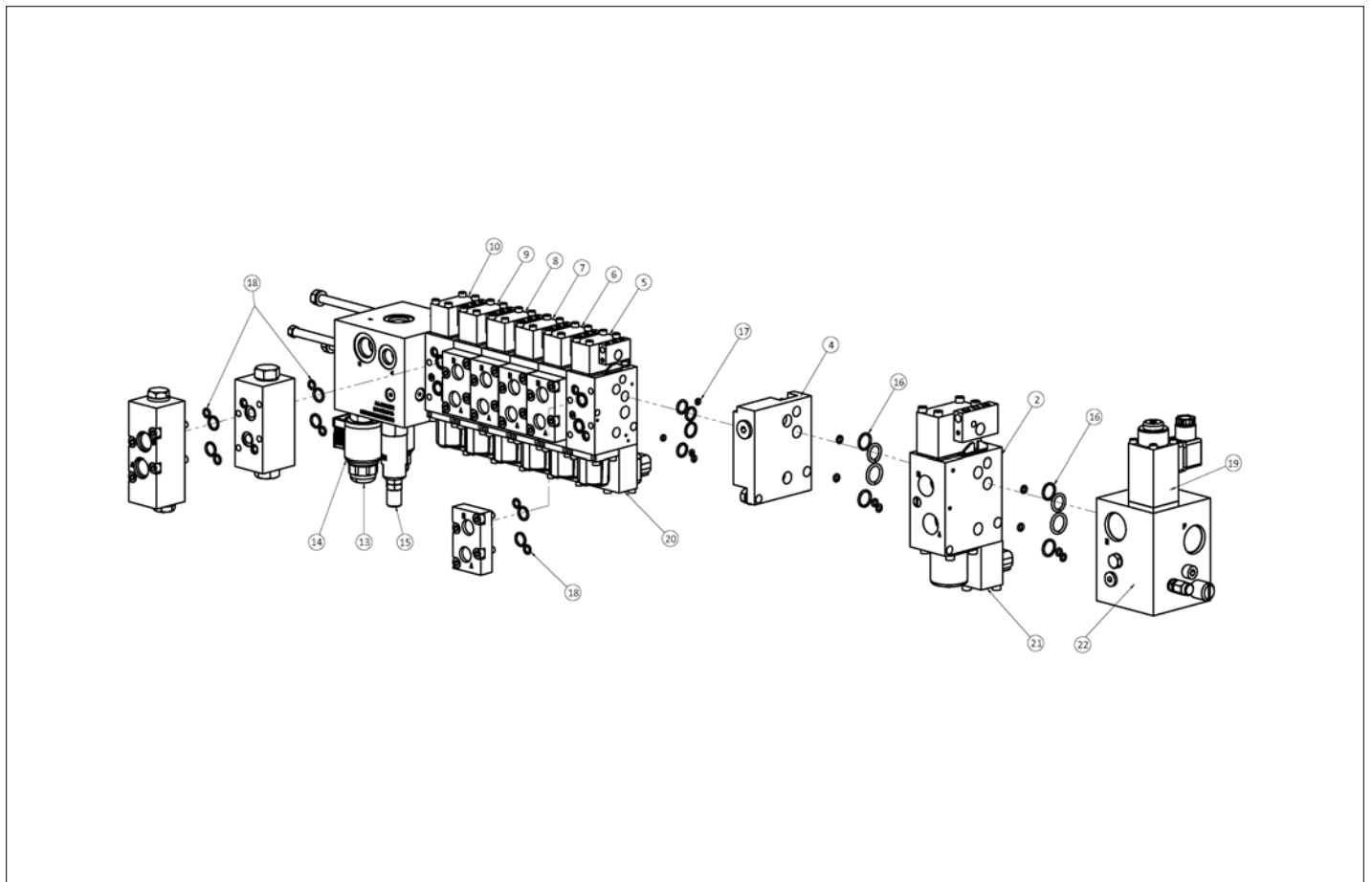
アイテム	部品番号	名前	数量	UOM
	1433630A	MAIN MANIFOLD ASSEMBLY OSCILATING 400S/460SJ		EA
1	6019349	HYD MANIFOLD OSC AXLE	1	EA
2	1431495	BRACKET, BOTTOM HAWE VLV MNT	1	EA
3	1431494	BRACKET, TOP HAWE VALVE MOUNT	1	EA
4	056069 008	WASHER, STEELFLATWASHER DIN12M8 FLAT WASHER DIN 125	4	EA
5	100432 009	Hyd Fitting Straight ORFS(06) SAE(06)	2	EA
6	100432 002	Hyd Fitting Straight ORFS(04) SAE(04)	1	EA
7	5033035	TEE RUN SWVL, 4FORRFS X 4FORFS X 4 MORFS	2	EA
8	100434 002	FITTING 4MORFF X 4MORB 90 °	1	EA
9	063965 001	PLUG TEST PORT	1	EA
10	3014766	SWITCH PRESS 200PSI #4SAE	1	EA
11	5075306	HEX PLUG	1	EA
12	511339 000	FTG, STR, 6MORFF X 8MORB	10	EA
13	511257 000	8MB X 6M ORFF 45 ° FITTING	2	EA
14	511356 000	FTG 6FORF 6MORF X 6MORF RUN TEE	2	EA
15	511585 000	GTG STR 10 MORB X 12 MORFS	1	EA
16	100432 027	Hyd Fitting Straight ORFS(12) SAE(12)	2	EA
17	5028034	12 ORFM X 10 ORFM FF5OLO LONG FTG	1	EA
18	100433 005	FTG, 45 °, 6MORFF X 6MORB	1	EA
19	510681 016	HHCS M8X1.25X16 G10.9 ISO 4014	4	EA
20	511587 000	4FB X 4FW ORFF ADAPTER FITTING	2	EA

HYDRAULICS



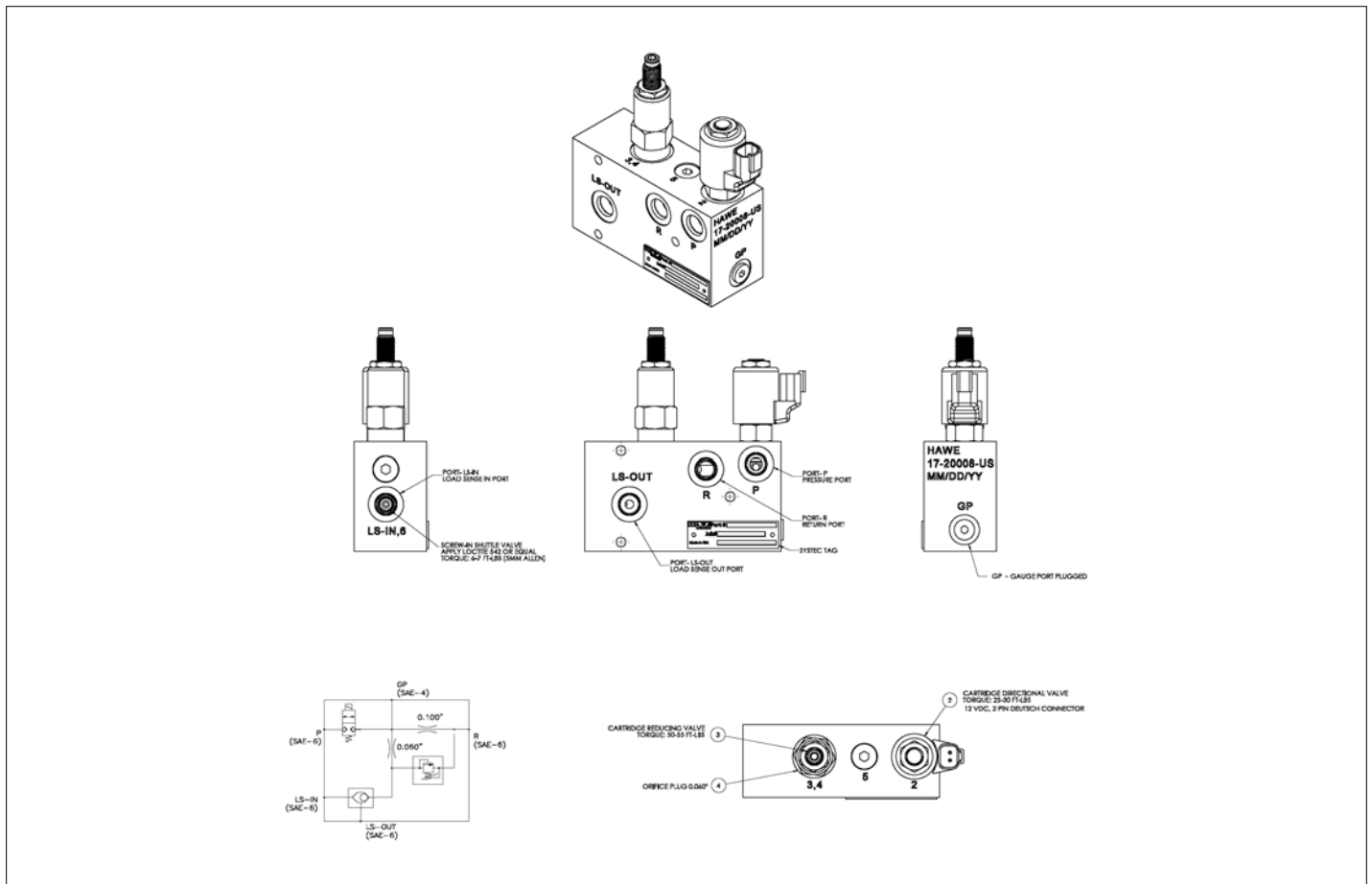
アイテム	部品番号	名前	数量	UOM
	1434703 B	MAIN MANIFOLD ASSEMBLY 400/460 KUBOTA		EA
1	1434295	MANI HYD MANIFOLD 460/660	1	EA
2	1434366	BRKT MOUNTING MAIN MANIFOLD 400/600	2	EA
3	511356 000	FTG 6FORF 6MORF X 6MORF RUN TEE	2	EA
4	100432 004	Hyd Fitting Straight ORFS(04) SAE(06)	2	EA
5	100432 009	Hyd Fitting Straight ORFS(06) SAE(06)	10	EA
6	511339 000	FTG, STR, 6MORFF X 8MORB	4	EA
7	100434 017	10 MB X 10 MORFF 90 ° FITTING	1	EA
8	100432 015	FTG, STR, 8MORFF X 8MORB	1	EA
9	100434 013	Hyd Fitting 90 Elbow ORFS(08) SAE(08)	1	EA
10	100434 021	Hyd Fitting 90 Elbow ORFS(12) SAE(12)	1	EA
11	063965 001	PLUG TEST PORT	3	EA
12	3014766	SWITCH PRESS 200PSI #4SAE	1	EA
13	058493 020	BOLT HEXSETSCREW DIN933 M10 X 20MM 8.8 ZP	4	EA
14	056069 010	Washer, SteelFlatWasher DIN125A M10 ZincPlated	4	EA
15	100432 002	Hyd Fitting Straight ORFS(04) SAE(04)	1	EA
16	511587 000	4FB X 4FW ORFF ADAPTER FITTING	1	EA
17	5075205	FTG PL HEXHD 6B STL	1	EA
18	5075206	FTG PL HEXHD 8B STL	1	EA
19	5075207	ADAPTER, PLUG 10 SAE	1	EA

HYDRAULICS



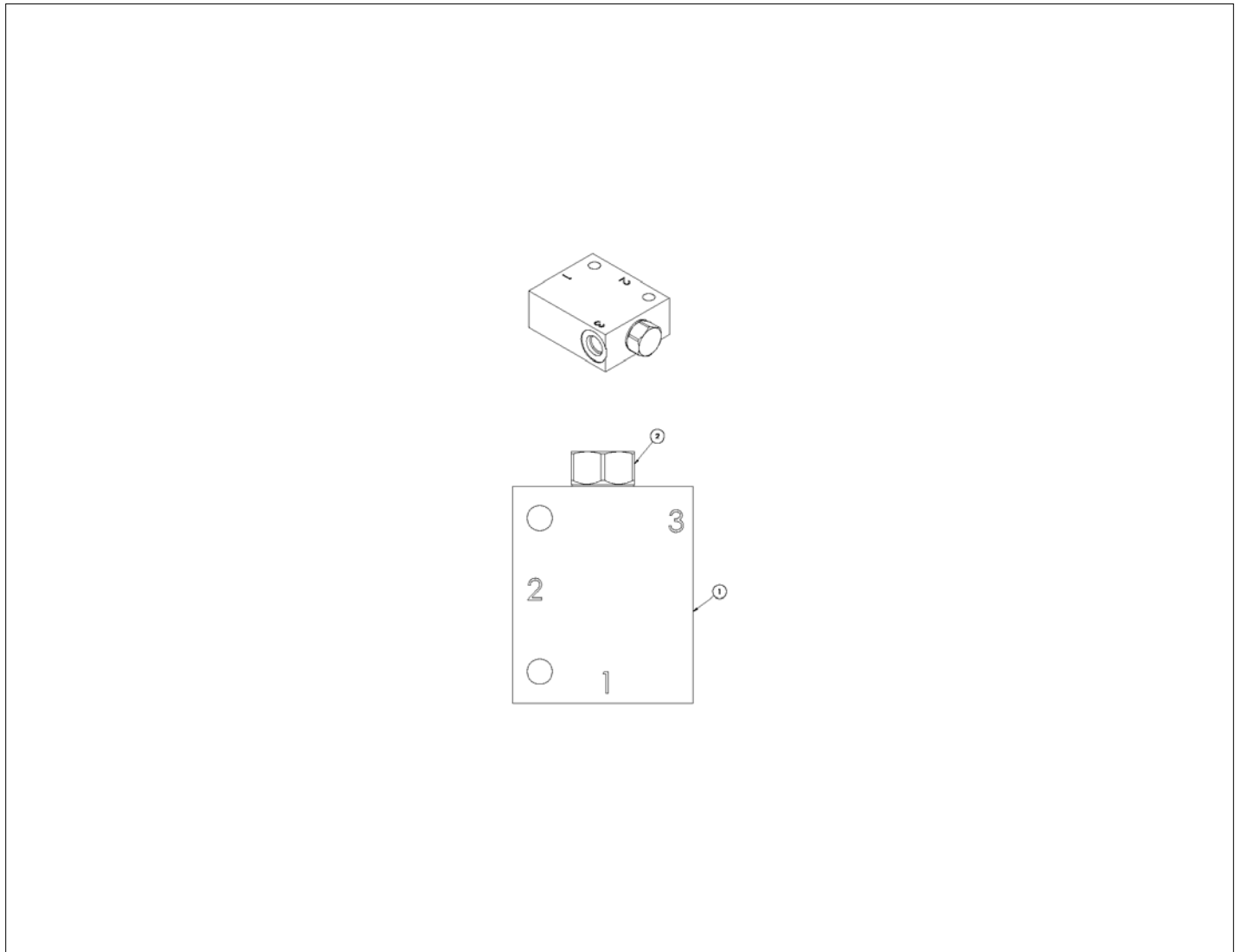
アイテム	部品番号	名前	数量	UOM
	6019349B	MAIN CONTROL VALVE HAWE		EA
2	6091819	VALVE SECTION, DRIVE	1	EA
4	6091821	ADAPTER SECTION SZ3 TO SZ2	1	EA
5	6091823	VALVE SECTION, BOOM	1	EA
6	6091824	VALVE SECTION, TELESCOPE	1	EA
7	6091825	VALVE SECTION, SWING	1	EA
8	6091826	VALVE SECTION, JIB PLAT ROT	1	EA
9	6091827	VALVE SECTION, STEER	1	EA
10	6091828	VALVE SECTION, LEVEL	1	EA
13	6019221	CARTRIDGE 3 WAY	2	EA
14	6091830	COIL, 12VDC	1	EA
15	6091831	PRESSURE REDUCING CARTRIDGE	1	EA
16	6091599	SEAL KIT	2	EA
17	6091822	SEAL KIT FOR 6091821	6	EA
18	6091829	SEAL KIT INTERMEDIATE PLATE	1	EA
19	6091818	IDLE CIRCULATION VALVE 12V	1	EA
20	6092019	12VDC 2 COIL W/DEUTSCHE CONN	1	EA
21	6092018	12VDC 3/5 COIL W/DEUTSCHE CONN	1	EA
22	6091815	CONTROL VALVE HAWE (INLET SECTION)	1	EA

HYDRAULICS



アイテム	部品番号	名前	数量	UOM
	1432700A	HEATER VALVE		EA
2	6092099	CARTRIDGE, DIRECTIONAL VALVE	1	EA
3	6092100	CARTRIDGE, REDUCING VALVE	1	EA
4	6092101	ORFICE, PLUG 0.060	1	EA

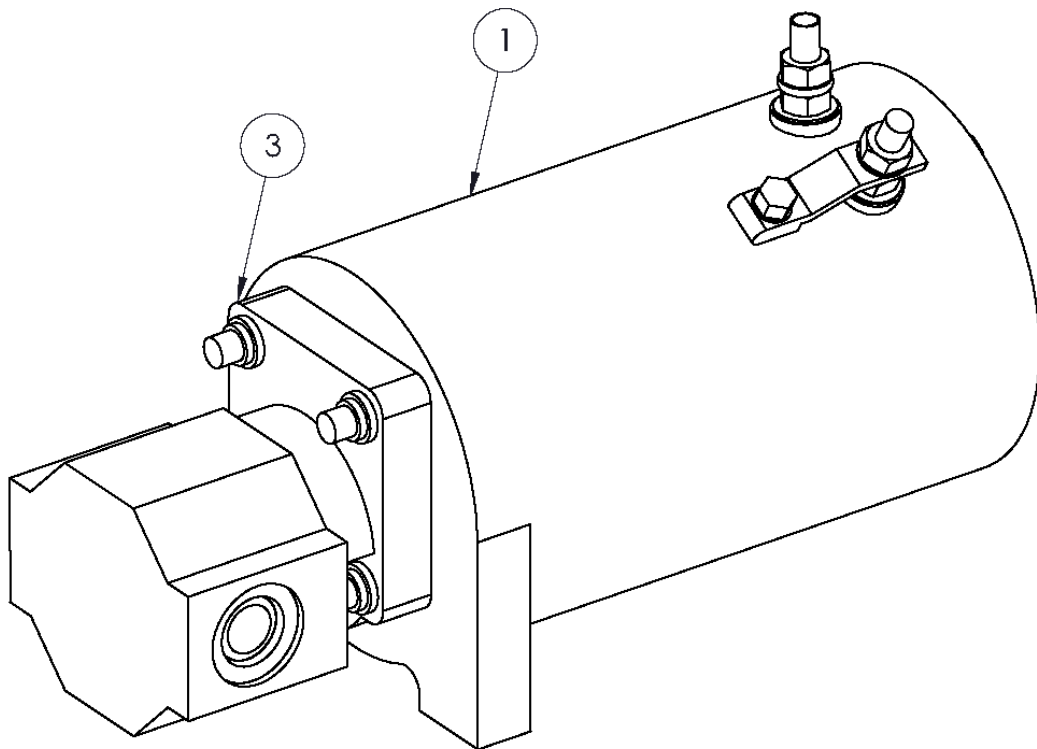
HYDRAULICS



アイテム	部品番号	名前	数量	UOM
	6019427A	SHUTTLE VALVE ASSEMBLY		EA
1	6019428	SHUTTLE VALVE MANIFOLD	1	EA
2	6019429	SHUTTLE VALVE CARTRIDGE VALVE	1	EA

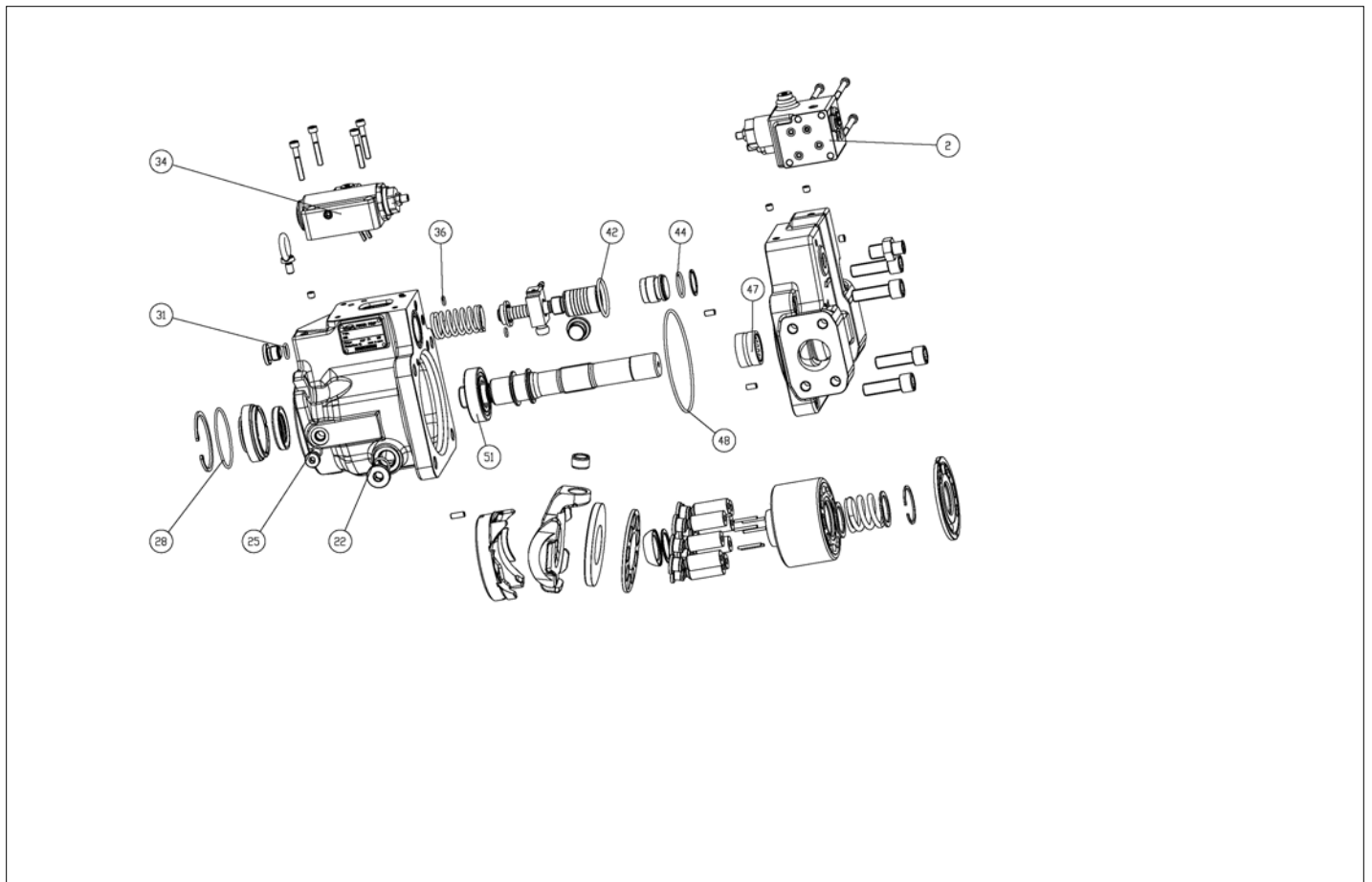
HYDRAULICS

6020058
EMERGENCY POWER UNIT ASSEMBLY



アイテム	部品番号	名前	数量	UOM
	6020058 B	EMERGENCY POWER UNIT WUXI DELI		EA
1	6026999	GEAR PUMP	1	EA
3	6029698	DC MOTOR	1	EA

HYDRAULICS



アイテム	部品番号	名前	数量	UOM
	6029697	LOAD SENSE PUMP HENGLI	1	EA
2	6091855	CONTROL VALVE	1	EA
34	6091856	TORQUE LIMIT CONTROL	1	EA
47	6091857	NEEDLE BRARING	1	EA
51	6091858	CYLINDER ROLLER BEARING	1	EA
	6091859	SEAL KIT	1	EA
22	KIT ITEMS	KIT ITEMS	2	EA
25	KIT ITEMS	KIT ITEMS	1	EA
28	KIT ITEMS	KIT ITEMS	1	EA
31	KIT ITEMS	KIT ITEMS	1	EA
36	KIT ITEMS	KIT ITEMS	3	EA
42	KIT ITEMS	KIT ITEMS	1	EA
44	KIT ITEMS	KIT ITEMS	1	EA
48	KIT ITEMS	KIT ITEMS	1	EA

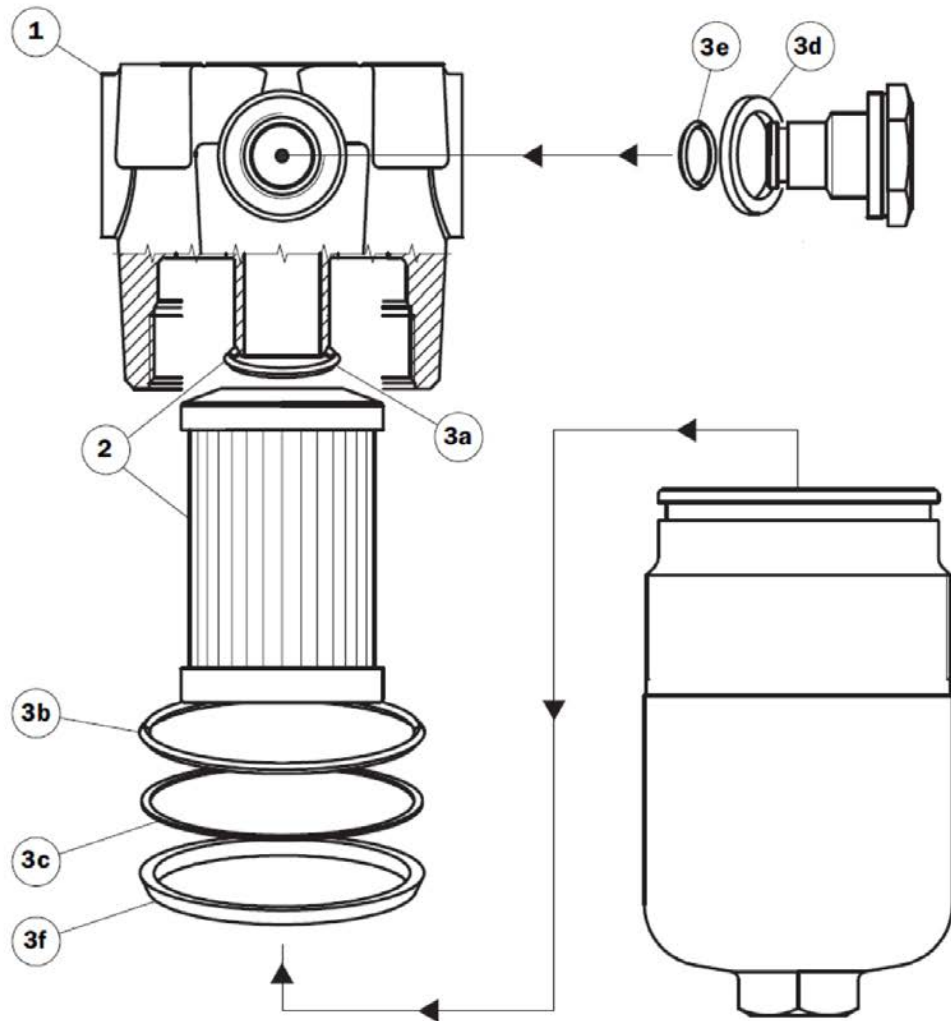
HYDRAULICS



NO IMAGE AVAILABLE
(BOM FOR REFERENCE ONLY)

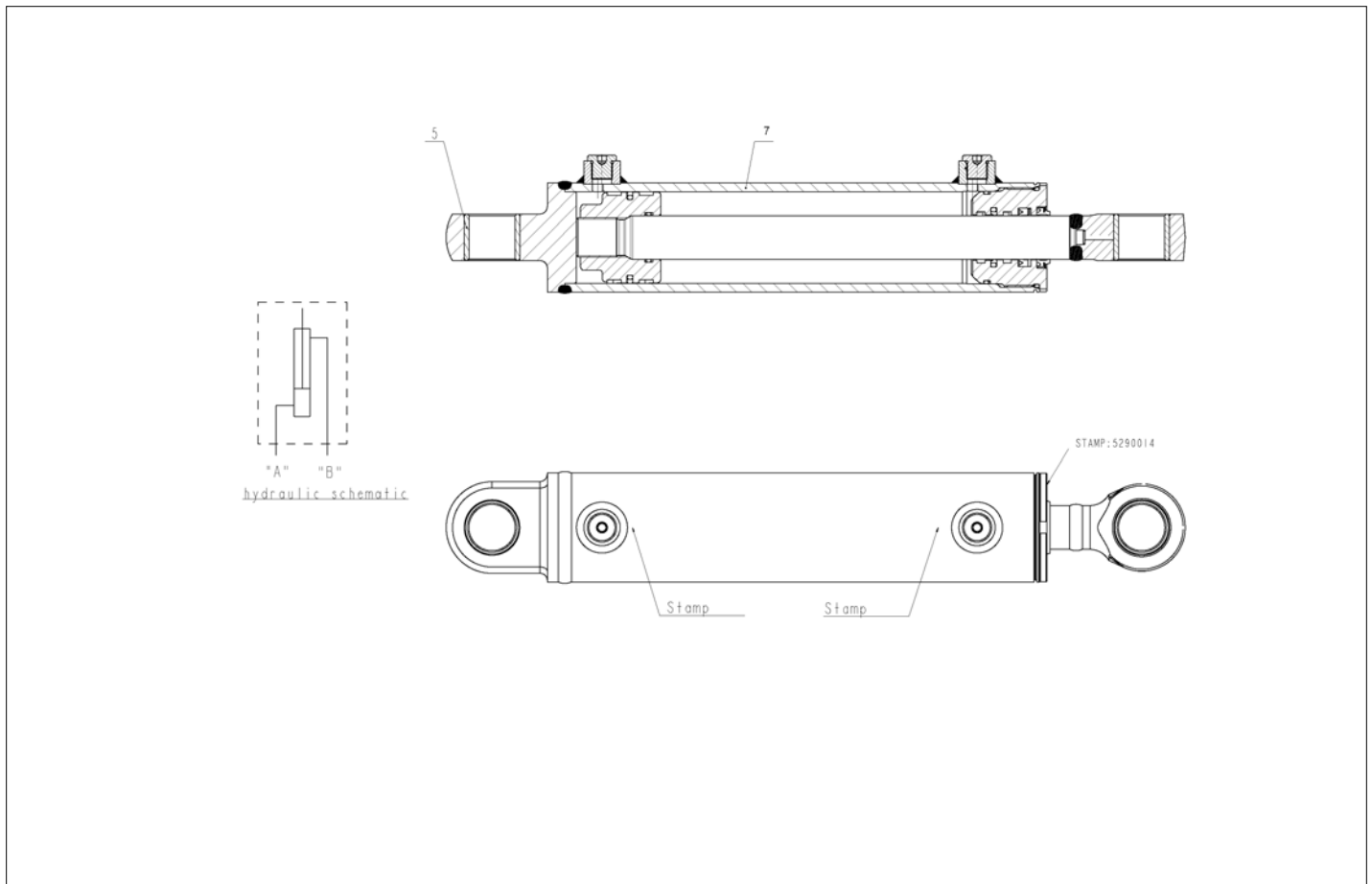
アイテム	部品番号	名前	数量	UOM
	6029704 C	PUMP HENGLI 45CC TORQUE LIMIT 32KW NOVEMBER 2019 AND AFTER		EA
1	6092124	PUMP SEAL KIT	1	EA
2	6092125	CONTROL VALVE	1	EA
3	6092126	TORQUE LIMIT CONTROL VALVE	1	EA

HYDRAULICS



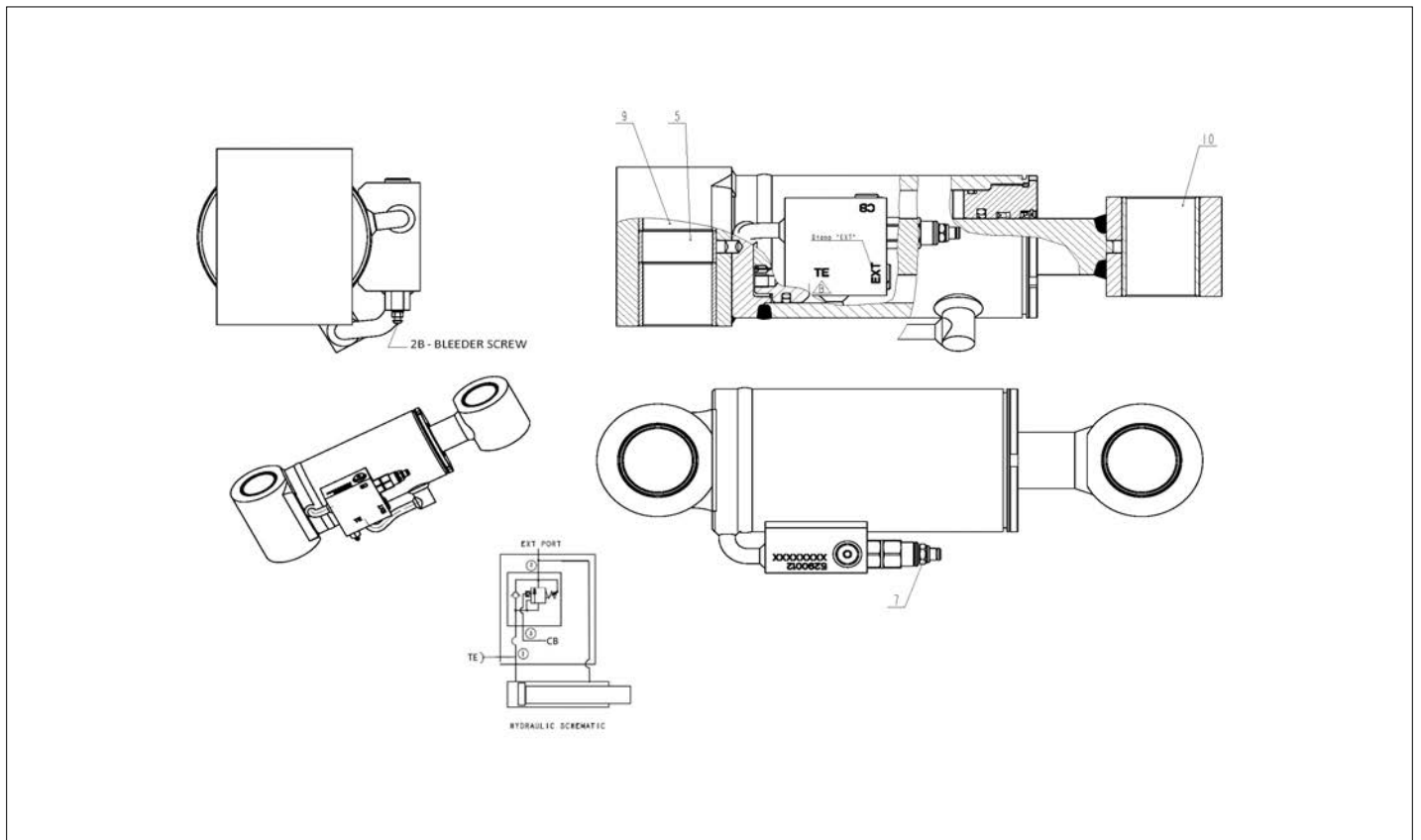
アイテム	部品番号	名前	数量	UOM
	6019325 B	PRESSURE FILTER ASSEMBLY		EA
1	6019325	Pressure Filter	1	EA
2	6091845	REPLACEMENT FILTER ELEMENT	1	EA
	6091846	SEAL KIT FOR 6019325	1	EA
3A	KIT ITEM	O RING FOR FILTER ELEMENT	1	EA
3B	KIT ITEM	O RING FOR HOUSING	1	EA
3C	KIT ITEM	ANTI EXTRUSION RING	1	EA
3D	KIT ITEM	GASKET	1	EA
3E	KIT ITEM	O RING	1	EA
3F	KIT ITEM	PROTECTOR SEAL	1	EA
4	6029706	INDICATOR HYD BYPASS, 5 BAR	1	EA

HYDRAULICS



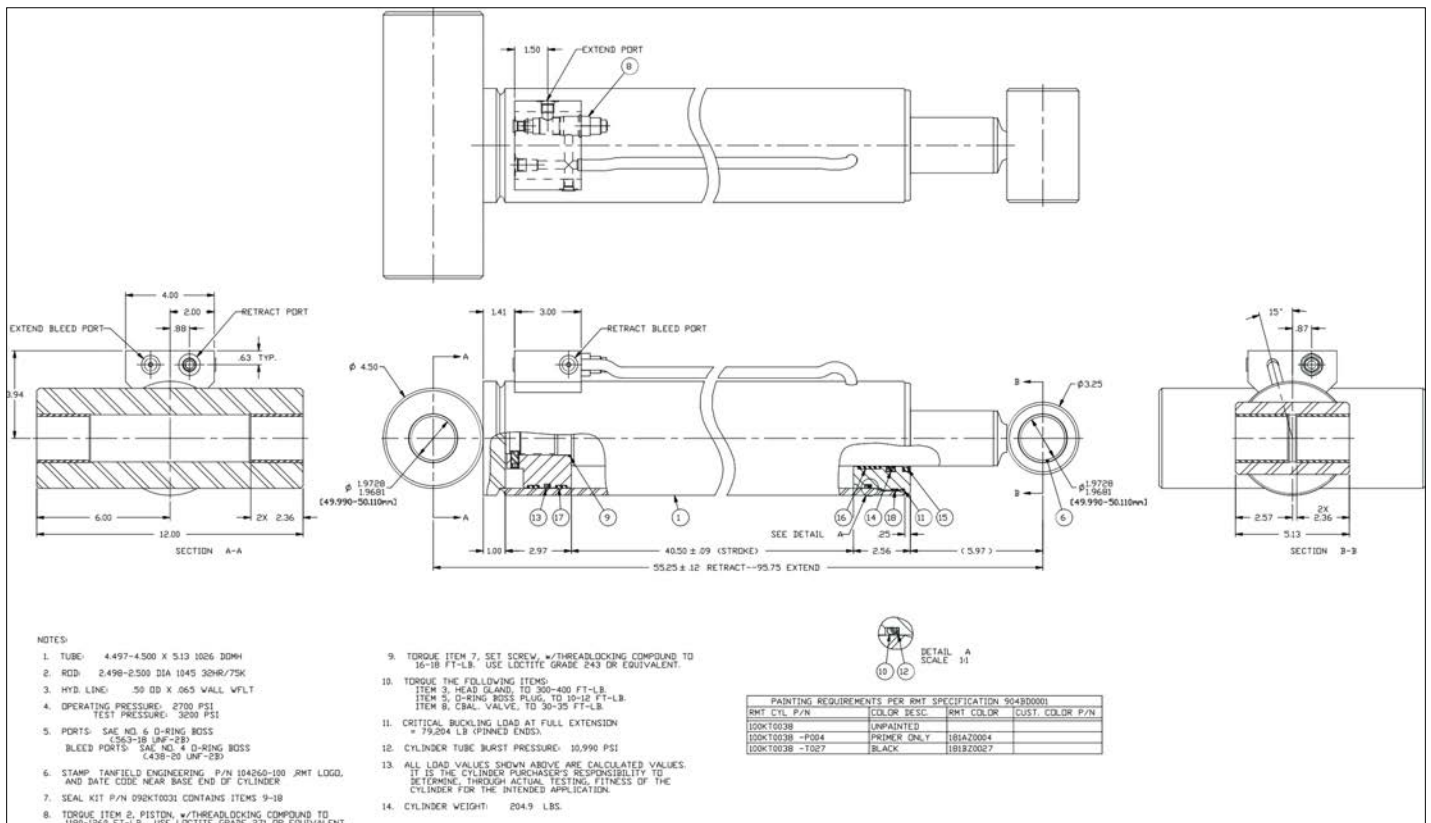
アイテム	部品番号	名前	数量	UOM
	5290014 D	STEER CYLINDER HENGLI		EA
5	2500035	BEARING	2	EA
7	6092128	SEAL KIT	1	EA

HYDRAULICS



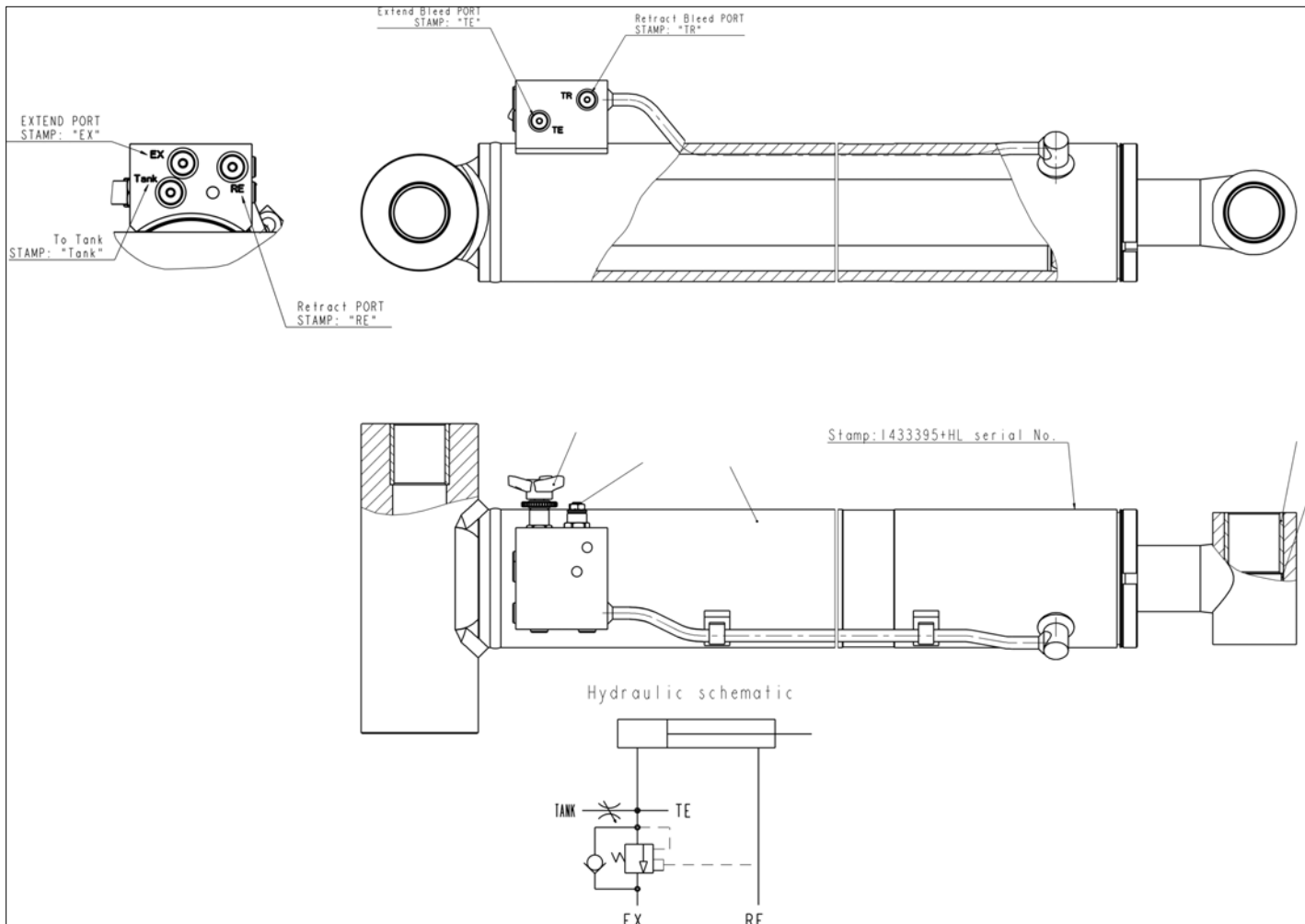
アイテム	部品番号	名前	数量	UOM
	5290012B	OSCILATING AXLE CYLINDER		EA
5	6092079	BUSHING	1	EA
6	6092080	BLEEDER VALVE	1	EA
7	6092081	COUNTERBALANCE VALVE	1	EA
9	6092082	BUSHING	2	EA
10	6092083	BUSHING	2	EA
13	6092084	SEAL KIT (ITEMS NOT SHOWN)	1	EA

HYDRAULICS



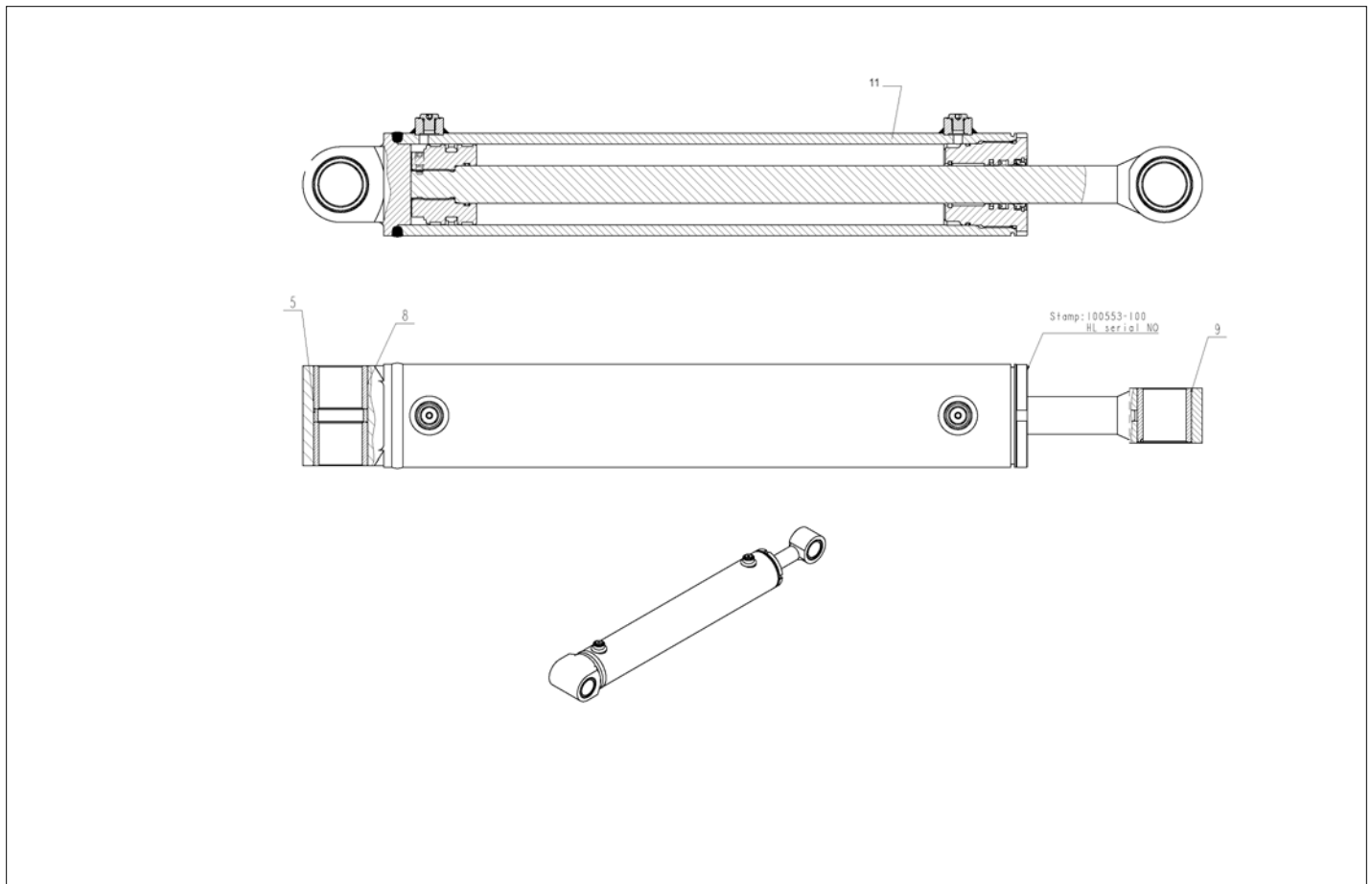
アイテム	部品番号	名前	数量	UOM
	104260 100 A	LIFT CYLINDER ROSENBOOM		EA
1	104260 109	SEAL KIT – includes items 9 through 18	1	EA
6	2509721	BEARING 50 58 60	4	EA
8	104260 108	CB VALVE, CBCA LHN (3000)	1	EA
9	KIT ITEM	O RING	1	EA
10	KIT ITEM	O RING	1	EA
11	KIT ITEM	O RING	1	EA
12	KIT ITEM	BACKUP RING	1	EA
13	KIT ITEM	DISO PAC	1	EA
14	KIT ITEM	DEEP Z SEAL	1	EA
15	KIT ITEM	HD ROD WIPER, SEALED OD	1	EA
16	KIT ITEM	PRECISION WEARBAND	1	EA
17	KIT ITEM	PRECISION WEARBAND	2	EA
18	KIT ITEM	LOCKING INSERT	2	EA

HYDRAULICS



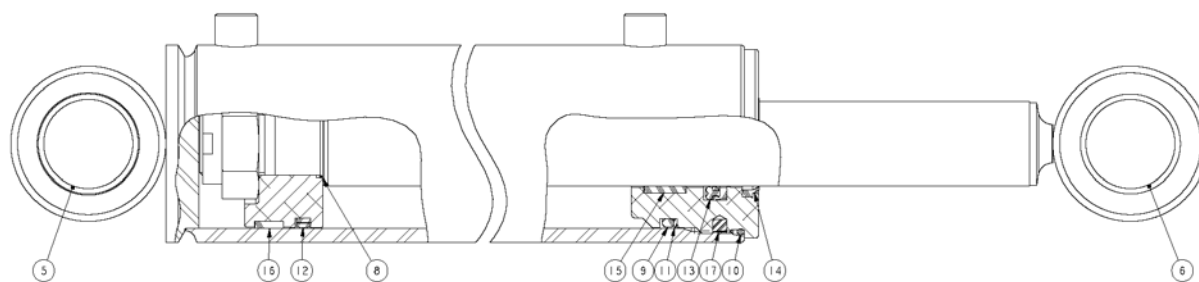
アイテム	部品番号	名前	数量	UOM
	1433395 C	LIFT CYLINDER HINGLI 400S 460SJ		EA
1	6019425	VALVE EMER. BLEED DOWN		EA
2	6092127	RELIEF VALVE CARTRIDGE		EA
3	1434494	SEAL KIT		EA
4	1434495	BEARING		EA
5	1434496	BUSHING		EA

HYDRAULICS



アイテム	部品番号	名前	数量	UOM
	100553 100C	MASTER LEVEL CYLINDER HENGLI		EA
5	7148151	LIMIT RING	1	EA
8	2509866	BEARING	2	EA
9	2509867	BEARING	1	EA
11	7148149	SEAL KIT	1	EA

HYDRAULICS

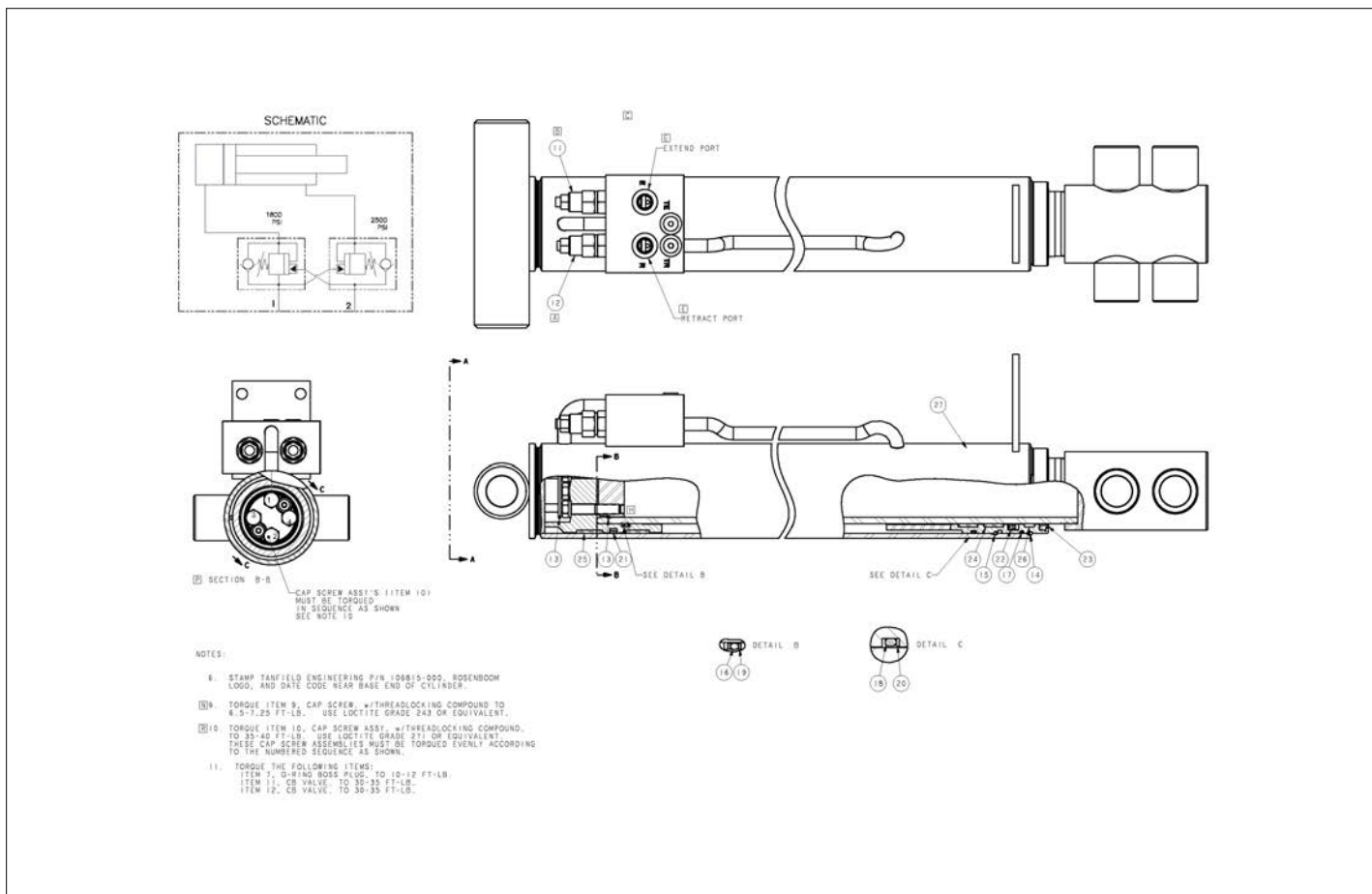


NOTES:

- 5. STAMP TANFIELD ENGINEERING P/N 100553-100, RMT LOGO, AND DATE CODE NEAR BASE END OF CYLINDER.
- 7. TORQUE ITEM 7, LOCKNUT, w/THREADLOCKING COMPOUND TO 350-380 FT-LB. USE LOCTITE GRADE 271 OR EQUIVALENT.
- 8. TORQUE ITEM 3, HEAD GLAND, TO 250-300 FT-LB.

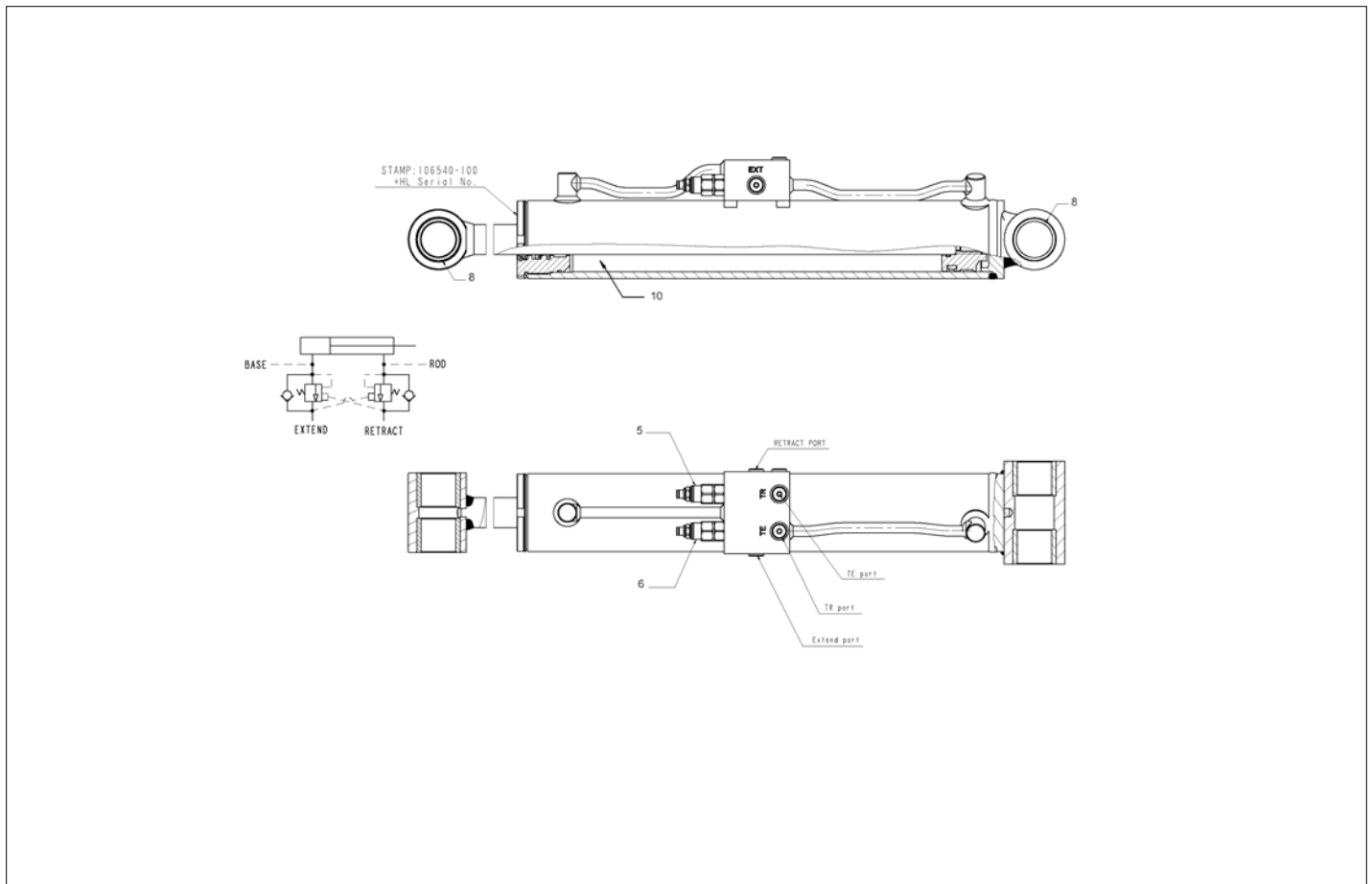
アイテム	部品番号	名前	数量	UOM
	100553 100A	MASTER LEVEL CYLINDER ROSENBOOM		EA
5	100553 104	JOURNAL BEARING	2	EA
6	100553 106	JOURNAL BEARING	1	EA
	100553 108	SEAL KIT (10 THRU 19)	1	EA

HYDRAULICS



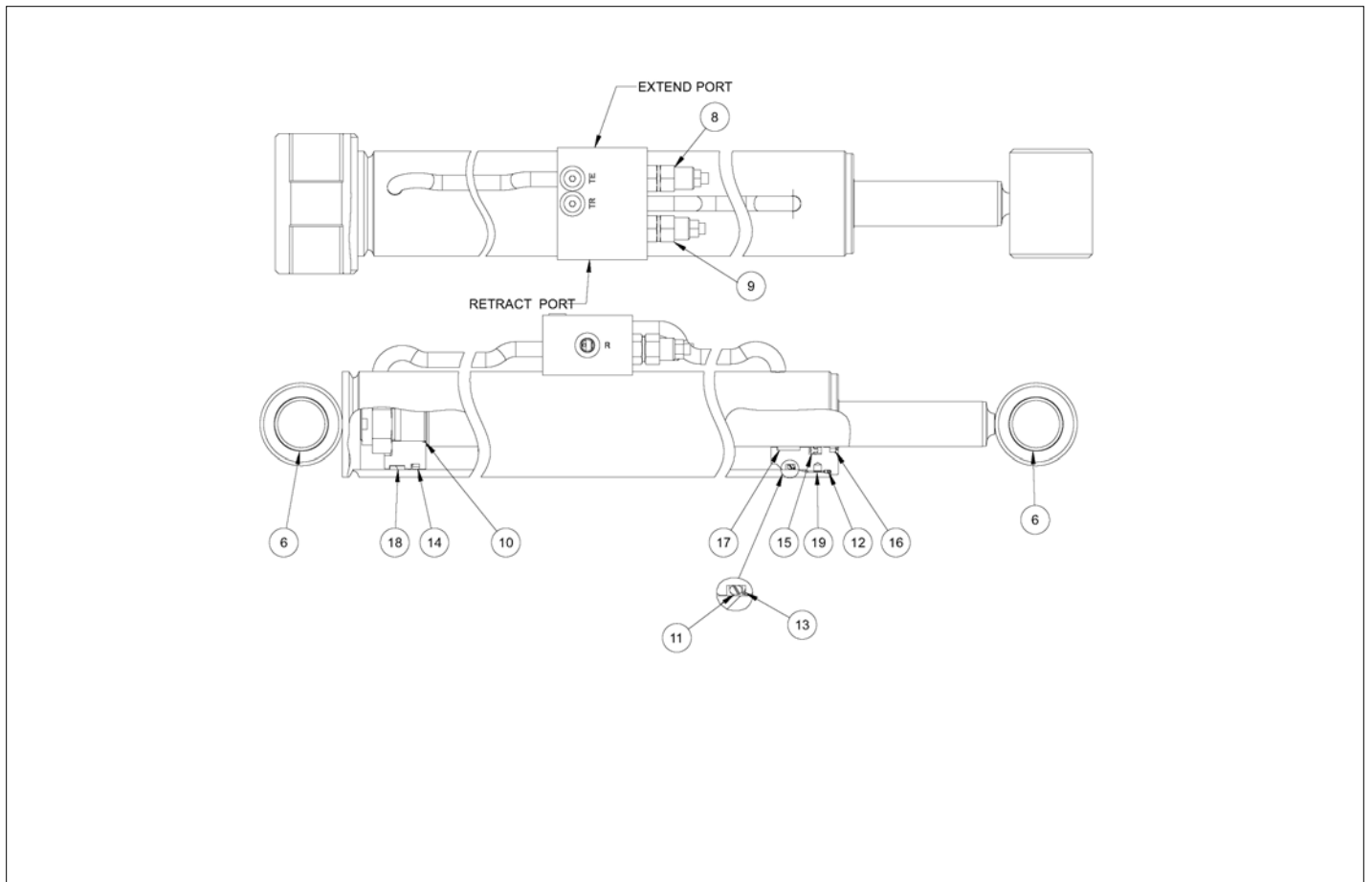
アイテム	部品番号	名前	数量	UOM
	106815 000B	TELESCOPE CYLINDER ROSENBOOM 400S 460SJ		EA
11	106815 009	COUNTERBALANCE VALVE 1800 PSI	1	EA
12	106815 010	COUNTERBALANCE VALVE 2500 PSI	1	EA
27	106815 016	SEAL KITS, ITEMS 13 26 KIT ITEMS	1	EA

HYDRAULICS



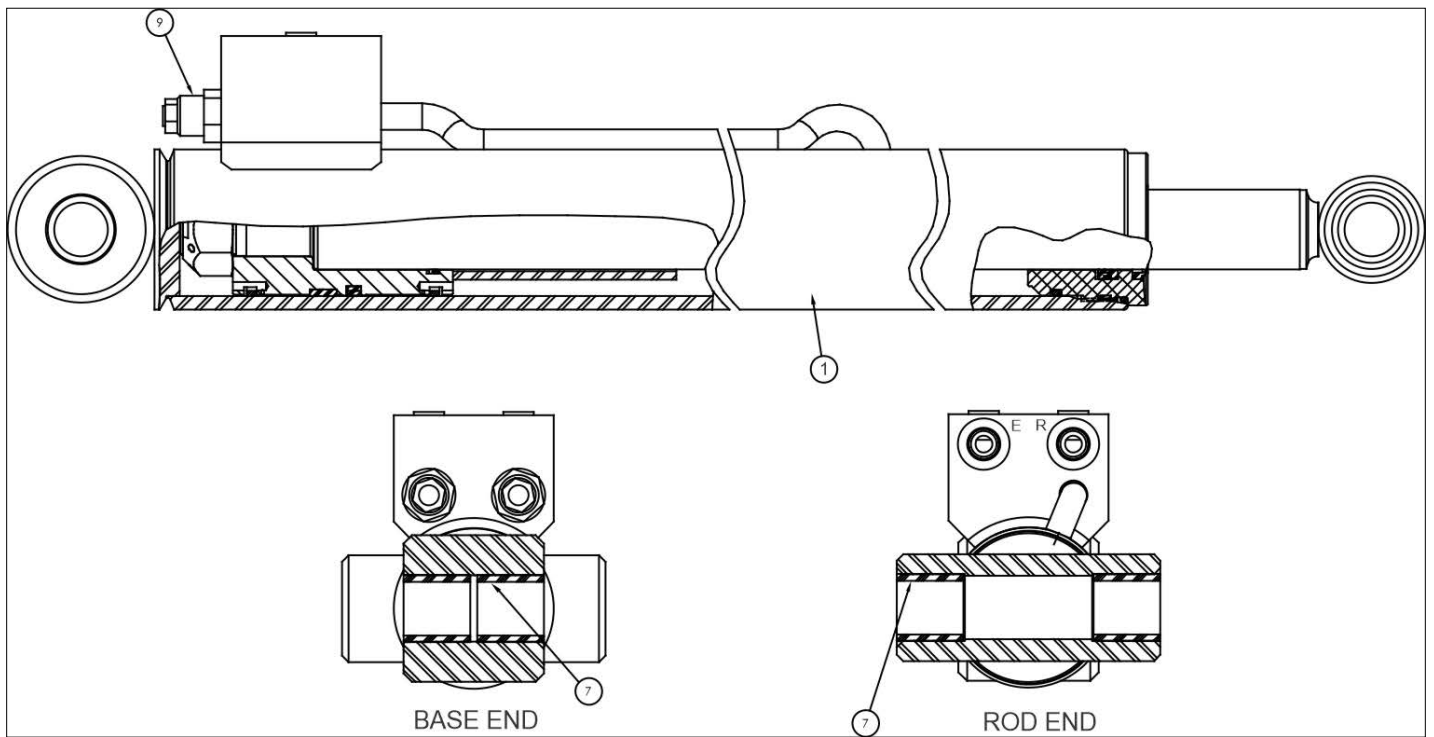
アイテム	部品番号	名前	数量	UOM
	106540 100B	SLAVE LEVEL CYLINDER HENGLI		EA
5	6019449	COUNTER BALANCE VALVE, 1500 PSI	1	EA
6	6019448	COUNTER BALANCE VALVE, 3000 PSI	1	EA
8	2509866	BEARING	4	EA
10	7148148	SEAL KIT	1	EA

HYDRAULICS



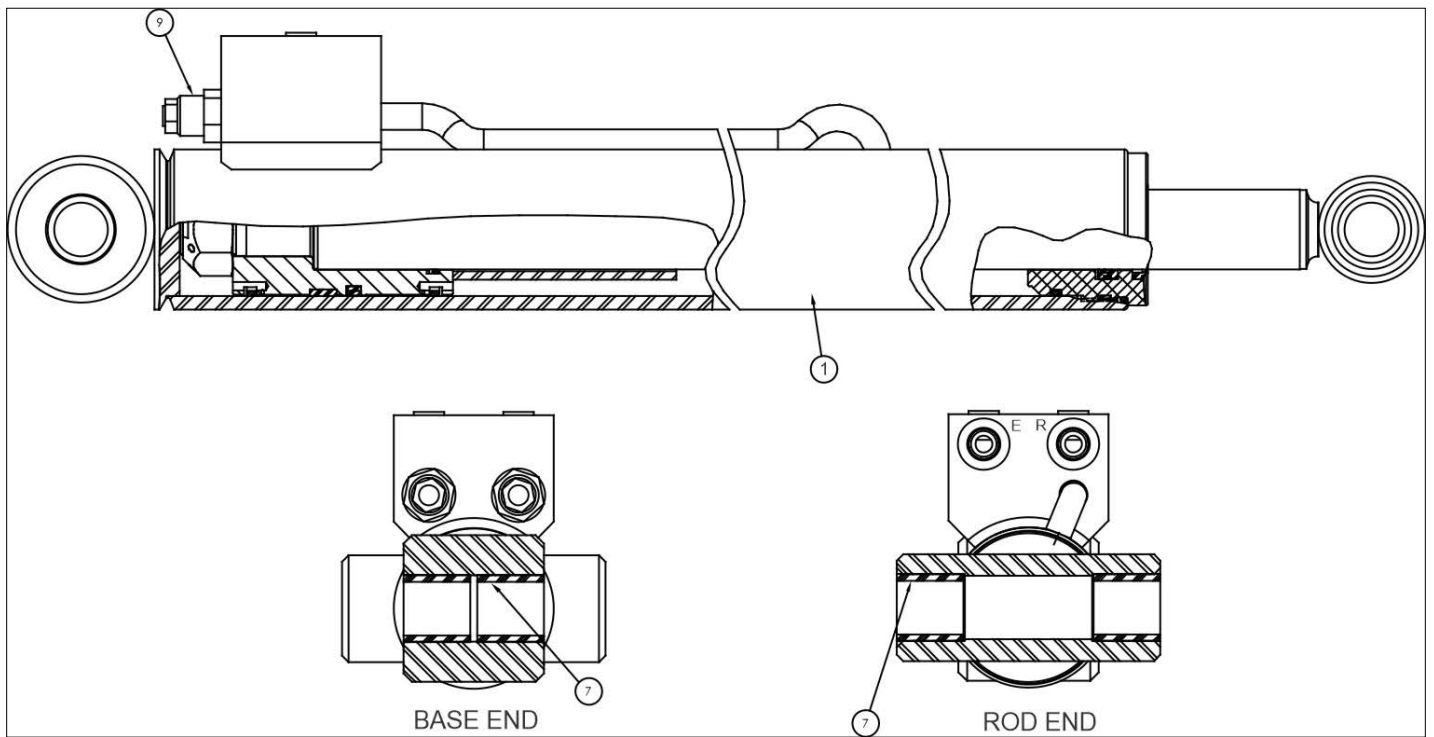
アイテム	部品番号	名前	数量	UOM
	106540 100 A	SLAVE LEVEL CYLINDER ROSENBOOM		EA
6	100553 105	JOURNAL BEARING	4	EA
8	106540 108	CB VALVE (3000)	1	EA
9	106540 109	CB VALVE (1500)	1	EA
	100553 108	SEAL KIT (10 THRU 19)	1	EA
10	KIT ITEM	O RING	1	EA
11	KIT ITEM	O RING	1	EA
12	KIT ITEM	O RING	1	EA
13	KIT ITEM	BACKUP RING	1	EA
14	KIT ITEM	DISO PAC	1	EA
15	KIT ITEM	DEEP Z SEAL	1	EA
16	KIT ITEM	HD ROD WIPER, SEAL OD	1	EA
17	KIT ITEM	WEARBAND	1	EA
18	KIT ITEM	WEARBAND	1	EA
19	KIT ITEM	LOCKING INSERT	1	EA

HYDRAULICS



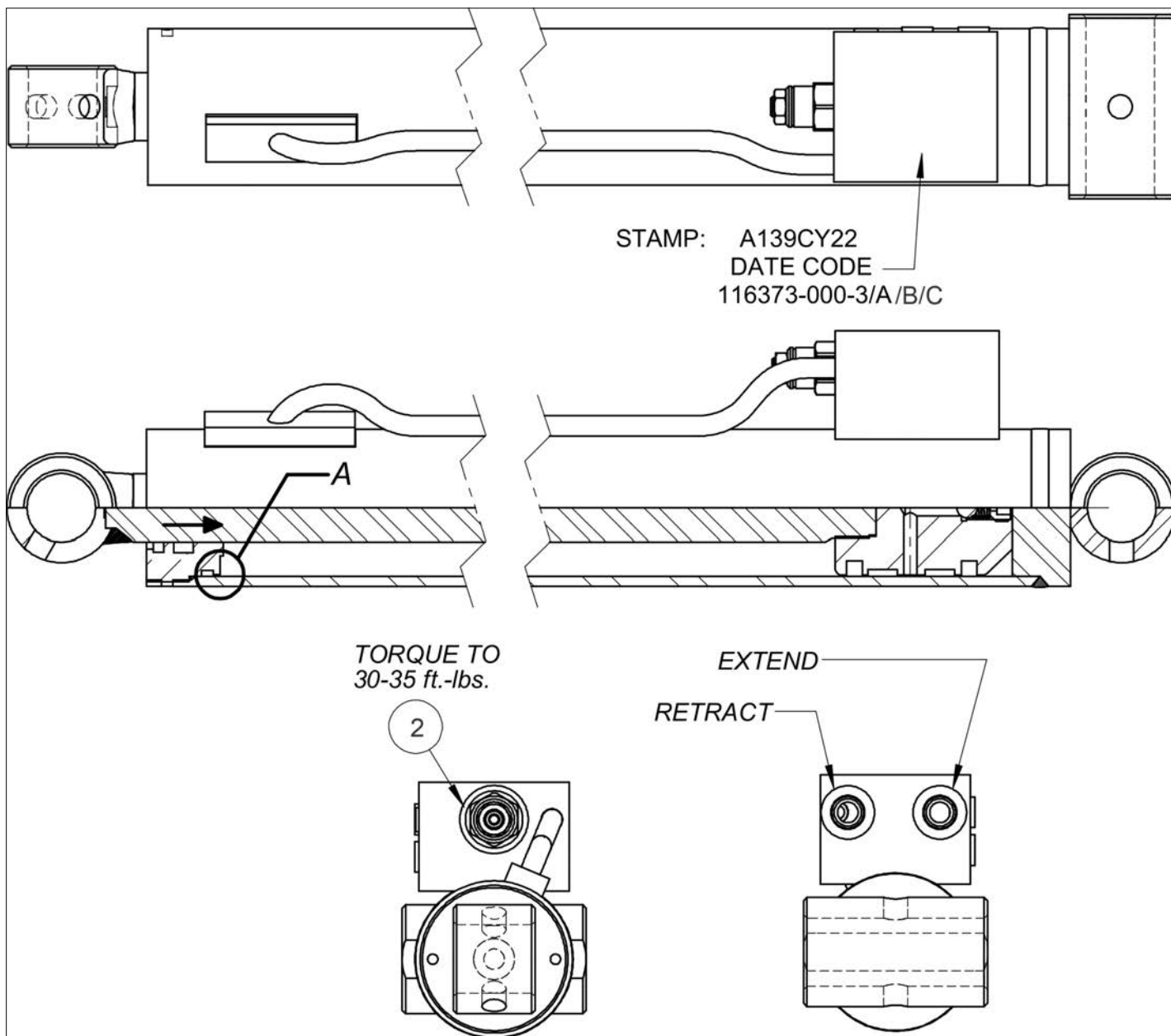
アイテム	部品番号	名前	数量	UOM
	0420111 J	JIB CYLINDER ROSENBOOM		EA
6	6047189	COUNTER BALANCE VALVE	2	EA
8	6091901	CHECK VALVE 0420111 CYLINDER	1	EA
9	561196	BRG 1.00ID X 1.125OD X 1.25LG	4	EA
	6091897	SEAL KIT 0420111 CYLINDER	1	EA
10	KIT ITEM	WIPER RING	1	EA
11	KIT ITEM	ROD SEAL	1	EA
12	KIT ITEM	WEAR RING	1	EA
13	KIT ITEM	BUFFER RING	1	EA
14	KIT ITEM	O RING	1	EA
15	KIT ITEM	BACK UP RING	1	EA
16	KIT ITEM	O RING	1	EA
17	KIT ITEM	CHECK VALVE	1	EA
18	KIT ITEM	O RING	1	EA
19	KIT ITEM	BACK UP RING	1	EA
20	KIT ITEM	O RING	1	EA
21	KIT ITEM	PISTON RING	1	EA
22	KIT ITEM	WEAR RING	1	EA
23	KIT ITEM	PISTON SEAL	1	EA

HYDRAULICS



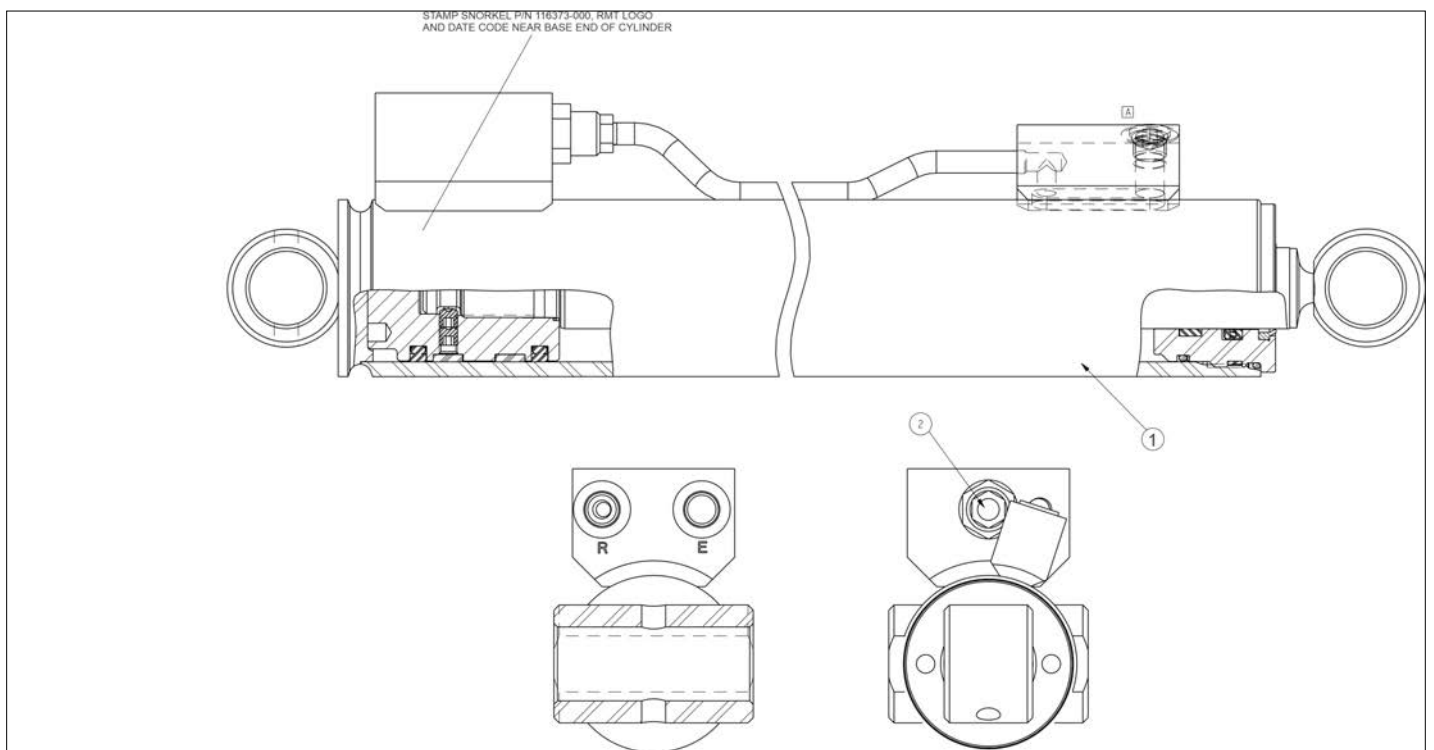
アイテム	部品番号	名前	数量	UOM
*	0420111 J	JIB CYLINDER ROSENBOOM		EA
1	6047188	SEAL KIT	1	EA
7	6047190	BEARING	4	EA
9	6047189	COUNTER BALANCE VALVE	2	EA

HYDRAULICS



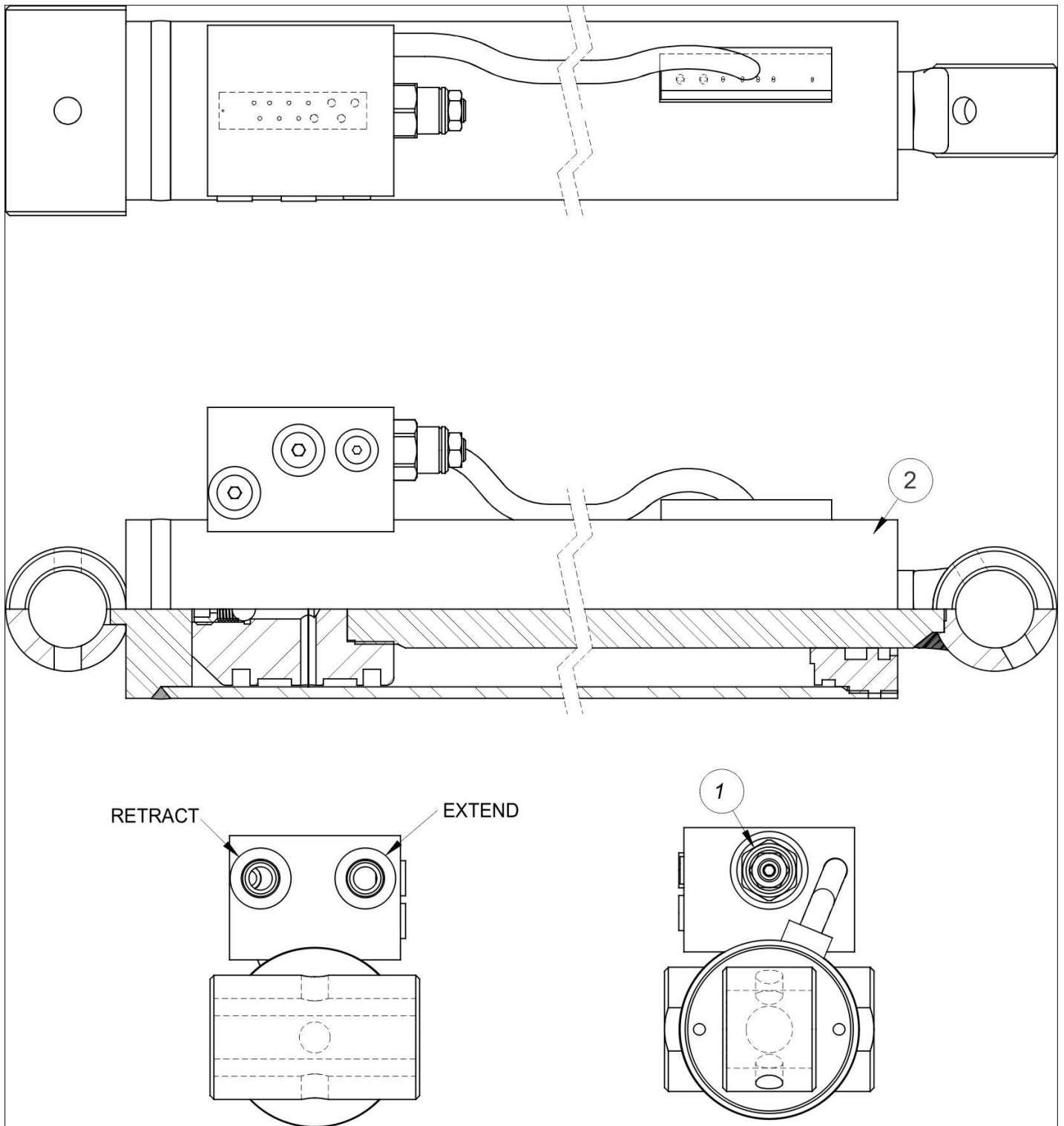
アイテム	部品番号	名前	数量	UOM
	116373 000 C FISHER	JIB CYLINDER FISHER		EA
1	6047142	SEAL KIT FISHER	1	EA
2	0260516	COUNTER BALANCE VALVE HYDRATECH FISHER ROSENBOOM	1	EA

HYDRAULICS



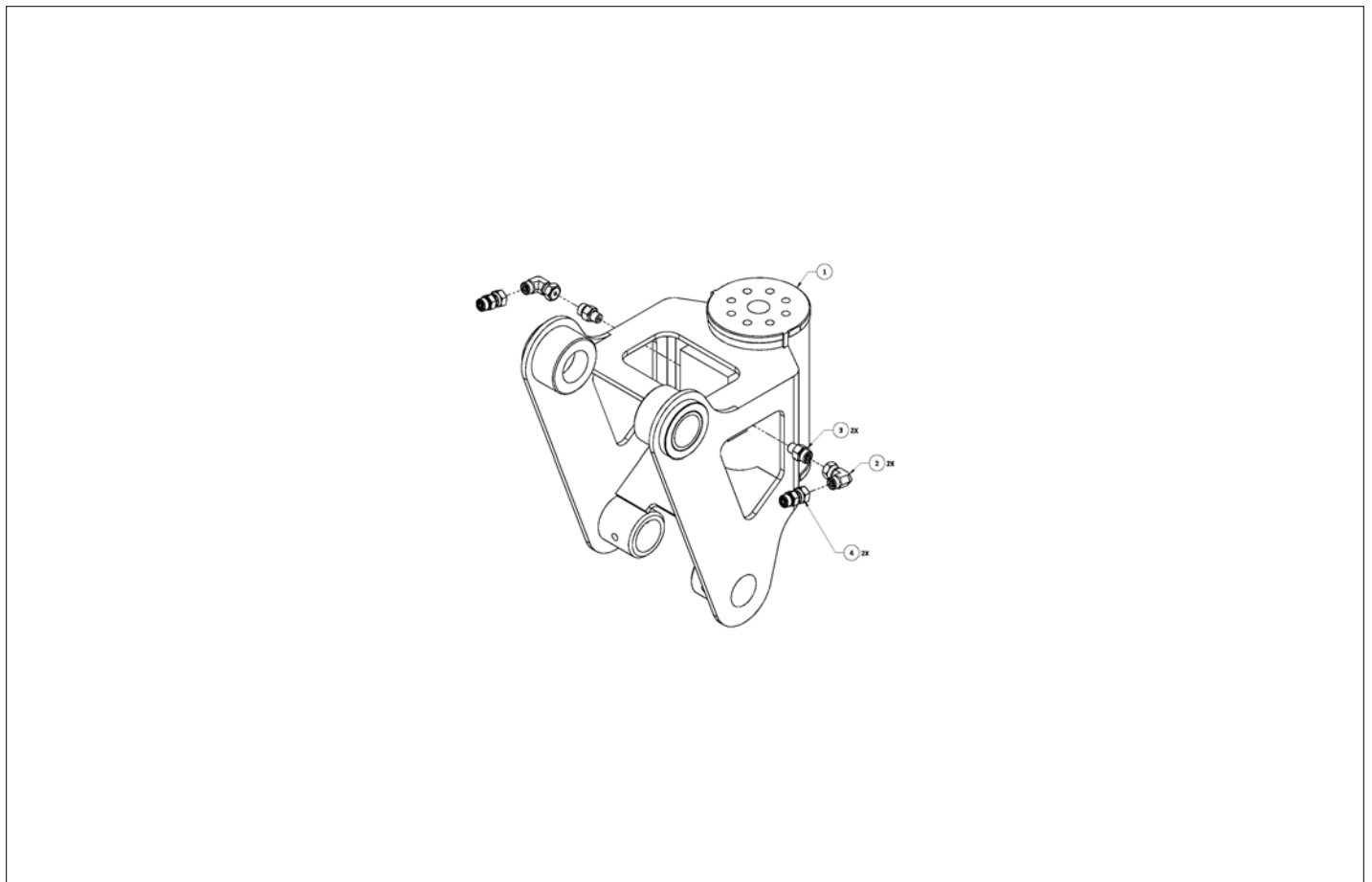
アイテム	部品番号	名前	数量	UOM
	116373 000 C ROSENBOOM	JIB CYLINDER ROSENBOOM		EA
1	0260760	SEAL KIT ROSENBOOM	1	EA
2	0260516	COUNTER BALANCE VALVE HYDRATECH FISHER ROSENBOOM	1	EA

HYDRAULICS



アイテム	部品番号	名前	数量	UOM
	116373 C JIB CYLINDER HYDRATECH	JIB CYLINDER HYDRATECH		EA
1	0260516	COUNTER BALANCE VALVE HYDRATECH FISHER ROSENBOOM	1	EA
2	0260305	SEAL KIT HYDRATECH	1	EA

HYDRAULICS



アイテム	部品番号	名前	数量	UOM
	1432454B	ROTATOR HOSE FITTING HELAC 400S 600S ASSEMBLY		EA
1	106572 100	HELAC ROTATOR	1	EA
	8080152	SEAL KIT	1	EA
2	100435 001	FTG 4 MORFFX X 4 FORFF90	2	EA
3	100432 002	Hyd Fitting Straight ORFS(04) SAE(04)	2	EA
4	5111691	4 LOHL .047 ORIFICE	2	EA

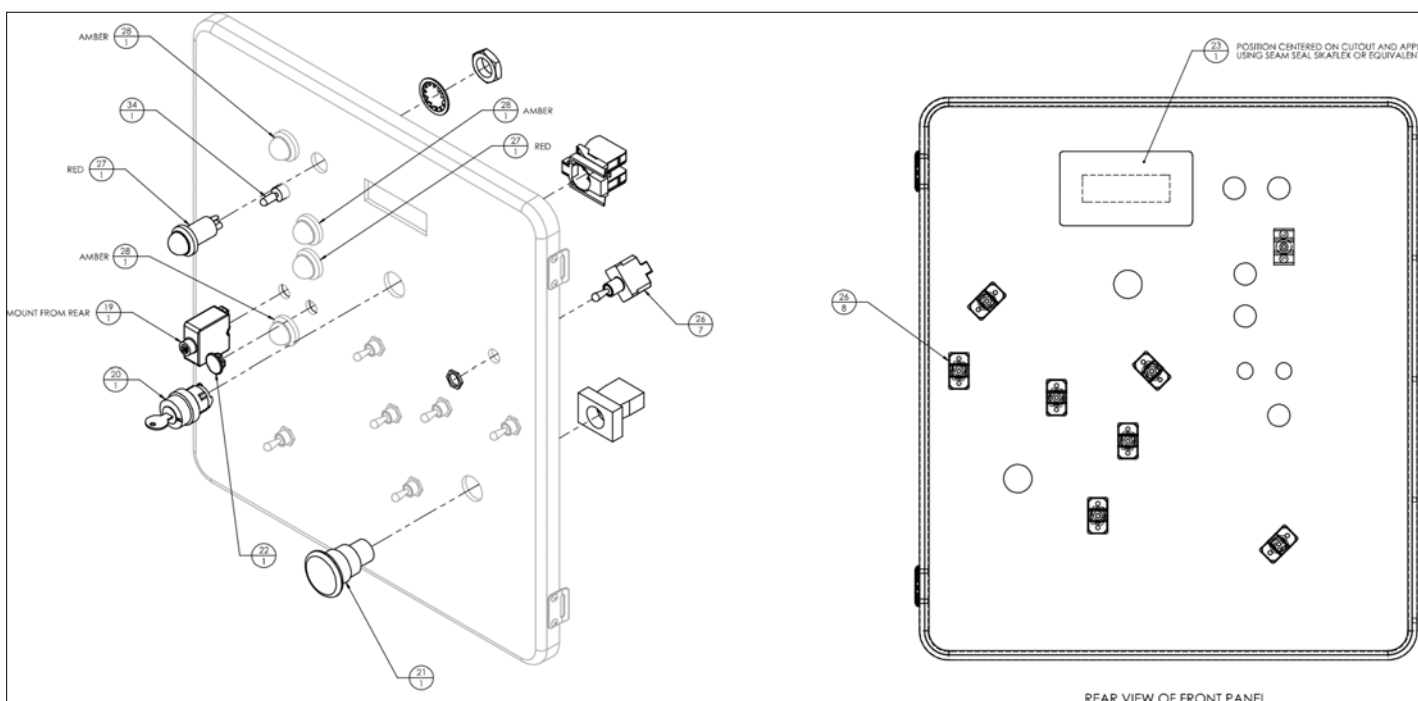
1433486
GP400C Adjustments Settings

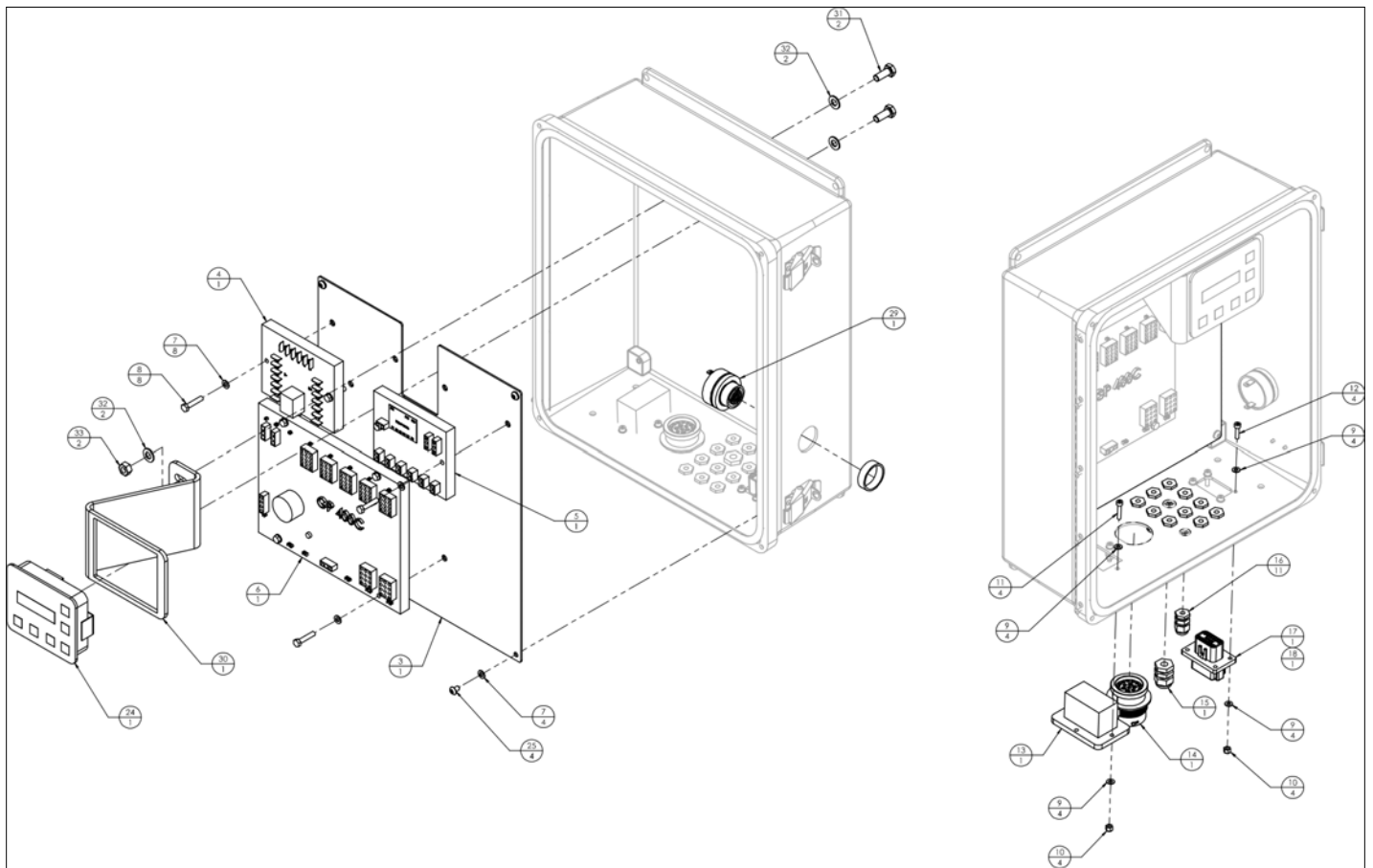
GROUP	VEHICLE	13. 400S/460S/600S/660S															
		1. 600S ANSI/AUS/CSA OSC CUMMINS	2. 660S ANSI/AUS/CSA OSC CUMMINS	3. 600S CE OSC CUMMINS	4. 660S CE OSC CUMMINS	5. 400S ANSI/AUS/CSA OSC DEUTZ	6. 460S ANSI/AUS/CSA OSC DEUTZ	7. 400S CE OSC DEUTZ	8. 460S CE OSC DEUTZ	9. 600S ANSI/AUS/CSA OSC DEUTZ	10. 660S ANSI/AUS/CSA OSC DEUTZ	11. 600S CE OSC DEUTZ	12. 660S CE OSC DEUTZ	13. 600S ANSI KUBOTA	14. 660S ANSI KUBOTA	15. 600S CE KUBOTA	16. 660S CE KUBOTA
ADJUSTMENTS	VEHICLE MODEL	D-NEVER 3-DRIVE	D-NEVER 3-DRIVE	D-NEVER 3-DRIVE	D-NEVER 3-DRIVE	D-NEVER 3-DRIVE	D-NEVER 3-DRIVE	D-NEVER 3-DRIVE	D-NEVER 3-DRIVE	D-NEVER 3-DRIVE	D-NEVER 3-DRIVE	D-NEVER 3-DRIVE	D-NEVER 3-DRIVE	D-NEVER 3-DRIVE	D-NEVER 3-DRIVE	D-NEVER 3-DRIVE	D-NEVER 3-DRIVE
SETUP	VEHICLE MODEL	D-NEVER 3-DRIVE	D-NEVER 3-DRIVE	D-NEVER 3-DRIVE	D-NEVER 3-DRIVE	D-NEVER 3-DRIVE	D-NEVER 3-DRIVE	D-NEVER 3-DRIVE	D-NEVER 3-DRIVE	D-NEVER 3-DRIVE	D-NEVER 3-DRIVE	D-NEVER 3-DRIVE	D-NEVER 3-DRIVE	D-NEVER 3-DRIVE	D-NEVER 3-DRIVE	D-NEVER 3-DRIVE	D-NEVER 3-DRIVE
DEFAULTS	VEHICLE MODEL	D-NEVER 3-DRIVE	D-NEVER 3-DRIVE	D-NEVER 3-DRIVE	D-NEVER 3-DRIVE	D-NEVER 3-DRIVE	D-NEVER 3-DRIVE	D-NEVER 3-DRIVE	D-NEVER 3-DRIVE	D-NEVER 3-DRIVE	D-NEVER 3-DRIVE	D-NEVER 3-DRIVE	D-NEVER 3-DRIVE	D-NEVER 3-DRIVE	D-NEVER 3-DRIVE	D-NEVER 3-DRIVE	D-NEVER 3-DRIVE
ROOM ANGLE	VEHICLE MODEL	D-NEVER 3-DRIVE	D-NEVER 3-DRIVE	D-NEVER 3-DRIVE	D-NEVER 3-DRIVE	D-NEVER 3-DRIVE	D-NEVER 3-DRIVE	D-NEVER 3-DRIVE	D-NEVER 3-DRIVE	D-NEVER 3-DRIVE	D-NEVER 3-DRIVE	D-NEVER 3-DRIVE	D-NEVER 3-DRIVE	D-NEVER 3-DRIVE	D-NEVER 3-DRIVE	D-NEVER 3-DRIVE	D-NEVER 3-DRIVE
LOAD SETUPS	VEHICLE MODEL	D-NEVER 3-DRIVE	D-NEVER 3-DRIVE	D-NEVER 3-DRIVE	D-NEVER 3-DRIVE	D-NEVER 3-DRIVE	D-NEVER 3-DRIVE	D-NEVER 3-DRIVE	D-NEVER 3-DRIVE	D-NEVER 3-DRIVE	D-NEVER 3-DRIVE	D-NEVER 3-DRIVE	D-NEVER 3-DRIVE	D-NEVER 3-DRIVE	D-NEVER 3-DRIVE	D-NEVER 3-DRIVE	D-NEVER 3-DRIVE
INTERLOCKS	VEHICLE MODEL	D-NEVER 3-DRIVE	D-NEVER 3-DRIVE	D-NEVER 3-DRIVE	D-NEVER 3-DRIVE	D-NEVER 3-DRIVE	D-NEVER 3-DRIVE	D-NEVER 3-DRIVE	D-NEVER 3-DRIVE	D-NEVER 3-DRIVE	D-NEVER 3-DRIVE	D-NEVER 3-DRIVE	D-NEVER 3-DRIVE	D-NEVER 3-DRIVE	D-NEVER 3-DRIVE	D-NEVER 3-DRIVE	D-NEVER 3-DRIVE
BOI	VEHICLE MODEL	D-NEVER 3-DRIVE	D-NEVER 3-DRIVE	D-NEVER 3-DRIVE	D-NEVER 3-DRIVE	D-NEVER 3-DRIVE	D-NEVER 3-DRIVE	D-NEVER 3-DRIVE	D-NEVER 3-DRIVE	D-NEVER 3-DRIVE	D-NEVER 3-DRIVE	D-NEVER 3-DRIVE	D-NEVER 3-DRIVE	D-NEVER 3-DRIVE	D-NEVER 3-DRIVE	D-NEVER 3-DRIVE	D-NEVER 3-DRIVE
ENGINE SETUPS	VEHICLE MODEL	D-NEVER 3-DRIVE	D-NEVER 3-DRIVE	D-NEVER 3-DRIVE	D-NEVER 3-DRIVE	D-NEVER 3-DRIVE	D-NEVER 3-DRIVE	D-NEVER 3-DRIVE	D-NEVER 3-DRIVE	D-NEVER 3-DRIVE	D-NEVER 3-DRIVE	D-NEVER 3-DRIVE	D-NEVER 3-DRIVE	D-NEVER 3-DRIVE	D-NEVER 3-DRIVE	D-NEVER 3-DRIVE	D-NEVER 3-DRIVE
VCCM Setups	VEHICLE MODEL	D-NEVER 3-DRIVE	D-NEVER 3-DRIVE	D-NEVER 3-DRIVE	D-NEVER 3-DRIVE	D-NEVER 3-DRIVE	D-NEVER 3-DRIVE	D-NEVER 3-DRIVE	D-NEVER 3-DRIVE	D-NEVER 3-DRIVE	D-NEVER 3-DRIVE	D-NEVER 3-DRIVE	D-NEVER 3-DRIVE	D-NEVER 3-DRIVE	D-NEVER 3-DRIVE	D-NEVER 3-DRIVE	D-NEVER 3-DRIVE

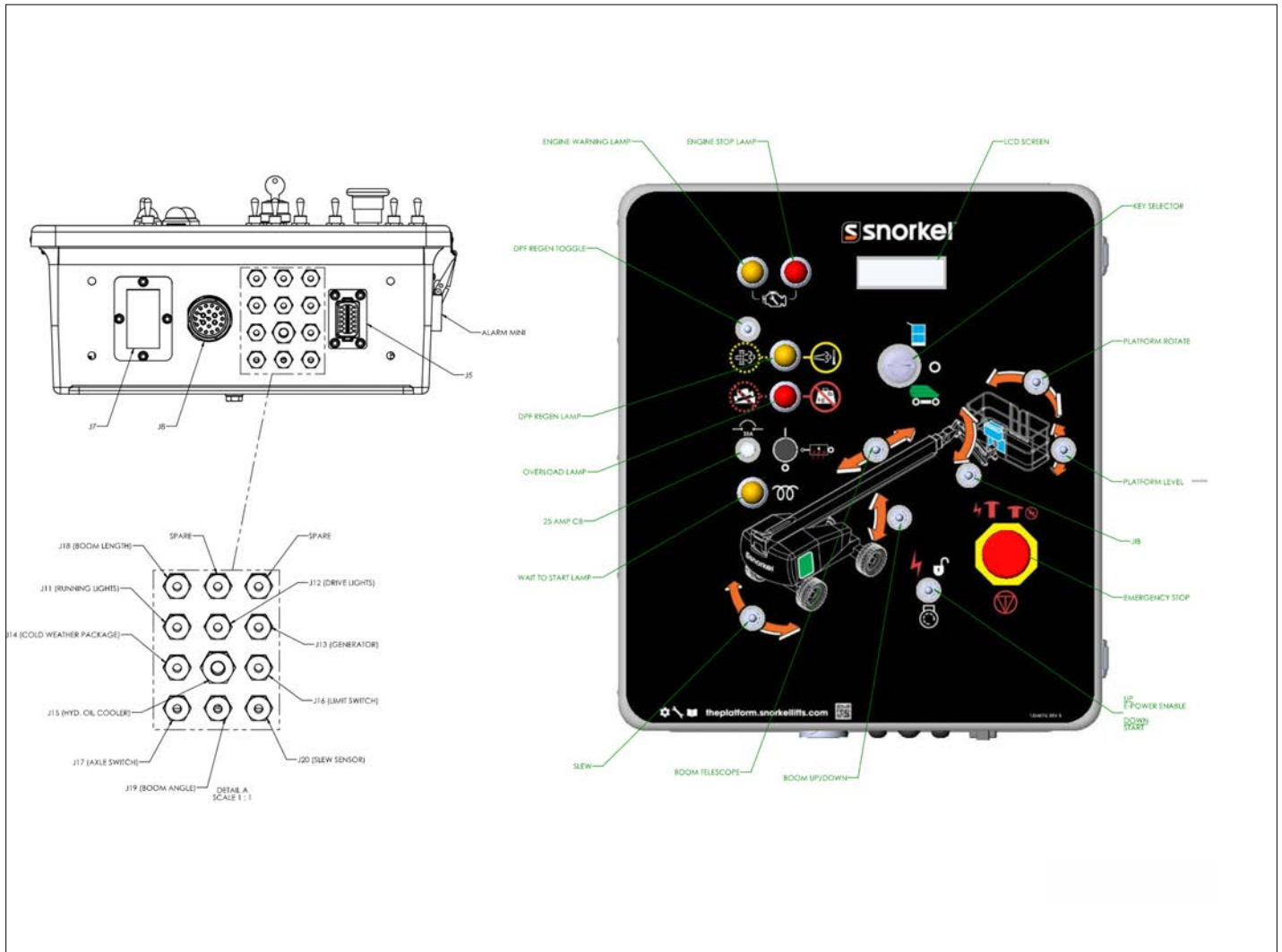
Document Number	REVISION	DATE	COMPLETED BY	ECR No.	DESCRIPTION
1433486	A	1/18/2018	MARK LINGER	LV2017-0285	
	B	5/9/2018	MARK LINGER	LV2017-0242	BAKSET C/W MAX, C/W MIN AND CEW MAX REDUCED TO SLOW ROTATION SPEEDS
	C	2/25/2018	MARK LINGER		800/660 Dr. Fuel Hspd was 67%, 800/660 Steer Min was 54%, 800/660 Steer Max was 55%
	D	10/23/2018	ION RASA		REVISED 450/460 SETTINGS; REDUCED ENGINE SPEED TO REDUCE NOISE
	E	1/2/2019	ION RASA	LV2018-0580	400/660 SETTINGS; REV LIPER LIFT, TILT, AND ENG SPEEDS; SLOWDOWN UI FUNCTION
	F	4/2/2019	ION RASA		ADDED JB + BOOM INTERLOCK FOR A92 3D STANDARD; CE TILT TO REMAIN 3 S UNTIL FULLY TESTED
	G	9/7/2019	ION RASA	2019-3620	ADDED COLD START TIME DELAY TO SOFTWARE
	H		ION RASA		ADDED INTERLOCK GUARD OVR. WHICH NOW RESULTS TO INTERLOCK GUARD - OVERLOAD
	I	1/16/2019	ION RASA	2019-4053	ADDED YELLOW LAMP AND ALARMS TO SAFETY INTERLOCKS; ADDED GENERATOR DURING BOOM FUNCTIONS
	J		ION RASA		REMOVED INTERLOCK GUARD OVR. WHICH NOW RESULTS TO INTERLOCK GUARD - OVERLOAD
	K	1/16/2019	ION RASA	2019-4053	ADDED YEHICLE 14, KUBOTA 600/660 AND MODELS 13-16
VERSION 4.9	H	2019-4205	ION RASA		REVISED LAMP FLASH TO ALL VEHICLES WHEN KEY IS INITIALLY TURNED ON FOR DIAGNOSTIC INSPECTION
VERSION 5.0	J	12/12/2019	ION RASA	2020-6165	REVISED 400/460/600/660 SETTINGS TO ALLOW GREEN PUMP LAMP ON ALL MACHINES; RELEASED 23510004 VSS
					REVISED SOFTWARE TO ALLOW REGEN FOR DEUTZ STAGE 3 MACHINES WHEN BOOM IS ELEVATED
					REVISED DIAGNOSTIC ENGINE TEMP TO READ COOLANT TEMPERATURE F
					REVISED ALL VEHICLE MODELS TILT SETUPS, CE, TILT, SLOWDOWN'S DRIVE

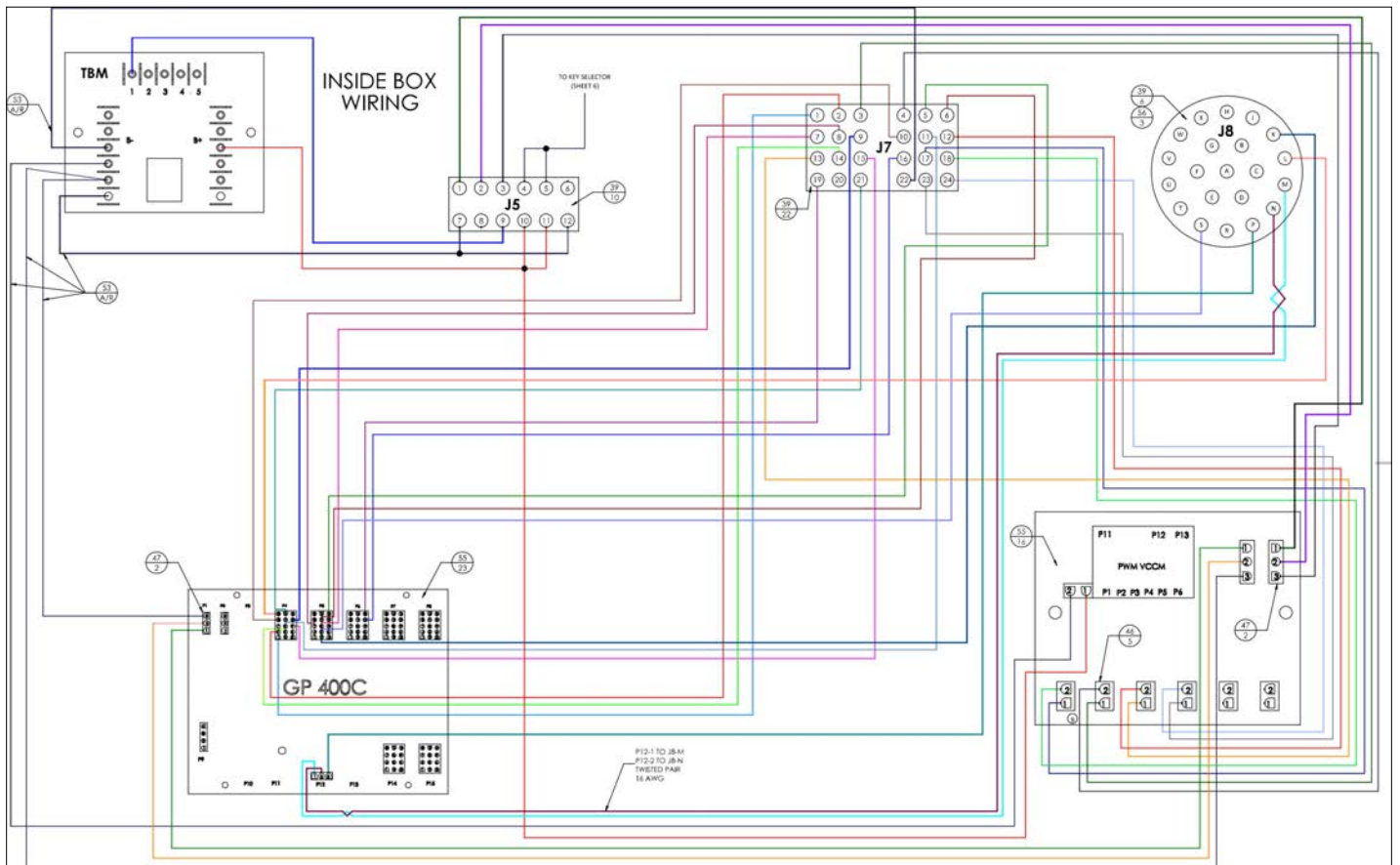
ELECTRICAL

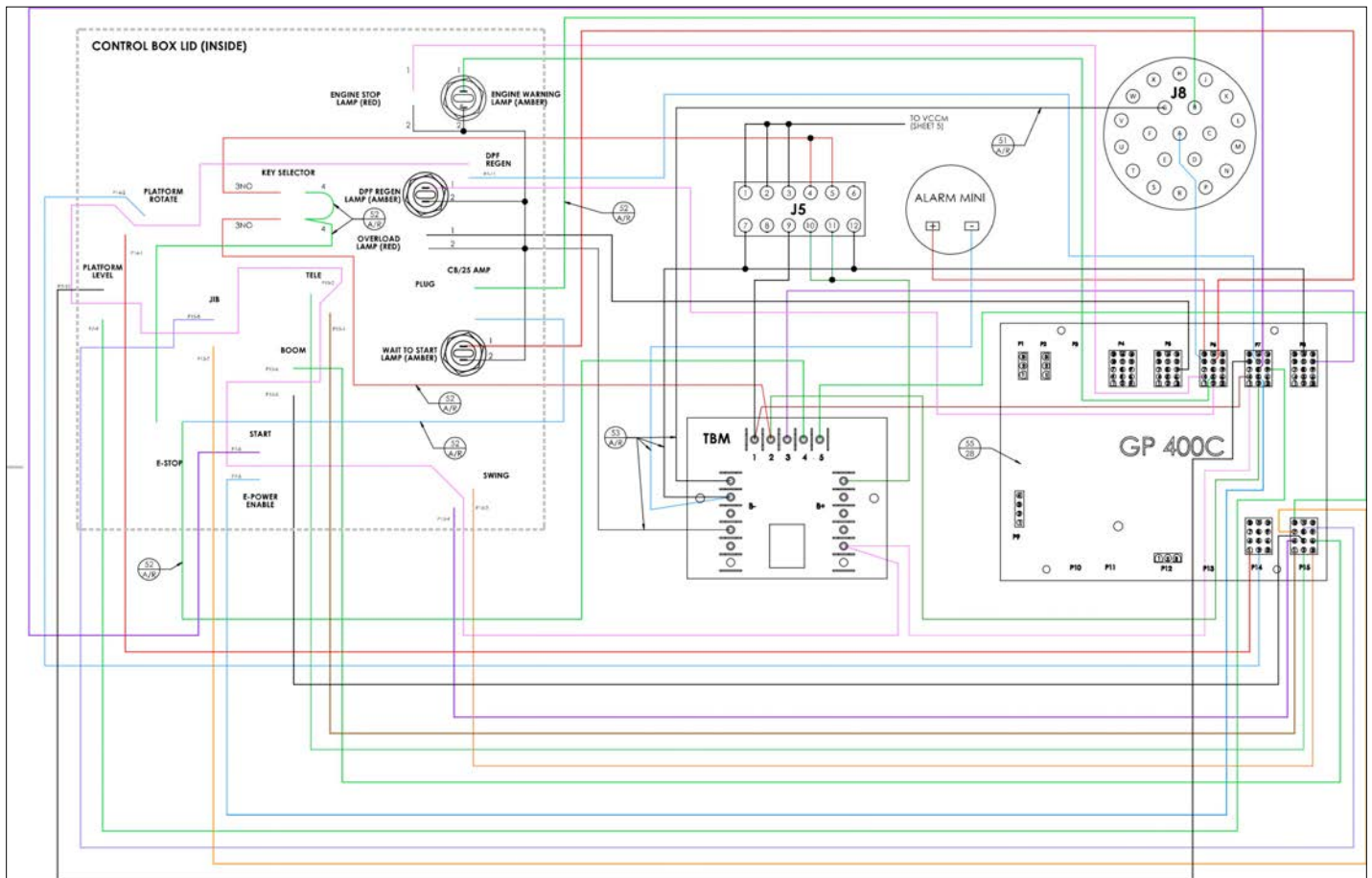


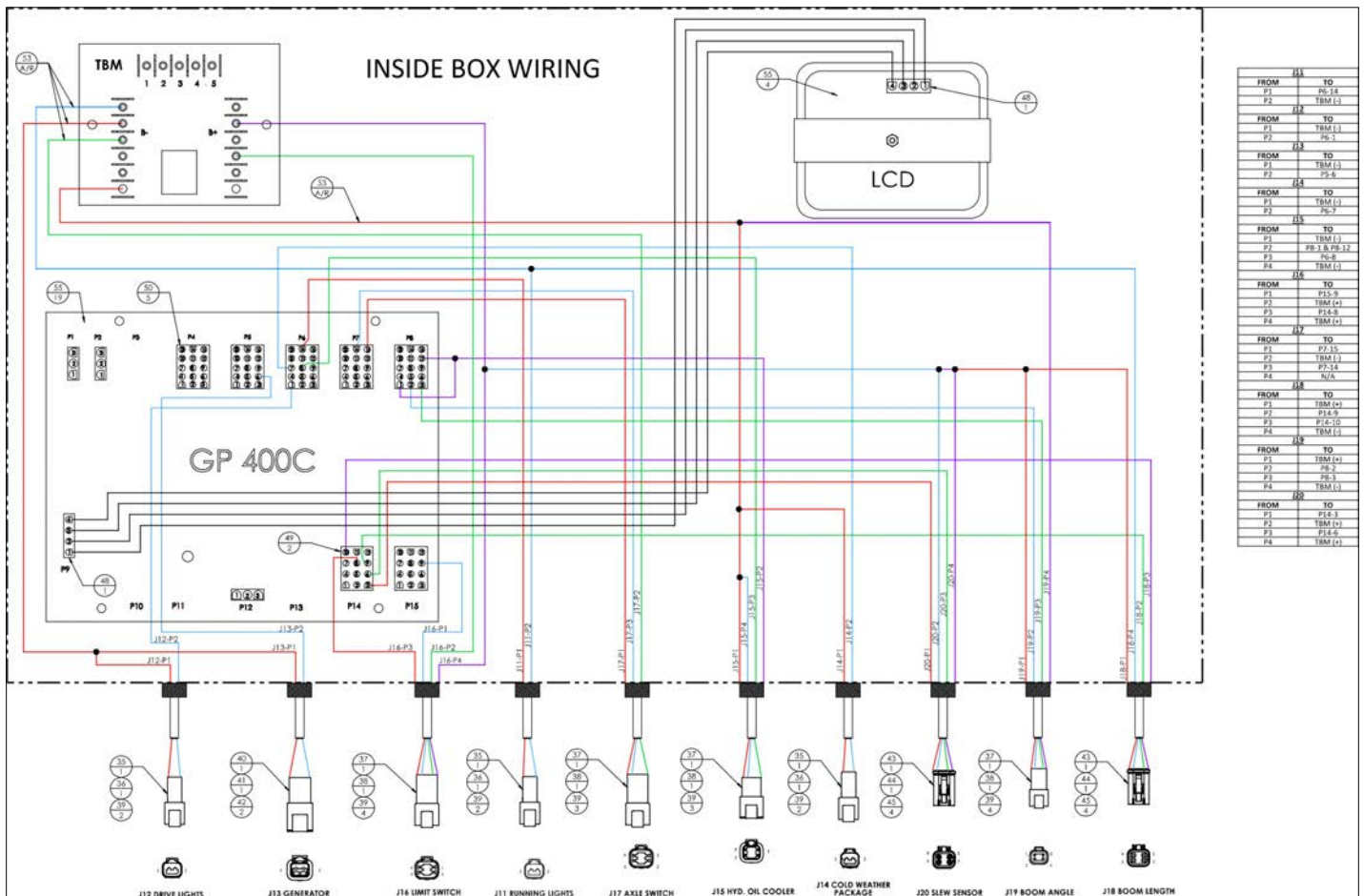












FROM	J11	TO
P1	FB-14	
P2	TRM (L)	
FROM	J12	TO
P1	TRM (L)	
P2	FB-1	
FROM	J13	TO
P1	TRM (L)	
P2	FB-6	
FROM	J14	TO
P1	TRM (L)	
P2	FB-7	
FROM	J15	TO
P1	TRM (L)	
P2	FB-1 & FB-12	
P3	FB-8	
P4	TRM (L)	
FROM	J16	TO
P1	FB-9	
P2	TRM (L)	
P3	FB-5	
P4	TRM (L)	
FROM	J17	TO
P1	P2-15	
P2	TRM (L)	
P3	FB-14	
P4	N/A	
FROM	J18	TO
P1	TRM (L)	
P2	FB-4	
P3	FB-10	
P4	TRM (L)	
FROM	J19	TO
P1	TRM (L)	
P2	FB-2	
P3	FB-3	
P4	TRM (L)	
FROM	J20	TO
P1	FB-11	
P2	TRM (L)	
P3	FB-4	
P4	TRM (L)	

アイテム	部品番号	名前	数量	UOM
	1434073 C	LOWER CONTROL BOX ASSEMBLY 460 660 DEUTZ S5 JANUARY 2020 AND BEFORE		EA
1	1434071	ENCL,LWR CTRL BOX,460/660 DEUT	1	EA
2	1434074	DECAL,LWR CTRL BX,460/660 DEUT	1	EA
3	1434077	WLDMT BACKING PLT LOWER CTRL BOX DEUTZ	1	EA
4	3030181	Trionics TBM	1	EA
5	3030174	VALVE CURRENT CONTROL MODULE	1	EA
6	1433307	GP400C	1	EA
7	056069 005	Washer SteelFlatWasher DIN125A	12	EA
8	056057 025	Bolt, HexBolt DIN931 M5 x 25mm	8	EA
9	056069 004	Wshr, SteelFlatWshr M4 DIN125	16	EA
10	056066 004	NUT NYLOCK DIN985 M4 8.0 ZP	8	EA
11	058500 020	Bolt, SktCapScrew DIN912 M4 x	4	EA
12	510563 016	Bolt, SktCapScrew DIN912 M4 x	4	EA
13	015790 011	DEUTSCH 24PIN CONN DRC 12 24PA	1	EA
14	100338 001	RECPT. DEUTSCH	1	EA
15	3220365	HEYCO CORD GRIP 3210	1	EA
16	3220366	HEYCO CORD GRIP 3207	11	EA
17	3049837	CONNECTOR 12 PIN BHD	1	EA
18	3049849	LOCK WEDGE 12 PIN DEUTSCH REC	1	EA
19	3040069	CIRCUIT BREAKER 25AMP	1	EA
20	3028886	ASY KEY SW 3 POS CPTV2XNO	1	EA
Not Shown	09 1008	REPLACEMENT KEY	1	EA
21	3028810	PUSH/PULL EMERGENCY STOP	1	EA

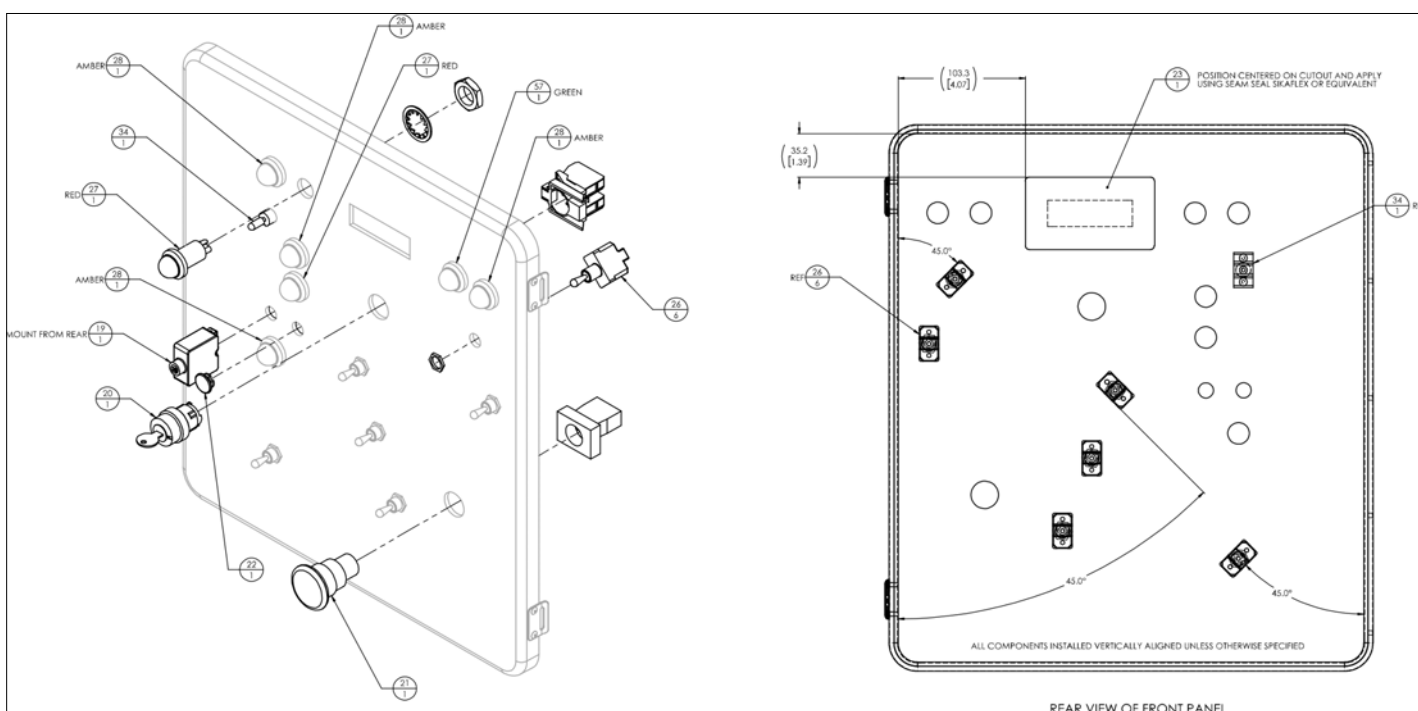
アイテム	部品番号	名前	数量	UOM
22	5563889	PLUG PLASTIC SNAP IN ID.50"BLK	1	EA
23	1431983	WINDOW, CLEAR PLEXIGLASS	1	EA
24	3087803	EZCal Panel Trionics	1	EA
25	5563760	SCS BUTN HD M5X0.8X8 ZN 10.9	4	EA
26	3020016	Switch, Toggle Honeywell INTI 7	7	EA
27	3069524	LIGHT RED LED 12V	2	EA
28	3069544	LIGHT AMBER LED 12V .69DIA MTG	3	EA
29	3040411	Alarm Buzzer	1	EA
30	1434075	BRKT,MNT,LCD DISP,LWR CTRL BX	1	EA
31	058492 020	Bolt HexSetScrew DIN933 M8 x 2	2	EA
32	056069 008	WASHER, STEELFLATWASHER DIN12M8 FLAT WASHER DIN 125	4	EA
33	056067 008	Nut, HexNut DIN934 M8 8.0 Zinc	2	EA
34	3020015	Switch, Toggle Honeywell INTI 6	1	EA
35	12556 009	RECEPTACLE 2 WIRE DT04 2P*****	3	EA
36	12556 016	WEDGELOCK FOR DT04 2P*****	3	EA
37	12556 011	RECEPTACLE 4 WIRE DT04 4P	4	EA
38	12556 018	WEDGELOCK FOR DT04 4P*****	4	EA
39	12554 024	DEUTSCH CONTACT PIN	58	EA
40	12554 009	RECEPTACLE 2 WIRE	1	EA
41	12554 016	WEDGELOCK FOR DTP04 2P	1	EA
42	12554 026	PIN SIZE 12 (12 14GA) DTP	2	EA
43	12557 011	DEUTSCH 4 PIN PLUG	1	EA
44	12557 018	DEUTSCH 4 PIN WEDGELOCK	1	EA

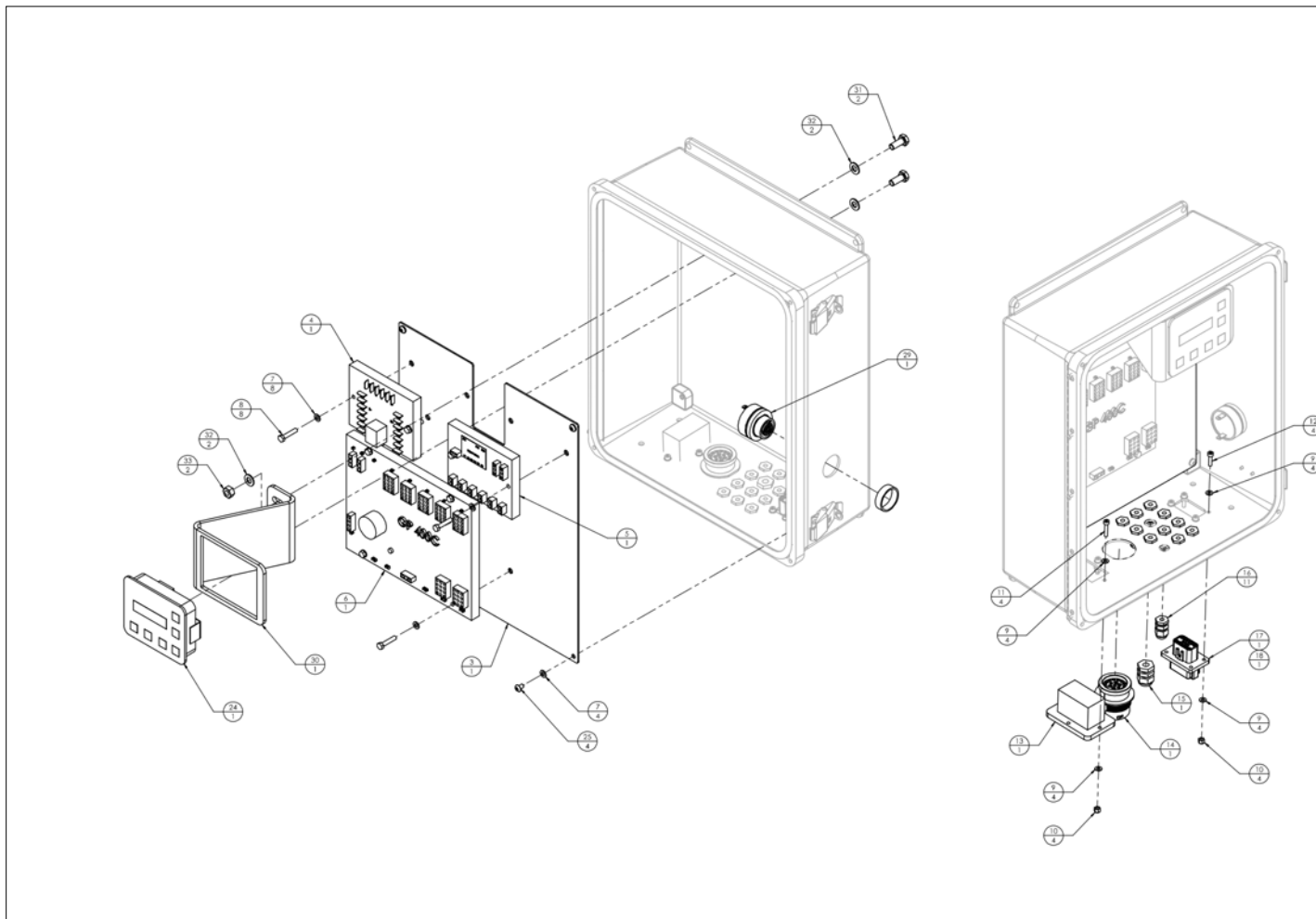
アイテム	部品番号	名前	数量	UOM
45	12555 031	DEUTSCH SOCKET #16	4	EA
46	3220181	CONN AMP 2PIN P/N:1 480698 0	5	EA
47	3220199	CONNECTOR AMP 3 PIN	4	EA
48	3220163	CONNECTOR AMP 4 PIN 1 480702 0	2	EA
49	3220024	CONNECTOR AMP 12 PIN 1 480 708	2	EA
50	3220142	CONNECTOR AMP 15 PIN PLUG	5	EA
51	3014786	WIRE 10GA SINGLE COND BLACK	1	EA
52	3014785	WIRE 10GA SINGLE COND RED	1	EA
53	3011601	WIRE 16GA SINGLE CONDUCTOR BLK	1	EA
54	3011641	WIRE 16GA SINGLE CONDUCTOR WHT	1	EA
55	3049986	AMP SOCKET CONTACT	90	EA
56	12554 035	PIN CNTCT,10AWG(#12)1060 12	3	EA

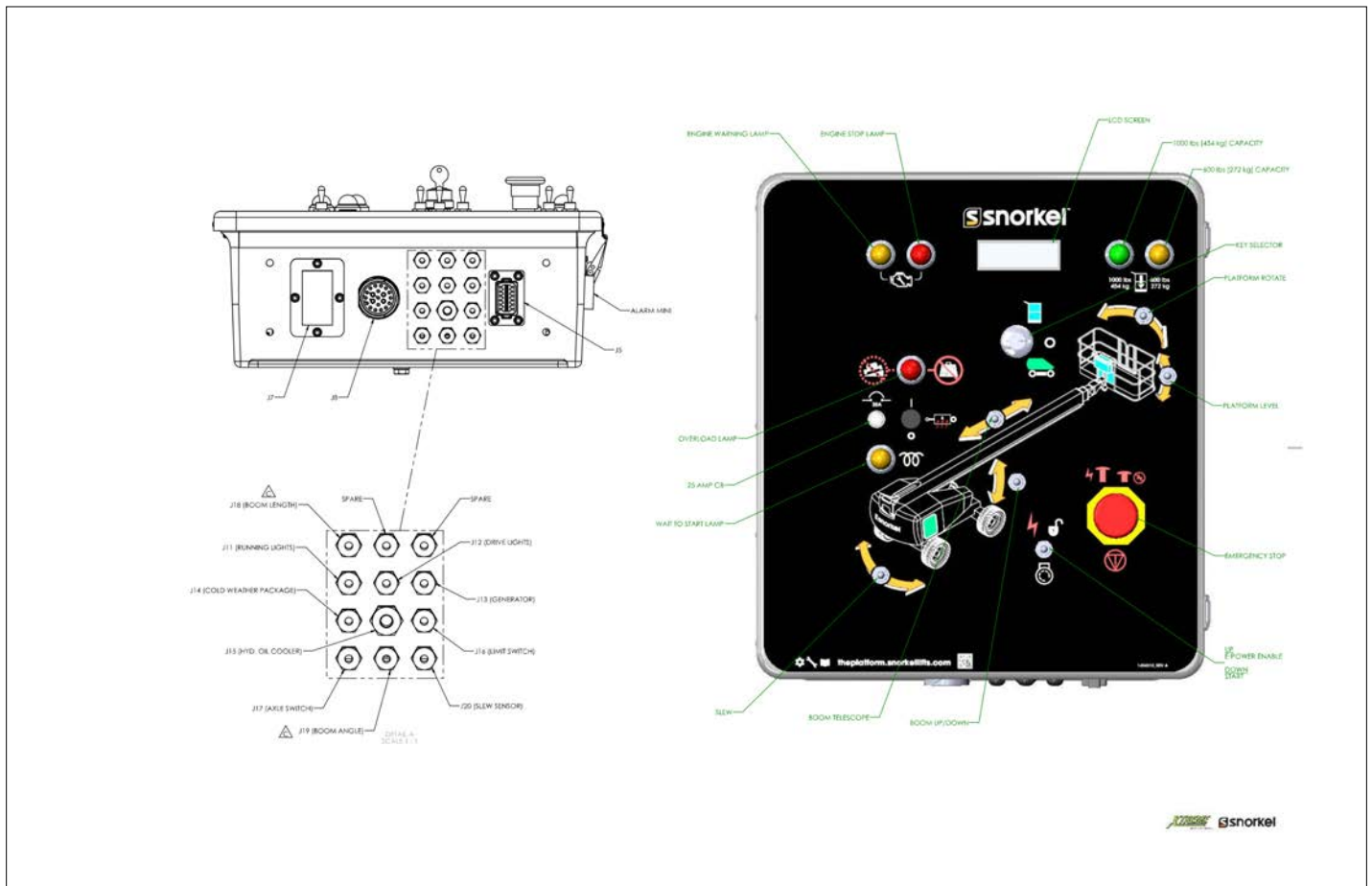
ELECTRICAL

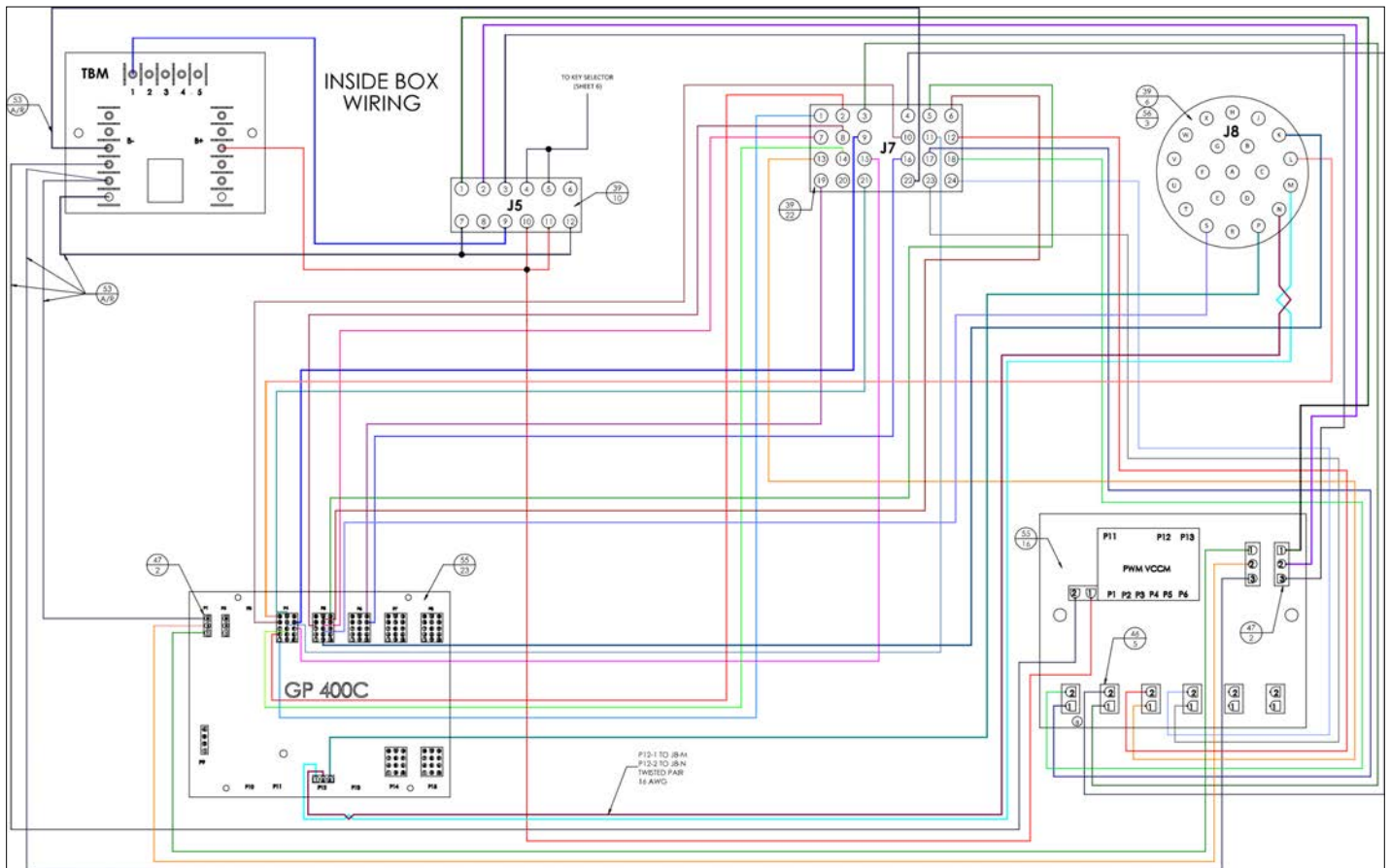


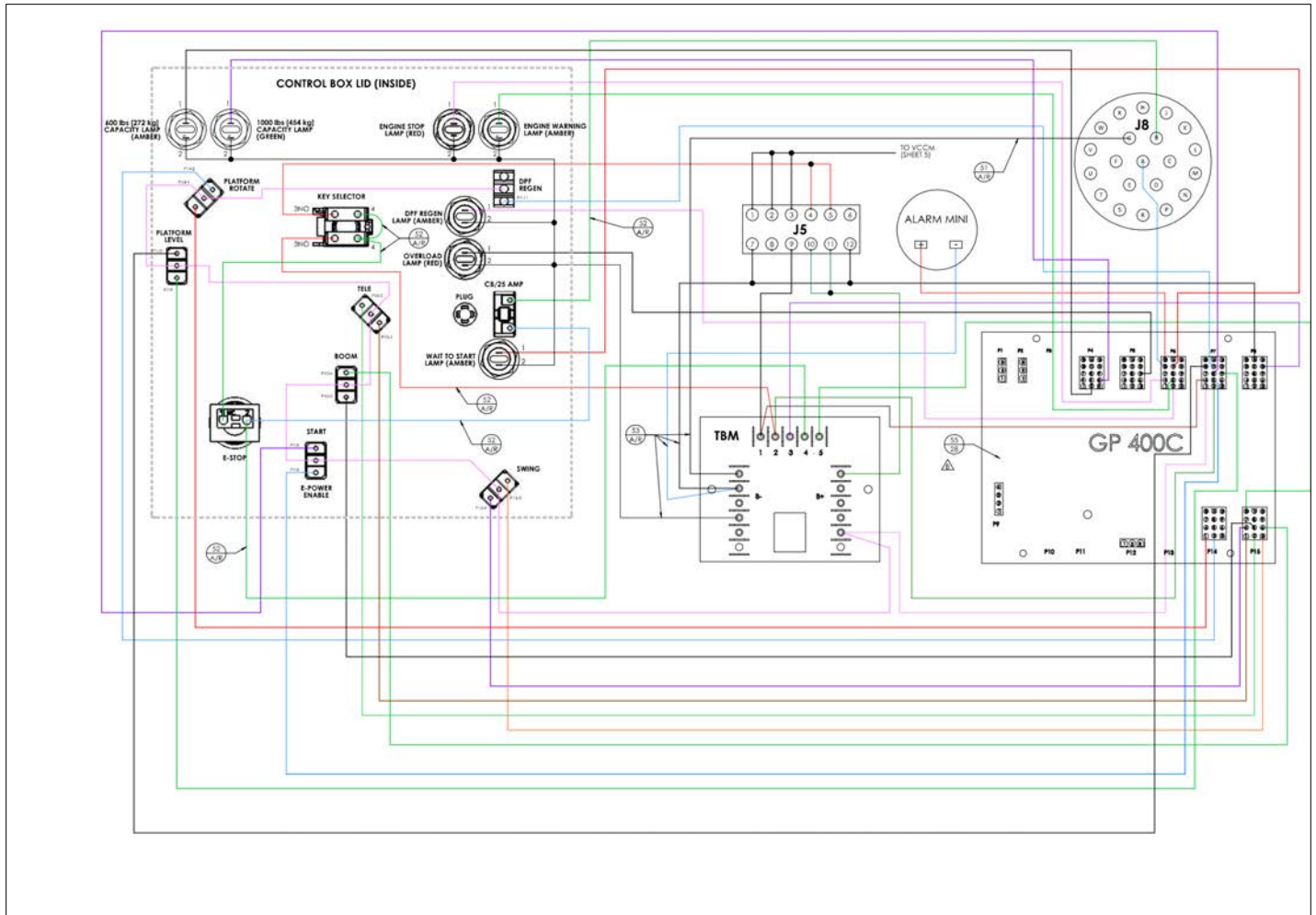
ALL WIRES IN CONTROL BOX TO BE WHITE 16 GA SINGLE CONDUCTOR UNLESS OTHERWISE SPECIFIED. (ITEM 54) P/N: 3011641

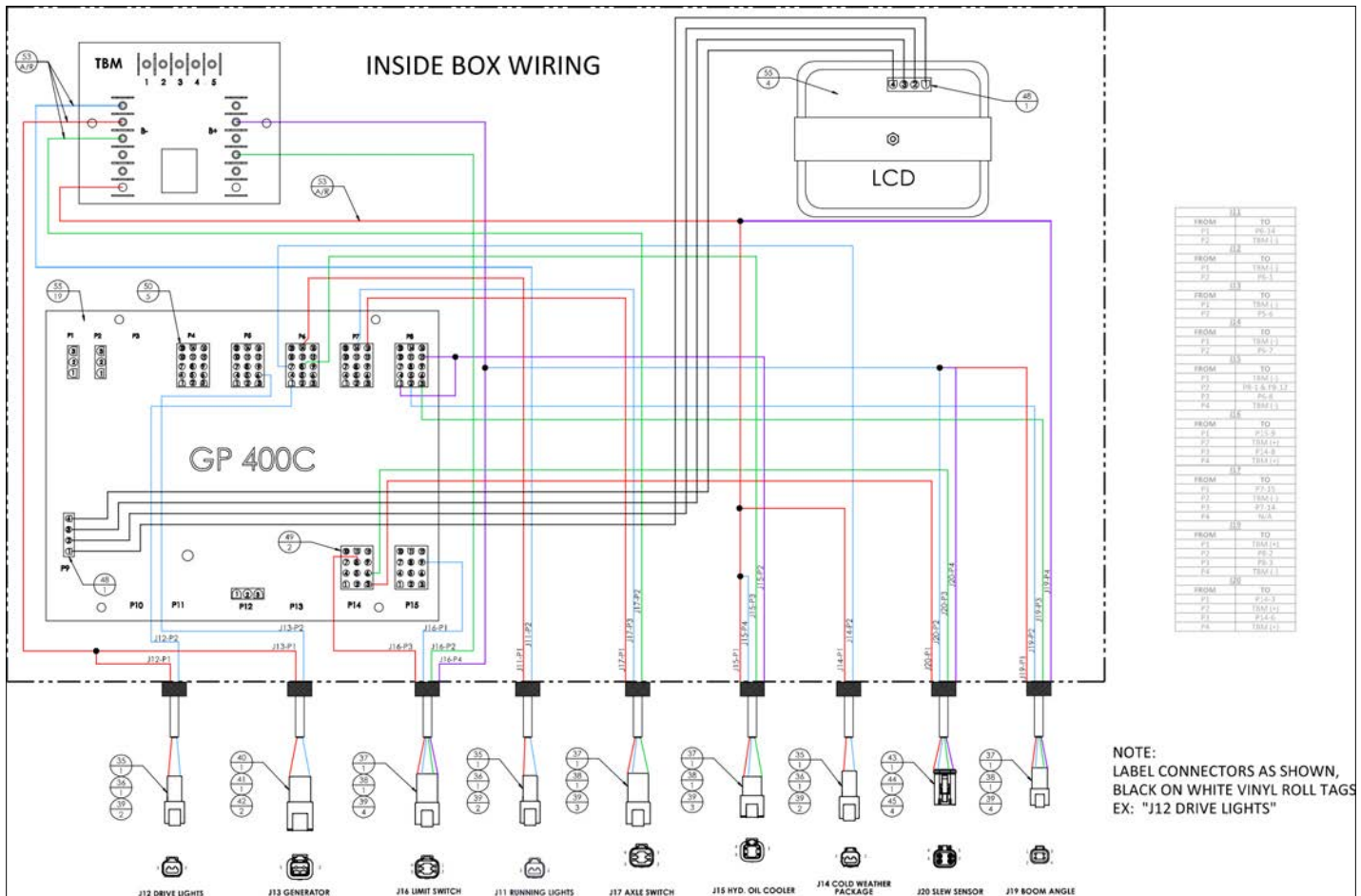










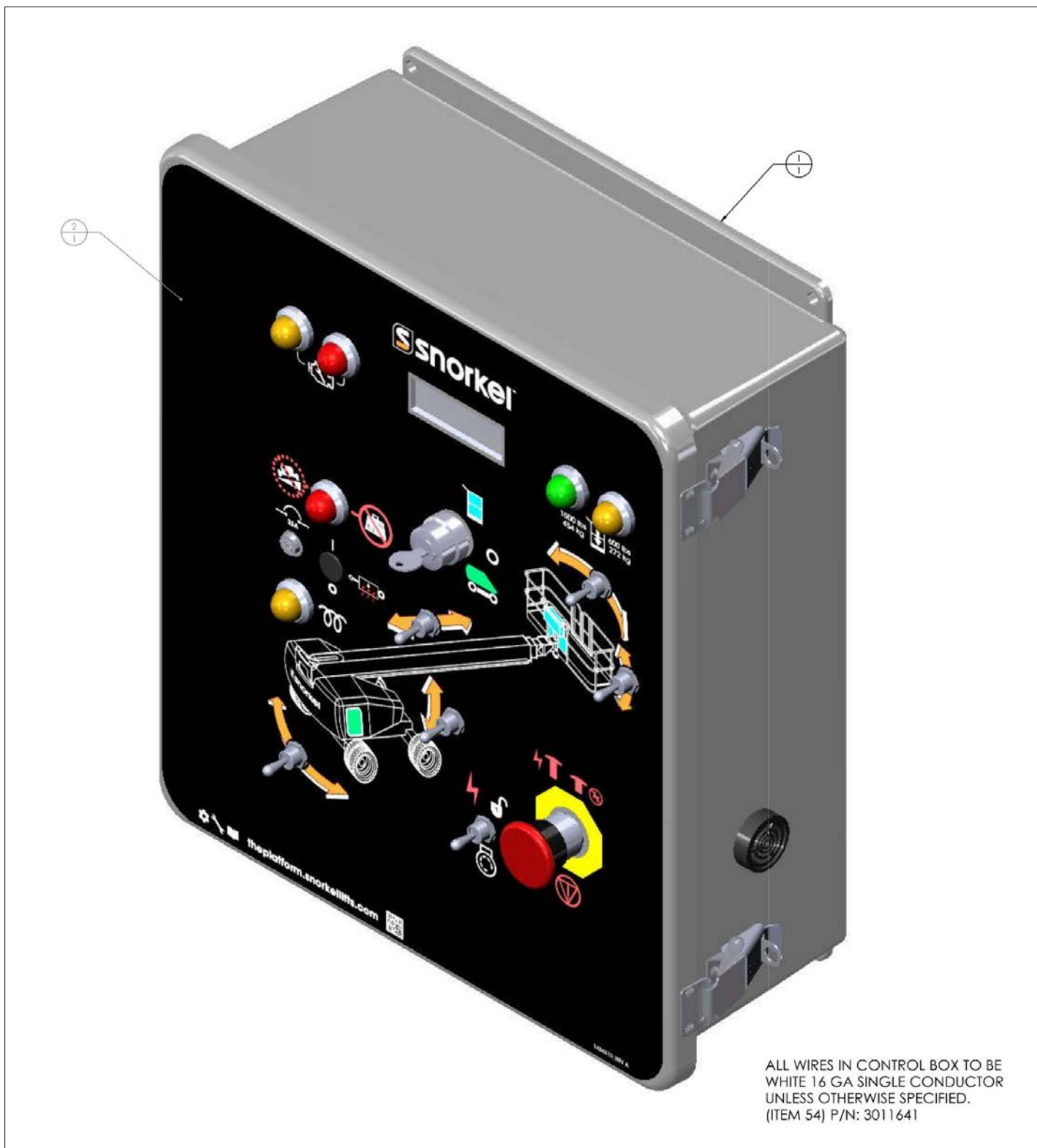


アイテム	部品番号	名前	数量	UOM
	1434095 C	GROUND CONTROL BOX ASSEMBLY DEUTZ S5 400S 600SJ		EA
1	1434094	ENCL,LWR CTRL BOX,400/600 DEUT S5	1	EA
2	1434096	DECAL,LWR CTRL BX,400/600 DEUT S5	1	EA
3	1434077	WLDMT BACKING PLT LOWER CTRL BOX DEUTZ	1	EA
4	3030181	Trionics TBM	1	EA
5	3030174	VALVE CURRENT CONTROL MODULE	1	EA
6	1433307	GP400C	1	EA
7	056069 005	Washer SteelFlatWasher DIN125A	12	EA
8	056057 025	Bolt, HexBolt DIN931 M5 x 25mm	8	EA
9	056069 004	Wshr, SteelFlatWshr M4 DIN125	16	EA
10	056066 004	NUT NYLOCK DIN985 M4 8.0 ZP	8	EA
11	058500 020	Bolt, SktCapScrew DIN912 M4 x	4	EA
12	510563 016	Bolt, SktCapScrew DIN912 M4 x	4	EA
13	015790 011	DEUTSCH 24PIN CONN DRC 12 24PA	1	EA
14	100338 001	RECPT. DEUTSCH	1	EA
15	3220365	HEYCO CORD GRIP 3210	1	EA
16	3220366	HEYCO CORD GRIP 3207	11	EA
17	3049837	CONNECTOR 12 PIN BHD	1	EA
18	3049849	LOCK WEDGE 12 PIN DEUTSCH REC	1	EA
19	3040069	CIRCUIT BREAKER 25AMP	1	EA
20	3028886	ASY KEY SW 3 POS CPTV2XNO	1	EA
*	09 1008	REPLACEMENT KEY	1	EA
21	3028810	PUSH/PULL EMERGENCY STOP	1	EA

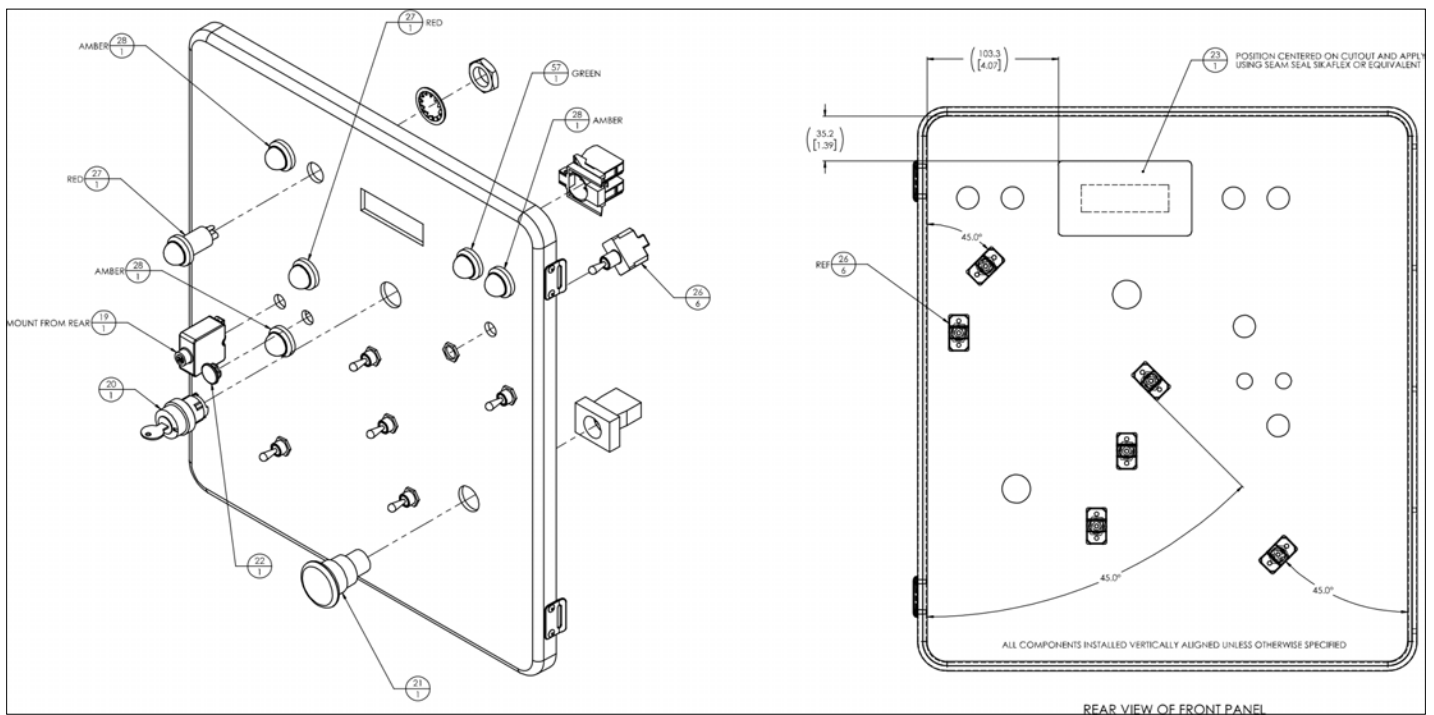
アイテム	部品番号	名前	数量	UOM
22	5563889	PLUG PLASTIC SNAP IN ID.50"BLK	1	EA
23	1431983	WINDOW, CLEAR PLEXIGLASS	1	EA
24	3087803	EZCal Panel Trionics	1	EA
25	5563760	SCS BUTN HD M5X0.8X8 ZN 10.9	4	EA
26	3020016	Switch, Toggle Honeywell INTI 7	6	EA
27	3069524	LIGHT RED LED 12V	2	EA
28	3069544	LIGHT AMBER LED 12V .69DIA MTG	4	EA
29	3040411	Alarm Buzzer	1	EA
30	1434075	BRKT,MNT,LCD DISP,LWR CTRL BX	1	EA
44	12557 018	DEUTSCH 4 PIN WEDGELOCK	1	EA
31	058492 020	Bolt HexSetScrew DIN933 M8 x 2	2	EA
32	056069 008	WASHER, STEELFLATWASHER DIN12M8 FLAT WASHER DIN 125	4	EA
33	056067 008	Nut, HexNut DIN934 M8 8.0 Zinc	2	EA
34	3020015	Switch, Toggle Honeywell INTI 6	1	EA
35	12556 009	RECEPTACLE 2 WIRE DT04 2P*****	3	EA
36	12556 016	WEDGELOCK FOR DT04 2P*****	3	EA
37	12556 011	RECEPTACLE 4 WIRE DT04 4P	4	EA
38	12556 018	WEDGELOCK FOR DT04 4P*****	4	EA
39	12554 024	DEUTSCH CONTACT PIN	58	EA
40	12554 009	RECEPTACLE 2 WIRE	1	EA
41	12554 016	WEDGELOCK FOR DTP04 2P	1	EA
42	12554 026	PIN SIZE 12 (12 14GA) DTP	2	EA
43	12557 011	DEUTSCH 4 PIN PLUG	1	EA

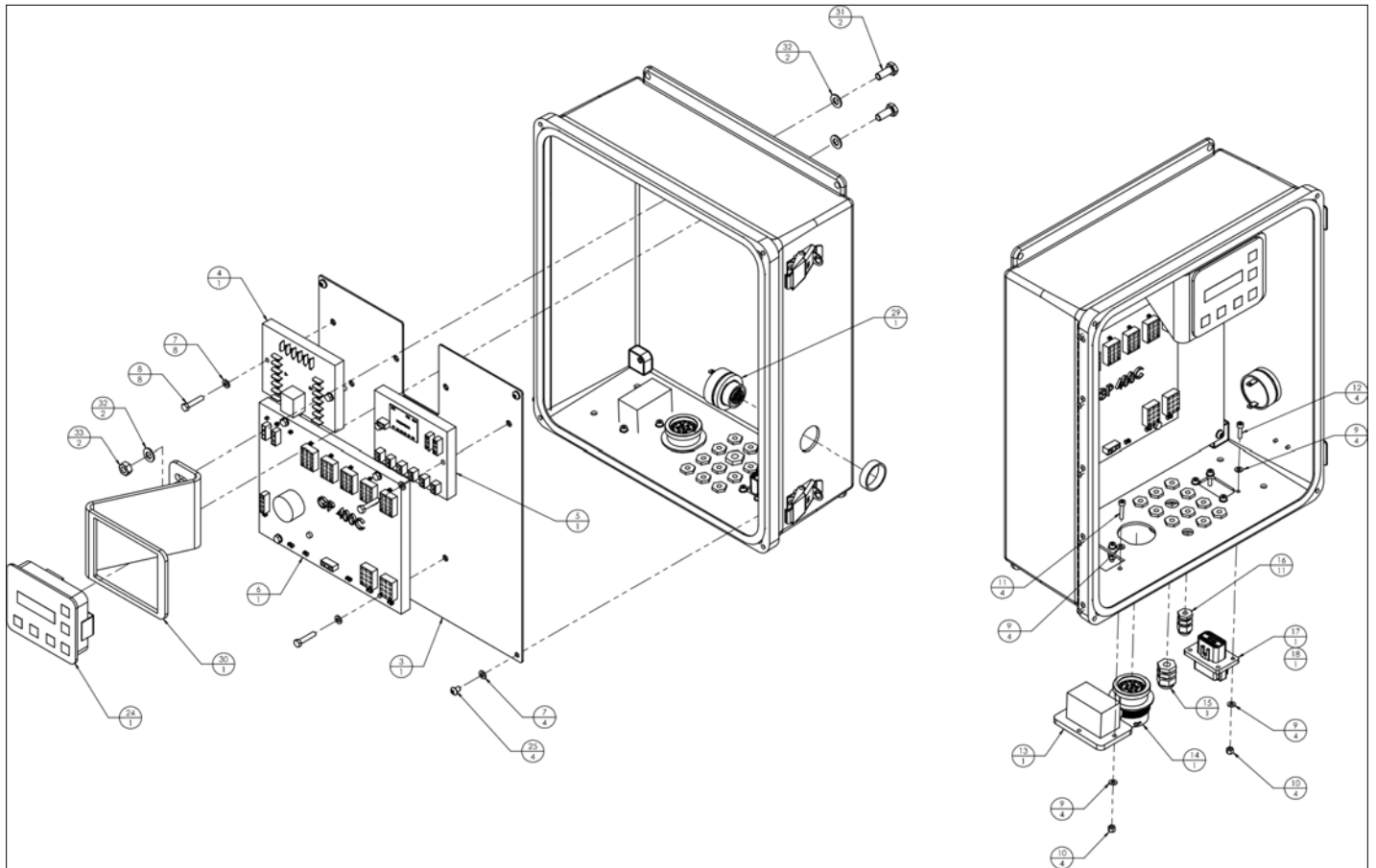
アイテム	部品番号	名前	数量	UOM
45	12555 031	DEUTSCH SOCKET #16	4	EA
46	3220181	CONN AMP 2PIN P/N:1 480698 0	5	EA
47	3220199	CONNECTOR AMP 3 PIN	4	EA
48	3220163	CONNECTOR AMP 4 PIN 1 480702 0	2	EA
49	3220024	CONNECTOR AMP 12 PIN 1 480 708	2	EA
50	3220142	CONNECTOR AMP 15 PIN PLUG	2	EA
51	3014786	WIRE 10GA SINGLE COND BLACK	A/R	EA
52	3014785	WIRE 10GA SINGLE COND RED	A/R	EA
53	3011601	WIRE 16GA SINGLE CONDUCTOR BLK	A/R	EA
Not Shown	3011641	WIRE 16GA SINGLE CONDUCTOR WHT	A/R	EA
55	3049986	AMP SOCKET CONTACT	90	EA
56	12554 035	PIN CNTCT,10AWG(#12)1060 12	3	EA
57	3069548	LIGHT, GREEN LED 12V 11/16	1	EA

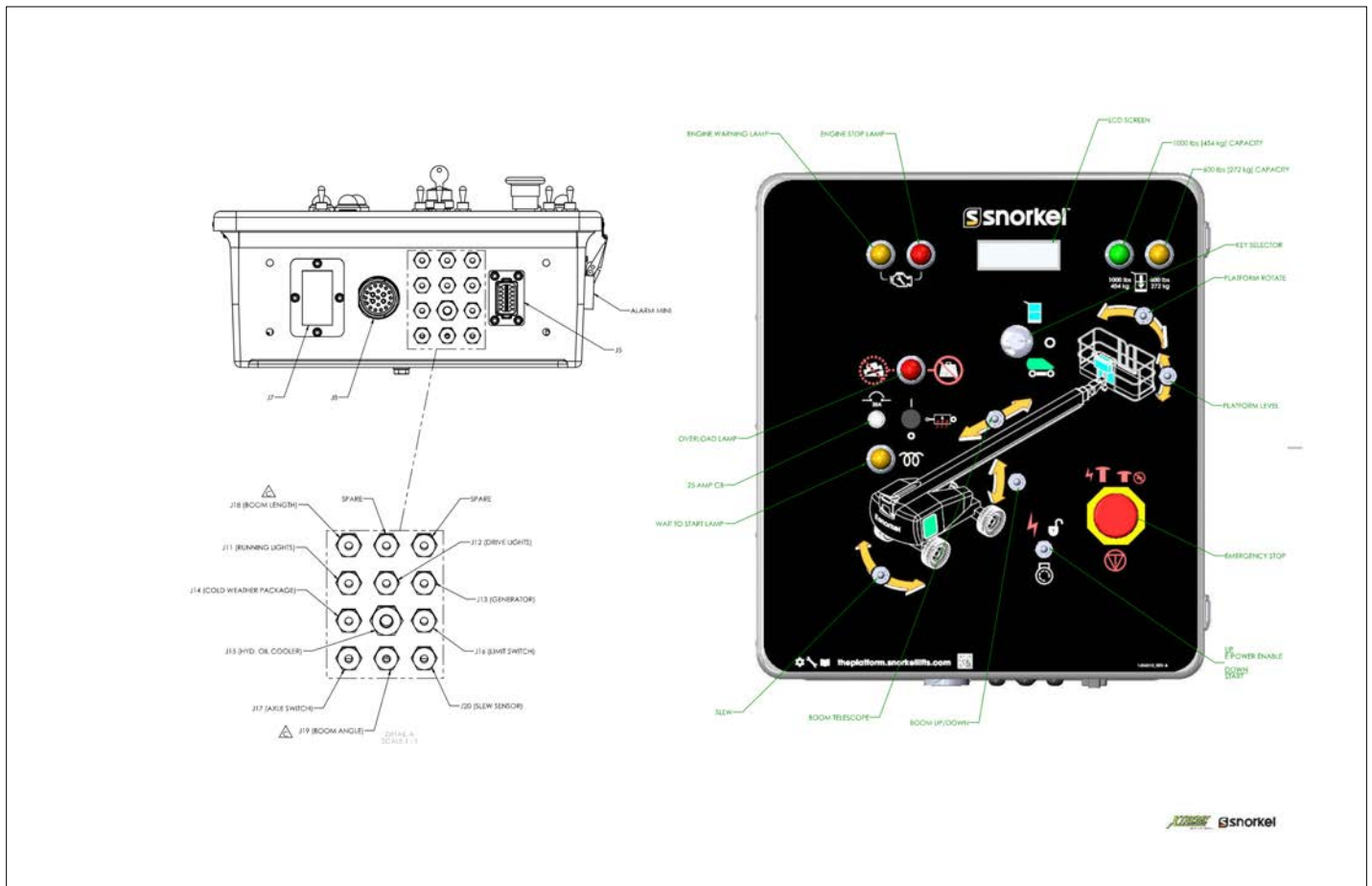
ELECTRICAL

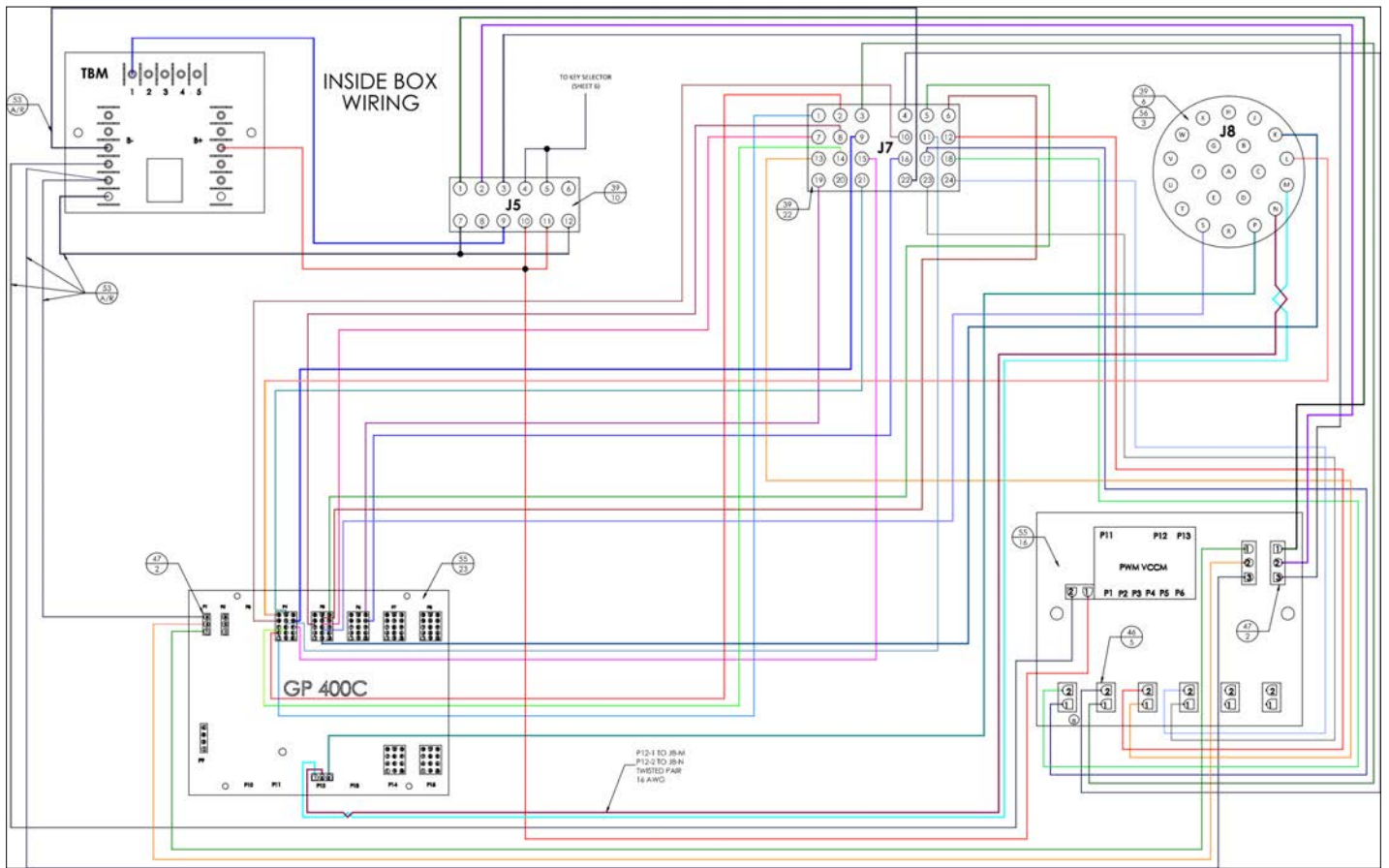


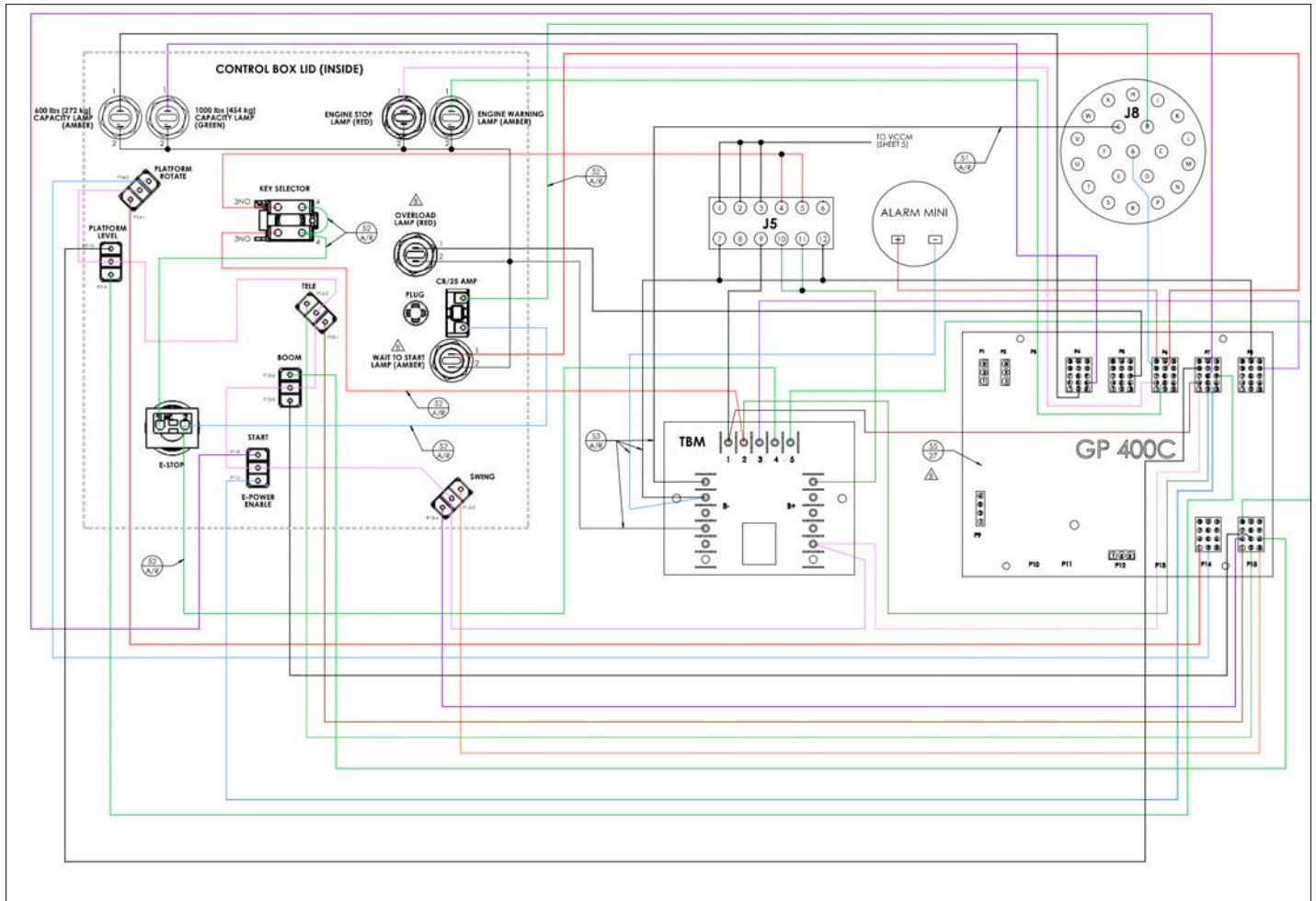
ALL WIRES IN CONTROL BOX TO BE
WHITE 16 GA SINGLE CONDUCTOR
UNLESS OTHERWISE SPECIFIED.
(ITEM 54) P/N: 3011641

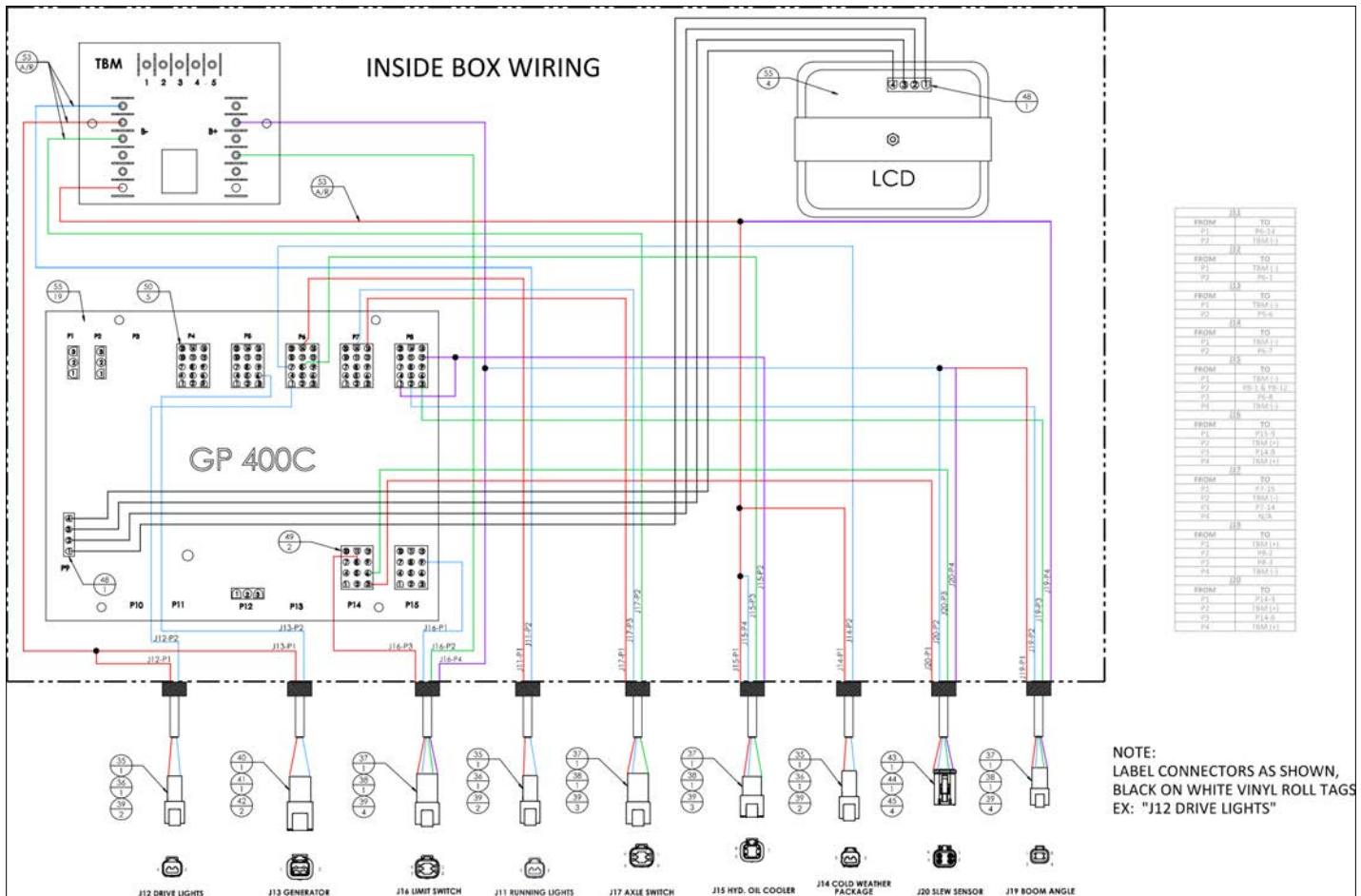










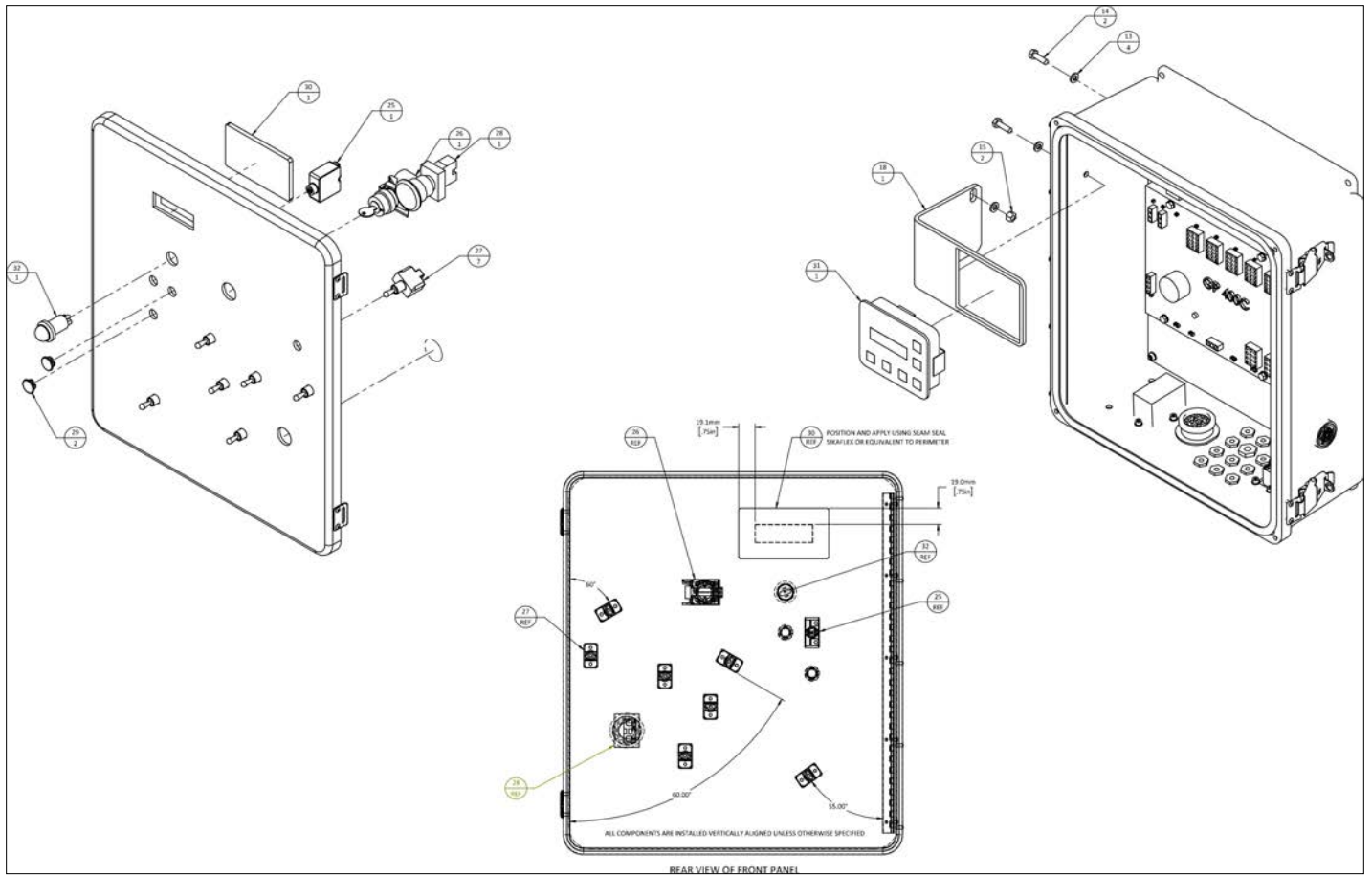


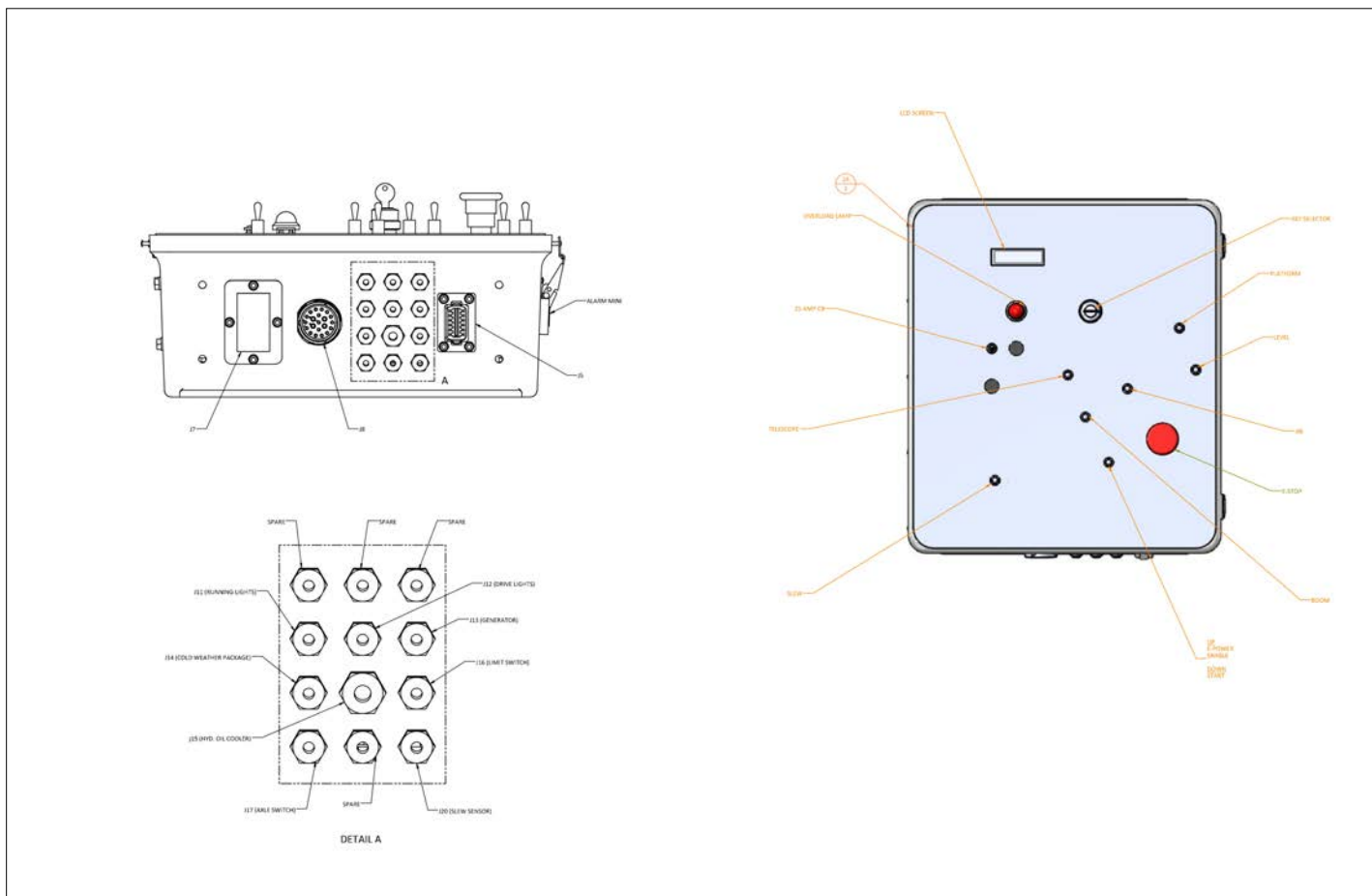
FROM	TO
J1	P1, P2
J2	TRM(L)
J3	TRM(L)
J4	TRM(L)
J5	TRM(L)
J6	TRM(L)
J7	TRM(L)
J8	TRM(L)
J9	TRM(L)
J10	TRM(L)
J11	TRM(L)
J12	TRM(L)
J13	TRM(L)
J14	TRM(L)
J15	TRM(L)
J16	TRM(L)
J17	TRM(L)
J18	TRM(L)
J19	TRM(L)
J20	TRM(L)

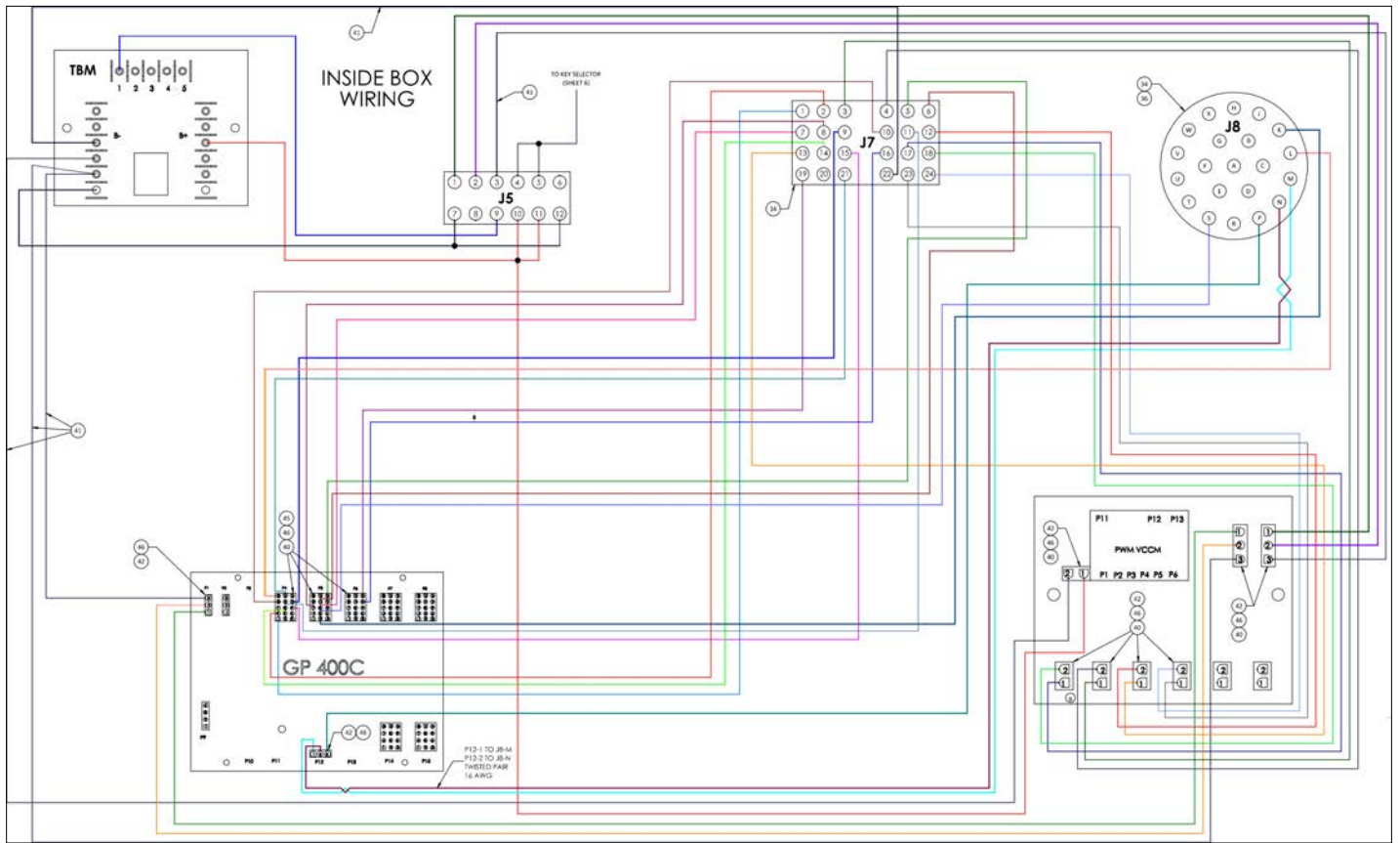
アイテム	部品番号	名前	数量	UOM
	1434127 D	LOWER CONTROL BOX ASSEMBLY DEUTZ TIER 4 400S 600S JANUARY 2020 AND BEFORE		EA
1	1434313	ENCLOSED LOWER CONTROL BOX 400/600 DEUTZ T4F	1	EA
2	1434310	DECAL LOWER CONTROL BOX 400/600 DEUTZ T4F	1	EA
3	1434077	WLDMT BACKING PLT LOWER CTRL BOX DEUTZ	1	EA
4	3030181	Trionics TBM	1	EA
5	3030174	VALVE CURRENT CONTROL MODULE	1	EA
6	1433307	GP400C	1	EA
7	056069 005	Washer SteelFlatWasher DIN125A	12	EA
8	056057 025	Bolt, HexBolt DIN931 M5 x 25mm	8	EA
9	056069 004	Wshr, SteelFlatWshr M4 DIN125	16	EA
10	056066 004	NUT NYLOCK DIN985 M4 8.0 ZP	8	EA
11	058500 020	Bolt, SktCapScrew DIN912 M4 x	4	EA
12	510563 016	Bolt, SktCapScrew DIN912 M4 x	4	EA
13	015790 011	DEUTSCH 24PIN CONN DRC 12 24PA	1	EA
14	100338 001	RECPT. DEUTSCH	1	EA
15	3220365	HEYCO CORD GRIP 3210	1	EA
16	3220366	HEYCO CORD GRIP 3207	11	EA
17	3049837	CONNECTOR 12 PIN BHD	1	EA
18	3049849	LOCK WEDGE 12 PIN DEUTSCH REC	1	EA
19	3040069	CIRCUIT BREAKER 25AMP	1	EA
20	3028886	ASY KEY SW 3 POS CPTV2XNO	1	EA
*	09 1008	REPLACEMENT KEY	1	EA
21	3028810	PUSH/PULL EMERGENCY STOP	1	EA

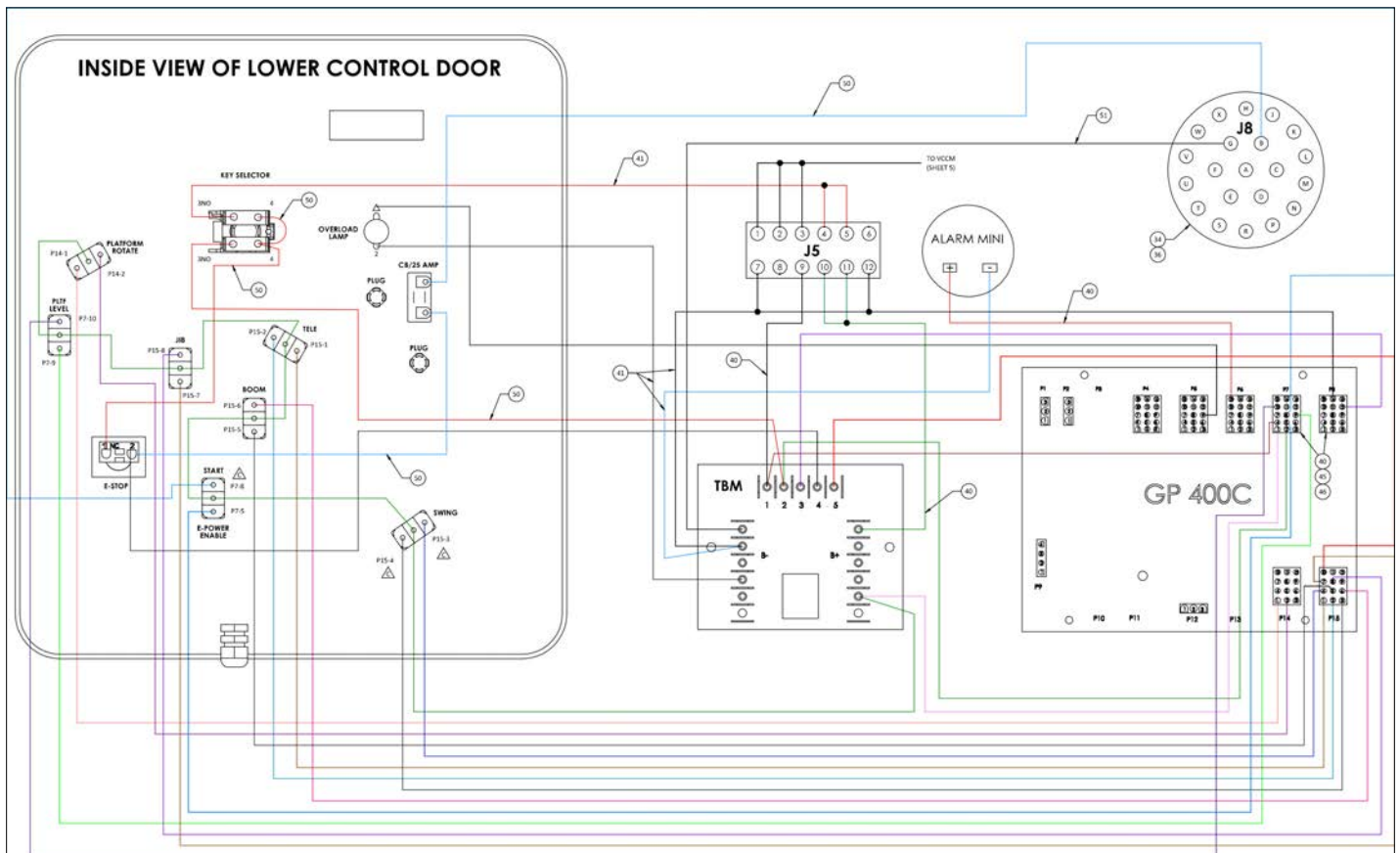
アイテム	部品番号	名前	数量	UOM
22	5563889	PLUG PLASTIC SNAP IN ID.50"BLK	1	EA
23	1431983	WINDOW, CLEAR PLEXIGLASS	1	EA
24	3087803	EZCal Panel Trionics	1	EA
25	5563760	SCS BUTN HD M5X0.8X8 ZN 10.9	4	EA
26	3020016	Switch, Toggle Honeywell INTI 7	6	EA
27	3069524	LIGHT RED LED 12V	2	EA
28	3069544	LIGHT AMBER LED 12V .69DIA MTG	3	EA
29	3040411	Alarm Buzzer	1	EA
30	1434075	BRKT,MNT,LCD DISP,LWR CTRL BX	1	EA
31	058492 020	Bolt HexSetScrew DIN933 M8 x 2	2	EA
32	056069 008	WASHER, STEELFLATWASHER DIN12M8 FLAT WASHER DIN 125	4	EA
33	056067 008	Nut, HexNut DIN934 M8 8.0 Zinc	2	EA
35	12556 009	RECEPTACLE 2 WIRE DT04 2P*****	3	EA
36	12556 016	WEDGELOCK FOR DT04 2P*****	3	EA
37	12556 011	RECEPTACLE 4 WIRE DT04 4P	4	EA
38	12556 016	WEDGELOCK FOR DT04 2P*****	4	EA
39	12554 024	DEUTSCH CONTACT PIN	64	EA
40	12554 009	RECEPTACLE 2 WIRE	1	EA
41	12554 016	WEDGELOCK FOR DTP04 2P	1	EA
42	12554 026	PIN SIZE 12 (12 14GA) DTP	2	EA
43	12557 011	DEUTSCH 4 PIN PLUG	2	EA
44	12557 018	DEUTSCH 4 PIN WEDGELOCK	2	EA
45	12555 031	DEUTSCH SOCKET #16	8	EA

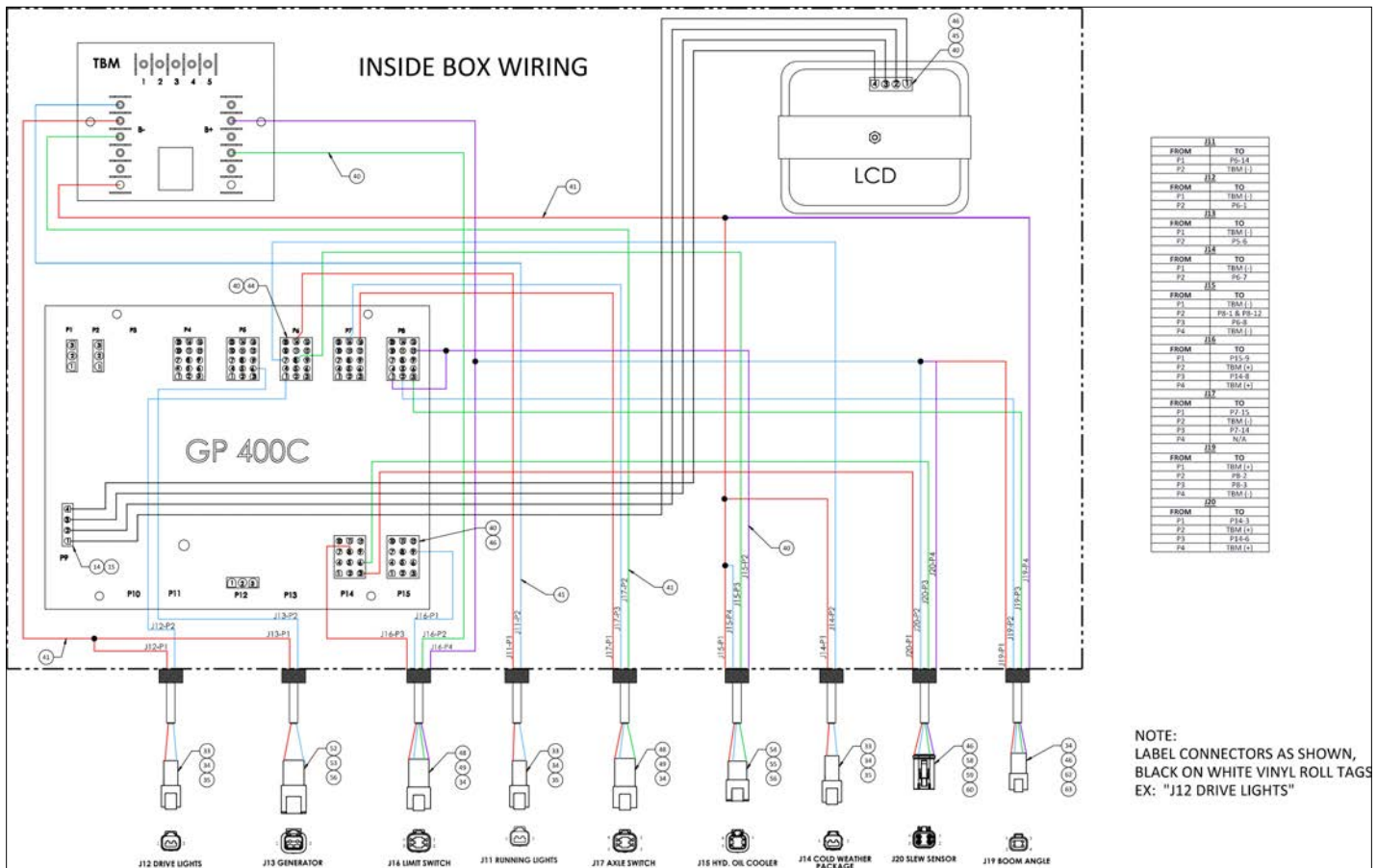
アイテム	部品番号	名前	数量	UOM
46	3220181	CONN AMP 2PIN P/N:1 480698 0	5	EA
47	3220199	CONNECTOR AMP 3 PIN	4	EA
48	3220163	CONNECTOR AMP 4 PIN 1 480702 0	2	EA
49	3220024	CONNECTOR AMP 12 PIN 1 480 708	2	EA
50	3220142	CONNECTOR AMP 15 PIN PLUG	5	EA
51	3014786	WIRE 10GA SINGLE COND BLACK	A/R	EA
52	3014785	WIRE 10GA SINGLE COND RED	A/R	EA
53	3011601	WIRE 16GA SINGLE CONDUCTOR BLK	A/R	EA
Not Shown	3011641	WIRE 16GA SINGLE CONDUCTOR WHT	A/R	EA
55	3049986	AMP SOCKET CONTACT	96	EA
56	12554 035	PIN CNTCT,10AWG(#12)1060 12	3	EA
57	3069548	LIGHT, GREEN LED 12V 11/16	1	EA











アイテム	部品番号	名前	数量	UOM
	1433408 C	LOWER CONTROL BOX ASSEMBLY DEUTZ 460SJ JANUARY 2020 AND BEFORE		EA
1	1433475	ENCL, LWR CTRL BOX DEUTZ 460SJ	1	EA
2	1430787	BACKING PLATE	1	EA
3	3030181	Trionics TBM	1	EA
4	3030174	VALVE CURRENT CONTROL MODULE	1	EA
5	1433307	GP400C	1	EA
6	056069 005	Washer SteelFlatWasher DIN125A	20	EA
7	056057 025	Bolt, HexBolt DIN931 M5 x 25mm	8	EA
8	056064 005	Nut, NylockNut DIN985 M5 10.0	8	EA
9	5563760	SCS BUTN HD M5X0.8X8 ZN 10.9	4	EA
10	056069 004	Wshr, SteelFlatWshr M4 DIN125	16	EA
12	056066 004	NUT NYLOCK DIN985 M4 8.0 ZP	8	EA
13	056069 006	WSHR STEELFLATWSHE M6 DIN125A	4	EA
11	058500 020	Bolt, SktCapScrew DIN912 M4 x	4	EA
14	056058 020	Bolt, HexBolt DIN931 M6 x 20mm	2	EA
15	056064 006	NUT NYLOCK DIN985 M6 10.0 ZP	2	EA
16	510563 016	Bolt, SktCapScrew DIN912 M4 x	4	EA
17	3040411	Alarm Buzzer	1	EA
18	1433487	BRKT, LCD SCREEN, LWR CNTRL BX	1	EA
19	015790 011	DEUTSCH 24PIN CONN DRC 12 24PA	1	EA
20	100338 001	RECPT. DEUTSCH	1	EA
21	3220366	HEYCO CORD GRIP 3207	11	EA
22	3220365	HEYCO CORD GRIP 3210	1	EA

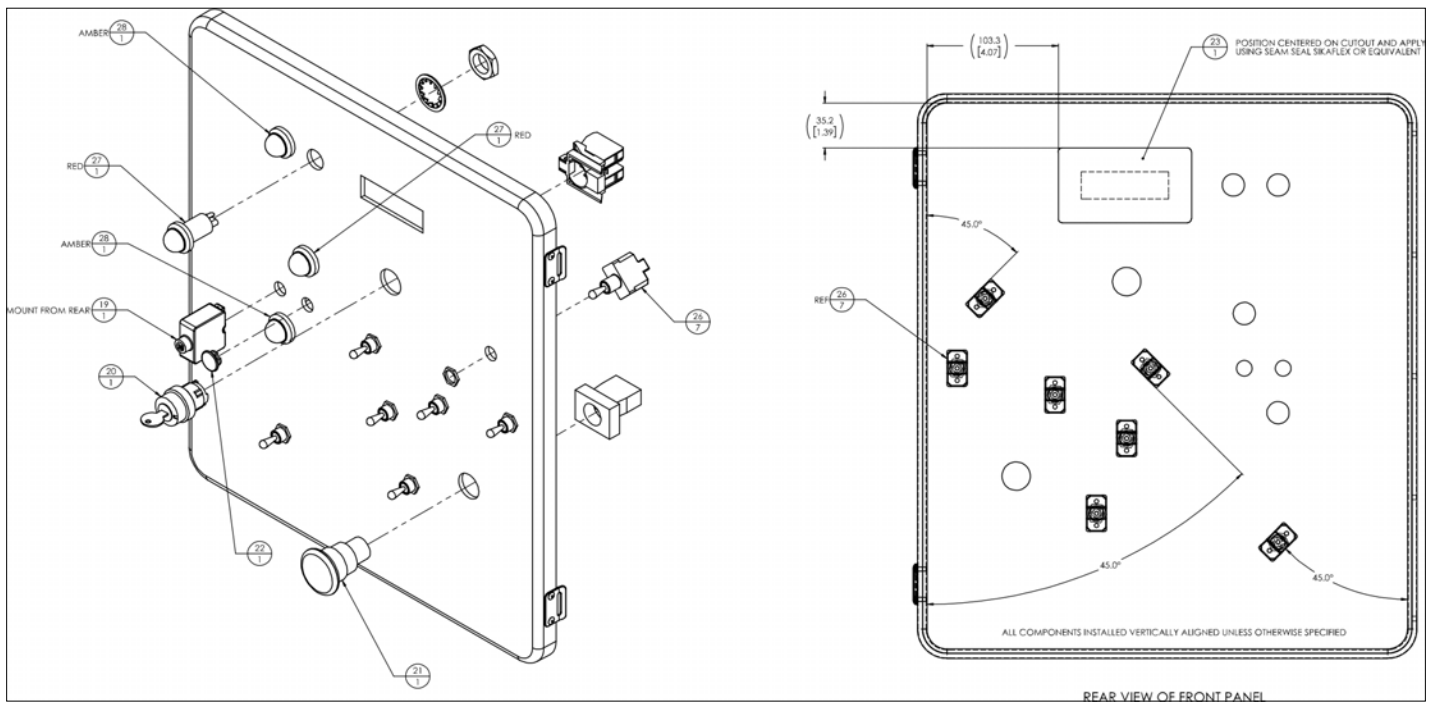
アイテム	部品番号	名前	数量	UOM
23	3049837	CONNECTOR 12 PIN BHD	1	EA
24	1433489	DECAL, LWR CTRL BOX DEUTZ 460S	1	EA
25	3040069	CIRCUIT BREAKER 25AMP	1	EA
26	3028886	ASY KEY SW 3 POS CPTV2XNO	1	EA
*	09 1008	REPLACEMENT KEY	1	EA
27	3020016	Switch, Toggle Honeywell INTI 7	7	EA
28	3028810	PUSH/PULL EMERGENCY STOP	1	EA
29	5563889	PLUG PLASTIC SNAP IN ID.50"BLK	2	EA
30	1431983	WINDOW, CLEAR PLEXIGLASS	1	EA
31	3087803	EZCal Panel Trionics	1	EA
32	3069524	LIGHT RED LED 12V	1	EA
33	3028879	CNCTR 2WAY PLUG GREY DT04 2P	3	EA
34	3040341	PIN CONTACT SIZE 16 16/18 GA	46	EA
35	3049808	LOCK WEDGE 2 PIN DEUTSCH RECEP	2	EA
36	3040650	SOCKET CONTACT 12 DEUTSCH DEU	3	EA
37	3011201	WIRE 12GA RED SINGLE CONDUCTOR	1	EA
38	3011251	WIRE 12GA SINGLE CONDUCTOR BLK	1	EA
39	3040700	LOCK WEDGE 8 PIN REC	1	EA
40	3011641	WIRE 16GA SINGLE CONDUCTOR WHT	1	EA
41	3011601	WIRE 16GA SINGLE CONDUCTOR BLK	1	EA
42	3220199	CONNECTOR AMP 3 PIN	3	EA
43	3220181	CONN AMP 2PIN P/N:1 480698 0	5	EA

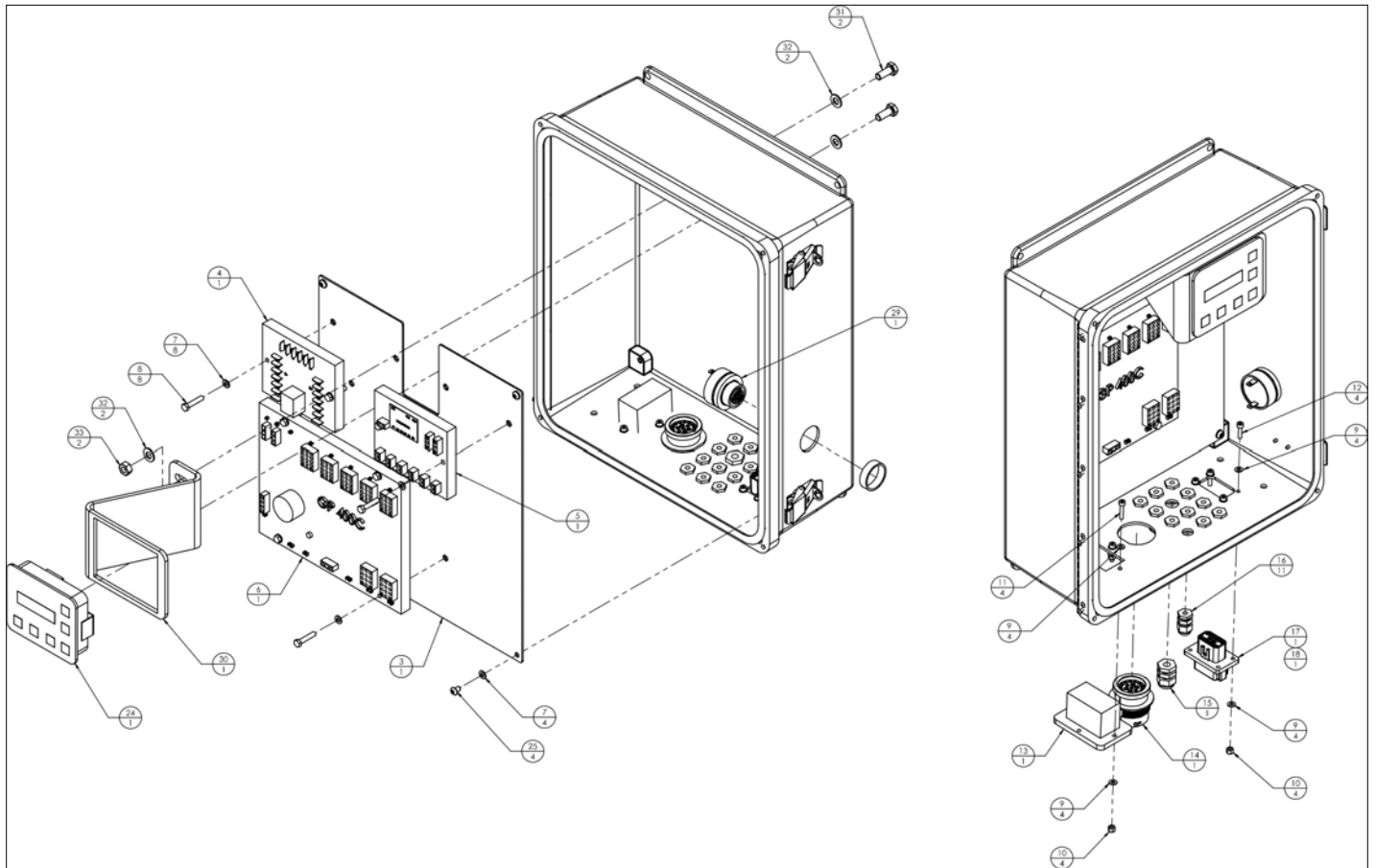
アイテム	部品番号	名前	数量	UOM
44	3220024	CONNECTOR AMP 12 PIN 1 480 708	2	EA
45	3220142	CONNECTOR AMP 15 PIN PLUG	5	EA
46	3049986	AMP SOCKET CONTACT	77	EA
47	3220163	CONNECTOR AMP 4 PIN 1 480702 0	2	EA
48	3028875	CNCTR 4WAY PLUG GREY DT04 4P	2	EA
49	3028884	LOCK WEDGE 4 PIN DEUTSCH W4 P	2	EA
50	3014785	WIRE 10GA SINGLE COND RED	1	EA
51	3014786	WIRE 10GA SINGLE COND BLACK	1	EA
52	12554 009	RECEPTACLE 2 WIRE	1	EA
53	12554 016	WEDGELOCK FOR DTP04 2P	1	EA
54	12554 008	CONNECTOR DEUTSCH DTP04 4P	1	EA
55	12554 018	WEDGELOCK FOR DTP04 4P	1	EA
56	12554 026	PIN SIZE 12 (12 14GA) DTP	6	EA
57	3220365	HEYCO CORD GRIP 3210	1	EA
58	3049890	LOCK WEDGE 4 PIN	1	EA
59	3049888	CONNECTOR 4 PIN	1	EA
60	3040342	SOCKET CONTACT SIZE 16 16/18GA	1	EA
61	3049849	LOCK WEDGE 12 PIN DEUTSCH REC	1	EA
62	3049889	CONNECTOR 4 PIN	1	EA
63	3049891	LOCKWEDGE 4 PIN	1	EA

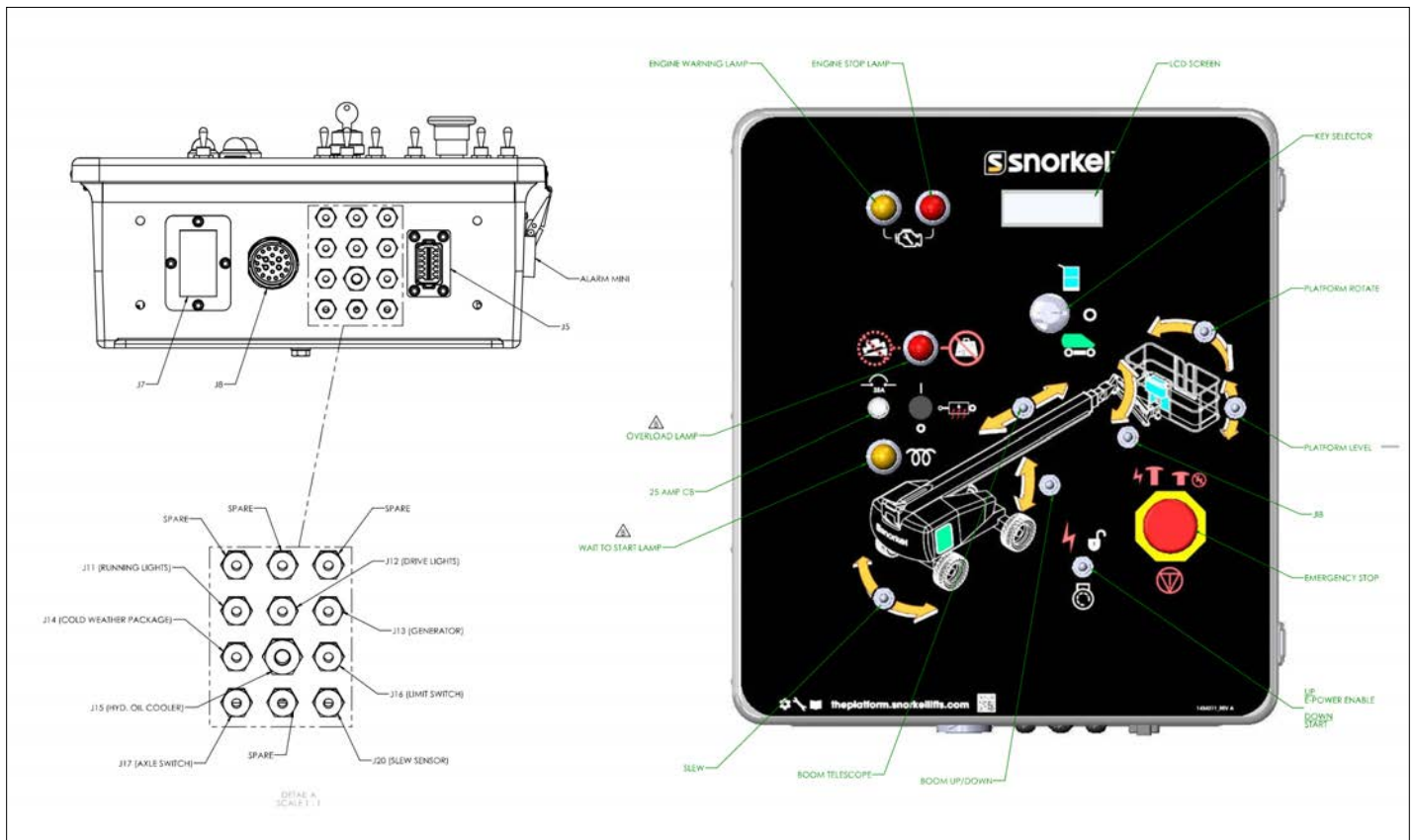
ELECTRICAL

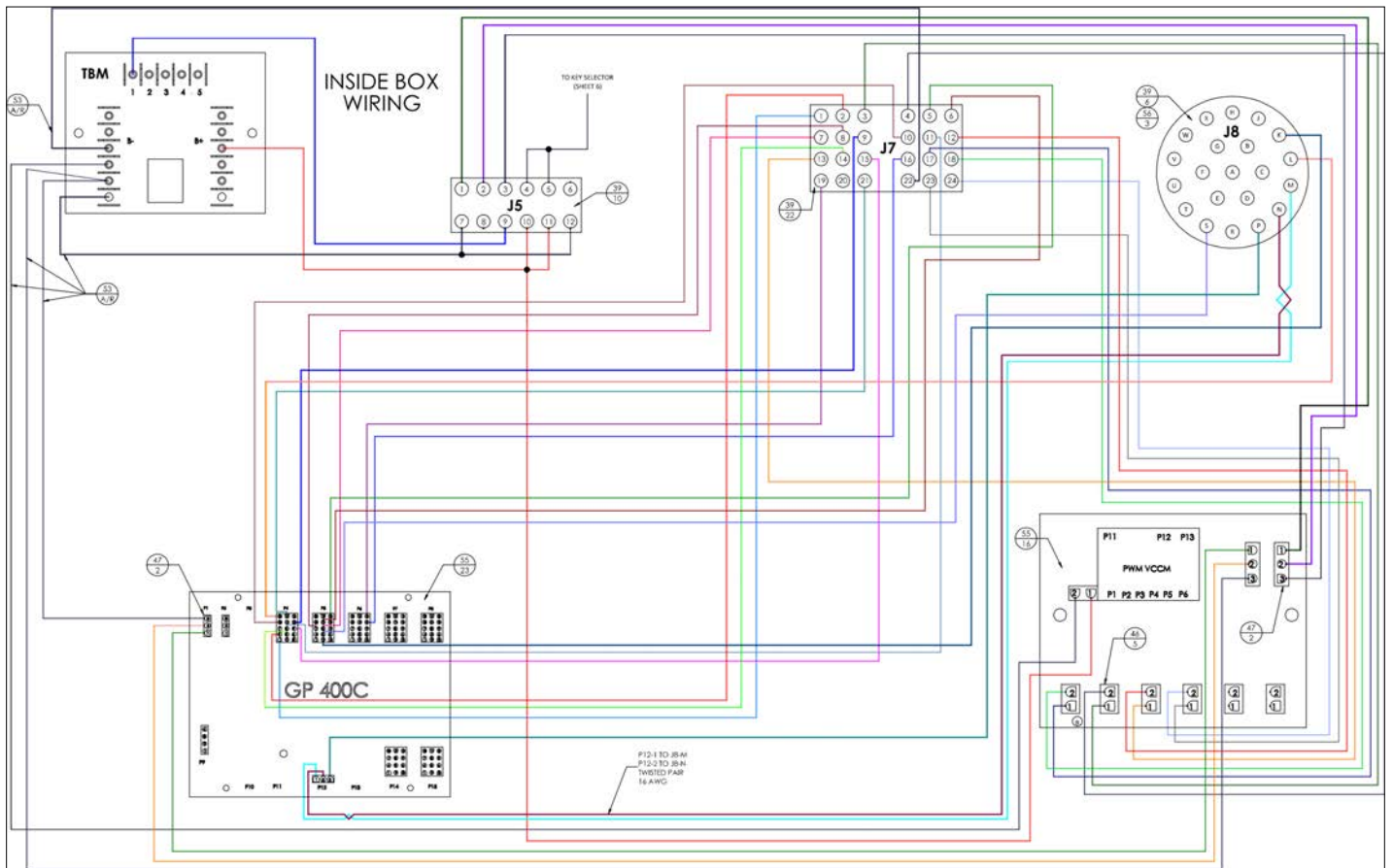


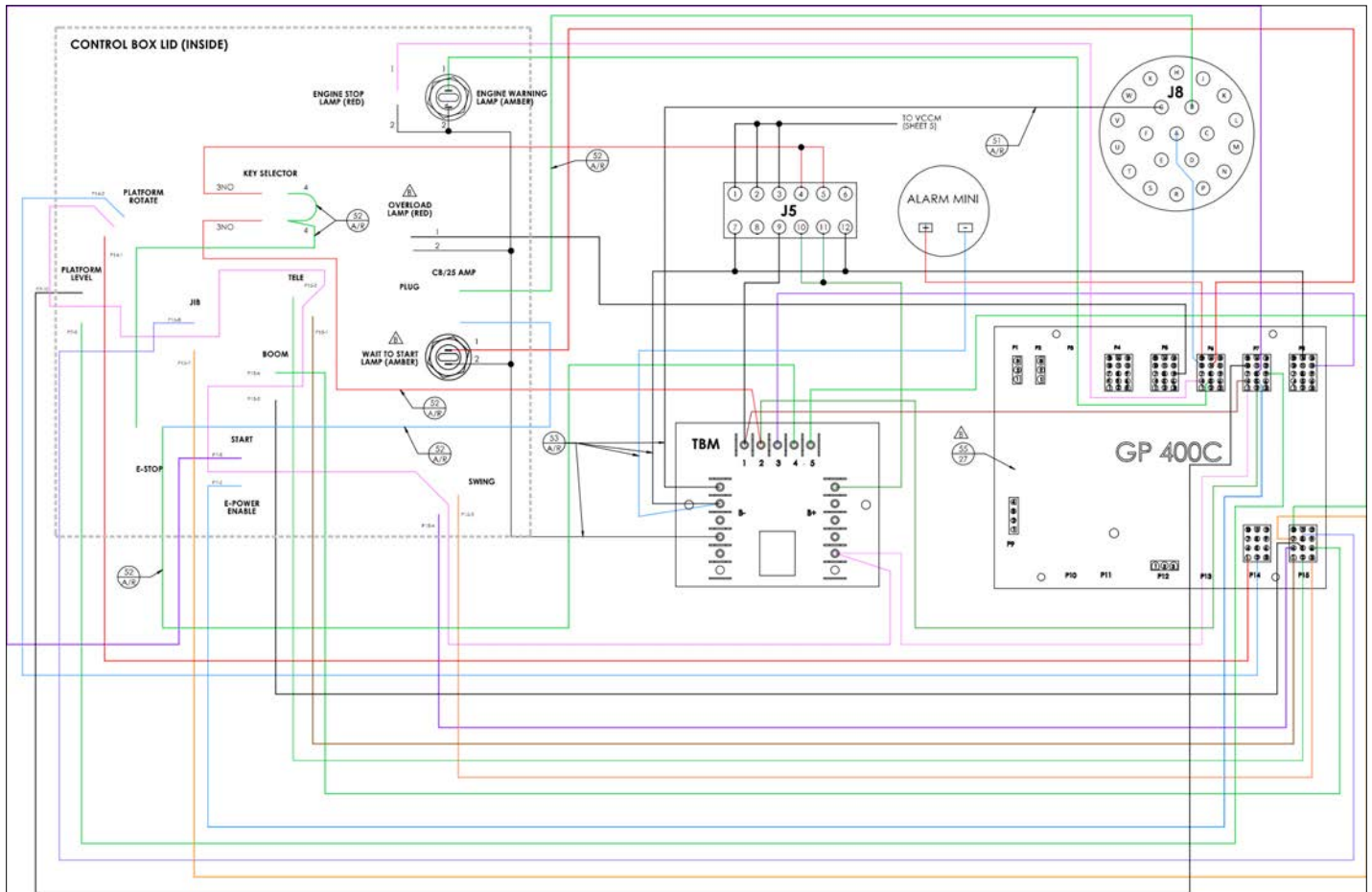
ALL WIRES IN CONTROL BOX TO BE WHITE 16 GA SINGLE CONDUCTOR UNLESS OTHERWISE SPECIFIED. (ITEM 51) P/N: 3011641

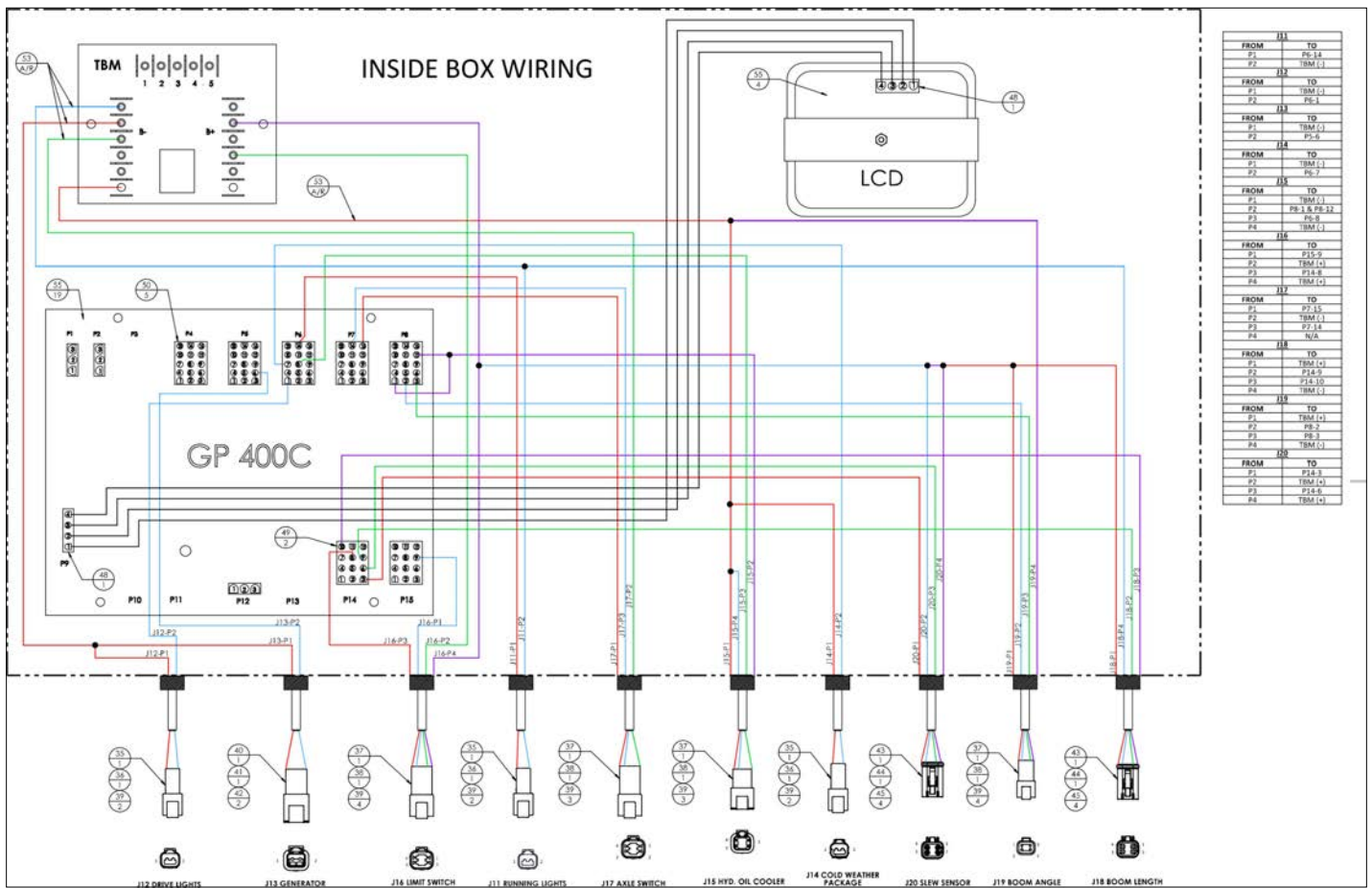












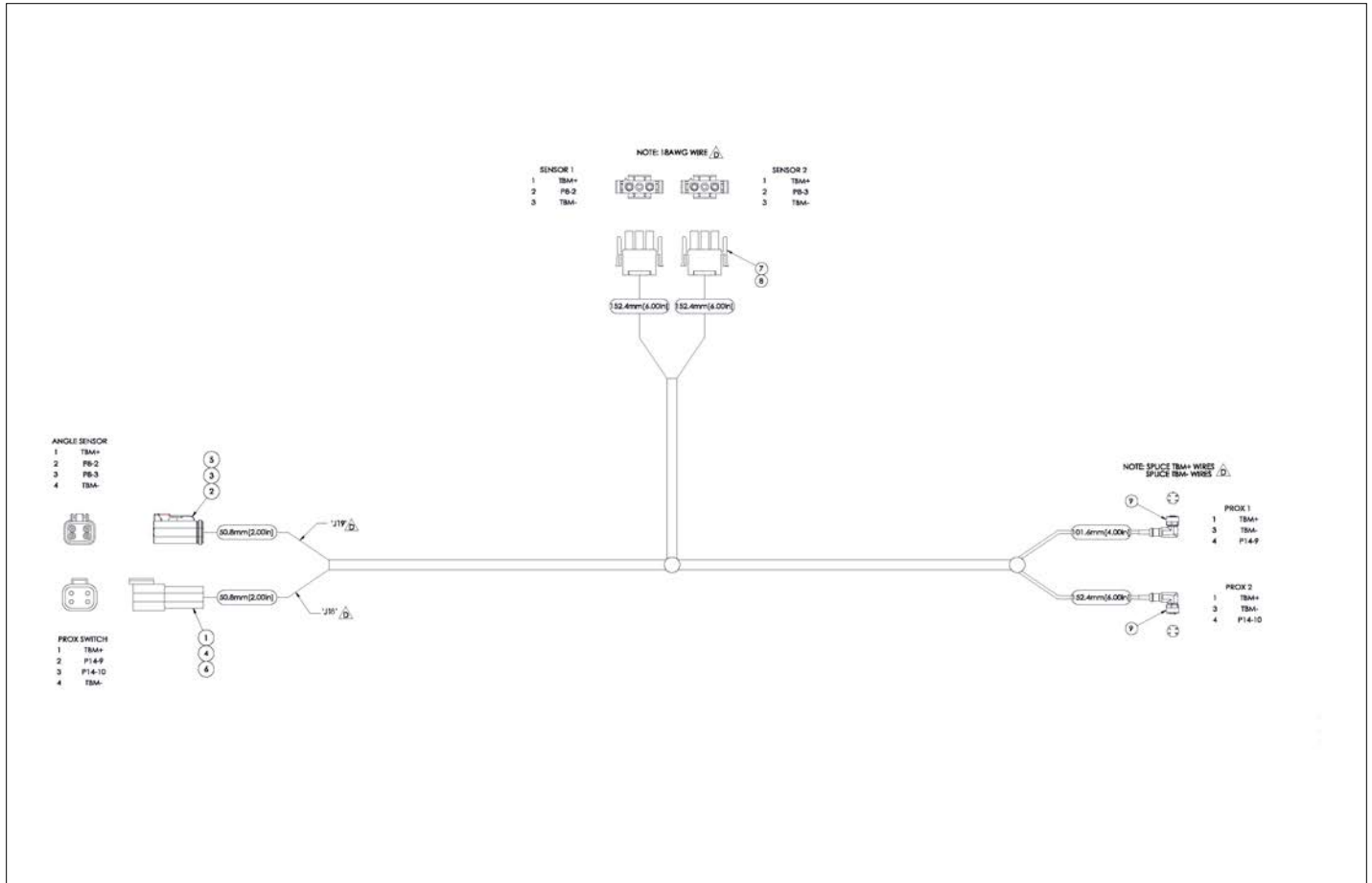
FROM	J11	TO
P1	PS-14	
P2	TBM(-)	
FROM	J12	TO
P1	TBM(-)	
P2	PS-1	
FROM	J13	TO
P1	TBM(-)	
P2	PS-9	
FROM	J14	TO
P1	TBM(-)	
P2	PS-7	
FROM	J15	TO
P1	TBM(-)	
P2	PS-1 & PS-12	
P3	PS-8	
P4	TBM(-)	
FROM	J16	TO
P1	P15-9	
P2	TBM(-)	
P3	P14-8	
P4	TBM(-)	
FROM	J17	TO
P1	P7-15	
P2	TBM(-)	
P3	P7-14	
P4	N/A	
FROM	J18	TO
P1	TBM(-)	
P2	P14-9	
P3	P14-10	
P4	TBM(-)	
FROM	J19	TO
P1	TBM(-)	
P2	PS-3	
P3	TBM(-)	
FROM	J20	TO
P1	P14-3	
P2	TBM(-)	
P3	P15-5	
P4	TBM(-)	

アイテム	部品番号	名前	数量	UOM
	1434128 E	LOWER CONTROL BOX ASSEMBLY DEUTZ TIER 4 460SJ 660SJ FEBURARY 2020 AND AFTER		EA
1	1434314	ENCLOSURE, LOWER CONTROL BOX 460/660 DEUTZ T4F	1	EA
2	1434311	DECAL, LOWER CONTROL BOX 460/660 DEUTZ T4F	1	EA
3	1434077	WLDMT BACKING PLT LOWER CTRL BOX DEUTZ	1	EA
4	3030181	Trionics TBM	1	EA
5	3030174	VALVE CURRENT CONTROL MODULE	1	EA
6	1433307	GP400C	1	EA
7	056069 005	Washer SteelFlatWasher DIN125A	12	EA
8	056057 025	Bolt, HexBolt DIN931 M5 x 25mm	8	EA
9	056069 004	Wshr, SteelFlatWshr M4 DIN125	16	EA
10	056066 004	NUT NYLOCK DIN985 M4 8.0 ZP	8	EA
11	058500 020	Bolt, SktCapScrew DIN912 M4 x	4	EA
12	510563 016	Bolt, SktCapScrew DIN912 M4 x	4	EA
13	015790 011	DEUTSCH 24PIN CONN DRC 12 24PA	1	EA
14	100338 001	RECPT. DEUTSCH	1	EA
15	3220365	HEYCO CORD GRIP 3210	1	EA
16	3220366	HEYCO CORD GRIP 3207	11	EA
17	3049837	CONNECTOR 12 PIN BHD	1	EA
18	3049849	LOCK WEDGE 12 PIN DEUTSCH REC	1	EA
19	3040069	CIRCUIT BREAKER 25AMP	1	EA
20	3028886	ASY KEY SW 3 POS CPTV2XNO	1	EA
*	09 1008	REPLACEMENT KEY	1	EA
21	3028810	PUSH/PULL EMERGENCY STOP	1	EA

アイテム	部品番号	名前	数量	UOM
22	5563889	PLUG PLASTIC SNAP IN ID.50"BLK	1	EA
23	1431983	WINDOW, CLEAR PLEXIGLASS	1	EA
24	3087803	EZCal Panel Trionics	1	EA
25	5563760	SCS BUTN HD M5X0.8X8 ZN 10.9	4	EA
26	3020016	Switch, Toggle Honeywell INTI 7	7	EA
27	3069524	LIGHT RED LED 12V	2	EA
28	3069544	LIGHT AMBER LED 12V .69DIA MTG	2	EA
29	3040411	Alarm Buzzer	1	EA
30	1434075	BRKT,MNT,LCD DISP,LWR CTRL BX	1	EA
31	058492 020	Bolt HexSetScrew DIN933 M8 x 2	2	EA
32	056069 008	WASHER, STEELFLATWASHER DIN12M8 FLAT WASHER DIN 125	4	EA
33	056067 008	Nut, HexNut DIN934 M8 8.0 Zinc	2	EA
35	12556 009	RECEPTACLE 2 WIRE DT04 2P*****	3	EA
36	12556 016	WEDGELOCK FOR DT04 2P*****	3	EA
37	12556 011	RECEPTACLE 4 WIRE DT04 4P	4	EA
38	12556 018	WEDGELOCK FOR DT04 4P*****	4	EA
39	12554 024	DEUTSCH CONTACT PIN	A/R	EA
40	12554 009	RECEPTACLE 2 WIRE	1	EA
41	12554 016	WEDGELOCK FOR DTP04 2P	1	EA
42	12554 026	PIN SIZE 12 (12 14GA) DTP	2	EA
43	12557 011	DEUTSCH 4 PIN PLUG	1	EA
44	12557 018	DEUTSCH 4 PIN WEDGELOCK	1	EA
45	12555 031	DEUTSCH SOCKET #16	4	EA

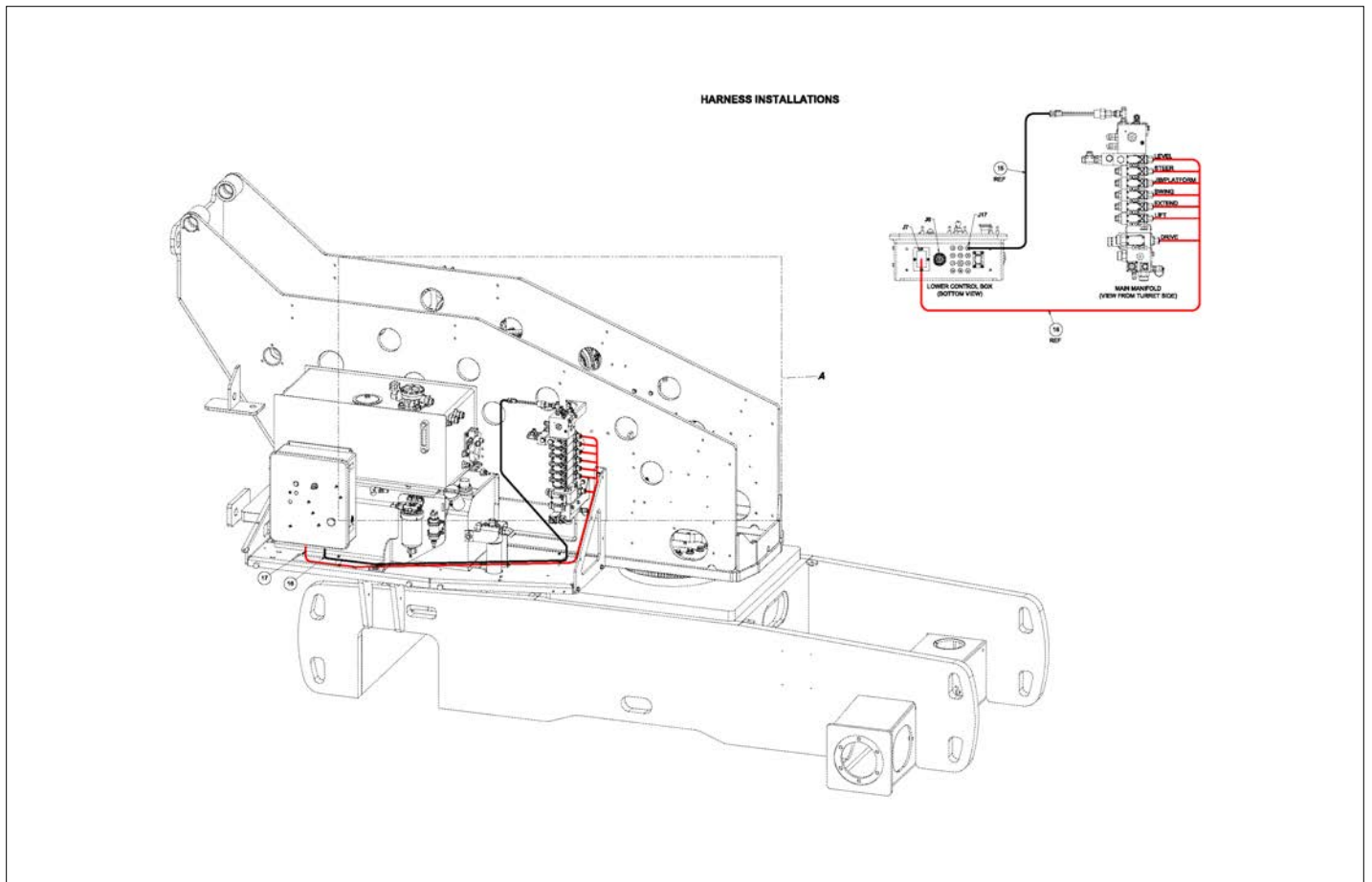
アイテム	部品番号	名前	数量	UOM
46	3220181	CONN AMP 2PIN P/N:1 480698 0	5	EA
47	3220199	CONNECTOR AMP 3 PIN	4	EA
48	3220163	CONNECTOR AMP 4 PIN 1 480702 0	2	EA
49	3220024	CONNECTOR AMP 12 PIN 1 480 708	2	EA
50	3220142	CONNECTOR AMP 15 PIN PLUG	5	EA
51	3014786	WIRE 10GA SINGLE COND BLACK	A/R	EA
52	3014785	WIRE 10GA SINGLE COND RED	A/R	EA
53	3011601	WIRE 16GA SINGLE CONDUCTOR BLK	A/R	EA
54	3011641	WIRE 16GA SINGLE CONDUCTOR WHT	A/R	EA
55	3049986	AMP SOCKET CONTACT	89	EA
56	12554 035	PIN CNTCT,10AWG(#12)1060 12	3	EA

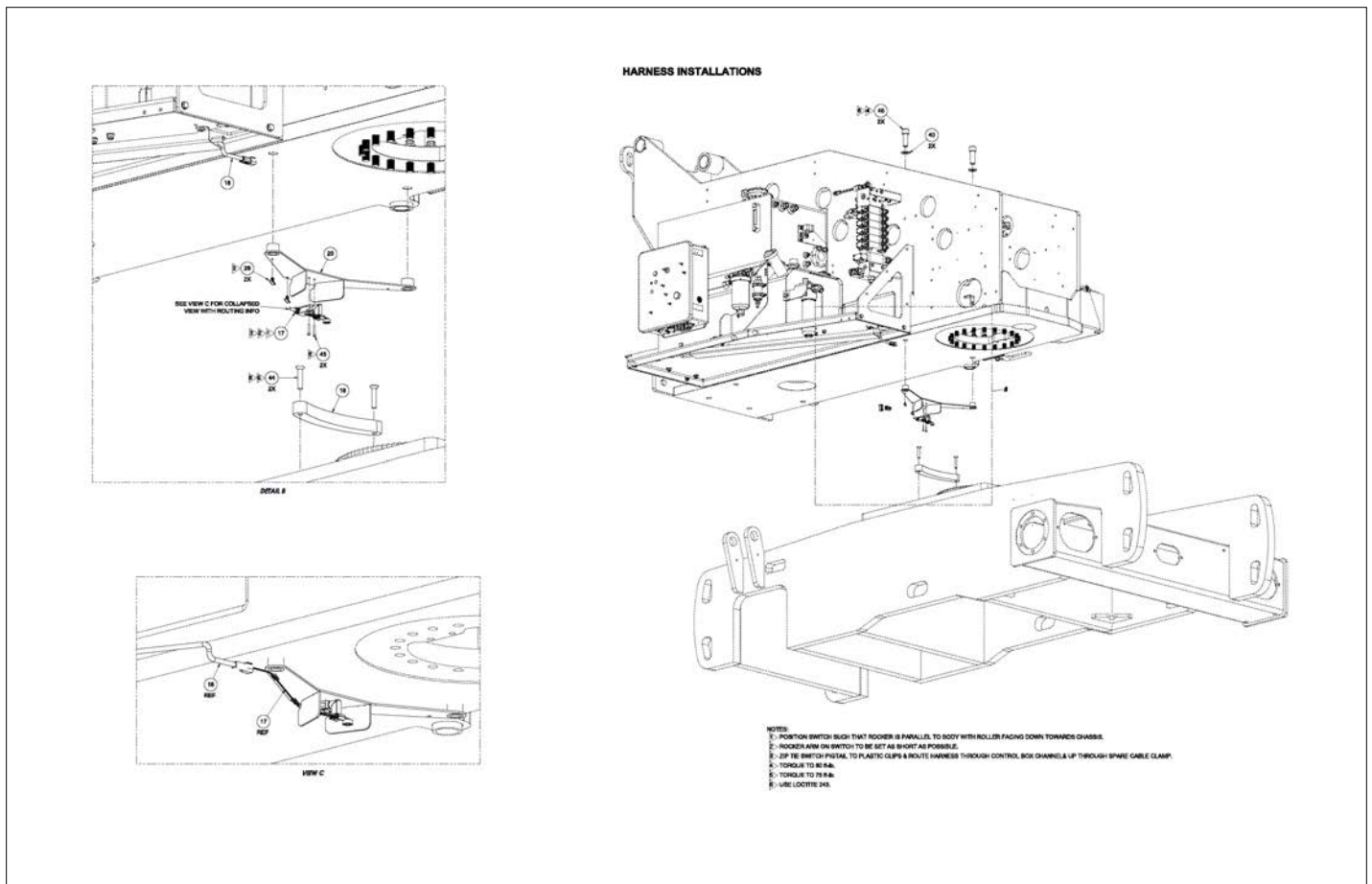
ELECTRICAL

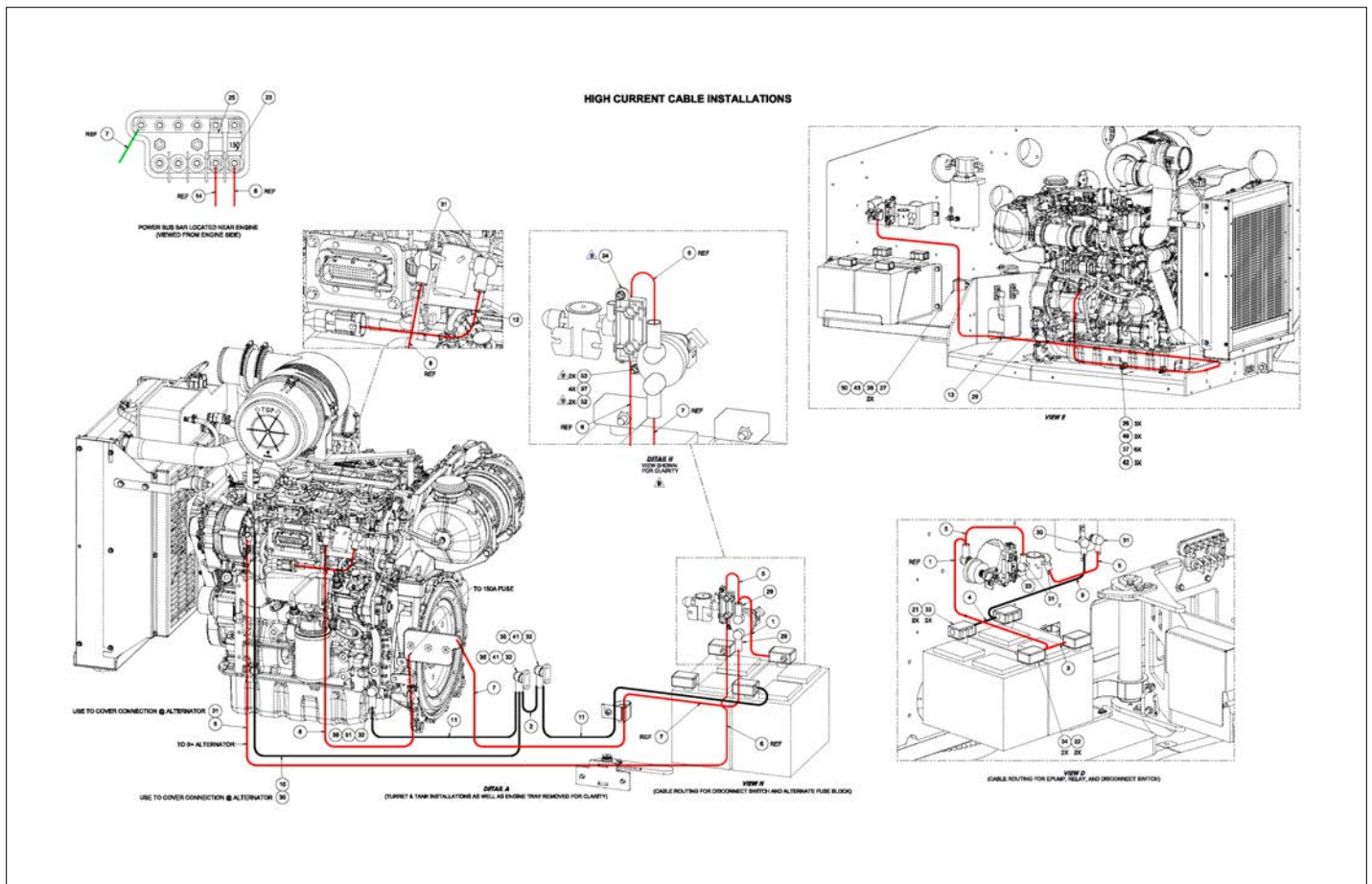


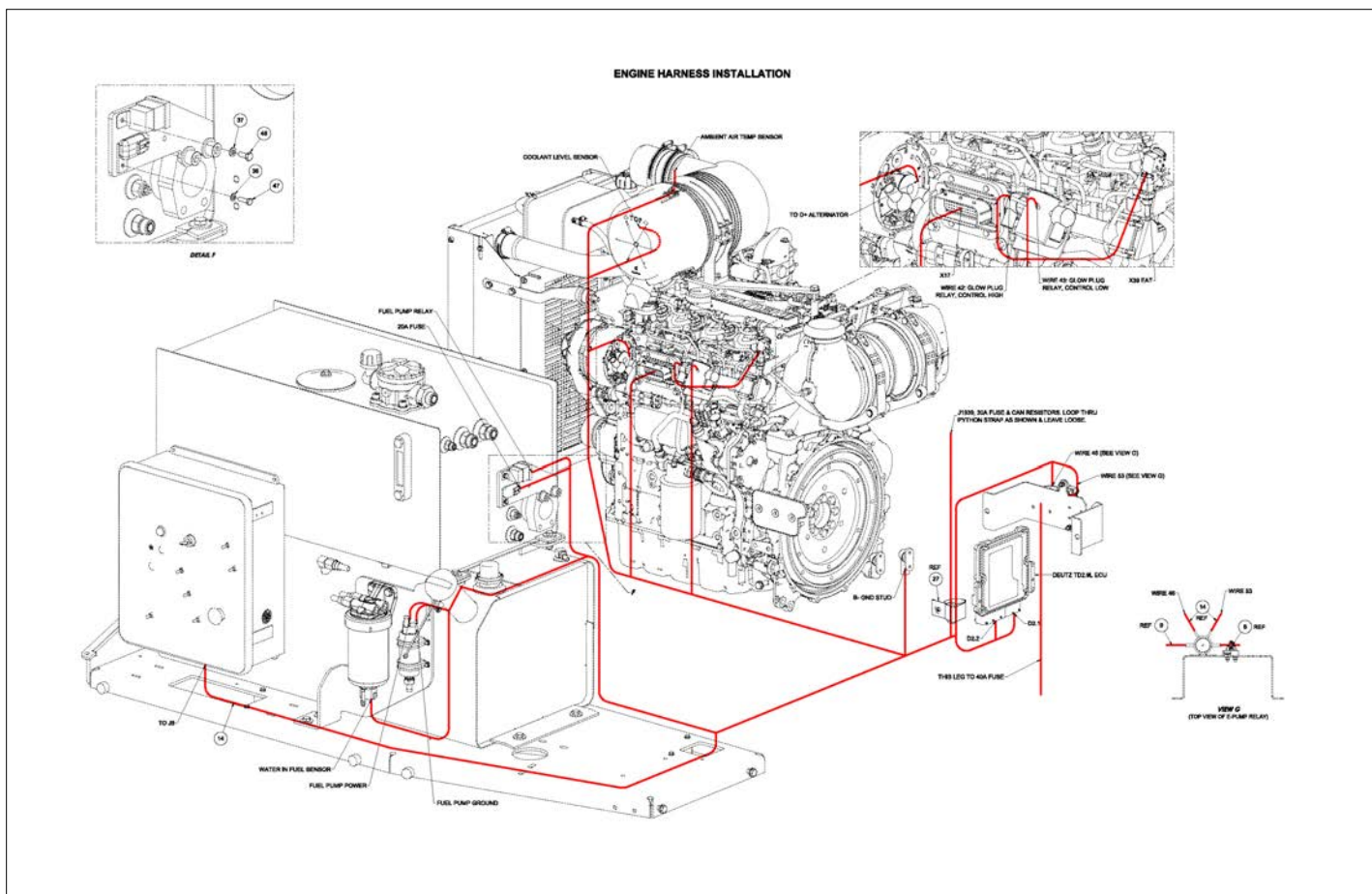
アイテム	部品番号	名前	数量	UOM
*	1433355 B	HARNESS ANGLE PROXCIMITY SENSOR		EA
1	3040341	PIN CONTACT SIZE 16 16/18 GA	4	EA
2	3040342	SOCKET CONTACT SIZE 16 16/18GA	4	EA
3	3049888	CONNECTOR 4 PIN	1	EA
4	3049889	CONNECTOR 4 PIN	1	EA
5	3049890	LOCK WEDGE 4 PIN	1	EA
6	3049891	LOCKWEDGE 4 PIN	1	EA
7	3049989	AMP SOCKET CONTACT	6	EA
8	3220199	CONNECTOR AMP 3 PIN	2	EA
9	3220367	CABLE, M12 1ML, 90 °	2	EA

ELECTRICAL







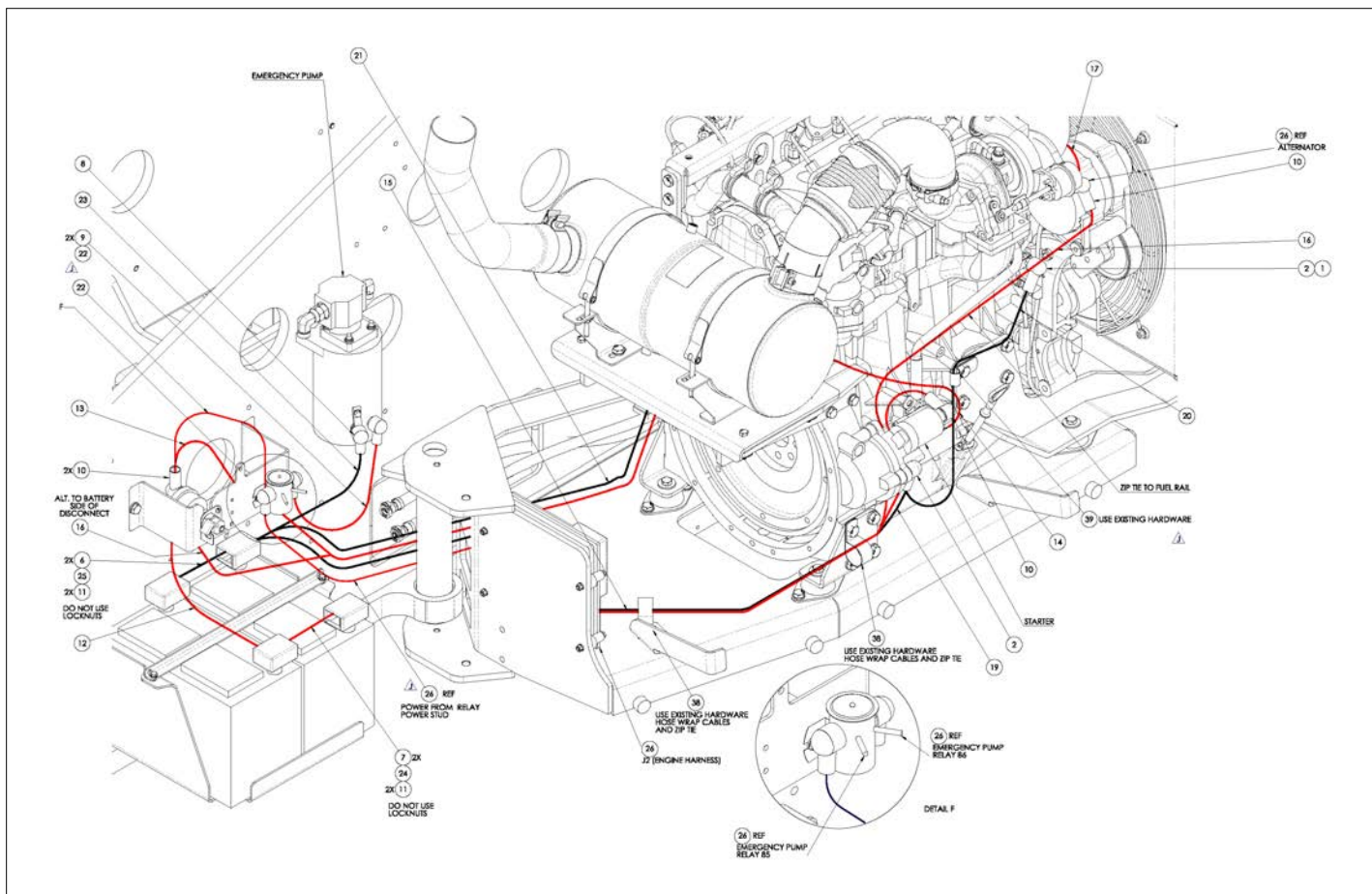


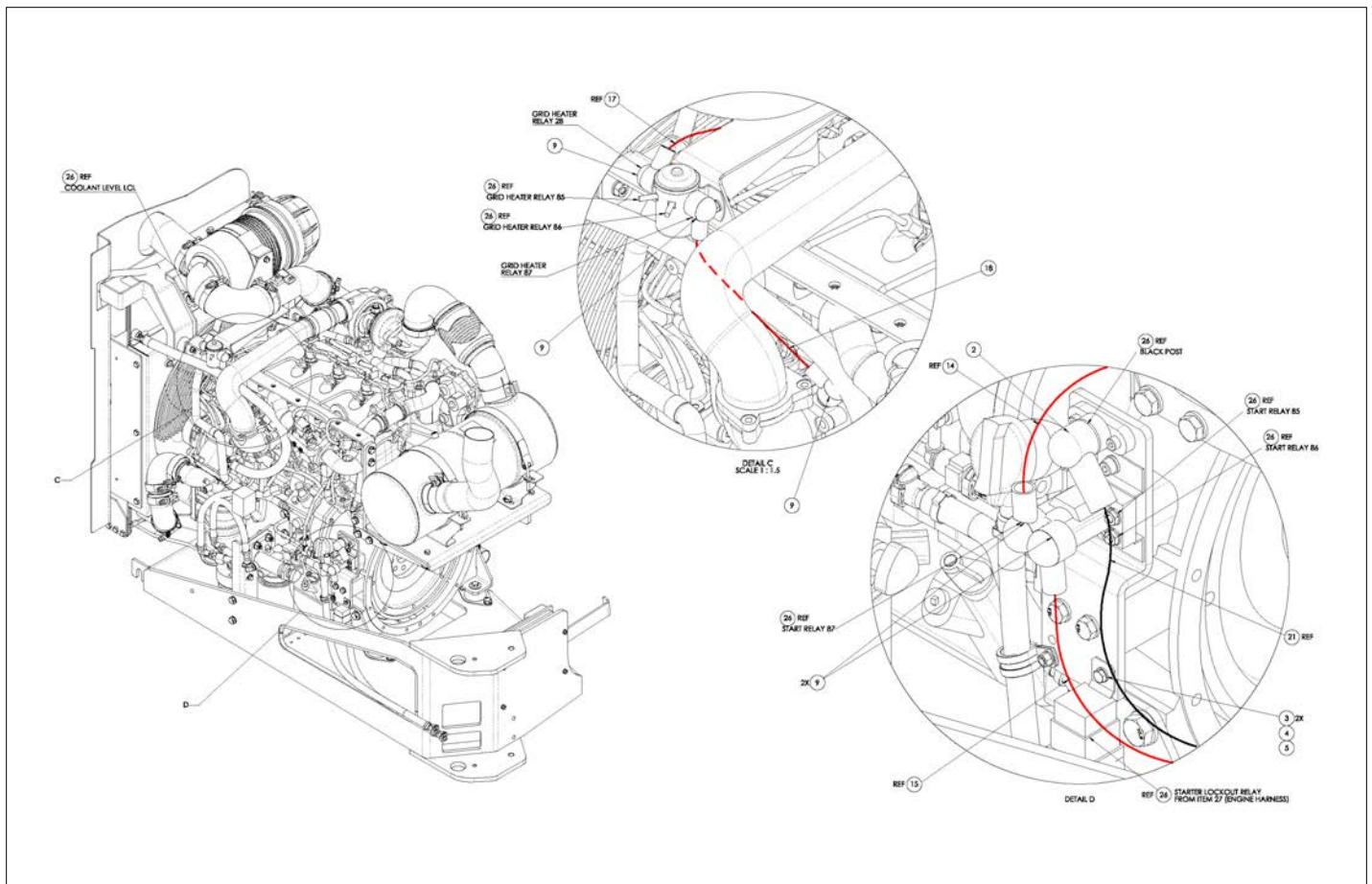
アイテム	部品番号	名前	数量	UOM
	1433843 B	TURRET ELECTRICAL HARNESSES INSTALLATION DEUTZ STAGE 5		EA
1	3014770	CABLE BATTERY TO DISCONNECT SWITCH	1	EA
2	3014801	CABLE EMERGENCY POWER UNIT TO BATTERY	1	EA
3	3014802	WIRE 2/0 R375 R375 9 RED	1	EA
4	3014803	WIRE 2/0 R375 R375 9 BLK	1	EA
5	3014814	CABLE, DISCONN TO ALT FUSE HLD	1	EA
6	3014815	CABLE, ALT TO ALT FUSE HOLDER	1	EA
7	3014817	CABLE, FUSE BLK TO DISC SWITCH	1	EA
8	3014819	CABLE, FUSE BLOCK TO RELAY	2	EA
9	3014822	CABLE, EMER PWR UNIT TO BATTER	1	EA
10	3014824	CABLE, ALTERNATOR TO GND STUD	1	EA
11	3014825	CABLE, EMR PWR RLY TO EMR MTR	2	EA
12	1433561	HARNESS GLOW PLUG DEUTZ	1	EA
13	3014831	CABLE, BATTERY TO START RELAY	1	EA
14	1434058	ENGINE HARNESS	1	EA
15	3014762	HARNESS, LWR CTL TO PRS SW	1	EA
16	3014796	HARNESS MAIN MANIFOLD 660SJ CMNS	1	EA
17	3014764	HARNESS, ELEV SWITCH DT06 4S	1	EA
18	1433518	HARNESS SLEW SENSOR CONTROL BOX PIGTAIL	1	EA
19	1433512	TARGET SLEW SENSOR, 600S/660SJ	1	EA
20	1433513	BRKT SLEW SENSOR, 600S/660SJ	1	EA

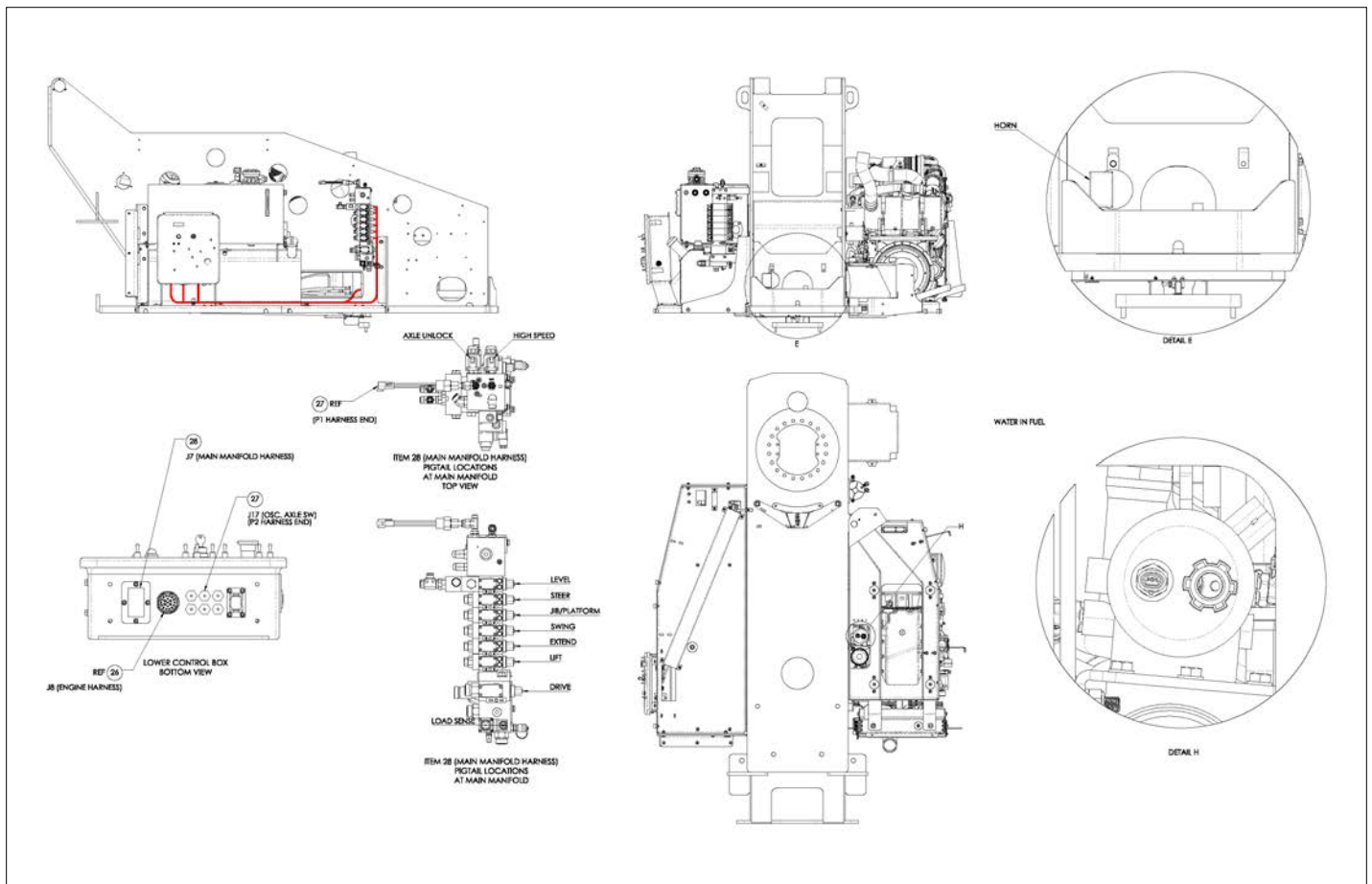
アイテム	部品番号	名前	数量	UOM
21	14475 002	CLAMP BATT POST NEG 23399 3	2	EA
22	14475 001	CLAMP BATT POST POS 23399 4	2	EA
23	13006 006	150 AMP FUSE	2	EA
24	13003 016	FUSE BLOCK	1	EA
25	13006 001	FUSE 40A BOLT IN	1	EA
26	5059720	LOOP CLAMP VBRTN DAMPING	3	EA
27	9960024	PYTHON STRAP, ADJUSTABLE 2 2.5	1	EA
28	3220344	CLIP HARNESS .04 .25 THK	2	EA
29	3220328	BOOT INSTALLATION TERM 3/0 AWG RED	3	EA
30	3220322	BOOT EYELET TERM 4 1 AWG BLACK	2	EA
31	3220325	BOOT EYELET TERM 4 1 AWG RED	8	EA
32	3040269	Boot Cable Entry Black 1/0 GA	3	EA
33	09 0706 B	RUBBER BOOT (BLACK)	2	EA
34	09 0706 R	RUBBER BOOT (RED)	2	EA
35	986299	WASHER, FLAT, .375 STANDARD, PLATED	2	EA
36	056069 005	Washer SteelFlatWasher DIN125A	1	EA
37	056069 006	WSHR STEELFLATWSHE M6 DIN125A	7	EA
38	056069 008	WASHER, STEELFLATWASHER DIN12M8 FLAT WASHER DIN 125	2	EA
39	056069 012	WASHER DIN125A M12 ZP	1	EA
40	510595 024	WASHER, FLAT M24 DIN 125	2	EA
41	5560033	.375 16UNC HEX LOCK NUT	2	EA
42	056066 006	Nut NylockNut DIN985 M6 8.0 Zi	3	EA
43	056066 008	NUT NYLOCKNUT DIN985 M8 8.0 ZP	1	EA

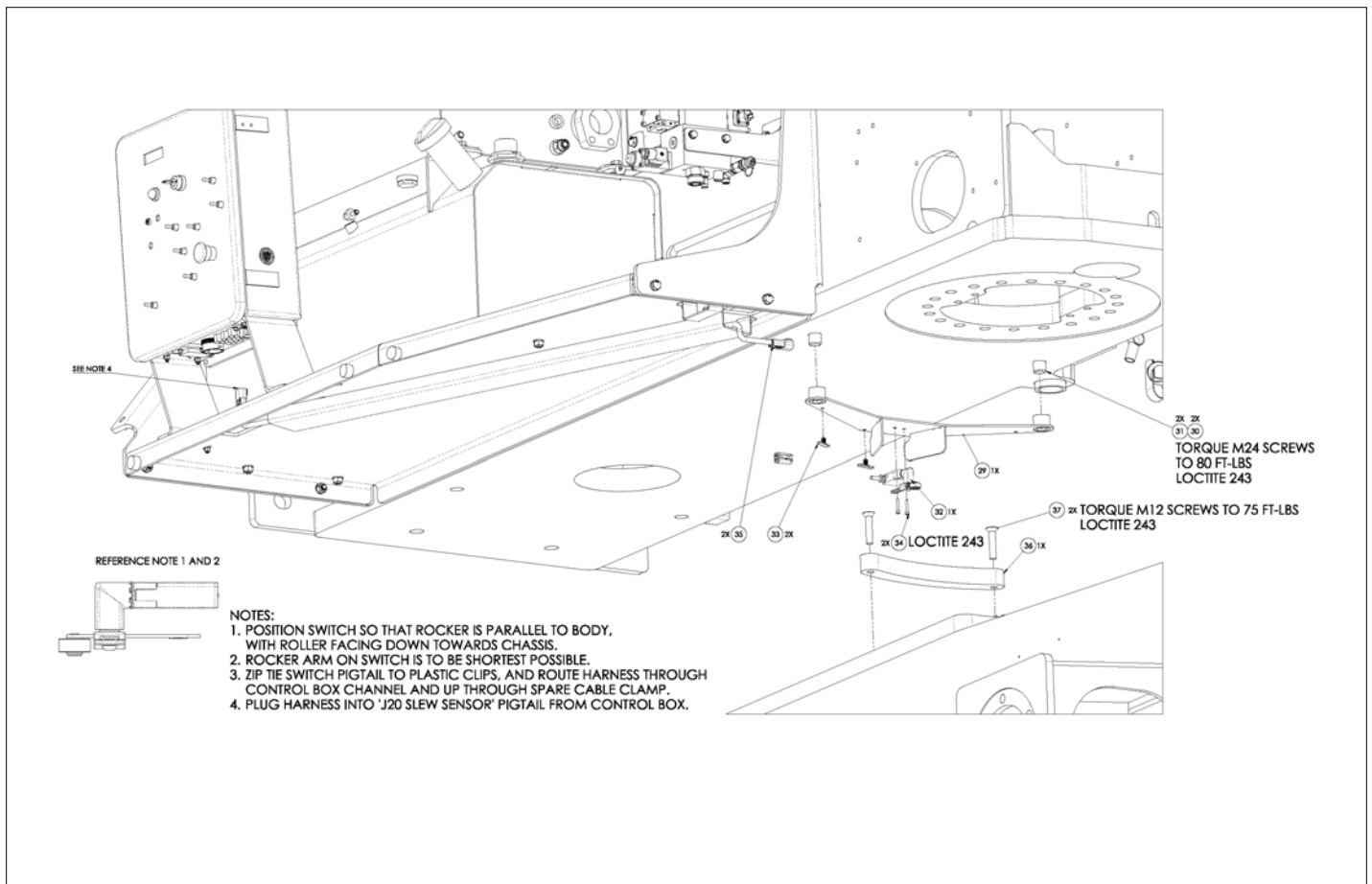
アイテム	部品番号	名前	数量	UOM
44	5563964	FSHCS M12 X 1.75 X 60 CLASS 10.9 DIN 7991	2	EA
45	5563249	SHCS M4 X 0.7X 25 G8.8 ZP BRIG	2	EA
46	5563972	SHCS M24 X 3.0 X 70MM GR12.9 BLK OXIDE	2	EA
47	5563804	BOLT HXHD M5X.8X16 YLZN GR10.9	1	EA
48	5563966	BOLT,HEXSETSCRW DIN933M6X14MM	1	EA
49	058491 022	HHCS M6X1X22 G8.8 ISO 4017 DIN	3	EA
50	056059 040	Bolt, HexBolt DIN931 M8 x 40mm	1	EA
51	5560630	BLOT M12 1.75 X 20	1	EA
52	056064 006	NUT NYLOCK DIN985 M6 10.0 ZP	2	EA
53	512630 020	HHCS M6 X X 20 G10.9 DIN 933	2	EA

ELECTRICAL





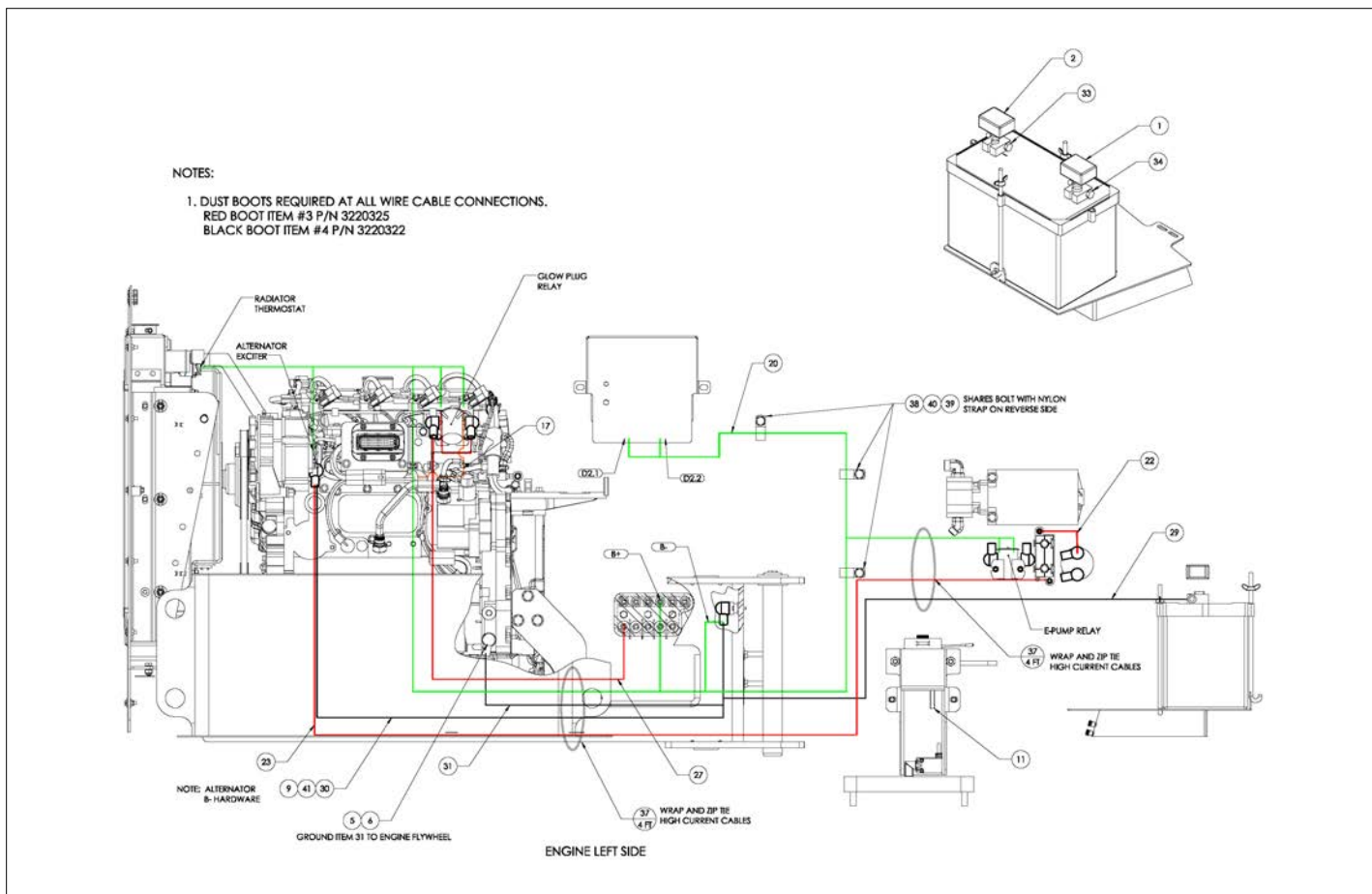


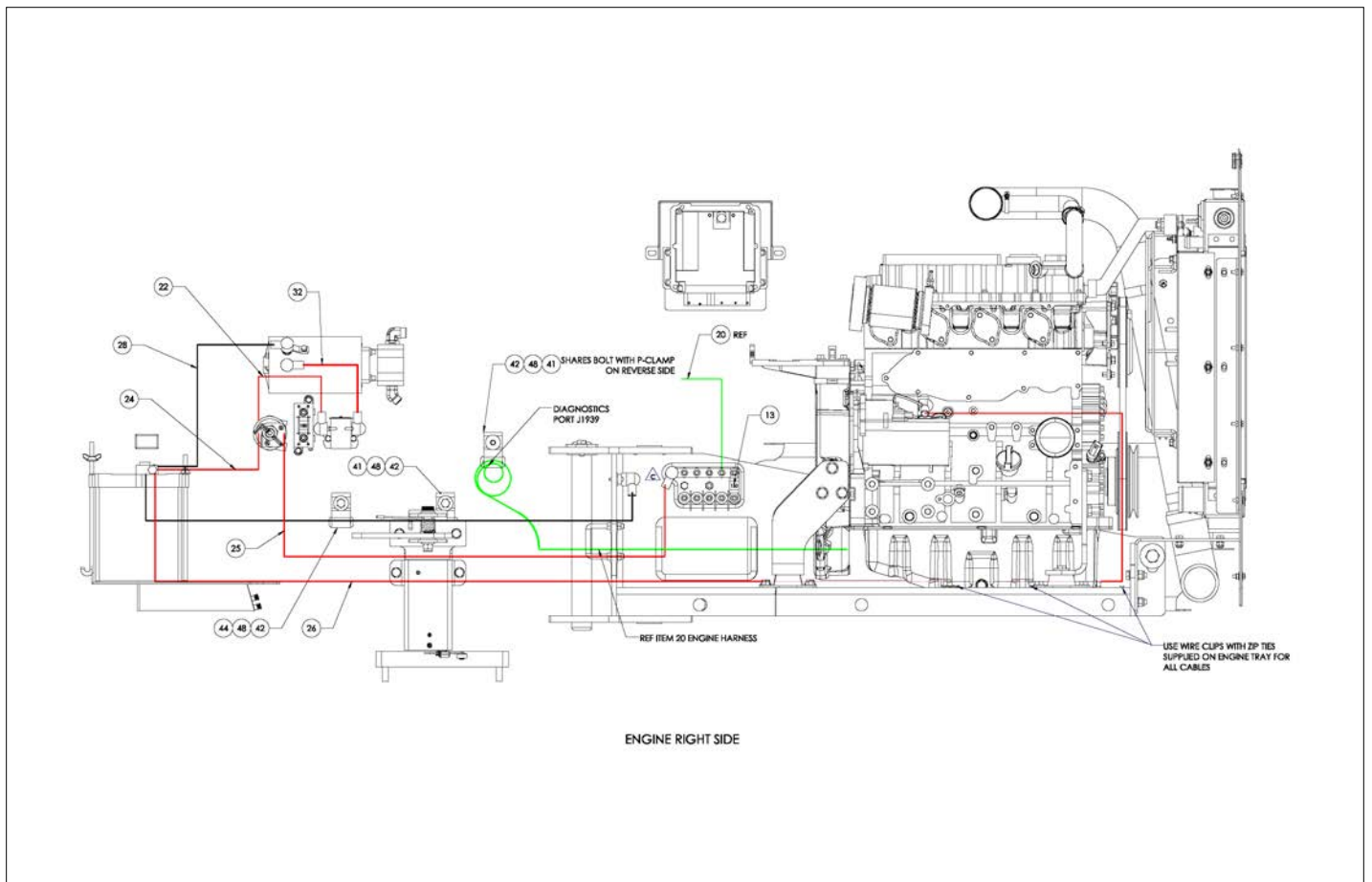


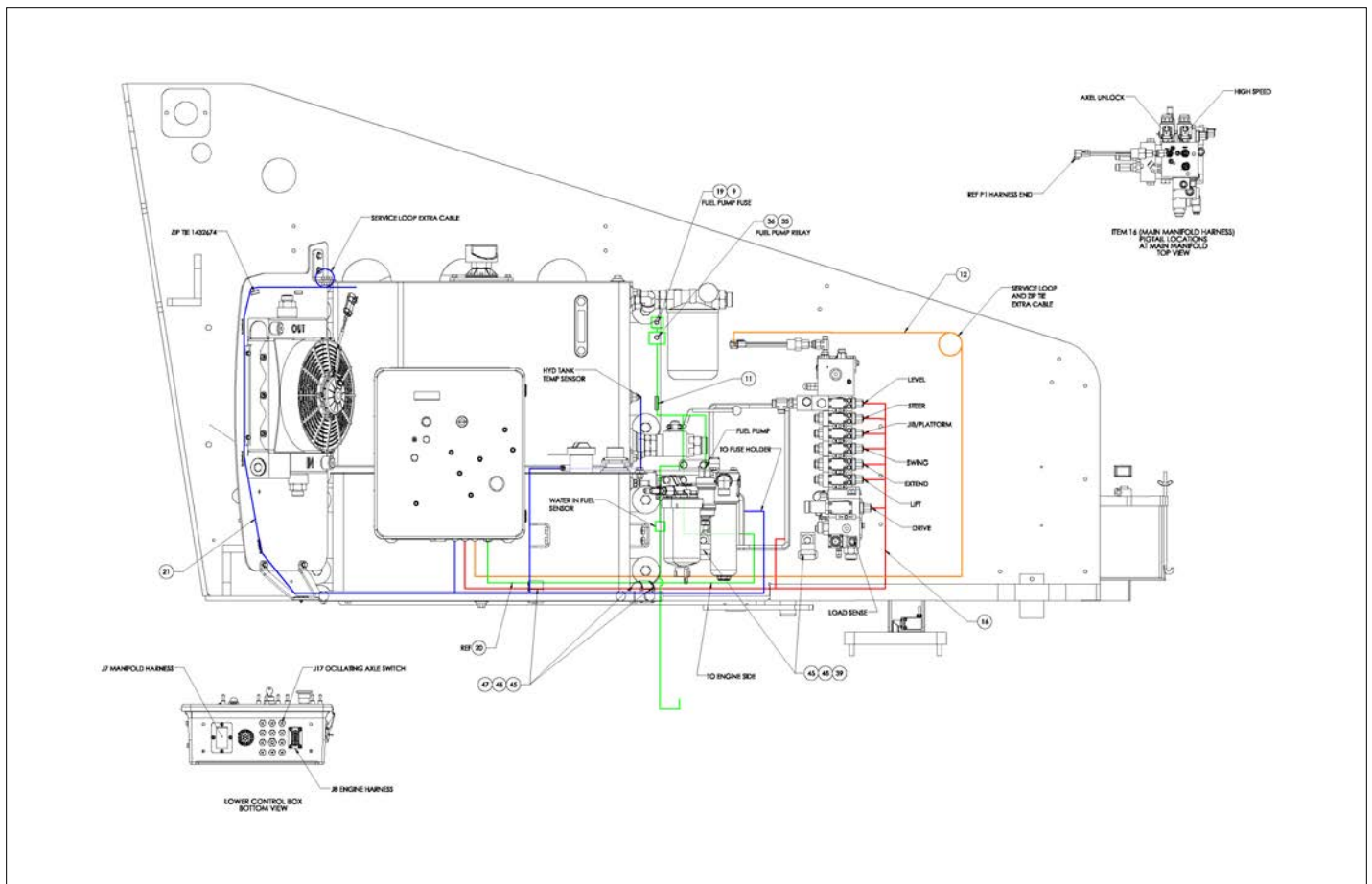
アイテム	部品番号	名前	数量	UOM
*	1432209 J	TURRET ELECTRICAL HARNESSES INSTALLATION		EA
1	056064 008	NUT HEX M8 1.25 GR10.9 SELF LOCKING DIN 985	1	EA
2	3040269	Boot Cable Entry Black 1/0 GA	3	EA
3	056069 005	Washer SteelFlatWasher DIN125A	2	EA
4	056064 005	Nut, NylockNut DIN985 M5 10.0	1	EA
5	5563804	BOLT HXHD M5X.8X16 YLZN GR10.9	1	EA
6	09 0706 B	RUBBER BOOT (BLACK)	2	EA
7	09 0706 R	RUBBER BOOT (RED)	2	EA
8	3220322	BOOT EYELET TERM 4 1 AWG BLACK	1	EA
9	3220325	BOOT EYELET TERM 4 1 AWG RED	10	EA
10	3220328	BOOT INSTALLATION TERM 3/0 AWG RED	4	EA
11	984089	NUT HEX .313 18	4	EA
12	3014770	CABLE BATTERY TO DISCONNECT SWITCH	1	EA
13	3014771	CABLE DISCONNECT SWITCH TO STARTER	1	EA
14	3014772	CABLE START RELAY TO STARTER	1	EA
15	3014773	CABLE START RELAY TO DISCONNECT SWITCH	1	EA
16	3014826	CABLE, ALTERNATOR TO DISCONNECT SWITCH	1	EA
17	3014775	CABLE ALTERNATOR TO GRID HEATER RELAY	1	EA
18	3014776	CABLE GRID HEATER RELAY TO GRID HEATER	1	EA
19	3014777	CABLE BATTERY TO STARTER	1	EA
20	3014778	CABLE STARTER GROUND TO ALTERNATOR GROUND	1	EA

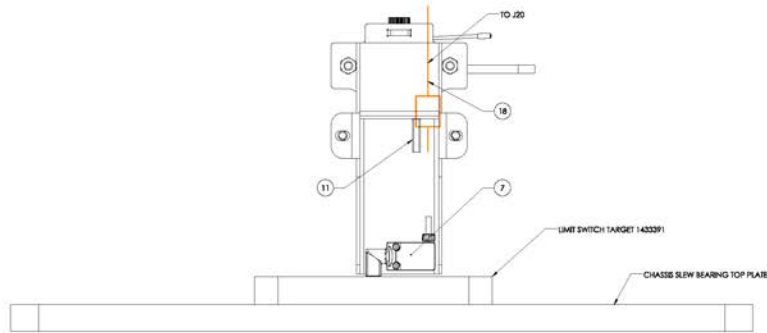
アイテム	部品番号	名前	数量	UOM
21	3014779	CABLE GROUND POST TO BATTERY	1	EA
22	3014814	CABLE, DISCONN TO ALT FUSE HLD	2	EA
23	3014801	CABLE EMERGENCY POWER UNIT TO BATTERY	1	EA
24	3014802	WIRE 2/0 R375 R375 9 RED	1	EA
25	3014803	WIRE 2/0 R375 R375 9 BLK	1	EA
26	7631063	HARNESS ENG QSF2.8L ECUJ2 TO J8	1	EA
27	3014762	HARNESS, LWR CTL TO PRS SW	1	EA
28	3014796	HARNESS MAIN MANIFOLD 660SJ CMNS	1	EA
29	1433513	BRKT SLEW SENSOR, 600S/660SJ	1	EA
30	510595 024	WASHER, FLAT M24 DIN 125	2	EA
31	5563972	SHCS M24 X 3.0 X 70MM GR12.9 BLK OXIDE	2	EA
32	3014764	HARNESS, ELEV SWITCH DT06 4S	1	EA
33	3220344	CLIP HARNESS .04 .25 THK	2	EA
34	5563249	SHCS M4 X 0.7X 25 G8.8 ZP BRIG	2	EA
35	1433518	HARNESS SLEW SENSOR CONTROL BOX PIGTAIL	1	EA
36	1433512	TARGET SLEW SENSOR, 600S/660SJ	1	EA
37	5563964	FSHCS M12 X 1.75 X 60 CLASS 10.9 DIN 7991	2	EA
38	5093010	CLP CUSH 1.50 VINYL COATED	2	EA
39	5093034	CLAMP .652 AEROQUIP HOSE SPRT	1	EA

ELECTRICAL

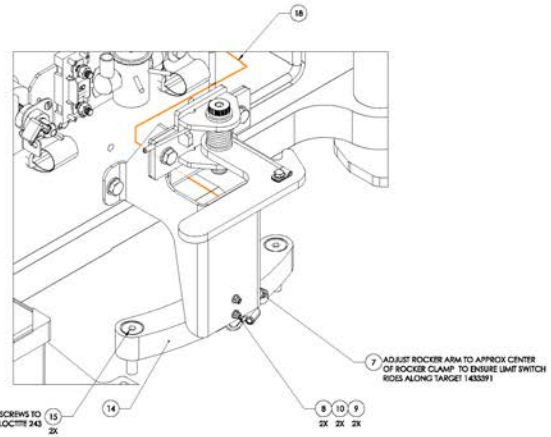
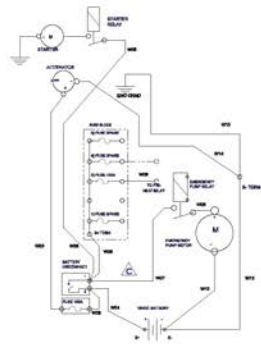








VIEW SHOWING ORIENTATION OF LIMIT SWITCH.
ROUTE SWITCH HARNESS USING WIRE CLIPS
AND ZIP TIE TO SECURE



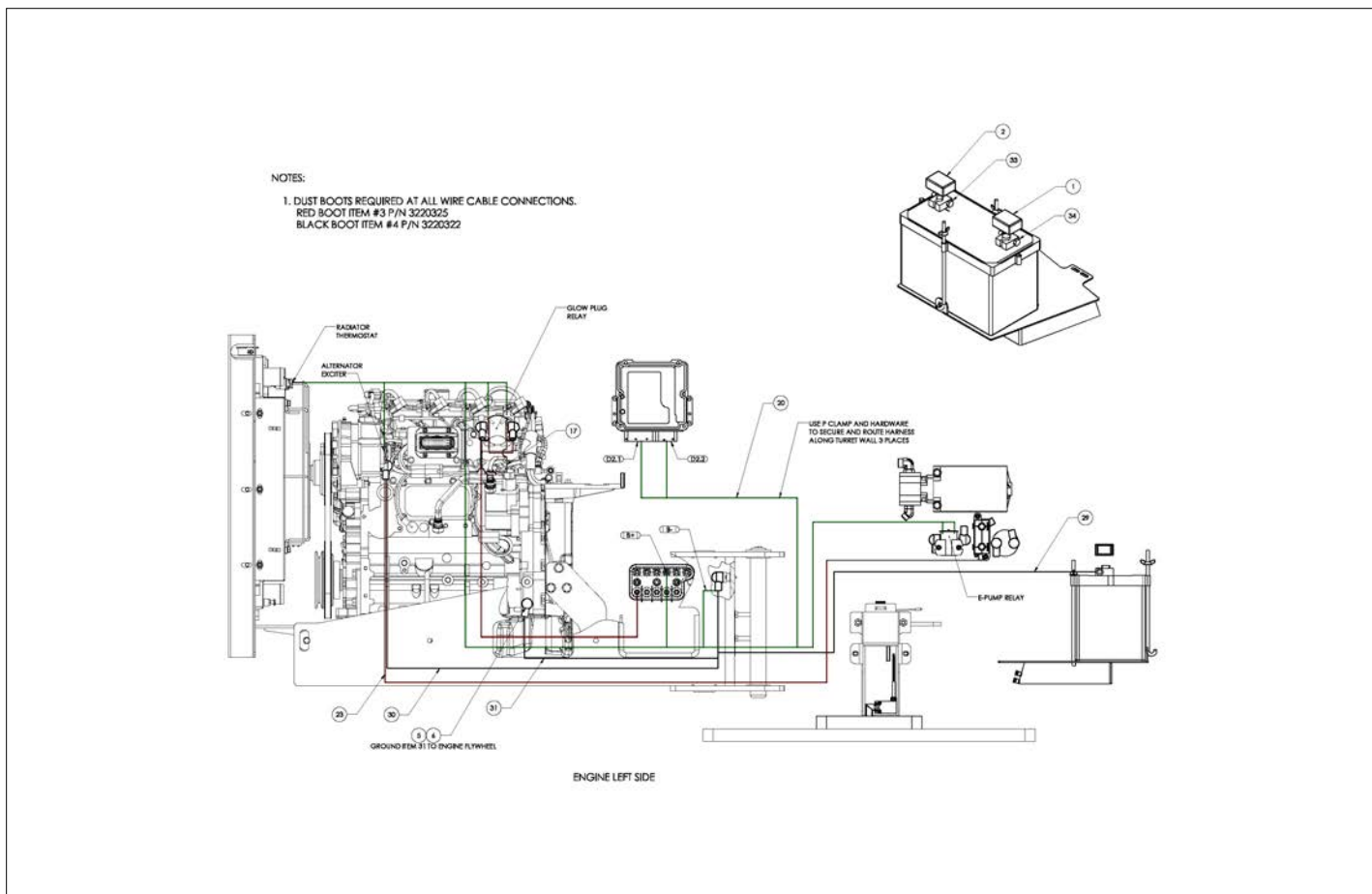
SCHEMATIC AND TABLE FOR REFERENCE ONLY

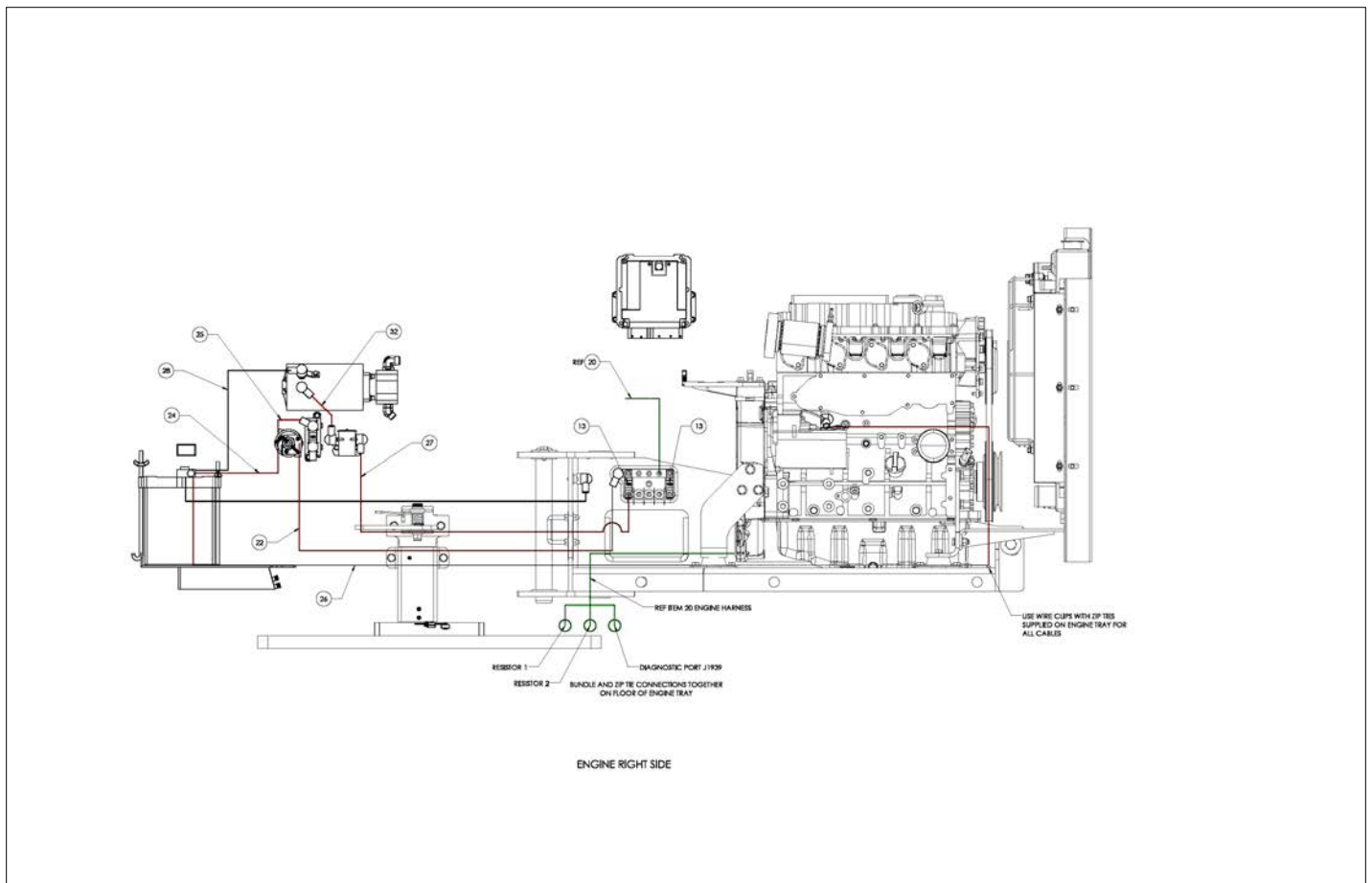
アイテム	部品番号	名前	数量	UOM
*	1433292 C	TURNTABLE ELECTRICAL HARNESS INSTALLATION 400S 460SJ		EA
1	09 0706 R	RUBBER BOOT (RED)	1	EA
2	09 0706 B	RUBBER BOOT (BLACK)	1	EA
3	3220325	BOOT EYELET TERM 4 1 AWG RED	11	EA
4	3220322	BOOT EYELET TERM 4 1 AWG BLACK	4	EA
5	056069 012	WASHER DIN125A M12 ZP	1	EA
6	10406 016	SCREW M12 1.75 HHC X 16MM LG	1	EA
7	3014764	HARNESS, ELEV SWITCH DT06 4S	1	EA
8	5563249	SHCS M4 X 0.7X 25 G8.8 ZP BRIG	2	EA
9	056069 005	Washer SteelFlatWasher DIN125A	3	EA
10	056066 004	NUT NYLOCK DIN985 M4 8.0 ZP	2	EA
11	3220344	CLIP HARNESS .04 .25 THK	2	EA
12	3014762	HARNESS, LWR CTL TO PRS SW	1	EA
13	13006 006	150 AMP FUSE	2	EA
14	1433391	TARGET, SLEW SENSOR	1	EA
15	5563964	FSHCS M12 X 1.75 X 60 CLASS 10.9 DIN 7991	2	EA
16	3014796	HARNESS MAIN MANIFOLD 660SJ CMNS	1	EA
17	1433561	HARNESS GLOW PLUG DEUTZ	1	EA
18	1433614	HARNESS, GND CTRL TO SLEW ANGL	1	EA
19	058490 016	BOLT, HEXSETSCREW DIN 933 M5	1	EA
20	1433560	HARNESS ENGINE DEUTZ D2.9	1	EA
21	1432674	HARNESS HYD COOLER	1	EA

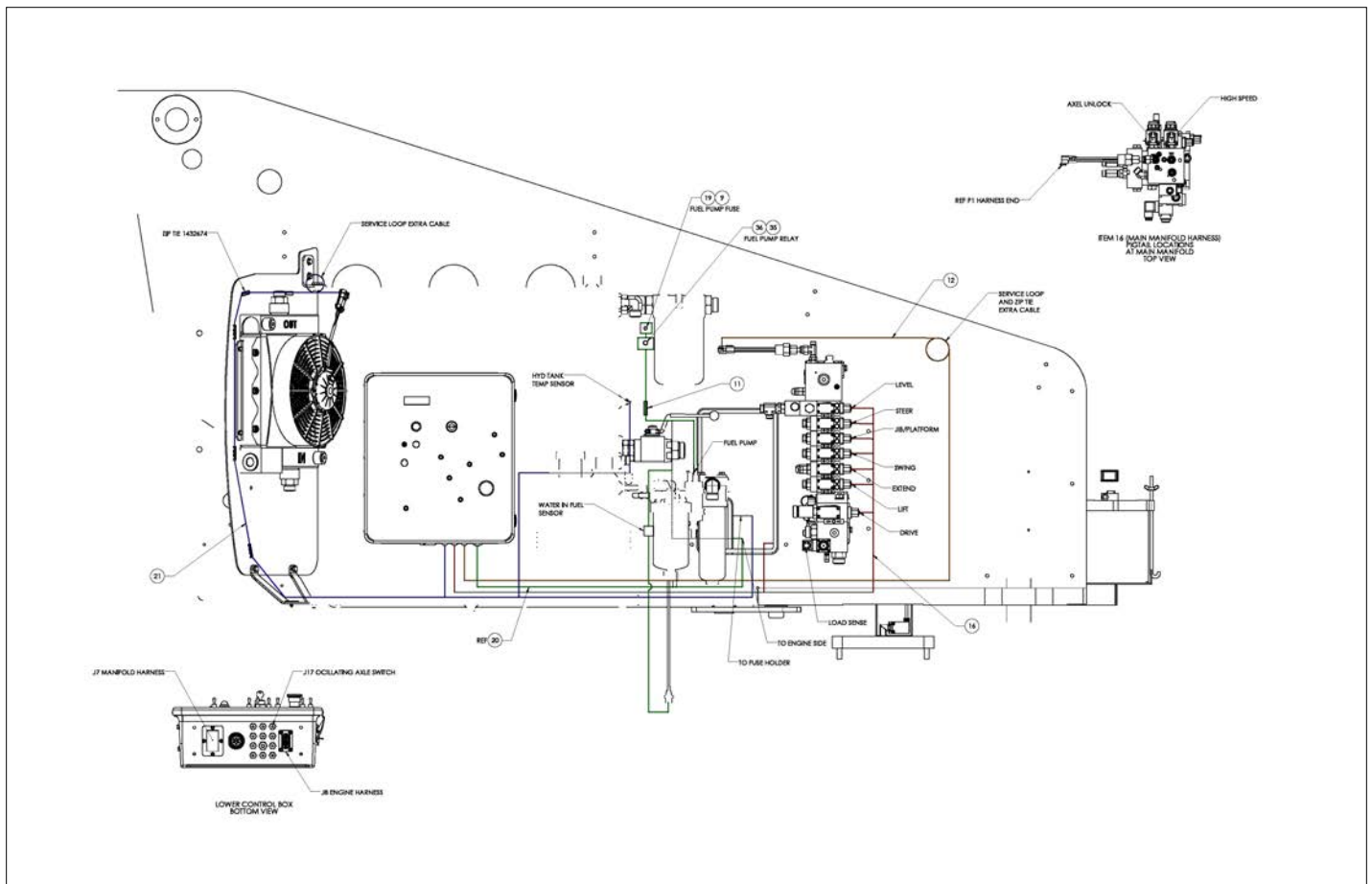
アイテム	部品番号	名前	数量	UOM
22	3014814	CABLE, DISCONN TO ALT FUSE HLD	1	EA
23	3014815	CABLE, ALT TO ALT FUSE HOLDER	1	EA
24	3014816	CABLE, BATT TO DISCONNECT SW	1	EA
25	3014817	CABLE, FUSE BLK TO DISC SWITCH	1	EA
26	3014831	CABLE, BATTERY TO START RELAY	1	EA
27	3014819	CABLE, FUSE BLOCK TO RELAY	2	EA
28	3014822	CABLE, EMER PWR UNIT TO BATTER	1	EA
29	3014823	CABLE, GROUND POST TO BATTERY	1	EA
30	3014824	CABLE, ALTERNATOR TO GND STUD	1	EA
31	3014825	CABLE, EMR PWR RLY TO EMR MTR	1	EA
32	3014799	CABLE FUSE TO EMERGENCY POWER RELAY	1	EA
33	14475 002	CLAMP BATT POST NEG 23399 3	1	EA
34	14475 001	CLAMP BATT POST POS 23399 4	1	EA
35	056069 006	WSHR STEELFLATWSHE M6 DIN125A	1	EA
36	058491 016	BOLT HEXSETSCREW DIN933 M6 X 16MM 8.8 ZP	1	EA
37	12139 999	GUARD HOSE WRAP SL 3.0 1050B	13	EA
38	5093007	CLP CUSH 1.00 VINYL COATED	3	EA
39	510587 025	BLT HEXSETSCREW DIN961 M10 X 1.25X	4	EA
40	056069 010	Washer, SteelFlatWasher DIN125A M10 ZincPlated	6	EA

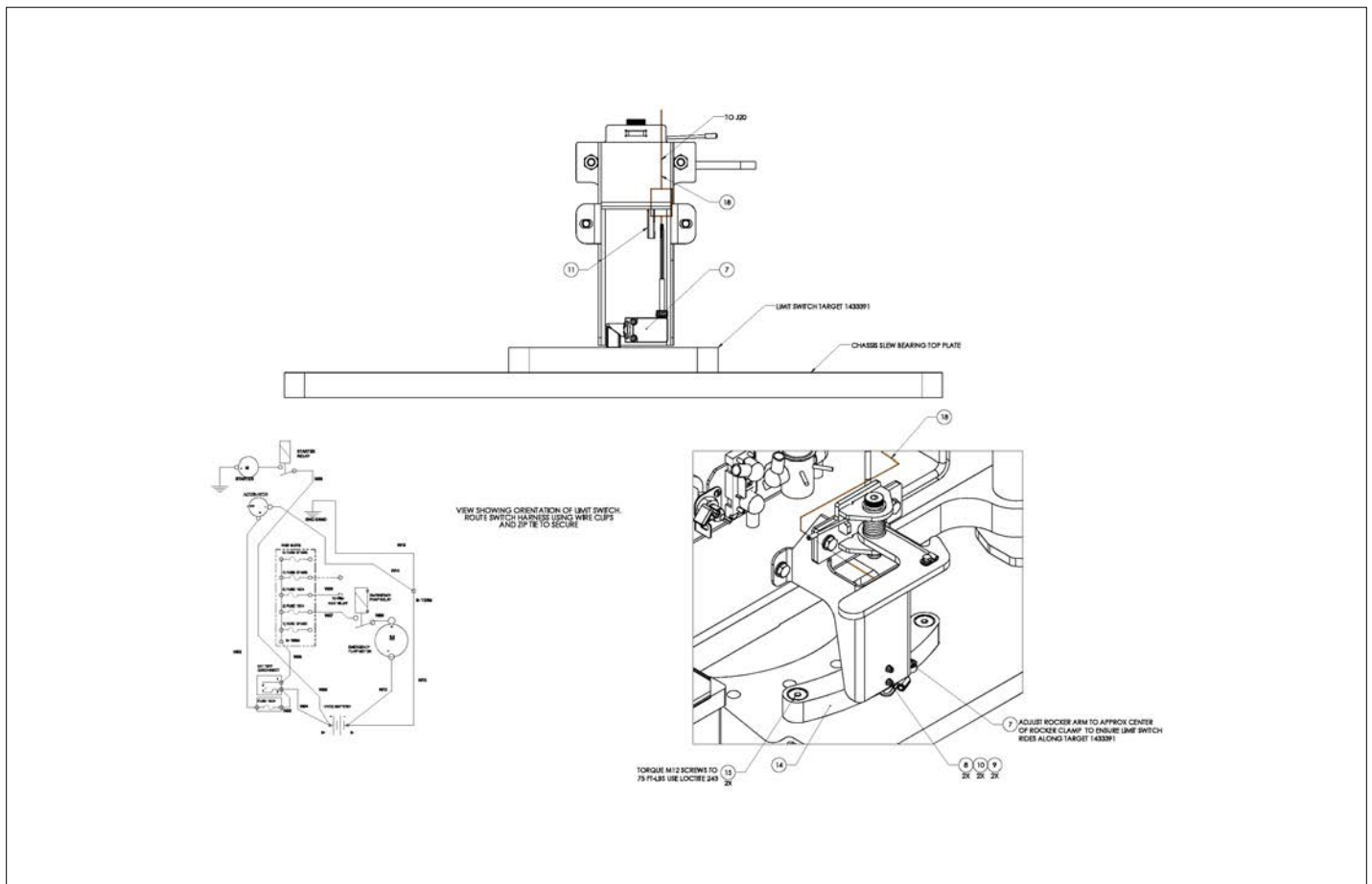
アイテム	部品番号	名前	数量	UOM
41	056060 040	Bolt, HexBolt DIN931 M10 x 40m 8.8 ZP	1	EA
42	9960023	PYTHON STRAP, ADJUSTABLE 1 1.5	3	EA
43	5563556	NUT HEX M10X1.5 YL ZN GR10.9	1	EA
44	058493 025	HHCS M10 X 25MM GR10.9 DIN933	2	EA
45	9960024	PYTHON STRAP, ADJUSTABLE 2 2.5	5	EA
46	058492 016	HHCS M8 x 1.25 X 16GR 8.8 DIN933	3	EA
47	508247 010	Washer, PennyWasher, DIN9021, M1	2	EA
48	056069 008	WASHER, STEELFLATWASHER DIN12M8 FLAT WASHER DIN 125	3	EA

ELECTRICAL





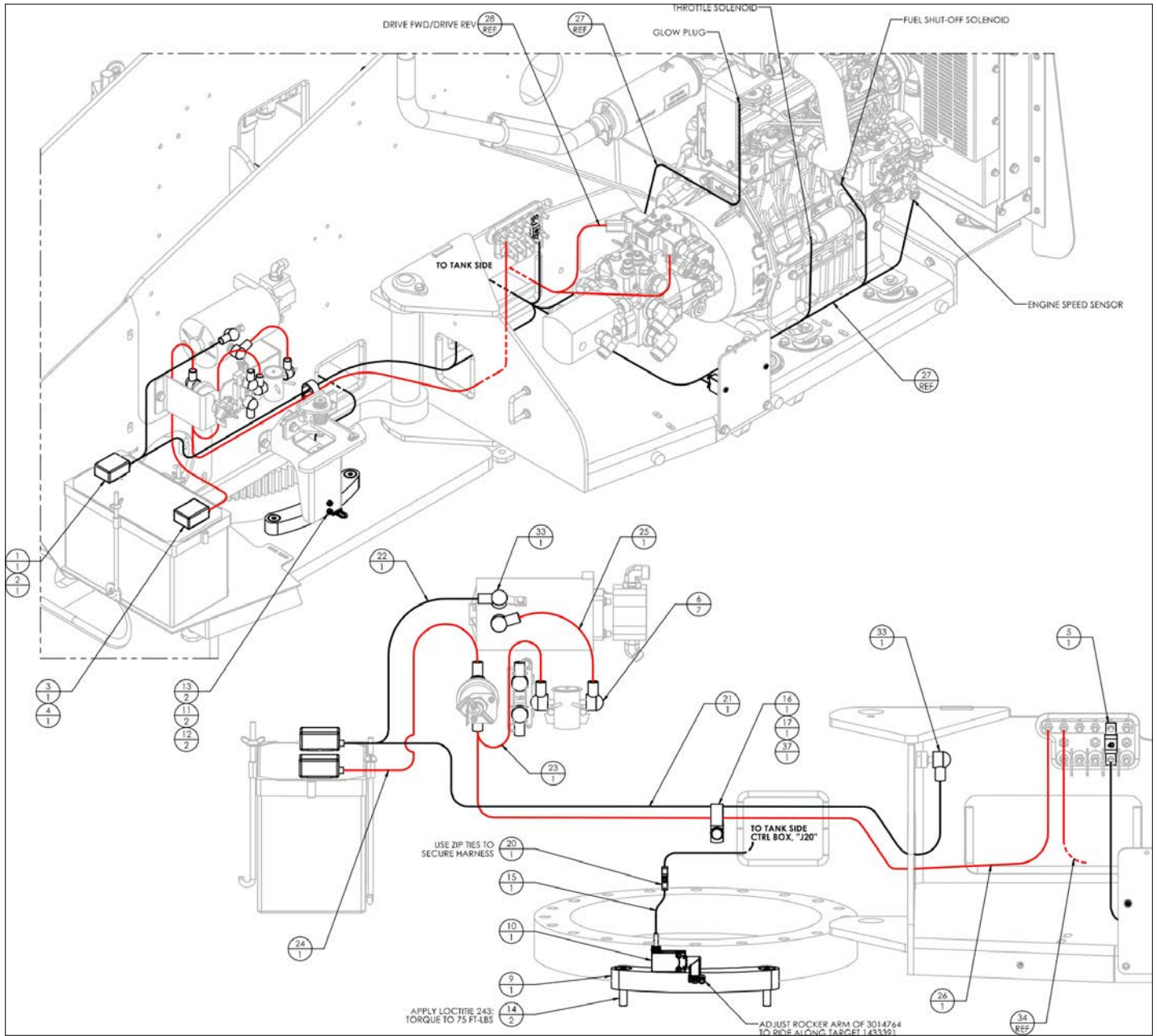


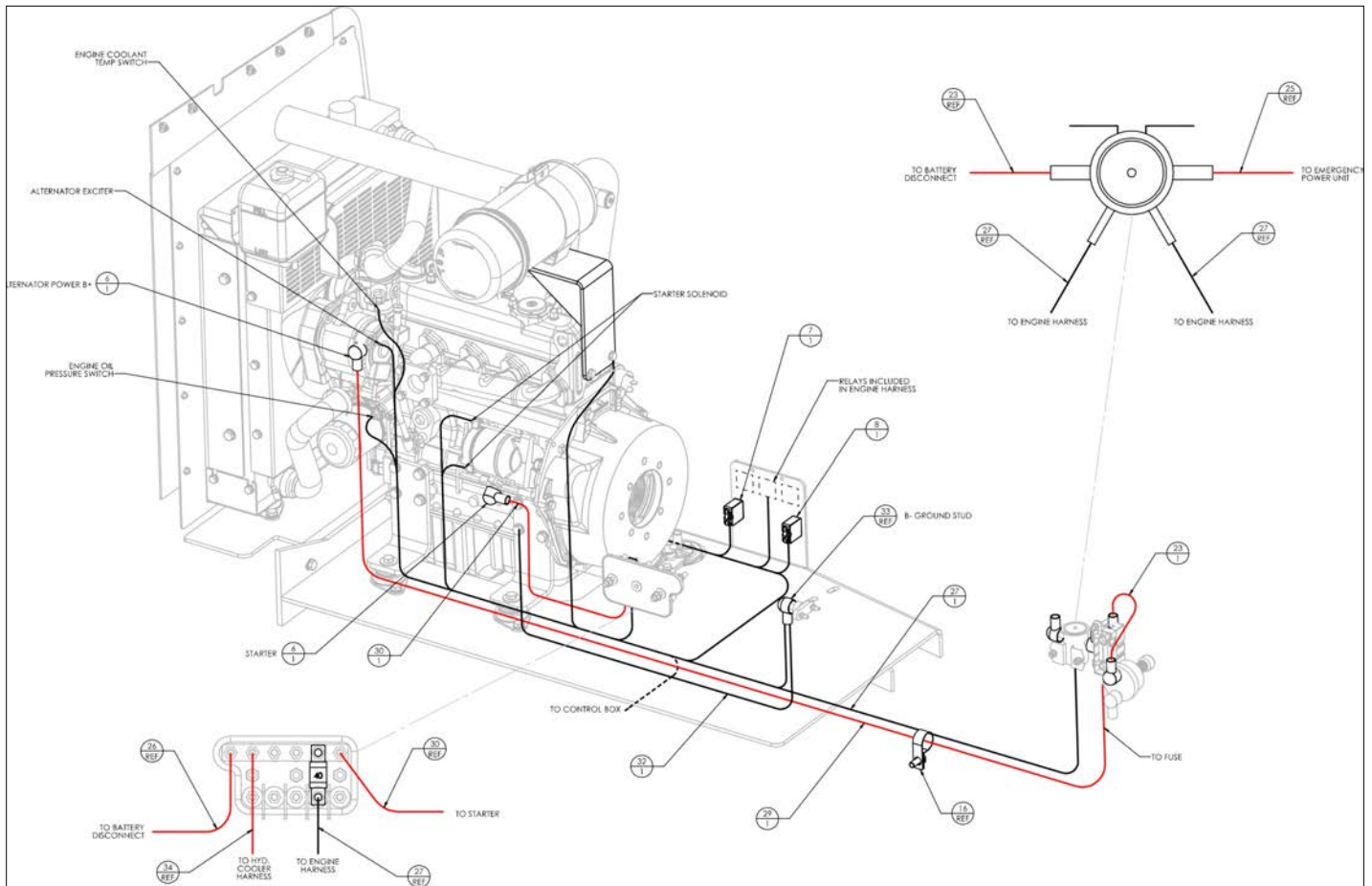


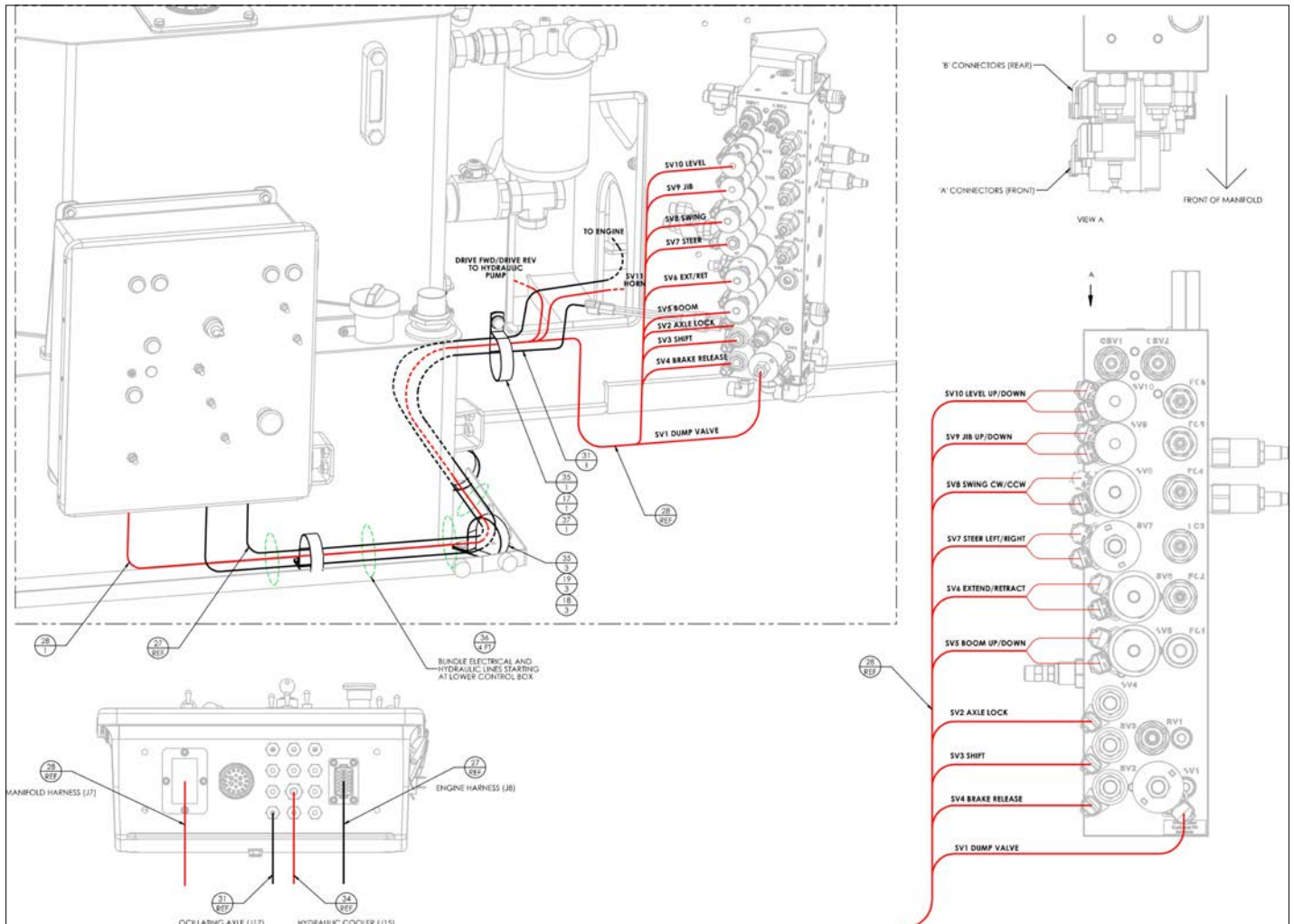
アイテム	部品番号	名前	数量	UOM
	1433292A	TURNTABLE ELECTRICAL HARNESSES INSTALL 400S/460SJ		EA
1	09 0706 R	RUBBER BOOT (RED)	1	EA
2	09 0706 B	RUBBER BOOT (BLACK)	1	EA
3	3220325	BOOT EYELET TERM 4 1 AWG RED	11	EA
4	3220322	BOOT EYELET TERM 4 1 AWG BLACK	4	EA
5	056069 012	WASHER DIN125A M12 ZP	1	EA
6	10406 016	SCREW M12 1.75 HHC X 16MM LG	1	EA
7	3014764	HARNESS, ELEV SWITCH DT06 4S	1	EA
8	5563249	SHCS M4 X 0.7X 25 G8.8 ZP BRIG	2	EA
9	056069 004	Wshr, SteelFlatWshr M4 DIN125	3	EA
10	056066 004	NUT NYLOCK DIN985 M4 8.0 ZP	2	EA
11	3220344	CLIP HARNESS .04 .25 THK	2	EA
12	3014762	HARNESS, LWR CTL TO PRS SW	1	EA
13	13006 006	150 AMP FUSE	2	EA
14	1433391	TARGET, SLEW SENSOR	1	EA
15	5563964	FSHCS M12 X 1.75 X 60 CLASS 10.9 DIN 7991	2	EA
16	3014796	HARNESS MAIN MANIFOLD 660SJ CMNS	1	EA
17	1433561	HARNESS GLOW PLUG DEUTZ	1	EA
18	1433614	HARNESS, GND CTRL TO SLEW ANGL	1	EA
19	512459 016	BLT HEXHD M4 X 0.7 X 16MM DIN 933 8.8 ZP	1	EA
20	1433560	HARNESS ENGINE DEUTZ D2.9	1	EA
21	1432674	HARNESS HYD COOLER	1	EA
22	3014814	CABLE, DISCONN TO ALT FUSE HLD	1	EA

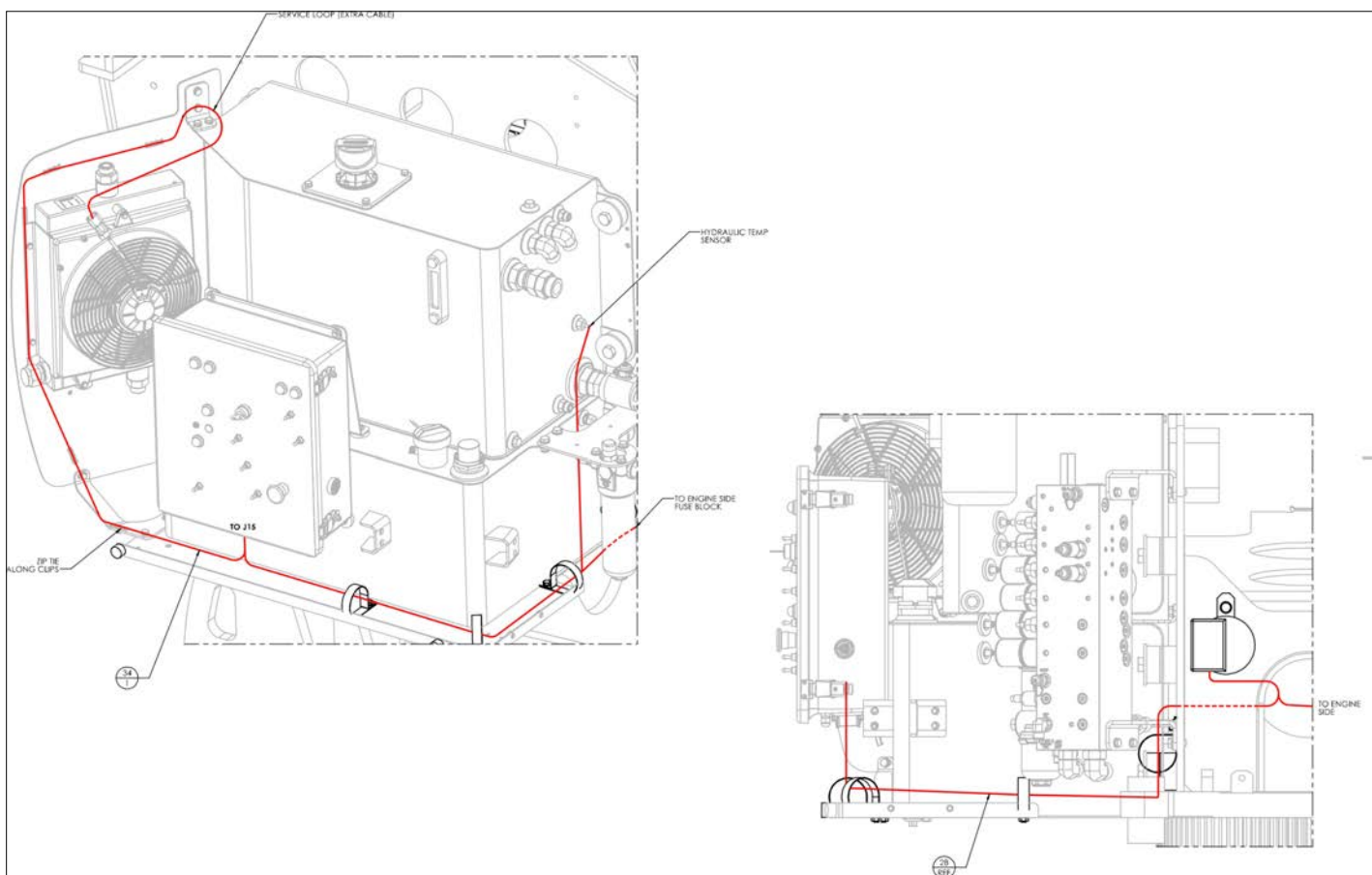
アイテム	部品番号	名前	数量	UOM
23	3014815	CABLE, ALT TO ALT FUSE HOLDER	1	EA
24	3014816	CABLE, BATT TO DISCONNECT SW	1	EA
25	3014817	CABLE, FUSE BLK TO DISC SWITCH	1	EA
26	3014818	CABLE, BATTERY TO START RELAY	1	EA
27	3014819	CABLE, FUSE BLOCK TO RELAY	1	EA
28	3014822	CABLE, EMER PWR UNIT TO BATTER	1	EA
29	3014823	CABLE, GROUND POST TO BATTERY	1	EA
30	3014824	CABLE, ALTERNATOR TO GND STUD	1	EA
31	3014825	CABLE, EMR PWR RLY TO EMR MTR	1	EA
32	3014799	CABLE FUSE TO EMERGENCY POWER RELAY	1	EA
33	14475 002	CLAMP BATT POST NEG 23399 3	1	EA
34	14475 001	CLAMP BATT POST POS 23399 4	1	EA
35	056069 006	WSHR STEELFLATWSHE M6 DIN125A	1	EA
36	058491 016	BOLT HEXSETSCREW DIN933 M6 X 16MM 8.8 ZP	1	EA

ELECTRICAL









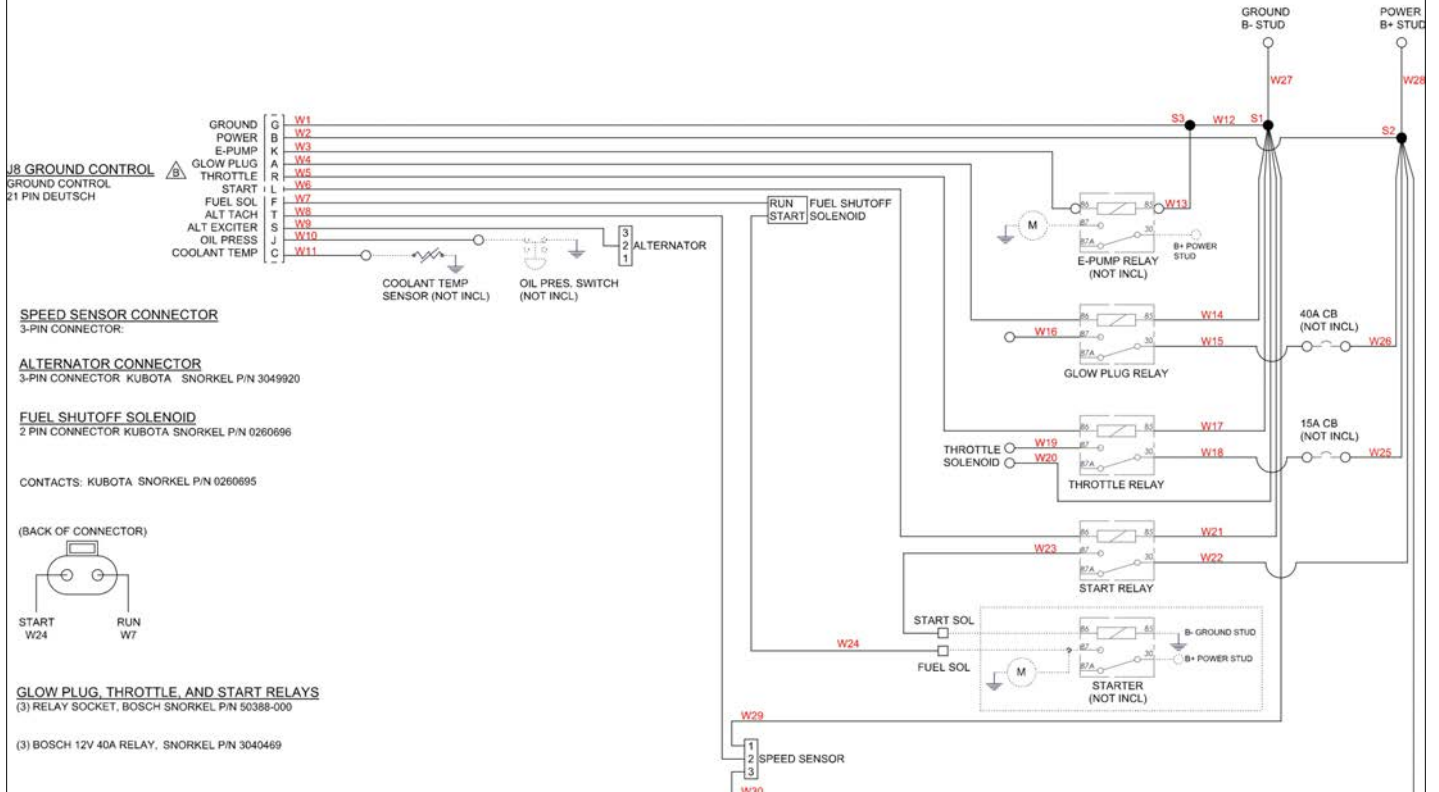
アイテム	部品番号	名前	数量	UOM
	1434539 A	TURRET ELECTRICAL INSTALLATION 400/460 KUBOTA FEBURARY 2020 AND AFTER		EA
1	09 0706 B	RUBBER BOOT (BLACK)	1	EA
2	14475 002	CLAMP BATT POST NEG 23399 3	1	EA
3	09 0706 R	RUBBER BOOT (RED)	1	EA
4	14475 001	CLAMP BATT POST POS 23399 4	1	EA
5	13006 001	FUSE 40A BOLT IN	1	EA
6	3220325	BOOT EYELET TERM 4 1 AWG RED	9	EA
7	3041641	CIRCUIT BREAKER 40 AMP	1	EA
8	3040252	Circuit Breaker 15AMP	1	EA
9	1433391	TARGET, SLEW SENSOR	1	EA
10	3014764	HARNESS, ELEV SWITCH DT06 4S	1	EA
11	056069 005	Washer SteelFlatWasher DIN125A	2	EA
12	5563249	SHCS M4 X 0.7X 25 G8.8 ZP BRIG	2	EA
13	056064 006	NUT NYLOCK DIN985 M6 10.0 ZP	2	EA
14	5563964	FSHCS M12 X 1.75 X 60 CLASS 10.9 DIN 7991	2	EA
15	1433614	HARNESS, GND CTRL TO SLEW ANGL	1	EA
16	5093024	CLAMP	1	EA
17	058493 025	HHCS M10 X 25MM GR10.9 DIN933	2	EA
18	058492 016	HHCS M8 x 1. 25 X 16GR 8.8 DIN933	3	EA
19	056069 008	WASHER, STEELFLATWASHER DIN12M8 FLAT WASHER DIN 125	3	EA
20	3220344	CLIP HARNESS .04 .25 THK	1	EA

アイテム	部品番号	名前	数量	UOM
21	3014823	CABLE, GROUND POST TO BATTERY	1	EA
22	3014822	CABLE, EMER PWR UNIT TO BATTER	1	EA
23	3014814	CABLE, DISCONN TO ALT FUSE HLD	2	EA
24	3014816	CABLE, BATT TO DISCONNECT SW	1	EA
25	3014799	CABLE FUSE TO EMERGENCY POWER RELAY	1	EA
26	3014817	CABLE, FUSE BLK TO DISC SWITCH	1	EA
27	1434525	HARNESS, ENGINE, V1505 KUBOTA	1	EA
28	1434515	HARNESS, HYD MANIFOLD 400/460	1	EA
29	3014815	CABLE, ALT TO ALT FUSE HOLDER	1	EA
30	3014770	CABLE BATTERY TO DISCONNECT SWITCH	1	EA
31	3014762	HARNESS, LWR CTL TO PRS SW	1	EA
32	3014825	CABLE, EMR PWR RLY TO EMR MTR	1	EA
33	3220322	BOOT EYELET TERM 4 1 AWG BLACK	2	EA
34	1432674	HARNESS HYD COOLER	1	EA
35	5093030	CLP CUSH 2.50 VINYL COATED	4	EA
36	12137 999	GUARD HOSE WRAP SL 2.5	4	EA
37	056069 010	Washer, SteelFlatWasher DIN125A M10 ZincPlated	2	EA

ELECTRICAL

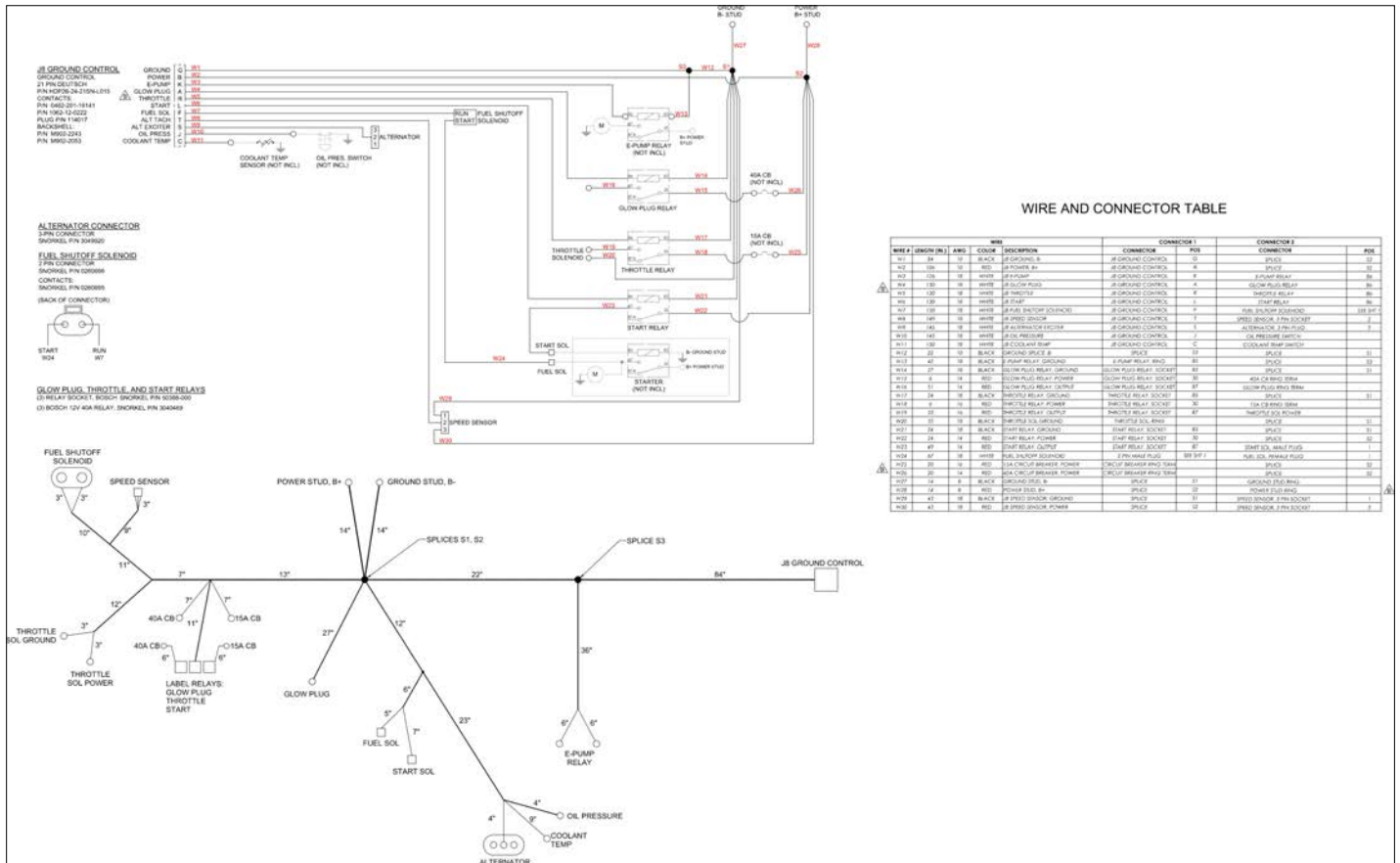
WIRE AND CONNECTOR TABLE

WIRE			CONNECTOR 1		CONNECTOR 2		
WIRE #	AWG	COLOR	DESCRIPTION	CONNECTOR	POS	CONNECTOR	POS
W1	10	BLACK	J8 GROUND, B-	J8 GROUND CONTROL	G	SPICE	S3
W2	10	RED	J8 POWER, B+	J8 GROUND CONTROL	B	SPICE	S2
W3	18	WHITE	J8 E-PUMP	J8 GROUND CONTROL	K	E-PUMP RELAY	S5
W4	18	WHITE	J8 GLOW PLUG	J8 GROUND CONTROL	A	GLOW PLUG RELAY	S6
W5	18	WHITE	J8 THROTTLE	J8 GROUND CONTROL	R	THROTTLE RELAY	S6
W6	18	WHITE	J8 START	J8 GROUND CONTROL	L	START RELAY	S6
W7	18	WHITE	J8 FUEL SHUTOFF SOLENOID	J8 GROUND CONTROL	F	FUEL SHUTOFF SOLENOID	SEE SH1
W8	18	WHITE	J8 SPEED SENSOR	J8 GROUND CONTROL	T	SPEED SENSOR, 3 PIN SOCKET	2
W9	18	WHITE	J8 ALTERNATOR EXCITER	J8 GROUND CONTROL	S	ALTERNATOR, 3 PIN PLUG	2
W10	18	WHITE	J8 OIL PRESSURE	J8 GROUND CONTROL	J	OIL PRESSURE SWITCH	
W11	18	WHITE	J8 COOLANT TEMP	J8 GROUND CONTROL	C	COOLANT TEMP SWITCH	
W12	10	BLACK	GROUND SPICE, B-		S3	SPICE	S1
W13	18	BLACK	E-PUMP RELAY, GROUND	E-PUMP RELAY, RING	S5	SPICE	S3
W14	18	BLACK	GLOW PLUG RELAY, GROUND	GLOW PLUG RELAY, SOCKET	S6	SPICE	S1
W15	14	RED	GLOW PLUG RELAY, POWER	GLOW PLUG RELAY, SOCKET	30	40A CB RING TERM	
W16	14	RED	GLOW PLUG RELAY, OUTPUT	GLOW PLUG RELAY, SOCKET	S6	GLOW PLUG RING TERM	
W17	18	BLACK	THROTTLE RELAY, GROUND	THROTTLE RELAY, SOCKET	S6	SPICE	S1
W18	16	RED	THROTTLE RELAY, POWER	THROTTLE RELAY, SOCKET	30	15A CB RING TERM	
W19	16	RED	THROTTLE RELAY, OUTPUT	THROTTLE RELAY, SOCKET	S6	THROTTLE SOL POWER	
W20	18	BLACK	THROTTLE SOL GROUND	THROTTLE SOL RING		SPICE	S1
W21	18	BLACK	START RELAY, GROUND	START RELAY, SOCKET	S6	SPICE	S1
W22	14	RED	START RELAY, POWER	START RELAY, SOCKET	30	SPICE	S2
W23	14	RED	START RELAY, OUTPUT	START RELAY, SOCKET	S6	START SOL, MALE PLUG	1
W24	18	WHITE	FUEL SHUTOFF SOLENOID	2 PIN MALE PLUG	SEE SH1	FUEL SOL, FEMALE PLUG	1
W25	16	RED	15A CIRCUIT BREAKER, POWER	CIRCUIT BREAKER RING TERM		SPICE	S2
W26	14	RED	40A CIRCUIT BREAKER, POWER	CIRCUIT BREAKER RING TERM		SPICE	S2
W27	8	BLACK	GROUND STUD, B-	SPICE	S1	GROUND STUD RING	
W28	8	RED	POWER STUD, B+	SPICE	S2	POWER STUD RING	
W29	18	BLACK	J8 SPEED SENSOR, GROUND	SPICE	S1	SPEED SENSOR, 3 PIN SOCKET	1
W30	18	RED	J8 SPEED SENSOR, POWER	SPICE	S2	SPEED SENSOR, 3 PIN SOCKET	3



アイテム	部品番号	名前	数量	UOM
	1434525 A	ENGINE HARNESS KUBOTA V1505 400S 460SJ		EA
1	3049920	CONNECTOR 3 PIN SUMITOMO	2	EA
2	0260696	CONNECTOR KCCP	A/R	EA
3	0260695	TERM KCCP	A/R	EA
4	50388 000	RELAY SOCKET, BOSH NOT SHOWN	3	EA
5	3040469	RELAY SPDT 12V 30AMP SONG	5	EA

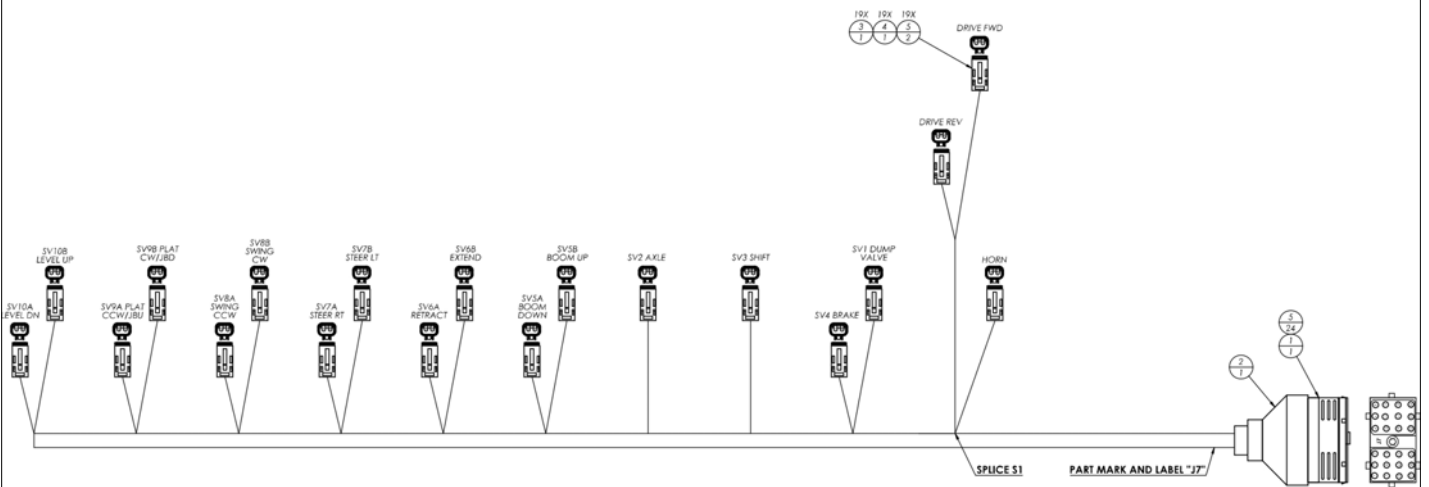
ELECTRICAL



アイテム	部品番号	名前	数量	UOM
	1434525 B	ENGINE HARNESS KUBOTA V1505 400S 460SJ FEBURARY 2020 AND AFTER		EA
1	3049920	CONNECTOR 3 PIN SUMITOMO	2	EA
2	0260696	CONNECTOR KCCP	A/R	EA
3	0260695	TERM KCCP	A/R	EA
4	50388 000	RELAY SOCKET, BOSH NOT SHOWN	3	EA
5	3040469	RELAY SPDT 12V 30AMP SONG	5	EA

ELECTRICAL

WIRE #	LENGTH (IN.)	AWG	COLOR	DESCRIPTION	CONNECTOR 1	CONNECTOR 2
					POS	POS
W1	87.5	18	WHITE	SV10B LEVEL UP, PWM OUTPUT	1	1
W2	85.5	18	WHITE	SV10A LEVEL DN, PWM OUTPUT	2	1
W3	123	18	BLACK	DRIVE REV, GROUND B-	3	2
W4	123	18	WHITE	DRIVE REV, PWM OUTPUT	4	1
W5	83.5	18	WHITE	SV9A PLAT CCW/JBU, PWM OUTPUT	5	1
W6	85.5	18	WHITE	SV9B PLAT CW/JBD, PWM OUTPUT	6	1
W7	79.5	18	WHITE	SV6B EXTEND, PWM OUTPUT	7	1
W8	77.5	18	WHITE	SV6A RETRACT, PWM OUTPUT	8	1
W9	75.5	18	WHITE	SV2 AXLE, PWM OUTPUT	9	1
W10	78	18	WHITE	SV5B BOOM UP, PWM OUTPUT	10	1
W11	76	18	WHITE	SV5A BOOM DN, PWM OUTPUT	11	1
W12	83.5	18	WHITE	SV8B SWING CW, PWM OUTPUT	12	1
W13	83.5	18	BLACK	SV8B SWING CW, GROUND	13	2
W14	79.5	18	WHITE	SV7A STEER RT, PWM OUTPUT	14	1
W15	81.5	18	WHITE	SV7B STEER LT, PWM OUTPUT	15	1
W16	106	18	WHITE	HORN, 2A OUTPUT	16	1
W17	134	18	BLACK	DRIVE FWD, GROUND B-	17	2
W18	134	18	WHITE	DRIVE FWD, PWM OUTPUT	18	1
W19	73.5	18	WHITE	SV3 SHFT, 2A OUTPUT	19	1
W20	70	18	WHITE	SV4 BRAKE, 2A OUTPUT	20	1
W21	72	18	WHITE	SV1 DUMP VALVE, PWM OUTPUT	21	1
W22	62	18	BLACK	GROUND, B-	22	51
W23	81.5	18	BLACK	SV8A SWING CCW, GROUND	23	2
W24	81.5	18	WHITE	SV8A SWING CCW, PWM OUTPUT	24	1
W25	25.5	18	BLACK	SV10B LEVEL UP, GROUND B-	51	2
W26	23.5	18	BLACK	SV10A LEVEL DOWN, GROUND B-	51	2
W27	21.5	18	BLACK	SV9A PLAT CCW/JBU, GROUND B-	51	2
W28	23.5	18	BLACK	SV9B PLAT CW/JBD, GROUND B-	51	2
W29	17.5	18	BLACK	SV6B EXTEND, GROUND B-	51	2
W30	15.5	18	BLACK	SV6A RETRACT, GROUND B-	51	2
W31	13.5	18	BLACK	SV2 AXLE, GROUND B-	51	2
W32	16	18	BLACK	SV5B BOOM UP, GROUND B-	51	2
W33	14	18	BLACK	SV5A BOOM DN, GROUND B-	51	2
W34	17.5	18	BLACK	SV7A STEER RT, GROUND B-	51	2
W35	19.5	18	BLACK	SV7B STEER LT, GROUND B-	51	2
W36	44	18	BLACK	HORN, GROUND B-	51	2
W37	11.5	18	BLACK	SV3 SHFT, GROUND B-	51	2
W38	8	18	BLACK	SV4 BRAKE, GROUND B-	51	2
W39	10	18	BLACK	SV1 DUMP VALVE, GROUND B-	51	2

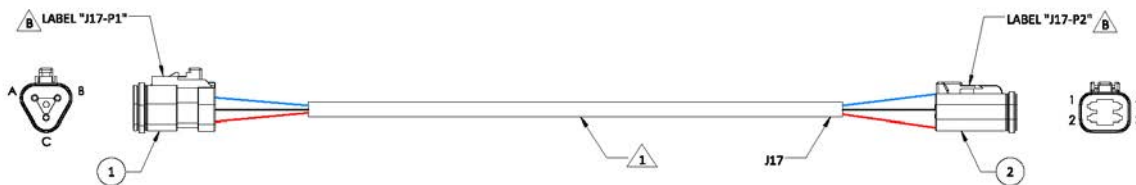


FUNCTION LABEL	SV1 DUMP VALVE	SV2 AXLE	SV3 SHFT	SV4 BRAKE	SV5A BOOM DN	SV5B BOOM UP	SV6A RETRACT	SV6B EXTEND	SV7A STEER RT	SV7B STEER LT	SV8A SWING CCW	SV8B SWING CW	SV9A PLAT CCW/JBU	SV9B PLAT CW/JBD	SV10A LEVEL DN	SV10B LEVEL UP	HORN	DRIVE REV	DRIVE FWD
CAVITY 1 WIRE	W21	W9	W19	W20	W11	W10	W8	W7	W14	W15	W24	W12	W5	W6	W2	W1	W16	W4	W18
CAVITY 2 WIRE	W39	W31	W37	W38	W33	W22	W30	W29	W34	W35	W23	W13	W27	W28	W26	W25	W36	W3	W17

アイテム	部品番号	名前	数量	UOM
	1434515 A	HYDRAULIC MANIFOLD HARNESS 400S 460SJ		EA
1	015790 012	CONNECTOR, 24 PIN	1	EA
2	015790 013	BOOT BLACK	1	EA
3	3049803	CONNECTOR 2 PIN DEUTSCH PLUG	19	EA
4	3049807	LOCK WEDGE 2 PIN DEUTSCH PLUG	19	EA
5	3040342	SOCKET CONTACT SIZE 16 16/18GA	62	EA

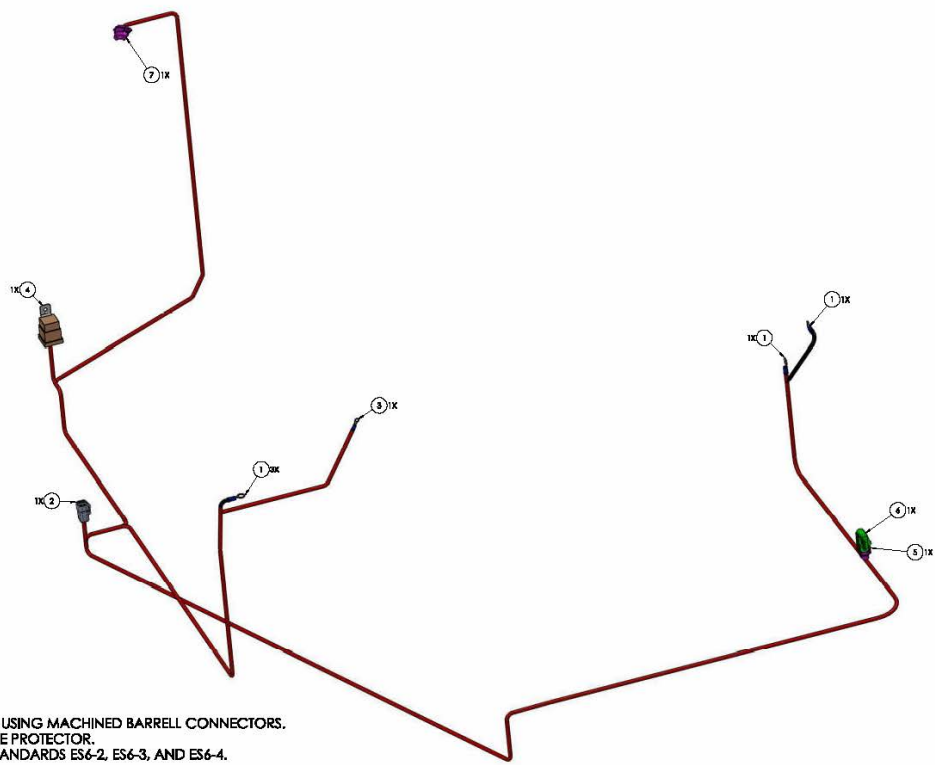
ELECTRICAL

WIRING SCHEMATIC				
FROM	TO	DESIGNATION	AWG	WIRE COLOR
P1-A	P2-1	NO	16	RED
P1-B	P2-2	GROUND	16	BLK
P1-C	P2-3	NC	16	BLU



アイテム	部品番号	名前	数量	UOM
	3014762 B	LOWER CONTROL TO PRESSURE SWITCH HARNESS		EA
1	3028872	CONNECTOR, 3 WAY PLUG GREY	1	EA
2	3049888	CONNECTOR 4 PIN	1	EA

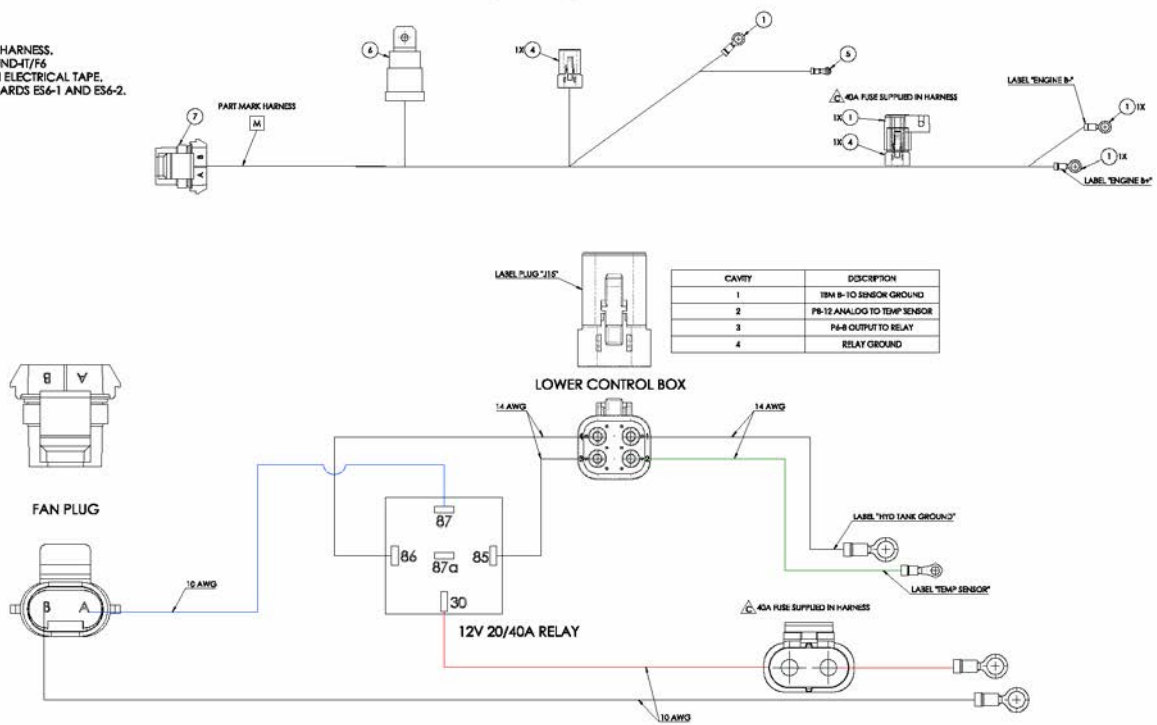
ELECTRICAL



NOTES:
1.) ALL CONNECTORS TO BE ASSEMBLED USING MACHINED BARRELL CONNECTORS.
2.) HARNESS TO BE WRAPPED WITH CABLE PROTECTOR.
3.) MUST COMPLY WITH ENGINEERING STANDARDS ES6-2, ES6-3, AND ES6-4.

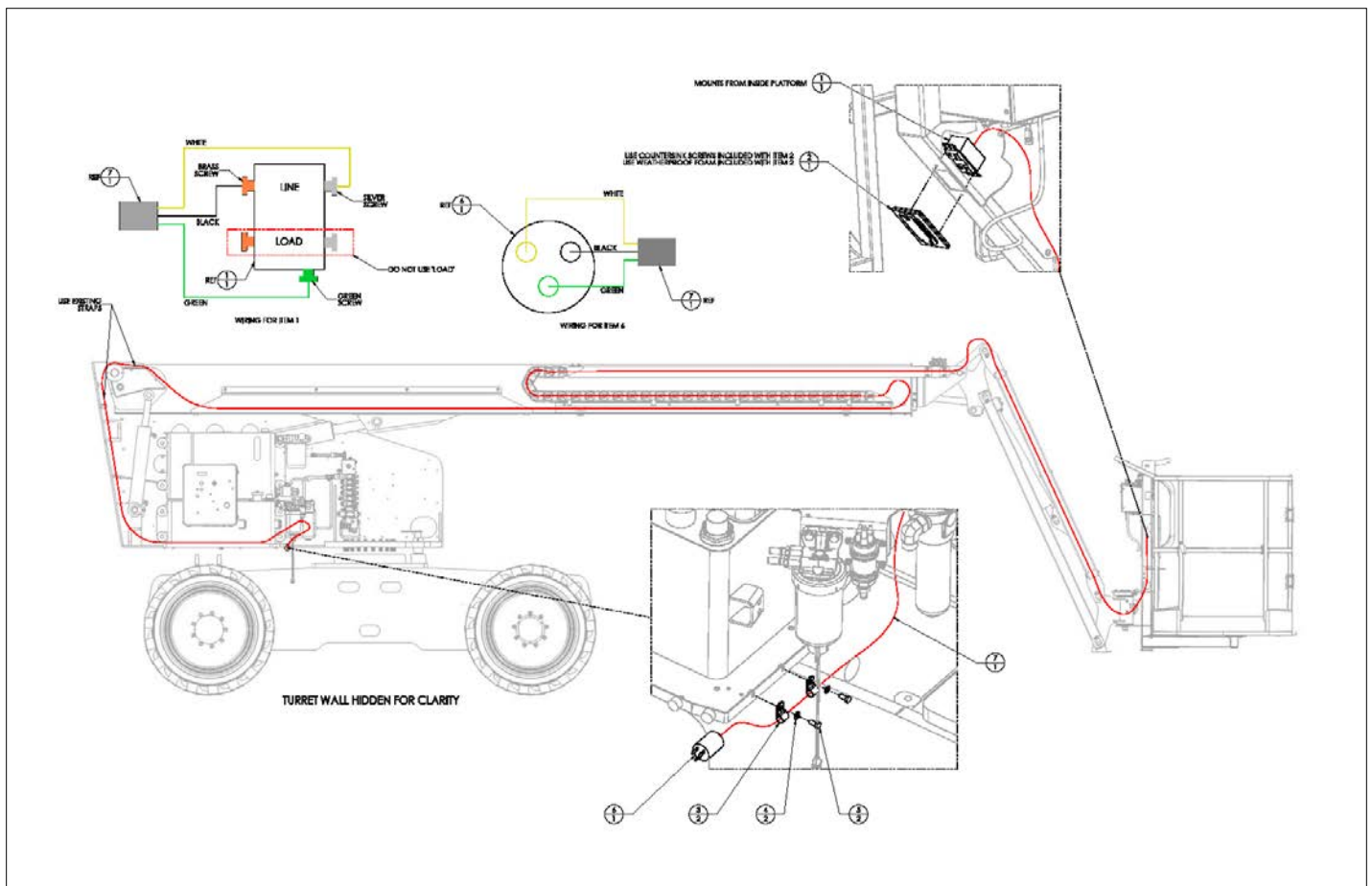
WIRING DIAGRAM

- NOTES:
 1.) PART MARK BOTH ENDS OF HARNESS.
 2.) COVER HARNESS WITH ROUND-T/F6
 3.) WRAP ALL JUNCTIONS WITH ELECTRICAL TAPE.
 4.) MUST COMPLY WITH STANDARDS ES6-1 AND ES6-2.



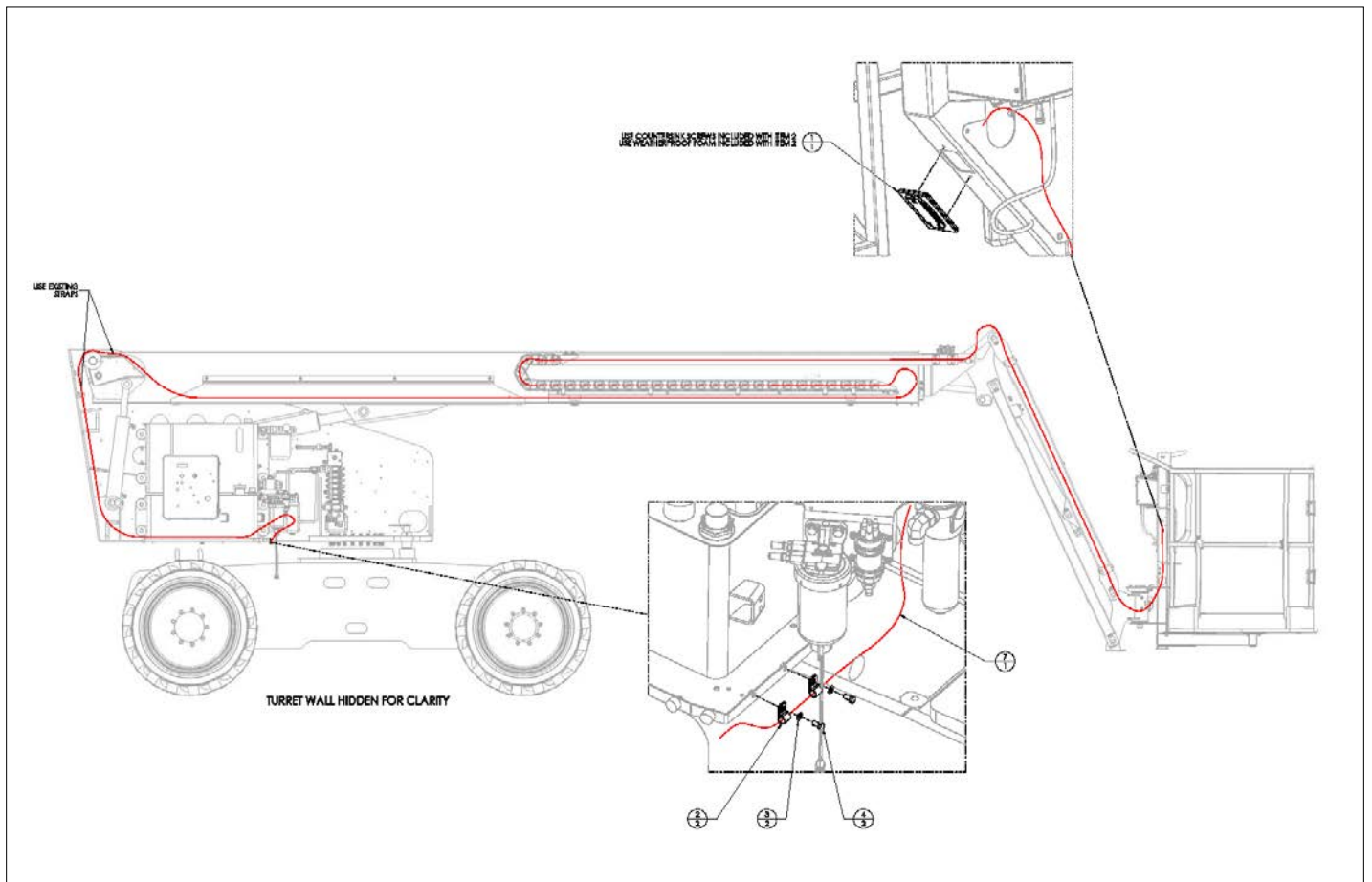
アイテム	部品番号	名前	数量	UOM
	1432674 E	HARNESS, HYDRAULIC COOLER		EA
1	3048836	RING TERMINAL 10 12 AWG, .375 STUD	3	EA
2	12555 011	DEUTSCH, 4 PIN, MALE PLUG	1	EA
3	3044161	TERM R10I 16/14	1	EA
4	3028885	RELAY 12V 20/40A	1	EA
5	3220299	CONNECTOR, DELPHI METRI PACK	1	EA
6	3220337	FUSE HOLDER, 30A 12V	1	EA
7	3220351	CONNECTOR, DELPHI	1	EA

ELECTRICAL



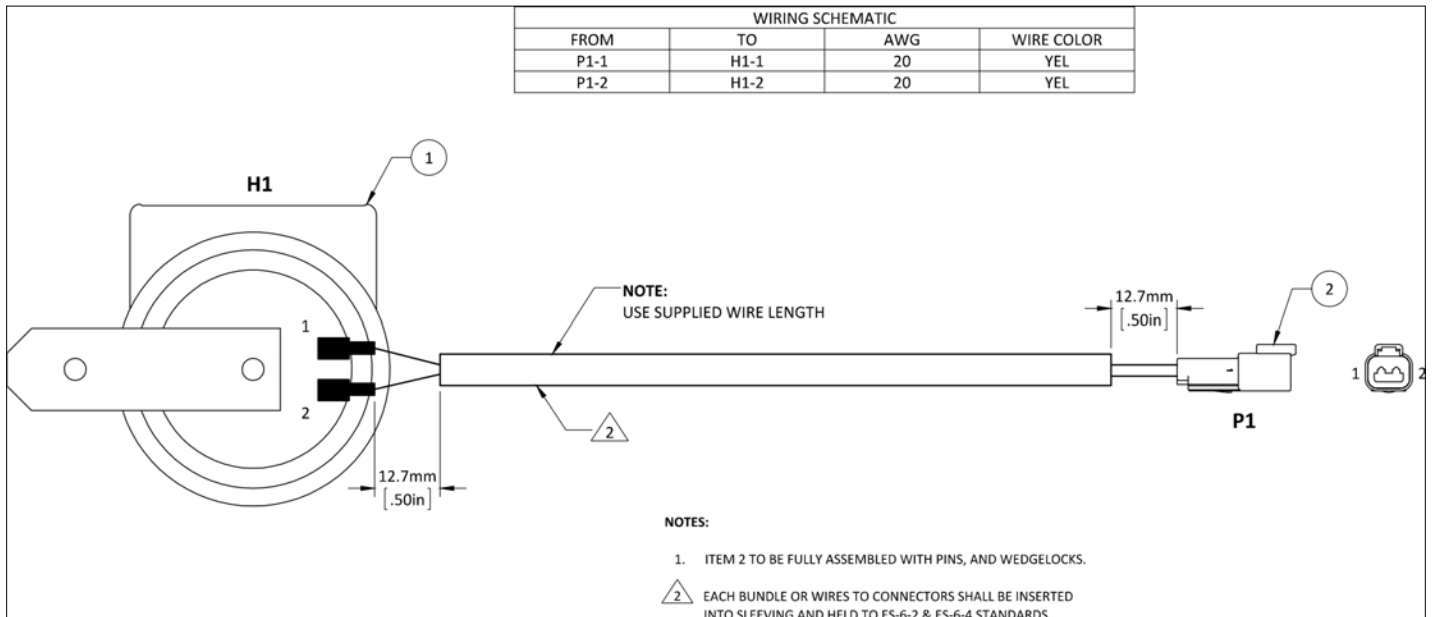
アイテム	部品番号	名前	数量	UOM
	1433296A	AC POWER TO PLATFORM INSTALL 460SJ		EA
1	3040624	Recepticle Outlet 20AMP	1	EA
2	3040625	Enclosure Face	1	EA
3	5093002	CLAMP .562 AEROQUIP HOSE SUPPORT	2	EA
4	056069 008	WASHER, STEELFLATWASHER DIN12M8 FLAT WASHER DIN 125	2	EA
5	510681 016	HHCS M8X1.25X16 G10.9 ISO 4014	2	EA
6	3220342	PLUG MALE CONNECTOR 125VAC	1	EA
7	1433753	CABLE, SOOW 12/3 P2P 460SJ	1	EA

ELECTRICAL



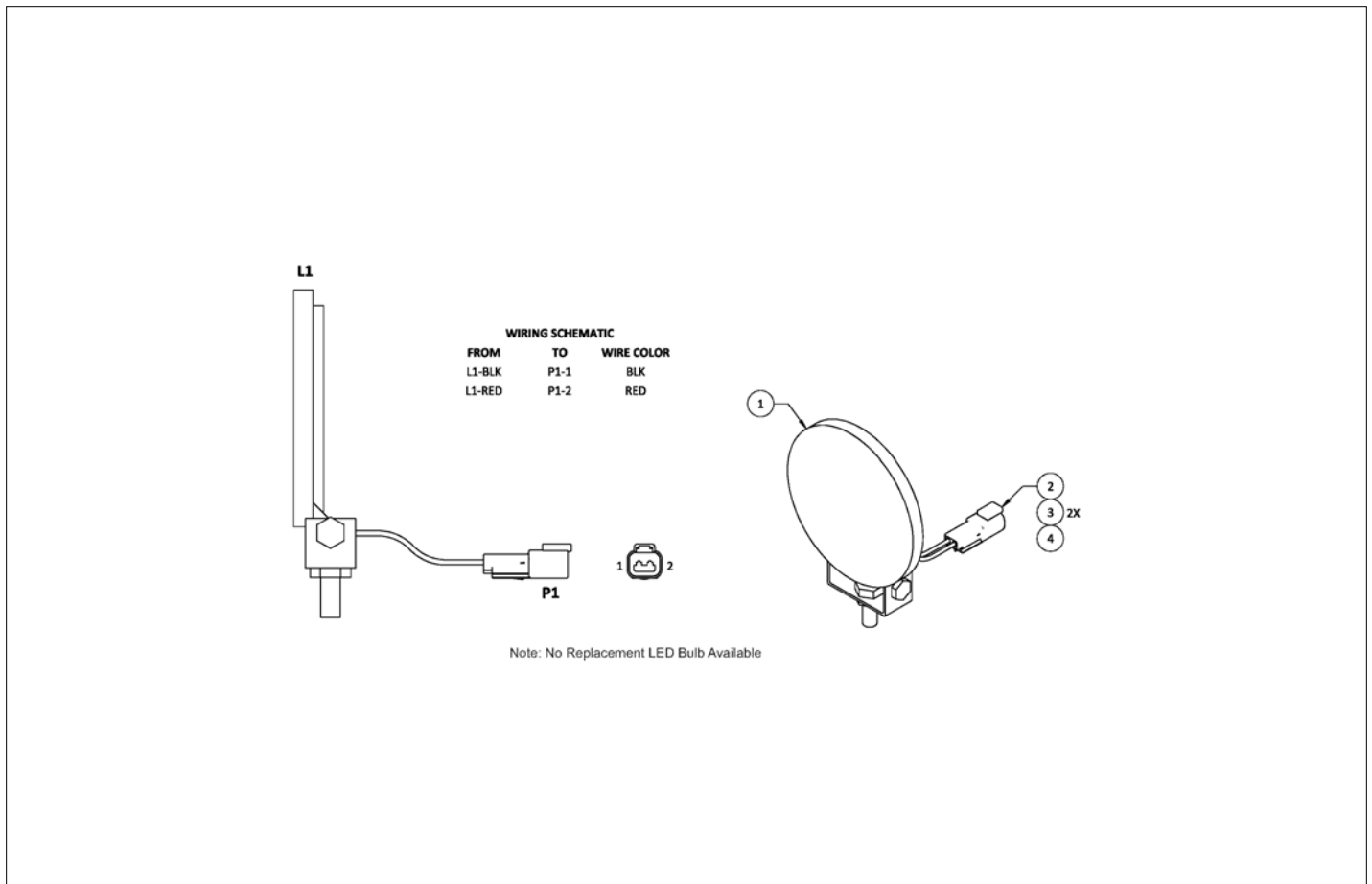
アイテム	部品番号	名前	数量	UOM
	1433757A	AC POWER TO PLATFORM EXPORT INSTALL 460SJ		EA
1	3040625	Enclosure Face	1	EA
2	5093002	CLAMP .562 AEROQUIP HOSE SUPPORT	2	EA
3	056069 008	WASHER, STEELFLATWASHER DIN12M8 FLAT WASHER DIN 125	2	EA
4	510681 016	HHCS M8X1.25X16 G10.9 ISO 4014	2	EA
5	1433753	CABLE, SOOW 12/3 P2P 460SJ	1	EA

ELECTRICAL



アイテム	部品番号	名前	数量	UOM
	3014787 A	HORN ASSEMBLY		EA
1	3028879	CNCTR 2WAY PLUG GREY DT04 2P	1	EA
2	3040127	HORN 12VDC	1	EA

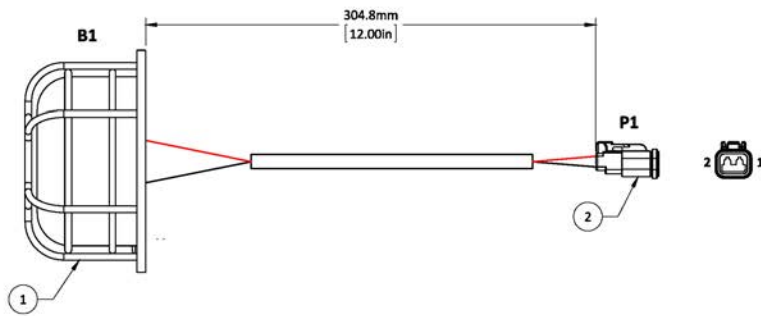
ELECTRICAL



アイテム	部品番号	名前	数量	UOM
	3069545A	LED LIGHT ASSEMBLY		EA
1	3069528	LED WORK LIGHTS	1	EA
2	12556 009	RECEPTACLE 2 WIRE DT04 2P*****	1	EA
3	12554 025	PIN SIZE 16 (14GA) DT	2	EA
4	12556 016	WEDGELOCK FOR DT04 2P*****	1	EA

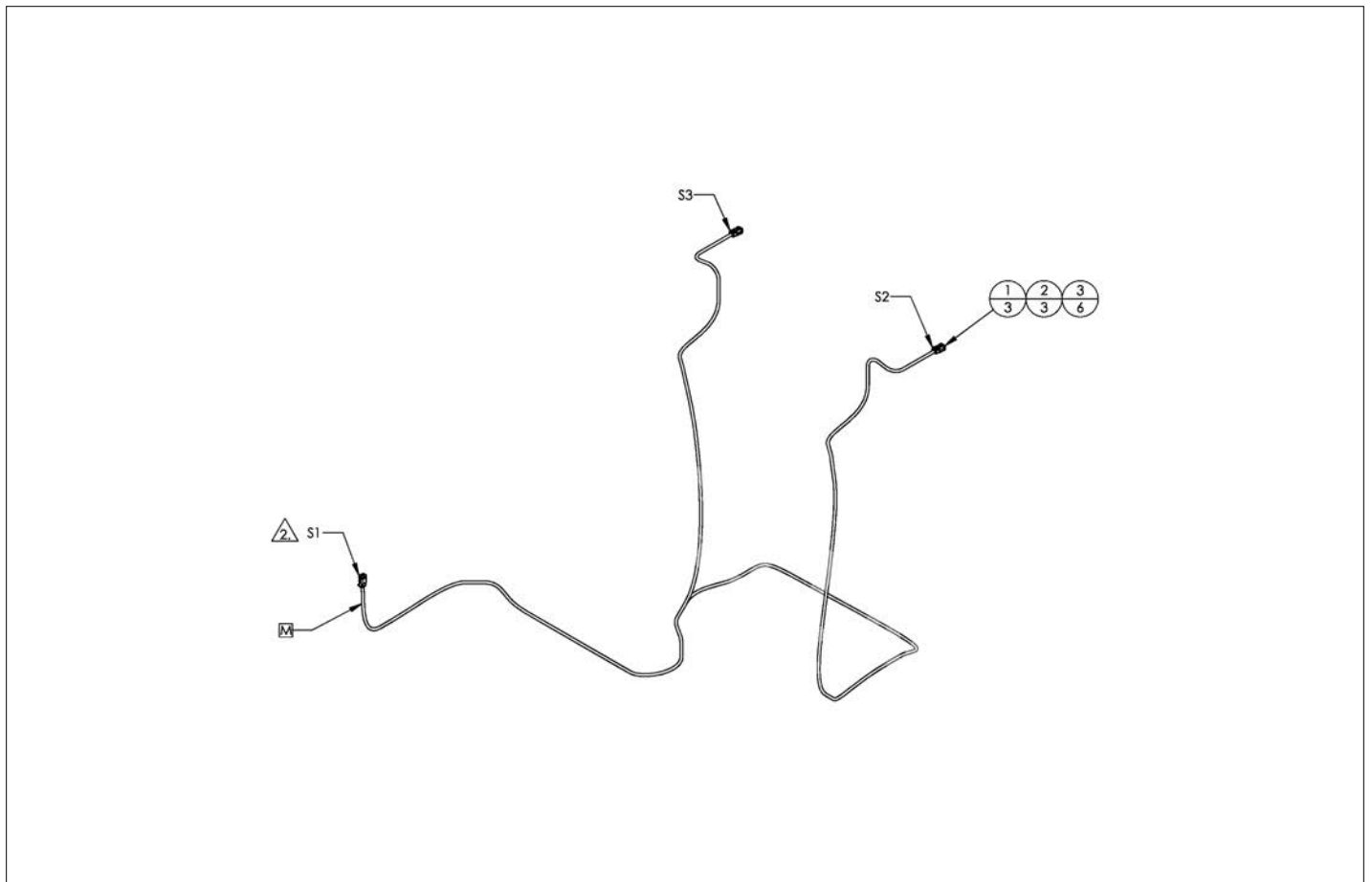
ELECTRICAL

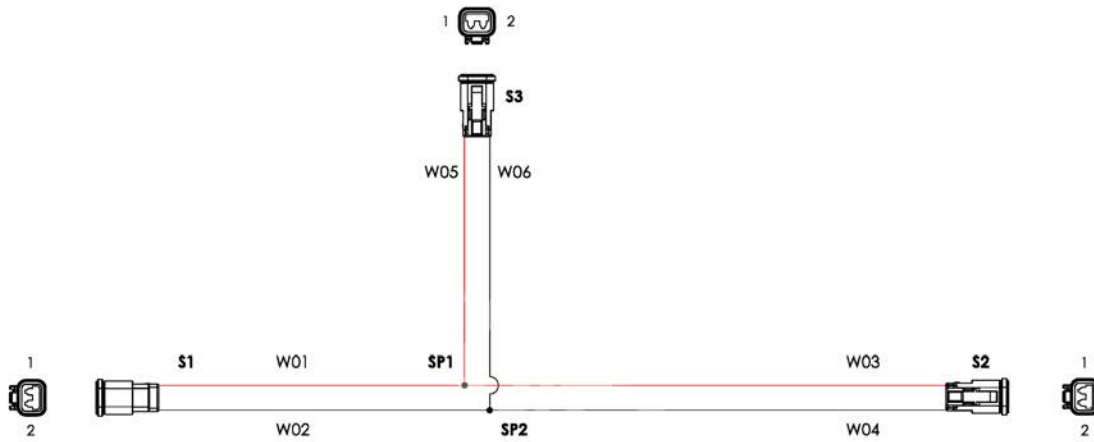
WIRING SCHEMATIC				
FROM	TO	DESIGNATION	AWG	WIRE COLOR
B1-RED	P1-1	VIN+	20	RED
B1-BLK	P1-2	VIN-	20	BLK



アイテム	部品番号	名前	数量	UOM
	3014765 A	BEACON LIGHT HARNESS		EA
1	514404 001	FLASHING BEACON BLUE	1	EA
2	3028878	DEUTSCH	1	EA

ELECTRICAL

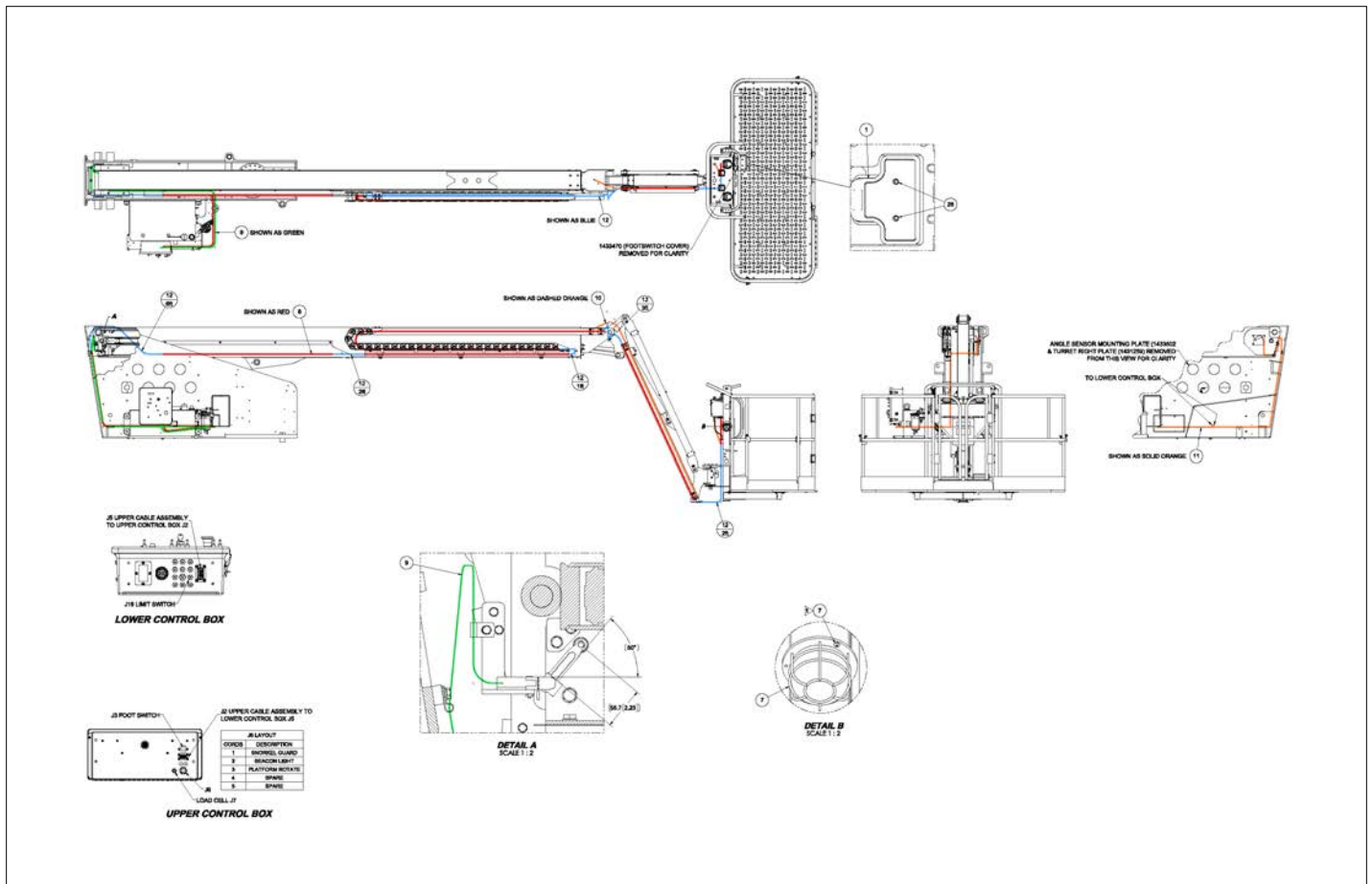


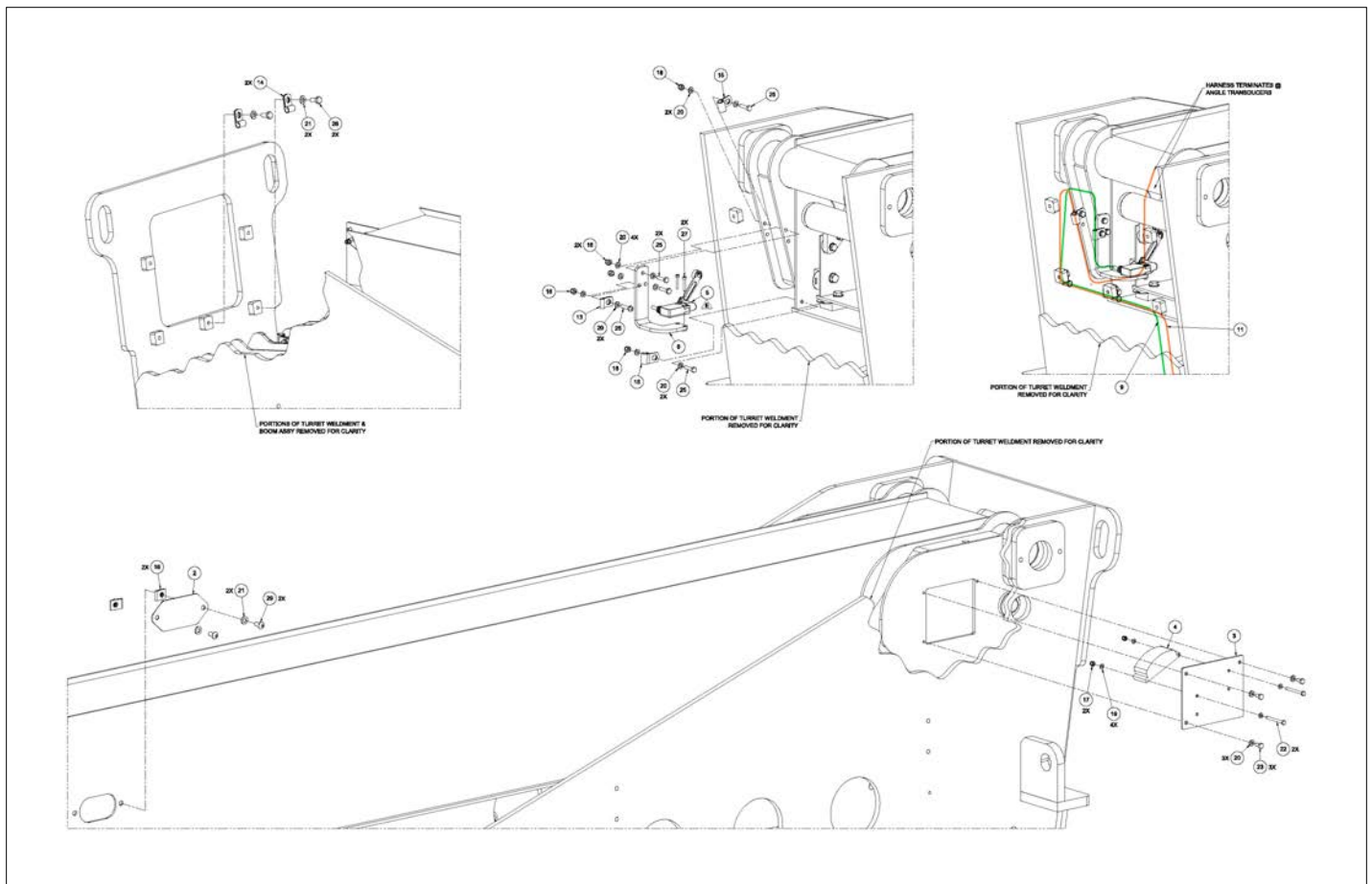


WIRE				CONNECTOR 1					CONNECTOR 2				
WIRE #	AWG	LENGTH	COLOR	DESCRIPTION	CONNECTOR	DESIGNATION / PN	POSITION	TYPE	CONNECTOR	DESIGNATION / PN	POSITION	TYPE	SUPPLIER PN
W01	18	50"	RED	J12	S1	2 PIN DT06-2S	1	PIN CON	SP1	SPLICE	(S2,S3)-1	-	SPLICE
W02	18	50"	BLK	J12	S1	2 PIN DT06-2S	2	PIN CON	SP2	SPLICE	(S2,S3)-2	-	SPLICE
W03	18	85"	RED	LED LIGHT 1	S2	2 PIN DT06-2S	1	PIN CON	SP1	SPLICE	(S1,S3)-1	-	SPLICE
W04	18	85"	BLK	LED LIGHT 1	S2	2 PIN DT06-2S	2	PIN CON	SP2	SPLICE	(S1,S3)-2	-	SPLICE
W05	18	46"	RED	LED LIGHT 2	S3	2 PIN DT06-2S	1	PIN CON	SP1	SPLICE	(S1,S2)-1	-	SPLICE
W06	18	46"	BLK	LED LIGHT 2	S3	2 PIN DT06-2S	2	PIN CON	SP2	SPLICE	(S1,S2)-2	-	SPLICE

アイテム	部品番号	名前	数量	UOM
	1433883A	DRIVE LIGHTS HARNESS		EA
1	12557 016	WEDGELOCK	3	EA
2	12557 009	PLUG	3	EA
3	12557 031	SOCKET	6	EA

ELECTRICAL

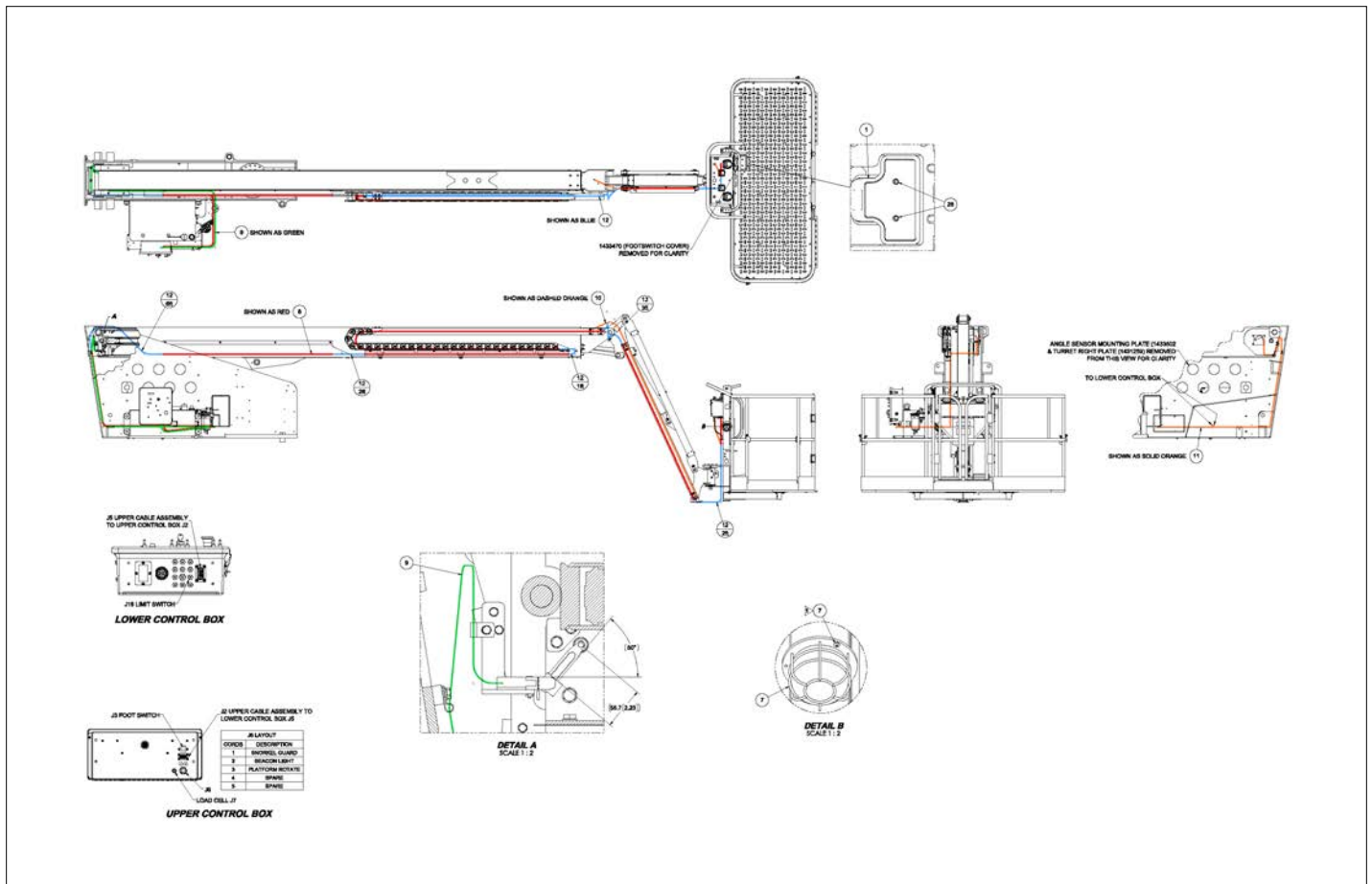


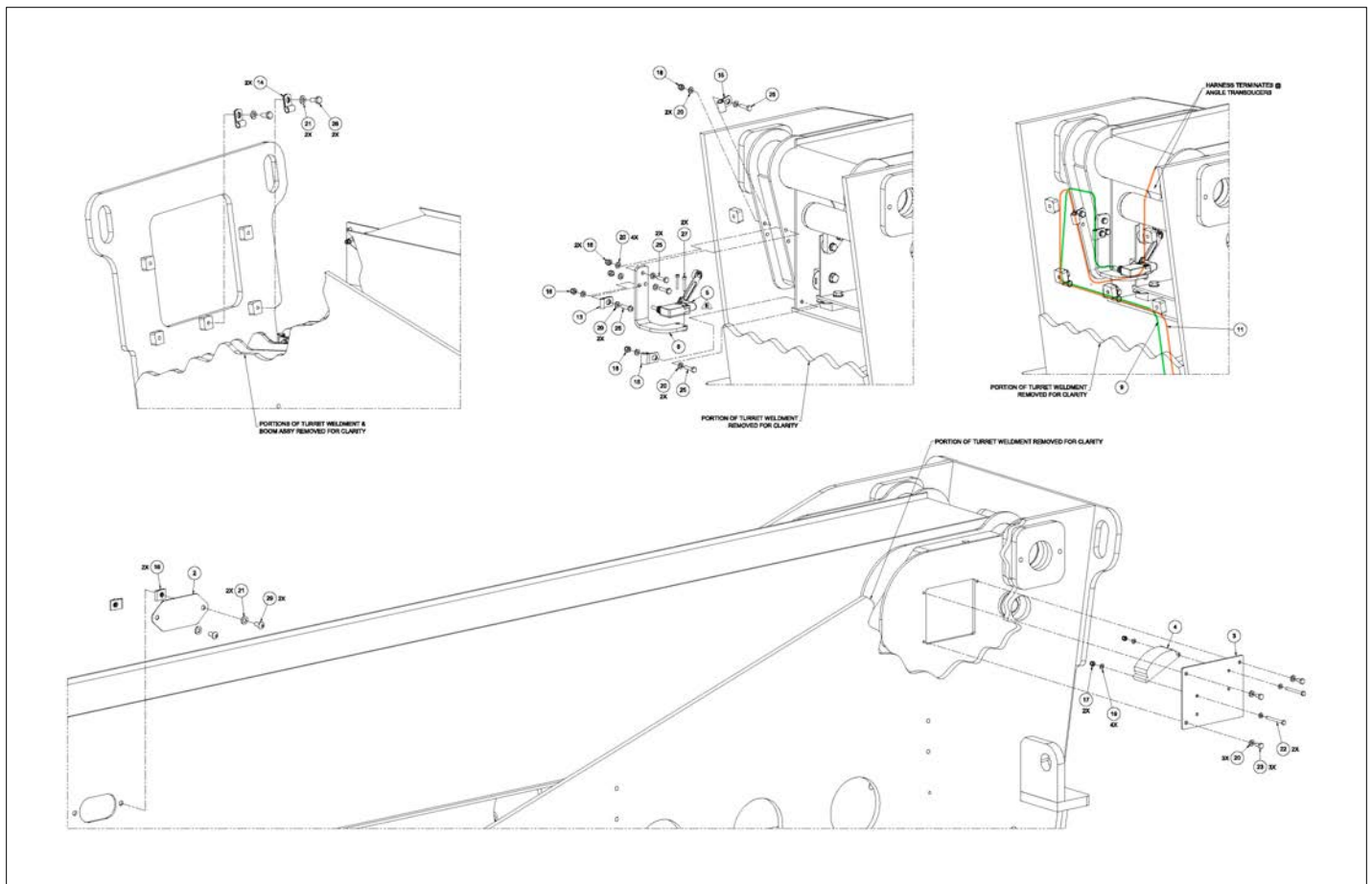


アイテム	部品番号	名前	数量	UOM
*	1463294 F	BOOM ELECTRICAL INSTALLATION 460SJ		EA
1	3028912	FOOT SWITCH ASSY, WIDE TREADLE	1	EA
2	1433379	COVER, ACCESS HOLE WHT	1	EA
3	1433502	MOUNTING PLATE, ANGLE SENSOR	1	EA
4	3030189	ANGLE TRANSDUCER	1	EA
5	3014764	HARNESS, ELEV SWITCH DT06 4S	1	EA
6	1434001	BRACKET, BOOM LIMIT SWITCH	1	EA
7	3014765	HARNESS, BEACON LIGHT BLU	1	EA
8	1433612	HARNESS, PLATF TO GND CTRL 460	1	EA
9	3014763	HARNESS, LWR CTL TO LMT SW	1	EA
10	511625 000	SELECTOR VALVE HARNESS	1	EA
11	1433966	HARNESS, ANGLE/PROXIMITY	1	EA
12	12139 999	GUARD HOSE WRAP SL 3.0 1050B	14	EA
13	5093018	CLP CUSH .250 VINYL COATED	1	EA
14	5093019	CLP CUSH .375 VINYL COATED	2	EA
15	5093000	CLP CUSH .438 VINYL COATED	2	EA
16	5569354	NUT, CLIP M8X1.25 4MM	2	EA
17	056066 005	Nut NylockNut DIN985 M5 8.0 Zi	4	EA
18	056066 006	Nut NylockNut DIN985 M6 8.0 Zi	5	EA
19	056069 005	Washer SteelFlatWasher DIN125A	8	EA
20	056069 006	WSHR STEELFLATWSHE M6 DIN125A	13	EA
21	056069 008	WASHER, STEELFLATWASHER DIN12M8 FLAT WASHER DIN 125	4	EA
22	5563957	HHCS M5x0.8x50 G10.9 ISO 4017	4	EA

アイテム	部品番号	名前	数量	UOM
23	058491 012	BLT HEXHD M6 1.0 X 12MM DIN933 GR8.8 ZP	3	EA
24	058491 020	HHCS M6 X 1 X 20 G8.8 DIN 933	1	EA
25	058491 025	Bolt HexSetScrew DIN933 M6 x 2	4	EA
26	058492 016	HHCS M8 x 1.25 X 16GR 8.8 DIN933	2	EA
27	5563249	SHCS M4 X 0.7X 25 G8.8 ZP BRIG	2	EA
28	5563950	SCHS M5 X 0.8 X 20 DIN 912 SS	2	EA
29	5563960	SBHCS M8 X 1.25 X 16 GR 10.9 PLTD	2	EA

ELECTRICAL

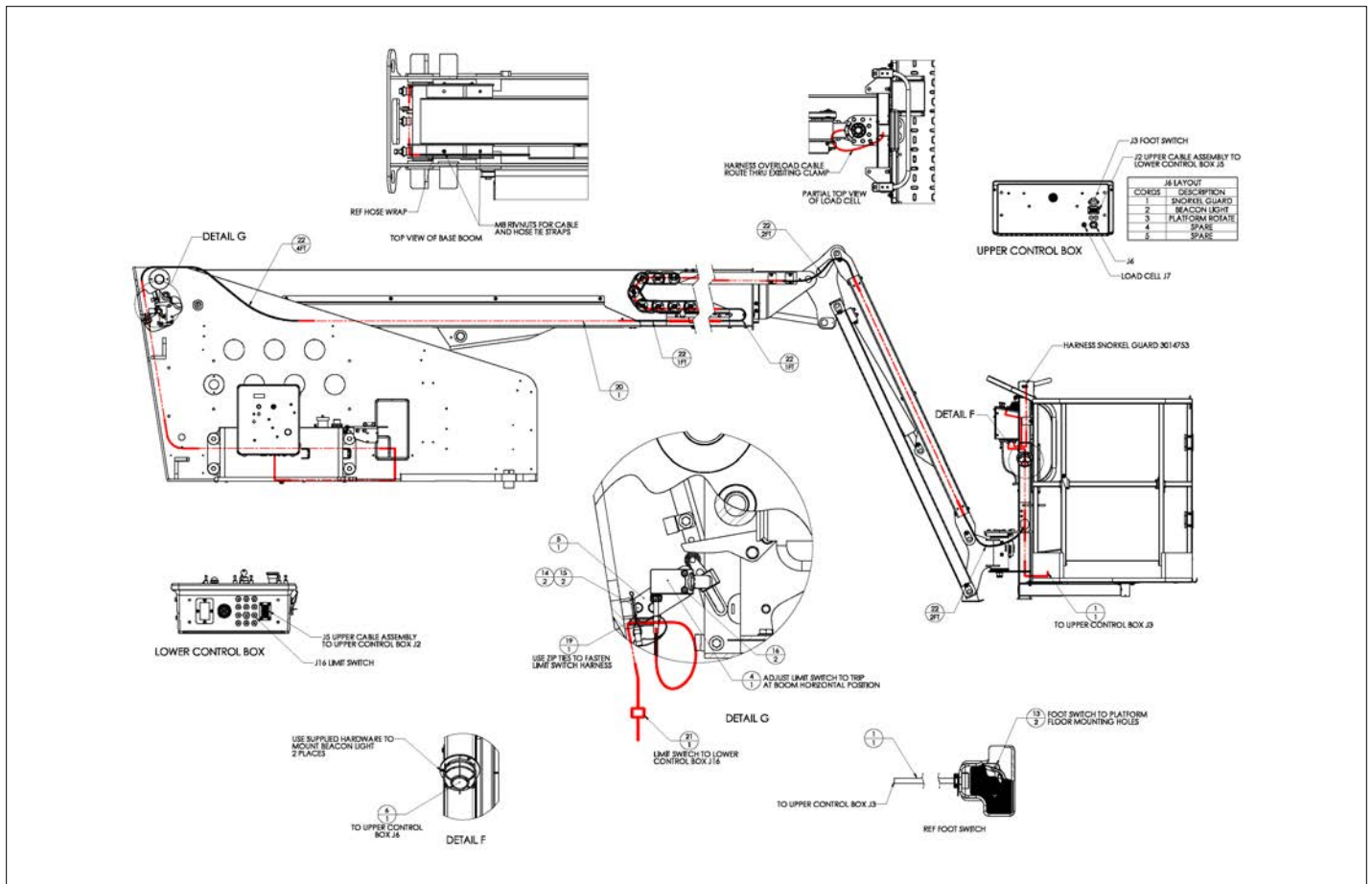


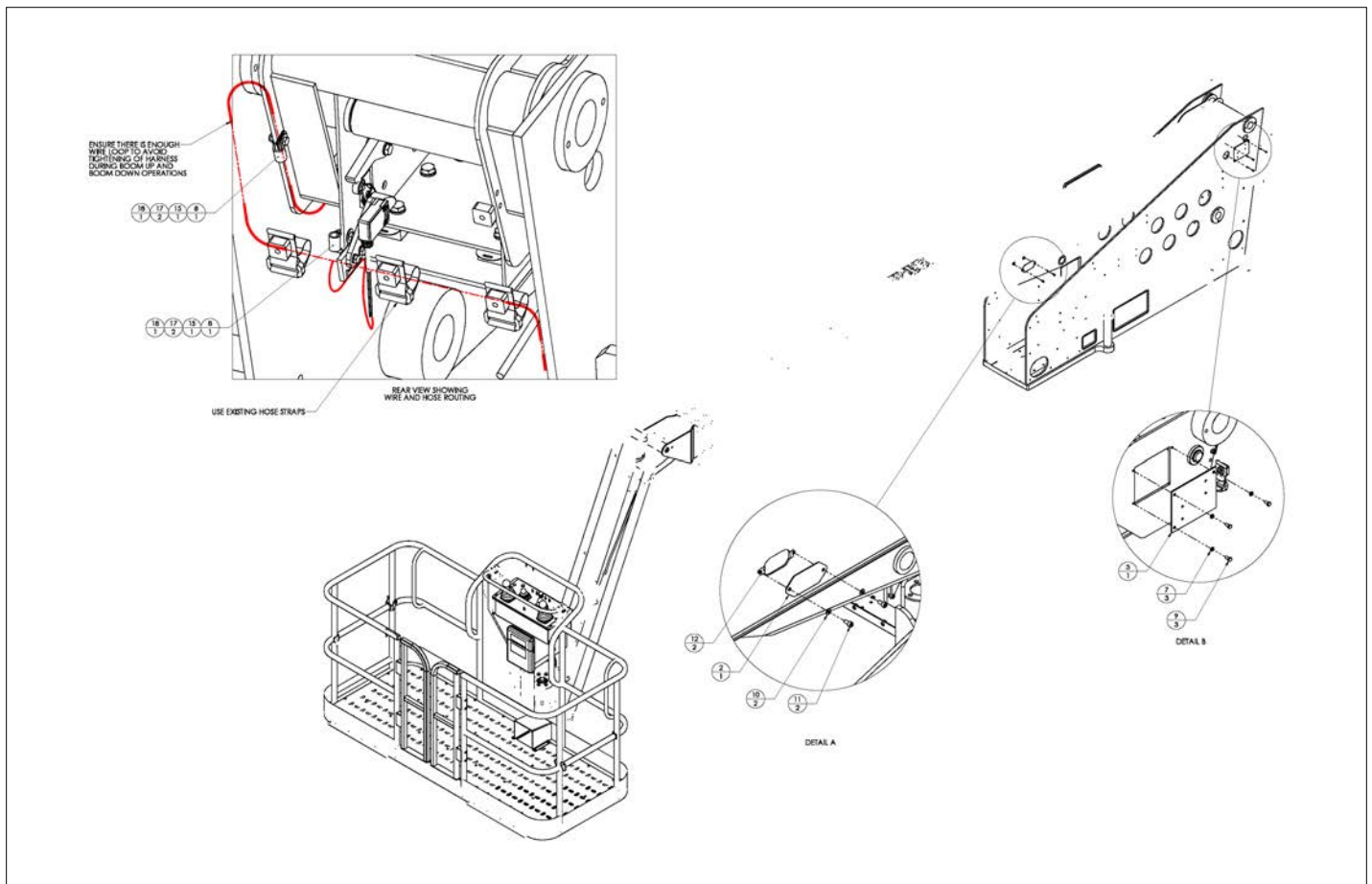


アイテム	部品番号	名前	数量	UOM
*	1463294 E	BOOM ELECTRICAL INSTALLATION 460SJ		EA
1	3028912	FOOT SWITCH ASSY, WIDE TREADLE	1	EA
2	1433379	COVER, ACCESS HOLE WHT	1	EA
3	1433502	MOUNTING PLATE, ANGLE SENSOR	1	EA
4	3030187	Angle Transducer	1	EA
5	3014764	HARNESS, ELEV SWITCH DT06 4S	1	EA
6	1434001	BRACKET, BOOM LIMIT SWITCH	1	EA
7	3014765	HARNESS, BEACON LIGHT BLU	1	EA
8	1433612	HARNESS, PLATF TO GND CTRL 460	1	EA
9	3014763	HARNESS, LWR CTL TO LMT SW	1	EA
10	511625 000	SELECTOR VALVE HARNESS	1	EA
11	1433966	HARNESS, ANGLE/PROXIMITY	1	EA
12	12139 999	GUARD HOSE WRAP SL 3.0 1050B	14	EA
13	5093018	CLP CUSH .250 VINYL COATED	1	EA
14	5093019	CLP CUSH .375 VINYL COATED	2	EA
15	5093000	CLP CUSH .438 VINYL COATED	2	EA
16	5569354	NUT, CLIP M8X1.25 4MM	2	EA
17	056066 005	Nut NylockNut DIN985 M5 8.0 Zi	4	EA
18	056066 006	Nut NylockNut DIN985 M6 8.0 Zi	5	EA
19	056069 005	Washer SteelFlatWasher DIN125A	8	EA
20	056069 006	WSHR STEELFLATWSHE M6 DIN125A	13	EA
21	056069 008	WASHER, STEELFLATWASHER DIN12M8 FLAT WASHER DIN 125	4	EA
22	5563957	HHCS M5x0.8x50 G10.9 ISO 4017	4	EA

アイテム	部品番号	名前	数量	UOM
23	058491 012	BLT HEXHD M6 1.0 X 12MM DIN933 GR8.8 ZP	3	EA
24	058491 020	HHCS M6 X 1 X 20 G8.8 DIN 933	1	EA
25	058491 025	Bolt HexSetScrew DIN933 M6 x 2	4	EA
26	058492 016	HHCS M8 x 1.25 X 16GR 8.8 DIN933	2	EA
27	5563249	SHCS M4 X 0.7X 25 G8.8 ZP BRIG	2	EA
28	5563950	SCHS M5 X 0.8 X 20 DIN 912 SS	2	EA
29	5563960	SBHCS M8 X 1.25 X 16 GR 10.9 PLTD	2	EA

ELECTRICAL

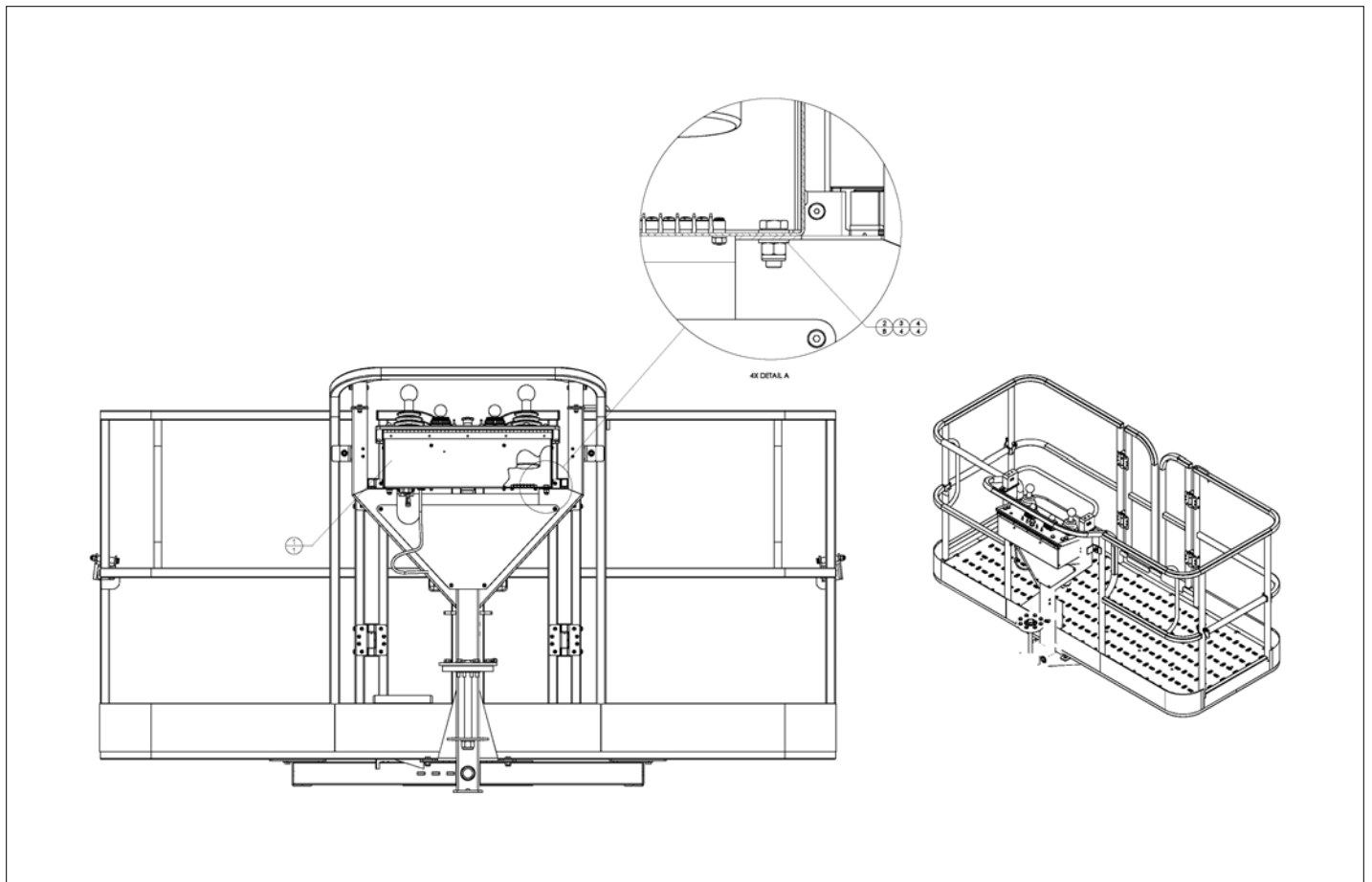




アイテム	部品番号	名前	数量	UOM
Not Shown	1433294B	BOOM ELECTRICAL INSTALL 460SJ		EA
1	3028912	FOOT SWITCH ASSY, WIDE TREADLE	1	EA
2	1433379	COVER, ACCESS HOLE WHT	1	EA
3	1433502	MOUNTING PLATE, ANGLE SENSOR	1	EA
4	3028869	SWITCH SAFETY SPDT SHMRSL PS116	1	EA
5	1433627	BRACKET, BOOM LIMIT SWITCH 400	1	EA
6	3014765	HARNESS, BEACON LIGHT BLU	1	EA
7	056021 006	WASHER SPRING WASHER M6 DIN 127B GR8.8 ZP	3	EA
8	5093000	CLP CUSH .438 VINYL COATED	2	EA
9	058491 012	BLT HEXHD M6 1.0 X 12MM DIN933 GR8.8 ZP	3	EA
10	056069 008	WASHER, STEELFLATWASHER DIN12M8 FLAT WASHER DIN 125	2	EA
11	5565325	SHCS M8X1.25X16 G8.8 BLK OX	2	EA
12	5569354	NUT, CLIP M8X1.25 4MM	2	EA
13	5563950	SCHS M5 X 0.8 X 20 DIN 912 SS	2	EA
14	056069 006	WSHR STEELFLATWSHE M6 DIN125A	2	EA
15	058491 020	HHCS M6 X 1 X 20 G8.8 DIN 933	4	EA
16	5563249	SHCS M4 X 0.7X 25 G8.8 ZP BRIG	2	EA
17	508247 006	WASHER OVERSIZED M6 X 18MM DIN9021 ZP	4	EA
18	056066 006	Nut NylockNut DIN985 M6 8.0 Zi	2	EA
19	3220344	CLIP HARNESS .04 .25 THK	1	EA
20	1433612	HARNESS, PLATF TO GND CTRL 460	1	EA

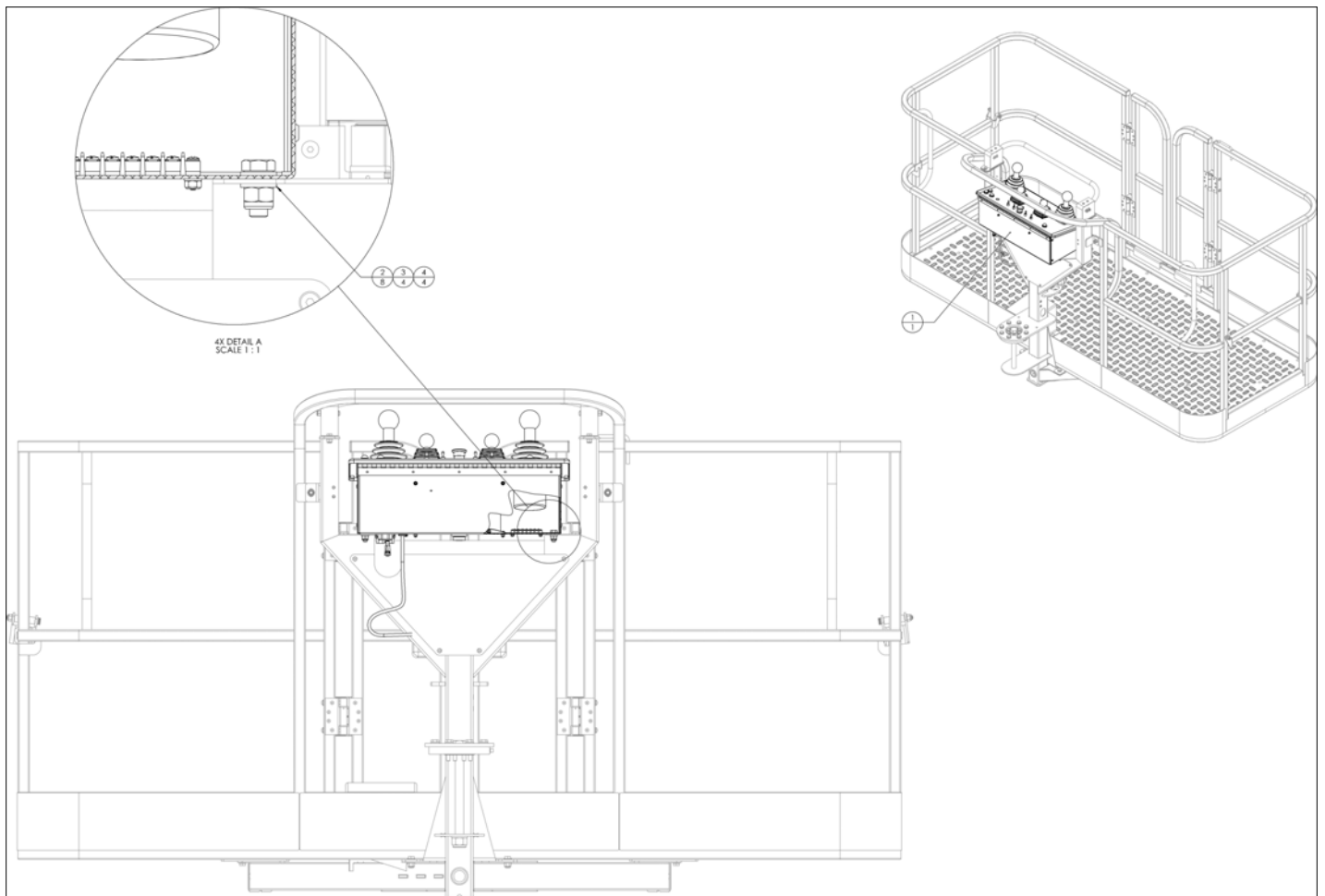
アイテム	部品番号	名前	数量	UOM
21	1433613	HARNESS, LWR CNTRL TO LIMIT SWITCH	1	EA
22	12139 999	GUARD HOSE WRAP SL 3.0 1050B	10	EA

ELECTRICAL



アイテム	部品番号	名前	数量	UOM
	1433676A	UPPER CONTROL BOX INSTALLATION 460SJ FEBURARY 2020 AND BEFORE		EA
1	1433472	ASSY, PLATF CONT BOX DUAL CAP	1	EA
2	056069 010	Washer, SteelFlatWasher DIN125A M10 ZincPlated	8	EA
3	058493 025	HHCS M10 X 25MM GR10.9 DIN933	4	EA
4	056064 010	Nut NylockNut DIN985 M10 10.0	4	EA

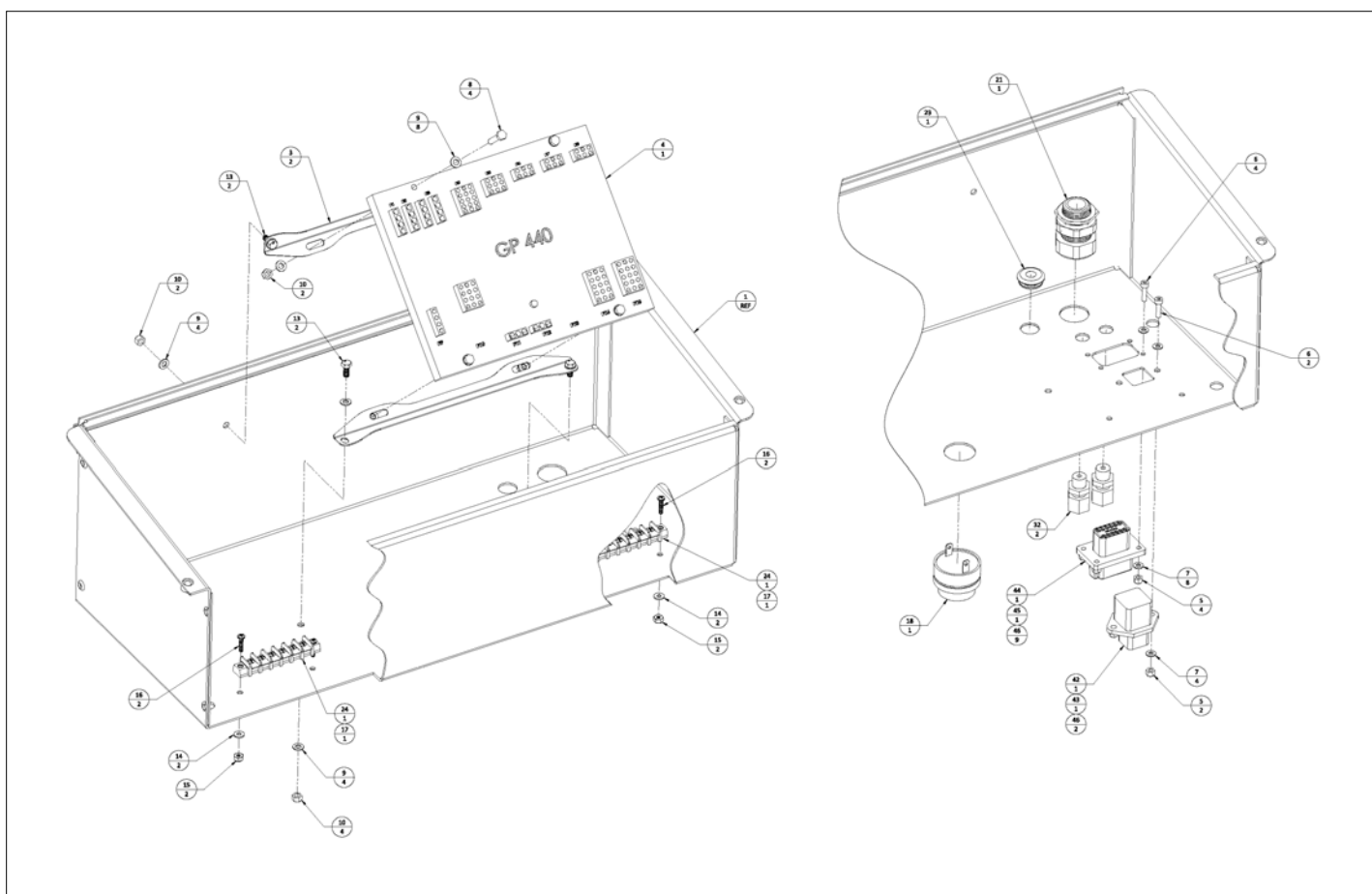
ELECTRICAL

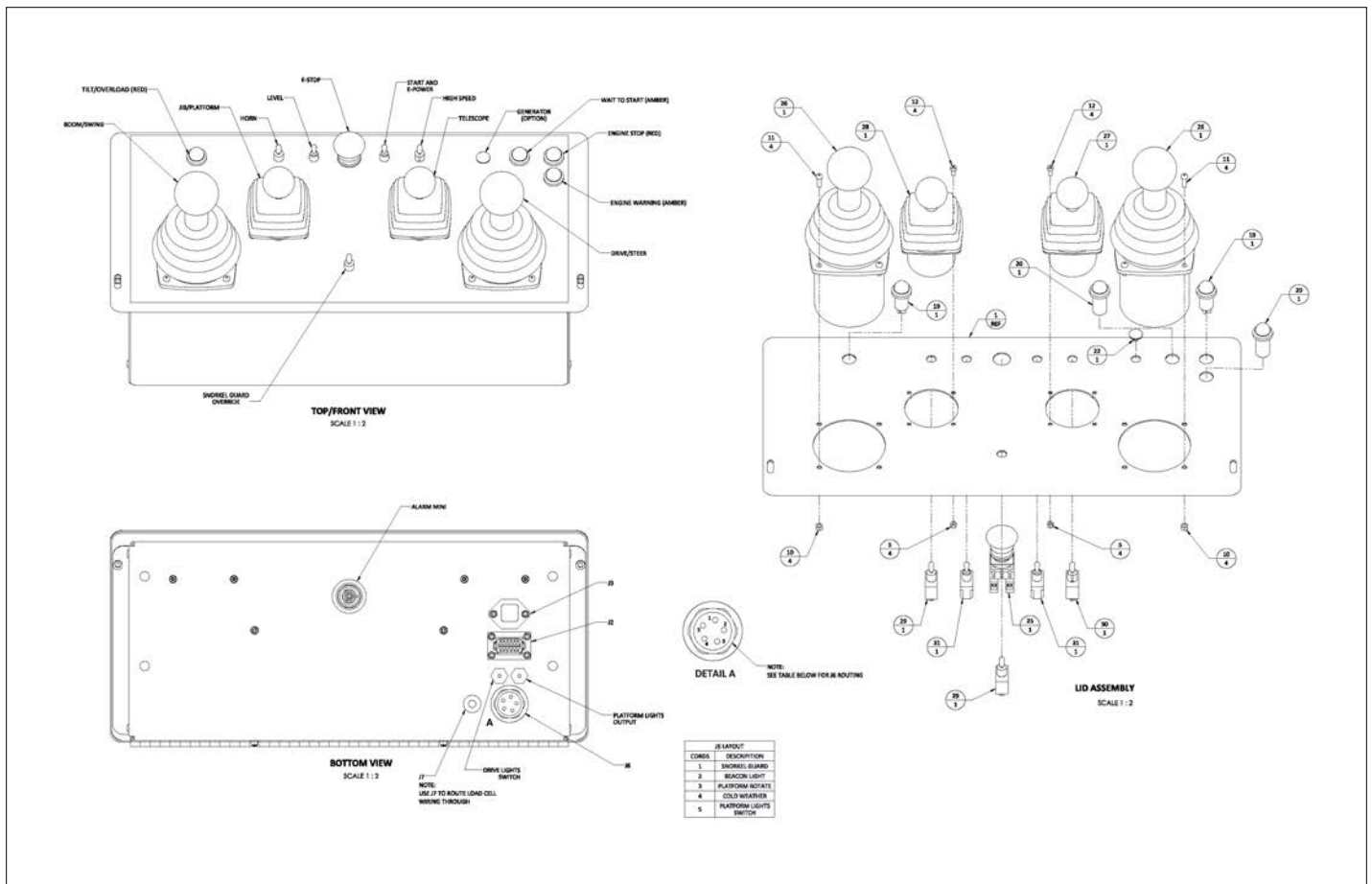


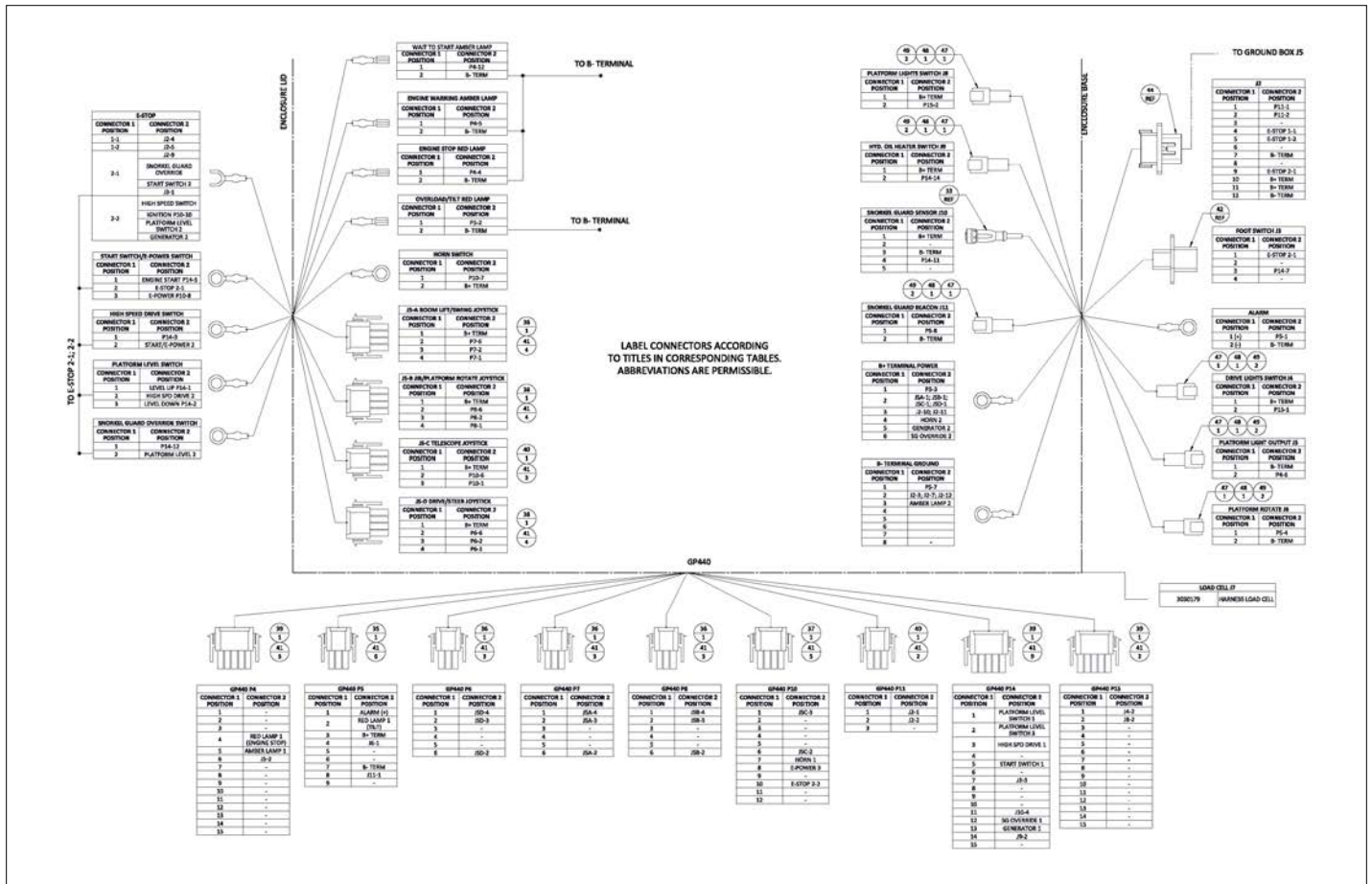
アイテム	部品番号	名前	数量	UOM
	1434106 A	UPPER CONTROL BOX INSTALLATION DEUTZ T4F 460SJ 660SJ		EA
1	1434146	ASSY, UPPR CTRL BX 460/660	1	EA
2	056069 010	Washer, SteelFlatWasher DIN125A M10 ZincPlated	8	EA
3	058493 025	HHCS M10 X 25MM GR10.9 DIN933	4	EA
4	056064 010	Nut NylockNut DIN985 M10 10.0	4	EA

ELECTRICAL









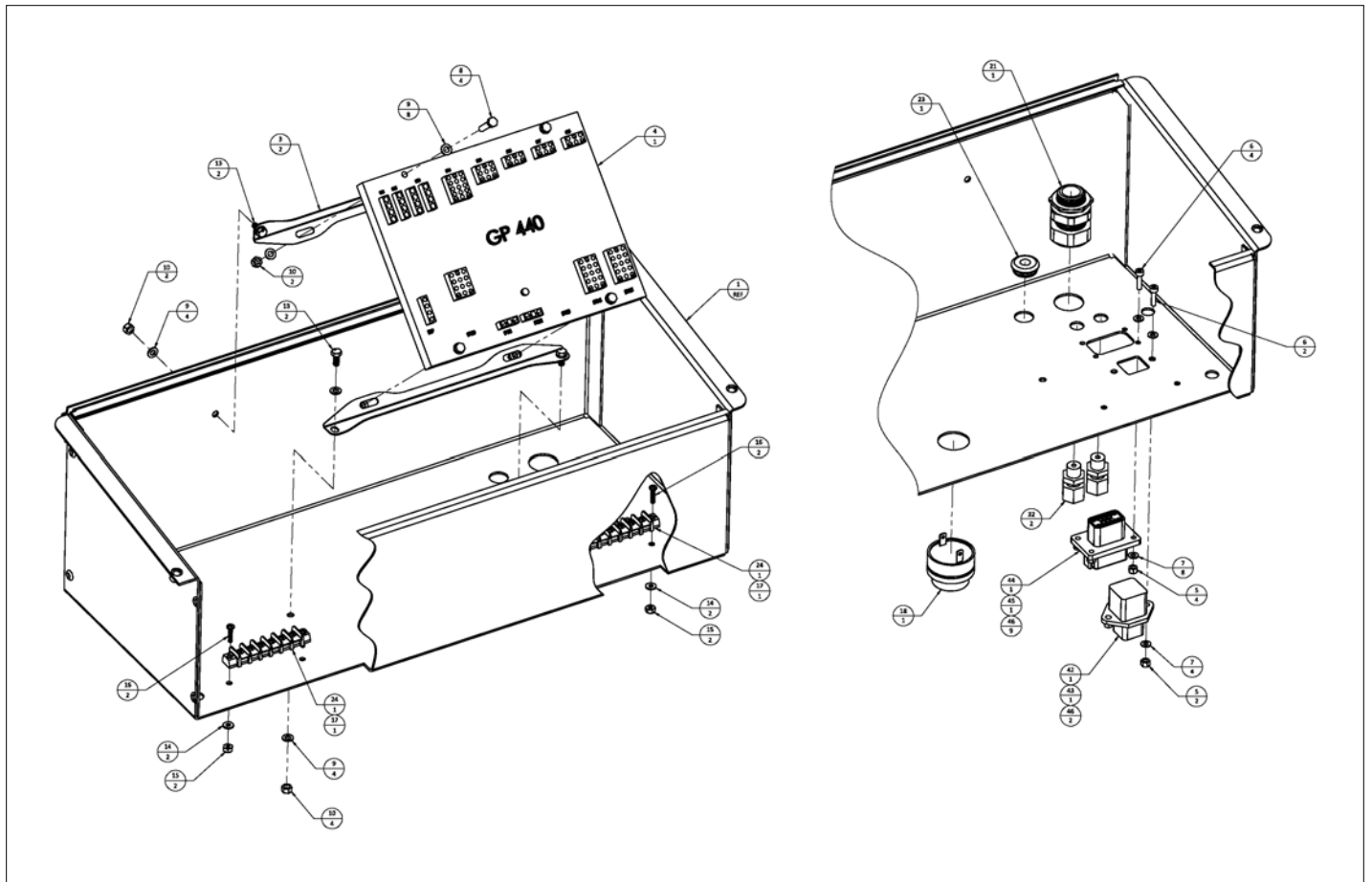
アイテム	部品番号	名前	数量	UOM
*	1434146 A	UPPER CONTROL BOX ASSEMBLY 460 660 DEUTZ TIER 4 FINAL		EA
1	1434144	WELDMENT, UPPER CTRL BOX, 460/660 DEUTZ T4F	1	EA
2	1434134	DECAL, UPPER CTRL BOX, 460/660 DEUTZ T4F	1	EA
3	1431549	BRKT, GP440 UPR CTL	2	EA
4	3030173	GP440	1	EA
5	056066 004	NUT NYLOCK DIN985 M4 8.0 ZP	14	EA
6	510563 016	Bolt, SktCapScrew DIN912 M4 x	6	EA
7	056069 004	Wshr, SteelFlatWshr M4 DIN125	12	EA
8	056057 025	Bolt, HexBolt DIN931 M5 x 25mm	4	EA
9	056069 005	Washer SteelFlatWasher DIN125A	16	EA
10	056064 005	Nut, NylockNut DIN985 M5 10.0	16	EA
11	505082 016	Bolt, SktButCapScrew DIN9427 M	8	EA
12	058500 010	Bolt, SktCapScrew DIN912 M4 x	8	EA
13	5563692	BOLT HXHD M5X.8X12 YL ZN PLT GR 8.8	4	EA
14	5563694	WASHER FLAT #6 YL ZN PLT GR8	4	EA
15	5563695	LOCKNUT HEX 6 32 ZN PLT	4	EA
16	5563693	SCREW PAN HD 6 32 X 5/8" ZN PLT	4	EA
17	3028881	JUMPER RJS TYPE 601RJS 06	2	EA
18	3040411	Alarm Buzzer	1	EA
19	3069524	LIGHT RED LED 12V	2	EA
20	3069544	LIGHT AMBER LED 12V .69DIA MTG	2	EA
21	3028877	GRIP CORD MULTICORD 1.43" HEX 3/4 NPT	1	EA

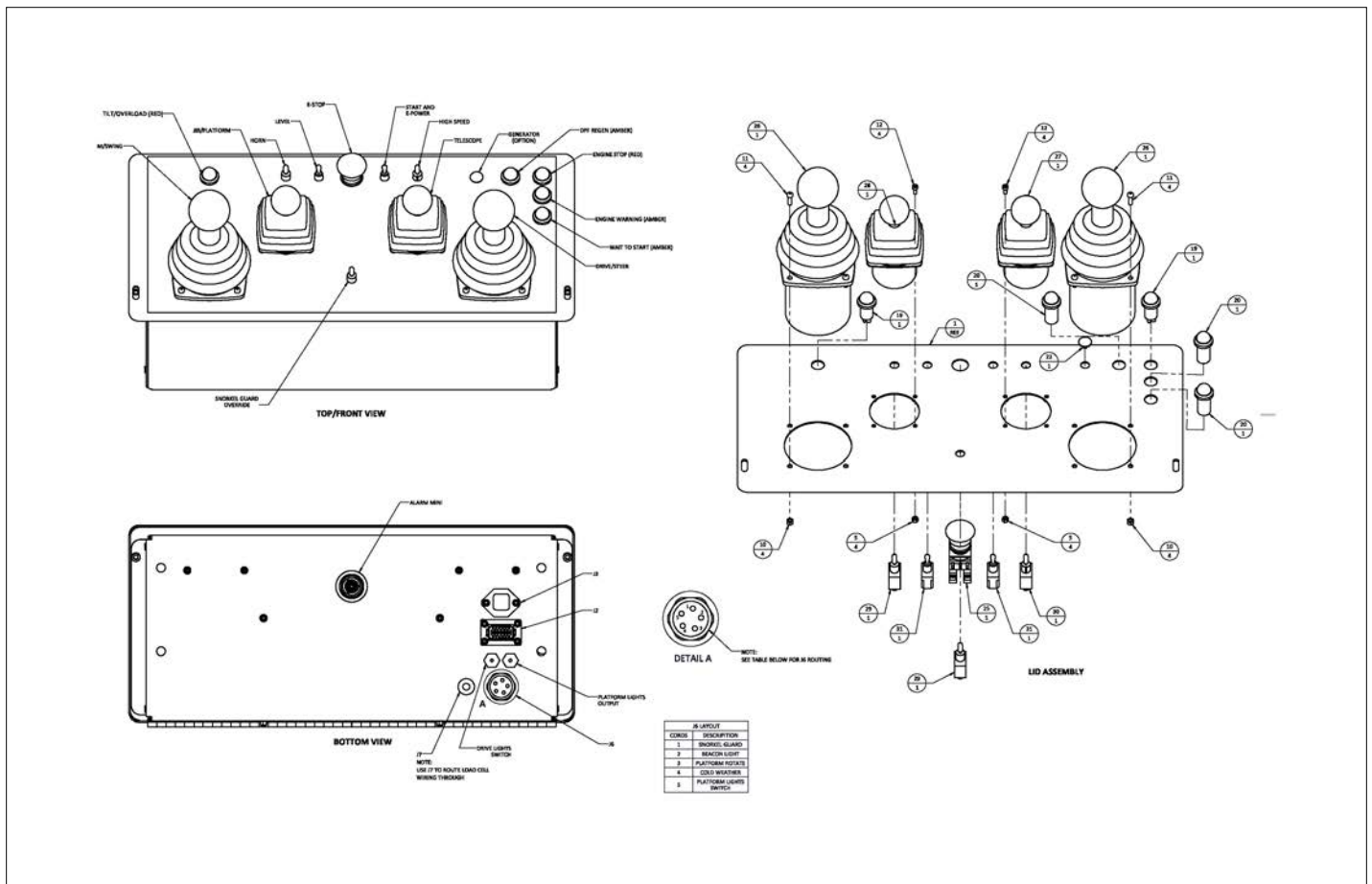
アイテム	部品番号	名前	数量	UOM
22	5563889	PLUG PLASTIC SNAP IN ID.50"BLK	1	EA
23	5563780	GROMMET 3.75" ID MCM 9600K65	1	EA
24	3028880	TERMINAL BLOCK SINGLE ROW 699 GP 06	2	EA
25	3028927	SWITCH, PUSH/PULL ASSY, DPST	1	EA
26	3028852	BOOM TURRET AND DRIVE STICK CONTROLLER	2	EA
27	3028854	SINGLE AXIS TELESCOPE CONTROLLER 600S/660SJ	1	EA
28	3028853	TWO AXIS JIB AND PLATFORM JOYSTICK CONTROLLER 600S/660SJ	1	EA
29	3020015	Switch, Toggle Honeywell INTI 6	2	EA
30	3020013	Switch, Toggle Honeywell INTI 2	1	EA
31	3020016	Switch, Toggle Honeywell INTI 7	2	EA
32	029925 000	CONNECTOR CABLE HEYC (Not illustrated)	2	EA
33	3014753	SNORKEL GUARD SENSOR (CABLE, M12 X 2M L)	1	M
34	3030179	HARNESS OVERLOAS CABLE	1	EA
35	3220023	CONN 9 PIN AMP	1	EA
36	3220183	CONNECTOR AMP 6 PIN PLUG	3	EA
37	3220024	CONNECTOR AMP 12 PIN 1 480 708	1	EA
38	3220163	CONNECTOR AMP 4 PIN 1 480702 0	3	EA
39	3220142	CONNECTOR AMP 15 PIN PLUG	3	EA
40	3220199	CONNECTOR AMP 3 PIN	2	EA
41	3049986	AMP SOCKET CONTACT	51	EA
42	3220089	DEUTSCH 4 PIN BLKHD CON DTP04 4P L012	1	EA

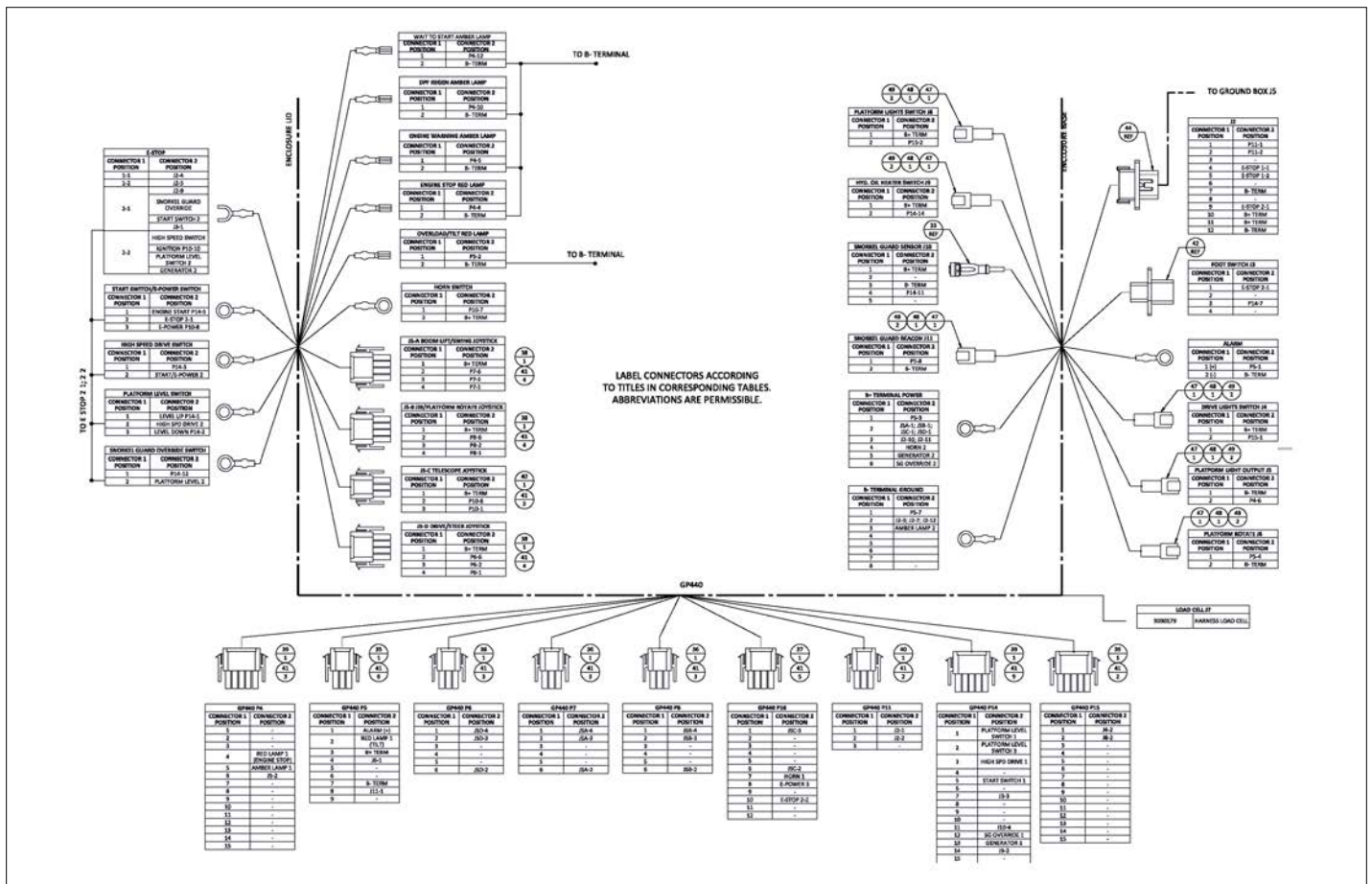
アイテム	部品番号	名前	数量	UOM
43	3220276	LOCK WEDGE 4 PIN WP 4P	1	EA
44	3049837	CONNECTOR 12 PIN BHD	1	EA
45	509744 000	Wedge, Deutsch W12P	1	EA
46	12554 026	PIN SIZE 12 (12 14GA) DTP	11	EA
47	12556 009	RECEPTACLE 2 WIRE DT04 2P*****	6	EA
48	12556 016	WEDGELOCK FOR DT04 2P*****	6	EA
49	12554 025	PIN SIZE 16 (14GA) DT	12	EA

ELECTRICAL







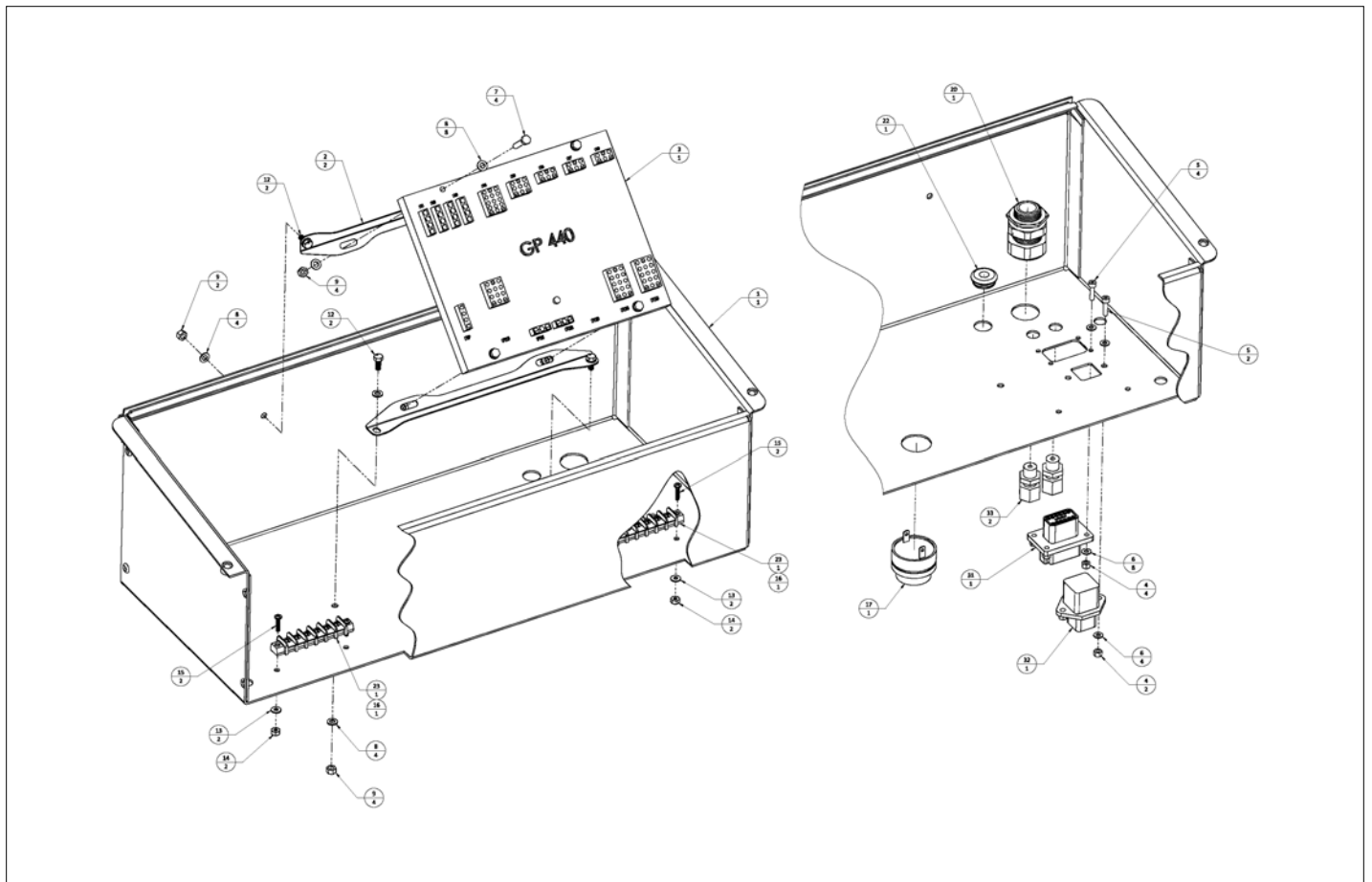


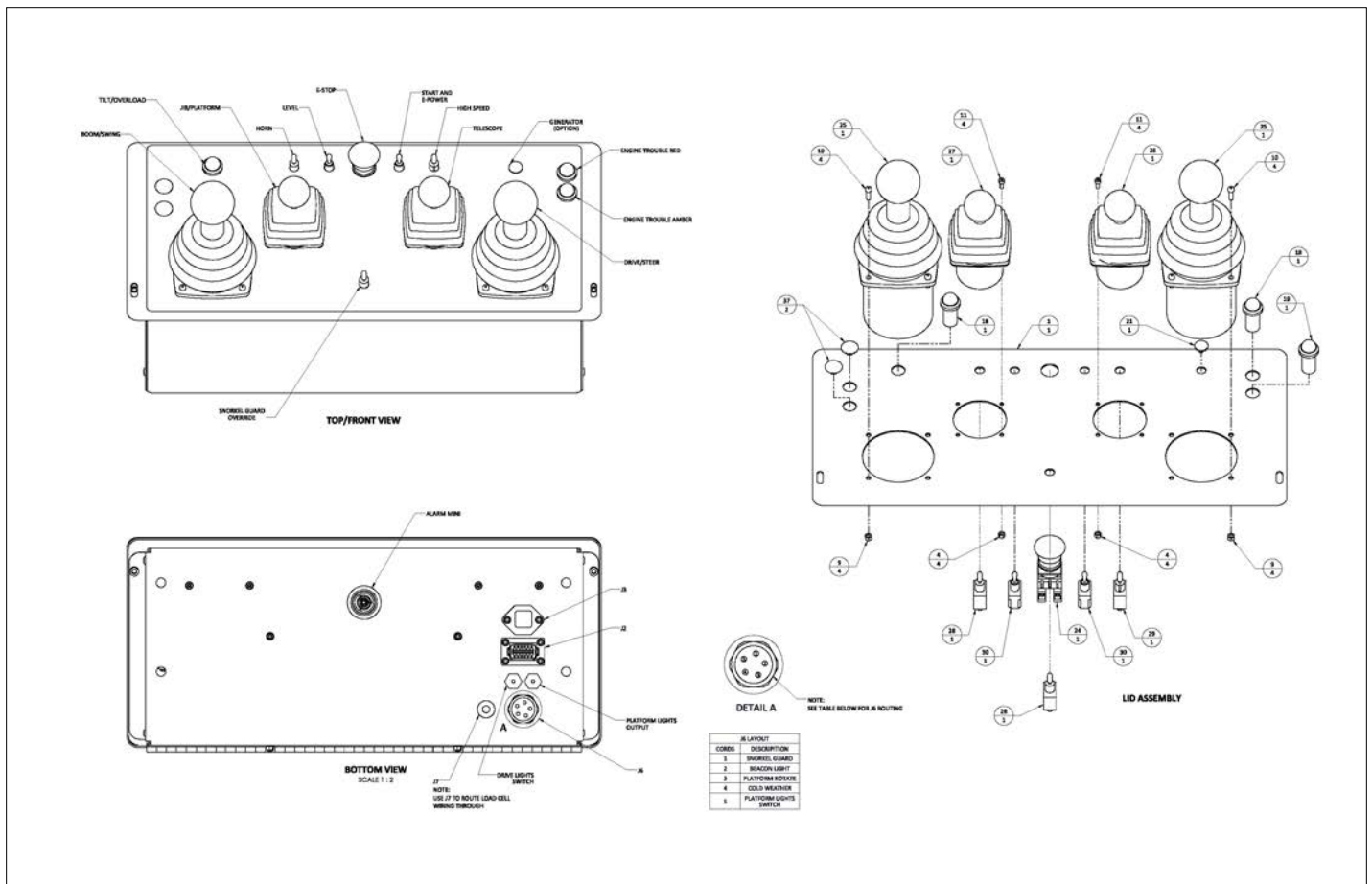
アイテム	部品番号	名前	数量	UOM
*	1434090 B	UPPER CONTROL BOX ASSEMBLY 460SJ 660SJ DEUTZ STAGE 5 MAY 2019 AND AFTER		EA
1	1434089	WLDT,UPR CTRL BX,460/660 DEUS5	1	EA
2	1434088	DECAL,UPR CTRL BX,460/660 DEUT	1	EA
3	1431549	BRKT, GP440 UPR CTL	2	EA
4	3030173	GP440	1	EA
5	056066 004	NUT NYLOCK DIN985 M4 8.0 ZP	14	EA
6	510563 016	Bolt, SktCapScrew DIN912 M4 x	6	EA
7	056069 004	Wshr, SteelFlatWshr M4 DIN125	12	EA
8	056057 025	Bolt, HexBolt DIN931 M5 x 25mm	4	EA
9	056069 005	Washer SteelFlatWasher DIN125A	16	EA
10	056064 005	Nut, NylockNut DIN985 M5 10.0	16	EA
11	505082 016	Bolt, SktButCapScrew DIN9427 M	8	EA
12	058500 010	Bolt, SktCapScrew DIN912 M4 x	8	EA
13	5563692	BOLT HXHD M5X.8X12 YL ZN PLT GR 8.8	4	EA
14	5563694	WASHER FLAT #6 YL ZN PLT GR8	4	EA
15	5563695	LOCKNUT HEX 6 32 ZN PLT	4	EA
16	5563693	SCREW PAN HD 6 32 X 5/8" ZN PLT	4	EA
17	3028881	JUMPER RJS TYPE 601RJS 06	2	EA
18	3040411	Alarm Buzzer	1	EA
19	3069524	LIGHT RED LED 12V	2	EA
20	3069544	LIGHT AMBER LED 12V .69DIA MTG	3	EA
21	3028877	GRIP CORD MULTICORD 1.43" HEX 3/4 NPT	1	EA

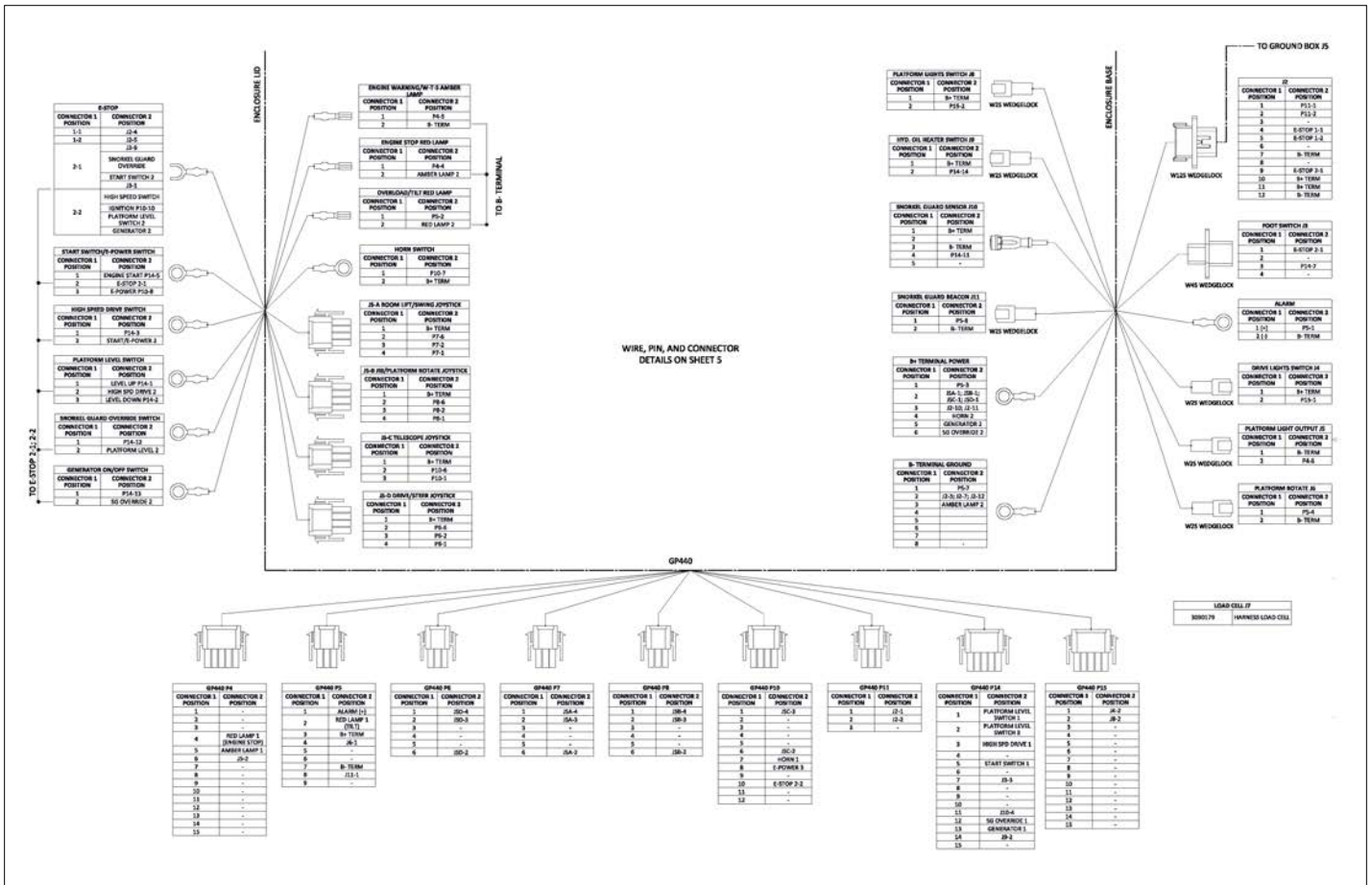
アイテム	部品番号	名前	数量	UOM
22	5563889	PLUG PLASTIC SNAP IN ID.50"BLK	1	EA
23	5563780	GROMMET 3.75" ID MCM 9600K65	1	EA
24	3028880	TERMINAL BLOCK SINGLE ROW 699 GP 06	1	EA
25	3028927	SWITCH, PUSH/PULL ASSY, DPST	1	EA
26	3028852	BOOM TURRET AND DRIVE STICK CONTROLLER	1	EA
27	3028854	SINGLE AXIS TELESCOPE CONTROLLER 600S/660SJ	2	EA
28	3028853	TWO AXIS JIB AND PLATFORM JOYSTICK CONTROLLER 600S/660SJ	1	EA
29	3020015	Switch, Toggle Honeywell INTI 6	2	EA
30	3020013	Switch, Toggle Honeywell INTI 2	1	EA
31	3020016	Switch, Toggle Honeywell INTI 7	2	EA
32	029925 000	CONNECTOR CABLE HEYC (Not illustrated)	2	EA
33	3014753	SNORKEL GUARD SENSOR (CABLE, M12 X 2M L)	1	M
34	3030179	HARNESS OVERLOAS CABLE	1	EA
35	3220023	CONN 9 PIN AMP	1	EA
36	3220183	CONNECTOR AMP 6 PIN PLUG	3	EA
37	3220024	CONNECTOR AMP 12 PIN 1 480 708	1	EA
38	3220163	CONNECTOR AMP 4 PIN 1 480702 0	3	EA
39	3220142	CONNECTOR AMP 15 PIN PLUG	3	EA
40	3220199	CONNECTOR AMP 3 PIN	2	EA
41	3049986	AMP SOCKET CONTACT	51	EA
42	3220089	DEUTSCH 4 PIN BLKHD CON DTP04 4P L012	1	EA

アイテム	部品番号	名前	数量	UOM
43	3220276	LOCK WEDGE 4 PIN WP 4P	1	EA
44	3049837	CONNECTOR 12 PIN BHD	1	EA
45	509744 000	Wedge, Deutsch W12P	1	EA
46	12554 026	PIN SIZE 12 (12 14GA) DTP	11	EA
47	12556 009	RECEPTACLE 2 WIRE DT04 2P*****	6	EA
48	12556 016	WEDGELOCK FOR DT04 2P*****	6	EA
49	12554 025	PIN SIZE 16 (14GA) DT	12	EA

ELECTRICAL





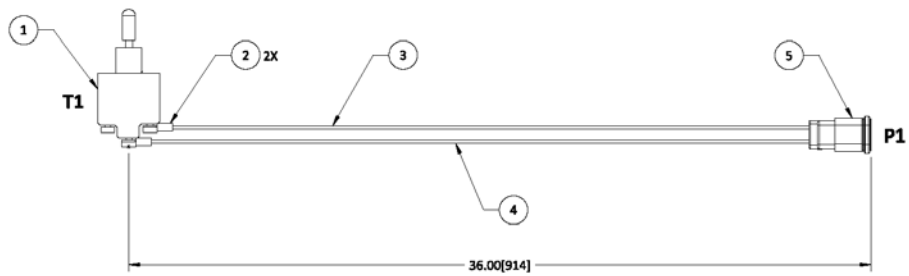


アイテム	部品番号	名前	数量	UOM
	1433472A	PLATFORM CONTROL BOX WITH JIB ASSEMBLY 460SJ		EA
1	1433473	WLDMNT, ENCL PLATF CTRL BOX DC	1	EA
2	1431549	BRKT, GP440 UPR CTL	2	EA
3	3030173	GP440	1	EA
4	056066 004	NUT NYLOCK DIN985 M4 8.0 ZP	14	EA
5	510563 016	Bolt, SktCapScrew DIN912 M4 x	6	EA
6	056069 004	Wshr, SteelFlatWshr M4 DIN125	12	EA
7	056057 025	Bolt, HexBolt DIN931 M5 x 25mm	4	EA
8	056069 005	Washer SteelFlatWasher DIN125A	16	EA
9	056064 005	Nut, NylockNut DIN985 M5 10.0	16	EA
10	505082 016	Bolt, SktButCapScrew DIN9427 M	8	EA
11	058500 010	Bolt, SktCapScrew DIN912 M4 x	8	EA
12	5563692	BOLT HXHD M5X.8X12 YL ZN PLT GR 8.8	4	EA
13	5563694	WASHER FLAT #6 YL ZN PLT GR8	4	EA
14	5563695	LOCKNUT HEX 6 32 ZN PLT	4	EA
15	5563693	SCREW PAN HD 6 32 X 5/8" ZN PLT	4	EA
16	3028881	JUMPER RJS TYPE 601RJS 06	2	EA
17	3040411	Alarm Buzzer	1	EA
18	3069524	LIGHT RED LED 12V	2	EA
19	3069544	LIGHT AMBER LED 12V .69DIA MTG	1	EA
20	3028877	GRIP CORD MULTICORD 1.43" HEX 3/4 NPT	1	EA
21	5563889	PLUG PLASTIC SNAP IN ID.50"BLK	1	EA
22	5563780	GROMMET 3.75" ID MCM 9600K65	1	EA

アイテム	部品番号	名前	数量	UOM
23	3028880	TERMINAL BLOCK SINGLE ROW 699 GP 06	2	EA
24	3028927	SWITCH, PUSH/PULL ASSY, DPST	1	EA
25	3028852	BOOM TURRET AND DRIVE STICK CONTROLLER	2	EA
26	3028854	SINGLE AXIS TELESCOPE CONTROLLER 600S/660SJ	1	EA
27	3028853	TWO AXIS JIB AND PLATFORM JOYSTICK CONTROLLER 600S/660SJ	1	EA
28	3020015	Switch, Toggle Honeywell INTI 6	2	EA
29	3020013	Switch, Toggle Honeywell INTI 2	1	EA
30	3020016	Switch, Toggle Honeywell INTI 7	2	EA
31	3049837	CONNECTOR 12 PIN BHD	1	EA
32	3220089	DEUTSCH 4 PIN BLKHD CON DTP04 4P L012	1	EA
33	029925 000	CONNECTOR CABLE HEYC (Not illustrated)	2	EA
34	3014753	SNORKEL GUARD SENSOR (CABLE, M12 X 2M L)	1	M
35	3030179	HARNESS OVERLOAS CABLE	1	EA
36	1433530	DECAL, PLTFRM CTRL BOX JIB	1	EA
37	1433609	PLUG, SNAP IN .688 ID, BLK	2	EA

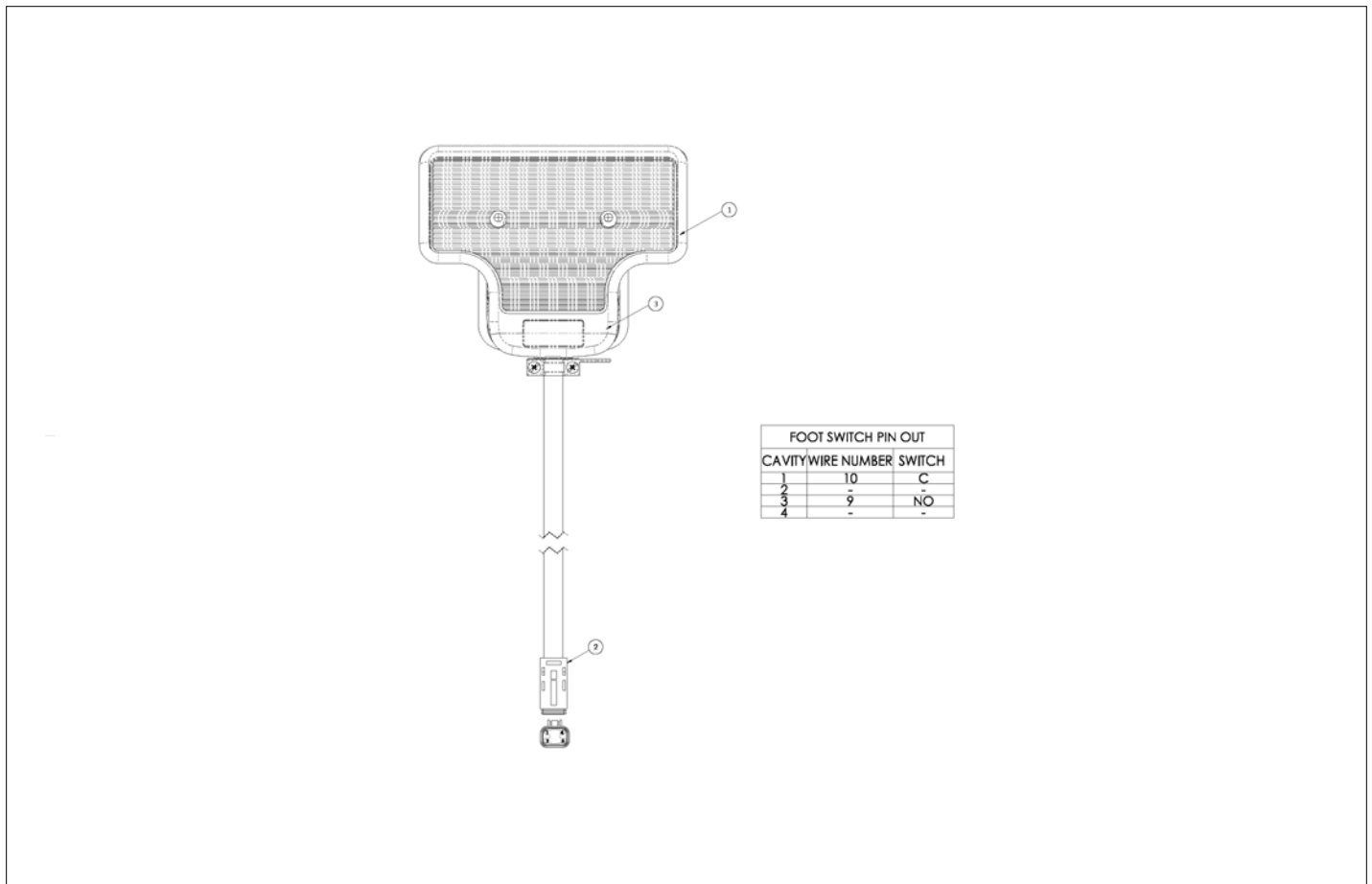
ELECTRICAL

WIRING SCHEMATIC					
ITEM NO.	PART NO.	FORM	TO	AWG	WIRE COLOR
4	3014809	T1-2	P1-1	18	BLK
3	3011801	T1-3	P1-2	18	WHT



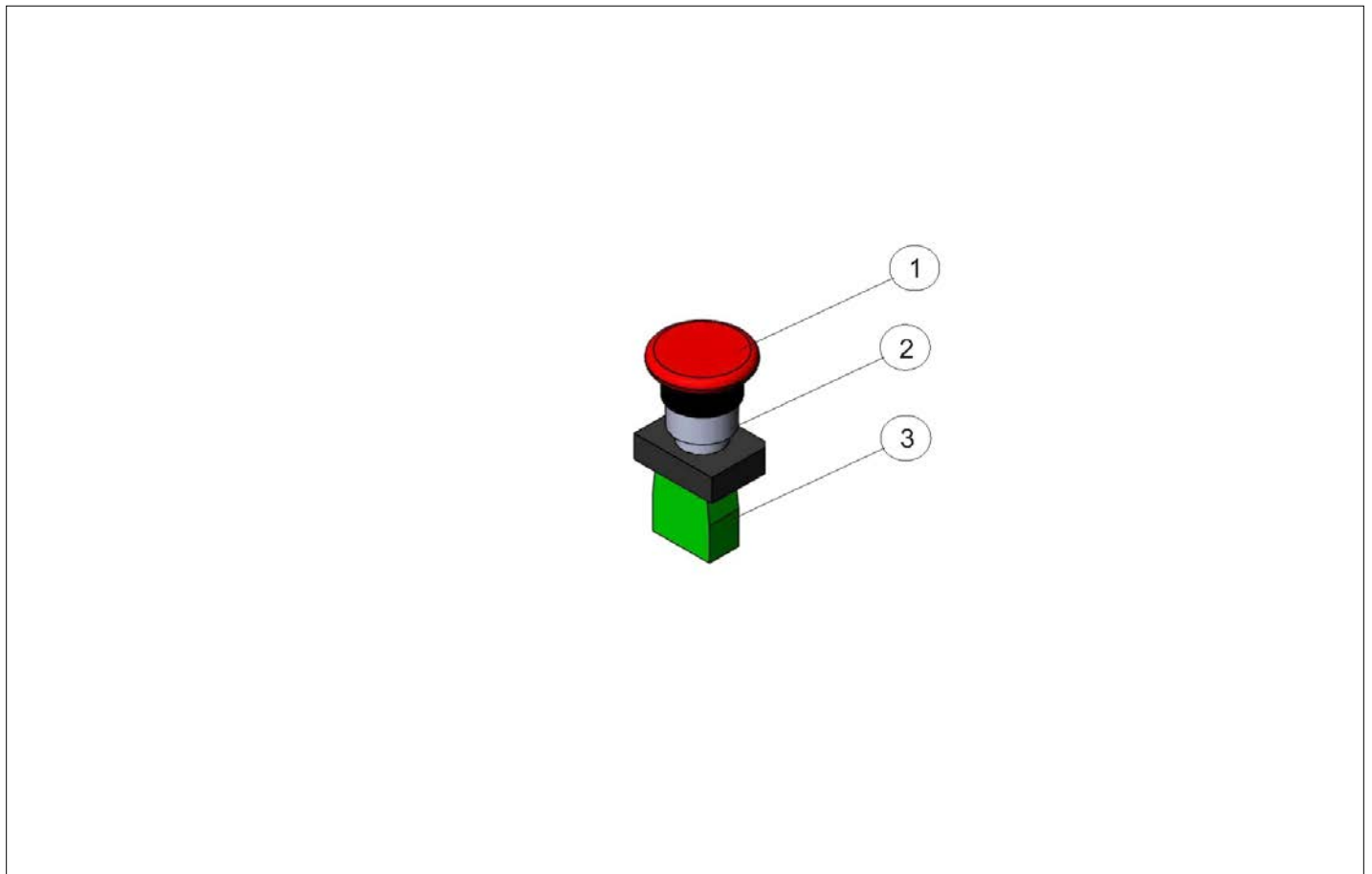
アイテム	部品番号	名前	数量	UOM
	3220352A	COLD WEATHER UPPER TOGGLE HARNESS		EA
1	3020013	Switch, Toggle Honeywell INTI 2	1	EA
2	3220310	RING TERM 14 16 ANG TO #6 SCREW INSULATED	2	EA
3	3011801	WIRE 18GA SINGLE CONDUCTOR WHT	1	EA
4	3014809	WIRE, SINGLE CONDUCTOR 18AWG BLK	1	EA
5	3028878	DEUTSCH	1	EA

ELECTRICAL



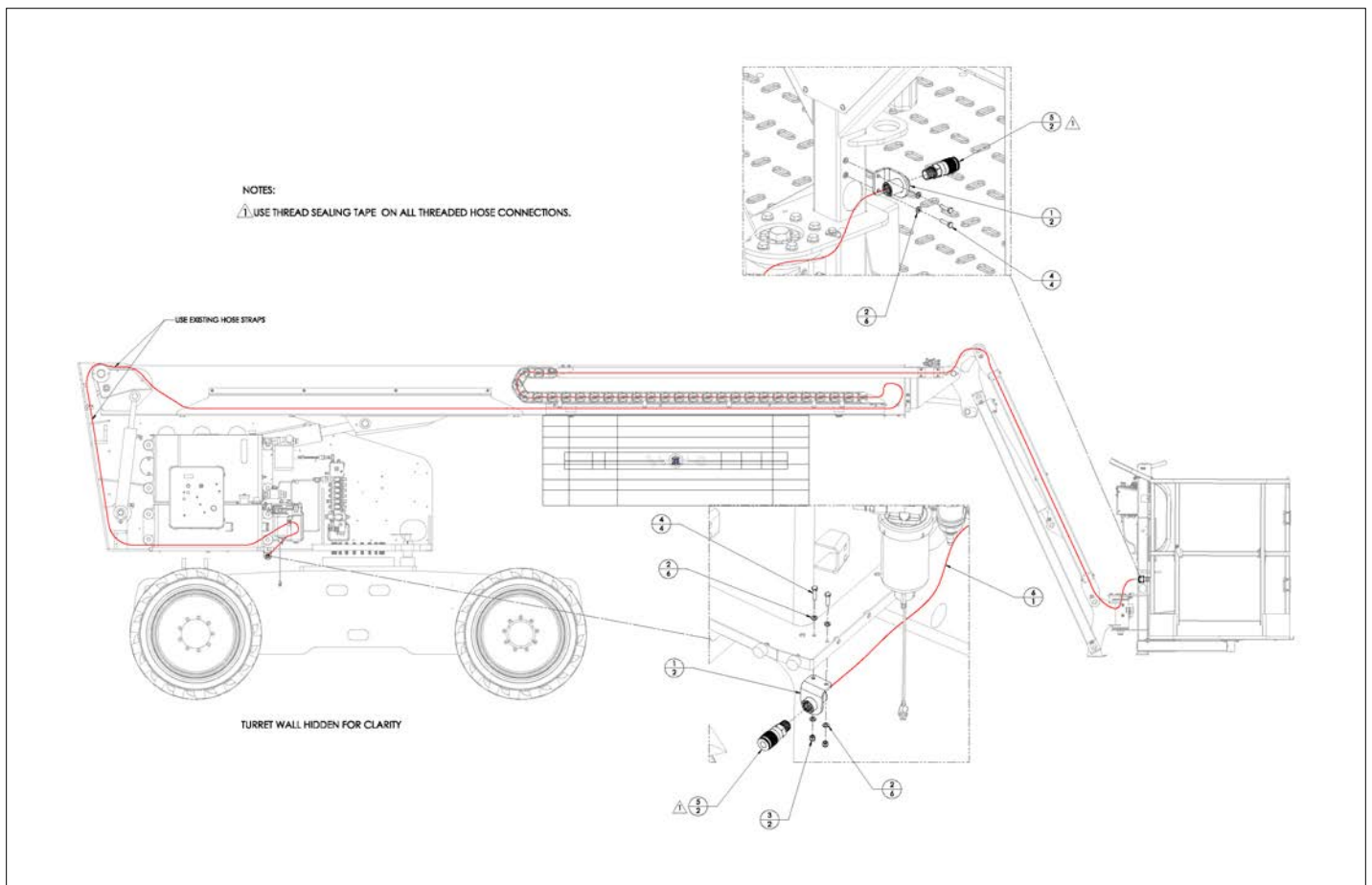
アイテム	部品番号	名前	数量	UOM
	3028912A	FOOT SWITCH WIDE TREDLE ASSEMBLY		EA
1	3028910	FOOT SWITCH WIDE TREADLE	1	EA
2	3028911	HARNESS FOOT SWITCH, WIDE TREADLE	1	EA
3	3028936	REPLACEMENT FOOT SWITCH (NOT SHOWN)	1	EA

ELECTRICAL



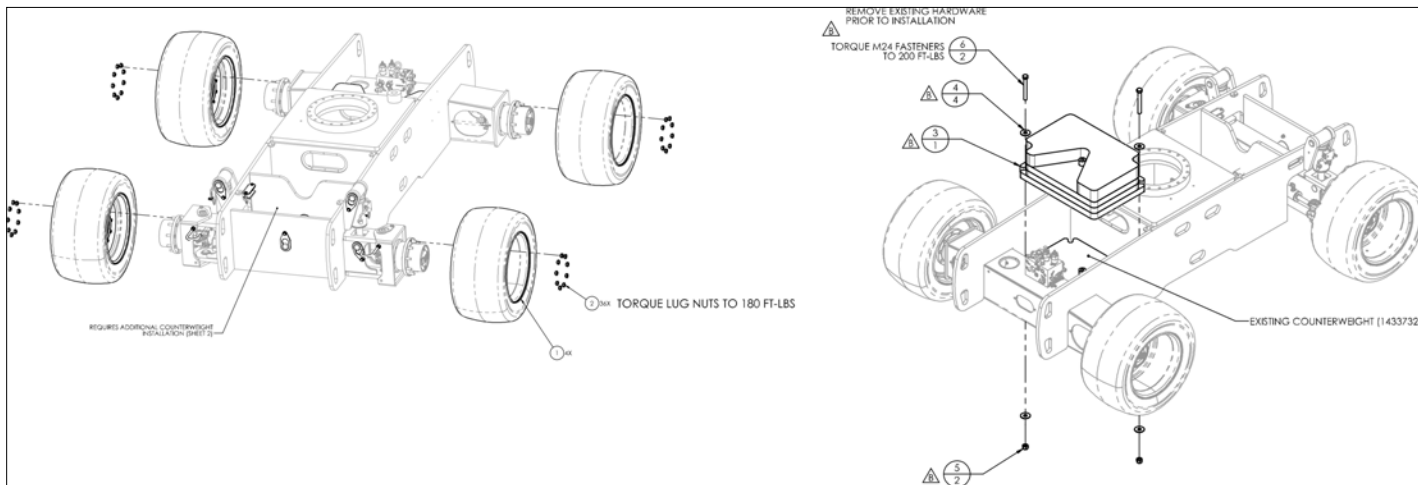
アイテム	部品番号	名前	数量	UOM
*	3028810 A	PUSH PULL ASSEMBLY WITH CONTACT		EA
1	1450107	PUSH BOTTON OPERATOR	1	EA
2	09 1931	SHITCH CLAMP BODY	1	EA
3	3028842	SINGLE NC CONTACT BLOCK	1	EA

OPTIONS



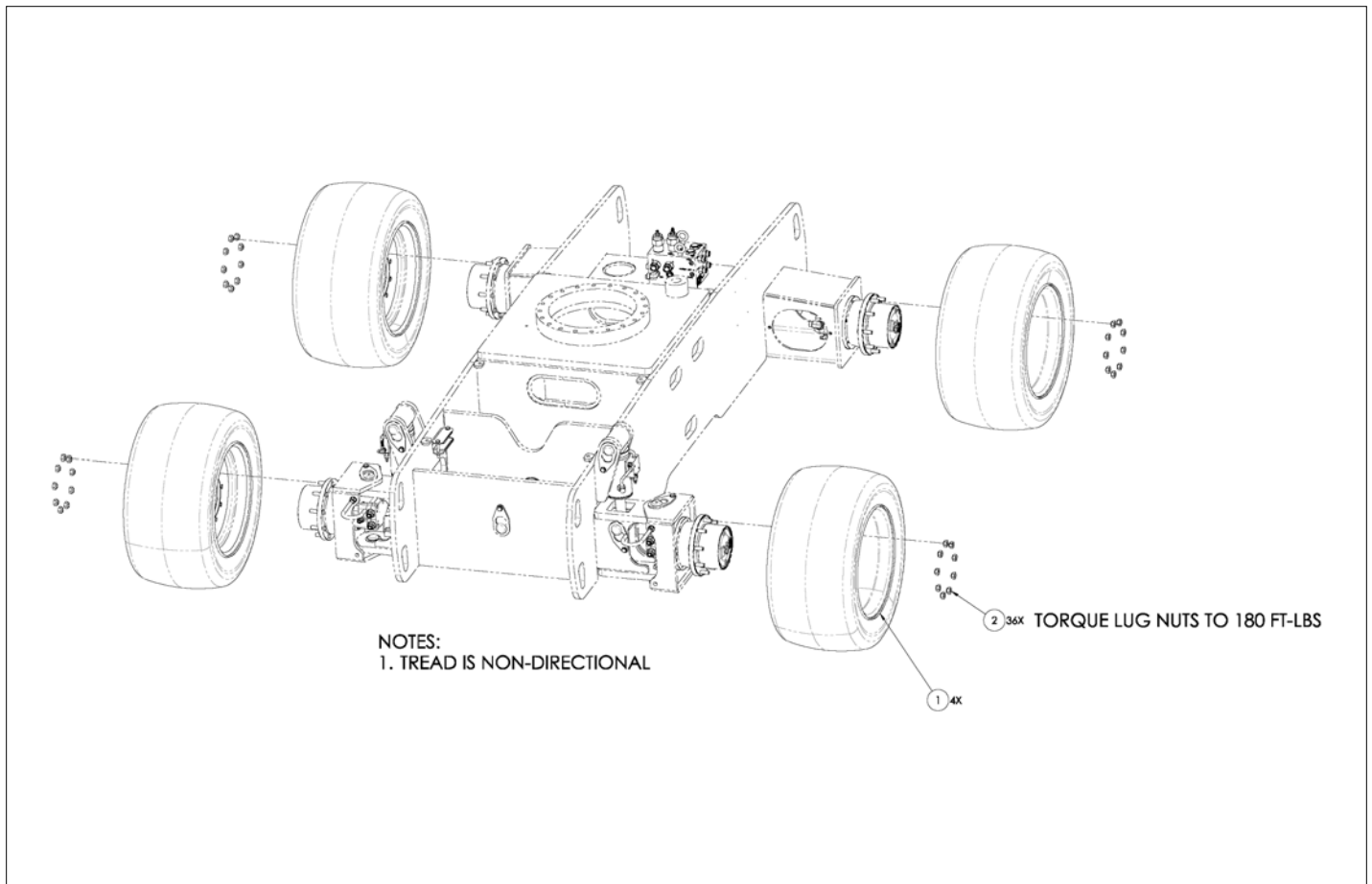
アイテム	部品番号	名前	数量	UOM
	1433298A	AIRLINE TO PLATFORM INSTALL 460SJ		EA
1	1433755	HOSE, AIRLINE TO PLATFORM 460	1	EA
2	5260040	FTG 8 NPTF QUICK DISCONNECT	2	EA
3	512630 025	HHCS M6 X 1 X 25 GR 10.9 DIN 933	4	EA
4	056064 006	NUT NYLOCK DIN985 M6 10.0 ZP	2	EA
5	056069 006	WSHR STEELFLATWSHE M6 DIN125A	6	EA
6	1432702	BRACKET AIRLINE PLATFORM	2	EA

OPTIONS



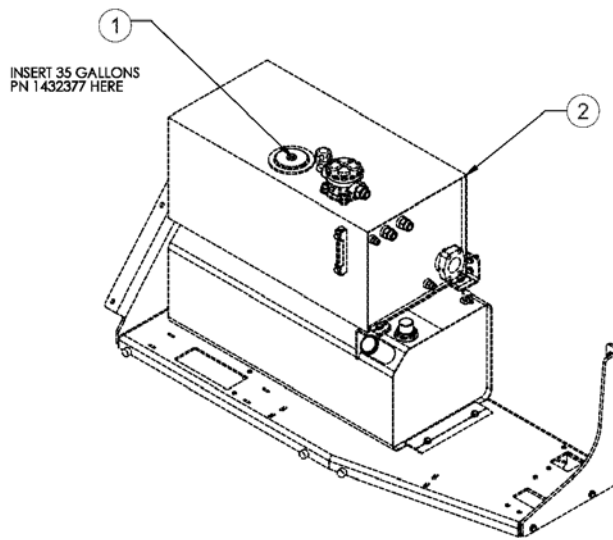
アイテム	部品番号	名前	数量	UOM
	1464229 B	FLOTTATION TIRES AND WHEELS INSTALLATION 400S 460SJ AUGUST 2019 AND AFTER		EA
1	7280145 1	FLOTATION TIRE AND WHEEL 33/16		EA
2	5563848	LUG NUT-5/8X18 RH, 1.06 FLAT		EA
3	1434273 8	WELDMENT, CHASSIS CWT, NON FOA		EA
4	5563727	WASHER FENDER M24X72OD GR10.9		EA
5	056066 024	Nut, NylockNut DIN985 M24 8.0		EA
6	5563876	HHCS M24 X 3.00 X 190 GR10.9 DIN 931		EA

OPTIONS



アイテム	部品番号	名前	数量	UOM
*	1434229 A	FLOATATION TIRE AND WHEEL INSTALLATION		EA
1	7280145 1	FLOTATION TIRE AND WHEEL 33/16	4	EA
2	5563848	LUG NUT-5/8X18 RH, 1.06 FLAT	36	EA

OPTIONS



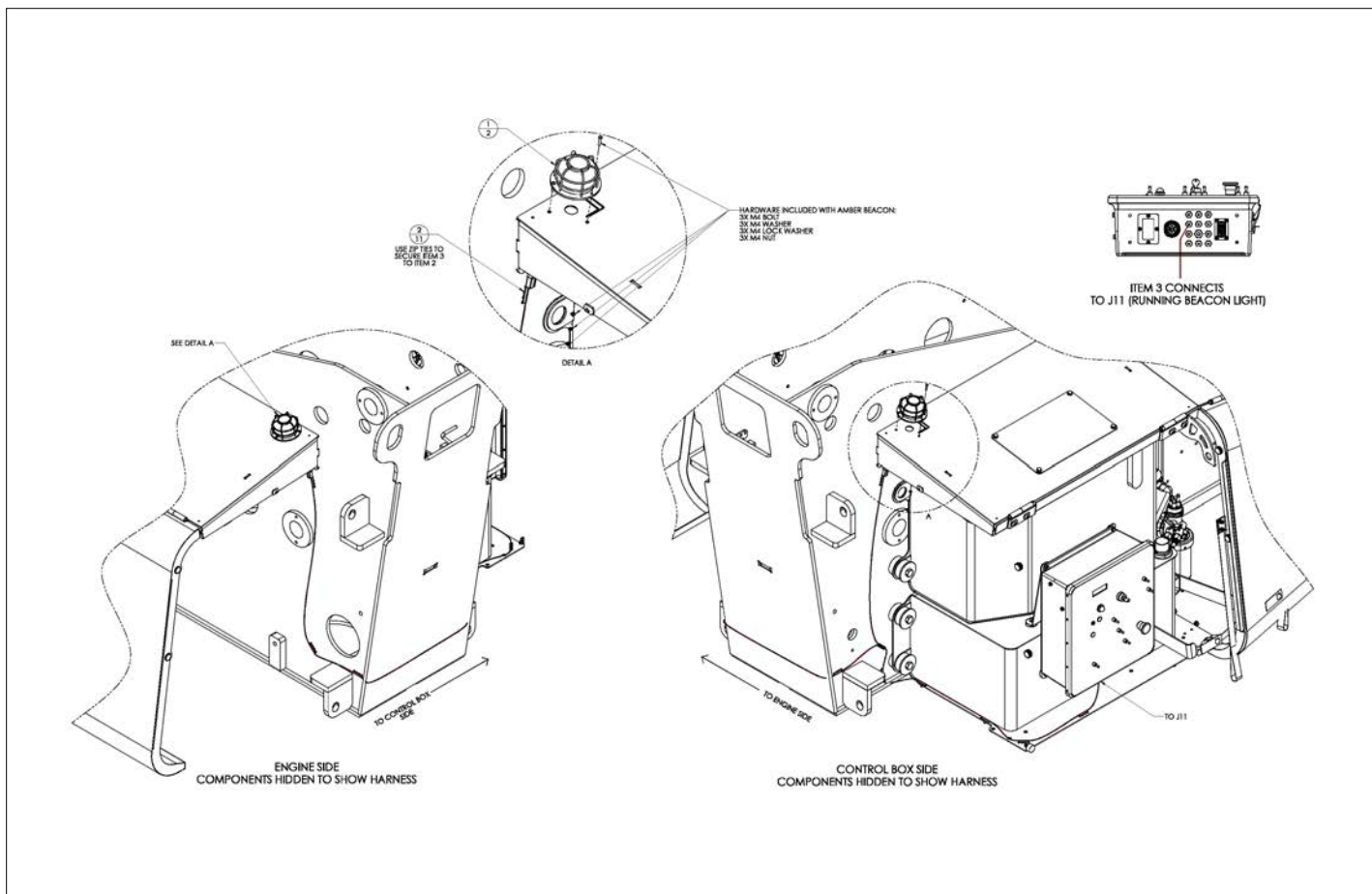
1
INSERT 35 GALLONS
PN 1432377 HERE

2

TO BE INSTALLED IN LIEU OF STANDARD OIL
ENSURE TANK IS EMPTY AND FITTINGS ARE TIGHT

アイテム	部品番号	名前	数量	UOM
	1432376 A	BIODEGRADABLE OIL INSTALL		EA
1	1432377	OIL, DALUBE HYDRASAFE ISO 32 BIO	1	EA
2	1432175	HYDRAULIC TANK INSTALLATION	1	EA

OPTIONS



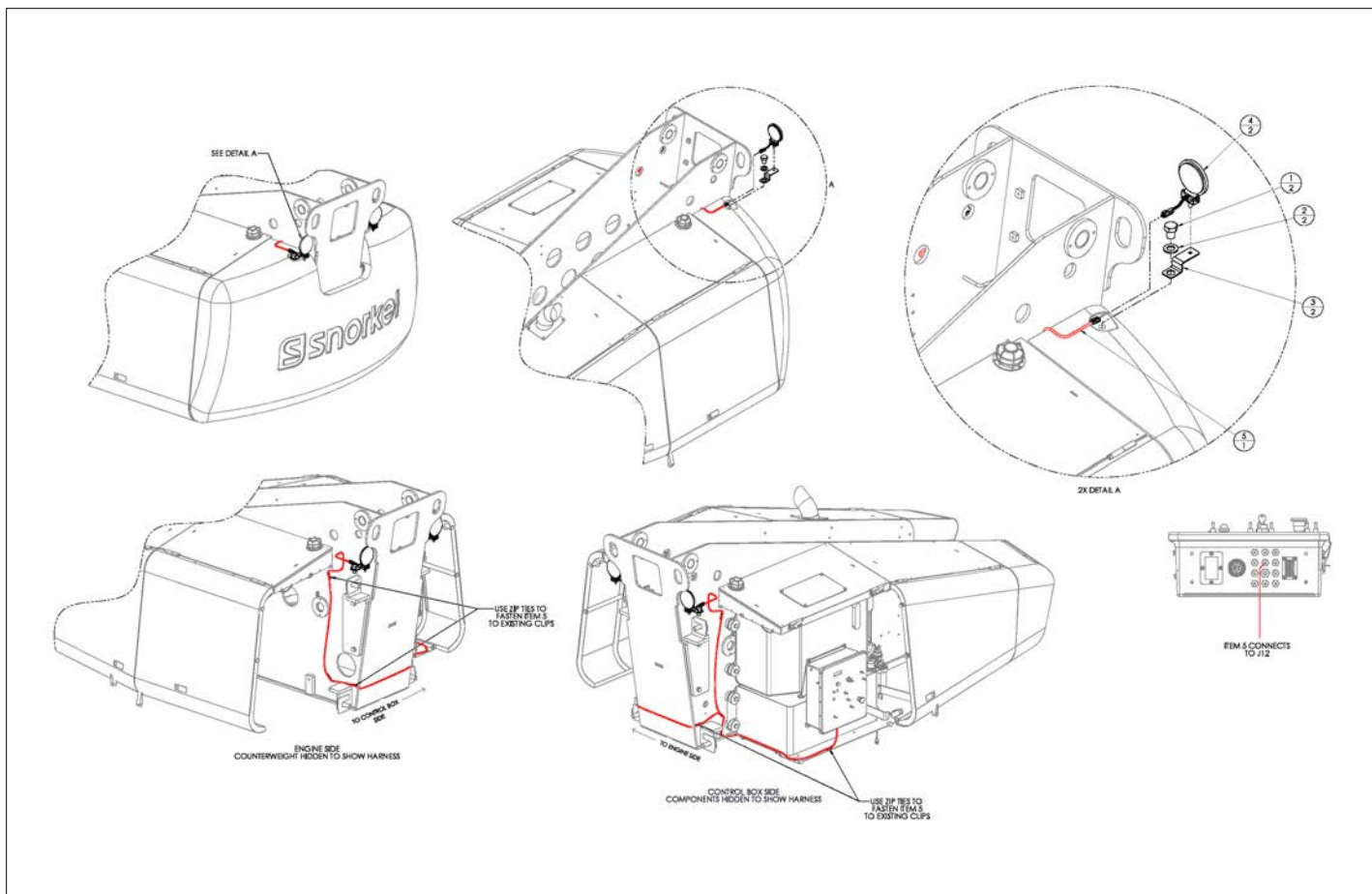
アイテム	部品番号	名前	数量	UOM
	1433269A	AMBER BEACON INSTALL 400S/460SJ		EA
1	3014788	LIGHT, AMBER BEACON	2	EA
2	3220344	CLIP HARNESS .04 .25 THK	11	EA
3	1433697	HARNESS, LWR CTRL TO AMBER BCN	1	EA

OPTIONS

**NO IMAGE AVAILABLE
(BOM FOR REFERENCE ONLY)**

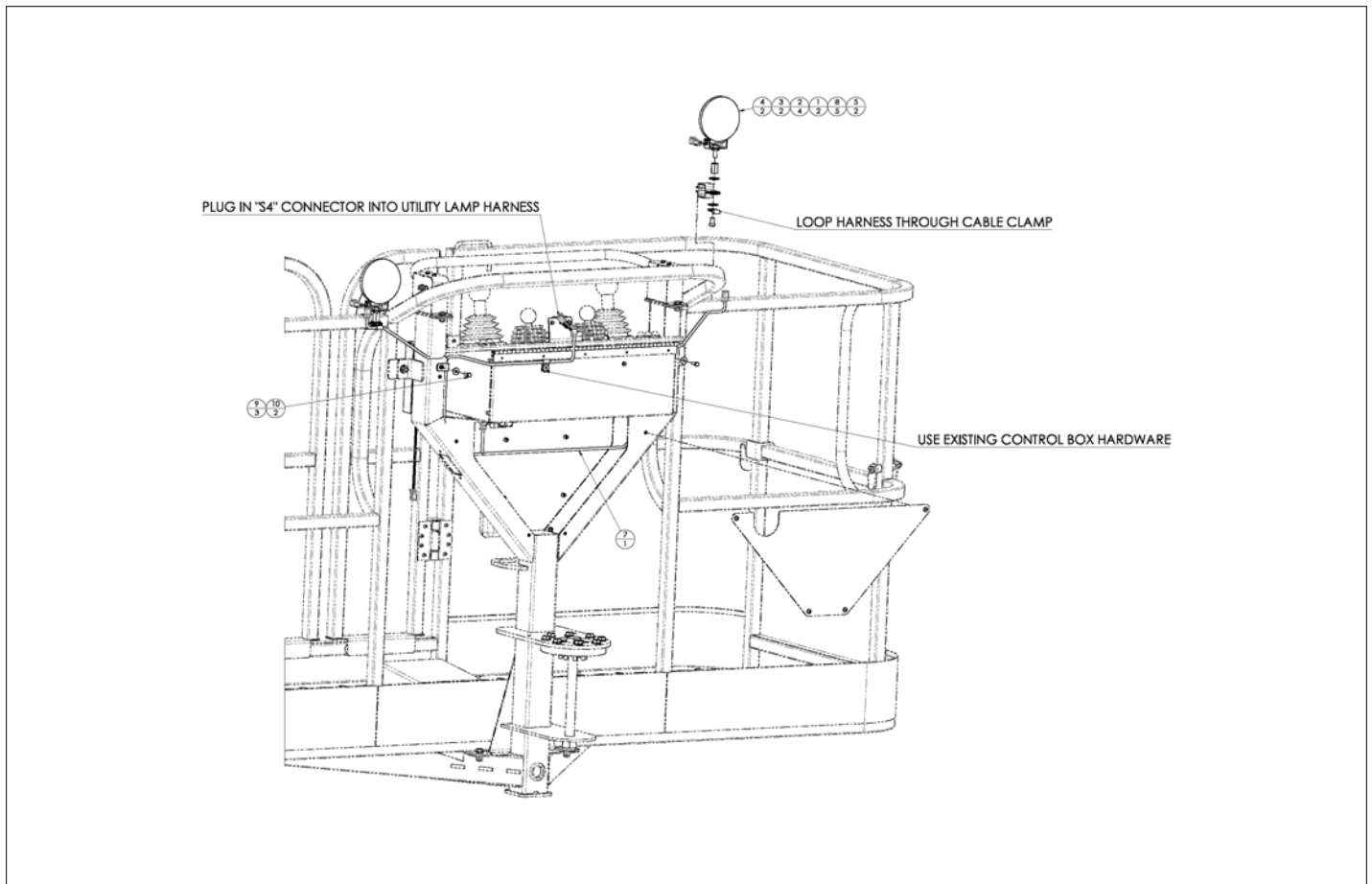
アイテム	部品番号	名前	数量	UOM
	1433877A	KIT, LIGHT PACKAGE, 400S / 460SJ		EA
1	1433536	PLATFORM LIGHT PACKAGE SQ PLATFORM	1	EA
2	1433882	INSTALL, TURRET LIGHT PACKAGE (SEE DRAWING 1433882)	1	EA

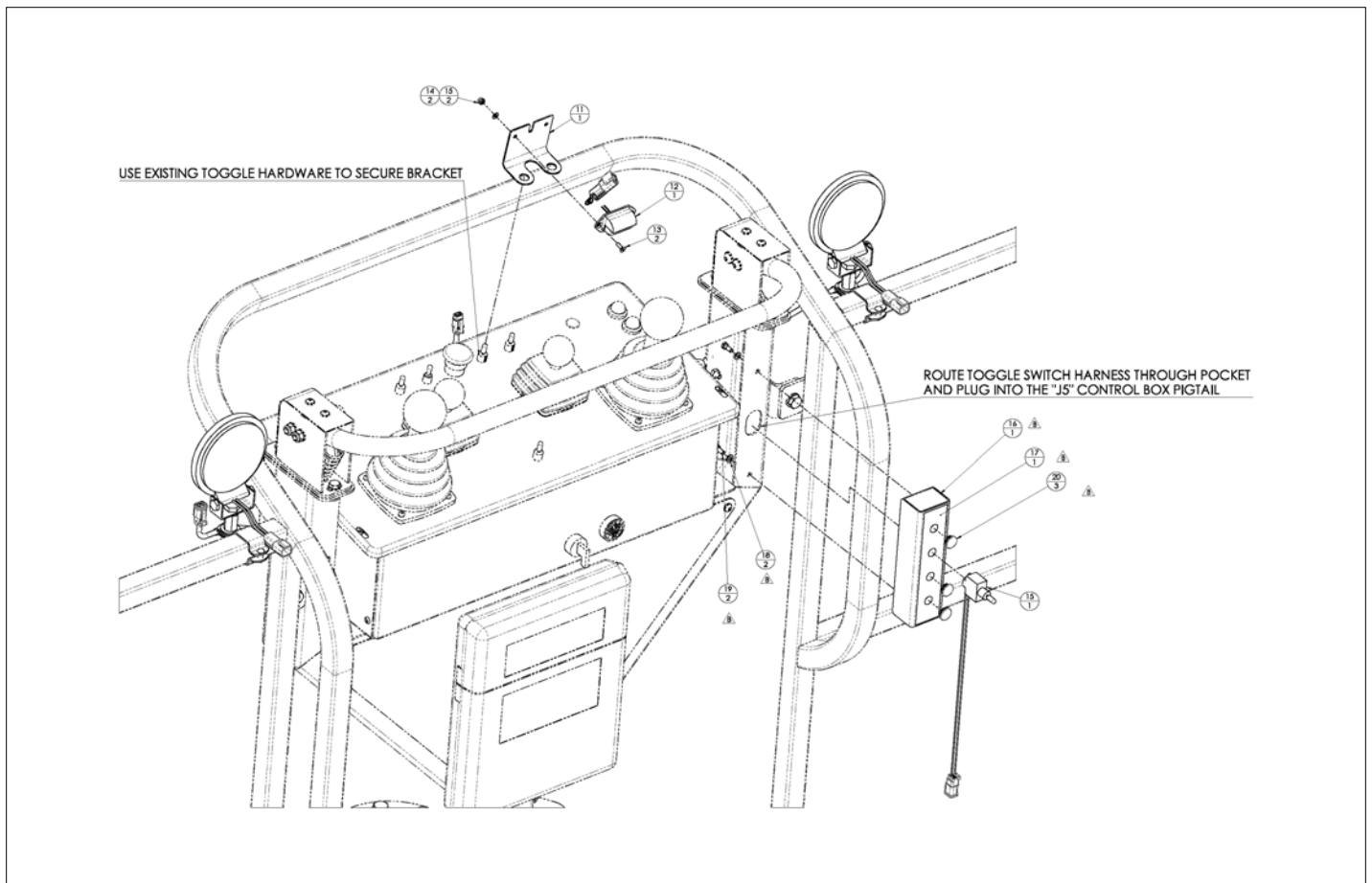
OPTIONS



アイテム	部品番号	名前	数量	UOM
	1433882A	INSTALL, TURRET WORK LIGHT PACKAGE		EA
1	5563910	HHCS M24X3.0X30 G10.9 DIN 931	2	EA
2	510595 025	WASHER, FLAT M24	2	EA
3	1432978	BRKT DRIVE LIGHT	2	EA
4	3069545	ASSY LED LIGHT	2	EA
5	1433883	HARNESS, DRIVE LIGHTS, 400/460	1	EA

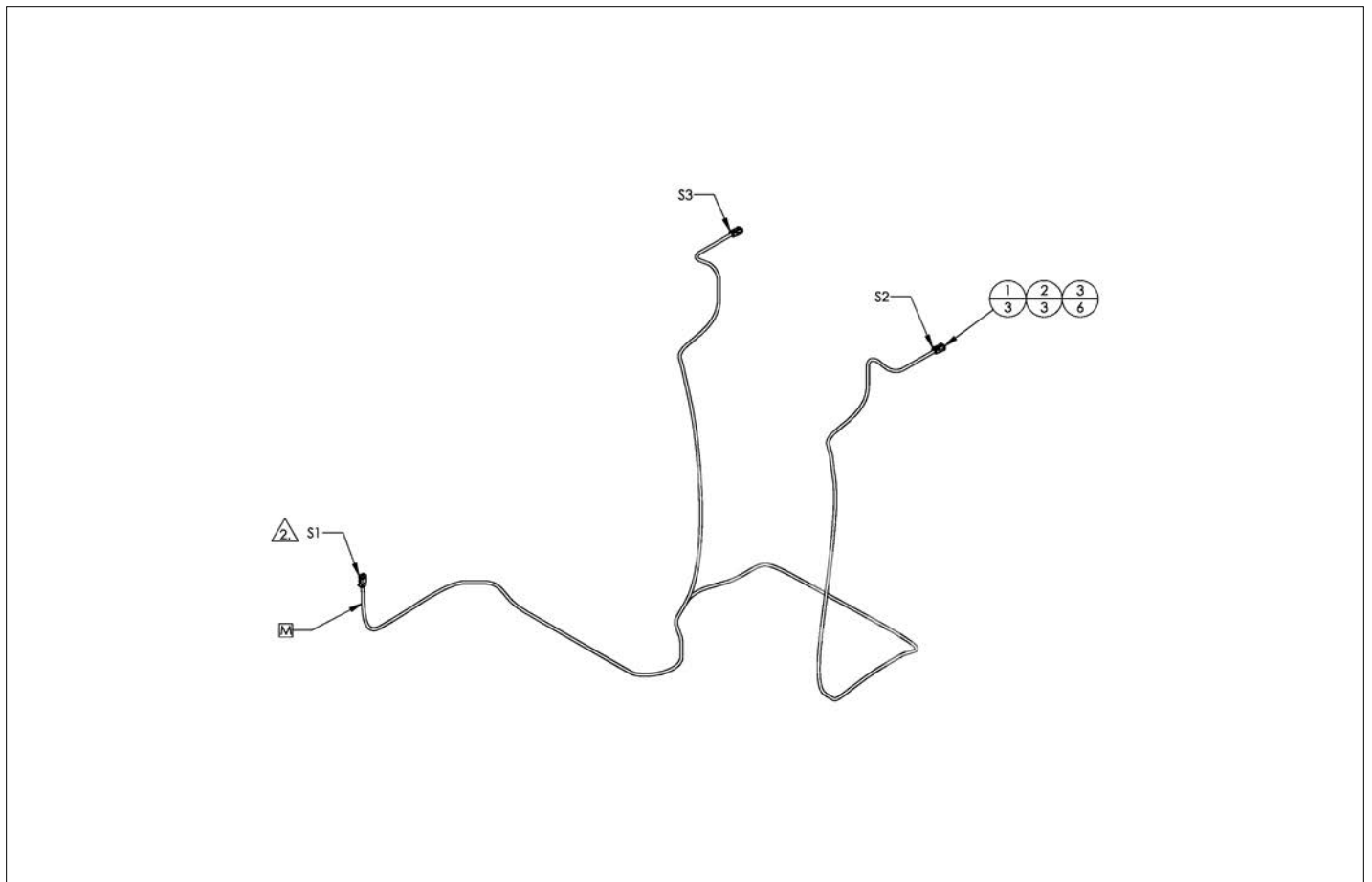
OPTIONS

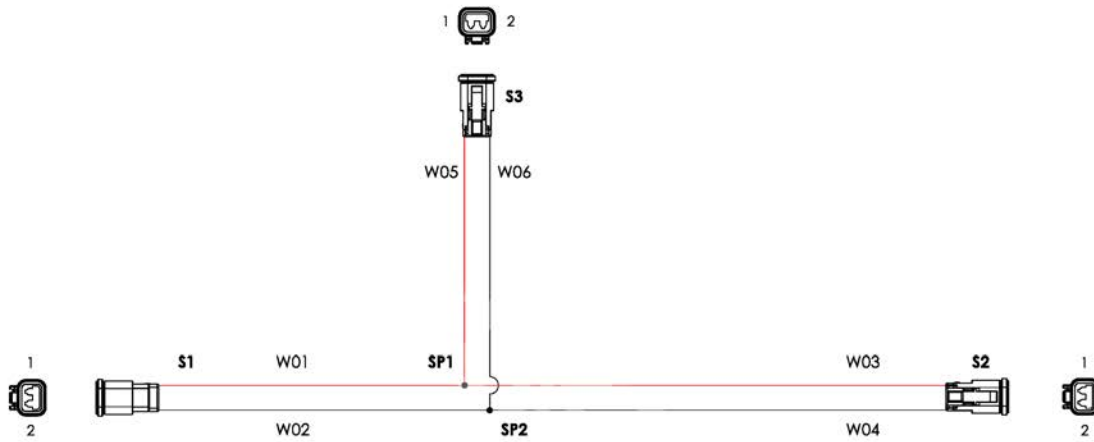




アイテム	部品番号	名前	数量	UOM
	1433536C	PLATFORM LIGHT PACKAGE SQUAIR PLATFORM		EA
1	5516376	CLAMP 1.25" SQUARE TUBE	2	EA
2	056069 010	Washer, SteelFlatWasher DIN125A M10 ZincPlated	4	EA
3	5563938	STANDOFF HEX, M10 X 30MM	2	EA
4	3069545	ASSY LED LIGHT	2	EA
5	058493 020	BOLT HEXSETSCREW DIN933 M10 X 20MM 8.8 ZP	2	EA
6	1433545	HARNESS SQ. PLATFORM LIGHTS	1	EA
7	5093018	CLP CUSH .250 VINYL COATED	5	EA
8	508247 006	WASHER OVERSIZED M6 X 18MM DIN9021 ZP	2	EA
9	512630 020	HHCS M6 X X 20 G10.9 DIN 933	2	EA
10	1433517	BRACKET, UTILITY LAMP, CTRL BO	1	EA
11	1433523	HARNESS, UTILITY LAMP, CTRL BO	1	EA
12	512459 016	BLT HEXHD M4 X 0.7 X 16MM DIN 933 8.8 ZP	2	EA
13	056069 004	Wshr, SteelFlatWshr M4 DIN125	2	EA
14	056064 004	NUT HEX M4x0.7 GR10.9 DIN 985	4	EA
15	3220352	HARNESS CW UPPER TOGGLE	2	EA
16	1432940 5	WELDT AUX OPTION ENCLOSURE ORG	1	EA
17	1432939	DECAL 660 AUX OPTIONS	1	EA
18	056069 005	Washer SteelFlatWasher DIN125A	2	EA
19	5569987	BLT HEXHD M5 80 12MM	2	EA
20	5563889	PLUG PLASTIC SNAP IN ID.50"BLK	2	EA

OPTIONS

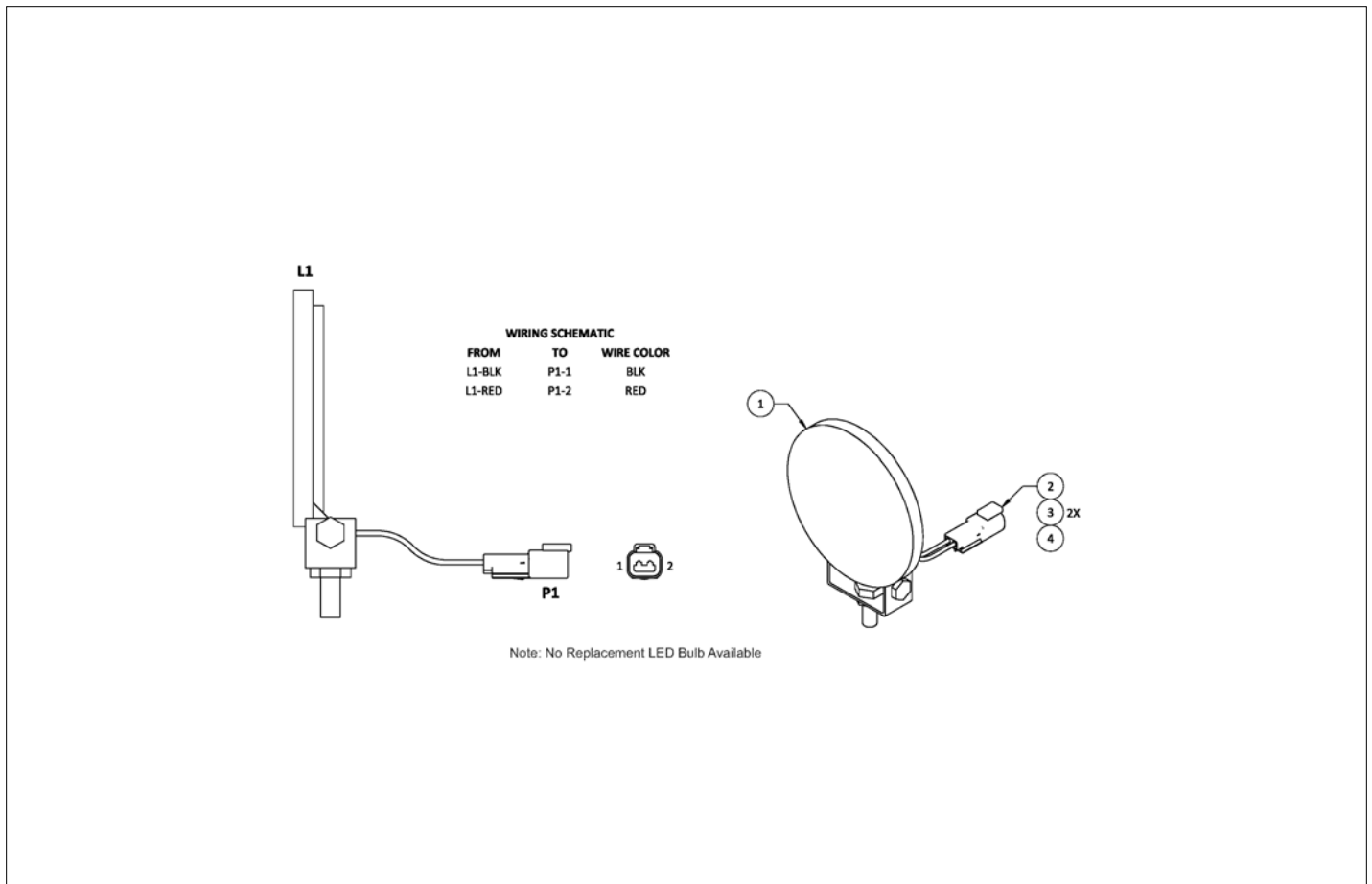




WIRE				CONNECTOR 1					CONNECTOR 2				
WIRE #	AWG	LENGTH	COLOR	DESCRIPTION	CONNECTOR	DESIGNATION / PN	POSITION	TYPE	CONNECTOR	DESIGNATION / PN	POSITION	TYPE	SUPPLIER PN
W01	18	50"	RED	J12	S1	2 PIN DT06-2S	1	PIN CON	SP1	SPLICE	(S2,S3)-1	-	SPLICE
W02	18	50"	BLK	J12	S1	2 PIN DT06-2S	2	PIN CON	SP2	SPLICE	(S2,S3)-2	-	SPLICE
W03	18	85"	RED	LED LIGHT 1	S2	2 PIN DT06-2S	1	PIN CON	SP1	SPLICE	(S1,S3)-1	-	SPLICE
W04	18	85"	BLK	LED LIGHT 1	S2	2 PIN DT06-2S	2	PIN CON	SP2	SPLICE	(S1,S3)-2	-	SPLICE
W05	18	46"	RED	LED LIGHT 2	S3	2 PIN DT06-2S	1	PIN CON	SP1	SPLICE	(S1,S2)-1	-	SPLICE
W06	18	46"	BLK	LED LIGHT 2	S3	2 PIN DT06-2S	2	PIN CON	SP2	SPLICE	(S1,S2)-2	-	SPLICE

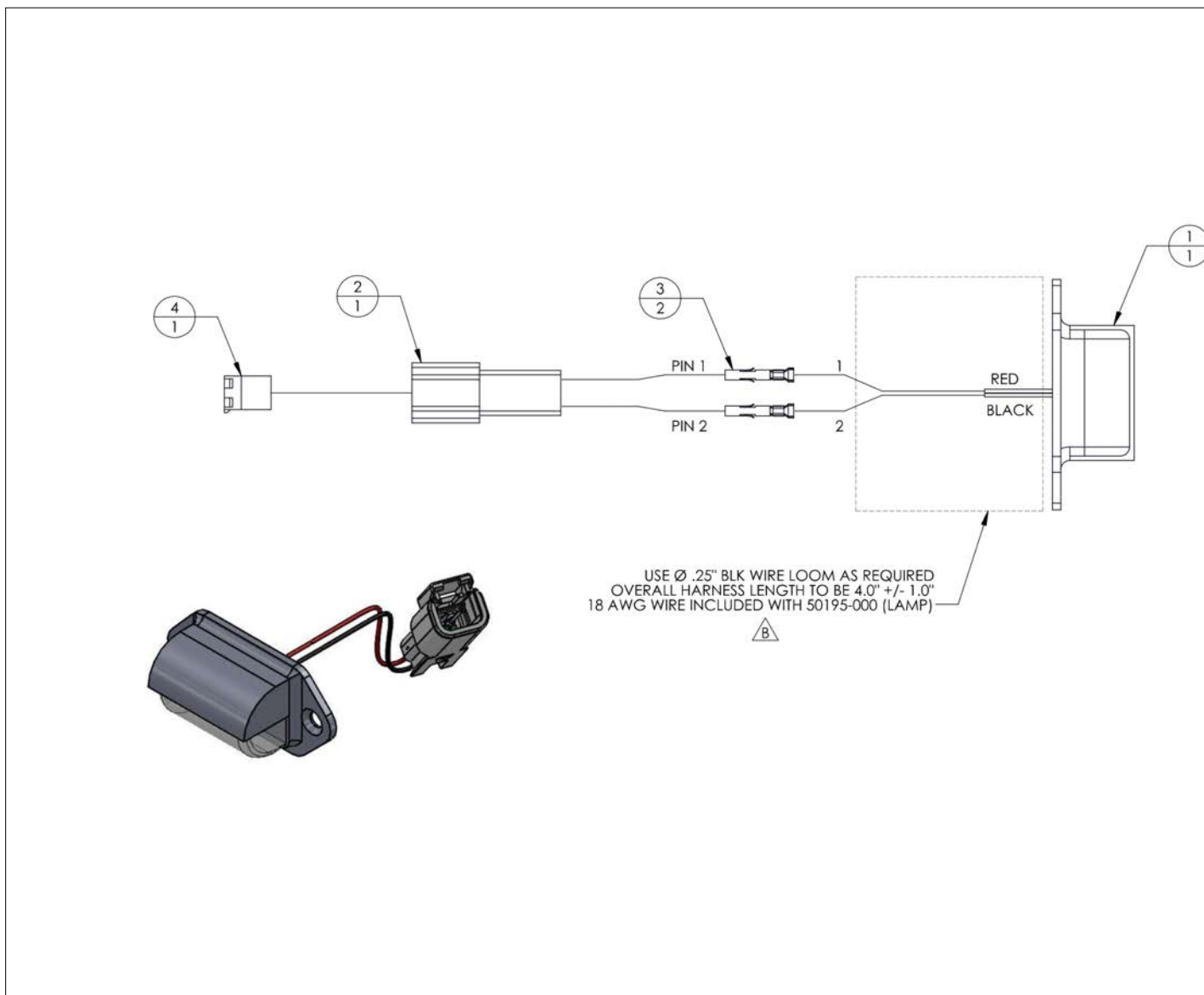
アイテム	部品番号	名前	数量	UOM
	1433883A	DRIVE LIGHTS HARNESS		EA
1	12557 016	WEDGELOCK	3	EA
2	12557 009	PLUG	3	EA
3	12557 031	SOCKET	6	EA

OPTIONS



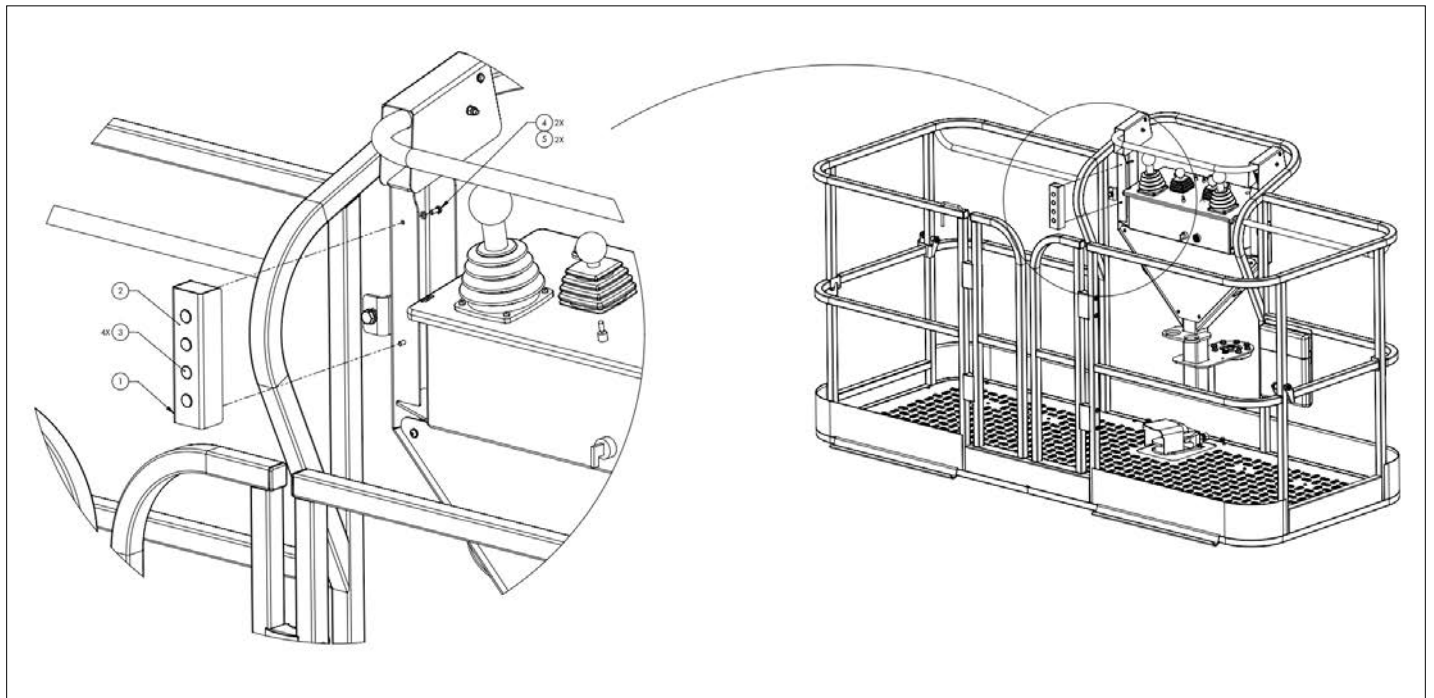
アイテム	部品番号	名前	数量	UOM
	3069545A	LED LIGHT ASSEMBLY		EA
1	3069528	LED WORK LIGHTS	1	EA
2	12556 009	RECEPTACLE 2 WIRE DT04 2P*****	1	EA
3	12554 025	PIN SIZE 16 (14GA) DT	2	EA
4	12556 016	WEDGELOCK FOR DT04 2P*****	1	EA

OPTIONS



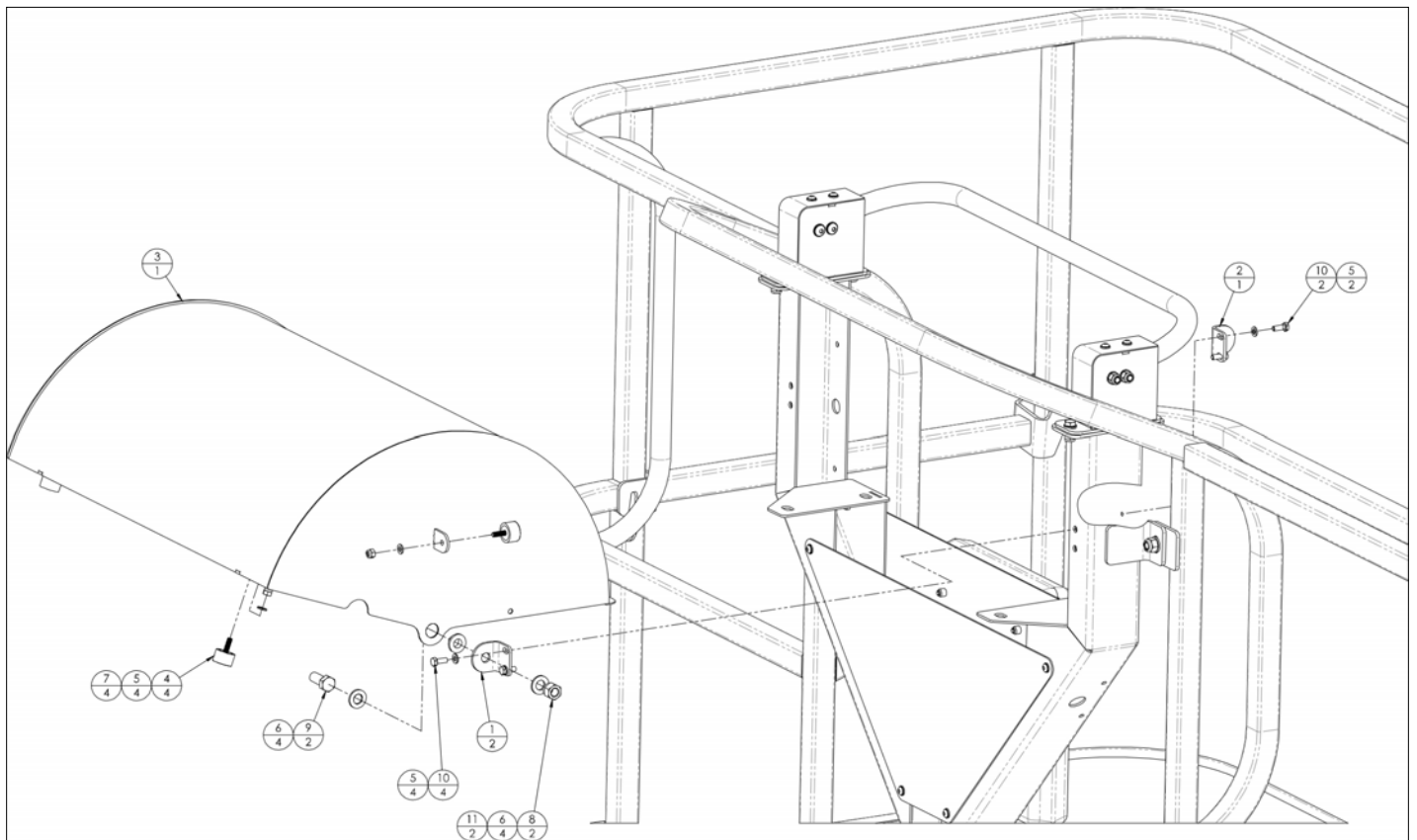
アイテム	部品番号	名前	数量	UOM
	1433523 B	PLATFORM CONTROL BOX UTILITY LAMP HARNESS		EA
1	50195 000	LIGHT LICENSE PLT TRUCK LITE	1	EA
2	12564 009	RECEPTACLE 2 WIRE DTM04 2P	1	EA
3	12554 032	PIN SIZE 20 (18 16GA) DTM	2	EA
4	12564 016	WEDGELOCK FOR DTM04 2P	1	EA

OPTIONS



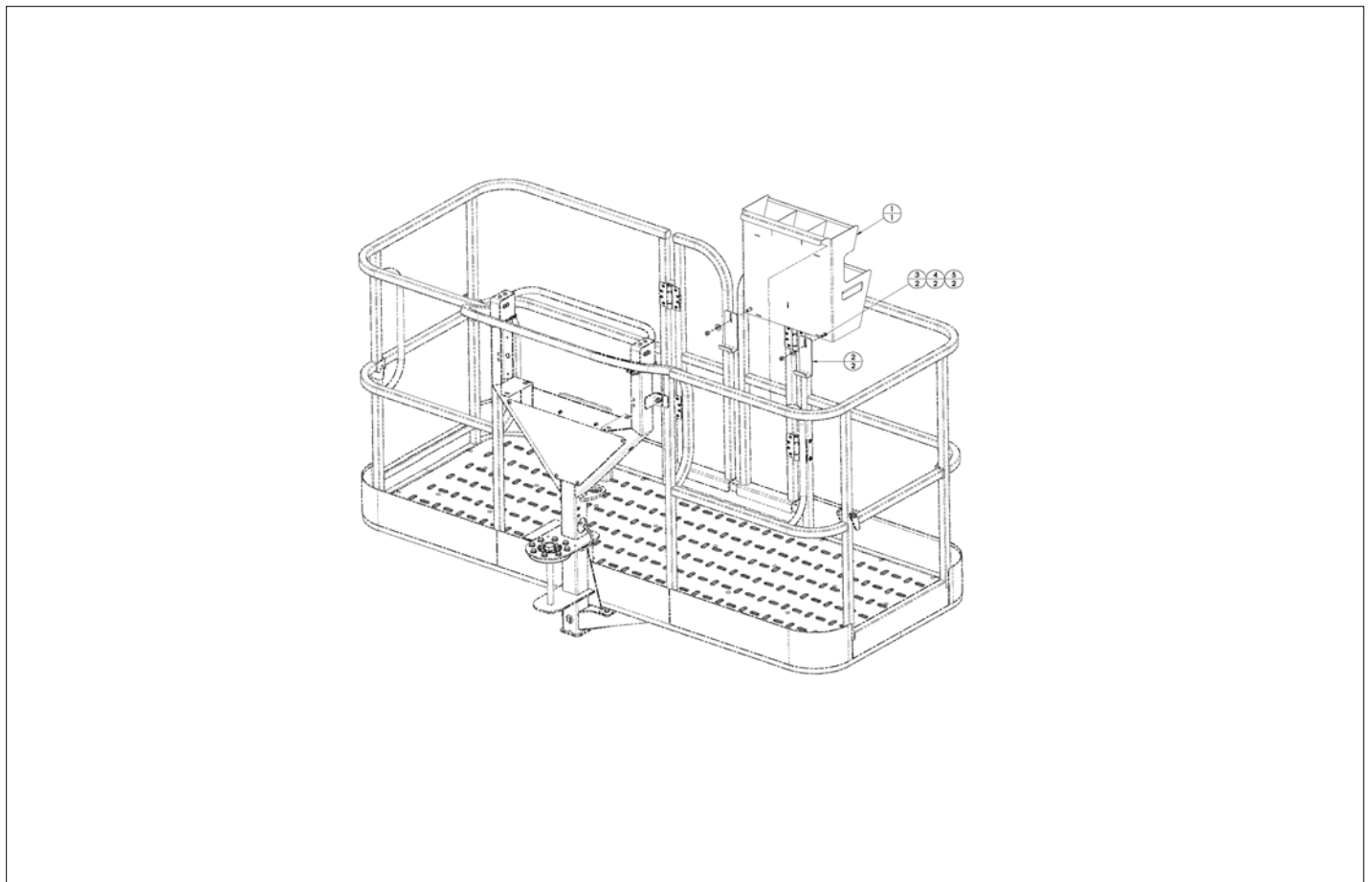
アイテム	部品番号	名前	数量	UOM
	1432943 A	ACCESSORY SWITCH ENCLOSURE INSTALLATION		EA
1	1432940	WELDMENT AUX OPTION ENCLOSURE	1	EA
2	1432939	DECAL 660 AUX OPTIONS	1	EA
3	5563889	PLUG PLASTIC SNAP IN ID.50"BLK	3	EA
4	5569987	BLT HEXHD M5 80 12MM	2	EA
5	056069 005	Washer SteelFlatWasher DIN125A	2	EA

OPTIONS



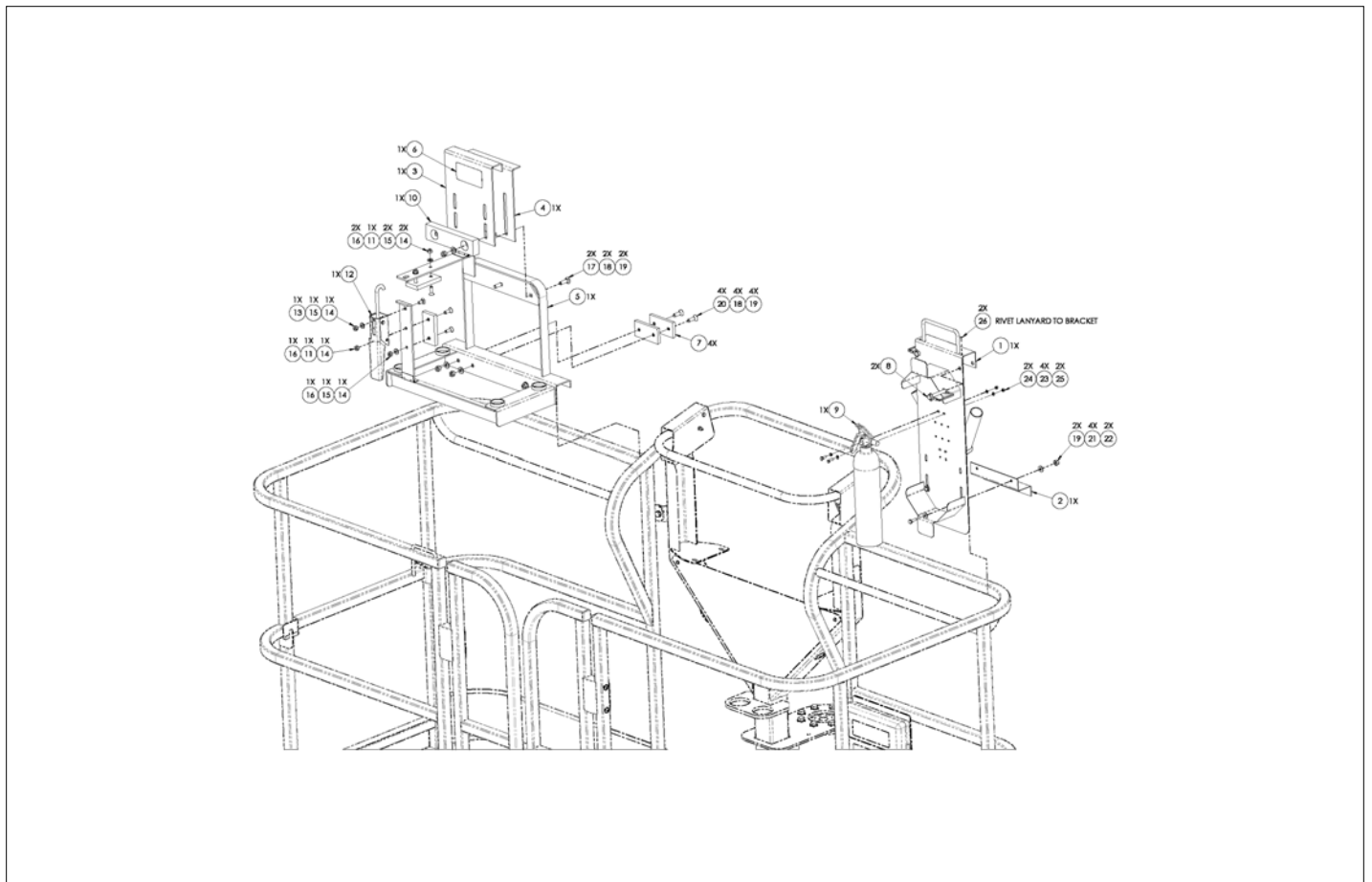
アイテム	部品番号	名前	数量	UOM
	1433162 A	CONTROL BOX COVER INSTALLATION		EA
1	1433167	ANGLE COVER SUPPORT	2	EA
2	1433168	ANGLE COVER LOCK	1	EA
3	1433163	PLATFORM COVER WELDMENT	1	EA
4	5563642	BUMPER RUBBER M6X1.0	4	EA
5	056069 006	WSHR STEELFLATWSHE M6 DIN125A	10	EA
6	056069 012	WASHER DIN125A M12 ZP	4	EA
7	056064 006	NUT NYLOCK DIN985 M6 10.0 ZP	4	EA
8	056064 012	NUT HEX M12 X 1.75 GR 10.9 SELF LOCKING DIN 985	2	EA
9	5563508	BOLT HEXBOLT DIN931 M12 X 1.75 X 30 10.11	2	EA
10	512630 016	BOLT, HEXBOLT DIN933 M6 x 16mm 10.9 ZINCPLATED	6	EA
11	2570028	FLANGE BUSHING BRONZE 12MM SHAFT	2	EA

OPTIONS



アイテム	部品番号	名前	数量	UOM
	1433176 A	PLATFORM TOOL TRAY INSTALLATION ANSI CE CSA AS		EA
1	1433177	PLATFORM TOOL BOX	1	EA
2	1433184	BRACKET, PLATFORM TOOL BOX	2	EA
3	5560350	BLT CRG .375 16 1.00 GR5	2	EA
4	986299	WASHER, FLAT, .375 STANDARD, PLATED	2	EA
5	5560033	.375 16UNC HEX LOCK NUT	2	EA

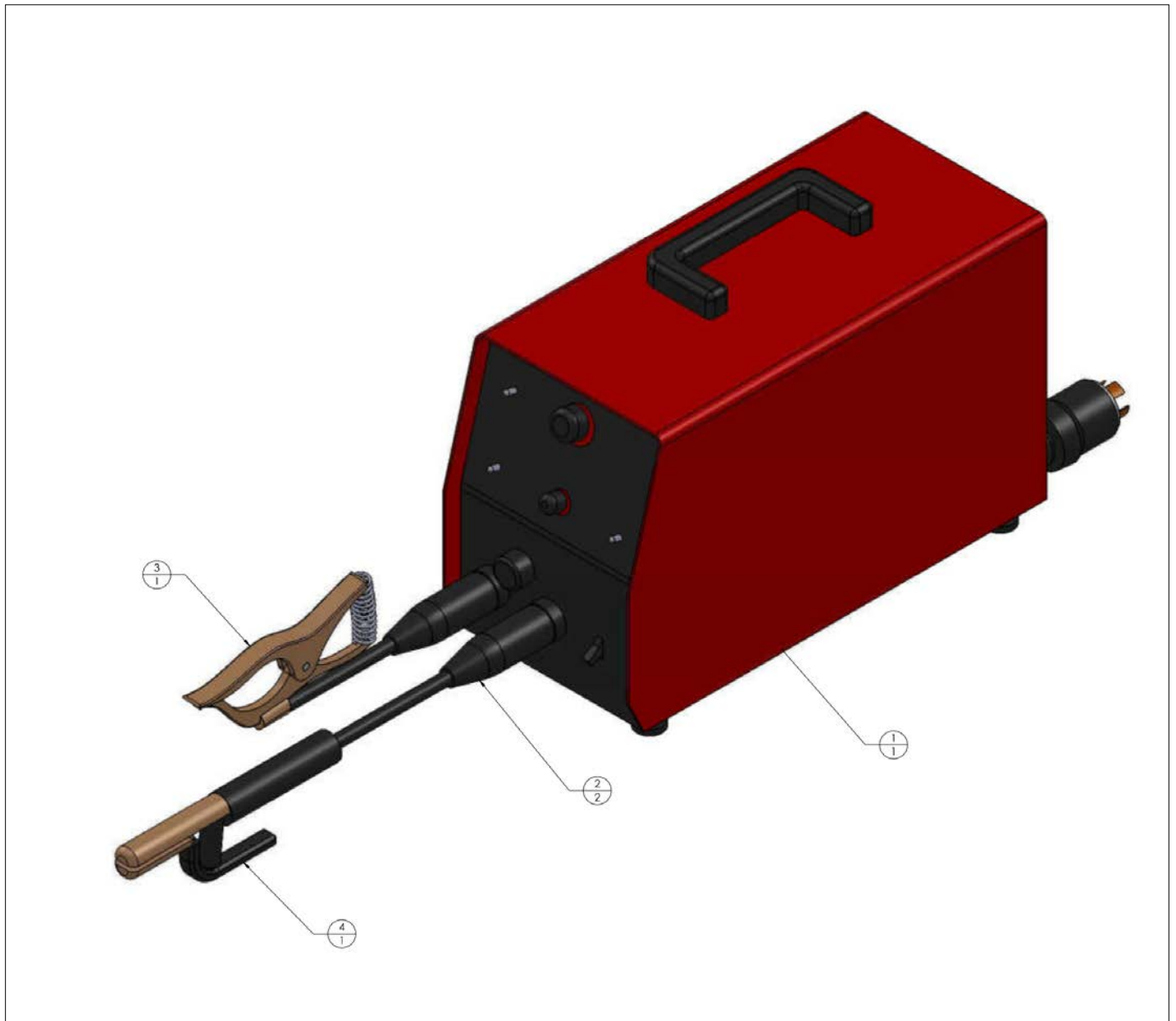
OPTIONS



アイテム	部品番号	名前	数量	UOM
	1432973A	BASE WELDER PACKAGE INSTALL		EA
1	0083857	WELDMT CABLE STORAGE BRKT	1	EA
2	0083858	BRKT	1	EA
3	0083823	BRKT TOP	1	EA
4	0083825	BRKT LOWER	1	EA
5	0083833	WELDMT WELDER SUPPORT	1	EA
6	0083985	PLAC WARNING TIPPING HAZARD	1	EA
7	0161766	SL PAD 2.00 4.00 .375 2H	4	EA
8	302544	Pin & Lock	2	EA
9	9939464	FIRE EXTINGUISHER	1	EA
10	0083826	SL PAD 2.00 8.25 1.00 2H	1	EA
11	0150121	SL PAD 2.00 4.00 .500 2H	2	EA
12	5516329	LATCH ADJ DRAW	1	EA
13	5560372	BLT CRG .313 18 .75 GR5	1	EA
14	5560031	NUT HEX LKG .313 18	5	EA
15	5563815	WASHER FLAT .313 NARROW PLTD	4	EA
16	972259	BLT FLSKTHD .313 18 1.00	4	EA
17	972439	BLT CRG .375 16 X 1.25 GR 5 ZP	2	EA
18	056069 012	WASHER DIN125A M12 ZP	6	EA
19	5560033	.375 16UNC HEX LOCK NUT	8	EA
20	5560675	M.SCR 3/8 16 1 1/4 SOC. CAD	4	EA
21	986019	WSHR FLAT .250	4	EA
22	970559	BLT HEXHD .250 20 .875 GR5	2	EA
23	056069 005	Washer SteelFlatWasher DIN125A	4	EA
24	056064 005	Nut, NylockNut DIN985 M5 10.0	2	EA
25	5563804	BOLT HXHD M5X.8X16 YLZN GR10.9	2	EA

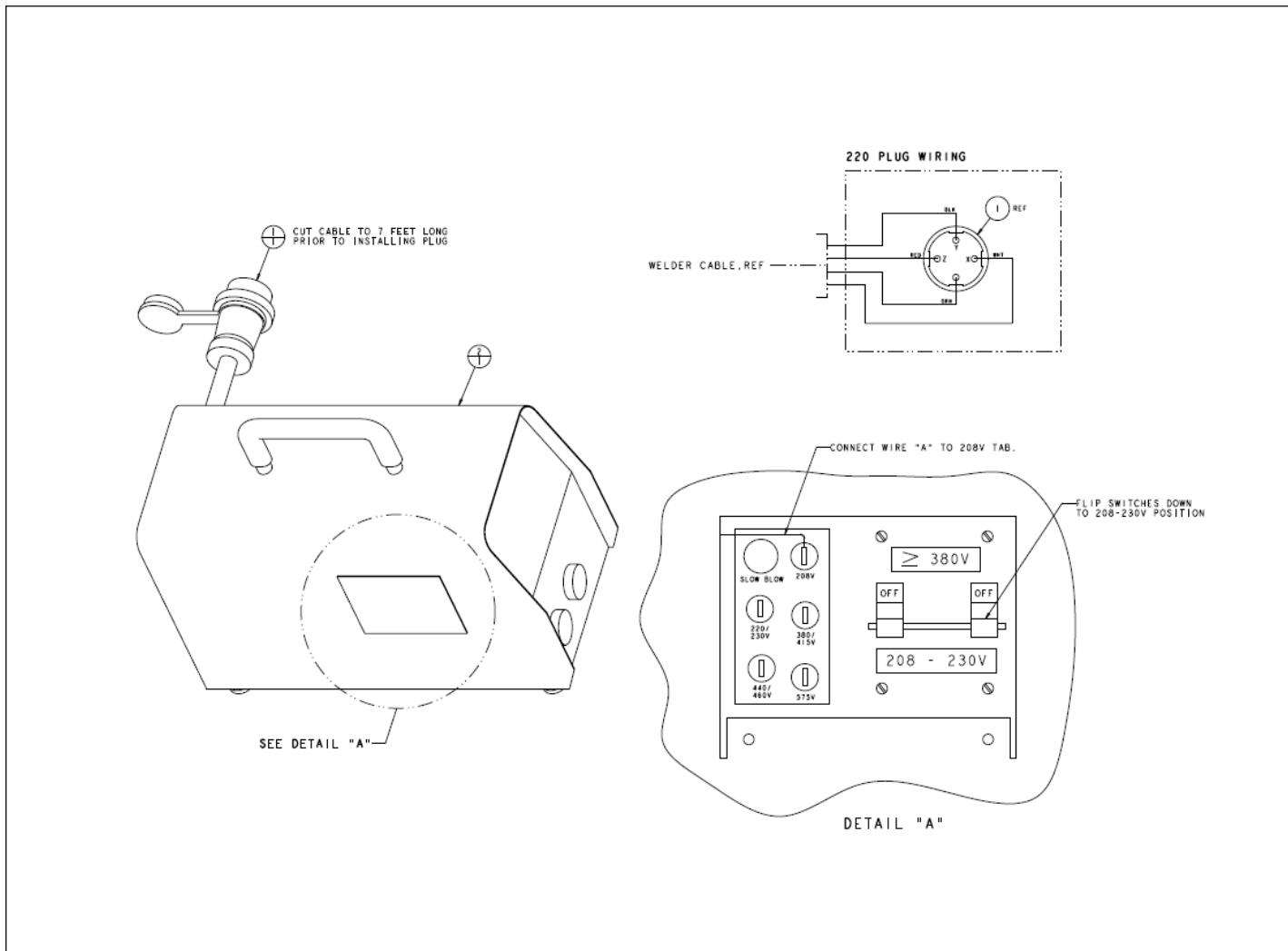
アイテム	部品番号	名前	数量	UOM
26	5560656	RVT POP .125 DIA .375 DMD STL	2	EA

OPTIONS



アイテム	部品番号	名前	数量	UOM
	1433814A	LINCOLN WELDER INSTALL		EA
1	0084084	WELDER ASSEMBLY, LINCOLN V275 S	1	EA
2	3220076	PLUG WELD CABLE END	2	EA
3	0083863	ASSEMBLY, GROUND WIRE	1	EA
4	0083862	ASSEMBLY, ELECTRODE HOLDER WIRE	1	EA

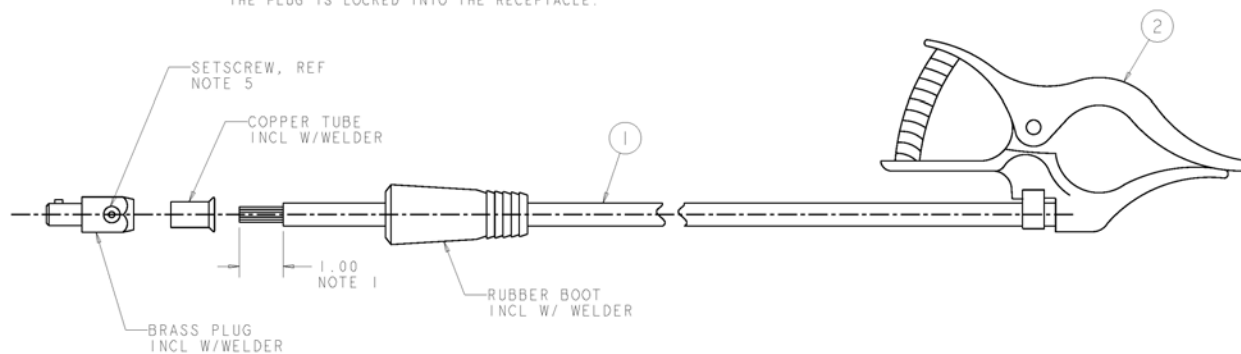
OPTIONS



アイテム	部品番号	名前	数量	UOM
	0084084A	WELDER ASSEMBLY LINCOLN		EA
1	3045255	PLUG 3 POLE 4 COND 30A	1	EA
2	3220006	WELDER 275 AMP STICK LINCOLN V275 S	1	EA

OPTIONS

- ASSEMBLY PROCEDURE:
1. REMOVE 1" OF WELDING CABLE INSULATION.
 2. SLIDE RUBBER BOOT ONTO CABLE END. THE BOOT END MAY BE TRIMMED TO MATCH THE CABLE DIAMETER. SOAP OR OTHER LUBRICANT WILL HELP TO SLIDE THE BOOT OVER THE CABLE.
 3. SLIDE THE COPPER TUBE INTO THE BRASS PLUG.
 4. INSERT CABLE INTO COPPER TUBE.
 5. TIGHTEN SET SCREW TO COLLAPSE COPPER TUBE. SCREW MUST APPLY PRESSURE AGAINST WELDING CABLE. THE TOP OF THE SET SCREW WILL BE WELL BELOW THE SURFACE OF THE BRASS PLUG AFTER TIGHTENING.
 6. SLIDE RUBBER BOOT OVER BRASS PLUG. THE RUBBER BOOT MUST BE POSITIONED TO COMPLETELY COVER ALL ELECTRICAL SURFACES AFTER THE PLUG IS LOCKED INTO THE RECEPTACLE.

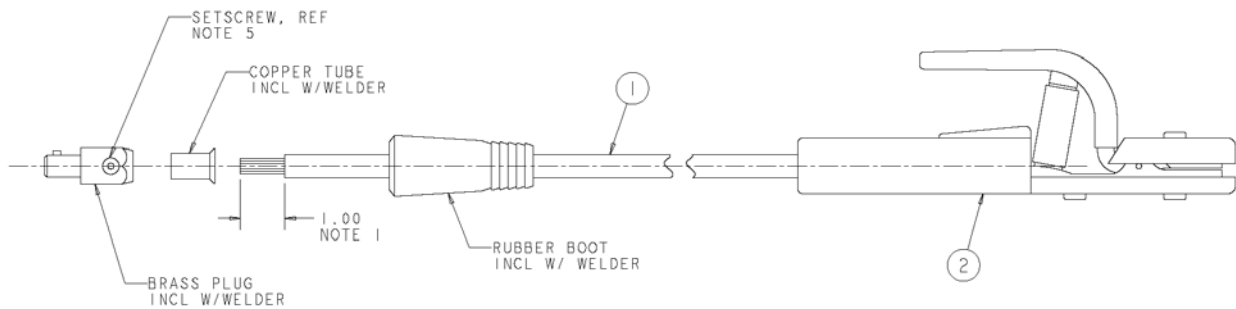


アイテム	部品番号	名前	数量	UOM
	0083863B	GROUND WIRE ASSEMBLY		EA
1	3014716	CABLE #1 WELDING	15FT	EA
2	3220011	WELDER LEAD GROUND CL 218778 3	1	EA

OPTIONS

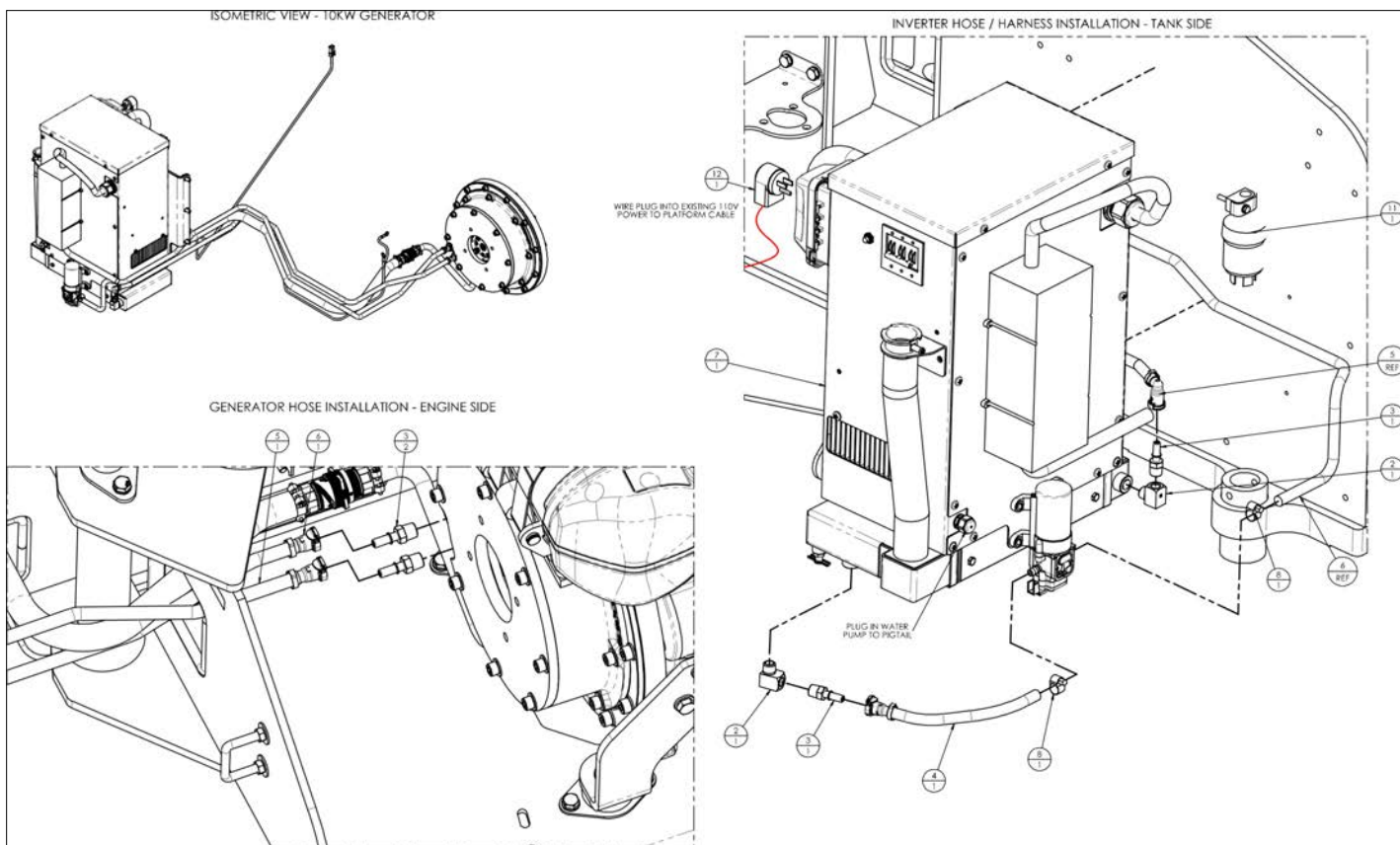
ASSEMBLY PROCEDURE:

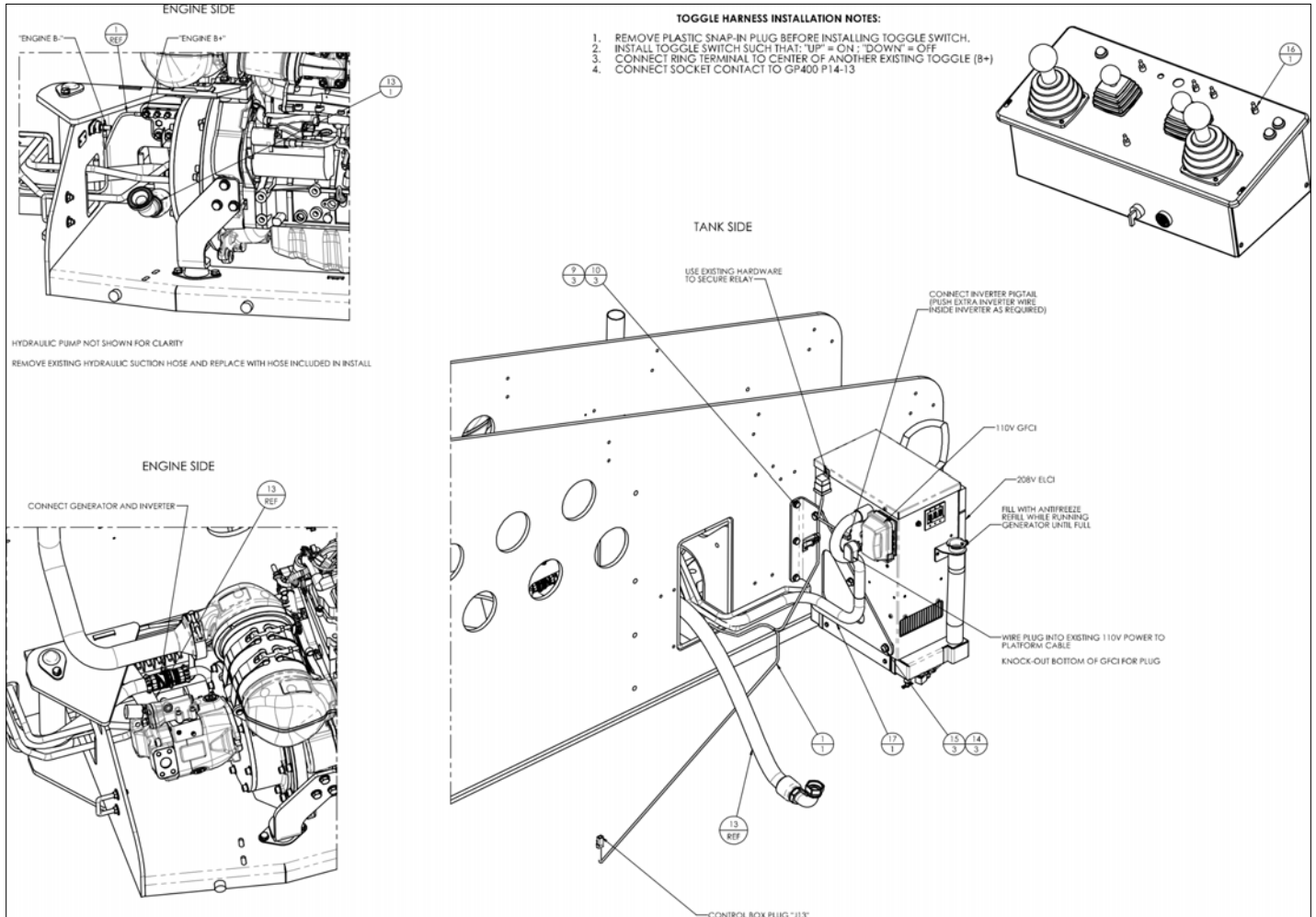
1. REMOVE 1" OF WELDING CABLE INSULATION.
2. SLIDE RUBBER BOOT ONTO CABLE END. THE BOOT END MAY BE TRIMMED TO MATCH THE CABLE DIAMETER. SOAP OR OTHER LUBRICANT WILL HELP TO SLIDE THE BOOT OVER THE CABLE.
3. SLIDE THE COPPER TUBE INTO THE BRASS PLUG.
4. INSERT CABLE INTO COPPER TUBE.
5. TIGHTEN SET SCREW TO COLLAPSE COPPER TUBE. SCREW MUST APPLY PRESSURE AGAINST WELDING CABLE. THE TOP OF THE SET SCREW WILL BE WELL BELOW THE SURFACE OF THE BRASS PLUG AFTER TIGHTENING.
6. SLIDE RUBBER BOOT OVER BRASS PLUG. THE RUBBER BOOT MUST BE POSITIONED TO COMPLETELY COVER ALL ELECTRICAL SURFACES AFTER THE PLUG IS LOCKED INTO THE RECEPTACLE.



アイテム	部品番号	名前	数量	UOM
	0083862B	ELECTRODE HOLDER WIRE ASSEMBLY		EA
1	3014716	CABLE #1 WELDING	15FT	EA
2	3220010	WELDER LEAD EL HOLD 9110 11033	1	EA

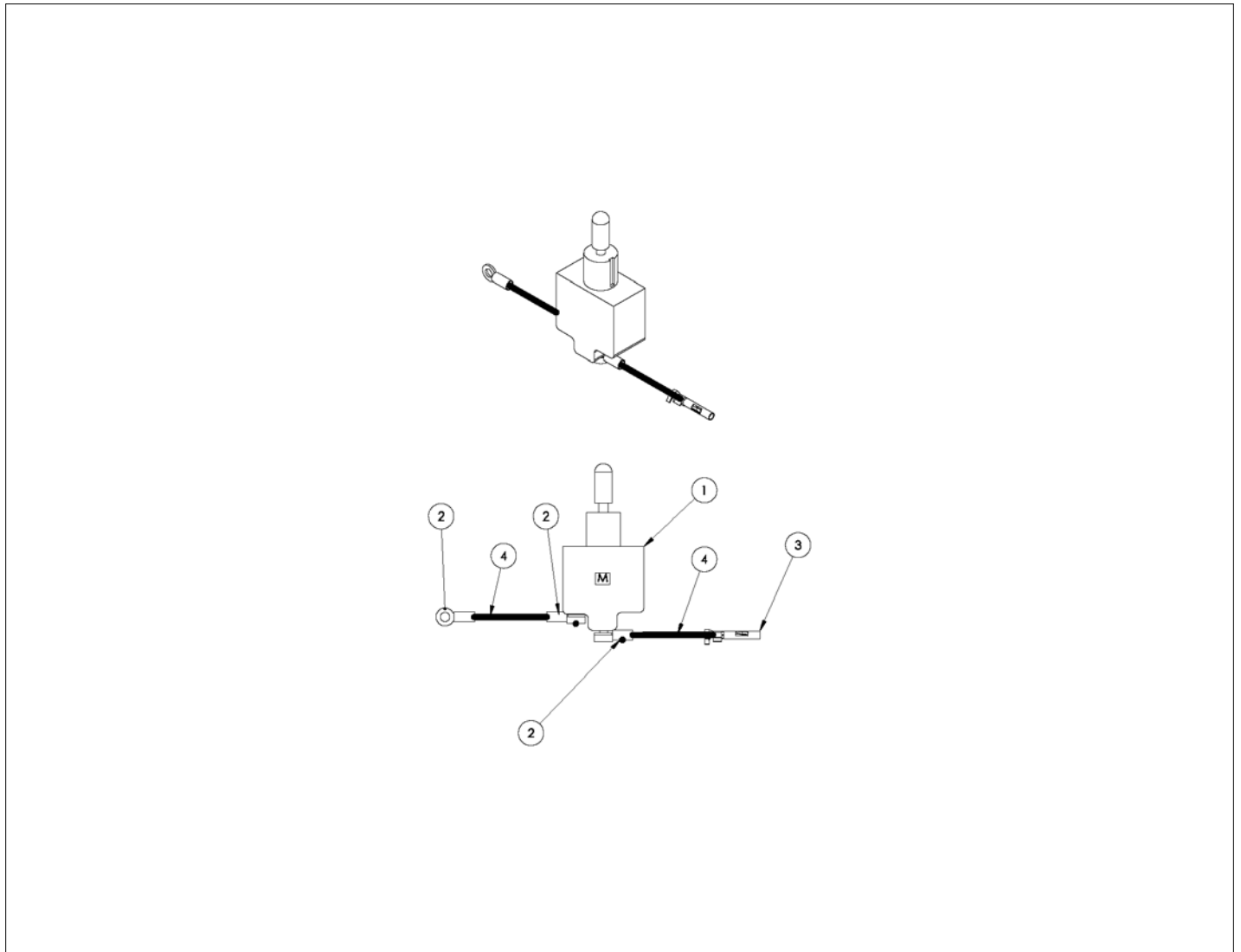
OPTIONS





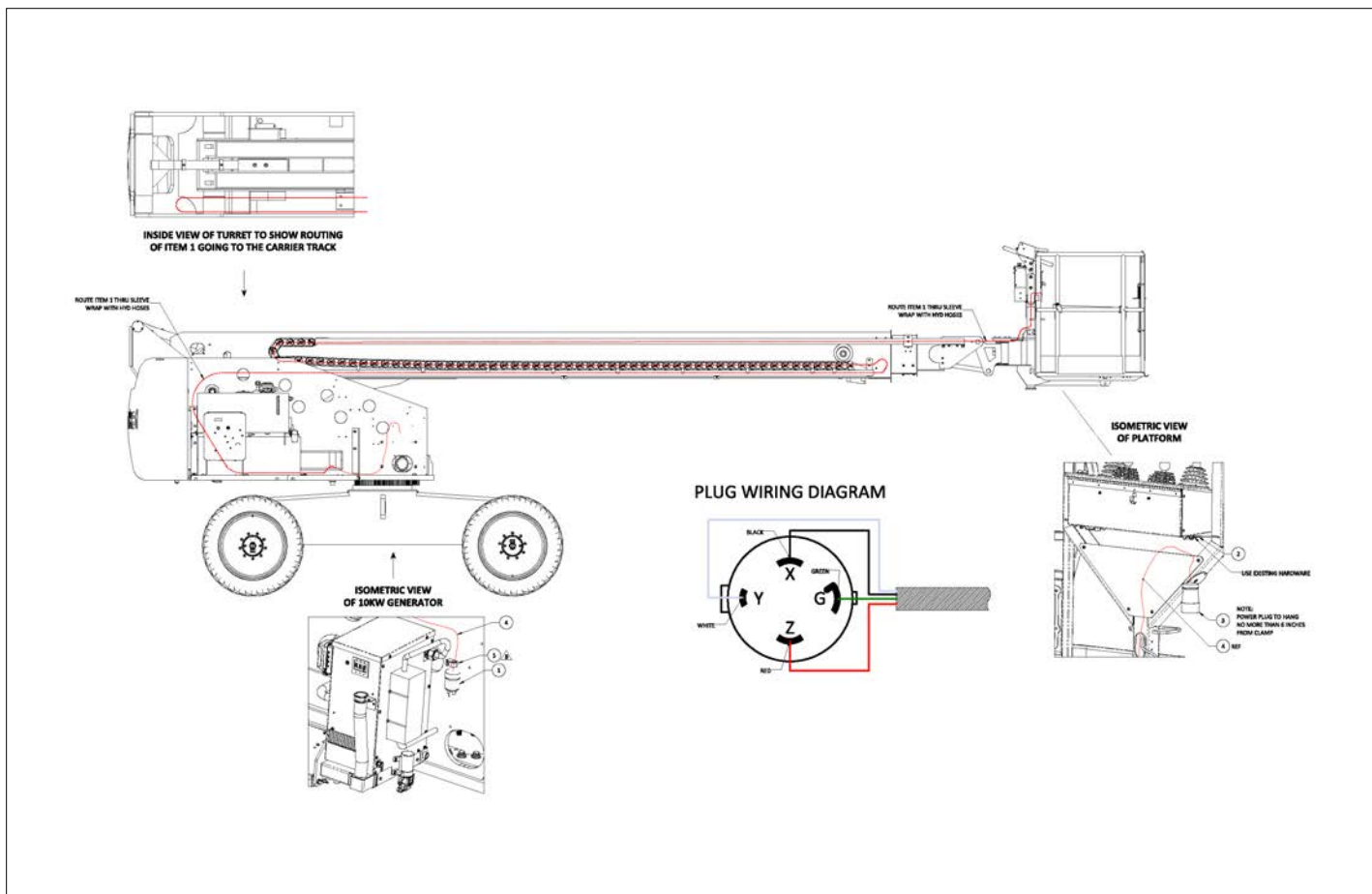
アイテム	部品番号	名前	数量	UOM
	1433786 A	10KW GENERATOR INSTALLATION 400S 460SJ JANUARY 2020 AND AFTER		EA
1	1432941	HARNESS SHAWNEE 10KW GENERATOR	1	EA
2	5260041	FTG BRASS 90 ELBOW 6 NPT MALE	2	EA
3	5028035	3/8 straight safe lock x 1/4	4	EA
4	1432959	COOLANT HOSE RADIATOR TO PUMP	1	EA
5	1432960	COOLANT HOSE GENERATOR TO RAD	1	EA
6	1432961	COOLANT HOSE PUMP TO GENERATOR	1	EA
7	1433787	10KW GENERATOR KIT 400S/460SJ	1	EA
8	5550006	CLP WORM DRV .38 .88 SAE#6	2	EA
9	056069 010	Washer, SteelFlatWasher DIN125A M10 ZincPlated	3	EA
10	058493 025	HHCS M10 X 25MM GR10.9 DIN933	3	EA
11	1432986	INSTALL AC PWR CABLE 10KW GEN	1	EA
12	3040219	PLUG MALE CONNECTOR 90D 125VAC	1	EA
13	1434469	SUCTION HOSE ASSY 1.25ID MAIN	1	EA
14	056069 012	WASHER DIN125A M12 ZP	3	EA
15	5563507	BLT THXHD M12 X 1.75 X 25 YZ GR10.9	3	EA
16	3220313	HARNESS GENRTR TGL SW SPST	1	EA
17	1433274	BRACKET 10KW GEN, 400S/460SJ	1	EA

OPTIONS



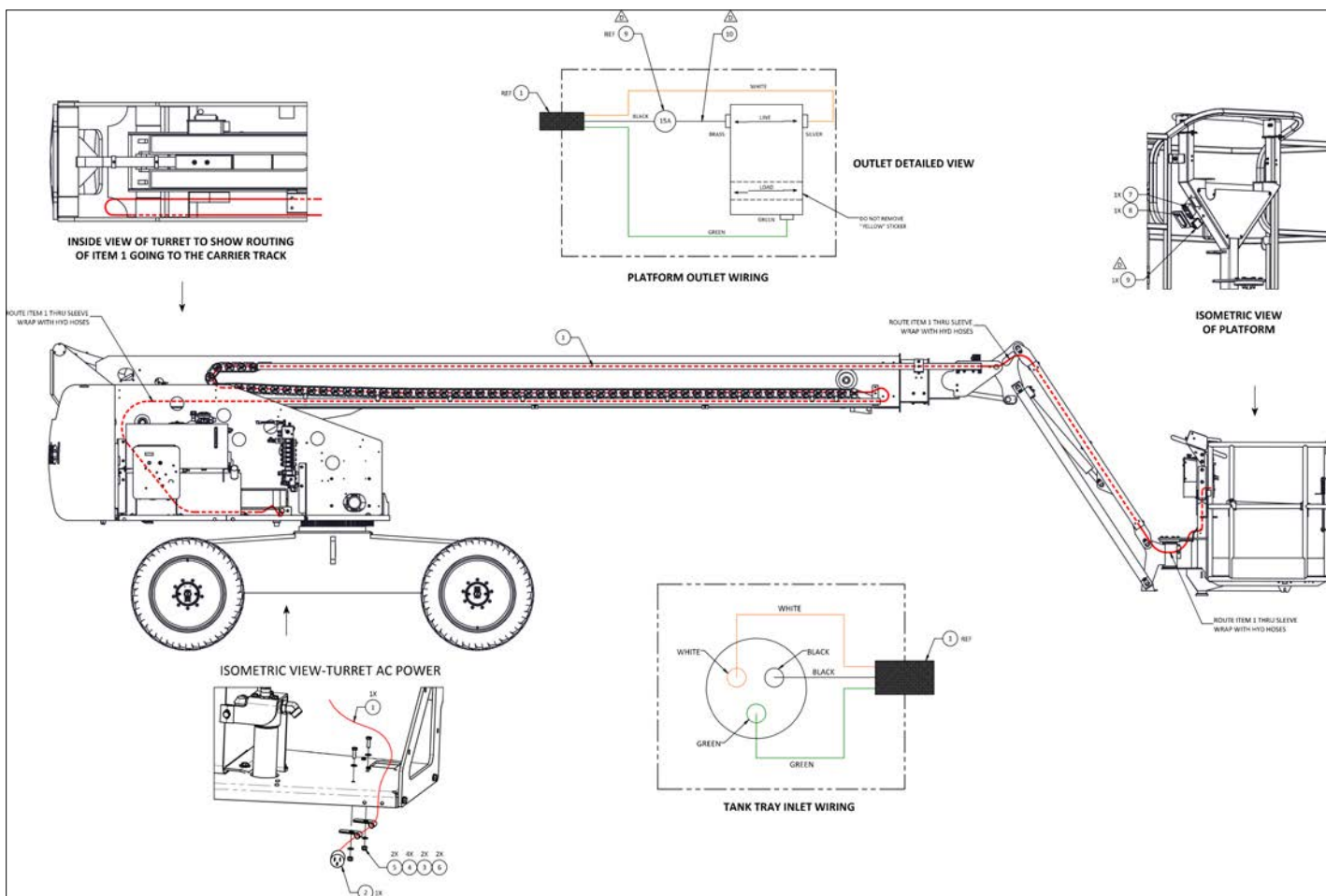
アイテム	部品番号	名前	数量	UOM
	3220313 B	GENERATOR TOGGLE SWITCH HARNESS		EA
1	3020013	Switch, Toggle Honeywell INTI 2	1	EA
2	3220310	RING TERM 14 16 ANG TO #6 SCREW INSULATED	3	EA
3	3049989	AMP SOCKET CONTACT	1	EA
4	3011641	WIRE 16GA SINGLE CONDUCTOR WHT	A/R	EA

OPTIONS



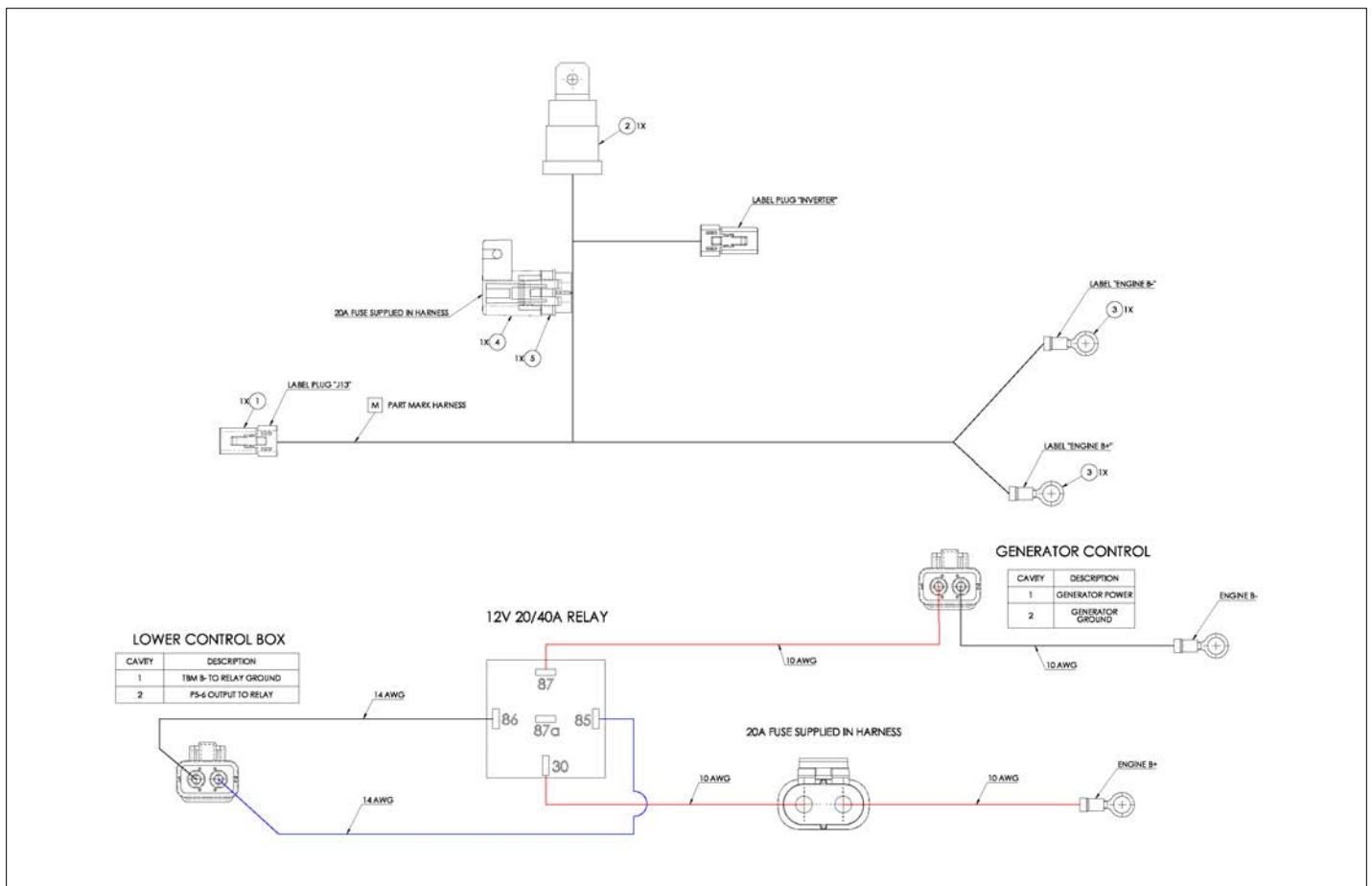
アイテム	部品番号	名前	数量	UOM
	1432986 B	AC POWER CABLE 10KW GENERATOR 600S INSTALLATION		EA
1	3045255	PLUG 3 POLE 4 COND 30A	1	EA
2	5093021	CLP CUSH .625 VINYL COATED	1	EA
3	3220350	PLUG 250V 30A 3P4W	1	EA
4	3014808	CABLE POWER CONTROL 10AWG 4CND	90FT	EA
5	26956 000	TUBE CLAMP ASSEMBLY SERVICE USE SP	1	EA

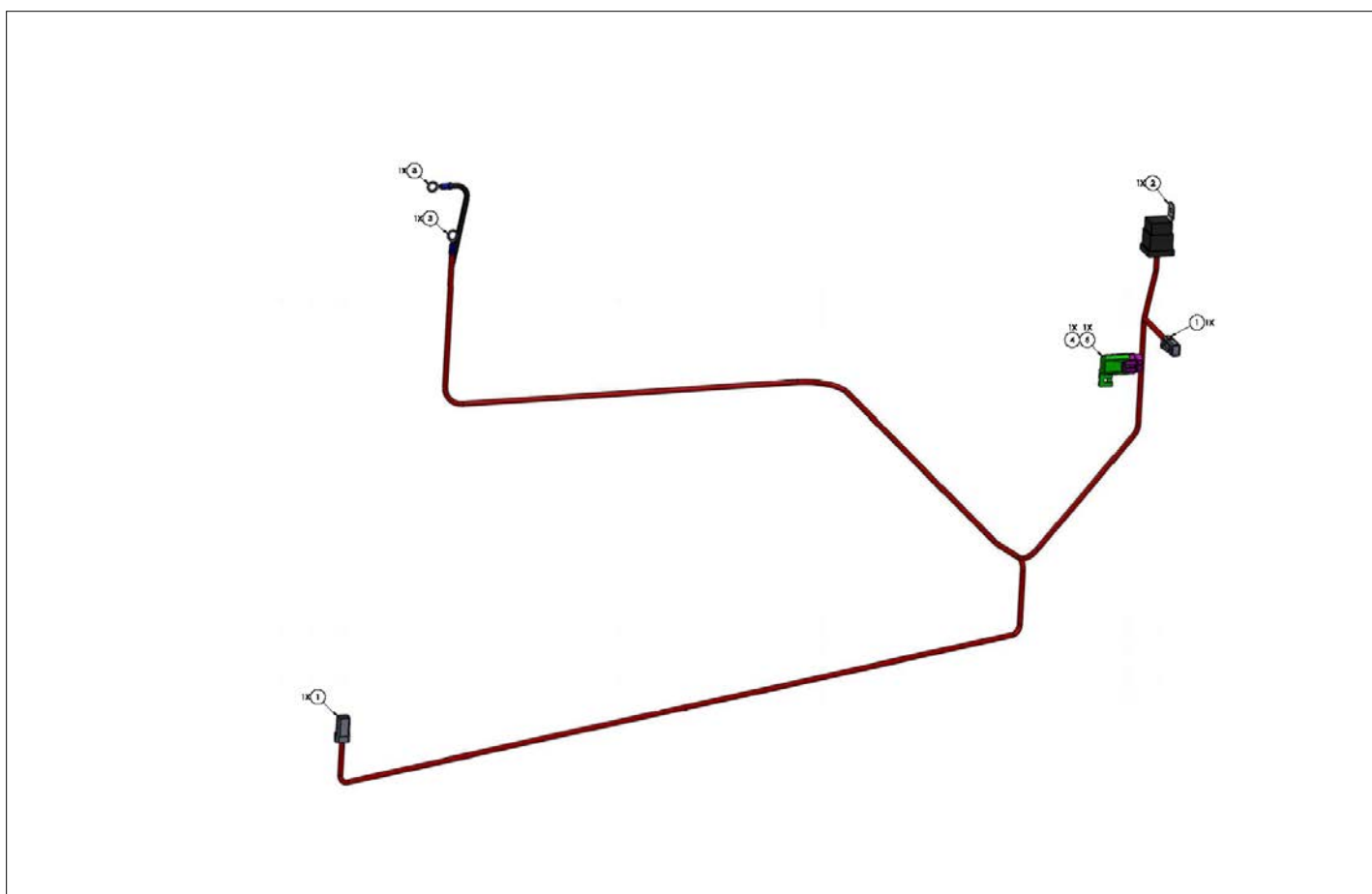
OPTIONS



アイテム	部品番号	名前	数量	UOM
	1432189 D	PLATFORM AC POWER DOMESTIC INSTALLATION		EA
1	1432245	CABLE PTP 660SJSOOW 12/3	1	EA
2	3220342	PLUG MALE CONNECTOR 125VAC	1	EA
3	5093002	CLAMP .562 AEROQUIP HOSE SUPPORT	2	EA
4	056069 008	WASHER, STEELFLATWASHER DIN12M8 FLAT WASHER DIN 125	4	EA
5	056064 008	NUT HEX M8 1.25 GR10.9 SELF LOCKING DIN 985	2	EA
6	510681 025	HHCS M8 X 1.25 X 25 GR10.9 DIN933	2	EA
7	3040624	Recepticle Outlet 20AMP	1	EA
8	3040625	Enclosure Face	1	EA
9	3040252	Circuit Breaker 15AMP	1	EA
10	0071582	JUMPER WIRE	1	EA

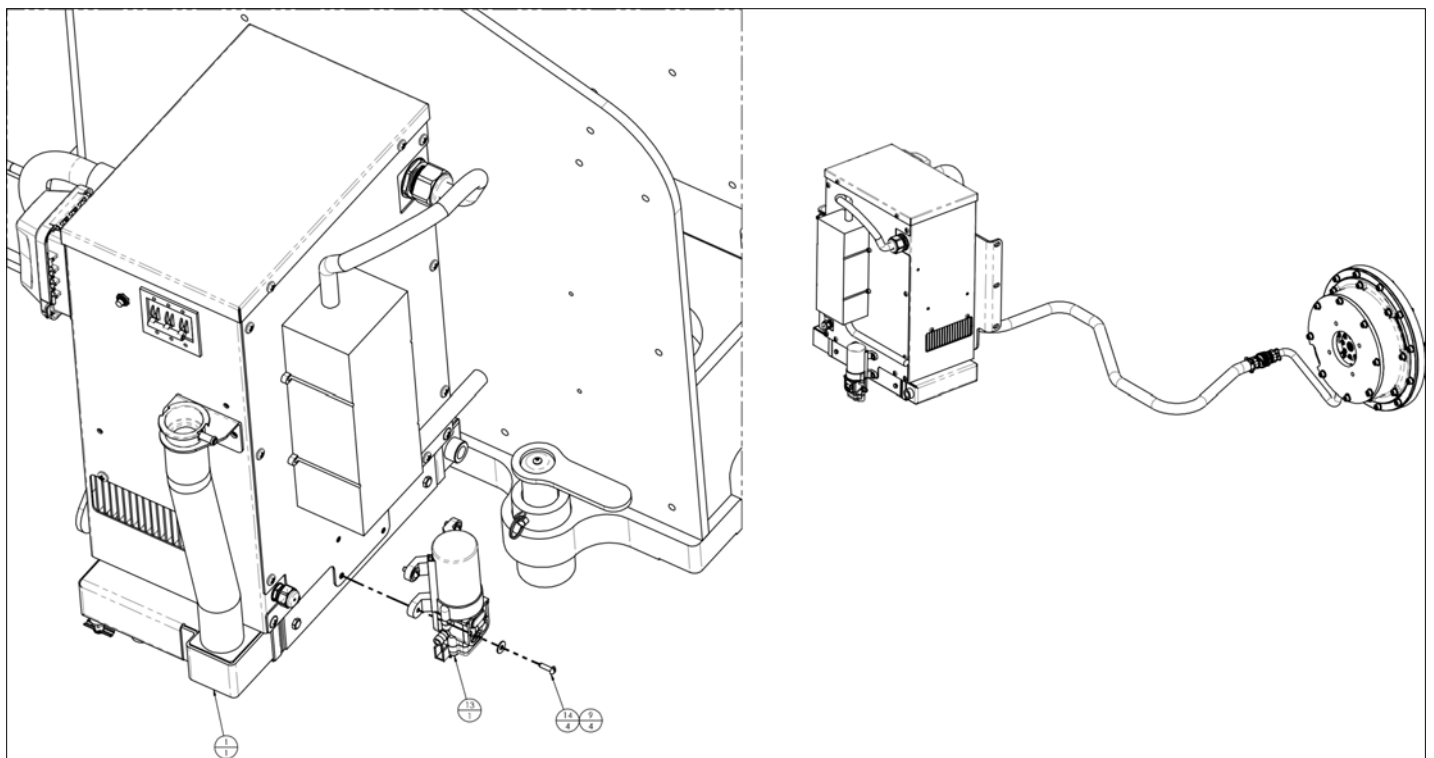
OPTIONS

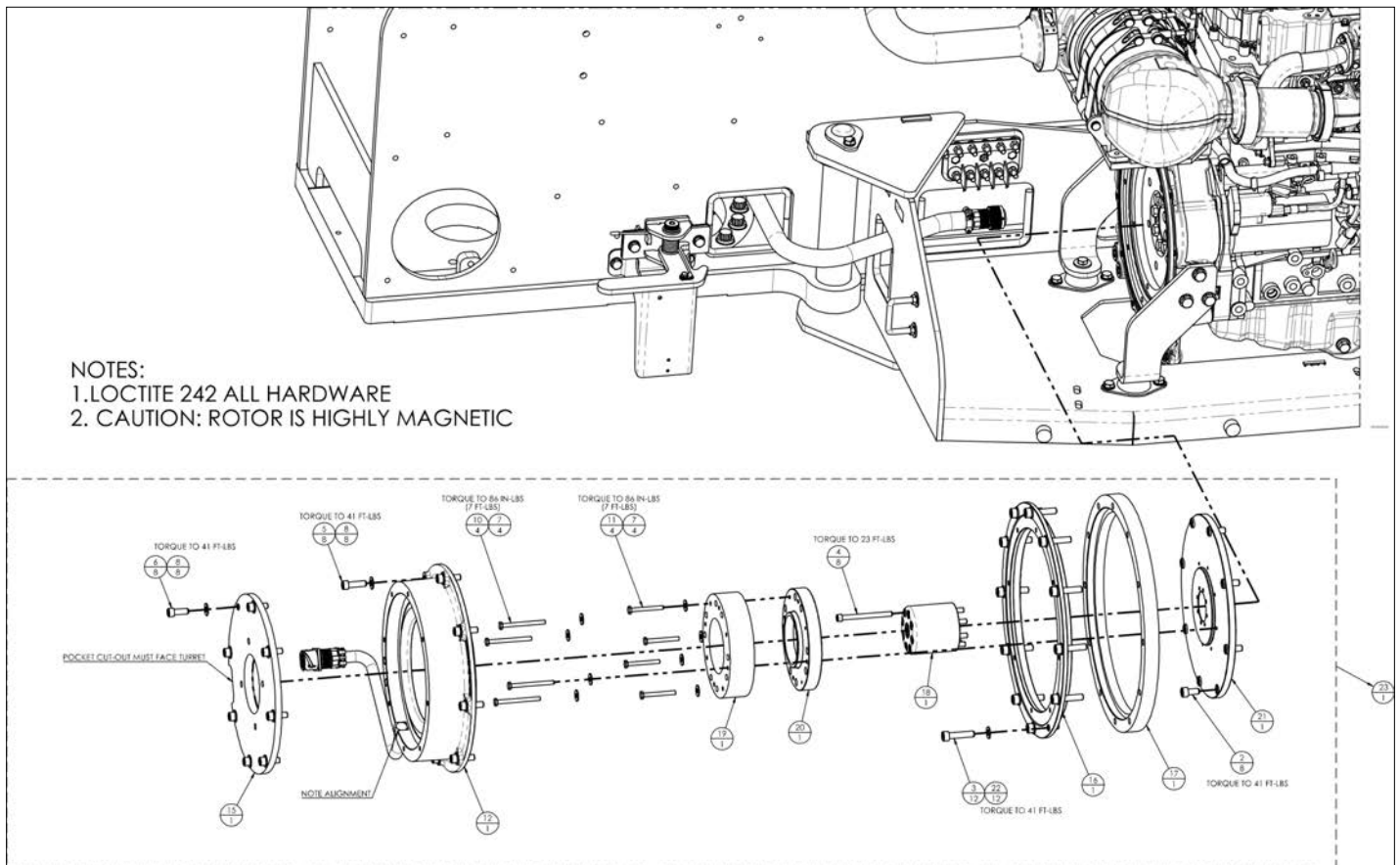




アイテム	部品番号	名前	数量	UOM
	1432941 A	10KW GENERATOR HARNESS		EA
1	12555 009	CONNECTOR, DEUTCH	2	EA
2	3028885	RELAY 12V 20/40A	1	EA
3	3048836	RING TERMINAL 10 12 AWG, .375 STUD	2	EA
4	3220299	CONNECTOR, DELPHI METRI PACK	1	EA
5	3220337	FUSE HOLDER, 30A 12V	1	EA

OPTIONS

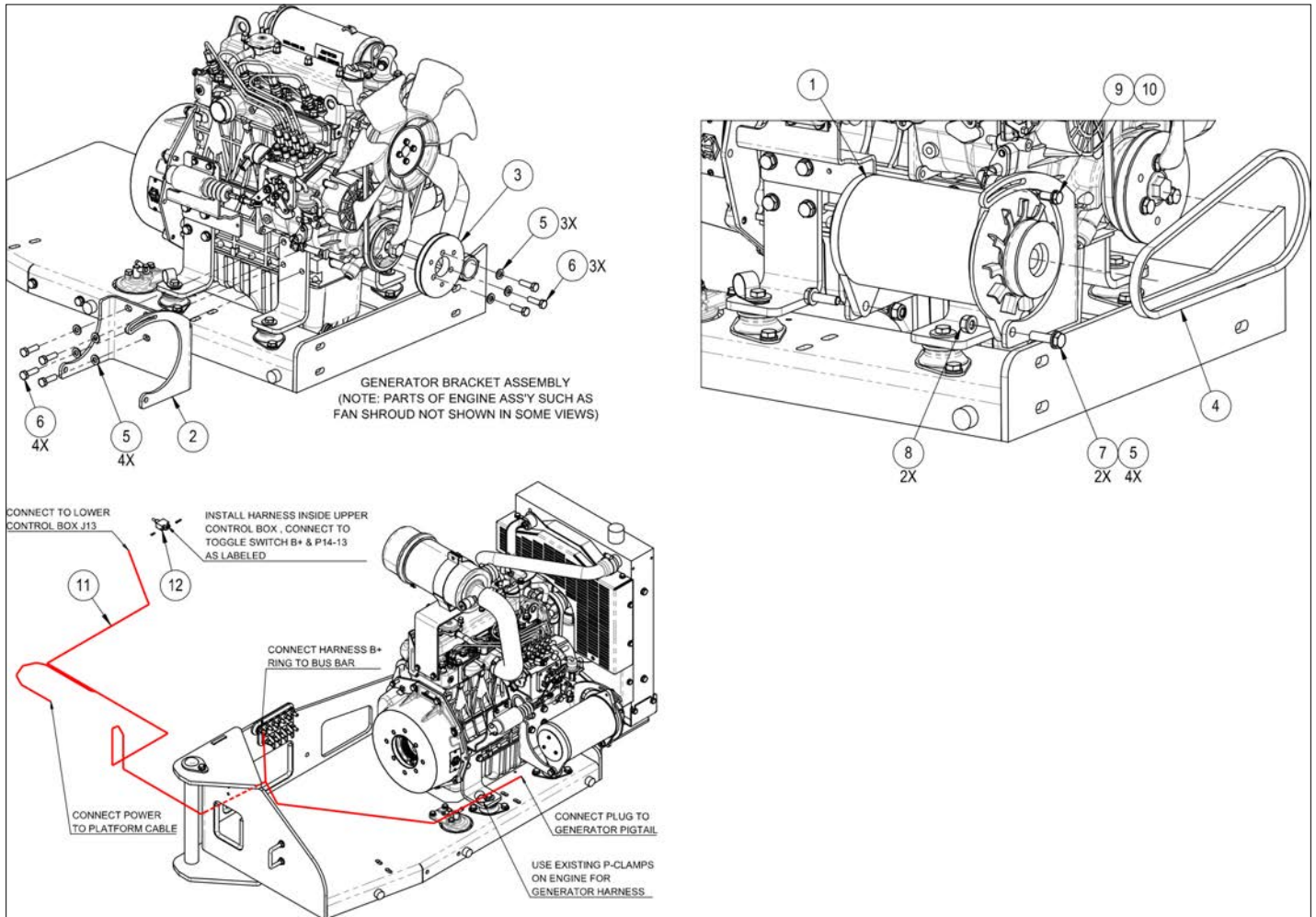




アイテム	部品番号	名前	数量	UOM
	1433787 A	10KW GENERATOR 400S 460SJ 600S 660SJ		EA
1	1432956	10KW GENERATOR INVERTER SHAWNE	1	EA
2	5560595	SHCS M10X1.5X20 G8.8ISO 4762	8	EA
3	5564009	SHCS M10X1.5X45 G8.8 ISO 4762	12	EA
4	5563903	SHCS .3125 18 UNC GR8, 3.50 LG	8	EA
5	5563904	SHCS .375 16UNC GR8 1.25LG PLT	8	EA
6	5563905	SHCS .375 16UNC GR8 1.00LG PLT	8	EA
7	986019	WSHR FLAT .250	8	EA
8	5560222	WSHR FLAT HARD .375 SP	16	EA
9	986009	WSHR FLAT 10	4	EA
10	970129	BLT HEXHD .250 20 3.00	4	EA
11	969999	BLT HEXHD .250 20 2.25 GR5	4	EA
12	1432952	ASSY STATOR 10KW 3 PHASE GEN	1	EA
13	1432957	PUMP 10KW GENERATOR 12V DC	1	EA
14	974679	SCR RDH MACH 10 24 .625	4	EA
15	1432955	PUMP PLATE SAE 6 10KW GEN	1	EA
16	1432949	ADAPTER SAE 4 TO SAE 5	1	EA
17	1433789	SPACER, SAE4 1" OFFSET	1	EA
18	1432951	STUB SHAFT 1" 15 TOOTH 10KWGEN	1	EA
19	1432953	ROTOR 1.75" N40 10KW GEN	1	EA
20	1432954	ROTOR SPACER 10KW GEN	1	EA
21	1432950	PLATE FLYWHEEL ADAPTR 10KW GEN	1	EA
22	056069 010	Washer, SteelFlatWasher DIN125A M10 ZincPlated	12	EA

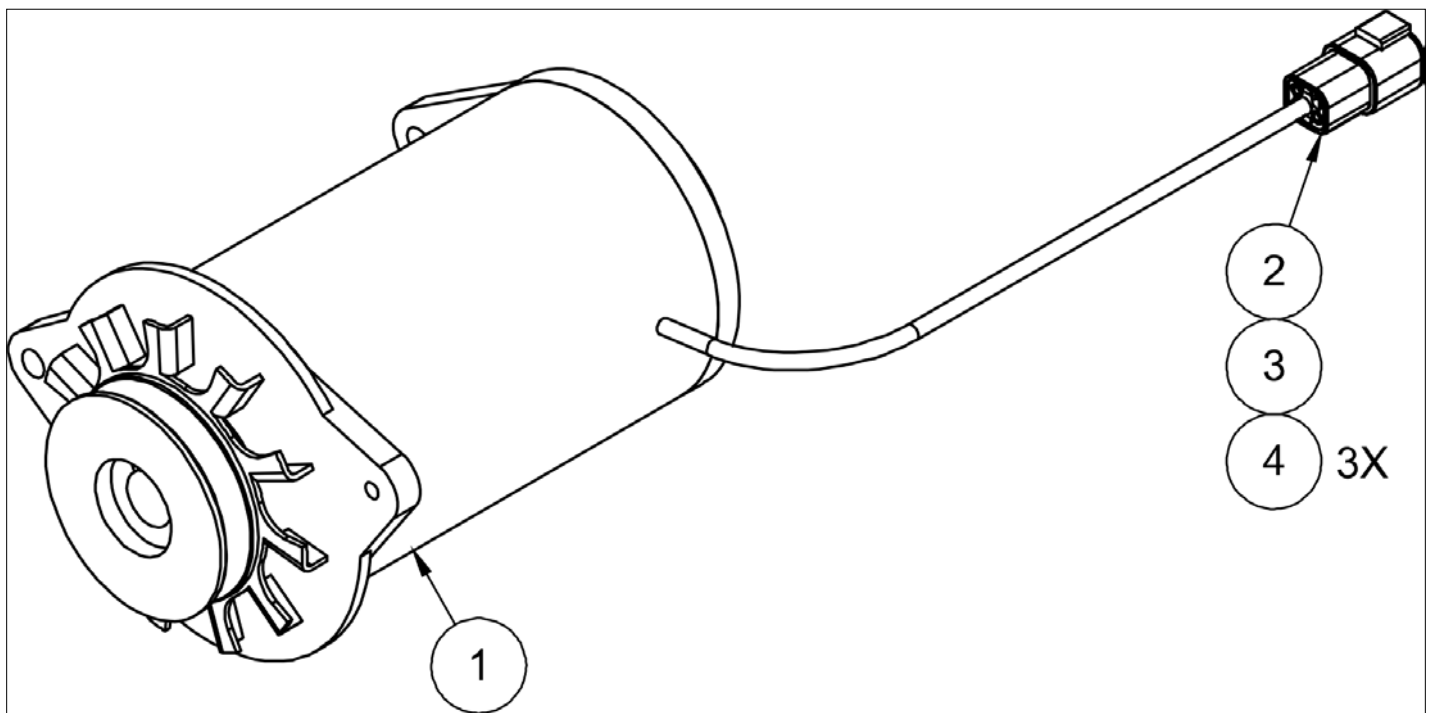
アイテム	部品番号	名前	数量	UOM
23	7631091	10KW GENERATOR ASSEMBLY COMPLETE	1	EA

OPTIONS



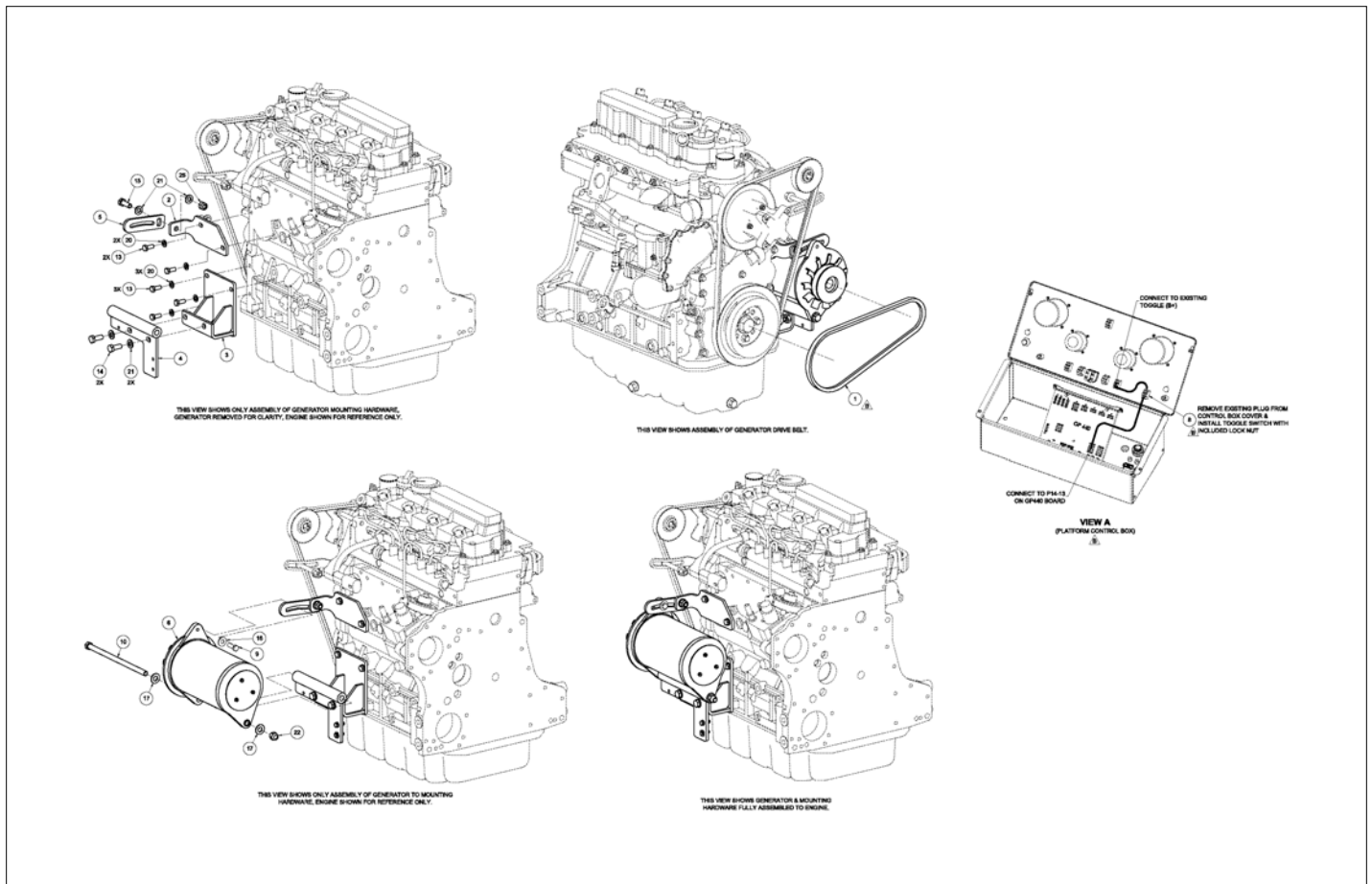
アイテム	部品番号	名前	数量	UOM
	1434562 A	2.5 KW GENERATOR INSTALLATION KUBOTA		EA
1	1434030	ASSY GENERATOR 2KW FABCO SINGLE V BELT	1	EA
2	1434563	BRKT, 2KW GENERATOR 400/460 KUBOTA	1	EA
3	7631228	PULLEY, V BELT 130MM	1	EA
4	7210017	V BELT, 1/2" WIDE X 33" LENGTH	1	EA
5	5563543	WSHR, FLAT M10 YL ZN GR 10.9	11	EA
6	10414 035	BOLT HHCS M10 1.25MMX35 CLASS 10.9 DIN 933 PLTD	7	EA
7	5563898	HHCS M10 X 35 G10.9 DIN 931	2	EA
8	10939 011	NUT M10 1.50 REG HEX LOCK*****	2	EA
9	510681 020	HHCS M8X1.25X20 G10.9 ISO 4014 DIN 933	1	EA
10	5563542	WSHR, FLAT M8 YL ZN GR 10.9	1	EA
11	1434386	HARNESS, 2.5KW GEN, 460/660	1	EA
12	3220313	HARNESS GENRTR TGL SW SPST	1	EA

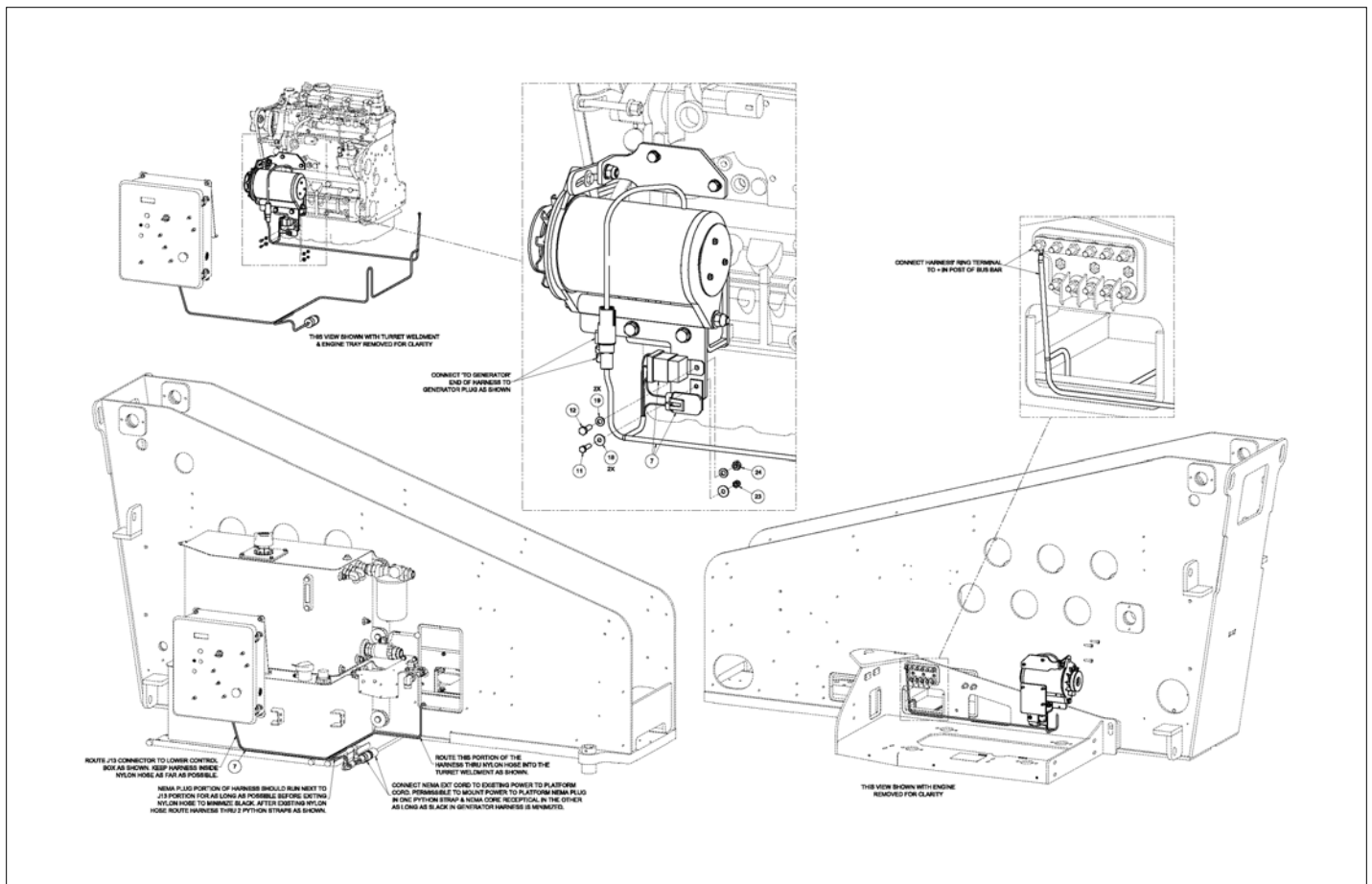
OPTIONS



アイテム	部品番号	名前	数量	UOM
	1434030 A	2KW FABCO SINGLE V BELT GENERATOR ASSEMBLY		EA
1	3087845	GENERATOR, 2.5KW, SINGLE "V"	1	EA
2	12554 008	CONNECTOR DEUTSCH DTP04 4P	1	EA
3	12554 018	WEDGELOCK FOR DTP04 4P	1	EA
4	12554 026	PIN SIZE 12 (12 14GA) DTP	3	EA

OPTIONS

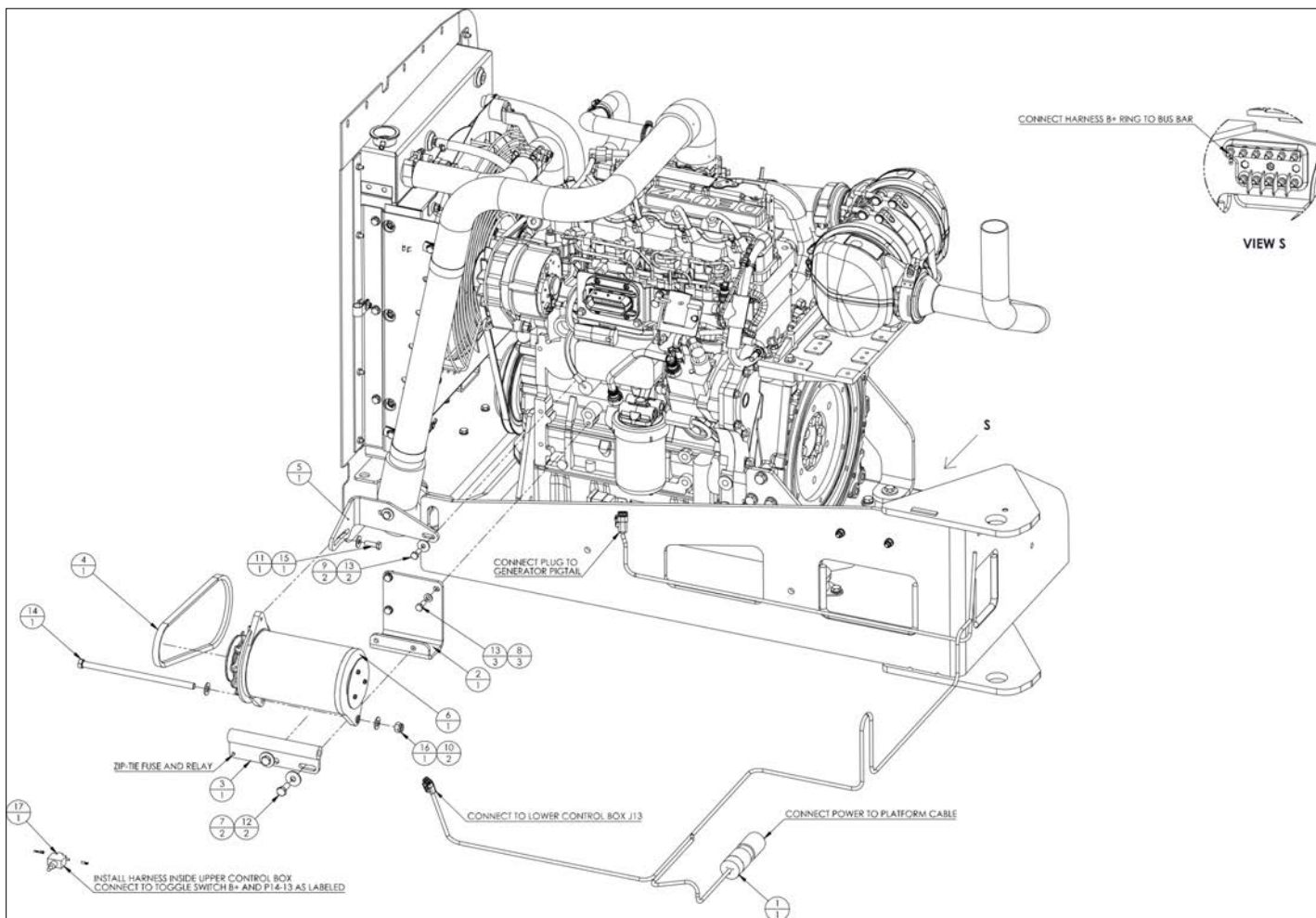




アイテム	部品番号	名前	数量	UOM
*	1433220 B	2.5 kw GENERATOR DEUTZ 2.9D INSTALLATION 400S 460SJ NOVEMBER 2019 AND BEFORE		EA
1	7210016	V BELT, 34" OD, DEUTZ	1	EA
2	1433577	SUPT MOUNT, TOP, 2K GEN	1	EA
3	1433571	WELDMNT LOWER BRKT, 2K GEN	1	EA
4	1433570	WELDMNT SPACER BRKT 2K GEN	1	EA
5	1433578	MOUNTING, ADJUST 2K GEN	1	EA
6	1434030	ASSY GENERATOR 2KW FABCO SINGLE V BELT	1	EA
7	1434023	HARNESS, 2.5kW GENERATOR, 460	1	EA
8	3220313	HARNESS GENRTR TGL SW SPST	1	EA
9	970369	BLT HEXHD .313 18 X 1.00 GR5	1	EA
10	5563975	HHCS .4375 14 UNC, GR8, 9.00LG	1	EA
11	058490 020	Bolt, HexSetScrew DIN933 M5 x	1	EA
12	058491 020	HHCS M6 X 1 X 20 G8.8 DIN 933	1	EA
13	058492 020	Bolt HexSetScrew DIN933 M8 x 2	5	EA
14	058493 025	HHCS M10 X 25MM GR10.9 DIN933	2	EA
15	056060 030	BOLT HEXBOLT DIN931 M10 X 30MM 8.8 ZP	1	EA
16	986269	WSHR FLAT .313	2	EA
17	5563786	WASHER FLAT .438 NARROW PLTD	2	EA
18	508247 005	Washer,PennyWasher, DIN9021,M5	2	EA
19	056069 006	WSHR STEELFLATWSHE M6 DIN125A	5	EA
20	056069 008	WASHER, STEELFLATWASHER DIN12M8 FLAT WASHER DIN 125	4	EA

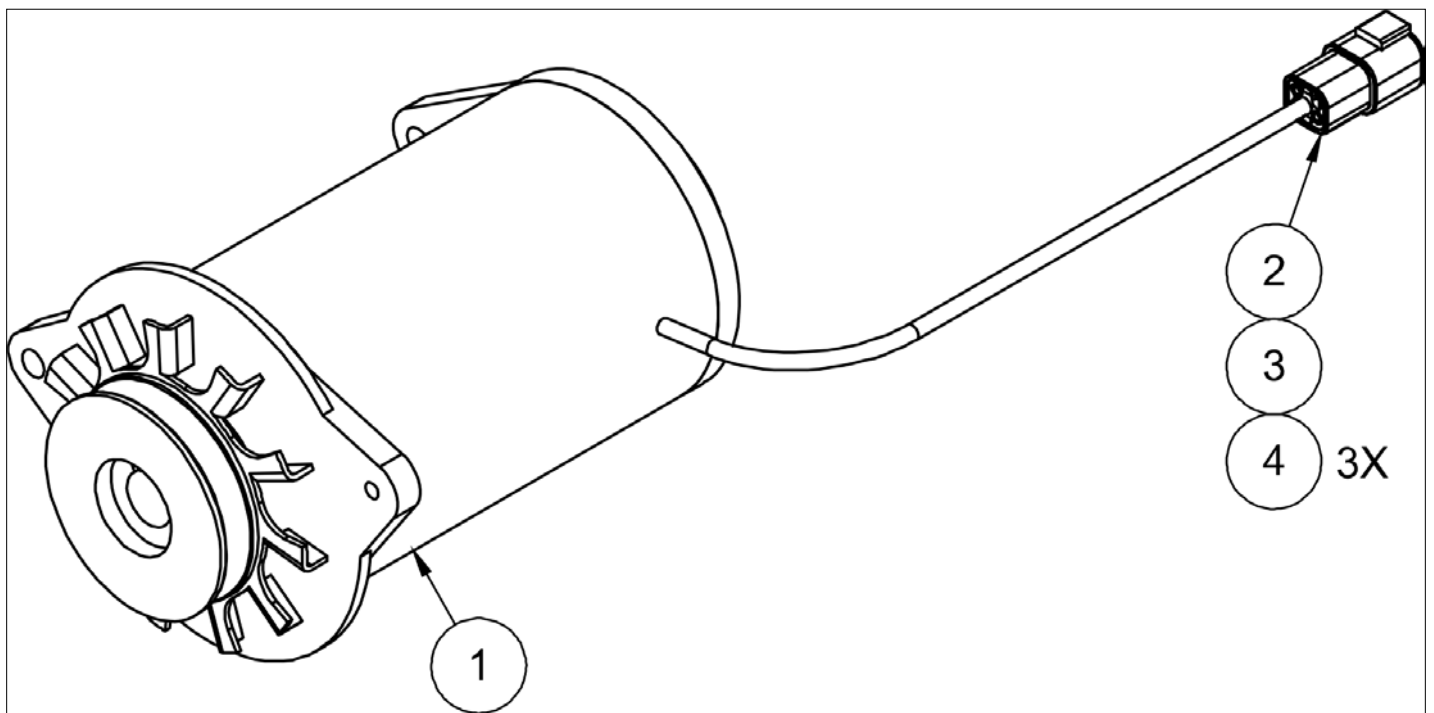
アイテム	部品番号	名前	数量	UOM
21	056069 010	Washer, SteelFlatWasher DIN125A M10 ZincPlated	1	EA
22	5563421	.4375 14UNC HEX LOCK NUT	1	EA
23	056066 005	Nut NylockNut DIN985 M5 8.0 Zi	1	EA
24	056066 006	Nut NylockNut DIN985 M6 8.0 Zi	1	EA
25	056066 010	Nut, NylockNut DIN985 M10 8.0ZincPlated	1	EA

OPTIONS



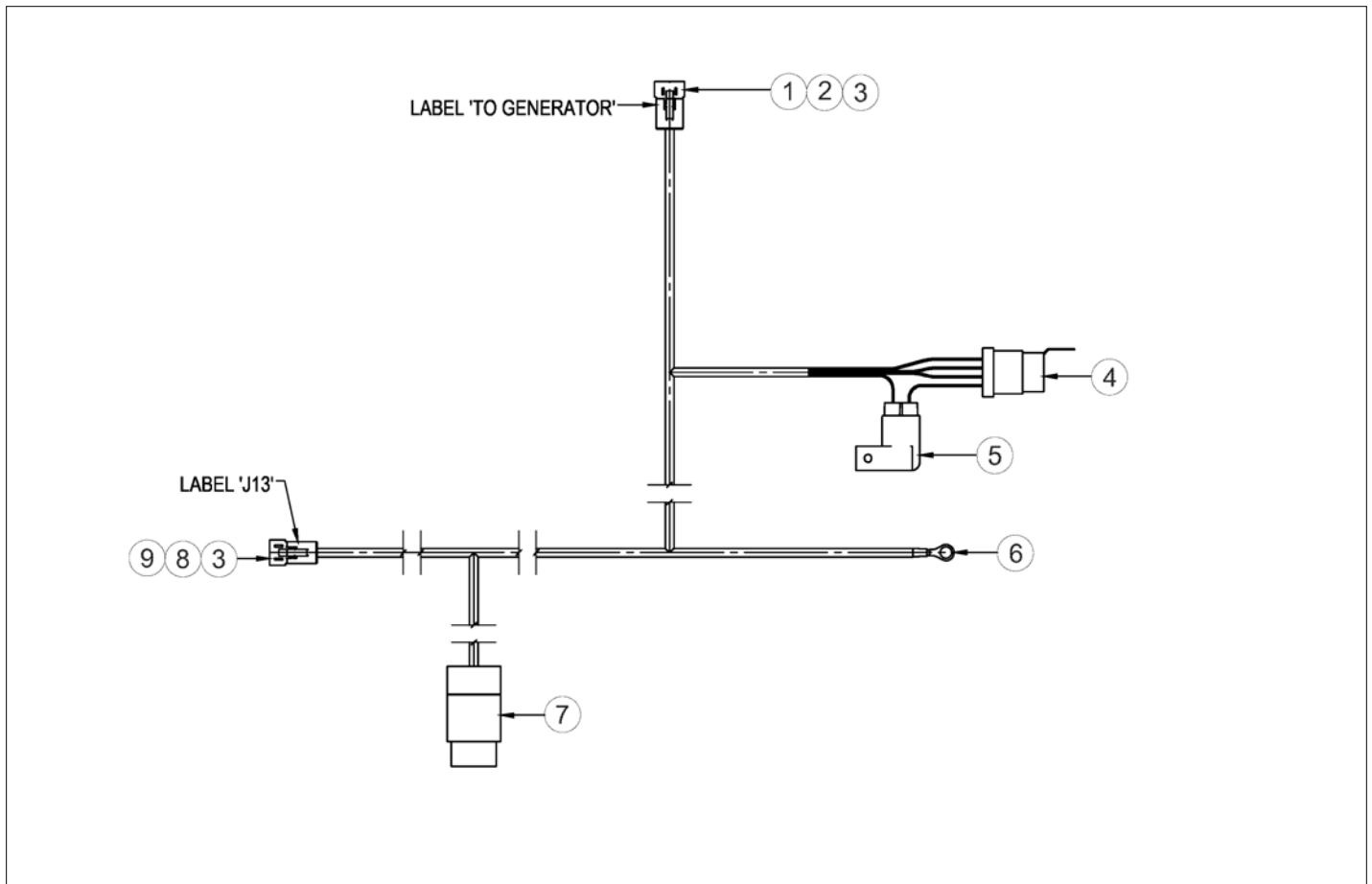
アイテム	部品番号	名前	数量	UOM
	1433220 C	2.5K GENERATOR DEUTZ 2.9D 460SJ INSTALLATION 460SJ 11 200100016 AND AFTER		EA
1	1434386	HARNESS, 2.5KW GEN, 460/660	1	EA
2	1434413	MNT 2.5kW GENERATOR	1	EA
3	1434411	BRKT 2.5kW GENERATOR	1	EA
4	7210017	V BELT, 1/2" WIDE X 33" LENGTH	1	EA
5	1434408	BRKT 2K GEN SUPPORT	1	EA
6	1434030	ASSY GENERATOR 2KW FABCO SINGLE V BELT	1	EA
7	508247 010	Washer, PennyWasher, DIN9021, M1	2	EA
8	056069 008	WASHER, STEELFLATWASHER DIN12M8 FLAT WASHER DIN 125	3	EA
9	508247 008	Washer, pennywasher, DIN9021, M8	2	EA
10	5563786	WASHER FLAT .438 NARROW PLTD	2	EA
11	986269	WSHR FLAT .313	1	EA
12	058493 025	HHCS M10 X 25MM GR10.9 DIN933	2	EA
13	510681 020	HHCS M8X1.25X20 G10.9 ISO 4014 DIN 933	5	EA
14	5563975	HHCS .4375 14 UNC, GR8, 9.00LG	1	EA
15	970369	BLT HEXHD .313 18 X 1.00 GR5	1	EA
16	5563421	.4375 14UNC HEX LOCK NUT	1	EA
17	3220313	HARNESS GENRTR TGL SW SPST	1	EA

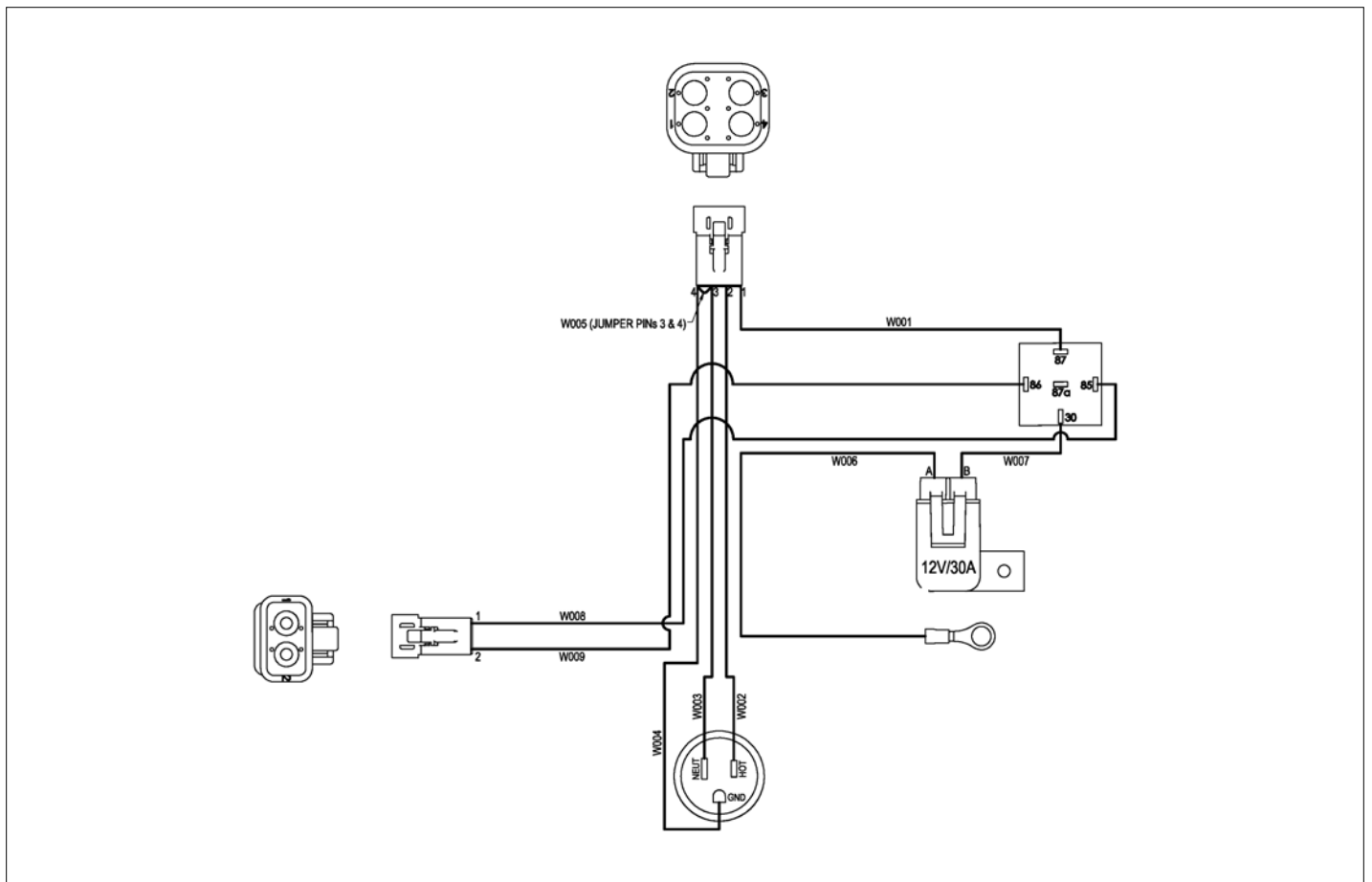
OPTIONS



アイテム	部品番号	名前	数量	UOM
	1434030A	GENERATOR 2kW FABCO SINGLE V BELT ASSEMBLY		EA
1	3087845	GENERATOR, 2.5KW, SINGLE "V"	1	EA
2	12554 008	CONNECTOR DEUTSCH DTP04 4P	1	EA
3	12554 018	WEDGELOCK FOR DTP04 4P	1	EA
4	12554 026	PIN SIZE 12 (12 14GA) DTP	3	EA

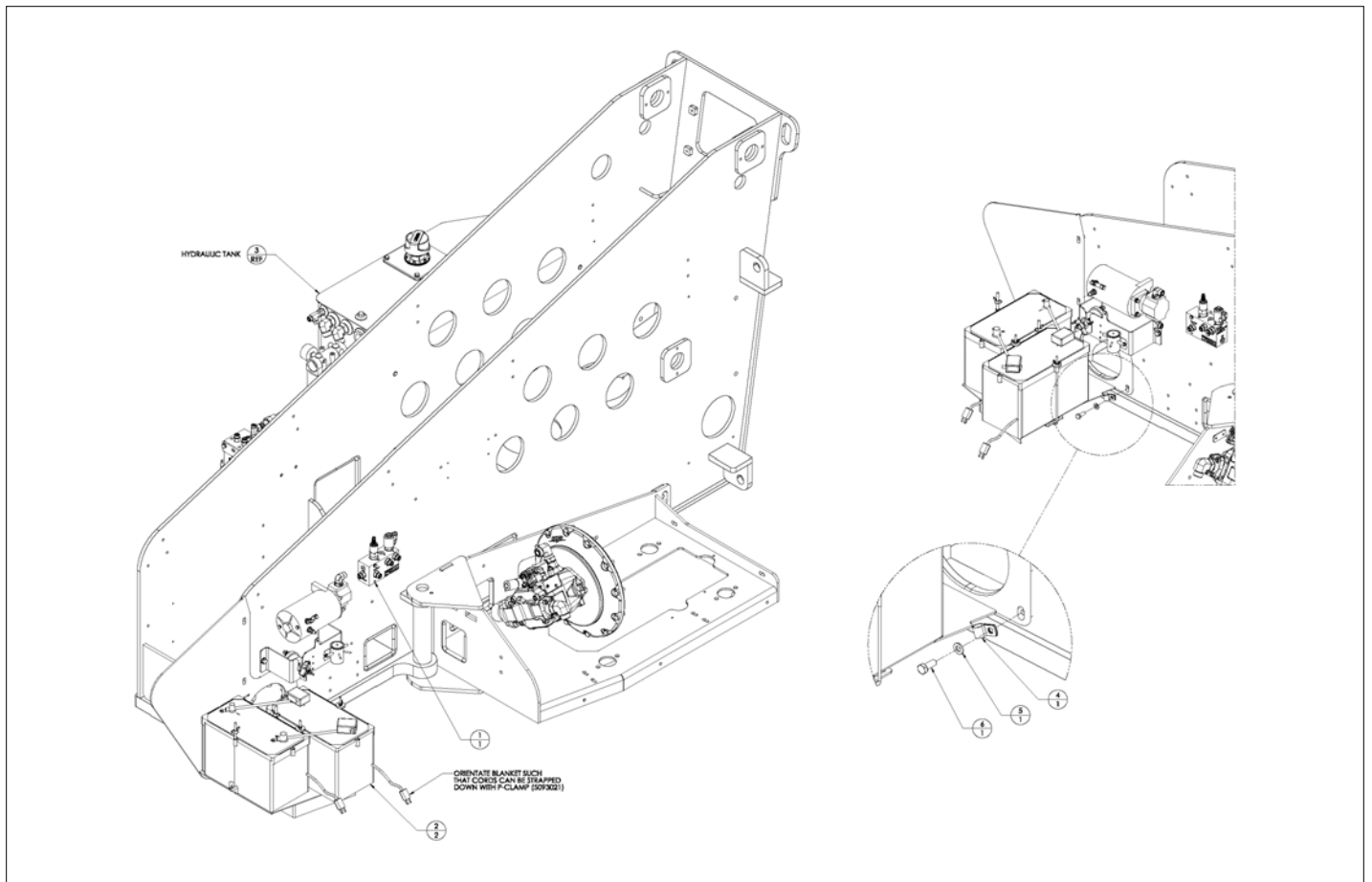
OPTIONS





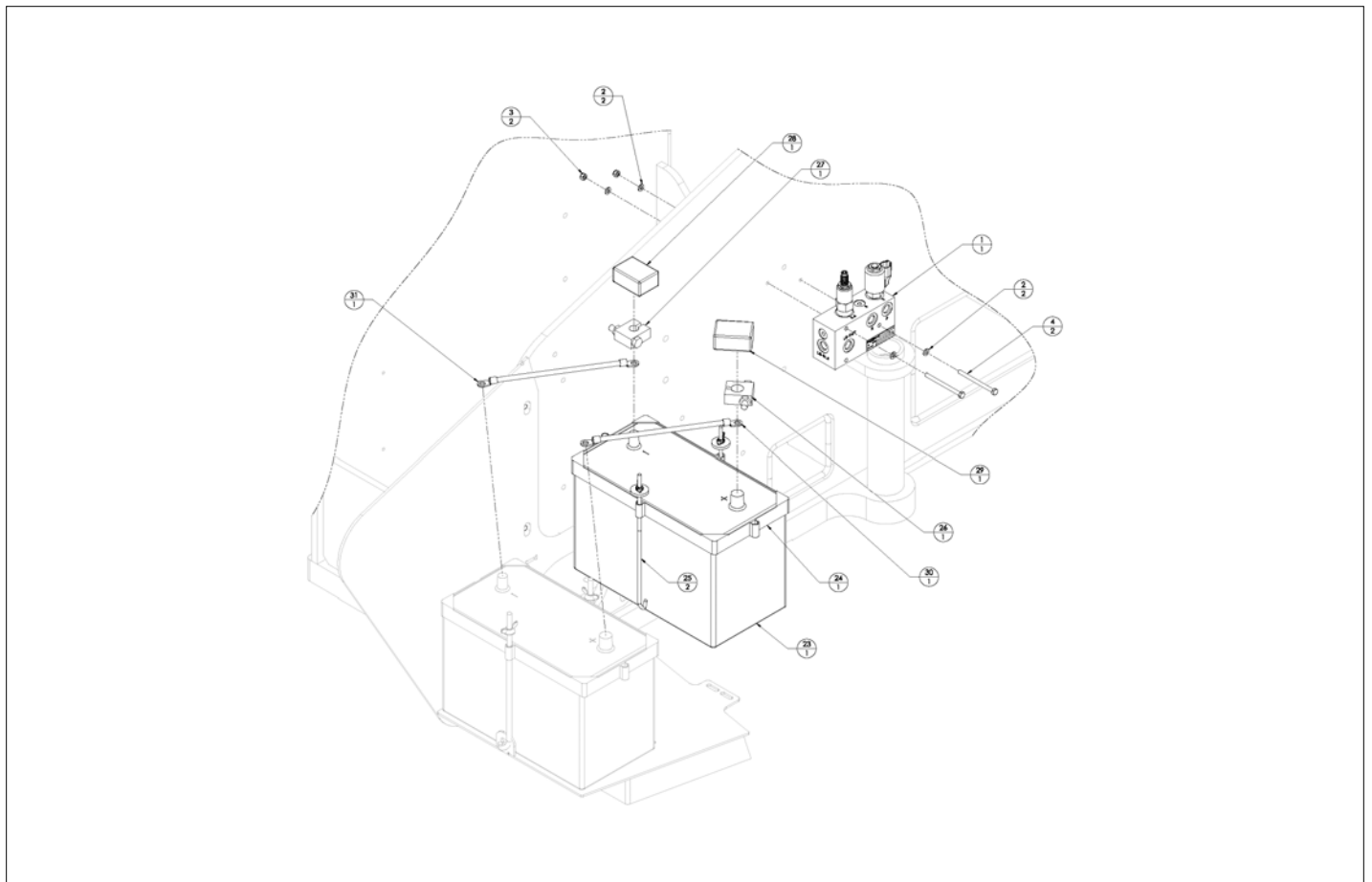
アイテム	部品番号	名前	数量	UOM
	1434023A	HARNESS 2.5kW GENERATOR 460		EA
1	12555 011	DEUTSCH, 4 PIN, MALE PLUG	1	EA
2	12555 018	DEUTSCH, 4 PIN WEDGELOCK	1	EA
3	12555 026	DEUTSCH, SOCKET, #12	4	EA
4	3028885	RELAY 12V 20/40A	1	EA
5	3220288	FUSE HOLDER, DELPHI	1	EA
6	3220375	RING TONGUE 16 14 INSUL #10 ST	1	EA
7	3220311	EXT CRD SOCKET, NEMA 5 15 3 SKT STR BLADE	1	EA
8	12555 009	CONNECTOR, DEUTCH	1	EA
9	12555 016	WEDGELOCK FOR DTPO6 2S	1	EA

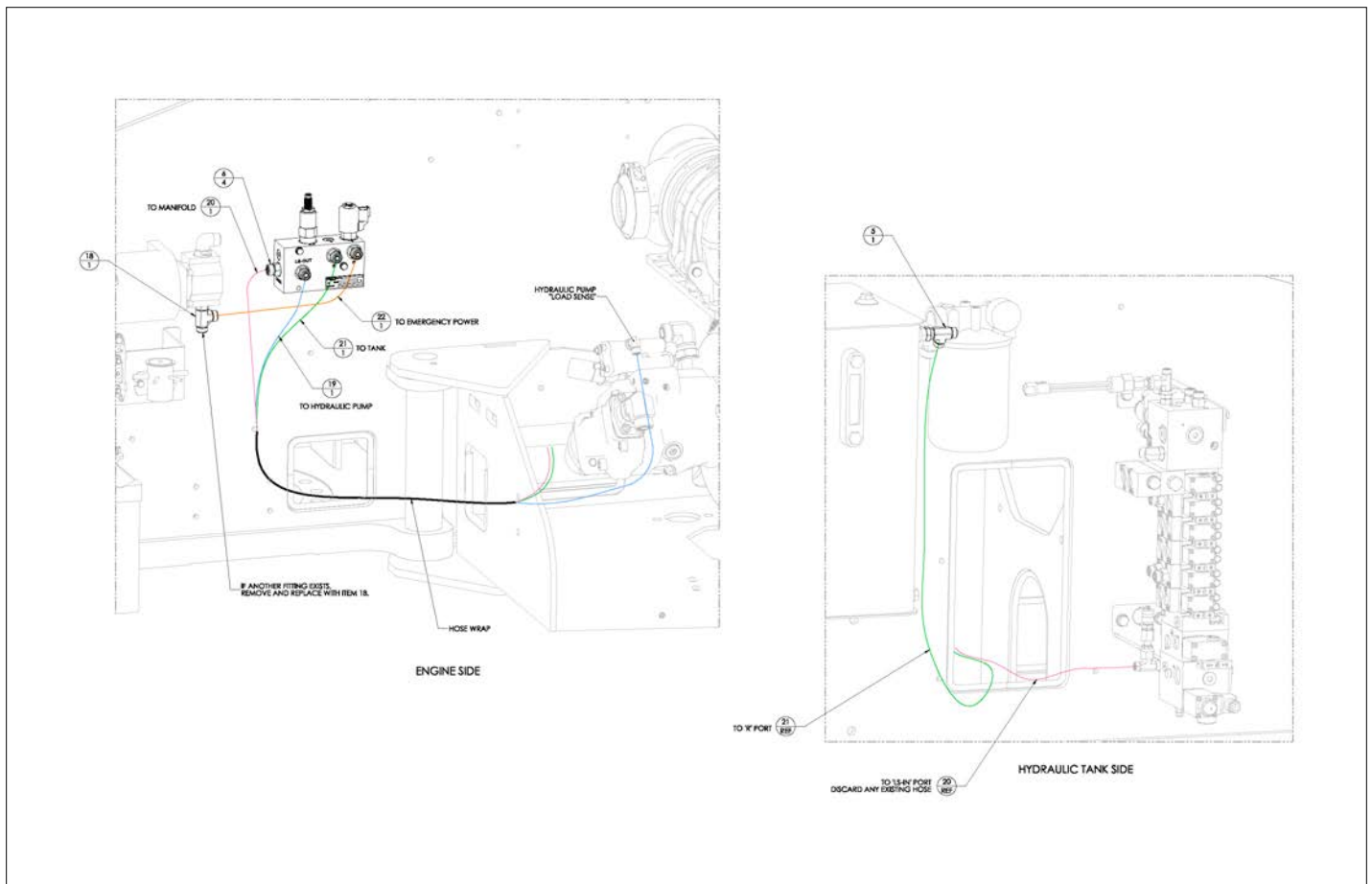
OPTIONS

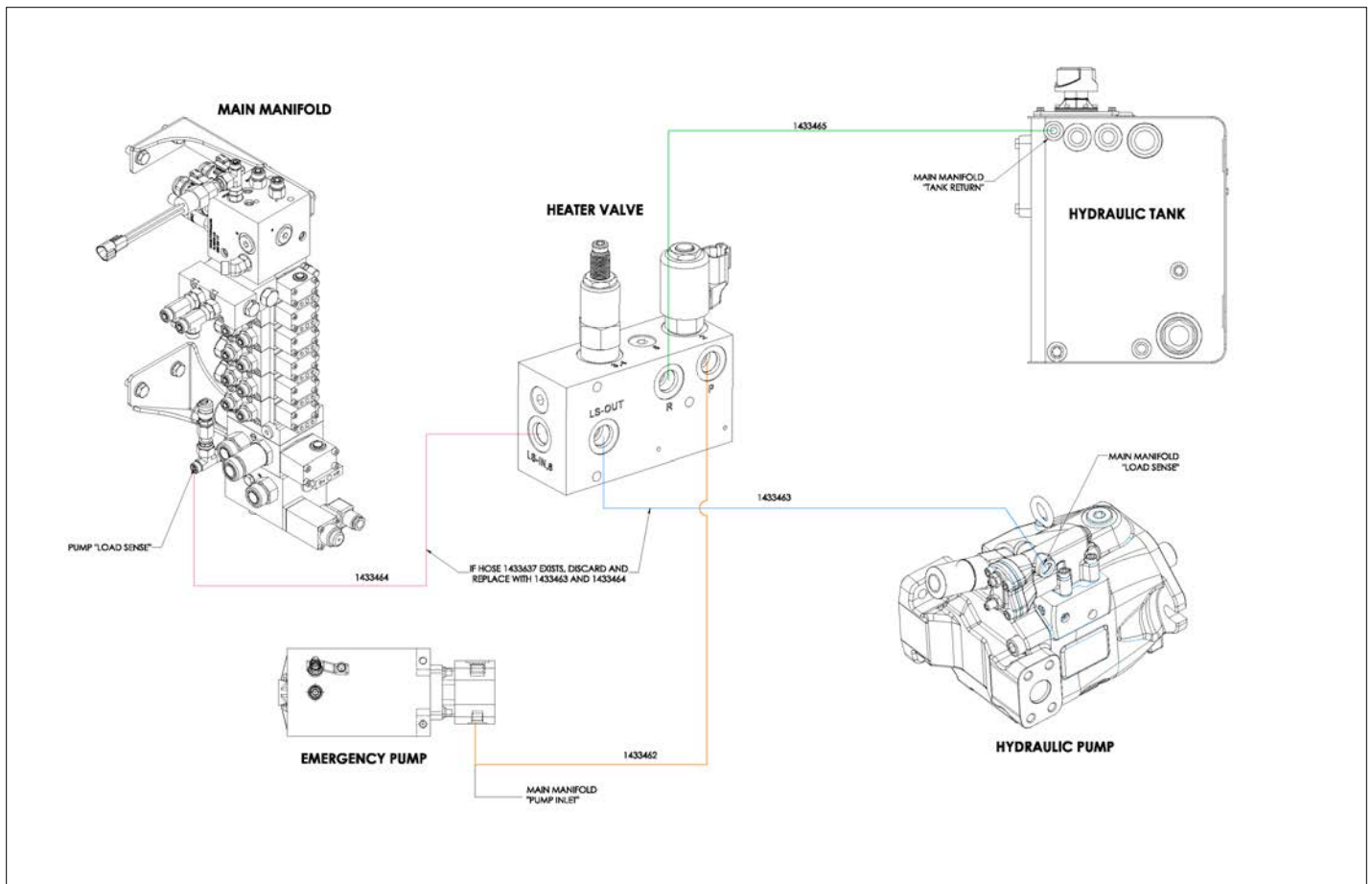


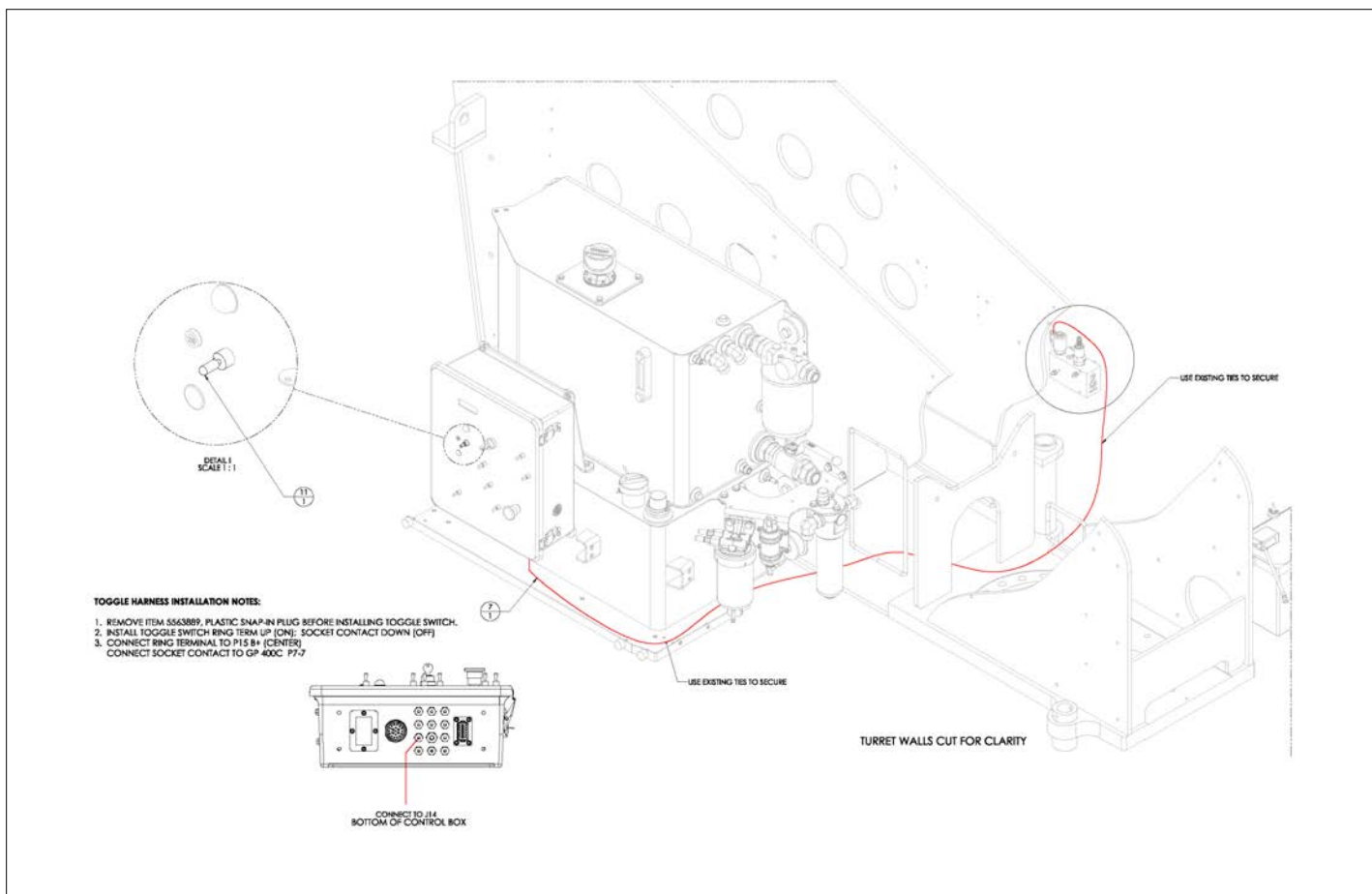
アイテム	部品番号	名前	数量	UOM
	1433300 B	EXTREME COLD WEATHER PACKAGE INSTALLATION 400S 460SJ JANUARY 2020 AND AFTER		EA
1	1433299	INSTALL, COLD WTHR PKG 400/460	1	EA
2	3050102	BATTERY BLANKET WARMER	2	EA
3	0190086	SYNTHETIC HYDR OIL F/COLD WTHR (PART NOT SHOWN)	30	EA
4	5093021	CLP CUSH .625 VINYL COATED	1	EA
5	056069 010	Washer, SteelFlatWasher DIN125A M10 ZincPlated	1	EA
6	058493 025	HHCS M10 X 25MM GR10.9 DIN933	1	EA

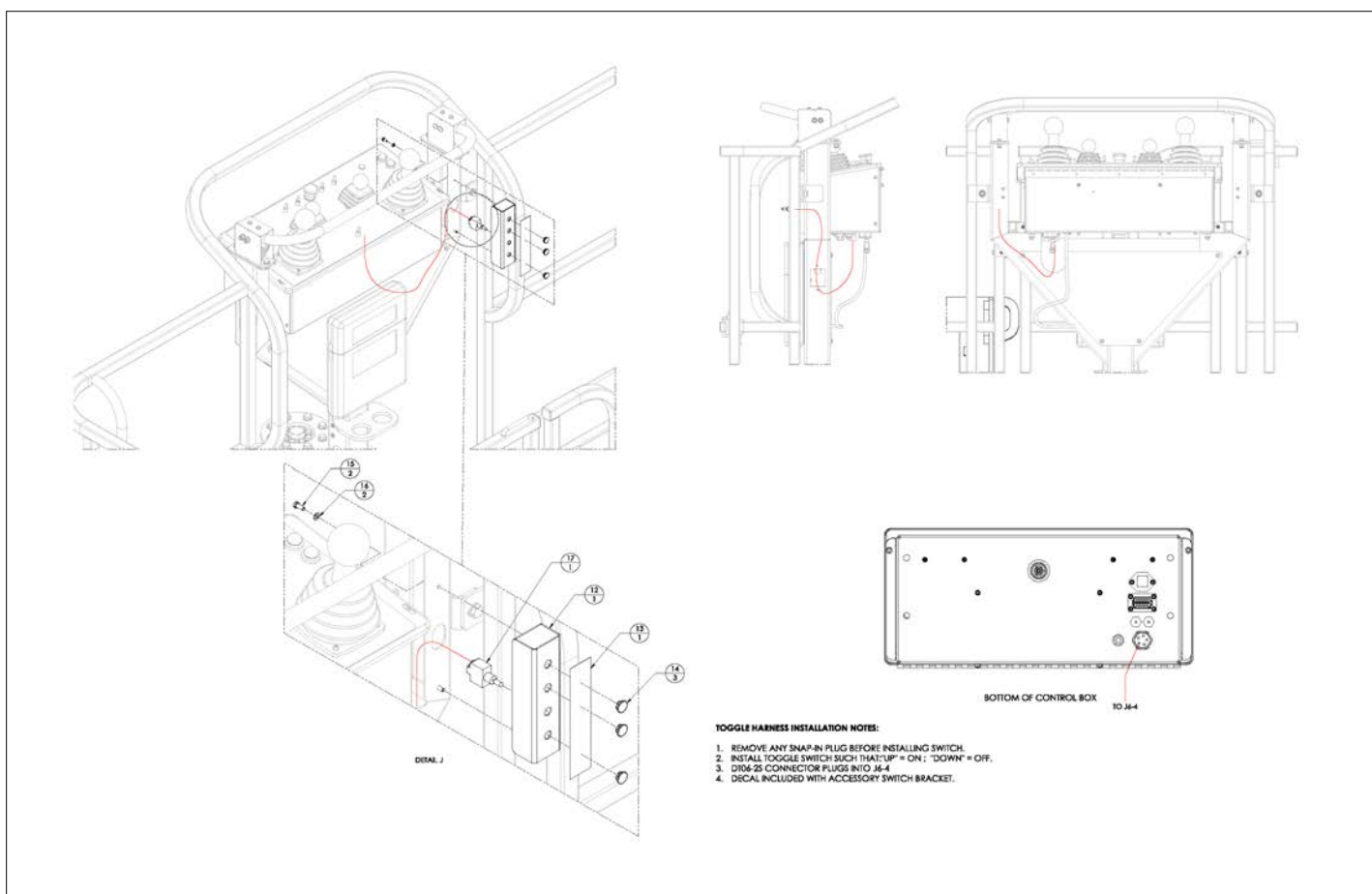
OPTIONS

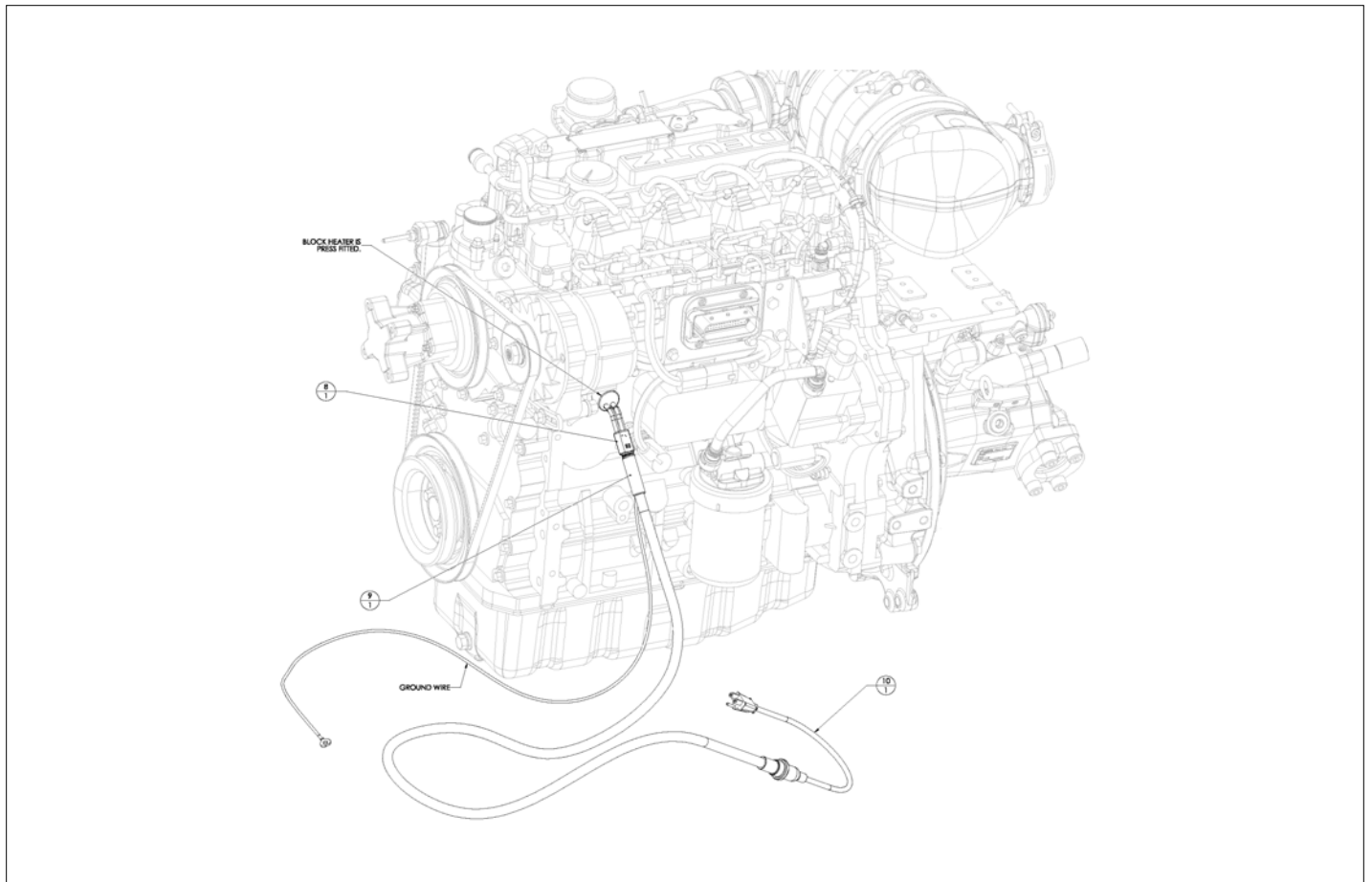








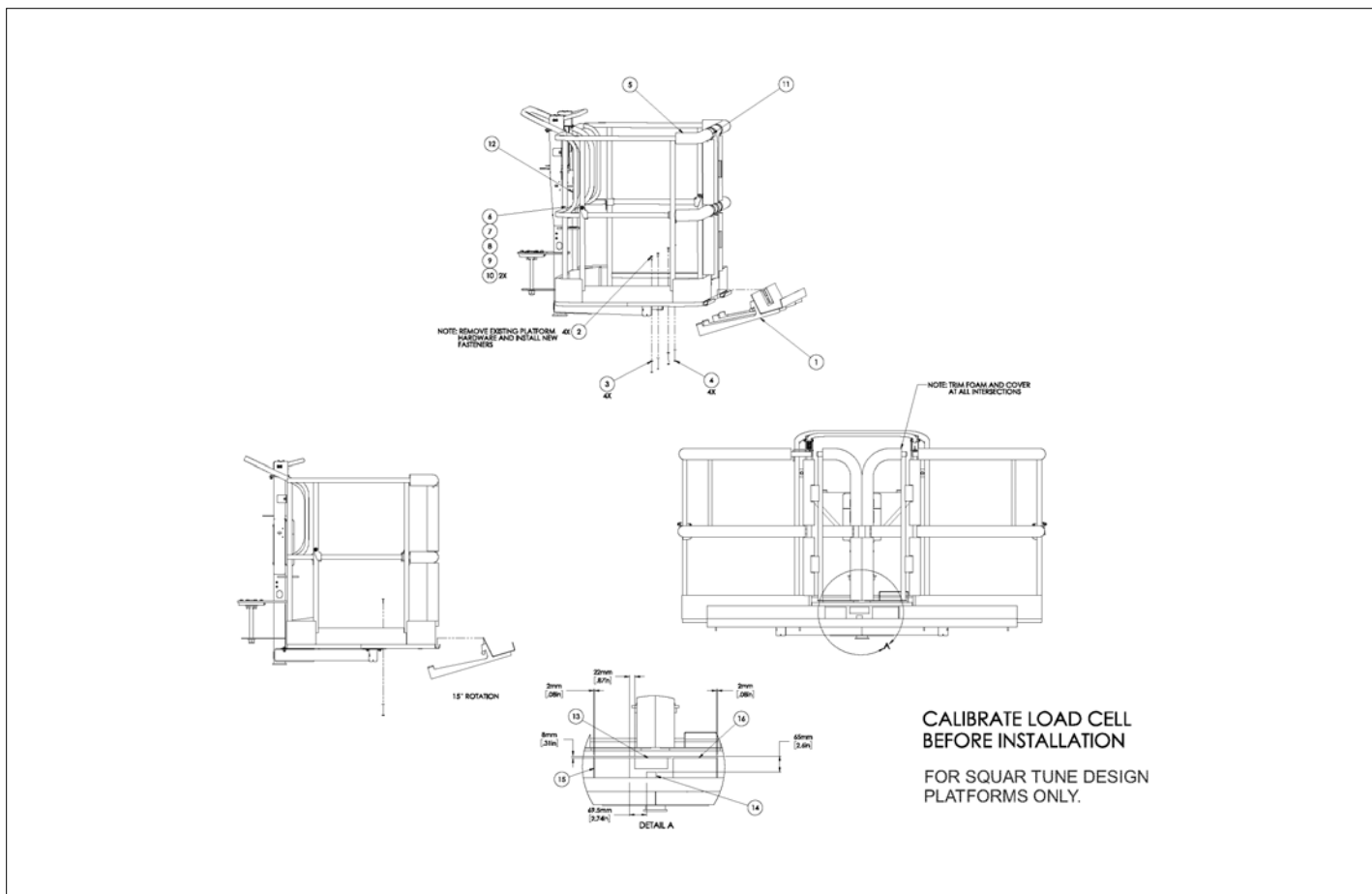




アイテム	部品番号	名前	数量	UOM
*	1433299 A	COLD WEATHER PACKAGE INSTALLATION 400S 460SJ		EA
1	1432700	HEATER VALVE	1	EA
2	056069 006	WSHR STEELFLATWSHE M6 DIN125A	4	EA
3	056064 006	NUT NYLOCK DIN985 M6 10.0 ZP	2	EA
4	5563961	HHCS M6 1 X 80 G10.9 ISO 4014	2	EA
5	511356 000	FTG 6FORF 6MORF X 6MORF RUN TEE	1	EA
6	100432 009	Hyd Fitting Straight ORFS(06) SAE(06)	4	EA
7	1433760	HARNESS, HYD HEATER VALVE TO L	1	EA
8	7631209	COOLANT HEATER 2.9L4 DEUTZ	1	EA
9	7631210	INLET CABLE, 120V	1	EA
10	7631211	POWER SUPPLY CABLE, 120V	1	EA
11	3220313	HARNESS GENRTR TGL SW SPST	1	EA
12	1432940	WELDMENT AUX OPTION ENCLOSURE	1	EA
13	1432939	DECAL 660 AUX OPTIONS	1	EA
14	5563889	PLUG PLASTIC SNAP IN ID.50"BLK	3	EA
15	5569987	BLT HEXHD M5 80 12MM	2	EA
16	056069 005	Washer SteelFlatWasher DIN125A	2	EA
17	3220352	HARNESS CW UPPER TOGGLE	1	EA
18	5033095	TEE RUN, 6MORB X 6MORFS X MMORFS	1	EA
19	1433463	HYD HOSE, 471TC 6, 3000PSI 6FO	1	EA
20	1433464	HYD HOSE, 471TC 6, 3000PSI 6FO	1	EA

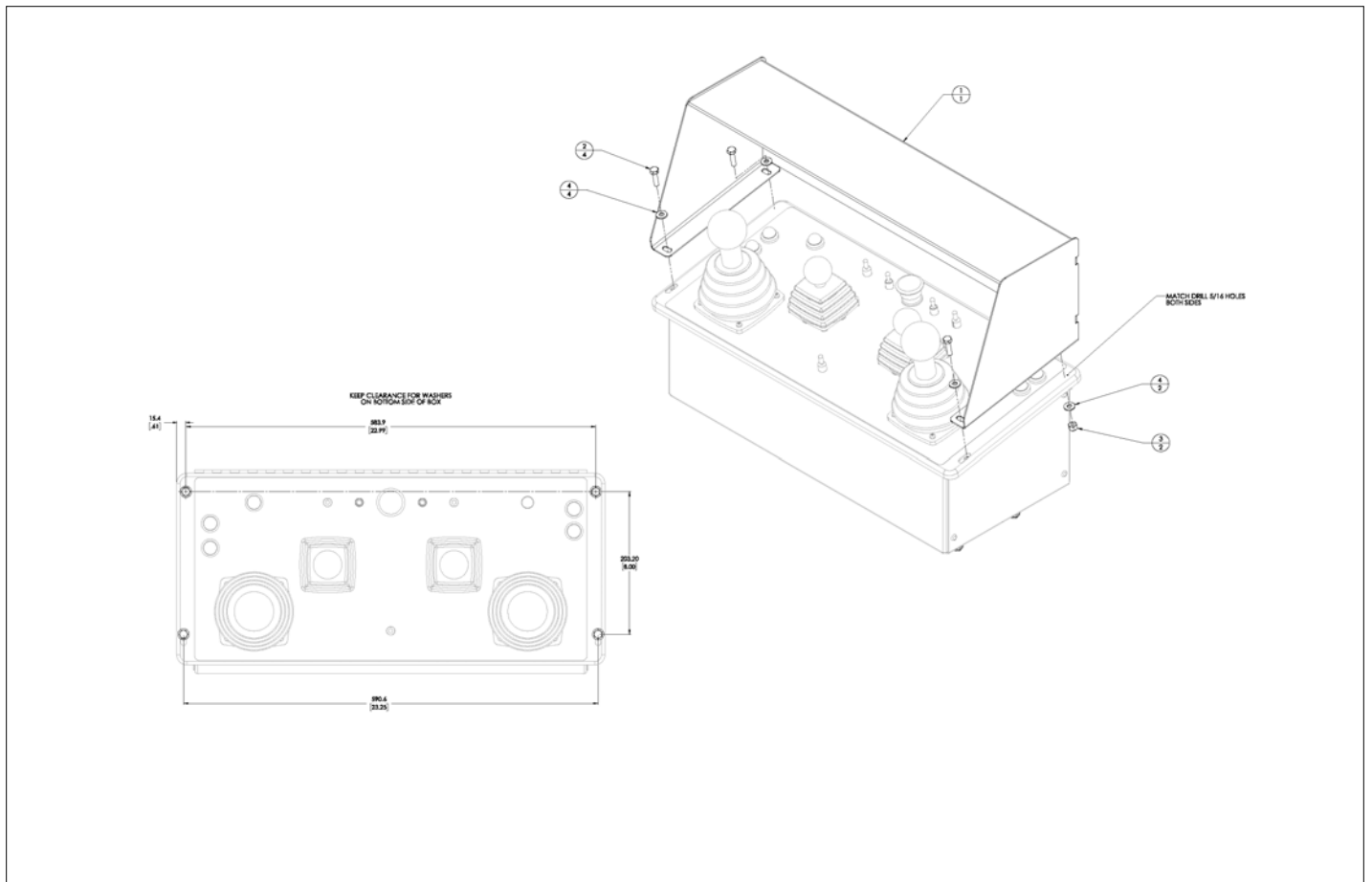
アイテム	部品番号	名前	数量	UOM
21	1433465	HYD HOSE, 471TC 6, 3000PSI 6FO	1	EA
22	1433462	HYD HOSE, 471TC 6, 3000PSI, 6F	1	EA
23	14450 000	BATTERY 12VDC GRP31	1	EA
24	14452 000	BATTERY HOLD DOWN	1	EA
25	14451 000	BATTERY J BOLT	2	EA
26	14475 001	CLAMP BATT POST POS 23399 4	1	EA
27	14475 002	CLAMP BATT POST NEG 23399 3	1	EA
28	09 0706 B	RUBBER BOOT (BLACK)	1	EA
29	09 0706 R	RUBBER BOOT (RED)	1	EA
30	3014802	WIRE 2/0 R375 R375 9 RED	1	EA
31	3014803	WIRE 2/0 R375 R375 9 BLK	1	EA

OPTIONS



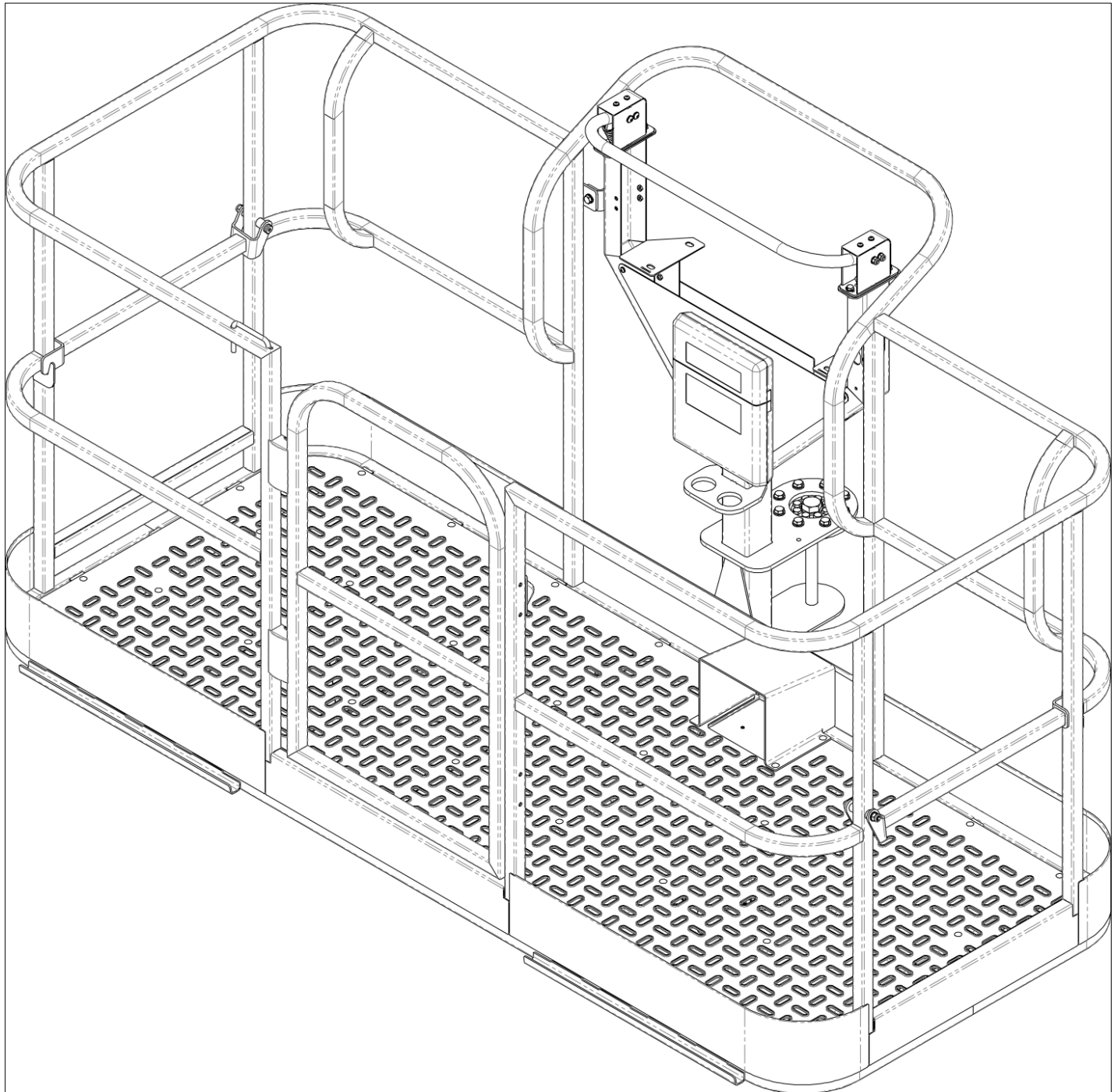
アイテム	部品番号	名前	数量	UOM
	1434086 B	GLAZIER PACKAGE INSTALLATION		EA
1	1434085	WELDMENT, GLAZIER RACK	1	EA
2	5563996	BLT CRG M6 1.0X25 LG GR8.8 ZIN	4	EA
3	508247 006	WASHER OVERSIZED M6 X 18MM DIN9021 ZP	4	EA
4	056064 006	NUT NYLOCK DIN985 M6 10.0 ZP	4	EA
5	9980003	PIPE INSUL CLOSED CELL AP ARMA	350	EA
6	0421269	GLAZIER PACKAGE OPERATORS MANUAL	1	EA
7	0421299	GLAZIER CAM STRAP – TIE DOWN STRAP	1	EA
9	7050004	RECORD POUCH, 12 X 15 RECLOSABLE BAG	1	EA
10	9960007	ASSIST STRAP 18 IN LONG	2	EA
11	9980008	COV STR 18OZ COVERLITE YELLOW	2	EA
12	0421285	DECAL, GLAZIER PACKAGE BOX	1	EA
13	0421077	DECAL GLAZIER TIP HAZARD	1	EA
14	0421079	PLACARD NO STEP	1	EA
15	0421078	DECAL GLAZIER FALL OBJECT HAZARD	1	EA
16	1434136	DECAL, LOAD CAP, GLAZIER OPTIO	1	EA
Not Shown		Base Assembly		EA

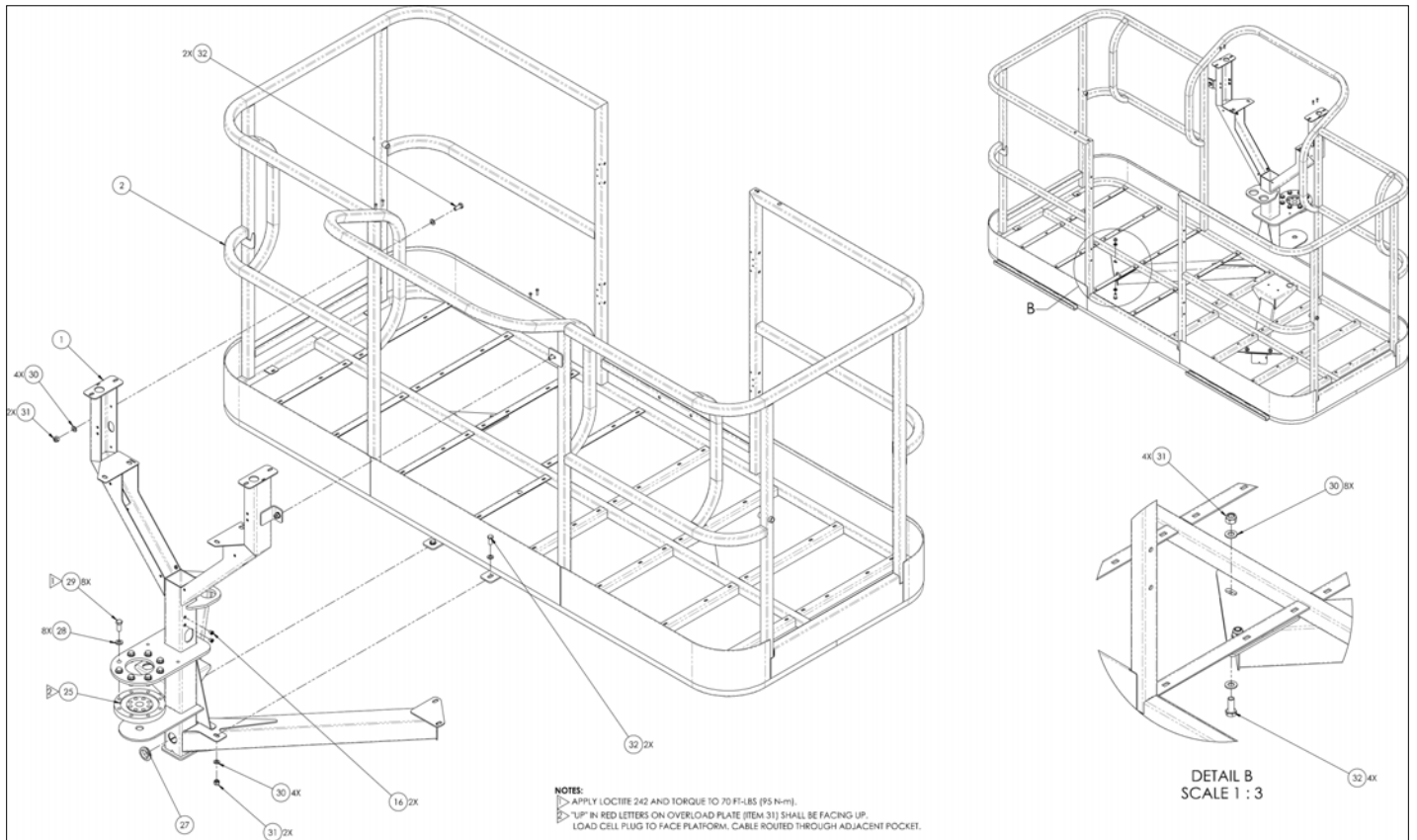
OPTIONS

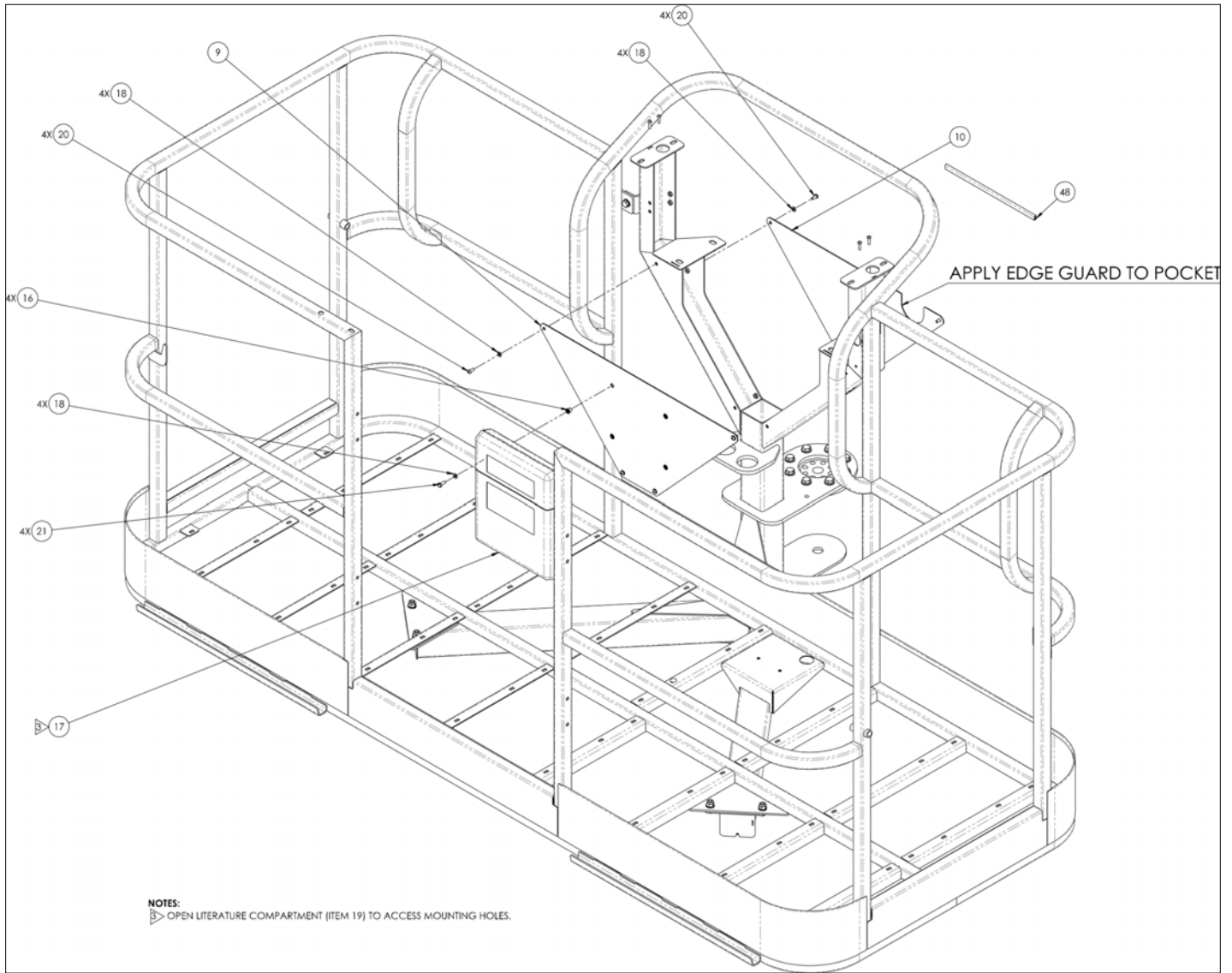


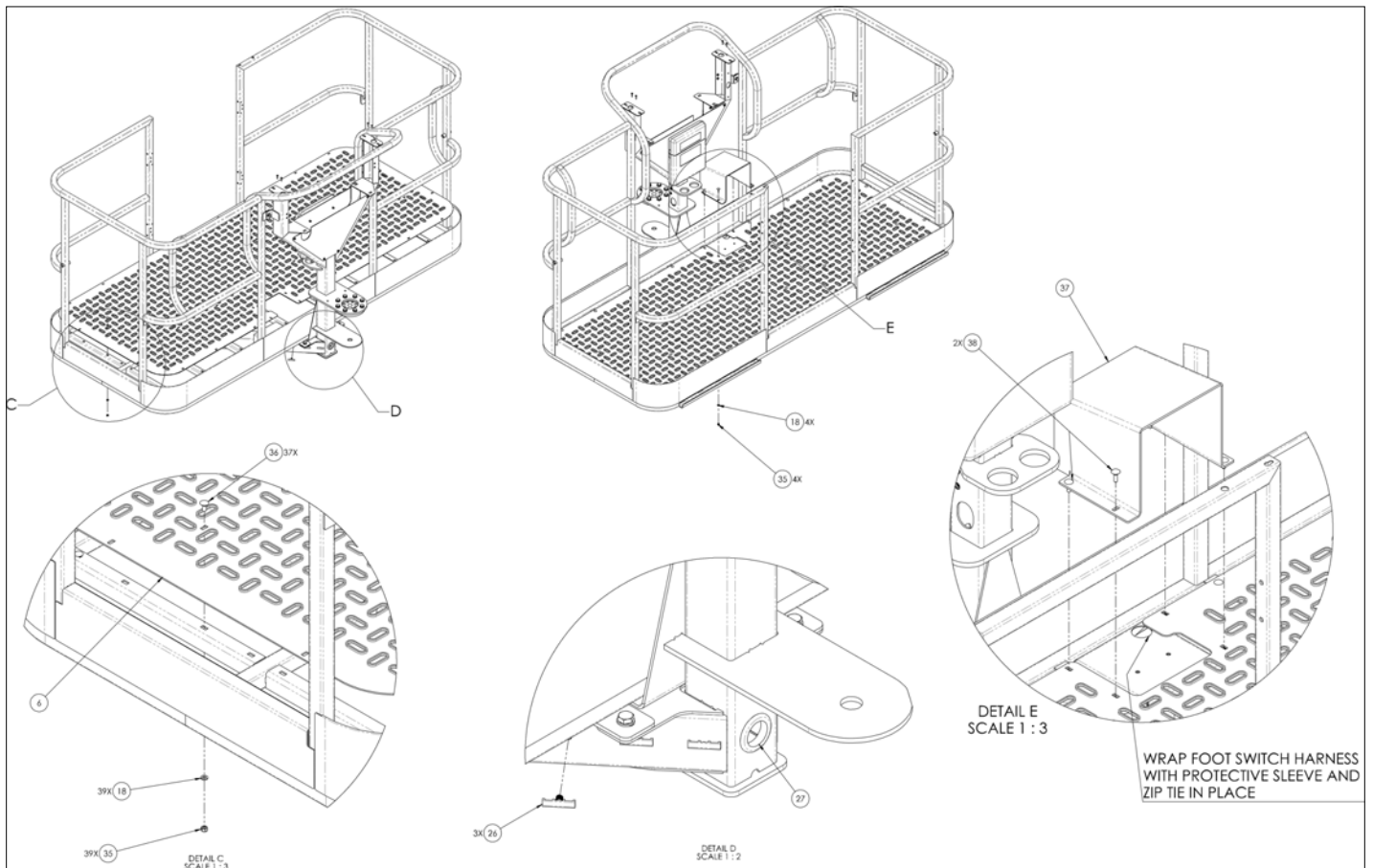
アイテム	部品番号	名前	数量	UOM
*	1434220 A	UPPER CONTROL BOX COVER INSTALLATION		EA
1	1434207 5	WELDMENT, COVER UPPER CTRL BOX	1	EA
2	10000 008	SCREW 1/4 20UNC HHC X 1	4	EA
3	10908 004	NUT 1/4 20UNC HEX LOCK REG	2	EA
4	5564000	WASHER, FLT, .25 NARROW PLTD	6	EA
5	*	TIRE AND WHEEL ASSEMBLY GNM OTR	REF	EA

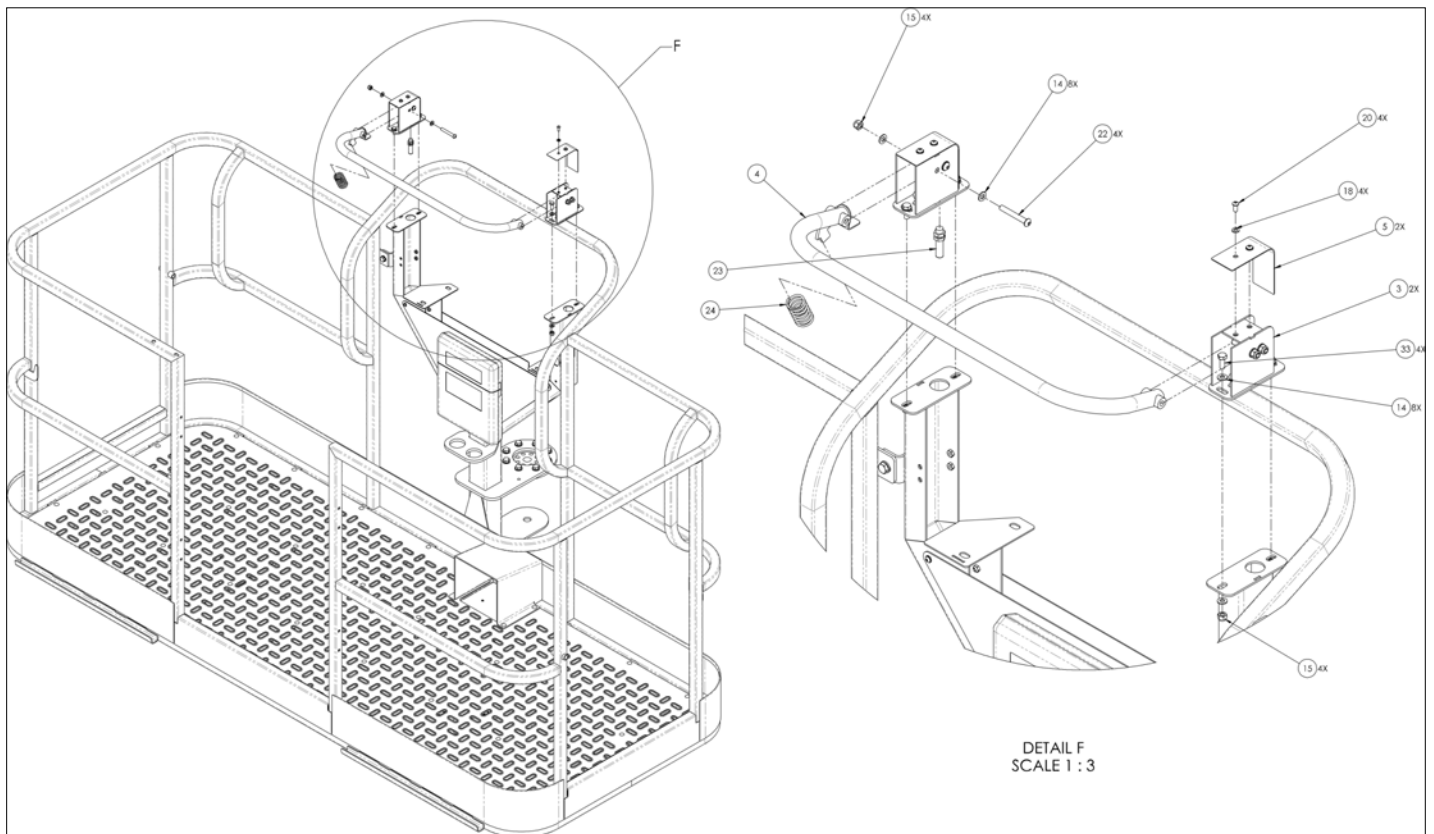
OPTIONS

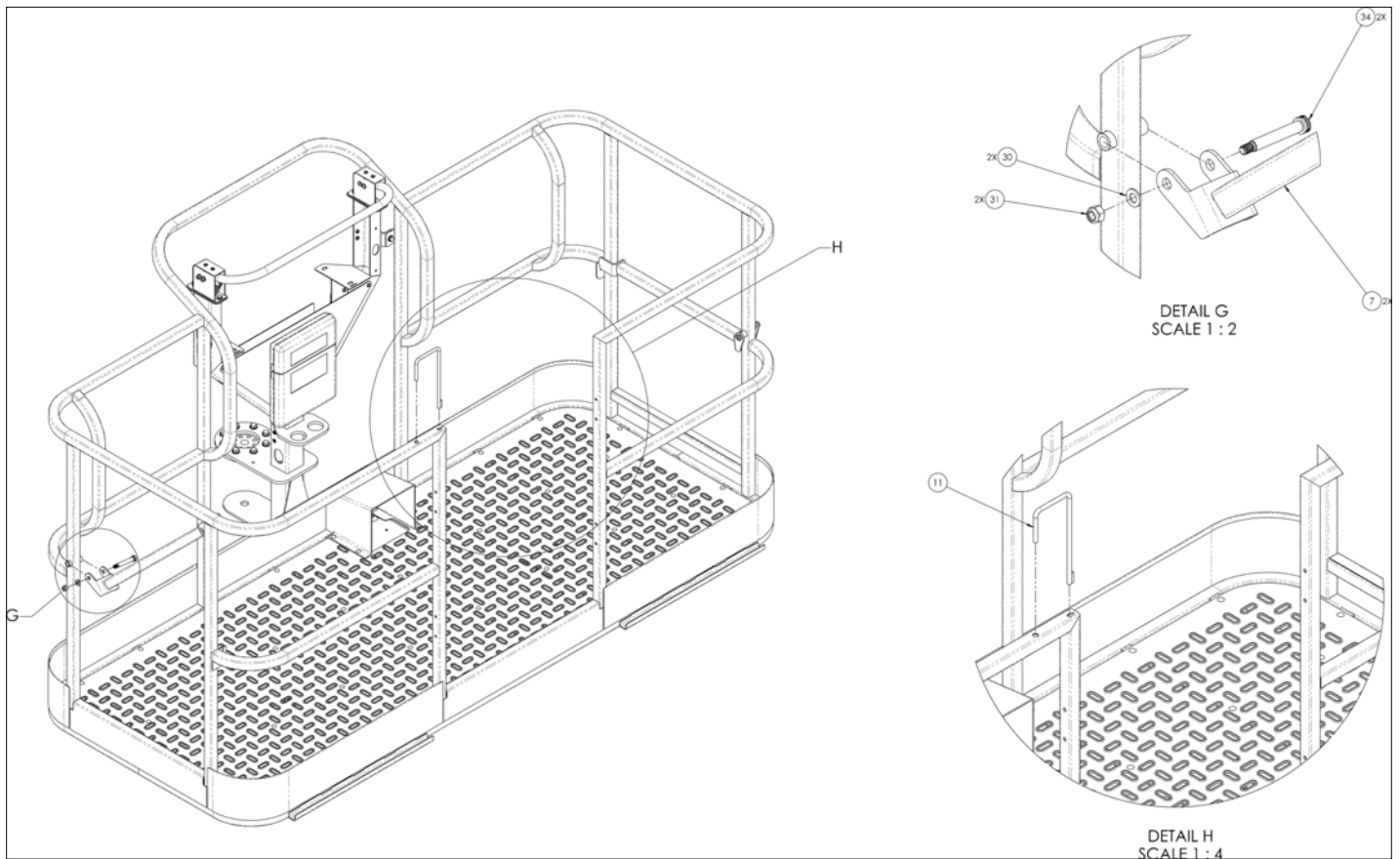


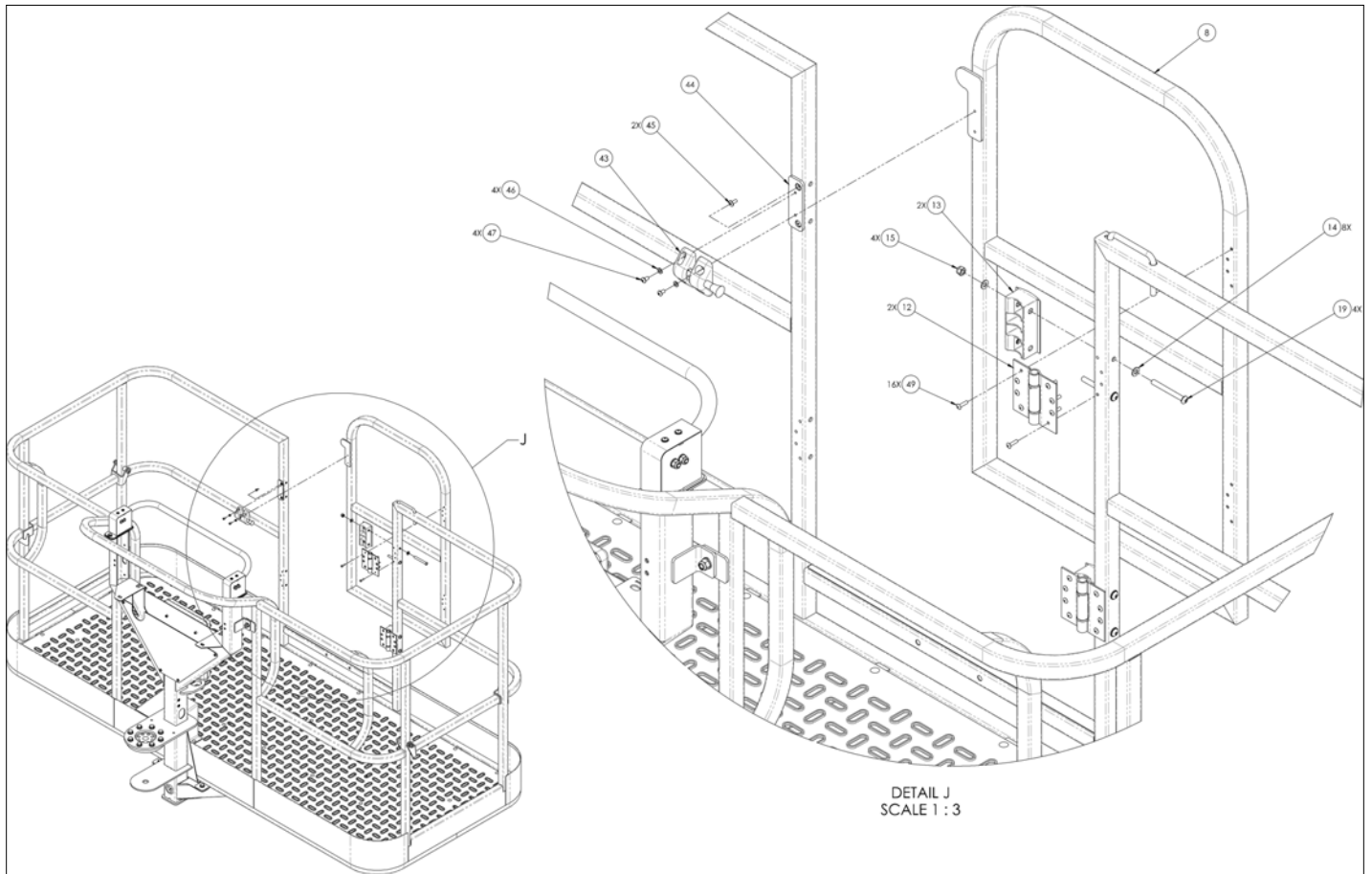


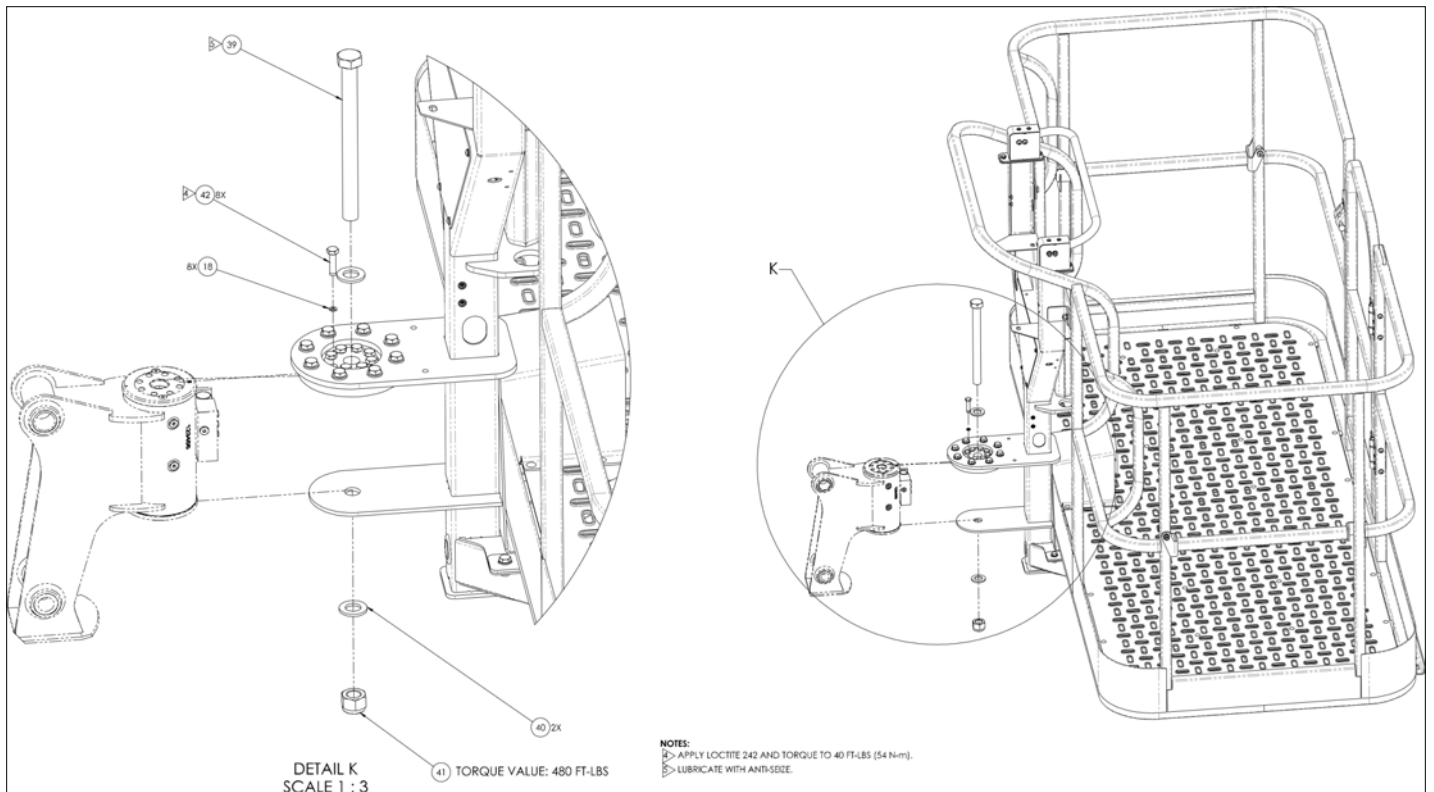












アイテム	部品番号	名前	数量	UOM
	1433507 E	8' PLATFORM INSTALLATION AS WITH JIB NOVEMBER 2019 AND AFTER		EA
1	1433081	PLATFORM MOUNT WELDMENT	1	EA
2	1434254	PLATFORM WELDMENT	1	EA
3	1433135	SNORKELGUARD SUPPORT	2	EA
4	1433131	SNORKELGUARD TUBE WELDMENT	1	EA
5	1433140	COVER, SNORKELGUARD	2	EA
6	1433147	FLOOR, PLATFORM, ALUMINUM	1	EA
7	1433141	WELDMENT, SIDE GATE	2	EA
8	1434267	GATE WLDMNT AUS	1	EA
9	1433145	COVER, PLATFORM, REAR	1	EA
10	1433146	COVER, PLATFORM, FRONT	1	EA
11	1433148	HOOK, WELDMENT	1	EA
12	5516359	HINGE, SPRING	2	EA
13	1501844	BUMPER, GATES	2	EA
14	056069 008	WASHER, STEELFLATWASHER DIN12M8 FLAT WASHER DIN 125	24	EA
15	056064 008	NUT HEX M8 1.25 GR10.9 SELF LOCKING DIN 985	12	EA
16	5076534	RIVET NUT M6X1.0,4.2 GRIP	6	EA
17	562386	Literature Compartment	1	EA
18	056069 006	WSHR STEELFLATWSHE M6 DIN125A	63	EA
19	500595 075	Bolt, SktButCapScrew DIN9427 M	4	EA
20	5563280	SBHCS M6 X 1.0 X 14 GR 12.9 ZP	12	EA
21	512630 016	BOLT, HEXBOLT DIN933 M6 x 16mm 10.9 ZINCPLATED	4	EA
22	10504 060	BUTTON HEAD HEX M8 1.25 X 60MM	4	EA

アイテム	部品番号	名前	数量	UOM
23	3028844	IFS241 (IFM PROXY)	1	EA
24	0113530	SPRING ANTI ENTRAPMENT	1	EA
25	3030188	OVERLOAD SENSOR PLATE	1	EA
26	3220344	CLIP HARNESS .04 .25 THK	3	EA
27	5563883	GROMMET 1.5 ID X 1.875OD	1	EA
28	056069 012	WASHER DIN125A M12 ZP	8	EA
29	5563508	BOLT HEXBOLT DIN931 M12 X 1.75 X 30 10.11	8	EA
30	056069 010	Washer, SteelFlatWasher DIN125A M10 ZincPlated	18	EA
31	056064 010	Nut NylockNut DIN985 M10 10.0	10	EA
32	058493 025	HHCS M10 X 25MM GR10.9 DIN933	8	EA
33	510681 020	HHCS M8X1.25X20 G10.9 ISO 4014 DIN 933	4	EA
34	5563940	BLT SHDR SKTHD 12MMx70xM10x1.5	2	EA
35	056064 006	NUT NYLOCK DIN985 M6 10.0 ZP	39	EA
36	5563934	BLT CRG M6 1.0x16LG GR8.8 ZINCPLATED	37	EA
37	1433470	COVER FOOTSWITCH	1	EA
38	5563980	BLT CRG M6 1.0 X 20 LG GR8.8 ZP	2	EA
39	512649 280	BOLT,HexBolt,DIN931,M24 x 280m	1	EA
40	510595 024	WASHER, FLAT M24 DIN 125	2	EA
41	056064 024	Nut, NylockNut DIN985 M24 10.0	1	EA
42	058509 040	BOLT HEXBOLT DIN931 M12 X 40MM 10.9 DACROMET	8	EA
43	13909	Latch, Magnetic Slam	1	EA
44	1434266	PLT, GATE, MNT, LT	1	EA
45	10000231	RIVET, 1/4 DIA .063 .250 THK	2	EA

アイテム	部品番号	名前	数量	UOM
46	056069 005	Washer SteelFlatWasher DIN125A	4	EA
47	5563967	Wheel nut, cone 1/2 20	4	EA
48	9920035	TRIMSEAL X3/16G TRIM LOK	1	EA
49	5563973	POP RIVET .188 X .13 .25 ST	16	EA

Maintenance

Every person who maintains, inspects, tests or repairs the aerial platform must be qualified to do so. Maintenance functions must be performed by maintenance personnel who are qualified to work on the aerial platform.

Caution

Welding current can be very intense. Damage to electronic components can result. Connect the ground clamp as close as possible to the area being welded. Disconnect the battery cables and any microprocessors and engine control modules before welding on the machine.

If it becomes necessary to weld aerial platform components as a method of repair, take all precautions to prevent damage to electronic circuitry and devices on the machine. This includes, but may not be limited to, disconnecting battery cables and electronic devices.

Do not modify this aerial platform without prior written consent of the Snorkel Engineering Department. Modification may void the warranty, adversely affect stability or affect the operational characteristics of the aerial platform.

Maintenance Schedules

Snorkel has established a preventative maintenance schedule to detect any defective, damaged or improperly secured parts and provide information regarding lubrication and other minor maintenance items.

This schedule includes the following:

- Daily Prestart Inspection
- Frequent Inspection and Maintenance – Every 90 Days or 150 Hours
- Annual Maintenance – Every 500 Hours

The Daily Prestart Inspection must be performed by a trained operation. All other maintenance and inspection must be performed by a trained service technician only. Retain a copy of these forms for your records.

All placards and decals on the machine must be in place and legible. Use the Placards and Decals parts page in the Repair Parts section of this manual to check these placards and decals.

Snorkel recommends that you make additional copies of the preventative inspection and maintenance checklists for your use in performing these inspections.

Warning

The potential for accident increases when operating an aerial platform that is damaged or malfunctioning. Death or serious injury can result from such accidents. Do not operate the aerial platform if it is damaged or malfunctioning.

Repair all defects before returning the machine to service.

General Information

The parts drawings located in the Repair Parts section are designed for use as a guide for proper disassembly of the machine and components, as well as, for parts replacement.

Danger

Hydraulic fluid escaping under pressure can have enough force to inject fluid into the flesh. Serious infection or reaction will result if medical treatment is not given immediately. In case of injury by escaping hydraulic fluid, seek medical attention at once.

Always refer to the hydraulic system installation drawings and the electrical wiring diagram before removing or disassembling associated parts.

When disassembling or reassembling components, complete the procedural step in sequence. Do not partially disassemble or assemble one part, then start on another. Always check your work to assure that nothing has been overlooked.

Keep the following in mind when disassembling or assembling the machine.

- Always be conscious of weight.
- Never attempt to lift heavy objects without the aid of a mechanical device.
- Do not allow heavy object to rest in an unstable condition.
- Always make sure the work platform is in the stowed position, blocked or the weight removed by a suitable lifting device before removing any components from the machine.
- When raising a portion of the machine, be sure that adequate blocking is properly positioned. Do not depend solely on the lifting device to hold and secure weight.
- If a part resists removal, check to see if all fasteners, electrical wiring, hydraulic lines, etc., have been removed or that other parts are not interfering.

Parts should be thoroughly inspected before restoring to service at the time of reassembly. Burrs, nicks or scratches may be removed from machines surfaces by honing or polishing with a #600 crocus cloth, followed by a thorough cleaning with an approved cleaning solvent, and blown dry with compressed air. Do not alter the contour of any part. If this operation does not restore the part to a serviceable condition, replace the part.

Replace all o-rings, seals and gaskets at reassembly. Use new roll pins or cotter pins. Dip all packing rings and seals in hydraulic oil before reassembling in cylinder and manifolds. Replace any part having imperfect threads. In general, machines that have been disassembled can be reassembled by reversing the order of disassembly.

The service life of a machine can be increased by keeping dirt and foreign materials out of the vital components. Shields, covers, seals and filters help to keep air and oil supplies clean. However, these items must be maintained on a scheduled basis in order to function properly.

Clean surrounding areas, as well as the opening and fittings before disconnecting air or oil lines. As soon as a line or component is disconnected, cap or cover all openings to prevent the entry of dirt or foreign materials.

New parts should remain in their container until they are ready to be used.

Clearly mark or tag hydraulic lines and electrical wiring connections when disconnecting or removing them from the machine. This will assure that they are correctly reinstalled.

Proper assembly is critical to the successful rebuilding of any machine. Carefully, inspect any parts which are to be reused. If in doubt, replace.

“Safety First” is a good slogan.

Replace any guards and protective devices that have been removed to carry out maintenance and repair work.

Daily Prestart Inspection

Item	Inspect For	P/F/R
Operator's Manual	In place, all pages readable and intact	
Engine		
Oil level	Between full and add marks	
Coolant	Proper fluid level	
Radiator	Cap tight, good condition and clean	
Fuel tank and line	Tank full, cap in place and tight/no leaks	
Electrical System		
Batteries	Condition and charged for proper operation	
Battery fluid level and terminals	Proper level/clean, connectors tight	
Cables and wiring harness	No wear or physical damage	
Hydraulic System		
Fluid level	Between full and add marks	
Hoses, tubes, and fittings	No leaks	
Cold weather warm-up	Proper operation	
Tires		
Foam filled	Good condition	
Wheels	All wheel lug nuts present and properly torqued	
Lower Control Station		
Operating controls	Proper operation	
Emergency stop and emergency power	Shuts off lower controls/proper operation	
Level Sensor	Sounds tilt alarm	
Flashing Light	Proper operation	
Structures		
Weldments – Chassis, turntable, booms, platform, etc.	Welds intact, no damage or deformation	
Slide pads	In place, no damage or deformation	
Fasteners	In place and tight	
Upper Control Station		
Guardrail system and fall protection anchors	Welds intact, no damage or deformation	
Operating controls – Boom functions, drive, brakes, etc.	Proper operation/drive motion alarm sounds	
Emergency stop and emergency power	Shuts off upper controls/proper operation	
Horn	Sounds when activated	
Snorkel Guard	Proper operation	
Electrical power outlet – GFCI	Proper operation	
Level Sensor	Sounds tilt alarm	
Drive Motion Alarm	Sounds when machines is driven	
Sandblast Protection Kit	In place and proper operation	
Air Line to Platform	No damage or deformation, caps in place	
Drive and Working Lights	No damage or deformation, proper operation	
Tow Kit	In place, no damage or deformation	
Platform Glazier Package	No damage or deformation of trays, pins, and straps	
Platform Welder/Generator	No damage or deformation, proper operation	
Placards and Decals	In place and readable	

Checklist Key: P = Pass/Acceptable, F = Fail/Not Acceptable, R = Repaired/Acceptable

Performed by: _____ Date: _____

Model Number: _____ Serial Number: _____

Frequent Inspection and Maintenance – Every 90 Days or 150 Hours

Item	Procedure	Information	OK
Chassis			
Structural	Check for damage and cracked welds		
Steering cylinder pin retainers	Verify that all fasteners are in place and are tight		
Steering linkage	Check for proper operation		
Tires	Check for wear and damage		
Hydraulic tubes and hoses	Check for leaks, wear, and damage		
Drive motor brake	Check for proper operation		
Torque drive and steer wheel lug nuts per placard on wheel	Torque lug bolts/nuts to proper value on machine placard	Front: 180 to 200 ft lb Rear: 180 to 200 ft lb	
Right drive motors	Check for leaks		
Left drive motors	Check for leaks		
Tie-down and lifting lugs	Check for damage and cracked welds		
Decals and placards	Check for damage and readability Order replacements as necessary		
Turntable			
Structural	Check for damage and cracked welds		
Torque turntable top bolts	Torque to proper value	340 ft lbs	
Torque turntable bottom bolts	Torque to proper value	240 ft lbs	
Hydraulic tubes and hoses	Check for leaks, wear, and damage		
Centerpost	Check for leaks, wear, and damage		
Centerpost mounting bolts	Verify that all fasteners are in place and are tight		
Lift cylinder pin caps and tie wire	Verify that all fasteners are in place and are tight		
Lift cylinder and holding valve	Check for leaks, wear, damage, and for proper operation		
Master level cylinder pin caps and tie wire	Verify that all fasteners are in place and are tight		
Master level cylinder and holding valves	Check for leaks, wear, damage, and for proper operation		
Cowling	Check for wear/damage and that fasteners are in place and are tight		
Wire harness	Check for wear/damage and that fasteners are in place and are tight		
Rotation brake	Check for proper operation		
Rotation backlash	Check for wear and damage		
Operator's Manual	Proper manual in document holder		
System pressure	Check maximum system pressure	4,500 psi	
Decals and placards	Check for damage and readability Order replacements as necessary		

Frequent Inspection and Maintenance – Every 90 Days or 150 Hours

Item	Procedure	Information	OK
Lower Controls			
Control switch in the lower controls position	Check for proper operation	With selector in the lower controls position, upper controls do not work	
Station selector switch in the upper controls position	Check for proper operation	With selector in the upper controls position, lower controls do not work	
Engine Start – Stop	Check for proper operation		
Throttle High – Low	Check for proper operation		
Turntable CW – CCW	Check for proper operation		
Boom elevation Up – Down	Check for proper operation		
Boom Extend – Retract	Check for proper operation		
Jib Up – Down	Check for proper operation		
Jib rotation CW – CCW	Check for proper operation		
Platform level Up – Down	Check for proper operation		
Platform rotation CW – CCW	Check for proper operation		
Emergency power, all functions	Check for proper operation		
Emergency stop	Check for proper operation		
Booms			
Structural	Check for damage and cracked welds		
Lift cylinder pin caps and tie wire	Verify that all fasteners are in place and are tight		
Hydraulic tubes and hoses	Check for leaks, wear, and damage		
Extension cylinder pin caps and bolt retainer	Verify that all fasteners are in place and are tight		
Extension cylinder and holding valve	Check for leaks, wear, damage, and for proper operation		
Jib boom pin caps and snap rings	Verify that all fasteners are in place and properly installed		
Jib cylinder pin caps and snap rings	Verify that all fasteners are in place and properly installed		
Jib cylinder and holding valve	Check for leaks, wear, damage, and for proper operation		
Slave level cylinder pin caps and tie wire	Verify that all fasteners are in place and are tight		
Slave level cylinder and holding valves	Check for leaks, wear, damage, and for proper operation		
Hose carrier tube and support	Check for residue buildup/proper operation		
Plastic hose track	Check for wear and damage		
Electrical wires	Check for wear and damage		
Decals and placards	Check for damage and readability Order replacements as necessary		
Extension System			
Cylinder pins/fittings	Check for wear and damage		

Frequent Inspection and Maintenance – Every 90 Days or 150 Hours

Item	Procedure	Information	OK
Platform			
Structural	Check for damage and cracked welds		
Entry Gate	Check for proper operation		
Hydraulic tubes and hoses	Check for leaks, wear, and damage		
Slave level cylinder pin caps and tie wire	Verify that all fasteners are in place and are tight		
Slave level cylinder holding valves	Check for leaks, wear, damage, and for proper operation		
Decals and placards	Check for damage and readability Order replacements as necessary		
Upper Control Station			
Foot switch	Check for proper operation	Functions should be operational when foot switch is engaged	
Engine Start – Stop	Check for proper operation		
Throttle High – Low	Check for proper operation		
Turntable CW – CCW	Check for proper operation		
Boom elevation Up – Down	Check for proper operation		
Boom Extend – Retract	Check for proper operation		
Jib Up – Down	Check for proper operation		
Platform level Up – Down	Check for proper operation		
Platform rotation CW – CCW	Check for proper operation		
Drive speed – forward direction	Boom up and/or extended ANSI Low – 0.75 mph CE/AS/NZS – 0.6 mph Boom down and retracted High – 3.5 mph	0.75 mph = 100 ft in 90 to 100 sec 0.6 mph = 100 ft in 113 to 123 sec 4.25 mph = 100 ft in 16 to 18 sec	
Drive range – boom stowed	Check for proper operation	Slow speed only with boom raised	
Engine choke – gas engine only	Check for proper operation		
Emergency power, all functions	Check for proper operation		
Emergency stop	Check for proper operation		
Horn	Check for proper operation		
Gradual start to stop lift/swing/ drive controls	Check for proper operation		
Speed limit switch	Check for proper operation		
Tilt alarm	Check for proper operation	5° ANSI/CSA 3.5° CE/AS/NZS	
110 volt AC power to platform	Check for proper operation		
Hydraulic Oil Reservoir			
Filler/breather cap and tank	Check for wear/securely fasten		
Hydraulic fluid level	Check for proper level	Above 10° F (-13° C) ISO VG32 Below 10° F (-13° C) ISO VG15	
Hydraulic filter	Replace after the first 50 hours, every 90 days or 150 hours thereafter Inspect filter for foreign matter that could indicate component wear		

Frequent Inspection and Maintenance – Every 90 Days or 150 Hours

Item	Procedure	Information	OK
Engine			
Charging system	Check for proper operation		
Air filter	Check for wear and damage		
Hour meter	Check for proper operation		
Belts and hoses	Check for wear and damage		
Hydraulic pump	Check for proper operation		
Battery terminals	Clean terminals and check cable condition		
Battery voltage	Check for proper voltage		
Indicator gauges	Check for wear/damage and proper operation		
Engine oil	Check for wear and damage/level	Between add and full	
Engine coolant	Check level	Between add and full	
Engine Start – Stop	Check for proper operation		
Electric throttle	Check for proper operation		
Electric choke, if equipped	Check for proper operation		
Engine governor setting	Check for proper operation		
Platform Rotator			
Structural	Check for damage and cracked welds		
Hydraulic rotator actuator	Check for leaks, wear, and damage		
Platform rotation holding valve	Check for proper operation		
Mounting bolts and pin caps	Verify that all fasteners are in place and are tight		
Options			
110 volt AC generator	Check for proper operation		
220 volt AC generator	Check for proper operation		
Dual fuel system	Check condition and for proper operation		
LP gas system and control	Check condition and for proper operation		
Drive motion alarm	Check for proper operation		
Flashing light	Check for proper operation		
Cold weather start kit – diesel only	Check for proper operation		
Hydraulic system cold weather warm up kit	Check for proper operation		
Driving lights	Check for proper operation		
Platform work lights	Check for proper operation		
Platform control cover	Check condition and for proper operation		
Sandblast protection kit	Check for proper operation		
Airline to platform	Check for proper operation		
Spark arrestor muffler – Deutz only	Check for wear and damage		
Platform welder	Check condition and for proper operation		
Platform glazier package	Check condition and for proper operation		
Optional platform	Verify that all fasteners are in place and are tight		

Frequent Maintenance – Every 90 Days or 150 Hours

Item	Procedure	Information	OK
Daily maintenance	Perform maintenance as per schedule	Retain copy of checklist	
Preventive inspection maintenance checklist	Perform inspection, complete form	Retain copy of checklist	
Placards and decals inspection	Inspect using drawing and parts listing in Section 1 – Repair Parts Manual	Replace any missing or unreadable decals/placards	
Door hinges and latches	Lubricate	SAE 10W oil or spray lubricant	
Rotation bearing	Lubricate	Extreme pressure grease Above 10° F NLGI Grade 2 Below 10° F NLGI Grade 1	
Rotation bearing teeth and pinion	Lubricate	Open gear lubricant ASTM D 445	
Tie rods	Lubricate	Extreme pressure grease Above 10° F NLGI Grade 2 Below 10° F NLGI Grade 1	
Gear hubs	Check fluid level, fill if low	Gear lubricant SAE grade 80W-90	
Swing drive	Check fluid level, fill if low	Gear lubricant SAE grade 80W-90	
Platform rotator	Refill if disassembled for repairs	Consult factory	
Platform controller	Check smooth operation/speeds		
Batteries	Check specific gravity	1.260/1.275 at 80° F (26° C)	
Hydraulic return filter	Check condition	Replace if dirty	
Engine rpm	Check for proper engine rpm	See engine owner's manual	
Engine oil and filter	Replace per engine owner's manual	See engine owner's manual	
Engine fuel filter	Check condition	Replace every 6 months or if dirty	

Performed by: _____ Date: _____

Annual Maintenance – Every 500 Hours

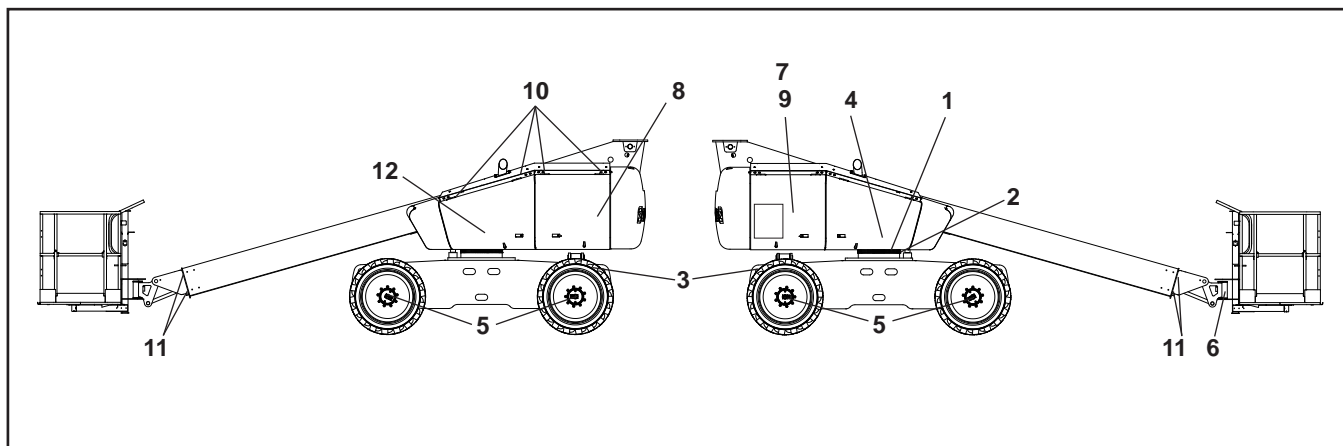
Item	Procedure	Information	OK
90 day or 150 hour maintenance	Perform maintenance per schedule	Retain copy of checklist	
Hydraulic oil reservoir	Clean and replace fluid	Above 10° F (-13° C) ISO VG32 Below 10° F (-13° C) ISO VG15	
Hydraulic return filter	Replace	After first 50 hours, then at recommended interval	
Hydraulic high pressure filter	Clean and reinstall		
Hydraulic pressures	Pump setting	System pressure: 4,500 psi	
	Function pressures	Boom up: 2,900 psi	
		Boom down: 1,800 psi	
		Steer: 2,900 psi	
		Level: 2,900 psi	
		Extend: 2,200 psi	
		Retract: 2,900 psi	
		Jib up: 2,500 psi	
Jib down: 2,500 psi			
Swing: 1,450 – 1,550 psi			
Gear hubs	Replace fluid	Gear lubricant SAE grade 80W-90	
Swing drive	Replace fluid	Gear lubricant SAE grade 80W-90	
Engine coolant	Check condition	See engine owner's manual	

Performed by: _____ Date: _____

Major Repairs

Date	Part Number	Part Description	Repair Performed

Lubrication Points



Lubrication

Specific lubricants as recommended by Snorkel, should be used in maintaining the unit. If in doubt regarding the use of lubricants other than those listed, contact Snorkel Customer Service Department for evaluation and recommendation.

Refer to the above lubrication illustration to locate component item numbers.

Service all fittings as indicated on the Frequent Maintenance schedule and lubrication illustration. Wipe away all excess lubricant from exposed surfaces. Over lubrication can collect dirt and foreign matter which acts as an abrasive. Lubrication of accessory equipment should be in accordance with the manufacturer's recommendations.

Rotation Bearing

Rotation bearing – Item 1. Pressure gun lubricate bearing at recommended interval using lubricant as outlined in the maintenance schedule. Rotate while lubricating. The lubrication fitting is located on the turntable below the lower controls.

Rotation Gear Teeth and Pinion

Rotation gear teeth and pinion – Item 2. Gear teeth and gear box pinion should be lubricated with a spray-on type open gear lubricant.

Tie Rods

Tie rods – Item 3. Lubricate at recommended interval using lubricant as outlined in the maintenance schedule.

Swing Drive

Swing drive – Item 4. To check oil level, remove check plug located on the side of the gear box. Unit is full if oil is level with bottom of fill hole or just starts to run out.

Gear Hubs

Gear hubs – Item 5. To check and fill Gear hubs:

1. Rotate wheel until bottom of filler/drain plug is about 1 inch above horizontal centerline.
2. Remove plug with drive ratchet and extension.

3. Fill until lubricant is level with bottom of fill hole.

Note

Do not overfill gear hubs as they are not vented and need air space for expansion of oil to prevent damage to hubs.

Platform Rotator

Platform Rotator – Item 6. Platform rotators will require lubrication only if disassembled for repairs. Consult factory for proper lubricant if replacement of platform rotator is required.

Hydraulic Oil Reservoir

Hydraulic oil reservoir – Item 7. The fluid level should be kept between the full and add marks on the sight gauge and should be checked with the machine in the stowed position.

The interior of the reservoir should be wiped out and cleaned each time the hydraulic oil is changed. The reservoir filler/breather cap should be removed and the cap strainer cleaned with Kerosene, fuel oil, or other solvent at this time.

It is absolutely necessary that only new, clean hydraulic oil is added.

Note

If it becomes necessary to add or use an oil other than the recommended fluid, it is important that it be compatible and equivalent to the factory fill. Local oil suppliers can generally furnish this information.

If questions still remain, contact Snorkel Customer Service Department for further information.

Engine

Engine – Item 8. Refer to the engine manufacturer's instruction manual or consult your local engine service representative if engine adjustments or repairs are needed. The engine must be operated in accordance with manufacturer's instructions and serviced at recommended intervals.

Hydraulic Oil Return Filter

Return filter – Item 9. The hydraulic oil return filter is mounted inside of the hydraulic oil reservoir.

The filter element is a throw-away type filter and should be changed after the initial break-in period (approximately 50 hours operation time).

The filter may be equipped with a hydraulic pressure gauge to indicate the filter element condition. A by-pass relief within the filter base is provided and is set to by-pass at 25 psi. If pressure readings are above 25 psi, the filter should be changed.

The filter condition should be checked at the 90 day or 150 hour Preventive Inspection Maintenance interval or more frequently under extreme working conditions.

The filter condition indicator is accurate only when the engine is running at maximum rpm and pump is discharging maximum flow, which occurs only during full speed driving. This requires that the indicator be observed while the unit is in motion, booms fully retracted and in stowed position, drive range switch in “LO” position, and drive controller fully forward. Oil temperature should be at least 90° F (32° C).

Warning

Use extreme caution while observing the condition indicator because of the motion of the drive wheels. The condition indicator is best observed from outside of the tract of the vehicle wheels to avoid possible personal injury or machine damage.

When changing the filter element, the oil inside of the filter element, should be examined for deposits of metal cuttings, which is present, could indicate excessive wear in some of the system components.

Door Hinges and Latches

Door hinges and latches – Item 10. After lubricating, remove any excess lubricant or over spray so it will not collect dirt or debris.

Slide Pads

Slide pads – Item 11. Check slide pads for excessive wear and replace as required. Slide pads do not require lubrication.

Batteries

Batteries – Item 12. Batteries will have longer life if the water level is maintained and they are kept charged. The engine will have better starting characteristics with a fully charged battery. In cold weather the battery should be maintained at full charge to keep from freezing. An extremely low or dead battery can freeze in cold weather. Make sure connections are clean and tight.

Make sure charging equipment is operating properly.

Danger

Lead-acid batteries produce flammable and explosive gases. Never allow smoking, flames or sparks around batteries. Lead-acid batteries contain sulfuric acid which will damage eyes or skin on contact. When working around batteries, always wear a face shield to avoid acid in eyes.

If acid contacts eyes, flush immediately with clear water and get medical attention. Wear rubber gloves and protective clothing to keep acid off skin, if acid contacts skin, wash off immediately with clear water.





Battery Care and Maintenance

The following information about battery care and maintenance was supplied by Interstate Batteries and is reprinted here with their permission.

1. New batteries need to be cycled several times before reaching full capacity (20-50 cycles, depending on type). Usage should be limited during this period.
2. Always recharge batteries fully, immediately after use. Batteries perform best when they are fully charged. More capacity and longer life will result from this practice.
3. The deeper the discharge, the fewer number of cycles a lead-acid battery will deliver. Deep discharges deteriorate the battery quicker than lighter shallow cycles.
4. Battery cables should be intact and connectors kept tight at all times. Systematic inspection is recommended.
5. Batteries should be kept clean – free of dirt and corrosion – at all times. Always keep the top of batteries clean. A film on top of the battery can cause the current to migrate between the posts, accelerating self discharge.
6. A fully charged battery will give you the best and longest service. Be sure the batteries are fully charged before testing or using. A fully charged battery, without a drain or load, after the surface charge has dissipated, is 6.35 volts for a 6 volt battery.
7. Batteries should not be discharged below 20% of capacity (approximately 1.8 volts per cell under normal operating load; 1.98 volts open circuit; 1.145 specific gravity). Proper battery sizing will help avoid excessive discharge.
8. Battery chargers should be sized to fully charge batteries in an eight hour period. Chargers should be kept in proper operating condition.
9. Do not use a mismatched charger of any type; i.e., a 12 volt charger on a 24 volt pack or a 24 volt charger on a 12 volt pack. An undersized charger will never

-
- get the job done, no matter how long it tries. An oversized charger will cause excess gassing and heat that could possibly result in a battery meltdown and/or explosion.
10. Never charge a lead-acid battery with a sealed (gel cell) battery charger. The lead-acid battery needs higher voltage to finish its charge. Without it the battery will never come back to 100% and sulfation can occur.
 11. Always allow batteries to cool off after charging. The cooling time is very important because heat is generated during the recharge and discharge cycles. Without the cooling time the heat grows, accelerating grid corrosion which is one of the major causes of battery failure. Charging practice should enable batteries to cool before use.
 12. Deep cycle batteries need to be equalized periodically. Equalizing is an extended, low current charge performed after the normal charge cycle. It helps keep cells in balance. Actively used batteries should be equalized once per week. Manually timed chargers should have the charge time extended approximately 3 hours. Automatically controlled chargers should be unplugged and reconnected after completing a charge cycle.
 13. In situations where multiple batteries are connected in series, parallel or series-parallel, a replacement battery's should be of the same size, age and usage level as the companion batteries. Do not put a new battery in a pack that has 50 or more cycles. Either replace all the batteries with new batteries or install a good used battery's in place of the bad. New batteries should be given a full charge before use.
 14. Periodic battery testing is an important preventative maintenance procedure. Hydrometer readings of each cell (fully charged) give an indication of balance and true charge level. Imbalance could mean the need for equalizing and is often a sign of improper charging or a bad cell. Voltage checks (open circuit, charged and discharged) can locate a bad cell or weak battery. Load testing will pick out a bad cell when other methods fail. The point is to look for the abnormal. A weak cell or battery will cause premature failure of companion cells or batteries respectively.
 15. As batteries age, their maintenance requirements change, Generally their specific gravity is higher and gassing voltage goes up. This means longer charging time and/or higher finish rate (higher amperage at the end of charge). Usually, older batteries need to be watered more often and their capacity decreases.
 16. "Opportunity charging", a short partial charge during an extended duty cycle, is a controversial subject. Generally, the practice is a "crutch" to make up for undersized batteries. The correct approach is to install adequate battery capacity. If this is impossible because of lack of space in the battery compartment or extreme operating conditions (24 hour intermittent use, as an example), "opportunity charging" is better than excessive battery discharging. However, the practice can cause batteries to overheat, require more watering and usually will shorten battery life. "Opportunity charging" is a trade off; something to avoid if possible. One charging cycle per day is preferable.
 17. Extreme temperatures can substantially affect battery performance and charging. Cold reduces battery capacity and retards charging. Heat increases water usage and can result in overcharging. Very high temperature can cause "thermal run away" which may lead to an explosion or fire. If extreme temperature is an unavoidable part of an application, consult a battery/charger specialist about ways to deal with the problem.
 18. An overly discharged battery might need to be cycled a few times before it can recover fully. If a battery begins to heat before coming up to a full charge, it might be necessary to discharge the battery and recharge it a few times. The charge and discharge cycle might help the current acceptance of the battery and facilitate its recovery to a usable condition.
 19. Inactivity can be harmful to deep cycle batteries. If they sit for several months, a "boost" charge should be given – more frequently in warm climate (about once a month) than in cold (every 2-3 months).
 20. Never store a battery in a discharged state. The sulfate that forms during discharge can make the battery impossible to recharge fully.

Fastener Torque Chart

Bolt Grade	SAE Grade 1 or 2	SAE Grade 5	SAE Grade 6	SAE Grade 8
Marking				
Definition	Indeterminate Quality	Minimum Commercial Quality	Medium Commercial Quality	Best Commercial Quality
Material	Low Carbon Steel	Medium Carbon Steel Tempered	Medium Carbon Steel Quenched and Tempered	Medium Carbon Alloy Steel Quenched and Tempered
Minimum Tensile Strength	64,000 psi.	105,000 psi	133,000 psi.	150,000 psi
Bolt Size	Recommended Torque Value (ft lbs)			
1/4	5	7	10	10.5
5/16	9	14	19	22
3/8	15	25	34	37
7/16	24	40	55	60
1/2	37	60	85	92
9/16	53	88	120	132
5/8	74	120	167	180
3/4	120	200	280	296
7/8	190	302	440	473
1	282	466	660	714

Torque chart information:

- Consult manufacturers' specific recommendations, when available.
- The chart may be used with both coarse and fine thread fasteners lightly lubricated.
- Increase torque by 20% when multiple tapered tooth (shake proof) lock washers are used.
- The torque values are given in foot-pounds.
- Inch/pound equivalent may be obtained by multiplying by 12.

Fastener Torque Chart – Metric System

Capscrew Size	Grade 8.8					Grade 10.9				
	In-LBS Dry	In-LBS Lubed	FT-LBS Dry	FT-LBS Lubed	Clamp Load (lb)	In-LBS Dry	In-LBS Lubed	FT-LBS Dry	FT-LBS Lubed	Clamp Load (lb)
M4 - 0.7	27	20			861	36	24			1,173
M5 - 0.8	55	41			1,394	72	60			1,895
M6 - 1.0	93	70			1,971	132	96			2,686
M8 - 1.25	228	168	19	14	3,591	312	228			4,889
M8 - 1.0	240	180	20	15	3,844	336	252			5,232
M10 - 1.5			37	28	5,693			51	38	7,744
M10 - 1.25			39	30	6,008			54	41	8,171
M12 - 1.75			65	49	8,273			89	66	11,257
M12 - 1.25			71	53	9,037			96	72	12,297
M14 - 2.0			103	77	11,285			140	107	15,354
M14 - 1.5			114	85	12,263			155	114	16,691
M16 - 2.0			162	122	15,404			221	166	20,963
M16 - 1.5			173	129	16,388			236	177	22,311
M18 - 2.5			222	167	19,423			235	176	
M18 - 1.5										
M20 - 2.5			317	236	24,042			428	321	32,720
M20 - 1.5			350	262	26,695			479	358	36,316
M22 - 2.5			428	321	30,651			452	339	
M22 - 1.5										
M24 - 3.0			546	409	34,642			745	557	47,141
M24 - 2.0			594	446	37,676			811	605	51,277
M27 - 3.0			796	597	45,039			1,084	811	61,292
M27 - 2.0			863	645	58,785			1,173	848	66,226
M30 - 3.5			1084	811	55,054			1,475	1106	74,915
M30 - 3.0			1121	841	56,908			1,527	1143	77,444
M30 - 2.0			1202	900	60,932			1,630	1224	82,917

Rev D

Torque chart information:

- Consult manufacturers' specific recommendations, when available.
- The chart may be used with both coarse and fine thread fasteners lightly lubricated.
- Increase torque by 20% when multiple tapered tooth (shake proof) lock washers are used.
- Foot/pound equivalent may be obtained by dividing by 12.
- Inch/pound equivalent may be obtained by multiplying by 12.
- Newton/meter equivalent may be obtained by multiplying inch/pound by 0.1130.
- Newton/meter equivalent may be obtained by multiplying foot/pound by 1.3558.

SCHEMATICS

1433486
GP400C Adjustments Settings

PG# 21-510-504 Compatible

GP400C		13. 600S & 660SJ CUMMINS T4F							
VEHICLE:		14. 400S & 460SJ DEUTZ							
ADJUSTMENTS	MODEL:	1. 600S ANSI OSC	2. 660SJ ANSI OSC	3. 600S CE OSC	4. 660SJ CE OSC	5. 400S ANSI OSC	6. 460SJ ANSI OSC	7. 400S CE OSC	8. 460SJ CE OSC
DRIVE	FWD MIN	27%	27%	27%	27%	27%	27%	27%	27%
	FWD MAX	100%	100%	100%	100%	100%	100%	100%	100%
	FWD HIGHSPEED	67%	67%	67%	67%	67%	67%	67%	67%
	REV MIN	27%	27%	27%	27%	27%	27%	27%	27%
	REV MAX	100%	100%	100%	100%	100%	100%	100%	100%
	REV HIGHSPEED	63%	63%	63%	63%	63%	63%	63%	63%
	ACCEL	1.05	1.05	1.05	1.05	1.05	1.05	1.05	1.05
	DECEL	1.45	1.45	1.45	1.45	1.45	1.45	1.45	1.45
DRIVE ELEVATED	FWD MIN	35%	35%	35%	35%	35%	35%	35%	35%
	FWD MAX	64%	64%	64%	64%	64%	64%	64%	64%
	REV MIN	35%	35%	35%	35%	35%	35%	35%	35%
	REV MAX	60%	60%	60%	60%	60%	60%	60%	60%
	ACCEL	1.05	1.05	1.05	1.05	1.05	1.05	1.05	1.05
	DECEL	1.05	1.05	1.05	1.05	1.05	1.05	1.05	1.05
STEER	ACCEL	0	0	0	0	0	0	0	0
	DECEL	0	0	0	0	0	0	0	0
	STEER MIN	54%	54%	54%	54%	54%	54%	54%	54%
	STEER MAX	55%	55%	55%	55%	55%	55%	55%	55%
BRAKES	PUMP	20%	20%	20%	20%	20%	20%	20%	20%
	TIME	1.005	1.005	1.005	1.005	1.005	1.005	1.005	1.005
	INITIAL	0.005	0.005	0.005	0.005	0.005	0.005	0.005	0.005
DRIVE/LOWBAT	LOW BAT	8.5V	8.5V	8.5V	8.5V	8.5V	8.5V	8.5V	8.5V
HILL ASSIST	UPHILL TILT	2=X-	2=X-	2=X-	2=X-	2=X-	2=X-	2=X-	2=X-
	SCALE	2%	2%	2%	2%	2%	2%	2%	2%
DRIVE ANTI-STALL	RPMINITIAL	0	0	0	0	0	0	0	0
	RPMEXIT	0	0	0	0	0	0	0	0
	%INITIAL	0%	0%	0%	0%	0%	0%	0%	0%
	%MORE	0%	0%	0%	0%	0%	0%	0%	0%
LOWER LIFT	UP MIN	0%	0%	0%	0%	0%	0%	0%	0%
	UP MAX	0%	0%	0%	0%	0%	0%	0%	0%
	DOWN MIN	0%	0%	0%	0%	0%	0%	0%	0%
	DOWN MAX	0%	0%	0%	0%	0%	0%	0%	0%
	ACCEL	1.05	1.05	1.05	1.05	1.05	1.05	1.05	1.05
	DECEL	0.55	0.55	0.55	0.55	0.55	0.55	0.55	0.55
	LIFTnotELEV	0.05	0.05	0.05	0.05	0.05	0.05	0.05	0.05

1433486

GP400C Adjustments Settings

GP400C	VEHICLE:	13. 600S & 660SJ CUMMINS T4F				14. 400S & 460SJ DEUTZ				
ADJUSTMENTS	MODEL:	1. 600S ANSI OSC	2. 660SJ ANSI OSC	3. 600S CE OSC	4. 660SJ CE OSC	5. 400S ANSI OSC	6. 460SJ ANSI OSC	7. 400S CE OSC	8. 460SJ CE OSC	
UPPER LIFT	UP MIN	38%	38%	38%	38%	38%	38%	38%	38%	
	UP MAX	55%	55%	46%	46%	55%	55%	46%	46%	
	DOWN MIN	36%	36%	36%	36%	36%	36%	36%	36%	
	DOWN MAX	53%	53%	45%	45%	53%	53%	45%	45%	
	ACCEL	2.0S	2.0S	2.0S	2.0S	2.0S	2.0S	2.0S	2.0S	
	DECEL	1.0S	1.0S	1.0S	1.0S	1.0S	1.0S	1.0S	1.0S	
	LIFTnotELEV	0.0S	0.0S	0.0S	0.0S	0.0S	0.0S	0.0S	0.0S	
	UPPER LIFT EXT_SCALE	100%	100%	100%	100%	100%	100%	100%	100%	
TELE	OUT MIN	36%	36%	36%	36%	36%	36%	36%	36%	
	OUT MAX	58%	58%	58%	58%	58%	58%	58%	58%	
	IN MIN	31%	31%	31%	31%	31%	31%	31%	31%	
	IN MAX	58%	58%	58%	58%	58%	58%	58%	58%	
	ACCEL	1.0S	1.0S	1.0S	1.0S	1.0S	1.0S	1.0S	1.0S	
	DECEL	0.5S	0.5S	0.5S	0.5S	0.5S	0.5S	0.5S	0.5S	
	TelenotExtended	0.0S	0.0S	0.0S	0.0S	0.0S	0.0S	0.0S	0.0S	
	SLEW	CW MIN	28%	28%	28%	28%	28%	28%	28%	28%
CW MAX		71%	71%	51%	51%	71%	71%	51%	51%	
CCW MIN		29%	29%	29%	29%	29%	29%	29%	29%	
CCW MAX		72%	72%	51%	51%	72%	72%	51%	51%	
ACCEL		1.0S	1.0S	1.0S	1.0S	1.0S	1.0S	1.0S	1.0S	
DECEL		0.55S	0.5S	0.5S	0.5S	0.55S	0.5S	0.5S	0.5S	
SLEW EXT_SCALE		100%	100%	100%	100%	100%	100%	100%	100%	
JIB		JIB EXISTS	NO	YES	NO	YES	NO	YES	NO	YES
	UP MIN	43%	43%	43%	43%	43%	43%	43%	43%	
	UP MAX	58%	58%	55%	55%	58%	58%	55%	55%	
	DOWN MIN	38%	38%	38%	38%	38%	38%	38%	38%	
	DOWN MAX	54%	54%	54%	54%	54%	54%	54%	54%	
	CW MIN	5%	5%	5%	5%	5%	5%	5%	5%	
	CW MAX	50%	50%	50%	50%	50%	50%	50%	50%	
	CCW MIN	5%	5%	5%	5%	5%	5%	5%	5%	
	CCW MAX	50%	50%	50%	50%	50%	50%	50%	50%	
	ACCEL	1.5S	1.5S	1.5S	1.5S	1.5S	1.5S	1.5S	1.5S	
	DECEL	0.5S	0.5S	0.5S	0.5S	0.5S	0.5S	0.5S	0.5S	
	BASKET	UP MIN	15%	15%	15%	15%	15%	15%	15%	15%
		UP MAX	100%	100%	54%	54%	100%	100%	54%	54%
DOWN MIN		15%	15%	15%	15%	15%	15%	15%	15%	
DOWN MAX		100%	100%	50%	50%	100%	100%	50%	50%	
CW MIN		33%	33%	33%	33%	33%	33%	33%	33%	
CW MAX		45%	45%	45%	45%	45%	45%	45%	45%	
CCW MIN		33%	33%	33%	33%	33%	33%	33%	33%	
CCW MAX		45%	45%	45%	45%	45%	45%	45%	45%	
ACCEL		0.5s	0.5s	0.5s	0.5s	0.5s	0.5s	0.5s	0.5s	
DECEL		0.2s	0.2s	0.2s	0.2s	0.2s	0.2s	0.2s	0.2s	

1433486
GP400C Adjustments Settings

GP400C ADJUSTMENTS	VEHICLE MODEL:	13. 600S & 660SJ CUMMINS T4F				14. 400S & 460SJ DEUTZ			
		1. 600S ANSI OSC	2. 660SJ ANSI OSC	3. 600S CE OSC	4. 660SJ CE OSC	5. 400S ANSI OSC	6. 460SJ ANSI OSC	7. 400S CE OSC	8. 460SJ CE OSC
TILT	Xtrip	5.0"	5.0"	3.5"	3.5"	5.0"	5.0"	3.5"	3.5"
	Ytrip	5.0"	5.0"	3.5"	3.5"	5.0"	5.0"	3.5"	3.5"
	Xtrip Elev	5.0"	5.0"	3.5"	3.5"	5.0"	5.0"	3.5"	3.5"
	Ytrip Elev	5.0"	5.0"	3.5"	3.5"	5.0"	5.0"	3.5"	3.5"
	DELAYtrip	2.05	2.05	2.05	2.05	2.05	2.05	2.05	2.05
	DELAYclear	0.55	0.55	0.55	0.55	0.55	0.55	0.55	0.55
OVERLOAD	TRIP#1@	110%	110%	110%	110%	110%	110%	110%	110%
	LAMP#1@	100%	100%	100%	100%	100%	100%	100%	100%
	ALARM#1@	105%	105%	105%	105%	105%	105%	105%	105%
	TRIP#2@	178%	0%	178%	0%	178%	0%	178%	0%
	LAMP#2@	167%	0%	167%	0%	167%	0%	167%	0%
	ALARM#3@	175%	0%	175%	0%	175%	0%	175%	0%
	DELAYtrip	1.55	1.55	1.55	1.55	1.55	1.55	1.55	1.55
	DELAYclear	1.55	1.55	1.55	1.55	1.55	1.55	1.55	1.55
Override	05	05	05	05	05	05	05	05	
ALARMS	DRIVE	ON	ON	ON	ON	ON	ON	ON	ON
	LIFT	OFF	OFF	OFF	OFF	OFF	OFF	OFF	OFF
	LOWER	ON	ON	ON	ON	ON	ON	ON	ON
	SLEW	ON	ON	ON	ON	ON	ON	ON	ON
	TELE	OFF	OFF	OFF	OFF	OFF	OFF	OFF	OFF
	JIB	OFF	OFF	OFF	OFF	OFF	OFF	OFF	OFF
	BASKET	OFF	OFF	OFF	OFF	OFF	OFF	OFF	OFF
TILT	1=ELEVATED	1=ELEVATED	1=ELEVATED	1=ELEVATED	1=ELEVATED	1=ELEVATED	1=ELEVATED	1=ELEVATED	
GROUNDMODE	SPEED	100%	100%	100%	100%	100%	100%	100%	100%

SETUP DEFAULTS	VEHICLE MODEL:	13. 600S & 660SJ CUMMINS T4F				14. 400S & 460SJ DEUTZ			
		1. 600S ANSI OSC	2. 660SJ ANSI OSC	3. 600S CE OSC	4. 660SJ CE OSC	5. 400S ANSI OSC	6. 460SJ ANSI OSC	7. 400S CE OSC	8. 460SJ CE OSC
TILT SETUPS	TILT SHUTDOWN	0=NEVER	0=NEVER	0=NEVER	0=NEVER	0=NEVER	0=NEVER	0=NEVER	0=NEVER
	ELEV TILT SHUTDOWN	0=NEVER	0=NEVER	3=DRIVE	3=DRIVE	0=NEVER	0=NEVER	3=DRIVE	3=DRIVE
BOOM ANGLE	ELEV SWITCH	2	2	2	2	2	2	2	2
	RESTRICTED @	70%	101%	0.7	101%	70%	101%	0.7	101%
	TILT CORRECTION	1=X+	0=DISABLED	1=X+	0=DISABLED	1=X+	0=DISABLED	1=X+	0=DISABLED
LOAD SETUPS	CELLS	2	2	2	2	2	2	2	2
	FAULTY LOAD	-40%	-40%	-40%	-40%	-40%	-40%	-40%	-40%
	DYNAMIC SCALE	95%	95%	95%	95%	95%	95%	95%	95%
INTERLOCKS	ETIMOUT	10.0s	10.0s	10.0s	10.0s	10.0s	10.0s	10.0s	10.0s
	WAITforGO	0s	0s	1.0s	1.0s	0s	0s	1.0s	1.0s
	DRIVE+BOOM	Allowed	Allowed	BLOCKED	BLOCKED	Allowed	Allowed	BLOCKED	BLOCKED
	Snorkleguard	Enabled	Enabled	Enabled	Enabled	Enabled	Enabled	Enabled	Enabled
	GUARD O/R	GUARD+OVERLOAD	GUARD+OVERLOAD	GUARD+OVERLOAD	GUARD+OVERLOAD	GUARD+OVERLOAD	GUARD+OVERLOAD	GUARD+OVERLOAD	GUARD+OVERLOAD
	Drivelock	Disabled	Disabled	Disabled	Disabled	Disabled	Disabled	Disabled	Disabled
	Aircraft	Disabled	Disabled	Disabled	Disabled	Disabled	Disabled	Disabled	Disabled
Aide	OSCILLATING	OSCILLATING	OSCILLATING	OSCILLATING	OSCILLATING	OSCILLATING	OSCILLATING	OSCILLATING	

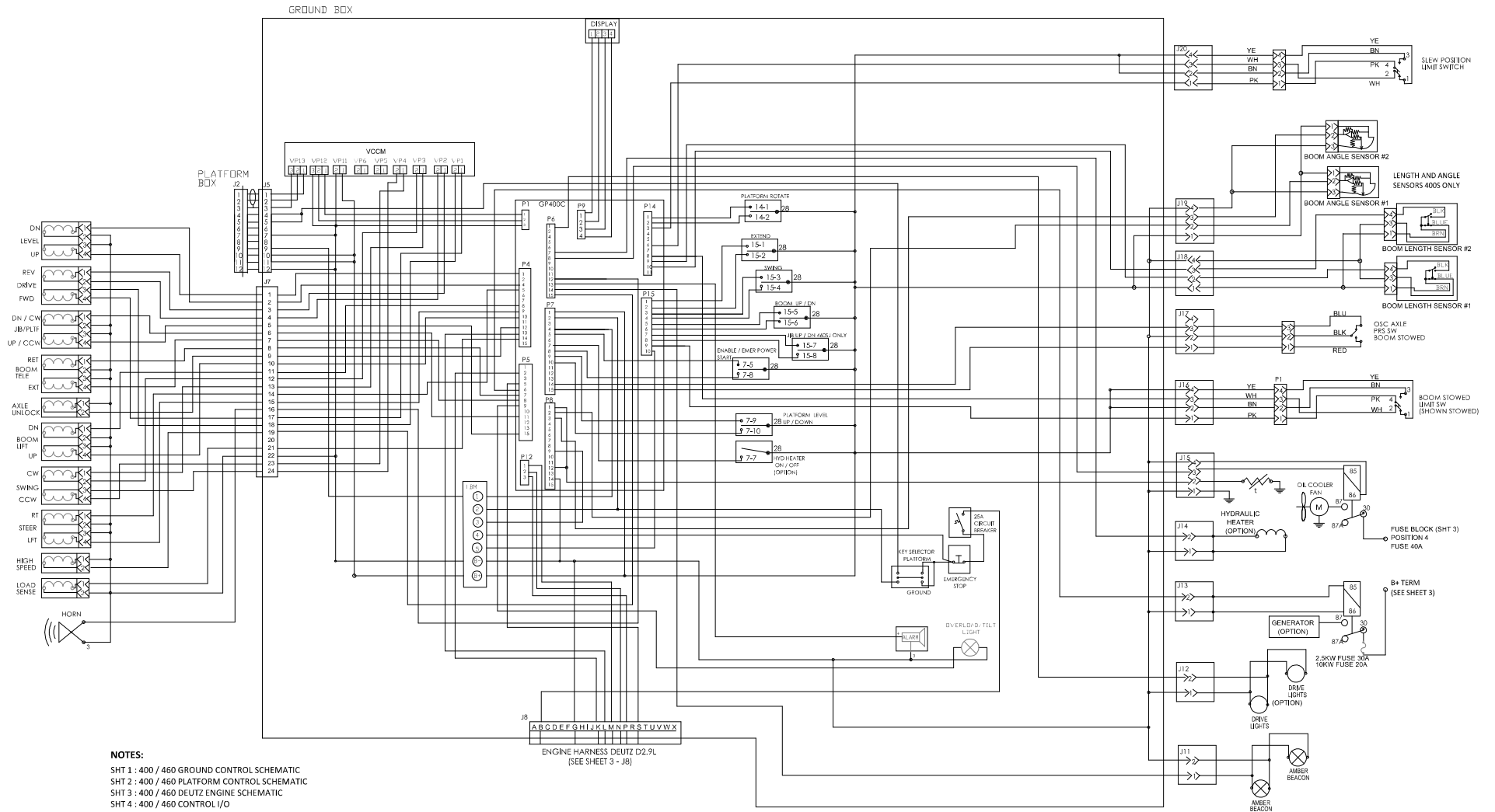
1433486

GP400C Adjustments Settings

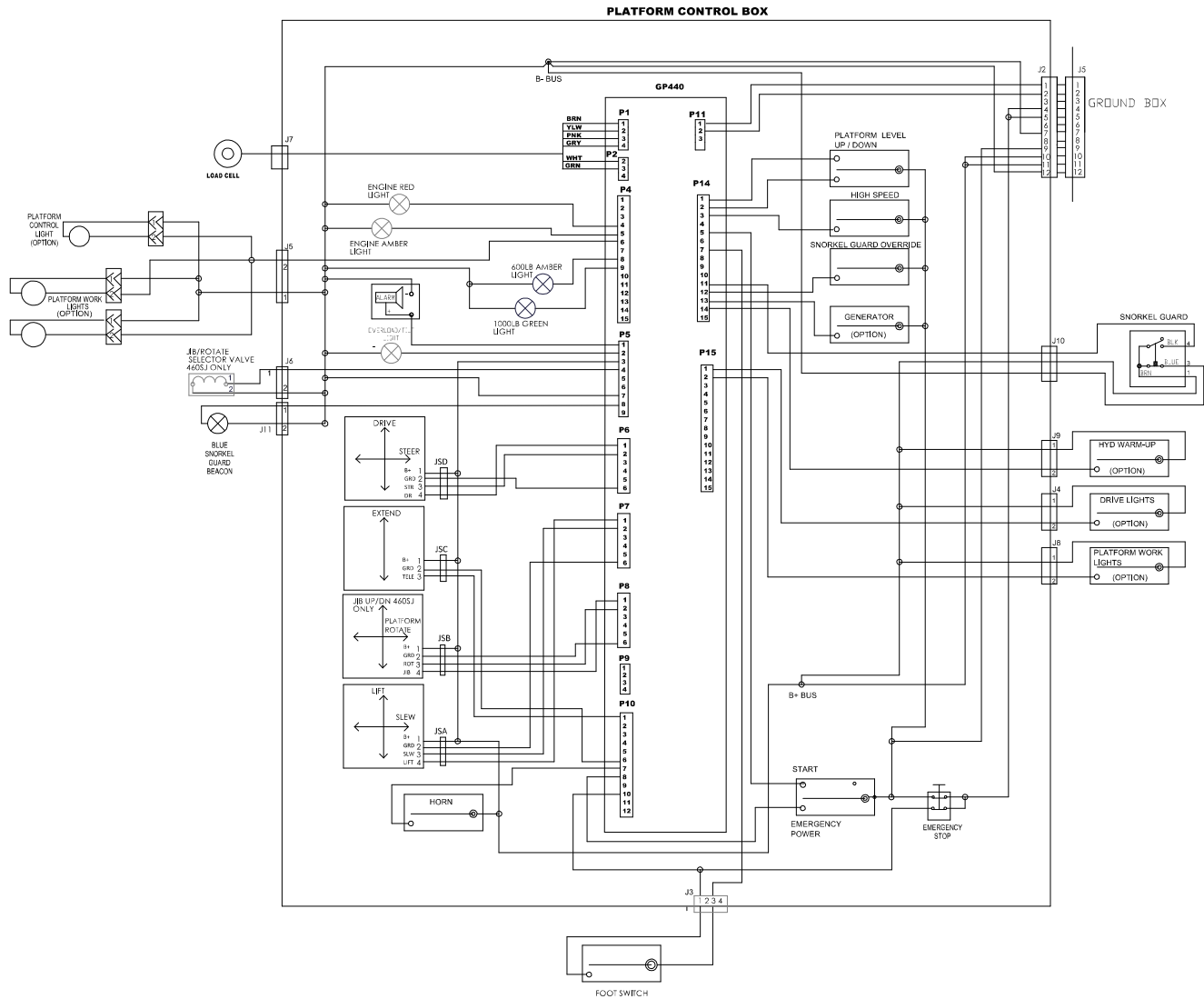
GP400C	VEHICLE:	13. 600S & 660SJ CUMMINS T4F				14. 400S & 460SJ DEUTZ			
ADJUSTMENTS	MODEL:	1. 600S ANSI OSC	2. 660SJ ANSI OSC	3. 600S CE OSC	4. 660SJ CE OSC	5. 400S ANSI OSC	6. 460SJ ANSI OSC	7. 400S CE OSC	8. 460SJ CE OSC
BDI	VPCmin	1.93	1.93	1.93	1.93	1.93	1.93	1.93	1.93
	VPCmax	2.13	2.13	2.13	2.13	2.13	2.13	2.13	2.13
	VPCreset	2.15	2.15	2.15	2.15	2.15	2.15	2.15	2.15
ENGINE SETUPS	RPMscale	1	1	1	1	1	1	1	1
	RPMidle	900	900	900	900	900	900	900	900
	RPMthrottle	0	0	0	0	0	0	0	0
	THROTTLEmid	36%	36%	36%	36%	36%	36%	36%	36%
	THROTTLEhigh	0%	0%	0%	0%	0%	0%	0%	0%
	MINdrive	1200	1200	1200	1200	1200	1200	1200	1200
	MAXdrive	2500	2500	2500	2500	2500	2500	2500	2500
	MINsteer	1200	1200	1200	1200	1200	1200	1200	1200
	MAXsteer	2200	2200	2200	2200	2200	2200	2200	2200
	MINil	900	900	900	900	900	900	900	900
	MAXil	2300	2300	2300	2300	2300	2300	2300	2300
	MINul	900	900	900	900	900	900	900	900
	MAXul	2300	2300	2300	2300	2300	2300	2300	2300
	MINtele	900	900	900	900	900	900	900	900
	MAXtele	1800	1800	1800	1800	1800	1800	1800	1800
	MINslew	900	900	900	900	900	900	900	900
	MAXslew	1500	1500	1500	1500	1500	1500	1500	1500
	MINjib	900	900	900	900	900	900	900	900
	MAXjib	1200	1200	1200	1200	1200	1200	1200	1200
MINbasket	900	900	900	900	900	900	900	900	
MAXbasket	1200	1200	1200	1200	1200	1200	1200	1200	
RPMgen	1900	1900	1900	1900	1900	1900	1900	1900	
RPMgenfine	10	10	10	10	10	10	10	10	
VCCM Setups	1min	0.3A	0.3A	0.3A	0.3A	0.3A	0.3A	0.3A	0.3A
	1max	1.3A	1.3A	1.3A	1.3A	1.3A	1.3A	1.3A	1.3A
	2min	0.3A	0.3A	0.3A	0.3A	0.3A	0.3A	0.3A	0.3A
	2max	1.3A	1.3A	1.3A	1.3A	1.3A	1.3A	1.3A	1.3A
	3min	0.3A	0.3A	0.3A	0.3A	0.3A	0.3A	0.3A	0.3A
	3max	1.3A	1.3A	1.3A	1.3A	1.3A	1.3A	1.3A	1.3A
	4min	0.3A	0.3A	0.3A	0.3A	0.3A	0.3A	0.3A	0.3A
	4max	1.3A	1.3A	1.3A	1.3A	1.3A	1.3A	1.3A	1.3A
	5min	0.0A	0.0A	0.0A	0.0A	0.0A	0.0A	0.0A	0.0A
	5max	0.0A	0.0A	0.0A	0.0A	0.0A	0.0A	0.0A	0.0A
	6min	0.0A	0.0A	0.0A	0.0A	0.0A	0.0A	0.0A	0.0A
	6max	0.0A	0.0A	0.0A	0.0A	0.0A	0.0A	0.0A	0.0A

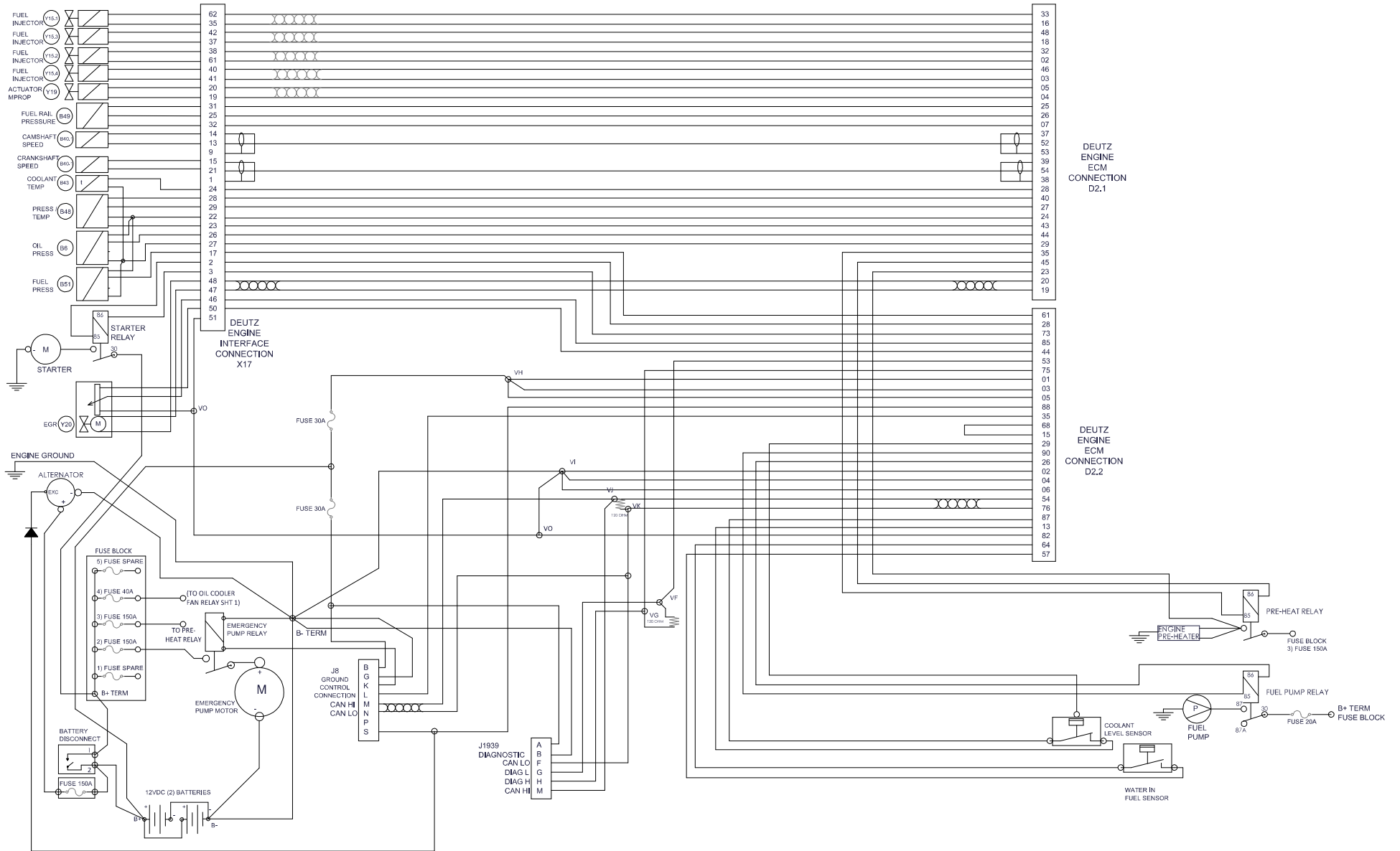
Document Number	REVISION	DATE	COMPLETED BY	ECR No.	DESCRIPTION
1433486	A	1/18/2018	MARK UNGER	LV2017-0286	
	B	5/9/2018	MARK UNGER	LV2017-0242	BASKET CW MAX, CCW MIN AND CCW MAX REDUCED TO SLOW ROTATION SPEEDS

アイテム	部品番号	名前	数量	UOM
	1433486A	ADJUSTMENT SETTINGS GP400C		EA



NOTES:
 SHT 1 : 400 / 460 GROUND CONTROL SCHEMATIC
 SHT 2 : 400 / 460 PLATFORM CONTROL SCHEMATIC
 SHT 3 : 400 / 460 DEUTZ ENGINE SCHEMATIC
 SHT 4 : 400 / 460 CONTROL I/O





DEUTZ ENGINE ECM CONNECTION D2.1

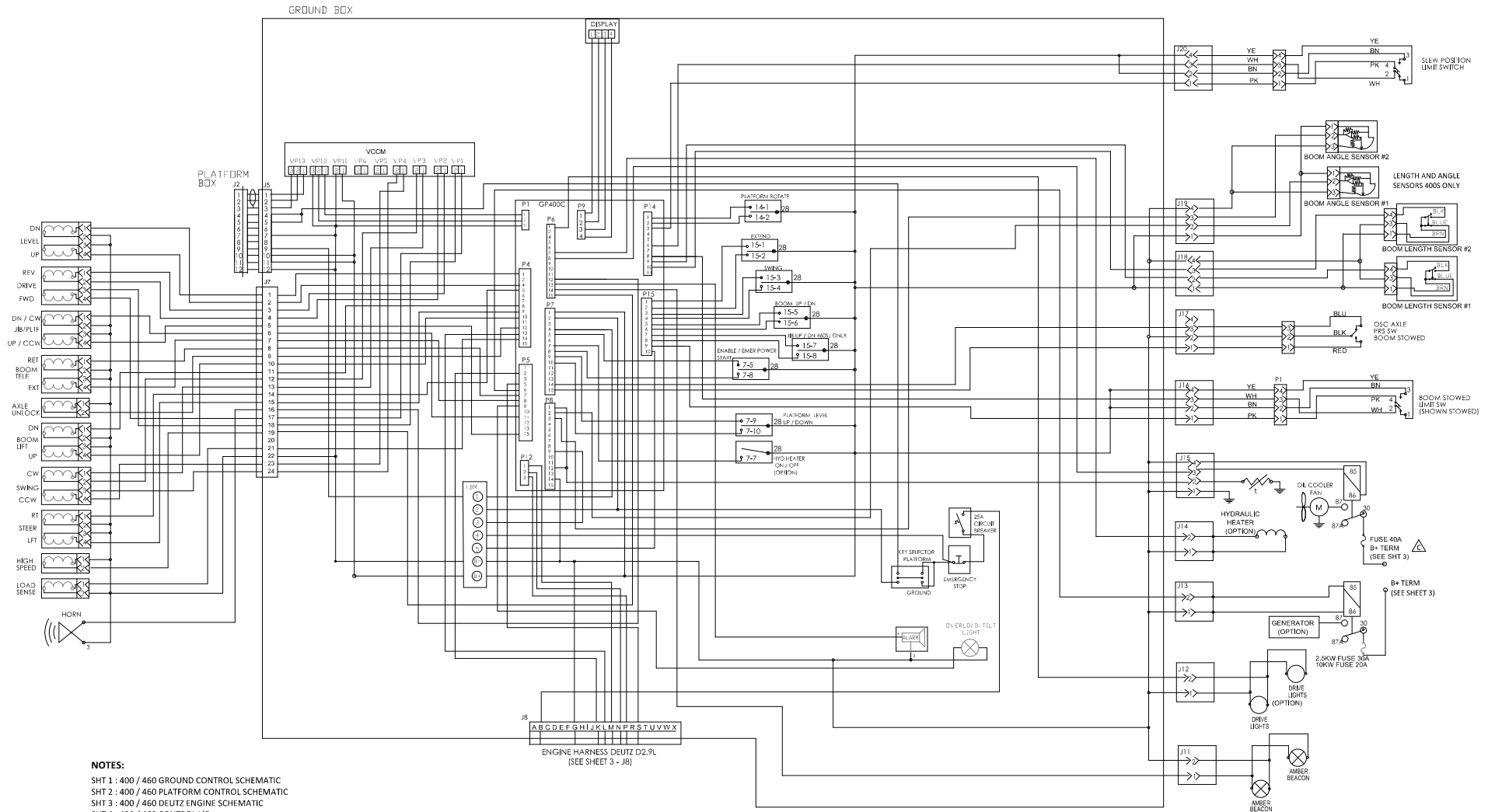
DEUTZ ENGINE ECM CONNECTION D2.2

GP400C I/O ALLOCATIONS		400 - 460 DEUTZ ENGINE (CAN)
P1-1	CAN1H	VCCM-P12-1
P1-2	CAN1L	VCCM-P12-2
P1-3	GND	VCCM-P12-3
P4-1	High Side PWM Output	Platform Level Up
P4-4	High Side PWM Output	Platform Level Down
P4-5	High Side PWM Output	Steer Right
P4-7	High Side PWM Output	Snorkel Guard Blue Flashing Light
P4-8	High Side PWM Output	Boom Lift Down
P4-9	High Side PWM Output	Steer Left
P4-10	High Side PWM Output	Boom Lift Up
P4-12	Safe High PWM Output	Axle Oscilate Valve (Energized = No Lock)
P4-13	Safe High Side Output	Starter Relay
P4-14	Safe High Side Output	Load Sense Dump Valve
P4-15	Safe High Side Output	Brake Release Valve
P5-2	High Side 2A Output	Emergency Power Relay
P5-3	High Side 2A Output	Hour Meter
P5-5	High Side 2A Output	Ignition (Key Sw Input To Engine ECU)
P5-6	High Side 2A Output	Generator (Output To Relay)
P5-7	High Side PWM Output	Boom Retract
P5-8	High Side PWM Output	Boom Extend
P5-9	High Side 2A Output	Tilt/Overload Lamp
P5-11	High Side PWM Output	Jib Down/ Platform Rotate CW
P5-15	High Side PWM Output	Jib Up/ Platform Rotate CCW
P6-1	High Side 2A Output	Drive Lights
P6-7	High Side 2A Output	Hydraulic Warm-Up Valve
P6-8	High Side 2A Output	Hydraulic Cooler Valve
P6-12	High Side 2A Output	Horn
P6-13	High Side 2A Output	Lower Alarm
P6-14	High Side 2A Output	Beacon
P6-15	High Side 2A Output	High Speed Valve
P7-1	B+ Digital Input	TBM B+ (Also Used For Switch Common)
P7-2	B+ Digital Input	Ground Select & TBM # 2
P7-4	B+ Digital Input	Platform Select & TBM #1
P7-5	B+ Digital Input	Enable / Enable + E Power
P7-7	B+ Digital Input	Hydraulic Warm-Up Switch
P7-8	B+ Digital Input	Engine Start (Crank) Switch
P7-9	B+ Digital Input	Platform Level Up
P7-10	B+ Digital Input	Platform Level Down
P7-14	Negative (B-) Digital Input	Axle Lock Pressure Switch (NC)
P7-15	Negative (B-) Digital Input	Axle Lock Pressure Switch (NO)
P8-1	Analog Input	Hyd Oil Temp (Also Connected To P8-12)
P8-2	Analog Input	Boom Angle Sensor 1
P8-3	Analog Input	Boom Angle Sensor 2
P8-9	Analog Input	TBM #3
P8-12	+5V Via 1K	Connected To Hyd Oil Temp Input (P8-1)
P8-14	GND	TBM B-
P12-1	CAN2 H	Engine ECU CAN H
P12-2	CAN2 L	Engine ECU CAN L
P12-3	CAN2 GND	CAN 2 GND
P14-1	B+ Digital Input	Platform Rotate CCW
P14-2	B+ Digital Input	Platform Rotate CW
P14-3	B+ Digital Input	Slew centered sw. (NO)
P14-6	B+ Digital Input	Slew centered sw. (NC)
P14-8	B+ Digital Input	Elevation Switch (NC)
P14-9	B+ Digital Input	Boom Length Sensor 1
P14-10	B+ Digital Input	Boom Length Sensor 2
P15-1	B+ Digital Input	Boom Extend
P15-2	B+ Digital Input	Boom Retract
P15-3	B+ Digital Input	Swing CW
P15-4	B+ Digital Input	Swing CCW
P15-5	B+ Digital Input	Boom Up
P15-6	B+ Digital Input	Boom Down
P15-7	B+ Digital Input	Jib Up
P15-8	B+ Digital Input	Jib Down
P15-9	B+ Digital Input	Elevation Switch (NO)
P15-10	B+ Protected Supply	TBM #5 (Boost Supply)

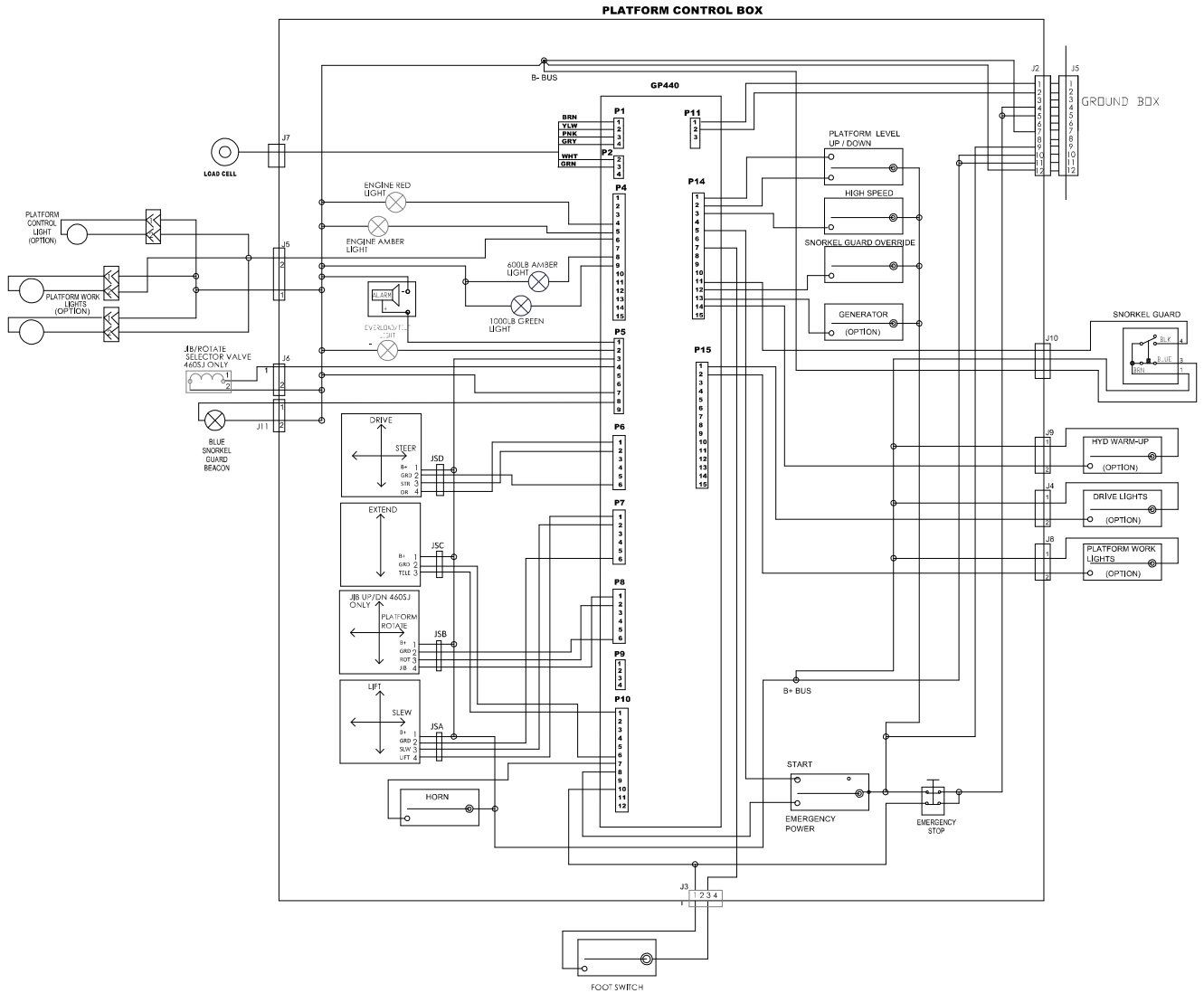
GP440 I/O ALLOCATIONS		400 - 460 DEUTZ ENGINE (CAN)
Load Cell #1		
P1-1	+5Volts	BRN
P1-2	Diff. +	YLW
P1-3	Diff. -	PNK
P1-4	GND	GRY
Load Cell #3		
P2-2	Diff. +	WHT
P2-3	Diff. -	GRN
P4-1	High Side 2A Output	Left Turn Signal Light
P4-2	High Side 2A Output	Right Turn Signal Light
P4-3	High Side 2A Output	Tail Light
P4-4	High Side 2A Output	Engine Red Stop Lamp
P4-5	High Side 2A Output	Engine Amber Warning Lamp
P4-6	High Side 2A Output	Platform Work Lights
P4-8	High side 2A output	600lb region Light
P4-9	High side 2A output	1000lb region Light
P5-1	High Side 2A Output	Upper Alarm
P5-2	High Side 2A Output	Overload (ON) / Tilt (Flashing) Lamp
P5-3	Board Supply	12V Supply From TBM B+
P5-4	High Side 2A Output	Platform Rotate Enable Valve (Jib Function When Disable)
P5-7	GND	Battery Ground Supply
P5-8	High Side 2A Output	Snorkel Guard Blue Flashing Light
Joystick #1		
P6-1	Analog Input	Drive
P6-2	Analog Input	Steer
P6-6	GND	GND
Joystick #2		
P7-1	Analog Input	Lift
P7-2	Analog Input	Swing
P7-6	GND	GND
Joystick #3		
P8-1	Analog Input	Jib
P8-2	Analog Input	Platform Rotate
P8-6	GND	GND
Joystick #4		
P10-1	Analog Input	Boom Extend/Retract
P10-6	GND	GND
P10-7	Digital Input	Horn Switch
P10-8	Digital Input	Emergency Power (MOM)
P10-10	Digital Input	Ignition
P11-1	CANH VCCM-P13-1	P12-1
P11-2	CANL VCCM-P13-2	P12-2
P11-3	GND	
P14-1	Digital Input	Platform Level Up
P14-2	Digital Input	Platform Level Down
P14-3	Digital Input	Drive High Speed Turn P6-15 Only If Elev Switch P15-9 Is At 12V
P14-5	Digital Input	Start Switch (MOM)
P14-7	Digital Input	Enable Foot Switch
P14-9	Digital Input	Left Turn Signal Switch
P14-10	Digital Input	Right Turn Signal Switch
P14-11	Digital Input	Snorkel Guard Proxi Switch
P14-12	Digital Input	Snorkel Guard Override Switch
P14-13	Digital Input	Generator Switch (No Funtions Allowed Ff On)
P14-14	Digital Input	Hydraulic Warm-Up Switch
P15-1	Digital Input	Drive Lights Switch
P15-2	Digital Input	Platform Work Lights Switch

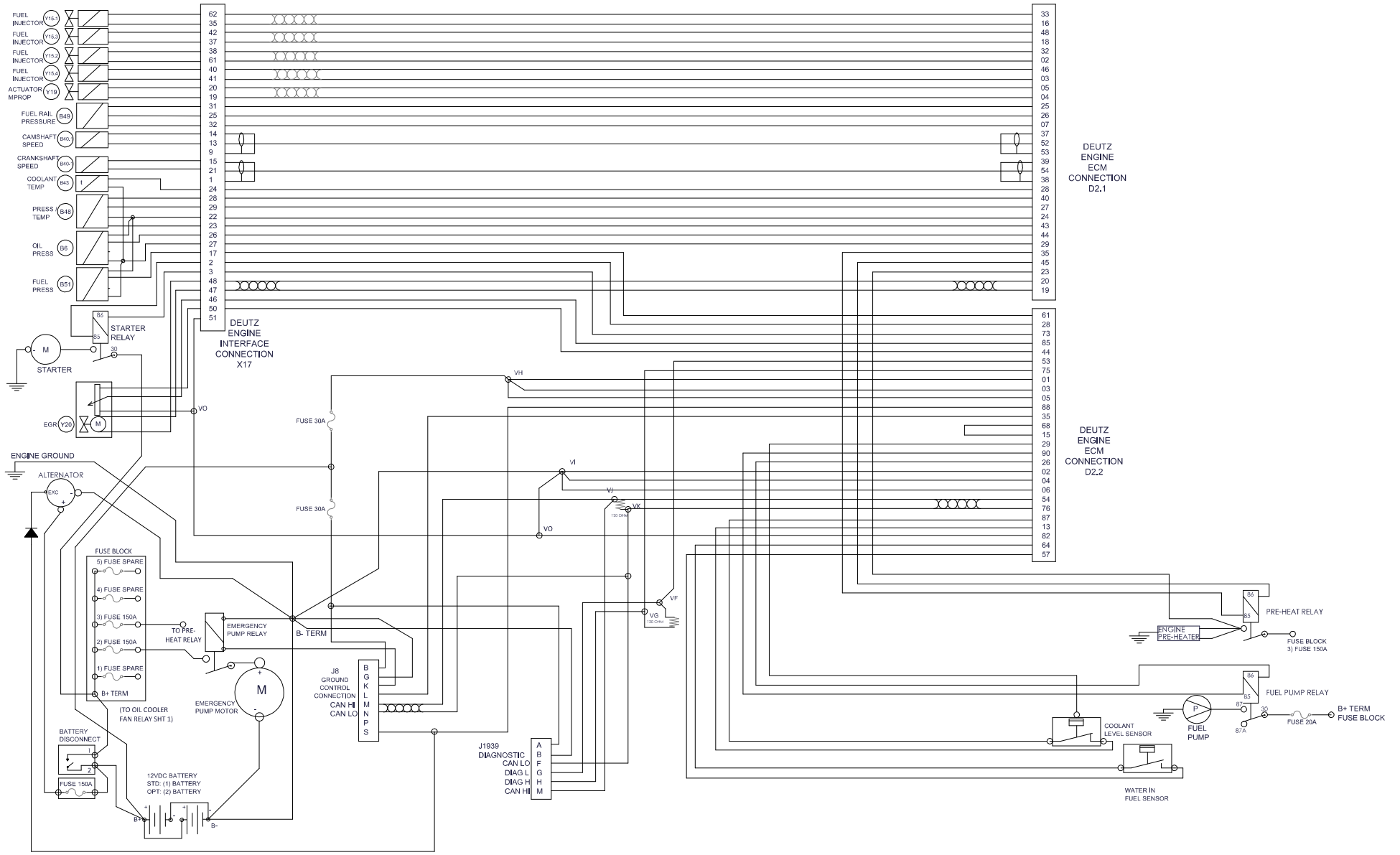
VCCM		
VP1-1	Valve 1 Positive Supply	
VP1-2	Current Control PWM Output	Drive Fwd Prop. Valve
	Valve 1 Minimum Current	0.3A
	Valve 1 Mmaximun Current	1.3A
VP2-1	Valve 2 Positive Supply	
VP2-2	Current Control PWM Output	Drive Reverse Prop. Valve
	Valve 2 Minimum Current	0.3A
	Valve 2 Maximun Current	1.3A
VP3-1	Valve 3 Positive Supply	
VP3-2	Current Control PWM Output	Swing CW Prop. Valve
	Valve 3 Minimum Current	0.3A
	Valve 3 Maximun Current	1.3A
VP4-1	Valve 4 Positive Supply	
VP4-2	Current Control PWM Output	Swing CCW Prop. Valve
	Valve 4 Minimum Current	0.3A
	Valve 4 Maximun Current	1.3A

12 V TBM P/N 21 500 340		
TERMINAL	FROM	TO
B+		P7-1 GP400
		B+ Supply To All I/O
B-	B- Battery	B- Supply To All I/O
		To P8-14 of GP400
1	Platform Select Switch	P7-4 of GP400
2	Ground Select Switch	P7-2 of GP400
3		P8-9 of GP400
4	After EMS GND	
5	GP400 Power	P15-10



NOTES:
 SHT 1 : 400 / 460 GROUND CONTROL SCHEMATIC
 SHT 2 : 400 / 460 PLATFORM CONTROL SCHEMATIC
 SHT 3 : 400 / 460 DEUTZ ENGINE SCHEMATIC
 SHT 4 : 400 / 460 CONTROL I/O





DEUTZ
ENGINE
ECM
CONNECTION
D2.1

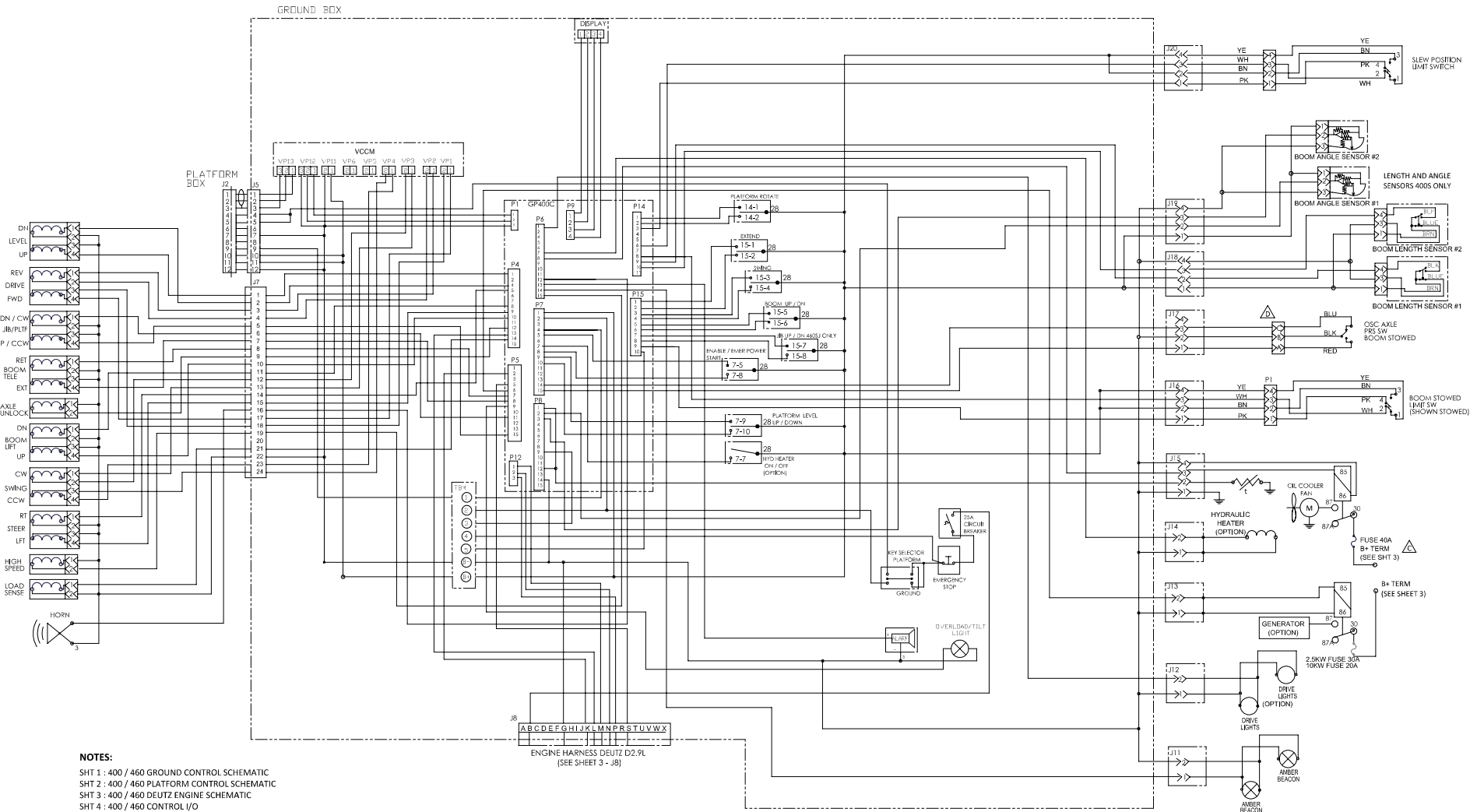
DEUTZ
ENGINE
ECM
CONNECTION
D2.2

GP400C I/O ALLOCATIONS		400 - 460 DEUTZ ENGINE (CAN)
P1-1	CAN1H	VCCM-P12-1
P1-2	CAN1L	VCCM-P12-2
P1-3	GND	VCCM-P12-3
P4-1	High Side PWM Output	Platform Level Up
P4-4	High Side PWM Output	Platform Level Down
P4-5	High Side PWM Output	Steer Right
P4-7	High Side PWM Output	Snorkel Guard Blue Flashing Light
P4-8	High Side PWM Output	Boom Lift Down
P4-9	High Side PWM Output	Steer Left
P4-10	High Side PWM Output	Boom Lift Up
P4-12	Safe High PWM Output	Axle Oscillate Valve (Energized = No Lock)
P4-13	Safe High Side Output	Starter Relay
P4-14	Safe High Side Output	Load Sense Dump Valve
P4-15	Safe High Side Output	Brake Release Valve
P5-2	High Side 2A Output	Emergency Power Relay
P5-3	High Side 2A Output	Hour Meter
P5-5	High Side 2A Output	Ignition (Key Sw Input To Engine ECU)
P5-6	High Side 2A Output	Generator (Output To Relay)
P5-7	High Side PWM Output	Boom Retract
P5-8	High Side PWM Output	Boom Extend
P5-9	High Side 2A Output	Tilt/Overload Lamp
P5-11	High Side PWM Output	Jib Down/ Platform Rotate CW
P5-15	High Side PWM Output	Jib Up/ Platform Rotate CCW
P6-1	High Side 2A Output	Drive Lights
P6-7	High Side 2A Output	Hydraulic Warm-Up Valve
P6-8	High Side 2A Output	Hydraulic Cooler Valve
P6-12	High Side 2A Output	Horn
P6-13	High Side 2A Output	Lower Alarm
P6-14	High Side 2A Output	Beacon
P6-15	High Side 2A Output	High Speed Valve
P7-1	B+ Digital Input	TBM B+ (Also Used For Switch Common)
P7-2	B+ Digital Input	Ground Select & TBM # 2
P7-4	B+ Digital Input	Platform Select & TBM #1
P7-5	B+ Digital Input	Enable / Enable + E Power
P7-7	B+ Digital Input	Hydraulic Warm-Up Switch
P7-8	B+ Digital Input	Engine Start (Crank) Switch
P7-9	B+ Digital Input	Platform Level Up
P7-10	B+ Digital Input	Platform Level Down
P7-14	Negative (B-) Digital Input	Axle Lock Pressure Switch (NC)
P7-15	Negative (B-) Digital Input	Axle Lock Pressure Switch (NO)
P8-1	Analog Input	Hyd Oil Temp (Also Connected To P8-12)
P8-2	Analog Input	Boom Angle Sensor 1
P8-3	Analog Input	Boom Angle Sensor 2
P8-9	Analog Input	TBM #3
P8-12	+5V Via 1K	Connected To Hyd Oil Temp Input (P8-1)
P8-14	GND	TBM B-
P12-1	CAN2 H	Engine ECU CAN H
P12-2	CAN2 L	Engine ECU CAN L
P12-3	CAN2 GND	CAN 2 GND
P14-1	B+ Digital Input	Platform Rotate CCW
P14-2	B+ Digital Input	Platform Rotate CW
P14-3	B+ Digital Input	Slew centered sw. (NO)
P14-6	B+ Digital Input	Slew centered sw. (NC)
P14-8	B+ Digital Input	Elevation Switch (NC)
P14-9	B+ Digital Input	Boom Length Sensor 1
P14-10	B+ Digital Input	Boom Length Sensor 2
P15-1	B+ Digital Input	Boom Extend
P15-2	B+ Digital Input	Boom Retract
P15-3	B+ Digital Input	Swing CW
P15-4	B+ Digital Input	Swing CCW
P15-5	B+ Digital Input	Boom Up
P15-6	B+ Digital Input	Boom Down
P15-7	B+ Digital Input	Jib Up
P15-8	B+ Digital Input	Jib Down
P15-9	B+ Digital Input	Elevation Switch (NO)
P15-10	B+ Protected Supply	TBM #5 (Boost Supply)

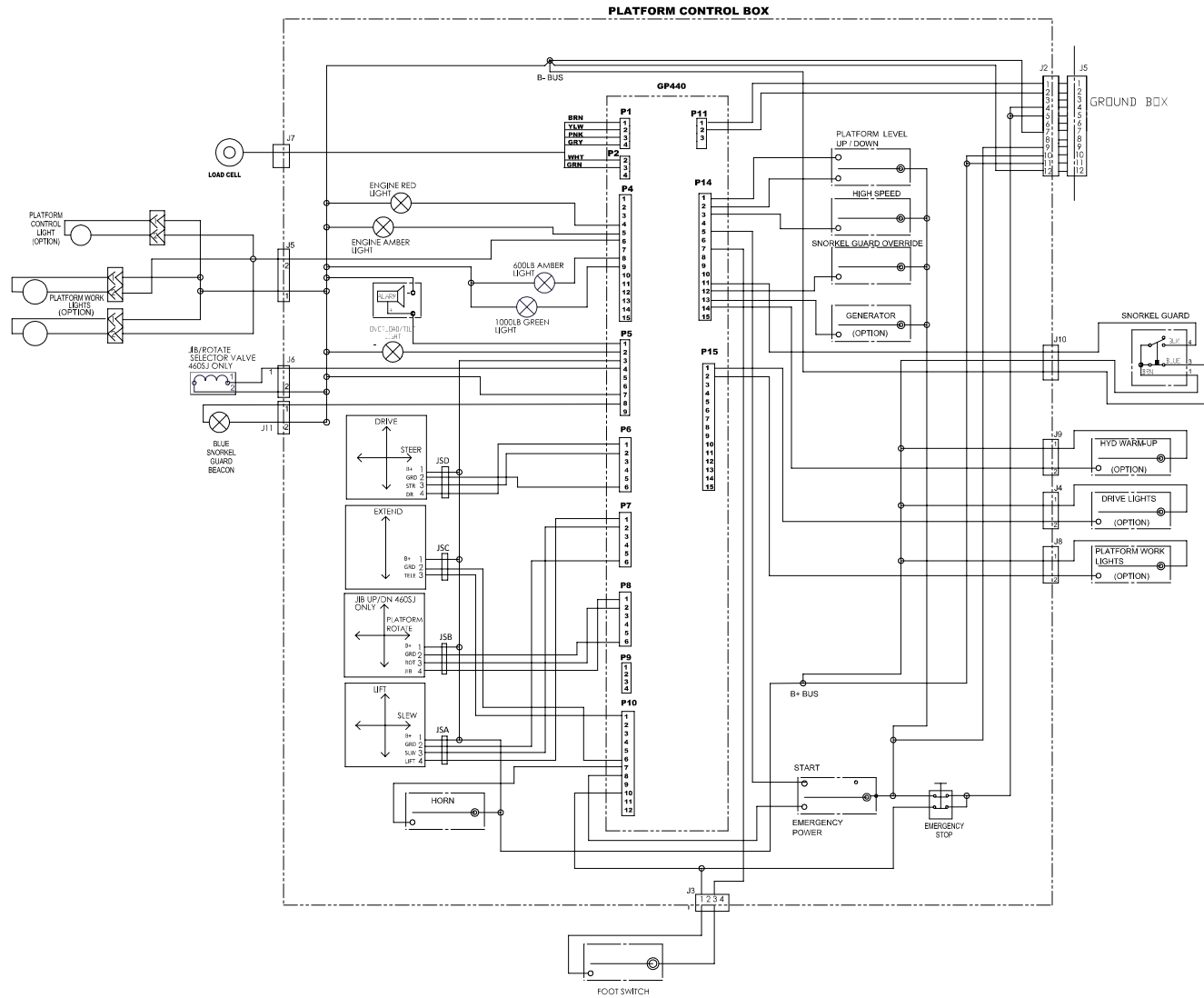
GP400C I/O ALLOCATIONS		400 - 460 DEUTZ ENGINE (CAN)
Load Cell #1		
P1-1	+5Volts	BRN
P1-2	Diff. +	YLW
P1-3	Diff. -	PNK
P1-4	GND	GRY
Load Cell #3		
P2-2	Diff. +	WHT
P2-3	Diff. -	GRN
P4-1	High Side 2A Output	Left Turn Signal Light
P4-2	High Side 2A Output	Right Turn Signal Light
P4-3	High Side 2A Output	Tail Light
P4-4	High Side 2A Output	Engine Red Stop Lamp
P4-5	High Side 2A Output	Engine Amber Warning Lamp
P4-6	High Side 2A Output	Platform Work Lights
P4-8	High side 2A output	600lb region Light
P4-9	High side 2A output	1000lb region Light
P5-1	High Side 2A Output	Upper Alarm
P5-2	High Side 2A Output	Overload (ON) / Tilt (Flashing) Lamp
P5-3	Board Supply	12V Supply From TBM B+
P5-4	High Side 2A Output	Platform Rotate Enable Valve (Jib Function When Disable)
P5-7	GND	Battery Ground Supply
P5-8	High Side 2A Output	Snorkel Guard Blue Flashing Light
Joystick #1		
P6-1	Analog Input	Drive
P6-2	Analog Input	Steer
P6-6	GND	GND
Joystick #2		
P7-1	Analog Input	Lift
P7-2	Analog Input	Swing
P7-6	GND	GND
Joystick #3		
P8-1	Analog Input	Jib
P8-2	Analog Input	Platform Rotate
P8-6	GND	GND
Joystick #4		
P10-1	Analog Input	Boom Extend/Retract
P10-6	GND	GND
P10-7	Digital Input	Horn Switch
P10-8	Digital Input	Emergency Power (MOM)
P10-10	Digital Input	Ignition
P11-1	CANH VCCM-P13-1	P12-1
P11-2	CANL VCCM-P13-2	P12-2
P11-3	GND	
P14-1	Digital Input	Platform Level Up
P14-2	Digital Input	Platform Level Down
P14-3	Digital Input	Drive High Speed Turn P6-15 Only if Elev Switch P15-9 Is At 12V
P14-5	Digital Input	Start Switch (MOM)
P14-7	Digital Input	Enable Foot Switch
P14-9	Digital Input	Left Turn Signal Switch
P14-10	Digital Input	Right Turn Signal Switch
P14-11	Digital Input	Snorkel Guard Proxi Switch
P14-12	Digital Input	Snorkel Guard Override Switch
P14-13	Digital Input	Generator Switch (No Funtions Allowed Ff On)
P14-14	Digital Input	Hydraulic Warm-Up Switch
P15-1	Digital Input	Drive Lights Switch
P15-2	Digital Input	Platform Work Lights Switch

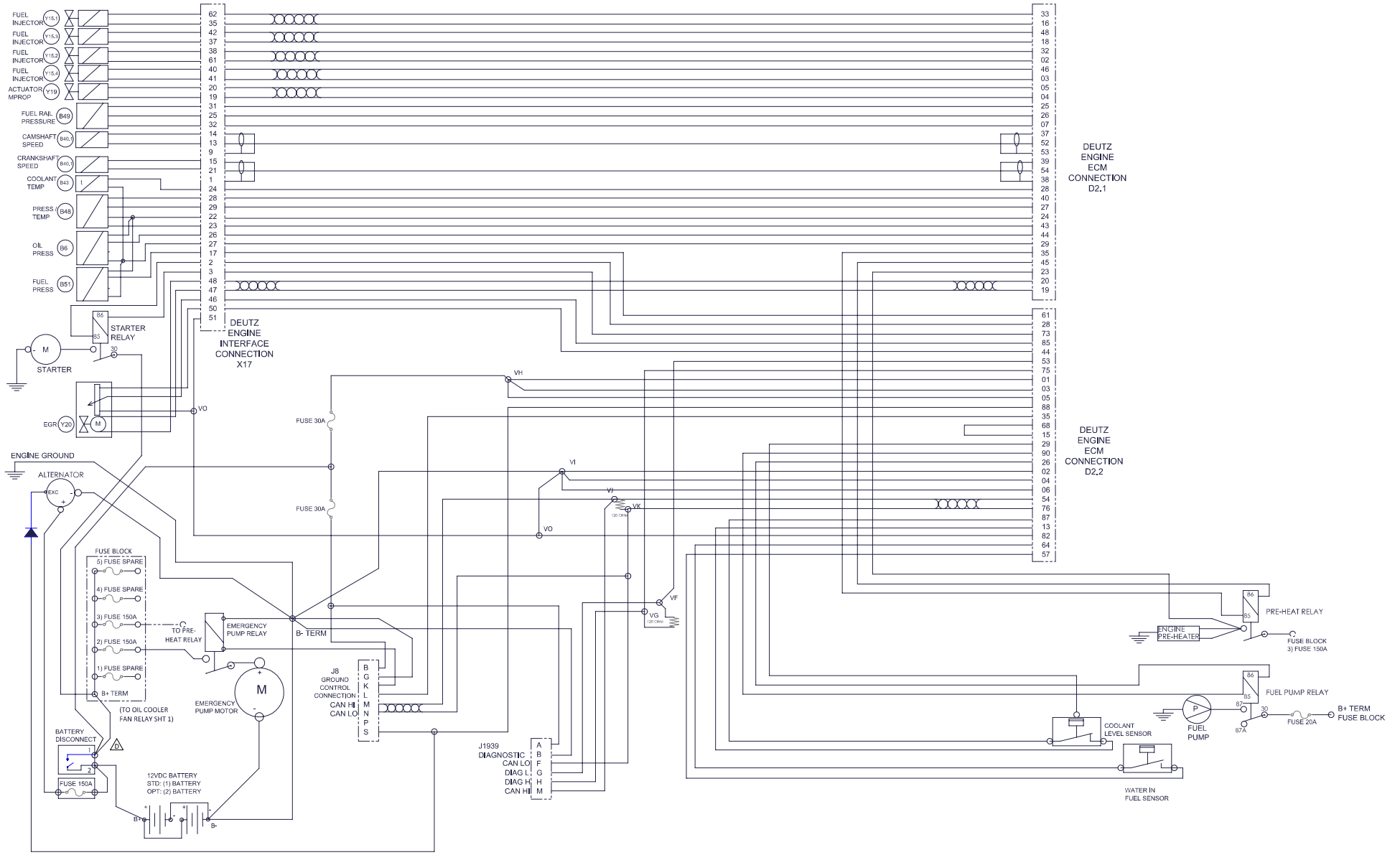
VCCM		
VP1-1	Valve 1 Positive Supply	
VP1-2	Current Control PWM Output	Drive Fwd Prop. Valve
	Valve 1 Minimum Current	0.3A
	Valve 1 Mmaximum Current	1.3A
VP2-1	Valve 2 Positive Supply	
VP2-2	Current Control PWM Output	Drive Reverse Prop. Valve
	Valve 2 Minimum Current	0.3A
	Valve 2 Maximum Current	1.3A
VP3-1	Valve 3 Positive Supply	
VP3-2	Current Control PWM Output	Swing CW Prop. Valve
	Valve 3 Minimum Current	0.3A
	Valve 3 Maximum Current	1.3A
VP4-1	Valve 4 Positive Supply	
VP4-2	Current Control PWM Output	Swing CCW Prop. Valve
	Valve 4 Minimum Current	0.3A
	Valve 4 Maximum Current	1.3A

12 V TBM P/N 21 500 340		
TERMINAL	FROM	TO
B+		P7-1 GP400
		B+ Supply To All I/O
B-	B- Battery	B- Supply To All I/O
		To P8-14 of GP400
1	Platform Select Switch	P7-4 of GP400
2	Ground Select Switch	P7-2 of GP400
3		P8-9 of GP400
4	After EMS GND	
5	GP400 Power	P15-10



NOTES:
 SHT 1 : 400 / 460 GROUND CONTROL SCHEMATIC
 SHT 2 : 400 / 460 PLATFORM CONTROL SCHEMATIC
 SHT 3 : 400 / 460 DEUTZ ENGINE SCHEMATIC
 SHT 4 : 400 / 460 CONTROL I/O

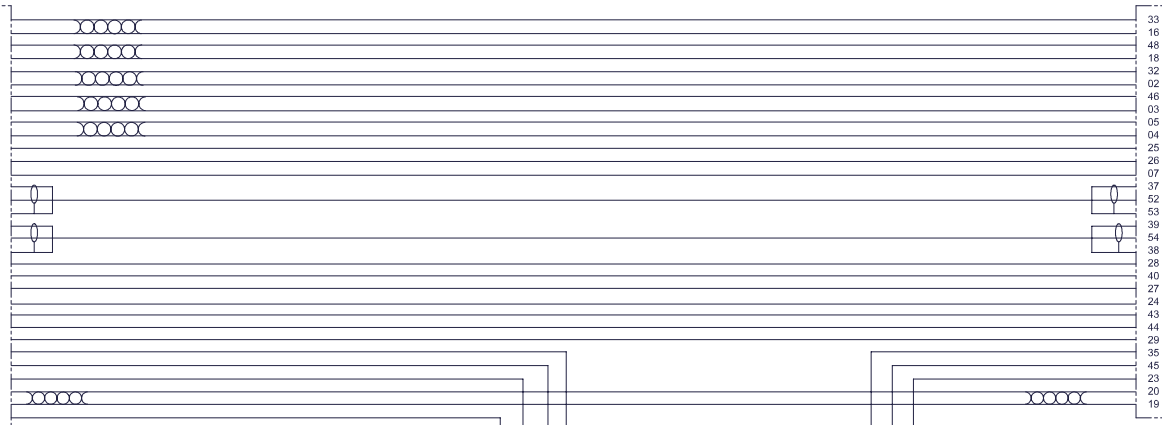




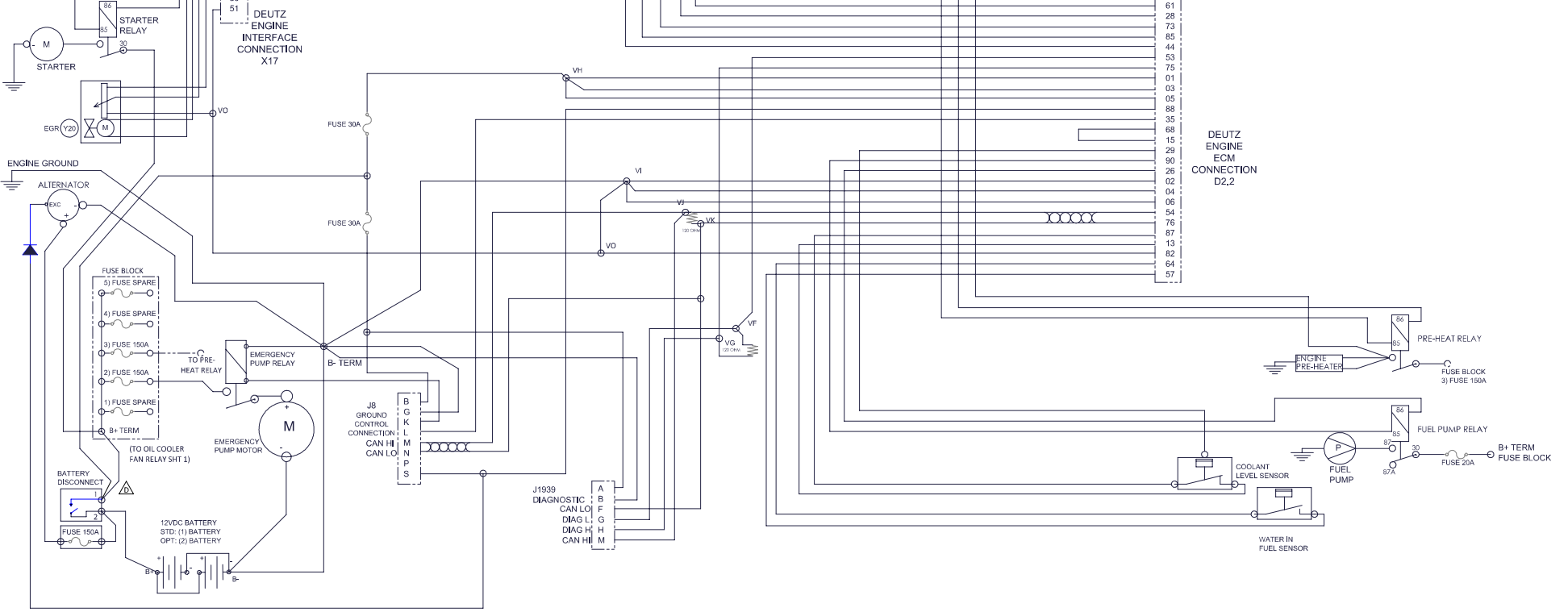
DEUTZ ENGINE ECM CONNECTION D2.1

DEUTZ ENGINE ECM CONNECTION D2.2

- FUEL INJECTOR (Y15.1)
- FUEL INJECTOR (Y15.3)
- FUEL INJECTOR (Y15.2)
- FUEL INJECTOR (Y15.4)
- ACTUATOR MPROP (Y19)
- FUEL RAIL PRESSURE (B48)
- CAMSHAFT SPEED (B10)
- CRANKSHAFT SPEED (B10)
- COOLANT TEMP (B13)
- PRESS TEMP (B48)
- OIL PRESS (B6)
- FUEL PRESS (B51)



- 33
- 16
- 48
- 18
- 32
- 02
- 46
- 03
- 05
- 04
- 25
- 26
- 07
- 37
- 52
- 53
- 39
- 54
- 38
- 28
- 40
- 27
- 24
- 43
- 44
- 29
- 35
- 45
- 23
- 20
- 19

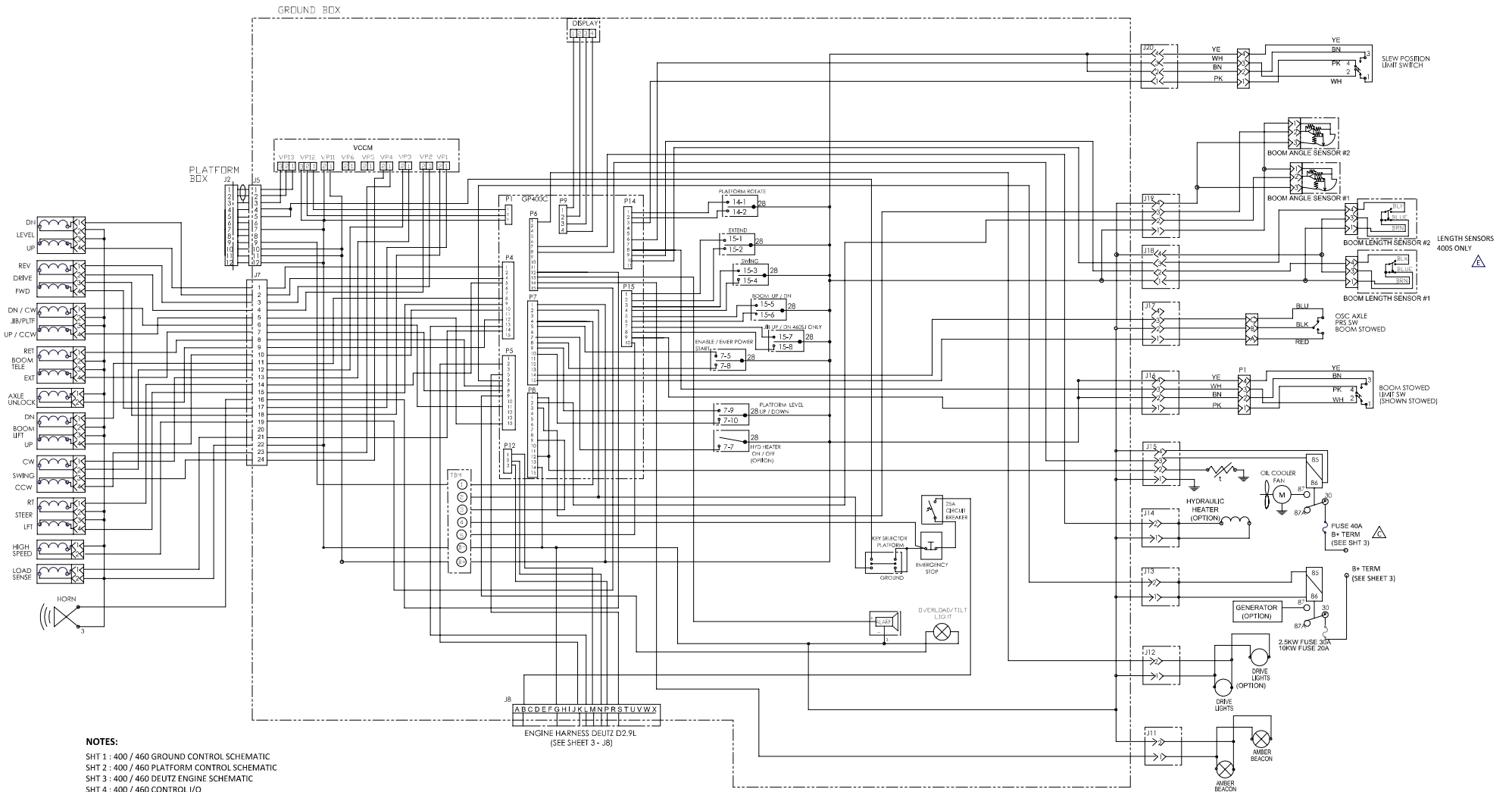


GP400C I/O ALLOCATIONS		400 - 460 DEUTZ ENGINE (CAN)
P1-1	CAN1H	VCCM-P12-1
P1-2	CAN1L	VCCM-P12-2
P1-3	GND	VCCM-P12-3
P4-1	High Side PWM Output	Platform Level Up
P4-4	High Side PWM Output	Platform Level Down
P4-5	High Side PWM Output	Steer Right
P4-7	High Side PWM Output	Snorkel Guard Blue Flashing Light
P4-8	High Side PWM Output	Boom Lift Down
P4-9	High Side PWM Output	Steer Left
P4-10	High Side PWM Output	Boom Lift Up
P4-12	Safe High PWM Output	Axle Oscillate Valve (Energized = No Lock)
P4-13	Safe High Side Output	Starter Relay
P4-14	Safe High Side Output	Load Sense Dump Valve
P4-15	Safe High Side Output	Brake Release Valve
P5-2	High Side 2A Output	Emergency Power Relay
P5-3	High Side 2A Output	Hour Meter
P5-5	High Side 2A Output	Ignition (Key Sw Input To Engine ECU)
P5-6	High Side 2A Output	Generator (Output To Relay)
P5-7	High Side PWM Output	Boom Retract
P5-8	High Side PWM Output	Boom Extend
P5-9	High Side 2A Output	Tilt/Overload Lamp
P5-11	High Side PWM Output	Jib Down/ Platform Rotate CW
P5-15	High Side PWM Output	Jib Up/ Platform Rotate CCW
P6-1	High Side 2A Output	Drive Lights
P6-7	High Side 2A Output	Hydraulic Warm-Up Valve
P6-8	High Side 2A Output	Hydraulic Cooler Valve
P6-12	High Side 2A Output	Horn
P6-13	High Side 2A Output	Lower Alarm
P6-14	High Side 2A Output	Beacon
P6-15	High Side 2A Output	High Speed Valve
P7-1	B+ Digital Input	TBM B+ (Also Used For Switch Common)
P7-2	B+ Digital Input	Ground Select & TBM # 2
P7-4	B+ Digital Input	Platform Select & TBM #1
P7-5	B+ Digital Input	Enable / Enable + E Power
P7-7	B+ Digital Input	Hydraulic Warm-Up Switch
P7-8	B+ Digital Input	Engine Start (Crank) Switch
P7-9	B+ Digital Input	Platform Level Up
P7-10	B+ Digital Input	Platform Level Down
P7-14	Negative (B-) Digital Input	Axle Lock Pressure Switch (NC)
P7-15	Negative (B-) Digital Input	Axle Lock Pressure Switch (NO)
P8-1	Analog Input	Hyd Oil Temp (Also Connected To P8-12)
P8-2	Analog Input	Boom Angle Sensor 1
P8-3	Analog Input	Boom Angle Sensor 2
P8-9	Analog Input	TBM #3
P8-12	+5V Via 1K	Connected To Hyd Oil Temp Input (P8-1)
P8-14	GND	TBM B-
P12-1	CAN2 H	Engine ECU CAN H
P12-2	CAN2 L	Engine ECU CAN L
P12-3	CAN2 GND	CAN 2 GND
P14-1	B+ Digital Input	Platform Rotate CCW
P14-2	B+ Digital Input	Platform Rotate CW
P14-3	B+ Digital Input	Slew centered sw. (NO)
P14-6	B+ Digital Input	Slew centered sw. (NC)
P14-8	B+ Digital Input	Elevation Switch (NC)
P14-9	B+ Digital Input	Boom Length Sensor 1
P14-10	B+ Digital Input	Boom Length Sensor 2
P15-1	B+ Digital Input	Boom Extend
P15-2	B+ Digital Input	Boom Retract
P15-3	B+ Digital Input	Swing CW
P15-4	B+ Digital Input	Swing CCW
P15-5	B+ Digital Input	Boom Up
P15-6	B+ Digital Input	Boom Down
P15-7	B+ Digital Input	Jib Up
P15-8	B+ Digital Input	Jib Down
P15-9	B+ Digital Input	Elevation Switch (NO)
P15-10	B+ Protected Supply	TBM #5 (Boost Supply)

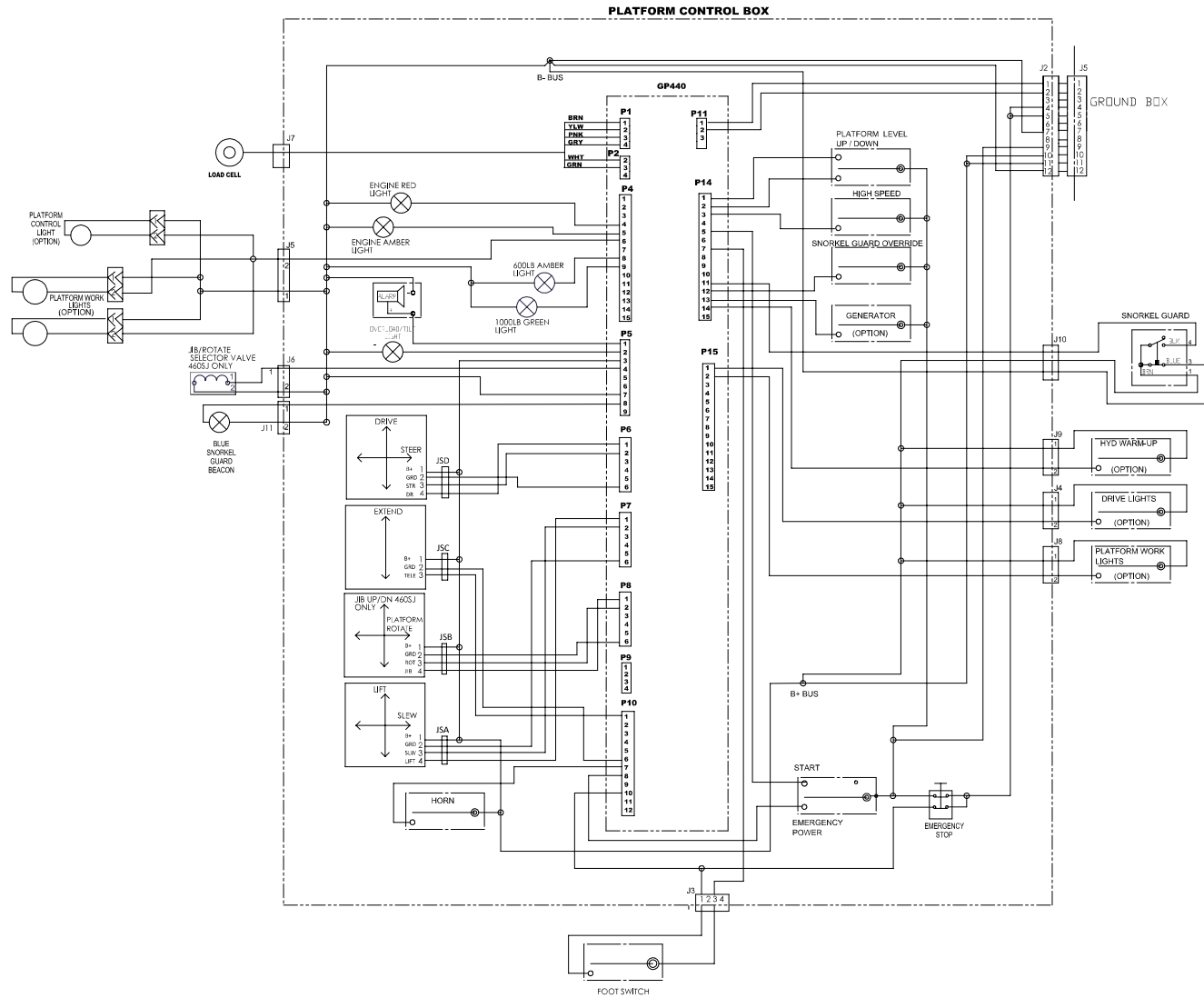
GP400C I/O ALLOCATIONS		400 - 460 DEUTZ ENGINE (CAN)
Load Cell #1		
P1-1	+5Volts	BRN
P1-2	Diff. +	YLW
P1-3	Diff. -	PNK
P1-4	GND	GRY
Load Cell #3		
P2-2	Diff. +	WHT
P2-3	Diff. -	GRN
P4-1	High Side 2A Output	Left Turn Signal Light
P4-2	High Side 2A Output	Right Turn Signal Light
P4-3	High Side 2A Output	Tail Light
P4-4	High Side 2A Output	Engine Red Stop Lamp
P4-5	High Side 2A Output	Engine Amber Warning Lamp
P4-6	High Side 2A Output	Platform Work Lights
P4-8	High side 2A output	600lb region Light
P4-9	High side 2A output	1000lb region Light
P5-1	High Side 2A Output	Upper Alarm
P5-2	High Side 2A Output	Overload (ON) / Tilt (Flashing) Lamp
P5-3	Board Supply	12V Supply From TBM B+
P5-4	High Side 2A Output	Platform Rotate Enable Valve (Jib Function When Disable)
P5-7	GND	Battery Ground Supply
P5-8	High Side 2A Output	Snorkel Guard Blue Flashing Light
Joystick #1		
P6-1	Analog Input	Drive
P6-2	Analog Input	Steer
P6-6	GND	GND
Joystick #2		
P7-1	Analog Input	Lift
P7-2	Analog Input	Swing
P7-6	GND	GND
Joystick #3		
P8-1	Analog Input	Jib
P8-2	Analog Input	Platform Rotate
P8-6	GND	GND
Joystick #4		
P10-1	Analog Input	Boom Extend/Retract
P10-6	GND	GND
P10-7	Digital Input	Horn Switch
P10-8	Digital Input	Emergency Power (MOM)
P10-10	Digital Input	Ignition
P11-1	CANH VCCM-P13-1	P12-1
P11-2	CANL VCCM-P13-2	P12-2
P11-3	GND	
P14-1	Digital Input	Platform Level Up
P14-2	Digital Input	Platform Level Down
P14-3	Digital Input	Drive High Speed Turn P6-15 Only if Elev Switch P15-9 Is At 12V
P14-5	Digital Input	Start Switch (MOM)
P14-7	Digital Input	Enable Foot Switch
P14-9	Digital Input	Left Turn Signal Switch
P14-10	Digital Input	Right Turn Signal Switch
P14-11	Digital Input	Snorkel Guard Proxi Switch
P14-12	Digital Input	Snorkel Guard Override Switch
P14-13	Digital Input	Generator Switch (No Funtions Allowed Ff On)
P14-14	Digital Input	Hydraulic Warm-Up Switch
P15-1	Digital Input	Drive Lights Switch
P15-2	Digital Input	Platform Work Lights Switch

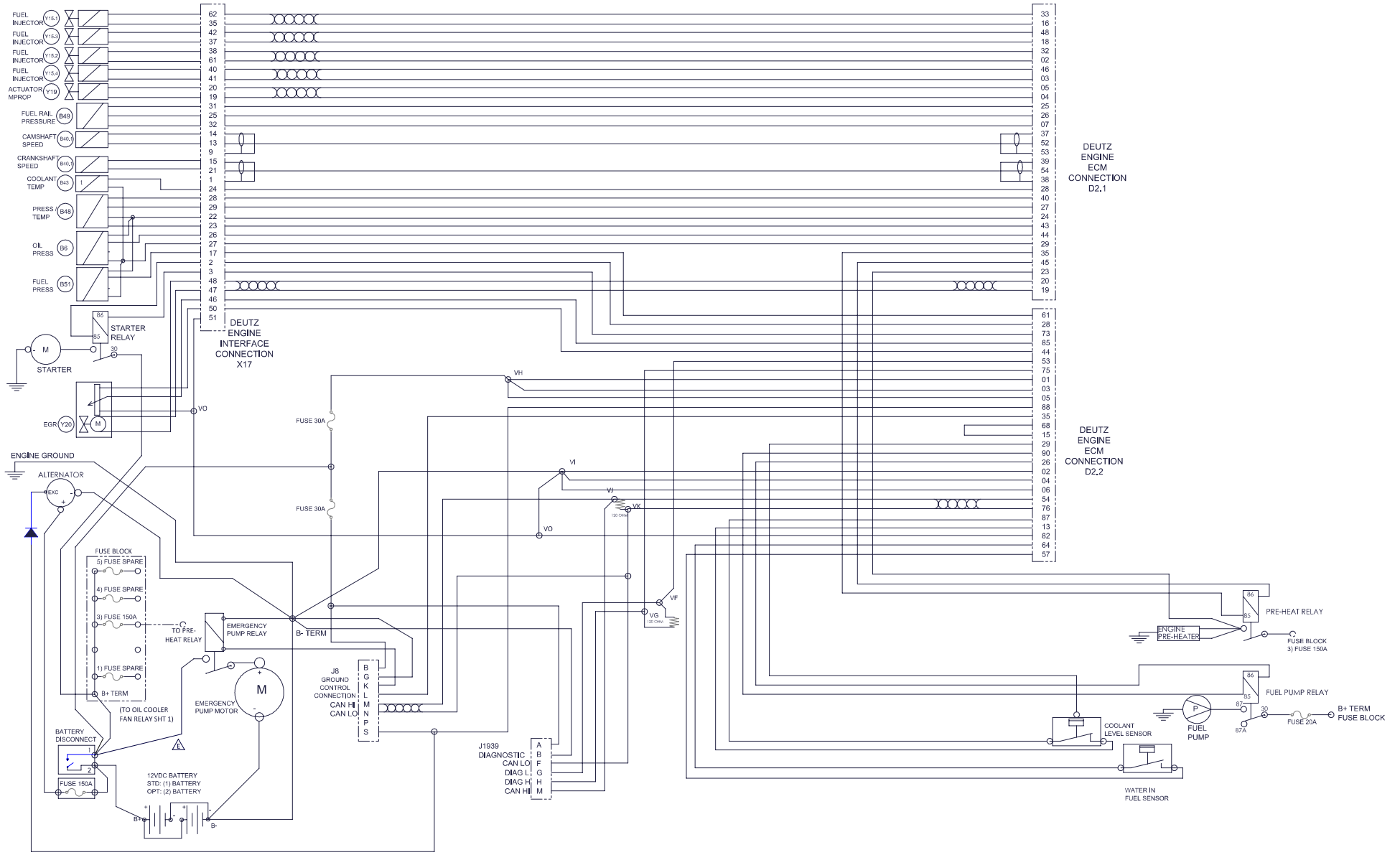
VCCM		
VP1-1	Valve 1 Positive Supply	
VP1-2	Current Control PWM Output	Drive Fwd Prop. Valve
	Valve 1 Minimum Current	0.3A
	Valve 1 Mmaximun Current	1.3A
VP2-1	Valve 2 Positive Supply	
VP2-2	Current Control PWM Output	Drive Reverse Prop. Valve
	Valve 2 Minimum Current	0.3A
	Valve 2 Maximun Current	1.3A
VP3-1	Valve 3 Positive Supply	
VP3-2	Current Control PWM Output	Swing CW Prop. Valve
	Valve 3 Minimum Current	0.3A
	Valve 3 Maximun Current	1.3A
VP4-1	Valve 4 Positive Supply	
VP4-2	Current Control PWM Output	Swing CCW Prop. Valve
	Valve 4 Minimum Current	0.3A
	Valve 4 Maximun Current	1.3A

12 V TBM P/N 21 500 340		
TERMINAL	FROM	TO
B+		P7-1 GP400
		B+ Supply To All I/O
B-	B- Battery	B- Supply To All I/O
		To P8-14 of GP400
1	Platform Select Switch	P7-4 of GP400
2	Ground Select Switch	P7-2 of GP400
3		P8-9 of GP400
4	After EMS GND	
5	GP400 Power	P15-10



NOTES:
 SHT 1 : 400 / 460 GROUND CONTROL SCHEMATIC
 SHT 2 : 400 / 460 PLATFORM CONTROL SCHEMATIC
 SHT 3 : 400 / 460 DEUTZ ENGINE SCHEMATIC
 SHT 4 : 400 / 460 CONTROL I/O





DEUTZ
ENGINE
ECM
CONNECTION
D2.1

DEUTZ
ENGINE
ECM
CONNECTION
D2.2

J1939
DIAGNOSTIC
CAN LO : B
CAN HI : F
DIAG L : G
DIAG H : H
CAN HI : M

JB
GROUND
CONTROL
CONNECTION
CAN HI : L
CAN LO : M
CAN LO : N
CAN LO : P
CAN LO : S

PRE-HEAT RELAY
ENGINE PRE-HEATER
FUSE BLOCK
3) FUSE 150A
FUEL PUMP RELAY
FUSE BLOCK
3) FUSE 150A
FUEL PUMP
COOLANT LEVEL SENSOR
WATER IN FUEL SENSOR

GP400C I/O ALLOCATIONS		400 - 460 DEUTZ ENGINE (CAN)
P1-1	CAN1H	VCCM-P12-1
P1-2	CAN1L	VCCM-P12-2
P1-3	GND	VCCM-P12-3
P4-1	High Side PWM Output	Platform Level Up
P4-4	High Side PWM Output	Platform Level Down
P4-5	High Side PWM Output	Steer Right
P4-7	High Side PWM Output	Snorkel Guard Blue Flashing Light
P4-8	High Side PWM Output	Boom Lift Down
P4-9	High Side PWM Output	Steer Left
P4-10	High Side PWM Output	Boom Lift Up
P4-12	Safe High PWM Output	Axle Oscillate Valve (Energized = No Lock)
P4-13	Safe High Side Output	Starter Relay
P4-14	Safe High Side Output	Load Sense Dump Valve
P4-15	Safe High Side Output	Brake Release Valve
P5-2	High Side 2A Output	Emergency Power Relay
P5-3	High Side 2A Output	Hour Meter
P5-5	High Side 2A Output	Ignition (Key Sw Input To Engine ECU)
P5-6	High Side 2A Output	Generator (Output To Relay)
P5-7	High Side PWM Output	Boom Retract
P5-8	High Side PWM Output	Boom Extend
P5-9	High Side 2A Output	Tilt/Overload Lamp
P5-11	High Side PWM Output	Jib Down/ Platform Rotate CW
P5-15	High Side PWM Output	Jib Up/ Platform Rotate CCW
P6-1	High Side 2A Output	Drive Lights
P6-7	High Side 2A Output	Hydraulic Warm-Up Valve
P6-8	High Side 2A Output	Hydraulic Cooler Valve
P6-12	High Side 2A Output	Horn
P6-13	High Side 2A Output	Lower Alarm
P6-14	High Side 2A Output	Beacon
P6-15	High Side 2A Output	High Speed Valve
P7-1	B+ Digital Input	TBM B+ (Also Used For Switch Common)
P7-2	B+ Digital Input	Ground Select & TBM # 2
P7-4	B+ Digital Input	Platform Select & TBM #1
P7-5	B+ Digital Input	Enable / Enable + E Power
P7-7	B+ Digital Input	Hydraulic Warm-Up Switch
P7-8	B+ Digital Input	Engine Start (Crank) Switch
P7-9	B+ Digital Input	Platform Level Up
P7-10	B+ Digital Input	Platform Level Down
P7-14	Negative (B-) Digital Input	Axle Lock Pressure Switch (NC)
P7-15	Negative (B-) Digital Input	Axle Lock Pressure Switch (NO)
P8-1	Analog Input	Hyd Oil Temp (Also Connected To P8-12)
P8-2	Analog Input	Boom Angle Sensor 1
P8-3	Analog Input	Boom Angle Sensor 2
P8-9	Analog Input	TBM #3
P8-12	+5V Via 1K	Connected To Hyd Oil Temp Input (P8-1)
P8-14	GND	TBM B-
P12-1	CAN2 H	Engine ECU CAN H
P12-2	CAN2 L	Engine ECU CAN L
P12-3	CAN2 GND	CAN 2 GND
P14-1	B+ Digital Input	Platform Rotate CCW
P14-2	B+ Digital Input	Platform Rotate CW
P14-3	B+ Digital Input	Slew centered sw. (NO)
P14-6	B+ Digital Input	Slew centered sw. (NC)
P14-8	B+ Digital Input	Elevation Switch (NC)
P14-9	B+ Digital Input	Boom Length Sensor 1
P14-10	B+ Digital Input	Boom Length Sensor 2
P15-1	B+ Digital Input	Boom Extend
P15-2	B+ Digital Input	Boom Retract
P15-3	B+ Digital Input	Swing CW
P15-4	B+ Digital Input	Swing CCW
P15-5	B+ Digital Input	Boom Up
P15-6	B+ Digital Input	Boom Down
P15-7	B+ Digital Input	Jib Up
P15-8	B+ Digital Input	Jib Down
P15-9	B+ Digital Input	Elevation Switch (NO)
P15-10	B+ Protected Supply	TBM #5 (Boost Supply)

GP400C I/O ALLOCATIONS		400 - 460 DEUTZ ENGINE (CAN)
Load Cell #1		
P1-1	+5Volts	BRN
P1-2	Diff. +	YLV
P1-3	Diff. -	PNK
P1-4	GND	GRY
Load Cell #3		
P2-2	Diff. +	WHT
P2-3	Diff. -	GRN
P4-1	High Side 2A Output	Left Turn Signal Light
P4-2	High Side 2A Output	Right Turn Signal Light
P4-3	High Side 2A Output	Tail Light
P4-4	High Side 2A Output	Engine Red Stop Lamp
P4-5	High Side 2A Output	Engine Amber Warning Lamp
P4-6	High Side 2A Output	Platform Work Lights
P4-8	High side 2A output	600lb region Light
P4-9	High side 2A output	1000lb region Light
P5-1	High Side 2A Output	Upper Alarm
P5-2	High Side 2A Output	Overload (ON) / Tilt (Flashing) Lamp
P5-3	Board Supply	12V Supply From TBM B+
P5-4	High Side 2A Output	Platform Rotate Enable Valve (Jib Function When Disable)
P5-7	GND	Battery Ground Supply
P5-8	High Side 2A Output	Snorkel Guard Blue Flashing Light
Joystick #1		
P6-1	Analog Input	Drive
P6-2	Analog Input	Steer
P6-6	GND	GND
Joystick #2		
P7-1	Analog Input	Lift
P7-2	Analog Input	Swing
P7-6	GND	GND
Joystick #3		
P8-1	Analog Input	Jib
P8-2	Analog Input	Platform Rotate
P8-6	GND	GND
Joystick #4		
P10-1	Analog Input	Boom Extend/Retract
P10-6	GND	GND
P10-7	Digital Input	Horn Switch
P10-8	Digital Input	Emergency Power (MOM)
P10-10	Digital Input	Ignition
P11-1	CANH VCCM-P13-1	P12-1
P11-2	CANL VCCM-P13-2	P12-2
P11-3	GND	
P14-1	Digital Input	Platform Level Up
P14-2	Digital Input	Platform Level Down
P14-3	Digital Input	Drive High Speed Turn P6-15 Only if Elev Switch P15-9 Is At 12V
P14-5	Digital Input	Start Switch (MOM)
P14-7	Digital Input	Enable Foot Switch
P14-9	Digital Input	Left Turn Signal Switch
P14-10	Digital Input	Right Turn Signal Switch
P14-11	Digital Input	Snorkel Guard Proxi Switch
P14-12	Digital Input	Snorkel Guard Override Switch
P14-13	Digital Input	Generator Switch (No Funtions Allowed Ff On)
P14-14	Digital Input	Hydraulic Warm-Up Switch
P15-1	Digital Input	Drive Lights Switch
P15-2	Digital Input	Platform Work Lights Switch

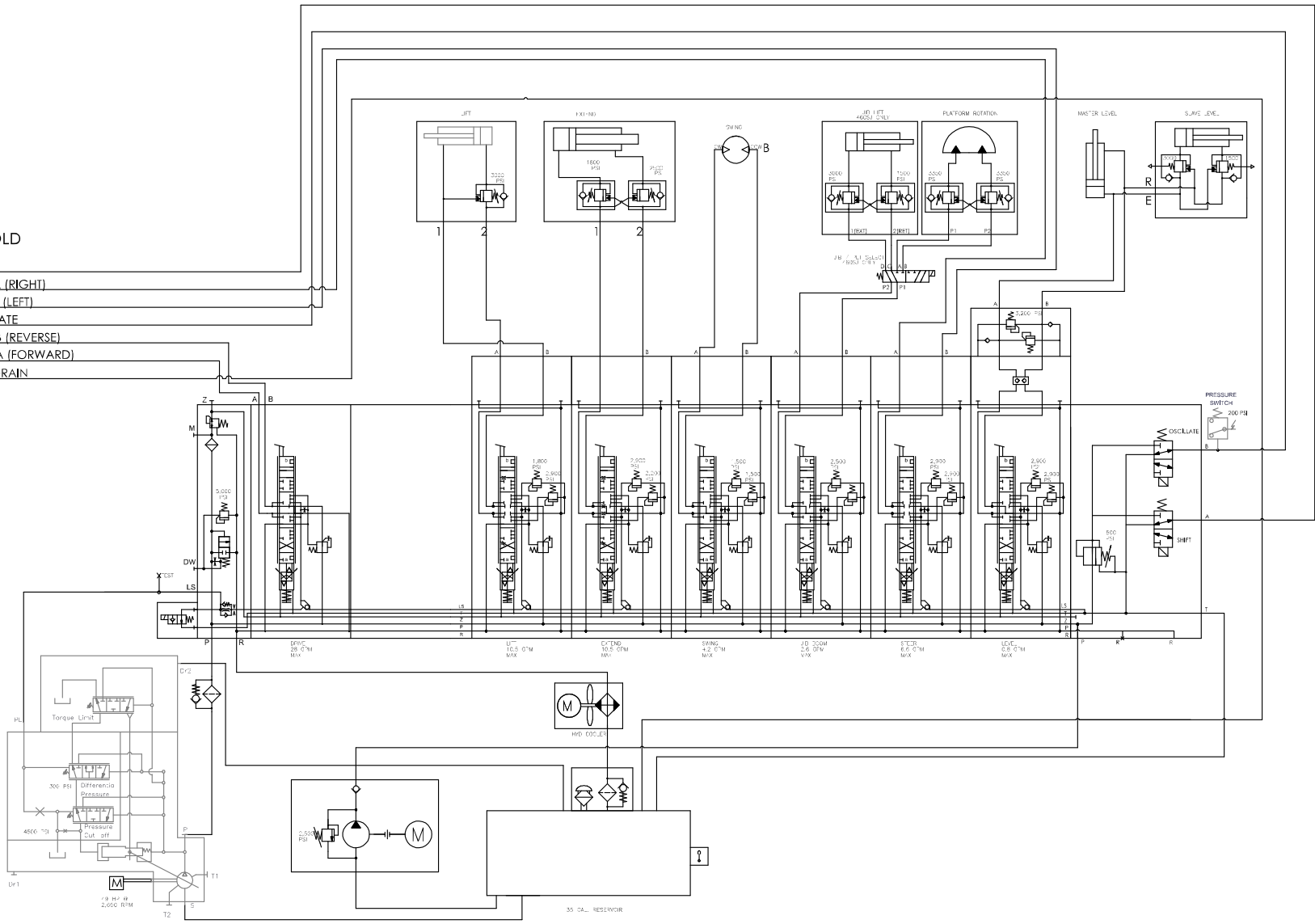
VCCM		
VP1-1	Valve 1 Positive Supply	
VP1-2	Current Control PWM Output	Drive Fwd Prop. Valve
	Valve 1 Minimum Current	0.3A
	Valve 1 Mmaximun Current	1.3A
VP2-1	Valve 2 Positive Supply	
VP2-2	Current Control PWM Output	Drive Reverse Prop. Valve
	Valve 2 Minimum Current	0.3A
	Valve 2 Maximun Current	1.3A
VP3-1	Valve 3 Positive Supply	
VP3-2	Current Control PWM Output	Swing CW Prop. Valve
	Valve 3 Minimum Current	0.3A
	Valve 3 Maximun Current	1.3A
VP4-1	Valve 4 Positive Supply	
VP4-2	Current Control PWM Output	Swing CCW Prop. Valve
	Valve 4 Minimum Current	0.3A
	Valve 4 Maximun Current	1.3A

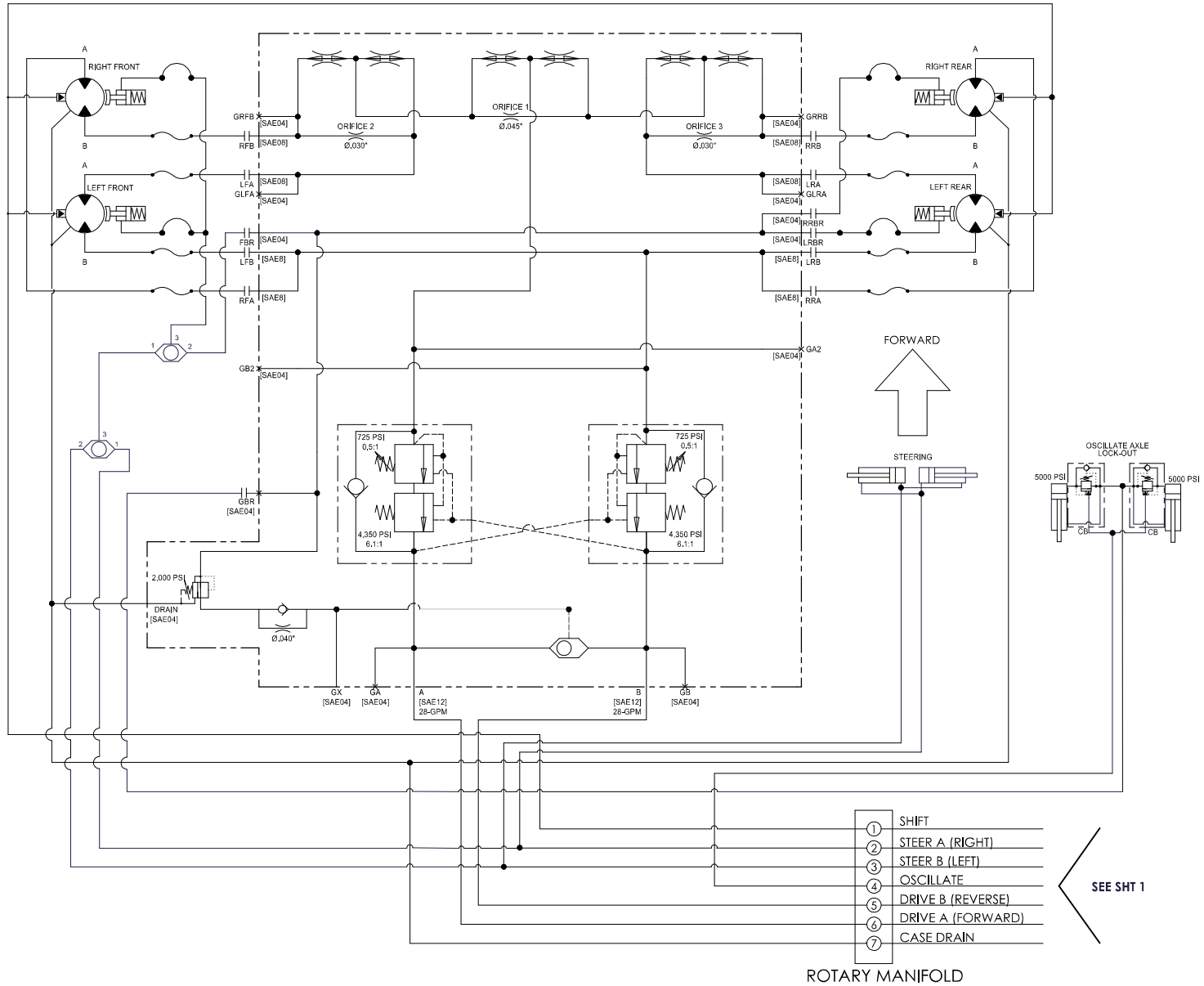
12 V TBM P/N 21 500 340		
TERMINAL	FROM	TO
B+		P7-1 GP400
		B+ Supply To All I/O
B-	B- Battery	B- Supply To All I/O
		To P8-14 of GP400
1	Platform Select Switch	P7-4 of GP400
2	Ground Select Switch	P7-2 of GP400
3		P8-9 of GP400
4	After EMS GND	
5	GP400 Power	P15-10

SEE
SHT 2

ROTARY MANIFOLD

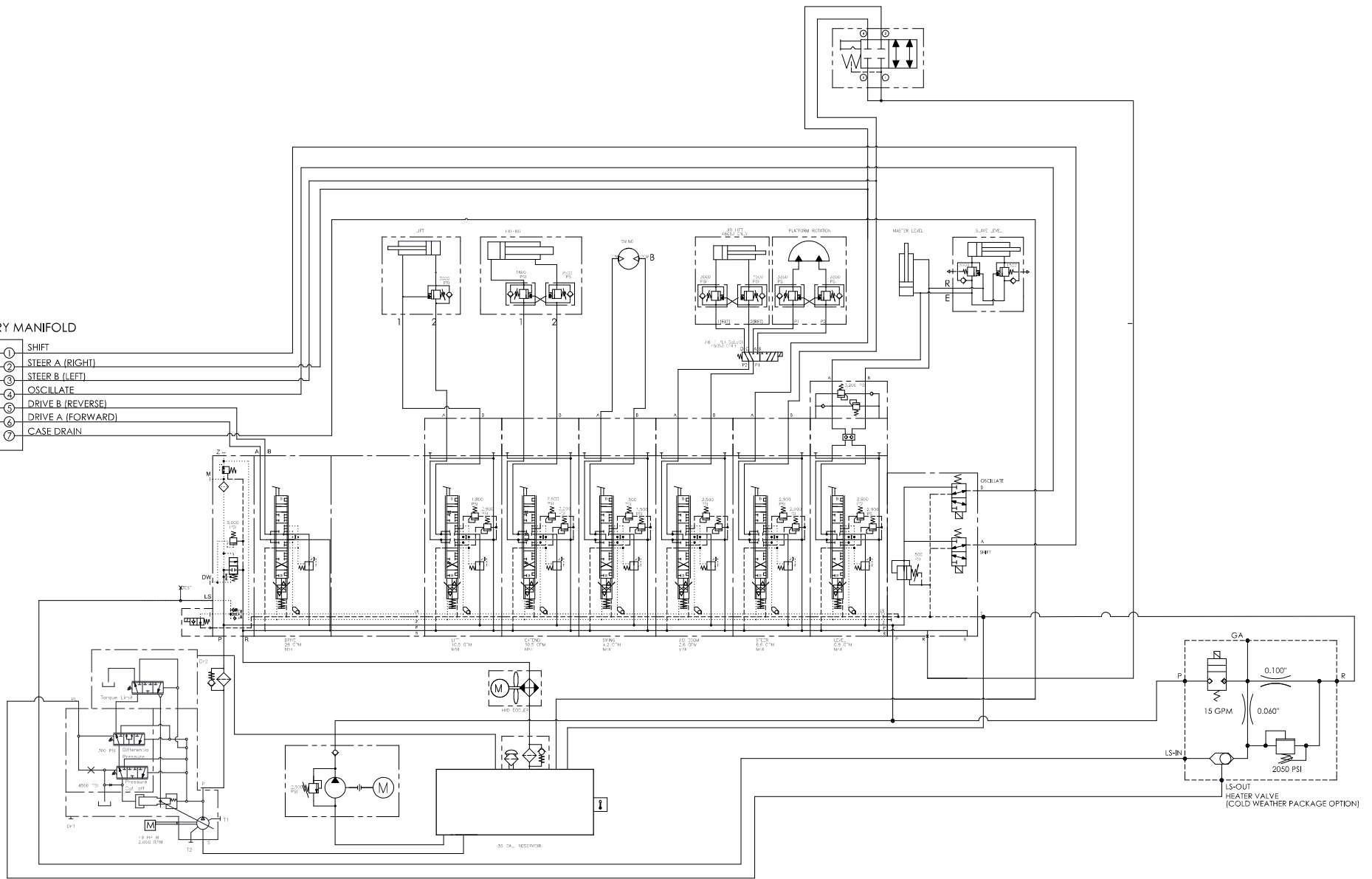
- ① SHIFT
- ② STEER A (RIGHT)
- ③ STEER B (LEFT)
- ④ OSCILLATE
- ⑤ DRIVE B (REVERSE)
- ⑥ DRIVE A (FORWARD)
- ⑦ CASE DRAIN



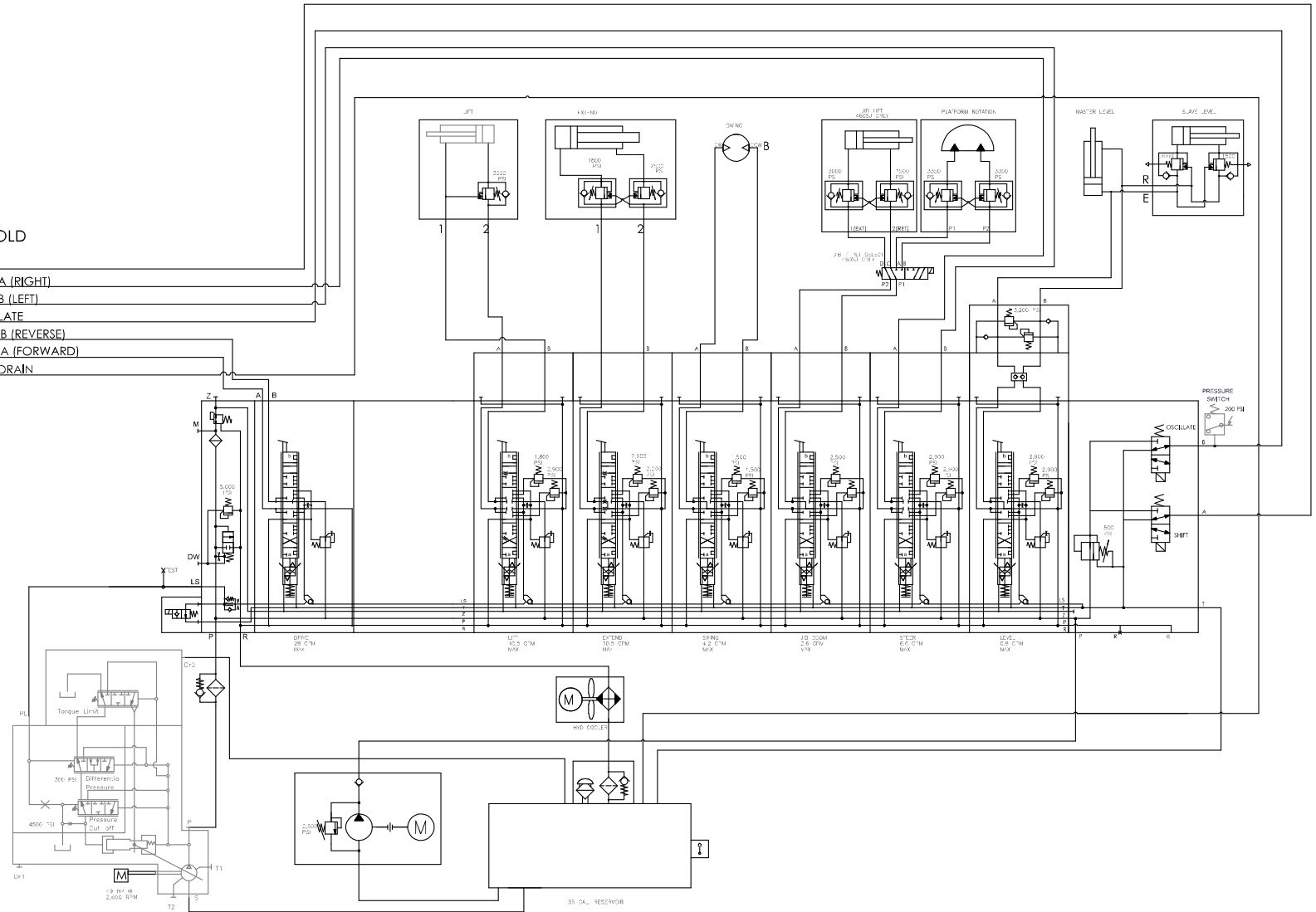


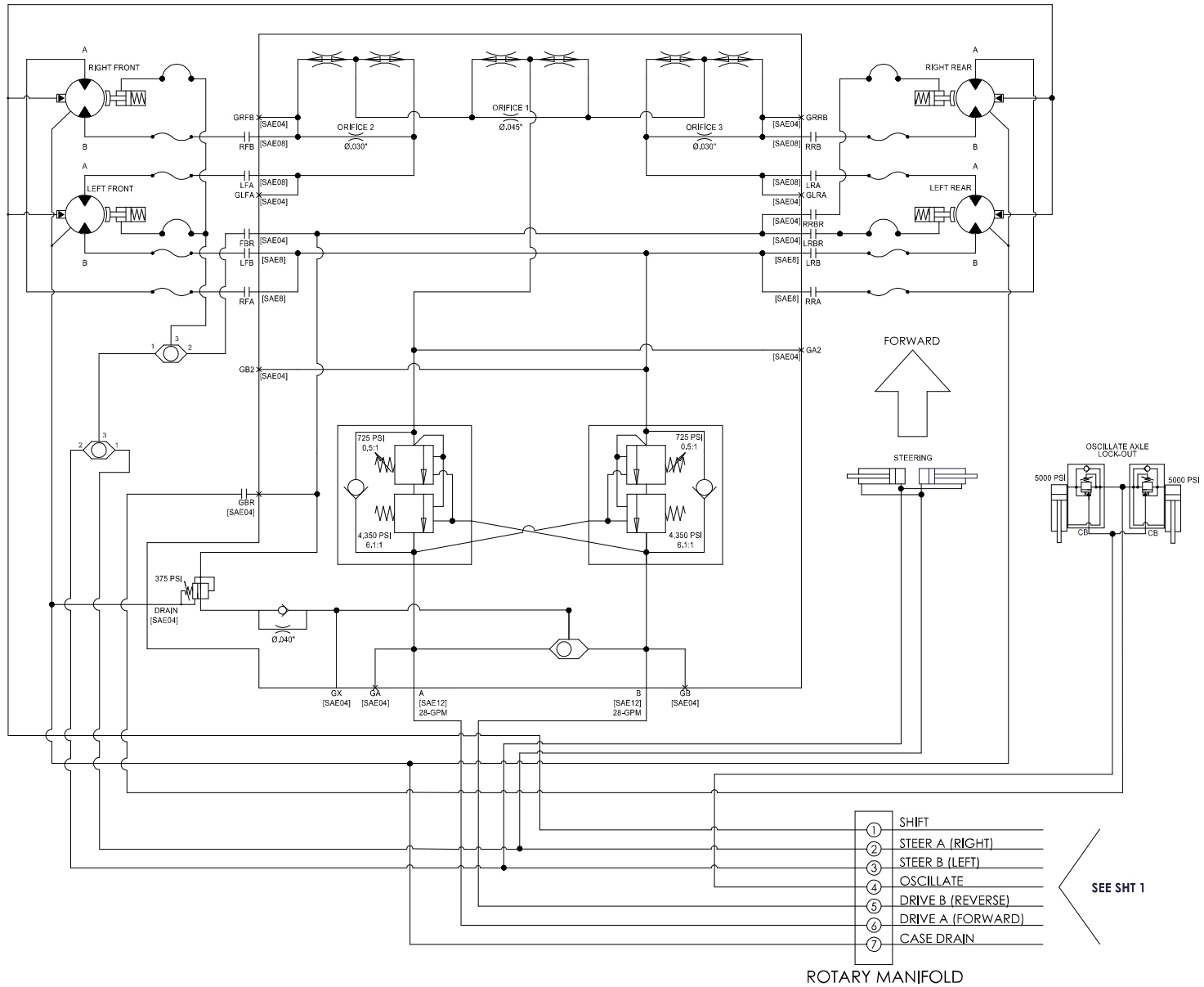
- SEE SHT 2
- ROTARY MANIFOLD
- ① SHIFT
 - ② STEER A (RIGHT)
 - ③ STEER B (LEFT)
 - ④ OSCILLATE
 - ⑤ DRIVE B (REVERSE)
 - ⑥ DRIVE A (FORWARD)
 - ⑦ CASE DRAIN

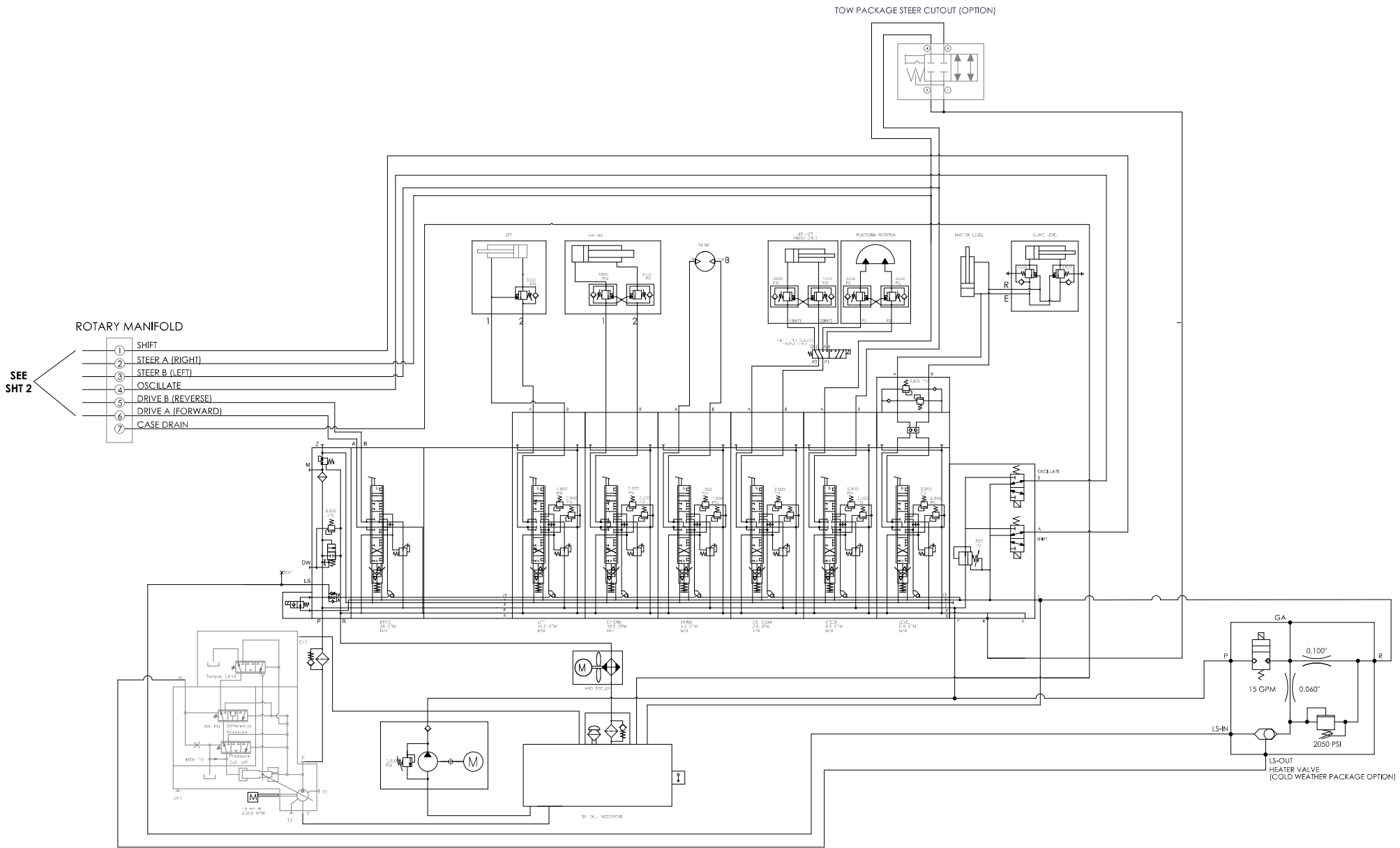
TOW PACKAGE STEER CUTOUT (OPTION)



- SEE SHT 2
- ROTARY MANIFOLD
- ① SHIFT
 - ② STEER A (RIGHT)
 - ③ STEER B (LEFT)
 - ④ OSCILLATE
 - ⑤ DRIVE B (REVERSE)
 - ⑥ DRIVE A (FORWARD)
 - ⑦ CASE DRAIN







ROTARY MANIFOLD

SEE SHT 2

- 1 SHIFT
- 2 STEER A (RIGHT)
- 3 STEER B (LEFT)
- 4 OSCILLATE
- 5 DRIVE B (REVERSE)
- 6 DRIVE A (FORWARD)
- 7 CASE DRAIN

TOW PACKAGE STEER CUTOUT (OPTION)

HEATER VALVE (COLD WEATHER PACKAGE OPTION)

35 GAL. RESERVOIR

15 GPM

2050 PSI

4500 PSI

300 PSI

4500 PSI

4500 PSI

4500 PSI

4500 PSI

4500 PSI

4500 PSI

4500 PSI

4500 PSI

4500 PSI

4500 PSI

4500 PSI

4500 PSI

4500 PSI

4500 PSI

4500 PSI

4500 PSI

4500 PSI

4500 PSI

4500 PSI

4500 PSI

4500 PSI

4500 PSI

4500 PSI

4500 PSI

4500 PSI

4500 PSI

4500 PSI

4500 PSI

A	7-7
10KW GENERATOR 400S 460SJ 600S 660SJ	460SJ GENERAL INFORMATION 1-1
5-25	460SJ MAINTENANCE 6-1
10KW GENERATOR HARNESS 5-24	6' WIDE PLATFORM INSTALLATION JIB
10KW GENERATOR INSTALLATION 400S	DECEMBER 2019 AND AFTER 2-59
460SJ JANUARY 2020 AND AFTER 5-20	78 INCHE JIB ASSEMBLY FEBURARY 2019 AND
2.5 KW GENERATOR INSTALLATION	AFTER 2-54
KUBOTA 5-26	78 INCHES JIB ASSEMBLY JANUARY 2019 AND
2.5 kw GENERATOR DEUTZ 2.9D	BEFORE 2-55
INSTALLATION 400S 460SJ NOVEMBER	8 FOOT PLATFORM WITH JIB INSTALLATION
2019 AND BEFORE 5-28	FEBRUARY 2019 AND AFTER 2-61
2.5K GENERATOR DEUTZ 2.9D 460SJ	8' PLATFORM INSTALLATION AS WITH JIB
INSTALLATION 460SJ-11-200100016 AND	NOVEMBER 2019 AND AFTER 5-36
AFTER 5-29	AC POWER CABLE 10KW GENERATOR 600S
2KW FABCO SINGLE V-BELT GENERATOR	INSTALLATION 5-22
ASSEMBLY 5-27	AC POWER TO PLATFORM INSTALLATION ANSI
400S 460SJ ADJUSTMENT SETTINGS GP400C	460SJ 4-18
7-1	AC POWER TO PLATFORM NON ANSI
400S 460SJ ELECTRICAL SCHEMATIC	INSTALLATION 460SJ 4-19
1433077B DEUTZ D2.9 7-2	ACCESSORY SWITCH ENCLOSURE
400S 460SJ ELECTRICAL SCHEMATIC	INSTALLATION 5-12
1433077C DEUTZ D2.9 OIL COOLER FAN IN	AIR CLEANER DEUTZ D2.9 400S 460SJ 2-30
LINE WAS IN FUSE BLOCK 7-3	AIRLINE TO PLATFORM INSTALL 460SJ 5-1
400S 460SJ ELECTRICAL SCHEMATIC	AMBER BEACON INSTALLATION 5-5
1433077D DEUTZ D2.9 STARTER RELAY	BASE BOOM ASSEMBLY 400S 460SJ 2-46
REWired 7-4	BASE WELDER PACKAGE INSTALLATION 5-15
400S 460SJ ELECTRICAL SCHEMATIC	BATTERY INSTALLATION 400S 460SJ 2-20
1433077E DEUTZ D2.9 REMOVED FUSE AND	BEACON LIGHT HARNESS 4-22
REROUTED EPUMP 7-5	BIODEGRADABLE OIL INSTALLATION 5-4
400S 460SJ HYDRAULIC SCHEMATIC	BOOM ASSEMBLY INNER 400S 460SJ 2-48
1433078A 7-6	BOOM ELECTRICAL INSTALLATION 460SJ 4-24,
400S 460SJ HYDRAULIC SCHEMATIC	4-25, 4-26
1433078B BRAKE RELEASE PRESSURE	BOOM HOSES 460SJ INSTALLATION 3-3
REDUCTION VALVE SETTING WAS 2000PSI	BOOM HOSES INSTALLATION 460SJ 2-51

CARRIER TRACK INSTALLATION 400S 460SJ	2-50	DRIVE LIGHTS HARNESS	4-23, 5-9
CHASSIS COUNTERWEIGHT INSTALLATION 460SJ	2-10	DRIVE MOTOR HENGLI	3-4
CHASSIS COVERS INSTALLATION	2-11	DRIVE SYSTEM REAR INSTALLATION	2-3
CHASSIS HYDRAULIC HOSE INSTALLATION 400S 460SJ FEBURARY 2020 AND AFTER	3-2	ELECTRODE HOLDER WIRE ASSEMBLY	5-19
CHASSIS HYDRAULIC HOSE INSTALLATION 400S 460SJ JANUARY 2020 AND BEFORE	3-1	EMERGENCY POWER UNIT ASSEMBLY	3-16
COLD WEATHER PACKAGE INSTALLATION 400S 460SJ	5-33	EMERGENCY POWER UNIT INSTALLATION 400S 460SJ	2-43
COLD WEATHER UPPER TOGGLE HARNESS	4-32	ENGINE ASSEMBLY DEUTZ D2.9 L4 400S 460SJ .	2-23
CONTROL BOX COVER INSTALLATION 5- 13		ENGINE DEUTZ D2.9 L4 NON TURBO APRIL 2018 AND AFTER	2-24
DECAL INSTALLATION ANSI 460SJ	2-66	ENGINE DEUTZ D2.9 L4 NON TURBO MARCH 2019 AND AFTER	2-25
DECAL INSTALLATION DOMESTIC 460SJ 2-65		ENGINE HARNESS KUBOTA V1505 400S 460SJ 4- 13	
DECAL KIT CE AS 460SJ	2-68	ENGINE HARNESS KUBOTA V1505 400S 460SJ FEBURARY 2020 AND AFTER	4-14
DECAL KIT CE AS EXPORT 460SJ GERMAN 2-69		ENGINE TRAY LOWER LATCH ASSEMBLY 400S 460SJ	2-22
DECAL KIT ENGLISH FRENCH 460SJ ...	2-71	ENGINE WITH TRAY INSTALLATION	2-21
DECAL KIT EXPORT CE AS SWEDISH 460SJ SEPTEMBER 2019 AND AFTER	2-72	EXTEND CYLINDER ASSEMBLY 400S 460SJ ..	2-49
DECAL KIT FRENCH 460SJ	2-70	EXTREME COLD WEATHER PACKAGE INSTALLATION 400S 460SJ JANUARY 2020 AND AFTER	5-32
DECALS INSTALLATION ANSI 460SJ ..	2-64	FLOATATION TIRE AND WHEEL INSTALLATION .	5-3
DECALS INSTALLATION CE 460SJ	2-67	FLOATATION TIRES AND WHEELS INSTALLATION 400S 460SJ	2-9
DEUTZ ENGINE D2.9 L4 81414737 REPLACEMENT PARTS	2-26	FLOTTATION TIRES AND WHEELS INSTALLATION 400S 460SJ AUGUST 2019 AND AFTER	5-2
DIESEL TANK 400S 460SJ	2-37	FOOT SWITCH WIDE TREDLE ASSEMBLY	4-33
DIESEL TANK INSTALLATION 400S 460SJ 2-36		FRONT AXLE ASSEMBLY 400S 460SJ	2-1
		FRONT AXLE DRIVE SYSTEM INSTALLATION	2-2

GENERATOR 2kW FABCO SINGLE V-BELT ASSEMBLY	5-30	JIB CYLINDER HENGLI	3-29
GENERATOR TOGGLE SW ITCH HARNESS	5-21	JIB CYLINDER HYDRATECH	3-33
GLAZIER PACKAGE INSTALLATION ..	5-34	JIB CYLINDER ROSENBOOM	3-30, 3-32
GP400C ADJUSTMENTS SETUPS V6.0 ...	4-1	JIB INSTALLATION	2-57
GROUND WIRE ASSEMBLY	5-18	JIB INSTALLATION APRIL 2019 AND BEFORE	2-56
HARNESS 2.5kW GENERATOR 460	5-31	KIT (ONLY) HAYES COUPLER	2-27
HARNESS ANGLE PROXCIMITY SENSOR	4-7	KIT LIGHT PACKAGE 400S 460SJ	5-6
HEATER VALVE	3-14	LED LIGHT ASSEMBLY	4-21, 5-10
HELAC ROTATOR HOSE FITTING installation	3-34	LIFT AND MASTER LEVEL CYLINDER	
.....	3-34	INSTALLATION 400S 460SJ	2-19
HORN ASSEMBLY	4-20	LIFT CYLINDER HINGLI 400S 460SJ	3-23
HORN INSTLLATION 400S 460SJ	2-44	LIFT CYLINDER ROSENBOOM	3-22
HYDRAULIC COOLER HARNESS	4-17	LINCOLN WELDER INSTALLATION	5-16
HYDRAULIC COOLER INSTALLATION 400S		LOAD SENSE PUMP HENGLI	3-17
460SJ FEBURARY 2020 AND AFTER	2-32	LOWER CONTROL BOX ASSEMBLY DEUTZ 460SJ	
HYDRAULIC COOLER INSTALLATION 400S		2-34
460SJ JANUARY 2020 AND BEFORE	2-31	LOWER CONTROL BOX ASSEMBLY 460 660	
HYDRAULIC MANIFOLD HARNESS 400S		DEUTZ S5 JANUARY 2020 AND BEFORE	4-2
460SJ	4-15	LOWER CONTROL BOX ASSEMBLY DEUTZ 460SJ	
HYDRAULIC TANK 400S 460SJ APRIL 2018		JANUARY 2020 AND BEFORE	4-5
AND AFTER	2-41	LOWER CONTROL BOX ASSEMBLY DEUTZ	
HYDRAULIC TANK 400S 460SJ MARCH 2018		STAGE 5 400S 600S MARCH 2019 AND AFTER ..	4-3
AND BEFORE	2-40	LOWER CONTROL BOX ASSEMBLY DEUTZ TIER 4	
HYDRAULIC TANK INSTALLATION		400S 600S JANUARY 2020 AND BEFORE	4-4
400S/460SJ MARCH 2018 AND BEFORE ..	2-38	LOWER CONTROL BOX ASSEMBLY DEUTZ TIER 4	
HYDRAULIC TANK INSTALLATION APRIL		460SJ 660SJ FEBURARY 2020 AND AFTER	4-6
2018 AND AFTER	2-39	LOWER CONTROL BOX INSTALLATION 400S	
INNER BOOM ASSEMBLY	2-52	APRIL 2019 AND AFTER	2-35
INNER TO BASE BOOM INSTALLATION	2-53	LOWER CONTROL BOX INSTALLATION DEUTZ	
JIB CYLINDER FISHER	3-31	TIER 4 FINAL 460SJ 660SJ	2-33
		LOWER CONTROL TO PRESSURE SWITCH	
		HARNESS	4-16
		MAIN BOOM INSTALLATION 400/460 MARCH 2020	

AND AFTER	2-47	190800010 AND AFTER	2-28
MAIN CONTROL VALVE	3-13	PUMP HENGLI 45CC TORQUE LIMIT 32KW	
MAIN MANIFOLD ASSEMBLY 400/460		NOVEMBER 2019 AND AFTER	3-18
KUBOTA 460SJ-04-210100300 AND AFTER		PUMP HENGLI TORQUE LIMIT 50KW 400S 460SJ	
3-12		DEUTZ	2-29
MAIN MANIFOLD OSCILATING ASSEMBLY		PUSH PULL ASSEMBLY WITH CONTACT	4-34
400S 460SJ	2-42	ROTARY JIB ACTUATOR BEFORE SERIAL	
MAIN MANIFOLD OSCILATING AXLE		NUMBER 660SJ-04-200401001 EXCLUDING 600SJ-	
ASSEMBLY 400S 460SJ	3-11	11-180800163	2-58
MASTER LEVEL CYLINDER HENGLI ..	3-24	ROTARY MANIFOLD INSTALLATION 400S 460SJ ..	
MASTER LEVEL CYLINDER ROSENBOOM .		2-18	
3-25		ROTATY MANIFOLD ASSEMBLY 400S 460SJ .	3-10
NON MARKING TIRES AND WHEELS		SHUTTLE VALVE ASSEMBLY	3-15
INSTALLATION	2-8	SLAVE LEVEL CYLINDER HENGLI	3-27
OSCILATING AXLE CYLINDER	3-21	SLAVE LEVEL CYLINDER ROSENBOOM	3-28
PINION GUARD INSTALLATION JANUARY		SLEW BEARING INSTALLATION	2-12
2020 AND AFTER	2-17	STANDARD TIRES AND WHEELS INSTALLATION	
PLATFORM AC POWER DOMESTIC		400S 460SJ	2-5
INSTALLATION	5-23	STEER CYLINDER HENGLI	3-20
PLATFORM CONTROL BOX UTILITY LAMP		SWING DRIVE GEARBOX	3-9
HARNESS	5-11	SWING DRIVE INSTALLATION 400S 460SJ JULY	
PLATFORM CONTROL BOX WITH JIB		2019 AND AFTER	2-16
ASSEMBLY 460SJ	4-31	SWING DRIVE INSTALLATION 400S 460SJ JUNE	
PLATFORM INSTALLATION 8 FOOT WIDE		2019 AND BEFORE	2-15
ANSI CE EXPORT CSA EXPORT	2-60	TELESCOPE CYLINDER ROSENBOOM	3-26
PLATFORM JIB WITH SALOON GATE		TIRE AND WHEEL ASSEMBLY GNM EXMILE .	2-7
INSTALLATION	2-62	TIRE AND WHEEL ASSEMBLY GNM OTR	2-6
PLATFORM LIGHT PACKAGE SQUARE		TORQUE DRIVE HUB OMNI GEAR	2-4
PLATFORM	5-8	TRACTION MANIFOLD	3-6
PLATFORM TOOL TRAY INSTALLATION		TRACTION MANIFOLD ASSEMBLY	3-5
ANSI CE CSA AS	5-14	TURNTABLE ELECTRICAL HARNESS	
PRESSURE FILTER ASSEMBLY	3-19	INSTALLATION 400S 460SJ	4-10
PUMP HENGLI 45CC 460SJ INSTALLATION		TURNTABLE ELECTRICAL HARNESSES	
FIRST SN 460-11-181000001 - 460-11-		INSTALLATION 400S 460SJ	4-11

TURRET COUNTERWEIGHT INSTALLATION
 460SJ 2-14

TURRET ELECTRICAL HARNESSSES
 INSTALLATION 4-9

TURRET ELECTRICAL HARNESSSES
 INSTALLATION DEUTZ STAGE 5 4-8

TURRET ELECTRICAL INSTALLATION
 400/460 KUBOTA FEBURARY 2020 AND
 AFTER 4-12

TURRET HOODS INSTALLATION 2-45

TURRET HOSE INSTALLATION 400S 460SJ
 FEBURARY 2020 AND AFTER 3-8

TURRET HYDRAULIC HOSE
 INSTALLATION JANUARY 2020 AND
 BEFORE 3-7

TURRET INSTALLATION 400S 460SJ ... 2-13

TURRET WORK LIGHT PACKAGE, INSTALL
 5-7

UPPER CONTROL BOX ASSEMBLY 460 660
 DEUTZ TIER 4 FINAL 4-29

UPPER CONTROL BOX ASSEMBLY 460SJ
 660SJ DEUTZ STAGE 5 MAY 2019 AND
 AFTER 4-30

UPPER CONTROL BOX COVER
 INSTALLATION 5-35

UPPER CONTROL BOX INSTALLATION
 460SJ 660SJ MARCH 2020 AND AFTER . 4-28

UPPER CONTROL BOX INSTALLATION
 460SJ FEBURARY 2020 AND BEFORE .. 4-27

UPPER CONTROL BOX INSTALLATION
 DEUTZ T4F 460SJ 660SJ 2-63

WELDER ASSEMBLY LINCOLN 5-17

B	0075887FR	2-70, 2-71
*	0075887SW	2-72
-	0075888	2-65, 2-66, 2-68, 2-71
0070540	0075888DE	2-69
2-64, 2-65, 2-66, 2-67, 2-68, 2-69, 2-70, 2-71, 2-72	0075888FR	2-70, 2-71
0070541	0075888SW	2-72
2-64, 2-65, 2-66, 2-67, 2-68, 2-69, 2-70, 2-71, 2-72	0075889	2-65, 2-66, 2-68, 2-71
0070901	0075889DE	2-69
..... 2-64, 2-65, 2-66, 2-67, 2-68, 2-71	0075889FR	2-70, 2-71
0070901DE	0075889SW	2-72
..... 2-69	0075890	2-65, 2-66, 2-68, 2-71
0070901FR	0075890DE	2-69
..... 2-70, 2-71	0075890FR	2-70, 2-71
0070901SW	0075890SW	2-72
..... 2-72	0075891	2-65, 2-66, 2-68, 2-71
0071582	0075891DE	2-69
..... 5-23	0075891FR	2-70, 2-71
0071927	0075891SW	2-72
..... 2-65, 2-66, 2-68, 2-71	0075892	2-65, 2-66, 2-68, 2-71
0071927DE	0075892DE	2-69
..... 2-69	0075892FR	2-70, 2-71
0071927FR	0075892SW	2-72
..... 2-70, 2-71	0075893	2-65, 2-66, 2-68, 2-71
0071927SW	0075893DE	2-69
..... 2-72	0075893FR	2-70, 2-71
0072531	0075893SW	2-72
..... 2-64, 2-65, 2-66, 2-67, 2-68, 2-71	0075894	2-65, 2-66, 2-68, 2-71
0072531DE	0075894DE	2-69
..... 2-69	0075894FR	2-70, 2-71
0072531FR	0075894SW	2-72
..... 2-70, 2-71	0075895	2-65, 2-66, 2-68, 2-71
0072531SW	0075895DE	2-69
..... 2-72	0075895FR	2-70, 2-71
0073298	0075895SW	2-72
2-64, 2-65, 2-66, 2-67, 2-68, 2-69, 2-71		
0073298FR		
..... 2-70, 2-71		
0073298SW		
..... 2-72		
0074210		
..... 2-64, 2-65, 2-66, 2-67, 2-68, 2-71		
0074210DE		
..... 2-69		
0074210FR		
..... 2-70, 2-71		
0074210SW		
..... 2-72		
0074311		
..... 2-64, 2-65, 2-66, 2-67, 2-68, 2-71		
0074311DE		
..... 2-69		
0074311FR		
..... 2-70, 2-71		
0074311SW		
..... 2-72		
0074316		
..... 2-64, 2-65, 2-66, 2-67		
0075887		
..... 2-65, 2-66, 2-68, 2-71		
0075887DE		
..... 2-69		

0075899 2-64, 2-65, 2-66, 2-67, 2-68, 2-71	0113989FR 2-70, 2-71
0075899DE 2-69	0150121 5-15
0075899FR 2-70, 2-71	0150448 2-65, 2-66
0075899SW 2-72	0151410 2-64, 2-65, 2-66, 2-67, 2-68, 2-71
0075921	2-64, 2-65, 2-66, 2-67, 2-68, 2-69, 2-70, 2-71, 2-72	0151410DE 2-69
0082164 2-64, 2-65, 2-66, 2-67, 2-68, 2-71	0151410FR 2-70, 2-71
0082164DE 2-69	0151410SW 2-72
0082164FR 2-70, 2-71	015790-011 2-34, 4-2, 4-3, 4-4, 4-5, 4-6
0082164SW 2-72	015790-012 4-15
0083426	2-65, 2-66, 2-68, 2-69, 2-70, 2-71, 2-72	015790-013 4-15
0083427	2-64, 2-65, 2-66, 2-67, 2-68, 2-69, 2-70, 2-71, 2-72	0161766 5-15
0083823 5-15	0161819 2-64, 2-67, 2-68, 2-69, 2-71
0083825 5-15	0161819FR 2-70, 2-71
0083826 5-15	0161819SW 2-72
0083833 5-15	0172213 2-54, 2-55
0083857 5-15	0172214 2-54, 2-55
0083858 5-15	0172216 2-54, 2-55
0083862 5-16	0182586 2-68, 2-69, 2-70, 2-71, 2-72
0083862B 5-19	0182639 2-64, 2-67
0083863 5-16	0190086 5-32
0083863B 5-18	0190989	.. 2-64, 2-65, 2-66, 2-67, 2-68, 2-69, 2-70, 2-71
0083985 5-15	0190989SW 2-72
0084053 2-64, 2-67	0260070 2-1, 2-3, 3-4
0084084 5-16	0260099 2-1, 2-3, 3-4
0084084A 5-17	0260305 3-33
0113530 2-59, 2-60, 2-61, 2-62, 5-36	0260516 3-31, 3-32, 3-33
0113885 2-64, 2-65, 2-66, 2-67, 2-68, 2-71	0260685 2-41
0113885DE 2-69	0260695 4-13, 4-14
0113885FR 2-70, 2-71	0260696 4-13, 4-14
0113885SW 2-72	0260760 3-32
0113989 2-64, 2-67, 2-68, 2-71, 2-72	029925-000 4-29, 4-30, 4-31
0113989DE 2-69	0323896 2-64, 2-65, 2-66, 2-67, 2-68, 2-71
		0323896DE 2-69
		0323896FR 2-70, 2-71

0323896SW	2-72	056064-006	2-21, 2-23, 2-33, 2-34, 2-35, 2-43, 2-45, 2-59, 2-60, 2-61, 2-62, 4-5, 4-8, 4-12, 5-1, 5-13, 5-33, 5-34, 5-36
0323897	2-64, 2-65, 2-66, 2-67, 2-68, 2-71	056064-008	2-18, 2-23, 2-56, 2-57, 2-59, 2-60, 2-61, 2-62, 3-10, 4-9, 5-23, 5-36
0323897DE	2-69	056064-010	2-1, 2-23, 2-36, 2-44, 2-45, 2-47, 2-54, 2-55, 2-59, 2-60, 2-61, 2-62, 2-63, 4-27, 4-28, 5-36
0323897FR	2-70, 2-71	056064-012	2-1, 2-2, 2-22, 5-13
0323897SW	2-72	056064-016	2-2
0420111 J	3-29, 3-30	056064-024	2-10, 2-59, 2-60, 2-61, 2-62, 5-36
0420111-3	2-54, 2-55	056066-004	2-34, 2-37, 4-2, 4-3, 4-4, 4-5, 4-6, 4-10, 4-11, 4-29, 4-30, 4-31
0420132-1	2-54, 2-55	056066-005	2-23, 4-24, 4-25, 5-28
0420731-1	2-54, 2-55	056066-006	2-47, 4-8, 4-24, 4-25, 4-26, 5-28
0420732-1	2-54, 2-55	056066-008	2-50, 4-8
0420878-1	2-54, 2-55	056066-010	2-49, 2-50, 5-28
0421077	5-34	056066-014	2-4
0421078	5-34	056066-024	2-9, 5-2
0421079	5-34	056067-006	2-36
0421269	5-34	056067-008	4-2, 4-3, 4-4, 4-6
0421285	5-34	056067-012	2-16
0421299	5-34	056067-016	2-2
056021-006	4-26	056067-506	2-23
056021-010	2-48	056069-004	2-34, 4-2, 4-3, 4-4, 4-5, 4-6, 4-11, 4-29, 4-30, 4-31, 5-8
056057-025	2-34, 4-2, 4-3, 4-4, 4-5, 4-6, 4-29, 4-30, 4-31	056069-005	2-23, 2-34, 4-2, 4-3, 4-4, 4-5, 4-6, 4-8, 4-9, 4-10, 4-12, 4-24, 4-25, 4-29, 4-30, 4-31, 5-8, 5-12, 5-15, 5-33, 5-36
056058-012	2-4	056069-006	2-21, 2-23, 2-31, 2-32, 2-34, 2-43, 2-45, 2-59, 2-60, 2-61, 2-62, 4-5, 4-8, 4-10, 4-11, 4-24, 4-25, 4-26, 5-1, 5-13, 5-28, 5-33, 5-36
056058-018	2-45	056069-008	2-23, 2-31, 2-32, 2-42, 2-45, 2-48, 2-50, 2-51, 2-52, 2-56, 2-57, 2-59, 2-60, 2-61, 2-62, 3-3, 3-11, 4-2, 4-3, 4-4, 4-6, 4-8, 4-10, 4-12, 4-18, 4-19, 4-24, 4-25, 4-
056058-020	2-34, 4-5		
056059-040	4-8		
056059-055	2-18		
056059-080	2-56, 2-57		
056060-025	2-54, 2-55		
056060-030	2-15, 2-16, 2-23, 2-27, 2-45, 2-49, 5-28		
056060-040	4-10		
056064-004	5-8		
056064-005	2-34, 4-5, 4-9, 4-29, 4-30, 4-31, 5-15		

26, 5-23, 5-28, 5-29, 5-36	058509-055	2-23
056069-010 2-1, 2-2, 2-3, 2-11, 2-15, 2-16, 2-23,	058509-075	2-23
2-36, 2-43, 2-45, 2-48, 2-50, 2-52, 2-54, 2-55, 2-	063965-001	2-42, 3-11, 3-12
56, 2-57, 2-59, 2-60, 2-61, 2-62, 2-63, 3-12, 4-10,	065214-000	2-56, 2-57
4-12, 4-27, 4-28, 5-8, 5-20, 5-25, 5-28, 5-32, 5-36	065214-001	2-47
056069-012 2-1, 2-2, 2-23, 2-59, 2-60, 2-61, 2-	09-0706-B	4-8, 4-9, 4-10, 4-11, 4-12, 5-33
62, 4-8, 4-10, 4-11, 5-13, 5-15, 5-20, 5-36	09-0706-R	4-8, 4-9, 4-10, 4-11, 4-12, 5-33
056069-016	09-1008	2-34, 4-2, 4-3, 4-4, 4-5, 4-6
056687-035	09-1931	2-34, 4-34
057052-050	10000-008	5-35
058059-075	10000231	5-36
058480-035	10001218	2-60, 2-61, 2-62
058480-071	100338-001	2-34, 4-2, 4-3, 4-4, 4-5, 4-6
058480-075	100432-002	2-1, 2-2, 2-3, 2-42, 2-54, 2-55, 3-5, 3-11, 3-
058490-000	12, 3-34	
058490-016	100432-004	2-54, 2-55, 3-12
058490-020	100432-007	2-42, 3-5
058491-012	100432-009	2-2, 2-18, 2-19, 2-38, 2-39, 2-56, 2-57, 3-
058491-016	11, 3-12, 5-33	
058491-020	100432-015	2-1, 2-3, 2-38, 2-39, 3-12
058491-022	100432-027	2-42, 3-11
058491-025	100432-029	2-31, 2-32
058492-016	100433-005	2-42, 2-43, 3-10, 3-11
058492-020	100434-002	2-2, 2-19, 2-28, 2-42, 2-48, 2-52, 2-54, 2-
058493-016	55, 3-5, 3-10, 3-11	
058493-020	100434-004	2-1, 2-3, 2-18, 3-10
058493-025	100434-013	2-43, 3-12
47, 2-48, 2-50, 2-52, 2-56, 2-59, 2-60, 2-61, 2-62,	100434-017	3-12
2-63, 4-10, 4-12, 4-27, 4-28, 5-20, 5-28, 5-29, 5-	100434-018	2-3
32, 5-36	100434-021	2-38, 2-39, 3-12
058500-010	100434-026	3-10
058500-020	100435-001	3-34
058509-040	100553-100	2-19
058509-050	100553-100A	3-25

100553-100C	3-24	106717-003FR	2-70, 2-71
100553-104	3-25	106717-003SW	2-72
100553-105	3-28	106755-000	2-15
100553-106	3-25	106755-000 A	3-9
100553-108	3-25, 3-28	106755-001	2-16
10406-016	2-17, 4-10, 4-11	106755-100	3-9
10414-035	5-26	106755-101	3-9
10424-030	2-23	106755-102	3-9
104260-100	2-19	106755-103	3-9
104260-100 A	3-22	106755-104	3-9
104260-108	3-22	106755-105	3-9
104260-109	3-22	106755-106	3-9
104640-000	2-21	106755-107	3-9
104665-001	2-1, 2-3	106755-108	3-9
104665-001A	3-4	106755-109	3-9
104713-000	2-21	106755-110	3-9
104762-000	2-28	106755-111	3-9
104769-000	3-1, 3-2	106755-112	3-9
104773-000	3-1, 3-2	106755-113	3-9
104811-000	3-10	106755-114	3-9
10504-060	2-59, 2-60, 2-61, 2-62, 5-36	106755-115	3-9
106528-300	2-46	106755-116	3-9
106529-300	2-48	106755-117	3-9
106529-300-1	2-52	106755-118	3-9
106540-100	2-48	106755-119	3-9
106540-100 A	3-28	106755-120	3-9
106540-100-3	2-52	106755-121	3-9
106540-100B	3-27	106755-122	3-9
106540-108	3-28	106759-000	2-15, 2-16
106540-109	3-28	106762-000	2-15, 2-16
106568-100	2-56, 2-57	106793-000	2-15, 2-16
106572-100	3-34	106815-000	2-49
106717-003	2-64, 2-67, 2-68, 2-71	106815-000B	3-26
106717-003DE	2-69	106815-009	3-26

106815-010	3-26	12556-011	4-2, 4-3, 4-4, 4-6
106815-016	3-26	12556-016	4-2, 4-3, 4-4, 4-4, 4-6, 4-21, 4-29, 4-30, 5-10
106964-002	2-1	12556-018	4-2, 4-3, 4-6
106968-000	2-47	12557-009	4-23, 5-9
10908-004	5-35	12557-011	4-2, 4-3, 4-4, 4-6
10939-011	5-26	12557-016	4-23, 5-9
116324-000	2-1, 2-3	12557-018	4-2, 4-3, 4-4, 4-6
116324-000-A	2-4	12557-031	4-23, 5-9
116373 C JIB CYLINDER HYDRATECH	3-33	12564-009	5-11
116373-000 C FISHER	3-31	12564-016	5-11
116373-000 C ROSENBOOM	3-32	13003-016	4-8
11700-028	2-38, 2-39	13006-001	4-8, 4-12
11700-030	2-38, 2-39	13006-006	2-43, 4-8, 4-10, 4-11
121139-999	3-1	13006-016	2-43
12137-999	4-12	13161-000	2-43
12139-999	3-2, 3-7, 3-8, 4-10, 4-24, 4-25, 4-26	13162-000	2-43
12554-008	2-34, 4-5, 5-27, 5-30	13253-000	2-23
12554-009	2-34, 4-2, 4-3, 4-4, 4-5, 4-6	13909	5-36
12554-016	2-34, 4-2, 4-3, 4-4, 4-5, 4-6	1430681	2-15, 2-16
12554-018	2-34, 4-5, 5-27, 5-30	1430787	2-34, 4-5
12554-024	4-2, 4-3, 4-4, 4-6	1430832	2-12
12554-025	4-21, 4-29, 4-30, 5-10	1430842	2-56, 2-57
12554-026	2-34, 4-2, 4-3, 4-4, 4-5, 4-6, 4-29, 4-30, 5-27, 5-30	1430842 H	2-54
12554-032	5-11	1430842G	2-55
12554-035	4-2, 4-3, 4-4, 4-6	1430852	2-56, 2-57
12555-009	5-24, 5-31	1430860	2-54, 2-55
12555-011	4-17, 5-31	1431073	2-45
12555-016	5-31	1431174	2-13
12555-018	5-31	1431176B	2-45
12555-026	5-31	1431181	2-45
12555-031	4-2, 4-3, 4-4, 4-6	1431183	2-45
12556-009	4-2, 4-3, 4-4, 4-6, 4-21, 4-29, 4-30, 5-10	1431200	2-45
		1431213	2-45
		1431217	2-45

1431226	2-45	1432266	2-51, 3-3
1431361	2-19	1432267	2-51, 3-3
1431364	2-19	1432268	2-51, 3-3
1431402	2-46, 2-48, 2-52	1432269	3-3
1431454	2-65, 2-66	1432270	3-3
1431494	3-11	1432307	2-46, 2-48, 2-49, 2-52
1431494-8	2-42	1432376 A	5-4
1431495	3-11	1432377	5-4
1431495-8	2-42	1432454B	3-34
1431514	2-45	1432602	2-1
1431539	2-45	1432603	2-1
1431544	2-45	1432604	2-1
1431549	4-29, 4-30, 4-31	1432605	2-1
1431664	2-54, 2-55	1432609	2-2
1431761	2-23	1432610	2-2
1431806	2-23	1432611	2-11
1431818	2-47	1432612	2-1, 2-2
1431820	3-5	1432613	2-2
1431820C	3-6	1432617	2-11
1431844	2-14	1432618	2-2
1431849	2-45	1432619	2-2
1431966	2-45	1432674	4-10, 4-11, 4-12
1431967	2-45	1432674 E	4-17
1431983	2-34, 4-2, 4-3, 4-4, 4-5, 4-6	1432689	2-55
1432053	2-23	1432689-001	2-54
1432054	2-23	1432700	5-33
1432175	5-4	1432700A	3-14
1432189 D	5-23	1432702	5-1
1432209 J	4-9	1432753	2-3
1432218 F	2-57	1432753 B	3-5
1432218D	2-56	1432798	2-64, 2-67, 2-68, 2-69, 2-70, 2-71, 2-72
1432220	2-43	1432801	2-65, 2-66, 2-68, 2-69, 2-70, 2-71, 2-72
1432245	5-23	1432802	2-65, 2-66, 2-68, 2-69, 2-70, 2-71, 2-72
1432265	2-51, 3-3	1432803	2-65, 2-66, 2-68, 2-69, 2-70, 2-71, 2-72

1432804	. 2-65, 2-66, 2-68, 2-69, 2-70, 2-71, 2-72	1432959 5-20
1432833 2-2	1432960 5-20
1432854 3-2	1432961 5-20
1432857 3-2	1432973A 5-15
1432858 3-2	1432978 5-7
1432859 3-2	1432986 5-20
1432860 3-2	1432986 B 5-22
1432861 3-2	1433005D 2-2
1432862 3-2	1433006 2-2
1432867 3-2	1433006A 2-1
1432868 3-2	1433007 2-1
1432875 3-2	1433011 2-1
1432876 3-2	1433016 2-1
1432879 3-2	1433018A 2-5
1432881 3-2	1433019A 2-3
1432882 3-2	1433020B 2-8
1432883 3-2	1433021 B 3-1
1432884 3-2	1433021 C 3-2
1432886 3-2	1433025B 2-12
1432939 5-8, 5-12, 5-33	1433026B 2-10
1432940 5-12, 5-33	1433031 2-18
1432940-5 5-8	1433031B 3-10
1432941 5-20	1433032 3-10
1432941 A 5-24	1433053 2-15, 2-16
1432943 A 5-12	1433057 3-2
1432949 5-25	1433058 3-2
1432950 5-25	1433059 3-2
1432951 5-25	1433067 2-23
1432952 5-25	1433068 2-23
1432953 5-25	1433069 2-23
1432954 5-25	1433070 2-23
1432955 5-25	1433081 2-59, 2-60, 2-61, 2-62, 5-36
1432956 5-25	1433100 2-60, 2-61, 2-62
1432957 5-25	1433131 2-59, 2-60, 2-61, 2-62, 5-36

1433135	2-59, 2-60, 2-61, 2-62, 5-36	1433229	2-48, 2-52
1433140	2-59, 2-60, 2-61, 2-62, 5-36	1433234	2-50
1433141	2-59, 2-60, 2-61, 2-62, 5-36	1433235	2-47
1433145	2-59, 2-60, 2-61, 2-62, 5-36	1433236	2-53
1433146	2-59, 2-60, 2-61, 2-62, 5-36	1433237	2-48, 2-52
1433147	2-60, 2-61, 2-62, 5-36	1433240	2-48, 2-52
1433148	2-59, 2-60, 2-61, 2-62, 5-36	1433241	2-48, 2-52
1433152	2-60, 2-61, 2-62	1433242	2-49
1433157	2-60, 2-61, 2-62	1433243	2-50
1433162 A	5-13	1433245	2-50
1433163	5-13	1433247 C	2-36
1433167	5-13	1433248	2-36
1433168	5-13	1433248 D	2-37
1433174 E	2-60	1433248-001	2-37
1433176 A	5-14	1433248-002	2-37
1433177	5-14	1433248-003	2-37
1433184	5-14	1433248-004	2-37
1433185	2-21	1433248-005	2-37
1433185 G	2-23	1433252	2-36, 2-38, 2-39
1433195	2-23	1433253 B	2-38
1433204	2-23	1433253 D	2-39
1433207	2-23	1433254	2-38
1433208	2-23	1433254 B	2-40
1433212	2-23	1433254 E	2-41
1433220 B	5-28	1433254-003	2-37
1433220 C	5-29	1433254-8	2-39
1433224	2-53	1433254-9	2-38, 2-40
1433224A	2-46	1433255	2-36, 2-38, 2-39
1433225	2-53	1433256	2-33, 2-35
1433225B	2-48	1433257 B	2-31
1433225C	2-52	1433257 C	2-32
1433226	2-47	1433258	2-31, 2-32
1433226A	2-53	1433260	2-31, 2-32
1433227	2-46	1433261	2-31, 2-32

1433263B	2-13	1433388	2-36
1433264A	2-20	1433391	4-10, 4-11, 4-12
1433265 B	2-15	1433392B	2-19
1433265 E	2-16	1433395 C	3-23
1433267A	2-43	1433408 C	4-5
1433268A	2-44	1433408A	2-34
1433269A	5-5	1433410	2-22
1433272 D	2-21	1433411	2-22
1433274	5-20	1433412	2-21
1433275	2-50	1433412B	2-22
1433291 D	2-33	1433414	3-1
1433292 C	4-10	1433415	3-1, 3-2
1433292A	4-11	1433416	3-1
1433294B	4-26	1433417	3-1
1433296A	4-18	1433418	3-1
1433298A	5-1	1433419	3-1
1433299	5-32	1433420	3-1
1433299 A	5-33	1433421	3-1
1433300 B	5-32	1433422	3-1
1433302A	2-66	1433423	3-1
1433307	2-34, 4-2, 4-3, 4-4, 4-5, 4-6	1433424	3-1
1433313	2-47	1433425	3-1
1433314	2-19	1433426	3-1
1433316	2-19, 2-47	1433427	3-1
1433318	2-23	1433428	3-1
1433323	2-45	1433429	3-1
1433329	2-45	1433430	3-1, 3-2
1433351	2-45	1433431	3-1
1433352	2-13	1433432	3-1
1433355 B	4-7	1433433	3-1
1433364 B	2-50	1433434	3-1, 3-2
1433370 C	2-47	1433435	3-1, 3-2
1433371	2-23	1433436	3-1
1433379	4-24, 4-25, 4-26	1433437	3-1

1433438	3-1	1433513	4-8, 4-9
1433439	3-1	1433517	5-8
1433440	3-1	1433518	4-8, 4-9
1433441	3-1	1433523	5-8
1433442	3-1	1433523 B	5-11
1433443	3-1	1433530	4-31
1433444	3-1	1433536	5-6
1433445	3-1	1433536C	5-8
1433446	3-1	1433537	2-64, 2-65, 2-66, 2-67, 2-68, 2-71
1433447	3-1	1433537DE	2-69
1433448	3-1	1433537FR	2-70, 2-71
1433449	3-1	1433537SW	2-72
1433450	3-1	1433539	2-64, 2-65, 2-66, 2-67, 2-68, 2-71
1433451	3-1, 3-2	1433539DE	2-69
1433452	3-1	1433539FR	2-70, 2-71
1433453	3-1	1433539SW	2-72
1433462	5-33	1433540	2-64, 2-65, 2-66, 2-67, 2-68, 2-71
1433463	5-33	1433540DE	2-69
1433464	5-33	1433540FR	2-70, 2-71
1433465	5-33	1433540SW	2-72
1433470	2-59, 2-60, 2-61, 2-62, 5-36	1433541	2-64, 2-65, 2-66, 2-67, 2-68, 2-71
1433472	4-27	1433541DE	2-69
1433472A	4-31	1433541FR	2-70, 2-71
1433473	4-31	1433541SW	2-72
1433475	2-34, 4-5	1433544	2-64, 2-65, 2-66, 2-67, 2-68, 2-71
1433486A	7-1	1433544DE	2-69
1433487	2-34, 4-5	1433544FR	2-70, 2-71
1433489	2-34, 4-5	1433544SW	2-72
1433502	4-24, 4-25, 4-26	1433545	5-8
1433504	2-37	1433556	2-64, 2-65, 2-66, 2-67, 2-68, 2-69, 2-70, 2-71, 2-72
1433505 D	2-61	1433558	2-64, 2-65, 2-66, 2-67, 2-68, 2-69, 2-70, 2-71, 2-72
1433505B	2-62		
1433507 E	5-36		
1433512	4-8, 4-9	1433560	4-10, 4-11

1433561	4-8, 4-10, 4-11	1433648	3-7, 3-8
1433568	2-65, 2-66, 2-68, 2-71	1433649	3-7, 3-8
1433568DE	2-69	1433650	3-7, 3-8
1433568FR	2-70, 2-71	1433651	3-7, 3-8
1433568SW	2-72	1433655	3-7
1433569	2-68, 2-71	1433656 E	3-7
1433569DE	2-69	1433656 F	3-8
1433569FR	2-70, 2-71	1433661B	2-18
1433569SW	2-72	1433663	2-51, 3-3
1433570	5-28	1433664	2-51
1433571	5-28	1433667	2-51, 3-3
1433577	5-28	1433668	2-51, 3-3
1433578	5-28	1433669	2-51
1433595	2-50	1433670	2-51
1433597	2-50	1433673 D	3-3
1433609	4-31	1433673B	2-51
1433610	2-14	1433674	2-51, 3-3
1433612	4-24, 4-25, 4-26	1433676A	4-27
1433613	4-26	1433685	2-64, 2-65, 2-67, 2-71
1433614	4-10, 4-11, 4-12	1433685DE	2-69
1433616	2-48	1433685FR	2-70, 2-71
1433626	2-21	1433685SW	2-72
1433627	4-26	1433689A	2-14
1433630A	3-11	1433690	2-14
1433630B	2-42	1433691	2-14
1433636	3-7, 3-8	1433697	5-5
1433640	3-7	1433726A	2-11
1433641	3-7, 3-8	1433727	2-11
1433642	3-7, 3-8	1433728	2-11
1433643	3-7, 3-8	1433730	2-64, 2-65, 2-66, 2-67
1433644	3-7	1433731	2-65, 2-66, 2-68, 2-71
1433645	3-7, 3-8	1433731DE	2-69
1433646	3-7, 3-8	1433731FR	2-70, 2-71
1433647	3-7, 3-8	1433731SW	2-72

1433732	2-10	1433882A	5-7
1433743	2-23	1433883	5-7
1433748	2-64, 2-65, 2-66, 2-67, 2-68, 2-69, 2-70, 2-71, 2-72	1433883A	4-23, 5-9
1433752	2-23	1433898	2-23
1433753	4-18, 4-19	1433901	2-23
1433755	5-1	1433923-8	2-45
1433757A	4-19	1433924-8	2-45
1433758 B	2-28	1433925	2-23
1433759	3-7, 3-8	1433926	2-23
1433760	5-33	1433927	2-23
1433761	2-15, 2-16	1433928	2-23
1433767	2-51	1433929	2-23
1433768	2-51	1433931	2-23
1433772	2-64, 2-67, 2-68, 2-69, 2-70, 2-71, 2-72	1433932	2-23
1433784	2-23	1433933	2-23
1433786 A	5-20	1433934	2-23
1433787	5-20	1433941-1	2-52
1433787 A	5-25	1433948	3-7
1433789	5-25	1433949	3-7, 3-8
1433797A	2-68	1433950	3-7, 3-8
1433797DE A	2-69	1433951	3-7, 3-8
1433797ENFR A	2-71	1433952	3-7
1433797SW A	2-72	1433955	3-7, 3-8
1433814A	5-16	1433956	3-7, 3-8
1433843 B	4-8	1433957	3-7, 3-8
1433852	2-23	1433958	3-7, 3-8
1433853	2-23	1433964	3-3
1433854	2-21	1433966	4-24, 4-25
1433860	2-23	1433982	2-23
1433863	2-23	1433984	2-23
1433873	2-23	1434001	4-24, 4-25
1433877A	5-6	1434023	5-28
1433882	5-6	1434023A	5-31
		1434030	5-26, 5-28, 5-29

1434030 A	5-27	1434254	5-36
1434030A	5-30	1434255	2-59
1434031-8	2-47	1434256	2-59
1434058	4-8	1434266	5-36
1434071	4-2	1434267	5-36
1434073	2-35	1434273	2-9
1434073 C	4-2	1434273-8	5-2
1434074	4-2	1434295	3-12
1434075	4-2, 4-3, 4-4, 4-6	1434310	4-4
1434077	4-2, 4-3, 4-4, 4-6	1434311	4-6
1434080	2-37	1434313	4-4
1434085	5-34	1434314	4-6
1434086 B	5-34	1434366	3-12
1434088	4-30	1434386	5-26, 5-29
1434089	4-30	1434394	2-58
1434090 B	4-30	1434394 A	2-58
1434094	4-3	1434408	5-29
1434095 C	4-3	1434411	5-29
1434096	4-3	1434413	5-29
1434101	3-3	1434469	5-20
1434106 A	2-63, 4-28	1434491	2-17
1434126 A	2-35	1434493 A	2-17
1434127 D	4-4	1434494	3-23
1434128	2-33	1434495	3-23
1434128 E	4-6	1434496	3-23
1434134	4-29	1434498	2-59
1434136	5-34	1434499	2-59
1434144	4-29	1434515	4-12
1434146	2-63, 4-28	1434515 A	4-15
1434146 A	4-29	1434516 A	2-59
1434207-5	5-35	1434525	4-12
1434220 A	5-35	1434525 A	4-13
1434229 A	5-3	1434525 B	4-14
1434229 C	2-9	1434539 A	4-12

1434555	2-64, 2-67	2509867	3-24
1434558	2-64, 2-67	2540015	2-45
1434562 A	5-26	2540016	2-22
1434563	5-26	254036	2-40
1434569 A	2-64	2570028	5-13
1434571 A	2-67	26956-000	5-22
1434577	2-64, 2-67	27121-000	2-23
1434578	2-64, 2-67	300541	2-54, 2-55
1434703 B	3-12	300542	2-54, 2-55
14450-000	2-20, 5-33	3011201	2-34, 4-5
14451-000	2-20, 5-33	3011251	2-34, 4-5
14452-000	2-20, 5-33	3011601	2-34, 4-2, 4-3, 4-4, 4-5, 4-6
14475-001	4-8, 4-10, 4-11, 4-12, 5-33	3011641	2-34, 4-2, 4-3, 4-4, 4-5, 4-6, 5-21
14475-002	4-8, 4-10, 4-11, 4-12, 5-33	3011801	4-32
1450107	2-34, 4-34	3014716	5-18, 5-19
1453797 A	2-70	3014753	4-29, 4-30, 4-31
1463241C	2-49	3014762	4-8, 4-9, 4-10, 4-11, 4-12
1463294 E	4-25	3014762 B	4-16
1463294 F	4-24	3014763	4-24, 4-25
1463302 B	2-65	3014764	4-8, 4-9, 4-10, 4-11, 4-12, 4-24, 4-25
1464229 B	5-2	3014765	4-24, 4-25, 4-26
1501844	2-59, 2-60, 2-61, 2-62, 5-36	3014765 A	4-22
18086-002	2-64, 2-67	3014766	2-42, 3-11, 3-12
208247-016	2-21	3014770	4-8, 4-9, 4-12
212463	2-40	3014771	4-9
2500035	2-1, 3-20	3014772	4-9
2509716	2-13	3014773	4-9
2509721	3-22	3014775	4-9
2509856	2-1	3014776	4-9
2509857	2-1	3014777	4-9
2509858	2-1	3014778	4-9
2509859	2-1, 2-2	3014779	4-9
2509864	2-13	3014785	2-34, 4-2, 4-3, 4-4, 4-5, 4-6
2509866	3-24, 3-27	3014786	2-34, 4-2, 4-3, 4-4, 4-5, 4-6

3014787	2-44	3028869	4-26
3014787 A	4-20	3028872	4-16
3014788	5-5	3028875	2-34, 4-5
3014796	4-8, 4-9, 4-10, 4-11	3028877	4-29, 4-30, 4-31
3014799	4-10, 4-11, 4-12	3028878	4-22, 4-32
3014801	4-8, 4-9	3028879	2-34, 4-5, 4-20
3014802	4-8, 4-9, 5-33	3028880	4-29, 4-30, 4-31
3014803	4-8, 4-9, 5-33	3028881	4-29, 4-30, 4-31
3014808	5-22	3028884	2-34, 4-5
3014809	4-32	3028885	4-17, 5-24, 5-31
3014814	4-8, 4-9, 4-10, 4-11, 4-12	3028886	2-34, 4-2, 4-3, 4-4, 4-5, 4-6
3014815	4-8, 4-10, 4-11, 4-12	3028910	4-33
3014816	4-10, 4-11, 4-12	3028911	4-33
3014817	4-8, 4-10, 4-11, 4-12	3028912	4-24, 4-25, 4-26
3014818	4-11	3028912A	4-33
3014819	4-8, 4-10, 4-11	3028927	4-29, 4-30, 4-31
3014822	4-8, 4-10, 4-11, 4-12	3028936	4-33
3014823	4-10, 4-11, 4-12	3030173	4-29, 4-30, 4-31
3014824	4-8, 4-10, 4-11	3030174	2-34, 4-2, 4-3, 4-4, 4-5, 4-6
3014825	4-8, 4-10, 4-11, 4-12	3030179	4-29, 4-30, 4-31
3014826	4-9	3030181	2-34, 4-2, 4-3, 4-4, 4-5, 4-6
3014831	4-8, 4-10	3030187	4-25
3020013	4-29, 4-30, 4-31, 4-32, 5-21	3030188	2-59, 2-60, 2-61, 2-62, 5-36
3020015	4-2, 4-3, 4-29, 4-30, 4-31	3030189	4-24
3020016	2-34, 4-2, 4-3, 4-4, 4-5, 4-6, 4-29, 4-30, 4-31	3040069	2-34, 4-2, 4-3, 4-4, 4-5, 4-6
302544	5-15	3040127	4-20
3028810	2-34, 4-2, 4-3, 4-4, 4-5, 4-6	3040219	5-20
3028810 A	4-34	3040252	4-12, 5-23
3028842	2-34, 4-34	3040269	4-8, 4-9
3028844	2-59, 2-60, 2-61, 2-62, 5-36	3040341	2-34, 4-5, 4-7
3028852	4-29, 4-30, 4-31	3040342	2-34, 4-5, 4-7, 4-15
3028853	4-29, 4-30, 4-31	3040411	2-34, 4-2, 4-3, 4-4, 4-5, 4-6, 4-29, 4-30, 4-31
3028854	4-29, 4-30, 4-31	3040469	4-13, 4-14
		3040506	2-23, 2-43

3040624	4-18, 5-23	3220023	4-29, 4-30
3040625	4-18, 4-19, 5-23	3220024	2-34, 4-2, 4-3, 4-4, 4-5, 4-6, 4-29, 4-30
3040650	2-34, 4-5	3220076	5-16
3040700	2-34, 4-5	3220089	4-29, 4-30, 4-31
3041641	4-12	3220142	2-34, 4-2, 4-3, 4-4, 4-5, 4-6, 4-29, 4-30
3044161	4-17	3220163	2-34, 4-2, 4-3, 4-4, 4-5, 4-6, 4-29, 4-30
3045255	5-17, 5-22	3220181	2-34, 4-2, 4-3, 4-4, 4-5, 4-6
3048836	4-17, 5-24	3220183	4-29, 4-30
3049803	4-15	3220199	2-34, 4-2, 4-3, 4-4, 4-5, 4-6, 4-7, 4-29, 4-30
3049807	4-15	3220276	4-29, 4-30
3049808	2-34, 4-5	3220282	2-23
3049837	2-34, 4-2, 4-3, 4-4, 4-5, 4-6, 4-29, 4-30, 4-31	3220288	5-31
3049849	2-34, 4-2, 4-3, 4-4, 4-5, 4-6	3220299	4-17, 5-24
3049888	2-34, 4-5, 4-7, 4-16	3220310	4-32, 5-21
3049889	4-5, 4-7	3220311	5-31
3049890	2-34, 4-5, 4-7	3220313	5-20, 5-26, 5-28, 5-29, 5-33
3049891	4-5, 4-7	3220313 B	5-21
3049920	4-13, 4-14	3220322	4-8, 4-9, 4-10, 4-11, 4-12
3049986	2-34, 4-2, 4-3, 4-4, 4-5, 4-6, 4-29, 4-30	3220325	4-8, 4-9, 4-10, 4-11, 4-12
3049989	4-7, 5-21	3220328	4-8, 4-9
3050102	5-32	3220337	4-17, 5-24
3069524	2-34, 4-2, 4-3, 4-4, 4-5, 4-6, 4-29, 4-30, 4-31	3220342	4-18, 5-23
3069528	4-21, 5-10	3220344	2-23, 2-31, 2-32, 2-59, 2-60, 2-61, 2-62, 4-8, 4-9, 4-10, 4-11, 4-12, 4-26, 5-5, 5-36
3069544	4-2, 4-3, 4-4, 4-6, 4-29, 4-30, 4-31	3220350	5-22
3069545	5-7, 5-8	3220351	4-17
3069545A	4-21, 5-10	3220352	5-8, 5-33
3069548	4-3, 4-4	3220352A	4-32
3087803	2-34, 4-2, 4-3, 4-4, 4-5, 4-6	3220365	2-34, 2-34, 4-2, 4-3, 4-4, 4-5, 4-5, 4-6
3087845	5-27, 5-30	3220366	2-34, 4-2, 4-3, 4-4, 4-5, 4-6
3220006	5-17	3220367	4-7
3220010	5-19	3220375	5-31
3220011	5-18	457406	2-23
		500281-000	2-15, 2-16

500595-075	2-59, 2-60, 2-61, 2-62, 5-36	5076534	2-59, 2-60, 2-61, 2-62, 5-36
5018899	2-23	5080017	2-38
5018902	2-23	5080044	2-38, 2-39
50195-000	5-11	508247-004	2-37
5028026	3-10	508247-005	5-28
5028034	2-42, 3-11	508247-006	2-21, 2-23, 2-33, 2-35, 4-26, 5-8, 5-34
5028035	5-20	508247-008	2-23, 5-29
5028048	2-23, 2-36	508247-010	2-23, 2-45, 4-10, 5-29
5028049	2-38, 2-39	5089688	2-23
5028050	2-36	5089689	2-23, 2-30
5028502	2-36	5089690	2-30
5033035	2-42, 3-5, 3-11	5089691	2-30
5033058	2-56, 2-57	5089692	2-30
5033062	3-5	5093000	2-62, 4-24, 4-25, 4-26
5033065	2-18	5093002	4-18, 4-19, 5-23
5033067	2-28	5093007	4-10
5033071	3-1, 3-2	5093010	4-9
5033083	3-10	5093018	4-24, 4-25, 5-8
5033089	2-48, 2-52	5093019	4-24, 4-25
5033095	2-1, 3-10, 5-33	5093021	2-23, 5-22, 5-32
5033101	2-23	5093024	4-12
50388-000	4-13, 4-14	5093030	2-23, 4-12
505082-016	2-13, 4-29, 4-30, 4-31	5093034	4-9
505082-020	2-60, 2-61, 2-62	509744-000	4-29, 4-30
5059720	4-8	510561-010	2-18, 2-21
5059730	2-22	510563-016	2-34, 4-2, 4-3, 4-4, 4-5, 4-6, 4-29, 4-30, 4-31
5059734	2-25		
5075205	2-38, 2-39, 2-40, 3-12	510587-025	2-27, 4-10
5075206	3-12	510595-024	2-59, 2-60, 2-61, 2-62, 4-8, 4-9, 5-36
5075207	3-12	510595-025	5-7
5075210	3-10	510681-016	2-23, 2-31, 2-32, 2-42, 2-45, 2-50, 3-11, 4-18, 4-19
5075303	3-5		
5075306	2-42, 3-11	510681-020	2-23, 2-48, 2-59, 2-60, 2-61, 2-62, 5-26, 5-29, 5-36
5076531	2-50		

510681-025	2-62, 5-23	514160-035	2-2
511159-000	2-15, 2-16	514404-001	4-22
5111675	3-1, 3-2	5210018	2-41
5111677	3-5	5260040	5-1
5111686	2-38, 2-39	5260041	5-20
5111691	3-34	5290012	2-2
5111693	2-56	5290012B	3-21
5111695	2-57	5290014	2-1
511257-000	3-11	5290014 D	3-20
511327-000	2-15, 2-16	5510022	2-45
511339-000	2-42, 3-11, 3-12	5516329	5-15
511347-000	2-48, 2-52	5516357	2-45
511356-000	2-42, 3-11, 3-12, 5-33	5516359	2-59, 2-60, 2-61, 2-62, 5-36
511481-000	2-1, 2-18, 2-19, 2-49, 3-10	5516368	2-45
511542-000	3-5	5516370	2-45
511585-000	2-28, 2-42, 3-11	5516375	2-13
511586-000	2-38, 2-39, 3-10	5516376	5-8
511587-000	2-42, 3-11, 3-12	5534385	2-45
511604-000	2-28	5534390	2-45
511605-000	2-28	5534391	2-22
511617-000	3-1, 3-2	5550006	5-20
511625-000	4-24, 4-25	5550010	2-23
512459-016	2-37, 4-11, 5-8	5550037	2-23
512630-012	2-22, 2-23, 2-33, 2-35	5550040	2-23
512630-016	2-43, 2-59, 2-60, 2-61, 2-62, 5-13, 5-36	5554380	2-23
512630-020	2-23, 2-31, 2-32, 2-33, 2-35, 2-43, 4-8, 5-8	5560031	5-15
512630-025	2-45, 5-1	5560033	4-8, 5-14, 5-15
512630-030	2-23	5560168	2-28
512648-080	2-14	5560169	2-1, 2-3, 2-12
512649-280	2-59, 2-60, 2-61, 2-62, 5-36	5560170	2-13
512727-020	2-4	5560222	2-38, 2-39, 2-43, 2-60, 5-25
512912-016	2-21	5560350	5-14
		5560372	5-15
		5560595	5-25

5560630 4-8	5563642	.. 2-23, 2-36, 2-45, 2-59, 2-60, 2-61, 2-62, 5-13
5560656 5-15	5563692 4-29, 4-30, 4-31
5560675 5-15	5563693 4-29, 4-30, 4-31
5560704 2-43	5563694 4-29, 4-30, 4-31
5560712 2-54, 2-55	5563695 4-29, 4-30, 4-31
5560713 2-54, 2-55	5563727 2-9, 2-10, 2-14, 5-2
5563116 2-1, 2-3	5563754 2-50
5563117 2-3	5563755 2-50
5563118 2-1	5563758 2-50
5563246 2-37	5563760 2-34, 4-2, 4-3, 4-4, 4-5, 4-6
5563249	4-8, 4-9, 4-10, 4-11, 4-12, 4-24, 4-25, 4-26	5563764 2-23
5563280 2-59, 2-60, 2-61, 2-62, 5-36	5563780 4-29, 4-30, 4-31
5563339 2-37	5563786 5-28, 5-29
5563340 2-37	5563804 4-8, 4-9, 5-15
5563393 2-1, 2-3	5563812 2-18
5563421 5-28, 5-29	5563815 2-23, 5-15
5563422 2-60	5563838 2-1, 2-2
5563452 2-13	5563848 2-5, 2-8, 2-9, 5-2, 5-3
5563470 2-13	5563876 2-9, 5-2
5563492 2-23, 3-10	5563879 2-22
5563499 2-21	5563881 2-60, 2-61, 2-62
5563507 5-20	5563883 2-59, 2-60, 2-61, 2-62, 5-36
5563508	2-15, 2-23, 2-59, 2-60, 2-61, 2-62, 5-13, 5-36	5563885 2-12
5563541 2-22, 2-47	5563888 2-2
5563542 2-23, 2-50, 3-10, 5-26	5563889	2-34, 4-2, 4-3, 4-4, 4-5, 4-6, 4-29, 4-30, 4-31, 5-8, 5-12, 5-33
5563543	2-19, 2-21, 2-44, 2-46, 2-47, 2-49, 5-26	5563898 2-1, 2-23, 2-44, 2-56, 2-57, 5-26
5563544 2-17, 2-22	5563903 5-25
5563546 2-22	5563904 2-28, 5-25
5563554 2-23	5563905 5-25
5563555 2-23	5563910 5-7
5563556 4-10	5563920 2-1
5563590 2-28	5563921 2-23
		5563934 2-59, 2-60, 2-61, 2-62, 5-36

5563938 5-8	569295	2-64, 2-65, 2-66, 2-67, 2-68, 2-69, 2-70, 2-71, 2-72
5563940 2-59, 2-60, 2-61, 2-62, 5-36	6019221 3-13
5563950 4-24, 4-25, 4-26	6019324 2-56, 2-57
5563951 2-36	6019325 2-38, 2-39, 3-19
5563953 2-47	6019325 B 3-19
5563956 2-21	6019349 2-42, 3-11
5563957 4-24, 4-25	6019349B 3-13
5563960 4-24, 4-25	6019377 3-10
5563961 5-33	6019425 3-23
5563963 2-15, 2-16	6019427 2-18
5563964 4-8, 4-9, 4-10, 4-11, 4-12	6019427A 3-15
5563966 4-8	6019428 3-15
5563967 5-36	6019429 3-15
5563972 4-8, 4-9	6019445 2-38, 2-39
5563973 2-59, 5-36	6019448 3-27
5563975 5-28, 5-29	6019449 3-27
5563978 2-10	6020058 2-43
5563980 2-59, 2-60, 2-61, 5-36	6020058 B 3-16
5563981 2-60, 2-61	6026999 3-16
5563996 5-34	6029697 3-17
5564000 5-35	6029698 3-16
5564009 5-25	6029704 2-28
5564029 2-16	6029704 C 3-18
5564034 2-16	6029705 B 2-29
5565325 4-26	6029706 2-39, 3-19
5569354 4-24, 4-25, 4-26	6047142 3-31
5569987 5-8, 5-12, 5-33	604716 2-23
5570003 2-12	6047188 3-30
5592024 2-1	6047189 3-29, 3-30
5592025 2-48, 2-52, 2-53	6047190 3-30
560285 2-9	6050012 2-31
560395 2-38, 2-39	6050012-001 2-32
561196 3-29	6091599 3-13
562386 2-59, 2-60, 2-61, 2-62, 5-36		

60918153-13	60920803-21
60918183-13	60920813-21
60918193-13	60920823-21
60918213-13	60920833-21
60918223-13	60920843-21
60918233-13	60920962-1, 2-3, 3-4
60918243-13	60920993-14
60918253-13	60921003-14
60918263-13	60921013-14
60918273-13	60921212-29
60918283-13	60921222-29
60918293-13	60921232-29
60918303-13	60921243-18
60918313-13	60921253-18
60918452-38, 3-19	60921263-18
60918463-19	60921273-23
60918553-17	60921283-20
60918563-17	70300012-67, 2-68, 2-69, 2-70, 2-71, 2-72
60918573-17	70300682-64, 2-65, 2-66, 2-67, 2-68, 2-69, 2-70, 2-71, 2-72
60918583-17	70301712-64, 2-65, 2-66, 2-67, 2-68, 2-71
60918593-17	7030171DE2-69
60918973-29	7030171FR2-70, 2-71
60919013-29	7030171SW2-72
60919313-6, 3-6	70301902-64, 2-67
60919323-6, 3-6	70301942-64, 2-65, 2-66, 2-67, 2-68, 2-69, 2-70, 2-71, 2-72
60919333-6, 3-6	70302342-25
60919343-6, 3-6	70500045-34
60919353-6, 3-6	71199252-28
60919363-6	71199262-28
60919373-6	71481483-27
60919383-6	71481493-24
60920183-13	71481513-24
60920193-13		
60920793-21		

7190009	2-41	7631199	2-23
7210016	5-28	7631204	2-25
7210017	5-26, 5-29	7631209	5-33
7220055	2-4	7631210	5-33
7220056	2-4	7631211	5-33
7249580	2-28	7631228	5-26
7249580 B	2-27	7631260	2-24, 2-25
7280131	2-8	7631290	2-24, 2-25
7280131-001	2-7	7631291	2-24, 2-25
7280131-002	2-6	7631370	2-26
7280132	2-8	7631371	2-26
7280132-001	2-7	7631372	2-26
7280132-002	2-6	7631373	2-26
7280136	2-5	7631374	2-26
7280136-001	2-7	7631375	2-26
7280136-002	2-6	7631376	2-26
7280137	2-5	7631377	2-26
7280137-001	2-7	7631378	2-26
7280137-002	2-6	7631379	2-26
7280145	2-9	7631380	2-26
7280145-1	5-2, 5-3	7631382	2-26
7624820	2-23, 2-26	7631383	2-26
7624820 B	2-25	7631384	2-26
7624820A	2-24	7631385	2-26
7631025	2-24, 2-25	7631386	2-26
7631063	4-9	7631388	2-26
7631091	5-25	7714203	2-37
7631103	2-25	8010399	2-4
7631186	2-24, 2-25	8010400	2-4
7631187	2-24, 2-25	8010401	2-4
7631188	2-24, 2-25	8010402	2-4
7631190	2-24, 2-25	8010403	2-4
7631191	2-24, 2-25	8010404	2-4
7631195	2-24, 2-25	8010405	2-4

8010406	2-4	8080152	3-34
8010407	2-4	969999	5-25
8010408	2-4	970129	5-25
8010409	2-4	970219	2-23
8010410	2-4	970369	5-28, 5-29
8010411	2-4	970439	2-54, 2-55
8010412	2-4	970449	2-38, 2-39
8010413	2-4	970559	5-15
8010414	2-4	972259	5-15
8010415	2-4	972439	5-15
8010416	2-4	974679	5-25
8010417	2-4	984089	4-9
8010418	2-4	984109	2-21
8010419	2-4	986009	5-25
8010420	2-4	986019	5-15, 5-25
8010421	2-4	986269	5-28, 5-29
8010422	2-4	986299	2-21, 2-54, 2-55, 4-8, 5-14
8010428	2-4	986359	2-18
8010429	2-4	9906066	2-23
8010430	2-4	9906068	2-23
8010431	2-4	9920035	2-45, 2-59, 2-60, 2-61, 5-36
8010432	2-4, 2-4	9939464	5-15
8010434	2-4	9940242	2-37
8010435	2-4	9940243	2-37
8010436	2-4	9940244	2-37
8010437	2-4	9940253	2-37
8010438	2-4	9940254	2-37
8010439	2-4	9960007	5-34
8010440	2-4	9960023	2-51, 4-10
8010441	2-4	9960024	3-3, 4-8, 4-10
8010442	2-4	9980003	5-34
8010443	2-4	9980008	5-34
8010444	2-4	KIT ITEMS	3-17, 3-17, 3-17, 3-17, 3-17, 3-17, 3-17, 3-
8040136	2-30	17	

N/A 3-9, 3-9, 3-9