

# snorkel

## AB80J



CE

## **REPAIR PARTS** **MANUAL**

Serial number 00001 and after

Models AB80J/A80J

Replaces 0420999 March 2014

Part Number 0421901

November 2016

## GENERAL INFORMATION

GENERAL INFORMATION .....	1-1
---------------------------	-----

## REPAIR PARTS

AB80J CHASSIS ASSEMBLY .....	2-1
ROTATION BEARING AND CHASSIS INSTALLATION .....	2-2
CHASSIS 4 WHEEL DRIVE INSTALLATION .....	2-3
4 WHEEL STEER INSTALLATION FIXED AXLE .....	2-4
BRAKE UNIT .....	2-5
GEAR HUB (OMNI) .....	2-6
GEAR HUB .....	2-7
TIRES AND WHEELS .....	2-8
CHASSIS TURNTABLE INSTALLATION .....	2-9
AB80J T4F TURNTABLE ASSEMBLY FEBURARY 2020 ABD BEFORE .....	2-10
AB80J T4F TURNTABLE ASSEMBLY MARCH 2020 AND AFTER .....	2-11
FUEL TANK INSTALLATION .....	2-12
40 GALLON FUEL TANK .....	2-13
HYDRAULIC TANK ASSEMBLY .....	2-14
SWING DRIVE ASSEMBLY .....	2-15
PINION GUARD .....	2-16
COUNTERWEIGHT INSTALLATION .....	2-17
ENGINE INSTALLATION APRIL 2007 AND BEFORE .....	2-18
ENGINE INSTALLATION MAY 2007 AND AFTER .....	2-19
ENGINE TRAY ASSEMBLY CUMMINS APRIL 2007 AND BEFORE .....	2-20
ENGINE TRAY ASSEMBLY CUMMINS .....	2-21
ENGINE WITH RADIATOR ASSEMBLY CUMMINS JUNE 2007 AND BEFORE .....	2-22
ENGINE WITH RADIATOR ASSEMBLY CUMMINS JULY 2007 AND AFTER .....	2-23
RADIATOR ASSEMBLY JUNE 2007 AND BEFORE .....	2-24
RADIATOR ASSEMBLY JULY 2007 AND AFTER .....	2-25
ENGINE INSTALLATION DEUTZ .....	2-26
ENGINE MOUNTING DEUTZ .....	2-27
ENGINE SUB-ASSEMBLY DEUTZ OCTOBER 2007 AND BEFORE .....	2-28
ENGINE SUB-ASSEMBLY DEUTZ NOVEMBER 2007 AND AFTER .....	2-29
ENGINE TRAY ASSEMBLY DEUTZ OCTOBER 2011 AND BEFORE .....	2-30
ENGINE ASSEMBLY DEUTZ AUGUST 2007 AND AFTER .....	2-31
ENGINE INSTALLATION KUBOTA AB80/85RJ DECEMBER 2019 AND BEFORE .....	2-32
FUEL SYSTEM ASSEMBLY KUBOTA V2403T4F .....	2-33
ENGINE SUB-ASSEMBLY KUBOTA APRIL 2017 AND BEFORE .....	2-34
KUBOTA ENGINE SUB ASSEMBLY CE AB85J .....	2-35
KUBOTA ENGINE INSTALLATION CE AB80 AB85J .....	2-36
ENGINE TRAY INSTALLATION KUBOTA TIER 4 FINAL JANUARY 2020 AND AFTER .....	2-37
ENGINE TRAY ASSEMBLY KUBOTA V2403 TIER 4 FINAL DECEMBER 2019 AND AFTER .....	2-38
KUBOTA T4 RADIATOR KIT .....	2-39
V2403-M-T-E3-KEA-2E KUBOTA ENGINE EXPORT WITH RADIATOR REPLACEMENT PARTS 2-	

V2403-M-T-E3B-KEA-2F KUBOTA ENGINE WITH RADIATOR REPLACEMENT PARTS .....	2-41
COWLING AB85J CUMMINS GM .....	2-42
COWLING INSTALLATION CUMMINS DEUTZ GM KUBOTA .....	2-43
RIGHT HAND DOOR ASSEMBLY .....	2-44
LEFT HAND DOOR ASSEMBLY .....	2-45
REAR COVER ASSEMBLY .....	2-46
AB80J BOOM SUB ASSEMBLY .....	2-47
BOOM INSTALLATION .....	2-48
RISER ASSEMBLY .....	2-49
BOOMS ASSEMBLY OCTOBER 2014 AND BEFORE .....	2-50
BOOM ASSEMBLY NOVEMBER 2014 AND AFTER .....	2-51
EXTEND CYLINDER ASSEMBLY .....	2-52
EXTENSION CYLINDER MOUNTING ASSEMBLY .....	2-53
BOOM AND HOSE CARRIER ASSEMBLY .....	2-54
HOSE CARRIER ASSEMBLY .....	2-55
TIP BOOM ASSEMBLY OCTOBER 2014 AND BEFORE .....	2-56
TIB BOOM ASSEMBLY NOVEMBER 2014 AND AFTER .....	2-57
AB80J KUBOTA BOOM INSTALLATION .....	2-58
JIB BOOM AB80J JANUARY 2020 AND BEFORE .....	2-59
JIB ASSEMBLY AB80J FEBURARY 2020 AND AFTER .....	2-60
78 INCHES JIB ASSEMBLY JANUARY 2019 AND BEFORE .....	2-61
78 INCHE JIB ASSEMBLY FEBURARY 2019 AND AFTER .....	2-62
JIB INSTALLATION 5 FOOT FIXED .....	2-63
PLATFORM ROTATOR ASSEMBLY FEBRUARY 2018 AND AFTER .....	2-64
PLATFORM INSTALLATION WITH HELAC ROTATOR .....	2-65
PLATFORM ASSEMBLY 36 X 96 STEEL DOUBLE HANDRAIL ON PADDING SEPTEMBER 2017 AND AFTER .....	2-66
SNORKEL GUARD ASSEMBLY .....	2-67
36X96 STEEL PLATFORM ASSEMBLY WITH SWING GATE AND GRAVITY GATE JULY 2007 AND BEFORE .....	2-68
STEEL PLATFORM ASSEMBLY JULY 2007 AND AFTER .....	2-69
DECAL PLACARD INSTALLATION AB80J ANSI KUBOTA .....	2-70
DECAL PLACARD INSTALLATION A80J ANSI CUMMINS .....	2-71
PLACARD DECAL INSTALLATION A80J AB85RJ .....	2-72
LANGUAGE KIT SPANISH .....	2-73

## **HYDRAULICS**

AB80J HYDRAULIC SUB ASSEMBLY .....	3-1
AB80J TURNTABLE HYDRAULIC VALVES .....	3-2
CHASSIS HYDRAULICS 4 WHEEL DRIVE .....	3-3
FRONT TRANSMISSION VALVE ASSEMBLY FLUID TECH APRIL 2006 AND AFTER .....	3-4
REAR TRANSMISSION VALVE SUB-ASSEMBLY .....	3-5
SPEED SHIFT VALVE SUB ASSEMBLY MAY 2007 AND BEFORE .....	3-6
SPEED SHIFT VALVE SUB-ASSEMBLY JUNE 2007 AND AFTER .....	3-7
FOUR WHEEL STEER VALVE SUB ASSEMBLY SEPTEMBER 2013 AND BEFORE .....	3-8
FOUR WHEEL STEER VALVE SUB ASSEMBLY OCTOBER 2006 AND AFTER .....	3-9

FLOW DIVIDER SUB-ASSEMBLY .....	3-10
HYDRAULIC TURNTABLE EQUIPMENT INSTALLATION .....	3-11
TURNTABLE HYRAULIC VALVES ASSEMBLY OCTOBER 2006 AND AFTER .....	3-12
HYDRAULIC PUMP ASSEMBLY JUNE 2018 AND AFTER .....	3-13
HYDRAULIC TANK ASSEMBLY APRIL 2007 AND AFTER .....	3-14
OIL RETURN FILTER OCTOBER 2006 AND AFTER .....	3-15
SWING DRIVE .....	3-16
SWING MOTION CONTROL VALVE ASSEMBLY MAY 2007 AND AFTER .....	3-17
CENTERPOST ASSEMBLY AUGUST 2019 AND BEFORE .....	3-18
CENTERPOST ASSEMBLY SEPTEMBER 2019 AND AFTER .....	3-19
EMERGENCY POWER UNIT .....	3-20
EMERGENCY POWER UNIT ASSEMBLY .....	3-21
EMERGENCY POWER UNIT WUXI DELI APRIL 2016 AND AFTER .....	3-22
PISTON PUMP HENGLI SEPTEMBER 2019 AND AFTER .....	3-23
PRESSURE MANIFOLD VALVE SUB-ASSEMBLY .....	3-24
CONTROL VALVE ASSEMBLY FOUR FUNCTION .....	3-25
CONTROL VALVE FOUR FUNCTION .....	3-26
CONTROL VALVE ASSEMBLY FIVE FUNCTION .....	3-27
CONTROL VALVE FIVE FUNCTION .....	3-28
SENSE LINE DUMP VALVE ASSEMBLY .....	3-29
RETURN MANIFOLD TURNTABLE NOVEMBER 2006 AND AFTER .....	3-30
ACCUMULATOR SUB ASSEMBLY 300 PSI CHARGED CHASSIS .....	3-31
ACCUMULATOR ASSEMBLY OCTOBER 2006 AND AFTER .....	3-32
BLEED DOWN CONTROL VALVE ASSEMBLY JUNE 2007 AND AFTER .....	3-33
BLEED DOWN PUMP VALVE APRIL 2007 AND AFTER .....	3-34
BOOM HYDRAULICS .....	3-35
CONTROL VALVE ASSEMBLY SIX FUNCTION .....	3-36
CYLINDER BLEED DOWN .....	3-37
STEERING CYLINDER WALTCO .....	3-38
STEER CYLINDER ROSENBOOM AUGUST 2015 AND AFTER .....	3-39
MAIN LIFT CYLINDER ASSEMBLY .....	3-40
MAIN LIFT CYLINDER ROSENBOOM .....	3-41
RISER CYLINDER ROSENBOOM .....	3-42
RISER CYLINDER WALTCO .....	3-43
RISER CYLINDER ASSEMBLY .....	3-44
MASTER LEVEL CYLINDER ASSEMBLY .....	3-45
MASTER LEVEL CYLINDER WALTCO .....	3-46
MASTER LEVEL CYLINDER ROSENBOOM .....	3-47
EXTENSION CYLINDER MOUNTING ASSEMBLY .....	3-48
EXTEND CYLINDER ROSENBOOM .....	3-49
EXTEND CYLINDER WALCO .....	3-50
JIB CYLINDER ROSENBOOM .....	3-51
SLAVE LEVEL CYLINDER WALTCO .....	3-52
SLAVE LEVEL CYLINDER ROSENBOOM .....	3-53

**ELECTRICAL**

AB80J KUBOTA ELECTRICAL SUB ASSEMBLY FEBURARY 2020 AND BEFORE ..... 4-1

AB80J KUBOTA ELECTRICAL SUB ASSEMBLY MARCH 2020 AND AFTER ..... 4-2

TURNTABLE HARNESS T4F AB80/85J AUGUST 2019 ANF AFTER ..... 4-3

PLATFORM FOOT SWITCH ASSEMBLY ..... 4-4

WIRE ASSEMBLY MAIN BOOM ..... 4-5

WIRE ASSEMBLY MAIN BOOM ..... 4-6

WIRING BOX ASSEMBLY ..... 4-7

WIRING BOX ASSEMBLY ..... 4-8

WIRING BOX ASSEMBLY CUMMINS AND KUBOTA CE ..... 4-9

WIRING BOX ASSEMBLY ..... 4-10

ASSEMBLY WIRING BOX AB80J T4F JULY 2019 AND AFTER ..... 4-11

PANEL SUB-ASSEMBLY ..... 4-12

PANEL SUB ASSEMBLY AB80/85J T4F JULY 2019 AND AFTER ..... 4-13

INTERNAL WIRING KIT JULY 2019 AND AFTER ..... 4-14

TURNTABLE ELECTRICAL INSTALLATION CUMMINS AND DEUTZ ..... 4-15

TURNTABLE ELECTRICAL INSTALLATION DECEMBER 2018 AND BEFORE ..... 4-16

MAIN BOOM ELECTRICAL INSTALLATION ..... 4-17

SWING SPEED LIMIT SWITCH ..... 4-18

BOOM LIFT LIMIT SWITCH ASSEMBLY ..... 4-19

BOOM EXTEND LIMIT SWITCH ..... 4-20

RISER LIMIT SWITCH ASSEMBLY ..... 4-21

RISER LIMIT SWITCH ..... 4-22

PLATFORM ELECTRICAL INSTALLATION ..... 4-23

PLATFORM BOX ASSEMBLY ..... 4-24

PLATFORM CONTROL ASSEMBLY AB80J KUBOTA OCTOBER 2019 AND AFTER ..... 4-25

CONTROLLER, DRIVE/STEER ..... 4-26

LIFT SWING CONTROLLER ..... 4-27

SINGLE AXIS CONTROLLER ..... 4-28

DUAL AXIS CONTROLLER ..... 4-29

PLATFORM FOOT SWITCH ASSEMBLY ..... 4-30

110 VOLT POWER TO PLATFORM INSTALLATION ..... 4-31

**OPTIONS**

DUAL AMBER BEACON ..... 5-1

AIR INLET HEATER DEUTZ ..... 5-2

HYDRAULIC AC GENERATOR 110 VOLT ..... 5-3

115V AC 2000 WATT HYDRAULIC GENERATOR SUB ASSEMBLY ..... 5-4

AC GENERATOR VALVE ..... 5-5

12KW GENERATOR INSTALLATION ..... 5-6

12KW GENERATOR INSTALLATION WIRING BOX MODIFICATION ..... 5-7

12KW PLATFORM CONTROL BOX ASSEMBLY ..... 5-8

BELT GENERATOR 2.4KW KUBOTA V2403 OR WG2503 MAY 2019 AND AFTER ..... 5-9

2.4KW BELT GENERATOR AB80J AB85JRT FEBURARY 2020 AND AFTER ..... 5-10

ELECTRICAL INSTALLATION 12KW ..... 5-11

ALL MOTION ALARM INSTALLATION .....	5-12
AIRLINE INSTALLATION AB80J AB85RT .....	5-13
STEEL PLATFORM WITH WELDER .....	5-14
PLATFORM ASSEMBLY WITH MESH ENCLOSURE APRIL 2018 AND AFTER .....	5-15
PLATFORM ASSEMBLY WITH MESH ENCLOSURE PG APRIL 2018 AND AFTER .....	5-16
36X96 PLATFORM WITH BUMP GUARD PADDING AND SNORKEL GUARD .....	5-17
PLATFORM ASSEMBLY 36 X 96 STEEL DOUBLE HANDRAIL NO PADDING .....	5-18
PLATFORM GLAZIER PACKAGE .....	5-19
39 X 96 STEEL PLATFORM 500# .....	5-20
GLAZIER PACKAGE PLATFORM WITH 1.7 INCH TOE BOARD INSTALLATION .....	5-21
GLAZIER PACKAGE WORLD PLATFORM WITH 2 INCH TOE BOARD INSTALLATION .....	5-22
GLAZIER TRAY ASSEMBLY .....	5-23
TIRES NON-MARKING FOAN FILLED .....	5-24
COLD WEATHER PACKAGE AB80J AB86J NOVEMBER 2019 AND AFTER .....	5-25
EXTREME COLD WEATHER PACKAGE KUBOTA .....	5-26
HYDRAULIC WARM UP .....	5-27
BLOCK HEATER KUBOTA V2403T .....	5-28
EXTREME ENVIROMENT PACKAGE NOVEMBER 2019 AND AFTER .....	5-29
PLATFORM CONTROL COVER VINYL .....	5-30
SNDBLAST KIT FEBURARY 2020 AND AFTER .....	5-31
BOOM BRUSH KIT .....	5-32
LIGHT PACKAGE AB80J AB85J NOVEMBER 2019 AND AFTER .....	5-33
FOUR WHITE LED LIGHTS WITH LPS CER NOVEMBER 2019 AND AFTER .....	5-34
PLATFORM WORK LIGHTS GLOBAL PLATFORM INSTALLATION .....	5-35
WORK LIGHTS AB80J/85RJ .....	5-36
AB46 TOOL TRAY .....	5-37
FALL ANCHORAGE 36X96 INSTALLATION .....	5-38
36 X 96 PLATFORM ASSEMBLY WITH BUMP GUARD AND PADDING MARCH 2009 AND AFTER	5-39
36 X 96 PLATFORM ASSEMBLY BUMPGUARD WITH PADDING MARCH 2009 AND AFTER ..	5-40
PLATFORM ASSEMBLY WITH SNORKEL GUARD .....	5-41

**MAINTENANCE**

MAINTENANCE-AB80 .....	6-1
------------------------	-----

**SCHEMATICS**

AB80J AB85RJ ELECTRICAL SCHEMATIC A42003F DEUTZ AND CUMMINS CHANGED ROUTING OF 170 WIRE .....	7-1
AB80J AB85RJ ELECTRICAL SCHEMATIC A42023B CUMMINS T3 CHANGED ROUTING OF 170 WIRE .....	7-2
AB80J AB85RJ ELECTRICAL SCHEMATIC A42020C GM CHANGED ROUTING OF 170 WIRE ..	7-3
AB80J AB85RJ ELECTRICAL SCHEMATIC KUBOTA FLEX A42029A .....	7-4
AB80J AB85RJ HYDRAULIC SCHEMATIC A42015A .....	7-5
AB80J AB85RJ HYDRAULIC SCHEMATIC A42015B PLATFORM ROTATE VALVE-MOVED ORIFICE OUTSIDE OF VALVE .....	7-6
AB80J AB85RJ HYDRAULIC SCHEMATIC A42015C UPDATED DIRIVE HOSES ON CENTERPOST ..	7-7

A ..... A  
B ..... B

# DANGER

**The aerial platform is not electrically insulated. Death or serious injury will result from contact with, or inadequate clearance from, an energized conductor.**

**Do not go closer than the Minimum Safe Approach Distance as defined by ANSI standards.**

Regard all conductors as energized.

Allow for electrical wire sag and aerial platform sway.

If the platform, boom structure, or any part of the aerial platform contacts a high-voltage electrical conductor, the entire machine can become electrically charged.

If that happens, remain on the machine and do not contact any other structure or object. This includes the ground, adjacent buildings, poles, and any other objects that are not part of the aerial platform.

Such contact could make your body a conductor to the other object, creating an electrical shock hazard resulting in death or serious injury.

If an aerial platform is in contact with an energized conductor the platform operator must warn ground personnel in the vicinity to stay away. Their bodies can conduct electricity creating an electrical shock hazard resulting in death or serious injury.

Do not approach or leave the aerial platform until the electricity has been turned off.

Do not attempt to operate the lower controls when the platform, scissors structure, or any part of the aerial platform is in contact with a high-voltage electrical conductor or if there is an immediate danger of such contact.

Personnel on or near an aerial platform must be continuously aware of electrical hazards, recognizing that death or serious injury can result from contact with an energized conductor.

## California

### Proposition 65 Warning

Battery posts, terminals and related accessories contain lead and lead components, chemicals known to the State of California to cause cancer and birth defects or other reproductive harm. Wash hands after handling.

## California

### Proposition 65 Warning

Diesel and gasoline engine exhaust and some of its constituents are known by the State of California to cause cancer, birth defects or other reproductive harm.



# General Information

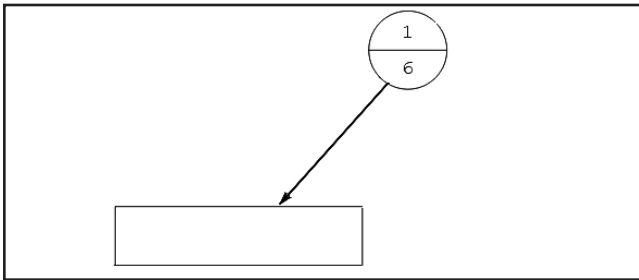
## About This Manual

This manual covers AB80J aerial platforms. Information is included for machines that have been manufactured to conform to all applicable requirements of the following organizations:

- American National Standards Institute (ANSI)
- Canadian Standards Association (CSA)
- European Committee for Standardization (CE)

Part pages include a drawing and a bill of material. The bill of material lists the item number that is on the drawing, the Snorkel part number, quantity used and a description of the item.

Some callouts in the drawings may have a balloon with two numbers. The top number is the item number and the bottom number is the quantity of the item at that location.



While Snorkel has attempted in every way to confirm that all information in this manual is correct, improvements are being constantly made to the machine that may not be reflected in this manual.

If you find information in this manual that is not correct or is confusing, you are urged to report your findings to Snorkel for our evaluation. Your input is important to us and will be used in future printings of this manual.

This machine is covered by a limited warranty that specifically identifies items warrantied by Snorkel and those items covered by original manufacturer's warranty. A copy of the Snorkel Limited Warranty is located on the inside of the back cover of this manual.

## Repairs and Maintenance

Every person who maintains, inspects, tests or repairs the machine must be qualified and authorized to do so.

### ⚠Caution

**Do not modify this aerial platform without prior written consent of Snorkel Engineering Department. Modification may void the warranty, adversely affect stability or affect the operational characteristics of the aerial platform.**

## Abbreviations

The following abbreviations may be used in this manual.

AC	alternating current
ANSI	American National Standards Institute
AR	as required
CCA	cold cranking amps
cm	centimeter
DC	direct current
ft	feet
GFCI	ground fault circuit interruptor
in	inch
lbs	pounds
mm	millimeter
no	number
NPT	national pipe thread
psi	pounds per square inch
qty	quantity
rpm	revolutions per minute
UL	Underwriters Laboratories Inc.

## Additional Information

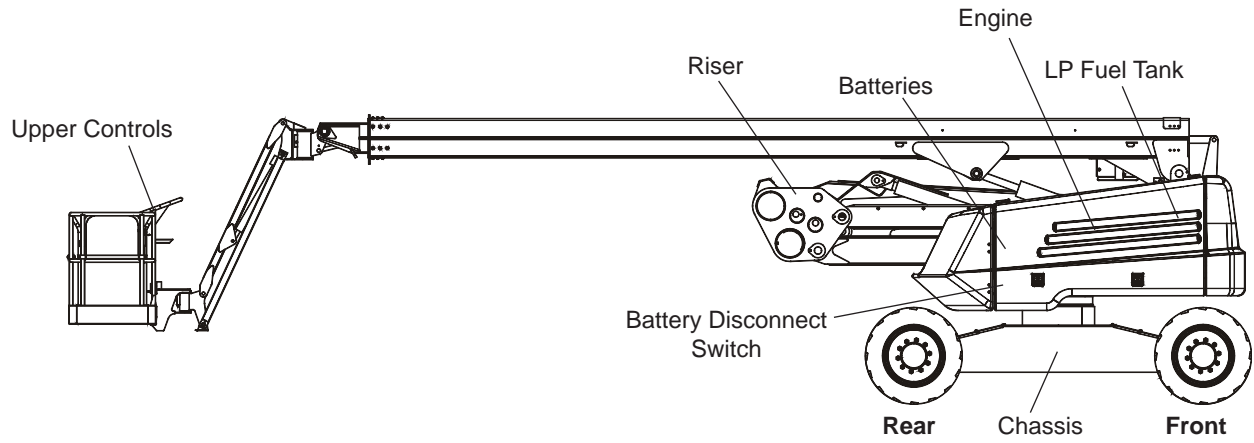
All correspondence relative to this machine, such as field reports, discrepancy reports, requests for information, etc., should be directed to:

Snorkel North America  
P.O. Box 1160  
St. Joseph, MO 64502-1160 USA  
Phone: 1-800-255-0317

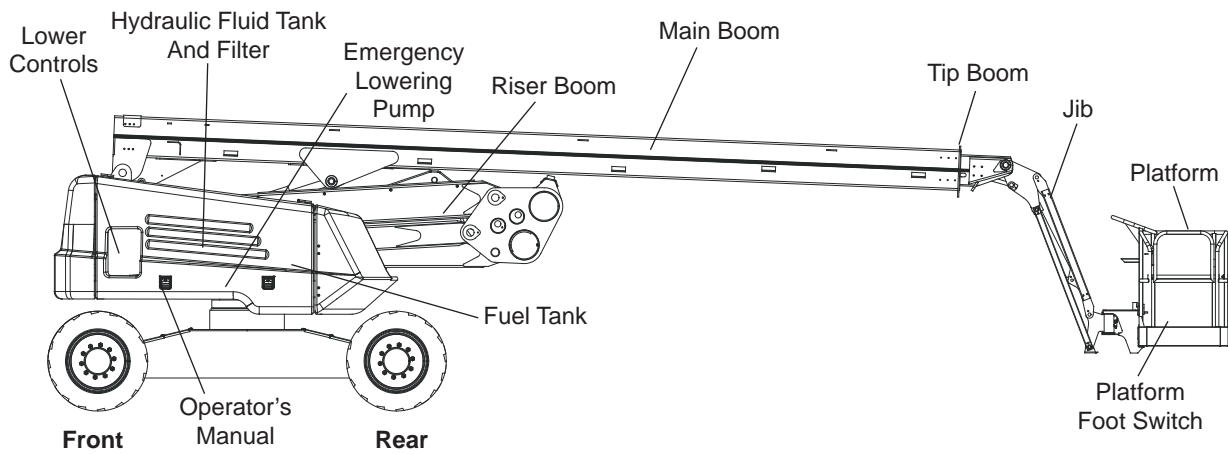
Snorkel Europe  
Vigo Centre  
Birtley Road  
Washington  
Tyne & Wear  
NE38 9DA  
Phone: +44 (0) 845 1550 058

<http://www.snorkellifts.com>

# Component Identification



**Right Side**



**Left Side**

# Service and Parts Information

## Ordering Parts

When placing an order for service or repair parts, please have the following machine information readily available.

- Model number
- Serial number
- Snorkel part number
- Description of part
- Quantity of parts required
- Your purchase order number
- Address for order to ship to
- The desired shipment method

If ordering parts off-line, the parts order form on the following page may be mailed or faxed to the attention of the Parts Department at the following location:

Snorkel North America  
P.O. Box 1160  
St. Joseph, MO 64502-1160 USA  
Phone: 1-800-255-0317  
Parts Fax: 1-785-989-3077

Snorkel Europe  
Vigo Centre  
Birtley Road  
Washington  
Tyne & Wear  
NE38 9DA  
Phone: +44 (0) 845 1550 058  
Parts Fax: +44 (0) 1952 607 678

Attention: Parts Department

For your convenience, our electronic on-line ordering system is accessible from the following Internet location:

<http://www.snorkellifts.com>

## ANSI and OSHA Compliance

All owners and users of the aerial platform must read, understand and comply with all applicable regulations. Ultimate compliance to OSHA regulations is the responsibility of the user and their employer.

ANSI publications clearly identify the responsibilities of all personnel who may be involved with the aerial platform. A reprint of the "Manual of Responsibilities for Dealers, Owners, Users, Operators, Lessors and Lessees of ANSI/SIA A92.5-2006 Boom-Supported Elevating Work Platforms" is available from Snorkel dealers or from the factory upon request.

Copies are also available from:

Scaffold Industry Association, Inc.  
P.O. Box 20574  
Phoenix, AZ 85036-0574 USA

## Manuals

Manuals are available from Snorkel to support any of the machines that we produce.

The specific manuals for AB80J and AB85RJ aerial platforms are as follows:

### AB80J/AB85RJ Operator's Manual

Snorkel part number – 0420453

### AB80J Repair Parts Manual

Snorkel part number – 0421901

### ANSI Manual of Responsibilities

ANSI/SIA A92.5-2006

Snorkel part number – 0084053

## Machine Information

Model Number: \_\_\_\_\_

Serial Number: \_\_\_\_\_

Date of Purchase: \_\_\_\_\_

Purchased From: \_\_\_\_\_

Snorkel Dealer or Distributor: \_\_\_\_\_

\_\_\_\_\_

\_\_\_\_\_

# Parts Order Form

Fill out completely and fax to 1-785-989-3077, attention Parts Department.

Date: \_\_\_\_\_

Account Number: \_\_\_\_\_

Company: \_\_\_\_\_

Purchase Order Number: \_\_\_\_\_

Address: \_\_\_\_\_

Model Number: \_\_\_\_\_

\_\_\_\_\_

Serial Number: \_\_\_\_\_

\_\_\_\_\_

Ship To: \_\_\_\_\_

Contact Name: \_\_\_\_\_

\_\_\_\_\_

Phone Number: \_\_\_\_\_

\_\_\_\_\_

Fax Number: \_\_\_\_\_

\_\_\_\_\_

Shipping Method: \_\_\_\_\_

Part Number	Description	Quantity

Note: Backordered parts will be shipped as soon as available using the same shipping method as the original order unless otherwise indicated below.

- Ship complete order only. Do not backorder parts.
- Ship all available parts and disposition of backordered parts.
- Other instructions as specified: \_\_\_\_\_

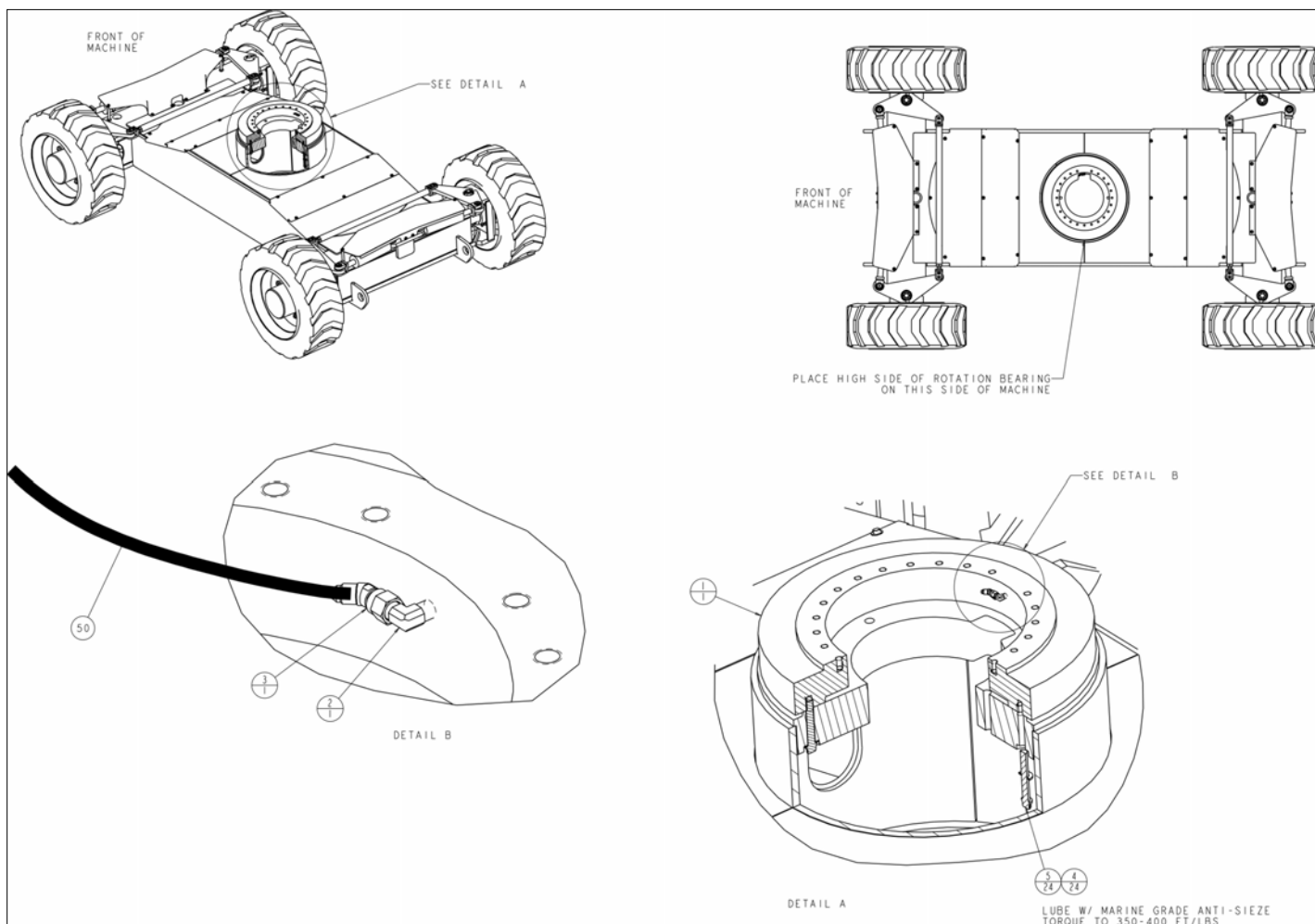
REPAIR PARTS

NO IMAGE AVAILABLE  
(BOM FOR REFERENCE ONLY)

アイテム	部品番号	名前	数量	UOM
	0421740 A	AB80J CHASSIS ASSEMBLY		EA
1	0020275	HOSE 6 6S 6S 16 100R2	4	EA
2	0050400	HOSE 6 6S 6S 41 100R2	1	EA
3	0060305	HOSE 6 6S 6S 60 100R2	6	EA
4	0070786	HOSE 6 6S 6S 19 100R2	1	EA
5	0070789	HOSE 6 6S 6S 75.5 100R2	4	EA
6	0070792	HOSE 8 8S 8S 32 100R2	2	EA
7	0100491	HOSE 4 4S 4S 150 100R1	2	EA
8	0111287	HOSE 4 4S 4S 84 100R2	2	EA
9	0112705	HOSE 10 10S 10S 78 100R2	1	EA
10	0112706	HOSE 10 10S 10S 132 SP MEGAFLEX	1	EA
11	0112827	HOSE 16 16S45 16S 264 100R12	2	EA
12	0112828	HOSE 10 10S 10S 70 100R16 SP	2	EA
13	0112830	HOSE 10 10S 10S 146.50 SP	1	EA
14	0180779	HOSE 10 10S 10S 70	1	EA
15	0180784	HOSE 8 8S 8S 72 SP	6	EA
16	0180945	HOSE 4 4S 4S 62 100R2	6	EA
17	0421376	INSTL. ROT. BEARING & CHASSIS	1	EA
18	463374	HOSE 6 6S 6S 13 100R2	4	EA
19	560826	NUTSERT .375 16 GRIP .027 .150	6	EA
20	5034102	FTG TEE UN 4S 4S STL	2	EA
21	5034104	FTG TEE UN 6S 6S STL	2	EA
22	5035005	FTG TEE BHD BR 6S 6S STL	4	EA
23	5035305	FTG ELB90STRTHD 6S 6S STL	8	EA
24	5036906	COVER	2	EA
25	5037005	TERM FEM F.I. .250 16/14	4	EA
26	5074403	ADAPTER, NUT, BULKHEAD 6	4	EA

アイテム	部品番号	名前	数量	UOM
27	5090034	SLEEVEHOSE ABRASION GRD 1.81 in	6	EA
28	5093014	CLP CUSH 2.25 VINYL COATED	4	EA
29	5098339	SLEEVE, HOSE ABRASION GRD	6	EA
30	5550070	CLP WORM DRV 3.00 5.00 SAE#72	4	EA
31	0112699 8	COVER CHASSIS BOTTOM	2	EA
32	0112715	TUBE STEER CYL COVER SUPPORT	4	EA
33	0112717 8	WLDMT STEER CYLINDER COVER	2	EA
34	0112750 0	INSTL 4X4 DRIVE FA	1	EA
35	0112751 0	INSTL4 WHEEL STEER FA	1	EA
36	0112754 1	TIRES TB85JFA	1	EA
37	0420451 8	WLDMT CHASSIS AB85J	1	EA
38	0112804 8	WLDMT CHASSIS TOP COVER	2	EA

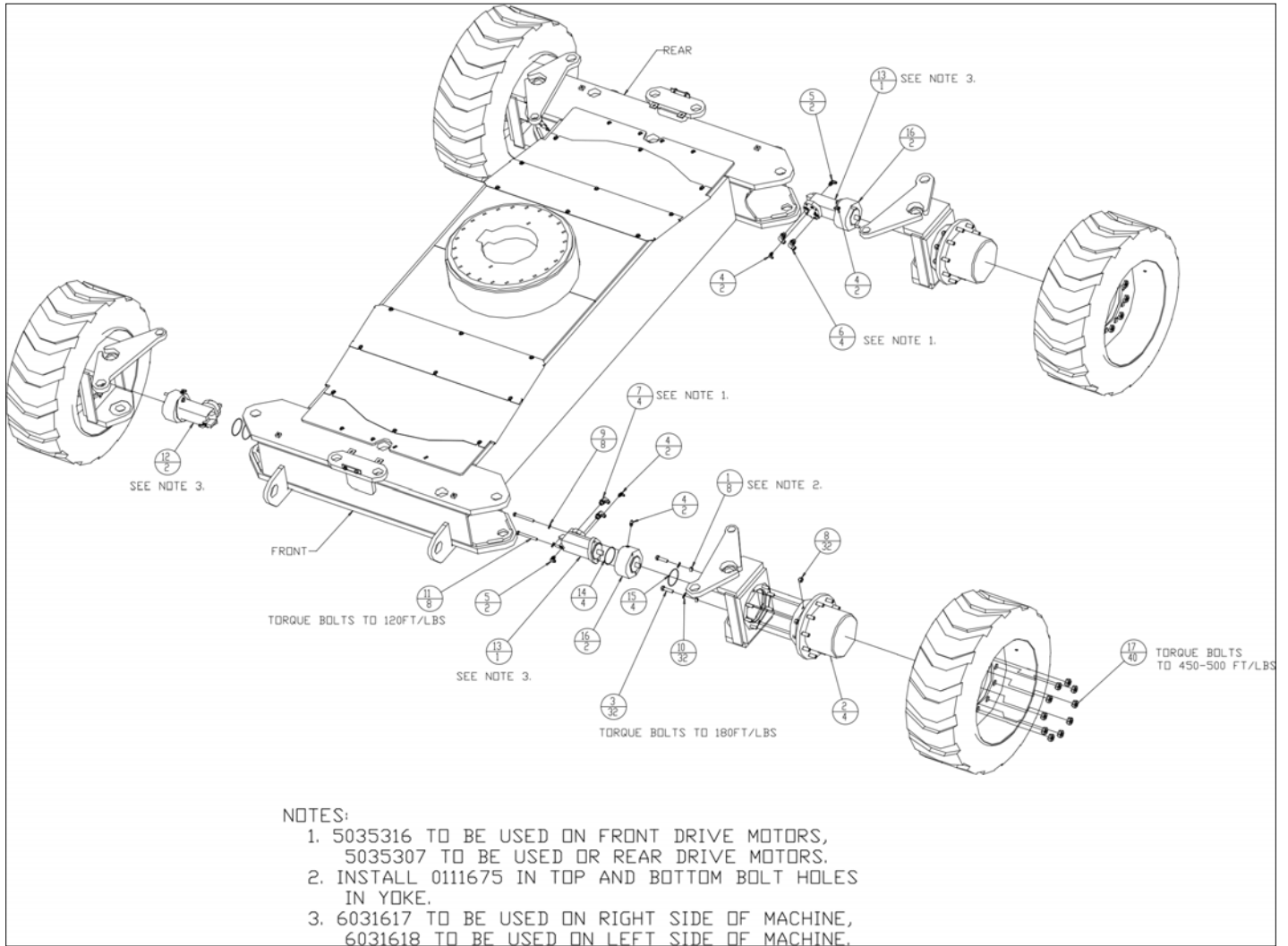
REPAIR PARTS





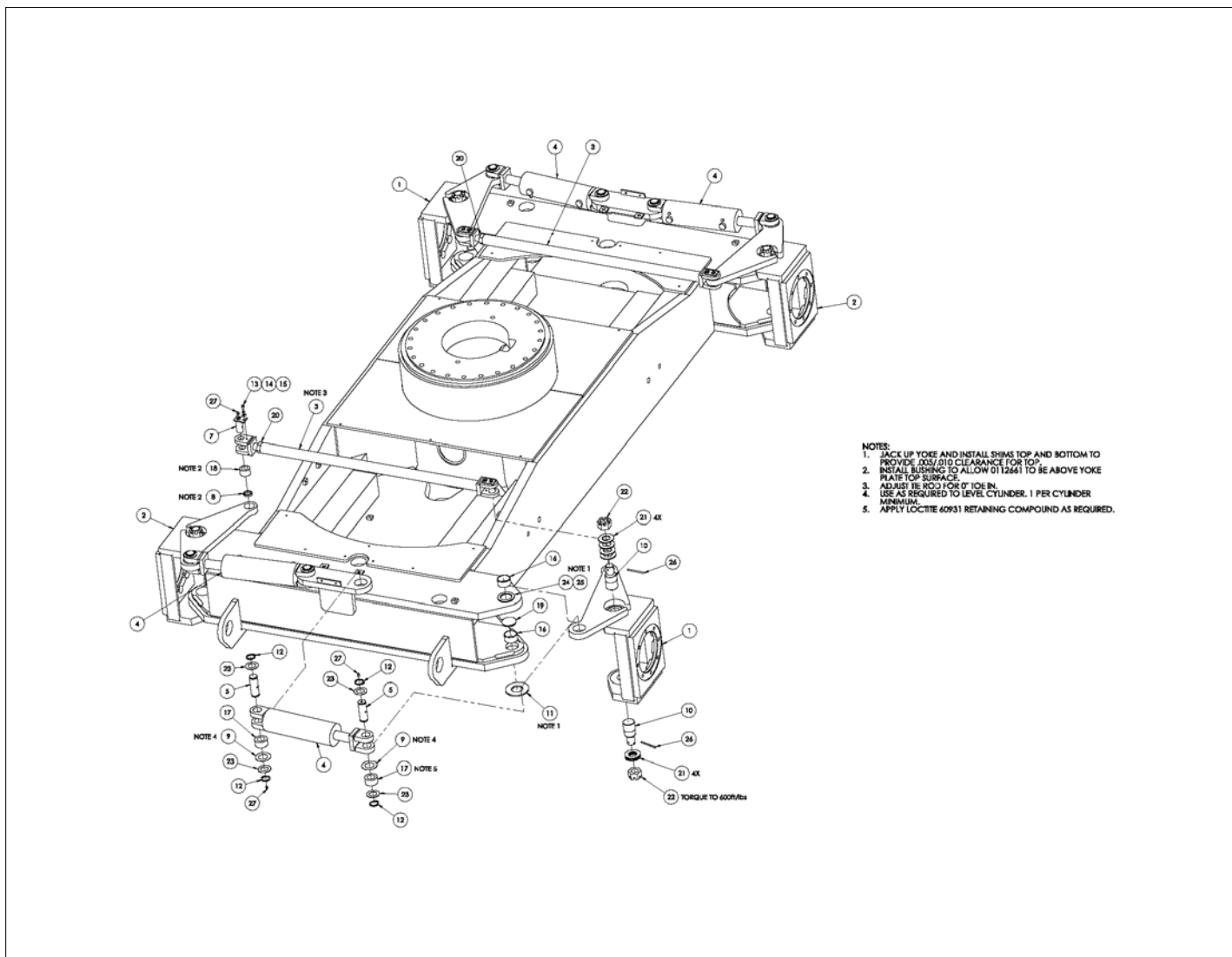
アイテム	部品番号	名前	数量	UOM
	0421376 A	ROTATION BEARING AND CHASSIS INSTALLATION		EA
1	0110756	SLEWING RING	1	EA
2	5033703	FTG ELB90 MALE 2N 4S	1	EA
3	5036903	FTG ELB45SWVL 4S 4S STL	1	EA
4	5560170	WSHR FLAT HARD .750 SP	24	EA
5	5560236	BLT FLGHD .750 10 4.75 12PT SP	24	EA
50	0181163	HOSE 4 4S 4S 103 100R2	1	EA

REPAIR PARTS



アイテム	部品番号	名前	数量	UOM
	0112750 D	4 WHEEL DRIVE FIXED AXLE INSTALLATION		EA
1	0111675	WEDGE STUD(WEDGE DRIVE FLANGE)	8	EA
2	0180961	POWER WHEEL	4	EA
3	971329	BOLT .625 11 2.50 (NOT USED ON OMNI HUBS)	32	EA
	5560204	BLT FLGHD .625 11 1.25 HEX SP	32	EA
4	5035303	FTG ELB90STRTHD 4B 4S STL	8	EA
5	5035305	FTG ELB90STRTHD 6S 6S STL	4	EA
6	5035307	STRAIGHT THREAD 90 ° ELBOW	4	EA
7	5035316	ADAPTER 90 ° ELBOW 10 SAE 8 JIC	4	EA
8	5560131	NUT HEX LKG .625 11 GR8	32	EA
9	5560168	WSHR FLAT HARD .500 SP	8	EA
10	5560169	WSHR FLAT HARD .625 SP	32	EA
11	5560343	BLT HEXHD .500 13 5.00 GR8	8	EA
12	6031617	MOTOR HYD 8.0 CID	2	EA
13	6031618	MOTORHYD 8.0 CID REV ROTATION	2	EA
14	7110155	O RING 4 OD X 4.19 ID X .10 DIA	4	EA
15	7110242	O RING, APR# DASH 242 70	4	EA
16	7200024	BRAKE UNIT	4	EA
17	7280010	NUT HEX LUG .750 16 RH	40	EA

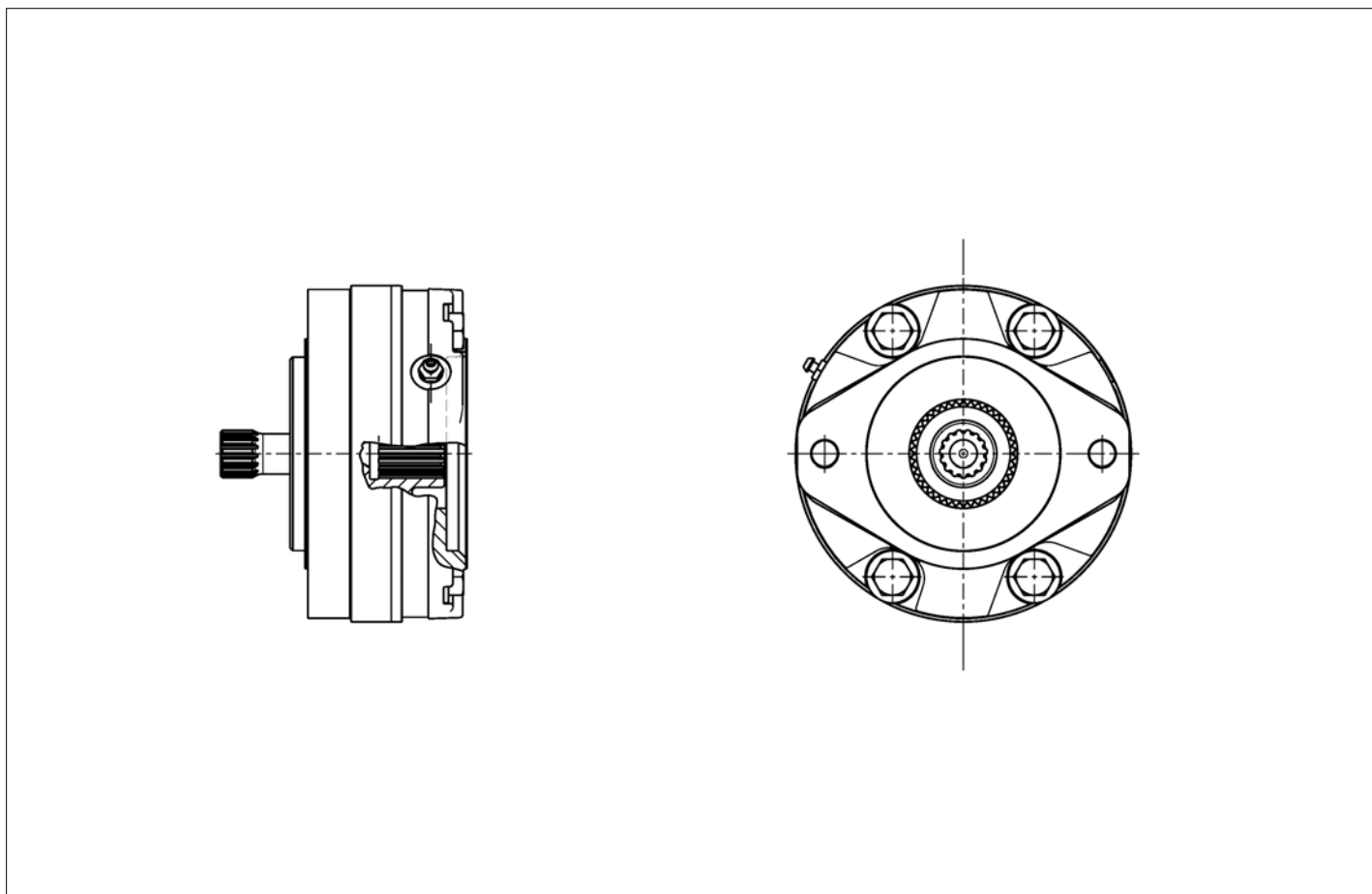
REPAIR PARTS



アイテム	部品番号	名前	数量	UOM
	0112751 C	FOUR WHEEL STEER FIXED AXLE INSTALLATION		EA
1	0112642	WLDMT YOKE STEERING RT	2	EA
2	0112660	WLDMT YOKE STEERING LF	2	EA
3	0112661	WLDMT TIE ROD 53.50	2	EA
4	0112777	CYL 4.00 X 8.75	4	EA
5	0112780	PIN 1.50 X 3.778 GRIP	8	EA
Not Shown	0112787	WLDMT TIE ROD ADJUSTABLE END	2	EA
7	0112789	WLDMT TIE ROD PIN	4	EA
8	0112791	SPCR 1.28ID 1.66OD .36	4	EA
9	0112793	SPCR 1.78ID 3.00OD 20GA	8	EA
10	0190715	PIN KING FR WHL DR	8	EA
11	0190788	BRG THR 2.255ID X 4.50OD X .25	1	EA
12	302323	SNAP RING 1.50 EXT HD	16	EA
13	970029	BLT .25 20 .750	4	EA
14	986019	WSHR FLAT .250	4	EA
15	987099	WSHR LOCK .250	4	EA
16	2503620	BRG 2.25ID 2.50OD 1.25	8	EA
17	2690008	BRG SPHER 1.50ID	8	EA
18	2691526	BRG SPHER 1.25ID	4	EA
19	5070026	CAP WHEEL SERVICE	4	EA
20	5560202	NUT HEX JAM 1.250 12 GR8	2	EA
21	5560232	WSHR FLAT HARD 1.63 SP	32	EA
22	5560241	NUT HEX SLTD 1.50 12 Z/Y	8	EA
23	5560688	BSHG MCHRY 1.50ID 2.25OD 14GA	16	EA
24	5560717	BSHG MCHRY 2.25ID 3.25OD .13	10	EA
25	5569854	BSHG MCHRY 2.25ID 3.25OD 14GA	8	EA

アイテム	部品番号	名前	数量	UOM
26	5569975	PIN COTTER .250 DIA 2.250 ITEM NOT SHOWN	8	EA
27	5570001	GREASE FITTING, 1/8 NPT STRAIGHT	12	EA

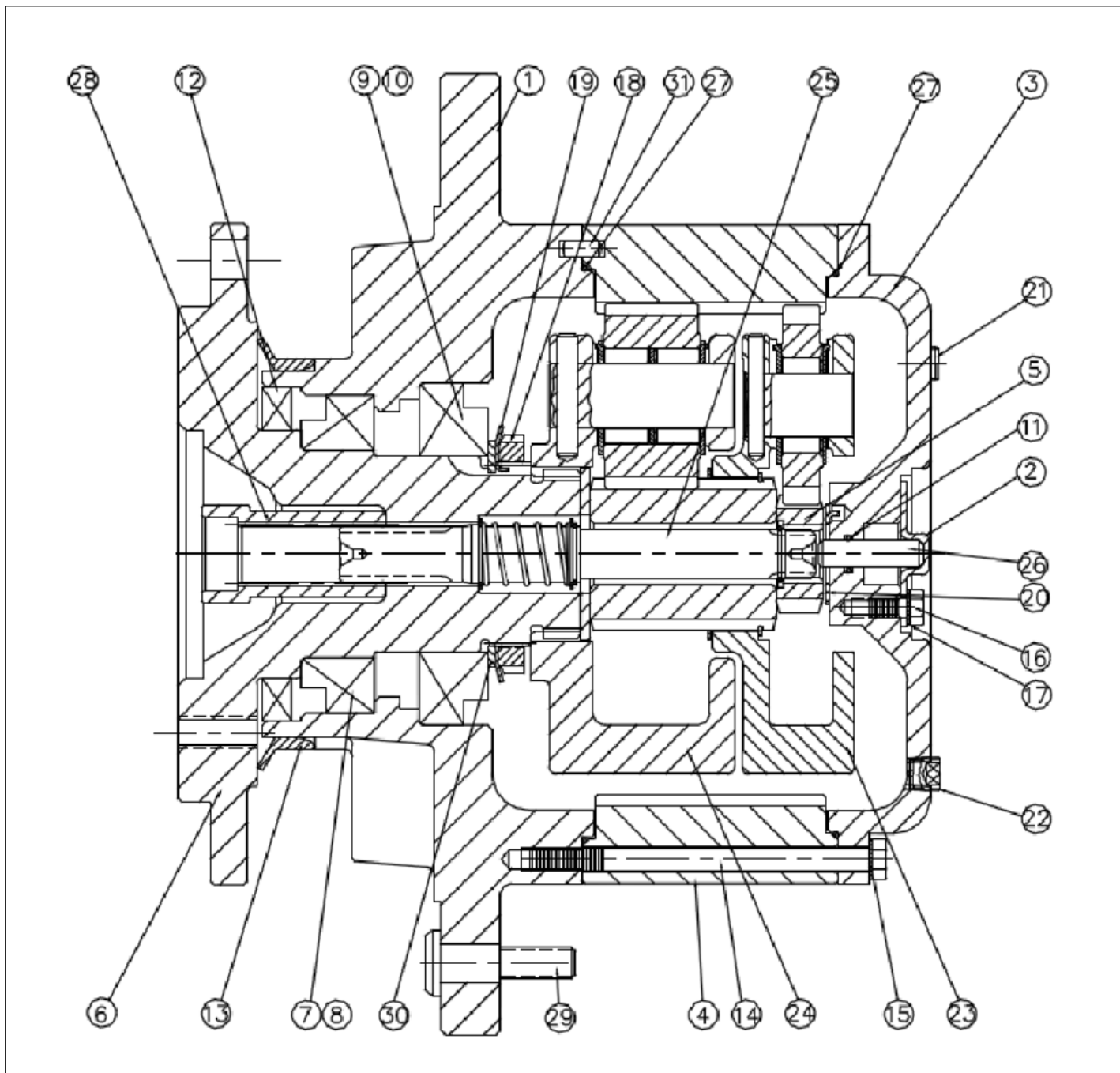
REPAIR PARTS



アイテム	部品番号	名前	数量	UOM
	7200024 C	BRAKE UNIT		EA
1	7200029	BEARING KIT	1	EA
2	7200030	STACK KIT	1	EA
3	7200031	O RING KIT	1	EA
4	7200032	GASKET KIT	1	EA



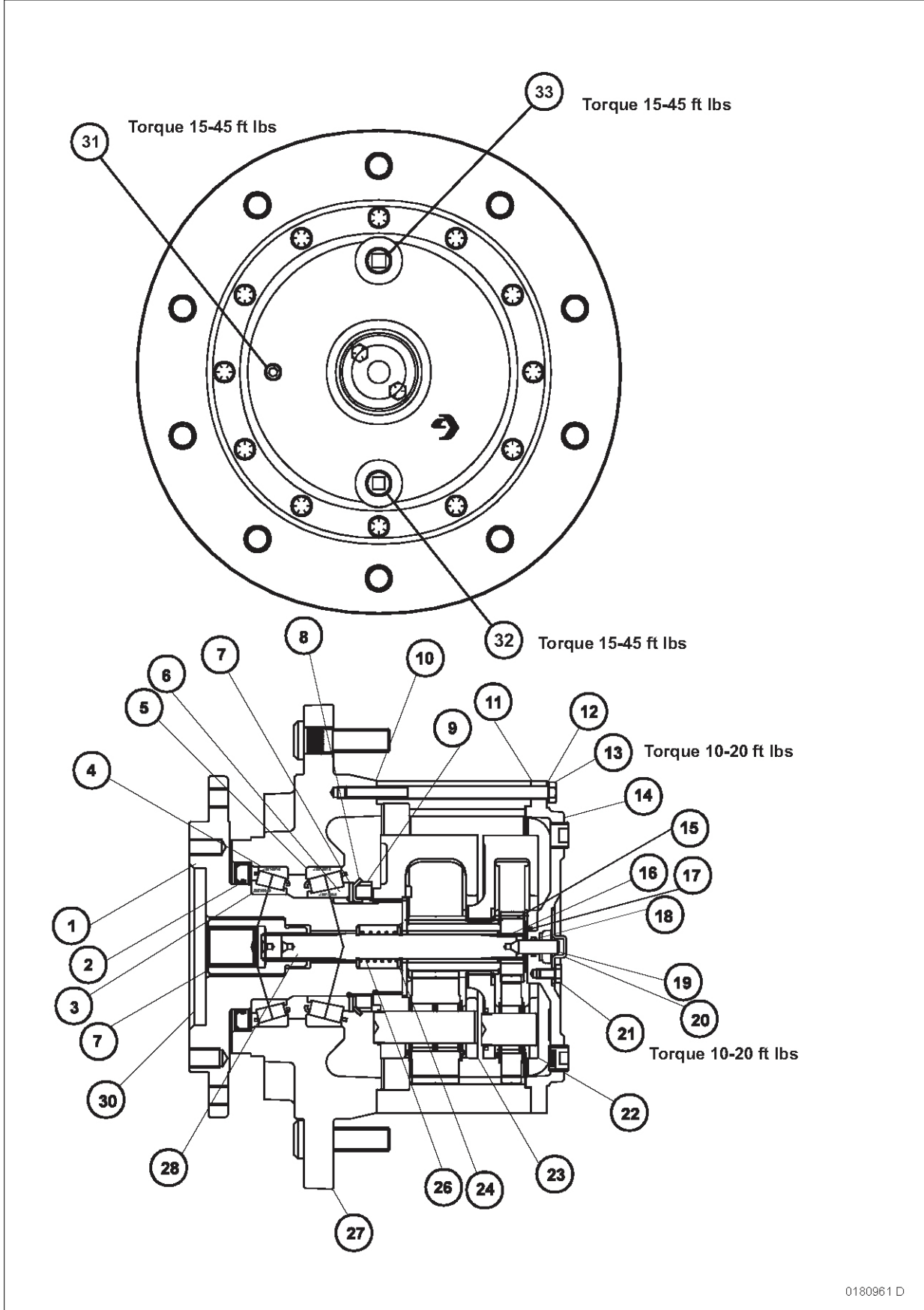
REPAIR PARTS



アイテム	部品番号	名前	数量	UOM
	0180961 OMNI	GEAR HUB OMNI		EA
1	6091716	HOUSING	1	EA
2	6091723	CAP, LOCKOUT	1	EA
3	6091722	CAP, END	1	EA
4	6091717	GEAR, RING 79T	1	EA
5	6091718	GEAR, SUN 17T	1	EA
6	6091728	SPINDLE, SAE 'B2'	1	EA
7	6091730	BEARING, CUP	1	EA
8	6091731	BEARING CONE	1	EA
9	6091732	BEARING , CUP	1	EA
10	6091733	BEARING CONE	1	EA
11	6091734	O RING	1	EA
12	6091735	OIL SEAL	1	EA
13	6091736	PROTECTOR SEAL	1	EA
14	6091740	HEX HEAD BOLT, M10 X 1.5 GR10.9	12	EA
15	PNNA	LOCK WASHER, M10	12	EA
16	6091741	HEX HEAD BOLT, M8 X 1.25 GR10.9	2	EA
17	PNNA	LOCK WASHER, M8	2	EA
18	6091742	LOCK NUT M75 X 2	1	EA
19	6091744	LOCK NUT WASHER M75	1	EA
20	6091743	RETAINING WASHER, SUN	1	EA
21	6091745	PIPE PLUG, 1/4" 18NPT SCCKET HD	1	EA
22	6091746	PIPE PLUG, 1/2" 14NPT MAGNETIC	1	EA
23	6091719	PRIMARY CARRIER SUB ASSEMBLY	1	EA
24	6091720	SECONDARY CARRIER SUB ASSEMBLY	1	EA
25	6091712	DRIVE SHAFT SUB ASSEMBLY	1	EA

アイテム	部品番号	名前	数量	UOM
26	6091751	PLUNGER	1	EA
27	6091737	O RING	2	EA
28	6091714	MOTOR COUPLER 15T	1	EA
29	6091752	SPACER, FLAT TONGUED	10	EA
30	6091738	WHEEL STUD, 3/4" 16UNF 2A	1	EA
31	6091729	PIN	4	EA

REPAIR PARTS

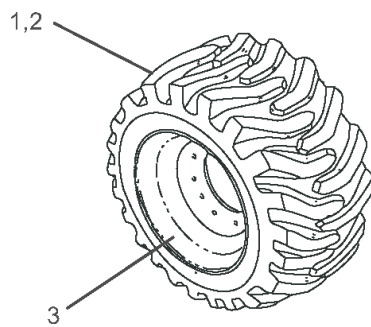


0180961 D

アイテム	部品番号	名前	数量	UOM
	0180961	POWER WHEEL	1	EA
1	0181890	SPINDLE	1	EA
2	8010027	SEAL OIL	1	EA
3	8010030	BEARING CONE	1	EA
4	8010029	BEARING CUP	1	EA
5	0112217	BEARING CUP	1	EA
6	0112218	BEARING CONE	1	EA
7	8010275	WASHER THRUST	1	EA
8	8010276	WASHER LOCK	1	EA
9	8010277	NUT LOCK	1	EA
10	8010021	PLUG PIPE	1	EA
11	6091151	SEALING COMPOUND, 2 PLACES	2 PLCS	EA
12	8010105	WASHER FLAT	12	EA
13	8010278	BOLT HEX HEAD	12	EA
14	0112219	COVER	1	EA
15	0112220	GEAR PRI SUN	1	EA
16	8010145	RING RETAINING	2	EA
17	8010075	WASHER THRUST	1	EA
18	8070149	O RING	1	EA
19	8010143	PLUNGER	1	EA
20	8010080	COVER DISENGAGE	1	EA
21	8010168	BOLT HEX HEAD	2	EA
22	0112221	ASSEMBLY PRI CARRIER	1	EA
23	0112222	ASSEMBLY SEC CARRIER	1	EA
24	0112223	GEAR RING	1	EA
26	0112224	SPRING DISENGAGE	1	EA
27	0112225	HUB	1	EA
28	0112226	SHAFT INPUT	1	EA
30	8011891	COUPLING	1	EA

アイテム	部品番号	名前	数量	UOM
31	0112227	PLUG PIPE	1	EA
32	8010028	PLUG PIPE	1	EA
33	8010021	PLUG PIPE	1	EA

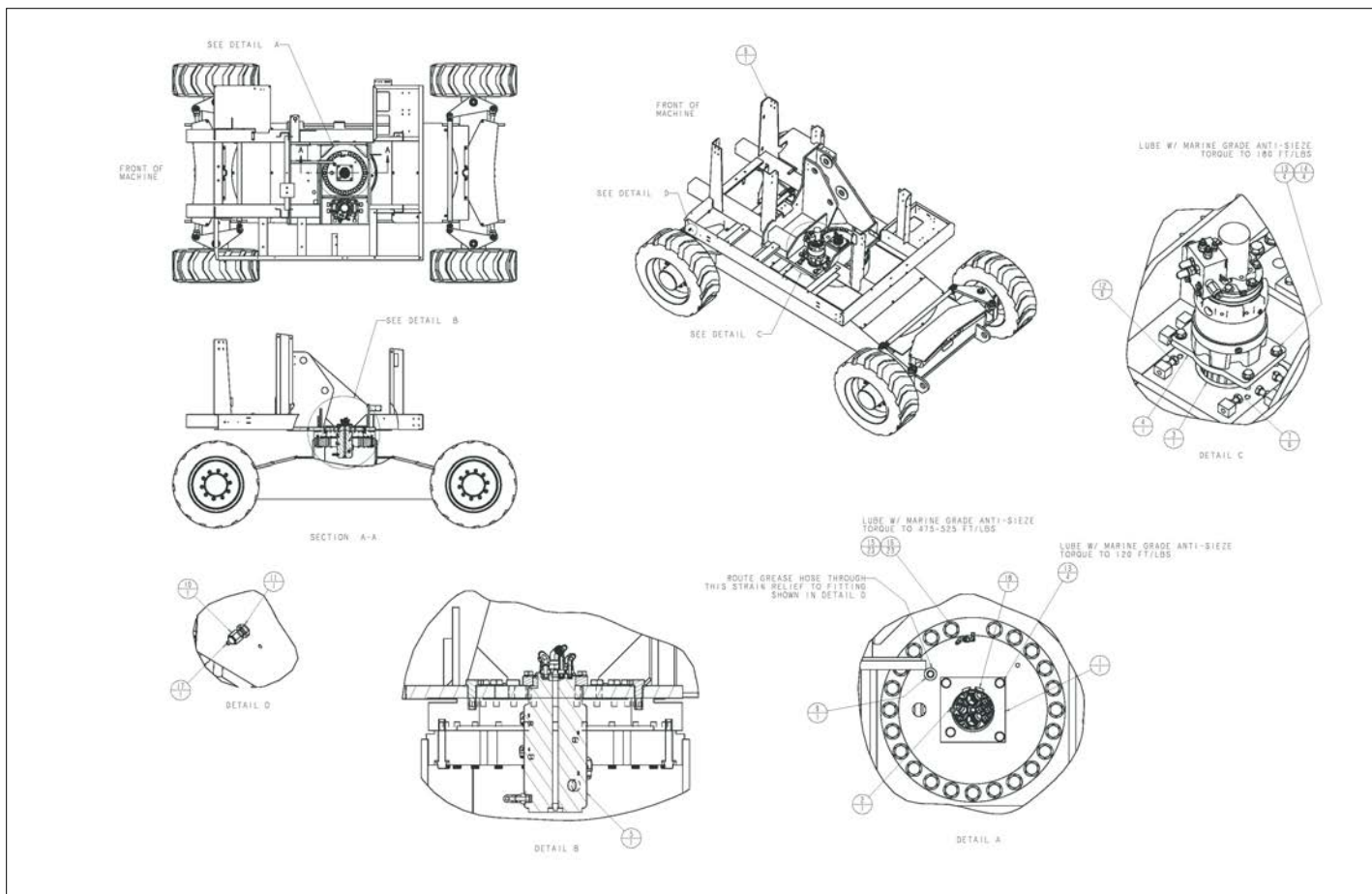
REPAIR PARTS



アイテム	部品番号	名前	数量	UOM
	0112754	TIRES AND WHEELS		EA
1	0112657	TIRE AND WHEEL, FOAM FILLED RIGHT HAND DRIVE	2	EA
2	0112658	TIRE AND WHEEL, FOAM FILLED LEFT HAND DRIVE	2	EA
3	0073298	Decal, Foam Tyres	4	EA
Not Shown	0072276	Placard, lug nut torque	4	EA



REPAIR PARTS



アイテム	部品番号	名前	数量	UOM
	0421377 C	CHASSIS TURNTABLE		EA
1	0070256	ADAPTER PLATE CENTER POST	1	EA
2	0070472	KEY CENTERPOST ASSY	1	EA
3	0420442	ECC. RING 6.0 ID AB85J	1	EA
4	0420853	SWING DRIVE ASSY	1	EA
5	0420921	ASSY CENTERPOST	1	EA
6	0421179	WLDMT TRNTBL FRAME	1	EA
7	984449	NUT HEX JAM .625 11	6	EA
9	3040295	CONN .75 .625 .75	1	EA
10	5037102	FTG CONN FEM BHD 2N 4S STL	1	EA
11	5074401	FTG LKNT BHD 4 STL	1	EA
12	5560022	BLT ADJ .625 11 2.25 GR5 TAP B	6	EA
13	5560051	BLT HEXHD .625 11 2.00 GR8 SP	8	EA
14	5560169	WSHR FLAT HARD .625 SP	8	EA
15	5560171	WASHER, 7/8 HARD FLAT ASTM F 436	23	EA
16	5563016	BLT HEXHD .875 9 2.75 GR8 SP	23	EA
17	5570001	GREASE FITTING, 1/8 NPT STRAIGHT	1	EA
18	5590003	SNAP RING 4.50 EXT TRUARC 5100 450 3100 450 STPA	1	EA

REPAIR PARTS

NO IMAGE AVAILABLE  
(BOM FOR REFERENCE ONLY)

アイテム	部品番号	名前	数量	UOM
	0422005 A	AB80J T4F TURNTABLE ASSEMBLY FEBURARY 2020 AND BEFORE		EA
1	0050400	HOSE 6 6S 6S 41 100R2	3	EA
2	0020280	HOSE 4 4S 4S 23.5 (SEE PAGE 2)	1	EA
3	0021059	HOSE 8 8S 8S 40RZ	1	EA
4	0050137	HOSE 4 4S 4S 36 100R1	2	EA
5	0060290	HOSE 6 6S 6S 48 100R2	2	EA
6	0070768	1/4 I.D. HOSE ASSY	1	EA
7	0070772	3/8 I.D. HOSE ASSEMBLY	1	EA
8	0070785	HOSE 6 6S 6S 93.5 100R2	1	EA
9	0070786	HOSE 6 6S 6S 19 100R2	3	EA
10	0071568	WIRE 12 R10I R250I 4	1	EA
11	0071590	WIRE 18 R6I R10I 7	3	EA
12	0072323	WIRE 4 R313I R375I 28 RED	1	EA
13	0073089	PLAC BATTERY DISCONNECT SWITCH	1	EA
14	0080362	HOSE 6 6S 6S 93.5 100R2	1	EA
15	0080519	WIRE 2/0 R375 R375 20 RED	1	EA
16	0080932	3/4 INCH HYDRAULIC HOSE	3	EA
17	0081136	HOSE 4 4S 4S 67 100R1	1	EA
18	0083066	HOSE 8 8S 8S 67 100R2 AT	1	EA
19	0090402	HOSE 6 6S 6S 108 100R2 (SEE PAGE 2)	2	EA
20	0100270	HOSE 4 6S 6S 108 100R1	1	EA
21	0100271	HOSE 4 4S 4S 103 100R1	2	EA
22	0100278	HOSE 4 4S 4S 43 100R1	1	EA
23	0110198	HOSE 8 8S 8S 96 100R2	3	EA
24	0110907	HOSE 12 12S 12S 25 100R2	1	EA
25	0111287	HOSE 4 4S 4S 84 100R2	1	EA
26	0111882	HOSE 20 20S 20S 64.5 SP	1	EA

アイテム	部品番号	名前	数量	UOM
27	0163373	HANDLE BLEED DOWN VALVE	1	EA
28	0180776	HOSE 8 8S 8S 65 100R2	1	EA
29	0180806	HOSE 16 16S 16S 58 100R12 SP	1	EA
30	0180944	HOSE 20 20S 20S 33 SP	1	EA
31	300194	WIRE 4 R313I R375I 115 RED	1	EA
32	0420885	HOSE 93" LG 1.5 I.D. SUCTION	1	EA
33	0420946	ASSY 110 VOLT CABLE EXT	1	EA
34	0420996	FUEL TANK INSTALL	1	EA
35	3020040	LEVEL SENSOR 5 DEGREE	1	EA
36	3020049	Switch, Battery Disconnect	1	EA
37	3040047	TERM FEM250FI 22/18	3	EA
38	3040083	TERM FEM250FI 16/14	2	EA
39	3040127	HORN 12VDC	1	EA
40	3040268	BOOT BTRY CABLE END BLK	4	EA
41	3040269	Boot Cable Entry Black 1/0 GA	2	EA
42	3040270	BOOT BTRY CABLE END Y TYPE	1	EA
43	3044161	TERM R10I 16/14	2	EA
44	3050002	BATTERY 12V	2	EA
45	3050008	BATTERY HOLD DOWN	2	EA
46	5034501	FTG ELB90BHD 4S 4S STL	1	EA
47	5059705	CLP T BOLT 2.00	2	EA
48	5059706	CLAMP 3.56 I.D.	5	EA
49	5070005	FTG NIP DIGN 4S FEM PD345 6 W/DUST CAP	2	EA
50	5093002	CLAMP .562 AEROQUIP HOSE SUPPORT	3	EA
51	5093008	CLP CUSH 1.06 VINYL COATED	3	EA
52	5093014	CLP CUSH 2.25 VINYL COATED	2	EA
53	0073051 8	DISCONNECT SWITCH BRKT	1	EA
54	0181503 8	BRKT TILT ALARM	1	EA

アイテム	部品番号	名前	数量	UOM
55	0420560 8	BRKT MTG LOWER CONTROL	1	EA
56	0420693 8	BRKT MOUNTING OIL FILTER	1	EA
57	0420694 8	MOUNTING BRACKET HAWE VALVE	1	EA
58	0420895 8	ASSY STRAP HYD. OIL/FUEL TANK	2	EA
59	0421179 8	WLDMT TRNTBL FRAME AB80J/AB8	1	EA
60	0421277 1	ASSY RISER AB80J/85RJ	1	EA
61	0421377 0	INSTL. CHASSIS & TRNTBL AB85RJ	1	EA
62	0421491 8	BRKT SUPT LOWER CONTROL BOX	2	EA
63	0101565	WIRE 2/0 R375 R375 48	2	EA
64	5560034	NUT LKG 10 24	4	EA
65	5560033	.375 16UNC HEX LOCK NUT	7	EA
66	5560031	NUT HEX LKG .313 18	8	EA
67	5560004	NUT LKG .250 20	16	EA
68	987109	WSHR LOCK .313	9	EA
69	986299	WASHER, FLAT, .375 STANDARD, PLATED	15	EA
70	986269	WSHR FLAT .313	13	EA
71	986019	WSHR FLAT .250	22	EA
72	974759	SCR RDH MACH 10 24 2.00	4	EA
73	970489	BLT HEXHD .375 16 1.50 GR5 PL	3	EA
74	970469	HHD BLT .375 16 X 1.00 GR5	6	EA
75	970219	BLT HEXHD .313 18 .500 GR5 PLT	5	EA
76	970049	BLT HEXHD .250 20 1.00 GR5 GRADE 5 PLT SAME AS 970189	16	EA
77	970029	BLT .25 20 .750	1	EA
78	5569892	BLT HEXHD .313 18 4.00 GR5	2	EA

アイテム	部品番号	名前	数量	UOM
79	5560725	BLT HEXHD .313 18 5.00 GR5	2	EA
80	5560643	BLT HEXHD .375 16 3.25 GR5	2	EA
81	5560622	BOLTHEXHDM8 1.25X308.8PLDDIN933	3	EA
82	056069 008	WASHER, STEELFLATWASHER DIN12M8 FLAT WASHER DIN 125	3	EA
83	5560355	WSHR LOCK M8	3	EA
84	5560039	NUT HEX LKG .500 13	4	EA
85	987119	WSHR LOCK .375	8	EA
86	970449	HHD BLT .375 16 X .750 GR5	4	EA
87	970369	BLT HEXHD .313 18 X 1.00 GR5	4	EA
88	970239	BLT HEXHD .313 18 .750 GR5	2	EA
89	5560080	BUMPER ADHESIVE BACK	1	EA
90	5090032	FITTING BARBED 1/4" NPT X 3/16" BRASS	1	EA
91	5010011	HOSE SAE30R2 05 .312 FUEL	14	EA
92	967359	HOSES A E30R2 03 TYPE 3 3/16 in	168	EA
93	010178 001	FITTING BARBED 1/4" NPT X 3/16"	1	EA
94	7630286	FILTER N LINE FUEL	1	EA
95	5093012	CLP CUSH 1.75 VINYL COATED	1	EA
96	0080482	WIRE 2/0 R375 R375 108	1	EA
97	0071549	WIRE 12 R10I R313I 9	1	EA
98	3040129	ALARM107 112DBA 2HZ 9.8 36.4V	1	EA
99	0421383 0	ASSY CTWT AB80J	1	EA
100	012039 000	ROD BAT HOLD DOWN	1	EA
101	0421997	INSTALL, AB80/85J T4F ENGINE T	1	EA
102	0421978	HARNESS, AB80/85J T4F T/T	1	EA

アイテム	部品番号	名前	数量	UOM
103	0421998	INSTALL AB80/85J T/T ELECTRICA	1	EA
104	0421903	ASSY WIRING BOS AB80J T4F	1	EA



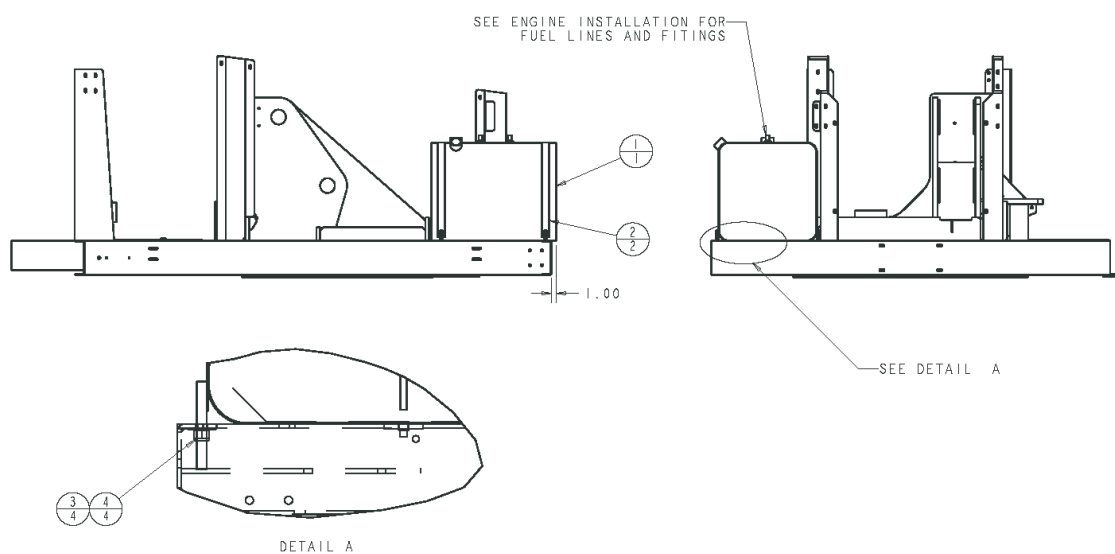
REPAIR PARTS

NO IMAGE AVAILABLE  
(BOM FOR REFERENCE ONLY)

アイテム	部品番号	名前	数量	UOM
	0422005 B	AB80J T4F TURNTABLE ASSEMBLY MARCH 2020 AND AFTER		EA
1	0050400	HOSE 6 6S 6S 41 100R2	3	EA
2	0020280	HOSE 4 4S 4S 23.5 (SEE PAGE 2)	1	EA
3	0021059	HOSE 8 8S 8S 40RZ	1	EA
4	0050137	HOSE 4 4S 4S 36 100R1	2	EA
5	0060290	HOSE 6 6S 6S 48 100R2	2	EA
6	0070768	1/4 I.D. HOSE ASSY	1	EA
7	0070772	3/8 I.D. HOSE ASSEMBLY	1	EA
8	0070785	HOSE 6 6S 6S 93.5 100R2	1	EA
9	0070786	HOSE 6 6S 6S 19 100R2	3	EA
10	0071568	WIRE 12 R10I R250I 4	1	EA
11	0071590	WIRE 18 R6I R10I 7	3	EA
12	0072323	WIRE 4 R313I R375I 28 RED	1	EA
13	0073089	PLAC BATTERY DISCONNECT SWITCH	1	EA
14	0080362	HOSE 6 6S 6S 93.5 100R2	1	EA
15	0080519	WIRE 2/0 R375 R375 20 RED	1	EA
16	0080932	3/4 INCH HYDRAULIC HOSE	3	EA
17	0081136	HOSE 4 4S 4S 67 100R1	1	EA
18	0083066	HOSE 8 8S 8S 67 100R2 AT	1	EA
19	0090402	HOSE 6 6S 6S 108 100R2 (SEE PAGE 2)	2	EA
20	0100270	HOSE 4 6S 6S 108 100R1	1	EA
21	0100271	HOSE 4 4S 4S 103 100R1	2	EA
22	0100278	HOSE 4 4S 4S 43 100R1	1	EA
23	0110198	HOSE 8 8S 8S 96 100R2	3	EA
24	0110907	HOSE 12 12S 12S 25 100R2	1	EA
25	0111287	HOSE 4 4S 4S 84 100R2	1	EA
26	0111882	HOSE 20 20S 20S 64.5 SP	1	EA

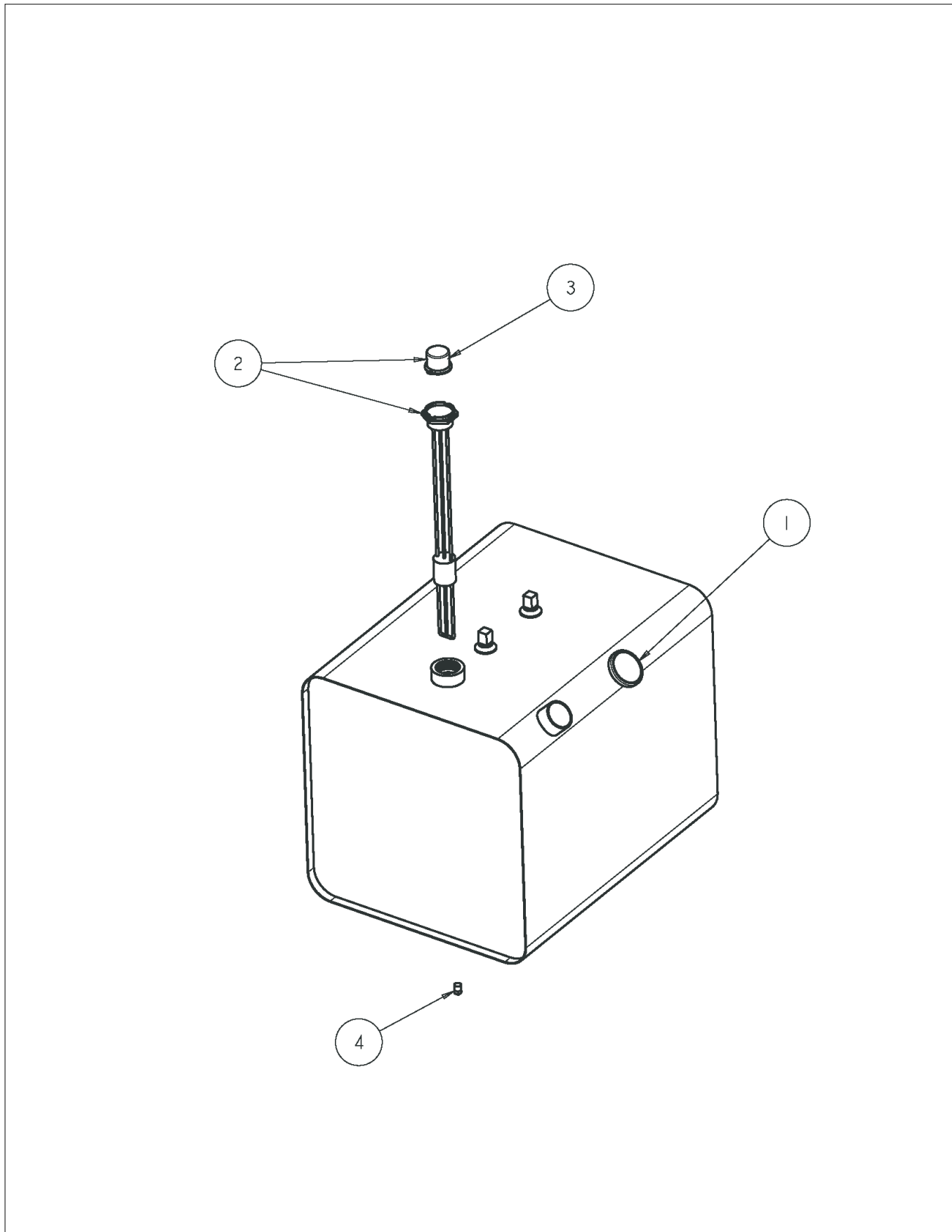
アイテム	部品番号	名前	数量	UOM
27	0163373	HANDLE BLEED DOWN VALVE	1	EA
28	0180776	HOSE 8 8S 8S 65 100R2	1	EA
29	0180806	HOSE 16 16S 16S 58 100R12 SP	1	EA
30	0180944	HOSE 20 20S 20S 33 SP	1	EA
31	300194	WIRE 4 R313I R375I 115 RED	1	EA
32	0420885	HOSE 93" LG 1.5 I.D. SUCTION	1	EA
33	0420946	ASSY 110 VOLT CABLE EXT	1	EA

REPAIR PARTS



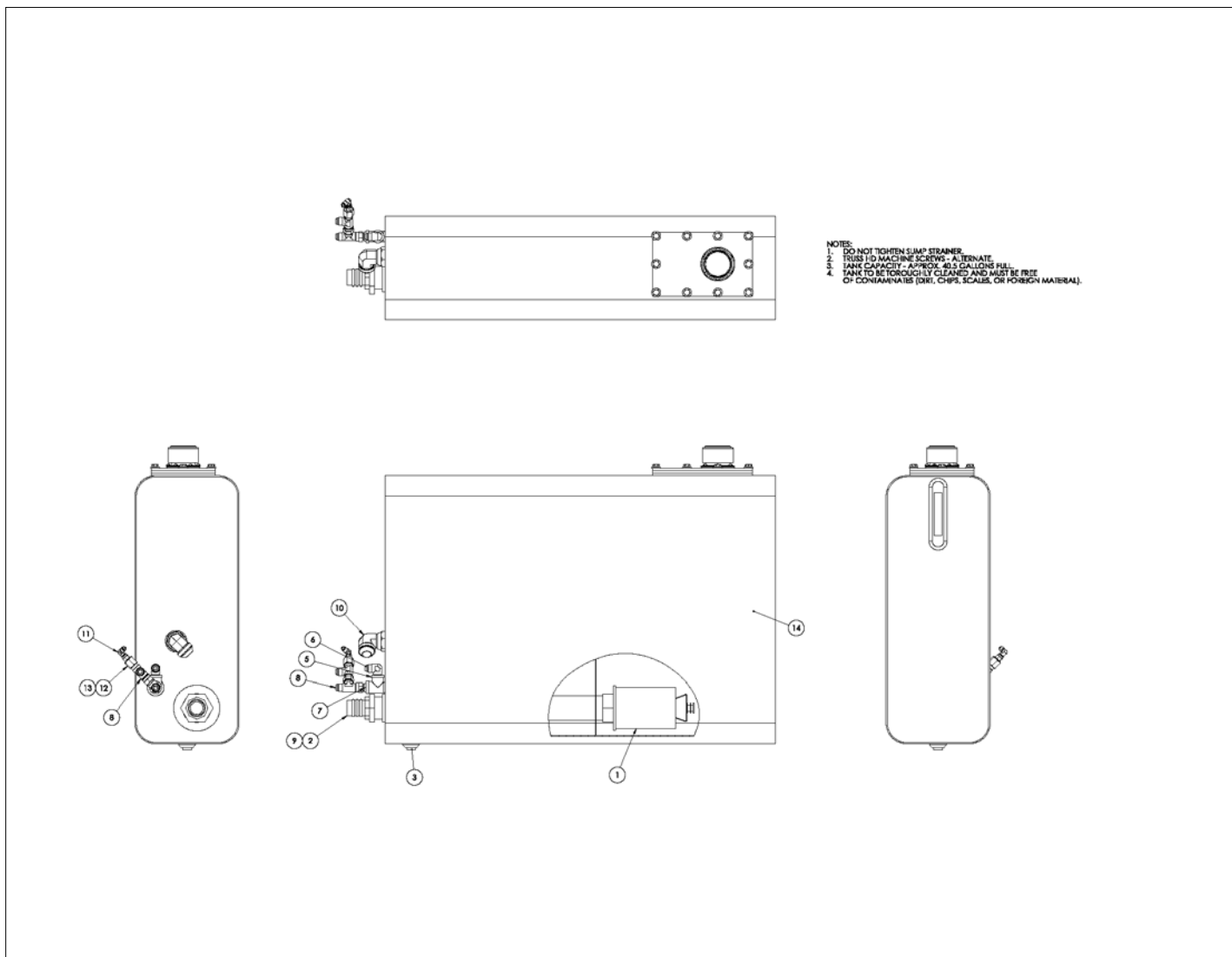
アイテム	部品番号	名前	数量	UOM
	0420996 A	FUEL TANK INSTALLATION		EA
1	0420595	ASSY 40 GALLON FUEL TANK	1	EA
2	0420895	ASSY STRAP HYD. OIL/FUEL TANK	2	EA
3	986359	FLATWASHER 1/2"	4	EA
4	5560039	NUT HEX LKG .500 13	4	EA
5	7714202	PIPE PLUG, 1/4" NPT SQ HD GALV	1	EA

REPAIR PARTS



アイテム	部品番号	名前	数量	UOM
	0420595 B	40 GALLON FUEL TANK		EA
1	9940233	ASSY VENTED FILL CAP	1	EA
2	9910234	ASSY FUEL GAUGE	1	EA
3	8180014	REPLACEMENT GAUGE LENS	1	EA
4	7714202	PIPE PLUG, 1/4" NPT SQ HD GALV	1	EA

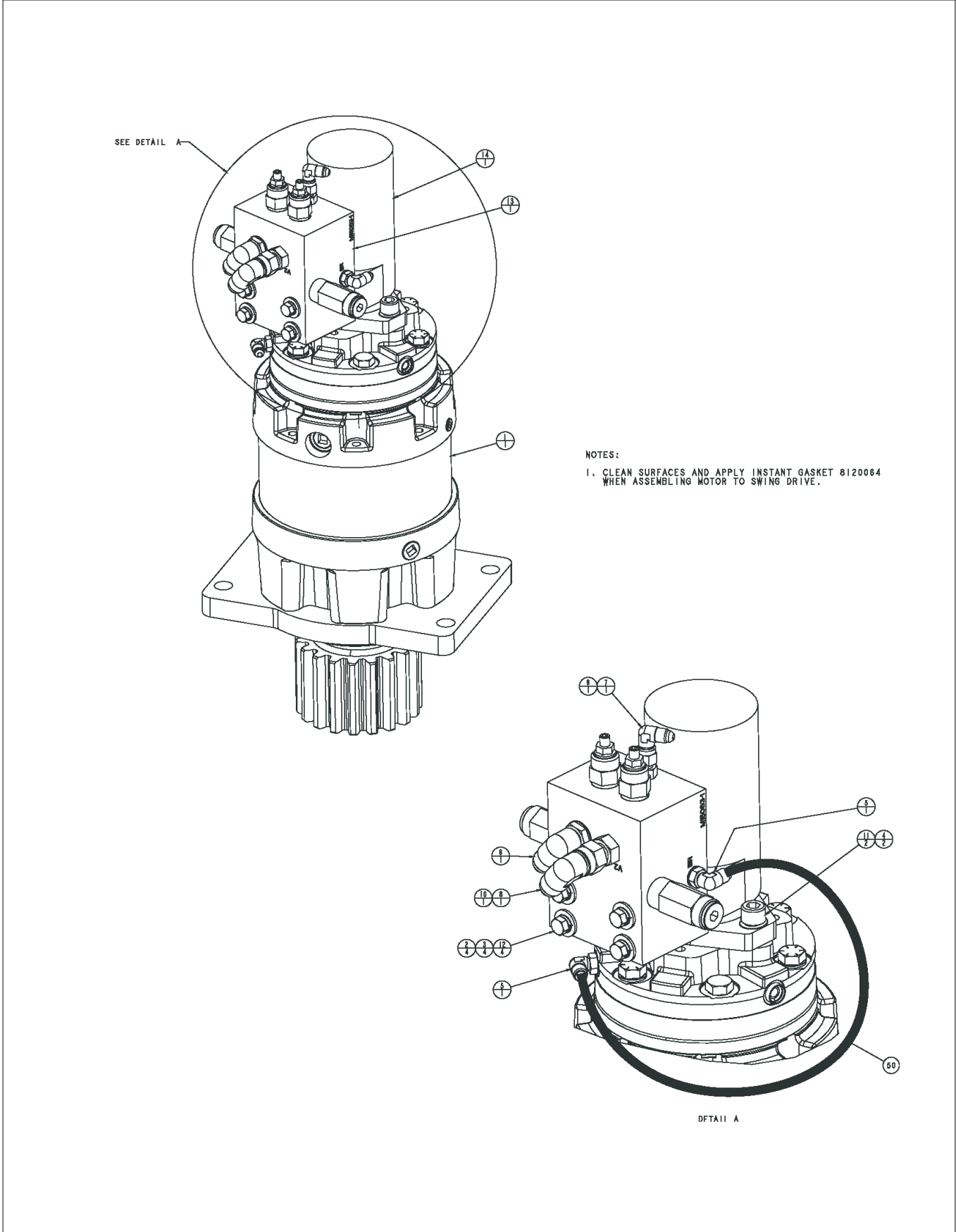
REPAIR PARTS





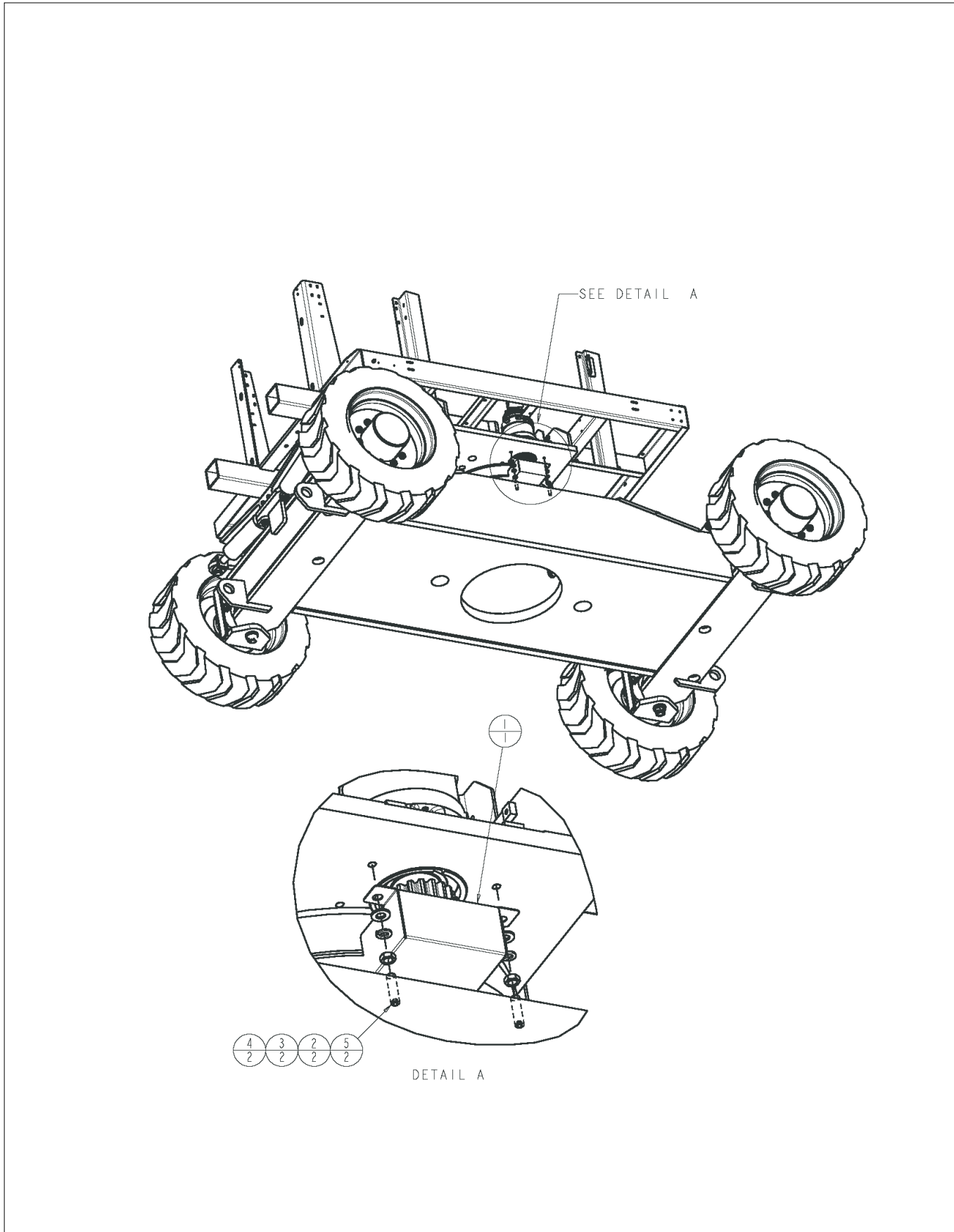
アイテム	部品番号	名前	数量	UOM
	0421323 F	HYDRAULIC TANK ASSEMBLY		EA
1	5080018	STRAINER SUCTION	1	EA
2	5037305	FTG ADPTR MALE 24N 24H STL 018	1	EA
3	7714204	PIPE PLUG1/2 in NPT SQ.HD BLK.	1	EA
Not Shown	5033623	FTG ADPTR MALE 20N 20S STL	1	EA
5	7734204	STREET TEE 1/2 NPT STREET TEE	1	EA
6	5033713	FTG ELB90 MALE 8N 8S STL PH 21	1	EA
7	5033614	FTG ADPTR MALE 8N 8S STL 2404	1	EA
8	5036706	FTG TEE SWVL RUN 8S 8S STL (SEE PAGE 2)	2	EA
9	7721612	REDUCER BUSHING 2X1 1/2 HEX HD	1	EA
10	5037011	FTG ELB90SWVL 20S 20S STL PH 2	1	EA
11	5037003	FTG ELB90SWVL 4S 4S STL	1	EA
12	5063906	FTG NUT 8S STL	1	EA
13	5064002	ADAPTER STREIGHT TUBE REDUCER 8 JIC TO 4 JIC	1	EA
14	0110364	HYDR OIL RSVR	1	EA

REPAIR PARTS



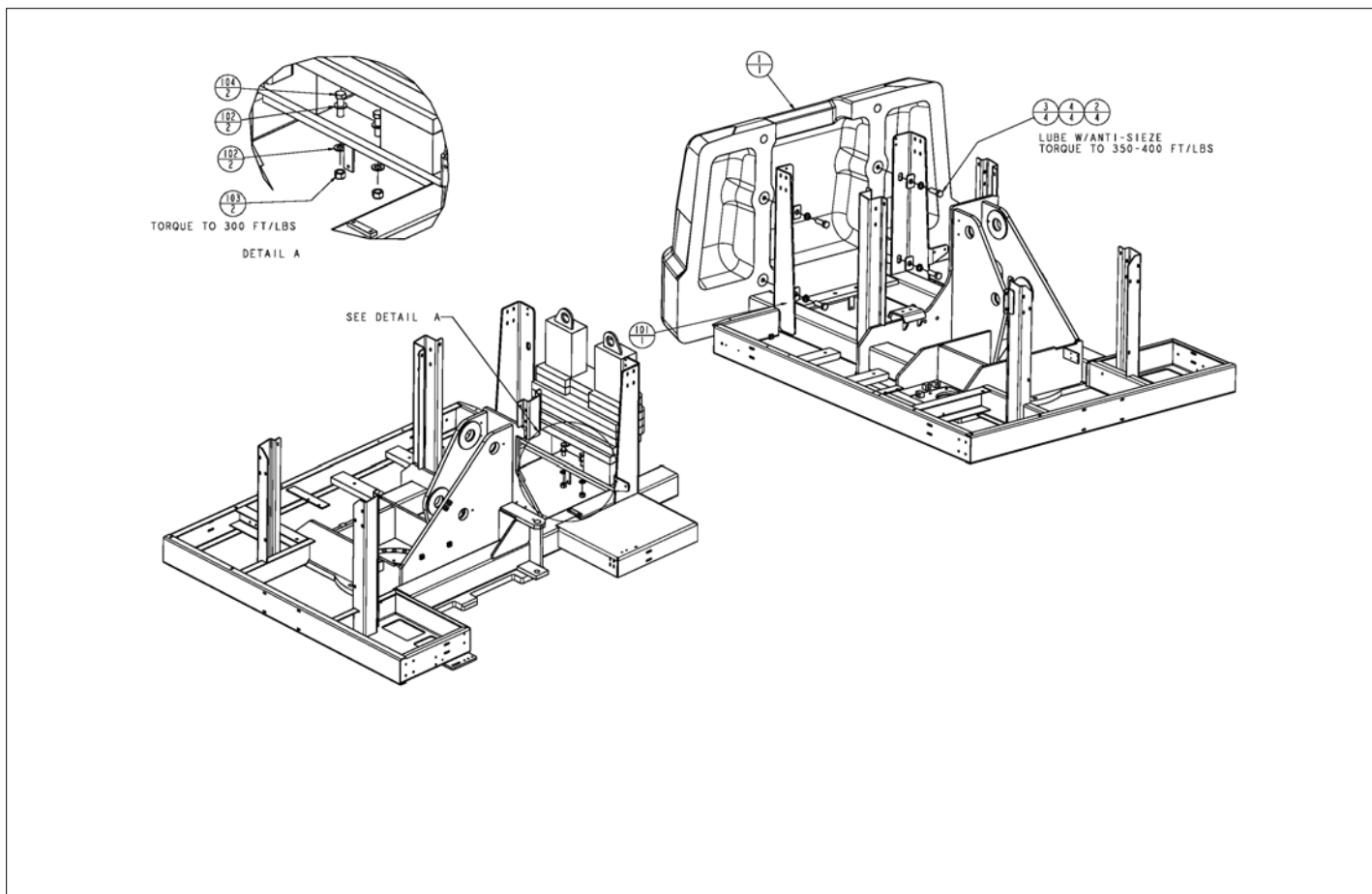
アイテム	部品番号	名前	数量	UOM
	0420853 C	SWING DRIVE ASSEMBLY		EA
1	0420339	SWING DRIVE	1	EA
2	986269	WSHR FLAT .313	4	EA
3	987109	WSHR LOCK .313	4	EA
4	987139	WSHR LOCK .500	2	EA
5	5035303	FTG ELB90STRTHD 4B 4S STL	2	EA
6	5035306	FTG ELB90STRTHD 8B 8S STL	1	EA
7	5037003	FTG ELB90SWVL 4S 4S STL	1	EA
8	5037006	ADAPTER 90 ° ELBOW SWIVEL 8 JIC	1	EA
9	5065703	FTG ADPTR STRTHD 4B 4S STL	1	EA
10	5065709	FTG ADPTR STRTHD 8B 8S STL PH	1	EA
11	5560165	BLT SKTHD LKG .500 13 1.50	2	EA
12	5560641	CAPSCREW 5/16 18 X 3 1/2 LG HH GR5	4	EA
13	6019114	MOTION CONTROL VALVE SWING	1	EA
14	6030017	MTRTRW ROSS MOTOR SWING DRIVE	1	EA
50	0020283	HOSE 4 4S 4S 15.25 100R1 SAE:100R1 4 BAND IN	1	EA
NOTE 1	8120064	LOCTITE INSTANT GASKET	1	EA

REPAIR PARTS



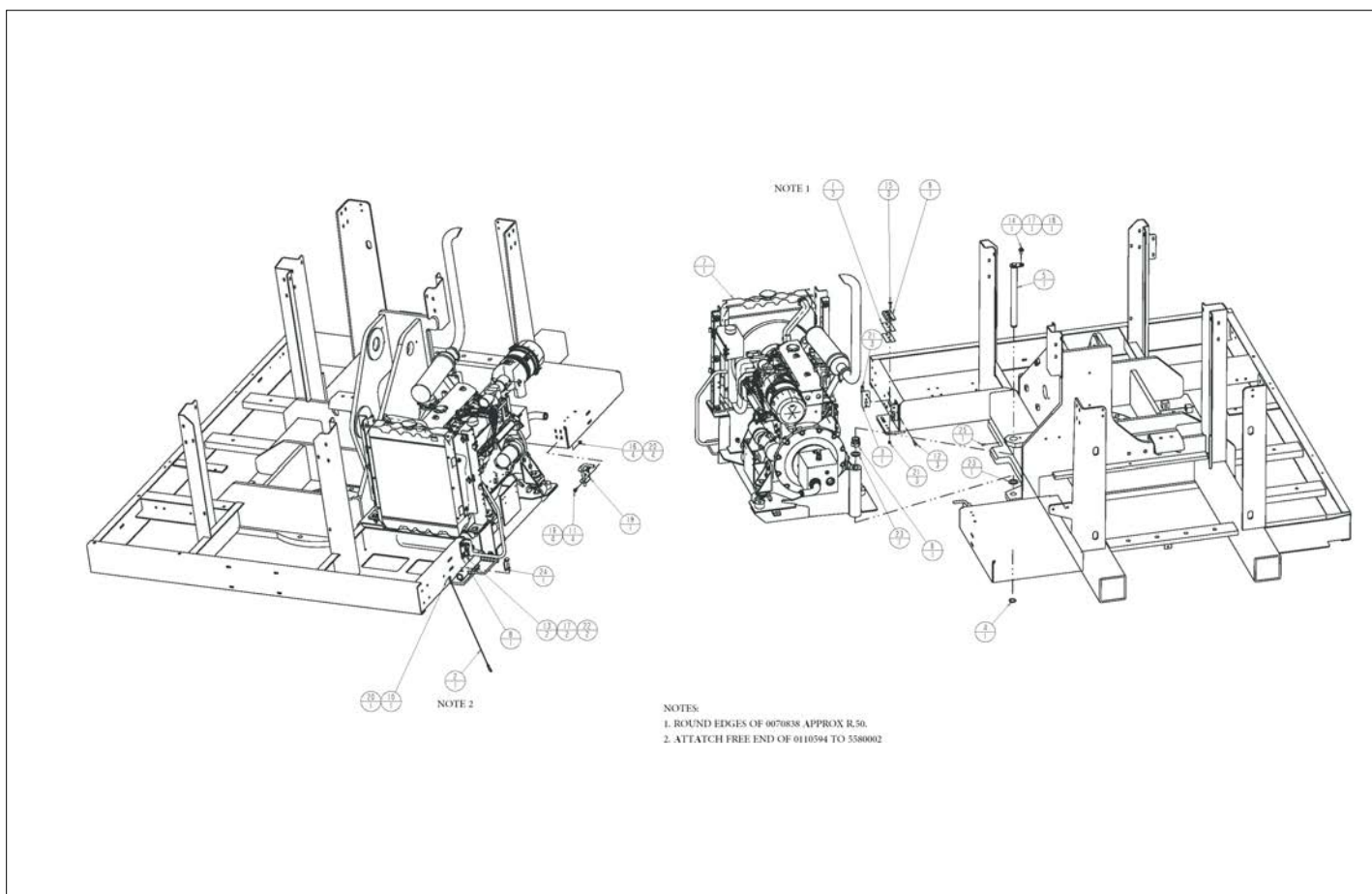
アイテム	部品番号	名前	数量	UOM
	0421384 A	PINION GUARD		EA
1	0421378	GUARD PINION	1	EA
2	984449	NUT HEX JAM .625 11	2	EA
3	987159	WSHR LOCK .625	2	EA
4	5560169	WSHR FLAT HARD .625 SP	2	EA
5	5563034	SCR HEX SET .625 11 2.50 CUP	2	EA

REPAIR PARTS



アイテム	部品番号	名前	数量	UOM
	A42010 B	COUNTERWEIGHT INSTALLATION		EA
1	0420627	CASTING COUNTER WEIGHT	1	EA
2	0420995	PLT WASHER	4	EA
3	971829	BLT HEXHD 1.00 8 X 3.00 GR5	4	EA
4	987249	WSHR LOCK 1.00	4	EA
101	0421204	WLDMT CWT MIDDLE	1	EA
102	5560170	WSHR FLAT HARD .750 SP	4	EA
103	5560193	NUT HEX LKG.750 10 ESNA NUT	4	EA
104	5560676	BLT HEXHD .750 10 X 3.50 GR8	4	EA

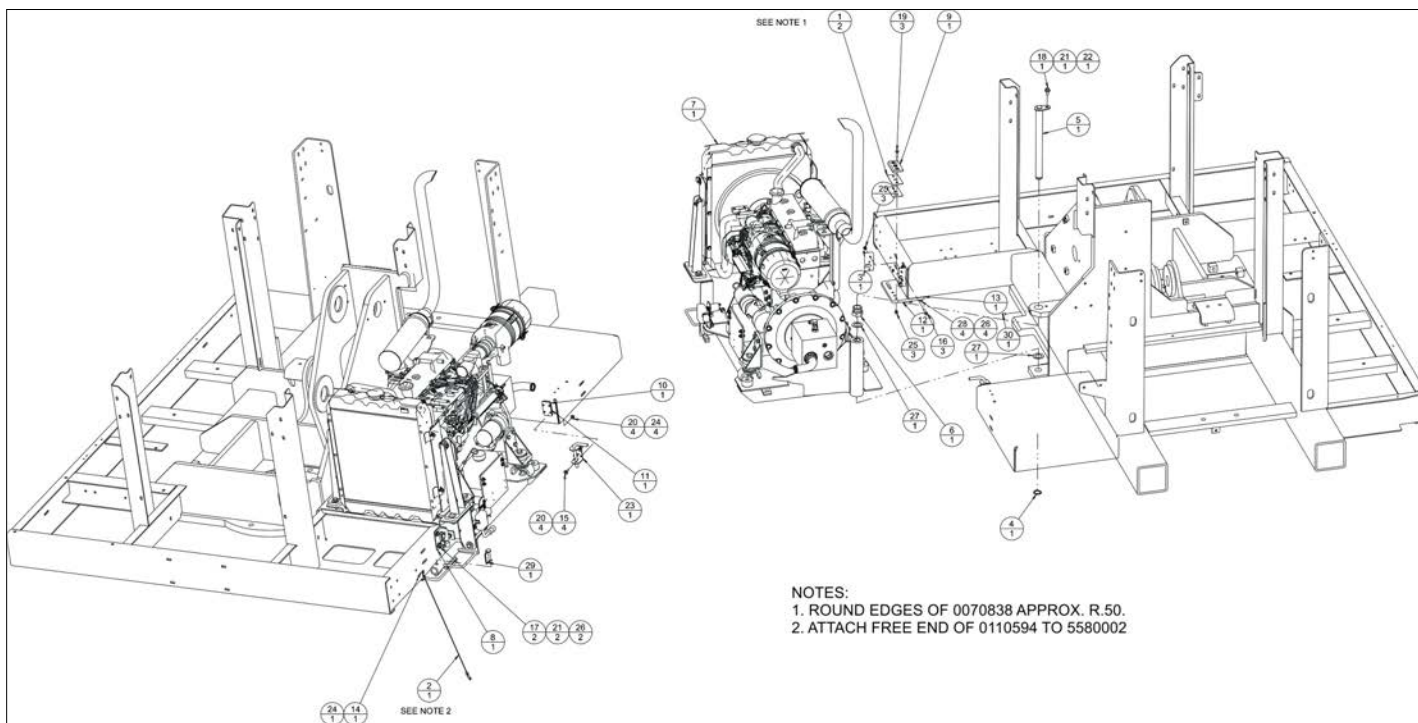
REPAIR PARTS





アイテム	部品番号	名前	数量	UOM
Not Shown	0420967 C	ENGINE INSTALLATION APRIL 2007 AND BEFORE		EA
1	0070838	SHIM .030 2.00 4.00 3H AL	2	EA
2	0110594	RTNR LOCK PIN AXLES	1	EA
3	300491	LATCH RH TRAY ROTARY LOCK	1	EA
4	300541	1.25 SNAPRING	1	EA
5	0420438	PIN TRDRP 1.25 X 14.50 GRIP	1	EA
6	0450490	ECC, ENGINE PIVOT	1	EA
7	0420645	ENGINE W/RADIATOR ASSEMBLY CUMMINS AB85J	1	EA
8	0421236	PLT LATCH MNT ENGINE TRAY	1	EA
9	0421298	SLIDE PAD	1	EA
10	970039	BLT HEXHD .250 20 .875 LKG	1	EA
11	970049	BLT HEXHD .250 20 1.00 GR5 GRADE 5 PLT SAME AS 970189	4	EA
12	970279	BLT HEXHD .313 18 1.50 GR5	3	EA
13	972479	BLT HEXHD .375 16 1.25 GR5	2	EA
14	970469	HHD BLT .375 16 X 1.00 GR5	1	EA
15	972269	BLT FLSKTHD .313 18 1.25	3	EA
16	986019	WSHR FLAT .250	8	EA
17	986299	WASHER, FLAT, .375 STANDARD, PLATED	3	EA
18	987119	WSHR LOCK .375	1	EA
19	5516332	SPRING LATCH	1	EA
20	5560004	NUT LKG .250 20	5	EA
21	5560031	NUT HEX LKG .313 18	6	EA
22	5560033	.375 16UNC HEX LOCK NUT	2	EA
23	5569852	BSHG MCHRY 1.25ID 2.00OD 14GA	2	EA
24	5580002	PIN SNAPPER	1	EA
25	8070318	SET SCREW 5/16 X 5/8	1	EA

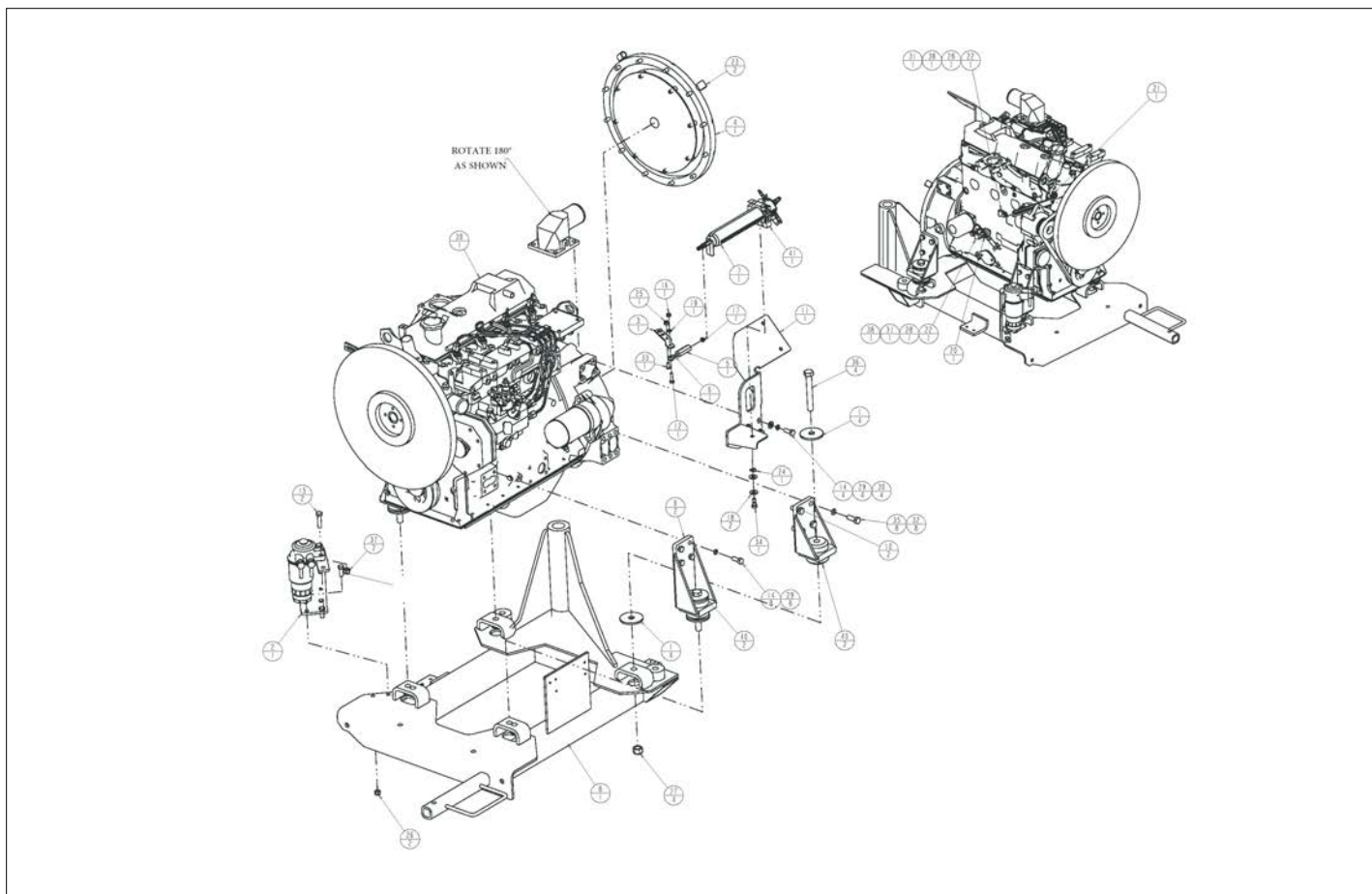
REPAIR PARTS



アイテム	部品番号	名前	数量	UOM
	0420967 E	ENGINE INSTALLATION APRIL 2007 AND AFTER		EA
1	0070838	SHIM .030 2.00 4.00 3H AL	2	EA
2	0110594	RTNR LOCK PIN AXLES	1	EA
3	300491	LATCH RH TRAY ROTARY LOCK	1	EA
4	300541	1.25 SNAPRING	1	EA
5	0420438	PIN TRDRP 1.25 X 14.50 GRIP	1	EA
6	0420490	ECC ENGINE PIVOT	1	EA
7	0420645	ENGINE W/RADIATOR ASSEMBLY CUMMINS AB85J	1	EA
8	0421236	PLT LATCH MNT ENGINE TRAY	1	EA
9	0421298	SLIDE PAD	1	EA
10	0421456	SHIM .25	1	EA
11	0421457	SHIM 10GA	1	EA
12	0421531	PLT SAFETY PIN	1	EA
13	0421532	SHIM .125 3.00 8.00 4H AL	1	EA
14	970039	BLT HEXHD .250 20 .875 LKG	1	EA
15	970049	BLT HEXHD .250 20 1.00 GR5 GRADE 5 PLT SAME AS 970189	4	EA
16	970279	BLT HEXHD .313 18 1.50 GR5	3	EA
17	972479	BLT HEXHD .375 16 1.25 GR5	2	EA
18	970469	HHD BLT .375 16 X 1.00 GR5	1	EA
19	972269	BLT FLSKTHD .313 18 1.25	3	EA
20	986019	WSHR FLAT .250	8	EA
21	986299	WASHER, FLAT, .375 STANDARD, PLATED	3	EA
22	987119	WSHR LOCK .375	1	EA
23	5516332	SPRING LATCH	1	EA
24	5560004	NUT LKG .250 20	5	EA
25	5560031	NUT HEX LKG .313 18	6	EA
26	5560033	.375 16UNC HEX LOCK NUT	6	EA

アイテム	部品番号	名前	数量	UOM
27	5569852	BSHG MCHRY 1.25ID 2.00OD 14GA	2	EA
28	5569863	BLT HEXHD .375 16 1.375 GR5	4	EA
29	5580002	PIN SNAPPER	1	EA
30	8070318	SET SCREW 5/16 X 5/8	1	EA

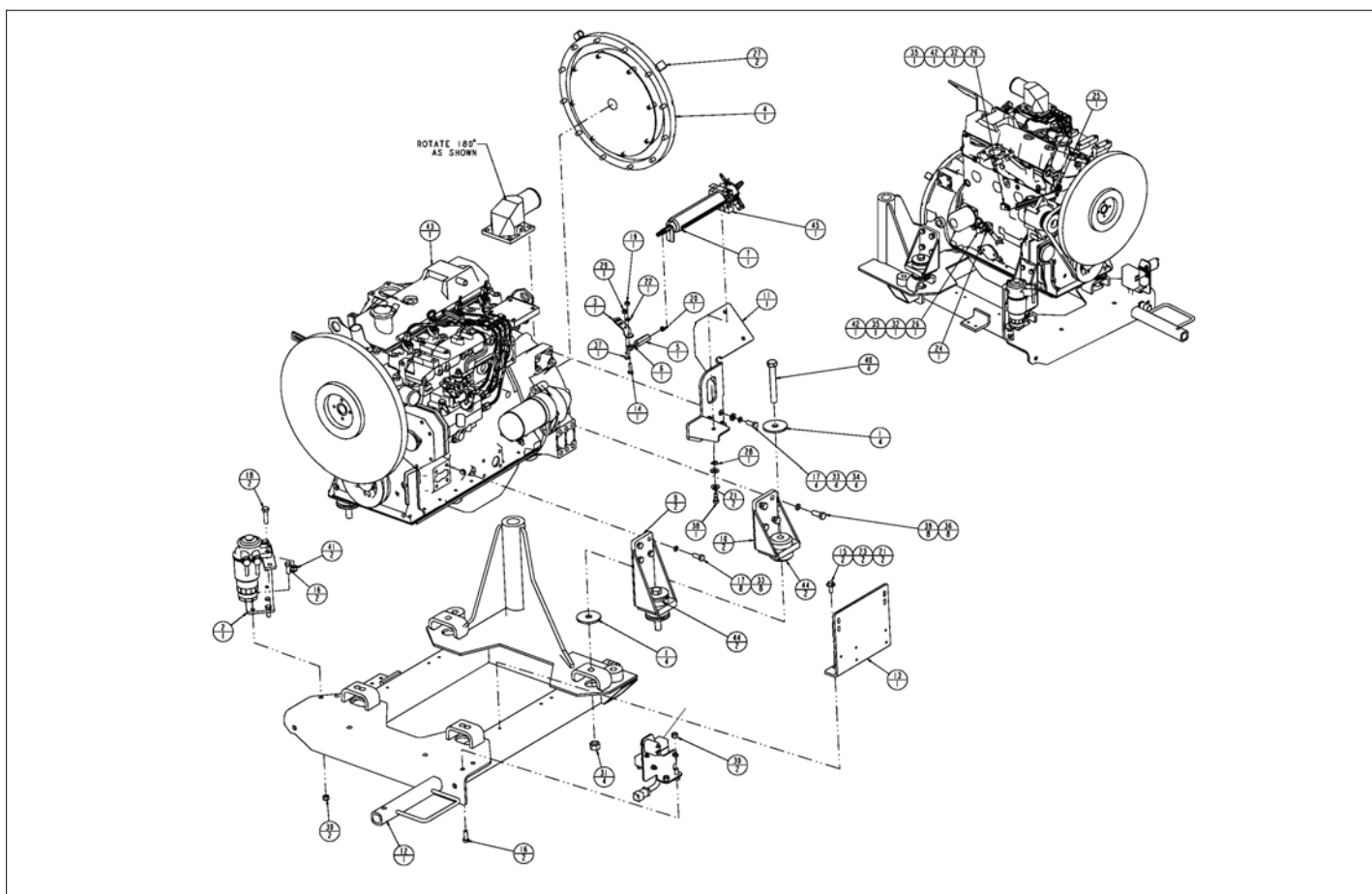
REPAIR PARTS



アイテム	部品番号	名前	数量	UOM
	0420713 C	ENGINE TRAY ASSEMBLY CUMMINS APRIL 2007 AND BEFORE		EA
1	0071599	WSHR .650ID 2.63OD .188	8	EA
2	0074972	BRKT FUEL FILTER (CU)	1	EA
	7630771	FILTER FUEL CART CU B3.3	1	EA
3	0083155	THROTTLE LEVER EXTENSION	1	EA
4	0083437	KIT HAYES CU CPLR / FLYWHEEL	1	EA
5	0083586	THROTTLE ACTUATOR COUPLER	1	EA
6	0083587	ROD END LEFT HAND THREADS	1	EA
7	0082045	ACTUATOR ASSEMBLY FOR KIT USE 0084574	1	EA
8	0420420	WLDMT ENG SWING MT	1	EA
9	0420500	WLDMT FRONT MOTOR MT CUMMINS	2	EA
10	0420503	WLDMT MNT MOTOR REAR CU	2	EA
11	0420988	AIR CLEANER WLDMT AB80/85J	1	EA
12	970049	BLT HEXHD .250 20 1.00 GR5 GRADE 5 PLT SAME AS 970189	1	EA
13	970469	HHD BLT .375 16 X 1.00 GR5	2	EA
14	972019	BLT HEXHD M10 1.5 X 25MM	12	EA
15	972049	BOLT 10MM 1.50P 40MM GR8	2	EA
16	984069	NUT HEX .250 20	1	EA
17	984329	NUT HEX JAM .250 20	1	EA
18	986269	WSHR FLAT .313	2	EA
19	987099	WSHR LOCK .250	1	EA
20	3020095	SWITCH PRESSURE 6 PSI	1	EA
21	3070037	TEMP SENSOR 1/2NPT HIGH	1	EA
22	5093000	CLP CUSH .438 VINYL COATED	2	EA
23	5093021	CLP CUSH .625 VINYL COATED	2	EA
24	5530017	WSHR SPRING CRV .375	1	EA

アイテム	部品番号	名前	数量	UOM
25	5560004	NUT LKG .250 20	1	EA
26	5560033	.375 16UNC HEX LOCK NUT	2	EA
27	5560131	NUT HEX LKG .625 11 GR8	4	EA
28	5560355	WSHR LOCK M8	2	EA
29	5560356	WSHR LOCK 10	12	EA
30	5560364	WSHR FLAT 10	4	EA
31	5560613	WASHER FLAT M8	2	EA
32	5560614	LOCK WASHER M12	8	EA
33	5560615	BLT BTNHD .250 20 .625 GR 5 CR	1	EA
34	5560618	BLT SKTHD SHLDR .375 .375 HEX .313 18 .500 GR8	1	EA
35	5560631	BOLT 12MM 1.75P 30MM	8	EA
36	5560639	CAPSCREW 5/8 11 X 4 1/2" LG H.H.	4	EA
37	5560719	NUT HEX LKG M 10 1.50 GR 8.8	2	EA
38	5569967	BLT HEXHD M8 1.25 16MM	2	EA
39	7624766	ENGINE CUMMINS B3.3 TIER III	1	EA
Not Shown	7630770	FILTER OIL CU B3.3	1	EA
40	7630130	MOUNTENGINE	4	EA
41	7630323	CLAMP ACTUATOR	1	EA

REPAIR PARTS

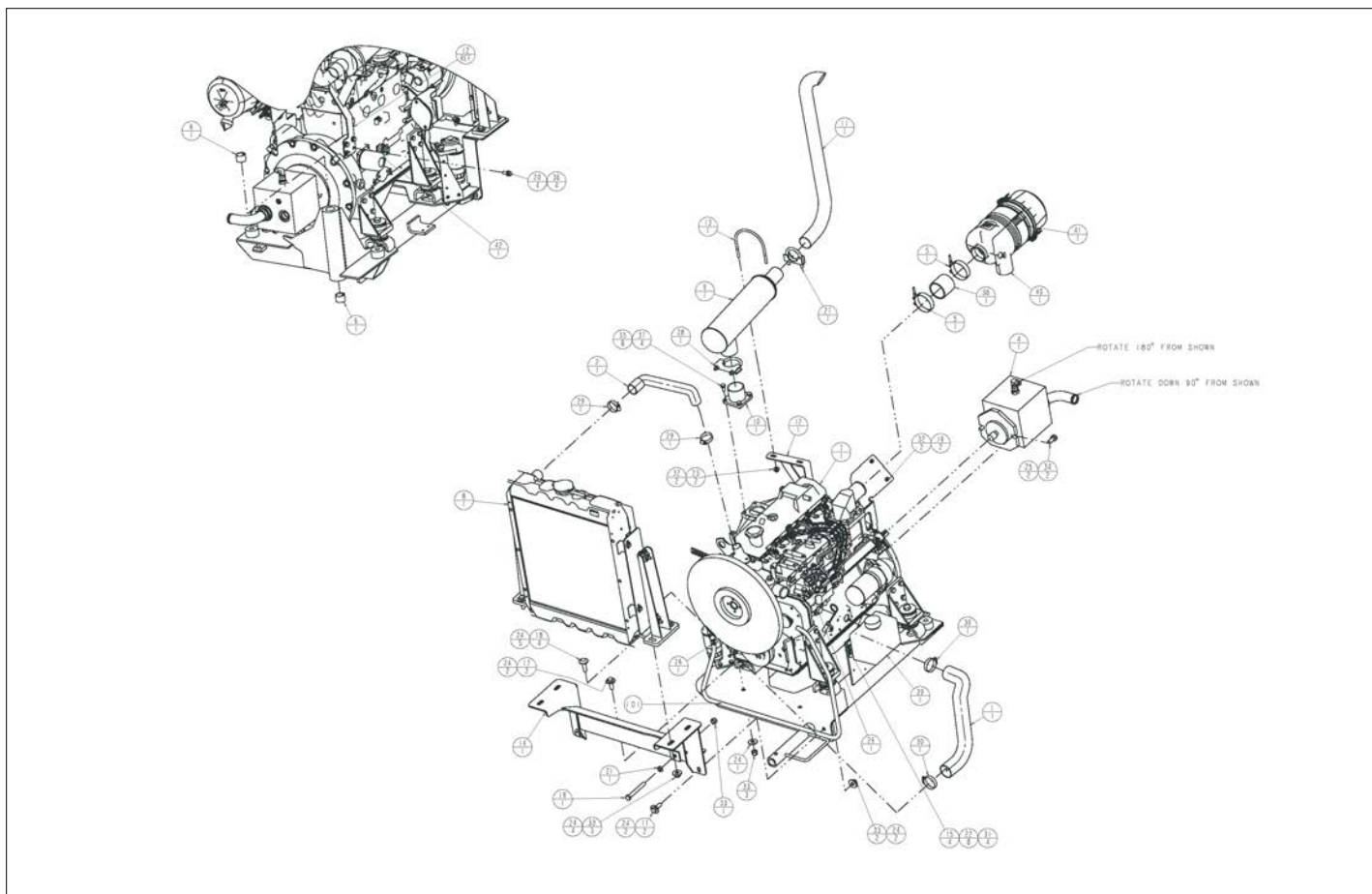




アイテム	部品番号	名前	数量	UOM
	0420713 E	ENGINE TRAY ASSEMBLY CUMMINS		EA
1	0071599	WSHR .650ID 2.63OD .188	8	EA
2	0074972	BRKT FUEL FILTER (CU)	1	EA
3	0083155	THROTTLE LEVER EXTENSION	1	EA
4	0083437	KIT HAYES CU CPLR / FLYWHEEL	1	EA
5	0083586	THROTTLE ACTUATOR COUPLER	1	EA
6	0083587	ROD END LEFT HAND THREADS	1	EA
7	0162698	ACTUATOR SUB ASSEMBLY	1	EA
8	0192298	GLOW PLUG TIMER ASSEMBLY CUMMINS T3	1	EA
9	0420500	WLDMT FRONT MOTOR MT CUMMINS	2	EA
10	0420503	WLDMT MNT MOTOR REAR CU	2	EA
11	0420988	AIR CLEANER WLDMT AB80/85J	1	EA
12	0421558	WLDMT ENGINE SWING MNT	1	EA
13	0421644	PLT RAD OVERFLOW MOUNT	1	EA
14	970049	BLT HEXHD .250 20 1.00 GR5 GRADE 5 PLT SAME AS 970189	1	EA
15	970369	BLT HEXHD .313 18 X 1.00 GR5	2	EA
16	970469	HHD BLT .375 16 X 1.00 GR5	4	EA
17	972019	BLT HEXHD M10 1.5 X 25MM	12	EA
18	972049	BOLT 10MM 1.50P 40MM GR8	2	EA
19	984069	NUT HEX .250 20	1	EA
20	984329	NUT HEX JAM .250 20	1	EA
21	986269	WSHR FLAT .313	4	EA
22	987099	WSHR LOCK .250	1	EA
23	987109	WSHR LOCK .313	2	EA
24	3020095	SWITCH PRESSURE 6 PSI	1	EA
25	3070037	TEMP SENSOR 1/2NPT HIGH	1	EA
26	5093000	CLP CUSH .438 VINYL COATED	2	EA

アイテム	部品番号	名前	数量	UOM
27	5093021	CLP CUSH .625 VINYL COATED	2	EA
28	5530017	WSHR SPRING CRV .375	1	EA
29	5560004	NUT LKG .250 20	1	EA
30	5560033	.375 16UNC HEX LOCK NUT	4	EA
31	5560131	NUT HEX LKG .625 11 GR8	4	EA
32	5560355	WSHR LOCK M8	2	EA
33	5560356	WSHR LOCK 10	12	EA
34	5560364	WSHR FLAT 10	4	EA
35	5560613	WASHER FLAT M8	2	EA
36	5560614	LOCK WASHER M12	8	EA
37	5560615	BLT BTNHD .250 20 .625 GR 5 CR	1	EA
38	5560618	BLT SKTHD SHLDR .375 .375 HEX .313 18 .500 GR8	1	EA
39	5560631	BOLT 12MM 1.75P 30MM	8	EA
40	5560639	CAPSCREW 5/8 11 X 4 1/2" LG H.H.	4	EA
41	5560719	NUT HEX LKG M 10 1.50 GR 8.8	2	EA
42	5569967	BLT HEXHD M8 1.25 16MM	2	EA
43	7624766	ENGINE CUMMINS B3.3 TIER III	1	EA
44	7630130	MOUNTENGINE	4	EA
45	7630323	CLAMP ACTUATOR	1	EA

REPAIR PARTS

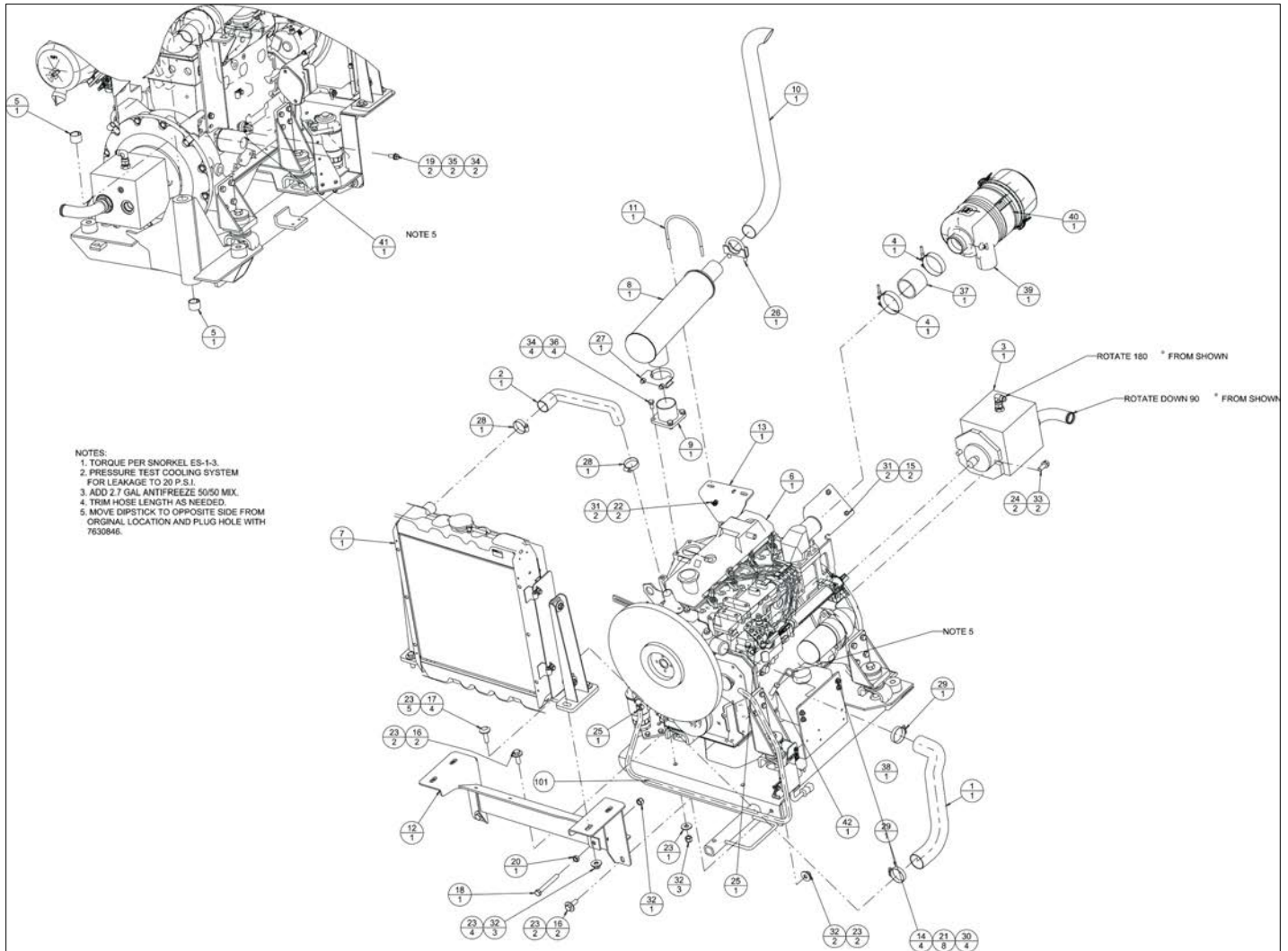


アイテム	部品番号	名前	数量	UOM
	0420645 E	ENGINE W/RADIATOR ASSEMBLY CUMMINS JUNE 2007 AND BEFORE		EA
1	0074684	HOSE LOWER RAD CU 3.3	1	EA
2	0074685	HOSE LOWER RAD CU 3.3	1	EA
	0082046	ASSY ACTUATOR MODULE FOR KIT USE 0084574	1	EA
4	0082138	HYDRAULIC PUMP AND FITTINGS DEUTZ CUMMINS	1	EA
5	0083544	CLAMP T BOLT 3.00 NOM	2	EA
6	0420123	BRG THR 1.25ID 1.41OD 1.00	2	EA
7	0420713	ENGINE TRAY ASSEMBLY CUMMINS	1	EA
8	0420714	RADIATOR ASSEMBLY	1	EA
9	0420970	MUFFLER	1	EA
10	0420976	WLDMT TUBE EXHAUST	1	EA
11	0420977	TAIL PIPE	1	EA
12	0420992	WELDMENT, MUFFLER SUPPORT	1	EA
13	0420994	CLP MUFFLER 4.69 .313 18 SP	1	EA
14	0421432	WLDMT MNT RADIATOR	1	EA
15	970039	BLT HEXHD .250 20 .875 LKG	4	EA
16	970239	BLT HEXHD .313 18 .750 GR5	2	EA
17	970909	BLT HEXHD .500 13 1.50 GR5 PLA	4	EA
18	970919	BLT HEXHD .500 13 1.75 GR5	4	EA
Not Shown	971009	CAP SCREW 1/2 13 X 4 INCH LONG HEX HEAD GRADE 5	1	EA
20	972019	BLT HEXHD M10 1.5 X 25MM	4	EA
21	984409	NUT HEX .50 13UNC	1	EA
22	986019	WSHR FLAT .250	8	EA
23	986269	WSHR FLAT .313	2	EA
24	986359	FLATWASHER 1/2"	16	EA

アイテム	部品番号	名前	数量	UOM
25	987139	WSHR LOCK .500	2	EA
26	5550006	CLP WORM DRV .38 .88 SAE#6	2	EA
27	5550007	CLP MUFFLER 1.88 .375 16 HVY	1	EA
28	5550026	EXHAUST CLAMP	1	EA
29	5550038	CLP WORM DRV 1.25 2.25 SAE#28	2	EA
30	5550040	CLP WORM DRV 2.00 3.00 SAE#40	2	EA
31	5560004	NUT LKG .250 20	4	EA
32	5560031	NUT HEX LKG .313 18	4	EA
33	5560039	NUT HEX LKG .500 13	9	EA
34	5560136	HEX HEAD CAP SCREW, DRILLED, .500 13 UNIFIED NATIONAL COURSE, STEEL, GR 5, 1.25 LG.	2	EA
35	5560356	WSHR LOCK 10	8	EA
36	5560364	WSHR FLAT 10	4	EA
37	5560625	BOLT 10MM 1.50P 20MM	4	EA
38	7630158	HOSE RADIATOR 2.5 ID BULK	3"	EA
39	7630227	OVERFLOW BOTTLE 2QT	1	EA
Not Shown	8060277	REPLACEMENT CAP	1	EA
40	7630755	AIR CLEANER CUMMINS 3.3 KUBOTA WG2403 TIER 3 AND TIER 4 ASSEMBLY	1	EA
Not Shown	8140011	element	1	EA
Not Shown	8140012	dust ejector	1	EA
Not Shown	8140013	cover	1	EA
Not Shown	8140014	cap retainer clip	1	EA
41	7630759	BRACKET AIR CLEANER	1	EA
42	7630846	COLD PLUG CU	1	EA

アイテム	部品番号	名前	数量	UOM
101	5010005	HOSE .38 831 6 RL PUSH LOCK	3.5 FT	EA

REPAIR PARTS

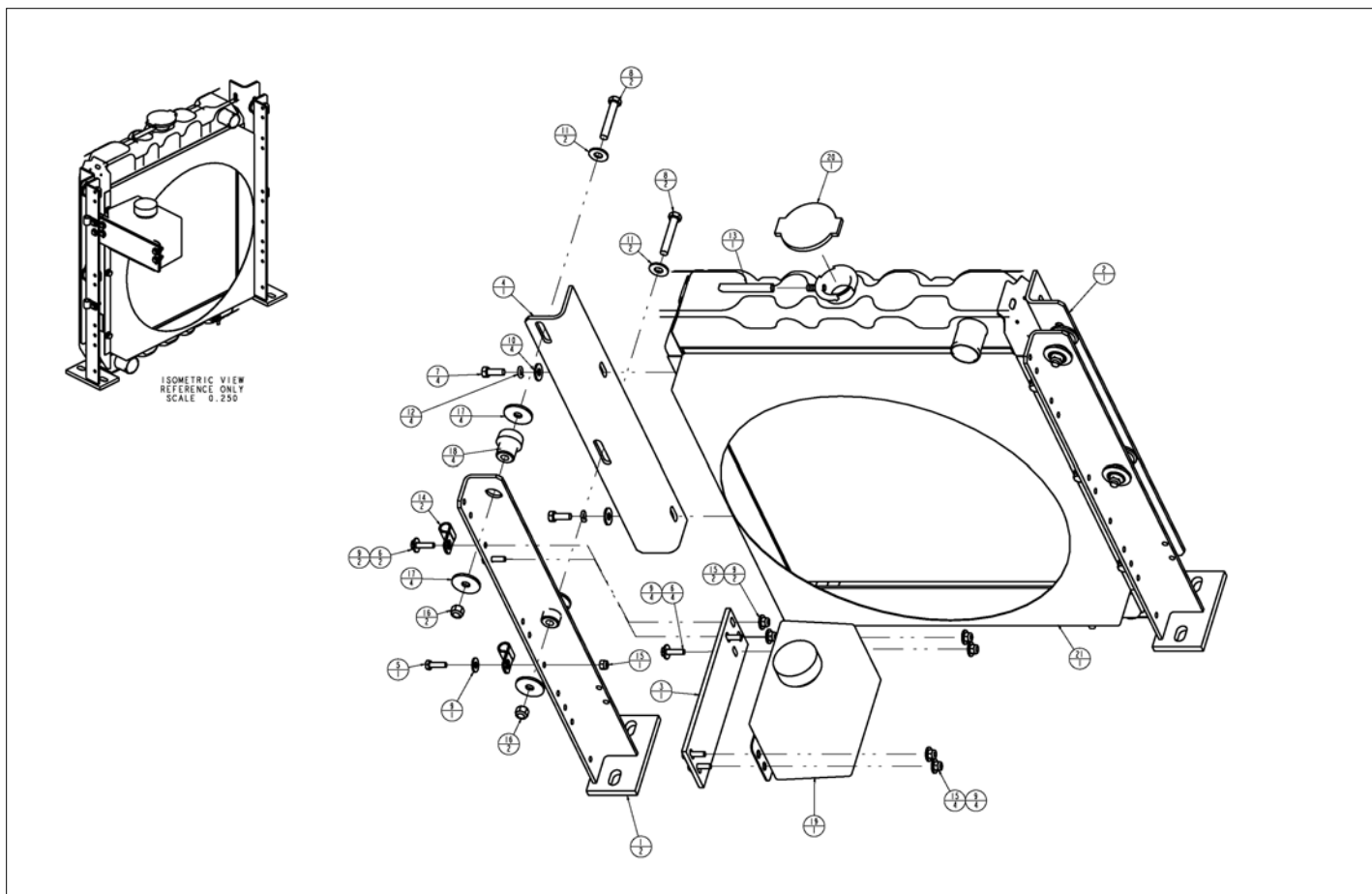


アイテム	部品番号	名前	数量	UOM
	0420645 G	ENGINE W/RADIATOR ASSEMBLY CUMMINS JUNE 2007 AND AFTER		EA
1	0074684	HOSE LOWER RAD CU 3.3	1	EA
2	0074685	HOSE LOWER RAD CU 3.3	1	EA
3	0082138	HYDRAULIC PUMP AND FITTINGS DEUTZ CUMMINS	1	EA
4	0083544	CLAMP T BOLT 3.00 NOM	2	EA
5	0420123	BRG THR 1.25ID 1.41OD 1.00	2	EA
6	0420713	ENGINE TRAY ASSEMBLY CUMMINS	1	EA
7	0420714	RADIATOR ASSEMBLY	1	EA
8	0420970	MUFFLER	1	EA
9	0420976	WLDMT TUBE EXHAUST	1	EA
10	0420977	TAIL PIPE	1	EA
11	0420994	CLP MUFFLER 4.69 .313 18 SP	1	EA
12	0421432	WLDMT MNT RADIATOR	1	EA
13	0421495	WLDMT MNT RADIATOR	1	EA
14	970039	BLT HEXHD .250 20 .875 LKG	4	EA
15	970239	BLT HEXHD .313 18 .750 GR5	2	EA
16	970909	BLT HEXHD .500 13 1.50 GR5 PLA	4	EA
17	970919	BLT HEXHD .500 13 1.75 GR5	4	EA
18	971009	CAP SCREW 1/2 13 X 4 INCH LONG HEX HEAD GRADE 5	1	EA
19	972019	BLT HEXHD M10 1.5 X 25MM	2	EA
20	984409	NUT HEX .50 13UNC	1	EA
21	986019	WSHR FLAT .250	8	EA
22	986269	WSHR FLAT .313	2	EA
23	986359	FLATWASHER 1/2"	16	EA
24	987139	WSHR LOCK .500	2	EA
25	5550006	CLP WORM DRV .38 .88 SAE#6	2	EA



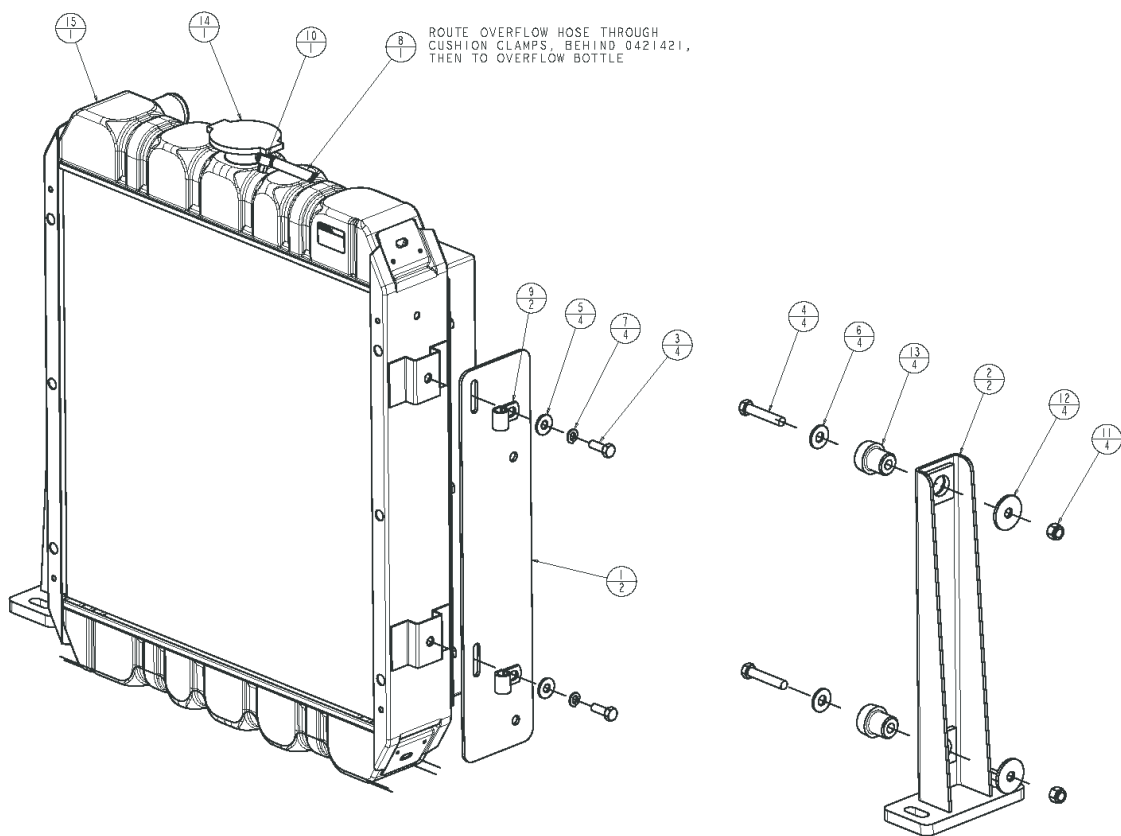
アイテム	部品番号	名前	数量	UOM
26	5550007	CLP MUFFLER 1.88 .375 16 HVY	1	EA
27	5550026	EXHAUST CLAMP	1	EA
28	5550038	CLP WORM DRV 1.25 2.25 SAE#28	2	EA
29	5550040	CLP WORM DRV 2.00 3.00 SAE#40	2	EA
30	5560004	NUT LKG .250 20	4	EA
31	5560031	NUT HEX LKG .313 18	4	EA
32	5560039	NUT HEX LKG .500 13	9	EA
33	5560136	HEX HEAD CAP SCREW, DRILLED, .500 13 UNIFIED NATIONAL COURSE, STEEL, GR 5, 1.25 LG.	2	EA
34	5560356	WSHR LOCK 10	6	EA
35	5560364	WSHR FLAT 10	2	EA
36	5560625	BOLT 10MM 1.50P 20MM	4	EA
37	7630158	HOSE RADIATOR 2.5 ID BULK	3.5	EA
38	7630227	OVERFLOW BOTTLE 2QT	1	EA
39	7630755	AIR CLEANER CUMMINS 3.3 KUBOTA WG2403 TIER 3 AND TIER 4 ASSEMBLY	1	EA
40	7630759	BRACKET AIR CLEANER	1	EA
41	7630846	COLD PLUG CU	1	EA
42	7630855	TUBE OIL GAUGE	1	EA
101	5010005	HOSE .38 831 6 RL PUSH LOCK	3.5FT	EA

REPAIR PARTS



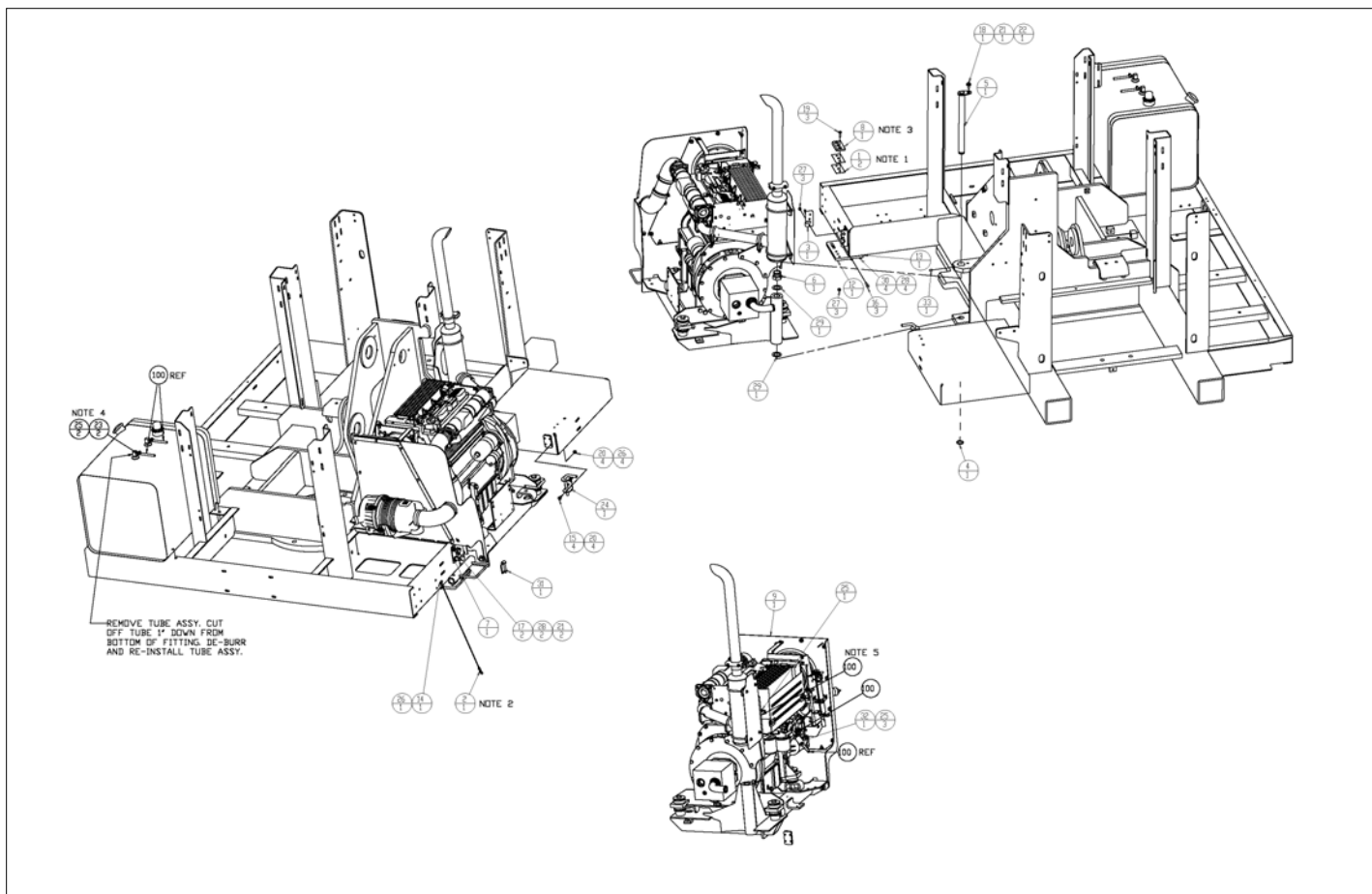
アイテム	部品番号	名前	数量	UOM
	0420714 B	RADIATOR ASSEMBLY JUNE 2007 AND BEFORE		EA
1	0074630	BRACKET RADIATOR	2	EA
2	0083153	ANGLE RADIATOR MOUNT	1	EA
3	0180832	MTG PLATE OVERFLOW	1	EA
4	0421303	ANGLE RADIATOR MT RH	1	EA
5	970039	BLT HEXHD .250 20 .875 LKG	1	EA
6	970049	BLT HEXHD .250 20 1.00 GR5 GRADE 5 PLT SAME AS 970189	6	EA
7	970249	BLT HEXHD .313 18 .875 GR5	4	EA
8	970519	CAPSCREW 3/8 16 X 2 1/4" LG H.H.	4	EA
9	986019	WSHR FLAT .250	13	EA
10	986269	WSHR FLAT .313	4	EA
11	986299	WASHER, FLAT, .375 STANDARD, PLATED	4	EA
12	987109	WSHR LOCK .313	4	EA
13	5010011	HOSE SAE30R2 05 .312 FUEL	1	EA
14	5093001	CLP CUSH .500 VINYL COATED	2	EA
15	5560004	NUT LKG .250 20	7	EA
16	5560033	.375 16UNC HEX LOCK NUT	4	EA
17	5560179	Flat Washer Special	8	EA
18	7630180	RADIATOR CUSHION	4	EA
19	7630227	OVERFLOW BOTTLE 2QT	1	EA
20	7630239	RADIATOR CAP 13 PSI	1	EA
21	7630756 001	RADIATOR	1	EA

REPAIR PARTS



アイテム	部品番号	名前	数量	UOM
	0420714 C	RADIATOR ASSEMBLY JUNE 2007 AND AFTER		EA
1	0421420	PLT RADIATOR MOUNT	2	EA
2	0421421	WLDMT SUPPORT RADIATOR	2	EA
3	970249	BLT HEXHD .313 18 .875 GR5	4	EA
4	970509	BLT HEXHD .375 16 2.00 GR5 PLTD	4	EA
5	986269	WSHR FLAT .313	4	EA
6	986299	WASHER, FLAT, .375 STANDARD, PLATED	4	EA
7	987109	WSHR LOCK .313	4	EA
8	5010011	HOSE SAE30R2 05 .312 FUEL	59 IN	EA
9	5093001	CLP CUSH .500 VINYL COATED	2	EA
10	5550028	CLP WORM DRV .25 .63 .31 BAND	1	EA
11	5560033	.375 16UNC HEX LOCK NUT	4	EA
12	5560179	Flat Washer Special	4	EA
13	7630180	RADIATOR CUSHION	4	EA
14	7630239	RADIATOR CAP 13 PSI	1	EA
15	7630756 001	RADIATOR	1	EA

REPAIR PARTS

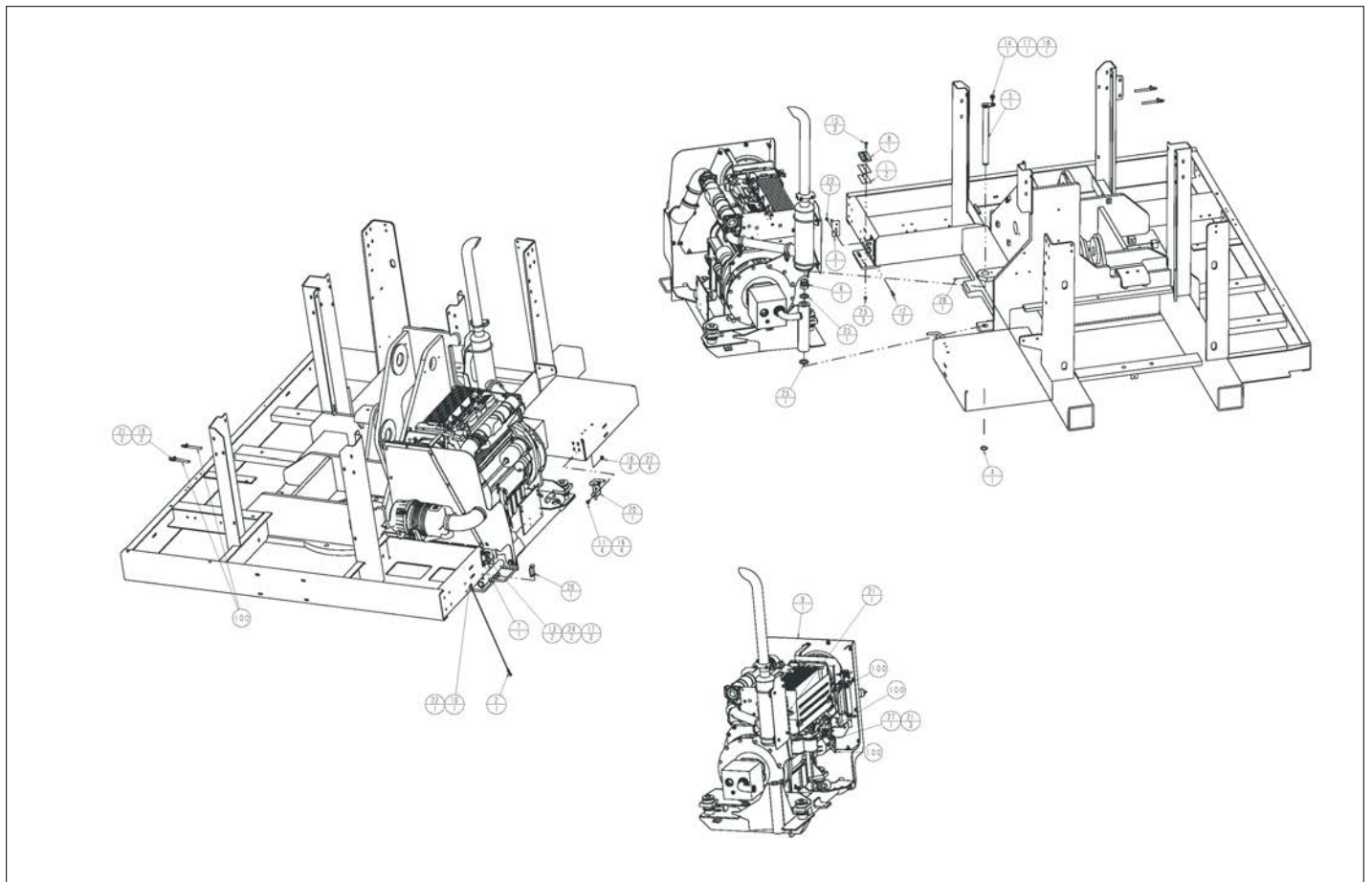


アイテム	部品番号	名前	数量	UOM
	0421337 D	ENGINE INSTALLATION DEUTZ		EA
1	0070838	SHIM .030 2.00 4.00 3H AL	2	EA
2	0110594	RTNR LOCK PIN AXLES	1	EA
3	300491	LATCH RH TRAY ROTARY LOCK	1	EA
4	300541	1.25 SNAPRING	1	EA
5	0420438	PIN TRDRP 1.25 X 14.50 GRIP	1	EA
6	0420490	ECC ENGINE PIVOT	1	EA
7	0421236	PLT LATCH MNT ENGINE TRAY	1	EA
8	0421298	SLIDE PAD	1	EA
9	0421336	ASSY DZ ENGINE AB80J/85RJ	1	EA
10	0421456	SHIM .25	1	EA
11	0421457	SHIM 10GA	1	EA
12	0421531	PLT SAFETY PIN	1	EA
13	0421532	SHIM .125 3.00 8.00 4H AL	1	EA
14	970039	BLT HEXHD .250 20 .875 LKG	1	EA
15	970049	BLT HEXHD .250 20 1.00 GR5 GRADE 5 PLT SAME AS 970189	4	EA
16	970279	BLT HEXHD .313 18 1.50 GR5	3	EA
17	972479	BLT HEXHD .375 16 1.25 GR5	2	EA
18	970469	HHD BLT .375 16 X 1.00 GR5	1	EA
19	972269	BLT FLSKTHD .313 18 1.25	3	EA
20	986019	WSHR FLAT .250	8	EA
21	986299	WASHER, FLAT, .375 STANDARD, PLATED	3	EA
22	987119	WSHR LOCK .375	1	EA
23	5090032	FITTING BARBED 1/4" NPT X 3/16" BRASS	1	EA
24	5516332	SPRING LATCH	1	EA
25	5550028	CLP WORM DRV .25 .63 .31 BAND	6	EA
26	5560004	NUT LKG .250 20	5	EA

アイテム	部品番号	名前	数量	UOM
27	5560031	NUT HEX LKG .313 18	6	EA
28	5560033	.375 16UNC HEX LOCK NUT	6	EA
29	5569852	BSHG MCHRY 1.25ID 2.00OD 14GA	2	EA
30	5569863	BLT HEXHD .375 16 1.375 GR5	4	EA
31	5580002	PIN SNAPPER	1	EA
32	7630286	FILTER N LINE FUEL	1	EA
33	8070318	SET SCREW 5/16 X 5/8	1	EA
34	0421456	SHIM .25	2	EA
35	5093037	FTG STR 4H 4N BR	1	EA
100	5010011	HOSE SAE30R2 05 .312 FUEL	16.5FT	EA
101	967299	HOSES A E30R2 04 TYPE 3 1/4 in ID FUEL LINE	16.5FT	EA



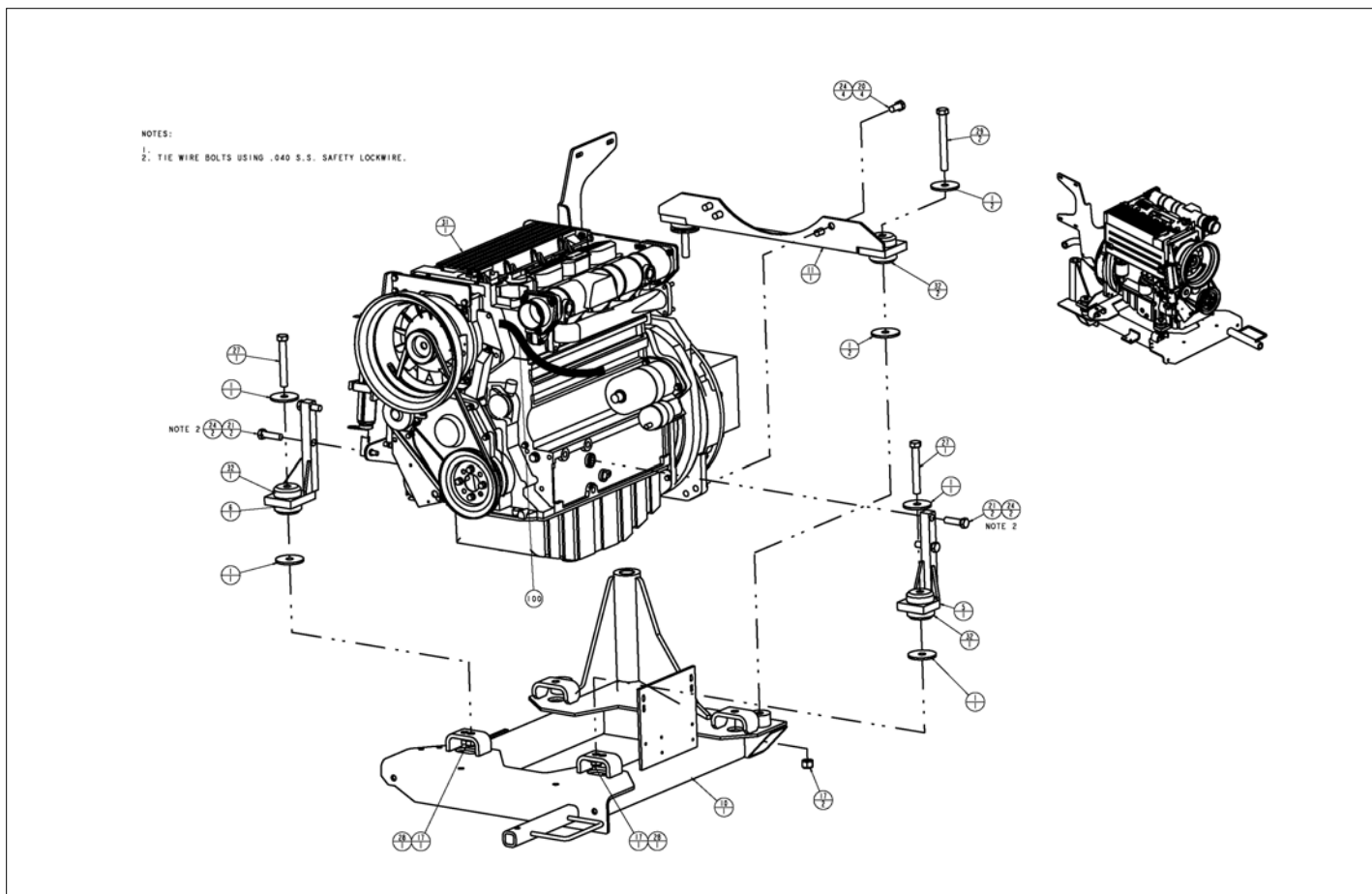
REPAIR PARTS



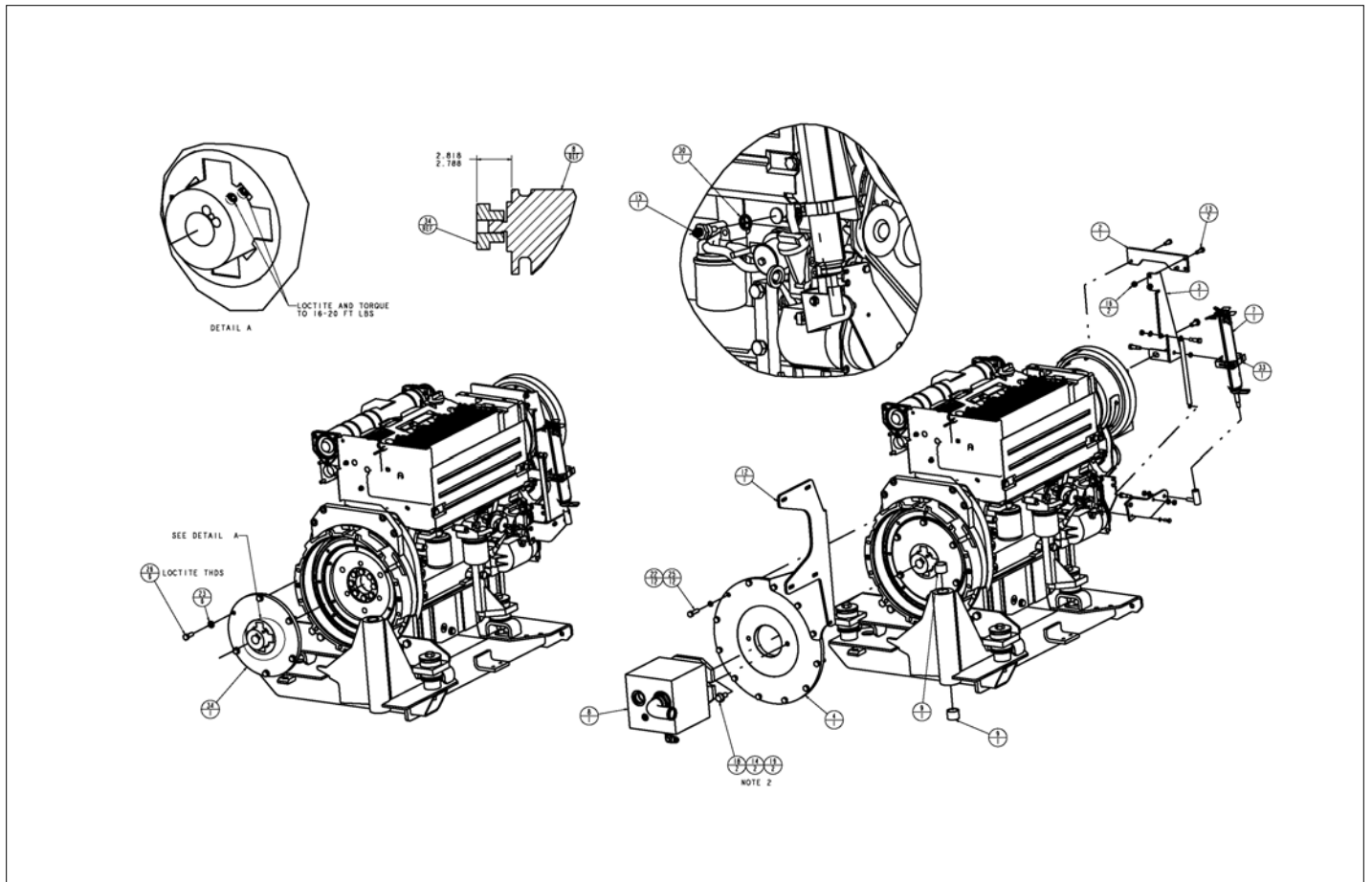
アイテム	部品番号	名前	数量	UOM
	0421337 B	ENGINE MOUNTING DEUTZ		EA
1	0070838	SHIM .030 2.00 4.00 3H AL	2	EA
2	0110594	RTNR LOCK PIN AXLES	1	EA
3	300491	LATCH RH TRAY ROTARY LOCK	1	EA
4	300541	1.25 SNAPRING	1	EA
5	0420438	PIN TRDRP 1.25 X 14.50 GRIP	1	EA
6	0420490	ECC ENGINE PIVOT	1	EA
7	0421236	PLT LATCH MNT ENGINE TRAY	1	EA
8	0421298	SLIDE PAD	1	EA
9	0421336	ASSY DZ ENGINE AB80J/85RJ	1	EA
10	970039	BLT HEXHD .250 20 .875 LKG	1	EA
11	970049	BLT HEXHD .250 20 1.00 GR5 GRADE 5 PLT SAME AS 970189	4	EA
12	970279	BLT HEXHD .313 18 1.50 GR5	3	EA
13	972479	BLT HEXHD .375 16 1.25 GR5	2	EA
14	970469	HHD BLT .375 16 X 1.00 GR5	1	EA
15	972269	BLT FLSKTHD .313 18 1.25	3	EA
16	986019	WSHR FLAT .250	8	EA
17	986299	WASHER, FLAT, .375 STANDARD, PLATED	3	EA
18	987119	WSHR LOCK .375	1	EA
19	5090032	FITTING BARBED 1/4" NPT X 3/16" BRASS	1	EA
20	5516332	SPRING LATCH	1	EA
21	5550028	CLP WORM DRV .25 .63 .31 BAND	6	EA
22	5560004	NUT LKG .250 20	5	EA
23	5560031	NUT HEX LKG .313 18	6	EA
24	5560033	.375 16UNC HEX LOCK NUT	2	EA
25	5569852	BSHG MCHRY 1.25ID 2.00OD 14GA	2	EA
26	5580002	PIN SNAPPER	1	EA

アイテム	部品番号	名前	数量	UOM
27	7630286	FILTER N LINE FUEL	1	EA
28	8070318	SET SCREW 5/16 X 5/8	1	EA
100	5010011	HOSE SAE30R2 05 .312 FUEL	28FT	EA

REPAIR PARTS

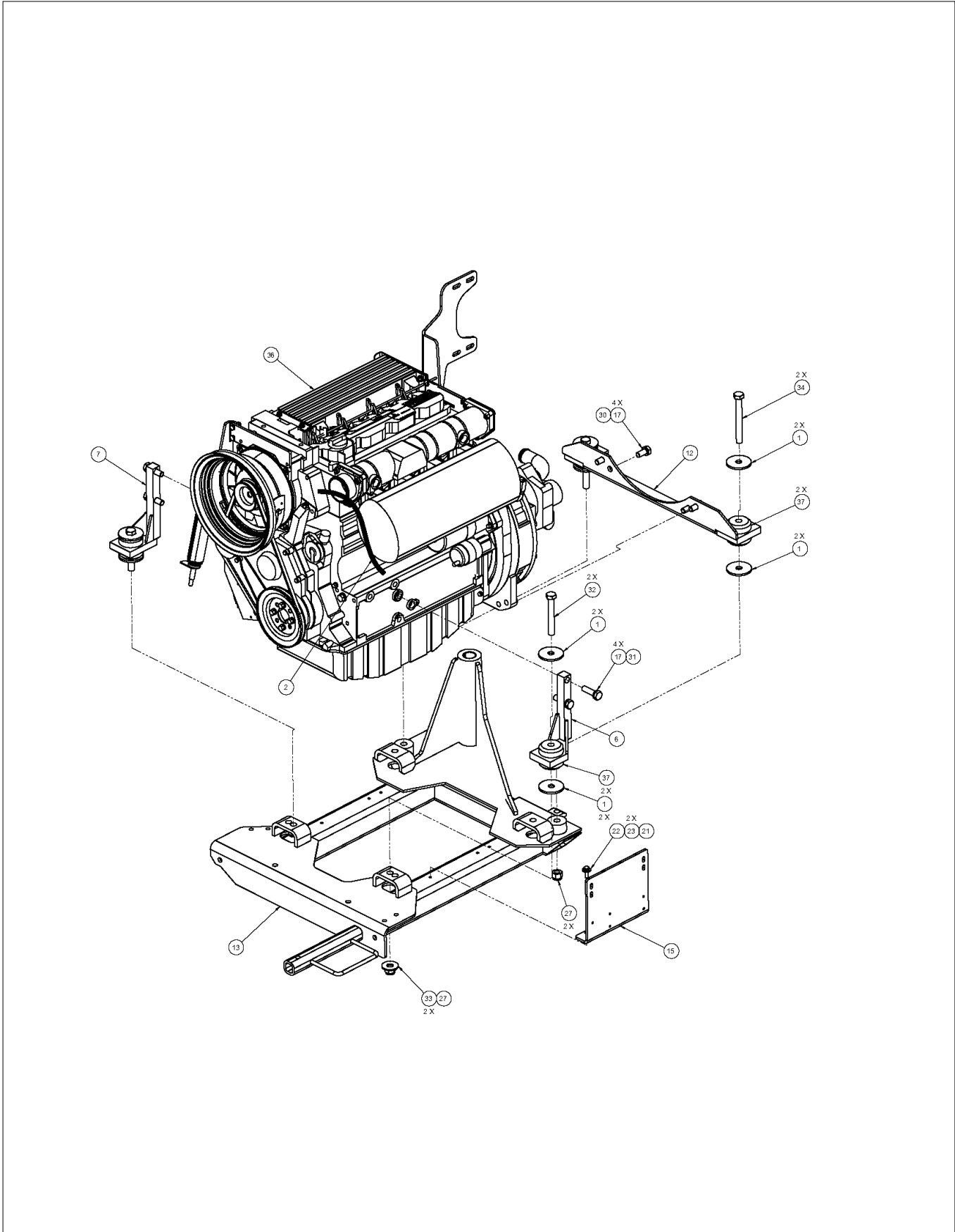


アイテム	部品番号	名前	数量	UOM
	0421368 C	ENGINE SUB ASSEMBLY DEUTZ OCTOBER 2007 AND BEFORE		EA
1	0071599	WSHR .650ID 2.63OD .188	8	EA
2	0075516	PLATE ACTUATOR MOUNT	1	EA
3	0075519	WLDMT ACTUATOR MOUNT	1	EA
4	0081226	PLATE ENGINE ADAPTER	1	EA
5	0081614	MOTOR MOUNT LH FRONT	1	EA
6	0081619	MOTOR MOUNT RH FRONT	1	EA
7	0082045	ACTUATOR ASSEMBLY FOR KIT USE 0084574	1	EA
8	0082138	HYDRAULIC PUMP AND FITTINGS DEUTZ CUMMINS	1	EA
9	0420123	BRG THR 1.25ID 1.41OD 1.00	2	EA
10	0420420	WLDMT ENG SWING MT	1	EA
11	0421262	WLDMT ENGINE MT DZ	1	EA
12	0421501	BRKT MUFFLER MNT	1	EA
13	970369	BLT HEXHD .313 18 X 1.00 GR5	2	EA
14	987139	WSHR LOCK .500	2	EA
15	3070039	TEMP SENSOR M18 X 1.5 HIGH	1	EA
16	5560031	NUT HEX LKG .313 18	2	EA
17	5560131	NUT HEX LKG .625 11 GR8	4	EA
18	5560136	HEX HEAD CAP SCREW, DRILLED, .500 13 UNIFIED NATIONAL COURSE, STEEL, GR 5, 1.25 LG.	2	EA
19	5560168	WSHR FLAT HARD .500 SP	2	EA
20	5560207	BOLT HEXHEAD M14 2.00 30MM DR	4	EA
21	5560228	BOLT HEXHEAD M14 2.00 50MM DR GRD8	4	EA
22	5560356	WSHR LOCK 10	12	EA
23	5560364	WSHR FLAT 10	6	EA
24	5560377	WASHER LOCK M14	8	EA



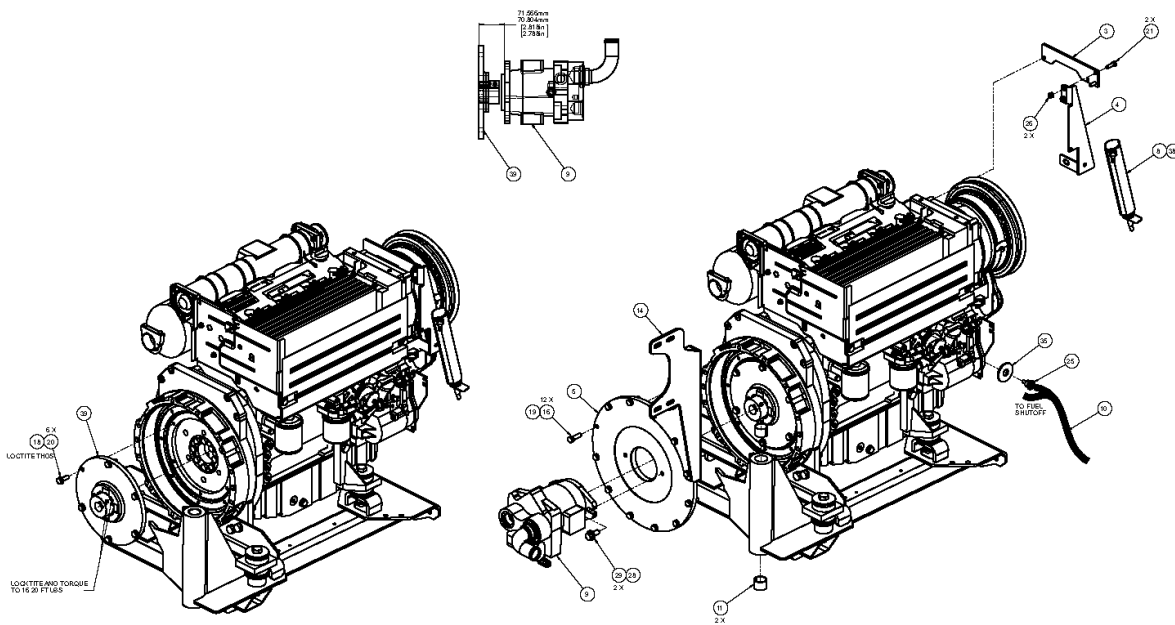
アイテム	部品番号	名前	数量	UOM
25	5560617	BOLT 10MM 1.50P 35MM CL8.8	12	EA
26	5560626	BLT HEXHD M10 1.5 X 30MM GR8	6	EA
27	5560639	CAPSCREW 5/8 11 X 4 1/2" LG H.H.	2	EA
28	5560678	WSHR FLAT .625	2	EA
29	5563032	BLT HEXHD .625 11 5.50 GR5	2	EA
30	5569837	WSHR FLAT M18 BR	1	EA
31	7624769	ENGINE DZ F4L 2011F W/MANIFOLDDZ SPEC#:	1	EA
32	7630130	MOUNTENGINE	4	EA
33	7630323	CLAMP ACTUATOR	1	EA
34	7630779	COUPLER SAE 8 KIT	1	EA
100	0074579	ALTERNATOR WIRE ASSY	1	EA

REPAIR PARTS



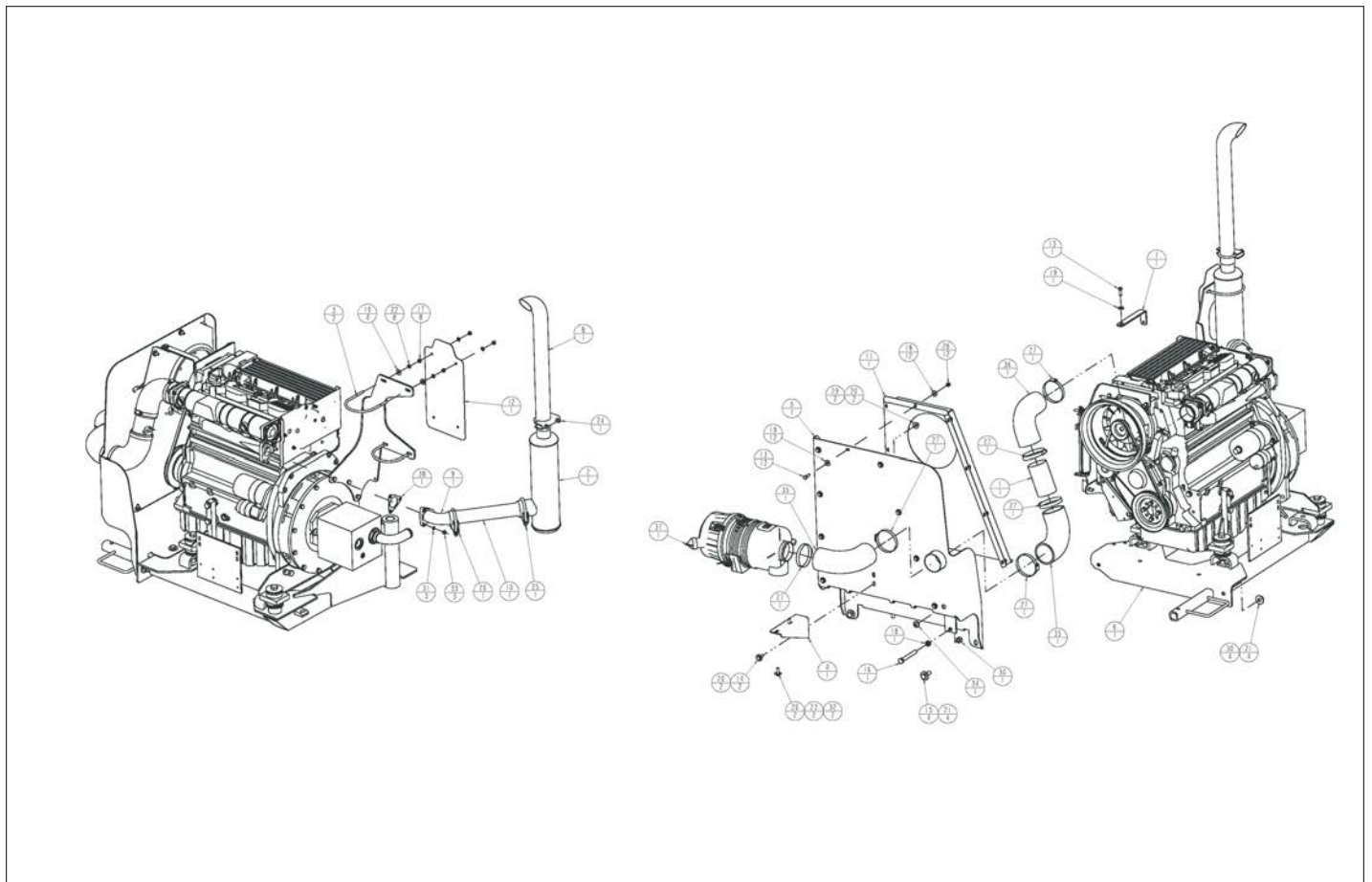


アイテム	部品番号	名前	数量	UOM
	0421368 E	ENGINE SUB ASSEMBLY DEUTZ OCTOBER 2007 AND AFTER		EA
1	0071599	WSHR .650ID 2.63OD .188	8	EA
2	0074549	ALTERNATOR WIRE ASSEMBLY	1	EA
3	0075516	PLATE ACTUATOR MOUNT	1	EA
4	0075519	WLDMT ACTUATOR MOUNT	1	EA
5	0081226	PLATE ENGINE ADAPTER	1	EA
6	0081614	MOTOR MOUNT LH FRONT	1	EA
7	0081619	MOTOR MOUNT RH FRONT	1	EA
8	0082045	ACTUATOR ASSEMBLY FOR KIT USE 0084574	1	EA
9	0082138	HYDRAULIC PUMP AND FITTINGS DEUTZ CUMMINS	1	EA
10	0084231	HARNESS EGR T4I DZ	1	EA
11	0420123	BRG THR 1.25ID 1.41OD 1.00	2	EA
12	0421262	WLDMT ENGINE MT DZ	1	EA
13	0421558	WLDMT ENGINE SWING MNT	1	EA
14	0421610	BRKT EXH MNT	1	EA
15	0421644	PLT RAD OVERFLOW MOUNT	1	EA
16	056021 010	Washer, SpringWasher DIN127B M	12	EA
17	056021 014	WASHER LOCK M14	8	EA
18	056060 030	BOLT HEXBOLT DIN931 M10 X 30MM 8.8 ZP	6	EA
19	056060 035	BOLTHEXBOLT DIN 931 M10 X 35MM 8.8 ZP	12	EA
20	056069 010	Washer, SteelFlatWasher DIN125A M10 ZincPlated	6	EA
21	970369	BLT HEXHD .313 18 X 1.00 GR5	4	EA
22	986269	WSHR FLAT .313	2	EA
23	987109	WSHR LOCK .313	2	EA
Not Shown	987139	WSHR LOCK .500	2	EA



アイテム	部品番号	名前	数量	UOM
25	3070039	TEMP SENSOR M18 X 1.5 HIGH	1	EA
26	5560031	NUT HEX LKG .313 18	2	EA
27	5560131	NUT HEX LKG .625 11 GR8	4	EA
28	5560136	HEX HEAD CAP SCREW, DRILLED, .500 13 UNIFIED NATIONAL COURSE, STEEL, GR 5, 1.25 LG.	2	EA
29	5560168	WSHR FLAT HARD .500 SP	2	EA
30	5560207	BOLT HEXHEAD M14 2.00 30MM DR	4	EA
31	5560228	BOLT HEXHEAD M14 2.00 50MM DR GRD8	4	EA
32	5560639	CAPSCREW 5/8 11 X 4 1/2" LG H.H.	2	EA
33	5560678	WSHR FLAT .625	2	EA
34	5563032	BLT HEXHD .625 11 5.50 GR5	2	EA
35	5569837	WSHR FLAT M18 BR	1	EA
36	7624771	ENGINE DZ D2011L04i W/MANIFOLD	1	EA
37	7630130	MOUNTENGINE	4	EA
38	7630311	PLATE ENGINE ADAPTER	1	EA
39	7630779	COUPLER SAE 8 KIT	1	EA

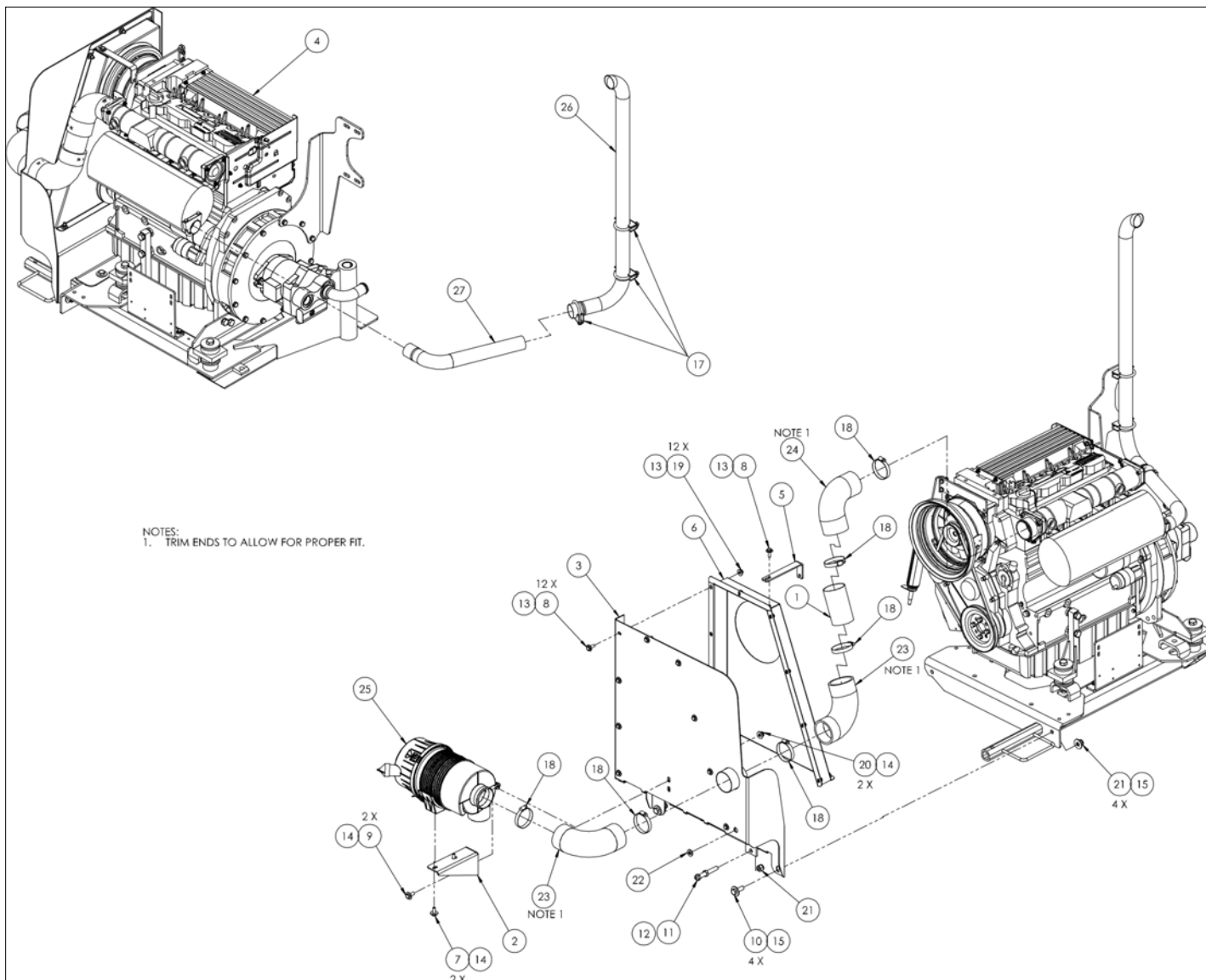
REPAIR PARTS



アイテム	部品番号	名前	数量	UOM
	0421336 C	ENGINE TRAY ASSEMBLY DEUTZ OCTOBER 2011 AND BEFORE		EA
1	0081052	TUBE, AIR INTAKE	1	EA
2	0420970	MUFFLER	1	EA
3	0420994	CLP MUFFLER 4.69 .313 18 SP	2	EA
4	0421266	BRKT AIR CLEANER MOUNT	1	EA
5	0421348	WLDMT AIR DAM	1	EA
6	0421368	ENGINE SUBASSY DEUTZ	1	EA
7	0421502	BRKT AIR DAM	1	EA
8	0421503	TAIL PIPE	1	EA
9	0421504	WLDMT CWT MIDDLE	1	EA
10	0421506	TUBE EXHAUST	1	EA
11	0421508	WLDMT AIR DUCT	1	EA
12	0421509	SHIELD HEAT	1	EA
13	970369	BLT HEXHD .313 18 X 1.00 GR5	13	EA
14	970469	HHD BLT .375 16 X 1.00 GR5	2	EA
15	970909	BLT HEXHD .500 13 1.50 GR5 PLA	4	EA
16	971009	CAP SCREW 1/2 13 X 4 INCH LONG HEX HEAD GRADE 5	1	EA
17	984089	NUT HEX .313 18	8	EA
18	984409	NUT HEX .50 13UNC	1	EA
19	986269	WSHR FLAT .313	29	EA
20	986299	WASHER, FLAT, .375 STANDARD, PLATED	6	EA
21	986359	FLATWASHER 1/2"	8	EA
22	987109	WSHR LOCK .313	8	EA
23	987119	WSHR LOCK .375	2	EA
24	5550015	CLP MUFFLER 2.25 .375 16 HVY	1	EA
25	5550026	EXHAUST CLAMP	1	EA
26	5550027	CLP MUFFLER 2.13 .313 18 STD	1	EA

アイテム	部品番号	名前	数量	UOM
27	5550050	CLP WORM DRV 2.75 3.75 SAE#52	6	EA
28	5560031	NUT HEX LKG .313 18	12	EA
29	5560033	.375 16UNC HEX LOCK NUT	2	EA
30	5560039	NUT HEX LKG .500 13	5	EA
31	5560355	WSHR LOCK M8	3	EA
32	5560357	BLT HEX HD M8 1.25 25MM GR 8.8	2	EA
33	5563303	NUT HEX M8 1.25	3	EA
34	5569711	GROMMET .438ID .688DIA X .125GRV	1	EA
35	7630016	ELBOW 90 DEGREE RUBBER 3"	2	EA
36	7630129	ELB 3" 90 RBR RDCR 2.76ID 3ID	1	EA
37	7630689	AIR CLEANER	1	EA
Not Shown	8140006	REPLACEMENT PRIMARY FILTER ELEMENT	1	EA
38	7630850	GASKET EXHAUST MANIFOLD	1	EA

REPAIR PARTS

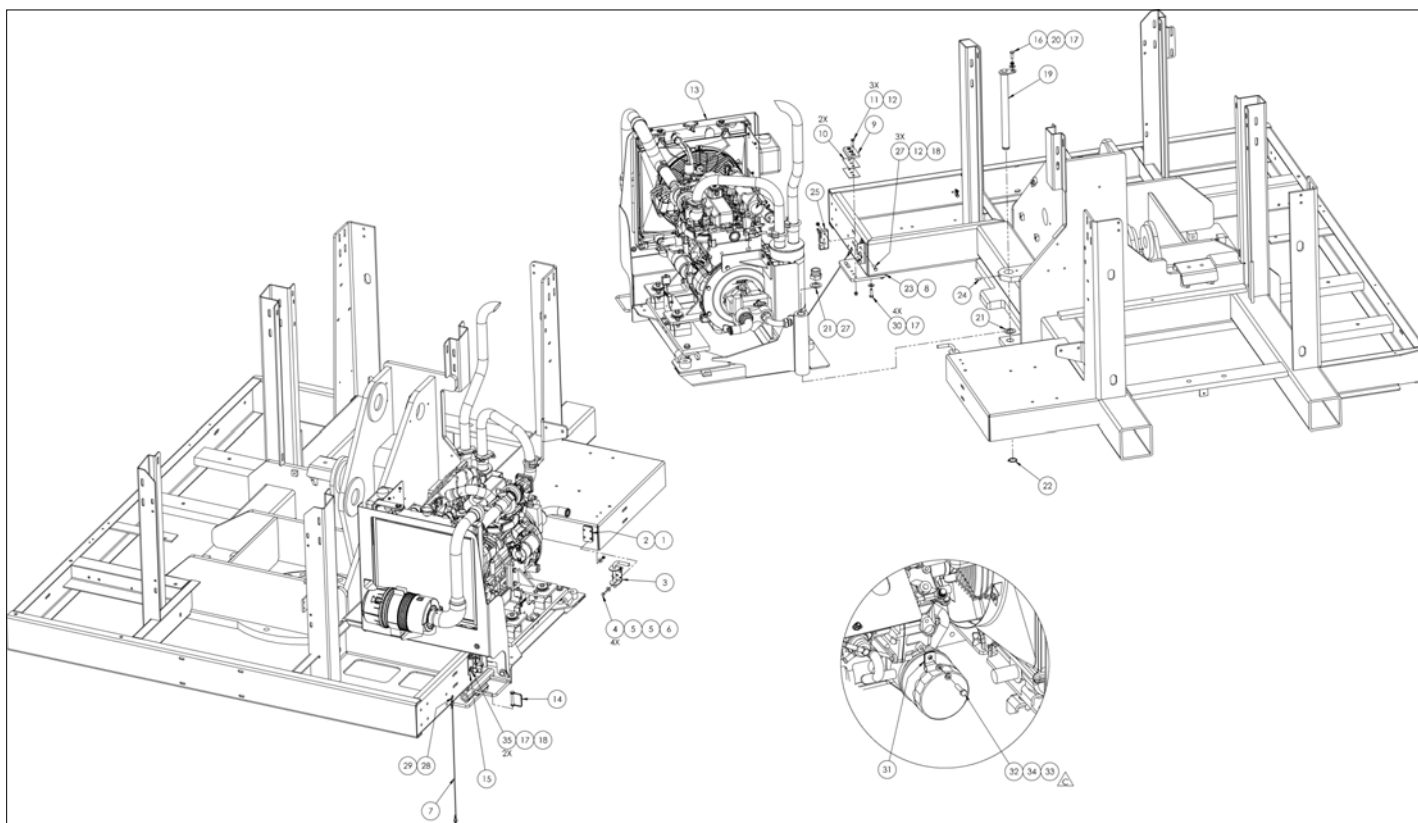


アイテム	部品番号	名前	数量	UOM
	0421336 E	ENGINE ASSEMBLY DEUTZ AUGUST 2007 AND AFTER		EA
1	0081052	TUBE, AIR INTAKE	1	EA
2	0421266	BRKT AIR CLEANER MOUNT	1	EA
3	0421348	WLDMT AIR DAM	1	EA
4	0421368	ENGINE SUBASSY DEUTZ	1	EA
5	0421502	BRKT AIR DAM	1	EA
6	0421508	WLDMT AIR DUCT	1	EA
7	058492 025	BOLT HEXSETSCREW DIN933 M8 X 25MM 8.8 ZP	3	EA
8	970369	BLT HEXHD .313 18 X 1.00 GR5	13	EA
9	970469	HHD BLT .375 16 X 1.00 GR5	2	EA
10	970909	BLT HEXHD .500 13 1.50 GR5 PLA	4	EA
11	970989	BLT HEXHD .500 13 3.50 GR5	1	EA
12	984409	NUT HEX .50 13UNC	1	EA
13	986269	WSHR FLAT .313	25	EA
14	986299	WASHER, FLAT, .375 STANDARD, PLATED	6	EA
15	986359	FLATWASHER 1/2"	8	EA
Not Shown	987119	WSHR LOCK .375	2	EA
17	5550014	2" EXHAUST CLAMP	36	EA
18	5550050	CLP WORM DRV 2.75 3.75 SAE#52	6	EA
19	5560031	NUT HEX LKG .313 18	12	EA
20	5560033	.375 16UNC HEX LOCK NUT	2	EA
21	5560039	NUT HEX LKG .500 13	5	EA
22	5569711	GROMMET .438ID .688DIA X .125GRV	1	EA
23	7630016	ELBOW 90 DEGREE RUBBER 3"	2	EA
24	7630129	ELB 3" 90 RBR RDCR 2.76ID 3ID	1	EA



アイテム	部品番号	名前	数量	UOM
25	7630689	AIR CLEANER	1	EA
26	7630866	TAIL PIPE	1	EA
27	7630867	INTERMEDIATE TAIL PIPE	1	EA

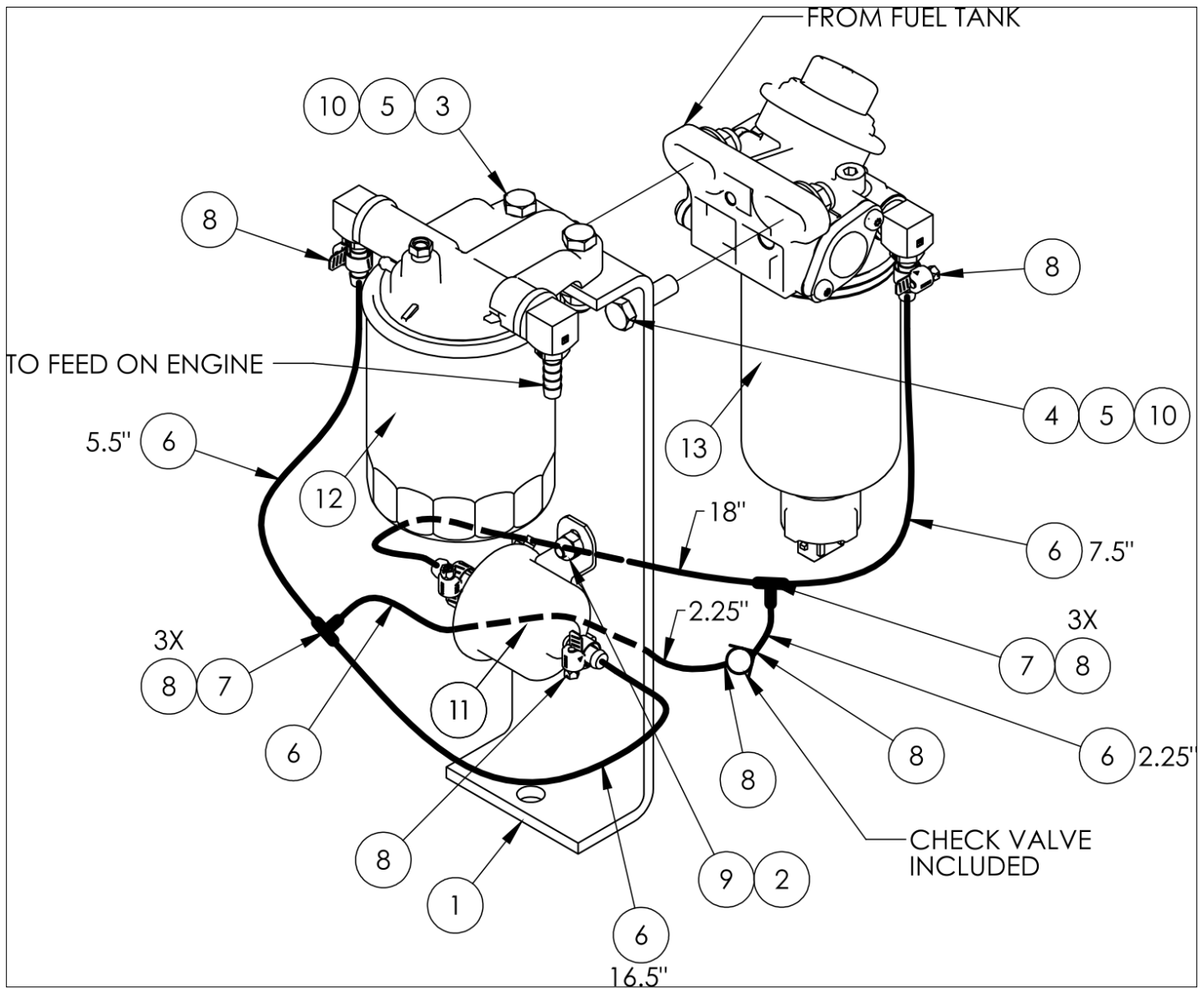
REPAIR PARTS



アイテム	部品番号	名前	数量	UOM
	0421877 D	ENGINE INSTALLATION KUBOTA AB80/85RJ DECEMBER 2019 AND BEFORE		EA
1	0421457	SHIM 10GA	1	EA
2	0421456	SHIM .25	1	EA
3	5516332	SPRING LATCH	1	EA
4	970049	BLT HEXHD .250 20 1.00 GR5 GRADE 5 PLT SAME AS 970189	4	EA
5	986019	WSHR FLAT .250	8	EA
6	5560004	NUT LKG .250 20	4	EA
7	0110594	RTNR LOCK PIN AXLES	1	EA
8	0421531 8	PLT SAFETY PIN	1	EA
9	0421298	SLIDE PAD	1	EA
10	0070838	SHIM .030 2.00 4.00 3H AL	2	EA
11	972269	BLT FLSKTHD .313 18 1.25	3	EA
12	5560031	NUT HEX LKG .313 18	6	EA
13	0421878	AB85J KU ENG S/A	1	EA
14	5580002	PIN SNAPPER	1	EA
15	0421236 8	PLT LATCH MNT ENGINE TRAY	1	EA
16	970469	HHD BLT .375 16 X 1.00 GR5	1	EA
17	986299	WASHER, FLAT, .375 STANDARD, PLATED	7	EA
18	5560033	.375 16UNC HEX LOCK NUT	6	EA
19	0420438	PIN TRDRP 1.25 X 14.50 GRIP	1	EA
20	987119	WSHR LOCK .375	1	EA
21	5569852	BSHG MCHRY 1.25ID 2.00OD 14GA	2	EA
22	300541	1.25 SNAPRING	1	EA
23	0421532	SHIM .125 3.00 8.00 4H AL	1	EA
24	8070318	SET SCREW 5/16 X 5/8	1	EA
25	300491	LATCH RH TRAY ROTARY LOCK	1	EA
26	970279	BLT HEXHD .313 18 1.50 GR5	3	EA

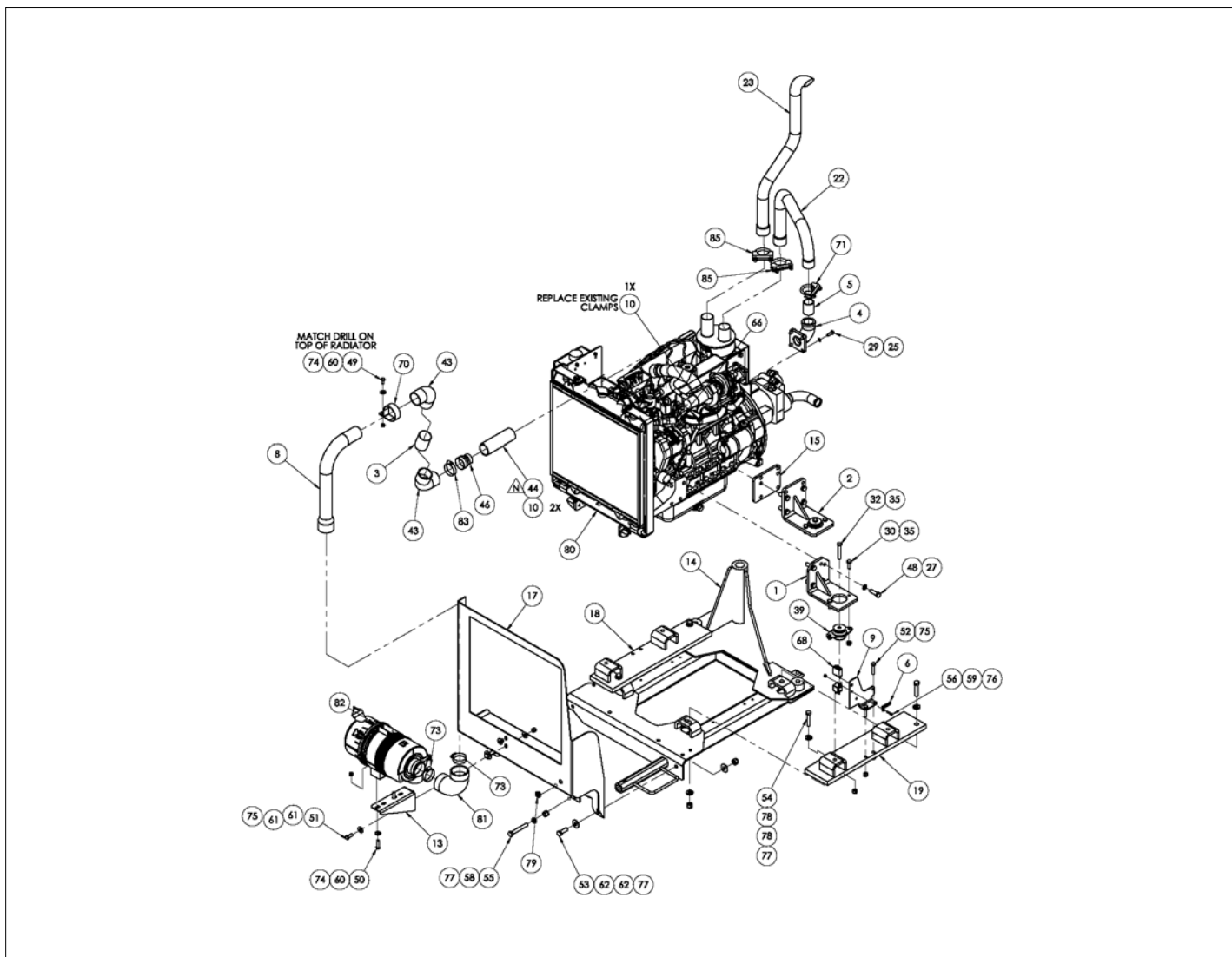
アイテム	部品番号	名前	数量	UOM
27	0420490	ECC ENGINE PIVOT	1	EA
28	5563025	SCR TRHD 10 24 .750	1	EA
29	5560034	NUT LKG 10 24	1	EA
30	5569863	BLT HEXHD .375 16 1.375 GR5	4	EA
31	5093019	CLP CUSH .375 VINYL COATED	1	EA
32	058491 025	Bolt HexSetScrew DIN933 M6 x 2	1	EA
33	056069 006	WSHR STEELFLATWSHE M6 DIN125A	1	EA
34	056021 006	WASHER SPRING WASHER M6 DIN 127B GR8.8 ZP	1	EA
35	972479	BLT HEXHD .375 16 1.25 GR5	2	EA

REPAIR PARTS



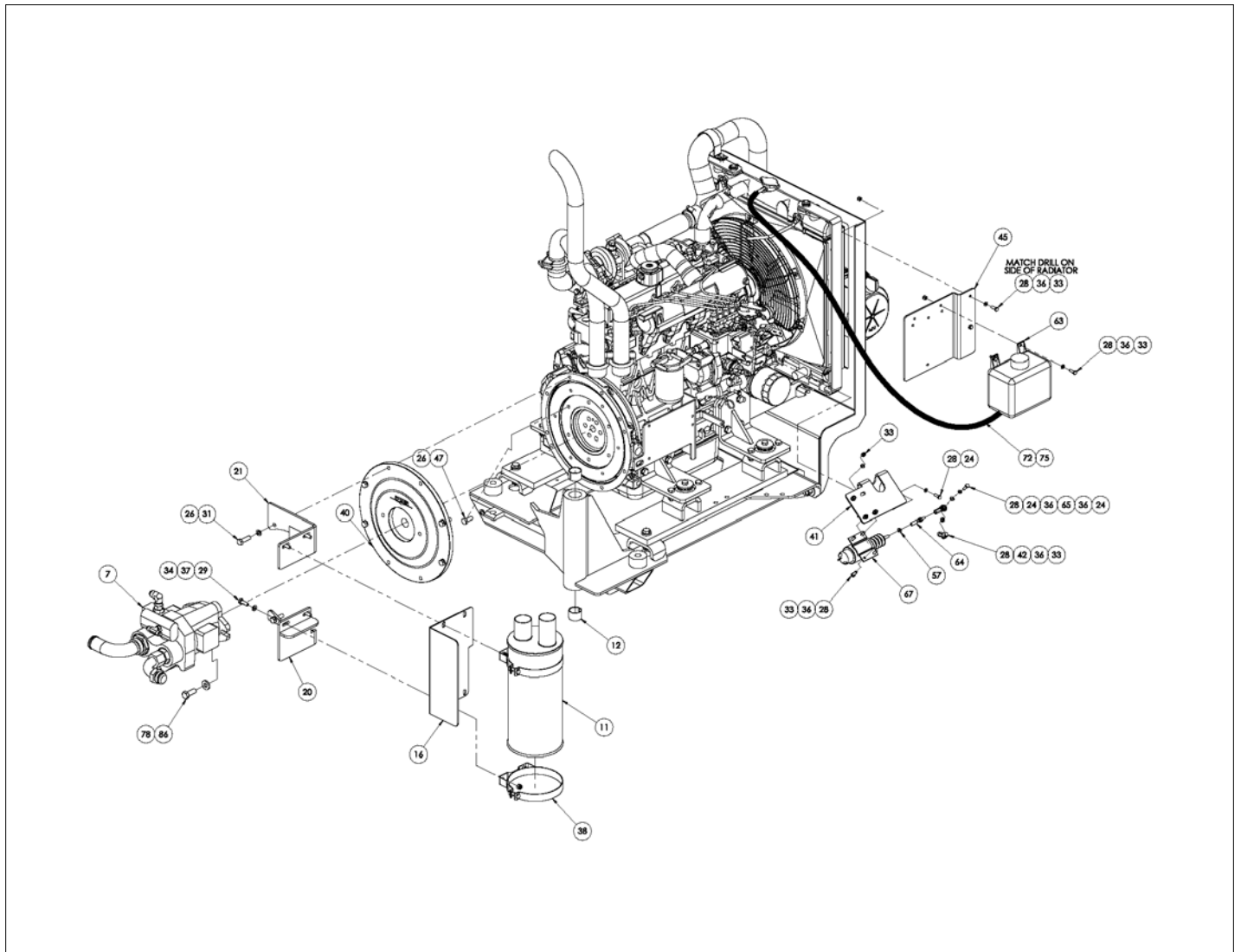
アイテム	部品番号	名前	数量	UOM
	0113824 D	FUEL SYSTEM KUBOTA V2403T4F ASSEMBLY		EA
1	0113823	BRKT, FUEL SYSTEM	1	EA
2	970029	BLT .25 20 .750	2	EA
3	970489	BLT HEXHD .375 16 1.50 GR5 PL	2	EA
4	972479	BLT HEXHD .375 16 1.25 GR5	2	EA
5	986299	WASHER, FLAT, .375 STANDARD, PLATED	4	EA
6	5018832	HOSE FUEL .38ID T3	52"	EA
7	5033026	.375 POLY T FITTING	2	EA
8	5550028	CLP WORM DRV .25 .63 .31 BAND	10	EA
9	5560004	NUT LKG .250 20	2	EA
10	5560033	.375 16UNC HEX LOCK NUT	4	EA
11	7630286	FILTER N LINE FUEL	1	EA
12	7631149	FUEL FILTER ASSY FOR V2403 T4	1	EA
13	7631152	WATER SEPARATOR ELEMENT FOR V2	1	EA

REPAIR PARTS



アイテム	部品番号	名前	数量	UOM
	0421878 N	ENGINE SUB ASSEMBLY KUBOTA APRIL 2017 AND BEFORE		EA
1	0075737	WLDMT, ENGINE BRACKET FRONT	2	EA
2	0075738	WLDMT, ENGINE MOUNT REAR	2	EA
3	0075743	AIR INLET PIPE, 2"OD X 2.5"LG	1	EA
4	0075753	WLDMT, EXHAUST FLANGE	1	EA
Not Shown	7631221	GASKET, MUFFLER	1	EA
5	0075756	PIPE, EXHAUST OUTLET	1	EA
6	0080914	PLAC GLOW PLUGS	1	EA
7	0082138	HYDRAULIC PUMP AND FITTINGS DEUTZ CUMMINS	1	EA
8	0182432	PIPE AIR INTAKE 2.5/2 in OD 90DEGREE	1	EA
9	0192289	BRKT, GLOW PLUG TIMER	1	EA
10	020541 013	HOSE CLAMP 1".313 2".25	4	EA
11	0260856	WLDMT WALKER MUFFLER	1	EA
12	0420123	BRG THR 1.25ID 1.41OD 1.00	2	EA
13	0421266	BRKT AIR CLEANER MOUNT	1	EA
14	0421558	WLDMT ENGINE SWING MNT	1	EA
15	0421796	REAR MOTOR MOUNT ENGINE PAD	2	EA
16	0421859	HEAT SHIELD KU	1	EA
17	0421861	WLDMT SHROUD KU	1	EA
18	0421864	WLDMT ENGINE MOUNT LH KU	1	EA
19	0421865	WLDMT ENGINE MOUNT RH KU	1	EA
20	0421868	WLDMT MUFFLER BOTTOM BRKT	1	EA
21	0421870	WLDMT MUFFLER TOP BRKT	1	EA
22	0421871	PIPE EXHAUST KU	1	EA
23	0421872	PIPE EXHAUST TAIL KU	1	EA



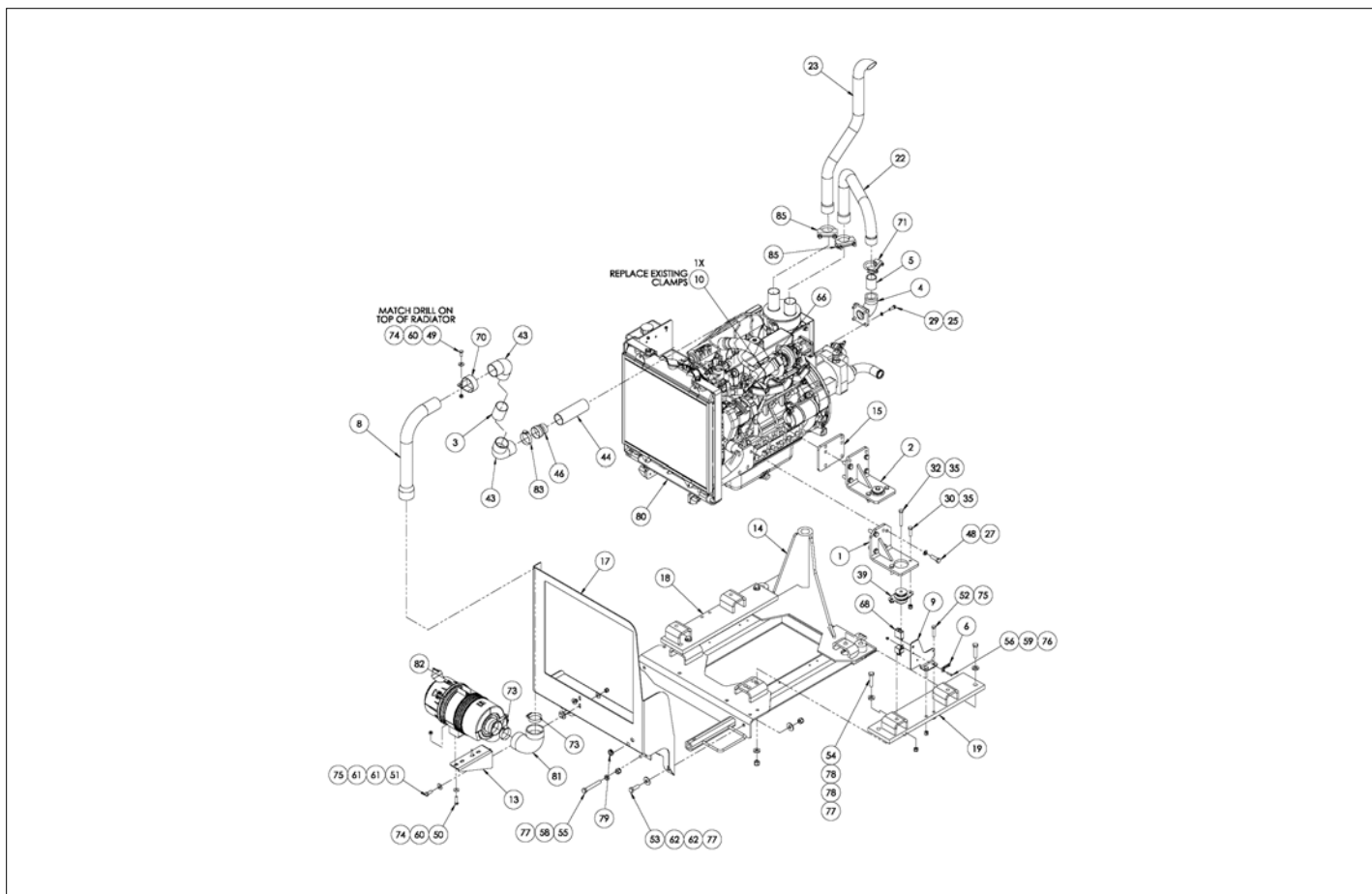


アイテム	部品番号	名前	数量	UOM
24	056021 006	WASHER SPRING WASHER M6 DIN 127B GR8.8 ZP	5	EA
25	056021 008	Washer SpringWasher DIN127B M8	4	EA
26	056021 010	Washer, SpringWasher DIN127B M	14	EA
27	056021 012	Washer, SpringWasher DIN127B M	15	EA
28	056058 018	BOLT, HEXBOLT DIN 931 M6 X 16MM 8.8 ZP	14	EA
29	058492 025	BOLT HEXSETSCREW DIN933 M8 X 25MM 8.8 ZP	8	EA
30	056060 030	BOLT HEXBOLT DIN931 M10 X 30MM 8.8 ZP	12	EA
31	056060 035	BOLTHEXBOLT DIN 931 M10 X 35MM 8.8 ZP	4	EA
32	056060 070	Bolt, HexBolt DIN931 M10 x 70m	4	EA
33	056066 006	Nut NylockNut DIN985 M6 8.0 Zi	10	EA
34	056066 008	NUT NYLOCKNUT DIN985 M8 8.0 ZP	4	EA
35	056066 010	Nut, NylockNut DIN985 M10 8.0ZincPlated	12	EA
36	056069 006	WSHR STEELFLATWSHE M6 DIN125A	12	EA
37	056069 008	WASHER, STEELFLATWASHER DIN12M8 FLAT WASHER DIN 125	4	EA
38	100180 041	CLAMP, MUFFLER #P00235 1	2	EA
39	100209 000	ISOLATOR ENGINE	4	EA
40	104703 000	HOUSING ADAPTER KIT AB62 POLARIS HAYES	1	EA
41	104737 000	THROTTLE BRACKET	1	EA
42	104744 000	THROTTLE LINKAGE WELDMENT	1	EA
43	104754 000	90 ° ELBOW 2INCH ID	2	EA
44	0421902	INTAKE HOSE 1.75 ID X 6" LONG	1	EA

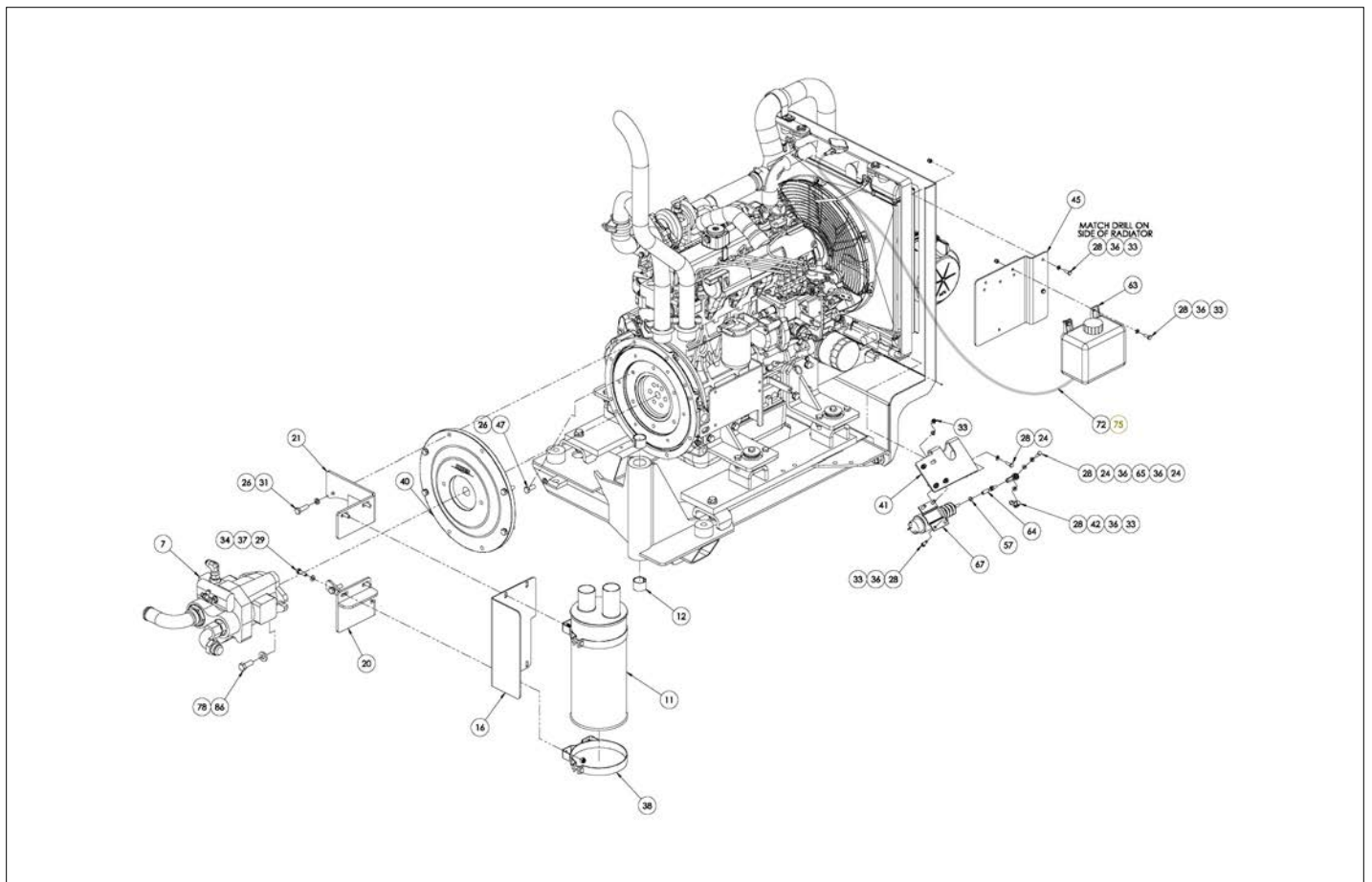
アイテム	部品番号	名前	数量	UOM
45	104883 000	OVER FLOW BOTTLE BRKT	1	EA
46	106960 001	REDUCER METAL INTAKE 1.625" OD X 2" OD	1	EA
47	510587 025	BLT HEXSETSCREW DIN961 M10 X 1.25X	6	EA
48	513133 040	BOLT HEXHD M12X1.25X40MM DIN 960	15	EA
49	970239	BLT HEXHD .313 18 .750 GR5	1	EA
50	970269	BLT HEXHD .313 18 1.25 GR5 PLA	2	EA
51	970469	HHD BLT .375 16 X 1.00 GR5	2	EA
52	970499	BLT HEXHD .375 16 1.75 GR5	2	EA
53	970909	BLT HEXHD .500 13 1.50 GR5 PLA	4	EA
54	970939	BLT HEXHD .500 13 2.25 GR5	4	EA
55	970989	BLT HEXHD .500 13 3.50 GR5	1	EA
56	974709	M SCR #10 24 X 1.00 RNDHD PLTD	1	EA
57	984339	NUT HEX JAM .250 28	1	EA
58	984409	NUT HEX .50 13UNC	1	EA
59	986009	WSHR FLAT 10	1	EA
60	986269	WSHR FLAT .313	3	EA
61	986299	WASHER, FLAT, .375 STANDARD, PLATED	4	EA
62	986359	FLATWASHER 1/2"	8	EA
63	1430527	FLUID RESERVOIR	1	EA
64	2650001	Swivel Inline	1	EA
65	2690004	Rod End	1	EA
66	3028812	TEMP SWITCH .375 NPT M SPST NC	1	EA
67	3040174	SOLENOID, THROTTLE	1	EA
68	3041641	CIRCUIT BREAKER 40 AMP	1	EA

アイテム	部品番号	名前	数量	UOM
Not Shown	5010011	HOSE SAE30R2 05 .312 FUEL	2	EA
70	5093030	CLP CUSH 2.50 VINYL COATED	1	EA
71	5550005	CLP EXH 1.75	1	EA
72	5550028	CLP WORM DRV .25 .63 .31 BAND	2	EA
73	5550040	CLP WORM DRV 2.00 3.00 SAE#40	2	EA
74	5560031	NUT HEX LKG .313 18	3	EA
75	5560033	.375 16UNC HEX LOCK NUT	4	EA
76	5560034	NUT LKG 10 24	1	EA
77	5560039	NUT HEX LKG .500 13	9	EA
78	5560168	WSHR FLAT HARD .500 SP	10	EA
79	5569711	GROMMET .438ID .688DIAX.125GRV	1	EA
80	7624794	V2403 M T E3B KEA 2F KUBOTA ENGINE WITH RADIATOR REPLACEMENT PARTS	1	EA
81	7630015	ELBOW 90' 2.5	1	EA
82	7630755	AIR CLEANER CUMMINS 3.3 KUBOTA WG2403 TIER 3 AND TIER 4 ASSEMBLY	1	EA
83	5550038	CLP WORM DRV 1.25 2.25 SAE#28	1	EA
Not Shown	0075836	PLT ACTUATOR MOUNT	1	EA
85	5550007	CLP MUFFLER 1.88 .375 16 HVY	2	EA
86	5560136	HEX HEAD CAP SCREW, DRILLED, .500 13 UNIFIED NATIONAL COURSE, STEEL, GR 5, 1.25 LG.	2	EA
87	3040469	RELAY SPDT 12V 30AMP SONG	1	EA

REPAIR PARTS



アイテム	部品番号	名前	数量	UOM
	0421976A	KUBOTA ENGINE SUB ASSEMBLY CE AB85J		EA
1	0075737 8	WLDMT ENGINE BRACKET FRONT	2	EA
2	0075738 8	WLDMT ENGINE BRACKET REAR	2	EA
3	0075743	AIR INLET PIPE, 2"OD X 2.5"LG	1	EA
4	0075753 4	WLDMT EXHAUST FLANGE	1	EA
5	0075756 4	WLDMT EXHAUST OUTLET	1	EA
6	0080914	PLAC GLOW PLUGS	1	EA
7	0082138	HYDRAULIC PUMP AND FITTINGS DEUTZ CUMMINS	1	EA
8	0182432 8	PIPE AIR INTAKE 2.5/2 in OD 90	1	EA
9	0192289 8	BRKT GLOW PLUG TIMER	1	EA
10	020541 013	HOSE CLAMP 1".313 2".25	4	EA
11	0260856 3	WLDMT, WALKER MUFFLER	1	EA
12	0420123	BRG THR 1.25ID 1.41OD 1.00	2	EA
13	0421266 8	BRKT AIR CLEANER MOUNT	1	EA
14	0421558 8	WLDMT ENGINE SWING MNT	1	EA
15	0421796 8	REAR MOTOR MOUNT ENGINE PAD	2	EA
16	0421859 8	HEAT SHIELD KU	1	EA
17	0421861 8	WLDMT SHROUD KU	1	EA
18	0421864 8	WLDMT ENGINE MOUNT LH KU	1	EA
19	0421865 8	WLDMT ENGINE MOUNT RH KU	1	EA
20	0421868 8	WLDMT MUFFLER BOTTOM BRKT	1	EA
21	0421870 8	WLDMT MUFFLER TOP BRKT	1	EA
22	0421871	PIPE EXHAUST KU	1	EA
23	0421872	PIPE EXHAUST TAIL KU	1	EA
24	056021 006	WASHER SPRING WASHER M6 DIN 127B GR8.8 ZP	5	EA



アイテム	部品番号	名前	数量	UOM
25	056021 008	Washer SpringWasher DIN127B M8	4	EA
26	056021 010	Washer, SpringWasher DIN127B M	14	EA
27	056021 012	Washer, SpringWasher DIN127B M	15	EA
28	056058 018	BOLT, HEXBOLT DIN 931 M6 X 16MM 8.8 ZP	14	EA
29	058492 025	BOLT HEXSETSCREW DIN933 M8 X 25MM 8.8 ZP	8	EA
30	5563898	HHCS M10 X 35 G10.9 DIN 931	12	EA
31	056060 035	BOLT HEXBOLT DIN 931 M10 X 35MM 8.8 ZP	4	EA
32	056060 070	Bolt, HexBolt DIN931 M10 x 70m	4	EA
33	056066 006	Nut NylockNut DIN985 M6 8.0 Zi	10	EA
34	056066 008	NUT NYLOCKNUT DIN985 M8 8.0 ZP	4	EA
35	056066 010	Nut, NylockNut DIN985 M10 8.0ZincPlated	12	EA
36	056069 006	WSHR STEELFLATWSHE M6 DIN125A	12	EA
37	056069 008	WASHER, STEELFLATWASHER DIN12M8 FLAT WASHER DIN 125	4	EA
38	100180 041 3	CLAMP MUFFLER #P002351	2	EA
39	100209 000	ISOLATOR ENGINE	4	EA
40	104703 000	HOUSING ADAPTER KIT AB62 POLARIS HAYES	1	EA
41	104737 000 8	THROTTLE BRACKET	1	EA
42	104744 000	THROTTLE LINKAGE WELDMENT	1	EA
43	104754 000	90 ° ELBOW 2INCH ID	2	EA
44	0421902	INTAKE HOSE 1.75 ID X 6" LONG	1	EA
45	104883 000 8	OVERFLOW WATER BRACKET	1	EA



アイテム	部品番号	名前	数量	UOM
46	106960 001	REDUCER METAL INTAKE 1.625" OD X 2" OD	1	EA
47	510587 025	BLT HEXSETSCREW DIN961 M10 X 1.25X	6	EA
48	513133 040	BOLT HEXHD M12X1.25X40MM DIN 960	15	EA
49	970239	BLT HEXHD .313 18 .750 GR5	1	EA
50	970269	BLT HEXHD .313 18 1.25 GR5 PLA	2	EA
51	970469	HHD BLT .375 16 X 1.00 GR5	2	EA
52	970499	BLT HEXHD .375 16 1.75 GR5	2	EA
53	970909	BLT HEXHD .500 13 1.50 GR5 PLA	4	EA
54	970939	BLT HEXHD .500 13 2.25 GR5	4	EA
55	970989	BLT HEXHD .500 13 3.50 GR5	1	EA
56	974709	M SCR #10 24 X 1.00 RNDHD PLTD	1	EA
57	984339	NUT HEX JAM .250 28	1	EA
58	984409	NUT HEX .50 13UNC	1	EA
59	986009	WSHR FLAT 10	1	EA
60	986269	WSHR FLAT .313	3	EA
61	986299	WASHER, FLAT, .375 STANDARD, PLATED	4	EA
62	986359	FLATWASHER 1/2"	8	EA
63	1430527	FLUID RESERVOIR	1	EA
64	2650001	Swivel Inline	1	EA
65	2690004	Rod End	1	EA
66	3028812	TEMP SWITCH .375 NPT M SPST NC	1	EA
67	3040174	SOLENOID, THROTTLE	1	EA
68	3041641	CIRCUIT BREAKER 40 AMP	1	EA
69	5010011	HOSE SAE30R2 05 .312 FUEL	2	EA
70	5093030	CLP CUSH 2.50 VINYL COATED	1	EA

アイテム	部品番号	名前	数量	UOM
71	5550005	CLP EXH 1.75	1	EA
72	5550028	CLP WORM DRV .25 .63 .31 BAND	2	EA
73	5550040	CLP WORM DRV 2.00 3.00 SAE#40	2	EA
74	5560031	NUT HEX LKG .313 18	3	EA
75	5560033	.375 16UNC HEX LOCK NUT	4	EA
76	5560034	NUT LKG 10 24	1	EA
77	5560039	NUT HEX LKG .500 13	9	EA
78	5560168	WSHR FLAT HARD .500 SP	10	EA
79	5569711	GROMMET .438ID .688DIA X.125GRV	1	EA
80	7624818	V2403 M T E3 KEA 2E KUBOTA ENGINE EXPORT WITH RADIATOR REPLACEMENT PARTS	1	EA
81	7630015	ELBOW 90' 2.5	1	EA
82	7630755	AIR CLEANER CUMMINS 3.3 KUBOTA WG2403 TIER 3 AND TIER 4 ASSEMBLY	1	EA
83	5550038	CLP WORM DRV 1.25 2.25 SAE#28	1	EA
84	0075836	PLT ACTUATOR MOUNT	1	EA
85	5550007	CLP MUFFLER 1.88 .375 16 HVY	2	EA
86	5560136	HEX HEAD CAP SCREW, DRILLED, .500 13 UNIFIED NATIONAL COURSE, STEEL, GR 5, 1.25 LG.	2	EA
87	3040469	RELAY SPDT 12V 30AMP SONG	2	EA

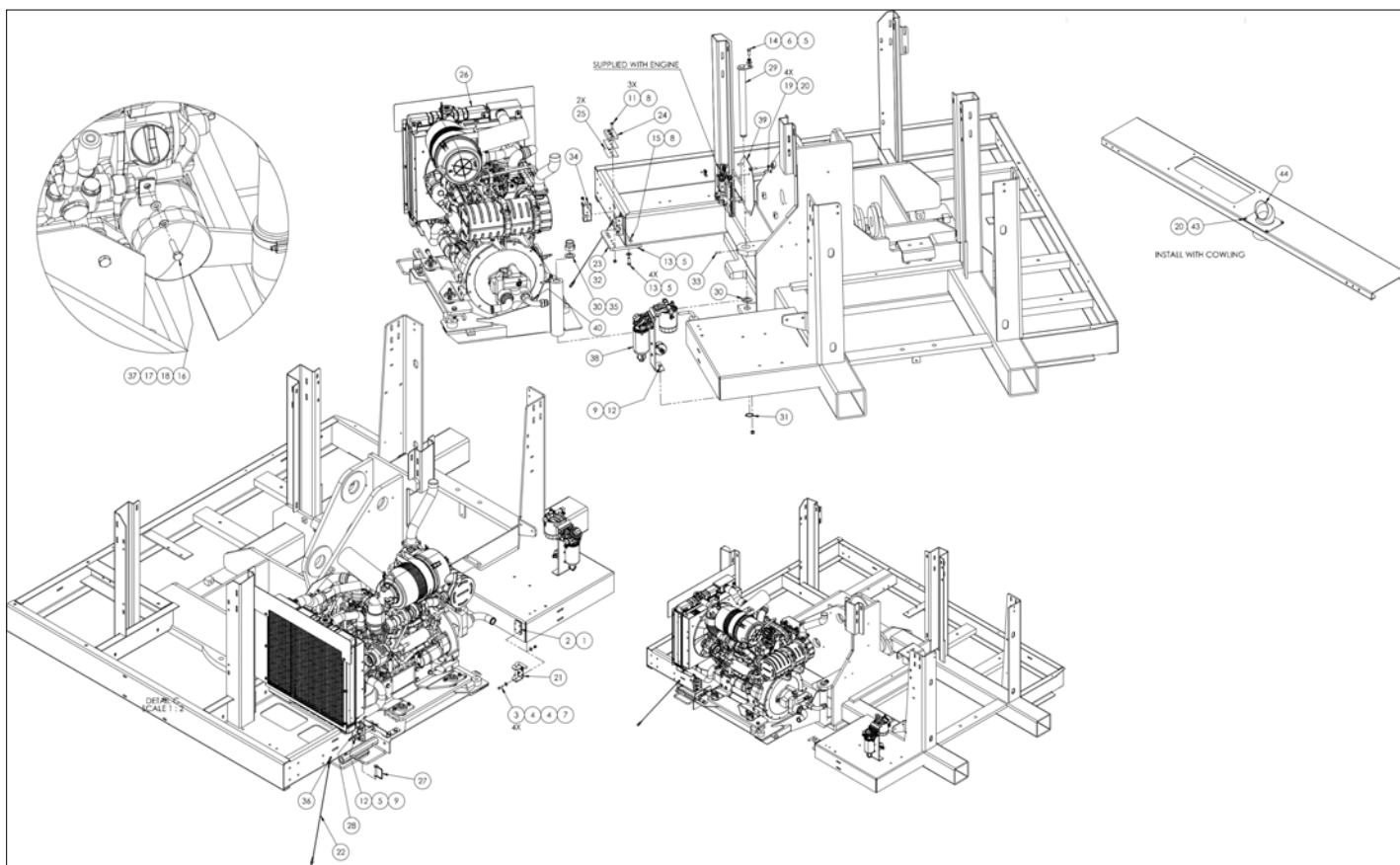
REPAIR PARTS

**NO IMAGE AVAILABLE  
(BOM FOR REFERENCE ONLY)**

アイテム	部品番号	名前	数量	UOM
	0421977C	KUBOTA ENGINE INSTALLATION CE AB80 AB85J		EA
1	972479	BLT HEXHD .375 16 1.25 GR5	2	EA
2	056021 006	WASHER SPRING WASHER M6 DIN 127B GR8.8 ZP	1	EA
3	056069 006	WSHR STEELFLATWSHE M6 DIN125A	1	EA
4	058491 025	Bolt HexSetScrew DIN933 M6 x 2	1	EA
5	5093019	CLP CUSH .375 VINYL COATED	1	EA
6	5569863	BLT HEXHD .375 16 1.375 GR5	4	EA
7	5560034	NUT LKG 10 24	1	EA
8	5563025	SCR TRHD 10 24 .750	1	EA
9	0420490	ECC ENGINE PIVOT	1	EA
10	970279	BLT HEXHD .313 18 1.50 GR5	3	EA
11	300491	LATCH RH TRAY ROTARY LOCK	1	EA
12	8070318	SET SCREW 5/16 X 5/8	1	EA
13	0421532	SHIM .125 3.00 8.00 4H AL	1	EA
14	300541	1.25 SNAPRING	1	EA
15	5569852	BSHG MCHRY 1.25ID 2.00OD 14GA	2	EA
16	987119	WSHR LOCK .375	1	EA
17	0420438	PIN TRDRP 1.25 X 14.50 GRIP	1	EA
18	5560033	.375 16UNC HEX LOCK NUT	6	EA
19	986299	WASHER, FLAT, .375 STANDARD, PLATED	7	EA
20	970469	HHD BLT .375 16 X 1.00 GR5	1	EA
21	0421236 8	PLT LATCH MNT ENGINE TRAY	1	EA
22	5580002	PIN SNAPPER	1	EA
23	5560031	NUT HEX LKG .313 18	6	EA
24	972269	BLT FLSKTHD .313 18 1.25	3	EA
25	0070838	SHIM .030 2.00 4.00 3H AL	2	EA

アイテム	部品番号	名前	数量	UOM
26	0421298	SLIDE PAD	1	EA
27	0421531 8	PLT SAFETY PIN	1	EA
28	0110594	RTNR LOCK PIN AXLES	1	EA
29	5560004	NUT LKG .250 20	4	EA
30	986019	WSHR FLAT .250	8	EA
31	970049	BLT HEXHD .250 20 1.00 GR5 GRADE 5 PLT SAME AS 970189	4	EA
32	5516332	SPRING LATCH	1	EA
33	0421456 8	SHIM .25	1	EA
34	0421457 8	SHIM 10GA	1	EA

REPAIR PARTS

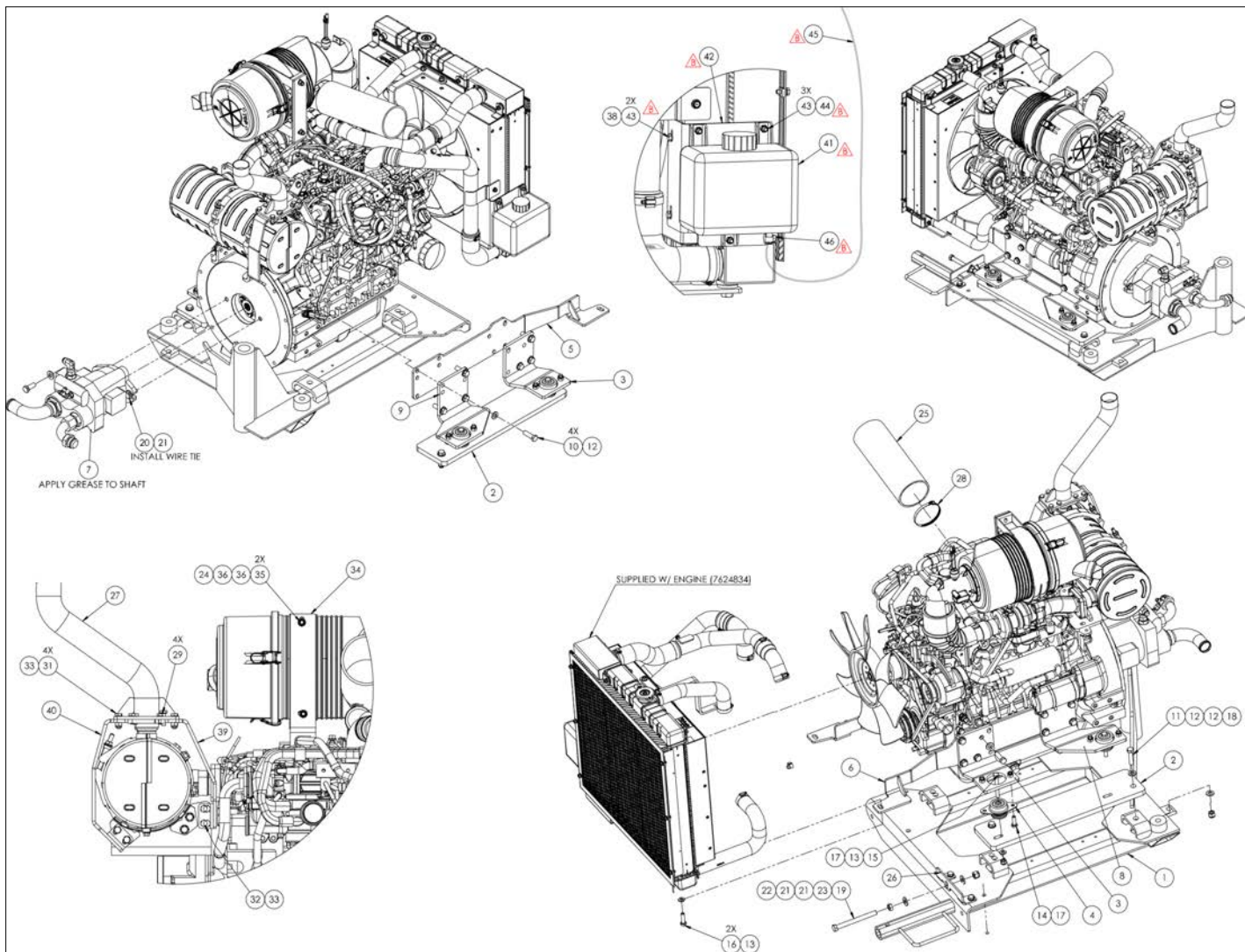


アイテム	部品番号	名前	数量	UOM
	0421997 C	ENGINE TRAY INSTALLATION KUBOTA TIER 4 FINAL JANUARY 2020 AND AFTER		EA
1	0421457 8	SHIM 10GA	1	EA
2	0421456 8	SHIM .25	1	EA
3	970049	BLT HEXHD .250 20 1.00 GR5 GRADE 5 PLT SAME AS 970189	4	EA
4	986019	WSHR FLAT .250	8	EA
5	986299	WASHER, FLAT, .375 STANDARD, PLATED	7	EA
6	987119	WSHR LOCK .375	1	EA
7	5560004	NUT LKG .250 20	4	EA
8	5560031	NUT HEX LKG .313 18	6	EA
9	5560033	.375 16UNC HEX LOCK NUT	7	EA
Not Shown	5560034	NUT LKG 10 24	1	EA
11	972269	BLT FLSKTHD .313 18 1.25	3	EA
12	972479	BLT HEXHD .375 16 1.25 GR5	3	EA
13	5569863	BLT HEXHD .375 16 1.375 GR5	4	EA
14	970469	HHD BLT .375 16 X 1.00 GR5	1	EA
15	970279	BLT HEXHD .313 18 1.50 GR5	3	EA
16	058491 025	Bolt HexSetScrew DIN933 M6 x 2	1	EA
17	056069 006	WSHR STEELFLATWSHE M6 DIN125A	1	EA
18	056021 006	WASHER SPRING WASHER M6 DIN 127B GR8.8 ZP	1	EA
19	056059 030	Bolt, HexBolt DIN931 M8 x 30mm	4	EA
20	056066 008	NUT NYLOCKNUT DIN985 M8 8.0 ZP	8	EA
21	5516332	SPRING LATCH	1	EA
22	0110594	RTNR LOCK PIN AXLES	1	EA
23	0421531 8	PLT SAFETY PIN	1	EA

アイテム	部品番号	名前	数量	UOM
24	0421298	SLIDE PAD	1	EA
25	0070838	SHIM .030 2.00 4.00 3H AL	2	EA
26	0421991	ASSY, AB80/85J T4F ENGINE TRAY	1	EA
27	5580002	PIN SNAPPER	1	EA
28	0421236 8	PLT LATCH MNT ENGINE TRAY	1	EA
29	0420438	PIN TRDRP 1.25 X 14.50 GRIP	1	EA
30	5569852	BSHG MCHRY 1.25ID 2.00OD 14GA	2	EA
31	300541	1.25 SNAPRING	1	EA
32	0421532	SHIM .125 3.00 8.00 4H AL	1	EA
33	8070318	SET SCREW 5/16 X 5/8	1	EA
34	300491	LATCH RH TRAY ROTARY LOCK	1	EA
35	0420490	ECC ENGINE PIVOT	1	EA
36	5563025	SCR TRHD 10 24 .750	1	EA
37	5093019	CLP CUSH .375 VINYL COATED	1	EA
38	0113824	ASSY FUEL SYSTEM T4F	1	EA
39	0421880 8	PLT, ECU MNT	1	EA
40	5093007	CLP CUSH 1.00 VINYL COATED	1	EA
41	0421978	HARNESS, AB80/85J T4F T/T	1	EA
42	5018832	HOSE FUEL .38ID T3	232in	EA
43	058492 016	HHCS M8 x 1.25 X 16GR 8.8 DIN933	4	EA
44	0182583 3	WLDMNT, EXHAUST TIP, AB60J T4F	1	EA
45	0421979	HARNESS AB80/85J T4F ENGINE	1	EA



REPAIR PARTS



アイテム	部品番号	名前	数量	UOM
	0421991 B	ENGINE TRAY ASSEMBLY KUBOTA V2403 TIER 4 FINAL DECEMBER 2019 AND AFTER		EA
1	0421558	WLDMT ENGINE SWING MNT	1	EA
2	0421986	PLT, ENGINE MOUNT ADAPTER	2	EA
3	0421987	PLT, ENGINE MOUNT ADAPTER	2	EA
4	100209 000	ISOLATOR ENGINE	4	EA
5	0421995	WLDMNT, RADIATOR RH MNT	1	EA
6	0421994	WLDMNT, RADIATOR LH MNT	1	EA
7	0082138	HYDRAULIC PUMP AND FITTINGS DEUTZ CUMMINS	1	EA
8	0421989	PLT, ENGINE REAR LH MNT	1	EA
9	0421992	PLT, ENGINE REAR LH MNT	1	EA
10	056065 040	BOLT HEXBOLT DIN 931 M12 X 40MM 8.8 ZP	15	EA
11	056065 050	HHCS M12 X 1.75 X 50 G8.8 DIN 931	4	EA
12	056069 012	WASHER DIN125A M12 ZP	24	EA
13	056069 010	Washer, SteelFlatWasher DIN125A M10 ZincPlated	10	EA
14	056060 030	BOLT HEXBOLT DIN931 M10 X 30MM 8.8 ZP	10	EA
15	056060 080	Bolt, HexBolt DIN931 M10 x 80m	4	EA
16	056060 035	BOLTHEXBOLT DIN 931 M10 X 35MM 8.8 ZP	2	EA
17	056066 010	Nut, NylockNut DIN985 M10 8.0ZincPlated	14	EA
18	056066 012	Nut, NylockNut DIN985 M12 8.0	4	EA
19	5560669	BLT HEXHD .500 13 X 5.50 GR5 BLT	1	EA
20	5560238	BLT HEXHD .500 13 1.125 GR8 DR 1/2 13X1 1/8 GR.8 HHCS DRILLE	2	EA
21	5560168	WSHR FLAT HARD .500 SP	4	EA

アイテム	部品番号	名前	数量	UOM
22	5560039	NUT HEX LKG .500 13	1	EA
23	984159	.50 20UNF HEX NUT	1	EA
24	7624834	ENGINE, KU V2403 CR TIE4B KEA 1 RADIATOR/CAC	1	EA
25	7631253	HOSE, 3.75 ID INTAKE	1	EA
26	0421996	HOSE, 3.75 ID INTAKE	1	EA
27	7631255	WLDMNT, T4F TAIL PIPE	1	EA
28	5550060	CLP WORM DRV 2.50 4.50 SAE#64	1	EA
29	058492 016	HHCS M8 x 1. 25 X 16GR 8.8 DIN933	5	EA
Not Shown	7630140	FILTER MINDER GAUGE AIR CLNR	1	EA
31	058492 025	BOLT HEXSETSCREW DIN933 M8 X 25MM 8.8 ZP	5	EA
32	056059 030	Bolt, HexBolt DIN931 M8 x 30mm	4	EA
33	056066 008	NUT NYLOCKNUT DIN985 M8 8.0 ZP	8	EA
34	0422003	RBKT, AIR CLEANER MNT	1	EA
35	056059 035	BOLT HEXSETSCREW DIN933 M8 X 35MM 8.8 ZP	2	EA
36	056069 008	WASHER, STEELFLATWASHER DIN12M8 FLAT WASHER DIN 125	2	EA
Not Shown	058491 020	HHCS M6 X 1 X 20 G8.8 DIN 933	2	EA
38	056069 006	WSHR STEELFLATWSHE M6 DIN125A	4	EA
39	7631284	BRKT, EXHAUST STIFFENER	1	EA
40	7631285	BRKT, EXHAUST REAR STIFFENER	1	EA
41	1430527	FLUID RESERVOIR	1	EA
42	0422012	PLT, OVERFLOW BOTTLE MNT	1	EA
43	056058 018	BOLT, HEXBOLT DIN 931 M6 X 16MM 8.8 ZP	5	EA

アイテム	部品番号	名前	数量	UOM
44	056066 006	Nut NylockNut DIN985 M6 8.0 Zi	3	EA
45	5010011	HOSE SAE30R2 05 .312 FUEL	2ft	EA
46	5550028	CLP WORM DRV .25 .63 .31 BAND	1	EA

REPAIR PARTS

NO IMAGE AVAILABLE  
(BOM FOR REFERENCE ONLY)

アイテム	部品番号	名前	数量	UOM
	104701 000 3	KUBOTA A81 RADIATOR KIT		EA
1	1430535	RADIATOR ASSY	1	EA
2	1430536	LABEL	1	EA
3	1430537	LABEL	1	EA
4	1430538	HOSE, WATER	1	EA
5	1430539	HOSE, WATER	1	EA
6	1430540	CLAMP	4	EA
7	1430541	CUSHION	2	EA
8	1430542	CUSHION	2	EA
9	1430543	CUSHION	1	EA
10	1430544	SUPPORT 1, RADIATOR	1	EA
11	1430545	SUPPORT 2, RADIATOR	1	EA
12	1430546	STAY	1	EA
13	1430547	STAY 1, RADIATOR	2	EA
14	1430548	STAY 2, RADIATOR	1	EA
15	1430549	STAY 3, RADIATOR	2	EA
16	1430550	SUPPORT IN, RADIATOR	1	EA
17	1430551	SUPPORT EX, RADIATOR	1	EA
18	1430552	NET, RADIATOR	1	EA
19	1430553	COVER, FAN	1	EA
20	1431994	RADIATOR CAP	1	EA

REPAIR PARTS

NO IMAGE AVAILABLE  
(BOM FOR REFERENCE ONLY)

アイテム	部品番号	名前	数量	UOM
	7624818	V2403 M T E3 KEA 2E KUBOTA ENGINE EXPORT WITH RADIATOR REPLACEMENT PARTS		EA
1	0260466	THERMOSTAT GASKET	1	EA
2	1430539	HOSE, WATER	1	EA
3	1430542	CUSHION	1	EA
4	1431994	RADIATOR CAP	1	EA
5	50899682	FUEL FILTER ELEMENT	1	EA
6	7631221	GASKET, MUFFLER	1	EA
7	7631292	O RING	1	EA
8	7631295	BAND CLAMP	1	EA
9	7631307	PIPE WATER RETURN	1	EA
10	7631318	BAND PIPE	1	EA
11	7631319	TURBO GASKET	1	EA
12	7631320	TURBO GASKET	1	EA
13	7631327	RAIDATOR HOSE LOWER	1	EA
14	7631329	PUMP FUEL	1	EA
15	7631333	GASKET THERMOSTAT	1	EA
16	7631334	THERMOSTAT ASSY	1	EA
17	7631335	PIPE WATER RETURN	1	EA
18	7631336	GASKET WATER PUMP	1	EA
19	7631338	GASKET EX MANIFOLD	1	EA
20	7631339	GASKET EX MANIFOLD	1	EA
21	7631342	MANIFOLD EXHAUST	1	EA
22	7631344	ASSY PUMP WATER	1	EA
23	7631349	GASKET	1	EA
24	7631350	FLANGE COMP WATER	1	EA
25	7631352	ASSY TURBO CHARGER	1	EA
26	7631362	GASKET ENG OIL	1	EA
27	7631364	RADIATOR	1	EA



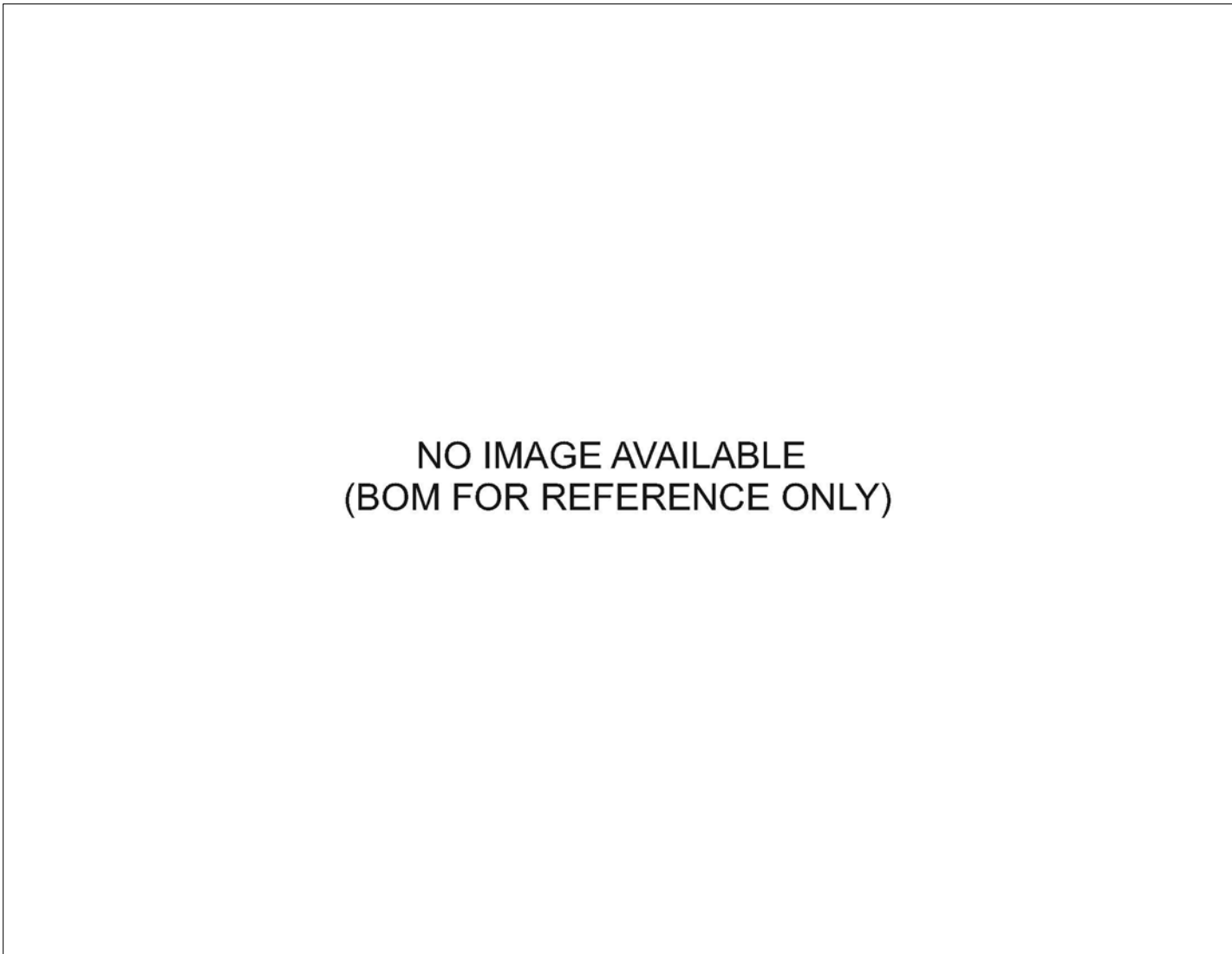
アイテム	部品番号	名前	数量	UOM
28	7631365	RADIATOR SHROUD	1	EA
29	104673 116	FAN	1	EA
30	067614 023	OIL PRESSURE SWITCH	1	EA
31	104673 105	FAN BELT	1	EA
32	104673 107	STARTER ASSY	1	EA
33	104673 108	ALTERNATOR ASSY	1	EA
34	104673 111	FUEL STOP SOLENOID	1	EA
35	104673 113	OIL FILTER	1	EA
36	104743 000	FUEL FILTER & BRKT DIESEL	1	EA
37	106957 000	BAND PIPE	1	EA

REPAIR PARTS

NO IMAGE AVAILABLE  
(BOM FOR REFERENCE ONLY)

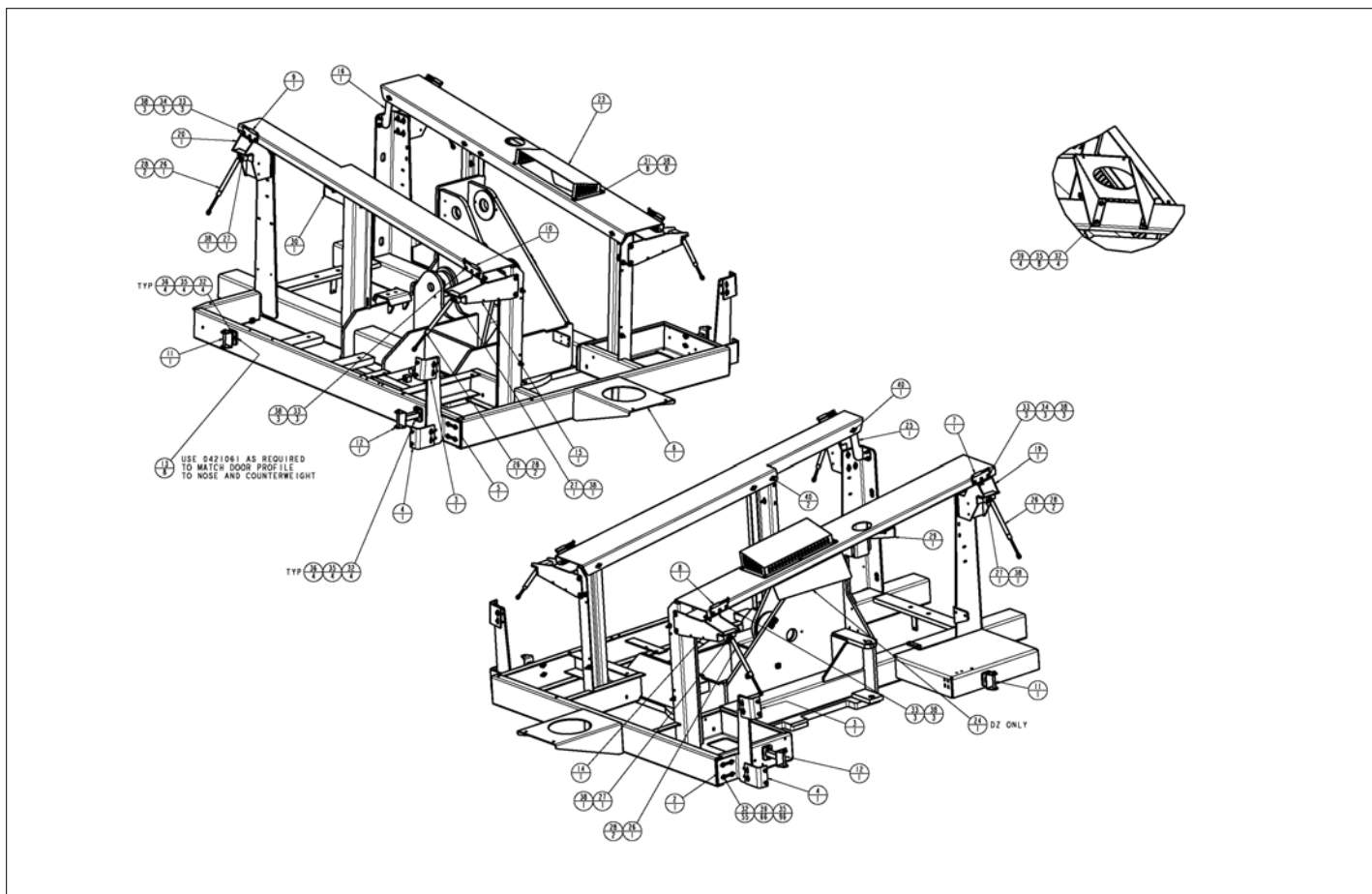
アイテム	部品番号	名前	数量	UOM
	7624794	V2403 M T E3B KEA 2F KUBOTA ENGINE WITH RADIATOR REPLACEMENT PARTS		EA
1	7631292	O RING	1	EA
2	7631295	BAND CLAMP	1	EA
3	7631307	PIPE WATER RETURN	1	EA
4	7631318	BAND PIPE	1	EA
5	7631327	RAIDATOR HOSE LOWER	1	EA
6	7631329	PUMP FUEL	1	EA
7	7631331	ASSY FUEL FILTER	1	EA
8	7631333	GASKET THERMOSTAT	1	EA
9	7631334	THERMOSTAT ASSY	1	EA
10	7631335	PIPE WATER RETURN	1	EA
11	7631336	GASKET WATER PUMP	1	EA
12	7631338	GASKET EX MANIFOLD	1	EA
13	763133.9	GASKET EX MANIFOLD	1	EA
14	7631342	MANIFOLD EXHAUST	1	EA
15	7631344	ASSY PUMP WATER	1	EA
16	7631349	GASKET	1	EA
17	7631350	FLANGE COMP WATER	1	EA
18	7631352	ASSY TURBO CHARGER	1	EA
19	7631362	GASKET ENG OIL	1	EA
20	7631364	RADIATOR	1	EA
21	7631365	RADIATOR SHROUD	1	EA
22	7630948	OIL DRAIN PLUG	1	EA
23	104673 105	FAN BELT	1	EA
24	0260466	THERMOSTAT GASKET	1	EA
25	067614 023	OIL PRESSURE SWITCH		EA

REPAIR PARTS

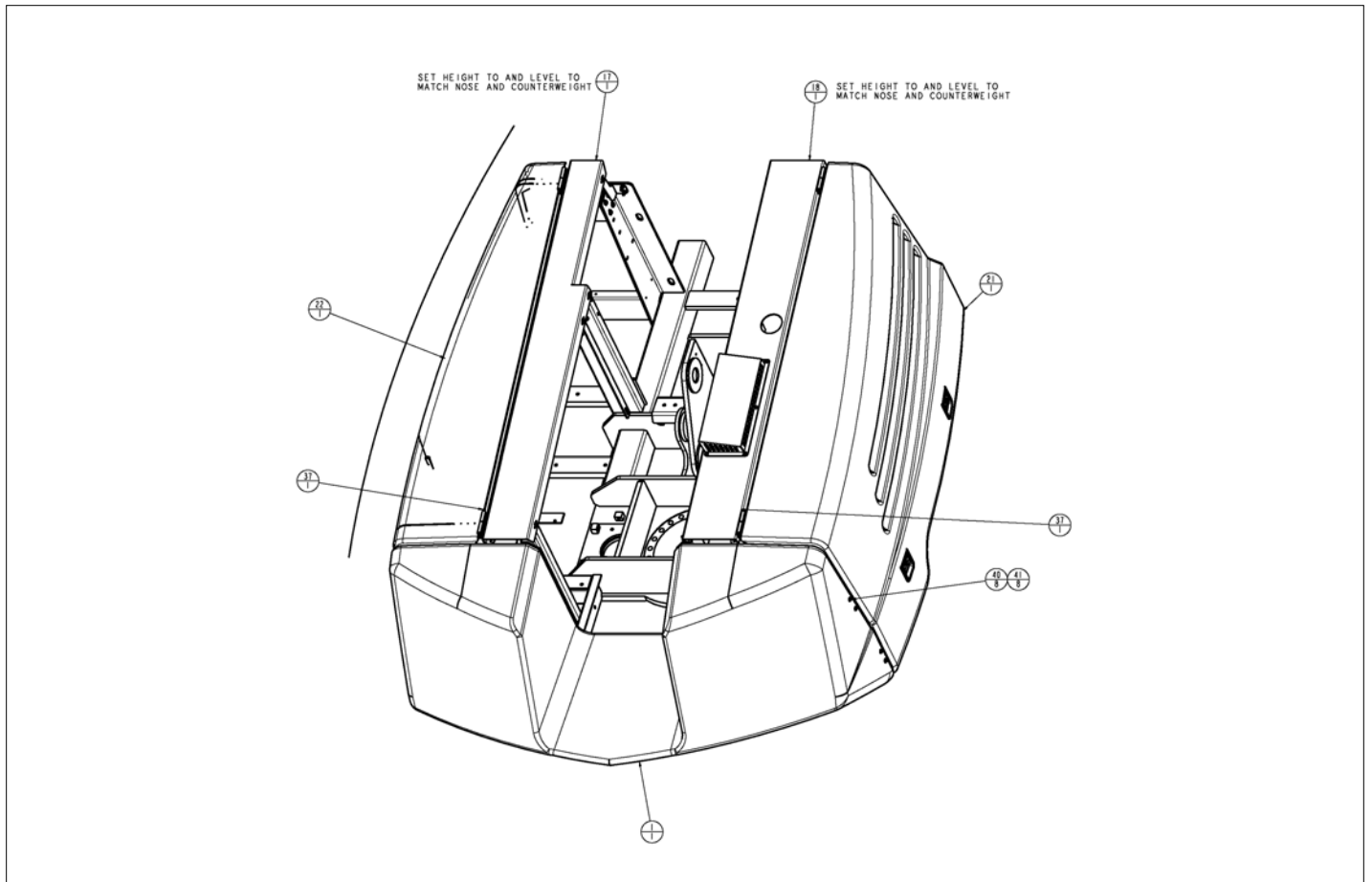


アイテム	部品番号	名前	数量	UOM
	0421764 A	COWLING AB85J CUMMINS GM		EA
1	0421313	DUAL AMBER BEACON	1	EA
2	0420545 0	INSTL COWLING CU AB80J/AB85RJ	1	EA

REPAIR PARTS



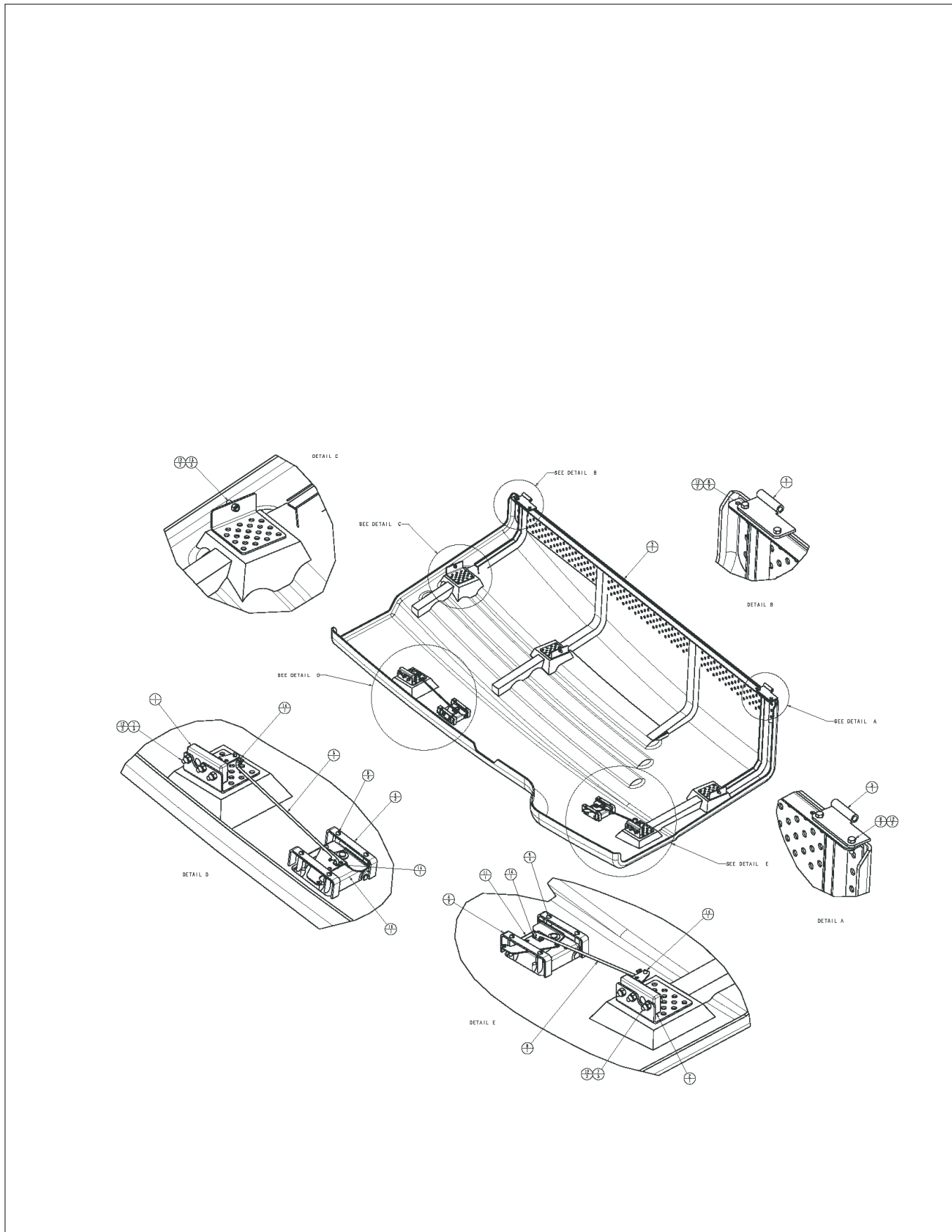
アイテム	部品番号	名前	数量	UOM
	A42018D	COWLING INSTALLATION CUMMUNS AND DEUTZ		EA
1	0420801	COWLING NOSE FIBERGLASS	1	EA
2	0420807	BRKT BODY ENGINE SIDE	1	EA
3	0420808	BRKT BODY ENGINE SIDE	2	EA
4	0420809	ANGLE BODY NOSE LWR	2	EA
5	0420810	BRKT BODY TANK SIDE	1	EA
6	0420811	BRKT BODY NOSE MOUNT	1	EA
7	0421049	WLDMT HINGE MALE ENGINE SIDE	1	EA
8	0421050	WLDMT HINGE MALE ENGINE SIDE	1	EA
9	0421051	WLDMT HINGE MALE TANK SIDE	1	EA
10	0421052	WLDMT HINGE MALE TANK SIDE	1	EA
11	0421059	WLDMT STRIKER	2	EA
12	0421060	WLDMT STRIKER	2	EA
13	0421061	WLDMT STRIKER	8	EA
14	0421217	WLDMT SUPPORT BRKT COWLING	1	EA
15	0421223	WLDMT SUPPORT BRKT COWLING	1	EA
16	0421235	SUPPORT TOP RAIL	1	EA
17	0421237	TOP RAIL TANK SIDE	1	EA
18	0421238	TOP RAIL ENGINE SIDE	1	EA
19	0421239	WLDMT SUPPORT BRKT COWLING	1	EA
20	0421247	WLDMT SUPPORT BRKT COWLING	1	EA
21	0421343	RH DOOR ASSEMBLY	1	EA
22	0421344	LH DOOR ASSEMBLY	1	EA
23	0421510	SCOOP ENGINE VENT	1	EA





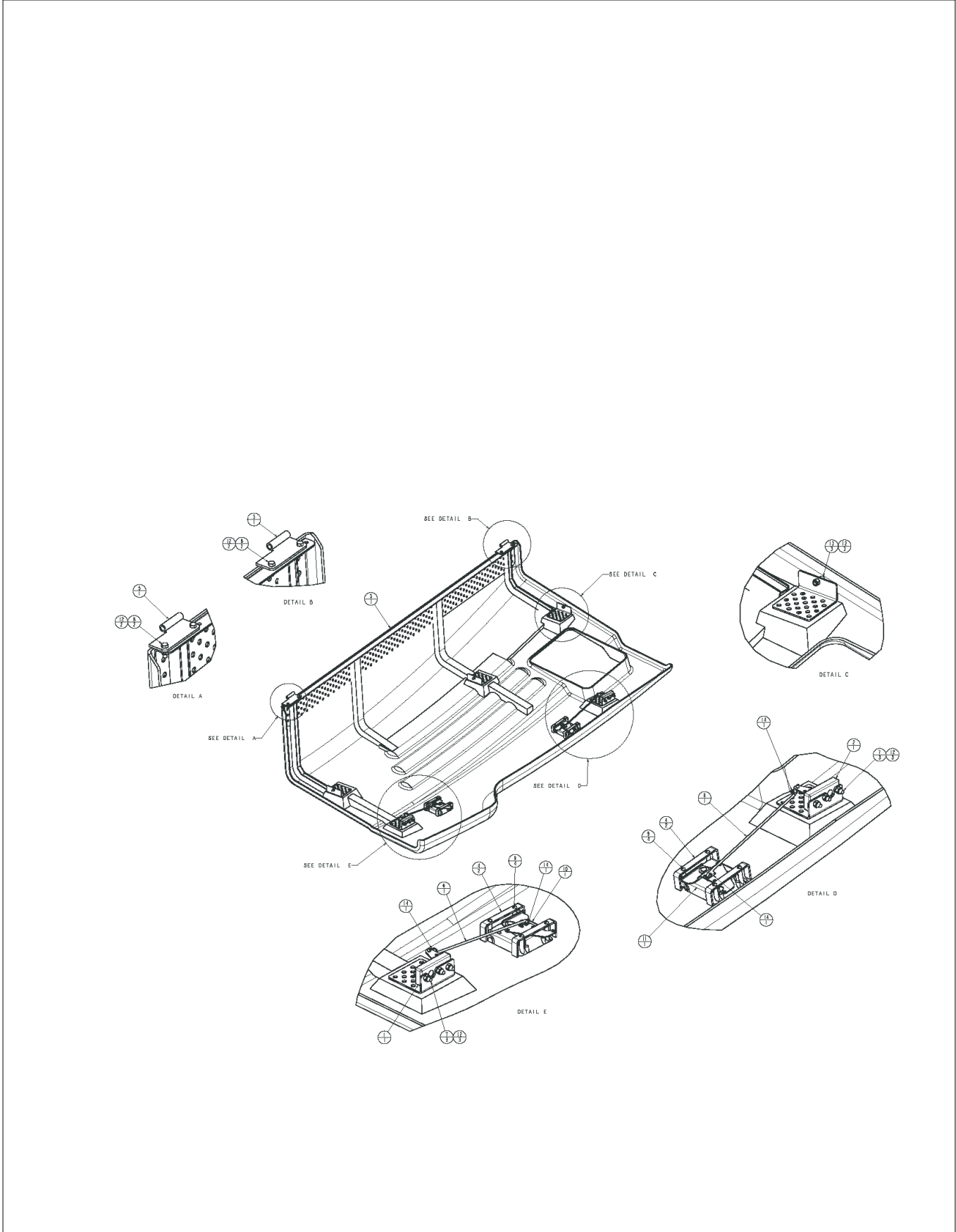
アイテム	部品番号	名前	数量	UOM
24	0421512	DEFLECTOR AIR DZ ENGINE	1	EA
25	0421628	SUPPORT TOP RAIL TANK SIDE	1	EA
26	0421630	GAS SPRING 1676EY	4	EA
27	0421631	BALLSTUD GAS SPRING	4	EA
28	0421632	SAFETY CLIP	8	EA
29	0421677	BRKT TOP RAIL SPT ENG SIDE	1	EA
30	0421678	BRKT TOP RAIL SPT TANK SIDE	1	EA
31	970239	BLT HEXHD .313 18 .750 GR5	8	EA
32	970489	BLT HEXHD .375 16 1.50 GR5 PL	67	EA
33	972269	BLT FLSKTHD .313 18 1.25	12	EA
34	986269	WSHR FLAT .313	6	EA
35	986299	WASHER, FLAT, .375 STANDARD, PLATED	112	EA
36	987119	WSHR LOCK .375	8	EA
37	988179	COTTER PIN, 1/8 DIA. X 1" LG.	2	EA
38	5560031	NUT HEX LKG .313 18	24	EA
39	5560033	.375 16UNC HEX LOCK NUT	70	EA
40	5563030	BLT BTNHD .375 16 1.50 SS	11	EA
41	5563031	WSHR FLAT .375 SS	8	EA

REPAIR PARTS



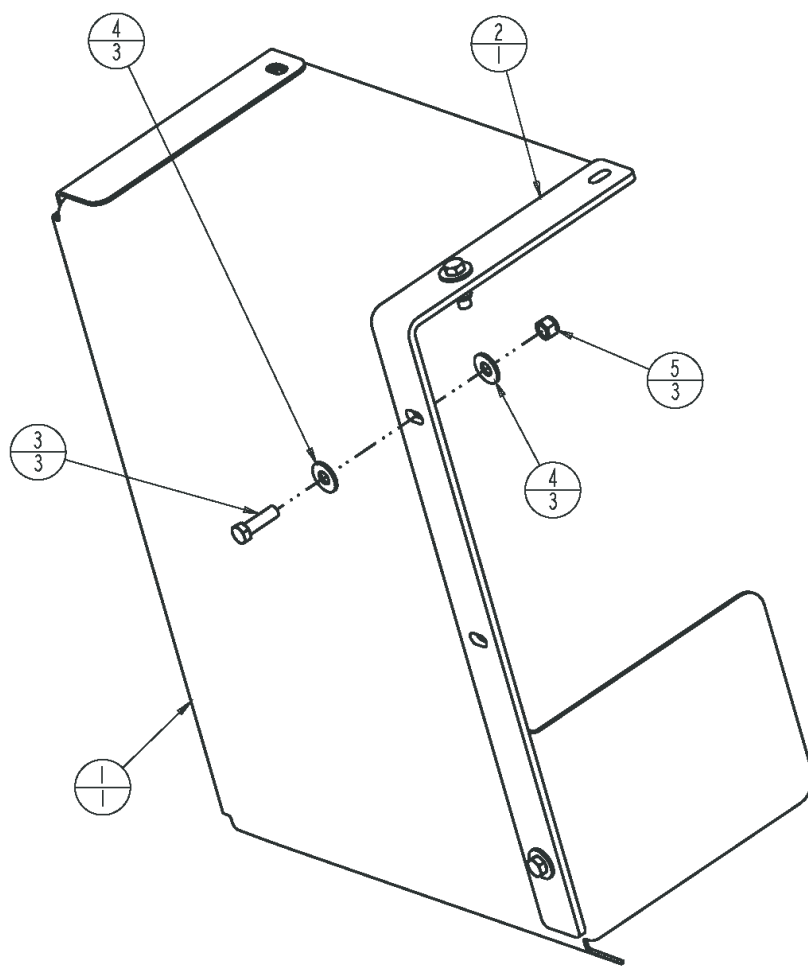
アイテム	部品番号	名前	数量	UOM
	0421343 D	RIGHT HAND DOOR ASSEMBLY		EA
1	300491	LATCH RH TRAY ROTARY LOCK	1	EA
2	300492	LATCH LH TRAY ROTARY LOCK	1	EA
3	0420822	DOOR RH ENGINE	1	EA
4	0421106	BRKT PADDLE HANDLE	4	EA
5	0421209	WLDMT FEMALE HINGE ENGINE SIDE	2	EA
6	0421276	LINKAGE DOOR LATCH	2	EA
7	970279	BLT HEXHD .313 18 1.50 GR5	6	EA
8	970369	BLT HEXHD .313 18 X 1.00 GR5	4	EA
9	974659	SCR RDH MACH 10 24 .500	8	EA
10	5516333	HANDLE PADDLE MULTI POINT RH	1	EA
11	5516334	HANDLE PADDLE MULTI POINT LH	1	EA
12	5560031	NUT HEX LKG .313 18	12	EA
13	0421631	BALLSTUD GAS SPRING	3	EA
14	5563040	CLIP ROD END LH	4	EA

REPAIR PARTS



アイテム	部品番号	名前	数量	UOM
	0421344 D	LEFT HAND DOOR ASSEMBLY		EA
1	300491	LATCH RH TRAY ROTARY LOCK	1	EA
2	300492	LATCH LH TRAY ROTARY LOCK	1	EA
3	0420823	DOORLH TANK	1	EA
4	0421106	BRKT PADDLE HANDLE	4	EA
5	0421210	WLDMT FEMALE HINGE TANK SIDE	2	EA
6	0421276	LINKAGE DOOR LATCH	2	EA
7	970279	BLT HEXHD .313 18 1.50 GR5	6	EA
8	970369	BLT HEXHD .313 18 X 1.00 GR5	4	EA
9	974659	SCR RDH MACH 10 24 .500	8	EA
10	5516333	HANDLE PADDLE MULTI POINT RH	1	EA
11	5516334	HANDLE PADDLE MULTI POINT LH	1	EA
12	5560031	NUT HEX LKG .313 18	12	EA
13	0421631	BALLSTUD GAS SPRING	3	EA
14	5563040	CLIP ROD END LH	4	EA

REPAIR PARTS



アイテム	部品番号	名前	数量	UOM
	0421138 A	REAR COVER ASSEMBLY		EA
1	0421111	CLIP ROD END LH	1	EA
2	0421112	BAR REAR COVER	1	EA
3	972479	BLT HEXHD .375 16 1.25 GR5	3	EA
4	986299	WASHER, FLAT, .375 STANDARD, PLATED	6	EA
5	5590033	NUT LKG .375 16	3	EA

REPAIR PARTS

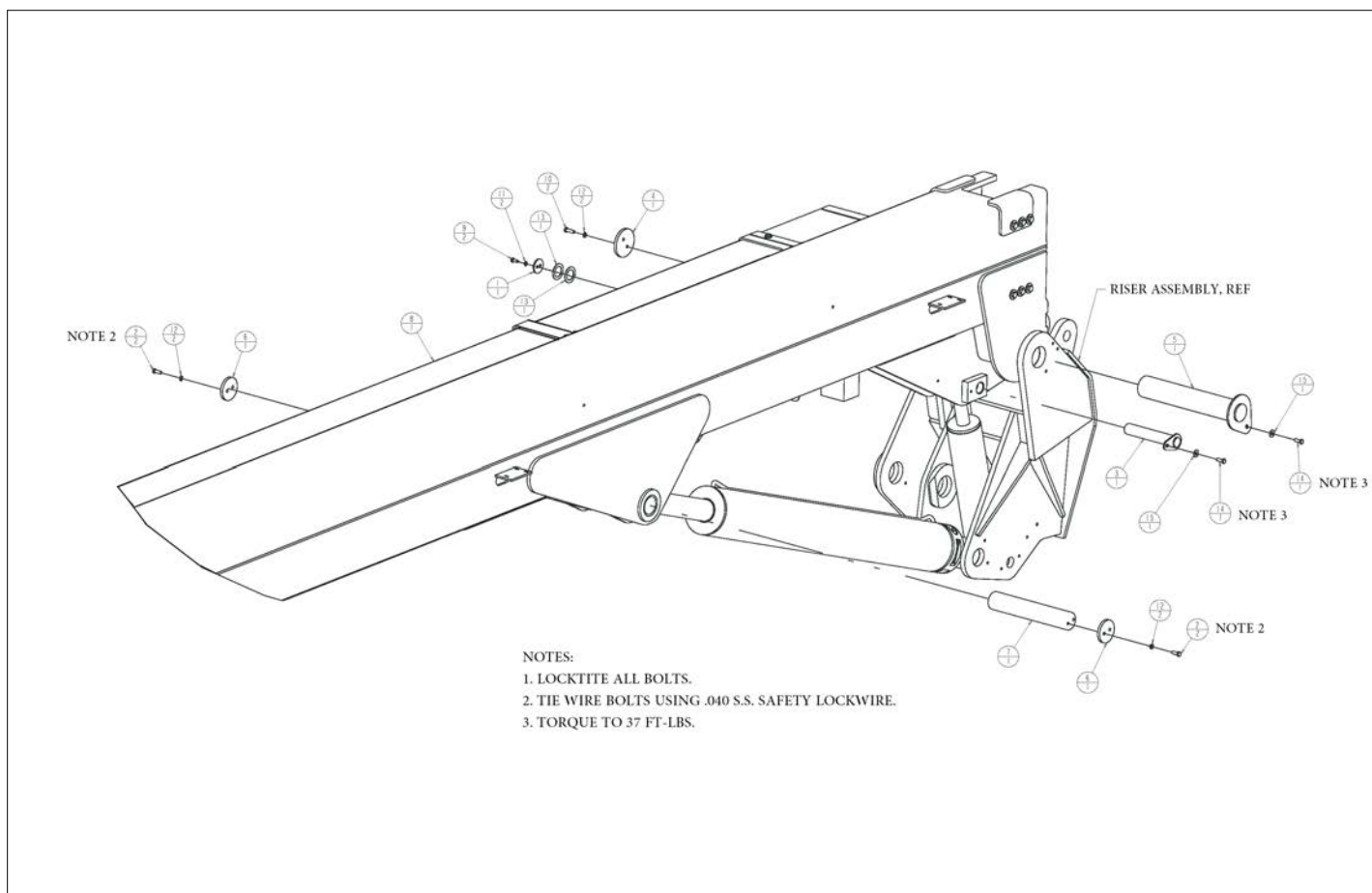


NO IMAGE AVAILABLE  
(BOM FOR REFERENCE ONLY)



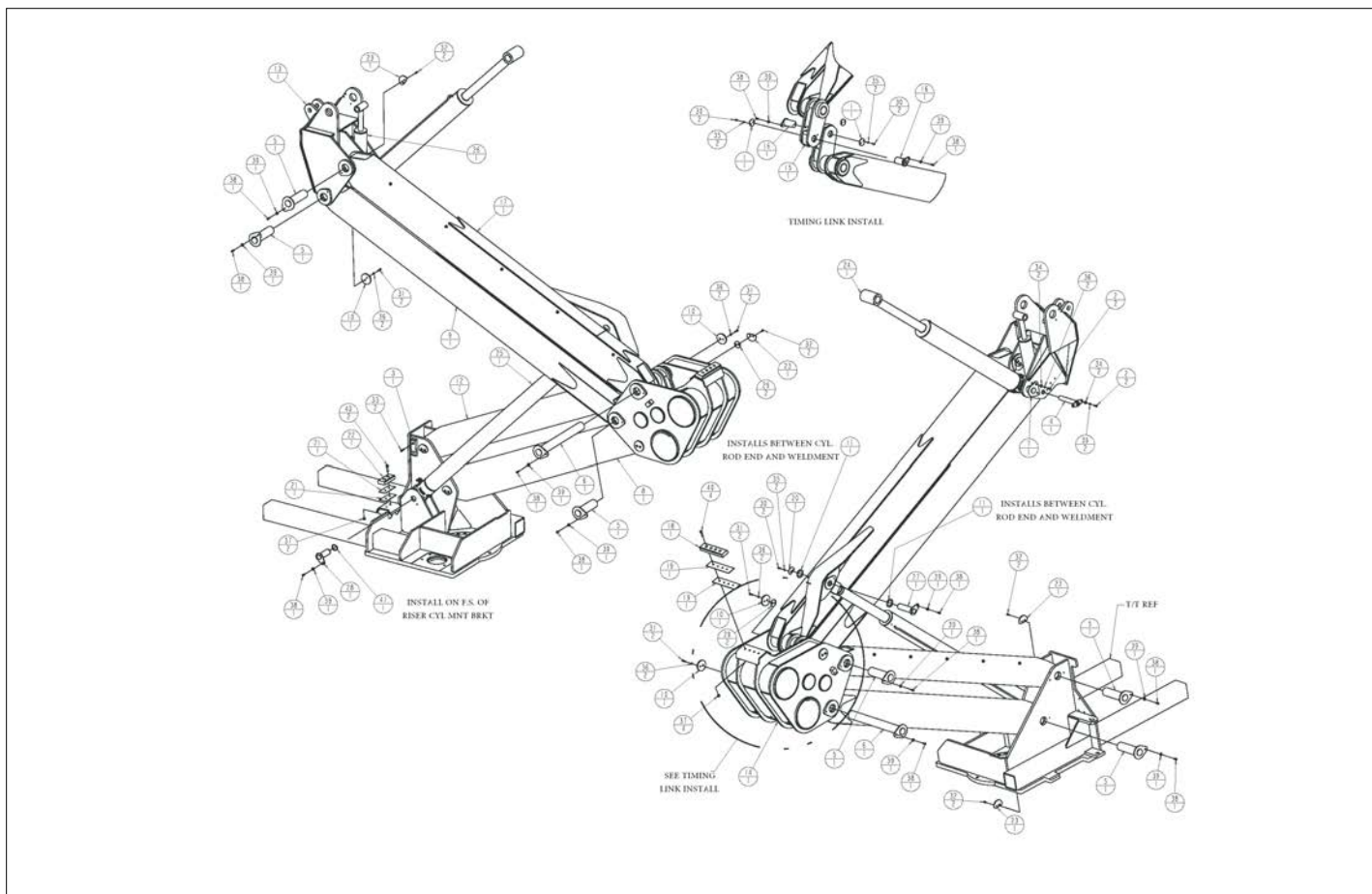
アイテム	部品番号	名前	数量	UOM
	0421747 B	AB80J BOOM SUB ASSEMBLY		EA
1	0420276	BLOCK, TRUNNION INNER BOOM ASSEMBLY	2	EA
2	0420912	EXTEND CYLINDER ASSEMBLY	1	EA
3	5560126	THREAD INSERT .375 16 .375 LKG	8	EA
4	5560128	BLT .500 13 1.50 GR8 DRL	8	EA
5	0420925 1	WLDMT TUBE SUPPORT BRKT	1	EA
6	0421008	JIB INSTALL 5FT FIXED AB80J	1	EA
7	0421116 1	BRKT SUPPORT INNER	3	EA
8	0421117 1	BRKT SUPPORT OUTER	3	EA
9	5093004	CLP CUSH .750 VINYL COATED	2	EA
10	0421131 1	ASSY BOOMS AB80J/85RJ	1	EA
11	0421437 1	HOSE CARRIER ASSY AB80J	1	EA
12	0070769	HOSE 4 4S 4S 30.5 100R1	2	EA
13	0070772	3/8 I.D. HOSE ASSEMBLY	3	EA
14	0111287	HOSE 4 4S 4S 84 100R2	2	EA
15	0421191	HOSE 4 4S 4S 668 R17	6	EA
16	0110547	CONDUIT	1	EA
17	3040187	CONN .500 .313 .438	2	EA
18	3040262	CONDUIT COUPLER, 1/2	2	EA
19	5090034	SLEEVEHOSE ABRASION GRD 1.81 in	3	EA
20	3040070	NUT LKG HUB .500 APPLETON: P/N BL50 REG 801	3	EA
21	0420989 1	GUARD BOOM SWITCH AB80J/85RJ	2	EA
22	0181163	HOSE 4 4S 4S 103 100R2	2	EA
23	0151860	1/2" I.D. HOSE ASSEMBLY	1	EA
24	0112705	HOSE 10 10S 10S 78 100R2	1	EA

REPAIR PARTS



アイテム	部品番号	名前	数量	UOM
	0421122 B	BOOM INSTALLATION		EA
1	0070033	PIN LOCK 2.00 DIA 2H	1	EA
2	0150248	BLT HEXHD .375 16 1.00 DR	4	EA
3	0420286	PIN 1.50 X 8.375 GRIP	1	EA
4	0420360	CAP END 3.0 PIN	1	EA
5	0420362	PIN 3.00 X 16.38 GRIP	1	EA
6	0420364	CAP, END 2.25 PIN	2	EA
7	0420369	PIN 2.50 X 13.500 GRIP	1	EA
8	0421124	BOOM/HOSE CARRIER ASSEMBLY	1	EA
9	970239	BLT HEXHD .313 18 .750 GR5	2	EA
10	972479	BLT HEXHD .375 16 1.25 GR5	2	EA
11	987109	WSHR LOCK .313	2	EA
12	987119	WSHR LOCK .375	8	EA
13	5560688	BSHG MCHRY 1.50ID 2.25OD 14GA	2	EA
14	5563045	BLT HEX HD .375 16 X 1.00 GR 5	2	EA
15	5563046	WSHR FLAT HARD .375	2	EA

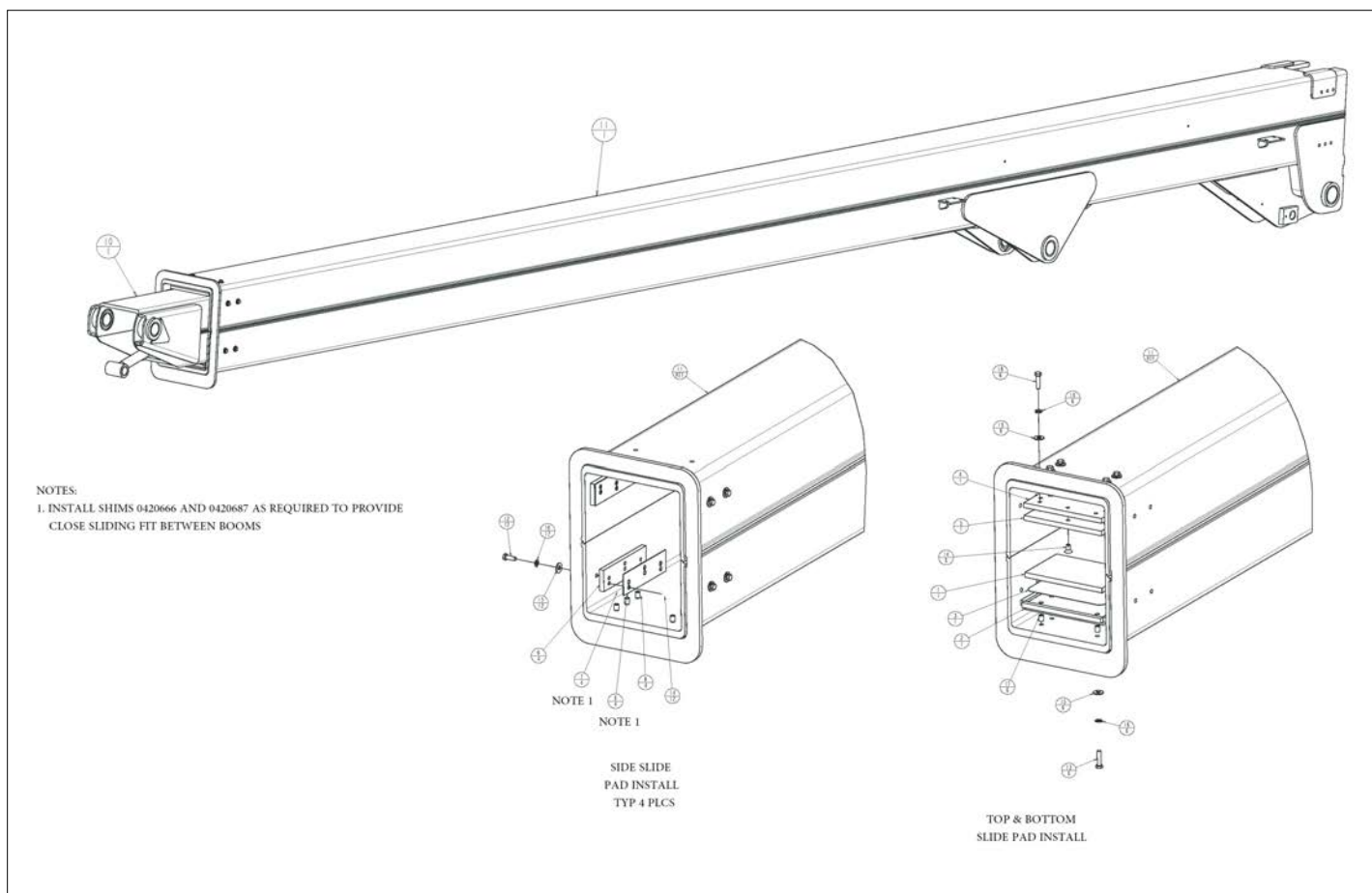
REPAIR PARTS



アイテム	部品番号	名前	数量	UOM
Not Shown	0421277 E	RISER ASSEMBLY		EA
1	0080023	PIN LOCK 2.75 DIA 2H	2	EA
2	0150248	BLT HEXHD .375 16 1.00 DR	4	EA
3	0420257	SL PAD 2.00 6.50 1.00 2H	1	EA
4	0420288	PIN 1.50 X 9.125 GRIP	1	EA
5	0420316	PIN 3.00 X 10.06 GRIP	6	EA
6	0420321	BRACE CORNER	2	EA
7	0420330	PIN 2.50 X 9.000 GRIP	1	EA
8	0420338	PIN 2.50 X 9.000 GRIP	1	EA
9	0420350	WLDMT ARM RISER BOTTOM UPPER (SET)	1	EA
10	0420360	CAP END 3.0 PIN	4	EA
11	0420447	BSHG MCHRY 2.00 ID 3.05 OD 14G	2	EA
12	0420717	WLDMT ARM RISER	1	EA
13	0420742	WLDMT RISER	1	EA
14	0421146	WLDMT RISER ELBOW	1	EA
15	0421193	TIMING LINK ASSEMBLY	1	EA
16	0421215	WLDMT PIN 2.50 4.380 GRIP	2	EA
17	0421253	WLDMT ARM SET UPPER RISER TOP	1	EA
18	0421271	SL PAD 3.00 11.88 1.25 4H	1	EA
19	0421273	SHIM .125 3.00 11.88 4H AL	2	EA
20	0421280	PIN LOCK	1	EA
21	0421290	SHIM .125 3.00 6.50 2H AL	2	EA
22	0421291	SL PAD 3.00 6.50 1.25 2H	1	EA
23	0421390	CAP END 3.0 PIN	4	EA
24	0421395	CAP END 3.0 PIN	1	EA
25	0421396	RISER CYLINDER ASSEMBLY	1	EA
26	0421398	MASTER LEVEL CYLINDER ASSEMBLY	1	EA

アイテム	部品番号	名前	数量	UOM
27	0421409	WLDMT PIN 2.00 7.38 GRIP	1	EA
28	0421412	WLDMT PIN 2.00 5.125 GRIP	1	EA
29	0421521	SHIM PIN EXTENDER	4	EA
30	970369	BLT HEXHD .313 18 X 1.00 GR5	6	EA
31	972479	BLT HEXHD .375 16 1.25 GR5	8	EA
32	972469	BLT FLSKTHD .375 16 X 1.00 GR	8	EA
33	972489	M.SCR 3/8 16 1 1/2 SOC. CAD	2	EA
34	986299	WASHER, FLAT, .375 STANDARD, PLATED	4	EA
35	987109	WSHR LOCK .313	6	EA
36	987119	WSHR LOCK .375	12	EA
37	5560039	NUT HEX LKG .500 13	6	EA
38	5563045	BLT HEX HD .375 16 X 1.00 GR 5	12	EA
39	5563046	WSHR FLAT HARD .375	12	EA
40	5569955	BLT BTNHD .50 13 2.00	6	EA
41	5590027	SNAP RING 2.00 EXT HD	1	EA

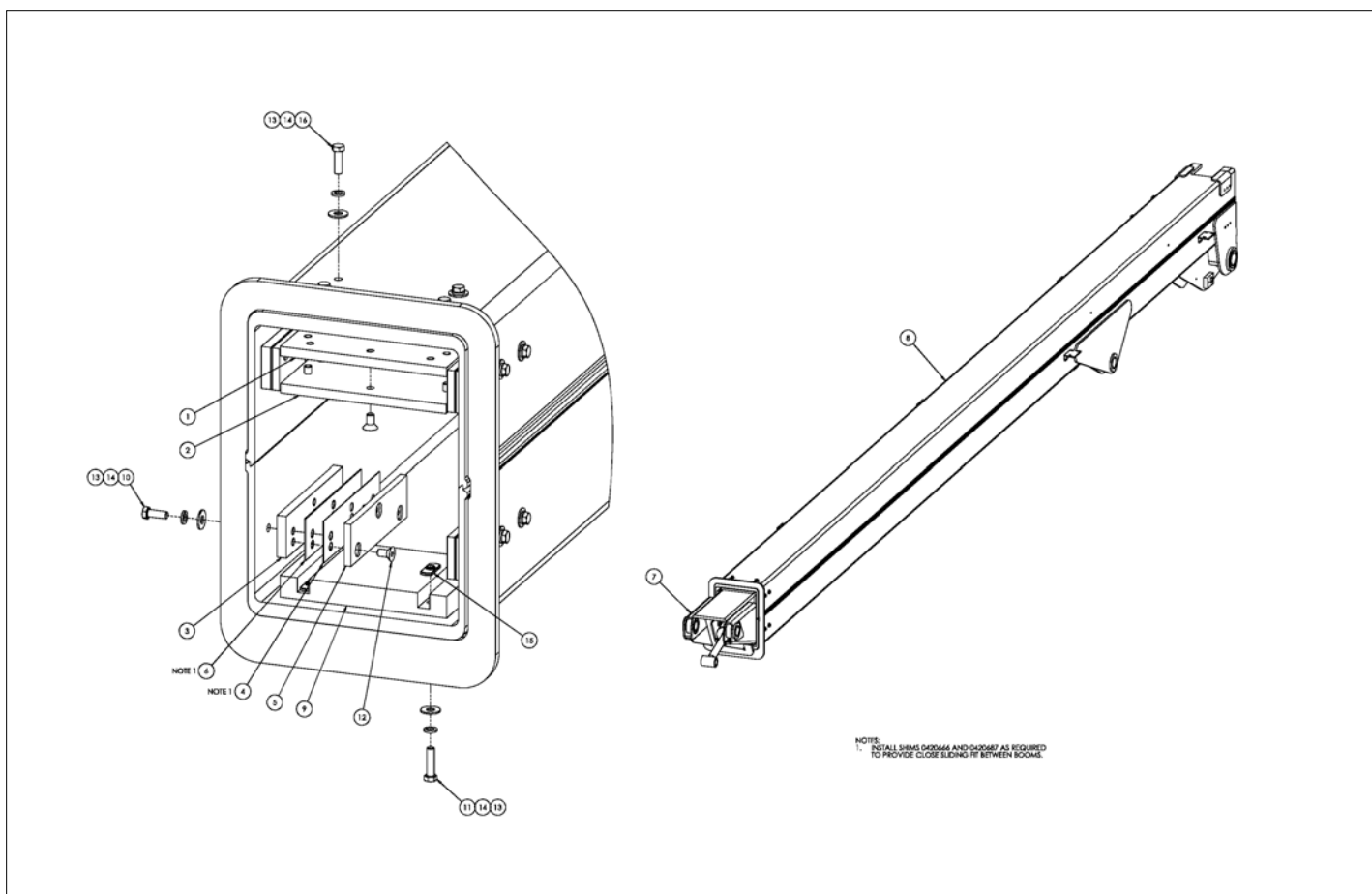
REPAIR PARTS



アイテム	部品番号	名前	数量	UOM
	0421131 C	BOOMS ASSEMBLY		EA
1	0110695	SLIDE PAD	1	EA
2	0420271	PAD PLATE	1	EA
3	0420273	SHIM .030 5.94 8.94 AL SLIDE PAD	1	EA
4	0420274	PLT SLIDE PAD MOUNT MAIN BOOM ASSY	1	EA
5	0420275	SL PAD 6.00 8.938 .500 6H	1	EA
6	0420665	SPCR .50 2.25 8.00 6H STL	4	EA
7	0420666	SHIM .030 2.25 8.00 6H AL	4	EA
8	0420667	SL PAD 2.25 8.00 .375 3H	4	EA
9	0420687	SHIM .606 2.25 8.00 6H AL	4	EA
10	0420728	ASSEMBLY, TIP BOOM	1	EA
11	0421132	WLDMT BASE BOOM	1	EA
12	970469	HHD BLT .375 16 X 1.00 GR5	12	EA
13	970489	BLT HEXHD .375 16 1.50 GR5 PL	6	EA
14	972449	M.SCR 3/8 16 3/4 SOC. CAD	18	EA
15	986299	WASHER, FLAT, .375 STANDARD, PLATED	24	EA
16	987119	WSHR LOCK .375	24	EA
17	5560015	3/8 THREADED INSERT	6	EA
18	5569863	BLT HEXHD .375 16 1.375 GR5	6	EA

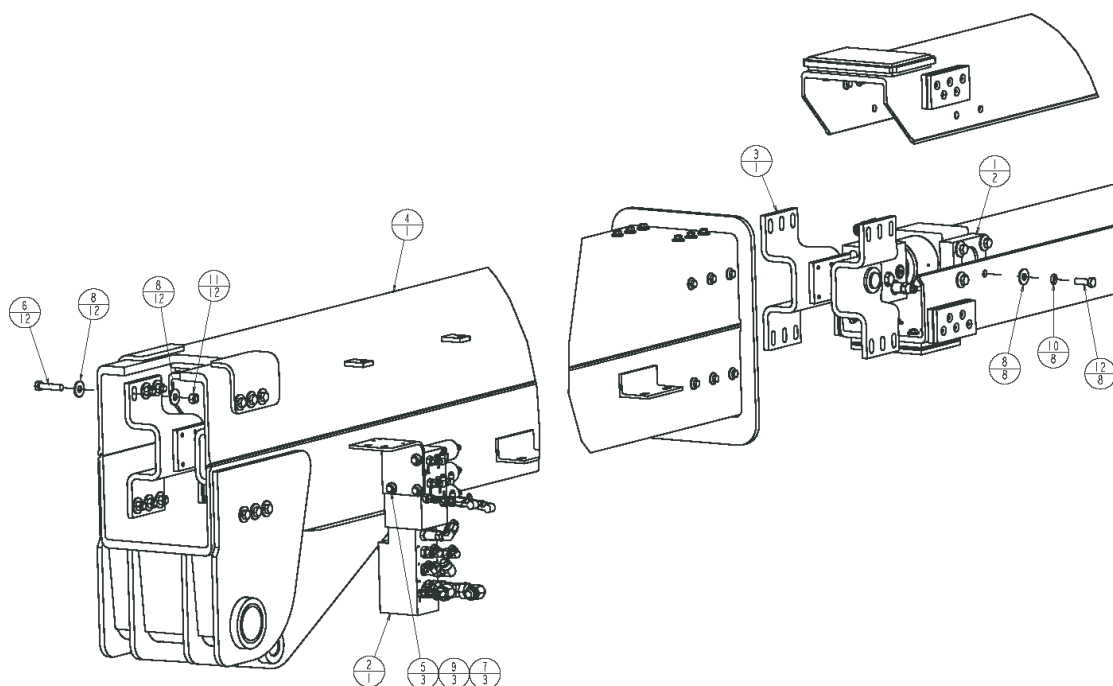


REPAIR PARTS



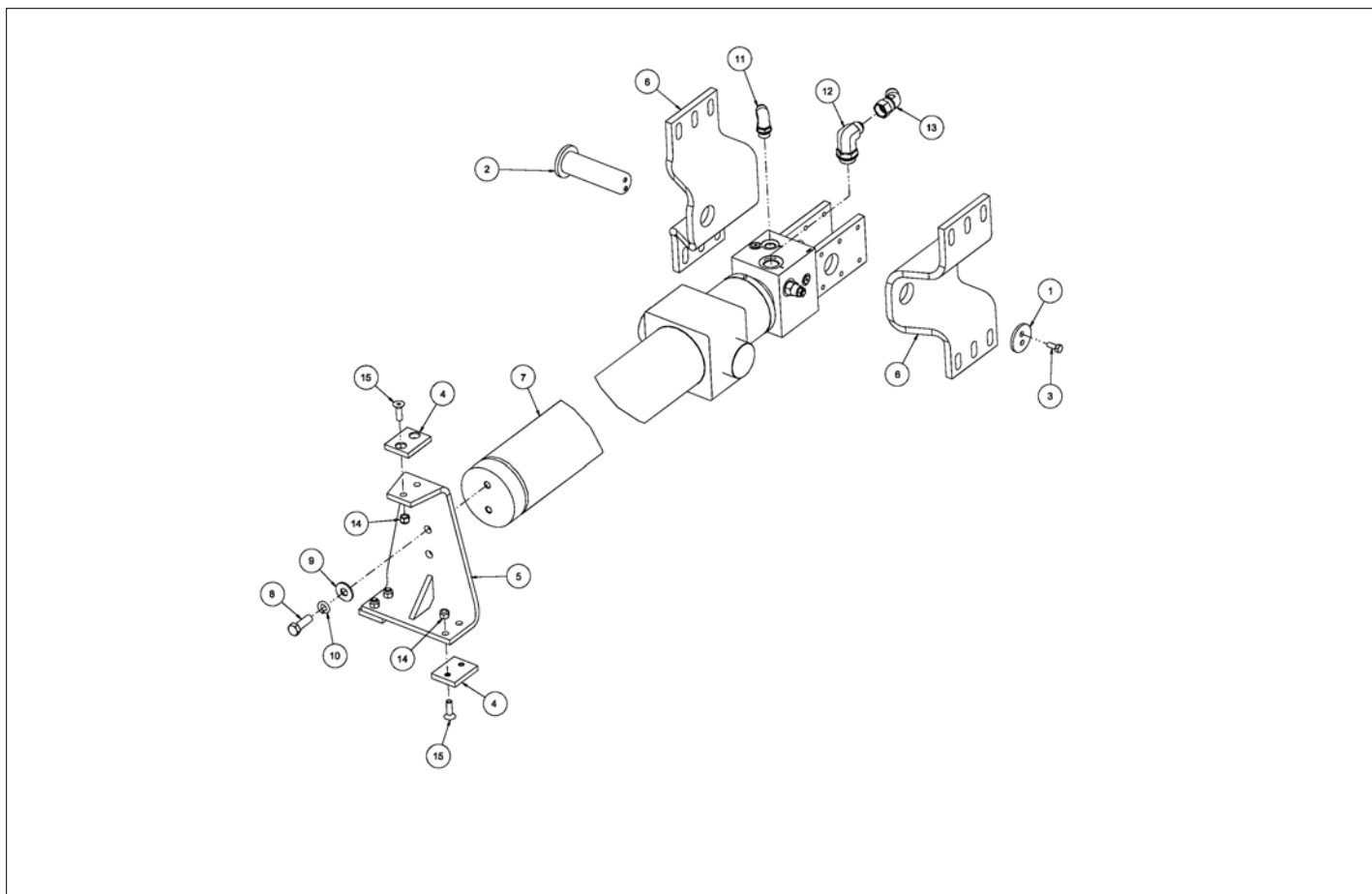
アイテム	部品番号	名前	数量	UOM
Not Shown	0421131 D	BOOMS ASSEMBLY NOVEMBER 2014 AND AFTER		EA
1	0420274	PLT SLIDE PAD MOUNT MAIN BOOM ASSY	1	EA
2	0420275	SL PAD 6.00 8.938 .500 6H	1	EA
3	0420665	SPCR .50 2.25 8.00 6H STL	4	EA
4	0420666	SHIM .030 2.25 8.00 6H AL	4	EA
5	0420667	SL PAD 2.25 8.00 .375 3H	4	EA
6	0420687	SHIM .606 2.25 8.00 6H AL	4	EA
7	0420728	ASSEMBLY, TIP BOOM	1	EA
8	0421132	WLDMT BASE BOOM	1	EA
9	0421713	BASE SLIDE PAD	1	EA
10	5569863	BLT HEXHD .375 16 1.375 GR5	12	EA
11	NOT SHOWN	WASHER, FLAT, .375 STANDARD, PLATED	6	EA
12	NOT SHOWN	WASHER, FLAT, .375 STANDARD, PLATED	18	EA
13	NOT SHOWN	WASHER, FLAT, .375 STANDARD, PLATED	24	EA
14	970469	HHD BLT .375 16 X 1.00 GR5	12	EA
15	970489	BLT HEXHD .375 16 1.50 GR5 PL	6	EA
16	972449	M.SCR 3/8 16 3/4 SOC. CAD	18	EA

REPAIR PARTS



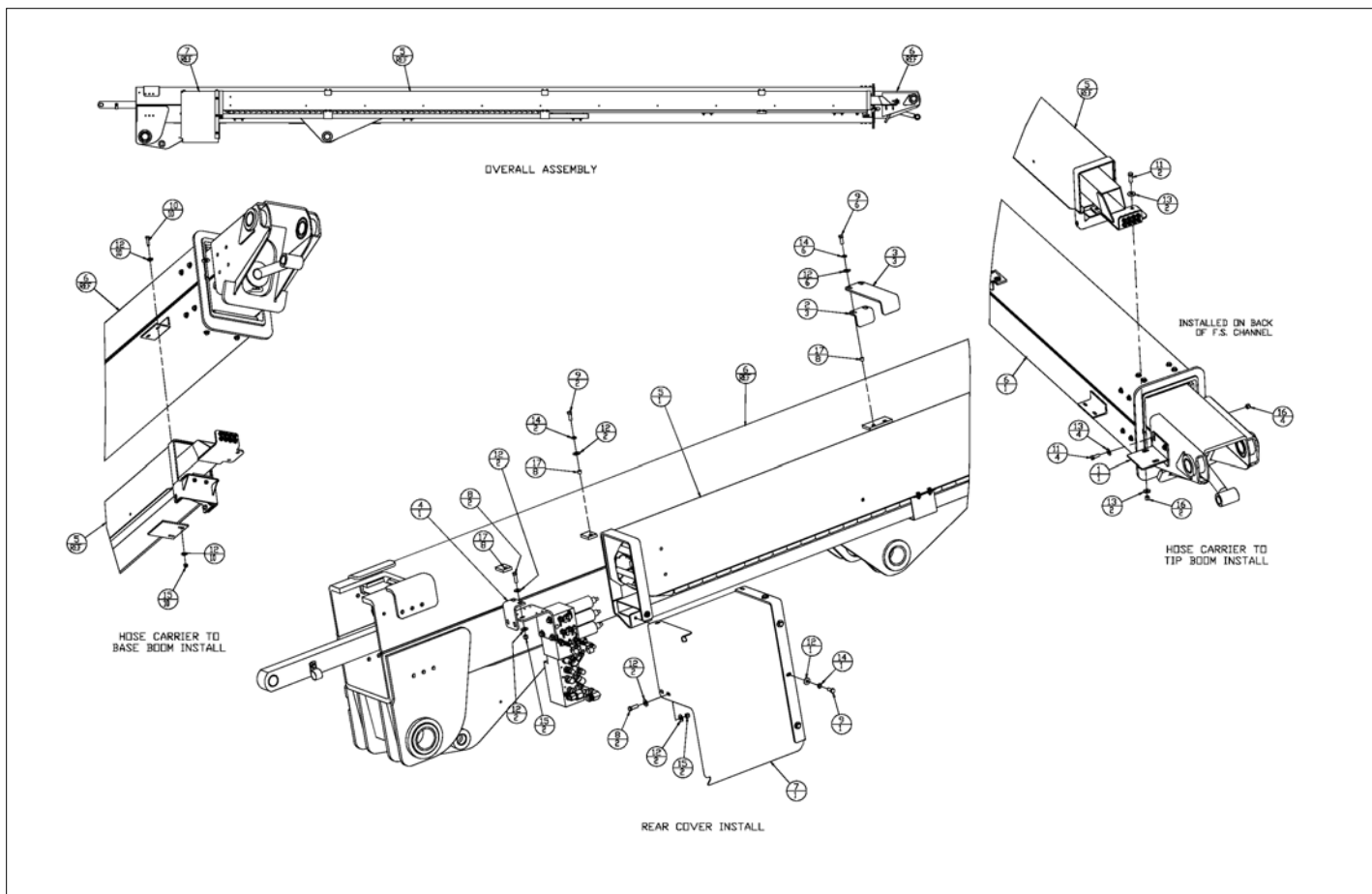
アイテム	部品番号	名前	数量	UOM
	0421129 B	BOOM/EXTEND CYLINDER		EA
1	0420276	BLOCK, TRUNNION INNER BOOM ASSEMBLY	2	EA
2	0421587	SIX FUNCTION CONTROL VALVE ASSMEBLY	1	EA
3	0420912	EXTEND CYLINDER ASSEMBLY	1	EA
4	0421131	BOOMS ASSEMBLY	1	EA
5	970469	HHD BLT .375 16 X 1.00 GR5	3	EA
6	970939	BLT HEXHD .500 13 2.25 GR5	12	EA
7	986299	WASHER, FLAT, .375 STANDARD, PLATED	3	EA
8	986359	FLATWASHER 1/2"	32	EA
9	987119	WSHR LOCK .375	3	EA
10	987139	WSHR LOCK .500	8	EA
11	5560039	NUT HEX LKG .500 13	12	EA
12	5560128	BLT .500 13 1.50 GR8 DRL	8	EA

REPAIR PARTS



アイテム	部品番号	名前	数量	UOM
	0420912 C	EXTENSION CYLINDER MOUNTING ASSEMBLY		EA
1	0070033	PIN LOCK 2.00 DIA 2H	1	EA
2	0070441	WLDMT PIN 1.50 4.875 GRIP	1	EA
3	0070473	BLT HEXHD .313 18 .75 DR	2	EA
4	0100105	SL PAD 2.00 2.50 .375 2H	3	EA
5	0420741	WLDMT SUPPORT EXTEND CYLINDER	1	EA
6	0420898	BRACKET, EXT CYL MNTG	2	EA
7	0420911	CYLINDER EXTEND	1	EA
8	970909	BLT HEXHD .500 13 1.50 GR5 PLA	2	EA
9	986359	FLATWASHER 1/2"	2	EA
10	987139	WSHR LOCK .500	2	EA
11	5035322	STR THD 90 DEGREE ELBOW	1	EA
12	5035317	FTG ELB90STRTHD 12B 10S STL	1	EA
13	5036907	SWIVEL NUT 45 ° ELBOW	1	EA
14	5560033	.375 16UNC HEX LOCK NUT	6	EA
15	5560675	M.SCR 3/8 16 1 1/4 SOC. CAD	6	EA

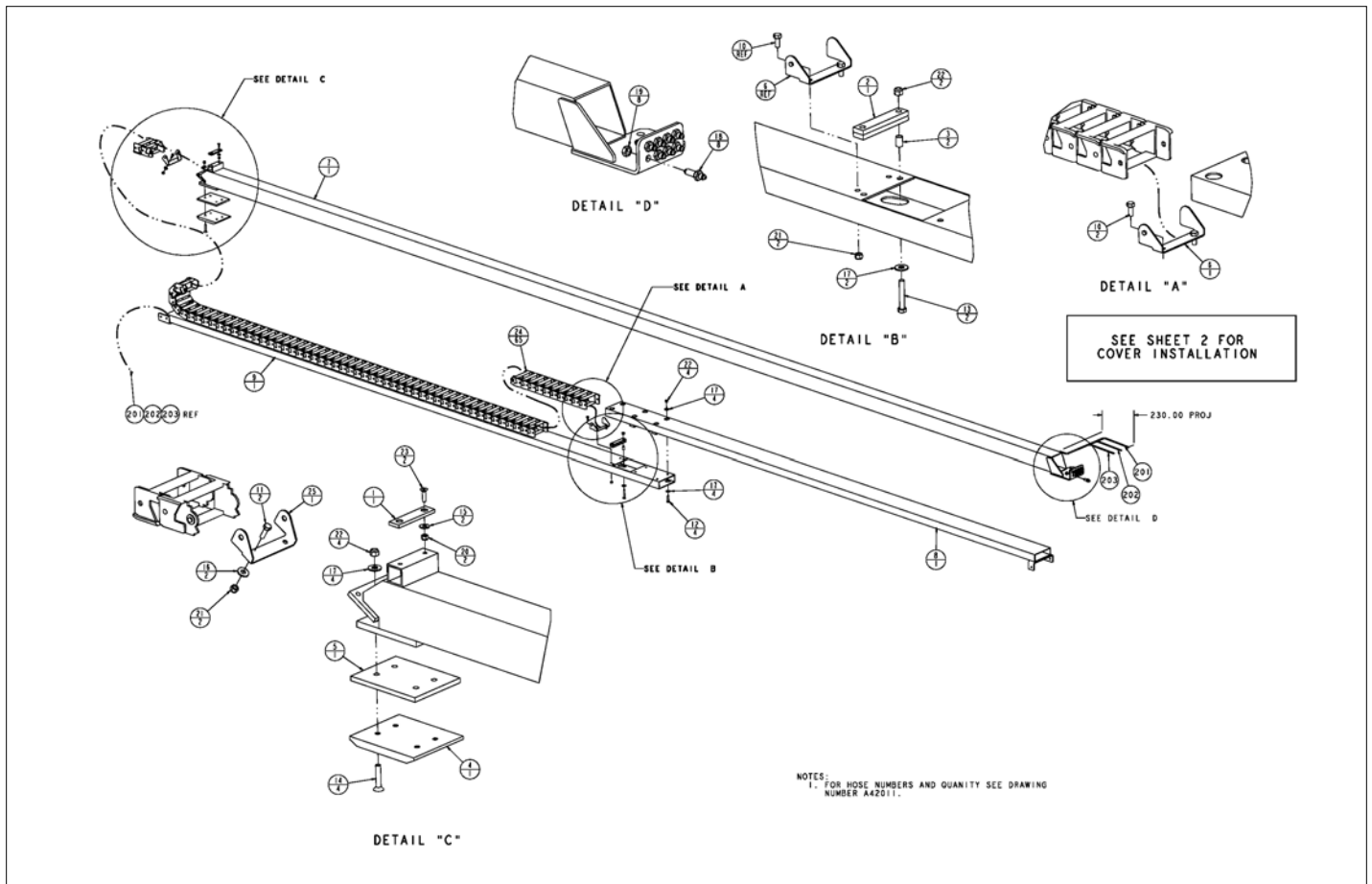
REPAIR PARTS



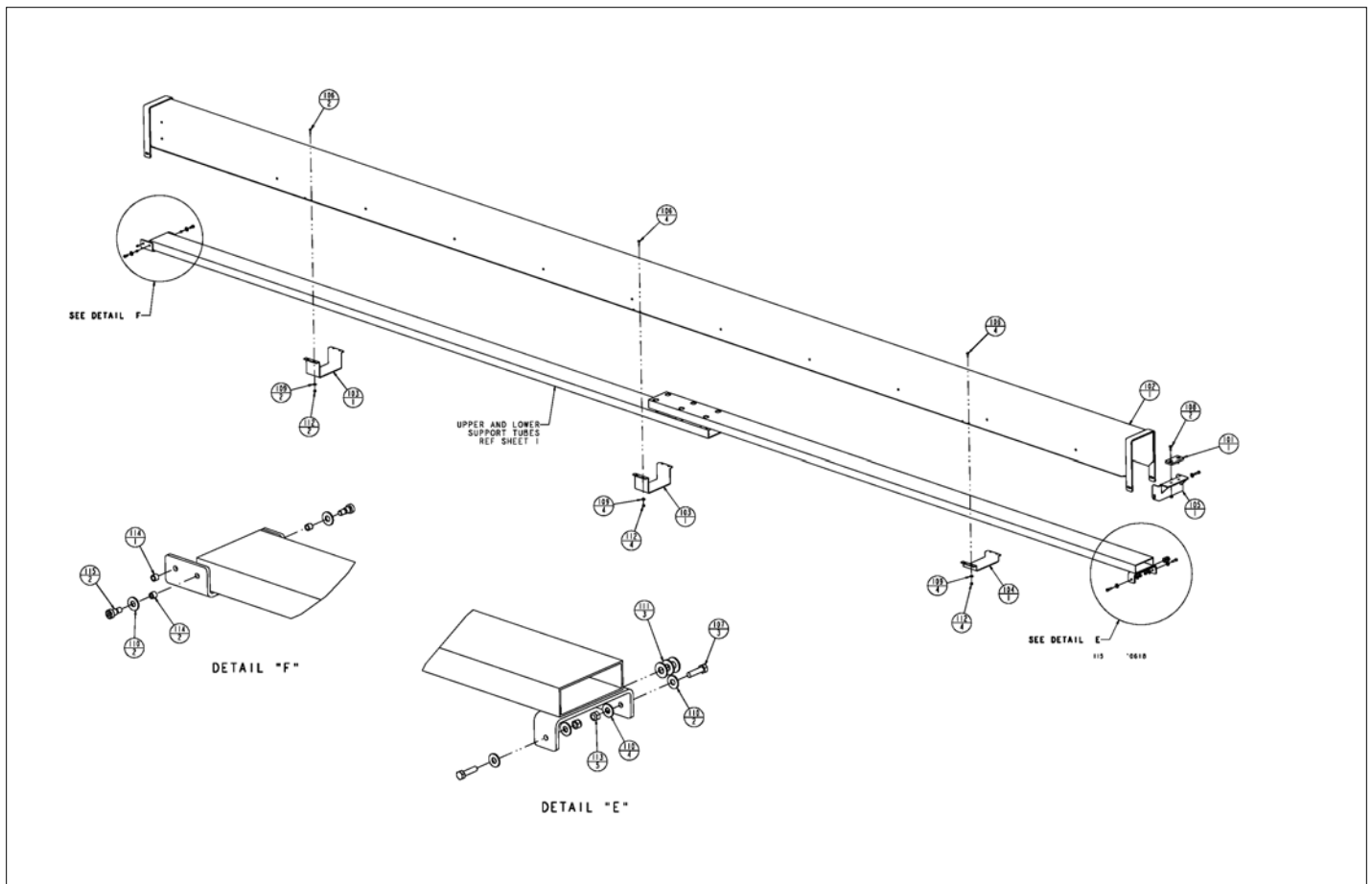
アイテム	部品番号	名前	数量	UOM
	0421124 B	BOOM AND HOSE CARRIER ASSEMBLY		EA
1	0420925	WLDMT TUBE SUPPORT BRKT	1	EA
2	0421116	BRKT SUPPORT INNER	3	EA
3	0421117	BRKT SUPPORT OUTER	3	EA
4	0421121	BRACE REAR COVER	1	EA
5	0421437	HOSE CARRIER ASSEMBLY	1	EA
6	0421129	BOOM / EXTEND CYLINDER ASSEMBLY	1	EA
7	0421138	REAR COVER ASSEMBLY	1	EA
8	972479	BLT HEXHD .375 16 1.25 GR5	4	EA
9	970469	HHD BLT .375 16 X 1.00 GR5	9	EA
10	970489	BLT HEXHD .375 16 1.50 GR5 PL	10	EA
11	970909	BLT HEXHD .500 13 1.50 GR5 PLA	6	EA
12	986299	WASHER, FLAT, .375 STANDARD, PLATED	37	EA
13	986359	FLATWASHER 1/2"	8	EA
14	987119	WSHR LOCK .375	9	EA
15	5560033	.375 16UNC HEX LOCK NUT	14	EA
16	5560039	NUT HEX LKG .500 13	6	EA
17	5560126	THREAD INSERT .375 16 .375 LKG	8	EA



REPAIR PARTS

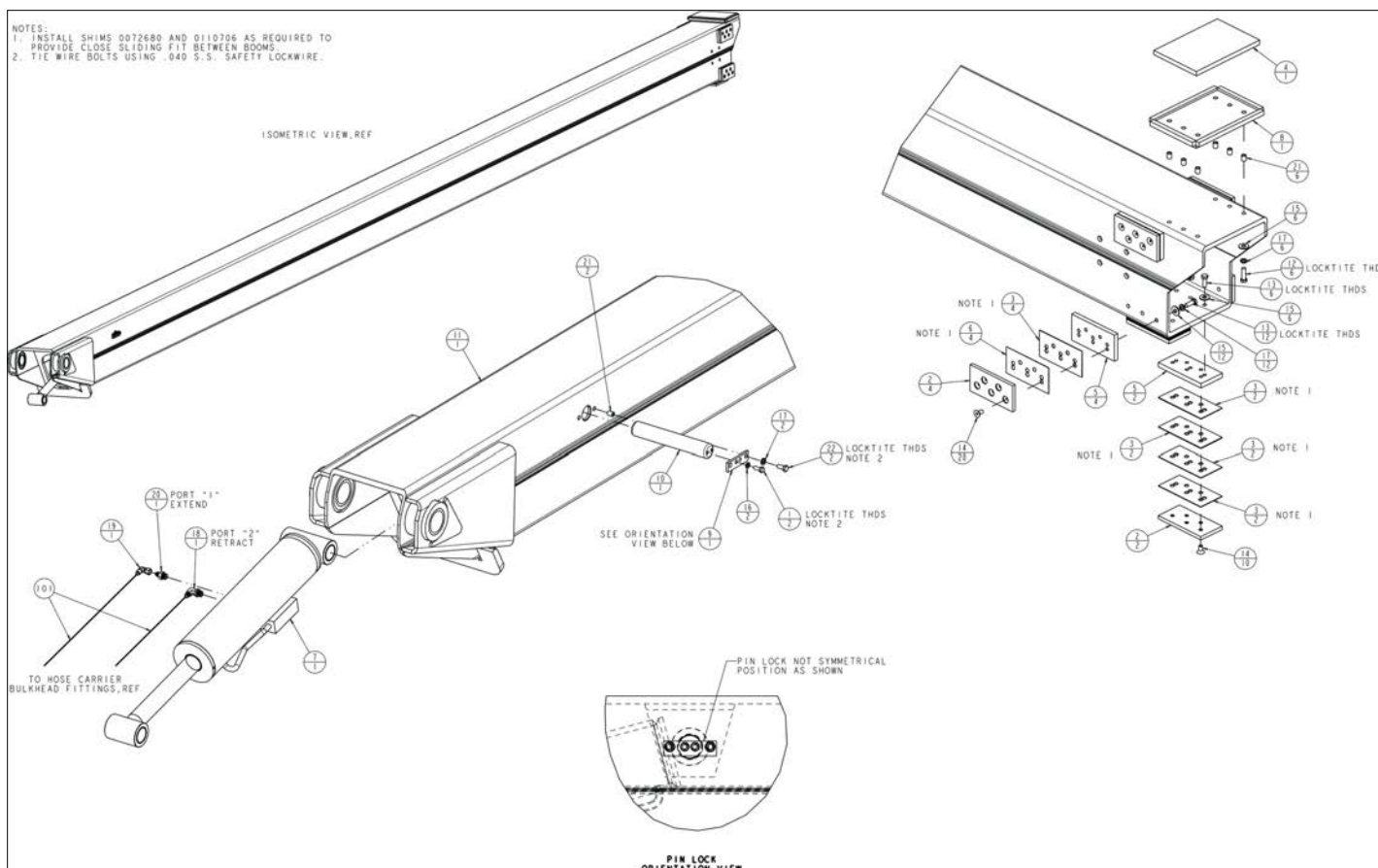


アイテム	部品番号	名前	数量	UOM
	0421437 B	HOSE CARRIER ASSEMBLY		EA
1	0101379	SL PAD 1.00 4.00 .25 2H	1	EA
2	0110590	TUBE CLAMP BAR W/BONDED RUBBER	1	EA
3	0150586	SPCR .465ID .500OD .750 STL	2	EA
4	0190631	SPCR 4.50OD .125 5H AL	1	EA
5	0190633	PLATE	1	EA
6	0190736	BRACKET MODIFIED END	1	EA
7	0420941	WLDMT SUPPORT TUBE	1	EA
8	0421127	WLDMT UPPER SUPPORT TUBE	1	EA
9	0421128	WLDMT LOWER SUPPORT TUBE	1	EA
10	970239	BLT HEXHD .313 18 .750 GR5	2	EA
11	970259	C.SCREW, 5/16 18 X 1" LG. HH	2	EA
12	970489	BLT HEXHD .375 16 1.50 GR5 PL	4	EA
13	970519	CAPSCREW 3/8 16 X 2 1/4" LG H.H.	2	EA
14	972509	FLSKTHD .375 X 2.00 ZINC PLTD	4	EA
15	986019	WSHR FLAT .250	2	EA
16	986269	WSHR FLAT .313	2	EA
17	986299	WASHER, FLAT, .375 STANDARD, PLATED	14	EA
18	5034401	FTG UN BHD STR 4S 4S STL 4 WTX	8	EA
19	5074401	FTG LKNT BHD 4 STL	8	EA
20	5560004	NUT LKG .250 20	2	EA
21	5560031	NUT HEX LKG .313 18	4	EA
22	5560033	.375 16UNC HEX LOCK NUT	10	EA
23	5560331	M.SCR, 184 20 1.0 F.H. SOC. CAD PL	2	EA
24	9920017	POWER TRACK LINK	65	EA



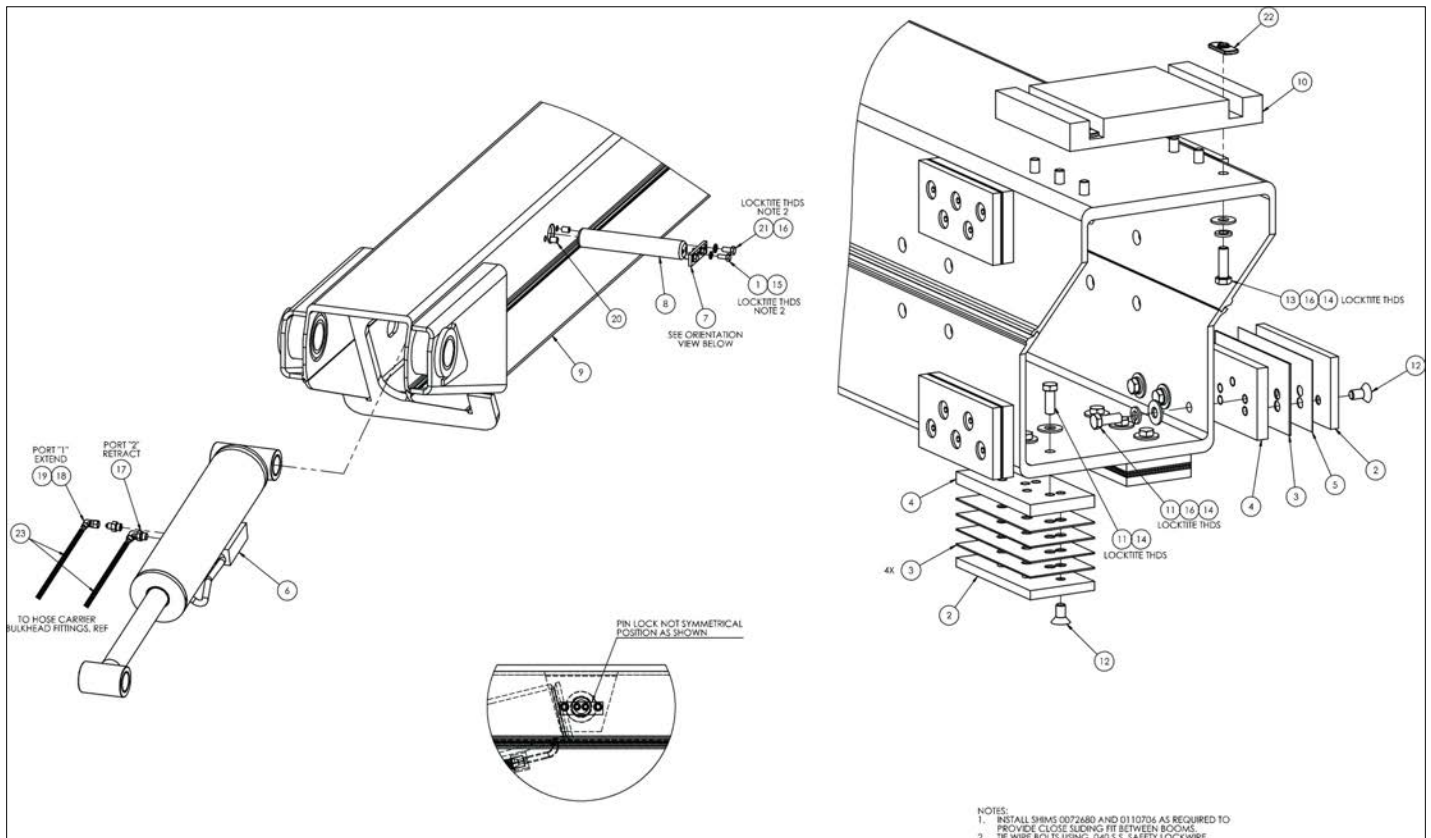
アイテム	部品番号	名前	数量	UOM
25	9920018	END BRKT HOSE CARRIER	1	EA
101	0161766	SL PAD 2.00 4.00 .375 2H	1	EA
102	0421113	WLDMT HOSE CARRIER COVER	1	EA
103	0421118	TIE STRAP TALL	2	EA
104	0421119	TIE STRAP SHORT	1	EA
105	0421415	WLDMT COVER	1	EA
106	970029	BLT .25 20 .750	10	EA
107	970269	BLT HEXHD .313 18 1.25 GR5 PLA	3	EA
108	972469	BLT FLSKTHD .375 16 X 1.00 GR	2	EA
109	986019	WSHR FLAT .250	10	EA
110	986269	WSHR FLAT .313	8	EA
111	986299	WASHER, FLAT, .375 STANDARD, PLATED	3	EA
112	5560004	NUT LKG .250 20	10	EA
113	5560031	NUT HEX LKG .313 18	3	EA
114	5560033	.375 16UNC HEX LOCK NUT	2	EA
115	5560127	THREAD INSERT .313 18 .312	3	EA
201	3010005	CABLE 18GA/19 CONDUCTOR	122FT	EA
203	3010006	CABLE 12GA/8 CONDUCTOR	122FT	EA
202	3010005	CABLE 18GA/19 CONDUCTOR	122FT	EA

REPAIR PARTS



アイテム	部品番号	名前	数量	UOM
	0420728 B	TIP BOOM ASSEMBLY OCTOBER 2014 AND BEFORE		EA
1	0070473	BLT HEXHD .313 18 .75 DR	2	EA
2	0070639	SLIDE PAD	6	EA
3	0072680	SHIM .060 3.00 6.00 8H AL	12	EA
4	0110695	SLIDE PAD	1	EA
5	0110701	SPACER	6	EA
6	0110706	SHIM (.030)	4	EA
7	0420188	CYL, 4.0 X 13.5 X 1.75	1	EA
8	0420271	PAD PLATE	1	EA
9	0420662	LOCK, 4 HOLE 1.50 PIN	1	EA
10	0420663	PIN, 1.50 X 9.00 GRIP	1	EA
11	0420738	WLDMT, TIP BOOM	1	EA
12	972479	BLT HEXHD .375 16 1.25 GR5	6	EA
13	970469	HHD BLT .375 16 X 1.00 GR5	18	EA
14	972449	M.SCR 3/8 16 3/4 SOC. CAD	30	EA
15	986299	WASHER, FLAT, .375 STANDARD, PLATED	24	EA
16	987109	WSHR LOCK .313	2	EA
17	987119	WSHR LOCK .375	20	EA
18	5035318	STRAIGHT THREAD 90 ° ELBOW	1	EA
19	5037003	FTG ELB90SWVL 4S 4S STL	1	EA
20	5065705	FTG ADPTR STRTHD 6B 4S STL	1	EA
21	5560015	3/8 THREADED INSERT	8	EA
22	5560215	BOLT HEXHD .375 16 .75 GR5	2	EA
101	0050137	HOSE 4 4S 4S 36 100R1	2	EA

REPAIR PARTS



アイテム	部品番号	名前	数量	UOM
	0420728 E	TIP BOOM ASSEMBLY NOVEMBER 2014 AND AFTER		EA
1	0070473	BLT HEXHD .313 18 .75 DR	2	EA
2	0070639	SLIDE PAD	6	EA
3	0072680	SHIM .060 3.00 6.00 8H AL	12	EA
4	0110701	SPACER	6	EA
5	0110706	SHIM (.030)	4	EA
6	0420188	CYL, 4.0 X 13.5 X 1.75	1	EA
7	0420662	LOCK, 4 HOLE 1.50 PIN	1	EA
8	0420663	PIN, 1.50 X 9.00 GRIP	1	EA
9	0420738	WLDMT, TIP BOOM	1	EA
10	0421713	BASE SLIDE PAD	1	EA
11	970469	HHD BLT .375 16 X 1.00 GR5	18	EA
12	972449	M.SCR 3/8 16 3/4 SOC. CAD	30	EA
13	972479	BLT HEXHD .375 16 1.25 GR5	6	EA
14	986299	WASHER, FLAT, .375 STANDARD, PLATED	24	EA
15	987109	WSHR LOCK .313	2	EA
16	987119	WSHR LOCK .375	20	EA
17	5035318	STRAIGHT THREAD 90 ° ELBOW	1	EA
18	5037003	FTG ELB90SWVL 4S 4S STL	1	EA
19	5065705	FTG ADPTR STRTHD 6B 4S STL	1	EA
20	5560015	3/8 THREADED INSERT	2	EA
21	5560215	BOLT HEXHD .375 16 .75 GR5	2	EA
22	5560244	NUT WELD TAB .375 16	6	EA
23	0050137	HOSE 4 4S 4S 36 100R1	2	EA



REPAIR PARTS

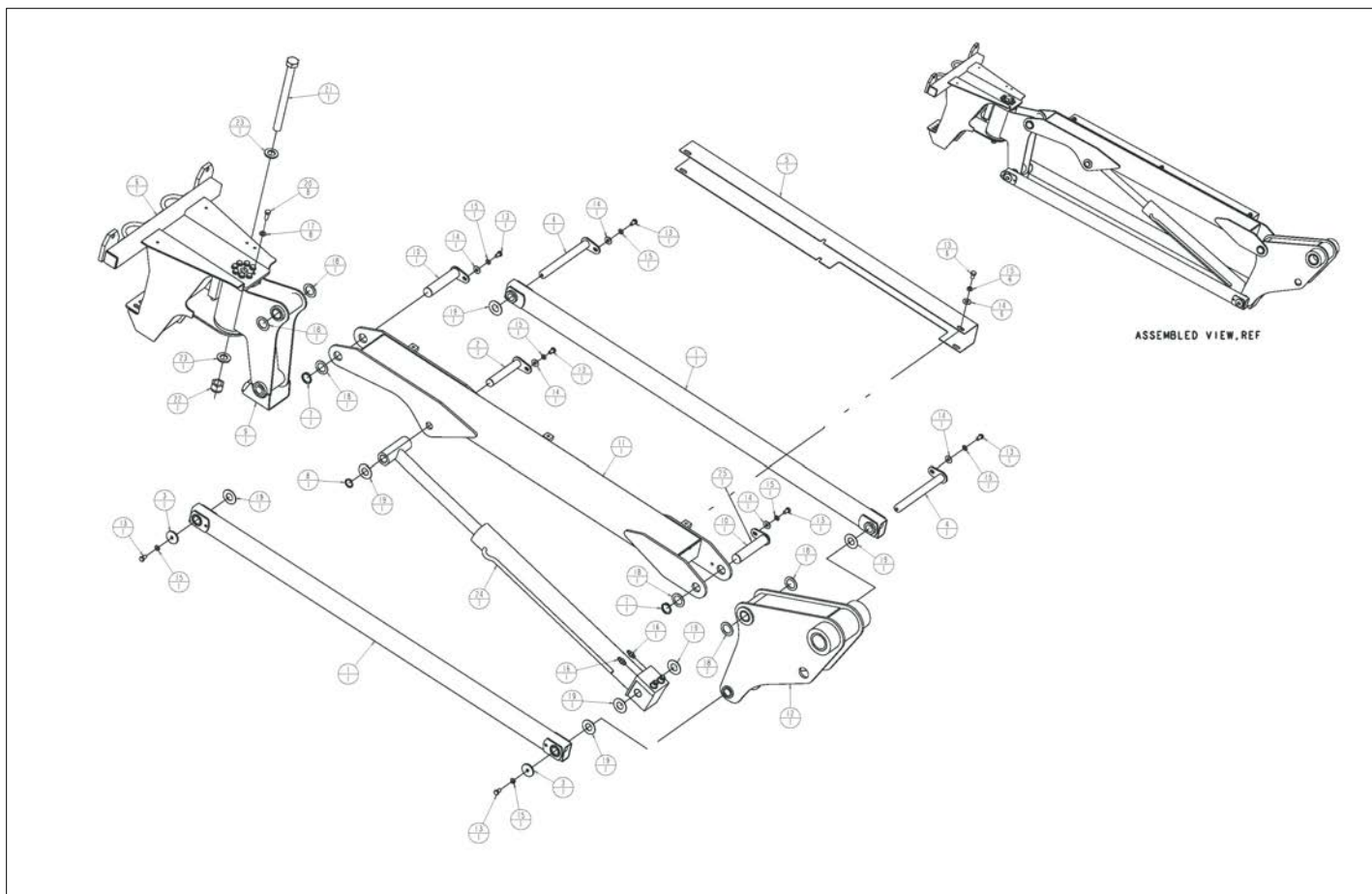


NO IMAGE AVAILABLE  
(BOM FOR REFERENCE ONLY)

アイテム	部品番号	名前	数量	UOM
	0421895 B	AB80J KUBOTA BOOM INSTALLATION		EA
1	0050400	HOSE 6 6S 6S 41 100R2	2	EA
2	0070033	PIN LOCK 2.00 DIA 2H	1	EA
3	0070473	BLT HEXHD .313 18 .75 DR	2	EA
4	0074365	110 POWER TO PLATFORM INSTALLATION	1	EA
5	0100271	HOSE 4 4S 4S 103 100R1	2	EA
6	0111286	HOSE 6 6S 6S 84 100R2	3	EA
7	0150604	ORIFICE .029	1	EA
8	0151918	ORIFICE, .035	2	EA
9	0420286	PIN 1.50 X 8.375 GRIP	1	EA
10	0420360	CAP END 3.0 PIN	1	EA
11	0420362	PIN 3.00 X 16.38 GRIP	1	EA
12	0420364	CAP, END 2.25 PIN	2	EA
13	0420369	PIN 2.50 X 13.500 GRIP	1	EA
14	0420726	WIRE ASSY MAIN BOOM AB85RJ	1	EA
15	0421896	ASSY PLATF CTRL BOX AB80J KU	1	EA
16	0421371	HOSE 8 8S 8S 457 100R17	1	EA
17	0421372	HOSE 12 12S 12S 539 100R17	1	EA
18	0421404	HOSE 4 4S 4S 435 100R17	1	EA
19	0421405	HOSE 4 4S 4S 555 100R17	1	EA
20	3044142	TERM, .250 TAB 12/10, MALE F.I.	1	EA
21	3044146	TERM R10I 22/18	1	EA
22	3044704	TERM STRIP (4) #10 STUD	2	EA
23	970449	HHD BLT .375 16 X .750 GR5	15	EA
24	5093006	CLP CUSH .937 VINYL COATED	1	EA
25	5093013	CLP CUSH 2.00 VINYL COATED	1	EA
26	5098343	SLEEVEHOSE ABRASION GRD 2.88 in	34	EA

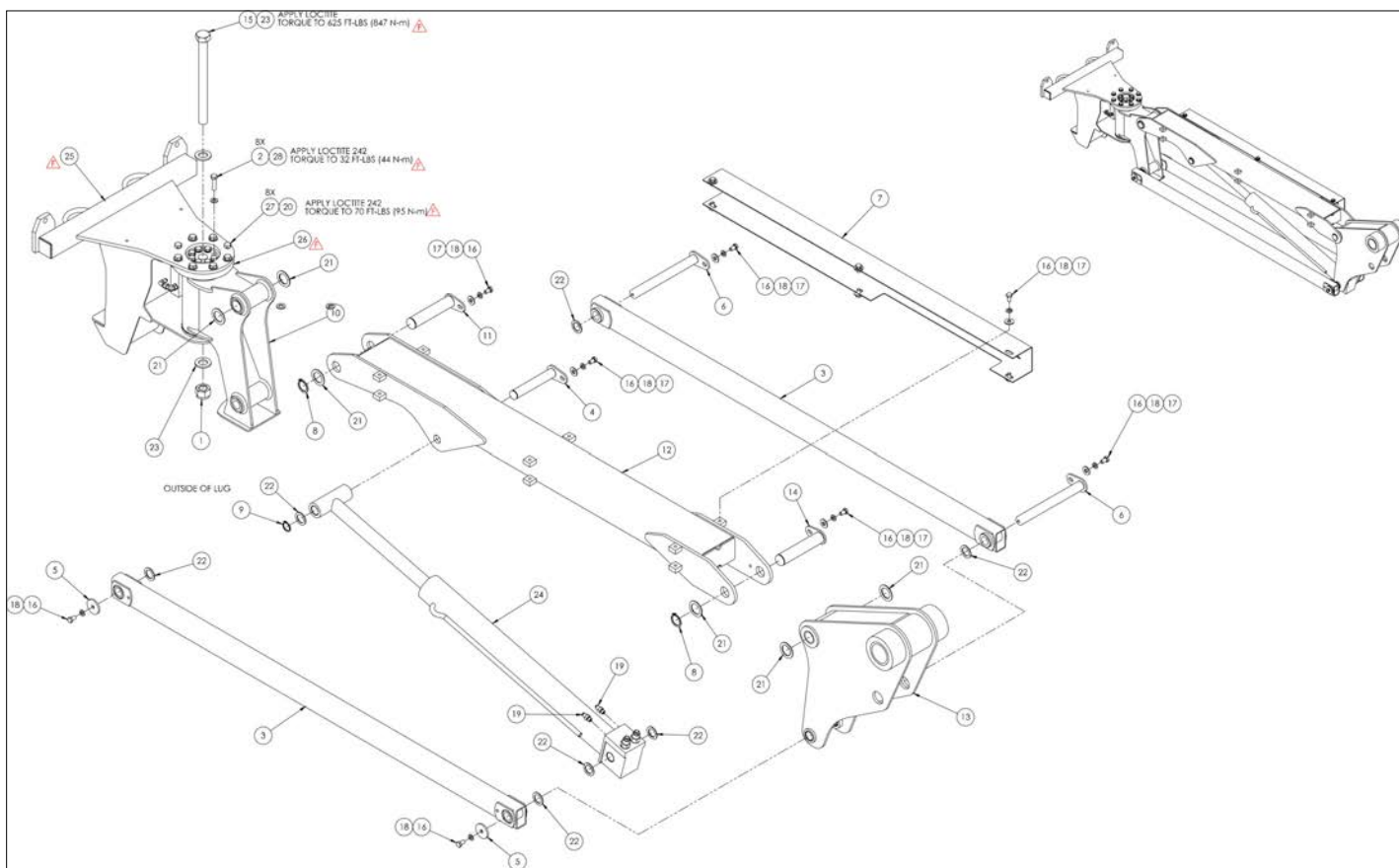
アイテム	部品番号	名前	数量	UOM
27	5560688	BSHG MCHRY 1.50ID 2.25OD 14GA	2	EA
28	0421138 1	ASSY REAR COVER	1	EA
29	0421196 1	PLATE HOSE RETAINER	2	EA
30	0421447 1	BRKT MAIN BOOM TERM STRIP	1	EA
31	0070772	3/8 I.D. HOSE ASSEMBLY	1	EA
32	986299	WASHER, FLAT, .375 STANDARD, PLATED	15	EA
33	987119	WSHR LOCK .375	15	EA
34	5093030	CLP CUSH 2.50 VINYL COATED	15	EA
35	5560636	BLT HEXHD .313 18 4.50 GR5	2	EA

REPAIR PARTS



アイテム	部品番号	名前	数量	UOM
	0420730 E	JIB ASSEMBLY AB80J JANUARY 2020 AND BEFORE		EA
1	0172199	LOWER JIB STRUT, WELDMENT	2	EA
2	0172213	WELDMENT 1.0 5.79 GRIP	1	EA
3	0172214	END CAP	2	EA
4	0172216	PIN TEARDROP 1.0 X 9.43	2	EA
5	0172231	COVER HOSE 5' JIB	1	EA
6	0172512	WLDMT MNT BRKT PLTFRM	1	EA
7	300541	1.25 SNAPRING	2	EA
8	300542	1.00 SNAPRING	1	EA
9	0420114	ASSEMBLY, ROTATOR PLATF	1	EA
10	0420124	PIN, TEARDROP 1.25 X 5.79 GRIP	2	EA
11	0420734	WELDMENT, UPPER ARM 5' JIB	1	EA
12	0420736	WLDMT QUAD BRACKET 1.25	1	EA
13	970439	BLTHHD .375 16 X .625 GR5	13	EA
14	986299	WASHER, FLAT, .375 STANDARD, PLATED	11	EA
15	987119	WSHR LOCK .375	13	EA
16	5065703	FTG ADPTR STRTHD 4B 4S STL	2	EA
17	056069 012	WASHER DIN125A M12 ZP	8	EA
18	5560712	MACH BSHG 1.25 ID X 1.88 OD X	6	EA
19	5560689	BUSHING MCHRY	7	EA
20	058508 025	HHCS M10 X 25MM GR10.9 DIN933	8	EA
21	5569989	BOLT 24MM 3.00P 280MM 10.9	1	EA
22	5569990	NUT LKG M24 3.0P	1	EA
23	5569991	WSHR FLAT HARD M24	2	EA
24	6047114	CYL, 31.53 LG, 24.45 STROKE	1	EA
25	0421711	WLDMT PIN 1.25 5.915 GRIP	1	EA

REPAIR PARTS

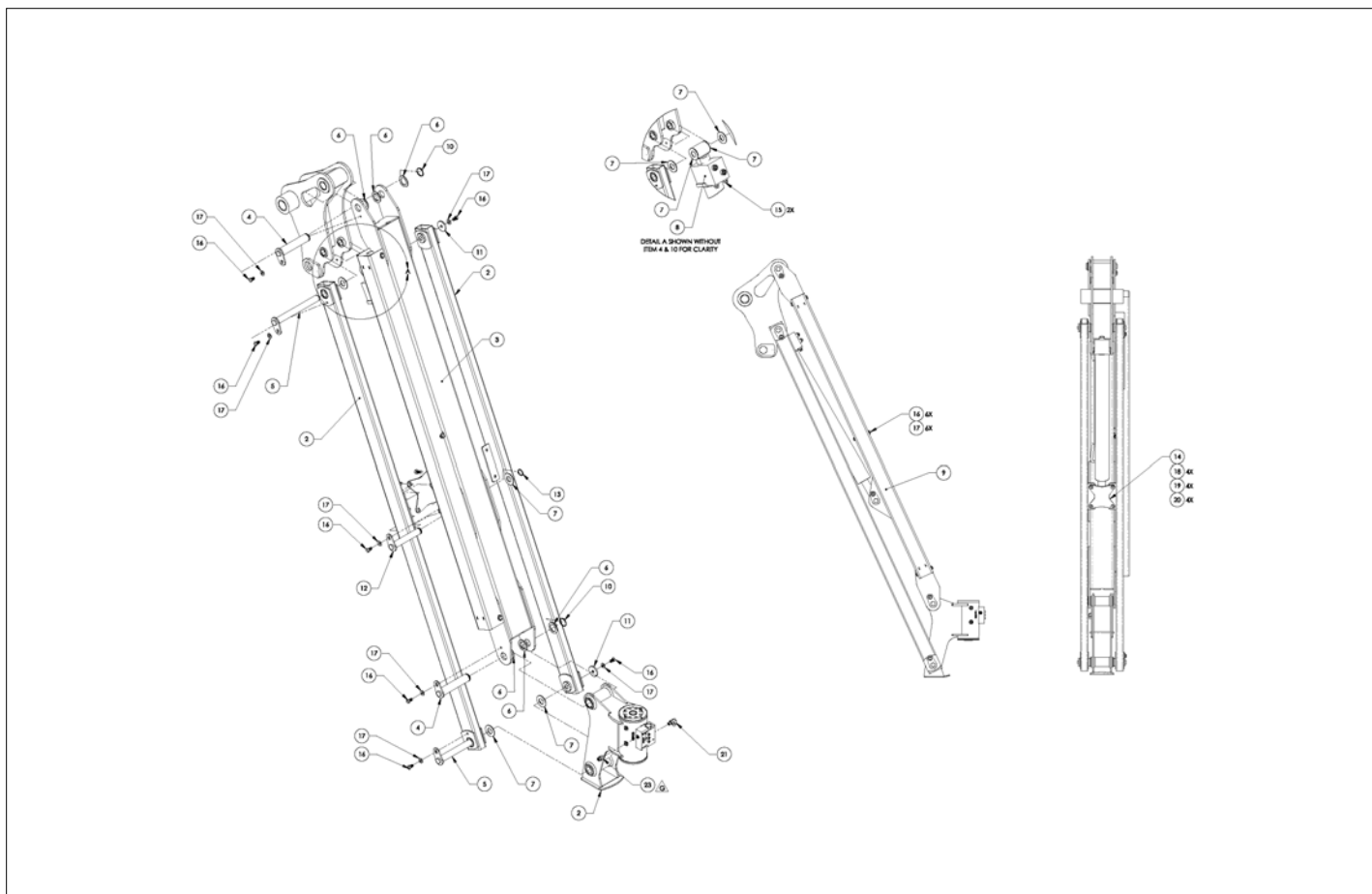


アイテム	部品番号	名前	数量	UOM
	0420730 F	JIB ASSEMBLY AB80J FEBURARY 2020 AND AFTER		EA
1	056066 024	Nut, NylockNut DIN985 M24 8.0	1	EA
2	058509 040	BOLT HEXBOLT DIN931 M12 X 40MM 10.9 DACROMET	8	EA
3	0172199 1	WLDMT LOWER JIB STRUT	2	EA
4	0172213	WELDMENT 1.0 5.79 GRIP	1	EA
5	0172214	END CAP	2	EA
6	0172216	PIN TEARDROP 1.0 X 9.43	2	EA
7	0172231 1	COVER HOSE 5' JIB WHITE	1	EA
8	300541	1.25 SNAPRING	2	EA
9	300542	1.00 SNAPRING	1	EA
10	0420114 1	ASSY ROTATOR PLATF	1	EA
11	0420124	PIN, TEARDROP 1.25 X 5.79 GRIP	1	EA
12	0420734 1	WLDMTJIBARM UPPER 5 FT 1.25	1	EA
13	0420736 1	WLDMT QUAD BRACKET 1.25	1	EA
14	0421711	WLDMT PIN 1.25 5.915 GRIP	1	EA
15	512649 280	BOLT,HexBolt,DIN931,M24 x 280m	1	EA
16	970439	BLTHHD .375 16 X .625 GR5	13	EA
17	986299	WASHER, FLAT, .375 STANDARD, PLATED	11	EA
18	987119	WSHR LOCK .375	13	EA
19	5065703	FTG ADPTR STRTHD 4B 4S STL	2	EA
20	056069 012	WASHER DIN125A M12 ZP	8	EA
21	5560712	MACH BSHG 1.25 ID X 1.88 OD X	6	EA
22	5560689	BUSHING MCHRY	7	EA
23	5569991	WSHR FLAT HARD M24	2	EA
24	6047114 3	CYL31.53LG X 24.45ST X 2.50BR	1	EA

アイテム	部品番号	名前	数量	UOM
25	113719	WLDMT MOUNT FRAME	1	EA
26	3030188	OVERLOAD SENSOR PLATE	1	EA
27	514160 035	Bolt, HexSetScrew DIN933 M12 x 35MM	8	EA
28	056069 010	Washer, SteelFlatWasher DIN125A M10 ZincPlated	8	EA
29	3030179	HARNESS OVERLOAS CABLE	1	EA

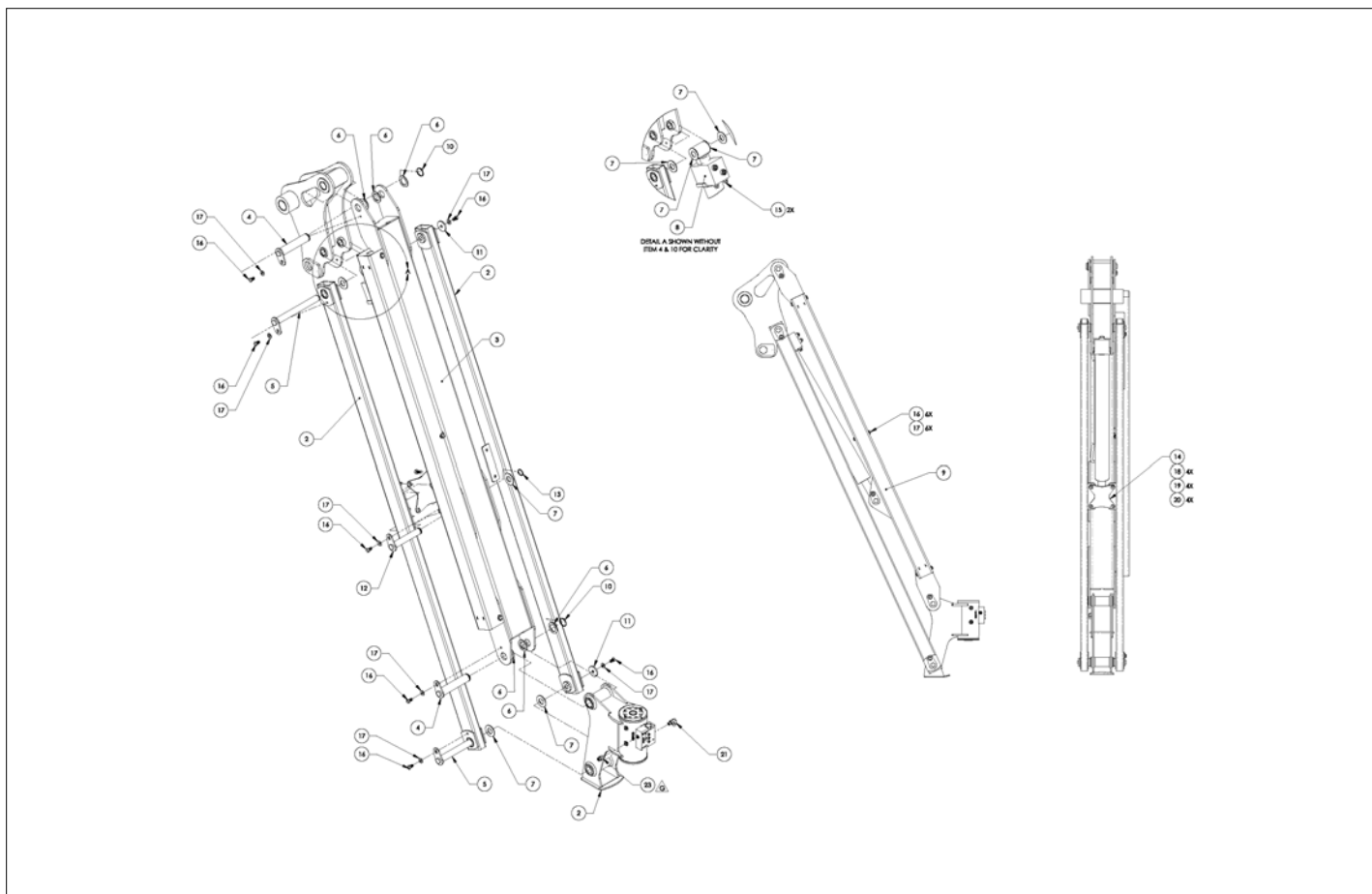


REPAIR PARTS



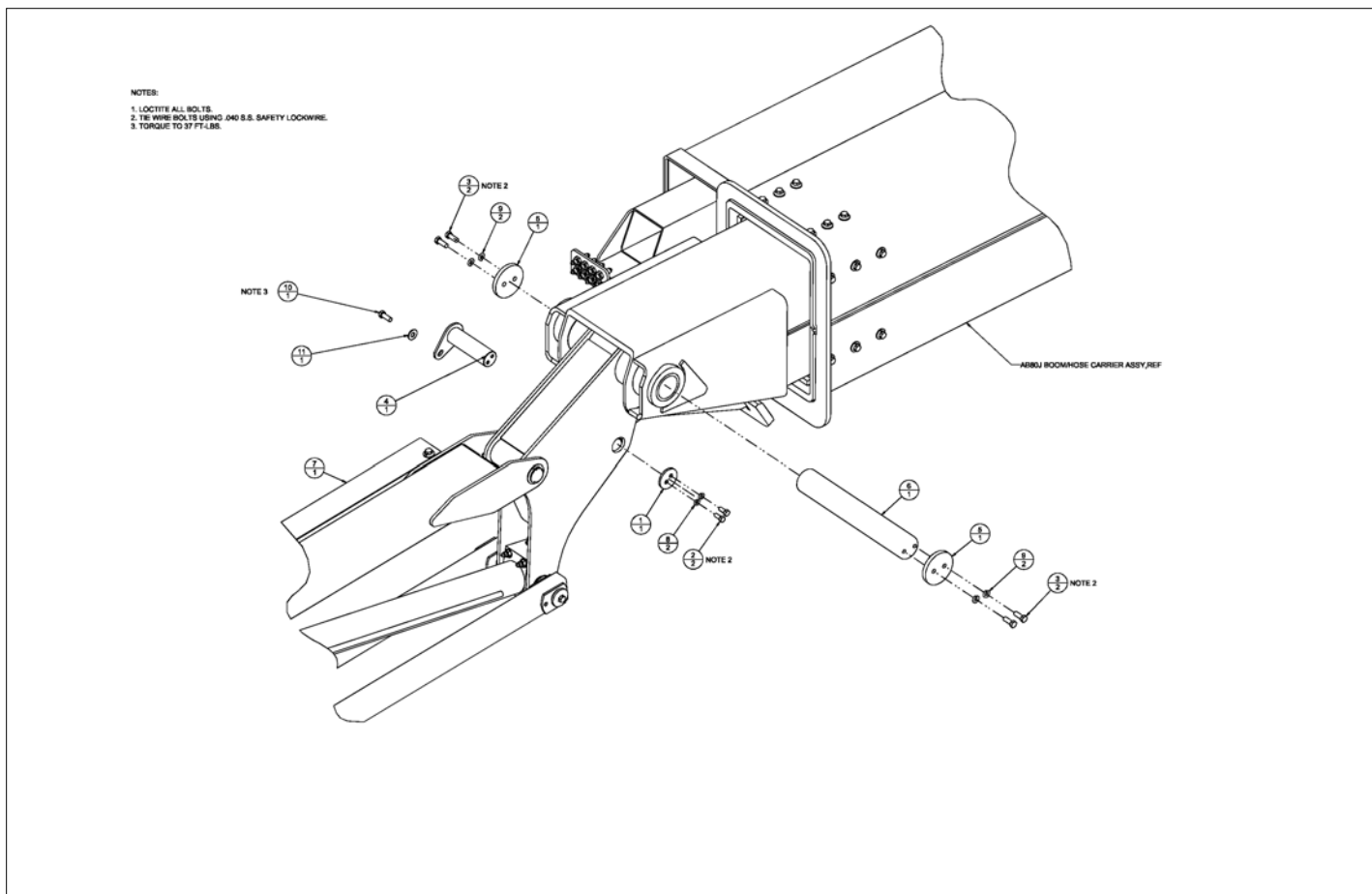
アイテム	部品番号	名前	数量	UOM
*	1430842G	JIB POLARIS 78 INCHES ASSEMBLY FEBURARY 2019 AND BEFORE		EA
1	0420732 1	WLDMT JIB ARM LOWER 7' JIB	2	EA
2	1432689	ACULATOR HELAC ROTATOR	1	EA
3	0420731 1	WLDMTUPPER JIB ARM 7' JIB	1	EA
4	1431664	PIN, 1.25 DIA X 5.915 GRIP	2	EA
5	0172216	PIN TEARDROP 1.0 X 9.43	2	EA
6	5560712	MACH BSHG 1.25 ID X 1.88 OD X	6	EA
7	5560713	MACH BSHG 1.00IDX2.00ODX.075	7	EA
8	0420111 3	CYLINDER JIB	1	EA
9	0420878 1	COVER HOSE 7' JIB	1	EA
10	300541	1.25 SNAPRING	2	EA
11	0172214	END CAP	2	EA
12	0172213	WELDMENT 1.0 5.79 GRIP	1	EA
13	300542	1.00 SNAPRING	1	EA
14	0420132 1	PLT TIE 7' JIB	1	EA
15	100432 004	Hyd Fitting Straight ORFS(04) SAE(06)	2	EA
16	970439	BLTHHD .375 16 X .625 GR5	13	EA
17	986299	WASHER, FLAT, .375 STANDARD, PLATED	13	EA
18	056064 010	Nut NylockNut DIN985 M10 10.0	4	EA
19	056069 010	Washer, SteelFlatWasher DIN125A M10 ZincPlated	4	EA
20	056060 025	HHD BLTM 10 1.5 X 25 GR8.8	4	EA
21	100434 002	FITTING 4MORFF X 4MORB 90 °	1	EA
22	1430860	QUADRANT ASSEMBLY	1	EA
23	100432 002	Hyd Fitting Straight ORFS(04) SAE(04)	1	EA

REPAIR PARTS



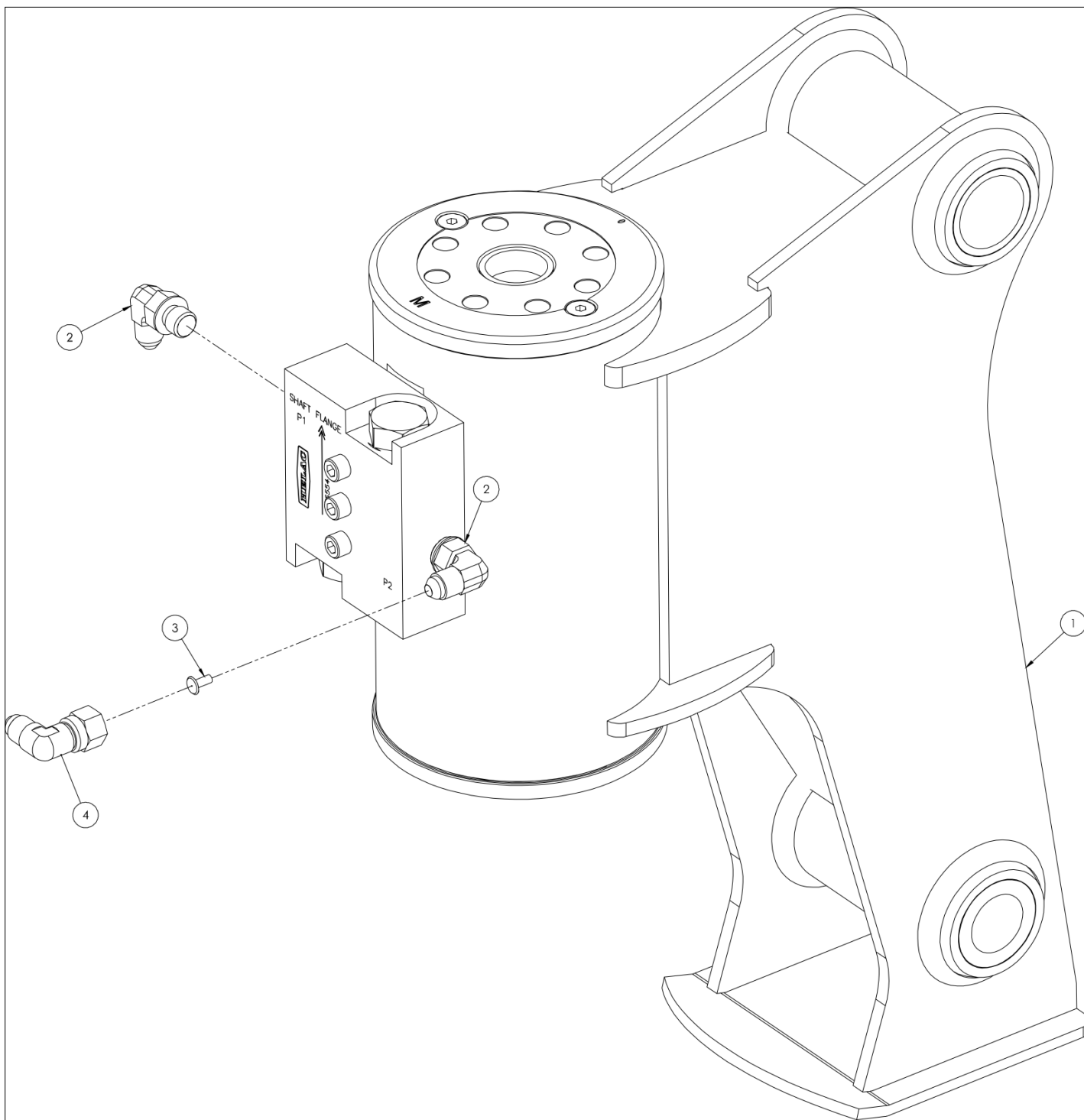
アイテム	部品番号	名前	数量	UOM
*	1430842 H	JIB POLARIS 78 INCHES ASSEMBLY FEBURARY 2019 AND AFTER		EA
1	0420732 1	WLDMT JIB ARM LOWER 7' JIB	2	EA
2	1432689 001	ROTARY ACTUATOR SUNJI	1	EA
3	0420731 1	WLDMTUPPER JIB ARM 7' JIB	1	EA
4	1431664	PIN, 1.25 DIA X 5.915 GRIP	2	EA
5	0172216	PIN TEARDROP 1.0 X 9.43	2	EA
6	5560712	MACH BSHG 1.25 ID X 1.88 OD X	6	EA
7	5560713	MACH BSHG 1.00IDX2.00ODX.075	7	EA
8	0420111 3	CYLINDER JIB	1	EA
9	0420878 1	COVER HOSE 7' JIB	1	EA
10	300541	1.25 SNAPRING	2	EA
11	0172214	END CAP	2	EA
12	0172213	WELDMENT 1.0 5.79 GRIP	1	EA
13	300542	1.00 SNAPRING	1	EA
14	0420132 1	PLT TIE 7' JIB	1	EA
15	100432 004	Hyd Fitting Straight ORFS(04) SAE(06)	2	EA
16	970439	BLTHHD .375 16 X .625 GR5	13	EA
17	986299	WASHER, FLAT, .375 STANDARD, PLATED	13	EA
18	056064 010	Nut NylockNut DIN985 M10 10.0	4	EA
19	056069 010	Washer, SteelFlatWasher DIN125A M10 ZincPlated	4	EA
20	056060 025	HHD BLTM 10 1.5 X 25 GR8.8	4	EA
21	100434 002	FITTING 4MORFF X 4MORB 90 °	1	EA
22	1430860	QUADRANT ASSEMBLY	1	EA
23	100432 002	Hyd Fitting Straight ORFS(04) SAE(04)	1	EA

REPAIR PARTS



アイテム	部品番号	名前	数量	UOM
	0421008 C	JIB INSTALL 5FT FIXED		EA
1	0070033	PIN LOCK 2.00 DIA 2H	1	EA
2	0070473	BLT HEXHD .313 18 .75 DR	2	EA
3	0150248	BLT HEXHD .375 16 1.00 DR	4	EA
4	0172228	WLDMT PIN 1.50 4.94 GRIP	1	EA
5	0420364	CAP, END 2.25 PIN	2	EA
6	0420659	PIN, DIA 2.25 X 13.88 GRIP	1	EA
7	0420730	JIB ASSEMBLY AB80J	1	EA
8	987109	WSHR LOCK .313	2	EA
9	987119	WSHR LOCK .375	4	EA
10	5563045	BLT HEX HD .375 16 X 1.00 GR 5	1	EA
11	5563046	WSHR FLAT HARD .375	1	EA

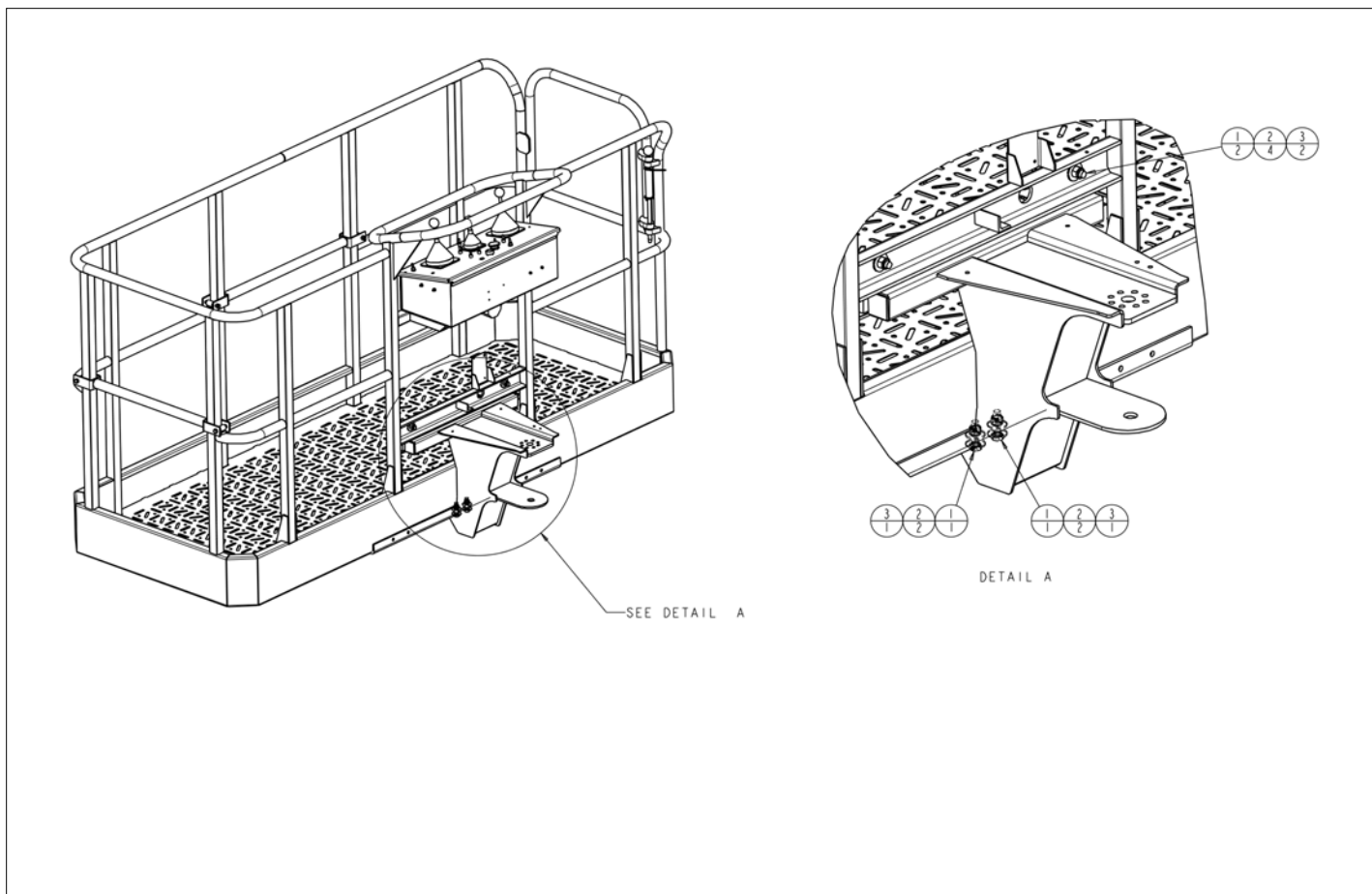
REPAIR PARTS



アイテム	部品番号	名前	数量	UOM
*	0420114 E	PLATFORM ROTATOR ASSEMBLY		EA
1	1432689	ACULATOR HELAC ROTATOR	1	EA
	2500051	BASE END BRG 1.25ID X 1.50OD (10001174 FISHER CYL)	2	EA
	2509677	BUSHING BOTTOM	2	EA
	8080152	SEAL KIT	1	EA
2	5035303	FTG ELB90STRTHD 4B 4S STL	2	EA
3	0020356	ORIFICE	1	EA
4	5037003	FTG ELB90SWVL 4S 4S STL	1	EA



REPAIR PARTS



アイテム	部品番号	名前	数量	UOM
Not Shown	A42013A A	PLATFORM INSTALLATION – HELAC ROTATOR		EA
1	970919	BLT HEXHD .500 13 1.75 GR5	4	EA
2	986359	FLATWASHER 1/2"	8	EA
3	5560039	NUT HEX LKG .500 13	4	EA

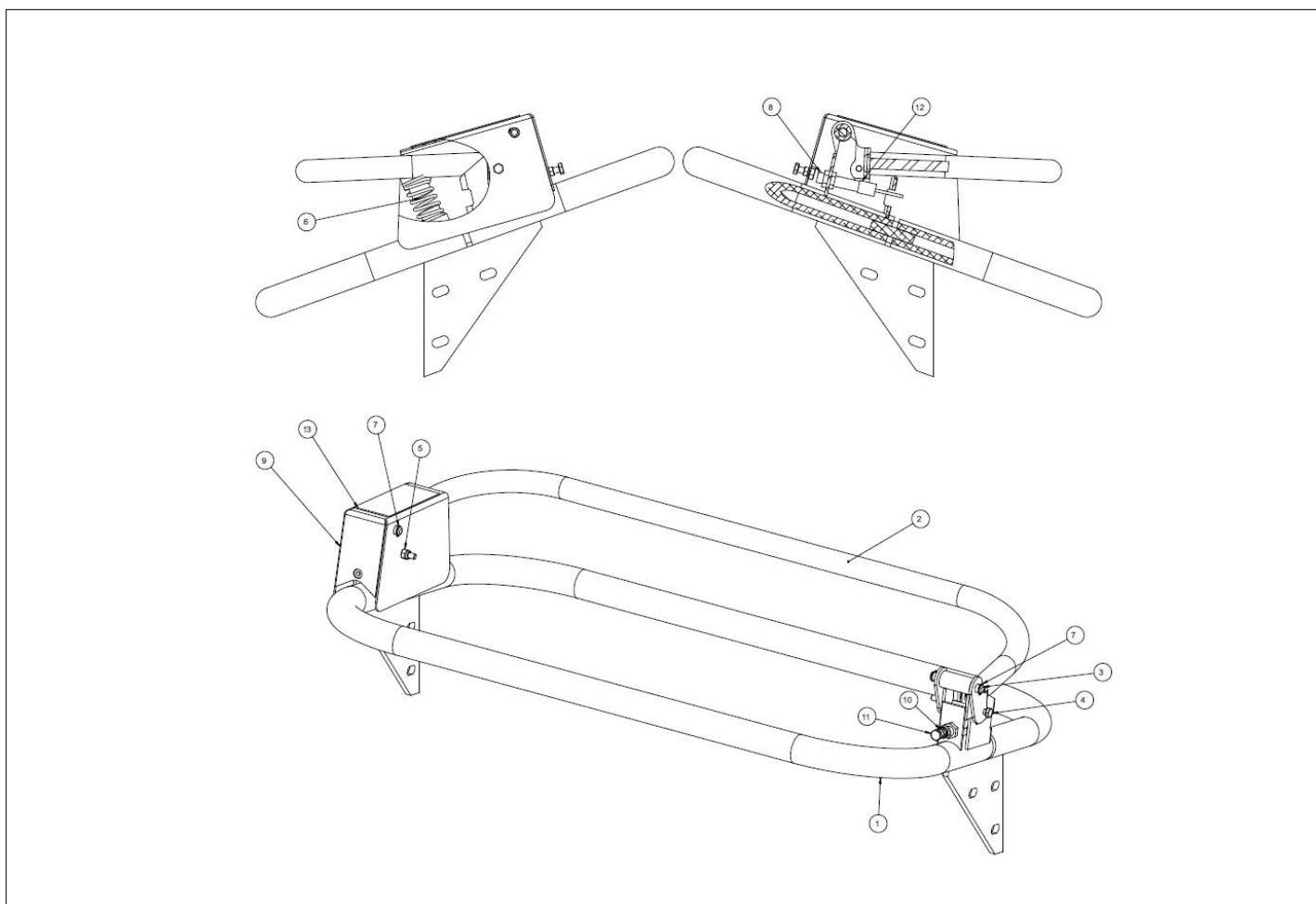
REPAIR PARTS

**NO IMAGE AVAILABLE  
(BOM FOR REFERENCE ONLY)**

アイテム	部品番号	名前	数量	UOM
	0113813 E	PLATFORM ASSEMBLY 36 X 96 STEEL DOUBLE HANDRAIL ON PADDING SEPTEMBER 2017 AND AFTER		EA
1	0070901	Serial Number Plate, US Machines	1	EA
2	0071425	PLACARD, PLATFORM IDENTIF	1	EA
3	0071837	TORSION SPRING BASKET MODIF.	1	EA
4	0071953 8	SPCR .451ID .500OD 1.88 STL	4	EA
5	0075372	PLAC PLAT CAP 500LBS 2 PERSONS	1	EA
6	0090589E	PLACARD	3	EA
7	0112132	DECAL/PLAC TB80 PLATFORM (NOT SHOWN)	1	EA
8	0150509	ROLLER	4	EA
9	0420199 5	WLDMT GATE GRAVITY SIDE 36X96	1	EA
10	0420632	PIN 0.50 4.859 GRIP	1	EA
11	0421321 5	WLDMT GG FRONT 36X96 STL PLAT	1	EA
12	0421519 5	PLT LATCH MNT SWING GATE	1	EA
13	0421529 5	WLDMT STRIKER SWING GATE	1	EA
14	1430099 5	WLDMT STRIKE GATE SWING	1	EA
15	1430378 5	WLDMT PLATF BUMP FRAME MOD	1	EA
16	2572007	BRG .500ID .625OD .625	4	EA
17	2667500	95 BALL KNOB 1 3/8 X 1/2 13	1	EA
18	300492	LATCH LH TRAY ROTARY LOCK	1	EA
19	302555	KNOB ROUND .25 20NC FEMALE DIM	1	EA
20	5010007	HOSE VACUUM .156 ID 4.0MM	0.32	EA
21	5560031	NUT HEX LKG .313 18	4	EA
22	5560033	.375 16UNC HEX LOCK NUT	10	EA

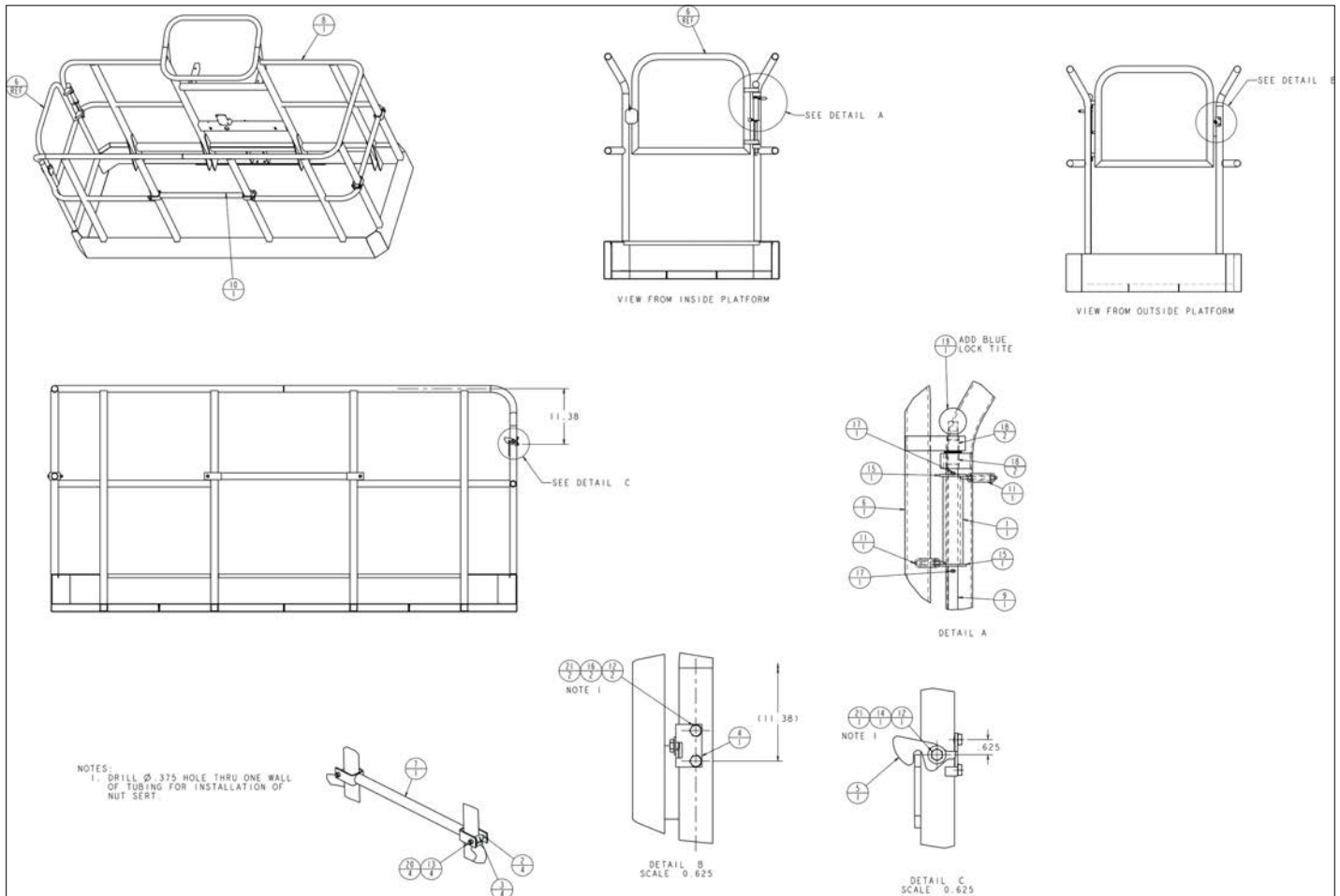
アイテム	部品番号	名前	数量	UOM
23	5560039	NUT HEX LKG .500 13	4	EA
24	5560696	BLT HEXHD .375 16 1.12 GR5	6	EA
25	5563310	HWH .25 14 SELF DRILLING X .75	16	EA
26	5569865	BLT HEXHD .375 16 2.75 GR5	4	EA
27	970009	Capscrew 1/4 20 x 1/2 inch lon	1	EA
28	970239	BLT HEXHD .313 18 .750 GR5	2	EA
29	970279	BLT HEXHD .313 18 1.50 GR5	2	EA
30	970919	BLT HEXHD .500 13 1.75 GR5	4	EA
31	972259	BLT FLSKTHD .313 18 1.00	2	EA
32	986269	WSHR FLAT .313	4	EA
33	986299	WASHER, FLAT, .375 STANDARD, PLATED	12	EA
34	986359	FLATWASHER 1/2"	2	EA
35	987109	WSHR LOCK .313	2	EA
36	988179	COTTER PIN, 1/8 DIA. X 1" LG.	2	EA
37	A42013A	INSTL PLATFORM	1	EA
38	5560004	NUT LKG .250 20	20	EA
39	970029	BLT .25 20 .750	20	EA
40	986019	WSHR FLAT .250	20	EA
41	0113531 5	ASSY SNORKEL GUARD	1	EA
42	8060311	PLATE GRIPSTRUT 8FT	3	EA

REPAIR PARTS



アイテム	部品番号	名前	数量	UOM
	0113531 F	SNORKEL GUARD ASSEMBLY	1	EA
1	0113519	WLDMT, SNORKEL GUARD	1	EA
2	0113529	WLDMT ACTIVATION BAR	1	EA
3	0113528	PIN .375 X 2.31 GRIP	2	EA
4	056058 070	Bolt, HexBolt DIN931 M6 x 70mm	2	EA
5	056066 006	Nut NylockNut DIN985 M6 8.0 Zi	2	EA
6	0113530	SPRING ANTI ENTRAPMENT	1	EA
7	5592018	SNAP RING .375 DIA EXT	4	EA
8	3028844	IFS241 (IFM PROXY)	1	EA
9	0113538	WLDMT SHEILD	2	EA
10	984069	NUT HEX .250 20	1	EA
11	970029	BLT .25 20 .750	1	EA
12	3014753	SNORKEL GUARD SENSOR (CABLE, M12 X 2M L)	1	M
13	7030163	DECAL SNORKEL GUARD OVERRIDE OPERATION	1	EA
Not Shown	7030161	DECAL, SNORKEL GUARD OVERRIDE	1	EA

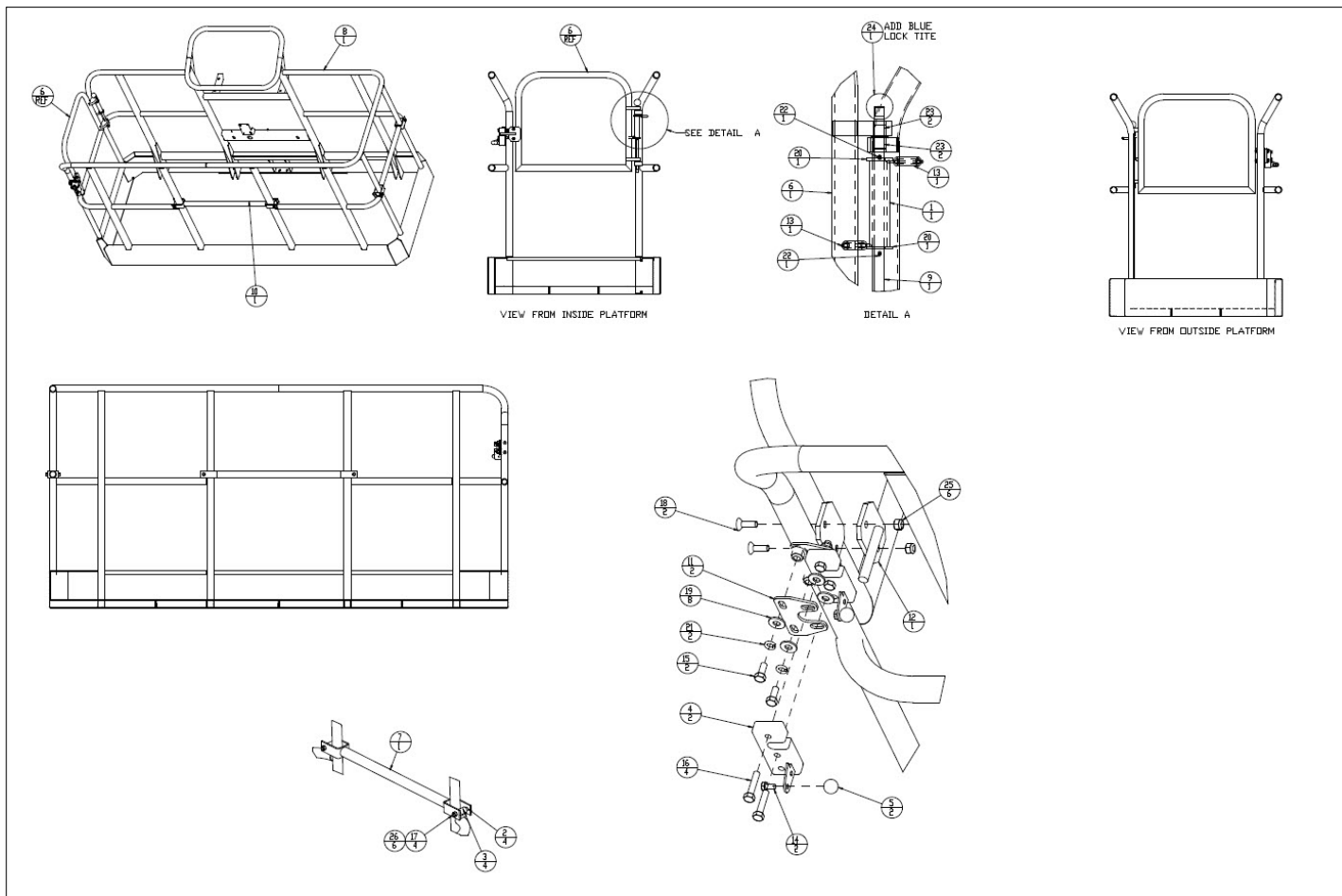
REPAIR PARTS





アイテム	部品番号	名前	数量	UOM
	0420240 F	36X96 STEEL PLATFORM ASSEMBLY SWING GATE AND GRAVITY GATE JULY 2007 AND BEFORE		EA
1	0071837	TORSION SPRING BASKET MODIF.	1	EA
2	0071953	SPCR .451ID .500OD 1.88 STL	4	EA
3	0150509	ROLLER	4	EA
4	0161472	LATCH STOP (SWING GATE FOR 5FT AND 8FT ALUMINUM PLATFORMS)	1	EA
5	300891	DOOR LATCH (FULL HEIGHT SWINGING GATE FOR 8FT STEEL PLATFORMS)	1	EA
6	0420198	WLDMT, GATE SWING SIDE	1	EA
7	0420199	WLDMT, GATE GRAVITY SIDE	1	EA
8	FACTORY	WELDMENT, PLATFORM STL 36 X 96 SG & 2X GG (CONSULT FACTORY)	1	EA
9	0420632	PIN 0.50 4.859 GRIP	1	EA
10	0421321	WLDMT, GG FRONT 36x96 STL PLAT	1	EA
11	967299	HOESAE30R2 04 TYPE 3 1/4 in ID FUEL LINE	3"	EA
12	970029	BLT .25 20 .750	3	EA
13	970539	BLT HEXHD .375 16 2.75 GR 5	4	EA
14	986019	WSHR FLAT .250	1	EA
15	986359	FLATWASHER 1/2"	2	EA
16	987099	WSHR LOCK .250	2	EA
17	988179	COTTER PIN, 1/8 DIA. X 1" LG.	2	EA
18	2572007	BRG .500ID .625OD .625	4	EA
19	2667500	95 BALL KNOB 1 3/8 X 1/2 13	1	EA
20	5560033	.375 16UNC HEX LOCK NUT	4	EA
21	5560603	NUTSERT .250 20 GRIP .260 .390	3	EA

REPAIR PARTS



アイテム	部品番号	名前	数量	UOM
	0420240 J	STEEL PLATFORM ASSEMBLY JULY 2007 AND AFTER		EA
1	0071837	TORSION SPRING BASKET MODIF.	1	EA
2	0071953	SPCR .451ID .500OD 1.88 STL	4	EA
3	0150509	ROLLER	4	EA
4	300492	LATCH LH TRAY ROTARY LOCK	2	EA
5	302555	KNOB ROUND .25 20NC FEMALE DIM	2	EA
6	0420198	WLDMT, GATE SWING SIDE	1	EA
7	0420199	WLDMT, GATE GRAVITY SIDE	1	EA
8	PNNA	WELDMENT, PLATFORM STL 36 X 96 SG & 2X GG (CONSULT FACTORY)	1	EA
9	0420632	PIN 0.50 4.859 GRIP	1	EA
10	0421321	WLDMT, GG FRONT 36x96 STL PLAT	1	EA
11	0421519 5	PLT LATCH MNT SWING GATE	2	EA
12	0421529 5	WLDMT STRIKER SWING GATE	1	EA
13	5010007	HOSE VACUUM .156 ID 4.0MM	3"	EA
14	970009	Capscrew 1/4 20 x 1/2 inch lon	2	EA
15	970239	BLT HEXHD .313 18 .750 GR5	2	EA
16	970279	BLT HEXHD .313 18 1.50 GR5	4	EA
17	5569865	BLT HEXHD .375 16 2.75 GR5	4	EA
18	972259	BLT FLSKTHD .313 18 1.00	2	EA
19	986269	WSHR FLAT .313	8	EA
20	986359	FLATWASHER 1/2"	2	EA
21	987109	WSHR LOCK .313	2	EA
22	988179	COTTER PIN, 1/8 DIA. X 1" LG.	2	EA
23	2572007	BRG .500ID .625OD .625	4	EA
24	2667500	95 BALL KNOB 1 3/8 X 1/2 13	1	EA
25	5560031	NUT HEX LKG .313 18	6	EA

アイテム	部品番号	名前	数量	UOM
26	5560033	.375 16UNC HEX LOCK NUT	6	EA
Not Shown	5563055	BLT BTNHD .375 16 2.00	2	EA

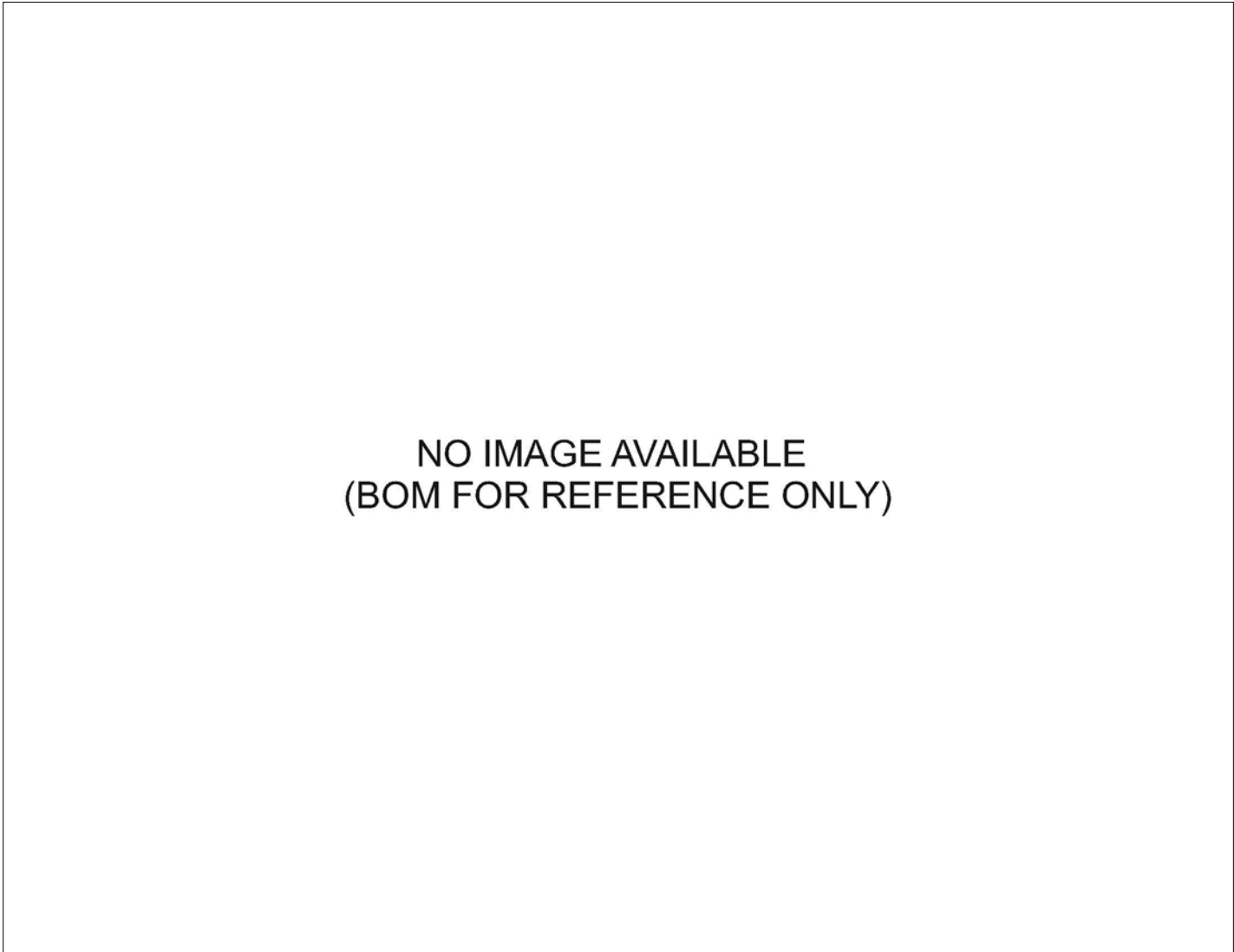
REPAIR PARTS



NO IMAGE AVAILABLE  
(BOM FOR REFERENCE ONLY)

アイテム	部品番号	名前	数量	UOM
	0421897 B	DECAL PLACARD INSTALLATION AB80J ANSI KUBOTA		EA
1	0071926	DECAL, DIESEL FUEL	1	EA
2	0074913	DECAL 4X4 LOGO	2	EA
3	0075563	DECAL DO NOT USE ETHER CU T3	1	EA
4	0075564	PLAC COLDSTART GLOW PLUG (GROU	1	EA
5	0075767	Placard, Carb Compliant	1	EA
6	0084213	PLAC COLDSTART GLOW PLUGS (PLATFORM)	1	EA
7	0151410	DECAL, DANGER ROTATING PARTS	3	EA
8	0420453	MANUAL OPERATOR AB85J	1	EA
9	0421080	DECAL/PLAC LOGO & SYMBOLS AB80	1	EA
10	0421081	DECAL/PLAC COMMON AB80J	1	EA
11	0421082	DECAL/PLAC HRDWR AB80J	1	EA
12	7030003	DECAL, LUBE RECOMMENDATIONS	1	EA
13	A42005E	INSTALLATION DECAL & PLACARD A	1	EA
14	0361367	MANUAL RSPNSBLTY A92.6	1	EA
15	0361367	MANUAL RSPNSBLTY A92.6	1	EA

REPAIR PARTS



アイテム	部品番号	名前	数量	UOM
	0421021 C	DECAL PLACARD INSTALLATION A80J ANSI CUMMINS		EA
1	0071926	DECAL, DIESEL FUEL	1	EA
2	0074913	DECAL 4X4 LOGO	2	EA
3	0075563	DECAL DO NOT USE ETHER CU T3	1	EA
4	0075564	PLAC COLDSTART GLOW PLUG (GROU	1	EA
5	0084213	PLAC COLDSTART GLOW PLUGS (PLATFORM)	1	EA
6	0151410	DECAL, DANGER ROTATING PARTS	3	EA
7	0420453	MANUAL OPERATOR AB85J	1	EA
8	0421080	DECAL/PLAC LOGO & SYMBOLS AB80	1	EA
9	0421081	DECAL/PLAC COMMON AB80J	1	EA
10	0421082	DECAL/PLAC HRDWR AB80J	1	EA
11	7030003	DECAL, LUBE RECOMMENDATIONS	1	EA
12	A42005E	INSTALLATION DECAL & PLACARD A	1	EA
13	0361367	MANUAL RSPNSBLTY A92.6	1	EA



REPAIR PARTS

Table with 4 columns: ITEM, PART NO., DESCRIPTION, REGR. Rows include 703, 708, 781, 786.

OPTION PARTS

Table with 4 columns: ITEM, PART NO., DESCRIPTION, REGR. Row includes 601, 6071905.

GM PARTS

Table with 4 columns: ITEM, PART NO., DESCRIPTION, REGR. Row includes 501, 0071906P.

DZ PARTS

Table with 4 columns: ITEM, PART NO., DESCRIPTION, REGR. Rows include 0084213P, 0073564P, 0073563P, 0071966P.

CU PARTS

Table with 4 columns: ITEM, PART NO., DESCRIPTION, REGR. Row includes 301, 0274913.

4X4 PARTS

Table with 4 columns: ITEM, PART NO., DESCRIPTION, REGR. Rows include 203, 202, 200, 201.

ABS,RT PARTS

Table with 4 columns: ITEM, PART NO., DESCRIPTION, REGR. Rows include 102, 101, 108.

A80J PARTS

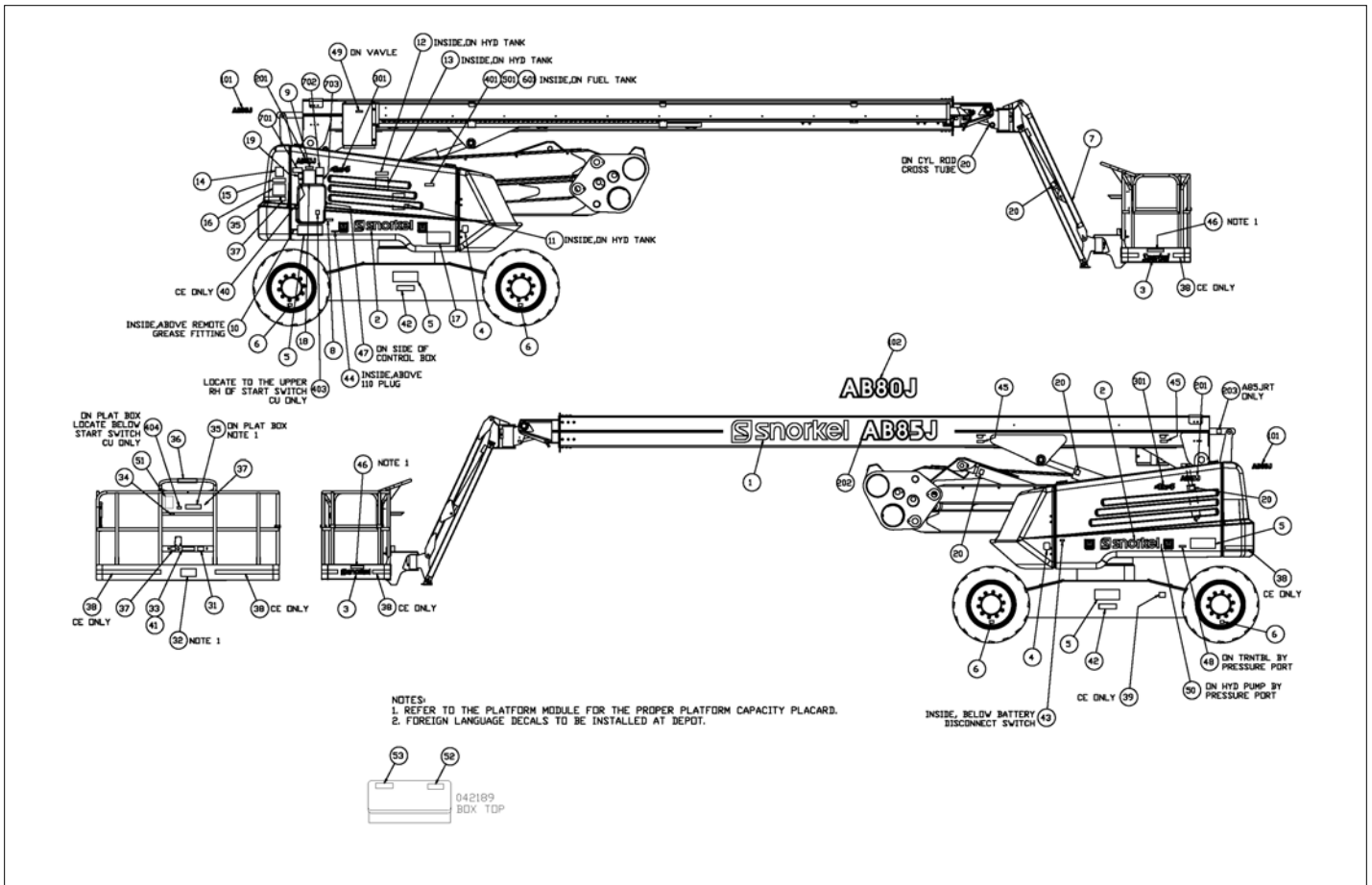
Table with 4 columns: ITEM, PART NO., DESCRIPTION, REGR. Rows include 102, 101, 108.

Main table with 7 columns: ITEM, PART NO., DESCRIPTION, REGR. Rows include 062309P, 062308P, 007253P, etc.

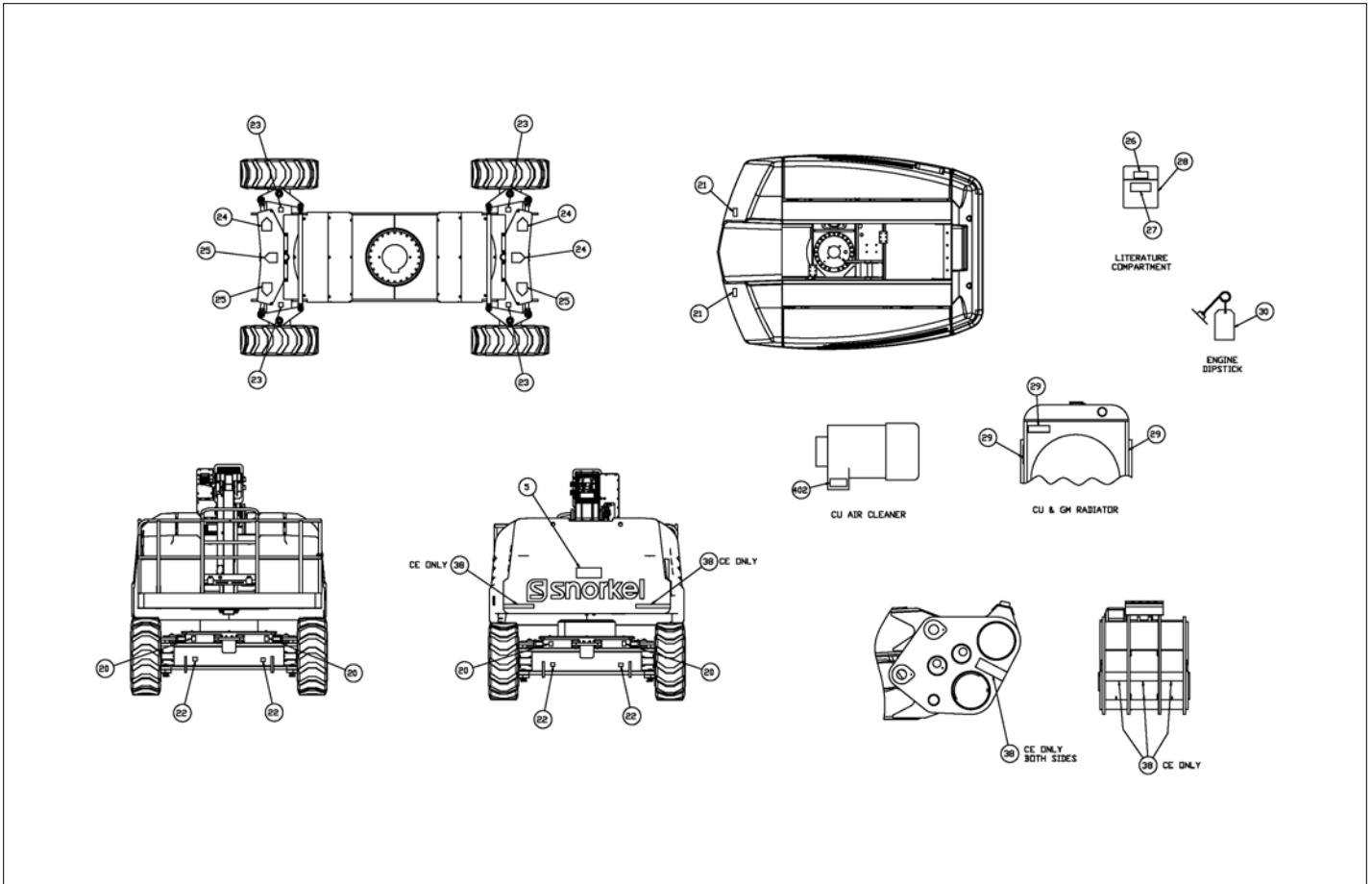
BDM-0421021 (A80J)  
BDM-0421022 (ABS,RT)  
BDM-0421300 (ABS,RJCE)  
BDM-0421858 (AB80J/85J) SPANISH CE

Continuation of the main table with 7 columns: ITEM, PART NO., DESCRIPTION, REGR. Rows include 53, 52, 51, 50, etc.

アイテム	部品番号	名前	数量	UOM
	A42005E H	PLACARD DECAL INSTALLATION A80J AB85RJ		EA
1	0083733	DECAL, SNORKEL BRAND LOGO 10.0	1	EA
2	0074908	Decal, Snorkel Brand Logo	3	EA
3	569295	DECAL, SNORKEL BRAND LOGO 3.00	2	EA
4	0073585	DECAL MADE IN USA	2	EA
5	0323896	DECAL DNGR ELEC HAZARD	5	EA
6	0072276	Placard, lug nut torque	4	EA
7	0323899	Decal, danger electrical hazar	1	EA
8	0073491	Decal, safe operation information	1	EA
9	0181562	Decal, Amchine Complies With ANSI (USA Only)	1	EA
10	0073492	Decal, rotate while greasing	1	EA
11	0421042	DECAL EMER BLEED DOWN	1	EA
12	0071927	DECAL, HYDRAULIC OIL	1	EA
13	7030003	DECAL, LUBE RECOMMENDATIONS	REF	EA
14	0323897	Decal, Must Not Operate	1	EA
15	0074209	PLACARD, PRE START INSTRUCTION	1	EA
16	0074210	DECAL, DANGER ELEC/TIP HAZARD	1	EA
17	0421354	DECAL LIFT/TIE DOWN LCTN	1	EA
18	0070901	Serial Number Plate, US Machines	1	EA
19	0074372	PLACARD, ENGINE RPM	1	EA
20	0074311	DECAL DANGER CYLINDER FAILURE	9	EA
21	0150602	DECAL DANGER DESCENDING BOOM	2	EA
22	0083427	Decal, Lifting/Tie Down	4	EA
23	0421043	DECAL WHEEL LOADING	4	EA



アイテム	部品番号	名前	数量	UOM
24	0070541	DECAL, BLUE ARROW	3	EA
25	0770540	DECAL YELLOW ARROW	3	EA
26	0073224	DECAL, NOTICE MANUAL REORDER	1	EA
27	0073034	DECAL OPER MANUAL ENCLOSURE	1	EA
28	562386	Literature Compartment	1	EA
29	0151410	DECAL, DANGER ROTATING PARTS	3	EA
30	0073139	Crankcase oiltag (used for s	1	EA
31	0172451	DECAL ATTACH MAX 2 LANYARDS	1	EA
32	PNNA	DECAL, PLATFORM CAPACITY WITH PERSON	1	EA
33	0071425	PLACARD, PLATFORM IDENTIF	1	EA
34	0070921	Decal, 125 Volts (USA Only)	1	EA
35	PNNA	PLACARD, PLATFORM CAPACITY	2	EA
36	0072531	DECAL, ELECTROCUTION HAZ	1	EA
37	0075235	DECAL SIDE LOAD 150 LB	2	EA
38	7030001	DECAL STRIPE RED /WHT 2 in	35FT	EA
39	0162311	DECAL CE LOGO 3.25 X 2.50 BLAC	1	EA
40	0182077E	DECAL, NoISE LEvEL	1	EA
41	5560655	POP RIVET	4	EA
42	0073298	Decal, Foam Tyres	2	EA
43	0073089	PLAC BATTERY DISCONNECT SWITCH	1	EA
44	0150606	Decal, 125 Volts Power To Platform (USA Only)	1	EA
45	451986	Decal, Interlocks	2	EA
46	PNNA	PLACARD, PLATFORM CAPACITY	2	EA
47	0421471	DECAL HANDLE MUST REMAIN WITH MACHINE AT ALL TIMES	1	EA



アイテム	部品番号	名前	数量	UOM
48	0075378	DECAL SYSTEM PRESSURE	1	EA
49	0075379	DECAL LEVEL RELIEF PRESSUSRE	1	EA
50	0075380	DECAL SENSE PRESSURE	1	EA
51	0072530	DECAL DNGR ELEC HAZARD	1	EA
52	0162328	DECAL BRIEF OPER INSR	1	EA
53	0162329	DECAL ADDL OPER INSR	1	EA
101	0421849	DECAL AB80J LOGO 5.00 NEW ST	2	EA
102	0421850	DECAL AB80J LOGO 9.00 NEW ST	1	EA
201	0421852	DECAL AB85J LOGO 5.00 NEW ST	2	EA
202	0421851	DECAL AB85J LOGO 9.00 NEW ST	1	EA
203	0074311	DECAL DANGER CYLINDER FAILURE	1	EA
301	0071913	DECAL 4X4 LOGO	2	EA
401	0071926	DECAL, DIESEL FUEL	1	EA
402	0075563	DECAL DO NOT USE ETHER CU T3	1	EA
403	0075564	PLAC COLDSTART GLOW PLUG (GROU	1	EA
404	0084213	PLAC COLDSTART GLOW PLUGS (PLATFORM)	1	EA
501	0071926	DECAL, DIESEL FUEL	1	EA
601	0071925	DECAL GASOLINE	1	EA
701	0071793	DECAL, HYDRAULIC WARMUP INSTRUCTIONS – OPTION	1	EA
702	0081377	DECAL LPS LOGO 4.0 X 4.0	1	EA
703	0090493	DECAL DUAL FUEL INSTRUCTIONS	1	EA

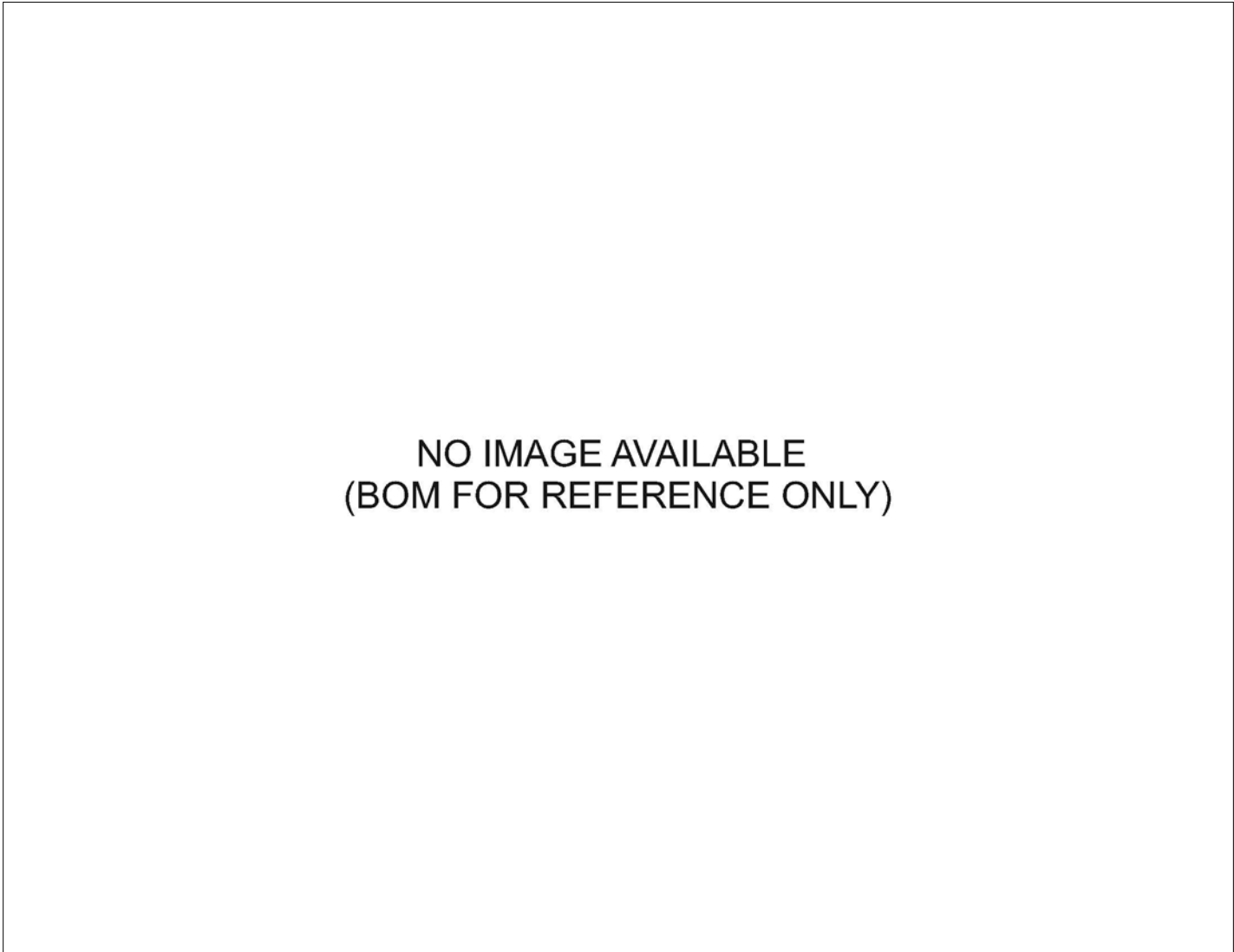
REPAIR PARTS

**NO IMAGE AVAILABLE  
(BOM FOR REFERENCE ONLY)**

アイテム	部品番号	名前	数量	UOM
	0421766 A	LANGUAGE KIT SPANISH		EA
1	0421734	DECAL KIT AB85RJ/AB80J SPANISH	1	EA
2	0421735	MANUAL DEL OPERADOR OPERATORS MANUAL AB80 85	1	EA
3	7030067	SPANISH SHIPPING INFO	1	EA



HYDRAULICS



アイテム	部品番号	名前	数量	UOM
	0421737 A	AB80J HYDRAULIC SUB ASSEMBLY		EA
1	0112805	FRONT TRANS. VALVE SUBASSY	1	EA
2	0112806	REAR TRANS. VALVE SUBASSY	1	EA
3	0112807	FLOW DIVIDER SUBASSY	1	EA
4	0181083	ASSY ACCUMULATOR	2	EA
5	0420668	SUBASSY FOUR WHL STEER VALV	1	EA
6	0420669	EMERGENCY POWER UNIT	1	EA
7	0420673	ACCUMULATOR SUBASSY 300 PSI	1	EA
8	0420674	RETURN OIL FILTER SUB ASSY	1	EA
9	0420677	CONTROL VALVE ASSEMBLY 4 FUNCTION	1	EA
10	0420683	RETURN MANIFOLD TURNTABLE	1	EA
11	0420690	ASSY T/T HYD. VALVES	1	EA
12	0421320	ASSY BLEED DOWN PUMP VALVE	1	EA
13	0421323	ASSY HYD TANK	1	EA
14	0421406	UPPER BLEED DOWN CONTROL VAVLE ASSEMBLY	1	EA
15	0421587	SIX FUNCTION CONTROL VALVE ASSMEBLY	1	EA

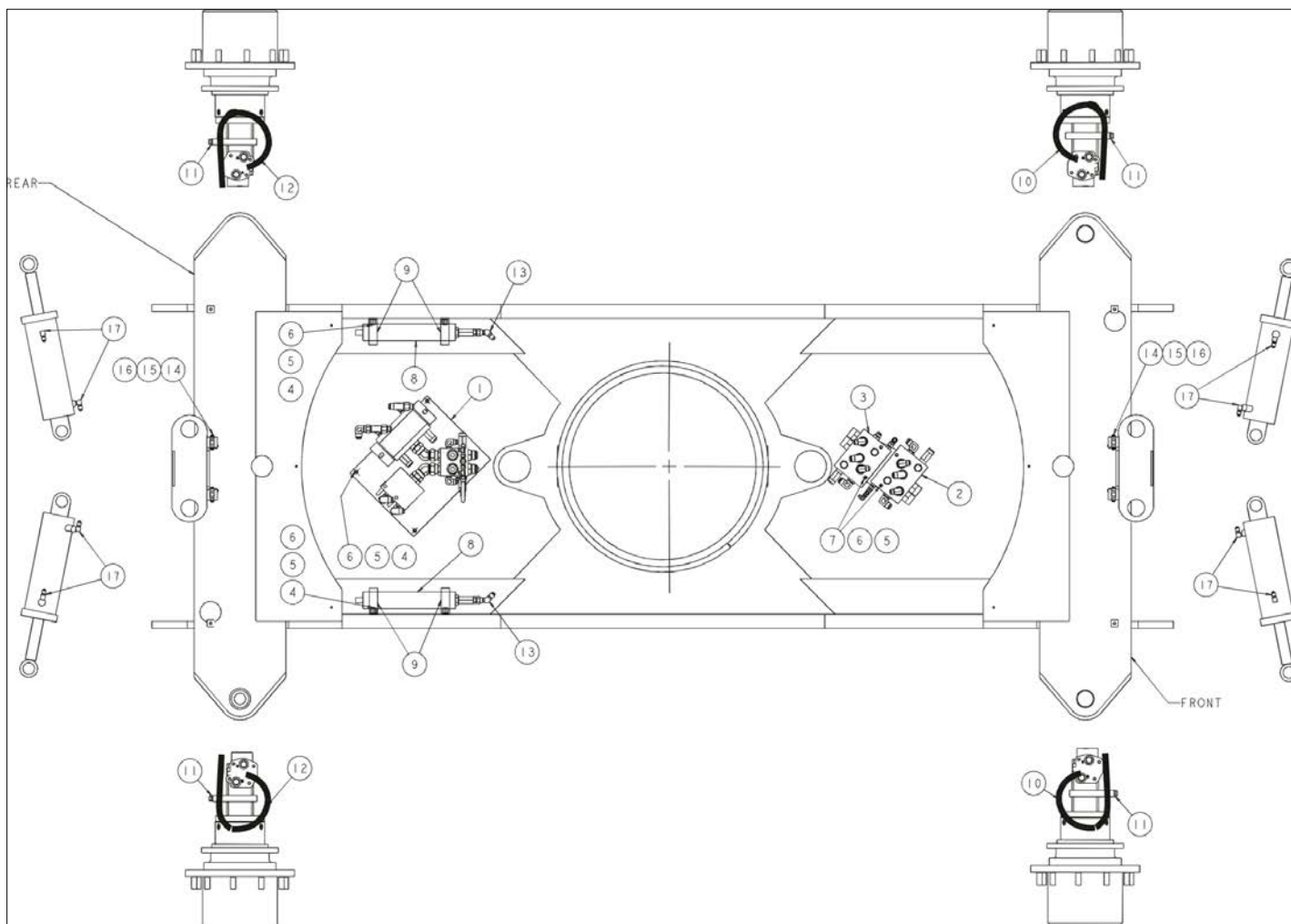
HYDRAULICS



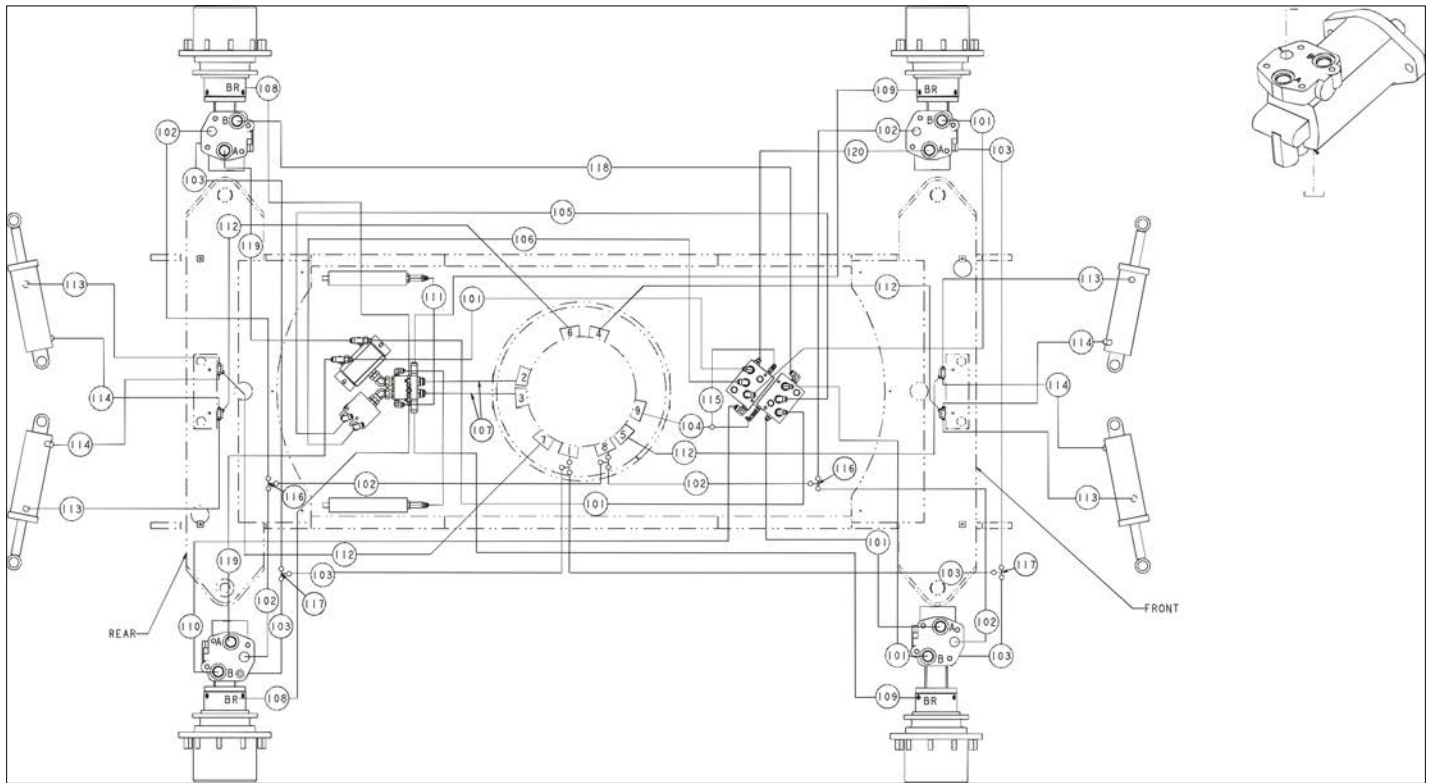
NO IMAGE AVAILABLE  
(BOM FOR REFERENCE ONLY)

アイテム	部品番号	名前	数量	UOM
	0420690 A	AB80J TURNTABLE HYDRAULIC VALVES		EA
1	0420670	SPEED SHIFT VALVE SUB ASSEMBLY	1	EA
2	0420672	SENSE LINE DUMP VALVE ASSEMBLY	1	EA
3	0420675	PRESSURE MANIFOLD VALVE SUB ASSEMBLY	1	EA
4	0420681 8	MOUNTING BRACKET T/T VALVES	1	EA
5	0421317	CYLINDER BLEED DOWN SUB ASSEMBLY	1	EA
6	3040506	SOLENOID 12V 150	1	EA

HYDRAULICS



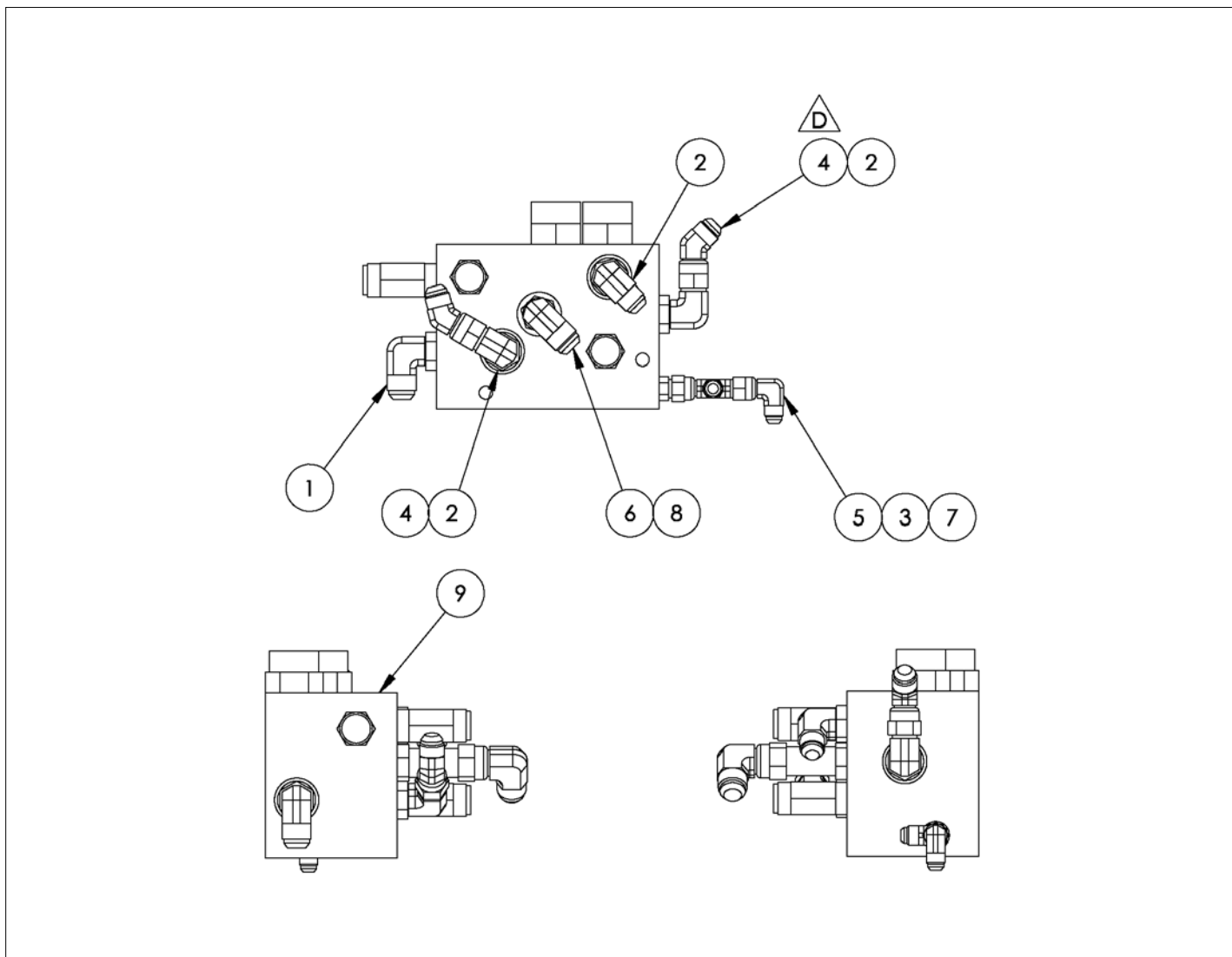
アイテム	部品番号	名前	数量	UOM
	0112749 H	CHASSIS HYDRAULICS, 4 WHEEL DRIVE		EA
1	0112807	FLOW DIVIDER SUBASSY	1	EA
2	0112805	FRONT TRANS. VALVE SUBASSY	1	EA
3	0112806	REAR TRANS. VALVE SUBASSY	1	EA
4	NO P/N	BOLT, HEXHD . 75 6 .75 GR5	7	EA
5	NO P/N	BOLT, HEXHD . 75 6 .75 GR5	11	EA
6	NO P/N	BOLT, HEXHD . 75 6 .75 GR5	11	EA
7	NO P/N	BOLT, HEXHD . 75 6 .75 GR5	4	EA
8	0181083	ASSY ACCUMULATOR	2	EA
9	5093014	CLP CUSH 2.25 VINYL COATED	4	EA
10	5090034	SLEEVEHOSE ABRASION GRD 1.81 in	6ft	EA
11	5550070	CLP WORM DRV 3.00 5.00 SAE#72	4	EA
12	5098339	SLEEVE, HOSE ABRASION GRD	6ft	EA
13	5036906	COVER	2	EA
14	5035005	FTG TEE BHD BR 6S 6S STL	4	EA
15	5037005	TERM FEM F.I. .250 16/14	4	EA
16	5074403	ADAPTER, NUT, BULKHEAD 6	4	EA
17	5035305	FTG ELB90STRTHD 6S 6S STL	8	EA
101	0180784	HOSE 8 8S 8S 72 SP	6	EA
102	0180945	HOSE 4 4S 4S 62 100R2	6	EA
103	0060305	HOSE 6 6S 6S 60 100R2	6	EA
104	0050400	HOSE 6 6S 6S 41 100R2	1	EA
105	0112705	HOSE 10 10S 10S 78 100R2	1	EA
106	0180779	HOSE 10 10S 10S 70	1	EA
107	0012827	HOSE 6 6S 5 6S 6 00R	2	EA
108	0111287	HOSE 4 4S 4S 84 100R2	2	EA
109	0100491	HOSE 4 4S 4S 150 100R1	2	EA



アイテム	部品番号	名前	数量	UOM
110	0112706	HOSE 10 10S 10S 132 SP MEGAFLEX	1	EA
111	0070792	HOSE 8 8S 8S 32 100R2	2	EA
112	0070789	HOSE 6 6S 6S 75.5 100R2	4	EA
113	0020275	HOSE 6 6S 6S 16 100R2	4	EA
114	463374	HOSE 6 6S 6S 13 100R2	4	EA
115	0070786	HOSE 6 6S 6S 19 100R2	1	EA
116	5034102	FTG TEE UN 4S 4S STL	2	EA
117	5034104	FTG TEE UN 6S 6S STL	2	EA
118	0112830	HOSE 10 10S 10S 146.50 SP	1	EA
119	0112828	HOSE 10 10S 10S 70 100R16 SP	2	EA
120	0151860	1/2" I.D. HOSE ASSEMBLY	1	EA

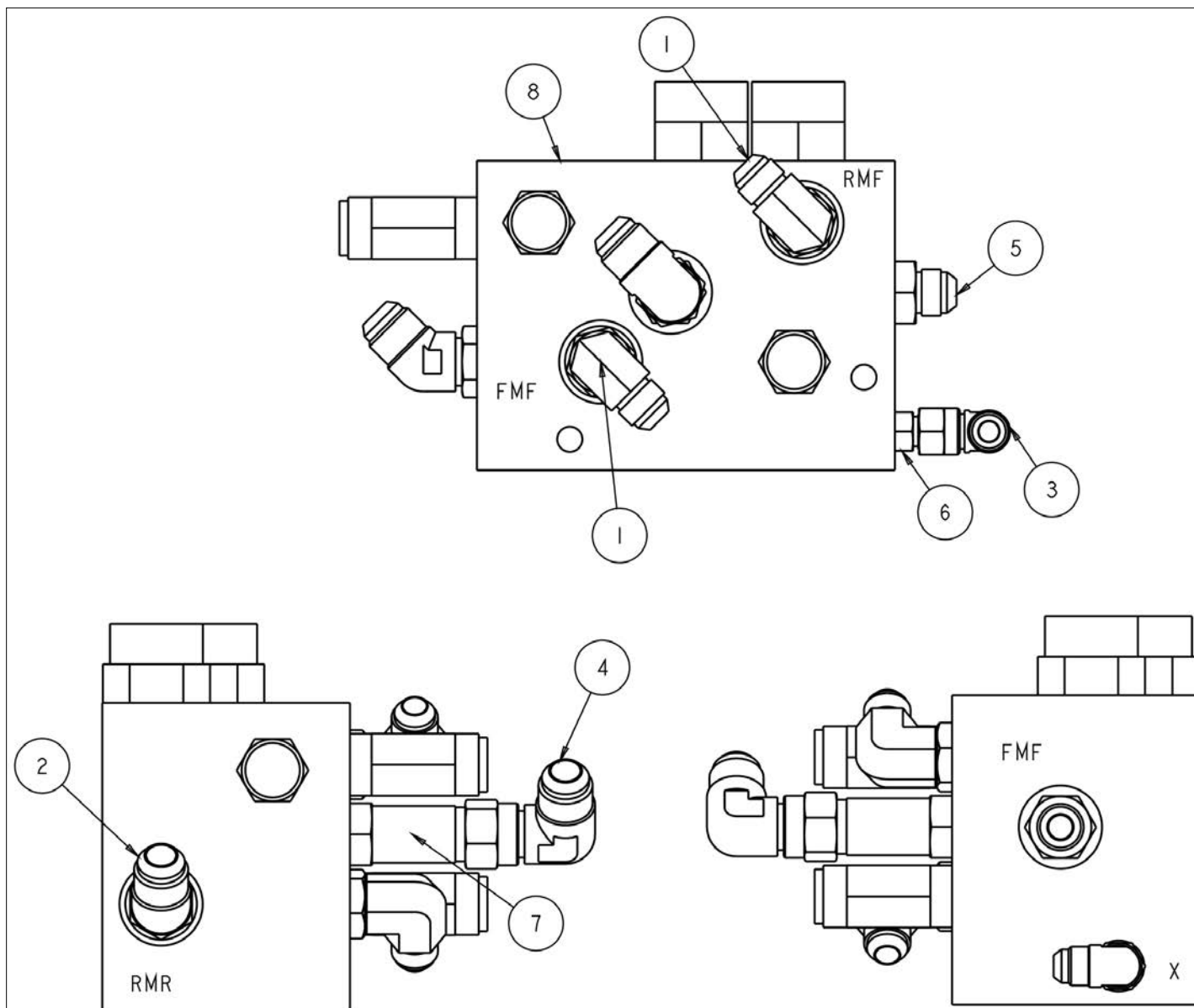


HYDRAULICS



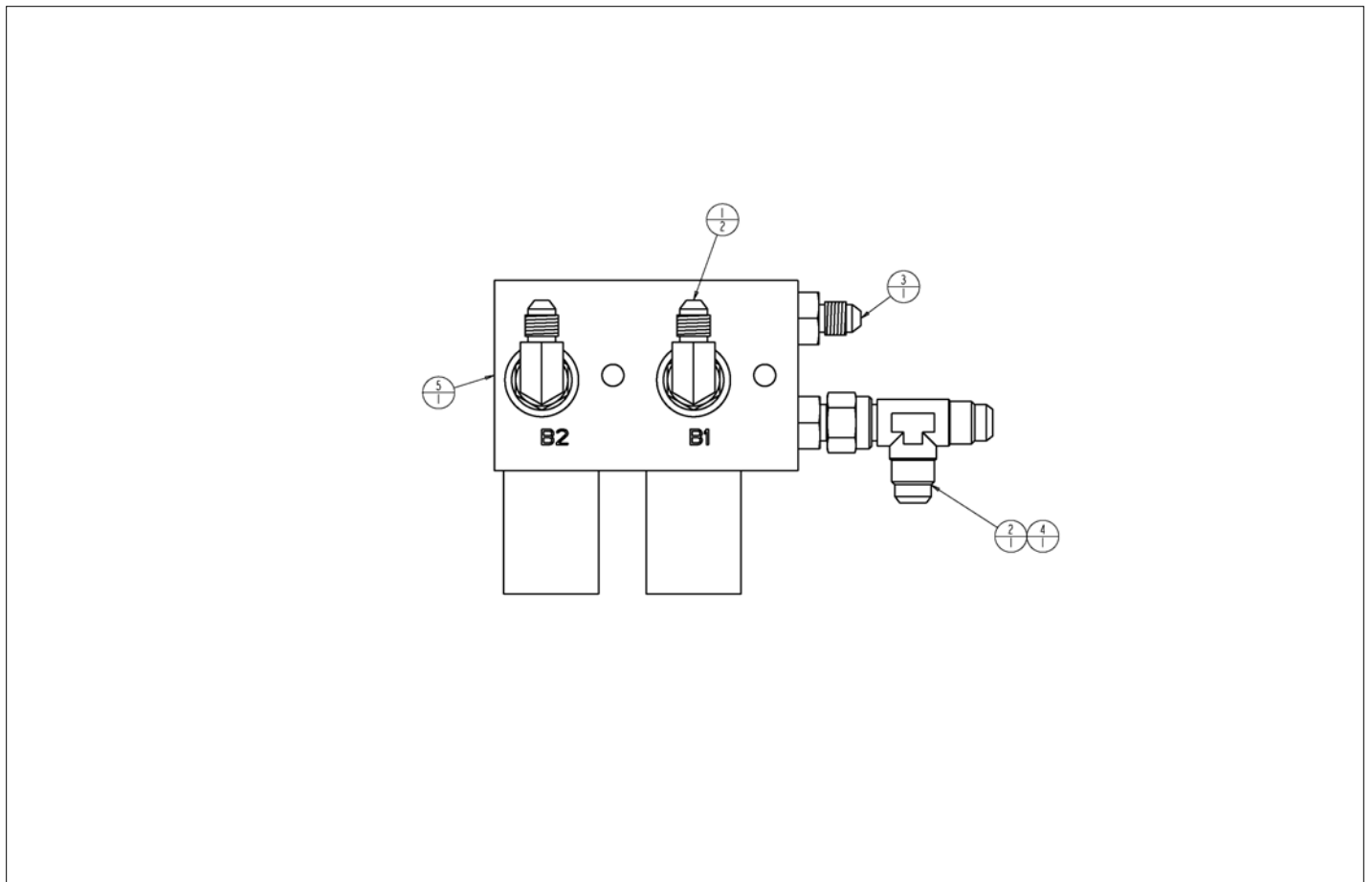
アイテム	部品番号	名前	数量	UOM
	0112805 D	FRONT TRANSMISSION VALVE ASSEMBLY FLUID TECH APRIL 2006 AND AFTER		EA
1	5035307	STRAIGHT THREAD 90 ° ELBOW	1	EA
2	5035316	ADAPTER 90 ° ELBOW 10 SAE 8 JIC	3	EA
3	5036705	FTG TEE SWVL RUN 6S 6S STL	1	EA
4	5036906	COVER	2	EA
5	5037005	TERM FEM F.I. .250 16/14	1	EA
6	5037007	ADAPTER 90 DEG ELBOW SWIVEL 10 JIC	1	EA
7	5065734	FTG ADPTR STRTHD 4B 6S STL PH	1	EA
8	5065807	FTG, HYD 10 MB TO 10 MJIC LONG	1	EA
9	6010569	TRANSMISSION VALVE PACKAGE	1	EA

HYDRAULICS



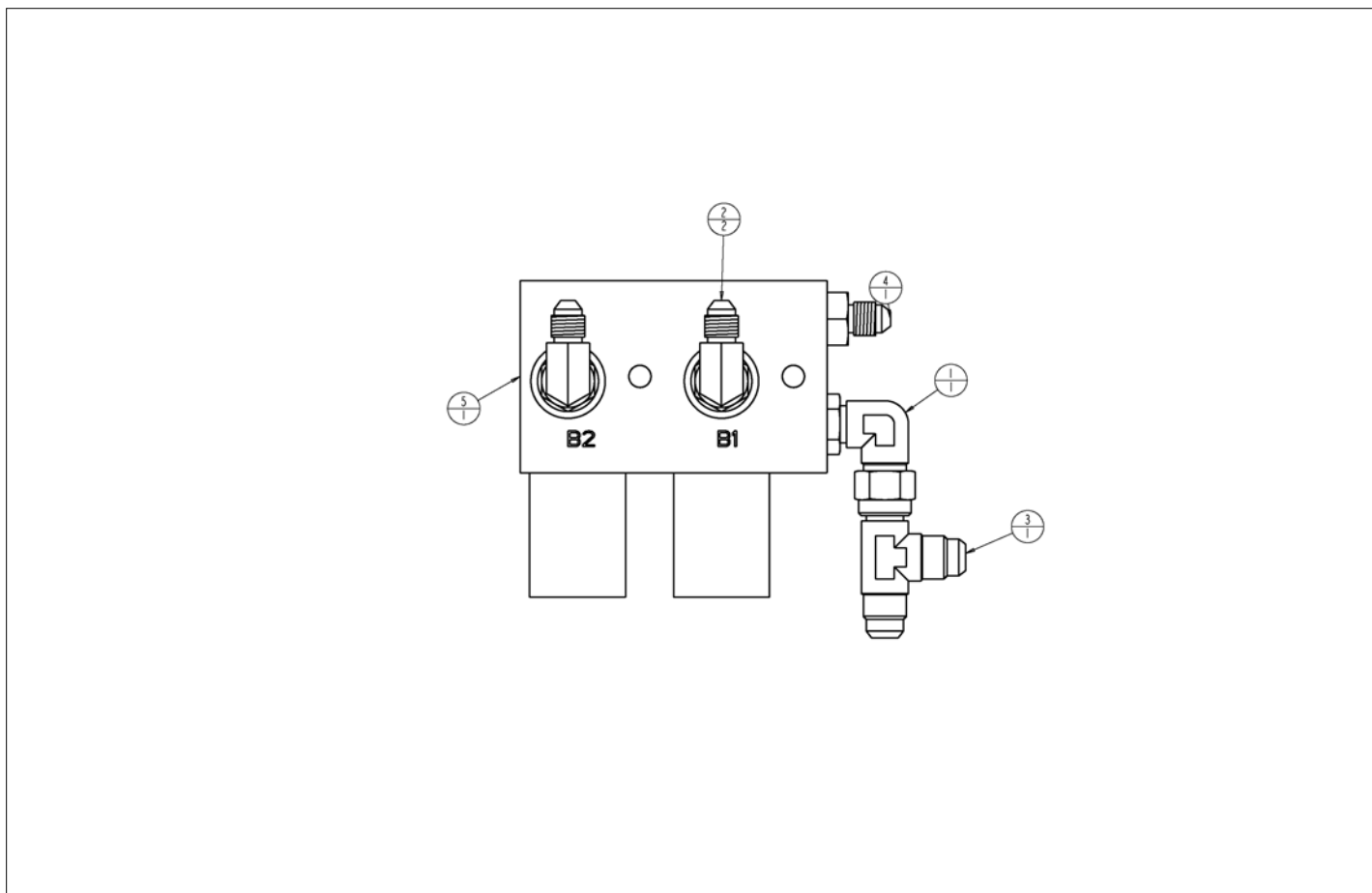
アイテム	部品番号	名前	数量	UOM
	0112806 C	REAR TRANSMISSION VALVE FLUID TECH SUB ASSEMBLY		EA
1	5035316	ADAPTER 90 ° ELBOW 10 SAE 8 JIC	2	EA
2	5035707	FTG ELB45STRTHD 10B 10S STL	1	EA
3	5036906	COVER	1	EA
4	5037005	TERM FEM F.I. .250 16/14	1	EA
5	5037007	ADAPTER 90 DEG ELBOW SWIVEL 10 JIC	1	EA
6	5065710	FTG HYD 10 MB TO 8 MJIC	1	EA
7	5065734	FTG ADPTR STRTHD 4B 6S STL PH	1	EA
8	5065807	FTG, HYD 10 MB TO 10 MJIC LONG	1	EA
9	6010569	TRANSMISSION VALVE PACKAGE	1	EA

HYDRAULICS



アイテム	部品番号	名前	数量	UOM
	0420670 C	SPEED SHIFT VALVE SUB ASSEMBLY MAY 2007 AND BEFORE		EA
1	5035318	STRAIGHT THREAD 90 ° ELBOW	2	EA
2	5037003	FTG ELB90SWVL 4S 4S STL	1	EA
3	5065705	FTG ADPTR STRTHD 6B 4S STL	1	EA
4	5065707	FTG ADPTR STRTHD 6B 6S STL PH	1	EA
5	6010610	VALVE ASSY 3 WAY 10V DOUBLE	1	EA

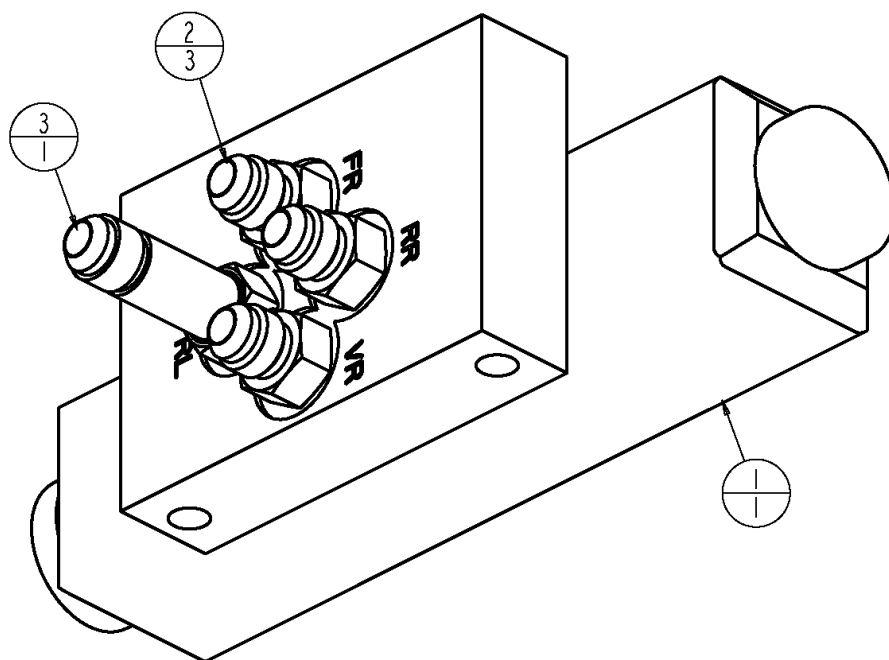
HYDRAULICS



アイテム	部品番号	名前	数量	UOM
	0420670 D	SPEED SHIFT VALVE SUB ASSEMBLY JUNE 2007 AND AFTER		EA
1	5035305	FTG ELB90STRTHD 6S 6S STL	1	EA
2	5035318	STRAIGHT THREAD 90 ° ELBOW	2	EA
3	5036705	FTG TEE SWVL RUN 6S 6S STL	1	EA
4	5065705	FTG ADPTR STRTHD 6B 4S STL	1	EA
5	6010610	VALVE ASSY 3 WAY 10V DOUBLE	1	EA



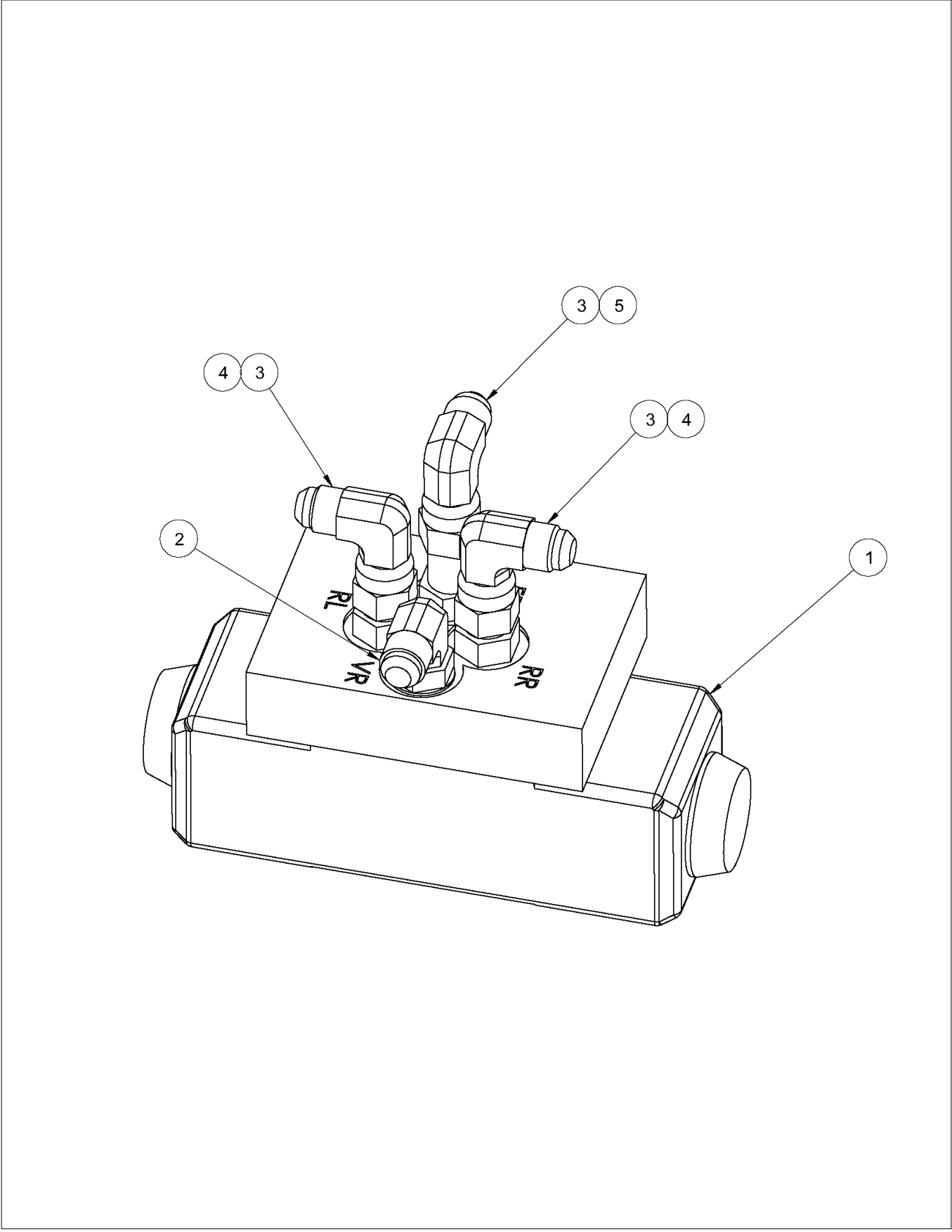
HYDRAULICS



ISOMETRIC VIEW  
SCALE 1.000

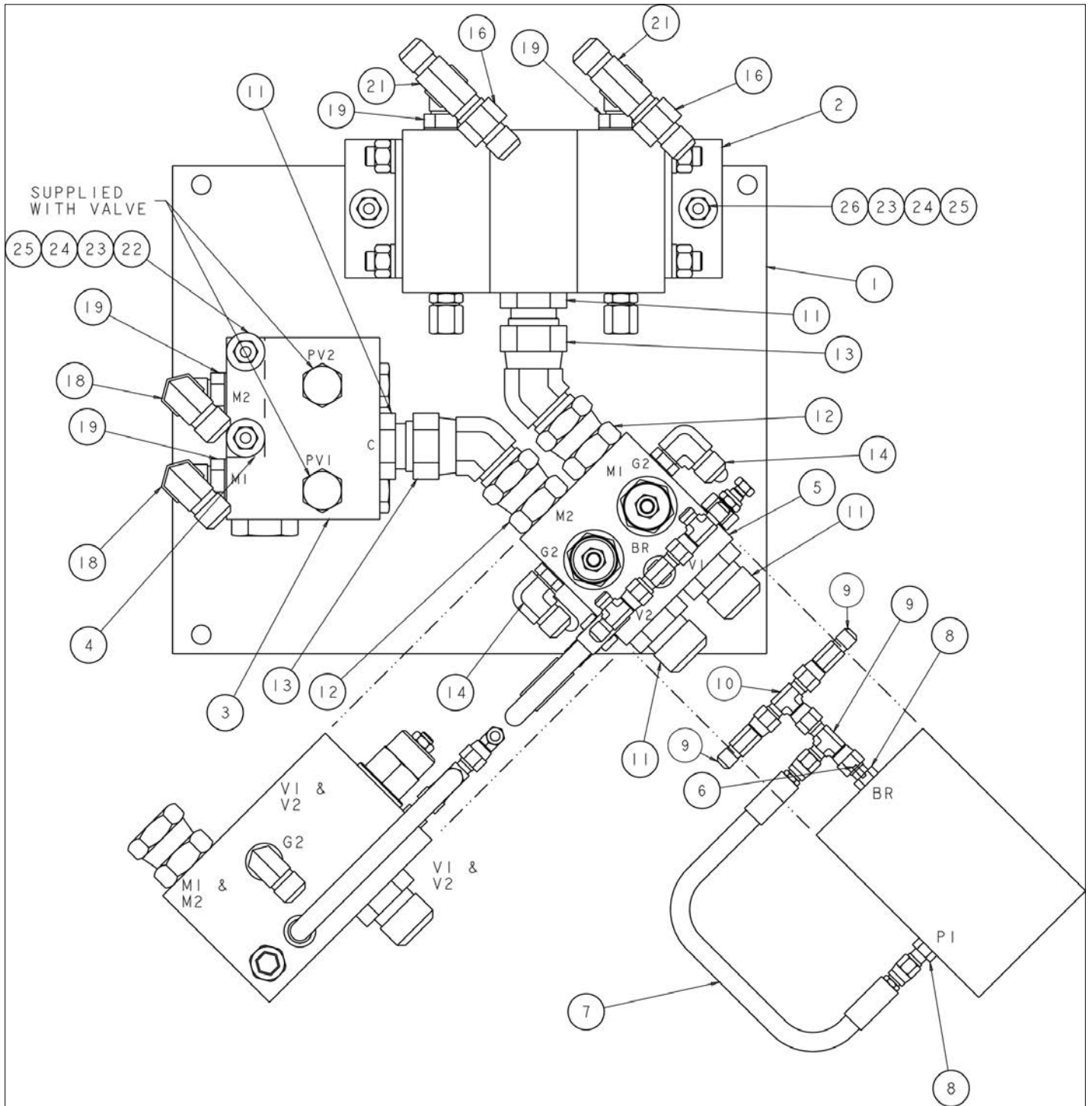
アイテム	部品番号	名前	数量	UOM
	0420668 B	FOUR WHEEL STEER VALVE SUB ASSEMBLY SEPTEMBER 2013 AND BEFORE		EA
1	0112821	FOUR WHEEL STEER VALVE	1	EA
2	5065707	FTG ADPTR STRTHD 6B 6S STL PH	3	EA
3	5065805	FTG ADAPTER STRTHDL 6B 6S STL LONG	1	EA

HYDRAULICS



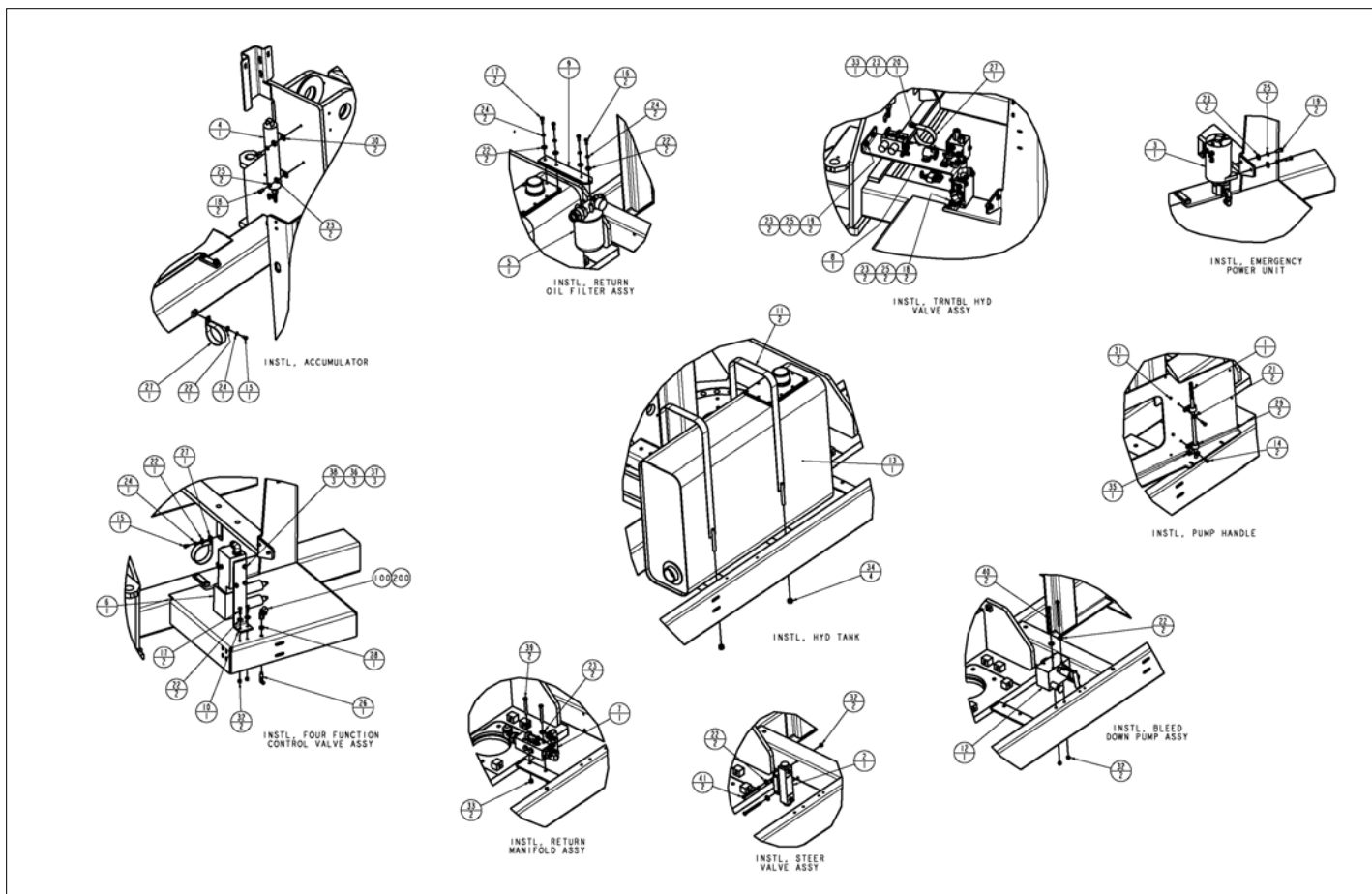
アイテム	部品番号	名前	数量	UOM
	0420668 C	FOUR WHEEL STEER VALVE SUB ASSEMBLY OCTOBER 2006 AND AFTER		EA
1	0112821	FOUR WHEEL STEER VALVE	1	EA
2	5035305	FTG ELB90STRTHD 6S 6S STL	1	EA
3	5037005	TERM FEM F.I. .250 16/14	3	EA
4	5065707	FTG ADPTR STRTHD 6B 6S STL PH	2	EA
5	5065805	FTG ADAPTER STRTHDL 6B 6S STL LONG	1	EA

HYDRAULICS



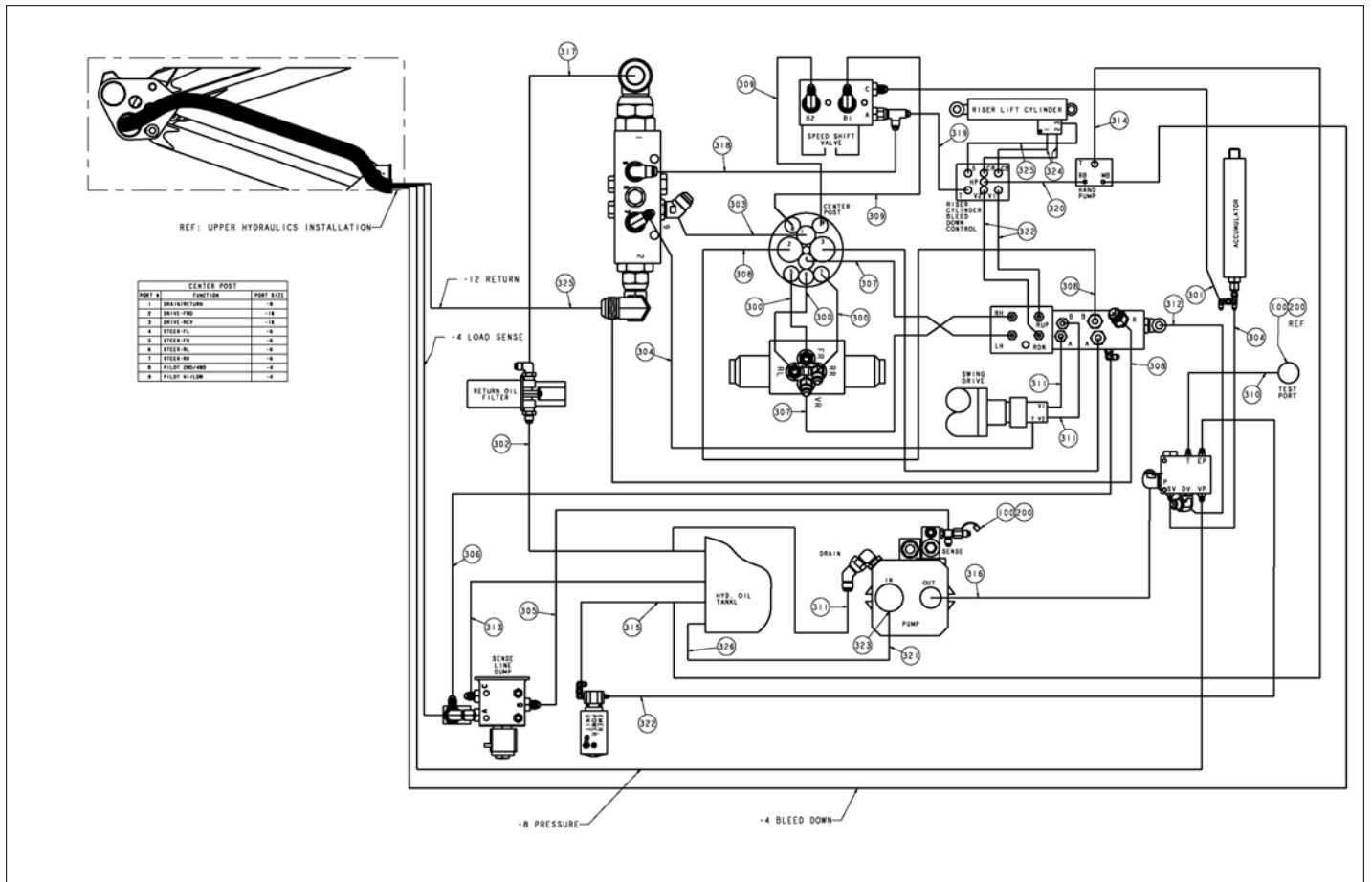
アイテム	部品番号	名前	数量	UOM
	0112807 B	FLOW DIVIDER SUB ASSEMBLY		EA
1	0151728	PLT TRANSMISSION VALVE MTG	1	EA
2	6030036	FLOW DIVIDER	1	EA
3	6010570	FLOW DIVIDER FOUR WHEEL DRIVE	1	EA
4	0180809	BAR	1	EA
5	6019052	DRIVE MOTION CONTROL VALVE	1	EA
6	0181077	ORIFICE	1	EA
7	0181161	HOSE 4 4S 4S 15.25 100R2	1	EA
8	5065703	FTG ADPTR STRTHD 4B 4S STL	2	EA
9	5036703	FTG TEE SWVL RUN 4S 4S STL (SEE PAGE 2)	3	EA
10	5036803	FTG TEE SWVL 8R 4S 4S STL	1	EA
11	5065718	FTG, HYD 16 MB TO 16 MJIC	4	EA
12	5025002	FTG APDTRSWVL 16B 16S STL	2	EA
13	5036910	ADAPTER 45 DEG ELBOW SWIVEL 16 JIC	2	EA
14	5035315	FTG ELB90STRTHD 6B 8S STL	2	EA
16	5064005	TUBE END REDUCER	2	EA
Not Shown	0181092	SPCR .250 1.00 3.25 2H	1	EA
18	5037007	ADAPTER 90 DEG ELBOW SWIVEL 10 JIC	2	EA
19	5035307	STRAIGHT THREAD 90 ° ELBOW	4	EA
21	5036807	FTG TEE SWVL BR 10S 10S STL	2	EA
22	NO P/N	BOLT, HEXHD .75 6 .75 GR5	2	EA
23	NO P/N	BOLT, HEXHD .75 6 .75 GR5	4	EA
24	NO P/N	BOLT, HEXHD .75 6 .75 GR5	4	EA
25	NO P/N	BOLT, HEXHD .75 6 .75 GR5	4	EA
26	NO P/N	BOLT, HEXHD .75 6 .75 GR5	2	EA

HYDRAULICS



アイテム	部品番号	名前	数量	UOM
	A42014C B	HYDRAULIC TURNTABLE EQUIPMENT INSTALLATION		EA
1	0163373	HANDLE BLEED DOWN VALVE	1	EA
2	0420668	SUBASSY FOUR WHL STEER VALV	1	EA
3	0420669	EMERGENCY POWER UNIT	1	EA
4	0420673	ACCUMULATOR SUBASSY 300 PSI	1	EA
5	0420674	RETURN OIL FILTER SUB ASSY	1	EA
6	0420677	CONTROL VALVE ASSEMBLY 4 FUNCTION	1	EA
7	0420683	RETURN MANIFOLD TURNTABLE	1	EA
8	0420690	ASSY T/T HYD. VALVES	1	EA
9	0420693	BRKT MOUNTING OIL FILTER	1	EA
10	0420694	MOUNTING BRACKET HAWE VALVE	1	EA
11	0420895	ASSY STRAP HYD. OIL/FUEL TANK	2	EA
12	0421320	ASSY BLEED DOWN PUMP VALVE	1	EA
13	0421323	ASSY HYD TANK	1	EA
14	970049	BLT HEXHD .250 20 1.00 GR5 GRADE 5 PLT SAME AS 970189	2	EA
15	970219	BLT HEXHD .313 18 .500 GR5 PLT	2	EA
16	970239	BLT HEXHD .313 18 .750 GR5	2	EA
17	970259	C.SCREW, 5/16 18 X 1" LG. HH	4	EA
18	970449	HHD BLT .375 16 X .750 GR5	4	EA
19	970469	HHD BLT .375 16 X 1.00 GR5	4	EA
20	970489	BLT HEXHD .375 16 1.50 GR5 PL	1	EA
21	986019	WSHR FLAT .250	2	EA
22	986269	WSHR FLAT .313	12	EA

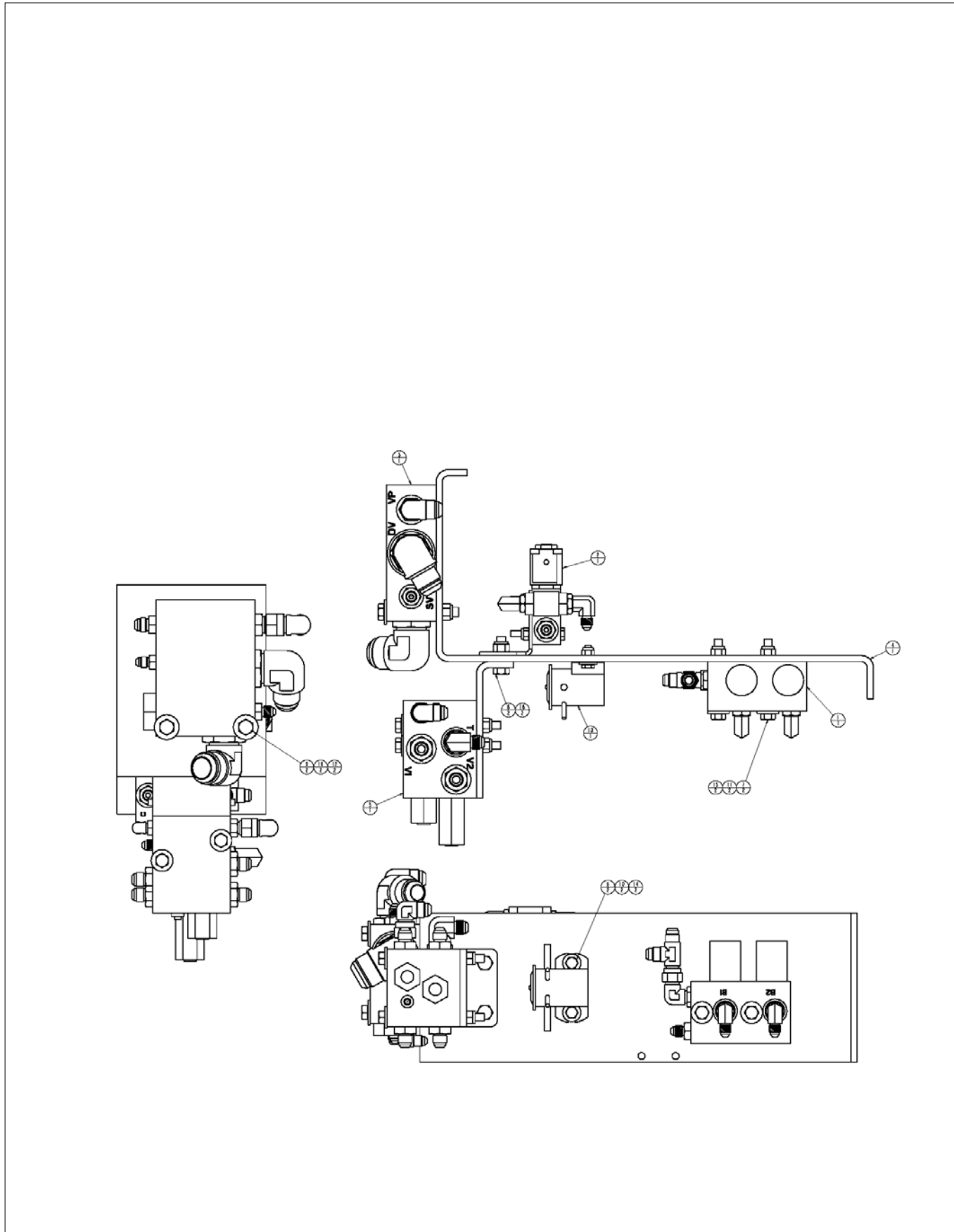




アイテム	部品番号	名前	数量	UOM
23	986299	WASHER, FLAT, .375 STANDARD, PLATED	11	EA
24	987109	WSHR LOCK .313	6	EA
25	987119	WSHR LOCK .375	8	EA
26	5034501	FTG ELB90BHD 4S 4S STL	1	EA
27	5059706	CLAMP 3.56 I.D.	3	EA
28	5074401	FTG LKNT BHD 4 STL	1	EA
29	5093008	CLP CUSH 1.06 VINYL COATED	2	EA
30	5093014	CLP CUSH 2.25 VINYL COATED	2	EA
31	5560004	NUT LKG .250 20	2	EA
32	5560031	NUT HEX LKG .313 18	6	EA
33	5560033	.375 16UNC HEX LOCK NUT	3	EA
34	5560039	NUT HEX LKG .500 13	4	EA
35	5560080	BUMPER ADHESIVE BACK	1	EA
36	5560355	WSHR LOCK M8	3	EA
37	5560613	WASHER FLAT M8	3	EA
38	5560622	BOLTHEXHDM8 1.25X308.8PLDDIN933	3	EA
39	5560643	BLT HEXHD .375 16 3.25 GR5	2	EA
40	5560725	BLT HEXHD .313 18 5.00 GR5	2	EA
41	5569892	BLT HEXHD .313 18 4.00 GR5	2	EA
100	5070005	FTG NIP DIGN 4S FEM PD345 6 W/DUST CAP	2	EA
200	5070028	FTG NIP DIGN 4S FEM METRIC CE	2	EA
300	0050400	HOSE 6 6S 6S 41 100R2	3	EA
301	0020280	HOSE 4 4S 4S 23.5 (SEE PAGE 2)	1	EA
302	0111882	HOSE 20 20S 20S 64.5 SP	1	EA
303	0021059	HOSE 8 8S 8S 40RZ	1	EA
304	0020137	null	2	EA
305	0070772	3/8 I.D. HOSE ASSEMBLY	1	EA

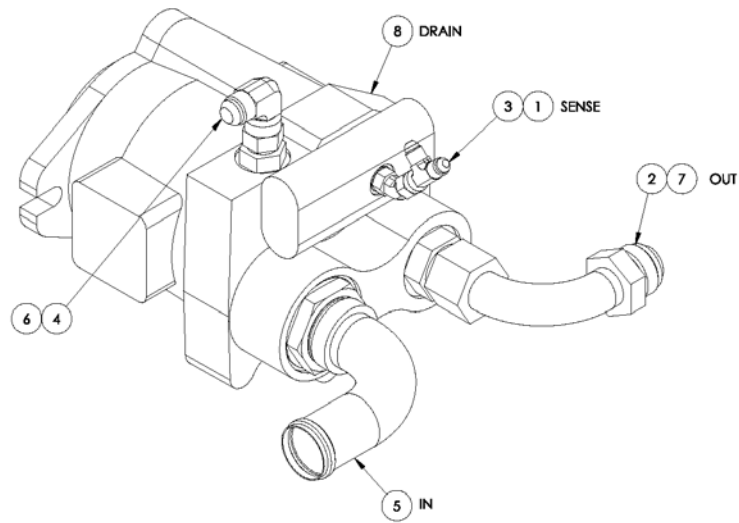
アイテム	部品番号	名前	数量	UOM
306	0050137	HOSE 4 4S 4S 36 100R1	1	EA
307	0090402	HOSE 6 6S 6S 108 100R2 (SEE PAGE 2)	2	EA
308	0080932	3/4 INCH HYDRAULIC HOSE	3	EA
309	0100271	HOSE 4 4S 4S 103 100R1	2	EA
310	0100278	HOSE 4 4S 4S 43 100R1	1	EA
311	0110198	HOSE 8 8S 8S 96 100R2	3	EA
312	0110907	HOSE 12 12S 12S 25 100R2	1	EA
313	0111287	HOSE 4 4S 4S 84 100R2	1	EA
314	0083066	HOSE 8 8S 8S 67 100R2 AT	1	EA
315	0180776	HOSE 8 8S 8S 65 100R2	1	EA
316	0180806	HOSE 16 16S 16S 58 100R12 SP	1	EA
317	0180944	HOSE 20 20S 20S 33 SP	1	EA
318	0080362	HOSE 6 6S 6S 93.5 100R2	1	EA
319	0070785	HOSE 6 6S 6S 93.5 100R2	1	EA
320	0100270	HOSE 4 6S 6S 108 100R1	1	EA
321	0420885	HOSE 93" LG 1.5 I.D. SUCTION	1	EA
322	0070786	HOSE 6 6S 6S 19 100R2	3	EA
323	5059705	CLP T BOLT 2.00	2	EA
324	0060290	HOSE 6 6S 6S 48 100R2	2	EA
325	0081136	HOSE 4 4S 4S 67 100R1	1	EA

HYDRAULICS



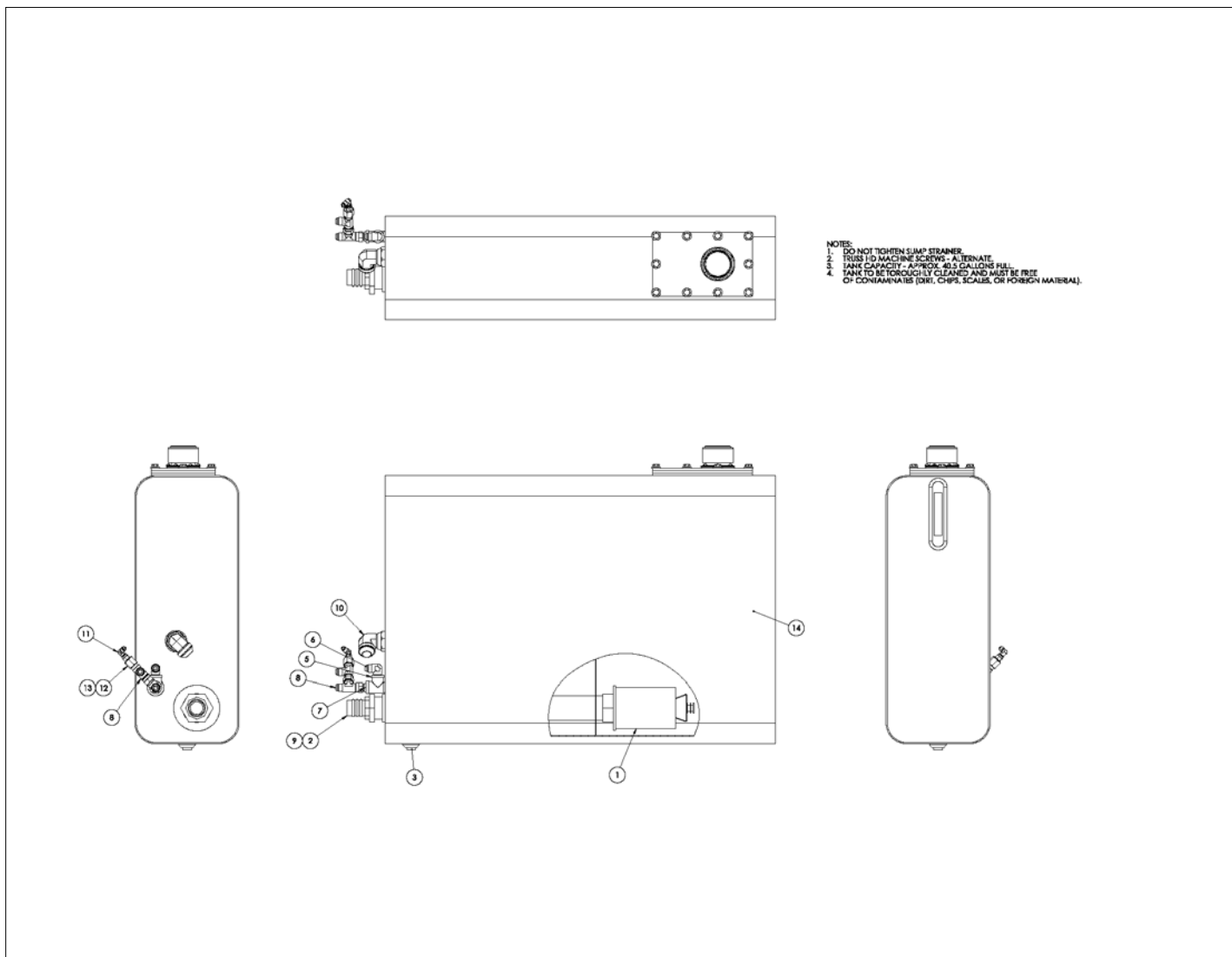
アイテム	部品番号	名前	数量	UOM
	0420690 C	ASSEMBLY TURNTABLE HYDRAULIC VALVES OCTOBER 2006 AND AFTER		EA
1	0420670	SPEED SHIFT VALVE SUB ASSEMBLY	1	EA
2	0420672	SENSE LINE DUMP VALVE ASSEMBLY	1	EA
3	0420675	PRESSURE MANIFOLD VALVE SUB ASSEMBLY	1	EA
4	0420681	MOUNTING BRACKET T/T VALVES	1	EA
5	0421317	CYLINDER BLEED DOWN SUB ASSEMBLY	1	EA
6	970029	BLT .25 20 .750	2	EA
7	970119	BLT HEXHD .313 18 3.00 GR5	2	EA
8	972479	BLT HEXHD .375 16 1.25 GR5	2	EA
9	970549	BLT HEXHD .375 16 3.00 GR5	2	EA
10	986019	WSHR FLAT .250	2	EA
11	986269	WSHR FLAT .313	2	EA
12	986299	WASHER, FLAT, .375 STANDARD, PLATED	2	EA
13	3040506	SOLENOID 12V 150	1	EA
14	5560004	NUT LKG .250 20	2	EA
15	5560031	NUT HEX LKG .313 18	2	EA
16	5560033	.375 16UNC HEX LOCK NUT	4	EA

HYDRAULICS



アイテム	部品番号	名前	数量	UOM
	0082138 A	HYDRAULIC PUMP ASSEMBLY		EA
1	5035703	ADAPTER 45 DEG ELBOW 4 SAE 4 JIC	1	EA
2	5036604	FTG. ELB90SWVLTUBE 16S 16S STL	1	EA
3	5036703	FTG TEE SWVL RUN 4S 4S STL (SEE PAGE 2)	1	EA
4	5037006	ADAPTER 90 ° ELBOW SWIVEL 8 JIC	1	EA
5	5038005	FTG. BEADED 90 ° ELBOW	1	EA
6	5065710	FTG HYD 10 MB TO 8 MJIC	1	EA
7	5065718	FTG, HYD 16 MB TO 16 MJIC	1	EA
8	6029702 005	PISTON PUMP HP5V45 REAR PORT HEGLI	1	EA
Not Shown	6092078	PUMP SEAL KIT	1	EA
Not Shown	6022077	COMPENSATOR CONTROL VALVE	1	EA

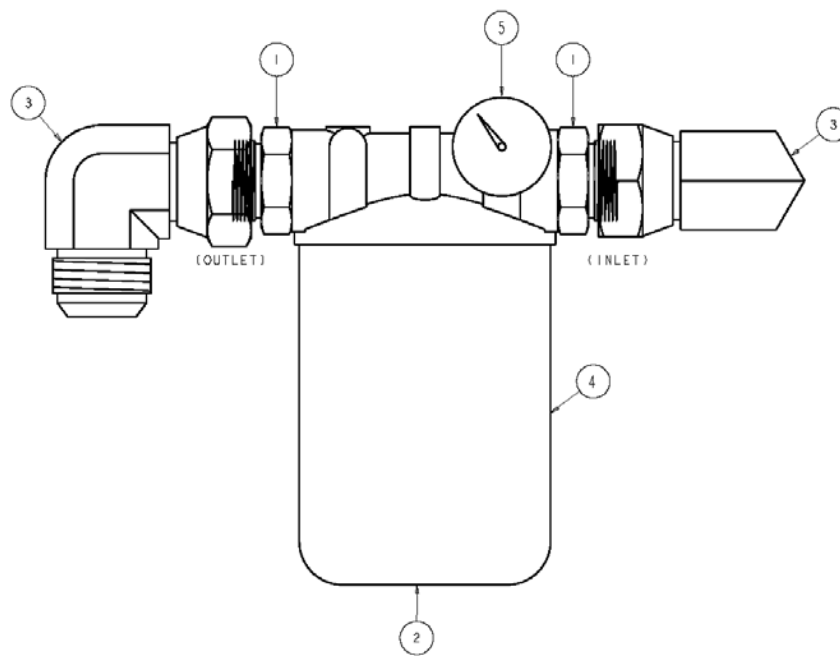
HYDRAULICS





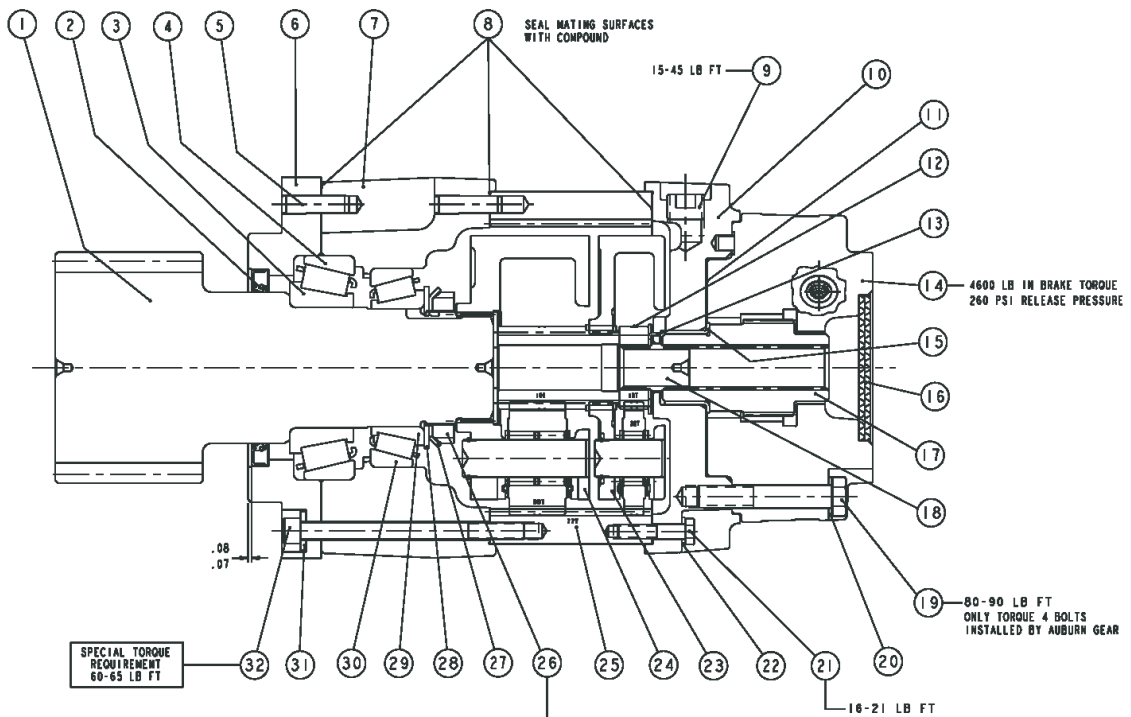
アイテム	部品番号	名前	数量	UOM
	0421323 G	HYDRAULIC TANK ASSEMBLY APRIL 2007 AND AFTER		EA
1	5080018	STRAINER SUCTION	1	EA
2	5037305	FTG ADPTR MALE 24N 24H STL 018	1	EA
3	7714204	PIPE PLUG 1/2 in NPT SQ.HD BLK.	1	EA
Not Shown	5033623	FTG ADPTR MALE 20N 20S STL	1	EA
5	7734204	STREET TEE 1/2 NPT STREET TEE	1	EA
6	5033713	FTG ELB90 MALE 8N 8S STL PH 21	1	EA
7	5033614	FTG ADPTR MALE 8N 8S STL 2404	1	EA
8	5036706	FTG TEE SWVL RUN 8S 8S STL (SEE PAGE 2)	2	EA
9	7721612	REDUCER BUSHING 2X1 1/2 HEX HD	1	EA
10	5037011	FTG ELB90SWVL 20S 20S STL PH 2	1	EA
11	5037003	FTG ELB90SWVL 4S 4S STL	1	EA
12	PNNA	null		EA
13	5064002	ADAPTER STREIGHT TUBE REDUCER 8 JIC TO 4 JIC	1	EA
14	0110364	HYDR OIL RSVR	1	EA

HYDRAULICS



アイテム	部品番号	名前	数量	UOM
	0420674 B	OIL RETURN FILTER		EA
1	5065721	FTG ADPTR STRTHD 20B 20S STL P	2	EA
2	5080044	FILTER RETURN LINE W/GAUGE	1	EA
3	5037011	FTG ELB90SWVL 20S 20S STL PH 2	2	EA
4	5080017	FILTER ELEMENT	1	EA
5	5080011	GAUGE FILTER CONDITION HYDRAULIC	1	EA

HYDRAULICS

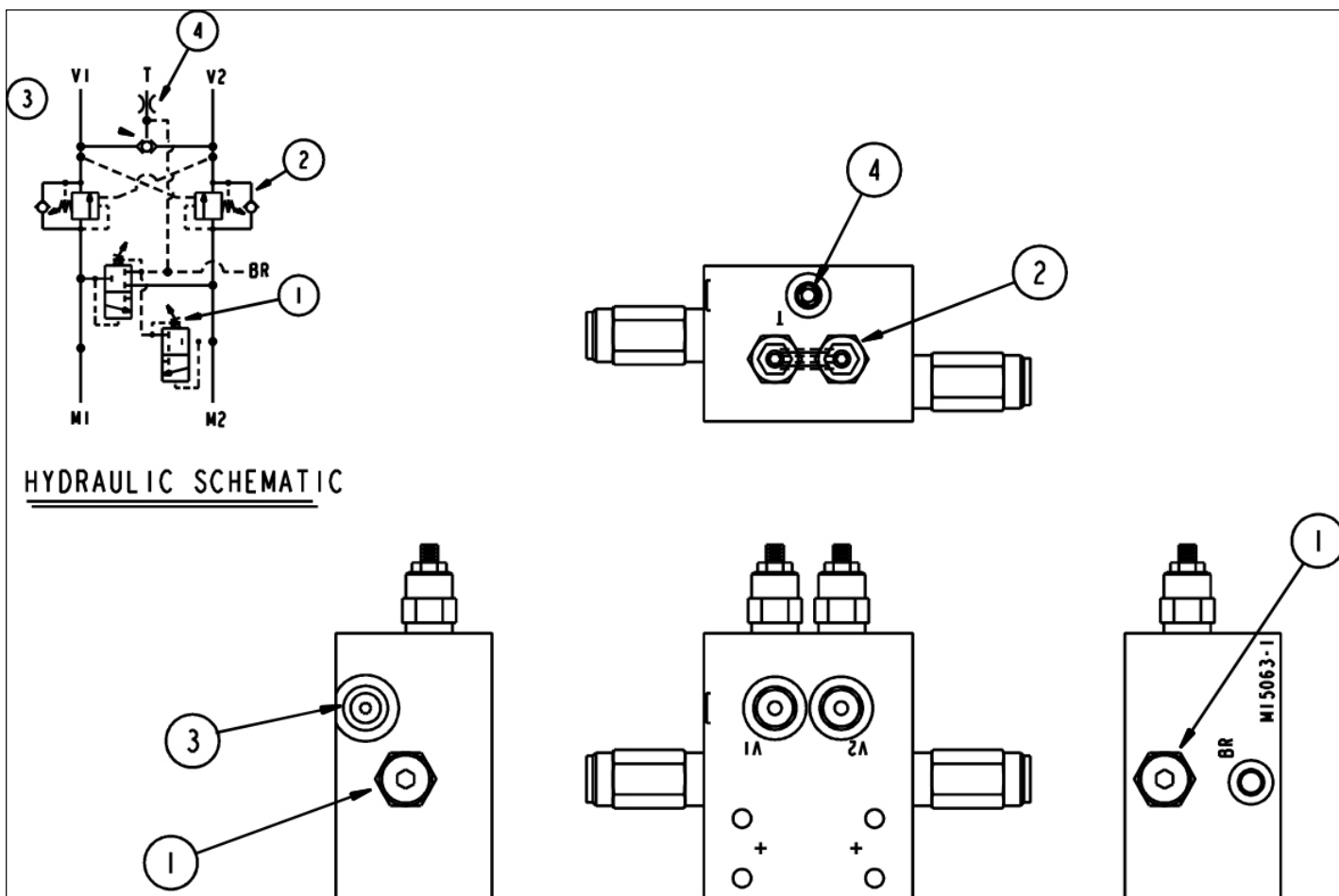


**SETTING RANGE - .0015 TO -.0005 PRELOAD**  
 PRESS BEARING CONE ON SPINDLE/SHAFT UNTIL ROLLER JUST TOUCHES THE CUP. INSTALL THRUST WASHER AND LOCKNUT (DO NOT INSTALL LOCKWASHER AT THIS TIME) AND TORQUE NUT UNTIL A ROLLING TORQUE OF 44-52 IN LBS WITH BOOT SEAL OR 40-48 IN LBS WITHOUT A BOOT SEAL IS REACHED. REMOVE NUT AND INSTALL LOCKWASHER AND RE-TORQUE NUT TO 45-75 FT LBS. SECURE LOCKNUT BY BENDING A LOCKWASHER TAB INTO ONE OF FOUR LOCKNUT SLOTS. IF NO TAB ALIGNS WITH A SLOT, THE NUT MAY BE TIGHTENED UNTIL ONE OF THE SLOTS ALIGNS WITH A LOCKWASHER TAB.

アイテム	部品番号	名前	数量	UOM
	0420339 B	SWING DRIVE		EA
1	8010361	SHAFT OUTPUT	1	EA
2	8010026	OIL SEAL	1	EA
3	8010227	BEARING CONE	1	EA
4	8010226	BRG ROLLER/CUP	1	EA
5	NO P/N	BOLT, HEXHD . 75 6 .75 GR5	6	EA
6	NO P/N	BOLT, HEXHD . 75 6 .75 GR5	1	EA
7	NO P/N	BOLT, HEXHD . 75 6 .75 GR5	1	EA
8	6091151	SEALING COMPOUND, 2 PLACES	2	EA
9	8010021	PLUG PIPE	1	EA
10	NO P/N	BOLT, HEXHD . 75 6 .75 GR5	1	EA
11	6091182	GASKET MOD 6	1	EA
12	NO P/N	BOLT, HEXHD . 75 6 .75 GR5	1	EA
13	NO P/N	BOLT, HEXHD . 75 6 .75 GR5	1	EA
14	8010265	BRAKE	1	EA
15	NO P/N	BOLT, HEXHD . 75 6 .75 GR5	1	EA
16	NO P/N	BOLT, HEXHD . 75 6 .75 GR5	1	EA
17	8010345	ADAPTER SPLINED AUBURN GEAR	1	EA
18	NO P/N	BOLT, HEXHD . 75 6 .75 GR5	1	EA
19	NO P/N	BOLT, HEXHD . 75 6 .75 GR5	4	EA
20	NO P/N	BOLT, HEXHD . 75 6 .75 GR5	4	EA
21	NO P/N	BOLT, HEXHD . 75 6 .75 GR5	8	EA
22	NO P/N	BOLT, HEXHD . 75 6 .75 GR5	8	EA
23	NO P/N	BOLT, HEXHD . 75 6 .75 GR5	1	EA
24	NO P/N	BOLT, HEXHD . 75 6 .75 GR5	1	EA
25	NO P/N	BOLT, HEXHD . 75 6 .75 GR5	1	EA
26	8010229	NUT, LOCK	1	EA
27	NO P/N	BOLT, HEXHD . 75 6 .75 GR5	1	EA
28	NO P/N	BOLT, HEXHD . 75 6 .75 GR5	1	EA

アイテム	部品番号	名前	数量	UOM
29	8010225	BEARING CONE	1	EA
30	8010224	BEARING CUP	1	EA
31	NO P/N	BOLT, HEXHD . 75 6 .75 GR5	12	EA
32	NO P/N	BOLT, HEXHD . 75 6 .75 GR5	12	EA
Not Shown	8010028	PLUG PIPE	1	EA
Not Shown	NO P/N	BOLT, HEXHD . 75 6 .75 GR5	1	EA

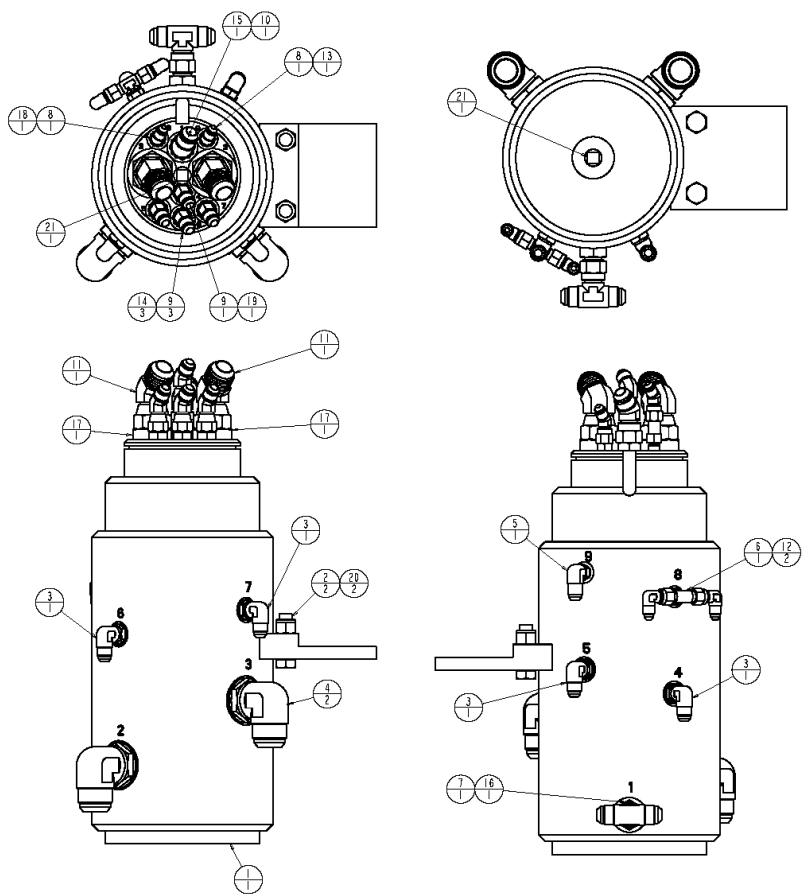
HYDRAULICS



アイテム	部品番号	名前	数量	UOM
Not Shown	6019114 A	MOTION CONTROL VALVE ASSEMBLY AFTER MAY 2007		EA
1	6019121	SEQUENCE VALVE (HYDRA FORCE) HYD FRC: PS10 36H 0 N 04/2.0	2	EA
2	6019122	VALVE COUNTER BALANCE	2	EA
3	6019041	SHUTTLE VALVE	1	EA
4	6019123	1/16 in NPT PLUG W/.040 ORIFICE FLUIDTECH P/N:	1	EA



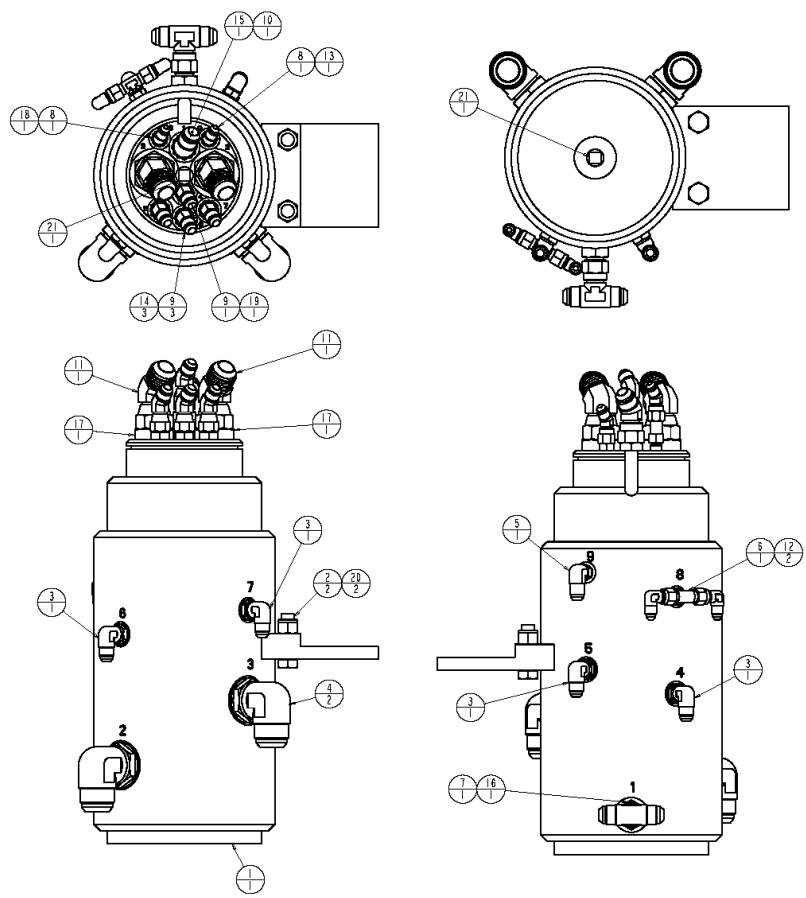
HYDRAULICS



アイテム	部品番号	名前	数量	UOM
	0420921 B	CENTERPOST ASSEMBLY		EA
1	0112718	CENTERPOST 9 PORT AUGUST 2019 AND BEFORE	1	EA
	0112978	SEAL KIT LOWRENCE CENTERPOST 9 PORT AUGUST 2019 AND BEFORE	1	EA
	0113515	SEAL KIT HYDROMOTION CENTERPOST 9 PORT AUGUST 2019 AND BEFORE	1	EA
2	970919	BLT HEXHD .500 13 1.75 GR5	2	EA
3	5035305	FTG ELB90STRTHD 6S 6S STL	4	EA
4	5035310	STRAIGHT THREAD 90 ° ELBOW	2	EA
5	5035321	FTG ELB90STRTHD 4B 6S STL	1	EA
6	5036503	ADAPTER TEE SWIVEL 4JIC TO 4 JIC TO 4 JIC FEMALE	1	EA
7	5036805	ADAPTER TEE SWIVEL 6 JIC TO 6 JIC FEMALE	1	EA
8	5036903	FTG ELB45SWVL 4S 4S STL	2	EA
9	5036905	ADAPTER 45 DEG ELBOW SWIVEL 6 JIC	4	EA
10	5036906	COVER	1	EA
11	5036908	SWIVEL NUT 45 ° ELBOW	2	EA
12	5037003	FTG ELB90SWVL 4S 4S STL	2	EA
13	5065703	FTG ADPTR STRTHD 4B 4S STL	1	EA
14	5065707	FTG ADPTR STRTHD 6B 6S STL PH	3	EA
15	5065709	FTG ADPTR STRTHD 8B 8S STL PH	1	EA
16	5065726	STRAIGHT THREAD ADAPTER	1	EA
17	5065715	FTG ADPTR STRTHD 16B 12S STL B	2	EA
18	5065803	LONG STRAIGHT THREAD ADAPTER	1	EA
19	5065805	FTG ADAPTER STRTHDL 6B 6S STL LONG	1	EA

アイテム	部品番号	名前	数量	UOM
20	5560039	NUT HEX LKG .500 13	2	EA
21	7714203	FTG PLUG .375 NPT SQ HD BLK	2	EA

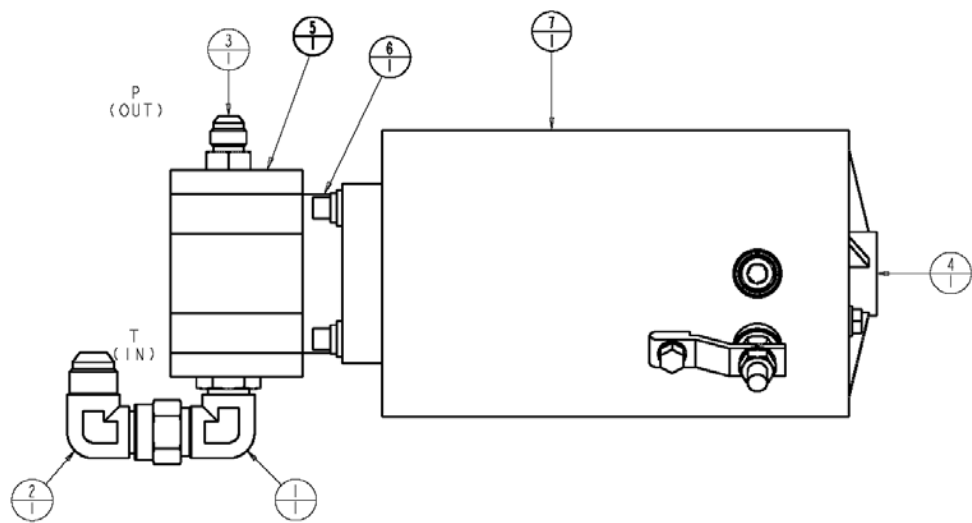
HYDRAULICS



アイテム	部品番号	名前	数量	UOM
	0420921 D	CENTERPOST ASSEMBLY		EA
1	0112718	CENTERPOST 9 PORT AUGUST 2019 AND BEFORE	1	EA
	0112978	SEAL KIT LOWRENCE CENTERPOST 9 PORT AUGUST 2019 AND BEFORE	1	EA
	0113515	SEAL KIT HYDROMOTION CENTERPOST 9 PORT AUGUST 2019 AND BEFORE	1	EA
*	0112718 001	CENTERPOST 9 PORT SEPTEMBER 2019 AND AFTER	1	EA
2	970919	BLT HEXHD .500 13 1.75 GR5	2	EA
3	5035305	FTG ELB90STRTHD 6S 6S STL	4	EA
4	5035310	STRAIGHT THREAD 90 ° ELBOW	2	EA
5	5035321	FTG ELB90STRTHD 4B 6S STL	1	EA
6	5036503	ADAPTER TEE SWIVEL 4JIC TO 4 JIC TO 4 JIC FEMALE	1	EA
7	5036805	ADAPTER TEE SWIVEL 6 JIC TO 6 JIC FEMALE	1	EA
8	5036903	FTG ELB45SWVL 4S 4S STL	2	EA
9	5036905	ADAPTER 45 DEG ELBOW SWIVEL 6 JIC	4	EA
10	5036906	COVER	1	EA
11	5036908	SWIVEL NUT 45 ° ELBOW	2	EA
12	5037003	FTG ELB90SWVL 4S 4S STL	2	EA
13	5065703	FTG ADPTR STRTHD 4B 4S STL	1	EA
14	5065707	FTG ADPTR STRTHD 6B 6S STL PH	3	EA
15	5065709	FTG ADPTR STRTHD 8B 8S STL PH	1	EA
16	5065715	FTG ADPTR STRTHD 16B 12S STL B	2	EA
17	5065726	STRAIGHT THREAD ADAPTER	1	EA
18	5065803	LONG STRAIGHT THREAD ADAPTER	1	EA

アイテム	部品番号	名前	数量	UOM
19	5065805	FTG ADAPTER STRTHDL 6B 6S STL LONG	1	EA
20	5560039	NUT HEX LKG .500 13	2	EA
21	7714203	FTG PLUG .375 NPT SQ HD BLK	2	EA

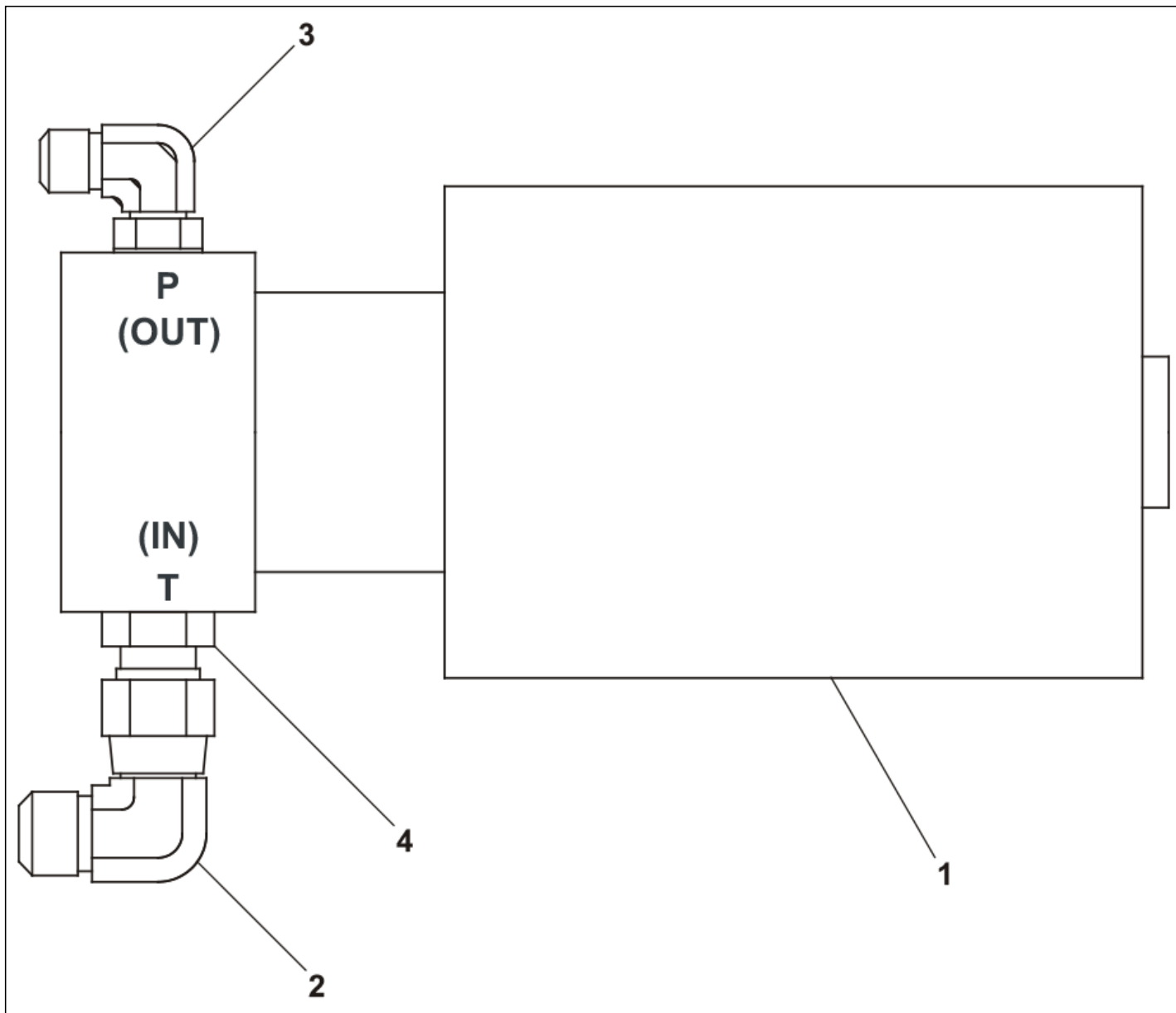
HYDRAULICS



アイテム	部品番号	名前	数量	UOM
	0420669	EMERGENCY POWER UNIT		EA
1	5035306	FTG ELB90STRTHD 8B 8S STL	1	EA
2	5037006	ADAPTER 90 ° ELBOW SWIVEL 8 JIC	1	EA
3	5065707	FTG ADPTR STRTHD 6B 6S STL PH	1	EA
4	6020058	EMERGENCY PWR UNIT TB/ATB	1	EA
5	8060296	PUMP	1	EA
6	459986	COUPLING	1	EA
7	8060297	MOTOR	1	EA



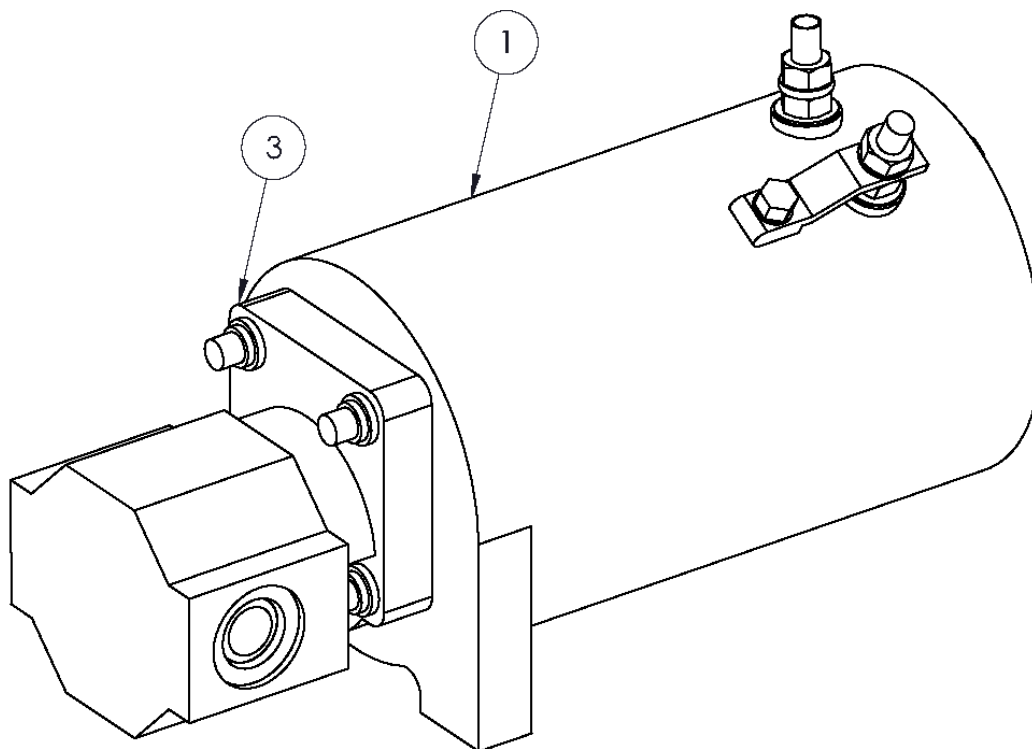
HYDRAULICS



アイテム	部品番号	名前	数量	UOM
	0072940 A	EMERGENCY POWER UNIT ASSEMBLY		EA
1	6020058	EMERGENCY PWR UNIT TB/ATB	1	EA
2	5037006	ADAPTER 90 ° ELBOW SWIVEL 8 JIC	1	EA
3	5035305	FTG ELB90STRTHD 6S 6S STL	1	EA
4	5065709	FTG ADPTR STRTHD 8B 8S STL PH	1	EA

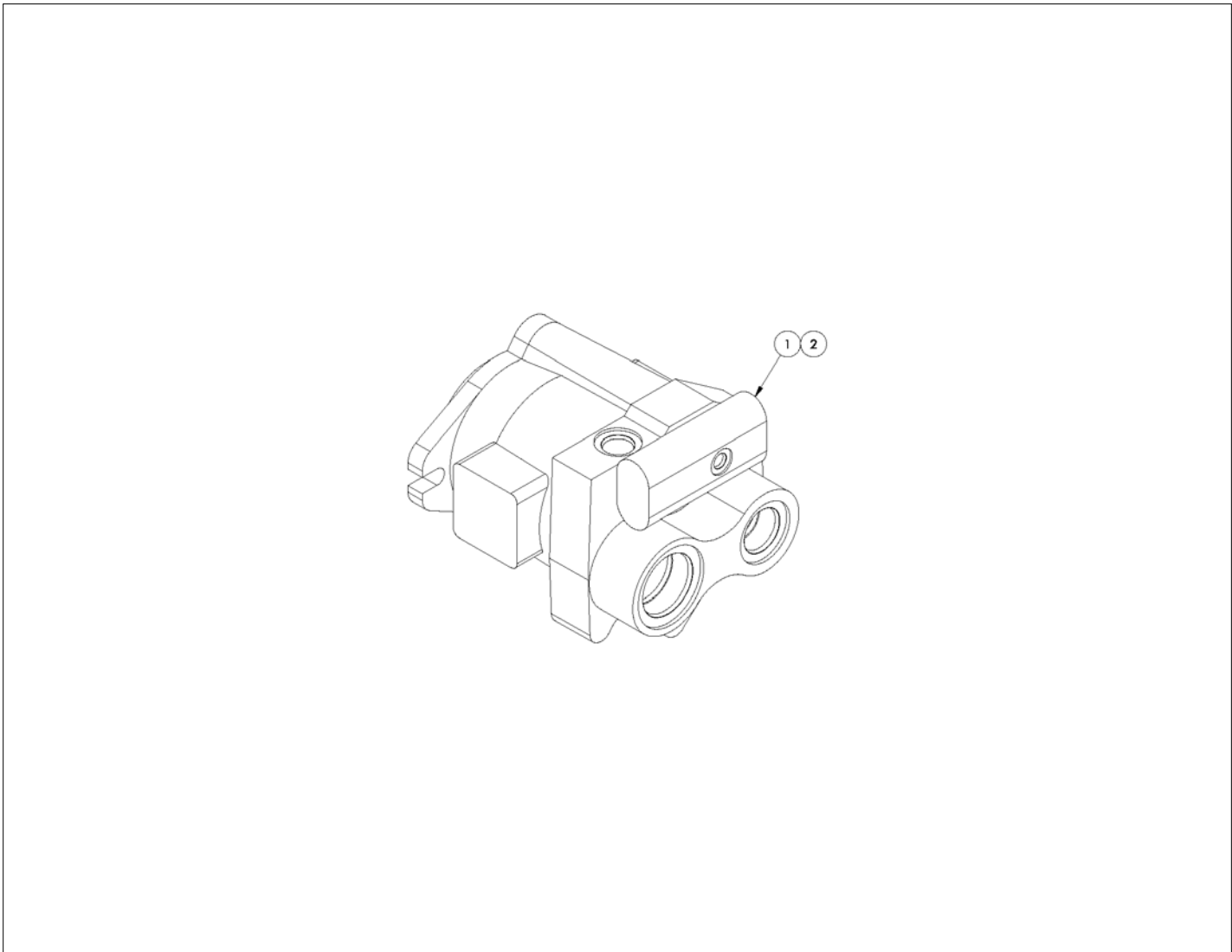
HYDRAULICS

6020058  
EMERGENCY POWER UNIT ASSEMBLY



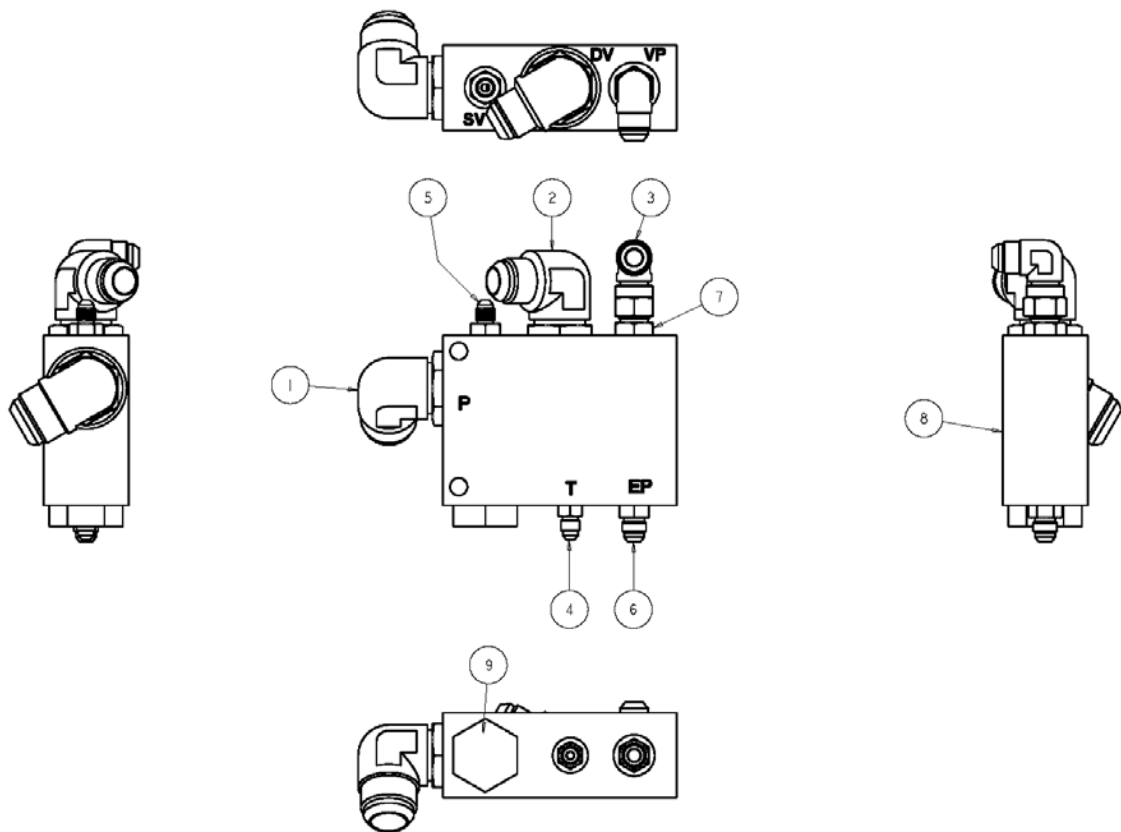
アイテム	部品番号	名前	数量	UOM
	6020058 B	EMERGENCY POWER UNIT WUXI DELI		EA
1	6029699	GEAR PUMP	1	EA
2	6029698	DC MOTOR	1	EA

HYDRAULICS



アイテム	部品番号	名前	数量	UOM
*	6029702 005 A	PISTON PUMP HENGLI SEPTEMBER 2019 AND AFTER		EA
1	6092077	COMPENSATOR CONTROL VALVE	1	EA
2	6092078	PUMP SEAL KIT	1	EA

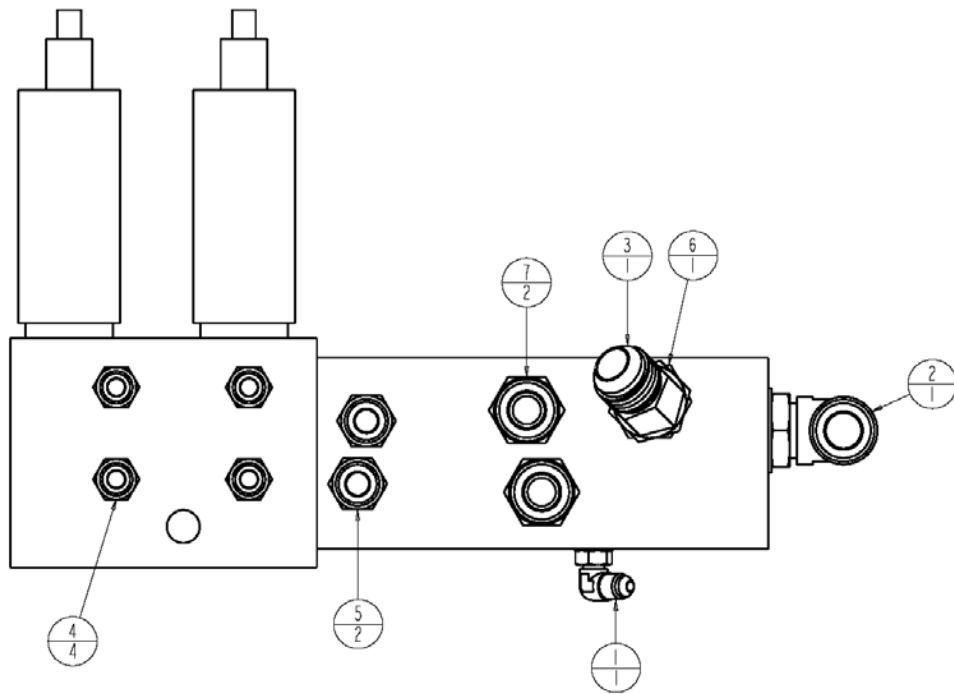
HYDRAULICS



アイテム	部品番号	名前	数量	UOM
	0420675 B	PRESSURE MANIFOLD VALVE SUB ASSEMBLY		EA
1	5035310	STRAIGHT THREAD 90 ° ELBOW	1	EA
2	5035319	FTG ELB90STRTHD 16B 12S STL	1	EA
3	5037006	ADAPTER 90 ° ELBOW SWIVEL 8 JIC	1	EA
4	5065703	FTG ADPTR STRTHD 4B 4S STL	1	EA
5	5065705	FTG ADPTR STRTHD 6B 4S STL	1	EA
6	5065707	FTG ADPTR STRTHD 6B 6S STL PH	1	EA
7	5065709	FTG ADPTR STRTHD 8B 8S STL PH	1	EA
8	6010579	CHECK VALVE MANIFOLD	1	EA
9	6010565	CHECK VALVE	1	EA
Not Shown	8060280	VALVE BODY	1	EA

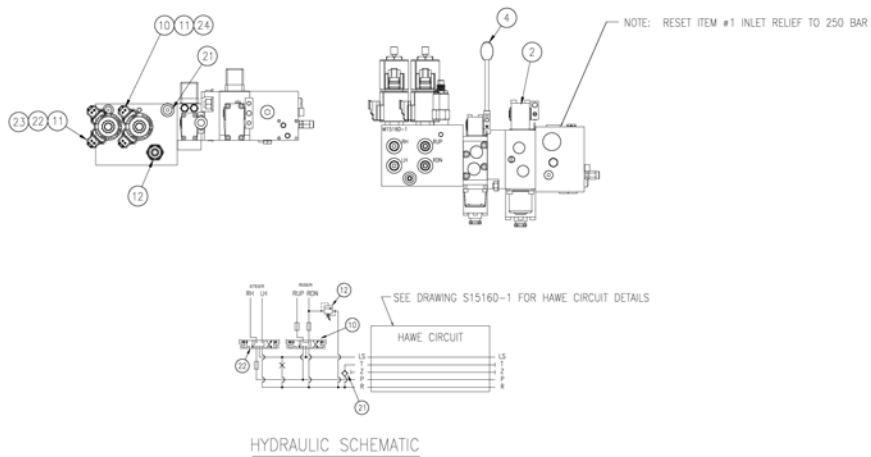


HYDRAULICS



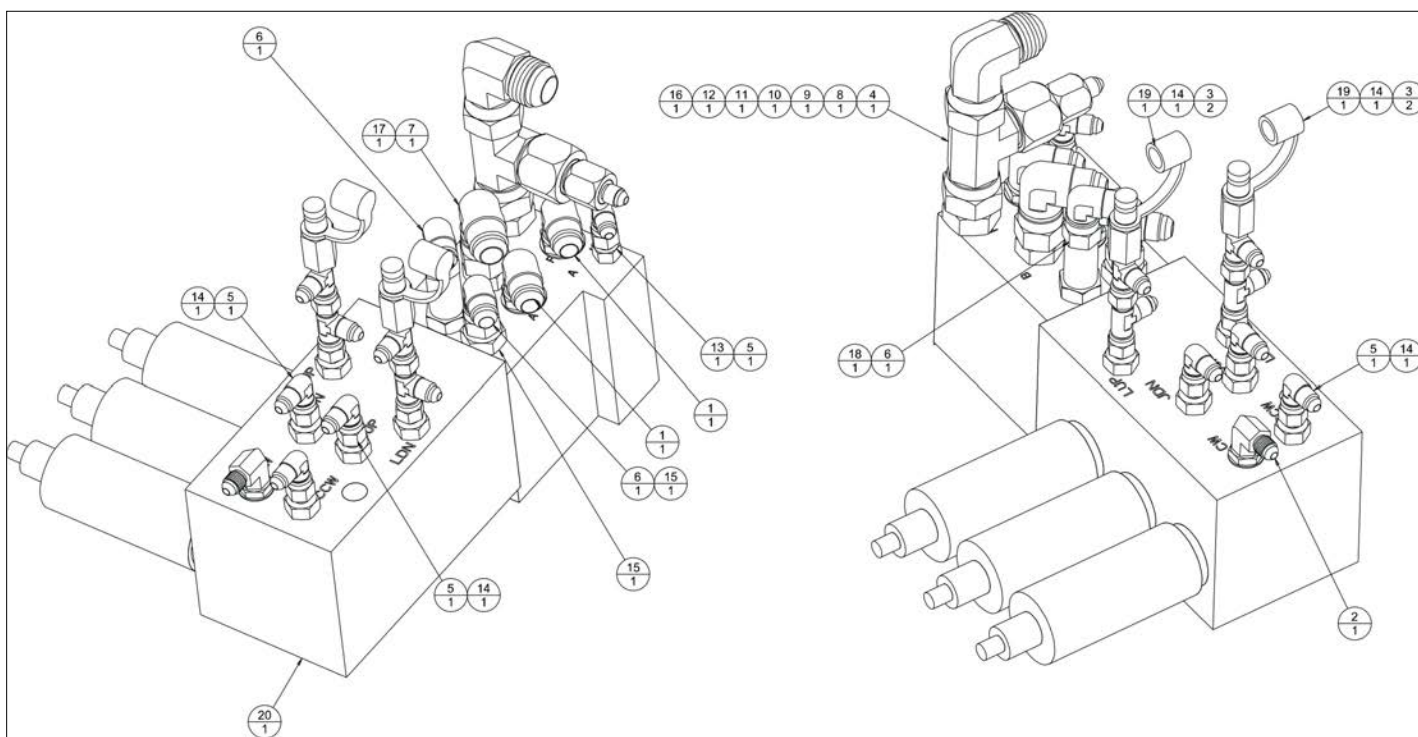
アイテム	部品番号	名前	数量	UOM
	0420677	CONTROL VALVE ASSEMBLY 4 FUNCTION		EA
1	5035303	FTG ELB90STRTHD 4B 4S STL	1	EA
2	5035308	ADAPTER 90 ° ELBOW 12 SAE TO 12 JIC	1	EA
3	5036908	SWIVEL NUT 45 ° ELBOW	1	EA
4	5065707	FTG ADPTR STRTHD 6B 6S STL PH	4	EA
5	5065709	FTG ADPTR STRTHD 8B 8S STL PH	2	EA
6	5065714	FTG HYD 12 MB TO 12 MJC	1	EA
7	5065727	FTG ADPTR STRTHD 10B 12S STL 6	2	EA

HYDRAULICS



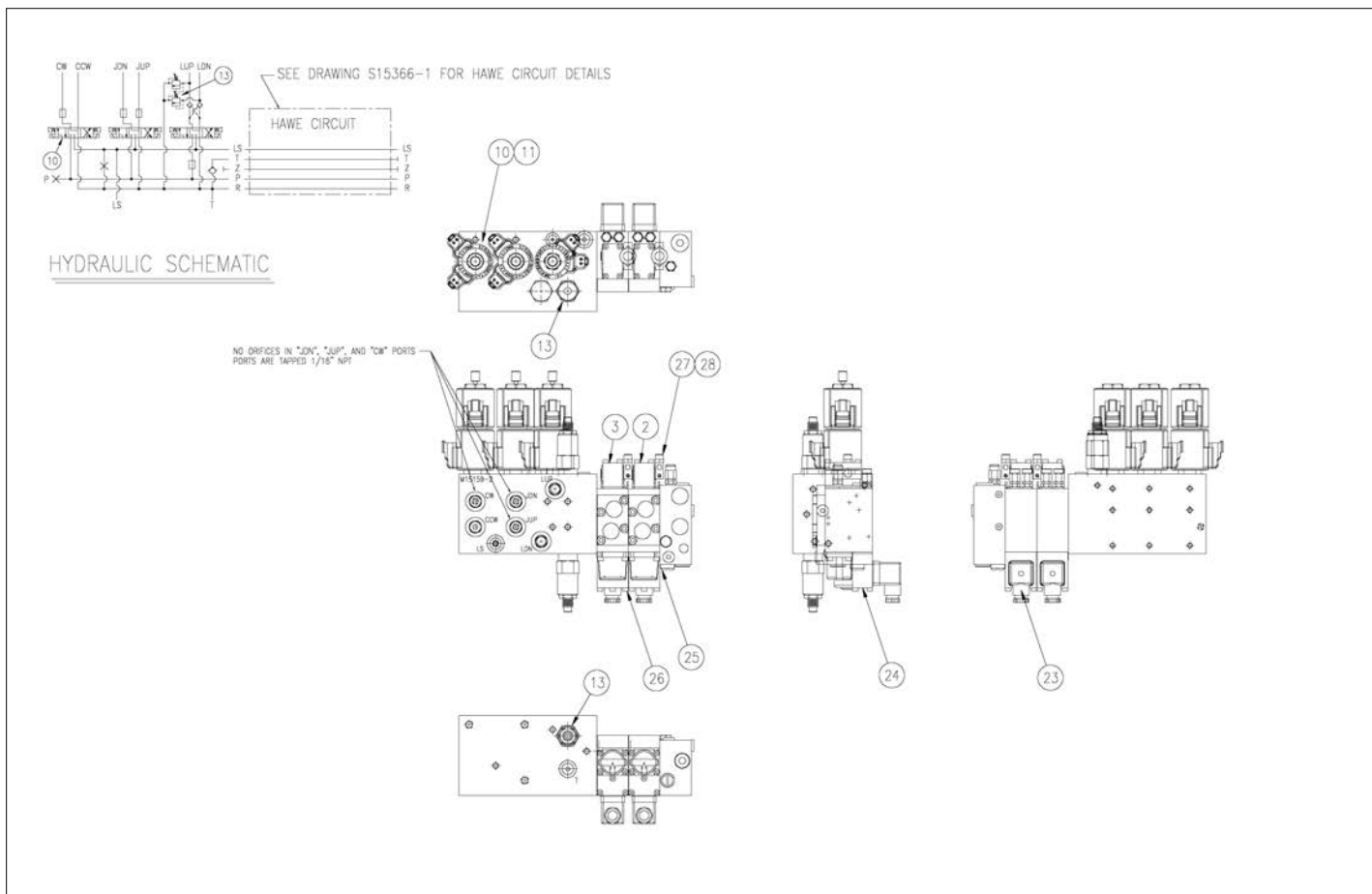
アイテム	部品番号	名前	数量	UOM
	6019102 A	VALVE CONTROL 4 FUNCTION		EA
2	6019144	VALVE SECTION DRIVE HAWE	1	EA
4	0421386	VALVE SECTION	1	EA
10	6019286	HAWE VALVE 4 WAY SOENOID	1	EA
11	3040782	COIL 10V DIODE DEUTSCH CONN	4	EA
12	6019148	RELIEF VALVE HYDRAFORCE	1	EA
21	106574 103	#08 CHECK VALVE 10 PSI	1	EA
22	6019328	4 WAY SOLENOID VALVE FOR 6019102	1	EA
23	6019143	VALVESOL CART 3 POS LS CC	1	EA
24	6019142	VALVESOL CART 3 POS LS OC	1	EA
	6092102	SEAL KIT		EA

HYDRAULICS



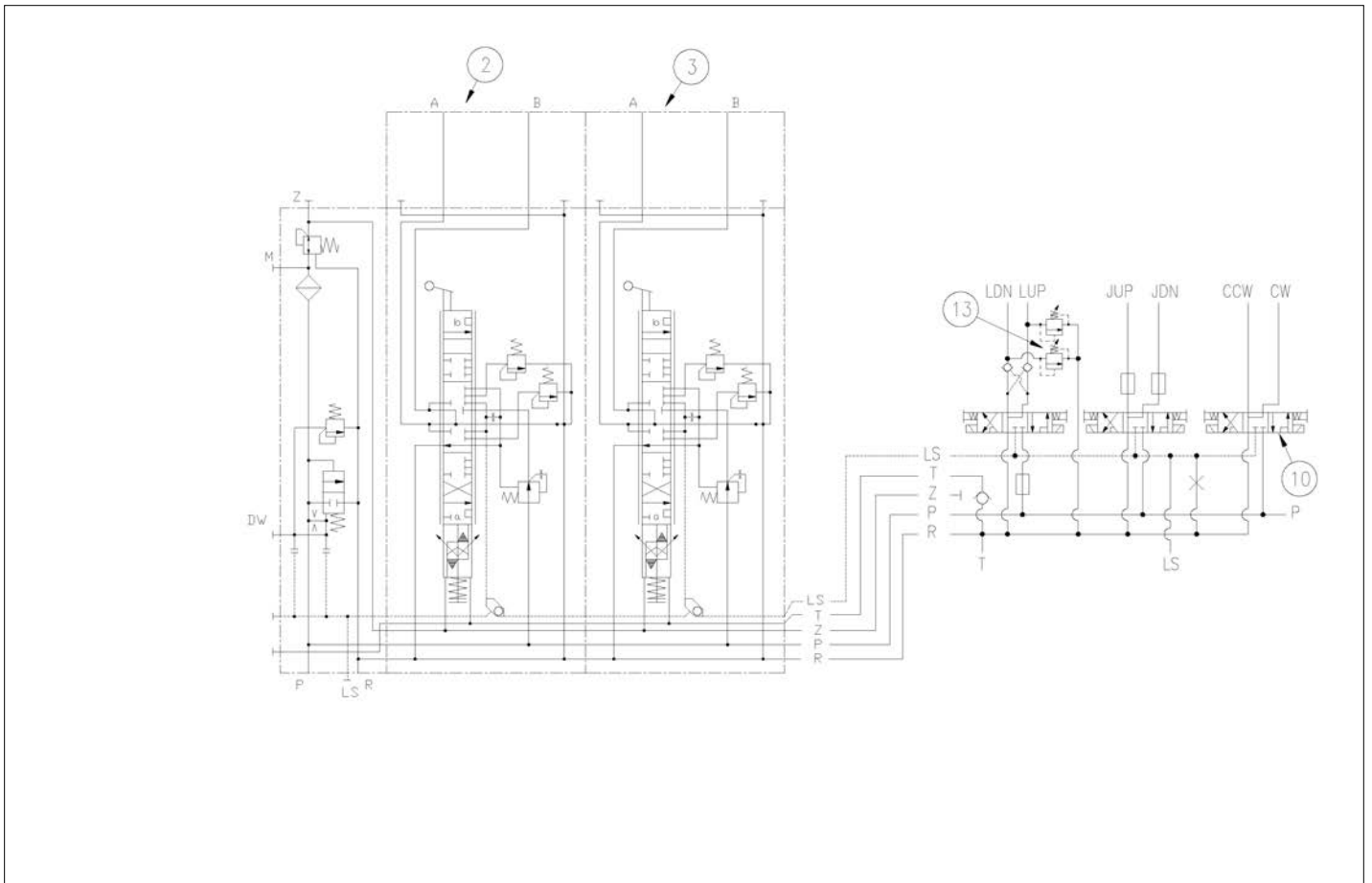
アイテム	部品番号	名前	数量	UOM
	0421587 A	5 FUNCTION VALVE ASSEMBLY		EA
1	5035306	FTG ELB90STRTHD 8B 8S STL	2	EA
2	5035318	STRAIGHT THREAD 90 ° ELBOW	1	EA
3	5036703	FTG TEE SWVL RUN 4S 4S STL (SEE PAGE 2)	4	EA
4	5036708	FTG TEE SWVL RUN 12S 12S STL	1	EA
5	5037003	FTG ELB90SWVL 4S 4S STL	4	EA
6	5037005	TERM FEM F.I. .250 16/14	2	EA
7	5037007	ADAPTER 90 DEG ELBOW SWIVEL 10 JIC	1	EA
8	5037008	ADAPTER 90 ° ELBOW SWIVEL 12 JIC	1	EA
9	5063906	FTG NUT 8S STL	1	EA
10	5063908	FTG NUT 12S STL	1	EA
11	5064002	ADAPTER STREIGHT TUBE REDUCER 8 JIC TO 4 JIC	1	EA
12	5064008	FTG RDCR TUBE END 12S 8S STL	1	EA
13	5065703	FTG ADPTR STRTHD 4B 4S STL	1	EA
14	5065705	FTG ADPTR STRTHD 6B 4S STL	5	EA
15	5065708	FTG, HYD 8 MB TO 6 MJIC	1	EA
16	5065727	FTG ADPTR STRTHD 10B 12S STL 6	1	EA
17	5065729	FTG APDTRSWVL 16B 16S STL	1	EA
18	5065815	FTG ADPTR STRTHD LG 8B 6S STL	1	EA
19	5070005	FTG NIP DIGN 4S FEM PD345 6 W/DUST CAP	2	EA
20	6019151	VALVE CONTROL 5 SECTION AB80	1	EA

HYDRAULICS

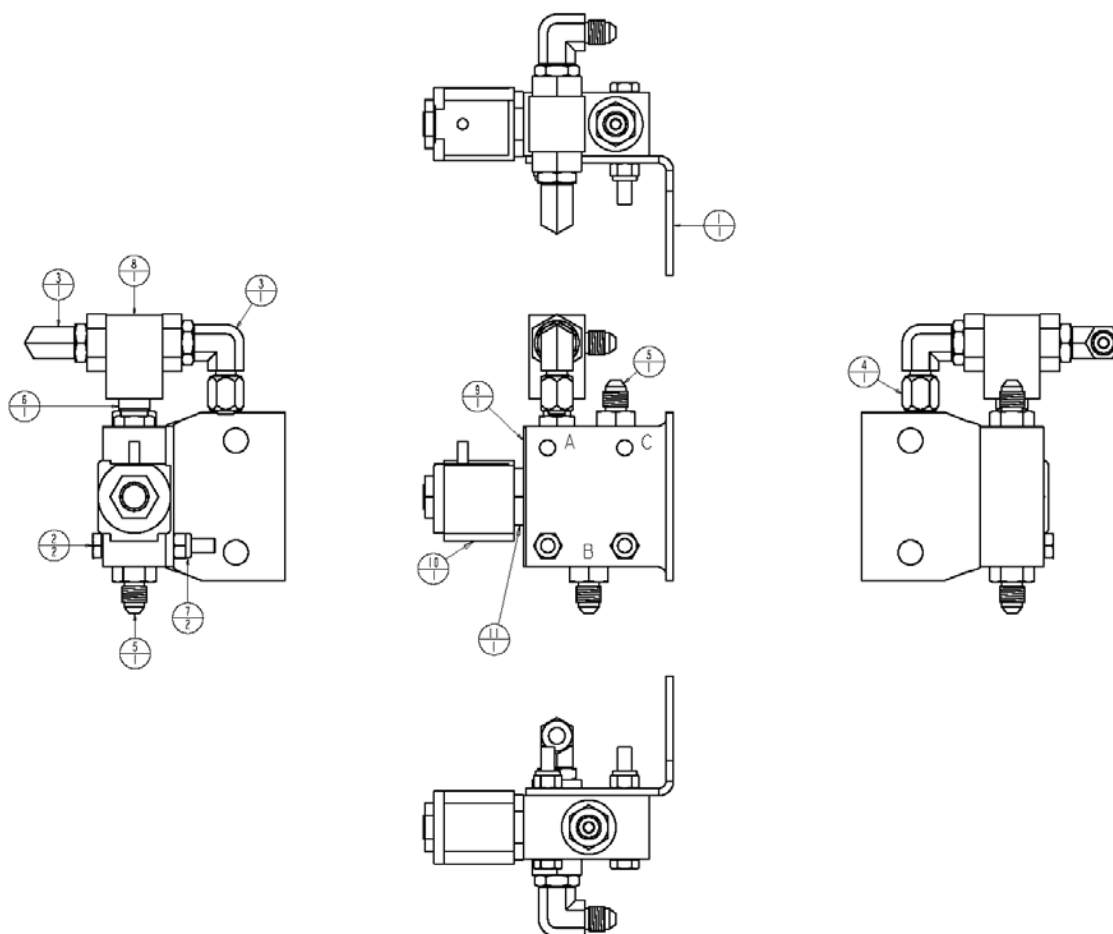


アイテム	部品番号	名前	数量	UOM
	6019151 A	VALVE CONTROL 5 SECTION		EA
2	6019145	VALVE SECTION PROP 40LPM HAWE	1	EA
3	6019146	VALVE SECTION PROP 16 LPM HAWE	1	EA
10	6019142	VALVESOL CART 3 POS LS OC	3	EA
11	3040782	COIL 10V DIODE DEUTSCH CONN	6	EA
13	6019072	RELIEF VALVE	2	EA
23	961329	CONNECTOR DIN "A"	2	EA
24	8080151	COIL ( for valve 6019057)	2	EA
25	8080149	SEAL KIT INLET (HAWE)	1	EA
26	8080150	SEAL KIT WORK SECTION (HAWE)	1	EA
27	8080184	GRUB SCREW HAWE	2	EA
28	8080185	GRUB SCREW LOCK HAWE	2	EA



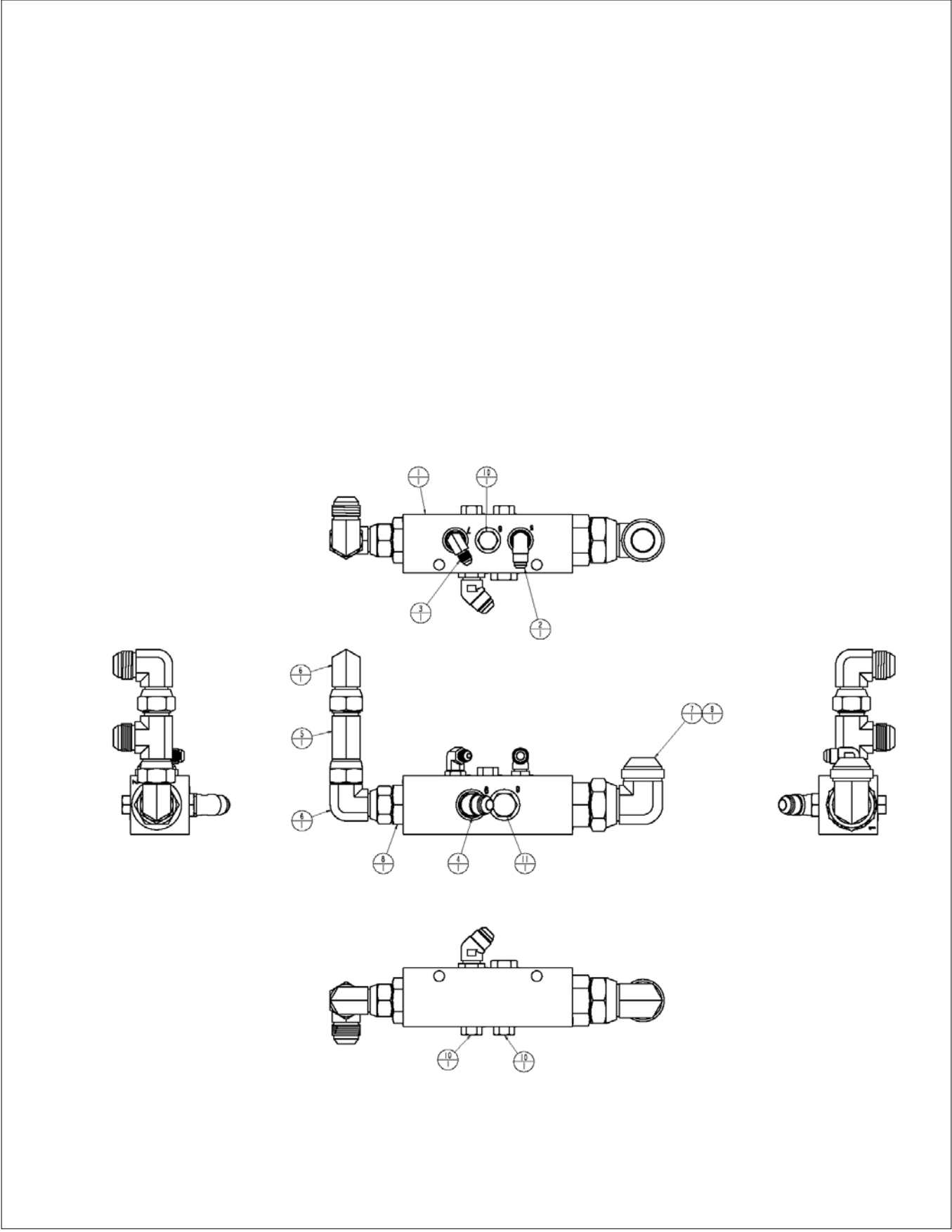


HYDRAULICS



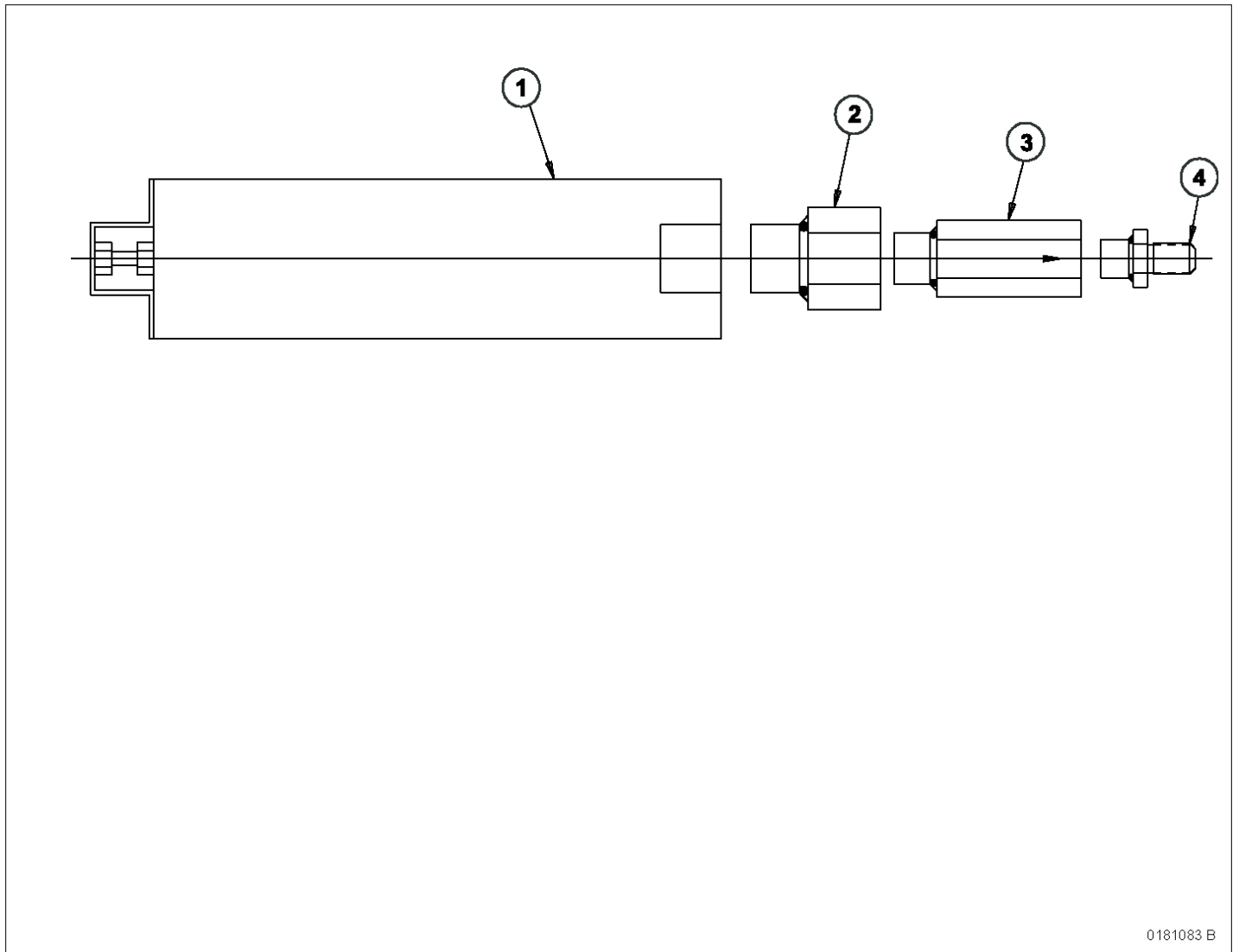
アイテム	部品番号	名前	数量	UOM
	0420672 B	SENSE LINE DUMP VALVE ASSEMBLY		EA
1	0074765	BRKT SENSE LINE DUMP VLV	1	EA
2	970169	BOLTHEXHD .250 20 2.00 GR5	2	EA
3	5035318	STRAIGHT THREAD 90 ° ELBOW	2	EA
4	5063701	ADAPTER, CAP, 4 JIC FEMALE	1	EA
5	5065705	FTG ADPTR STRTHD 6B 4S STL	2	EA
6	5076301	UNION ( 6/ 6)	1	EA
7	5560004	NUT LKG .250 20	2	EA
8	6010083	SHUTTLE VALVE	1	EA
9	6010499	VALVE ASSY 3WAY 10 VOLT SINGLE	1	EA
10	6304010	COIL	1	EA
11	6010472	VALVECART 3 WAY VALVE	1	EA

HYDRAULICS



アイテム	部品番号	名前	数量	UOM
	0420683 E	RETURN MANIFOLD TURNTABLE NOVEMBER 2006 AND AFTER		EA
1	0110156	PRESSURE MANIFOLD	1	EA
2	5035305	FTG ELB90STRTHD 6S 6S STL	1	EA
3	5035318	STRAIGHT THREAD 90 ° ELBOW	1	EA
4	5035706	ADAPTER 45 DEG ELBOW 8 SAE 8 JIC	1	EA
5	5036708	FTG TEE SWVL RUN 12S 12S STL	1	EA
6	5037008	ADAPTER 90 ° ELBOW SWIVEL 12 JIC	2	EA
7	5037011	FTG ELB90SWVL 20S 20S STL PH 2	1	EA
8	5065715	FTG ADPTR STRTHD 16B 12S STL B	1	EA
9	5065737	FTG, HYD 16 MB TO 20 MJIC	1	EA
10	5075205	FTG PL HEXHD 6B STL	3	EA
11	5075206	FTG PL HEXHD 8B STL	1	EA

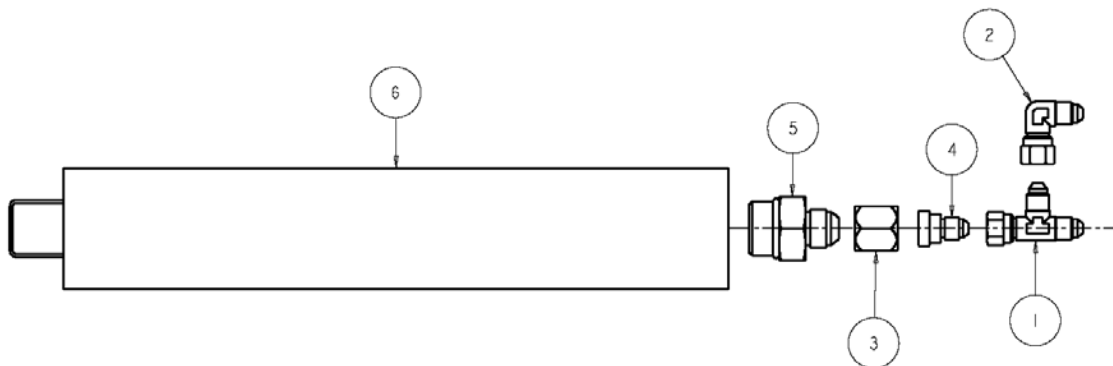
HYDRAULICS



0181083 B

アイテム	部品番号	名前	数量	UOM
	0181083 B	ACCUMULATOR SUB ASSEMBLY 300 PSI CHARGED CHASSIS	1	EA
1	6070005	ACCUMULATOR	1	EA
Not Shown	6070010	ACCUMULATOR EUROPE	A/R	EA
2	5076003	ADAPTER STRAIGHT 12SAE TO 8SAE FEMALE	1	EA
3	6010635	CHECK VALVE, ORIFICED	1	EA
4	5065709	FTG ADPTR STRTHD 8B 8S STL PH	1	EA

HYDRAULICS

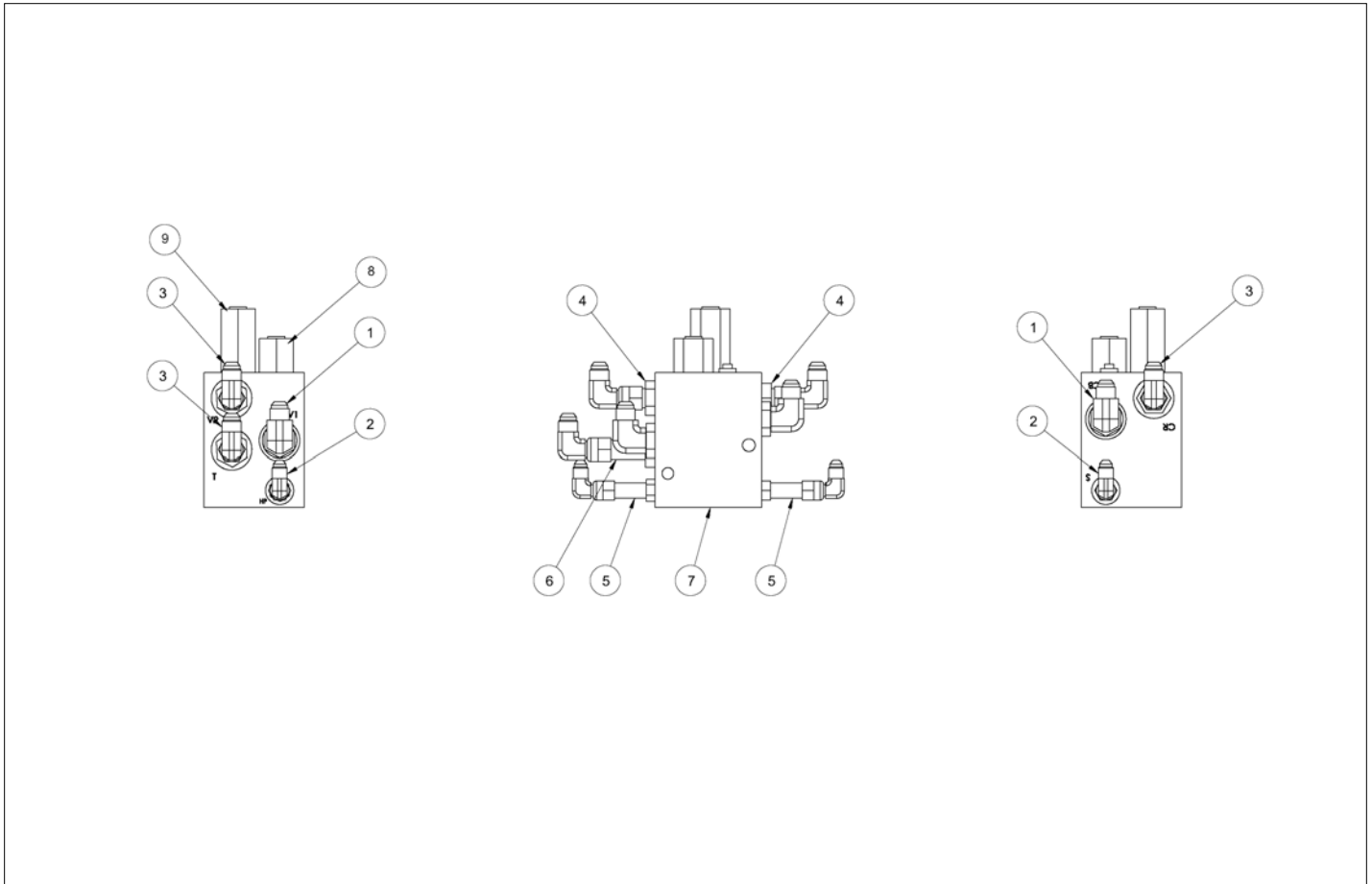


NOTES:  
1. CHARGE ACCUMULATOR TO 300 PSI WITH DRY NITROGEN.



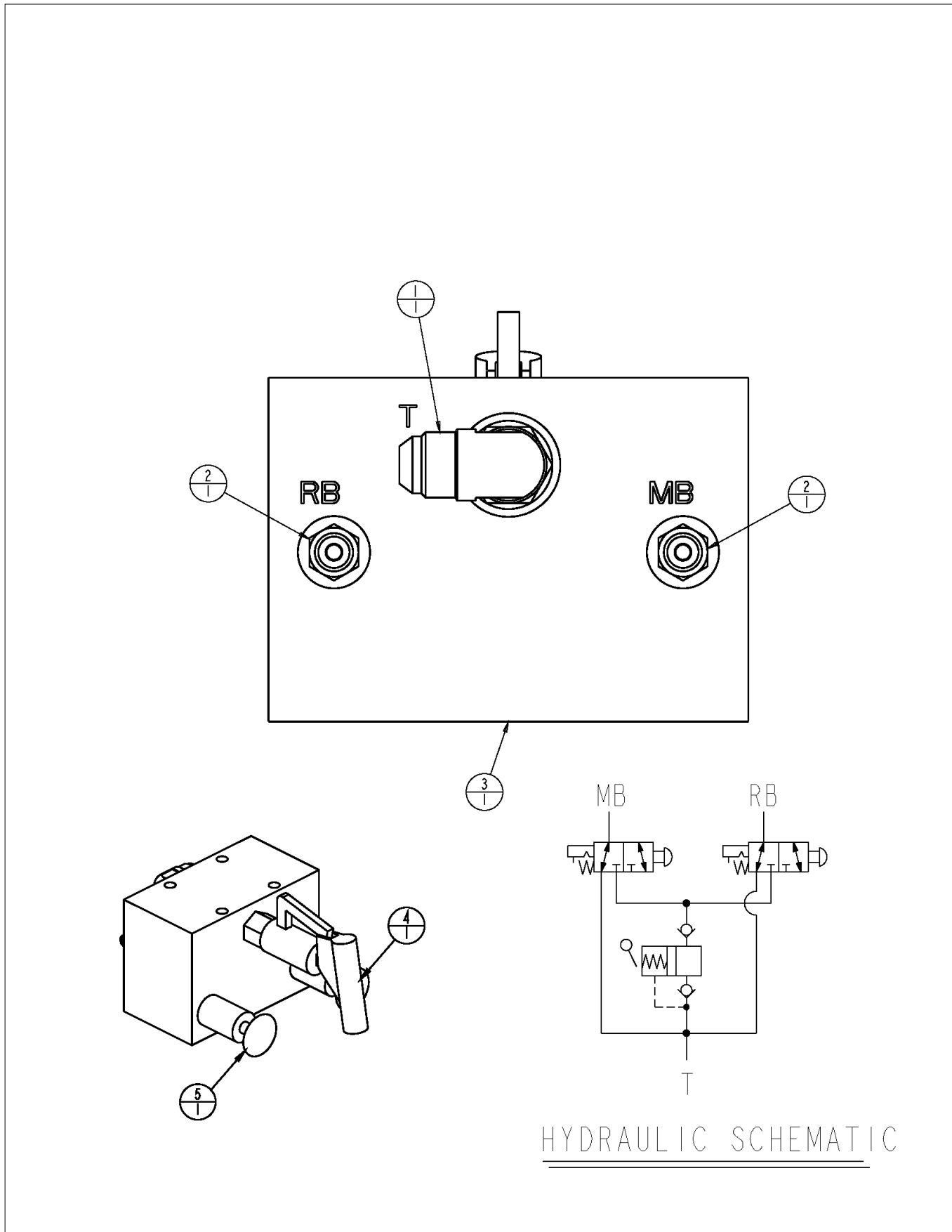
アイテム	部品番号	名前	数量	UOM
	0420673 B	ACCUMULATOR ASSEMBLY OCTOBER 2006 AND AFTER		EA
1	5036703	FTG TEE SWVL RUN 4S 4S STL (SEE PAGE 2)	1	EA
2	5037003	FTG ELB90SWVL 4S 4S STL	1	EA
3	PNNA	null		EA
4	5064002	ADAPTER STREIGHT TUBE REDUCER 8 JIC TO 4 JIC	1	EA
5	5065711	FTG ADPTR STRTHD 12B 8S STL	1	EA
6	6070005	ACCUMULATOR	1	EA
Not Shown	6070010	ACCUMULATOR EUROPE	A/R	EA

HYDRAULICS



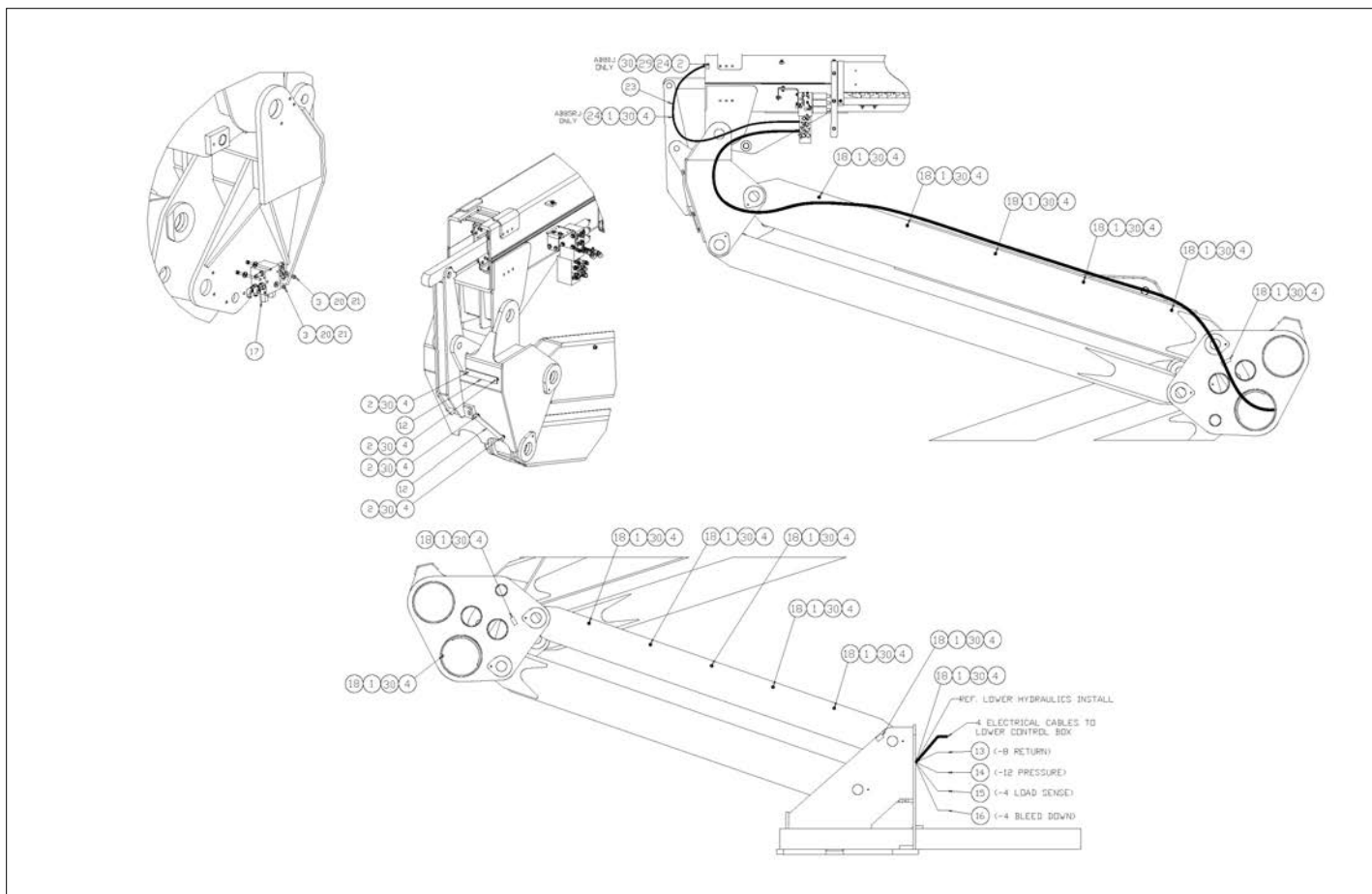
アイテム	部品番号	名前	数量	UOM
	0421406 B	BLEED DOWN CONTROL VALVE ASSEMBLY JUNE 2007 AND AFTER		EA
1	5035320	ADAPTER 90 DEG ELBOW 8 SAE TO 6 JIC	2	EA
2	5037003	FTG ELB90SWVL 4S 4S STL	2	EA
3	5037005	TERM FEM F.I. .250 16/14	3	EA
4	5065708	FTG, HYD 8 MB TO 6 MJIC	2	EA
5	5065803	LONG STRAIGHT THREAD ADAPTER	2	EA
6	5065815	FTG ADPTR STRTHD LG 8B 6S STL	1	EA
7	6019120	VALVE BLEED CONT W/ RELIEF	1	EA
8	6019125	PILOT 2 WAY	1	EA
9	6019126	RELIEF VALVE	1	EA

HYDRAULICS

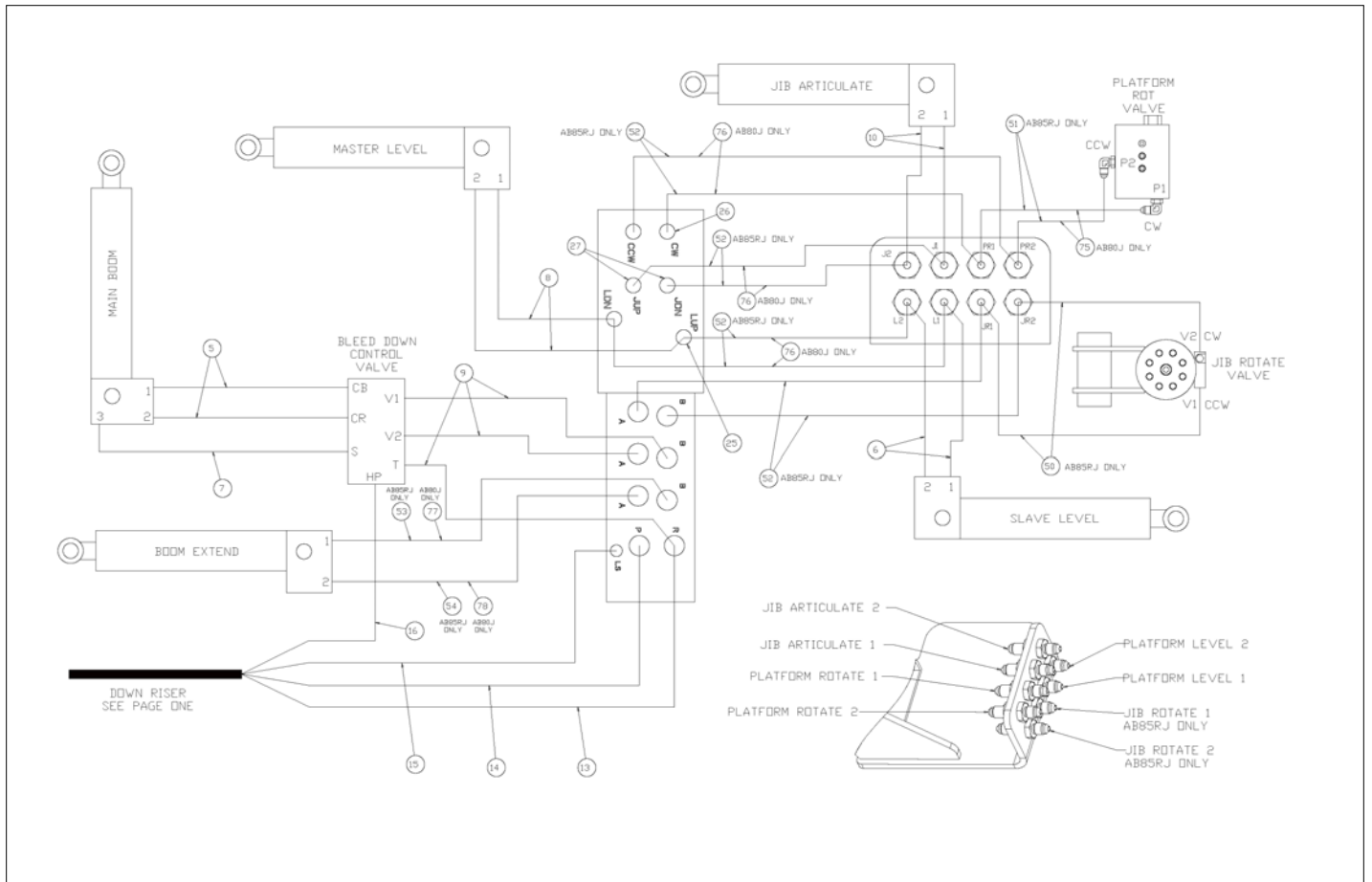


アイテム	部品番号	名前	数量	UOM
	0421320 B	BLEED DOWN PUMP VALVE APRIL 2007 AND AFTER		EA
1	5035306	FTG ELB90STRTHD 8B 8S STL	1	EA
2	5065703	FTG ADPTR STRTHD 4B 4S STL	2	EA
3	6019119	VAVLE BLEED DOWN PUMP	1	EA
4	6019129	MANUAL PUMP	1	EA
5	6019130	MANUAL 3 WAY	1	EA

HYDRAULICS



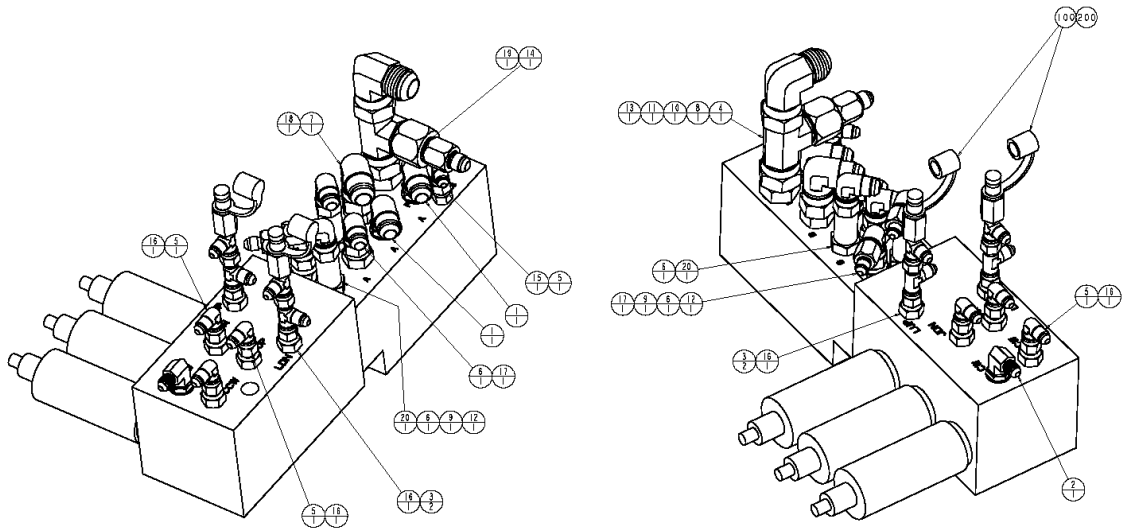
アイテム	部品番号	名前	数量	UOM
Not Shown	A42011E A	BOOM HYDRAULICS		EA
1	970449	HHD BLT .375 16 X .750 GR5	16	EA
2	970469	HHD BLT .375 16 X 1.00 GR5	5	EA
3	986269	WSHR FLAT .313	2	EA
4	987119	WSHR LOCK .375	20	EA
5	0050400	HOSE 6 6S 6S 41 100R2	2	EA
6	0070769	HOSE 4 4S 4S 30.5 100R1	2	EA
7	0070772	3/8 I.D. HOSE ASSEMBLY	1	EA
8	0100271	HOSE 4 4S 4S 103 100R1	2	EA
9	0111286	HOSE 6 6S 6S 84 100R2	3	EA
10	0111287	HOSE 4 4S 4S 84 100R2	2	EA
12	0421196	PLATE HOSE RETAINER	2	EA
13	0421371	HOSE 8 8S 8S 457 100R17	1	EA
14	0421373	PLT ATTACHMENT C'WEIGHT WLDMT	1	EA
15	0421404	HOSE 4 4S 4S 435 100R17	1	EA
16	0421405	HOSE 4 4S 4S 555 100R17	1	EA
17	0421406	UPPER BLEED DOWN CONTROL VAVLE ASSEMBLY	1	EA
18	5093030	CLP CUSH 2.50 VINYL COATED	15	EA
Not Shown	5093014	CLP CUSH 2.25 VINYL COATED	15	EA
19	5098343	SLEEVEHOSE ABRASION GRD 2.88 in	34	EA
20	5560031	NUT HEX LKG .313 18	2	EA
21	5560636	BLT HEXHD .313 18 4.50 GR5	2	EA
23	5090034	SLEEVEHOSE ABRASION GRD 1.81 in	3FT	EA
24	5093010	CLP CUSH 1.50 VINYL COATED	1	EA
25	0150604	ORIFICE .029	1	EA
26	0020356	ORIFICE	1	EA





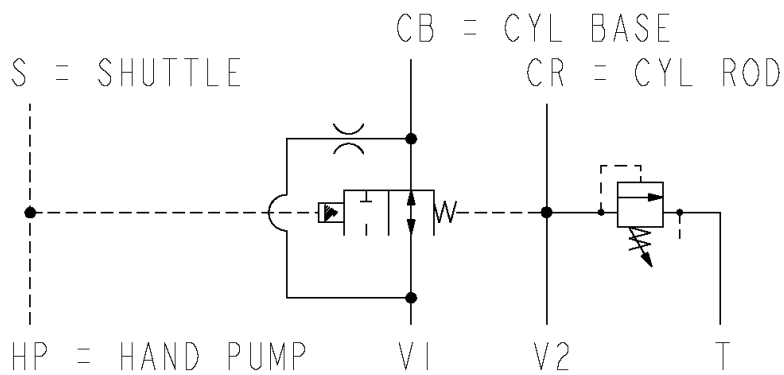
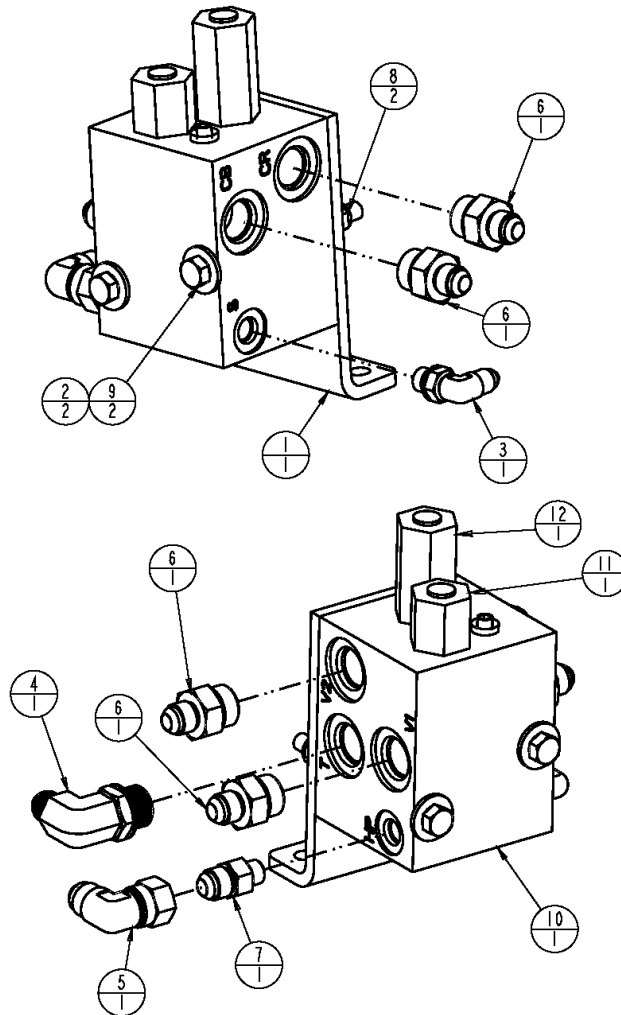
アイテム	部品番号	名前	数量	UOM
27	0151918	ORIFICE, .035	2	EA
29	5560033	.375 16UNC HEX LOCK NUT	1	EA
30	986299	WASHER, FLAT, .375 STANDARD, PLATED	21	EA
Not Shown	PNNA	AB85 AND AB85J CE ONLY		EA
50	0070772	3/8 I.D. HOSE ASSEMBLY	2	EA
51	0101897	HOSE 4 4S 4S 130 100R2	2	EA
52	0421191	HOSE 4 4S 4S 668 R17	8	EA
53	0421469	HOSE 10 10S 10S 89 100R17	1	EA
54	0421470	HOSE 8 8S 8S 89 100R17	1	EA
Not Shown	PNNA	AB80J ONLY		EA
75	0181163	HOSE 4 4S 4S 103 100R2	2	EA
76	0421191	HOSE 4 4S 4S 668 R17	6	EA
77	0112705	HOSE 10 10S 10S 78 100R2	1	EA
78	0151860	1/2" I.D. HOSE ASSEMBLY	1	EA

HYDRAULICS



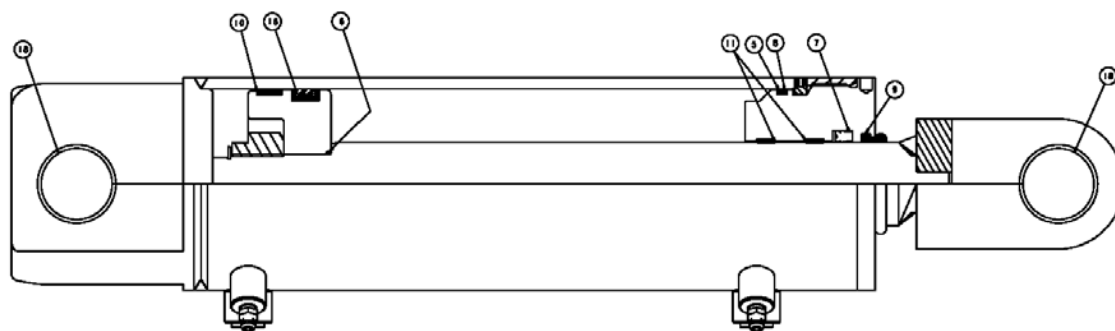
アイテム	部品番号	名前	数量	UOM
	0420715 E	SIX FUNCTION CONTROL VALVE ASSEMBLY		EA
1	5035306	FTG ELB90STRTHD 8B 8S STL	2	EA
2	5035318	STRAIGHT THREAD 90 ° ELBOW	1	EA
3	5036703	FTG TEE SWVL RUN 4S 4S STL (SEE PAGE 2)	4	EA
4	5036708	FTG TEE SWVL RUN 12S 12S STL	1	EA
5	5037003	FTG ELB90SWVL 4S 4S STL	4	EA
6	5037005	TERM FEM F.I. .250 16/14	4	EA
7	5037007	ADAPTER 90 DEG ELBOW SWIVEL 10 JIC	1	EA
8	5037008	ADAPTER 90 ° ELBOW SWIVEL 12 JIC	1	EA
9	5063905	FTG NUT 6S STL	2	EA
10	5063906	FTG NUT 8S STL	1	EA
11	5063908	FTG NUT 12S STL	1	EA
12	5064001	ADAPTER STRAIGHT TUBE REDUCER 6 JIC TO 4 JIC	2	EA
13	5064003	FTG RDCR 8S 6S W/O NUT STL (SEE PAGE 2)	1	EA
14	5064008	FTG RDCR TUBE END 12S 8S STL	1	EA
15	5065703	FTG ADPTR STRTHD 4B 4S STL	1	EA
16	5065705	FTG ADPTR STRTHD 6B 4S STL	5	EA
17	5065708	FTG, HYD 8 MB TO 6 MJIC	2	EA
18	5065729	FTG APDTRSWVL 16B 16S STL	1	EA
19	5065731	FTG, HYD 8 MB TO 12 MJIC	1	EA
20	5065815	FTG ADPTR STRTHD LG 8B 6S STL	2	EA
100	5070005	FTG NIP DIGN 4S FEM PD345 6 W/DUST CAP	2	EA
200	5070028	FTG NIP DIGN 4S FEM METRIC CE	2	EA

HYDRAULICS



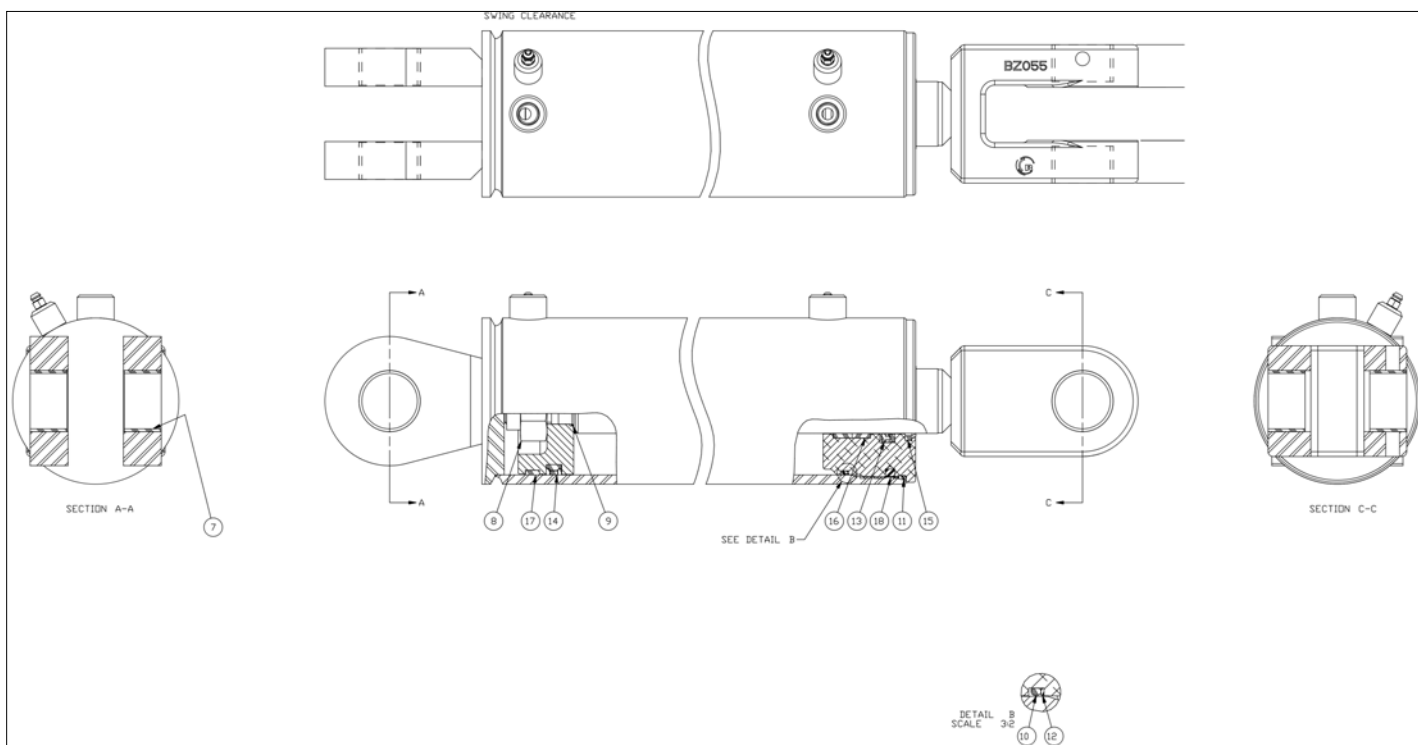
アイテム	部品番号	名前	数量	UOM
	0421317 B	CYLINDER BLEED DOWN		EA
1	0421316	BRKT CYL BLEED DOWN CONT	1	EA
2	986269	WSHR FLAT .313	2	EA
3	5035303	FTG ELB90STRTHD 4B 4S STL	1	EA
4	5035320	ADAPTER 90 DEG ELBOW 8 SAE TO 6 JIC	1	EA
5	5037005	TERM FEM F.I. .250 16/14	1	EA
6	5065708	FTG, HYD 8 MB TO 6 MJIC	4	EA
7	5065734	FTG ADPTR STRTHD 4B 6S STL PH	1	EA
8	5560031	NUT HEX LKG .313 18	2	EA
9	5569892	BLT HEXHD .313 18 4.00 GR5	2	EA
10	6019120	VALVE BLEED CONT W/ RELIEF	1	EA
11	6019125	PILOT 2 WAY	1	EA
12	6019126	RELIEF VALVE	1	EA
	8060280	VALVE BODY	1	EA

HYDRAULICS



アイテム	部品番号	名前	数量	UOM
	0112777 C	STEER CYLINDER ROSENBOOM SEPTEMBER 2015 AND AFTER		EA
	6091538	SEAL KIT (KIT INCLUDES ITEMS 5 12 and 17)	1	EA
5	KIT ITEM	O RING	1	EA
6	KIT ITEM	O RING	1	EA
7	KIT ITEM	ROD SEAL	1	EA
8	KIT ITEM	BACKUP RING	1	EA
9	KIT ITEM	ROD WIPER	1	EA
10	KIT ITEM	WEAR RING	1	EA
11	KIT ITEM	WEAR RING	2	EA
16	KIT ITEM	PISTON SEAL	1	EA
18	2509699	BEARING	4	EA

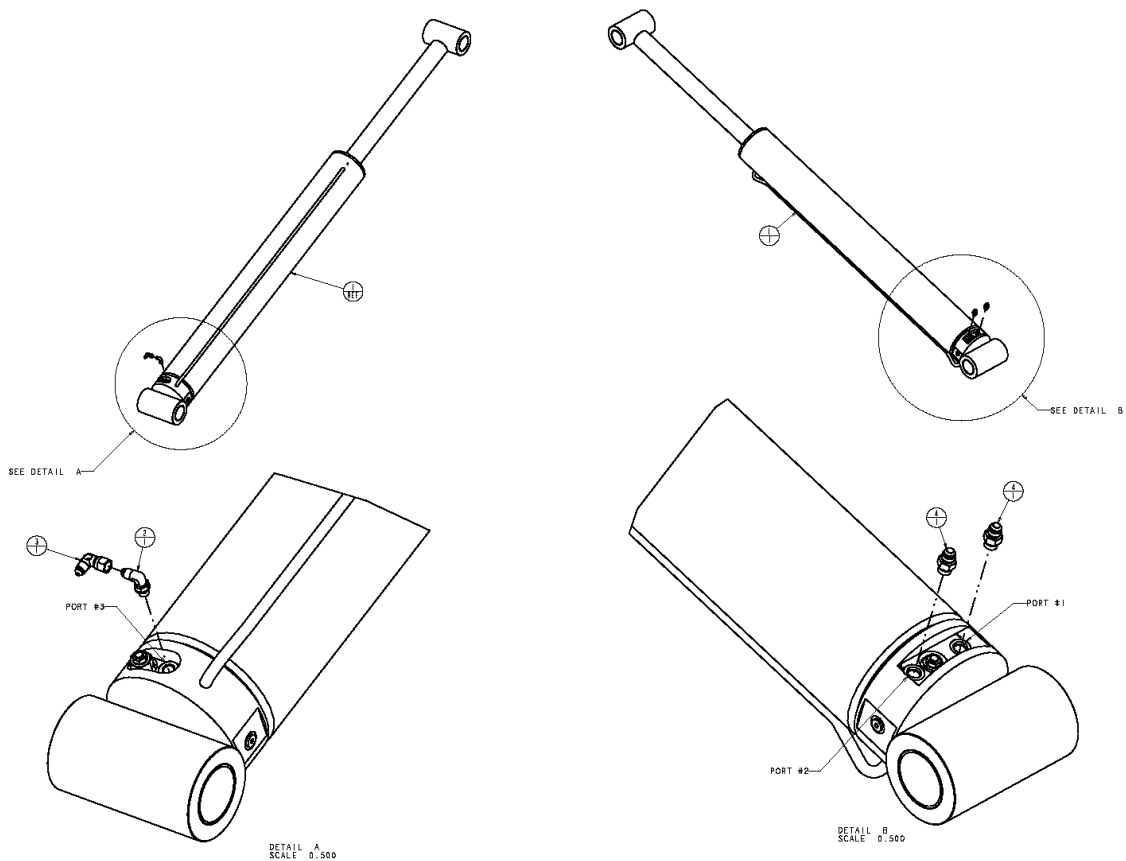
HYDRAULICS





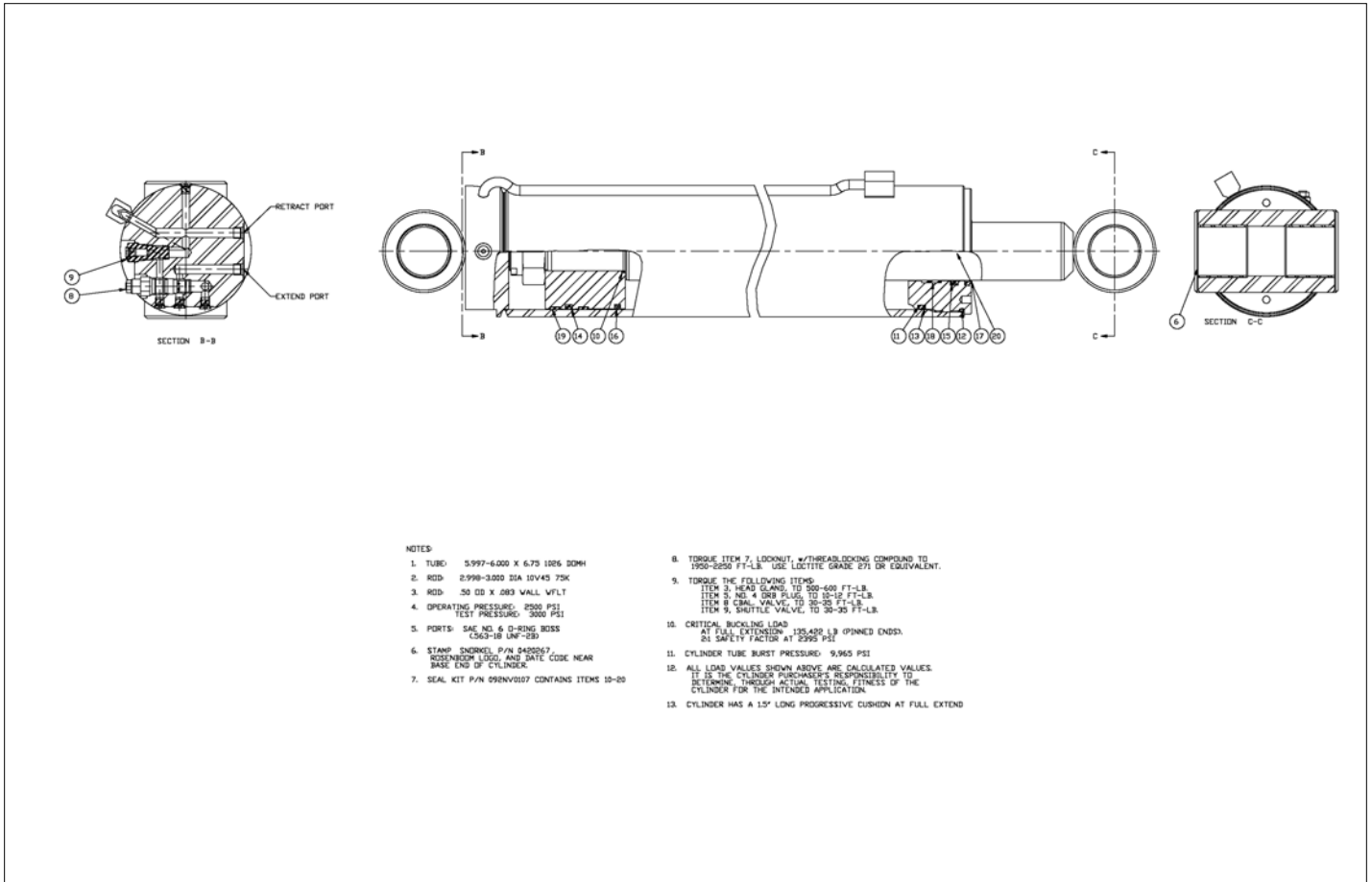
アイテム	部品番号	名前	数量	UOM
	0112777 C	STEER CYLINDER ROSENBOOM SEPTEMBER 2015 AND AFTER		EA
7	6047187	bearing	4	EA
	6047186	SEAL KIT (KIT INCLUDES ITEMS 8 18)	1	EA
8	KIT ITEM	1.250 12 UNF COLLAR LOCKNUT	1	EA
9	KIT ITEM	O RING	1	EA
10	KIT ITEM	O RING	1	EA
11	KIT ITEM	O RING	1	EA
12	KIT ITEM	BACK UP RING	1	EA
13	KIT ITEM	DEEP Z SEAL	1	EA
14	KIT ITEM	JD CAPPED T SEAL	1	EA
15	KIT ITEM	HD ROD WIPER, SEALED OD	1	EA
16	KIT ITEM	PRECISION WEARBAND	2	EA
17	KIT ITEM	PRECISION WEARBAND	1	EA
18	KIT ITEM	LOCKING INSERT	2	EA

HYDRAULICS



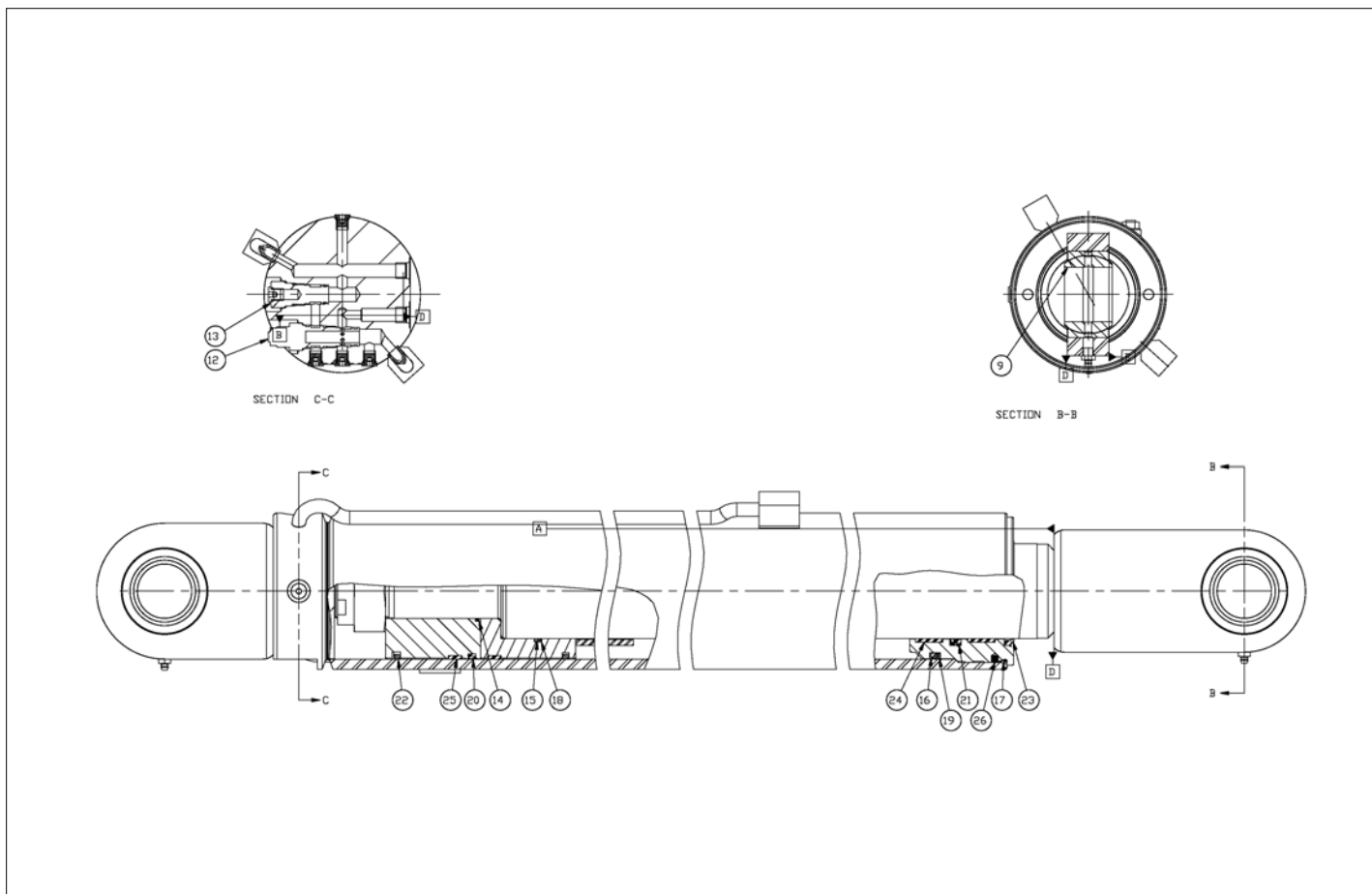
アイテム	部品番号	名前	数量	UOM
	0421395 A	MAIN LIFT CYLINDER ASSEMBLY		EA
1	0420267	CB VAVLE (3000)	1	EA
2	5035303	FTG ELB90STRTHD 4B 4S STL	1	EA
3	5037003	FTG ELB90SWVL 4S 4S STL	1	EA
4	5065707	FTG ADPTR STRTHD 6B 6S STL PH	2	EA

HYDRAULICS



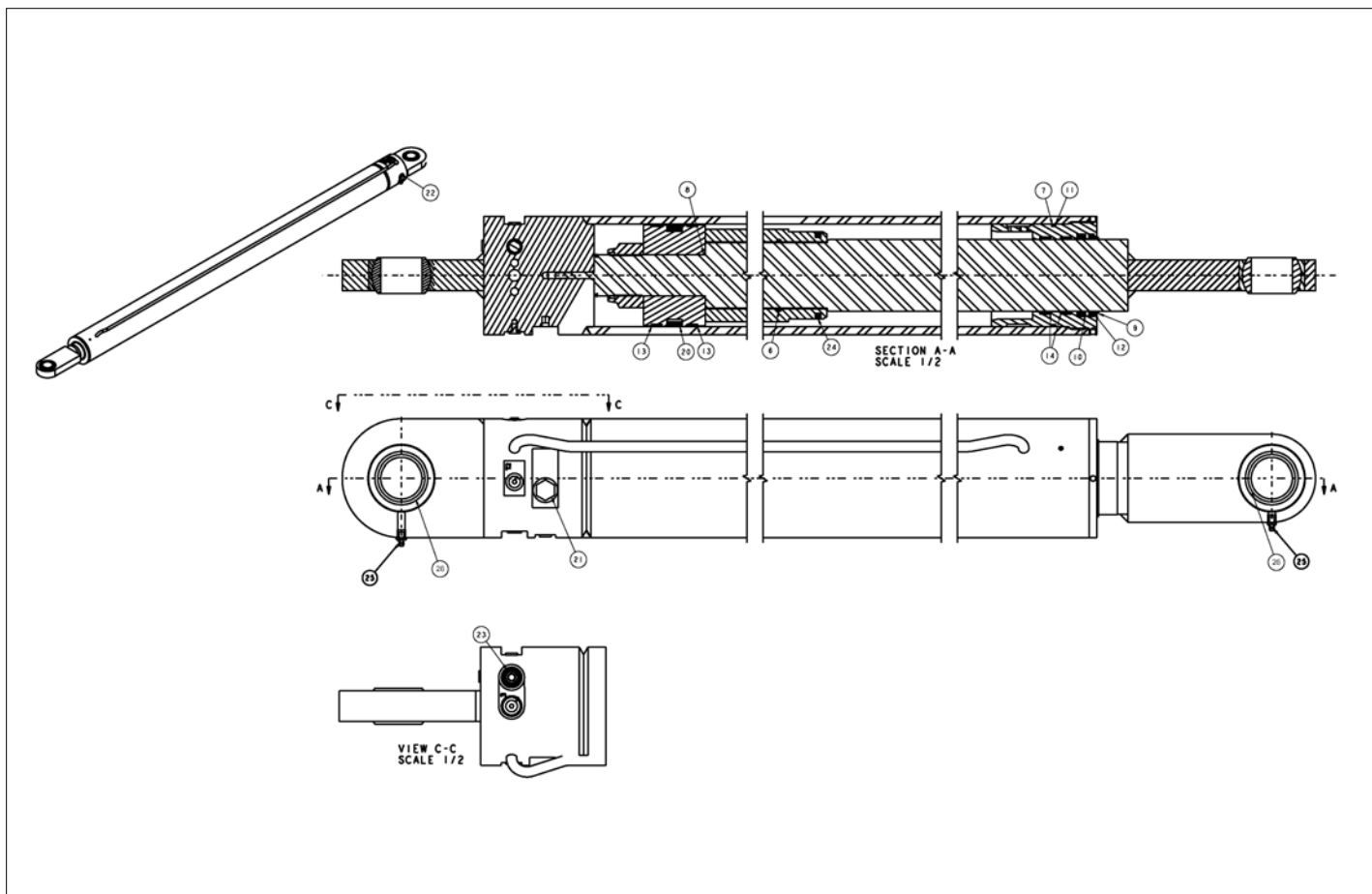
アイテム	部品番号	名前	数量	UOM
	0420267 G	MAIN LIFT CYLINDER ROSENBOOM		EA
6	6047174	BEARING	4	EA
8	6047173	COUNTER BALANCE VALVE	1	EA
9	511497 008	SHUTTLE VALVE	1	EA
	6047172	SEAL KIT (KIT INCLUDES ITEMS 10 20)	1	EA
10	KIT ITEM	O RING	1	EA
11	KIT ITEM	O RING	1	EA
12	KIT ITEM	O RING	1	EA
13	KIT ITEM	BACKUP RING	1	EA
14	KIT ITEM	DISO PAC	1	EA
15	KIT ITEM	DEEP Z SEAL	1	EA
16	KIT ITEM	CAST IRON PISTON RING	1	EA
17	KIT ITEM	HD ROD WIPER, SEALED OD	1	EA
18	KIT ITEM	WEARBACD	1	EA
19	KIT ITEM	PRECISION WEARBAND	2	EA
20	KIT ITEM	LOCKING INSERT	2	EA

HYDRAULICS



アイテム	部品番号	名前	数量	UOM
	0420268 G	RISER CYLINDER ROSENBOOM		EA
9	6047177	BEARING	2	EA
12	6047173	COUNTER BALANCE VALVE	1	EA
13	511497 008	SHUTTLE VALVE	1	EA
	6047175	SEAL KIT (KIT INCLUDES ITEMS 14 26)	1	EA
14	KIT ITEM	O RING	1	EA
15	KIT ITEM	O RING	1	EA
16	KIT ITEM	O RING	1	EA
17	KIT ITEM	O RING	1	EA
18	KIT ITEM	BACKUP RING, DYNAMIC	2	EA
19	KIT ITEM	BACKUP RING	1	EA
20	KIT ITEM	DISO PAC	1	EA
21	KIT ITEM	DEEP Z SEAL	1	EA
22	KIT ITEM	CAST IRON PISTON RING	2	EA
23	KIT ITEM	HD ROD WIPER, SEALED OD	1	EA
24	KIT ITEM	PRECISION WEARBAND	2	EA
25	KIT ITEM	PRECISION WEARBAND	2	EA
26	KIT ITEM	LOCKING INSERT	2	EA

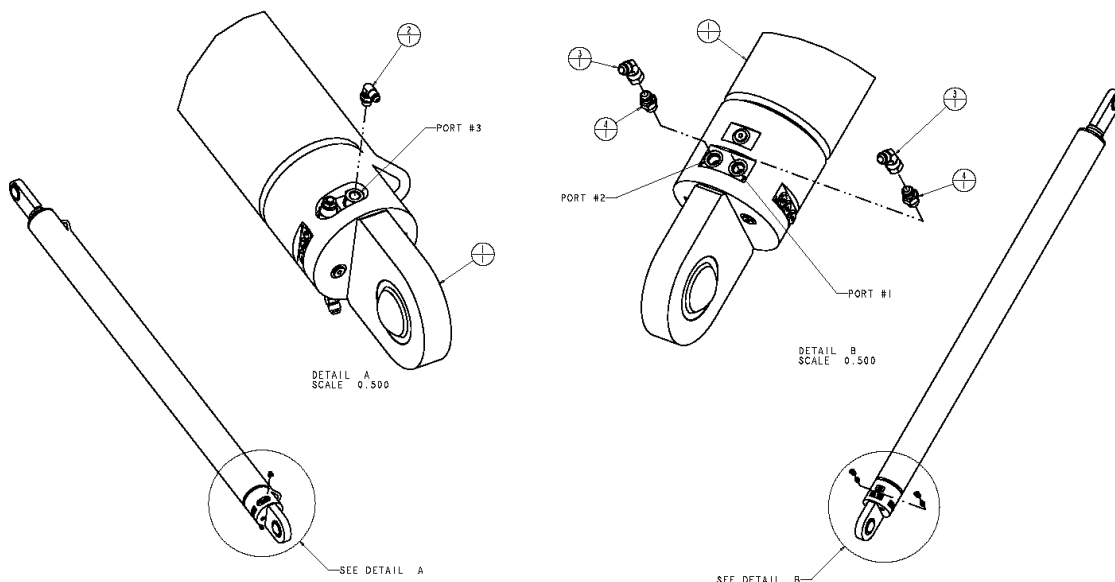
HYDRAULICS





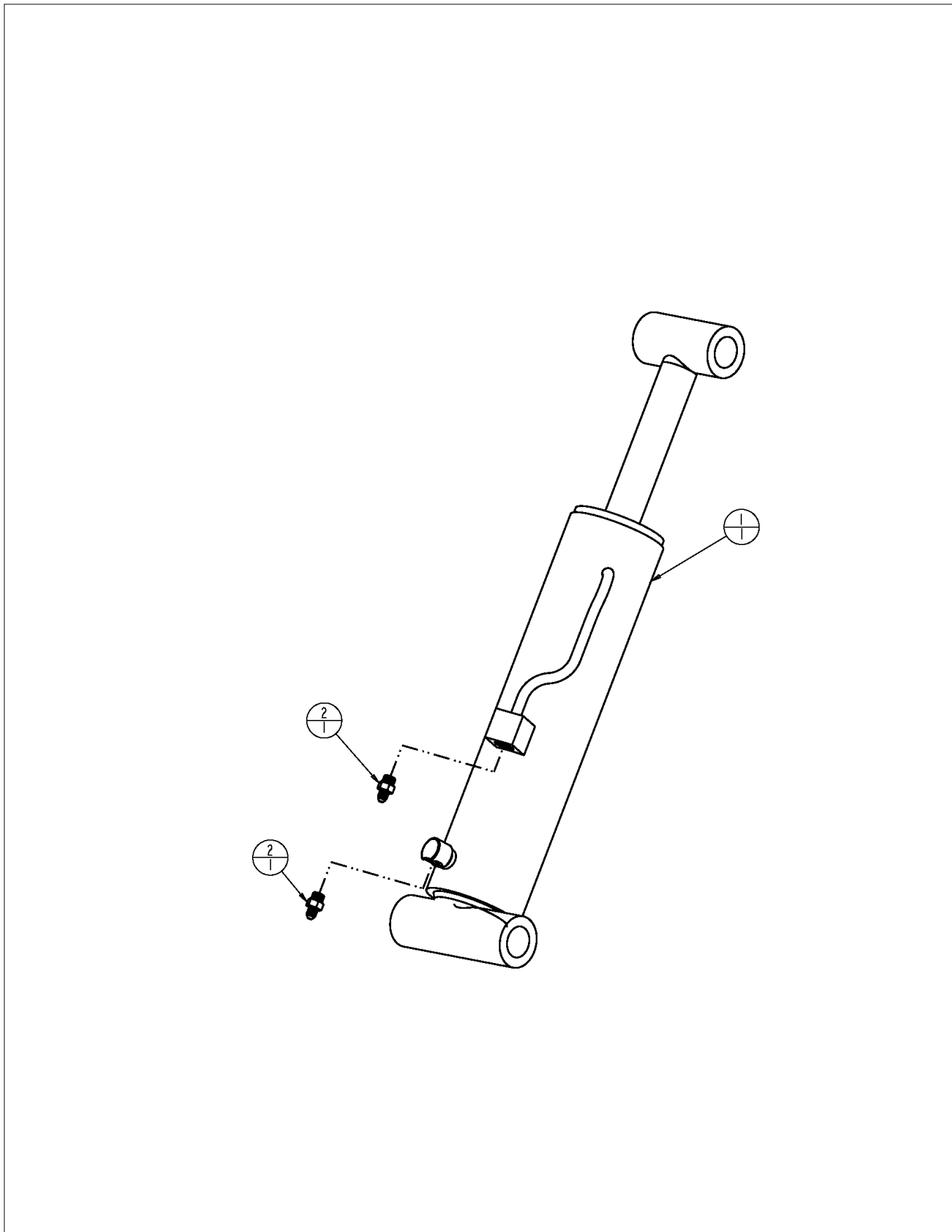
アイテム	部品番号	名前	数量	UOM
	0420268 F	RISER CYLINDER WALTCO		EA
	6091532	SEAL KIT (KIT INCLUDES ITEMS 6 14, 20 AND 24)	1	EA
6	KIT ITEM	O RING	1	EA
7	KIT ITEM	O RING	1	EA
8	KIT ITEM	O RING	1	EA
9	KIT ITEM	SQUARE RING	1	EA
10	KIT ITEM	ROD SEAL	1	EA
11	KIT ITEM	BACKUP RING	1	EA
12	KIT ITEM	ROD WIPER	1	EA
13	KIT ITEM	WEAR RING	2	EA
14	KIT ITEM	WEAR RING	2	EA
20	KIT ITEM	SEAL, PISTON	1	EA
21	6019132	CHECK VALVE	1	EA
22	6010420	SHUTTLE VALVE CARTRIDGE	1	EA
23	6019131	VALVE COUNTER BALANCE	1	EA
24	KIT ITEM	SEAL, PISTON	1	EA
25	5570001	GREASE FITTING, 1/8 NPT STRAIGHT	2	EA
26	2536307	BEARING SPHERICAL	2	EA

HYDRAULICS



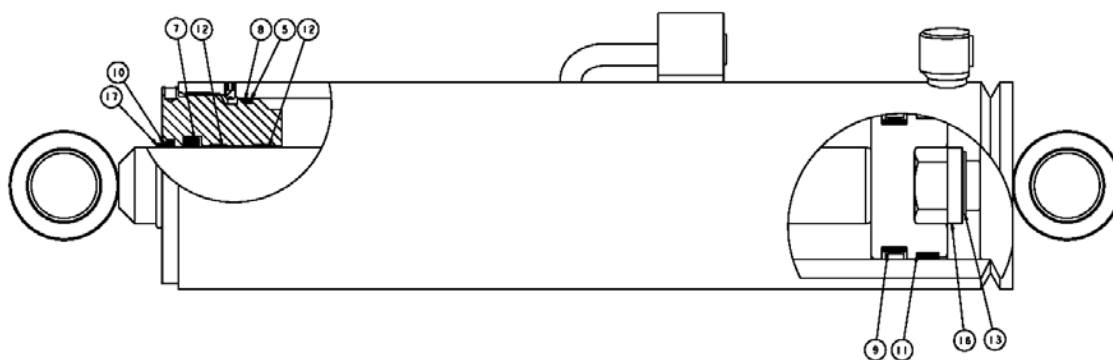
アイテム	部品番号	名前	数量	UOM
	0421396 A	RISER CYLINDER ASSEMBLY		EA
1	0420268	CYLINDER RISER	1	EA
2	5035303	FTG ELB90STRTHD 4B 4S STL	1	EA
3	5036905	ADAPTER 45 DEG ELBOW SWIVEL 6 JIC	2	EA
4	5065707	FTG ADPTR STRTHD 6B 6S STL PH	2	EA

HYDRAULICS



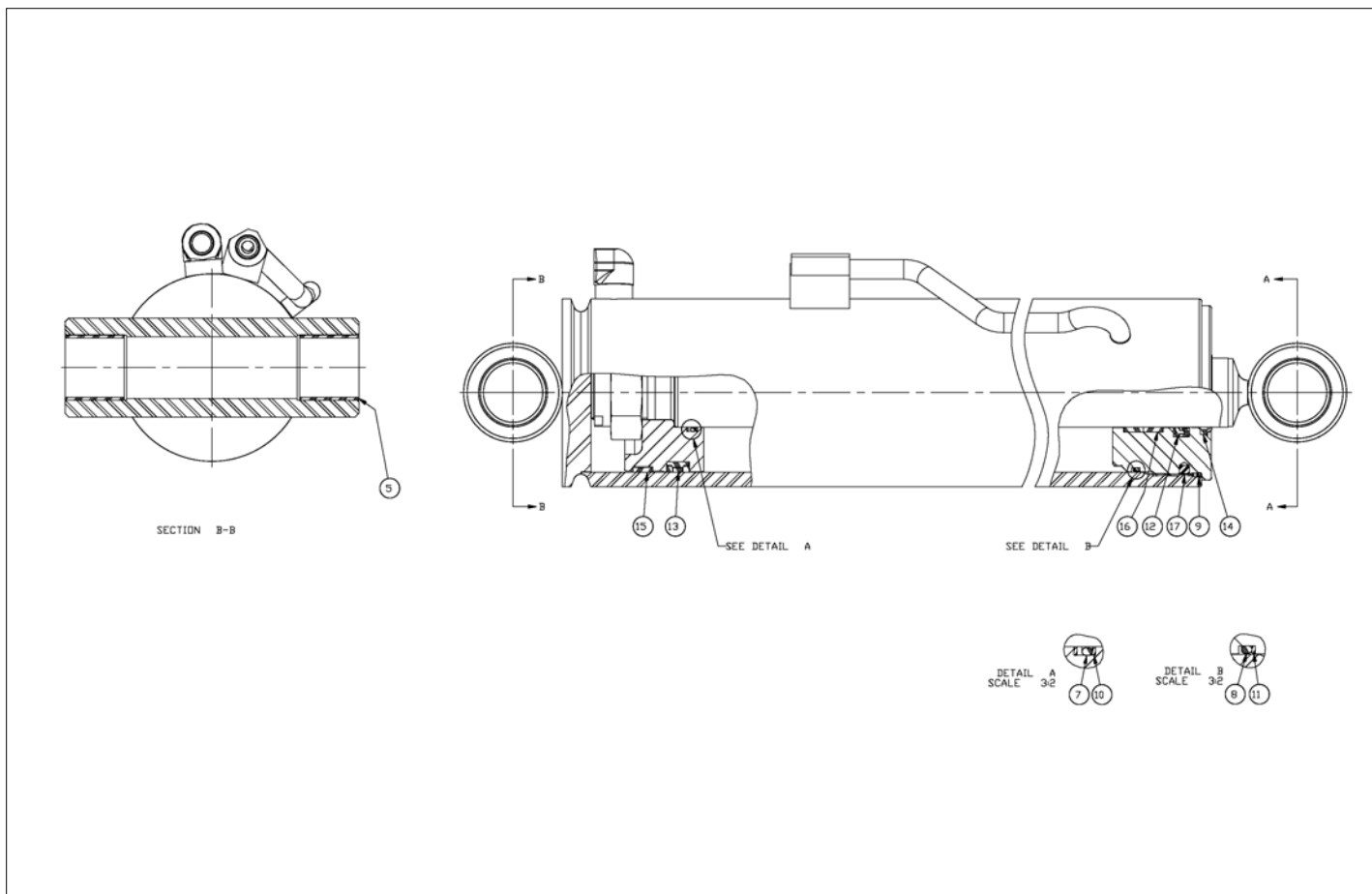
アイテム	部品番号	名前	数量	UOM
	0421398 A	MASTER LEVEL CYLINDER ASSEMBLY		EA
1	0420186	CYL MASTER LEVEL	1	EA
2	5065705	FTG ADPTR STRTHD 6B 4S STL	2	EA

HYDRAULICS



アイテム	部品番号	名前	数量	UOM
	0420186 A	MASTER LEVEL CYLINDER WALTCO		EA
*	6091538	SEAL KIT (KIT INCLUDES ITEMS 5 12 and 17)	1	EA
5	KIT ITEM	O RING	1	EA
Not Shown	KIT ITEM	O RING	1	EA
7	KIT ITEM	ROD SEAL	1	EA
8	KIT ITEM	BACKUP RING	1	EA
9	KIT ITEM	PISTON SEAL CAP	1	EA
10	KIT ITEM	ROD WIPER	1	EA
11	KIT ITEM	WEAR RING	1	EA
12	KIT ITEM	WEAR RING	2	EA
13	6091539	RING SNAP	1	EA
16	6091540	NUT COLLAR FULL HT. 1.25 12	1	EA
17	KIT ITEM	O RING	1	EA

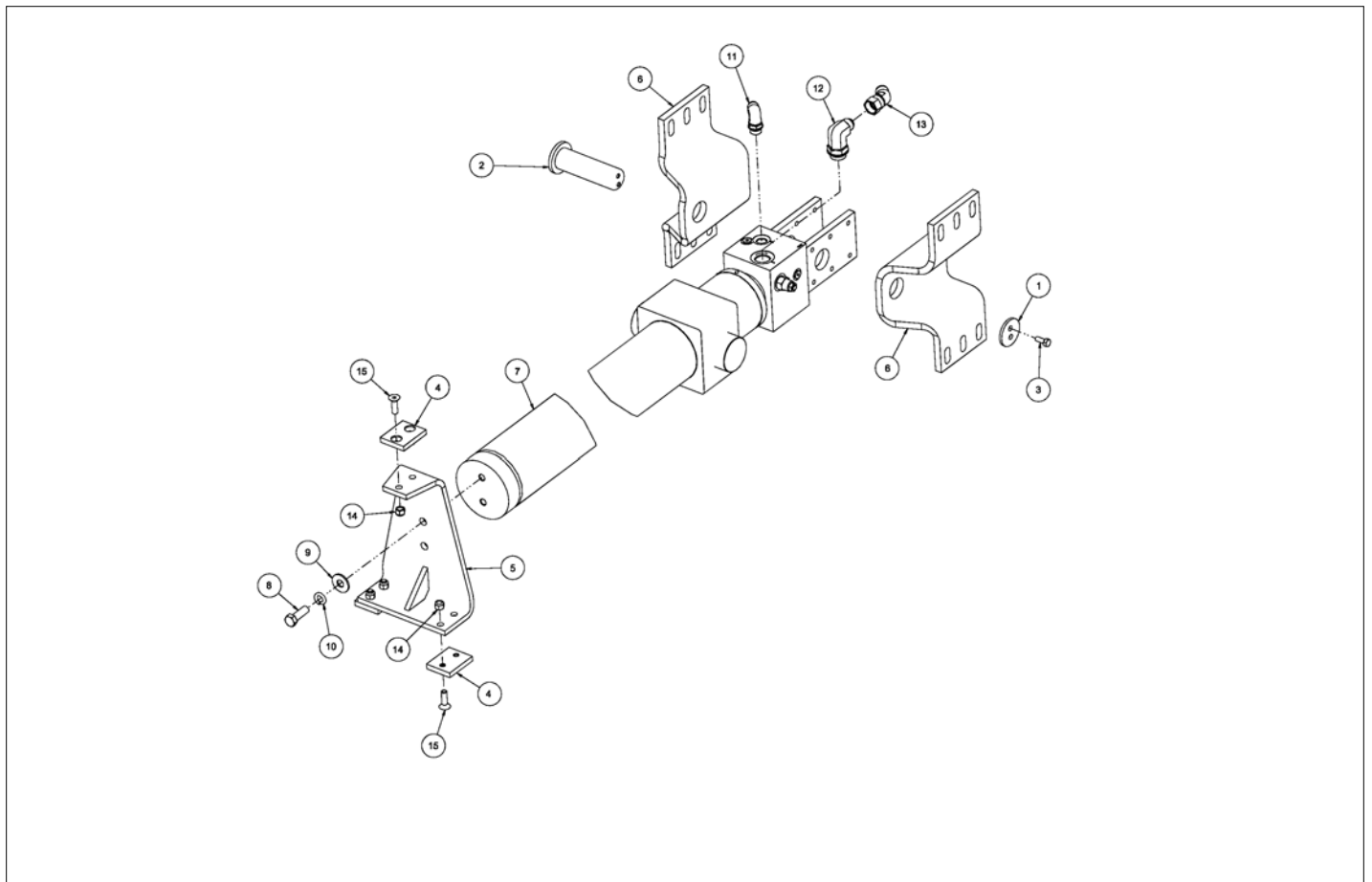
HYDRAULICS





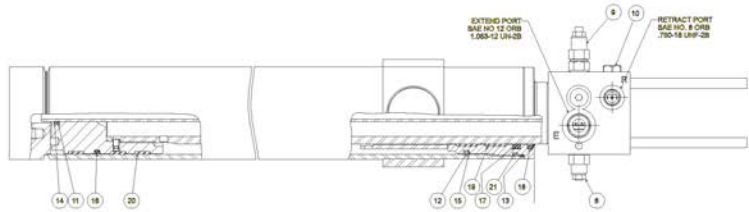
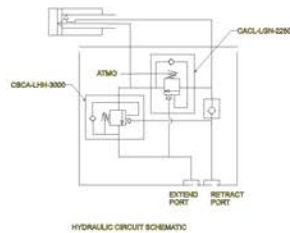
アイテム	部品番号	名前	数量	UOM
	0420186 B	MASTER LEVEL CYLINDER ROSENBOOM		EA
5	6047182	BEARING	4	EA
	6047181	SEAL KIT (KIT INCLUDES ITEMS 7 17)	1	EA
7	KIT ITEM	O RING	1	EA
8	KIT ITEM	O RING	1	EA
9	KIT ITEM	O RING	1	EA
10	KIT ITEM	BACKUP RING, DYNAMIC	2	EA
11	KIT ITEM	BACKUP RING	1	EA
12	KIT ITEM	DEEP Z SEAL	1	EA
13	KIT ITEM	CAPPED T SEAL	1	EA
14	KIT ITEM	HD ROD WIPER, SEALED OD	1	EA
15	KIT ITEM	WEARBAND	1	EA
16	KIT ITEM	PRECISION WEARBAND	2	EA
17	KIT ITEM	LOCKING INSERT	2	EA

HYDRAULICS



アイテム	部品番号	名前	数量	UOM
	0420912 C	EXTENSION CYLINDER MOUNTING ASSEMBLY		EA
1	0070033	PIN LOCK 2.00 DIA 2H	1	EA
2	0070441	WLDMT PIN 1.50 4.875 GRIP	1	EA
3	0070473	BLT HEXHD .313 18 .75 DR	2	EA
4	0100105	SL PAD 2.00 2.50 .375 2H	3	EA
5	0420741	WLDMT SUPPORT EXTEND CYLINDER	1	EA
6	0420898	BRACKET, EXT CYL MNTG	2	EA
7	0420911	CYLINDER EXTEND	1	EA
8	970909	BLT HEXHD .500 13 1.50 GR5 PLA	2	EA
9	986359	FLATWASHER 1/2"	2	EA
10	987139	WSHR LOCK .500	2	EA
11	5035322	STR THD 90 DEGREE ELBOW	1	EA
12	5035317	FTG ELB90STRTHD 12B 10S STL	1	EA
13	5036907	SWIVEL NUT 45 ° ELBOW	1	EA
14	5560033	.375 16UNC HEX LOCK NUT	6	EA
15	5560675	M.SCR 3/8 16 1 1/4 SOC. CAD	6	EA

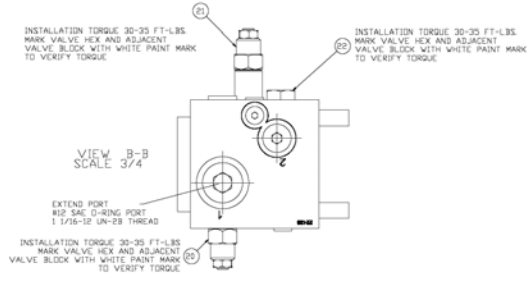
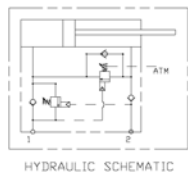
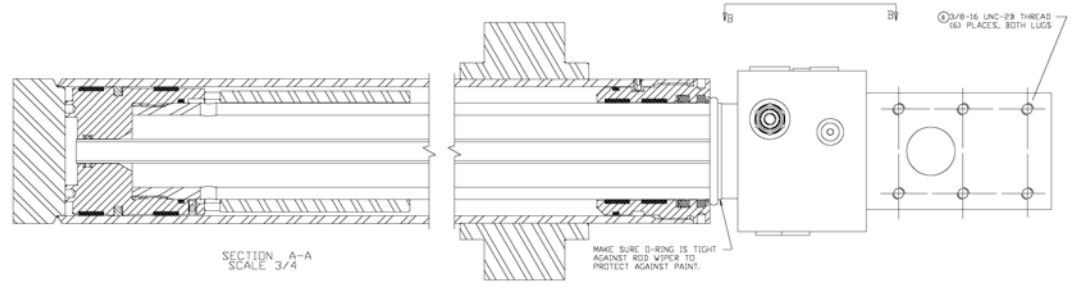
HYDRAULICS



- NOTES:
1. TUBE: 3.847-4.000 X 4.50 1026 DOMH
  2. ROD: 2.898-3.000 CPQD x 2.25 ID 1026 CD DOM
  3. OPERATING PRESSURE: 1200 PSI REGEN CIRCUIT  
TEST PRESSURE: 2800 PSI
  4. STAMP: ENVRSEL P/N 0425911  
LATEST CUSTOMER REVISION, ROSENBOOM LOGO,  
AND DATE CODE ON TOP OF ROD END TRUNNION.
  5. CRITICAL BUCKLING LOAD (PINNED SUPPORTS,  
TRUNNION MOUNTED HEAD SUPPORT) = 10,865 LBS.  
(2-1 @ 758 PSI)
  6. CYLINDER TUBE BURST PRESSURE: 8,165 PSI

アイテム	部品番号	名前	数量	UOM
	0420911 D	BOOM EXTEND CYLINDER		EA
8	104260 108	CB VALVE, CBCA LHN (3000)	1	EA
9	6047179	CARTRIDGE VALVE	1	EA
10	6047180	CARTRIDGE VALVE	1	EA
Not Shown	6047178	SEAL KIT (INCLUDES ITEMS 11 21)	1	EA
11	KIT ITEM	O RING	1	EA
12	KIT ITEM	O RING	1	EA
13	KIT ITEM	O RING	1	EA
14	KIT ITEM	BACKUP RING, DYNAMIC	2	EA
15	KIT ITEM	BACKUP RING	1	EA
16	KIT ITEM	DISO PAC	1	EA
17	KIT ITEM	BT U CUP	1	EA
18	KIT ITEM	HD ROD WIPER, SEALED OD	1	EA
19	KIT ITEM	PRECISION WEARBAND	2	EA
20	KIT ITEM	PRECISION WEARBAND	3	EA
21	KIT ITEM	LOCKING INSERT	2	EA

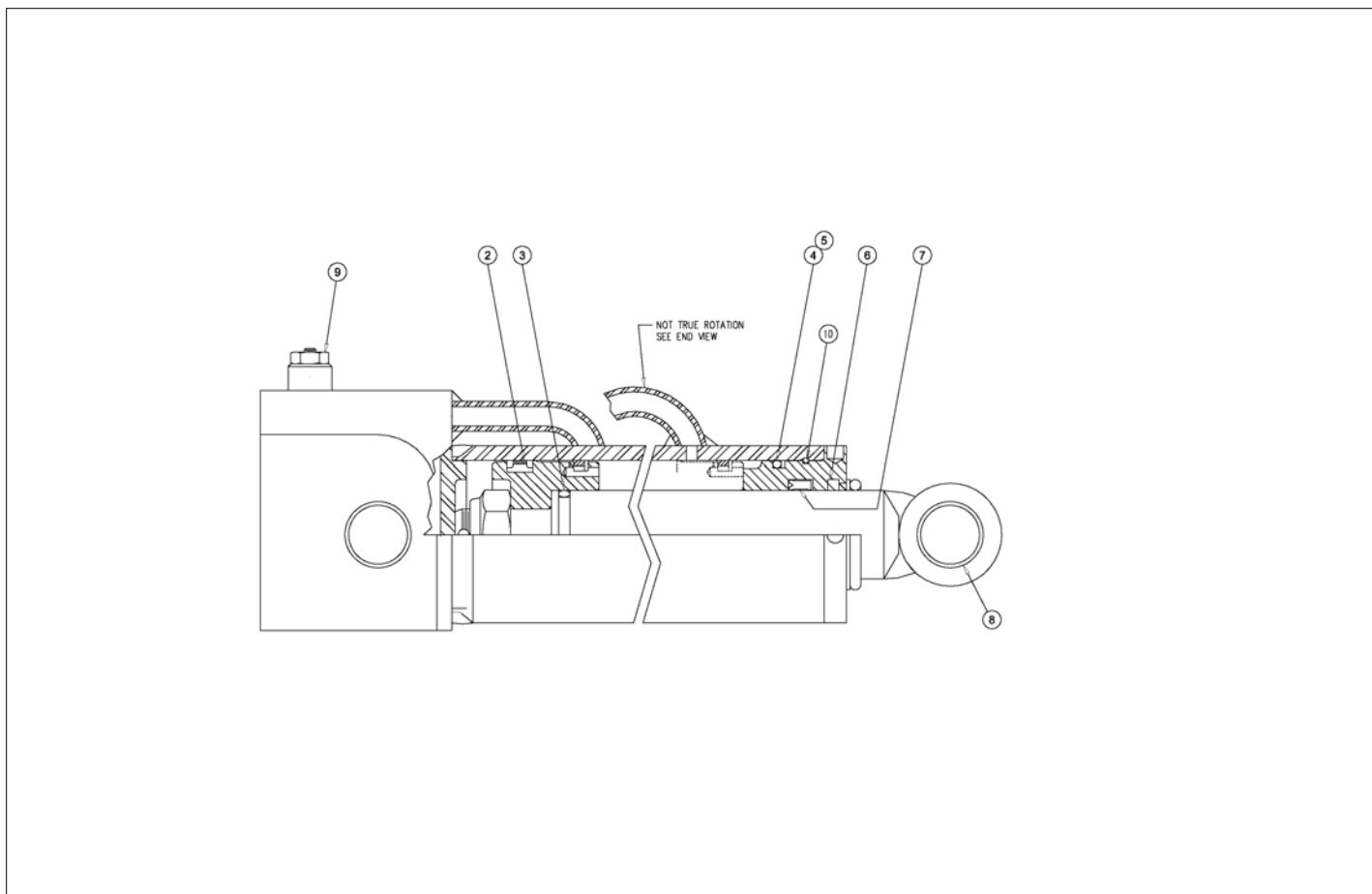
HYDRAULICS



1. TWO PLACE 00000 DECIMAL DIMENSIONS ARE FOR REFERENCE ONLY AND DO NOT INDICATE TOLERANCE UNLESS OTHERWISE SPECIFIED.
2. FINISH GRAY PRIMER.
3. PRESSURE TEST PER 44H-050 IN FULLY EXTENDED AND RETRACTED POSITIONS AT 3500 PSI.
4. THIS CYLINDER IS DESIGNED TO USE PETROLEUM BASED HYDRAULIC FLUIDS ONLY.

アイテム	部品番号	名前	数量	UOM
	0420911 D	BOOM EXTEND CYLINDER		EA
	6091561	SEAL REPAIR KIT	1	EA
20	6047180	CARTRIDGE VALVE	1	EA
21	6047179	CARTRIDGE VALVE	1	EA
22	104260 108	CB VALVE, CBCA LHN (3000)	1	EA

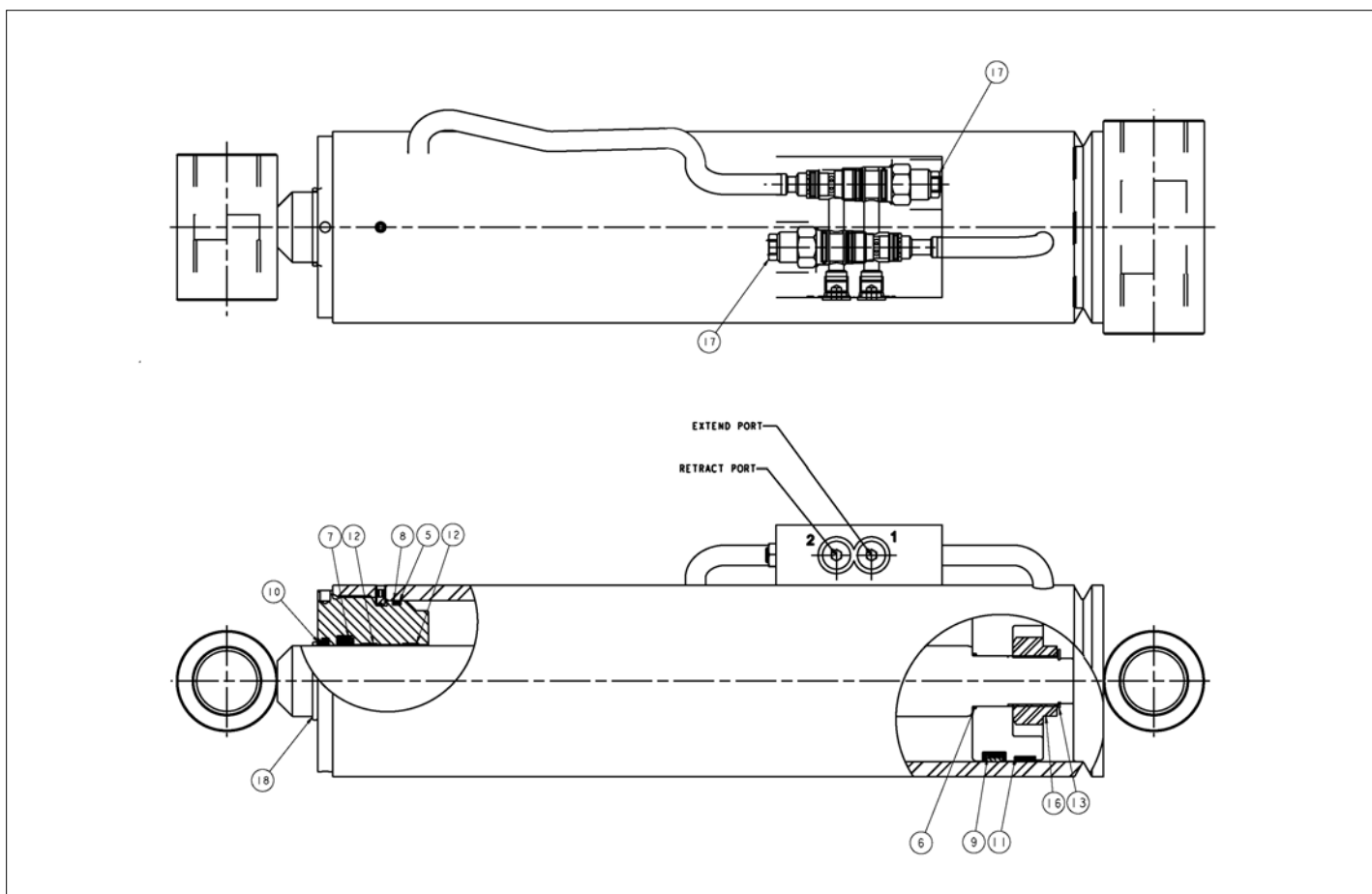
HYDRAULICS





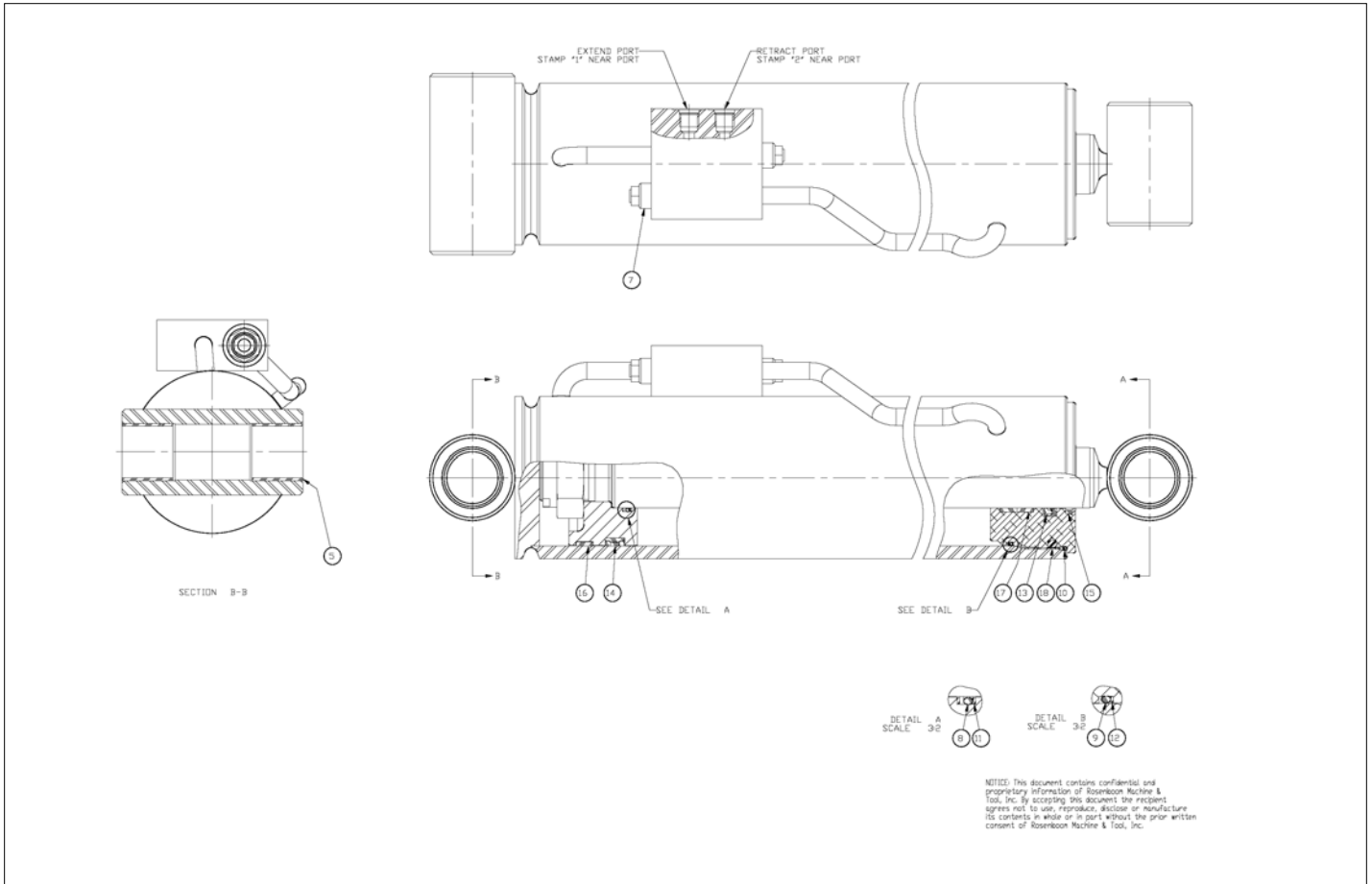
アイテム	部品番号	名前	数量	UOM
	6047114 D	JIB CYLINDER		EA
Not Shown	8071006	SEAL KIT (ITEMS LABELED AS "KIT ITEM" NOT SOLD SEPARATELY)	1	EA
2	KIT ITEM	PISTON SEAL (CST)	1	EA
3	KIT ITEM	O RING	1	EA
4	KIT ITEM	O RING	1	EA
5	KIT ITEM	BACKUP	1	EA
6	KIT ITEM	ROD WIPER	1	EA
7	KIT ITEM	ROD SEAL	1	EA
8	2501616	BEARING	2	EA
9	6047197	COUNTER BALANCE VALVE	2	EA
10	6091949	LOCK WIRE	1	EA

HYDRAULICS



アイテム	部品番号	名前	数量	UOM
	0420188 A	SLAVE LEVELING CYLINDER WALCO		EA
	6091538	SEAL KIT (KIT INCLUDES ITEMS 5 12 and 17)	1	EA
5	KIT ITEM	O RING	1	EA
6	KIT ITEM	O RING	1	EA
7	KIT ITEM	ROD SEAL	1	EA
8	KIT ITEM	BACKUP RING	1	EA
9	KIT ITEM	PISTON SEAL	1	EA
10	KIT ITEM	ROD WIPER	1	EA
11	KIT ITEM	WEAR RING	1	EA
12	KIT ITEM	WEAR RING	2	EA
13	6091539	RING SNAP	1	EA
16	6091540	NUT COLLAR FULL HT. 1.25 12	1	EA
17	6019068	CB VALVE, CBBC LHN (3400)	1	EA
18	NO P/N	BOLT, HEXHD . 75 6 .75 GR5	1	EA

HYDRAULICS



アイテム	部品番号	名前	数量	UOM
	0420188 B	SLAVE LEVEL CYLINDER		EA
5	6047182	BEARING	4	EA
7	6019068	CB VALVE, CBBC LHN (3400)	2	EA
	6047181	SEAL KIT (KIT INCLUDES ITEMS 7 17)	1	EA
8	KIT ITEM	O RING	1	EA
9	KIT ITEM	O RING	1	EA
10	KIT ITEM	O RING	1	EA
11	KIT ITEM	BACKUP RING, DYNAMIC	2	EA
12	KIT ITEM	BACKUP RING	1	EA
13	KIT ITEM	DEEP Z SEAL	1	EA
14	KIT ITEM	CAPPED T SEAL	1	EA
15	KIT ITEM	HD ROD WIPER, SEALED OD	1	EA
16	KIT ITEM	WEARBAND	1	EA
17	KIT ITEM	PRECISION WEARBAND	2	EA
18	KIT ITEM	LOCKING INSERT	2	EA

ELECTRICAL



NO IMAGE AVAILABLE  
(BOM FOR REFERENCE ONLY)

アイテム	部品番号	名前	数量	UOM
	0421893 A	AB80J KUBOTA ELECTRICAL SUB ASSEMBLY FEBURARY 2020 AND BEFORE		EA
1	0071800	FOOT SWITCH ASSEMBLY	1	EA
2	0421523	ASSY RISER LIMIT SWITCH	1	EA
3	0421541	ASSY SWING SPEED LIMIT SWITCH	1	EA
4	0421542	ASSY BOOM EXT. LIMIT SWITCH	1	EA
5	0421543	ASSY BOOM LIFT LIMIT SWITCH	1	EA

ELECTRICAL

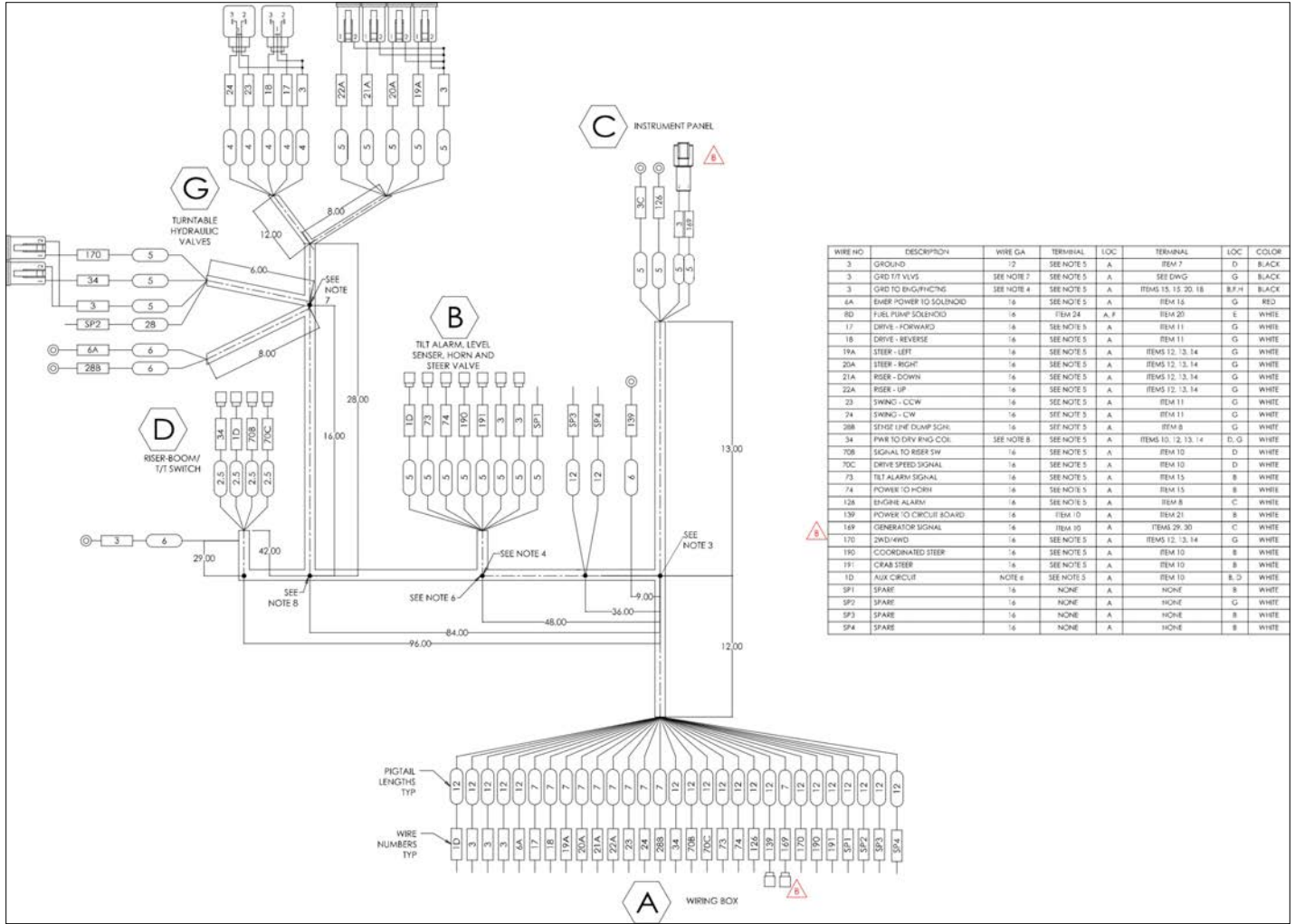


NO IMAGE AVAILABLE  
(BOM FOR REFERENCE ONLY)



アイテム	部品番号	名前	数量	UOM
	0421893 B	AB80J KUBOTA ELECTRICAL SUB ASSEMBLY MARCH 2020 AND AFTER		EA
1	0071800	FOOT SWITCH ASSEMBLY	1	EA
2	0421523	ASSY RISER LIMIT SWITCH	1	EA
3	0421541	ASSY SWING SPEED LIMIT SWITCH	1	EA
4	0421542	ASSY BOOM EXT. LIMIT SWITCH	1	EA
5	0421543	ASSY BOOM LIFT LIMIT SWITCH	1	EA
6	0422009	OPT, AB80/85J CSA/ANSI 92.2	1	EA

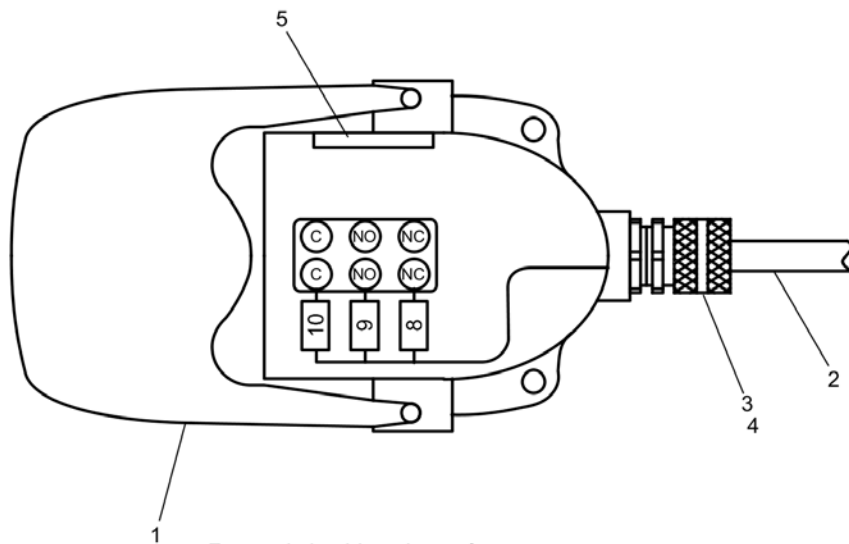
ELECTRICAL



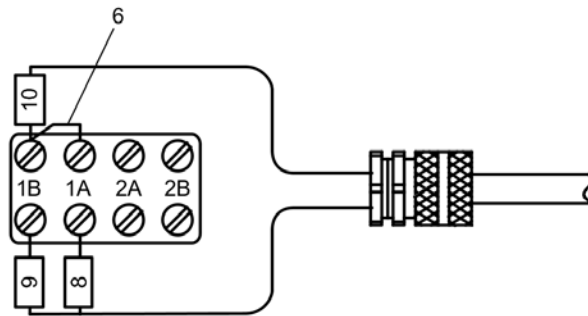
アイテム	部品番号	名前	数量	UOM
	0421978 B	TURNABLE HARNESS T4F AB80/85J AUGUST 2019 ANF AFTER		EA
1	3011641	WIRE 16GA SINGLE CONDUCTOR WHT	AR	EA
2	3011061	WIRE 10GA SINGLE CONDUCTOR RED	AR	EA
3	3011201	WIRE 12GA RED SINGLE CONDUCTOR	AR	EA
4	3011601	WIRE 16GA SINGLE CONDUCTOR BLK	AR	EA
5	3011251	WIRE 12GA SINGLE CONDUCTOR BLK	AR	EA
7	3044836	TERM R375I 12/10	1	EA
8	3044161	TERM R10I 16/14	2	EA
10	3040083	TERM FEM250FI 16/14	6	EA
11	961329	CONNECTOR DIN "A"	4	EA
12	3049803	CONNECTOR 2 PIN DEUTSCH PLUG	6	EA
13	3040342	SOCKET CONTACT SIZE 16 16/18GA	6	EA
14	3049807	LOCK WEDGE 2 PIN DEUTSCH PLUG	6	EA
15	3040082	TERM MALE250FI 16/14	4	EA
16	3044854	TERM R10I 12/10		EA
17	3049896	VCF CONNECTOR	2	EA
18	3049900	TERM SOCKET CONNECTOR	2	EA
19	3041061	TERM R312I 8		EA
20	3044853	TERM R8I 12/10	3	EA
21	3044160	TERM R8I 16/14	1	EA
24	0260695	TERM KCCP	1	EA
25	0260696	CONNECTOR KCCP	1	EA
26	3049920	CONNECTOR 3 PIN SUMITOMO	1	EA
27	3049922	SEAL RUBBER	1	EA

アイテム	部品番号	名前	数量	UOM
28	3049923	PLUG DUMMY SUMITOMO	2	EA
29	3049804	CONNECTOR 2 PIN DEUTSCH RECEP	1	EA
30	3049808	LOCK WEDGE 2 PIN DEUTSCH RECEP	1	EA

ELECTRICAL



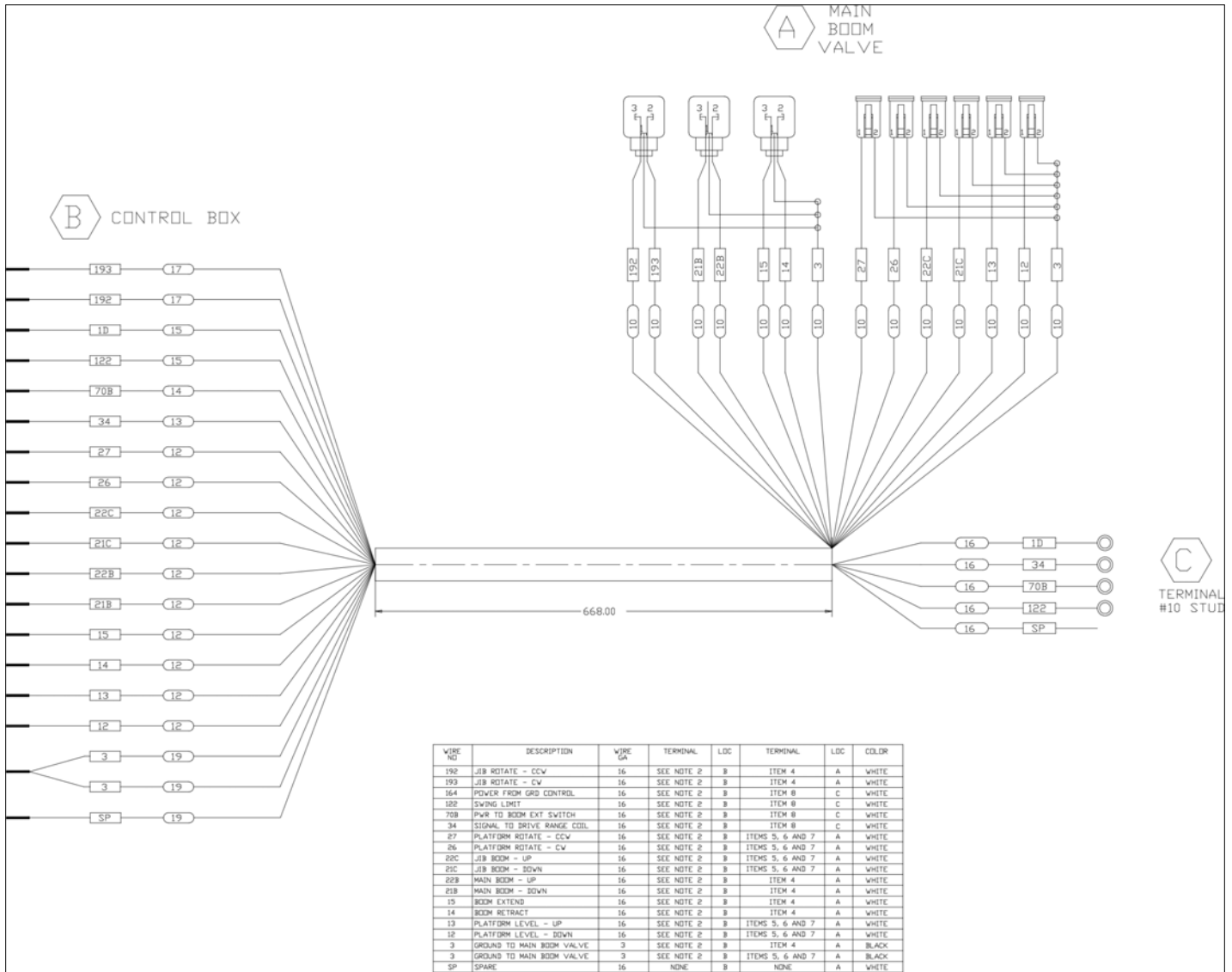
Foot switch wiring shown for Linemaster switch



Foot switch wiring shown for Square D switch

アイテム	部品番号	名前	数量	UOM
*	0071800 H	PLATFORM FOOT SWITCH ASSEMBLY		EA
1	3020021	Foot Switch	1	EA
*	3020037	REPLACEMENT SWITCH, SQUARE D SWITCH, 4 POLE	1	EA
*	3020038	REPLACEMENT SWITCH, LINEMASTER SWITCH	1	EA
2	0070596	WIRE ASSY FOOT SWITCH	1	EA
3	3040116	CONN .75 .500 .625	1	EA
4	3040110	NUT LKG HUB .750 SAMEAS 962129	1	EA
5	0070967	CORROSION INHIBITOR STICK BACK	1	EA
6	0060373	JUMPER SWITCH TERMINAL STRAP	1	EA

ELECTRICAL



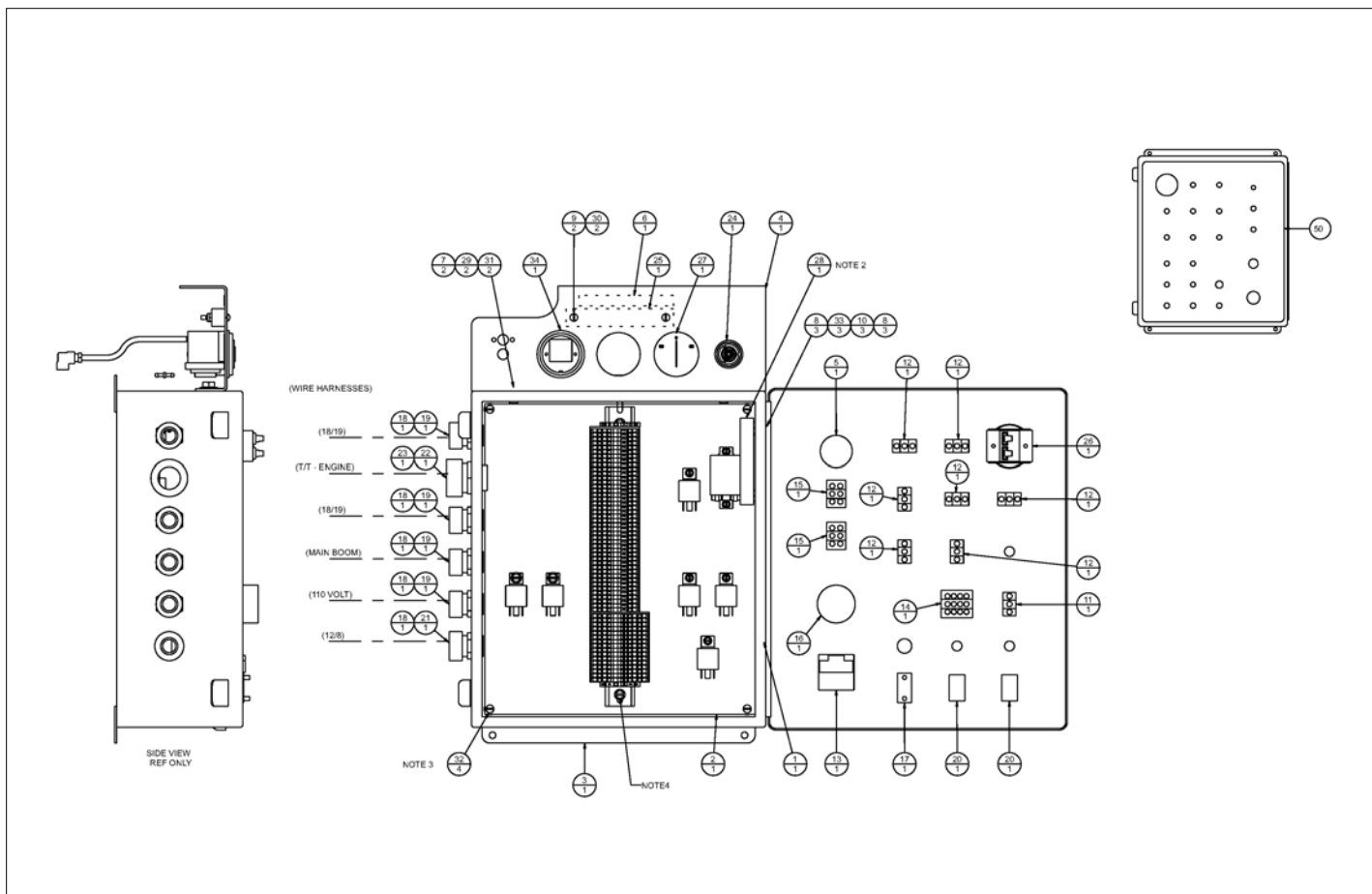
アイテム	部品番号	名前	数量	UOM
	0420726 D 1	WIRE ASSEMBLY MAIN BOOM		EA
1	3011251	WIRE 12GA SINGLE CONDUCTOR BLK	A/R	EA
2	3011651	WIRE 16GA SINGLE COND BLK	A/R	EA
3	3011341	WIRE 16GA SINGLE CONDUCTOR WHT	A/R	EA
4	961329	CONNECTOR DIN "A"	3	EA
5	3049803	CONNECTOR 2 PIN DEUTSCH PLUG	6	EA
6	3040342	SOCKET CONTACT SIZE 16 16/18GA	12	EA
7	3049807	LOCK WEDGE 2 PIN DEUTSCH PLUG	6	EA
8	3044116	TERM R10I 16/14	4	EA



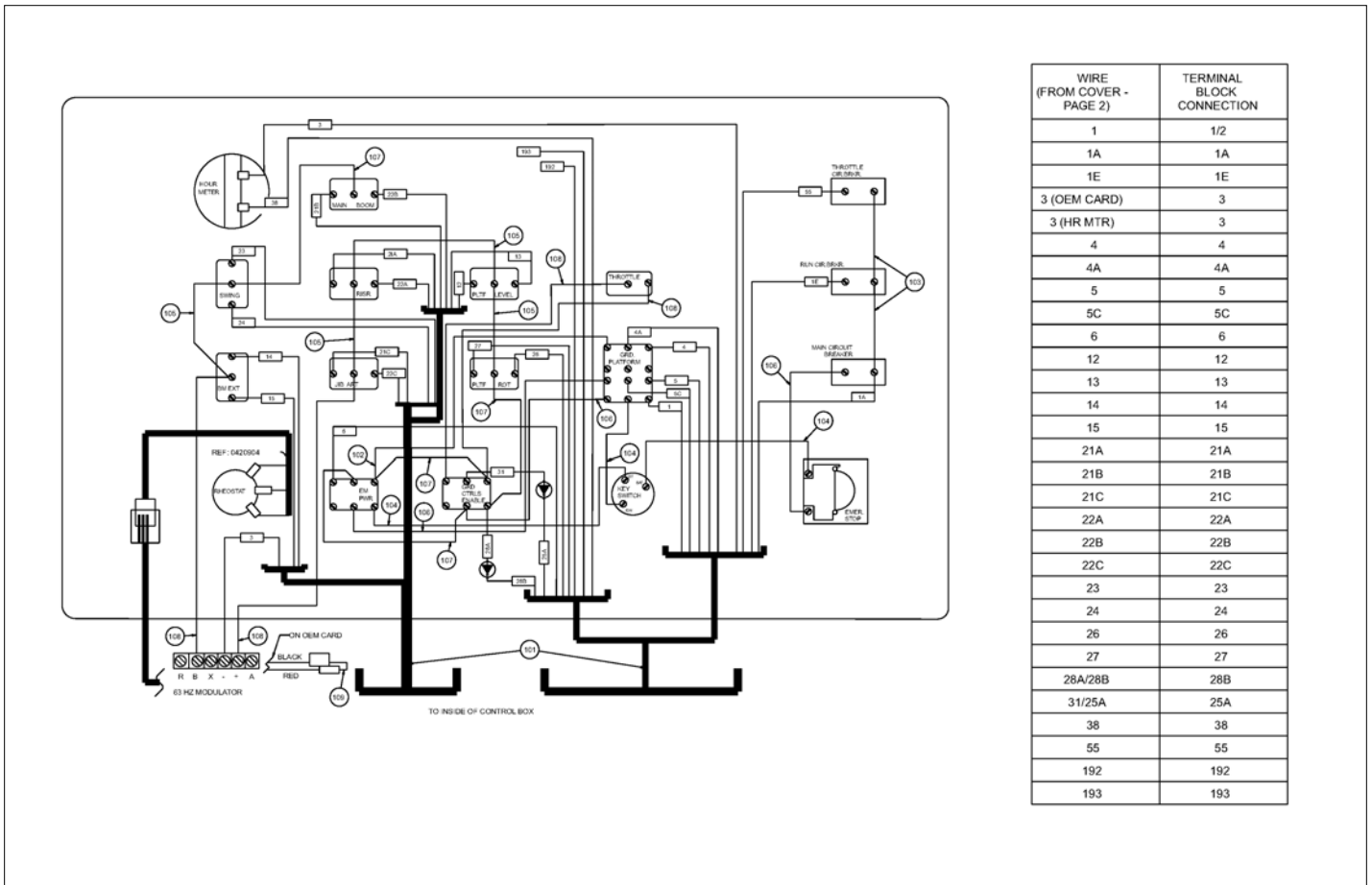


アイテム	部品番号	名前	数量	UOM
	0420726 D 2	WIRE ASSEMBLY MAIN BOOM		EA
1	3010005	CABLE 18GA/19 CONDUCTOR	55.7FT	EA
2	961329	CONNECTOR DIN "A"	3	EA
3	3049803	CONNECTOR 2 PIN DEUTSCH PLUG	6	EA
4	3040342	SOCKET CONTACT SIZE 16 16/18GA	12	EA
5	3049807	LOCK WEDGE 2 PIN DEUTSCH PLUG	6	EA
6	3044146	TERM R10I 22/18	7	EA
7	3044854	TERM R10I 12/10	1	EA

ELECTRICAL



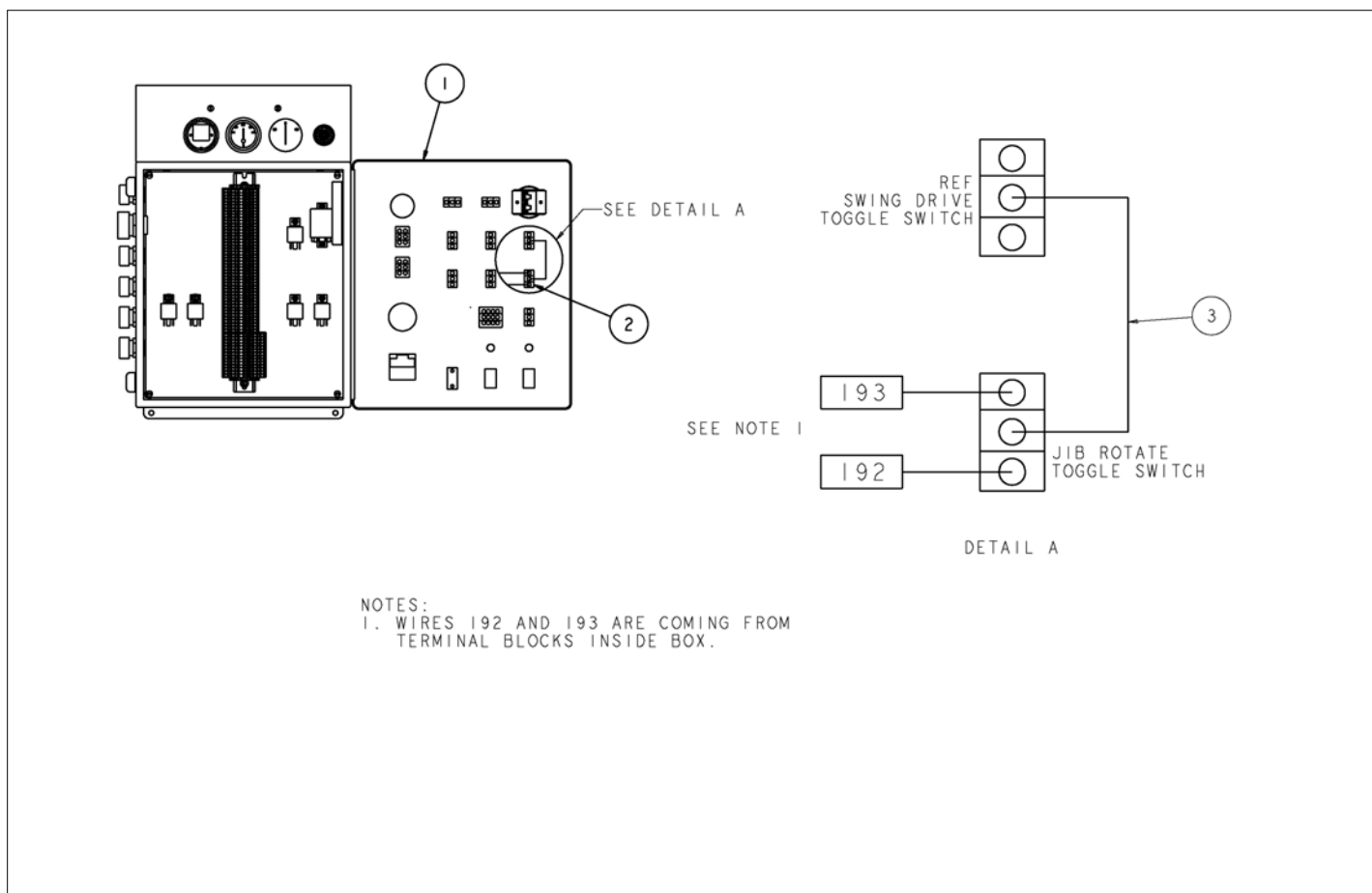
アイテム	部品番号	名前	数量	UOM
	0420871 H	WIRING BOX ASSEMBLY		EA
1	0070967	CORROSION INHIBITOR STICK BACK	1	EA
2	0420455	PANEL SUB ASSEMBLY AB80/85 CU	1	EA
3	0420463	WIRING BOX DRILLED	1	EA
4	0420633	INSTRUMENT PANEL AB85J	1	EA
5	0420904	RHEOSTAT SUB ASSY	1	EA
6	0421389	DECAL INSTRUMENT PANEL	1	EA
7	970449	HHD BLT .375 16 X .750 GR5	2	EA
8	974239	SCR RDH 6 32 .500	6	EA
9	974709	M SCR #10 24 X 1.00 RNDHD PLTD	2	EA
10	986159	WSHR FLAT 6	3	EA
11	3020013	Switch, Toggle Honeywell INTI 2	1	EA
12	3020016	Switch, Toggle Honeywell INTI 7	7	EA
13	3020020	SW EMER STOP PUSH/PULL	1	EA
14	3020048	SWITCH TOGGLE 4PDT ON/ON	1	EA
15	3020081	SW TGL DPDT (M/ON) SEALED	2	EA
16	3020087	KEY SWITCH	1	EA
17	3040069	CIRCUIT BREAKER 25AMP	1	EA
18	3040110	NUT LKG HUB .750 SAMEAS 962129	5	EA
19	3040116	CONN .75 .500 .625	4	EA
20	3040252	Circuit Breaker 15AMP	2	EA
21	3040295	CONN .75 .625 .75	1	EA
22	3040386	CONN 1.00 .875 1.00	1	EA
23	3040387	NUT, CONDUIT LOCKNUT 1" HUB	1	EA
24	3040411	Alarm Buzzer	1	EA



WIRE (FROM COVER - PAGE 2)	TERMINAL BLOCK CONNECTION
1	1/2
1A	1A
1E	1E
3 (OEM CARD)	3
3 (HR MTR)	3
4	4
4A	4A
5	5
5C	5C
6	6
12	12
13	13
14	14
15	15
21A	21A
21B	21B
21C	21C
22A	22A
22B	22B
22C	22C
23	23
24	24
26	26
27	27
28A/28B	28B
31/25A	25A
38	38
55	55
192	192
193	193

アイテム	部品番号	名前	数量	UOM
25	3044721	TERM STRIP (6) #10 STUD	1	EA
26	3070001	HOURMETER	1	EA
27	3070003	AMMETER	1	EA
28	3220059	CIRCUIT BOARD OEM 63HZ SERVICE PART	1	EA
29	5560033	.375 16UNC HEX LOCK NUT	2	EA
30	5560034	NUT LKG 10 24	2	EA
31	056069 012	WASHER DIN125A M12 ZP	2	EA
32	5560667	SCR PANHD #10 24 X .375	4	EA
33	5563012	STANDOFF .5 8 32	3	EA
34	7630140	FILTER MINDER GAUGE AIR CLNR	1	EA
50	0420462	PLACARD LWR CTRL	1	EA
101	0420635	INT WIRE KIT AB80/85 LWR CTRL	1	EA
102	0070746	WIRE 16 R6I R6I 9	1	EA
103	0110727	WIRE 12 R6I R6I 5	2	EA
104	0071589	WIRE 12 R6I R8I 7	3	EA
105	0070747	WIRE 16 R6I R6I 3	4	EA
106	0070742	WIRE 12 R6I R6I 8 REV K	3	EA
107	0070730	WIRE 16 R6I R6I 5.5	4	EA
108	0070753	WIRE 16 R6I R6I 12	4	EA
109	0420909	WIRE MALE250 MALE250 3	1	EA

ELECTRICAL

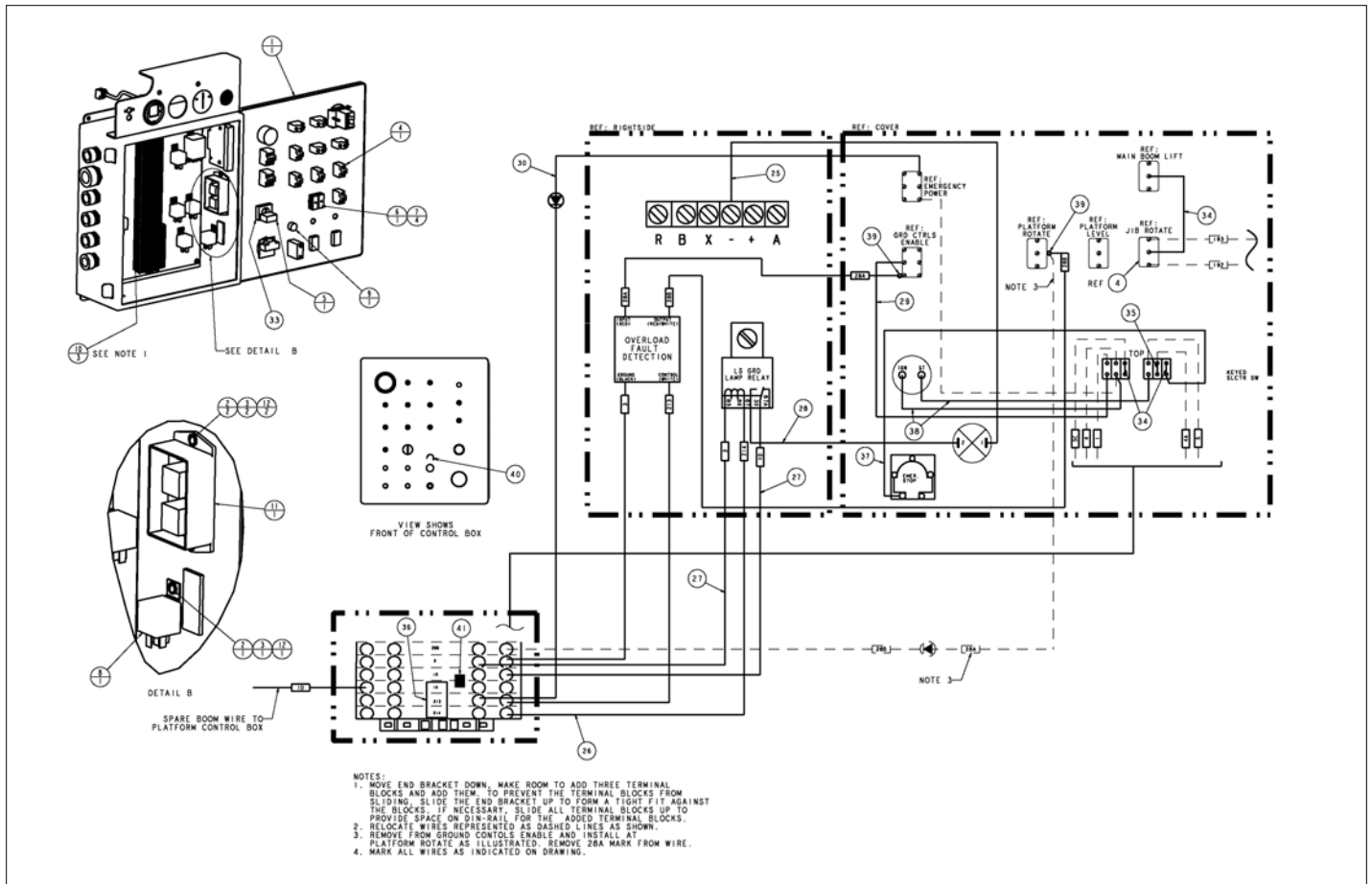


アイテム	部品番号	名前	数量	UOM
	0420637 A	WIRING BOX ASSEMBLY		EA
1	0420871	ASSY WIRING BOX AB80J	1	EA
2	3020016	Switch, Toggle Honeywell INTI 7	1	EA
3	0070747	WIRE 16 R6I R6I 3	1	EA



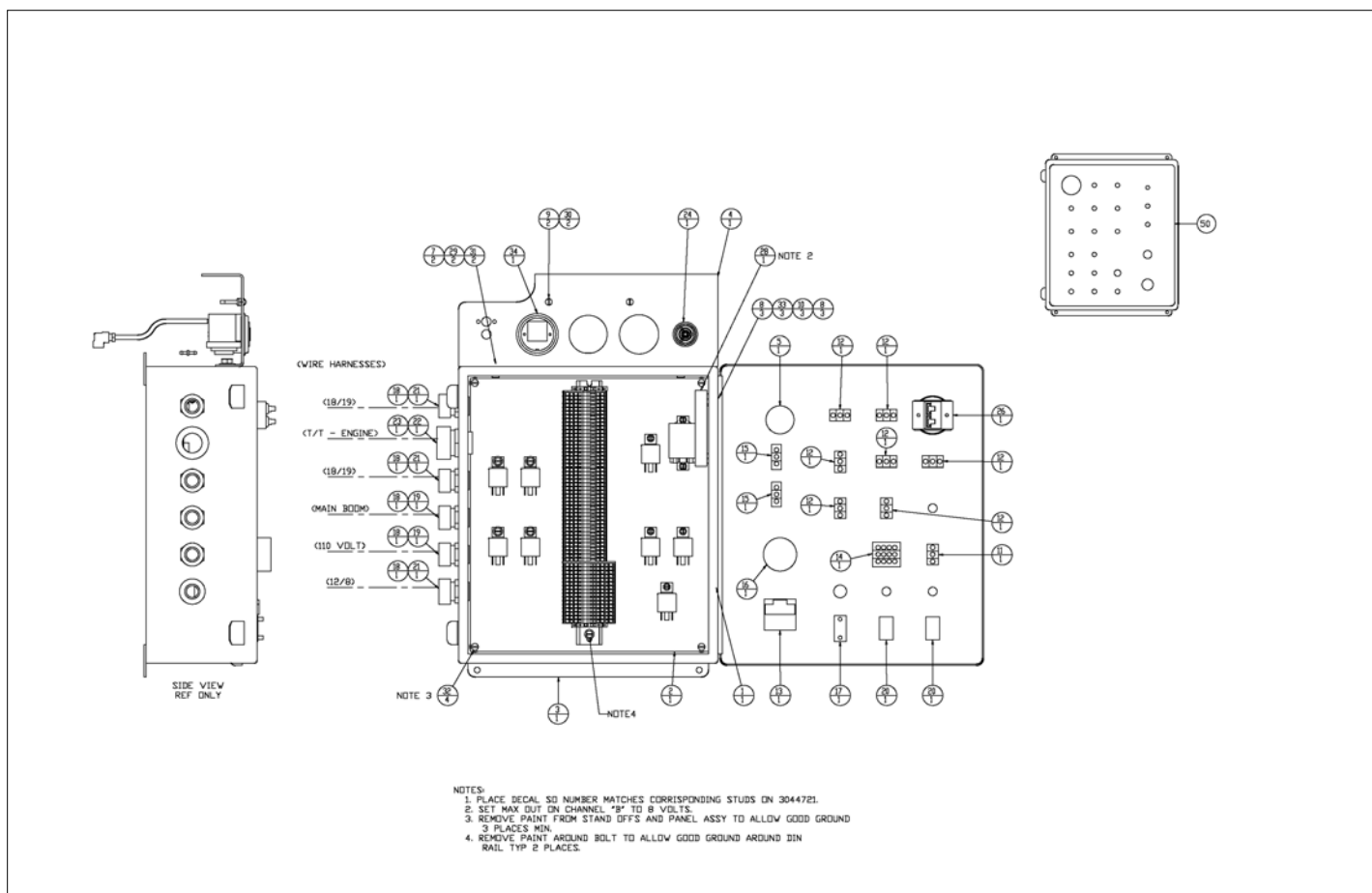


アイテム	部品番号	名前	数量	UOM
	0421005 E	WIRING BOX ASSEMBLY CUMMINS CE AND KUBOTA		EA
1	0420871	ASSY WIRING BOX AB80J	1	EA
2	974239	SCR RDH 6 32 .500	3	EA
3	986159	WSHR FLAT 6	3	EA
4	3020016	Switch, Toggle Honeywell INTI 7	1	EA
5	3026027	SW PUSH BUTTON	1	EA
6	3028813	KEYED SELECTOR SWITCH (MARCH 2014 AND BEFORE)	1	EA
7	3028814	CONTACT BLOCK	4	EA
8	3040469	RELAY SPDT 12V 30AMP SONG	1	EA
9	3069524	LIGHT RED LED 12V	1	EA
10	3220068	TERM BLOCK ST4 QUATTRO	3	EA
11	3220096	OVERLOAD FAULT DETECTION	1	EA
12	5569997	NUT HEX LKG 6 32	3	EA
25	0071538	WIRE 18 R6I FEM188I 22	1	EA
26	0101800	WIRE 16 FEM250I NONE 12	1	EA
27	0421110	WIRE 16 FEM250FI NONE 19	2	EA
28	0112231	JUMPER WIRE	1	EA
29	0421490	WIRE 12 R6I R6I 15 RED	1	EA
30	0421268	WIRE 16 R6I NONE 30 DIO	1	EA
33	7140092	SEAL KIT 600 0002 5/8	2	EA
34	0070747	WIRE 16 R6I R6I 3	3	EA
35	0070746	WIRE 16 R6I R6I 9	1	EA
36	0421407	ZACK MARKER STRIPS LABELED LWR	1	EA
37	0071564	WIRE 12 R6I R8I 11	1	EA
38	0070742	WIRE 12 R6I R6I 8 REV K	2	EA
39	3044852	TERM R6I 12/10	2	EA
40	0075247	PLACARD OVERLOAD	1	EA

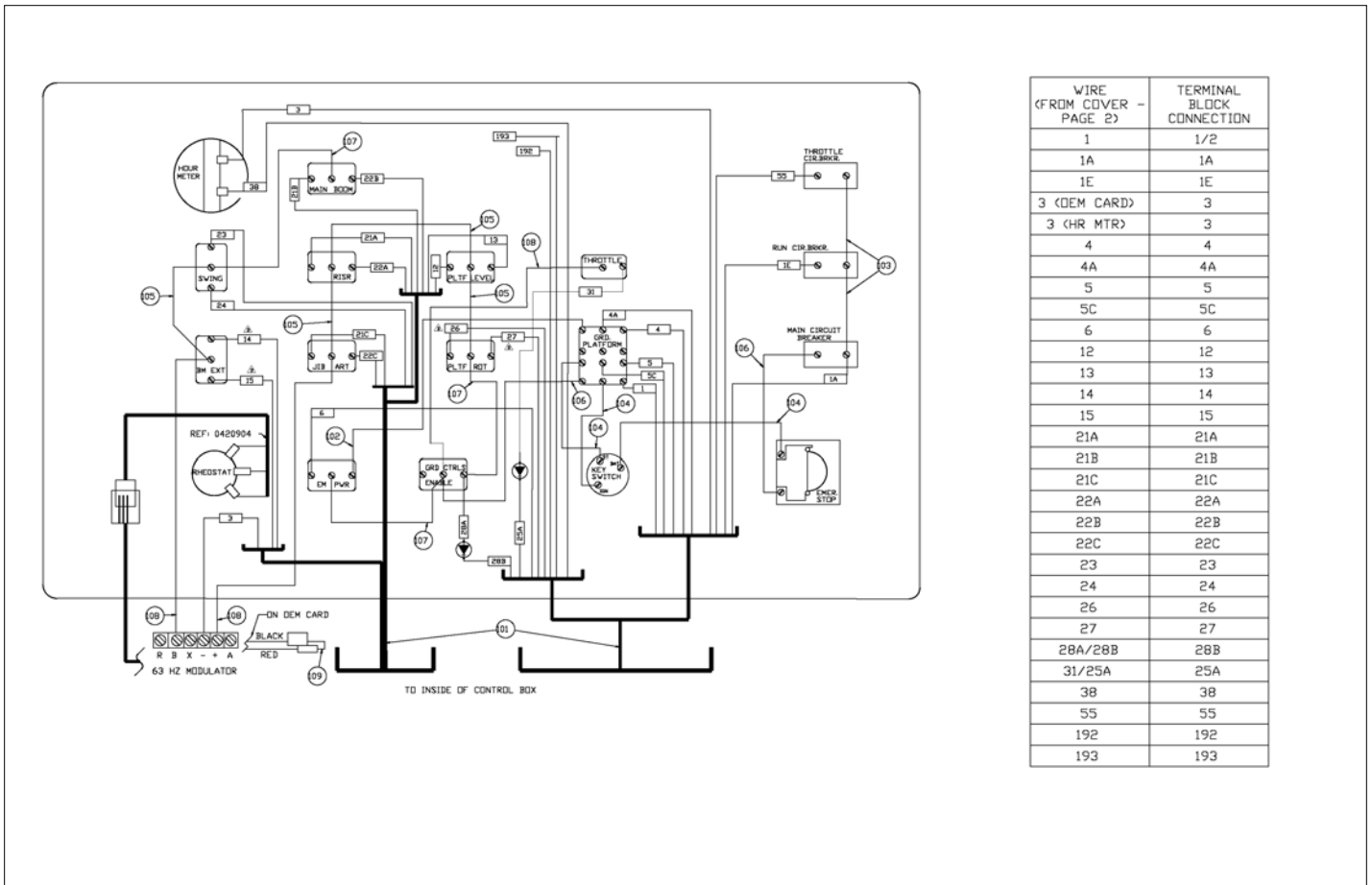


アイテム	部品番号	名前	数量	UOM
41	3220077	PLUG IN BRIDGE FBS 2 6	1	EA

ELECTRICAL



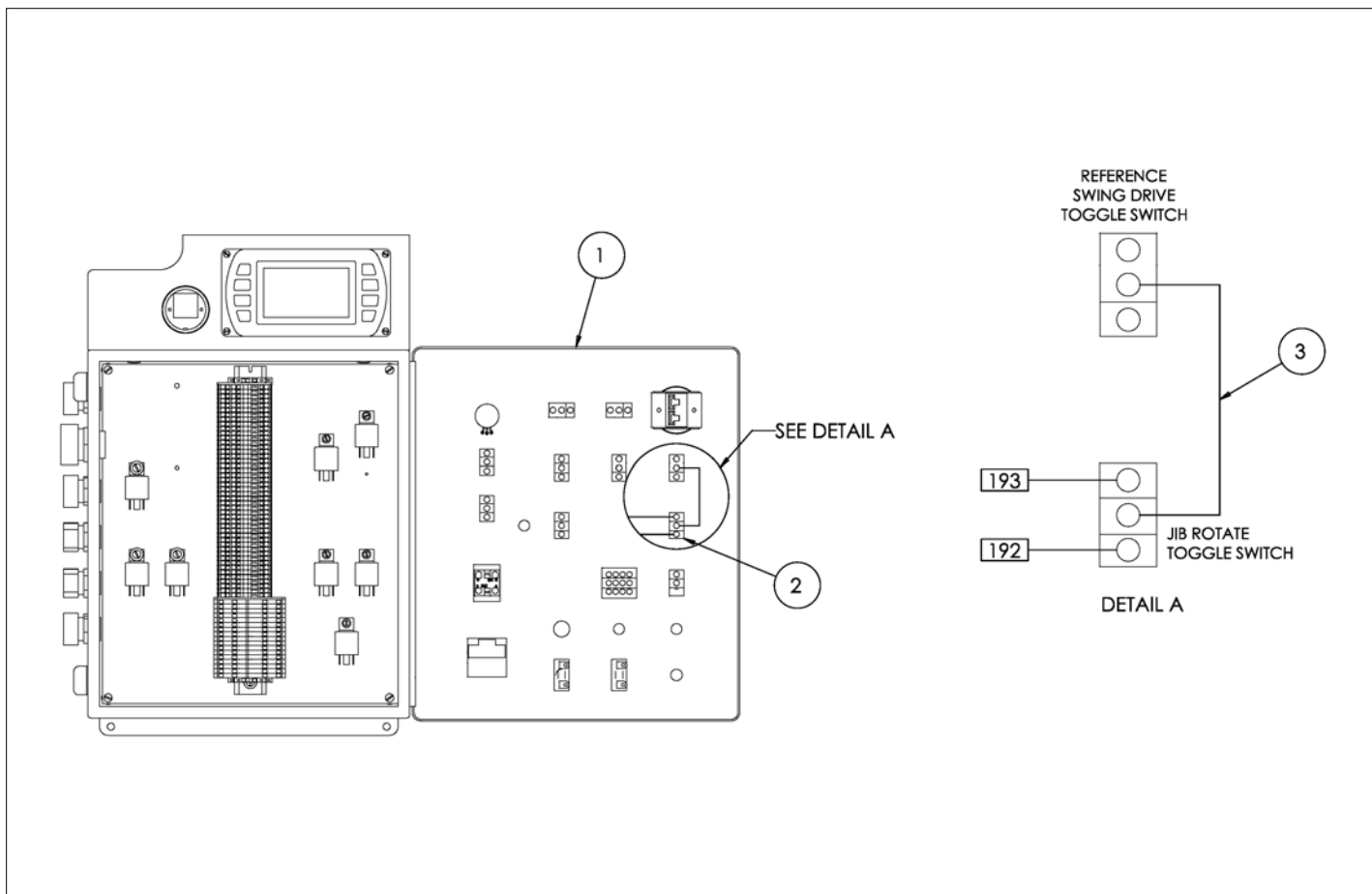
アイテム	部品番号	名前	数量	UOM
Not Shown	0421874 D	WIRING BOX ASSEMBLY		EA
1	0070967	CORROSION INHIBITOR STICK BACK	1	EA
2	0421875	PANEL SUB ASSEMBLY AB80/85 KU	3	EA
3	0420463	WIRING BOX DRILLED	4	EA
4	0420633	INSTRUMENT PANEL AB85J	2	EA
5	0420904	RHEOSTAT SUB ASSY	2	EA
7	970449	HHD BLT .375 16 X .750 GR5	2	EA
8	974239	SCR RDH 6 32 .500	6	EA
9	974709	M SCR #10 24 X 1.00 RNDHD PLTD	2	EA
10	986159	WSHR FLAT 6	3	EA
11	3020013	Switch, Toggle Honeywell INTI 2	1	EA
12	3020016	Switch, Toggle Honeywell INTI 7	7	EA
13	3020020	SW EMER STOP PUSH/PULL	1	EA
14	3020048	SWITCH TOGGLE 4PDT ON/ON	1	EA
15	3020080	TOGGLE SWITCH	2	EA
16	3020087	KEY SWITCH	1	EA
17	3040069	CIRCUIT BREAKER 25AMP	1	EA
18	3040110	NUT LKG HUB .750 SAMEAS 962129	5	EA
19	3040116	CONN .75 .500 .625	2	EA
20	3040252	Circuit Breaker 15AMP	2	EA
21	3040295	CONN .75 .625 .75	3	EA
22	3040386	CONN 1.00 .875 1.00	1	EA
23	3040387	NUT, CONDUIT LOCKNUT 1" HUB	1	EA
24	3040411	Alarm Buzzer	1	EA
26	3070001	HOURMETER	1	EA



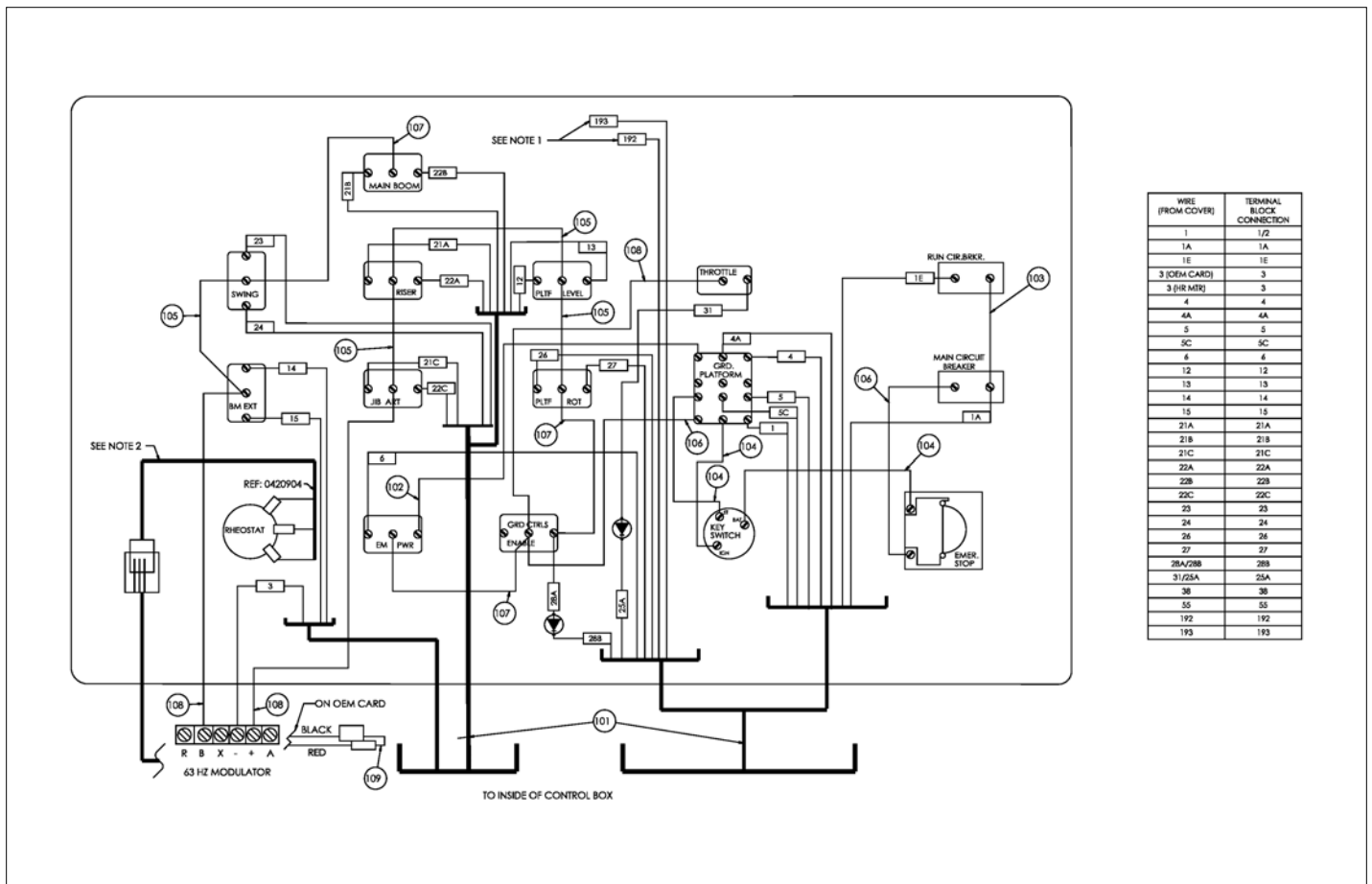
アイテム	部品番号	名前	数量	UOM
28	3220059	CIRCUIT BOARD OEM 63HZ SERVICE PART	1	EA
29	5560033	.375 16UNC HEX LOCK NUT	2	EA
30	5560034	NUT LKG 10 24	2	EA
31	056069 012	WASHER DIN125A M12 ZP	2	EA
32	5560667	SCR PANHD #10 24 X .375	4	EA
33	5563012	STANDOFF .5 8 32	3	EA
34	7630140	FILTER MINDER GAUGE AIR CLNR	1	EA
50	0420462	PLACARD LWR CTRL	1	EA
101	0420635	INT WIRE KIT AB80/85 LWR CTRL	1	EA
102	0070746	WIRE 16 R6I R6I 9	1	EA
103	0110727	WIRE 12 R6I R6I 5	2	EA
104	0071589	WIRE 12 R6I R8I 7	3	EA
105	0070747	WIRE 16 R6I R6I 3	4	EA
106	0070742	WIRE 12 R6I R6I 8 REV K	2	EA
107	0070730	WIRE 16 R6I R6I 5.5	3	EA
108	0070753	WIRE 16 R6I R6I 12	3	EA
109	0420909	WIRE MALE250 MALE250 3	1	EA



ELECTRICAL

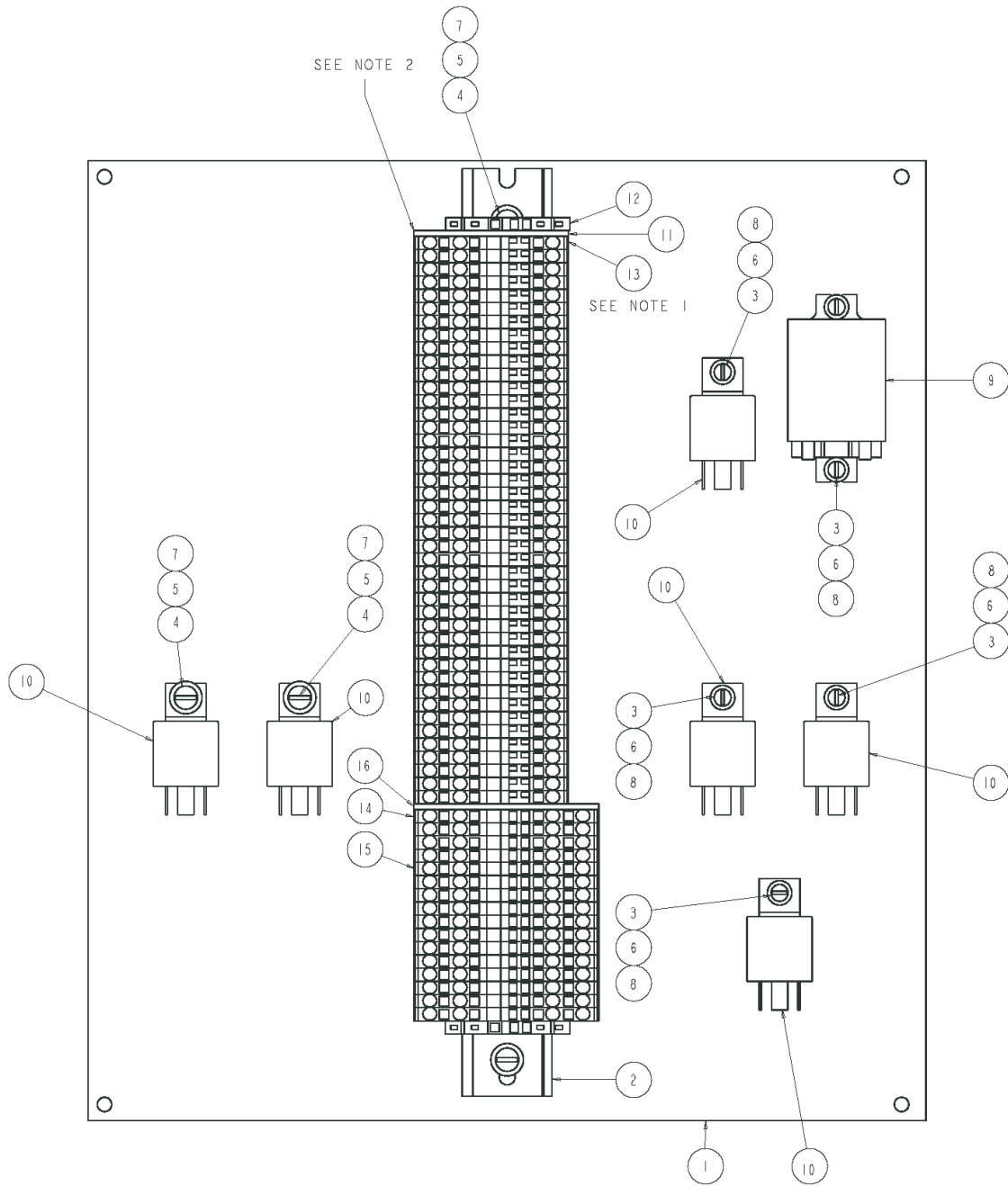


アイテム	部品番号	名前	数量	UOM
*	0421903 A	ASSEMBLY WIRING BOX AB80J T4F JULY 2019 AND AFTER		EA
1	0070967	CORROSION INHIBITOR STICK BACK	1	EA
2	0420463	WIRING BOX DRILLED	1	EA
3	0421904	PANEL SUB ASSEMBLY AB80/85J T4F	1	EA
4	0420904	RHEOSTAT SUB ASSY	1	EA
5	3020013	Switch, Toggle Honeywell INTI 2	1	EA
6	3020020	SW EMER STOP PUSH/PULL	1	EA
7	3020048	SWITCH TOGGLE 4PDT ON/ON	1	EA
8	3020087	KEY SWITCH	1	EA
9	3020069	CONTACT BLOCK	1	EA
10	3040252	Circuit Breaker 15AMP	1	EA
11	3040386	CONN 1.00 .875 1.00	1	EA
12	3040387	NUT, CONDUIT LOCKNUT 1" HUB	1	EA
13	0421907	PLACARD LOWER CTRLS	1	EA
14	3070001	HOURMETER	1	EA
15	3220059	CIRCUIT BOARD OEM 63HZ SERVICE PART	1	EA
16	3030182	DISPLAY MURPHY T4F	1	EA
17	7630140	FILTER MINDER GAUGE AIR CLNR	1	EA
18	0421905	INSTRUMENT PANEL LOWER CTRLS	1	EA
19	3020080	TOGGLE SWITCH	2	EA
20	3040116	CONN .75 .500 .625	2	EA
21	5560033	.375 16UNC HEX LOCK NUT	2	EA
22	970449	HHD BLT .375 16 X .750 GR5	2	EA
23	986299	WASHER, FLAT, .375 STANDARD, PLATED	2	EA



アイテム	部品番号	名前	数量	UOM
24	3040295	CONN .75 .625 .75	3	EA
25	5563012	STANDOFF .5 8 32	3	EA
26	974239	SCR RDH 6 32 .500	3	EA
27	986009	WSHR FLAT 10	3	EA
28	5569997	NUT HEX LKG 6 32	4	EA
29	974279	SCR RHD 6 32 .750	4	EA
30	974639	SCR RDH MACH 10 24 .375	4	EA
31	3040110	NUT LKG HUB .750 SAMEAS 962129	5	EA
32	3020016	Switch, Toggle Honeywell INTI 7	7	EA
101	0420635	INT WIRE KIT AB80/85 LWR CTRL	1	EA
102	0070746	WIRE 16 R6I R6I 9	1	EA
103	0110727	WIRE 12 R6I R6I 5	1	EA
104	0071589	WIRE 12 R6I R8I 7	3	EA
105	0070747	WIRE 16 R6I R6I 3	4	EA
106	0070742	WIRE 12 R6I R6I 8 REV K	2	EA
107	0070730	WIRE 16 R6I R6I 5.5	3	EA
108	0070753	WIRE 16 R6I R6I 12	3	EA
109	0420999	WIRE MALE250 MALE250 3	1	EA

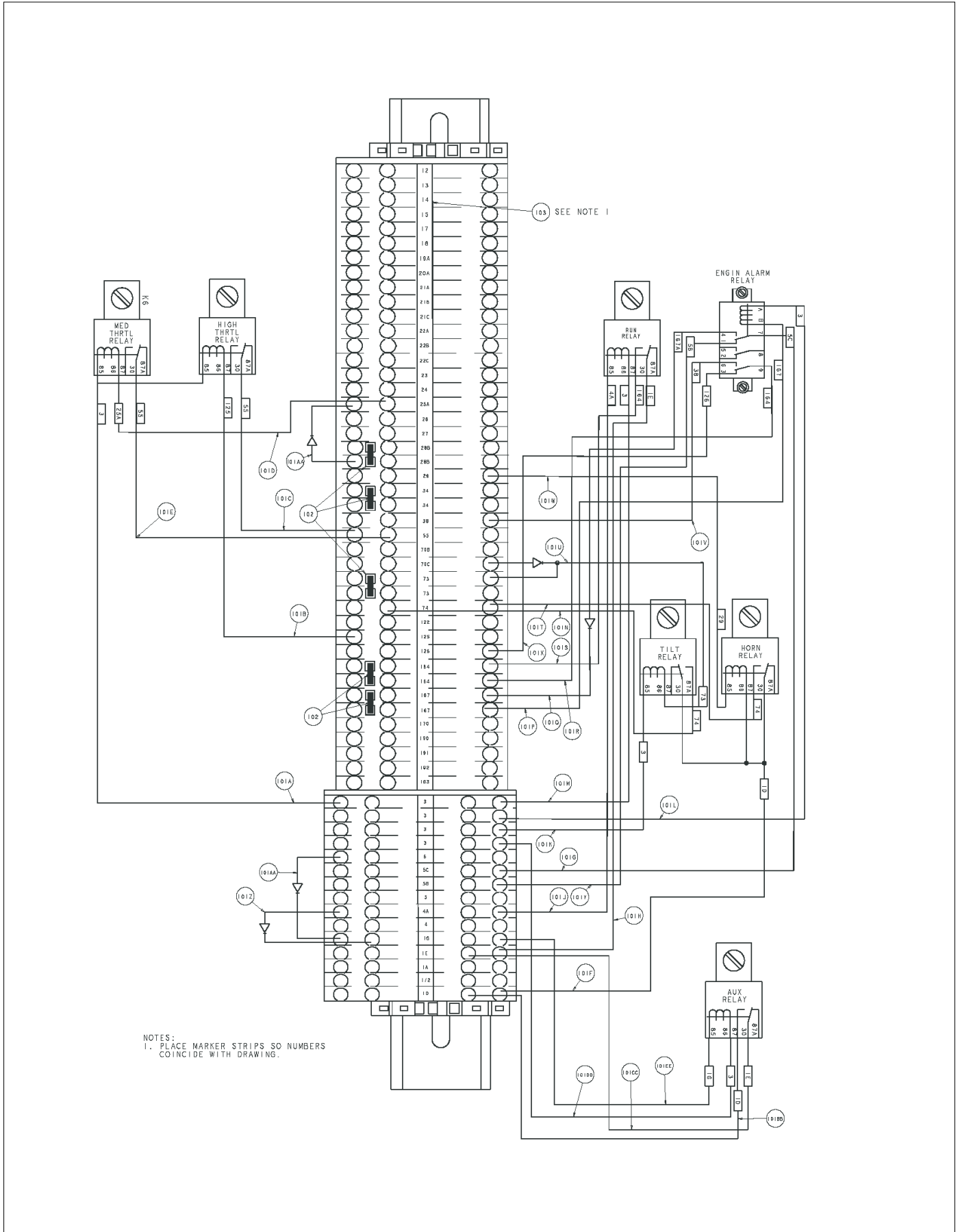
ELECTRICAL



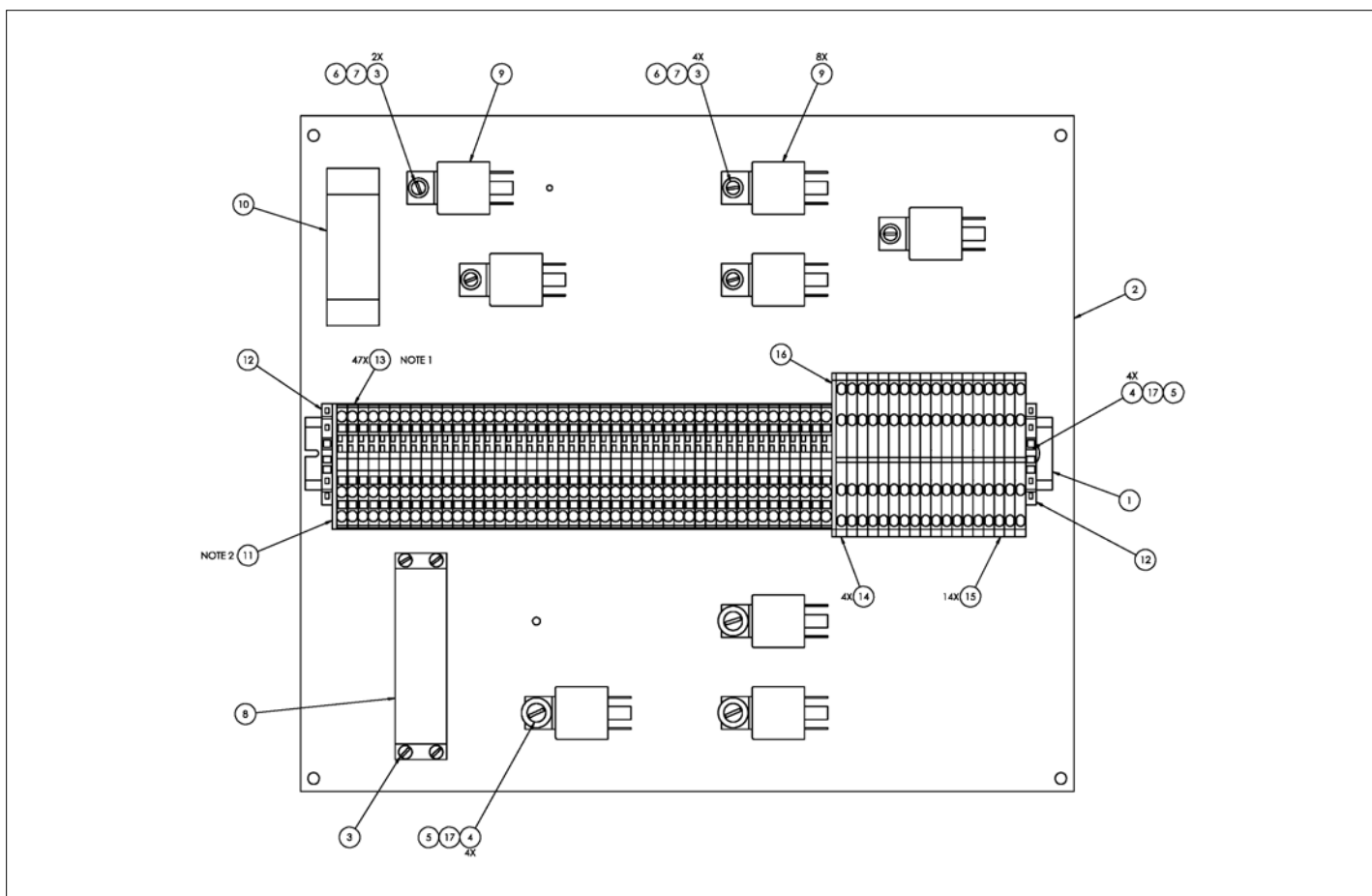
NOTES:

- 1. ORIENT ST 2.5-TWIN TERMINAL BLOCKS WITH DUAL PORTS ON INDICATED SIDE OF DIN RAIL.
- 2. CENTER TERMINALS ABOUT HORIZONTAL AXIS.

アイテム	部品番号	名前	数量	UOM
	0420455 F	PANEL SUB ASSEMBLY		EA
1	0420456	PANEL DRILLED	1	EA
2	0420459	DIN RAIL	1	EA
3	974239	SCR RDH 6 32 .500	6	EA
4	974659	SCR RDH MACH 10 24 .500	6	EA
5	986009	WSHR FLAT 10	6	EA
6	986159	WSHR FLAT 6	6	EA
7	987089	WSHR LOCK #10 SPLIT TYPE	6	EA
8	987349	WSHR LOCK 6	6	EA
9	3040214	RELAY DPDT 12V 10AMP	1	EA
10	3040469	RELAY SPDT 12V 30AMP SONG	6	EA
11	3220052	COVER ST 25 TWIN	1	EA
12	3220053	END BRACKET CLIPFIX 35 5	2	EA
13	3220054	TERMINAL BLOCK ST 25 TWIN	43	EA
14	3220067	TERMBLOCK ST 4 QUATTRO PE	4	EA
15	3220068	TERM BLOCK ST4 QUATTRO	12	EA
16	3220070	COVER ST 4 QUATTRO	1	EA
101	0420634	INT WIRE KIT AB80/85 LWR CTR	1	EA
102	3220061	PLUG IN BRIDGE FBS 2 5	5	EA
103	0420631	ZACK MARKER STRIP KIT CARLTON BATES SEE DRAWING	1	EA

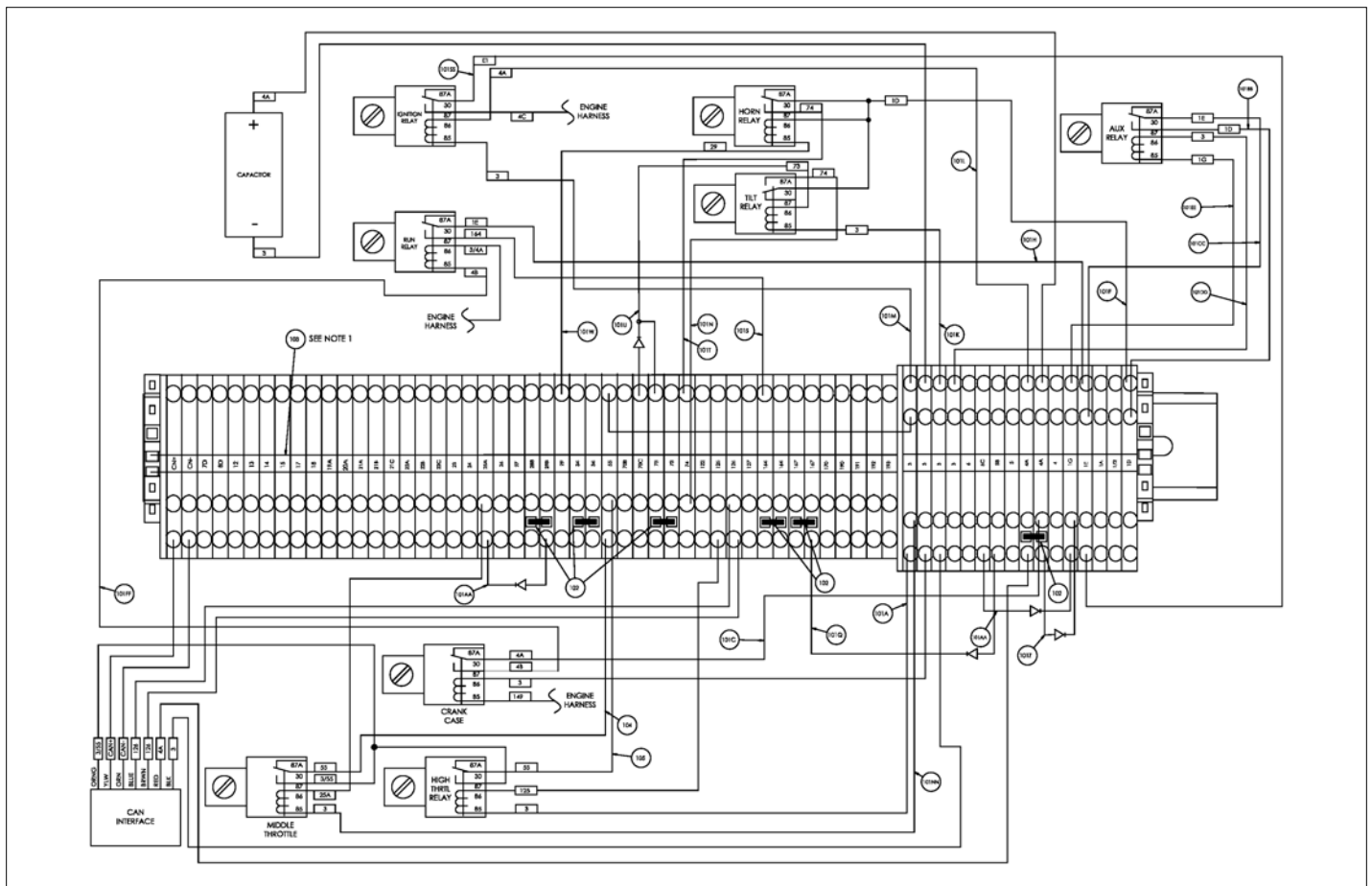


ELECTRICAL



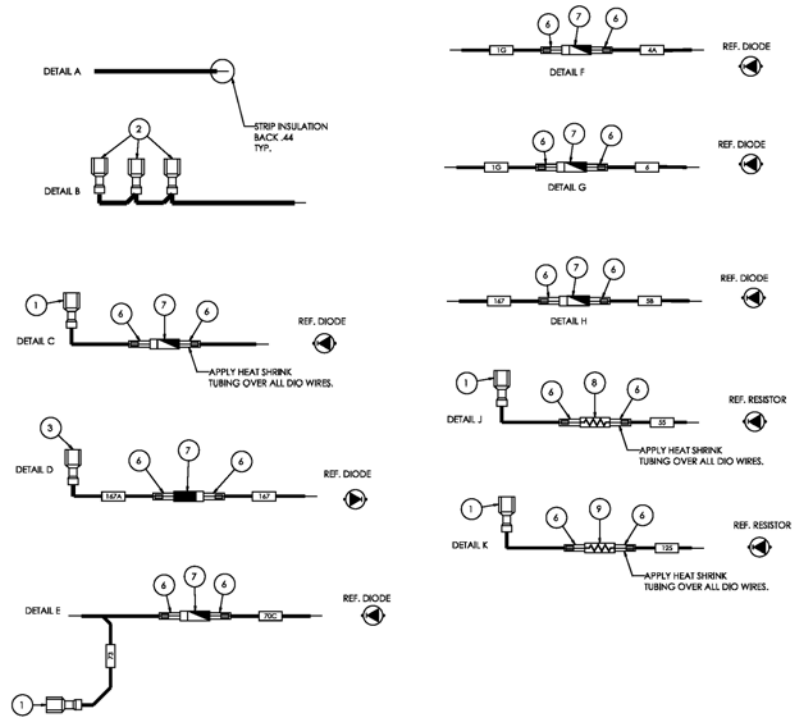


アイテム	部品番号	名前	数量	UOM
*	0421904 A	PANEL SUB ASSEMBLY AB80/85J T4F JULY 2019 AND AFTER		EA
1	0420459	DIN RAIL	1	EA
2	0421916	PANEL DRILLED AB85 T4F	1	EA
3	974239	SCR RDH 6 32 .500	9	EA
4	974659	SCR RDH MACH 10 24 .500	7	EA
5	986009	WSHR FLAT 10	7	EA
6	986159	WSHR FLAT 6	5	EA
7	987349	WSHR LOCK 6	5	EA
8	3030183	CAN INTERFACE MURPHY	1	EA
9	3040469	RELAY SPDT 12V 30AMP SONG	8	EA
10	3040596	CAPACITOR 10000MFD 35 VOLT	1	EA
11	3220052	COVER ST 25 TWIN	1	EA
12	322053	END BLOCK TERMINAL	2	EA
13	3220054	TERMINAL BLOCK ST 25 TWIN	47	EA
14	3220067	TERMBLOCK ST 4 QUATTRO PE	4	EA
15	3220068	TERM BLOCK ST4 QUATTRO	14	EA
16	3220070	COVER ST 4 QUATTRO	1	EA
17	5560654	WSHR LOCK #10 SPLIT TYPE	7	EA
101	0421883	INT WIRE KIT AB80/85 LWR CTR KU	1	EA
102	3220061	PLUG IN BRIDGE FBS 2 5	6	EA
103	0421917	MARKER STRIP AB85J T4F LWR CTRL	1	EA
104	0182535	WIRE 16 R10 FEM250FI 6 RSTR 60	1	EA
105	0182537	WIRE 16 R10 FEM250FI 6 RSTR120	1	EA



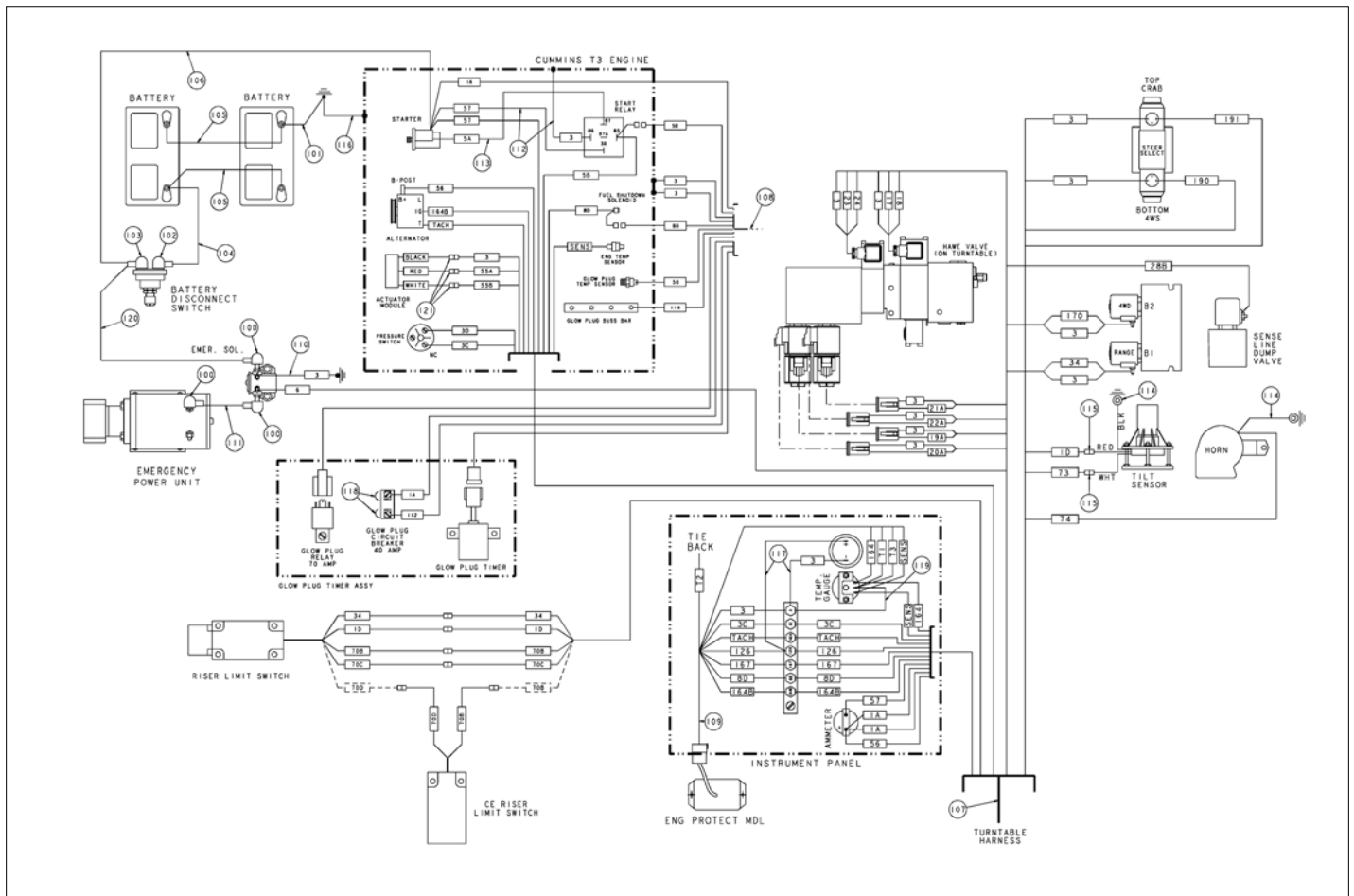
ELECTRICAL

JUMPER	TERM	WIRE NO.	WIRE GA	COLOR	TERM
A	ITEM 1	3	16	BLACK	SEE DETAIL A
B	ITEM 1	127	16	WHITE	SEE DETAIL A
C	ITEM 1	164	16	WHITE	SEE DETAIL A
D	ITEM 1	25A	16	WHITE	SEE DETAIL A
E	ITEM 1	55	16	RED	SEE DETAIL A
F	SEE DETAIL B	1D	12	RED	SEE DETAIL B
G	ITEM 1	5C	16	WHITE	SEE DETAIL A
H	ITEM 2	1E	12	RED	SEE DETAIL A
J	ITEM 1	4A	16	WHITE	SEE DETAIL A
K	ITEM 1	3	16	BLACK	SEE DETAIL A
L	ITEM 3	3	16	BLACK	SEE DETAIL A
M	ITEM 1	3	16	BLACK	SEE DETAIL A
N	ITEM 2	74	12	RED	SEE DETAIL A
P	ITEM 3	167	16	WHITE	SEE DETAIL A
Q	SEE DETAIL H	5B/167	16	WHITE	SEE DETAIL A
R	ITEM 3	164	16	WHITE	SEE DETAIL A
S	ITEM 2	164	12	RED	SEE DETAIL A
T	ITEM 2	74	12	RED	SEE DETAIL A
U	SEE DETAIL E	73/70C	16	WHITE	SEE DETAIL E
V	ITEM 1	30	16	WHITE	SEE DETAIL A
W	ITEM 1	29	16	WHITE	SEE DETAIL A
X	ITEM 3	126	16	WHITE	SEE DETAIL A
Y	ITEM 1	58	16	WHITE	SEE DETAIL A
Z	SEE DETAIL F	4A/1G	16	WHITE	SEE DETAIL A
AA	SEE DETAIL G	6/1G	16	WHITE	SEE DETAIL A
BB	ITEM 2	1D	12	RED	SEE DETAIL A
CC	ITEM 2	1E	12	RED	SEE DETAIL A
DD	ITEM 1	3	16	BLACK	SEE DETAIL A
EE	ITEM 1	1G	16	WHITE	SEE DETAIL A
FF	ITEM 1	167	16	WHITE	SEE DETAIL A
GG	ITEM 1	167	16	WHITE	SEE DETAIL A
HH	ITEM 1	164	16	WHITE	SEE DETAIL A
JJ	ITEM 1	3	16	BLACK	SEE DETAIL A
KK	ITEM 1	3	16	BLACK	SEE DETAIL A
LL	ITEM 1	3	16	BLACK	SEE DETAIL A
MM	ITEM 1	3	16	BLACK	SEE DETAIL A
NN	ITEM 1	5C	16	WHITE	SEE DETAIL A
PP	ITEM 1	4A	16	WHITE	SEE DETAIL A
QQ	ITEM 1	7D	16	WHITE	SEE DETAIL A
RR	ITEM 1	7D	16	WHITE	SEE DETAIL A
SS	ITEM 3	8D	16	WHITE	SEE DETAIL A

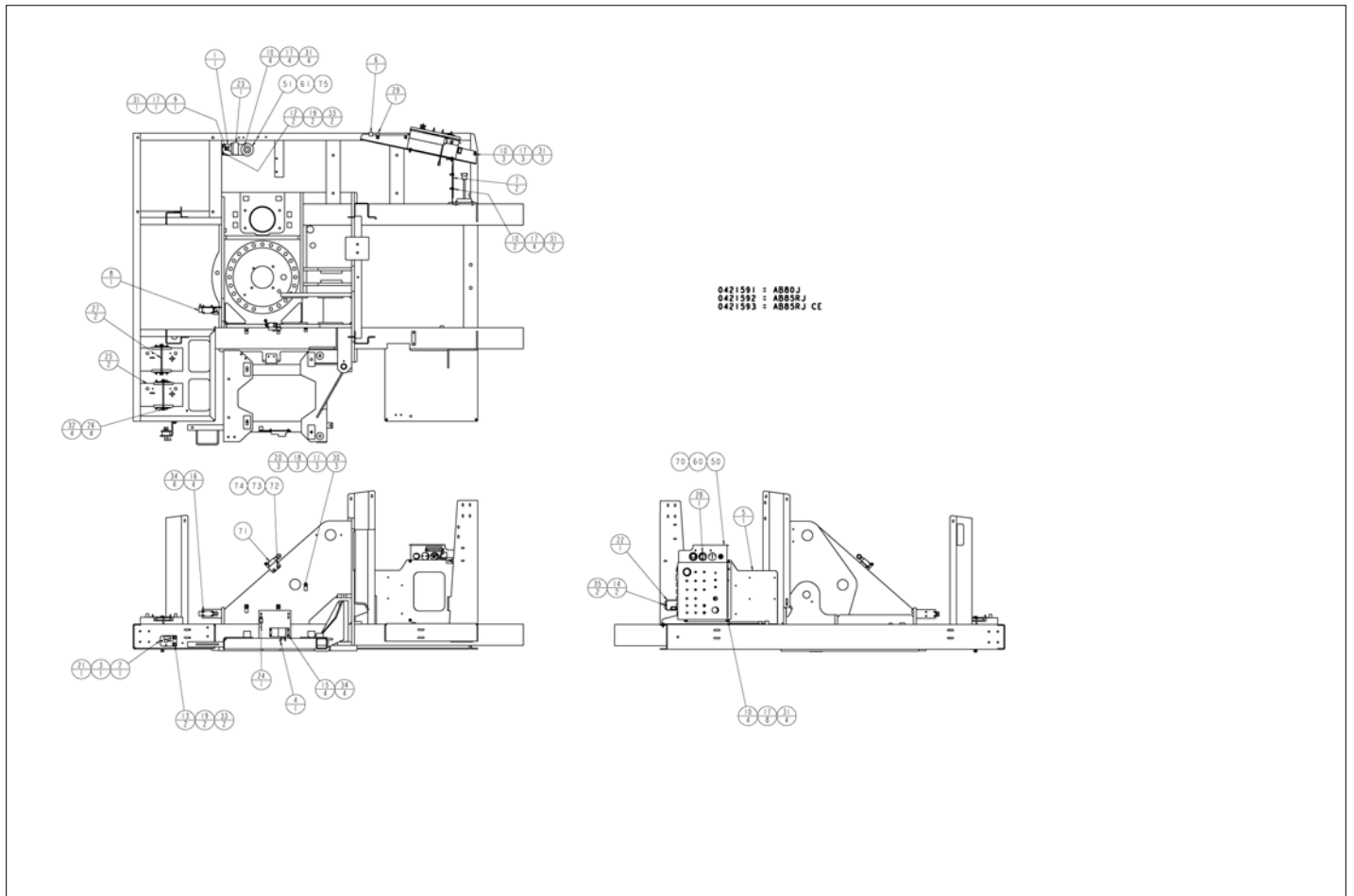


アイテム	部品番号	名前	数量	UOM
*	0421909 A	INTERNAL WIRING KIT JULY 2019 AND AFTER		EA
1	3040083	TERM FEM250FI 16/14	28	EA
2	3040065	TERM FEM250FI 12/10 FULLY INSU	9	EA
3	3046697	TERM FEM188I 16/14GA	5	EA
4	3011641	WIRE 16GA SINGLE CONDUCTOR WHT	A/R	EA
5	3011201	WIRE 12GA RED SINGLE CONDUCTOR	A/R	EA
6	3042070	NUT LKG HUB .500	8	EA
7	3040293	DIODE	4	EA
8	3220340	RESISTOR 60 OHM .5W .1%	1	EA
9	3220341	RESISTOR 120 OHM .5W .1%	1	EA

ELECTRICAL



アイテム	部品番号	名前	数量	UOM
Not Shown	A42007F A	TURNTABLE ELECTRICAL INSTALLATION CUMMINS AND DEUTZ		EA
1	181503	BRKT TILT ALARM	1	EA
2	73051	DISCONNECT SWITCH BRKT	1	EA
3	73089	PLAC BATTERY DISCONNECT SWITCH	1	EA
4	82046	ACTUATOR MODULE ASSEMBLY FOR KIT	1	EA
5	420560	BRKT MTG LOWER CONTROL	1	EA
6	420946	110 VOLT CABLE ASSEMBLY EXT	1	EA
7	421491	BRKT SUPT LOWER CONTROL BOX	2	EA
8	421523	RISER LIMIT SWITCH ASSEMBLY	1	EA
9	970029	BLT .25 20 .750	1	EA
10	970049	BLT HEXHD .250 20 1.00 GR5 GRADE 5 PLT SAME AS 970189	13	EA
11	970219	BLT HEXHD .313 18 .500 GR5 PLT	3	EA
12	970469	HHD BLT .375 16 X 1.00 GR5	2	EA
13	970489	BLT HEXHD .375 16 1.50 GR5 PL	2	EA
14	974479	SCR RDH 8 32 1.00	2	EA
15	974689	SCR RDH MACH 10 24 .75	4	EA
16	974759	SCR RDH MACH 10 24 2.00	4	EA
17	986019	WSHR FLAT .250	20	EA
18	986269	WSHR FLAT .313	3	EA
19	986299	WASHER, FLAT, .375 STANDARD, PLATED	4	EA
20	987109	WSHR LOCK .313	3	EA
21	3020049	Switch, Battery Disconnect	1	EA
22	3030122	ENG PROTECT MODULE 4 PNT HIGH SETPOINTS A	1	EA

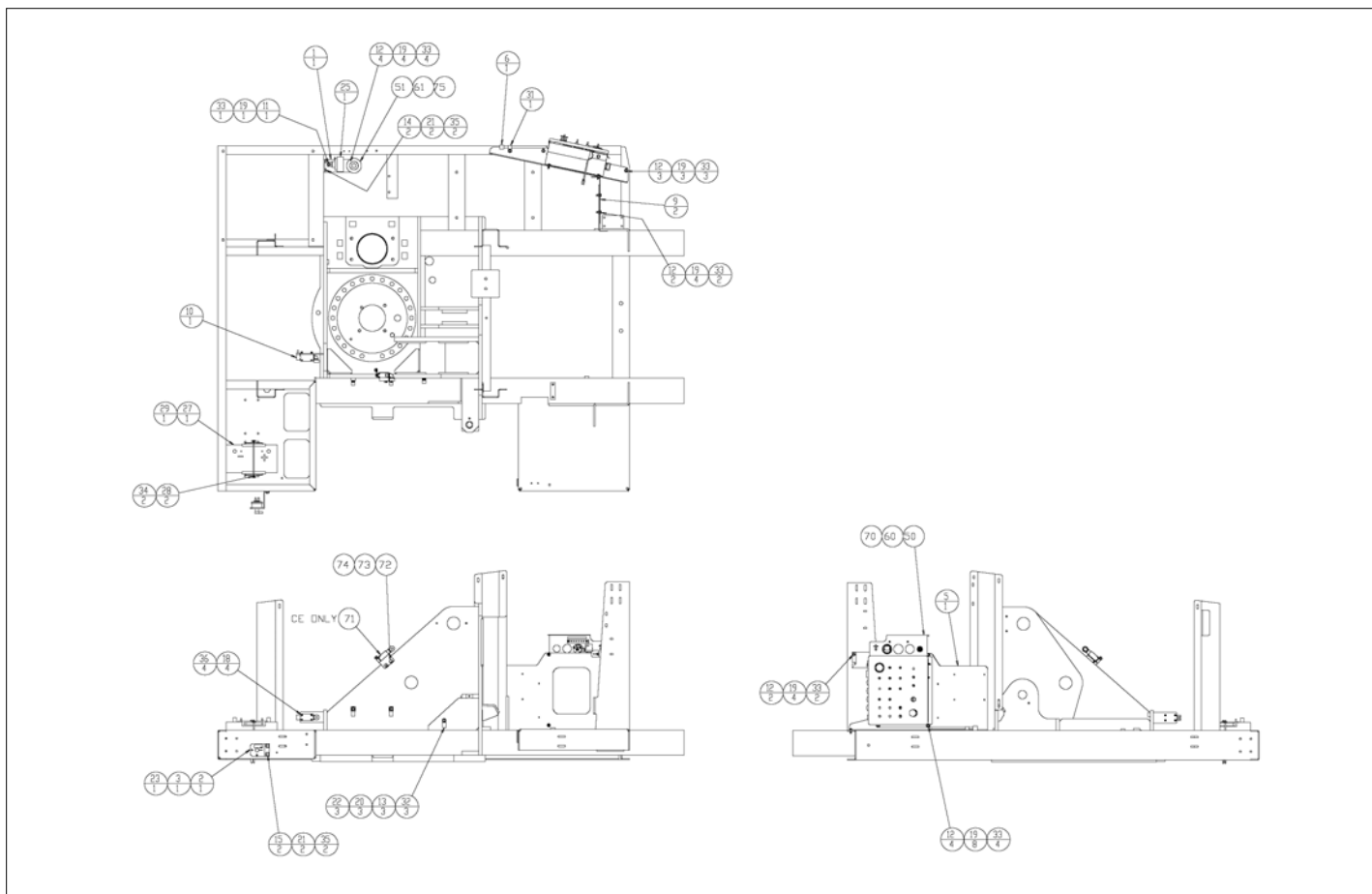


アイテム	部品番号	名前	数量	UOM
23	3040127	HORN 12VDC	1	EA
24	3040469	RELAY SPDT 12V 30AMP SONG	1	EA
25	3050002	BATTERY 12V	2	EA
26	3050004	BLT BTRY HLDN .313 18 X 10.00 (J BOLT)	4	EA
27	3050008	BATTERY HOLD DOWN	2	EA
28	3070040	GAUGE TEMP 320	1	EA
29	5093002	CLAMP .562 AEROQUIP HOSE SUPPORT	1	EA
30	5093008	CLP CUSH 1.06 VINYL COATED	3	EA
31	5560004	NUT LKG .250 20	14	EA
32	5560031	NUT HEX LKG .313 18	4	EA
33	5560033	.375 16UNC HEX LOCK NUT	4	EA
34	5560034	NUT LKG 10 24	8	EA
35	5560198	NUT HEX LKG 8 32	2	EA
50	420637	WIRING BOX ASSEMBLY AB85RJ	1	EA
51	3020040	LEVEL SENSOR 5 DEGREE	1	EA
60	420871	WIRING BOX ASSEMBLY AB80J	1	EA
61	3020040	LEVEL SENSOR 5 DEGREE	1	EA
70	421005	LOWER CONTROL BOX ASSEMBLY AB85RJ CE MODIFICATION TO 0420871	1	EA
71	421388	RISER LIMIT SWITCH ASSEMBLY	1	EA
72	970429	CAPSCREW .375 16 X .50 HH	2	EA
73	987119	WSHR LOCK .375	2	EA
74	986299	WASHER, FLAT, .375 STANDARD, PLATED	2	EA
75	3020103	LEVEL SENSOR 3.5 DEGREE	1	EA
100	3040268	BOOT BTRY CABLE END BLK	3	EA
101	80483	WIRE 2/0 R375 R375 28 BLACK	1	EA
102	3040269	Boot Cable Entry Black 1/0 GA	1	EA
103	3040270	BOOT BTRY CABLE END Y TYPE	1	EA

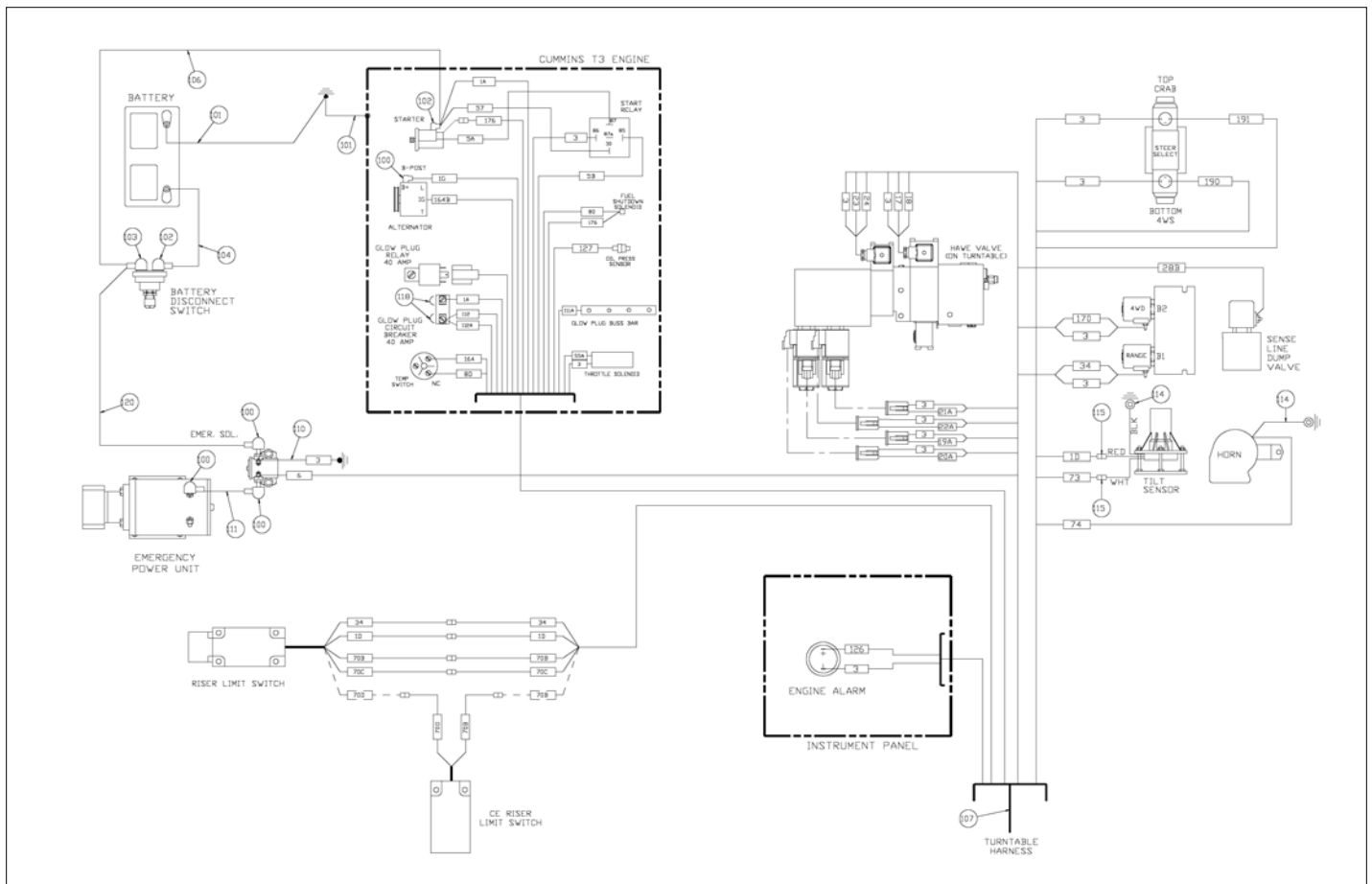


アイテム	部品番号	名前	数量	UOM
104	80519	WIRE 2/0 R375 R375 20 RED	1	EA
105	75268	WIRE 2/0 R375 R375 13 BLK	2	EA
106	421278	WIRE 1/0 R313I R313I 115 RED	1	EA
107	420461	ENGINE WIRE ASSY CU T3 AB85J	1	EA
108	192295	GLOW PLUG TIMER WIRE ASSY	1	EA
109	74577	EPS WIRE ASSY	1	EA
110	71568	WIRE 12 R10I R250I 4	1	EA
111	72323	WIRE 4 R313I R375I 28 RED	1	EA
112	181025	WIRE 12 R375 FEM250FI 28	2	EA
113	191239	WIRE 10 FEM250I R10 19	1	EA
114	3044161	TERM R10I 16/14	2	EA
115	3040083	TERM FEM250FI 16/14	2	EA
116	421279	WIRE 1/0 R375I R313I 86 BLK	1	EA
117	71590	WIRE 18 R6I R10I 7	2	EA
118	3040452	BOOT BTRY CABLE UL RED 10GA	2	EA
119	73781	WIRE 16 R10I R6I 6	1	EA
120	300194	WIRE 4 R313I R375I 115 RED	1	EA
121	3040047	TERM FEM250FI 22/18	3	EA

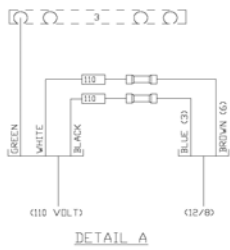
ELECTRICAL



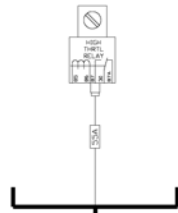
アイテム	部品番号	名前	数量	UOM
	A42027A B	TURNTABLE ELECTRICAL INSTALLATION DECEMBER 2018 AND BEFORE		EA
1	0181503	BRKT TILT ALARM	1	EA
2	0073051	DISCONNECT SWITCH BRKT	1	EA
3	0073089	PLAC BATTERY DISCONNECT SWITCH	1	EA
5	0420560	BRKT MTG LOWER CONTROL	1	EA
6	0420946	ASSY 110 VOLT CABLE EXT	1	EA
	0421456	SHIM .25	1	EA
	0421457	SHIM 10GA	1	EA
9	0421491	BRKT SUPT LOWER CONTROL BOX	2	EA
10	0421523	ASSY RISER LIMIT SWITCH	1	EA
11	970029	BLT .25 20 .750	1	EA
12	970049	BLT HEXHD .250 20 1.00 GR5 GRADE 5 PLT SAME AS 970189	15	EA
13	970219	BLT HEXHD .313 18 .500 GR5 PLT	3	EA
14	970469	HHD BLT .375 16 X 1.00 GR5	2	EA
15	970489	BLT HEXHD .375 16 1.50 GR5 PL	2	EA
18	974759	SCR RDH MACH 10 24 2.00	4	EA
19	986019	WSHR FLAT .250	22	EA
20	986269	WSHR FLAT .313	3	EA
21	986299	WASHER, FLAT, .375 STANDARD, PLATED	4	EA
22	987109	WSHR LOCK .313	3	EA
23	3020049	Switch, Battery Disconnect	1	EA
25	3040127	HORN 12VDC	1	EA
27	3050002	BATTERY 12V	1	EA
28	3050004	BLT BTRY HLDN .313 18 X 10.00 (J BOLT)	2	EA



アイテム	部品番号	名前	数量	UOM
29	3050008	BATTERY HOLD DOWN	1	EA
31	5093002	CLAMP .562 AEROQUIP HOSE SUPPORT	1	EA
32	5093008	CLP CUSH 1.06 VINYL COATED	3	EA
33	5560004	NUT LKG .250 20	16	EA
34	5560031	NUT HEX LKG .313 18	2	EA
35	5560033	.375 16UNC HEX LOCK NUT	4	EA
36	5560034	NUT LKG 10 24	4	EA
50	0421873	WIRING BOXASSEMBLY KUBOTA AB85RJ	1	EA
51	3020040	LEVEL SENSOR 5 DEGREE	1	EA
60	0421874	WIRING BOX ASSEMBLY KUBOTA AB80J	1	EA
61	3020040	LEVEL SENSOR 5 DEGREE	1	EA
70	0421005	ASSY LWR CTRL BOX AB85RJ CE MODIFICATION TO 0420871	1	EA
71	0421388	ASSY RISER LIMIT SWITCH	1	EA
72	970429	CAPSCREW .375 16 X .50 HH	2	EA
73	987119	WSHR LOCK .375	2	EA
74	986299	WASHER, FLAT, .375 STANDARD, PLATED	2	EA
75	3020103	LEVEL SENSOR 3.5 DEGREE	1	EA
100	3040268	BOOT BTRY CABLE END BLK	4	EA
101	0101565	WIRE 2/0 R375 R375 48	2	EA
102	3040269	Boot Cable Entry Black 1/0 GA	2	EA
103	3040270	BOOT BTRY CABLE END Y TYPE	1	EA
104	0080519	WIRE 2/0 R375 R375 20 RED	1	EA
106	0080482	WIRE 2/0 R375 R375 108	1	EA
107	0420461	ENGINE WIRE ASSY CU T3 AB85J	1	EA
Not Shown	0192295	GLOW PLUG TIMER WIRE ASSY TB42/60/80/126/AB80J	1	EA



DETAIL A



DETAIL B

WIRE NO.	DESCRIPTION	TERMINAL BLOCK LABEL
1A	POWER TO GROUND CTRLS	1A
2	DRIVE T/F VALVES	2
3	DRD T/F VALVES	3
10	FEAR PAIR FROM SW	10
6	POWER TO EMERGENCY PWR	6
17	DRIVE - FORWARD	17
18	DRIVE - REVERSE	18
19A	STEER - LEFT	19A
20A	STEER - RIGHT	20A
21A	RISE - DOWN	21A
22A	RISE - UP	22A
23	SWING - CW	23
24	SWING - CCW	24
34	DRIVE RT-LV RING SW	34
70B	SIGNAL TO RISE-ROOM SW	70B
70C	DRIVE SPEED SIGNAL	70C
73	TILT ALARM SIGNAL	73
74	POWER TO HOON	74
106	ENGINE ALARM	106
164	HOON POWER	164
167	PROTECT-REAR RELAY	167
170	ENGINE SW	170
171	ENGINE SW	171
172	ENGINE SW	172
173	ENGINE SW	173
174	ENGINE SW	174
175	ENGINE SW	175
176	ENGINE SW	176
177	ENGINE SW	177
178	ENGINE SW	178
179	ENGINE SW	179
180	ENGINE SW	180
181	ENGINE SW	181
182	ENGINE SW	182
183	ENGINE SW	183
184	ENGINE SW	184
185	ENGINE SW	185
186	ENGINE SW	186
187	ENGINE SW	187
188	ENGINE SW	188
189	ENGINE SW	189
190	ENGINE SW	190
191	ENGINE SW	191
192	ENGINE SW	192
193	ENGINE SW	193
194	ENGINE SW	194
195	ENGINE SW	195
196	ENGINE SW	196
197	ENGINE SW	197
198	ENGINE SW	198
199	ENGINE SW	199
200	ENGINE SW	200
201	ENGINE SW	201
202	ENGINE SW	202
203	ENGINE SW	203
204	ENGINE SW	204
205	ENGINE SW	205
206	ENGINE SW	206
207	ENGINE SW	207
208	ENGINE SW	208
209	ENGINE SW	209
210	ENGINE SW	210
211	ENGINE SW	211
212	ENGINE SW	212
213	ENGINE SW	213
214	ENGINE SW	214
215	ENGINE SW	215
216	ENGINE SW	216
217	ENGINE SW	217
218	ENGINE SW	218
219	ENGINE SW	219
220	ENGINE SW	220
221	ENGINE SW	221
222	ENGINE SW	222
223	ENGINE SW	223
224	ENGINE SW	224
225	ENGINE SW	225
226	ENGINE SW	226
227	ENGINE SW	227
228	ENGINE SW	228
229	ENGINE SW	229
230	ENGINE SW	230
231	ENGINE SW	231
232	ENGINE SW	232
233	ENGINE SW	233
234	ENGINE SW	234
235	ENGINE SW	235
236	ENGINE SW	236
237	ENGINE SW	237
238	ENGINE SW	238
239	ENGINE SW	239
240	ENGINE SW	240
241	ENGINE SW	241
242	ENGINE SW	242
243	ENGINE SW	243
244	ENGINE SW	244
245	ENGINE SW	245
246	ENGINE SW	246
247	ENGINE SW	247
248	ENGINE SW	248
249	ENGINE SW	249
250	ENGINE SW	250
251	ENGINE SW	251
252	ENGINE SW	252
253	ENGINE SW	253
254	ENGINE SW	254
255	ENGINE SW	255
256	ENGINE SW	256
257	ENGINE SW	257
258	ENGINE SW	258
259	ENGINE SW	259
260	ENGINE SW	260
261	ENGINE SW	261
262	ENGINE SW	262
263	ENGINE SW	263
264	ENGINE SW	264
265	ENGINE SW	265
266	ENGINE SW	266
267	ENGINE SW	267
268	ENGINE SW	268
269	ENGINE SW	269
270	ENGINE SW	270
271	ENGINE SW	271
272	ENGINE SW	272
273	ENGINE SW	273
274	ENGINE SW	274
275	ENGINE SW	275
276	ENGINE SW	276
277	ENGINE SW	277
278	ENGINE SW	278
279	ENGINE SW	279
280	ENGINE SW	280
281	ENGINE SW	281
282	ENGINE SW	282
283	ENGINE SW	283
284	ENGINE SW	284
285	ENGINE SW	285
286	ENGINE SW	286
287	ENGINE SW	287
288	ENGINE SW	288
289	ENGINE SW	289
290	ENGINE SW	290
291	ENGINE SW	291
292	ENGINE SW	292
293	ENGINE SW	293
294	ENGINE SW	294
295	ENGINE SW	295
296	ENGINE SW	296
297	ENGINE SW	297
298	ENGINE SW	298
299	ENGINE SW	299
300	ENGINE SW	300

WIRE NO.	DESCRIPTION	TERMINAL BLOCK LABEL
1	SPARE	1
2	LEVEL - DOWN	2
3	DRD	3
10	110 VOLT - POWER	10
11	110 VOLT - NEUTRAL	11

WIRE NO.	DESCRIPTION	TERMINAL BLOCK LABEL
1	GROUND	1
10	LEVEL - DOWN	10
11	LEVEL - UP	11
14	ROOM - EXTEND	14
15	ROOM - RETRACT	15
21B	MAIN ROOM - DOWN	21B
21C	MAIN ROOM - UP	21C
22C	JIB - DOWN	22C
27	PLATFORM ROTATION - CCW	27
34	DRIVE RT-LV RING SW	34
11	AUX CIRCUIT	11
70B	SIGNAL TO ROOM SWITCHES	70B
101	POWER TO ROOM EXT SWITCH	101
170	JIB ROTATE - CCW	170
171	JIB ROTATE - CW	171

NOTES  
 1. THE SPARE WIRES BACK.  
 2. UNLESS OTHERWISE NOTED, CONNECT WIRES TO INDICATED TERMINAL BLOCK. CONNECT ONLY ONE WIRE TO EACH TERMINAL BLOCK PORT.

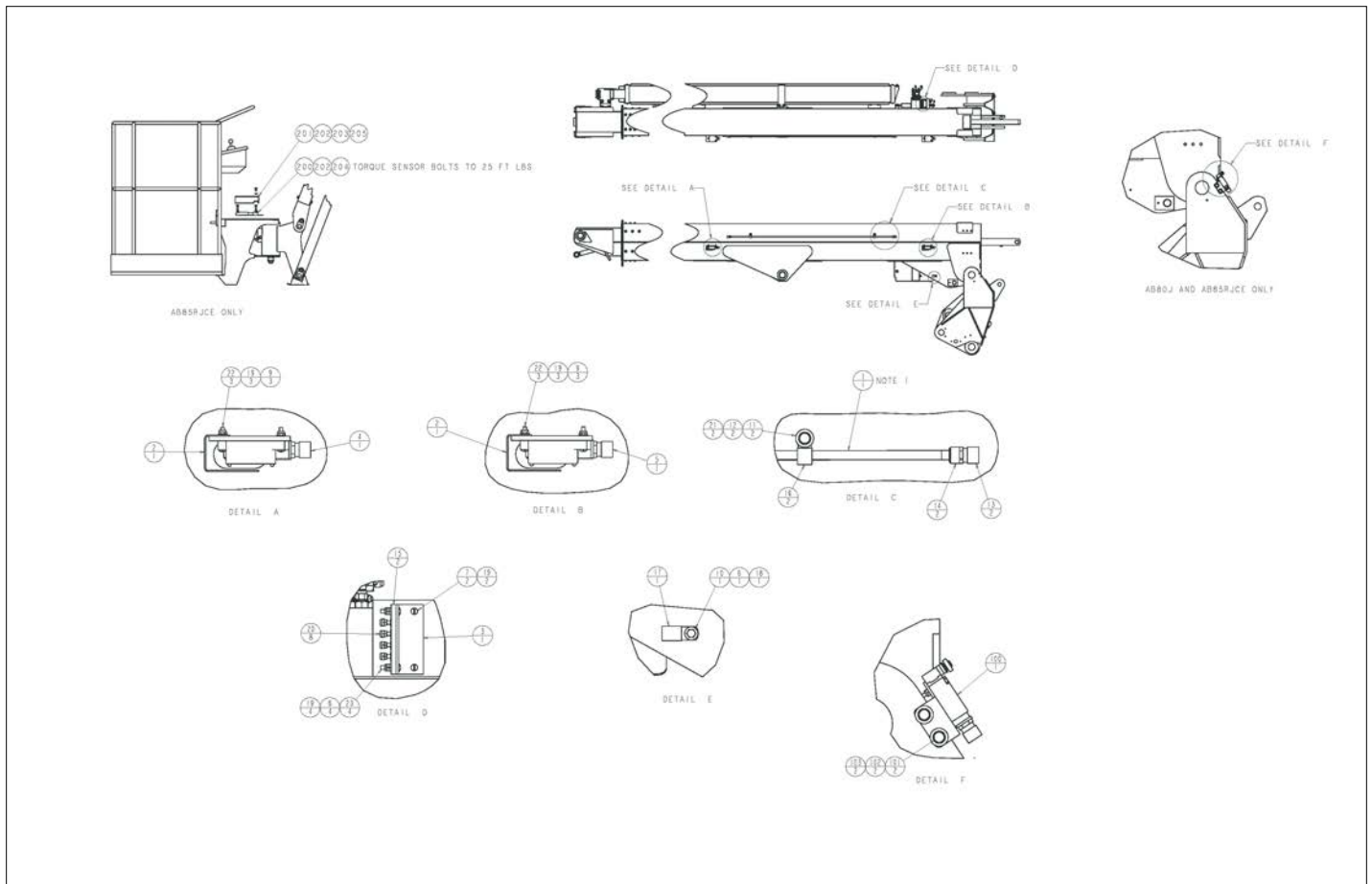
WIRE NO.	DESCRIPTION	CONDUCTOR WIRE	WIRE NO.	WIRE RES.	TERMINAL	TERMINAL BLOCK LABEL
1	POWER TO PLATFORM	2	RED			177
2	POWER TO PLATFORM	7	RED/BLACK			172
3	GROUND	1	BLACK			3
6	EMERGENCY POWER	4	ORANGE			6
26	PLATFORM ROTATION - CW	3	YELLOW			26
27	PLATFORM ROTATION - CCW	8	BLACK/BLACK			27
10	110 VOLT - POWER	3	BLUE			SEE DETAIL A
11	110 VOLT - NEUTRAL	6	BROWN			SEE DETAIL A

WIRE NO.	DESCRIPTION	CONDUCTOR WIRE	WIRE NO.	WIRE RES.	TERMINAL	TERMINAL BLOCK LABEL
4	POWER RUN FROM PLATFORM	1	BLACK			4
5	START - FROM PLATFORM	11	BROWN/BLACK			5
-	SPARE	13	ORANGE/BLACK			-
20B	SENSE LINE SWAMP	10	BLACK/BLACK			20B
29	HOON SWITCH TO RELAY	5	YELLOW			29
34	HOON LOW RANGE SIGNAL	17	BLACK/BLUE			34
70C	ROOM SPEED SIGNAL	8	RED			70C
73	LEVEL SENSOR SIGNAL	8	BLACK/BLACK			73
102	LOW SPEED LIFT/PAVING	10	YELLOW/BLACK			102
105	HIGH THROTTLE SIGNAL	7	RED/BLACK			105
106	ENGINE KILL GROUND SIGNAL	4	ORANGE		ITEM 102	106
11	AUX CIRCUIT	3	BLUE			11
170	2-WHEEL DRIVE SIGNAL	6	BROWN			170
171	4-WHEEL STEER	11	BLACK/BLACK			171
181	DRAB STEER	14	ORANGE/RED			181
182	JIB ROTATE - CCW	15	YELLOW/BLACK			182
183	JIB ROTATE - CW	16	BROWN/RED			183
213	LOAD SENSE RM "A"	18	RED/BLUE			213
214	LOAD SENSE RM "B"	19	ORANGE/BLUE			214

WIRE NO.	DESCRIPTION	CONDUCTOR WIRE	WIRE NO.	WIRE RES.	TERMINAL	TERMINAL BLOCK LABEL
-	SPARE	12	BLACK/RED			-
12	LEVEL - DOWN	13	BLUE/RED			12
13	LEVEL - UP	14	ORANGE/RED			

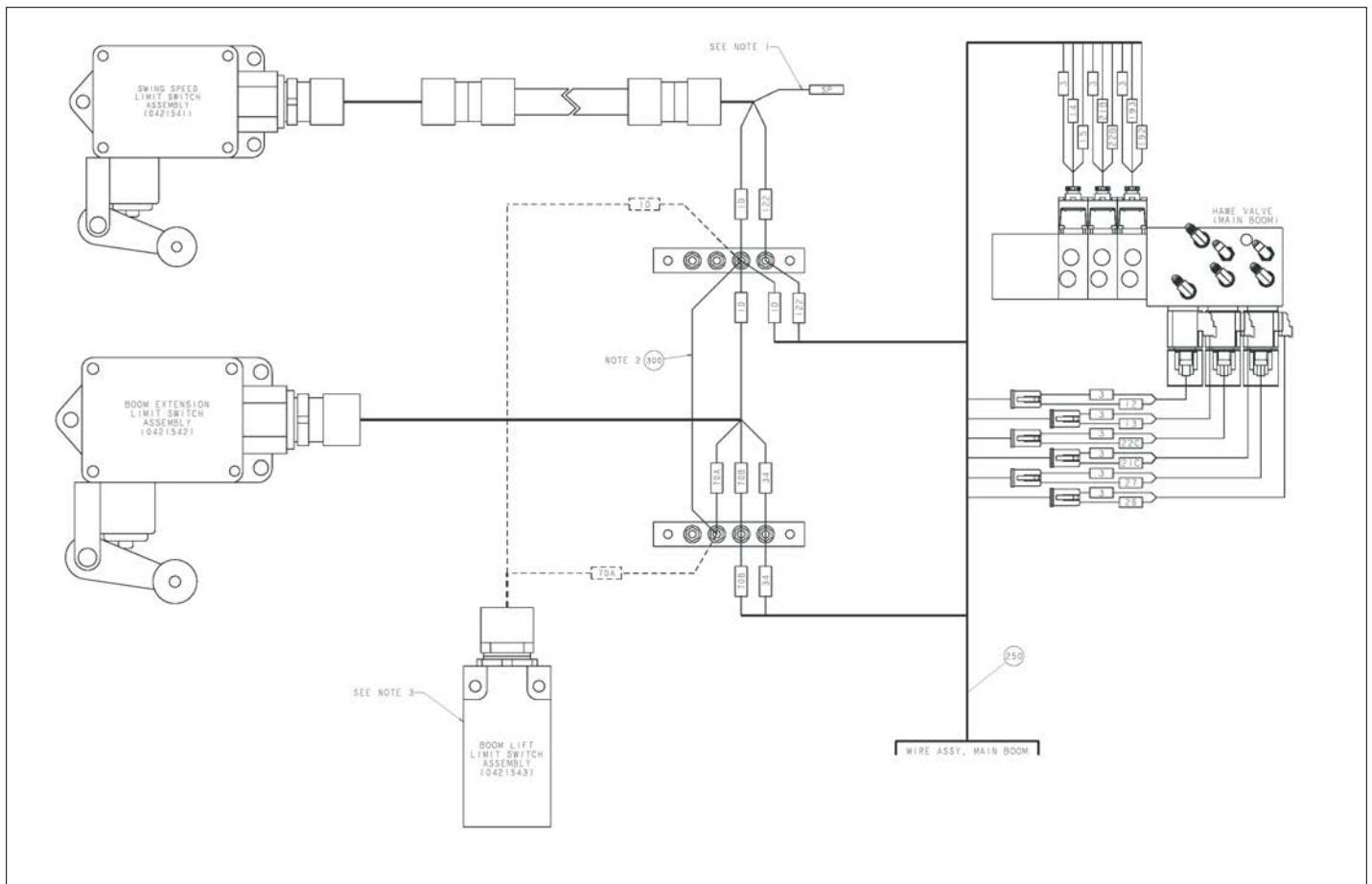
アイテム	部品番号	名前	数量	UOM
110	0071568	WIRE 12 R10I R250I 4	1	EA
111	0072323	WIRE 4 R313I R375I 28 RED	1	EA
114	3044161	TERM R10I 16/14	2	EA
115	3040083	TERM FEM250FI 16/14	2	EA
118	3040452	BOOT BTRY CABLE UL RED 10GA	2	EA
120	300194	WIRE 4 R313I R375I 115 RED	1	EA

ELECTRICAL



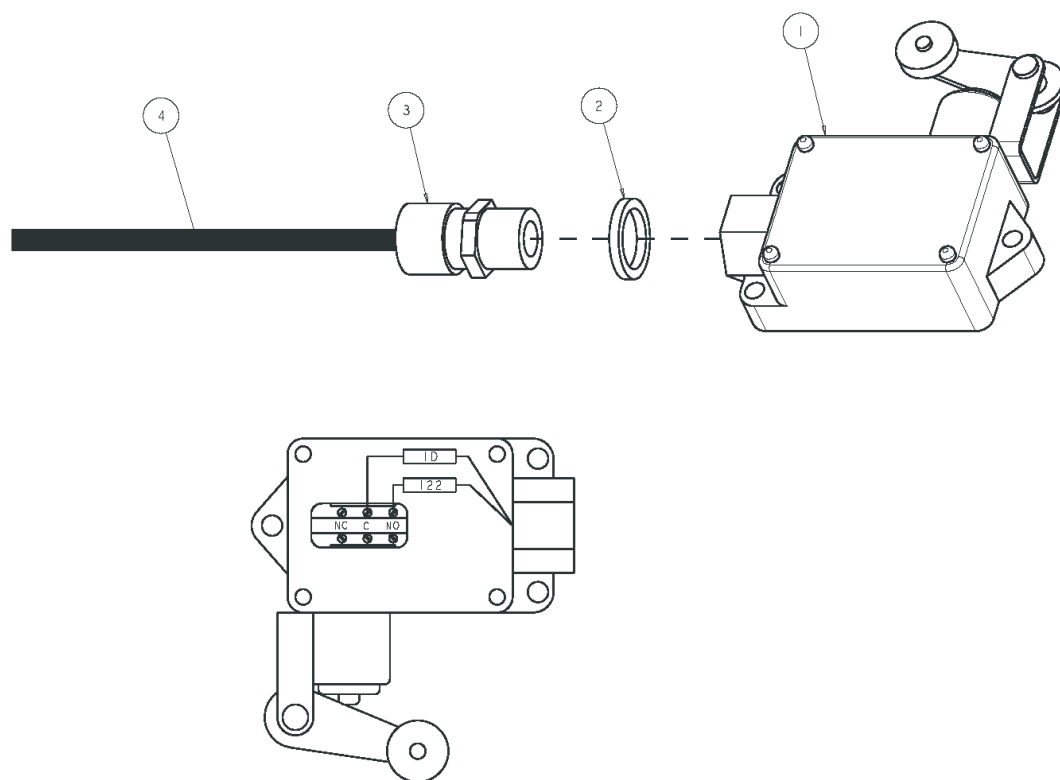


アイテム	部品番号	名前	数量	UOM
	A42009F AND 0421342 A	MAIN BOOM ELECTRICAL INSTALLATION		EA
1	0110547	CONDUIT	1	EA
2	0420989	GUARD BOOM SWITCH AB80J/85RJ	2	EA
3	0421447	BRKT MAIN BOOM TERM STRIP	1	EA
4	0421541	ASSY SWING SPEED LIMIT SWITCH	1	EA
5	0421542	ASSY BOOM EXT. LIMIT SWITCH	1	EA
6	970049	BLT HEXHD .250 20 1.00 GR5 GRADE 5 PLT SAME AS 970189	1	EA
7	974689	SCR RDH MACH 10 24 .75	2	EA
8	984049	NUT HEX 10 24	4	EA
9	986009	WSHR FLAT 10	6	EA
10	986019	WSHR FLAT .250	1	EA
11	986299	WASHER, FLAT, .375 STANDARD, PLATED	2	EA
12	987119	WSHR LOCK .375	2	EA
13	3040187	CONN .500 .313 .438	2	EA
14	3040262	CONDUIT COUPLER, 1/2	2	EA
15	3044704	TERM STRIP (4) #10 STUD	2	EA
16	5093004	CLP CUSH .750 VINYL COATED	2	EA
17	5093006	CLP CUSH .937 VINYL COATED	1	EA
18	5560004	NUT LKG .250 20	1	EA
19	5560034	NUT LKG 10 24	12	EA
20	5560038	NUT LKG 10 32	8	EA
21	5560215	BOLT HEXHD .375 16 .75 GR5	2	EA
22	5560610	SCR TRHD 10 24 1.25	6	EA
23	5560673	SCR TRHD 10 24 1.00	4	EA
100	0421543	ASSY BOOM LIFT LIMIT SWITCH	1	EA
101	970469	HHD BLT .375 16 X 1.00 GR5	2	EA



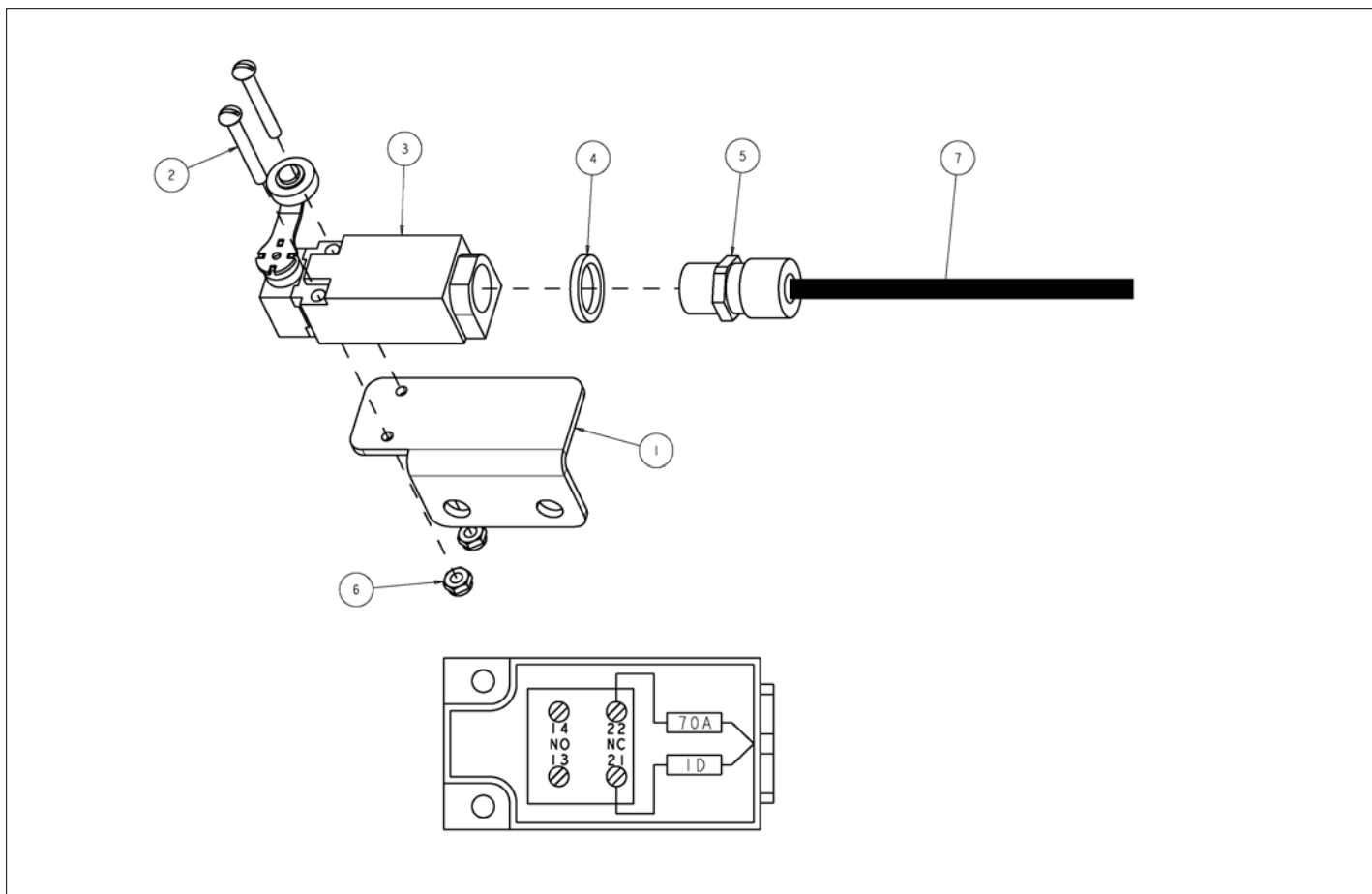
アイテム	部品番号	名前	数量	UOM
102	986299	WASHER, FLAT, .375 STANDARD, PLATED	2	EA
103	987119	WSHR LOCK .375	2	EA
200	3030166	LOAD LIMITER SENSOR	1	EA
201	0182057	COVER SENSOR	1	EA
202	987119	WSHR LOCK .375	4	EA
203	970469	HHD BLT .375 16 X 1.00 GR5	2	EA
204	970439	BLTHHD .375 16 X .625 GR5	2	EA
205	5569003	GROMMET .188ID .313DIA X .125GRV	1	EA
250	0420726	WIRE ASSY MAIN BOOM AB85RJ	1	EA
300	0070712	WIRE 12 R10I R10I 5	1	EA

ELECTRICAL



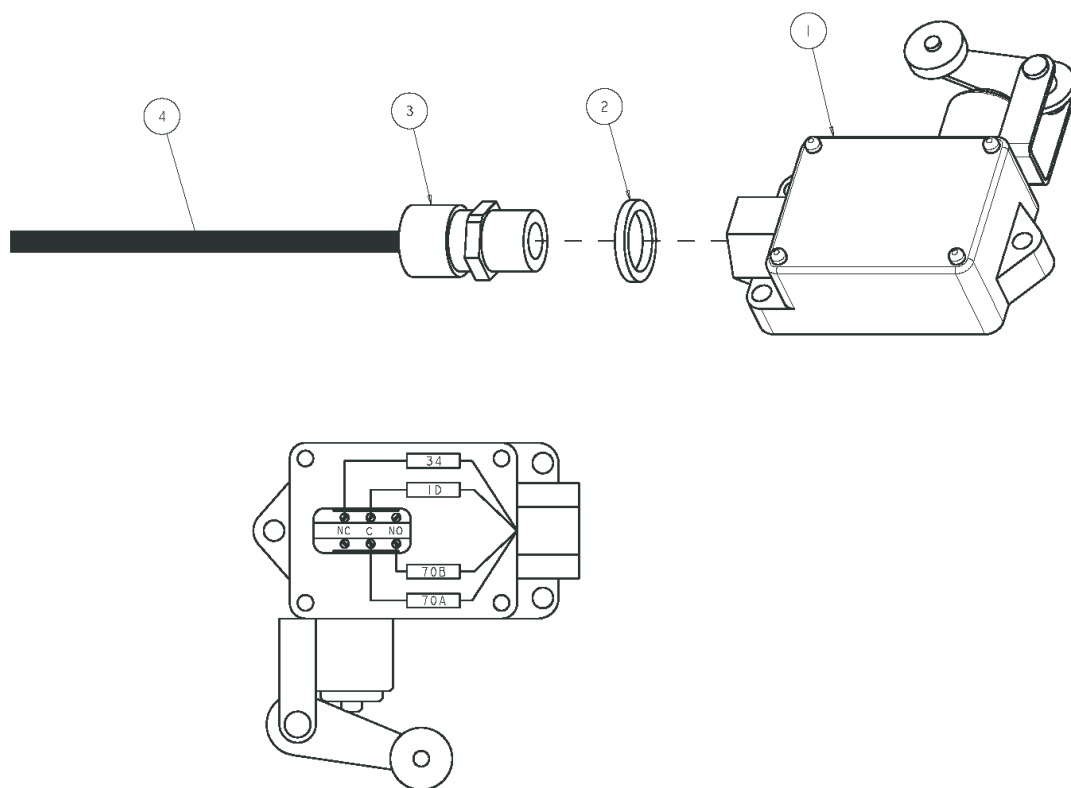
アイテム	部品番号	名前	数量	UOM
	0421541 A	SWING SPEED LIMIT SWITCH		EA
1	3020019	SWITCH ROLLER LEVER	1	EA
2	3040070	NUT LKG HUB .500 APPLETON: P/N BL50 REG 801	1	EA
3	3040187	CONN .500 .313 .438	1	EA
4	0421073	WIRE ASSY SWING LT SW	1	EA

ELECTRICAL



アイテム	部品番号	名前	数量	UOM
	0421543 A	BOOM LIFT LIMIT SWITCH ASSEMBLY		EA
1	0421397	BRKT MOUNT BOOM SWITCH	1	EA
2	974739	SCR RDH MACH 10 24 1.50	2	EA
3	3020140	SWITCH LIMIT MINIATURE	1	EA
4	3040070	NUT LKG HUB .500 APPLETON: P/N BL50 REG 801	1	EA
5	3040187	CONN .500 .313 .438	1	EA
6	5560034	NUT LKG 10 24	2	EA
7	0421341	WIRE ASSY MAIN BOOM SWITCH	1	EA

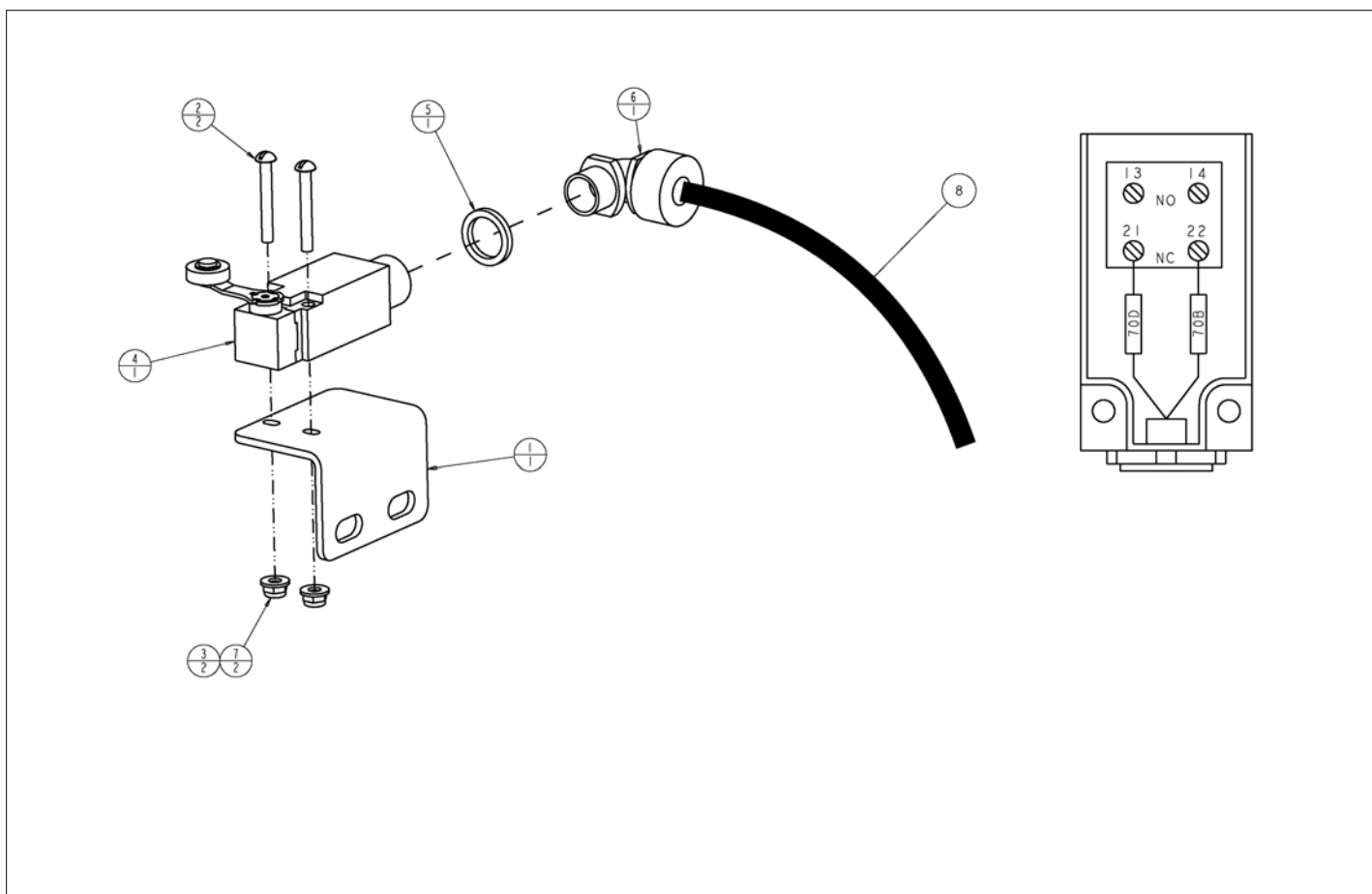
ELECTRICAL





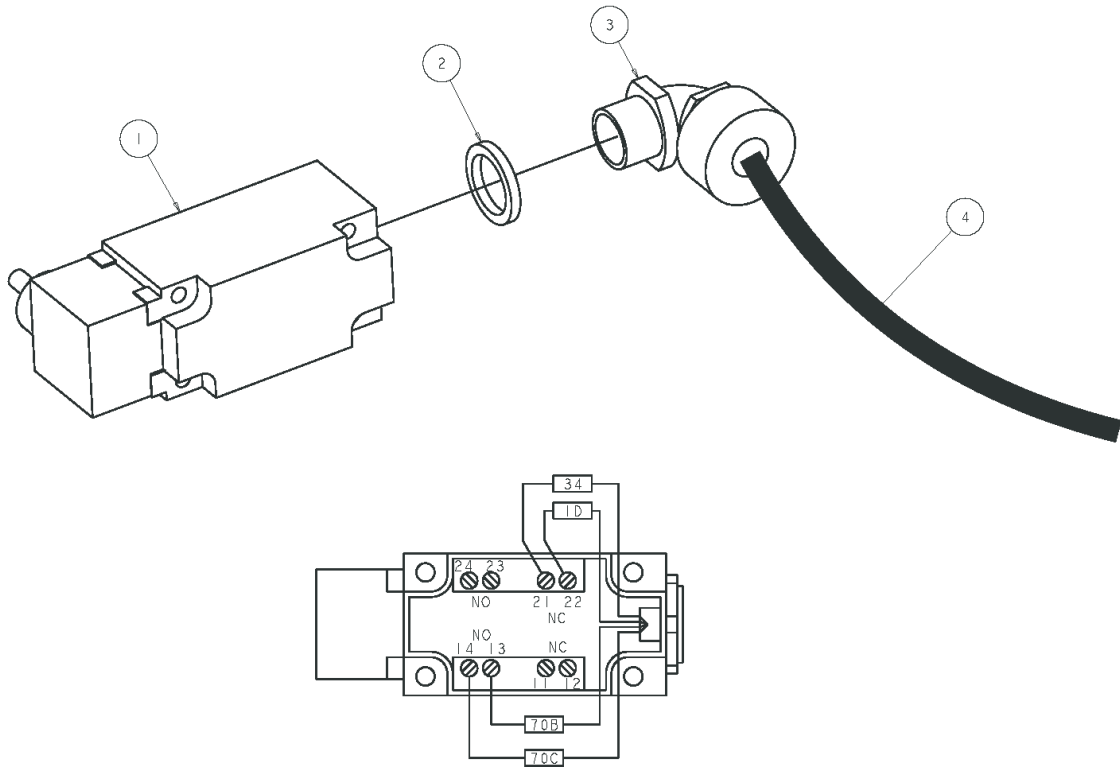
アイテム	部品番号	名前	数量	UOM
	0421542 A	BOOM EXTEND LIMIT SWITCH ASSEMBLY		EA
1	3020019	SWITCH ROLLER LEVER	1	EA
2	3040070	NUT LKG HUB .500 APPLETON: P/N BL50 REG 801	1	EA
3	3040187	CONN .500 .313 .438	1	EA
4	0421074	WIRE ASSY BOOM EXT LT SW	1	EA

ELECTRICAL



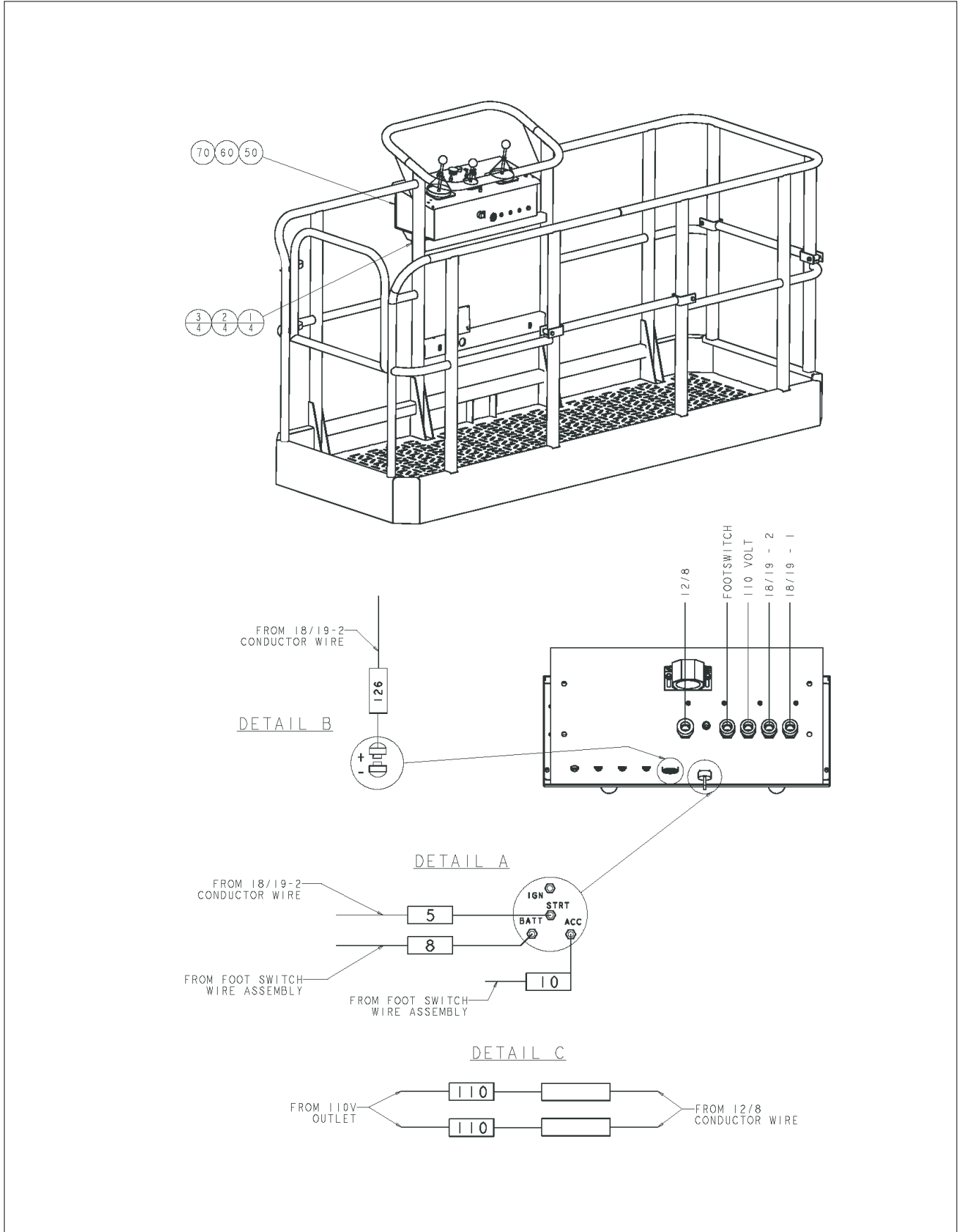
アイテム	部品番号	名前	数量	UOM
	0421388 B	RISER LIMIT SWITCH ASSEMBLY		EA
1	0421387	BRKT RISER LIMIT SWITCH	1	EA
2	974739	SCR RDH MACH 10 24 1.50	2	EA
3	986009	WSHR FLAT 10	2	EA
4	3020140	SWITCH LIMIT MINIATURE	1	EA
5	3040070	NUT LKG HUB .500 APPLETON: P/N BL50 REG 801	1	EA
6	3040711	CONN 90 .500 .375 .500	1	EA
7	5560034	NUT LKG 10 24	2	EA
8	0421524	WIRE RISER SWITCH ASSEMBLY CE	1	EA

ELECTRICAL



アイテム	部品番号	名前	数量	UOM
	0421523 A	RISER LIMIT SWITCH		EA
1	3028809	LIMIT SWITCH ASSEMBLY SR ADJ ROD	1	EA
2	3040070	NUT LKG HUB .500 APPLETON: P/N BL50 REG 801	1	EA
3	3040711	CONN 90 .500 .375 .500	1	EA
4	0421522	ASSY WIRE RISER SWITCH	1	EA

ELECTRICAL



アイテム	部品番号	名前	数量	UOM
	A42006C	PLATFORM ELECTRICAL INSTALLATION		EA
1	970529	BLT HEXHD .375 16 2.50 GR5 PLTD	4	EA
2	986299	WASHER, FLAT, .375 STANDARD, PLATED	4	EA
3	5560033	.375 16UNC HEX LOCK NUT	4	EA
25	3044146	TERM R10I 22/18	1	EA
26	3044142	TERM, .250 TAB 12/10, MALE F.I.	1	EA
50	0420639	ASSY PLATF CTRL BOX AB85RJ	1	EA
60	0420872	ASSY PLATF CTRL BOX AB80J	1	EA
70	0420983	ASSY PLATF CTRLS AB85RJ CE MODIFICATION TO 0420639	1	EA

SEE NOTE 2  
TYP. FOR ALL WIRES  
IN THIS COLUMN

(12/8 CONDUCTOR WIRE)

SNORKEL WIRE NO.	DESCRIPTION	B. WIRE NO.	BRAND WIRE COLOR	TERMINAL	TERMINAL BLOCK #
1	POWER TO PLATFORM	2	RED	SEE NOTE 3	1
2	POWER TO PLATFORM	7	RED/BLACK	SEE NOTE 3	2
3	GROUND	1	BLACK	SEE NOTE 3	3
6	EMERGENCY POWER	4	ORANGE	SEE NOTE 3	6
26	PLATFORM ROTATION - CW	5	YELLOW	SEE NOTE 3	26
27	PLATFORM ROTATION - CCW	8	BLUE/BLACK	SEE NOTE 3	27
110	110 VOLT - POWER	3	BLUE	SEE NOTE 3	SEE DETAIL C
110	110 VOLT - NEUTRAL	6	BROWN	SEE NOTE 3	SEE DETAIL C

(18/19 - 2 CONDUCTOR WIRE)

SNORKEL WIRE NO.	DESCRIPTION	B. WIRE NO.	BRAND WIRE COLOR	TERMINAL	TERMINAL BLOCK LABEL
4	POWER RUN FROM PLATFORM	1	BLACK	SEE NOTE 3	4
5	START - FROM PLATFORM	11	BROWN/BLACK	ITEM 25	SEE DETAIL A
-	SPARE	9	ORANGE	-	SEE NOTE 1
28	SENSE LINE DUMP	12	BLACK/RED	SEE NOTE 3	28
29	HORN SWITCH TO RELAY	5	YELLOW	SEE NOTE 3	29
35	MOTOR LOW RANGE SIGNAL	17	BLACK/BLUE	SEE NOTE 3	35
70	BOOM SPEED SIGNAL	2	RED	SEE NOTE 3	70C
73	LEVEL SENSOR SIGNAL	8	BLUE/BLACK	SEE NOTE 3	73
122	LOW SPEED LIFT/SWING	10	YELLOW/BLACK	SEE NOTE 3	122
125	HIGH THROTTLE SIGNAL	7	RED/BLACK	SEE NOTE 3	125
126	ENGINE KILL GROUND SIGNAL	4	ORANGE	ITEM 26	SEE DETAIL B
170	2-WHEEL DRIVE SIGNAL	6	BROWN	SEE NOTE 3	170
1D	AUX CIRCUIT	3	BLUE	SEE NOTE 3	1D
190	4-WHEEL STEER	13	BLUE/RED	SEE NOTE 3	190
191	CRAB STEER	14	ORANGE/RED	SEE NOTE 3	191
192	JIB ROTATE - CCW	15	YELLOW/RED	SEE NOTE 3	192
193	JIB ROTATE - CW	16	BROWN/RED	SEE NOTE 3	193
213	LOAD SENSE BOX 'X'	18	RED/BLUE	SEE NOTE 3	213
214	LOAD SENSE BOX '4'	19	ORANGE/BLUE	SEE NOTE 3	214

SEE NOTE 6

SEE NOTE 5

SEE NOTE 5

SEE NOTE 6

SEE NOTE 6

(18/19 - 1 CONDUCTOR WIRE)

SNORKEL	DESCRIPTION	B. WIRE NO.	BRAND WIRE COLOR	TERMINAL	TERMINAL BLOCK LABEL
-	SPARE	12	BLACK/RED	-	SEE NOTE 1
12	LEVEL - DOWN	13	BLUE/RED	SEE NOTE 3	12
13	LEVEL - UP	14	ORANGE/RED	SEE NOTE 3	13
14	BOOM - EXTEND	15	YELLOW/RED	SEE NOTE 3	14
15	BOOM - RETRACT	6	BROWN	SEE NOTE 3	15
-	SPARE	3	BLUE	-	SEE NOTE 1
17	DRIVE - FORWARD	4	ORANGE	SEE NOTE 3	17
18	DRIVE - REVERSE	10	YELLOW/BLACK	SEE NOTE 3	18
19	STEER - LEFT	16	BROWN/RED	SEE NOTE 3	19
20	STEER - RIGHT	8	BLUE/BLACK	SEE NOTE 3	20
21E	RISE - DOWN (LT SW)	5	YELLOW	SEE NOTE 3	21E
21D	MAIN BOOM - DOWN (LT SW)	19	ORANGE/BLUE	SEE NOTE 3	21D
21C	JIB - DOWN	18	RED/BLUE	SEE NOTE 3	21C
22A	RISE - UP	2	RED	SEE NOTE 3	22A
22B	MAIN BOOM - UP	7	RED/BLACK	SEE NOTE 3	22B
22C	JIB - UP	9	ORANGE/BLACK	SEE NOTE 3	22C
23	SWING - CCW	17	BLACK/BLUE	SEE NOTE 3	23
24	SWING - CW	11	BROWN/BLACK	SEE NOTE 3	24
-	SPARE	1	BLACK	-	SEE NOTE 1

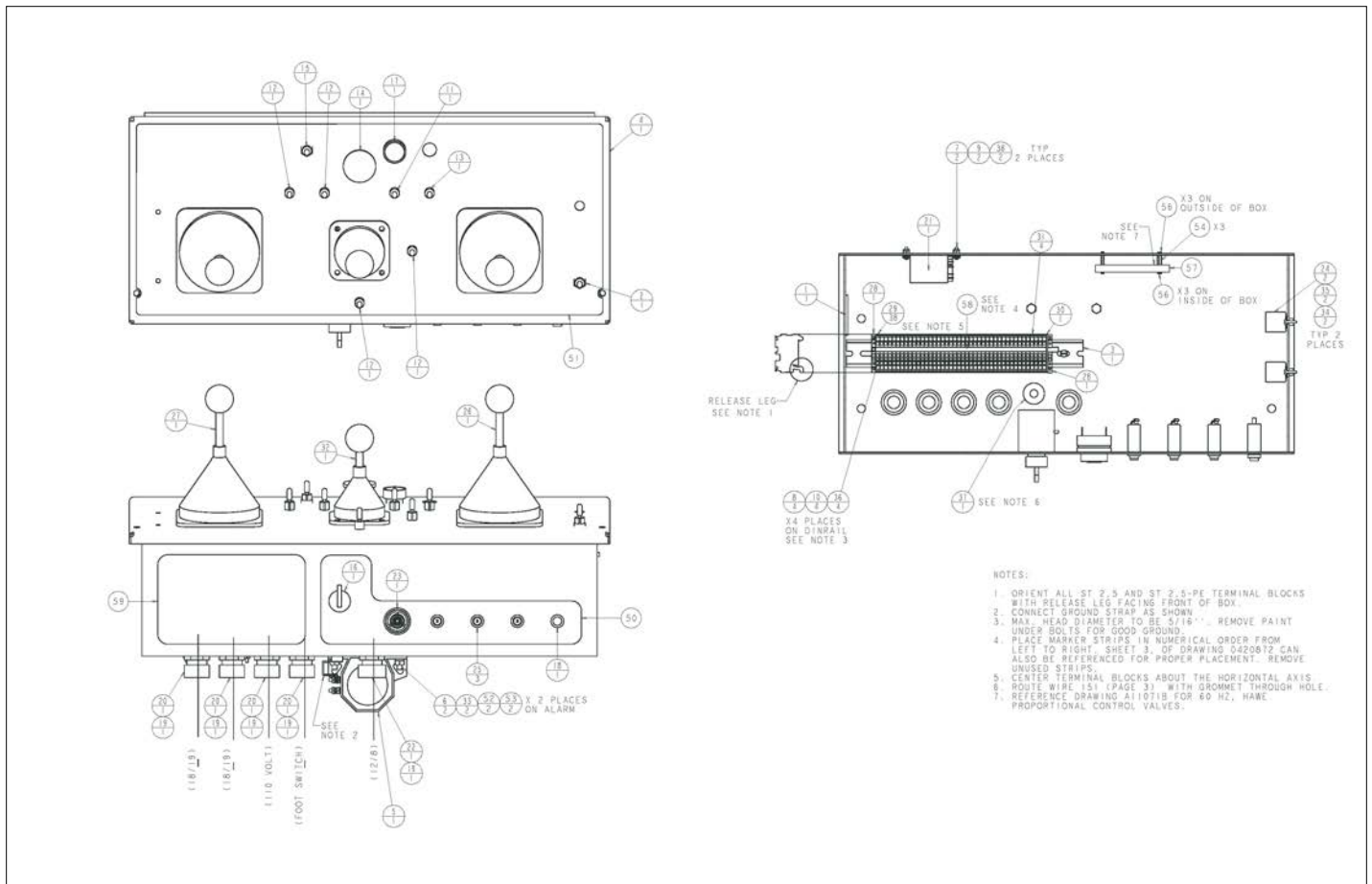
(FOOT SWITCH WIRE ASSEMBLY)

SNORKEL WIRE NO.	DESCRIPTION	TERMINAL	TERMINAL BLOCK #
8	FOOTSWITCH TO START	-	SEE DETAIL A
9	FOOTSWITCH TO CONTROLS	SEE NOTE 4	9
10	POWER TO FOOTSWITCH	-	SEE DETAIL A

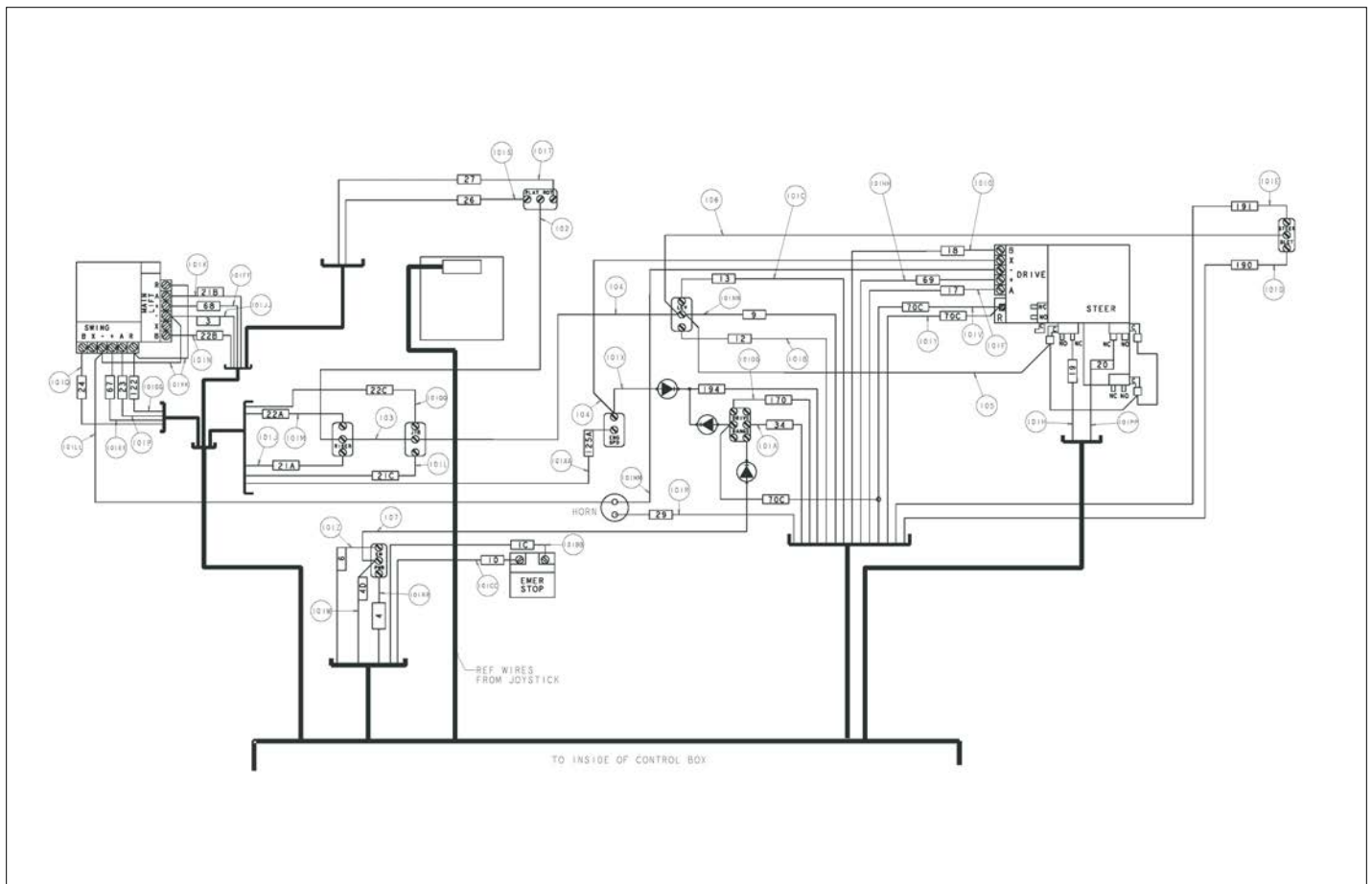
- NOTES:
1. TIE SPARE WIRES BACK.
  2. UNLESS OTHERWISE NOTED, CONNECT WIRES TO INDICATED TERMINAL BLOCK. CONNECT ONLY ONE WIRE TO EACH TERMINAL BLOCK PORT.
  3. STRIP INSULATION BACK .44.
  4. CUT TERMINAL OFF AT END AND STRIP BACK INSULATION.
  5. USE ONLY ON AB85RJ AND AB85RJ CE.
  6. USE ONLY ON AB85RJ CE.



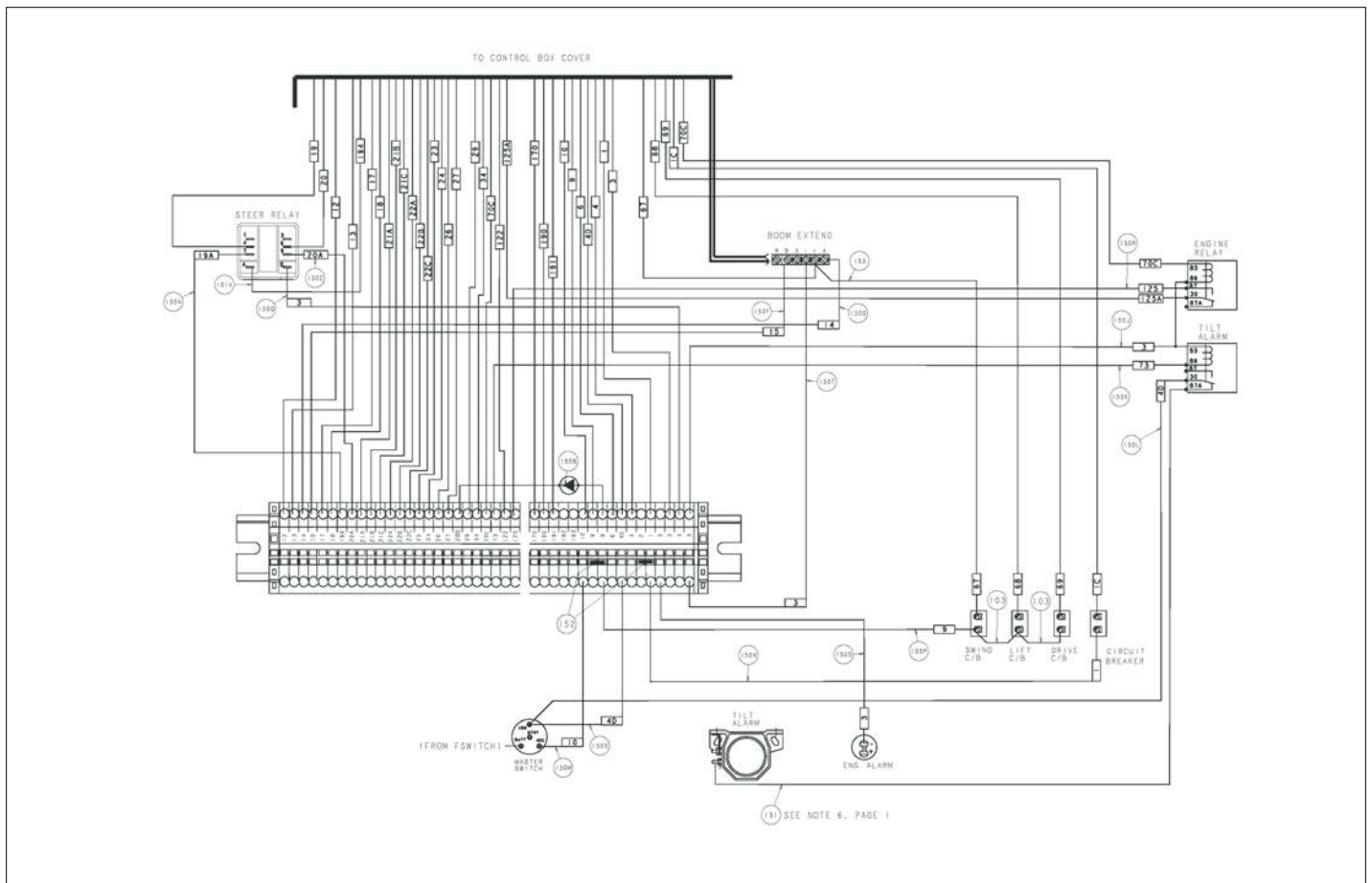
ELECTRICAL



アイテム	部品番号	名前	数量	UOM
	0420872 G	PLATFORM BOX ASSEMBLY		EA
1	0070967	CORROSION INHIBITOR STICK BACK	1	EA
2	239926	SW TGL SPDT(ON/OFF/ON)	1	EA
3	0420617	DIN RAIL 35X7.5; CUT UPR CTRL	1	EA
4	0420620	WLDMT PLATF CTRL BOX	1	EA
5	480652	ALARM97DBA DUAL TONE 12/24V	1	EA
6	970029	BLT .25 20 .750	2	EA
7	974239	SCR RDH 6 32 .500	2	EA
8	984009	NUT HEX 6 32	4	EA
9	986159	WSHR FLAT 6	2	EA
10	987089	WSHR LOCK #10 SPLIT TYPE	4	EA
11	3020013	Switch, Toggle Honeywell INTI 2	1	EA
12	3020016	Switch, Toggle Honeywell INTI 7	4	EA
13	3020017	SWITCH TOGGLE DPDT ON/OFF/ON SEALED	1	EA
14	3020020	SW EMER STOP PUSH/PULL	1	EA
15	3020080	TOGGLE SWITCH	1	EA
16	3020090	SW ANTI RESTART IGNITION	1	EA
17	3026027	SW PUSH BUTTON	1	EA
18	3040069	CIRCUIT BREAKER 25AMP	1	EA
19	3040110	NUT LKG HUB .750 SAMEAS 962129	5	EA
20	3040116	CONN .75 .500 .625	4	EA
21	3040214	RELAY DPDT 12V 10AMP	1	EA
22	3040295	CONN .75 .625 .75	1	EA
23	3040411	Alarm Buzzer	1	EA
24	3040469	RELAY SPDT 12V 30AMP SONG	2	EA
25	3040535	CIRCUIT BREAKER 3 AMP	3	EA

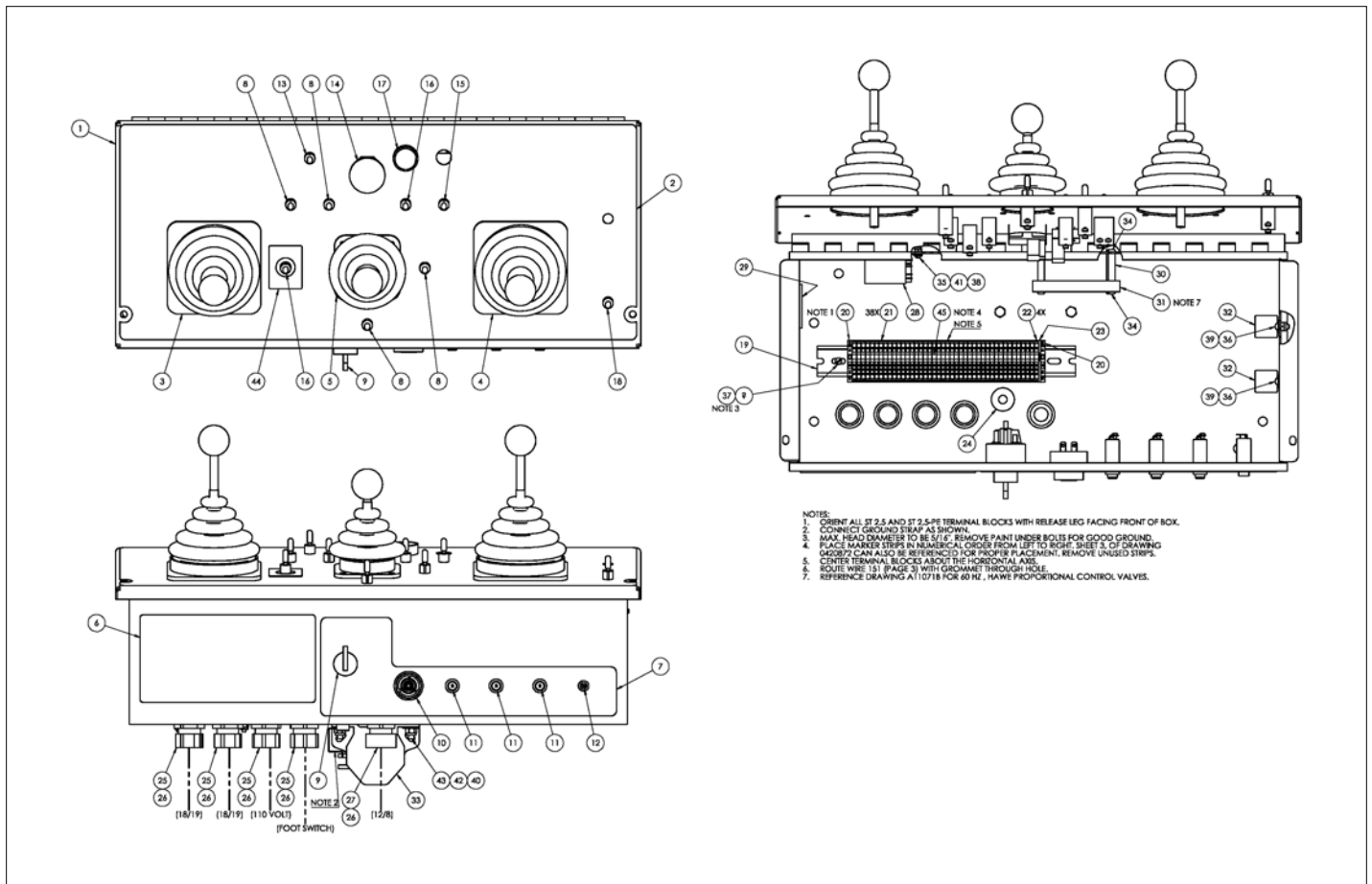


アイテム	部品番号	名前	数量	UOM
26	3040377	CONTROLLER 60HZ DRIVE/STEER	1	EA
27	3040378	CONTROLLER 60HZ LIFT/SWING	1	EA
28	3220053	END BRACKET CLIPFIX 35 5	2	EA
29	3220056	TERMINAL BLOCK ST 25	38	EA
30	3220058	TERM BLOCK COVER ST 25	1	EA
31	3220064	TERMINAL BLOCK ST 25 PE	4	EA
32	3220078	CONTROLLER SINGLE AXIS MINI	1	EA
33	5560004	NUT LKG .250 20	2	EA
34	5560034	NUT LKG 10 24	2	EA
35	5560609	SCR TRHD 10 24 .500	2	EA
36	5560666	SCR TRHD 6 32 .500	4	EA
37	5569931	GROMMET .38 ID 1.06 OD .63 SP	1	EA
38	5569997	NUT HEX LKG 6 32	2	EA
50	0180846	PLACARD PLATFORM CONTROL BOX FRONT	1	EA
51	0420612	PLAC UPPER CTRL BOX	1	EA
52	PNNA	WASHER FLAT .250	2	EA
53	PNNA	WASHER STAR TOOTH .250	2	EA
54	5260026	FTG GREASE ZERK 1/8NPT SLFTAP	3	EA
56	PNNA	SCREW PNHD 8 32 .50 SEE NOTE 3	6	EA
57	3220059	CIRCUIT BOARD OEM 63HZ SERVICE PART	2	EA
58	0420630	ZACK MARKER STRIP UPPER CTRL	1	EA
59	0072530	DECAL DNGR ELEC HAZARD	1	EA
101	0420636	INT WIRE KIT AB80/85 UPR CTRL	1	EA
102	0070746	WIRE 16 R6I R6I 9	1	EA
103	0070747	WIRE 16 R6I R6I 3	1	EA



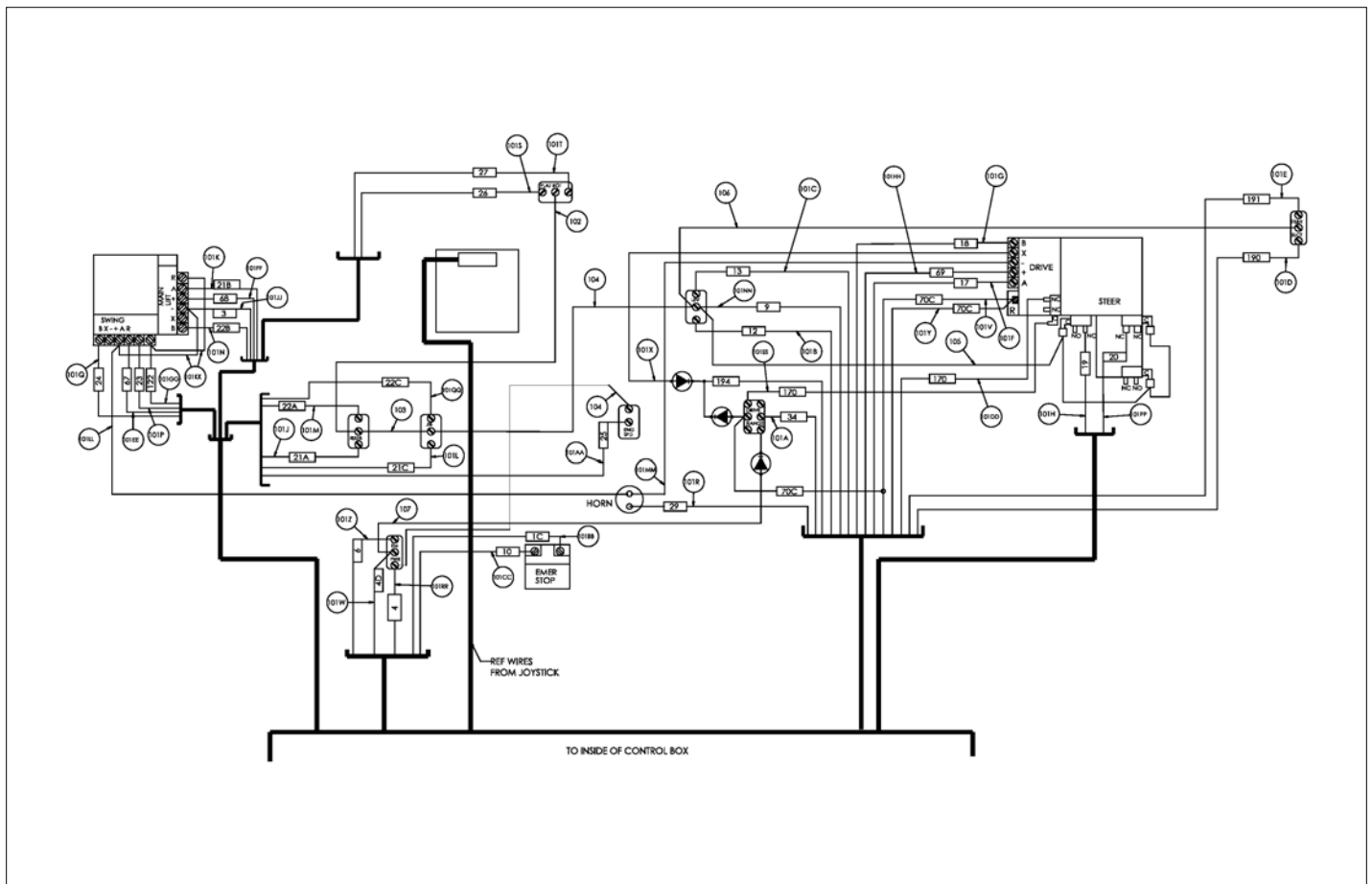
アイテム	部品番号	名前	数量	UOM
104	0070730	WIRE 16 R6I R6I 5.5	2	EA
105	0181074	WIRE 16 SPECIAL (SEE DWG)	1	EA
106	0070753	WIRE 16 R6I R6I 12	1	EA
107	0111477	WIRE 16 R6I R6I 10 DIO	1	EA
150	0420638	INT WIRE KIT AB80/85 UPR CTRL	1	EA
151	0420883	WIRE 16 R8 FEM250I 20	1	EA
152	3220061	PLUG IN BRIDGE FBS 2 5	2	EA
153	0070753	WIRE 16 R6I R6I 12	1	EA

ELECTRICAL



アイテム	部品番号	名前	数量	UOM
	0421896 C	PLATFORM CONTROL ASSEMBLY AB80J KU OCTOBER 2019 AND AFTER		EA
1	0420620	WLDMT PLATF CTRL BOX	1	EA
2	0420612	PLAC UPPER CTRL BOX	1	EA
3	3040780	CONTROLLER LIFT/SWING	1	EA
4	3040779	CONTROLLER DRIVE/STEER UNIVERS	1	EA
5	3220078	CONTROLLER SINGLE AXIS MINI	1	EA
6	0072530	DECAL DNGR ELEC HAZARD	1	EA
7	0180846	PLACARD PLATFORM CONTROL BOX FRONT	1	EA
8	3020016	Switch, Toggle Honeywell INTI 7	4	EA
9	3020090	SW ANTI RESTART IGNITION	1	EA
10	3040411	Alarm Buzzer	1	EA
11	3040535	CIRCUIT BREAKER 3 AMP	3	EA
12	3040469	RELAY SPDT 12V 30AMP SONG	1	EA
13	3020080	TOGGLE SWITCH	1	EA
14	3020020	SW EMER STOP PUSH/PULL	1	EA
15	3020017	SWITCH TOGGLE DPDT ON/OFF/ON SEALED	1	EA
16	3020013	Switch, Toggle Honeywell INTI 2	1	EA
17	3026027	SW PUSH BUTTON	1	EA
18	239926	SW TGL SPDT(ON/OFF/ON)	1	EA
19	0420617	DIN RAIL 35X7.5; CUT UPR CTRL	1	EA
20	3220053	END BRACKET CLIPFIX 35 5	2	EA
21	3220056	TERMINAL BLOCK ST 25	38	EA
22	3220064	TERMINAL BLOCK ST 25 PE	4	EA
23	3220058	TERM BLOCK COVER ST 25	1	EA
24	5569931	GROMMET .38 ID 1.06 OD .63 SP	1	EA



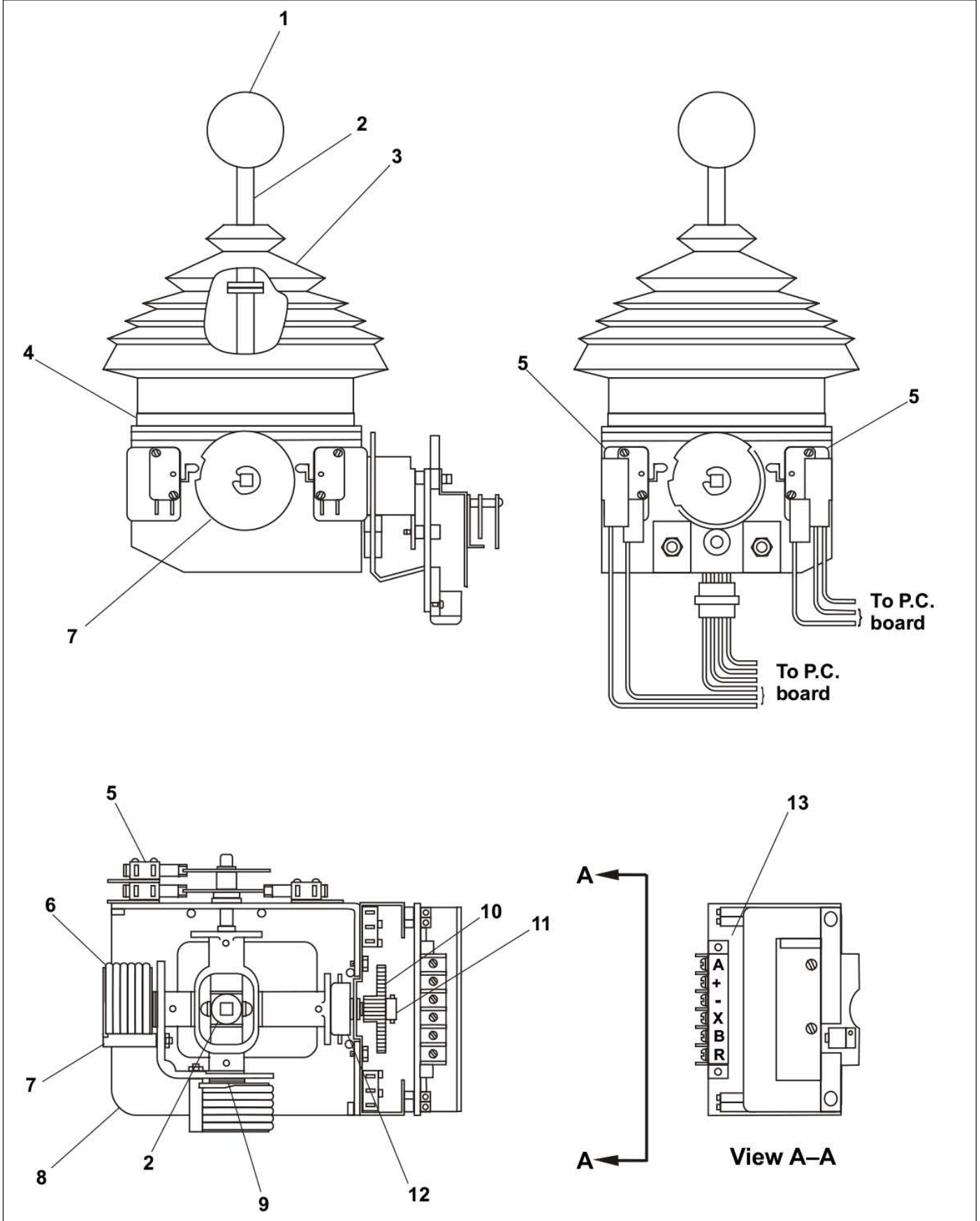


アイテム	部品番号	名前	数量	UOM
25	3040116	CONN .75 .500 .625	4	EA
26	3040110	NUT LKG HUB .750 SAMEAS 962129	5	EA
27	3040259	BOOT CLAMP	1	EA
28	3040214	RELAY DPDT 12V 10AMP	1	EA
29	0070967	CORROSION INHIBITOR STICK BACK	1	EA
30	5260028	STDOFF MALE FEM THDX 8 32 .5	3	EA
31	3220059	CIRCUIT BOARD OEM 63HZ SERVICE PART	2	EA
32	3040469	RELAY SPDT 12V 30AMP SONG	2	EA
33	480652	ALARM97DBA DUAL TONE 12/24V	1	EA
34	974439	ROUND HEAD SCREW 8 32 X .50	10	EA
35	974239	SCR RDH 6 32 .500	7	EA
36	974659	SCR RDH MACH 10 24 .500	2	EA
37	5560198	NUT HEX LKG 8 32	4	EA
38	5569997	NUT HEX LKG 6 32	7	EA
39	5560034	NUT LKG 10 24	2	EA
40	5560004	NUT LKG .250 20	2	EA
41	986159	WSHR FLAT 6	2	EA
42	686019	WSHR FLAT .25 STANDARD PL	2	EA
43	970029	BLT .25 20 .750	2	EA
45	0420630	ZACK MARKER STRIP UPPER CTRL	1	EA
101	0420636	INT WIRE KIT AB80/85 UPR CTRL	1	EA
102	0070746	WIRE 16 R6I R6I 9	1	EA
103	0070747	WIRE 16 R6I R6I 3	1	EA
104	0070730	WIRE 16 R6I R6I 5.5	2	EA
105	0181074	WIRE 16 SPECIAL (SEE DWG)	1	EA



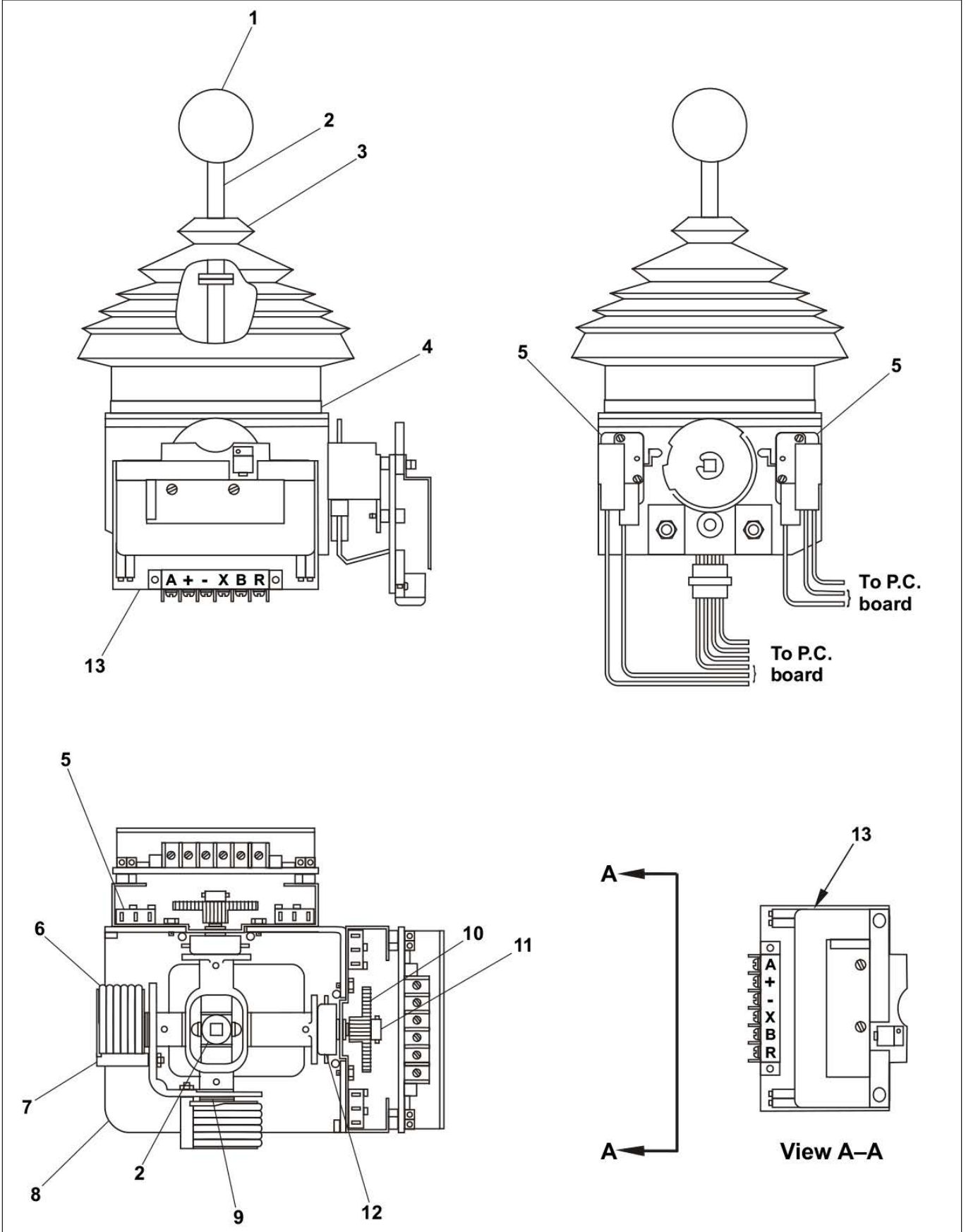
アイテム	部品番号	名前	数量	UOM
106	0070753	WIRE 16 R6I R6I 12	2	EA
107	0111477	WIRE 16 R6I R6I 10 DIO	1	EA
150	0420638	INT WIRE KIT AB80/85 UPR CTRL	1	EA
151	0420883	WIRE 16 R8 FEM250I 20	1	EA
152	3220061	PLUG IN BRIDGE FBS 2 5	2	EA
153	0070753	WIRE 16 R6I R6I 12	1	EA
154	0113536	SNORKEL GUARD ASSY SN 01 000104 AND BEFORE	1	EA

ELECTRICAL



アイテム	部品番号	名前	数量	UOM
	3040377 A	CONTROLLER, DRIVE/STEER		EA
1	3040378	CONTROLLER 60HZ LIFT/SWING	1	EA
2	2660002	KNOB	1	EA
3	3040086	SHAFT	1	EA
4	3040146	BOOT	1	EA
5	3040169	BOOT CLAMP RING	4	EA
6	3020033	MICROSWITCH	2	EA
7	8150005	SPRING RETURN WITH HOUSING	2	EA
8	8150004	SPRING RETURN BOLT	1	EA
9	8150003	CASTING, MODIFIED	4	EA
10	3040271	BUSHING	2	EA
11	3040072	SLAVE GEAR	2	EA
12	3040392	POT WITH BRACKET AND CONNECTOR	2	EA
13	3220073	CIRCUIT BOARD OEM 33HZ	1	EA

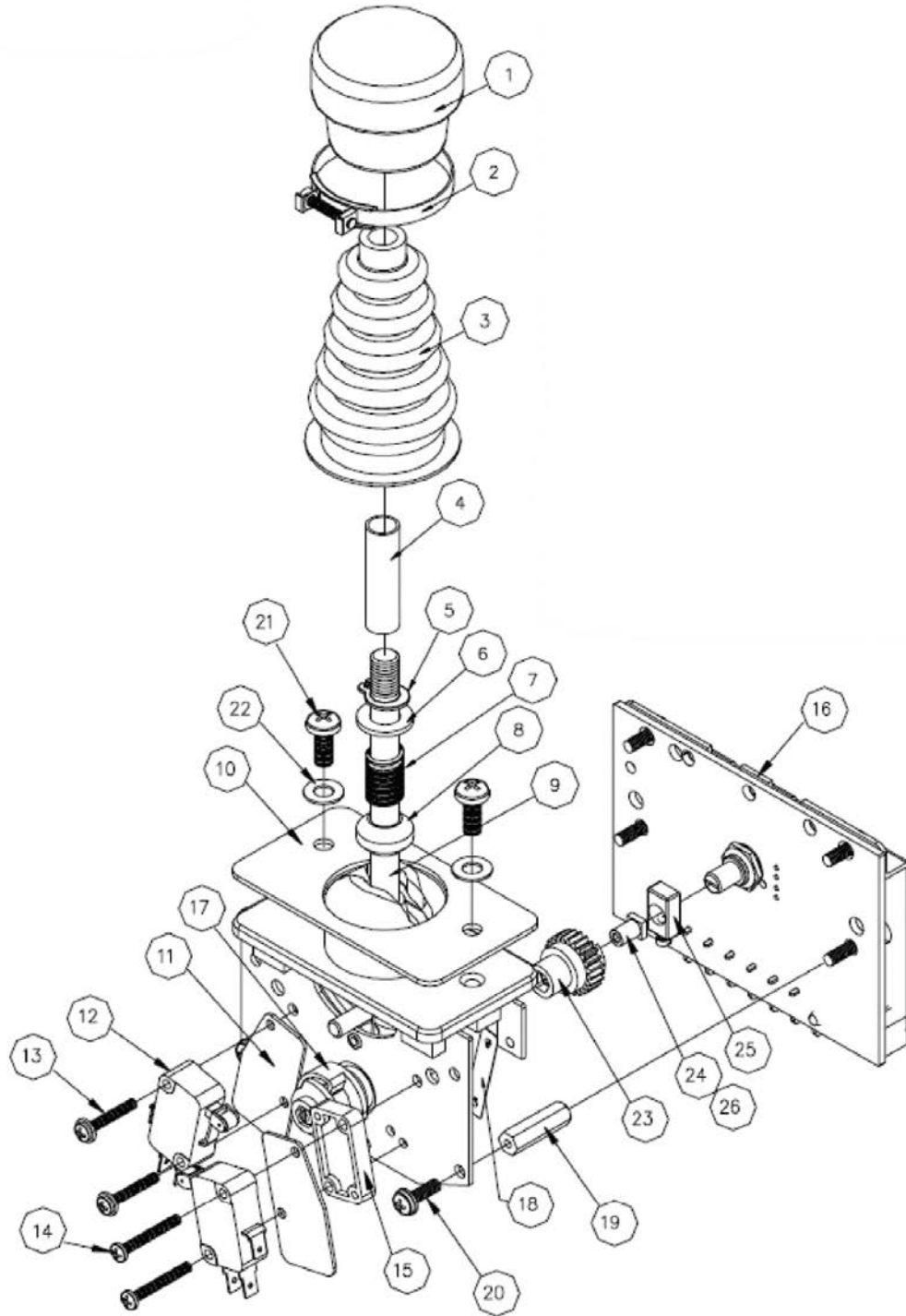
ELECTRICAL



アイテム	部品番号	名前	数量	UOM
	3040378 A	CONTROLLER, LIFT/SWING		EA
1	2660002	KNOB	1	EA
2	3040086	SHAFT	1	EA
3	3040146	BOOT	1	EA
4	3040169	BOOT CLAMP RING	1	EA
5	3020033	MICROSWITCH	4	EA
6	8150005	SPRING RETURN WITH HOUSING	2	EA
7	8150004	SPRING RETURN BOLT	2	EA
8	8150003	CASTING, MODIFIED	1	EA
9	3040271	BUSHING	4	EA
10	3040073	DRIVE GEAR	2	EA
11	3040072	SLAVE GEAR	2	EA
12	3040392	POT WITH BRACKET AND CONNECTOR	2	EA
13	3220074	CIRCUIT BOARD	1	EA

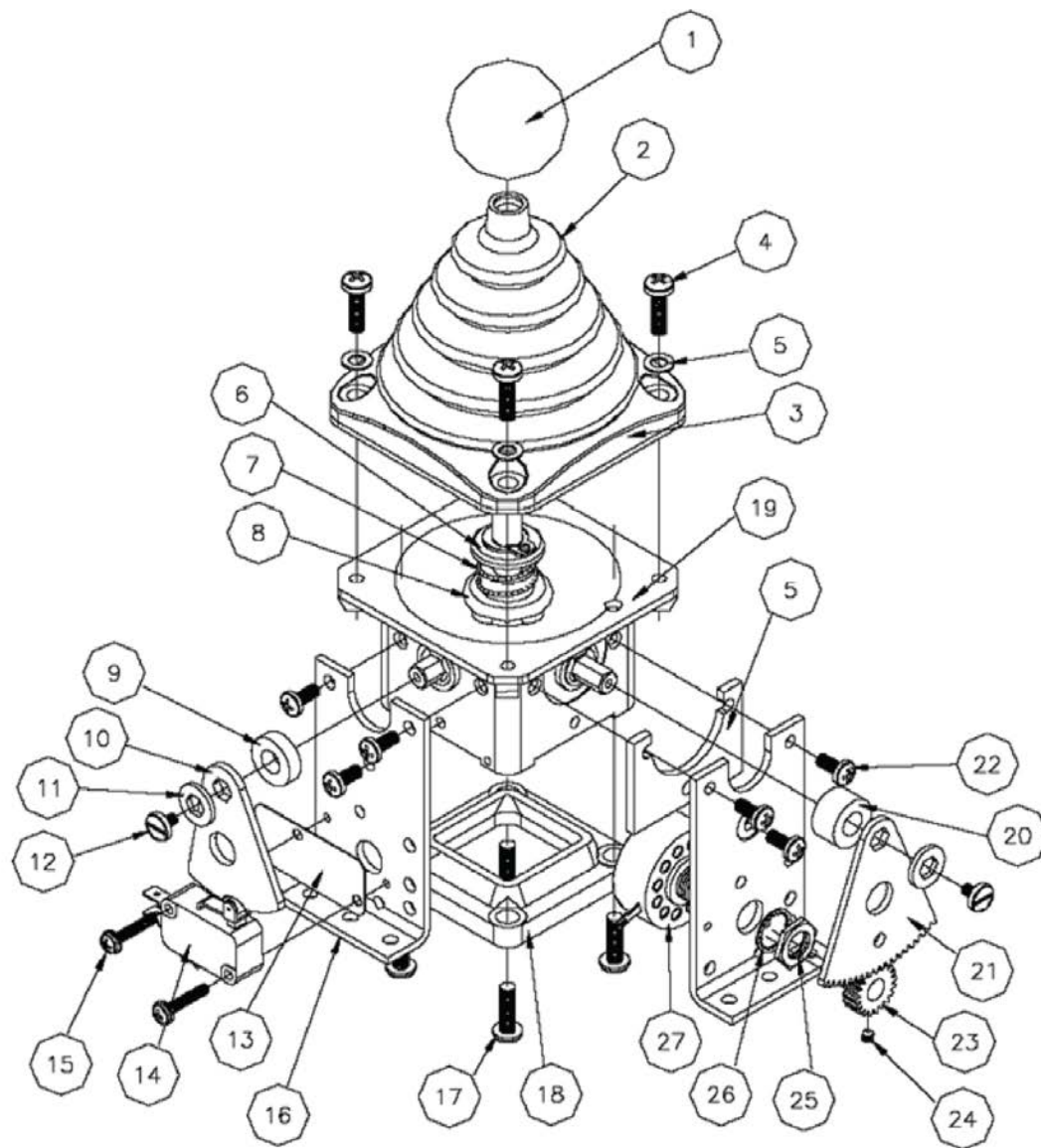


ELECTRICAL



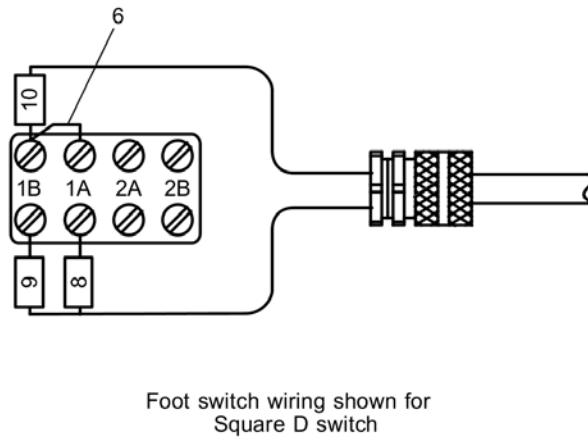
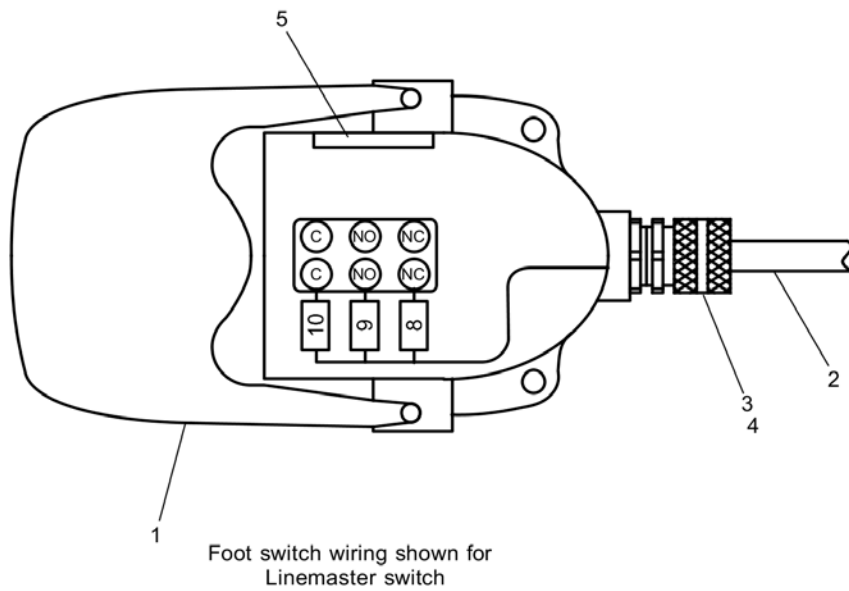
アイテム	部品番号	名前	数量	UOM
	3220078 A	SINGLE AXIS CONTROLLER		EA
1	8150087	HANDLE	1	EA
2	8150091	CONTROLLER BOOT FLANGE	1	EA
3	8150131	CONTROLLER BOOT	1	EA
4	8150215	SLEEVE	1	EA
5	8150146	TENSION CLIP	1	EA
6	8150205	WASHER	1	EA
7	8150216	SPRING HEAVY DUTY	1	EA
8	8050217	DETENT	1	EA
9	PNNA	HANDLE	1	EA
10	8150220	CGASKET	1	EA
11	3020191	INSULATOR	2	EA
12	477366	MICROSWITCH	2	EA
13	PNNA	SCREW	2	EA
14	PNNA	SCREW	2	EA
15	8150129	SPACER	1	EA
16	8150256	PCB OR POT ASSEMBLY	1	EA
17	PNNA	CAM ASSEMBLY	1	EA
18	8150218	TINNERMAN NUT	1	EA
19	8150255	FLANGE MOUNT	2	EA
20	8150206	SCREW	6	EA
21	8150222	SCREW	2	EA
22	8150213	WASHER	2	EA
23	8150246	SLAVE GEAR	1	EA
24	8150219	CAM ASSEMBLY NUT	1	EA
25	8150200	POT COUPLING ASSEMBLY	1	EA
26	3020194	CAM NUT	1	EA

ELECTRICAL



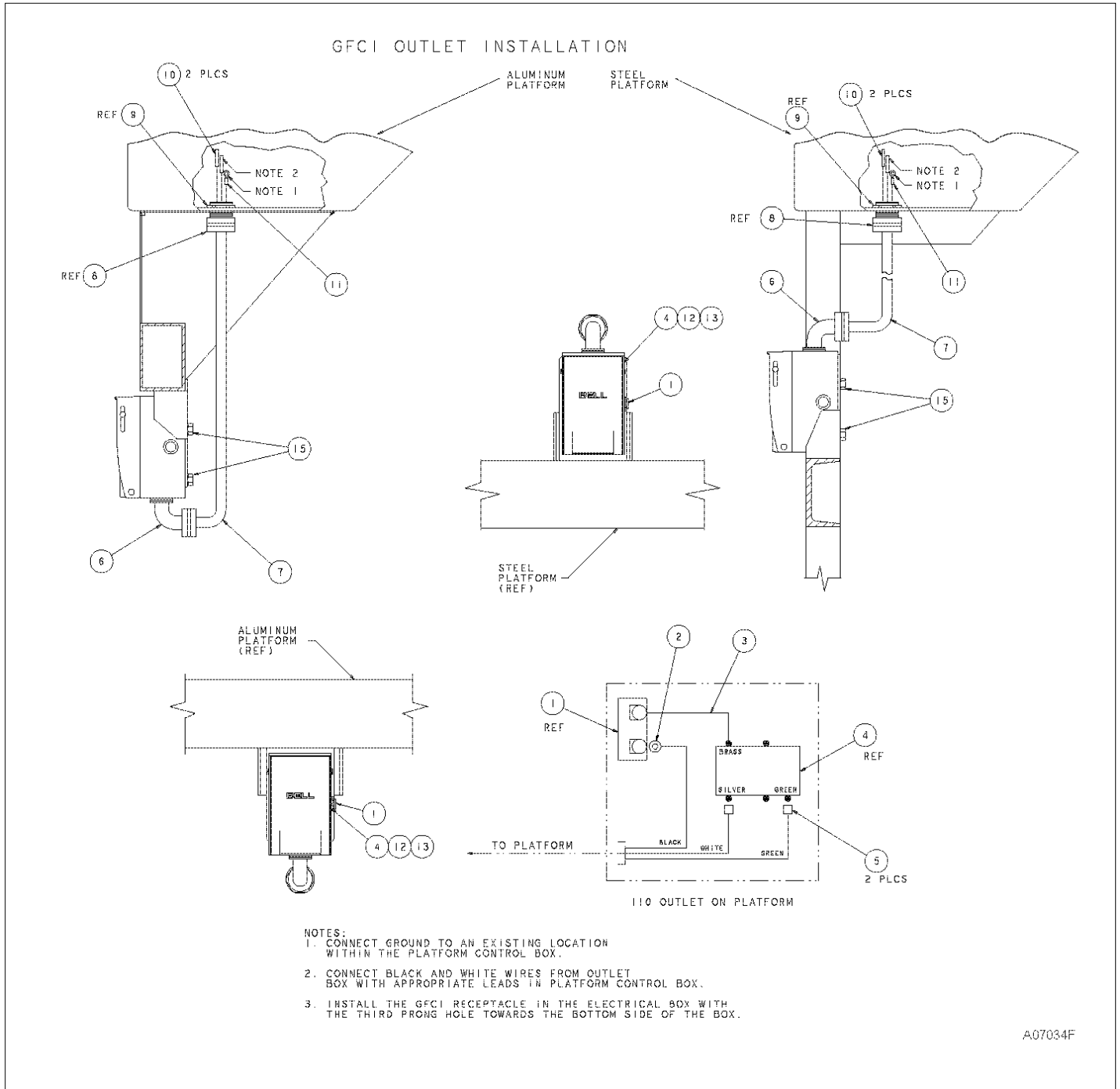
アイテム	部品番号	名前	数量	UOM
	3220055 A	DUAL AXIS CONTROLLER		EA
1	8150087	HANDLE	1	EA
2	8150131	CONTROLLER BOOT	1	EA
3	8150091	CONTROLLER BOOT FLANGE	1	EA
4	PNNA	SCREW	4	EA
5	PNNA	WASHER	4	EA
6	PNNA	SPRING RETAINER	1	EA
7	PNNA	RETURN SPRING	1	EA
8	PNNA	SHAFT NYLON BUSHING	1	EA
9	PNNA	SPACER	2	EA
10	PNNA	CAM	2	EA
11	PNNA	SPACER	4	EA
12	PNNA	SCREW	4	EA
13	PNNA	INSULATOR	2	EA
14	8150202	MICROSWITCH	2	EA
15	PNNA	SCREW	4	EA
16	PNNA	SWITCH PLATE	4	EA
17	PNNA	SWCREW	4	EA
18	PNNA	GATE	1	EA
19	PNNA	CASTING	1	EA
20	PNNA	SPACER	2	EA
21	PNNA	DRIVE GEAR	2	EA
22	PNNA	SCREW	12	EA
23	PNNA	CAM GEAR	2	EA
24	PNNA	SET SCREW	2	EA
25	PNNA	POT NUT	2	EA
26	PNNA	WASHER	2	EA
27	8150254	POT	2	EA
Not Shown	PNNA	SPACER PLATE	1	EA

ELECTRICAL



アイテム	部品番号	名前	数量	UOM
	0071800 H	PLATFORM FOOT SWITCH ASSEMBLY		EA
1	3020021	Foot Switch	1	EA
*	3020037	REPLACEMENT SWITCH, SQUARE D SWITCH, 4 POLE	1	EA
*	3020038	REPLACEMENT SWITCH, LINEMASTER SWITCH	1	EA
2	0070596	WIRE ASSY FOOT SWITCH	1	EA
3	3040116	CONN .75 .500 .625	1	EA
4	3040110	NUT LKG HUB .750 SAMEAS 962129	1	EA
5	0070967	CORROSION INHIBITOR STICK BACK	1	EA
6	0060373	JUMPER SWITCH TERMINAL STRAP	1	EA

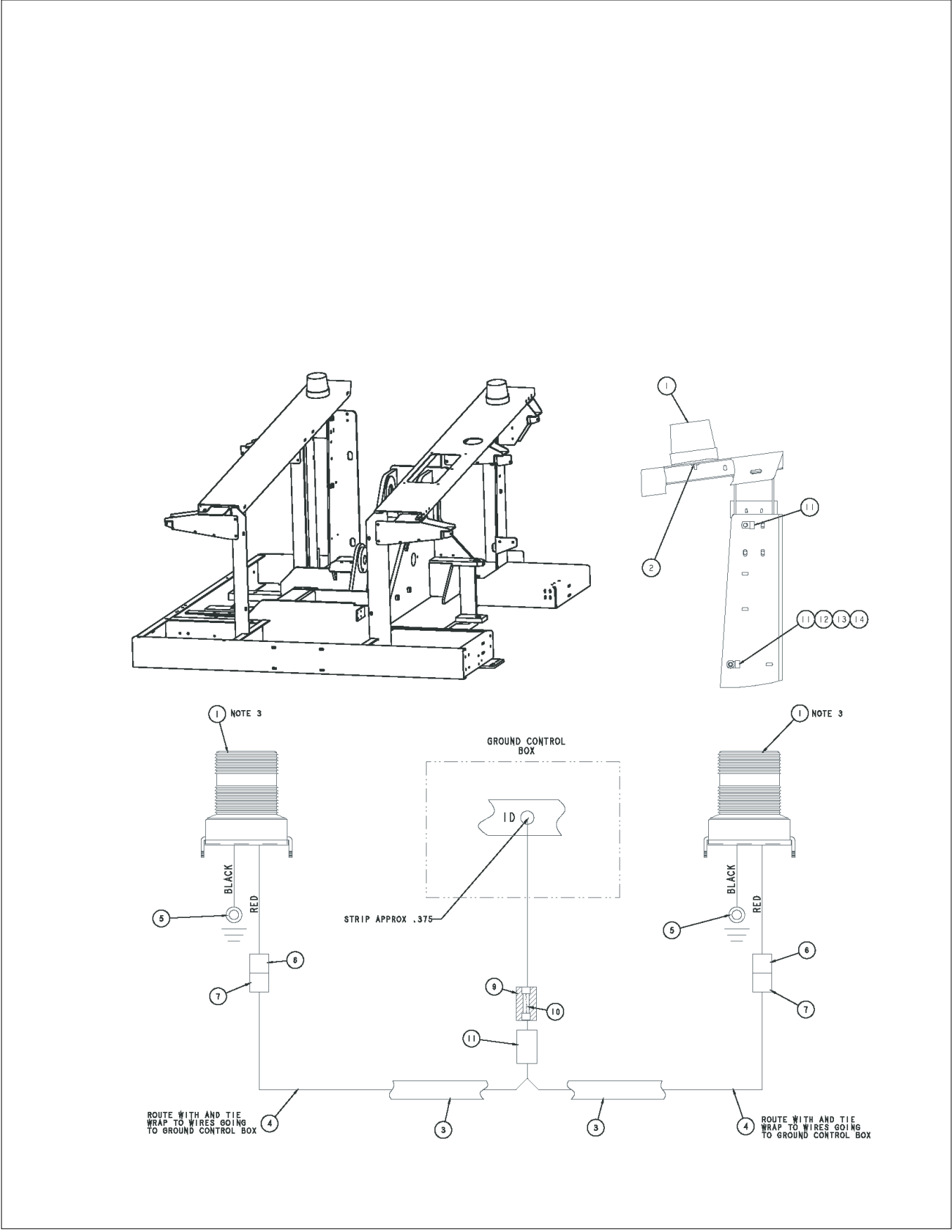
ELECTRICAL



アイテム	部品番号	名前	数量	UOM
	A07034F	110 POWER TO PLATF INSTL		EA
1	3040252	Circuit Breaker 15AMP	1	EA
2	0071582	JUMPER WIRE	1	EA
3	3040624	Recepticle Outlet 20AMP	1	EA
4	3040691	CONNECTOR	1	EA
5	0074368	CABLE, 110V POWER TO PLATFORM (USED ON ALUMINUM PLATFORMS ONLY)	1	EA
6	3040116	CONN .75 .500 .625	1	EA
7	3040110	NUT LKG HUB .750 SAMEAS 962129	1	EA
8	0074379	ELECTRICAL BOX, DRILLED	1	EA
9	3040625	Enclosure Face	1	EA
10	0074369	CABLE, 110V POWER TO PLATFORM (USED ON STEEL PLATFORMS ONLY)	1	EA

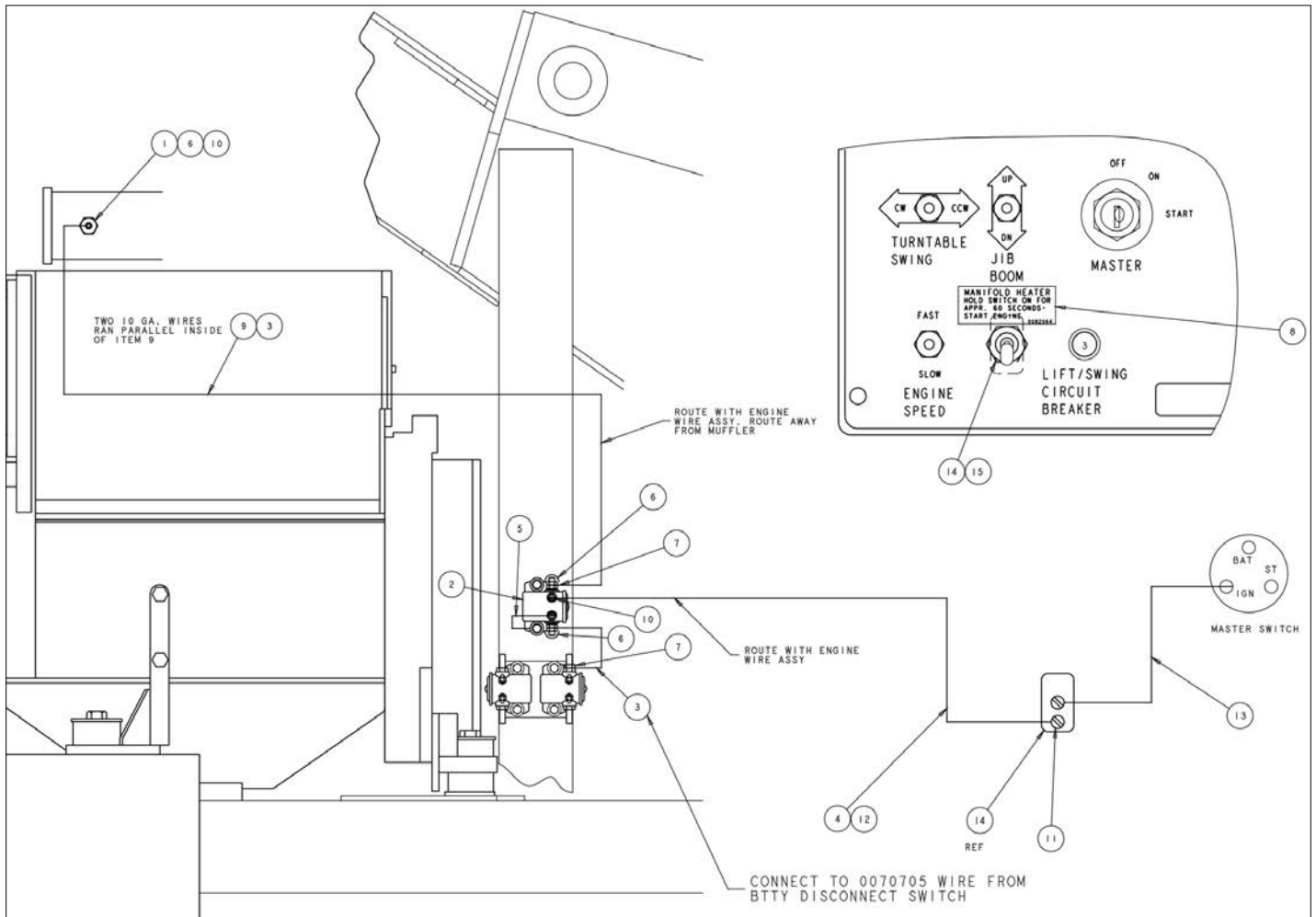


OPTIONS



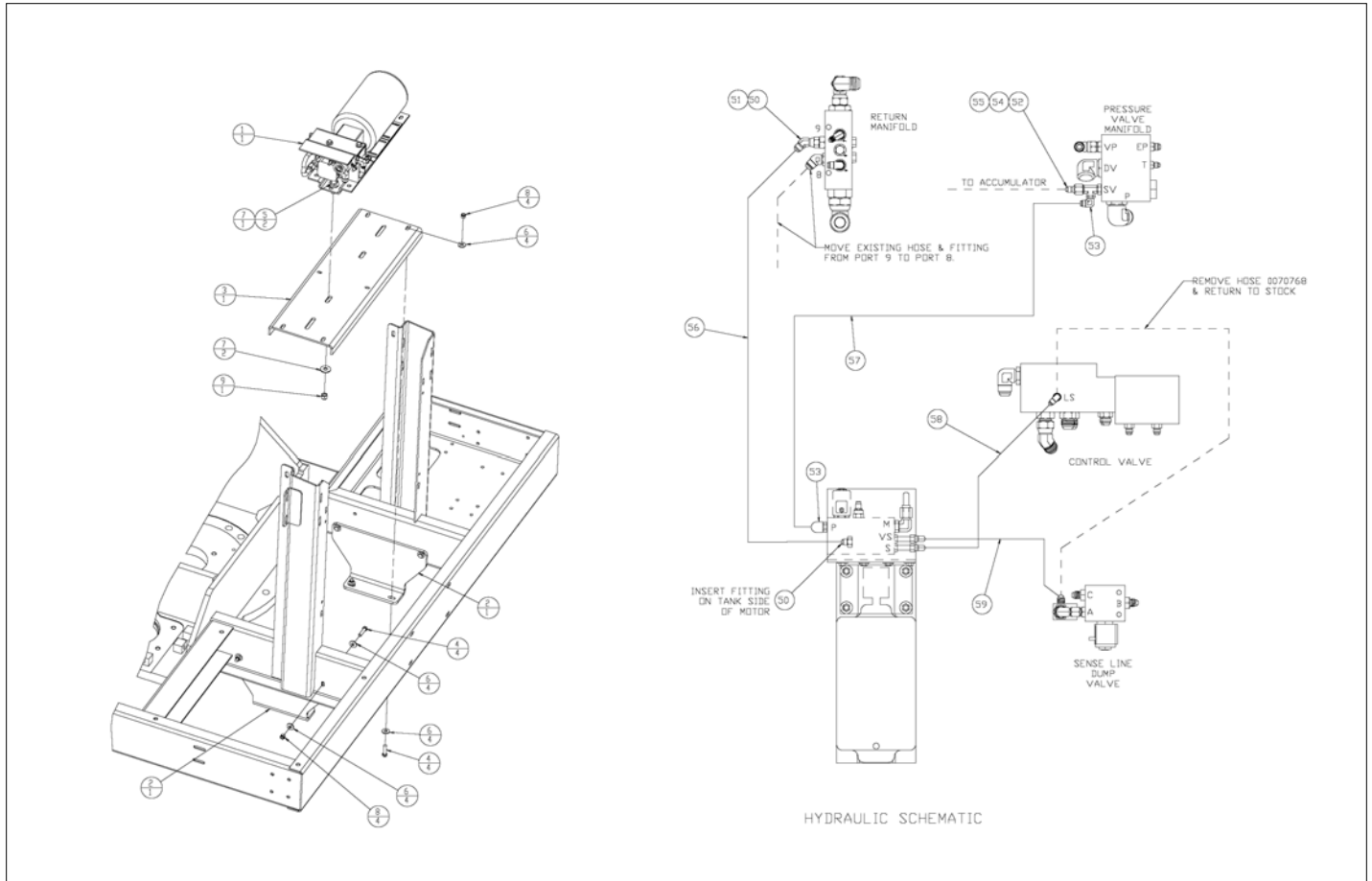
アイテム	部品番号	名前	数量	UOM
	0421313 B	DUAL AMBER BEACON		EA
1	3060083	WARNING LIGHT AMBER 12 48VDC	2	EA
2	5569711	GROMMET .438ID .688DIA X.125GRV	2	EA
3	3090019	TUBE FLEXGARD .250 ID	13.5FT	EA
4	3011601	WIRE 16GA SINGLE CONDUCTOR BLK	14.5FT	EA
5	3044165	TERM R2501 16/14	2	EA
6	3040083	TERM FEM250FI 16/14	2	EA
7	3040082	TERM MALE250FI 16/14	2	EA
Not Shown	3040038	FUSE HOLDER	1	EA
9	3040039	FUSE 10 AMP AGC BUSS: 10 AMP AGC	1	EA
10	3044072	TERM BUTT CONN INSUL 12/10	1	EA
11	5093019	CLP CUSH .375 VINYL COATED	4	EA
12	970269	BLT HEXHD .313 18 1.25 GR5 PLA	2	EA
13	986269	WSHR FLAT .313	4	EA
14	5560031	NUT HEX LKG .313 18	2	EA

OPTIONS



アイテム	部品番号	名前	数量	UOM
	0082058 D	AIR INLET HEATER DEUTZ 1011F	1	EA
1	7630215	AIR INLET HEATER KIT	1	EA
	8040135	REPLACEMENT GLOW PLUG	1	EA
2	3040506	SOLENOID 12V 150	1	EA
3	3011001	WIRE, 10 GAUGE SINGLE CONDUCTOR X 144 INCH LONG	1	EA
4	3011601	WIRE 16GA SINGLE CONDUCTOR BLK	1	EA
5	0071568	WIRE 12 R10I R250I 4	1	EA
6	3040268	BOOT BTRY CABLE END BLK	3	EA
7	3040161	TERMINAL 5/16 STUD INSULATED 8 GAUGE WIRE	3	EA
8	0082064	PLACARD, HEATER INSTRUCTIONS	1	EA
9	3090006	TUBE FLEXGARD .350 ID	1	EA
10	3042263	TERMINAL #10 STUD INSULATED 8 GAUGE WIRE	1	EA
11	3044142	TERM, .250 TAB 12/10, MALE F.I.	1	EA
12	3020080	TOGGLE SWITCH	1	EA
13	0073781	WIRE 16 R10I R6I 6	1	EA
14	3026027	SW PUSH BUTTON	1	EA

OPTIONS



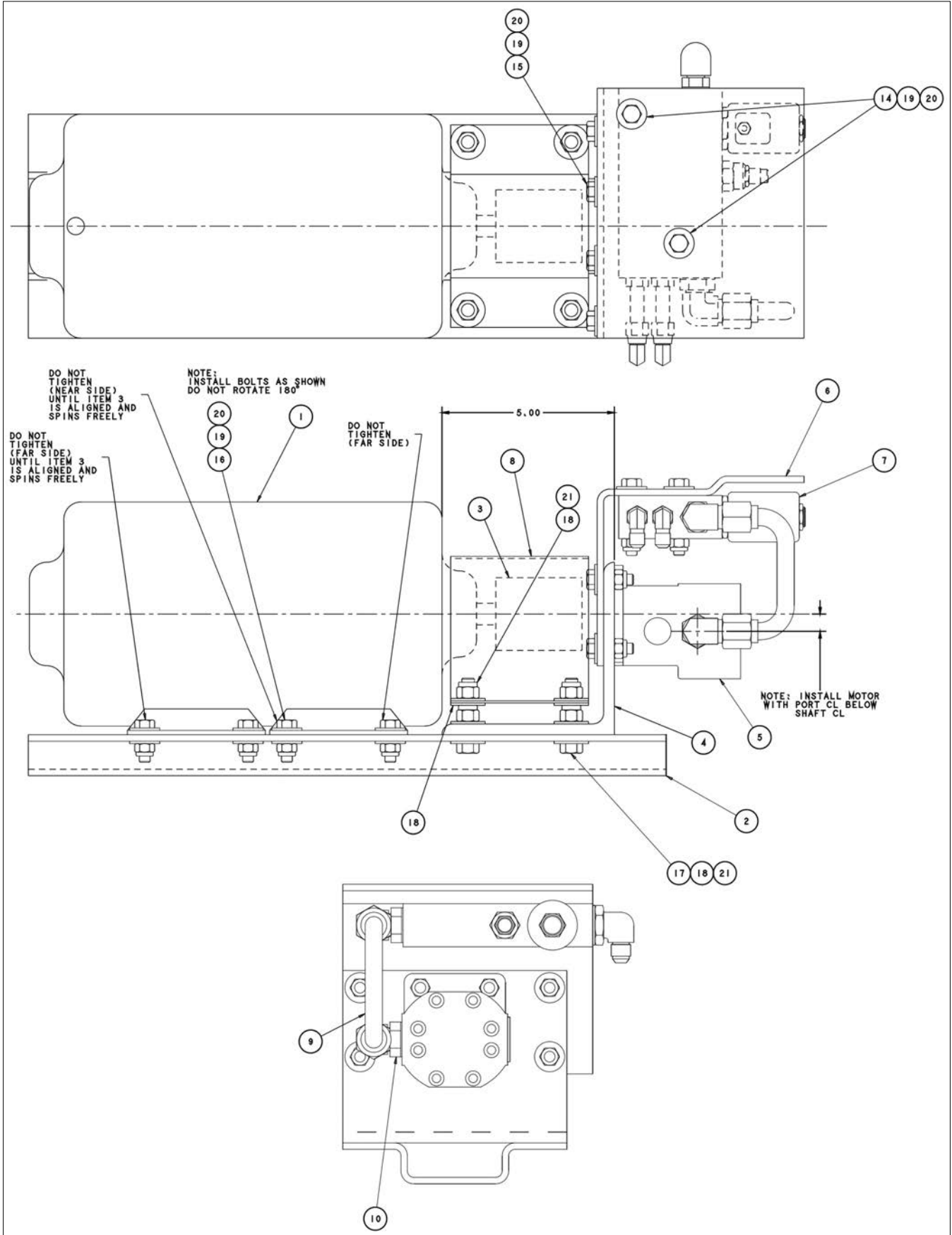
アイテム	部品番号	名前	数量	UOM
	0421448 D	HYDRAULIC AC GENERATOR 110 VOLT		EA
1	0151471	HYDRAULIC POWERED AC GENERATOR	1	EA
2	0421418	BRKT SIDES	2	EA
3	0421419	BRKT BOTTOM	1	EA
4	970489	BLT HEXHD .375 16 1.50 GR5 PL	8	EA
5	970909	BLT HEXHD .500 13 1.50 GR5 PLA	2	EA
6	986299	WASHER, FLAT, .375 STANDARD, PLATED	16	EA
7	986359	FLATWASHER 1/2"	3	EA
8	5560033	.375 16UNC HEX LOCK NUT	8	EA
9	5560039	NUT HEX LKG .500 13	1	EA
50	5065708	FTG, HYD 8 MB TO 6 MJIC	2	EA
51	5036905	ADAPTER 45 DEG ELBOW SWIVEL 6 JIC	1	EA
52	5036105	SWIVEL NUT 90 DEG ELBOW	1	EA
53	5037005	TERM FEM F.I. .250 16/14	2	EA
54	5064001	ADAPTER STRAIGHT TUBE REDUCER 6 JIC TO 4 JIC	1	EA
55	5063905	FTG NUT 6S STL	1	EA
56	0073128	HOSE 6 6S 6S 57	1	EA
57	0050397	HOSE 6 6S 6S128 100R2	1	EA
58	0101897	HOSE 4 4S 4S 130 100R2	1	EA
59	0101896	HOSE 4 4S 4S 120 100R2	1	EA
100	0151459	DECAL AC GEN SW	1	EA
101	3020048	SWITCH TOGGLE 4PDT ON/ON	1	EA
102	0070747	WIRE 16 R6I R6I 3	2	EA
103	0112047	110 V. POWER CABLE ASSY X 138 in	1	EA
104	0421478	WIRE 16 R10I MALE 250FI 50	1	EA



アイテム	部品番号	名前	数量	UOM
105	0421476	WIRE 16 R6I R6I 25	1	EA
106	0421475	WIRE 16 R6I NONE 15 DIO	1	EA
107	0421477	WIRE 16 R6I NONE 14	1	EA
108	3044158	TERM R6I	2	EA
109	3040082	TERM MALE250FI 16/14	1	EA
110	3040083	TERM FEM250FI 16/14	2	EA
111	3090019	TUBE FLEXGARD .250 ID	4FT	EA
112	0084189	WIRE 16 R6I R10I 28 DIO	1	EA

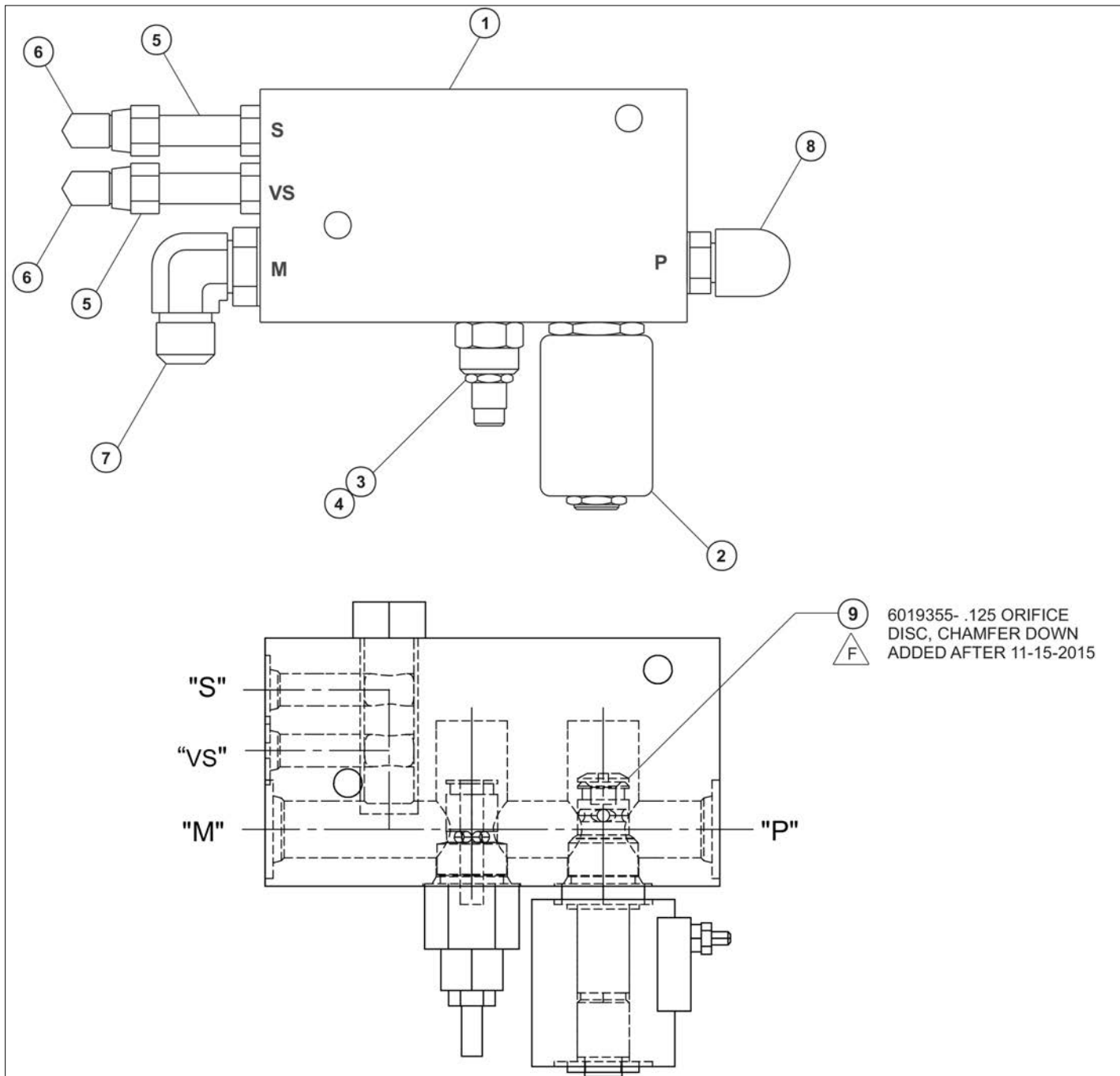


OPTIONS



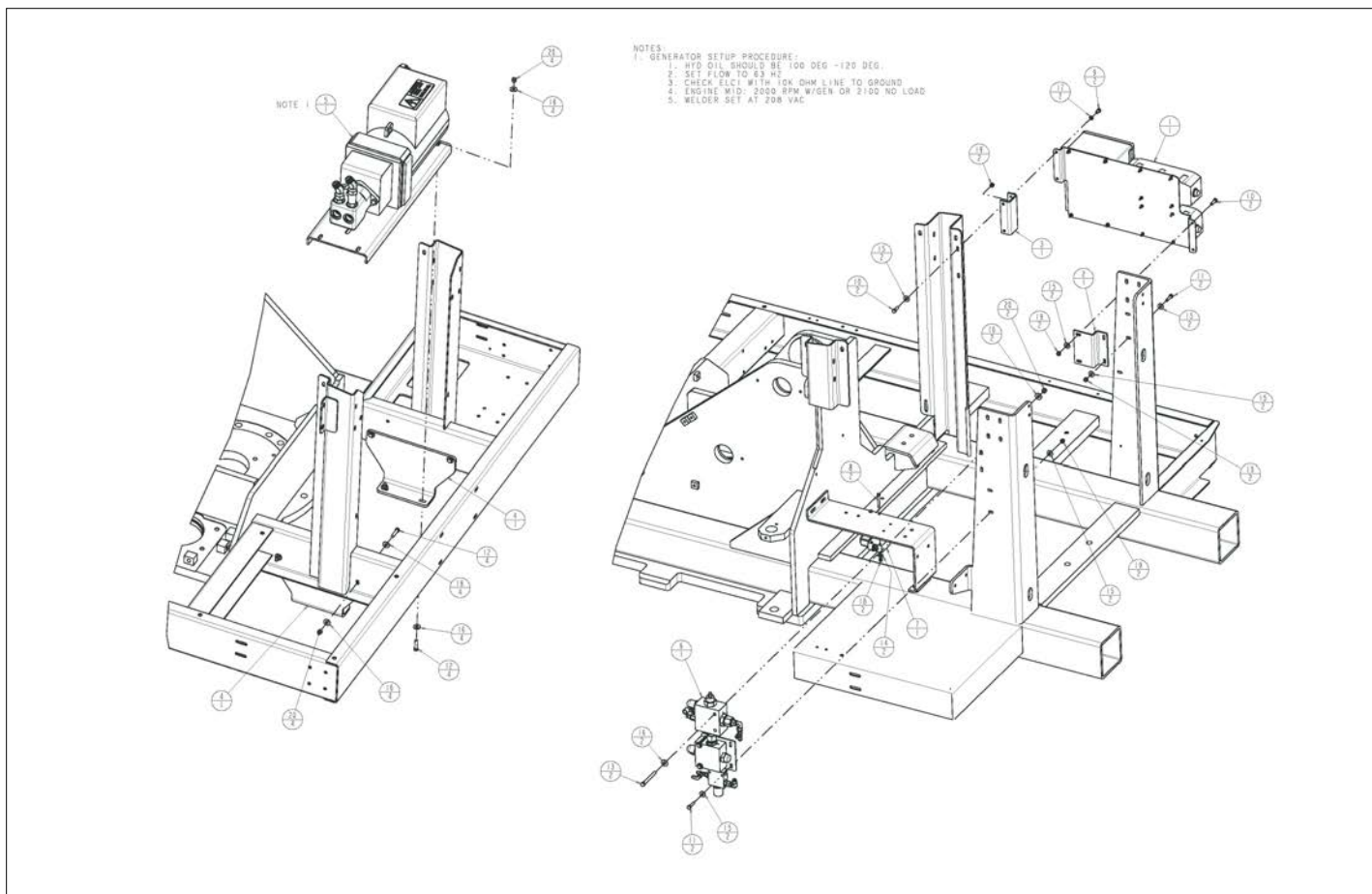
アイテム	部品番号	名前	数量	UOM
	0151471 L	110VAC HYDRAULIC GENERATOR SUB ASSEMBLY		EA
1	3080001	GENERATOR 2000 WATT AC 115	1	EA
2	0151457	MOUNT PLATE	1	EA
3	7240012	COUPLER	1	EA
4	0151458	MOTOR MOUNTING ANGLE	1	EA
5	6030029	HYD PUMP	1	EA
6	0151469	BRACKET, VALVE MOUNTING	1	EA
7	0152831	AC GENERATOR VALVE	1	EA
8	0151484	COUPLING COVER	1	EA
Not Shown	8020018	SEAL REPAIR KIT	1	EA
9	0151470	1/2 INCH HYDRAULIC TUBE	1	EA
10	5035306	FTG ELB90STRTHD 8B 8S STL	1	EA
14	970299	BOLT HEX HD .313 18 2.00 GR5 PL	2	EA
15	970269	BLT HEXHD .313 18 1.25 GR5 PLA	8	EA
16	970369	BLT HEXHD .313 18 X 1.00 GR5	8	EA
17	970469	HHD BLT .375 16 X 1.00 GR5	4	EA
18	986299	WASHER, FLAT, .375 STANDARD, PLATED	12	EA
19	986269	WSHR FLAT .313	30	EA
20	5560031	NUT HEX LKG .313 18	18	EA
21	5560033	.375 16UNC HEX LOCK NUT	8	EA

OPTIONS

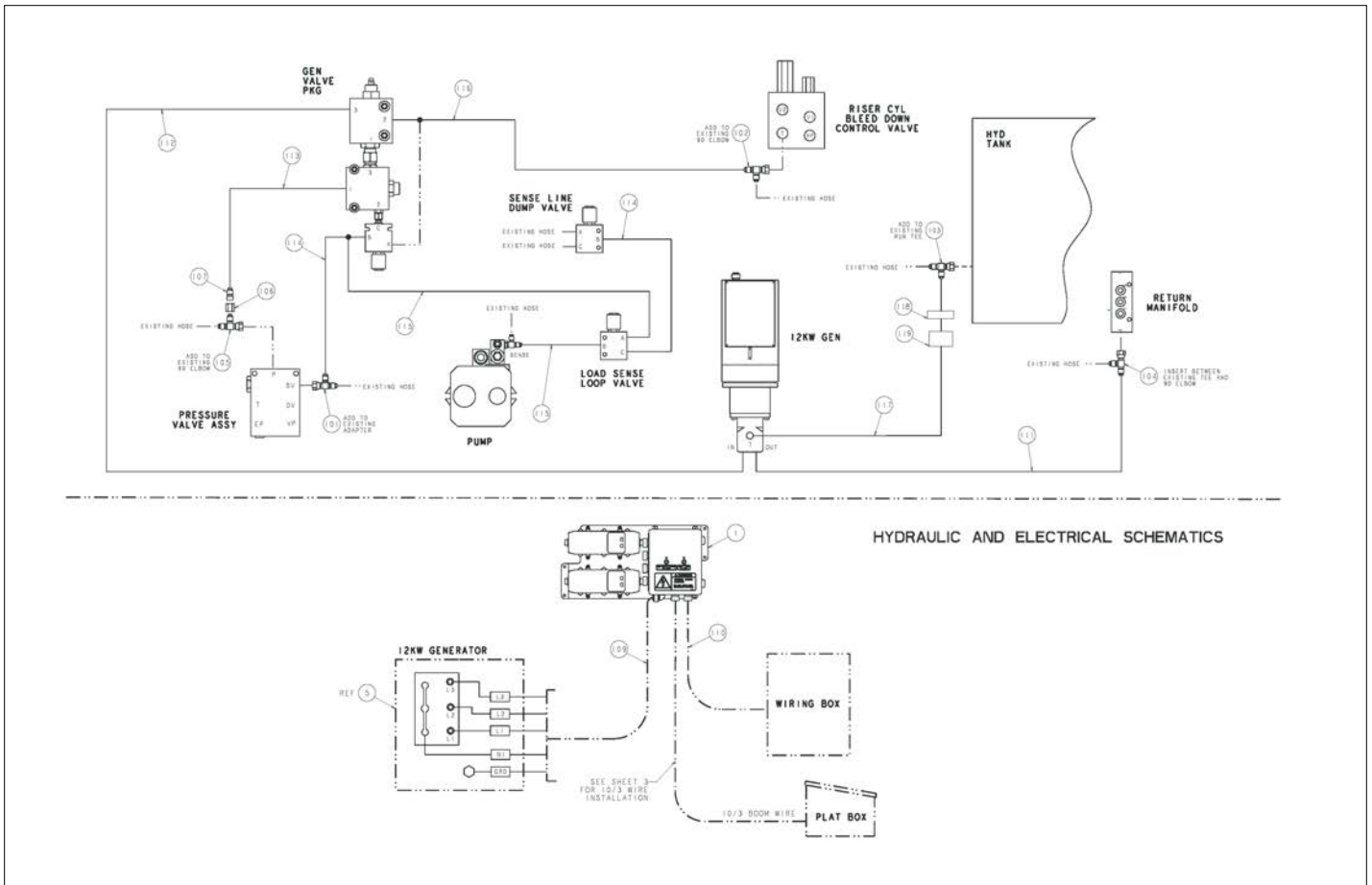


アイテム	部品番号	名前	数量	UOM
Not Shown	0152831 B	AC GENERATOR VALVE SUB ASSEMBLY	1	EA
1	6010489	AC GENERATOR VALVE	1	EA
2	6010508	HYDRAFORCE CARTRIDGE 12 VOLT	1	EA
Not Shown	6010509	REPLACEMENT CARTRIDGE VALVE	1	EA
Not Shown	3040457	REPLACEMENT COIL, 12 VOLT DC	1	EA
Not Shown	6019355	ORIFICE DISC .125	1	EA
3	6018901	FLOW CONTROL VALVE CARTRIDGE	1	EA
4	6010510	SHUTTLE VALVE CARTRIDGE	1	EA
5	5065803	LONG STRAIGHT THREAD ADAPTER	2	EA
6	5037003	FTG ELB90SWVL 4S 4S STL	2	EA
7	5035306	FTG ELB90STRTHD 8B 8S STL	1	EA
8	5035320	ADAPTER 90 DEG ELBOW 8 SAE TO 6 JIC	1	EA

OPTIONS

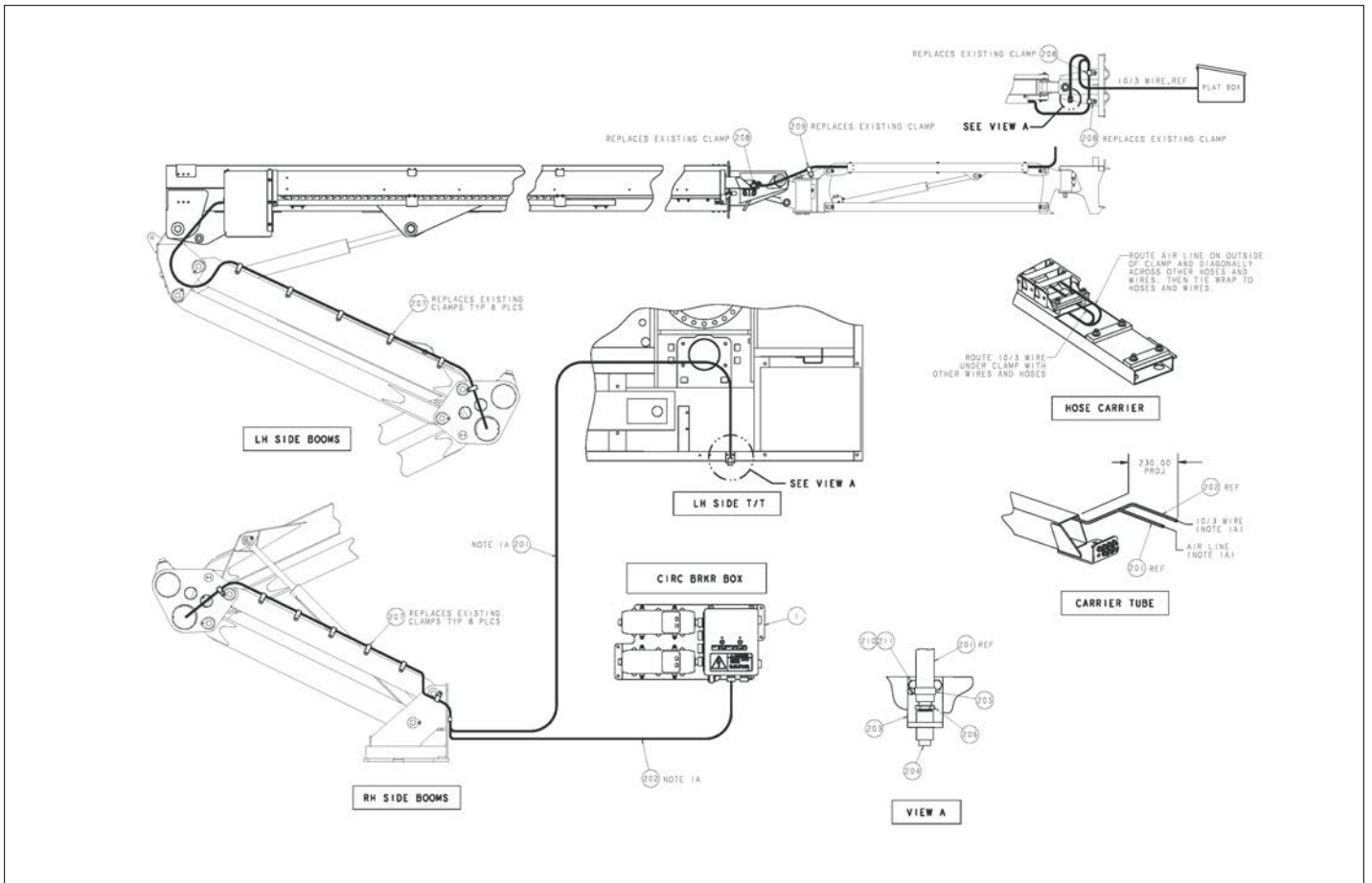


アイテム	部品番号	名前	数量	UOM
	0421449 C	12 KW GENERATOR INSTALLATION		EA
1	0083966	ASSEMBLY, 12KW GENERATOR CIRCUIT BREAKER WIRING	1	EA
2	0421416	BRACKET LH MOUNTING 12KW ASSEMBLY	1	EA
3	0421417	BRACKET RH 12KW ASSEMBLY MOUNTING	1	EA
4	0421418	BRKT SIDES	2	EA
5	0421426	ASSY 12KW GENERATOR AB80J/85RJ	1	EA
6	0421427	ASSY VALVE 12KW GEN AB80J/85RJ	1	EA
7	0421451	ASSY VALVE 12KW	1	EA
8	970169	BOLTHEXHD .250 20 2.00 GR5	2	EA
9	970219	BLT HEXHD .313 18 .500 GR5 PLT	2	EA
10	970259	C.SCREW, 5/16 18 X 1" LG. HH	4	EA
11	970269	BLT HEXHD .313 18 1.25 GR5 PLA	4	EA
12	970489	BLT HEXHD .375 16 1.50 GR5 PL	8	EA
13	970569	BLT HEXHD .375 16 3.50 GR5	2	EA
14	986019	WSHR FLAT .250	2	EA
15	986269	WSHR FLAT .313	12	EA
16	986299	WASHER, FLAT, .375 STANDARD, PLATED	20	EA
17	987109	WSHR LOCK .313	2	EA
18	5560004	NUT LKG .250 20	2	EA
19	5560031	NUT HEX LKG .313 18	8	EA
20	5560033	.375 16UNC HEX LOCK NUT	10	EA
101	5036703	FTG TEE SWVL RUN 4S 4S STL (SEE PAGE 2)	1	EA
102	5036705	FTG TEE SWVL RUN 6S 6S STL	1	EA



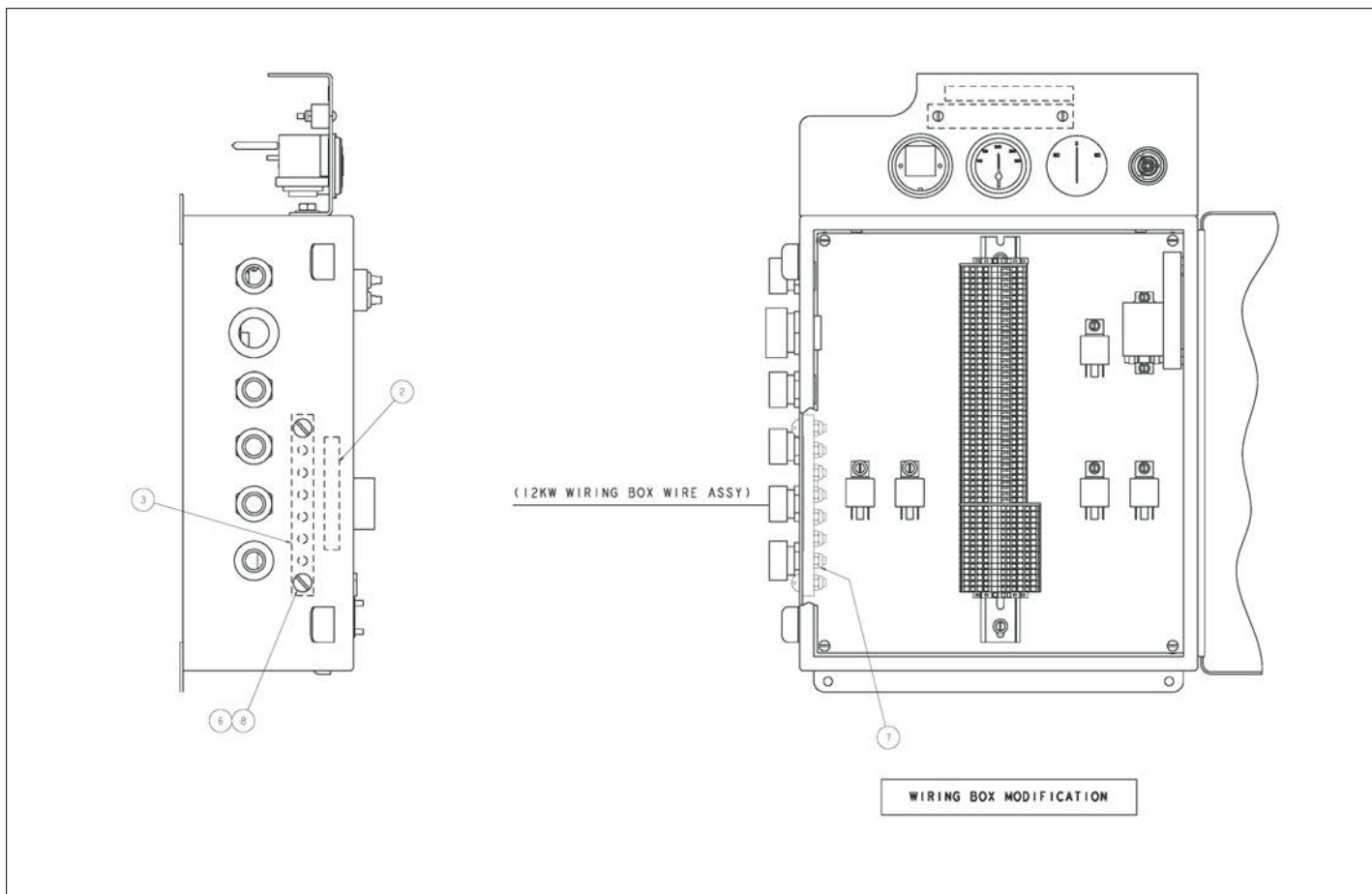
アイテム	部品番号	名前	数量	UOM
103	5036706	FTG TEE SWVL RUN 8S 8S STL (SEE PAGE 2)	1	EA
104	5036708	FTG TEE SWVL RUN 12S 12S STL	1	EA
105	5036710	FTG TEESWVLRUN 16S 16S	1	EA
106	5063910	FTG NUT 16S	1	EA
107	5064009	FTG RDCR 16S 12S	1	EA
109	0421452	WIRE ASSY 12KW GEN AB80J/85RJ	1	EA
110	0421453	WIRE ASSY 12KW WIRING BOX AB80J/85RJ	1	EA
111	0400484	HOSE 12 12S 12S 54 100R2	1	EA
112	0111283	HOSE 12 12S 12S 142 100R2	1	EA
113	0323804	HOSE 12 12S 12S 24 100R2	1	EA
114	0181161	HOSE 4 4S 4S 15.25 100R2	2	EA
115	0020281	HOSE 4 4S 4S 27.63 100R2	2	EA
116	0020276	HOSE 6 6S 6S 27.625 100R2	1	EA
117	0111286	HOSE 6 6S 6S 84 100R2	1	EA
118	5063906	FTG NUT 8S STL	1	EA
119	5064003	FTG RDCR 8S 6S W/O NUT STL (SEE PAGE 2)	1	EA
201	5010024	HOSE .50 ID AIR HOSE	130FT	EA
202	3011005	CABLE 10GA/3 CONDUCTOR WIRE	122FT	EA
203	0080759	ANGLE	2	EA
204	7714204	PIPE PLUG 1/2 in NPT SQ.HD BLK.	2	EA
205	5550010	CLP WORM DRV .50 1.06 SAE#10	2	EA
206	5260013	FTG ADPTR MALE 8N 8 BARBED	2	EA
207	5093016	CLAMP	12	EA
208	5093013	CLP CUSH 2.00 VINYL COATED	3	EA



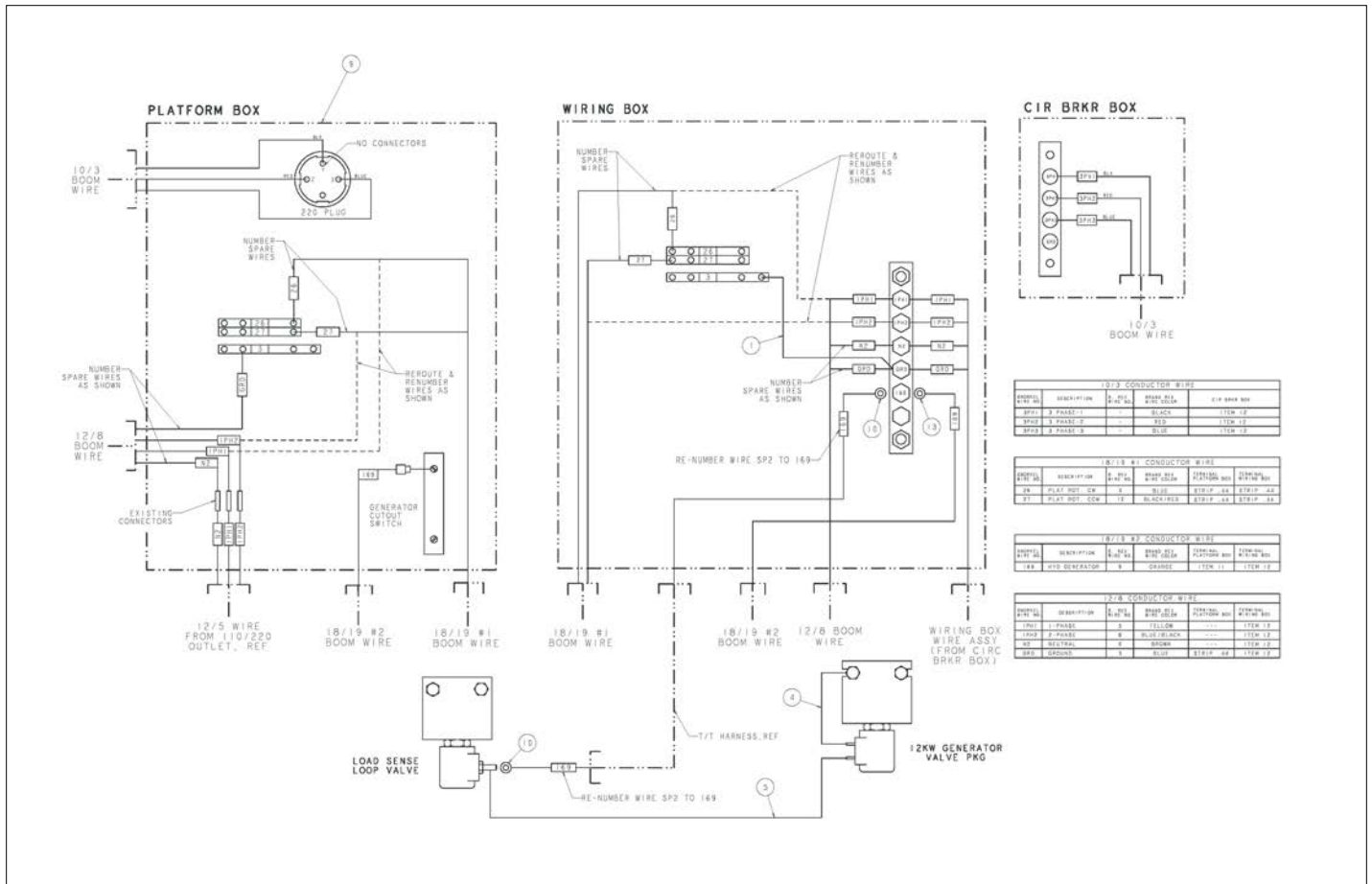


アイテム	部品番号	名前	数量	UOM
209	5093015	CLP CUSH 2.75 VINYL COATED	1	EA
210	970049	BLT HEXHD .250 20 1.00 GR5 GRADE 5 PLT SAME AS 970189	4	EA
211	5560004	NUT LKG .250 20	4	EA

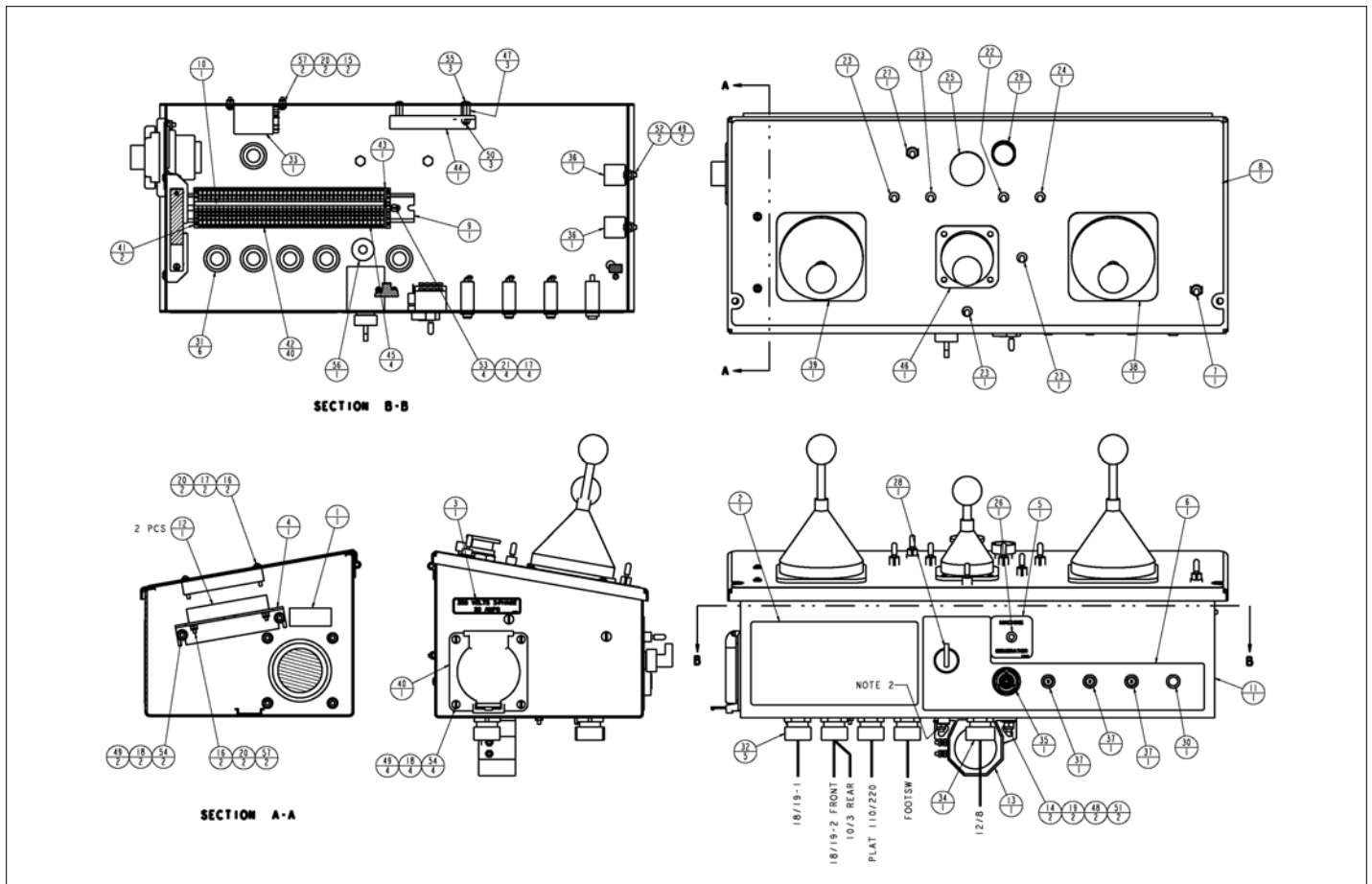
OPTIONS



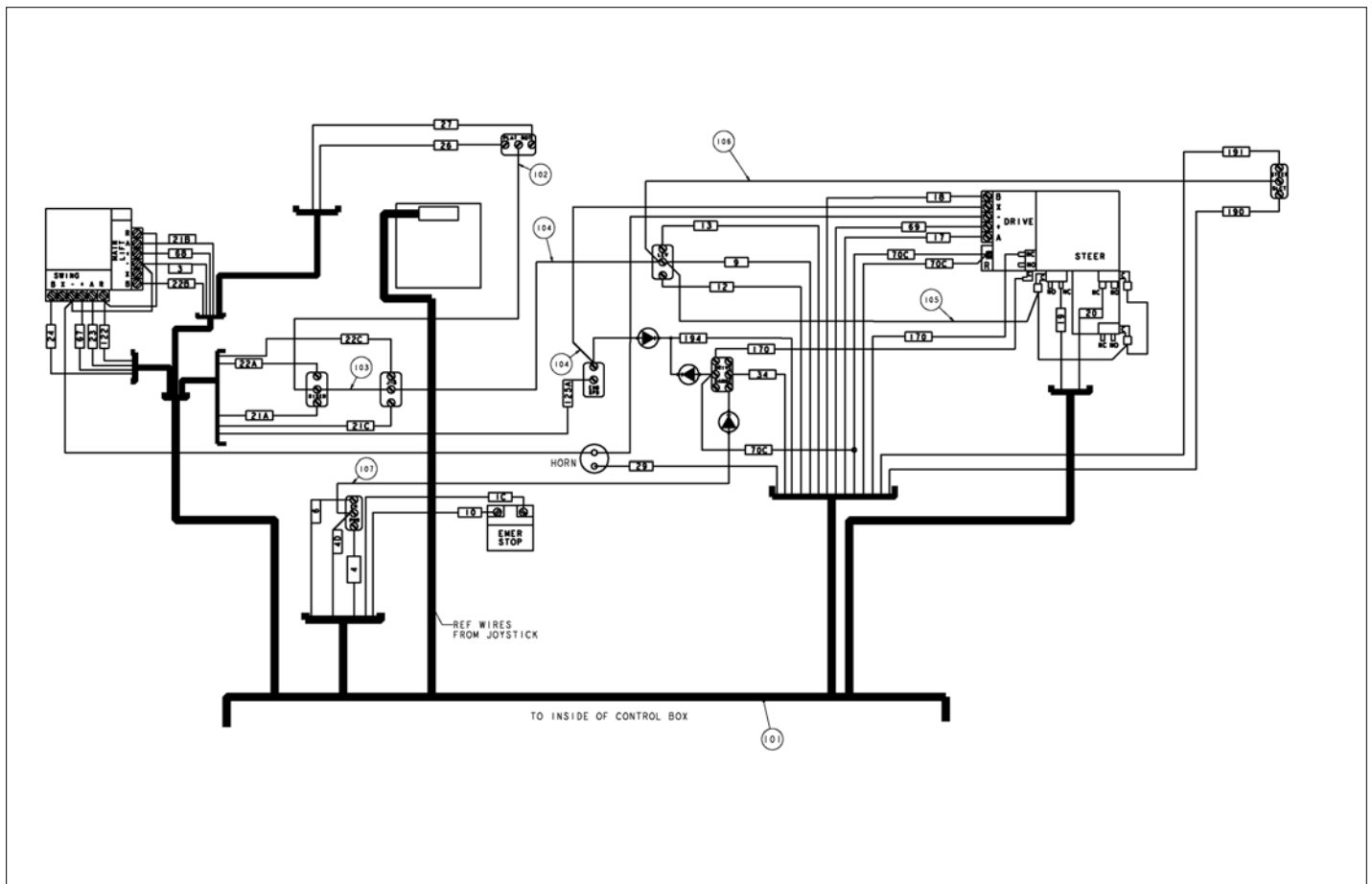
アイテム	部品番号	名前	数量	UOM
	A42012A	12KW GENERATOR INSTALLATION – WIRING BOX MODIFICATION		EA
1	0072293	WIRE 12 R10I NONE 17	1	EA
2	0421441	DECAL TERM STRIP 12KW GEN	1	EA
3	300489	TERMINAL STRIP #10 STUD 6 CIR	1	EA
4	0152124	WIRE 16 R10 FEM250 8	1	EA
5	0152126	WIRE 16 R10 FEM250 24	1	EA
6	5560034	NUT LKG 10 24	2	EA
7	5560038	NUT LKG 10 32	6	EA
8	974709	M SCR #10 24 X 1.00 RNDHD PLTD	2	EA
9	0421439	ASSY PLAT CONT BOX 12KW AB80J	1	EA
Not Shown	0421440	ASSY PLAT CONT BOX 12KW AB85RJ	1	EA
10	3044161	TERM R10I 16/14	2	EA
Not Shown	3040046	TERM MALE250FI 22/18	1	EA
Not Shown	3044854	TERM R10I 12/10	8	EA
13	3044146	TERM R10I 22/18	1	EA



OPTIONS

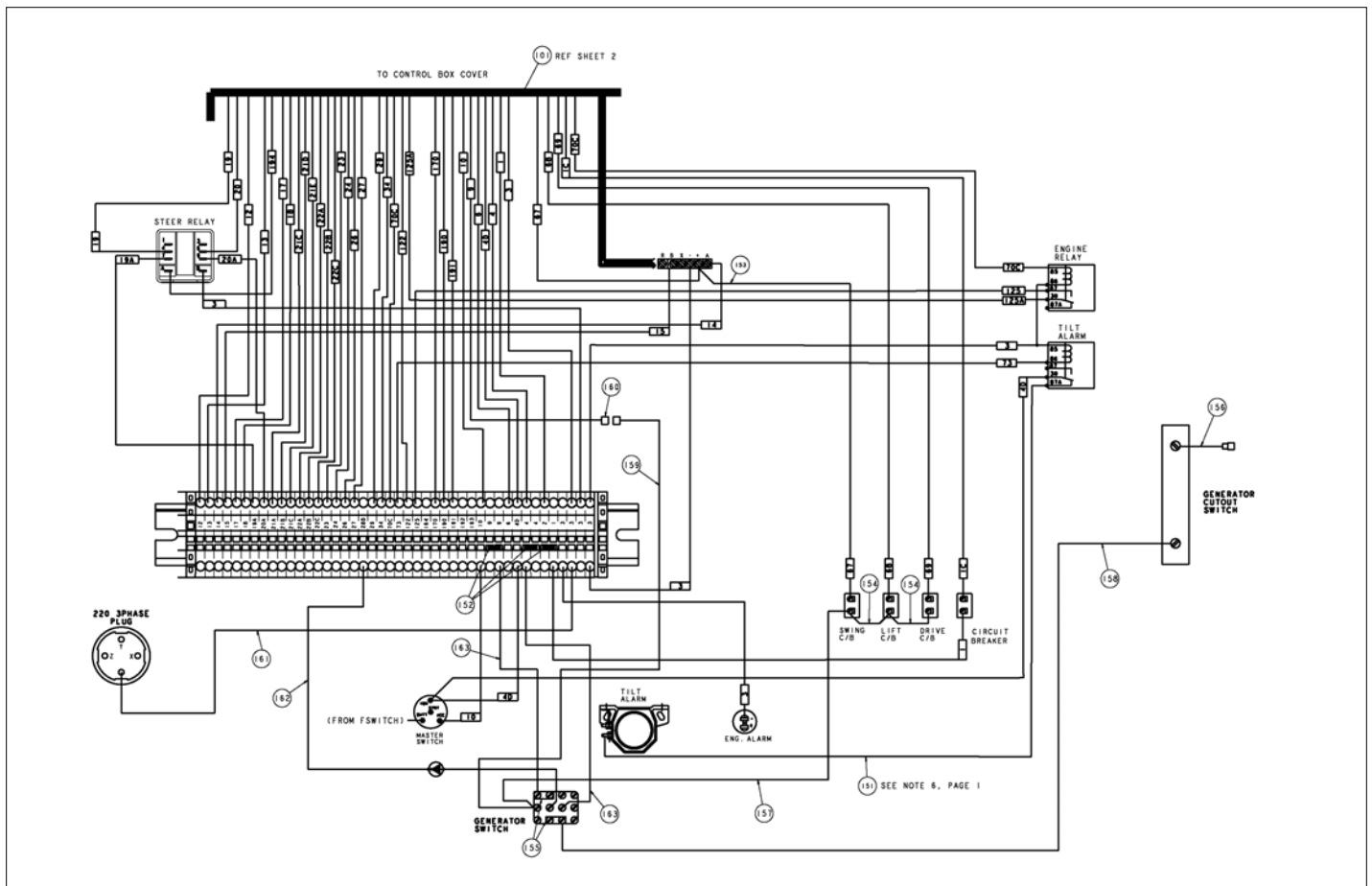


アイテム	部品番号	名前	数量	UOM
	0421439 B	12KW PLATFORM CONTROL BOX ASSEMBLY		EA
1	0070967	CORROSION INHIBITOR STICK BACK	1	EA
2	0072530	DECAL DNGR ELEC HAZARD	1	EA
3	0083860	DECAL OUTLET 208V 3 PHASE	1	EA
4	0083956	BRKT, LID SWITCH MNTG	1	EA
5	0151459	DECAL AC GEN SW	1	EA
6	0180846	PLACARD PLATFORM CONTROL BOX FRONT	1	EA
7	239926	SW TGL SPDT(ON/OFF/ON)	1	EA
8	0420612	PLAC UPPER CTRL BOX	1	EA
9	0420617	DIN RAIL 35X7.5; CUT UPR CTRL	1	EA
10	0420630	ZACK MARKER STRIP UPPER CTRL	1	EA
11	0421444	WLDMT PLAT CONT BOX 12KW AB80J/85RJ	1	EA
12	475986	SW REED 3AMP	1	EA
13	480652	ALARM97DBA DUAL TONE 12/24V	1	EA
14	970029	BLT .25 20 .750	2	EA
15	974239	SCR RDH 6 32 .500	2	EA
16	974269	SCR RHD 6 32 1.00	4	EA
17	984009	NUT HEX 6 32	6	EA
18	986009	WSHR FLAT 10	6	EA
19	986019	WSHR FLAT .250	2	EA
20	986159	WSHR FLAT 6	6	EA
21	987089	WSHR LOCK #10 SPLIT TYPE	4	EA
22	3020013	Switch, Toggle Honeywell INTI 2	1	EA
23	3020016	Switch, Toggle Honeywell INTI 7	4	EA





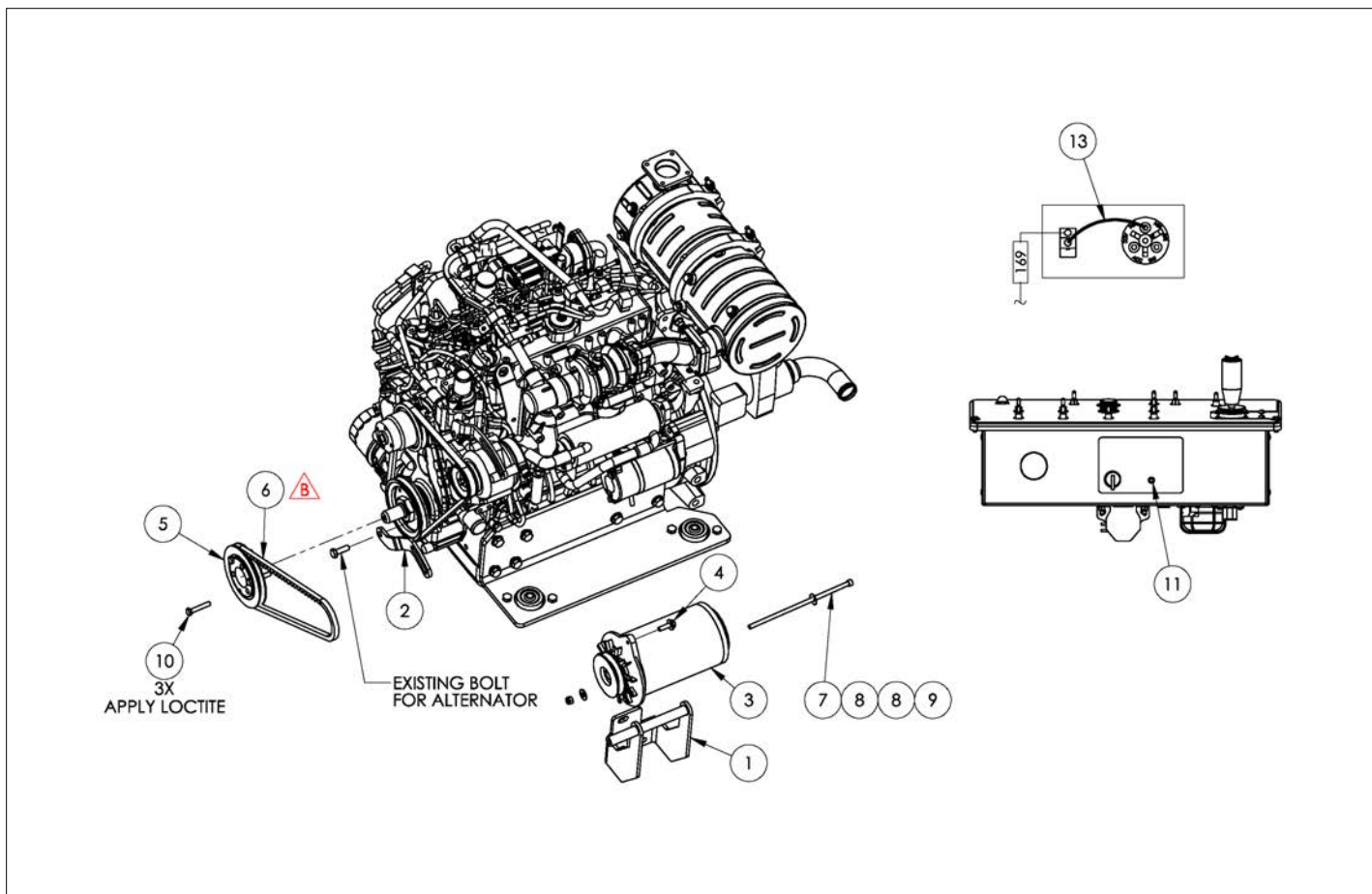
アイテム	部品番号	名前	数量	UOM
24	3020017	SWITCH TOGGLE DPDT ON/OFF/ON SEALED	1	EA
25	3020020	SW EMER STOP PUSH/PULL	1	EA
26	3020048	SWITCH TOGGLE 4PDT ON/ON	1	EA
27	3020080	TOGGLE SWITCH	1	EA
28	3020090	SW ANTI RESTART IGNITION	1	EA
29	3026027	SW PUSH BUTTON	1	EA
30	3040069	CIRCUIT BREAKER 25AMP	1	EA
31	3040110	NUT LKG HUB .750 SAMEAS 962129	6	EA
32	3040116	CONN .75 .500 .625	5	EA
33	3040214	RELAY DPDT 12V 10AMP	1	EA
34	3040295	CONN .75 .625 .75	1	EA
35	3040411	Alarm Buzzer	1	EA
36	3040469	RELAY SPDT 12V 30AMP SONG	2	EA
37	3040535	CIRCUIT BREAKER 3 AMP	3	EA
38	3040377	CONTROLLER 60HZ DRIVE/STEER	1	EA
39	3040378	CONTROLLER 60HZ LIFT/SWING	1	EA
40	3045254	RECEPTACLE, 3 POLE, 4 COND, 30A	1	EA
41	3220053	END BRACKET CLIPFIX 35 5	2	EA
42	3220056	TERMINAL BLOCK ST 25	40	EA
43	3220058	TERM BLOCK COVER ST 25	1	EA
44	PNNA	CARD	1	EA
45	3220064	TERMINAL BLOCK ST 25 PE	4	EA
46	3220078	CONTROLLER SINGLE AXIS MINI	1	EA
47	5260028	STDOFF MALE FEM THDHX 8 32 .5	3	EA
48	5560004	NUT LKG .250 20	2	EA
49	5560034	NUT LKG 10 24	8	EA
50	5560198	NUT HEX LKG 8 32	3	EA



アイテム	部品番号	名前	数量	UOM
51	5560341	WSHR STAR .250 EXTERNAL TOOTH	2	EA
52	5560609	SCR TRHD 10 24 .500	2	EA
53	5560666	SCR TRHD 6 32 .500	4	EA
54	5563025	SCR TRHD 10 24 .750	6	EA
55	5569843	SCR MACH TRHD 8 32 .500	3	EA
56	5569931	GROMMET .38 ID 1.06 OD .63 SP	1	EA
57	5569997	NUT HEX LKG 6 32	4	EA
101	0420636	INT WIRE KIT AB80/85 UPR CTRL	1	EA
102	0070746	WIRE 16 R6I R6I 9	1	EA
103	0070747	WIRE 16 R6I R6I 3	1	EA
104	0070730	WIRE 16 R6I R6I 5.5	2	EA
105	0181074	WIRE 16 SPECIAL (SEE DWG)	1	EA
106	0070753	WIRE 16 R6I R6I 12	1	EA
107	0111477	WIRE 16 R6I R6I 10 DIO	1	EA
Not Shown	0420638	INT WIRE KIT AB80/85 UPR CTRL	1	EA
151	0420883	WIRE 16 R8 FEM250I 20	1	EA
152	3220061	PLUG IN BRIDGE FBS 2 5	3	EA
153	0070753	WIRE 16 R6I R6I 12	1	EA
154	0070747	WIRE 16 R6I R6I 3	2	EA
155	0060373	JUMPER SWITCH TERMINAL STRAP	2	EA
156	0090757	JUMPER WIRE	1	EA
157	0070730	WIRE 16 R6I R6I 5.5	1	EA
158	0101298	WIRE 18 R6I R6I 23.5	1	EA
159	0181187	JUMPER WIRE	1	EA
160	3040082	TERM MALE250FI 16/14	1	EA
161	3011201	WIRE 12GA RED SINGLE CONDUCTOR	1.5FT	EA
162	0421475	WIRE 16 R6I NONE 15 DIO	1	EA

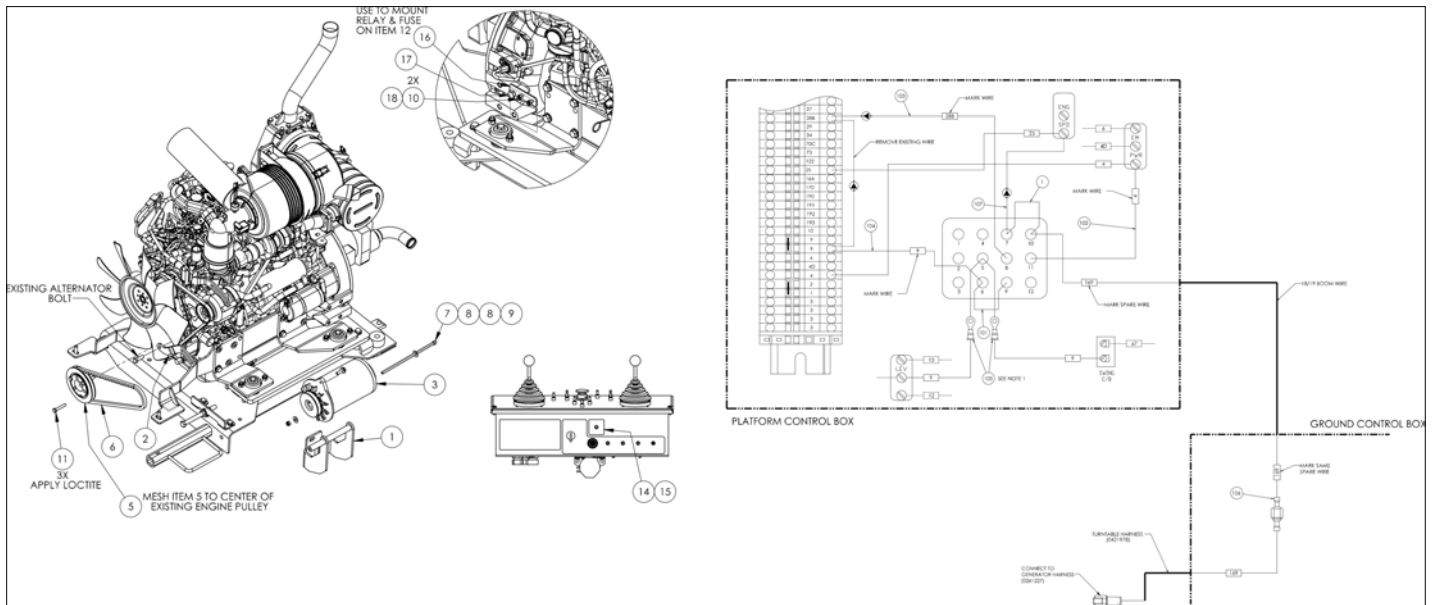
アイテム	部品番号	名前	数量	UOM
163	0421477	WIRE 16 R6I NONE 14	2	EA

OPTIONS



アイテム	部品番号	名前	数量	UOM
	0114009 B	BELT GENERATOR 2.4KW KUBOTA V2403 OR WG2503 MAY 2019 AND AFTER		EA
1	0114007 8	WLDMNT, GEN MNT	1	EA
2	0114008 8	BRKT, GEN TENSIONER	1	EA
3	3087845	GENERATOR, 2.5KW, SINGLE "V"	1	EA
4	5563810	FLGHCS 5/16 18 X 1IN YZ GR8	1	EA
5	7631243	PULLEY, 130MM V BELT	1	EA
6	7631245	BELT, COGGED V BELT 10MMX955MM	1	EA
7	5563809	BLT SHCS 5/16 18 X 9IN YZ GR8	1	EA
8	986269	WSHR FLAT .313	2	EA
9	5560031	NUT HEX LKG .313 18	1	EA
10	056059 045	Bolt, HexBolt DIN931 M8 x 45mm	3	EA
11	3020013	Switch, Toggle Honeywell INTI 2	1	EA
12	0261227	HARNESS, 2KW GENERATOR	1	EA
13	0073781	WIRE 16 R10I R6I 6	1	EA

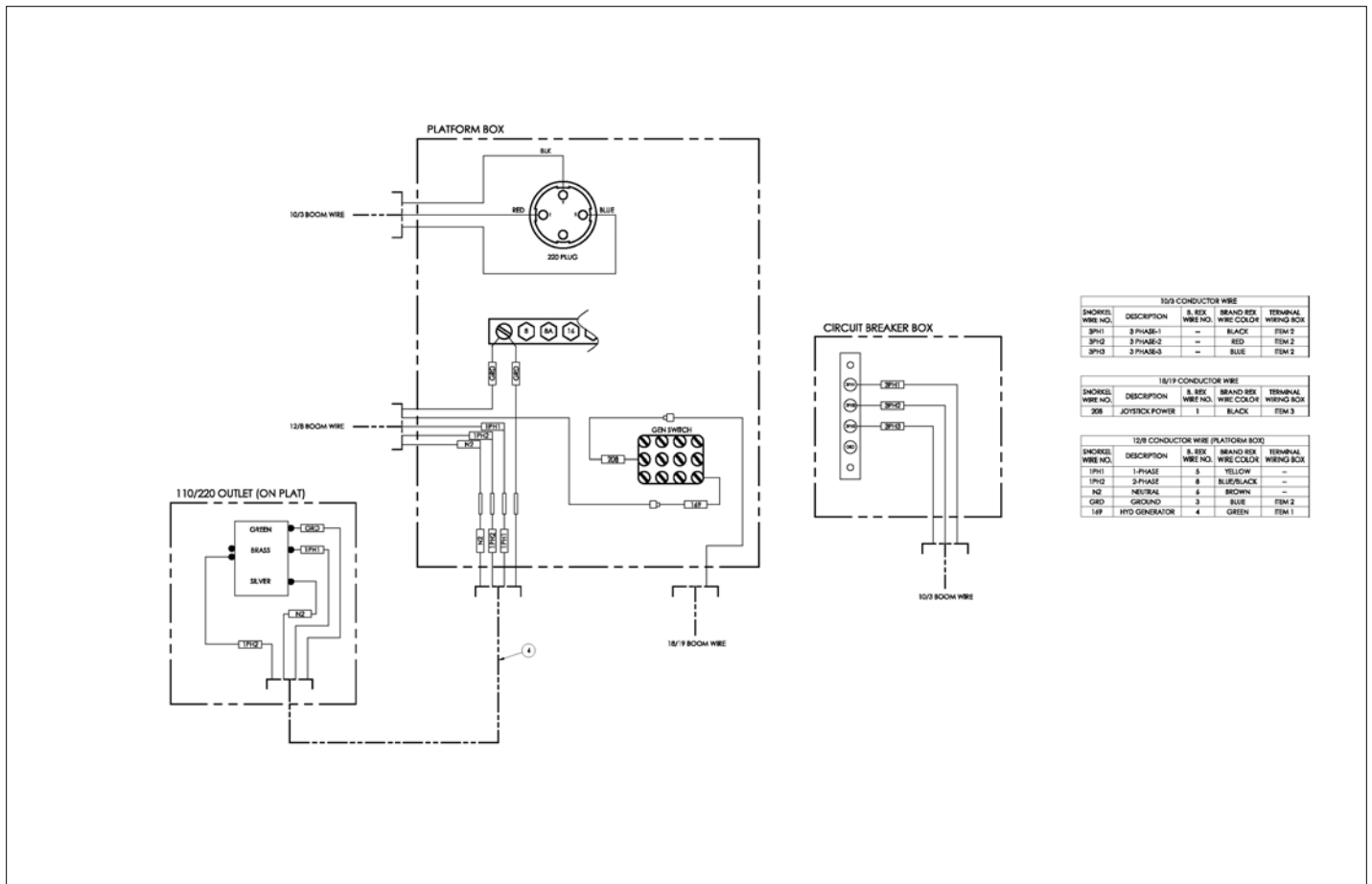
# OPTIONS



アイテム	部品番号	名前	数量	UOM
	0422008 A	2.4KW BELT GENERATOR AB80J AB85JRT FEBURARY 2020 AND AFTER		EA
1	0114007 8	WLDMNT, GEN MNT	1	EA
2	0114008 8	BRKT, GEN TENSIONER	1	EA
3	3087845	GENERATOR, 2.5KW, SINGLE "V"	1	EA
4	5563810	FLGHCS 5/16 18 X 1IN YZ GR8	1	EA
5	7631243	PULLEY, 130MM V BELT	1	EA
6	7631245	BELT, COGGED V BELT 10MMX955MM	1	EA
7	5563809	BLT SHCS 5/16 18 X 9IN YZ GR8	1	EA
8	986269	WSHR FLAT .313	2	EA
9	5560031	NUT HEX LKG .313 18	1	EA
10	5560004	NUT LKG .250 20	2	EA
11	056059 045	Bolt, HexBolt DIN931 M8 x 45mm	3	EA
12	0261227	HARNESS, 2KW GENERATOR	1	EA
13	0073781	WIRE 16 R10I R6I 6	1	EA
14	0151459	DECAL AC GEN SW	1	EA
15	3020048	SWITCH TOGGLE 4PDT ON/ON	1	EA
16	0192794 8	PLT, RELAY/FUSE BLOCK MNT	1	EA
17	058494 035	BOLT HEXSETSCREW DIN933 M12 X 35MM 8.8 ZP	1	EA
18	970029	BLT .25 20 .750	2	EA
101	0070747	WIRE 16 R6I R6I 3	2	EA
102	0421476	WIRE 16 R6I R6I 25	1	EA
103	0421475	WIRE 16 R6I NONE 15 DIO	1	EA
104	0421477	WIRE 16 R6I NONE 14	1	EA
105	3044158	TERM R6I	2	EA
106	3040082	TERM MALE250FI 16/14	1	EA
107	0084189	WIRE 16 R6I R10I 28 DIO	1	EA

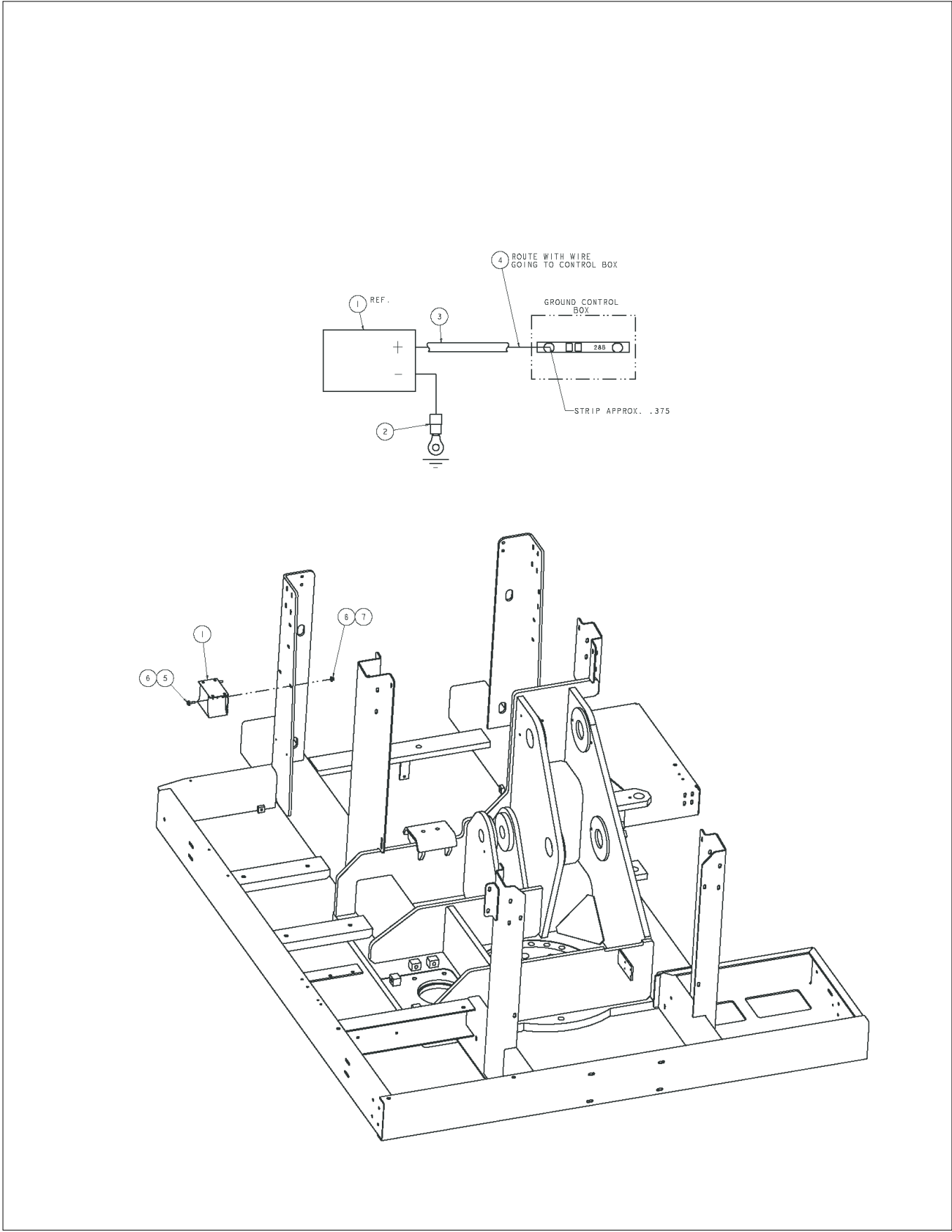


OPTIONS



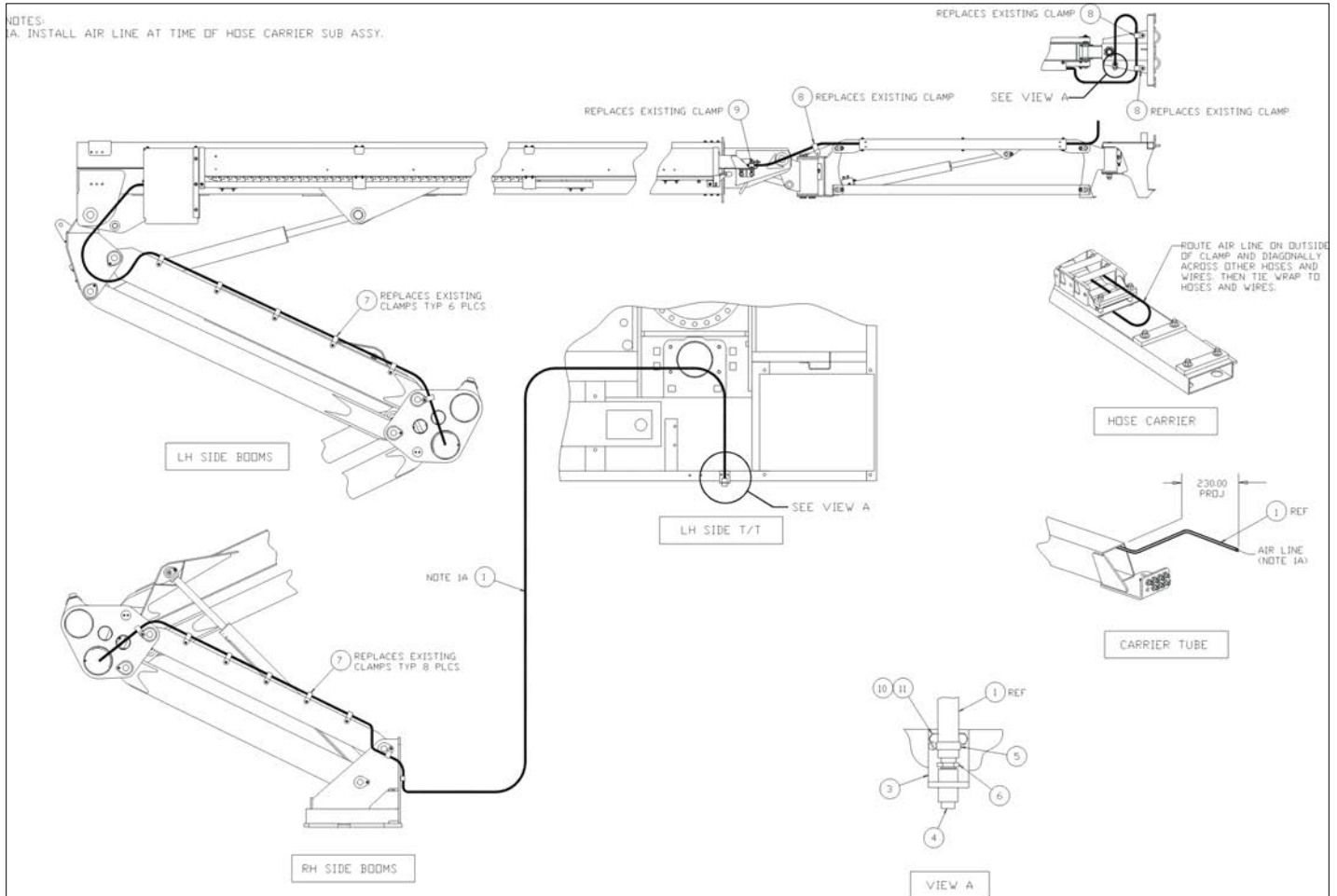
アイテム	部品番号	名前	数量	UOM
	A19075A A	ELECTRICAL INSTALLATION W/12K		EA
1	3040064	TERM .250 MALE SLIP ON 12/10 WIRE	2	EA
2	3044854	TERM R10I 12/10	4	EA
3	3040046	TERM MALE250FI 22/18	1	EA
4	0083891	110/220 GFCI OUTLET INSTALL	A/R	EA

OPTIONS



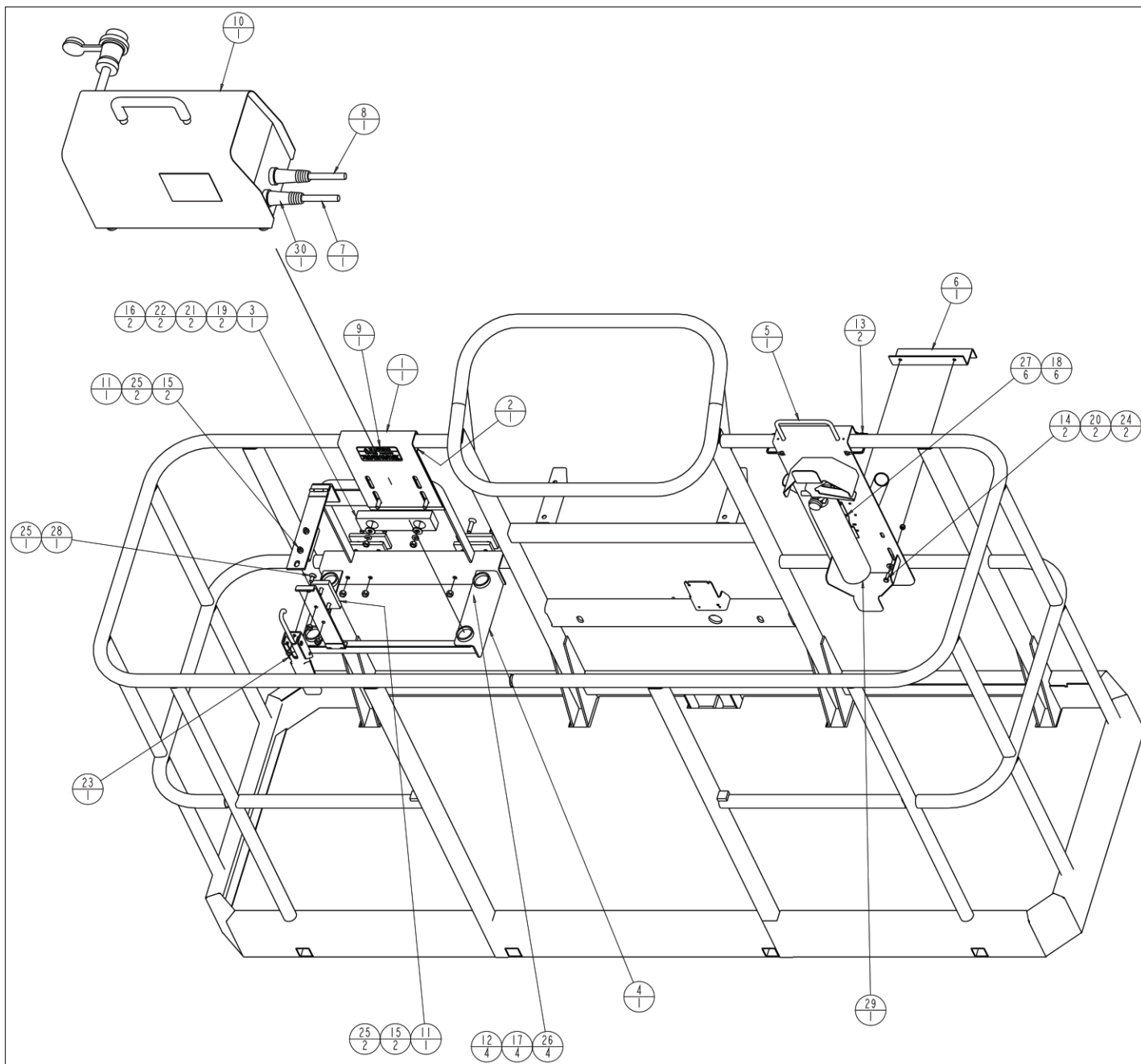
アイテム	部品番号	名前	数量	UOM
	0421467 B	ALL MOTION ALARM INSTALLATION		EA
1	3040129	ALARM107 112DBA 2HZ 9.8 36.4V	1	EA
2	0071549	WIRE 12 R10I R313I 9	1	EA
3	3090019	TUBE FLEXGARD .250 ID	2FT	EA
4	3011601	WIRE 16GA SINGLE CONDUCTOR BLK	3FT	EA
5	970049	BLT HEXHD .250 20 1.00 GR5 GRADE 5 PLT SAME AS 970189	2	EA
6	986019	WSHR FLAT .250	4	EA
7	5560004	NUT LKG .250 20	2	EA

OPTIONS



アイテム	部品番号	名前	数量	UOM
	0421615 A	AIRLINE INSTALLATION AB80J AB85RJ		EA
1	5010024	HOSE .50 ID AIR HOSE	130FT	EA
3	0080759	ANGLE	2	EA
4	7714204	PIPE PLUG 1/2 in NPT SQ.HD BLK.	2	EA
5	5550010	CLP WORM DRV .50 1.06 SAE#10	2	EA
6	5260013	FTG ADPTR MALE 8N 8 BARBED	2	EA
7	5093016	CLAMP	14	EA
8	5093013	CLP CUSH 2.00 VINYL COATED	3	EA
9	5093015	CLP CUSH 2.75 VINYL COATED	1	EA
10	970049	BLT HEXHD .250 20 1.00 GR5 GRADE 5 PLT SAME AS 970189	4	EA
11	5560004	NUT LKG .250 20	4	EA

OPTIONS

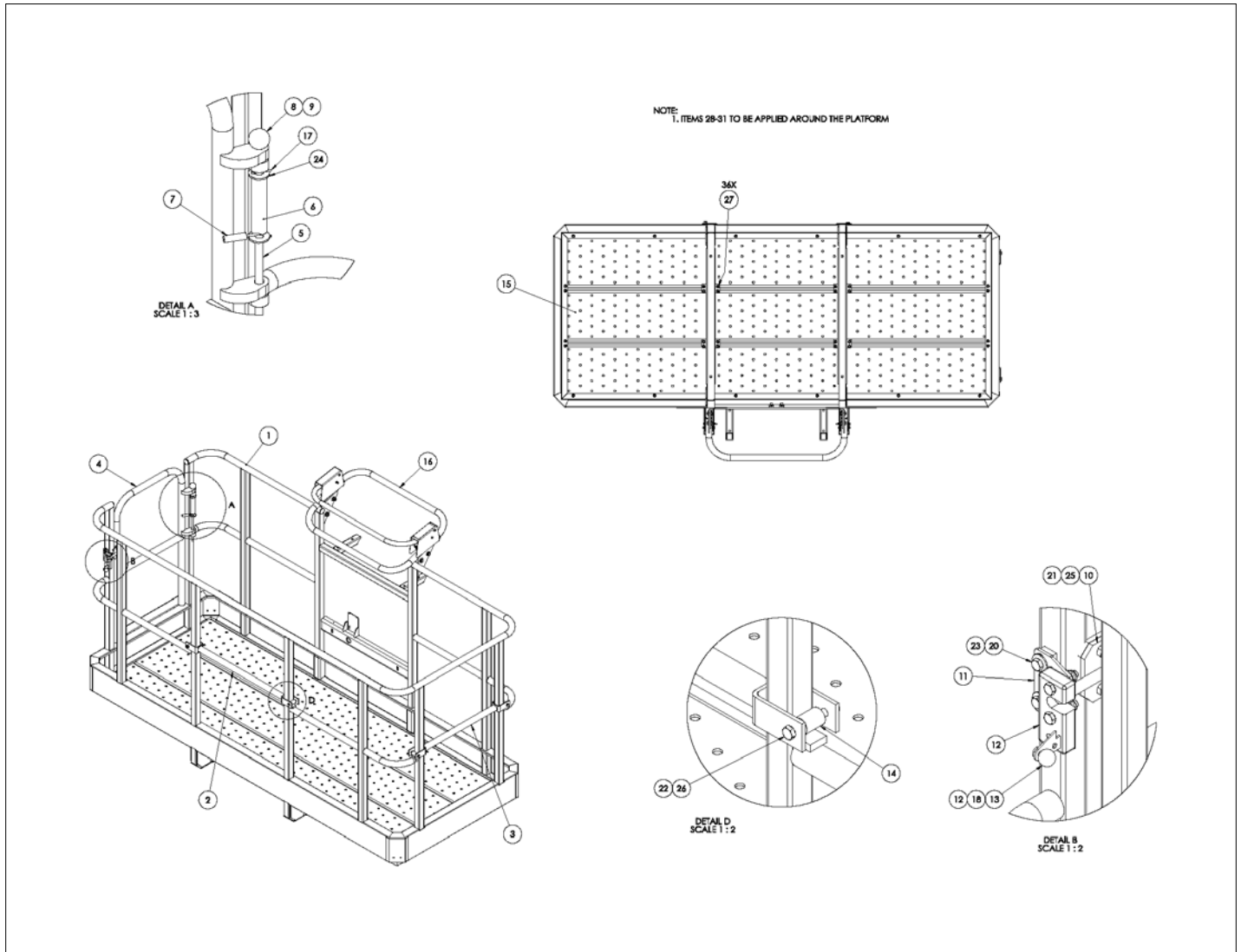


アイテム	部品番号	名前	数量	UOM
	0083999 C	STEEL PLATFORM WELDER		EA
1	0083823	BRKT TOP	1	EA
2	0083825	BRKT LOWER	1	EA
3	0083826	SL PAD 2.00 8.25 1.00 2H	1	EA
4	0083833	WELDMT WELDER SUPPORT	1	EA
5	0083857	WELDMT CABLE STORAGE BRKT	1	EA
6	0083858	BRKT	1	EA
7	0083862	ASSEMBLY, ELECTRODE HOLDER WIRE	1	EA
8	0083863	ASSEMBLY, GROUND WIRE	1	EA
9	0083985	PLAC WARNING TIPPING HAZARD	1	EA
10	0084084	WELDER ASSEMBLY, LINCOLN V275 S	1	EA
11	0150121	SL PAD 2.00 4.00 .500 2H	2	EA
12	0161766	SL PAD 2.00 4.00 .375 2H	4	EA
13	302544	Pin & Lock	2	EA
14	970029	BLT .25 20 .750	2	EA
15	972259	BLT FLSKTHD .313 18 1.00	4	EA
16	972439	BLT CRG .375 16 X 1.25 GR 5 ZP	2	EA
17	972489	M.SCR 3/8 16 1 1/2 SOC. CAD	4	EA
18	974659	SCR RDH MACH 10 24 .500	6	EA
19	984109	NUT HEX .375 16	2	EA
20	986019	WSHR FLAT .250	2	EA
21	986299	WASHER, FLAT, .375 STANDARD, PLATED	2	EA
22	987119	WSHR LOCK .375	2	EA
23	5516329	LATCH ADJ DRAW	1	EA
24	5560004	NUT LKG .250 20	2	EA
25	5560031	NUT HEX LKG .313 18	5	EA
26	5560033	.375 16UNC HEX LOCK NUT	4	EA



アイテム	部品番号	名前	数量	UOM
27	5560034	NUT LKG 10 24	6	EA
28	5560372	BLT CRG .313 18 .75 GR5	1	EA
29	9939464	FIRE EXTINGUISHER	1	EA
30	3220076	PLUG WELD CABLE END	2	EA

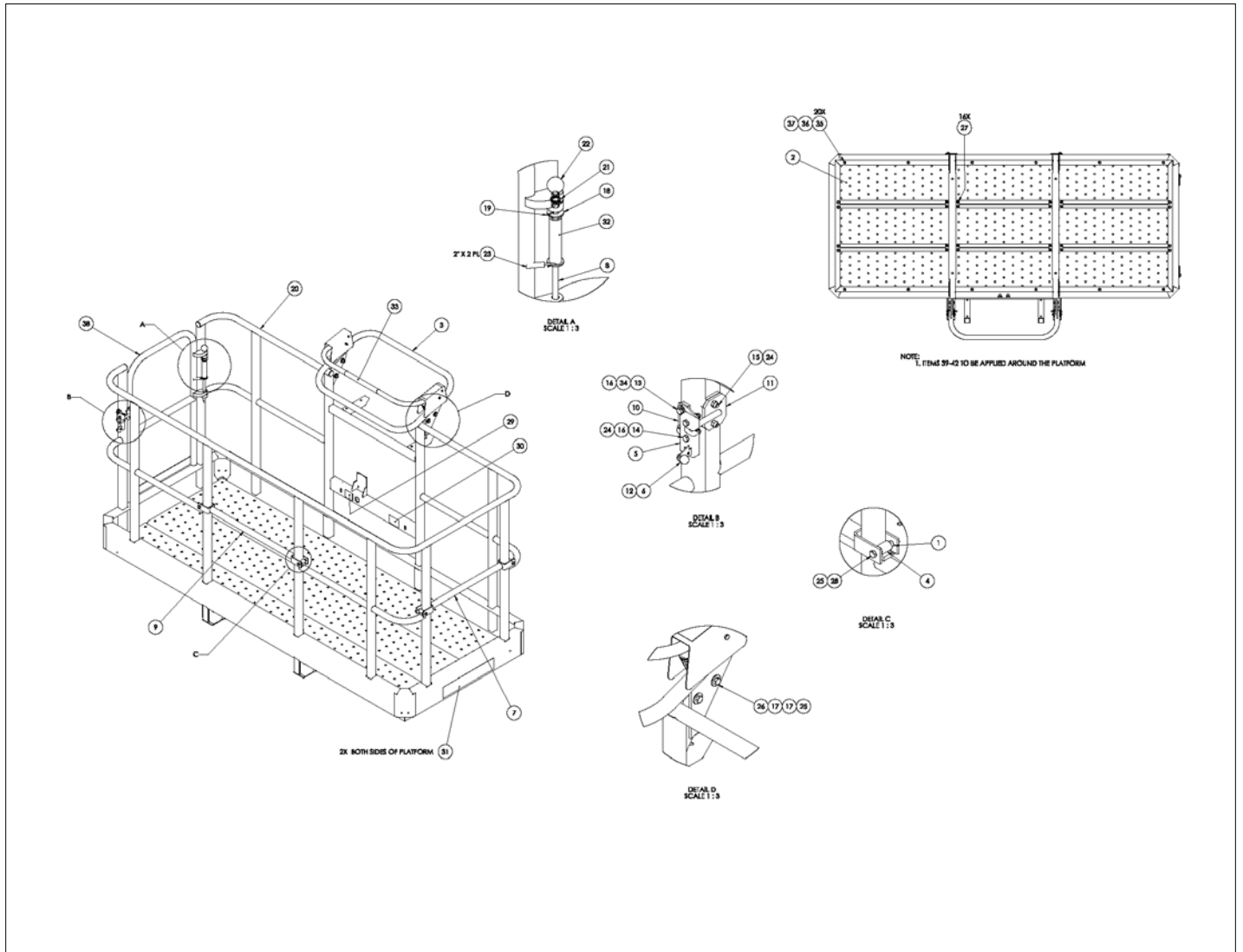
OPTIONS



アイテム	部品番号	名前	数量	UOM
	1433604 C	PLATFORM ASSEMBLY WITH MESH ENCLOSURE APRIL 2018 AND AFTER		EA
1	1430080	PLATFORM ASSEMBLY STEEL	1	EA
2	0421321	WLDMT, GG FRONT 36x96 STL PLAT	1	EA
3	0420199	WLDMT, GATE GRAVITY SIDE	1	EA
4	1433588	WLDMT, EXTENDED SWING GATE SID	1	EA
5	0420632	PIN 0.50 4.859 GRIP	1	EA
6	0071837	TORSION SPRING BASKET MODIF.	1	EA
7	5010007	HOSE VACUUM .156 ID 4.0MM	2	EA
8	2667500	95 BALL KNOB 1 3/8 X 1/2 13	1	EA
9	2572007	BRG .500ID .625OD .625	4	EA
10	0421529 5	WLDMT STRIKER SWING GATE	1	EA
11	0421519 5	PLT LATCH MNT SWING GATE	1	EA
12	300492	LATCH LH TRAY ROTARY LOCK	1	EA
13	302555	KNOB ROUND .25 20NC FEMALE DIM	1	EA
14	0150509	ROLLER	4	EA
15	8060311	PLATE GRIPSTRUT 8FT	3	EA
16	0113584	SNORKEL GUARD TRI ENTRY 8 FOOT STEEL ASSEMBLY	1	EA
17	988179	COTTER PIN, 1/8 DIA. X 1" LG.	2	EA
18	970009	Capscrew 1/4 20 x 1/2 inch lon	1	EA
Not Shown	970279	BLT HEXHD .313 18 1.50 GR5	2	EA
20	970239	BLT HEXHD .313 18 .750 GR5	2	EA
21	5560031	NUT HEX LKG .313 18	4	EA
22	5560033	.375 16UNC HEX LOCK NUT	4	EA
23	986269	WSHR FLAT .313	4	EA
24	986359	FLATWASHER 1/2"	2	EA

アイテム	部品番号	名前	数量	UOM
25	972259	BLT FLSKTHD .313 18 1.00	2	EA
26	5569865	BLT HEXHD .375 16 2.75 GR5	4	EA
27	5563310	HWH .25 14 SELF DRILLING X .75	36	EA
28	1433598	GATE ENCLOSURE, MESH	1	EA
29	1433599	PLATFORM ENCLOSURE, MESH	1	EA
30	1433600	2IN, VELCRO TAPE	22FT	EA
31	1433601	1IN, VELCRO TAPE	6FT	EA

OPTIONS



アイテム	部品番号	名前	数量	UOM
	1433602 C	PLATFORM ASSEMBLY WITH MESH ENCLOSURE PG APRIL 2018 AND AFTER		EA
1	0071953	SPCR .451ID .500OD 1.88 STL	4	EA
2	8060311	PLATE GRIPSTRUT 8FT	3	EA
3	0113531	ASSY, SNORKEL GUARD	1	EA
4	0150509	ROLLER	4	EA
5	300492	LATCH LH TRAY ROTARY LOCK	1	EA
6	302555	KNOB ROUND .25 20NC FEMALE DIM	1	EA
7	0420199	WLDMT, GATE GRAVITY SIDE	1	EA
8	0420632	PIN 0.50 4.859 GRIP	1	EA
9	0421321	WLDMT, GG FRONT 36x96 STL PLAT	1	EA
10	0421519 5	PLT LATCH MNT SWING GATE	1	EA
11	0421529 5	WLDMT STRIKER SWING GATE	1	EA
12	970009	Capscrew 1/4 20 x 1/2 inch lon	1	EA
13	970239	BLT HEXHD .313 18 .750 GR5	2	EA
14	970279	BLT HEXHD .313 18 1.50 GR5	2	EA
15	972259	BLT FLSKTHD .313 18 1.00	2	EA
16	986269	WSHR FLAT .313	4	EA
17	986299	WASHER, FLAT, .375 STANDARD, PLATED	12	EA
18	986359	FLATWASHER 1/2"	2	EA
19	988179	COTTER PIN, 1/8 DIA. X 1" LG.	2	EA
20	1430080	PLATFORM ASSEMBLY STEEL	1	EA
21	2572007	BRG .500ID .625OD .625	4	EA
22	2667500	95 BALL KNOB 1 3/8 X 1/2 13	1	EA
23	5010007	HOSE VACUUM .156 ID 4.0MM	4"	EA
24	5560031	NUT HEX LKG .313 18	4	EA
25	5560033	.375 16UNC HEX LOCK NUT	10	EA
26	972479	BLT HEXHD .375 16 1.25 GR5	6	EA

アイテム	部品番号	名前	数量	UOM
27	5563310	HWH .25 14 SELF DRILLING X .75	16	EA
28	5569865	BLT HEXHD .375 16 2.75 GR5	4	EA
29	0075235	DECAL SIDE LOAD 150 LB	1	EA
30	0172451	DECAL ATTACH MAX 2 LANYARDS	1	EA
31	569295	DECAL, SNORKEL BRAND LOGO 3.00	2	EA
32	0071837	TORSION SPRING BASKET MODIF.	1	EA
33	0072531	DECAL, ELECTROCUTION HAZ	1	EA
34	986009	WSHR FLAT 10	2	EA
35	970029	BLT .25 20 .750	20	EA
36	986019	WSHR FLAT .250	20	EA
37	5560004	NUT LKG .250 20	20	EA
38	1433588	WLDMT, EXTENDED SWING GATE SID	1	EA
39	1433598	GATE ENCLOSURE, MESH	1	EA
40	1433599	PLATFORM ENCLOSURE, MESH	1	EA
41	1433600	2IN, VELCRO TAPE	22ft	EA
42	1433601	1IN, VELCRO TAPE	6ft	EA

OPTIONS

NO IMAGE AVAILABLE  
(BOM FOR REFERENCE ONLY)



アイテム	部品番号	名前	数量	UOM
	0113640 A	BUMP GUARD 36X96 WITH PADDING SNORKEL GUARD		EA
1	1430385	ASSY PLAT BUMP GUARD 36X96 W/PADDING	1	EA
2	0070901	Serial Number Plate, US Machines	1	EA
3	0071425	PLACARD, PLATFORM IDENTIF	1	EA
4	0075372	PLAC PLAT CAP 500LBS 2 PERSONS	1	EA
5	0090589E	PLACARD	3	EA
6	0112132	DECAL/PLAC TB80 PLATFORM (NOT SHOWN)	1	EA
7	A42013A	INSTL PLATFORM	1	EA
Not Shown	PNNA	ALSO USES DWGS 1430385 & A42013A WI ABOVE BOM		EA

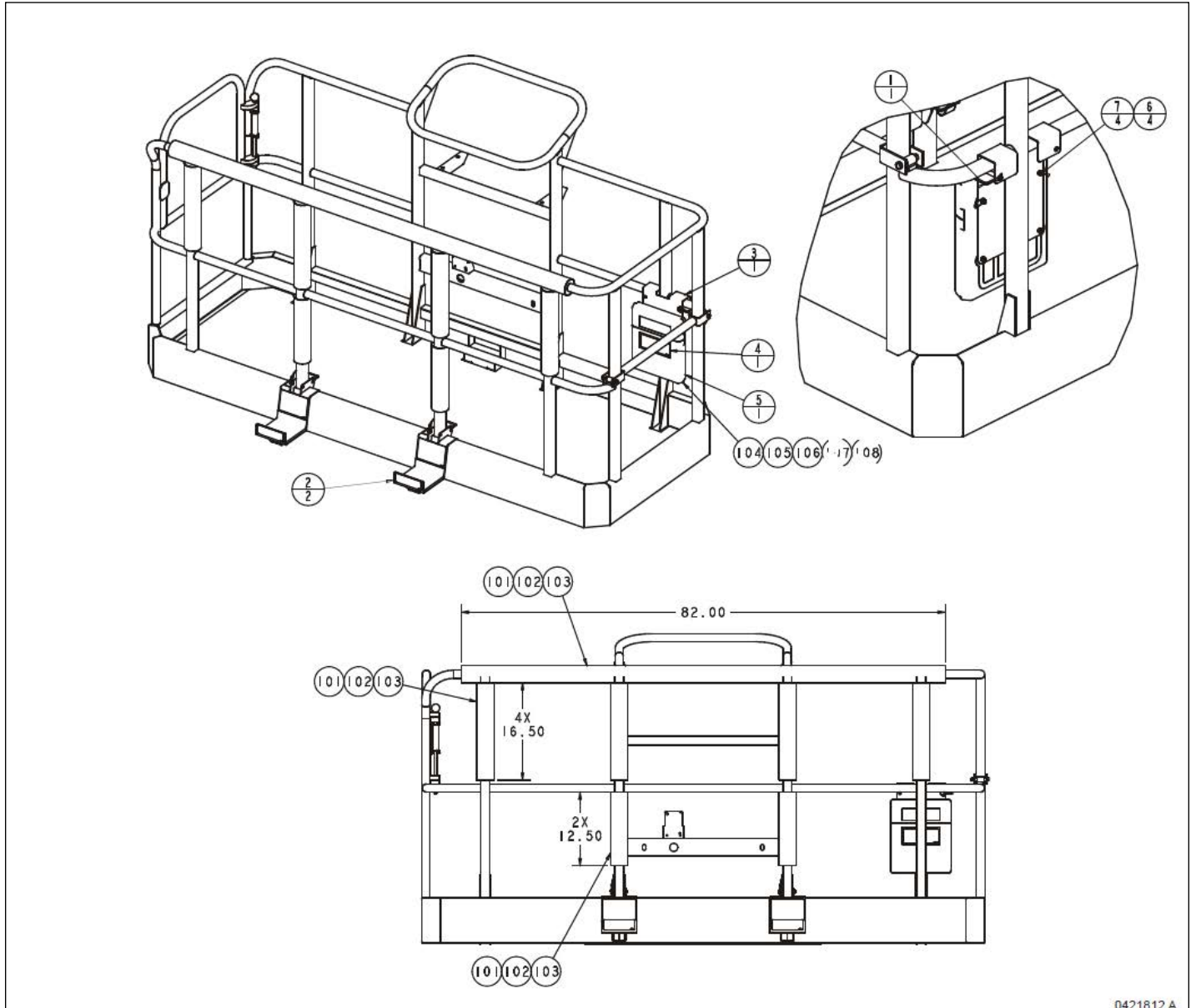
OPTIONS

**NO IMAGE AVAILABLE  
(BOM FOR REFERENCE ONLY)**

アイテム	部品番号	名前	数量	UOM
*	0113813B	PLATFORM ASSEMBLY 36 X 96 STEEL DOUBLE HANDRAIL NO PADDING		EA
1	0070901	Serial Number Plate, US Machines	1	EA
2	0071425	PLACARD, PLATFORM IDENTIF	1	EA
3	0071837	TORSION SPRING BASKET MODIF.	1	EA
4	0071953 8	SPCR .451ID .500OD 1.88 STL	4	EA
5	0075372	PLAC PLAT CAP 500LBS 2 PERSONS	1	EA
6	0090589E	PLACARD	3	EA
7	0112132	DECAL/PLAC TB80 PLATFORM (NOT SHOWN)	1	EA
8	0150509	ROLLER	4	EA
9	0420199 5	WLDMT GATE GRAVITY SIDE 36X96	1	EA
10	0420632	PIN 0.50 4.859 GRIP	1	EA
11	0421321 5	WLDMT GG FRONT 36X96 STL PLAT	1	EA
12	0421519 5	PLT LATCH MNT SWING GATE	1	EA
13	0421529 5	WLDMT STRIKER SWING GATE	1	EA
14	8060311	PLATE GRIPSTRUT 8FT	3	EA
15	1430099 5	WLDMT STRIKE GATE SWING	1	EA
16	1430378 5	WLDMT PLATF BUMP FRAME MOD	1	EA
17	2572007	BRG .500ID .625OD .625	4	EA
18	2667500	95 BALL KNOB 1 3/8 X 1/2 13	1	EA
19	300492	LATCH LH TRAY ROTARY LOCK	1	EA
20	302555	KNOB ROUND .25 20NC FEMALE DIM	1	EA
21	5010007	HOSE VACUUM .156 ID 4.0MM	0.32	EA
22	5560031	NUT HEX LKG .313 18	4	EA
23	5560033	.375 16UNC HEX LOCK NUT	10	EA

アイテム	部品番号	名前	数量	UOM
24	5560039	NUT HEX LKG .500 13	4	EA
25	5560696	BLT HEXHD .375 16 1.12 GR5	6	EA
26	5563310	HWH .25 14 SELF DRILLING X .75	16	EA
27	5569865	BLT HEXHD .375 16 2.75 GR5	4	EA
28	970009	Capscrew 1/4 20 x 1/2 inch lon	1	EA
29	970239	BLT HEXHD .313 18 .750 GR5	2	EA
30	970279	BLT HEXHD .313 18 1.50 GR5	2	EA
31	970919	BLT HEXHD .500 13 1.75 GR5	4	EA
32	972259	BLT FLSKTHD .313 18 1.00	2	EA
33	986269	WSHR FLAT .313	4	EA
34	986299	WASHER, FLAT, .375 STANDARD, PLATED	12	EA
35	986359	FLATWASHER 1/2"	2	EA
36	987109	WSHR LOCK .313	2	EA
37	988179	COTTER PIN, 1/8 DIA. X 1" LG.	2	EA
38	A42013A	INSTL PLATFORM	1	EA
39	5560004	NUT LKG .250 20	20	EA
40	970029	BLT .25 20 .750	20	EA
41	986019	WSHR FLAT .250	20	EA
42	0113531 5	ASSY SNORKEL GUARD	1	EA

OPTIONS



アイテム	部品番号	名前	数量	UOM
Not Shown	0421068 A	PLATFORM GLAZIER PACKAGE	1	EA
Not Shown	0421812 A	PLATFORM GLAZIER PACKAGE	1	EA
1	302544	Pin & Lock	1	EA
2	0421067	GLAZIER TRAY ASSEMBLY 2 ENTRY PLATFORM	2	EA
Not Shown	0421811	GLAZIER TRAY ASSEMBLY 3 ENTRY PLATFORM	2	EA
3	0421283	BRACKET, GLAZIER PACKAGE	1	EA
4	0421285	DECAL, GLAZIER PACKAGE BOX	1	EA
5	562386	Literature Compartment	1	EA
6	5560034	NUT LKG 10 24	4	EA
7	5560609	SCR TRHD 10 24 .500	4	EA
101	9980003	PIPE INSUL CLOSED CELL AP ARMA	216 IN	EA
102	9980008	COV STR 18OZ COVERLITE YELLOW	1	EA
103	9980005	CABLE TIE UV RESISTANT	70	EA
104	0421299	GLAZIER CAM STRAP – TIE DOWN STRAP	1	EA
105	9960007	ASSIST STRAP 18 IN LONG	2	EA
106	0421269	GLAZIER PACKAGE OPERATORS MANUAL	1	EA
107	7050006	DOCUMENT POUCH, ADHESIVE BACKED	1	EA
108	7050007	DOCUMENT POUCH, RECLOSABLE	1	EA

OPTIONS

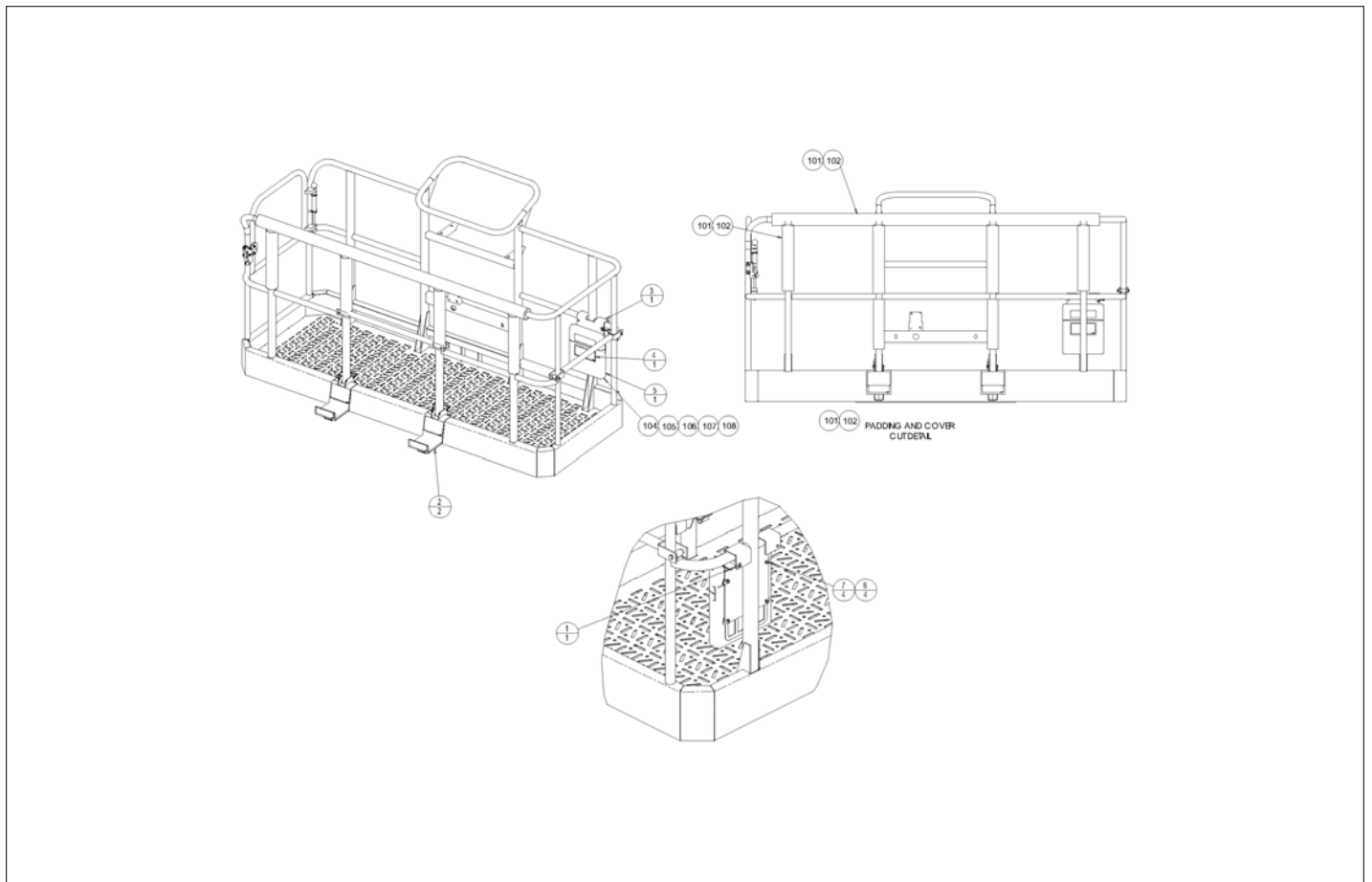


NO IMAGE AVAILABLE  
(BOM FOR REFERENCE ONLY)

アイテム	部品番号	名前	数量	UOM
	0113585A	39 X 96 STEEL PLATFORM 500#		EA
1	0070901	Serial Number Plate, US Machines	1	EA
2	0071425	PLACARD, PLATFORM IDENTIF	1	EA
3	0075372	PLAC PLAT CAP 500LBS 2 PERSONS	1	EA
4	0090589E	PLACARD	3	EA
5	0112132	DECAL/PLAC TB80 PLATFORM (NOT SHOWN)	1	EA
6	1430994	PLATFORM ASSY, SNORKEL GUARD	1	EA
7	A42013A	INSTL PLATFORM	1	EA
8	5560039	NUT HEX LKG .500 13	4	EA
9	986359	FLATWASHER 1/2"	8	EA
10	970919	BLT HEXHD .500 13 1.75 GR5	4	EA

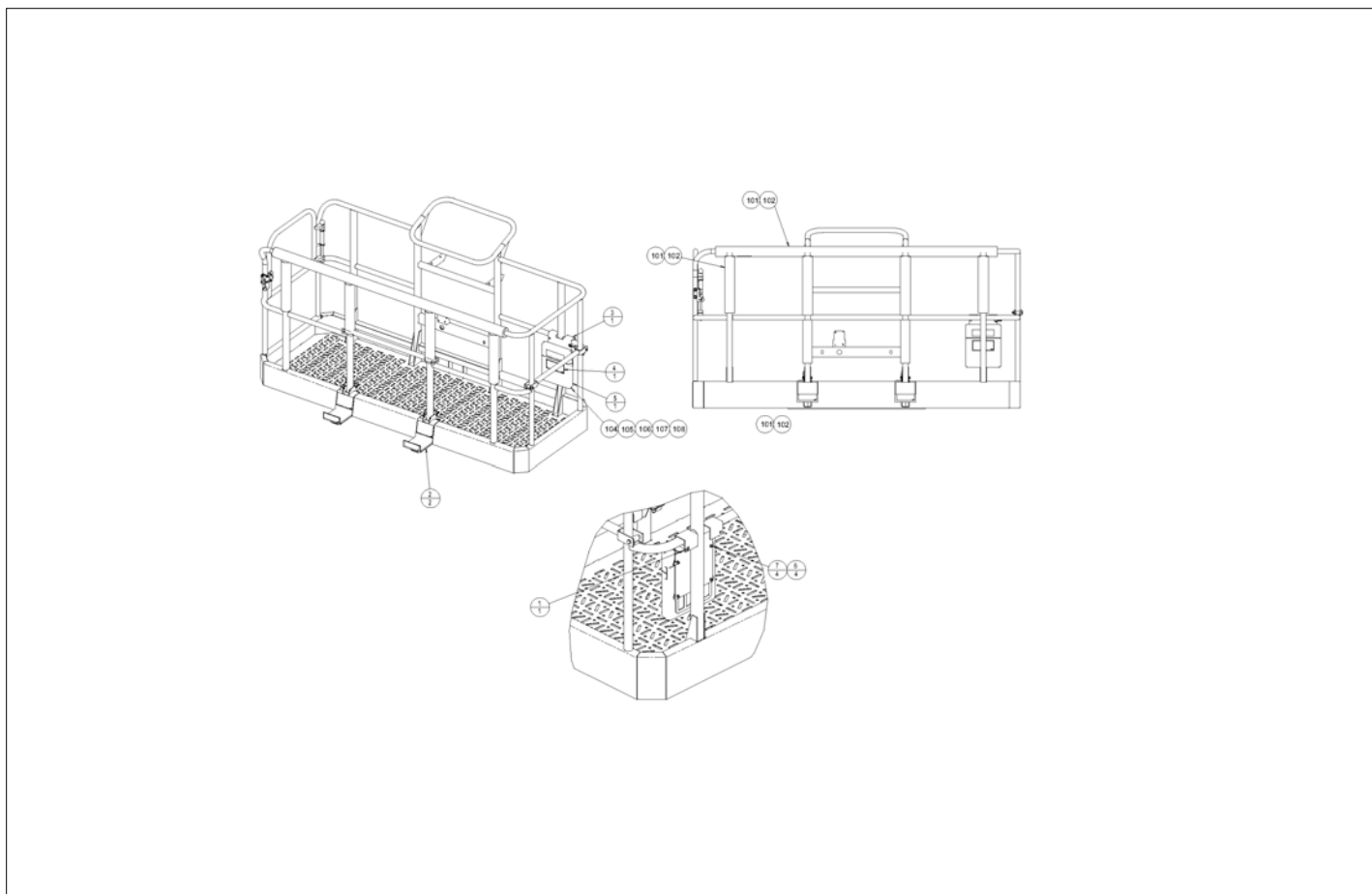


OPTIONS



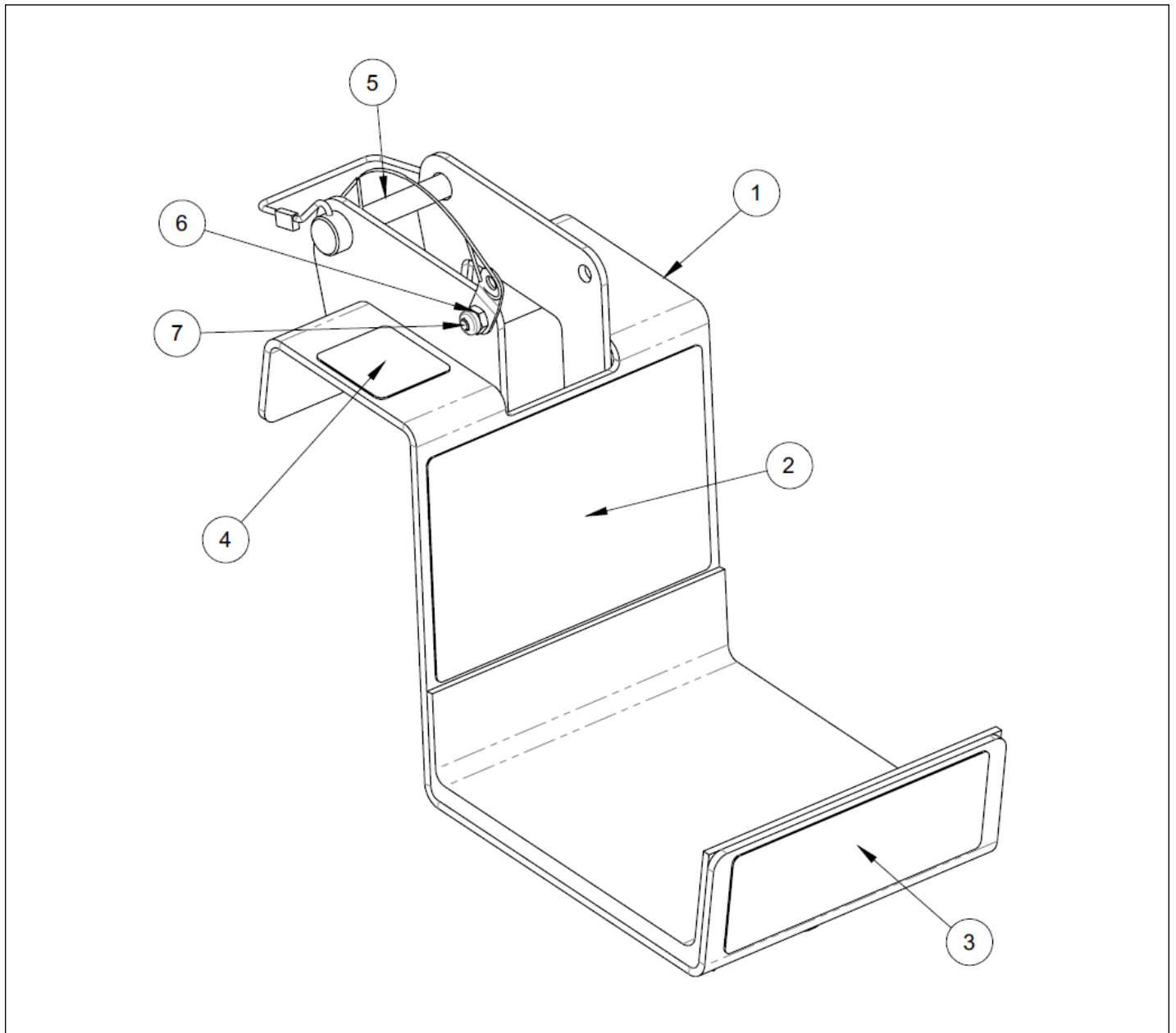
アイテム	部品番号	名前	数量	UOM
	0421068C	GLAZIER PACKAGE PLATFORM WITH 1.7 INCH TOE BOARD INSTALLATION		EA
1	302544	Pin & Lock	1	EA
2	0421067	GLAZIER TRAY ASSEMBLY 2 ENTRY PLATFORM	2	EA
3	0421283 3	BRKT GLAZIER COMP BOX MTG	1	EA
4	0421285	DECAL, GLAZIER PACKAGE BOX	1	EA
5	562386	Literature Compartment	1	EA
6	5560034	NUT LKG 10 24	4	EA
7	5560609	SCR TRHD 10 24 .500	4	EA
101	9980003	PIPE INSUL CLOSED CELL AP ARMA	216	EA
102	9980008	COV STR 18OZ COVERLITE YELLOW	1	EA
104	0421299	GLAZIER CAM STRAP – TIE DOWN STRAP	1	EA
105	9960007	ASSIST STRAP 18 IN LONG	2	EA
106	0421269	GLAZIER PACKAGE OPERATORS MANUAL	1	EA
107	7050006	DOCUMENT POUCH, ADHESIVE BACKED	1	EA
108	7050007	DOCUMENT POUCH, RECLOSABLE	1	EA

# OPTIONS



アイテム	部品番号	名前	数量	UOM
	0421812 C	GLAZIER PACKAGE WORLD PLATFORM WITH 2 INCH TOE BOARD INSTALLATION		EA
1	302544	Pin & Lock	1	EA
2	0421811	GLAZIER TRAY ASSEMBLY 3 ENTRY PLATFORM	2	EA
3	0421283 3	BRKT GLAZIER COMP BOX MTG	1	EA
4	0421285	DECAL, GLAZIER PACKAGE BOX	1	EA
5	562386	Literature Compartment	1	EA
6	5560034	NUT LKG 10 24	4	EA
7	5560609	SCR TRHD 10 24 .500	4	EA
101	9980003	PIPE INSUL CLOSED CELL AP ARMA	216	EA
102	9980008	COV STR 18OZ COVERLITE YELLOW	1	EA
104	0421299	GLAZIER CAM STRAP – TIE DOWN STRAP	1	EA
105	9960007	ASSIST STRAP 18 IN LONG	2	EA
106	0421269	GLAZIER PACKAGE OPERATORS MANUAL	1	EA
107	7050006	DOCUMENT POUCH, ADHESIVE BACKED	1	EA
108	7050007	DOCUMENT POUCH, RECLOSABLE	1	EA

OPTIONS



アイテム	部品番号	名前	数量	UOM
Not Shown	0421067	GLAZIER TRAY ASSEMBLY 2 ENTRY PLATFORM	1	EA
Not Shown	0421811	GLAZIER TRAY ASSEMBLY 3 ENTRY PLATFORM	1	EA
1	0421066	GLAZIER TRAY LINED AND PAINTED 2 ENTRY PLATFORM	1	EA
Not Shown	0421810	GLAZIER TRAY LINED AND PAINTED TRI ENTRY PLATFORM	1	EA
2	0421078	DECAL GLAZIER FALL OBJECT HAZARD	1	EA
3	0421077	DECAL GLAZIER TIP HAZARD	1	EA
4	0421079	PLACARD NO STEP	1	EA
5	302544	Pin & Lock	1	EA
6	5560034	NUT LKG 10 24	1	EA
7	5560104	SBHCS #10 24 X .50 STL GR8 PLTD	1	EA

OPTIONS

**NO IMAGE AVAILABLE  
(BOM FOR REFERENCE ONLY)**

アイテム	部品番号	名前	数量	UOM
	0113798A	TIRES NON MARKING FOAM FILLED		EA
1	0113799	FOAM TIRE ASSY RH LUG NON MARK	2	EA
2	0113800	FOAM TIRE ASSY LH LUG NON MARK	2	EA
3	0073298	Decal, Foam Tyres	2	EA



## OPTIONS



NO IMAGE AVAILABLE  
(BOM FOR REFERENCE ONLY)

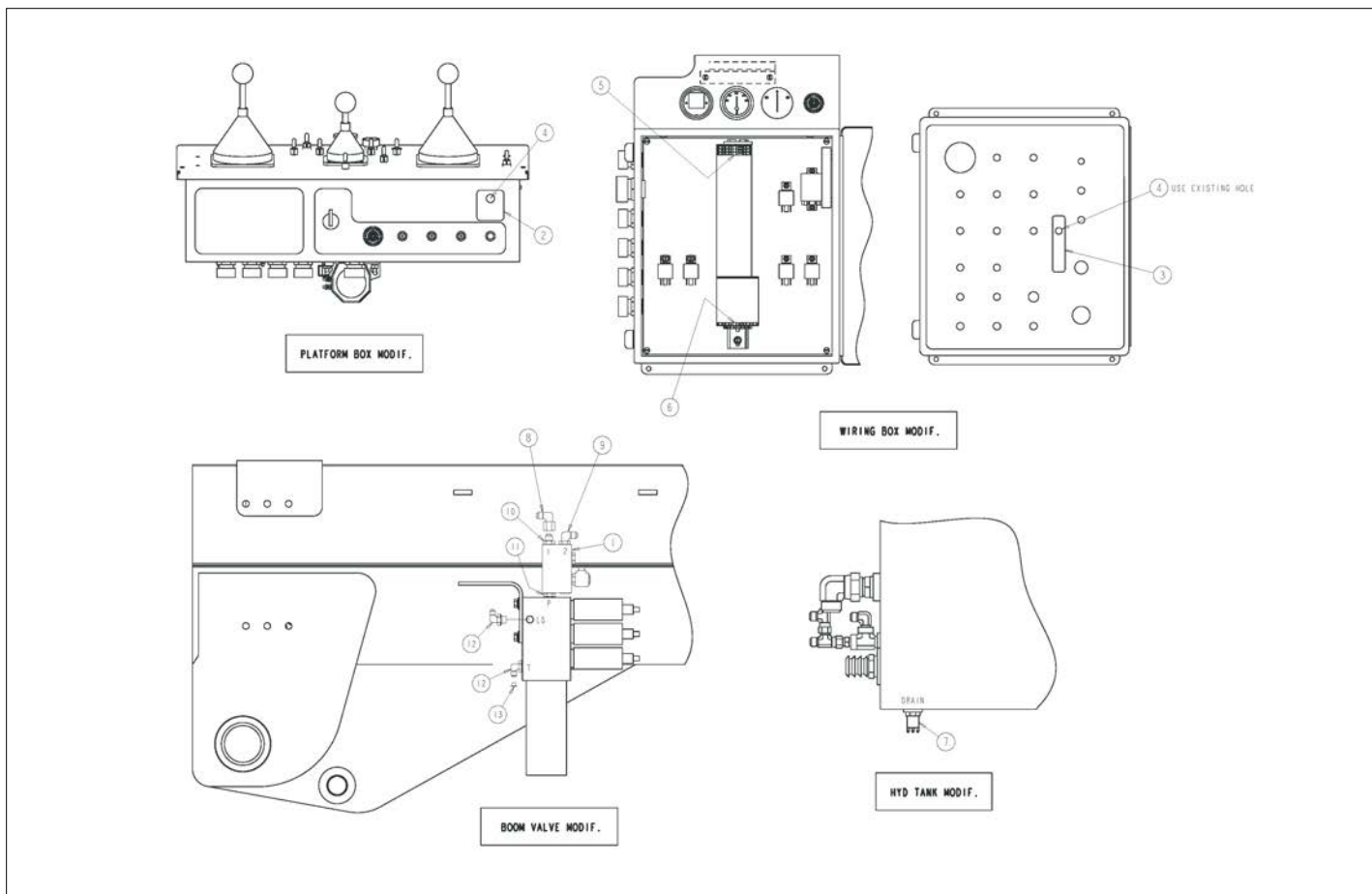
アイテム	部品番号	名前	数量	UOM
	0421898 A	COLD WEATHER PACKAGE AB80J AB86J NOVEMBER 2019 AND AFTER		EA
1	0182443	OPT BLOCK HEATER KU V2403T	1	EA
2	0421319	HYDRAULIC WARMUP AB85	1	EA

OPTIONS

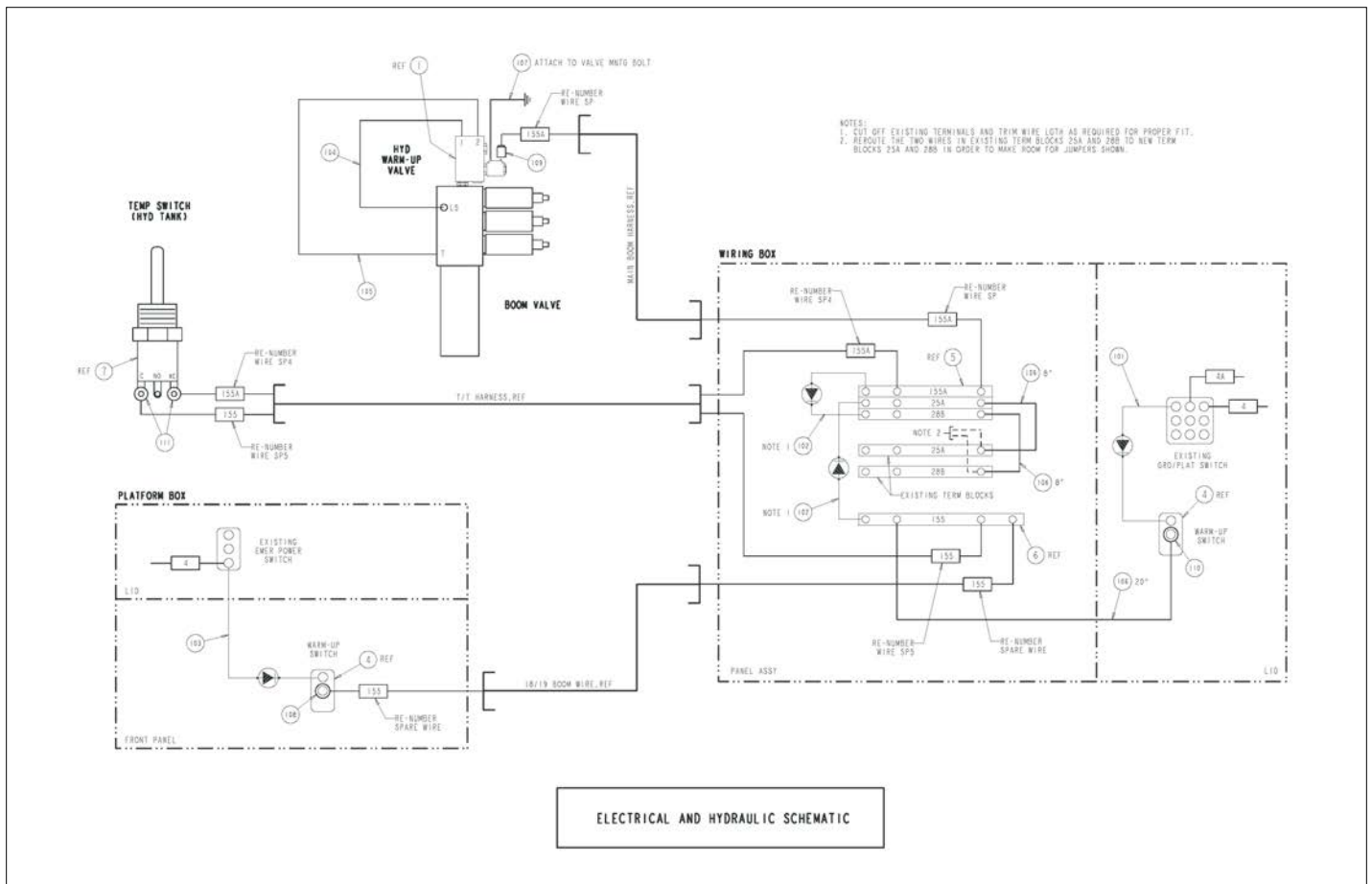
**NO IMAGE AVAILABLE  
(BOM FOR REFERENCE ONLY)**

アイテム	部品番号	名前	数量	UOM
	0421891 D	KU EXTREME COLD WEATHER PACKAGE		EA
1	0192579	OPT BLOCK HEATER KU V2403T	1	EA
2	0190086	SYNTHETIC HYDR OIL F/COLD WTHR (PART NOT SHOWN)	65	EA
3	0421319	HYDRAULIC WARMUP AB85	1	EA
4	3050102	BATTERY BLANKET WARMER	2	EA
5	3050002	BATTERY 12V	1	EA
6	012039 000	ROD BAT HOLD DOWN	1	EA
7	3050008	BATTERY HOLD DOWN	1	EA
10	0075268	WIRE 2/0 R375 R375 13 BLK	1	EA
11	0080484	WIRE 2/0 R375 R375 13 RED	1	EA

OPTIONS



アイテム	部品番号	名前	数量	UOM
	0421319 A	HYDRAULIC WARM UP		EA
1	6019136	VALVE HYDR OIL WARMUP	1	EA
2	0191436	PLAC WARM UP AT PLATF	1	EA
3	0191435	PLAC WARM UP AT GROUND	1	EA
4	3020013	Switch, Toggle Honeywell INTI 2	2	EA
5	3220054	TERMINAL BLOCK ST 25 TWIN	3	EA
6	3220068	TERM BLOCK ST4 QUATTRO	1	EA
7	3020078	TEMPERATURE SWITCH	1	EA
8	5037003	FTG ELB90SWVL 4S 4S STL	1	EA
9	5035305	FTG ELB90STRTHD 6S 6S STL	1	EA
10	5065705	FTG ADPTR STRTHD 6B 4S STL	1	EA
11	5076301	UNION ( 6/ 6)	1	EA
12	5035303	FTG ELB90STRTHD 4B 4S STL	2	EA
13	0150975	ORIFICE	1	EA
101	0111477	WIRE 16 R6I R6I 10 DIO	1	EA
102	0073618	WIRE 18 DIODE R10IFEM188I 15	2	EA
103	0421458	WIRE 16 R6I R6I DIO 28	1	EA
104	0020283	HOSE 4 4S 4S 15.25 100R1 SAE:100R1 4 BAND IN	1	EA
105	0421464	HOSE 6 4S 6S 24 100R17	1	EA
106	3011601	WIRE 16GA SINGLE CONDUCTOR BLK	3FT	EA
107	302862	WIRE 16 R375I 90FEM250FI 8 RED	1	EA
108	3044142	TERM, .250 TAB 12/10, MALE F.I.	1	EA
109	3040083	TERM FEM250FI 16/14	1	EA
110	3044158	TERM R6I	1	EA
111	3044160	TERM R8I 16/14	2	EA



OPTIONS



NO IMAGE AVAILABLE  
(BOM FOR REFERENCE ONLY)



アイテム	部品番号	名前	数量	UOM
	0182443 B	BLOCK HEATER KUBOTA V2403T		EA
1	104869 000	BLOCK HEATER	1	EA
2	0181634	DECAL ENGINE BLOCK HEATER	1	EA
3	0073077	CABLE ASSEMBLY EXTENSION	1	EA

NO IMAGE AVAILABLE  
(BOM FOR REFERENCE ONLY)

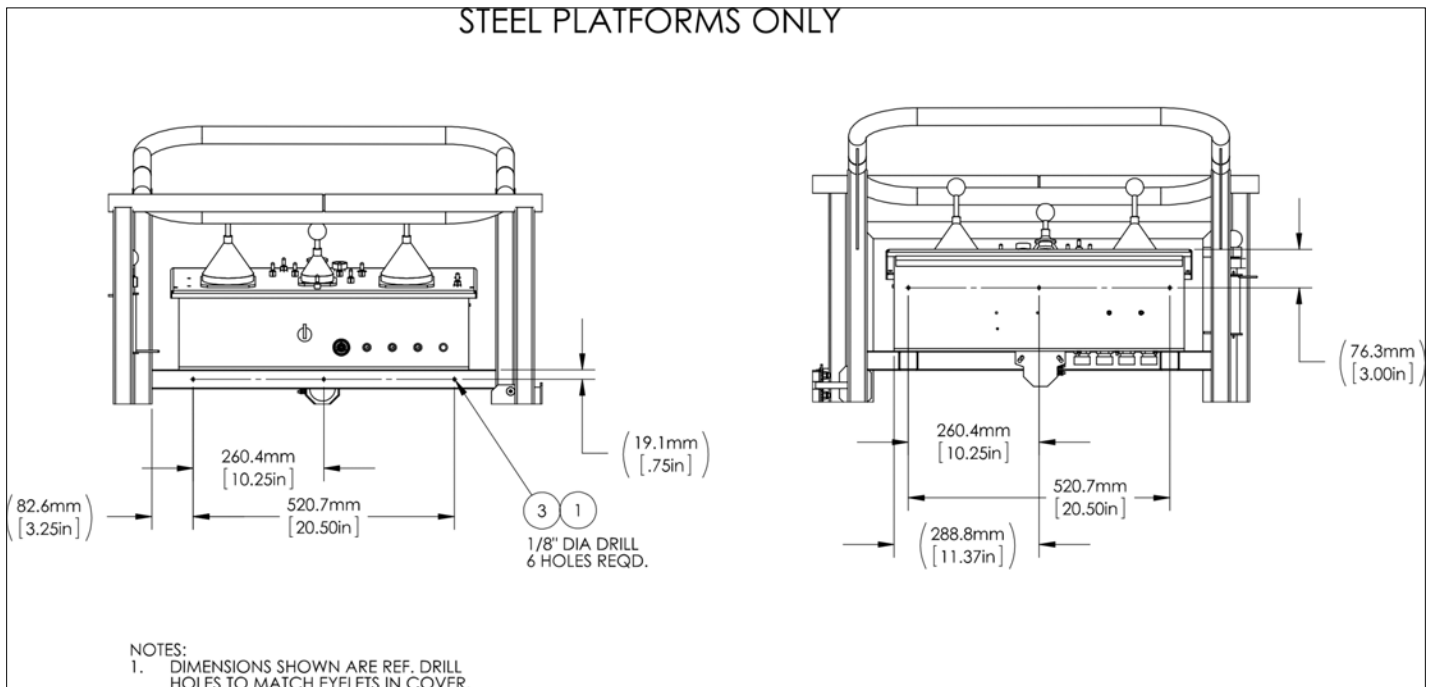
OPTIONS



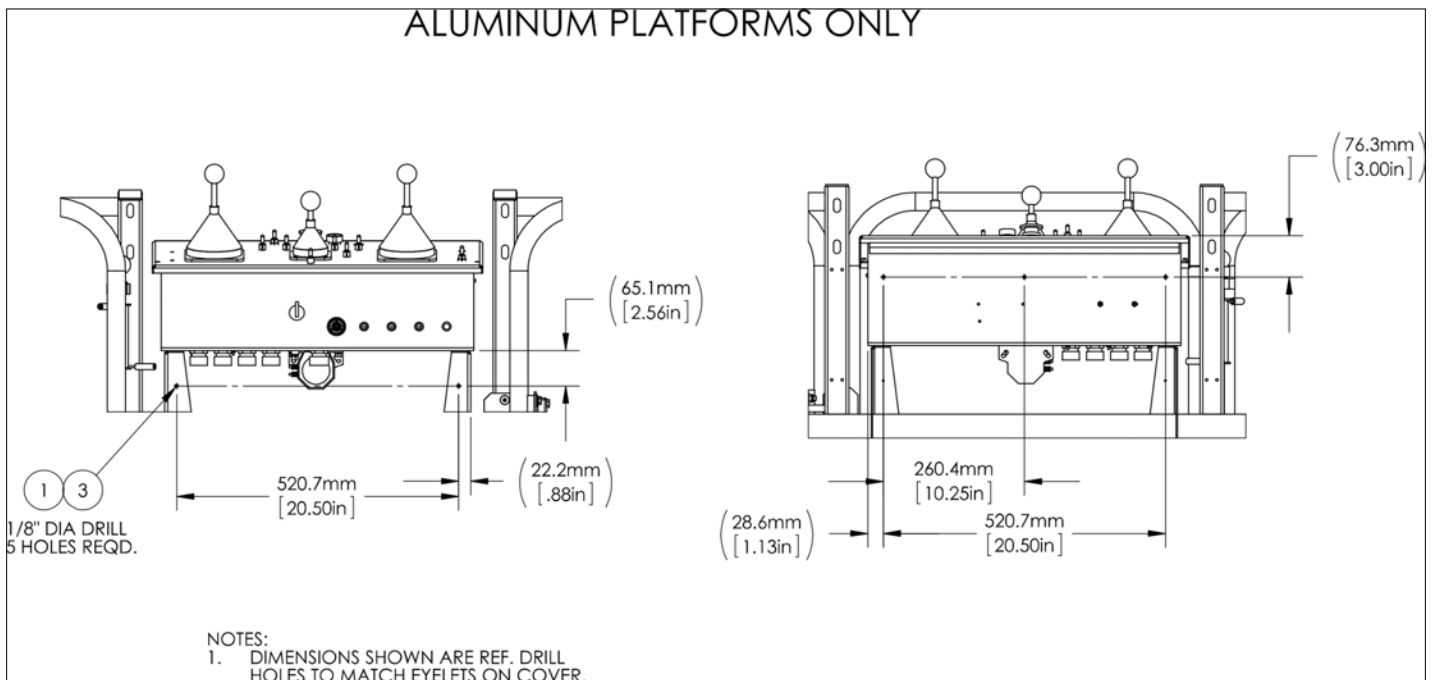
NO IMAGE AVAILABLE  
(BOM FOR REFERENCE ONLY)

アイテム	部品番号	名前	数量	UOM
	0421660 A	EXTREME ENVIROMENT PACKAGE NOVEMBER 2019 AND AFTER		EA
1	0071654	PLATFORM CONTROL BOX COVER TB ATB	1	EA
2	0421624	SANDBLAST KIT AB80	1	EA
3	0421814	OPT BOOM WIPER A80/85J	1	EA

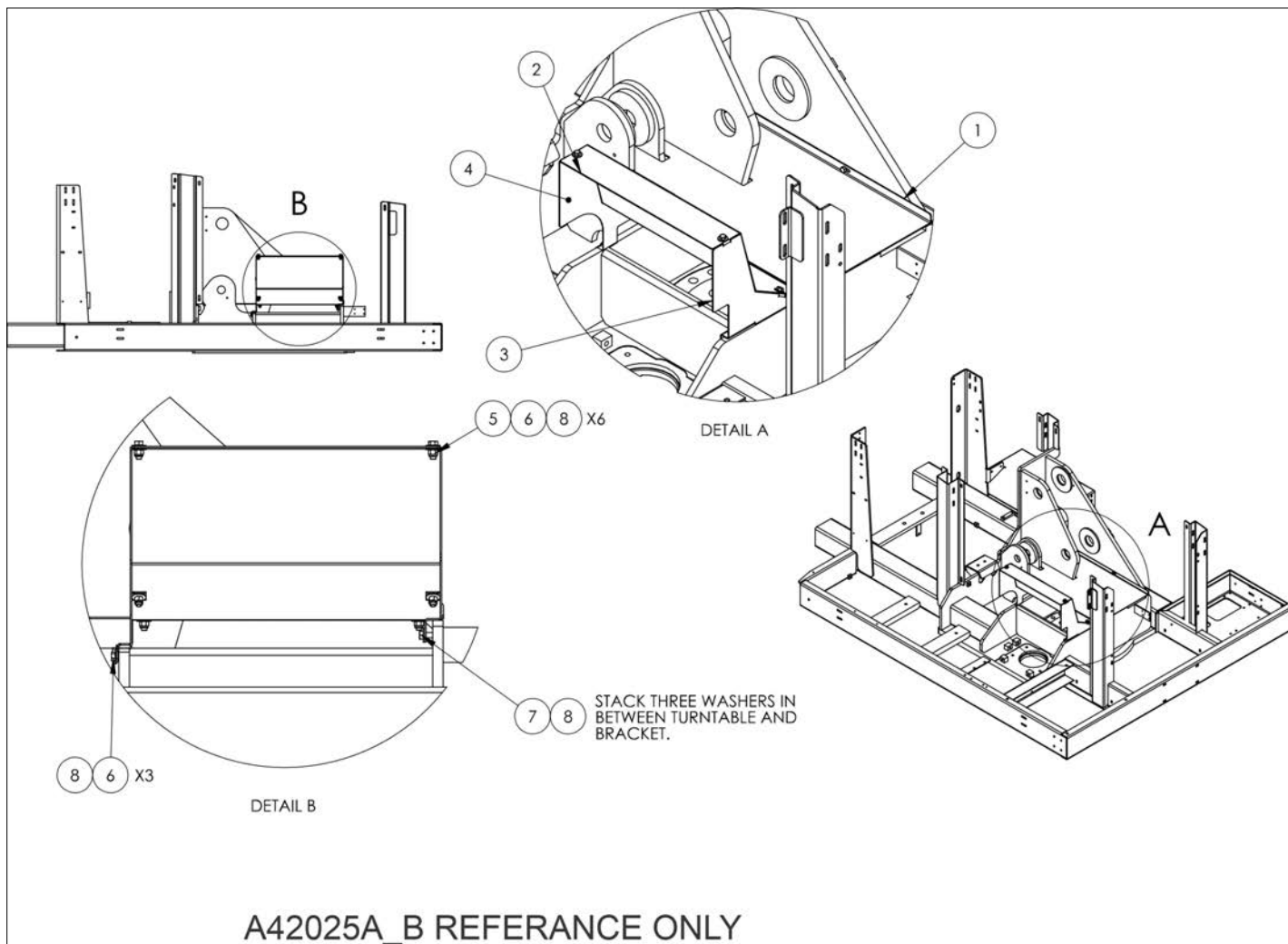
OPTIONS



アイテム	部品番号	名前	数量	UOM
	0071654E	PLATFORM CONTROL COVER VINYL		EA
1	PNNA	SNAP INCLUDED WITH COVER	REF	EA
2	0073076	UPPER CONTROL BOX COVER – STANDARD	1	EA
3	5560656	RVT POP .125 DIA .375 DMD STL	6	EA



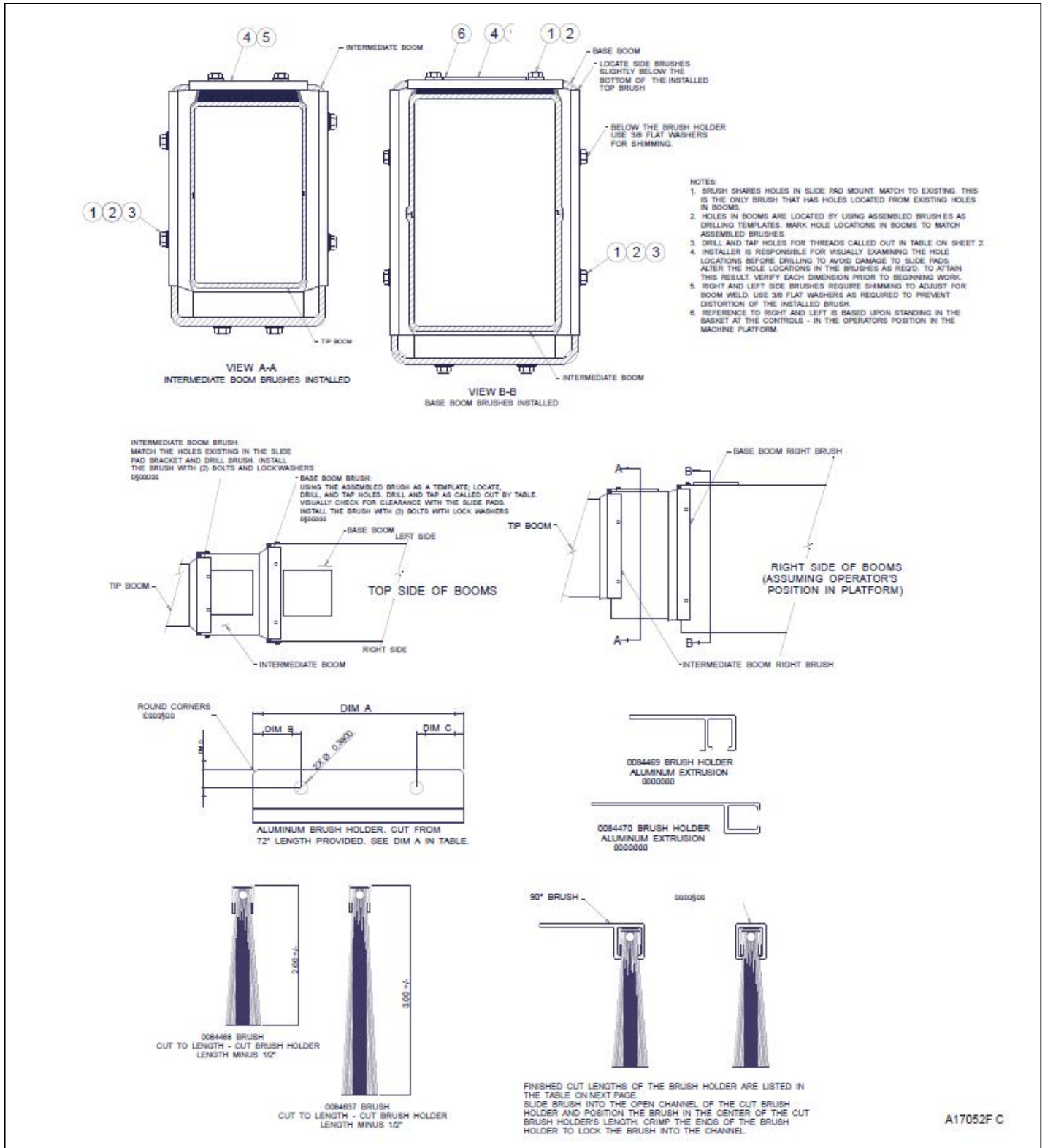
OPTIONS





アイテム	部品番号	名前	数量	UOM
	0421624 B	SNDBLAST KIT FEBURARY 2020 AND AFTER		EA
1	0112619	BELLOWS 5' JIB MASTER LEV CYL – ITEM NOT SHOWN	4	EA
2	0112621	BELLOWS 5' JIB CYL – ITEM NOT SHOWN	1	EA
3	0421596	BELLOWS MAIN LIFT CYL	1	EA
4	0421597	BELLOWS RISER CYL	1	EA
5	0421598	BELLOWS LEVEL CYL AB80J/85J	2	EA
6	0421640 8	COVER TOP SHEET	1	EA
7	0421641 8	COVER GEAR BOX SANDBLAST	1	EA
8	0421642 8	COVER SIDE FRONT SANDBLAST	1	EA
9	0421643 8	COVER SIDE REAR SANDBLAST	1	EA
10	A42025A	SANDBLAST OPTION INSTALLATION	REF ONLY	EA
11	5550050	CLP WORM DRV 2.75 3.75 SAE#52	2	EA
12	5550038	CLP WORM DRV 1.25 2.25 SAE#28	6	EA
13	5550070	CLP WORM DRV 3.00 5.00 SAE#72	6	EA
14	5550105	CLAMP WORM DRIVE 5.00 7.00 SAE #104D DEUTZ ONLY	2	EA
15	10002 008	SCREW 3/8 16UNC HHC X 1	9	EA
16	10002 011	BLT HEXHD .375 16 1.375 GR8	1	EA
17	986299	WASHER, FLAT, .375 STANDARD, PLATED	16	EA
18	5560033	.375 16UNC HEX LOCK NUT	6	EA

OPTIONS



アイテム	部品番号	名前	数量	UOM
	0421814 B	BOOM WIPER KIT	1	EA
1	986019	WSHR FLAT .250	6	EA
2	987099	WSHR LOCK .250	12	EA
3	970029	BLT .25 20 .750	12	EA
4	0084468	BRUSH	1	EA
5	0084469	BRUSH HOLDER 90 DEG	1	EA
6	0084470	BRUSH HOLDER MTG BRKT	3	EA
7	A17052F C	BOOM WIPER DRAWING ONLY	1	EA

04984 LIST OF MATERIALS AB486J			
ITEM	NUMBER	DESCRIPTION	REQ'D
1	986019	WSPR FLAT 25	8
2	987899	WSPR LOCK 25	8
3	970029	HACS 25-28 1.75	8
4	808468	BRUSH	1
5	8084470	BRUSH HOLDER	1
6			

TABLE OF ASSEMBLED BRUSH LENGTHS FOR AB486J (NOTE 4)					
DIMENSIONS	DIM A	DIM B	DIM C	DIM D	REQ'D
BASE BOOM RIGHT BRUSH	14 1/2"	1 1/2"	1 1/2"	3/4"	1
BASE BOOM LEFT BRUSH	14 1/2"	1 1/2"	1 1/2"	3/4"	1
INTERMEDIATE BOOM RIGHT BRUSH					
INTERMEDIATE BOOM LEFT BRUSH					
BASE BOOM TOP BRUSH	9 1/2"	1 1/2"	1 1/2"	3/4"	1
INTERMEDIATE BOOM TOP BRUSH	9 1/2"	1 1/2"	1 1/2"	3/4"	1

08828 LIST OF MATERIALS AB80			
ITEM	NUMBER	DESCRIPTION	REQ'D
1	986019	WSPR FLAT 25 (USE AS REQ'D FOR SHIND)	16
2	987899	WSPR LOCK 25	6
3	970029	HACS 25-28 1.75	6
4	808468	BRUSH	1
5	8084469	BRUSH HOLDER (90 DEGREE)	1
6			
7			

TABLE OF ASSEMBLED BRUSH LENGTHS FOR AB80 (NOTE 4)					
DIMENSIONS	DIM A	DIM B	DIM C	DIM D	REQ'D
BASE BOOM RIGHT BRUSH	14 1/4"	2"	2"	1 1/2"	1
BASE BOOM LEFT BRUSH	14 1/4"	2"	2"	1 1/2"	1
INTERMEDIATE BOOM RIGHT BRUSH					
INTERMEDIATE BOOM LEFT BRUSH					
BASE BOOM TOP BRUSH	11"	1 1/2"	1 1/2"	1 1/2"	1
INTERMEDIATE BOOM TOP BRUSH					

09440 LIST OF MATERIALS T26J			
ITEM	NUMBER	DESCRIPTION	REQ'D
1	986019	WSPR FLAT 25 (USE AS REQ'D FOR SHIND)	16
2	987899	WSPR LOCK 25	10
3	970029	HACS 25-28 1.75	10
4	808468	BRUSH - 1"	2
5	8084469	BRUSH HOLDER (90 DEGREE)	2
6	8084657	BRUSH - 2"	1
7			

TABLE OF ASSEMBLED BRUSH LENGTHS FOR T26J (NOTE 4)					
DIMENSIONS	DIM A	DIM B	DIM C	DIM D	REQ'D
BASE BOOM RIGHT BRUSH	8 3/4"	2"	2"	1 1/2"	1
BASE BOOM LEFT BRUSH	8 3/4"	2"	2"	1 1/2"	1
INTERMEDIATE BOOM RIGHT BRUSH	10 5/8"	2"	2"	1 1/2"	1
INTERMEDIATE BOOM LEFT BRUSH	10 5/8"	2"	2"	1 1/2"	1
INTERMEDIATE BOOM RIGHT BRUSH	16 1/4"	2"	2"	1 1/2"	1
INTERMEDIATE BOOM LEFT BRUSH	16 1/4"	2"	2"	1 1/2"	1
BASE BOOM TOP BRUSH	19 1/2"	1 1/2"	1 1/2"	1 1/2"	1
INTERMEDIATE BOOM TOP BRUSH	17"	1 1/2"	1 1/2"	1 1/2"	1
INTERMEDIATE BOOM TOP BRUSH	11 3/4"	1 1/2"	1 1/2"	1 1/2"	1

09440 LIST OF MATERIALS AB46			
ITEM	NUMBER	DESCRIPTION	REQ'D
1	986019	WSPR FLAT 25 (USE AS REQ'D FOR SHIND)	6
2	987899	WSPR LOCK 25	12
3	970029	HACS 25-28 1.75	12
4	808468	BRUSH	1
5	8084469	BRUSH HOLDER (90 DEGREE)	1
6			
7	8084793	BRUSH HOLDER #1/2 1/4x5	3

TABLE OF ASSEMBLED BRUSH LENGTHS FOR AB46 (NOTE 4)					
DIMENSIONS	DIM A	DIM B	DIM C	DIM D	REQ'D
BASE BOOM RIGHT BRUSH	8 1/4"	1 7/8"	1 7/8"	1 1/2"	1
BASE BOOM LEFT BRUSH	8 1/4"	1 7/8"	1 7/8"	1 1/2"	1
BASE BOOM TOP BRUSH	6 3/4"	7/8"	7/8"	1 1/2"	1
INTERMEDIATE BOOM TOP BRUSH					

0128 LIST OF MATERIALS T885			
ITEM	NUMBER	DESCRIPTION	REQ'D
1	986019	WSPR FLAT 25 (USE AS REQ'D FOR SHIND)	8
2	987899	WSPR LOCK 25	12
3	970029	HACS 25-28 1.75	12
4	808468	BRUSH	1
5	8084469	BRUSH HOLDER (90 DEGREE)	1
6			
7			

TABLE OF ASSEMBLED BRUSH LENGTHS FOR T885 (NOTE 4)					
DIMENSIONS	DIM A	DIM B	DIM C	DIM D	REQ'D
BASE BOOM RIGHT BRUSH	16 1/2"	4"	4 1/2"	1 1/2"	1
BASE BOOM LEFT BRUSH	16 1/2"	4 1/2"	4"	1 1/2"	1
INTERMEDIATE BOOM RIGHT BRUSH	13"	3 1/2"	4"	1 1/2"	1
INTERMEDIATE BOOM LEFT BRUSH	13"	4"	3 1/2"	1 1/2"	1
BASE BOOM TOP BRUSH	12 1/2"	2"	2"	1 1/2"	1
INTERMEDIATE BOOM TOP BRUSH	10 1/2"	1 1/2"	1 1/2"	1 1/2"	1

07638 LIST OF MATERIALS T842/47/50			
ITEM	NUMBER	DESCRIPTION	REQ'D
1	986019	WSPR FLAT 25 (USE AS REQ'D FOR SHIND)	8
2	987899	WSPR LOCK 25	12
3	970029	HACS 25-28 1.75	12
4	808468	BRUSH	1
5	8084469	BRUSH HOLDER (90 DEGREE)	1
6			
7			

TABLE OF ASSEMBLED BRUSH LENGTHS FOR T842/47/50 (NOTE 4)					
DIMENSIONS	DIM A	DIM B	DIM C	DIM D	REQ'D
BASE BOOM RIGHT BRUSH	9 1/4"	2"	2"	1 1/2"	1
BASE BOOM LEFT BRUSH	9 1/2"	2 1/4"	2 1/4"	1 1/2"	1
INTERMEDIATE BOOM RIGHT BRUSH	12"	2"	1 1/4"	1 1/2"	1
INTERMEDIATE BOOM LEFT BRUSH	10"	3 3/4"	3"	1 1/2"	1
BASE BOOM TOP BRUSH	11"	2"	2"	1 1/2"	1
INTERMEDIATE BOOM TOP BRUSH	9 1/4"	SEE NOTE 1	1 1/2"	1 1/2"	1

14008 LIST OF MATERIALS T491/146/RT			
ITEM	NUMBER	DESCRIPTION	REQ'D
1	986019	WSPR FLAT 375 (USE AS REQ'D FOR SHIND)	48
2	987899	WSPR LOCK 375	6
3	970479	HACS 375-16 X 1.85	4
4	808468	BRUSH	1
5	8084469	BRUSH HOLDER (90 DEGREE)	1
6			
7			
8	970449	HACS 375-16 X 1.75	2

TABLE OF ASSEMBLED BRUSH LENGTHS FOR T491/146/RT (NOTE 4)					
DIMENSIONS	DIM A	DIM B	DIM C	DIM D	REQ'D
BASE BOOM RIGHT BRUSH	10 25/32"	1"	1"	1 1/2"	1
BASE BOOM LEFT BRUSH	10 25/32"	1"	1"	1 1/2"	1
BASE BOOM TOP BRUSH	8 7/8"	1"	1"	1 1/2"	1

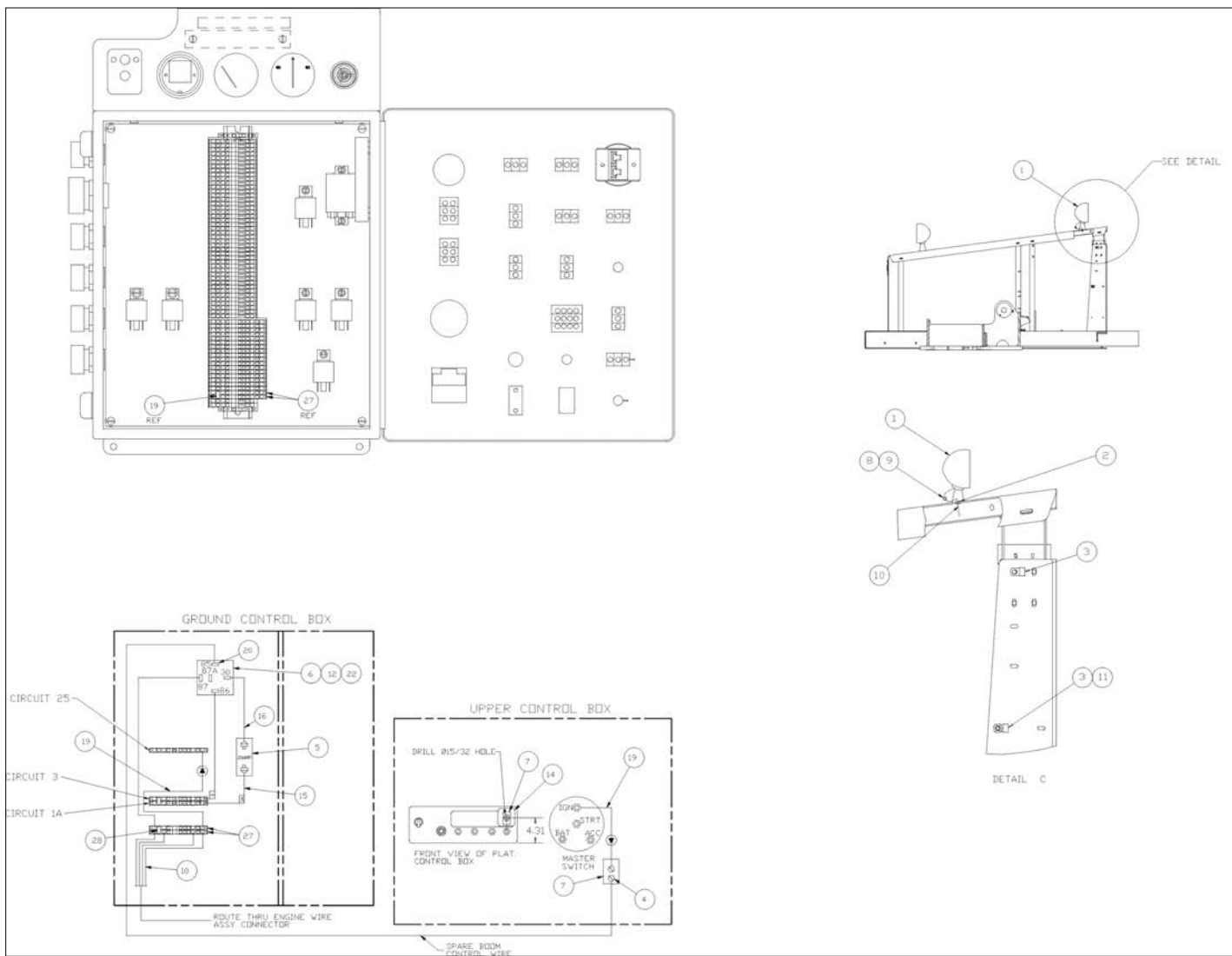
## OPTIONS



NO IMAGE AVAILABLE  
(BOM FOR REFERENCE ONLY)

アイテム	部品番号	名前	数量	UOM
	0421671 A	LIGHT PACKAGE AB80J AB85J NOVEMBER 2019 AND AFTER		EA
1	0421614	OPT 4 WHT LED LIGHTS W/LPS CER	1	EA
2	0072012	PLATF BOX COURTESY LIGHT	1	EA
3	0113624	INSTL, WORK LIGHT GLOBAL PLATF	1	EA

OPTIONS

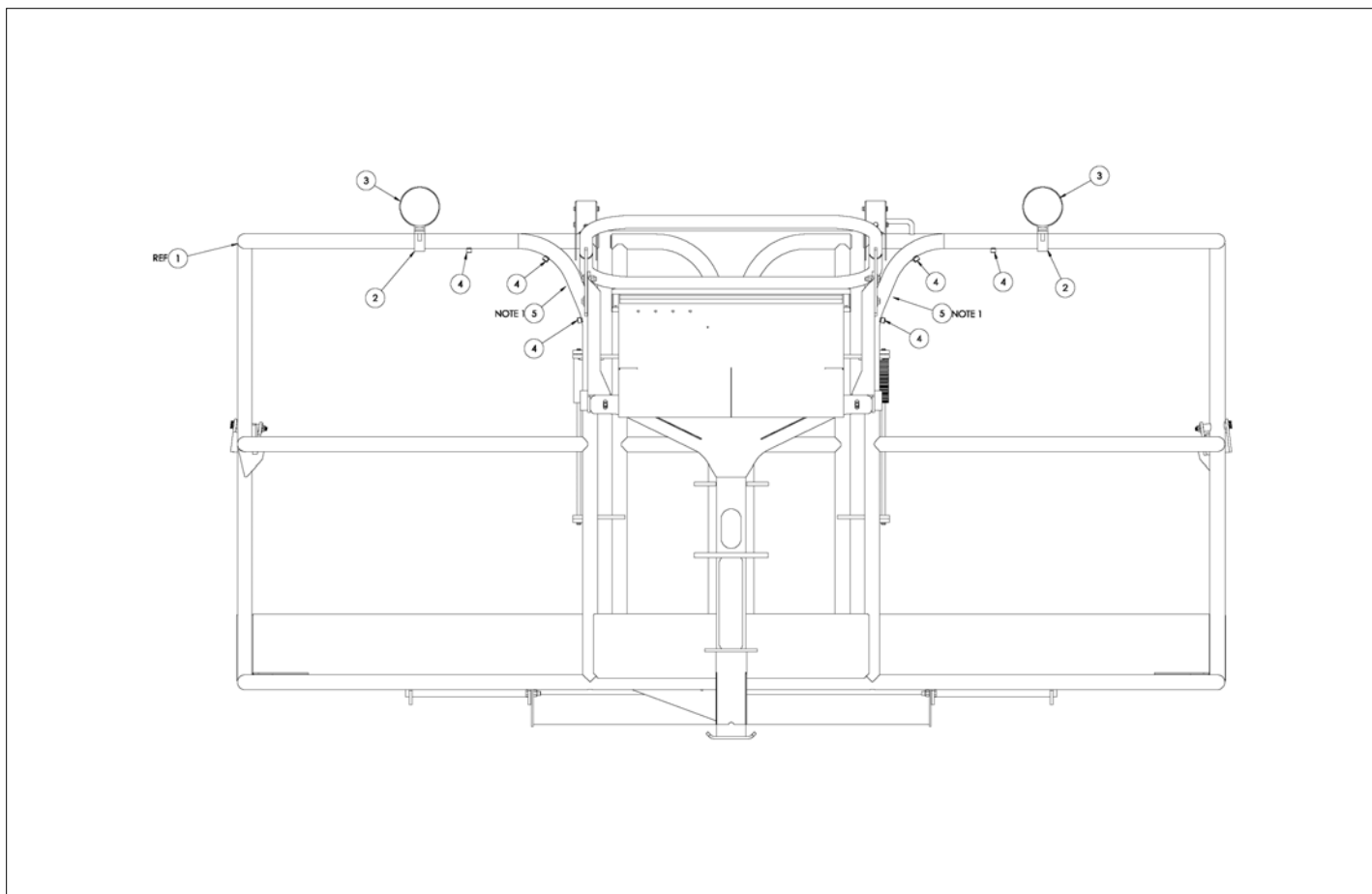


アイテム	部品番号	名前	数量	UOM
	0421614 A	FOUR WHITE LED LIGHTS WITH LPS CER NOVEMBER 2019 AND AFTER		EA
1	3069528	LED WORK LIGHTS	4	EA
2	5569711	GROMMET .438ID .688DIA X.125GRV	4	EA
3	5093019	CLP CUSH .375 VINYL COATED	16	EA
4	3044142	TERM, .250 TAB 12/10, MALE F.I.	1	EA
5	3040068	CIRCUIT BREAKER 20 AMP	1	EA
6	3040469	RELAY SPDT 12V 30AMP SONG	1	EA
7	3020013	Switch, Toggle Honeywell INTI 2	1	EA
8	3040083	TERM FEM250FI 16/14	4	EA
9	3040082	TERM MALE250FI 16/14	4	EA
10	3011601	WIRE 16GA SINGLE CONDUCTOR BLK	34	EA
11	3090019	TUBE FLEXGARD .250 ID	28	EA
12	5560034	NUT LKG 10 24	1	EA
13	3044161	TERM R10I 16/14	4	EA
14	0181376	DECAL	1	EA
15	0181031	WIRE 12 R10 FEM250FI 11	1	EA
16	0181187	JUMPER WIRE	1	EA
19	0073250	WIRE 18 R10I FEM 1881 17 DIO	3	EA
20	3044599	TERM FEM250I 22/18	1	EA
22	5560673	SCR TRHD 10 24 1.00	1	EA
26	0421005	ASSY LWR CTRL BOX AB85RJ CE MODIFICATION TO 0420871	REF	EA
Not Shown	0420871	ASSY WIRING BOX AB80J	REF	EA
Not Shown	0420637	ASSY WIRING BOX AB85RJ	REF	EA
27	3220068	TERM BLOCK ST4 QUATTRO	2	EA



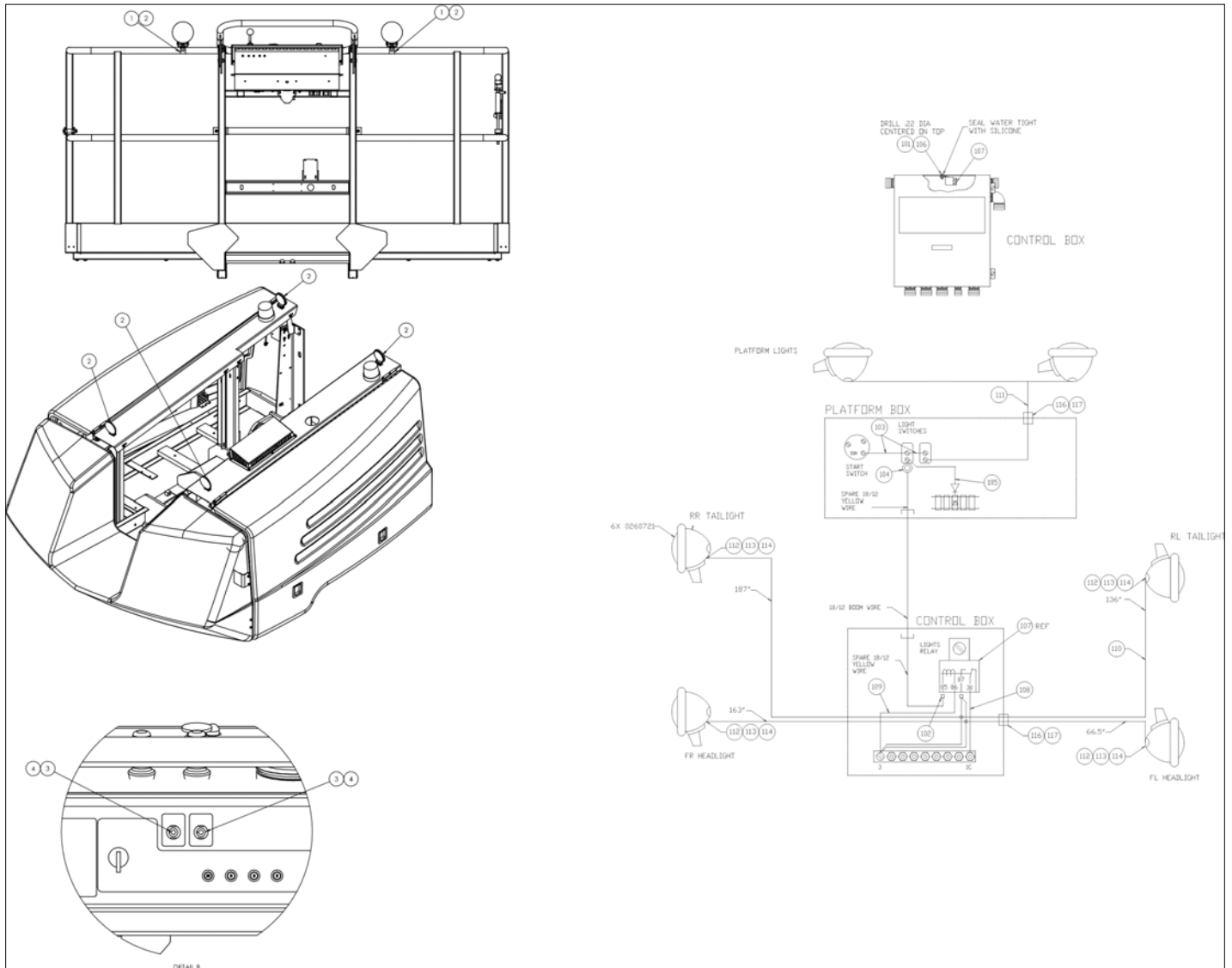
アイテム	部品番号	名前	数量	UOM
28	3220077	PLUG IN BRIDGE FBS 2 6	1	EA

OPTIONS



アイテム	部品番号	名前	数量	UOM
	0113624 A	PLATFORM WORK LIGHTS GLOBAL PLATFORM INSTALLATION		EA
1	0113546	PLATFORM	1	EA
2	0113623	CLAMP, CAGE 1.50 TUBE	2	EA
3	3069528	LED WORK LIGHTS	2	EA
4	3220246	CLIP, PUSH MOUNT CORD	6	EA
5	3011802	CABLE 18GA/2 CONDUCTOR WIRE 18/2 TYPE SJOBLACK JACKETCABL	7	EA
6	3044146	TERM R10I 22/18	1	EA
7	3049994	TERM SPADE6I 22/16 GA AMP P/N	1	EA
8	5569059	GROMMET .313ID .536DIA X .125GRV	1	EA
9	3040082	TERM MALE250FI 16/14	7	EA
10	3040083	TERM FEM250FI 16/14	7	EA
11	3040038	FUSE HOLDER	1	EA
*	3040039	FUSE 10 AMP AGC BUSS: 10 AMP AGC	1	EA

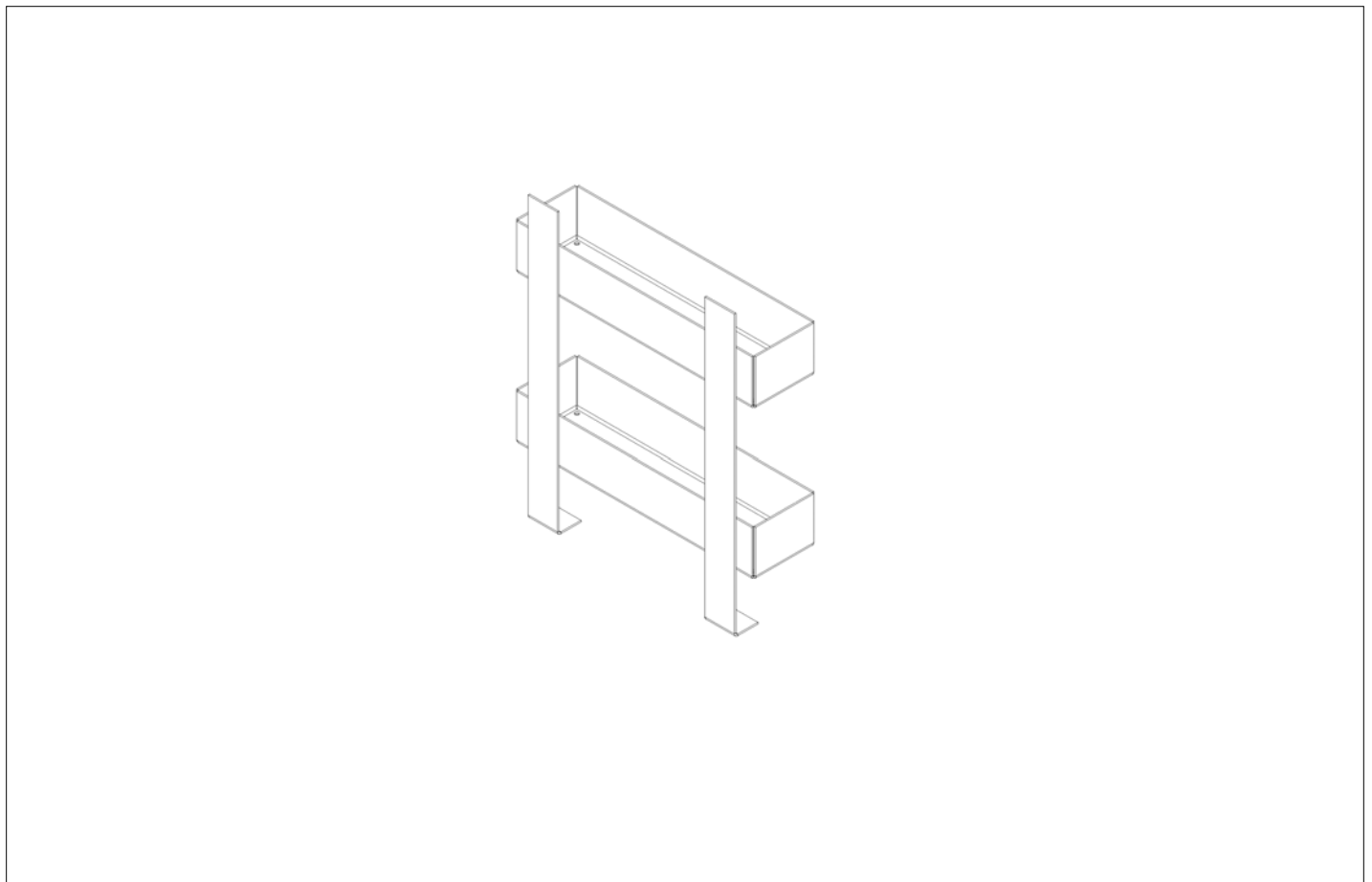
OPTIONS



アイテム	部品番号	名前	数量	UOM
	0422010 C	LIGHT AB80 85J FEBURARY 2020 AND AFTER		EA
1	0181376	DECAL	2	EA
2	3020013	Switch, Toggle Honeywell INTI 2	2	EA
3	0260721	LED OVAL LIGHT ASSY	6	EA
4	5093024	CLAMP	2	EA
5	3040110	NUT LKG HUB .750 SAMEAS 962129	2	EA
6	3040285	CONN .75 .375 .500	2	EA
7	5093019	CLP CUSH .375 VINYL COATED	8	EA
8	3049807	LOCK WEDGE 2 PIN DEUTSCH PLUG	4	EA
9	3049895	SOCKET CONTACT 20 DEUTSCH P/N	8	EA
10	3049803	CONNECTOR 2 PIN DEUTSCH PLUG	4	EA
11	0113969	WIRE HARNESS PLATF WORK LIGHTS	1	EA
12	3011802	CABLE 18GA/2 CONDUCTOR WIRE 18/2 TYPE SJOBLACK JACKETCABL	46	EA
13	0151817	WIRE 12 R10I FEM250FI 13	1	EA
14	0072418	JUMPER WIRE	1	EA
15	0073250	WIRE 18 R10I FEM 1881 17 DIO	1	EA
16	3044852	TERM R6I 12/10	1	EA
17	0071589	WIRE 12 R6I R8I 7	2	EA
18	3040065	TERM FEM250FI 12/10 FULLY INSU	1	EA
19	974689	SCR RDH MACH 10 24 .75	1	EA
20	5569711	GROMMET .438ID .688DIAX.125GRV	4	EA
21	3044161	TERM R10I 16/14	1	EA
22	3044158	TERM R6I	3	EA

アイテム	部品番号	名前	数量	UOM
23	0181376	DECAL	1	EA
24	3020013	Switch, Toggle Honeywell INTI 2	1	EA
25	3060008	COURTESY LIGHT	2	EA
26	3040039	FUSE 10 AMP AGC BUSS: 10 AMP AGC	1	EA
27	3040038	FUSE HOLDER	1	EA
28	5569003	GROMMET .188ID .313DIA X.125GRV	1	EA
29	5560034	NUT LKG 10 24	2	EA
30	5560648	SCR RDHD 10 24 .750	2	EA
31	0072004 3	LIGHT BRACKET WLDMT	1	EA

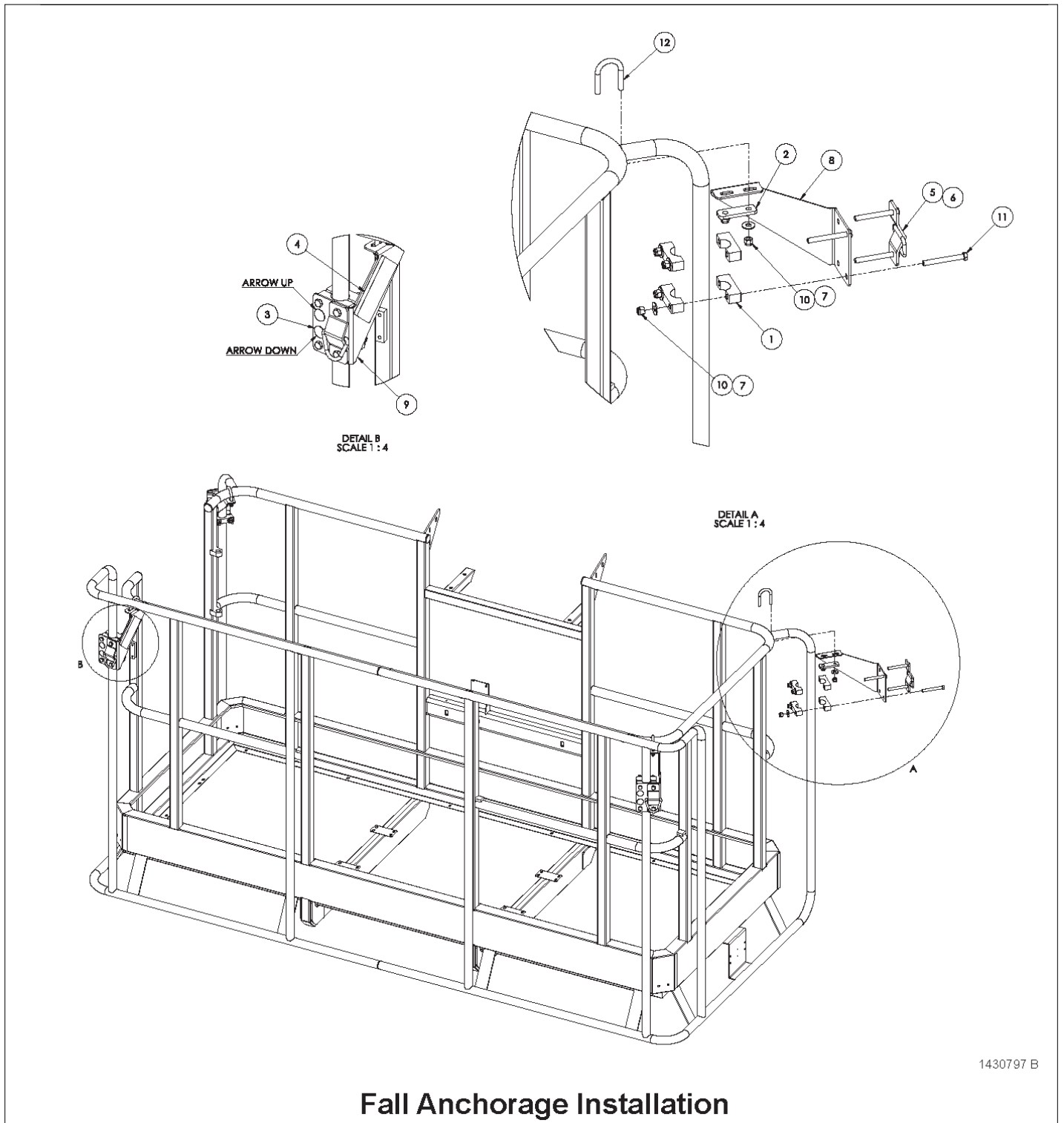
OPTIONS



アイテム	部品番号	名前	数量	UOM
	0260595 C	A46 TOOL TRAY		EA
1	5560004	NUT LKG .250 20	2	EA
2	5560291	SCR SLFTPG .313 .75 TYPE B	2	EA
3	970029	BLT .25 20 .750	2	EA
4	0260596	AB46 TOOL TRAY WLDMT	1	EA



OPTIONS

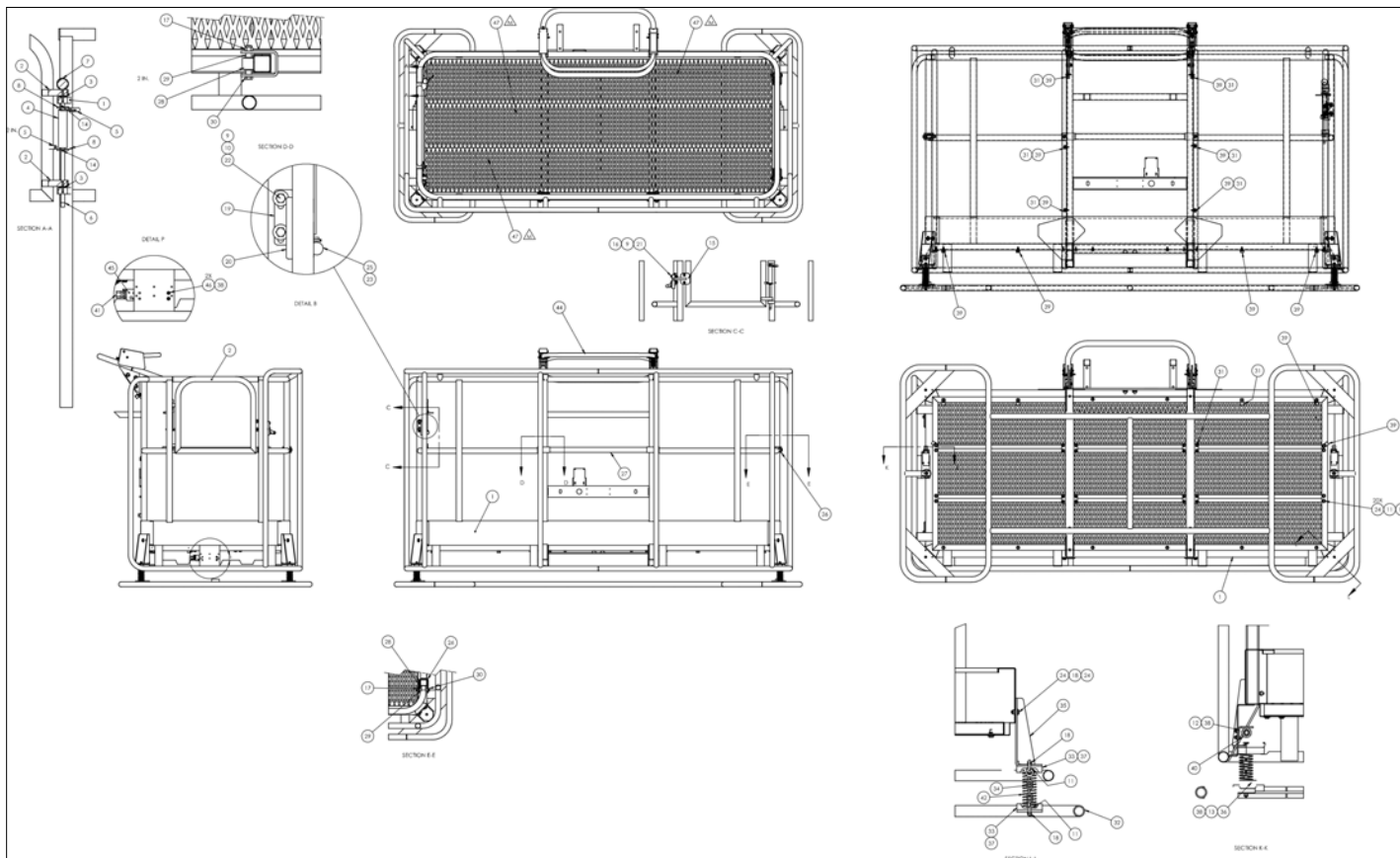


1430797 B

Fall Anchorage Installation

アイテム	部品番号	名前	数量	UOM
*	1430797 B	FALL ANCHORAGE 36X96 INSTALLATION		EA
1	0182139	CLAMP, PFAS LANYARD MOUNT	16	EA
2	0182140	DOUBLER, PFAS LANYARD MOUNT	4	EA
3	0182147	DECAL, DO NOT LIFT	8	EA
4	0182149	DECAL, DANGER PFAS FALLING HAZARD	4	EA
5	0360891	BRACKET, PFAS LANYARD ATTACHMENT	4	EA
6	0360892	D Ring, Fall Restraint	4	EA
7	986299	WASHER, FLAT, .375 STANDARD, PLATED	24	EA
8	1430794	BRACKET , FRONT BUMPER MOUNT	2	EA
9	1430795	BRACKRT, REAR BUMPER MOUNT	2	EA
10	5560033	.375 16UNC HEX LOCK NUT	24	EA
11	5563029	BLT HEXHD .375 16 3.25 GR8	16	EA
12	5563028	U BOLT, .375 16 X 1.5D	4	EA

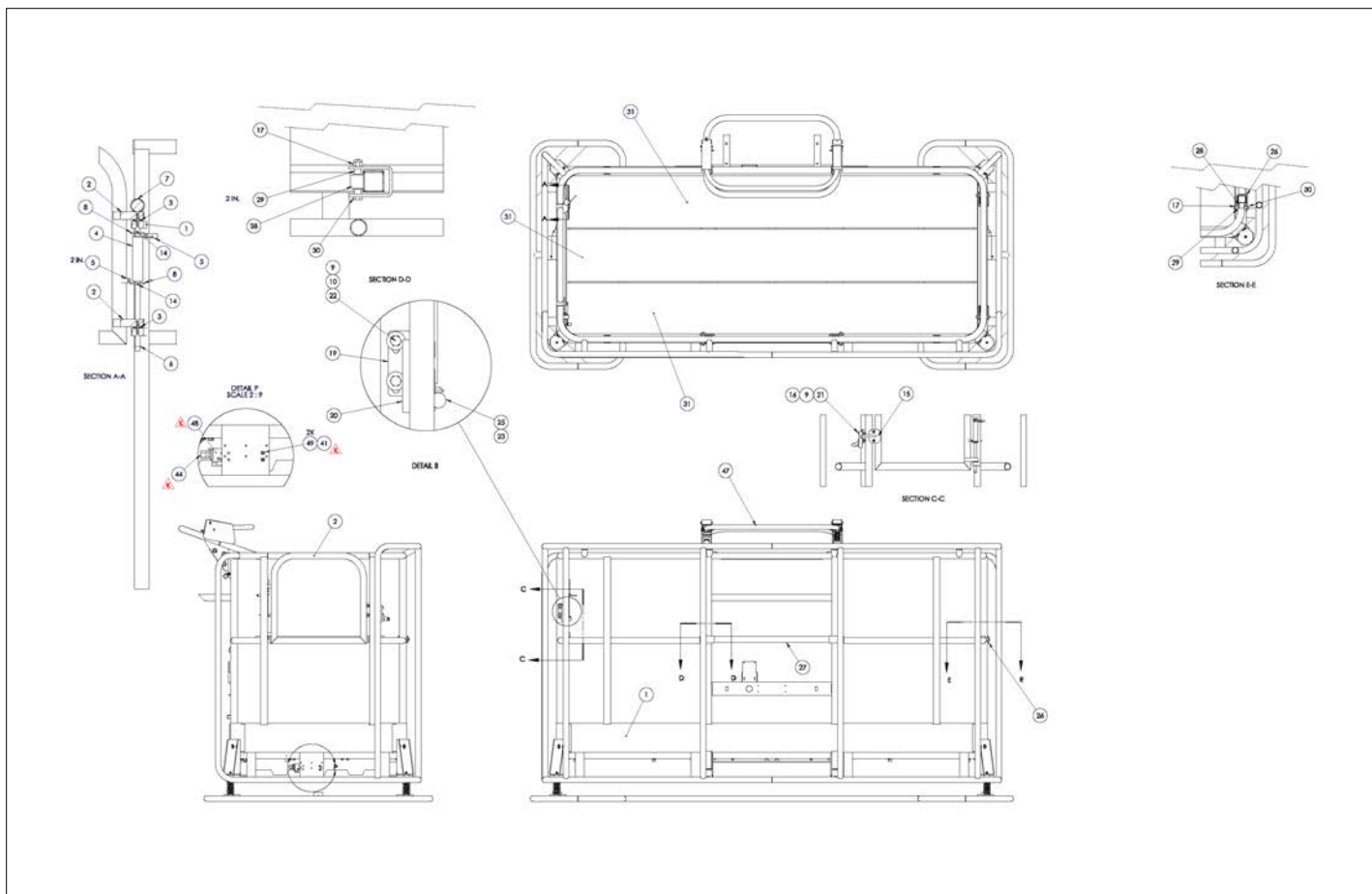
OPTIONS



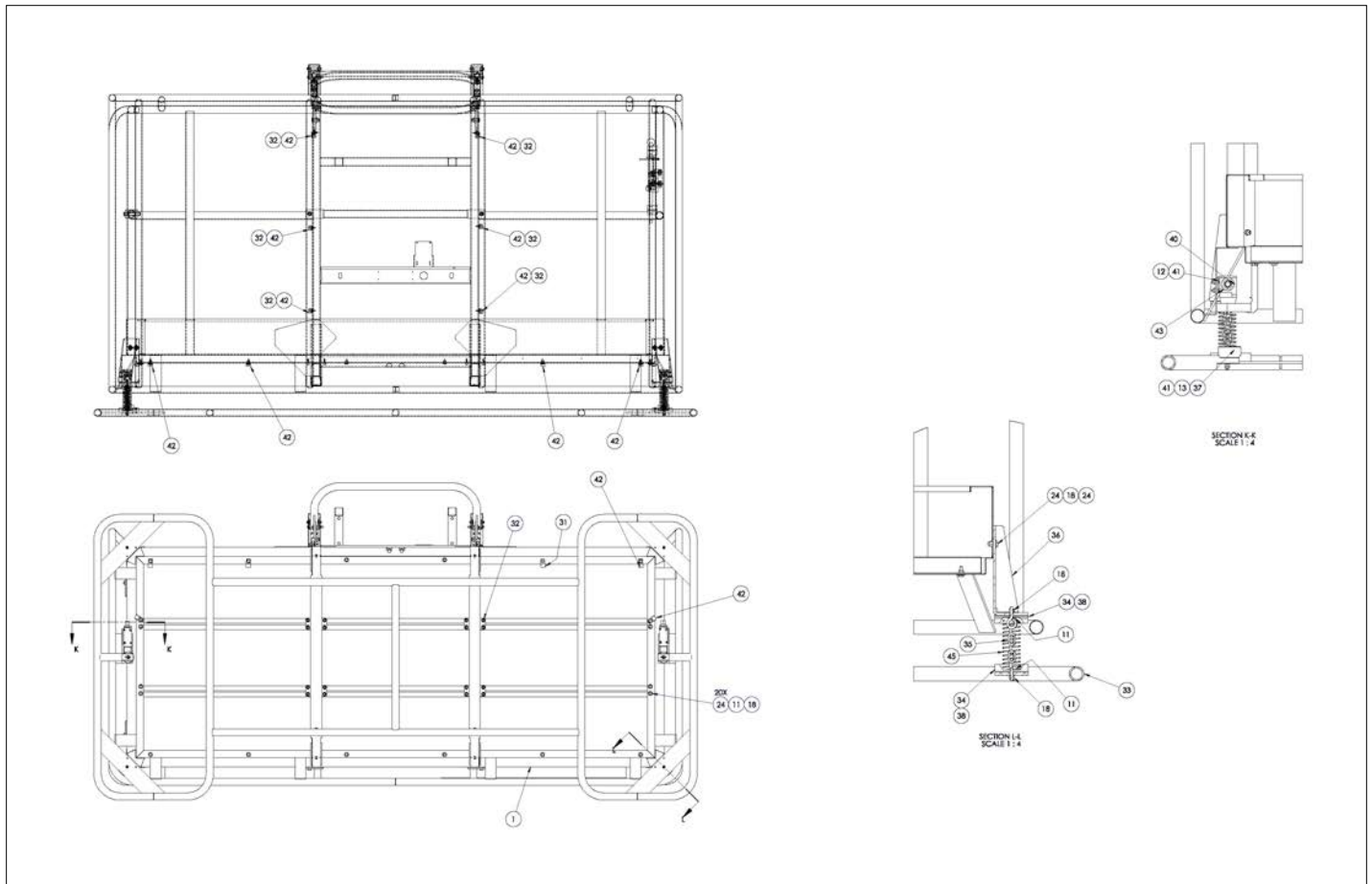
アイテム	部品番号	名前	数量	UOM
	1430385 M	36 X 96 PLATFORM ASSEMBLY WITH BUMP GUARD AND PADDING MARCH 2009 AND AFTER		EA
1	1430378 5	WLDMT PLATF BUMP FRAME MOD	1	EA
2	1430099 5	WLDMT STRIKE GATE SWING	1	EA
3	2572007	BRG .500ID .625OD .625	4	EA
4	0071837	TORSION SPRING BASKET MODIF.	1	EA
5	5010007	HOSE VACUUM .156 ID 4.0MM	0.33	EA
6	0420632	PIN 0.50 4.859 GRIP	1	EA
7	2667500	95 BALL KNOB 1 3/8 X 1/2 13	1	EA
8	986359	FLATWASHER 1/2"	2	EA
9	986269	WSHR FLAT .313	4	EA
10	5563393	WASHER FLAT .438 HARDENED	2	EA
11	986019	WSHR FLAT .250	36	EA
12	5560654	WSHR LOCK #10 SPLIT TYPE	4	EA
13	986009	WSHR FLAT 10	2	EA
14	988179	COTTER PIN, 1/8 DIA. X 1" LG.	2	EA
15	0421529 5	WLDMT STRIKER SWING GATE	1	EA
16	5560031	NUT HEX LKG .313 18	4	EA
17	5560033	.375 16UNC HEX LOCK NUT	4	EA
18	5560004	NUT LKG .250 20	36	EA
19	0421519 5	PLT LATCH MNT SWING GATE	1	EA
20	300492	LATCH LH TRAY ROTARY LOCK	1	EA
21	970279	BLT HEXHD .313 18 1.50 GR5	2	EA
22	970239	BLT HEXHD .313 18 .750 GR5	2	EA
23	970009	Capscrew 1/4 20 x 1/2 inch lon	1	EA
24	970029	BLT .25 20 .750	28	EA
25	302555	KNOB ROUND .25 20NC FEMALE DIM	1	EA

アイテム	部品番号	名前	数量	UOM
26	0420199 5	WLDMT GATE GRAVITY SIDE 36X96	1	EA
27	0421321 5	WLDMT GG FRONT 36X96 STL PLAT	1	EA
28	0150509	ROLLER	4	EA
29	0071953 8	SPCR .451ID .500OD 1.88 STL	4	EA
30	5569865	BLT HEXHD .375 16 2.75 GR5	4	EA
31	5563310	HWH .25 14 SELF DRILLING X .75	22	EA
32	1430381 5	WLDMT BUMP GUARD FRAME	1	EA
33	0181381	SPRING KEEPER	8	EA
34	0181408	CHAIN ASSY	4	EA
35	1430371 5	ANGLE SPRING KEEPER MNT	4	EA
36	0181407	PLAC PROXIMITY SW OVERRIDE	1	EA
37	978389	BLT SKTHD .250 20 .75	16	EA
38	5563388	MACHINE SCREW, PAN HD, SLOTTED, #10 24 UNC X .50 MTS 16, 18	2	EA
39	5093001	CLP CUSH .500 VINYL COATED	12	EA
40	3040070	NUT LKG HUB .500 APPLETON: P/N BL50 REG 801	2	EA
41	3040187	CONN .500 .313 .438	2	EA
42	5530013	SPRING COMPRESSION 1.50 O.D. X	4	EA
43	972259	BLT FLSKTHD .313 18 1.00	2	EA
44	0113584	SNORKEL GUARD TRI ENTRY 8 FOOT STEEL ASSEMBLY	1	EA
45	182340	SENSOR BRKT	2	EA
46	5560034	NUT LKG 10 24	3	EA
47	8060311	PLATE GRIPSTRUT 8FT	3	EA

OPTIONS



アイテム	部品番号	名前	数量	UOM
	1430385 K 1	null		EA
1	1430378	PLATFORM BUMP FRAME	1	EA
2	1430099	WLDMT, GATE SWING SIDE	1	EA
3	2572007	BRG .500ID .625OD .625	4	EA
4	0071837	TORSION SPRING BASKET MODIF.	1	EA
5	5010007	HOSE VACUUM .156 ID 4.0MM	2	EA
6	0420632	PIN 0.50 4.859 GRIP	1	EA
7	2667500	95 BALL KNOB 1 3/8 X 1/2 13	1	EA
8	986359	FLATWASHER 1/2"	2	EA
9	986269	WSHR FLAT .313	4	EA
10	5563393	WASHER FLAT .438 HARDENED	2	EA
11	986019	WSHR FLAT .250	36	EA
12	5560654	WSHR LOCK #10 SPLIT TYPE	4	EA
13	986009	WSHR FLAT 10	2	EA
14	988179	COTTER PIN, 1/8 DIA. X 1" LG.	2	EA
15	0421529 5	WLDMT STRIKER SWING GATE	1	EA
16	5560031	NUT HEX LKG .313 18	4	EA
17	5560033	.375 16UNC HEX LOCK NUT	4	EA
18	5560004	NUT LKG .250 20	36	EA
19	0421519 5	PLT LATCH MNT SWING GATE	1	EA
20	300492	LATCH LH TRAY ROTARY LOCK	1	EA
21	970279	BLT HEXHD .313 18 1.50 GR5	2	EA
22	970239	BLT HEXHD .313 18 .750 GR5	2	EA
23	970009	Capscrew 1/4 20 x 1/2 inch lon	1	EA
24	970029	BLT .25 20 .750	28	EA
25	302555	KNOB ROUND .25 20NC FEMALE DIM	1	EA
26	0420199	WLDMT, GATE GRAVITY SIDE	1	EA
27	0421321	WLDMT, GG FRONT 36x96 STL PLAT	1	EA





アイテム	部品番号	名前	数量	UOM
28	0150509	ROLLER	4	EA
29	0071953	SPCR .451ID .500OD 1.88 STL	4	EA
30	5569865	BLT HEXHD .375 16 2.75 GR5	4	EA
31	8060311	PLATE GRIPSTRUT 8FT	3	EA
32	5563310	HWH .25 14 SELF DRILLING X .75	22	EA
33	1430381	WLDMT BUMP GUARD FRAME	1	EA
34	0181381	SPRING KEEPER	8	EA
35	0181408	CHAIN ASSY	4	EA
36	1430371	SPRING KEEPER MNT ANGLE	4	EA
37	0181406	TARGET PROXIMITY SWITCH INSTL	2	EA
38	978389	BLT SKTHD .250 20 .75	16	EA
39	3028937	ASSY PHOTOELECTRIC SWITCH	1	EA
40	3028937	ASSY PHOTOELECTRIC SWITCH	1	EA
41	5563388	MACHINE SCREW, PAN HD, SLOTTED, #10 24 UNC X .50 MTS 16, 18	2	EA
42	5093001	CLP CUSH .500 VINYL COATED	12	EA
43	3040070	NUT LKG HUB .500 APPLETON: P/N BL50 REG 801	2	EA
44	3040187	CONN .500 .313 .438	2	EA
45	5530013	SPRING COMPRESSION 1.50 O.D. X	4	EA
46	972259	BLT FLSKTHD .313 18 1.00	2	EA
47	0113584	SNORKEL GUARD TRI ENTRY 8 FOOT STEEL ASSEMBLY	1	EA
48	0182340	SENSOR BRKT	2	EA
49	5560034	NUT LKG 10 24	4	EA

OPTIONS

**NO IMAGE AVAILABLE  
(BOM FOR REFERENCE ONLY)**

アイテム	部品番号	名前	数量	UOM
	1430994 E	PLATFORM ASSEMBLY SNORKEL GUARD		EA
1	0113584	SNORKEL GUARD TRI ENTRY 8 FOOT STEEL ASSEMBLY	1	EA
2	0113531 5	ASSY SNORKEL GUARD	1	EA
3	0113519 5	WLDMT ANTI ENTRAPMENT	1	EA
4	0113529 5	WLDMT ACTIVATION BAR	1	EA
5	0113528	PIN .375 X 2.31 GRIP	2	EA
6	056058 070	Bolt, HexBolt DIN931 M6 x 70mm	2	EA
7	056066 006	Nut NylockNut DIN985 M6 8.0 Zi	2	EA
8	0113530	SPRING ANTI ENTRAPMENT	1	EA
9	5592018	SNAP RING .375 DIA EXT	4	EA
10	3028844	IFS241 (IFM PROXY)	1	EA
11	984069	NUT HEX .250 20	1	EA
12	970029	BLT .25 20 .750	1	EA
13	0113538 5	WLDMT SHEILD	2	EA
14	3014753	SNORKEL GUARD SENSOR (CABLE, M12 X 2M L)	1	M
15	7030163	DECAL SNORKEL GUARD OVERRIDE OPERATION	1	EA
16	9980253	SNORKEL GUARD USER'S MANUAL	1	EA
17	3040469	RELAY SPDT 12V 30AMP SONG	1	EA
18	3020080	TOGGLE SWITCH	1	EA
19	0113540	ASSY DIODE WIRE	1	EA
20	0113541	ASSY SWITCHED WIRE COMMON	1	EA
21	0113542	ASSY SWITCHED WIRE	1	EA
22	0071556	WIRE 16 R10I FEM250I 24	1	EA
23	3040083	TERM FEM250FI 16/14	2	EA
24	3044161	TERM R10I 16/14	2	EA

アイテム	部品番号	名前	数量	UOM
25	5569059	GROMMET .313ID .536DIA X .125GRV	1	EA
26	7030161	DECAL, SNORKEL GUARD OVERRIDE	1	EA
27	7030162	DECAL, OVERRIDE WARNING	1	EA
28	5560609	SCR TRHD 10 24 .500	1	EA
29	5560034	NUT LKG 10 24	1	EA
30	986299	WASHER, FLAT, .375 STANDARD, PLATED	12	EA
31	972479	BLT HEXHD .375 16 1.25 GR5	6	EA
32	5560033	.375 16UNC HEX LOCK NUT	6	EA
33	1430099 5	WLDMT STRIKE GATE SWING	1	EA
34	1430099	WLDMT, GATE SWING SIDE	1	EA
35	2572007	BRG .500ID .625OD .625	4	EA
36	0071837	TORSION SPRING BASKET MODIF.	1	EA
37	0420632	PIN 0.50 4.859 GRIP	1	EA
38	2667500	95 BALL KNOB 1 3/8 X 1/2 13	1	EA
39	986359	FLATWASHER 1/2"	2	EA
40	988179	COTTER PIN, 1/8 DIA. X 1" LG.	2	EA
41	0421529 5	WLDMT STRIKER SWING GATE	1	EA
42	5560031	NUT HEX LKG .313 18	4	EA
43	0421519 5	PLT LATCH MNT SWING GATE	1	EA
44	300492	LATCH LH TRAY ROTARY LOCK	1	EA
45	986269	WSHR FLAT .313	4	EA
46	987109	WSHR LOCK .313	2	EA
47	970279	BLT HEXHD .313 18 1.50 GR5	2	EA
48	970239	BLT HEXHD .313 18 .750 GR5	2	EA
49	970009	Capscrew 1/4 20 x 1/2 inch lon	1	EA
50	302555	KNOB ROUND .25 20NC FEMALE DIM	1	EA

アイテム	部品番号	名前	数量	UOM
51	0420199 5	WLDMT GATE GRAVITY SIDE 36X96	1	EA
52	0150509	ROLLER	4	EA
53	0071953 8	SPCR .451ID .500OD 1.88 STL	4	EA
54	5569865	BLT HEXHD .375 16 2.75 GR5	4	EA
55	5560033	.375 16UNC HEX LOCK NUT	10	EA
56	986299	WASHER, FLAT, .375 STANDARD, PLATED	12	EA
57	5560696	BLT HEXHD .375 16 1.12 GR5	6	EA
58	5563310	HWH .25 14 SELF DRILLING X .75	16	EA
59	8060311	PLATE GRIPSTRUT 8FT	3	EA
60	1430080 5	GLOBAL STD PLATFORM WELDMENT	1	EA
61	0421321 5	WLDMT GG FRONT 36X96 STL PLAT	1	EA
62	972259	BLT FLSKTHD .313 18 1.00	2	EA
63	501563 025	Split Pin	2	EA
64	5010007	HOSE VACUUM .156 ID 4.0MM	0.330	EA
65	5560004	NUT LKG .250 20	20	EA
66	970029	BLT .25 20 .750	20	EA
67	986019	WSHR FLAT .250	20	EA
68	8060311	PLATE GRIPSTRUT 8FT	3	EA

---

## Maintenance

Every person who maintains, inspects, tests or repairs the aerial platform must be qualified to do so. Maintenance functions must be performed by maintenance personnel who are qualified to work on the aerial platform.

### Caution

**Welding current can be very intense. Damage to electronic components can result. Connect the ground clamp as close as possible to the area being welded. Disconnect the battery cables and any microprocessors and engine control modules before welding on the machine.**

If it becomes necessary to weld aerial platform components as a method of repair, take all precautions to prevent damage to electronic circuitry and devices on the machine. This includes, but may not be limited to, disconnecting battery cables and electronic devices.

Do not modify this aerial platform without prior written consent of the Snorkel Engineering Department. Modification may void the warranty, adversely affect stability or affect the operational characteristics of the aerial platform.

### Maintenance Schedules

Snorkel has established a preventative maintenance schedule to detect any defective, damaged or improperly secured parts and provide information regarding lubrication and other minor maintenance items.

This schedule includes the following:

- Daily Prestart Inspection
- Frequent Inspection and Maintenance – Every 90 Days or 150 Hours
- Annual Maintenance – Every 500 Hours

The Daily Prestart Inspection must be performed by a trained operation. All other maintenance and inspection must be performed by a trained service technician only. Retain a copy of these forms for your records.

All placards and decals on the machine must be in place and legible. Use the Placards and Decals parts page in the Repair Parts section of this manual to check these placards and decals.

Snorkel recommends that you make additional copies of the preventative inspection and maintenance checklists for your use in performing these inspections.

### Warning

**The potential for accident increases when operating an aerial platform that is damaged or malfunctioning. Death or serious injury can result from such accidents. Do not operate the aerial platform if it is damaged or malfunctioning.**

Repair all defects before returning the machine to service.

### General Information

The parts drawings located in the Repair Parts section are designed for use as a guide for proper disassembly of the machine and components, as well as, for parts replacement.

### Danger

**Hydraulic fluid escaping under pressure can have enough force to inject fluid into the flesh. Serious infection or reaction will result if medical treatment is not given immediately. In case of injury by escaping hydraulic fluid, seek medical attention at once.**

Always refer to the hydraulic system installation drawings and the electrical wiring diagram before removing or disassembling associated parts.

When disassembling or reassembling components, complete the procedural step in sequence. Do not partially disassemble or assemble one part, then start on another. Always check your work to assure that nothing has been overlooked.

Keep the following in mind when disassembling or assembling the machine.

- Always be conscious of weight.
- Never attempt to lift heavy objects without the aid of a mechanical device.
- Do not allow heavy object to rest in an unstable condition.
- Always make sure the work platform is in the stowed position, blocked or the weight removed by a suitable lifting device before removing any components from the machine.
- When raising a portion of the machine, be sure that adequate blocking is properly positioned. Do not depend solely on the lifting device to hold and secure weight.
- If a part resists removal, check to see if all fasteners, electrical wiring, hydraulic lines, etc., have been removed or that other parts are not interfering.

---

Parts should be thoroughly inspected before restoring to service at the time of reassembly. Burrs, nicks or scratches may be removed from machines surfaces by honing or polishing with a #600 crocus cloth, followed by a thorough cleaning with an approved cleaning solvent, and blown dry with compressed air. Do not alter the contour of any part. If this operation does not restore the part to a serviceable condition, replace the part.

Replace all o-rings, seals and gaskets at reassembly. Use new roll pins or cotter pins. Dip all packing rings and seals in hydraulic oil before reassembling in cylinder and manifolds. Replace any part having imperfect threads. In general, machines that have been disassembled can be reassembled by reversing the order of disassembly.

The service life of a machine can be increased by keeping dirt and foreign materials out of the vital components. Shields, covers, seals and filters help to keep air and oil supplies clean. However, these items must be maintained on a scheduled basis in order to function properly.

Clean surrounding areas, as well as the opening and fittings before disconnecting air or oil lines. As soon as a line or component is disconnected, cap or cover all openings to prevent the entry of dirt or foreign materials.

New parts should remain in their container until they are ready to be used.

Clearly mark or tag hydraulic lines and electrical wiring connections when disconnecting or removing them from the machine. This will assure that they are correctly reinstalled.

Proper assembly is critical to the successful rebuilding of any machine. Carefully, inspect any parts which are to be reused. If in doubt, replace.

“Safety First” is a good slogan.

Replace any guards and protective devices that have been removed to carry out maintenance and repair work.

## Daily Prestart Inspection

Item	Inspect For	Ok
<b>Operator's Manual</b>	In manual holder	
<b>Engine</b>		
Oil level	Between full and add marks	
Coolant	Proper fluid level	
Radiator	Cap tight, good condition and clean	
Air cooled engines	Air intake and fan free of obstructions Belt in good condition	
Fuel tank and line	Tank full, cap in place and tight/no leaks	
Air filter	Green indicator	
Charging system	Proper operation	
Cold weather start kit	No damage or deformation	
<b>Electrical System</b>		
Emergency power battery	Condition and charged for proper operation	
Battery fluid level and terminals	Proper level/clean, connectors tight	
Cables and wiring harness	No wear or physical damage	
<b>Hydraulic System</b>		
Fluid level	Between full and add marks	
Fluid filter	Verify operation in the green zone	
Hoses, tubes and fittings	No leaks	
Cold weather warm-up kit	Proper operation	
<b>Tires and Wheels</b>	Good condition, all wheel lug nuts present and tight	
<b>Lower Control System</b>		
Operation controls	Proper operation	
Emergency stop and emergency power	Shuts off lower controls/proper operation	
<b>Emergency Lowering</b>	Proper operation	
<b>Level Sensor</b>	Sounds tilt alarm	
<b>Flashing Light</b>	Proper operation	
<b>Sandblast Protection Kit</b>	In place and proper operation	
<b>Structures</b>		
Weldments – Chassis, turntable, booms, platform, etc.	Welds intact, no damage or deformation	
Slide Pads	In place, no damage or deformation	
Fasteners	In place and tight	
<b>Upper Control System</b>		
Guardrail system and lanyard anchors	Welds intact, no damage or deformation All fasteners in place, no loose or missing parts	
Operating controls	Proper operation	
Emergency stop and emergency power	Shuts off upper controls/proper operation	
Horn	Sounds when activated	
Electrical power outlet	Proper operation	
Drive motion alarm	Sounds when aerial platform moves	
Driving and work lights	Proper operation	
Platform control cover	In place and proper operation	
<b>Air Line</b>	Good condition, proper operation	
<b>Placards and Decals</b>	In place and readable	

Performed by: \_\_\_\_\_ Date: \_\_\_\_\_





## Frequent Inspection and Maintenance – Every 90 Days or 150 Hours

Item	Procedure	Information	OK
<b>Chassis</b>			
Structural	Check for damage and cracked welds		
Steering cylinder pin caps and tie wire	Verify that all fasteners are in place and are tight		
Steering linkage	Check for proper operation		
Tires	Check for wear and damage		
Hydraulic tubes and hoses	Check for leaks, wear, and damage		
Drive motor brake	Check for proper operation		
Torque drive and steer wheel lug nuts per placard on wheel	Torque lug bolts/nuts to proper value on machine placard	Front: 450 to 500 ft lb Rear: 450 to 500 ft lb	
Right drive motors	Check for leaks		
Left drive motors	Check for leaks		
Tie-down and lifting lugs	Check for damage and cracked welds		
Decals and placards	Check for damage and readability Order replacements as necessary		
<b>Turntable</b>			
Structural	Check for damage and cracked welds		
Torque turntable top bolts	Torque to proper value	475 to 525 ft lbs	
Torque turntable bottom bolts	Torque to proper value	350 to 400 ft lbs	
Hydraulic tubes and hoses	Check for leaks, wear, and damage		
Centerpost	Check for leaks, wear, and damage		
Centerpost mounting bolts	Verify that all fasteners are in place and are tight		
Lift cylinder pin caps and tie wire	Verify that all fasteners are in place and are tight		
Lift cylinder and holding valve	Check for leaks, wear, damage, and for proper operation		
Master level cylinder pin caps and tie wire	Verify that all fasteners are in place and are tight		
Master level cylinder and holding valves	Check for leaks, wear, damage, and for proper operation		
Emergency bleed down valve	Check for proper operation		
Cowling	Check for wear/damage and that fasteners are in place and are tight		
Wire harness	Check for wear/damage and that fasteners are in place and are tight		
Rotation brake	Check for proper operation		
Rotation backlash	Check for wear and damage		
Operator's Manual	Proper manual in document holder		
System pressure	Check maximum system pressure	3,000 psi	
Decals and placards	Check for damage and readability Order replacements as necessary		

## Frequent Inspection and Maintenance – Every 90 Days or 150 Hours

Item	Procedure	Information	OK
<b>Lower Controls</b>			
Control switch in the lower controls position	Check for proper operation	With selector in the lower controls position, upper controls do not work	
Station selector switch in the upper controls position	Check for proper operation	With selector in the upper controls position, lower controls do not work	
Engine Start – Stop	Check for proper operation		
Throttle High – Low	Check for proper operation		
Turntable CW – CCW	Check for proper operation		
Boom elevation Up – Down	Check for proper operation		
Boom Extend – Retract	Check for proper operation		
Jib Up – Down	Check for proper operation		
Platform level Up – Down	Check for proper operation		
Platform rotation CW – CCW	Check for proper operation		
Emergency power, all functions	Check for proper operation		
Emergency stop	Check for proper operation		
<b>Booms</b>			
Structural	Check for damage and cracked welds		
Lift cylinder pin caps and tie wire	Verify that all fasteners are in place and are tight		
Hydraulic tubes and hoses	Check for leaks, wear, and damage		
Extension cylinder pin caps and tie wire	Verify that all fasteners are in place and are tight		
Extension cylinder and holding valve	Check for leaks, wear, damage, and for proper operation		
Jib boom pin caps and snap rings	Verify that all fasteners are in place and properly installed		
Jib cylinder pin caps and snap rings	Verify that all fasteners are in place and properly installed		
Jib cylinder and holding valve	Check for leaks, wear, damage, and for proper operation		
Slave level cylinder pin caps and tie wire	Verify that all fasteners are in place and are tight		
Slave level cylinder and holding valves	Check for leaks, wear, damage, and for proper operation		
Hose carrier tube and support	Check for residue buildup/proper operation		
Plastic hose track	Check for wear and damage		
Electrical wires	Check for wear and damage		
Decals and placards	Check for damage and readability Order replacements as necessary		

## Frequent Inspection and Maintenance – Every 90 Days or 150 Hours

Item	Procedure	Information	OK
<b>Platform</b>			
Structural	Check for damage and cracked welds		
Entry Gate	Check for proper operation		
Hydraulic tubes and hoses	Check for leaks, wear, and damage		
Slave level cylinder pin caps and tie wire	Verify that all fasteners are in place and are tight		
Slave level cylinder holding valves	Check for leaks, wear, damage, and for proper operation		
Decals and placards	Check for damage and readability Order replacements as necessary		
<b>Upper Control Station</b>			
Foot switch	Check for proper operation	With the foot switch engaged the engine should not start. Functions should be operational when foot switch is engaged	
Engine Start – Stop	Check for proper operation		
Throttle High – Low	Check for proper operation		
Turntable CW – CCW	Check for proper operation		
Boom elevation Up – Down	Check for proper operation		
Boom Extend – Retract	Check for proper operation		
Jib Up – Down	Check for proper operation		
Platform level Up – Down	Check for proper operation		
Platform rotation CW – CCW	Check for proper operation		
Drive speed	Boom up and/or extended Low – 1.0 mph	1 mph = 100 ft in 65 to 75 sec	
	Boom down and retracted High – 3.0 mph	3 mph = 100 ft in 22 to 28 sec	
Drive range – boom stowed	Check for proper operation	Slow speed only with boom raised	
Engine choke – gas engine only	Check for proper operation		
Emergency power, all functions	Check for proper operation		
Emergency stop	Check for proper operation		
Horn	Check for proper operation		
Gradual start to stop lift/swing/ drive controls	Check for proper operation		
Speed limit switch	Check for proper operation		
Tilt alarm	Check for proper operation	5° NonCE/3.5° CE	
110 volt AC power to platform	Check for proper operation		
<b>Hydraulic Oil Reservoir</b>			
Filler/breather cap and tank	Check for wear/securely fasten		
Hydraulic fluid level	Check for proper level	Above 10°F (-13°C) ISO VG32 Below 10°F (-13°C) ISO VG15	
Hydraulic filter	Replace after the first 50 hours, every 90 days or 150 hours thereafter Inspect filter for foreign matter that could indicate component wear		

## Frequent Inspection and Maintenance – Every 90 Days or 150 Hours

Item	Procedure	Information	OK
<b>Engine</b>			
Charging system	Check for proper operation		
Air filter	Check for wear and damage		
Hour meter	Check for proper operation		
Belts and hoses	Check for wear and damage		
Hydraulic pump	Check for proper operation		
Battery terminals	Clean terminals and check cable condition		
Battery electrolyte	Check electrolyte levels	Add distilled water if necessary	
Indicator gauges	Check for wear/damage and proper operation		
Engine oil	Check for wear and damage/level	Between add and full	
Engine coolant	Check level	Between add and full	
Engine Start – Stop	Check for proper operation		
Electric throttle	Check for proper operation		
Electric choke, if equipped	Check for proper operation		
Engine governor setting	Check for proper operation		
<b>Platform Rotator</b>			
Structural	Check for damage and cracked welds		
Hydraulic rotator actuator	Check for leaks, wear, and damage		
Platform rotation holding valve	Check for proper operation		
Mounting bolts and pin caps	Verify that all fasteners are in place and are tight		
<b>Options</b>			
110 volt AC generator	Check for proper operation		
220 volt AC generator	Check for proper operation		
Dual fuel system	Check condition and for proper operation		
LP gas system and control	Check condition and for proper operation		
Drive motion alarm	Check for proper operation		
Flashing light	Check for proper operation		
Cold weather start kit – diesel only	Check for proper operation		
Hydraulic system cold weather warm up kit	Check for proper operation		
Driving lights	Check for proper operation		
Platform work lights	Check for proper operation		
Platform control cover	Check condition and for proper operation		
Sandblast protection kit	Check for proper operation		
Airline to platform	Check for proper operation		
Spark arrestor muffler – Deutz only	Check for wear and damage		
Platform welder	Check condition and for proper operation		
Platform glazier package	Check condition and for proper operation		
Optional platform	Verify that all fasteners are in place and are tight		

## Frequent Maintenance – Every 90 Days or 150 Hours

Item	Procedure	Information	OK
Daily maintenance	Perform maintenance as per schedule	Retain copy of checklist	
Preventive inspection maintenance checklist	Perform inspection, complete form	Retain copy of checklist	
Placards and decals inspection	Inspect using drawing and parts listing in Section 1 – Repair Parts Manual	Replace any missing or unreadable decals/placards	
Door hinges and latches	Lubricate	SAE 10W oil or spray lubricant	
Riser cylinder ends	Lubricate	Extreme pressure grease Above 10° F NLGI Grade 2 Below 10° F NLGI Grade 1	
Rotation bearing	Lubricate	Extreme pressure grease Above 10° F NLGI Grade 2 Below 10° F NLGI Grade 1	
Rotation bearing teeth and pinion	Lubricate	Open gear lubricant ASTM D 445	
Tie rods	Lubricate	Extreme pressure grease Above 10° F NLGI Grade 2 Below 10° F NLGI Grade 1	
Gear hubs	Check fluid level, fill if low	Gear lubricant SAE grade 80W-90	
Swing drive	Check fluid level, fill if low	Gear lubricant SAE grade 80W-90	
Platform rotator	Refill if disassembled for repairs	Consult factory	
Platform controller	Check smooth operation/speeds		
Batteries	Check specific gravity	1.260/1.275 at 80° F (26° C)	
Hydraulic return filter	Check condition	Replace if dirty	
Engine rpm	Check for proper engine rpm	See engine owner's manual	
Engine oil and filter	Replace per engine owner's manual	See engine owner's manual	
Engine fuel filter	Check condition	Replace every 6 months or if dirty	

Performed by: \_\_\_\_\_ Date: \_\_\_\_\_



## Annual Maintenance – Every 500 Hours

Item	Procedure	Information	OK
90 day or 150 hour maintenance	Perform maintenance per schedule	Retain copy of checklist	
Hydraulic oil reservoir	Clean and replace fluid	Above 10° F (-13° C) ISO VG32 Below 10° F (-13° C) ISO VG15	
Hydraulic return filter	Replace	After first 50 hours, then at recommended interval	
Hydraulic reservoir suction filter	Clean and reinstall		
Hydraulic pressures	Pump setting	Standby pressure: 350-375 psi	
	Function pressures	Boom up: 3,000 psi	
		Boom down: 750-800 psi	
		Riser down: 750-800 psi	
		Steer: 3,000 psi	
		Level: 3,000 psi	
		Extend: 1,100 psi Retract: 2,200 psi	
Gear hubs	Replace fluid	Gear lubricant SAE grade 80W-90	
Swing drive	Replace fluid	Gear lubricant SAE grade 80W-90	
Engine coolant	Check condition	See engine owner's manual	

Performed by: \_\_\_\_\_ Date: \_\_\_\_\_

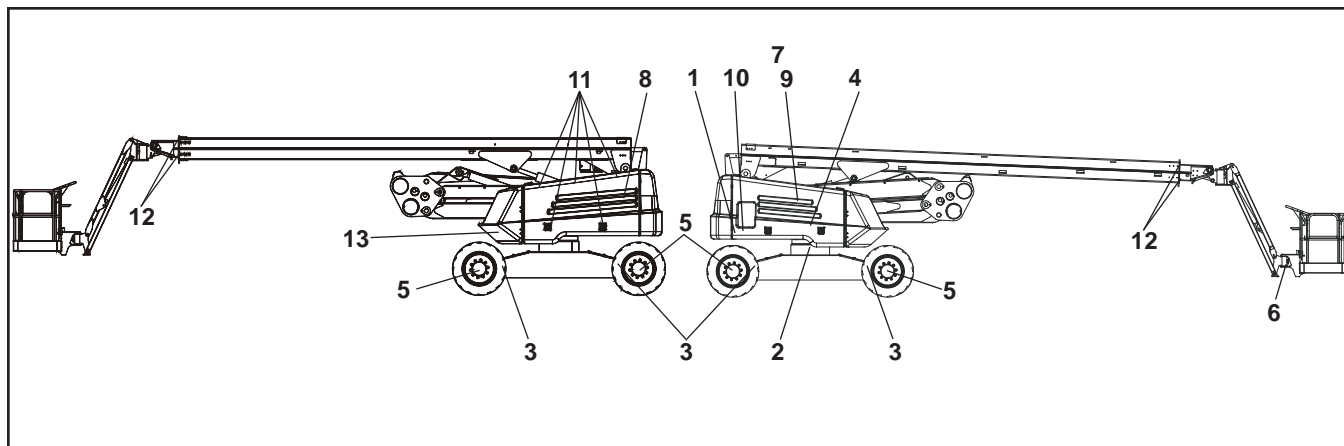








## Lubrication Points



### Lubrication

Specific lubricants as recommended by Snorkel, should be used in maintaining the unit. If in doubt regarding the use of lubricants other than those listed, contact Snorkel Customer Service Department for evaluation and recommendation.

Refer to the above lubrication illustration to locate component item numbers.

Service all fittings as indicated on the Frequent Maintenance schedule and lubrication illustration. Wipe away all excess lubricant from exposed surfaces. Over lubrication can collect dirt and foreign matter which acts as an abrasive. Lubrication of accessory equipment should be in accordance with the manufacturer's recommendations.

### Rotation Bearing

Rotation bearing – Item 1. Pressure gun lubricate bearing at recommended interval using lubricant as outlined in the maintenance schedule. Rotate while lubricating. The lubrication fitting is located on the turntable below the lower controls.

### Rotation Gear Teeth and Pinion

Rotation gear teeth and pinion – Item 2. Gear teeth and gear box pinion should be lubricated with a spray-on type open gear lubricant.

### Tie Rods

Tie rods – Item 3. Lubricate at recommended interval using lubricant as outlined in the maintenance schedule.

### Swing Drive

Swing drive – Item 4. To check oil level, remove check plug located on the side of the gear box. Unit is full if oil is level with bottom of fill hole or just starts to run out.

### Gear Hubs

Gear hubs – Item 5. To check and fill Gear hubs:

1. Rotate wheel until bottom of filler/drain plug is about 1 inch above horizontal centerline.

2. Remove plug with drive ratchet and extension.

3. Fill until lubricant is level with bottom of fill hole.

### Note

*Do not overfill gear hubs as they are not vented and need air space for expansion of oil to prevent damage to hubs.*

### Platform Rotator

Platform Rotator – Item 6. Platform rotators will require lubrication only if disassembled for repairs. Consult factory for proper lubricant if replacement of platform rotator is required.

### Hydraulic Oil Reservoir

Hydraulic oil reservoir – Item 7. The fluid level should be kept between the full and add marks on the sight gauge and should be checked with the machine in the stowed position.

The interior of the reservoir should be wiped out and cleaned each time the hydraulic oil is changed. The reservoir filler/breather cap should be removed and the cap strainer cleaned with Kerosene, fuel oil, or other solvent at this time.

It is absolutely necessary that only new, clean hydraulic oil is added.

### Note

*If it becomes necessary to add or use an oil other than the recommended fluid, it is important that it be compatible and equivalent to the factory fill. Local oil suppliers can generally furnish this information.*

If questions still remain, contact Snorkel Customer Service Department for further information.

### Engine

Engine – Item 8. Refer to the engine manufacturer's instruction manual or consult your local engine service representative if engine adjustments or repairs are needed. The engine must be operated in accordance with manufacturer's instructions and serviced at recommended intervals.

---

### Hydraulic Oil Return Filter

Return filter – Item 9. The hydraulic oil return filter is mounted outside of the hydraulic oil reservoir.

The filter element is a throw-away type filter and should be changed after the initial break-in period (approximately 50 hours operation time).

The filter is equipped with a hydraulic pressure gauge to indicate the filter element condition. A by-pass relief within the filter base is provided and is set to by-pass at 25 psi. If pressure readings are above 25 psi, the filter should be changed.

The filter condition should be checked at the 90 day or 150 hour Preventive Inspection Maintenance interval or more frequently under extreme working conditions.

The filter condition indicator is accurate only when the engine is running at maximum rpm and pump is discharging maximum flow, which occurs only during full speed driving. This requires that the indicator be observed while the unit is in motion, booms fully retracted and in stowed position, drive range switch in “LO” position, and drive controller fully forward. Oil temperature should be at least 90° F (32° C).

### Warning

**Use extreme caution while observing the condition indicator because of the motion of the drive wheels. The condition indicator is best observed from outside of the tract of the vehicle wheels to avoid possible personal injury or machine damage.**

When changing the filter element, the oil inside of the filter element, should be examined for deposits of metal cuttings, which is present, could indicate excessive wear in some of the system components.

### Suction Strainer

Suction strainer – Item 10. A 100 mesh strainer is located within the hydraulic oil reservoir and filters the pump suction flow.

The strainer should be cleaned at the time interval shown in the maintenance schedule chart, using Kerosene, fuel oil or other solvent and a soft bristled brush.

Inspect the filter wire cloth for damage. Holes in the filter cloth leak dirt into the pump and other vital hydraulic components. If element is damaged, replace.

When the filter has been thoroughly cleaned, reinstall in suction line and tighten securely.

### Door Hinges and Latches

Door hinges and latches – Item 11. After lubricating, remove any excess lubricant or over spray so it will not collect dirt or debris.

### Slide Pads

Slide pads – Item 12. Check slide pads for excessive wear and replace as required. Slide pads do not require lubrication.

### Batteries

Batteries – Item 13. Batteries will have longer life if the water level is maintained and they are kept charged. The engine will have better starting characteristics with a fully charged battery. In cold weather the battery should be maintained at full charge to keep from freezing. An extremely low or dead battery can freeze in cold weather. Make sure connections are clean and tight.

Make sure charging equipment is operating properly.

### Danger

**Lead-acid batteries produce flammable and explosive gases. Never allow smoking, flames or sparks around batteries. Lead-acid batteries contain sulfuric acid which will damage eyes or skin on contact. When working around batteries, always wear a face shield to avoid acid in eyes.**

If acid contacts eyes, flush immediately with clear water and get medical attention. Wear rubber gloves and protective clothing to keep acid off skin, if acid contacts skin, wash off immediately with clear water.

### Battery Care and Maintenance

The following information about battery care and maintenance was supplied by Interstate Batteries and is reprinted here with their permission.

1. New batteries need to be cycled several times before reaching full capacity (20-50 cycles, depending on type). Usage should be limited during this period.
2. Always recharge batteries fully, immediately after use. Batteries perform best when they are fully charged. More capacity and longer life will result from this practice.
3. The deeper the discharge, the fewer number of cycles a lead-acid battery will deliver. Deep discharges deteriorate the battery quicker than lighter shallow cycles.
4. Battery cables should be intact and connectors kept tight at all times. Systematic inspection is recommended.
5. Vent caps should be kept in place and tight during vehicle operation and battery charging.
6. Batteries should be kept clean – free of dirt and corrosion – at all times. Always keep the top of batteries clean. A film on top of the battery can cause the current to migrate between the posts, accelerating self discharge.





- 
7. Never let the electrolyte level of a lead-acid battery fall below the plates. Lack of maintaining the electrolyte in a lead-acid battery causes damage to the exposed portion of the plate which reduces capacity.
  8. Always check electrolyte level before charging. Do not add water to individual cells unless plates are exposed. Batteries should be watered after charging unless the plates are exposed before charging. If exposed before charging, the plates should be covered by approximately 1/8" of water. Check water level after charging. Water should be kept 1/4" below the bottom of the fill tube in the cell cover.
  9. Water used to replenish batteries should be distilled or treated to not exceed 200 T.D.S. (total dissolved solids... parts per million). Particular care should be taken to avoid metallic solids (iron).
  10. A fully charged battery will give you the best and longest service. Be sure the batteries are fully charged before testing or using. A fully charged battery, without a drain or load, after the surface charge has dissipated, is 6.35 volts for a 6 volt battery.
  11. Batteries should not be discharged below 20% of capacity (approximately 1.8 volts per cell under normal operating load; 1.98 volts open circuit; 1.145 specific gravity). Proper battery sizing will help avoid excessive discharge.
  12. Battery chargers should be sized to fully charge batteries in an eight hour period. Chargers should be kept in proper operating condition.
  13. Do not use a mismatched charger of any type; i.e., a 12 volt charger on a 24 volt pack or a 24 volt charger on a 12 volt pack. An undersized charger will never get the job done, no matter how long it tries. An oversized charger will cause excess gassing and heat that could possibly result in a battery meltdown and/or explosion.
  14. Never charge a lead-acid battery with a sealed (gel cell) battery charger. The lead-acid battery needs higher voltage to finish its charge. Without it the battery will never come back to 100% and sulfation can occur.
  15. Always allow batteries to cool off after charging. The cooling time is very important because heat is generated during the recharge and discharge cycles. Without the cooling time the heat grows, accelerating grid corrosion which is one of the major causes of battery failure. Charging practice should enable batteries to cool before use.
  16. Deep cycle batteries need to be equalized periodically. Equalizing is an extended, low current charge performed after the normal charge cycle. It helps keep cells in balance. Actively used batteries should be equalized once per week. Manually timed chargers should have the charge time extended approximately 3 hours. Automatically controlled chargers should be unplugged and reconnected after completing a charge cycle.
  17. In situations where multiple batteries are connected in series, parallel or series-parallel, a replacement battery's should be of the same size, age and usage level as the companion batteries. Do not put a new battery in a pack that has 50 or more cycles. Either replace all the batteries with new batteries or install a good used battery's in place of the bad. New batteries should be given a full charge before use.
  18. Periodic battery testing is an important preventative maintenance procedure. Hydrometer readings of each cell (fully charged) give an indication of balance and true charge level. Imbalance could mean the need for equalizing and is often a sign of improper charging or a bad cell. Voltage checks (open circuit, charged and discharged) can locate a bad cell or weak battery. Load testing will pick out a bad cell when other methods fail. The point is to look for the abnormal. A weak cell or battery will cause premature failure of companion cells or batteries respectively.
  19. As batteries age, their maintenance requirements change. Generally their specific gravity is higher and gassing voltage goes up. This means longer charging time and/or higher finish rate (higher amperage at the end of charge). Usually, older batteries need to be watered more often and their capacity decreases.
  20. "Opportunity charging", a short partial charge during an extended duty cycle, is a controversial subject. Generally, the practice is a "crutch" to make up for undersized batteries. The correct approach is to install adequate battery capacity. If this is impossible because of lack of space in the battery compartment or extreme operating conditions (24 hour intermittent use, as an example), "opportunity charging" is better than excessive battery discharging. However, the practice can cause batteries to overheat, require more watering and usually will shorten battery life. "Opportunity charging" is a trade off; something to avoid if possible. One charging cycle per day is preferable.
  21. Extreme temperatures can substantially affect battery performance and charging. Cold reduces battery capacity and retards charging. Heat increases water usage and can result in overcharging. Very high temperature can cause "thermal run away" which may lead to an explosion or fire. If extreme temperature is an unavoidable part of an application, consult a battery/charger specialist about ways to deal with the problem.
  22. An overly discharged battery might need to be cycled a few times before it can recover fully. If a battery

---

begins to heat before coming up to a full charge, it might be necessary to discharge the battery and recharge it a few times. The charge and discharge cycle might help the current acceptance of the battery and facilitate its recovery to a usable condition.

23. Inactivity can be harmful to deep cycle batteries. If they sit for several months, a “boost” charge should be given – more frequently in warm climate (about once a month) than in cold (every 2-3 months).
24. Never store a battery in a discharged state. The sulfate that forms during discharge can make the battery impossible to recharge fully.

## Fastener Torque Chart

Bolt Grade	SAE Grade 1 or 2	SAE Grade 5	SAE Grade 6	SAE Grade 8
Marking				
Definition	Indeterminate Quality	Minimum Commercial Quality	Medium Commercial Quality	Best Commercial Quality
Material	Low Carbon Steel	Medium Carbon Steel Tempered	Medium Carbon Steel Quenched and Tempered	Medium Carbon Alloy Steel Quenched and Tempered
Minimum Tensile Strength	64,000 psi.	105,000 psi	133,000 psi.	150,000 psi
Bolt Size	Recommended Torque Value (ft lbs)			
1/4	5	7	10	10.5
5/16	9	14	19	22
3/8	15	25	34	37
7/16	24	40	55	60
1/2	37	60	85	92
9/16	53	88	120	132
5/8	74	120	167	180
3/4	120	200	280	296
7/8	190	302	440	473
1	282	466	660	714

Torque chart information:

- Consult manufacturers' specific recommendations, when available.
- The chart may be used with both coarse and fine thread fasteners lightly lubricated.
- Increase torque by 20% when multiple tapered tooth (shake proof) lock washers are used.
- The torque values are given in foot-pounds.
- Inch/pound equivalent may be obtained by multiplying by 12.



## Fastener Torque Chart – Metric System

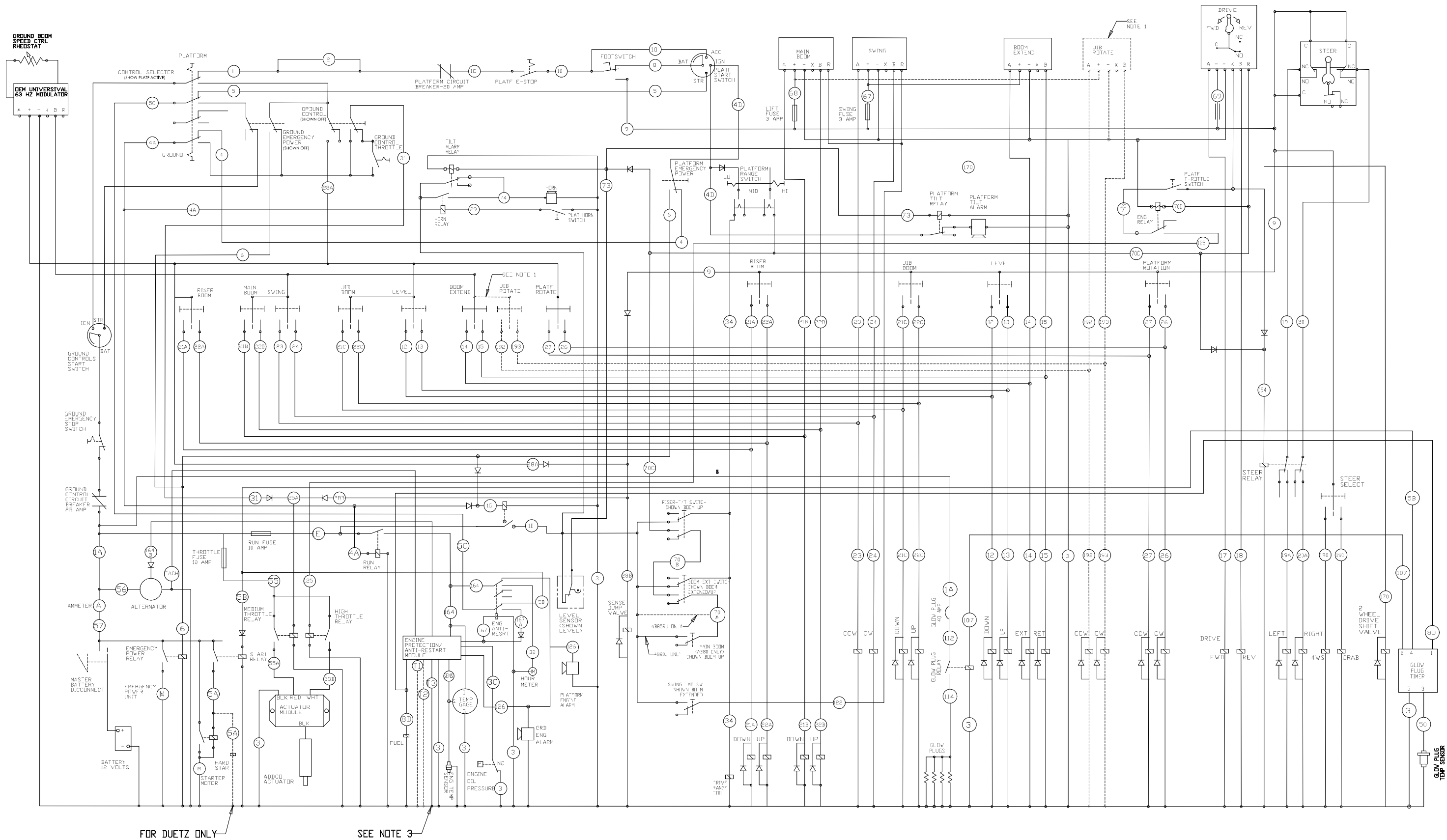
Capscrew	Grade 8.8					Grade 10.9				
	In-LBS Dry	In-LBS Lubed	FT-LBS Dry	FT-LBS Lubed	Clamp Load (lb)	In-LBS Dry	In-LBS Lubed	FT-LBS Dry	FT-LBS Lubed	Clamp Load (lb)
M4 - 0.7	27	20			861	36	24			1,173
M5 - 0.8	55	41			1,394	72	60			1,895
M6 - 1.0	93	70			1,971	132	96			2,686
M8 - 1.25	228	168	19	14	3,591	312	228			4,889
M8 - 1.0	240	180	20	15	3,844	336	252			5,232
M10 - 1.5			37	28	5,693			51	38	7,744
M10 - 1.25			39	30	6,008			54	41	8,171
M12 - 1.75			65	49	8,273			89	66	11,257
M12 - 1.25			71	53	9,037			96	72	12,297
M14 - 2.0			103	77	11,285			140	107	15,354
M14 - 1.5			114	85	12,263			155	114	16,691
M16 - 2.0			162	122	15,404			221	166	20,963
M16 - 1.5			173	129	16,388			236	177	22,311
M18 - 2.5			222	167	19,423			235	176	
M18 - 1.5										
M20 - 2.5			317	236	24,042			428	321	32,720
M20 - 1.5			350	262	26,695			479	358	36,316
M22 - 2.5			428	321	30,651			452	339	
M22 - 1.5										
M24 - 3.0			546	409	34,642			745	557	47,141
M24 - 2.0			594	446	37,676			811	605	51,277
M27 - 3.0			796	597	45,039			1,084	811	61,292
M27 - 2.0			863	645	58,785			1,173	848	66,226
M30 - 3.5			1084	811	55,054			1,475	1106	74,915
M30 - 3.0			1121	841	56,908			1,527	1143	77,444
M30 - 2.0			1202	900	60,932			1,630	1224	82,917

Rev D

Torque chart information:

- Consult manufacturers' specific recommendations, when available.
- The chart may be used with both coarse and fine thread fasteners lightly lubricated.
- Increase torque by 20% when multiple tapered tooth (shake proof) lock washers are used.
- Foot/pound equivalent may be obtained by dividing by 12.
- Inch/pound equivalent may be obtained by multiplying by 12.
- Newton/meter equivalent may be obtained by multiplying inch/pound by 0.1130.
- Newton/meter equivalent may be obtained by multiplying foot/pound by 1.3558.

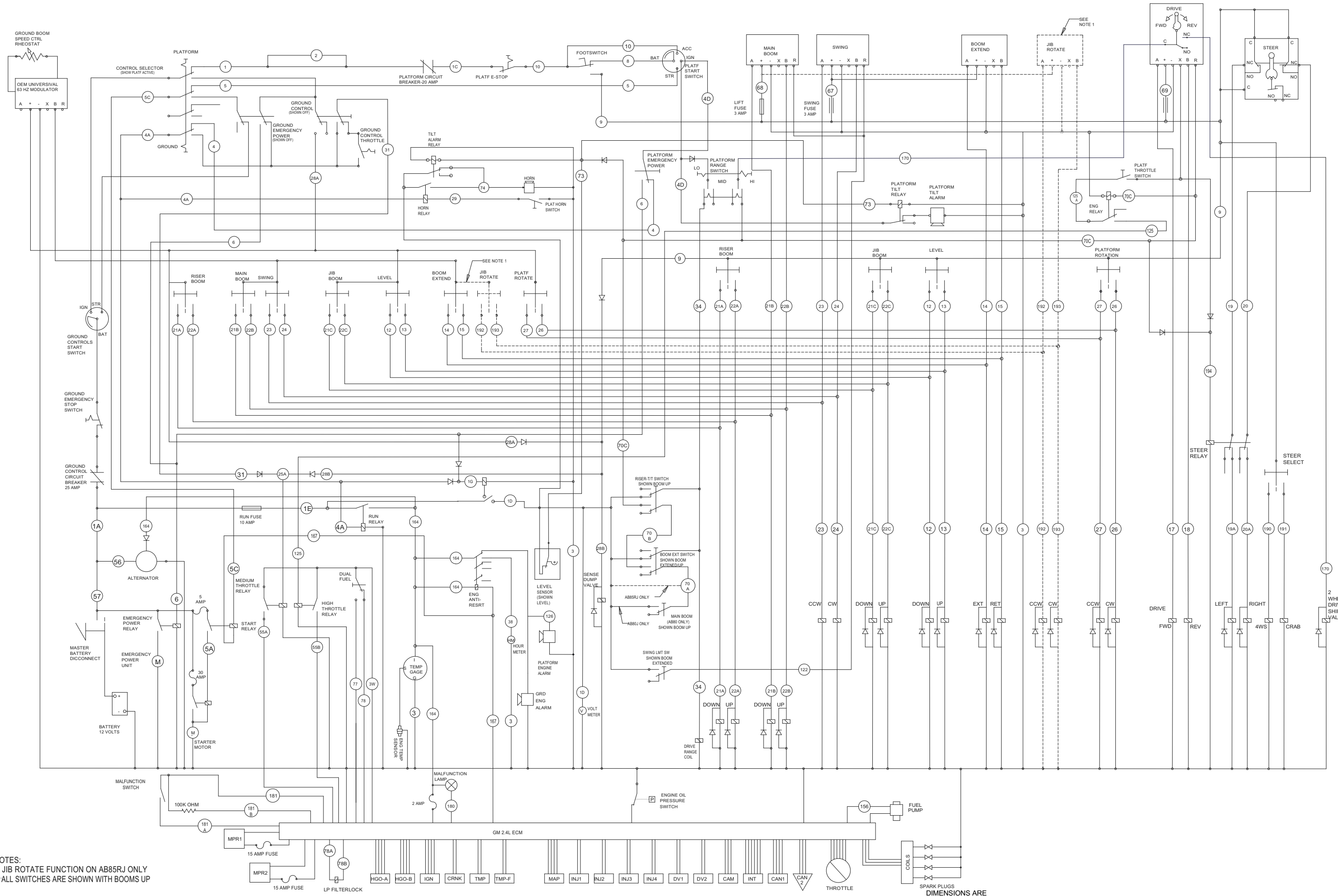




FOR DUETZ ONLY

SEE NOTE 3

- NOTES:
1. JIB ROTATE FUNCTION ON AB85RJ ONLY
  2. ALL SWITCHES ARE SHOWN WITH BOOMS UP
  3. T1,T3 CONNECT TO GROUND (3) FOR CU (200° ALARM, 220° SHUTDOWN)  
T2,T3 CONNECT TO GROUND (3) FOR DZ (250° ALARM, 260° SHUTDOWN)



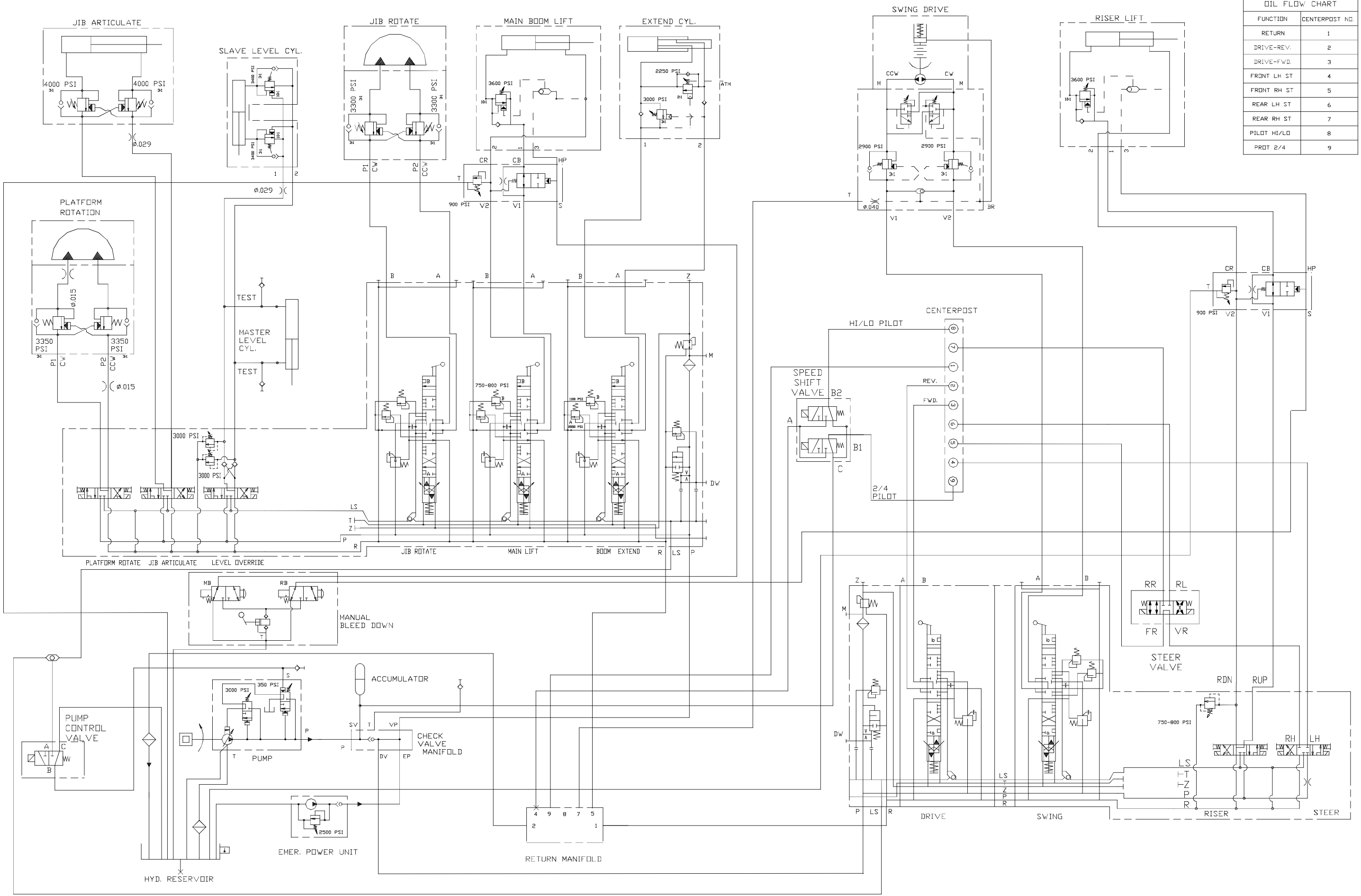
NOTES:  
 1. JIB ROTATE FUNCTION ON AB85RJ ONLY  
 2. ALL SWITCHES ARE SHOWN WITH BOOMS UP

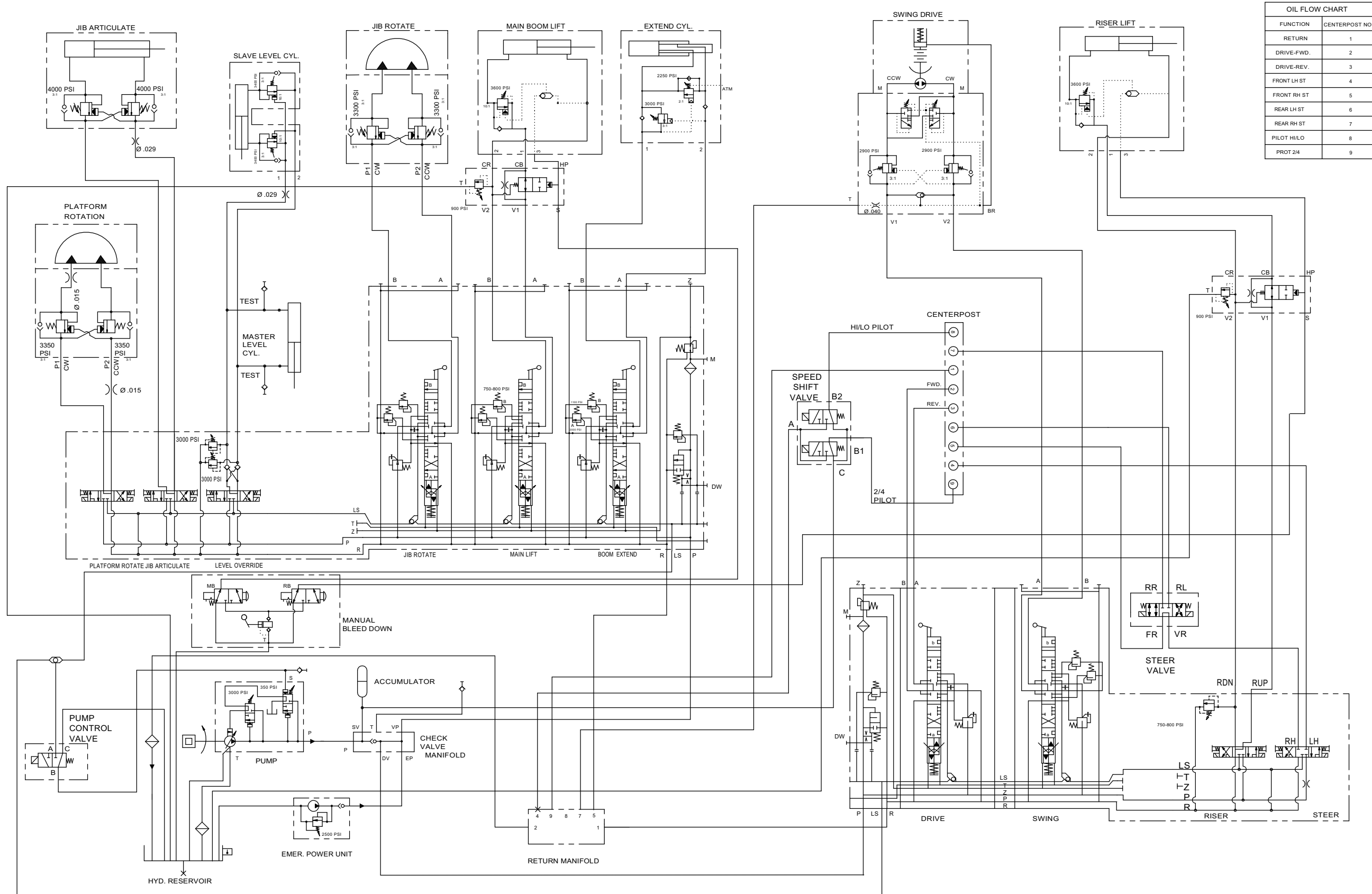
DIMENSIONS ARE





OIL FLOW CHART	
FUNCTION	CENTERPOST NO.
RETURN	1
DRIVE-REV.	2
DRIVE-FWD.	3
FRONT LH ST	4
FRONT RH ST	5
REAR LH ST	6
REAR RH ST	7
PILOT HI/LD	8
PROT 2/4	9





OIL FLOW CHART	
FUNCTION	CENTERPOST NO.
RETURN	1
DRIVE-FWD.	2
DRIVE-REV.	3
FRONT LH ST	4
FRONT RH ST	5
REAR LH ST	6
REAR RH ST	7
PILOT HI/LO	8
PROT 2/4	9



A	
110 VOLT POWER TO PLATFORM INSTALLATION	4-31
115V AC 2000 WATT HYDRAULIC GENERATOR SUB ASSEMBLY	5-4
12KW GENERATOR INSTALLATION	5-6
12KW GENERATOR INSTALLATION WIRING BOX MODIFICATION	5-7
12KW PLATFORM CONTROL BOX ASSEMBLY	5-8
2.4KW BELT GENERATOR AB80J AB85JRT FEBURARY 2020 AND AFTER	5-10
36 X 96 PLATFORM ASSEMBLY BUMPGUARD WITH PADDING MARCH 2009 AND AFTER	5-40
36 X 96 PLATFORM ASSEMBLY WITH BUMP GUARD AND PADDING MARCH 2009 AND AFTER	5-39
36X96 PLATFORM WITH BUMP GUARD PADDING AND SNORKEL GUARD	5-17
36X96 STEEL PLATFORM ASSEMBLY WITH SWING GATE AND GRAVITY GATE JULY 2007 AND BEFORE	2-68
39 X 96 STEEL PLATFORM 500#	5-20
4 WHEEL STEER INSTALLATION FIXED AXLE	2-4
40 GALLON FUEL TANK	2-13
78 INCHE JIB ASSEMBLY FEBURARY 2019 AND AFTER	2-62
78 INCHES JIB ASSEMBLY JANUARY 2019 AND BEFORE	2-61
AB46 TOOL TRAY	5-37
AB80J AB85RJ ELECTRICAL SCHEMATIC A42003F DEUTZ AND CUMMINS CHANGED ROUTING OF 170 WIRE	7-1
AB80J AB85RJ ELECTRICAL SCHEMATIC A42020C GM CHANGED ROUTING OF 170 WIRE	7-3
AB80J AB85RJ ELECTRICAL SCHEMATIC A42023B CUMMINS T3 CHANGED ROUTING OF 170 WIRE	7-2
AB80J AB85RJ ELECTRICAL SCHEMATIC KUBOTA FLEX A42029A	7-4
AB80J AB85RJ HYDRAULIC SCHEMATIC A42015A	7-5
AB80J AB85RJ HYDRAULIC SCHEMATIC A42015B PLATFORM ROTATE VALVE-MOVED ORIFICE OUTSIDE OF VALVE	7-6
AB80J AB85RJ HYDRAULIC SCHEMATIC A42015C UPDATED DIRIVE HOSES ON CENTERPOST	7-7
AB80J BOOM SUB ASSEMBLY	2-47
AB80J CHASSIS ASSEMBLY	2-1
AB80J HYDRAULIC SUB ASSEMBLY	3-1
AB80J KUBOTA BOOM INSTALLATION	2-58
AB80J KUBOTA ELECTRICAL SUB ASSEMBLY FEBURARY 2020 AND BEFORE	4-1
AB80J KUBOTA ELECTRICAL SUB ASSEMBLY MARCH 2020 AND AFTER	4-2
AB80J T4F TURNTABLE ASSEMBLY FEBURARY 2020 ABD BEFORE	2-10
AB80J T4F TURNTABLE ASSEMBLY MARCH 2020 AND AFTER	2-11
AB80J TURNTABLE HYDRAULIC VALVES	3-2
AC GENERATOR VALVE	5-5
ACCUMULATOR ASSEMBLY OCTOBER 2006 AND AFTER	3-32
ACCUMULATOR SUB ASSEMBLY 300 PSI CHARGED CHASSIS	3-31
AIR INLET HEATER DEUTZ	5-2

AIRLINE INSTALLATION AB80J AB85RT . 5-13	COLD WEATHER PACKAGE AB80J AB86J NOVEMBER 2019 AND AFTER . . . . . 5-25
ALL MOTION ALARM INSTALLATION 5-12	CONTROL VALVE ASSEMBLY FIVE FUNCTION 3-27
ASSEMBLY WIRING BOX AB80J T4F JULY 2019 AND AFTER . . . . . 4-11	CONTROL VALVE ASSEMBLY FOUR FUNCTION . . . 3-25
BELT GENERATOR 2.4KW KUBOTA V2403 OR WG2503 MAY 2019 AND AFTER . . . . . 5-9	CONTROL VALVE ASSEMBLY SIX FUNCTION .3-36
BLEED DOWN CONTROL VALVE ASSEMBLY JUNE 2007 AND AFTER . . . . 3-33	CONTROL VALVE FIVE FUNCTION . . . . . 3-28
BLEED DOWN PUMP VALVE APRIL 2007 AND AFTER . . . . . 3-34	CONTROL VALVE FOUR FUNCTION . . . . . 3-26
BLOCK HEATER KUBOTA V2403T . . . . . 5-28	CONTROLLER, DRIVE/STEER . . . . . 4-26
BOOM BRUSH KIT . . . . . 5-32	COUNTERWEIGHT INSTALLATION . . . . . 2-17
BOOM AND HOSE CARRIER ASSEMBLY . 2-54	COWLING AB85J CUMMINS GM . . . . . 2-42
BOOM ASSEMBLY NOVEMBER 2014 AND AFTER . . . . . 2-51	COWLING INSTALLATION CUMMINS DEUTZ GM KUBOTA . . . . . 2-43
BOOM EXTEND LIMIT SWITCH . . . . . 4-20	CYLINDER BLEED DOWN . . . . . 3-37
BOOM HYDRAULICS . . . . . 3-35	DECAL PLACARD INSTALLATION A80J ANSI CUMMINS . . . . . 2-71
BOOM INSTALLATION . . . . . 2-48	DECAL PLACARD INSTALLATION AB80J ANSI KUBOTA . . . . . 2-70
BOOM LIFT LIMIT SWITCH ASSEMBLY .4-19	DUAL AMBER BEACON . . . . . 5-1
BOOMS ASSEMBLY OCTOBER 2014 AND BEFORE . . . . . 2-50	DUAL AXIS CONTROLLER . . . . . 4-29
BRAKE UNIT . . . . . 2-5	ELECTRICAL INSTALLATION 12KW . . . . . 5-11
CENTERPOST ASSEMBLY AUGUST 2019 AND BEFORE . . . . . 3-18	EMERGENCY POWER UNIT . . . . . 3-20
CENTERPOST ASSEMBLY SEPTEMBER 2019 AND AFTER . . . . . 3-19	EMERGENCY POWER UNIT ASSEMBLY . . . . . 3-21
CHASSIS 4 WHEEL DRIVE INSTALLATION . 2-3	EMERGENCY POWER UNIT WUXI DELI APRIL 2016 AND AFTER . . . . . 3-22
CHASSIS HYDRAULICS 4 WHEEL DRIVE 3-3	ENGINE ASSEMBLY DEUTZ AUGUST 2007 AND AFTER . . . . . 2-31
CHASSIS TURNTABLE INSTALLATION . 2-9	ENGINE INSTALLATION APRIL 2007 AND BEFORE . . . . . 2-18
	ENGINE INSTALLATION DEUTZ . . . . . 2-26
	ENGINE INSTALLATION KUBOTA AB80/85RJ DECEMBER 2019 AND BEFORE . . . . . 2-32

ENGINE INSTALLATION MAY 2007 AND AFTER .....	2-19	5-38	
ENGINE MOUNTING DEUTZ .....	2-27	FLOW DIVIDER SUB-ASSEMBLY .....	3-10
ENGINE SUB-ASSEMBLY DEUTZ NOVEMBER 2007 AND AFTER .....	2-29	FOUR WHEEL STEER VALVE SUB ASSEMBLY OCTOBER 2006 AND AFTER .....	3-9
ENGINE SUB-ASSEMBLY DEUTZ OCTOBER 2007 AND BEFORE .....	2-28	FOUR WHEEL STEER VALVE SUB ASSEMBLY SEPTEMBER 2013 AND BEFORE .....	3-8
ENGINE SUB-ASSEMBLY KUBOTA APRIL 2017 AND BEFORE .....	2-34	FOUR WHITE LED LIGHTS WITH LPS CER NOVEMBER 2019 AND AFTER .....	5-34
ENGINE TRAY ASSEMBLY CUMMINS ..	2-21	FRONT TRANSMISSION VALVE ASSEMBLY FLUID TECH APRIL 2006 AND AFTER .....	3-4
ENGINE TRAY ASSEMBLY CUMMINS APRIL 2007 AND BEFORE .....	2-20	FUEL SYSTEM ASSEMBLY KUBOTA V2403T4F 2-33	
ENGINE TRAY ASSEMBLY DEUTZ OCTOBER 2011 AND BEFORE .....	2-30	FUEL TANK INSTALLATION .....	2-12
ENGINE TRAY ASSEMBLY KUBOTA V2403 TIER 4 FINAL DECEMBER 2019 AND AFTER .....	2-38	GEAR HUB .....	2-7
ENGINE TRAY INSTALLATION KUBOTA TIER 4 FINAL JANUARY 2020 AND AFTER ..	2-37	GEAR HUB (OMNI) .....	2-6
ENGINE WITH RADIATOR ASSEMBLY CUMMINS JULY 2007 AND AFTER .....	2-23	GENERAL INFORMATION .....	1-1
ENGINE WITH RADIATOR ASSEMBLY CUMMINS JUNE 2007 AND BEFORE .....	2-22	GLAZIER PACKAGE PLATFORM WITH 1.7 INCH TOE BOARD INSTALLATION .....	5-21
EXTEND CYLINDER ASSEMBLY .....	2-52	GLAZIER PACKAGE WORLD PLATFORM WITH 2 INCH TOE BOARD INSTALLATION .....	5-22
EXTEND CYLINDER ROSENBOOM .....	3-49	GLAZIER TRAY ASSEMBLY .....	5-23
EXTEND CYLINDER WALCO .....	3-50	HOSE CARRIER ASSEMBLY .....	2-55
EXTENSION CYLINDER MOUNTING ASSEMBLY .....	2-53, 3-48	HYDRAULIC AC GENERATOR 110 VOLT .....	5-3
EXTREME COLD WEATHER PACKAGE KUBOTA .....	5-26	HYDRAULIC PUMP ASSEMBLY JUNE 2018 AND AFTER .....	3-13
EXTREME ENVIROMENT PACKAGE NOVEMBER 2019 AND AFTER .....	5-29	HYDRAULIC TANK ASSEMBLY .....	2-14
FALL ANCHORAGE 36X96 INSTALLATION ..		HYDRAULIC TANK ASSEMBLY APRIL 2007 AND AFTER .....	3-14
		HYDRAULIC TURNTABLE EQUIPMENT INSTALLATION .....	3-11
		HYDRAULIC WARM UP .....	5-27
		INTERNAL WIRING KIT JULY 2019 AND AFTER ..	4-14
		JIB ASSEMBLY AB80J FEBURARY 2020 AND	

AFTER .....	2-60	AB85RJ .....	2-72
JIB BOOM AB80J JANUARY 2020 AND		PLATFORM ASSEMBLY WITH MESH	
BEFORE .....	2-59	ENCLOSURE PG APRIL 2018 AND AFTER .....	5-16
JIB CYLINDER ROSENBOOM .....	3-51	PLATFORM ASSEMBLY WITH SNORKEL GUARD	
JIB INSTALLATION 5 FOOT FIXED .....	2-63	.....	5-41
KUBOTA ENGINE SUB ASSEMBLY CE		PLATFORM ASSEMBLY 36 X 96 STEEL DOUBLE	
AB85J .....	2-35	HANDRAIL NO PADDING .....	5-18
KUBOTA ENGINE INSTALLATION CE AB80		PLATFORM ASSEMBLY WITH MESH ENCLOSURE	
AB85J .....	2-36	APRIL 2018 AND AFTER .....	5-15
KUBOTA T4 RADIATOR KIT .....	2-39	PLATFORM ASSEMBLY 36 X 96 STEEL DOUBLE	
LANGUAGE KIT SPANISH .....	2-73	HANDRAIL ON PADDING SEPTEMBER 2017 AND	
LEFT HAND DOOR ASSEMBLY .....	2-45	AFTER .....	2-66
LIFT SWING CONTROLLER .....	4-27	PLATFORM BOX ASSEMBLY .....	4-24
LIGHT PACKAGE AB80J AB85J NOVEMBER		PLATFORM CONTROL ASSEMBLY AB80J KUBOTA	
2019 AND AFTER .....	5-33	OCTOBER 2019 AND AFTER .....	4-25
MAIN BOOM ELECTRICAL INSTALLATION		PLATFORM CONTROL COVER VINYL .....	5-30
4-17		PLATFORM ELECTRICAL INSTALLATION ....	4-23
MAIN LIFT CYLINDER ASSEMBLY ....	3-40	PLATFORM FOOT SWITCH ASSEMBLY ..	4-4, 4-30
MAIN LIFT CYLINDER ROSENBOOM ..	3-41	PLATFORM GLAZIER PACKAGE .....	5-19
MAINTENANCE-AB80 .....	6-1	PLATFORM INSTALLATION WITH HELAC	
MASTER LEVEL CYLINDER ASSEMBLY .	3-45	ROTATOR .....	2-65
MASTER LEVEL CYLINDER ROSENBOOM .	3-47	PLATFORM ROTATOR ASSEMBLY FEBRUARY	
MASTER LEVEL CYLINDER WALTCO .	3-46	2018 AND AFTER .....	2-64
OIL RETURN FILTER OCTOBER 2006 AND		PLATFORM WORK LIGHTS GLOBAL PLATFORM	
AFTER .....	3-15	INSTALLATION .....	5-35
PANEL SUB ASSEMBLY AB80/85J T4F JULY		PRESSURE MANIFOLD VALVE SUB-ASSEMBLY	
2019 AND AFTER .....	4-13	3-24	
PANEL SUB-ASSEMBLY .....	4-12	RADIATOR ASSEMBLY JULY 2007 AND AFTER .	2-25
PINION GUARD .....	2-16	RADIATOR ASSEMBLY JUNE 2007 AND BEFORE ..	2-24
PISTON PUMP HENGLI SEPTEMBER 2019		REAR COVER ASSEMBLY .....	2-46
AND AFTER .....	3-23	REAR TRANSMISSION VALVE SUB-ASSEMBLY	
PLACARD DECAL INSTALLATION A80J		3-5	

RETURN MANIFOLD TURNTABLE	SWING SPEED LIMIT SWITCH	4-18
NOVEMBER 2006 AND AFTER	TIB BOOM ASSEMBLY NOVEMBER 2014 AND	
RIGHT HAND DOOR ASSEMBLY	AFTER	2-57
RISER ASSEMBLY	TIP BOOM ASSEMBLY OCTOBER 2014 AND	
RISER CYLINDER ASSEMBLY	BEFORE	2-56
RISER CYLINDER ROSENBOOM	TIRES AND WHEELS	2-8
RISER CYLINDER WALTCO	TIRES NON-MARKING FOAM FILLED	5-24
RISER LIMIT SWITCH	TURNTABLE ELECTRICAL INSTALLATION	
RISER LIMIT SWITCH ASSEMBLY	CUMMINS AND DEUTZ	4-15
ROTATION BEARING AND CHASSIS	TURNTABLE ELECTRICAL INSTALLATION	
INSTALLATION	DECEMBER 2018 AND BEFORE	4-16
SENSE LINE DUMP VALVE ASSEMBLY	TURNTABLE HARNESS T4F AB80/85J AUGUST	
29	2019 ANF AFTER	4-3
SINGLE AXIS CONTROLLER	TURNTABLE HYRAULIC VALVES ASSEMBLY	
SLAVE LEVEL CYLINDER ROSENBOOM	OCTOBER 2006 AND AFTER	3-12
53	V2403-M-T-E3-KEA-2E KUBOTA ENGINE EXPORT	
SLAVE LEVEL CYLINDER WALTCO	WITH RADIATOR REPLACEMENT PARTS	2-40
SNDBLAST KIT FEBURARY 2020 AND	V2403-M-T-E3B-KEA-2F KUBOTA ENGINE WITH	
AFTER	RADIATOR REPLACEMENT PARTS	2-41
SNORKEL GUARD ASSEMBLY	WIRE ASSEMBLY MAIN BOOM	4-5, 4-6
SPEED SHIFT VALVE SUB ASSEMBLY MAY	WIRING BOX ASSEMBLY CUMMINS AND	
2007 AND BEFORE	KUBOTA CE	4-9
SPEED SHIFT VALVE SUB-ASSEMBLY JUNE	WIRING BOX ASSEMBLY	4-7, 4-8, 4-10
2007 AND AFTER	WORK LIGHTS AB80J/85RJ	5-36
STEEL PLATFORM ASSEMBLY JULY 2007		
AND AFTER		
STEEL PLATFORM WITH WELDER		
STEER CYLINDER ROSENBOOM AUGUST		
2015 AND AFTER		
STEERING CYLINDER WALTCO		
SWING DRIVE		
SWING DRIVE ASSEMBLY		
SWING MOTION CONTROL VALVE		
ASSEMBLY MAY 2007 AND AFTER		

B	0070772	..... 2-10, 2-11, 2-47, 2-58, 3-11, 3-35, 3-35
0012827	0070785	..... 2-10, 2-11, 3-11
0020137	0070786	..... 2-1, 2-10, 2-11, 3-3, 3-11
0020275	0070789	..... 2-1, 3-3
0020276	0070792	..... 2-1, 3-3
0020280	0070838	..... 2-18, 2-19, 2-26, 2-27, 2-32, 2-36, 2-37
0020281	0070901	..... 2-66, 2-72, 5-17, 5-18, 5-20
0020283	0070921	..... 2-72
0020356	0070967	..... 4-4, 4-7, 4-10, 4-11, 4-24, 4-25, 4-30, 5-8
0021059	0071425	..... 2-66, 2-72, 5-17, 5-18, 5-20
0050137	0071538	..... 4-9
0050397	0071549	..... 2-10, 5-12
0050400	0071556	..... 5-41
0060290	0071564	..... 4-9
0060305	0071568	..... 2-10, 2-11, 4-16, 5-2
0060373	0071582	..... 4-31
0070033	0071589	..... 4-7, 4-10, 4-11, 5-36
0070256	0071590	..... 2-10, 2-11
0070441	0071599	..... 2-20, 2-21, 2-28, 2-29
0070472	0071654	..... 5-29
0070473	0071654E	..... 5-30
0070541	0071793	..... 2-72
0070596	0071800	..... 4-1, 4-2
0070639	0071800 H	..... 4-4, 4-30
0070712	0071837	.. 2-66, 2-68, 2-69, 5-15, 5-16, 5-18, 5-39, 5-40, 5-41
0070730	0071913	..... 2-72
0070742	0071925	..... 2-72
0070746	0071926	..... 2-70, 2-71, 2-72, 2-72
0070747	0071927	..... 2-72
0070753	0071953	..... 2-68, 2-69, 5-16, 5-40
0070768	0071953-8	..... 2-66, 5-18, 5-39, 5-41
0070769	0072004-3	..... 5-36
	0072012	..... 5-33

0072276	2-8, 2-72	0074630	2-24
0072293	5-7	0074684	2-22, 2-23
0072323	2-10, 2-11, 4-16	0074685	2-22, 2-23
0072418	5-36	0074765	3-29
0072530	2-72, 4-24, 4-25, 5-8	0074908	2-72
0072531	2-72, 5-16	0074913	2-70, 2-71
0072680	2-56, 2-57	0074972	2-20, 2-21
0072940 A	3-21	0075235	2-72, 5-16
0073034	2-72	0075247	4-9
0073051	4-16	0075268	5-26
0073051-8	2-10	0075372	2-66, 5-17, 5-18, 5-20
0073076	5-30	0075378	2-72
0073077	5-28	0075379	2-72
0073089	2-10, 2-11, 2-72, 4-16	0075380	2-72
0073128	5-3	0075516	2-28, 2-29
0073139	2-72	0075519	2-28, 2-29
0073224	2-72	0075563	2-70, 2-71, 2-72
0073250	5-34, 5-36	0075564	2-70, 2-71, 2-72
0073298	2-8, 2-72, 5-24	0075737	2-34
0073491	2-72	0075737-8	2-35
0073492	2-72	0075738	2-34
0073585	2-72	0075738-8	2-35
0073618	5-27	0075743	2-34, 2-35
0073781	5-2, 5-9, 5-10	0075753	2-34
0074209	2-72	0075753-4	2-35
0074210	2-72	0075756	2-34
0074311	2-72, 2-72	0075756-4	2-35
0074365	2-58	0075767	2-70
0074368	4-31	0075836	2-34, 2-35
0074369	4-31	0080023	2-49
0074372	2-72	0080362	2-10, 2-11, 3-11
0074379	4-31	0080482	2-10, 4-16
0074549	2-29	0080484	5-26
0074579	2-28	0080519	2-10, 2-11, 4-16

0080759	5-6, 5-13	0083956	5-8
0080914	2-34, 2-35	0083966	5-6
0080932	2-10, 2-11, 3-11	0083985	5-14
0081052	2-30, 2-31	0083999 C	5-14
0081136	2-10, 2-11, 3-11	0084084	5-14
0081226	2-28, 2-29	0084189	5-3, 5-10
0081377	2-72	0084213	2-70, 2-71, 2-72
0081614	2-28, 2-29	0084231	2-29
0081619	2-28, 2-29	0084468	5-32
0082045	2-20, 2-28, 2-29	0084469	5-32
0082046	2-22	0084470	5-32
0082058 D	5-2	0090402	2-10, 2-11, 3-11
0082064	5-2	0090493	2-72
0082138	2-22, 2-23, 2-28, 2-29, 2-34, 2-35, 2-38	0090589E	2-66, 5-17, 5-18, 5-20
0082138 A	3-13	0090757	5-8
0083066	2-10, 2-11, 3-11	0100105	2-53, 3-48
0083153	2-24	0100270	2-10, 2-11, 3-11
0083155	2-20, 2-21	0100271	2-10, 2-11, 2-58, 3-11, 3-35
0083427	2-72	0100278	2-10, 2-11, 3-11
0083437	2-20, 2-21	0100491	2-1, 3-3
0083544	2-22, 2-23	0101298	5-8
0083586	2-20, 2-21	0101379	2-55
0083587	2-20, 2-21	0101565	2-10, 4-16
0083733	2-72	010178-001	2-10
0083823	5-14	0101800	4-9
0083825	5-14	0101896	5-3
0083826	5-14	0101897	3-35, 5-3
0083833	5-14	0110156	3-30
0083857	5-14	0110198	2-10, 2-11, 3-11
0083858	5-14	0110364	2-14, 3-14
0083860	5-8	0110547	2-47, 4-17
0083862	5-14	0110590	2-55
0083863	5-14	0110594	2-18, 2-19, 2-26, 2-27, 2-32, 2-36, 2-37
0083891	5-11	0110695	2-50, 2-56



0110701	..... 2-56, 2-57	0112706	..... 2-1, 3-3
0110706	..... 2-56, 2-57	0112715	..... 2-1
0110727	..... 4-7, 4-10, 4-11	0112717-8	..... 2-1
0110756	..... 2-2	0112718	..... 3-18, 3-19
0110907	..... 2-10, 2-11, 3-11	0112718-001	..... 3-19
0111283	..... 5-6	0112749 H	..... 3-3
0111286	..... 2-58, 3-35, 5-6	0112750 D	..... 2-3
0111287	... 2-1, 2-10, 2-11, 2-47, 3-3, 3-11, 3-35	0112750-0	..... 2-1
0111477	..... 4-24, 4-25, 5-8, 5-27	0112751 C	..... 2-4
0111675	..... 2-3	0112751-0	..... 2-1
0111882	..... 2-10, 2-11, 3-11	0112754	..... 2-8
0112047	..... 5-3	0112754-1	..... 2-1
0112132	..... 2-66, 5-17, 5-18, 5-20	0112777	..... 2-4
0112217	..... 2-7	0112777 C	..... 3-38, 3-39
0112218	..... 2-7	0112780	..... 2-4
0112219	..... 2-7	0112787	..... 2-4
0112220	..... 2-7	0112789	..... 2-4
0112221	..... 2-7	0112791	..... 2-4
0112222	..... 2-7	0112793	..... 2-4
0112223	..... 2-7	0112804-8	..... 2-1
0112224	..... 2-7	0112805	..... 3-1, 3-3
0112225	..... 2-7	0112805 D	..... 3-4
0112226	..... 2-7	0112806	..... 3-1, 3-3
0112227	..... 2-7	0112806 C	..... 3-5
0112231	..... 4-9	0112807	..... 3-1, 3-3
0112619	..... 5-31	0112807 B	..... 3-10
0112621	..... 5-31	0112821	..... 3-8, 3-9
0112642	..... 2-4	0112827	..... 2-1
0112657	..... 2-8	0112828	..... 2-1, 3-3
0112658	..... 2-8	0112830	..... 2-1, 3-3
0112660	..... 2-4	0112978	..... 3-18, 3-19
0112661	..... 2-4	0113515	..... 3-18, 3-19
0112699-8	..... 2-1	0113519	..... 2-67
0112705	..... 2-1, 2-47, 3-3, 3-35	0113519-5	..... 5-41

0113528	2-67, 5-41	0150248	2-48, 2-49, 2-63
0113529	2-67	0150509	2-66, 2-68, 2-69, 5-15, 5-16, 5-18, 5-39, 5-40, 5-41
0113529-5	5-41	0150586	2-55
0113530	2-67, 5-41	0150602	2-72
0113531	5-16	0150604	2-58, 3-35
0113531 F	2-67	0150606	2-72
0113531-5	2-66, 5-18, 5-41	0150975	5-27
0113536	4-25	0151410	2-70, 2-71, 2-72
0113538	2-67	0151457	5-4
0113538-5	5-41	0151458	5-4
0113540	5-41	0151459	5-3, 5-8, 5-10
0113541	5-41	0151469	5-4
0113542	5-41	0151470	5-4
0113546	5-35	0151471	5-3
0113584	5-15, 5-39, 5-40, 5-41	0151471 L	5-4
0113585A	5-20	0151484	5-4
0113623	5-35	0151728	3-10
0113624	5-33	0151817	5-36
0113624 A	5-35	0151860	2-47, 3-3, 3-35
0113640 A	5-17	0151918	2-58, 3-35
0113798A	5-24	0152124	5-7
0113799	5-24	0152126	5-7
0113800	5-24	0152831	5-4
0113813 E	2-66	0152831 B	5-5
0113813B	5-18	0161472	2-68
0113823	2-33	0161766	2-55, 5-14
0113824	2-37	0162311	2-72
0113824 D	2-33	0162328	2-72
0113969	5-36	0162329	2-72
0114007-8	5-9, 5-10	0162698	2-21
0114008-8	5-9, 5-10	0163373	2-10, 2-11, 3-11
0114009 B	5-9	0172199	2-59
012039-000	2-10, 5-26	0172199-1	2-60
0150121	5-14		

0172213	2-59, 2-60, 2-61, 2-62	0181503-8	2-10
0172214	2-59, 2-60, 2-61, 2-62	0181562	2-72
0172216	2-59, 2-60, 2-61, 2-62	0181634	5-28
0172228	2-63	0181890	2-7
0172231	2-59	0182057	4-17
0172231-1	2-60	0182077E	2-72
0172451	2-72, 5-16	0182139	5-38
0172512	2-59	0182140	5-38
0180776	2-10, 2-11, 3-11	0182147	5-38
0180779	2-1, 3-3	0182149	5-38
0180784	2-1, 3-3	0182340	5-40
0180806	2-10, 2-11, 3-11	0182432	2-34
0180809	3-10	0182432-8	2-35
0180832	2-24	0182443	5-25
0180846	4-24, 4-25, 5-8	0182443 B	5-28
0180944	2-10, 2-11, 3-11	0182535	4-13
0180945	2-1, 3-3	0182537	4-13
0180961	2-3, 2-7	0182583-3	2-37
0180961-OMNI	2-6	0190086	5-26
0181031	5-34	0190631	2-55
0181074	4-24, 4-25, 5-8	0190633	2-55
0181077	3-10	0190715	2-4
0181083	3-1, 3-3	0190736	2-55
0181083 B	3-31	0190788	2-4
0181092	3-10	0191435	5-27
0181161	3-10, 5-6	0191436	5-27
0181163	2-2, 2-47, 3-35	0192289	2-34
0181187	5-8, 5-34	0192289-8	2-35
0181376	5-34, 5-36, 5-36	0192295	4-16
0181381	5-39, 5-40	0192298	2-21
0181406	5-40	0192579	5-26
0181407	5-39	0192794-8	5-10
0181408	5-39, 5-40	020541-013	2-34, 2-35
0181503	4-16	0260466	2-40, 2-41

0260595 C	5-37	0420257	2-49
0260596	5-37	0420267	3-40
0260695	4-3	0420267 G	3-41
0260696	4-3	0420268	3-44
0260721	5-36	0420268 F	3-43
0260856	2-34	0420268 G	3-42
0260856-3	2-35	0420271	2-50, 2-56
0261227	5-9, 5-10	0420273	2-50
0323804	5-6	0420274	2-50, 2-51
0323896	2-72	0420275	2-50, 2-51
0323897	2-72	0420276	2-47, 2-52
0323899	2-72	0420286	2-48, 2-58
0360891	5-38	0420288	2-49
0360892	5-38	0420316	2-49
0361367	2-70, 2-70, 2-71	0420321	2-49
0400484	5-6	0420330	2-49
0420111-3	2-61, 2-62	0420338	2-49
0420114	2-59	0420339	2-15
0420114 E	2-64	0420339 B	3-16
0420114-1	2-60	0420350	2-49
0420123	2-22, 2-23, 2-28, 2-29, 2-34, 2-35	0420360	2-48, 2-49, 2-58
0420124	2-59, 2-60	0420362	2-48, 2-58
0420132-1	2-61, 2-62	0420364	2-48, 2-58, 2-63
0420186	3-45	0420369	2-48, 2-58
0420186 A	3-46	0420420	2-20, 2-28
0420186 B	3-47	0420438	2-18, 2-19, 2-26, 2-27, 2-32, 2-36, 2-37
0420188	2-56, 2-57	0420442	2-9
0420188 A	3-52	0420447	2-49
0420188 B	3-53	0420451-8	2-1
0420198	2-68, 2-69	0420453	2-70, 2-71
0420199	2-68, 2-69, 5-15, 5-16, 5-40	0420455	4-7
0420199-5	2-66, 5-18, 5-39, 5-41	0420455 F	4-12
0420240 F	2-68	0420456	4-12
0420240 J	2-69	0420459	4-12, 4-13

0420461	4-16	0420666	2-50, 2-51
0420462	4-7, 4-10	0420667	2-50, 2-51
0420463	4-7, 4-10, 4-11	0420668	3-1, 3-11
0420490	2-19, 2-26, 2-27, 2-32, 2-36, 2-37	0420668 B	3-8
0420500	2-20, 2-21	0420668 C	3-9
0420503	2-20, 2-21	0420669	3-1, 3-11, 3-20
0420545-0	2-42	0420670	3-2, 3-12
0420560	4-16	0420670 C	3-6
0420560-8	2-10	0420670 D	3-7
0420595	2-12	0420672	3-2, 3-12
0420595 B	2-13	0420672 B	3-29
0420612	4-24, 4-25, 5-8	0420673	3-1, 3-11
0420617	4-24, 4-25, 5-8	0420673 B	3-32
0420620	4-24, 4-25	0420674	3-1, 3-11
0420627	2-17	0420674 B	3-15
0420630	4-24, 4-25, 5-8	0420675	3-2, 3-12
0420631	4-12	0420675 B	3-24
0420632	2-66, 2-68, 2-69, 5-15, 5-16, 5-18, 5-39, 5-40, 5-41	0420677	3-1, 3-11, 3-25
0420633	4-7, 4-10	0420681	3-12
0420634	4-12	0420681-8	3-2
0420635	4-7, 4-10, 4-11	0420683	3-1, 3-11
0420636	4-24, 4-25, 5-8	0420683 E	3-30
0420637	5-34	0420687	2-50, 2-51
0420637 A	4-8	0420690	3-1, 3-11
0420638	4-24, 4-25, 5-8	0420690 A	3-2
0420639	4-23	0420690 C	3-12
0420645	2-18, 2-19	0420693	3-11
0420645 E	2-22	0420693-8	2-10
0420645 G	2-23	0420694	3-11
0420659	2-63	0420694-8	2-10
0420662	2-56, 2-57	0420713	2-22, 2-23
0420663	2-56, 2-57	0420713 C	2-20
0420665	2-50, 2-51	0420713 E	2-21
		0420714	2-22, 2-23

0420714 B	2-24	0420872	4-23
0420714 C	2-25	0420872 G	4-24
0420715 E	3-36	0420878-1	2-61, 2-62
0420717	2-49	0420883	4-24, 4-25, 5-8
0420726	2-58, 4-17	0420885	2-10, 2-11, 3-11
0420726 D 1	4-5	0420895	2-12, 3-11
0420726 D 2	4-6	0420895-8	2-10
0420728	2-50, 2-51	0420898	2-53, 3-48
0420728 B	2-56	0420904	4-7, 4-10, 4-11
0420728 E	2-57	0420909	4-7, 4-10
0420730	2-63	0420911	2-53, 3-48
0420730 E	2-59	0420911 D	3-49, 3-50
0420730 F	2-60	0420912	2-47, 2-52
0420731-1	2-61, 2-62	0420912 C	2-53, 3-48
0420732-1	2-61, 2-62	0420921	2-9
0420734	2-59	0420921 B	3-18
0420734-1	2-60	0420921 D	3-19
0420736	2-59	0420925	2-54
0420736-1	2-60	0420925-1	2-47
0420738	2-56, 2-57	0420941	2-55
0420741	2-53, 3-48	0420946	2-10, 2-11, 4-16
0420742	2-49	0420967 C	2-18
0420801	2-43	0420967 E	2-19
0420807	2-43	0420970	2-22, 2-23, 2-30
0420808	2-43	0420976	2-22, 2-23
0420809	2-43	0420977	2-22, 2-23
0420810	2-43	0420983	4-23
0420811	2-43	0420988	2-20, 2-21
0420822	2-44	0420989	4-17
0420823	2-45	0420989-1	2-47
0420853	2-9	0420992	2-22
0420853 C	2-15	0420994	2-22, 2-23, 2-30
0420871	4-8, 4-9, 5-34	0420995	2-17
0420871 H	4-7	0420996	2-10

0420996 A	2-12	0421116-1	2-47
0420999	4-11	0421117	2-54
0421005	4-16, 5-34	0421117-1	2-47
0421005 E	4-9	0421118	2-55
0421008	2-47	0421119	2-55
0421008 C	2-63	0421121	2-54
0421021 C	2-71	0421122 B	2-48
0421042	2-72	0421124	2-48
0421043	2-72	0421124 B	2-54
0421049	2-43	0421127	2-55
0421050	2-43	0421128	2-55
0421051	2-43	0421129	2-54
0421052	2-43	0421129 B	2-52
0421059	2-43	0421131	2-52
0421060	2-43	0421131 C	2-50
0421061	2-43	0421131 D	2-51
0421066	5-23	0421131-1	2-47
0421067	5-19, 5-21, 5-23	0421132	2-50, 2-51
0421068 A	5-19	0421138	2-54
0421068C	5-21	0421138 A	2-46
0421073	4-18	0421138-1	2-58
0421074	4-20	0421146	2-49
0421077	5-23	0421179	2-9
0421078	5-23	0421179-8	2-10
0421079	5-23	0421191	2-47, 3-35, 3-35
0421080	2-70, 2-71	0421193	2-49
0421081	2-70, 2-71	0421196	3-35
0421082	2-70, 2-71	0421196-1	2-58
0421106	2-44, 2-45	0421204	2-17
0421110	4-9	0421209	2-44
0421111	2-46	0421210	2-45
0421112	2-46	0421215	2-49
0421113	2-55	0421217	2-43
0421116	2-54	0421223	2-43

0421235	2-43	0421320	3-1, 3-11
0421236	2-18, 2-19, 2-26, 2-27	0421320 B	3-34
0421236-8	2-32, 2-36, 2-37	0421321	2-68, 2-69, 5-15, 5-16, 5-40
0421237	2-43	0421321-5	2-66, 5-18, 5-39, 5-41
0421238	2-43	0421323	3-1, 3-11
0421239	2-43	0421323 F	2-14
0421247	2-43	0421323 G	3-14
0421253	2-49	0421336	2-26, 2-27
0421262	2-28, 2-29	0421336 C	2-30
0421266	2-30, 2-31, 2-34	0421336 E	2-31
0421266-8	2-35	0421337 B	2-27
0421268	4-9	0421337 D	2-26
0421269	5-19, 5-21, 5-22	0421341	4-19
0421271	2-49	0421343	2-43
0421273	2-49	0421343 D	2-44
0421276	2-44, 2-45	0421344	2-43
0421277 E	2-49	0421344 D	2-45
0421277-1	2-10	0421348	2-30, 2-31
0421280	2-49	0421354	2-72
0421283	5-19	0421368	2-30, 2-31
0421283-3	5-21, 5-22	0421368 C	2-28
0421285	5-19, 5-21, 5-22	0421368 E	2-29
0421290	2-49	0421371	2-58, 3-35
0421291	2-49	0421372	2-58
0421298	2-18, 2-19, 2-26, 2-27, 2-32, 2-36, 2-37	0421373	3-35
0421299	5-19, 5-21, 5-22	0421376	2-1
0421303	2-24	0421376 A	2-2
0421313	2-42	0421377 C	2-9
0421313 B	5-1	0421377-0	2-10
0421316	3-37	0421378	2-16
0421317	3-2, 3-12	0421383-0	2-10
0421317 B	3-37	0421384 A	2-16
0421319	5-25, 5-26	0421386	3-26
0421319 A	5-27	0421387	4-21



0421388	4-16	0421441	5-7
0421388 B	4-21	0421444	5-8
0421389	4-7	0421447	4-17
0421390	2-49	0421447-1	2-58
0421395	2-49	0421448 D	5-3
0421395 A	3-40	0421449 C	5-6
0421396	2-49	0421451	5-6
0421396 A	3-44	0421452	5-6
0421397	4-19	0421453	5-6
0421398	2-49	0421456	2-19, 2-26, 2-26, 2-32, 4-16
0421398 A	3-45	0421456-8	2-36, 2-37
0421404	2-58, 3-35	0421457	2-19, 2-26, 2-32, 4-16
0421405	2-58, 3-35	0421457-8	2-36, 2-37
0421406	3-1, 3-35	0421458	5-27
0421406 B	3-33	0421464	5-27
0421407	4-9	0421467 B	5-12
0421409	2-49	0421469	3-35
0421412	2-49	0421470	3-35
0421415	2-55	0421471	2-72
0421416	5-6	0421475	5-3, 5-8, 5-10
0421417	5-6	0421476	5-3, 5-10
0421418	5-3, 5-6	0421477	5-3, 5-8, 5-10
0421419	5-3	0421478	5-3
0421420	2-25	0421490	4-9
0421421	2-25	0421491	4-16
0421426	5-6	0421491-8	2-10
0421427	5-6	0421495	2-23
0421432	2-22, 2-23	0421501	2-28
0421437	2-54	0421502	2-30, 2-31
0421437 B	2-55	0421503	2-30
0421437-1	2-47	0421504	2-30
0421439	5-7	0421506	2-30
0421439 B	5-8	0421508	2-30, 2-31
0421440	5-7	0421509	2-30

0421510	2-43	0421630	2-43
0421512	2-43	0421631	2-43, 2-44, 2-45
0421519-5	2-66, 2-69, 5-15, 5-16, 5-18, 5-39, 5-40, 5-41	0421632	2-43
0421521	2-49	0421640-8	5-31
0421522	4-22	0421641-8	5-31
0421523	4-1, 4-2, 4-16	0421642-8	5-31
0421523 A	4-22	0421643-8	5-31
0421524	4-21	0421644	2-21, 2-29
0421529-5	2-66, 2-69, 5-15, 5-16, 5-18, 5-39, 5-40, 5-41	0421660 A	5-29
0421531	2-19, 2-26	0421671 A	5-33
0421531-8	2-32, 2-36, 2-37	0421677	2-43
0421532	2-19, 2-26, 2-32, 2-36, 2-37	0421678	2-43
0421541	4-1, 4-2, 4-17	0421711	2-59, 2-60
0421541 A	4-18	0421713	2-51, 2-57
0421542	4-1, 4-2, 4-17	0421734	2-73
0421542 A	4-20	0421735	2-73
0421543	4-1, 4-2, 4-17	0421737 A	3-1
0421543 A	4-19	0421740 A	2-1
0421558	2-21, 2-29, 2-34, 2-38	0421747 B	2-47
0421558-8	2-35	0421764 A	2-42
0421587	2-52, 3-1	0421766 A	2-73
0421587 A	3-27	0421796	2-34
0421596	5-31	0421796-8	2-35
0421597	5-31	0421810	5-23
0421598	5-31	0421811	5-19, 5-22, 5-23
0421610	2-29	0421812 A	5-19
0421614	5-33	0421812 C	5-22
0421614 A	5-34	0421814	5-29
0421615 A	5-13	0421814 B	5-32
0421624	5-29	0421849	2-72
0421624 B	5-31	0421850	2-72
0421628	2-43	0421851	2-72
		0421852	2-72
		0421859	2-34

0421859-8	2-35	0421904 A	4-13
0421861	2-34	0421905	4-11
0421861-8	2-35	0421907	4-11
0421864	2-34	0421909 A	4-14
0421864-8	2-35	0421916	4-13
0421865	2-34	0421917	4-13
0421865-8	2-35	0421976A	2-35
0421868	2-34	0421977C	2-36
0421868-8	2-35	0421978	2-10, 2-37
0421870	2-34	0421978 B	4-3
0421870-8	2-35	0421979	2-37
0421871	2-34, 2-35	0421986	2-38
0421872	2-34, 2-35	0421987	2-38
0421873	4-16	0421989	2-38
0421874	4-16	0421991	2-37
0421874 D	4-10	0421991 B	2-38
0421875	4-10	0421992	2-38
0421877 D	2-32	0421994	2-38
0421878	2-32	0421995	2-38
0421878 N	2-34	0421996	2-38
0421880-8	2-37	0421997	2-10
0421883	4-13	0421997 C	2-37
0421891 D	5-26	0421998	2-10
0421893 A	4-1	0422003	2-38
0421893 B	4-2	0422005 A	2-10
0421895 B	2-58	0422005 B	2-11
0421896	2-58	0422008 A	5-10
0421896 C	4-25	0422009	4-2
0421897 B	2-70	0422010 C	5-36
0421898 A	5-25	0422012	2-38
0421902	2-34, 2-35	0450490	2-18
0421903	2-10	056021-006	2-32, 2-34, 2-35, 2-36, 2-37
0421903 A	4-11	056021-008	2-34, 2-35
0421904	4-11	056021-010	2-29, 2-34, 2-35

056021-012	2-34, 2-35	10002-011	5-31
056021-014	2-29	100180-041	2-34
056058-018	2-34, 2-35, 2-38	100180-041-3	2-35
056058-070	2-67, 5-41	100209-000	2-34, 2-35, 2-38
056059-030	2-37, 2-38	100432-002	2-61, 2-62
056059-035	2-38	100432-004	2-61, 2-62
056059-045	5-9, 5-10	100434-002	2-61, 2-62
056060-025	2-61, 2-62	104260-108	3-49, 3-50
056060-030	2-29, 2-34, 2-38	104673-105	2-40, 2-41
056060-035	2-29, 2-34, 2-35, 2-38	104673-107	2-40
056060-070	2-34, 2-35	104673-108	2-40
056060-080	2-38	104673-111	2-40
056064-010	2-61, 2-62	104673-113	2-40
056065-040	2-38	104673-116	2-40
056065-050	2-38	104701-000-3	2-39
056066-006	2-34, 2-35, 2-38, 2-67, 5-41	104703-000	2-34, 2-35
056066-008	2-34, 2-35, 2-37, 2-38	104737-000	2-34
056066-010	2-34, 2-35, 2-38	104737-000-8	2-35
056066-012	2-38	104743-000	2-40
056066-024	2-60	104744-000	2-34, 2-35
056069-006	2-32, 2-34, 2-35, 2-36, 2-37, 2-38	104754-000	2-34, 2-35
056069-008	2-10, 2-34, 2-35, 2-38	104869-000	5-28
056069-010	2-29, 2-38, 2-60, 2-61, 2-62	104883-000	2-34
056069-012	2-38, 2-59, 2-60, 4-7, 4-10	104883-000-8	2-35
058491-020	2-38	106574-103	3-26
058491-025	2-32, 2-36, 2-37	106957-000	2-40
058492-016	2-37, 2-38	106960-001	2-34, 2-35
058492-025	2-31, 2-34, 2-35, 2-38	113719	2-60
058494-035	5-10	1430080	5-15, 5-16
058508-025	2-59	1430080-5	5-41
058509-040	2-60	1430099	5-40, 5-41
067614-023	2-40, 2-41	1430099-5	2-66, 5-18, 5-39, 5-41
0770540	2-72	1430371	5-40
10002-008	5-31	1430371-5	5-39

1430378 .....	5-40	1430994 E .....	5-41
1430378-5 .....	2-66, 5-18, 5-39	1431664 .....	2-61, 2-62
1430381 .....	5-40	1431994 .....	2-39, 2-40
1430381-5 .....	5-39	1432689 .....	2-61, 2-64
1430385 .....	5-17	1432689-001 .....	2-62
1430385 K-1 .....	5-40	1433588 .....	5-15, 5-16
1430385 M .....	5-39	1433598 .....	5-15, 5-16
1430527 .....	2-34, 2-35, 2-38	1433599 .....	5-15, 5-16
1430535 .....	2-39	1433600 .....	5-15, 5-16
1430536 .....	2-39	1433601 .....	5-15, 5-16
1430537 .....	2-39	1433602 C .....	5-16
1430538 .....	2-39	1433604 C .....	5-15
1430539 .....	2-39, 2-40	181025 .....	4-15
1430540 .....	2-39	181503 .....	4-15
1430541 .....	2-39	182340 .....	5-39
1430542 .....	2-39, 2-40	191239 .....	4-15
1430543 .....	2-39	192295 .....	4-15
1430544 .....	2-39	239926 .....	4-24, 4-25, 5-8
1430545 .....	2-39	2500051 .....	2-64
1430546 .....	2-39	2501616 .....	3-51
1430547 .....	2-39	2503620 .....	2-4
1430548 .....	2-39	2509677 .....	2-64
1430549 .....	2-39	2509699 .....	3-38
1430550 .....	2-39	2536307 .....	3-43
1430551 .....	2-39	2572007 ..	2-66, 2-68, 2-69, 5-15, 5-16, 5-18, 5-39, 5-40,
1430552 .....	2-39	5-41	
1430553 .....	2-39	2650001 .....	2-34, 2-35
1430794 .....	5-38	2660002 .....	4-26, 4-27
1430795 .....	5-38	2667500 ..	2-66, 2-68, 2-69, 5-15, 5-16, 5-18, 5-39, 5-40,
1430797 B .....	5-38	5-41	
1430842 H .....	2-62	2690004 .....	2-34, 2-35
1430842G .....	2-61	2690008 .....	2-4
1430860 .....	2-61, 2-62	2691526 .....	2-4
1430994 .....	5-20	300194 .....	2-10, 2-11, 4-15, 4-16

300489	..... 5-7	3020048	..... 4-7, 4-10, 4-11, 5-3, 5-8, 5-10
300491	. 2-18, 2-19, 2-26, 2-27, 2-32, 2-36, 2-37, 2-44, 2-45	3020049	..... 2-10, 4-15, 4-16
300492	. 2-44, 2-45, 2-66, 2-69, 5-15, 5-16, 5-18, 5-39, 5-40, 5-41	3020069	..... 4-11
300541	. 2-18, 2-19, 2-26, 2-27, 2-32, 2-36, 2-37, 2-59, 2-60, 2-61, 2-62	3020078	..... 5-27
300542	..... 2-59, 2-60, 2-61, 2-62	3020080	..... 4-10, 4-11, 4-24, 4-25, 5-2, 5-8, 5-41
300891	..... 2-68	3020081	..... 4-7
3010005	..... 2-55, 2-55, 4-6	3020087	..... 4-7, 4-10, 4-11
3010006	..... 2-55	3020090	..... 4-24, 4-25, 5-8
3011001	..... 5-2	3020095	..... 2-20, 2-21
3011005	..... 5-6	3020103	..... 4-15, 4-16
3011061	..... 4-3	3020140	..... 4-19, 4-21
3011201	..... 4-3, 4-14, 5-8	3020191	..... 4-28
3011251	..... 4-3, 4-5	3020194	..... 4-28
3011341	..... 4-5	302323	..... 2-4
3011601	..... 4-3, 5-1, 5-2, 5-12, 5-27, 5-34	302544	..... 5-14, 5-19, 5-21, 5-22, 5-23
3011641	..... 4-3, 4-14	302555	... 2-66, 2-69, 5-15, 5-16, 5-18, 5-39, 5-40, 5-41
3011651	..... 4-5	3026027	..... 4-9, 4-24, 4-25, 5-2, 5-8
3011802	..... 5-35, 5-36	302862	..... 5-27
3014753	..... 2-67, 5-41	3028809	..... 4-22
3020013	. 4-7, 4-10, 4-11, 4-24, 4-25, 5-8, 5-9, 5-27, 5-34, 5-36, 5-36	3028812	..... 2-34, 2-35
3020016	. 4-7, 4-8, 4-9, 4-10, 4-11, 4-24, 4-25, 5-8	3028813	..... 4-9
3020017	..... 4-24, 4-25, 5-8	3028814	..... 4-9
3020019	..... 4-18, 4-20	3028844	..... 2-67, 5-41
3020020	..... 4-7, 4-10, 4-11, 4-24, 4-25, 5-8	3028937	..... 5-40, 5-40
3020021	..... 4-4, 4-30	3030122	..... 4-15
3020033	..... 4-26, 4-27	3030166	..... 4-17
3020037	..... 4-4, 4-30	3030179	..... 2-60
3020038	..... 4-4, 4-30	3030182	..... 4-11
3020040	..... 2-10, 4-15, 4-15, 4-16, 4-16	3030183	..... 4-13
		3030188	..... 2-60
		3040038	..... 5-1, 5-35, 5-36
		3040039	..... 5-1, 5-35, 5-36
		3040046	..... 5-7, 5-11
		3040047	..... 2-10, 4-15

3040064	..... 5-11	3040342	..... 4-3, 4-5, 4-6
3040065	..... 4-14, 5-36	3040377	..... 4-24, 5-8
3040068	..... 5-34	3040377 A	..... 4-26
3040069	..... 4-7, 4-10, 4-24, 5-8	3040378	..... 4-24, 4-26, 5-8
3040070	2-47, 4-18, 4-19, 4-20, 4-21, 4-22, 5-39, 5-40	3040378 A	..... 4-27
3040072	..... 4-26, 4-27	3040386	..... 4-7, 4-10, 4-11
3040073	..... 4-27	3040387	..... 4-7, 4-10, 4-11
3040082	..... 4-3, 5-1, 5-3, 5-8, 5-10, 5-34, 5-35	3040392	..... 4-26, 4-27
3040083	2-10, 4-3, 4-14, 4-15, 4-16, 5-1, 5-3, 5- 27, 5-34, 5-35, 5-41	3040411	..... 4-7, 4-10, 4-24, 4-25, 5-8
3040086	..... 4-26, 4-27	3040452	..... 4-15, 4-16
3040110	4-4, 4-7, 4-10, 4-11, 4-24, 4-25, 4-30, 4-31, 5-8, 5-36	3040457	..... 5-5
3040116	4-4, 4-7, 4-10, 4-11, 4-24, 4-25, 4-30, 4-31, 5-8	3040469	2-34, 2-35, 4-9, 4-12, 4-13, 4-15, 4-24, 4-25, 4- 25, 5-8, 5-34, 5-41
3040127	..... 2-10, 4-15, 4-16	3040506	..... 3-2, 3-12, 5-2
3040129	..... 2-10, 5-12	3040535	..... 4-24, 4-25, 5-8
3040146	..... 4-26, 4-27	3040596	..... 4-13
3040161	..... 5-2	3040624	..... 4-31
3040169	..... 4-26, 4-27	3040625	..... 4-31
3040174	..... 2-34, 2-35	3040691	..... 4-31
3040187	2-47, 4-17, 4-18, 4-19, 4-20, 5-39, 5-40	3040711	..... 4-21, 4-22
3040214	..... 4-12, 4-24, 4-25, 5-8	3040779	..... 4-25
3040252	..... 4-7, 4-10, 4-11, 4-31	3040780	..... 4-25
3040259	..... 4-25	3040782	..... 3-26, 3-28
3040262	..... 2-47, 4-17	3041061	..... 4-3
3040268	..... 2-10, 4-15, 4-16, 5-2	3041641	..... 2-34, 2-35
3040269	..... 2-10, 4-15, 4-16	3042070	..... 4-14
3040270	..... 2-10, 4-15, 4-16	3042263	..... 5-2
3040271	..... 4-26, 4-27	3044072	..... 5-1
3040285	..... 5-36	3044116	..... 4-5
3040293	..... 4-14	3044142	..... 2-58, 4-23, 5-2, 5-27, 5-34
3040295	..... 2-9, 4-7, 4-10, 4-11, 4-24, 5-8	3044146	..... 2-58, 4-6, 4-23, 5-7, 5-35
		3044158	..... 5-3, 5-10, 5-27, 5-36
		3044160	..... 4-3, 5-27
		3044161	..... 2-10, 4-3, 4-15, 4-16, 5-7, 5-34, 5-36, 5-41

3044165	5-1	3080001	5-4
3044599	5-34	3087845	5-9, 5-10
3044704	2-58, 4-17	3090006	5-2
3044721	4-7	3090019	5-1, 5-3, 5-12, 5-34
3044836	4-3	3220052	4-12, 4-13
3044852	4-9, 5-36	3220053	4-12, 4-24, 4-25, 5-8
3044853	4-3	3220054	4-12, 4-13, 5-27
3044854	4-3, 4-6, 5-7, 5-11	3220055 A	4-29
3045254	5-8	3220056	4-24, 4-25, 5-8
3046697	4-14	3220058	4-24, 4-25, 5-8
3049803	4-3, 4-5, 4-6, 5-36	3220059	4-7, 4-10, 4-11, 4-24, 4-25
3049804	4-3	3220061	4-12, 4-13, 4-24, 4-25, 5-8
3049807	4-3, 4-5, 4-6, 5-36	3220064	4-24, 4-25, 5-8
3049808	4-3	3220067	4-12, 4-13
3049895	5-36	3220068	4-9, 4-12, 4-13, 5-27, 5-34
3049896	4-3	3220070	4-12, 4-13
3049900	4-3	3220073	4-26
3049920	4-3	3220074	4-27
3049922	4-3	3220076	5-14
3049923	4-3	3220077	4-9, 5-34
3049994	5-35	3220078	4-24, 4-25, 5-8
3050002	2-10, 4-15, 4-16, 5-26	3220078 A	4-28
3050004	4-15, 4-16	3220096	4-9
3050008	2-10, 4-15, 4-16, 5-26	3220246	5-35
3050102	5-26	3220340	4-14
3060008	5-36	3220341	4-14
3060083	5-1	322053	4-13
3069524	4-9	420461	4-15
3069528	5-34, 5-35	420560	4-15
3070001	4-7, 4-10, 4-11	420637	4-15
3070003	4-7	420871	4-15
3070037	2-20, 2-21	420946	4-15
3070039	2-28, 2-29	421005	4-15
3070040	4-15	421278	4-15



421279	..... 4-15	5035307	..... 2-3, 3-4, 3-10
421388	..... 4-15	5035308	..... 3-25
421491	..... 4-15	5035310	..... 3-18, 3-19, 3-24
421523	..... 4-15	5035315	..... 3-10
451986	..... 2-72	5035316	..... 2-3, 3-4, 3-5
459986	..... 3-20	5035317	..... 2-53, 3-48
463374	..... 2-1, 3-3	5035318	..... 2-56, 2-57, 3-6, 3-7, 3-27, 3-29, 3-30, 3-36
475986	..... 5-8	5035319	..... 3-24
477366	..... 4-28	5035320	..... 3-33, 3-37, 5-5
480652	..... 4-24, 4-25, 5-8	5035321	..... 3-18, 3-19
5010005	..... 2-22, 2-23	5035322	..... 2-53, 3-48
5010007	2-66, 2-69, 5-15, 5-16, 5-18, 5-39, 5-40, 5-41	5035703	..... 3-13
5010011	2-10, 2-24, 2-25, 2-26, 2-27, 2-34, 2-35, 2-38	5035706	..... 3-30
5010024	..... 5-6, 5-13	5035707	..... 3-5
501563-025	..... 5-41	5036105	..... 5-3
5018832	..... 2-33, 2-37	5036503	..... 3-18, 3-19
5025002	..... 3-10	5036604	..... 3-13
5033026	..... 2-33	5036703	..... 3-10, 3-13, 3-27, 3-32, 3-36, 5-6
5033614	..... 2-14, 3-14	5036705	..... 3-4, 3-7, 5-6
5033623	..... 2-14, 3-14	5036706	..... 2-14, 3-14, 5-6
5033703	..... 2-2	5036708	..... 3-27, 3-30, 3-36, 5-6
5033713	..... 2-14, 3-14	5036710	..... 5-6
5034102	..... 2-1, 3-3	5036803	..... 3-10
5034104	..... 2-1, 3-3	5036805	..... 3-18, 3-19
5034401	..... 2-55	5036807	..... 3-10
5034501	..... 2-10, 3-11	5036903	..... 2-2, 3-18, 3-19
5035005	..... 2-1, 3-3	5036905	..... 3-18, 3-19, 3-44, 5-3
5035303	2-3, 2-15, 2-64, 3-25, 3-37, 3-40, 3-44, 5-27	5036906	..... 2-1, 3-3, 3-4, 3-5, 3-18, 3-19
5035305	2-1, 2-3, 3-3, 3-7, 3-9, 3-18, 3-19, 3-21, 3-30, 5-27	5036907	..... 2-53, 3-48
5035306	... 2-15, 3-20, 3-27, 3-34, 3-36, 5-4, 5-5	5036908	..... 3-18, 3-19, 3-25
		5036910	..... 3-10
		5037003	2-14, 2-15, 2-56, 2-57, 2-64, 3-6, 3-14, 3-18, 3- 19, 3-27, 3-32, 3-33, 3-36, 3-40, 5-5, 5-27
		5037005	2-1, 3-3, 3-4, 3-5, 3-9, 3-27, 3-33, 3-36, 3-37,

5-3	5065721	3-15
5037006	5065726	3-18, 3-19
5037007	5065727	3-25, 3-27
5037008	5065729	3-27, 3-36
5037011	5065731	3-36
5037102	5065734	3-4, 3-5, 3-37
5037305	5065737	3-30
5038005	5065803	3-18, 3-19, 3-33, 5-5
5059705	5065805	3-8, 3-9, 3-18, 3-19
5059706	5065807	3-4, 3-5
5063701	5065815	3-27, 3-33, 3-36
5063905	5070005	2-10, 3-11, 3-27, 3-36
5063906	5070026	2-4
5063908	5070028	3-11, 3-36
5063910	5074401	2-9, 2-55, 3-11
5064001	5074403	2-1, 3-3
5064002	5075205	3-30
5064003	5075206	3-30
5064005	5076003	3-31
5064008	5076301	3-29, 5-27
5064009	5080011	3-15
5065703	5080017	3-15
2-15, 2-59, 2-60, 3-10, 3-18, 3-19, 3-24, 3-27, 3-34, 3-36	5080018	2-14, 3-14
5065705	5080044	3-15
2-56, 2-57, 3-6, 3-7, 3-24, 3-27, 3-29, 3-36, 3-45, 5-27	50899682	2-40
5065707	5090032	2-10, 2-26, 2-27
3-6, 3-8, 3-9, 3-18, 3-19, 3-20, 3-24, 3- 25, 3-40, 3-44	5090034	2-1, 2-47, 3-3, 3-35
5065708	5093000	2-20, 2-21
3-27, 3-33, 3-36, 3-37, 5-3	5093001	2-24, 2-25, 5-39, 5-40
5065709	5093002	2-10, 4-15, 4-16
2-15, 3-18, 3-19, 3-21, 3-24, 3-25, 3-31	5093004	2-47, 4-17
5065710	5093006	2-58, 4-17
3-5, 3-13	5093007	2-37
5065711	5093008	2-10, 3-11, 4-15, 4-16
3-32		
5065714		
3-25		
5065715		
3-18, 3-19, 3-30		
5065718		
3-10, 3-13		

5093010	..... 3-35	5550027	..... 2-30
5093012	..... 2-10	5550028	..... 2-25, 2-26, 2-27, 2-33, 2-34, 2-35, 2-38
5093013	..... 2-58, 5-6, 5-13	5550038	..... 2-22, 2-23, 2-34, 2-35, 5-31
5093014	..... 2-1, 2-10, 3-3, 3-11, 3-35	5550040	..... 2-22, 2-23, 2-34, 2-35
5093015	..... 5-6, 5-13	5550050	..... 2-30, 2-31, 5-31
5093016	..... 5-6, 5-13	5550060	..... 2-38
5093019	..... 2-32, 2-36, 2-37, 5-1, 5-34, 5-36	5550070	..... 2-1, 3-3, 5-31
5093021	..... 2-20, 2-21	5550105	..... 5-31
5093024	..... 5-36	5560004	.. 2-10, 2-18, 2-19, 2-20, 2-21, 2-22, 2-23, 2-24, 2-26, 2-27, 2-32, 2-33, 2-36, 2-37, 2-55, 2-55, 2-66, 3-11, 3-12, 3-29, 4-15, 4-16, 4-17, 4-24, 4-25, 5-6, 5-6, 5-8, 5-10, 5-12, 5-13, 5-14, 5-16, 5-18, 5-37, 5-39, 5-40, 5-41
5093030	..... 2-34, 2-35, 2-58, 3-35	5560015	..... 2-50, 2-56, 2-57
5093037	..... 2-26	5560022	..... 2-9
5098339	..... 2-1, 3-3	5560031	.. 2-10, 2-18, 2-19, 2-22, 2-23, 2-26, 2-27, 2-28, 2-29, 2-30, 2-31, 2-32, 2-34, 2-35, 2-36, 2-37, 2-43, 2-44, 2-45, 2-55, 2-55, 2-66, 2-69, 3-11, 3-12, 3-35, 3-37, 4-15, 4-16, 5-1, 5-4, 5-6, 5-9, 5-10, 5-14, 5-15, 5-16, 5-18, 5-39, 5-40, 5-41
5098343	..... 2-58, 3-35	5560033	.. 2-10, 2-18, 2-19, 2-20, 2-21, 2-24, 2-25, 2-26, 2-27, 2-30, 2-31, 2-32, 2-33, 2-34, 2-35, 2-36, 2-37, 2-43, 2-53, 2-54, 2-55, 2-55, 2-66, 2-68, 2-69, 3-11, 3-12, 3-35, 3-48, 4-7, 4-10, 4-11, 4-15, 4-16, 4-23, 5-3, 5-4, 5-6, 5-14, 5-15, 5-16, 5-18, 5-31, 5-38, 5-39, 5-40, 5-41, 5-41
510587-025	..... 2-34, 2-35	5560034	2-10, 2-32, 2-34, 2-35, 2-36, 2-37, 4-7, 4-10, 4-15, 4-16, 4-17, 4-19, 4-21, 4-24, 4-25, 5-7, 5-8, 5-14, 5-19, 5-21, 5-22, 5-23, 5-34, 5-36, 5-39, 5-40, 5-41
511497-008	..... 3-41, 3-42	5560038	..... 4-17, 5-7
512649-280	..... 2-60	5560039	.. 2-10, 2-12, 2-22, 2-23, 2-30, 2-31, 2-34, 2-35, 2-38, 2-49, 2-52, 2-54, 2-65, 2-66, 3-11, 3-18, 3-19, 5-3, 5-18, 5-20
513133-040	..... 2-34, 2-35	5560051	..... 2-9
514160-035	..... 2-60	5560080	..... 2-10, 3-11
5260013	..... 5-6, 5-13	5560104	..... 5-23
5260026	..... 4-24		
5260028	..... 4-25, 5-8		
5516329	..... 5-14		
5516332	.. 2-18, 2-19, 2-26, 2-27, 2-32, 2-36, 2-37		
5516333	..... 2-44, 2-45		
5516334	..... 2-44, 2-45		
5530013	..... 5-39, 5-40		
5530017	..... 2-20, 2-21		
5550005	..... 2-34, 2-35		
5550006	..... 2-22, 2-23		
5550007	..... 2-22, 2-23, 2-34, 2-35		
5550010	..... 5-6, 5-13		
5550014	..... 2-31		
5550015	..... 2-30		
5550026	..... 2-22, 2-23, 2-30		

5560126	..... 2-47, 2-54	5560609	..... 4-24, 5-8, 5-19, 5-21, 5-22, 5-41
5560127	..... 2-55	5560610	..... 4-17
5560128	..... 2-47, 2-52	5560613	..... 2-20, 2-21, 3-11
5560131	..... 2-3, 2-20, 2-21, 2-28, 2-29	5560614	..... 2-20, 2-21
5560136	..... 2-22, 2-23, 2-28, 2-29, 2-34, 2-35	5560615	..... 2-20, 2-21
5560165	..... 2-15	5560617	..... 2-28
5560168	..... 2-3, 2-28, 2-29, 2-34, 2-35, 2-38	5560618	..... 2-20, 2-21
5560169	..... 2-3, 2-9, 2-16	5560622	..... 2-10, 3-11
5560170	..... 2-2, 2-17	5560625	..... 2-22, 2-23
5560171	..... 2-9	5560626	..... 2-28
5560179	..... 2-24, 2-25	5560631	..... 2-20, 2-21
5560193	..... 2-17	5560636	..... 2-58, 3-35
5560198	..... 4-15, 4-25, 5-8	5560639	..... 2-20, 2-21, 2-28, 2-29
5560202	..... 2-4	5560641	..... 2-15
5560204	..... 2-3	5560643	..... 2-10, 3-11
5560207	..... 2-28, 2-29	5560648	..... 5-36
5560215	..... 2-56, 2-57, 4-17	5560654	..... 4-13, 5-39, 5-40
5560228	..... 2-28, 2-29	5560655	..... 2-72
5560232	..... 2-4	5560656	..... 5-30
5560236	..... 2-2	5560666	..... 4-24, 5-8
5560238	..... 2-38	5560667	..... 4-7, 4-10
5560241	..... 2-4	5560669	..... 2-38
5560244	..... 2-57	5560673	..... 4-17, 5-34
5560291	..... 5-37	5560675	..... 2-53, 3-48
5560331	..... 2-55	5560676	..... 2-17
5560341	..... 5-8	5560678	..... 2-28, 2-29
5560343	..... 2-3	5560688	..... 2-4, 2-48, 2-58
5560355	..... 2-10, 2-20, 2-21, 2-30, 3-11	5560689	..... 2-59, 2-60
5560356	..... 2-20, 2-21, 2-22, 2-23, 2-28	5560696	..... 2-66, 5-18, 5-41
5560357	..... 2-30	5560712	..... 2-59, 2-60, 2-61, 2-62
5560364	..... 2-20, 2-21, 2-22, 2-23, 2-28	5560713	..... 2-61, 2-62
5560372	..... 5-14	5560717	..... 2-4
5560377	..... 2-28	5560719	..... 2-20, 2-21
5560603	..... 2-68	5560725	..... 2-10, 3-11

5563012	4-7, 4-10, 4-11	5569975	2-4
5563016	2-9	5569989	2-59
5563025	2-32, 2-36, 2-37, 5-8	5569990	2-59
5563028	5-38	5569991	2-59, 2-60
5563029	5-38	5569997	4-9, 4-11, 4-24, 4-25, 5-8
5563030	2-43	5570001	2-4, 2-9, 3-43
5563031	2-43	5580002	2-18, 2-19, 2-26, 2-27, 2-32, 2-36, 2-37
5563032	2-28, 2-29	5590003	2-9
5563034	2-16	5590027	2-49
5563040	2-44, 2-45	5590033	2-46
5563045	2-48, 2-49, 2-63	5592018	2-67, 5-41
5563046	2-48, 2-49, 2-63	560826	2-1
5563055	2-69	562386	2-72, 5-19, 5-21, 5-22
5563303	2-30	569295	2-72, 5-16
5563310	2-66, 5-15, 5-16, 5-18, 5-39, 5-40, 5-41	6010083	3-29
5563388	5-39, 5-40	6010420	3-43
5563393	5-39, 5-40	6010472	3-29
5563809	5-9, 5-10	6010489	5-5
5563810	5-9, 5-10	6010499	3-29
5563898	2-35	6010508	5-5
5569003	4-17, 5-36	6010509	5-5
5569059	5-35, 5-41	6010510	5-5
5569711	2-30, 2-31, 2-34, 2-35, 5-1, 5-34, 5-36	6010565	3-24
5569837	2-28, 2-29	6010569	3-4, 3-5
5569843	5-8	6010570	3-10
5569852	2-18, 2-19, 2-26, 2-27, 2-32, 2-36, 2-37	6010579	3-24
5569854	2-4	6010610	3-6, 3-7
5569863	2-19, 2-26, 2-32, 2-36, 2-37, 2-50, 2-51	6010635	3-31
5569865	2-66, 2-69, 5-15, 5-16, 5-18, 5-39, 5-40, 5-41	6018901	5-5
5569892	2-10, 3-11, 3-37	6019041	3-17
5569931	4-24, 4-25, 5-8	6019052	3-10
5569955	2-49	6019068	3-52, 3-53
5569967	2-20, 2-21	6019072	3-28
		6019102 A	3-26

6019114	2-15	6030036	3-10
6019114 A	3-17	6031617	2-3
6019119	3-34	6031618	2-3
6019120	3-33, 3-37	6047114	2-59
6019121	3-17	6047114 D	3-51
6019122	3-17	6047114-3	2-60
6019123	3-17	6047172	3-41
6019125	3-33, 3-37	6047173	3-41, 3-42
6019126	3-33, 3-37	6047174	3-41
6019129	3-34	6047175	3-42
6019130	3-34	6047177	3-42
6019131	3-43	6047178	3-49
6019132	3-43	6047179	3-49, 3-50
6019136	5-27	6047180	3-49, 3-50
6019142	3-26, 3-28	6047181	3-47, 3-53
6019143	3-26	6047182	3-47, 3-53
6019144	3-26	6047186	3-39
6019145	3-28	6047187	3-39
6019146	3-28	6047197	3-51
6019148	3-26	6070005	3-31, 3-32
6019151	3-27	6070010	3-31, 3-32
6019151 A	3-28	6091151	2-7, 3-16
6019286	3-26	6091182	3-16
6019328	3-26	6091532	3-43
6019355	5-5	6091538	3-38, 3-46, 3-52
6020058	3-20, 3-21	6091539	3-46, 3-52
6020058 B	3-22	6091540	3-46, 3-52
6022077	3-13	6091561	3-50
6029698	3-22	6091712	2-6
6029699	3-22	6091714	2-6
6029702-005	3-13	6091716	2-6
6029702-005 A	3-23	6091717	2-6
6030017	2-15	6091718	2-6
6030029	5-4	6091719	2-6

6091720	2-6	7030163	2-67, 5-41
6091722	2-6	7050006	5-19, 5-21, 5-22
6091723	2-6	7050007	5-19, 5-21, 5-22
6091728	2-6	7110155	2-3
6091729	2-6	7110242	2-3
6091730	2-6	7140092	4-9
6091731	2-6	71568	4-15
6091732	2-6	71590	4-15
6091733	2-6	7200024	2-3
6091734	2-6	7200024 C	2-5
6091735	2-6	7200029	2-5
6091736	2-6	7200030	2-5
6091737	2-6	7200031	2-5
6091738	2-6	7200032	2-5
6091740	2-6	72323	4-15
6091741	2-6	7240012	5-4
6091742	2-6	7280010	2-3
6091743	2-6	73051	4-15
6091744	2-6	73089	4-15
6091745	2-6	73781	4-15
6091746	2-6	74577	4-15
6091751	2-6	75268	4-15
6091752	2-6	7624766	2-20, 2-21
6091949	3-51	7624769	2-28
6092077	3-23	7624771	2-29
6092078	3-13, 3-23	7624794	2-34, 2-41
6092102	3-26	7624818	2-35, 2-40
6304010	3-29	7624834	2-38
686019	4-25	7630015	2-34, 2-35
7030001	2-72	7630016	2-30, 2-31
7030003	2-70, 2-71, 2-72	7630129	2-30, 2-31
7030067	2-73	7630130	2-20, 2-21, 2-28, 2-29
7030161	2-67, 5-41	7630140	2-38, 4-7, 4-10, 4-11
7030162	5-41	7630158	2-22, 2-23

7630180	2-24, 2-25	7631320	2-40
7630215	5-2	7631327	2-40, 2-41
7630227	2-22, 2-23, 2-24	7631329	2-40, 2-41
7630239	2-24, 2-25	763133.9	2-41
7630286	2-10, 2-26, 2-27, 2-33	7631331	2-41
7630311	2-29	7631333	2-40, 2-41
7630323	2-20, 2-21, 2-28	7631334	2-40, 2-41
7630689	2-30, 2-31	7631335	2-40, 2-41
7630755	2-22, 2-23, 2-34, 2-35	7631336	2-40, 2-41
7630756-001	2-24, 2-25	7631338	2-40, 2-41
7630759	2-22, 2-23	7631339	2-40
7630770	2-20	7631342	2-40, 2-41
7630771	2-20	7631344	2-40, 2-41
7630779	2-28, 2-29	7631349	2-40, 2-41
7630846	2-22, 2-23	7631350	2-40, 2-41
7630850	2-30	7631352	2-40, 2-41
7630855	2-23	7631362	2-40, 2-41
7630866	2-31	7631364	2-40, 2-41
7630867	2-31	7631365	2-40, 2-41
7630948	2-41	7714202	2-12, 2-13
7631149	2-33	7714203	3-18, 3-19
7631152	2-33	7714204	2-14, 3-14, 5-6, 5-13
7631221	2-34, 2-40	7721612	2-14, 3-14
7631243	5-9, 5-10	7734204	2-14, 3-14
7631245	5-9, 5-10	8010021	2-7, 2-7, 3-16
7631253	2-38	8010026	3-16
7631255	2-38	8010027	2-7
7631284	2-38	8010028	2-7, 3-16
7631285	2-38	8010029	2-7
7631292	2-40, 2-41	8010030	2-7
7631295	2-40, 2-41	8010075	2-7
7631307	2-40, 2-41	8010080	2-7
7631318	2-40, 2-41	8010105	2-7
7631319	2-40	8010143	2-7



8010145	..... 2-7	8080185	..... 3-28
8010168	..... 2-7	8120064	..... 2-15
8010224	..... 3-16	8140006	..... 2-30
8010225	..... 3-16	8140011	..... 2-22
8010226	..... 3-16	8140012	..... 2-22
8010227	..... 3-16	8140013	..... 2-22
8010229	..... 3-16	8140014	..... 2-22
8010265	..... 3-16	8150003	..... 4-26, 4-27
8010275	..... 2-7	8150004	..... 4-26, 4-27
8010276	..... 2-7	8150005	..... 4-26, 4-27
8010277	..... 2-7	8150087	..... 4-28, 4-29
8010278	..... 2-7	8150091	..... 4-28, 4-29
8010345	..... 3-16	8150129	..... 4-28
8010361	..... 3-16	8150131	..... 4-28, 4-29
8011891	..... 2-7	8150146	..... 4-28
8020018	..... 5-4	8150200	..... 4-28
8040135	..... 5-2	8150202	..... 4-29
80483	..... 4-15	8150205	..... 4-28
8050217	..... 4-28	8150206	..... 4-28
80519	..... 4-15	8150213	..... 4-28
8060277	..... 2-22	8150215	..... 4-28
8060280	..... 3-24, 3-37	8150216	..... 4-28
8060296	..... 3-20	8150218	..... 4-28
8060297	..... 3-20	8150219	..... 4-28
8060311	2-66, 5-15, 5-16, 5-18, 5-39, 5-40, 5-41, 5-41	8150220	..... 4-28
8070149	..... 2-7	8150222	..... 4-28
8070318	2-18, 2-19, 2-26, 2-27, 2-32, 2-36, 2-37	8150246	..... 4-28
8071006	..... 3-51	8150254	..... 4-29
8080149	..... 3-28	8150255	..... 4-28
8080150	..... 3-28	8150256	..... 4-28
8080151	..... 3-28	8180014	..... 2-13
8080152	..... 2-64	82046	..... 4-15
8080184	..... 3-28	961329	..... 3-28, 4-3, 4-5, 4-6
		967299	..... 2-26, 2-68

967359	..... 2-10	970499	..... 2-34, 2-35
970009	. 2-66, 2-69, 5-15, 5-16, 5-18, 5-39, 5-40, 5-41	970509	..... 2-25
970029	2-4, 2-10, 2-33, 2-55, 2-66, 2-67, 2-68, 3-12, 4-15, 4-16, 4-24, 4-25, 5-8, 5-10, 5-14, 5-16, 5-18, 5-32, 5-37, 5-39, 5-40, 5-41, 5-41	970519	..... 2-24, 2-55
970039	.. 2-18, 2-19, 2-22, 2-23, 2-24, 2-26, 2-27	970529	..... 4-23
970049	. 2-10, 2-18, 2-19, 2-20, 2-21, 2-24, 2-26, 2-27, 2-32, 2-36, 2-37, 3-11, 4-15, 4-16, 4-17, 5-6, 5-12, 5-13	970539	..... 2-68
970119	..... 3-12	970549	..... 3-12
970169	..... 3-29, 5-6	970569	..... 5-6
970219	..... 2-10, 3-11, 4-15, 4-16, 5-6	970909	2-22, 2-23, 2-30, 2-31, 2-34, 2-35, 2-53, 2-54, 3-48, 5-3
970239	. 2-10, 2-22, 2-23, 2-34, 2-35, 2-43, 2-48, 2-55, 2-66, 2-69, 3-11, 5-15, 5-16, 5-18, 5-39, 5-40, 5-41	970919	... 2-22, 2-23, 2-65, 2-66, 3-18, 3-19, 5-18, 5-20
970249	..... 2-24, 2-25	970939	..... 2-34, 2-35, 2-52
970259	..... 2-55, 3-11, 5-6	970989	..... 2-31, 2-34, 2-35
970269	..... 2-34, 2-35, 2-55, 5-1, 5-4, 5-6	971009	..... 2-22, 2-23, 2-30
970279	. 2-18, 2-19, 2-26, 2-27, 2-32, 2-36, 2-37, 2-44, 2-45, 2-66, 2-69, 5-15, 5-16, 5-18, 5-39, 5-40, 5-41	971329	..... 2-3
970299	..... 5-4	971829	..... 2-17
970369	. 2-10, 2-21, 2-28, 2-29, 2-30, 2-31, 2-44, 2-45, 2-49, 5-4	972019	..... 2-20, 2-21, 2-22, 2-23
970429	..... 4-15, 4-16	972049	..... 2-20, 2-21
970439	..... 2-59, 2-60, 2-61, 2-62, 4-17	972259	2-66, 2-69, 5-14, 5-15, 5-16, 5-18, 5-39, 5-40, 5-41
970449	... 2-10, 2-58, 3-11, 3-35, 4-7, 4-10, 4-11	972269	... 2-18, 2-19, 2-26, 2-27, 2-32, 2-36, 2-37, 2-43
970469	. 2-10, 2-18, 2-19, 2-20, 2-21, 2-26, 2-27, 2-30, 2-31, 2-32, 2-34, 2-35, 2-36, 2-37, 2-50, 2-51, 2-52, 2-54, 2-56, 2-57, 3-11, 3-35, 4-15, 4-16, 4-17, 4-17, 5-4	972439	..... 5-14
970489	. 2-10, 2-33, 2-43, 2-50, 2-51, 2-54, 2-55, 3-11, 4-15, 4-16, 5-3, 5-6	972449	..... 2-50, 2-51, 2-56, 2-57
		972469	..... 2-49, 2-55
		972479	2-18, 2-19, 2-26, 2-27, 2-32, 2-33, 2-36, 2-37, 2-46, 2-48, 2-49, 2-54, 2-56, 2-57, 3-12, 5-16, 5-41
		972489	..... 2-49, 5-14
		972509	..... 2-55
		974239	. 4-7, 4-9, 4-10, 4-11, 4-12, 4-13, 4-24, 4-25, 5-8
		974269	..... 5-8
		974279	..... 4-11
		974439	..... 4-25
		974479	..... 4-15
		974639	..... 4-11
		974659	..... 2-44, 2-45, 4-12, 4-13, 4-25, 5-14

974689	4-15, 4-17, 5-36	41, 5-41
974709	2-34, 2-35, 4-7, 4-10, 5-7	986359 2-12, 2-22, 2-23, 2-30, 2-31, 2-34, 2-35, 2-52, 2-
974739	4-19, 4-21	53, 2-54, 2-65, 2-66, 2-68, 2-69, 3-48, 5-3, 5-15, 5-16, 5-
974759	2-10, 4-15, 4-16	18, 5-20, 5-39, 5-40, 5-41
978389	5-39, 5-40	987089 4-12, 4-24, 5-8
984009	4-24, 5-8	987099 2-4, 2-20, 2-21, 2-68, 5-32
984049	4-17	987109 2-10, 2-15, 2-21, 2-24, 2-25, 2-29, 2-30, 2-48, 2-
984069	2-20, 2-21, 2-67, 5-41	49, 2-56, 2-57, 2-63, 2-66, 2-69, 3-11, 4-15, 4-16, 5-6, 5-
984089	2-30	18, 5-41
984109	5-14	987119 2-10, 2-18, 2-19, 2-26, 2-27, 2-30, 2-31, 2-32, 2-
984159	2-38	36, 2-37, 2-43, 2-48, 2-49, 2-50, 2-52, 2-54, 2-56, 2-57, 2-
984329	2-20, 2-21	58, 2-59, 2-60, 2-63, 3-11, 3-35, 4-15, 4-16, 4-17, 4-17, 4-
984339	2-34, 2-35	17, 5-14
984409	2-22, 2-23, 2-30, 2-31, 2-34, 2-35	987139 2-15, 2-22, 2-23, 2-28, 2-29, 2-52, 2-53, 3-48
984449	2-9, 2-16	987159 2-16
986009	2-34, 2-35, 4-11, 4-12, 4-13, 4-17, 4-21, 5-8, 5-16, 5-39, 5-40	987249 2-17
986019	2-4, 2-10, 2-18, 2-19, 2-22, 2-23, 2-24, 2-26, 2-27, 2-32, 2-36, 2-37, 2-55, 2-55, 2-66, 2-68, 3-11, 3-12, 4-15, 4-16, 4-17, 5-6, 5-8, 5-12, 5-14, 5-16, 5-18, 5-32, 5-39, 5-40, 5-41	987349 4-12, 4-13
986159	4-7, 4-9, 4-10, 4-12, 4-13, 4-24, 4-25, 5-8	988179 2-43, 2-66, 2-68, 2-69, 5-15, 5-16, 5-18, 5-39, 5-40, 5-41
986269	2-10, 2-15, 2-20, 2-21, 2-22, 2-23, 2-24, 2-25, 2-29, 2-30, 2-31, 2-34, 2-35, 2-43, 2-55, 2-55, 2-66, 2-69, 3-11, 3-12, 3-35, 3-37, 4-15, 4-16, 5-1, 5-4, 5-6, 5-9, 5-10, 5-15, 5-16, 5-18, 5-39, 5-40, 5-41	9910234 2-13
986299	2-10, 2-18, 2-19, 2-24, 2-25, 2-26, 2-27, 2-30, 2-31, 2-32, 2-33, 2-34, 2-35, 2-36, 2-37, 2-43, 2-46, 2-49, 2-50, 2-52, 2-54, 2-55, 2-55, 2-56, 2-57, 2-58, 2-59, 2-60, 2-61, 2-62, 2-66, 3-11, 3-12, 3-35, 4-11, 4-15, 4-15, 4-16, 4-16, 4-17, 4-17, 4-23, 5-3, 5-4, 5-6, 5-14, 5-16, 5-18, 5-31, 5-38, 5-	9920017 2-55
		9920018 2-55
		9939464 5-14
		9940233 2-13
		9960007 5-19, 5-21, 5-22
		9980003 5-19, 5-21, 5-22
		9980005 5-19
		9980008 5-19, 5-21, 5-22
		9980253 5-41
		A07034F 4-31
		A17052F C 5-32
		A19075A A 5-11
		A42005E 2-70, 2-71
		A42005E H 2-72

