



S3970RT

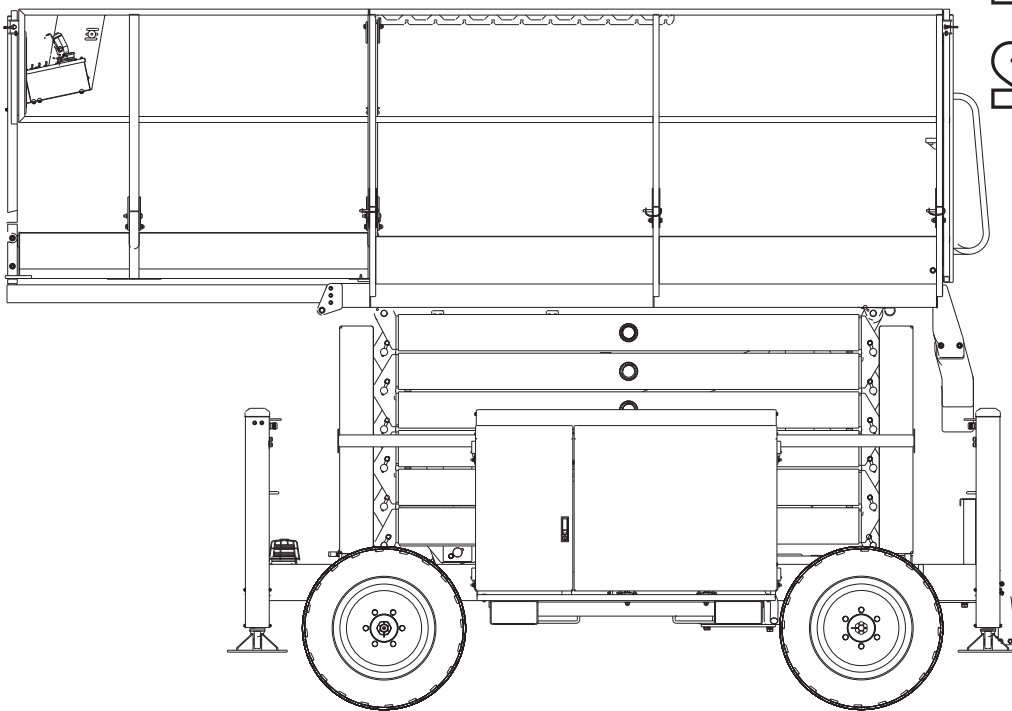
S3370RT

S2770RT

S3970BE

S3370BE

S2770BE



Diesel  
Bi-Energy 24V DC

# REPAIR PARTS MANUAL

Serial Numbers:  
S2770RT-07-161200500,  
S3370RT-07-180300500,  
S3970RT-07-180300500 and after

Version 7

Part Number 15124-2

March 2018 (Rev A)

## GENERAL INFORMATION

General Information .....	1-1
---------------------------	-----

## REPAIR PARTS

Chassis Assembly .....	2-1
Steer Assembly .....	2-2
Swing Arms Assembly .....	2-3
Swing Arm Assembly After Serial Numbers S2770RT-07-200300598, S3370RT-07-200300602, S3970RT-07-200500562 .....	2-4
Wheel Mounting Assembly .....	2-5
Engine Cabinet Assembly .....	2-6
Engine Cabinet Assembly After Serial Numbers S2770RT-07-200900621, S3370RT-07-200900626, S3970RT-07-200900582 .....	2-7
Exhaust Extension .....	2-8
Radiator Guard Assembly .....	2-9
Hydraulic Cabinet Assembly .....	2-10
Hydraulic Cabinet After Serial Numbers: S2770RT-07-200900621, S3370RT-07-200900626 S3970RT-07-200900582 .....	2-11
Cabinets Assembly .....	2-12
V7 Stabiliser Assembly .....	2-13
Base, Stack, Platform Assembly .....	2-14
Base, Stack, Platform Assembly After Serial Numbers S3970RT-07-181100510, S3370RT-07-181100524, S2770RT-07-181100530 .....	2-15
Platform Assembly .....	2-16
Platform Assembly After Serial Numbers S2270RT-07-181100530, S3370RT-07-181100524, S3970RT-07-181100510 .....	2-17
Platform Rear Handrail Assembly .....	2-18
Emergency Bleed Down 3970, 3370 .....	2-19
Emergency Bleed Down 2770 .....	2-20
Scissor Stack Tees .....	2-21
Scissor Stack Assembly 3970 .....	2-22
Scissor Stack Assembly 3370 .....	2-23
Scissor Stack Assembly 2770 .....	2-24
Angle Transducers Before Serial Numbers: S2770RT-07-200900617 S3370RT-07-200900626 S3970RT-07-200900577 .....	2-25
Angle Transducer After Serial Numbers S2770RT-07-200900617 S3370RT-07-200900626 S3970RT-07-200900577 .....	2-26
Kubota D902 T4 Diesel Engine Assembly .....	2-27
Plastic Fuel Tank Assembly .....	2-28
Steel Fuel Tank Assembly .....	2-29
Plastic Hydraulic Oil Tank Assembly .....	2-30
Steel Hydraulic Oil Tank, No Heater Assembly .....	2-31
Steel Hydraulic Oil Tank, With Heater Assembly .....	2-32
Placards And Decals .....	2-33
Placards and Decals Bi-Energy Machines .....	2-34

## HYDRAULICS

Hose Tags And Colour Codes .....	3-1
Main Manifold, No Fittings .....	3-2
Main Manifold, With Fittings .....	3-3
4WD Manifold, No Fittings .....	3-4
4WD Manifold, With Fittings .....	3-5
Auto Stabiliser Manifold, No Fittings .....	3-6
Auto Stabiliser Manifold, With Fittings .....	3-7
AXLE CYLINDER .....	3-8
Axle Cylinder Assembly After Serial Numbers S2770RT-07-200300598, S3370RT-07-200300602, S3970RT-07-200500562 .....	3-9
STEER CYLINDER .....	3-10
Upper Lift Cylinder Assembly .....	3-11
Lower Lift Cylinder .....	3-12
Stabiliser Leg Cylinder Assembly .....	3-13

## **ELECTRICAL**

Loom List .....	4-1
GP400/IO Menus .....	4-2
GP400/IO Allocations .....	4-3
14023-04 Overload Diesel ANSI/NZS/AS/CE Upper Control Box .....	4-4
14023-05 Overload Petrol/LPG ANSI/NZS/AS/CE Upper Control Box .....	4-5
14023-08 Overload Diesel, Reverse Lift ANSI/NZS/AS/CE Upper Control Box .....	4-6
14023-09 Overload Petrol/LPG, Reverse Lift ANSI/NZS/AS/CE Upper Control Box .....	4-7
13811-01 Diesel AS/NZS/CE Lower Control Box .....	4-8
13811-02 ANSI Diesel Lower Control Box .....	4-9
13811-03 Petrol/LPG ANSI Lower Control Box .....	4-10
13811-04 Overload Petrol/LPG ANSI/AS/NZS/CE Lower Control Box .....	4-11
13811-05 Bi-Energy Diesel/24V DC AS/NZS/CE Lower Control Box .....	4-12
24V DC Option .....	4-13
24VDC Cabinet Assembly .....	4-14
24V DC Battery Box Mounting .....	4-15

## **OPTIONS**

AC110V Platform Assembly .....	5-1
240VAC Assembly .....	5-2
AC240V at Platform .....	5-3
LPG Cabinets Assembly .....	5-4
LPG Engine Cabinet Assembly .....	5-5
LPG Engine Cabinet Assembly After Serial Numbers S2770RT-07-181100530, S3370RT-07-190100529, S3970RT-190100519 .....	5-6
LPG Engine Cabinet Radiator Guard Assembly .....	5-7
LPG Kubota WG752 Engine Assembly .....	5-8
LPG Engine Assembly, Kubota WG752 After Serial Numbers S2770RT-07-181100530, S3370RT-07- 190100529, S3970RT-07-190100519 .....	5-9
BLOCK HEATER UPGRADE .....	5-10

## **MAINTENANCE**

Maintenance ..... 6-1

**SCHEMATICS**

Wiring Schematics ..... 7-1

Hydraulic Schematic ..... 7-2

A ..... A

B ..... B

# **DANGER**

**The aerial platform is not electrically insulated. Death or serious injury will result from contact with, or inadequate clearance from, an energized conductor.**

**Do not go closer than the Minimum Safe Approach Distance as defined by ANSI standards.**

Regard all conductors as energized.

Allow for electrical wire sag and aerial platform sway.

If the platform, stack, or any part of the aerial platform contacts a high-voltage electrical conductor, the entire machine can become electrically charged.

If that happens, remain on the machine and do not contact any other structure or object. This includes the ground, adjacent buildings, poles, and any other objects that are not part of the aerial platform.

Such contact could make your body a conductor to the other object, creating an electrical shock hazard resulting in death or serious injury.

If an aerial platform is in contact with an energized conductor the platform operator must warn ground personnel in the vicinity to stay away. Their bodies can conduct electricity creating an electrical shock hazard resulting in death or serious injury.

Do not approach or leave the aerial platform until the electricity has been turned off.

Do not attempt to operate the lower controls when the platform, stack, or any part of the aerial platform is in contact with a high-voltage electrical conductor or if there is an immediate danger of such contact.

Personnel on or near an aerial platform must be continuously aware of electrical hazards, recognizing that death or serious injury can result from contact with an energized conductor.

## **California**

### **Proposition 65 Warning**

Battery posts, terminals and related accessories contain lead and lead components, chemicals known to the State of California to cause cancer and birth defects or other reproductive harm. Wash hands after handling.

# General Information

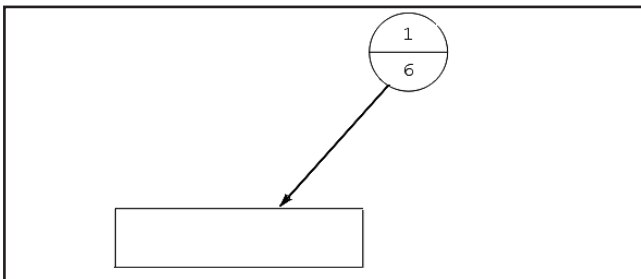
## About This Manual

This manual covers S2770RT/S3370RT/S3970RT aerial platforms. Information is included for machines that have been manufactured to conform to all applicable requirements of the following organizations:

- American National Standards Institute (ANSI)
- Canadian Standards Association (CSA)
- European Committee for Standardization (CE)
- Australian Standards (AS) certification

Part pages include a drawing and a bill of material. The bill of material lists the item number that is on the drawing, the Snorkel part number, quantity used and a description of the item.

Some callouts in the drawings may have a balloon with two numbers. The top number is the item number and the bottom number is the quantity of the item at that location.



While Snorkel has attempted in every way to confirm that all information in this manual is correct, improvements are being constantly made to the machine that may not be reflected in this manual.

If you find information in this manual that is not correct or is confusing, you are urged to report your findings to Snorkel for our evaluation. Your input is important to us and will be used in future printings of this manual.

This machine is covered by a limited warranty that specifically identifies items warrantied by Snorkel and those items covered by original manufacturer's warranty. A copy of the Snorkel Limited Warranty is located on the inside of the back cover of this manual.

## Repairs and Maintenance

Every person who maintains, inspects, tests or repairs the machine must be qualified and authorized to do so.

### **⚠ Caution**

**Do not modify this aerial platform without prior written consent of Snorkel Engineering Department. Modification may void the warranty, adversely affect stability or affect the operational characteristics of the aerial platform.**

## Abbreviations

The following abbreviations may be used in this manual.

AC	alternating current
ANSI	American National Standards Institute
AR	as required
CCA	cold cranking amps
cm	centimeter
DC	direct current
ft	feet
GFCI	ground fault circuit interruptor
in	inch
lbs	pounds
mm	millimeter
no	number
NPT	national pipe thread
psi	pounds per square inch
qty	quantity
rpm	revolutions per minute
UL	Underwriters Laboratories Inc.

## Additional Information

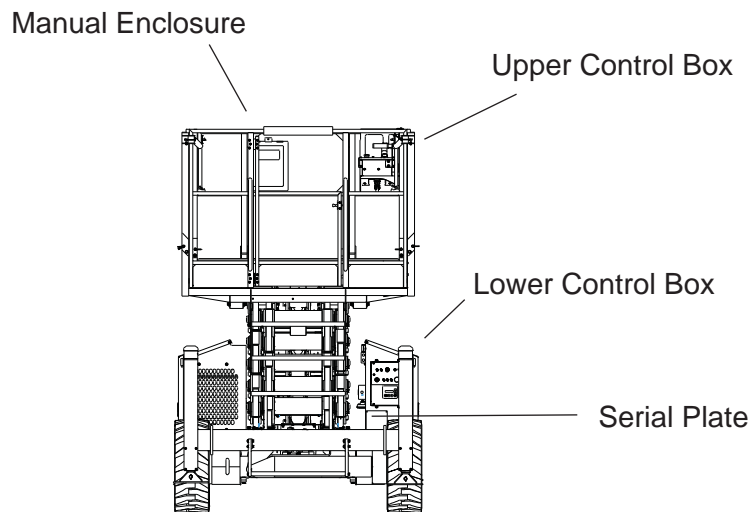
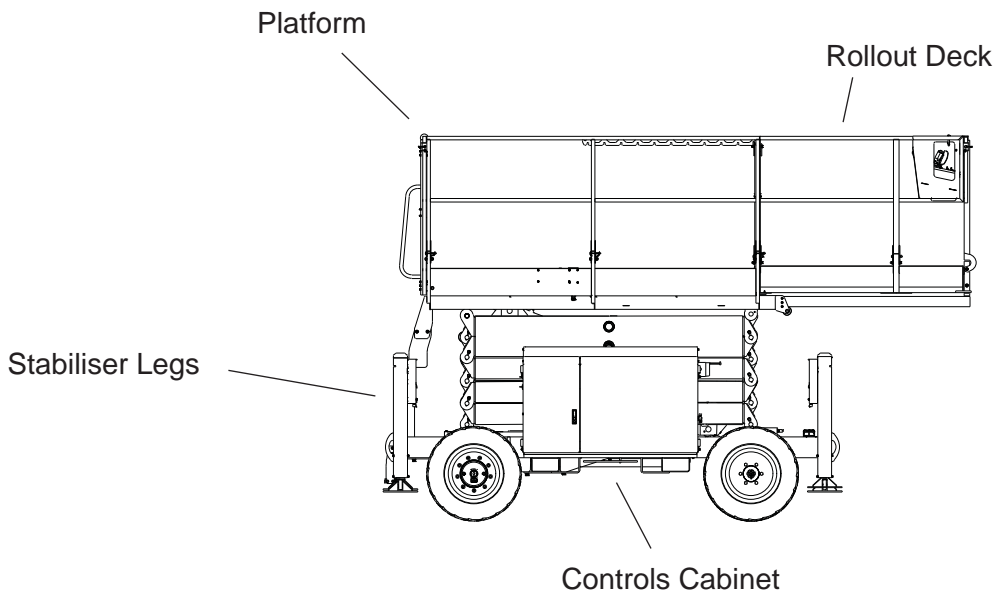
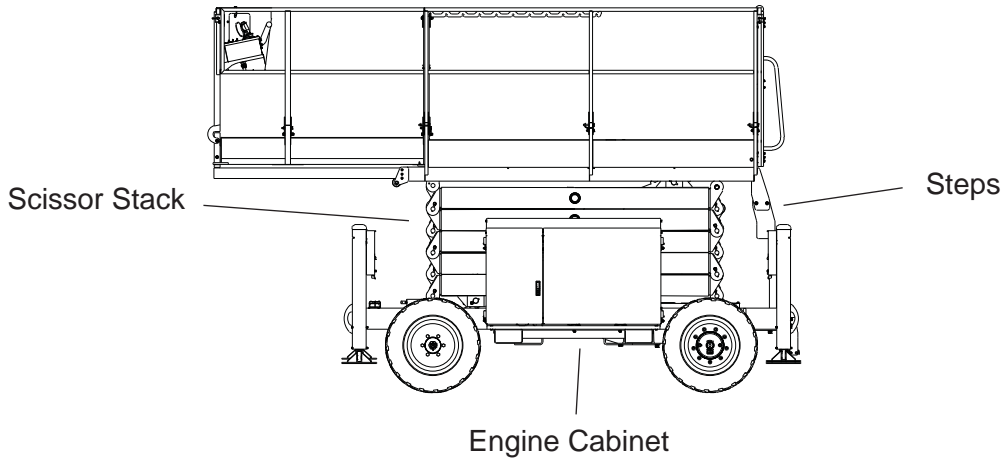
All correspondence relative to this machine, such as field reports, discrepancy reports, requests for information, etc., should be directed to:

Snorkel North America  
P.O. Box 1160  
St. Joseph, MO 64502-1160 USA  
Phone: 1-800-255-0317

Snorkel Europe  
Vigo Centre  
Birtley Road  
Washington  
Tyne & Wear  
NE38 9DA  
Phone: +44 (0) 845 1550 058

<http://www.snorkellifts.com>

## Component Identification



# Service and Parts Information

## Ordering Parts

When placing an order for service or repair parts, please have the following machine information readily available.

- Model number
- Serial number
- Snorkel part number
- Description of part
- Quantity of parts required
- Your purchase order number
- Address for order to ship to
- The desired shipment method

If ordering parts off-line, the parts order form on the following page may be mailed or faxed to the attention of the Parts Department at the following location:

Snorkel North America  
P.O. Box 1160  
St. Joseph, MO 64502-1160 USA  
Phone: 1-800-255-0317  
Parts Fax: 1-785-989-3077

Snorkel Europe  
Vigo Centre  
Birtley Road  
Washington  
Tyne & Wear  
NE38 9DA  
Phone: +44 (0) 845 1550 058  
Parts Fax: +44 (0) 1952 607 678

Attention: Parts Department

For your convenience, our electronic on-line ordering system is accessible from the following Internet location:

<http://www.snorkellifts.com>

## ANSI and OSHA Compliance

All owners and users of the aerial platform must read, understand and comply with all applicable regulations. Ultimate compliance to OSHA regulations is the responsibility of the user and their employer.

ANSI publications clearly identify the responsibilities of all personnel who may be involved with the aerial platform. A reprint of the "Manual of Responsibilities for Dealers, Owners, Users, Operators, Lessors and Lessees of ANSI/SIA A92.6-2006 Self-Propelled Elevating Work Platforms" is available from Snorkel dealers or from the factory upon request. Copies are also available from:

Scaffold Industry Association, Inc.  
P.O. Box 20574  
Phoenix, AZ 85036-0574 USA

## Manuals

Manuals are available from Snorkel to support any of the machines that we produce.

The specific manuals for S2770RT/S3370RT/S3970RT aerial platforms are as follows:

### Sxx70RT V7 Operator's Manual ANSI

Snorkel part number – 15124-1

### Sxx70RT V7 Repair Parts Manual

Snorkel part number – 15124-2

### ANSI Manual of Responsibilities

ANSI/SIA A92.6-2006

Snorkel part number – 0361367

## Machine Information

Model Number: \_\_\_\_\_

Serial Number: \_\_\_\_\_

Date of Purchase: \_\_\_\_\_

Purchased From: \_\_\_\_\_

Snorkel Dealer or Distributor: \_\_\_\_\_

\_\_\_\_\_

\_\_\_\_\_

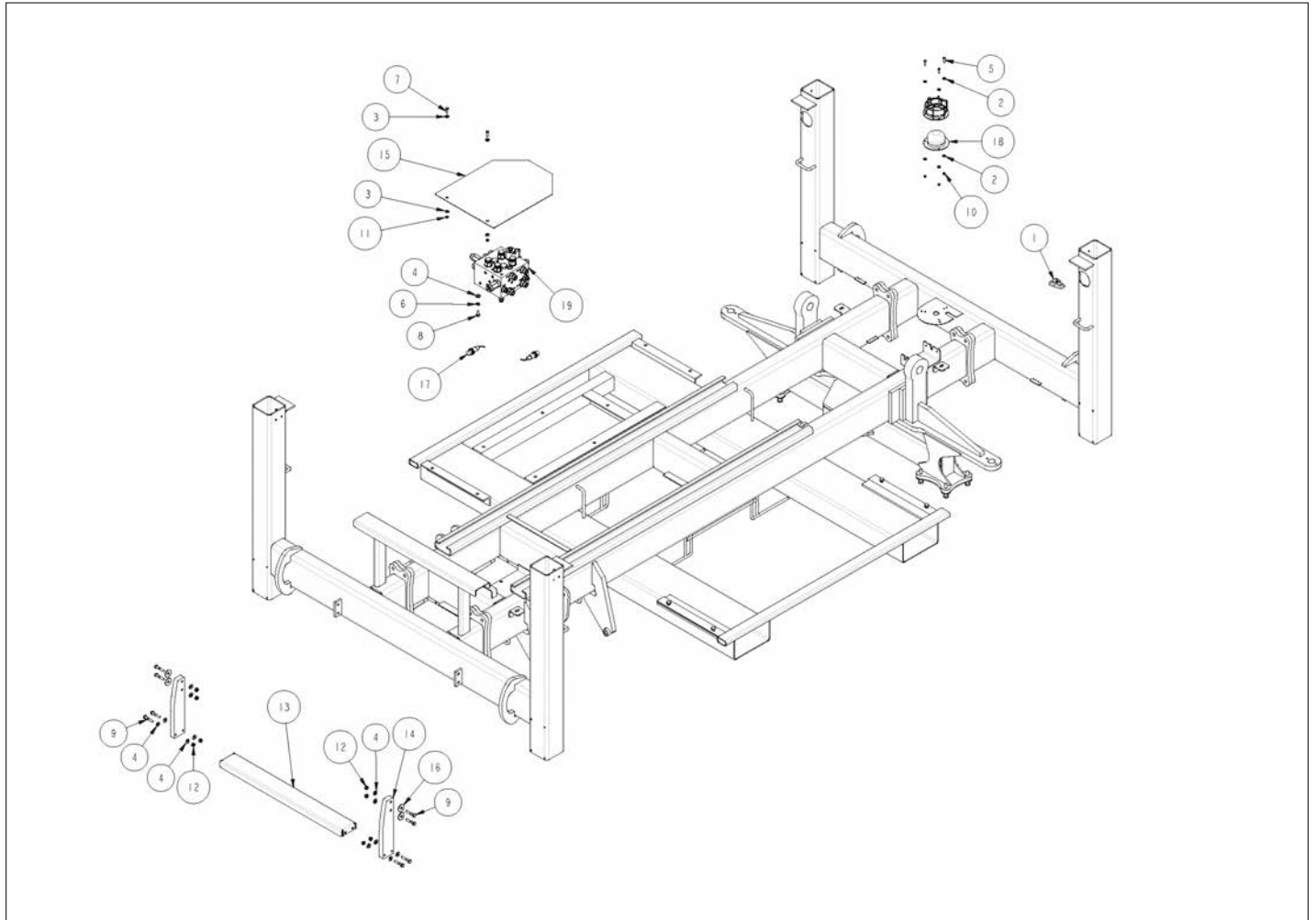
\_\_\_\_\_

\_\_\_\_\_



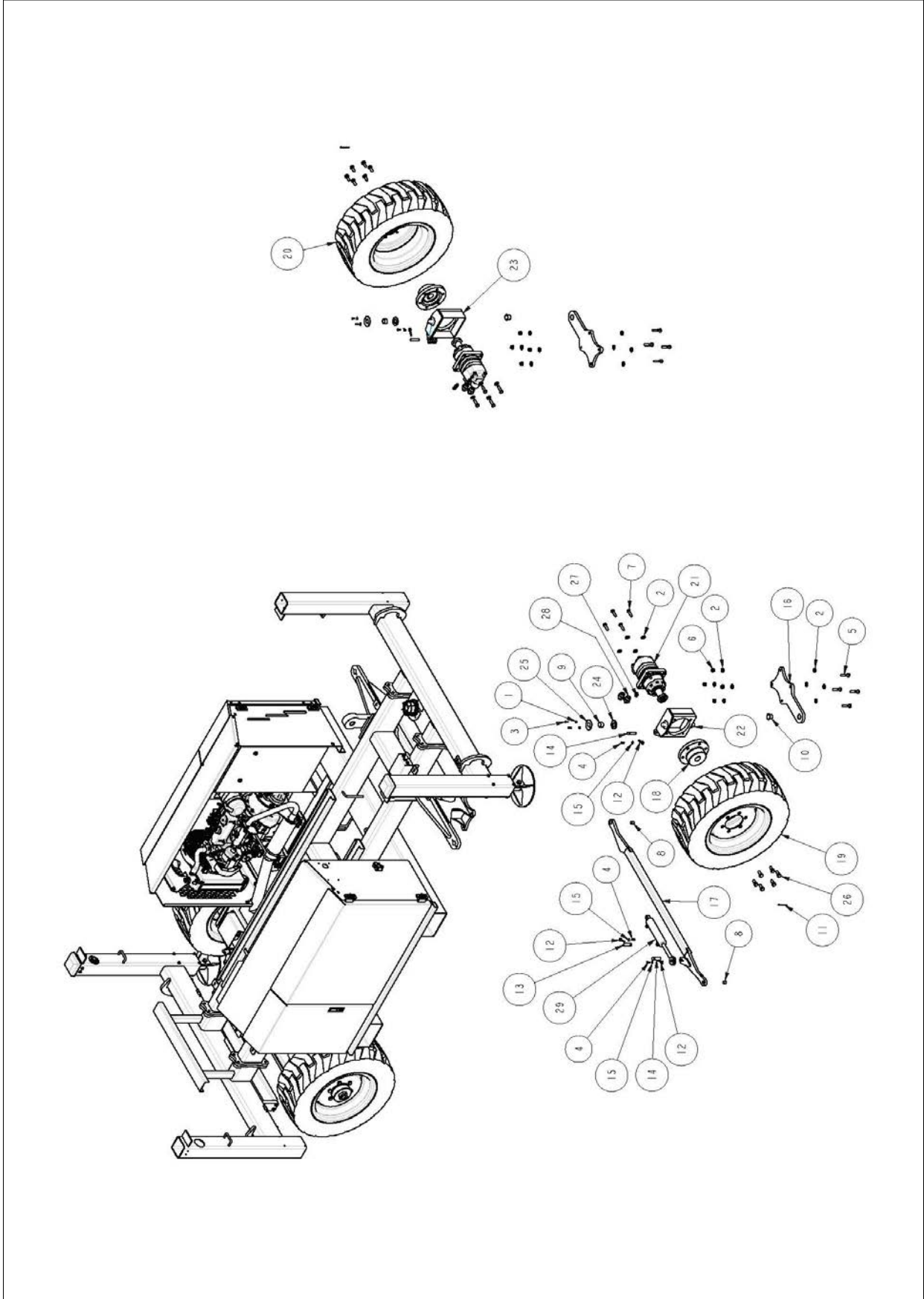


REPAIR PARTS



アイテム	部品番号	名前	数量	UOM
1	1273 2	Level Bubble, T Shape	1	EA
2	3605 05	Spring Washer	6	EA
3	3603 06	Plain Washer	4	EA
4	3603 08	Plain Washer	14	EA
5	3604 05020	Pan Head Screw	3	EA
6	3605 08	Spring Washer	2	EA
7	3610 06020	Metric Bolt	2	EA
8	3610 08016	Metric Bolt	2	EA
9	3610 08040	Metric Bolt	8	EA
10	3611 05	Metric Nyloc Nut	3	EA
11	3611 06	Metric Nyloc Nut	2	EA
12	3611 08	Metric Nylock Nut	8	EA
13	12554 5	Step Foldment	1	EA
14	12554 6	Rubber Step Hanger	2	EA
15	13870	Cover 4WD Manifold	1	EA
16	60030 197	Fender Washer	4	EA
17	15085 03	Axle Prox	2	EA
18	515611 000	BEACON ASSY AMBER	1	EA
19	15122 01	4WD Manifold Assembly	1	EA

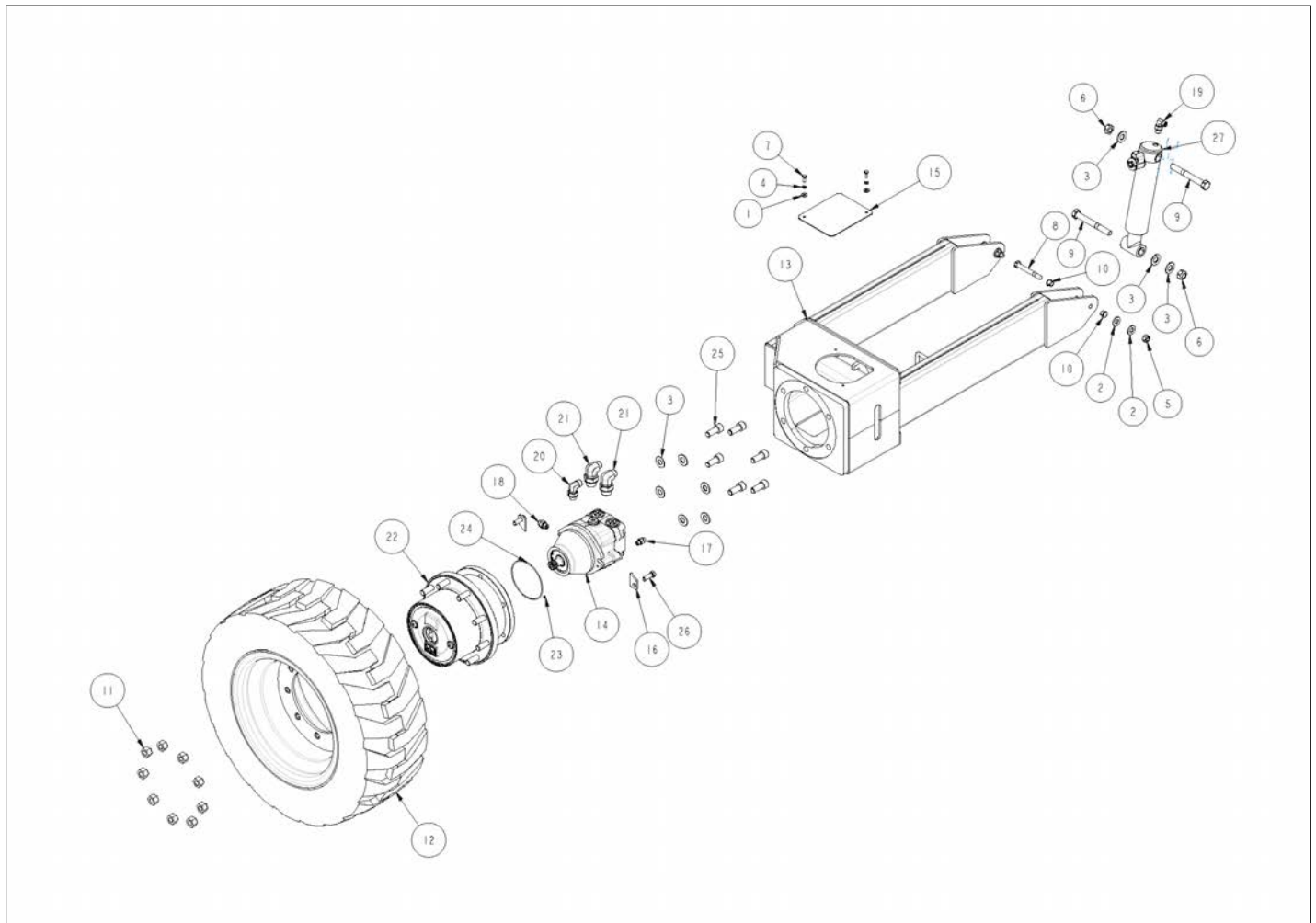
REPAIR PARTS



アイテム	部品番号	名前	数量	UOM
1	3603 05	Plain Washer	10	EA
2	3603 12	Plain Washer	33	EA
3	3610 05016	Metric Bolt	4	EA
4	3610 06016	Metric Bolt	4	EA
5	3610 12050	Metric Bolt	8	EA
6	3611 12	Metric Nyloc Nut	8	EA
7	3616 12040	Metric Bolt Grade 10.9	16	EA
8	3624 27	Permaglide Bush	2	EA
9	3624 3	Permaglide Bush	6	EA
10	3626 1	Flanged Permaglide Bush	2	EA
11	3636	Split Pin	4	EA
12	8628	Pin Keeper	4	EA
13	9311	Pin 5/8" x 53 lg	1	EA
14	9319	Pin 15 x 56 lg	3	EA
15	11492 1	Tab Washer	4	EA
16	12555 9	Steer Axle Lower Plate	2	EA
17	12556	Steering Tie Rod	1	EA
18	12562	Hub Adapter (Front)	2	EA
19	12563	Wheel/Tyre Assembly RH Black	2	EA
20	12564	Wheel/Tyre Assembly LH Black	2	EA
21	12570	Wheel Motor	2	EA
22	13854	Steer Hub RH	1	EA
23	13855	Steer Hub LH	1	EA
24	13856	Thrust Washer Steering	2	EA
25	13857	Bearing Retainer	2	EA
26	98300 9	Wheel Nut	24	EA
27	100432 002	Hyd Fitting Straight ORFS(04) SAE(04)	1	EA
28	512975 000	Hyd Fitting Straight ORFS(08) SAE(12)	8	EA

アイテム	部品番号	名前	数量	UOM
29	11699A	Steer Cylinder Assembly	1	EA

REPAIR PARTS

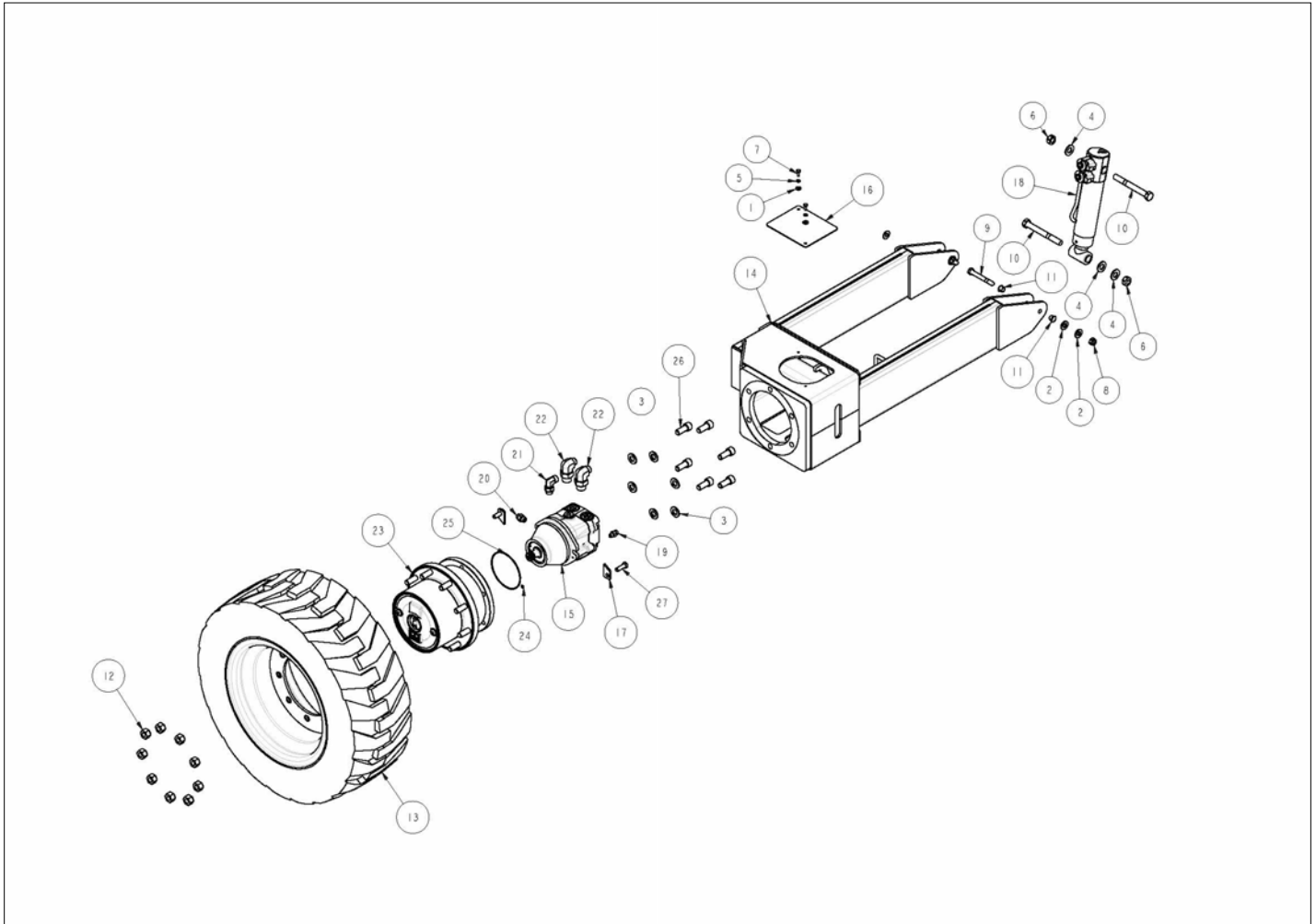


アイテム	部品番号	名前	数量	UOM
1	3603 06	Plain Washer	2	EA
2	3603 12HD	Plain Washer	3	EA
3	3603 16HD	Plain Washer	9	EA
4	3605 06	Spring Washer	2	EA
5	3611 12	Metric Nyloc Nut	2	EA
6	3611 16	Metric Nyloc Nut	2	EA
7	3610 06016	Metric Bolt	2	EA
8	3616 12090	Metric Bolt Grade 10.9	2	EA
9	3616 16130	Metric Bolt Grae 10.9	2	EA
10	3626 2	Flanged Permaglide Bush	4	EA
11	011469 006	Lug Nut 5/8 18 RH	9	EA
12	15092	Wheel/Tyre Assembly RH	1	EA
12	15093	Wheel/Tyre Assembly LH Non Marking	1	EA
13	15094	Swing Arm	1	EA
14	15095	Wheel Motor	1	EA
15	15117	Cover Swing Arm	1	EA
16	15127	Washer Plate Drive Motor	2	EA
17	100432 002	Hyd Fitting Straight ORFS(04) SAE(04)	1	EA
18	100432 004	Hyd Fitting Straight ORFS(04) SAE(06)	1	EA
19	100434 004	Hyd Fitting 90 Elbow ORFS(04) SAE(06)	1	EA
20	100434 010	Hyd Fitting 90 Elbow ORFS(06) SAE(08)	1	EA
21	100434 015	Hyd Fitting 90 Elbow ORFS(08) SAE(12)	2	EA
22	116324 000	Wheel Gearbox	1	EA
23	0260070	O Ring	1	EA
24	0260099	O Ring	1	EA
25	5560245	Bolt	6	EA



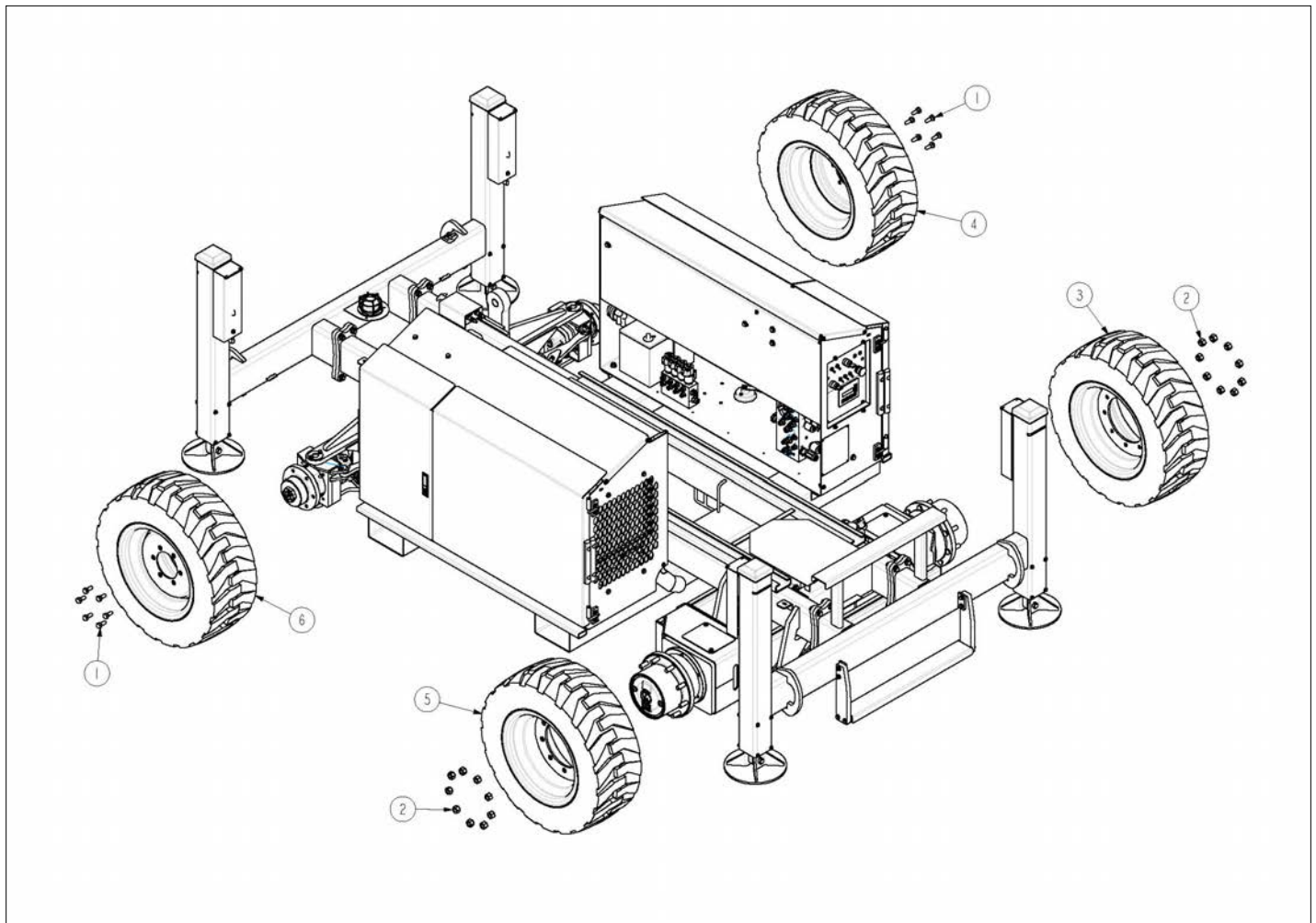
アイテム	部品番号	名前	数量	UOM
26	5563116	Bolt, HDD	2	EA
27	11642A	Axle Cylinder Assembly	1	EA

# REPAIR PARTS



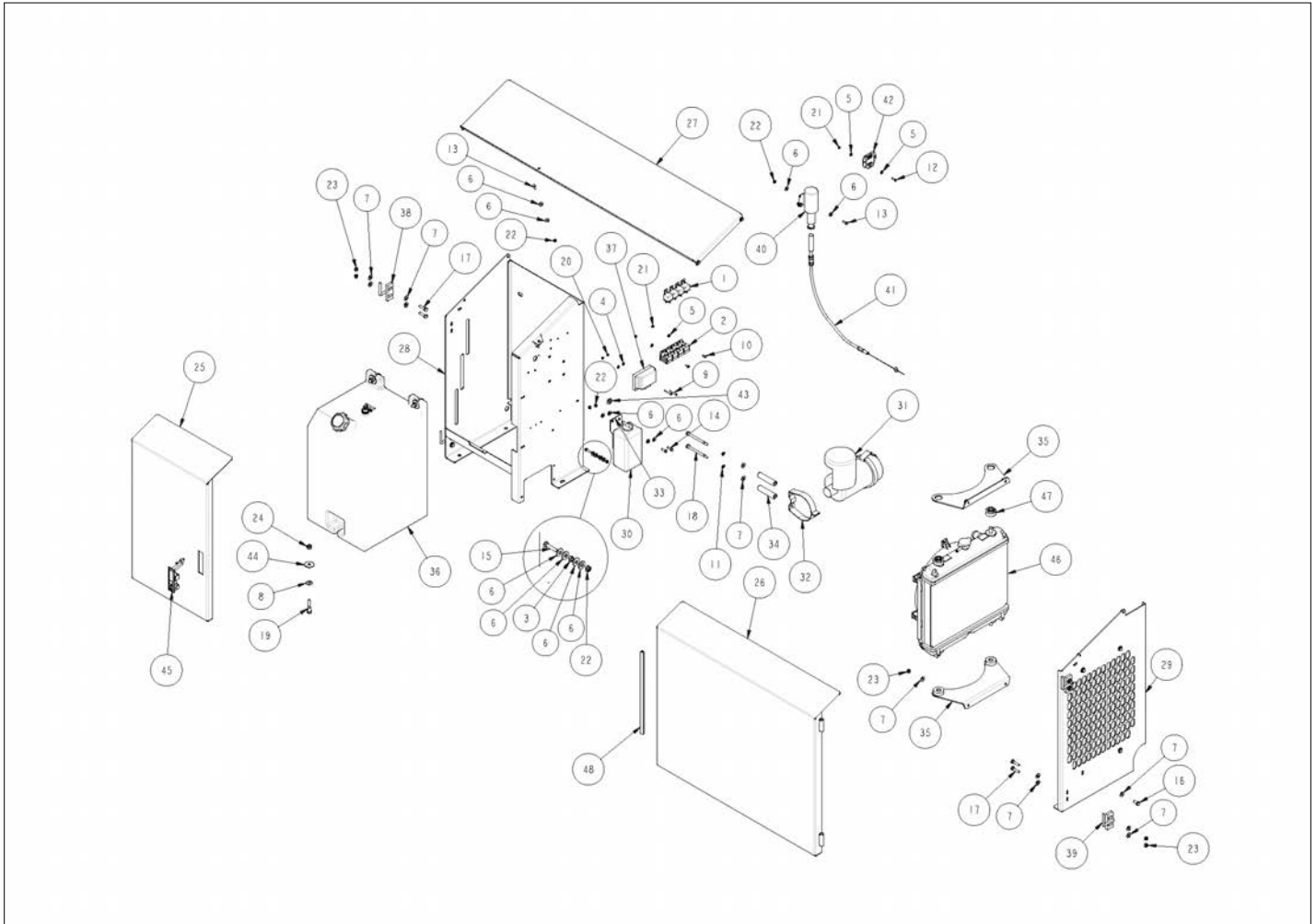
アイテム	部品番号	名前	数量	UOM
1	3603 06	Plain Washer	2	EA
2	3603 12HD	Plain Washer	3	EA
3	3603 16H	Plain Washer	6	EA
4	3603 16HD	Plain Washer	3	EA
5	3605 06	Spring Washer	2	EA
6	3608 16C	Cone Lock Nut	2	EA
7	3610 06016	Metric Bolt	2	EA
8	3611 12	Metric Nyloc Nut	2	EA
9	3616 12090	Metric Bolt Grade 10.9	2	EA
10	3616 16140	Metric Bolt Grade 10.9	2	EA
11	3626 2	Flanged Permaglide Bush	4	EA
12	011469 006	Lug Nut 5/8 18 RH	9	EA
13	15092	Wheel/Tyre Assembly RH	1	EA
14	15094	Swing Arm	1	EA
15	15095	Wheel Motor	1	EA
16	15117	Cover Swing Arm	1	EA
17	15127	Washer Plate Drive Motor	2	EA
18	15204	Cylinder Dual Lock	1	EA
19	100432 002	Hyd Fitting Straight ORFS(04) SAE(04)	1	EA
20	100432 004	Hyd Fitting Straight ORFS(04) SAE(06)	1	EA
21	100434 010	Hyd Fitting 90 Elbow ORFS(06) SAE(08)	2	EA
22	100434 015	Hyd Fitting 90 Elbow ORFS(08) SAE(12)	4	EA
23	116324 000	Wheel Gearbox	1	EA
24	0260070	O Ring	1	EA
25	0260099	O Ring	1	EA
26	5560245	Bolt	6	EA
27	5563116	Bolt, HDD	2	EA

REPAIR PARTS



アイテム	部品番号	名前	数量	UOM
1	98300 9	Wheel Nut	12	EA
2	001469 006	Lug Nut 5/8	18	EA
3	15092	Wheel/Tyre Assembly RH	1	EA
3	15093 04	Wheel/Tyre Assembly RH Black	1	EA
4	12563 1	Wheel/Tyre Assembly RH Non Marking	1	EA
4	12563	Wheel/Tyre Assembly RH Black	1	EA
5	15093	Wheel/Tyre Assembly LH Non Marking	1	EA
5	15092 04	Wheel/Tyre Assembly LH Black	1	EA
6	12564 1	Wheel/Tyre Assembly LH Non Marking	1	EA
6	12564	Wheel/Tyre Assembly LH Black	1	EA

REPAIR PARTS

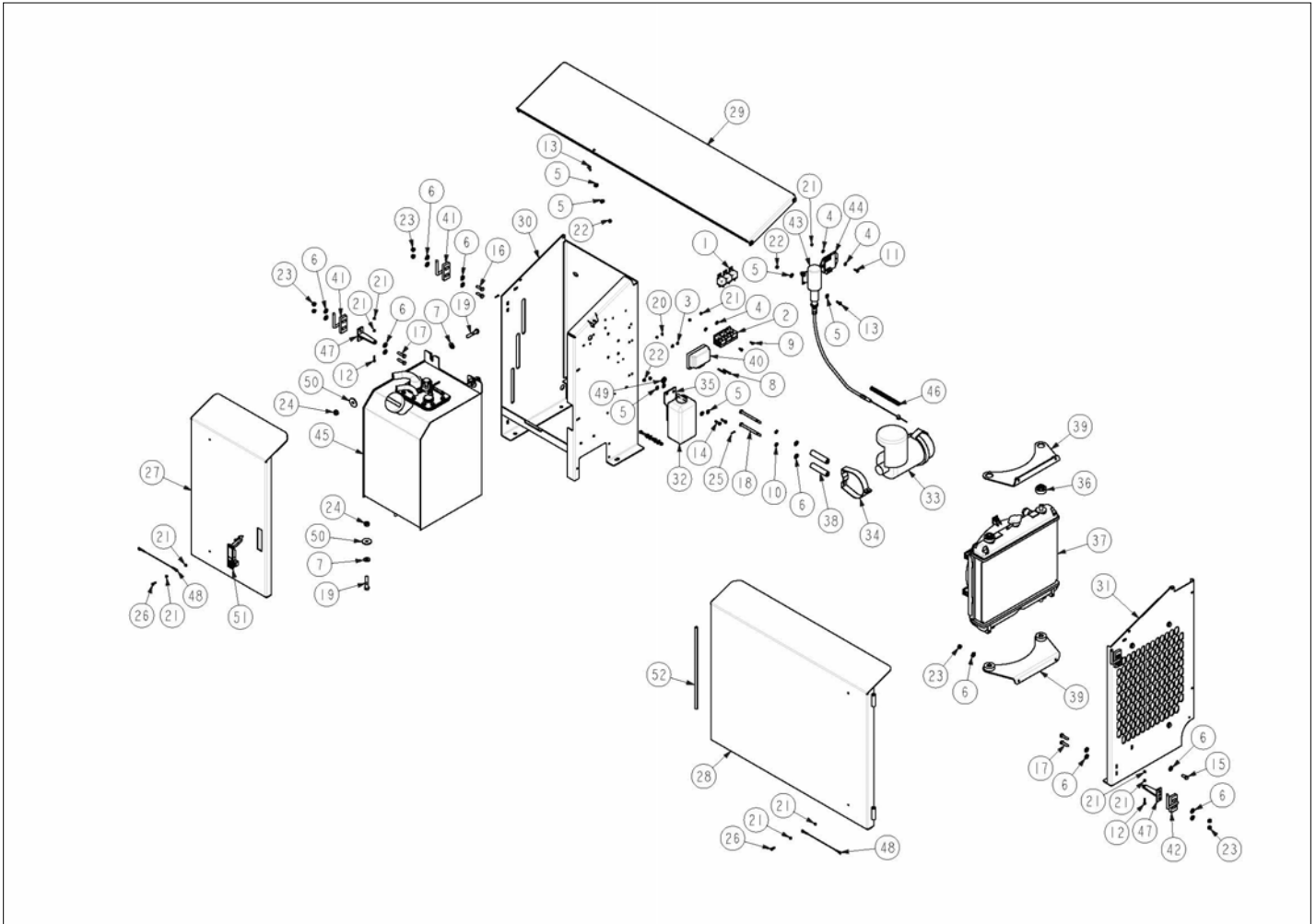


アイテム	部品番号	名前	数量	UOM
1	1650 010	Relay 12V	4	EA
2	2065 002	Plug In Relay Base	4	EA
3	3602 06	Metric Hex Nut	1	EA
4	3603 04	Plain Washer	2	EA
5	3603 05	Plain Washer	6	EA
6	3603 06	Plain Washer	26	EA
7	3603 08	Plain Washer	26	EA
8	3603 10	Plain Washer	3	EA
9	3604 04035	Pan Head Screw	2	EA
10	3604 05012	Pan Head Screw	2	EA
11	3605 08	Spring Washer	2	EA
12	3610 05016	Metric Bolt	2	EA
13	3610 06016	Metric Bolt	9	EA
14	3610 06020	Metric Bolt	2	EA
15	3610 06025	Metric Bolt	1	EA
16	3610 08020	Metric Bolt	4	EA
17	3610 08030	Metric Bolt	8	EA
18	3610 08100	Metric Bolt	2	EA
19	3610 10050	Metric Bolt	3	EA
20	3611 04	Metric Nyloc Nut	2	EA
21	3611 05	Metric Nyloc Nut	4	EA
22	3611 06	Metric Nyloc Nut	12	EA
23	3611 08	Metric Nylock Nut	12	EA
24	3611 10	Metric Nyloc Nut	3	EA
25	11679	Cabinet Door Small	1	EA
26	11680	Cabinet Door Large	1	EA
27	12716 13	Cabinet Top Plate	1	EA
28	12938	Engine Cabinet Tank Side	1	EA
29	12938 1	Cabinet End Radiator Vent	1	EA

アイテム	部品番号	名前	数量	UOM
30	13086 03	Radiator Overflow Bottle	1	EA
31	13086 04	Air Filter Assembly	1	EA
32	13086 05	Air Filter Bracket	1	EA
33	13086 06	Overflow Attachment Bracket	1	EA
34	13098	Air Filter Support	2	EA
35	13099 1	Radiator Mount	2	EA
36	13106 2A	Fuel Tank Assembly	1	EA
37	13806	Fuse Block Blade x 6	1	EA
37	13553 05	Fuse, Blade 5A Tan	1	EA
37	13553 10	Fuse High RPM	1	EA
37	13553 15	Fuse, Blade 15A Blue	1	EA
37	13553 20	Fuse, Blade 20A Yellow	1	EA
37	13553 25	Fuse, Blade 25A Clear	1	EA
38	13869 01	Cabinet Hinge, LH	2	EA
39	13869 02	Cabinet Hinge, RH	2	EA
40	15106	Solenoid and Cable Assembly Trombetta	1	EA
41	15107	Cable Assembly Throttle	1	EA
42	15108	Control Module Trombetta	1	EA
43	65004 008	Rubber Grommet	1	EA
44	5560179	Flat Washer Special	3	EA
45	8342416	Latch Adjustable Trigger, Key 508CH	1	EA
45	8342416 1	KEY 508CH	1	EA
45	8342416 3	Latch Adjustable Trigger, Key 508CH	1	EA
45	8342416 2	Key 501CH	1	EA
46	13086 32	Radiator	1	EA
47	13086 31	Isolator Mount	4	EA
48	13872	Rubber Channel Section	1	EA



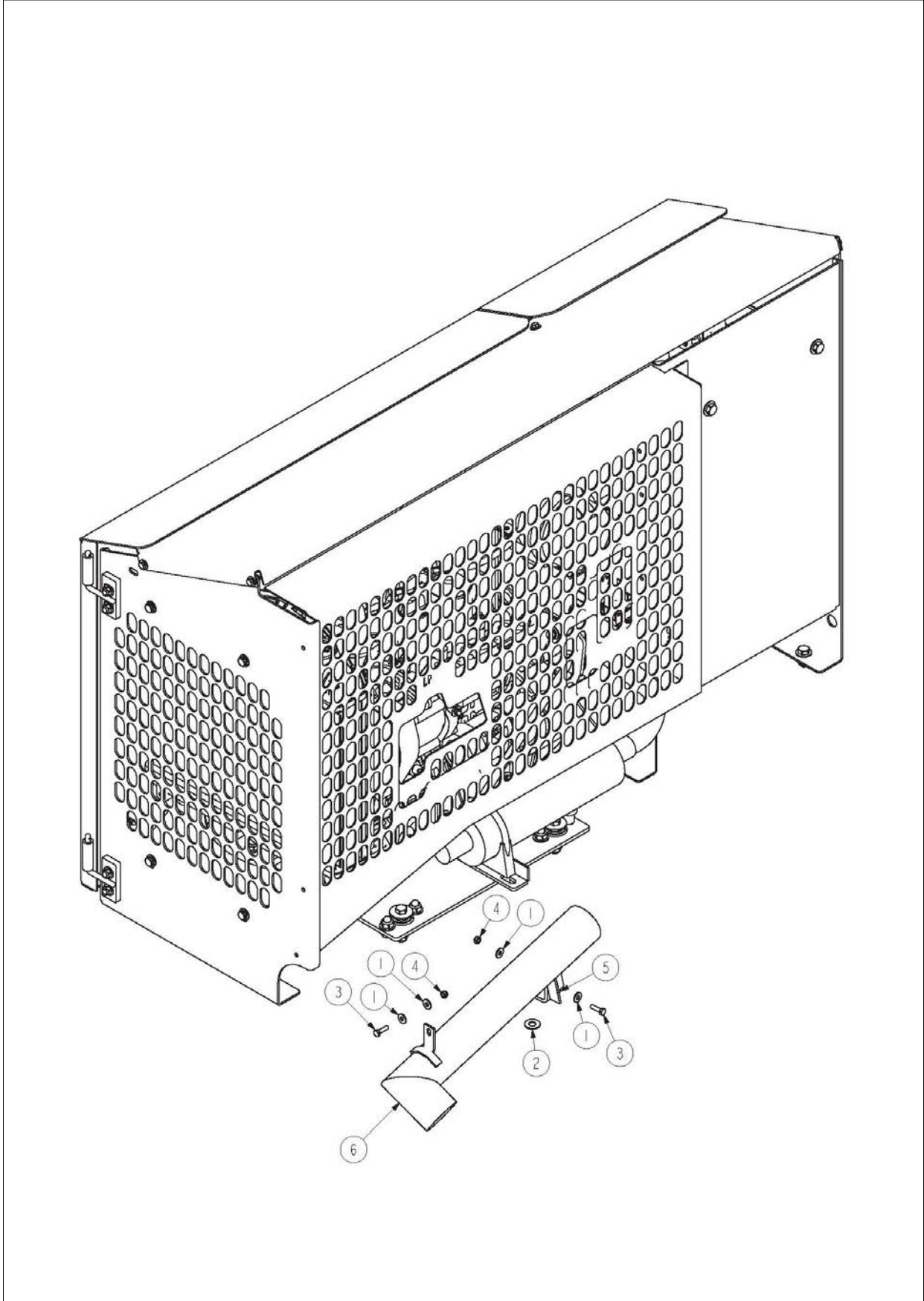
# REPAIR PARTS



アイテム	部品番号	名前	数量	UOM
1	1650 010	Relay 12V	3	EA
2	2065 002	Plug In Relay Base	3	EA
3	3603 04	Plain Washer	2	EA
4	3603 05	Plain Washer	6	EA
5	3603 06	Plain Washer	36	EA
6	3603 08	Plain Washer	26	EA
7	3603 10	Plain Washer	3	EA
8	3604 04035	Pan Head Screw	2	EA
9	3604 05012	Pan Head Screw	2	EA
10	3605 08	Spring Washer	2	EA
11	3610 05016	Metric Bolt	2	EA
12	3610 05020	Metric Bolt	2	EA
13	3610 06016	Metric Bolt	9	EA
14	3610 06020	Metric Bolt	2	EA
15	3610 08020	Metric Bolt	4	EA
16	3610 08025	Metric Bolt	4	EA
17	3610 08030	Metric Bolt	4	EA
18	3610 08100	Metric Bolt	2	EA
19	3610 10050	Metric Bolt	3	EA
20	3611 04	Metric Nyloc Nut	2	EA
21	3611 05	Metric Nyloc Nut	12	EA
22	3611 06	Metric Nyloc Nut	22	EA
23	3611 08	Metric Nylock Nut	12	EA
24	3611 10	Metric Nyloc Nut	3	EA
25	3630 7	Split Pin	2	EA
26	3668 05016	Button Head Socket Screw	2	EA
27	11679	Cabinet Door Small	1	EA
28	11680	Cabinet Door Large	1	EA
29	12716 13	Cabinet Top Plate	1	EA

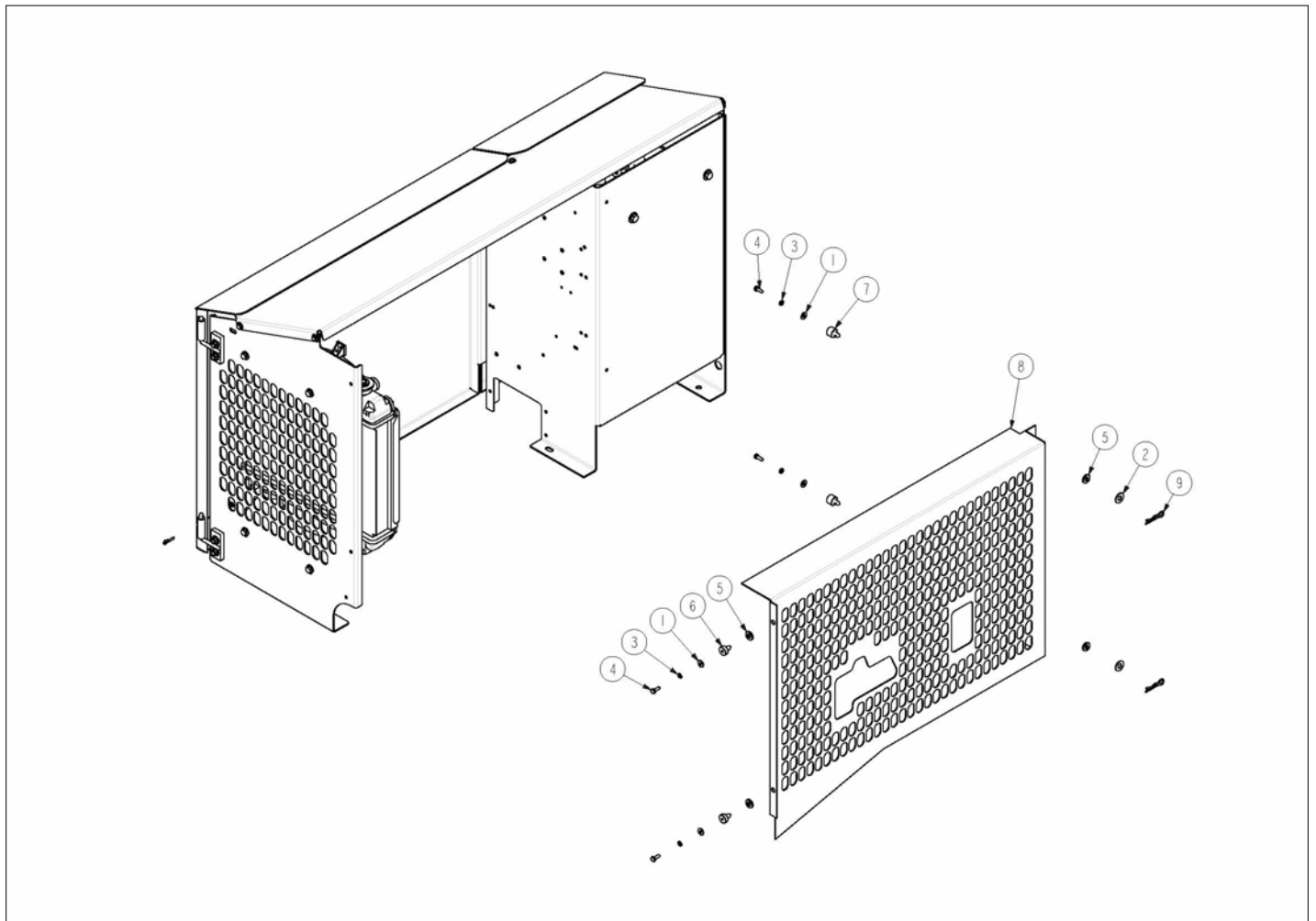
アイテム	部品番号	名前	数量	UOM
30	12938	Engine Cabinet Tank Side	1	EA
31	12938 1	Cabinet End Radiator Vent	1	EA
32	13086 03	Radiator Overflow Bottle	1	EA
33	13086 04	Air Filter Assembly	1	EA
34	13086 05	Air Filter Bracket	1	EA
35	13086 06	Overflow Attachment Bracket	1	EA
36	13086 31	Isolator Mount	4	EA
37	13086 32	Radiator	1	EA
38	13098	Air Filter Support	2	EA
39	13099 1	Radiator Mount	2	EA
40	13806	Fuse Block Blade x 6	1	EA
41	13869 01	Cabinet Hinge, LH	2	EA
42	13869 02	Cabinet Hinge, RH	2	EA
43	15106	Solenoid and Cable Assembly Trombetta	1	EA
44	15108	Control Module Trombetta	1	EA
45	15220	Tank	1	EA
46	15258	Spring	1	EA
47	15361	Door Stop	2	EA
48	15361 03	Lanyard Eye to Eye 8"	2	EA
49	65004 008	Rubber Grommet	1	EA
50	5560179	Flat Washer Special	3	EA
51	8342416	Latch Adjustable Trigger, Key 508CH	1	EA
52	PCA015	Rubber Channel Section	1	EA

REPAIR PARTS



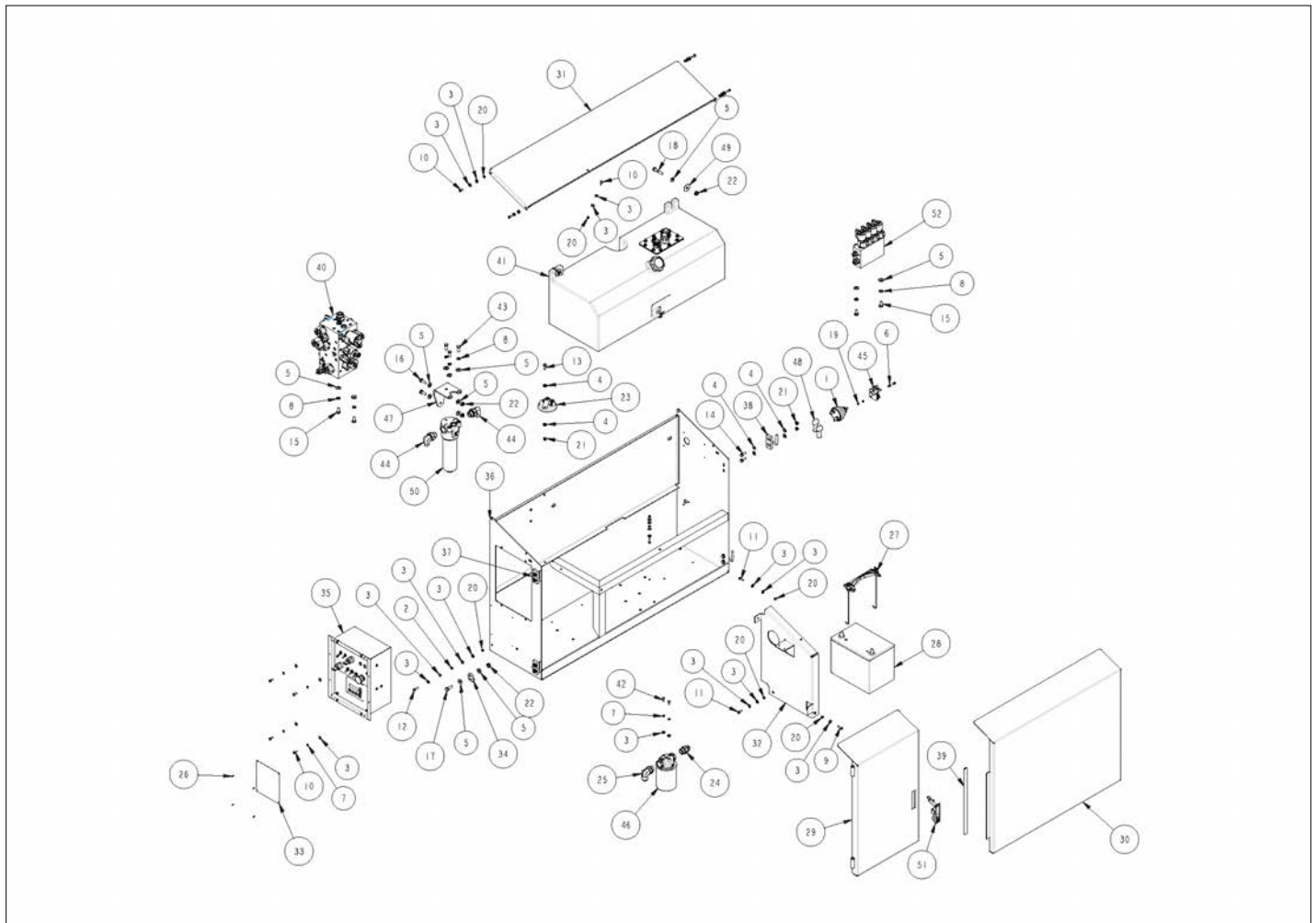
アイテム	部品番号	名前	数量	UOM
0	15020	Exhaust Extension Kit	1	EA
1	3603 06	Plain Washer	4	EA
2	3603 10	Plain Washer	17	EA
3	3610 06020	Metric Bolt	2	EA
4	3611 06	Metric Nyloc Nut	2	EA
5	15020 04	Extension Pipe Mounting Bracket	1	EA
6	15020 05	Extension Pipe Weld	1	EA

REPAIR PARTS



アイテム	部品番号	名前	数量	UOM
1	3603 06	Plain Washer	26	EA
2	3603 10	Plain Washer	5	EA
3	3605 06	Spring Washer	4	EA
4	3610 06016	Metric Bolt	13	EA
5	12516	M10 Rubber Washer	4	EA
6	15344 02	Stud No Cross Hole	2	EA
7	15344 03	Stud With Cross Hole	2	EA
8	15345 01	Radiator Guard	1	EA
9	72404	Grip Clip AG6	2	EA

# REPAIR PARTS

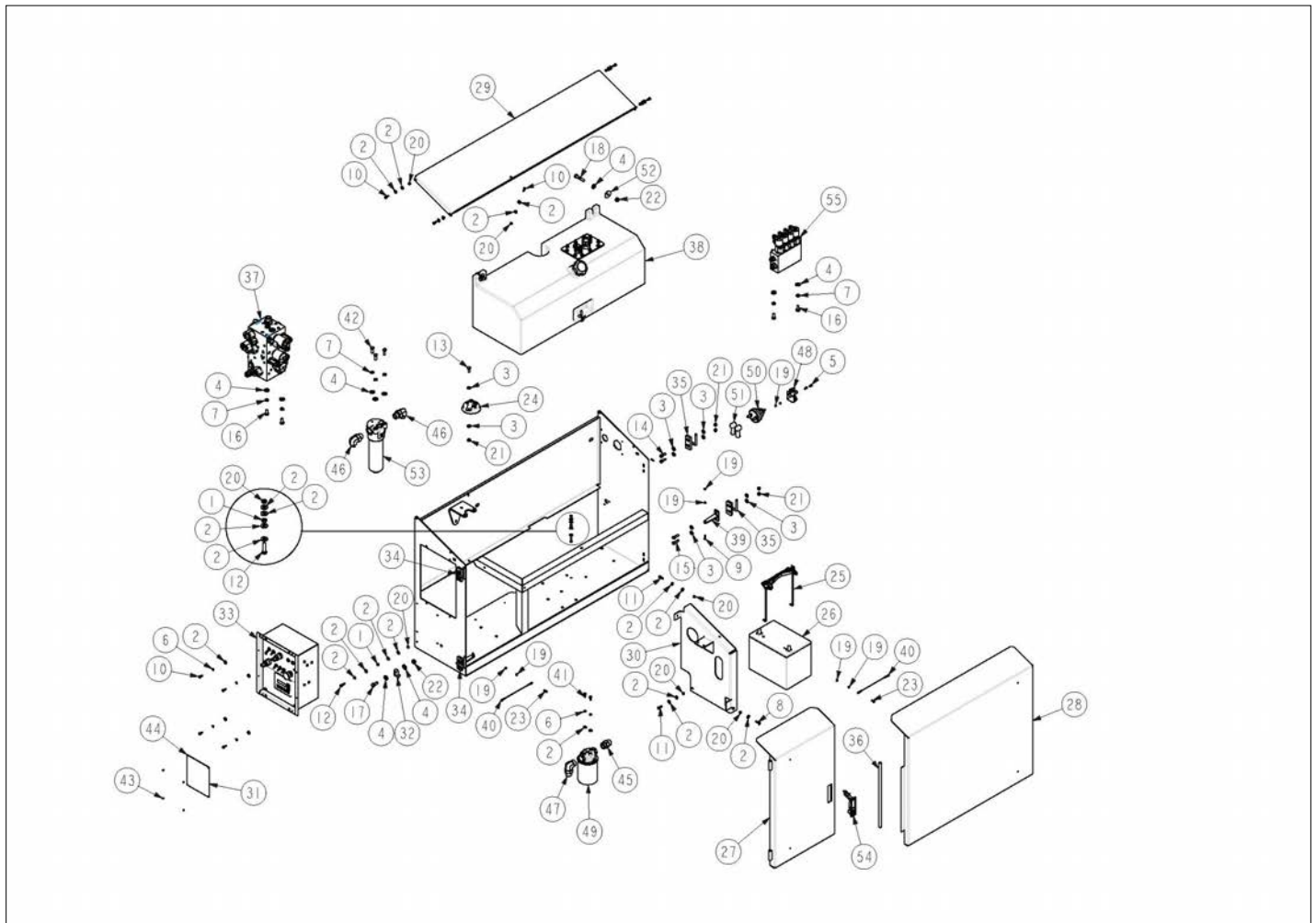




アイテム	部品番号	名前	数量	UOM
1	302 0049	Switch Battery Disconnect	1	EA
2	3602 06	Metric Hex Nut	2	EA
3	3603 06	Plain Washer	29	EA
4	3603 08	Plain Washer	18	EA
5	3603 10	Plain Washer	16	EA
6	3604 05012	Pan Head Screw	2	EA
7	3605 06	Spring Washer	6	EA
8	3605 10	Spring Washer	7	EA
9	3606 06025	Countersunk Socket Head Screw	1	EA
10	3610 06016	Metric Bolt	9	EA
11	3610 06020	Metric Bolt	2	EA
12	3610 06025	Metric Bolt	2	EA
13	3610 08020	Metric Bolt	1	EA
14	3610 08025	Metric Bolt	8	EA
15	3610 10020	Metric Bolt	4	EA
16	3610 10025	Metric Bolt	2	EA
17	3610 10030	Metric Bolt	1	EA
18	3610 10050	Metric Bolt	3	EA
19	3611 05	Metric Nyloc Nut	2	EA
20	3611 06	Metric Nyloc Nut	10	EA
21	3611 08	Metric Nylock Nut	9	EA
22	3611 10	Metric Nyloc Nut	6	EA
23	4381	Horn	1	EA
24	7025 008	JICM x UNO Ring Nipple	1	EA
25	7031 009	JICM x UNO Ring M Elbow	1	EA
26	8974	Screw, Hammer Drive	4	EA
27	10268 1	Battery Bracket HA 8023	1	EA
28	11596	Battery 12V BVS 70	1	EA
29	11679	Cabinet Door Small	1	EA

アイテム	部品番号	名前	数量	UOM
30	11680	Cabinet Door Large	1	EA
31	12716 13	Cabinet Top Plate	1	EA
32	12716 14	Cabinet Support	1	EA
33	12833 4	Serial Number Plate, NZ/AUS Machines	1	EA
Not Shown	0070901	Serial Number Plate, US Machines	1	EA
34	13164	Cable Tie Mount M10	1	EA
35	13811	Lower Control Box Assembly	1	EA
36	13864	Cabinet	1	EA
37	13869 01	Cabinet Hinge, LH	2	EA
38	13869 02	Cabinet Hinge, RH	2	EA
39	13872	Rubber Channel Section	1	EA
40	15123 01	Main Manifold Assembly	1	EA
41	15141 01	Hydraulic Tank Assembly	1	EA
42	60015 012	3/4" x 1/4" NC Bolt (Plated)	2	EA
43	60017 006	1" x3/8 UNC Bolt	3	EA
44	100434 015	Hyd Fitting 90 Elbow ORFS(08) SAE(12)	2	EA
45	300840	Lock Out Lever Assembly	1	EA
46	301440	AE 10 Oil Filter	1	EA
47	1431833	Bracket Pressure Filter	1	EA
48	3040269	Boot Cable Entry Black 1/0 GA	2	EA
49	5560179	Flat Washer Special	3	EA
50	6019325	Pressure Filter	1	EA
51	8342416	Latch Adjustable Trigger, Key 508CH	1	EA
52	13781A	Stabiliser Manifold Assembly	1	EA

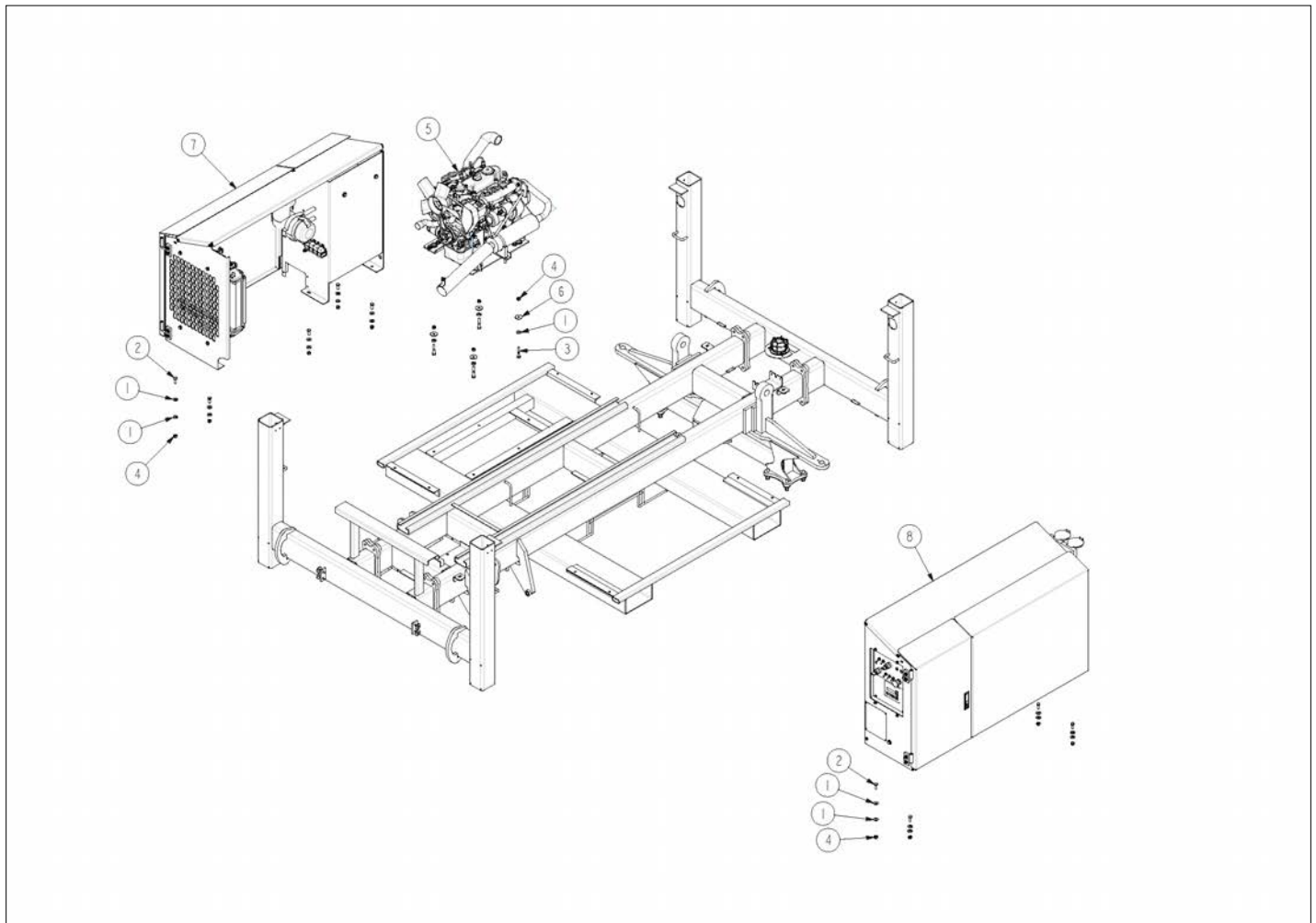
# REPAIR PARTS



アイテム	部品番号	名前	数量	UOM
1	3602 06	Metric Hex Nut	2	EA
2	3603 06	Plain Washer	41	EA
3	3603 08	Plain Washer	18	EA
4	3603 10	Plain Washer	12	EA
5	3604 05012	Pan Head Screw	6	EA
6	3605 06	Spring Washer	6	EA
7	3605 10	Spring Washer	7	EA
8	3606 06025	Countersunk Socket Head Screw	1	EA
9	3610 05020	Metric Bolt	2	EA
10	3610 06016	Metric Bolt	9	EA
11	3610 06020	Metric Bolt	2	EA
12	3610 06025	Metric Bolt	12	EA
13	3610 08020	Metric Bolt	1	EA
14	3610 08025	Metric Bolt	4	EA
15	3610 08030	Metric Bolt	4	EA
16	3610 10020	Metric Bolt	4	EA
17	3610 10025	Metric Bolt	1	EA
18	3610 10050	Metric Bolt	3	EA
19	3611 05	Metric Nyloc Nut	10	EA
20	3611 06	Metric Nyloc Nut	20	EA
21	3611 08	Metric Nylock Nut	9	EA
22	3611 10	Metric Nyloc Nut	4	EA
23	3668 05016	Button Head Socket Screw	2	EA
24	4381	Horn	1	EA
25	10268 1	Battery Bracket HA 8023	1	EA
26	11596	Battery 12V BVS 70	1	EA
27	11679	Cabinet Door Small	1	EA
28	11680	Cabinet Door Large	1	EA
29	12716 13	Cabinet Top Plate	1	EA

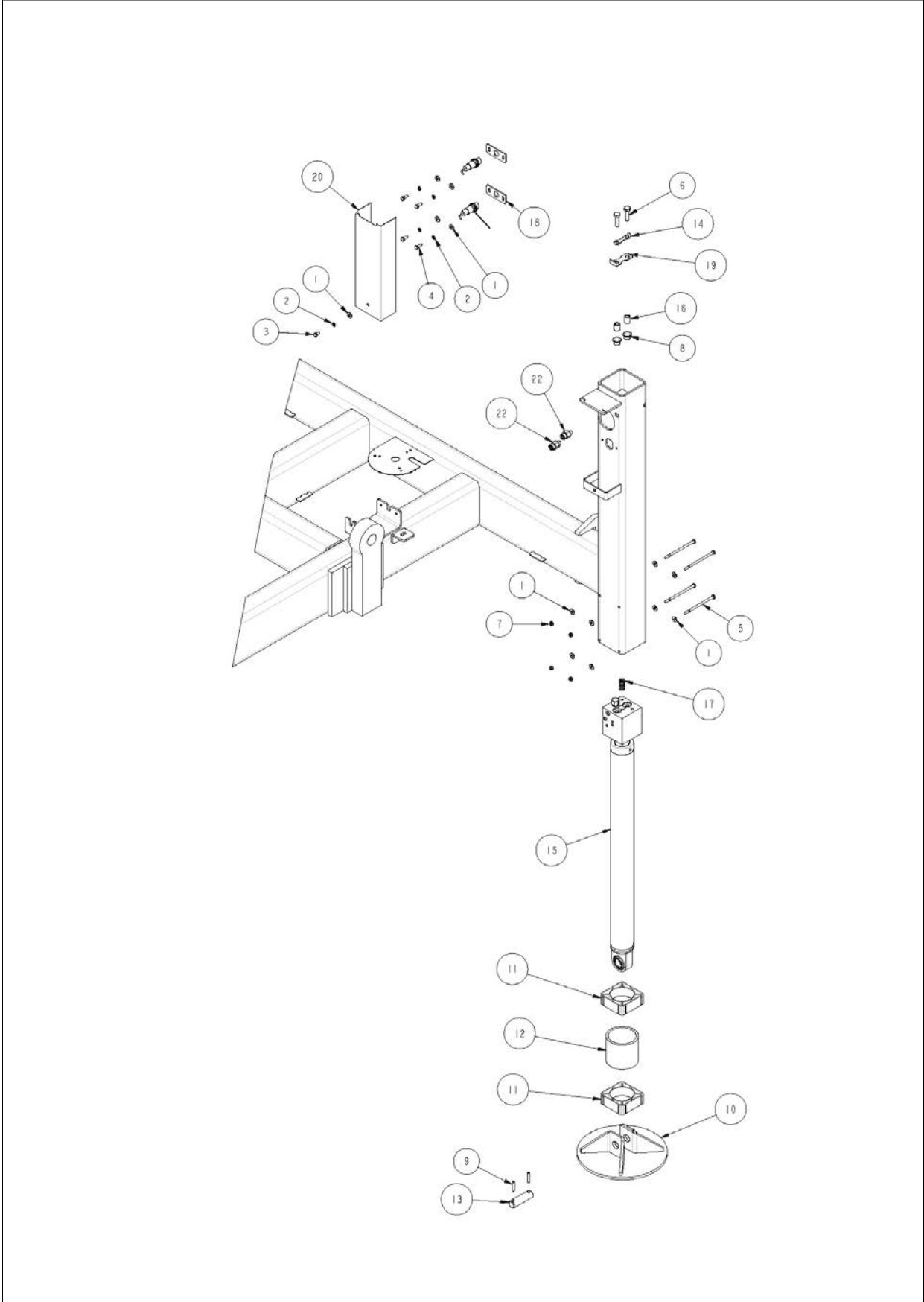
アイテム	部品番号	名前	数量	UOM
30	12716 14	Cabinet Support	1	EA
31	12833 4	Serial Number Plate, NZ/AUS Machines	1	EA
32	13164	Cable Tie Mount M10	1	EA
33	13811	Lower Control Box Assembly	1	EA
34	13869 01	Cabinet Hinge, LH	2	EA
35	13869 02	Cabinet Hinge, RH	2	EA
36	13872	Rubber Channel Section	1	EA
37	15123 01	Main Manifold Assembly	1	EA
38	15141 01	Hydraulic Tank Assembly	1	EA
39	15361	Door Stop	2	EA
40	15361 03	Lanyard Eye to Eye 8"	2	EA
41	60015 012	3/4" x 1/4" NC Bolt (Plated)	2	EA
42	60017 007	1" x 3/8 UNC Bolt	3	EA
43	60027 013	Rivet 1/8 x 5/32	4	EA
44	0070901	Serial Number Plate, US Machines	1	EA
45	100432 027	Hyd Fitting Straight ORFS(12) SAE(12)	2	EA
46	100434 015	Hyd Fitting 90 Elbow ORFS(08) SAE(12)	2	EA
47	100434 021	Hyd Fitting 90 Elbow ORFS(12) SAE(12)	1	EA
48	300840	Lock Out Lever Assembly	1	EA
49	301440	AE 10 Oil Filter	1	EA
50	3020049	Switch, Battery Disconnect	1	EA
51	3040269	Boot Cable Entry Black 1/0 GA	2	EA
52	5560179	Flat Washer Special	3	EA
53	6019325	Pressure Filter	1	EA
54	8342416	Latch Adjustable Trigger, Key 508CH	1	EA
55	13781A	Stabiliser Manifold Assembly	1	EA

# REPAIR PARTS



アイテム	部品番号	名前	数量	UOM
1	3603 10	Plain Washer	22	EA
2	3610 10025	Metric Bolt	9	EA
3	3610 10055	Metric Bolt	3	EA
4	3611 10	Metric Nyloc Nut	13	EA
5	15116	Kubota D902 T4 Engine Assembly	1	EA
6	5560179	Flat Washer Special	4	EA
7	12938A	Engine Cabinet Assembly	1	EA
8	15133 01	HYDRAULIC CABINET ASSEMBLY V7	1	EA

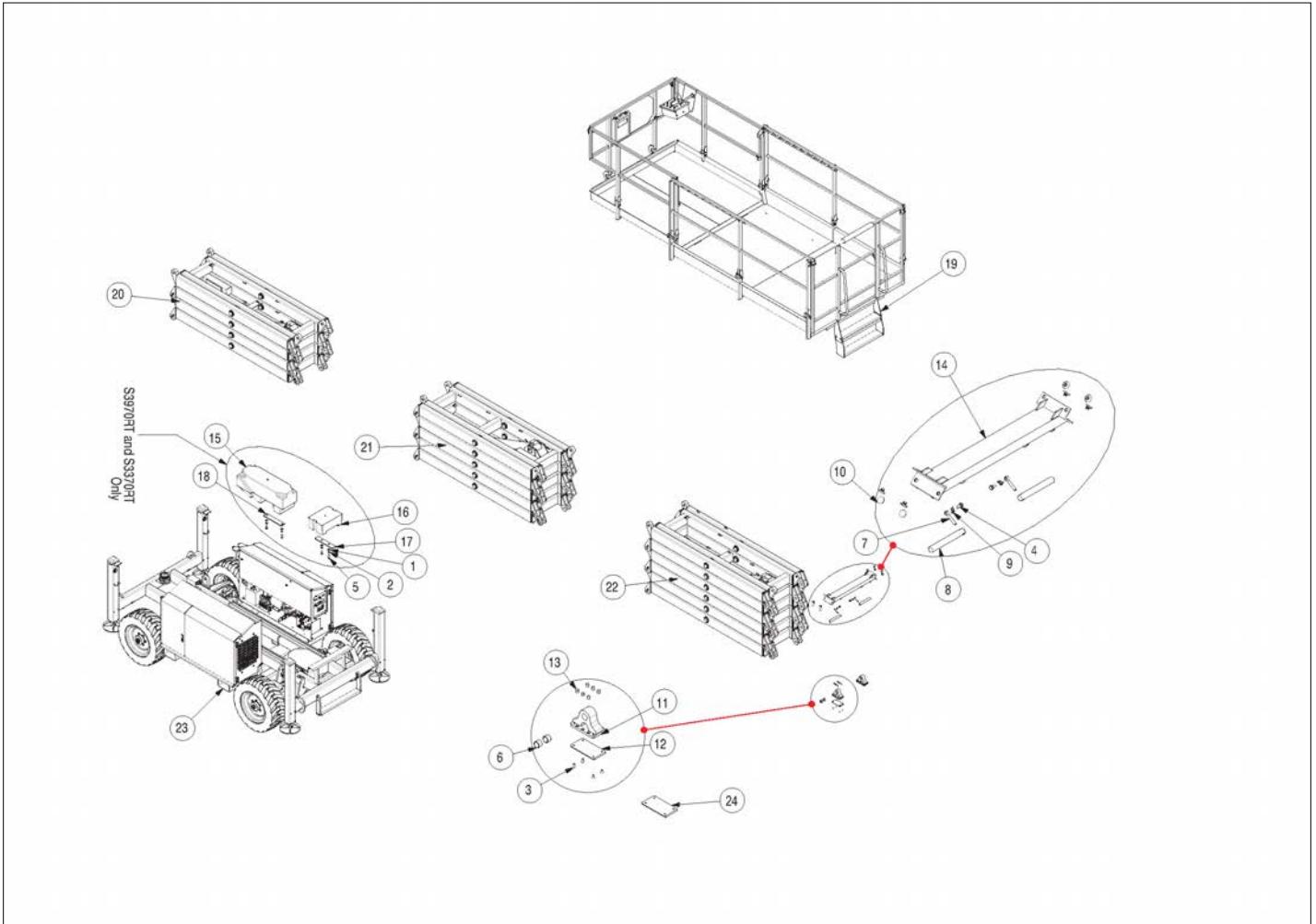
REPAIR PARTS





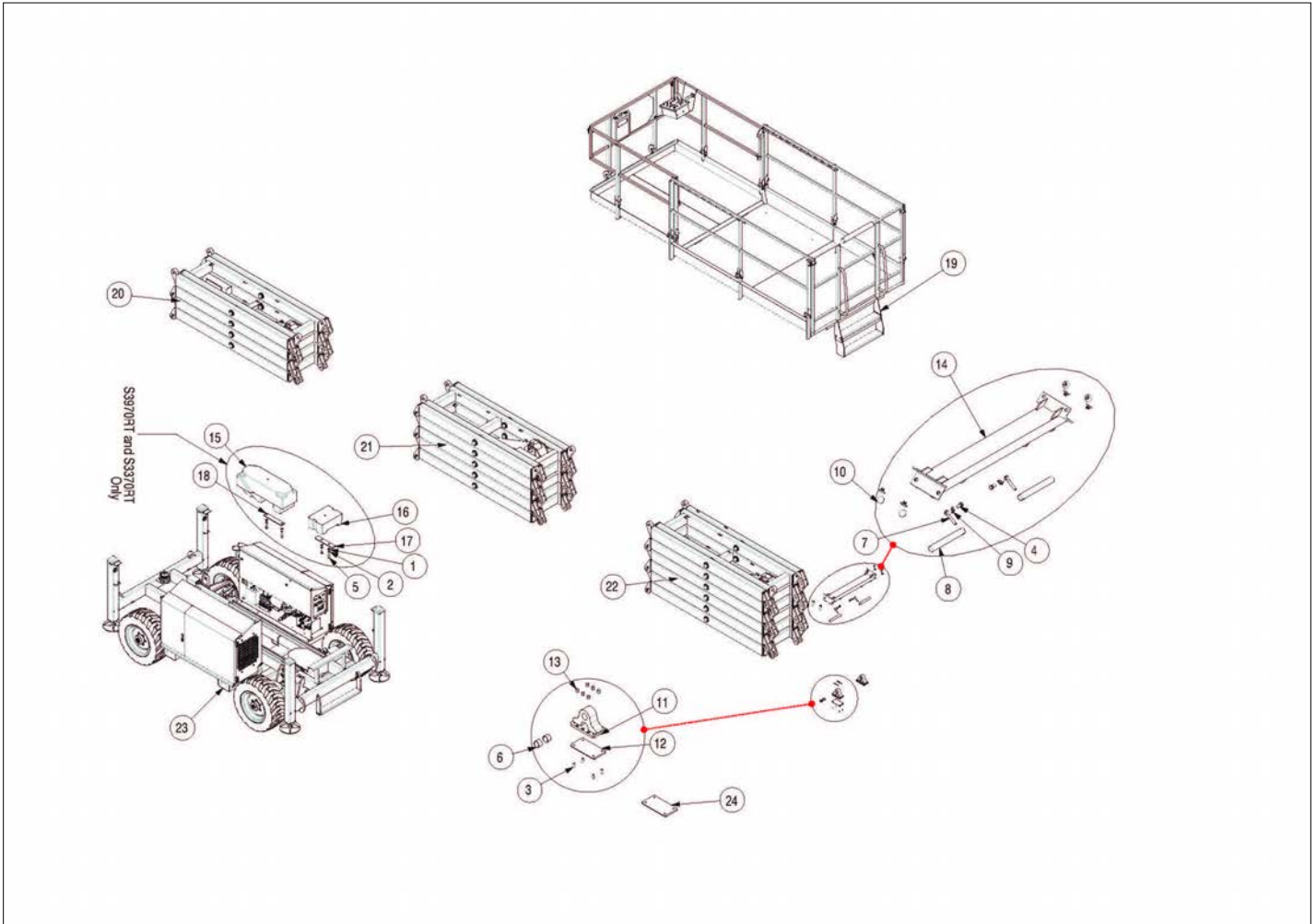
アイテム	部品番号	名前	数量	UOM
1	3603 06	Plain Washer	28	EA
2	3605 06	Spring Washer	20	EA
3	3610 06012	Metric Bolt	4	EA
4	3610 06016	Metric Bolt	16	EA
5	3610 06110	Metric Bolt	4	EA
6	3610 10035	Metric Bolt	2	EA
7	3611 06	Metric Nyloc Nut	4	EA
8	3626 8	Flanged Permaglide Bush	2	EA
9	3633 3	Roll Pin	2	EA
10	11305	Foot Weld Inverted Stabiliser Leg	1	EA
11	11366 1	Stabiliser Bush	2	EA
12	11366 2	Stabiliser Bush Spacer	1	EA
13	11369	Pin 7/8" x 76mm	1	EA
14	11492 4	Dual Locktab	1	EA
15	12036	Cylinder Stabiliser SR	1	EA
16	12036 5	Sliding Spacer	2	EA
17	12036 6	Compression Spring	1	EA
18	14098 01	Prox Mount Bracket	8	EA
19	15085 03	Axle Prox	2	EA
20	14098 03	Hose Cover	4	EA
21	15048	Inductive Prox NO	2	EA
22	100432 007	Hyd Fitting Straight ORFS(06) SAE(04)	2	EA

# REPAIR PARTS



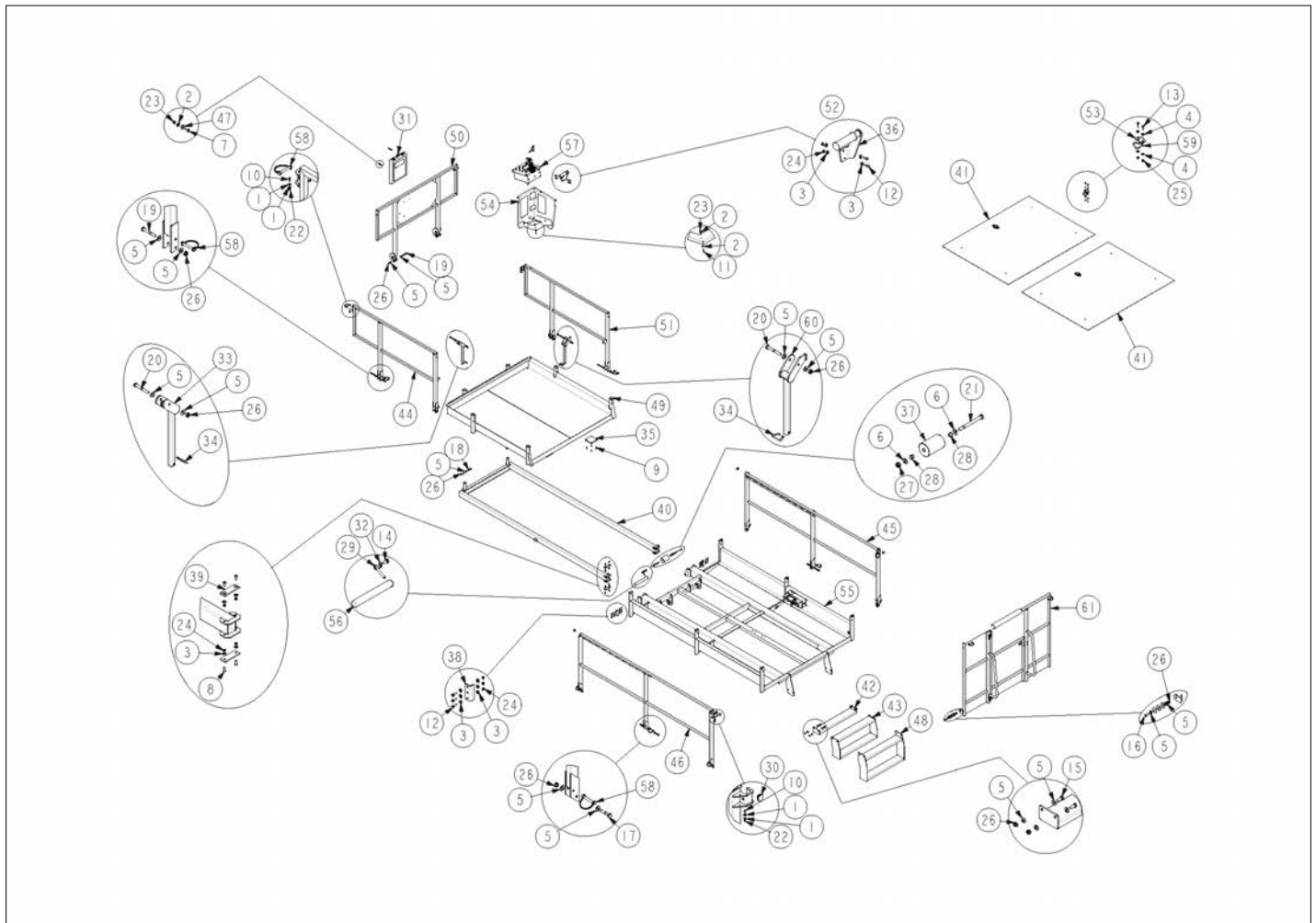
アイテム	部品番号	名前	数量	UOM
1	3603 16	Plain Washer	4	EA
2	3605 16	Spring Washer	4	EA
3	3606 06016	Countersunk Socket Head Screw	8	EA
4	3610 10020	Metric Bolt	2	EA
5	3610 16040	Metric Bolt	4	EA
6	3624 19	Permaglide Bush	4	EA
7	8626	Pin Keeper	2	EA
8	13941	Pin	2	EA
9	11492 3	Tab Washer	2	EA
10	11658 20	Wear Plug	8	EA
11	13928	Sliding Block Weld	2	EA
12	12566 2	Wear Pad Slider Block (Bottom)	2	EA
13	12566 3	Slider Block Top	12	EA
14	13931	Slider Bar Weld	1	EA
15	13117 1	Counterweight Front	1	EA
16	13117 2	Counterweight Rear	1	EA
17	13117 4	Strap, Rear Counterweight	1	EA
18	13117 5	Strap, Front Counterweight	1	EA
19		Base Assembly	1	EA
20		Base Assembly	1	EA
21		Base Assembly	1	EA
22		Base Assembly	1	EA
23		Base Assembly	1	EA
24	15201 09	Slider Block Shim 0.9mm	2	EA
	15201 12	Slider Block Shim 1.2mm	2	EA
	15201 16	Slider Block Shim 1.6mm	2	EA
	15201 20	Slider Block Shim 2mm	2	EA

# REPAIR PARTS



アイテム	部品番号	名前	数量	UOM
1	3603 16	Plain Washer	4	EA
2	3605 16	Spring Washer	4	EA
3	3606 06016	Countersunk Socket Head Screw	8	EA
4	3610 10020	Metric Bolt	2	EA
5	3610 16040	Metric Bolt	4	EA
6	3624 19	Permaglide Bush	4	EA
7	8626	Pin Keeper	2	EA
8	15202	Pin, 30mm x 235	2	EA
9	11492 3	Tab Washer	2	EA
10	11658 20	Wear Plug	8	EA
11	13928	Sliding Block Weld	2	EA
12	12566 2	Wear Pad Slider Block (Bottom)	2	EA
13	12566 3	Slider Block Top	12	EA
14	13931	Slider Bar Weld	1	EA
15	13117 1	Counterweight Front	1	EA
16	13117 2	Counterweight Rear	1	EA
17	13117 4	Strap, Rear Counterweight	1	EA
18	13117 5	Strap, Front Counterweight	1	EA
19		Base Assembly	1	EA
20		Base Assembly	1	EA
21		Base Assembly	1	EA
22		Base Assembly	1	EA
23		Base Assembly	1	EA
24	15201 09	Slider Block Shim 0.9mm	2	EA
24	15201 12	Slider Block Shim 1.2mm	2	EA
24	15201 16	Slider Block Shim 1.6mm	2	EA
24	15201 20	Slider Block Shim 2mm	2	EA

# REPAIR PARTS



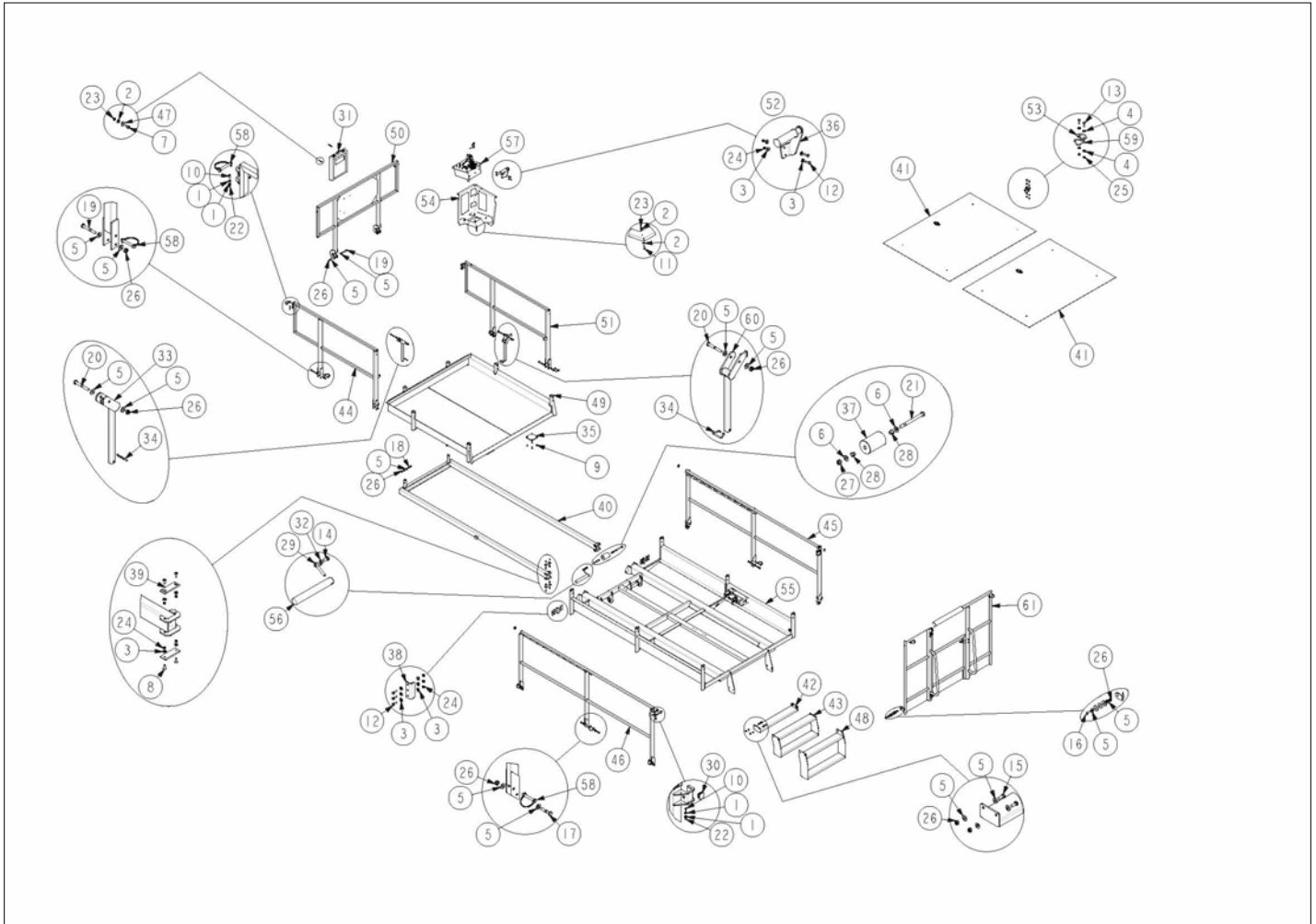
アイテム	部品番号	名前	数量	UOM
0	15143 01	Platform Assembly	1	EA
1	3603 04	Plain Washer	12	EA
2	3603 05	Plain Washer	16	EA
3	3603 06	Plain Washer	24	EA
4	3603 08	Plain Washer	12	EA
5	3603 10	Plain Washer	44	EA
6	3603 12	Plain Washer	4	EA
7	3604 05012	Pan Head Screw	6	EA
8	3606 06012	Countersunk Sockethead Screw	8	EA
9	3606 06025	Countersunk Socket Head Screw	8	EA
10	3610 04016	Metric Bolt	4	EA
11	3610 05020	Metric Bolt	4	EA
12	3610 06020	Metric Bolt	8	EA
13	3610 08025	Metric Bolt	6	EA
14	3610 10020	Metric Bolt	2	EA
15	3610 10025	Metric Bolt	4	EA
16	3610 10030	Metric Bolt	2	EA
17	3610 10050	Metric Bolt	6	EA
18	3610 10060	Metric Bolt	2	EA
19	3610 10070	Metric Bolt	6	EA
20	3610 10075	Metric Bolt	2	EA
21	3610 12130	Metric Bolt	2	EA
22	3611 04	Metric Nyloc Nut	4	EA
23	3611 05	Metric Nyloc Nut	11	EA
24	3611 06	Metric Nyloc Nut	16	EA
25	3611 08	Metric Nylock Nut	6	EA
26	3611 10	Metric Nyloc Nut	22	EA
27	3611 12	Metric Nyloc Nut	2	EA
28	3626 2	Flanged Permaglide Bush	4	EA

アイテム	部品番号	名前	数量	UOM
29	8626	Pin Keeper	2	EA
30	8926 1	Plug RHS 25mm	4	EA
31	010076 000	Manual Enclosure	1	EA
32	11492 3	Tab Washer	2	EA
33	11695	Handrail Latch Left	1	EA
34	11695 3	Latch Holding Ring	2	EA
35	12709 10	Rollout Deck Slide Pad	2	EA
36	12749	Wrist Support	1	EA
37	13122 11	External Roller	2	EA
38	13122 12	Stop Rollout	2	EA
39	13122 14	Wear Pad Internal	4	EA
40	13128	Rollout Frame Weld	1	EA
41	13132	Platform Floor Pressing	2	EA
42	13258	Extension Step Weld (2770)	1	EA
43	13259	Extension Step Weld (3370)	1	EA
44	13262	Handrail Left Front	1	EA
45	13264	Right Handrail	1	EA
46	13268	Left Handrail	1	EA
47	13525 05	Washer, M5	2	EA
48	13649	Extension Step Weld (3970)	1	EA
49	13786	Rollout Deck Weld	1	EA
50	13840	Handrail Front	1	EA
51	13841	Handrail Right Front	1	EA
52	13843 03	Handgrip Black 25mm ID	1	EA
53	13875 01	Harness Bracket	3	EA
54	13921	Control Mount	1	EA
55	13935	Platform Weld	1	EA
56	13941	Pin	2	EA
57	14023 04	Upper Control Box	1	EA



アイテム	部品番号	名前	数量	UOM
58	302544	Pin & Lock	15	EA
59	0360892	D Ring, Fall Restraint	3	EA
60	11695R	Handrail Latch Right	1	EA
61	13912A	Handrail Assembly, Entry End	1	EA

# REPAIR PARTS

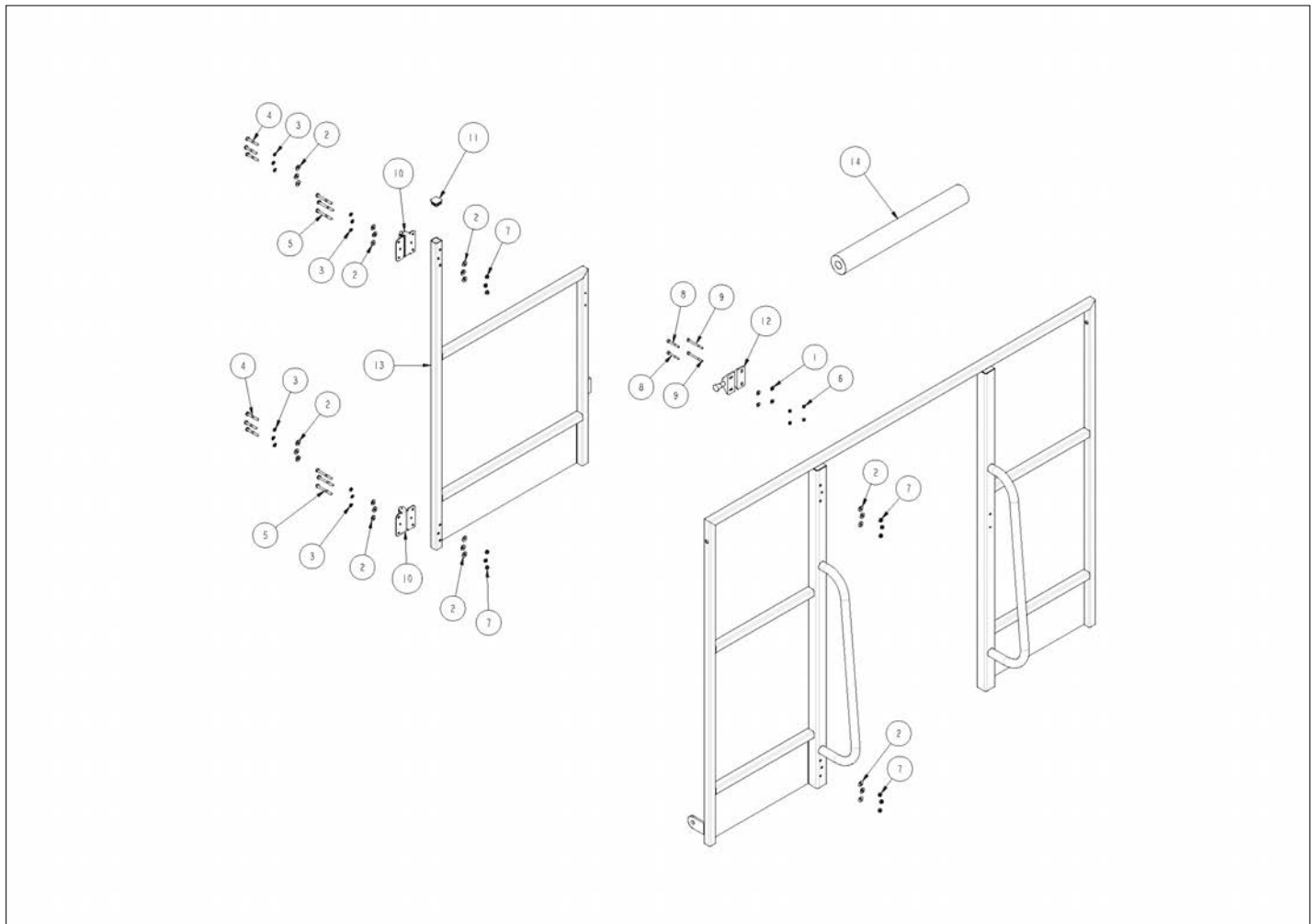


アイテム	部品番号	名前	数量	UOM
0	15143 01	Platform Assembly	1	EA
1	3603 04	Plain Washer	12	EA
2	3603 05	Plain Washer	16	EA
3	3603 06	Plain Washer	24	EA
4	3603 08	Plain Washer	12	EA
5	3603 10	Plain Washer	44	EA
6	3603 12	Plain Washer	4	EA
7	3604 05012	Pan Head Screw	6	EA
8	3606 06012	Countersunk Sockethead Screw	8	EA
9	3606 06025	Countersunk Socket Head Screw	8	EA
10	3610 04016	Metric Bolt	4	EA
11	3610 05016	Metric Bolt	4	EA
12	3610 06020	Metric Bolt	8	EA
13	3610 08025	Metric Bolt	6	EA
14	3610 10020	Metric Bolt	2	EA
15	3610 10025	Metric Bolt	4	EA
16	3610 10030	Metric Bolt	2	EA
17	3610 10050	Metric Bolt	6	EA
18	3610 10060	Metric Bolt	2	EA
19	3610 10070	Metric Bolt	6	EA
20	3610 10075	Metric Bolt	2	EA
21	3610 12130	Metric Bolt	2	EA
22	3611 04	Metric Nyloc Nut	4	EA
23	3611 05	Metric Nyloc Nut	11	EA
24	3611 06	Metric Nyloc Nut	16	EA
25	3611 08	Metric Nylock Nut	6	EA
26	3611 10	Metric Nyloc Nut	22	EA
27	3611 12	Metric Nyloc Nut	2	EA
28	3626 2	Flanged Permaglide Bush	4	EA

アイテム	部品番号	名前	数量	UOM
29	8626	Pin Keeper	2	EA
30	8926 1	Plug RHS 25mm	4	EA
31	010076 000	Manual Enclosure	1	EA
32	11492 3	Tab Washer	2	EA
33	11695	Handrail Latch Left	1	EA
34	11695 3	Latch Holding Ring	2	EA
35	12709 10	Rollout Deck Slide Pad	2	EA
36	14002	Wrist Support	1	EA
37	13122 11	External Roller	2	EA
38	13122 12	Stop Rollout	2	EA
39	13122 14	Wear Pad Internal	4	EA
40	13128	Rollout Frame Weld	1	EA
41	13132	Platform Floor Pressing	2	EA
42	13258	Extension Step Weld (2770)	1	EA
43	13259	Extension Step Weld (3370)	1	EA
44	13262	Handrail Left Front	1	EA
45	13264	Right Handrail	1	EA
46	13268	Left Handrail	1	EA
47	13525 05	Washer, M5	2	EA
48	13649	Extension Step Weld (3970)	1	EA
49	13786	Rollout Deck Weld	1	EA
50	13840	Handrail Front	1	EA
51	13841	Handrail Right Front	1	EA
52	13843 03	Handgrip Black 25mm ID	1	EA
53	13875 01	Harness Bracket	3	EA
54	13921	Control Mount	1	EA
55	13935	Platform Weld	1	EA
56	15202	Pin, 30mm x 235	2	EA
57	14023 04	Upper Control Box	1	EA

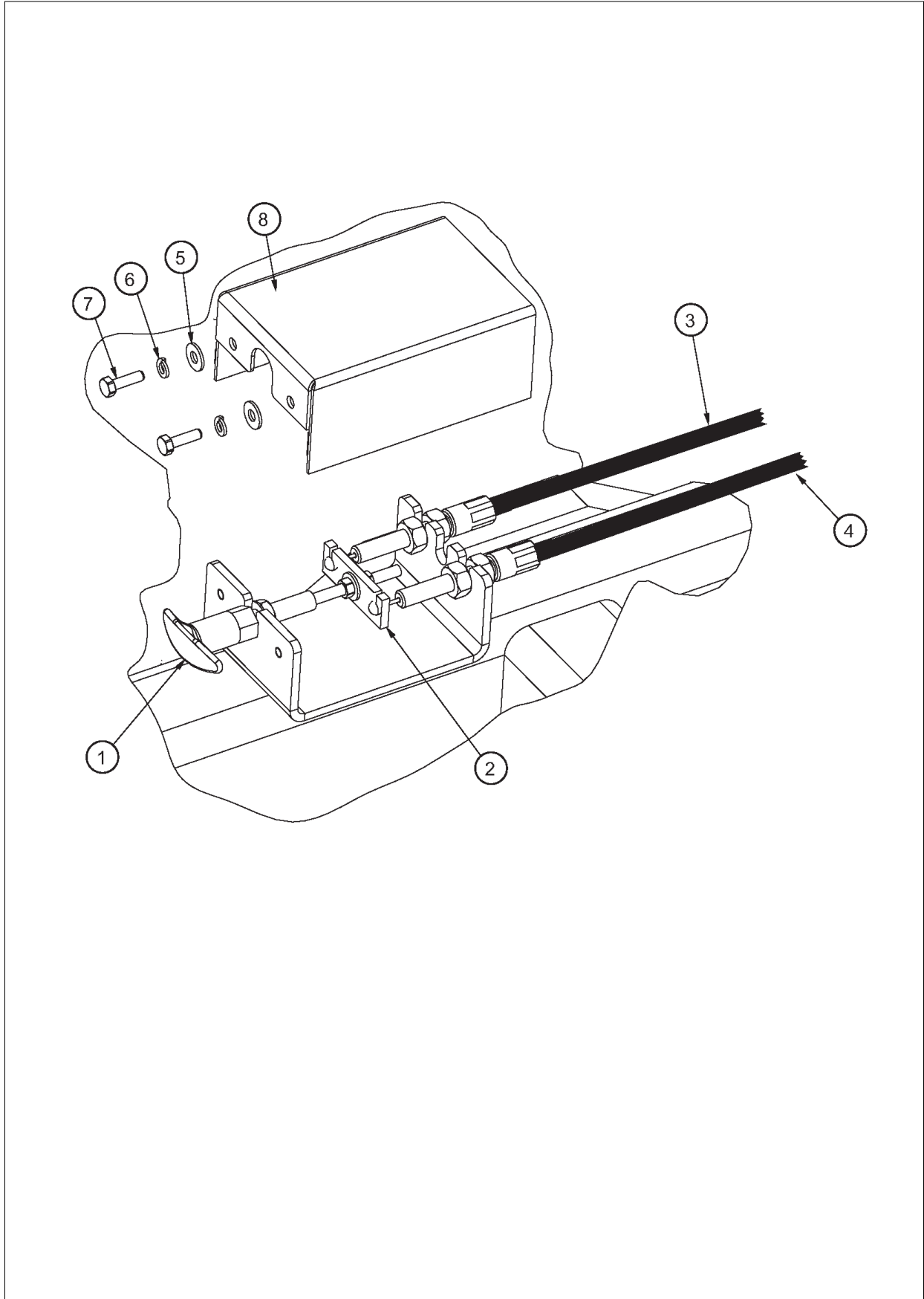
アイテム	部品番号	名前	数量	UOM
58	302544	Pin & Lock	15	EA
59	0360892	D Ring, Fall Restraint	3	EA
60	11695R	Handrail Latch Right	1	EA
61	13912A	Handrail Assembly, Entry End	1	EA

# REPAIR PARTS



アイテム	部品番号	名前	数量	UOM
0	13912A	Handrail Assembly, Entry End	1	EA
1	3603 05	Plain Washer	4	EA
2	3603 08	Plain Washer	24	EA
3	3605 06	Spring Washer	12	EA
4	3610 06040	Metric Bolt	6	EA
5	3610 06055	Metric Bolt	6	EA
6	3611 05	Metric Nyloc Nut	4	EA
7	3611 06	Metric Nyloc Nut	12	EA
8	3613 05040	Socket Head cap Screw	2	EA
9	3613 05055	Socket Head Cap Screw	2	EA
10	7495	Spring Hinge	2	EA
11	8926 1	Plug RHS 25mm	1	EA
12	13909	Latch, Magnetic Slam	1	EA
13	13913	Hand Rail Gate	1	EA
14	9980003	PIPE INSUL CLOSED CELL AP ARMA	1	EA

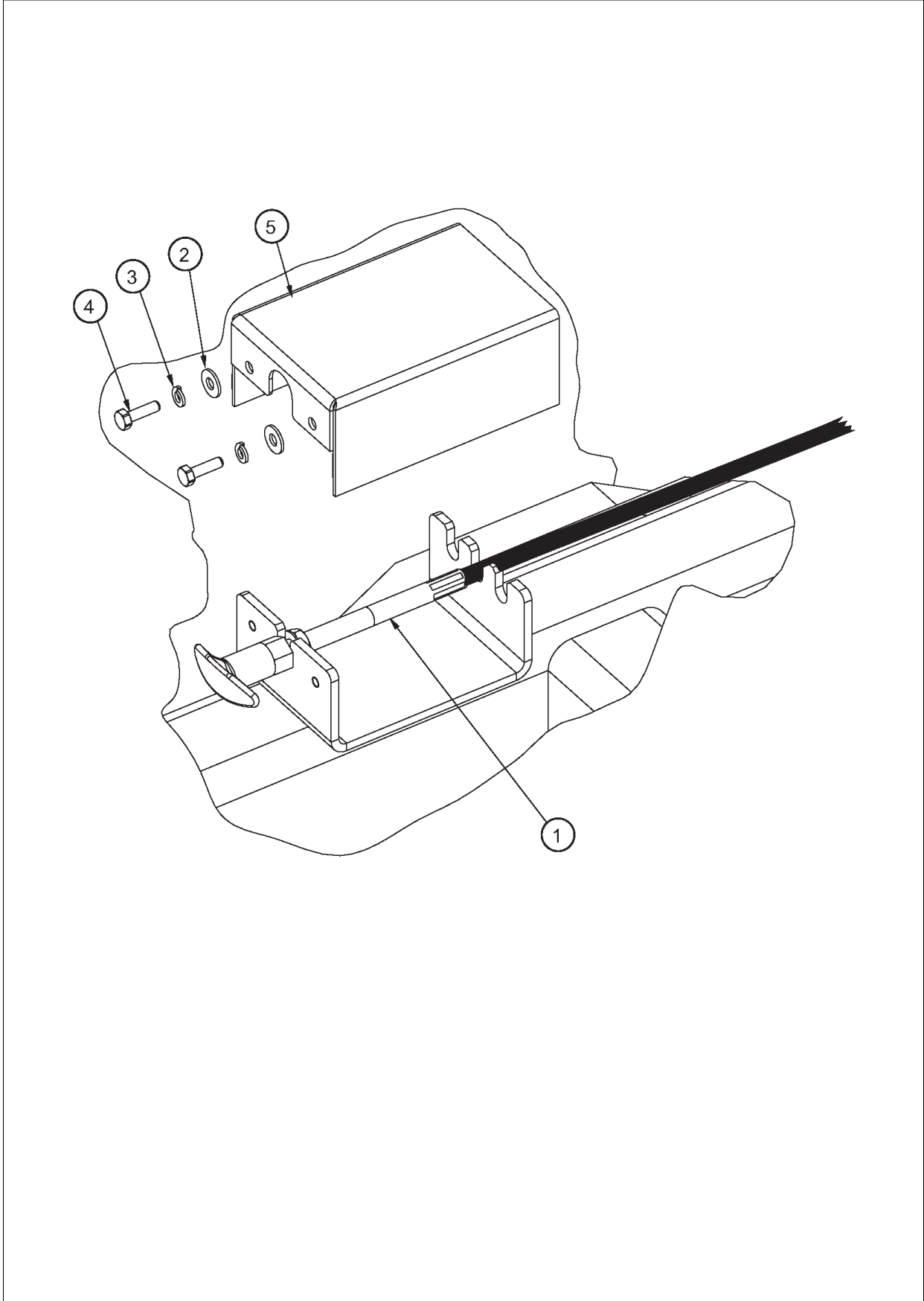
### REPAIR PARTS





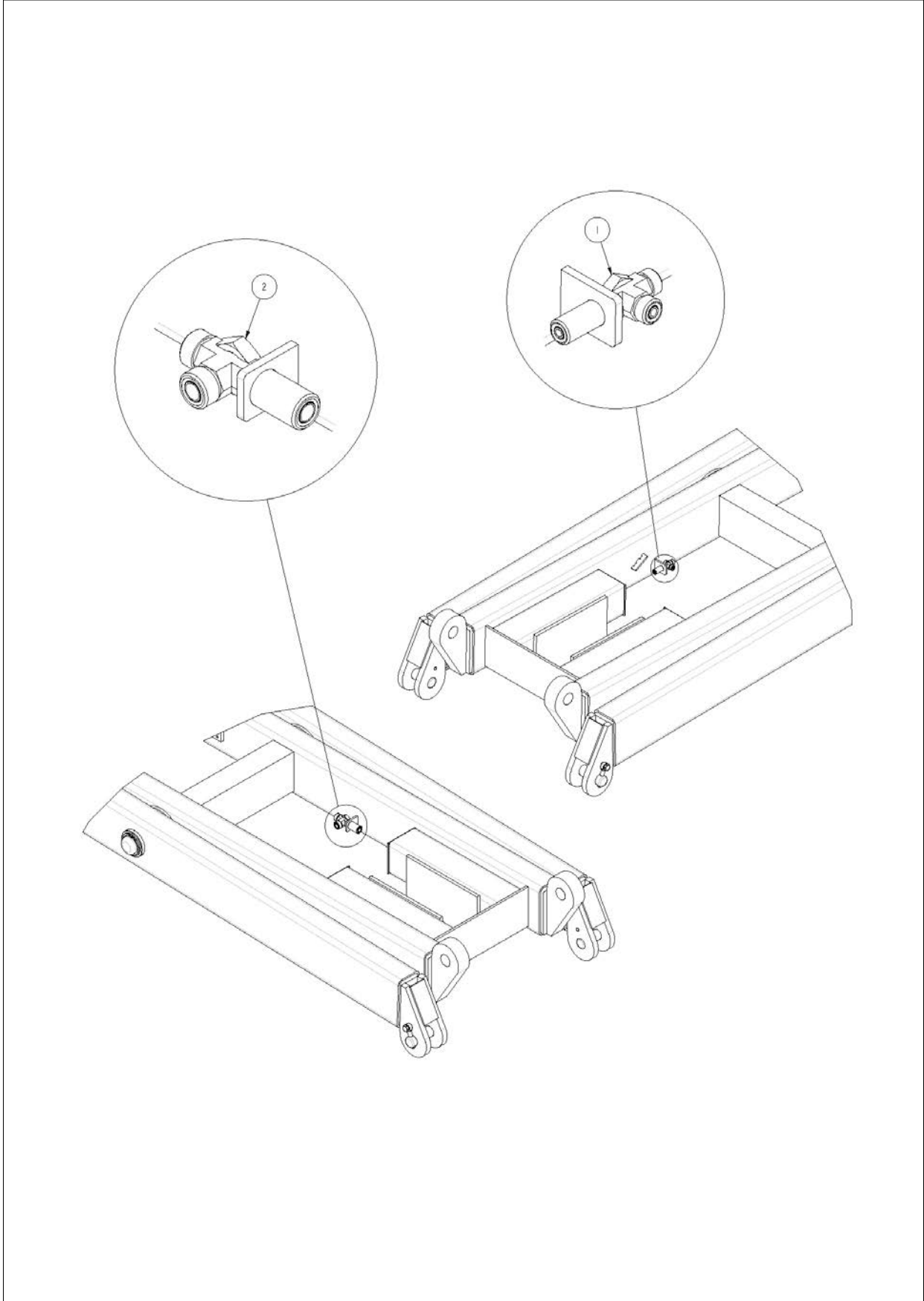
アイテム	部品番号	名前	数量	UOM
1	12726	Bleed down handle	1	EA
2	12724	Bridge Plate	1	EA
3	12722	Bleed Down Cable (Short) to Lower Lift Cylinder	1	EA
4	12723	Bleed Down Cable (Long) to Upper Lift Cylinder	1	EA
5	3603 06	Plain Washer	2	EA
6	3605 06	Spring Washer	2	EA
7	3610 06020	Metric Bolt	2	EA
8	12818	Bleed Down Cover	1	EA

REPAIR PARTS



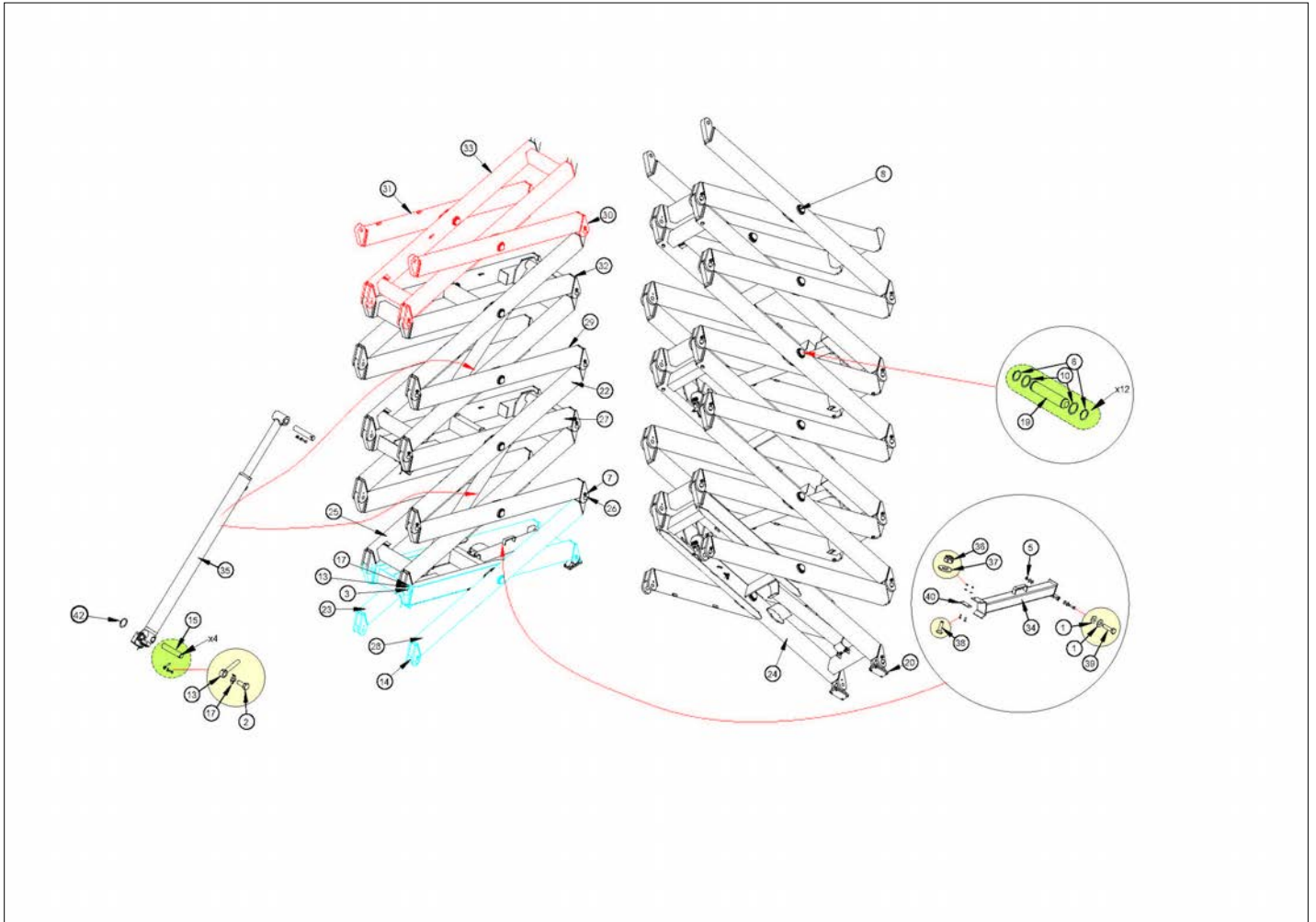
アイテム	部品番号	名前	数量	UOM
1	12748	Bleed Down Handle and Cable to Lift Cylidner	1	EA
2	3603 06	Plain Washer	2	EA
3	3605 06	Spring Washer	2	EA
4	3610 06020	Metric Bolt	2	EA
5	12818	Bleed Down Cover	1	EA

REPAIR PARTS



アイテム	部品番号	名前	数量	UOM
1	13782 04	Hyd Tee Bulkhead Run ORFS(04) x3	1	EA
2	512986 000	Hyd Tee Bulkhead Run ORFS(08) x3	1	EA

# REPAIR PARTS

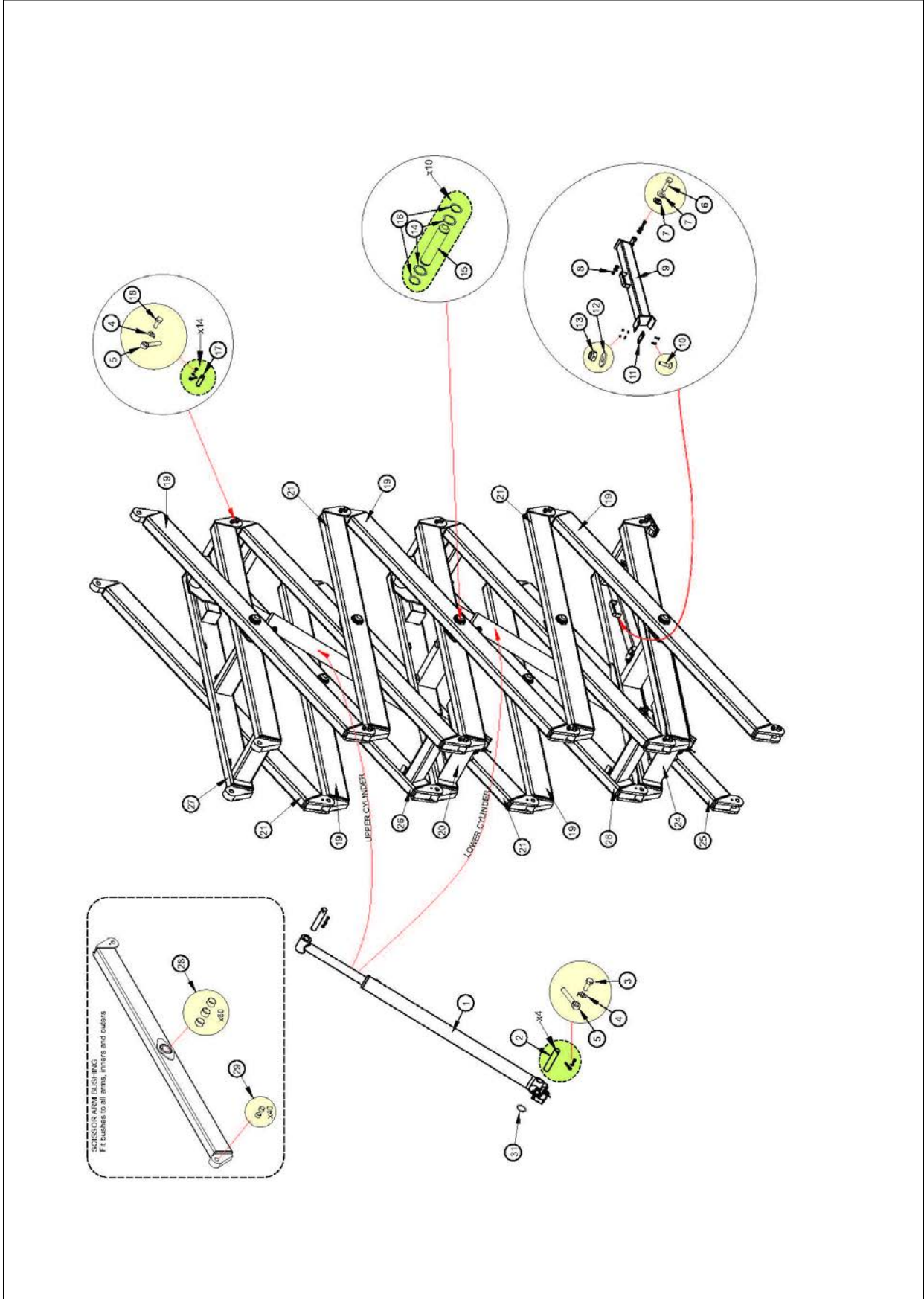


アイテム	部品番号	名前	数量	UOM
1	3603 10	Plain Washer	4	EA
2	3610 10020	Metric Bolt	2	EA
3	3610 10025	Metric Bolt	27	EA
4	3610 10040	Metric Bolt	2	EA
5	3611 10	Metric Nyloc Nut	2	EA
6	3619 5	External Circlip	24	EA
7	3624 19	Permaglide Bush	40	EA
8	3624 2	Permaglide Bush	72	EA
10	3629 5062L	Washer, Scissor Pivot	24	EA
13	8626	Pin Keeper	30	EA
14	13667 16	Pin, 30mm	4	EA
15	9292	Pin	4	EA
17	11492 3	Tab Washer	31	EA
19	11804	Scissor Pivot Pin	12	EA
20	12566	Sliding Block Weld	2	EA
22	13667 1	Arm, Outer, Odd Ends, 1" Female	4	EA
23	13667 32	Arm, First, Outer Right Hand	1	EA
24	13667 33	Arm, Lower, Inner Weld	1	EA
25	13667 15	Arm, Inner, Top	2	EA
26	13667 16	Pin, 30mm	20	EA
27	13667 37	Arm, Inner, Dual Cylinder Weld	1	EA
28	13667 1	Arm, Outer, Odd Ends, 1" Female	1	EA
29	13667 2	Arm, Outer, Top Odd Ends, Left Hand	4	EA
30	13667 2	Arm, Outer, Top Odd Ends, Left Hand	1	EA
31	13667 35	Arm, Outer, Top Odd Ends, Right Hand	1	EA
32	13667 36	Arm, Inner, Upper Cylinder Top	1	EA
33	13667 15	Arm, Inner, Top	1	EA
34	11380	Safety Prop	1	EA

アイテム	部品番号	名前	数量	UOM
35	13906 01	Lower Lift Cylinder	1	EA
36	3611 06	Metric Nyloc Nut	2	EA
37	3603 06	Plain Washer	2	EA
38	3606 06025	Countersunk Socket Head Screw	2	EA
39	3610 10120	Metric Bolt	1	EA
40	11143 2	Wear Pad	1	EA
41	13906 02	Upper Lift Cylinder (Not Shown)	1	EA
42	12441 2	Pin Spacer	1	EA

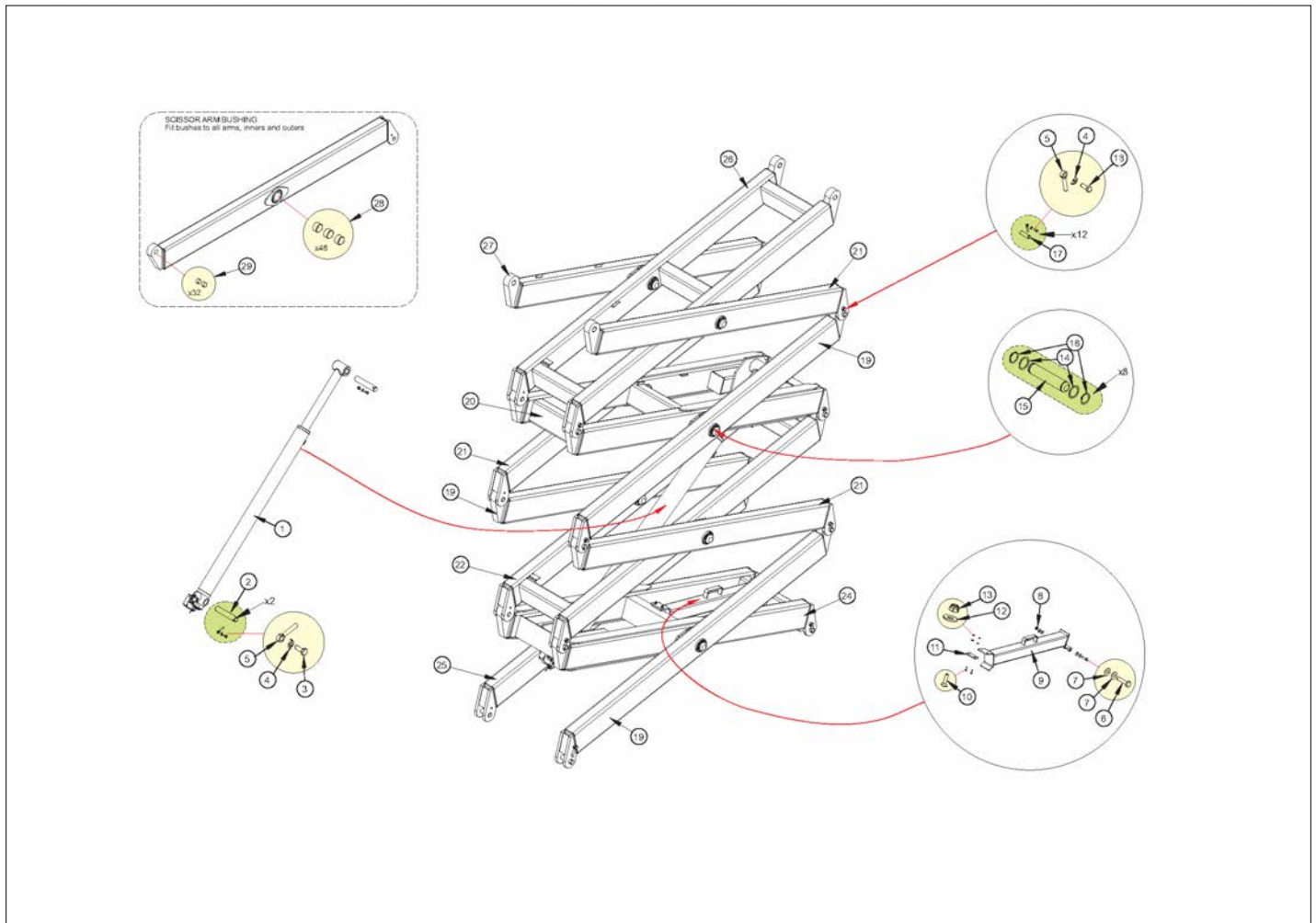


# REPAIR PARTS



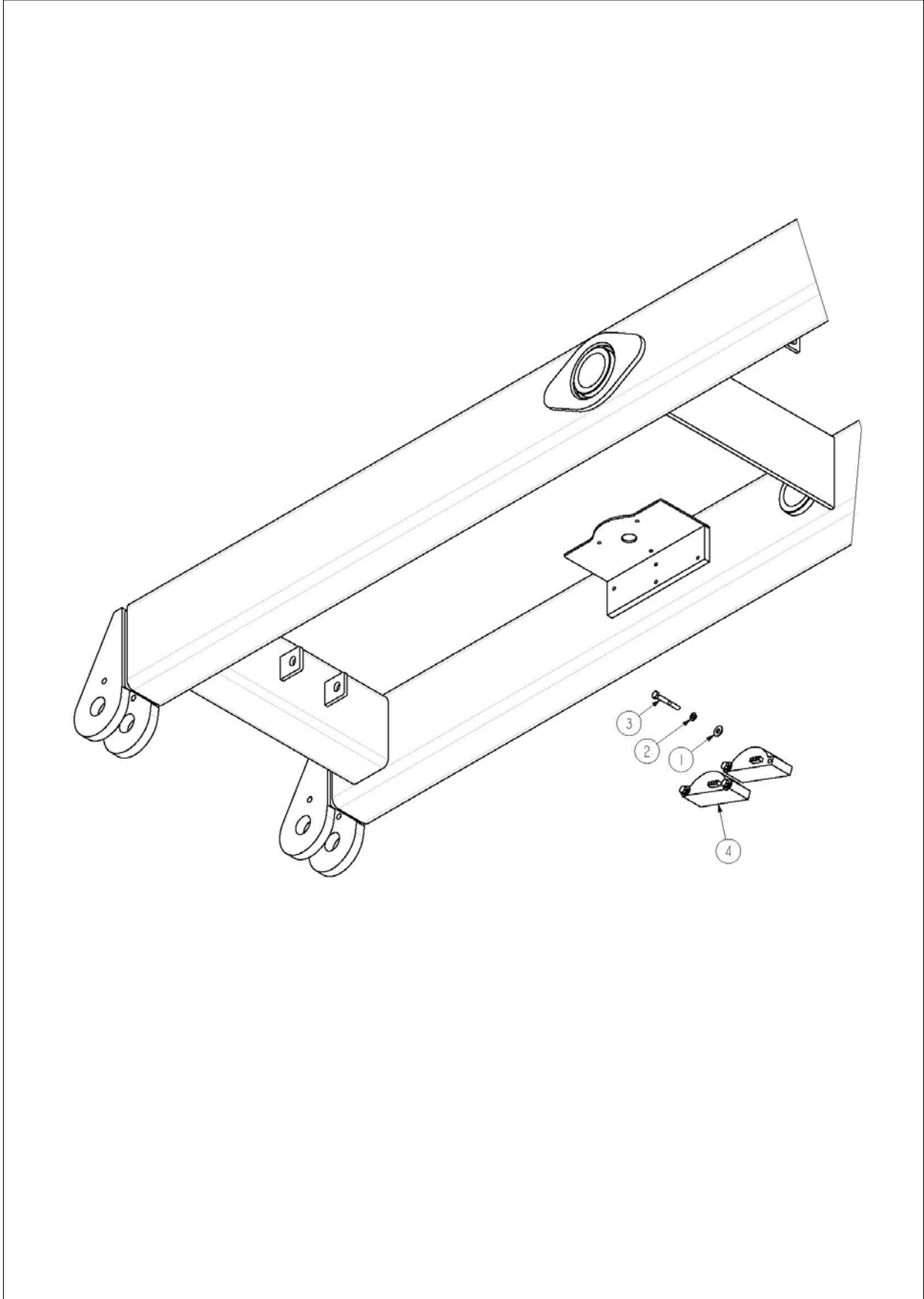
アイテム	部品番号	名前	数量	UOM
1	13906 01	Lower Lift Cylinder	1	EA
2	9292	Pin	4	EA
3	3610 10020	Metric Bolt	4	EA
4	11492 3	Tab Washer	20	EA
5	8626	Pin Keeper	20	EA
6	3610 10120	Metric Bolt	1	EA
7	3603 10	Plain Washer	4	EA
8	3611 10	Metric Nyloc Nut	1	EA
9	11380	Safety Prop	1	EA
10	3606 06025	Countersunk Socket Head Screw	2	EA
11	11143 2	Wear Pad	1	EA
12	3603 06	Plain Washer	2	EA
13	3611 06	Metric Nyloc Nut	2	EA
14	3629 5062L	Washer, Scissor Pivot	20	EA
15	11804	Scissor Pivot Pin	10	EA
16	3619 5	External Circlip	20	EA
17	13574 16	Pin, 30mm	16	EA
18	3610 10025	Metric Bolt	16	EA
19	13667 1	Arm, Outer, Odd Ends, 1" Female	5	EA
20	13667 36	Arm, Inner, Upper Cylinder Top	1	EA
21	13667 2	Arm, Outer, Top Odd Ends, Left Hand	4	EA
24	13667 33	Arm, Lower, Inner Weld	1	EA
25	13667 32	Arm, First, Outer Right Hand	1	EA
26	13667 15	Arm, Inner, Top	2	EA
27	13667 36	Arm, Inner, Upper Cylinder Top	1	EA
28	3624 2	Permaglide Bush	60	EA
29	3624 19	Permaglide Bush	40	EA
30	13906 02	Upper Lift Cylinder (Not Shown)	1	EA
31	12241 2	Pin Spacer	1	EA

# REPAIR PARTS



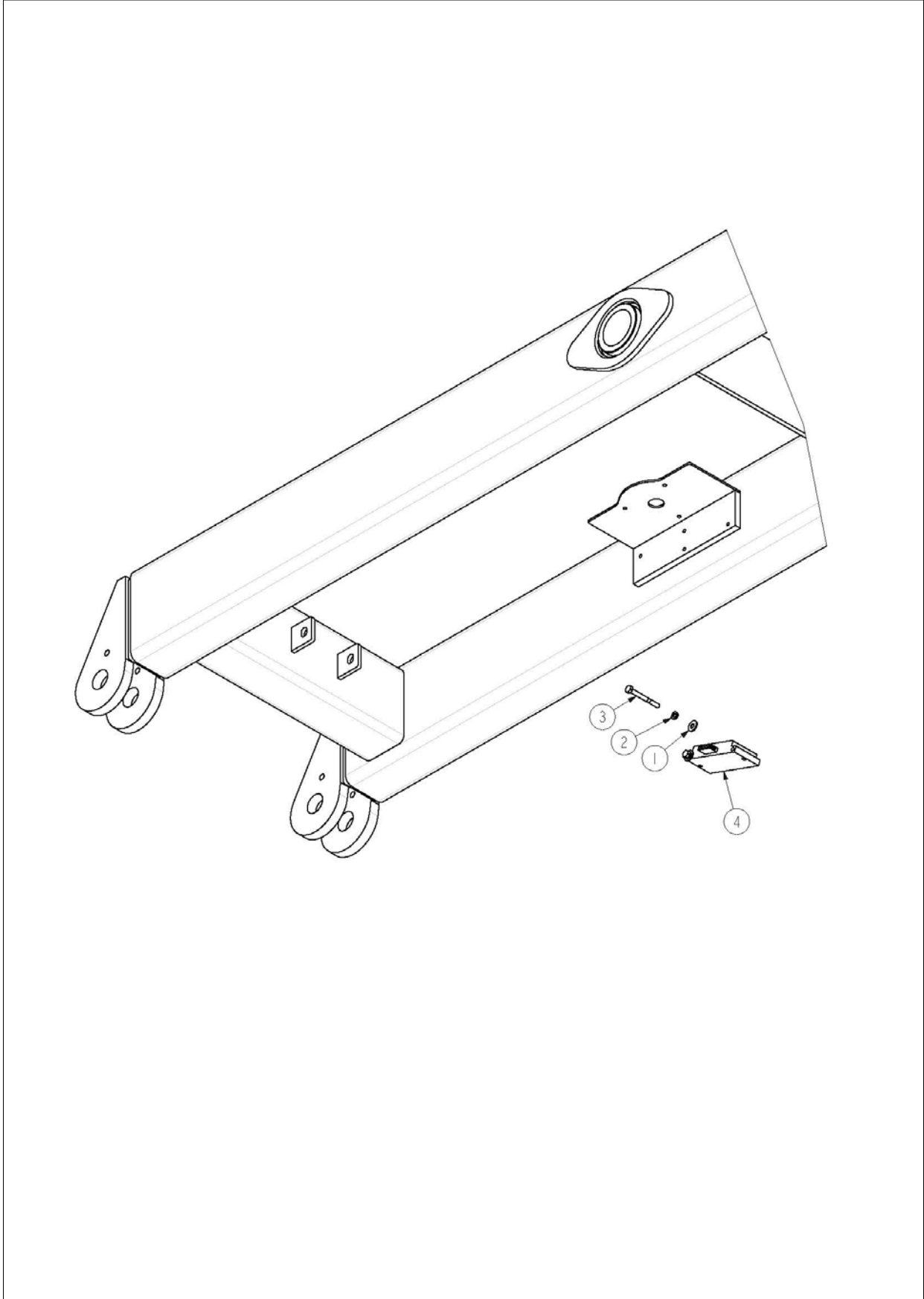
アイテム	部品番号	名前	数量	UOM
1	13906 01	Lower Lift Cylinder	1	EA
2	9292	Pin	2	EA
3	3610 10020	Metric Bolt	2	EA
4	11492 3	Tab Washer	14	EA
5	8626	Pin Keeper	14	EA
6	3610 10120	Metric Bolt	1	EA
7	3603 10	Plain Washer	4	EA
8	3611 10	Metric Nyloc Nut	1	EA
9	11380	Safety Prop	1	EA
10	3606 06025	Countersunk Socket Head Screw	2	EA
11	11143 2	Wear Pad	1	EA
12	3603 06	Plain Washer	2	EA
13	3611 06	Metric Nyloc Nut	2	EA
14	3629 5062L	Washer, Scissor Pivot	16	EA
15	11804	Scissor Pivot Pin	8	EA
16	3619 5	External Circlip	16	EA
17	13574 16	Pin, 30mm	12	EA
18	3610 10025	Metric Bolt	12	EA
19	13667 1	Arm, Outer, Odd Ends, 1" Female	3	EA
20	13667 36	Arm, Inner, Upper Cylinder Top	1	EA
21	13667 2	Arm, Outer, Top Odd Ends, Left Hand	3	EA
22	13667 15	Arm, Inner, Top	1	EA
24	13667 33	Arm, Lower, Inner Weld	1	EA
25	13667 32	Arm, First, Outer Right Hand	1	EA
26	13667 15	Arm, Inner, Top	1	EA
27	13667 35	Arm, Outer, Top Odd Ends, Right Hand	1	EA
28	3624 2	Permaglide Bush	48	EA
29	3624 19	Permaglide Bush	32	EA

## REPAIR PARTS



アイテム	部品番号	名前	数量	UOM
1	3603 06	Plain Washer	4	EA
2	3605 06	Spring Washer	4	EA
3	3610 06045	Metric Bolt	4	EA
4	3030157	Angle Transducer	2	EA

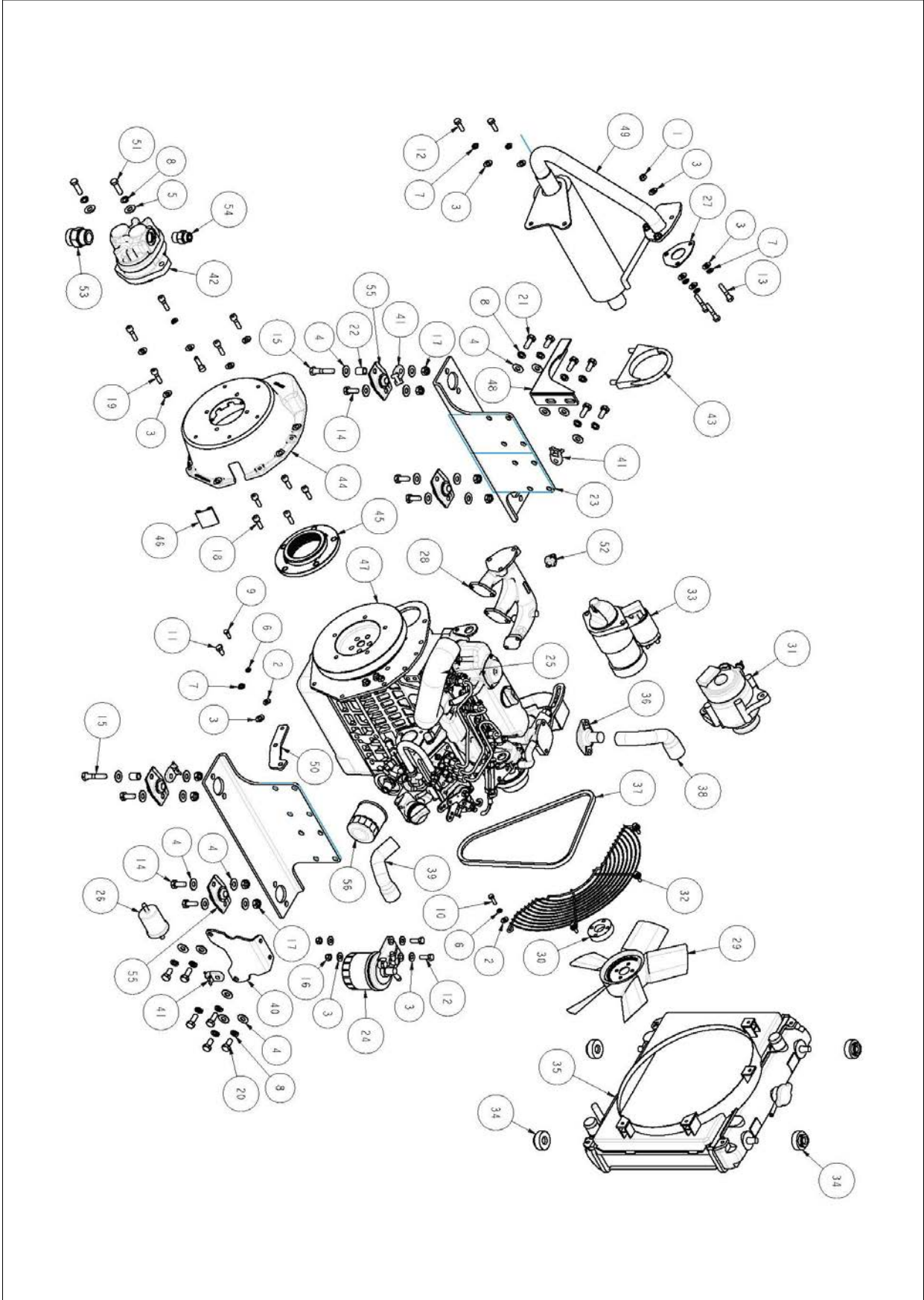
## REPAIR PARTS



アイテム	部品番号	名前	数量	UOM
1	3603 06	Plain Washer	6	EA
2	3605 06	Spring Washer	6	EA
3	3610 06055	Metric Bolt	2	EA
4	3030187	Angle Transducer	1	EA



REPAIR PARTS

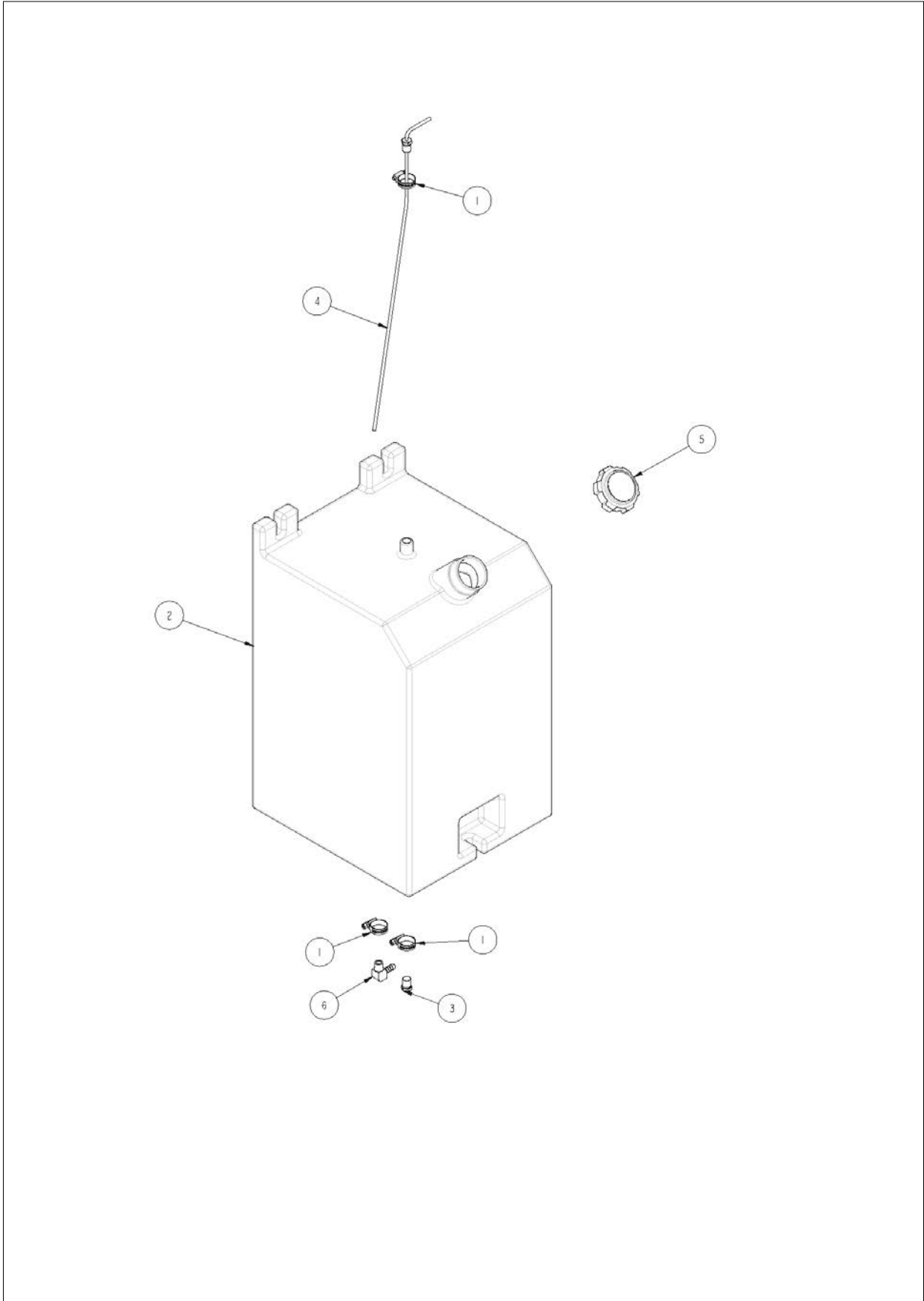


アイテム	部品番号	名前	数量	UOM
0	15116	Kubota D902 T4 Engine Assembly	1	EA
1	3602 08	Metric Hex Nut	4	EA
2	3603 06	Plain Washer	5	EA
3	3603 08	Plain Washer	18	EA
4	3603 10	Plain Washer	26	EA
5	3603 10H	Plain Washer	2	EA
6	3605 06	Spring Washer	5	EA
7	3605 08	Spring Washer	7	EA
8	3605 10	Spring Washer	14	EA
9	3610 06016	Metric Bolt	1	EA
10	3610 06020	Metric Bolt	4	EA
11	3610 08016	Metric Bolt	1	EA
12	3610 08025	Metric Bolt	4	EA
13	3610 08040	Metric Bolt	3	EA
14	3610 10025	Metric Bolt	6	EA
15	3610 10050	Metric Bolt	2	EA
16	3611 08	Metric Nylock Nut	2	EA
17	3611 10	Metric Nyloc Nut	8	EA
18	3613 08025	Socket Head Cap Screw	5	EA
19	3613 08030	Socket Head Cap Screw	6	EA
20	3617 10020	Metric Bolt	6	EA
21	3617 10025	Metric Bolt	6	EA
22	12036 5	Sliding Spacer	2	EA
23	12944	Engine Mount Feet	2	EA
24	13086 01	Fuel Filter, Kubota	1	EA
25	13086 02	Air Filter Hose	1	EA
26	13086 07	Fuel Filter	1	EA
27	13086 08	Manifold Flange 3 Bolt	1	EA
28	13086 10	Exhaust Manifold	1	EA

アイテム	部品番号	名前	数量	UOM
29	13086 11	Pusher Fan	1	EA
30	136086 13	Fan Spacer 14mm	1	EA
31	13086 16	Alternator	1	EA
32	13086 47	Radiator Fan Shroud Cover	1	EA
33	13086 20	Starter Motor	1	EA
34	13086 31	Isolator Mount	4	EA
35	13086 32	Radiator	1	EA
36	13086 33	Thermostat Housing	1	EA
37	13086 34	Fanbelt	1	EA
38	13086 35	Upper Radiator Hose	1	EA
39	13086 36	Lower Radiator Hose	1	EA
40	13095	Fuel Filter Bracket	1	EA
41	13164	Cable Tie Mount M10	4	EA
42	13628	Pump, SAE A, 9 Spline 10.3cc	1	EA
43	13905	Saddle Clamp	1	EA
44	13978 01	Bell Housing	1	EA
45	13978 02	Flywheel Adaptor 6.5in	1	EA
46	13978 04	Inspection Cover	1	EA
47	14004	Kubota D902 Engine	1	EA
48	14020	Muffler Support	1	EA
49	15042	Exhaust	1	EA
50	15109	Cable Fixture	1	EA
51	60017 010	1" x 3/8 UNC Bolt	2	EA
52	067614 023	OIL PRESSURE SWITCH	1	EA
53	512968 000	Hyd Fitting Straight ORFS(16) SAE(16)	1	EA
54	512696 000	Hyd Fitting Straight ORFS(08) SAE(10)	1	EA
55	7630208	Engine Mount	4	EA
56	7630977	Oil Filter Element	1	EA

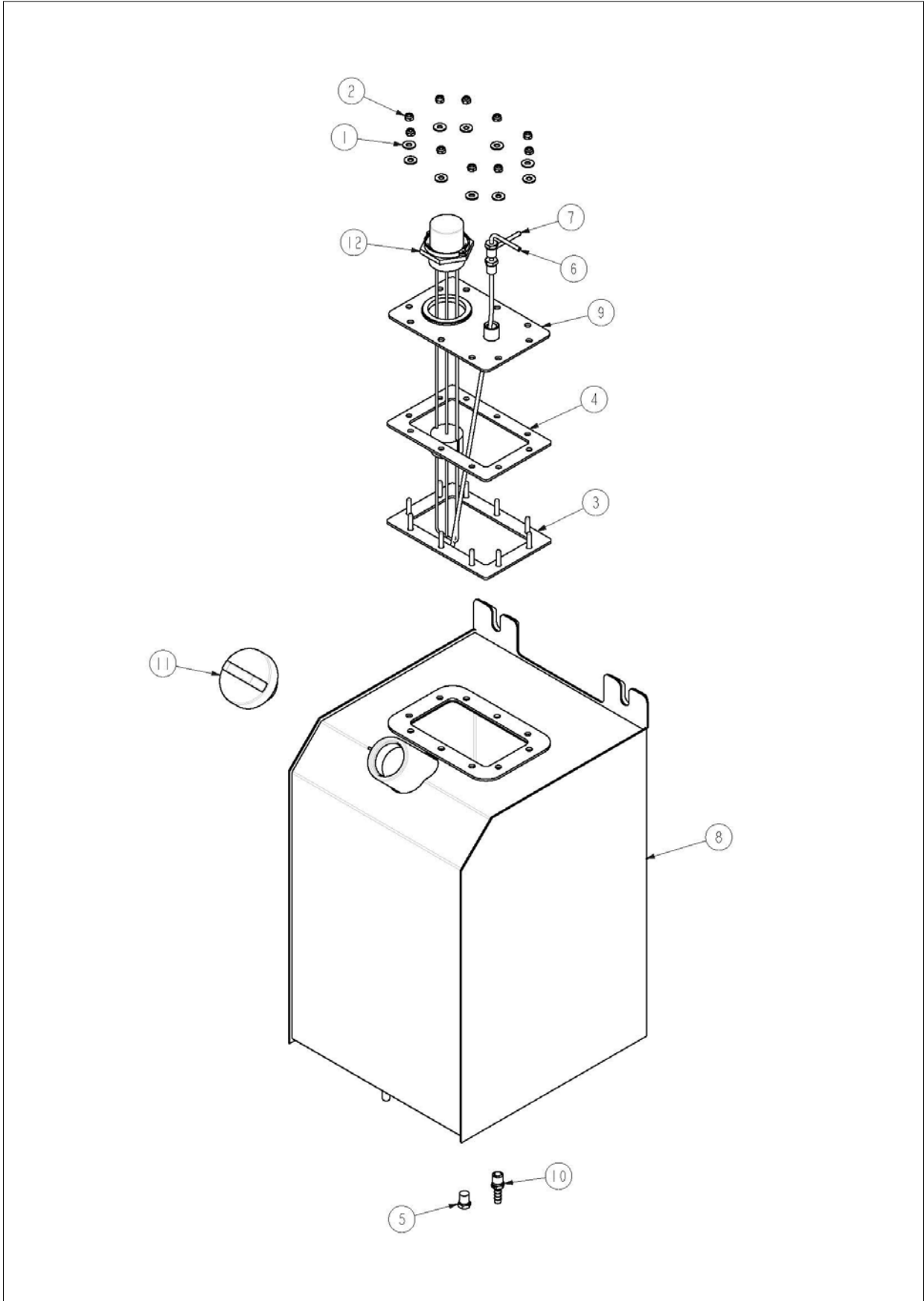
アイテム	部品番号	名前	数量	UOM
57	13086 17	Stop Solenoid (Not Shown)	1	EA
58	7631057	Thermostat (Not Shown)	1	EA
59	0260466	THERMOSTAT GASKET	1	EA
60	7630978	Fuel Filter Element (Not Shown)	1	EA
61	13086 37	Waterpump (Not Shown)	1	EA
62	13086 38	O Ring Stop Solenoid (Not Shown)	1	EA
63	13086 39	Fuel Pump (Not Shown)	1	EA
64	13086 40	Gasket Fuel Pump (Not Shown)	1	EA
65	13086 41	Radiator Cap (Not Shown)	1	EA
66	13086 42	Pipe Band (Not Shown)	1	EA
67	13086 18	Radiator Shroud (Not Shown)	1	EA

REPAIR PARTS



アイテム	部品番号	名前	数量	UOM
0	13106 2A	Fuel Tank Assembly	1	EA
1	3618 11	Hose Clamp 11 25mm ZP	3	EA
2	13106	Tank Plastic 49L	1	EA
3	13108 04	Plug 1/4 NPTM	2	EA
4	13109	Fuel Return Weld	1	EA
5	605256	Cap, Vented	1	EA
6	967309	Male Elbow 5/16" x 1/4" BSPT	1	EA

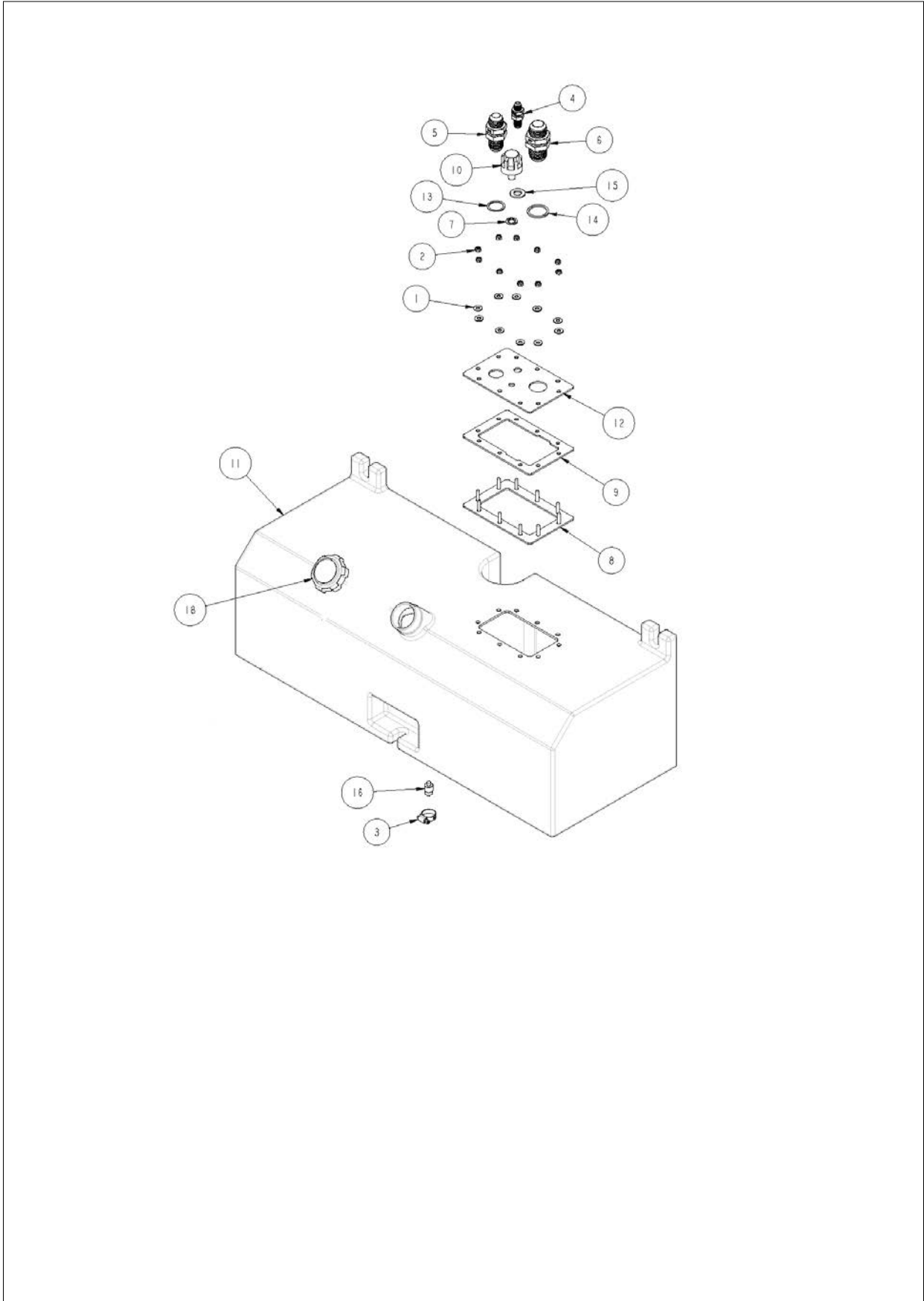
### REPAIR PARTS



アイテム	部品番号	名前	数量	UOM
1	3603 06	Plain Washer	10	EA
2	3611 06	Metric Nyloc Nut	10	EA
3	11430 1	Base Plate Weld	1	EA
4	11430 5	Gasket	1	EA
5	13108 04	Plug 1/4 NPTM	1	EA
6	13109	Fuel Return Weld	1	EA
7	13988	Vent Port Petrol Vapour	1	EA
8	15146	Fuel Tank Weldment	1	EA
9	15238	Tank Top Weld Fuel	1	EA
10	15250 0405	Adapter NPT 04 To Fuel Hose 05, Straight	1	EA
11	15256	Fuel Tank Cap, Non Vented	1	EA
12	0070483	Fuel Gauge, 375mm (14.75")	1	EA

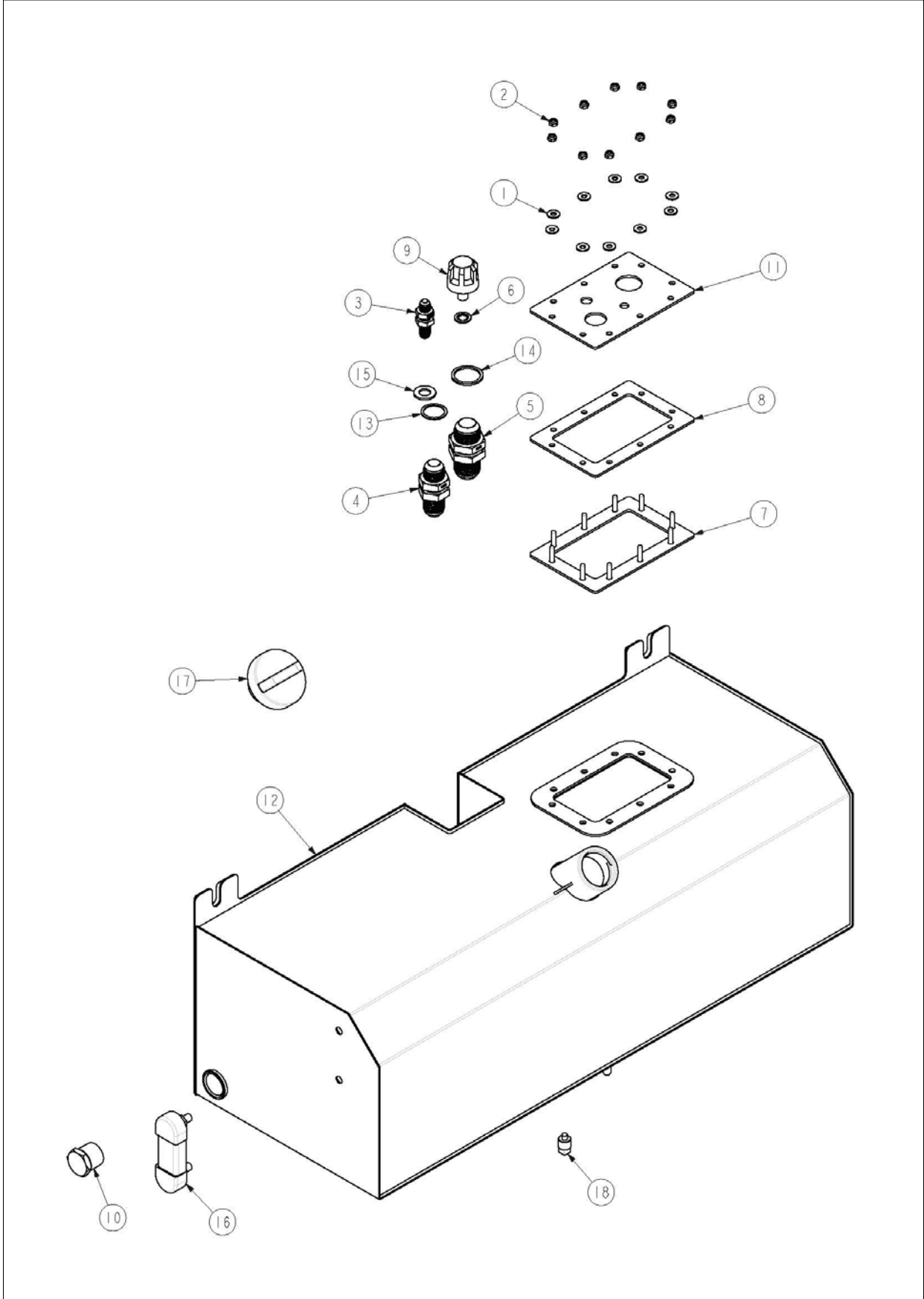


### REPAIR PARTS



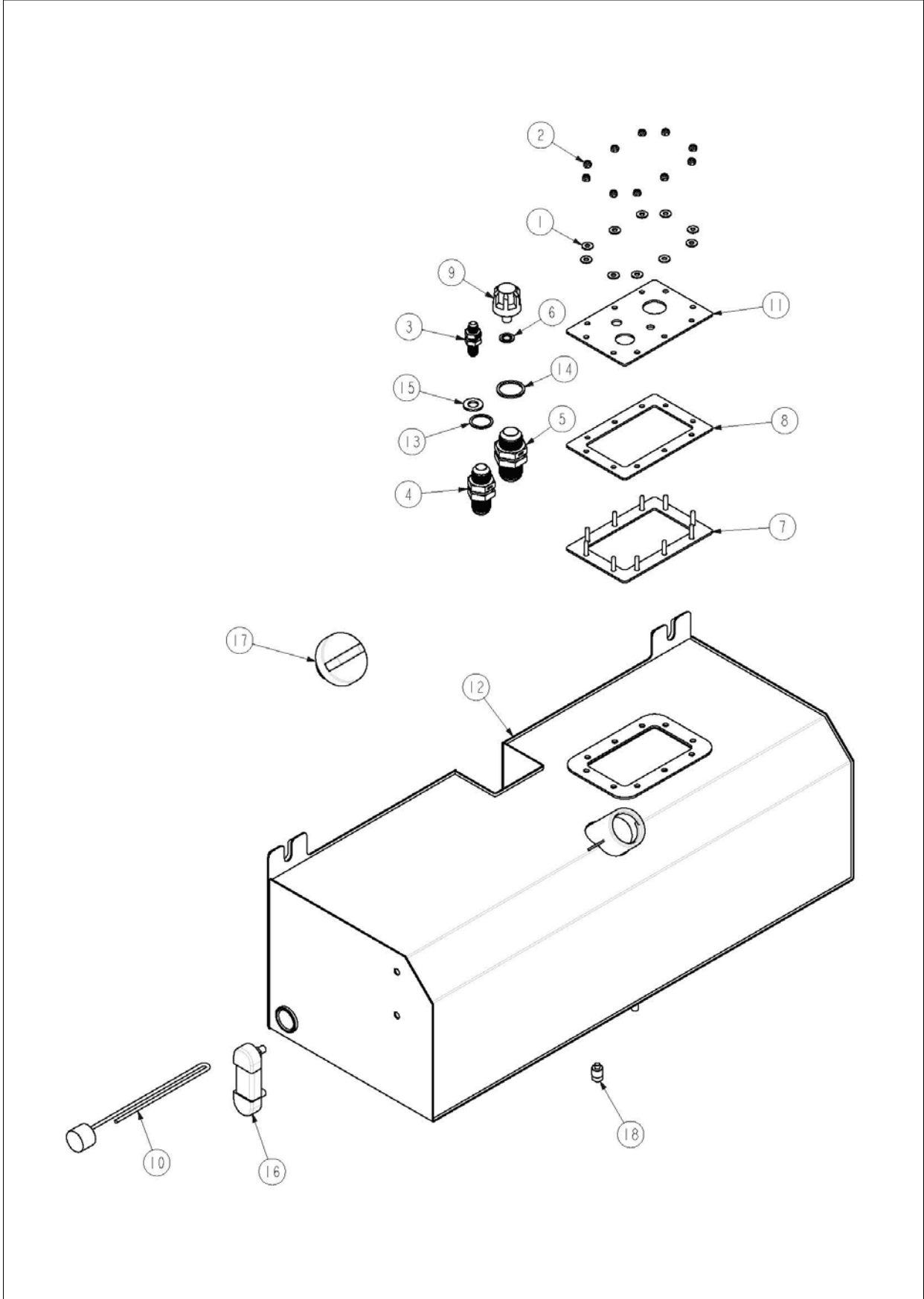
アイテム	部品番号	名前	数量	UOM
0	15141 01	Hydraulic Tank Assembly	1	EA
1	3603 06	Plain Washer	10	EA
2	3611 06	Metric Nyloc Nut	10	EA
3	3618 11	Hose Clamp 11 25mm ZP	1	EA
4	7024 002	Adapter 3/4 > 3/4	1	EA
5	7024 003	Adapter 1 1/6 > 1 1/16	1	EA
6	7024 005	Adapter 1 5/6 > 1 5/6	1	EA
7	7084 005	Dowty Seal 1/4" BSP	1	EA
8	11430 1	Base Plate Weld	1	EA
9	11430 5	Gasket	1	EA
10	11487	Filter Breather	1	EA
11	11558 1	Tank 13 Gal	1	EA
12	15130 01	Top Plate Hydraulic Oil Tank	1	EA
13	15153 12	Washer, Flat 3/4	1	EA
14	15153 16	Washer, Flat 1"	1	EA
15	15156 14	Washer, Flat M14	1	EA
16	452756	Plug, Magnetic 3/8 NPT	1	EA
17	605256	Cap, Vented	1	EA

REPAIR PARTS



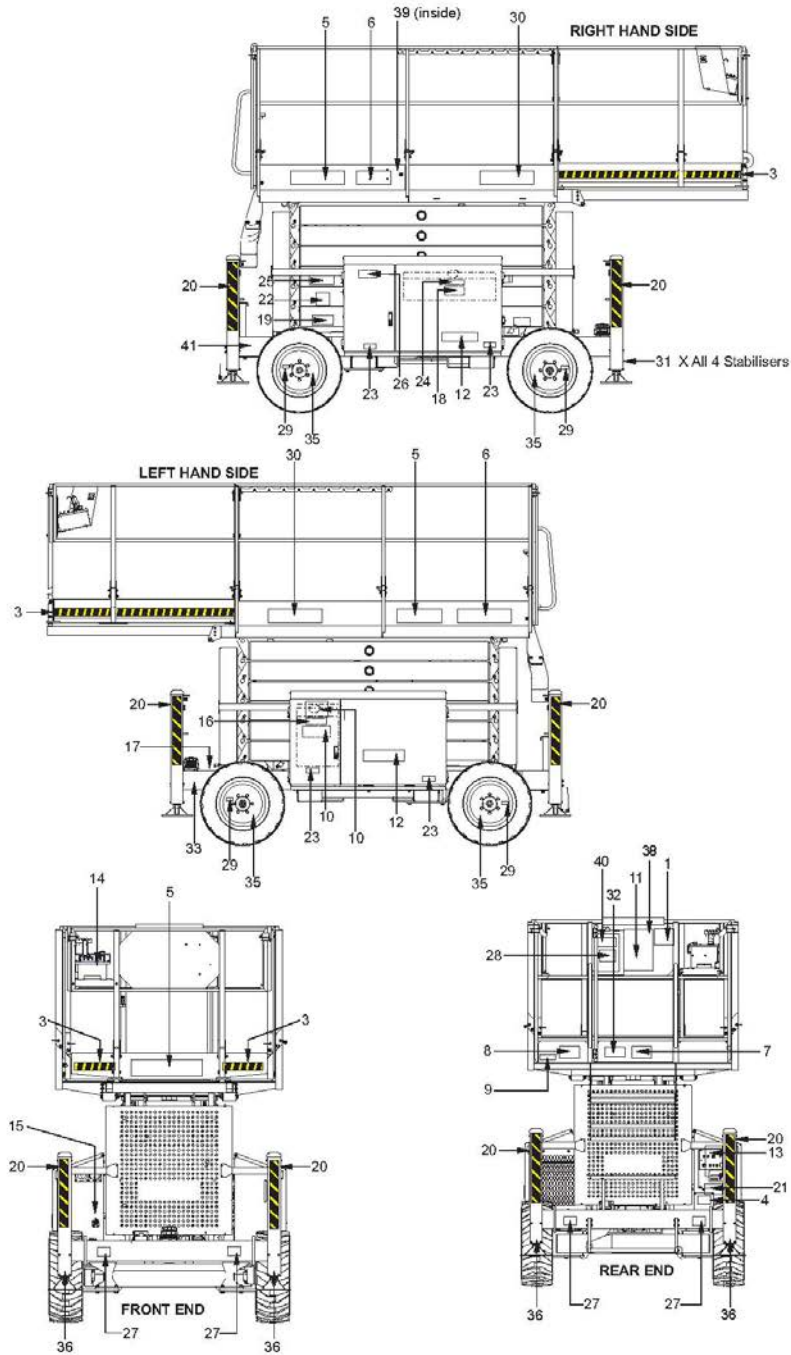
アイテム	部品番号	名前	数量	UOM
1	3603 06	Plain Washer	10	EA
2	3611 06	Metric Nyloc Nut	10	EA
3	7024 002	Adapter 3/4 > 3/4	1	EA
4	7024 003	Adapter 1 1/6 > 1 1/16	1	EA
5	7024 005	Adapter 1 5/6 > 1 5/6	1	EA
6	7084 005	Dowty Seal 1/4" BSP	1	EA
7	11430 1	Base Plate Weld	1	EA
8	11430 5	Gasket	1	EA
9	11487	Filter Breather	1	EA
10	13108 16	Plug 1 NPTM	1	EA
11	15130 01	Top Plate Hydraulic Oil Tank	1	EA
12	15145	Hydraulic Tank Weldment	1	EA
13	15153 12	Washer, Flat 3/4	1	EA
14	15153 16	Washer, Flat 1"	1	EA
15	15156 14	Washer, Flat M14	1	EA
16	15231	Sight Glass	1	EA
17	0084570	Filler Cap	1	EA
18	452756	Plug, Magnetic 3/8 NPT	1	EA

REPAIR PARTS



アイテム	部品番号	名前	数量	UOM
1	3603 06	Plain Washer	10	EA
2	3611 06	Metric Nyloc Nut	10	EA
3	7024 002	Adapter 3/4 > 3/4	1	EA
4	7024 003	Adapter 1 1/6 > 1 1/16	1	EA
5	7024 005	Adapter 1 5/6 > 1 5/6	1	EA
6	7084 005	Dowty Seal 1/4" BSP	1	EA
7	11430 1	Base Plate Weld	1	EA
8	11430 5	Gasket	1	EA
9	11487	Filter Breather	1	EA
10	13520 000	Heater Element	1	EA
11	15130 01	Top Plate Hydraulic Oil Tank	1	EA
12	15145	Hydraulic Tank Weldment	1	EA
13	15153 12	Washer, Flat 3/4	1	EA
14	15153 16	Washer, Flat 1"	1	EA
15	15156 14	Washer, Flat M14	1	EA
16	15231	Sight Glass	1	EA
17	0084570	Filler Cap	1	EA
18	452756	Plug, Magnetic 3/8 NPT	1	EA

# REPAIR PARTS



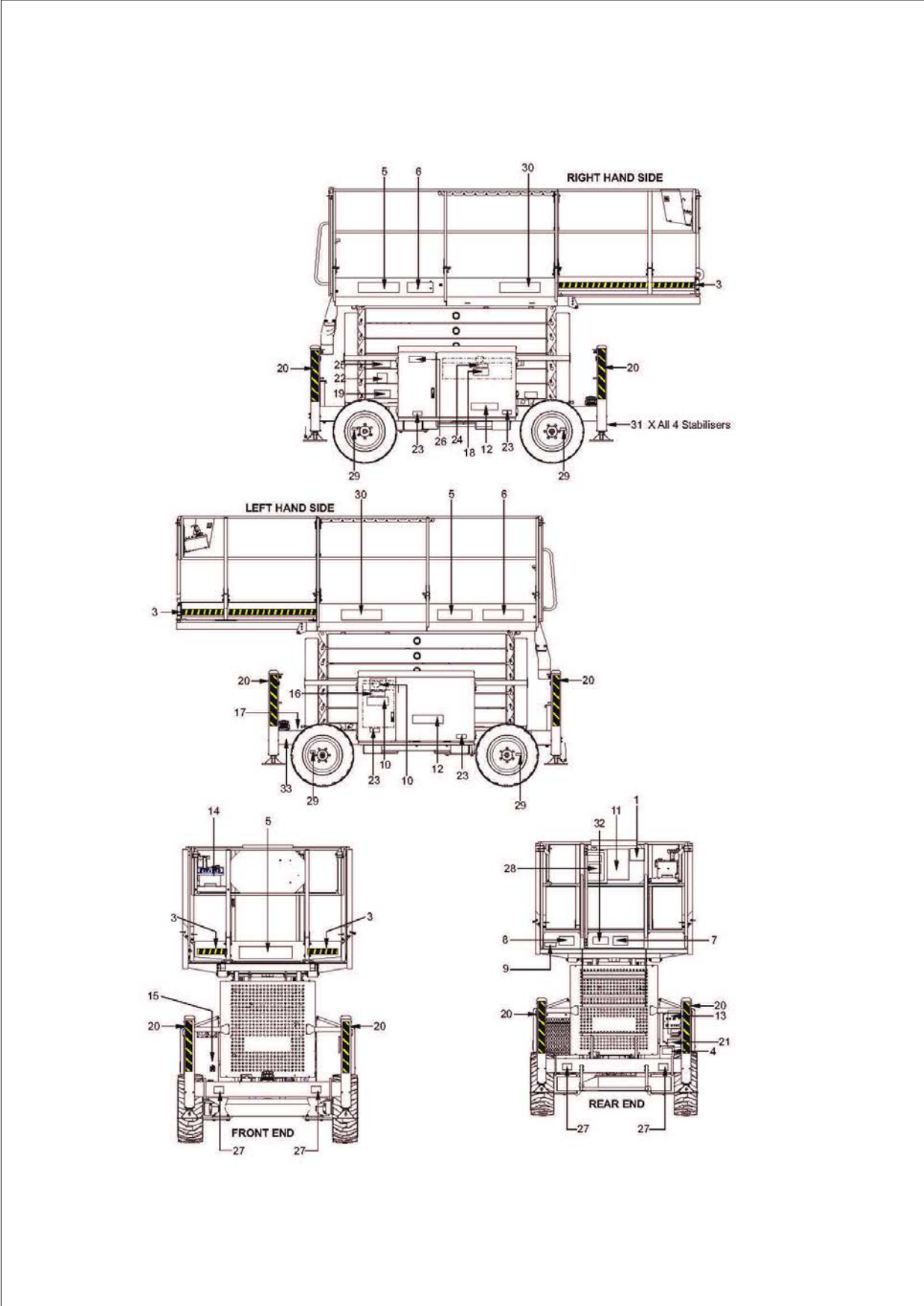
アイテム	部品番号	名前	数量	UOM
1	1843	Decal, Warning NZ Only	1	EA
3	96924 9	Decal, Warning Stripes Yellow/Black	4m	EA
4	12833 4	Serial Number Plate, NZ/AUS Machines	1	EA
4	0070901	Serial Number Plate, US Machines	1	EA
5	511099 000	Decal, Snorkel	3	EA
6	13903 14	Decal, S2770RT	2	EA
6	13903 15	Decal, S3370RT	2	EA
6	13903 10	Decal, S3970RT	2	EA
7	11346 1	Decal, Rated Load S2770RT & S2770RTE	1	EA
7	12699	Decal, Rated Load S3370RT & S3370RTE	1	EA
7	12699 4	Decal, Rated Load S3970RT & S3970RTE	1	EA
8	0073298	Decal, Foam Tyres	1	EA
9	451986	Decal, Interlocks	1	EA
10	476706	Decal, Explosive Fumes (Outside Cabinet Door & Fuel Tank)	2	EA
11	12574	Decal, Danger With Alarm	1	EA
12	511101 000	Decal, Snorkel	2	EA
13	13839 01	Decal, Lower Control Box	1	EA
13	13939 02	Decal, Lower Control Box ANSI Petrol/LPG	1	EA
14	13838 03	Control Box Decal	1	EA
14	13838 04	Control Box Decal	1	EA
15	0102006	Decal Battery Disconnect	1	EA
16	60572 6	Decal, Diesel Fuel (On Fuel Tank)	1	EA
17	12753	Decal, Emergency Bleed Down	1	EA
18	12814	Decal, Hydraulic Oil (On Hydraulic Oil Tank)	1	EA



アイテム	部品番号	名前	数量	UOM
19	583656	Decal, Safety Prop	1	EA
20	96924 9	Decal, Warning Stripes Yellow/Black	1	EA
21	300699	Decal, Operators Checklist	1	EA
22	0323897	Decal, Must Not Operate	1	EA
23	621486	Decal, Forklift	4	EA
24	302950	Decal, Hydraulic Oil Level (On Hydraulic Oil Tank)	1	EA
25	300700	Decal, Shearing Hazard	1	EA
26	15170	Decal, Emergency Operation (Inside Of Door)	1	EA
27	0083427	Decal, Lifting/Tie Down	4	EA
28	56242 6	Decal, Operators Manual Enclosed	2	EA
29	0372061	Decal, Torque Wheel Nuts	4	EA
30	511067 000	Decal, www.snorkellifts.com	1	EA
31	501453 000	Decal, Foot Crush Hazard	1	EA
32	13640 3	Decal, Fall Restraint Only	1	EA
33	0081441	Decal, Caution Liquid Withdrawl (Dual Fuel Only)	1	EA
34	510280 101	Decal, Emergency Lowering	1	EA
35	515704 000	Decal, Max Wheel Load S2770RT	4	EA
35	515706 000	Decal, Max Wheel Load S3370RT	4	EA
35	515708 000	Decal, Max Wheel Load S3970RT	4	EA
36	515695 000	Decal, Outrigger Max Load S2770RT	4	EA
36	515697 000	Decal, Outrigger Max Load S3370RT	4	EA
36	515700 000	Decal, Outrigger Max Load S3970RT	4	EA
37	0181562	Decal, Amchine Complies With ANSI (USA Only)	1	EA
38	7030249	Decal, Do Not Operate	1	EA

アイテム	部品番号	名前	数量	UOM
39	0070921	Decal, 125 Volts (USA Only)	1	EA
40	515335 100	Decal, QR Barcode, English	1	EA
41	0150606	Decal, 125 Volts Power To Platform (USA Only)	1	EA

# REPAIR PARTS



アイテム	部品番号	名前	数量	UOM
1	1843	Decal, Warning NZ Only	1	EA
3	96924 9	Decal, Warning Stripes Yellow/Black	4m	EA
4	12833 4	Serial Number Plate, NZ/AUS Machines	1	EA
4	0070901	Serial Number Plate, US Machines	1	EA
5	511099 000	Decal, Snorkel	3	EA
6	13903 18	Decal, S2770BE	2	EA
6	13903 19	Decal, S3370BE	2	EA
6	13903 20	Decal, S3970BE	2	EA
7	11346 1	Decal, Rated Load S2770RT & S2770RTE	1	EA
7	12699	Decal, Rated Load S3370RT & S3370RTE	1	EA
7	12699 4	Decal, Rated Load S3970RT & S3970RTE	1	EA
8	0073298	Decal, Foam Tyres	1	EA
9	451986	Decal, Interlocks	1	EA
10	476706	Decal, Explosive Fumes (Outside Cabinet Door & Fuel Tank)	2	EA
11	12574	Decal, Danger With Alarm	1	EA
12	511101 000	Decal, Snorkel	2	EA
13	13839 01	Decal, Lower Control Box	1	EA
13	13839 02	Decal Lower Control Box	1	EA
14	13838 03	Control Box Decal	1	EA
14	13838 04	Control Box Decal	1	EA
15	0102006	Decal Battery Disconnect	1	EA
16	60572 6	Decal, Diesel Fuel (On Fuel Tank)	1	EA
17	12753	Decal, Emergency Bleed Down	1	EA
18	12814	Decal, Hydraulic Oil (On Hydraulic Oil Tank)	11	EA
19	583656	Decal, Safety Prop	1	EA

アイテム	部品番号	名前	数量	UOM
20	96924 9	Decal, Warning Stripes Yellow/Black	1	EA
21	300699	Decal, Operators Checklist	1	EA
22	0323897	Decal, Must Not Operate	1	EA
23	621486	Decal, Forklift	4	EA
24	302950	Decal, Hydraulic Oil Level (On Hydraulic Oil Tank)	1	EA
25	300700	Decal, Shearing Hazard	1	EA
26	15170	Decal, Emergency Operation (Inside Of Door)	1	EA
27	0083427	Decal, Lifting/Tie Down	4	EA
28	56242 6	Decal, Operators Manual Enclosed	1	EA
29	0372061	Decal, Torque Wheel Nuts	4	EA
30	511067 000	Decal, <a href="http://www.snorkellifts.com">www.snorkellifts.com</a>	2	EA
31	501453 000	Decal, Foot Crush Hazard	4	EA
32	13640 3	Decal, Fall Restraint Only	1	EA
33	0081441	Decal, Caution Liquid Withdrawl (Dual Fuel Only)	1	EA

15131 - Hose Kit, Base, SR V7 Rev B				
19/02/2018				
Snorkel Hose	Rev	Colour ID		Hose Use: Fitting A → Fitting B
Part Number	Rev	Colour 1	Colour 1	
15131-01	A	Blue	Yellow	Steer Right: Main Manifold SR → Steer Cyl Extend
15131-02	A	Blue	Green	Steer Left: Main Manifold SL → Steer Cyl Retract
15131-03	A	Red	---	Drive Forward: Main Manifold DF → 4WD Manifold DF
15131-04	A	Blue	---	Drive Reverse: Main Manifold DR → 4WD Manifold DR
15193-01	B	Red	White	Motor RR Drain: T → Motor RR Case Drain
15193-02	B	Orange	White	Motor LR Drain: T → Motor LR Case Drain
15131-07	B	Yellow	White	Motor LF Drain: 4WD Manifold MLFD → Motor LF Case Drain
15131-08	B	Green	White	Motor RF Drain: 4WD Manifold MRFD → Motor RF Case Drain
15131-09	A	Blue	White	Motor RR LR common drain T → Tank return
15193-03	A	Red	Red	Motor RR CW (Fwd): 4WD Manifold MRRF → Motor RR Port A
15193-04	A	Red	Blue	Motor RR CCW (Rev): 4WD Manifold MRRR → Motor RR Port B
15193-05	A	Orange	Red	Motor LR CW (Rev): 4WD Manifold MLRR → Motor LR Port A
15193-06	A	Orange	Blue	Motor LR CCW (Fwd): 4WD Manifold MLRF → Motor LR Port B
15131-14	A	Yellow	Red	Motor LF CW (Rev): 4WD Manifold MLFR → Motor LF Port A
15131-15	A	Yellow	Blue	Motor LF CCW (Fwd): 4WD Manifold MLFF → Motor LF Port B
15131-16	A	Green	Red	Motor RF CW (Fwd): 4WD Manifold MRFF → Motor RF Port A
15131-17	A	Green	Blue	Motor RF CCW (Rev): 4WD Manifold MRFR → Motor RF Port B
15131-18	A	Red	Orange	4WD Block Pilot: Main Manifold Pilot → 4WD Block Pilot
15131-19	A	Red	Black	4WD Manifold Return: Main Manifold DP → 4WD Manifold DP
15193-07	A	Red	---	Motor RR Brake: Main Manifold BR → RR Motor Brake
15193-08	A	Orange	---	Motor LR Brake: Main Manifold BL → LR Motor Brake
15131-22	A	Green	---	Lock Left Axle: Main Manifold AXL → LH Axle Cyl
15131-23	A	Black	---	Lock Right Axle: Main Manifold AXR → RH Axle Cyl
15193-09	A	White	Green	Torque Mode: T → Motor RR Torque Port
15193-10	A	White	Orange	Torque Mode: T → Motor LR Torque Port
15131-26	A	White	Black	Torque Mode: Main Manifold TC → T
13764-01	A	Red	Yellow	Stab RR Extend: Stab Manifold RRE → Stab Cyl RR Extend
13764-02	A	Red	Green	Stab RR Retract: Stab Manifold RRR → Stab Cyl RR Retract
13764-03	A	Orange	Yellow	Stab LR Extend: Stab Manifold LRE → Stab Cyl LR Extend
13764-04	A	Orange	Green	Stab LR Retract: Stab Manifold LRR → Stab Cyl LR Retract
13764-05	A	Yellow	Yellow	Stab LF Extend: Stab Manifold LFE → Stab Cyl LF Extend
13764-06	A	Yellow	Green	Stab LF Retract: Stab Manifold LFR → Stab Cyl LF Retract
13764-07	A	Green	Yellow	Stab RF Extend: Stab Manifold RFE → Stab Cyl RF Extend
13764-08	A	Green	Green	Stab RF Retract: Stab Manifold RFR → Stab Cyl RF Retract
13764-09	A	---	---	Stab Manifold Pressure: Main Manifold STP → Stab Manifold P
13764-10	A	---	---	Stab Manifold Return: Main Manifold STR → Stab Manifold R

13765 - Hose Kit, Control Cabinet, SR V4 Rev A				
22/05/2014				
Snorkel Hose	Rev	Colour ID		Hose Use: Fitting A → Fitting B
Part Number	Rev	Colour 1	Colour 1	
13765-01	A	---	---	Main Manifold Return: Main Manifold Tank → Oil Filter
13765-02	A	---	---	Filter Return: Oil Filter → Hydraulic Oil Tank

13766 - Hose Kit, Engine, Kubota D902, SR V4 Rev A				
22/05/2014				
Snorkel Hose	Rev	Colour ID		Hose Use: Fitting A → Fitting B
Part Number	Rev	Colour 1	Colour 1	
13766-01	A	Orange	---	Pump Pressure: Main Manifold Pump → Pump Pressure Port
13766-02	A	---	---	Suction Line: Pump Suction Port → Hydraulic Oil Tank

13767 - Hose Kit, Stack (33 & 39), SR V4 Rev A				
22/05/2014				
Snorkel Hose	Rev	Colour ID		Hose Use: Fitting A → Fitting B
Part Number	Rev	Colour 1	Colour 1	
13767-01	A	Yellow	---	Raise Stack: Main Manifold LCP → Raise Stack Tee
13767-02	A	White	Yellow	Upper Lift Cyl Extend: Raise Stack Tee → Upper Lift Cyl Extend
13767-03	A	Black	Yellow	Lower Lift Cyl Extend: Raise Stack Tee → Lower Lift Cyl Extend
13767-04	A	White	---	Lift Cyl Drain: Main Manifold LCR → Drain Stack Tee
13767-05	A	White	White	Upper Lift Cyl Drain: Drain Stack Tee → Upper Lift Cyl Drain
13767-06	A	Black	White	Lower Lift Cyl Drain: Drain Stack Tee → Lower Lift Cyl Drain

13768 - Hose Kit, Stack (22 & 27), SR V4 Rev A				
22/05/2014				
Snorkel Hose	Rev	Colour ID		Hose Use: Fitting A → Fitting B
Part Number	Rev	Colour 1	Colour 1	
13768-02	A	Black	Yellow	Raise Stack: Main Manifold LCP → Lift Cyl Extend
13768-01	A	Black	White	Lift Cyl Drain: Main Manifold LCR → Lift Cyl Drain

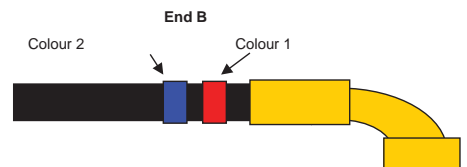
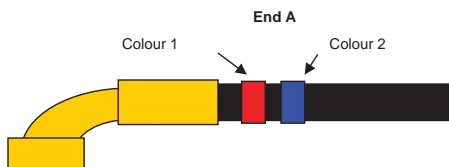
13769 - Hose Kit, Electric 24V Bi Energy, SR V4 Rev A				
22/05/2014				
Snorkel Hose	Rev	Colour ID		Hose Use: Fitting A → Fitting B
Part Number	Rev	Colour 1	Colour 1	
13769-01	A	Part# both ends		Unloader Return: Unloader Valve ROT → Main Manifold DM1
13769-02	A	Part# both ends		Unloader Pressure Out: Unloader Valve POC → Main Manifold PUMP
13769-03	A	Part# both ends		Suction Hose: Tank to Suction Tee

**READING HOSE TAGS**

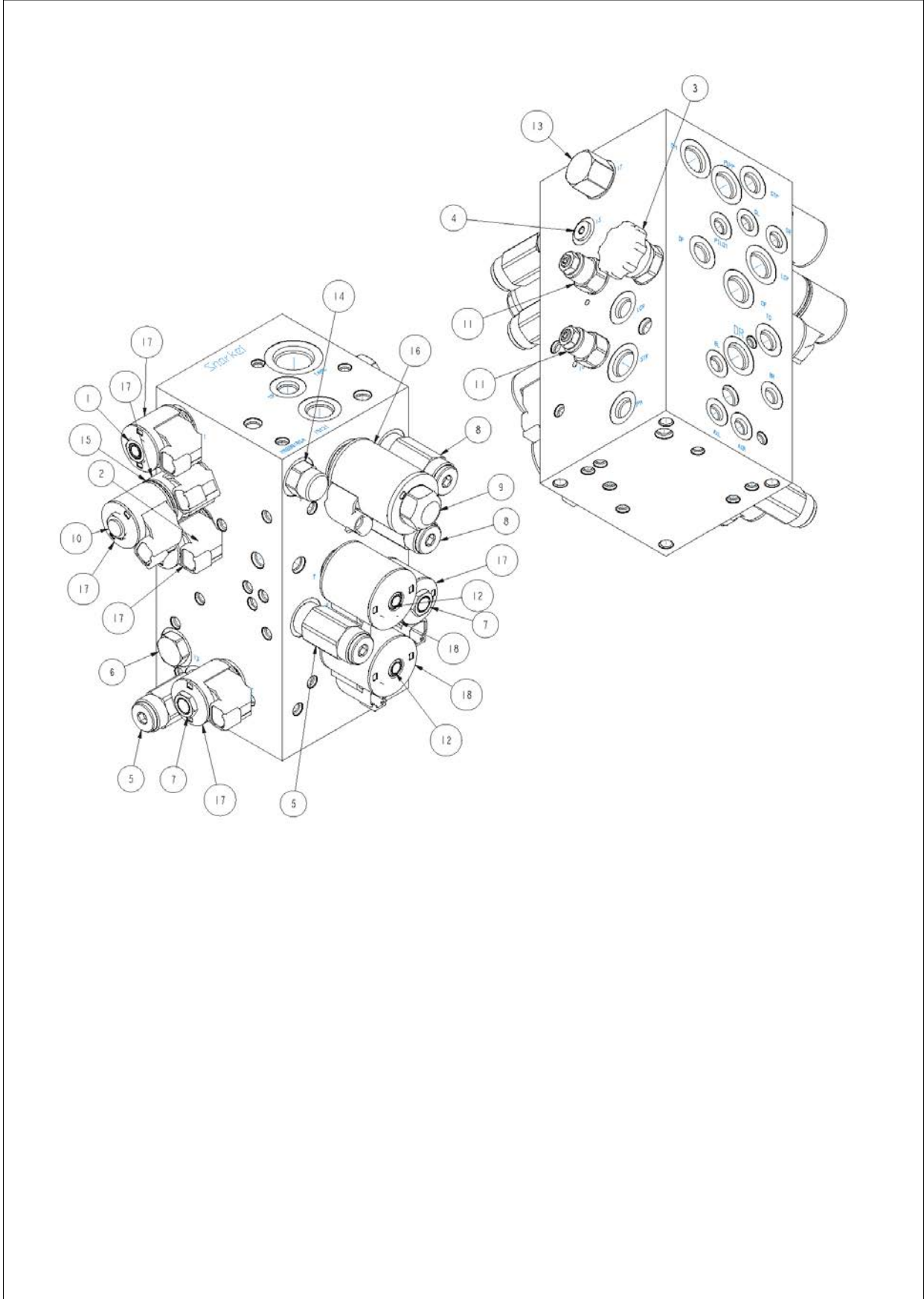
Hose tags are read from the fitting side of the hose intowards the hose.

As such colour 1 is the closest to the fitting, colour 2 the next colour then 3, 4 etc...

Hose tags need to be on both ends of the hose



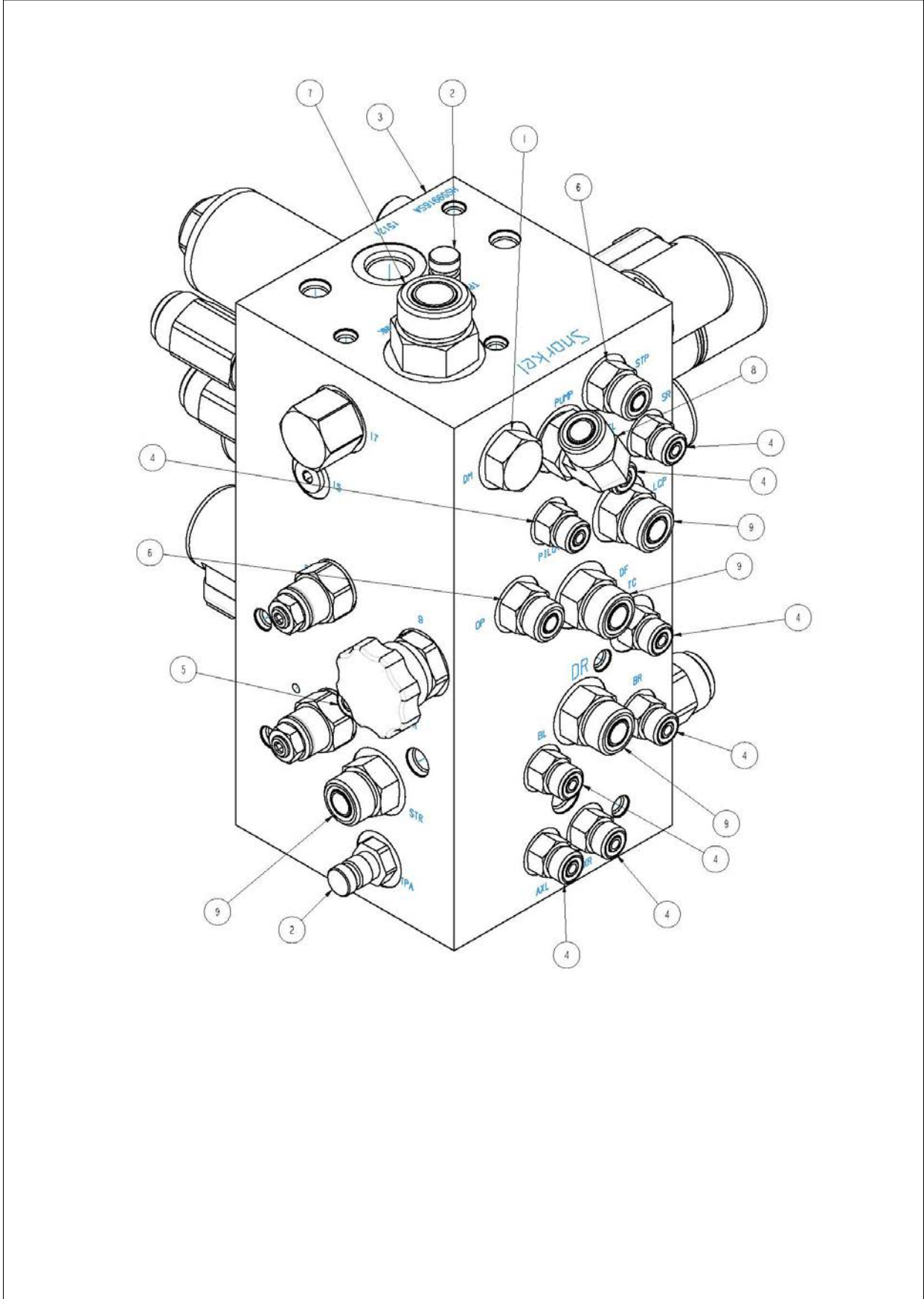
HYDRAULICS



アイテム	部品番号	名前	数量	UOM
1	12567 1	Cartridge, Solenoid Poppet, 2 Way, NC	1	EA
2	12567 11	Cartridge, Solenoid Spool, 3 Way	1	EA
3	12567 15	Cartridge, Needle Valve	1	EA
4	12567 2	Cartridge, Check Valve	1	EA
5	12567 23	Cartridge, Pressure Reducing	2	EA
6	12567 24	Cartridge, Flow Control, Orifice Check	1	EA
7	12567 25	Cartridge, Solenoid Spool, 3 Way	2	EA
8	12567 8	Cartridge Relief, Direct Acting Poppet	2	EA
9	12567 9	Cartridge, Proportional 2 Port, NC	1	EA
10	12568 1	Cartridge, Solenoid Spool, 4 Way, 3 Posn, Closed Center	1	EA
11	13161 17	Cartridge, Counter Balance	2	EA
12	13161 18	Cartridge, Solenoid Poppet, 3 Port, NC	2	EA
13	13161 28	Cartridge, Pressure Compensate & Flow Regulator	1	EA
14	13779 03	Cartridge, Flow Regulator, Pressure Comensated	1	EA
15	13881 08	Coil Spacer 08	1	EA
16	13895	Coil 70 Proportional Deutsch DT Connector	1	EA
17	6019180	Coil 08 12V Deutsch DT Connector	6	EA
18	6019184	Coil 10 12V Deutsch DT Connector	2	EA

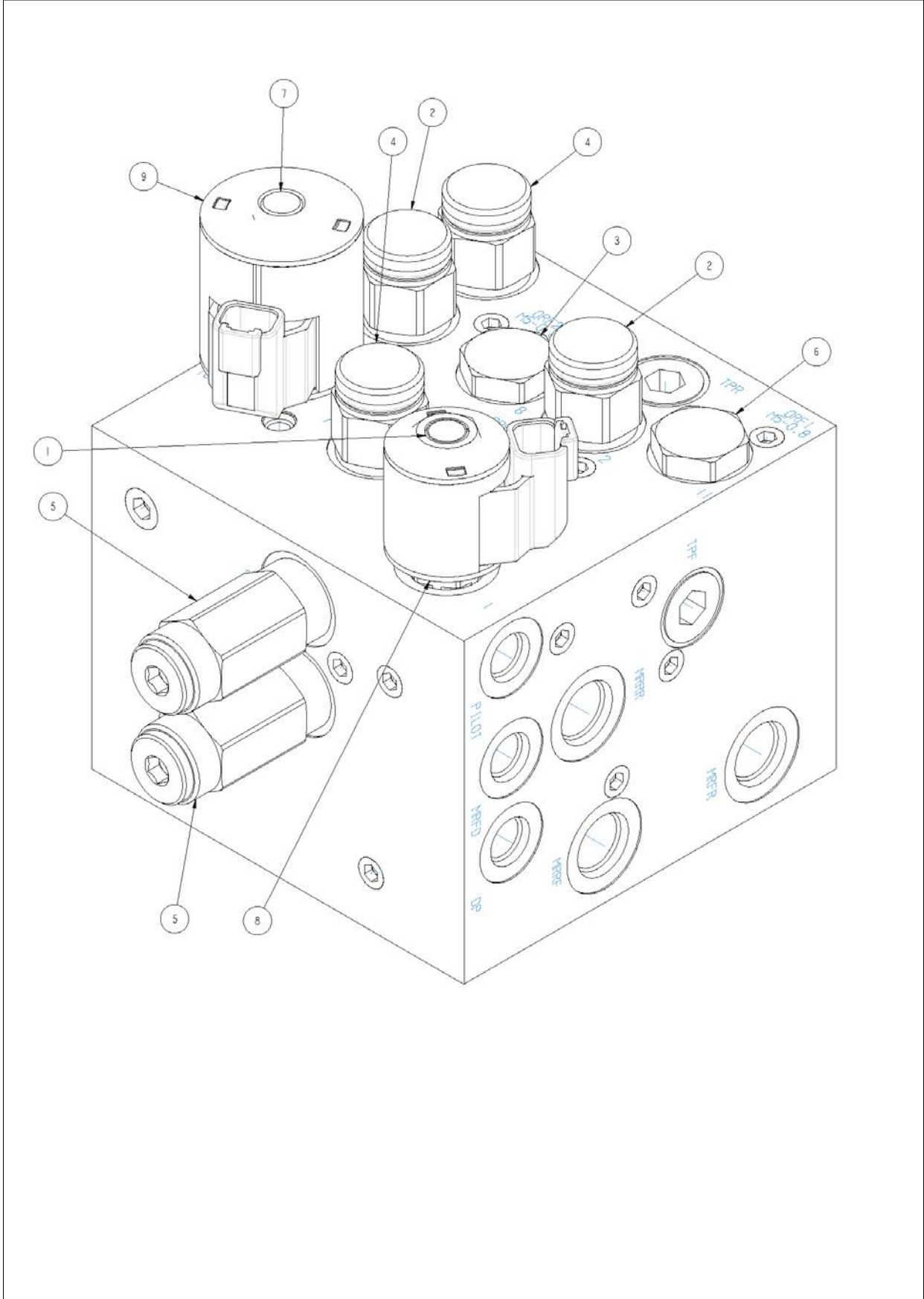


# HYDRAULICS



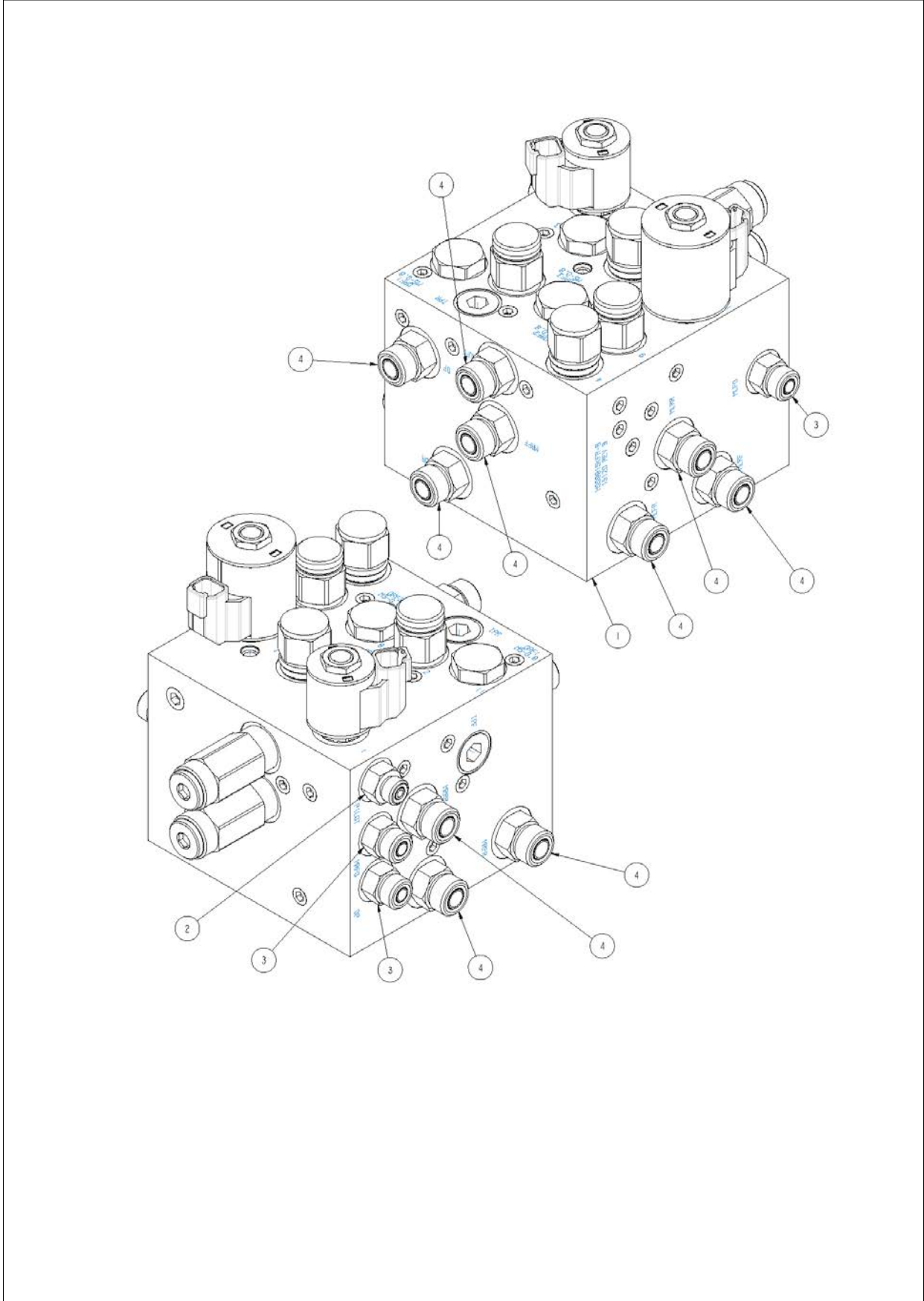
アイテム	部品番号	名前	数量	UOM
0	15123 01	Main Manifold Assembly	1	EA
1	7035 002	Hyd Plug SAE 08 (3/4 Thread)	1	EA
2	10996 2	Test Point UNO, 9/16	2	EA
3	15121	Main Manifold Block	1	EA
4	100432 002	Hyd Fitting Straight ORFS(04) SAE(04)	8	EA
5	100432 004	Hyd Fitting Straight ORFS(04) SAE(06)	1	EA
6	100432 009	Hyd Fitting Straight ORFS(06) SAE(06)	2	EA
7	100432 027	Hyd Fitting Straight ORFS(12) SAE(12)	1	EA
8	100434 013	Hyd Fitting 90 Elbow ORFS(08) SAE(08)	1	EA
9	512970 000	Hyd Fitting Straight ORFS(08) SAE(08)	4	EA

# HYDRAULICS



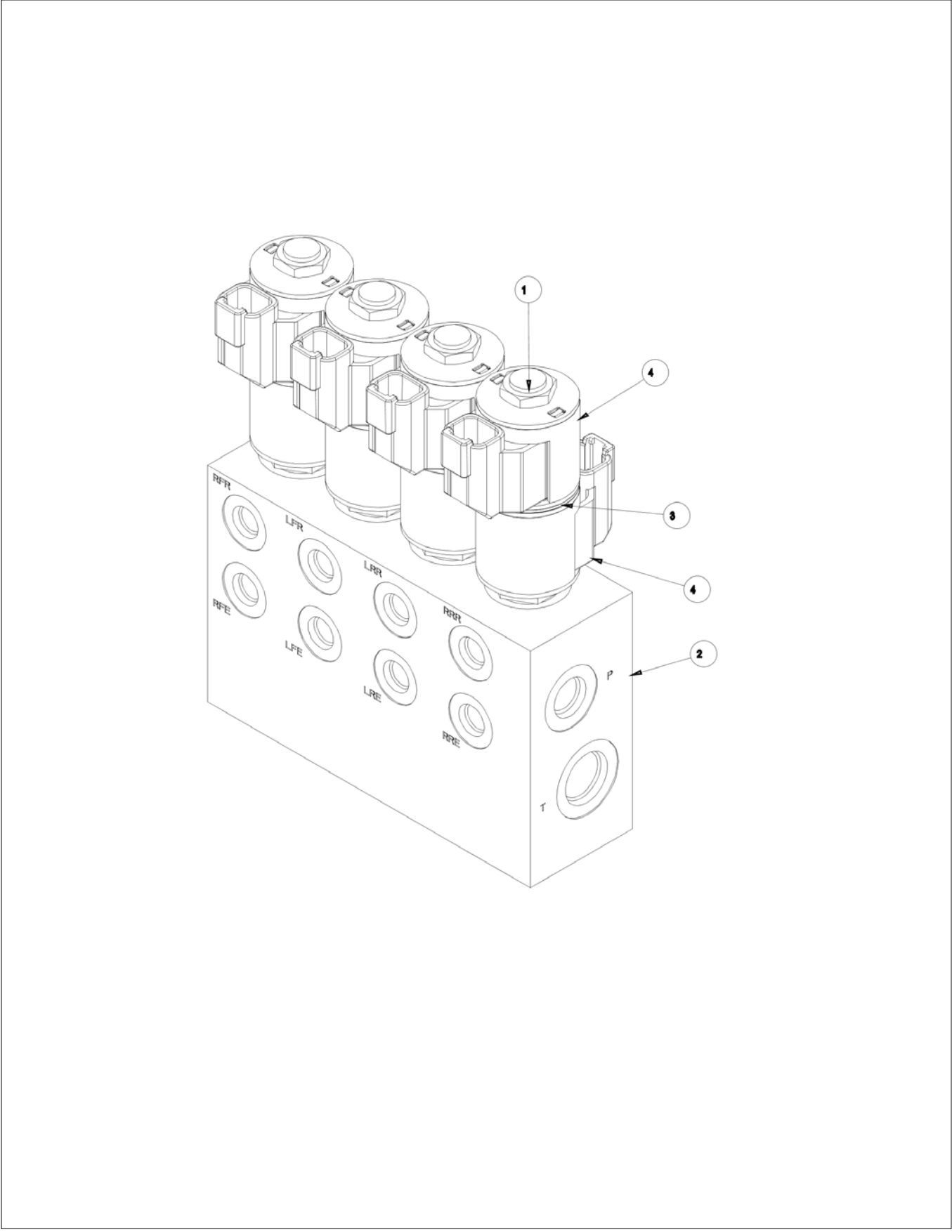
アイテム	部品番号	名前	数量	UOM
1	12567 11	Cartridge, Solenoid Spool, 3 Way	1	EA
2	12569 2	Cartridge, Piloted, 2 Way, Spool, NO	2	EA
3	12569 3	Cartridge, Flow Divider/Combiner	2	EA
4	12569 5	Cartridge, Piloted, 2 Way, Spool, NC	2	EA
5	12569 6	Cartridge, Relief, Pilot Operated	2	EA
6	15120 02	Cartridge Flow Divider/Combiner	1	EA
7	15120 03	Cartridge Solenoid Spool, 2 Way	1	EA
8	6019180	Coil 08 12V Deutsch DT Connector	1	EA
9	6019184	Coil 10 12V Deutsch DT Connector	1	EA

# HYDRAULICS



アイテム	部品番号	名前	数量	UOM
1	15120	4WD Manifold Block	1	EA
2	100432 004	Hyd Fitting Straight ORFS(04) SAE(06)	1	EA
3	100432 009	Hyd Fitting Straight ORFS(06) SAE(06)	3	EA
4	512970 000	Hyd Fitting Straight ORFS(08) SAE(08)	10	EA

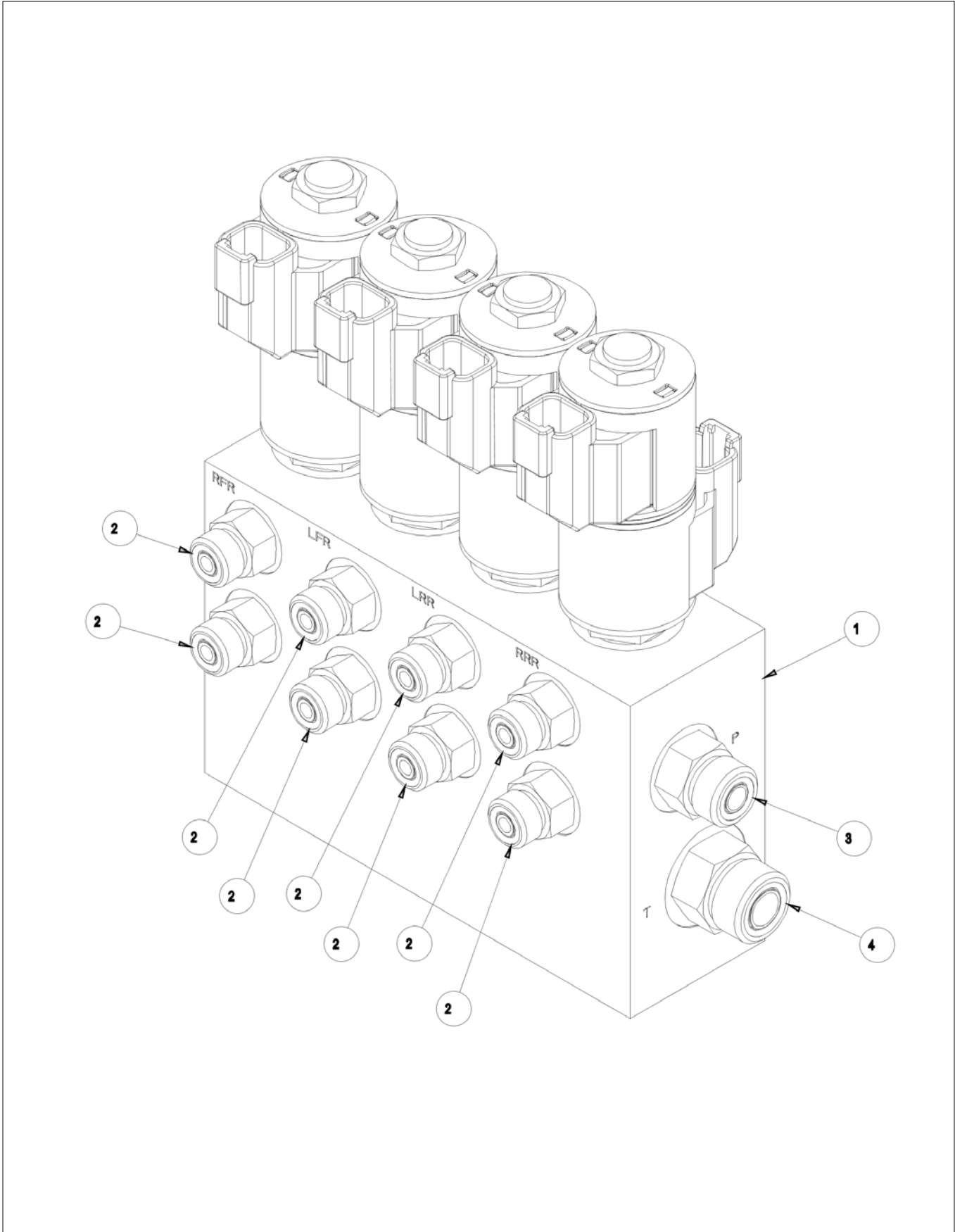
# HYDRAULICS



アイテム	部品番号	名前	数量	UOM
1	12568 1	Cartridge, Solenoid Spool, 4 Way, 3 Posn, Closed Center	4	EA
2	13781 01	Manifold Block	1	EA
3	13881 08	Coil Spacer 08	4	EA
4	6019180	Coil 08 12V Deutsch DT Connector	8	EA

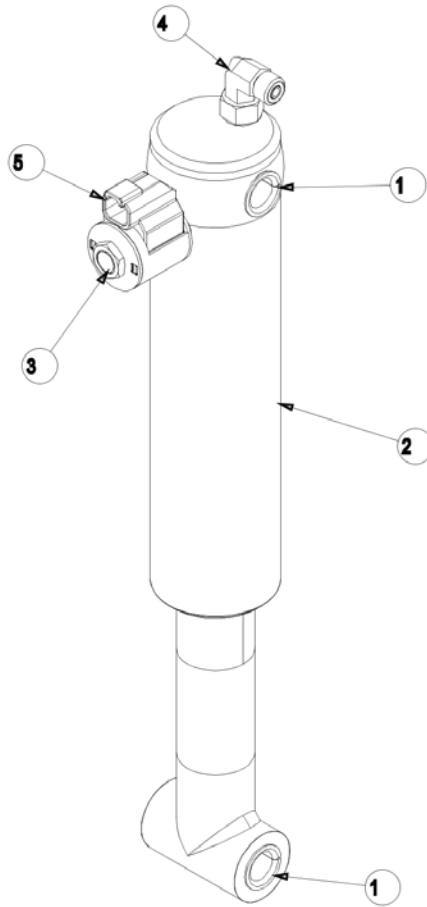


# HYDRAULICS



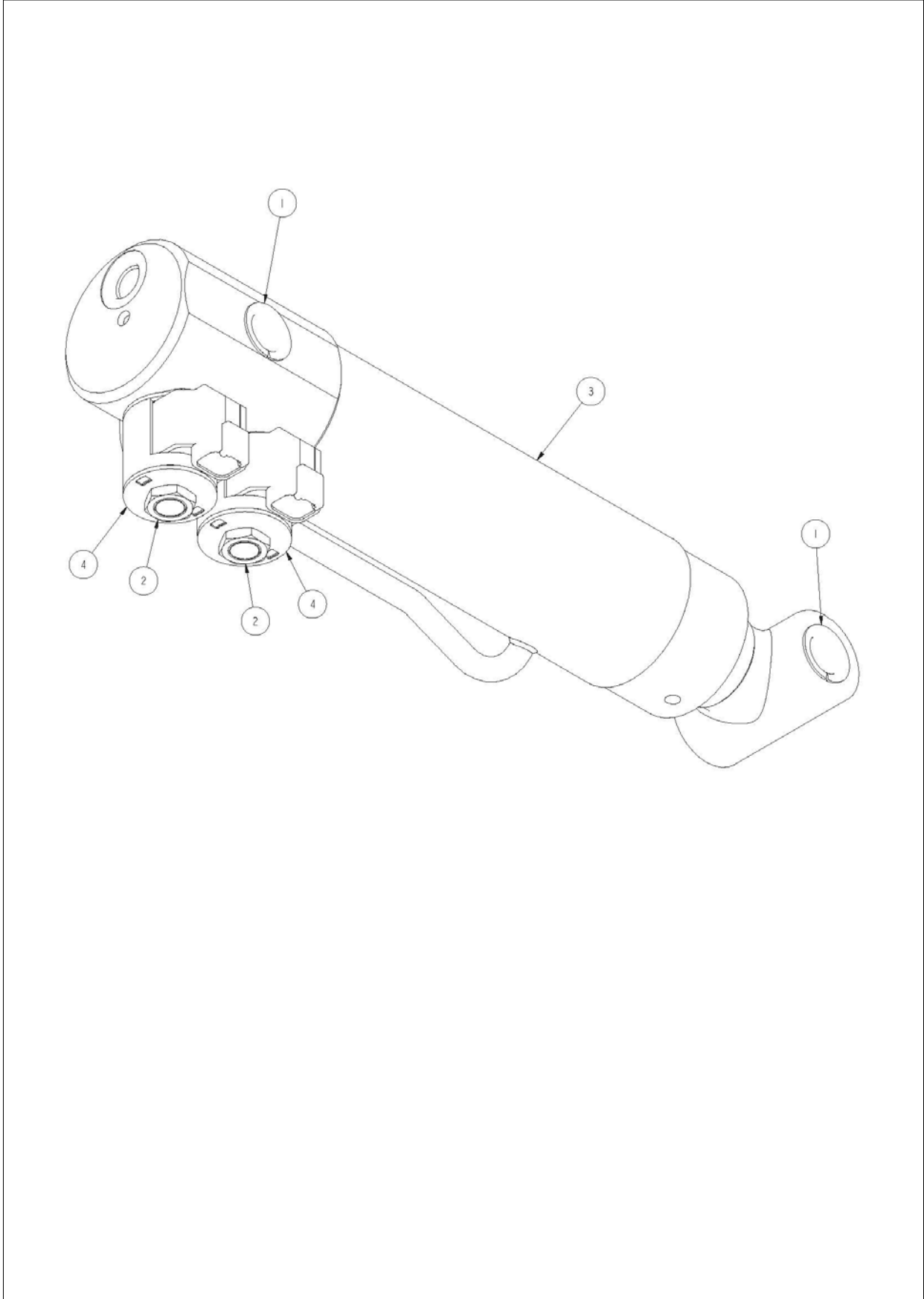
アイテム	部品番号	名前	数量	UOM
1	13781	Stabiliser Manifold	1	EA
2	100432 002	Hyd Fitting Straight ORFS(04) SAE(04)	8	EA
3	100432 009	Hyd Fitting Straight ORFS(06) SAE(06)	1	EA
4	512970 000	Hyd Fitting Straight ORFS(08) SAE(08)	1	EA

HYDRAULICS



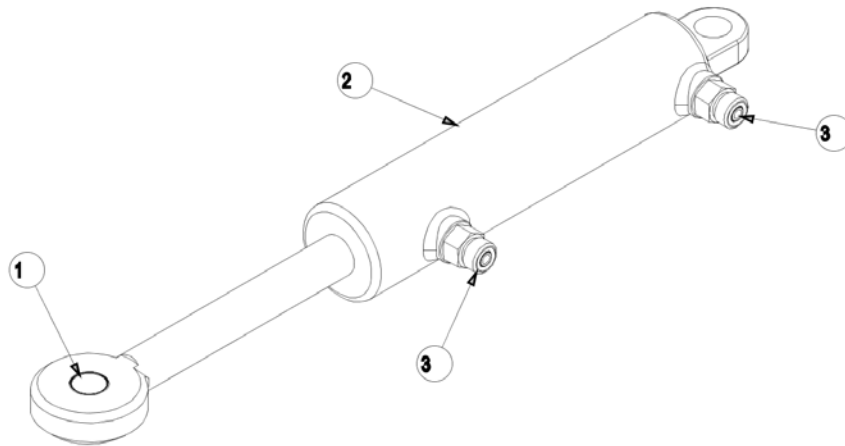
アイテム	部品番号	名前	数量	UOM
0	11642A	Axle Cylinder Assembly	1	EA
1	3626 3	Flanged permaglride bush	4	EA
2	11642	Axle cylinder (see NOTE below)	1	EA
3	12835 1	Cartridge, Solenoid Poppet, 2 Way, NC	1	EA
4	100434 004	Hyd Fitting 90 Elbow ORFS(04) SAE(06)	1	EA
5	6019180	Coil 08 12V Deutsch DT Connector	1	EA
*	11642K	Seal kit for (Victor)	1	EA
*	11642K PB	Seal kit for (PB Machine Tech)	1	EA
*	11642K UH	Seal kit for (United Hydraulics)	1	EA

# HYDRAULICS



アイテム	部品番号	名前	数量	UOM
1	3626 3	Flanged permaglride bush	4	EA
2	12835 1	Cartridge, Solenoid Poppet, 2 Way, NC	2	EA
3	15204	Cylinder Dual Lock	1	EA
4	6019180	Coil 08 12V Deutsch DT Connector	2	EA

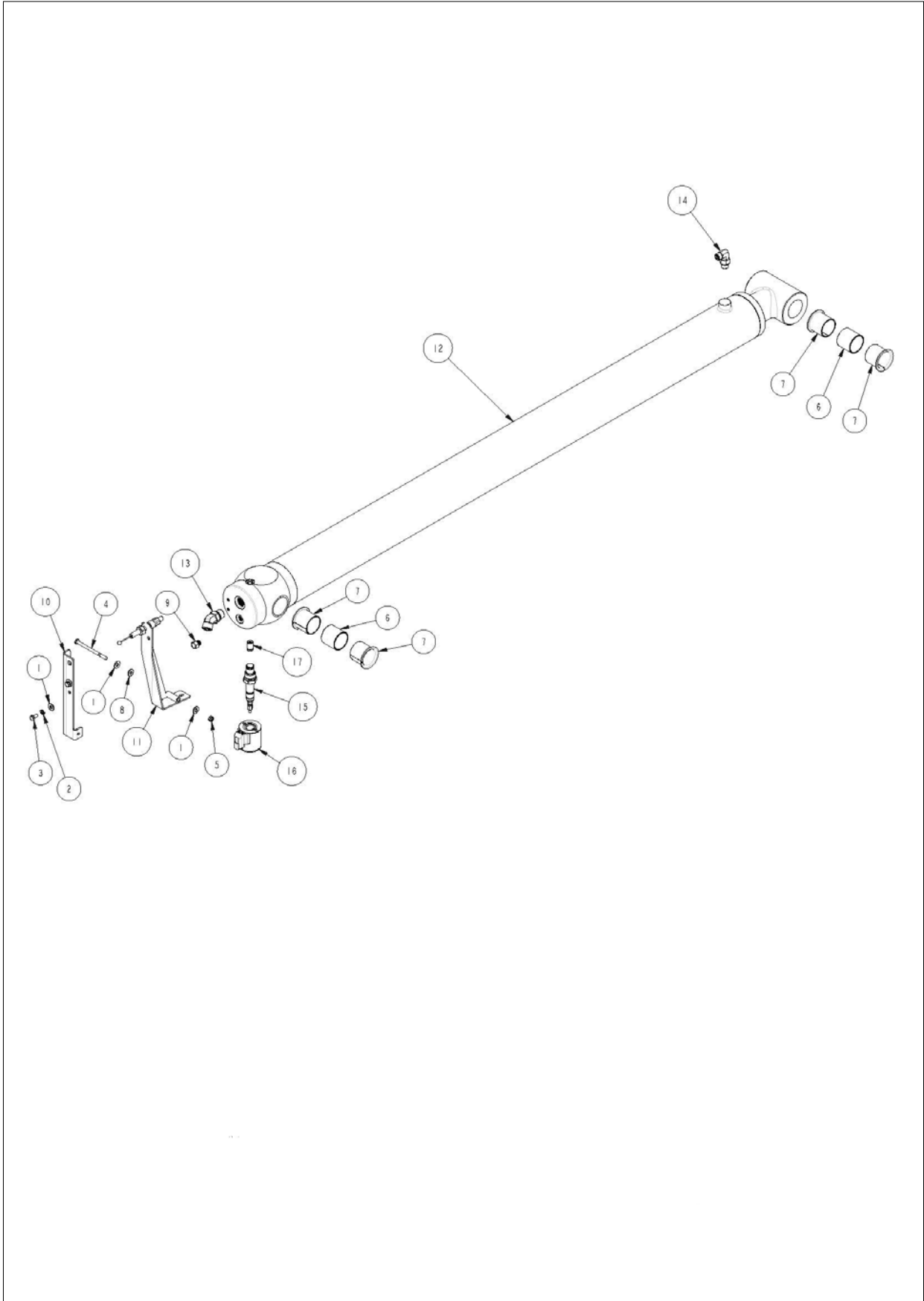
HYDRAULICS



アイテム	部品番号	名前	数量	UOM
	11699A	Steer Cylinder Assembly	1	EA
1	3624 27	Permaglide Bush	1	EA
2	11699	Steer Cylinder	1	EA
3	100432 002	Hyd Fitting Straight ORFS(04) SAE(04)	2	EA
*	11699K	Seal kit Victor	1	EA
*	11699K PB	Seal Kit PB	1	EA
*	11699K UH	Seal Kit UH	1	EA

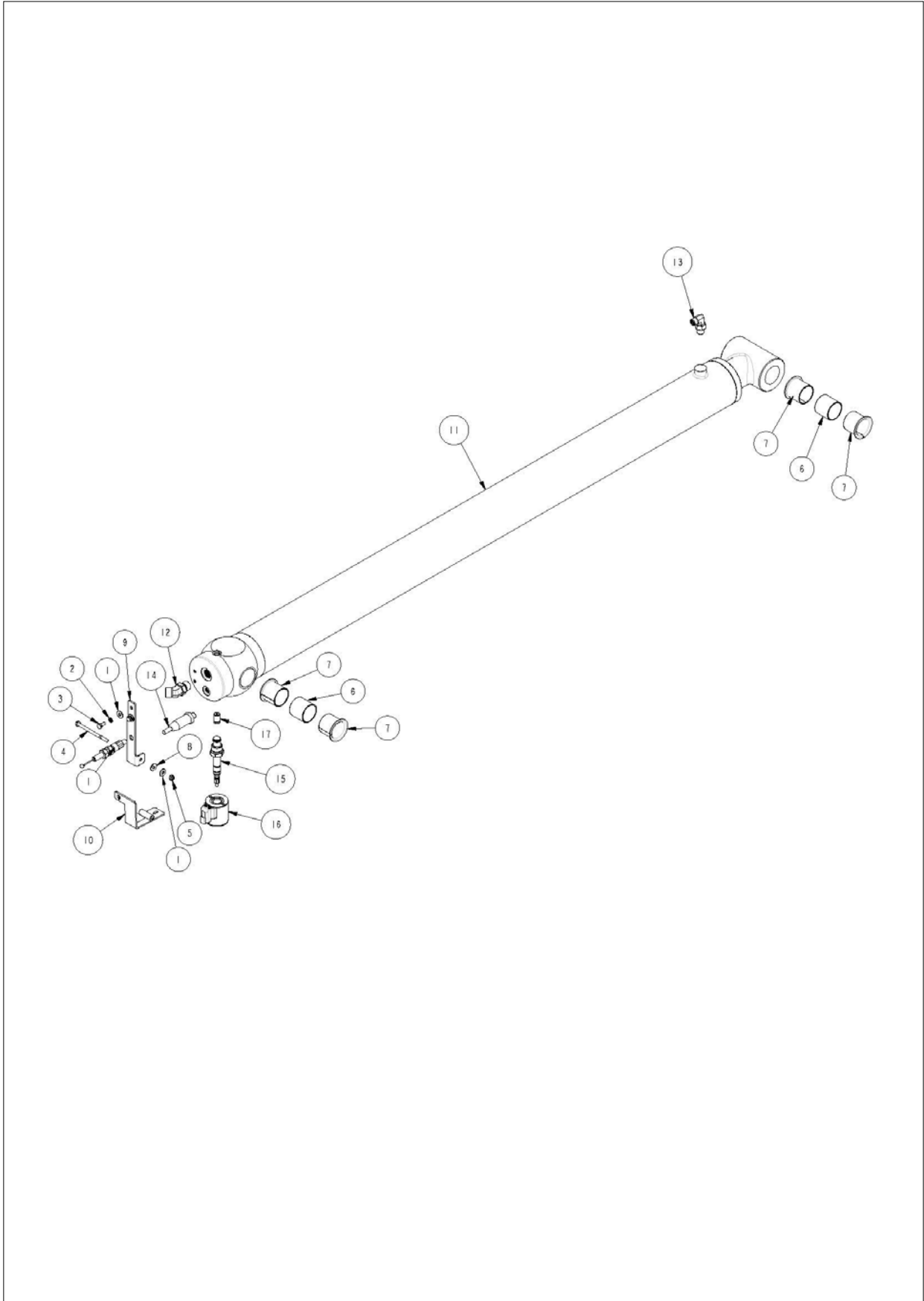


HYDRAULICS



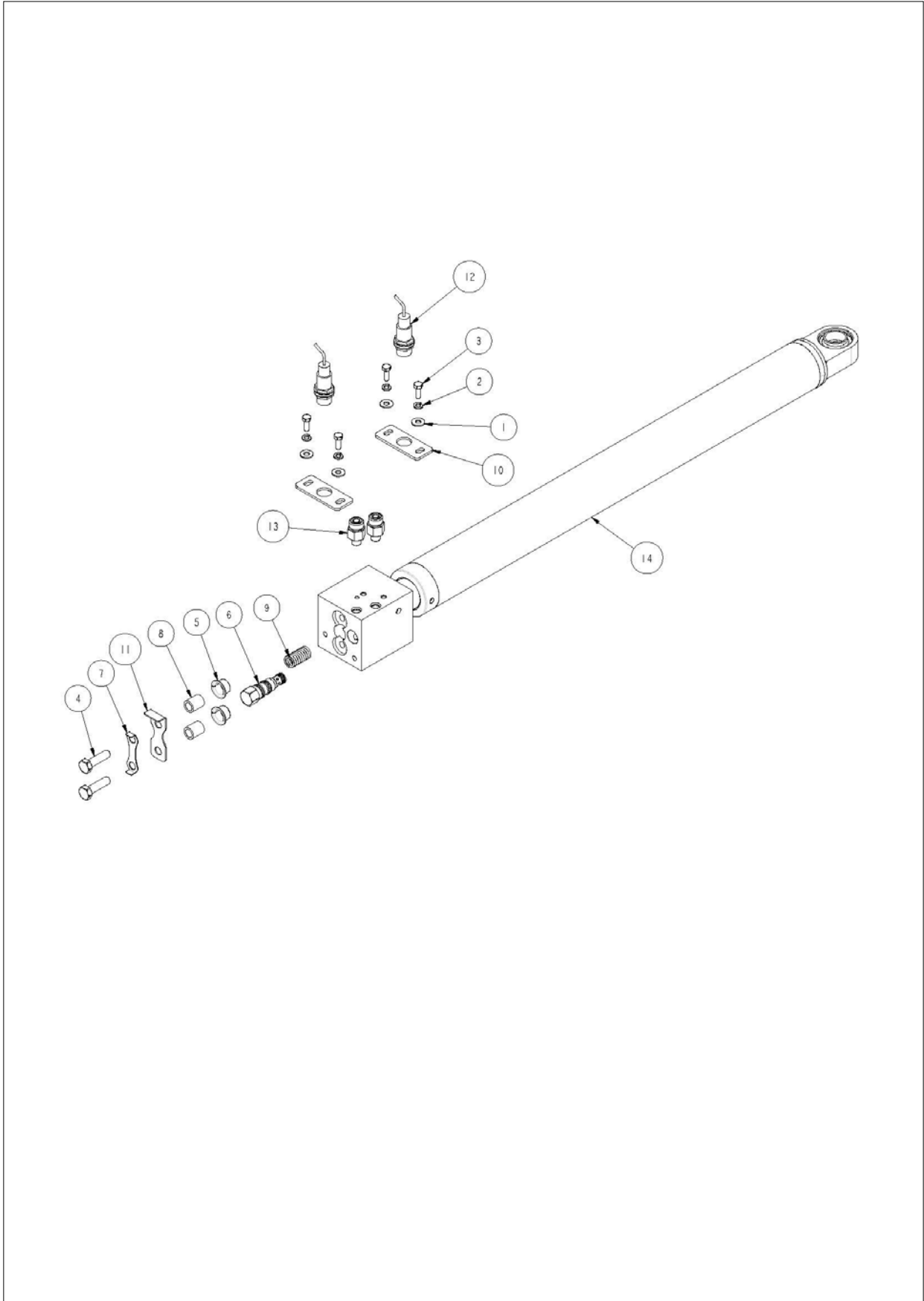
アイテム	部品番号	名前	数量	UOM
1	3603 06	Plain Washer	4	EA
2	3605 06	Spring Washer	2	EA
3	3610 06012	Metric Bolt	2	EA
4	3610 06085	Metric Bolt	1	EA
5	3611 05	Metric Nyloc Nut	1	EA
6	3624 40	Permaglide Bush	2	EA
7	3626 19	Flanged Permaglide Bush	4	EA
8	3641 06	Nylon Washer	1	EA
9	7035 007	Hyd Plug SAE 04 (7/16 Thread)	1	EA
10	13221	Cylinder Lever Pivot Plate	1	EA
11	13221 1	Valve Lever	1	EA
12	13952	SR Lift Cylinder	1	EA
13	100433 008	Hyd Fitting 45 Elbow ORFS(08) SAE(08)	1	EA
14	100434 004	Hyd Fitting 90 Elbow ORFS(04) SAE(06)	1	EA
15	6018024	Solenoid Valve, @ Way, NC, 20V	1	EA
16	6019184	Coil 10 12V Deutsch DT Connector	1	EA
17	15013 063	Check Valve Poppet Flow	1	EA

# HYDRAULICS



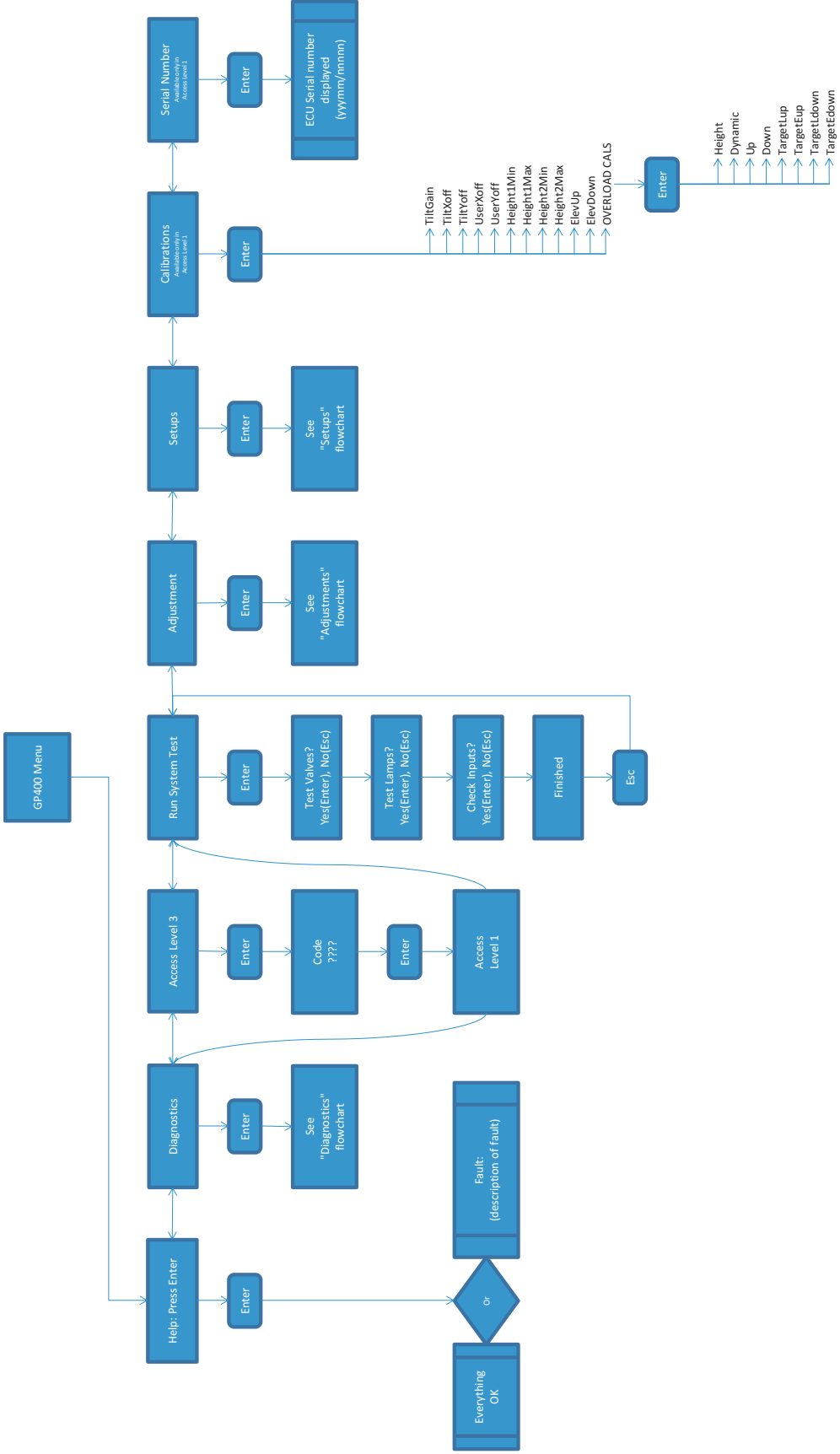
アイテム	部品番号	名前	数量	UOM
1	3603 06	Plain Washer	4	EA
2	3605 06	Spring Washer	2	EA
3	3610 06012	Metric Bolt	2	EA
4	3610 06085	Metric Bolt	1	EA
5	3611 06	Metric Nyloc Nut	1	EA
6	3624 40	Permaglide Bush	2	EA
7	3626 19	Flanged Permaglide Bush	4	EA
8	3641 06	Nylon Washer	1	EA
9	12647 1	Cylinder Lever Pivot Plate	1	EA
10	12648	Valve Lever	1	EA
11	13952	SR Lift Cylinder	1	EA
12	100433 008	Hyd Fitting 45 Elbow ORFS(08) SAE(08)	1	EA
13	100434 004	Hyd Fitting 90 Elbow ORFS(04) SAE(06)	1	EA
14	3030158	Pressure Transducer	1	EA
15	6018024	Solenoid Valve, @ Way, NC, 20V	1	EA
16	6019184	Coil 10 12V Deutsch DT Connector	1	EA
17	15013 063	Check Valve Poppet Flow	1	EA

# HYDRAULICS



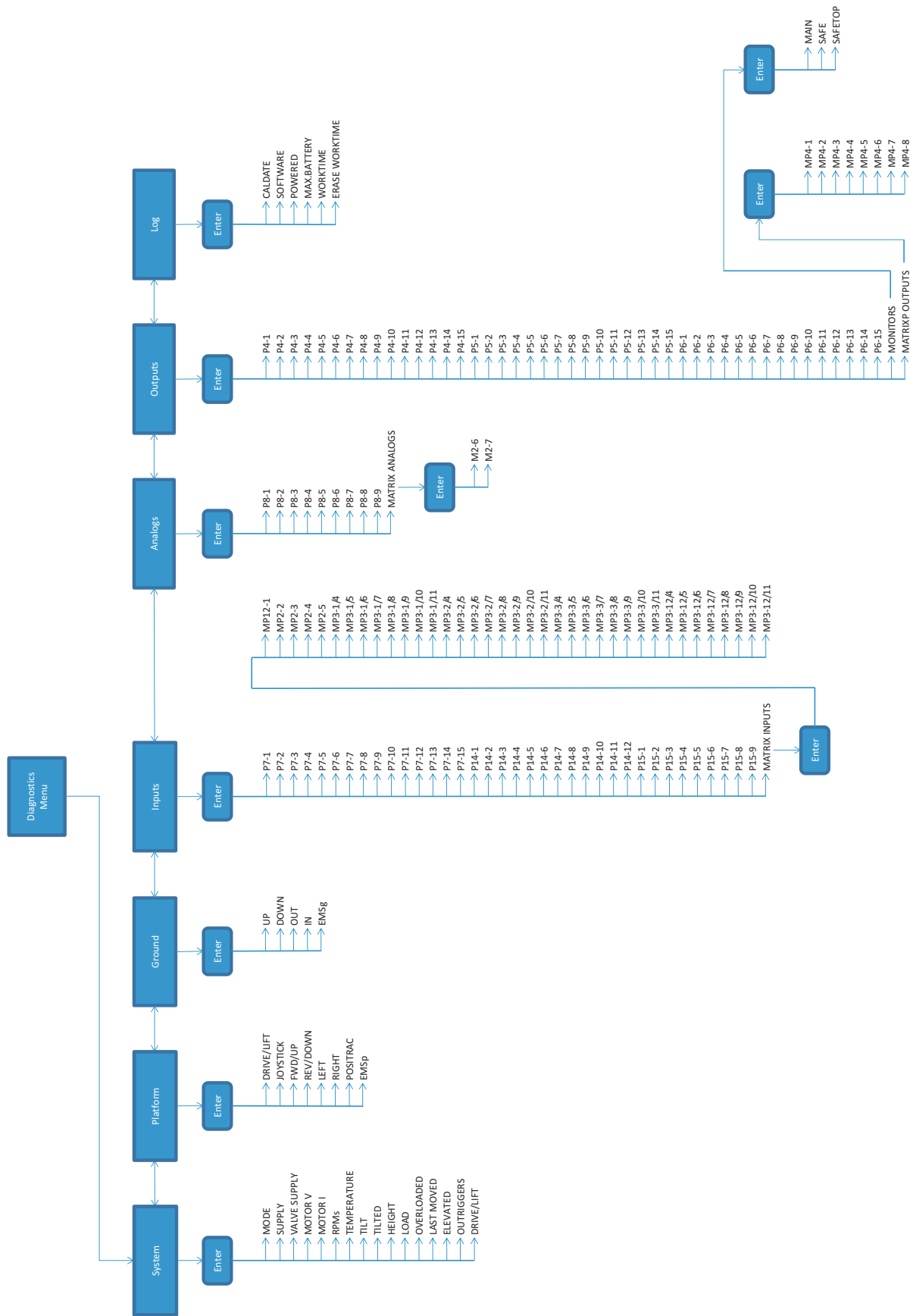
アイテム	部品番号	名前	数量	UOM
1	3603 06	Plain Washer	4	EA
2	3605 06	Spring Washer	4	EA
3	3610 06016	Metric Bolt	4	EA
4	3610 10035	Metric Bolt	2	EA
5	3626 8	Flanged Permaglide Bush	2	EA
6	11367 2	Pilot to open Check Valve With Sealed Pilot	1	EA
7	11492 4	Dual Locktab	1	EA
8	12036 5	Sliding Spacer	2	EA
9	12036 6	Compression Spring	1	EA
10	14098 01	Prox Mount Bracket	2	EA
11	14098 02	Prox Target, Leg Grounded, SR	1	EA
12	15085 03	Axle Prox	2	EA
13	100432 007	Hyd Fitting Straight ORFS(06) SAE(04)	2	EA
14	12036	Cylinder Stabiliser SR	1	EA

Item	Part No	Qty	Description
1	13817-02	1	Loom - Control, S2770RT
2	13817-03	1	Loom - Control, S3370RT
3	13817-04	1	Loom - Control, S3970RT
3	13844	1	Loom - Bleed Down Extn
4	14032-01	1	Loom - Control Extn
5	15010	1	Loom - Outriggers
6	15012	1	Loom - Stack EZIfit
7	15113	1	Loom - Engine
8	15125	1	Loom - Hydraulic Cabinet
9	15126	1	Loom - Axle

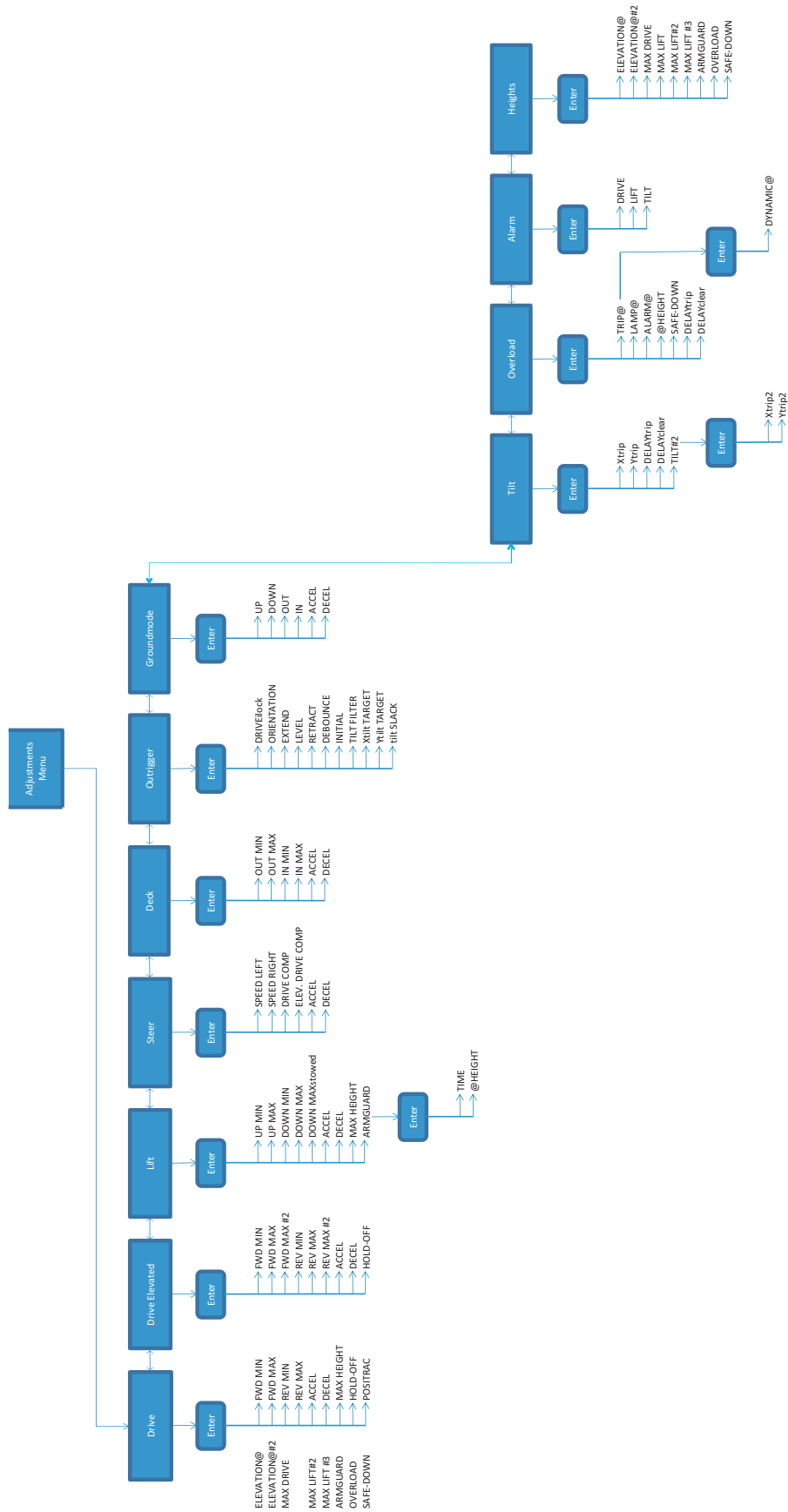




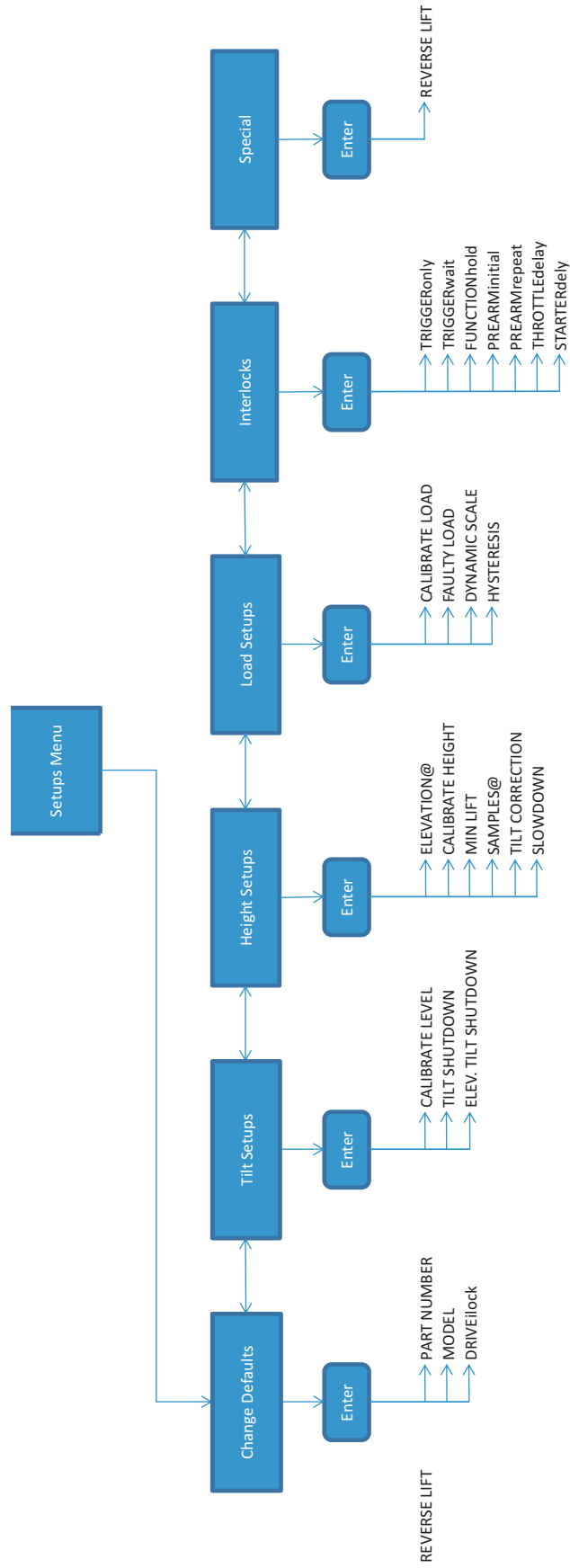
# GP400 I/O Menu Diagnostics



# GP400 I/O Menu Adjustments



# GP400 I/O Menu Setups



# GP400 I/O Allocations

## GP400 I/O allocations

Pin	Function
P1-1	CAN1H
P1-2	CAN1L
P1-3	GND

P9-1	RS232 B+ supply
P9-2	RS232 Rx
P9-3	RS232 Tx
P9-4	RS232 Gnd

P4-1	Proportional Valve
P4-2	
P4-3	Ground Alarm
P4-4	Fwd
P4-5	Rev
P4-6	High Speed Valve
P4-7	Fuel run solenoid
P4-8	
P4-9	Torque Mode
P4-10	
P4-11	O/R Function enable
P4-12	
P4-13	Lift down (gravity)
P4-14	Brake release
P4-15	Lift down (gravity)

P5-1	RL up
P5-2	Steer Left
P5-3	Steer Right
P5-4	24V contactor
P5-5	Lift up
P5-6	Start relay
P5-7	RR up
P5-8	FR up
P5-9	FR Down
P5-10	
P5-11	RR down
P5-12	Cold start relay
P5-13	
P5-14	
P5-15	RL down

P6-1	Lift allowed lamp
P6-2	Copy of 'Torque Mode'
P6-3	
P6-4	Overload lamp
P6-5	
P6-6	
P6-7	Axle release
P6-8	
P6-9	
P6-10	Axle release
P6-11	
P6-12	
P6-13	FL up
P6-14	FL down
P6-15	'not safe' Throttle

P7-1	From TBM POS (supply)
P7-2	Ground
P7-3	Enable
P7-4	Platform
P7-5	Start
P7-6	Cold Start
P7-7	24VDC Electric operation
P7-8	Lift UP
P7-9	Lift DOWN
P7-10	
P7-11	
P7-12	
P7-13	Oil pressure
P7-14	
P7-15	Alternator sense

P8-1	Engine Temperature
P8-2	Ezfit #1 input
P8-3	
P8-4	
P8-5	Ezfit #2 input
P8-6	Pressure transducer input
P8-7	
P8-8	
P8-9	From TBM # 3
P8-10	
P8-11	
P8-12	connect to P8-1
P8-13	
P8-14	connect to TBM-
P8-15	

P15-1	
P15-2	
P15-3	
P15-4	
P15-5	
P15-6	
P15-7	
P15-8	
P15-9	Height Limit 1
P15-10	
P15-11	
P15-12	

P14-1	F/R outrigger Down
P14-2	F/L outrigger Down
P14-3	R/R outrigger Down
P14-4	R/L outrigger Down
P14-5	F/R outrigger Up
P14-6	F/L outrigger Up
P14-7	R/R outrigger Up
P14-8	R/L outrigger Up
P14-9	Axle switches
P14-10	Height Limit 2
P14-11	
P14-12	

## Matrix I/O allocations

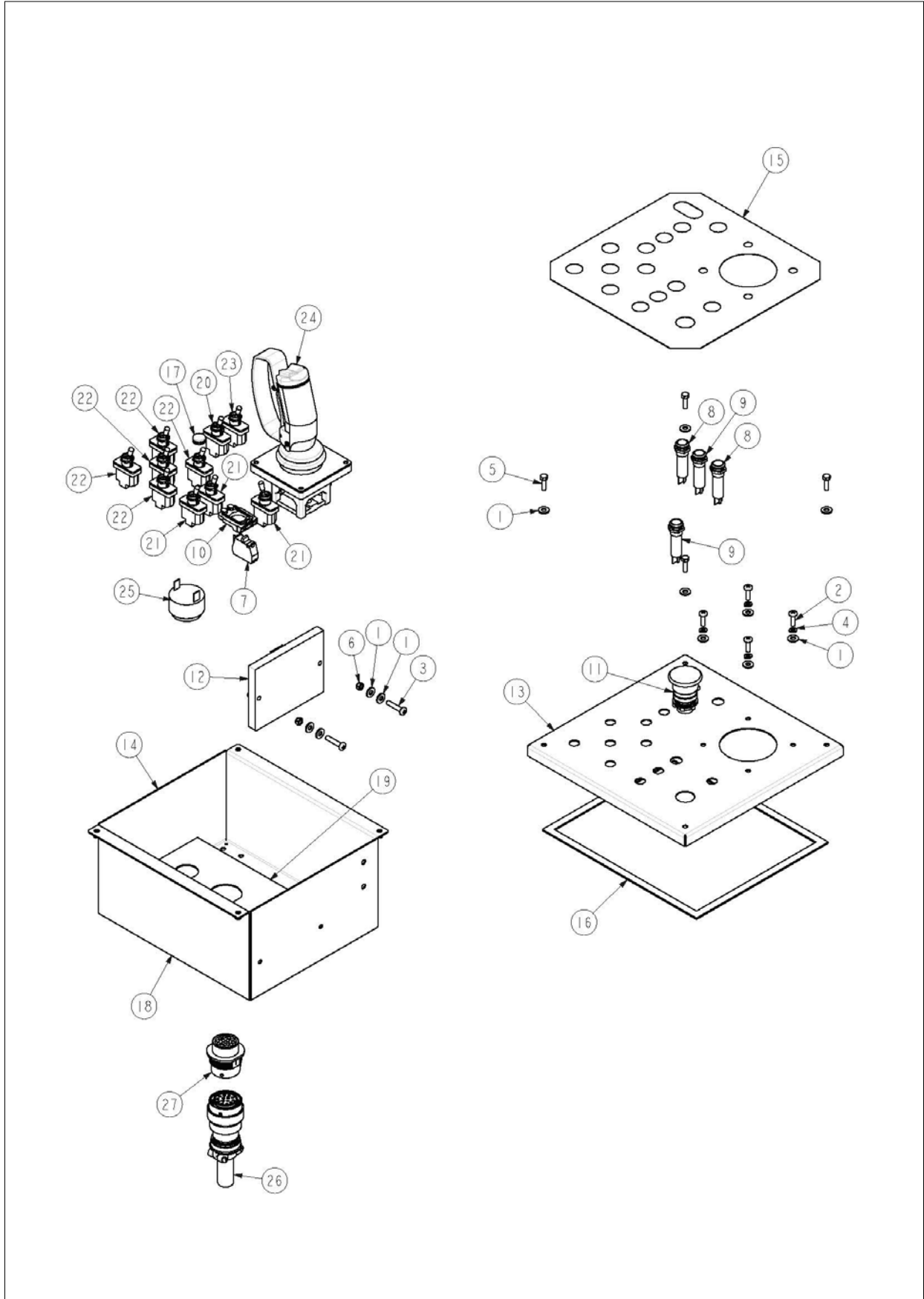
Pin	Function
MP1-1	Platform Mode B+ supply
MP1-2	Ground Mode
MP1-3	CANH
MP1-4	GND
MP1-5	GND
MP1-6	CANL

MP2-1	Engine start
MP2-2	
MP2-3	Steer left
MP2-4	Steer right
MP2-5	Trigger (enable)
MP2-6	Joystick (0.5V-2.5V-4.5V)
MP2-7	
MP2-8	
MP2-9	
MP2-10	Joystick supply
MP2-11	Joystick supply
MP2-12	Switch supply

MP3-1	MP3-1	MP3-2	MP3-3	MP3-12
MP3-1				
MP3-2				
MP3-3				
MP3-4	O/R AUTO RETRACT	O/R AUTO EXTEND		
MP3-5	O/R F/R RETRACT	O/R F/R EXTEND		
MP3-6	O/R F/L RETRACT	O/R F/L EXTEND		
MP3-7	O/R R/R RETRACT	O/R R/R EXTEND		
MP3-8	O/R R/L RETRACT	O/R R/L EXTEND		
MP3-9	LIFT SELECT	DRIVE SELECT		
MP3-10		24VDC select		
MP3-11	HIGHSPEED SELECT	COLD START	Torque Select	
MP3-12				

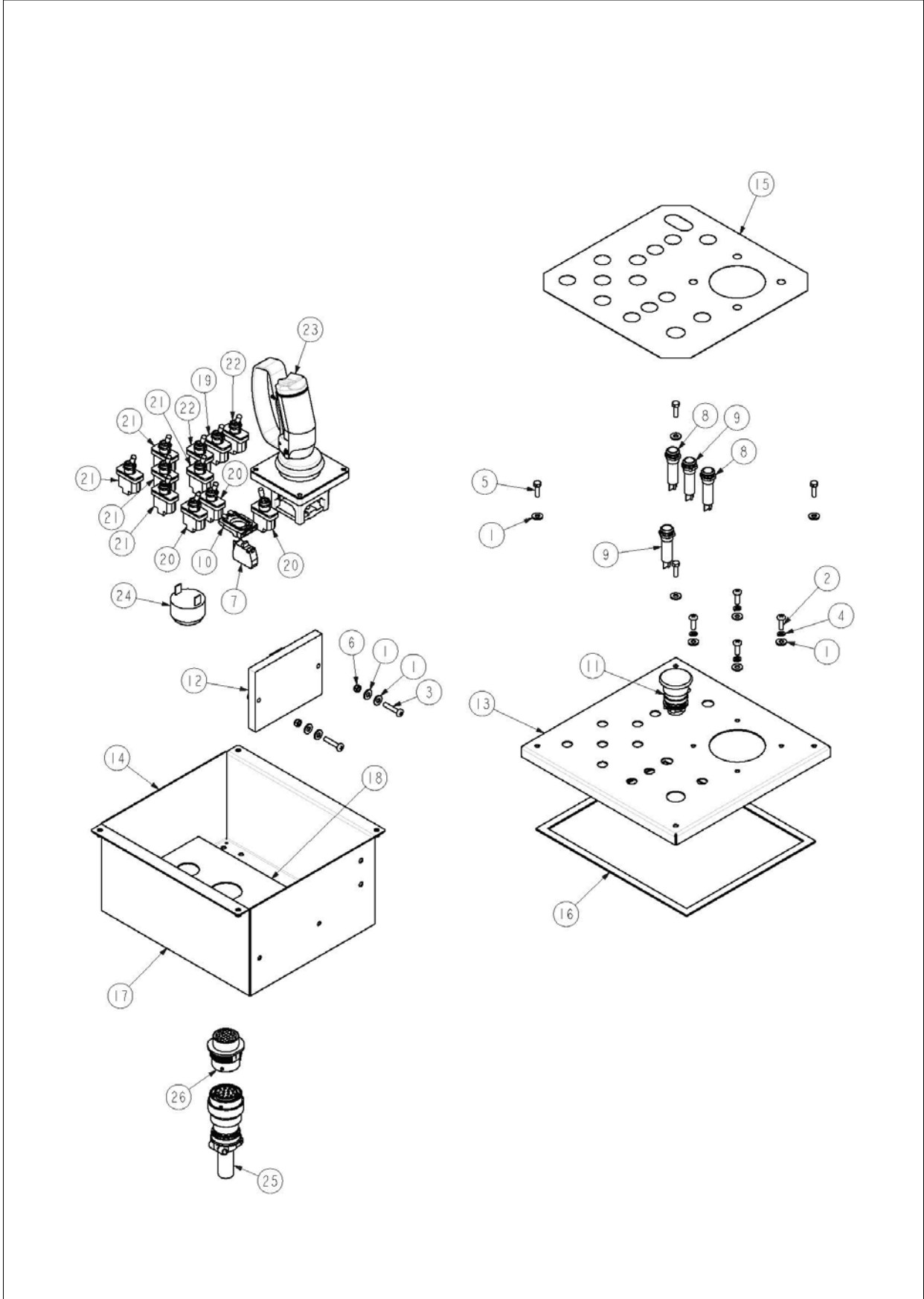
MP4-1	Warning lamp
MP4-2	Lift allowed lamp
MP4-3	Overload lamp
MP4-4	Drive allowed lamp
MP4-5	All alarm
MP4-6	
MP4-7	
MP4-8	
MP4-9	

# ELECTRICAL



アイテム	部品番号	名前	数量	UOM
1	3603 05	Plain Washer	16	EA
2	3604 05016	Pan Head Screw	4	EA
3	3604 05025	Pan Head Screw	2	EA
4	3605 05	Spring Washer	4	EA
5	3610 05016	Metric Bolt	4	EA
6	3611 05	Metric Nyloc Nut	6	EA
7	10118	Contact, NC Telemac ZBE 102	1	EA
8	12536 3	LED Green, 12V M12	2	EA
9	12536 4	LED Red, 12V M12	2	EA
10	12914 10	Collar	1	EA
11	12914 11	E Stop 40mm, Pull Release	1	EA
12	13485 02	Trionics Matrix	2	EA
13	13808 01	Control Box Lid Upper	1	EA
14	13808 02	Control Box Base Fold Lower	1	EA
15	13838 03	Control Box Decal	1	EA
16	13862	Foam Strip	1	EA
17	13901 12	Blanking Plug	1	EA
18	14022	Control Box Base Upper	1	EA
19	14022 03	Control Box Base Insert	1	EA
20	329926	Switch, Toggle Honeywell INTI 1	1	EA
21	3020015	Switch, Toggle Honeywell INTI 6	3	EA
22	3020016	Switch, Toggle Honeywell INTI 7	5	EA
23	3020047	Switch, Toggle Honeywell INTI 3	1	EA
24	3028933	Joystick I Axis, Deadman Guard	1	EA
25	3040411	Alarm Buzzer	1	EA
26	3049861	Plug, HD30, 14 Way	1	EA
27	3049862	Receptacle, Flgd HD30, 14 Way	1	EA

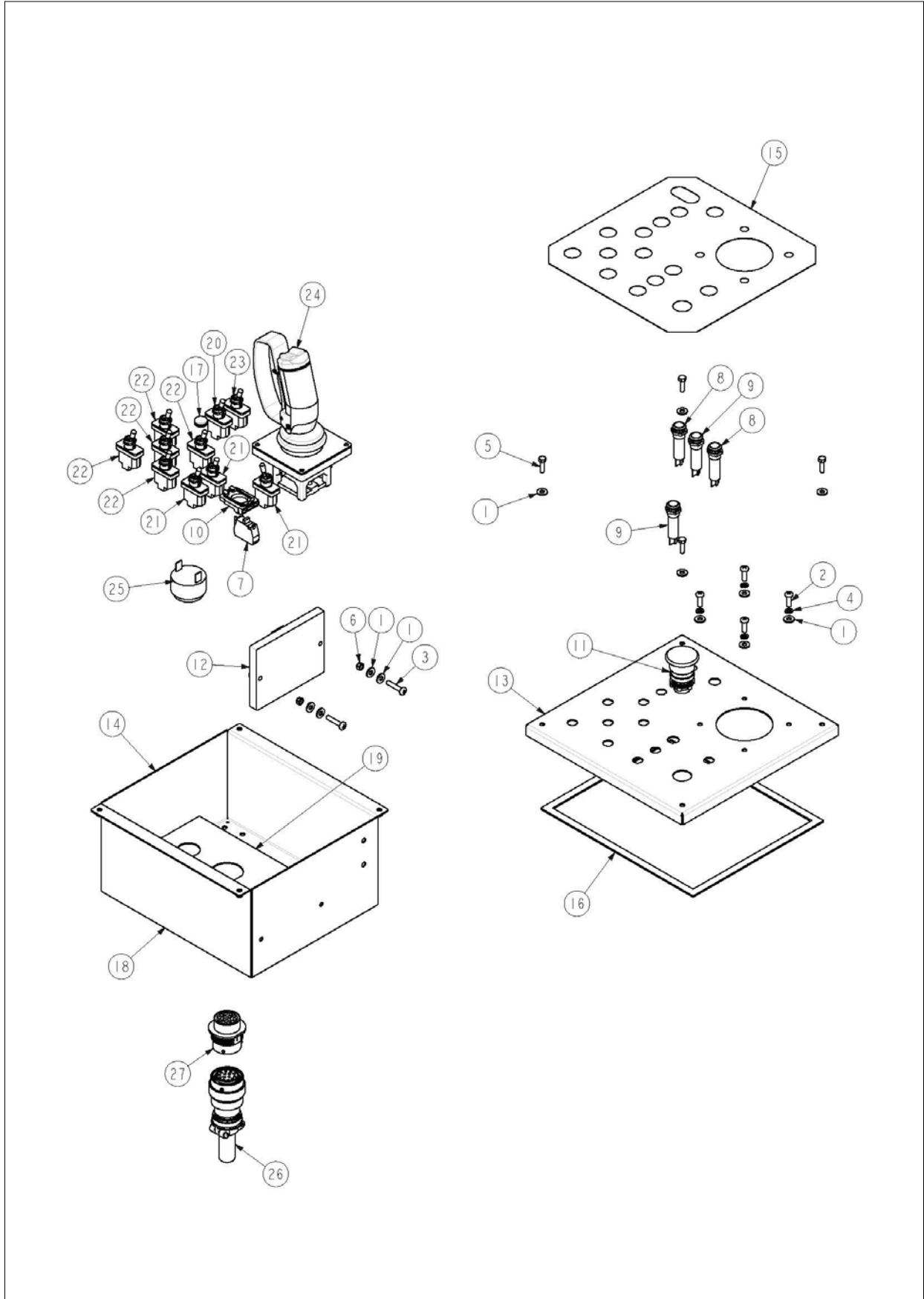
# ELECTRICAL



アイテム	部品番号	名前	数量	UOM
1	3603 05	Plain Washer	16	EA
2	3604 05016	Pan Head Screw	4	EA
3	3604 05025	Pan Head Screw	2	EA
4	3605 05	Spring Washer	4	EA
5	3610 05016	Metric Bolt	4	EA
6	3611 05	Metric Nyloc Nut	6	EA
7	10118	Contact, NC Telemac ZBE 102	1	EA
8	12536 3	LED Green, 12V M12	2	EA
9	12536 4	LED Red, 12V M12	2	EA
10	12914 10	Collar	1	EA
11	12914 11	E Stop 40mm, Pull Release	1	EA
12	13485 02	Trionics Matrix	2	EA
13	13808 01	Control Box Lid Upper	1	EA
14	13808 02	Control Box Base Fold Lower	1	EA
15	13838 04	Control Box Decal	1	EA
16	13862	Foam Strip	1	EA
17	14022	Control Box Base Upper	1	EA
18	14022 03	Control Box Base Insert	1	EA
19	329926	Switch, Toggle Honeywell INTI 1	1	EA
20	3020015	Switch, Toggle Honeywell INTI 6	3	EA
21	3020016	Switch, Toggle Honeywell INTI 7	5	EA
22	3020047	Switch, Toggle Honeywell INTI 3	2	EA
23	3028933	Joystick I Axis, Deadman Guard	1	EA
24	3040411	Alarm Buzzer	1	EA
25	3049861	Plug, HD30, 14 Way	1	EA
26	3049862	Receptacle, Flgd HD30, 14 Way	1	EA

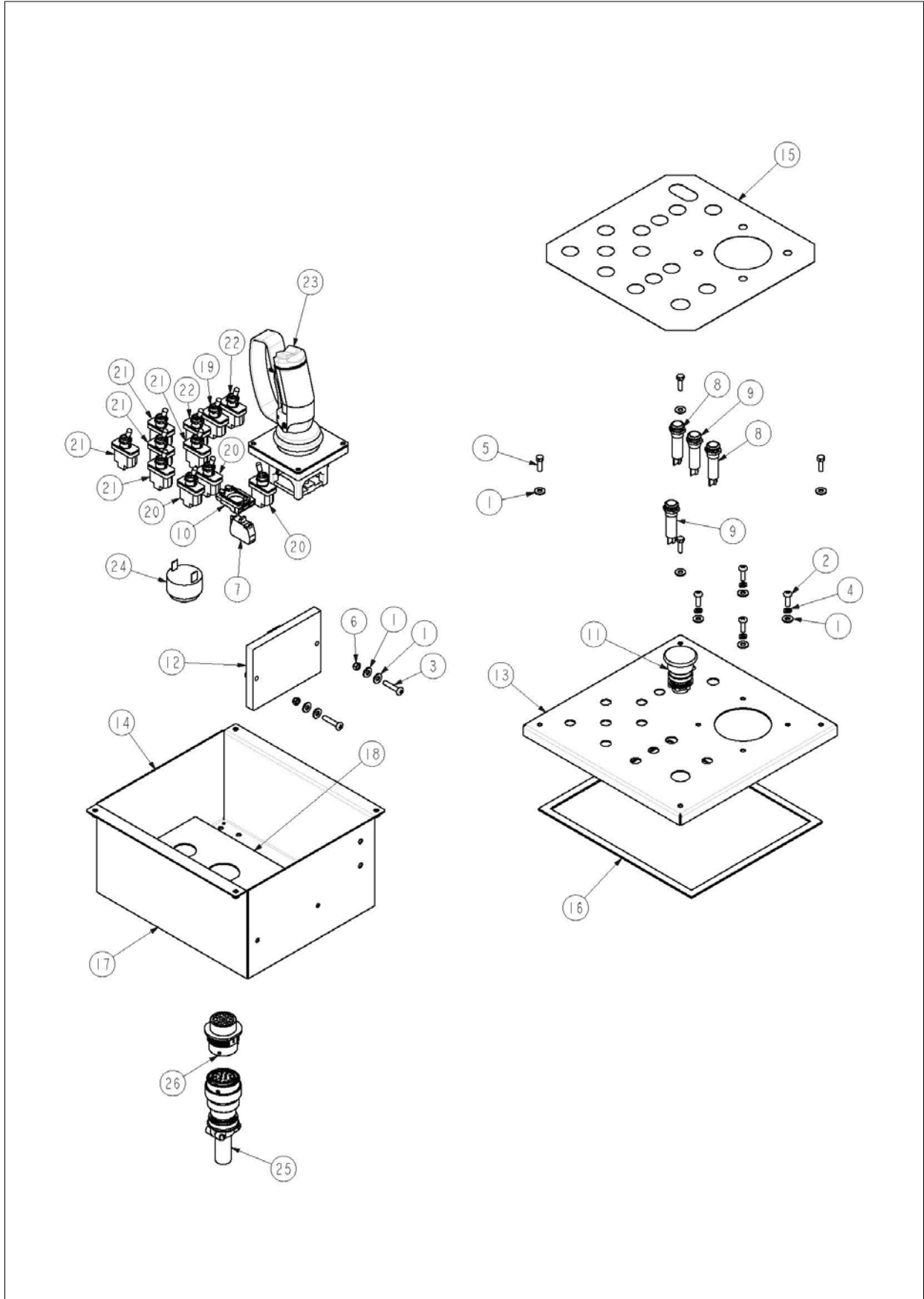


# ELECTRICAL



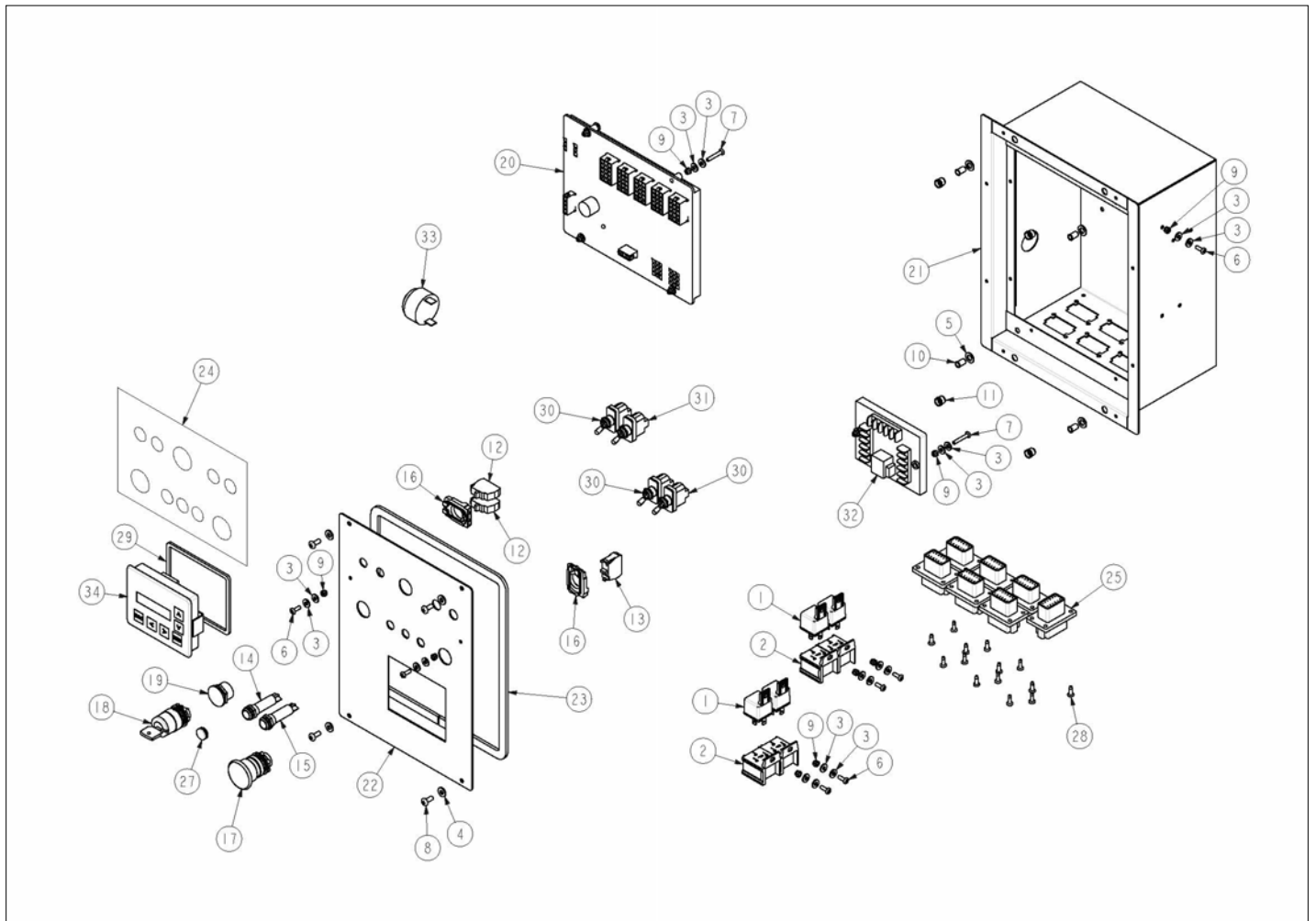
アイテム	部品番号	名前	数量	UOM
1	3603 05	Plain Washer	16	EA
2	3604 05016	Pan Head Screw	4	EA
3	3604 05025	Pan Head Screw	2	EA
4	3605 05	Spring Washer	4	EA
5	3610 05016	Metric Bolt	4	EA
6	3611 05	Metric Nyloc Nut	6	EA
7	10118	Contact, NC Telemac ZBE 102	1	EA
8	12536 3	LED Green, 12V M12	2	EA
9	12536 4	LED Red, 12V M12	2	EA
10	12914 10	Collar	1	EA
11	12914 11	E Stop 40mm, Pull Release	1	EA
12	13485 02	Trionics Matrix	2	EA
13	13808 01	Control Box Lid Upper	1	EA
14	13808 02	Control Box Base Fold Lower	1	EA
15	13838 08	Control Box Decal	1	EA
16	13862	Foam Strip	1	EA
17	13901 12	Blanking Plug	1	EA
18	14022	Control Box Base Upper	1	EA
19	14022 03	Control Box Base Insert	1	EA
20	329926	Switch, Toggle Honeywell INTI 1	1	EA
21	3020015	Switch, Toggle Honeywell INTI 6	3	EA
22	3020016	Switch, Toggle Honeywell INTI 7	5	EA
23	3020047	Switch, Toggle Honeywell INTI 3	1	EA
24	3028933	Joystick I Axis, Deadman Guard	1	EA
25	3040411	Alarm Buzzer	1	EA
26	3049861	Plug, HD30, 14 Way	1	EA
27	3049862	Receptacle, Flgd HD30, 14 Way	1	EA

# ELECTRICAL



アイテム	部品番号	名前	数量	UOM
1	3603 05	Plain Washer	16	EA
2	3604 05016	Pan Head Screw	4	EA
3	3604 05025	Pan Head Screw	2	EA
4	3605 05	Spring Washer	4	EA
5	3610 05016	Metric Bolt	4	EA
6	3611 05	Metric Nyloc Nut	6	EA
7	10118	Contact, NC Telemac ZBE 102	1	EA
8	12536 3	LED Green, 12V M12	2	EA
9	12536 4	LED Red, 12V M12	2	EA
10	12914 10	Collar	1	EA
11	12914 11	E Stop 40mm, Pull Release	1	EA
12	13485 02	Trionics Matrix	2	EA
13	13808 01	Control Box Lid Upper	1	EA
14	13808 02	Control Box Base Fold Lower	1	EA
15	13838 09	Control Box Decal	1	EA
16	13862	Foam Strip	1	EA
17	14022	Control Box Base Upper	1	EA
18	14022 03	Control Box Base Insert	1	EA
19	329926	Switch, Toggle Honeywell INTI 1	1	EA
20	3020015	Switch, Toggle Honeywell INTI 6	3	EA
21	3020016	Switch, Toggle Honeywell INTI 7	5	EA
22	3020047	Switch, Toggle Honeywell INTI 3	2	EA
23	3028933	Joystick I Axis, Deadman Guard	1	EA
24	3040411	Alarm Buzzer	1	EA
25	3049861	Plug, HD30, 14 Way	1	EA
26	3049862	Receptacle, Flgd HD30, 14 Way	1	EA

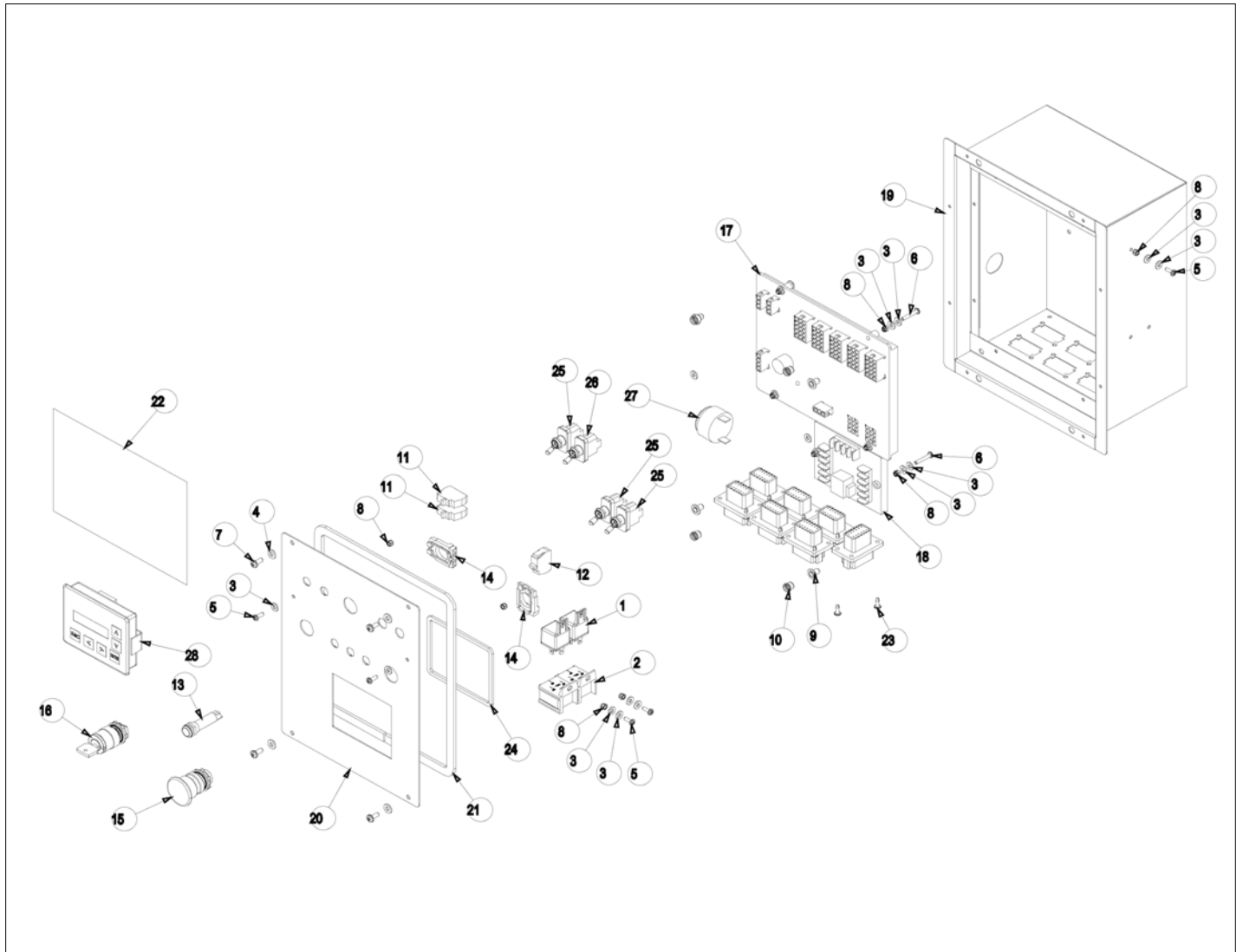
# ELECTRICAL



アイテム	部品番号	名前	数量	UOM
1	1650 010	Relay 12V	4	EA
2	2065 002	Plug In Relay Base	4	EA
3	3603 04	Plain Washer	28	EA
4	3603 05	Plain Washer	4	EA
5	3603 07	Plain Washer	4	EA
6	3604 04012	Pan Head Screw	8	EA
7	3604 04025	Pan Head Screw	6	EA
8	3604 05012	Pan Head Screw	4	EA
9	3611 04	Metric Nyloc Nut	14	EA
10	3628 05	Nutsert M5	4	EA
11	3628 06	Nutsert M6	4	EA
12	10114	Contact, NO Telemac ZBE 101	2	EA
13	10118	Contact, NC Telemac ZBE 102	1	EA
14	12536 3	LED Green, 12V M12	1	EA
15	12536 4	LED Red, 12V M12	1	EA
16	12914 10	Collar	2	EA
17	12914 12	Push Button 40mm, Red	1	EA
18	12914 13	Key Switch 1 (2) 3, 455 Key	1	EA
19	12914 6	Plastic Blanking Plug	1	EA
20	13485 05	TRIONICS GP400C	1	EA
21	13810	Control Box Weld	1	EA
22	13810 5	Control Box Face Panel	1	EA
23	13811 1	Foam Seal	1	EA
24	13839 01	Decal, Lower Control Box	1	EA
25	13852 12	DT04 12PA 1012	7	EA
26	13878 01	Harness	1	EA
27	13901 12	Blanking Plug	1	EA
28	13926 1008	Screw, T25 Pan Pozi, ZP	14	EA
29	514345 000	Gasket EZCal Display	1	EA

アイテム	部品番号	名前	数量	UOM
30	3020015	Switch, Toggle Honeywell INTI 6	3	EA
31	3020016	Switch, Toggle Honeywell INTI 7	1	EA
32	3030181	Trionics TBM	1	EA
33	3040411	Alarm Buzzer	1	EA
34	3087803	EZCal Panel Trionics	1	EA

# ELECTRICAL

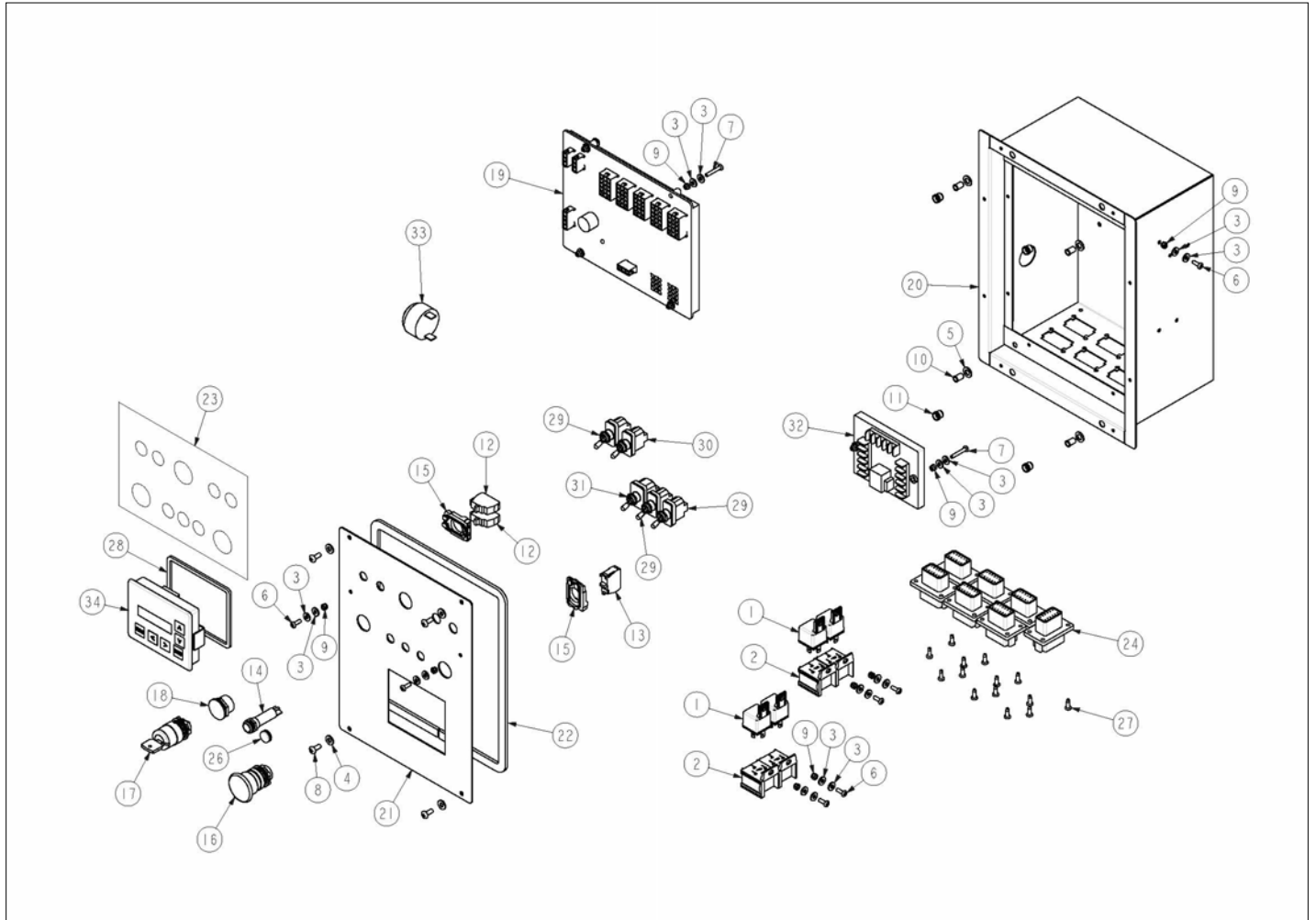




アイテム	部品番号	名前	数量	UOM
0	13811 02	ANSI Diesel Lower Control Box		EA
1	1650 010	Relay 12V	2	EA
2	2065 002	Plug In Relay Base	2	EA
3	3603 04	Plain Washer	24	EA
4	3603 05	Plain Washer	4	EA
5	3604 04012	Pan Head Screw	6	EA
6	3604 04025	Pan Head Screw	6	EA
7	3604 05012	Pan Head Screw	4	EA
8	3611 04	Metric Nyloc Nut	12	EA
9	3628 05	Nutsert M5	4	EA
10	3628 06	Nutsert M6	4	EA
11	10114	Contact, NO Telemac ZBE 101	2	EA
12	10118	Contact, NC Telemac ZBE 102	1	EA
13	12536 3	LED Green, 12V M12	1	EA
14	12914 10	Collar	2	EA
15	12914 12	Push Button 40mm, Red	1	EA
16	12914 13	Key Switch 1 (2) 3, 455 Key	1	EA
17	13485 05	TRIONICS GP400C	2	EA
18	13485 03	Trionics TBM	1	EA
19	13810	Control Box Weld	1	EA
20	13810 5	Control Box Face Panel	1	EA
21	13811 1	Foam Seal	1	EA
22	13839 01	Decal, Lower Control Box	1	EA
23	13926 1008	Screw, T25 Pan Pozi, ZP	14	EA
24	514345 000	Gasket EZCal Display	1	EA
25	3020015	Switch, Toggle Honeywell INTI 6	3	EA
26	3020016	Switch, Toggle Honeywell INTI 7	1	EA
27	3040411	Alarm Buzzer	1	EA

アイテム	部品番号	名前	数量	UOM
28	3087803	EZCal Panel Trionics	1	EA

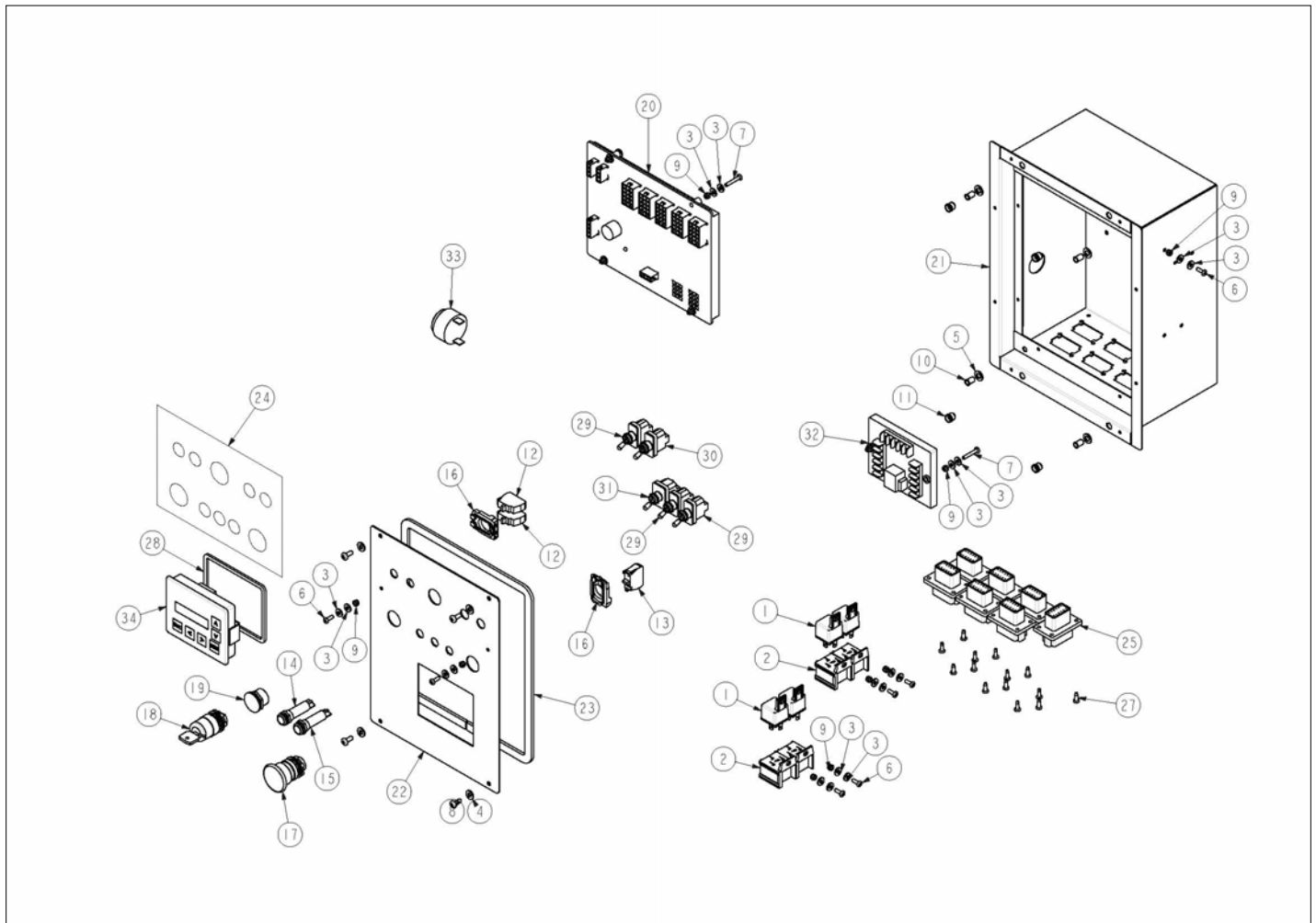
# ELECTRICAL



アイテム	部品番号	名前	数量	UOM
1	1650 010	Relay 12V	4	EA
2	2065 002	Plug In Relay Base	4	EA
3	3603 04	Plain Washer	28	EA
4	3603 05	Plain Washer	4	EA
5	3603 07	Plain Washer	4	EA
6	3604 04012	Pan Head Screw	8	EA
7	3604 04025	Pan Head Screw	6	EA
8	3604 05012	Pan Head Screw	4	EA
9	3611 04	Metric Nyloc Nut	14	EA
10	3628 05	Nutsert M5	4	EA
11	3628 06	Nutsert M6	4	EA
12	10114	Contact, NO Telemac ZBE 101	2	EA
13	10118	Contact, NC Telemac ZBE 102	1	EA
14	12536 3	LED Green, 12V M12	1	EA
15	12914 10	Collar	2	EA
16	12914 12	Push Button 40mm, Red	1	EA
17	12914 13	Key Switch 1 (2) 3, 455 Key	1	EA
18	12914 6	Plastic Blanking Plug	1	EA
19	13485 05	TRIONICS GP400C	1	EA
20	13810	Control Box Weld	1	EA
21	13810 5	Control Box Face Panel	1	EA
22	13811 1	Foam Seal	1	EA
23	13839 02	Decal Lower Control Box	1	EA
24	13852 12	DT04 12PA 1012	7	EA
25	13878 01	Harness	1	EA
26	13901 12	Blanking Plug	1	EA
27	13926 1008	Screw, T25 Pan Pozi, ZP	14	EA
28	514345 000	Gasket EZCal Display	1	EA
29	3020015	Switch, Toggle Honeywell INTI 6	3	EA

アイテム	部品番号	名前	数量	UOM
30	3020016	Switch, Toggle Honeywell INTI 7	1	EA
31	3020097	Switch, Toggle Honeywell 2NTI 3	1	EA
32	3030181	Trionics TBM	1	EA
33	3040411	Alarm Buzzer	1	EA
34	3087803	EZCal Panel Trionics	1	EA

# ELECTRICAL

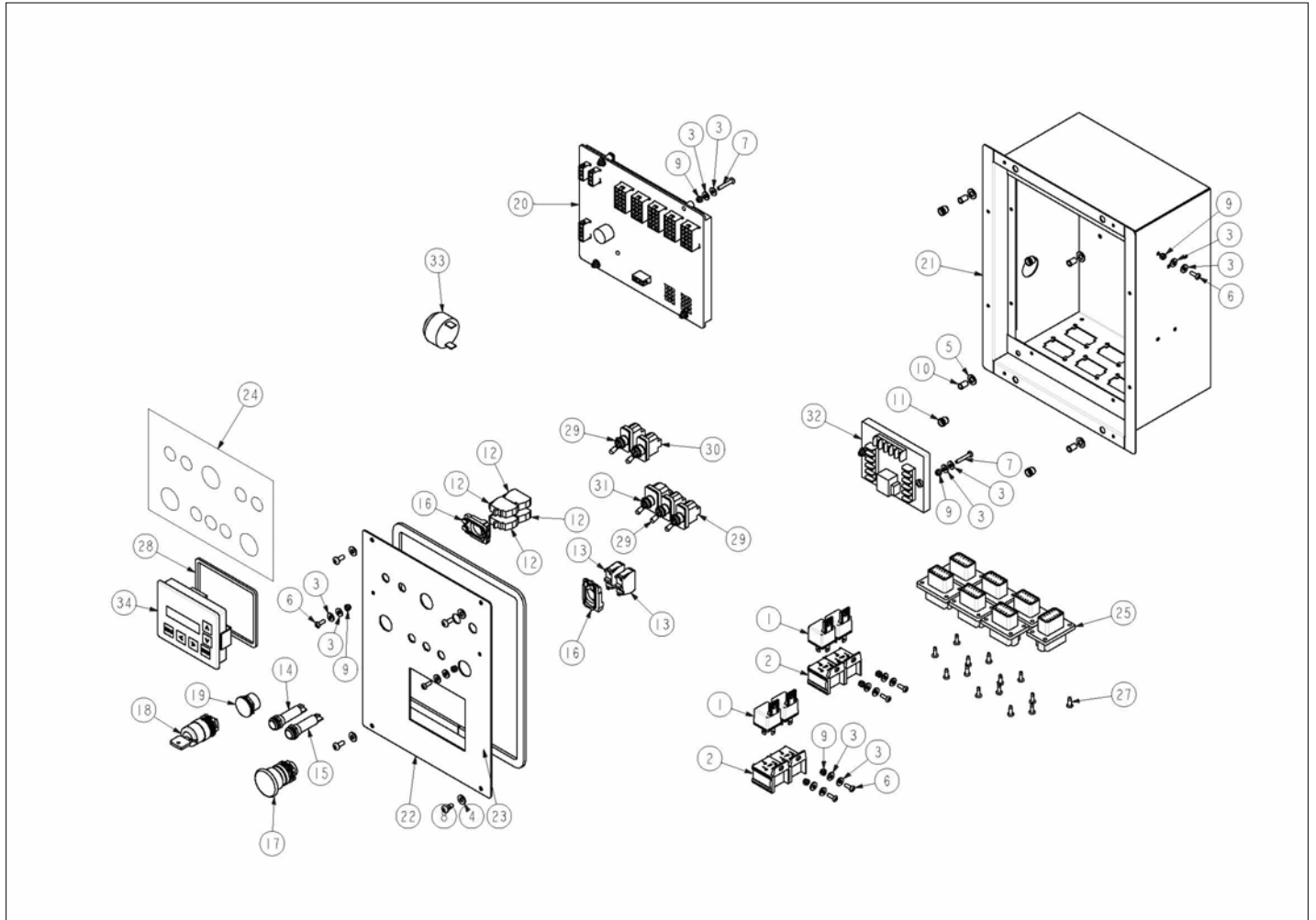


アイテム	部品番号	名前	数量	UOM
1	1650 010	Relay 12V	4	EA
2	2065 002	Plug In Relay Base	4	EA
3	3603 04	Plain Washer	28	EA
4	3603 05	Plain Washer	4	EA
5	3603 07	Plain Washer	4	EA
6	3604 04012	Pan Head Screw	8	EA
7	3604 04025	Pan Head Screw	6	EA
8	3604 05012	Pan Head Screw	4	EA
9	3611 04	Metric Nyloc Nut	14	EA
10	3628 05	Nutsert M5	4	EA
11	3628 06	Nutsert M6	4	EA
12	10114	Contact, NO Telemac ZBE 101	2	EA
13	10118	Contact, NC Telemac ZBE 102	1	EA
14	12536 3	LED Green, 12V M12	1	EA
15	12536 4	LED Red, 12V M12	1	EA
16	12914 10	Collar	2	EA
17	12914 12	Push Button 40mm, Red	1	EA
18	12914 13	Key Switch 1 (2) 3, 455 Key	1	EA
19	12914 6	Plastic Blanking Plug	1	EA
20	13485 05	TRIONICS GP400C	1	EA
21	13810	Control Box Weld	1	EA
22	13810 5	Control Box Face Panel	1	EA
23	13811 1	Foam Seal	1	EA
24	13839 02	Decal Lower Control Box	1	EA
25	13852 12	DT04 12PA 1012	7	EA
26	13878 01	Harness	1	EA
27	13926 1008	Screw, T25 Pan Pozi, ZP	14	EA
28	514345 000	Gasket EZCal Display	1	EA
29	3020015	Switch, Toggle Honeywell INTI 6	3	EA

アイテム	部品番号	名前	数量	UOM
30	3020016	Switch, Toggle Honeywell INTI 7	1	EA
31	3020097	Switch, Toggle Honeywell 2NTI 3	1	EA
32	3030181	Trionics TBM	1	EA
33	3040411	Alarm Buzzer	1	EA
34	3087803	EZCal Panel Trionics	1	EA



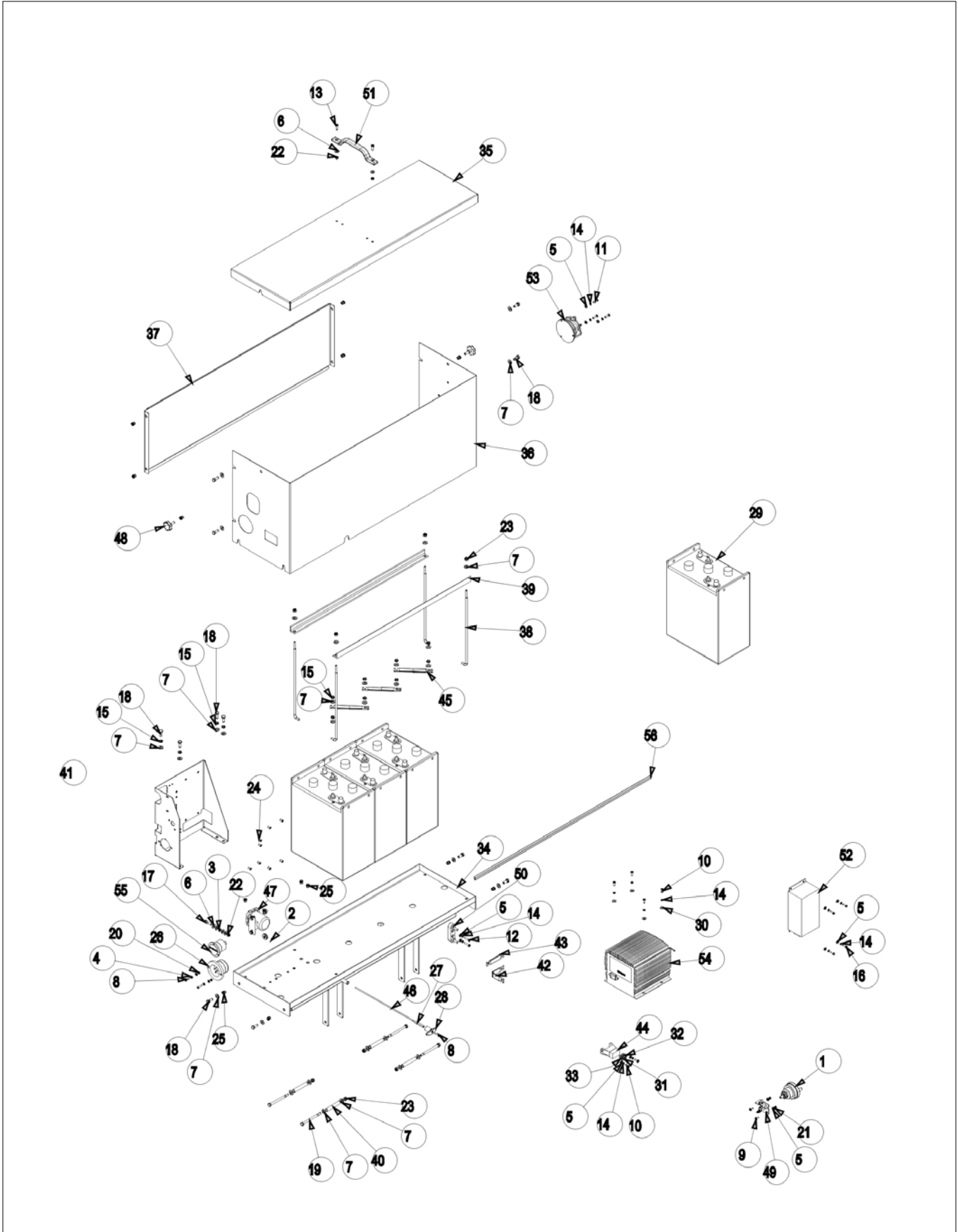
# ELECTRICAL



アイテム	部品番号	名前	数量	UOM
1	1650 010	Relay 12V	4	EA
2	2065 002	Plug In Relay Base	4	EA
3	3603 04	Plain Washer	28	EA
4	3603 05	Plain Washer	4	EA
5	3603 07	Plain Washer	4	EA
6	3604 04012	Pan Head Screw	8	EA
7	3604 04025	Pan Head Screw	6	EA
8	3604 05012	Pan Head Screw	4	EA
9	3611 04	Metric Nyloc Nut	14	EA
10	3628 05	Nutsert M5	4	EA
11	3628 06	Nutsert M6	4	EA
12	10114	Contact, NO Telemac ZBE 101	4	EA
13	10118	Contact, NC Telemac ZBE 102	2	EA
14	12536 3	LED Green, 12V M12	1	EA
15	12536 4	LED Red, 12V M12	1	EA
16	12914 10	Collar	2	EA
17	12914 12	Push Button 40mm, Red	1	EA
18	12914 13	Key Switch 1 (2) 3, 455 Key	1	EA
19	12914 6	Plastic Blanking Plug	1	EA
20	13485 05	TRIONICS GP400C	1	EA
21	13810	Control Box Weld	1	EA
22	13810 5	Control Box Face Panel	1	EA
23	13811 1	Foam Seal	1	EA
24	13839 01	Decal, Lower Control Box	1	EA
25	13852 12	DT04 12PA 1012	7	EA
26	13878 01	Harness	1	EA
27	13926 1008	Screw, T25 Pan Pozi, ZP	14	EA
28	514345 000	Gasket EZCal Display	1	EA
29	3020015	Switch, Toggle Honeywell INTI 6	3	EA

アイテム	部品番号	名前	数量	UOM
30	3020016	Switch, Toggle Honeywell INTI 7	1	EA
31	3020097	Switch, Toggle Honeywell 2NTI 3	1	EA
32	3030181	Trionics TBM	1	EA
33	3040411	Alarm Buzzer	1	EA
34	3087803	EZCal Panel Trionics	1	EA

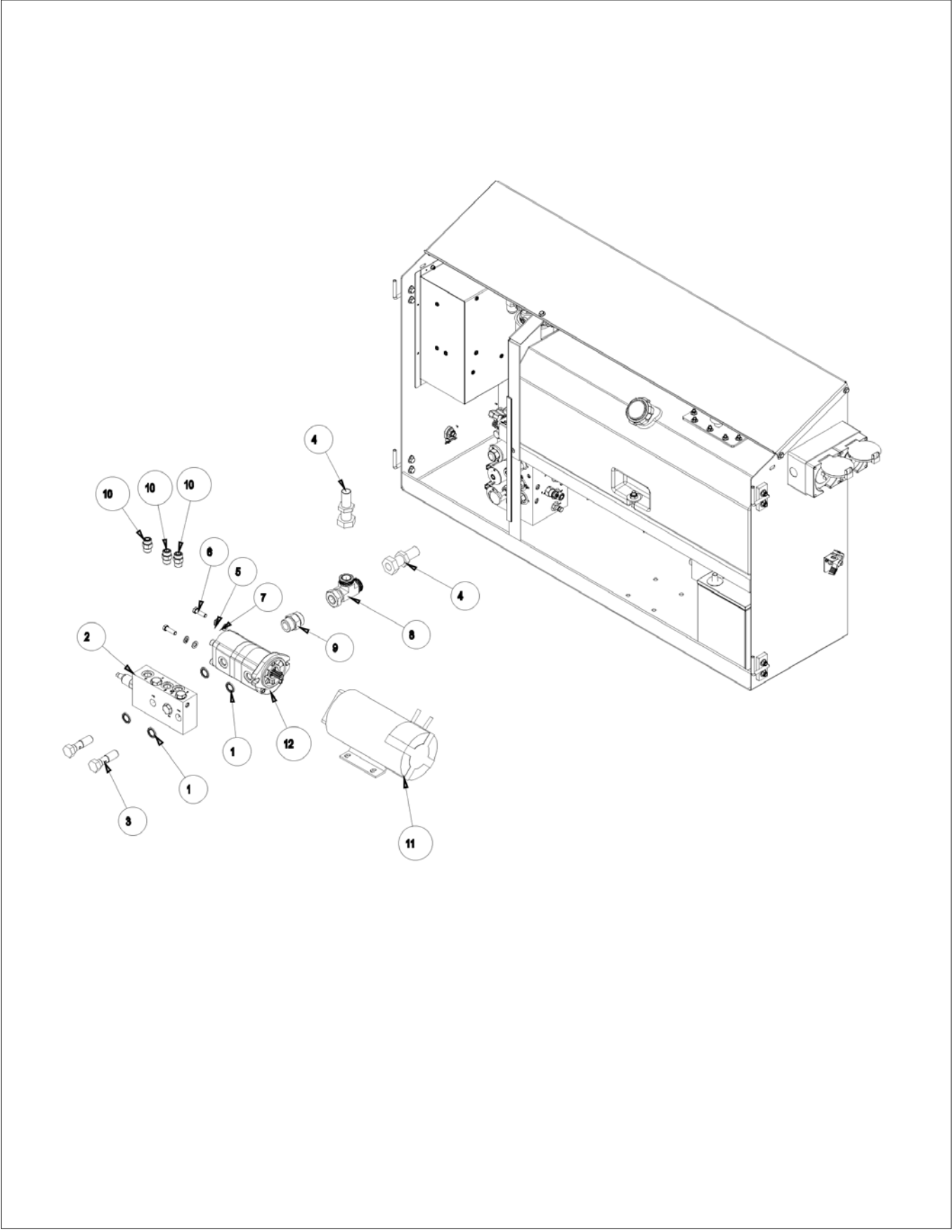
# ELECTRICAL



アイテム	部品番号	名前	数量	UOM
1	302 0049	Switch Battery Disconnect	1	EA
2	3602 04	Nut (Not Shown)	2	EA
3	3602 06	Metric Hex Nut	1	EA
4	3603 04	Plain Washer	4	EA
5	3603 05	Plain Washer	13	EA
6	3603 06	Plain Washer	10	EA
7	3603 08	Plain Washer	38	EA
8	3604 04020	Pan Head Screw	3	EA
9	3604 05012	Pan Head Screw	2	EA
10	3604 05016	Pan Head Screw	6	EA
11	3604 05020	Pan Head Screw	3	EA
12	3604 05025	Pan Head Screw	2	EA
13	3604 06020	Pan Head Screw	2	EA
14	3605 05	Spring Washer	15	EA
15	3605 08	Spring Washer	15	EA
16	3610 05016	Metric Bolt	4	EA
17	3610 06030	Metric Bolt	1	EA
18	3610 08020	Metric Bolt	12	EA
19	3610 08100	Metric Bolt	4	EA
20	3611 04	Metric Nyloc Nut	2	EA
21	3611 05	Metric Nyloc Nut	2	EA
22	3611 06	Metric Nyloc Nut	5	EA
23	3611 08	Metric Nylock Nut	8	EA
24	3628 05	Nutsert M5	12	EA
25	3628 08	Nutsert M8	14	EA
26	9595	AC Inlet 230V	1	EA
27	12509 50	Spacer M4 Female x 50mm Hex	1	EA
28	12726	Bleed down handle	1	EA
29	13100	Battery, Trojan J305P	4	EA

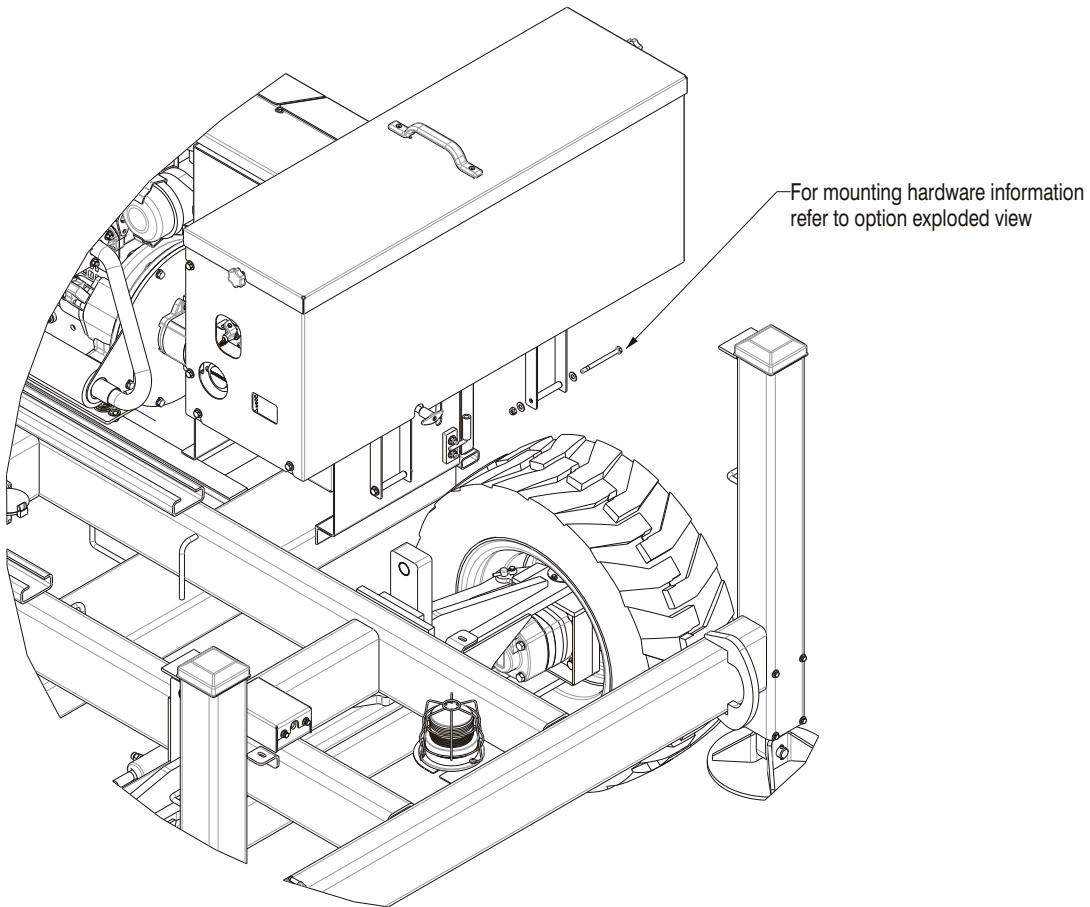
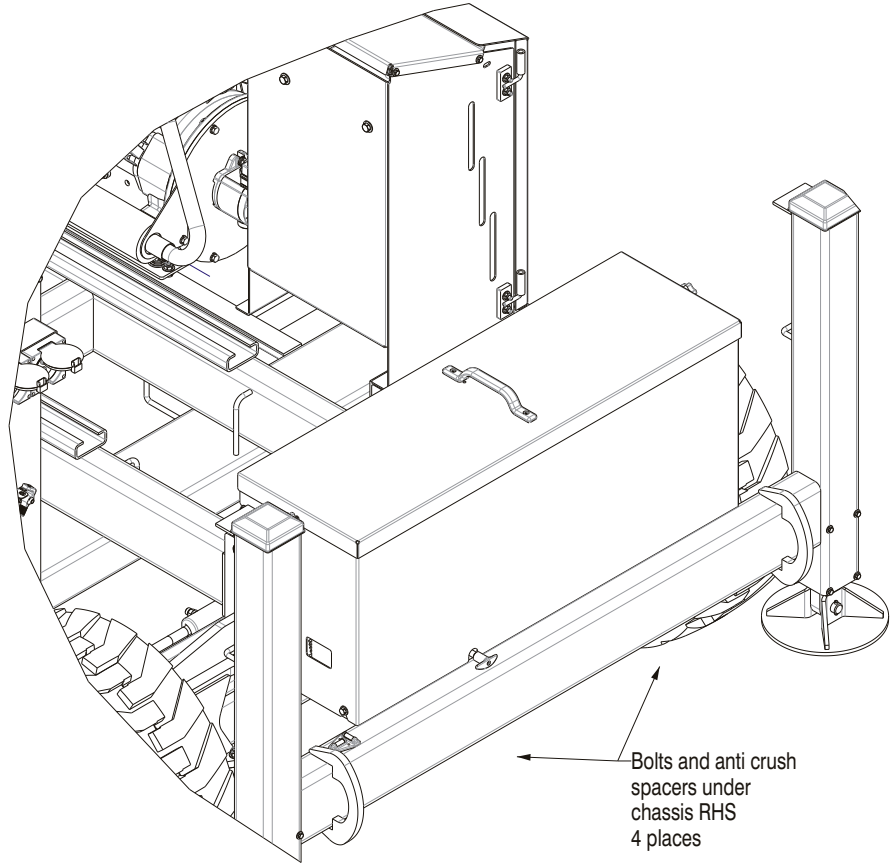
アイテム	部品番号	名前	数量	UOM
30	13525 05	Washer, M5	4	EA
31	13553 05	Fuse, Blade 5A Tan	1	EA
32	13553 20	Fuse, Blade 20A Yellow	1	EA
33	13553 40	FUSE 40A	1	EA
34	13805 10	Battery Tray	1	EA
35	13805 20	Lid Battery Box	1	EA
36	13805 30	Wrap Panel Battery Box	1	EA
37	13805 40	Panel Battery Box Rear	1	EA
38	13805 50	Battery "J" Bolt	4	EA
39	13805 51	Battery Holden Down Angle	2	EA
40	13805 60	Crush Spacer	4	EA
41	13805 70	Battery Box Component Panel	1	EA
42	13807 20	Busbar, Switch to Fuse	1	EA
43	13807 30	Busbar, Fuse to Contactor	1	EA
44	13826	Fuse Block Blade Fuse x 4	1	EA
45	13827 04	Busbar, Battery Positive to Battery Negative	3	EA
46	13859	Extn Rod Bleed Down	1	EA
47	14052	Contactor 12V Sealed	1	EA
48	057727 000	TWIST SCREW FASTNER	2	EA
49	300840	Lock Out Lever Assembly	1	EA
50	446086	Fuse Block	1	EA
51	500052 000	GRAB HANDLE	1	EA
52	510234 000	Convertor 24V DC to 12V DC	1	EA
53	514404 000	BEACON WITH GUARD ANBER FLASHING	1	EA
54	1450029	BATTERY CHARGER	1	EA
55	3069521	INLET FLANGE	1	EA
Not Shown	3069542	FRONT COVER FOR 3069521	1	EA
56	PCA015 1000	Rubber Channel Section	1	EA

ELECTRICAL

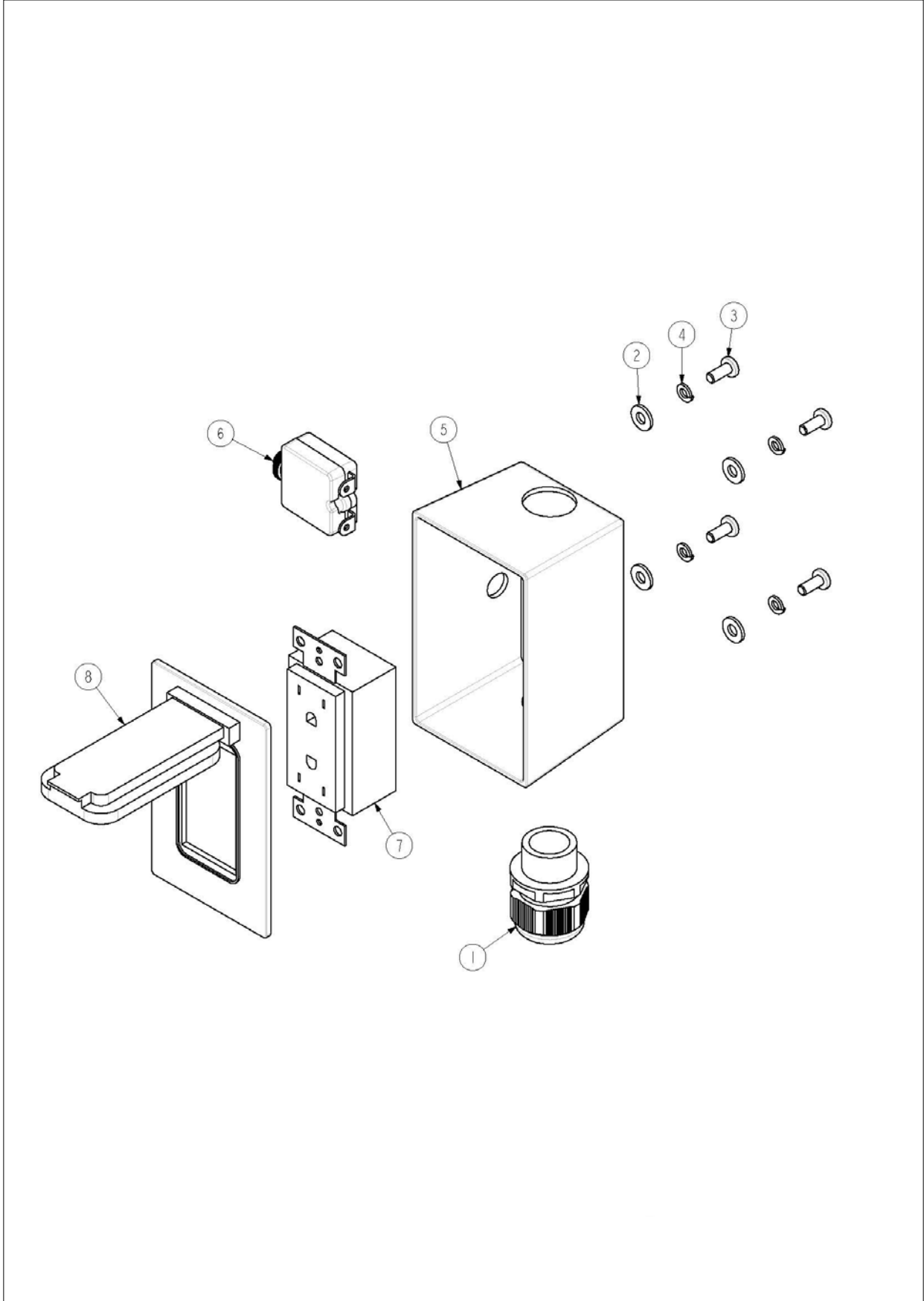


アイテム	部品番号	名前	数量	UOM
1	7084 004	Dowty Seal 1/2" BSP	4	EA
2	13866	Manifold Unloader Valve	1	EA
3	13867	Banjo Bolt Unloader Valve	2	EA
4	13899 1616	Hosetail 16 Hose > 16 ORFSF	2	EA
5	60005 009	Spring Washer	2	EA
6	60017 028	Bolt UNC 3/8 x 1"	2	EA
7	60030 049	3/8" Plain Washer	2	EA
8	512757 000	Tee, Run 16 ORFSM x 2, 16 ORFSF x 1	1	EA
9	14071 1016	Hyd Fitting Straight ORFS(16) SAE(16)	1	EA
10	512970 000	Hyd Fitting Straight ORFS(08) SAE(08)	3	EA
11	3087790	24V DC Motor	1	EA
12	6029667	Pump Tandem Gear	1	EA



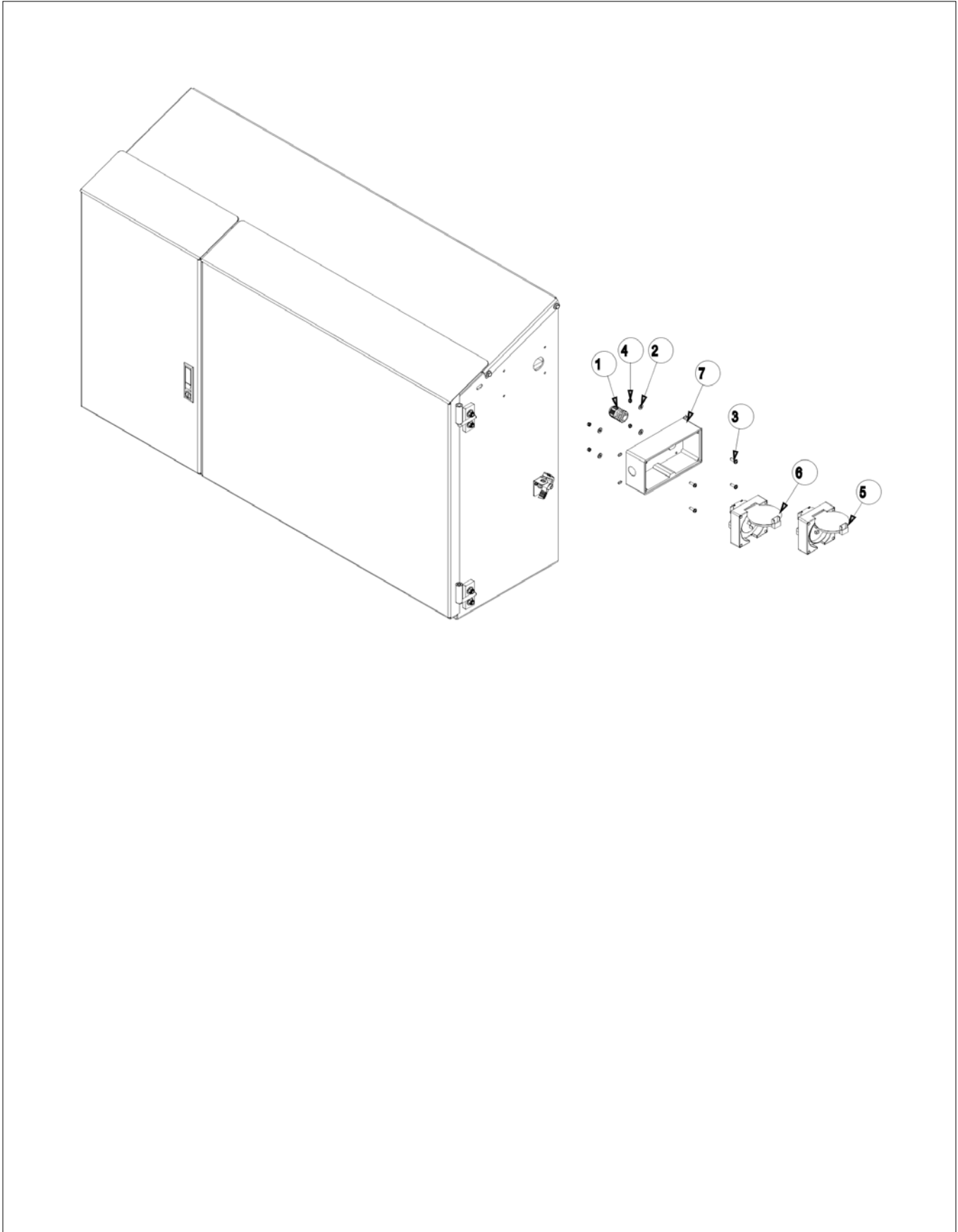


OPTIONS



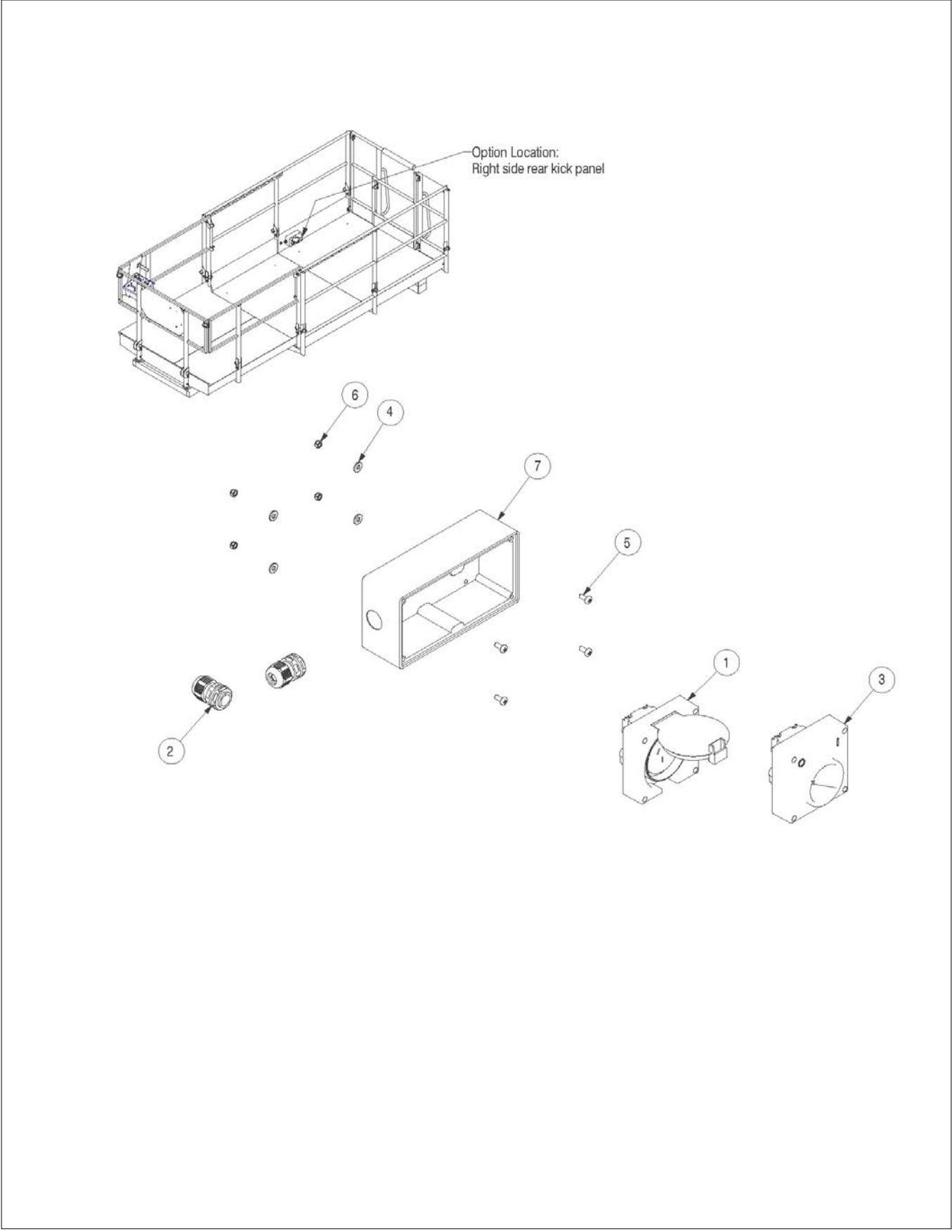
アイテム	部品番号	名前	数量	UOM
1	1815 2	Compression Gland 25mm	1	EA
2	3603 05	Plain Washer	4	EA
3	3604 05012	Pan Head Screw	4	EA
4	3605 05	Spring Washer	4	EA
5	0074979	Enclosure	1	EA
6	3040252	Circuit Breaker 15AMP	1	EA
7	3040624	Recepticle Outlet 20AMP	1	EA
8	3040625	Enclosure Face	1	EA

# OPTIONS



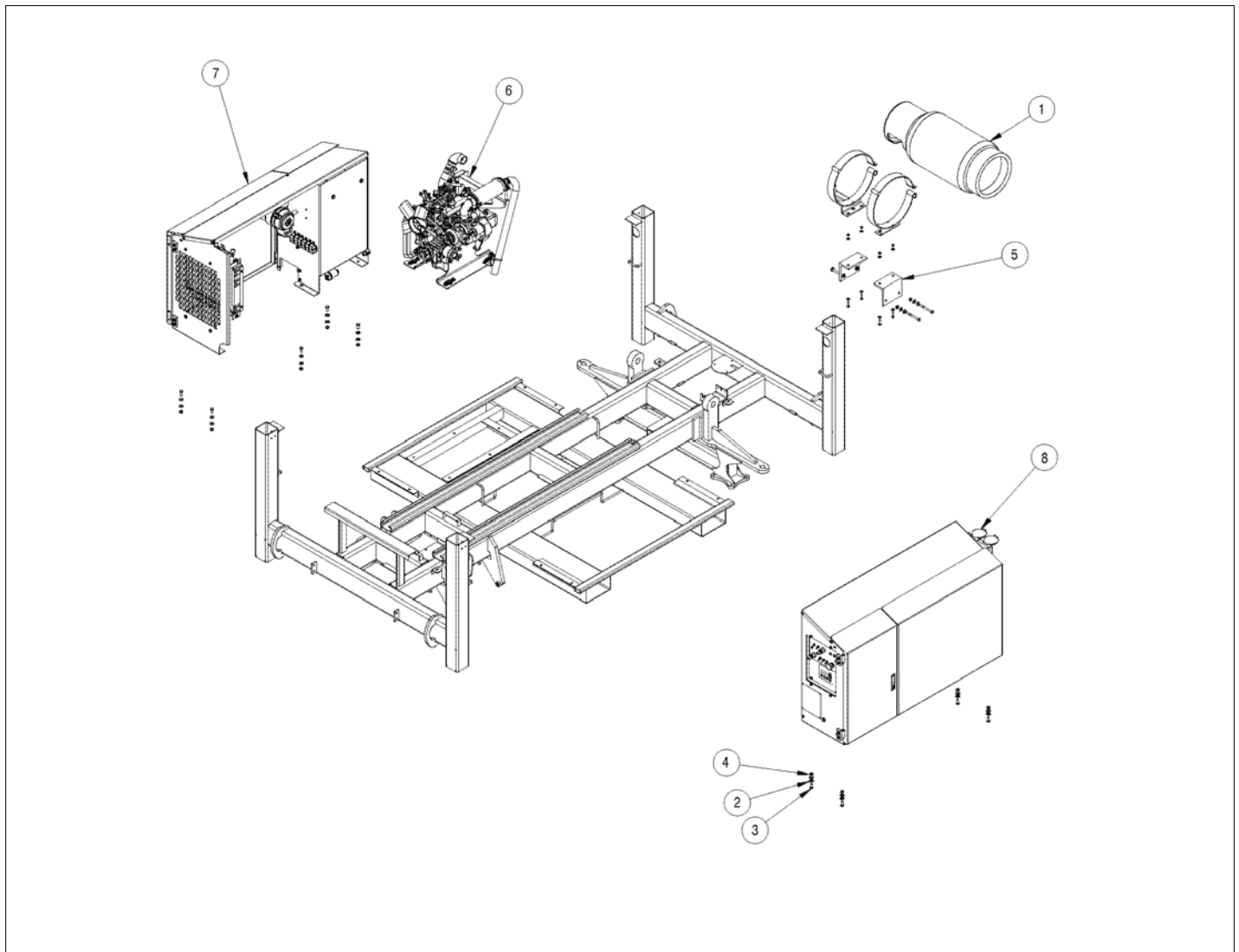
アイテム	部品番号	名前	数量	UOM
1	1814	Cable Gland	1	EA
2	3603 05	Plain Washer	4	EA
3	3604 05016	Pan Head Screw	4	EA
4	3611 05	Metric Nyloc Nut	4	EA
5	10967 1	Residual current device (with appliance inlet pins)	1	EA
6	10967 2	Appliance Inlet	1	EA
7	10967 3	PDL Enclosure	1	EA

# OPTIONS



アイテム	部品番号	名前	数量	UOM
1	1807	Appliance Outlet	1	EA
2	1814	Cable Gland	2	EA
3	1865 001	PDL Switch	1	EA
4	3603 05	Plain Washer	4	EA
5	3604 05012	Pan Head Screw	4	EA
6	3611 05	Metric Nyloc Nut	4	EA
7	10967 3	PDL Enclosure	1	EA

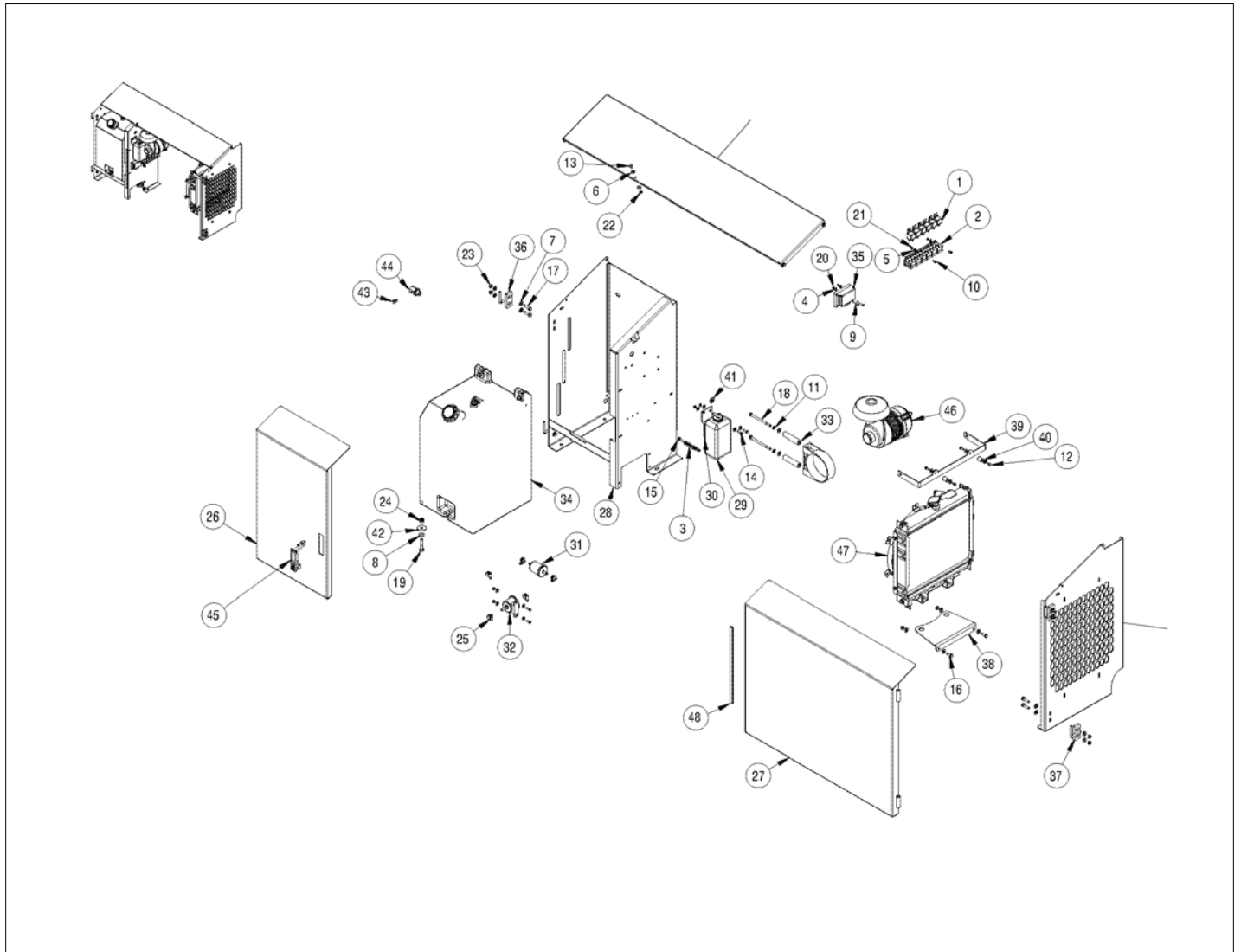
# OPTIONS





アイテム	部品番号	名前	数量	UOM
1	15.8kg LPG Bottle	15.8kg LPG bottle	1	EA
2	3603 10	Plain Washer	18	EA
3	3610 10025	Metric Bolt	9	EA
4	3611 10	Metric Nyloc Nut	9	EA
5	13976	LPG bottle clamp	1	EA
6	14001	LPG Engine Assembly	1	EA
7	14003	Engine cabinet assembly	1	EA
8	13864A	Hydraulic Cabinet Assembly	1	EA

# OPTIONS

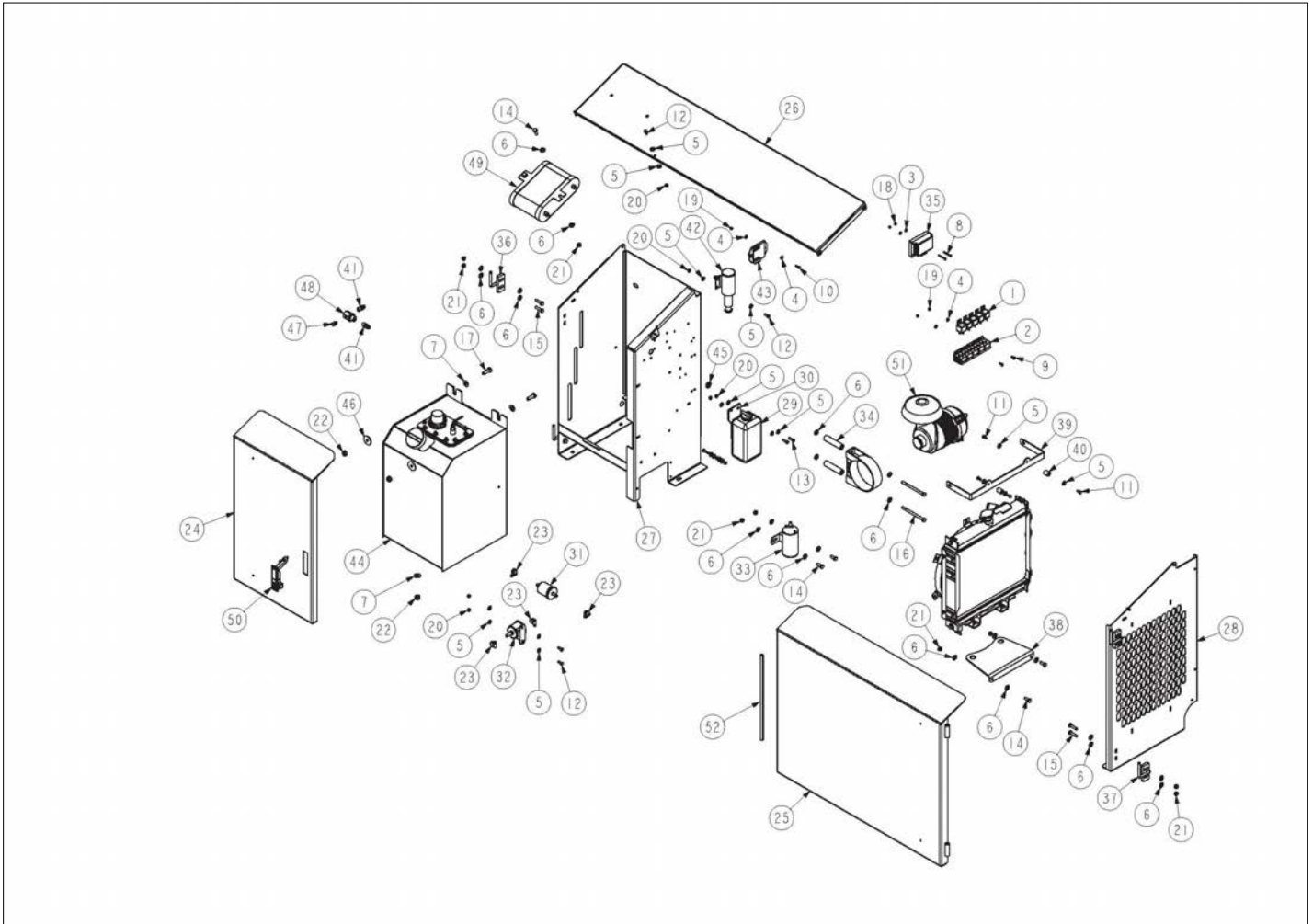


アイテム	部品番号	名前	数量	UOM
1	1650 010	Relay 12V	6	EA
2	2065 002	Plug In Relay Base	6	EA
3	3602 06	Metric Hex Nut	1	EA
4	3603 04	Plain Washer	2	EA
5	3603 05	Plain Washer	2	EA
6	3603 06	Plain Washer	26	EA
7	3603 08	Plain Washer	22	EA
8	3603 10	Plain Washer	3	EA
9	3604 04035	Pan Head Screw	2	EA
10	3604 05012	Pan Head Screw	2	EA
11	3605 08	Spring Washer	2	EA
12	3610 06012	Metric Bolt	4	EA
13	3610 06016	Metric Bolt	7	EA
14	3610 06020	Metric Bolt	2	EA
15	3610 06025	Metric Bolt	1	EA
16	3610 08020	Metric Bolt	2	EA
17	3610 08030	Metric Bolt	8	EA
18	3610 08110	Metric Bolt	2	EA
19	3610 10050	Metric Bolt	3	EA
20	3611 04	Metric Nyloc Nut	2	EA
21	3611 05	Metric Nyloc Nut	2	EA
22	3611 06	Metric Nyloc Nut	10	EA
23	3611 08	Metric Nylock Nut	10	EA
24	3611 10	Metric Nyloc Nut	3	EA
25	3618 14	Hose Clamp 8 16mm	5	EA
26	11679	Cabinet Door Small	1	EA
27	11680	Cabinet Door Large	1	EA
28	12938	Engine Cabinet Tank Side	1	EA
29	13086 03	Radiator Overflow Bottle	1	EA

アイテム	部品番号	名前	数量	UOM
30	13086 06	Overflow Attachment Bracket	1	EA
31	13086 07	Fuel Filter	1	EA
32	13086 12	Fuel Pump	1	EA
33	13098	Air Filter Support	2	EA
34	13106 4A	Fuel Tank Assembly	1	EA
35	13806	Fuse Block Blade x 6	1	EA
Not Shown	13553 05	Fuse, Blade 5A Tan	1	EA
Not Shown	13553 10	Fuse High RPM	1	EA
Not Shown	13553 10	Fuse High RPM	1	EA
Not Shown	13553 15	Fuse, Blade 15A Blue	1	EA
Not Shown	13553 15	Fuse, Blade 15A Blue	1	EA
Not Shown	13553 20	Fuse, Blade 20A Yellow	1	EA
36	13869 01	Cabinet Hinge, LH	2	EA
37	13869 02	Cabinet Hinge, RH	2	EA
38	13984 1	Radiator Bottom Mount	1	EA
39	13984 2	Radiator Top Mount	1	EA
40	13984 3	Isolator	2	EA
41	65004 008	Rubber Grommet	1	EA
42	5560179	Flat Washer Special	3	EA
43	7630703	Relief Valve	1	EA
44	7630704	Bulkhead Tee	1	EA
45	8342416	Latch Adjustable Trigger, Key 508CH	1	EA
46	13086 04	Air Filter Assembly	1	EA
47	7631257	Radiator	1	EA
48	PCA015	Rubber Channel Section	1	EA

アイテム	部品番号	名前	数量	UOM
49	12938 1	Cabinet End Radiator Vent	1	EA
50	12716 13	Cabinet Top Plate	1	EA

# OPTIONS

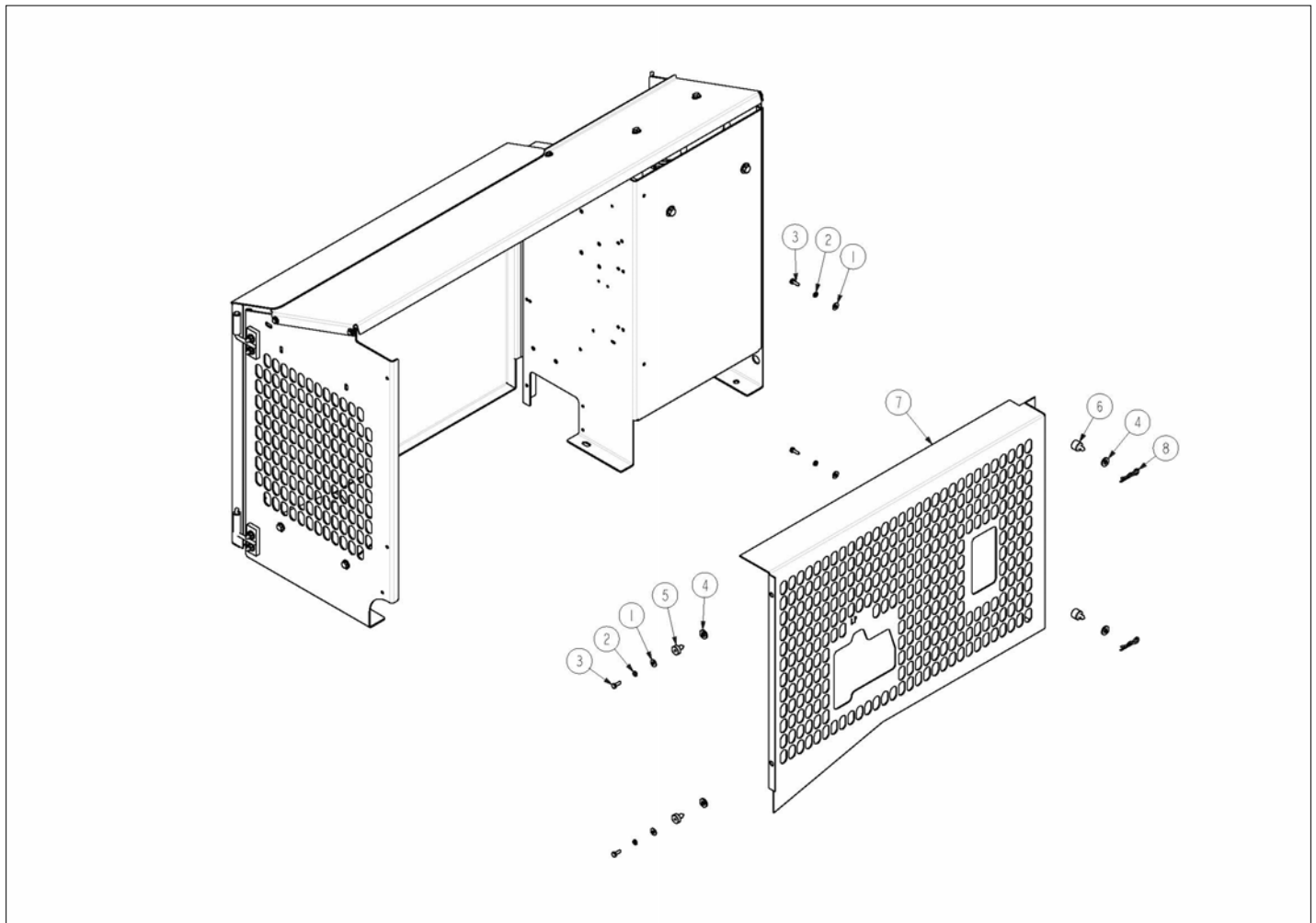


アイテム	部品番号	名前	数量	UOM
1	1650 010	Relay 12V	5	EA
2	2065 002	Plug In Relay Base	5	EA
3	3603 04	Plain Washer	2	EA
4	3603 05	Plain Washer	6	EA
5	3603 06	Plain Washer	34	EA
6	3603 08	Plain Washer	32	EA
7	3603 10	Plain Washer	3	EA
8	3604 04035	Pan Head Screw	2	EA
9	3604 05012	Pan Head Screw	2	EA
10	3604 05016	Pan Head Screw	2	EA
11	3610 06012	Metric Bolt	4	EA
12	3610 06016	Metric Bolt	11	EA
13	3610 06020	Metric Bolt	2	EA
14	3610 08020	Metric Bolt	6	EA
15	3610 08030	Metric Bolt	8	EA
16	3610 08110	Metric Bolt	2	EA
17	3610 10030	Metric Bolt	2	EA
18	3611 04	Metric Nyloc Nut	2	EA
19	3611 05	Metric Nyloc Nut	4	EA
20	3611 06	Metric Nyloc Nut	14	EA
21	3611 08	Metric Nylock Nut	16	EA
22	3611 10	Metric Nyloc Nut	3	EA
23	3618 14	Hose Clamp 8 16mm	4	EA
24	11679	Cabinet Door Small	1	EA
25	11680	Cabinet Door Large	1	EA
26	12716 13	Cabinet Top Plate	1	EA
27	12938	Engine Cabinet Tank Side	1	EA
28	12938 1	Cabinet End Radiator Vent	1	EA
29	13086 03	Radiator Overflow Bottle	1	EA

アイテム	部品番号	名前	数量	UOM
30	13086 06	Overflow Attachment Bracket	1	EA
31	13086 07	Fuel Filter	1	EA
32	13086 12	Fuel Pump	1	EA
33	13086 9	Ignition Coil	1	EA
34	13098	Air Filter Support	2	EA
35	13806	Fuse Block Blade x 6	1	EA
36	13869 01	Cabinet Hinge, LH	2	EA
37	13869 02	Cabinet Hinge, RH	2	EA
38	13984 1	Radiator Bottom Mount	1	EA
39	13984 2	Radiator Top Mount	1	EA
40	13984 3	Isolator	2	EA
41	13997 0410	Adapter, 04 NPTM > 05 SAE45M	2	EA
42	15106	Solenoid and Cable Assembly Trombetta	1	EA
43	15108	Control Module Trombetta	1	EA
44	15220 01	Petrol Tank Assembly	1	EA
45	65004 008	Rubber Grommet	1	EA
46	5560179	Flat Washer Special	2	EA
47	7630703	Relief Valve	1	EA
48	7630704	Bulkhead Tee	1	EA
49	7631021	Carbon Canister	1	EA
50	8342416	Latch Adjustable Trigger, Key 508CH	1	EA
51	1G657 11000	Air Cleaner	1	EA
52	PCA015	Rubber Channel Section	1	EA

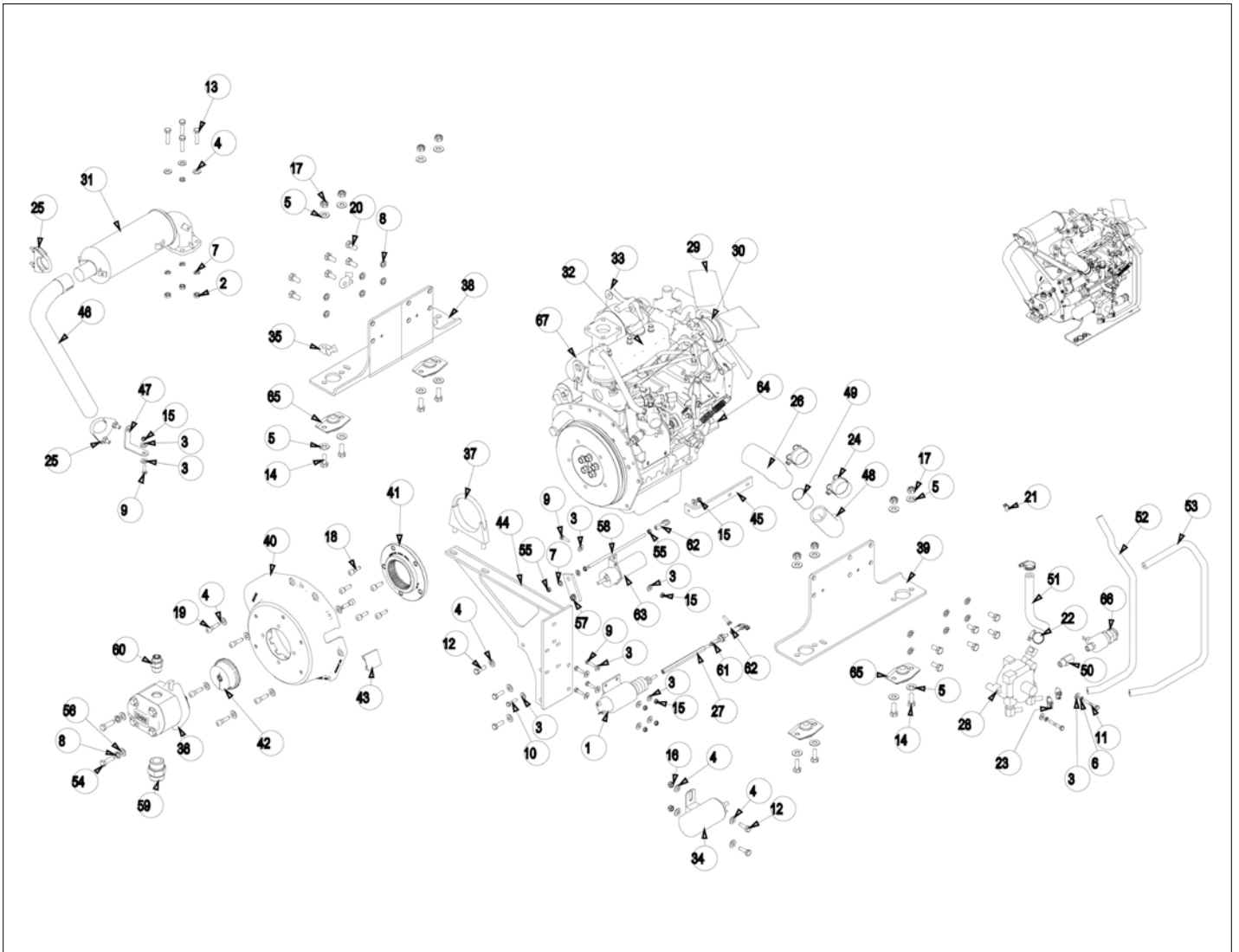


# OPTIONS



アイテム	部品番号	名前	数量	UOM
1	3603 06	Plain Washer	29	EA
2	3605 06	Spring Washer	4	EA
3	3610 06016	Metric Bolt	13	EA
4	12516	M10 Rubber Washer	4	EA
5	15344 02	Stud No Cross Hole	2	EA
6	15344 03	Stud With Cross Hole	2	EA
7	15346 01	Radiator Guard	1	EA
8	72404	Grip Clip AG6	2	EA

# OPTIONS

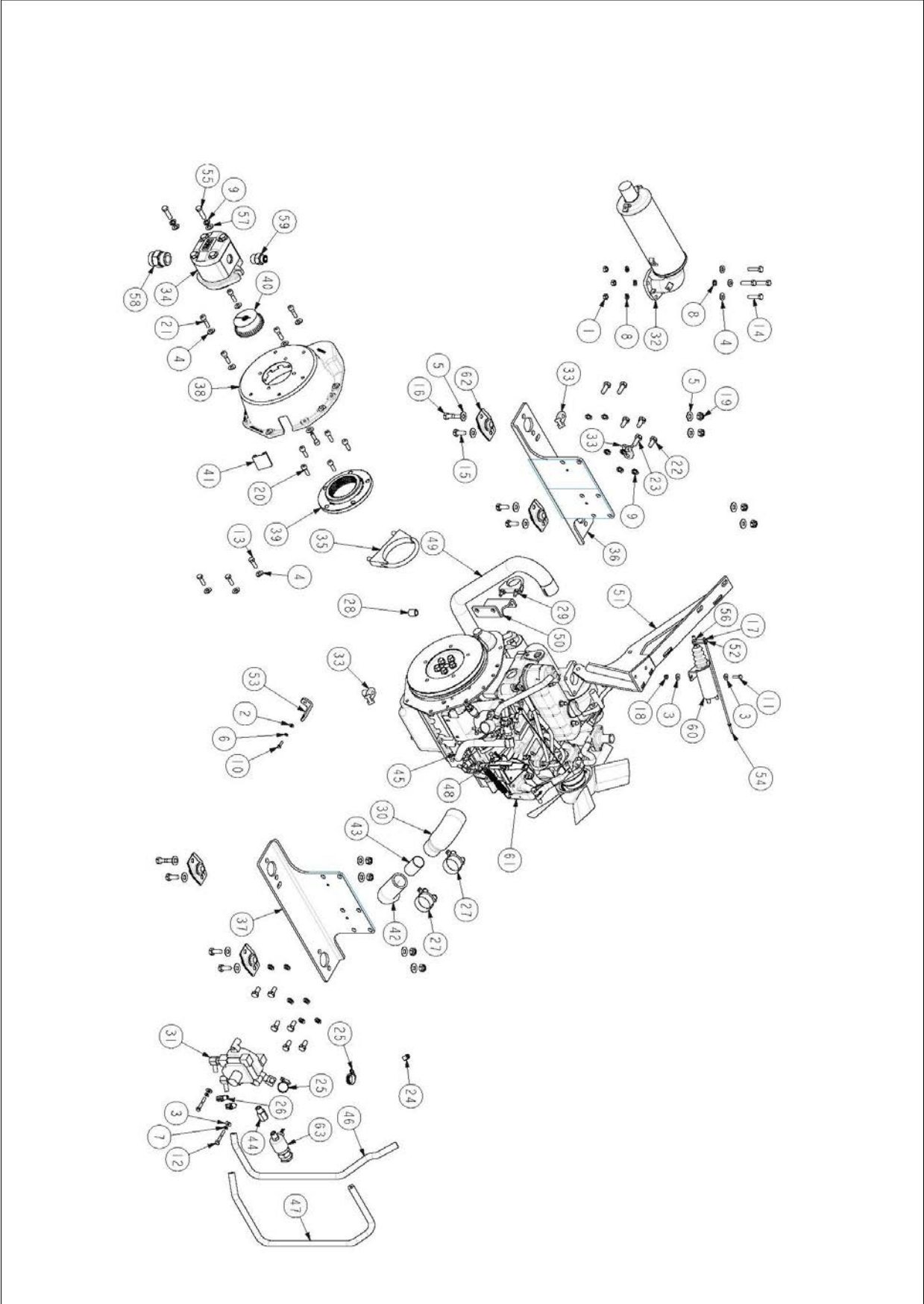


アイテム	部品番号	名前	数量	UOM
1	304 0174	Solenoid	1	EA
2	3602 08	Metric Hex Nut	3	EA
3	3603 06	Plain Washer	20	EA
4	3603 08	Plain Washer	16	EA
5	3603 10	Plain Washer	16	EA
6	3605 06	Spring Washer	2	EA
7	3605 08	Spring Washer	8	EA
8	3605 10	Spring Washer	14	EA
9	3610 06020	Metric Bolt	8	EA
10	3610 06025	Metric Bolt	1	EA
11	3610 06040	Metric Bolt	2	EA
12	3610 08025	Metric Bolt	5	EA
13	3610 08035	Metric Bolt	4	EA
14	3610 10025	Metric Bolt	8	EA
15	3611 06	Metric Nyloc Nut	9	EA
16	3611 08	Metric Nylock Nut	2	EA
17	3611 10	Metric Nyloc Nut	8	EA
18	3613 08025	Socket Head Cap Screw	5	EA
19	3613 08030	Socket Head Cap Screw	6	EA
20	3617 10020	Metric Bolt	12	EA
21	3618 10	Hose Clamp 8 10mm	1	EA
22	3618 11	Hose Clamp 11 25mm ZP	2	EA
23	3618 14	Hose Clamp 8 16mm	2	EA
24	3618 44	Hose Clamp 40 43mm	2	EA
25	12409	Exhaust Clamp	2	EA
26	12581 11621 01	Air Filter Elbow	1	EA
27	13023	Trottle Lever	1	EA
28	15219 06	Vaporiser	1	EA
29	13086 11	Pusher Fan	1	EA

アイテム	部品番号	名前	数量	UOM
30	13086 13	Fan Spacer 14mm	1	EA
31	13086 14	Catalytic Muffler	1	EA
32	13086 15	Alternator Spacer	1	EA
33	13086 16	Alternator	1	EA
34	13086 9	Ignition Coil	1	EA
35	13164	Cable Tie Mount M10	2	EA
36	13628	Pump, SAE A, 9 Spline 10.3cc	1	EA
37	13905	Saddle Clamp	1	EA
38	13973 1	Engine Mount Exhaust Side	1	EA
39	13973 2	Engine Mount	1	EA
40	13978 01	Bell Housing	1	EA
41	13978 02	Flywheel Adaptor 6.5in	1	EA
42	13978 03	Spline Adapter 9 Spline Pump	1	EA
43	13978 04	Inspection Cover	1	EA
44	13982	Throttle Mount	1	EA
45	13982 3	Throttle Web Support	1	EA
46	13985 1	Tail Pipe	1	EA
47	13985 2	Tail Pipe Support	1	EA
48	13989 01	Elbow Pipe	1	EA
49	13990	Joiner Air Filter pipes, 320D	1	EA
50	13998 0404	BSP NPT Adaptor	1	EA
51	13999 01	LPG Hose Vaporiser to Carb	1	EA
52	13999 02	Water Hose Out	1	EA
53	13999 03	Water Hose In	1	EA
54	60017 010	1" x 3/8 UNC Bolt	2	EA
55	60021 008	1/4" NF Hex Nut	5	EA
56	60030 049	3/8" Plain Washer	2	EA
57	0080440	Bar, Solenoid	1	EA
58	0111485	Choke Rod	1	EA

アイテム	部品番号	名前	数量	UOM
59	512968 000	Hyd Fitting Straight ORFS(16) SAE(16)	1	EA
60	512969 000	Hyd Fitting Straight ORFS(08) SAE(10)	1	EA
61	2650001	Swivel Inline	1	EA
62	2690004	Rod End	2	EA
63	3040063	Choke Solenoid	1	EA
64	7624798	WG752 GL E3BBH 1	1	EA
65	7630208	Engine Mount	4	EA
66	7630705	Filter Lock	1	EA
67	7631004	Exhaust Manifold	1	EA

# OPTIONS



アイテム	部品番号	名前	数量	UOM
1	3602 08	Metric Hex Nut	3	EA
2	3603 05	Plain Washer	1	EA
3	3603 06	Plain Washer	6	EA
4	3603 08	Plain Washer	12	EA
5	3603 10	Plain Washer	16	EA
6	3605 05	Spring Washer	1	EA
7	3605 06	Spring Washer	2	EA
8	3605 08	Spring Washer	4	EA
9	3605 10	Spring Washer	14	EA
10	3610 05016	Metric Bolt	1	EA
11	3610 06020	Metric Bolt	2	EA
12	3610 06040	Metric Bolt	2	EA
13	3610 08025	Metric Bolt	3	EA
14	3610 08035	Metric Bolt	4	EA
15	3610 10025	Metric Bolt	6	EA
16	3610 10050	Metric Bolt	2	EA
17	3611 04	Metric Nyloc Nut	3	EA
18	3611 06	Metric Nyloc Nut	2	EA
19	3611 10	Metric Nyloc Nut	8	EA
20	3613 08025	Socket Head Cap Screw	5	EA
21	3613 08030	Socket Head Cap Screw	6	EA
22	3617 10020	Metric Bolt	9	EA
23	3617 10025	Metric Bolt	3	EA
24	3618 10	Hose Clamp 8 10mm	1	EA
25	3618 11	Hose Clamp 11 25mm ZP	2	EA
26	3618 14	Hose Clamp 8 16mm	2	EA
27	3618 44	Hose Clamp 40 43mm	2	EA
28	12036 5	Sliding Spacer	2	EA
29	12409	Exhaust Clamp	1	EA



アイテム	部品番号	名前	数量	UOM
30	12581 11621 01	Air Filter Elbow	1	EA
31	15219 06	Vaporiser	1	EA
32	15219 07	Catalytic Muffler	1	EA
33	13164	Cable Tie Mount M10	3	EA
34	13628	Pump, SAE A, 9 Spline 10.3cc	1	EA
35	13905	Saddle Clamp	1	EA
36	13973 1	Engine Mount Exhaust Side	1	EA
37	13973 2	Engine Mount	1	EA
38	13978 01	Bell Housing	1	EA
39	13978 02	Flywheel Adaptor 6.5in	1	EA
40	13978 03	Spline Adapter 9 Spline Pump	1	EA
41	13978 04	Inspection Cover	1	EA
42	13989 01	Elbow Pipe	1	EA
43	13990	Joiner Air Filter pipes, 320D	1	EA
44	13998 0404	BSP NPT Adaptor	1	EA
45	13999 01	LPG Hose Vaporiser to Carb	1	EA
46	13999 02	Water Hose Out	1	EA
47	13999 03	Water Hose In	1	EA
48	15105 01	Cable Linkage For Trombetta	1	EA
49	15224	Tail Pipe	1	EA
50	15225	Bracket Tailpipe	1	EA
51	15235	Bracket Muffler Choke	1	EA
52	15242	Linkage Choke	1	EA
53	15247	Bracket RPM Cable Mount	1	EA
54	15252	Choke Linkage	1	EA
55	60017 010	1" x 3/8 UNC Bolt	2	EA
56	60021 008	1/4" NF Hex Nut	2	EA
57	60030 049	3/8" Plain Washer	2	EA
58	512968 000	Hyd Fitting Straight ORFS(16) SAE(16)	1	EA

アイテム	部品番号	名前	数量	UOM
59	512969 000	Hyd Fitting Straight ORFS(08) SAE(10)	1	EA
60	3040063	Choke Solenoid	1	EA
61	7624798	WG752 GL E3BBH 1	1	EA
62	7630208	Engine Mount	4	EA
63	7630705	Filter Lock	1	EA

OPTIONS

**NO IMAGE AVAILABLE  
(BOM FOR REFERENCE ONLY)**

アイテム	部品番号	名前	数量	UOM
	8190361B	BLOCK HEATER UPGRADE		EA
1	0181634	DECAL ENGINE BLOCK HEATER	1	EA
2	13095	Fuel Filter Bracket	1	EA
3	27233 003	BOX, BATTERY HEATER 8500320	1	EA
4	5010011	HOSE SAE30R2 05 .312 FUEL	1.0	EA
5	5093000	CLP CUSH .438 VINYL COATED	4	EA
6	5550028	CLP WORM DRV .25 .63 .31 BAND	2	EA
7	7631182	BLOCK HEATER D902	1	EA
8	8190356	OUTDOOR 10' 16GA EXTENSION C	1	EA
9	8190357	24" 3 WAY GROUNDED POWER OUT	1	EA
10	8190359	1 GALLON 50/50 ANTIFREEZE MOBI	1	EA
11	1442240 3	WLDMNT, BATTERY BRACKET	1	EA
12	984099	NUT HEX .313 24	2	EA
13	987109	WSHR LOCK .313	2	EA
14	984099	NUT HEX .313 24	2	EA
15	987109	WSHR LOCK .313	2	EA
16	5010011	HOSE SAE30R2 05 .312 FUEL	1	EA

## ■ About this Manual:

This Maintenance and Repair Parts manual covers current production machines only.

While Snorkel has attempted in every way to confirm that all information in this manual is correct, improvements are being constantly made to the machine that may not be reflected in this manual.

### **NOTE:**

*It is recommended that you record the serial and model number of your machine (see page 19 of this chapter). This information is found on the serial number placard.*

## ■ Manual Organization

The Repair Parts Manual consists of six sections with an individual table of contents preceding sections 1 through 4.

Subassemblies and detailed parts are identified by index numbers on the drawings that correspond to the item numbers on the parts listing. When requesting any part, always specify complete part number, description, model and serial number of your unit.

The following is a general description of each section and its contents.

### □ General Specifications

The section immediately preceding, contains information relating to the general specifications of the S3970RT /S3370RT / S2770RT.

### □ Maintenance

The pages immediately following, contain information as to the maintenance schedules - lubricants and procedures for proper lubrication of the unit.

### □ Control system information

Provides a description of the EzCal LCD Display, a diagnostic tool for the control system.

### □ Repair parts and drawings

Repair Parts (Section 1), contains parts listings and drawings for general mechanical repair parts of all major installations and subassemblies of the unit.

### □ Hydraulics

(Section 2), contains parts listings and drawings of hydraulic components installations including hydraulic schematics and individual components

such as cylinders, controls valves and solenoid operated valves.

### □ Electrical

Electrical (Section 3), contains listings and drawings of electrical components installations including wiring schematics.

### □ Options

Options (Section 4), contains parts listings and drawings of optional installations.

## ■ Maintenance and Schematics

### □ Maintenance information

The parts drawings located in the repair parts sections, are designed for use as a guide for proper disassembly of the machine and components as well as for parts replacement. Always refer to the hydraulic system installation drawings and the electrical wiring diagram before removing or disassembling associated parts.

## ▲ CAUTION

**Do not attempt to disconnect or remove any hydraulic line before reading and understanding all text concerning the system hydraulics. In most cases, disassembly of the machine will be obvious from the drawing.**

## ▲ CAUTION

**DO NOT modify this ariel platform without prior written consent of Snorkel Engineering Department.**

**Modification may void the warranty, adversely affect stability, or affect the operational characteristics of the ariel platform.**

When disassembling or reassembling components, complete the procedural steps in sequence. Always check your work to assure that nothing has been overlooked.

The following list is a gentle reminder when disassembling or assembling the machine.

- ✓ Always be conscious of weight.
- ✓ Never attempt to lift heavy objects without the aid of a mechanical device.
- ✓ Do not allow heavy objects to rest in an unstable condition.

## Maintenance Information

---

- ✓ Always make sure work platform is in stowed position - blocked or the weight removed by a suitable lifting device before disconnecting the hydraulic hose from the motor/pump unit to the lift cylinder.
- ✓ When raising a portion of the machine, be sure that adequate blocking is properly positioned - Do not depend on lifting device to hold and secure weight.
- ✓ If a part resists removal, check to see if all fasteners, electrical wiring, hydraulic lines, etc., have been removed or that other parts are not interfering.

Parts should be thoroughly inspected before restoring to service at the time of reassembly. Burrs, nicks or scratches may be removed from machined surfaces by honing or polishing with #600 crocus cloth, followed by a thorough cleaning in an approved cleaning solvent, and blown dry with compressed air. Do not alter the contour of any part. If this operation does not restore the part to a serviceable condition, replace the part.

Replace all O-rings, seals, and gaskets at reassembly. Use new roll pins or cotter pins. Dip all packing rings and seals in hydraulic oil before reassembling in cylinder and manifold installations. Replace any part having imperfect threads. In general, units that have been disassembled can be reassembled by reversing the order of disassembly.

Remember that the service life of a machine can be increased by keeping dirt and foreign materials out of the vital components. Precautions have been taken to safeguard against this; shields, covers, seals and filters are provided to keep air and oil supplies clean; however, these items must be maintained on a scheduled basis in order to function properly.

At any time air or oil lines are disconnected, clean surrounding areas as well as the opening and fittings themselves. As soon as a line or component is disconnected, cap or cover all openings to prevent the entry of dirt or foreign materials.

New parts should remain in their container until they are ready to be used.

Clearly mark or tag hydraulic lines and electrical wiring connections when disconnecting or removing them from unit. This will assure that they are correctly reinstalled.

Proper assembly is critical to the successful rebuilding of any unit. Carefully inspect any parts which are to be reused. If in doubt, replace.

“**SAFETY FIRST**” is a good slogan.

Replace any guards and protective devices that have been removed to carry out maintenance and repair work.

### ■ Maintenance schedules

Snorkel has established a Preventive Maintenance Schedule that includes:

- ✓ Daily Maintenance (Operator's Inspection)
- ✓ 90 Day or 150 Hour (frequent) Maintenance
- ✓ Yearly or 500 Hour (annual) Maintenance,

These schedules should ensure the detection of any defective, damaged or improperly secured parts and provide information regarding lubrication and other minor maintenance items.

The Maintenance Schedule following, outlines the requirements of these maintenance checks for each time interval. The Operator's Pre-operational inspection must be performed by a trained operator. All other maintenance and inspections must be performed by a trained service technician only.

Note that the 90 Day or 150 hour (frequent) and yearly or 500 hour (annual) Maintenance, require use of the Preventive Inspection Maintenance Checklist to pinpoint all inspection items. Retain a copy of these forms for your records.

They also require that all placards and decals on the unit are to be inspected.

All placards and decals must be in place and legible. Use the placards installation drawing and parts listing in the repair parts section 1 of this manual to check these placards and decals.

Snorkel recommends that you make additional copies of the Preventive Inspection Maintenance Checklist forms for your use in performing these

## **▲ DANGER**

**Failure to perform the Preventive Maintenance at the intervals outlined in the Maintenance Schedule may result in a unit being operated with a defect that could result in INJURY or DEATH of the unit operator. DO NOT allow a unit to be operated that has been found to be defective.**

Repair all defects before returning the unit to service

## ■ Daily Maintenance

### Pre-operational inspection

(Set the KEY SWITCH to off before starting this inspection).

COMPONENTS	SERVICE REQUIRED
Rough terrain scissor interlock tests (see page 16 in this section)	Perform the tests to ensure the system is functioning
Fuel level	Visually inspect
Fuel filter (diesel engines only)	Visually inspect (condition)
Fuel leaks	Visually inspect (hoses, connections, etc)
Engine Oil	Check oil level (between dipstick lines)
Engine coolant	Check fluid level and radiator hoses
Radiator cap	Visually inspect (installation)
Air Filter	Check condition (gauge)
Platform entrance gate	Visually inspect (installation, operation)
Wiring harness and connectors	Visually inspect (installation, condition)
Battery terminals	Visually inspect (installation)
Battery fluid level	Visually inspect (covers plates)
Hydraulic oil reservoir cap	Visually inspect (installation)
Hydraulic oil level	Check fluid level (at line on side of tank)
Hydraulic oil leaks	Visually inspect (hoses, tubes)
Tires and wheels	Visually inspect (condition)
Bolts and fasteners	Visually inspect (looseness)
Structural damage & welds	Visually inspect (weld cracks, dents)
Platform guardrails	Visually inspect (condition)
Lanyard anchor points (option)	Visually inspect (condition)
Bubble level indicator	Visually inspect (condition)
Guides, rollers and slides	Visually inspect (condition)
Non slip tread grip	Visually inspect (condition)
Wrist support	Visually inspect (condition)
Operator manual	Visually inspect (that the manual is in the holder)
Placards, decals and operators manual	Visually inspect (installation and condition)
<b>START THE ENGINE FROM THE BASE CONTROL PANEL TO CHECK THE FOLLOWING</b>	
Charging system	No faults on the display
Ground controls	Actuate and visually inspect for proper operation
Emergency lowering (from the ground)	Check operation (causes correct motion)
Flashing light	Check operation
Safety prop	Check operation
Parking brakes	Check operation
Optional items	Check operation
<b>START THE ENGINE FROM THE PLATFORM TO CHECK THE FOLLOWING</b>	
Platform controls	Actuate and visually inspect for proper operation
Emergency lowering (from the platform)	Check operation

## Maintenance Information

### ■ 90 Day or 150 Hour Maintenance (Trained Service Technician)

COMPONENTS	SERVICE REQUIRED	RECOMMENDED LUBRICANT OR FURTHER INSTRUCTIONS
Daily maintenance	Perform maintenance as per schedule	
Preventive inspection maintenance checklist	Perform inspection, complete form	Retain copy of checklist
Placards & decals inspection	Inspect using drawing and parts listing in section 1 (repair parts)	Replace any missing or unreadable decals/placards
Door hinges and latches	Lubricate	SAE 10W oil or spray lube
Tie rods	Check pin keeper and condition	
Steer cylinder ends	Check pin keeper and condition	
Batteries	Check specific gravity	1.260/1.275 at 80° F.
Platform lift capacity	Check if platform can lift maximum load	
Platform lift/lower speeds	Check smooth operation and speeds	
Hydraulic return filter	Check condition	Replace
Engine RPM	Check for proper RPM	Low = 1950rpm High = 3400rpm
Engine oil and oil filter	Replace per engine manufacturer's interval	See engine manufacturer's owners manual
Engine fuel filter	Check condition	Replace every 6 months or if dirty
Slide pads	Check condition	
Scissor arm bearings	Check condition	

### ■ Yearly or 500 Hour Maintenance (Trained Service Technician)

COMPONENTS	SERVICE REQUIRED	RECOMMENDED LUBRICANT OR FURTHER INSTRUCTIONS
90 day or 150 hour maintenance	Perform maintenance per schedule	
Hydraulic oil reservoir	Clean and replace fluid	Shell Tellus 32 or similar
Hydraulic return filter	Replace	After 1st. 50 hours, thereafter at recommended interval
Hydraulic pressures	Check pressures	
Platform controller	Check operation	
Base controls	Check operation	



■ Preventive Inspection Maintenance  
90 Day or 150 Hour Checklist

Snorkel International, Inc.  
P.O. Box 1160  
St. Joseph, MO 64502-1160 USA  
Ph: 1-800-255-0317, Fax: 1-785-989-3077

Preventative Inspection  
Maintenance  
90 Day or 150 Hour Checklist

S2770RT, S3370RT, S3970RT

<input type="checkbox"/> OK	No Service Required	Model: _____
<input type="checkbox"/> X	Corrective Action Required	Serial Number: _____
<input type="checkbox"/> ✓	Corrected, (Record description of corrective action)	Date: _____

Inspection Procedures Codes	
(1) Weld cracks, dents and/or rust	(2) Installation
(3) Leaks	(4) Operation
(5) Condition	(6) Tightness
(7) Residue buildup	(8) See placards and decals inspection chart

CHECK	OK	X	✓
<b>BASEFRAME</b>			
Structural (1)			
Steering cylinders (2,3,4,6)			
Steering cylinder fasteners and linkage (2,4)			
Tyres and wheels (5)			
Articulating axles (2,4,5)			
Tray side covers (2,5,6)			
Torque drive wheel lug nuts 90-100 ft lbs (2,6)			
Torque steer wheel lug nuts 90-100 ft lbs (2,6)			
Right drive motor(s) (3,6)			
Left drive motor(s) (3,6)			
Guides, rollers and slides (2,4,5)			
Parking brake & Free wheeling valve (3,4)			
Emergency lowering valve (3,4)			
Battery disconnect switch (4)			
Lubrication points			
Cords and wire assemblies (2,5,6)			
Hydraulic tubes and hoses (3,5)			
Decals and placards (2,8)			
Flashing light (2,4)			
Right front outrigger (2,3,4)			
Left front outrigger (2,3,4)			
Right rear outrigger (2,3,4)			
Left rear outrigger (2,3,4)			
<b>SCISSOR ARM ASSEMBLY</b>			
Structural (1)			
Scissor arm pivot pins (2,5)			
Lift cylinders and valves (2,3,4)			
Safety bar (2,4,5)			
Hydraulic tubes and hoses (3,5)			
Wires and electrical cables (2,5)			
Decals and placards (2,8)			
<b>BASE CONTROL STATION</b>			
Key switch (4)			
Toggle switch, platform UP - DOWN (4)			
Start switch (4)			
Toggle switch, glow plug (4)			
Fuel select switch (4)			
Emergency stop switch (4)			
Hour meter (4)			
Lowering alarm (4)			
Engine not running alarm (4)			
Low oil pressure alarm (4)			

CHECK	OK	X	✓
High temperature alarm (4)			
Lift enable light (4)			
<b>PLATFORM</b>			
Structural (1)			
Guardrails properly installed and fastened (2,5)			
Platform entrance gate (2,5)			
Wires and electrical cables (2,5)			
Decals and placards (2,8)			
Correct operators manual in document holder			
Roll out platform deck extension (2,4,5,8)			
<b>PLATFORM CONTROLS</b>			
Joystick control - DRIVE/STEER and PROPORTIONAL LIFT (4)			
Toggle type selector switch - HIGH SPEED/HIGH TORQUE (4)			
Toggle type selector switch - LIFT/DRIVE (4)			
Engine warning light (4)			
Drive enable light (4)			
Lift enable light (4)			
Engine start (4)			
Emergency stop button (4)			
Joystick interlock switch (4)			
Horn (4)			
<b>INTERLOCK TESTS</b>			
Load sense system (4)			
Platform elevated (6-8%~2m) <b>OUTRIGGER CONTROLS DO NOT WORK (4)</b>			
Axle switch open <b>PLATFORM DOES NOT RAISE (4)</b>			
Tilted <b>PLATFORM DOES NOT RAISE (4)</b>			
Each outrigger not stowed <b>DRIVE DOES NOT WORK (4)</b>			
Selector switch base/platform controls <b>BASE CONTROLS SELECTED PLATFORM CONTROLS DO NOT WORK (4)</b>			
Selector switch base/platform controls <b>PLATFORM CONTROLS SELECTED BASE CONTROLS DO NOT WORK (4)</b>			
Drive speed - platform elevated (6-8%~2m) <b>SLOW DRIVE SPEED ONLY (4)</b>			
Drive speed - platform lowered <b>DRIVES FAST or SLOW (4)</b>			

# Maintenance Information

CHECK	OK	X	✓
<b>ENGINE</b>			
Air filter (5)			
Belts and hoses (5)			
Hydraulic pump (4)			
Engine oil (5)			
Engine START - STOP (4)			
Electric throttle (4)			
Engine coolant level (5)			
Fuel system (3)			
Fuel tank (3,5)			
<b>ELECTRICAL</b>			
Batteries (2,4)			
Battery terminals (5,6,7)			
Battery electrolyte level (5)			
Battery specific gravity reading (5)			

CHECK	OK	X	✓
Wires and cables (2,5,6)			
Motion warning alarm (2,4)			
<b>HYDRAULIC RESERVOIR &amp; RETURN FILTER</b>			
Translucent hydraulic oil reservoir (3,5)			
Filter/breather cap (6)			
Hydraulic fluid level (2,5)			
Return filter (2,5,6)			
<b>OPTIONAL EQUIPMENT</b>			
AC 110/220 volt outlet on platform (2,4)			
Propane tank(s) - dual fuel units only (2,5)			

### Corrective Action Required


### Additional Work Done, Options Fitted, Destination Specific Items etc.


Note: If corrective action is required on any item, attach sheet indicating problem and action taken.

All items have been properly checked and tested and found to be operating satisfactorily or necessary corrective action has been completed

Inspected by: \_\_\_\_\_ Date: \_\_\_\_\_

### ■ Lubrication

Specific lubricants as recommended by Snorkel, should be used in maintaining your unit. If in doubt regarding the use of lubricants other than those listed, contact Snorkel.

#### □ Pressure gun application

Service all fittings as indicated in the Maintenance Schedule. Wipe away all excess lubricant from exposed surfaces. Over lubrication can collect dirt and foreign matter which acts as an abrasive.

#### **NOTE**

*Any time the work platform is elevated to perform maintenance work, properly position the safety bar as outlined on the safety prop decal.*

### ▲ DANGER

**DO NOT reach through scissors mechanism unless the safety prop is properly positioned.**

**INJURY or DEATH could occur if the platform is not supported by the safety prop and should suddenly drop onto personnel performing maintenance work under the raised platform.**

#### □ King pins

King pin bearings are self lubricating. Check for signs of damage and excessive wear as outlined in the maintenance schedule.

#### □ Tie rods

Tie rod bearings are self lubricating. Check for damage and excessive wear as outlined in the maintenance schedule.

#### □ Steer cylinder end

Steer cylinder ends are self lubricating. Check for damage and excessive wear as outlined in the maintenance schedule.

#### □ Wheel bearings, drive wheels

Wheel bearings used on drive wheels are sealed bearings and do not require lubrication.

#### □ Engines

Other than daily Operator's maintenance outlined in the Daily Inspection and Maintenance schedule, all other engine maintenance information is found in the manufacturer's instruction manual.

Refer to the engine manufacturer's instruction manual or consult your local engine service representative if engine adjustments or repairs are needed.

### ▲ CAUTION

**The engine MUST be operated in accordance with manufacturer's instructions and serviced at recommended intervals.**

**Failure to do so could result in the loss of your engine warranty and repair of any failure resulting from improper maintenance could be at your own expense.**

#### □ Hydraulic oil reservoir

The fluid level should be kept level with the indicator line on the side of the reservoir and should be checked with all cylinders fully retracted and the platform in the stowed position.

The interior of the reservoir should be wiped out and cleaned each time the hydraulic oil is changed. The reservoir filler/breather cap should be removed and the cap breather cleaned yearly with Kerosene, Fuel Oil or other solvent.

It is absolutely necessary that only new, clean hydraulic oil is added.

### ▲ CAUTION

**If it becomes necessary to add or use an oil other than the recommended fluid, it is important that it be compatible and equivalent to the factory fill. Local oil suppliers can generally furnish this information.**

If questions still remain, contact Snorkel for further information.

#### □ Return filter

On these scissorlift models, the hydraulic oil return filter is mounted in the right hand tray assembly close to the hydraulic oil reservoir.

The filter element is a throw-away type filter and should be changed after the initial break-in period (approximately 50 hours operation time).

The filter condition should be checked at the 90 day or 150 hour Preventive Inspection Maintenance interval or more frequently under extreme working conditions.

When changing the filter element, the oil inside of the filter element, should be examined for deposits of metal cuttings, which if present, could indicate

## Maintenance Information

---

excessive wear in some of the system components.

### Door hinges and latches

Door hinges and latches may be lubricated as required with spray lubrication or SAE 10W oil.

After lubricating, remove any excess oil or over-spray so it will not collect dirt and debris.

### Slide pads

Check slide pads for excessive wear and replace as required.

### Scissor arm bearings

Scissor arm bearings are self lubricating. Check bearings for signs of damage and excessive wear as outlined in the maintenance schedule.

### ■ Batteries

The battery will have longer life if the water level is maintained and it is kept charged. The unit will have better starting characteristics with a fully charged battery.

In cold weather the battery should be maintained at full charge to keep from freezing. An extremely low or dead battery can freeze in cold weather. Make sure connections are clean and tight.

Check specific gravity of the battery per maintenance schedule.

Make sure charging equipment is operating properly.

## **▲ DANGER**

**Lead-acid batteries contain sulfuric acid which will damage eyes or skin on contact. When working around batteries, ALWAYS wear a face shield to avoid acid in eyes.**

**If acid contacts eyes, flush immediately with clear water and get medical attention.**

**Wear rubber gloves and protective clothing to keep acid off skin, if acid contacts skin, wash off immediately with clear water.**

## **▲ DANGER**

**Lead-acid batteries produce flammable and explosive gases. NEVER allow smoking, flames or sparks around batteries.**

---

### ■ Rough Terrain Scissor Interlock Tests

The Snorkel S/RT Series are fitted with a very important safety feature, a 'Stabiliser/axle/scissor Interlock' system that prevents the stabilisers being moved while the platform is elevated, and prevents the platform being raised if the rear axle is oscillated and the stabilisers are not set or the machine is tilted.

The correct operation of the Stabiliser/scissor Interlock is critical to ensure that the Scissor is operated safely and with minimum risk.

## **▲ DANGER**

**To ensure the interlock system is functioning correctly, before operating the Scissor the following test must be carried out prior to operation each day, in conjunction with all other relevant daily pre-operational checks:**

### Stabiliser locked out when platform elevated test

1. Position the machine on a firm level surface.
2. From the platform controls, start the engine and allow it to warm up.
3. Raise the platform above the elevation height (approx. 1.5 metres, depending on model).
4. Operate the right front stabiliser extend switch while watching the stabiliser leg for movement
5. If the stabiliser leg moves, release the switch **immediately!**

Lower the platform fully, remove the machine from service and affix a Danger Tag warning others that the machine is not to be used. In the first instance contact the owner who will then contact the Snorkel branch or authorised agent to inspect, repair and test the machine before allowing it to be placed back into service.

If the stabiliser leg does not move, continue to step 6

6. Lower the platform to the stowed position

### Elevation locked out when axles not stowed test

7. Park the machine such that one rear wheel is in a depression (approx. 100mm deep) such that the axle switch opens. A kerb or gutter may be sufficient

8. Raise the platform above the elevation height, (approx. 1.5 metres, depending on model).
9. At this point, an alarm will sound and further lift or drive will be disabled.
10. If there is no alarm and/or the machine continues to allow lift **stop immediately!** Lower the platform fully, remove the machine from service and affix a Danger Tag warning others that the machine is not to be used. In the first instance contact the owner who will then contact the Snorkel branch or authorised agent to inspect, repair and test the machine before allowing it to be placed back into service.
11. Repeat steps 7-10 for the opposite rear wheel.
12. Lower the platform to the stowed position




**Elevation locked out when tilted test**

13. Park the machine on ground known to exceed the tilt limit specified on the serial plate.
14. Raise the platform above the elevation height, (approx. 1.5 metres, depending on model).
15. At this point, an alarm will sound and further lift or drive will be disabled.
16. If there is no alarm and/or the machine continues to allow lift **stop immediately!** Lower the platform fully, remove the machine from service and affix a Danger Tag warning others that the machine is not to be used. In the first instance contact the owner who will then contact the Snorkel branch or authorised agent to inspect, repair and test the machine before allowing it to be placed back into service.
17. Lower the platform to the stowed position
18. If all steps have been followed and the Stabiliser/scissor interlock is functioning correctly, the machine can now be used in accordance with the operating instructions provided in the Operators Manual.

# Maintenance Information

## ■ Torque chart

NOM SIZE X PITCH	TENSILE STRESS AREA A <sub>s</sub> (mm <sup>2</sup> )	PROPERTY CLASS 8.8			PROPERTY CLASS 10.9		
		CLAMP LOAD W (N)	TORQUE (N.m)		CLAMP LOAD W (N)	TORQUE (N.m)	
			DRY k=0.20	LUBED k=0.15		DRY k=0.20	LUBED k=0.15
M3 x 0.5	5.03	2 200	1.32	0.99	2 990	1.79	1.34
M3.5 x 0.6	6.78	2 960	2.07	1.55	4 030	2.82	2.11
M4 x 0.7	8.78	3 830	3.07	2.30	5 220	4.17	3.13
M5 x 0.8	14.2	6 200	6.20	4.65	8 430	8.43	6.33
M6 x 1	20.1	8 770	10.5	7.90	11 950	14.3	10.8
M8 x 1.25	36.6	15 975	25.6	19.2	21 750	34.8	26.1
M8 x 1	39.2	17 100	27.4	20.5	23 275	37.3	27.9
M10 x 1.5	58.0	25 325	51	38.0	34 450	69	52
M10 x 1.25	61.2	26 725	53	40.1	36 350	73	55
M12 x 1.75	84.3	36 800	88	66	50 075	120	90
M12 x 1.25	92.1	40 200	96	72	54 700	130	98
M14 x 2	115	50 200	140	105	68 300	190	145
M14 x 1.5	125	54 550	155	115	74 250	210	155
M16 x 2	157	68 525	220	165	93 250	300	225
M16 x 1.5	167	72 900	235	175	99 200	320	240
M20 x 2.5	245	106 950	430	320	145 550	580	435
M20 x 1.5	272	118 750	475	355	161 550	650	485
M24 x 3	353	154 100	740	555	209 700	1 010	755
M24 x 2	384	167 600	805	605	228 100	1 100	820
M27 x 3	459	200 350	1 080	810	272 650	1 470	1 100
M27 x 2	496	216 500	1 170	875	294 600	1 590	1 150
M30 x 3.5	561	244 900	1 470	1 100	333 250	2 000	1 500
M30 x 3	580	253 150	1 520	1 140	344 500	2 070	1 550
M30 x 2	621	271 050	1 630	1 220	368 850	2 210	1 660
M33 x 3.5	694	302 950	2 000	1 500	412 250	2 720	2 040
M33 x 2	761	332 200	2 200	1 640	452 050	2 980	2 240
M36 x 4	817	356 600	2 570	1 930	485 300	3 490	2 620
M36 x 3	865	377 600	2 720	2 040	513 800	3 700	2 780
M39 x 4	976	426 000	3 320	2 490	579 750	4 520	3 390
M39 x 3	1 028	448 700	3 500	2 630	610 650	4 760	3 570
M42 x 4.5	1 121	489 300	4 110	3 080	665 850	5 590	4 200
M42 x 3	1 206	526 400	4 420	3 320	716 350	6 020	4 510
M45 x 4.5	1 306	570 050	5 130	3 850	775 750	6 980	5 240
M45 x 3	1 398	610 250	5 490	4 120	830 400	7 470	5 610
M48 x 5	1 473	642 950	6 170	4 630	874 950	8 400	6 300
M48 x 3	1 604	700 150	6 720	5 040	952 800	9 150	6 860

Grade marking   

## ■ To order service or repair parts

When placing an order for service or repair parts, please have the following information available for your machine.

- ✓ Machine model number
- ✓ Machine serial number
- ✓ Snorkel part number
- ✓ Description of part
- ✓ Quantity of parts required
- ✓ Your purchase order number
- ✓ Address for order to "Ship To"
- ✓ Your desired shipment method

All correspondence relative to this unit, such as field reports, discrepancy reports, requests for service information, etc., should be directed to:

Snorkel International, Inc.  
P.O. Box 1160  
St. Joseph MO 64505-1160 USA

Phone: 1-800-255-0317  
Parts Fax: 1-785-989-3077

Attention: Parts Department

For your convenience, our electronic on-line ordering system is available at the following internet location:

<http://www.snorkellifts.com>

## ■ Manuals

Manuals are available from Snorkel to support any of the machines that we produce.

The specific manuals for S3970RT - S3370RT - S2770RT are as follows:

- ✓ Operator's Manual  
Snorkel part number - 1441816
- ✓ Repair Parts Manual  
Snorkel part number - 1441817

## ■ Responsibilities

**It is the sole responsibility of owners and users of Elevating Work Platforms to ensure that all persons owning or using an MEWP have read, understood, and abide by all local regulations. Ultimately, compliance to those local regulations is the responsibility of the user and their employer.**

*Local regulations may take the form of (but are not limited to): Codes of Practice, Best Practice Guides, Standards e.g. AS2550.10, ANSI manual of responsibilities for Dealers, Owners, Users, Operators, Lessors and lessees etc.*

## ■ Product Warranty

For full terms of your warranty policy refer to the rear of this manual after the Index section, or check with your Snorkel distributor, or check the Snorkel website.

## Record machine information here:

Model number\*

---

Serial number\*

---

Date of purchase

---

Purchased from

---

Snorkel dealer or distributor

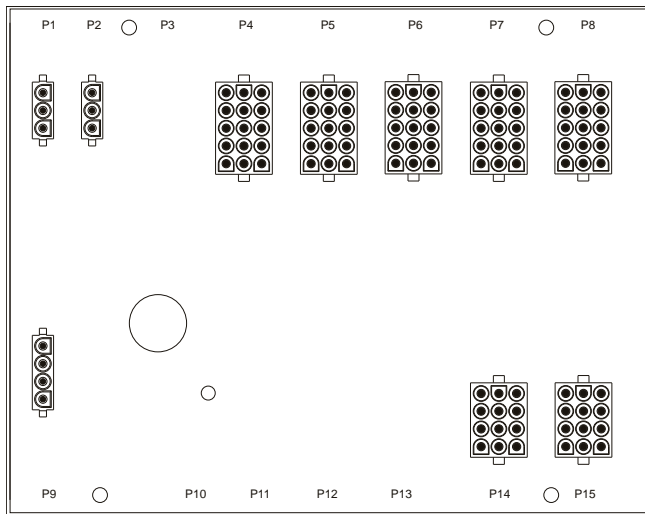
---

\* This information is found on the serial number placard attached to your machine.





## ■ Scissor Lift Control System



**GP400C Control Board**



**EZcal**

The EzCal LCD Display is a diagnostic tool for the control system. It is intended to be used primarily by trained technicians. The EzCal LCD display gives some information for the machine operator.

### □ Work time

The EzCal default state is to display machine work time. It accumulates time when ever the control system is active. This can be re set by a qualified technician. This value can be used to tell when periodic maintenance is due.

### □ Water

If the engine becomes too hot the EzCal LCD display will show **“Shut down - Engine Too Hot”**

### □ Alternator

If the alternator is not providing sufficient charge the EzCal LCD display will show **“Shut down - Not Charging”**

### □ Oil Pressure

If the engine does not have sufficient oil pressure the EzCal LCD display will show **“Shut down - No Oil Pressure”**

### □ Other messages

Other general messages may be displayed at the time a machine state is not allowed e.g. Functions Locked – Outriggers.

This is a guide to the operator to understand why the machine is not doing what is desired. The messages encompass many possible issues.

In the above case it could mean that the outriggers can not be used because the platform is raised, or it could mean that platform can not be raised because the outriggers are not properly set.

## ■ GP400 Menus Available with EZcal

When the EZcal LCD is in Technician Mode, a two line display shows various menus and settings.

At any time the top line of the display describes the currently selected menu and the bottom line shows the currently selected item in that menu.

Six buttons on EZcal allow easy navigation through the menus:

← and → change the selected item (the bottom line display)

**ENTER** enters the selected new menu when available (top line display changes)

↑ and ↓ adjusts the selected item when available (at “ACCESS LEVEL” 1)

**ESC** exits the current menu back to the previous menu

To enter Technician Mode press and hold the **ESC** key for 10 seconds with the ignition on. The display will change from showing work time to:

### □ Help Menu:

Press enter for help.

Refer to the menu structure to navigate the menus.

## Control System Information

---

The default access level is 3.

In this level only viewing of data is allowed.

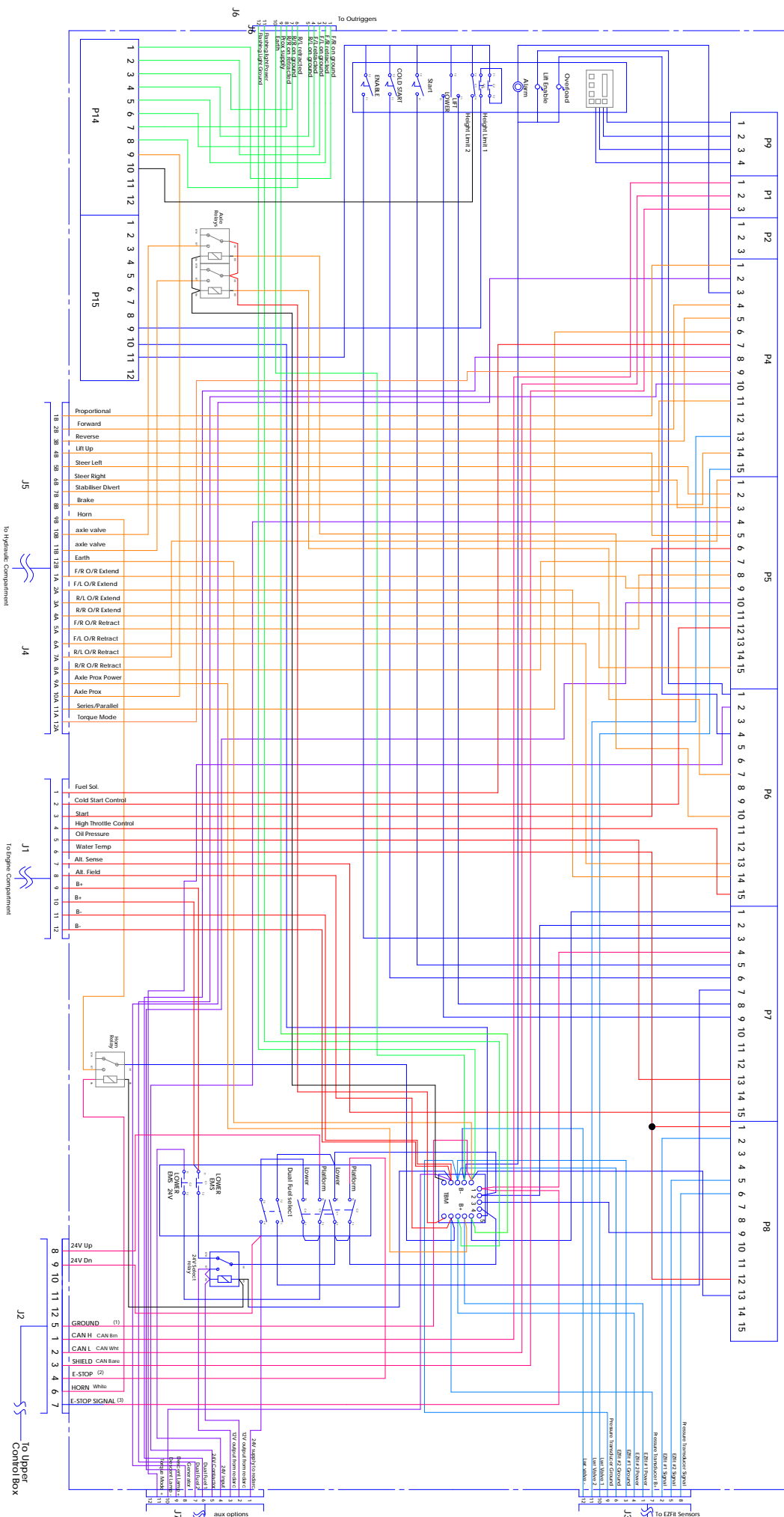
**STOP: If you are not a trained technician do not use Technician Mode in Access level 1 or 2. Death or serious injury can result from unauthorized adjustments and setups.**

Access level 2 is required to make adjustments to values and to make calibrations.

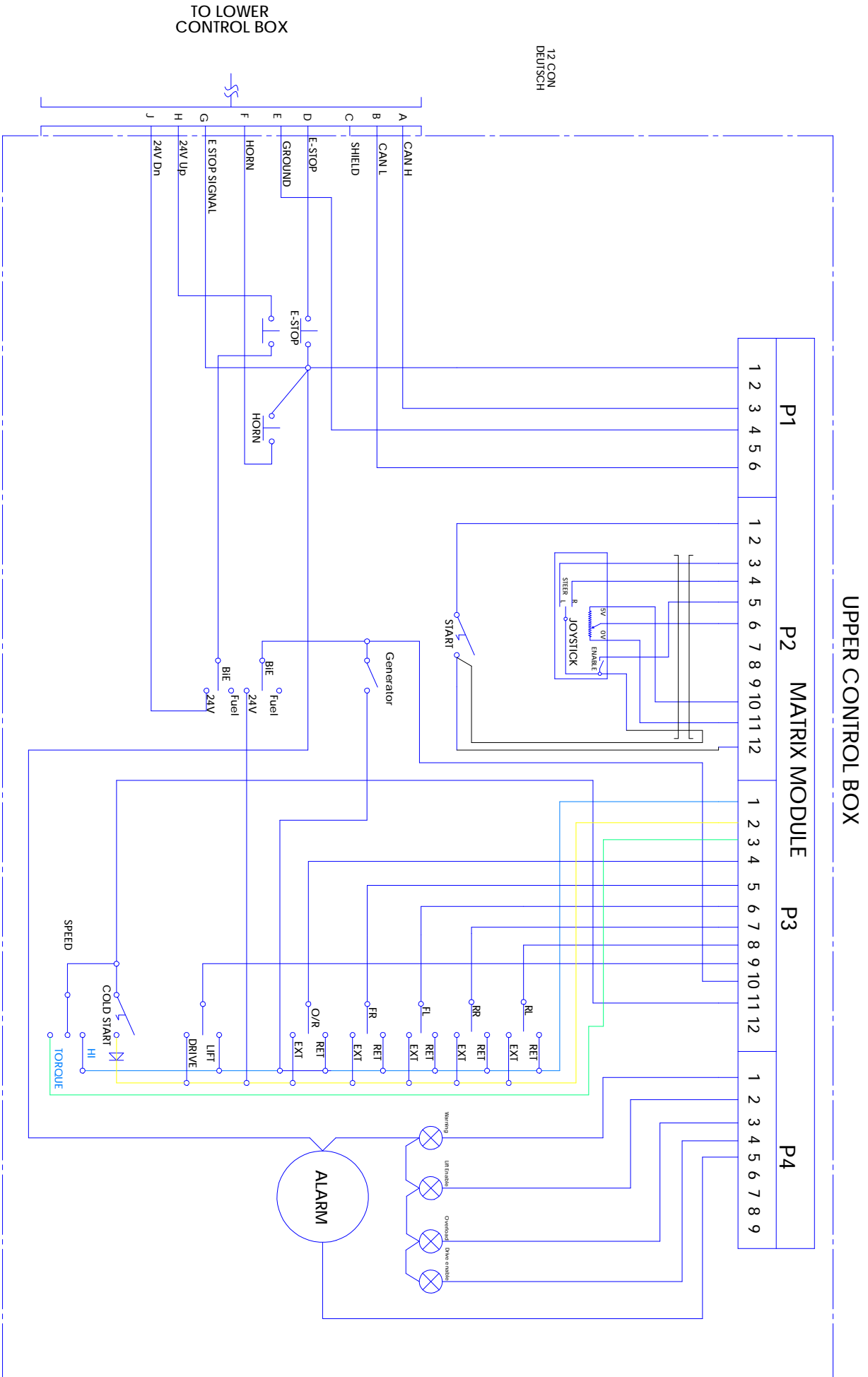
Access level 1 is required to make adjustments to values, calibrations, and change setups.

Access Codes to change between Access Levels prevent inadvertent adjustments.

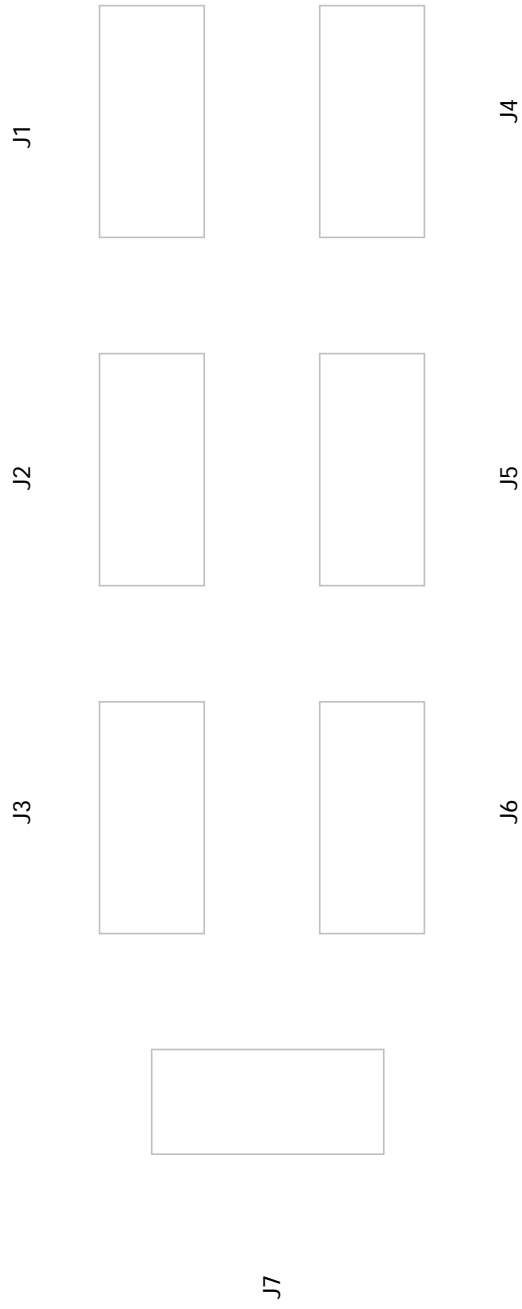
# Lower Control Box Wiring



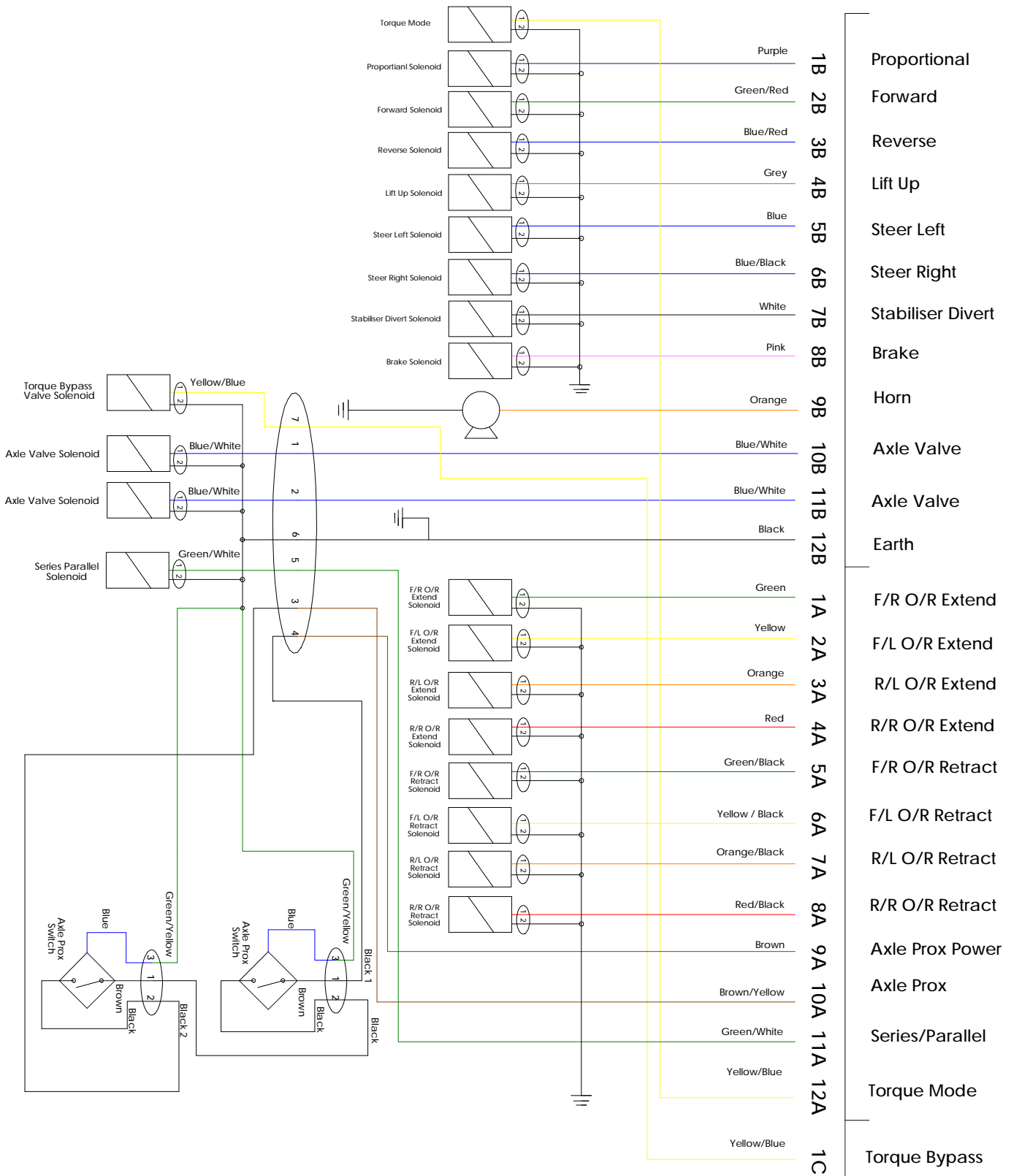
# Upper Control Box Wiring



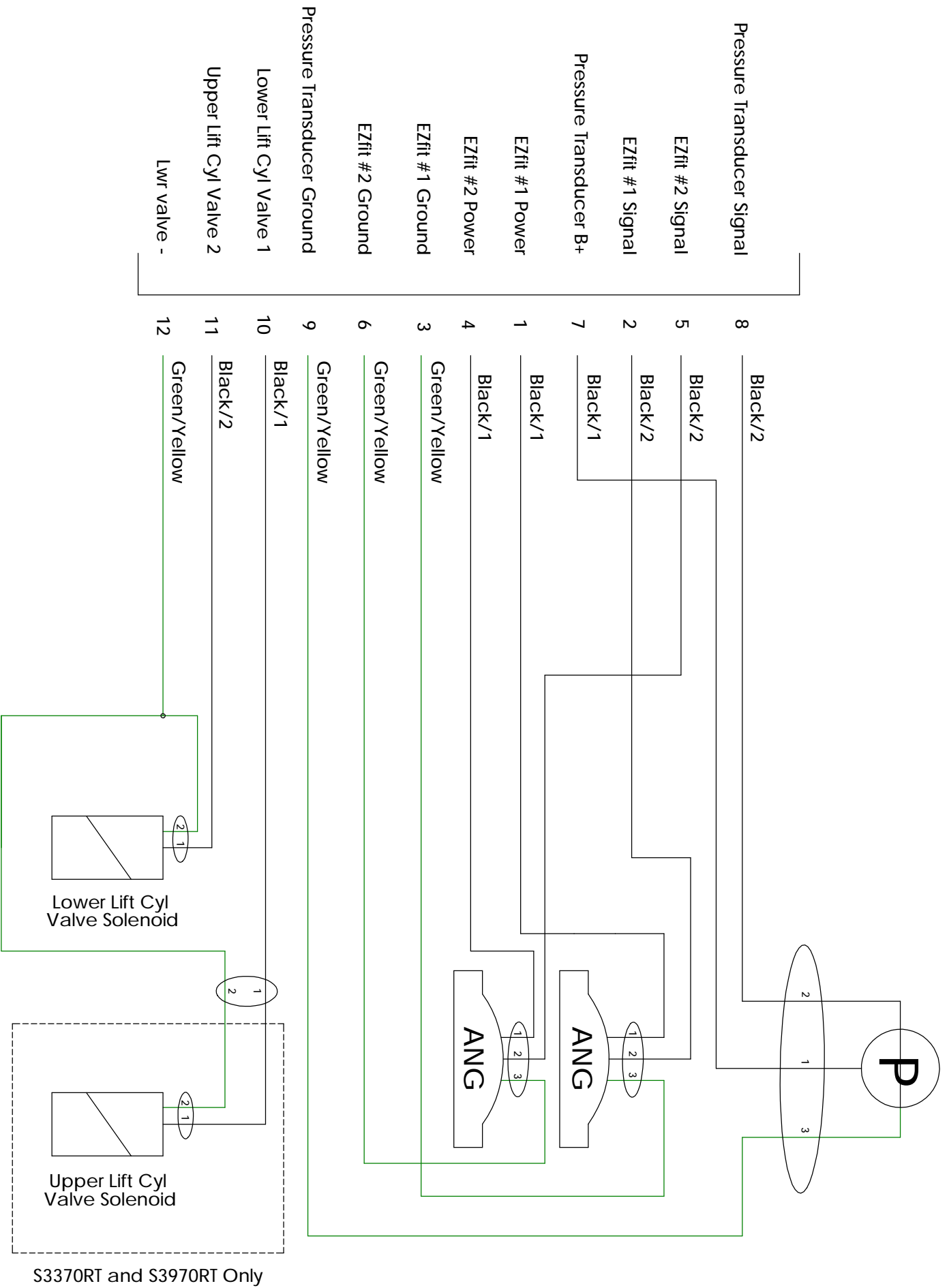
# Top View of Lower Control Box



# Hydraulic Compartment Wiring

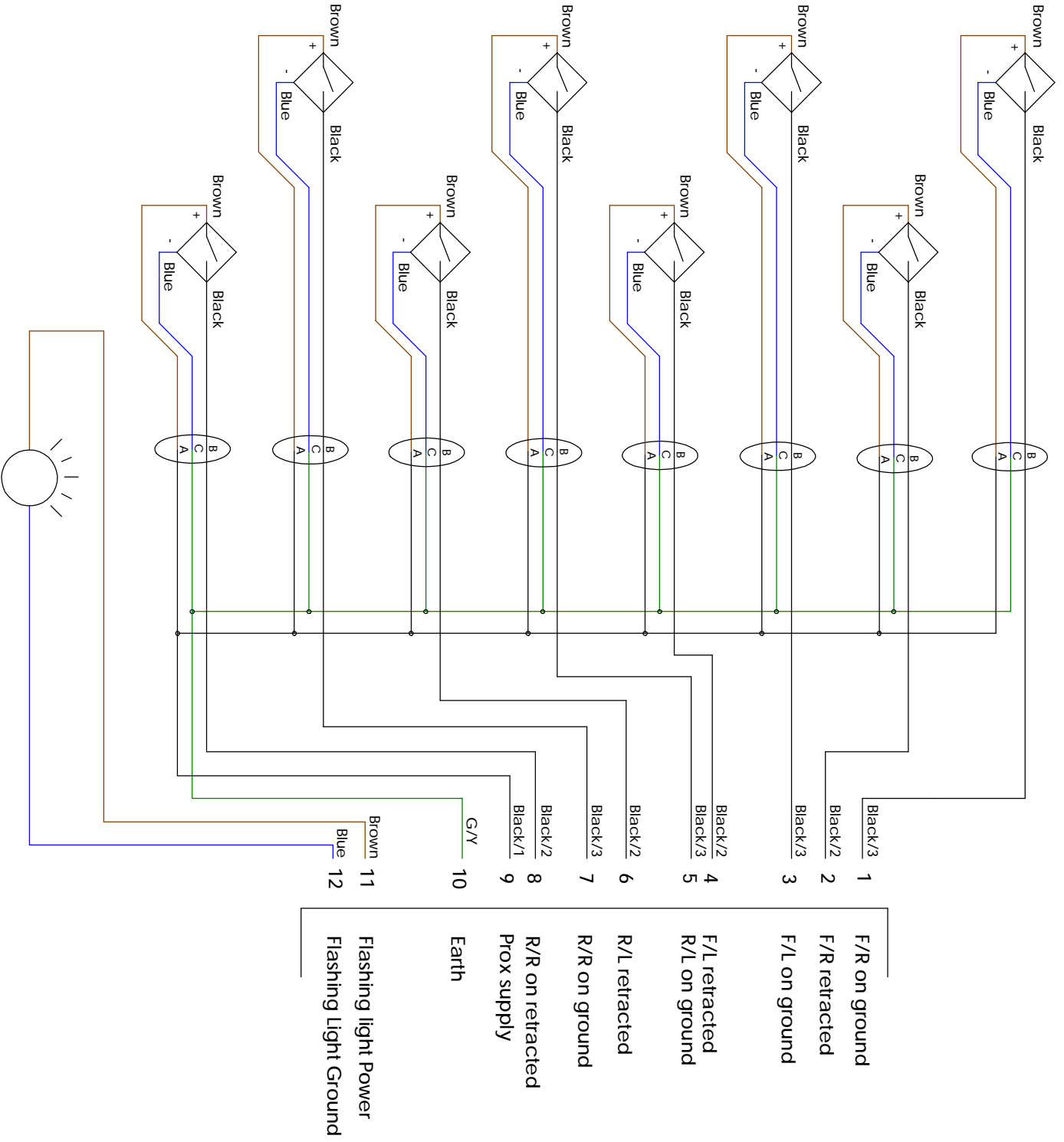


# EZFit Sensors Wiring



S3370RT and S3970RT Only

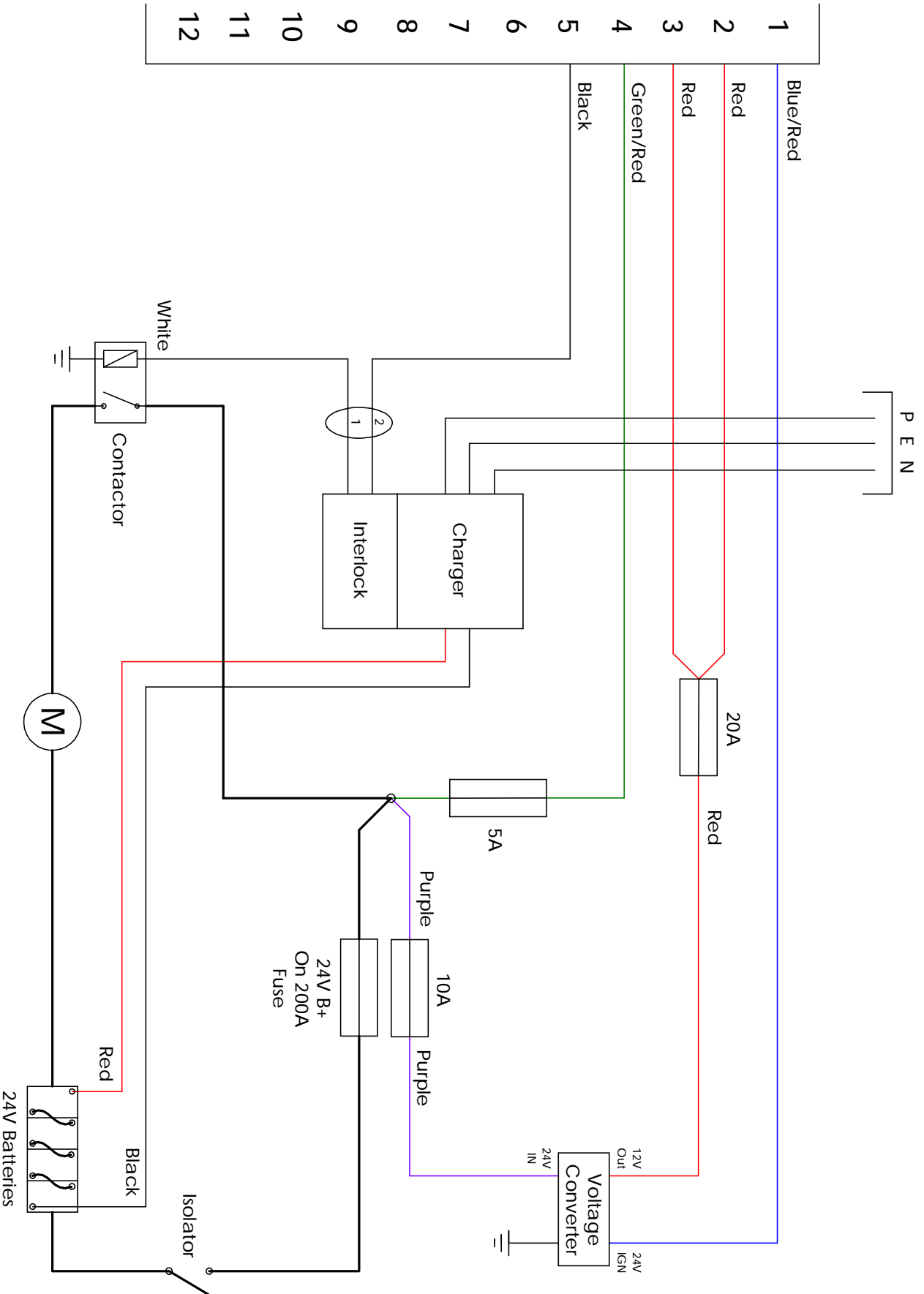
# Stabiliser Legs Wiring



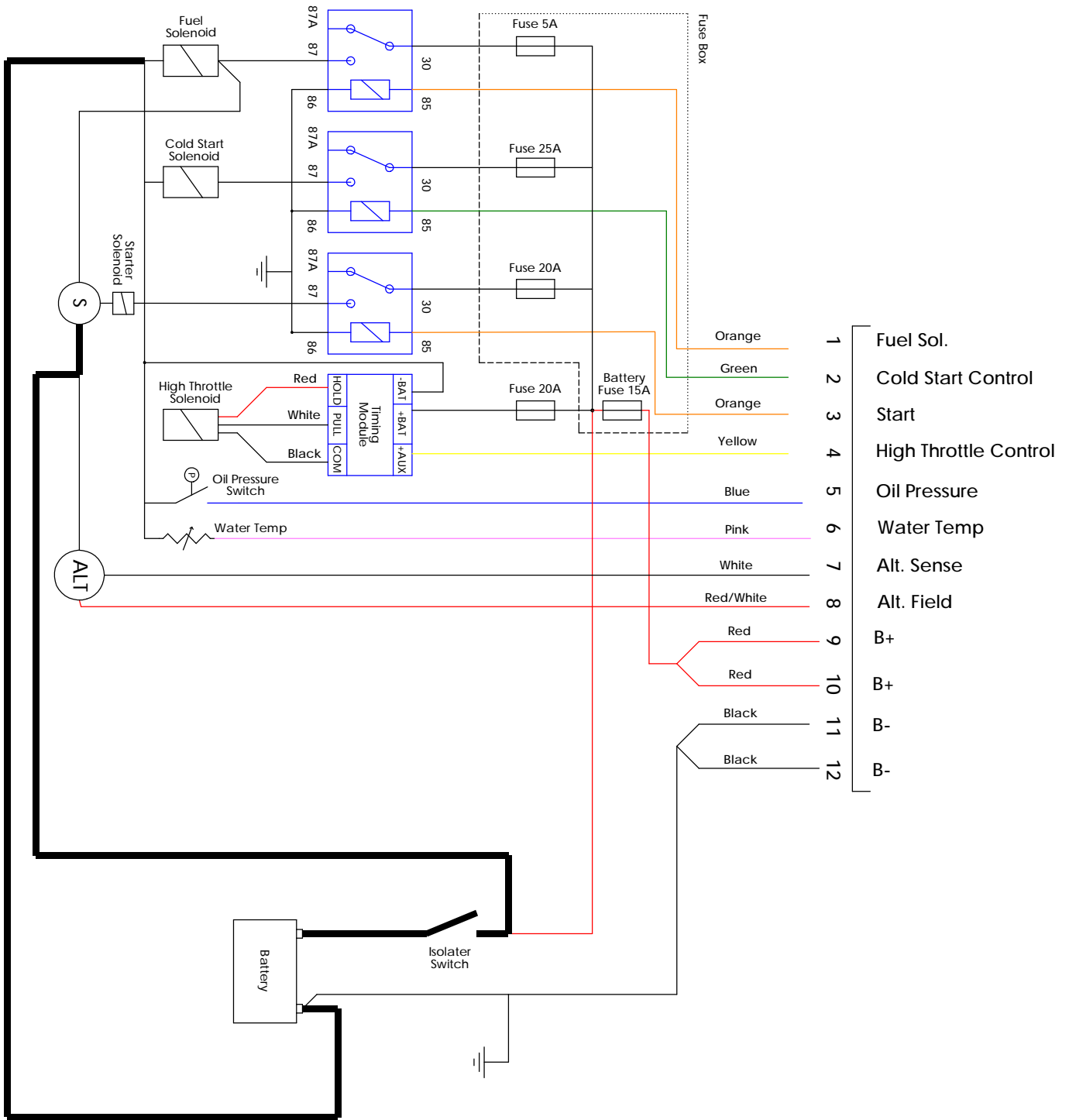


# 24V DC Option Wiring

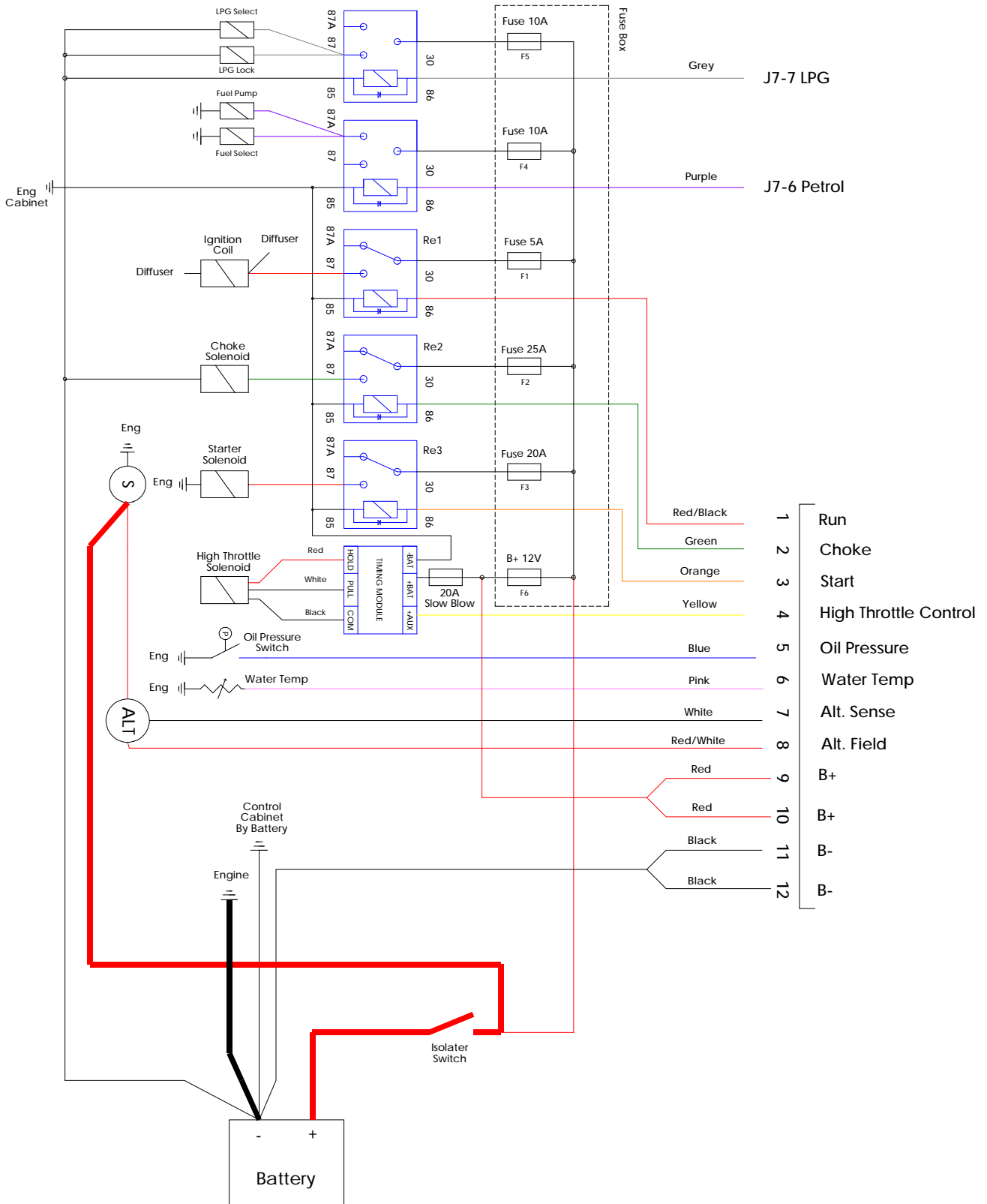
aux options



# Engine Compartment Wiring



# Engine Compartment Petrol/LPG Wiring





A	Auto Stabiliser Manifold, With Fittings	3-7
13811-01 Diesel AS/NZS/CE Lower Control Box	Axle Cylinder Assembly After Serial Numbers S2770RT-07-200300598, S3370RT-07-200300602, S3970RT-07-200500562	3-9
13811-02 ANSI Diesel Lower Control Box	BLOCK HEATER UPGRADE	5-10
13811-03 Petrol/LPG ANSI Lower Control Box	Base, Stack, Platform Assembly	2-14
4-10	Base, Stack, Platform Assembly After Serial Numbers S3970RT-07-181100510, S3370RT-07-181100524, S2770RT-07-181100530	2-15
13811-04 Overload Petrol/LPG ANSI/AS/NZS/CE Lower Control Box	Cabinets Assembly	2-12
4-11	Chassis Assembly	2-1
13811-05 Bi-Energy Diesel/24V DC AS/NZS/CE Lower Control Box	Emergency Bleed Down 2770	2-20
4-12	Emergency Bleed Down 3970, 3370	2-19
14023-04 Overload Diesel ANSI/NZS/AS/CE Upper Control Box	Engine Cabinet Assembly	2-6
4-4	Engine Cabinet Assembly After Serial Numbers S2770RT-07-200900621, S3370RT-07-200900626, S3970RT-07-200900582	2-7
14023-05 Overload Petrol/LPG ANSI/NZS/AS/CE Upper Control Box	Exhaust Extension	2-8
4-5	GP400/IO Allocations	4-3
14023-08 Overload Diesel, Reverse Lift ANSI/NZS/AS/CE Upper Control Box	GP400/IO Menus	4-2
4-6	General Information	1-1
14023-09 Overload Petrol/LPG, Reverse Lift ANSI/NZS/AS/CE Upper Control Box	Hose Tags And Colour Codes	3-1
4-7	Hydraulic Cabinet After Serial Numbers: S2770RT-07-200900621, S3370RT-07-200900626 S3970RT-07-200900582	2-11
240VAC Assembly	Hydraulic Cabinet Assembly	2-10
5-2	Hydraulic Schematic	7-2
24V DC Battery Box Mounting	Kubota D902 T4 Diesel Engine Assembly	2-27
4-15	LPG Cabinets Assembly	5-4
24V DC Option	LPG Engine Assembly, Kubota WG752 After Serial Numbers S2770RT-07-181100530, S3370RT-07-190100529, S3970RT-07-190100519	5-9
4-13	LPG Engine Cabinet Assembly	5-5
24VDC Cabinet Assembly	LPG Engine Cabinet Assembly After Serial Numbers	
4-14		
4WD Manifold, No Fittings		
3-4		
4WD Manifold, With Fittings		
3-5		
AC110V Platform Assembly		
5-1		
AC240V at Platform		
5-3		
AXLE CYLINDER		
3-8		
Angle Transducer After Serial Numbers S2770RT-07-200900617 S3370RT-07-200900626 S3970RT-07-200900577		2-26
Angle Transducers Before Serial Numbers: S2770RT-07-200900617 S3370RT-07-200900626 S3970RT-07-200900577		2-25
Auto Stabiliser Manifold, No Fittings		3-6

S2770RT-07-181100530, S3370RT-07-190100529, S3970RT-190100519	5-6	200300602, S3970RT-07-200500562	2-4
LPG Engine Cabinet Radiator Guard Assembly	5-7	Swing Arms Assembly	2-3
LPG Kubota WG752 Engine Assembly	5-8	Upper Lift Cylinder Assembly	3-11
Loom List	4-1	V7 Stabiliser Assembly	2-13
Lower Lift Cylinder	3-12	Wheel Mounting Assembly	2-5
Main Manifold, No Fittings	3-2	Wiring Schematics	7-1
Main Manifold, With Fittings	3-3		
Maintenance	6-1		
Placards And Decals	2-33		
Placards and Decals Bi-Energy Machines	2-34		
Plastic Fuel Tank Assembly	2-28		
Plastic Hydraulic Oil Tank Assembly	2-30		
Platform Assembly	2-16		
Platform Assembly After Serial Numbers			
S2270RT-07-181100530, S3370RT-07-181100524, S3970RT-07-181100510	2-17		
Platform Rear Handrail Assembly	2-18		
Radiator Guard Assembly	2-9		
STEER CYLINDER	3-10		
Scissor Stack Assembly 2770	2-24		
Scissor Stack Assembly 3370	2-23		
Scissor Stack Assembly 3970	2-22		
Scissor Stack Tees	2-21		
Stabiliser Leg Cylinder Assembly	3-13		
Steel Fuel Tank Assembly	2-29		
Steel Hydraulic Oil Tank, No Heater Assembly	2-31		
Steel Hydraulic Oil Tank, With Heater Assembly	2-32		
Steer Assembly	2-2		
Swing Arm Assembly After Serial Numbers			
S2770RT-07-200300598, S3370RT-07-			

B	100434-004	2-3, 3-8, 3-11, 3-12
- 2-14, 2-14, 2-14, 2-14, 2-14, 2-15, 2-15, 2-15,	100434-010	2-3, 2-4
2-15, 2-15	100434-013	3-3
001469-006	100434-015	2-3, 2-4, 2-10, 2-11
0070483	100434-021	2-11
0070901	10114	4-8, 4-9, 4-10, 4-11, 4-12
0070921	10118	4-4, 4-5, 4-6, 4-7, 4-8, 4-9, 4-10, 4-11, 4-12
0073298	10268-1	2-10, 2-11
0074979	10967-1	5-2
0080440	10967-2	5-2
0081441	10967-3	5-2, 5-3
0083427	10996-2	3-3
0084570	11143-2	2-22, 2-23, 2-24
010076-000	11305	2-13
0102006	11346-1	2-33, 2-34
0111485	11366-1	2-13
011469-006	11366-2	2-13
0150606	11367-2	3-13
0181562	11369	2-13
0181634	11380	2-22, 2-23, 2-24
0260070	11430-1	2-29, 2-30, 2-31, 2-32
0260099	11430-5	2-29, 2-30, 2-31, 2-32
0260466	11487	2-30, 2-31, 2-32
0323897	11492-1	2-2
0360892	11492-3	2-14, 2-15, 2-16, 2-17, 2-22, 2-23, 2-24
0372061	11492-4	2-13, 3-13
057727-000	11558-1	2-30
067614-023	11596	2-10, 2-11
100432-002	116324-000	2-3, 2-4
100432-004	11642	3-8
100432-007	11642A	2-3, 3-8
100432-009	11642K	3-8
100432-027	11642K-PB	3-8
100433-008	11642K-UH	3-8

11658-20	2-14, 2-15	12566-3	2-14, 2-15
11679	2-6, 2-7, 2-10, 2-11, 5-5, 5-6	12567-1	3-2
11680	2-6, 2-7, 2-10, 2-11, 5-5, 5-6	12567-11	3-2, 3-4
11695	2-16, 2-17	12567-15	3-2
11695-3	2-16, 2-17	12567-2	3-2
11695R	2-16, 2-17	12567-23	3-2
11699	3-10	12567-24	3-2
11699A	2-2, 3-10	12567-25	3-2
11699K	3-10	12567-8	3-2
11699K-PB	3-10	12567-9	3-2
11699K-UH	3-10	12568-1	3-2, 3-6
11804	2-22, 2-23, 2-24	12569-2	3-4
12036	2-13, 3-13	12569-3	3-4
12036-5	2-13, 2-27, 3-13, 5-9	12569-5	3-4
12036-6	2-13, 3-13	12569-6	3-4
12241-2	2-23	12570	2-2
12409	5-8, 5-9	12574	2-33, 2-34
12441-2	2-22	12581-11621-01	5-8, 5-9
12509-50	4-13	12647-1	3-12
12516	2-9, 5-7	12648	3-12
12536-3	4-4, 4-5, 4-6, 4-7, 4-8, 4-9, 4-10, 4-11, 4-12	12699	2-33, 2-34
12536-4	4-4, 4-5, 4-6, 4-7, 4-8, 4-11, 4-12	12699-4	2-33, 2-34
12554-5	2-1	12709-10	2-16, 2-17
12554-6	2-1	12716-13	2-6, 2-7, 2-10, 2-11, 5-5, 5-6
12555-9	2-2	12716-14	2-10, 2-11
12556	2-2	12722	2-19
12562	2-2	12723	2-19
12563	2-2, 2-5	12724	2-19
12563-1	2-5	12726	2-19, 4-13
12564	2-2, 2-5	1273-2	2-1
12564-1	2-5	12748	2-20
12566	2-22	12749	2-16
12566-2	2-14, 2-15	12753	2-33, 2-34
		12814	2-33, 2-34



12818	2-19, 2-20	13086-33	2-27
12833-4	2-10, 2-11, 2-33, 2-34	13086-34	2-27
12835-1	3-8, 3-9	13086-35	2-27
12914-10	4-4, 4-5, 4-6, 4-7, 4-8, 4-9, 4-10, 4-11, 4-12	13086-36	2-27
12914-11	4-4, 4-5, 4-6, 4-7	13086-37	2-27
12914-12	4-8, 4-9, 4-10, 4-11, 4-12	13086-38	2-27
12914-13	4-8, 4-9, 4-10, 4-11, 4-12	13086-39	2-27
12914-6	4-8, 4-10, 4-11, 4-12	13086-40	2-27
12938	2-6, 2-7, 5-5, 5-6	13086-41	2-27
12938-1	2-6, 2-7, 5-5, 5-6	13086-42	2-27
12938A	2-12	13086-47	2-27
12944	2-27	13086-9	5-6, 5-8
13023	5-8	13095	2-27, 5-10
13086-01	2-27	13098	2-6, 2-7, 5-5, 5-6
13086-02	2-27	13099-1	2-6, 2-7
13086-03	2-6, 2-7, 5-5, 5-6	13100	4-13
13086-04	2-6, 2-7, 5-5	13106	2-28
13086-05	2-6, 2-7	13106-2A	2-6, 2-28
13086-06	2-6, 2-7, 5-5, 5-6	13106-4A	5-5
13086-07	2-27, 5-5, 5-6	13108-04	2-28, 2-29
13086-08	2-27	13108-16	2-31
13086-10	2-27	13109	2-28, 2-29
13086-11	2-27, 5-8	13117-1	2-14, 2-15
13086-12	5-5, 5-6	13117-2	2-14, 2-15
13086-13	5-8	13117-4	2-14, 2-15
13086-14	5-8	13117-5	2-14, 2-15
13086-15	5-8	13122-11	2-16, 2-17
13086-16	2-27, 5-8	13122-12	2-16, 2-17
13086-17	2-27	13122-14	2-16, 2-17
13086-18	2-27	13128	2-16, 2-17
13086-20	2-27	13132	2-16, 2-17
13086-31	2-6, 2-7, 2-27	13161-17	3-2
13086-32	2-6, 2-7, 2-27	13161-18	3-2
		13161-28	3-2

13164	2-10, 2-11, 2-27, 5-8, 5-9	13781	3-7
13221	3-11	13781-01	3-6
13221-1	3-11	13781A	2-10, 2-11
13258	2-16, 2-17	13782-04	2-21
13259	2-16, 2-17	13786	2-16, 2-17
13262	2-16, 2-17	13805-10	4-13
13264	2-16, 2-17	13805-20	4-13
13268	2-16, 2-17	13805-30	4-13
13485-02	4-4, 4-5, 4-6, 4-7	13805-40	4-13
13485-03	4-9	13805-50	4-13
13485-05	4-8, 4-9, 4-10, 4-11, 4-12	13805-51	4-13
13520-000	2-32	13805-60	4-13
13525-05	2-16, 2-17, 4-13	13805-70	4-13
13553-05	2-6, 4-13, 5-5	13806	2-6, 2-7, 5-5, 5-6
13553-10	2-6, 5-5, 5-5	13807-20	4-13
13553-15	2-6, 5-5, 5-5	13807-30	4-13
13553-20	2-6, 4-13, 5-5	13808-01	4-4, 4-5, 4-6, 4-7
13553-25	2-6	13808-02	4-4, 4-5, 4-6, 4-7
13553-40	4-13	13810	4-8, 4-9, 4-10, 4-11, 4-12
13574-16	2-23, 2-24	13810-5	4-8, 4-9, 4-10, 4-11, 4-12
136086-13	2-27	13811	2-10, 2-11
13628	2-27, 5-8, 5-9	13811-02	4-9
13640-3	2-33, 2-34	13811-1	4-8, 4-9, 4-10, 4-11, 4-12
13649	2-16, 2-17	13826	4-13
13667-1	2-22, 2-22, 2-23, 2-24	13827-04	4-13
13667-15	2-22, 2-22, 2-23, 2-24, 2-24	13838-03	2-33, 2-34, 4-4
13667-16	2-22, 2-22	13838-04	2-33, 2-34, 4-5
13667-2	2-22, 2-22, 2-23, 2-24	13838-08	4-6
13667-32	2-22, 2-23, 2-24	13838-09	4-7
13667-33	2-22, 2-23, 2-24	13839-01	2-33, 2-34, 4-8, 4-9, 4-12
13667-35	2-22, 2-24	13839-02	2-34, 4-10, 4-11
13667-36	2-22, 2-23, 2-23, 2-24	13840	2-16, 2-17
13667-37	2-22	13841	2-16, 2-17
13779-03	3-2	13843-03	2-16, 2-17

13852-12	4-8, 4-10, 4-11, 4-12	13926-1008	4-8, 4-9, 4-10, 4-11, 4-12
13854	2-2	13928	2-14, 2-15
13855	2-2	13931	2-14, 2-15
13856	2-2	13935	2-16, 2-17
13857	2-2	13939-02	2-33
13859	4-13	13941	2-14, 2-16
13862	4-4, 4-5, 4-6, 4-7	13952	3-11, 3-12
13864	2-10	13973-1	5-8, 5-9
13864A	5-4	13973-2	5-8, 5-9
13866	4-14	13976	5-4
13867	4-14	13978-01	2-27, 5-8, 5-9
13869-01	2-6, 2-7, 2-10, 2-11, 5-5, 5-6	13978-02	2-27, 5-8, 5-9
13869-02	2-6, 2-7, 2-10, 2-11, 5-5, 5-6	13978-03	5-8, 5-9
13870	2-1	13978-04	2-27, 5-8, 5-9
13872	2-6, 2-10, 2-11	13982	5-8
13875-01	2-16, 2-17	13982-3	5-8
13878-01	4-8, 4-10, 4-11, 4-12	13984-1	5-5, 5-6
13881-08	3-2, 3-6	13984-2	5-5, 5-6
13895	3-2	13984-3	5-5, 5-6
13899-1616	4-14	13985-1	5-8
13901-12	4-4, 4-6, 4-8, 4-10	13985-2	5-8
13903-10	2-33	13988	2-29
13903-14	2-33	13989-01	5-8, 5-9
13903-15	2-33	13990	5-8, 5-9
13903-18	2-34	13997-0410	5-6
13903-19	2-34	13998-0404	5-8, 5-9
13903-20	2-34	13999-01	5-8, 5-9
13905	2-27, 5-8, 5-9	13999-02	5-8, 5-9
13906-01	2-22, 2-23, 2-24	13999-03	5-8, 5-9
13906-02	2-22, 2-23	14001	5-4
13909	2-18	14002	2-17
13912A	2-16, 2-17, 2-18	14003	5-4
13913	2-18	14004	2-27
13921	2-16, 2-17	14020	2-27

---

14022	4-4, 4-5, 4-6, 4-7	15120-03	3-4
14022-03	4-4, 4-5, 4-6, 4-7	15121	3-3
14023-04	2-16, 2-17	15122-01	2-1
14052	4-13	15123-01	2-10, 2-11, 3-3
14071-1016	4-14	15127	2-3, 2-4
14098-01	2-13, 3-13	15130-01	2-30, 2-31, 2-32
14098-02	3-13	15133-01	2-12
14098-03	2-13	15141-01	2-10, 2-11, 2-30
1431833	2-10	15143-01	2-16, 2-17
1442240-3	5-10	15145	2-31, 2-32
1450029	4-13	15146	2-29
15.8kg LPG Bottle	5-4	15153-12	2-30, 2-31, 2-32
15013-063	3-11, 3-12	15153-16	2-30, 2-31, 2-32
15020	2-8	15156-14	2-30, 2-31, 2-32
15020-04	2-8	15170	2-33, 2-34
15020-05	2-8	15201-09	2-14, 2-15
15042	2-27	15201-12	2-14, 2-15
15048	2-13	15201-16	2-14, 2-15
15085-03	2-1, 2-13, 3-13	15201-20	2-14, 2-15
15092	2-3, 2-4, 2-5	15202	2-15, 2-17
15092-04	2-5	15204	2-4, 3-9
15093	2-3, 2-5	15219-06	5-8, 5-9
15093-04	2-5	15219-07	5-9
15094	2-3, 2-4	15220	2-7
15095	2-3, 2-4	15220-01	5-6
15105-01	5-9	15224	5-9
15106	2-6, 2-7, 5-6	15225	5-9
15107	2-6	15231	2-31, 2-32
15108	2-6, 2-7, 5-6	15235	5-9
15109	2-27	15238	2-29
15116	2-12, 2-27	15242	5-9
15117	2-3, 2-4	15247	5-9
15120	3-5	15250-0405	2-29
15120-02	3-4	15252	5-9

---

15256	2-29	3028933	4-4, 4-5, 4-6, 4-7
15258	2-7	302950	2-33, 2-34
15344-02	2-9, 5-7	3030157	2-25
15344-03	2-9, 5-7	3030158	3-12
15345-01	2-9	3030181	4-8, 4-10, 4-11, 4-12
15346-01	5-7	3030187	2-26
15361	2-7, 2-11	304-0174	5-8
15361-03	2-7, 2-11	3040063	5-8, 5-9
1650-010	2-6, 2-7, 4-8, 4-9, 4-10, 4-11, 4-12, 5-5, 5-6	3040252	5-1
1807	5-3	3040269	2-10, 2-11
1814	5-2, 5-3	3040411	4-4, 4-5, 4-6, 4-7, 4-8, 4-9, 4-10, 4-11, 4-12
1815-2	5-1	3040624	5-1
1843	2-33, 2-34	3040625	5-1
1865-001	5-3	3049861	4-4, 4-5, 4-6, 4-7
1G657-11000	5-6	3049862	4-4, 4-5, 4-6, 4-7
2065-002	2-6, 2-7, 4-8, 4-9, 4-10, 4-11, 4-12, 5-5, 5-6	3069521	4-13
2650001	5-8	3069542	4-13
2690004	5-8	3087790	4-14
27233-003	5-10	3087803	4-8, 4-9, 4-10, 4-11, 4-12
300699	2-33, 2-34	329926	4-4, 4-5, 4-6, 4-7
300700	2-33, 2-34	3602-04	4-13
300840	2-10, 2-11, 4-13	3602-06	2-6, 2-10, 2-11, 4-13, 5-5
301440	2-10, 2-11	3602-08	2-27, 5-8, 5-9
302-0049	2-10, 4-13	3603-04	2-6, 2-7, 2-16, 2-17, 4-8, 4-9, 4-10, 4-11, 4-12, 4-13, 5-5, 5-6
3020015	4-4, 4-5, 4-6, 4-7, 4-8, 4-9, 4-10, 4-11, 4-12	3603-05	2-2, 2-6, 2-7, 2-16, 2-17, 2-18, 4-4, 4-5, 4-6, 4-7, 4-8, 4-9, 4-10, 4-11, 4-12, 4-13, 5-1, 5-2, 5-3, 5-5, 5-6, 5-9
3020016	4-4, 4-5, 4-6, 4-7, 4-8, 4-9, 4-10, 4-11, 4-12	3603-06	2-1, 2-3, 2-4, 2-6, 2-7, 2-8, 2-9, 2-10, 2-11, 2-13, 2-16, 2-17, 2-19, 2-20, 2-22, 2-23, 2-24, 2-25, 2-26, 2-27, 2-29, 2-30, 2-31, 2-32, 3-11, 3-12, 3-13, 4-13, 5-5, 5-6, 5-7, 5-8, 5-9
3020047	4-4, 4-5, 4-6, 4-7	3603-07	4-8, 4-10, 4-11, 4-12
3020049	2-11	3603-08	2-1, 2-6, 2-7, 2-10, 2-11, 2-16, 2-17, 2-18, 2-27,
3020097	4-10, 4-11, 4-12		
302544	2-16, 2-17		

4-13, 5-5, 5-6, 5-8, 5-9	7, 4-13, 5-9
3603-10 2-6, 2-7, 2-8, 2-9, 2-10, 2-11, 2-12, 2-16, 2-17, 2-22, 2-23, 2-24, 2-27, 5-4, 5-5, 5-6, 5-8, 5-9	3610-05020 ..... 2-7, 2-11, 2-16
3603-10H ..... 2-27	3610-06012 ..... 2-13, 3-11, 3-12, 5-5, 5-6
3603-12 ..... 2-2, 2-16, 2-17	3610-06016 2-2, 2-3, 2-4, 2-6, 2-7, 2-9, 2-10, 2-11, 2-13, 2-27, 3-13, 5-5, 5-6, 5-7
3603-12HD ..... 2-3, 2-4	3610-06020 . 2-1, 2-6, 2-7, 2-8, 2-10, 2-11, 2-16, 2-17, 2-19, 2-20, 2-27, 5-5, 5-6, 5-8, 5-9
3603-16 ..... 2-14, 2-15	3610-06025 ..... 2-6, 2-10, 2-11, 5-5, 5-8
3603-16H ..... 2-4	3610-06030 ..... 4-13
3603-16HD ..... 2-3, 2-4	3610-06040 ..... 2-18, 5-8, 5-9
3604-04012 ..... 4-8, 4-9, 4-10, 4-11, 4-12	3610-06045 ..... 2-25
3604-04020 ..... 4-13	3610-06055 ..... 2-18, 2-26
3604-04025 ..... 4-8, 4-9, 4-10, 4-11, 4-12	3610-06085 ..... 3-11, 3-12
3604-04035 ..... 2-6, 2-7, 5-5, 5-6	3610-06110 ..... 2-13
3604-05012 2-6, 2-7, 2-10, 2-11, 2-16, 2-17, 4-8, 4-9, 4-10, 4-11, 4-12, 4-13, 5-1, 5-3, 5-5, 5-6	3610-08016 ..... 2-1, 2-27
3604-05016 ..... 4-4, 4-5, 4-6, 4-7, 4-13, 5-2, 5-6	3610-08020 ..... 2-6, 2-7, 2-10, 2-11, 4-13, 5-5, 5-6
3604-05020 ..... 2-1, 4-13	3610-08025 ... 2-7, 2-10, 2-11, 2-16, 2-17, 2-27, 5-8, 5-9
3604-05025 ..... 4-4, 4-5, 4-6, 4-7, 4-13	3610-08030 ..... 2-6, 2-7, 2-11, 5-5, 5-6
3604-06020 ..... 4-13	3610-08035 ..... 5-8, 5-9
3605-05 .... 2-1, 4-4, 4-5, 4-6, 4-7, 4-13, 5-1, 5-9	3610-08040 ..... 2-1, 2-27
3605-06 2-3, 2-4, 2-9, 2-10, 2-11, 2-13, 2-18, 2-19, 2-20, 2-25, 2-26, 2-27, 3-11, 3-12, 3-13, 5-7, 5-8, 5-9	3610-08100 ..... 2-6, 2-7, 4-13
3605-08 ... 2-1, 2-6, 2-7, 2-27, 4-13, 5-5, 5-8, 5-9	3610-08110 ..... 5-5, 5-6
3605-10 ..... 2-10, 2-11, 2-27, 5-8, 5-9	3610-10020 2-10, 2-11, 2-14, 2-15, 2-16, 2-17, 2-22, 2-23, 2-24
3605-16 ..... 2-14, 2-15	3610-10025 2-10, 2-11, 2-12, 2-16, 2-17, 2-22, 2-23, 2-24, 2-27, 5-4, 5-8, 5-9
3606-06012 ..... 2-16, 2-17	3610-10030 ..... 2-10, 2-16, 2-17, 5-6
3606-06016 ..... 2-14, 2-15	3610-10035 ..... 2-13, 3-13
3606-06025 2-10, 2-11, 2-16, 2-17, 2-22, 2-23, 2-24	3610-10040 ..... 2-22
3608-16C ..... 2-4	3610-10050 2-6, 2-7, 2-10, 2-11, 2-16, 2-17, 2-27, 5-5, 5-9
3610-04016 ..... 2-16, 2-17	3610-10055 ..... 2-12
3610-05016 2-2, 2-6, 2-7, 2-17, 4-4, 4-5, 4-6, 4-	3610-10060 ..... 2-16, 2-17
	3610-10070 ..... 2-16, 2-17

3610-10075	2-16, 2-17	3624-2	2-22, 2-23, 2-24
3610-10120	2-22, 2-23, 2-24	3624-27	2-2, 3-10
3610-12050	2-2	3624-3	2-2
3610-12130	2-16, 2-17	3624-40	3-11, 3-12
3610-16040	2-14, 2-15	3626-1	2-2
3611-04	2-6, 2-7, 2-16, 2-17, 4-8, 4-9, 4-10, 4-11, 4-12, 4-13, 5-5, 5-6, 5-9	3626-19	3-11, 3-12
3611-05	2-1, 2-6, 2-7, 2-10, 2-11, 2-16, 2-17, 2-18, 3-11, 4-4, 4-5, 4-6, 4-7, 4-13, 5-2, 5-3, 5-5, 5-6	3626-2	2-3, 2-4, 2-16, 2-17
3611-06	2-1, 2-6, 2-7, 2-8, 2-10, 2-11, 2-13, 2-16, 2-17, 2-18, 2-22, 2-23, 2-24, 2-29, 2-30, 2-31, 2-32, 3-12, 4-13, 5-5, 5-6, 5-8, 5-9	3626-3	3-8, 3-9
3611-08	2-1, 2-6, 2-7, 2-10, 2-11, 2-16, 2-17, 2-27, 4-13, 5-5, 5-6, 5-8	3626-8	2-13, 3-13
3611-10	2-6, 2-7, 2-10, 2-11, 2-12, 2-16, 2-17, 2-22, 2-23, 2-24, 2-27, 5-4, 5-5, 5-6, 5-8, 5-9	3628-05	4-8, 4-9, 4-10, 4-11, 4-12, 4-13
3611-12	2-2, 2-3, 2-4, 2-16, 2-17	3628-06	4-8, 4-9, 4-10, 4-11, 4-12
3611-16	2-3	3628-08	4-13
3613-05040	2-18	3629-5062L	2-22, 2-23, 2-24
3613-05055	2-18	3630-7	2-7
3613-08025	2-27, 5-8, 5-9	3633-3	2-13
3613-08030	2-27, 5-8, 5-9	3636	2-2
3616-12040	2-2	3641-06	3-11, 3-12
3616-12090	2-3, 2-4	3668-05016	2-7, 2-11
3616-16130	2-3	4381	2-10, 2-11
3616-16140	2-4	446086	4-13
3617-10020	2-27, 5-8, 5-9	451986	2-33, 2-34
3617-10025	2-27, 5-9	452756	2-30, 2-31, 2-32
3618-10	5-8, 5-9	476706	2-33, 2-34
3618-11	2-28, 2-30, 5-8, 5-9	500052-000	4-13
3618-14	5-5, 5-6, 5-8, 5-9	5010011	5-10, 5-10
3618-44	5-8, 5-9	501453-000	2-33, 2-34
3619-5	2-22, 2-23, 2-24	5093000	5-10
3624-19	2-14, 2-15, 2-22, 2-23, 2-24	510234-000	4-13
		510280-101	2-33
		511067-000	2-33, 2-34
		511099-000	2-33, 2-34
		511101-000	2-33, 2-34
		512696-000	2-27
		512757-000	4-14

---

512968-000	2-27, 5-8, 5-9	6019325	2-10, 2-11
512969-000	5-8, 5-9	6029667	4-14
512970-000	3-3, 3-5, 3-7, 4-14	605256	2-28, 2-30
512975-000	2-2	60572-6	2-33, 2-34
512986-000	2-21	621486	2-33, 2-34
514345-000	4-8, 4-9, 4-10, 4-11, 4-12	65004-008	2-6, 2-7, 5-5, 5-6
514404-000	4-13	7024-002	2-30, 2-31, 2-32
515335-100	2-33	7024-003	2-30, 2-31, 2-32
515611-000	2-1	7024-005	2-30, 2-31, 2-32
515695-000	2-33	7025-008	2-10
515697-000	2-33	7030249	2-33
515700-000	2-33	7031-009	2-10
515704-000	2-33	7035-002	3-3
515706-000	2-33	7035-007	3-11
515708-000	2-33	7084-004	4-14
5550028	5-10	7084-005	2-30, 2-31, 2-32
5560179	2-6, 2-7, 2-10, 2-11, 2-12, 5-5, 5-6	72404	2-9, 5-7
5560245	2-3, 2-4	7495	2-18
5563116	2-3, 2-4	7624798	5-8, 5-9
56242-6	2-33, 2-34	7630208	2-27, 5-8, 5-9
583656	2-33, 2-34	7630703	5-5, 5-6
60005-009	4-14	7630704	5-5, 5-6
60015-012	2-10, 2-11	7630705	5-8, 5-9
60017-006	2-10	7630977	2-27
60017-007	2-11	7630978	2-27
60017-010	2-27, 5-8, 5-9	7631004	5-8
60017-028	4-14	7631021	5-6
60021-008	5-8, 5-9	7631057	2-27
60027-013	2-11	7631182	5-10
60030-049	4-14, 5-8, 5-9	7631257	5-5
60030-197	2-1	8190356	5-10
6018024	3-11, 3-12	8190357	5-10
6019180	3-2, 3-4, 3-6, 3-8, 3-9	8190359	5-10
6019184	3-2, 3-4, 3-11, 3-12	8190361B	5-10

---



8342416	2-6, 2-7, 2-10, 2-11, 5-5, 5-6
8342416-1	2-6
8342416-2	2-6
8342416-3	2-6
8626	2-14, 2-15, 2-16, 2-17, 2-22, 2-23, 2-24
8628	2-2
8926-1	2-16, 2-17, 2-18
8974	2-10
9292	2-22, 2-23, 2-24
9311	2-2
9319	2-2
9595	4-13
967309	2-28
96924-9	2-33, 2-33, 2-34, 2-34
98300-9	2-2, 2-5
984099	5-10, 5-10
987109	5-10, 5-10
9980003	2-18
PCA015	2-7, 5-5, 5-6
PCA015_1000	4-13