

S3019E PARTS MANUAL

GENERAL INFORMATION

REPAIR PARTS

TOP LEVEL ASSEMBLY S3019E 2-1
CHASSIS ASSEMBLY S3019E NOVEMBER 2019 AND AFTER 2-2
HUB ASSEMBLY NOVEMBER 2019 AND AFTER 2-3
RETRACT ROD ASSEMBLY S3019E NOVEMBER 2019 AND AFTER 2-4
TRAILER HUB ASSEMBLY 2-5
RETRACT ROD ASSEMBLY 2-6
RIGHT ANGLE GEARBOX ASSEMBLY 2-7
STEP ASSEMBLY S3019 2-8
STEP ASSEMBLY S3019E 2-9
12.7 WHEEL ASSEMBLY 2-10
STACK ASSEMBLY TOP S3019E 2-11
STACK INSTALLATION S3019E 2-12
SKATE ASSEMBLY S3019E 2-13
PLATFORM S3019 ASSEMBLY 2-14
FOOT LATCH ASSEMBLY 2-15
EXTENSION LOCK ASSEMBLY 2-16
DECAL KIT S3019E FEBURARY 2019 AND AFTER 2-17
S1930 GERMAN DECAL KIT 2-18

HYDRAULICS

CYLINDER ASSEMBLY S3019E 3-1

ELECTRICAL

DRIVE CONTROL PENDANT ANSI CE AS MAY 2018 AND BEFORE 4-1
PLATFORM CONTROL BOX ASSEMBLY S3019 4-2
FUSE RELAY JUNCTION BLOCK ASSEMBLY 4-3
FUSE RELAY HARNESS 4-4
STACK CONTROL CABLE HARNESS 4-5
HARNESS STACK AC S3019E 4-6
LOWER CONTROL HARNESS 4-7
STACK HARNESS S3019 4-8

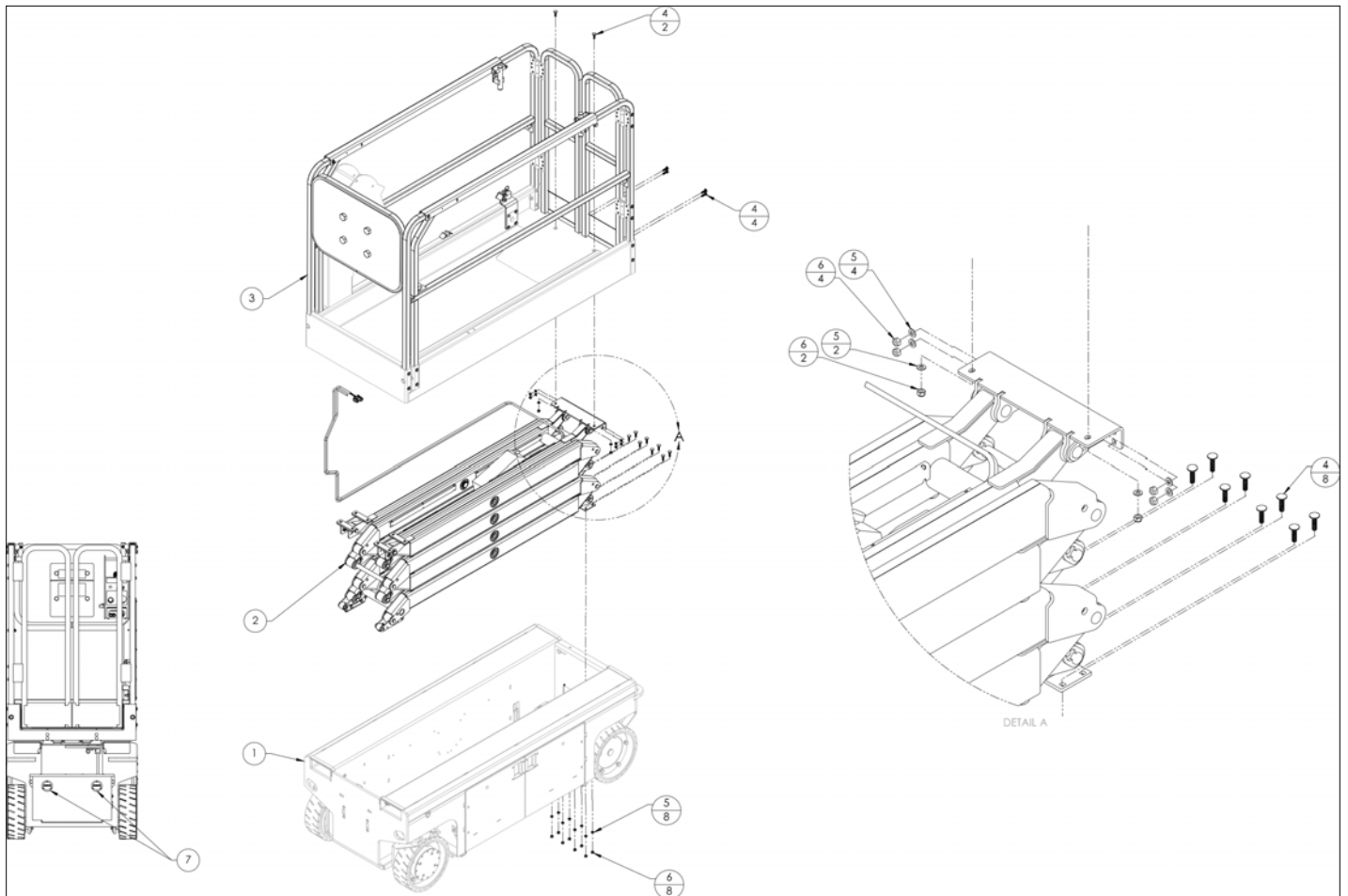
OPTIONS

MAINTENANCE

SCHEMATICS

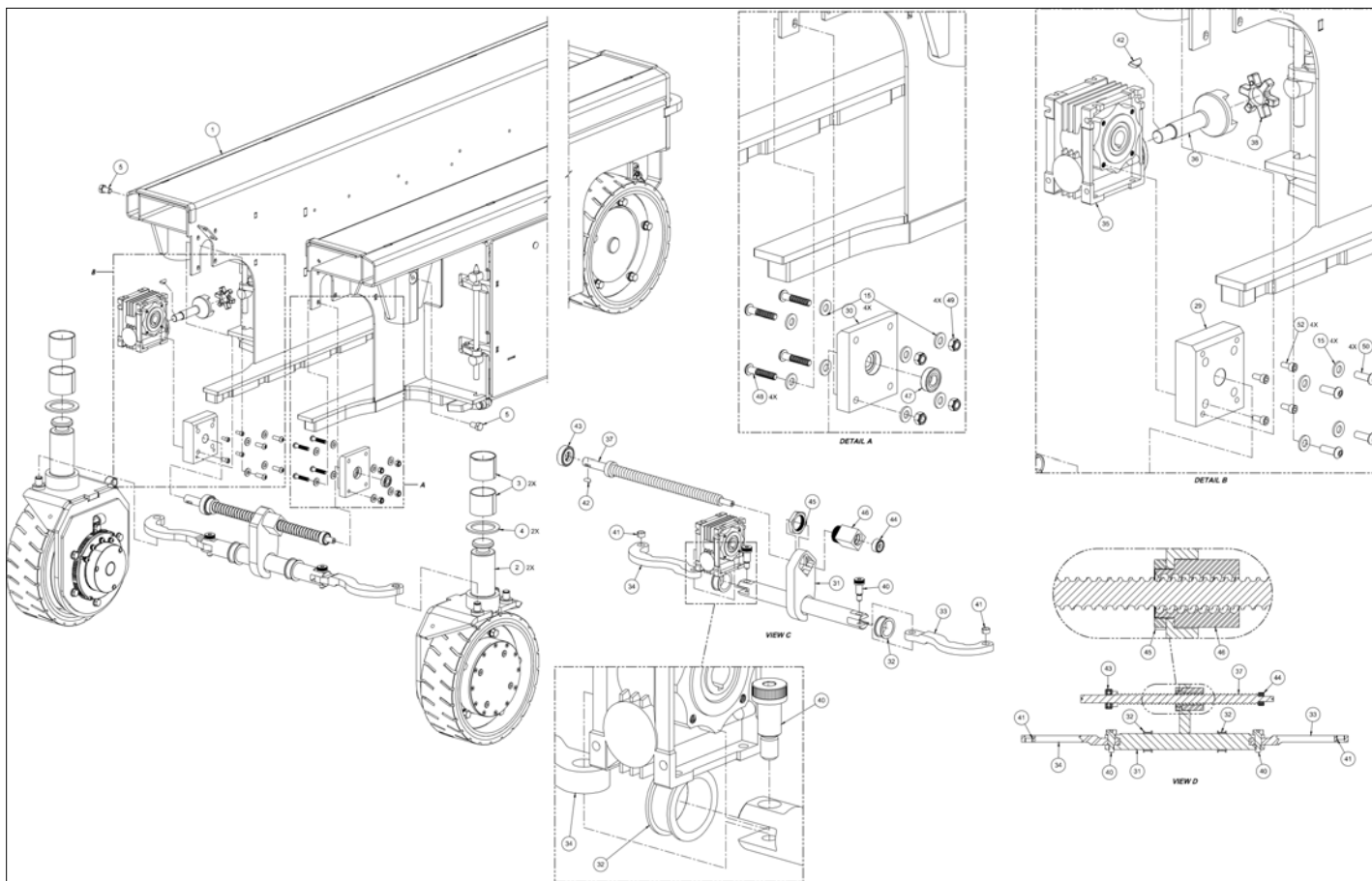
A A
B B

REPAIR PARTS

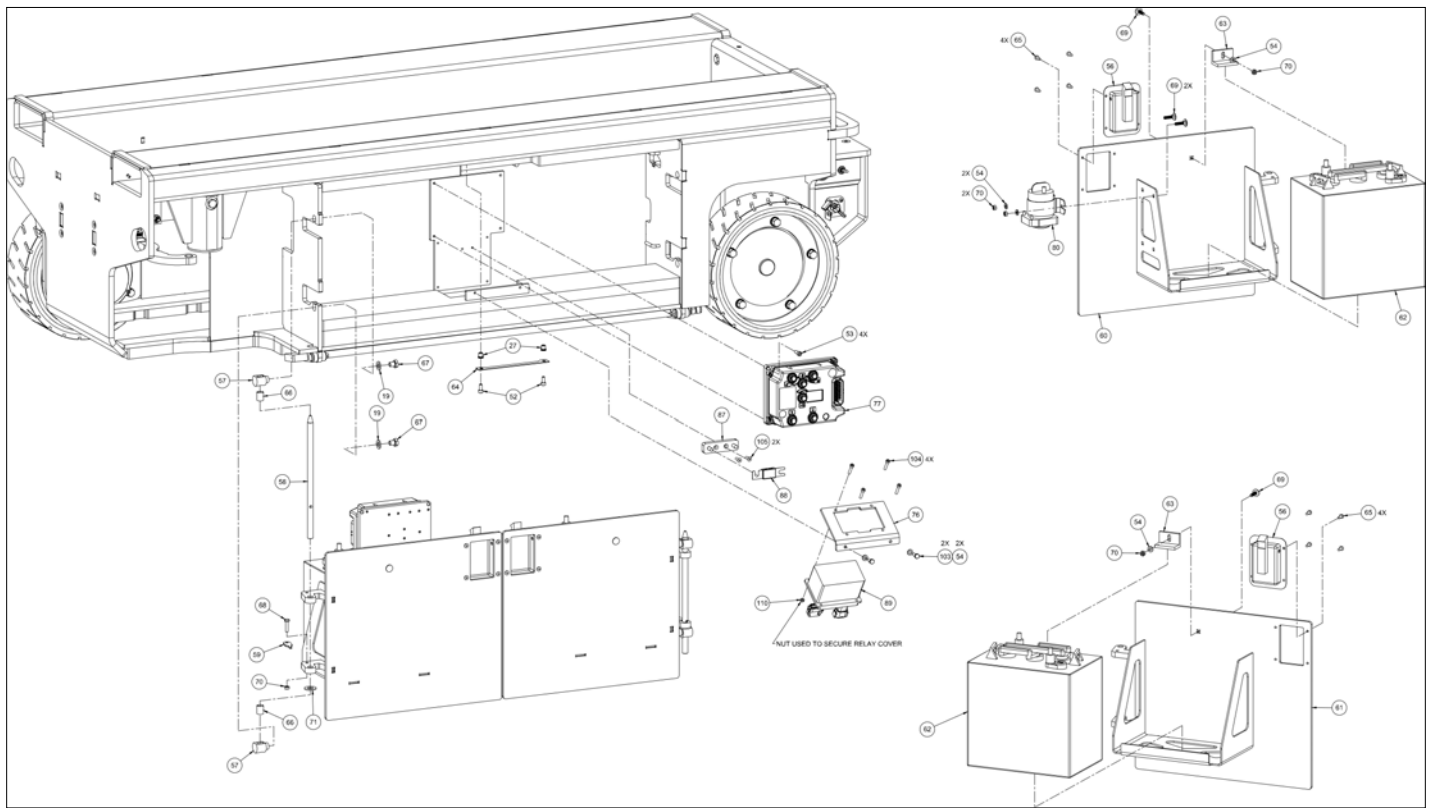


アイテム	部品番号	名前	数量	UOM
	10000494 B	TOP LEVEL ASSEMBLY S3019E		EA
1	10000495	ASSY, CHASSIS S3019	1	EA
2	1510107	INSTALL, STACK, S3019E	1	EA
3	10000232	ASSY, PLATFORM S3019	1	EA
4	10001454	BOLT, CARRAGE, M8 X 1.25 X 30MM L	14	EA
5	056069 008	WASHER, STEELFLATWASHER DIN12M8 FLAT WASHER DIN 125	14	EA
6	10939 010	LOCK NUT M8	14	EA
7	10001701	KIT, US 110V AC PLUG	1	EA

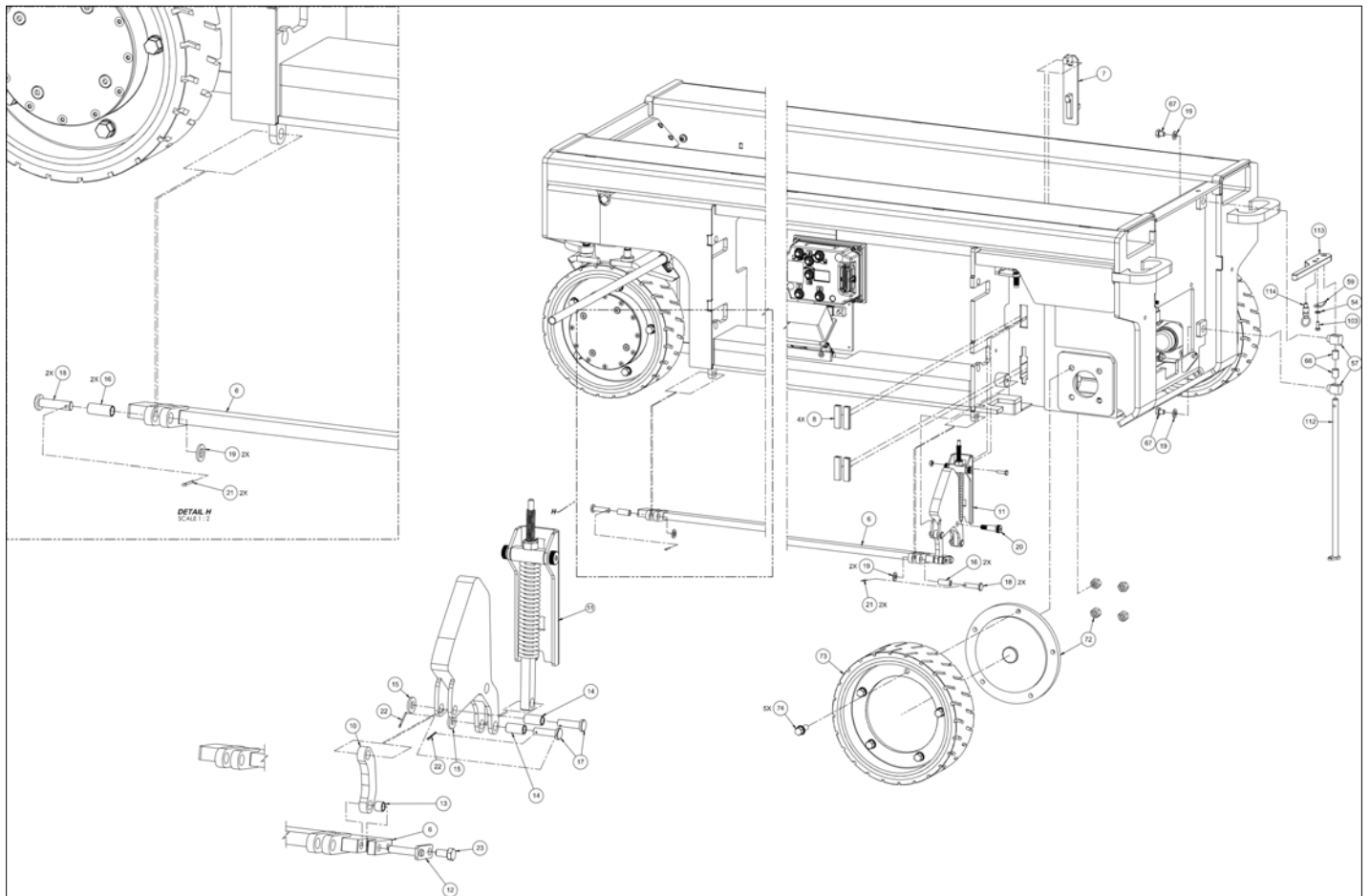
REPAIR PARTS



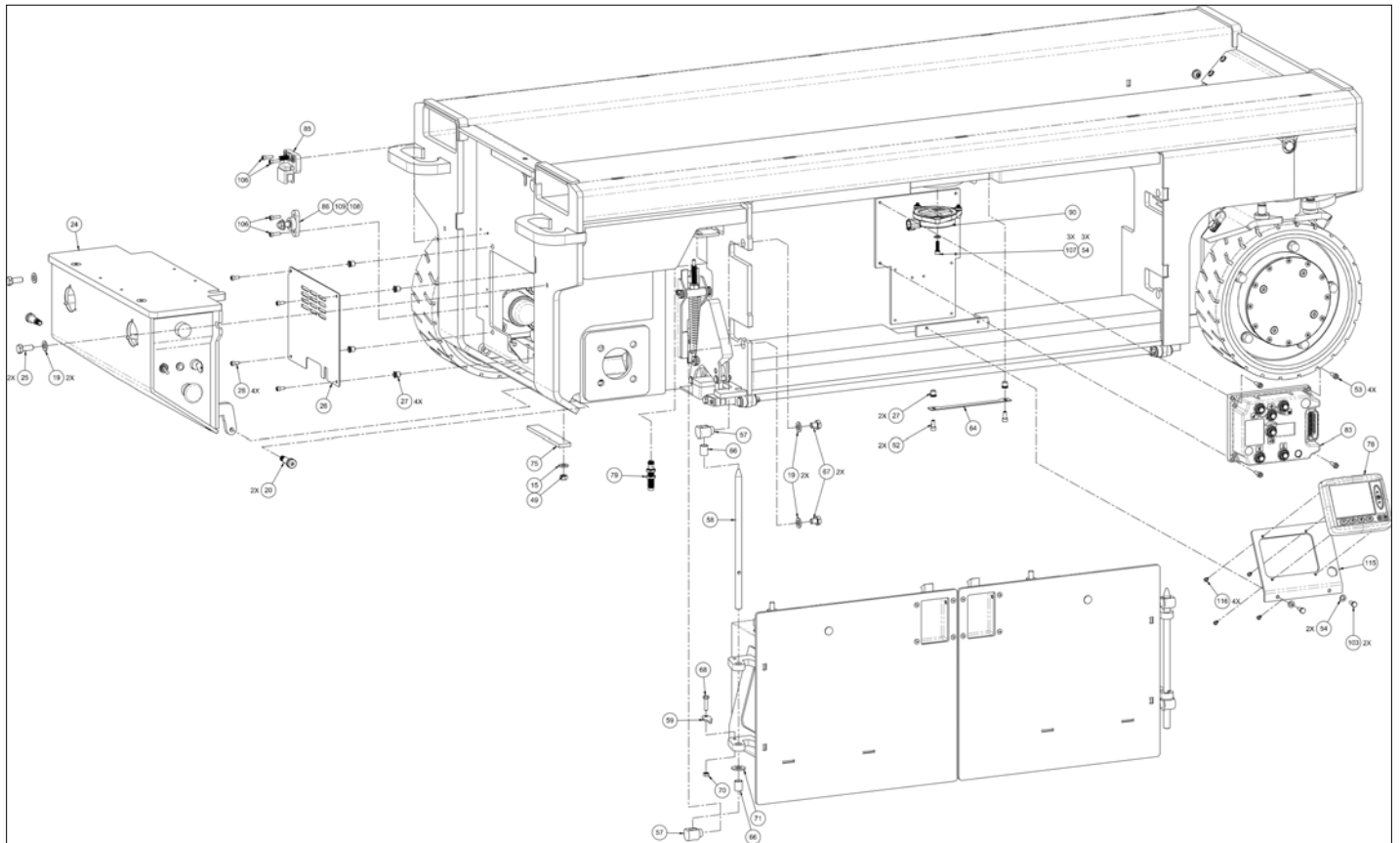
アイテム	部品番号	名前	数量	UOM
	10000495 B	CHASSIS ASSEMBLY S3019E NOVEMBER 2019 AND AFTER		EA
1	10000418	WELDMENT, CHASSIS S3019	1	EA
2	10000431	ASSY, HUB	2	EA
3	10000447	BEARING, CSB 50 36IB32	4	EA
4	10000411	BRG THR 3.125 X 2.25 X 4MM	2	EA
5	10406 020	SCREW M12 1.75 HHC X 20mm LG	2	EA
6	10001137	WLDMT, POTHOLE BAR, S3019	2	EA
7	10001063	WLDMT, RETRACT	2	EA
8	40675 000	RETRACT GUIDE	8	EA
9	10001712	PLT, POTHOLE CW	2	EA
10	10001073	PLT, RETRACT TIEROD	2	EA
11	10001066	ASSY, RETRACT ROD	2	EA
12	10001714	WLDMT POTHOLE BAR PIN	2	EA
13	41509 000	BUSHING 8MM SHAFT X 0.4375 OD	2	EA
14	10001717	BUSHING, LONG, POTHOLE	4	EA
15	11015 010	WASHER M8 FLAT	23	EA
16	41508 000	BUSHING 10MM SHAFT X 1/2 OD	4	EA
17	41507 000	CLIVES PIN, 8MM DIA X 25MM LG	4	EA
18	41506 000	CLEVIS PIN, 10MM DIA X 34MM LG	4	EA
19	11015 011	WASHER M10 FLAT METRIC	16	EA
20	41573 000	SHLDR BOLT, M12x25MMxM10 THR	4	EA
21	5580021	COTTER PIN, 2.5MM X 20MM LG	4	EA
22	5580022	COTTER PIN, 0.062" X .75" LG	4	EA
23	10404 016	SCREW M8x1.5 HHC X 16mm	4	EA
24	10001560	ASSY, STEP, S3019	1	EA



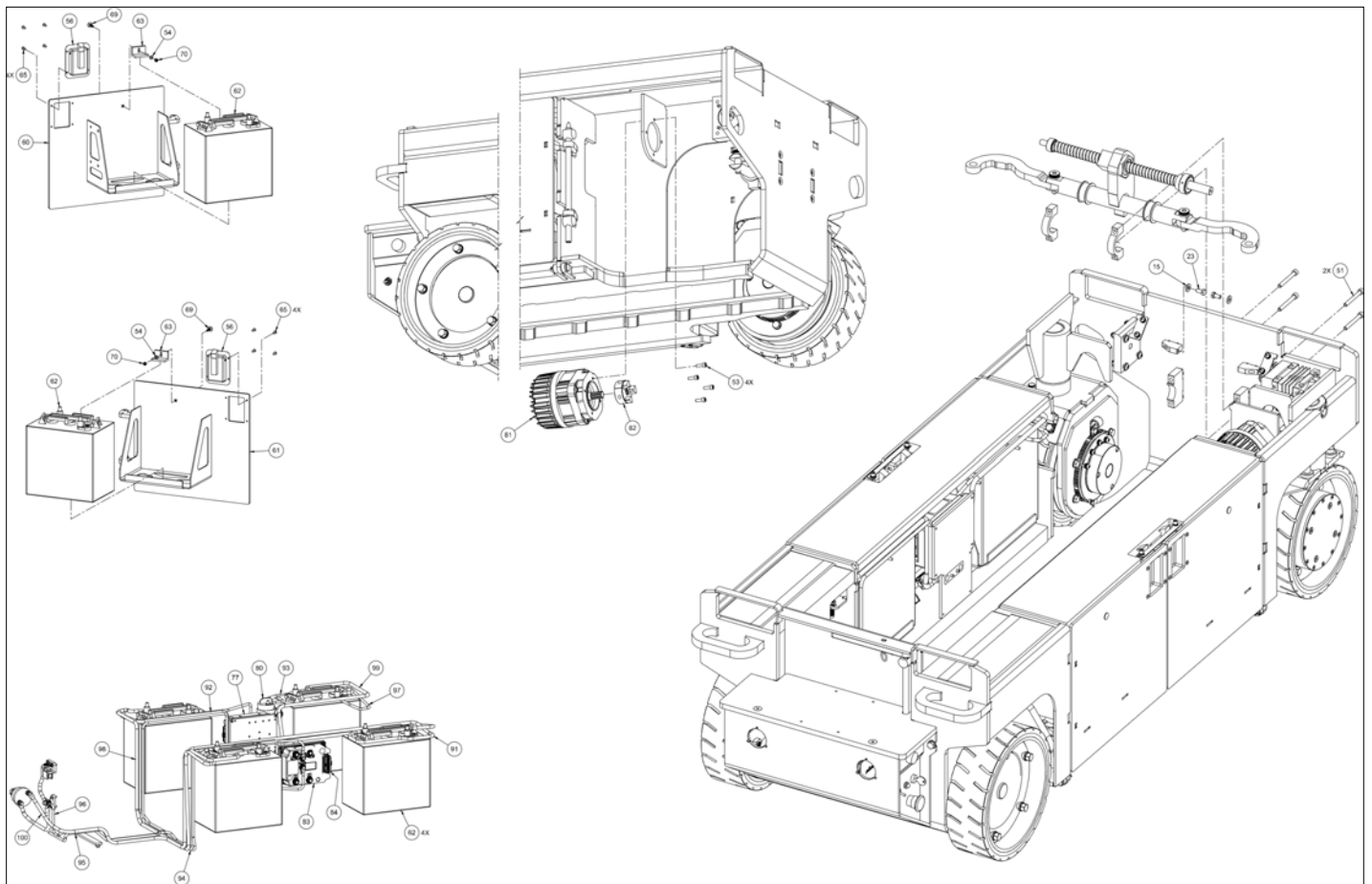
アイテム	部品番号	名前	数量	UOM
25	10504 025	BUTTON HEAD HEX M8 1.25 X 25MM	4	EA
26	10001677	PLT, STEP COVER	1	EA
27	10001219	NUTSERT M6 1.0 X 4.2 GRIP	18	EA
28	10421 012	BOLT SHCS M5 0.8MMX12, CLASS	4	EA
29	10000409	PLT, STEER CAP MTR	1	EA
30	10000410	PLT, STEER CAP FIXED END	1	EA
31	10000401	WLDMT, TIEROD	1	EA
32	41399 000	RD BAR, TIEROD BUSHING	2	EA
33	10000399	PLT, STEER LINK, LHS P3	1	EA
34	10000400	PLT, STEER LINK, RHS P3	1	EA
35	10001683	ASSY, RIGHT ANGLE GEARBOX	1	EA
36	10001621	RD BAR, STEER SHAFT, 5/8	1	EA
37	10001618	WELDT, BALL SCREW W/ STOP	1	EA
38	10001649	FLEXIBLE SHAFT COUPLING	1	EA
39	10001682	PLT, STEER COVER	1	EA
40	10000438	Shoulder Bolt 16mmk dia x 25mm	2	EA
41	10000449	BEARING, CSB 50 1615	2	EA
42	10001622	WOODRUFF KEY, #9, 3/16 X 3/4 D	2	EA
43	13827 004	Thrust Ball Bearing 7/8 shaft	1	EA
44	13827 001	Thrust Ball Bearing 1/2 shaft	1	EA
45	10000437	NUT BALL NUT	1	EA
46	10950 004	NUT 1 X 0.333 BALL ROTON	1	EA
47	13817 008	BALL BEARING, 0.5 ID X 1.125 OD X 0.3125 W	1	EA
48	10504 040	BUTTON HEAD HEX M8 1.25 X 40MM	4	EA
49	10939 010	LOCK NUT M8	5	EA



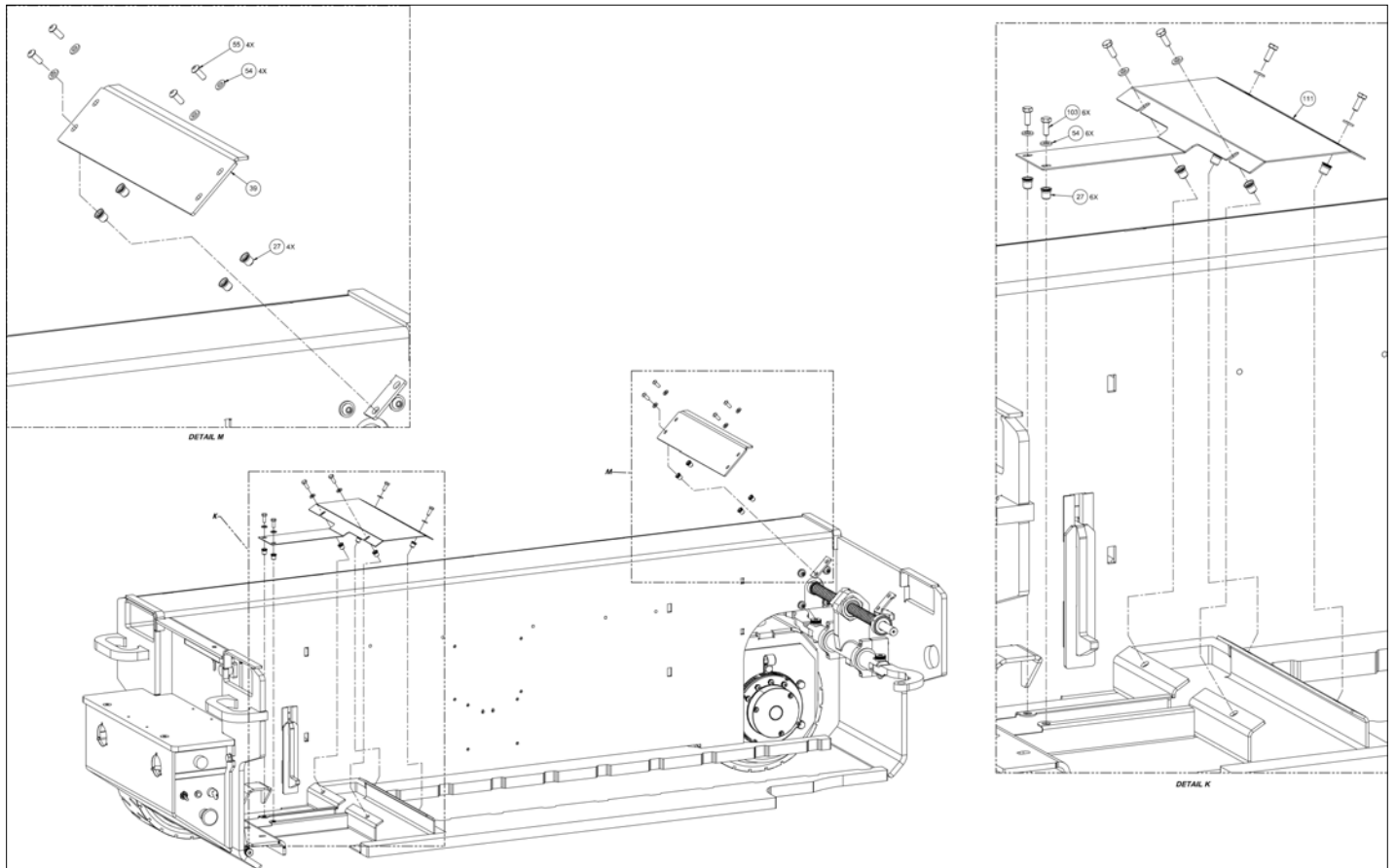
アイテム	部品番号	名前	数量	UOM
50	10405 025	SCREW M10 1.5 HHC X 25MM LG	2	EA
51	10424 070	SCREW M8 1.25 SHC X 70MM	4	EA
52	10422 014	BOLT SHCS M6 1.0MMX14, CLASS	8	EA
53	10422 018	BOLD SHCS M6 1.0MMX18, CLASS	12	EA
54	11015 008	WASHER M6 FLAT METRIC	24	EA
55	512912 016	SBHCS M6 X 1.0X 16 GR10.9 BLK FINISH	4	EA
56	13571 000	LATCH PADDLE ALLEGIS LA1004SS	4	EA
57	1501420	HINGE BLOCK, LOWER	10	EA
58	10001061	PIN, TRAY HINGE THREADED	4	EA
59	1500948	PLT, TRAY PIN KEEPER	5	EA
60	10001596	WLDMT, BATT DOOR, CONTACTOR	2	EA
61	10001597	WLDMT, BATT DOOR	2	EA
62	3050009	BATTERY, 6v	4	EA
63	10000152	BRKT, BATTERY BRACE	4	EA
64	10001655	PLT, BATT DOOR LATCH CATCH	2	EA
65	10000499	RIVET, 3/16 DIA .251 .375 THK	16	EA
66	2500812	BEARING	10	EA
67	10405 012	BOLT, HHCS, M10 1.50mm x 12 CLASS 10.9, DIN 933, PLTD	10	EA
68	10402 025	BOLT M6 1.0 X 25MM	4	EA
69	10001217	BOLT M6 1.0X25MM CARRIAGE	6	EA
70	10939 008	LOCK NUT M6	10	EA
71	11001 008	WASHER 1/2 SAE FLAT ASTM	4	EA
72	41040 000	REAR WHEEL ASSEM	2	EA
73	10000092	ASSY, WHEEL 323MM	2	EA
74	10000486	BOLT, WHEEL LUG M12 1.5 X 21MM	10	EA



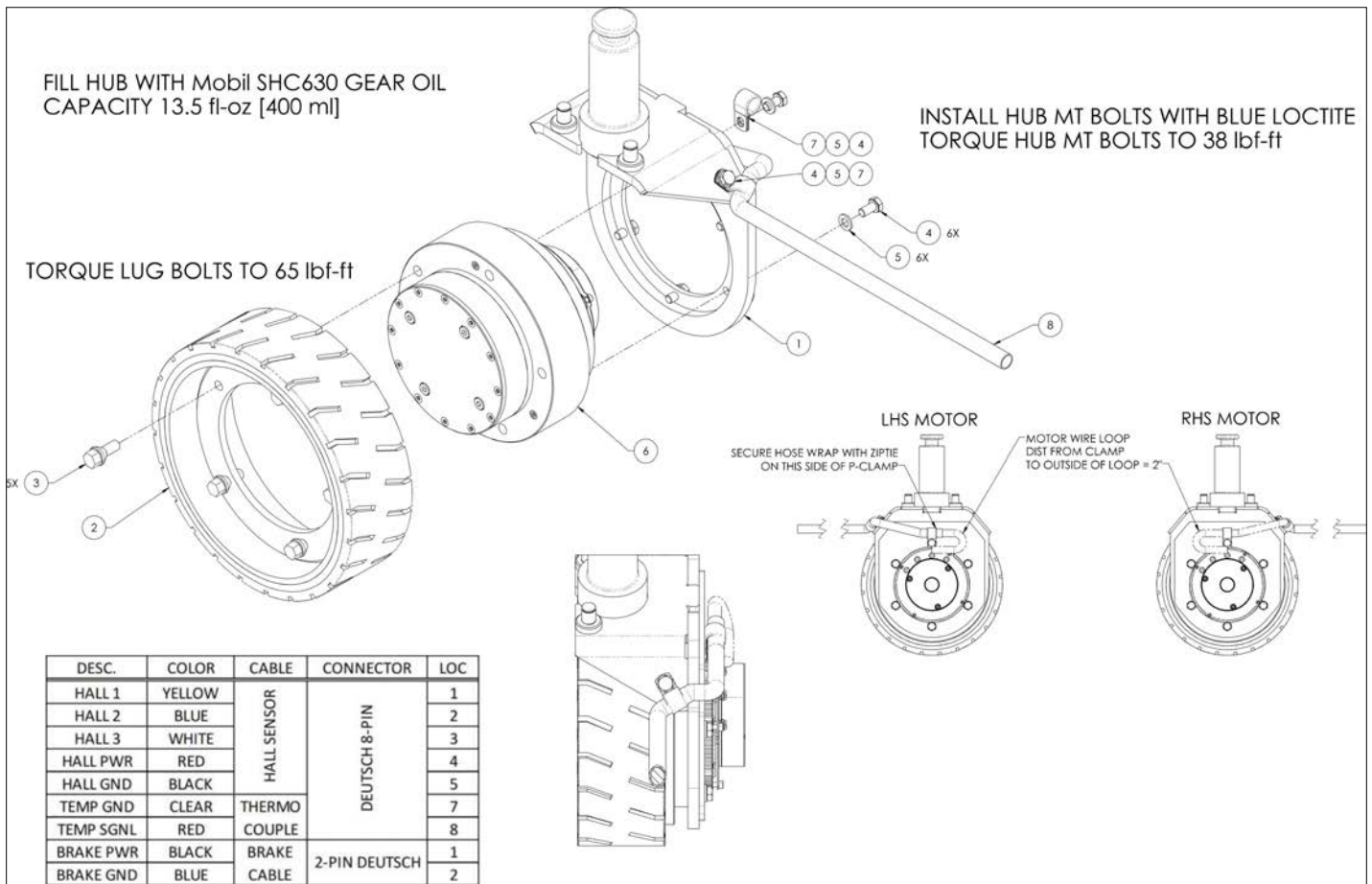
アイテム	部品番号	名前	数量	UOM
75	467966	STATIC STRAP RUBBER GRD 30in	1	EA
76	10001678	PLT, FUSE/RELAY MT	1	EA
77	10001606	DRIVE/LIFT CTRL, CombiBLE X 24	1	EA
78	10001603	LCD DISPLAY, PARKER MD3	1	EA
79	3028844	IFS241 (IFM PROXY)	2	EA
80	13201 000	RELAY SOLENOID NO SPST 24VDC	1	EA
81	10001607	STEER MTR + CTRL, EPS BLI 24V	1	EA
82	10001648	HUB, COUPLING FLEXIBLE SHAFT	1	EA
83	10001605	DRIVE CTRL, BLE X 2UC 24V 165A	1	EA
84	10001657	HARNESS, CHASSIS, S3019	1	EA
85	10001661	GROUND TERMINAL, DEUTSCH CONNE	1	EA
86	3220282	STUD GND LUG BUSSMAN	1	EA
87	010149 000	FUSE BLOCK	1	EA
88	446076	FUSE, 250 AMP, REPLACEMENT	1	EA
89	10001679	ASSY, FUSE/RELAY JUNCTION BLK	1	EA
90	10010893	UNIVERSAL TILT SENSOR, 160736ECD	1	EA
91	40805 073	CABLE, BATT JUMPER	1	EA
92	40805 046	CABLE, BATT POS TO FUSE	1	EA
93	40805 019	CABLE, BATT POS TO CONTACTOR	1	EA
94	40802 097	CABLE, CTRL CROSSOVER	1	EA
95	40808 068	CABLE, RIGHT CTRL TO CHASSIS	1	EA
96	40808 067	CABLE, LEFT CTRL TO CHASSIS	1	EA
97	40801 043	CABLE CONTACTOR TO CTRL	1	EA
98	40805 069	CABLE, BATT CROSSOVER	1	EA



アイテム	部品番号	名前	数量	UOM
99	40805 041	CABLE, BATT NEG TO FUSE	1	EA
100	40809 090	CABLE, BATT GND TO DISCONNECT	1	EA
101	40804 012	CABLE, BATTERY GND	1	EA
102	40799 008	CABLE, PWR BUS TO CHASSIS GND	1	EA
103	10402 016	SCREW M6 1.00 HHC X 16MM LG	11	EA
104	10421 025	BOLT SHCS M5 0.8MMX25, CLASS	4	EA
105	10601 018	SCREW, M5 0.80 FHSC X 18MM LG	2	EA
106	10421 018	BOLT SHCS M5 0.8MMX12, CLASS	4	EA
107	10422 020	SHCS, M6 1.0 x 20mm	3	EA
108	10902 006	NUT 3/8 16UNC HEX JAM	1	EA
109	11001 006	WASHER 3/8 SAE	1	EA
110	10940 007	NUT M5 0.8 REG HEX	1	EA
111	10001599	PLT, WIRE CHASE COVER	1	EA
112	41213 000	WLDMT, LOWERING HANDLE	1	EA
113	41499 000	PLT, LOWER LEVER HANDLE	1	EA
114	11221 000	PULL PIN	1	EA
115	10001574	PLT, DISPLAY MT	1	EA
116	10420 008	SCREW, M4 0.70 SHCS x 8MM LG	4	EA

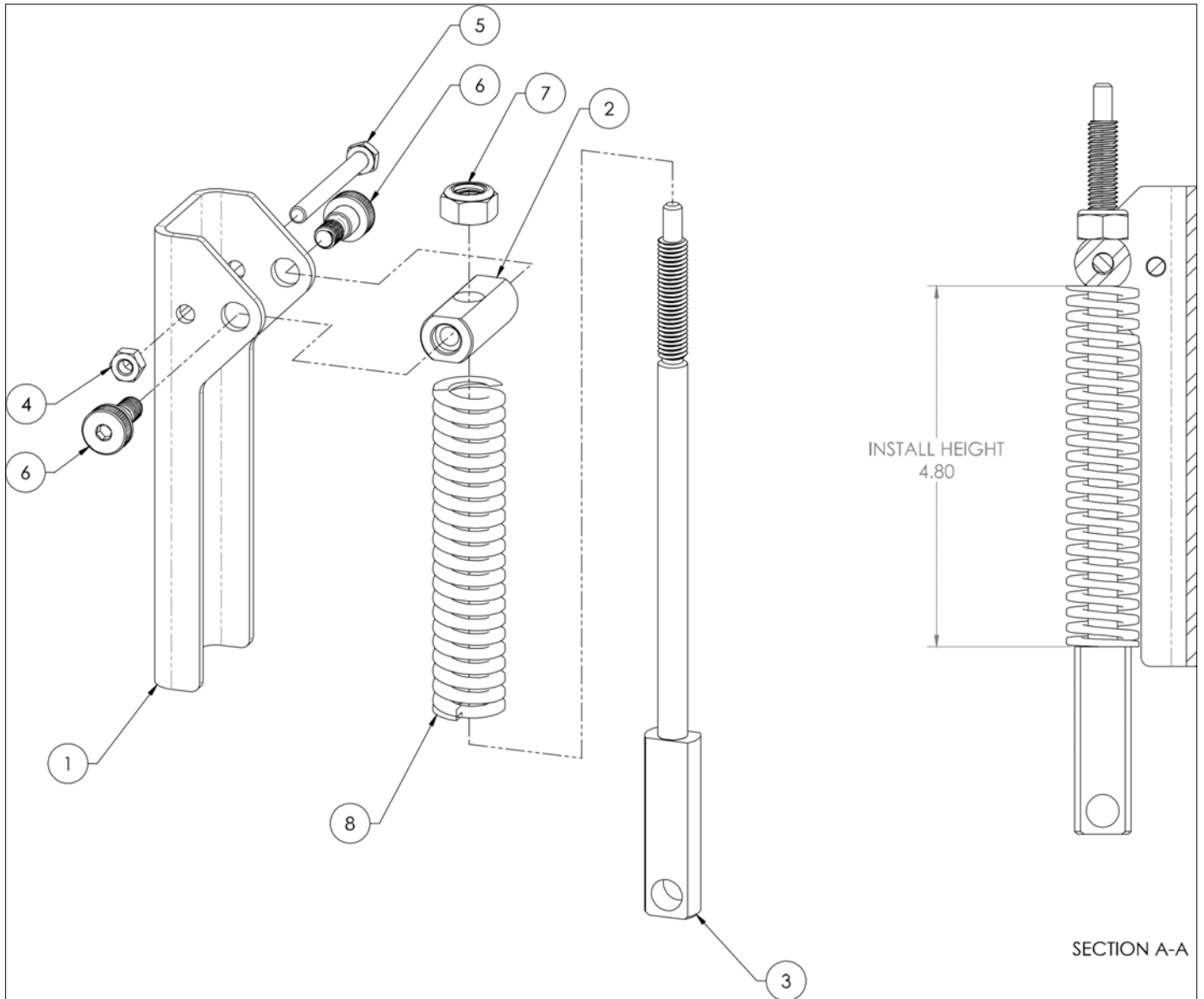


REPAIR PARTS



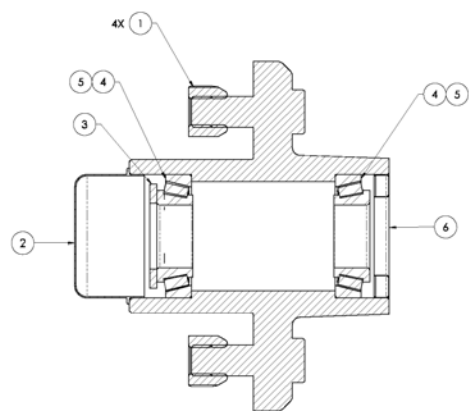
アイテム	部品番号	名前	数量	UOM
	10000431 B	HUB ASSEMBLY NOVEMBER 2019 AND AFTER		EA
1	10000432	WLDMT, HUB	1	EA
2	10000092	ASSY, WHEEL 323MM	1	EA
3	10000486	BOLT, WHEEL LUG M12 1.5 X 21MM	5	EA
4	10405 020	SCREW M10 1.5 HHC X 20mm	7	EA
5	11015 011	WASHER M10 FLAT METRIC	7	EA
6	10001170	AC HUB, DALI/TANG	1	EA
7	11361 004	P CLAMP, 3/4 ID	2	EA
8	10001634	HOSE WRAP	1	EA
9	12564 009	RECEPTACLE 2 WIRE DTM04 2P	1	EA
10	12564 016	WEDGELOCK FOR DTM04 2P	1	EA
11	12564 013	DEUTSCH CONNECTOR	1	EA
12	12564 020	WEDGELOCK FOR NOT SHOWN	1	EA
13	12554 023	DEUTSCH SOCKET	9	EA

REPAIR PARTS



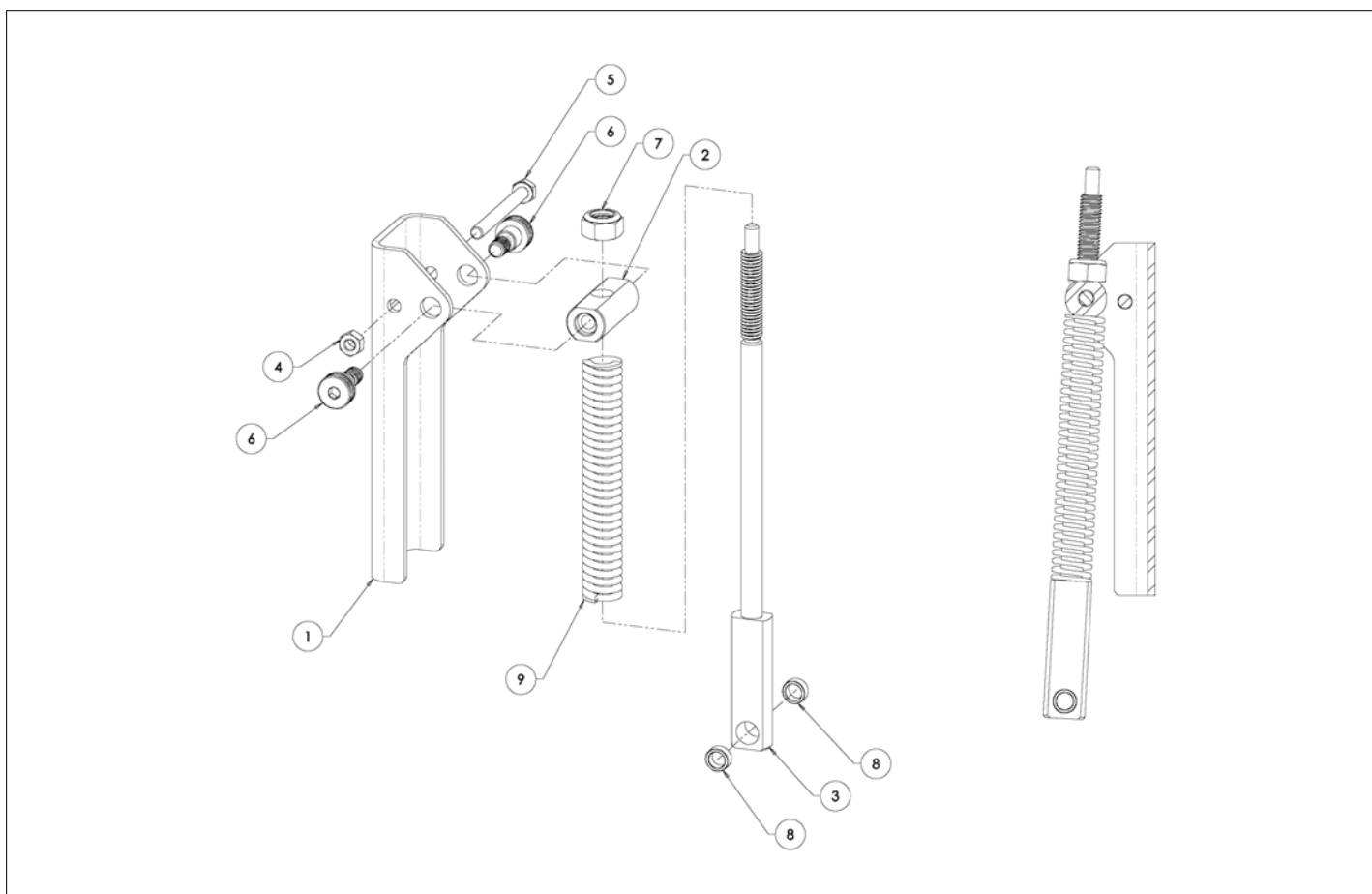
アイテム	部品番号	名前	数量	UOM
	0001066 B	RETRACT ROD ASSEMBLY S3019E NOVEMBER 2019 AND AFTER		EA
1	10001067	PLT, RETRACT KEEPER	1	EA
2	10001068	RD BAR, RET SPRING UPPER PIVOT	1	EA
3	10001069	ROD BAR, SPRING ROD	1	EA
4	10939 008	LOCK NUT M6	1	EA
5	056058 060	HHCS M6 X 1 X 60 G8.8 ISO 4010 DIN 931	1	EA
6	41510 000	SHOLDER BOLT, M10 OD X 8MM LG X M8 THREAD	2	EA
7	10939 011	NUT M10 1.50 REG HEX LOCK*****	1	EA
8	10001718	SPRING, COMPR, 1"ODX0.5"IDX6"	1	EA

REPAIR PARTS



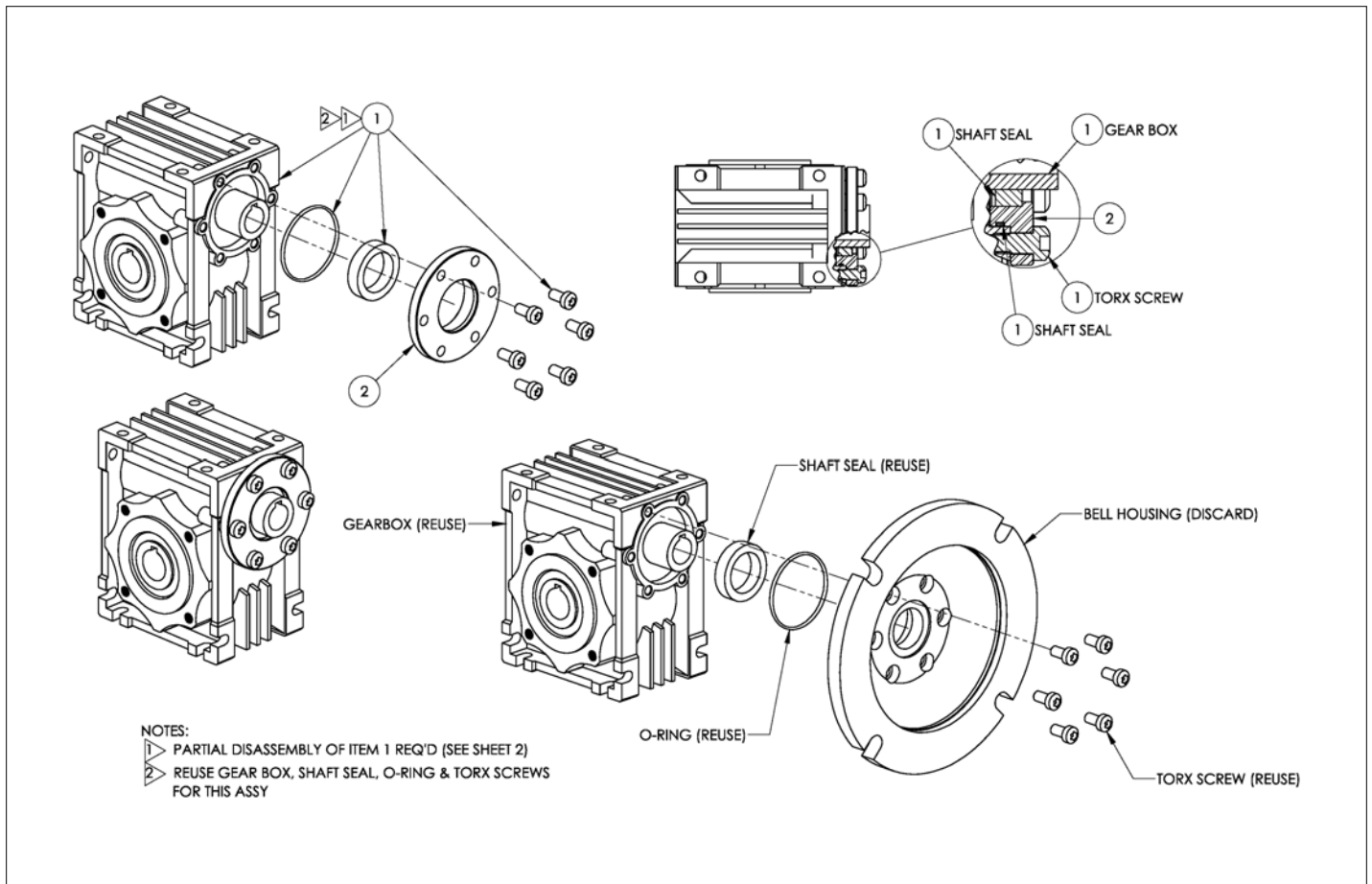
アイテム	部品番号	名前	数量	UOM
	1500210 B	TRAILER HUB, ASSEMBLY		EA
1	10001255	TRAILER HUB LUG NUT	4	EA
2	10001256	TRAILER HUB DUST CAP	1	EA
3	10001260	TRAILER HUB WASHER	1	EA
4	10001258	TRAILER HUB BEARING	2	EA
5	10001259	TRAILER HUB RACE	2	EA
6	10001257	TRAILER HUB SEAL	1	EA
	TCB 18.019	HUB FIELD KIT	1	EA

REPAIR PARTS



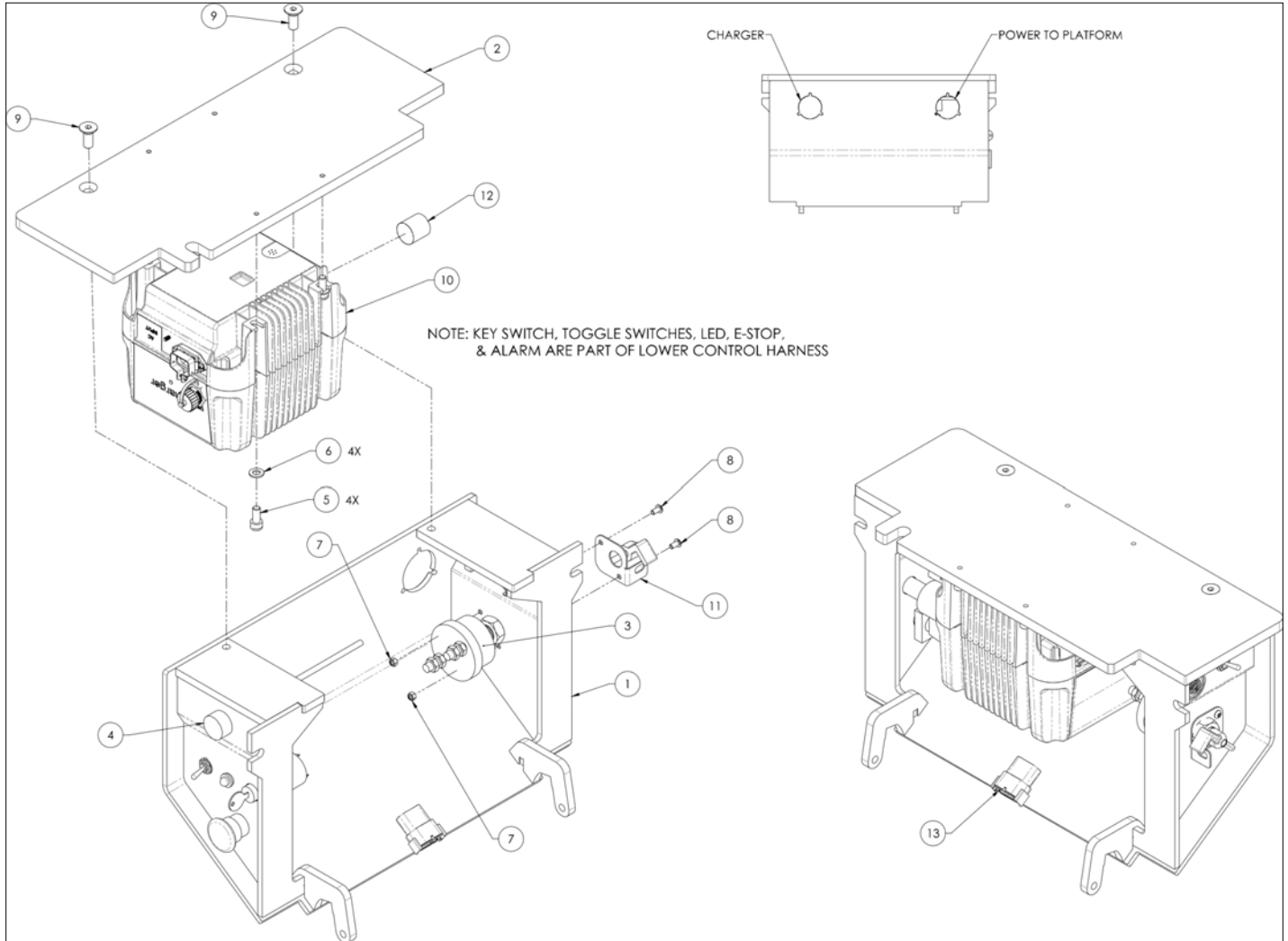
アイテム	部品番号	名前	数量	UOM
	10001066 A	RETRACT ROD ASSEMBLY		EA
1	10001067	PLT, RETRACT KEEPER	1	EA
2	10001068	RD BAR, RET SPRING UPPER PIVOT	1	EA
3	10001069	ROD BAR, SPRING ROD	1	EA
4	10939 008	LOCK NUT M6	1	EA
5	10402 060	SCREW, M6 1.00 HHC X 60MM LG	1	EA
6	41510 000	SHOLDER BOLT, M10 OD X 8MM LG X M8 THREAD	2	EA
7	10939 011	NUT M10 1.50 REG HEX LOCK*****	1	EA
8	41509 000	BUSHING 8MM SHAFT X 0.4375 OD	2	EA
9	10001075	SPRING COMPRESION, .75" OD X 0.375 ID	1	EA

REPAIR PARTS



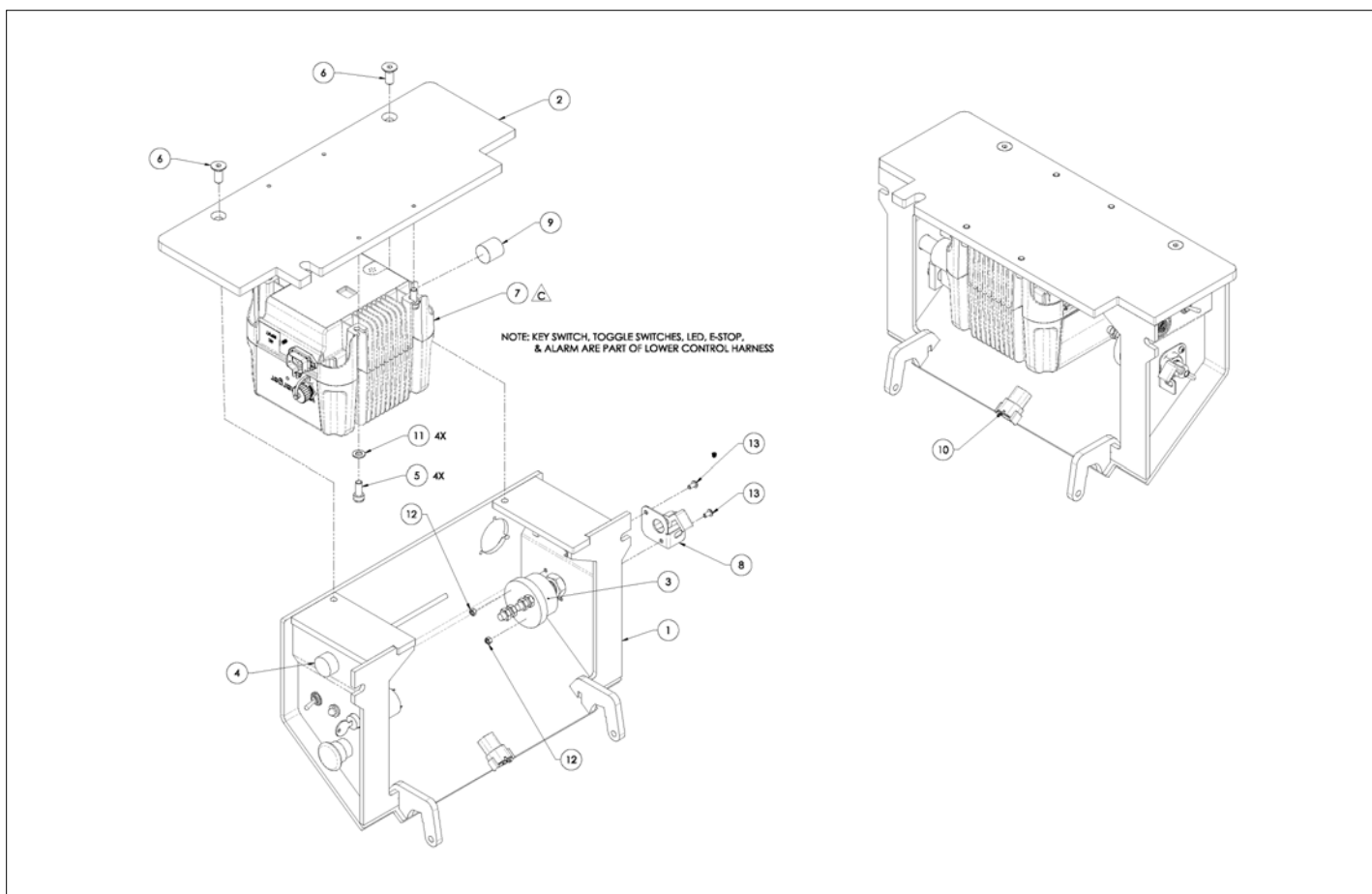
アイテム	部品番号	名前	数量	UOM
	10001683 A	RIGHT ANGLE GEARBOX ASSEMBLY		EA
1	10001620	GEARBOX RIGHT ANGLE 10:1	1	EA
2	10000441	RD BAR STEER GEARBOX CAP	1	EA

REPAIR PARTS



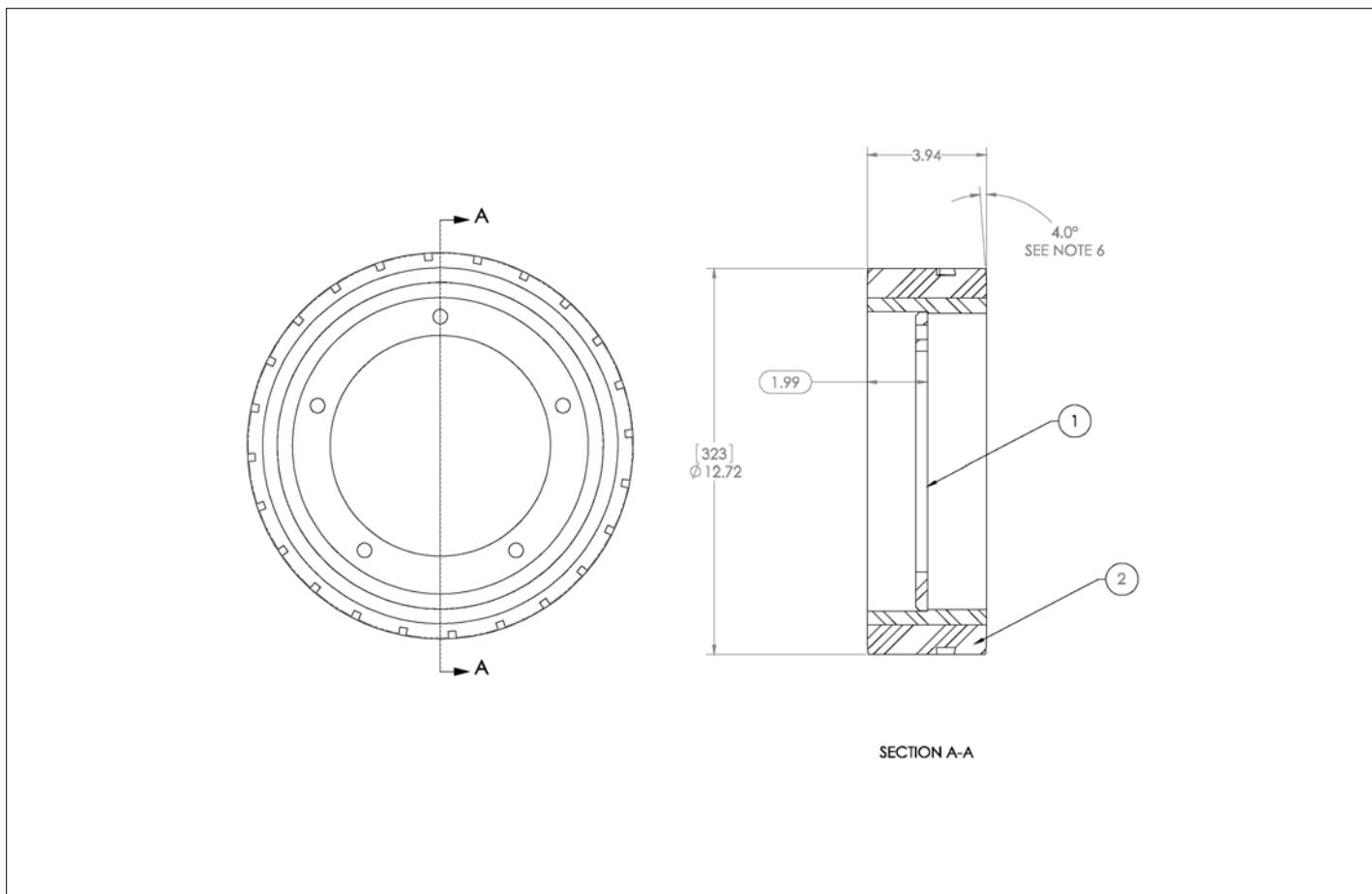
アイテム	部品番号	名前	数量	UOM
	10001560 D	STEP ASSEMBLY S3019		EA
1	10001561	WLDMT, STEP, S3019	1	EA
2	10001568	PLT, STEP TOP	1	EA
3	13161 000	SWITCH	1	EA
4	515098 001	WIRE ASSEM, CHARGER LED, PYLON (SN 01 01412 +)	1	EA
5	10424 012	SHCS, M8 1.25 X 12mm	4	EA
6	11015 010	WASHER M8 FLAT	4	EA
7	5563553	NUT NYLON LOCK M5 X 0.8 YL ZN PLT GR 10.9	2	EA
8	10501 010	BOLT BHCS M5 0.80mm X 10.0 CLASS 10.9 DIN 93	2	EA
9	10605 025	SCREW, M10 1.5 FHSC X 25MM LG	2	EA
10	515098 000	CHARGER 24vdc, PYLON (SN 01 01412)	1	EA
11	13162 000	SWITCH LOCK	1	EA
12	1450303	AC POWER CORD	1	EA
13	10001692	HARNESS, LWR CTRL PANEL S3019E	1	EA

REPAIR PARTS



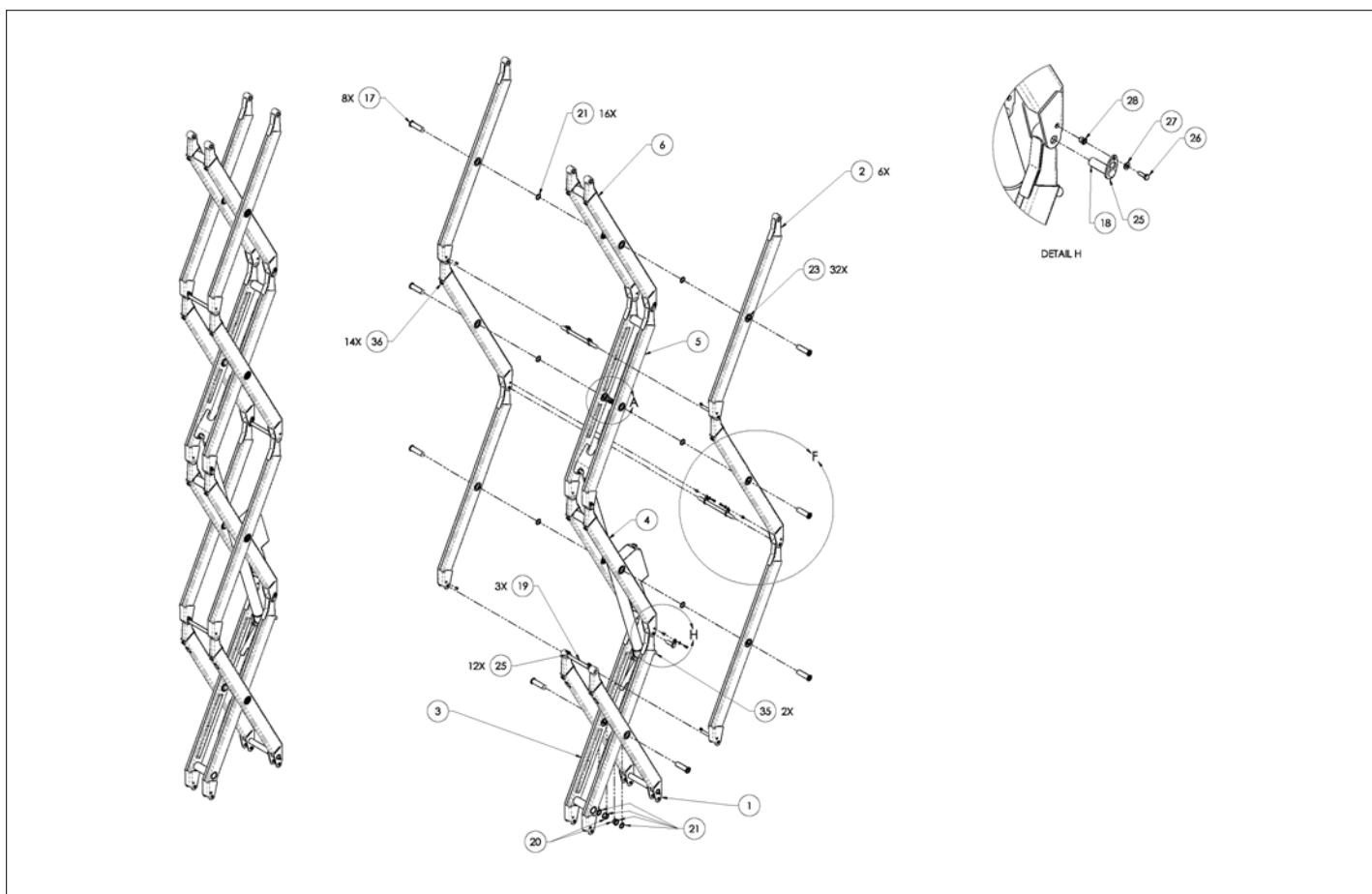
アイテム	部品番号	名前	数量	UOM
	10001560 A	STEP ASSEMBLY S3019E		EA
1	10001561	WLDMT, STEP, S3019	1	EA
2	10001568	PLT, STEP TOP	1	EA
3	13161 000	SWITCH	1	EA
4	515098 001	WIRE ASSEM, CHARGER LED, PYLON (SN 01 01412 +)	1	EA
5	10424 012	SHCS, M8 1.25 X 12mm	4	EA
6	10605 025	SCREW, M10 1.5 FHSC X 25MM LG	2	EA
7	515098 000	CHARGER 24vdc, PYLON (SN 01 01412)	1	EA
8	13162 000	SWITCH LOCK	1	EA
9	1450303	AC POWER CORD	1	EA
10	10001692	HARNESS, LWR CTRL PANEL S3019E	1	EA
11	11015 010	WASHER M8 FLAT	4	EA
12	5563553	NUT NYLON LOCK M5 X 0.8 YL ZN PLT GR 10.9	2	EA
13	10501 010	BOLT BHCS M5 0.80mm X 10.0 CLASS 10.9 DIN 93	2	EA

REPAIR PARTS

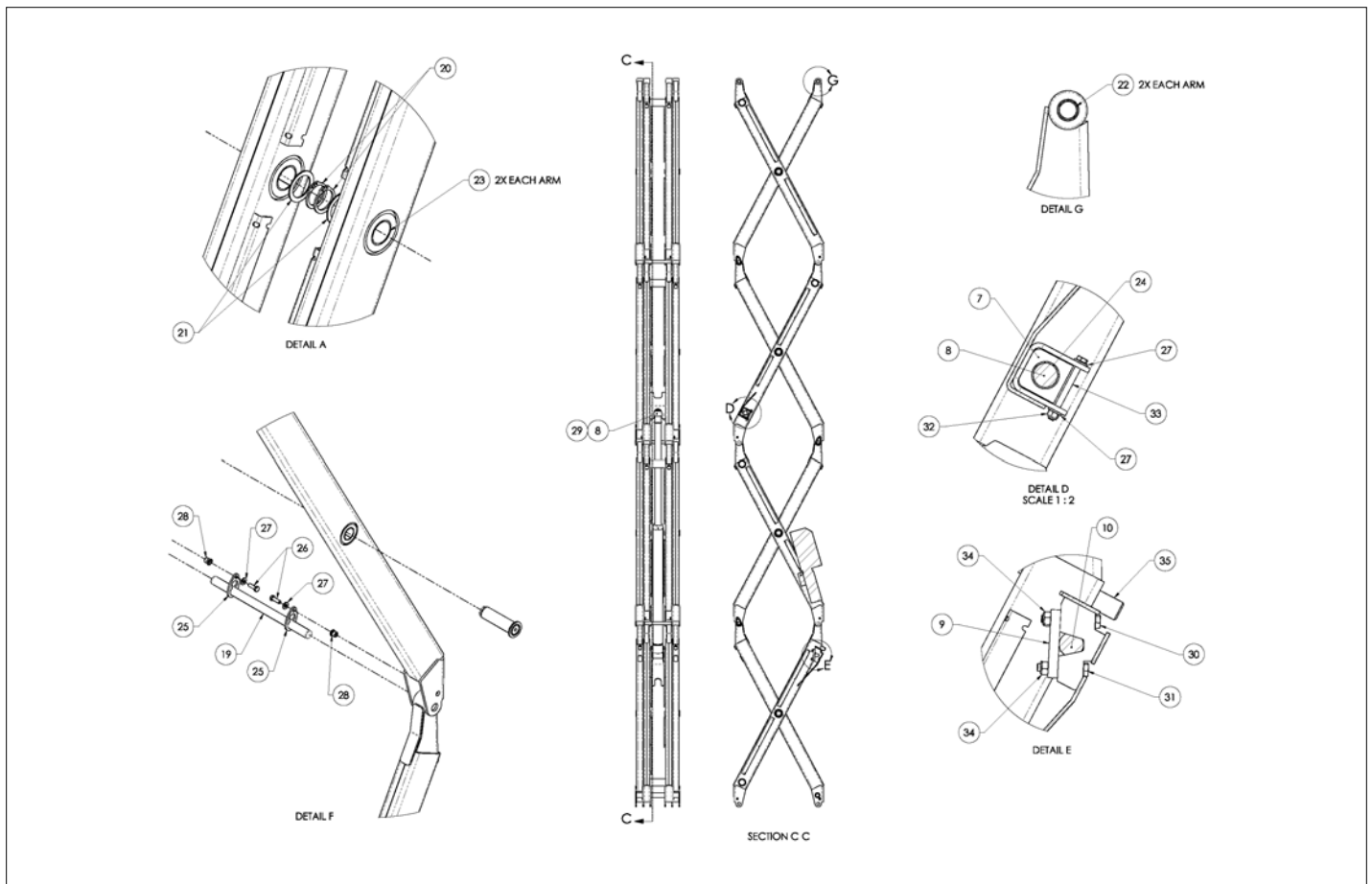


アイテム	部品番号	名前	数量	UOM
	10000092A	12.7 WHEEL ASSEMBLY		EA
1	10000093	RIM WELD 12.7	1	EA
2	10000096	RUBBER 12"	1	EA

REPAIR PARTS

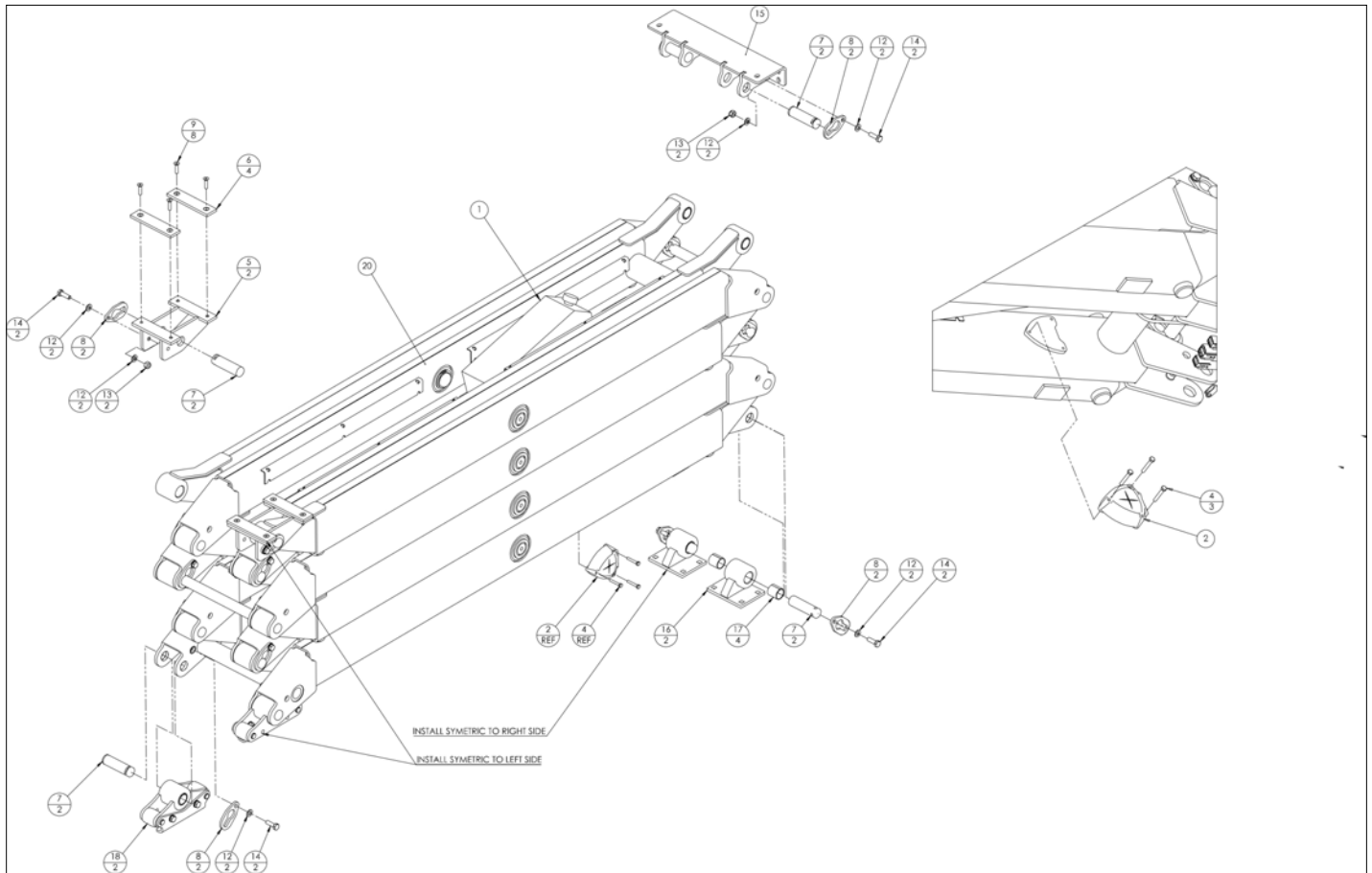


アイテム	部品番号	名前	数量	UOM
	1510088A	STACK ASSEMBLY TOP S3019E		EA
1	1510095	WLDMT, S3019 1ST OUTER ARM	1	EA
2	1510089	WLDMT, SINGLE ARM	6	EA
3	1510091	WLDMT, S3019E 1ST INNER ARM	1	EA
4	1510092	WLDMT, S3019E 2ND INNER ARM	1	EA
5	1510094	WLDMT, S3019E 3RD INNER ARM	1	EA
6	1510093	WLDMT, S3019E 2ND & 4TH INNER	1	EA
7	1510023	CYL MT BLOCK	2	EA
8	1510012	BAR, CYL ROD MNT	1	EA
9	1510028	CYL MT RETAIN BLOCK	2	EA
10	1510019	CYL MT PIN	1	EA
11	10001174	CYLINDER A139CY40	1	EA
12	3030158	Pressure Transducer	1	EA
13	6019281	SOLENOID VALVE	1	EA
14	6019289	COIL 20VDC HYDRAFORCE 4303620	1	EA
15	6019132	CHECK VALVE	1	EA
16	10001139	HYDRAULIC POWER UNIT	1	EA
17	1510059	WLDMT, CENTER PIN	8	EA
18	1510069	PIN, END DOUBLE RETAINER	6	EA
19	1510071	PIN, END, CROSSTUBE	3	EA
20	5592016	RETAINING RING EXT 1.25 HD	8	EA
21	10000086	SHIM, 1 1/4ID X 1 3/4OD X 0.060	16	EA
22	2509816	BRG .875ID 1.000D 1.00L	32	EA
23	10000087	Bearing 1 1/4ID x 1 13/32 OD x	32	EA
24	2509833	BRG CSB 50 20IB12	2	EA

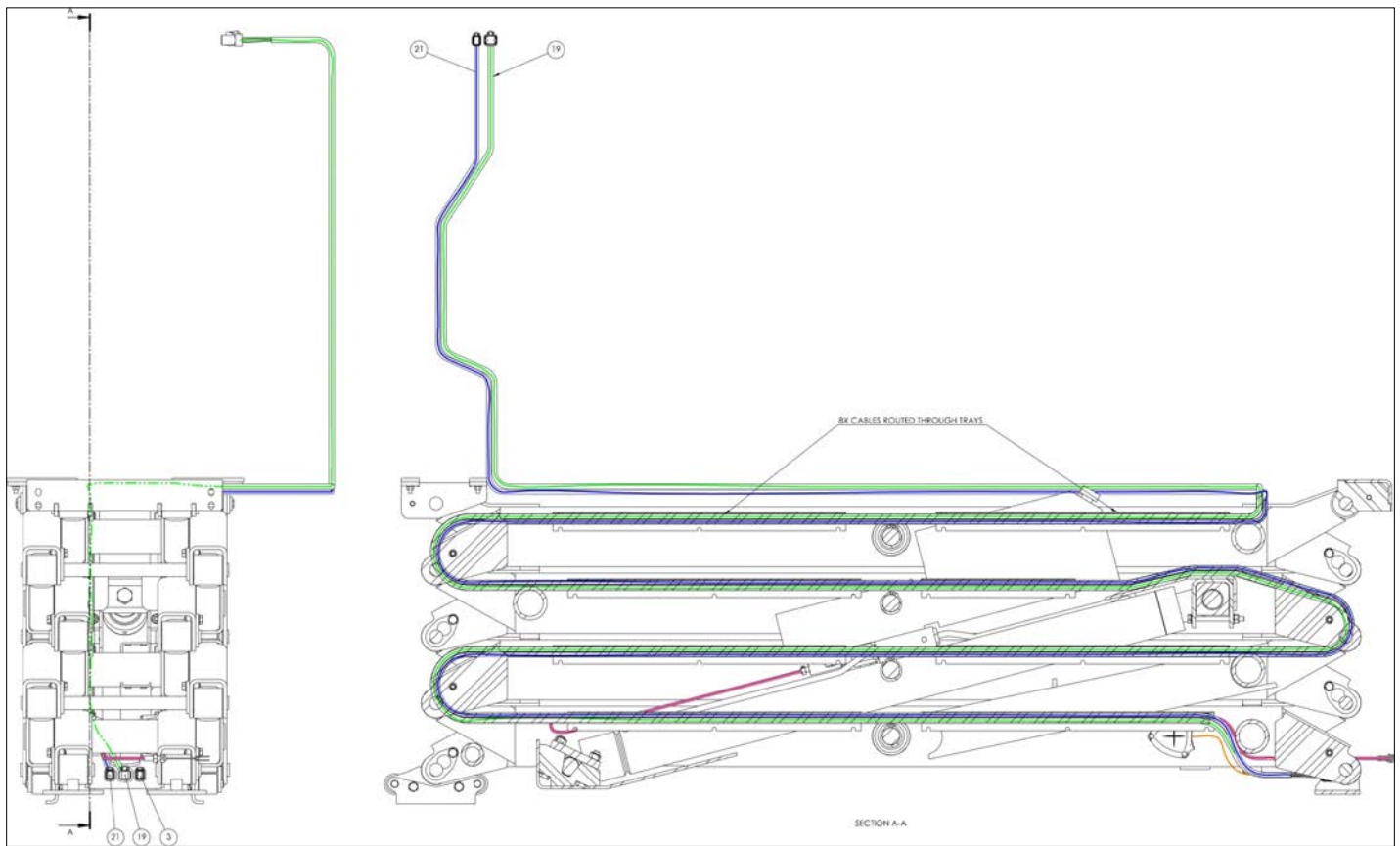


アイテム	部品番号	名前	数量	UOM
25	1500881	Pin Retainer Zinc Plated	12	EA
26	10404 025	SCREW M8 1.25 HHC X 25MM LG	12	EA
27	11015 010	WASHER M8 FLAT	16	EA
28	1510104	NUTSERT, M8 1.25 X 3.8 7.9	16	EA
29	056687 070	BOLT, M16 X 2.0 X 70MM	1	EA
30	10405 070	SCREW, M10 1.5 HHC X 70MM LG	2	EA
31	10405 060	SCREW M10 1.5 HHC X 60MM LG	2	EA
32	10939 010	LOCK NUT M8	2	EA
33	10404 085	SCREW, M8 1.25 HHC X 85MM LG	2	EA
34	10939 011	NUT M10 1.50 REG HEX LOCK*****	4	EA
35	1510049	STACK PAD, S3019, 1ST OUTER	2	EA
36	1500888	STACK PAD IMPERIAL UPPER	14	EA

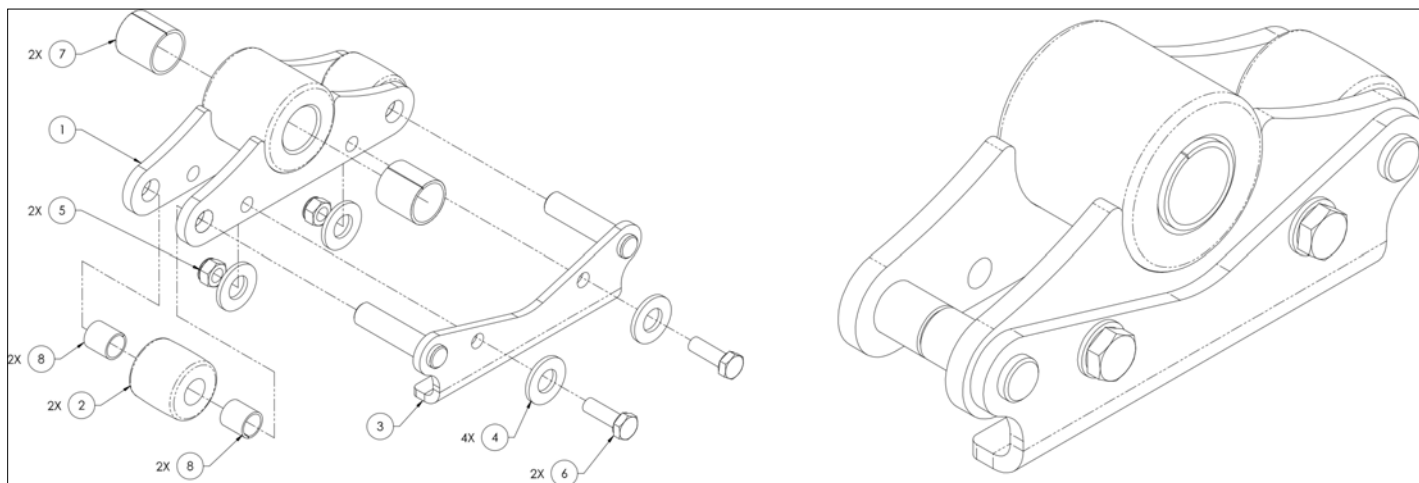
REPAIR PARTS



アイテム	部品番号	名前	数量	UOM
	1510107 A	STACK INSTALLATION S3019E		EA
1	10001668	INSTALL ASSY, CYLINDER, S3019	1	EA
2	10001619	DUAL AXIS CAN TILT SENSOR	1	EA
3	10001691	HARNESS, STACK, S3019E	1	EA
4	10401 030	BOLT HHCS M5 0.80 MM X 30	3	EA
5	10000265	WLDMT, PLATFORM SLIDER	2	EA
6	1500898	Plastic UHMW 1/4 x 1 1/8	4	EA
7	1510069	PIN, END DOUBLE RETAINER	8	EA
8	1500881	Pin Retainer Zinc Plated	8	EA
9	500532 025	FSHCS M6 X 1.0 X 25 G8.8 DIN79	8	EA
10	10939 008	LOCK NUT M6	8	EA
11	056069 006	WSHR STEELFLATWSHE M6 DIN125A	8	EA
12	056069 008	WASHER, STEELFLATWASHER DIN12M8 FLAT WASHER DIN 125	12	EA
13	10939 010	LOCK NUT M8	4	EA
14	10404 025	SCREW M8 1.25 HHC X 25MM LG	8	EA
15	10001600	WELDMENT, PLATFORM MNT REAR	1	EA
16	10000375	WLDMT, CHASSIS STACK MT	2	EA
17	2509816	BRG .875ID 1.000D 1.00L	4	EA
18	10000277	ASSY, SKATE	2	EA
19	10001709	HARNESS, STACK, AC	1	EA
20	1510088	ASSY, STACK, S3019, 4 SECTIONS	1	EA
21	10001693	HARNESS, CTRL CABLE, S3019E	1	EA

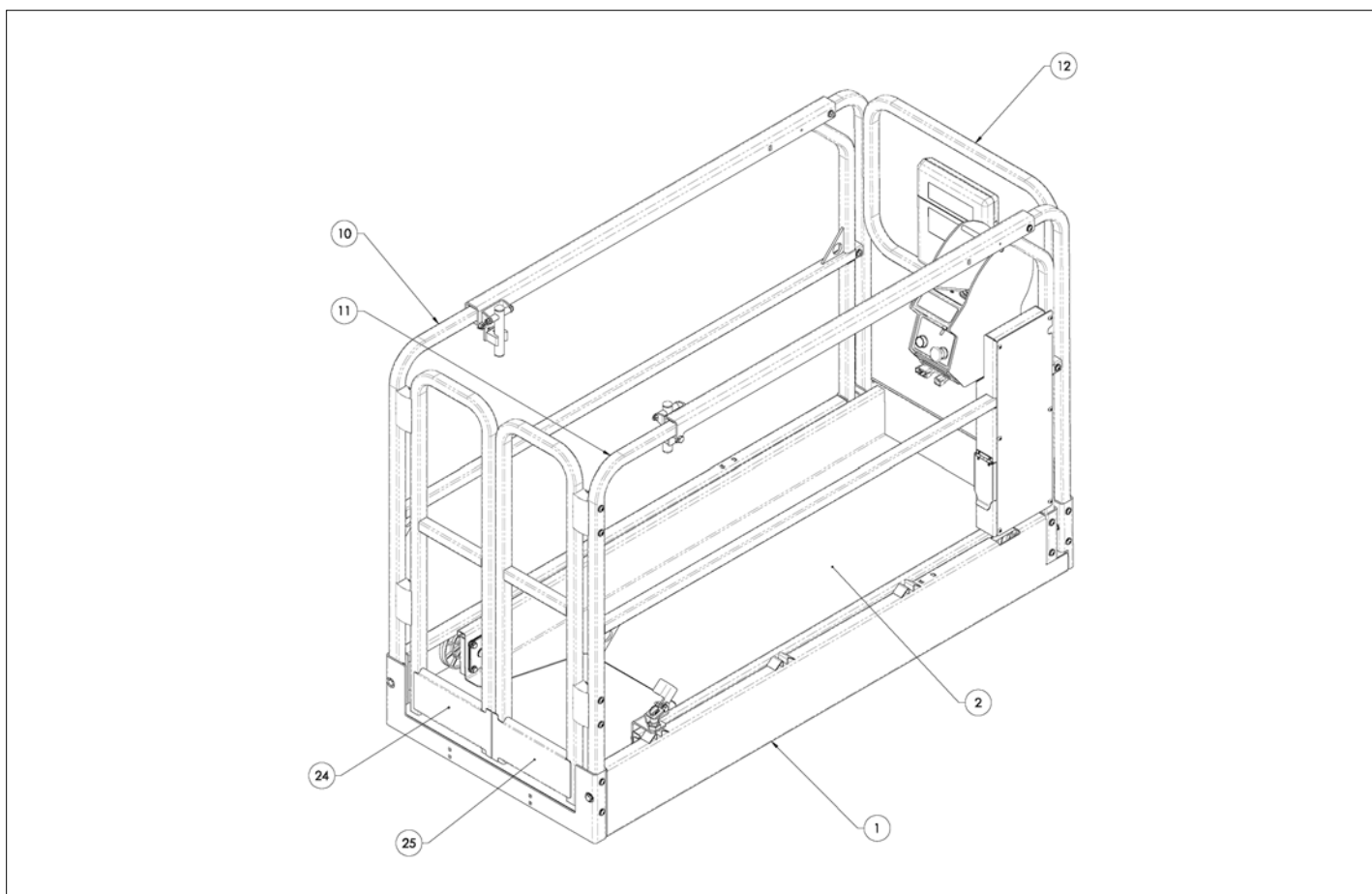


REPAIR PARTS

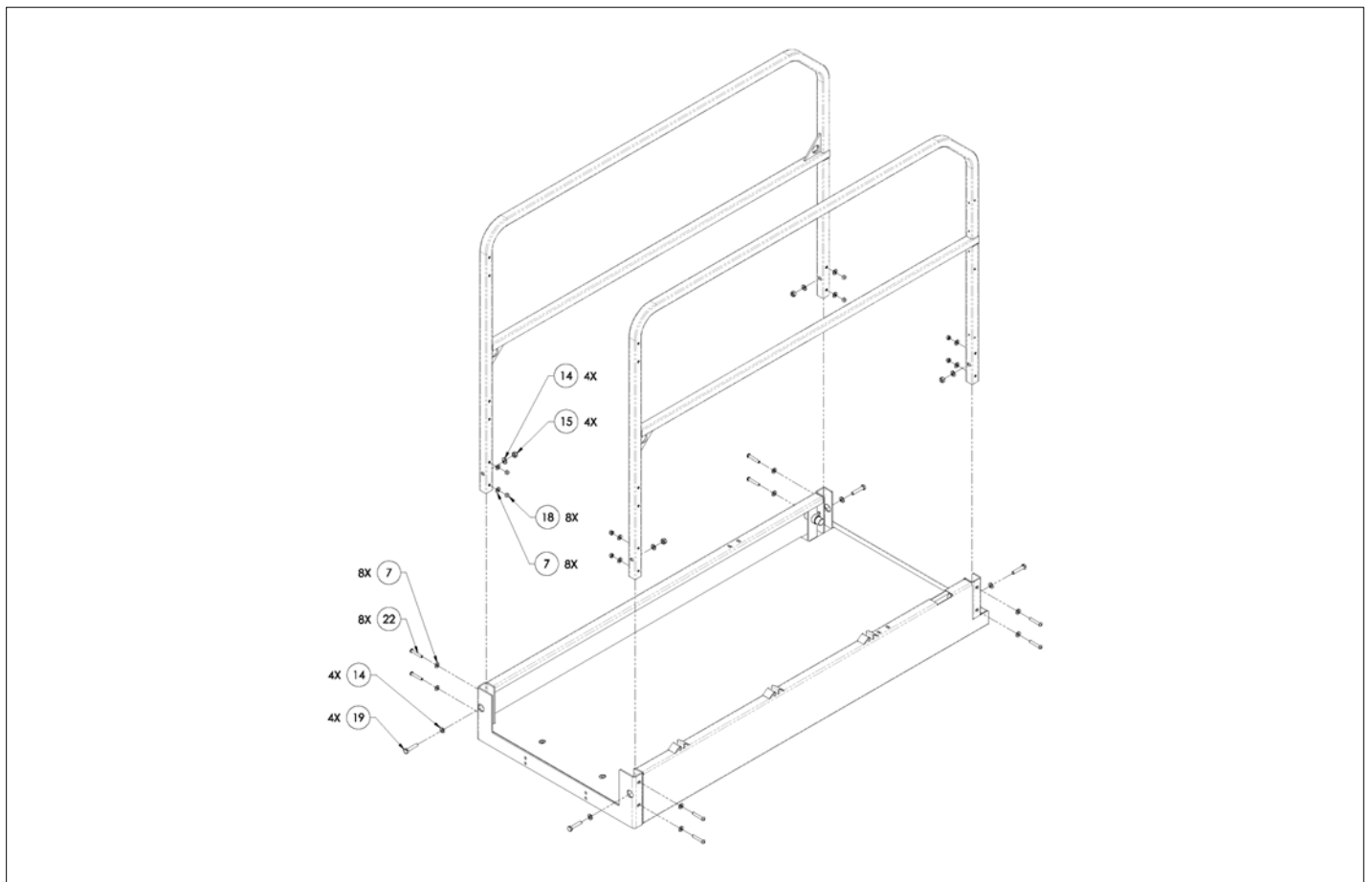


アイテム	部品番号	名前	数量	UOM
	10000277 A	SKATE ASSEMBLY S3019E		EA
1	10000278	WLDMT, STACK SLIDER		EA
2	10000372	WHEEL, SKATE		EA
3	10000279	WLDMT, STACK SLIDER		EA
4	056069 008	WASHER, STEELFLATWASHER DIN12M8 FLAT WASHER DIN 125		EA
5	10939 010	LOCK NUT M8		EA
6	10404 025	SCREW M8 1.25 HHC X 25MM LG		EA
7	2509816	BRG .875ID 1.000D 1.00L		EA
8	10000448	BRG		EA

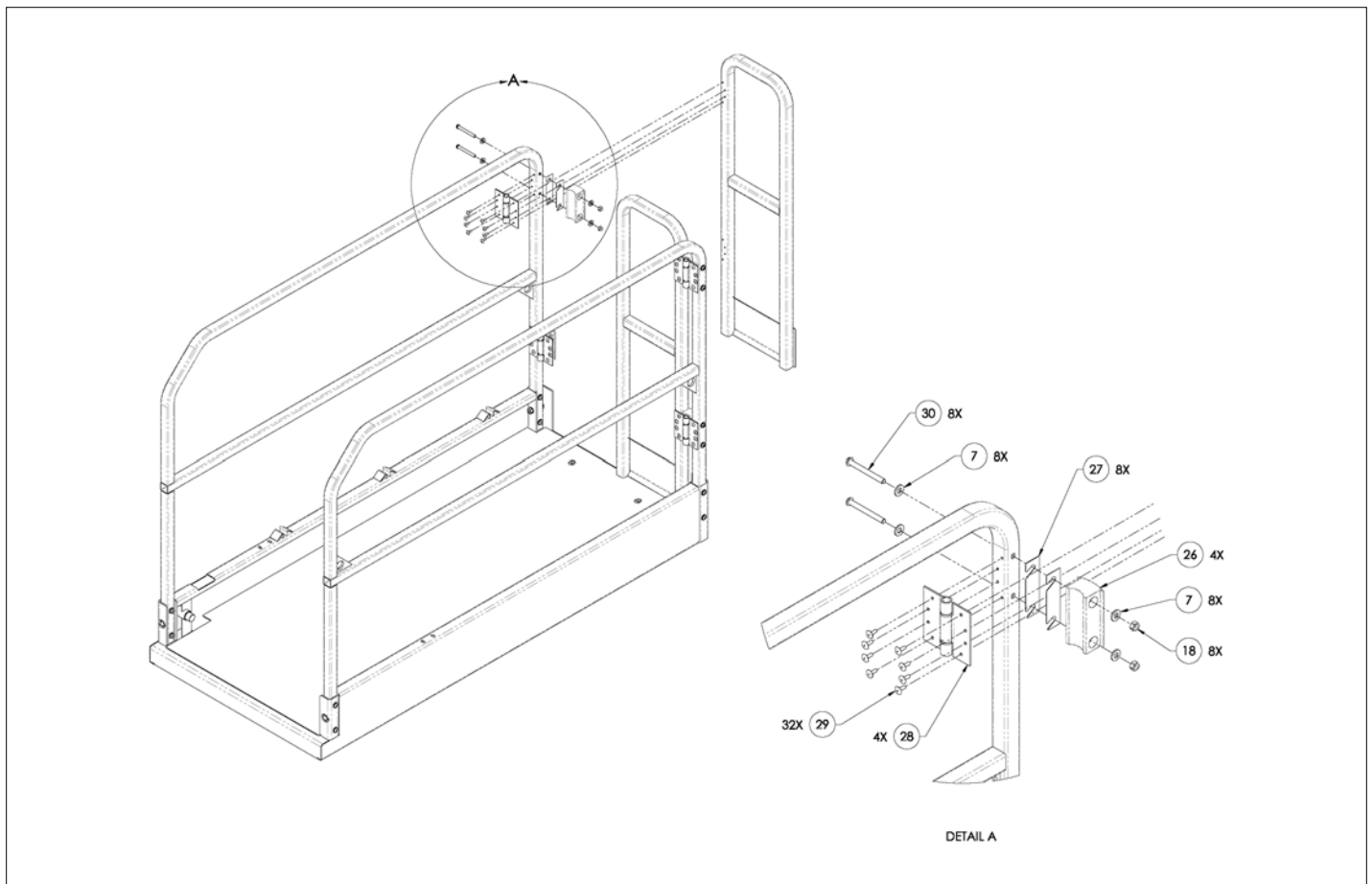
REPAIR PARTS



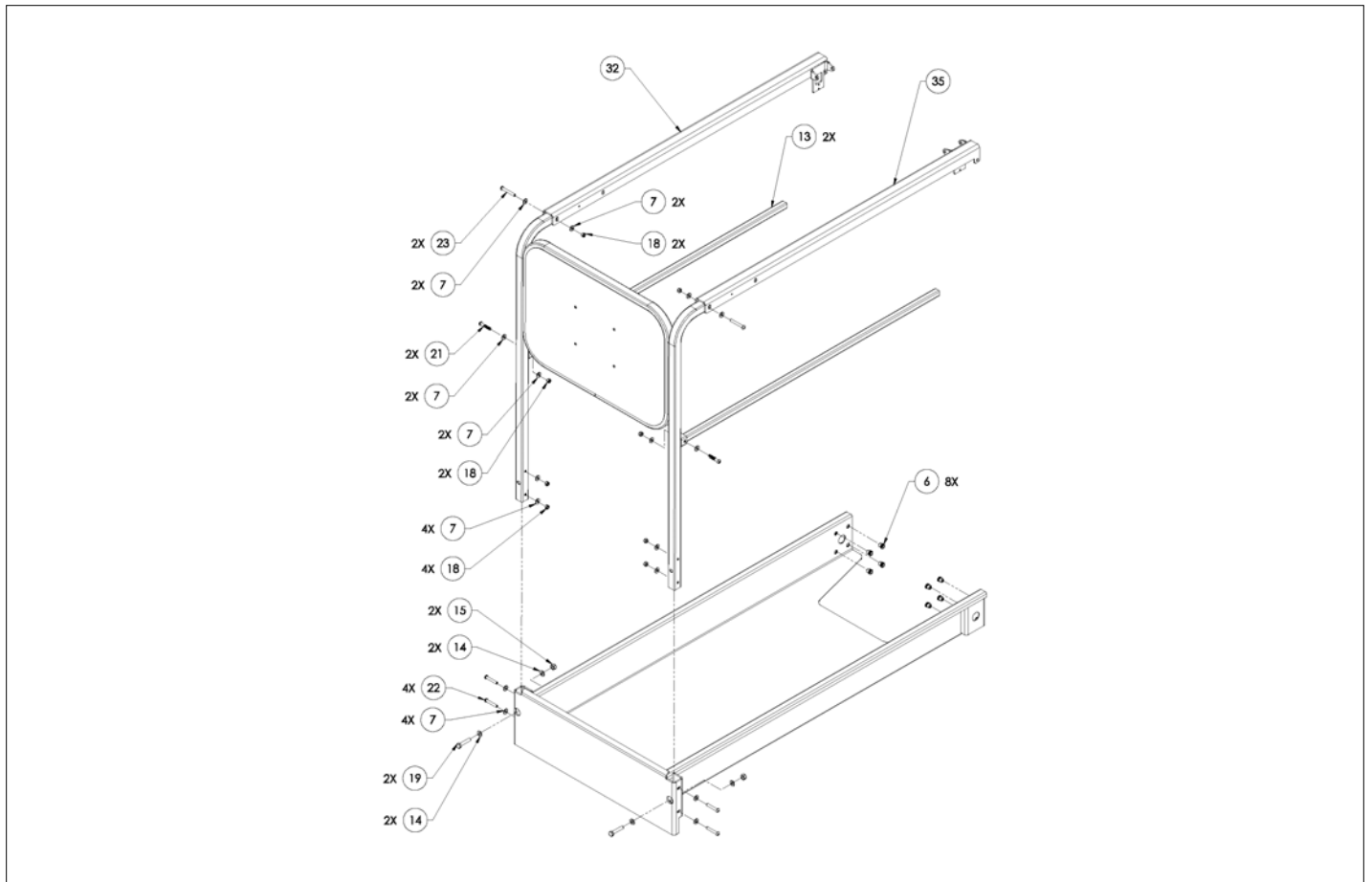
アイテム	部品番号	名前	数量	UOM
	10000232C	PLATFORM S3019 ASSEMBLY		EA
1	10000233	WLDMT, PLATFORM BASE S3019	1	EA
2	10000234	WLDMT, PLATFORM EXT S3019	1	EA
3	10001706	WLDMT EXTENSION AXLE	2	EA
4	1502269	ROLLER, PLATFORM EXTENSION	4	EA
5	10001686	PLATE, SHIM, AXLE	3	EA
6	10001220	NUTSERT M8 1.25 X 3.8 GRIP	8	EA
7	11015 010	WASHER M8 FLAT	84	EA
8	056059 030	Bolt, HexBolt DIN931 M8 x 30mm	8	EA
9	10000270	WLDMT, PLATFORM CTRL MT	1	EA
10	10000257	WLDMT, OUTER HANDRAIL, LEFT	1	EA
11	10000258	WLDMT, OUTER HANDRAIL, RIGHT	1	EA
12	1501610	WLDMT, FRONT GATE, S3019	1	EA
13	1501323	TUBE HNDRL MID TELESCOPE	2	EA
14	11015 011	WASHER M10 FLAT METRIC	12	EA
15	5563556	NUT HEX M10X1.5 YL ZN GR10.9	2	EA
16	5563555	NUT HEX M8X1.25 YL ZN GR10.9	2	EA
17	5563552	NUT HEX M4X0.7 YLZN PLT GR10.9	4	EA
18	10939 010	LOCK NUT M8	38	EA
19	10405 050	BOLT HHCS M10 1.50mm X 50mm CLASS 10.9 DIN 933 PLTD	6	EA
20	10405 060	SCREW M10 1.5 HHC X 60MM LG	2	EA
21	10504 045	BUTTON HEAD HEX M8 1.25 X 45MM	2	EA
22	5563304	SBHCS M8 X 1.25 X 50MM GR 1039	12	EA

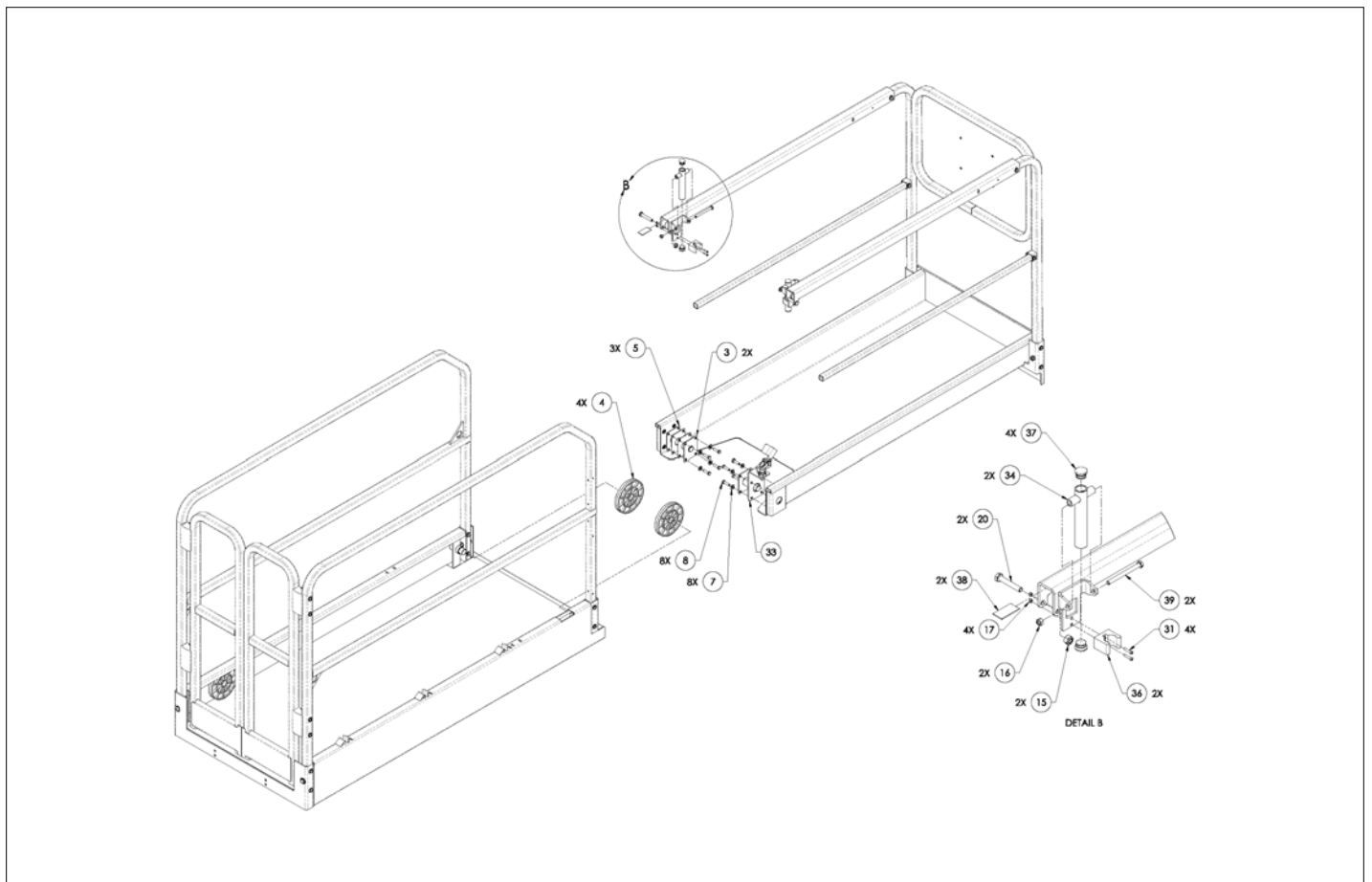


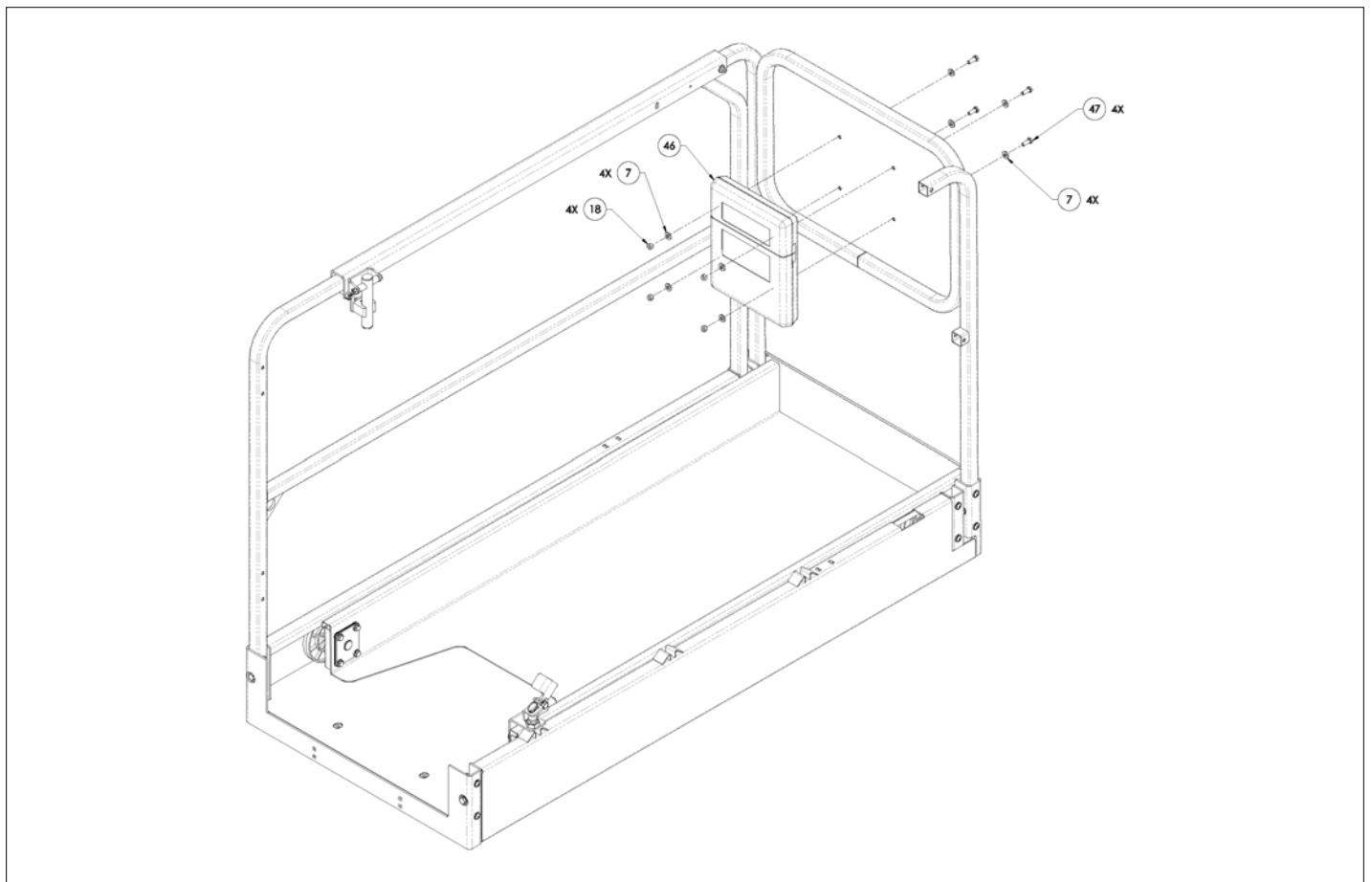
アイテム	部品番号	名前	数量	UOM
23	5563306	SBHCS M8 X 1.25 X 60MM GR 1039	2	EA
24	10000145	WLDMT, PLATFORM DOOR, LEFT	1	EA
25	10000146	WLDMT, PLATFORM DOOR, RIGHT	1	EA
26	1501844	BUMPER, GATES	4	EA
27	1502128	PLT,DOOR STOP SHIM	8	EA
28	5516359	HINGE, SPRING	4	EA
29	000561 000	RIVET M4 4.8MM X 10MM	32	EA
30	10504 075	BUTTON HEAD HEX M8 1.25 X 75MM	8	EA
31	10500 020	BOLT BHCS M4 0.70mmX20 10.9	4	EA
32	1503100	WLDMT TOP SLIDER RH 3219	1	EA
33	10001687	ASSY, FOOT LATCH	1	EA
34	1503079	WLDMT, SLIDE HANDLE SHORT	2	EA
35	1503101	WLDMT TOP SLIDER LH 3219	1	EA
36	1501583	CLIP HANDLE 1.00	2	EA
37	5563451	PLUG TUBING 1.00 X .095	4	EA
38	1502834	SLIDE PAD, STICK ON NOVEMBER 2017 AND AFTER	2	EA
39	10404 090	SCREW, M8 1.25 HHC x 90MM LG	2	EA
40	5516349	MAGNETIC LATCH	1	EA
41	10001536	PLT, LOADING CTRL DOOR	1	EA
42	5516360	HINGE, DRILLED SIDE DRIVE THIN	1	EA
43	10001487	PLT, HANDRAIL SIDE PIN	1	EA
44	11110 001	RIVET, 1/8 DIA .063 .125 THK AL WITH STEEL MANDREL	6	EA
45	5563446	1/4 20 PAN HEAD SCREW	10	EA
46	562386	Literature Compartment	1	EA

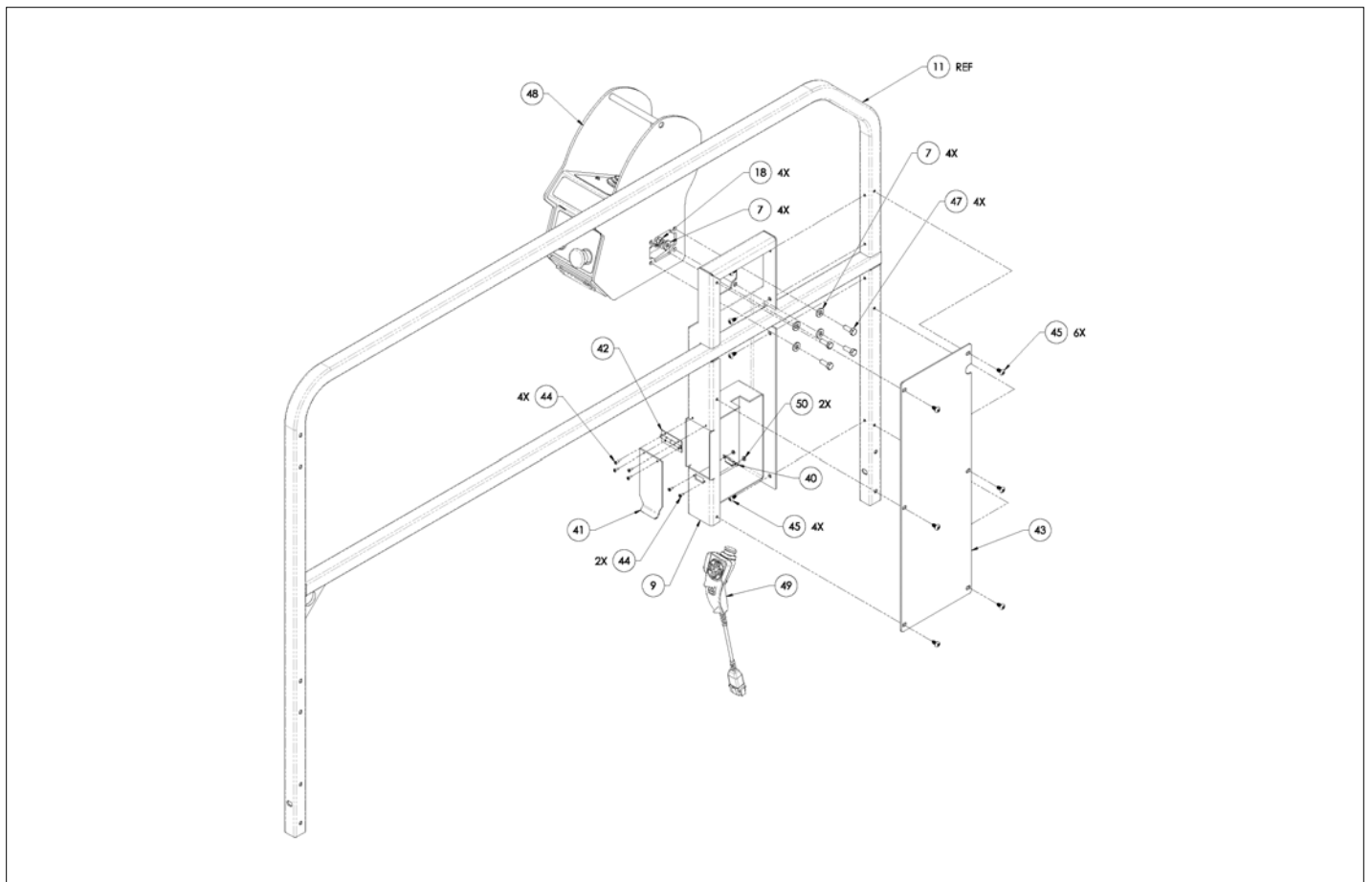


アイテム	部品番号	名前	数量	UOM
47	10404 022	BOLT M8 1.25 X 22MM	8	EA
48	10001464	ASSY, PLTFRM CONT BOX, S3019	1	EA
49	1503071	PENDANT, DRIVE CONTROLS NOVEMBER 2018 AND AFTER	1	EA
50	11001 104	WASHER FLAT #4 NARROW HARD PLTD	2	EA

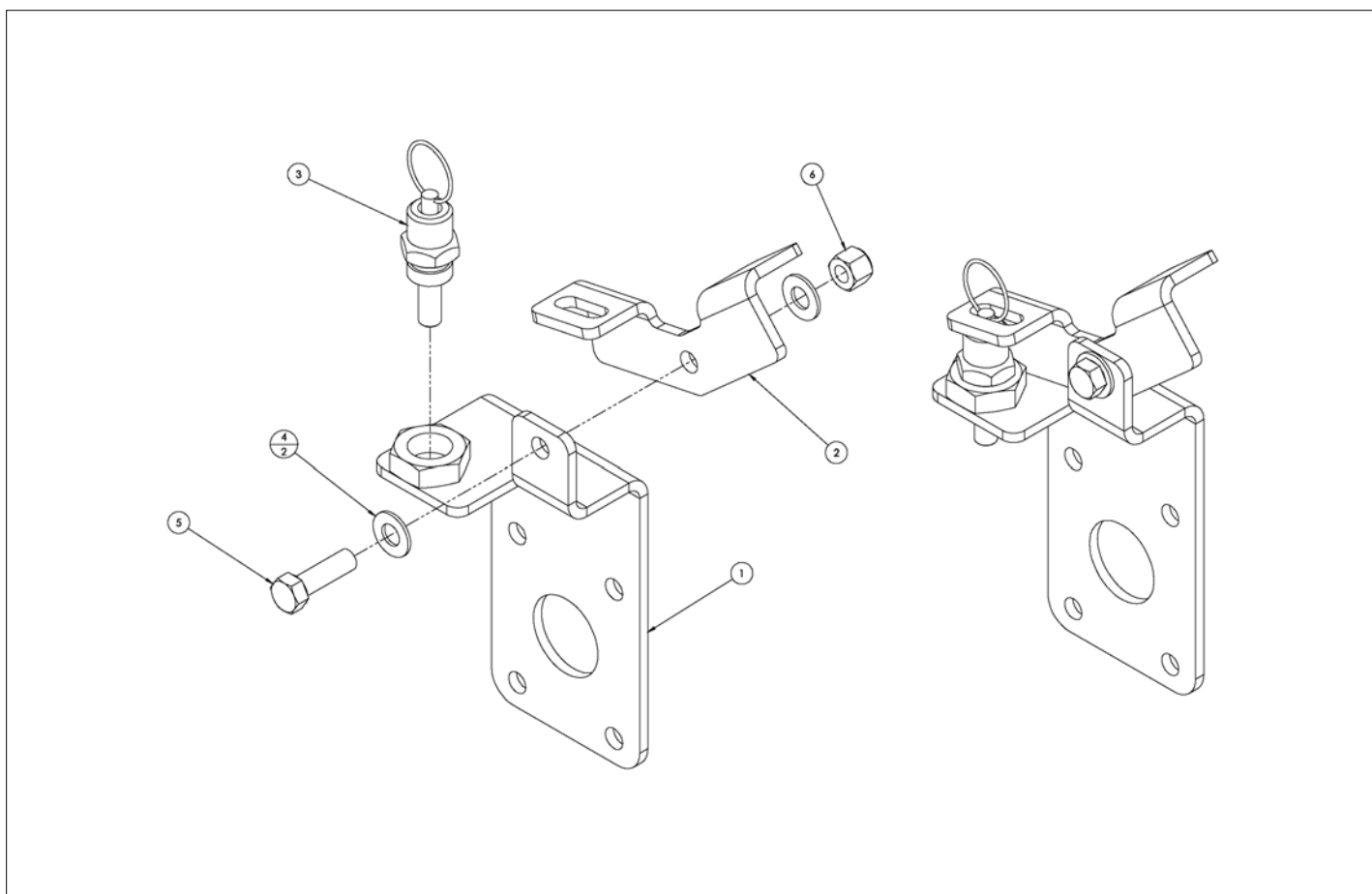






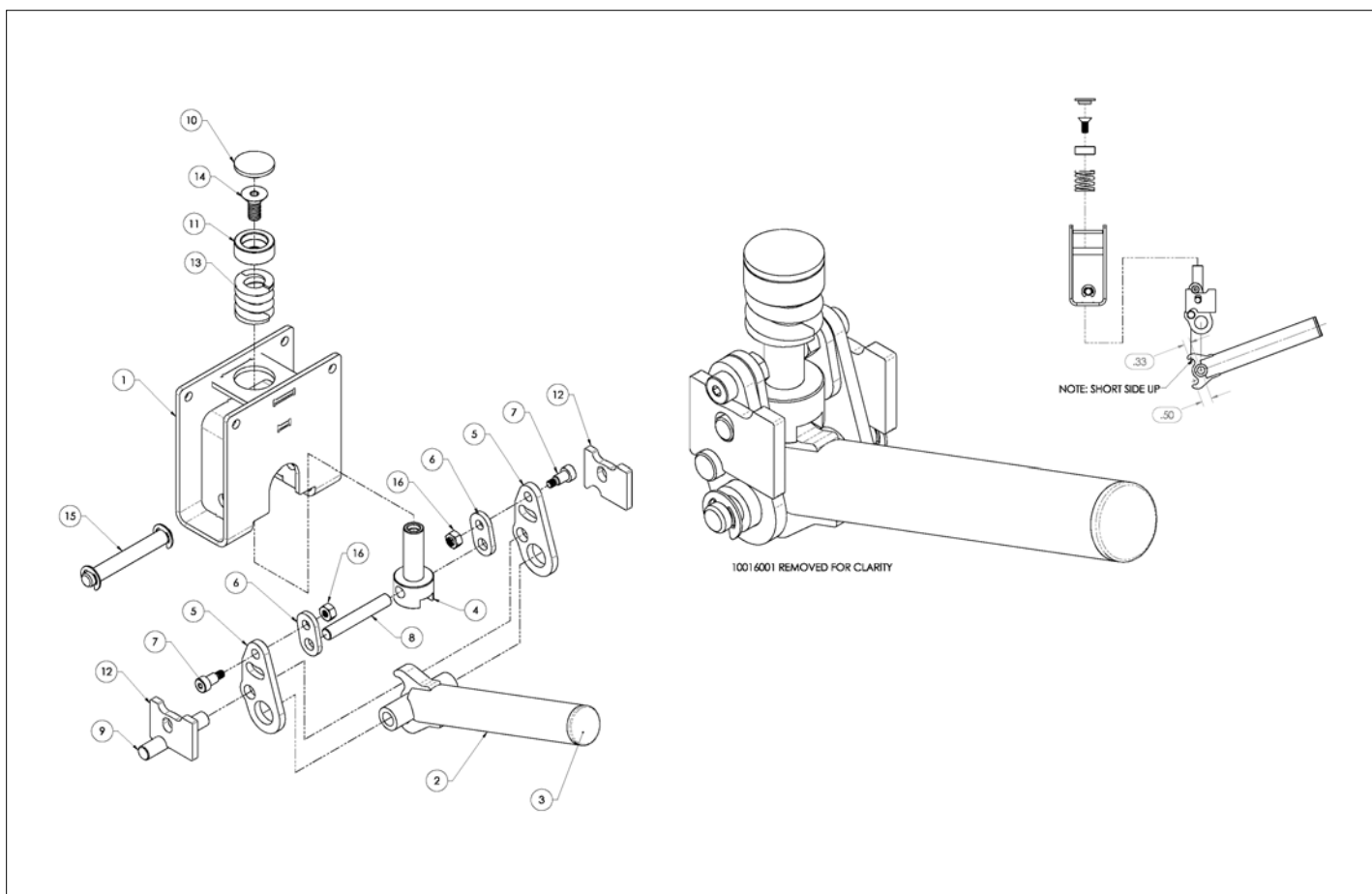


REPAIR PARTS



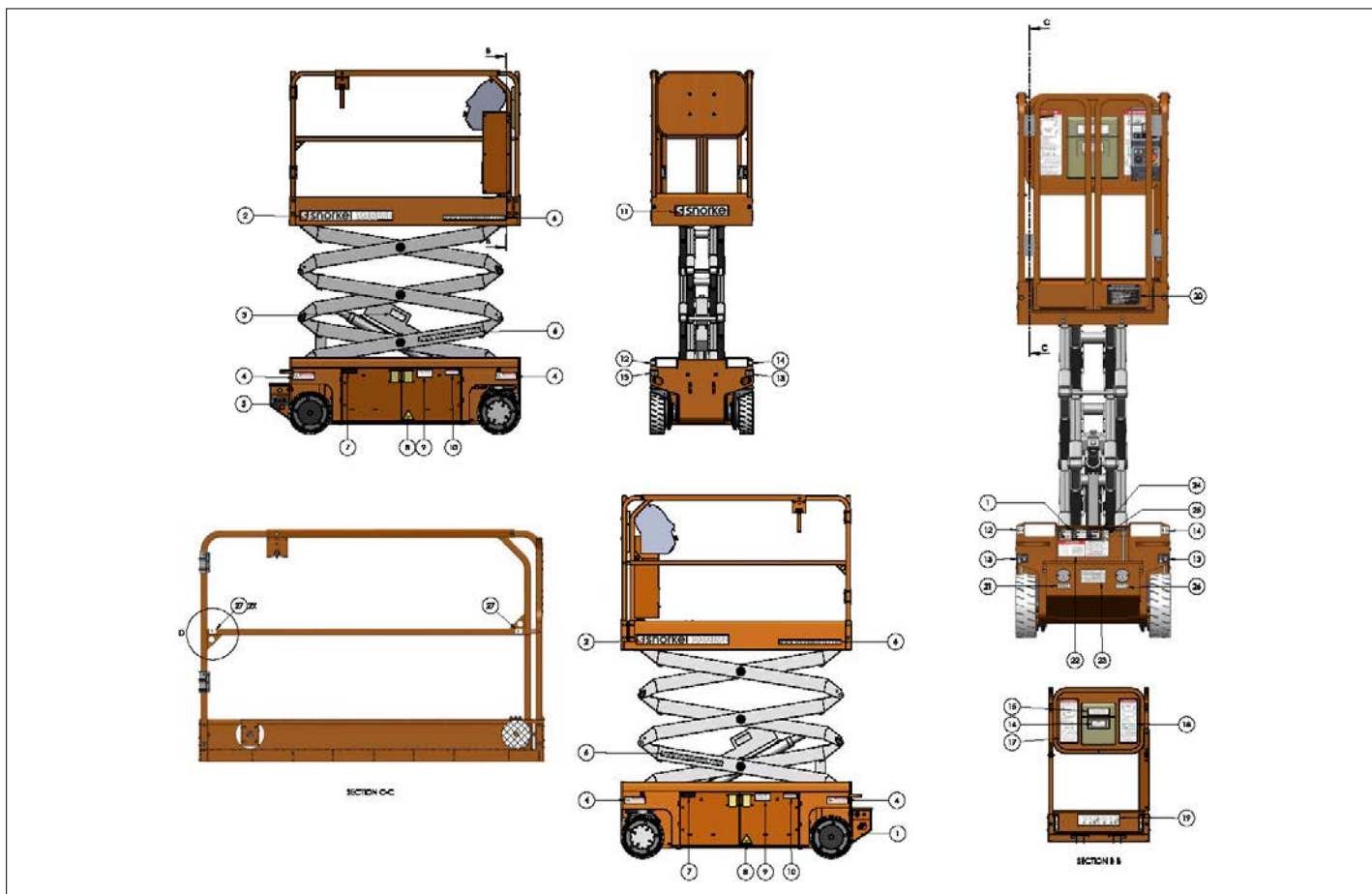
アイテム	部品番号	名前	数量	UOM
	10001687 A	FOOT LATCH ASSEMBLY		EA
1	10001688	WLDMT, LEVER PIVOT BRACKET	1	EA
2	502141 000	STOP LEVER	1	EA
3	009442 003	SPRING LATCH	1	EA
4	11001 006	WASHER 3/8 SAE	2	EA
5	10002 010	SCREW 3/8 16UNC HHC X 1 1/4	1	EA
6	10908 006	NUT HEX ESNA LOCK .375 16 UNC GR 8 PLTD	1	EA

REPAIR PARTS



アイテム	部品番号	名前	数量	UOM
	10016000D	EXTENSION LOCK ASSEMBLY		EA
1	10016001	WELD, EXT LOCK MT	1	EA
2	10016002	WELD, EXT LOCK HANDLE	1	EA
3	5563451	PLUG TUBING 1.00 X .095	1	EA
4	10016009	EXT LOCK PLUNGER	1	EA
5	10016010	PLATE, EXT LOCK ROCKER	2	EA
6	10016011	PLATE, EXT LOCK LINK	2	EA
7	10016017	SHOULDER BOLT, 1/4 OD x 22/64L	2	EA
8	10016012	PIN, EXT LOCK PLUNGER	1	EA
9	10016013	PIN, EXT LOCK ROT	1	EA
10	5569973	SLIDE PAD, STICK ON OCTOBER 2017 AND BEFORE	1	EA
11	10016014	FRICTION PAD HOLDER	1	EA
12	10016015	PLATE, EXT LOCK VERT GUIDE	2	EA
13	10016016	SPRING, COMPRESSION, 1" OD x 0	1	EA
14	10016018	SCREW, FLATHEAD, 5/16 18 x 0.7	1	EA
15	10016019	PIN, CLEVIS, 3/8 DIA x 2.5 USA	1	EA
16	10000493	LOCKNUT, 10 32 FLEX TOP EXPAND	2	EA

REPAIR PARTS



アイテム	部品番号	名前	数量	UOM
	10001613 B	DECAL KIT S3019E FEBURARY 2019 AND AFTER		EA
1	10000492	PLACARD, S3019E	1	EA
2	10001609	DECAL, LOGO, "SNORKEL S3019"	2	EA
3	1502586	DECAL, HYDRAULIC FLUID LEVEL	2	EA
4	300700	Decal, Shearing Hazard	4	EA
5	10001569	DECAL, STEP, S3019	1	EA
6	7030068	DECAL, SNORKELLIFTS.COM	2	EA
7	0181562	Decal, Amchine Complies With ANSI (USA Only)	2	EA
8	501453 000	Decal, Foot Crush Hazard	2	EA
9	451726	DECAL CHK BTRY BEFORE CHARGING	2	EA
10	300760	DECAL DNGR TIPOVER HAZARD	2	EA
11	569295	DECAL, SNORKEL BRAND LOGO 3.00	1	EA
12	10001610	DECAL, FORK HERE, LHS	2	EA
13	0083427	Decal, Lifting/Tie Down	4	EA
14	10001611	DECAL, FORK HERE, RHS	2	EA
15	0073043	DECAL, OPERATING MANUAL ENCLOS	1	EA
16	0073224	DECAL, NOTICE MANUAL REORDER	1	EA
17	1501475	DECAL DNGR TIPOVER/ELEC HAZARD	1	EA
18	1501476	DECAL DNGR TIPOVER/ELEC HAZARD	1	EA
19	1501230	DECAL PLAT CAP 550# W/WIND SP, DECAL PLAT CAP 550	1	EA
20	300699	Decal, Operators Checklist	1	EA
21	066522 000	DECAL, BATTERY CHARGER	1	EA
22	0361259	DECAL DNGR SAFETY PROP	1	EA
23	1502762	DECAL, FAULT CODES	1	EA

アイテム	部品番号	名前	数量	UOM
24	10001612	DECAL, EMERGENCY LOWER	1	EA
25	0361533	DECAL EMER BLEED DOWN 1930 PIC	1	EA
26	10001002	DECAL, POWER TO PLATFORM	1	EA
27	1501676	DECAL, LANYARD ATTACHMENT	3	EA

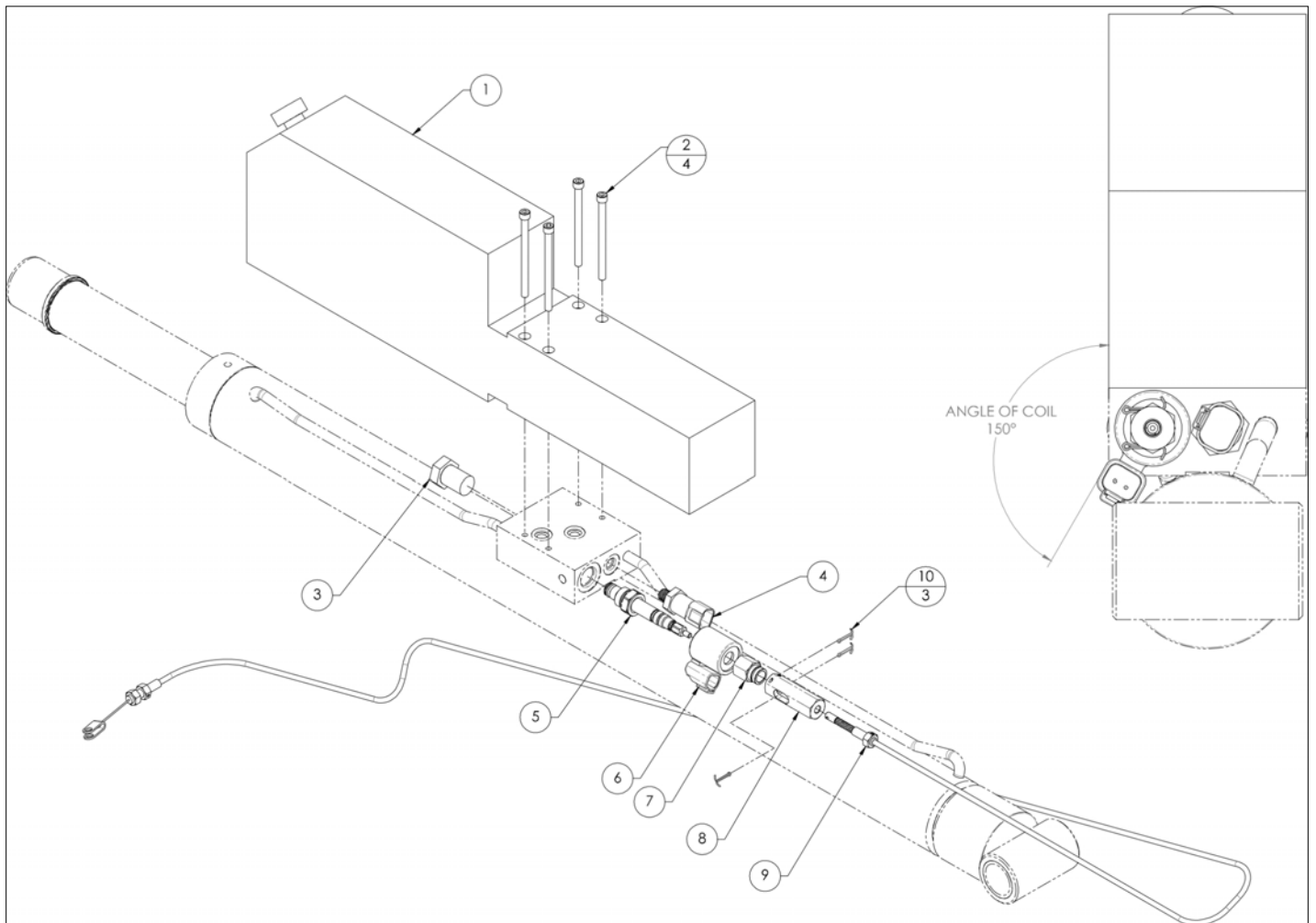
REPAIR PARTS

**NO IMAGE AVAILABLE
(BOM FOR REFERENCE ONLY)**

アイテム	部品番号	名前	数量	UOM
*	10001656 B	S1930 GERMAN DECAL KIT		EA
1	1500842 DE	MANUAL OPERATORS GERMANY	1	EA
2	0073043DE	DECAL OPERATING INFORMATION IN	1	EA
3	0073224DE	DECAL, MANUAL REORDER	1	EA
4	0083427	Decal, Lifting/Tie Down	4	EA
5	300699DE	DECAL, OPERATORS CHECKLIST	1	EA
6	300700DE	DECAL BEWARE DESCENDING PLAT	4	EA
7	300760DE	DECAL DNGR TIPOVER HAZARD	2	EA
8	0361259DE	DECAL DNGR SAFETY PROP	1	EA
9	0361533	DECAL EMER BLEED DOWN 1930 PIC	1	EA
10	451726DE	DECAL CHK BTRY BEFORE CHARGING	2	EA
11	569295	DECAL, SNORKEL BRAND LOGO 3.00	1	EA
12	1501230	DECAL PLAT CAP 550# W/WIND SP, DECAL PLAT CAP 550	1	EA
13	1501475 DE	DECAL DNGR TIPOVER/ELEC HAZARD	1	EA
14	1501476DE	DECAL DNGR TIPOVER/ELEC HAZARD	1	EA
15	1501676	DECAL, LANYARD ATTACHMENT	3	EA
16	1502586DE	DECAL, (DE) HYD FLUID LEVEL	2	EA
17	1502762DE	DECAL, FAULT CODES	1	EA
18	7030068	DECAL, SNORKEL LIFTS.COM	4	EA
19	10000492DE	PLACARD, S3019E	1	EA
20	10001002DE	DECAL, POWER TO PLATFORM	1	EA
21	10001569	DECAL, STEP, S3019	1	EA
22	10001609	DECAL, LOGO, "SNORKEL S3019"	2	EA
23	10001610	DECAL, FORK HERE, LHS	2	EA
24	10001611	DECAL, FORK HERE, RHS	2	EA

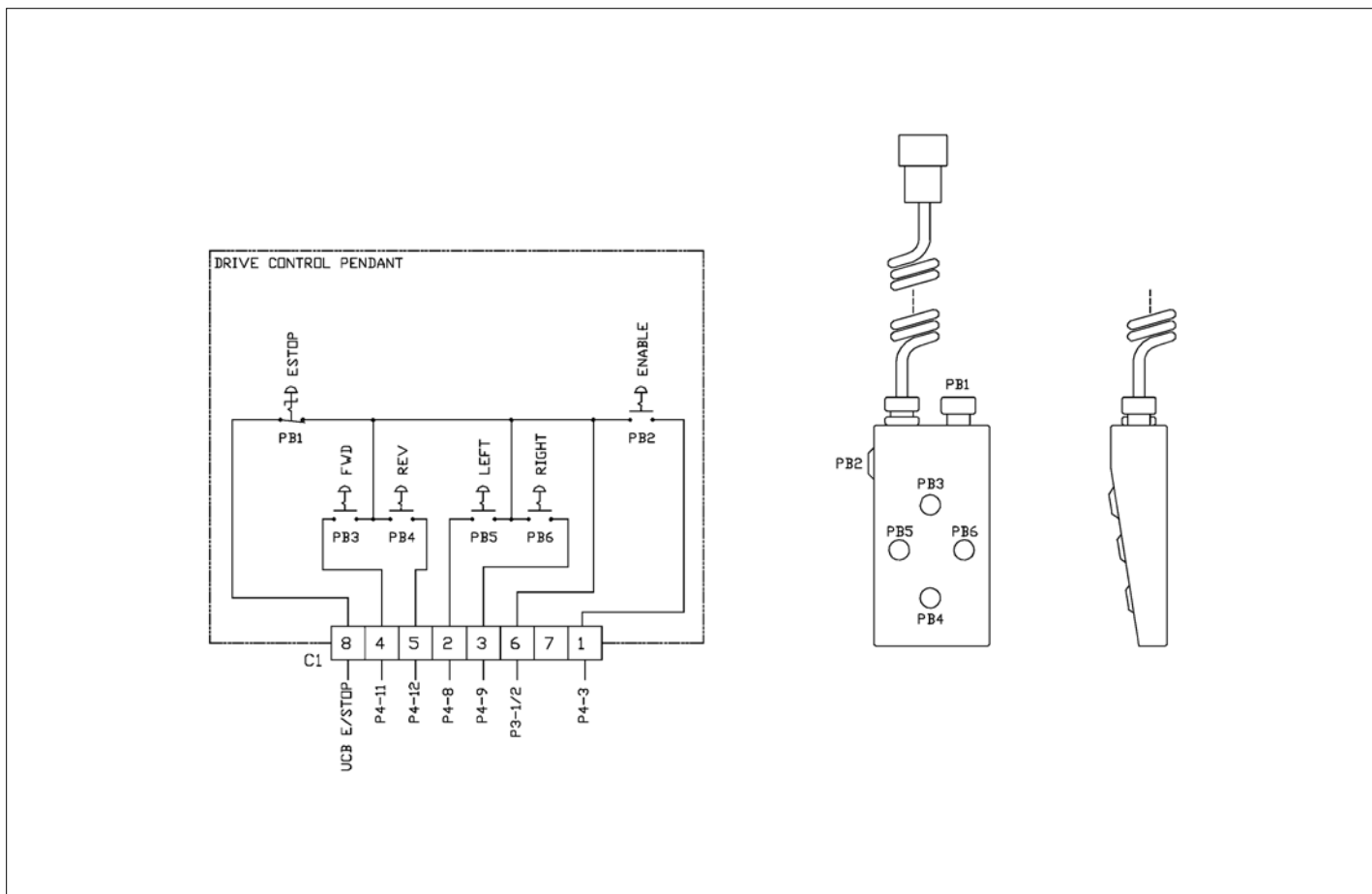
アイテム	部品番号	名前	数量	UOM
25	10001612DE	DECAL, EMERGENCY LOWER	1	EA
26	066522 000DE	DECAL, BATTERY CHARGER	1	EA
27	501453 000	Decal, Foot Crush Hazard	2	EA

HYDRAULICS



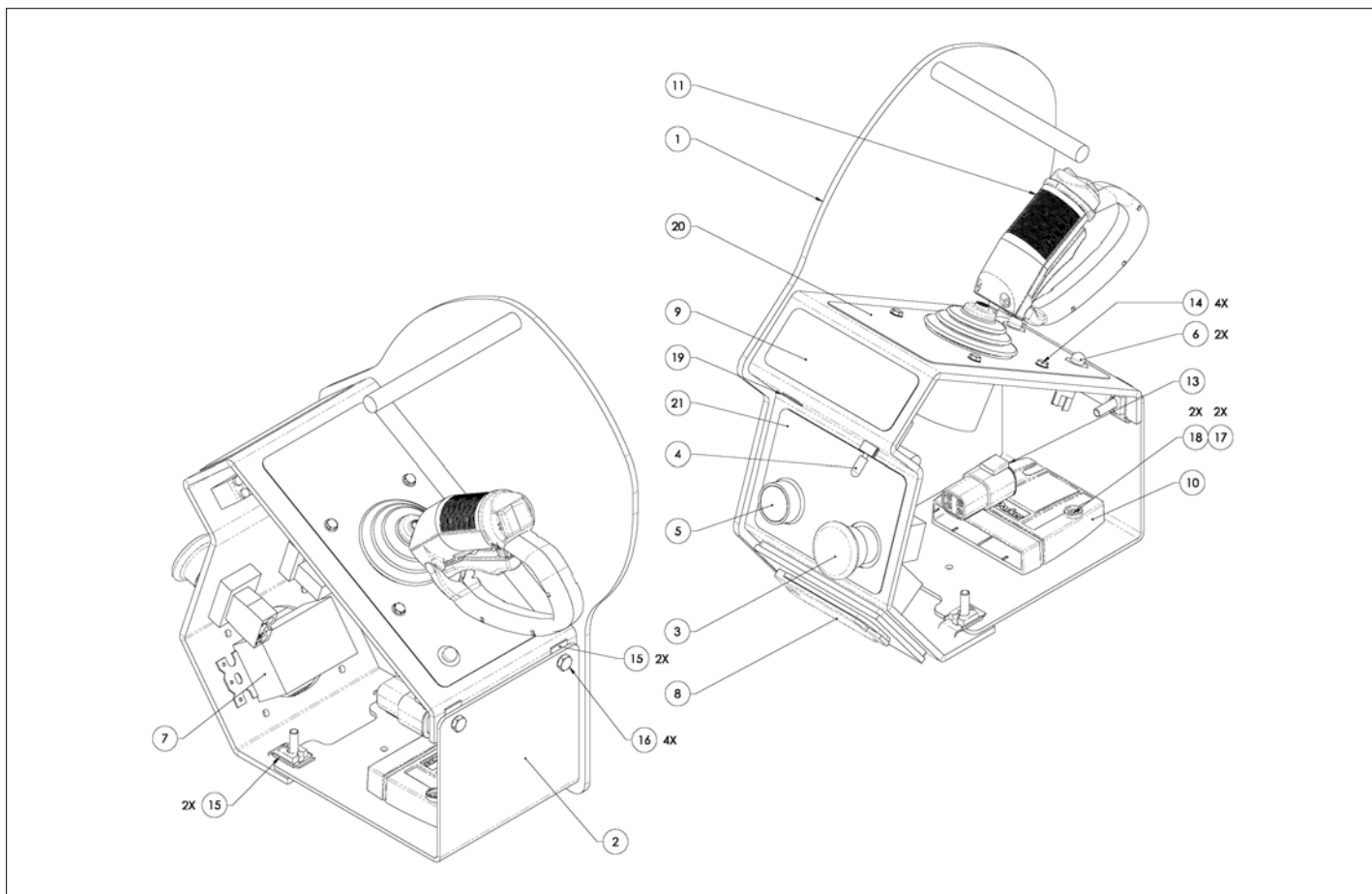
アイテム	部品番号	名前	数量	UOM
	10001668 A	CYLINDER ASSEMBLY S3019E		EA
1	10001139	HYDRAULIC POWER UNIT	1	EA
2	10054 026	BOLT .250 20 UNC X 3.50 GR8	4	EA
3	6019132	CHECK VALVE	1	EA
4	10001705	PRES TRANS, 5000 PSI, 0.5 4.5V	1	EA
5	6019357	SOLENOID VALVE SP08 20J 0 N 00	1	EA
6	6019289	COIL 20VDC HYDRAFORCE 4303620	1	EA
7	41344 000	COUPLER LOWERING VALVE LOWER	1	EA
8	41345 000	COUPLER LOWERING VALVE UPPER	1	EA
9	10000490	ASSY, E PULL CABLE, PANEL MT	1	EA
10	41572 000	COTTER PIN, 2MM X 20MM	3	EA
11	6092131	SEAL KIT (10001174 FISHER CYL)	1	EA
12	2500051	BASE END BRG 1.25ID X 1.50OD (10001174 FISHER CYL)	2	EA

ELECTRICAL



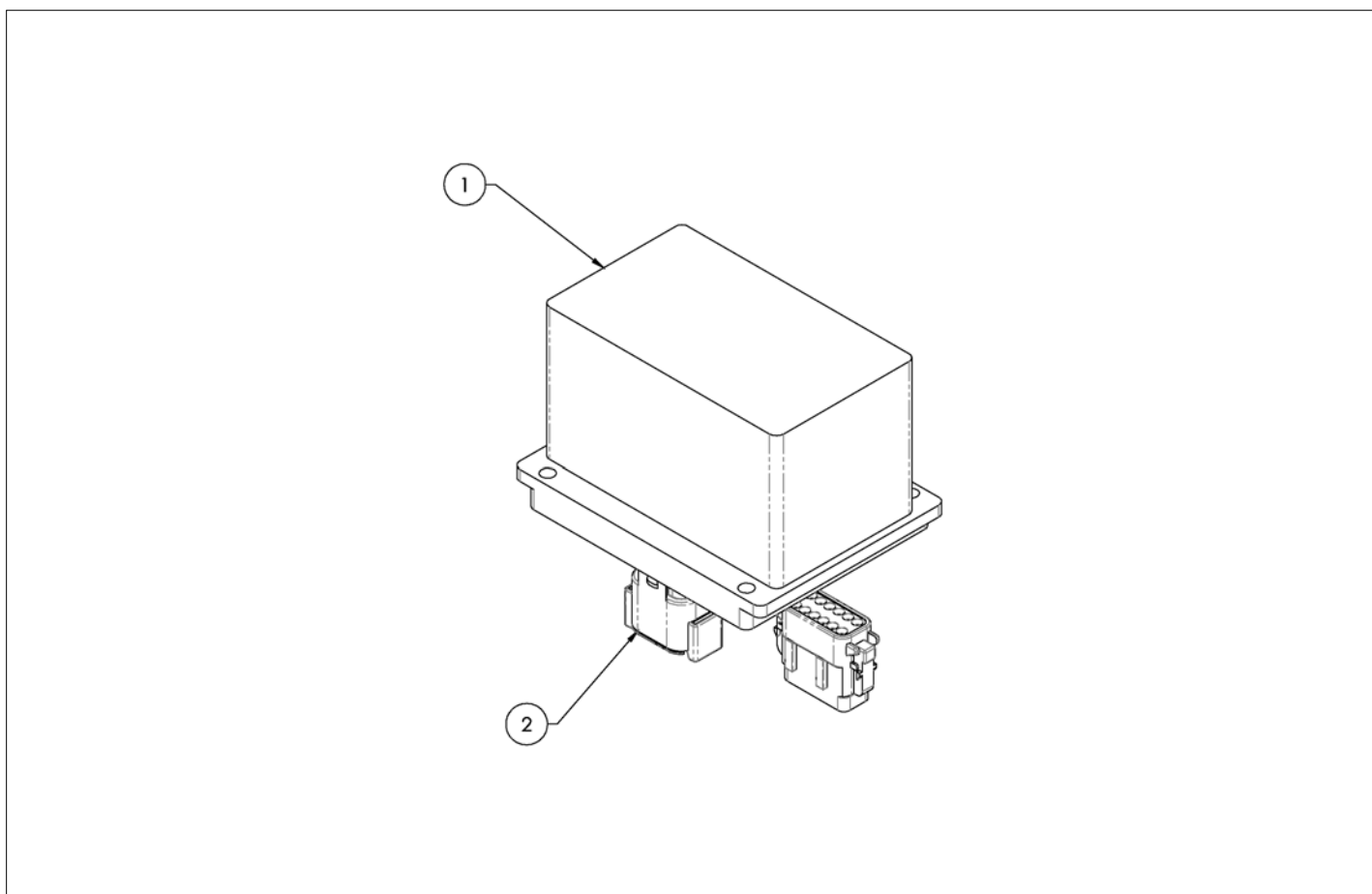
アイテム	部品番号	名前	数量	UOM
	514880 000A	LOAD CONTROL PENDENT		EA
1	514627 000	CONN, DEUTSCH DT06 8SA	1	EA
2	514629 000	LOCK WEDGE W8P	1	EA
3	12554 024	DEUTSCH CONTACT PIN	7	EA

ELECTRICAL



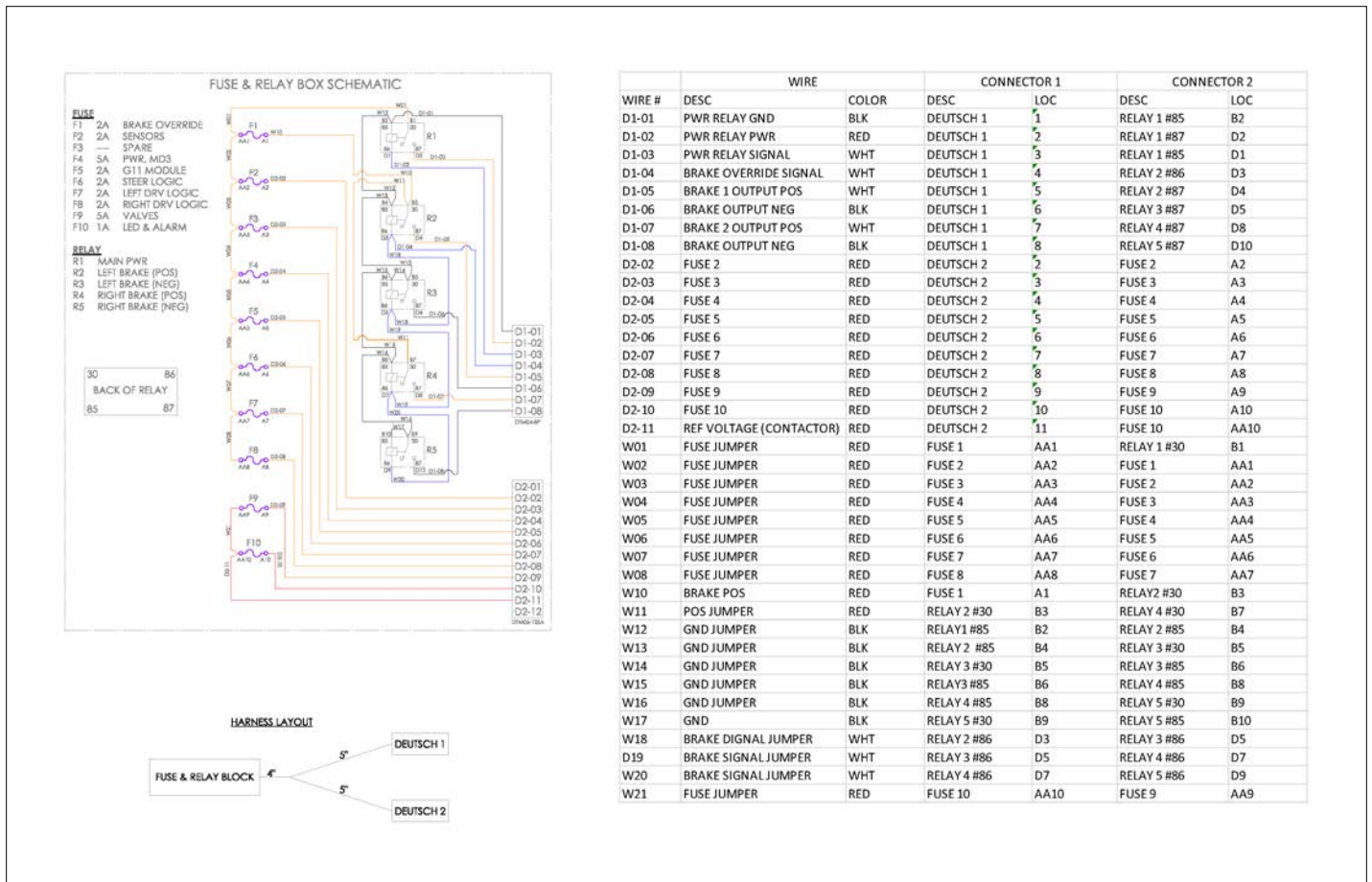
アイテム	部品番号	名前	数量	UOM
	10001464 C	PLATFORM CONTROL BOX ASSEMBLY S3019		EA
1	1501112	WLDMT, PLATFORM CTRL BOX	1	EA
2	10001570	PLT, BOTTOM PLAT CTRL BOX W/OL	1	EA
3	3028810	PUSH/PULL EMERGENCY STOP	1	EA
4	3020047	Switch, Toggle Honeywell INTI 3	1	EA
5	510542 000	PUSHBUTTON BLACK C/W 1 N/O CON	1	EA
6	302829	LIGHT RED 24VDC BEZEL MOUNT	2	EA
7	3040624	Recepticle Outlet 20AMP	1	EA
8	3040625	Enclosure Face	1	EA
9	1501359	PLAC LIFT/DRIVE	1	EA
10	10010810	SIGNAL INPUT MODULE, XC23	1	EA
11	3028933	Joystick 1 Axis, Deadman Guard	1	EA
12	10001700	HARNESS, UPPER CTRL, S3019	1	EA
13	1502308	HARNESS 110V JUMPER	1	EA
14	512459 016	BLT HEXHD M4 X 0.7 X 16MM DIN 933 8.8 ZP	4	EA
15	5560067	NUT SPEED U THREADED M6	4	EA
16	058491 030	BOLT HEXSETSCREW DIN 933 M6 X 30MM 8.8 ZP	4	EA
17	10939 006	LOCK NUT, M4	2	EA
18	10420 025	BOLT, SHCS, M4 0.7mm X 25	2	EA
19	3040015	HOLE PLUG .50	1	EA
20	1501158	PLAC PLATFM CONT BOX	1	EA
21	1501159	PLAC PLATFM CONT E STOP/HORN	1	EA

ELECTRICAL



アイテム	部品番号	名前	数量	UOM
	10001679 A	FUSE RELAY JUNCTION BLOCK ASSEMBLY		EA
1	10001680	FUSE RELAY JUNCTION BLOCK	1	EA
2	10001681	HARNESS FUSE AND RELAY	1	EA

ELECTRICAL

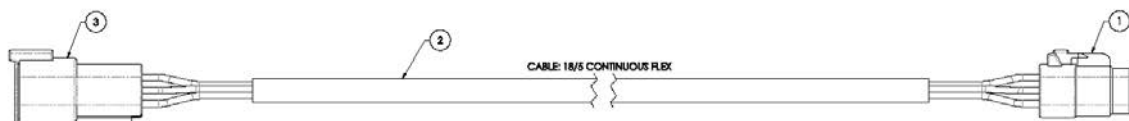


WIRE #	DESC	WIRE	COLOR	CONNECTOR 1		CONNECTOR 2	
				DESC	LOC	DESC	LOC
D1-01	PWR RELAY GND	BLK	DEUTSCH 1	1	RELAY 1 #85	B2	
D1-02	PWR RELAY PWR	RED	DEUTSCH 1	2	RELAY 1 #87	D2	
D1-03	PWR RELAY SIGNAL	WHT	DEUTSCH 1	3	RELAY 1 #85	D1	
D1-04	BRAKE OVERRIDE SIGNAL	WHT	DEUTSCH 1	4	RELAY 2 #86	D3	
D1-05	BRAKE 1 OUTPUT POS	WHT	DEUTSCH 1	5	RELAY 2 #87	D4	
D1-06	BRAKE OUTPUT NEG	BLK	DEUTSCH 1	6	RELAY 3 #87	D5	
D1-07	BRAKE 2 OUTPUT POS	WHT	DEUTSCH 1	7	RELAY 4 #87	D8	
D1-08	BRAKE OUTPUT NEG	BLK	DEUTSCH 1	8	RELAY 5 #87	D10	
D2-02	FUSE 2	RED	DEUTSCH 2	2	FUSE 2	A2	
D2-03	FUSE 3	RED	DEUTSCH 2	3	FUSE 3	A3	
D2-04	FUSE 4	RED	DEUTSCH 2	4	FUSE 4	A4	
D2-05	FUSE 5	RED	DEUTSCH 2	5	FUSE 5	A5	
D2-06	FUSE 6	RED	DEUTSCH 2	6	FUSE 6	A6	
D2-07	FUSE 7	RED	DEUTSCH 2	7	FUSE 7	A7	
D2-08	FUSE 8	RED	DEUTSCH 2	8	FUSE 8	A8	
D2-09	FUSE 9	RED	DEUTSCH 2	9	FUSE 9	A9	
D2-10	FUSE 10	RED	DEUTSCH 2	10	FUSE 10	A10	
D2-11	REF VOLTAGE (CONTACTOR)	RED	DEUTSCH 2	11	FUSE 10	AA10	
W01	FUSE JUMPER	RED	FUSE 1	AA1	RELAY 1 #30	B1	
W02	FUSE JUMPER	RED	FUSE 2	AA2	FUSE 1	AA1	
W03	FUSE JUMPER	RED	FUSE 3	AA3	FUSE 2	AA2	
W04	FUSE JUMPER	RED	FUSE 4	AA4	FUSE 3	AA3	
W05	FUSE JUMPER	RED	FUSE 5	AA5	FUSE 4	AA4	
W06	FUSE JUMPER	RED	FUSE 6	AA6	FUSE 5	AA5	
W07	FUSE JUMPER	RED	FUSE 7	AA7	FUSE 6	AA6	
W08	FUSE JUMPER	RED	FUSE 8	AA8	FUSE 7	AA7	
W10	BRAKE POS	RED	FUSE 1	A1	RELAY2 #30	B3	
W11	POS JUMPER	RED	RELAY 2 #30	B3	RELAY 4 #30	B7	
W12	GND JUMPER	BLK	RELAY1 #85	B2	RELAY 2 #85	B4	
W13	GND JUMPER	BLK	RELAY 2 #85	B4	RELAY 3 #30	B5	
W14	GND JUMPER	BLK	RELAY 3 #30	B5	RELAY 3 #85	B6	
W15	GND JUMPER	BLK	RELAY3 #85	B6	RELAY 4 #85	B8	
W16	GND JUMPER	BLK	RELAY 4 #85	B8	RELAY 5 #30	B9	
W17	GND	BLK	RELAY 5 #30	B9	RELAY 5 #85	B10	
W18	BRAKE DIGNAL JUMPER	WHT	RELAY 2 #86	D3	RELAY 3 #86	D5	
D19	BRAKE SIGNAL JUMPER	WHT	RELAY 3 #86	D5	RELAY 4 #86	D7	
W20	BRAKE SIGNAL JUMPER	WHT	RELAY 4 #86	D7	RELAY 5 #86	D9	
W21	FUSE JUMPER	RED	FUSE 10	AA10	FUSE 9	AA9	

アイテム	部品番号	名前	数量	UOM
	10001681A	FUSE RELAY HARNESS		EA
1	10001680	FUSE RELAY JUNCTION BLOCK	REF	EA
2	12575 001	SOCKET	REF	EA
3	12575 002	SOCKET	REF	EA
4	12576 002	SEAL PURPLE	REF	EA
5	12575 004	SEAL GREEN	REF	EA
6	13009 002	RELAY 24 VDC	REF	EA
7	13001 008	FUSE 2 AMP	REF	EA
8	13001 001	FUSE 5 AMP	REF	EA
9	12564 013	DEUTSCH CONNECTOR	REF	EA
10	12565 026	DEUTSCH 12 PIN MALE	REF	EA
11	12554 032	PIN SIZE 20 (18 16GA) DTM	REF	EA
12	12554 023	DEUTSCH SOCKET	REF	EA
13	12555 032	SOCKET SIZE 20 (16 18 GA) DTM	REF	EA

ELECTRICAL

WIRE SPEC			CONNECTOR		
AWG	NUMBER	COLOR	DESCRIPTION	DTM04-6P	DTM06-6S
18	1	BLACK	PWR IN	1	1
18	2	BLACK	PWR OUT	2	2
18	3	BLACK	CAN-H	3	3
18	4	BLACK	CAN-L	4	4
18	5	GREEN/YELLOW	GND	5	5
-	-	-	-	6	6

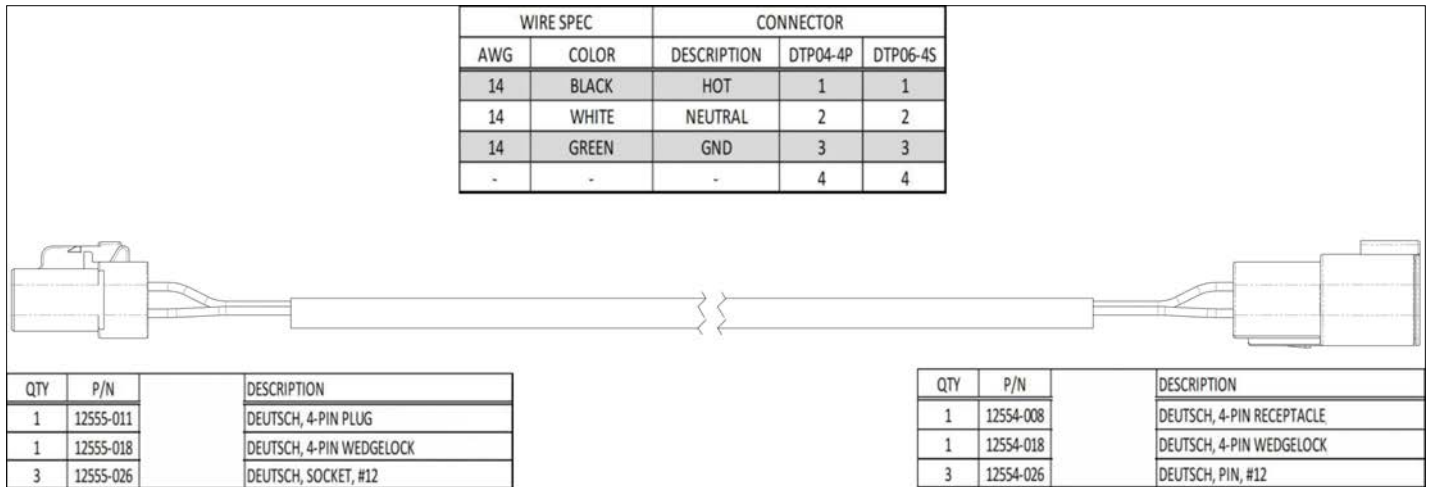


QTY	P/N	MFG P/N	DESCRIPTION
1	12564-012	DTM04-6P	DEUTSCH, 6-PIN RECEPTACLE, DTM SERIES
1	12564-019	WM-6P	DEUTSCH, 6-PIN WEDGELOCK, DTM04 SERIES
5	12554-032	0460-010-20141	DEUTSCH, PIN, #20

QTY	P/N	MFG P/N	DESCRIPTION
1	12565-012	DTM06-6S	DEUTSCH, 6-PIN PLUG, DTM06 SERIES
1	12565-019	WM-6S	DEUTSCH, 6-PIN WEDGELOCK, DTM SERIES
5	12555-032	0462-005-20141	DEUTSCH, SOCKET, #20

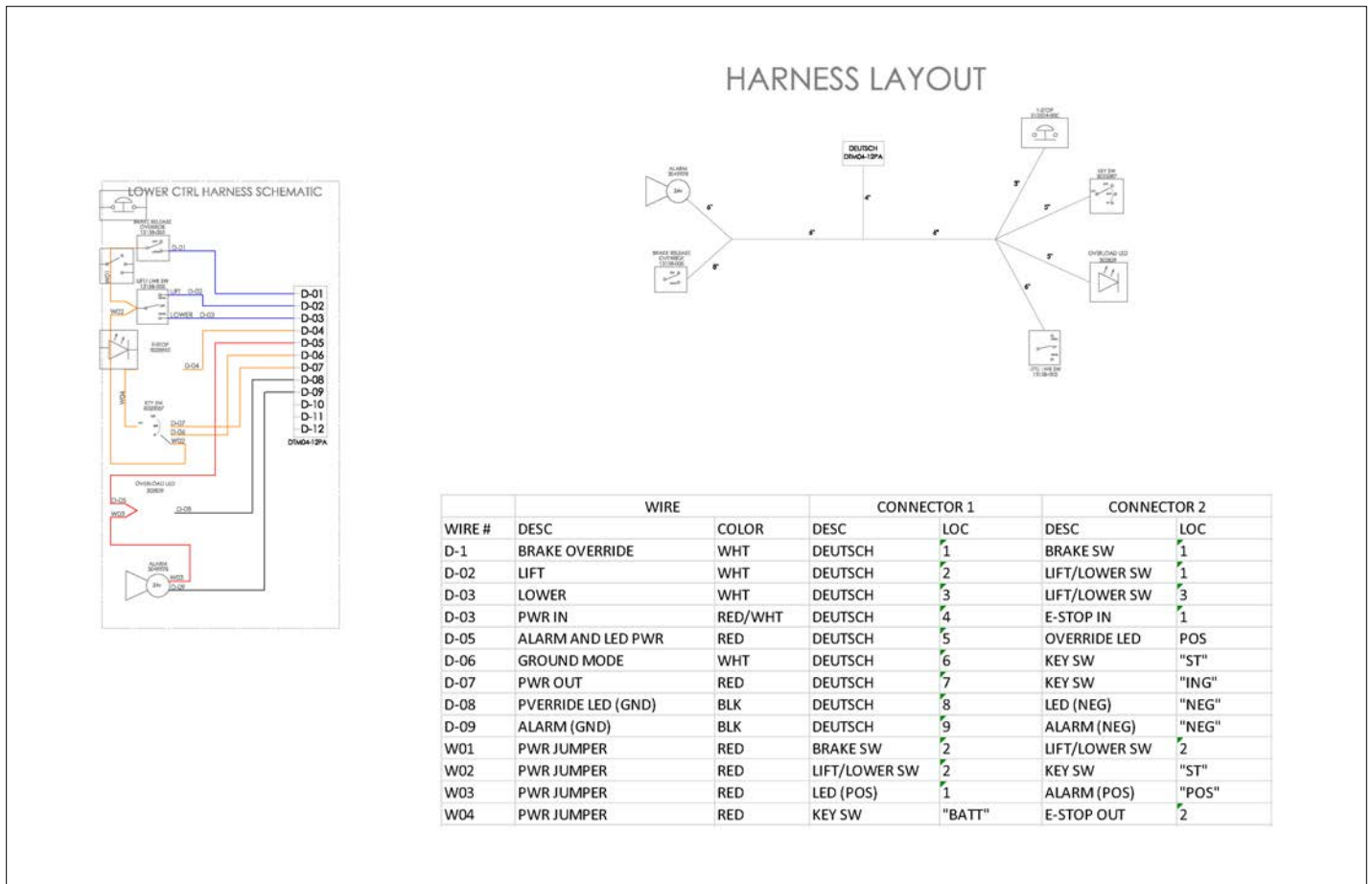
アイテム	部品番号	名前	数量	UOM
	10001693 A	STACK CONTROL CABLE HARNESS		EA
1	12565 012	DEUTSCH CONNECTOR	1	EA
2	10001694	CABLE 18/5 CTRL CABLE	1	EA
3	12564 012	DEUTSCH CONNECTOR	1	EA

ELECTRICAL



アイテム	部品番号	名前	数量	UOM
	10001709 A	HARNESS STACK AC S3019E		EA
1	10001710	CABLE 14/3 SJEOOW	1	EA
2	12554 008	CONNECTOR DEUTSCH DTP04 4P	1	EA
3	12554 018	WEDGELOCK FOR DTP04 4P	1	EA
4	12555 011	DEUTSCH, 4 PIN, MALE PLUG	1	EA
5	12555 018	DEUTSCH, 4 PIN WEDGELOCK	1	EA

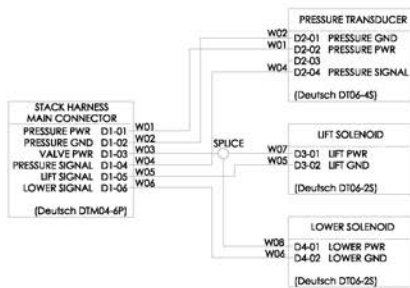
ELECTRICAL



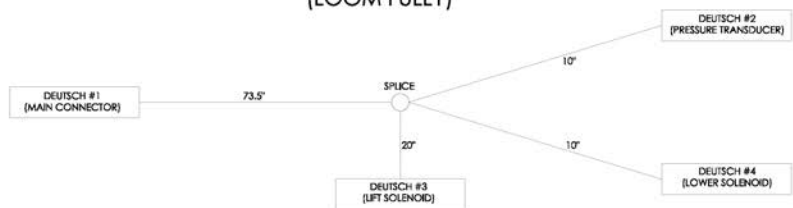
アイテム	部品番号	名前	数量	UOM
	10001692A	LOWER CONTROL HARNESS		EA
1	12564 026	DEUTSCH RECEPTICAL 12 PIN	1	EA
2	12564 021	DEUTSCH WEDGELOCK 12 PIN	1	EA
3	3020087	KEY SWITCH	1	EA
	8030044	REPLACEMENT KEY	1	EA
4	3028810	PUSH/PULL EMERGENCY STOP	1	EA
	1450107	PUSH BOTTON OPERATOR	1	EA
	09 1931	SHITCH CLAMP BODY	1	EA
	3028842	SINGLE NC CONTACT BLOCK	1	EA
5	13158 003	SPDT, (MOM OFF MOM), MICRO SW	1	EA
6	3049978	ALARM BEEPING	1	EA
7	13158 005	SPDT, 1NT1 6 (MOM OFF), MICRO SW	1	EA
8	302829	LIGHT RED 24VDC BEZEL MOUNT	1	EA

ELECTRICAL

HARNESS SCHEMATIC



HARNESS LAYOUT (LOOM FULLY)



WIRE #	WIRE		CONNECTOR 1		CONNECTOR 2	
	DESC	COLOR	DESC	LOC	DESC	LOC
W01	PRESSURE PWR	RED	DEUTSCH 1	1	DEUTSCH 2	2
W02	PRESSURE GND	BLK	DEUTSCH 1	2	DEUTSCH 2	1
W03	VALVE PWR	RED	DEUTSCH 1	3	SPLICE	
W04	PRESSURE SIGNAL	WHT	DEUTSCH 1	4	DEUTSCH 2	4
W05	LIFT SIGNAL (GND)	BLK	DEUTSCH 1	5	DEUTSCH 3	2
W06	LOWER SIGNAL (GND)	BLK	DEUTSCH 1	6	DEUTSCH 4	2
W07	PWR JUMPER (LIFT)	RED	SPLICE		DEUTSCH 3	1
W08	PWR JUMPER (LOWER)	RED	SPLICE		DEUTSCH 4	1

アイテム	部品番号	名前	数量	UOM
	10001691 A	STACK HARNESS S3019		EA
1	12564 012	DEUTSCH CONNECTOR	1	EA
2	12564 019	DEUTSCH 6 PIN WEDGELOCK	1	EA
3	12554 032	PIN SIZE 20 (18 16GA) DTM	6	EA
4	12557 011	DEUTSCH 4 PIN PLUG	1	EA
5	12557 018	DEUTSCH 4 PIN WEDGELOCK	1	EA
6	12555 031	DEUTSCH SOCKET #16	7	EA
7	12557 008	DEUTSCH 2 PIN PLUG	2	EA
8	12557 016	WEDGELOCK	2	EA

A	TRAILER HUB ASSEMBLY	2-5
12.7 WHEEL ASSEMBLY		2-10
CHASSIS ASSEMBLY S3019E NOVEMBER 2019 AND AFTER		2-2
CYLINDER ASSEMBLY S3019E		3-1
DECAL KIT S3019E FEBURARY 2019 AND AFTER		2-17
DRIVE CONTROL PENDANT ANSI CE AS MAY 2018 AND BEFORE		4-1
EXTENSION LOCK ASSEMBLY		2-16
FOOT LATCH ASSEMBLY		2-15
FUSE RELAY HARNESS		4-4
FUSE RELAY JUNCTION BLOCK ASSEMBLY		4-3
HARNESS STACK AC S3019E		4-6
HUB ASSEMBLY NOVEMBER 2019 AND AFTER		2-3
LOWER CONTROL HARNESS		4-7
PLATFORM CONTROL BOX ASSEMBLY S3019		4-2
PLATFORM S3019 ASSEMBLY		2-14
RETRACT ROD ASSEMBLY		2-6
RETRACT ROD ASSEMBLY S3019E NOVEMBER 2019 AND AFTER		2-4
RIGHT ANGLE GEARBOX ASSEMBLY ..		2-7
S1930 GERMAN DECAL KIT		2-18
SKATE ASSEMBLY S3019E		2-13
STACK ASSEMBLY TOP S3019E		2-11
STACK CONTROL CABLE HARNESS		4-5
STACK HARNESS S3019		4-8
STACK INSTALLATION S3019E		2-12
STEP ASSEMBLY S3019		2-8
STEP ASSEMBLY S3019E		2-9
TOP LEVEL ASSEMBLY S3019E		2-1

B	10000233	2-14
0001066 B	10000234	2-14
000561-000	10000257	2-14
0073043	10000258	2-14
0073043DE	10000265	2-12
0073224	10000270	2-14
0073224DE	10000277	2-12
0083427	10000277 A	2-13
009442-003	10000278	2-13
010149-000	10000279	2-13
0181562	10000372	2-13
0361259	10000375	2-12
0361259DE	10000399	2-2
0361533	10000400	2-2
056058-060	10000401	2-2
056059-030	10000409	2-2
056069-006	10000410	2-2
056069-008	10000411	2-2
056687-070	10000418	2-2
058491-030	10000431	2-2
066522-000	10000431 B	2-3
066522-000DE	10000432	2-3
09-1931	10000437	2-2
10000086	10000438	2-2
10000087	10000441	2-7
10000092	10000447	2-2
10000092A	10000448	2-13
10000093	10000449	2-2
10000096	10000486	2-2, 2-3
10000145	10000490	3-1
10000146	10000492	2-17
10000152	10000492DE	2-18
10000232	10000493	2-16
10000232C	10000494 B	2-1

10000495	2-1	10001560 D	2-8
10000495 B	2-2	10001561	2-8, 2-9
10000499	2-2	10001568	2-8, 2-9
10001002	2-17	10001569	2-17, 2-18
10001002DE	2-18	10001570	4-2
10001061	2-2	10001574	2-2
10001063	2-2	10001596	2-2
10001066	2-2	10001597	2-2
10001066 A	2-6	10001599	2-2
10001067	2-4, 2-6	10001600	2-12
10001068	2-4, 2-6	10001603	2-2
10001069	2-4, 2-6	10001605	2-2
10001073	2-2	10001606	2-2
10001075	2-6	10001607	2-2
10001137	2-2	10001609	2-17, 2-18
10001139	2-11, 3-1	10001610	2-17, 2-18
10001170	2-3	10001611	2-17, 2-18
10001174	2-11	10001612	2-17
10001217	2-2	10001612DE	2-18
10001219	2-2	10001613 B	2-17
10001220	2-14	10001618	2-2
10001255	2-5	10001619	2-12
10001256	2-5	10001620	2-7
10001257	2-5	10001621	2-2
10001258	2-5	10001622	2-2
10001259	2-5	10001634	2-3
10001260	2-5	10001648	2-2
10001454	2-1	10001649	2-2
10001464	2-14	10001655	2-2
10001464 C	4-2	10001656 B	2-18
10001487	2-14	10001657	2-2
10001536	2-14	10001661	2-2
10001560	2-2	10001668	2-12
10001560 A	2-9	10001668 A	3-1

10001677	2-2	10010893	2-2
10001678	2-2	10016000D	2-16
10001679	2-2	10016001	2-16
10001679 A	4-3	10016002	2-16
10001680	4-3, 4-4	10016009	2-16
10001681	4-3	10016010	2-16
10001681A	4-4	10016011	2-16
10001682	2-2	10016012	2-16
10001683	2-2	10016013	2-16
10001683 A	2-7	10016014	2-16
10001686	2-14	10016015	2-16
10001687	2-14	10016016	2-16
10001687 A	2-15	10016017	2-16
10001688	2-15	10016018	2-16
10001691	2-12	10016019	2-16
10001691 A	4-8	10054-026	3-1
10001692	2-8, 2-9	10401-030	2-12
10001692A	4-7	10402-016	2-2
10001693	2-12	10402-025	2-2
10001693 A	4-5	10402-060	2-6
10001694	4-5	10404-016	2-2
10001700	4-2	10404-022	2-14
10001701	2-1	10404-025	2-11, 2-12, 2-13
10001705	3-1	10404-085	2-11
10001706	2-14	10404-090	2-14
10001709	2-12	10405-012	2-2
10001709 A	4-6	10405-020	2-3
10001710	4-6	10405-025	2-2
10001712	2-2	10405-050	2-14
10001714	2-2	10405-060	2-11, 2-14
10001717	2-2	10405-070	2-11
10001718	2-4	10406-020	2-2
10002-010	2-15	10420-008	2-2
10010810	4-2	10420-025	4-2

10421-012	2-2	12554-018	4-6
10421-018	2-2	12554-023	2-3, 4-4
10421-025	2-2	12554-024	4-1
10422-014	2-2	12554-032	4-4, 4-8
10422-018	2-2	12555-011	4-6
10422-020	2-2	12555-018	4-6
10424-012	2-8, 2-9	12555-031	4-8
10424-070	2-2	12555-032	4-4
10500-020	2-14	12557-008	4-8
10501-010	2-8, 2-9	12557-011	4-8
10504-025	2-2	12557-016	4-8
10504-040	2-2	12557-018	4-8
10504-045	2-14	12564-009	2-3
10504-075	2-14	12564-012	4-5, 4-8
10601-018	2-2	12564-013	2-3, 4-4
10605-025	2-8, 2-9	12564-016	2-3
10902-006	2-2	12564-019	4-8
10908-006	2-15	12564-020	2-3
10939-006	4-2	12564-021	4-7
10939-008	2-2, 2-4, 2-6, 2-12	12564-026	4-7
10939-010	2-1, 2-2, 2-11, 2-12, 2-13, 2-14	12565-012	4-5
10939-011	2-4, 2-6, 2-11	12565-026	4-4
10940-007	2-2	12575-001	4-4
10950-004	2-2	12575-002	4-4
11001-006	2-2, 2-15	12575-004	4-4
11001-008	2-2	12576-002	4-4
11001-104	2-14	13001-001	4-4
11015-008	2-2	13001-008	4-4
11015-010	2-2, 2-8, 2-9, 2-11, 2-14	13009-002	4-4
11015-011	2-2, 2-3, 2-14	13158-003	4-7
11110-001	2-14	13158-005	4-7
11221-000	2-2	13161-000	2-8, 2-9
11361-004	2-3	13162-000	2-8, 2-9
12554-008	4-6	13201-000	2-2

13571-000	2-2	1502834	2-14
13817-008	2-2	1503071	2-14
13827-001	2-2	1503079	2-14
13827-004	2-2	1503100	2-14
1450107	4-7	1503101	2-14
1450303	2-8, 2-9	1510012	2-11
1500210 B	2-5	1510019	2-11
1500842-DE	2-18	1510023	2-11
1500881	2-11, 2-12	1510028	2-11
1500888	2-11	1510049	2-11
1500898	2-12	1510059	2-11
1500948	2-2	1510069	2-11, 2-12
1501112	4-2	1510071	2-11
1501158	4-2	1510088	2-12
1501159	4-2	1510088A	2-11
1501230	2-17, 2-18	1510089	2-11
1501323	2-14	1510091	2-11
1501359	4-2	1510092	2-11
1501420	2-2	1510093	2-11
1501475	2-17	1510094	2-11
1501475-DE	2-18	1510095	2-11
1501476	2-17	1510104	2-11
1501476DE	2-18	1510107	2-1
1501583	2-14	1510107 A	2-12
1501610	2-14	2500051	3-1
1501676	2-17, 2-18	2500812	2-2
1501844	2-14	2509816	2-11, 2-12, 2-13
1502128	2-14	2509833	2-11
1502269	2-14	300699	2-17
1502308	4-2	300699DE	2-18
1502586	2-17	300700	2-17
1502586DE	2-18	300700DE	2-18
1502762	2-17	300760	2-17
1502762DE	2-18	300760DE	2-18

3020047	4-2	41507-000	2-2
3020087	4-7	41508-000	2-2
302829	4-2, 4-7	41509-000	2-2, 2-6
3028810	4-2, 4-7	41510-000	2-4, 2-6
3028842	4-7	41572-000	3-1
3028844	2-2	41573-000	2-2
3028933	4-2	446076	2-2
3030158	2-11	451726	2-17
3040015	4-2	451726DE	2-18
3040624	4-2	467966	2-2
3040625	4-2	500532-025	2-12
3049978	4-7	501453-000	2-17, 2-18
3050009	2-2	502141-000	2-15
3220282	2-2	510542-000	4-2
40675-000	2-2	512459-016	4-2
40799-008	2-2	512912-016	2-2
40801-043	2-2	514627-000	4-1
40802-097	2-2	514629-000	4-1
40804-012	2-2	514880-000A	4-1
40805-019	2-2	515098-000	2-8, 2-9
40805-041	2-2	515098-001	2-8, 2-9
40805-046	2-2	5516349	2-14
40805-069	2-2	5516359	2-14
40805-073	2-2	5516360	2-14
40808-067	2-2	5560067	4-2
40808-068	2-2	5563304	2-14
40809-090	2-2	5563306	2-14
41040-000	2-2	5563446	2-14
41213-000	2-2	5563451	2-14, 2-16
41344-000	3-1	5563552	2-14
41345-000	3-1	5563553	2-8, 2-9
41399-000	2-2	5563555	2-14
41499-000	2-2	5563556	2-14
41506-000	2-2	5569973	2-16

5580021	2-2
5580022	2-2
5592016	2-11
562386	2-14
569295	2-17, 2-18
6019132	2-11, 3-1
6019281	2-11
6019289	2-11, 3-1
6019357	3-1
6092131	3-1
7030068	2-17, 2-18
8030044	4-7
TCB 18.019	2-5