

# **SR5719 PARTS MANUAL**

## GENERAL INFORMATION

GENERAL INFORMATION .....	1-1
---------------------------	-----

## REPAIR PARTS

YANMAR T4F ENGINE .....	2-1
YANMAR T4F ENGINE EXHAUST .....	2-2
YANMAR T4F ENGINE THROTTLE .....	2-3
YANMAR ENGINE 4TNV98C TIER 4 FINAL REPLACEMENT PARTS .....	2-4
DIESEL TANK FR00 .....	2-5
CHASSIS ASSEMBLY FR00 .....	2-6
CHASSIS AND CARTER FR00 .....	2-7
ARM PINS FR00 .....	2-8
TRANSMISSION FR00 .....	2-9
DANA FRONT AXLE .....	2-10
DANA FRONT AXLE .....	2-11
DANA FRONT AXLE .....	2-12
DANA FRONT AXLE .....	2-13
DANA REAR AXLE .....	2-14
DANA REAR AXLE .....	2-15
DANA REAR AXLE .....	2-16
DANA REAR AXLE .....	2-17
DANA REAR AXLE .....	2-18
COMPLETE BOOM FR00 .....	2-19
FIXED BOOM FR00 .....	2-20
BOOM EXTENSION FR00 .....	2-21
ACCESSORY HOLDER WITH EURO COUPLING FR00 .....	2-22
XTREME ADAPTER .....	2-23
CARRIAGE PIN ASSEMBLY .....	2-24
CARRIAGE 48 IN FP 5919 .....	2-25
INCLINATION BOOM INDICATOR .....	2-26
OIL TANK .....	2-27
OIL TANK NEW TRANSMISSION FR00 .....	2-28
REAR HYDRAULIC WEIGHT FR00 .....	2-29
CABIN FR00 CLASIC AGRITOP .....	2-30
REPLACEMENT KEYS FOR TELEHANDLERS .....	2-31
6 WAY ELECTRIC AND 6 WAY MANUAL DIVERTER ON BOOM .....	2-32
CAB QUEEN STEERING COLUMN .....	2-33
CAB QUEEN CABIN DOOR .....	2-34
SEAT WITH MECHANICAL SUSPENSION .....	2-35
INNER COATING CABIN FR00 .....	2-36
LEVELING BUBBLE .....	2-37
DECAL KIT .....	2-38
DECAL KIT SR5719 FRENCH .....	2-39

## HYDRAULICS

HYDROSTATIC ENGINE 85CC VERSION 1 .....	3-1
HYDROSTATIC ENGINE 80CC VERSION 2 .....	3-2
HYDROSTATIC PUMP 45CC VERSION 1 .....	3-3
HYDROSTATIC PUMP 40CC VERSION 2 .....	3-4
HYDRAULIC PUMP JOINT .....	3-5
STEERING DISTRIBUTOR .....	3-6
POWER STEERING .....	3-7
BRAKE PEDAL FR00 .....	3-8
BRAKE PEDAL ACCUMULATOR .....	3-9
EXTENSION CYLINDER FR00 .....	3-10
LIFTING CYLINDER FR00 VERSION 1 .....	3-11
LIFTING CYLINDER FR00 VERSION 2 .....	3-12
COMPENSATION CYLINDER FR00 .....	3-13
TILTING CYLINDER .....	3-14
QUICK UNCOUPLING CYLINDER .....	3-15
HYDRAULIC SYSTEM FR00 .....	3-16
PROPORTIONAL EXTENSION DISTRIBUTOR DN 85/5 FR00 VERSION 1 .....	3-17
PROPORTIONAL EXTENSION DISTRIBUTOR DN 85/5 FR00 VERSION 2 .....	3-18
STEERING BLOCK FR00 .....	3-19
SERVICE PUMP 25CC .....	3-20
6 WAY SOLENOID VALVE .....	3-21
6 WAY MANUAL DIVERter ON BOOM .....	3-22
6 WAY ELECTRIC DIVERter ON BOOM .....	3-23
SOLENOID VALVE ASSEMBLY 6 WAY 2 POST 1/2 .....	3-24
HYDRAULIC BRAKING KIT .....	3-25
DIFFERENTIAL LOCKING KIT .....	3-26
DOUBLE HYDRAULIC CONNECTION HOSE KIT .....	3-27
ARM SUSPENSION KIT .....	3-28
FLOATING ARM KIT .....	3-29
REAR HYDRAULIC CONNECTION HOSE KIT .....	3-30

## **ELECTRICAL**

FUSE AND RELAY PANEL 1 .....	4-1
RELAY PANEL 2 .....	4-2
JOYSTICK .....	4-3
CONTROLLER WRIST RESETS CLASSIS .....	4-4
SIDE DASH BOARD SELECTORS FR00 .....	4-5
FRONT SIDE DASH BOARD SELECTORS FR00 .....	4-6
FRONT DASH BOARD SELECTORS FR00 .....	4-7
CHASSIS HARNESS FR00 .....	4-8
YANMAR T4F ENGINE HARNESS FR00 .....	4-9
DRIVER SEAT FR00 .....	4-10
PUSH BUTTON PANEL FR00 .....	4-11
UNIVERSAL CABIN ROOF SHEATH .....	4-12
PNP WIRED SENSOR .....	4-13

INCHING POTENTIOMETER WITH RESISTORS .....	4-14
--	------

**OPTIONS**

TIRE ASSEMBLY FOAM FILED .....	5-1
CLEANFIX FAN .....	5-2
BOBCAT FITTING SERVICE KIT .....	5-3
ADJUSTABLE TOWING HOOK FR00 .....	5-4
ASSEMBLY VALVE BLOCK ACCESSORIES FR00 .....	5-5
TELEHANDLER AIR CONDITIONING .....	5-6
LED WORK LIGHTS .....	5-7
SR5719 AFTER MARKET OPTIONS .....	5-8
BUCKET 1.00CU YD STAR JANUARY 2020 AND AFTER .....	5-9
QUICK COUPLER SKIDSTEER BRADCO .....	5-10
HYDRAULIC QUICK DISCONNECT FLATFACE SR5719 JUANUARY 2020 AND AFTER .....	5-11
SR5719 EXTREME CARRIAGE KIT .....	5-12

**SCHEMATICS**

SR5719 SR626 ELECTRICAL SCHEMATIC CT357V479A-1 .....	6-1
SR5719 SR626 ELECTRICAL SCHEMATIC CT357V479A-2 .....	6-2
SR5719 SR626 ELECTRICAL SCHEMATIC CT357V479A-3 .....	6-3
SR5719 SR626 ELECTRICAL SCHEMATIC CT357V479A-4 .....	6-4
SR5719 SR626 ELECTRICAL SCHEMATIC CT357V479A-5 .....	6-5
SR5719 SR626 ELECTRICAL SCHEMATIC CT357V479A-6 .....	6-6
SR5719 SR626 ELECTRICAL SCHEMATIC CT357V479A-7 .....	6-7
SR5719 SR626 ELECTRICAL SCHEMATIC CT357V479A-8 .....	6-8
SR5719 SR626 ELECTRICAL SCHEMATIC CT357V479A-9 .....	6-9
SR5719 SR626 ELECTRICAL SCHEMATIC CT357V479A-10 .....	6-10
SR5719 SR626 ELECTRICAL SCHEMATIC CT357V479A-11 .....	6-11
SR5719 SR626 ELECTRICAL SCHEMATIC CT357V479A-12 .....	6-12
SR5719 SR626 ELECTRICAL SCHEMATIC CT357V479A-13 .....	6-13
SR5719 SR626 ELECTRICAL SCHEMATIC CT357V479A-14 .....	6-14
SR5719 SR626 ELECTRICAL SCHEMATIC CT357V479A-15 .....	6-15
SR5719 SR626 ELECTRICAL SCHEMATIC CT357V479A-16 .....	6-16
SR5719 SR626 ELECTRICAL SCHEMATIC CT357V479A-17 .....	6-17
SR5719 SR626 ELECTRICAL SCHEMATIC CT357V479A-18 .....	6-18
SR5719 SR626 ELECTRICAL SCHEMATIC CT357V479A-19 .....	6-19
SR5719 SR626 ELECTRICAL SCHEMATIC CT357V479A-20 .....	6-20
SR5719 SR626 ELECTRICAL SCHEMATIC CT357V479A-21-27 .....	6-21
SR5719 SR626 HYDRAULIC SCHEMATIC TI00626200D .....	6-22

A .....	A
B .....	B



# snorkel

## SR5719



## **REPAIR PARTS** **MANUAL**

Part Number 159-0002-000  
January 2018

# DANGER

**The telehandler is not electrically insulated. Death or serious injury will result from contact with, or inadequate clearance from, an energized conductor.**

Regard all conductors as energized.

Allow for electrical wire sag and telehandler boom sway.

If the accessory carrier, accessory, boom structure, or any part of the telehandler contacts a high-voltage electrical conductor, the entire machine can become electrically charged.

If that happens, remain on the machine and do not contact any other structure or object. This includes the ground, adjacent buildings, poles, and any other objects that are not part of the telehandler.

Such contact could make your body a conductor to the other object, creating an electrical shock hazard resulting in death or serious injury.

If a telehandler is in contact with an energized conductor the operator must warn ground personnel in the vicinity to stay away. Their bodies can conduct electricity creating an electrical shock hazard resulting in death or serious injury.

Do not approach or leave the telehandler until the electricity has been turned off.

Do not attempt to operate the machine when any part of it is in contact with a high-voltage electrical conductor or if there is an immediate danger of such contact.

Personnel on or near a telehandler must be continuously aware of electrical hazards, recognizing that death or serious injury can result from contact with an energized conductor.

## California

### Proposition 65 Warning

Battery posts, terminals and related accessories contain lead and lead components, chemicals known to the State of California to cause cancer and birth defects or other reproductive harm. Wash hands after handling.

## California

### Proposition 65 Warning

Diesel and gasoline engine exhaust and some of its constituents are known by the State of California to cause cancer, birth defects or other reproductive harm.

---

# General Information

## About This Manual

This manual covers SR5719 telehandlers. Information is included for machines that have been manufactured to conform to all applicable requirements of the following organizations:

- American National Standards Institute (ANSI)
- Canadian Standards Association (CSA)
- European Committee for Standardization (CE)

Part pages include a drawing and a bill of material. The bill of material lists the item number that is on the drawing, the Snorkel part number, quantity used and a description of the item.

While Snorkel has attempted in every way to confirm that all information in this manual is correct, improvements are being constantly made to the machine that may not be reflected in this manual.

If you find information in this manual that is not correct or is confusing, you are urged to report your findings to Snorkel for our evaluation. Your input is important to us and will be used in future printings of this manual.

This machine is covered by a limited warranty that specifically identifies items warrantied by Snorkel and those items covered by original manufacturer's warranty. A copy of the Snorkel Limited Warranty is located on the inside of the back cover of the telehandler operators manual.

## Repairs and Maintenance

Every person who maintains, inspects, tests or repairs the machine must be qualified and authorized to do so.

### Caution

**Do not modify this telehandler without prior written consent of Snorkel Engineering Department. Modification may void the warranty, adversely affect stability or affect the operational characteristics of the machine.**

## Additional Information

All correspondence relative to this machine, such as field reports, discrepancy reports, requests for information, etc., should be directed to:

Snorkel International, Inc.  
P.O. Box 1160  
St. Joseph, MO 64502-1160 USA  
Phone: 1-800-255-0317

<http://www.snorkellifts.com>

# Service and Parts Information

## Ordering Parts

When placing an order for service or repair parts, please have the following machine information readily available.

- Model number
- Serial number
- Snorkel part number
- Description of part
- Quantity of parts required
- Your purchase order number
- Address for order to ship to
- The desired shipment method

Parts orders may be mailed or faxed to the attention of the Parts Department at the following location:

Snorkel International, Inc.  
P.O. Box 1160  
St. Joseph, MO 64502-1160 USA

Phone: 1-800-255-0317  
Parts Fax: 1-785-989-3077

Attention: Parts Department

For your convenience, our electronic on-line ordering system is available at the following Internet location:

<http://www.snorkelusa.com>

## OSHA Compliance

All owners and users of the aerial platform must read, understand and comply with all applicable regulations. Ultimate compliance to OSHA regulations is the responsibility of the user and their employer.

## Manuals

Manuals are available from Snorkel to support any of the machines that we produce.

The specific manuals for SR5719 telehandlers are as follows:

### SR5719 – Operator’s Manual ANSI

Snorkel part number – 159-0001-000

### SR5719 – Repair Parts Manual

Snorkel part number – 159-0002-000

## Machine Information

Model Number: \_\_\_\_\_

Serial Number: \_\_\_\_\_

Date of Purchase: \_\_\_\_\_

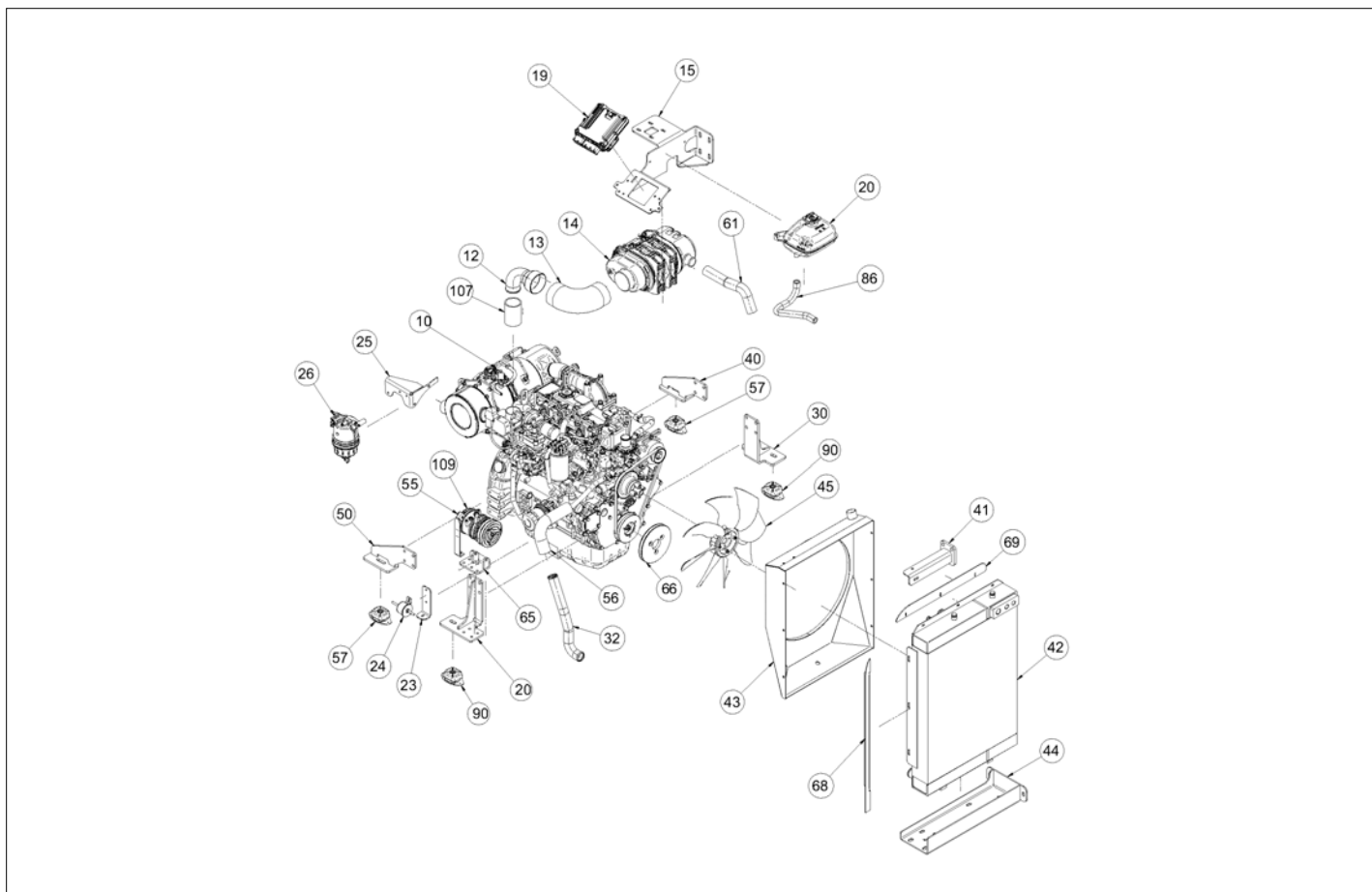
Purchased From: \_\_\_\_\_

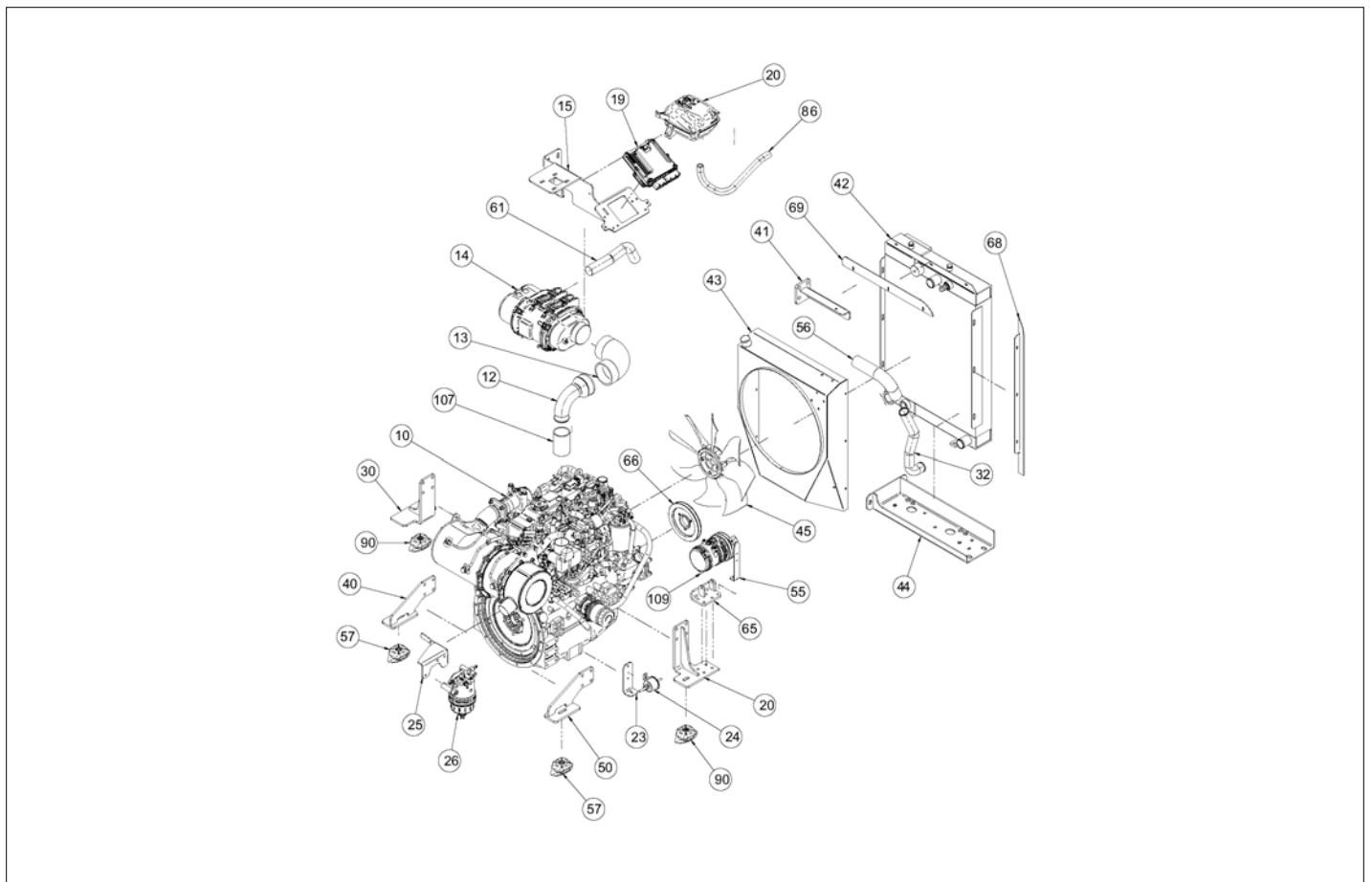
Snorkel Dealer or Distributor: \_\_\_\_\_

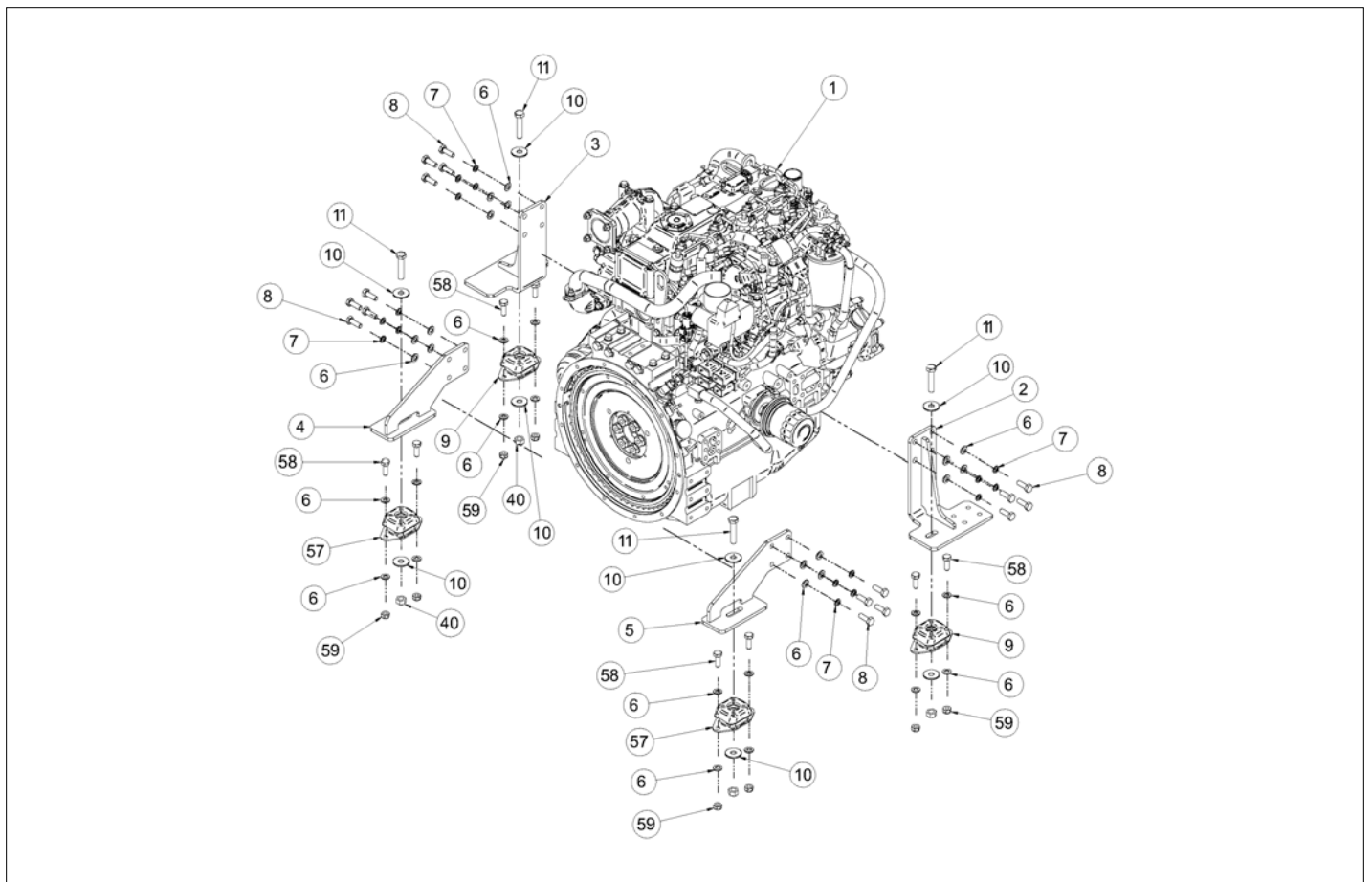
\_\_\_\_\_

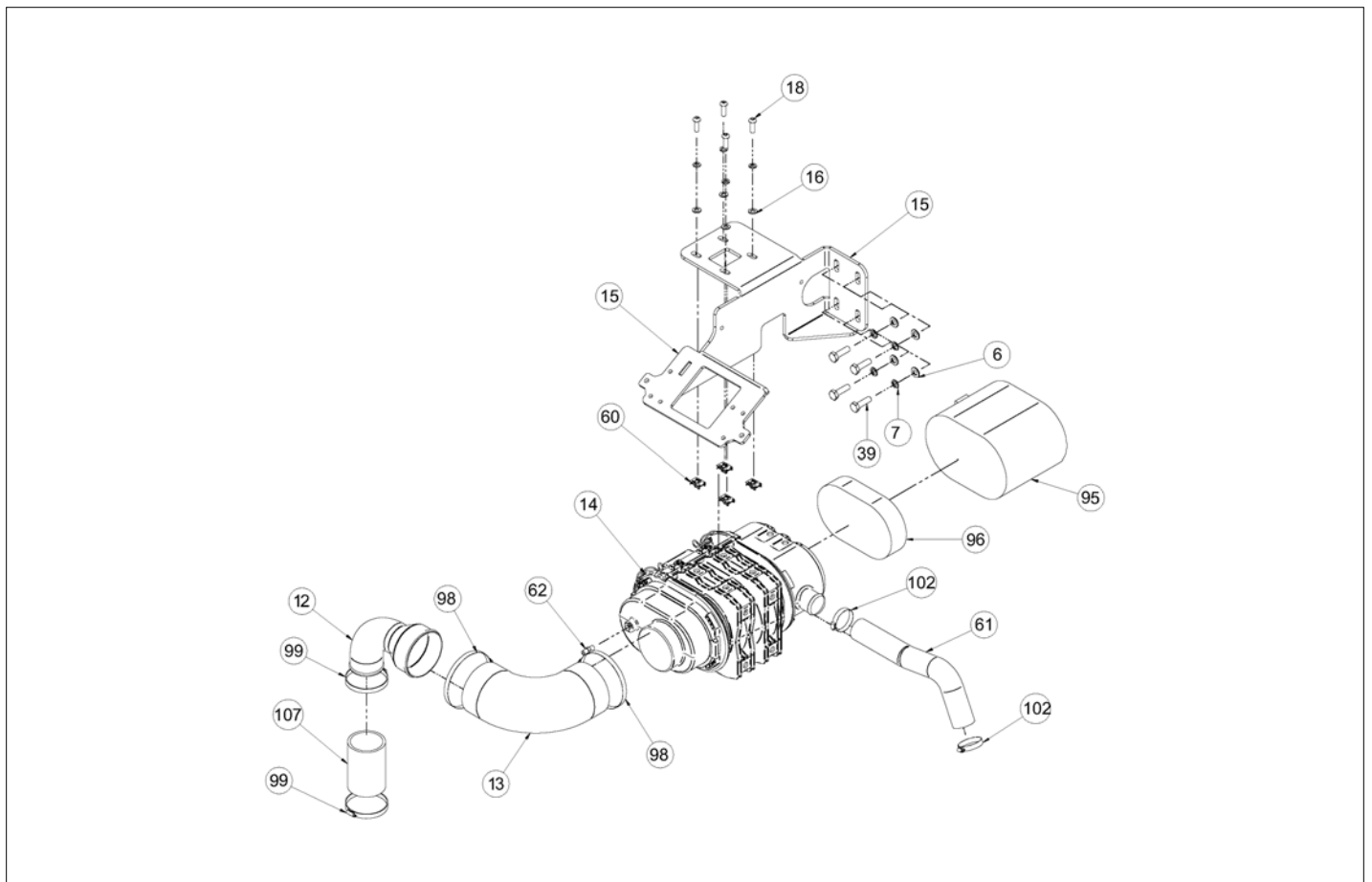
\_\_\_\_\_

REPAIR PARTS

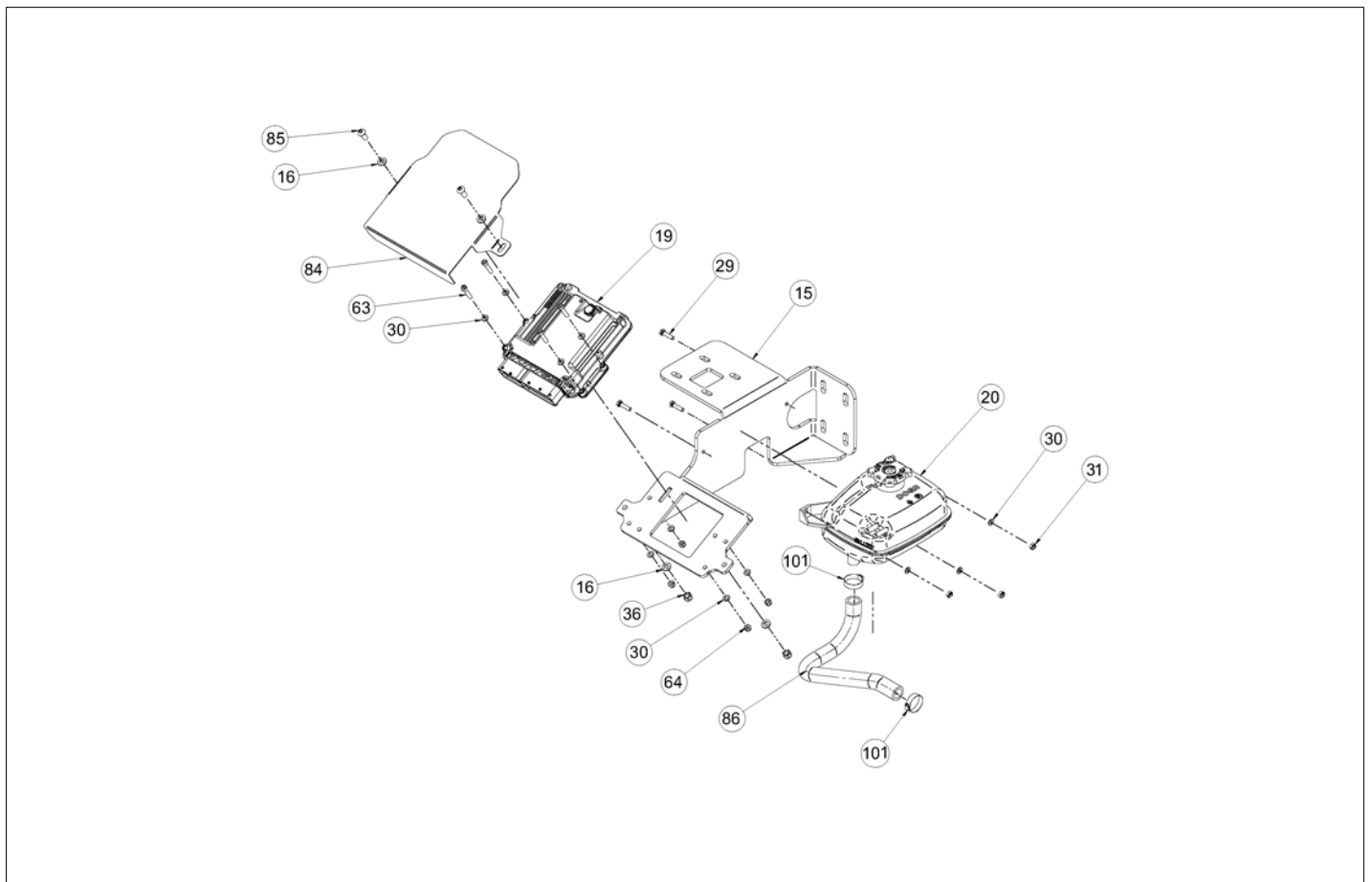


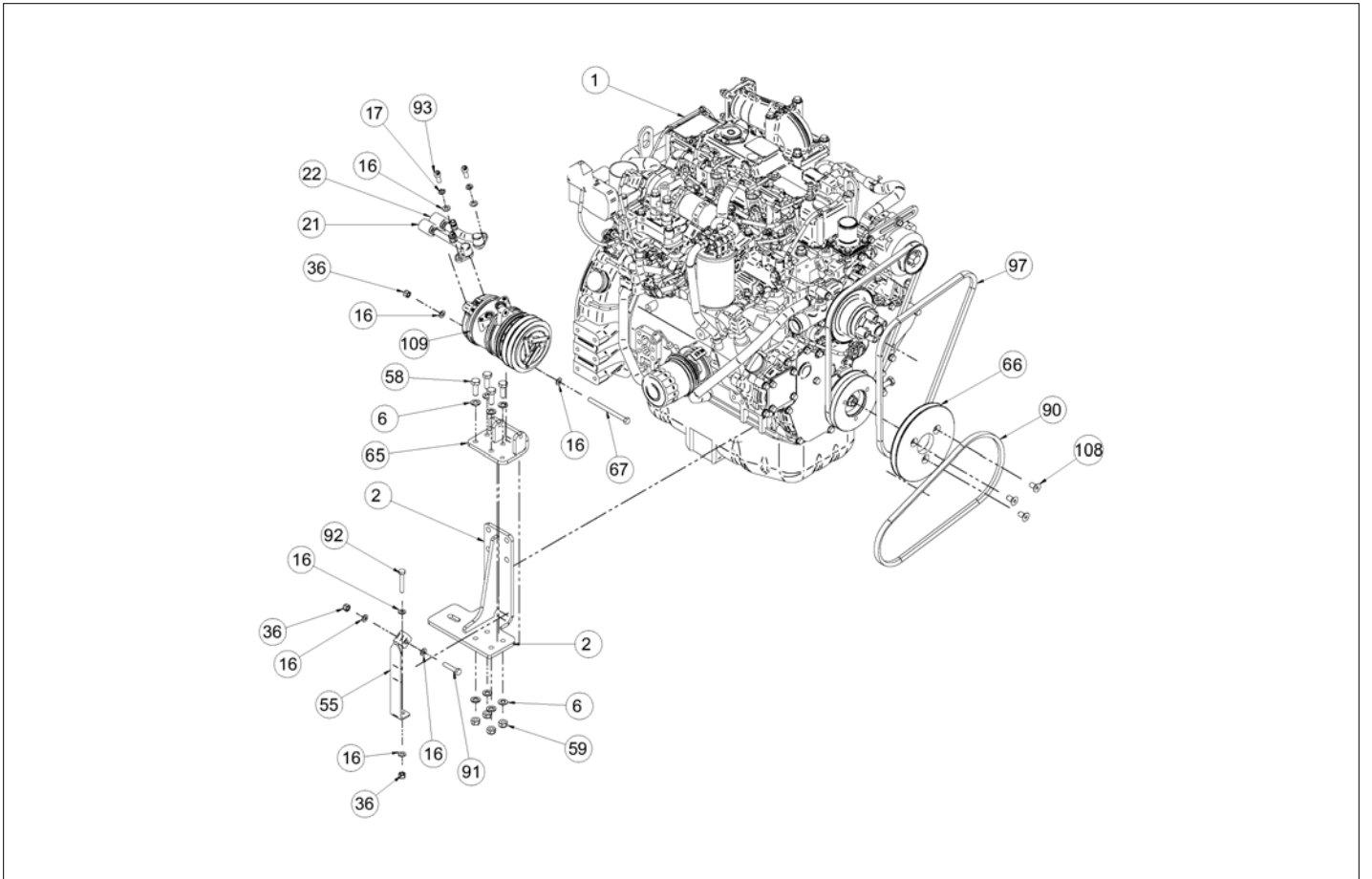


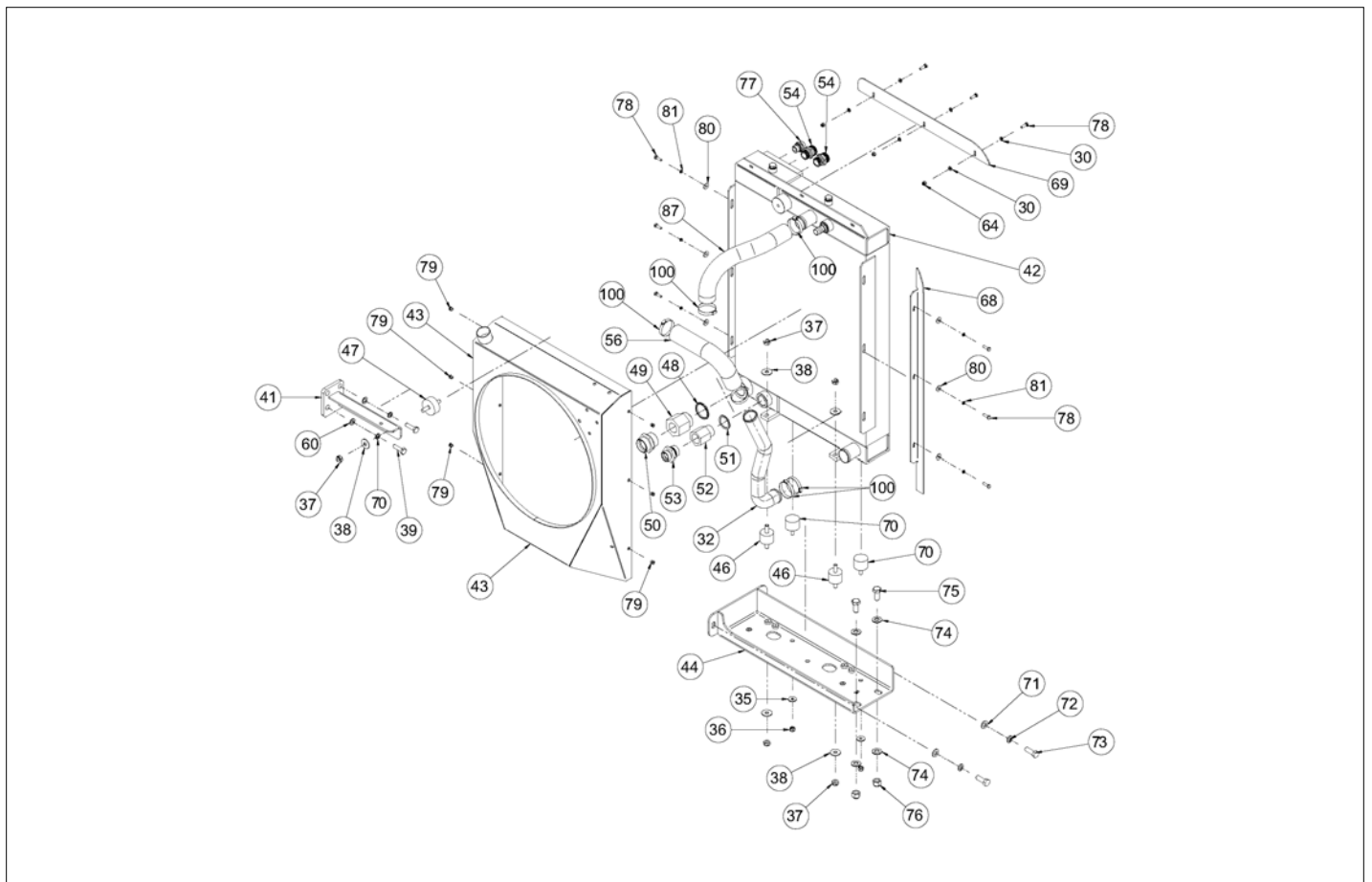


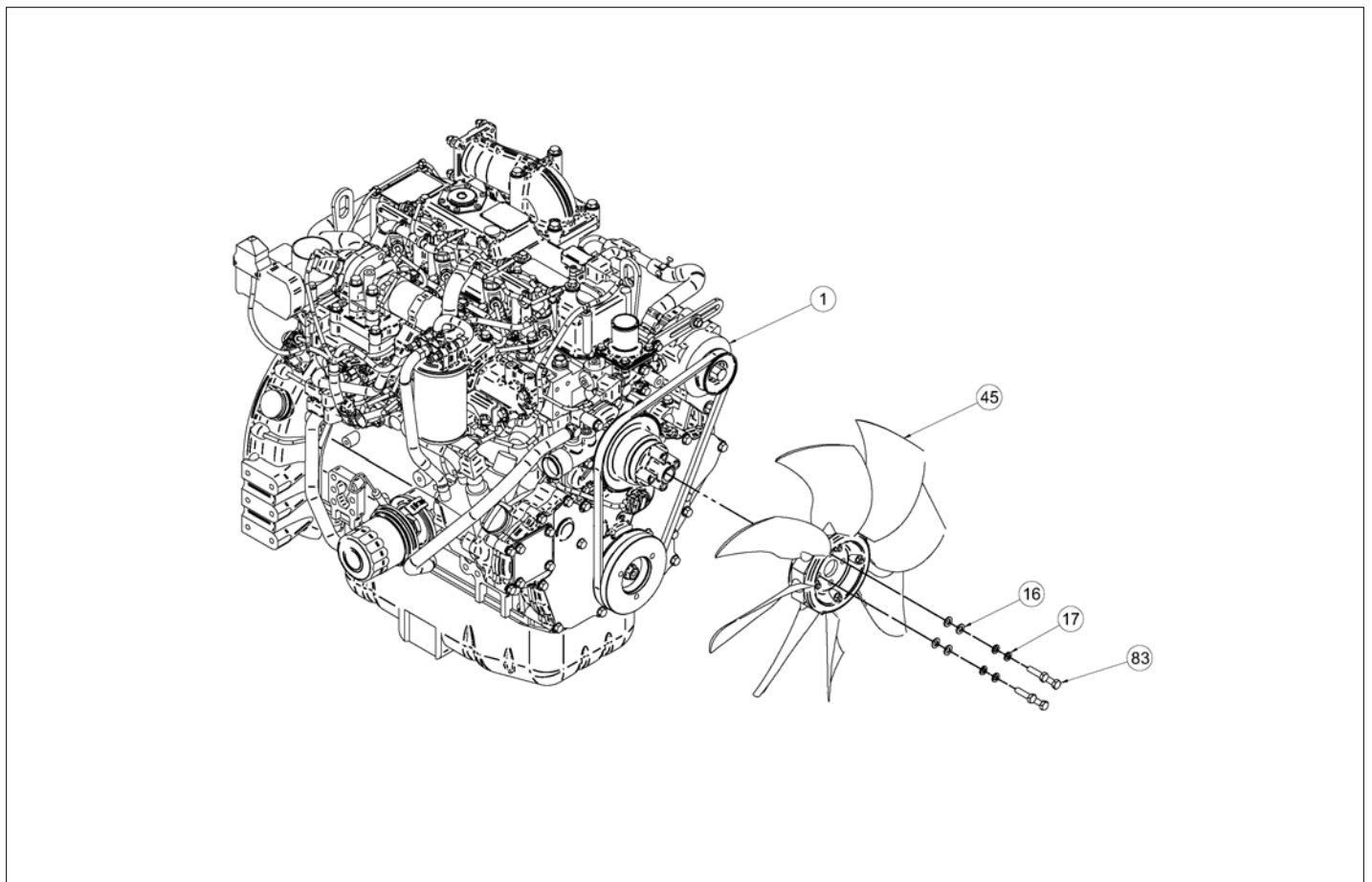


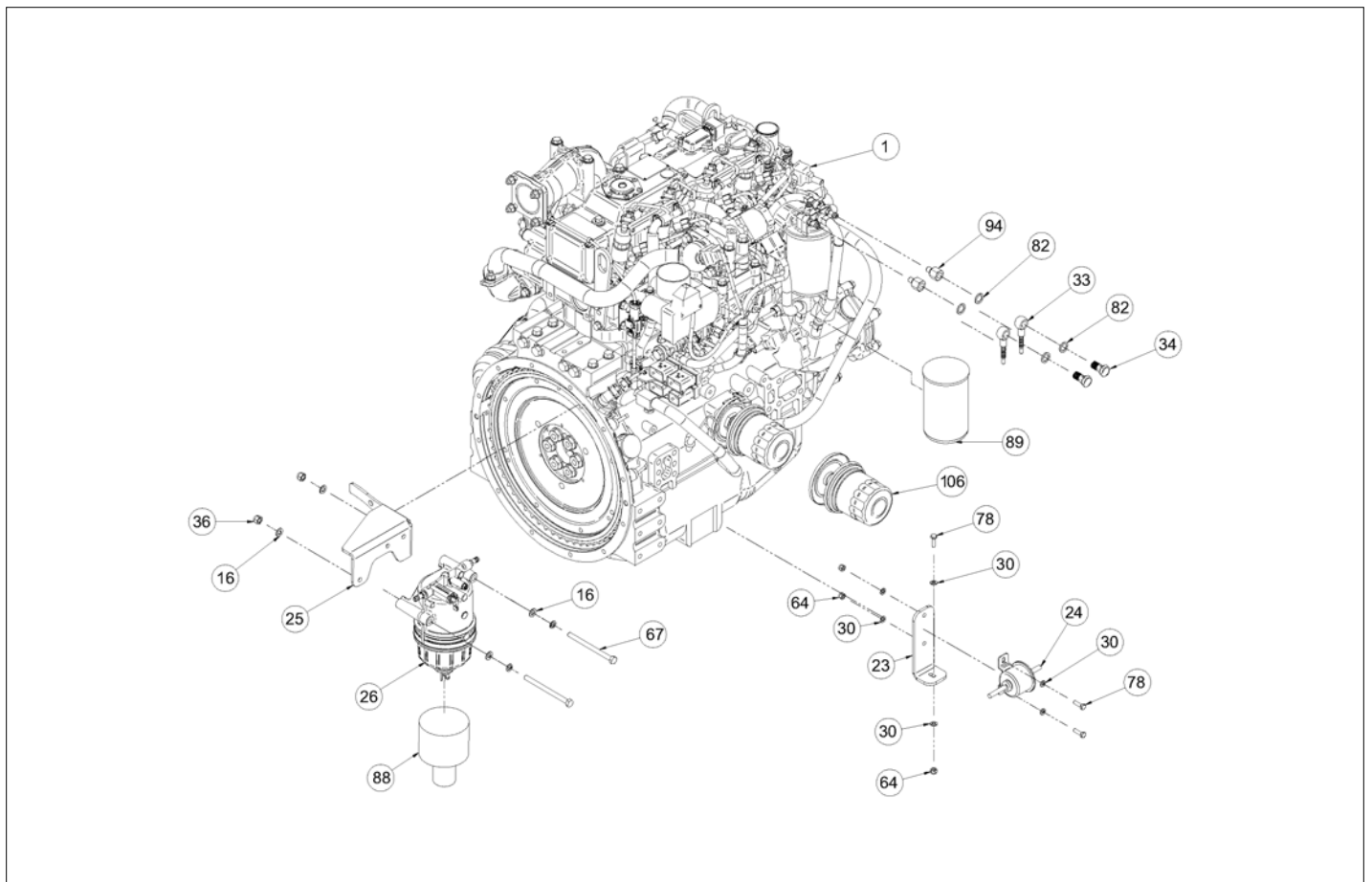


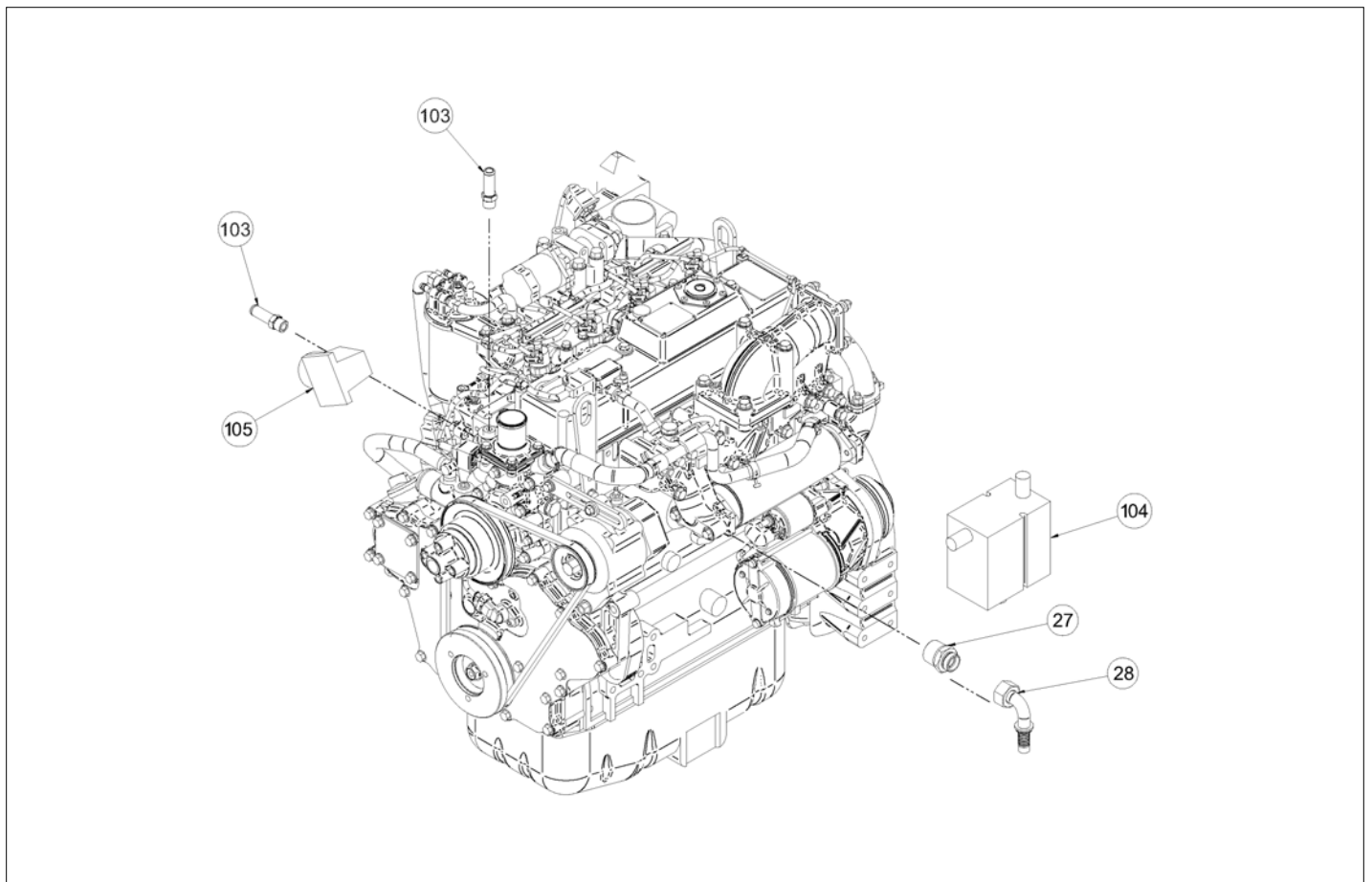


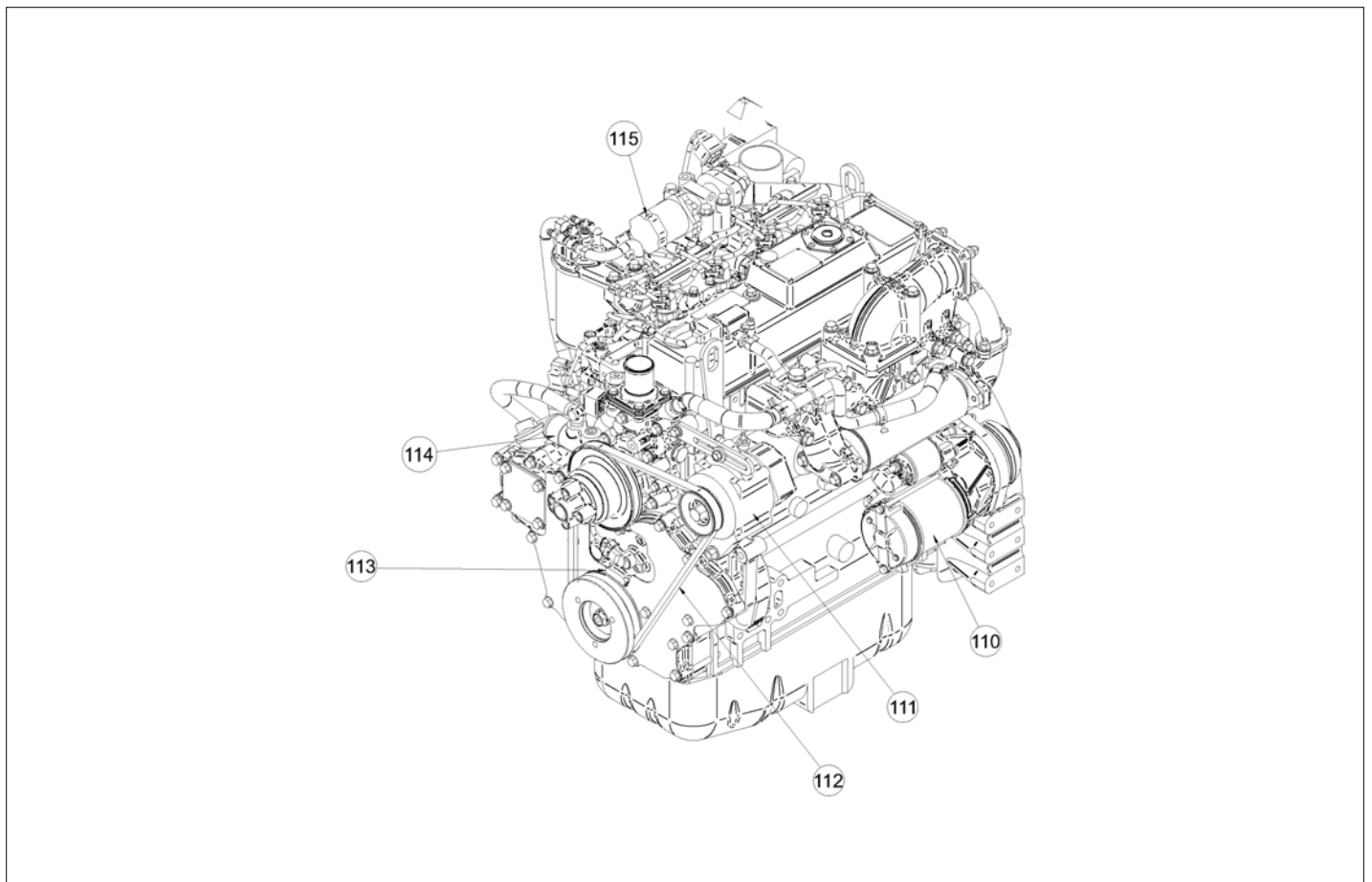


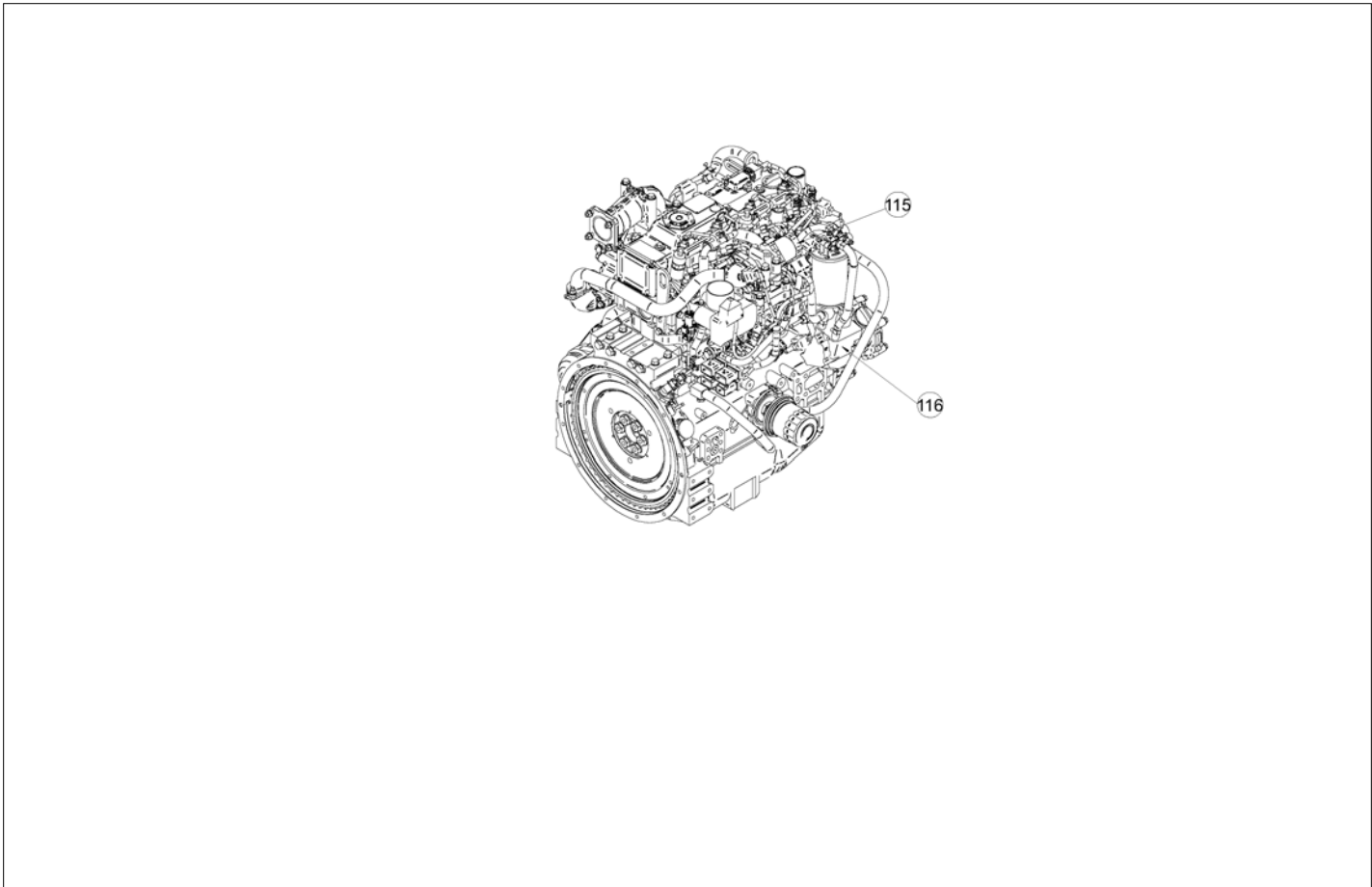














アイテム	部品番号	名前	数量	UOM
	TA2506067B	YANMAR STAGE IV FINAL ENGINE		EA
1	SN 600005009	YANMAR 4TNV98C STEP IV FINAL ENGINE	1	EA
2	SN T25056450	FRONT RIGHT ENGINE SUPPORT FROO	1	EA
3	SN T25057750	FRONT LEFT ENGINE SUPPORT FROO	1	EA
4	SN T24005250	INTERNAL REAR SUPPORT	1	EA
5	SN T24005350	YANMAR REAR SUPPORT	1	EA
6	SN 804003010	M10 WASHER DIN125A GALV. 10.5x20x2	46	EA
7	SN 804003210	M10 GROWER WASHER UNI7064 GALV.	22	EA
8	SN 800210030	HEXAGON HEAD SCREW M10x30 DIN 931 GALV. PF	16	EA
9	SN 522001005	MARINO ENGINE VIBRATION DAMPER SMALL AMC	2	EA
10	SN 804003112	M12 WASHER DIN9021 GALV. 13.0x37x3.0	8	EA
11	S1N 20126001	HEXAGON HEAD SCREW M12x60 PF	4	EA
12	SN 601055040	YANMAR IV FINAL FROO AIR SUCTION PIPE	1	EA
13	SN 240100144	RUBBER BEND 90 ° D=89	1	EA
14	SN 240100140	COMPLETE AIR FILTER POWERCORE 8"	1	EA
15	SN T25055850	SUPPORT BRACKET FOR AIR FILTER FRAME FROO	1	EA
16	SN 804003008	M8 WASHER DIN125A GALV. 8.4x16x1.6	24	EA
17	SN 804003208	M8 GROWER WASHER UNI7064 GALV.	12	EA
18	SN 122082501	HEX SOCKET SCREW M8X25 CL10.9 UNI 7380 GALV.	4	EA
19	SN 600005055	YANMAR STEP IV FINAL ENGINE ECU CONTROL UNIT	1	EA

アイテム	部品番号	名前	数量	UOM
20	SN 230203101	COOLING TANK	1	EA
21	SN 861109002	COMP. RET. FLANGED FITTING SP10	1	EA
22	SN 861109001	COMP. INT. FLANGED FITTING SP10	1	EA
23	SN T25056550	DIESEL PUMP SUPPORT BRACKET FOR FR00 FRAME	1	EA
24	SN 600005053	ELECTRIC DIESEL SUPPLY PUMP	1	EA
25	SN T25055750	DIESEL PREFILTER SUPPORT BRACKET FR00	1	EA
26	SN 600005057	YANMAR IV FINAL DIESEL PREFILTER	1	EA
27	SN 208180000	MALE TO MALE NPT 1 1/8L FITTING	1	EA
28	SN 208189000	90 ° METRIC HOSE ELBOW CONNECTOR	1	EA
29	SN 800106025	HEXAGON HEAD SCREW M6x25 DIN933 GALV. IF	3	EA
30	SN 804003006	M6 WASHER DIN125A GALV. 6.4x12x1.6	23	EA
31	SN 101061003	SELF LOCKING NUT M6 GALV. DIN 985	3	EA
32	SN 601040000	WATER SUCTION PIPE FR00 IV FINAL	1	EA
33	SN 217101007	RUBBER GRIP EYE FOR SCREW 1/4G	2	EA
34	SN 512014950	SCREW FOR EYE GAS 1/4" H=25 *K*	2	EA
35	SN 804003108	M8 WASHER DIN9021 GALV. 8.4x24x2.0	2	EA
36	SN 804002008	SELF LOCKING NUT M8 GALV. HIGH DIN982	9	EA
37	SN 101101001	SELF LOCKING NUT M10 GALV.	5	EA
38	SN 804003110	M10 WASHER DIN9021 GALV. 10.5x30x2.5	5	EA
39	SN 120103501	HEXAGON HEAD SCREW M10X35 CL 8.8 UNI 5739 GALV.	6	EA

アイテム	部品番号	名前	数量	UOM
40	SN 804002012	SELF LOCKING NUT HIGH GALV. M12 DIN982	4	EA
41	SN T25055950	EXCHANGER CROSS SUPPORT BRACKET FR00	1	EA
42	SN 202712407	WATER OIL HEAT EXCHANGER IV FINAL	1	EA
43	SN T25058550	EXCHANGER CONVEYOR FR00 IV FINAL	1	EA
44	SN T25058050	RADIATOR SUPPORT BRACKET FR00 IV FINAL	1	EA
45	SN 675808002	FAN Ø450 8 WINGFAN YANMAR IV FINAL	1	EA
46	SN 522403001	VIBRATION DAMPER D40/H30 MM10 L25 4030VV25	2	EA
47	SN 522502001	CYL. VIBRATION DAMPER Ø50X20 M10X25 SH60	1	EA
48	SN 414026450	1+1/4" *K* GAS BONDED WASHER	1	EA
49	SN 609034650	EXT. M F 1"1/4 GAS L=42	1	EA
50	SN 308551250	FITTING M M 1' 1/4 L 35	1	EA
51	SN 414026350	1" BONDED WASHER	1	EA
52	SN 212014001	STRUT FITTING M 1BSP F 1BSP L40	1	EA
53	SN 513009050	SEALING END BODY ED 22L * 1" GAS	1	EA
54	SN 308527950	SEALING END BODY AND 22L * 3/4 GAS *K*	2	EA
55	SN T24009450	AC COMPRESSOR TIE ROD SHEET	1	EA
56	SN 222904001	RUBBER BEND 90 ° D40	1	EA
57	SN 522001006	MARINO ENGINE VIBRATION DAMPER SMALL AMC	2	EA
58	SN 800110030	HEXAGON HEAD SCREW M10x30 DIN933 GALV. IF	12	EA
59	SN 804002010	SELF LOCKING GALV. HIGH NUT M10 DIN982	1	EA

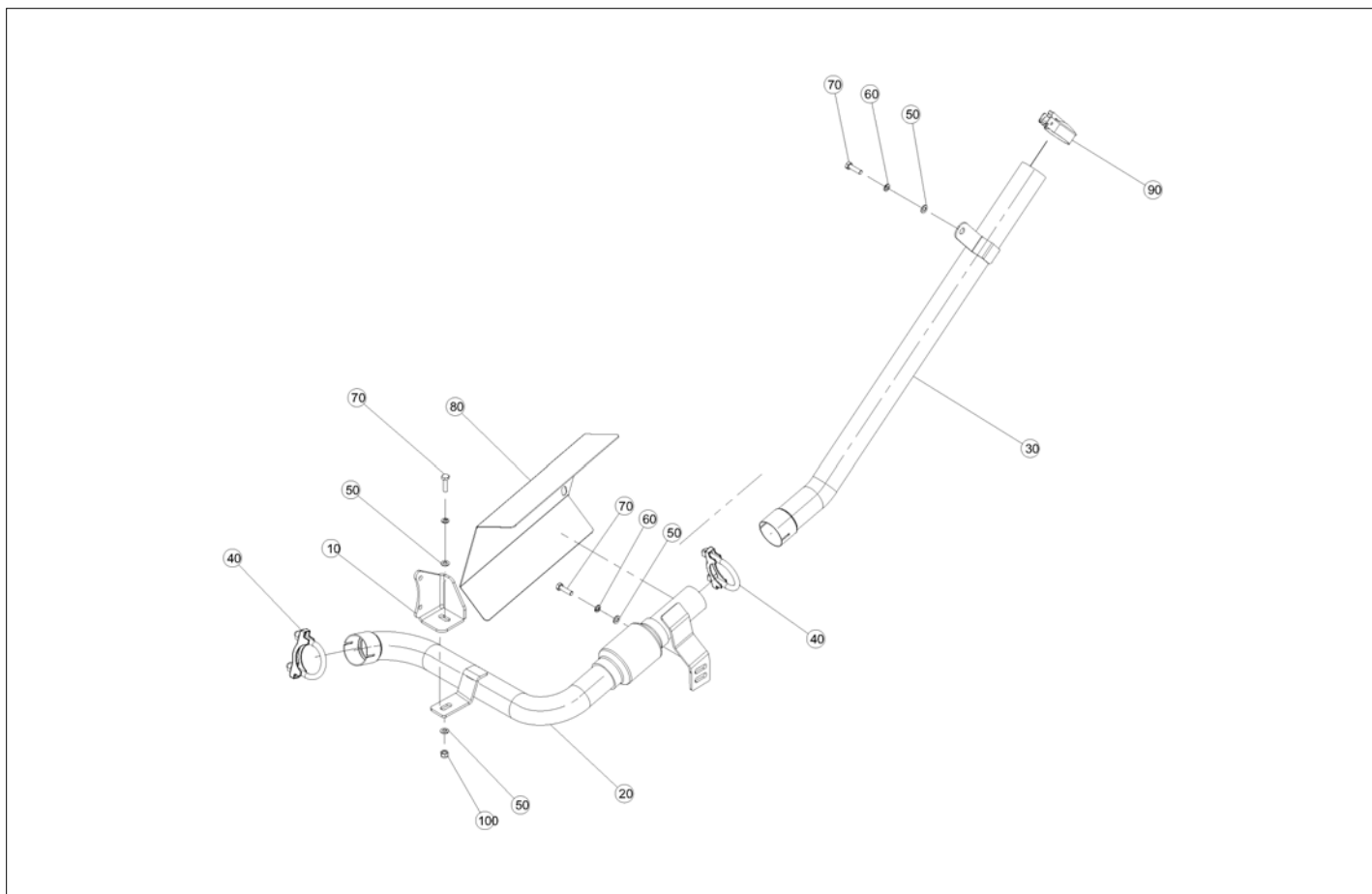
アイテム	部品番号	名前	数量	UOM
60	SN 240100418	FIXING CLIPS POWERCORE 4 PC.	4	EA
61	SN 223004001	AIR SUCTION PIPE INT Ø=40MM OREGON	1	EA
62	SN 240100145	ADAPTOR FOR D080088 FILTER INT. SENSOR	1	EA
63	SN 125063001	SOCKET HEAD CAP SCREW M6X30 CL 8.8 UNI 5931 GALV.	4	EA
64	SN 804002006	SELF LOCKING NUT M6 GALV. HIGH DIN982	10	EA
65	SN T25060150	AIR CONDITIONING COPMRESSOR SUPPORT FR00	1	EA
66	SN T25057550	AC PULLEY FOR FR00 YANMAR IV FINAL	1	EA
67	SN 120081101	HEXAGON HEAD SCREW M8X110 CL 8.8 UNI 5739 GALV.	3	EA
68	SN T25058450	EXCHANGER SIDE L GASKET FR00	1	EA
69	SN T25058650	EXCHANGER SEPARATION FOIL FR00	1	EA
70	SN 522400801	VIBRATION DAMPER 4030VD23D40 TH30 M8 MF	2	EA
71	SN 804003012	M12 WASHER DIN125A GALV. 13.0x24x2.5	2	EA
72	SN 804003212	M12 GROWER WASHER UNI7064 GALV.	2	EA
73	SN 800112035	HEXAGON HEAD SCREW M12x35 DIN933 GALV. IF	2	EA
74	SN 804003014	M14 WASHER DIN125A GALV. 15.0x28x2.5	4	EA
75	SN 800114030	HEXAGON HEAD SCREW M14x30 DIN933 GALV. IF	2	EA
76	SN 804002014	SELF LOCKING NUT M14 GALV. HIGH DIN982	2	EA
77	SN 308528150	SEALING END BODY AND 15L * 1/2 GAS *K*	1	EA
78	SN 800106020	HEXAGON HEAD SCREW M6x20 DIN933 GALV. IF	12	EA

アイテム	部品番号	名前	数量	UOM
79	SN 165006101	THREADED INSERT M6	6	EA
80	SN 804003106	M6 WASHER DIN9021 GALV. 6.4x18x1.6	6	EA
81	SN 804003206	M6 GROWER WASHER UNI7064 GALV. 6.1x11.8x3.2	6	EA
82	SN 414025950	1/4" *K* GAS BONDED WASHER	4	EA
83	SN 800108030	SCREW T. E. M8 X 30 DIN933 ZN IF	4	EA
84	SN T25061450	CONTROL UNIT CONNECTOR GUARD SHEET FR00	1	EA
85	SN 122082001	HEX SOCKET SCREW M8X20 CL 10.9 UNI 7380 GALV.	2	EA
86	SN 221019000	WATER TANK PIPE FR00	1	EA
87	SN 221040000	WATER DELIVERY PIPE FR00	1	EA
88	SN 600005058	YANMAR IV FINAL DIESEL PREFILTER CARTRIDGE	1	EA
89	SN 600005060	YANMAR IV FINAL DIESEL FILTER+SUPPORT	1	EA
	SN 600005062	FUEL FILTER ELEMENT	1	EA
90	SN 620280604	BELT A35 A/C ON CLEANFIX C162	1	EA
91	SN 800108040	HEXAGON HEAD SCREW M8x40 DIN933 GALV. IF	1	EA
92	SN 800208050	HEXAGON HEAD SCREW M8x50 DIN931 GALV.	1	EA
93	SN 125082001	SOCKET HEAD CAP SCREW M8X20 CL 8.8 UNI 5931 GALV.	2	EA
94	SN 208181400	SPECIAL FITTING M1/8G CONICAL F 1/4G	2	EA
95	SN 240100141	AIR FILTER PRIMARY CARTRIDGE	1	EA
96	SN 240100142	AIR FILTER SECONDARY CARTRIDGE	1	EA
97	SN 631041003	DRIVE BELT YANMAR A41.5	1	EA
98	SN 805007087	CLAMP ABA 87 112	2	EA
99	SN 805007058	CLAMP ABA 58 75	2	EA

アイテム	部品番号	名前	数量	UOM
100	SN 512038501	CLAMP ABA 38 50	6	EA
101	SN 805007020	CLAMP ABA 20 32	2	EA
102	SN 805007032	CLAMP ABA 32 44	2	EA
103	SN T24007550	STRAIGHT MALE HOSE CONNECTOR	2	EA
104	SN 628052650	HEATER ZEROSTART 750W 240V 38 49	1	EA
105	SN ME65607716	STRAIGHT INDUSTRIAL SOCKET	1	EA
106	SN 600005059	YANMAR IV FINAL OIL FILTER	1	EA
107	SN 223006074	AIR PIPE ØEXT=74MM ØINT=60MM	1	EA
108	SN 801701020	SCREW M10X20 CL 10.9 DIN 7991 ZN	3	EA
109	SN T30187366	COMPRESSOR SP10 VE.E E121/12V	1	EA
110	SN 600005080	STARTER YANMAR 4F	1	EA
111	SN 600005063	ALTERNATOR BOSCH 80A YANMAR	1	EA
112	SN 631041003	DRIVE BELT YANMAR A41.5	1	EA
113	SN 600005082	OIL PUMP YANMAR	1	EA
114	SN 600005081	WATER PUMP YANMAR 4F	1	EA
115	SN 600005084	EGR VALVE YANMAR	2	EA
116	SN 600005053	ELECTRIC DIESEL SUPPLY PUMP	1	EA
	7631238	5719 BLOCK HEATER	1	EA
	5018877	HOSE 5/8 HEATER	4.5	EA
	5018877	HOSE 5/8 HEATER	4.5	EA
	563536	HOSE GUARD SPRIAL 3/4in ID	45	EA
	563536	HOSE GUARD SPRIAL 3/4in ID	45	EA
	970049	BLT HEXHD .250 20 1.00 GR5 GRADE 5 PLT SAME AS 970189	2	EA
	986019	WSHR FLAT .250	4	EA
	5560004	NUT LKG .250 20	2	EA

アイテム	部品番号	名前	数量	UOM
	SN 208180000	MALE TO MALE NPT 1 18L FITTING	1	EA
	SN 208189000	90 ° METRIC HOSE ELBOW CONNECTOR	1	EA
	SN T24007550	STRAIGHT MALE HOSE CONNECTOR	1	EA

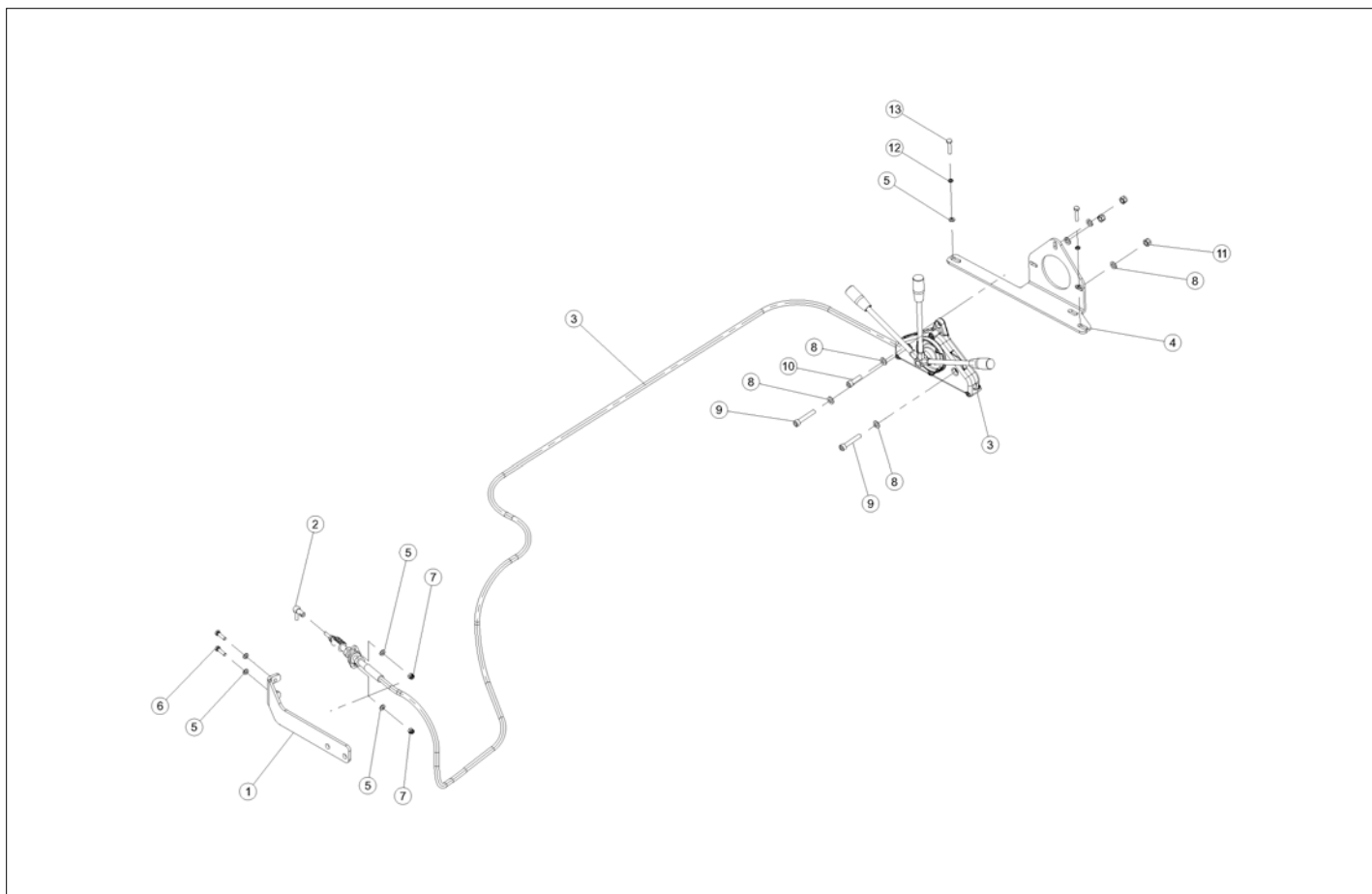
REPAIR PARTS





アイテム	部品番号	名前	数量	UOM
	TA2506061A	YANMAR STAGE IV FINAL ENGINE EXHAUST		EA
1	SN T25056050	4TNV98C FR00 EXHAUST SUPPORT BRACKET	1	EA
2	SN 601055010	PIPE Ø55 WITH FLEX YANMAR IV FINAL DPF	1	EA
3	SN 601055020	UNLOADING TERMINAL Ø55 YANMAR IV FINAL	1	EA
4	SN 521006002	JUMPER CLAMP Ø60 FOR EXHAUST	2	EA
5	SN 804003008	M8 WASHER DIN125A GALV. 8.4x16x1.6	4	EA
6	SN 804003208	M8 GROWER WASHER UNI7064 GALV.	3	EA
7	SN 800108030	SCREW T. E. M8 X 30 DIN933 ZN IF	3	EA
8	SN T25060250	FR00 IV FINAL EXHAUST COVER SHEET	1	EA
9	SN 626505002	RAIN CAP FOR DRAIN PIPE Ø55	1	EA
10	SN 804002008	SELF LOCKING NUT M8 GALV. HIGH DIN982	1	EA

REPAIR PARTS



アイテム	部品番号	名前	数量	UOM
	TA2506069A	YANMAR IV FINAL ENGINE THROTTLE		EA
1	SN T25057150	BRACKET FOR LEVER CABLE FR00	1	EA
2	SN 628033650	BALL JOINT 90 ° MALE/FEMALE THREAD M6	1	EA
3	SN 403430001	PUSCH PULL LEVER CABLE KIT FOR 45CC BOSCH PUMP	1	EA
4	SN T28063250	LEVER SUPPORT BRACKET TO CABLE	1	EA
5	SN 804003006	M6 WASHER DIN125A GALV. 6.4x12x1.6	6	EA
6	SN 800106025	HEXAGON HEAD SCREW M6x25 DIN933 GALV. IF	2	EA
7	SN 804002006	SELF LOCKING NUT M6 GALV. HIGH DIN982	2	EA
8	SN 804003008	M8 WASHER DIN125A GALV. 8.4x16x1.6	6	EA
9	SN 125085001	SOCKET HEAD CAP SCREW M8X50 CL 8.8 UNI 5931 GALV.	2	EA
10	SN 125083001	SOCKET HEAD CAP SCREW M8X30 CL 8.8 UNI 5931 GALV.	1	EA
11	SN 804002008	SELF LOCKING NUT M8 GALV. HIGH DIN982	3	EA
12	SN 804003206	M6 GROWER WASHER UNI7064 GALV. 6.1x11.8x3.2	2	EA
13	SN 800106030	HEXAGON HEAD SCREW M6x30 DIN933 GALV. IF	2	EA

REPAIR PARTS

NO IMAGE AVAILABLE  
(BOM FOR REFERENCE ONLY)

アイテム	部品番号	名前	数量	UOM
	SN 600005009	YANMAR 4TNV98C STEP IV FINAL ENGINE		EA
1	SN 600005055	YANMAR STEP IV FINAL ENGINE ECU CONTROL UNIT	1	EA
2	SN 600005059	YANMAR IV FINAL OIL FILTER	1	EA
3	SN 600005080	STARTER YANMAR 4F	1	EA
4	SN 600005081	WATER PUMP YANMAR 4F	1	EA
5	SN 600005082	OIL PUMP YANMAR	1	EA
6	SN 600005084	EGR VALVE YANMAR	1	EA
7	SN 7631389	PLUG 55	1	EA
8	SN 7631390	PLUG NPTF1	1	EA
9	SN 7631391	PLYG 30	1	EA
10	SN 7631392	PLUG R03	1	EA
11	SN 7631393	BOLT CYLINDER HEAD	1	EA
12	SN 7631394	GASKET HEAD	1	EA
13	SN 7631395	O RING P20	1	EA
14	SN 7631396	O RING P14	1	EA
15	SN 7631397	GASKET PUMP OUTLET	1	EA
16	SN 7631398	O RING 1AP7.0	1	EA
17	SN 7631399	CAP FILTER	1	EA
18	SN 7631400	O RING 1AP32.0	1	EA
19	SN 7631401	COVER PUMP	1	EA
20	SN 7631402	O RING 1AG85.0	1	EA
21	SN 7631403	SEAL OIL	1	EA
22	SN 7631404	BEARING BAL 6205	1	EA
23	SN 7631405	BEARUNG BALL 6206C3	1	EA
24	SN 7631406	HOUSING FLYWHEEL	1	EA
25	SN 7631407	SEAL D115/95XT11	1	EA
26	SN 7621408	PLUG DRAIN M22	1	EA
27	SN 7631409	WASHER SWAL 22	1	EA

アイテム	部品番号	名前	数量	UOM
28	SN 7631410	SENSOR FLYWHEEL	1	EA
29	SN 7631411	GASKET INJECTOR	1	EA
30	SN 7631412	RETAINER INJECTOR	1	EA
31	SN 7631413	WSHR INJECTOR	1	EA
32	SN 7631414	BAFFEL BREATHER	1	EA
33	SN 7631415	GASKET 8 X 1.0	1	EA
34	SN 7631416	PLATE CENTER	1	EA
35	SN 7631417	PLATE BREATHER	1	EA
36	SN 7631418	SPRING DIAPHRAGM	1	EA
37	SN 7631419	GASKET BONNET	1	EA
38	SN 7631420	PIPE BREATHER	1	EA
39	SN 7631421	SENSOR PRESSURE	1	EA
40	SN 7631422	PLUG	1	EA
41	SN 7631423	O RING 1PA12.0	1	EA
42	SN 7631424	HARNESS WIRE	1	EA
43	SN 7631425	PLUG GLOW	1	EA
44	SN 7631426	CONNECTOR GLOW PLUG	1	EA
45	SN 7631427	HOSE ASSY BREATHER	1	EA
46	SN 7631728	GASKET MANIFOLD	1	EA
47	SN 7631429	SENSOR TEMPATURE	1	EA
48	SN 7631430	GASKET COLLECTOR	1	EA
49	SN 7631431	COLLECTOR ASSY	1	EA
50	SN 7631432	SENSOR TEMPATURE	1	EA
51	SN 7631433	O RING TEMP SENSOR	1	EA
52	SN 7631434	GASKET EGR V SPACER	1	EA
53	SN 7631435	WSHR SEAL 14	1	EA
54	SN 7631436	THROTTLE INTAKE	1	EA
55	SN 7631437	GASKET THROTTLE	1	EA
56	SN 7631438	GASKET MANIFOLD	1	EA

アイテム	部品番号	名前	数量	UOM
57	SN 7631439	SENSOR TEMPATURE	1	EA
58	SN 7631440	HOSE ASSY PRESSURE	1	EA
59	SN 7631441	CLIP HOSE 14	1	EA
60	SN 7631442	GASKER 12 X 1.0	1	EA
61	SN 7631443	COOLER EGR	1	EA
62	SN 7631444	GASKET EGR COOLER	1	EA
63	SN 7631445	GASKET SILENCER	1	EA
64	SN 7631446	PIPE EXHAUST	1	EA
65	SN 7631447	SENSOR EGR GAS TEMP	1	EA
66	SN 7631448	GASKET WSHR	1	EA
67	SN 7631449	GASKET EGR PIPE	1	EA
68	SN 7631450	GASKET EGR V INLET	1	EA
69	SN 7631451	GASKET EGR V OUTLET	1	EA
70	SN 7631452	BOLT M10 X 60 PLATED	1	EA
71	SN 7631453	GASKET SILENCER	1	EA
72	SN 7631454	SENSOR EXH TEMP	1	EA
73	SN 7631455	SENSOR EXH TEMP	1	EA
74	SN 7631456	GASKET DPH	1	EA
75	SN 7631457	SILENCER DPH	1	EA
76	SN 7631456	GASKET DPH	1	EA
77	SN 7631459	LIFTER DPH	1	EA
78	SN 7631460	PIPE ASSY PRESSURE	1	EA
79	SN 7631461	GASKET SENSOR	1	EA
80	SN 7631462	PIPE ASSY PRESSIRE	1	EA
81	SN 7631463	HOSE ASSY PRESSURE	1	EA
82	SH 7631464	HOSE ASSY PRESSURE	1	EA
83	SN 7631465	SENSOR PRESSURE	1	EA
84	SN 7631466	BRKT SENSOR	1	EA
85	SN 7631467	CLIP BAND	1	EA

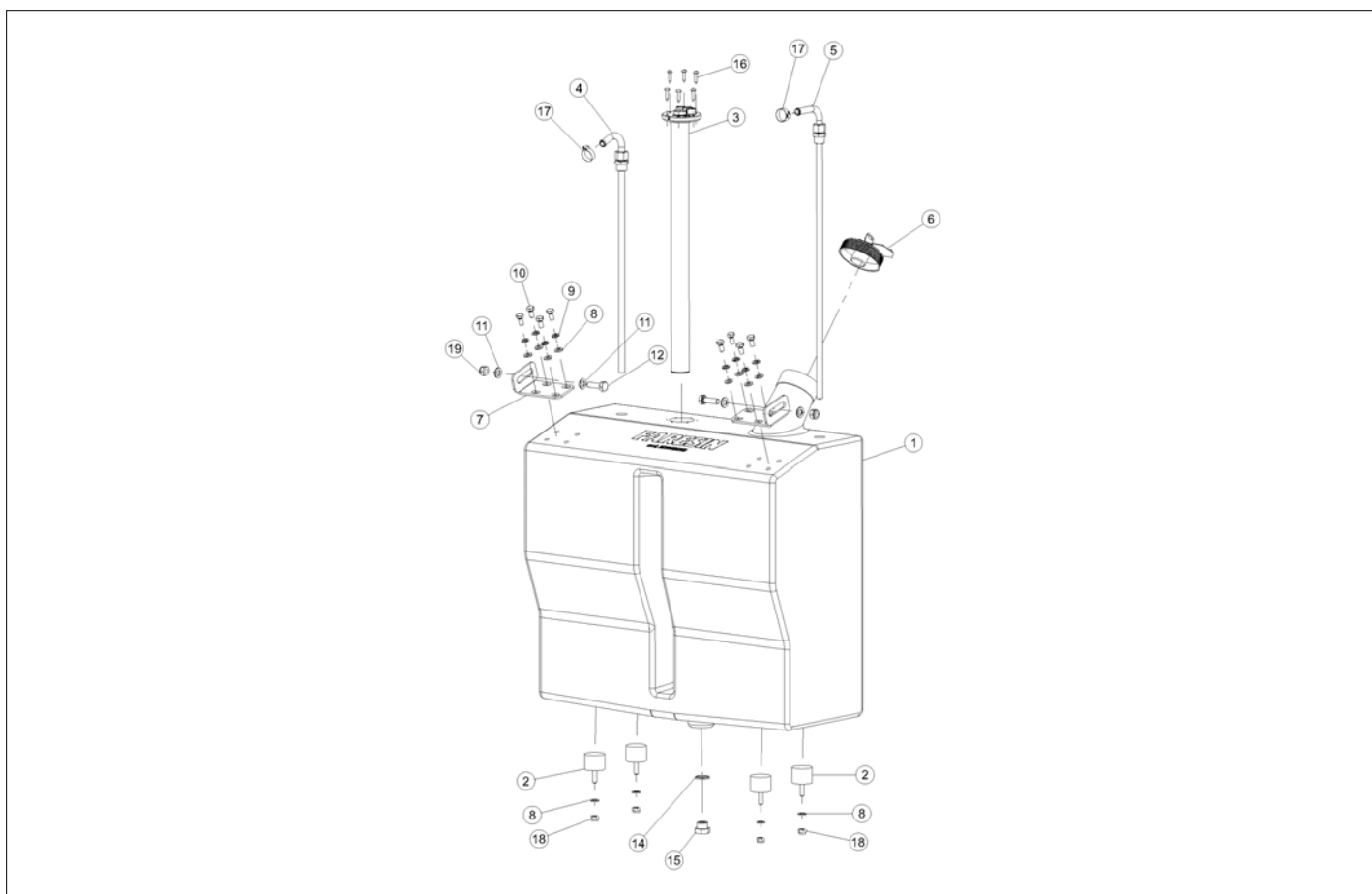
アイテム	部品番号	名前	数量	UOM
86	SN 7631468	BAND	1	EA
87	SN 7631469	CLIP CONNECTOR	1	EA
88	SN 7631470	METAL THRUST	1	EA
89	SN 7631471	PULSAR CAM GEAR	1	EA
90	SN 7631472	SENSOR ROTATON	1	EA
91	SN 7631473	PIPE ASSY OIL	1	EA
92	SN 7631474	GEAR ASSY PUMP	1	EA
93	SN 7631475	BUSH IDLE GEAR	1	EA
94	SN 7631476	BUSH IDLE GEAR B	1	EA
95	SN 7631477	V PULLEY CRANKSHAFT	1	EA
96	SN 7631448	GASKET WSHR	1	EA
97	SN 7631479	WSHR V PULLEY	1	EA
98	SN 7631480	BOLT FLYWHEEL	1	EA
99	SN 7631481	FLYWHEEL ASSY	1	EA
100	SN 7631482	RING GEAR	1	EA
101	SN 7631483	COOLER ASSY OIL	1	EA
102	SN 7631484	O RING	1	EA
103	SN 7631485	HOSE WATER	1	EA
104	SN 7631486	HOSE ASSY WATER	1	EA
105	SN 7631487	O RING 1AG60.0	1	EA
106	SN 7631488	DIPSTICK OIL	1	EA
107	SN 7631489	GUIDE DIPSTICK	1	EA
108	SN 7631490	PIPE ASSY OIL INLET	1	EA
109	SN 7631491	SW HYDRAULIC	1	EA
110	SN 7631492	PLUG DRAIN R1/4	1	EA
111	SN 7631493	GASKET WATER PUMP	1	EA
112	SN 7631494	SENSOR TEMPATURE	1	EA
113	SN 7631495	COVER THERMOSTAT	1	EA
114	SN 7631496	GASKET THERMOSTAT	1	EA



アイテム	部品番号	名前	数量	UOM
115	SN 7631497	GASKET THERMOSTAT	1	EA
116	SN 7631498	THERMOSTAT 71C	1	EA
117	SN 7631499	GASKET THERMOSTAT	1	EA
118	SN 7631415	GASKET 8 X 1.0	1	EA
119	SN 7631501	PLUG M16	1	EA
120	SN 7631502	GASKET 16	1	EA
121	SN 7631503	HOSE COOLER INLET	1	EA
122	SN 7631504	ADJUSTER BELT	1	EA
123	SN 7631505	PUMP ASSY FUEL	1	EA
124	SN 7631506	VALVE ASSY	1	EA
125	SN 7631507	RING SEAL	1	EA
126	SN 7631508	O RING MPROP	1	EA
127	SN 7631509	SENSOR TEMPATURE	1	EA
128	SN 7631510	O RING FUEL PUMP	1	EA
129	SN 7631511	INJECTOR CR	1	EA
130	SN 7631512	RING RETAINER	1	EA
131	SN 7631513	SENSOR PRESSURE	1	EA
132	SN 7631514	VALVE ASSY PLV4	1	EA
133	SN 7631515	O RING PLV4	1	EA
134	SN 7631516	PIPE INJECTOR NO. 1	1	EA
135	SN 7631517	PIPE INJECTOR NO. 2	1	EA
136	SN 7631518	PIPE INJECTOR NO. 3	1	EA
137	SN 7631519	PIPE INJECTOR NO. 4	1	EA
138	SN 763 1520	HOSE ASSY FUEL	1	EA
139	SN 7631521	PIPE ASSY FO RETURN	1	EA
140	SN 7631522	HOSE ASSY RETURN	1	EA
141	SN 7631523	HOSE ASSY RETURN	1	EA
142	SN 7631524	HOSE ASSY RETURN	1	EA
143	SN 7631525	SW ASSY MAGNET	1	EA

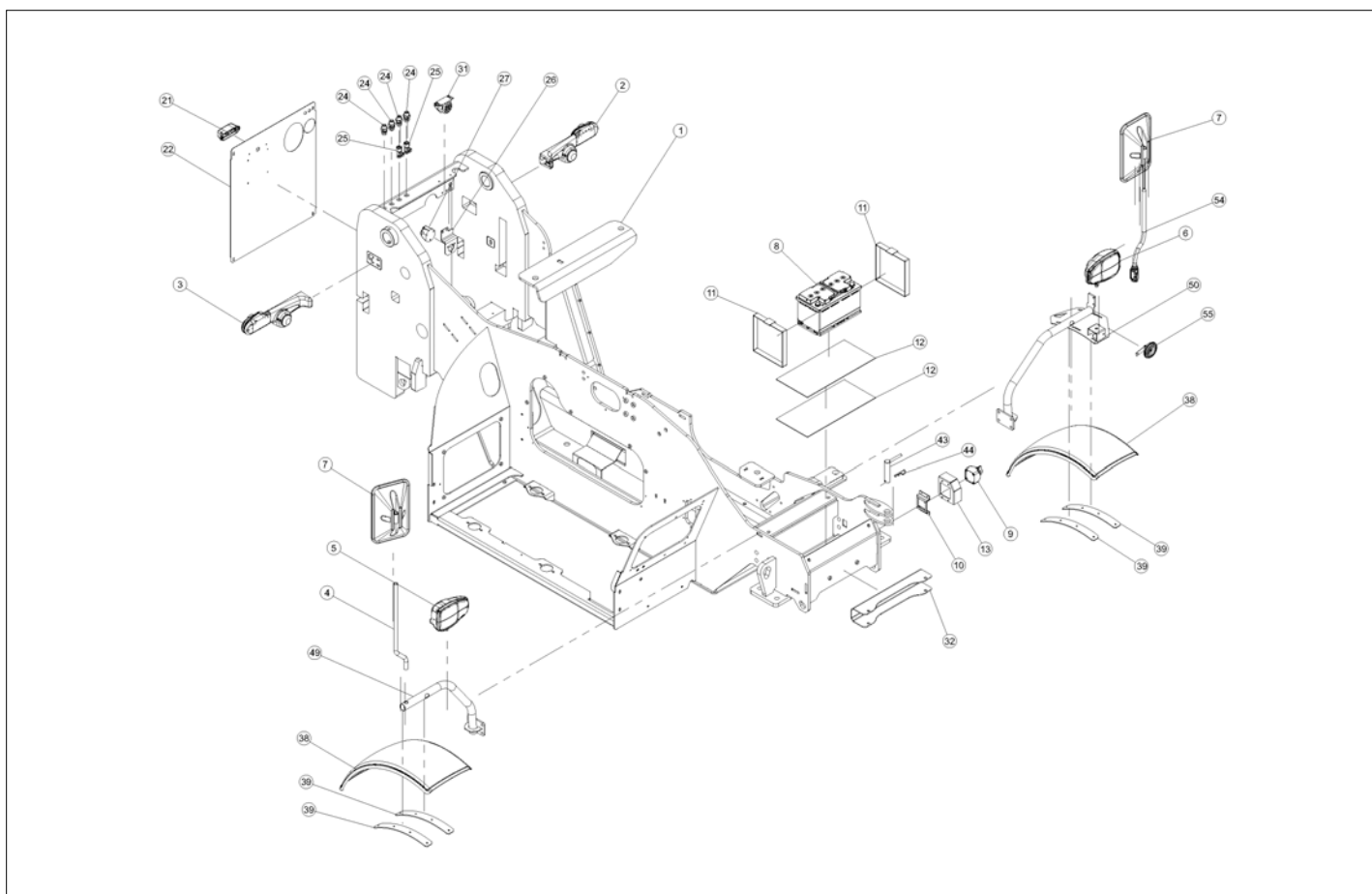
アイテム	部品番号	名前	数量	UOM
144	SN 7631526	CLUTCH ASSY	1	EA
145	SN 7631527	SHAFT PINION	1	EA
146	SN 7631528	HARNESS B T4	1	EA
147	SN 7631529	HARNESS C T4	1	EA
148	SN 7631530	BOOT CAP TYPE	1	EA
149	SN 7631531	LABLE HOT SURFACE	1	EA
150	SN 7631532	LABLE FUEL CAUTION	1	EA
151	SN 7631533	RELAY CA TYPE C	1	EA
152	SN 7631534	O RING	1	EA
153	SN 7631535	PLUG DRAIN	1	EA
154	SN 7631536	O RING	1	EA
155	SN 7631537	FLOAT	1	EA
156	SN 7631538	RELAY ISO 70A	1	EA
157	SN 7631539	RELAY ISO 40A	1	EA
158	SN 7631540	OIL PAN	1	EA

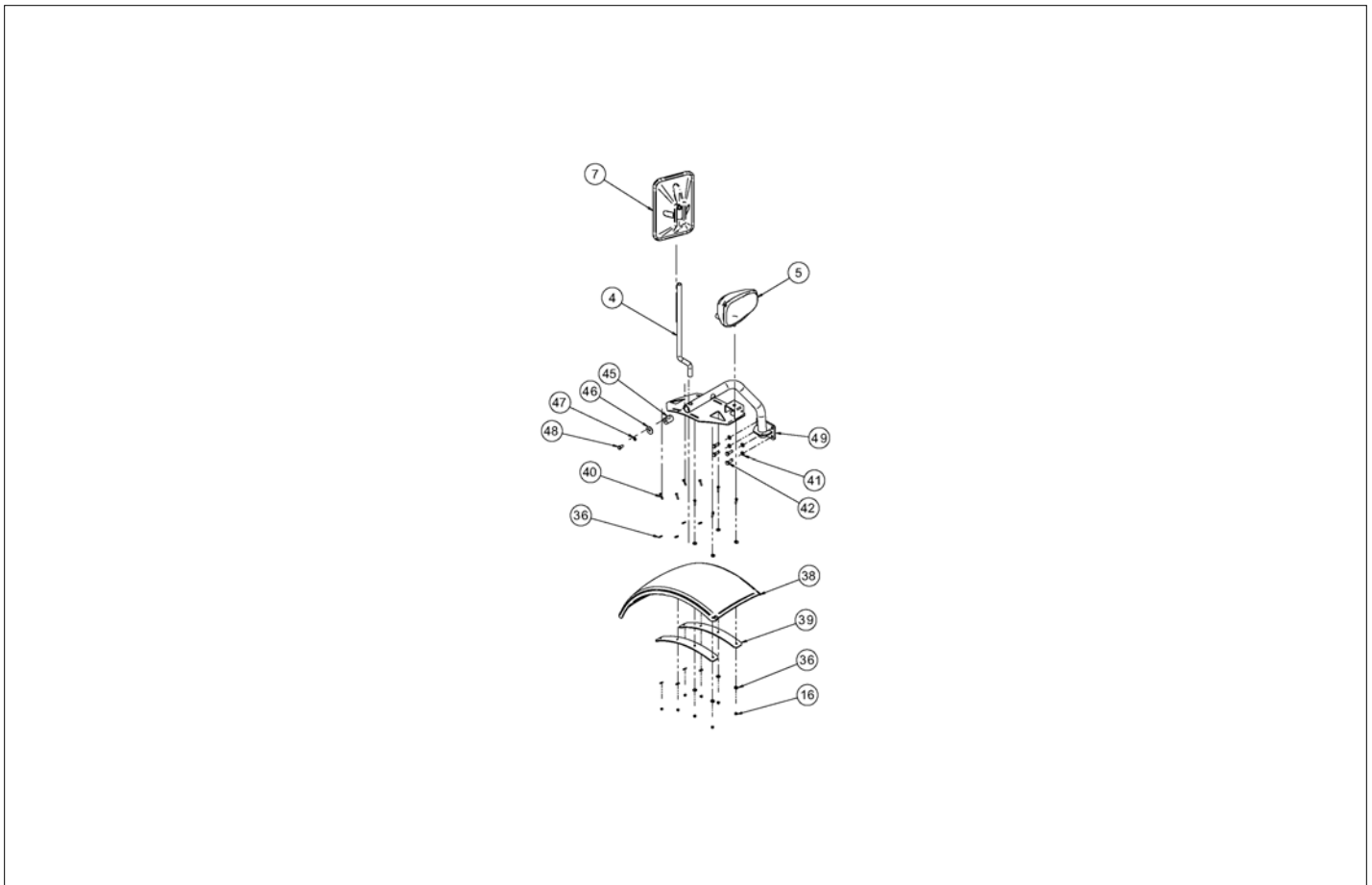
REPAIR PARTS

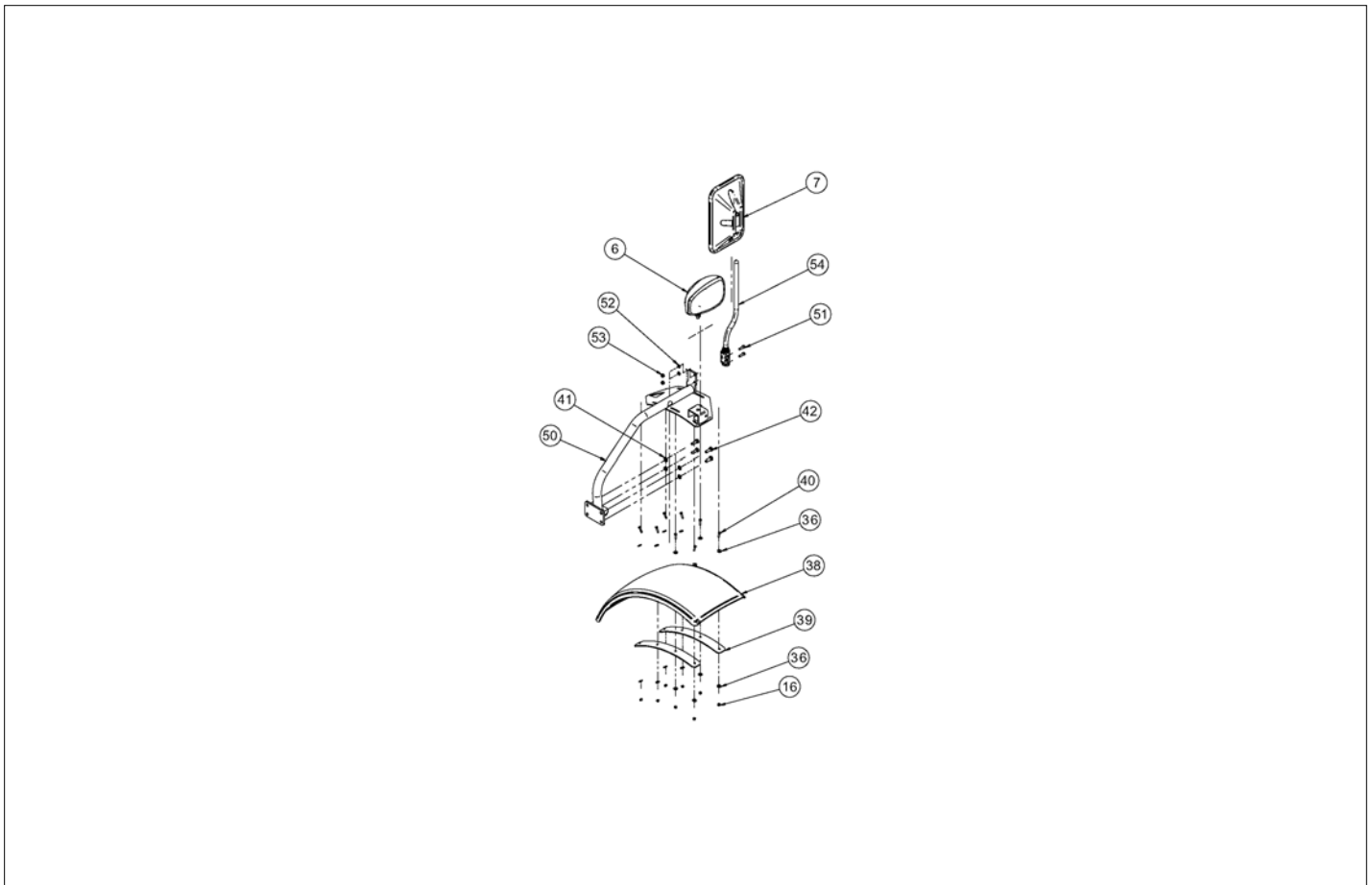


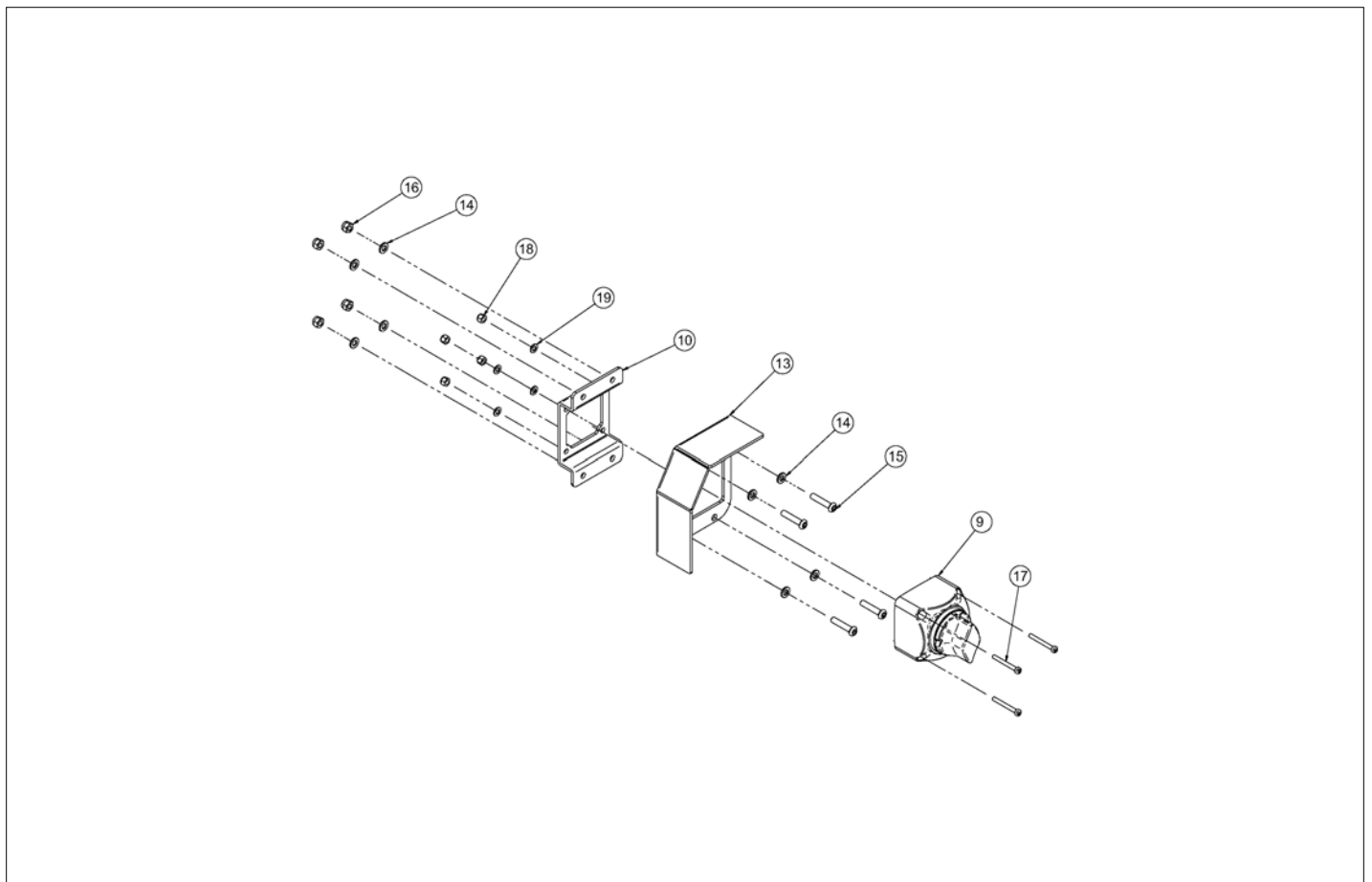
アイテム	部品番号	名前	数量	UOM
	TA2506058A	DIESEL TANK FR00		EA
1	SN 230012502	PLASTIC DIESEL TANK 80L	1	EA
2	SN 522400801	VIBRATION DAMPER 4030VD23D40 TH30 M8 MF	4	EA
3	SN 635007850	RESISTIVE FUEL LEVEL SENSOR	1	EA
4	SN TI2507050	PIPE Ø12 FOR DIESEL RETURN FR00	1	EA
5	SN TI2506950	PIPE Ø12 FOR DIESEL INTAKE FR00	1	EA
6	SN 231013002	DIESEL TANK CAP IN PLASTIC WITH KEY	1	EA
	3028930	FUEL CAP KEY	1	EA
7	SN T25057250	DIESEL TANK L FIXING FR00	2	EA
8	SN 804003008	M8 WASHER DIN125A GALV. 8.4x16x1.6	12	EA
9	SN 804003208	M8 GROWER WASHER UNI7064 GALV.	8	EA
10	SN 800108016	HEXAGON HEAD SCREW M8x16 DIN933 GALV. IF	8	EA
11	SN 804003010	M10 WASHER DIN125A GALV. 10.5x20x2	4	EA
12	SN 800110035	HEXAGON HEAD SCREW M10x35 DIN933 GALV. IF	2	EA
14	SN 414026150	1/2" *K* GAS BONDED WASHER	1	EA
15	SN 212000501	1/2" COUNTERSUNK MALE GAS CAP 60 ° *K*	1	EA
16	SN 123482200	SELF TAPPING SCREW 4.8X22 ZN	6	EA
17	SN 805007015	CLAMP ABA 15 24	2	EA
18	SN 804002008	SELF LOCKING NUT M8 GALV. HIGH DIN982	4	EA
19	SN 804002010	SELF LOCKING GALV. HIGH NUT M10 DIN982	2	EA

REPAIR PARTS

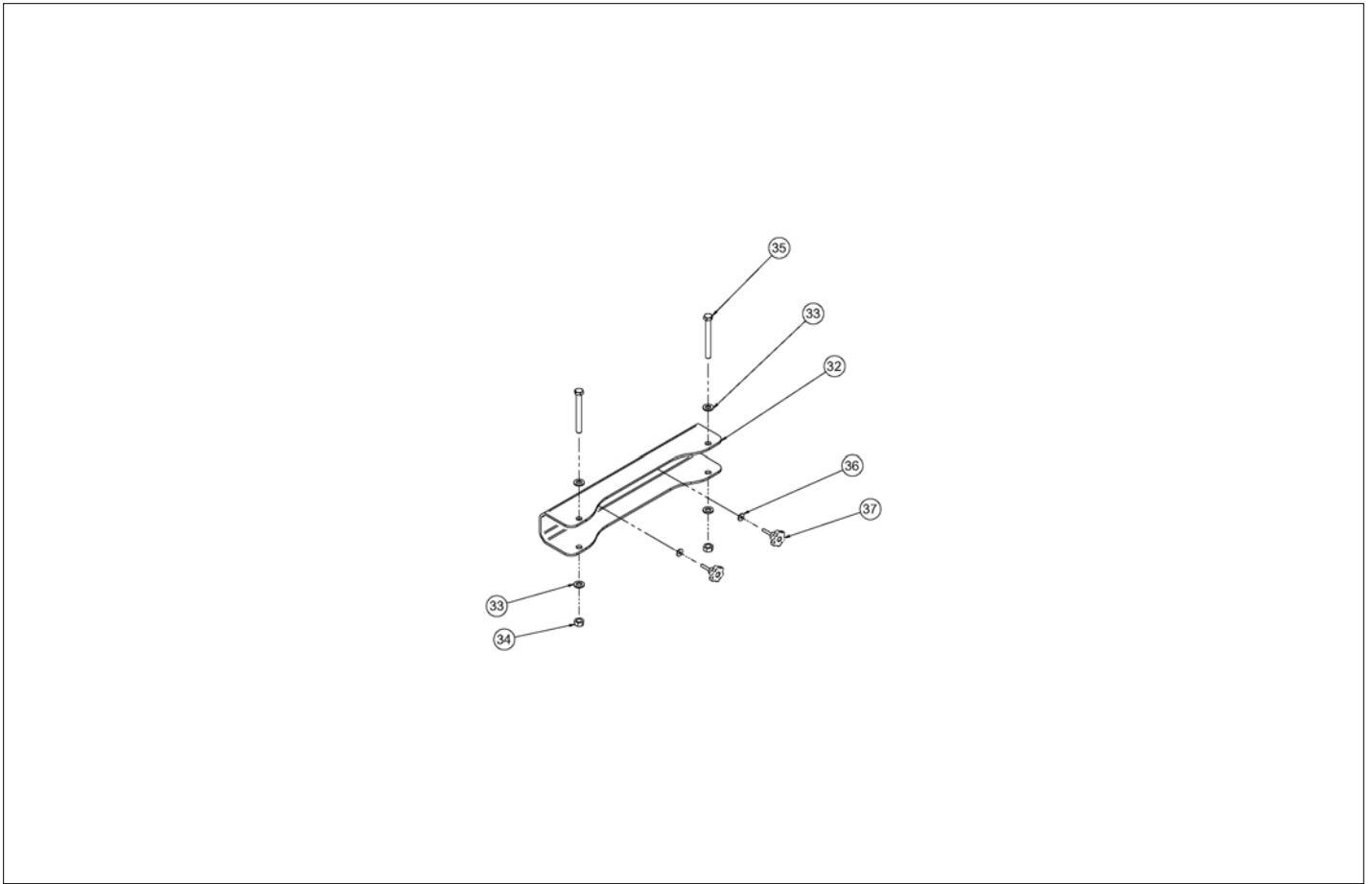


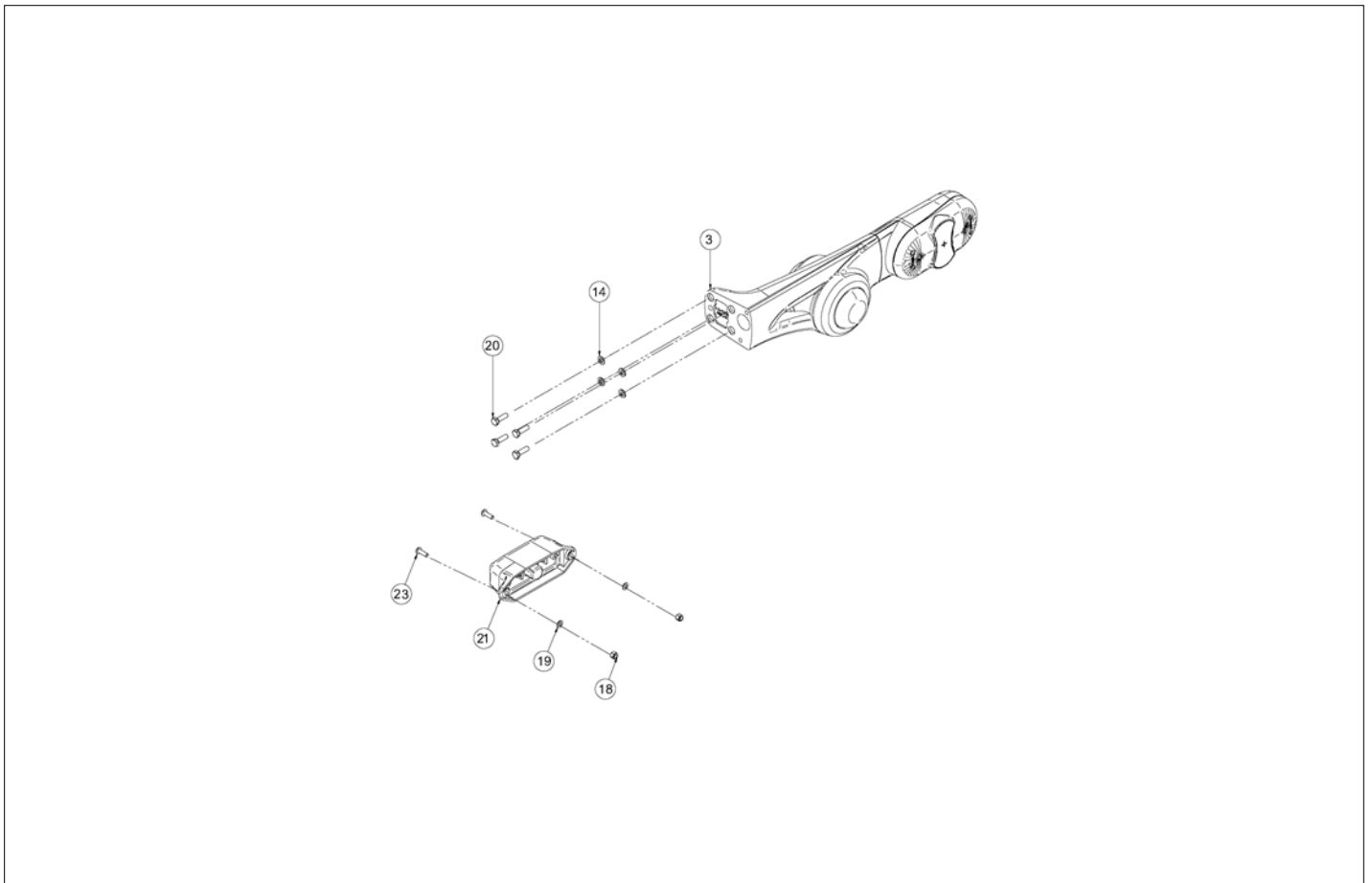


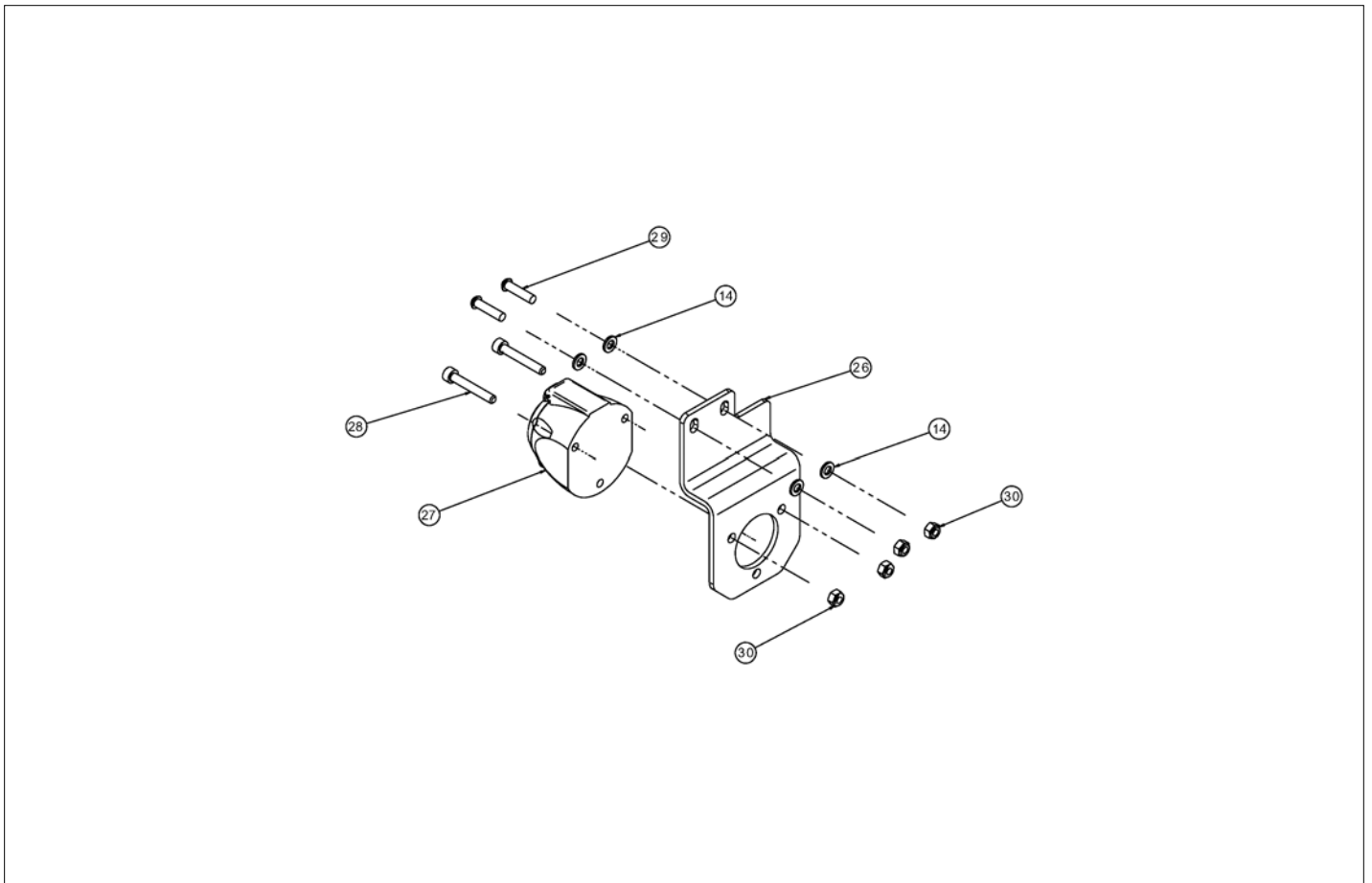


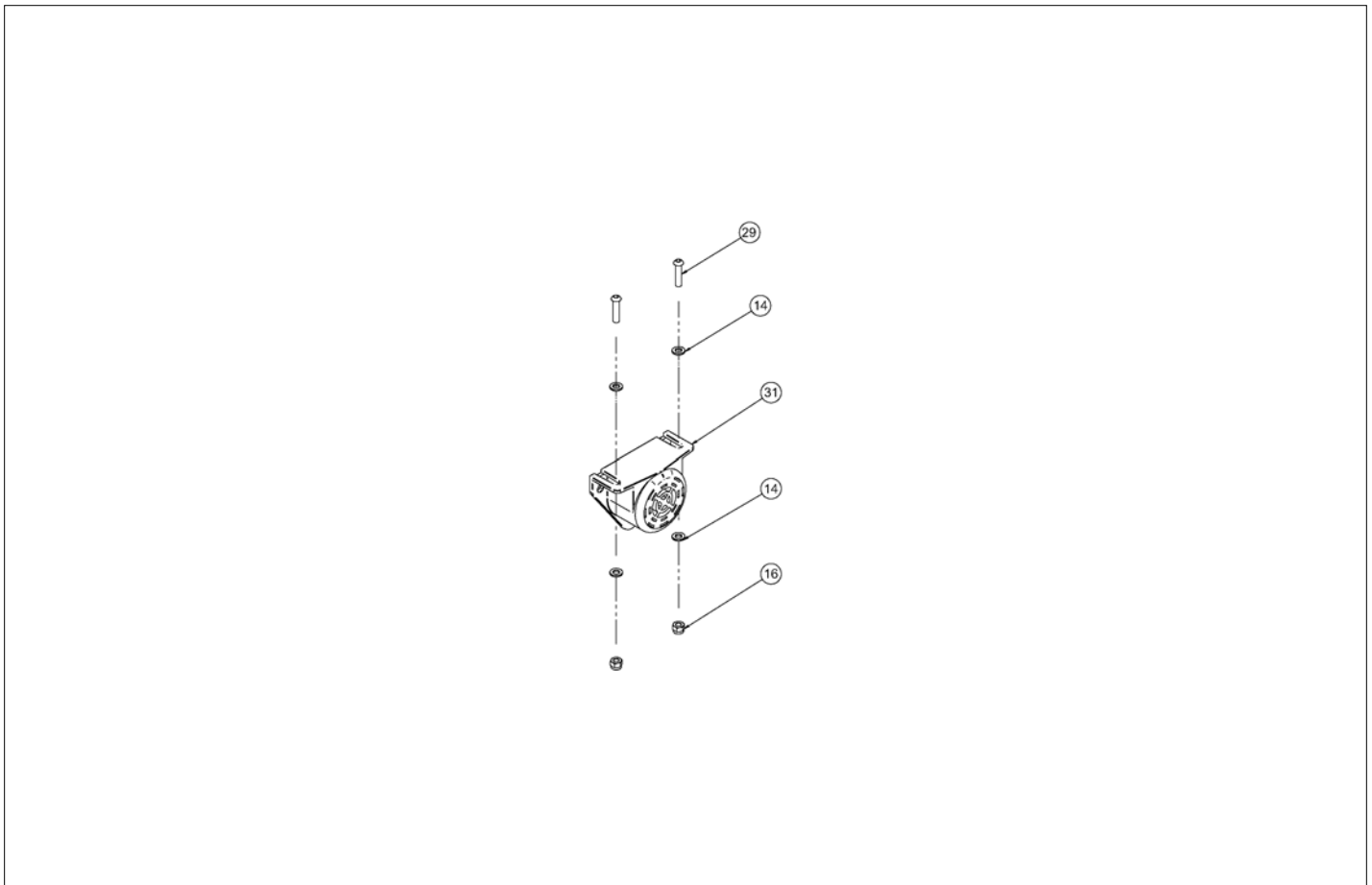


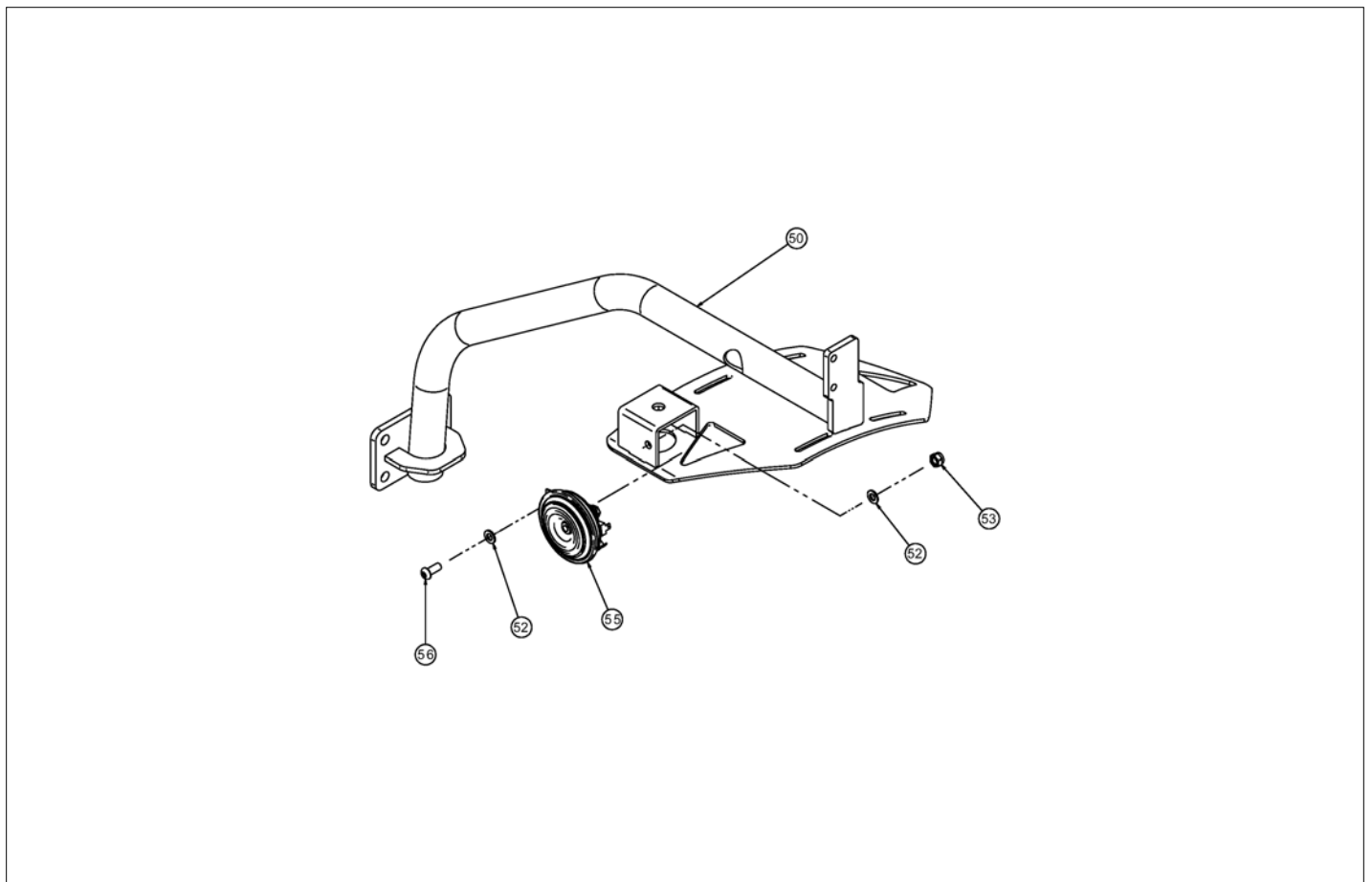












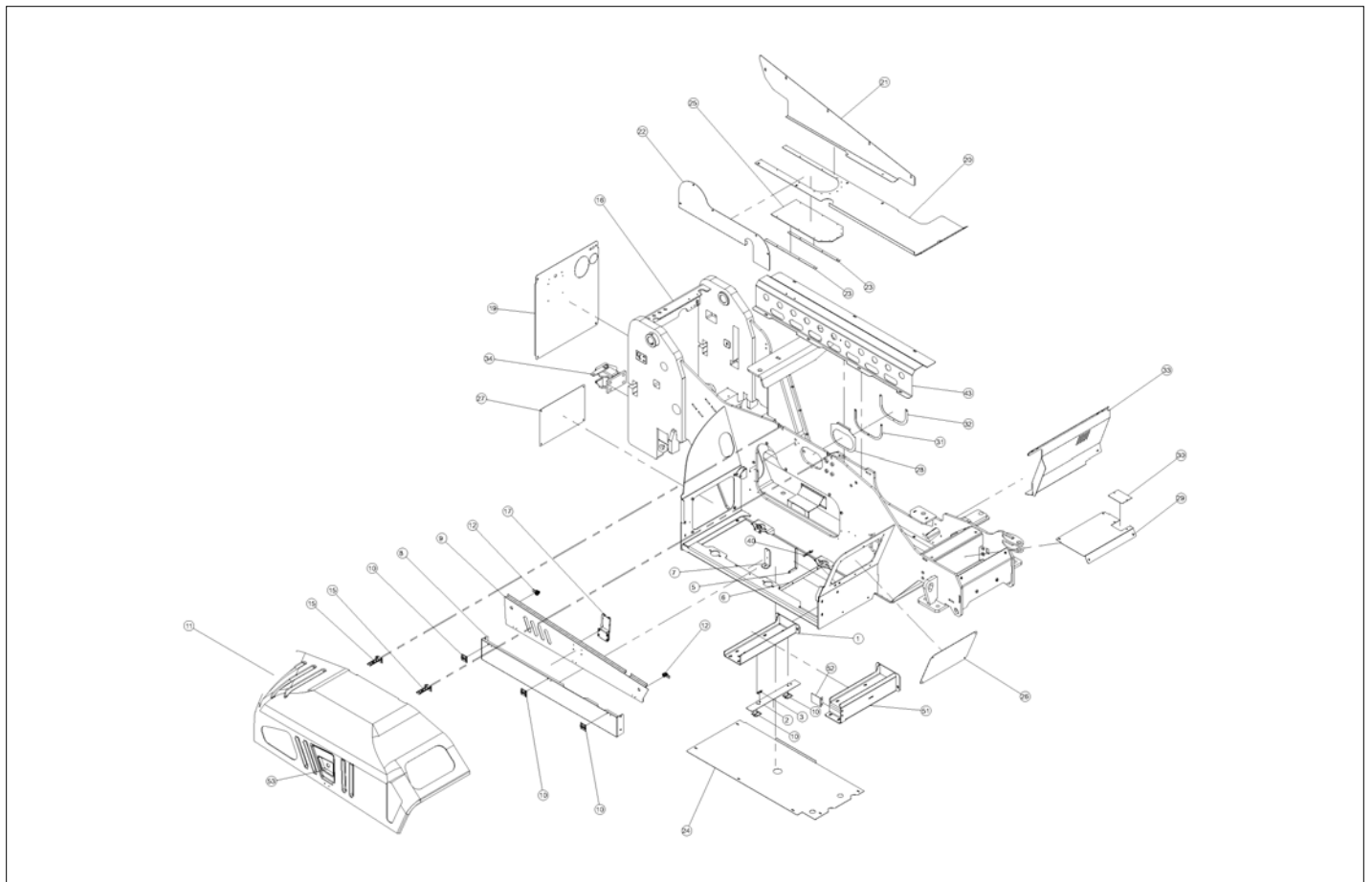
アイテム	部品番号	名前	数量	UOM
	TA2506063C	CHASSIS ASSEMBLY FR00		EA
1	SN T25055550	FR00 CHASSIS WITH DANA AXLES	1	EA
2	SN ME11496222	REAR LH HEADLIGHT EXTREME LIGHTING	1	EA
3	SN ME11497223	REAR RH HEADLIGHT EXTREME LIGHTING	1	EA
4	SN T25062550	RIGHT MIRROR SUPPORT PIPE FR00	1	EA
5	SN ME11095A39	FRONT RIGHT HEADLIGHT HELLA	1	EA
6	SN ME11096A40	FRONT LEFT HEADLIGHT HELLA	1	EA
7	SN 704000201	RIGHT MIRROR WITHOUT SUPPORT VELGRAF	2	EA
8	SN ME09909A82	TITANIUM L4 95 BATTERY FOR 6.25	1	EA
Not Shown	1590039	12V BATTERY FOR FARESIN UNITS	1	EA
9	SN ME35065D44	PLASTIC BATTERY CUT OFF SWITCH MEMBERS	1	EA
10	SN T25055450	HELLA BATTERY CUT OFF SWITCH FIXING BRACKET	1	EA
11	SN 609063450	BATTERY FIXING BELT	2	EA
12	SN T30038250	BELT UNDER BATTERY	2	EA
13	SN T25055350	HELLA BATTERY CUT OFF SWITCH GUARD SHEET	1	EA
14	SN 804003006	M6 WASHER DIN125A GALV. 6.4x12x1.6	24	EA
15	SN 122063001	HEX SOCKET SCREW M6X30 CL 10.9 UNI 7380 GALV.	4	EA
16	SN 804002006	SELF LOCKING NUT M6 GALV. HIGH DIN982	22	EA
17	SN 125053501	SOCKET HEAD CAP SCREW M5X35 CL 8.8 UNI 5931 GALV.	4	EA
18	SN 804002005	SELF LOCKING NUT M5 GALV. HIGH DIN982	6	EA
19	SN 130050001	FLAT WASHER M5 GALV.	6	EA

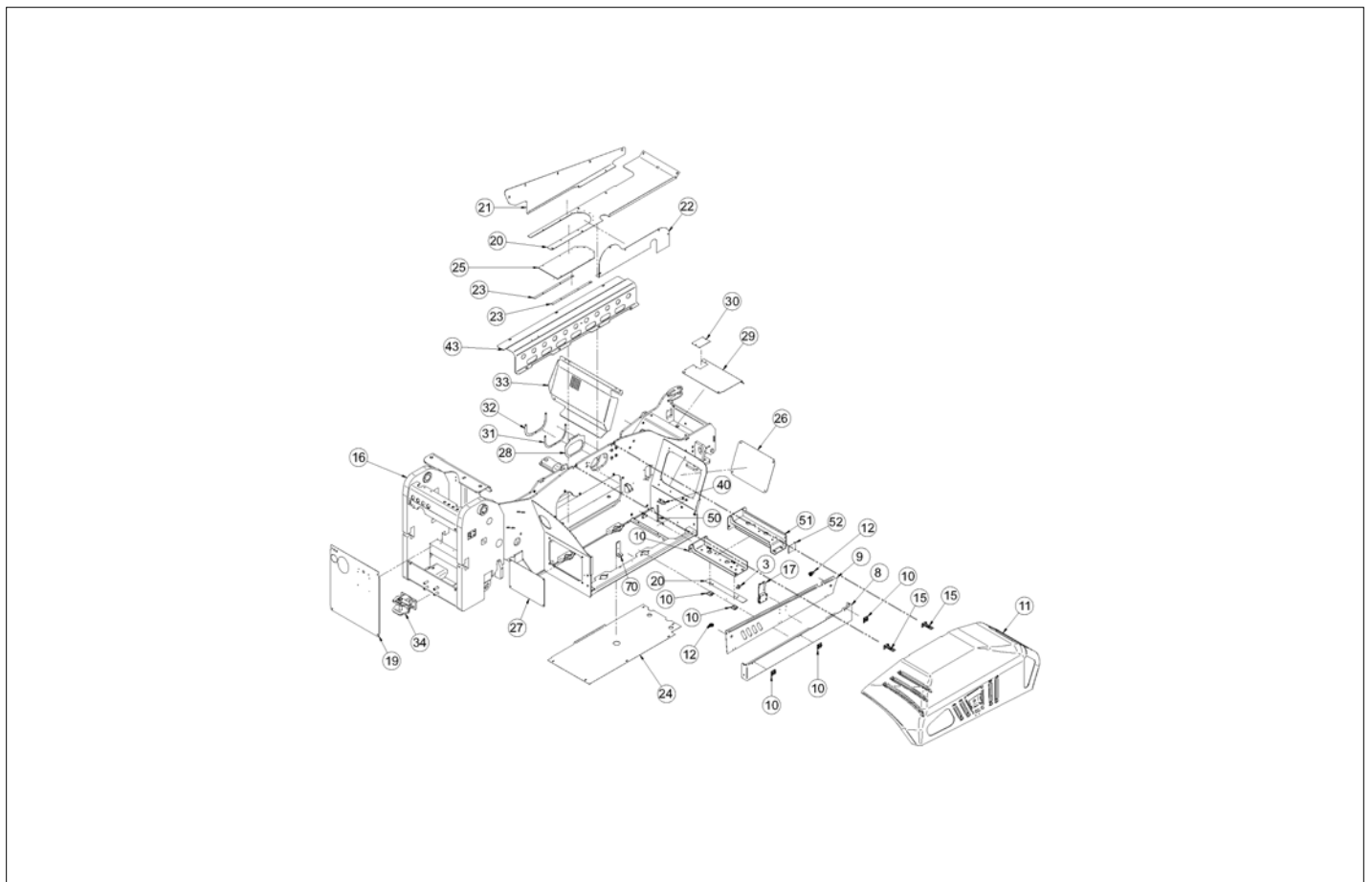
アイテム	部品番号	名前	数量	UOM
20	SN 800106020	HEXAGON HEAD SCREW M6x20 DIN933 GALV. IF	8	EA
21	SN ME09529635	NUMBER PLATE LIGHT	1	EA
22	SN T25059350	REAR CLOSING SHEET FOR FR00 CHASSIS	1	EA
23	SN 122051601	BUTTON HEAD WITH COUNTERSUNK HEX SCREW M5X16 CL 10.9 UNI 7380 ZN	2	EA
24	SN 208001501	BULKHEAD FITTING L15	4	EA
25	SN 208150001	T SHAPED BODY EO F.O. M M 15L	2	EA
26	SN T25059250	ELECTRIC SOCKET FIXING BRACKET FR00	1	EA
27	SN ME65253452	7 POLES SOCKET	1	EA
28	SN 800506040	SOCKET HEAD CAP SCREW M6X40 CL 8.8 DIN 912 GALV.	2	EA
29	SN 122062501	HEX SOCKET SCREW M6X25 CL 10.9 UNI 7380 GALV.	4	EA
30	SN 101061003	SELF LOCKING NUT M6 GALV. DIN 985	4	EA
31	SN ME09088335	REAR BUZZER	1	EA
32	SN T25021750	LIFTING CYL. SAFETY PLATE	1	EA
33	SN 804003012	M12 WASHER DIN125A GALV. 13.0x24x2.5	4	EA
34	SN 804002012	SELF LOCKING NUT HIGH GALV. M12 DIN982	2	EA
35	SN 120121101	HEXAGON HEAD SCREW M12X110 CL 8.8 UNI 5737 GALV.	2	EA
36	SN 804003106	M6 WASHER DIN9021 GALV. 6.4x18x1.6	34	EA
37	SN 111300601	TECHNOPOLYMER FLYWHEEL M6x30	2	EA
38	SN 703250601	MUDGUARD FOR WALLABY	2	EA
39	SN T25060850	MUDGUARD CONNECTION SHEET FR00	4	EA

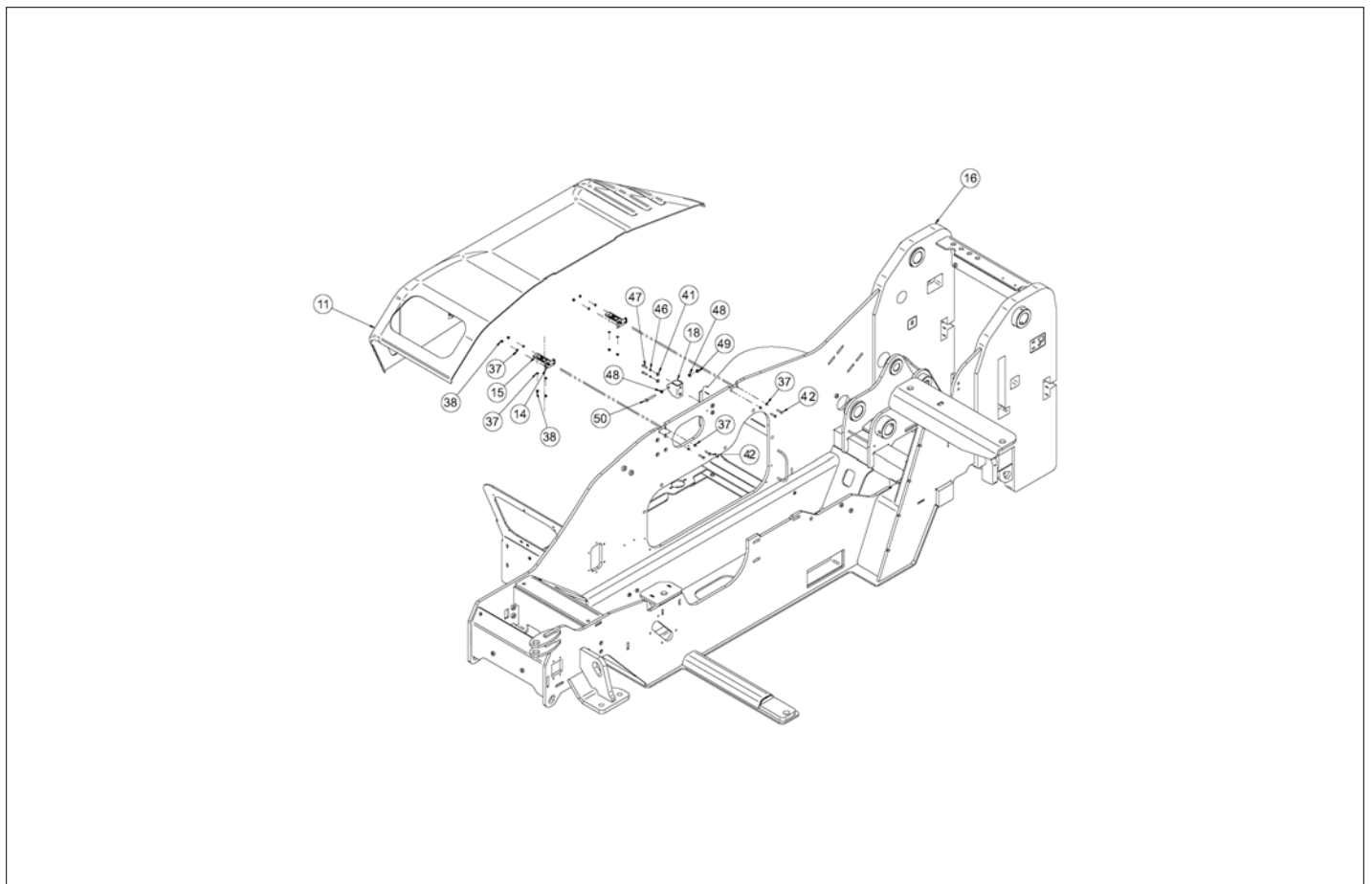
アイテム	部品番号	名前	数量	UOM
40	SN 800106025	HEXAGON HEAD SCREW M6x25 DIN933 GALV. IF	16	EA
41	SN 804003010	M10 WASHER DIN125A GALV. 10.5x20x2	8	EA
42	SN 800110030	HEXAGON HEAD SCREW M10x30 DIN933 GALV. IF	8	EA
43	SN T30025350	FRONT TOW HOOK PIN	1	EA
44	SN 170048501	SPLIT PIN R D5 L78	1	EA
45	SN T28065050	TUBE HOLDER TUBE MIRROR ANT. DX	1	EA
46	SN 130100302	M10X40 ZN WASHER	1	EA
47	SN 804003210	M10 GROWER WASHER UNI7064 GALV.	1	EA
48	SN 120102001	SCREW M10X20 CL 8.8 UNI 5739 ZN	1	EA
49	SN T25065250	FENDER SUPPORT AND ANT DX FR00	1	EA
50	SN T25065350	FENDER SUPPORT AND ANT SX FR00	1	EA
51	SN 125082501	SCREW M8X25 CL 8.8 UNI 5931 ZN	2	EA
52	SN 804003008	M8 WASHER DIN125A GALV. 8.4x16x1.6	4	EA
53	SN 804002008	SELF LOCKING NUT M8 GALV. HIGH DIN982	3	EA
54	SN 704061002	MIRROR SUPPORT	1	EA
55	SN ME09380327	CLAXON	1	EA
56	SN 122082001	HEX SOCKET SCREW M8X20 CL 10.9 UNI 7380 GALV.	1	EA

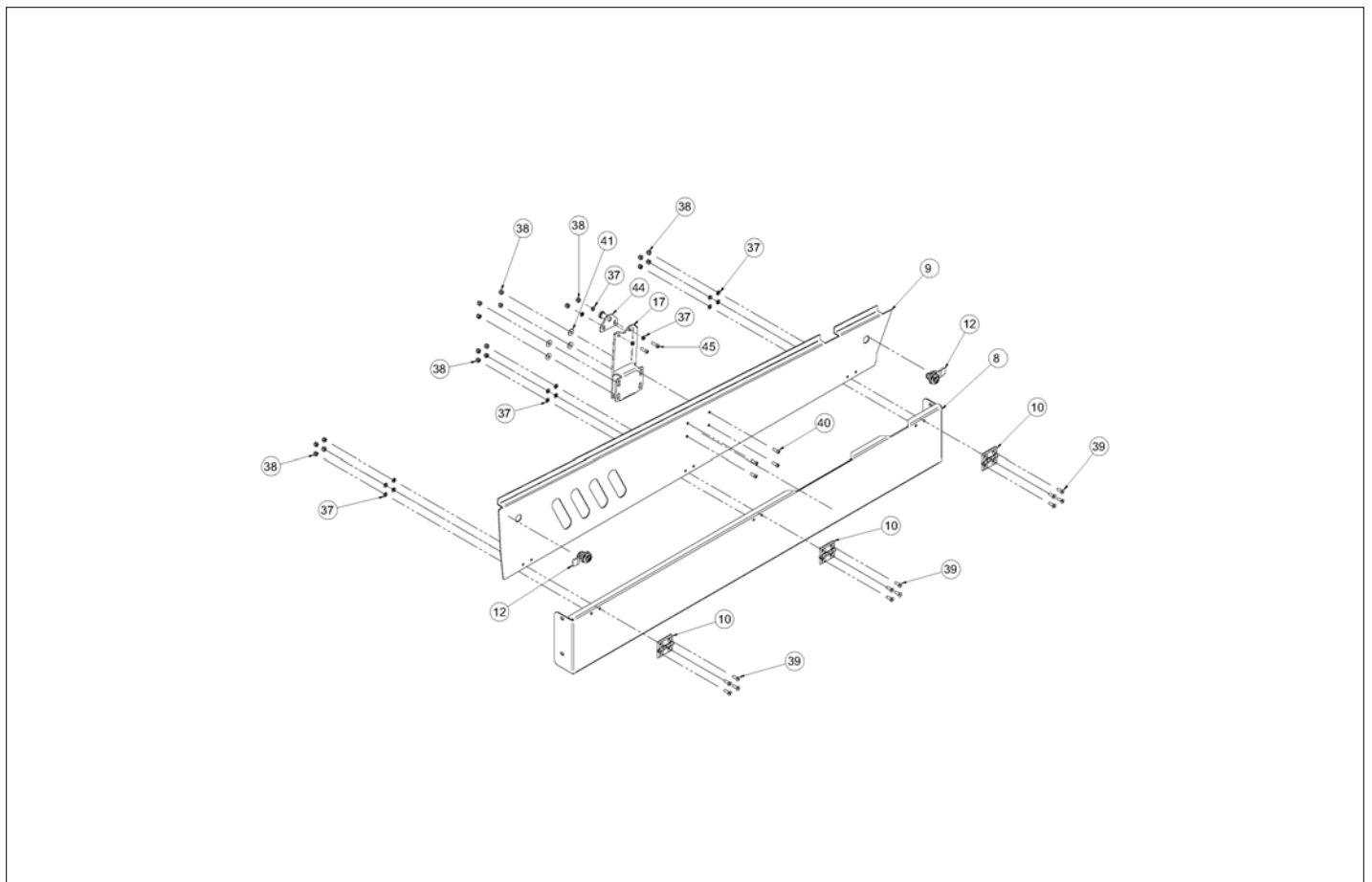


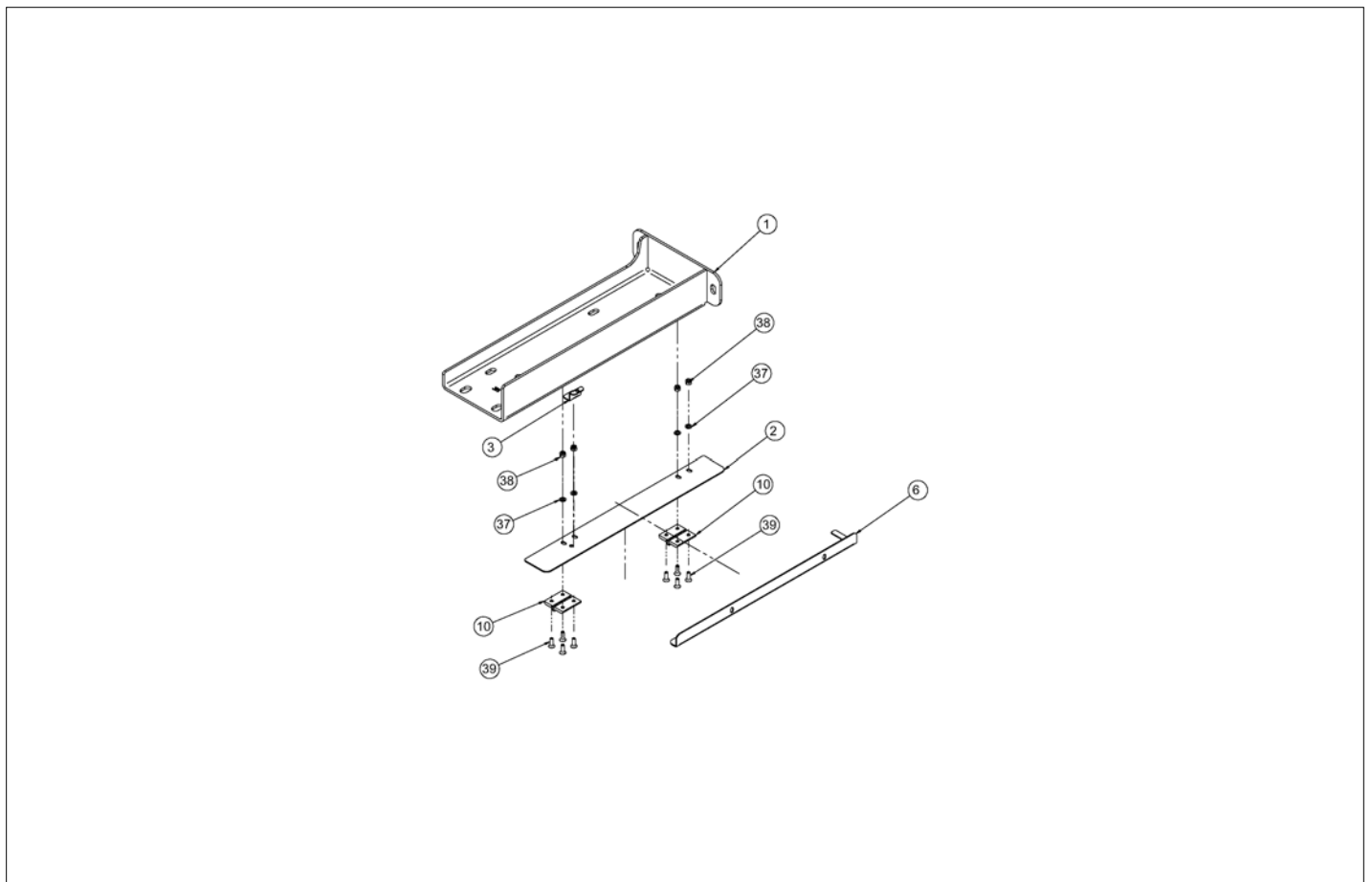
REPAIR PARTS

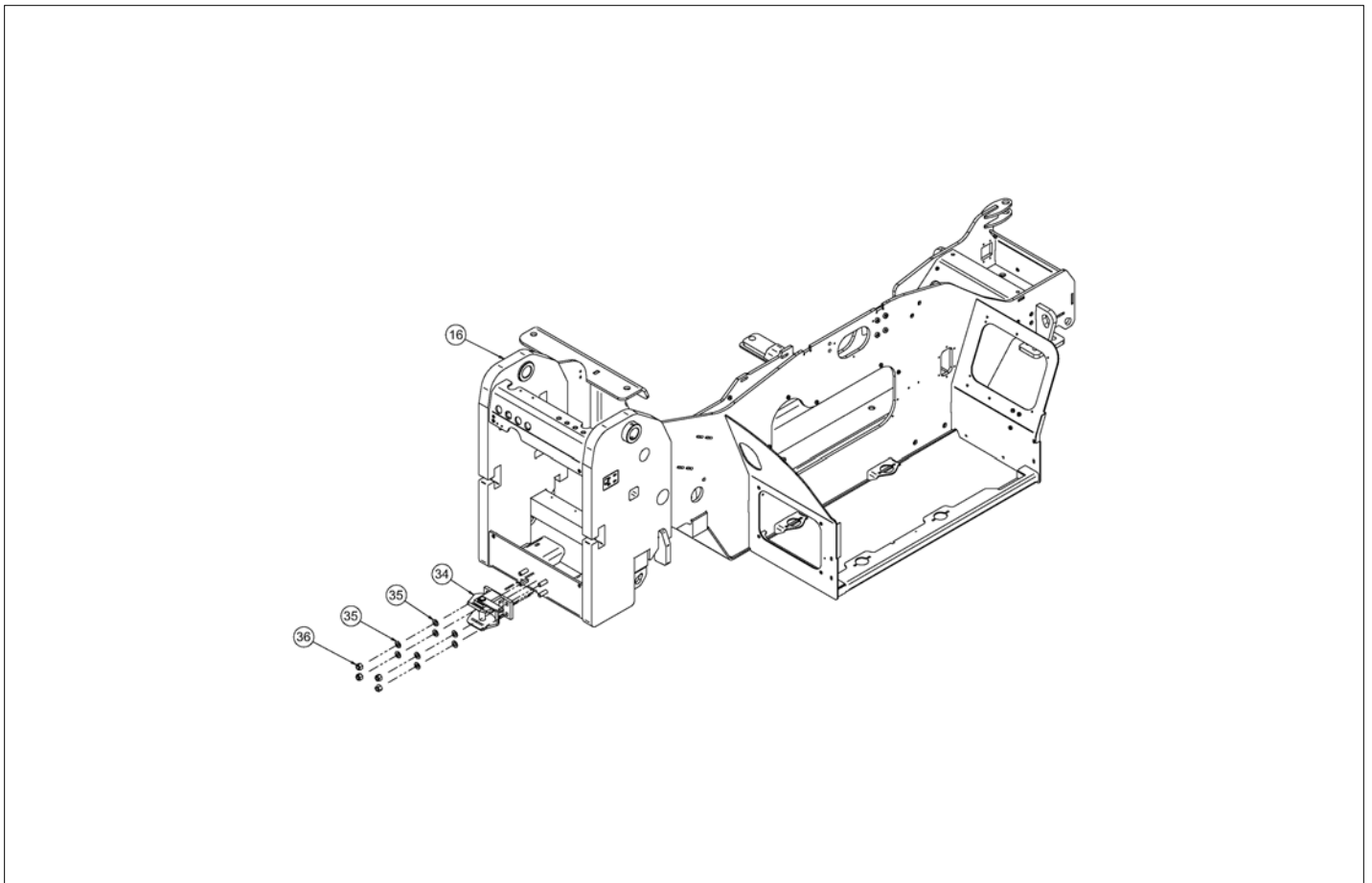












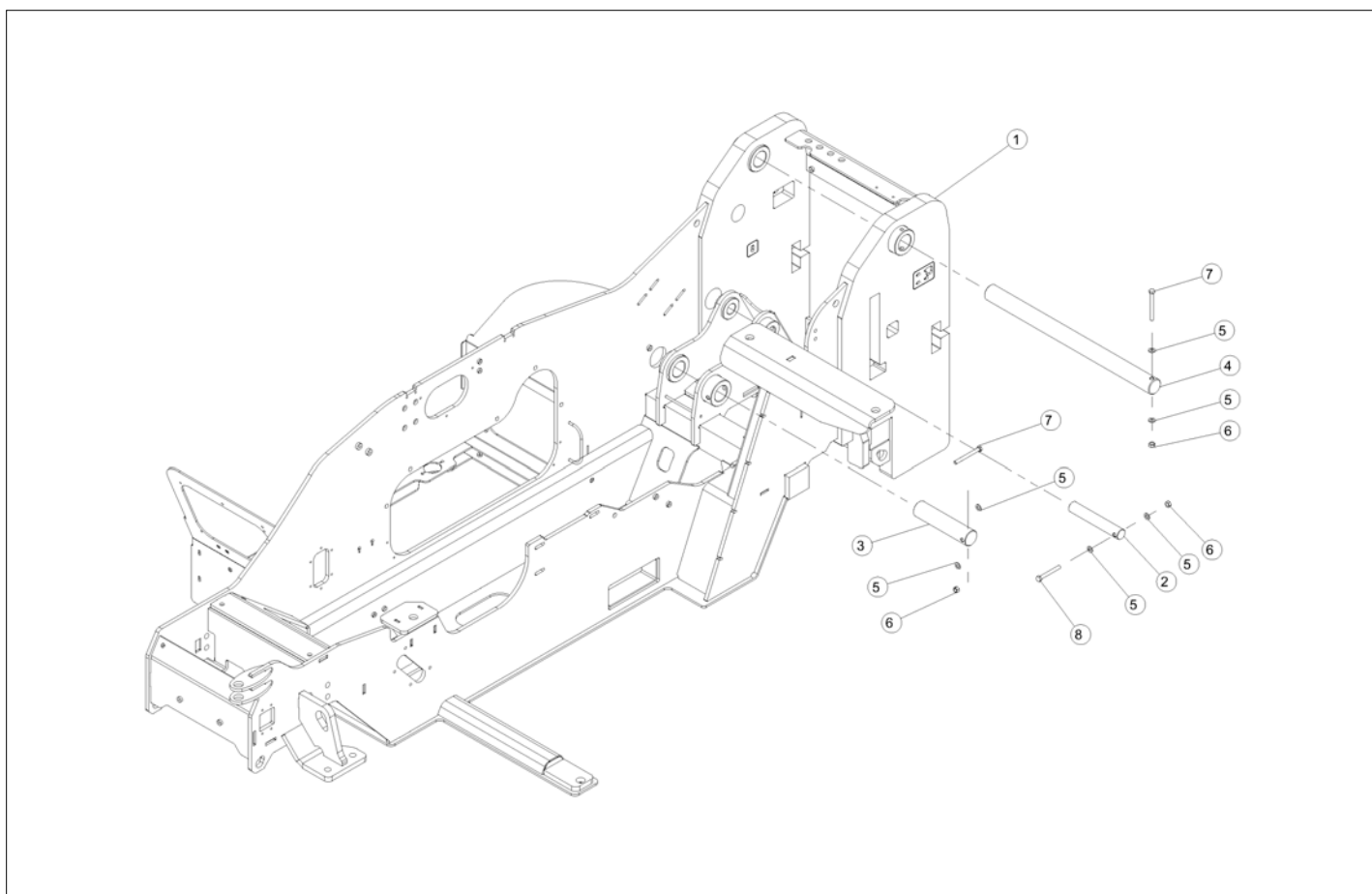
アイテム	部品番号	名前	数量	UOM
	TA2506062A	CHASSIS AND CARTER FR00		EA
1	SN T25058050	RADIATOR SUPPORT BRACKET FR00 IV FINAL	1	EA
2	SN T25056650	RADIATOR COMPARTMENT LOWER EXTENDABLE SHEET FR00	1	EA
3	SN T25056950	CABLE COUPLING OF RADIATOR LOWER COMPARTMENT OPENING FR00	1	EA
4	SN T25056750	LEVER BLOCK OF RADIATOR LOWER COMPARTMENT OPENING FR00	1	EA
5	SN T25057050	RADIATOR LOWER COMPARTMENT OPENING LEVER FR00	1	EA
6	SN T25056850	RADIATOR LOWER COMPARTMENT OPENING STOP FR00	1	EA
7	SN T25056550	DIESEL PUMP SUPPORT BRACKET FOR FR00 FRAME	1	EA
8	SN T25058850	SIDE FIXED SHEET FOR FR00 ENGINE COMPARTMENT	1	EA
9	SN T25058950	SIDE MOBILE SHEET FOR FR00 ENGINE COMPARTMENT	1	EA
10	SN 541102003	ENGINE HOOD COVER HINGE	5	EA
11	SN 710062502	ENGINE PLASTIC HOOD FR00	1	EA
12	SN 523403104	CAM CLOSURE WITH HEX WRENCH	2	EA
13	SN 523403105	CLOSURE CAM SOUTHCO	2	EA
14	SN 414018750	FURGO CAR HINGE	2	EA
15	SN 414018750	FURGO CAR HINGE	2	EA
16	SN 25055550	FR00 CHASSIS WITH DANA AXLES	1	EA
17	SN T25058750	CLOSURE BRACKET FOR HOOD HANDLE FR00	1	EA
18	SN T25059950	SUPPORT BRACKET FOR HOOD GAS SPRING FR00	1	EA

アイテム	部品番号	名前	数量	UOM
19	SN T25059350	REAR CLOSING SHEET FOR FR00 CHASSIS	1	EA
20	SN T25059550	PLATE CLOSING SHEET FR00	1	EA
21	SN T25059750	QUEEN CAB SIDE SHEET FR00	1	EA
22	SN T25059650	ENGINE SITE CLOSING SHEET FR00	1	EA
23	SN T25059850	ALIGNER FOR PLATE RUBBER CLOSURE FR00	2	EA
24	SN T25059450	ENGINE LOWER COMPARTMENT CLOSING SHEET	1	EA
25	SN T25060550	RUBBER SHEET FOR PLATE CLOSING FR00	1	EA
26	SN T25057850	ENGINE COMPARTMENT FRONT DRILLED SHEET FR00	1	EA
27	SN T25058350	PUMP COMPARTMENT CLOSING SHEET FR00	1	EA
28	SN T25056150	AIR FILTER CLOSING SHEET FR00	1	EA
29	SN T25058150	BATTERY CASING FOR FR00 CHASSIS	1	EA
30	SN T25058250	BATTERY POLES CASING FOR FR00 CHASSIS	1	EA
31	SN T25056350	SPACER FOR FILTER GRILLE LOCK FR00	1	EA
32	SN T25056250	FILTER GRILLE LOCKING FRAME FR00	1	EA
33	SN T24018250	KINGCAB LOWERED FRONT CASING	1	EA
34	SN 501000601	REAR TOWING HOOK 6000KG	1	EA
35	SN 804003018	M18 WASHER DIN125A GALV. 19.0x34x3.0	8	EA
36	SN 804002018	SELF LOCKING NUT M18 GALV. HIGH DIN982	4	EA
37	SN 804003006	M6 WASHER DIN125A GALV. 6.4x12x1.6	32	EA
38	SN 804002006	SELF LOCKING NUT M6 GALV. HIGH DIN982	30	EA



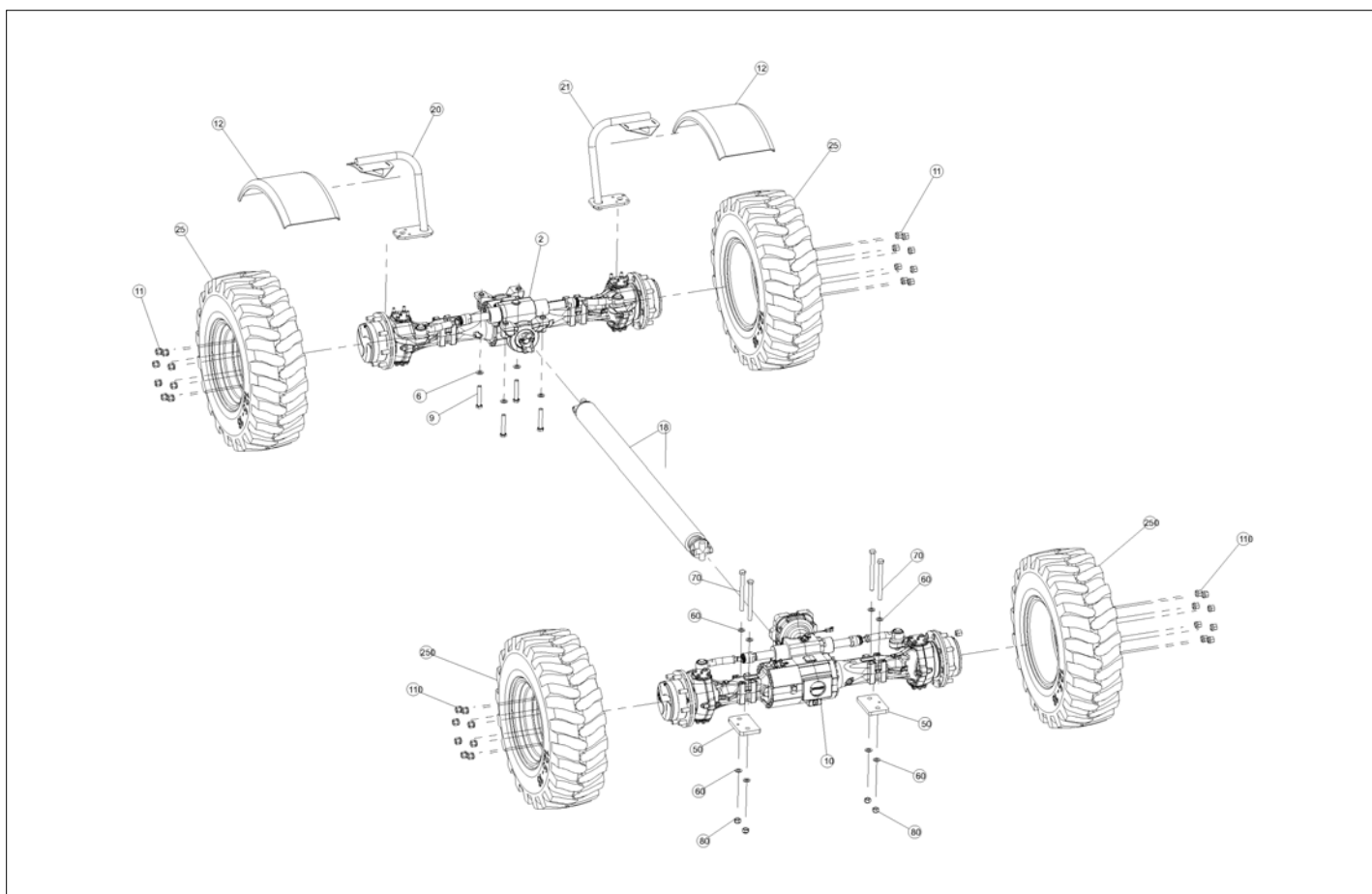
アイテム	部品番号	名前	数量	UOM
39	SN 801706020	HEX SOCKET COUNTERSUNK FLAT HEAD CAP SCREW M6x20 CL8.8 DIN7991 GALV.	20	EA
40	SN 122061601	HEX SOCKET SCREW M6X16 CL 10.9 UNI 7380 GALV.	4	EA
41	SN 804003106	M6 WASHER DIN9021 GALV. 6.4x18x1.6	6	EA
42	SN 800106030	HEXAGON HEAD SCREW M6x30 DIN933 GALV. IF	4	EA
43	SN T25059050	CARDAN COVER SHEET FR00	1	EA
44	SN T25063050	ALIGNER FOR HOOD CLOSURE FR00	1	EA
45	SN 122062001	HEX SOCKET SCREW M6X20 CL 10.9 UNI 7380 GALV.	2	EA
46	SN 804003206	M6 GROWER WASHER UNI7064 GALV. 6.1x11.8x3.2	2	EA
47	SN 122062501	HEX SOCKET SCREW M6X25 CL 10.9 UNI 7380 GALV.	2	EA
48	SN 804003008	M8 WASHER DIN125A GALV. 8.4x16x1.6	2	EA
49	SN 804002008	SELF LOCKING NUT M8 GALV. HIGH DIN982	1	EA
50	SN 120086001	HEXAGON HEAD SCREW M8X60 CL 8.8 UNI 5739 GALV.	1	EA
51	SN T25062350	RADIATOR SUPPORT BRACKET FR00 IIIA	1	EA
52	SN T25062650	EXCHANGER L SEAL FR00 IIIA	1	EA
53	SN 710062551	LOCK FOR BONNET FR00	1	EA

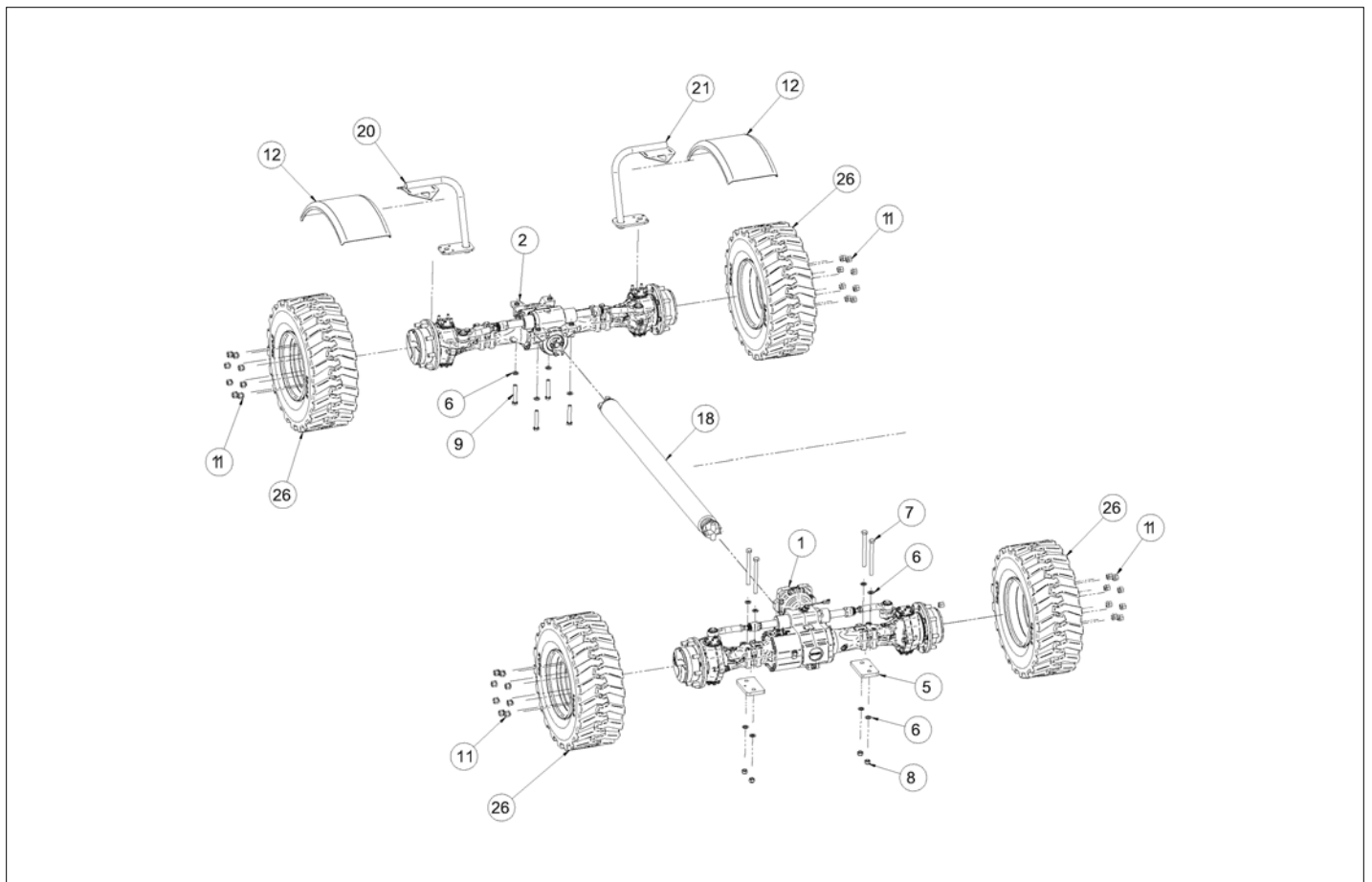
REPAIR PARTS

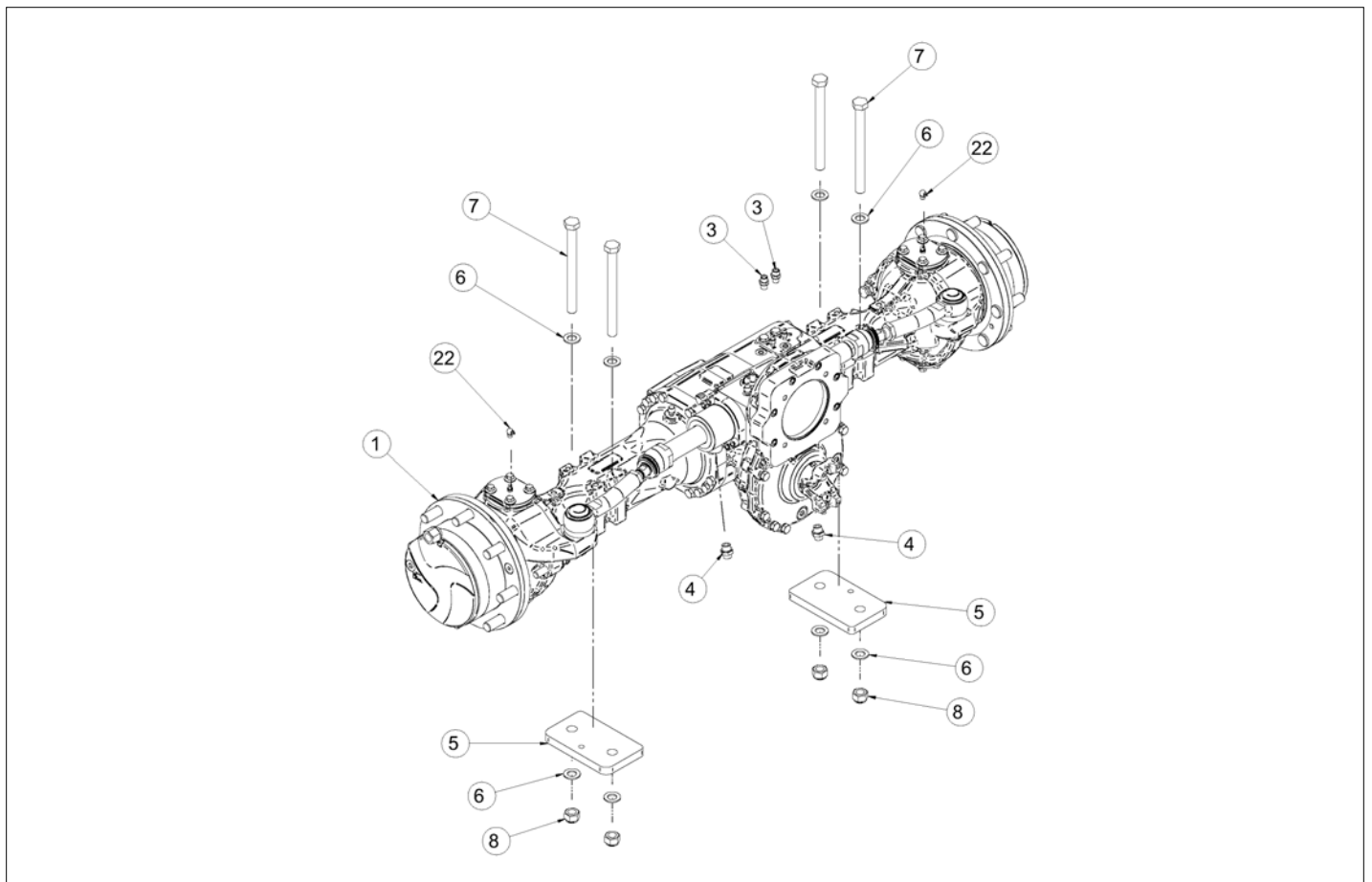


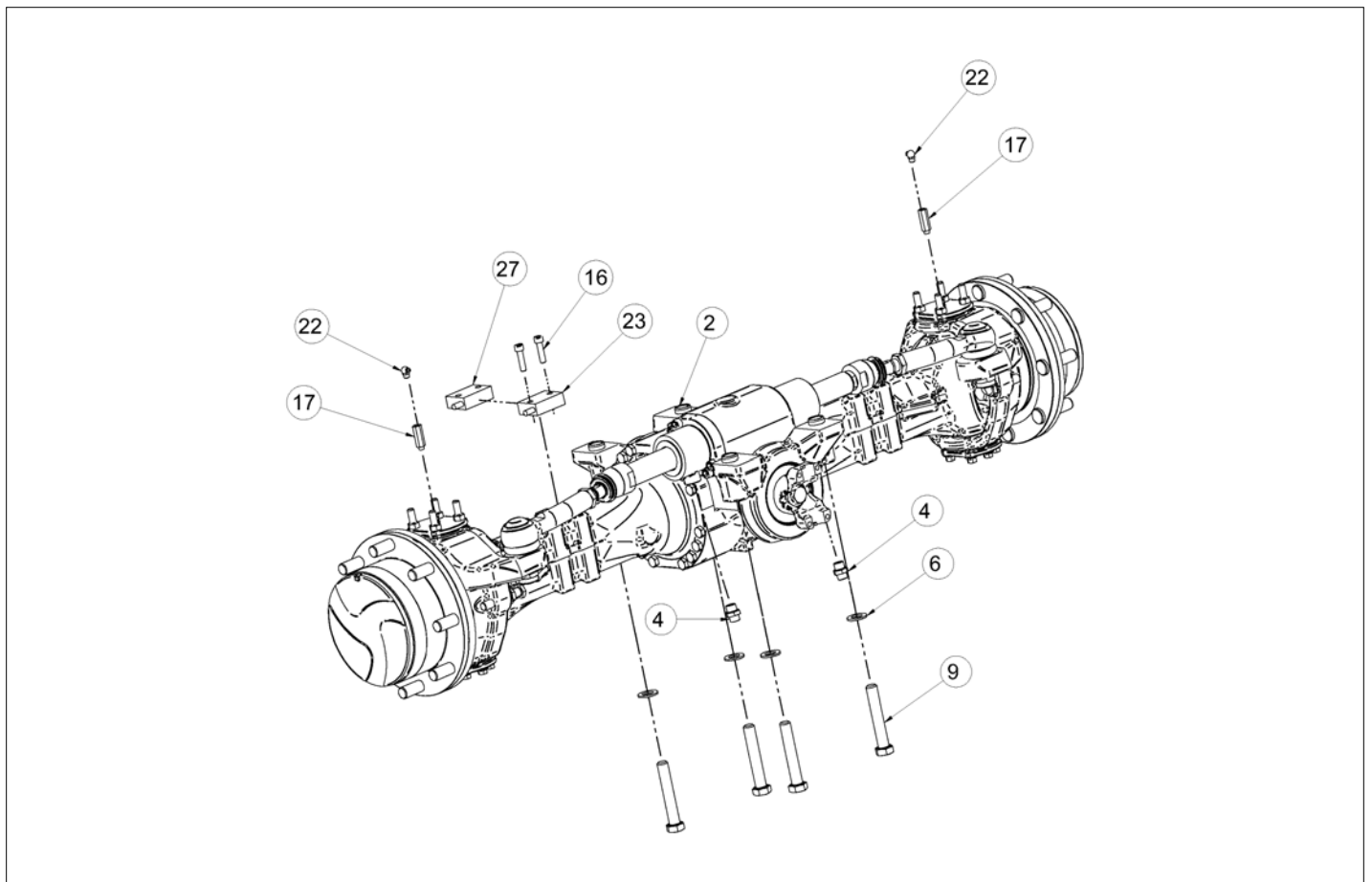
アイテム	部品番号	名前	数量	UOM
	TA2056064B	ARM PINS FR00		EA
1	SN T25055550	FR00 CHASSIS WITH DANA AXLES	1	EA
2	SN T24002250	PIN Ø40 L245 W/HOLE Ø13	1	EA
3	SN T24002750	PIN Ø60 L260 W/HOLE Ø13	1	EA
4	SN T24017050	PIN Ø60 L824 W/ THROUGH HOLE Ø13	1	EA
5	SN 804003012	M12 WASHER DIN125A GALV. 13.0x24x2.5	6	EA
6	SN 804002012	SELF LOCKING NUT HIGH GALV. M12 DIN982	3	EA
7	SN 800212120	HEXAGON HEAD SCREW M 12x120 DIN931 GALV.	2	EA
8	SN 800112100	HEXAGON HEAD SCREW M12x100 DIN933 GALV. IF	1	EA

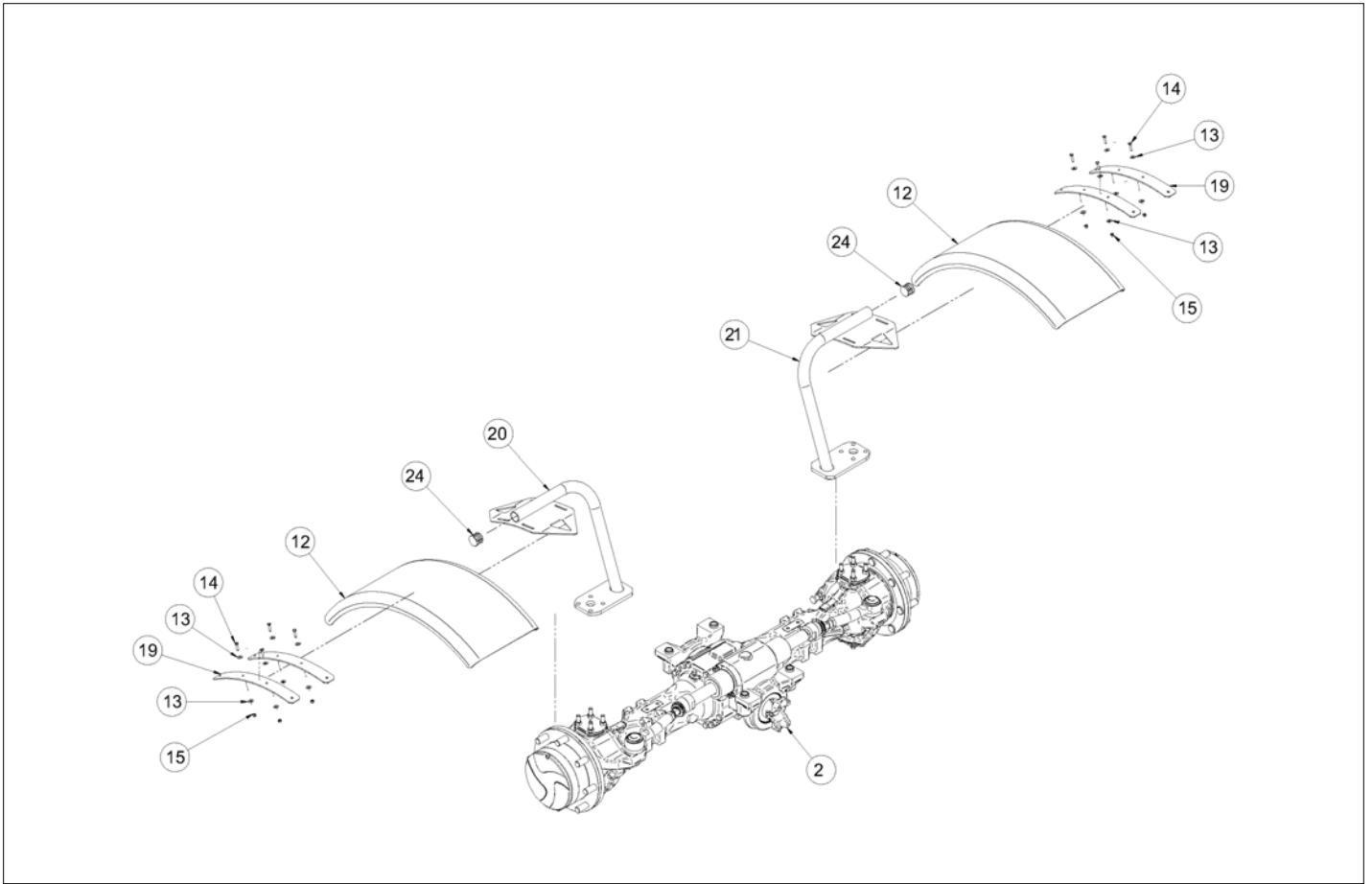
REPAIR PARTS



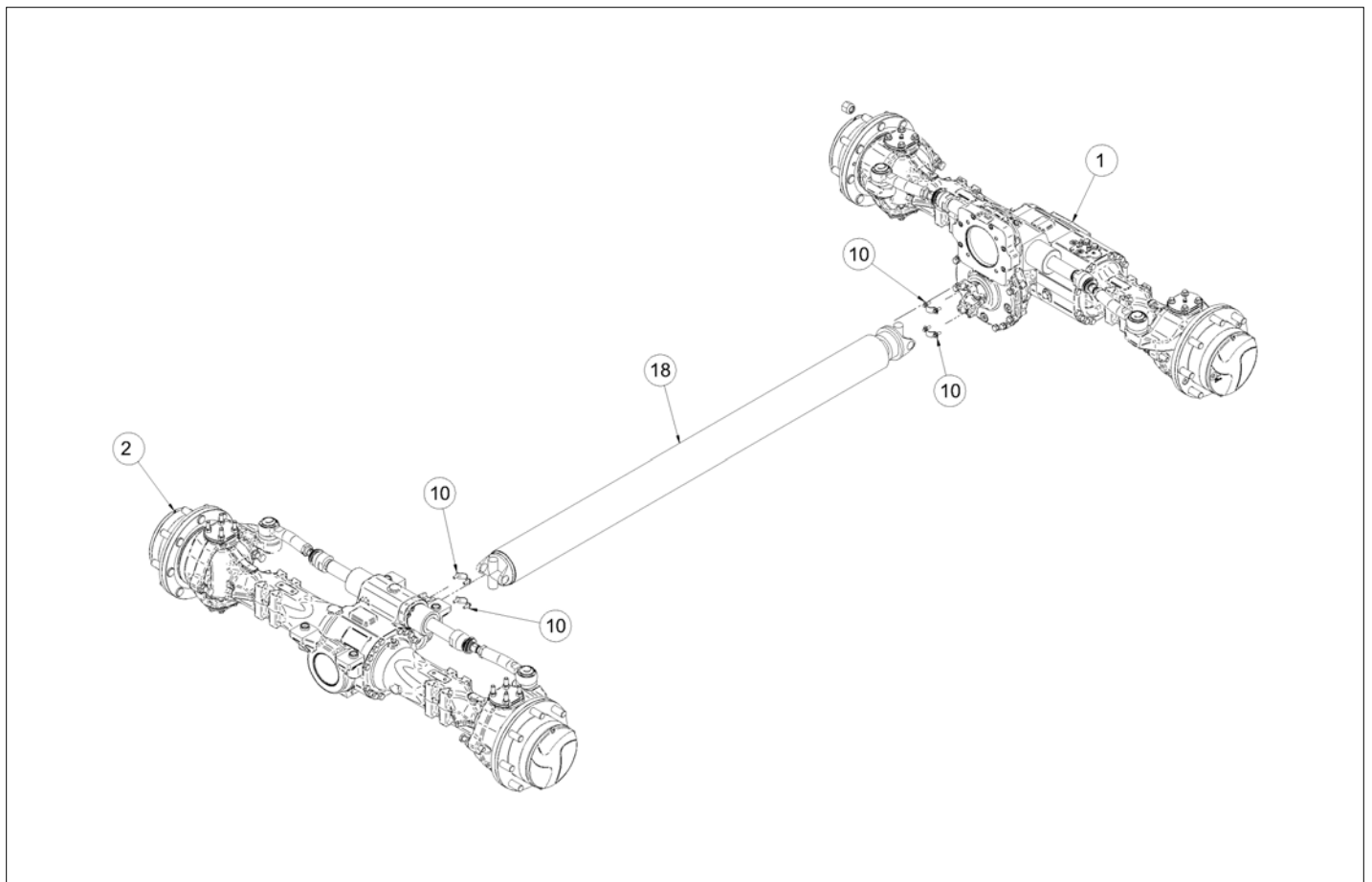








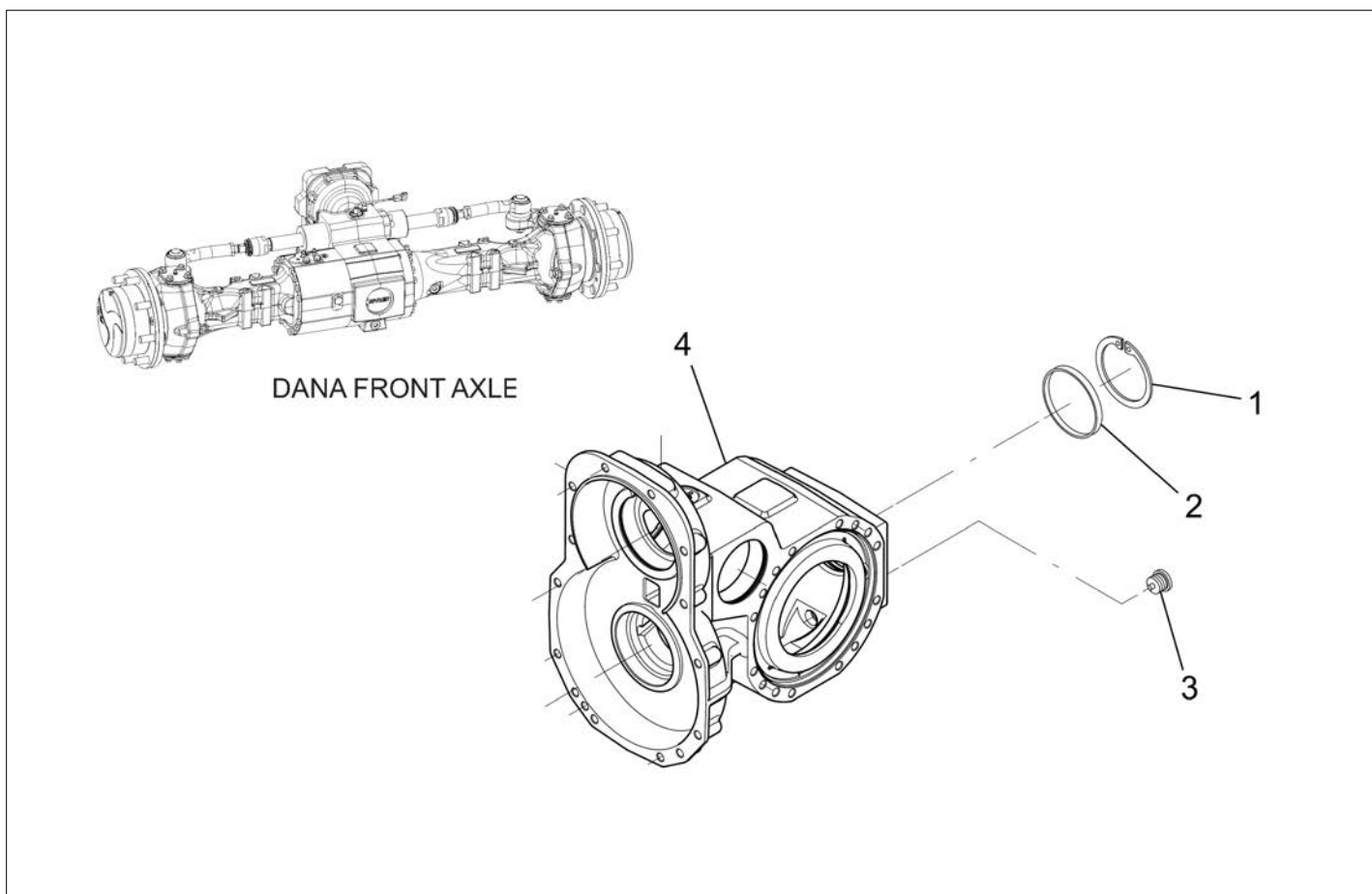




アイテム	部品番号	名前	数量	UOM
Not Shown	TA2506065A	TRANSMISSION FR00		EA
1	SN 610211002	DANA FRONT AXLE OIL KG 4,8	1	EA
2	SN 610211001	OSCILLATING AXLE DANA	1	EA
3	SN 609036350	SEALING END BODY 10L * 14X1.5 ISO 6149	2	EA
4	SN 210121800	STRAIGHT FITTING M M M18 L12	4	EA
5	SN T24000155	RIGHT AXLE CONN. PLATE	2	EA
6	SN 804003020	M20 WASHER DIN125A GALV. 21.0x37x3.0	12	EA
7	SN 800220230	HEXAGON HEAD SCREW M20x230 DIN931 GALV.	4	EA
8	SN 804002020	SELF LOCKING NUT M20 GALV. HIGH DIN982	4	EA
9	SN 802220120	HEX HEAD SCREW M20X120 CL 10.9 DIN 931 ZN	4	EA
10	SN 611181502	SPIDER FASTENING KIT	4	EA
11	SN 610021197	AXLE BALL SEAT NUT 211/70	32	EA
12	SN 703250601	MUDGUARD FOR WALLABY	2	EA
13	SN 804003106	M6 WASHER DIN9021 GALV. 6.4x18x1.6	16	EA
14	SN 800106025	HEXAGON HEAD SCREW M6x25 DIN933 GALV. IF	8	EA
15	SN 804002006	SELF LOCKING NUT M6 GALV. HIGH DIN982	8	EA
16	SN 125104002	SOCKET HEAD CAP SCREW M10X40 CL 12.9 DIN 912 GEO321	2	EA
17	SN 212181840	EXTENSION M GAS F GAS 1/8" * 1/8" H=40	2	EA
18	SN 611185902	CARDAN L 1833 2600 RPM 72MM TRAVEL	1	EA
19	SN T25060850	MUDGUARD CONNECTION SHEET FR00	4	EA
20	SN ST25060050	REAR RIGHT MUDGUARD SUPPORT FR00	1	EA

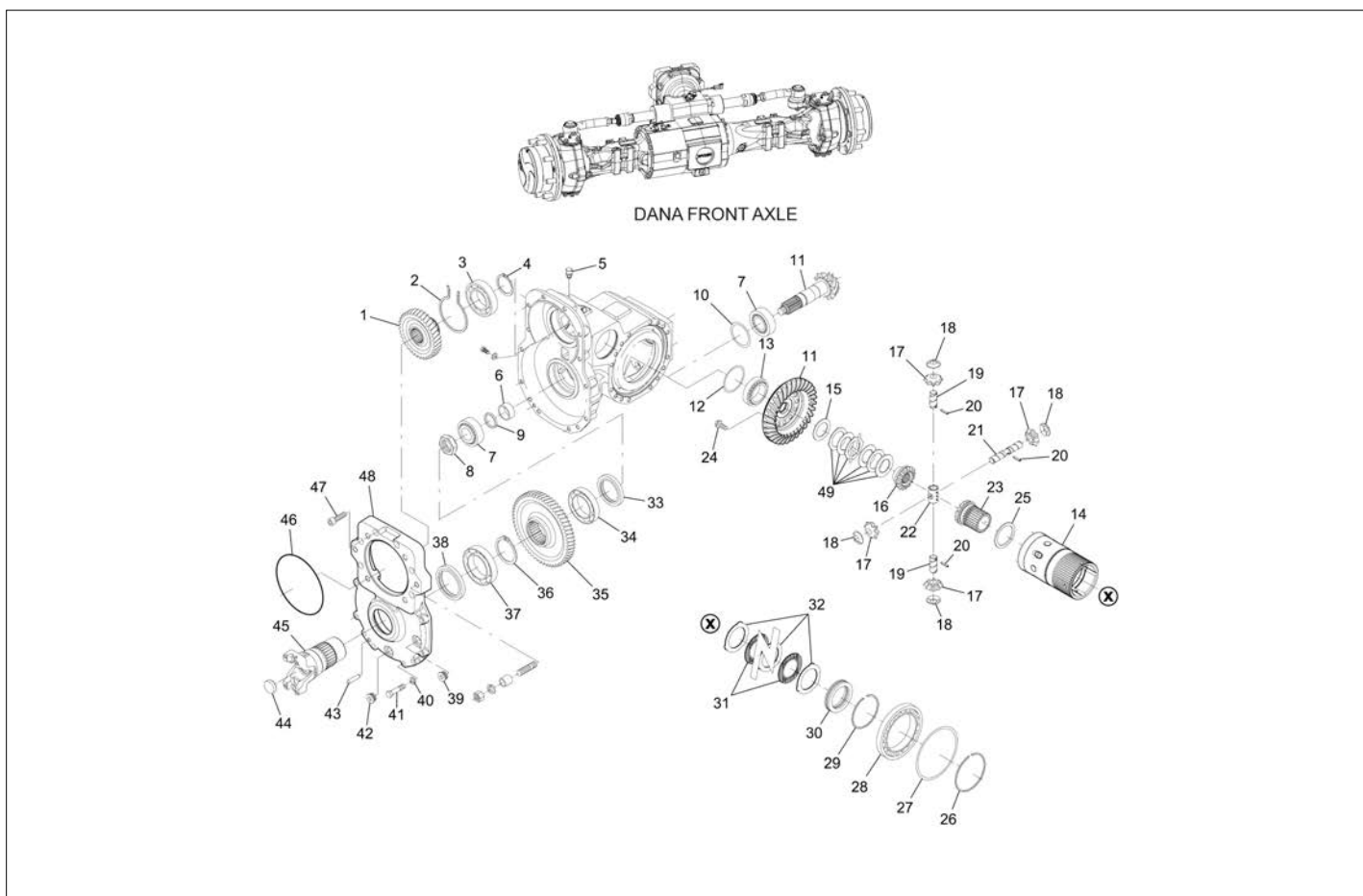
アイテム	部品番号	名前	数量	UOM
21	SN ST25060750	REAR LEFT MUDGUARD SUPPORT FR00	1	EA
22	SN 804801802	GEAR 1/8" G 90 °	4	EA
23	SN SME09845970	VISHAY LOAD CELL	1	EA
24	SN 701004001	ROUND FINNED CAP IN POLYETHYLENE D.40	2	EA
25	SN 510180103	WHEEL 12.5 18TL MPT 01 OFFSET 10 K18S525	4	EA
26	SN 510160002	TIRE/WHEEL ASSEMBLY AIR FILLED	4	EA
Not Shown	SN 510160002 FOAM	TIRE/WHEEL ASSEMBLY ASSEMBLY FOAM FILLED SNORKEL WHITE	4	EA
27	SN SME09764892	REVISION LOAD CELL B 1.01	1	EA

REPAIR PARTS



アイテム	部品番号	名前	数量	UOM
	601211002 1	DANA FRONT AXLE		EA
1	SN 414102156	AXLE CIRCLIP 357/211/296	1	EA
2	SN 414102154	AXLE CAP 357/211/296	1	EA
3	SN 610021151	MAGNETIC CAP 211/70	1	EA
4	SN 610060351	AXLE BOX 603/211/78	1	EA

REPAIR PARTS



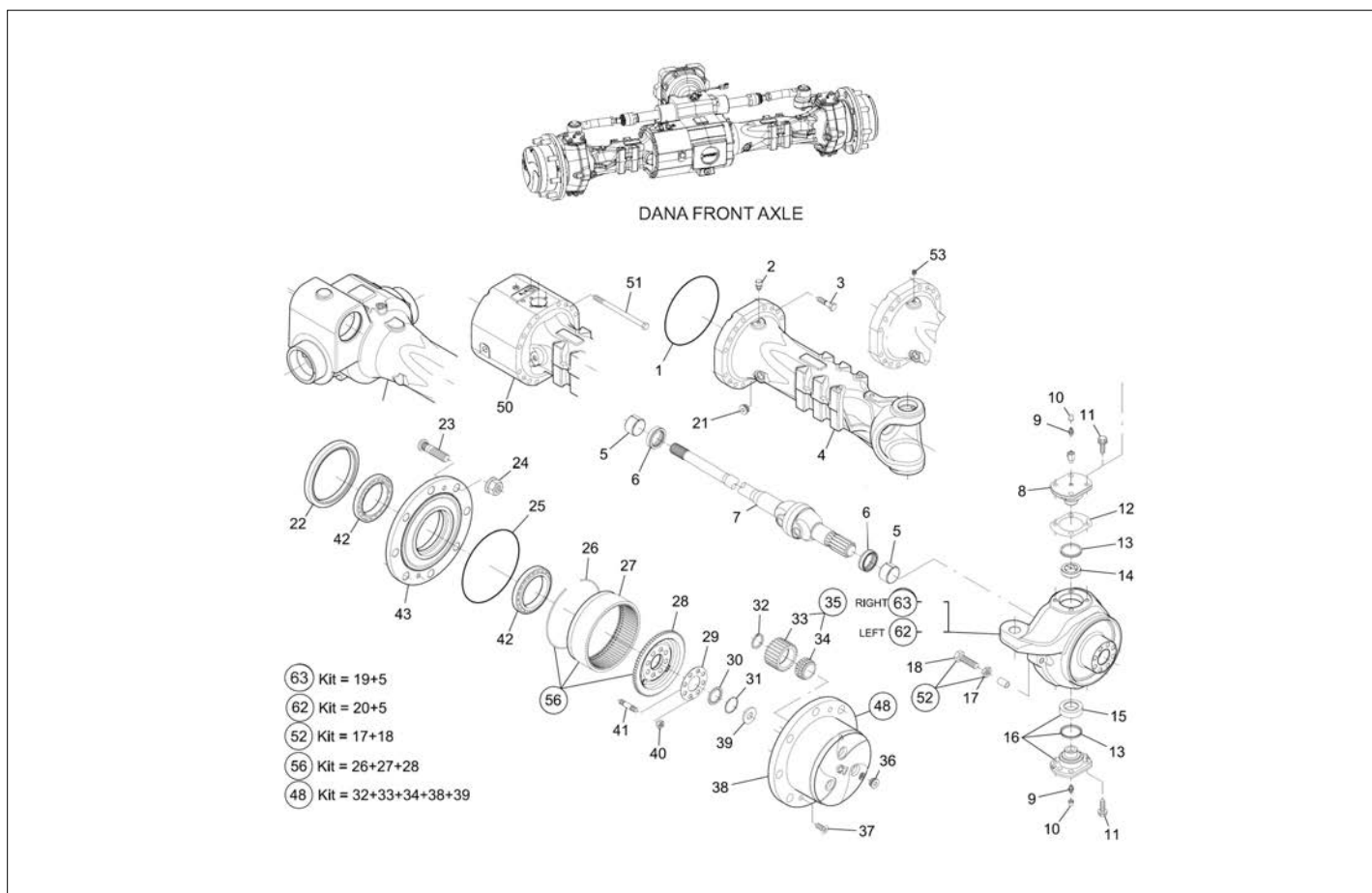
アイテム	部品番号	名前	数量	UOM
	610211002 2	DANA FRONT AXLE		EA
1	SN 610211055	DANA AXLE GEAR 603.97.211.105	1	EA
2	SN 610060353	AXLE CIRCLIP 603/211/78	1	EA
3	SN 610060354	AXLE BALL BEARING 603/211/78	1	EA
4	SN 610060355	AXLE CIRCLIP 603/211/78	1	EA
5	SN 610002151	AXLE VENT CAP 212/768	1	EA
6	SN 610021155	AXLE SPACER 211/70	1	EA
7	SN 610021153	AXLE BEARING 211/70	2	EA
8	SN 610060304	AXLE DIFFERENTIAL RING DANA 610060301	1	EA
9	SN 610211056	DANA AXLE RINGS KIT	1	EA
9.1	SN 610021159	AXLE RING 211/70	1	EA
9.2	SN 610021160	AXLE RING 211/70	1	EA
10	SN 610211057	DANA AXLE SPACERS KIT	1	EA
10.1	SN 610021156	AXLE SPACER 211/70	1	EA
10.2	SN 610021157	AXLE SPACER 211/70	1	EA
10.3	SN 610021158	AXLE SPACER 211/70	1	EA
11	SN 610060356	AXLE CONICAL TORQUE 603/211/78	1	EA
12	SN 610211065	DANA AXLE SPACERS KIT	1	EA
12.1	SN 610021163	AXLE SPACER 211/70	1	EA
12.2	SN 610021164	AXLE SPACER 211/70	1	EA
12.3	SN 610021165	AXLE SPACER 211/70	1	EA
12.4	SN 610021166	AXLE SPACER 211/70	1	EA
13	SN 610021167	AXLE TAPERED ROLLER BEARING 211/70	1	EA
14	SN 610211059	DANA AXLE DIFFERENTIAL BOX	1	EA
15	SN 610021169	AXLE SHIM WASHER 211/70	1	EA
16	SN 610060358	AXLE RING WHEEL 603/211/78	1	EA
17	SN 610021171	AXLE SATELLITE 211/70	4	EA

アイテム	部品番号	名前	数量	UOM
18	SN 610021172	AXLE SHIM WASHER 211/70	4	EA
19	SN 610021173	AXLE PIN 211/70	2	EA
20	SN 610021174	DOWEL FOR AXIS 211/70	3	EA
21	SN 610021175	AXLE PIN 211/70	1	EA
22	SN 610021176	SPIDER CROSS 211/70	1	EA
23	SN 610021177	AXLE RING WHEEL 211/70	1	EA
24	SN 610021162	AXLE SCREW 211/70	12	EA
25	SN 610021178	AXLE SHIM WASHER 211/70	1	EA
26	SN 610060360	AXLE CIRCLIP 603/211/78	1	EA
27	SN 610211060	DANA AXLE SPACERS KIT	1	EA
27.1	SN 610021183	AXLE SPACER 211/70	1	EA
27.2	SN 610021184	AXLE SPACER 211/70	1	EA
27.3	SN 610021185	AXLE SPACER 211/70	1	EA
28	SN 41410215J	TAPERED TORQUE BEARING FOR 357/212/396	1	EA
29	SN 610021182	AXLE CIRCLIP 211/70	1	EA
30	SN 610021181	AXLE BEARING 211/70	1	EA
31	SN 610021179	AXLE CLUTCH DISC 211/70	7	EA
32	SN 610021180	INTERMEDIATE AXLE CLUTCH DISC 211/70	8	EA
33	SN 610001206	SEALING RING FOR DANA AXLE DIFFERENTIAL	1	EA
34	SN 610060361	AXLE BALL BEARING 603/211/78	1	EA
35	SN 610060362	AXLE GEAR 603/211/78	1	EA
36	SN 610060363	AXLE CIRCLIP 603/211/78	1	EA
37	SN 610060364	AXLE BALL BEARING 603/211/78	1	EA
38	SN 610060365	AXLE RETAINING RING 603/211/78	1	EA
39	SN 610021195	AXLE CAP 211/70	1	EA



アイテム	部品番号	名前	数量	UOM
40	SN 61021206H	ELASTIC AXLE WASHER 311/212	8	EA
41	SN 610211061	DANA AXLE SCREW	8	EA
42	SN 610021151	MAGNETIC CAP 211/70	1	EA
43	SN 610060367	AXLE DOWEL 603/211/78	1	EA
44	SN 610060368	AXLE CAP 603/211/78	1	EA
45	SN 610060369	AXLE FLANGE 603/211/78	1	EA
46	SN 610211062	DANA AXLE O RING	1	EA
47	SN 61002116G	AXLE SCREW 211/70	6	EA
48	SN 610211063	DANA AXLE COVER	1	EA
49	SN 10060373	AXLE CLUTCH DISC 603/211/78	1	EA

REPAIR PARTS

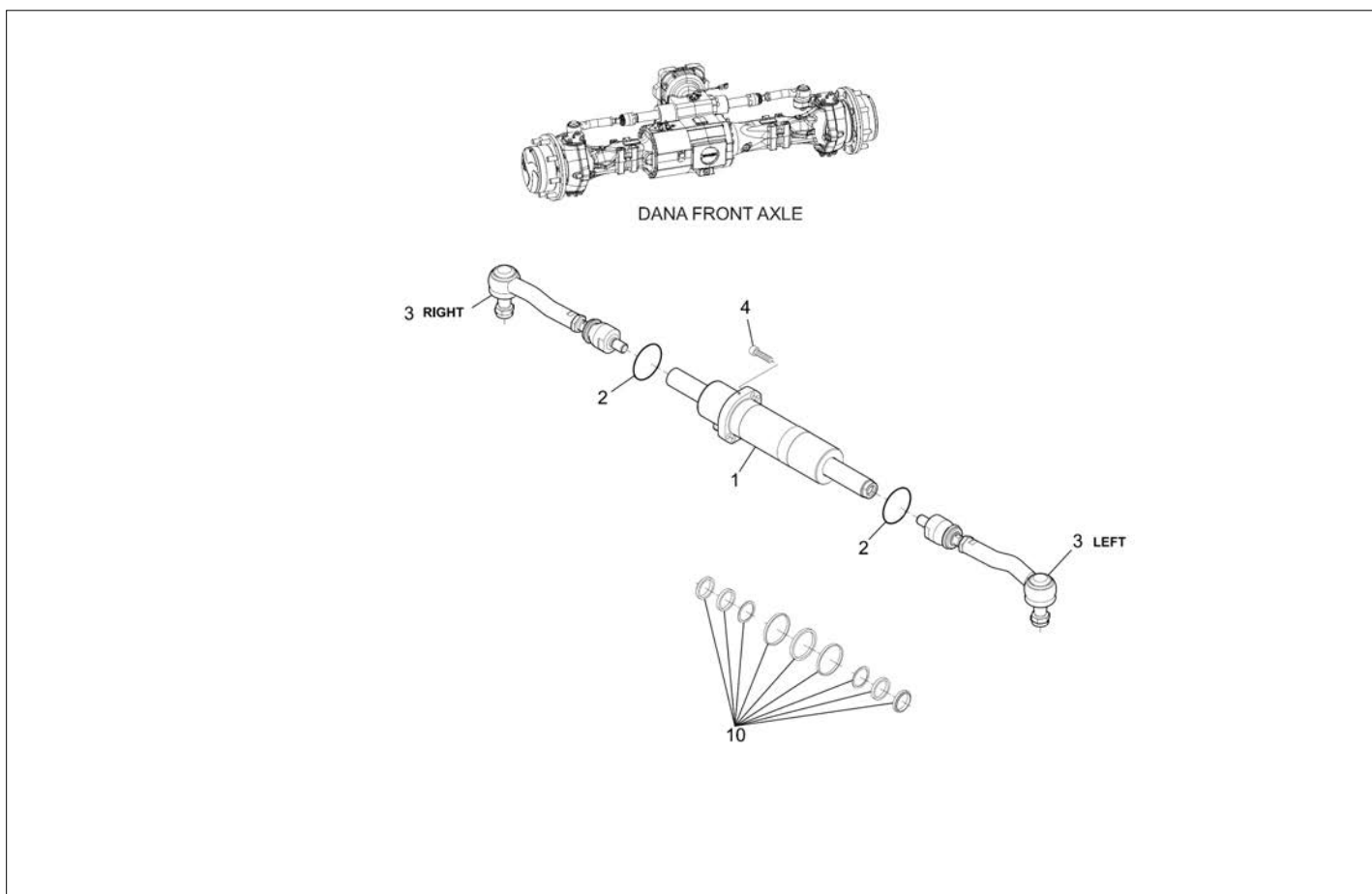


アイテム	部品番号	名前	数量	UOM
	620611002 3	DANA FRONT AXLE		EA
1	SN 610021187	AXLE O RING 211/70	2	EA
2	SN 610002151	AXLE VENT CAP 212/768	1	EA
3	SN 610211064	DANA AXLE SCREW	16	EA
4	SN 610060374	AXLE ARM 603/211/78	1	EA
5	SN 621060001	AXLE SLEEVE DANA 211/70	2	EA
6	SN 621060101	AXLE RETAINING RING DANA	4	EA
7	SN 610211077	CARDAN DOUBLE JOINT DANA 211.105	2	EA
8	SN 621061201	AXLE JOINT PIN	2	EA
9	SN 610021301	DANA GREASER	4	EA
10	SN 610701501	DANA AXLE PURGE CAP	4	EA
11	SN 414102182	SCREW FOR AXLE 357/212/396	20	EA
12	SN 610211058	DANA AXLE SPACERS KIT	1	EA
12.1	SN 610021190	RIGHT AXLE SPACER 211/70	2	EA
12.2	SN 610021191	AXLE SPACER 211/70	2	EA
12.3	SN 621061301	DANA AXLE SPACER 211	2	EA
13	SN 610601901	RETAINING RING DANA	2	EA
14	SN 621060601	AXLE BUSHING DANA	2	EA
15	SN 610602801	DANA AXLE JOINT	2	EA
16	SN 621067001	DANA AXLE JOINT PIN	2	EA
17	SN 41410216G	AXLE NUT 357/212/396	4	EA
18	SN 41410216F	SCREW FOR AXLE 357/212/396	4	EA
21	SN 610021195	AXLE CAP 211/70	1	EA
22	SN 610211066	DANA AXLE SEALING RING	2	EA
23	SN 610607407	AXLE STRUT DANA	16	EA
24	SN 610021197	AXLE BALL SEAT NUT 211/70	16	EA
25	SN 610051178	SATELLITE HOLDER O RING DANA 6.28	2	EA
26	SN 610063193	AXLE CIRCLIP DANA	2	EA

アイテム	部品番号	名前	数量	UOM
27	SN 610600504	AXLE GEAR RING DANA	2	EA
28	SN 610600502	DANA CROWN HOLDER SUPPORT	2	EA
29	SN 610021198	AXLE SAFETY SHEET 211/70	2	EA
30	SN 610021199	AXLE SPACER 211/70	2	EA
31	SN 610147001	CIRCLIP	2	EA
32	SN 61002115A	AXLE CIRCLIP 211/70	6	EA
33	SN 610211067	DANA AXLE SATELLITE (PLAN.) 211.105	6	EA
34	SN 610211068	DANA AXLE BEARING 603.97.211.105	6	EA
35	SN 610211069	DANA AXLE SATELLITE KIT 603.97.211.10	6	EA
36	SN 610161001	AXLE SATELLITE HOLDER CAP 357/212/296	2	EA
37	SN 610060442	AXLE COUNTERSUNK HEAD SCREW FOR PLANETARY CARRIER DANA	4	EA
38	SN 61002115D	AXLE SATELLITE SUPPORT 211/70	2	EA
39	SN 61002115E	AXLE SHIM WASHER 211/70	2	EA
40	SN 610211070	DANA AXLE NUT	16	EA
41	SN 610211071	DANA AXLE DOWEL	16	EA
42	SN 61002115F	AXLE BEARING 211/70	4	EA
43	SN 610601001	DANA WHEEL HUB	2	EA
48	SN 61002115J	AXLE SATELLITE SUPPORT 211/70	2	EA
50	SN 610060376	AXLE ARM 603/211/78	1	EA
51	SN 610211072	DANA AXLE SCREW	16	EA
52	SN 610671101	DANA STEERING LOCK SCREW	4	EA
53	SN 610211073	DANA AXLE CLOSURE SCREW	2	EA
56	SN 61002115M	AXLE CROWN HOLDER SUPPORT 211/70	2	EA
62	SN 610021193	AXLE JOINT BOX 211/70	1	EA

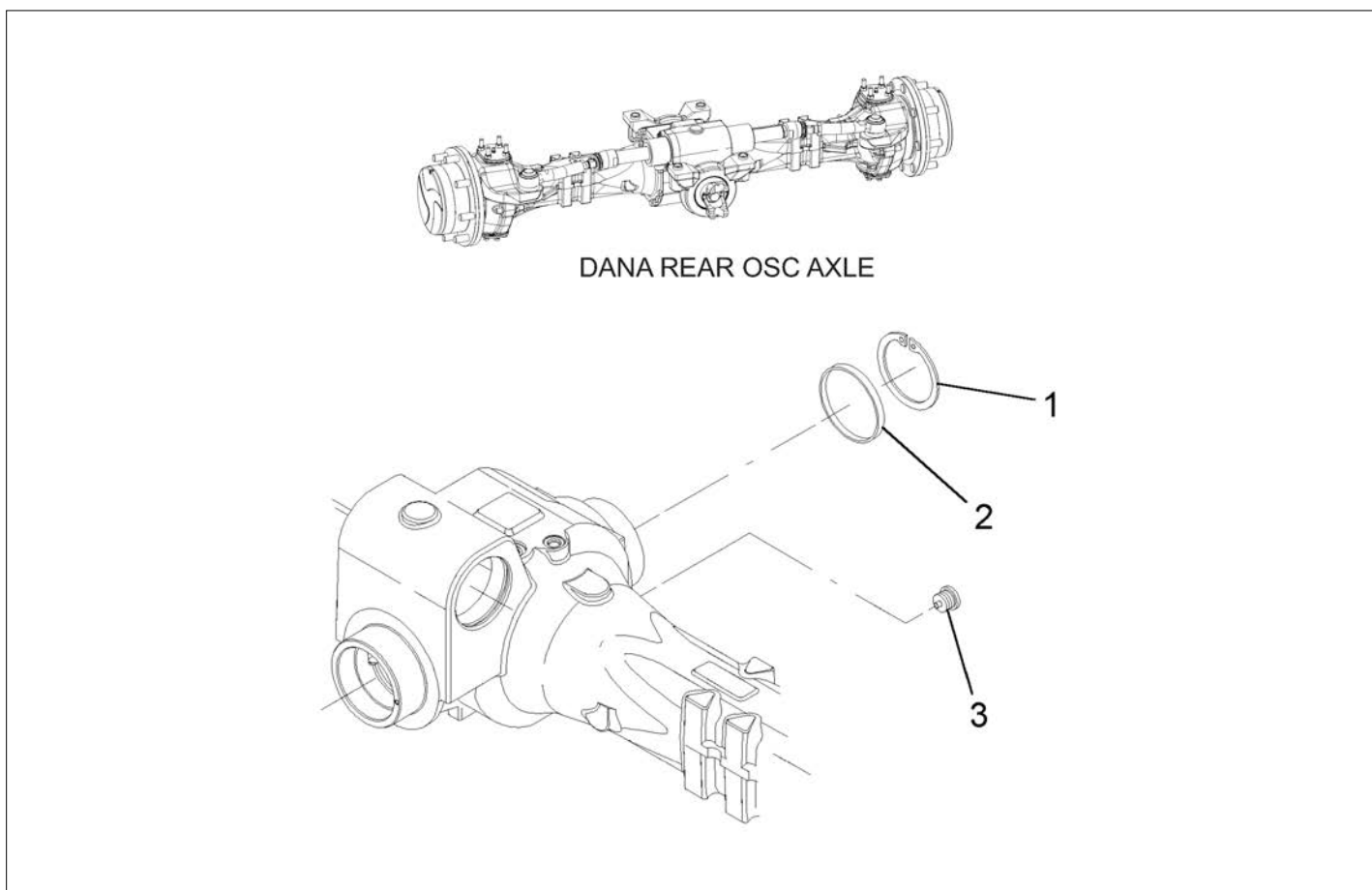
アイテム	部品番号	名前	数量	UOM
63	SN 610021194	AXLE JOINT BOX 211/70	1	EA

REPAIR PARTS



アイテム	部品番号	名前	数量	UOM
	620211002 4	DANA FRONT AXLE		EA
1	SN 610211074	DANA AXLE CYLINDER 211.105	1	EA
2	SN 61002116F	AXLE RING 211/70	2	EA
3	SN 610060391	ARTICULATED AXLE ROD 603/211/78	1	EA
4	SN 61002116G	AXLE SCREW 211/70	4	EA
10	SN 610211075	STEERING CYLINDER GASKET KIT DANA	1	EA

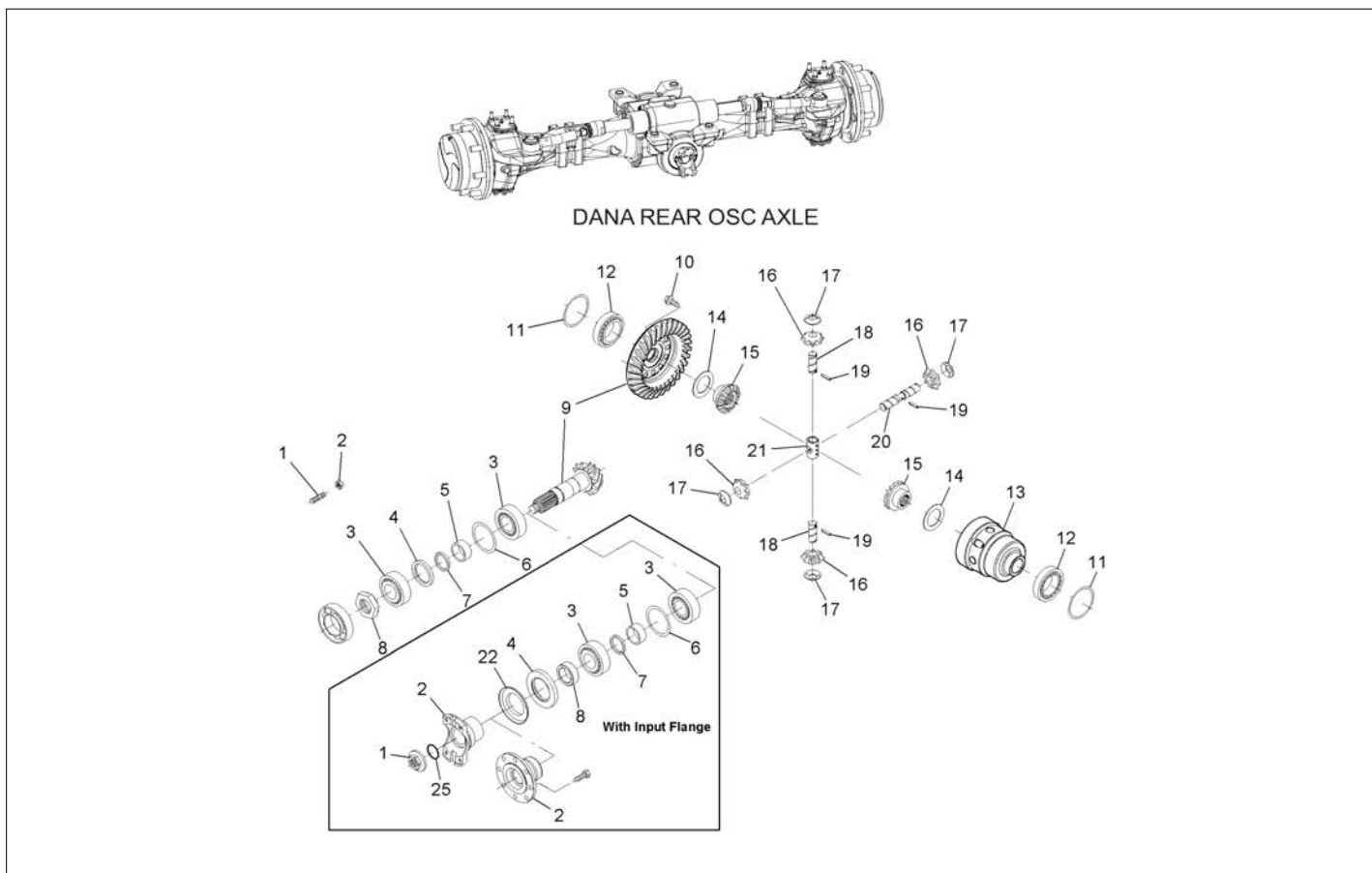
REPAIR PARTS





アイテム	部品番号	名前	数量	UOM
	610211001 1	DANA REAR AXLE		EA
1	SN 414102156	AXLE CIRCLIP 357/211/296	1	EA
2	SN 414102154	AXLE CAP 357/211/296	1	EA
3	SN 610021151	MAGNETIC CAP 211/70	1	EA

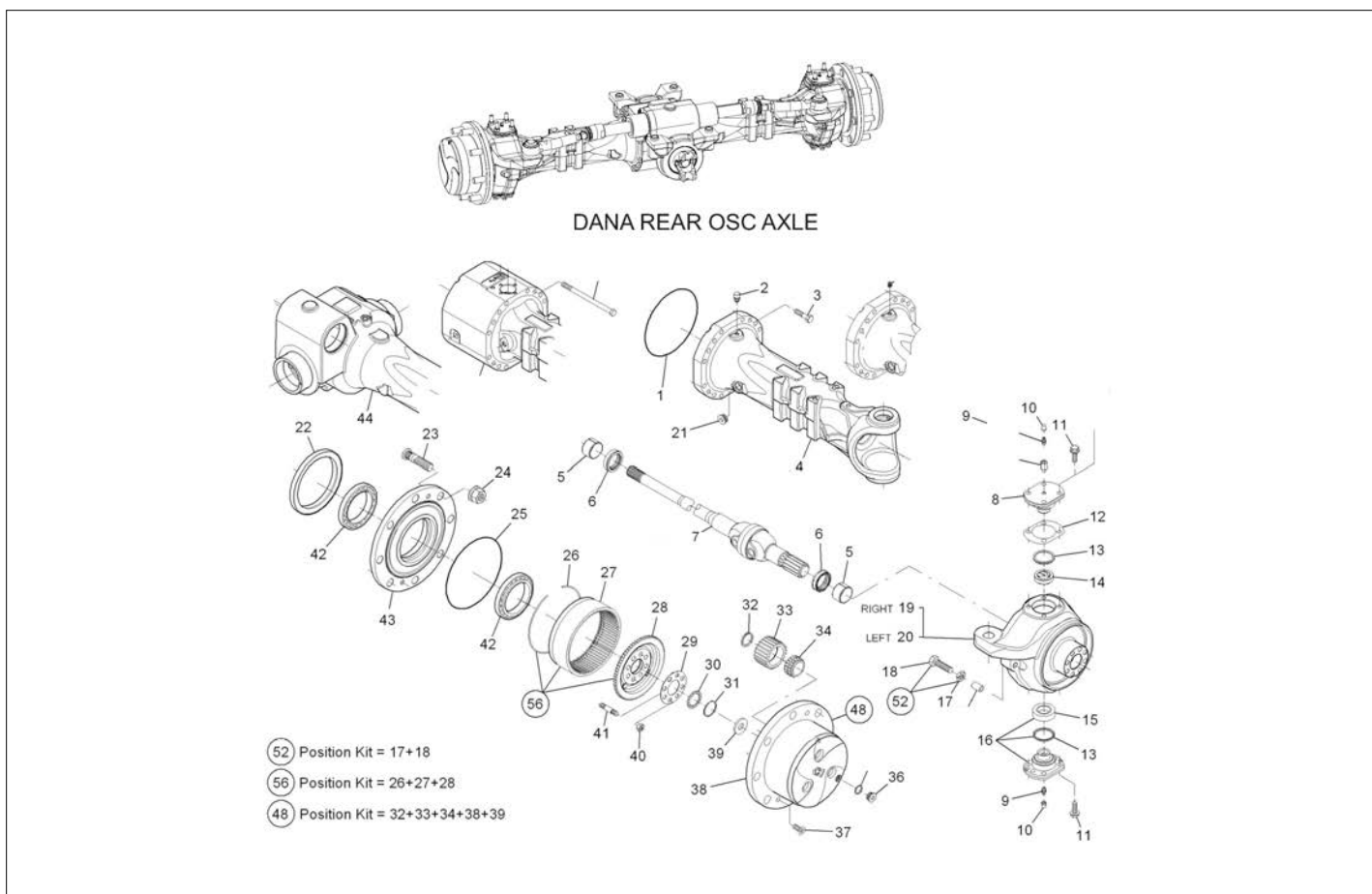
REPAIR PARTS



アイテム	部品番号	名前	数量	UOM
	610211001 2	DANA REAR AXLE		EA
1	SN 610746001	NUT AND JOKE 211	1	EA
2	SN 610040401	FLANGE AND JOKE 1459 PER AXLE 211	1	EA
3	SN 610021153	AXLE BEARING 211/70	2	EA
4	SN 621073001	RETAINING RING DANA OUTPUT SHAFT	1	EA
5	SN 610021155	AXLE SPACER 211/70	1	EA
6	SN 610211057	DANA AXLE SPACERS KIT	1	EA
6.1	SN 610021156	AXLE SPACER 211/70	1	EA
6.2	SN 610021157	AXLE SPACER 211/70	1	EA
6.3	SN 610021158	AXLE SPACER 211/70	1	EA
7	SN 610211056	DANA AXLE RINGS KIT	1	EA
7.1	SN 610021159	AXLE RING 211/70	1	EA
7.2	SN 610021160	AXLE RING 211/70	1	EA
8	SN 617104101	AXLE SPACER DANA 211/70 REAR.	1	EA
9	SN 610211051	AXLE CONICAL TORQUE 211/92	1	EA
10	SN 610021162	AXLE SCREW 211/70	12	EA
11	SN 610211065	DANA AXLE SPACERS KIT	1	EA
11.1	SN 610021163	AXLE SPACER 211/70	1	EA
11.2	SN 610021164	AXLE SPACER 211/70	1	EA
11.3	SN 610021165	AXLE SPACER 211/70	1	EA
11.4	SN 610021166	AXLE SPACER 211/70	1	EA
12	SN 610021167	AXLE TAPERED ROLLER BEARING 211/70	2	EA
13	SN 610211052	AXLE DIFFERENTIAL BOX 211/92	1	EA
14	SN 610021169	AXLE SHIM WASHER 211/70	2	EA
15	SN 610021170	AXLE RING WHEEL 211/70	2	EA
16	SN 610021171	AXLE SATELLITE 211/70	4	EA
17	SN 610021172	AXLE SHIM WASHER 211/70	4	EA

アイテム	部品番号	名前	数量	UOM
18	SN 610021173	AXLE PIN 211/70	2	EA
19	S6N 10021174	DOWEL FOR AXIS 211/70	3	EA
20	SN 610060359	AXLE PIN 603/211/78	1	EA
21	SN 610021176	SPIDER CROSS 211/70	1	EA
22	SN 610010201	REAR AXLE GUARD SHEET 211/70	1	EA
25	SN 610054101	PER OR AND JOKE 211	1	EA

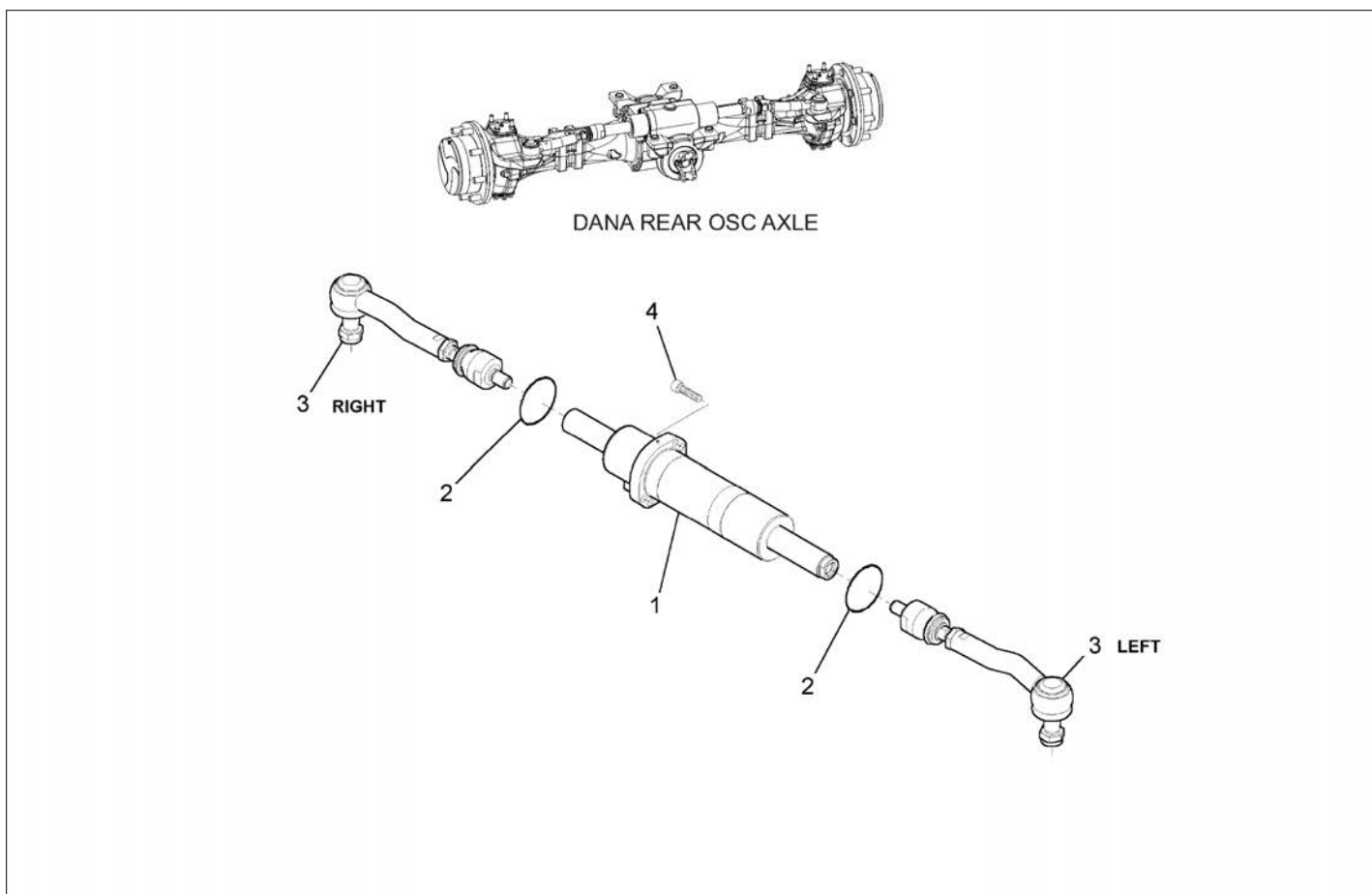
REPAIR PARTS



アイテム	部品番号	名前	数量	UOM
	610211001 3	DANA REAR AXLE		EA
1	SN 610021187	AXLE O RING 211/70	1	EA
2	SN 621011801	DANA VENT CAP	1	EA
3	SN 610021188	AXLE SCREW 211/70	16	EA
4	SN 610211053	AXLE ARM 211/92	1	EA
5	SN 621060001	AXLE SLEEVE DANA 211/70	2	EA
6	SN 621060101	AXLE RETAINING RING DANA	4	EA
7	SN 610060375	CARDAN AXLE COUPLING 603/211/78	2	EA
8	SN 621061201	AXLE JOINT PIN	2	EA
9	SN 610021301	DANA GREASER	4	EA
10	SN 610701501	DANA AXLE PURGE CAP	4	EA
11	SN 414102182	SCREW FOR AXLE 357/212/396	12	EA
12	SN 610211058	DANA AXLE SPACERS KIT	1	EA
12.1	SN 610021190	RIGHT AXLE SPACER 211/70	1	EA
12.2	SN 610021191	AXLE SPACER 211/70	1	EA
12.3	SN 621061301	DANA AXLE SPACER 211	1	EA
13	SN 610601901	RETAINING RING DANA	2	EA
14	SN 621060601	AXLE BUSHING DANA	2	EA
15	SN 610602801	DANA AXLE JOINT	2	EA
16	SN 621067001	DANA AXLE JOINT PIN	2	EA
17	SN 41410216G	AXLE NUT 357/212/396	4	EA
18	SN 41410216F	SCREW FOR AXLE 357/212/396	4	EA
19	SN 610021193	AXLE JOINT BOX 211/70	1	EA
20	SN 610021194	AXLE JOINT BOX 211/70	1	EA
21	SN 610021195	AXLE CAP 211/70	1	EA
22	SN 610601601	CASSETTE RETAINING RING DANA 6.28	2	EA
23	SN 610607407	AXLE STRUT DANA	16	EA
24	SN 610021197	AXLE BALL SEAT NUT 211/70	16	EA

アイテム	部品番号	名前	数量	UOM
25	SN 610051178	SATELLITE HOLDER O RING DANA 6.28	2	EA
26	SN 610063193	AXLE CIRCLIP DANA	2	EA
27	SN 610600504	AXLE GEAR RING DANA	2	EA
28	SN 610600502	DANA CROWN HOLDER SUPPORT	2	EA
29	SN 610070101	SAFETY SHEET	2	EA
30	SN 610021199	AXLE SPACER 211/70	2	EA
31	SN 610147001	CIRCLIP	2	EA
32	SN 61002115A	AXLE CIRCLIP 211/70	6	EA
33	SN 61002115B	AXLE SATELLITE (PLAN) 211/70	6	EA
34	SN 61002115C	AXLE BEARING 211/70	6	EA
36	SN 610161001	AXLE SATELLITE HOLDER CAP 357/212/296	2	EA
37	SN 610060442	AXLE COUNTERSUNK HEAD SCREW FOR PLANETARY CARRIER DANA	4	EA
38	SN 61002115D	AXLE SATELLITE SUPPORT 211/70	2	EA
39	SN 61002115E	AXLE SHIM WASHER 211/70	2	EA
40	SN 610296101	NUT FOR STUD	16	EA
41	SN 610600601	DOWEL	16	EA
42	SN 61002115F	AXLE BEARING 211/70	4	EA
43	SN 610601001	DANA WHEEL HUB	2	EA
44	SN 610211076	DANA AXLE ARM 221 97 000 092	1	EA
48	SN 61002115J	AXLE SATELLITE SUPPORT 211/70	2	EA
52	SN 610671101	DANA STEERING LOCK SCREW	4	EA
56	SN 61002115M	AXLE CROWN HOLDER SUPPORT 211/70	2	EA

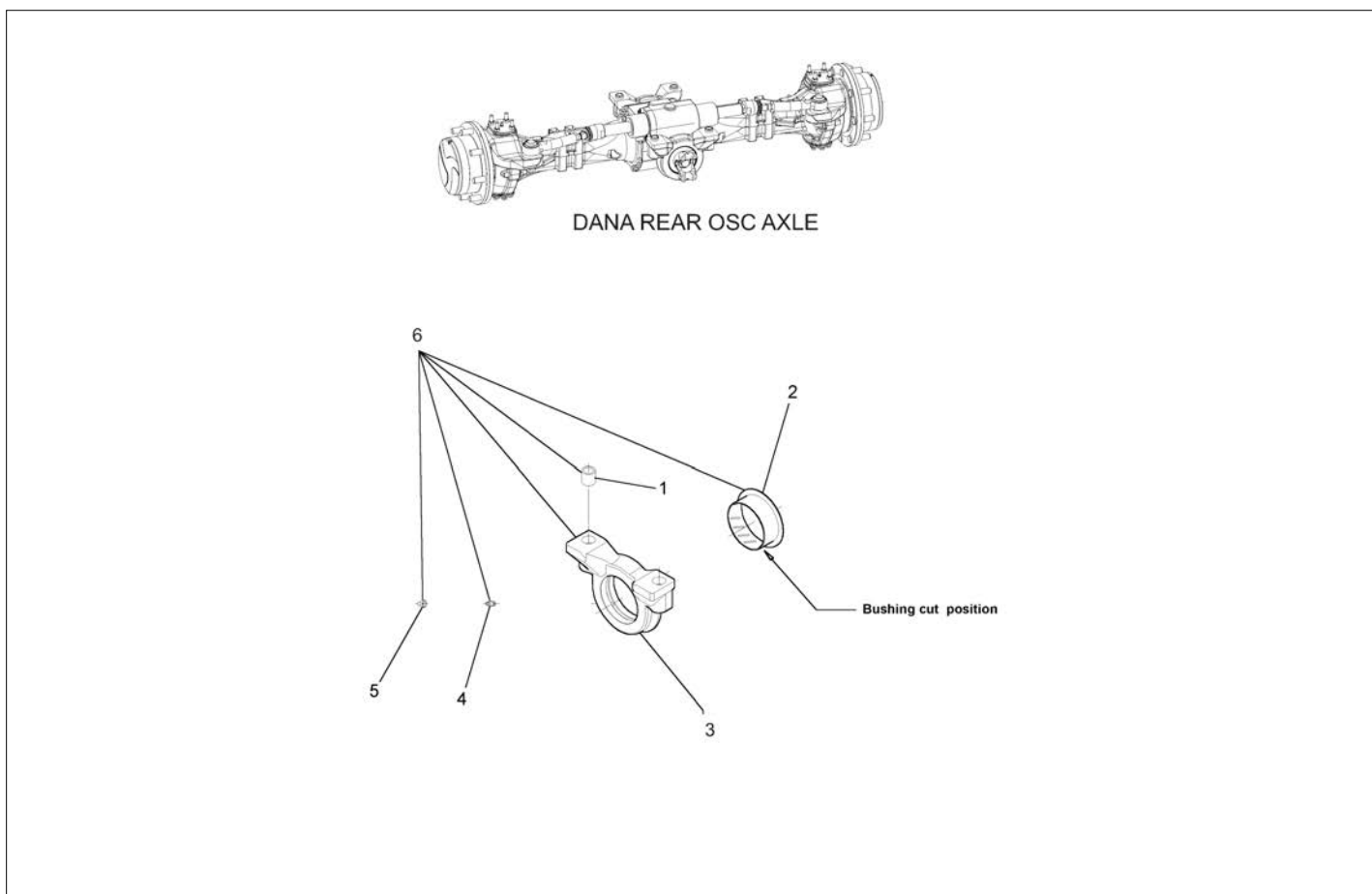
REPAIR PARTS





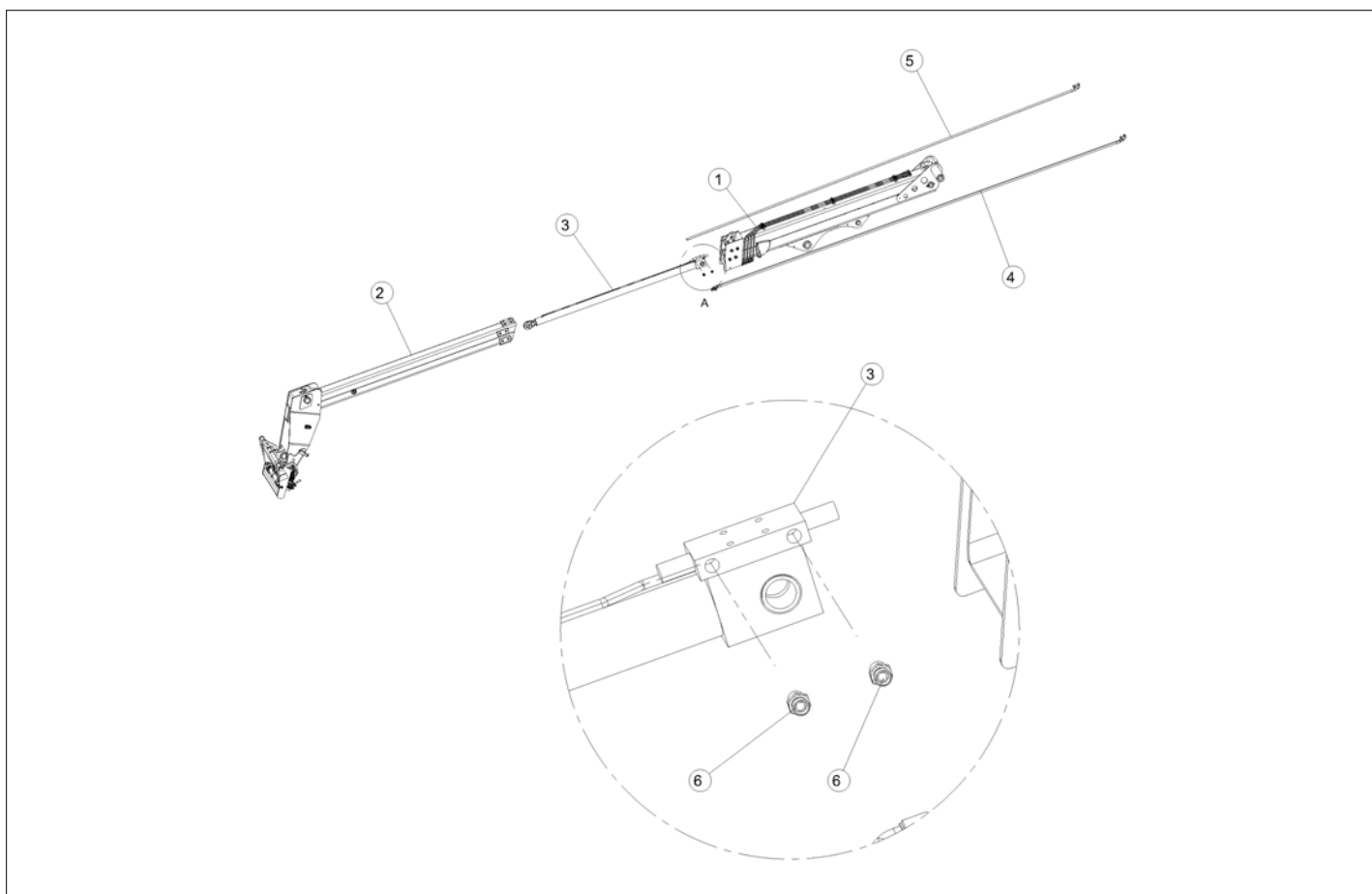
アイテム	部品番号	名前	数量	UOM
	620211002 4	DANA FRONT AXLE		EA
1	SN 610211074	DANA AXLE CYLINDER 211.105	1	EA
2	SN 61002116F	AXLE RING 211/70	2	EA
3	SN 610060391	ARTICULATED AXLE ROD 603/211/78	1	EA
4	SN 61002116G	AXLE SCREW 211/70	4	EA
10	SN 610211075	STEERING CYLINDER GASKET KIT DANA	1	EA

REPAIR PARTS



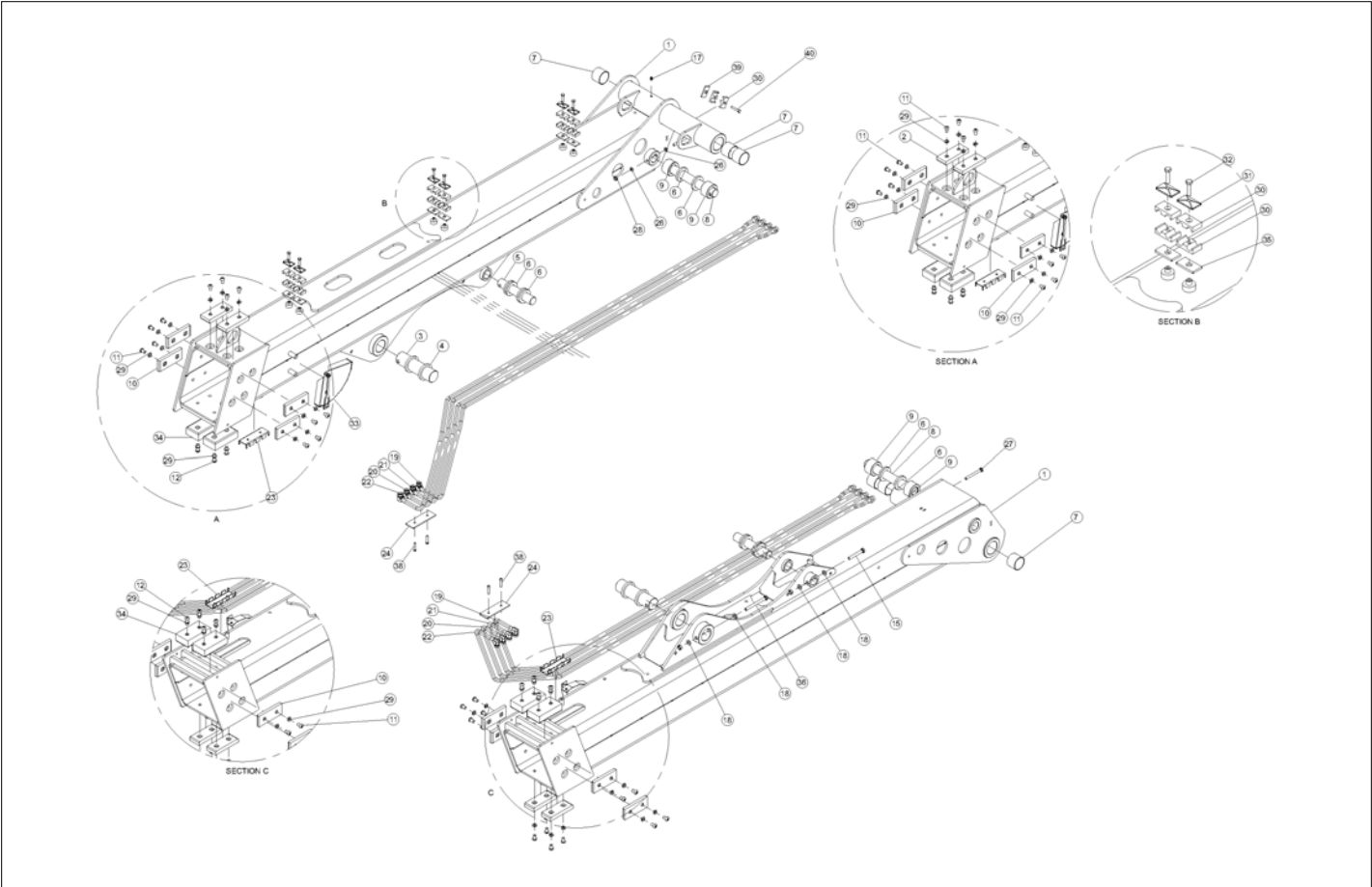
アイテム	部品番号	名前	数量	UOM
	610211001 5	DANA REAR AXLE		EA
1	SN 61000126A	AXLE SLEEVE 357/212/357	4	EA
2	SN 61002116I	AXLE SLEEVE 211/70	2	EA
3	SN 61002116J	AXLE SUPPORT 211/70	2	EA
4	SN 61002130I	DANA GREASER	2	EA
5	SN 61070150I	DANA AXLE PURGE CAP	2	EA
6	SN 62782500I	DANA REAR AXLE SUPPORT 211/70	2	EA

REPAIR PARTS



アイテム	部品番号	名前	数量	UOM
	TA2506903E	COMPLETE BOOM FR00		EA
1	SN T24016750	FIXED ARM 6.25 2013	1	EA
2	SN T24016850	EXTENSION WITH TOP 6.25 2013	1	EA
3	SN TA2406004	EXTENSION CYLINDER WALLABY	1	EA
4	SN TI2507250	TWIN SWING RUBBER PIPE 1/2" F9016S F9015L	1	EA
5	SN TI2507650	TWIN SERVICE RUBBER PIPE 1/2" F9016S F9015L	1	EA
6	SN 308528150	SEALING END BODY AND 15L * 1/2 GAS *K*	2	EA

REPAIR PARTS

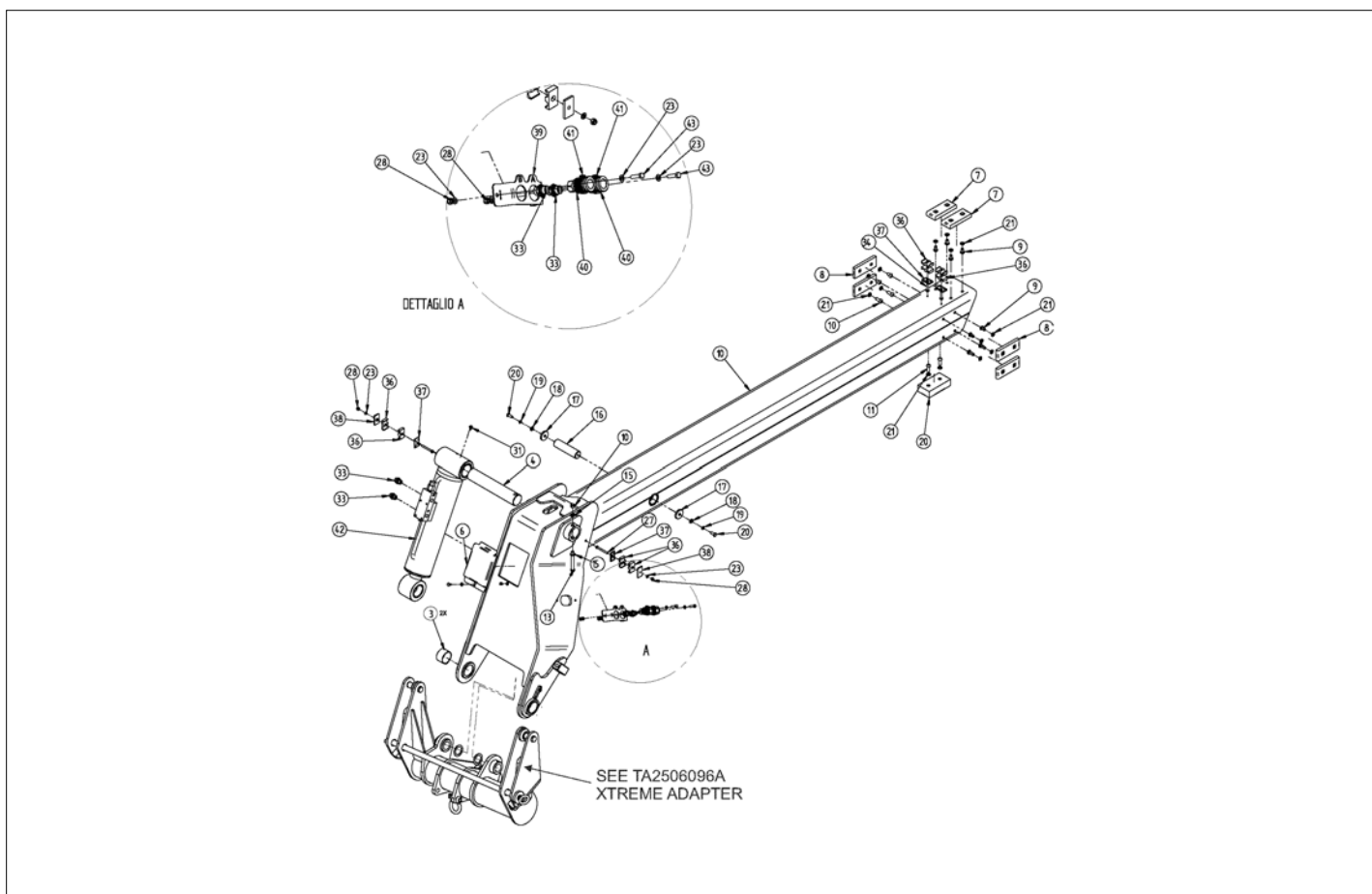


アイテム	部品番号	名前	数量	UOM
	TA2506901E	FIXED BOOM FR00		EA
1	SN T24016750	FIXED ARM 6.25 2013	1	EA
2	SN T30073750	BOOM SHOE W/THREADED INSERT TH20	2	EA
3	SN T24003050	PIN Ø60 L220 W/HOLE 220	1	EA
4	SN T28029850	NYLON RING TH. 10MM øEXT80øINT61	2	EA
5	SN T28042150	PIN Ø40 L217 W/HOLE Ø13	1	EA
6	SN T24016250	NYLON SPACER BUSHING ø40ø60L10	6	EA
7	SN T28020750	BMX BUSHING ø65Xø60X50	3	EA
8	SN T24002350	PIN Ø40 L321 W/HOLE Ø11	1	EA
9	SN T24009150	SPACER SLEEVE Ø70xØ41X43 NYLON	2	EA
10	SN T30073850	BOOM SHOE W/THREADED INSERT TH15	4	EA
11	SN 122122001	HEX SOCKET SCREW M12X20 CL 10.9 UNI 7380 GALV.	12	EA
12	SN 122123501	HEX SOCKET SCREW M12X35 CL 10.9 UNI 7380 GALV.	4	EA
15	SN 120129001	HEXAGON HEAD SCREW M12X90 CL 8.8 UNI 5739 GALV.	1	EA
17	SN 140100101	GREASER M10X1.5 UNI 7663 BM10X1 5.8	1	EA
18	SN 804003012	M12 WASHER DIN125A GALV. 13.0x24x2.5	4	EA
19	SN TI2506450	RIGID PIPE 1 EXTERNAL ARM FR000625	1	EA
20	SN TI2506650	RIGID PIPE 3 EXTERNAL ARM FR000625	1	EA
21	SN TI2506550	RIGID PIPE 2 EXTERNAL ARM FR000625	1	EA
22	SN TI2506750	RIGID PIPE 4 EXTERNAL ARM FR000625	1	EA
23	SN T25054750	SUPPORT BRACKET FOR ARM RIGID PIPE 6.25	1	EA

アイテム	部品番号	名前	数量	UOM
24	SN T25054850	SUPPORT PLATE FOR ARM RIGID PIPE 6.25	1	EA
26	SN 804003010	M10 WASHER DIN125A GALV. 10.5x20x2	2	EA
27	SN 120101001	HEXAGON HEAD SCREW M10X100 CL 8.8 UNI 5739 GALV.	1	EA
28	SN 804002010	SELF LOCKING GALV. HIGH NUT M10 DIN982	1	EA
29	SN 804003212	M12 GROWER WASHER UNI7064 GALV.	16	EA
30	SN 520161602	COLLARS DOUBLE POLYP. SERIES	14	EA
31	SN 520161603	DOUBLE STANDARD UPPER PLATE	6	EA
32	SN 120083501	HEXAGON HEAD SCREW M8X35 CL 8.8 UNI 5739 GALV.	6	EA
33	SN TA2506043	INCLINATION ARM INDICATOR KIT	1	EA
34	SN T30073650	BOOM SHOE W/THREADED INSERT TH40	2	EA
35	SN T25061550	SUPPORT PLATE STAUFF	6	EA
36	SN 120121301	HEXAGON HEAD SCREW M12X130 CL 8.8 UNI 5739 GALV.	1	EA
37	SN 804002012	SELF LOCKING NUT HIGH GALV. M12 DIN982	2	EA
38	SN 122084001	HEX SOCKET SCREW M8X40 CL 10.9 ISO 7380 GALV.	2	EA
39	SN 520161601	WELDING PLATE	1	EA
40	SN 800208050	HEXAGON HEAD SCREW M8x50 DIN931 GALV.	1	EA



REPAIR PARTS

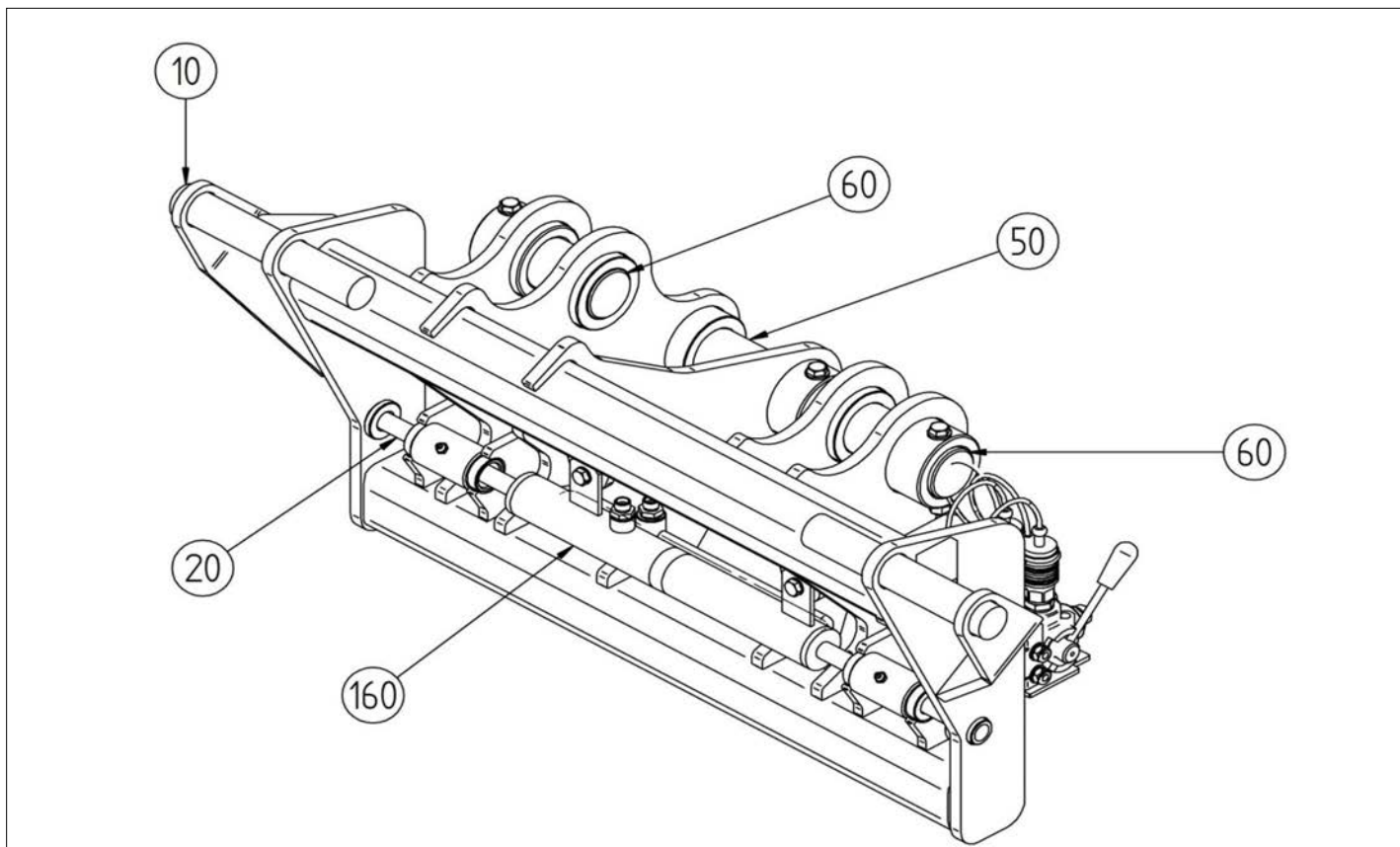


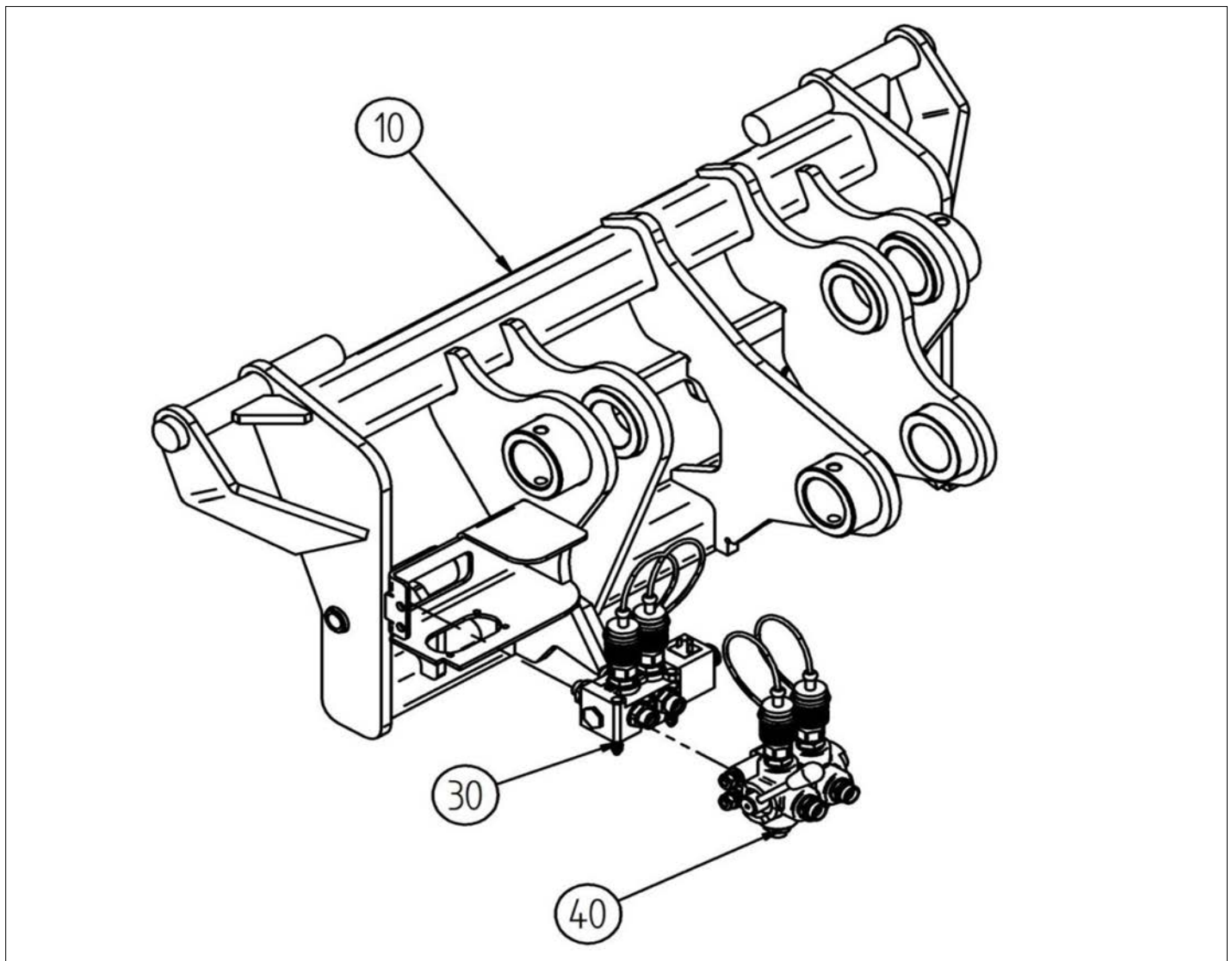
アイテム	部品番号	名前	数量	UOM
	TA2506902D	BOOM EXTENSION FR00		EA
1	SN T24016850	EXTENSION WITH TOP 6.25 2013	1	EA
2	SN T30073650	BOOM SHOE W/THREADED INSERT TH40	1	EA
3	SN T24014250	BMX BUSHING $\phi$ 65X60X40	2	EA
4	SN T24015550	PIN $\phi$ 60 L320 W/HOLE $\phi$ 13.5	1	EA
5	SN TA2406002	SWING CYLINDER	1	EA
6	SN T25047350	SWING CYLINDER VALVE CLOSURE 6.25	1	EA
7	SN T30073750	BOOM SHOE W/THREADED INSERT TH20	2	EA
8	SN T30073850	BOOM SHOE W/THREADED INSERT TH15	4	EA
9	SN 122122001	HEX SOCKET SCREW M12X20 CL 10.9 UNI 7380 GALV.	8	EA
10	SN 122123001	HEX SOCKET SCREW M12X30 CL 10.9 UNI 7380 GALV.	4	EA
11	SN 122123501	HEX SOCKET SCREW M12X35 CL 10.9 UNI 7380 GALV.	2	EA
12	SN 165008201	THREADED INSERT M8 8X10.05X15.5	1	EA
13	SN 120121101	HEXAGON HEAD SCREW M12X110 CL 8.8 UNI 5737 GALV.	1	EA
14	SN 804002012	SELF LOCKING NUT HIGH GALV. M12 DIN982	1	EA
15	SN 804003012	M12 WASHER DIN125A GALV. 13.0x24x2.5	2	EA
16	SN T24017250	EXTENSION CYLINDER PIN 6.25	1	EA
17	SN T24017350	PIN LOCKING DISC 6.25	2	EA
18	SN 130100001	FLAT WASHER M10 GALV.	2	EA
19	SN 804003210	M10 GROWER WASHER UNI7064 GALV.	2	EA
20	SN 120102501	HEXAGON HEAD SCREW M10X25 CL 8.8 UNI 5739 GALV.	2	EA

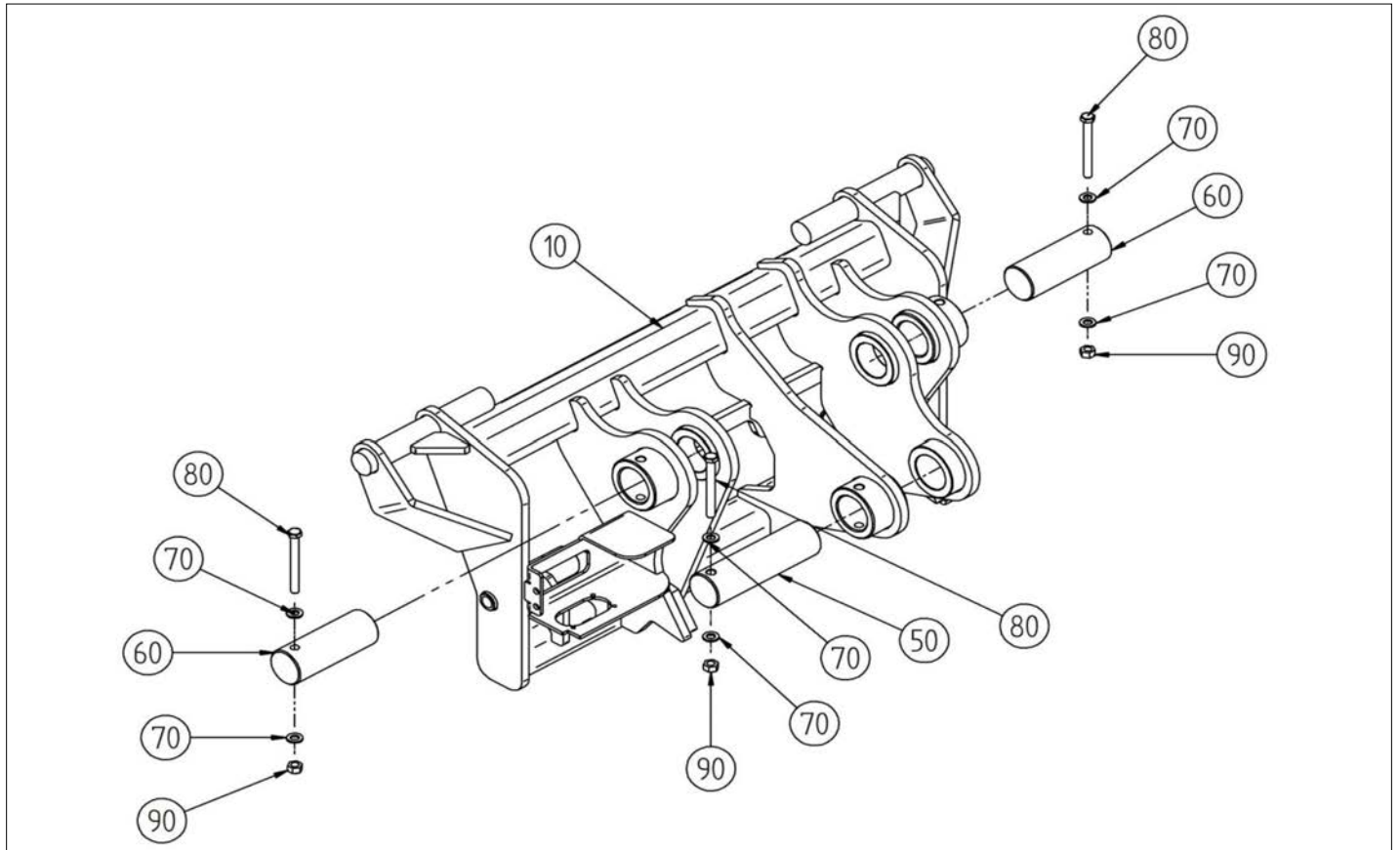
アイテム	部品番号	名前	数量	UOM
21	SN 804003212	M12 GROWER WASHER UNI7064 GALV.	14	EA
22	SN T25055650	EXTENSION CYLINDER CONTAINMENT BRACKET 6.25	2	EA
23	SN 804003008	M8 WASHER DIN125A GALV. 8.4x16x1.6	13	EA
24	SN 800508040	SOCKET HEAD CAP SCREW M8X40 CL 8.8 DIN 912 GALV.	4	EA
25	SN T28054350	EXTENSION CYLINDER CONTAINMENT SHOE	2	EA
26	SN 120083001	HEXAGON HEAD SCREW M8X30 CL 8.8 UNI 5739 GALV.	6	EA
27	SN 120087001	HEXAGON HEAD SCREW M8X70 CL 8.8 DIN 933 GALV.	2	EA
28	SN 804002008	SELF LOCKING NUT M8 GALV. HIGH DIN982	2	EA
29	SN 800108016	HEXAGON HEAD SCREW M8x16 DIN933 GALV. IF	1	EA
30	SN 140100101	GREASER M10X1.5 UNI 7663 BM10X1 5.8	3	EA
31	SN 140060101	GREASER M6X1 90 °	1	EA
32	SN 120201001	HEXAGON HEAD SCREW M20X100 CL 8.8 UNI 5739 GALV.	2	EA
33	SN 308528150	SEALING END BODY AND 15L * 1/2 GAS *K*	2	EA
34	SN 800108040	HEXAGON HEAD SCREW M8x40 DIN933 GALV. IF	2	EA
35	SN 609077850	INTERMEDIATE BODY EO 15L M22X1.5	2	EA
36	SN 520181802	DOUBLE STANDARD COLLAR PAIR D18	8	EA
37	SN 520181803	COVER PLATE FOR PIPEHOLDER COLLAR DPP D18	4	EA
38	SN 520181801	BASE PLATE FOR PIPEHOLDER COLLAR DPP D18	2	EA
39	SN T2506795	QUICK COUPLING SUPPORT BRACKET	1	EA

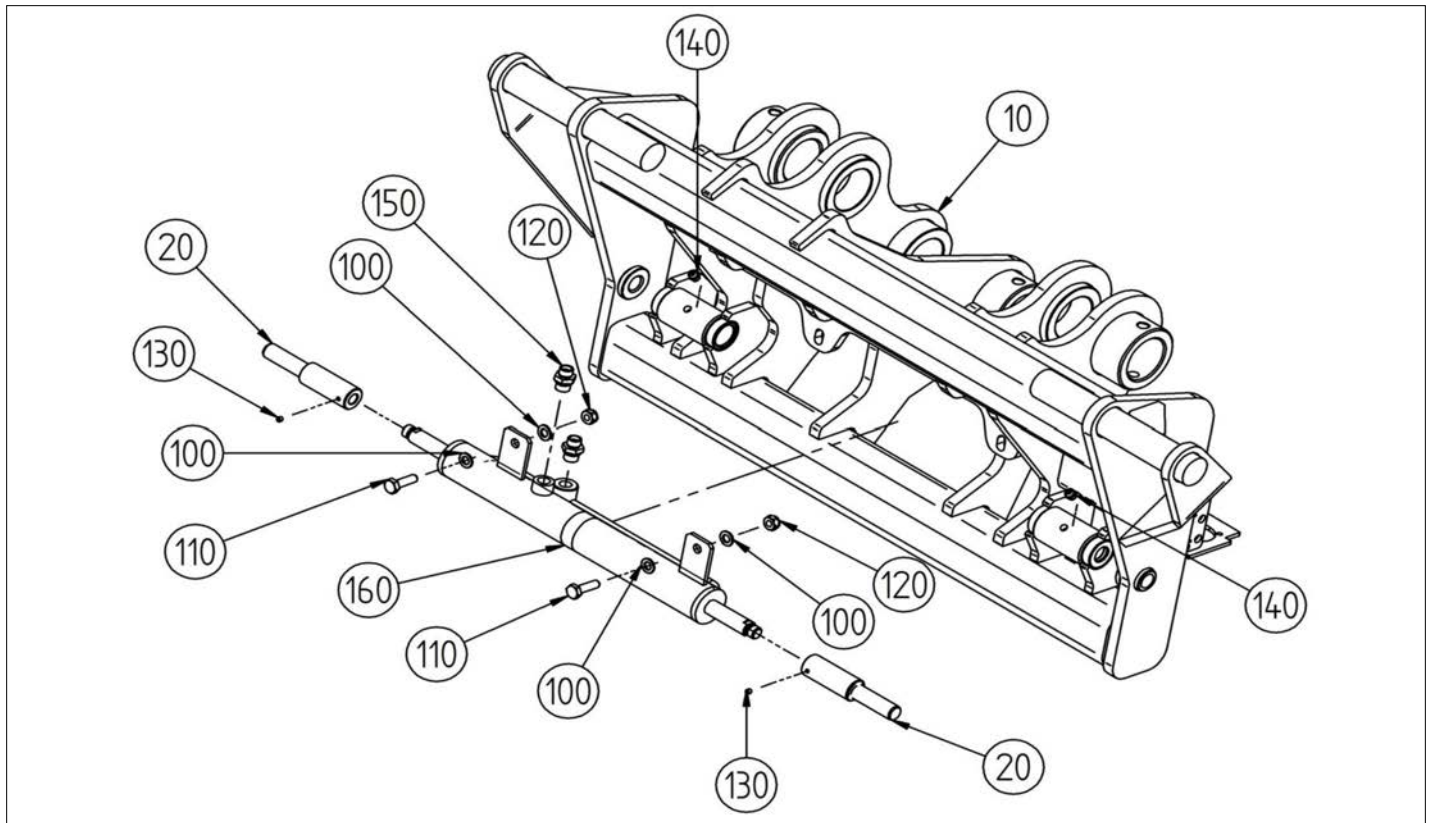
アイテム	部品番号	名前	数量	UOM
40	SN 214001205	FEMALE QUICK COUPLER	2	EA
41	SN 150380301	SEEGER RING SEEGER 038 EST DIN471	4	EA
42	SN TI2508650	XTREME TILTING CYLINDER FOR FR00	1	EA
43	SN 800108030	SCREW T. E. M8 X 30 DIN933 ZN IF	2	EA

REPAIR PARTS





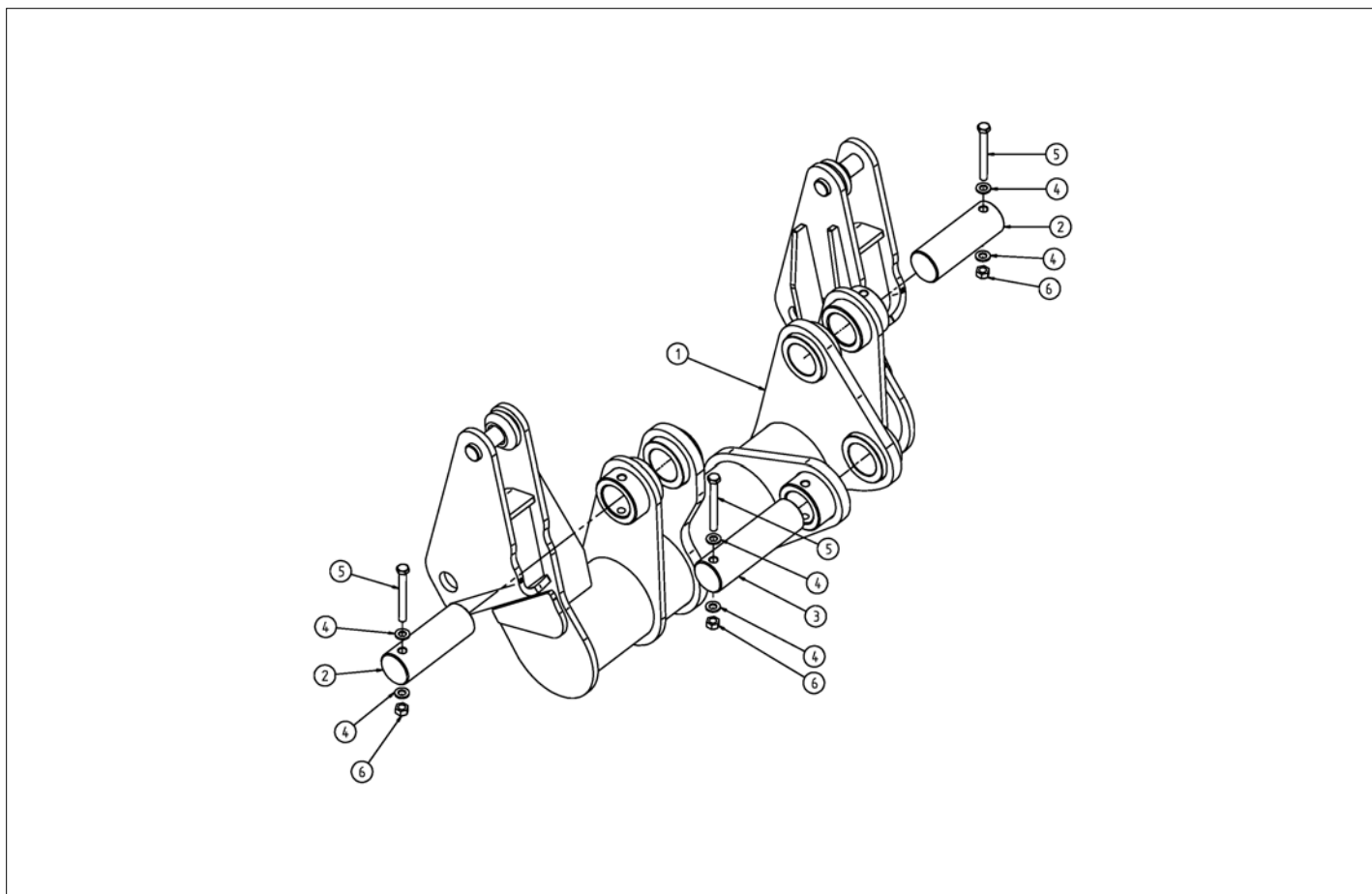






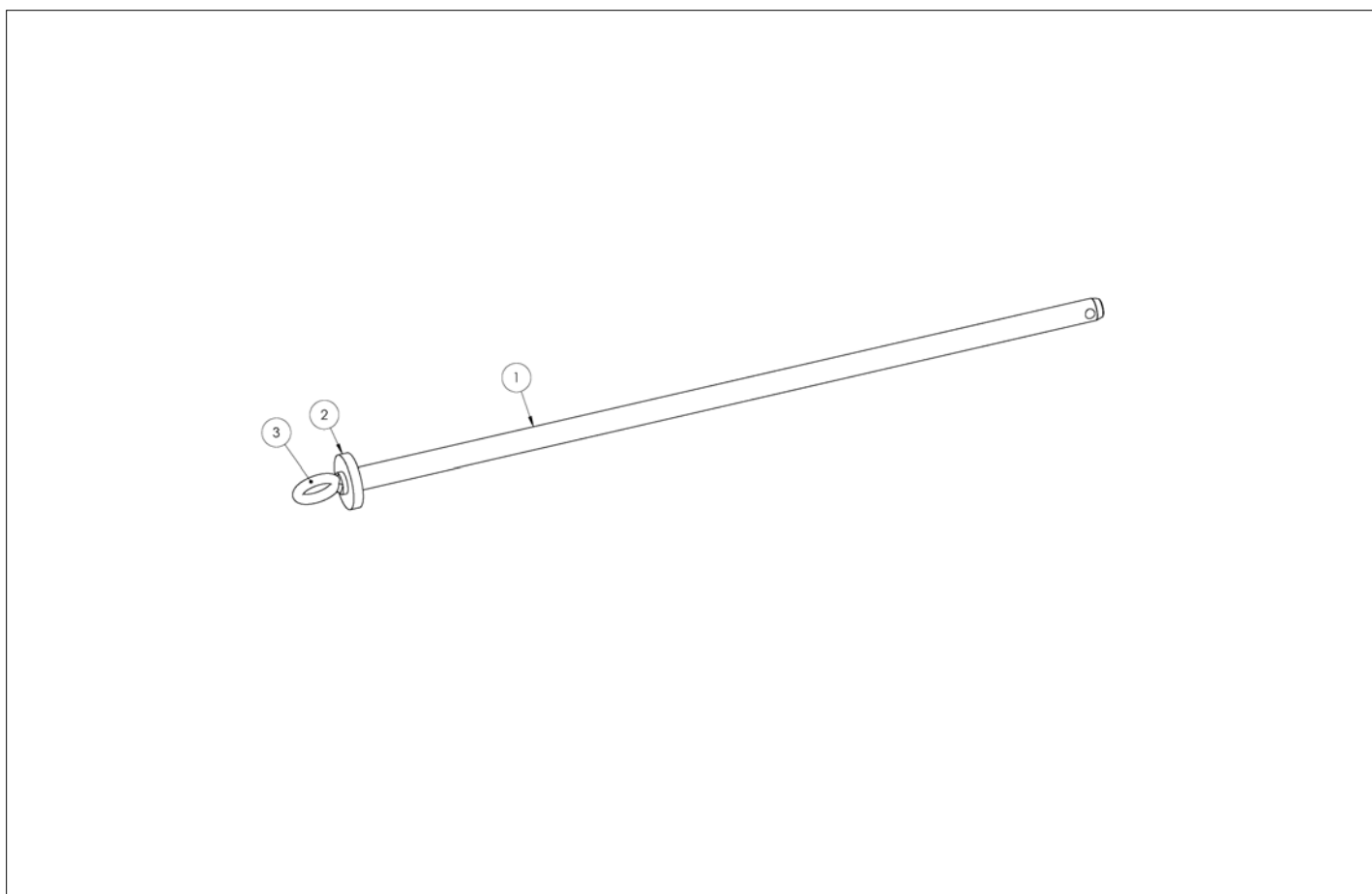
アイテム	部品番号	名前	数量	UOM
Not Shown	T25060950	ACCESSORY HOLDER WITH EURO COUPLING FR00		EA
10	SN T35140150	ACCESSORY HOLDER	1	EA
20	SN T28054250	PIN Ø30/Ø20 L140	2	EA
30	SN 250121201	SOLENOID VALVE 6 WAY 2 POST1/2	1	EA
40	SN 226061201	6 WAY DIVERTER 1/2 CONNECTORS	1	EA
50	SN T25048250	PIN Ø60 L210 W/HOLE Ø13	1	EA
60	SN T24011250	PIN Ø60 L161 W/HOLE Ø13	2	EA
70	SN 804003012	M12 WASHER DIN125A GALV. 13.0x24x2.5	6	EA
80	SN 120121101	HEXAGON HEAD SCREW M12X110 CL 8.8 UNI 5737 GALV.	3	EA
90	SN 804002012	SELF LOCKING NUT HIGH GALV. M12 DIN982	3	EA
100	SN 804003010	M10 WASHER DIN125A GALV. 10.5x20x2	4	EA
110	SN 800110035	HEXAGON HEAD SCREW M10x35 DIN933 GALV. IF	2	EA
120	SN 101101001	SELF LOCKING NUT M10 GALV.	2	EA
130	SN 132060601	CONICAL EXTRACTION DOWEL M6 L6 DIN 914	2	EA
140	SN 804801800	GEAR 1/8" G DIRECT	2	EA
150	SN 308417550	END BODY 10L * 3/8 GAS *K*	2	EA
160	SN TI2507750	EURO QUICK UNCOUPLING CYLINDER	1	EA

REPAIR PARTS



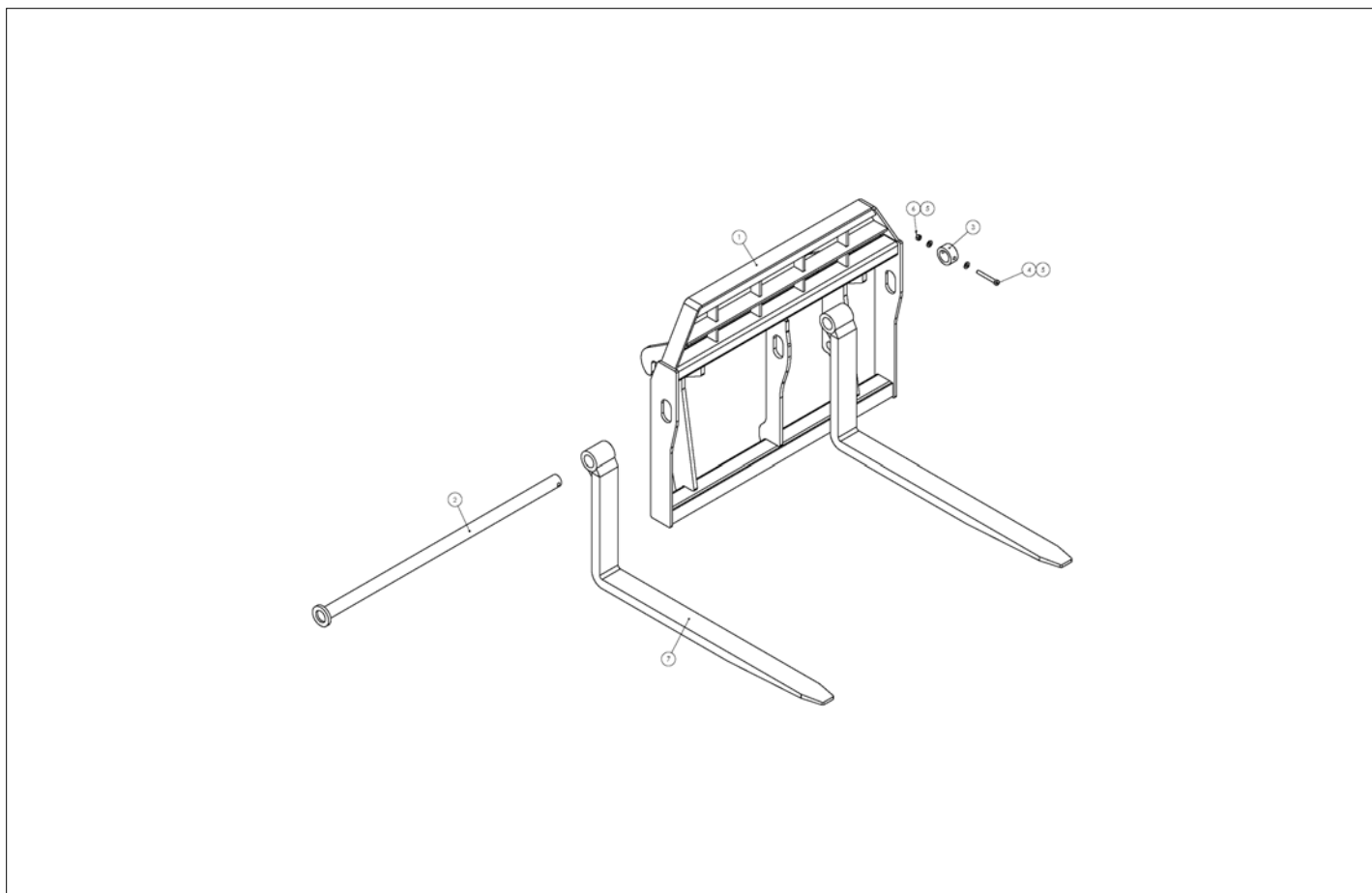
アイテム	部品番号	名前	数量	UOM
	TA2509602A	XTREME ADAPTER		EA
1	SN T25067850	XTREM E ADAPTER	1	EA
2	SN T28002950	PIN .060 L169 W/HOLE .013	2	EA
3	SN T25048250	PIN Ø60 L210 W/HOLE Ø13	1	EA
4	SN 804003012	M12 WASHER DIN125A GALV. 13.0x24x2.5	6	EA
5	SN 120121101	HEXAGON HEAD SCREW M12X110 CL 8.8 UNI 5737 GALV.	3	EA
6	SN 804002012	SELF LOCKING NUT HIGH GALV. M12 DIN982	3	EA

REPAIR PARTS



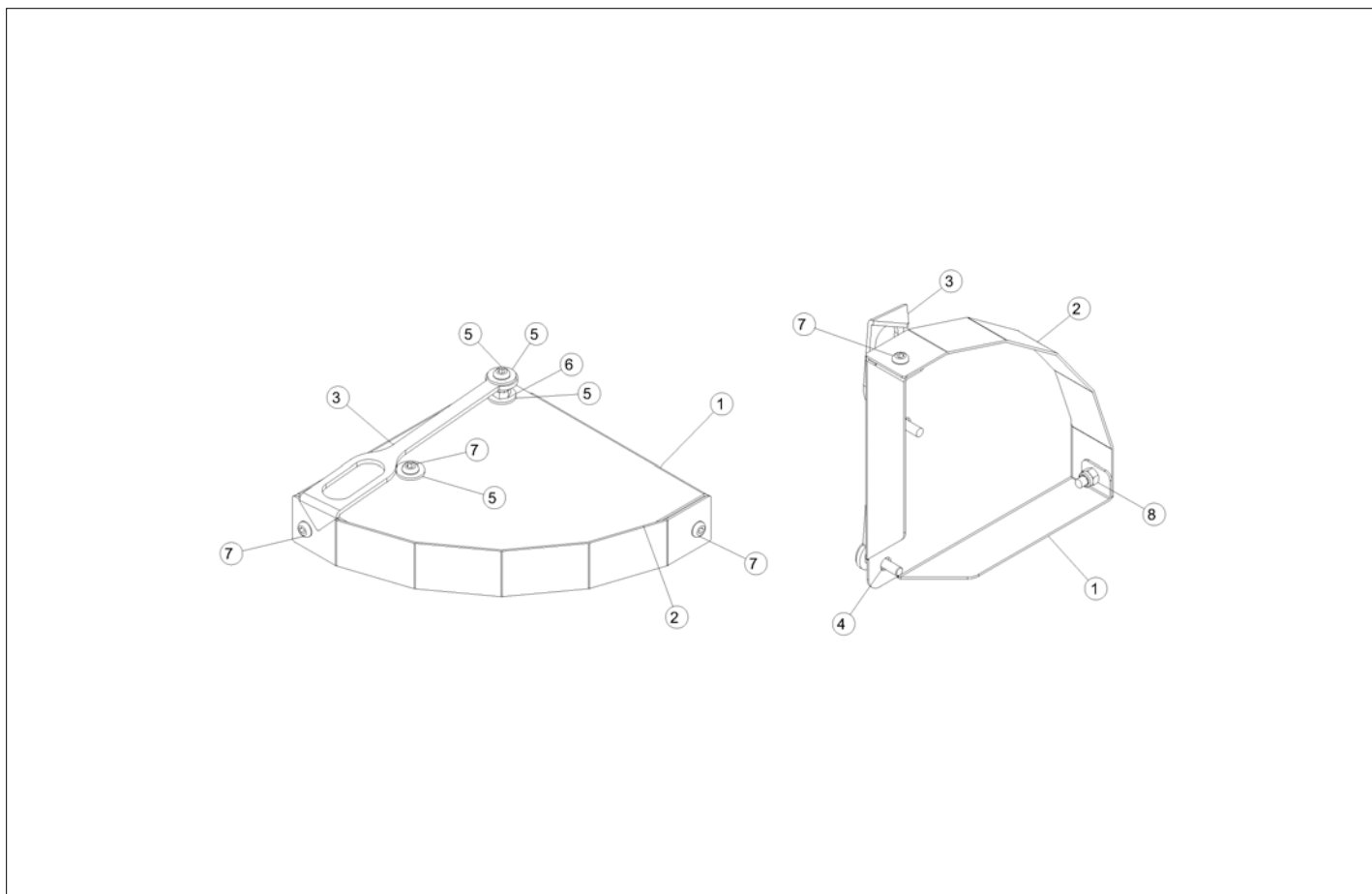
アイテム	部品番号	名前	数量	UOM
Not Shown	31147 000	CARRIAGE PIN ASSEMBLY		EA
1	31148 000	CARRIAGE RETENTION PIN	1	EA
2	25672 000	HITCH PIN WASHER	1	EA
3	10826 016	EYE BOLT 3/4 10UNC SHOULDER X 2 LG	1	EA

REPAIR PARTS



アイテム	部品番号	名前	数量	UOM
	31095 000	CARRIAGE 48 IN FP 5919		EA
1	SN 31091 000	CARRIAGE WELDMENT	1	EA
2	SN 25412 000	FORK MOUNTING PIN WELDMENT	1	EA
3	SN 25389 000	SHAFT COLLAR	1	EA
4	SN 10004 032	SCREW 1/2 13UNC HHC X 4	1	EA
5	5560168	WSHR FLAT HARD .500 SP	2	EA
6	984519	NUT HEX LKG .500 13 GR8	1	EA
7	SN 30009 000	FORK WELDMENT	2	EA

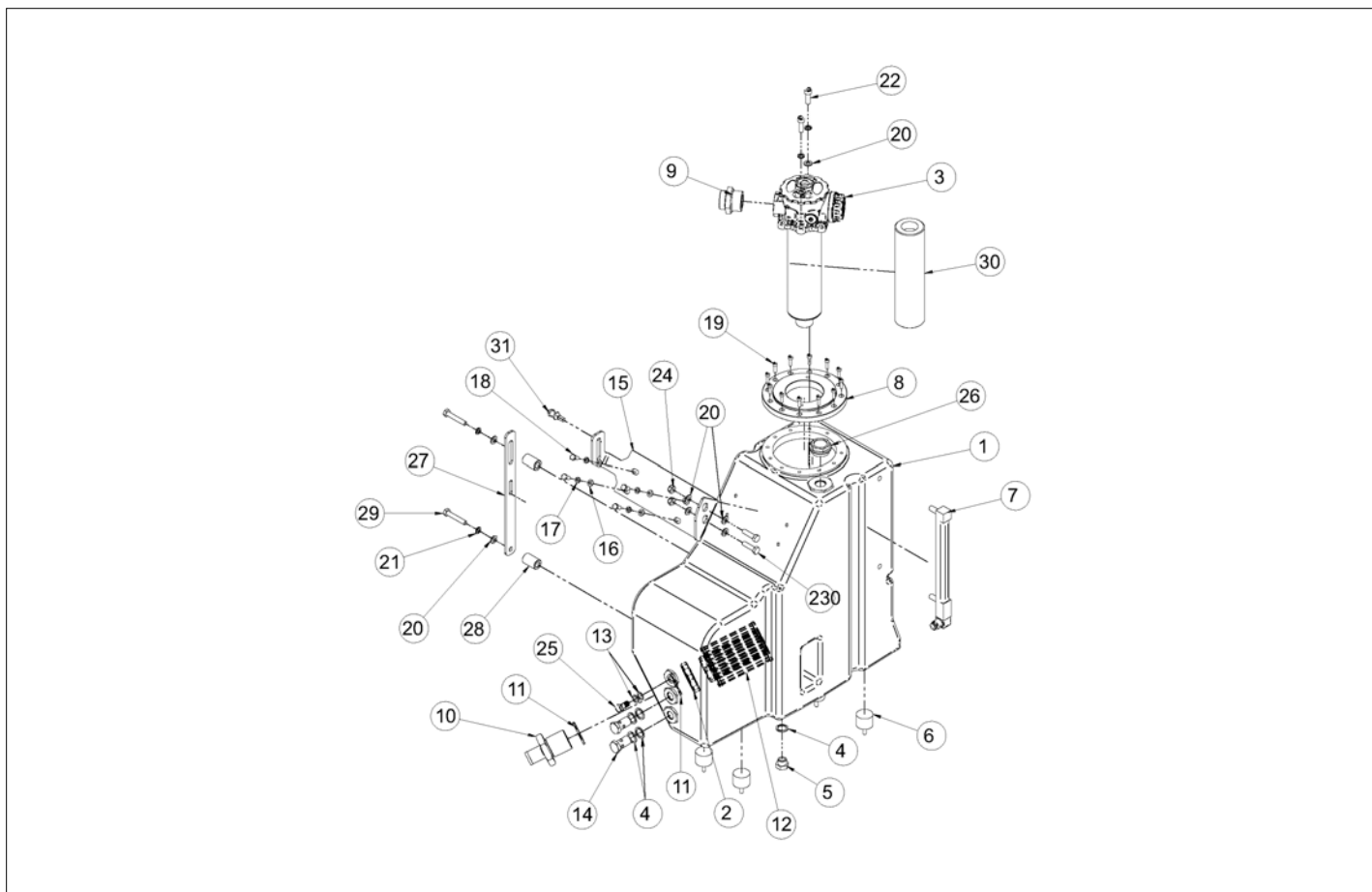
REPAIR PARTS





アイテム	部品番号	名前	数量	UOM
	TA2506043A	INCLINATION BOOM INDICATOR		EA
1	SN T25054950	MAIN BODY	1	EA
2	SN T25055050	SIDE BODY	1	EA
3	SN T25055150	INCLINATION ARM INDICATOR NEEDLE	1	EA
4	SN 122063001	HEX SOCKET SCREW M6X30 CL 10.9 UNI 7380 GALV.	1	EA
5	SN 804003106	M6 WASHER DIN9021 GALV. 6.4x18x1.6	3	EA
6	SN 101061002	NUT M6 UNI 5588 8.8 GALV.	2	EA
7	SN 122061601	HEX SOCKET SCREW M6X16 CL 10.9 UNI 7380 GALV.	3	EA
8	SN 804002006	SELF LOCKING NUT M6 GALV. HIGH DIN982	2	EA

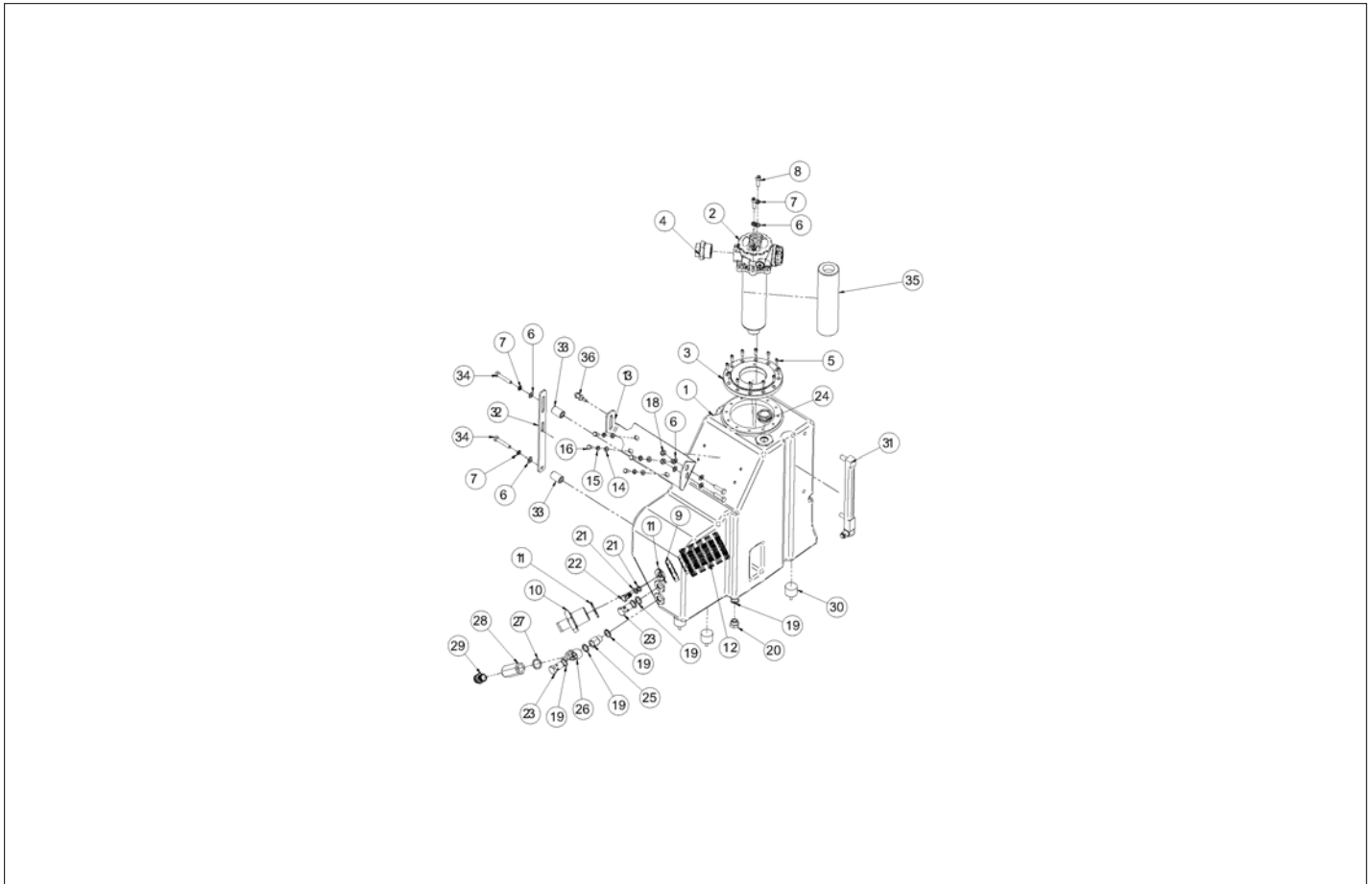
REPAIR PARTS



アイテム	部品番号	名前	数量	UOM
	TA2506057A	OIL TANK FR00		EA
1	SN 230012002	PLASTIC OIL TANK 70L	1	EA
2	SN T28023750	SLEEVE LOCKING RING NUT G1"1/2	1	EA
3	SN 308539160	OIL FILTER DONALDSON FIS200	1	EA
4	SN 414026150	1/2" *K* GAS BONDED WASHER	5	EA
5	SN 212000501	1/2" COUNTERSUNK MALE GAS CAP 60 ° *K*	1	EA
6	SN 522400801	VIBRATION DAMPER 4030VD23D40 TH30 M8 MF	4	EA
7	SN 240004001	VISUAL OIL LEVEL INDICATOR	1	EA
8	SN T28062450	OIL FILTER FLANGE DONALDSON FIS200	1	EA
9	SN 212112350	STRAIGHT FITTING M M 1'1/2G L35	1	EA
10	SN T28023850	HOSE CONNECTOR FOR PLASTIC TANK	1	EA
11	SN 218353566	O RING NBR70 S=3.53MM ØINT=56.6MM	2	EA
12	SN 308539100	FILTER 1 1/2" HF410 30.122 AS MI060 GH A	1	EA
13	SN 414025950	1/4" *K* GAS BONDED WASHER	2	EA
14	SN 308419850	SCREW FOR EYE GAS 1/2" *K*	2	EA
15	SN T25059150	OIL TANK SUPPORT PLATE FR00	1	EA
16	SN 804003008	M8 WASHER DIN125A GALV. 8.4x16x1.6	4	EA
17	SN 804003208	M8 GROWER WASHER UNI7064 GALV.	4	EA
18	SN 800108016	HEXAGON HEAD SCREW M8x16 DIN933 GALV. IF	4	EA
19	SN 125062001	SOCKET HEAD CAP SCREW M6X20 CL 8.8 UNI 5931 GALV.	12	EA
20	SN 804003010	M10 WASHER DIN125A GALV. 10.5x20x2	8	EA
21	SN 804003210	M10 GROWER WASHER UNI7064 GALV.	4	EA

アイテム	部品番号	名前	数量	UOM
22	SN 125111030	ALLEN SOCKET HEAD SCREW M10X30 CL 8.8 DIN 912 PG IF.	2	EA
23	SN 800110040	HEXAGON HEAD SCREW M10x40 DIN933 GALV. IF	2	EA
24	SN 101101001	SELF LOCKING NUT M10 GALV.	2	EA
25	SN 512014950	SCREW FOR EYE GAS 1/4" H=25 *K*	1	EA
26	SN 701007003	OIL TANK CAP NYLON G 1 1/4"	1	EA
27	SN T24007050	SENSOR CONN. PLATE	1	EA
28	SN T25026350	SEAT GALV. SPACER	2	EA
29	SN 120106001	HEXAGON HEAD SCREW M10X60 CL 8.8 UNI 5737 GALV.	2	EA
30	SN 308539161	OIL FILTER CARTRIDGE DONALDSON FIS200	1	EA
31	SN ME09089019	PNP SENSOR	1	EA

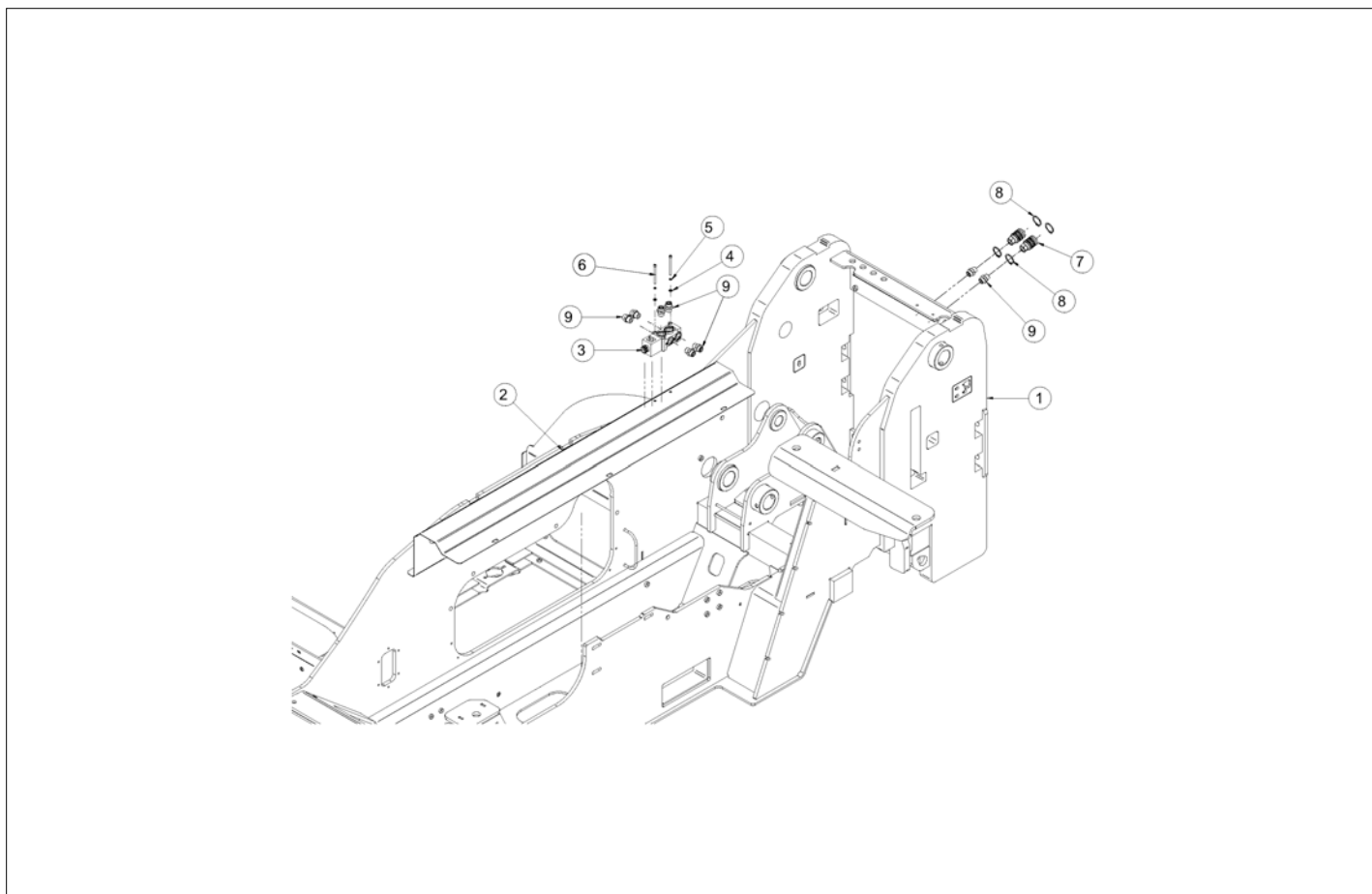
REPAIR PARTS



アイテム	部品番号	名前	数量	UOM
	TA2506089A	OIL TANK NEW TRANSMISSION FR00		EA
1	SN 230012002	PLASTIC OIL TANK 70L	1	EA
2	SN 308539160	OIL FILTER DONALDSON FIS200	1	EA
3	SN T28062450	OIL FILTER FLANGE DONALDSON FIS200	1	EA
4	SN 212112350	STRAIGHT FITTING M M 1'1/2G L35	1	EA
5	SN 125062001	SOCKET HEAD CAP SCREW M6X20 CL 8.8 UNI 5931 GALV.	12	EA
6	SN 804003010	M10 WASHER DIN125A GALV. 10.5x20x2	8	EA
7	SN 804003210	M10 GROWER WASHER UNI7064 GALV.	4	EA
8	SN 125111030	ALLEN SOCKET HEAD SCREW M10X30 CL 8.8 DIN 912 PG IF.	2	EA
9	SN T28023750	SLEEVE LOCKING RING NUT G1"1/2	1	EA
10	SN T28023850	HOSE CONNECTOR FOR PLASTIC TANK	1	EA
11	SN 218353566	O RING NBR70 S=3.53MM ØINT=56.6MM	2	EA
12	SN 308539100	FILTER 1 1/2" HF410 30.122 AS MI060 GH A	1	EA
13	SN T25059150	OIL TANK SUPPORT PLATE FR00	1	EA
14	SN 804003008	M8 WASHER DIN125A GALV. 8.4x16x1.6	4	EA
15	SN 804003208	M8 GROWER WASHER UNI7064 GALV.	4	EA
16	SN 800108016	HEXAGON HEAD SCREW M8x16 DIN933 GALV. IF	4	EA
17	SN 800110040	HEXAGON HEAD SCREW M10x40 DIN933 GALV. IF	2	EA
18	SN 101101001	SELF LOCKING NUT M10 GALV.	2	EA
19	SN 414026150	1/2" *K* GAS BONDED WASHER	6	EA
20	SN 212000501	1/2" COUNTERSUNK MALE GAS CAP 60 ° *K*	1	EA

アイテム	部品番号	名前	数量	UOM
21	SN 414025950	1/4" *K* GAS BONDED WASHER	2	EA
22	SN 512014950	SCREW FOR EYE GAS 1/4" H=25 *K*	1	EA
23	SN 308419850	SCREW FOR EYE GAS 1/2" *K*	2	EA
24	SN 701007003	OIL TANK CAP NYLON G 1 1/4"	1	EA
25	SN 308494650	STRUT 1/2" M/F L=25	1	EA
26	SN 212123401	SPECIAL FITTING EYE 1/2 "G M 3/4" G	1	EA
27	SN 414026250	3/4" *K* GAS BONDED WASHER	1	EA
28	SN 250003403	ONE WAY VALVE 3 BAR F F 3/4"G REXROTH	1	EA
29	SN 308527950	SEALING END BODY AND 22L * 3/4 GAS *K*	1	EA
30	SN 522400801	VIBRATION DAMPER 4030VD23D40 TH30 M8 MF	4	EA
31	SN 240004001	VISUAL OIL LEVEL INDICATOR	1	EA
31.10	SN 329810301	HYDRAULIC OIL LEVEL CONNECTOR	1	EA
32	SN T24007050	SENSOR CONN. PLATE	1	EA
33	SN T25026350	SEAT GALV. SPACER	2	EA
34	SN 120106001	HEXAGON HEAD SCREW M10X60 CL 8.8 UNI 5737 GALV.	2	EA
35	SN 308539161	OIL FILTER CARTRIDGE DONALDSON FIS200	1	EA
36	SN ME09089019	PNP SENSOR	1	EA

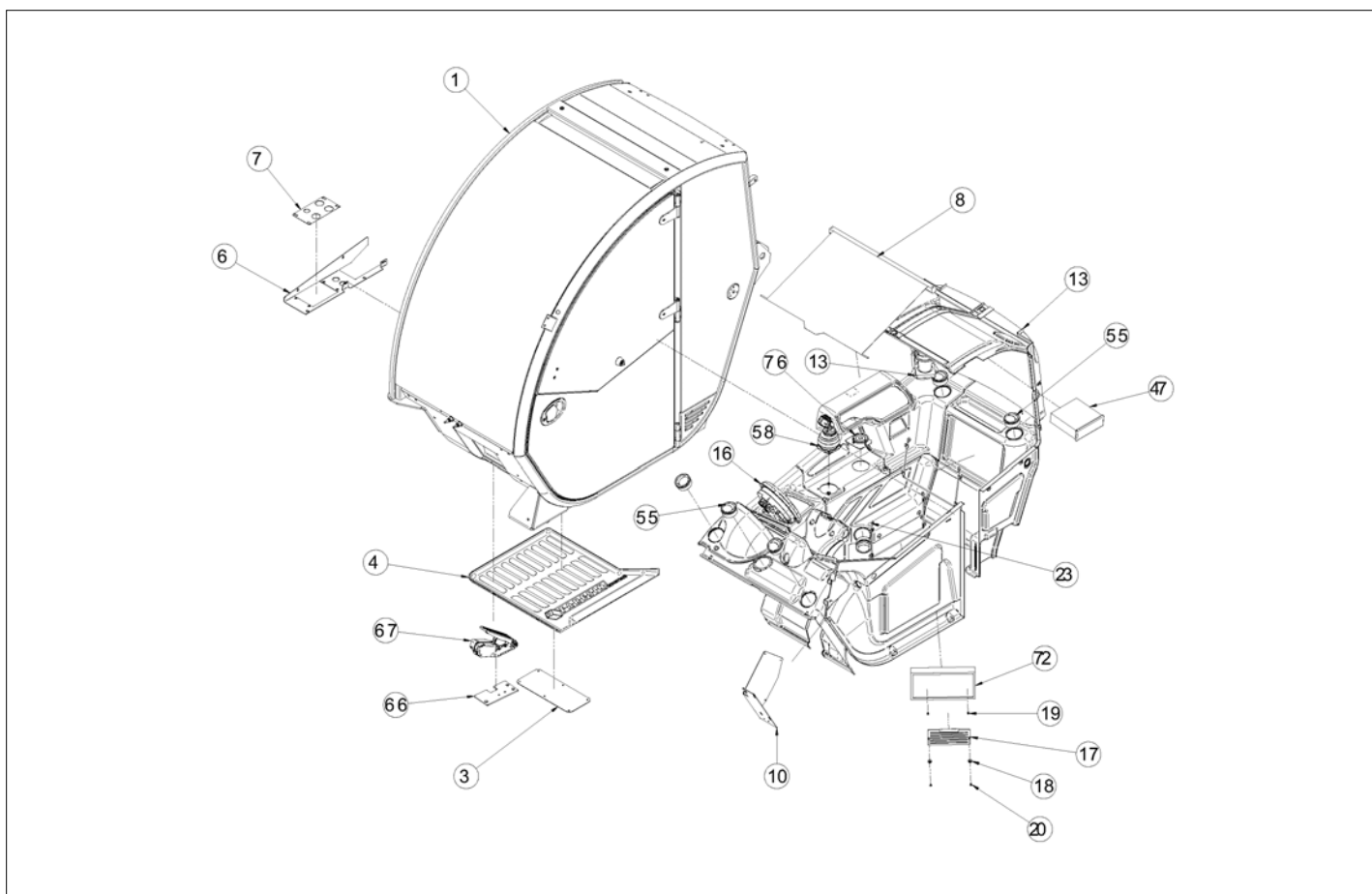
REPAIR PARTS

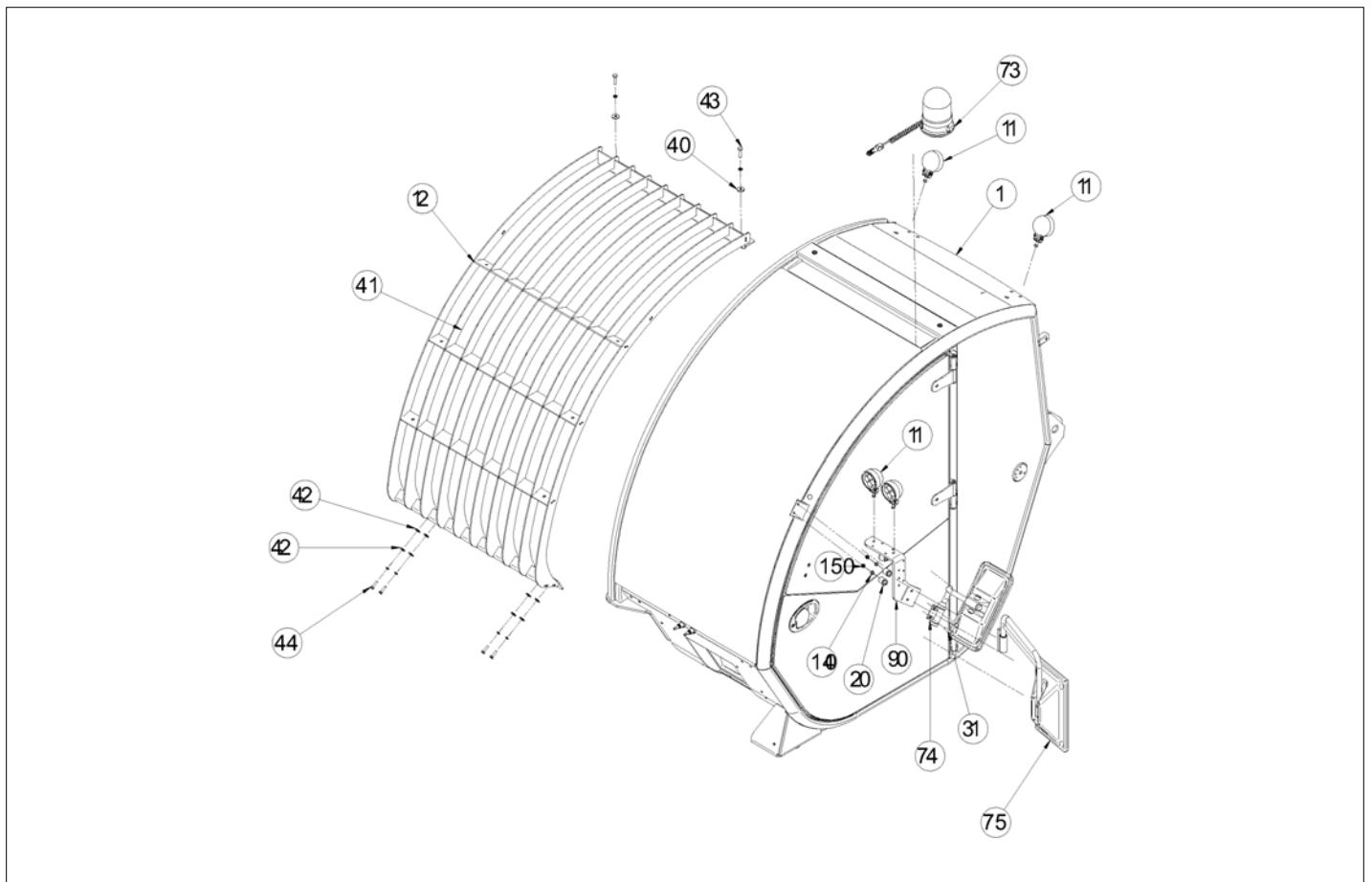


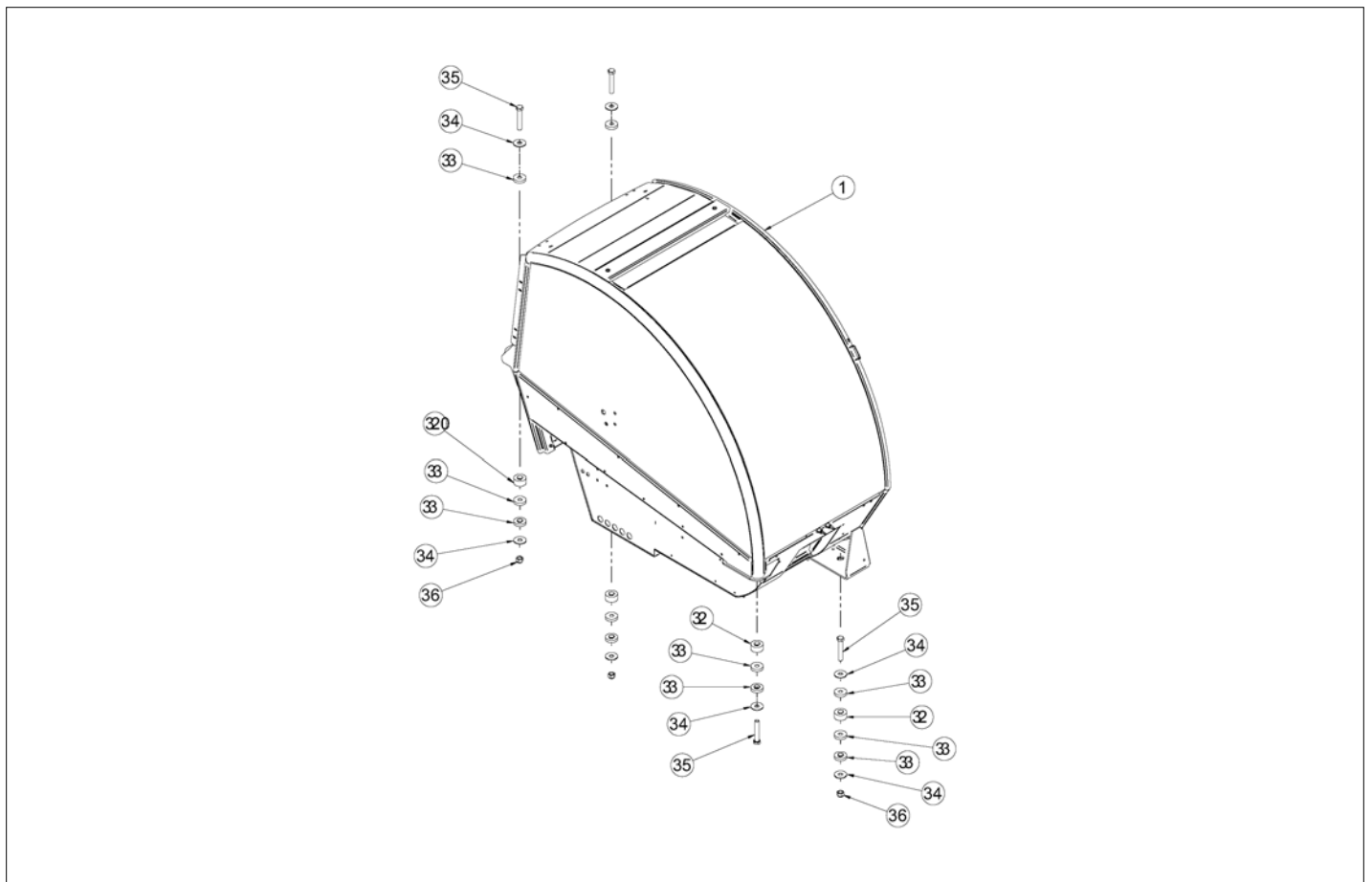


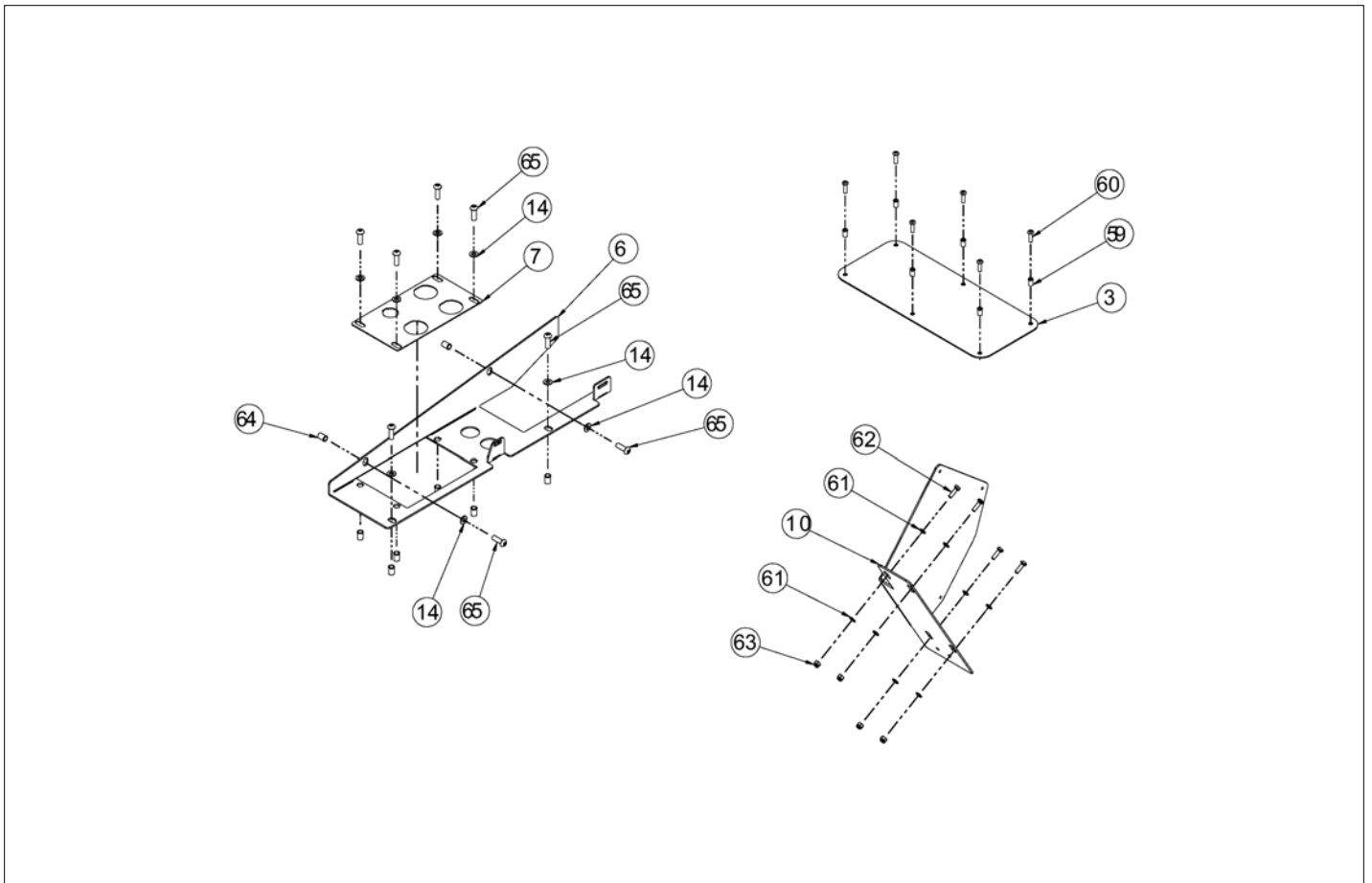
アイテム	部品番号	名前	数量	UOM
	TA2506072A	REAR HYDRAULIC WEIGHT FR00		EA
1	SN T25055550	FR00 CHASSIS WITH DANA AXLES	1	EA
2	SN T25059050	CARDAN COVER SHEET FR00	1	EA
3	SN 250121201	SOLENOID VALVE 6 WAY 2 POST1/2	1	EA
4	SN 804003006	M6 WASHER DIN125A GALV. 6.4x12x1.6	2	EA
5	SN 804003206	M6 GROWER WASHER UNI7064 GALV. 6.1x11.8x3.2	2	EA
6	SN 125068001	SOCKET HEAD CAP SCREW M6X80 CL 8.8 UNI 5931 GALV.	2	EA
7	SN 214001205	FEMALE QUICK COUPLER	2	EA
8	SN 150380301	SEEGER RING SEEGER 038 EST DIN471	4	EA
9	SN 308528150	SEALING END BODY AND 15L * 1/2 GAS *K*	8	EA

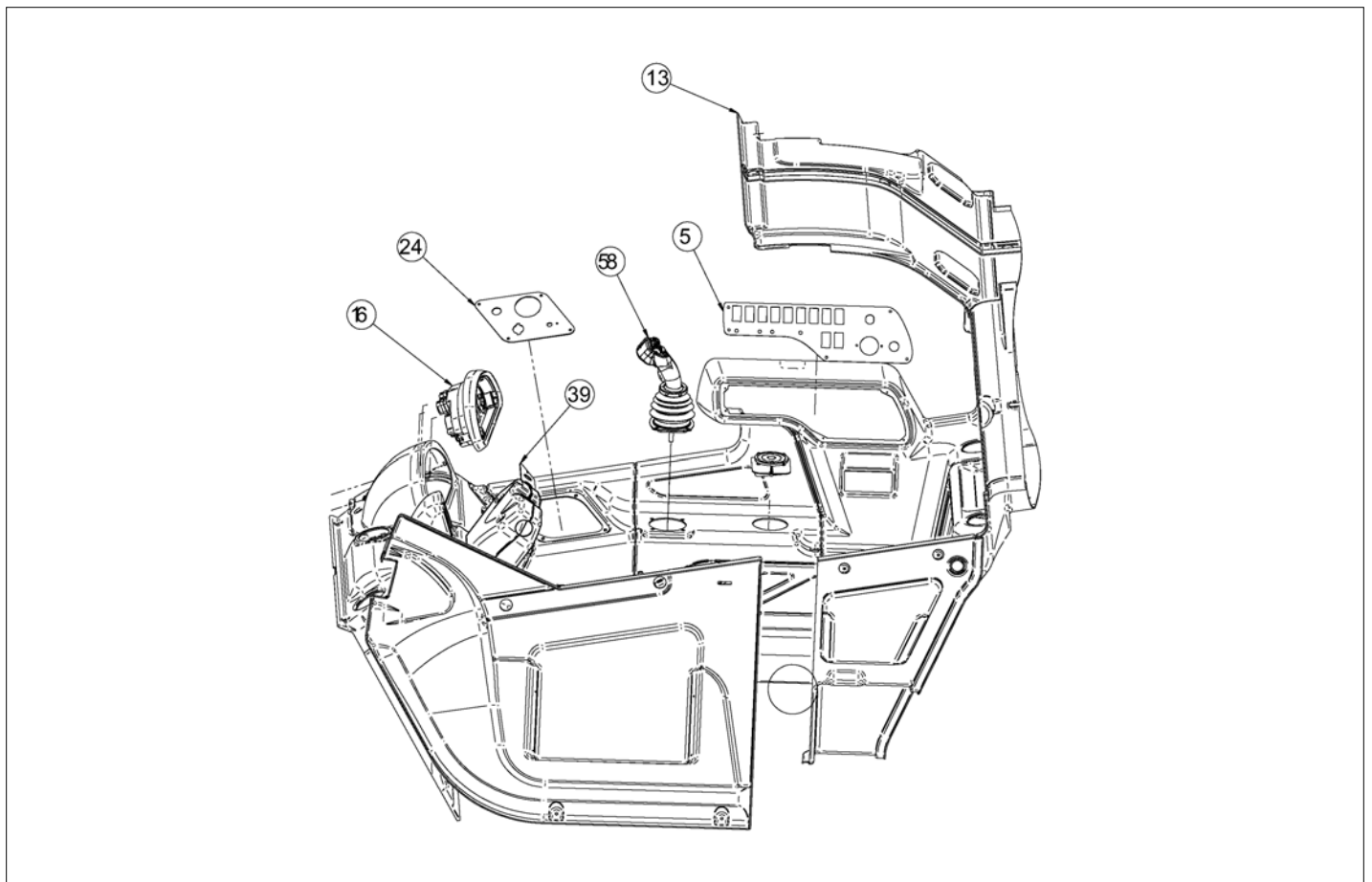
REPAIR PARTS

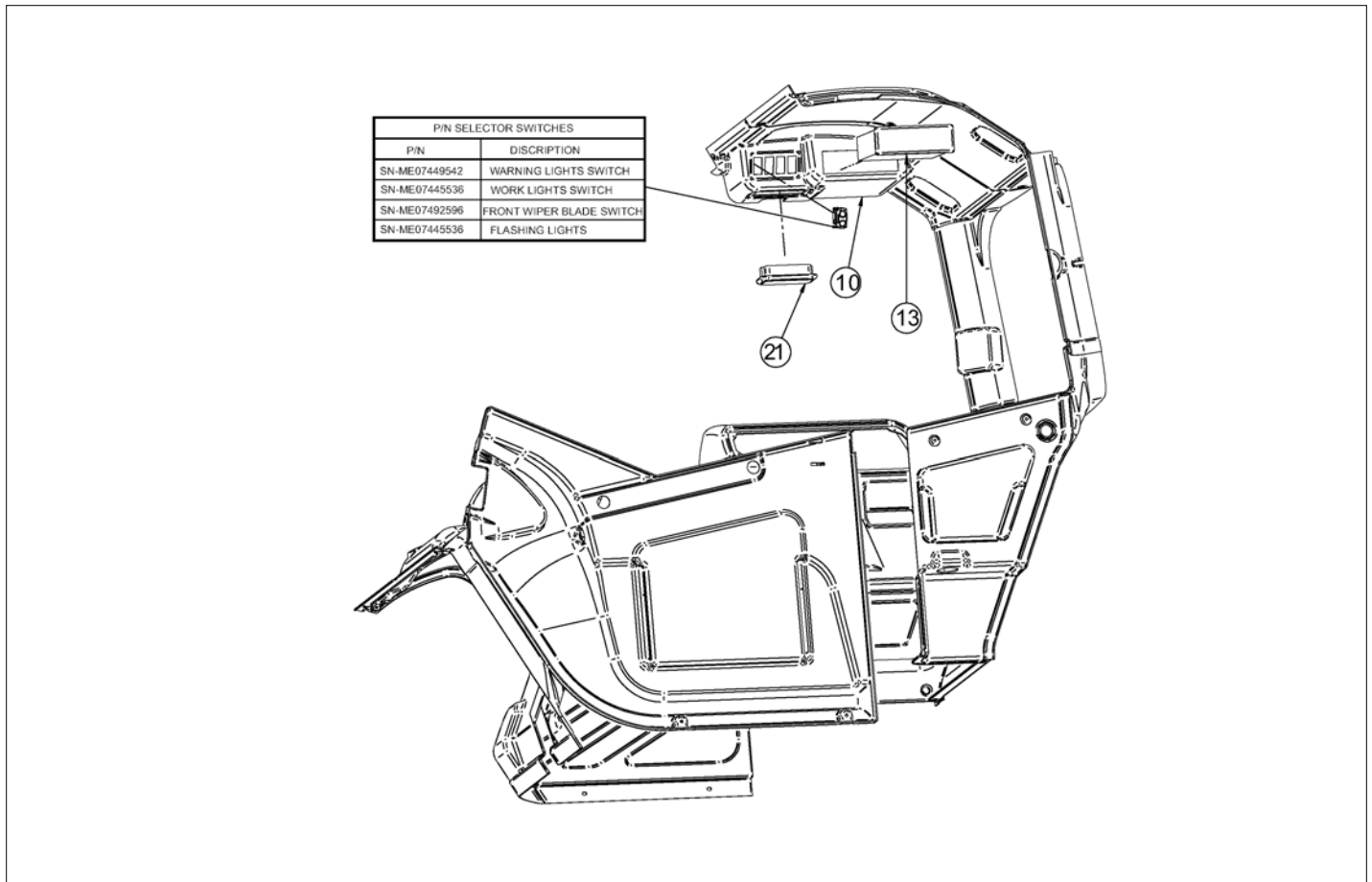


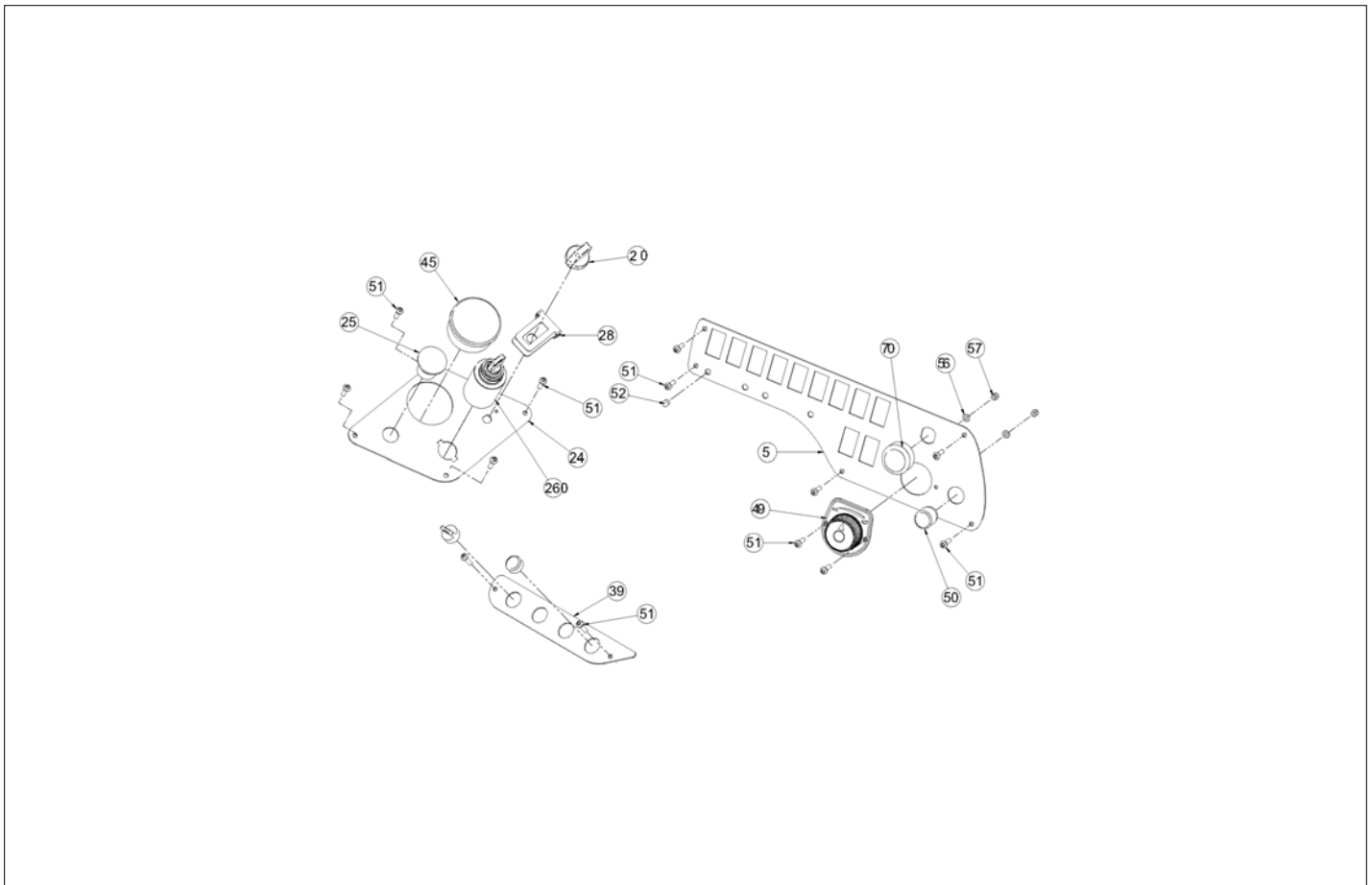




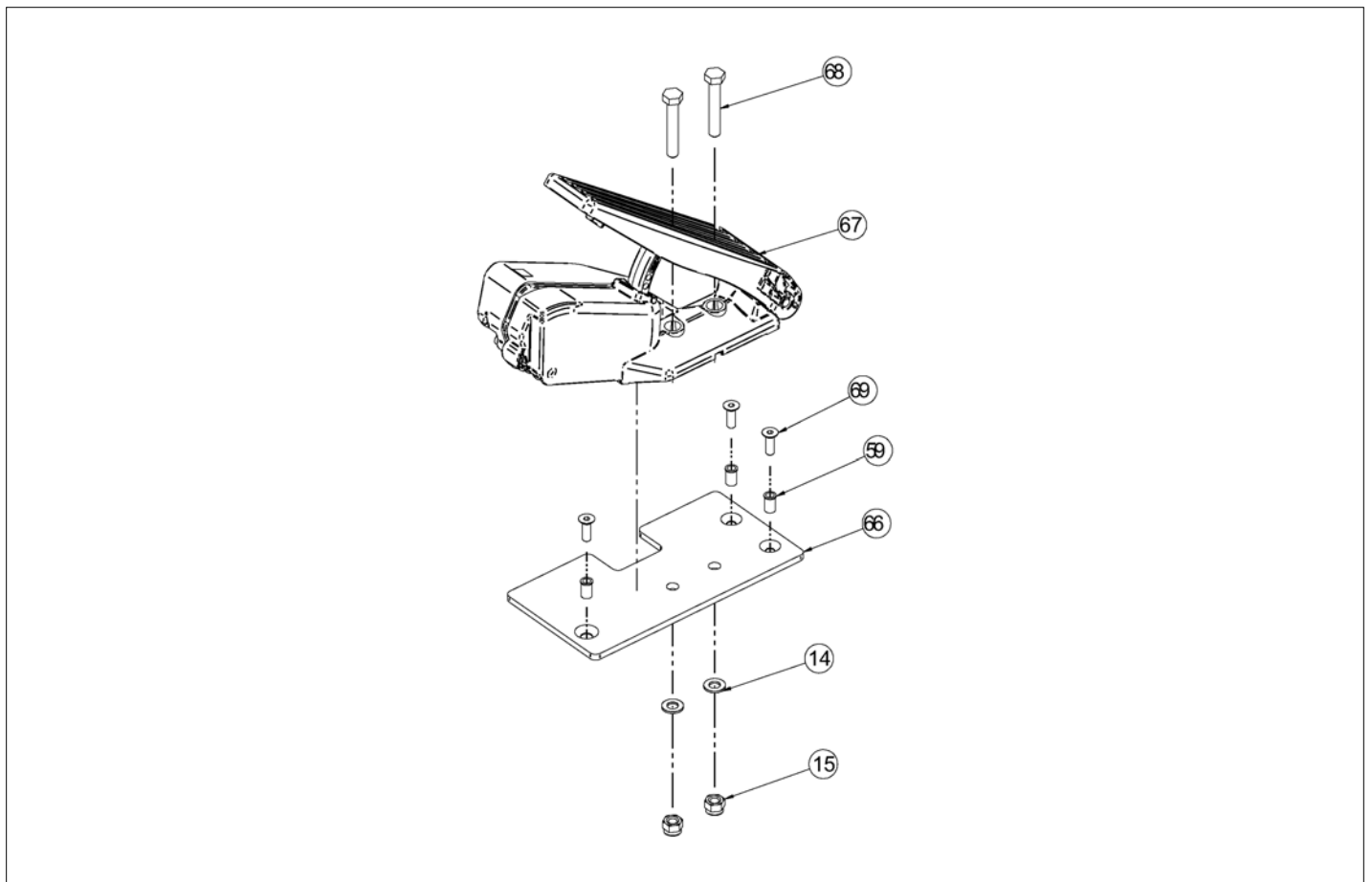


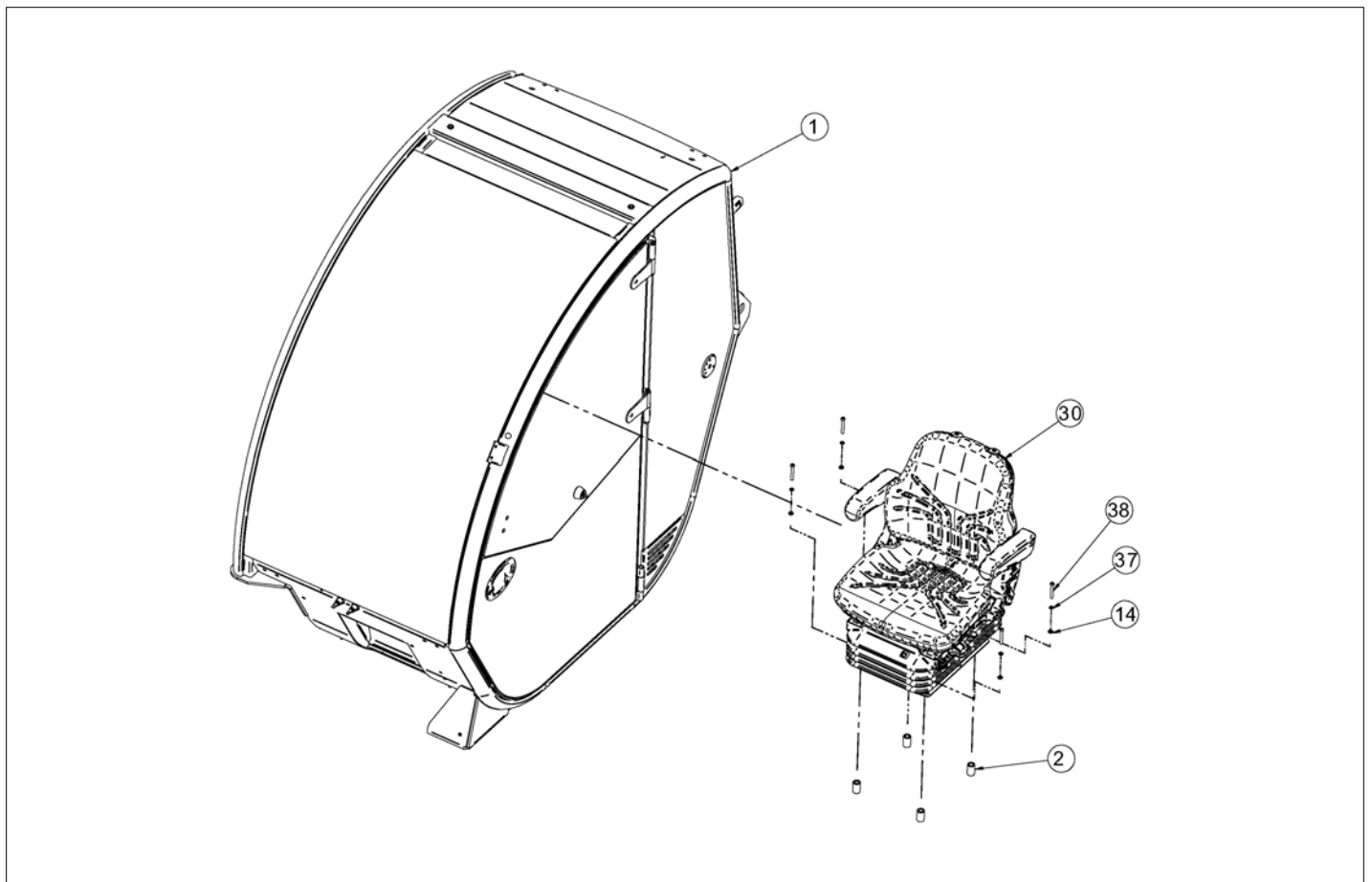












アイテム	部品番号	名前	数量	UOM
	TA3007040A	CABIN FR00 CLASSIC		EA
1	SN T30182050	NEW CABIN 2013	1	EA
2	SN T25026350	SEAT GALV. SPACER	6	EA
3	SN T28056650	CAB QUEEN CABIN BOTTOM CLOSING SHEET	1	EA
4	SN T30183550	FARESIN CABIN BELT 2013	1	EA
5	SN T30182250	TELEHANDLER CENTRAL SIDE DASHBOARD	1	EA
6	SN T30194550	JOYSTICK AND ABS FIX SUPP. BENT SHEET METAL	1	EA
7	SN T30193350	VPS CABIN CONNECTOR FASTENING SHEET	1	EA
8	SN T30181450	SUNBLIND FOR CABIN 2013	1	EA
9	SN 628053250	SUPPORT, MIRROR AND HEADLIGHTS FOR CABIN 2013	1	EA
10	SN T30197850	SUPPORT SHEET FOR WURTH CARD 12 RELAYS	1	EA
11	SN ME11082B53	CIAM 6 LEDS WORKING LIGHT (ONLY)	4	EA
Not Shown	SN CUK443501	WORK LIGHT ASSEMBLY		EA
12	SN T25053950	FRONT PROTECT. GRILLE ON QUEEN CABIN	1	EA
13	SN T30194650	ABS QUEEN CAB CABIN UPHOLSTERY ASS.	1	EA
14	SN 804003008	M8 WASHER DIN125A GALV. 8.4x16x1.6	16	EA
15	SN 804002008	SELF LOCKING NUT M8 GALV. HIGH DIN982	4	EA
16	SN ME10852917	DASH DISPLAY	1	EA
17	SN T28058750	CABIN AIR FILTER CLOSURE GRILLE	1	EA
18	SN 130050005	M5 PLASTIC COUNTERSUNK WASHER	2	EA
19	SN 165005101	THREADED INSERT M5 ART. 091775 WURTH 5X7X13	2	EA

アイテム	部品番号	名前	数量	UOM
20	SN 801705016	HEX SOCKET COUNTERSUNK FLAT HEAD CAP SCREW M5x16 DIN7991 GALV.	2	EA
21	SN T30181550	CEILING LIGHT FOR NEW CABIN	1	EA
22	SN T30181650	NEW CABIN GLASS HOLDER	1	EA
23	SN T30181750	FILTER SCREEN FOR NEW CABIN	2	EA
24	SN T30188250	SIDE DASHBOARD IGNITION ASSEMBLY	1	EA
25	SN ME07406381	EMERGENCY BUTTON	1	EA
26	SN ME09066027	STARTER BLOCK W/KEY	1	EA
27	SN ME07035025	STEERING WHEEL SELECTOR	1	EA
28	SN ME09466562	STEERING WHEEL SELECTOR GUARD	1	EA
29	SN T30192150	CABIN BOX COVER 2013	2	EA
30	SN 707301702	SEAT 951666 WITH MECHANICAL SUSPENSION	1	EA
31	SN 120080801	SCREW M8X80 CL 8.8 DIN 933 ZN	2	EA
32	SN 522603001	CABIN VIBRATION DAMPER Ø60 H30	4	EA
33	SN 522601302	CABIN VIBRATION DAMPER Ø60 H13/17	11	EA
34	SN 804003120	M20 WASHER DIN9021 GALV. 22.0x60x4.0	7	EA
35	SN 800220120	HEXAGON HEAD SCREW M 20x120 DIN931 GALV.	4	EA
36	SN 804002020	SELF LOCKING NUT M20 GALV. HIGH DIN982	3	EA
37	SN 804003208	M8 GROWER WASHER UNI7064 GALV.	8	EA
38	SN 122086001	HEX SOCKET SCREW M8X60 CL 10.9 UNI 7380 GALV.	4	EA
39	SN T60001050	KEY SELECTOR SWITCH DASHBOARD FR03	1	EA
40	SN 804003110	M10 WASHER DIN9021 GALV. 10.5x30x2.5	2	EA

アイテム	部品番号	名前	数量	UOM
41	SN 804003210	M10 GROWER WASHER UNI7064 GALV.	2	EA
42	SN 804003108	M8 WASHER DIN9021 GALV. 8.4x24x2.0	8	EA
43	SN 800110040	HEXAGON HEAD SCREW M10x40 DIN933 GALV. IF	2	EA
44	SN 120083001	HEXAGON HEAD SCREW M8X30 CL 8.8 UNI 5739 GALV.	4	EA
45	SN 900006011	PRESSURE GAUGE 0 60 BAR 1/4 DIN	1	EA
46	SN ME96382330	SAR CENTRAL UNIT	1	EA
47	SN 609063570	RADIO WITH FRONT CD AND BLUETOOTH	1	EA
48	SN ME07493597	SELECTOR 3 FIXED POSITIONS DUAL CONTACT	2	EA
49	SN ME10401353	INCHING POTENTIOMETER	1	EA
50	SN ME09397A86	CIGARETTE LIGHTER	1	EA
51	SN 122052001	HEX SOCKET SCREW M5X20 CL 10.9 UNI 7380 GALV.	13	EA
52	SN ME10778906	RED LED	1	EA
53	SN ME07039261	SELECTOR 3 FIXED POSITIONS DIAMETER 22	1	EA
54	SN 800504020	SOCKET HEAD CAP SCREW M4X20 DIN 912 ZN	4	EA
55	SN T30187355	GRILLE D82 P236 65718	6	EA
56	SN 130050001	FLAT WASHER M5 GALV.	2	EA
57	SN 804002005	SELF LOCKING NUT M5 GALV. HIGH DIN982	2	EA
58	SN ME09523B44	2 ROLLERS JOYSTICK DN85 + FNR	1	EA
59	SN 165061301	THREADED RIVET M6X13 GALV.	9	EA
60	SN 122062001	HEX SOCKET SCREW M6X20 CL 10.9 UNI 7380 GALV.	6	EA
61	SN 804003006	M6 WASHER DIN125A GALV. 6.4x12x1.6	8	EA

アイテム	部品番号	名前	数量	UOM
62	SN 800106020	HEXAGON HEAD SCREW M6x20 DIN933 GALV. IF	4	EA
63	SN 804002006	SELF LOCKING NUT M6 GALV. HIGH DIN982	4	EA
64	SN 165081501	THREADED RIVET M8X15,5 GALV.	8	EA
65	SN 122082501	HEX SOCKET SCREW M8X25 CL10.9 UNI 7380 GALV.	8	EA
66	SN 628072650	HELLA 2015 PEDAL PLATE	1	EA
67	SN ME09072A69	HELLA ELECTRONIC PEDAL	1	EA
68	SN 800208050	HEXAGON HEAD SCREW M8x50 DIN931 GALV.	2	EA
69	SN 801706020	HEX SOCKET COUNTERSUNK FLAT HEAD CAP SCREW M6x20 CL8.8 DIN7991 GALV.	3	EA
70	SN ME07534640	COBO PTO BUTTON	1	EA
71	SN ME1A865C53	BY PASS BUTTON	1	EA
72	SN 240040070	AIR TOP CABIN AIR FILTER	1	EA
73	SN ME09080328	ROTATING LIGHT	1	EA
74	SN 704061001	LH MIRROR ARM WITH SUPPORT	1	EA
75	SN 414025000	REAR W.MIRROR	1	EA
76	SN TA2506087	SPIRIT LEVEL KIT	1	EA

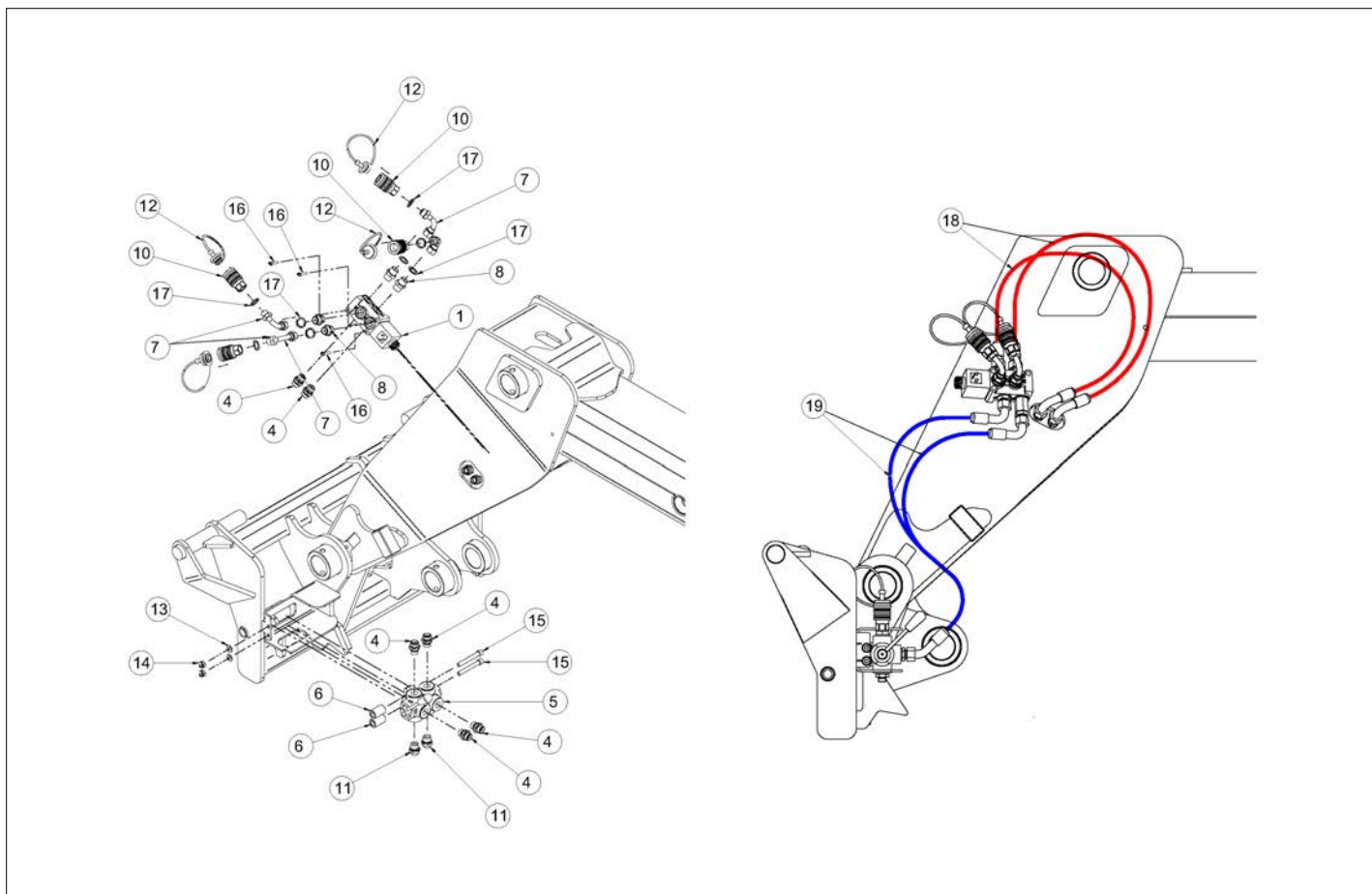
REPAIR PARTS

NO IMAGE AVAILABLE  
(BOM FOR REFERENCE ONLY)

アイテム	部品番号	名前	数量	UOM
	PNNA	REPLACEMENT KEYS FOR TELEHANDLERS		EA
1	3028929	CAB/IGNITION AND ENGINE COVER KEY	1	EA
2	3028930	FUEL CAP KEY	1	EA
3	8030051	1054 AND 9244 REAR COVER	A/R	EA

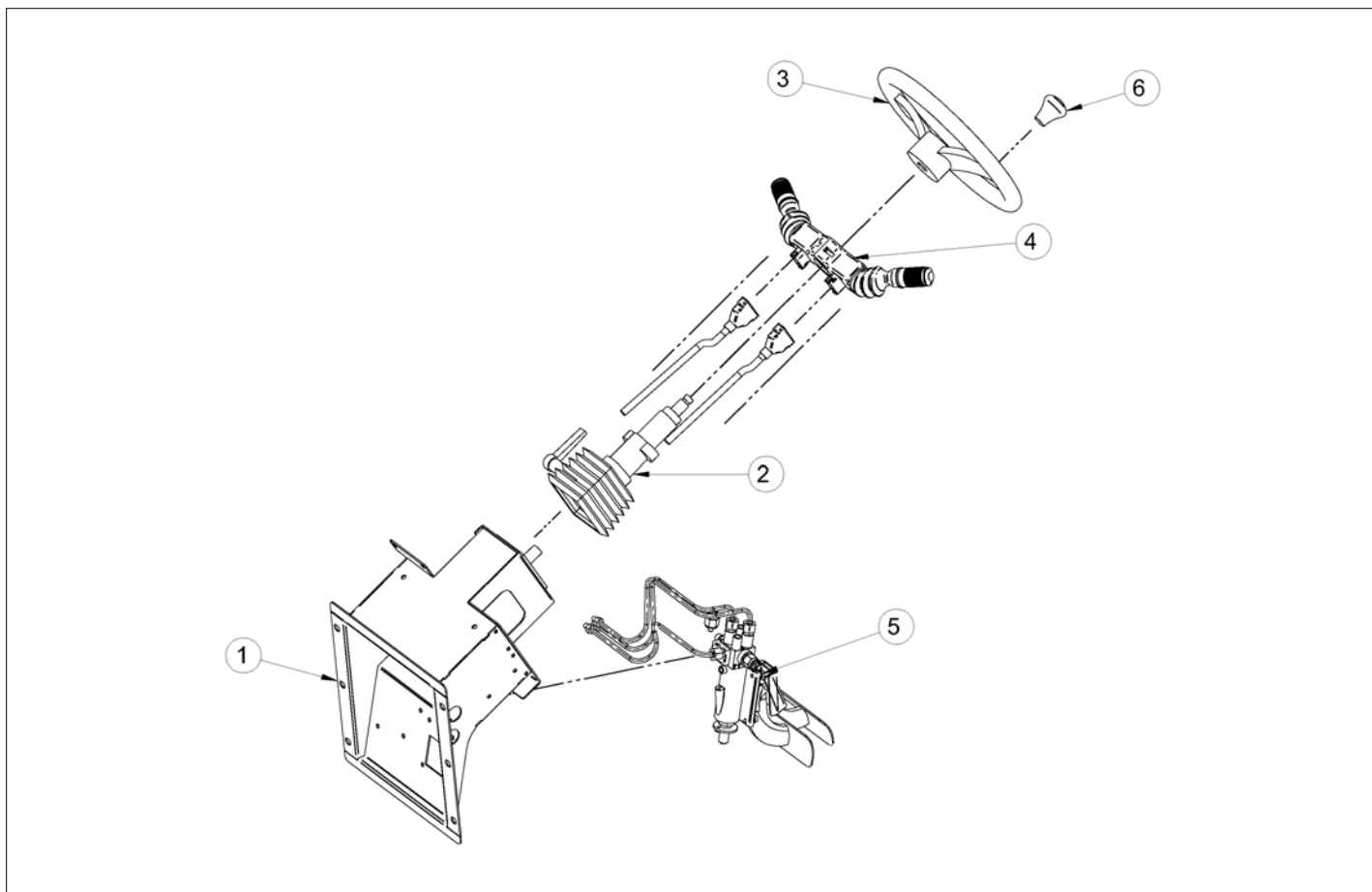


REPAIR PARTS



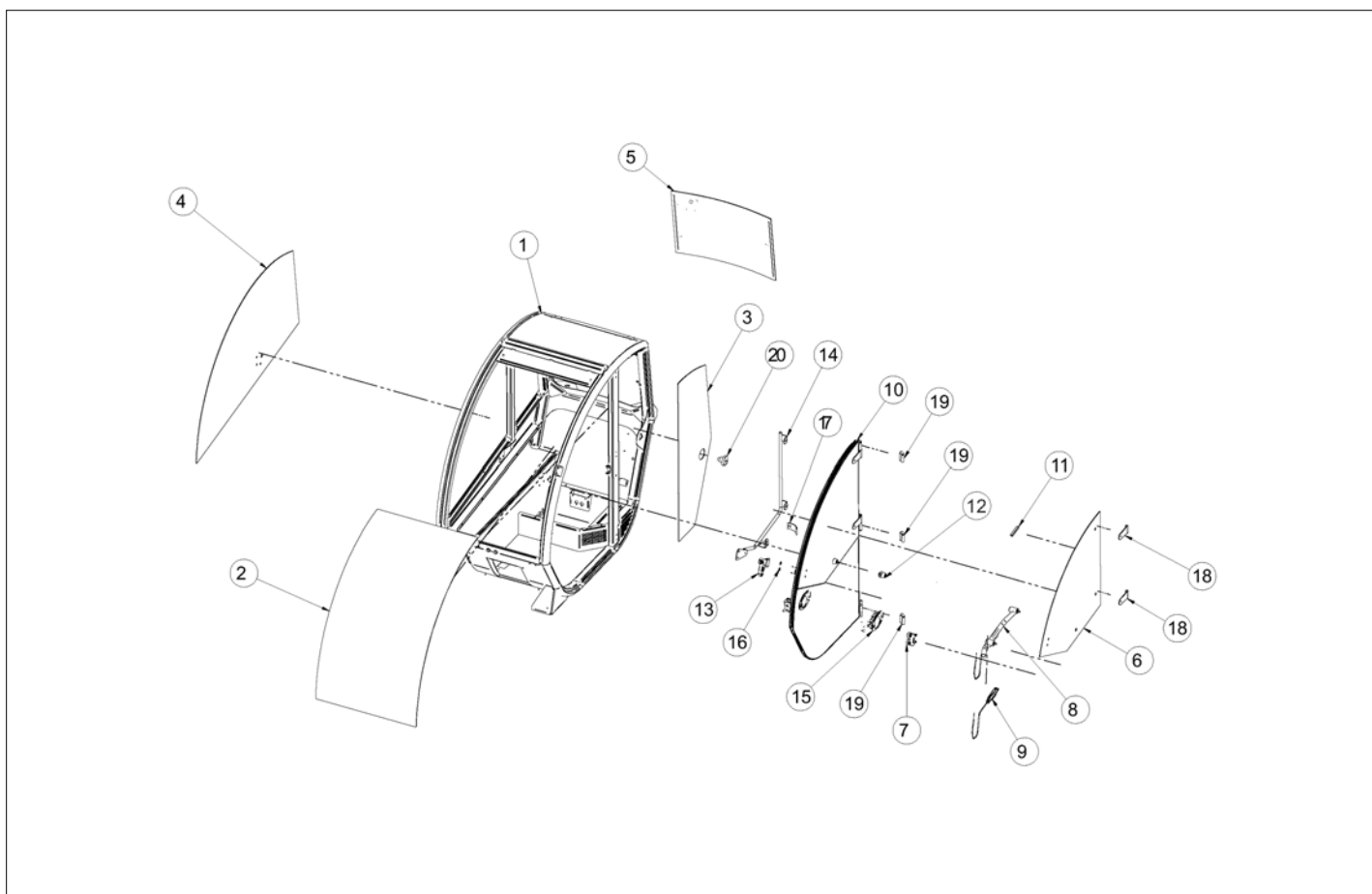
アイテム	部品番号	名前	数量	UOM
	TA2506086A	6 WAY ELECTRIC + 6 WAY MANUAL DIVERter ON BOOM		EA
1	SN 250121201	SOLENOID VALVE 6 WAY 2 POST1/2	1	EA
2	SN T24016850	EXTENSION WITH TOP 6.25 2013	1	EA
3	SN T25060950	ACCESSORY HOLDER WITH EURO COUPLING FR00	1	EA
4	SN 308528150	SEALING END BODY AND 15L * 1/2 GAS *K*	6	EA
5	SN 226061201	6 WAY DIVERter 1/2 CONNECTORS	1	EA
6	SN T25026350	SEAT GALV. SPACER	2	EA
7	SN 212121205	ADAP. M FG 90 ° GAS PRES. 1/2" * 1/2"	4	EA
8	SN 212050502	GAS NIPPLES GAS 1/2" * 1/2"	4	EA
9	SN 609077850	INTERMEDIATE BODY EO 15L M22X1.5	2	EA
10	SN 214001205	FEMALE QUICK COUPLER	4	EA
11	SN 612041200	SEALING END BODY AND 12L * 1/2 GAS *K*	2	EA
12	SN 701001201	RUBBER CAP FOR QUICK BLUE COUPLING	4	EA
13	SN 130100001	FLAT WASHER M10 GALV.	2	EA
14	SN 101101001	SELF LOCKING NUT M10 GALV.	2	EA
15	SN 125108001	SOCKET HEAD CAP SCREW M10X80 CL 8.8 UNI 5931 GALV.	2	EA
16	SN 800506040	SOCKET HEAD CAP SCREW M6X40 CL 8.8 DIN 912 GALV.	3	EA
17	SN 414026150	1/2" *K* GAS BONDED WASHER	8	EA
18	SN 220120166	PIPE M3K 1/2" L800 F9015L/FD15L	2	EA
19	SN 220380134	M4K 3/8" L1000 F90L15 F45L15 90 °	2	EA

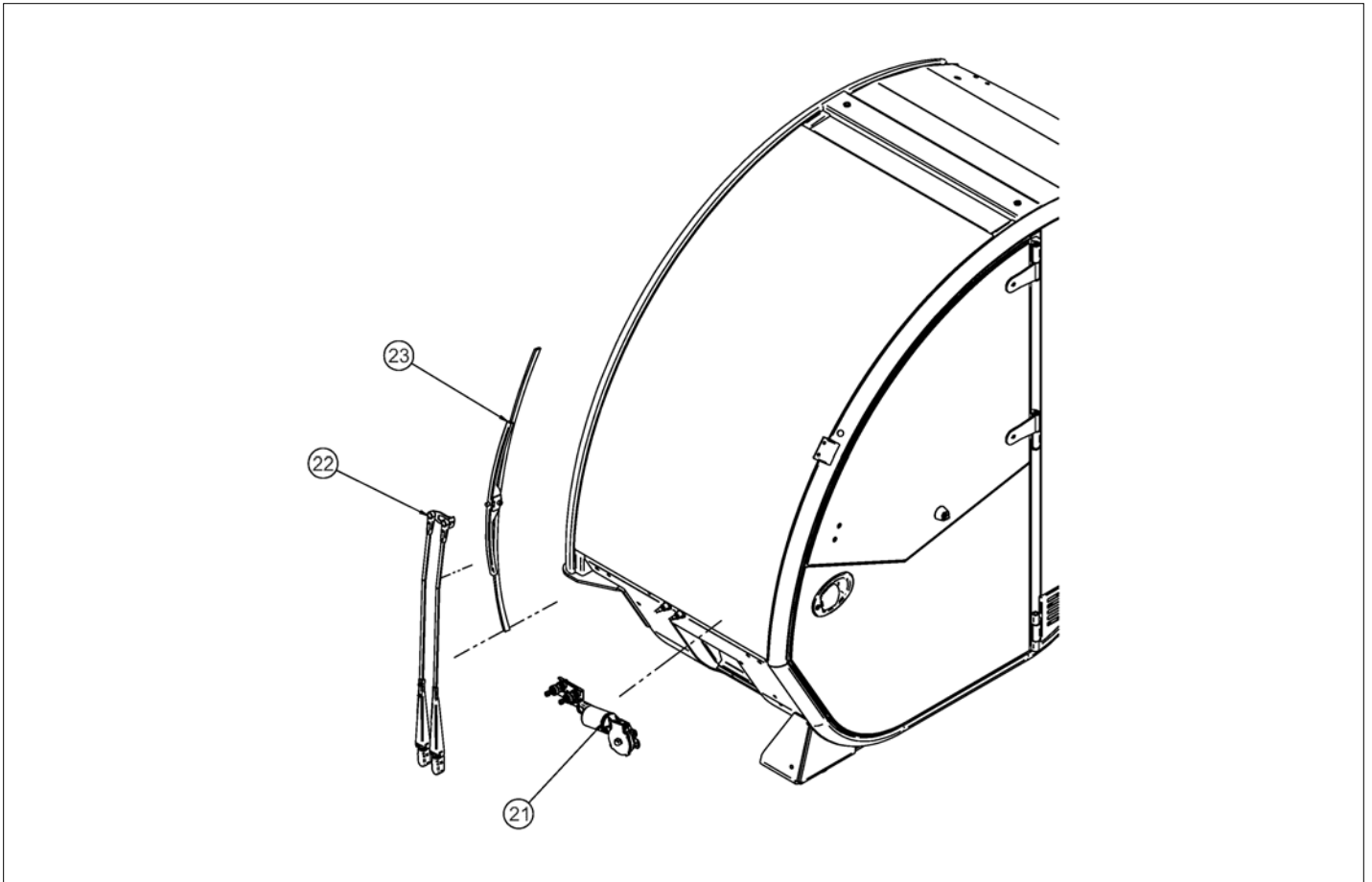
REPAIR PARTS



アイテム	部品番号	名前	数量	UOM
	TE3514024A	CAB QUEEN STEERING COLUMN		EA
1	SN 719000201	STEERING COLUMN SUPPORT	1	EA
2	SN 402012001	ITALCAB INCLINABLE STEERING COLUMN	1	EA
3	SN 403167001	STEERING WHEEL	1	EA
4	SN ME09636748	TELEHANDLERS FNR LEVER	1	EA
5	SN TI2800550	SAFIM INCHING BRAKE PEDAL	1	EA
6	SN 403000301	STEERING KNOB	1	EA

REPAIR PARTS



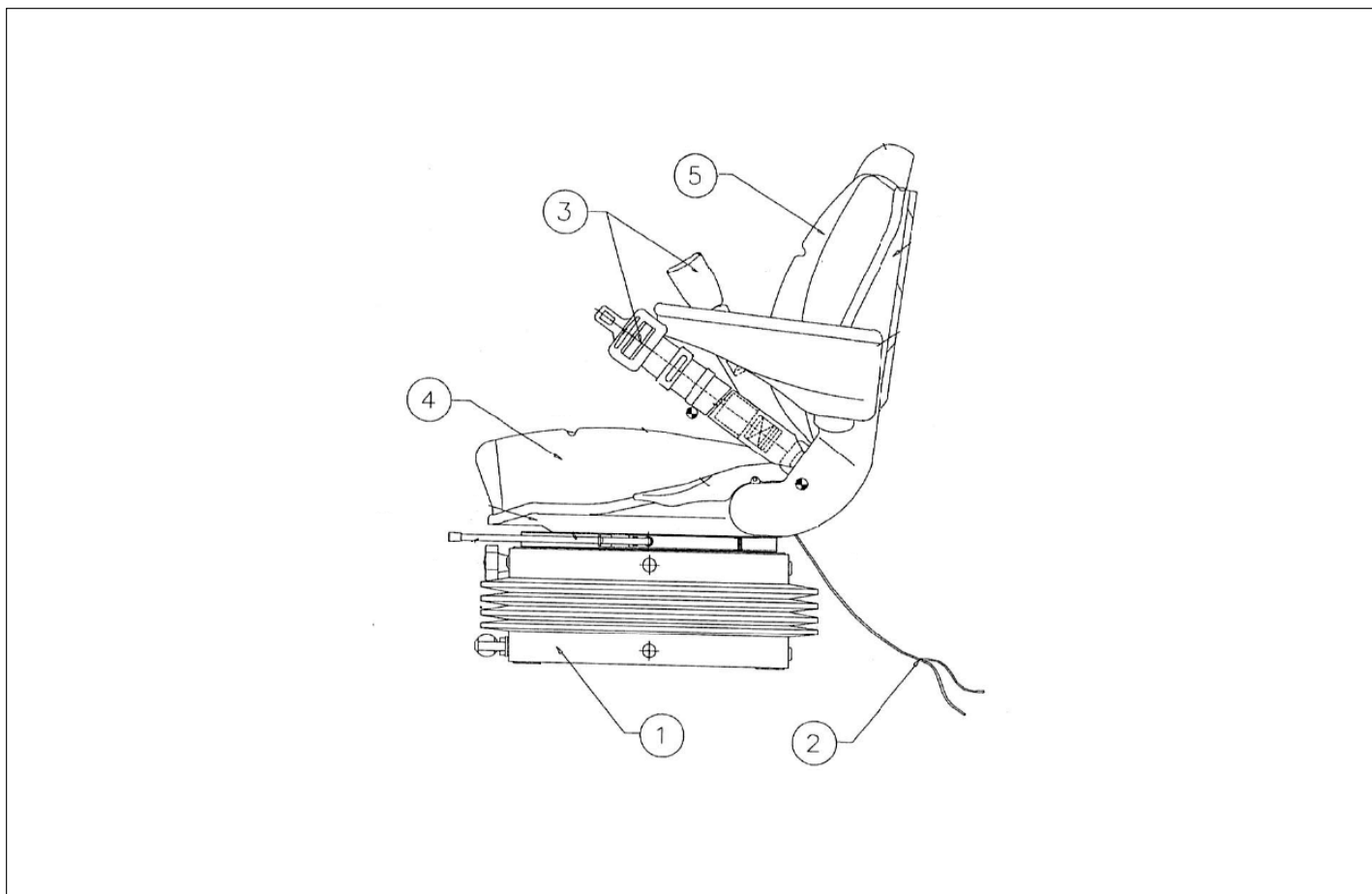


アイテム	部品番号	名前	数量	UOM
	TA2506066A	CAB QUEEN CABIN DOOR		EA
1	SN T30182050	NEW CABIN 2013	1	EA
2	SN T30182053	WINDSCREEN GLASS	1	EA
3	SN T30182055	CRYSTAL SIDE. LH WITH TLF SERIGRAPHY	1	EA
4	SN T30182056	CRYSTAL SIDE. DX WITH TLF SERIGRAPHY	1	EA
5	SN T30182057	OPENABLE CURVED REAR CRYSTAL WITH SERIGRAPHY	1	EA
6	SN 715182701	WINDOW HINGE	1	EA
7	SN T30182051	LOCK WITH LEVER	1	EA
	3028929	CAB/IGNITION AND ENGINE COVER KEY	1	EA
8	SN T30182054	LEVER DOOR OPENING DOOR QUEEN CAB	1	EA
9	SN T30182059	CONTROL LEVER UNLOCK W.A. WITH CABLE QUEEN	1	EA
10	SN T30182052	ASSEMBLY COMPLETE DOOR TLFI CABIN	1	EA
11	SN 586126501	WINDOW GASKET L=2600	1	EA
12	SN 706032001	DOORSTOP PIN DLP JAP MM70	1	EA
13	SN 706000101	LEFT/RIGHT SLEEVE 110x38 NYLON	1	EA
14	SN 706172301	TLFH DOOR GLASS HANDLE NR RAL9005	1	EA
15	SN 706011001	OVAL DLP SLEEVE 176x122	1	EA
16	SN 706163101	WASHER EXT.D24 INT.D14 H2 EPDM 90SH	2	EA
17	SN 521502001	CABIN DOOR FIXING BELT	1	EA
18	SN 541172301	TLFH DOOR HINGE NR RAL9005	2	EA
19	SN 541043001	HINGE D12 H32 CANTILEVER IN Z YTEL	3	EA
20	SN 704032001	DOOR STOP DLP JAP S/LEVER	1	EA
21	SN 604072202	2 SPD 12V MOTOR	1	EA

アイテム	部品番号	名前	数量	UOM
22	SN T30182061	WIND SCREEN WIPER ARM	1	EA
23	SN T30182062	WIND SCREEN WIPER	1	EA

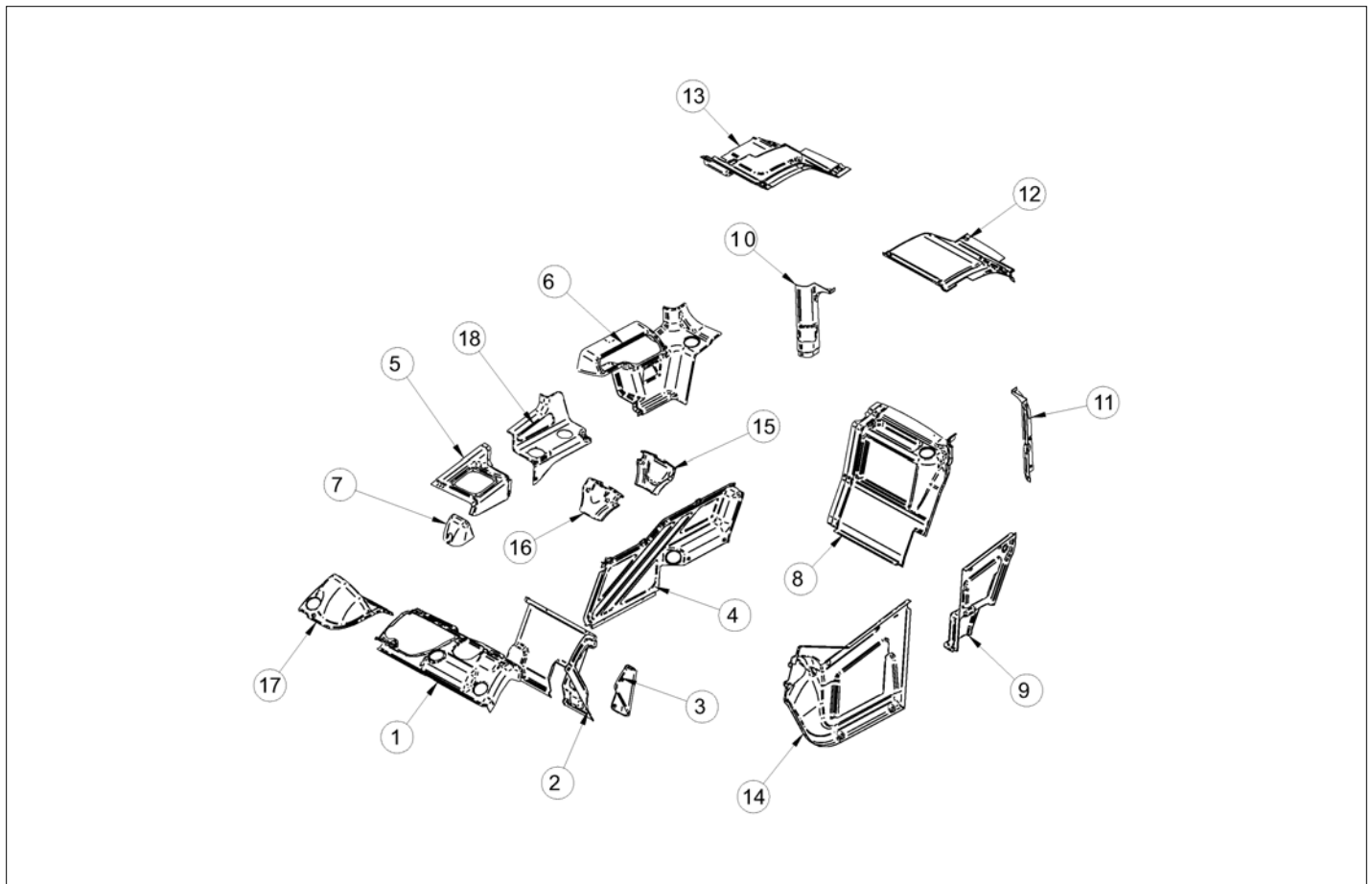


REPAIR PARTS



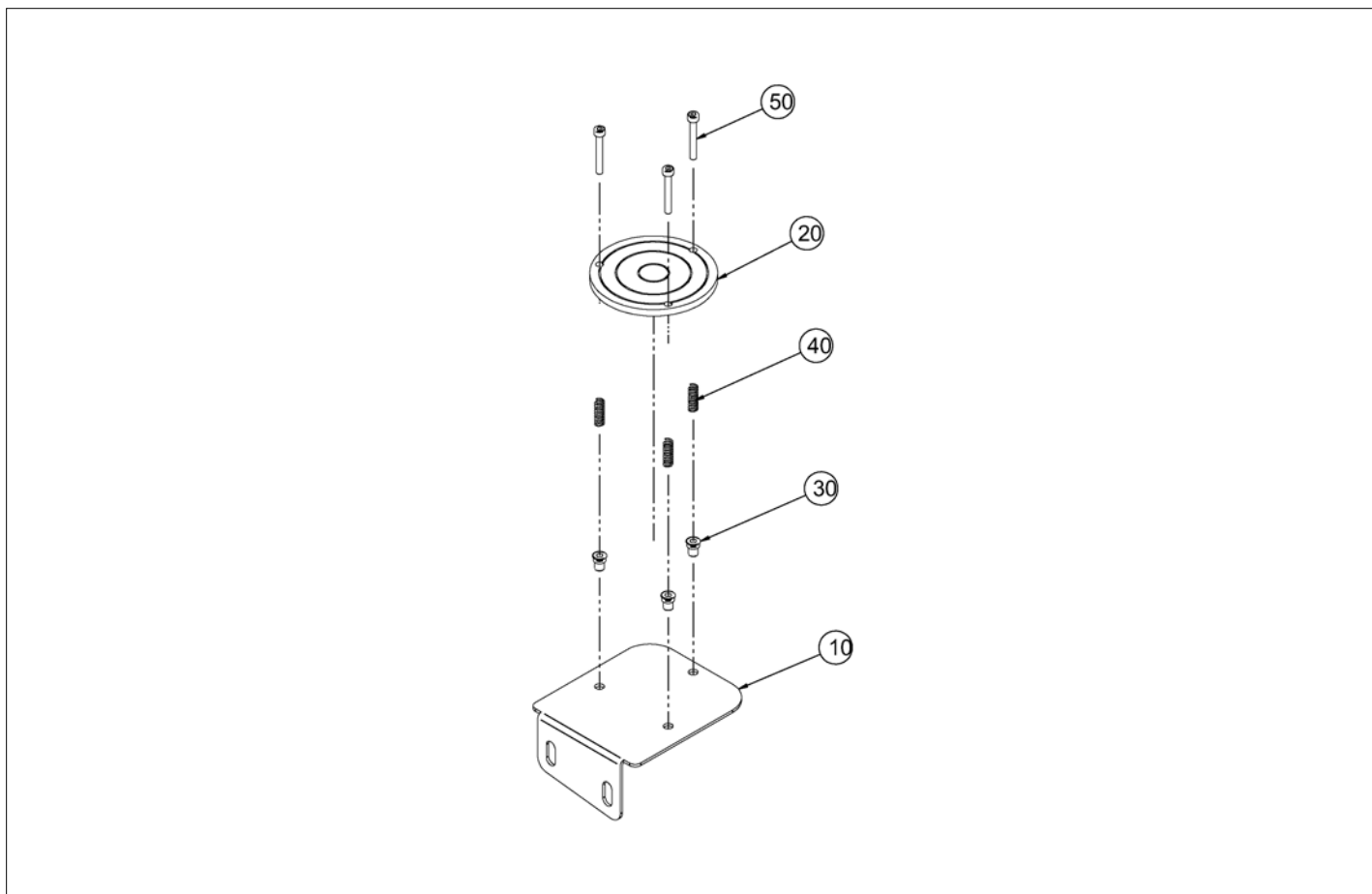
アイテム	部品番号	名前	数量	UOM
	707301702	SEAT W/MECHENICAL SUSPENION		EA
1	SN 707000301	MECHANICAL SPRINGS MOL698	1	EA
2	SN 707301703	P.U SEAT SENSOR	1	EA
3	SN 707301705	SEAT BELTS	1	EA
4	SN 707000001	ACTIVO SEAT CUSHION BLACK FABRIC	1	EA
5	SN 707000101	ACTIVO SEAT BACKREST IN BLACK FABRIC	1	EA

REPAIR PARTS



アイテム	部品番号	名前	数量	UOM
	T30194650B	INNER COATING CABIN FR00		EA
1	SN T30182751	ABS FRONT INSTRUMENT PANEL	1	EA
2	SN T30182752	ABS LOWER FRONT INSTRUMENT PANEL	1	EA
3	SN T30182754	ABS ELECTRIC PANEL DOOR	1	EA
4	SN T30182756	ABS LOWER RH	1	EA
5	SN T30182755	ABS STARTER SWITCH CONTROL PANEL	1	EA
6	SN T30182758	ABS CENTRAL UNIT AND A/C CONTROL PANEL	1	EA
7	SN T30182768	ABS ANTI OVERTURN COWL	1	EA
8	SN T30182761	ABS REAR CABIN	1	EA
9	SN T30182760	REAR LH SIDE ABS WASHER TANK	1	EA
10	SN T30182762	ABS RH REAR UPRIGHT	1	EA
11	SN T30182763	ABS LH REAR UPRIGHT	1	EA
12	SN T30182765	ABS ROOF LH SIDE	1	EA
13	SN T30182764	ABS ROOF RH SIDE	1	EA
14	SN T30182753	ABS DOOR WITH NEW HANDLE	1	EA
15	SN T30182767	ABS UPPER STEERING WHEEL COVER	1	EA
16	SN T30182766	ABS LOWER STEERING WHEEL COVER	1	EA
17	SN T30182770	ABS WINDSHIELD FOR ALGA	1	EA
18	SN T30182769	ABS TELESCOPIC TECNORD JOYSTICK	1	EA

REPAIR PARTS



アイテム	部品番号	名前	数量	UOM
	TA2506087A	LEVELING BUBBLE		EA
1	SN T30180660	BUBBLE FIXING	1	EA
2	SN 905161101	SPIRIT LEVEL D80 SENS.5 PMMA	1	EA
3	SN 165004101	THREADED INSERT M4	3	EA
4	SN T30180680	SPRING ØEXT6 ØINT4.6 H18 SPO.7	3	EA
5	SN 800504030	SCREW M4X30 CL 8.8 DIN 912 ZN	3	EA

REPAIR PARTS

**NO IMAGE AVAILABLE  
(BOM FOR REFERENCE ONLY)**

アイテム	部品番号	名前	数量	UOM
	159 0021B	DECAL KIT		EA
1	159 0021	DECAL KIT	1	EA
2	159 0019 000	DECAL, LOGO SNORKEL SR5719	2	EA
	LOAD CHARTS	null		EA
*	159 0011 000	S5719 FARESIN CARRIAGE		EA
*	159 0011 001	S5719 JOYSTICK INSTRUCTIONS		EA
*	159 0011 002	S5719 JOYSTICK INSTRUCTIONS ALT.		EA
*	159 0011 003	SR5719 FNR MODE		EA
*	159 0011 004	SR5719 TRAVEL INSTRUCTIONS		EA
	* ITEMS NOT INCLUDED IN DECAL KIT			EA
3	0113885	DECAL DIESEL ULTRA LOW SULFUR	1	EA
4	SN 720000010B	DECAL DO NOT CLIMB	1	EA
5	SN 720000011B	DECAL FASTEN SEAT BELT	1	EA
6	SN 720000012B	DECAL TOW HOOK	2	EA
7	SN 720000013C	DECAL LIFTING LUG	4	EA
8	SN 720000015B	DECAL OIL FILL POINT	1	EA
9	SN 720000020C	DECAL MITAS TIRE PRESSURE 50PSI	4	EA
10	SN 720000022B	DECAL TIE DOWN LUG	4	EA
11	SN 720000034B	DECAL LUBRICATION POINT	10	EA
12	SN 720000046A	DECAL DO NOT THRUST/PULL W/BOOM EXTENDED	1	EA
13	SN 720000177A	DECAL BOOM INCLINATION ANGLE	1	EA
14	SN 720000178A	DECAL LATERAL INDICATOR	1	EA
15	SN 720000520C	DECAL ARMOUR TIRE PRESSURE 75PSI	4	EA
16	SN 720000620A	DECAL CAMSO TIRE PRESSURE 90PSI	4	EA
20	SN 725191001A	DECAL SOUND POWER 101DB	1	EA

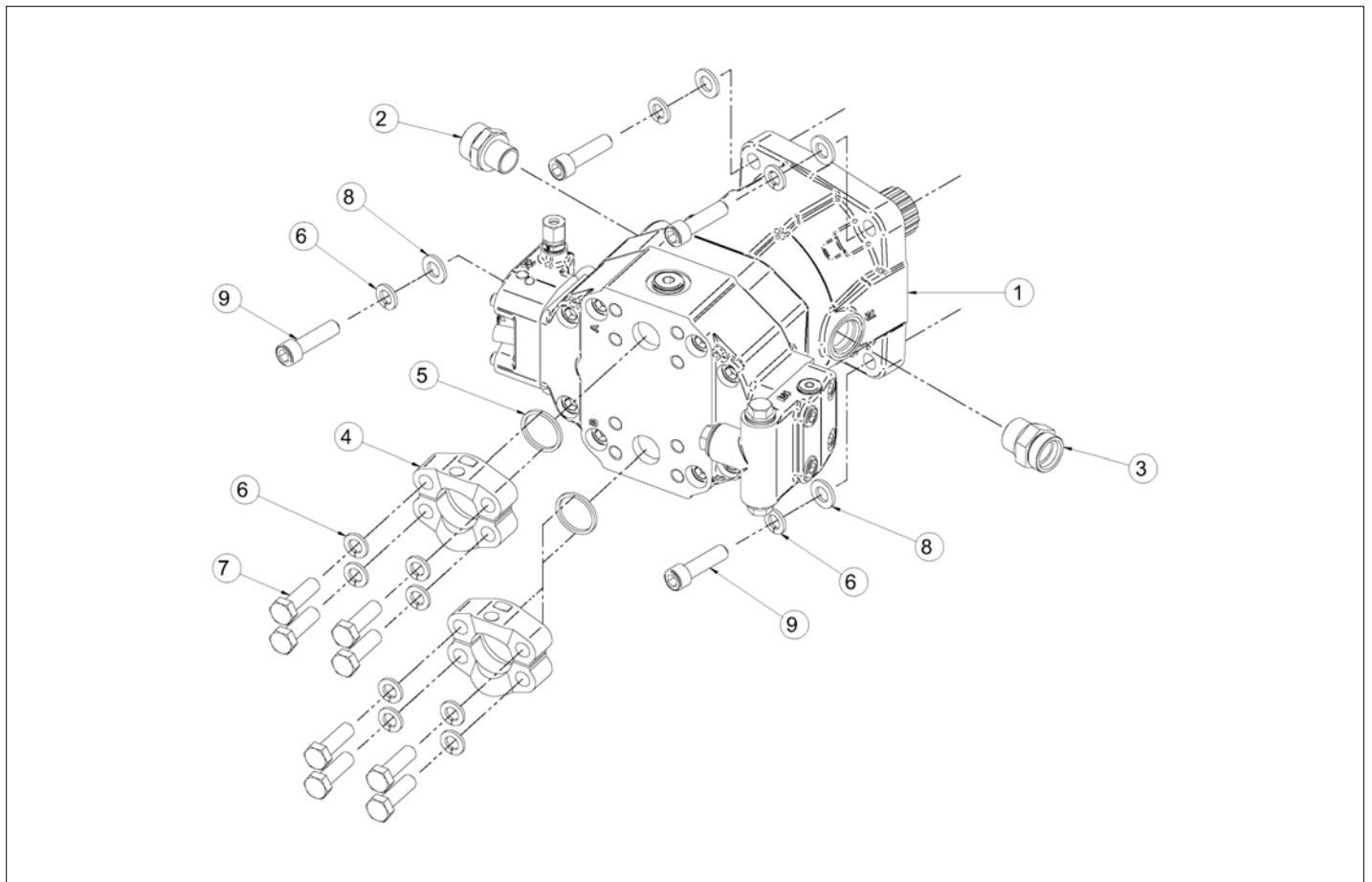


REPAIR PARTS

画像が存在しません

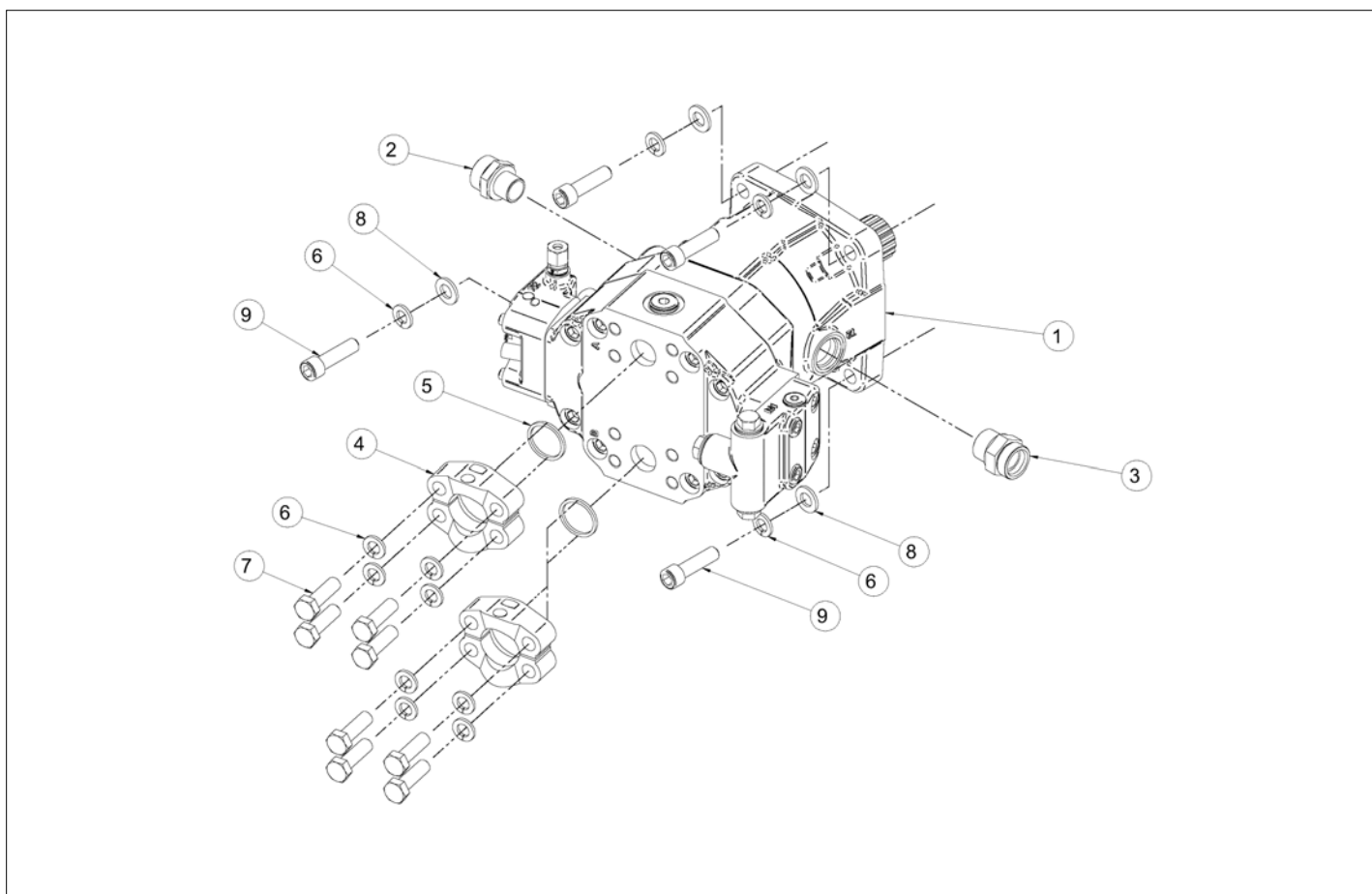
アイテム	部品番号	名前	数量	UOM
*	159 0021FR A	DECAL KIT SR5719 FRENCH		EA
1	159 0019 000	DECAL, LOGO SNORKEL SR5719	2	EA
2	0113885FR	DECAL, DIESEL ULTRA LOW SULFUR	1	EA
3	SN720000010B	DECAL DO NOT CLIMB	1	EA
4	SN720000011B	DECAL FASTEN SEAT BELT	1	EA
5	SN720000012B	DECAL TOW HOOK	2	EA
6	SN720000013C	DECAL LIFTING LUG	4	EA
7	SN720000015B	DECAL OIL FILL POINT	1	EA
8	SN720000020C	DECAL MITAS TIRE PRESSURE 50PS	4	EA
9	SN720000022B	DECAL TIE DOWN LUG	4	EA
10	SN720000034B	DECAL LUBRICATION POINT	10	EA
11	SN720000046A	DECAL DO NOT THRUST/PULL W/BOO	1	EA
12	SN720000177A	DECAL BOOM INCLINATION ANGLE	1	EA
13	SN720000178A	DECAL LATERAL INDICATOR	1	EA
14	SN720000520C	DECAL ARMOUR TIRE PRESSURE 75P	4	EA
15	SN720000620A	DECAL CAMSO TIRE PRESSURE 90PS	4	EA
16	SN725191001A	DECAL SOUND POWER 101DB	1	EA

HYDRAULICS



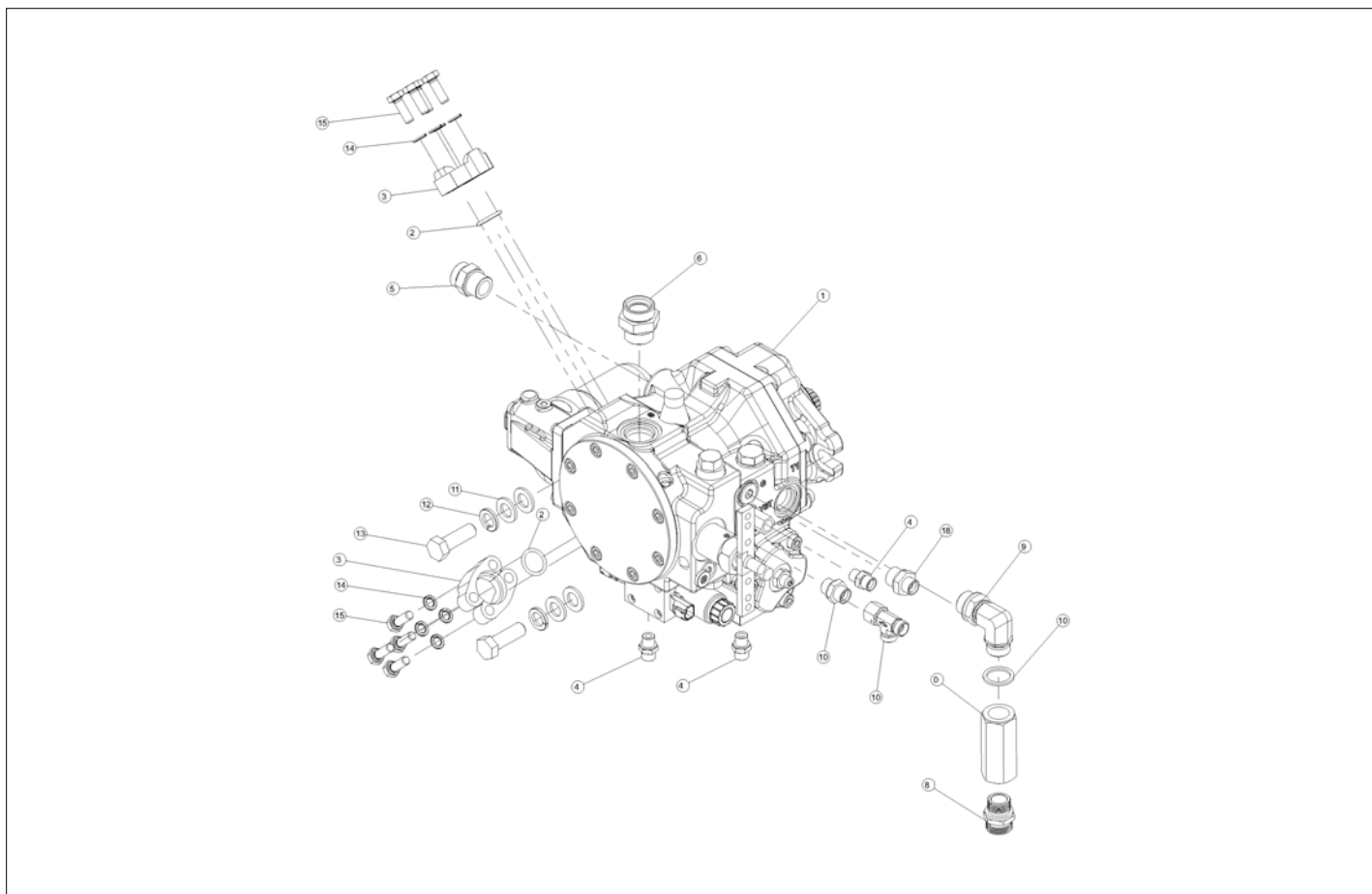
アイテム	部品番号	名前	数量	UOM
	TA2506070A	HYDROSTATIC ENGINE 85CC 1st VERSION		EA
1	SN TI2500250	HYDROSTATIC ENGINE 85CC BOSCH REXROTH	1	EA
2	SN 210342200	STRAIGHT FITTING M22 L22 ISO 6149	1	EA
3	SN 635011865	FITTING M22 L M27*2 ISO 6149	1	EA
4	SN 216000101	SEMI FLANGE PAIR SAE 6000 1S	2	EA
5	SN 218000101	O RING FOR FLANGE 1" SAE 6000	2	EA
6	SN 804003212	M12 GROWER WASHER UNI7064 GALV.	12	EA
7	SN 800112040	HEXAGON HEAD SCREW M12x40 DIN933 GALV. IF	8	EA
8	SN 804003012	M12 WASHER DIN125A GALV. 13.0x24x2.5	4	EA
9	SN 800501245	SHC SCREW M12X45 CL 10.9 DIN 912 ZN	4	EA
	SN TI2500251	KIT JOINT	1	EA

HYDRAULICS



アイテム	部品番号	名前	数量	UOM
	TA2506082A	HYDRASTATIC ENGINE 80CC NEW VERSION		EA
1	SN TI2507950	HYDROSTATIC ENGINE 80CC BOSCH REXROTH	1	EA
2	SN 210342200	STRAIGHT FITTING M22 L22 ISO 6149	1	EA
3	SN 635011865	FITTING M22 L M27*2 ISO 6149	1	EA
4	SN 216000101	SEMI FLANGE PAIR SAE 6000 1S	2	EA
5	SN 218000101	O RING FOR FLANGE 1" SAE 6000	2	EA
6	SN 804003212	M12 GROWER WASHER UNI7064 GALV.	12	EA
7	SN 800112040	HEXAGON HEAD SCREW M12x40 DIN933 GALV. IF	8	EA
8	SN 804003012	M12 WASHER DIN125A GALV. 13.0x24x2.5	4	EA
9	SN 800501245	SHC SCREW M12X45 CL 10.9 DIN 912 ZN	4	EA
Not Shown	SN TI2500251	KIT JOINT	1	EA

HYDRAULICS

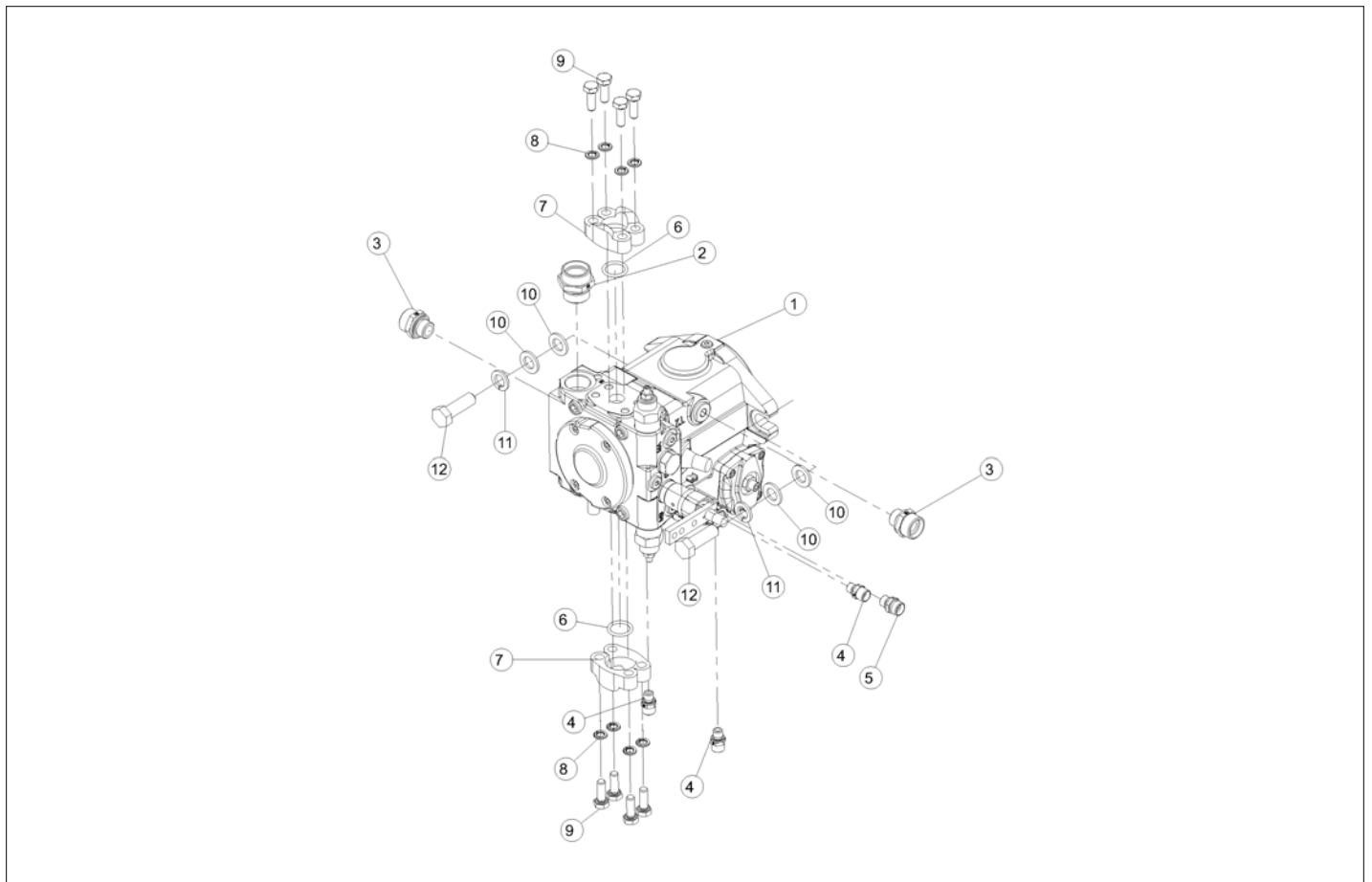


アイテム	部品番号	名前	数量	UOM
	TA2506017A	HYDROSTATIC PUMP 45CC 1st VERSION		EA
1	SN TI2500350	HYDROSTATIC PUMP 45CC BOSCH REXROTH	1	EA
2	SN 218003401	O RING FOR FLANGE 3/4" SAE 3000/6000	2	EA
3	SN 216003401	SEMI FLANGE PAIR SAE 6000 3/4"	4	EA
4	SN 609036350	SEALING END BODY 10L * 14X1.5 ISO 6149	3	EA
5	SN 635011865	FITTING M22 L M27*2 ISO 6149	1	EA
6	SN 635011866	FITTING M28L M32*2 ISO 6149 IN SEALING END BODY	1	EA
7	SN 250003403	ONE WAY VALVE 3 BAR F F 3/4"G REXROTH	1	EA
8	SN 308527950	SEALING END BODY AND 22L * 3/4 GAS *K*	1	EA
9	SN 212342720	ADJUSTABLE FITTING 90 ° M M 3/4"G M27X2 ISO6149	1	EA
10	SN 414026250	3/4" *K* GAS BONDED WASHER	1	EA
11	SN 804003016	M16 WASHER DIN125A GALV. 17x30x3	4	EA
12	SN 804003216	M16 GROWER WASHER UNI7064 GALV.	2	EA
13	SN 800216050	HEXAGON HEAD SCREW M16X50 CL 10.9 DIN 931 GALV.	2	EA
14	SN 804003210	M10 GROWER WASHER UNI7064 GALV.	8	EA
15	SN 800110030	HEXAGON HEAD SCREW M10x30 DIN933 GALV. IF	8	EA
16	SN 618004250	CASING "T" EO F(DKOL) M M 12L *K*	1	EA
17	SN 609021950	SEALING END BODY 12L * 18X1.5 ISO 6149	1	EA
18	SN 210122200	FITTING M M M22X1.5 12L ISO 6149	1	EA



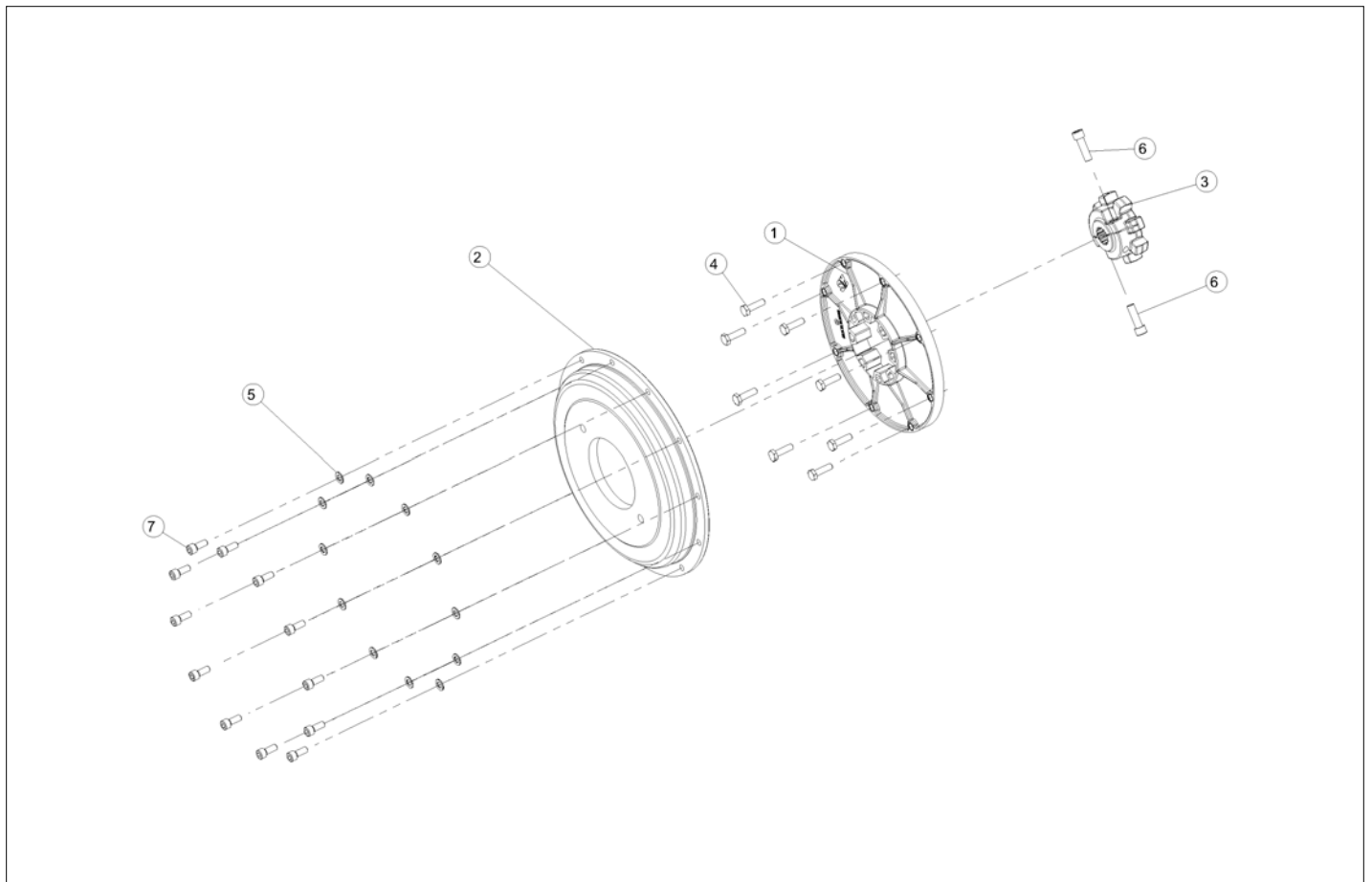
アイテム	部品番号	名前	数量	UOM
19	SN TI2500356	HYDROSTATIC PUMP FILTER 45CC BOSCH	1	EA
20	SN TI2500351	BOSCH HYDROSTATIC PUMP 45CC PRESSURE FILTER	1	EA
21	SN TI2500352	HYDROSTATIC PUMP COIL 45CC BOSCH	1	EA
22	SN TI2500353	PUMP FILTER	1	EA
Not Shown	SN TI2500363	KIT JOINT	1	EA

HYDRAULICS



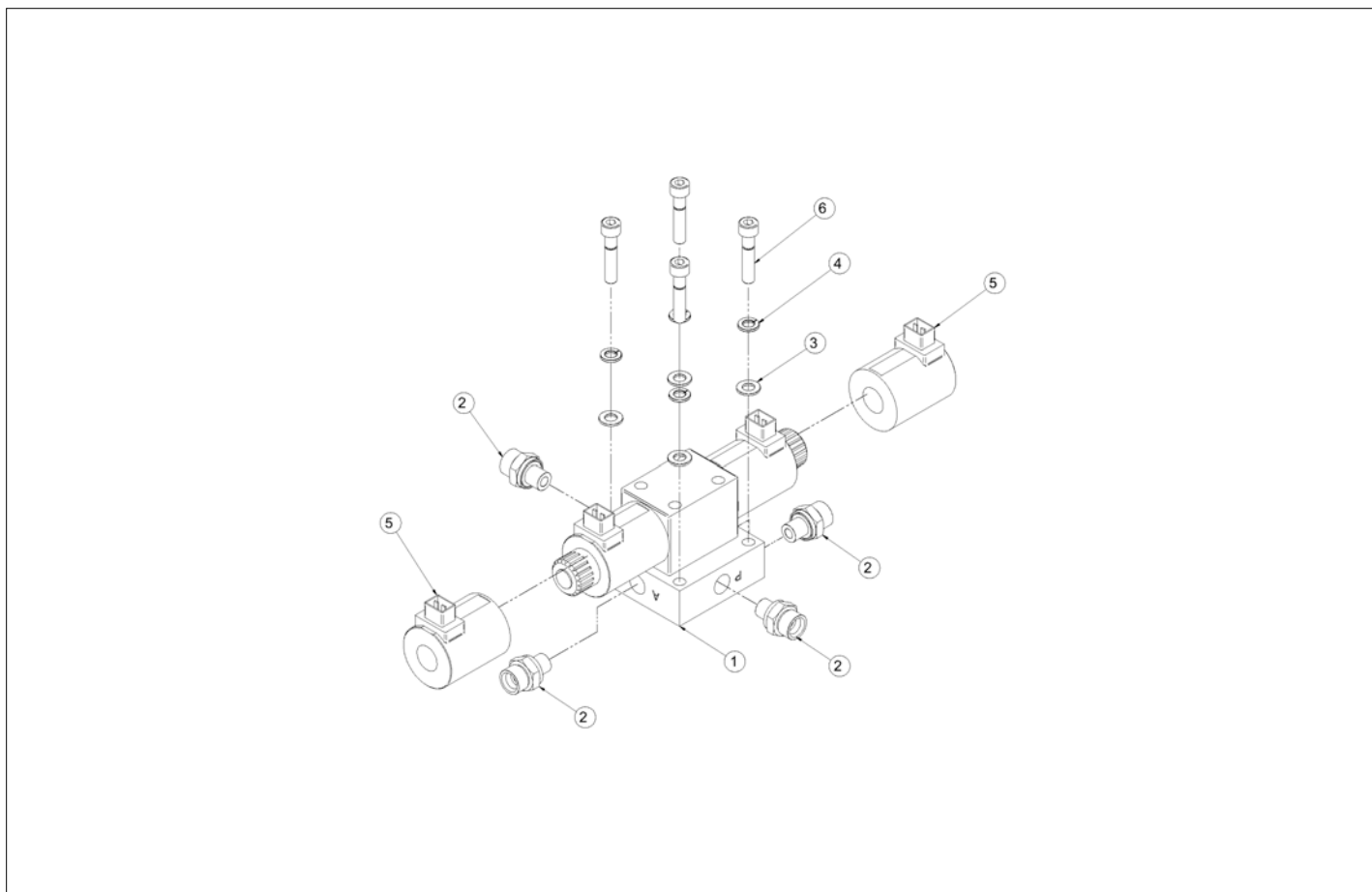
アイテム	部品番号	名前	数量	UOM
	TA2506088A	HYDROSTATIC PUMP 40CC NEW VERSION		EA
1	SN TI2507850	HYDROSTATIC PUMP 40CC BOSCH REXROTH	1	EA
2	SN 208332800	FITTING M M M33X2 L28 ED	1	EA
3	SN 208222200	FITTING M M M22X1,5 L22 ED	2	EA
4	SN 208121003	FITTING M M M12X1,5 L10 ED	3	EA
5	SN 208141200	FITTING M M M14X1,5 L12 ED	1	EA
6	SN 218003401	O RING FOR FLANGE 3/4" SAE 3000/6000	2	EA
7	SN 216003401	SEMI FLANGE PAIR SAE 6000 3/4"	4	EA
8	SN 804003210	M10 GROWER WASHER UNI7064 GALV.	8	EA
9	SN 800110030	HEXAGON HEAD SCREW M10x30 DIN933 GALV. IF	8	EA
10	SN 804003016	M16 WASHER DIN125A GALV. 17x30x3	4	EA
11	SN 804003216	M16 GROWER WASHER UNI7064 GALV.	2	EA
12	SN 800216050	HEXAGON HEAD SCREW M16X50 CL 10.9 DIN 931 GALV.	2	EA

HYDRAULICS



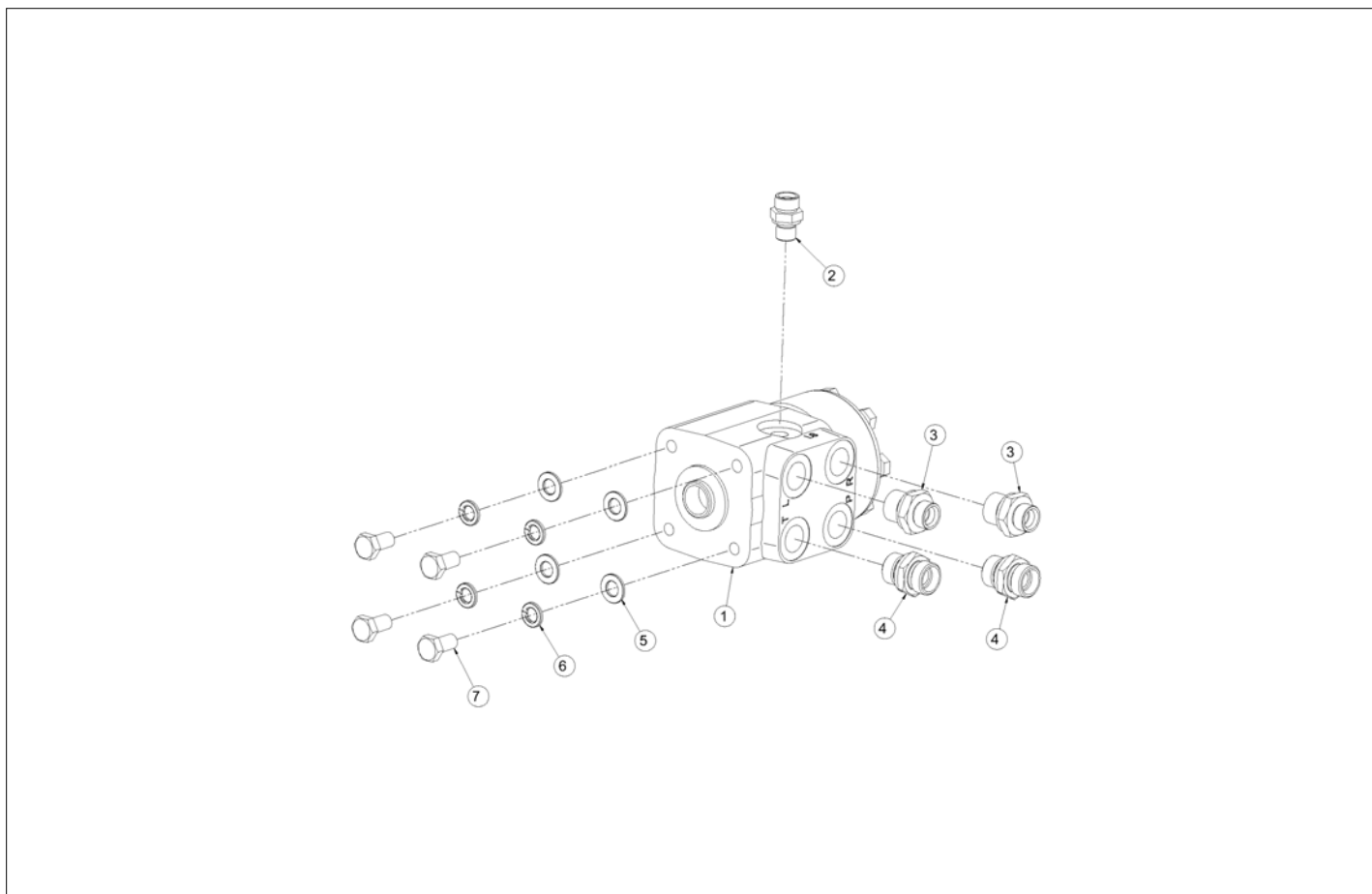
アイテム	部品番号	名前	数量	UOM
	TA2506048A	HYDROSTATIC PUMP JOINT		EA
1	SN 602065602	FLANGE KDR KDE 10" M3	1	EA
2	SN 602065601	BELL SAE 4C 2FORI M16 H50	1	EA
3	SN 602065603	HUB KDR 38 M3 Z14 12/24 L50	1	EA
4	SN 120103501	HEXAGON HEAD SCREW M10X35 CL 8.8 UNI 5739 GALV.	8	EA
5	SN 804003010	M10 WASHER DIN125A GALV. 10.5x20x2	12	EA
6	SN 800511240	SOCKET HEAD CAP SCREW M12X40 CL 12.9 DIN 912 GEOM	2	EA
7	SN 125102501	SOCKET HEAD CAP SCREW M10X25 CL 8.8 DIN 912 GALV.	12	EA

HYDRAULICS



アイテム	部品番号	名前	数量	UOM
	TA2807024A	STEERING DISTRBUTOR		EA
1	SN 215002001	ELECTRIC STEERING DISTRIBUTOR FT900297B	1	EA
2	SN 609020950	SEALING END 12L * 9/16 18 UNF 2A	4	EA
3	SN 804003008	M8 WASHER DIN125A GALV. 8.4x16x1.6	4	EA
4	SN 804003208	M8 GROWER WASHER UNI7064 GALV.	4	EA
5	SN 366430601	STEERING DISTR. JUNIOR AMP CONNECTOR COIL	2	EA
6	SN 125084001	SOCKET HEAD CAP SCREW M8X40 CL 8.8 UNI 5931 GALV.	4	EA

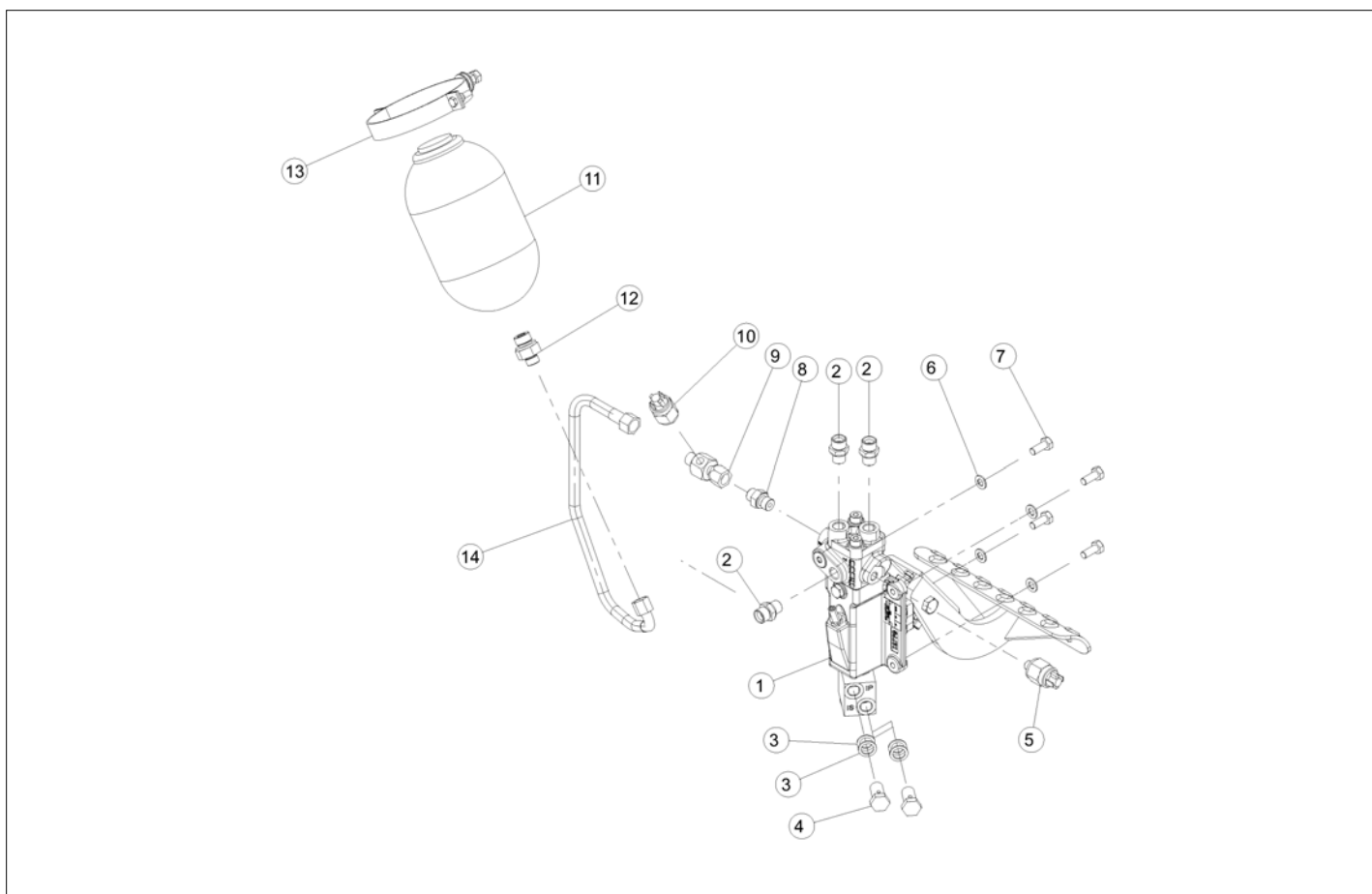
HYDRAULICS





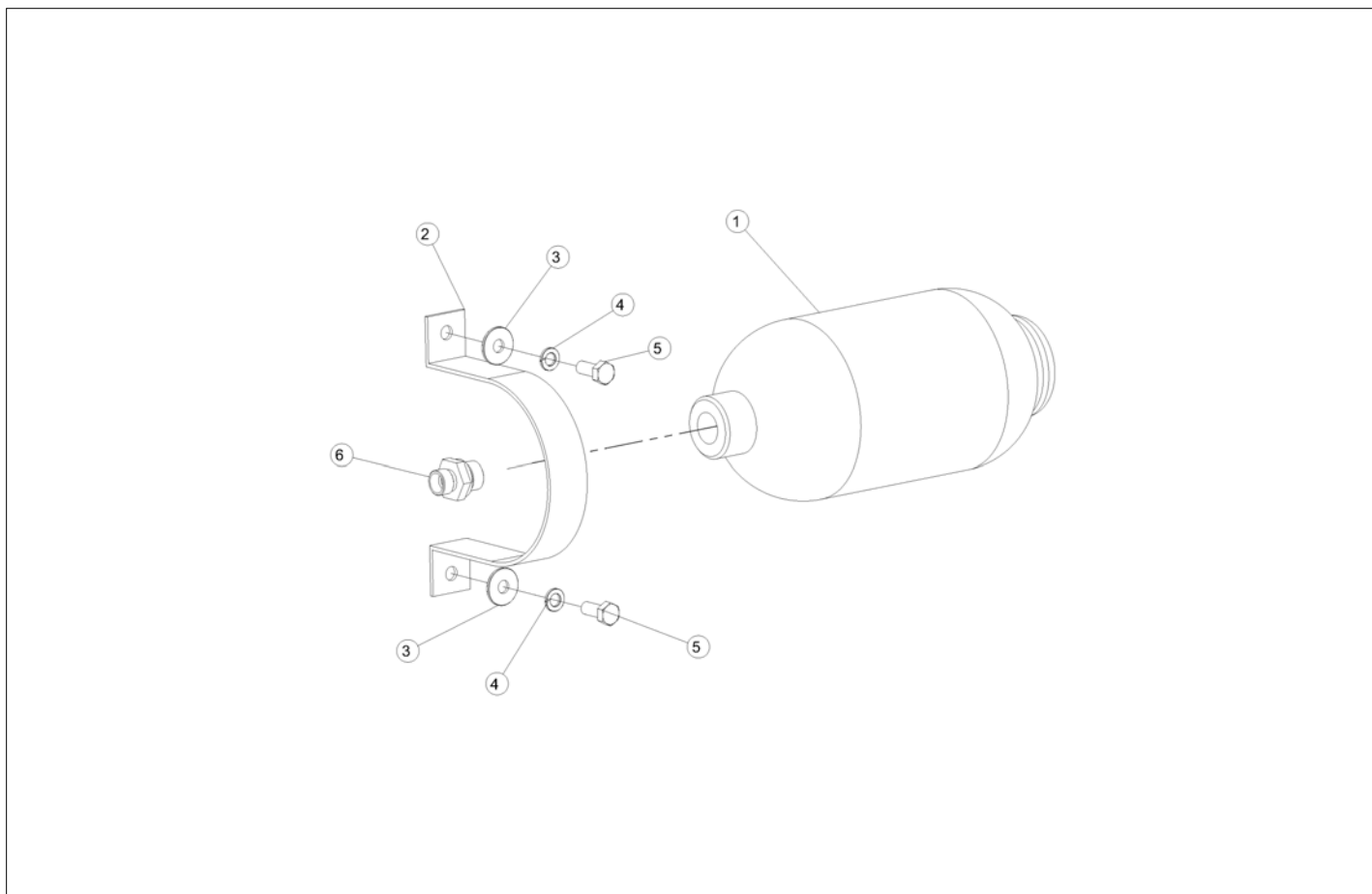
アイテム	部品番号	名前	数量	UOM
	204019001	POWER STEERING		EA
1	SN 204019001	POWER STEERING UNIT OSPF 160 LS SAUER DANFOSS	1	EA
2	SN 308573150	SEALING END BODY AND 10L * 1/4 GAS *K*	1	EA
3	SN 612041200	SEALING END BODY AND 12L * 1/2 GAS *K*	2	EA
4	SN 308528150	SEALING END BODY AND 15L * 1/2 GAS *K*	2	EA
5	SN 804003010	M10 WASHER DIN125A GALV. 10.5x20x2	4	EA
6	SN 804003210	M10 GROWER WASHER UNI7064 GALV.	4	EA
7	SN 120102001	SCREW M10X20 CL 8.8 UNI 5739 ZN	4	EA

HYDRAULICS



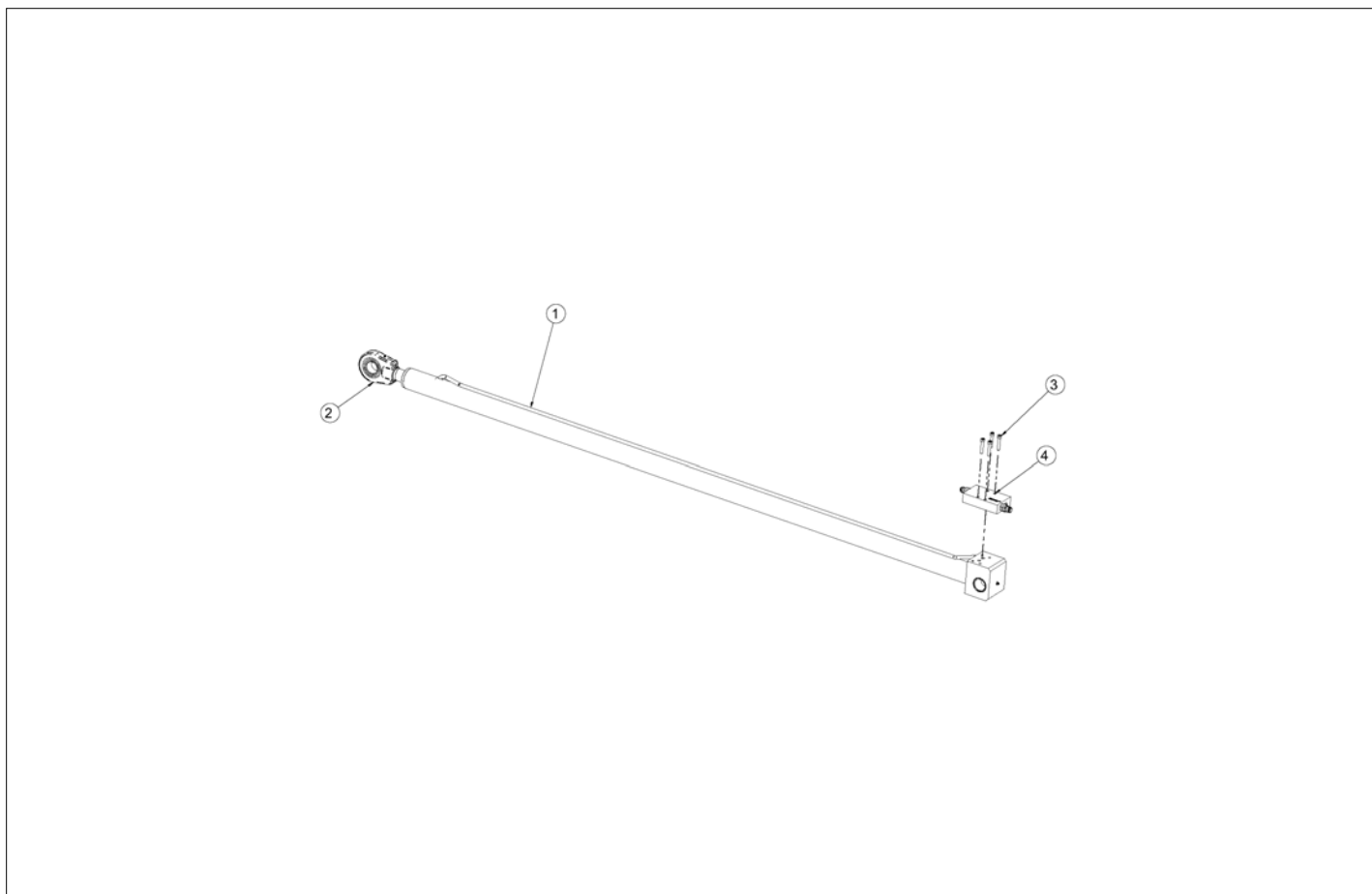
アイテム	部品番号	名前	数量	UOM
	TA2506049B	BRAKE PEDAL FR00		EA
1	SN TI2800550	SAFIM INCHING BRAKE PEDAL	1	EA
2	SN 609036350	SEALING END BODY 10L * 14X1.5 ISO 6149	3	EA
3	SN 213001402	COPPER WASHER FOR M14	4	EA
4	SN 212141501	METRIC SCREW FOR EYE 14X1.5	2	EA
5	SN 205002001	PRESSURE SWITCH NA20 CALIBRATED 10 BAR	1	EA
6	SN 804003008	M8 WASHER DIN125A GALV. 8.4x16x1.6	6	EA
7	SN 800108020	HEXAGON HEAD SCREW M8x20 DIN933 GALV. IF	6	EA
8	SN 208141501	END FITT. M M 9/16" O LOK *M14X1.5 ED	1	EA
9	SN 220961001	STRAIGHT FITTING M 9/16"ORFS *M10X1* F 9/16"ORFS	1	EA
10	SN 205002601	PRESSURE SWITCH NC 50 CALIBRATED 25	1	EA
11	SN 206001001	AXLE BRAKE ACCUMULATOR 1L 15 BAR FOX H10	1	EA
12	SN 208189601	STRAIGHT FITT. M M18x1.5 M 9/16ORFS	1	EA
13	SN 521000402	CLAMP E/CL 4" BLISTER 2 PC.	1	EA
14	SN 220140501	PIPE M3K 1/4 L500 F90 9/16O F 9/16O	1	EA

HYDRAULICS



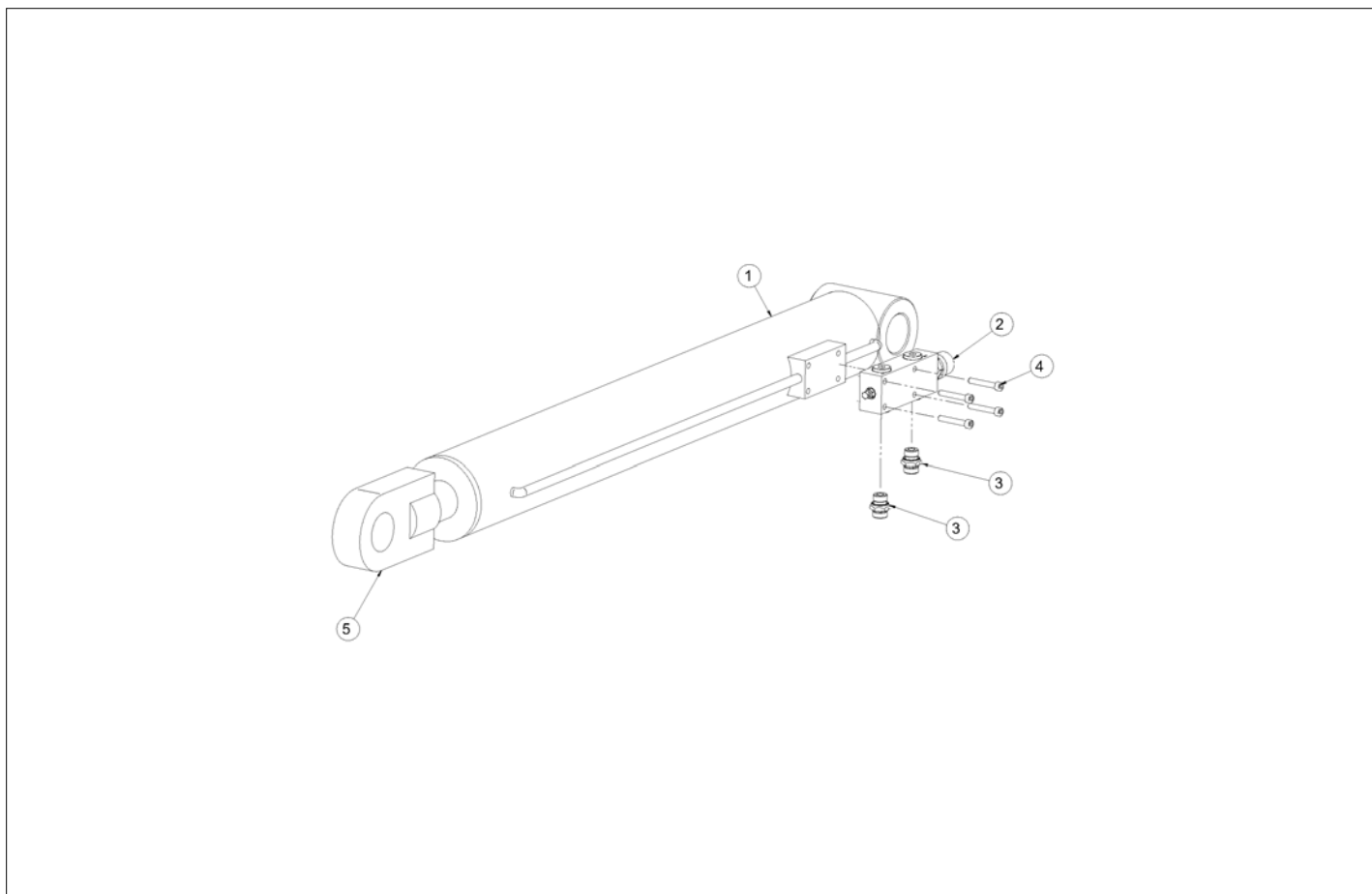
アイテム	部品番号	名前	数量	UOM
	TA2506050A	BRAKE PEDAL ACCUMULATOR FR00		EA
1	SN 206001501	PARKING BRAKE ACCUMULATOR 25 BAR	1	EA
2	SN 521000402	CLAMP E/CL 4" BLISTER 2 PC.	1	EA
3	SN 804003108	M8 WASHER DIN9021 GALV. 8.4x24x2.0	2	EA
4	SN 804003208	M8 GROWER WASHER UNI7064 GALV.	2	EA
5	SN 800108020	HEXAGON HEAD SCREW M8x20 DIN933 GALV. IF	2	EA
6	SN 208181510	SEALING END BODY AND 10L * M18X1.5	1	EA

HYDRAULICS



アイテム	部品番号	名前	数量	UOM
	TA24026004B	EXTENSION CYLINDER FR00		EA
1	SN TA2406004	EXTENSION CYLINDER WALLABY	1	EA
2	SN TA2406201	COMPENSATION JACK	1	EA
3	SN 125085001	SOCKET HEAD CAP SCREW M8X50 CL 8.8 UNI 5931 GALV.	4	EA
4	SN TA2406054	EXTENSION CYLINDER WALLABY	1	EA
	SN YAS7050AE	SEAL KIT	1	EA

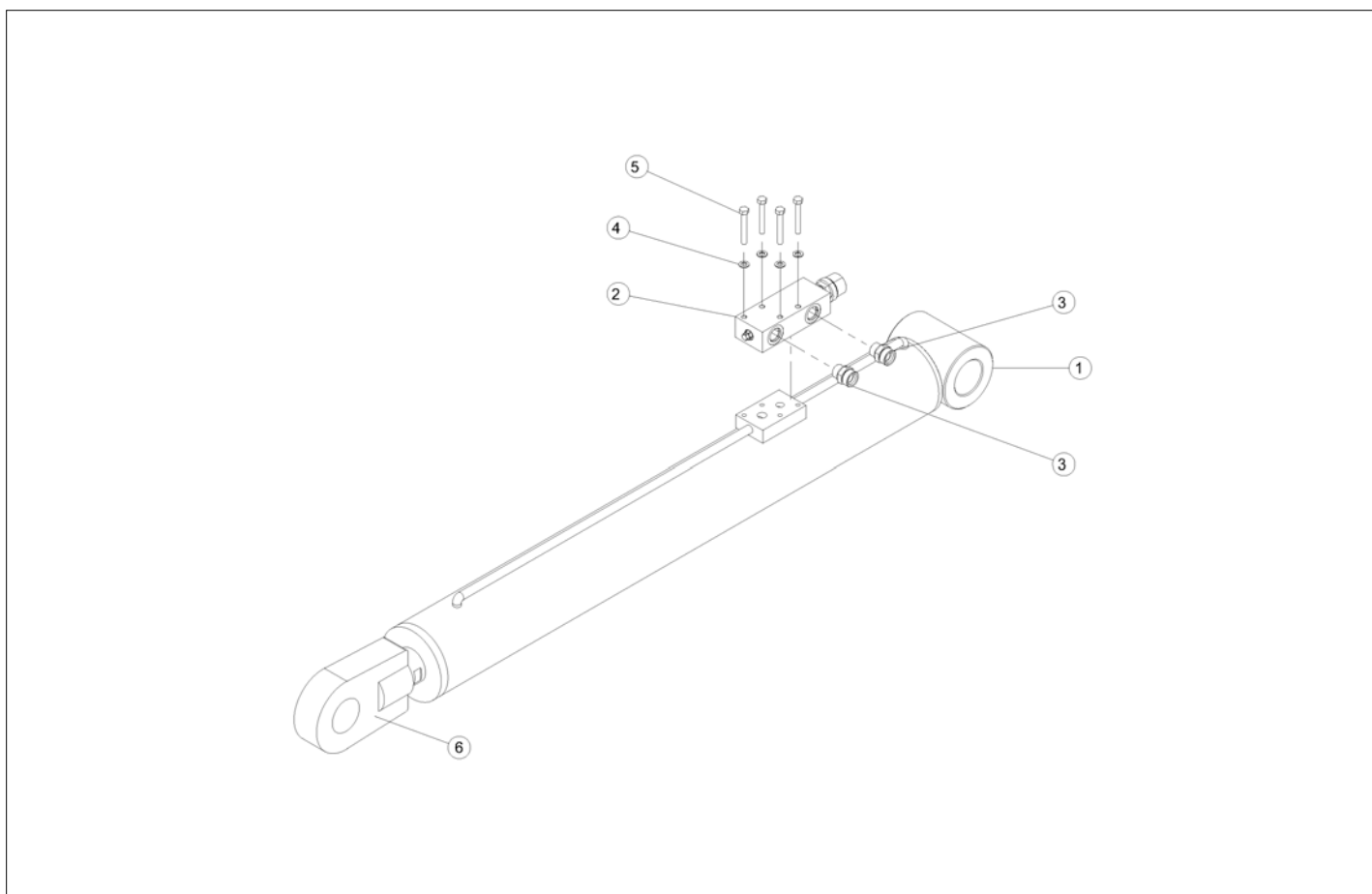
HYDRAULICS





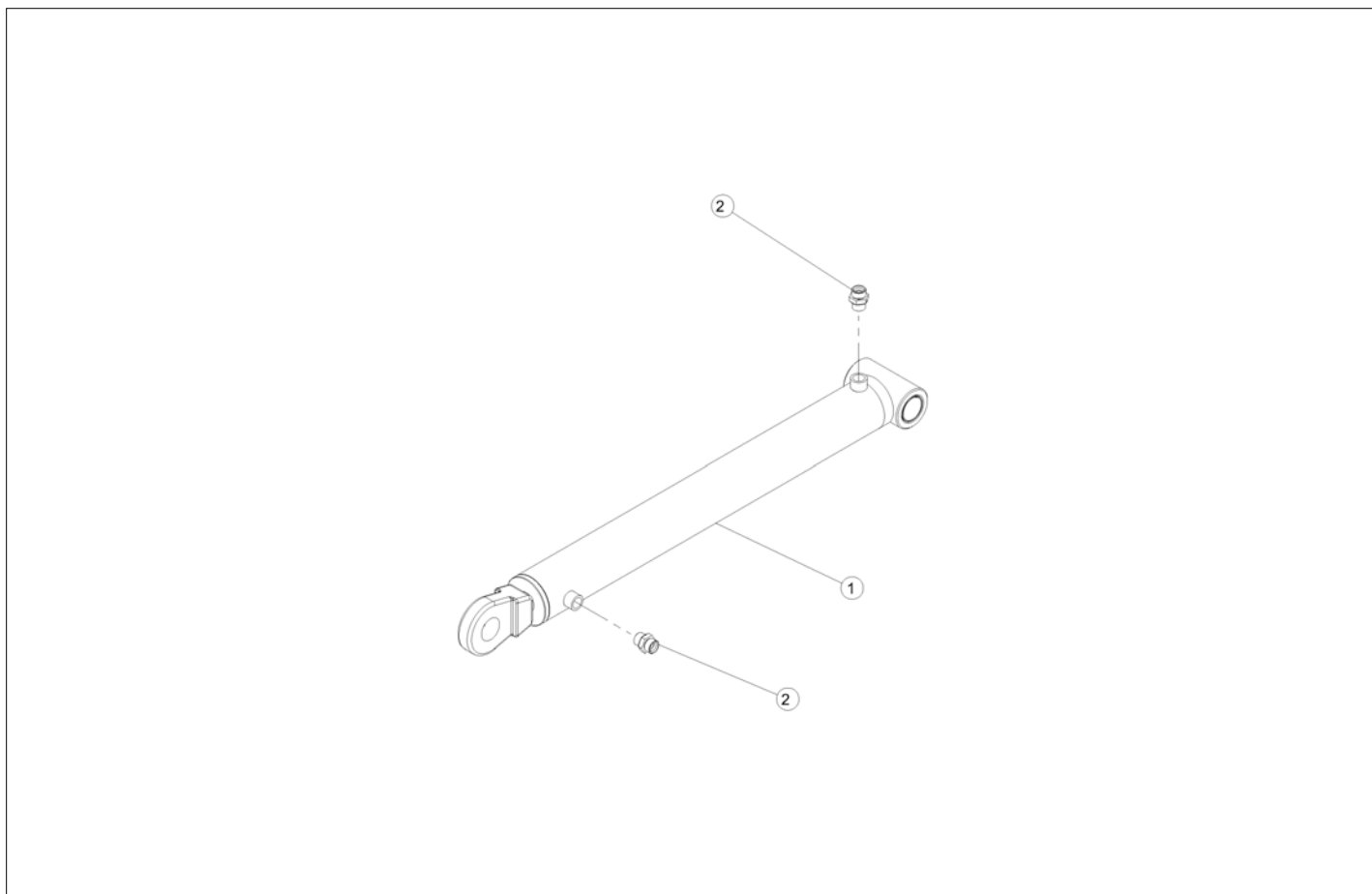
アイテム	部品番号	名前	数量	UOM
	TA2406003	LIFTING CYLINDER FR00 (OLD)		EA
1	SN TA2406003	LIFTING CYLINDER	1	EA
2	SN TA2406053	LIFTING CYLINDER LOCKING VALVE 6.25	1	EA
3	SN 308528150	SEALING END BODY AND 15L * 1/2 GAS *K*	2	EA
4	SN 125085001	SOCKET HEAD CAP SCREW M8X50 CL 8.8 UNI 5931 GALV.	4	EA
5	SN 550605801	SWING CYLINDER JOINT	1	EA
	SN YASA160AL	SEAL KIT	1	EA

HYDRAULICS



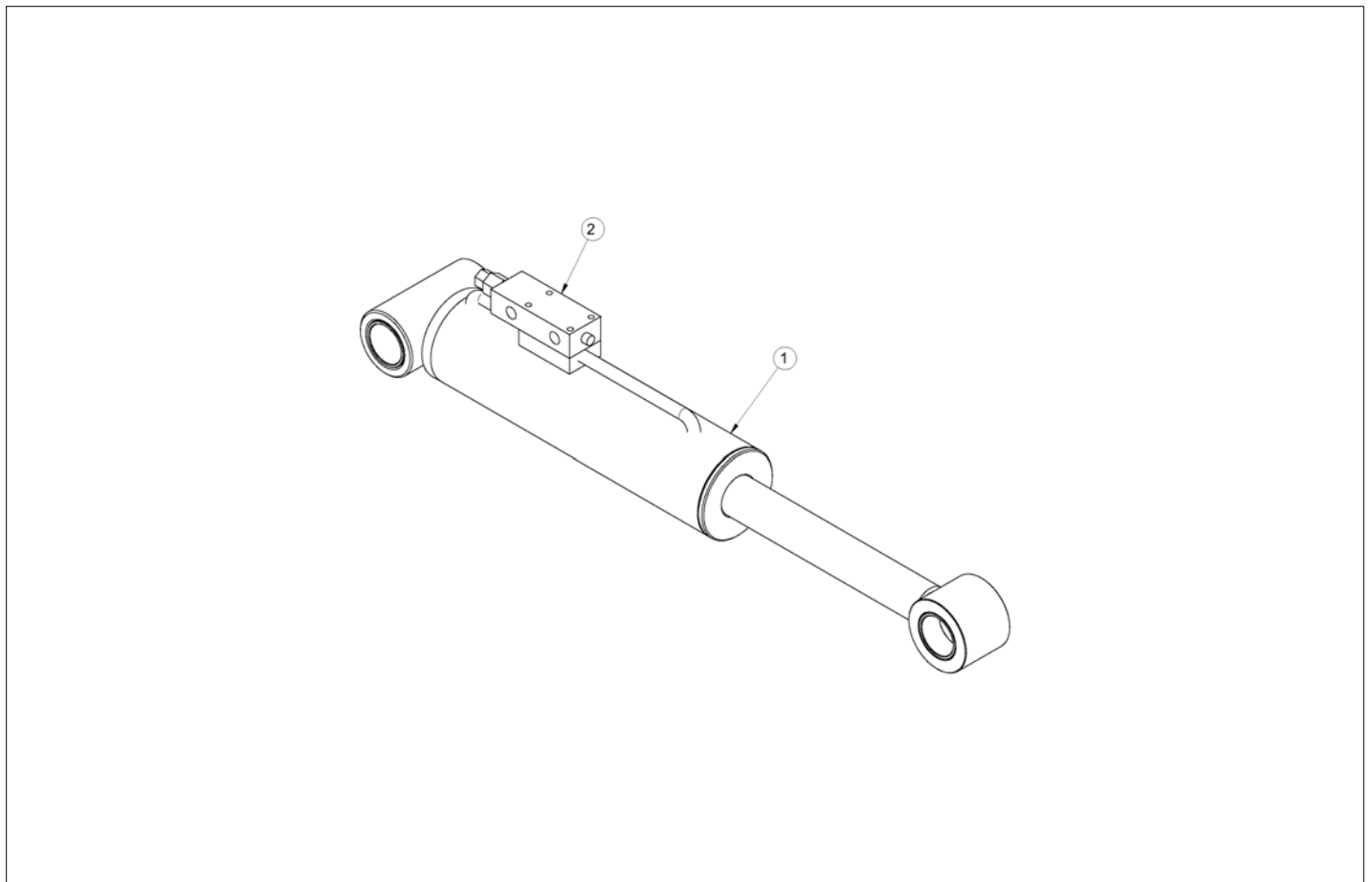
アイテム	部品番号	名前	数量	UOM
	TA2506074A	LIFTING CYLINDER FR00 (NEW)		EA
1	SN TI2507350	LIFTING CYLINDER FR00	1	EA
2	SN TI2805050	SOLL SINGLE ACTING LOCK VALVE	1	EA
3	SN 635011864	FITTING M18 L M22*1.5 ISO 6149	2	EA
4	SN 804003008	M8 WASHER DIN125A GALV. 8.4x16x1.6	4	EA
5	SN 120086001	HEXAGON HEAD SCREW M8X60 CL 8.8 UNI 5739 GALV.	4	EA
6	SN 550605801	SWING CYLINDER JOINT	1	EA
	SN YASA160AL	SEAL KIT	1	EA

HYDRAULICS



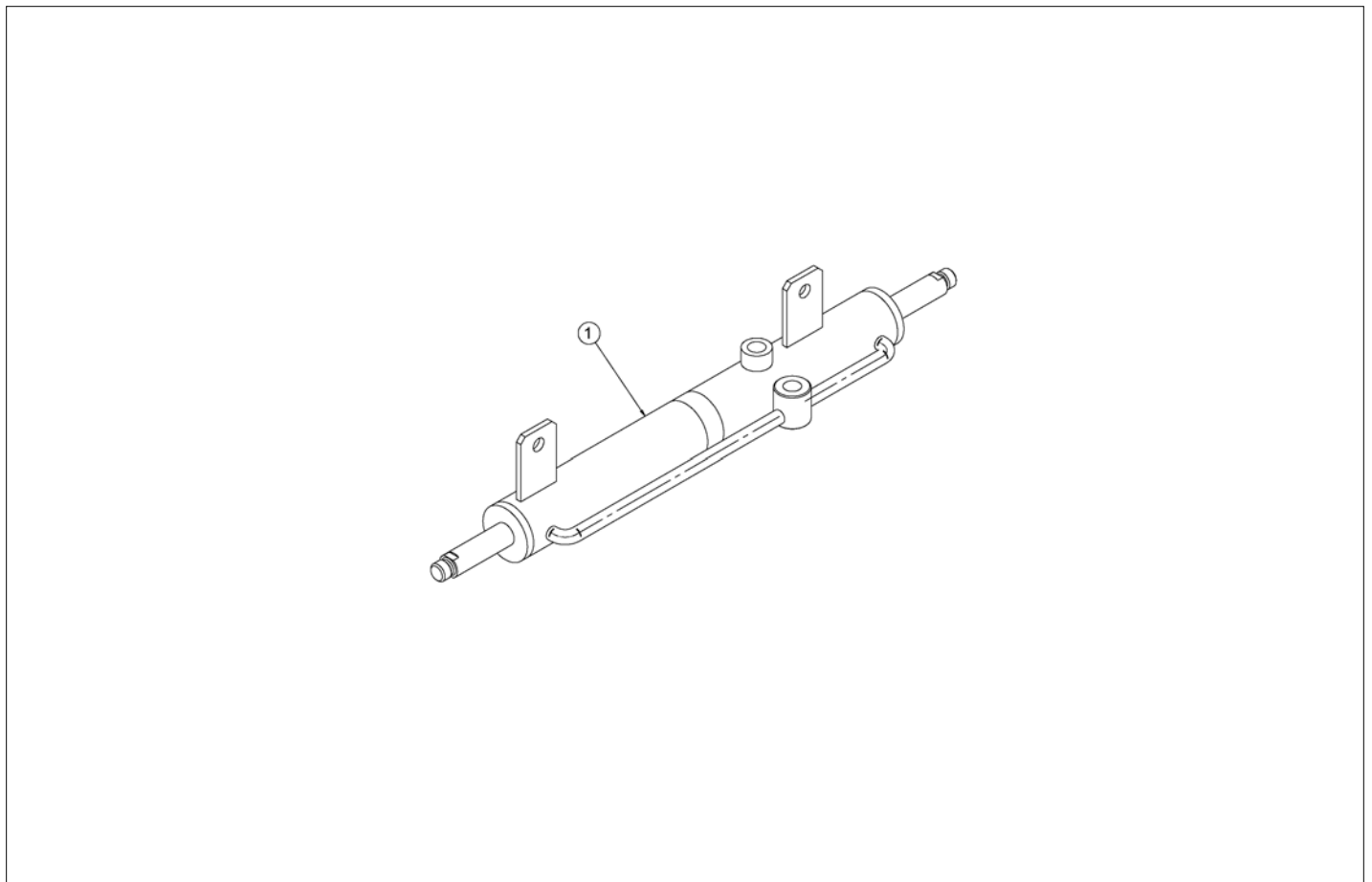
アイテム	部品番号	名前	数量	UOM
	TA2506073A	COMPENSATION CYLINDER FR00		EA
1	SN TA2406001	COMPENSATION CYLINDER 6.25	1	EA
2	SN 308528150	SEALING END BODY AND 15L * 1/2 GAS *K*	2	EA
	SN YAS7035AT	SEAL KIT	1	EA

HYDRAULICS



アイテム	部品番号	名前	数量	UOM
	TA2406002	TILTING CYLINDER FR00		EA
1	SN TA2406002	SWING CYLINDER	1	EA
2	SN TA2406053	LIFTING CYLINDER LOCKING VALVE 6.25	1	EA
	SN YASA160AH	SEAL KIT	1	EA

HYDRAULICS





アイテム	部品番号	名前	数量	UOM
	TI2507750	EURO QUICK UNCLUPLING CYLINDER		EA
1	SN TI2507750	EURO QUICK UNCOUPLING CYLINDER	1	EA
	SN TI2507751	SEAL KIT	1	EA

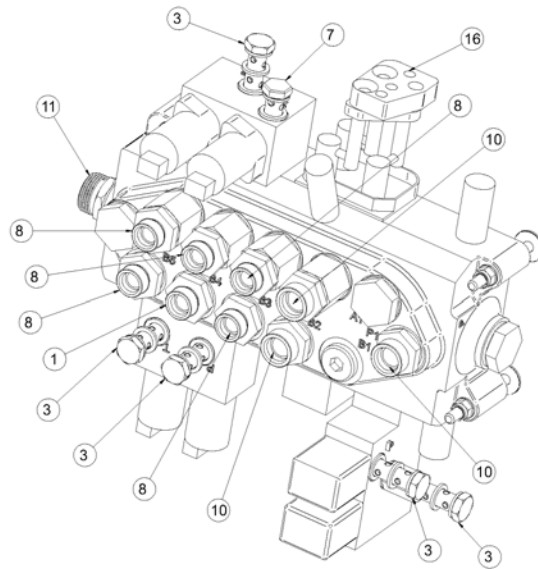


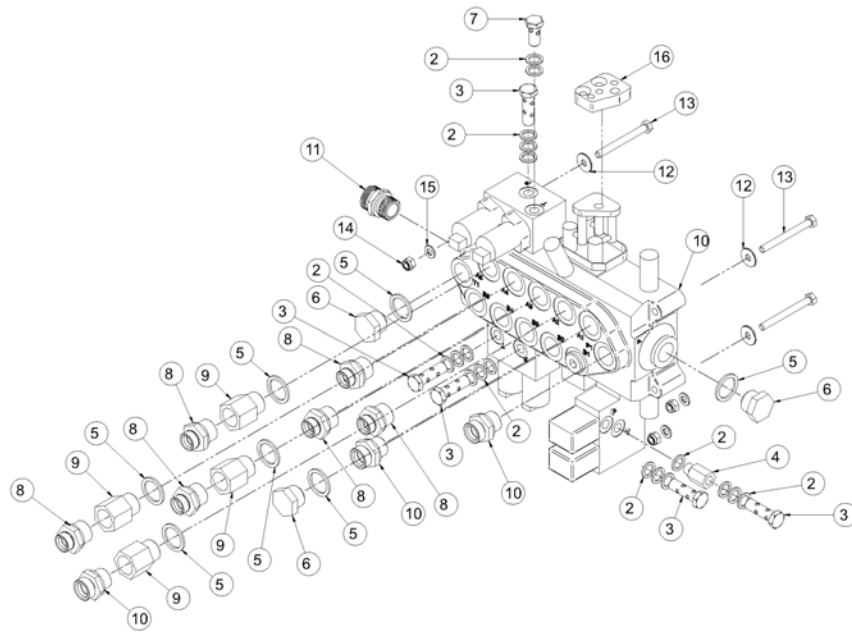
アイテム	部品番号	名前	数量	UOM
	TI00626200E	HYDRAULIC SYSTEM FR00		EA
1	SN 220140143	PILOT 1/4" L950 F90L10 / EYE 1/4G 0°	1	EA
2	SN 220140110	PILOT 1/4"L700 EYE1/4G/EYE1/4G 0°	1	EA
3	SN 220140128	PILOT 1/4" L800 F90L10/FDL10	1	EA
4	SN 220140110	PILOT 1/4"L700 EYE1/4G/EYE1/4G 0°	1	EA
5	SN 220140142	PILOT 1/4" L1500 F90L10/EYE 1/4G	1	EA
6	SN 220140142	PILOT 1/4" L1500 F90L10/EYE 1/4G	1	EA
7	SN 220140123	PILOT 1/4" L1200 F90° 10L/EYE M14 0°	1	EA
8	SN 220380123	PILOT 3/8" L2650 EYE M14 F90L12	1	EA
9	SN 220380119	PILOT 3/8" L1750 F90L12/EYE 3/8G 0°	1	EA
10	SN 220140154	PILOT 1/4" L1300 F90L10 F90L10	1	EA
11	SN 220140401	PIPE M3K 1/4 L420 F90 9/16O F 9/16O	1	EA
12	SN 220380127	M3K 3/8" L1550 F90L12 F90L12	1	EA
13	SN 220380140	M3K 3/8" L1050 FD12L/F9012L 0°	1	EA
14	SN 220380113	M3K 3/8" L2000 F90L12/F90L12 180°	1	EA
15	SN 220380108	PIPE M3K 3/8" L1800 F90L12/F90L12 180°	1	EA
16	SN 220380107	PIPE M3K 3/8" L1400 F90L12/F90L12 0°	1	EA
17	SN 220380129	M3K 3/8" L1700 F90L15 F90L15	1	EA
18	SN 220140155	M3K 1/4" L1800 F90L10 EYE 1/4	1	EA

アイテム	部品番号	名前	数量	UOM
19	SN 220580109	M4K 5/8" L1000 F9018L/F9018L 180 °	1	EA
20	SN 225141009	SAE 100 R4 1"1/4 L1300	1	EA
21	SN 220120162	1SC 1/2" L1650 F9015L/F9015L 0 °	1	EA
22	SN 220101806	SAE100 R4 1" L:1300 F90L28/F45L28	1	EA
23	SN 220340101	SAE 100 R4 3/4" L1600 F9022L/EYE 1/2	1	EA
24	SN 225141006	SAE100 R4 1"1/4 L2300 F45L35/F90L35 180 °	1	EA
25	SN 220340214	G6K 3/4" L1570 FLD SAE6000 FL45 SAE6000	1	EA
26	SN 220340215	G6K 3/4" L1600 FLD SAE6000 FL90 SAE6000	1	EA
27	SN 220340102	SAE 100 R4 3/4" L1800 F4522L/F9022L 0 °	1	EA
28	SN 220340103	SAE 100 R4 3/4" L1000 F9022L/F9022L	1	EA
29	SN 220140156	PILOT 1/4" L2000 F90L10 F90L8	1	EA
30	SN 220140156	PILOT 1/4" L2000 F90L10 F90L8	1	EA
31	SN 220340217	SAE 100 R4 3/4" L2000 F90L22 F90L22	1	EA
32	SN 220140110	PILOT 1/4"L700 EYE1/4G/EYE1/4G 0 °	4	EA
33	SN 622006750	PILOT 1/4"L850 EYE1/4G/EYE1/4G 0 °	1	EA
34	SN 220120167	M4K MFX 1/2" L2000 F9018L/F9018L 180 °	2	EA
35	SN 220120163	M4K 1/2" L2500 F9015L/F9015L 270 °	2	EA
36	SN 220120164	M4K 1/2" L2400 F9015L/F9015L 0 °	2	EA
37	SN 220120153	M4K 1/2" L1780 FDL15/F90L15	2	EA
38	SN 220120165	M3K 1/2" L800 F9015L/FD15L	1	EA

アイテム	部品番号	名前	数量	UOM
39	SN 220120165	M3K 1/2" L800 F9015L/FD15L	1	EA
40	SN TI2507250	TWIN SWING RUBBER PIPE 1/2" F9016S F9015L	1	EA
41	SN 220120115	M4K 1/2" L985 F90S16/FDL15	4	EA
42	SN 220120136	M3K 1/2" L500 F90L15 F90L15	2	EA
43	SN 220120159	M4K 1/2" L1600 F90L15 / F90L15	2	EA
44	SN TI2507150	TWIN SERVICE RUBBER PIPE 1/2" F9016S F9015L	1	EA
45	SN 220380134	M4K 3/8" L1000 F90L15 F45L15 90°	2	EA
46	SN 220140139	M4K 1/4" L600 F90L10/F90L12 0°	2	EA
47	SN 220163002	MICROPIPE MT021 L800 M16X2/1/4G		EA
48	SN 220120106	M4K 1/2" L2550 FDL15/F90L15	2	EA
49	SN TI2506850	25CC CASAPPA INTAKE PUMP FLANGED PIPE		EA
50	SN 220140157	PILOT 1/4" L420 F90L10 FDL12	1	EA

HYDRAULICS

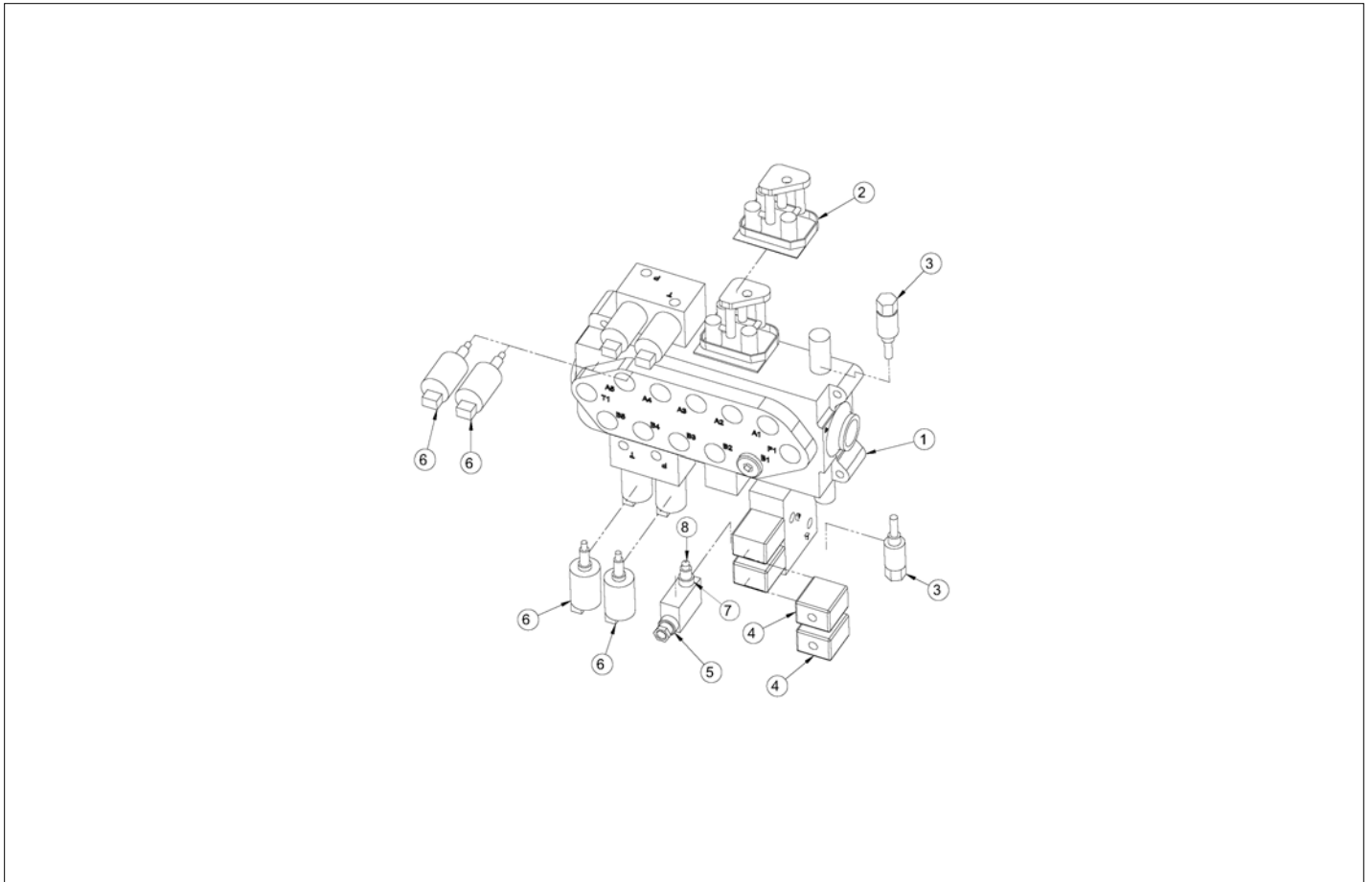




アイテム	部品番号	名前	数量	UOM
	TA2506060A	PROPORTIONAL EXTENSION DISTRIBUTOR DN85/5 FR00 V2		EA
1	SN 215301708	PROPORTIONAL EXTENSION DISTRIBUTOR DN85/5	1	EA
	SN 215301751	PROPORTIONAL SOLENOIND VALVE DN85	2	EA
	SN 215301752	HYDRAULIC DISTRIBUTION VALVE	1	EA
	SN 270012001	ELECTRONIC DRIVE	2	EA
2	SN 414025950	1/4" *K* GAS BONDED WASHER	18	EA
3	SN 512039050	DOUBLE SCREW FOR EYE GAS 1/4" *K*	5	EA
4	SN 211142001	EXTENSION M GAS F GAS 1/4" * 1/4" H=25	6	EA
5	SN 414026250	3/4" *K* GAS BONDED WASHER	1	EA
6	SN 212003401	3/4" COUNTERSUNK MALE GAS CAP 60 ° *K*	7	EA
7	SN 212141401	SCREW FOR EYE GAS 1/4" H=29 *K*	3	EA
8	SN 612041300	SEALING END ED 15L * 3/4 GAS *K*	1	EA
9	SN 212343001	COLUMN FITT. 3/4 L30	3	EA
10	SN 612041500	FITTING M M M 3/4" G L18	3	EA
11	SN 308527950	SEALING END BODY AND 22L * 3/4 GAS *K*	3	EA
12	SN 804003108	M8 WASHER DIN9021 GALV. 8.4x24x2.0	3	EA
13	SN 120080801	SCREW M8X80 CL 8.8 DIN 933 ZN	4	EA
14	SN 804002008	SELF LOCKING NUT M8 GALV. HIGH DIN982	3	EA
15	SN 804003008	M8 WASHER DIN125A GALV. 8.4x16x1.6	1	EA
16	SN T24018850	JOYSTICK CENTRING PLATE	1	EA

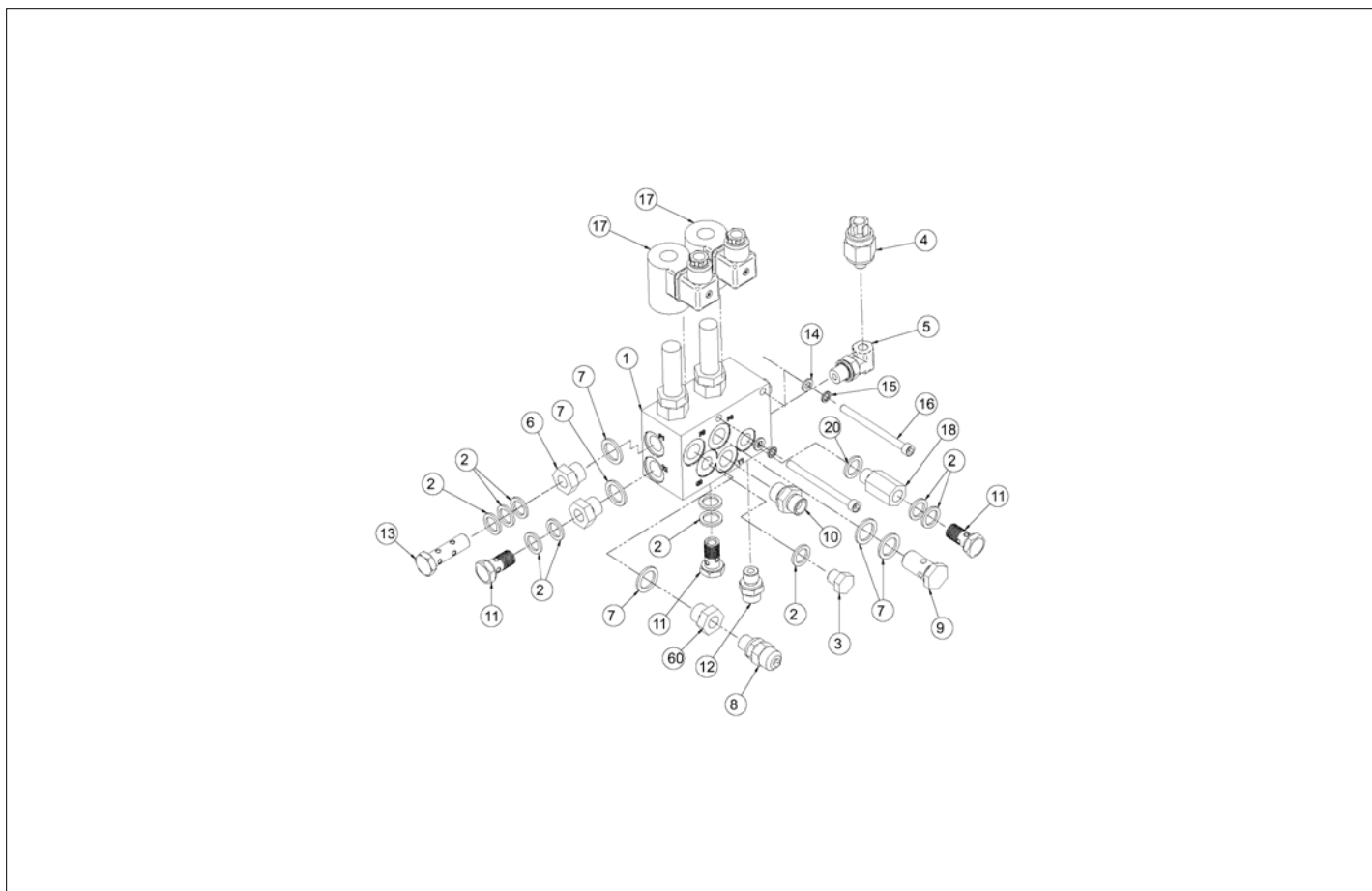


HYDRAULICS



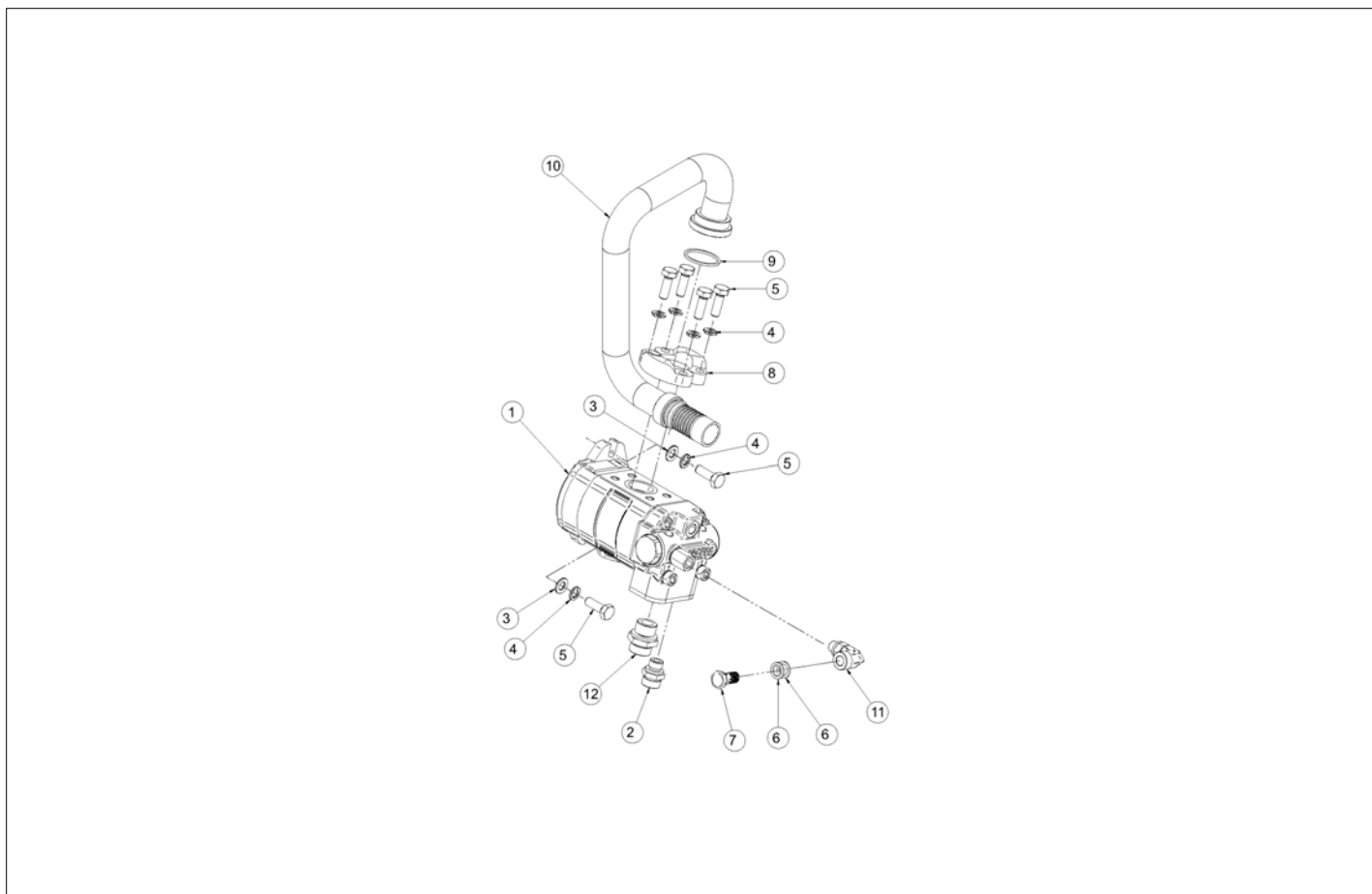
アイテム	部品番号	名前	数量	UOM
	TA2506060A 3	PROPORTIONAL EXTENSION DISTRIBUTOR DN85/5 FR00 V2		EA
1	SN 215301708	PROPORTIONAL EXTENSION DISTRIBUTOR DN85/5	1	EA
2	SN 215301761	MANIPULATOR OPERATION DN85 215301708	1	EA
3	SN 215301706	VALVE CARTRIDGE OF MAXIMUM VMP	2	EA
4	SN 366062801	DISTRIBUTOR COIL DN85 FULLY ELECTRIC	2	EA
5	SN 320001001	MANUAL DINOIL DISTRIBUTOR MICRO	1	EA
6	SN 215301754	PROPORTIONAL ELECTROVALVE DN85	4	EA
7	SN 215301759	OR DF2, 62 DI1, NBR SH	2	EA
8	SN 215301756	POS.KIT A HYDRAULIC ELECTRO ATTACK A	1	EA
	SN 215301707	SEAL KIT FOR DISTRIBUTOR DN85 ON/OFF	1	EA
	SN 215301755	SHUTTLE C.3 PER DN85 70 100 L/MIN	2	EA
	SN 215301757	SHUTTLE DN85	2	EA

HYDRAULICS



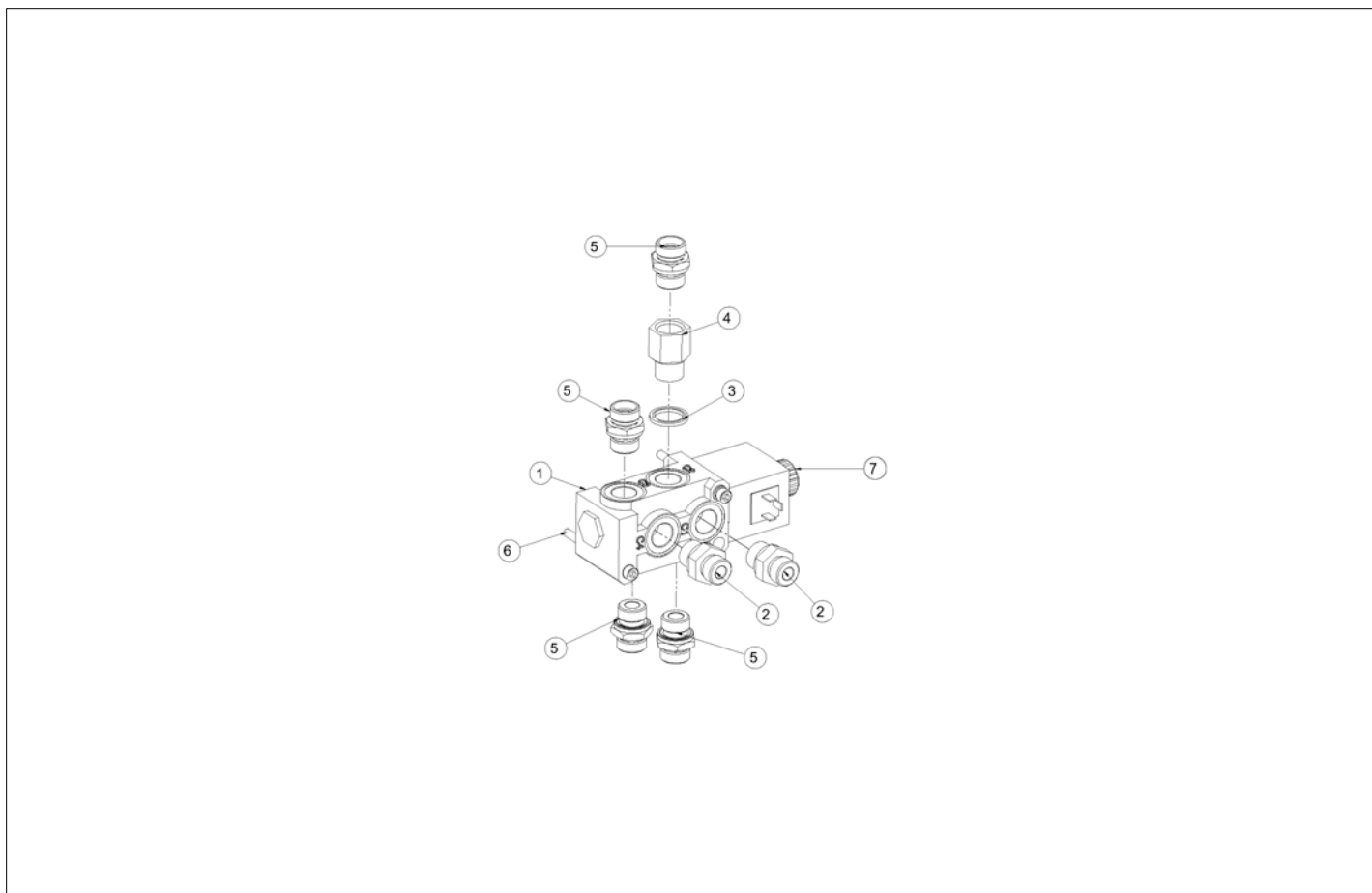
アイテム	部品番号	名前	数量	UOM
	TA2506059A	STEERING BLOCK FR00		EA
1	SN 225250601	STEERING BLOCK FRSN 29	1	EA
2	SN 414025950	1/4" *K* GAS BONDED WASHER	11	EA
3	SN 308503550	1/4" COUNTERSUNK MALE GAS CAP 60 ° *K*	1	EA
4	SN 205002601	PRESSURE SWITCH NC 50 CALIBRATED 25	1	EA
5	SN 208101401	FITTING 90 ° M 1/4" BSP ORIEN F 10X1 *K*	1	EA
6	SN 209143801	REDUCTION M F GAS 3/8" * 1/4"	3	EA
7	SN 414026050	3/8" *K* GAS BONDED WASHER	5	EA
8	SN 228001401	PRESSURE CONNECTION 1 4	1	EA
9	SN 212383803	SCREW FOR EYE GAS 3/8"	1	EA
10	SN 308417550	END BODY 10L * 3/8 GAS *K*	1	EA
11	SN 512014950	SCREW FOR EYE GAS 1/4" H=25 *K*	3	EA
12	SN 308573150	SEALING END BODY AND 10L * 1/4 GAS *K*	1	EA
13	SN 512039050	DOUBLE SCREW FOR EYE GAS 1/4" *K*	1	EA
14	SN 804003006	M6 WASHER DIN125A GALV. 6.4x12x1.6	2	EA
15	SN 804003206	M6 GROWER WASHER UNI7064 GALV. 6.1x11.8x3.2	2	EA
16	SN 125068001	SOCKET HEAD CAP SCREW M6X80 CL 8.8 UNI 5931 GALV.	2	EA
17	SN 366270101	COIL BT/CS 12VCC	2	EA
18	SN 512015450	STRUT 1/4" L=35	1	EA

HYDRAULICS



アイテム	部品番号	名前	数量	UOM
	TA2506068A	SERVICE PUMP 25CC		EA
1	SN 200002701	PUMP KP20,25S0 03S1LMD/GC/GE	1	EA
2	SN 308528350	SEALING END BODY ED 15L * 3/8 GAS *K*	1	EA
3	SN 804003010	M10 WASHER DIN125A GALV. 10.5x20x2	2	EA
4	SN 804003210	M10 GROWER WASHER UNI7064 GALV.	6	EA
5	SN 800110030	HEXAGON HEAD SCREW M10x30 DIN933 GALV. IF	6	EA
6	SN 414025950	1/4" *K* GAS BONDED WASHER	2	EA
7	SN 512014950	SCREW FOR EYE GAS 1/4" H=25 *K*	1	EA
8	SN 216141401	SEMI FLANGE PAIR SAE 3000 1.1/4" *K*	2	EA
9	SN 218011401	O RING FOR FLANGE 1 1/4" SAE 6000	1	EA
10	SN TI2506850	25CC CASAPPA INTAKE PUMP FLANGED PIPE	1	EA
11	SN 208141490	FITTING 90 ° MG 1/4G F 1/4G	1	EA
12	SN 612041500	FITTING M M M 3/4" G L18	1	EA
	SN 200002753	SEAL KIT	1	EA

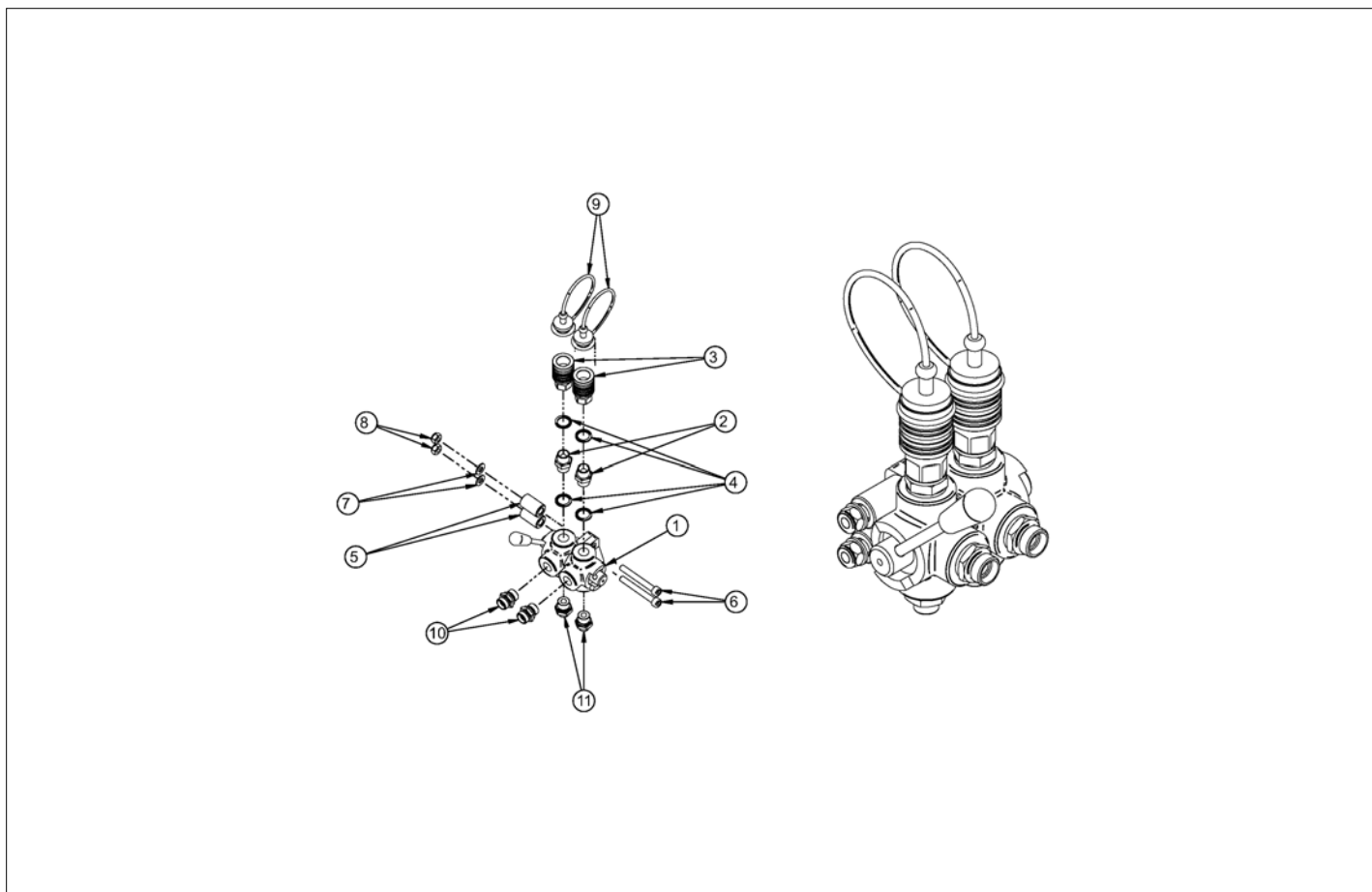
HYDRAULICS



アイテム	部品番号	名前	数量	UOM
	TA2506004A	6 WAY SOLENOID VALVE		EA
1	SN 250121201	SOLENOID VALVE 6 WAY 2 POST1/2	1	EA
2	SN 210051302	GAS NIPPLES GAS 1/2" * 1/2"	2	EA
3	SN 414026150	1/2" *K* GAS BONDED WASHER	1	EA
4	SN 308494650	STRUT 1/2" M/F L=25	1	EA
5	SN 308528150	SEALING END BODY AND 15L * 1/2 GAS *K*	4	EA
6	SN 125068001	SOCKET HEAD CAP SCREW M6X80 CL 8.8 UNI 5931 GALV.	2	EA
7	SN 364001201	6 WAY DEVIATOR COIL 1/2	1	EA

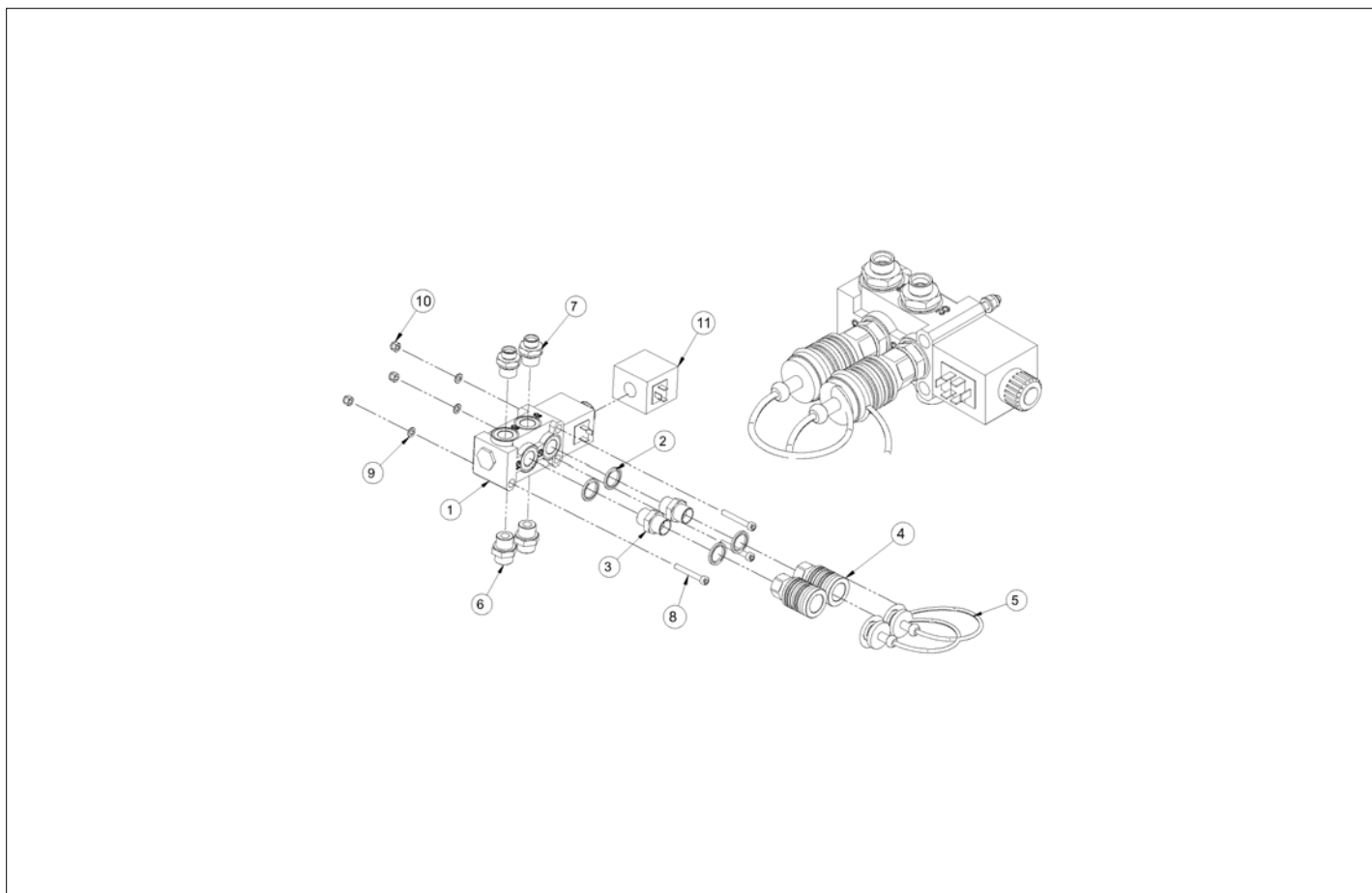


HYDRAULICS



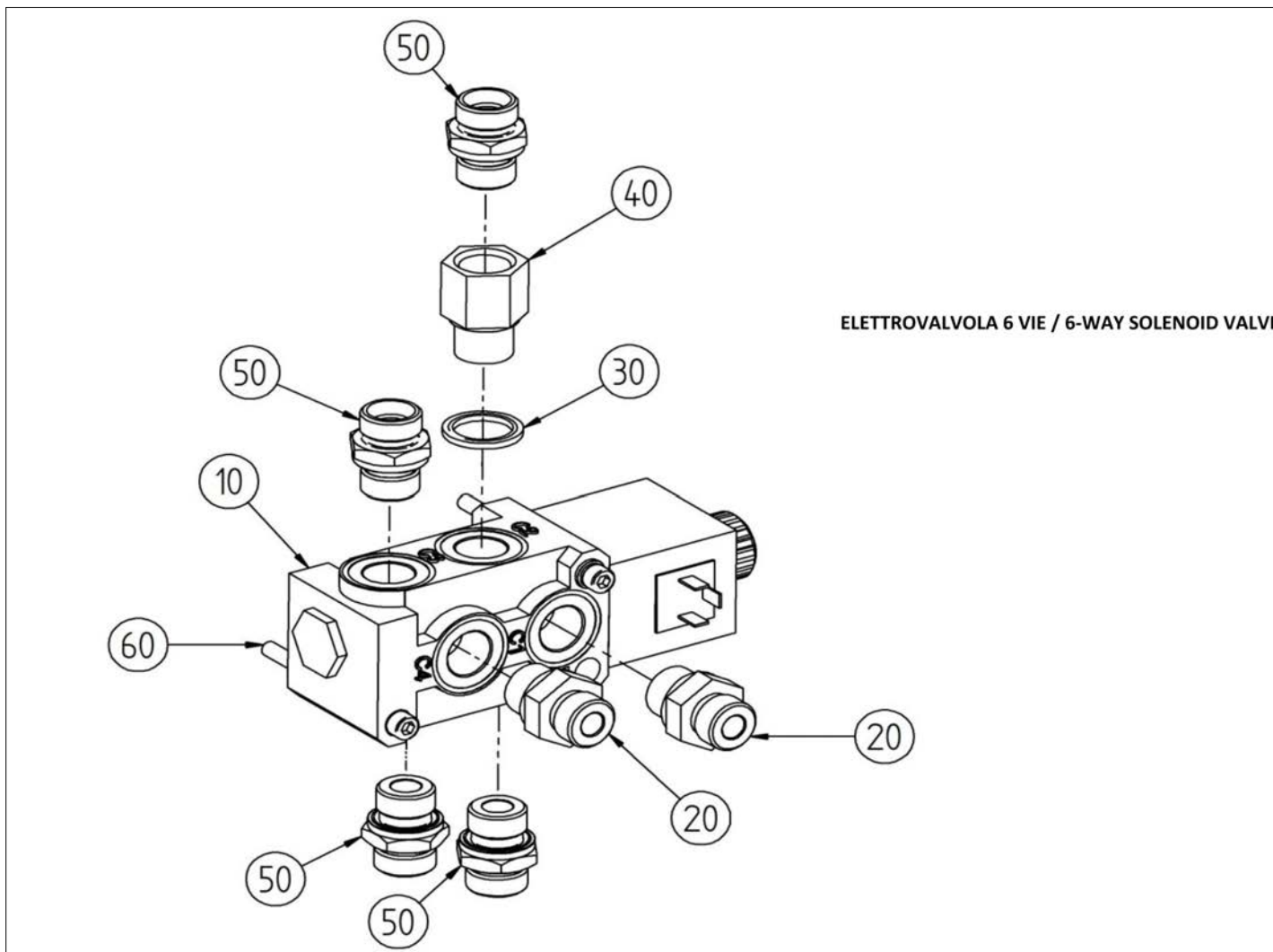
アイテム	部品番号	名前	数量	UOM
	TA2807011A	6 WAY MANUAL DIVERTER ON BOOM		EA
1	SN 226061201	6 WAY DIVERTER 1/2 CONNECTORS	1	EA
2	SN 212050502	GAS NIPPLES GAS 1/2" * 1/2"	2	EA
3	SN 214001205	FEMALE QUICK COUPLER	2	EA
4	SN 414026150	1/2" *K* GAS BONDED WASHER	4	EA
5	SN T25026350	SEAT GALV. SPACER	2	EA
6	SN 125108001	SOCKET HEAD CAP SCREW M10X80 CL 8.8 UNI 5931 GALV.	2	EA
7	SN 130100001	FLAT WASHER M10 GALV.	2	EA
8	SN 101101001	SELF LOCKING NUT M10 GALV.	2	EA
9	SN 701001201	RUBBER CAP FOR QUICK BLUE COUPLING	2	EA
10	SN 308528150	SEALING END BODY AND 15L * 1/2 GAS *K*	2	EA
11	SN 612041200	SEALING END BODY AND 12L * 1/2 GAS *K*	2	EA

HYDRAULICS



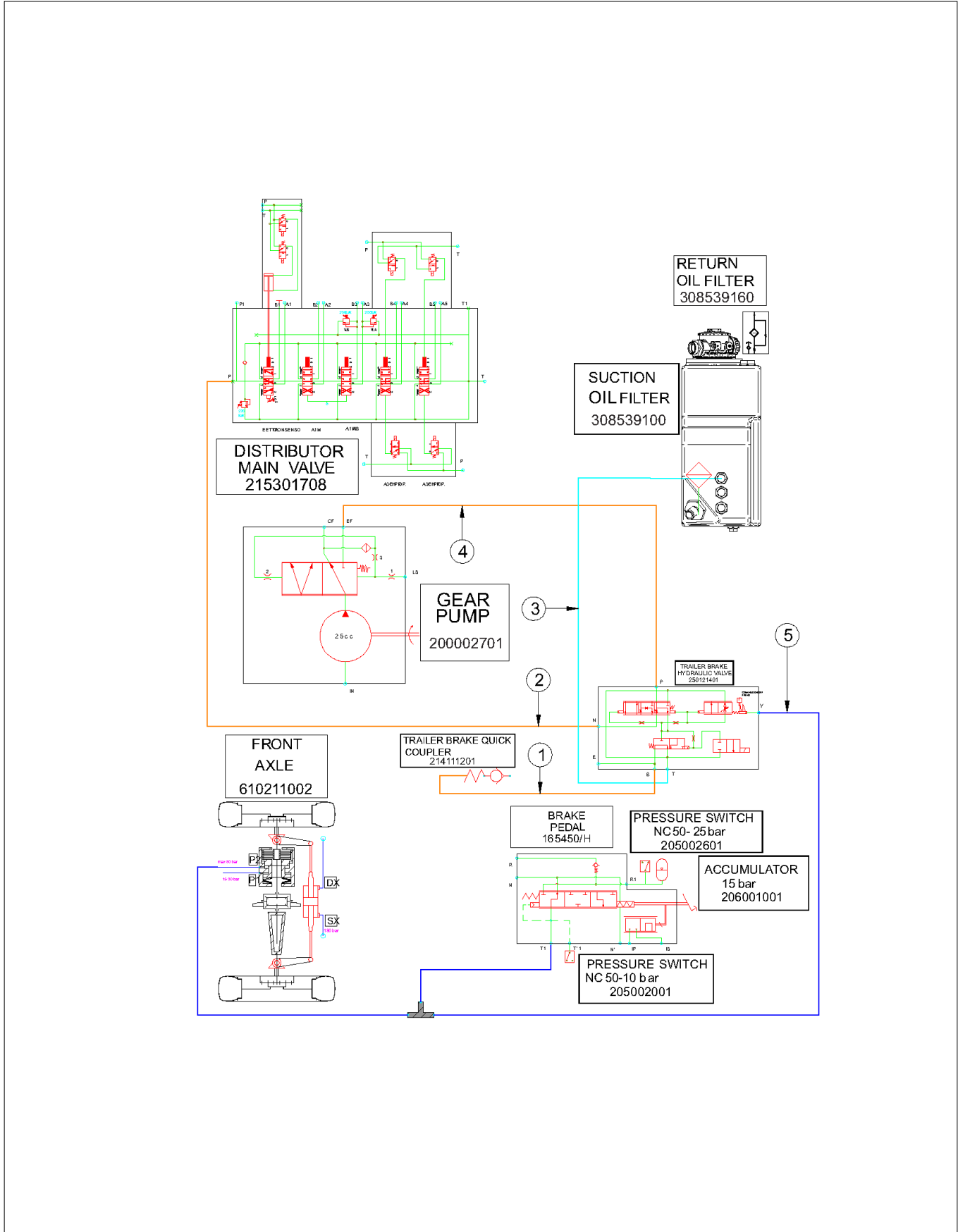
アイテム	部品番号	名前	数量	UOM
	TA2807012A	6 WAY ELECTRIC DEVERTER ON BOOM		EA
1	SN 250121201	SOLENOID VALVE 6 WAY 2 POST1/2	1	EA
2	SN 414026150	1/2" *K* GAS BONDED WASHER	4	EA
3	SN 212050502	GAS NIPPLES GAS 1/2" * 1/2"	2	EA
4	SN 214001205	FEMALE QUICK COUPLER	2	EA
5	SN 701001201	RUBBER CAP FOR QUICK BLUE COUPLING	2	EA
6	SN 308528150	SEALING END BODY AND 15L * 1/2 GAS *K*	2	EA
7	SN 612041200	SEALING END BODY AND 12L * 1/2 GAS *K*	2	EA
8	SN 125064501	BUTTON HEAD WITH COUNTERSUNK HEX SCREW M6X45 CL 8.8 UNI 5931 ZN	3	EA
9	SN 804003006	M6 WASHER DIN125A GALV. 6.4x12x1.6	3	EA
10	SN 804002006	SELF LOCKING NUT M6 GALV. HIGH DIN982	3	EA
11	SN 364001201	6 WAY DEVIATOR COIL 1/2	1	EA

HYDRAULICS



アイテム	部品番号	名前	数量	UOM
Not Shown	250121201	SOLENOID VALVE ASSEMBLY 6 WAY 2 POST 1/2		EA
10	SN 250121201	SOLENOID VALVE 6 WAY 2 POST1/2	1	EA
20	SN 210051302	GAS NIPPLES GAS 1/2" * 1/2"	2	EA
30	SN 414026150	1/2" *K* GAS BONDED WASHER	1	EA
40	SN 308494650	STRUT 1/2" M/F L=25	1	EA
50	SN 308528150	SEALING END BODY AND 15L * 1/2 GAS *K*	4	EA
60	SN 125068001	SOCKET HEAD CAP SCREW M6X80 CL 8.8 UNI 5931 GALV.	2	EA
70	SN 804003006	M6 WASHER DIN125A GALV. 6.4x12x1.6	1	EA
80	SN 804003206	M6 GROWER WASHER UNI7064 GALV. 6.1x11.8x3.2	1	EA

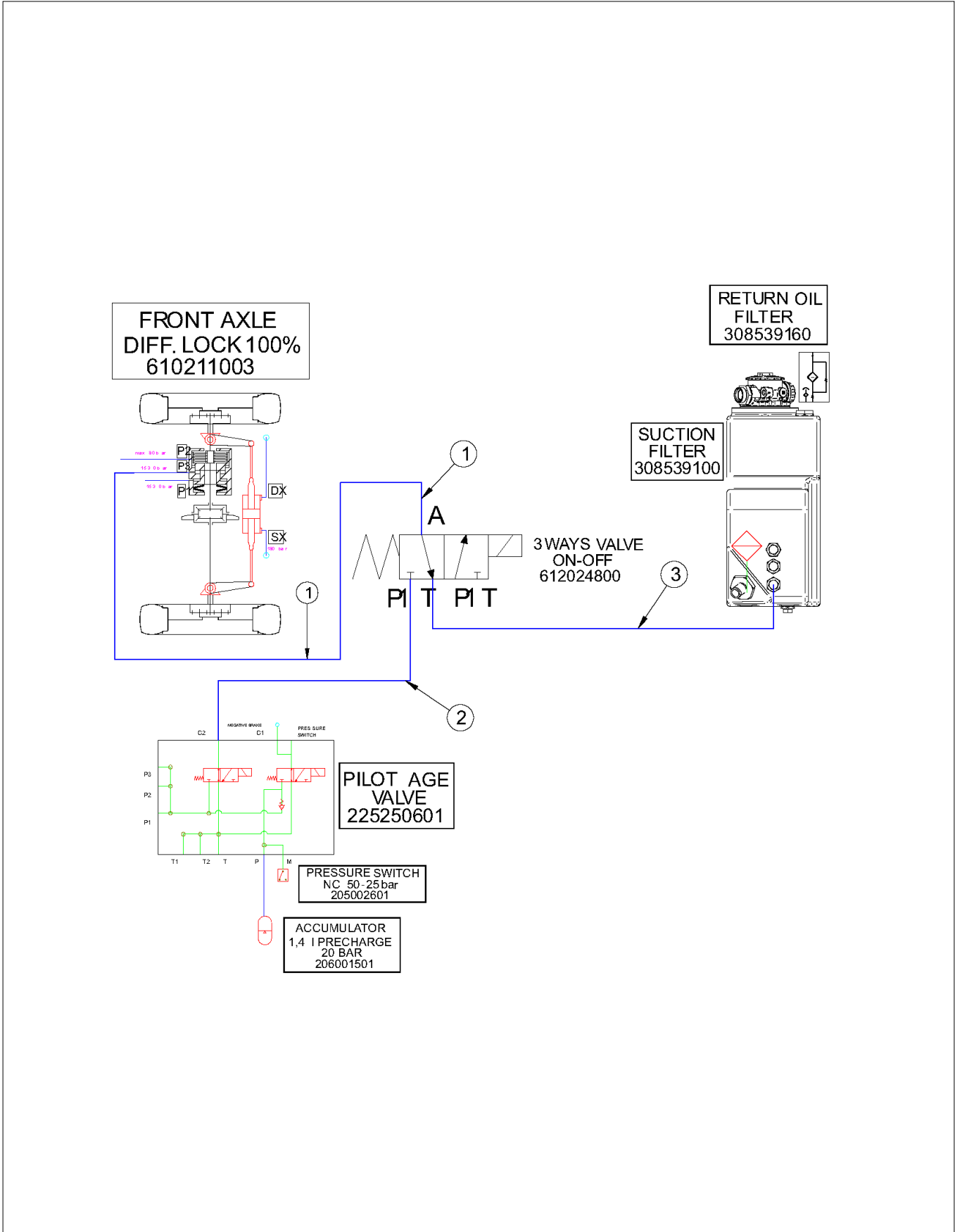
HYDRAULICS



アイテム	部品番号	名前	数量	UOM
	159 0013 000	HYDRAULIC BRAKING KIT		EA
1	SN 220122206	PIPE M3K LTG2200 F90 13/16O F90 M22X1.5	1	EA
2	SN 220122502	PIPE M3K 1/2 L1500 F90 13/16O F 13/16O	1	EA
3	SN 220123601	PIPE M3K 1/2 LTG3600 F9013/16O F9013/16O	1	EA
4	SN 220125001	PIPE M3K 1/2 LTG5000 F9013/16O F9013/16O	1	EA
5	SN 220140403	PIPE M3K 1/4 LTG400 F90 9/16O F90 9/16O	1	EA

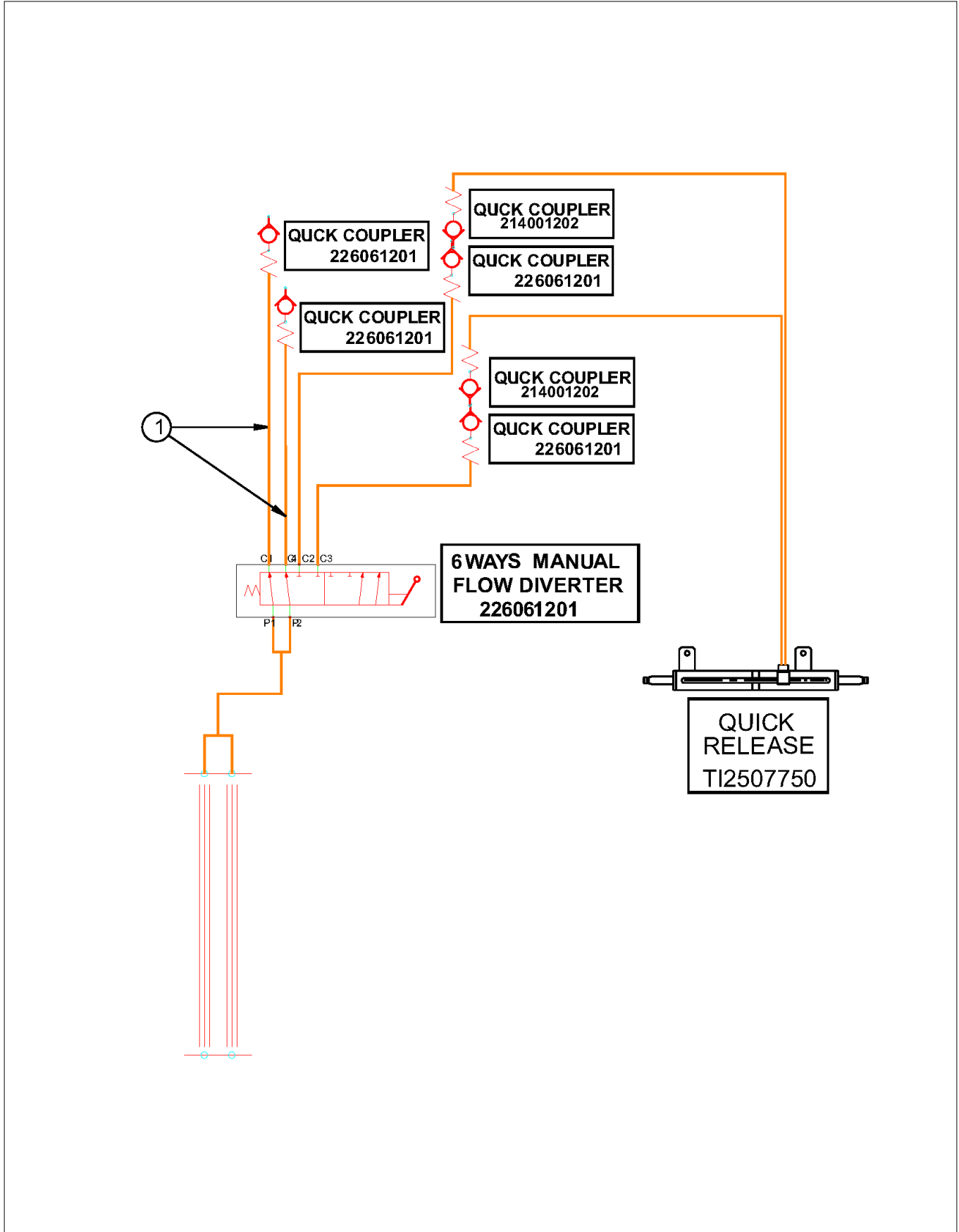


HYDRAULICS



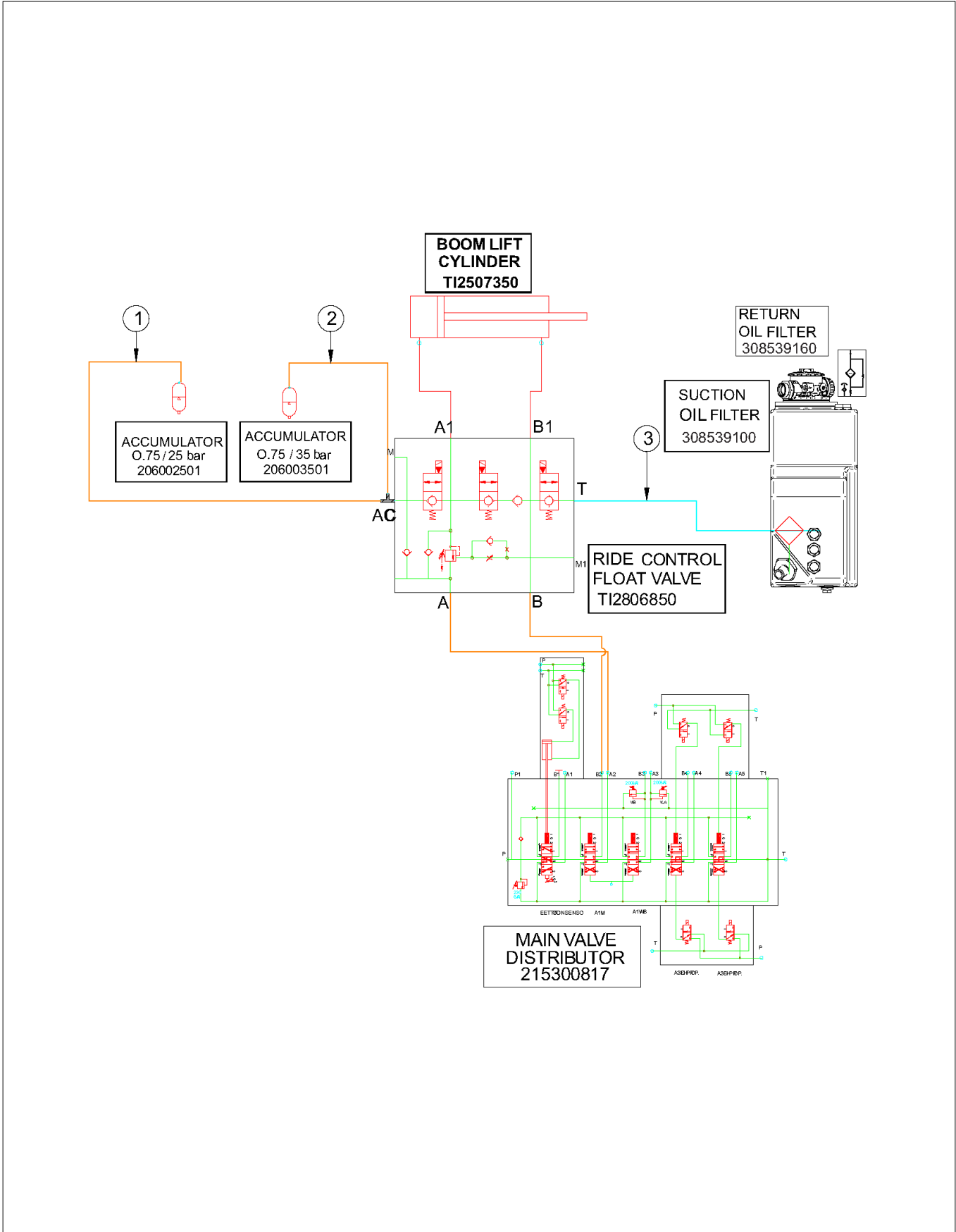
アイテム	部品番号	名前	数量	UOM
	159 0014 000	100% DIFFERENTIAL LOCKING AXLE KIT		EA
1	SN 220140143	PILOT 1/4" L950 F90L10 / EYE 1/4G 0°	1	EA
2	SN 220140111	PILOT 1/4" L400 EYE1/4G/EYE1/4G 0°	1	EA
3	SN 220140105	PILOT 1/4" L1300 EYE1/4G/EYE1/4G	1	EA

HYDRAULICS



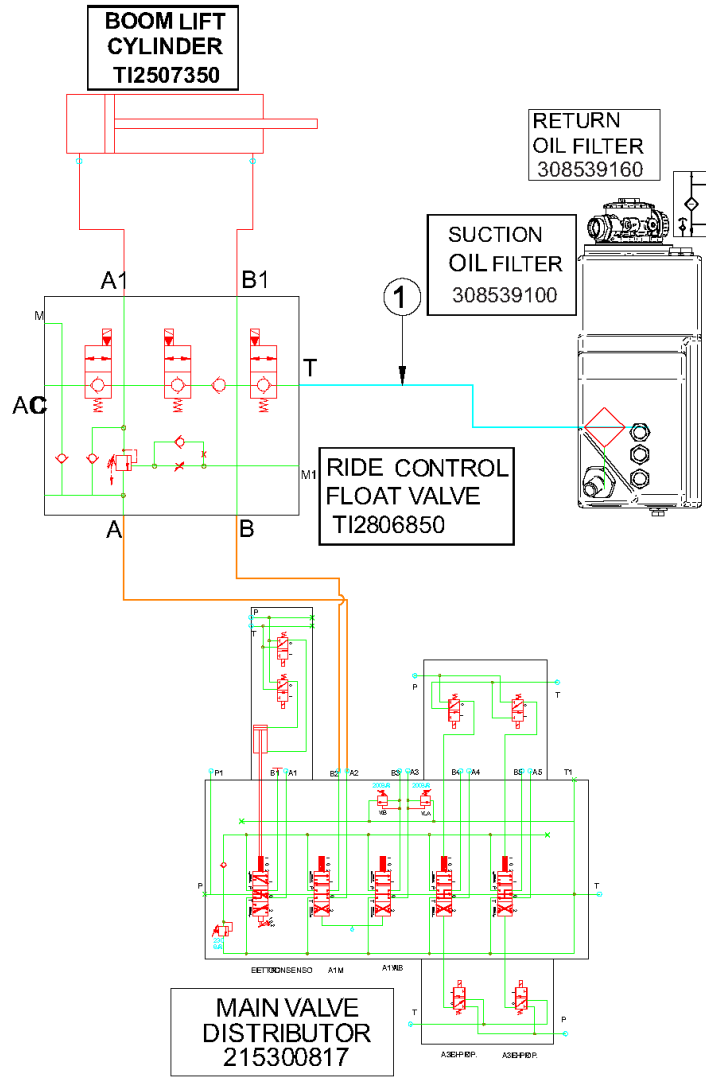
アイテム	部品番号	名前	数量	UOM
	159 0015 000	DOUBLE HYDRAULIC CONNECTION HOSE KIT		EA
1	SN D2806053	4 DOUBLE EFFECT HYDRAULICH PLUG ON THE HEAD BOOM MANUAL VERSION	1	EA
2	SN 220381507	PIPE M4K 3/8 L1500 F 11/16O F90 11/16O	1	EA

HYDRAULICS



アイテム	部品番号	名前	数量	UOM
	159 0016 000	ARM SUSPENSION KIT		EA
1	SN TI2507450	RIGID PIPE Ø15X2 ACCUM. 1 FR00	1	EA
2	SN TI2507550	RIGID PIPE Ø15X2 ACCUM. 2 FR00	1	EA
3	SN 220140127	PILOT 1/4" L850 FDL10/EYE1/4G 0°	1	EA

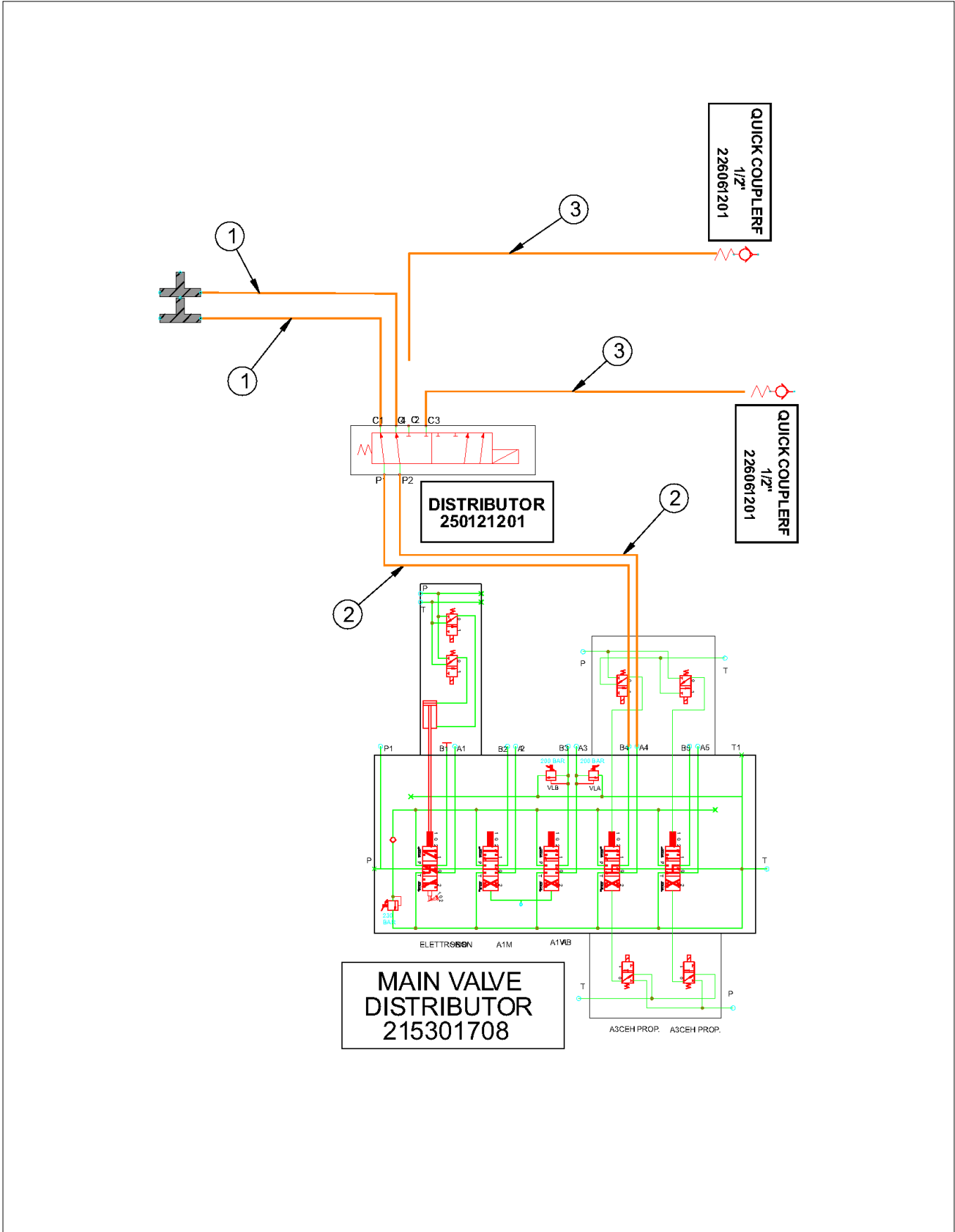
HYDRAULICS



アイテム	部品番号	名前	数量	UOM
	159 0017 000	FLOATING ARM KIT		EA
1	SN 220140127	PILOT 1/4" L850 FDL10/EYE1/4G 0 °		EA

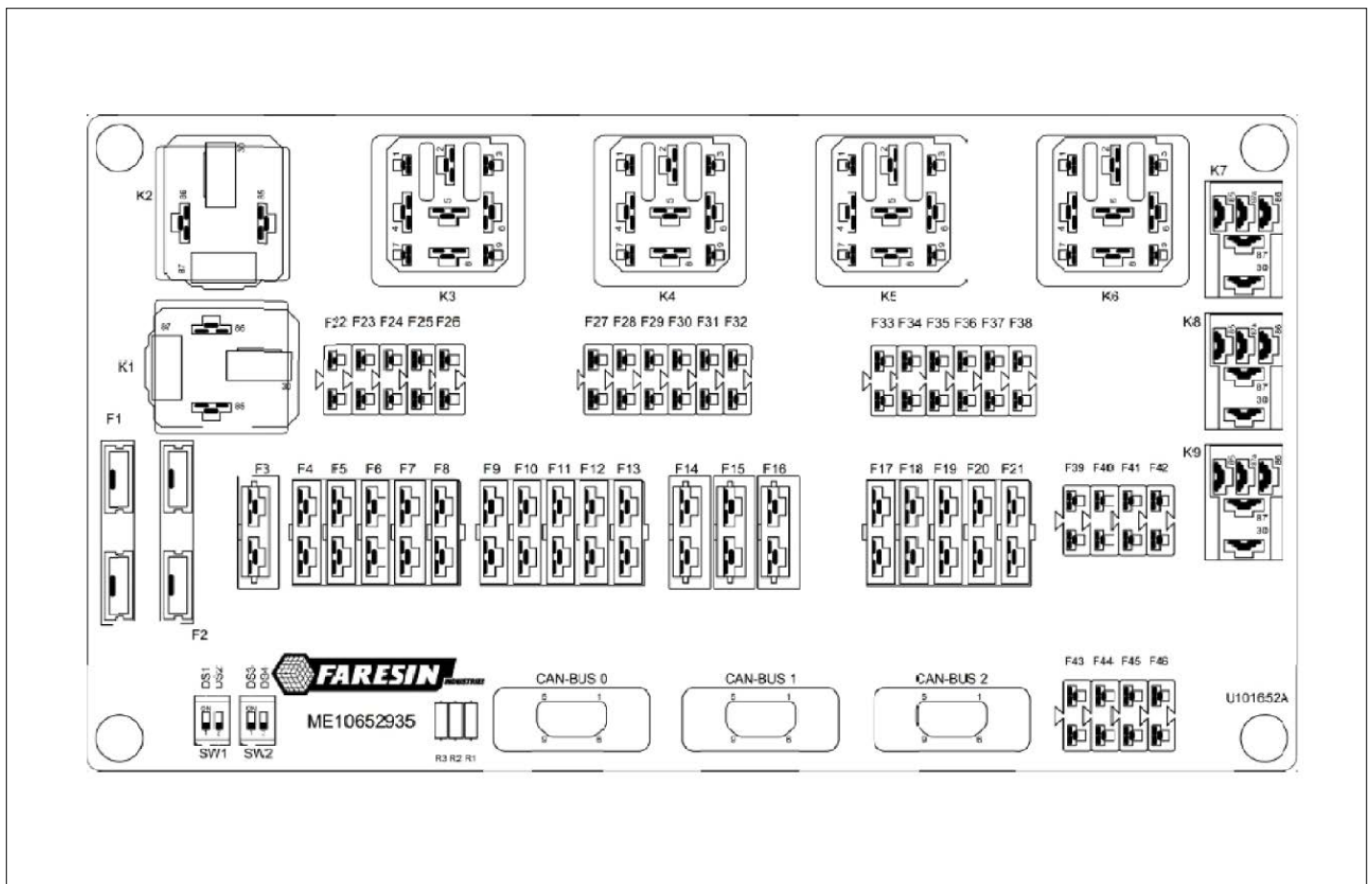


HYDRAULICS



アイテム	部品番号	名前	数量	UOM
	159 0018 000	REAR HYDRAULIC CONNECTION HOSE KIT		EA
1	SN 220120153	M4K 1/2" L1780 FDL15/F90L15	2	EA
2	SN 220120136	M3K 1/2" L500 F90L15 F90L15	2	EA
3	SN 220120159	M4K 1/2" L1600 F90L15 / F90L15	2	EA

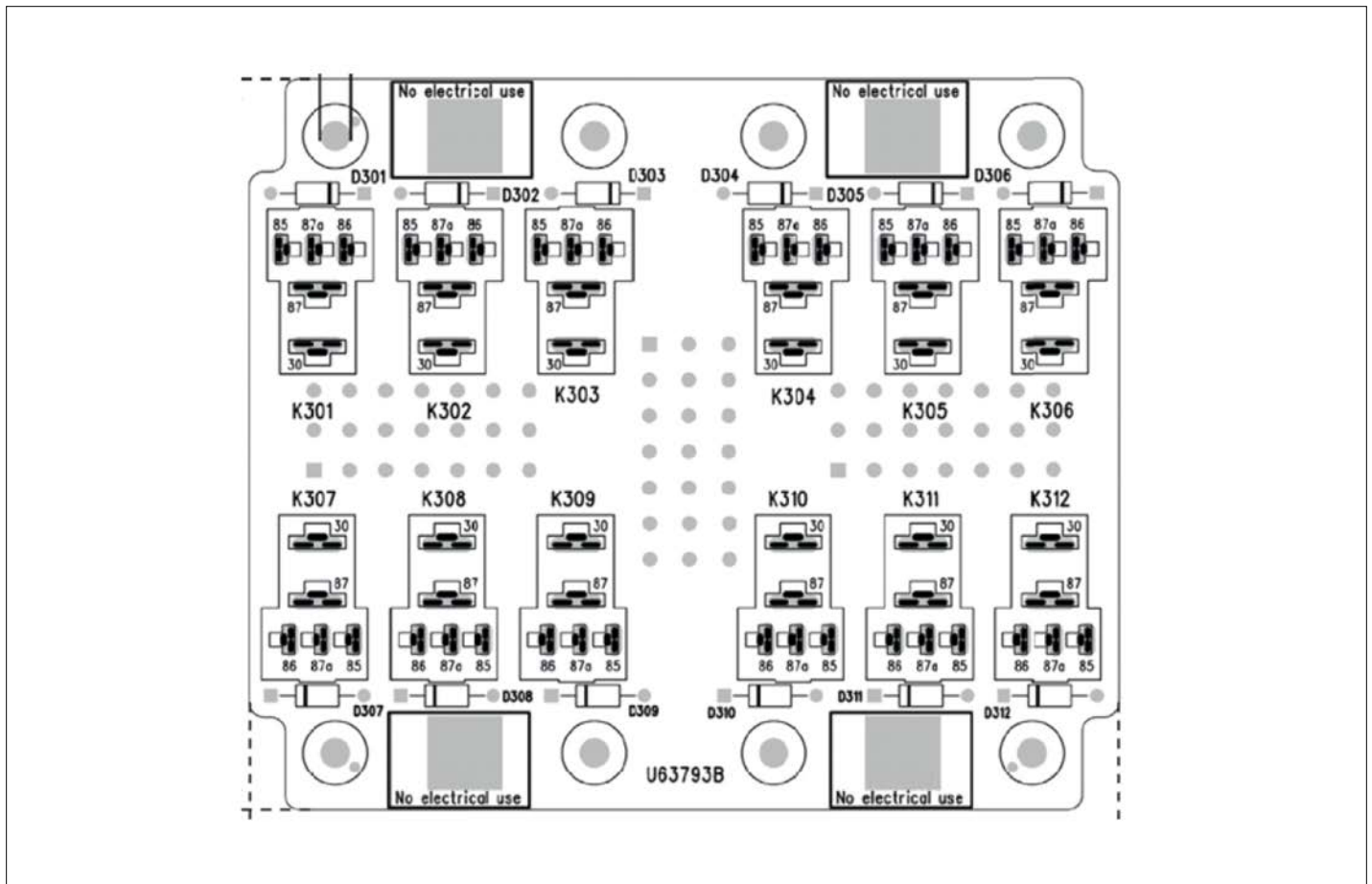
ELECTRICAL



アイテム	部品番号	名前	数量	UOM
	ME106522935	FUSE / RELAY PANEL 1		EA
F1	SN ME03012160	KEY AT 1 BOARD SUPPLY	50A	EA
F2	SN ME03012160	KEY AT 1 BOARD SUPPLY	50A	EA
F3	SN ME57008580	POSITION LIGHTS SUPPLY	20A	EA
F4	SN ME57007579	WORK LIGHTS SUPPLY	15A	EA
F5	SN ME57008580	POSITION LIGHTS SUPPLY	20A	EA
F6	SN ME57007579	WORK LIGHTS SUPPLY	15A	EA
F8	SN ME57006578	AIR SEAT AND BATTERY CHARGER SUPPLY	10A	EA
F9	SN ME57007579	WORK LIGHTS SUPPLY	15A	EA
F10	SN ME57006578	AIR SEAT AND BATTERY CHARGER SUPPLY	10A	EA
F11	SN ME57007579	WORK LIGHTS SUPPLY	15A	EA
F12	SN ME57006578	AIR SEAT AND BATTERY CHARGER SUPPLY	10A	EA
F13	SN ME57008580	POSITION LIGHTS SUPPLY	20A	EA
F14	SN ME57008580	POSITION LIGHTS SUPPLY	20A	EA
F16	SN ME57010581	AIR CONDITION FANS SUPPLY	30A	EA
F17	SN ME57008580	POSITION LIGHTS SUPPLY	20A	EA
F18	SN ME57010581	AIR CONDITION FANS SUPPLY	30A	EA
F19	SN ME02794920	EMERGENCY INDICATOR LIGHTS DIODE	DIODE	EA
F20	SN ME02794920	EMERGENCY INDICATOR LIGHTS DIODE	DIODE	EA
F21	SN ME02794920	EMERGENCY INDICATOR LIGHTS DIODE	DIODE	EA
F22	SN ME02007192	CLEAN FIX SUPPLY	15A	EA
F23	SN ME02007192	CLEAN FIX SUPPLY	15A	EA
F24	SN ME02007192	CLEAN FIX SUPPLY	15A	EA
F25	SN ME02006191	KEY AT 0 YANMAR 3A ECU SUPPLY	10A	EA
F26	SN ME02006191	KEY AT 0 YANMAR 3A ECU SUPPLY	10A	EA

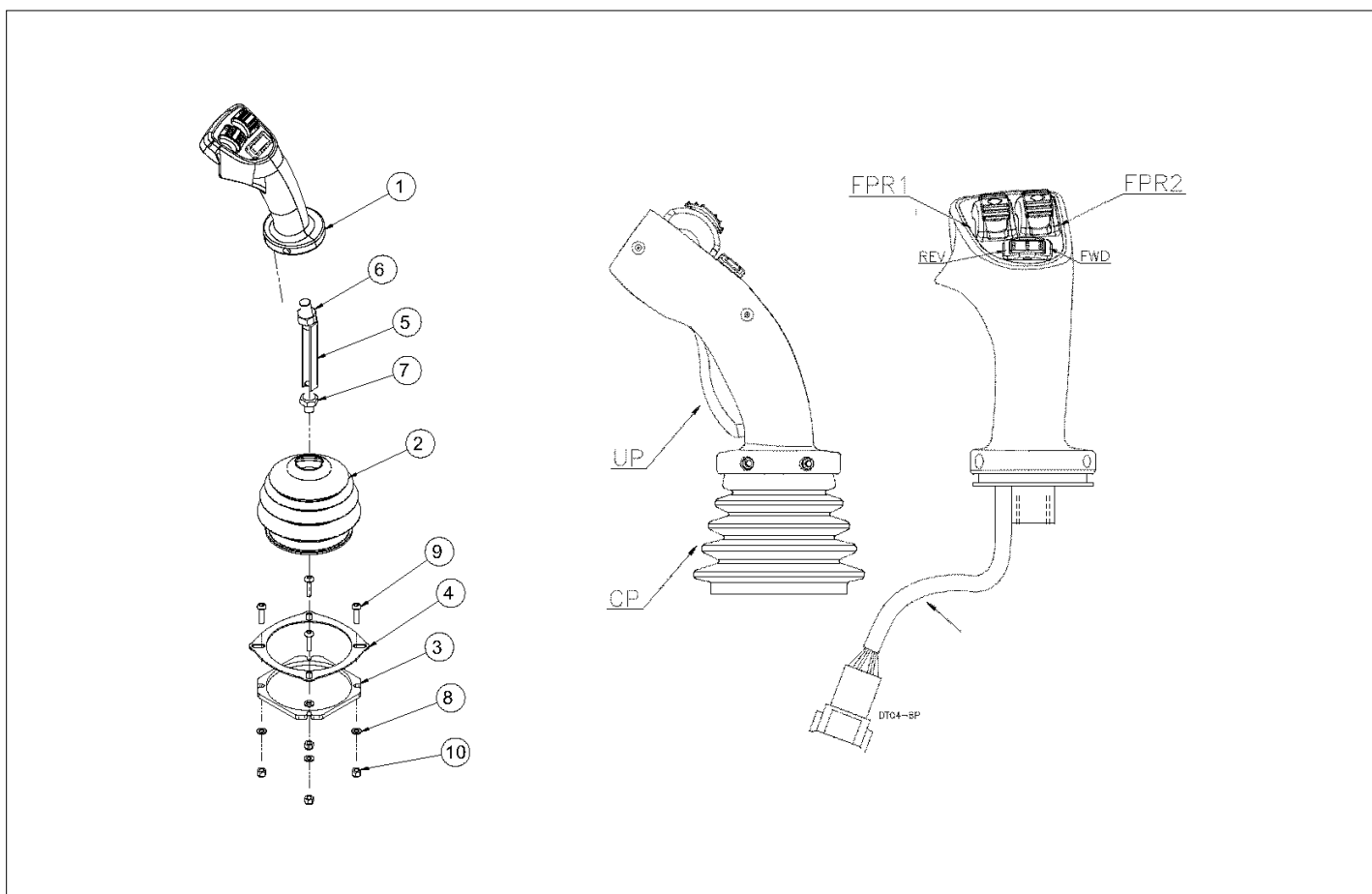
アイテム	部品番号	名前	数量	UOM
F27	SN ME02007192	CLEAN FIX SUPPLY	15A	EA
F28	SN ME02007192	CLEAN FIX SUPPLY	15A	EA
F29	SN ME02005190	AGRI MODE SUPPLY	7.5A	EA
F30	SN ME02007192	CLEAN FIX SUPPLY	15A	EA
F31	SN ME02005190	AGRI MODE SUPPLY	7.5A	EA
F32	SN ME02005190	AGRI MODE SUPPLY	7.5A	EA
F33	SN ME02005190	AGRI MODE SUPPLY	7.5A	EA
F34	SN ME02004189	MICRO PLC K6 PROPEL YANMAR 3A	5A	EA
F35	SN ME02008193	AIR CONDITIONING COMPRESSOR SUPPLY	20A	EA
F36	SN ME02006191	KEY AT 0 YANMAR 3A ECU SUPPLY	10A	EA
F37	SN ME02005190	AGRI MODE SUPPLY	7.5A	EA
F38	SN ME02805931	START UP CONFIGURATIOMN YANMAR 3A	SHUNT	EA
F39	SN ME02005190	AGRI MODE SUPPLY	7.5A	EA
F40	SN ME02005190	AGRI MODE SUPPLY	7.5A	EA
F41	SN ME02805931	START UP CONFIGURATIOMN YANMAR 3A	SHUNT	EA
F42	SN ME02005190	AGRI MODE SUPPLY	7.5A	EA
F43	SN ME02004189	MICRO PLC K6 PROPEL YANMAR 3A	5A	EA
K1	SN ME05019371	START UP RELAY	N.O.	EA
K2	SN ME05019371	START UP RELAY	N.O.	EA
K3	SN ME05405370	INTERMITTENCE RELAY		EA
K4	SN ME05536642	WIPER RELAY		EA
K5	SN ME05017412	AIR CONDITIONING RELAY	N.O.	EA
K6	SN ME10857A05	PROPEL PEDAL 3A MICRO PLC		EA
K7	SN ME05015210	POSITION LIGHTS RELAY	N.O.	EA
K8	SN ME05015210	POSITION LIGHTS RELAY	N.O.	EA
K9	SN ME05015210	POSITION LIGHTS RELAY	N.O.	EA

ELECTRICAL



アイテム	部品番号	名前	数量	UOM
	ME10807954	RELAY PANEL 2		EA
K301	SN ME05015210	POSITION LIGHTS RELAY	N.O.	EA
K302	SN ME05015210	POSITION LIGHTS RELAY	N.O.	EA
K303	SN ME05015210	POSITION LIGHTS RELAY	N.O.	EA
K304	SN ME05015210	POSITION LIGHTS RELAY	N.O.	EA
K305	SN ME05016346	DEAD MAN JOTSTICK RELAY	N.C.	EA
K306	SN ME05015210	POSITION LIGHTS RELAY	N.O.	EA
K307	SN ME05016346	DEAD MAN JOTSTICK RELAY	N.C.	EA
K308	SN ME05015210	POSITION LIGHTS RELAY	N.O.	EA
K309	SN ME05015210	POSITION LIGHTS RELAY	N.O.	EA
K310	SN ME05015210	POSITION LIGHTS RELAY	N.O.	EA
K311	SN ME05015210	POSITION LIGHTS RELAY	N.O.	EA
K312	SN ME05016346	DEAD MAN JOTSTICK RELAY	N.C.	EA

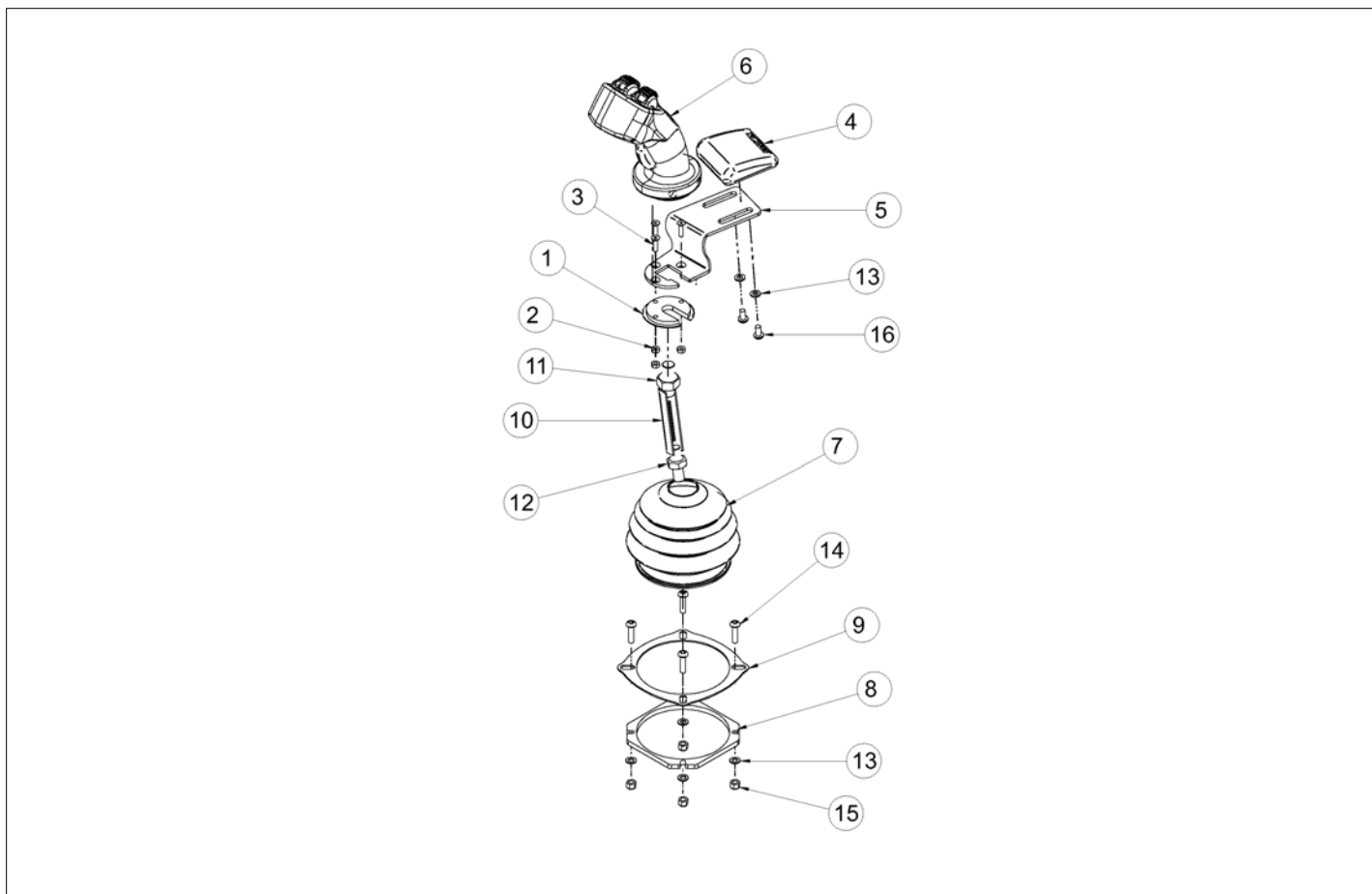
ELECTRICAL





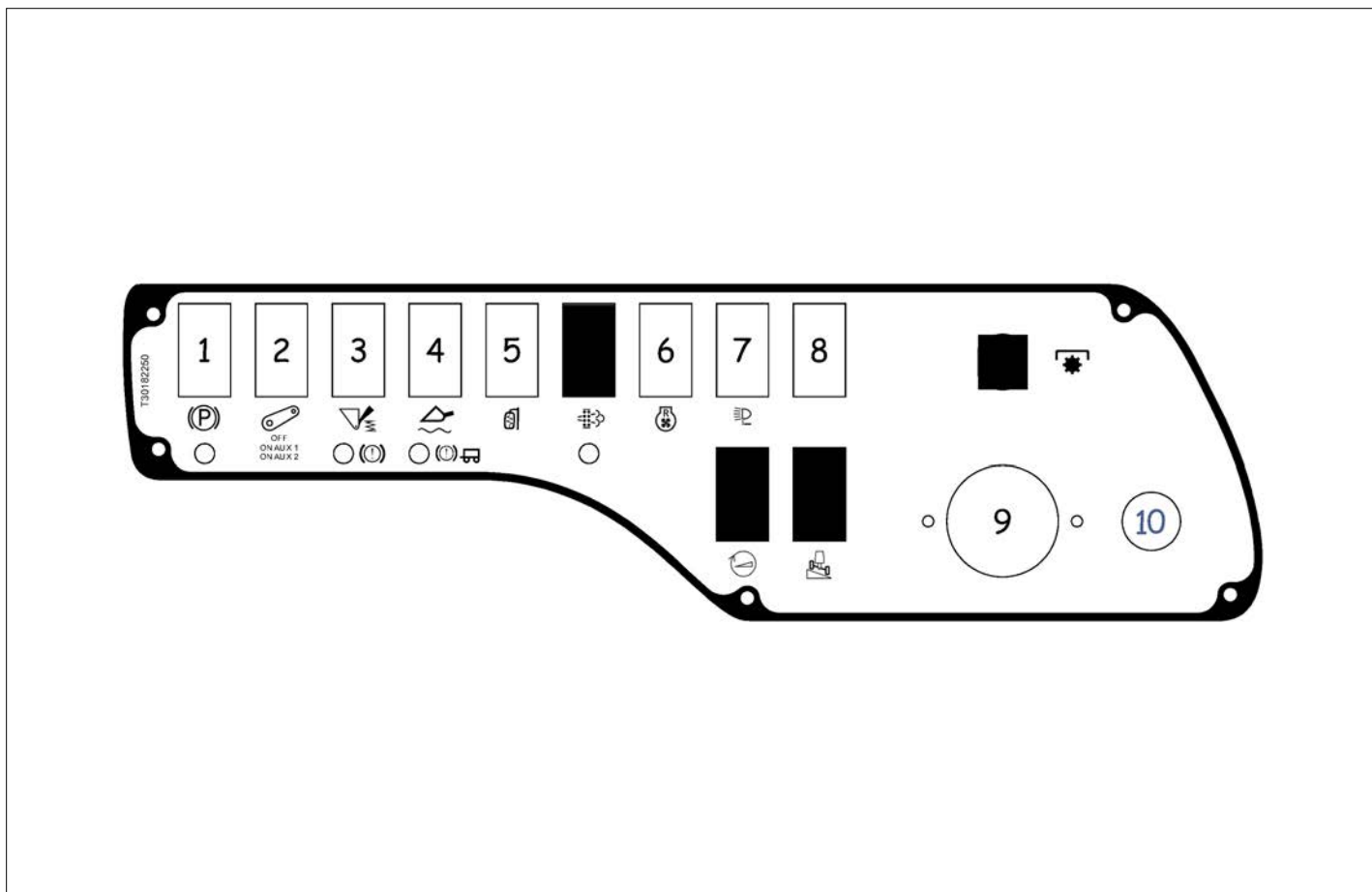
アイテム	部品番号	名前	数量	UOM
	ME09523B44	JOYSTICK		EA
1	SN ME09523B44	2 ROLLERS JOYSTICK DN85 + FNR	1	EA
2	SN 400190601	NEOPRENE CAP TECNORD	1	EA
3	SN T25031550	HOOD SUPPORT	1	EA
4	SN T25031650	HOOD COUPLING	1	EA
5	SN T24018750	"C" PROFILE JOYSTICK ROD	1	EA
6	SN 100121001	NUT M12 MEDIUM H10 UNI 5588 ZB CL 8.8	1	EA
7	SN 804001610	NUT M10 GALV. DIN934	1	EA
8	SN 130050001	FLAT WASHER M5 GALV.	4	EA
9	SN 122052001	HEX SOCKET SCREW M5X20 CL 10.9 UNI 7380 GALV.	4	EA
10	SN 804002005	SELF LOCKING NUT M5 GALV. HIGH DIN982	4	EA
FPR1	SN ME09523B52	ROLLER PROP. 0.5 4.5V 80% GRIGIO 8 32V	1	EA
FPR2	SN ME09523B53	ROLLER PROP. 0.5 4.5V 80% GIALLO 8 32V	1	EA
UP	SN ME09523B54	JOYSTICK ENABLE	1	EA
K1S	SN ME09523B51	FWD/REV SW	1	EA

ELECTRICAL



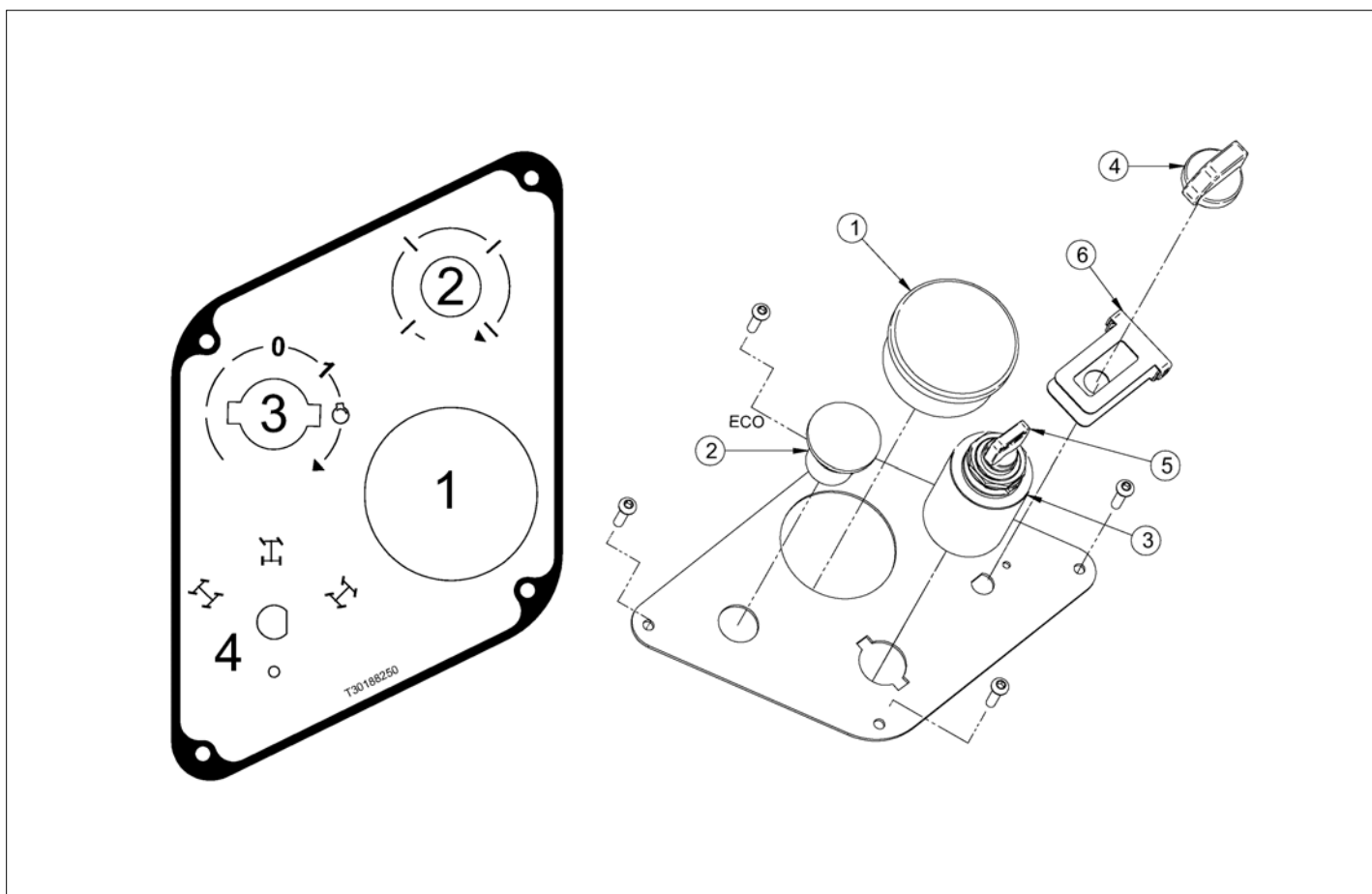
アイテム	部品番号	名前	数量	UOM
	TA2506076B	CONTROLLER, WRIST RESET CLASSIS		EA
1	SN T25061850	ATTACK COUPLE JOYSTICK TECNORD	1	EA
2	SN 100040401	NUT M4 UNI 5588 ZN	3	EA
3	SN 801704016	SCREW M 4X16 CL 10.9 DIN7991 ZN	3	EA
4	SN T25062250	PLASTIC JOYSTICK	1	EA
5	SN T25061750	WRIST JOYSTICK TECNORD	1	EA
6	SN ME09523B44	2 ROLLERS JOYSTICK DN85 + FNR	1	EA
7	SN 400190601	NEOPRENE CAP TECNORD	1	EA
8	SN T25031550	HOOD SUPPORT	1	EA
9	SN T25031650	HOOD COUPLING	1	EA
10	SN T24018750	"C" PROFILE JOYSTICK ROD	1	EA
11	SN 100121001	NUT M12 MEDIUM H10 UNI 5588 ZB CL 8.8	1	EA
12	SN 804001610	NUT M10 GALV. DIN934	1	EA
13	SN 130050001	FLAT WASHER M5 GALV.	6	EA
14	SN 122052001	HEX SOCKET SCREW M5X20 CL 10.9 UNI 7380 GALV.	4	EA
15	SN 804002005	SELF LOCKING NUT M5 GALV. HIGH DIN982	4	EA
16	SN 122051001	SCREW M5X10 CL 10.9 ISO 7380 ZN	2	EA

ELECTRICAL



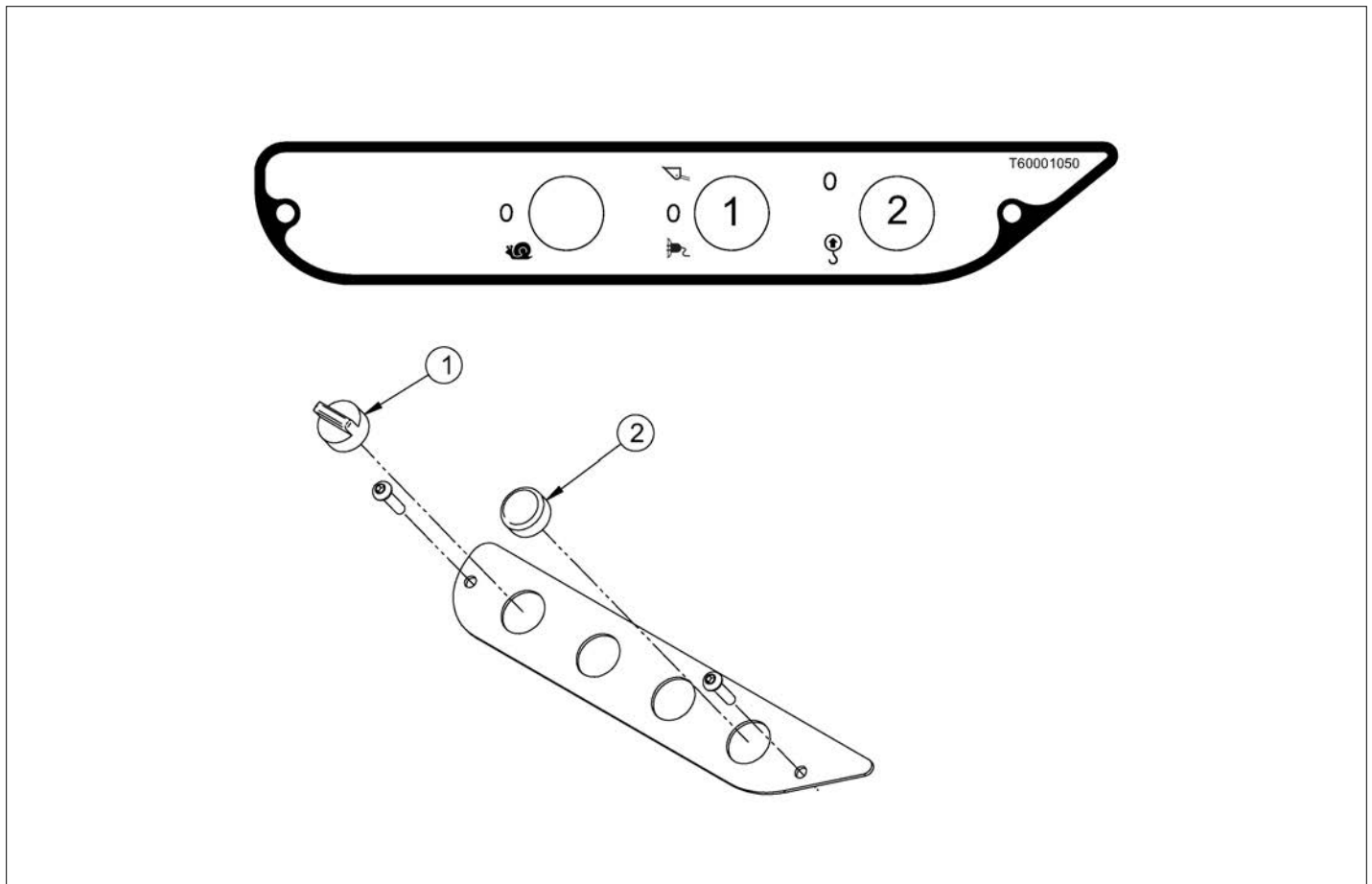
アイテム	部品番号	名前	数量	UOM
	T30182250	SIDE DADH BOARD SELECTORS FR00		EA
1	SN ME07374073	COSTANT FLOW FUNCTION, TWO FIXED POSITIONS SWITCH	1	EA
2	SN ME07445536	LIGHT OF THE BOOM , SELECTOR 2 FIXED POSITIONS SINGLE CONTACT	1	EA
3	SN ME07445536	LIGHT OF THE BOOM , SELECTOR 2 FIXED POSITIONS SINGLE CONTACT	1	EA
4	SN ME07445536	LIGHT OF THE BOOM , SELECTOR 2 FIXED POSITIONS SINGLE CONTACT	1	EA
5	SN ME07445536	LIGHT OF THE BOOM , SELECTOR 2 FIXED POSITIONS SINGLE CONTACT	1	EA
6	SN ME07373072	REVERSING FAN, SELECTOR 2 POSITIONS IMPULSE	1	EA
7	SN ME07445536	LIGHT OF THE BOOM , SELECTOR 2 FIXED POSITIONS SINGLE CONTACT	1	EA
8	SN ME07374073	COSTANT FLOW FUNCTION, TWO FIXED POSITIONS SWITCH	1	EA
9	SN ME10651764	CREEPER POTENTIOMETER	1	EA
10	SN ME09397A86	CIGARETTE LIGHTER	1	EA

ELECTRICAL



アイテム	部品番号	名前	数量	UOM
	T30188250	FRONT SIDE DASH BOARD SELECTORS FR00		EA
1	SN 900006011	PRESSURE GAUGE 0 60 BAR 1/4 DIN	1	EA
2	SN ME07406381	EMERGENCY BUTTON	1	EA
3	SN ME09066027	STARTER BLOCK W/KEY	1	EA
4	SN ME07035025	STEERING WHEEL SELECTOR	1	EA
5	SN 731101101	ELLEBI TYPE STARTER KEY	1	EA
	3028929	CAB/IGNITION AND ENGINE COVER KEY	1	EA
6	SN ME09466562	STEERING WHEEL SELECTOR GUARD	1	EA

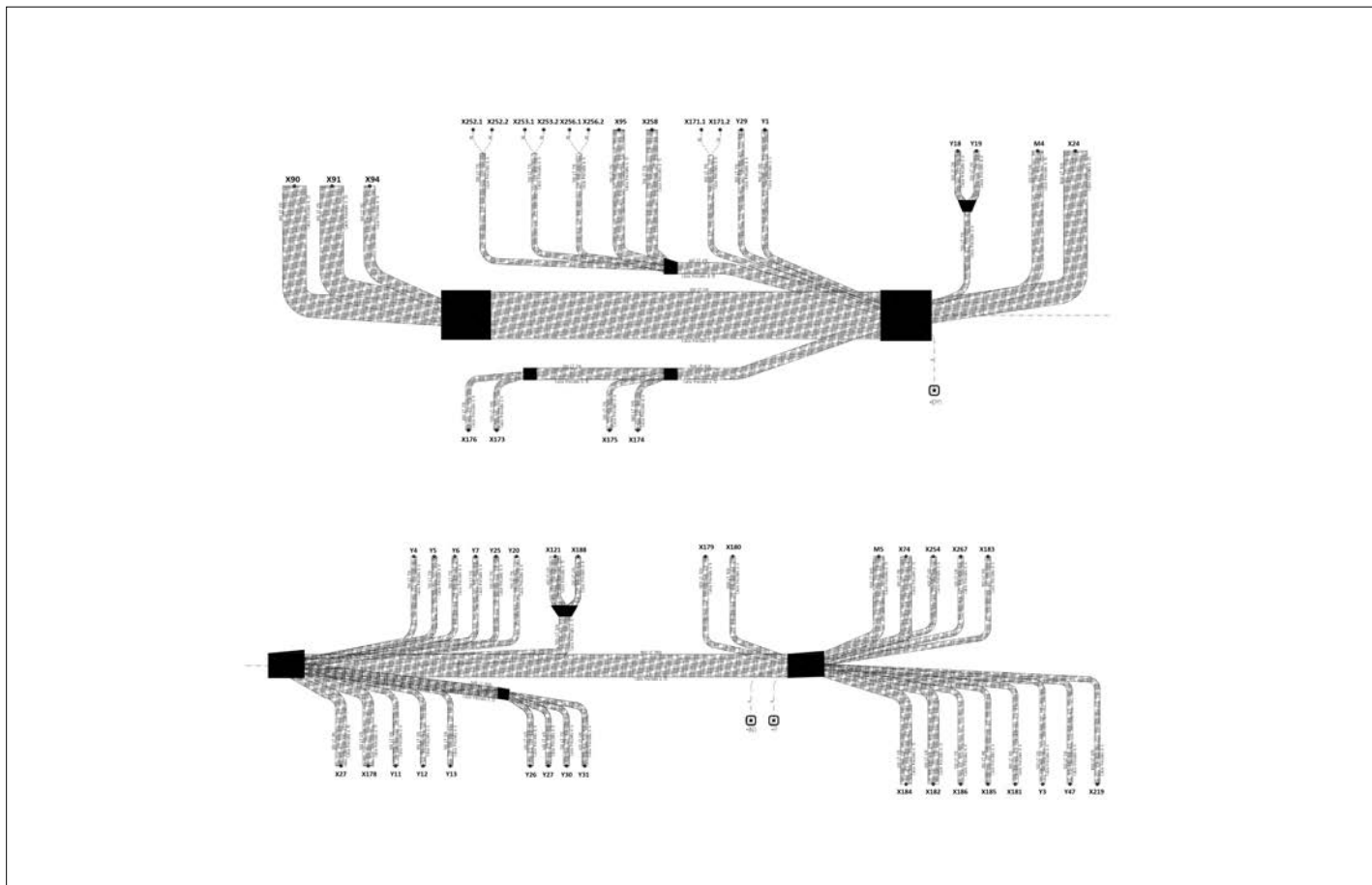
ELECTRICAL





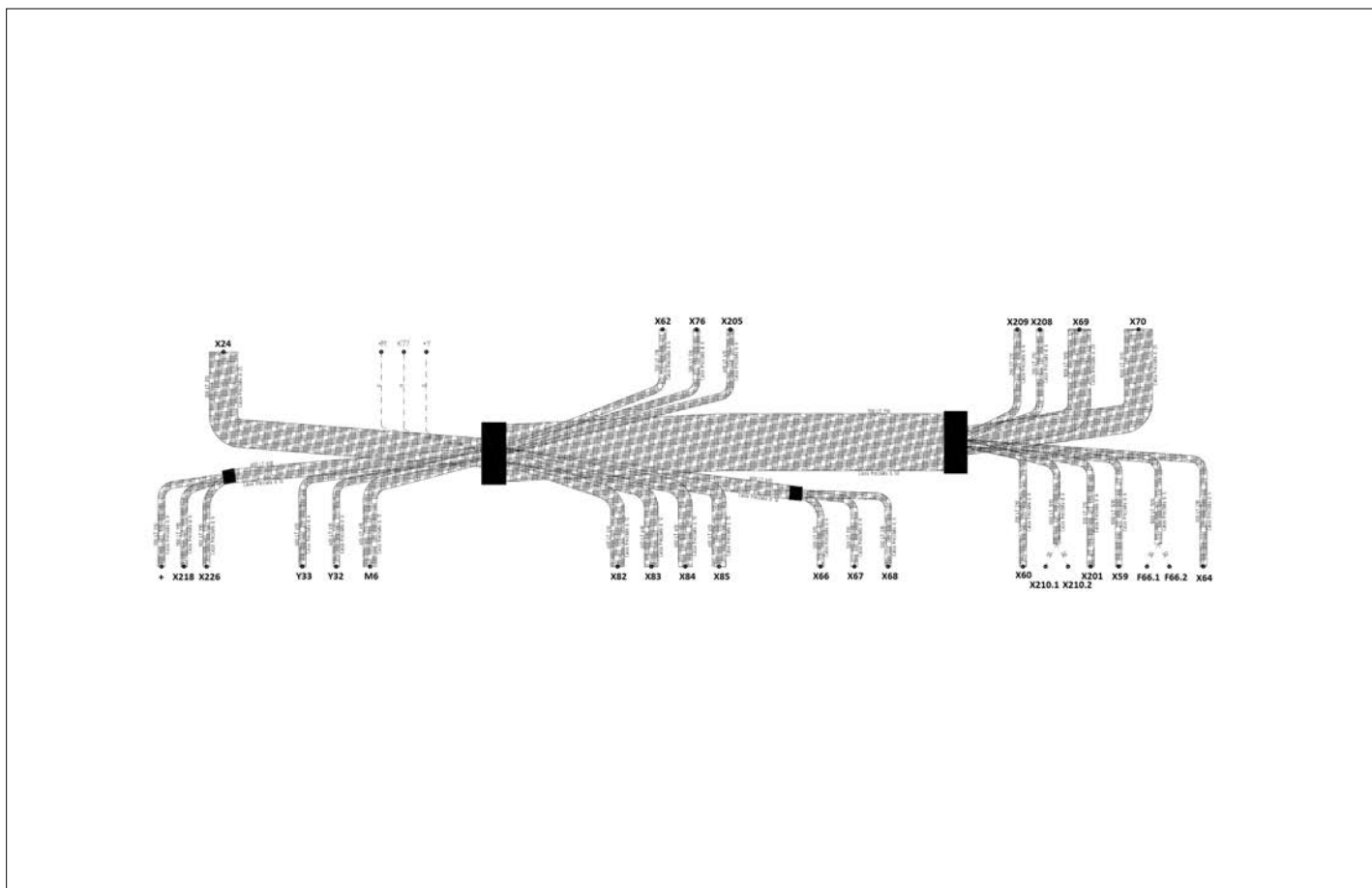
アイテム	部品番号	名前	数量	UOM
	T60001050	FRONT DASH BOARD SELECTORS FR00		EA
1	SN ME1A865C53	BY PASS BUTTON	1	EA
2	SN ME07494603	SHOVEL MODE CONTROL	1	EA

ELECTRICAL



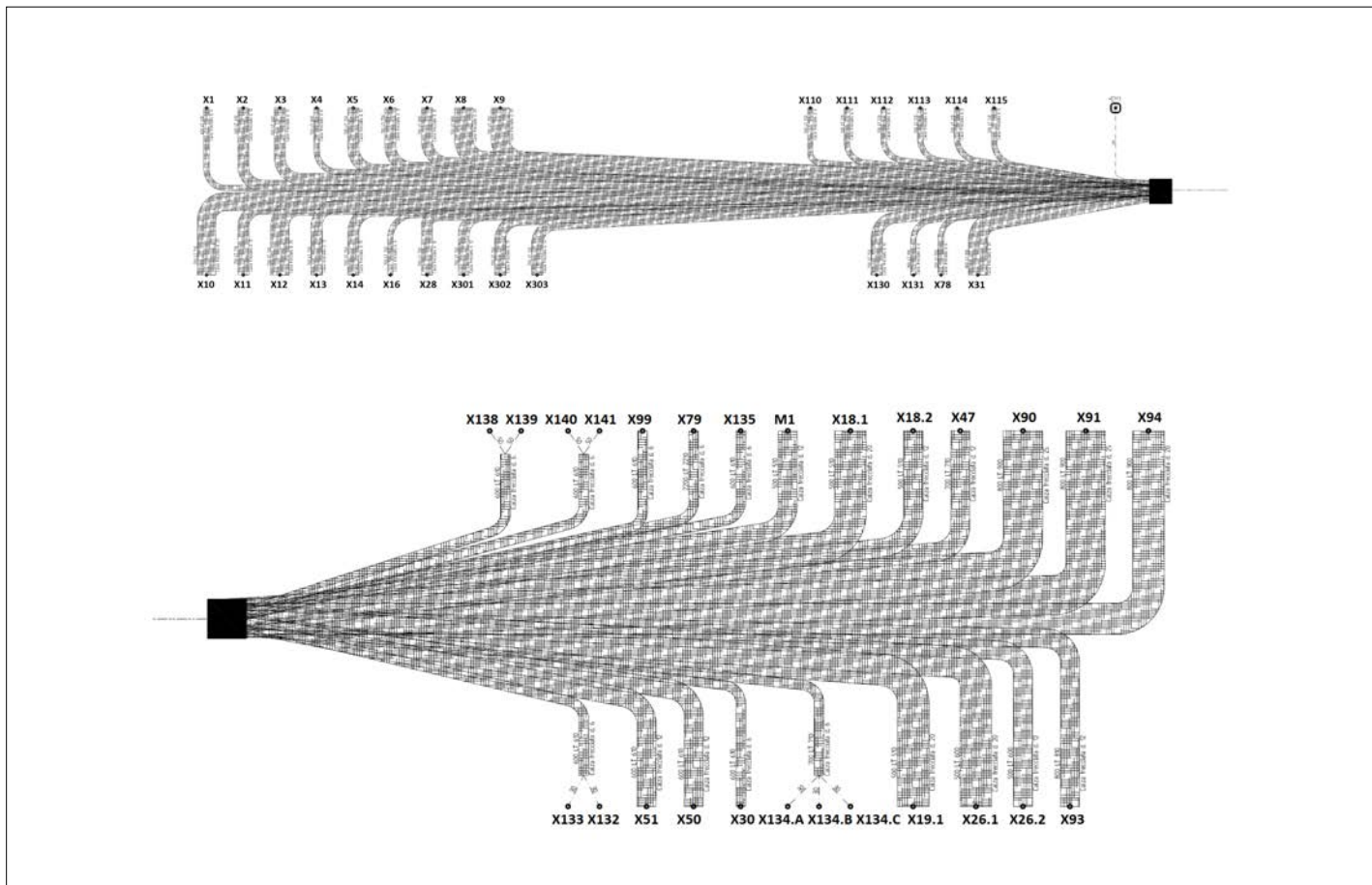
アイテム	部品番号	名前	数量	UOM
	CT087F461	CHASSIS HARNESS, FR00		EA
1	SN CT087F461	CHASSIS, HARNESS	1	EA

ELECTRICAL



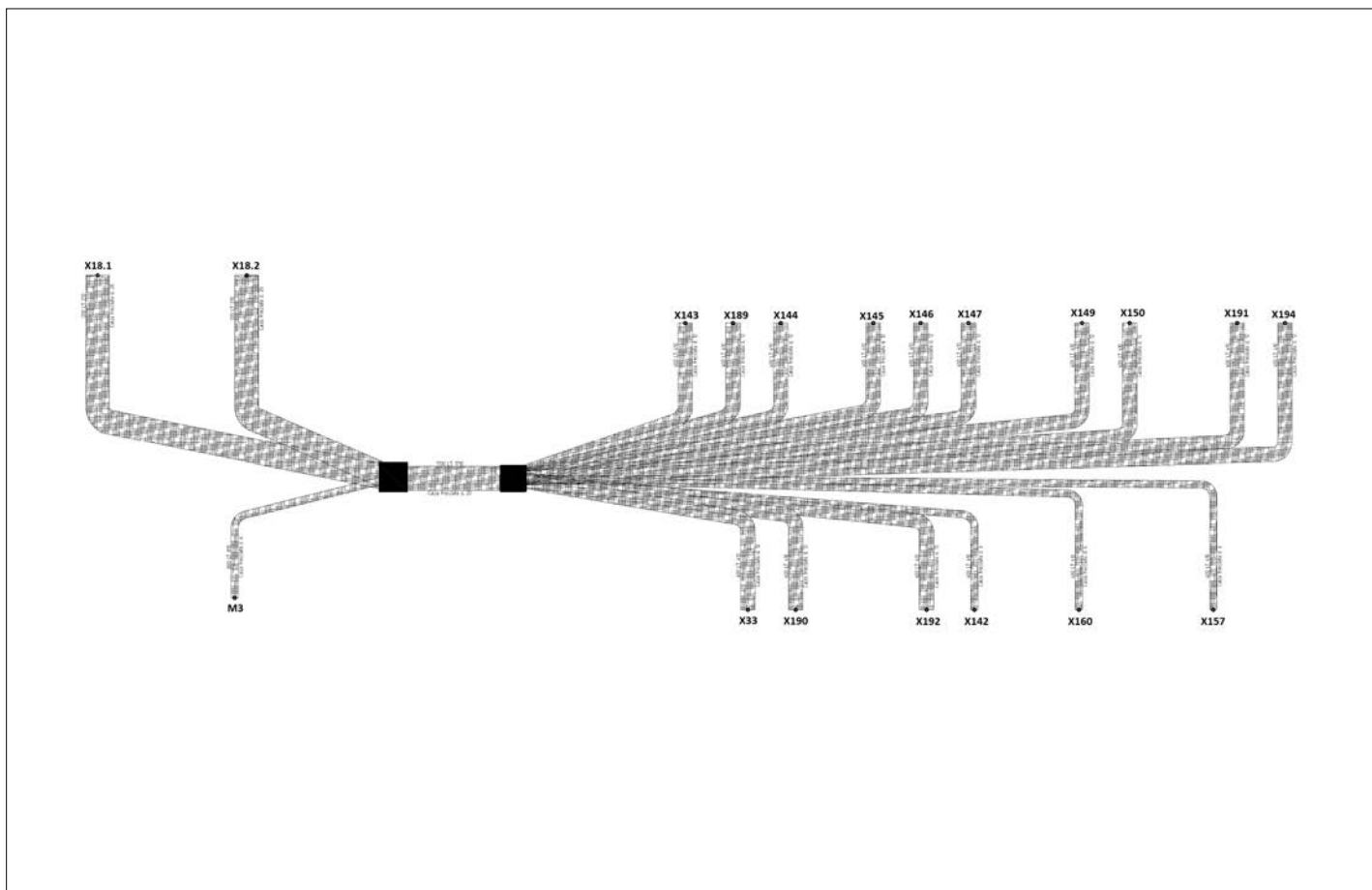
アイテム	部品番号	名前	数量	UOM
	CT087D463	YANMAR IV FINAL ENGINE HARNESS, FR00		EA
1	SN CT087D463	YANMAR IV FINAL ENGINE HARNESS, FR00	1	EA

ELECTRICAL



アイテム	部品番号	名前	数量	UOM
	CT0882459	DRIVER SEAT, FR00		EA
1	SN CT0882459	DRIVER SEAT, FR00	1	EA

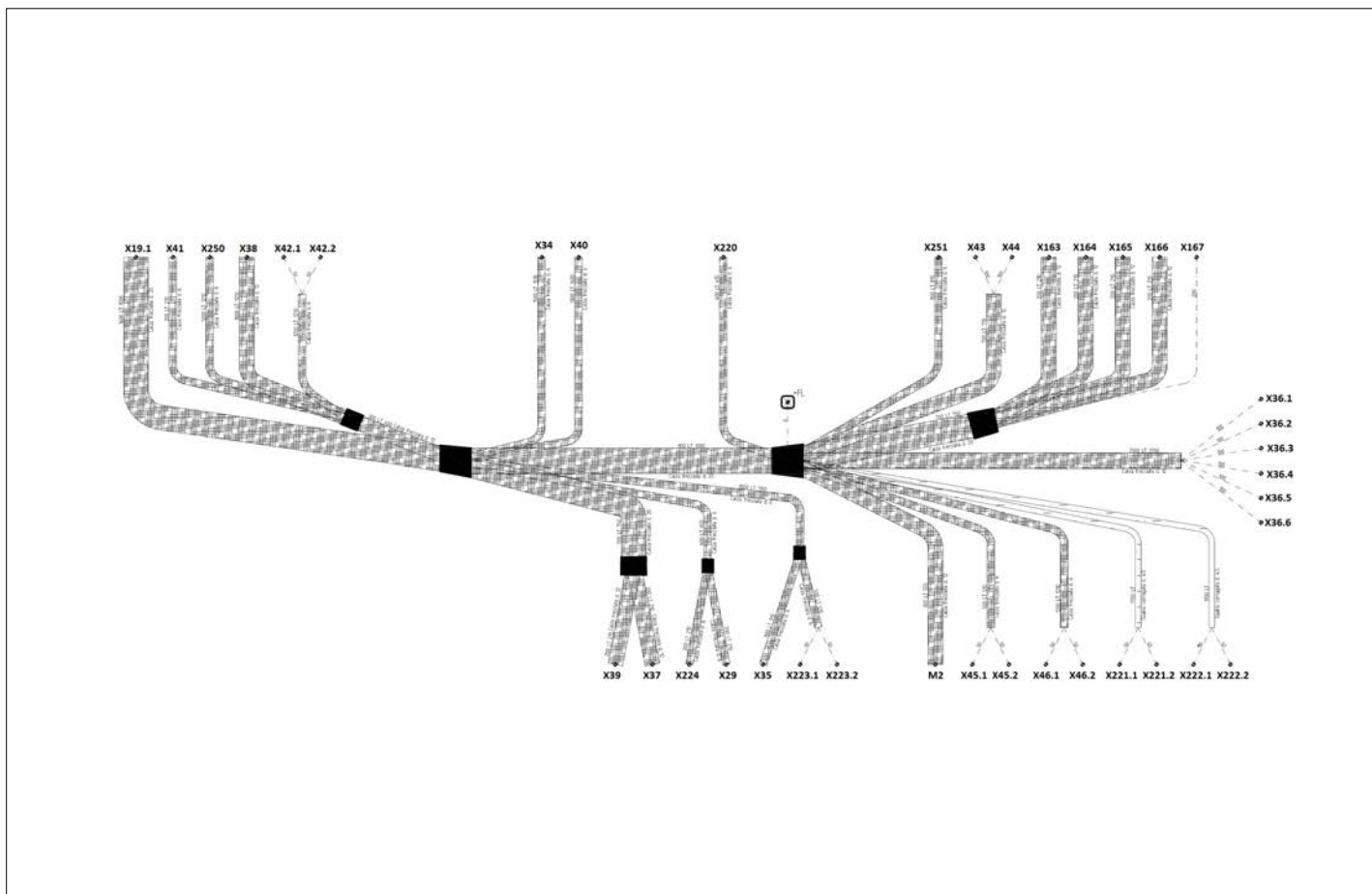
ELECTRICAL





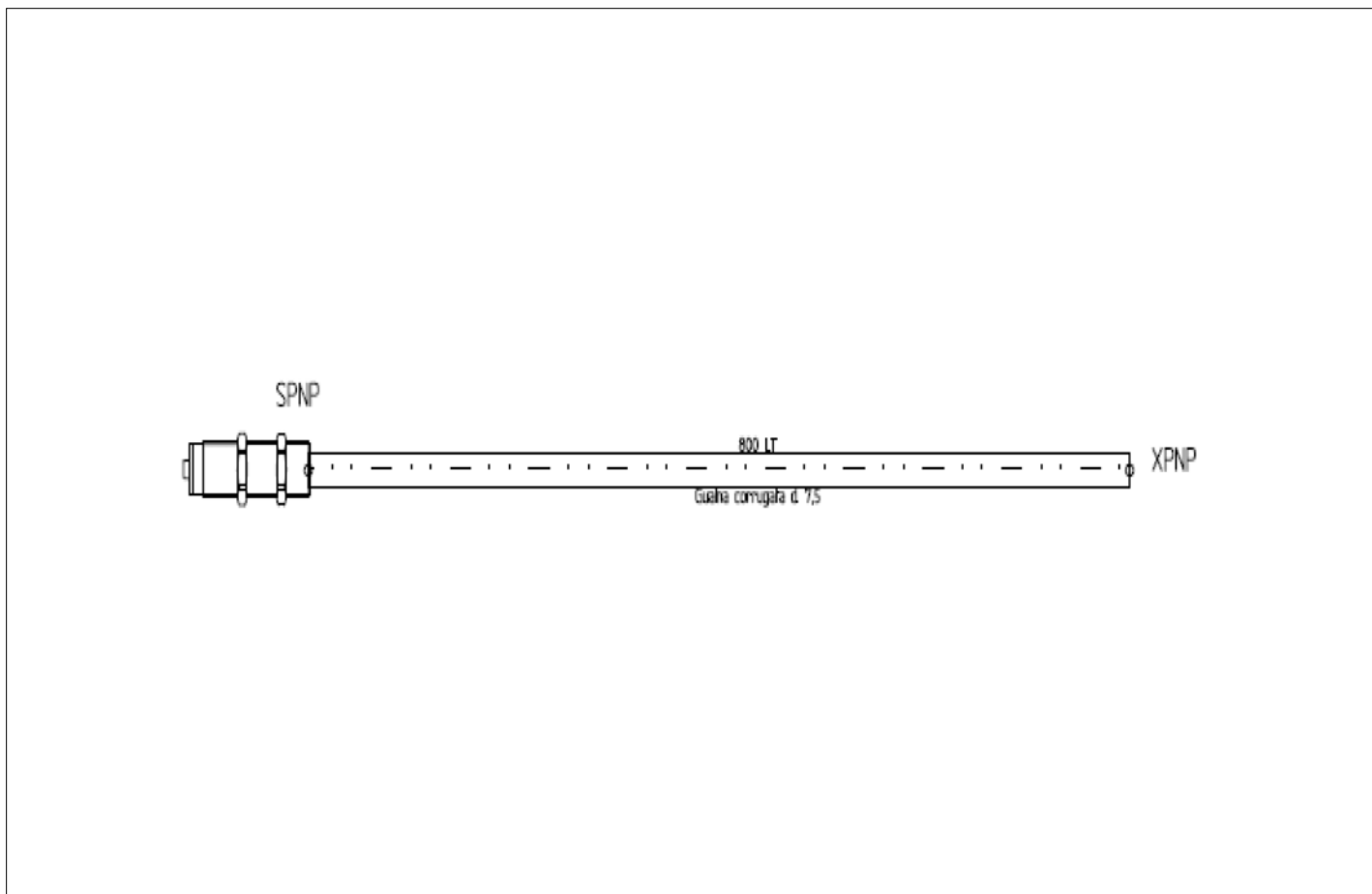
アイテム	部品番号	名前	数量	UOM
	CT0877460	PUSH BUTTON PANEL, FR00		EA
1	SN CT0877460	PUSH BUTTON PANEL, FR00	1	EA

ELECTRICAL



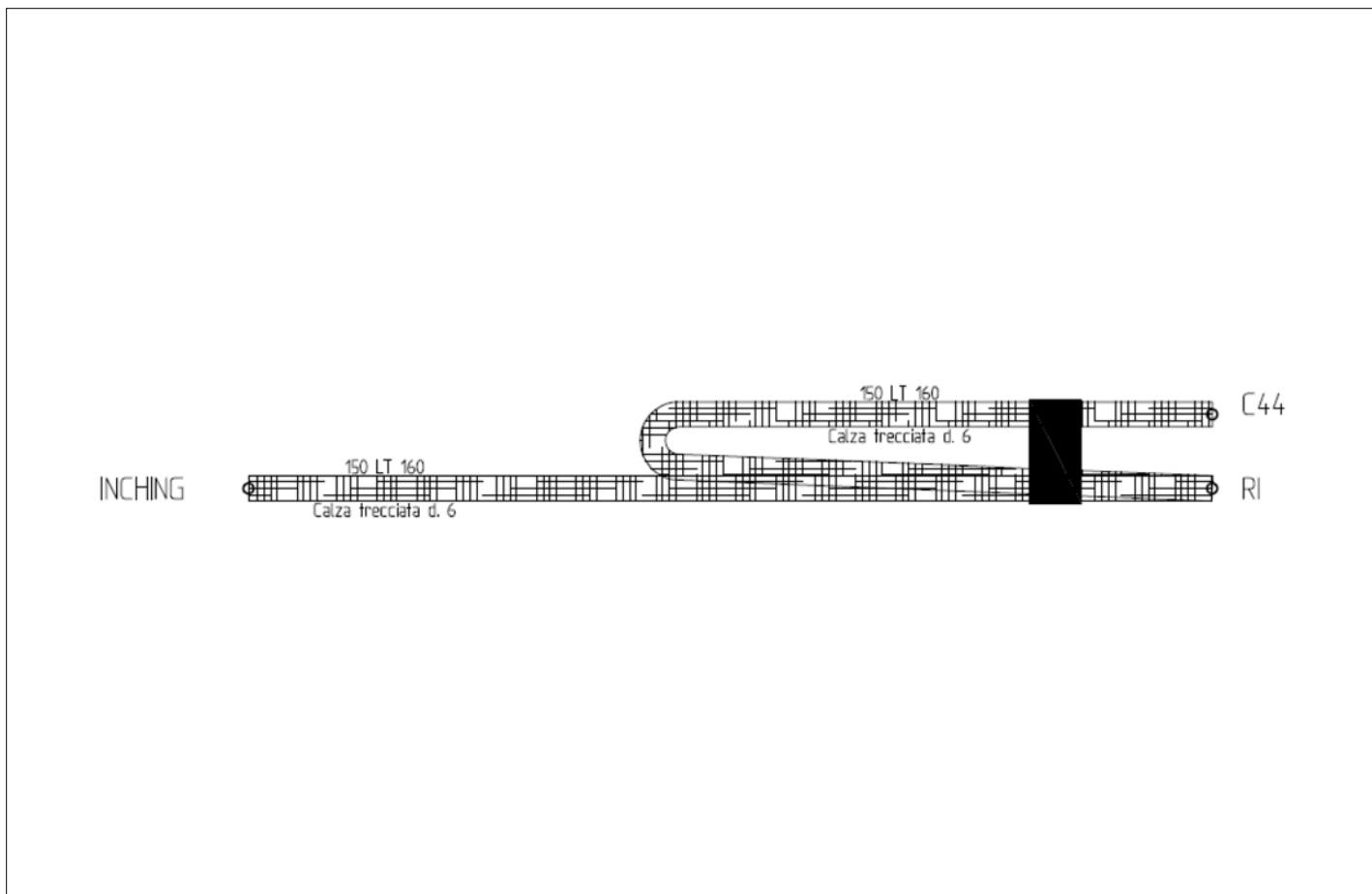
アイテム	部品番号	名前	数量	UOM
	CU2393114	UNIVERSALCABIN ROOF SHEATH		EA
1	SN CU2393114	UNIVERSALCABIN ROOF SHEATH	1	EA

ELECTRICAL



アイテム	部品番号	名前	数量	UOM
	CT146483	PNP WIRED SENSOR		EA
1	SN CT146483	PNP WIRED SENSOR	1	EA

ELECTRICAL



アイテム	部品番号	名前	数量	UOM
	CU211A406	INCHING POTENTIOMETERWITH RESISTORS		EA
1	SN CU211A406	INCHING POTENTIOMETERWITH RESISTORS	1	EA

OPTIONS

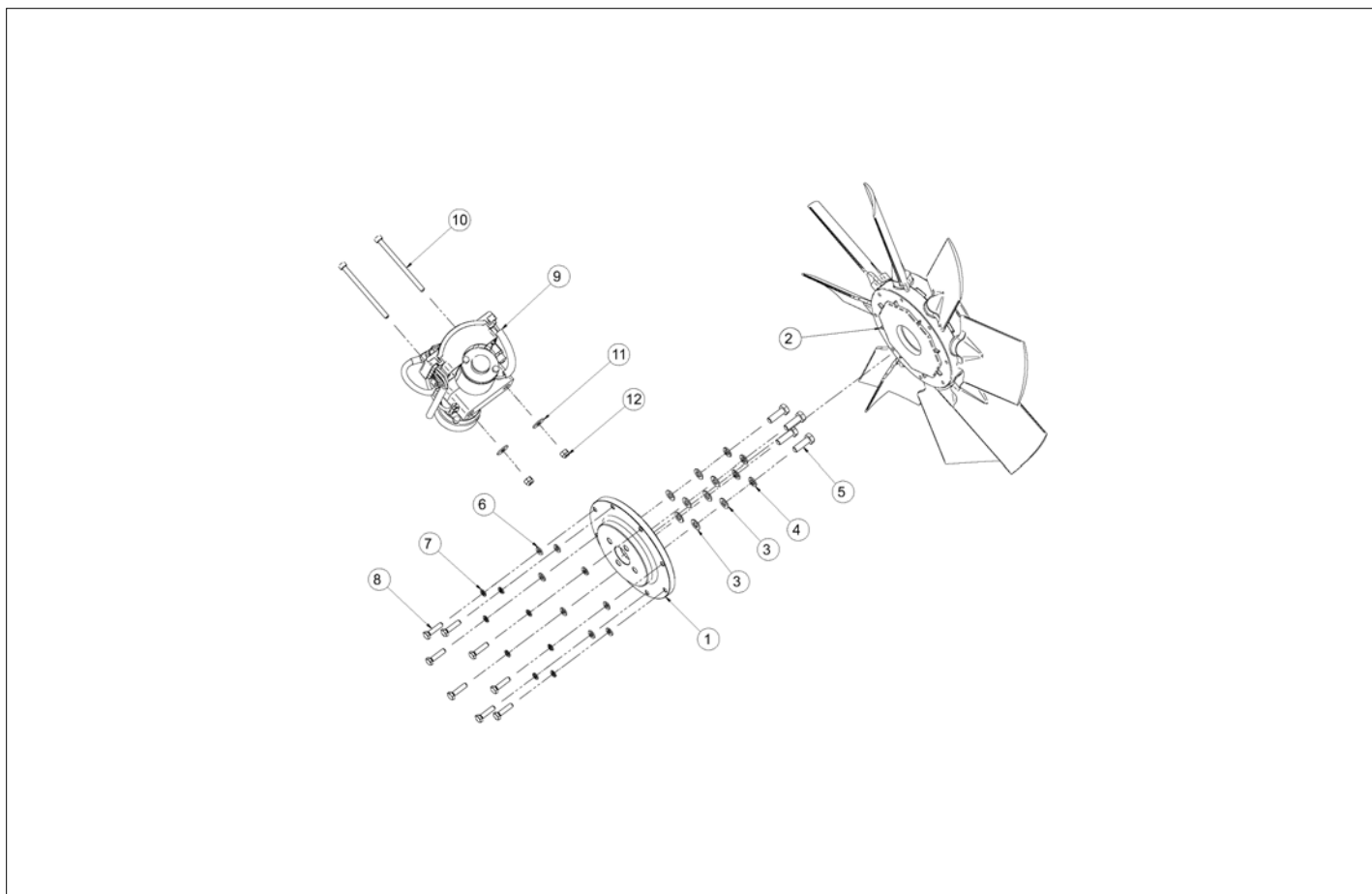


NO IMAGE AVAILABLE  
(BOM FOR REFERENCE ONLY)



アイテム	部品番号	名前	数量	UOM
	SN 510160002 A	TIRE ASSEMBLY AIR FILLED		EA

OPTIONS



アイテム	部品番号	名前	数量	UOM
	TA2506083A	CLEANFIX FAN		EA
1	SN T25061350	FLANGE FOR CLEANFIX C162 SU 4TNV98C	1	EA
2	SN 860450001	CLEANFIX FAN C162/8 Z15 D450	1	EA
3	SN 804003008	M8 WASHER DIN125A GALV. 8.4x16x1.6	8	EA
4	SN 804003208	M8 GROWER WASHER UNI7064 GALV.	4	EA
5	SN 800108025	HEXAGON HEAD SCREW M8x25 DIN933 GALV. IF	4	EA
6	SN 804003006	M6 WASHER DIN125A GALV. 6.4x12x1.6	8	EA
7	SN 804003206	M6 GROWER WASHER UNI7064 GALV. 6.1x11.8x3.2	8	EA
8	SN 800106025	HEXAGON HEAD SCREW M6x25 DIN933 GALV. IF	8	EA
9	SN 628058850	MINITIMER FOR CLEAN FIX FAN	1	EA
10	SN 800506090	SOCKET HEAD CAP SCREW M6X90 CL 8.8 DIN 912 GALV.	2	EA
11	SN 804003106	M6 WASHER DIN9021 GALV. 6.4x18x1.6	2	EA
12	SN 804002006	SELF LOCKING NUT M6 GALV. HIGH DIN982	2	EA

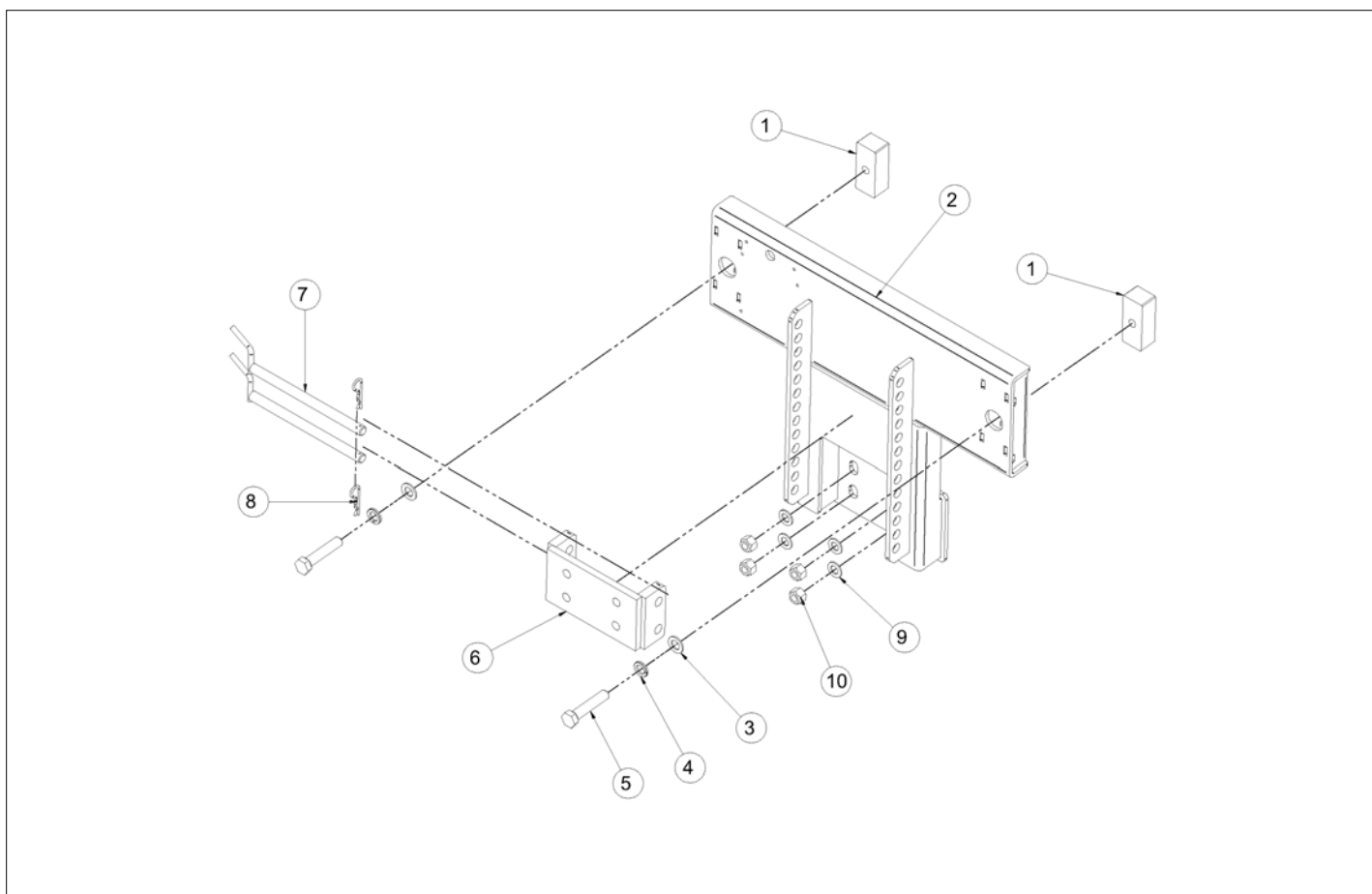
OPTIONS



NO IMAGE AVAILABLE  
(BOM FOR REFERENCE ONLY)

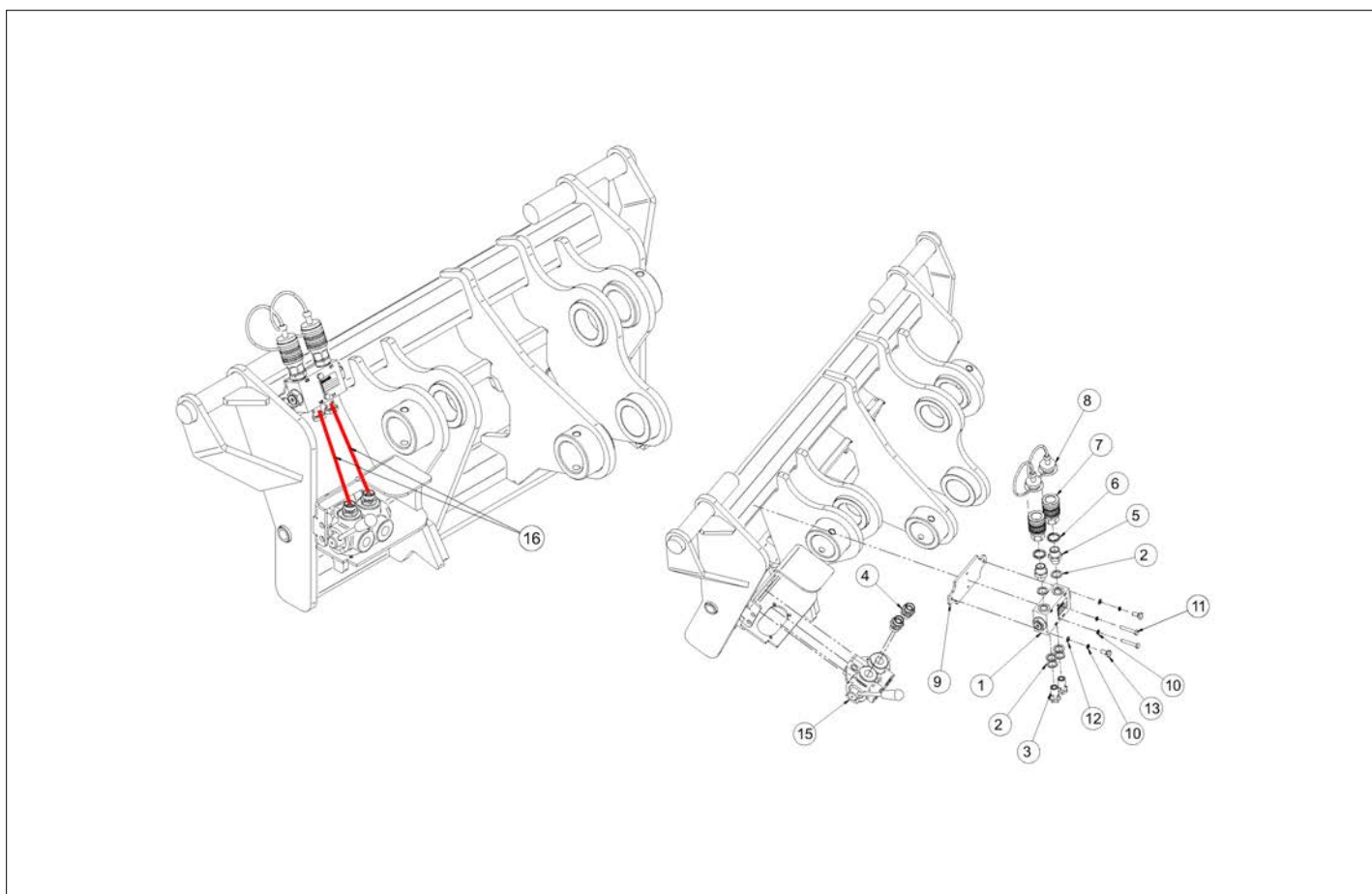
アイテム	部品番号	名前	数量	UOM
	1590046 A	BOBCAT FITTING SERVICE KIT		EA
1	1590047 1	PLATE, BOBCAT FITTINGS	1	EA
2	1590048	BOBCAT FITTING FEMALE	1	EA
3	1590049	BOBCAT FITTING MALE	1	EA
4	5028056	DIN TO NPT ADAPTER	2	EA

OPTIONS



アイテム	部品番号	名前	数量	UOM
	TA2506084A	ADJUSTABLE TOWING HOOK FR00		EA
1	SN T25064150	THREADED PALLET FIXING REAR FR00	2	EA
2	SN T25065750	SELF LOCKING NUT M18	1	EA
3	SN T25065750	SELF LOCKING NUT M18	2	EA
4	SN T25065750	SELF LOCKING NUT M18	2	EA
5	SN T25065750	SELF LOCKING NUT M18	2	EA
6	SN T25065750	SELF LOCKING NUT M18	1	EA
7	SN T25065750	SELF LOCKING NUT M18	2	EA
8	SN T25065750	SELF LOCKING NUT M18	2	EA
9	SN T25065750	SELF LOCKING NUT M18	4	EA
10	SN T25065750	SELF LOCKING NUT M18	4	EA

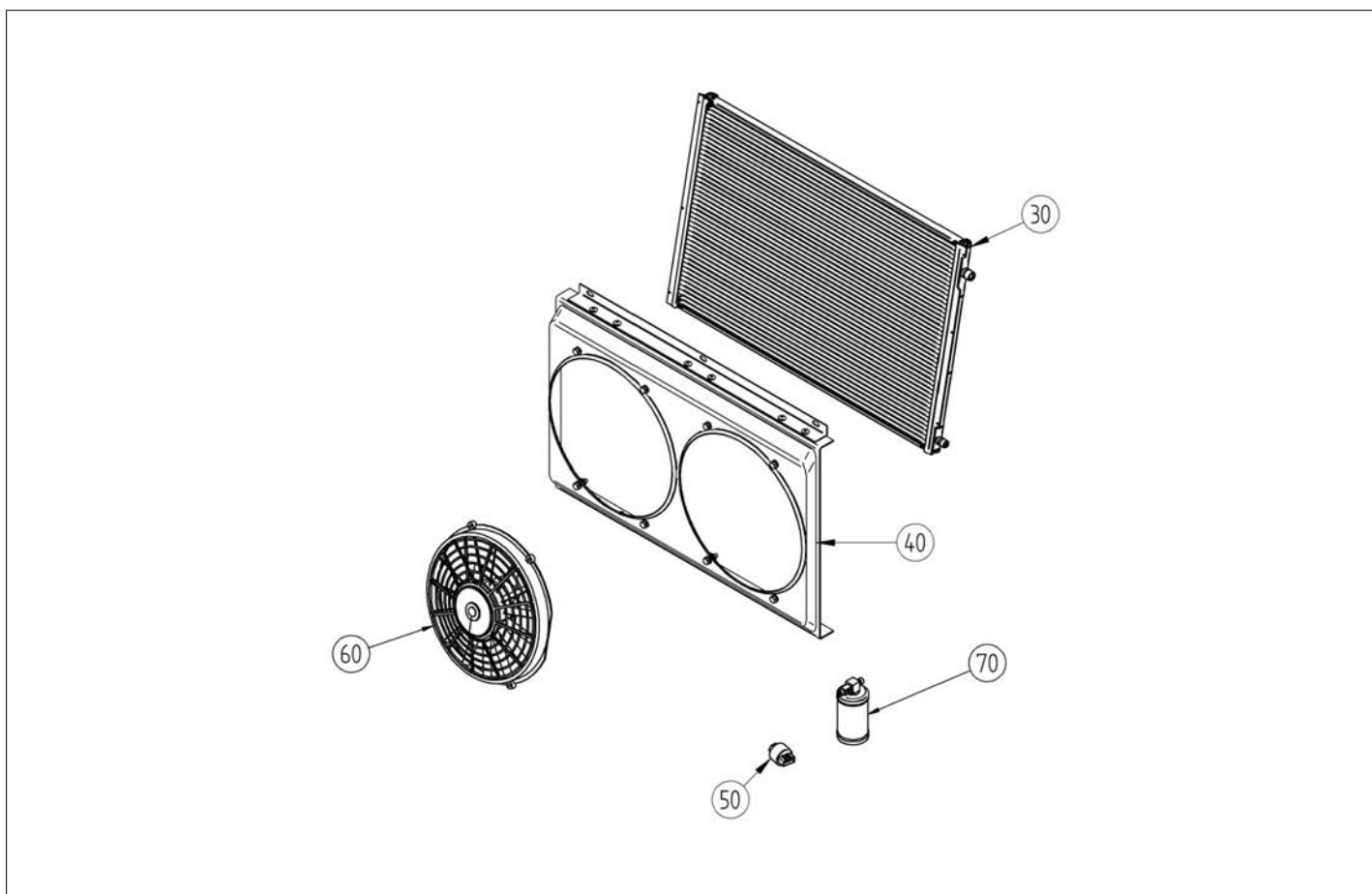
OPTIONS

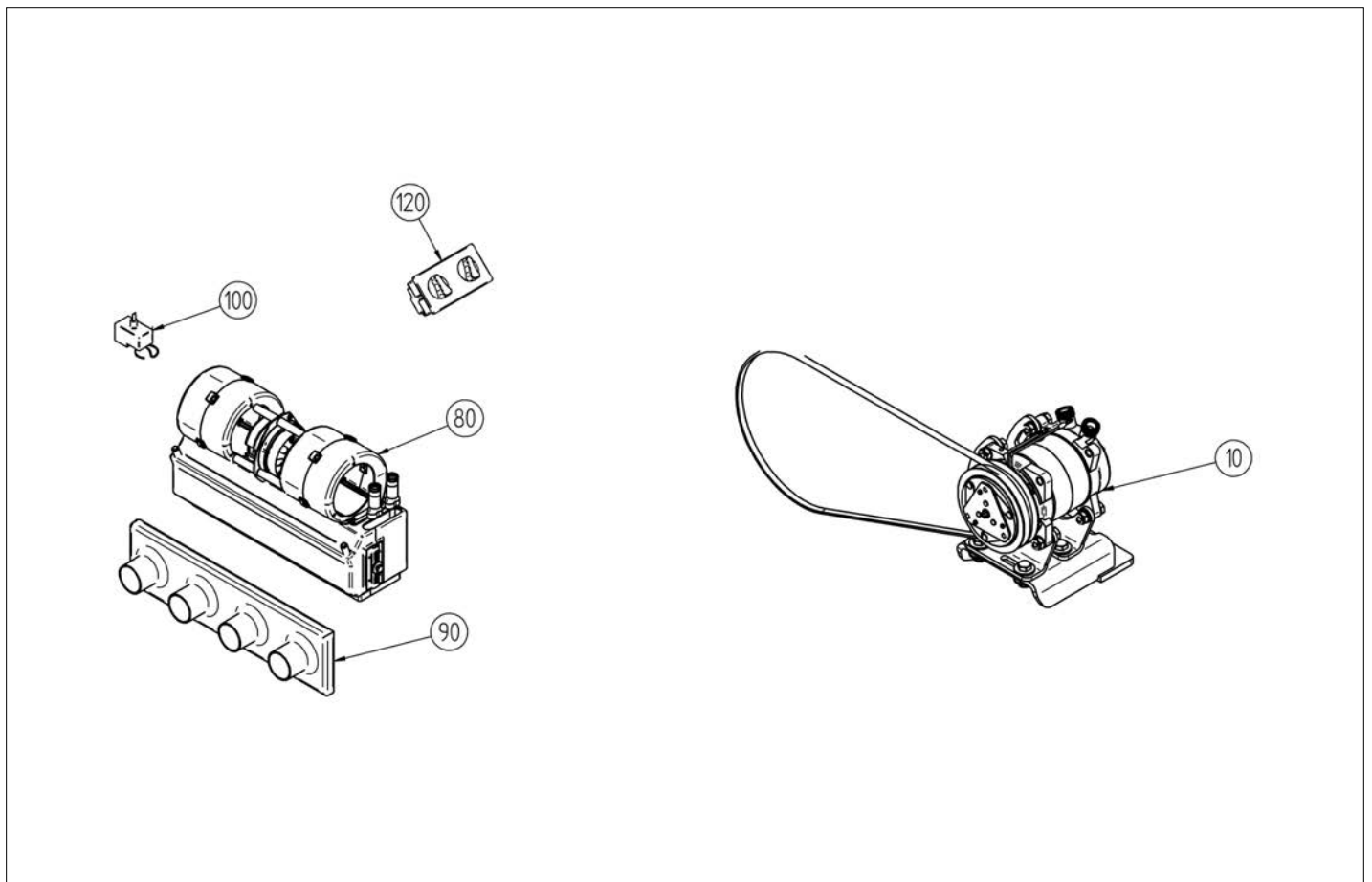


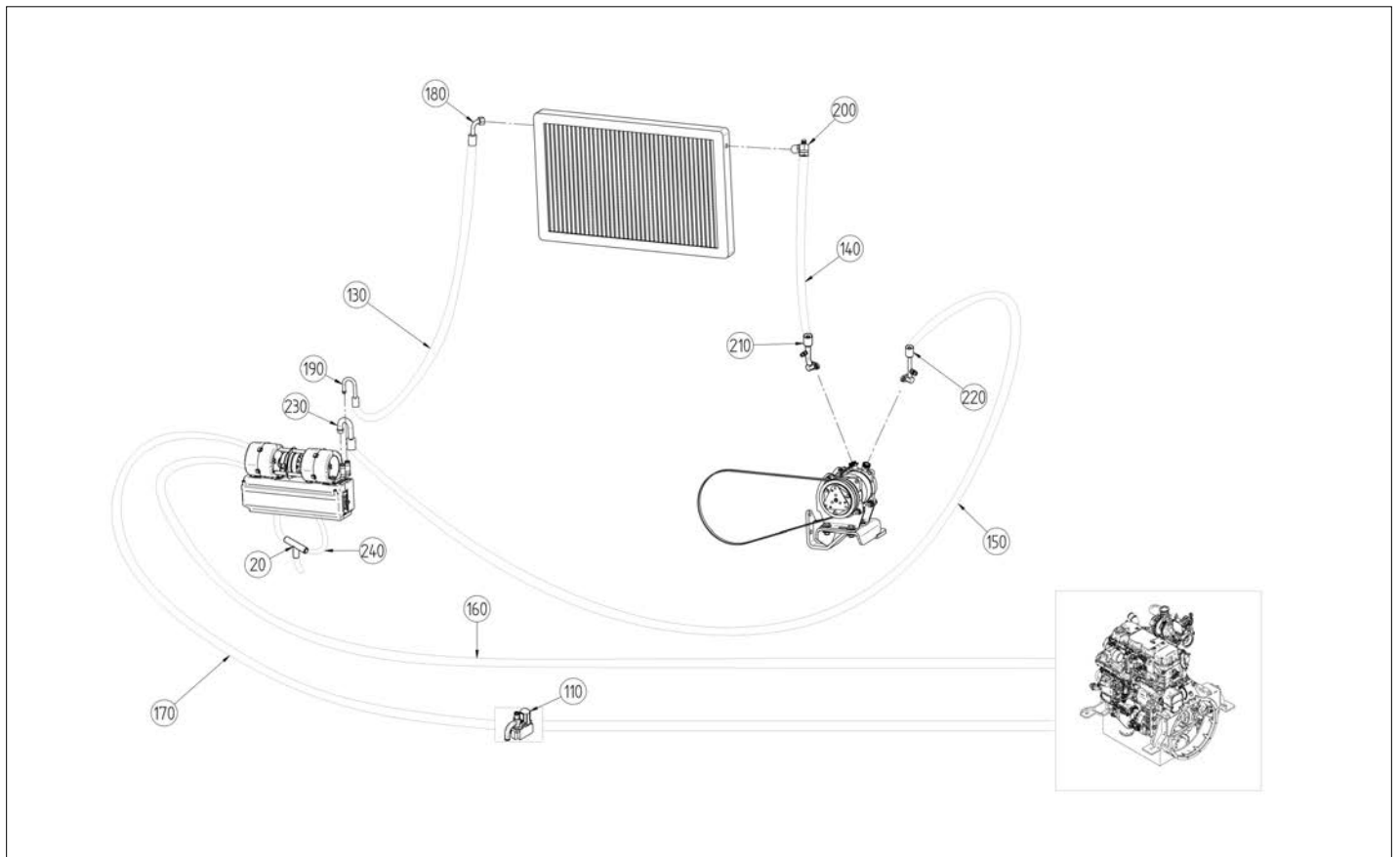


アイテム	部品番号	名前	数量	UOM
	TA2506090B	ASSEMBLY VALVE BLOCK ACCESSRIES FR00		EA
1	SN 250383804	TRANSFER CYLINDER LOCKING VALVE	1	EA
2	SN 414026050	3/8" *K* GAS BONDED WASHER	6	EA
3	SN 212383803	SCREW FOR EYE GAS 3/8"	2	EA
4	SN 308528150	SEALING END BODY AND 15L * 1/2 GAS *K*	2	EA
5	SN 308443150	FITTING MM 1/2" 3/8" NNPGG0608	2	EA
6	SN 414026150	1/2" *K* GAS BONDED WASHER	2	EA
7	SN 214001205	FEMALE QUICK COUPLER	2	EA
8	SN 701001201	RUBBER CAP FOR QUICK BLUE COUPLING	2	EA
9	SN T25066050	CONNECTION VALVE ACCESSORIES FR00	1	EA
10	SN 804003206	M6 GROWER WASHER UNI7064 GALV. 6.1x11.8x3.2	4	EA
11	SN 120064001	SCREW M6X40 CL 8.8 DIN 933 ZN	2	EA
12	SN 804003006	M6 WASHER DIN125A GALV. 6.4x12x1.6	2	EA
13	SN 800108016	HEXAGON HEAD SCREW M8x16 DIN933 GALV. IF	2	EA
14	SN T25060950	ACCESSORY HOLDER WITH EURO COUPLING FR00	1	EA
15	SN 226061201	6 WAY DIVERTER 1/2 CONNECTORS	1	EA
16	SN 220120168	HOSES	2	EA

OPTIONS



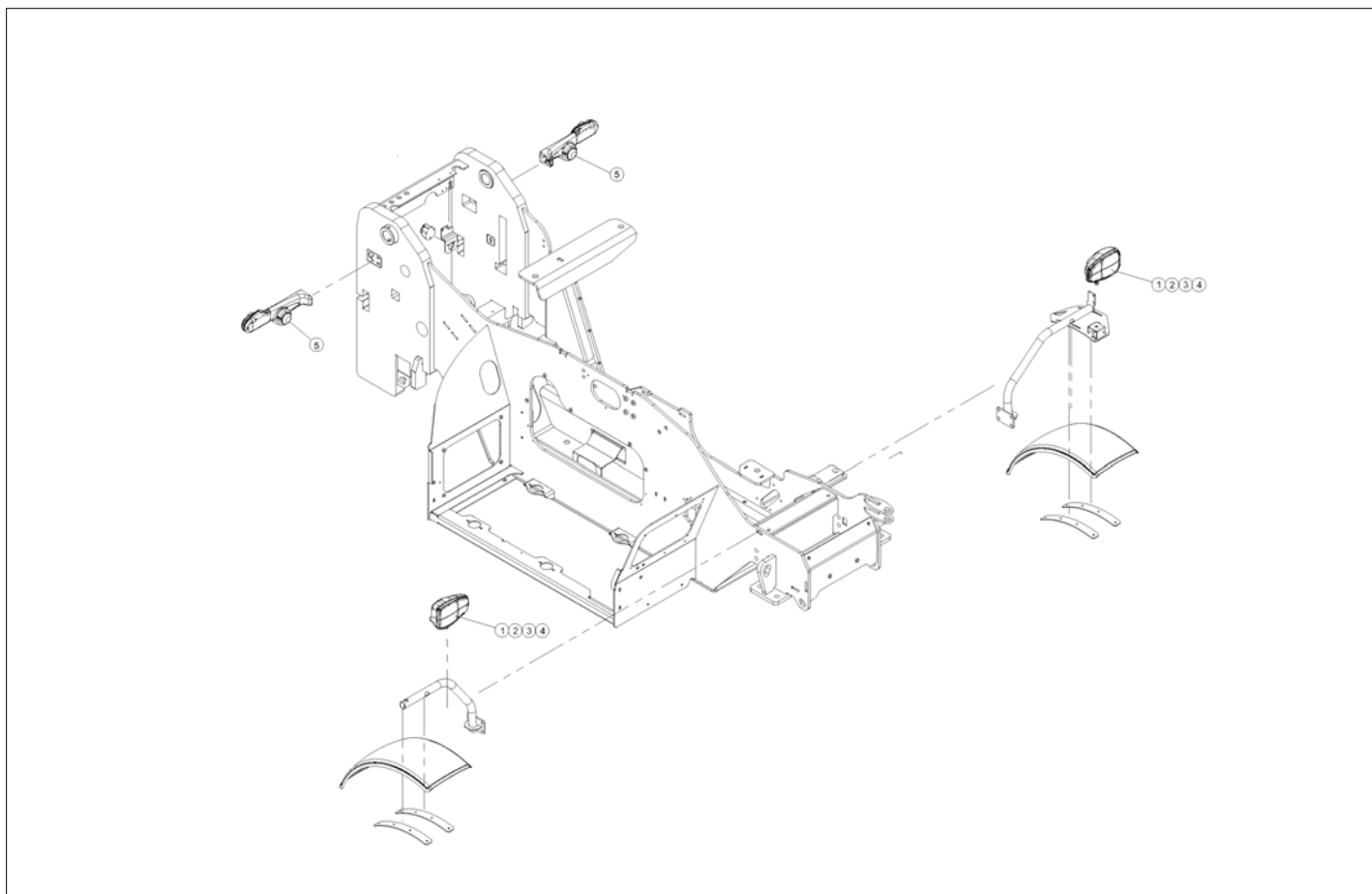




アイテム	部品番号	名前	数量	UOM
	159 0012 000A	TELEHANDLER AIR CONDITIONING		EA
1	SN T30187366	COMPRESSOR SP10 VE.E E121/ 12V	1	EA
2	SN T30187352	T FITTING FOR CONDENS. PIPE	1	EA
3	SN T30187375	CONDENSER E/VENT TELEHANDER FARE	1	EA
4	SN T30187373	CONDENSER COVER TELEHANDER FARESIN	1	EA
5	SN T30187367	PRESSURE SWITCH .3LIV FARESIN TELEHANDLER	1	EA
6	SN T30187388	AIR CONDITIONING CONDENSOR FAN	1	EA
7	SN T30187368	DRYER FILTER TELEHANDER FARESIN	1	EA
8	SN T30187362	CAB EVAPORATOR (HEATER CORE/MOTOR)	1	EA
9	SN T30187363	OSLO A/C DIFFUSER X PIPES D.45	1	EA
10	SN T30187382	WEBASTO THERMOSTAT	1	EA
11	SN T30187351	WIRED TAP AMP MARK2 5V	1	EA
12	SN ME09725853	MANUAL CONTROL PANEL 12V AIR CONDITIONING	1	EA
13	SN 609080959	GOODYEAR PIPE 4826 BARRIER G6	1	EA
14	SN 609080958	GOODYEAR PIPE 4826 BARRIER G8	1	EA
15	SN 609080957	GOODYEAR PIPE 4826 BARRIER G10	1	EA
16	SN 221152301	WATER TRANSIT PIPE 10 BAR Ø16X23	1	EA
17	SN 221152301	WATER TRANSIT PIPE 10 BAR Ø16X23	2	EA
18	SN 609080956	FITTING FOR PIPE 5/16" F. >90	1	EA
19	SN T30183162	U TYPE FITTING CODE 80106FG357	1	EA
20	SN 609080954	FITTING FOR PIPE 13/32"F. >90	1	EA

アイテム	部品番号	名前	数量	UOM
21	SN 861109001	COMP. INT. FLANGED FITTING SP10	1	EA
22	SN 861109002	COMP. RET. FLANGED FITTING SP10	1	EA
23	SN T30183163	U TYPE FITTING 80110FG358	1	EA
24	SN T30187352	T FITTING FOR CONDENS. PIPE	2	EA

OPTIONS



アイテム	部品番号	名前	数量	UOM
	159 0005 000A	LED OPTION, WORK LIGHTS		EA
1	159 0006 000	LED BULB, AMBER	2	EA
2	159 0007 000	LED BULB, COOL WHITE	2	EA
3	159 0008 000	LED BULB, FOG DAYTIME RUNNING	2	EA
4	159 0009 000	LED BULB, FOG DAYTIME RUNNING	2	EA
5	159 0010 000	LED BULB, COOL WHITE	2	EA



OPTIONS

**NO IMAGE AVAILABLE  
(BOM FOR REFERENCE ONLY)**

アイテム	部品番号	名前	数量	UOM
	PNNA	SR5719 AFTER MARKET OPTIONS		EA
1	159 0034 000	CUTTER EDGE ASSEMBLY	1	EA
2	159 0035 000	BUCKET	1	EA
3	159 0036 000	4 X 4 WORK PLATFORM	1	EA

OPTIONS



NO IMAGE AVAILABLE  
(BOM FOR REFERENCE ONLY)

アイテム	部品番号	名前	数量	UOM
	14878 020	BUCKET 1.00CU YD STAR JANUARY 2020 AND AFTER		EA

OPTIONS



NO IMAGE AVAILABLE  
(BOM FOR REFERENCE ONLY)

アイテム	部品番号	名前	数量	UOM
	14841 000 A	QUICK COUPLER SKIDSTEER BRADCO		EA

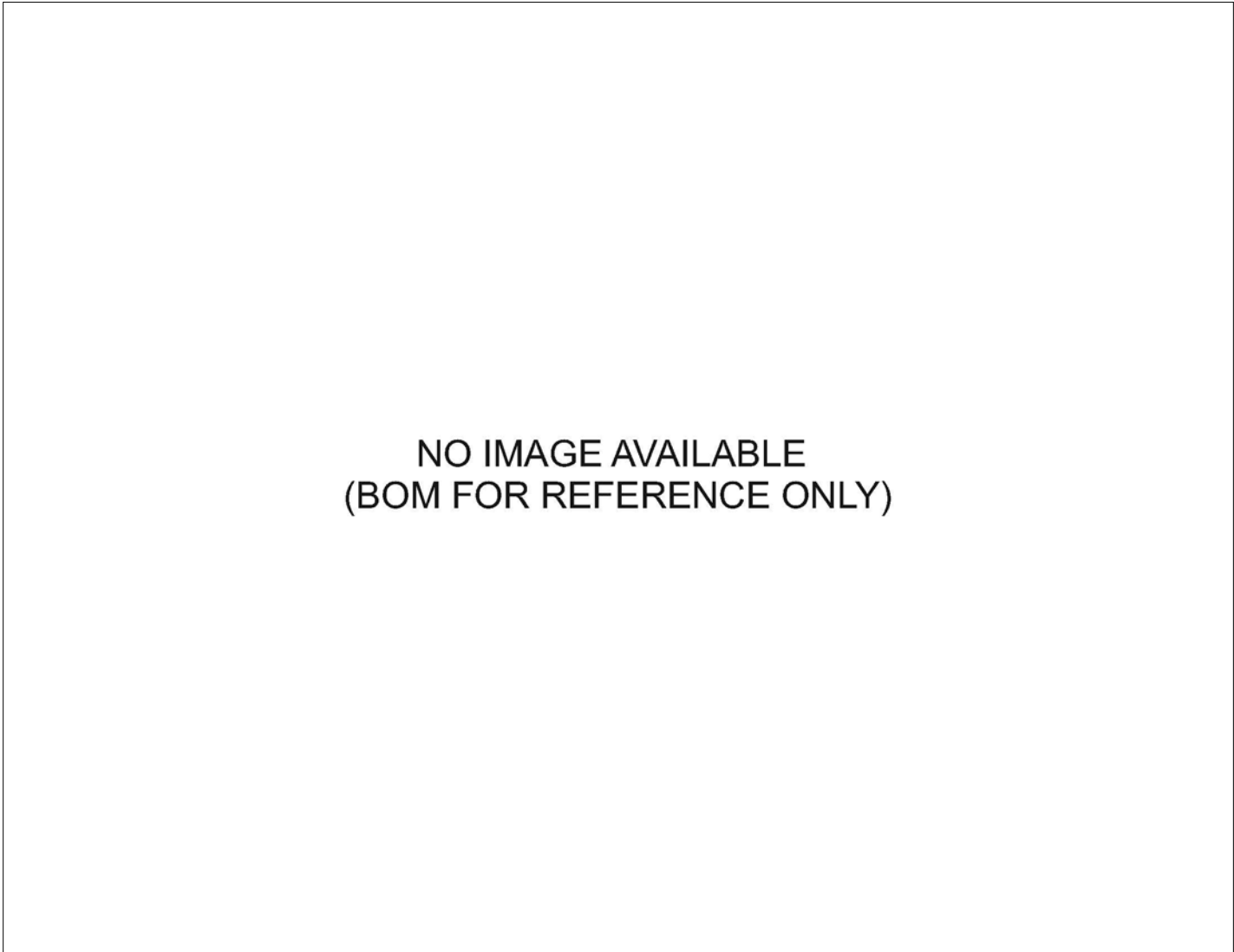
## OPTIONS

NO IMAGE AVAILABLE  
(BOM FOR REFERENCE ONLY)

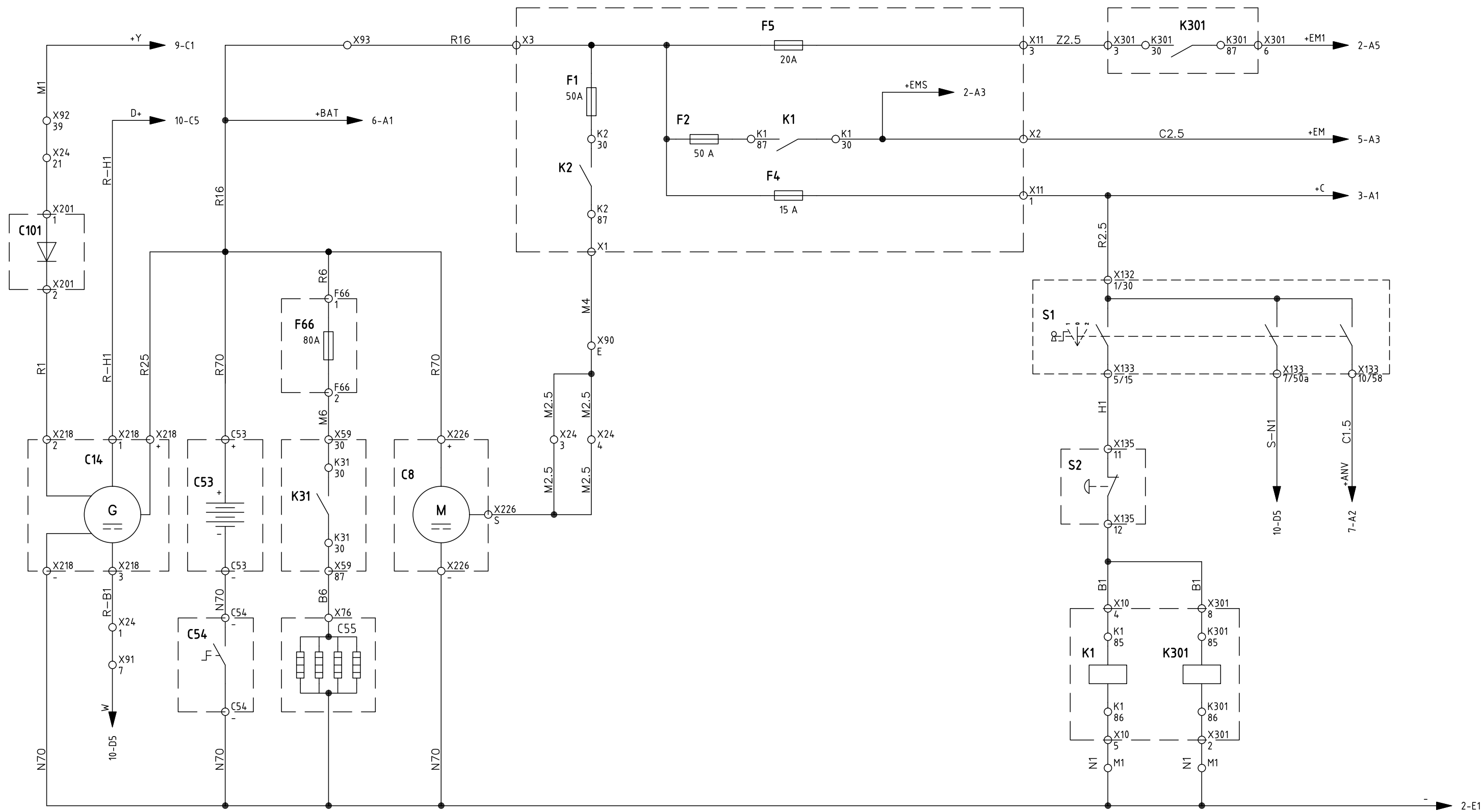
アイテム	部品番号	名前	数量	UOM
	5098394 A	HYDRAULIC QUICK DISCONNECT FLATFACE SR5719 JUANUARY 2020 AND AFTER		EA
1	5098389	7/8" HYD COUPLER NIPPLE	1	EA
2	5098390	7/8" HYD COUPLER BODY	1	EA
3	5098391	3/4" HYD COUPLER NIPPLE	1	EA
4	5098392	FTG, HYD 8 JIC TO 10 SAE	1	EA
5	5098393	O RING	1	EA



OPTIONS



アイテム	部品番号	名前	数量	UOM
	1590022 C	SR5719 EXTREME CARRIAGE KIT		EA
1	11217 003	Carriage Pin Keeper	1	EA
2	30009 000	FORK TINES 1.75 X 4 X 48 2"PIN	2	EA
3	31095 000	CARRIAGE 48 IN FP 5919	1	EA
4	31147 000 SP	CARRIAGE PIN ASSY	1	EA
5	11002 020	WASHER 1 1/4 SAE HEAVY FLAT ASTM	1	EA



SIGNAL W  
GENERATOR

PRE HEATING  
GLOW PLUGS

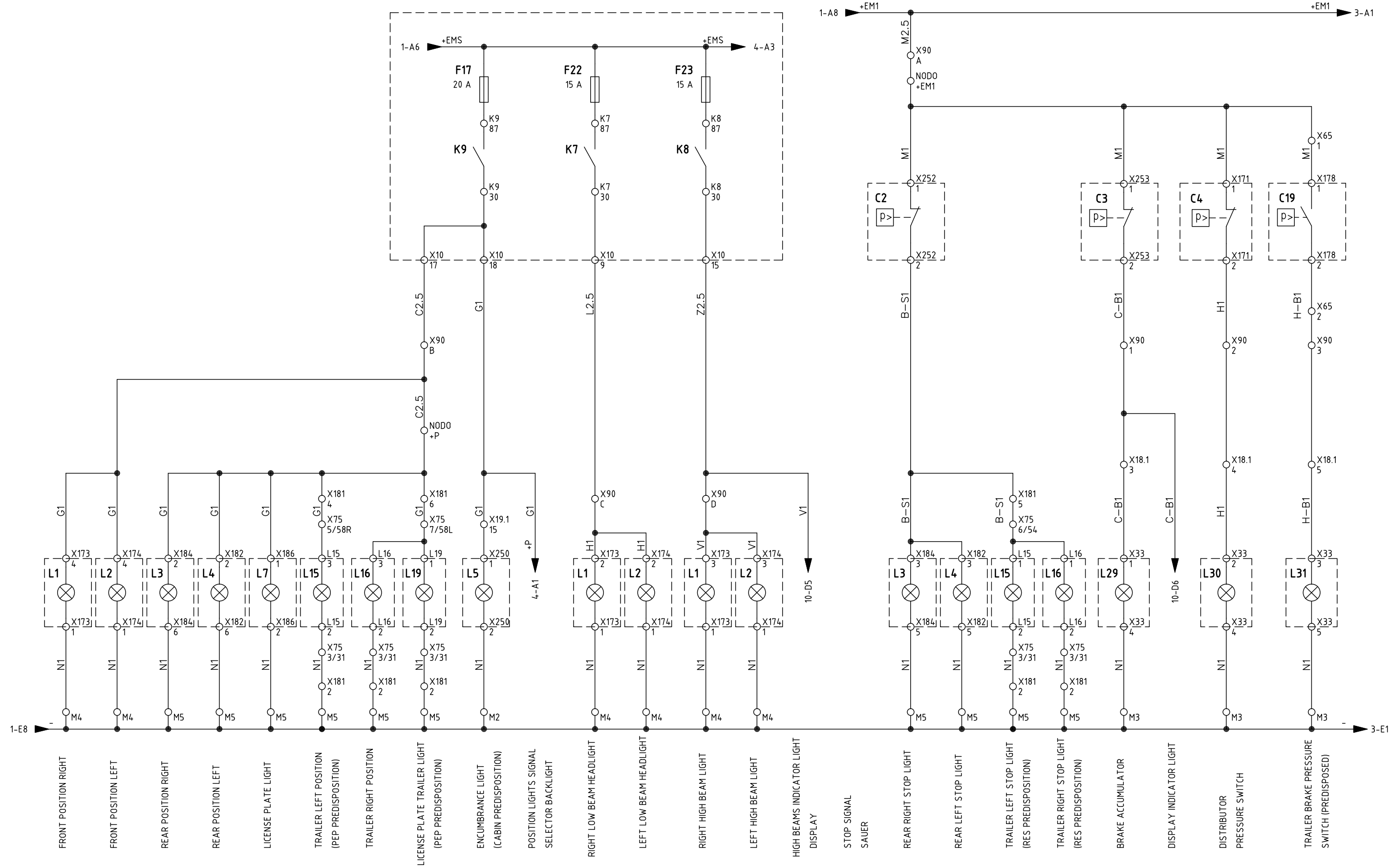
START-UP RELAY

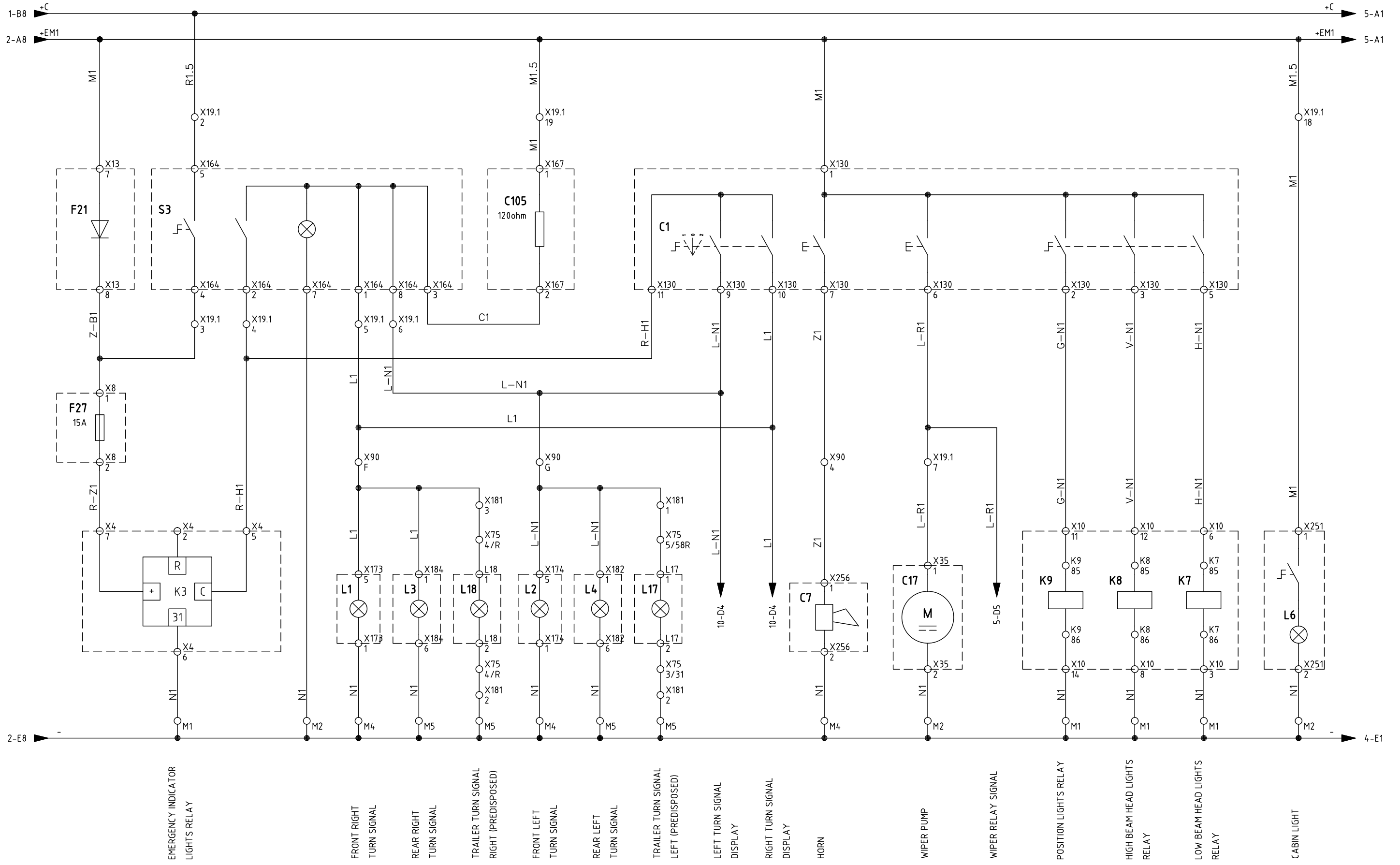
RELAY KEY 1  
BOARD

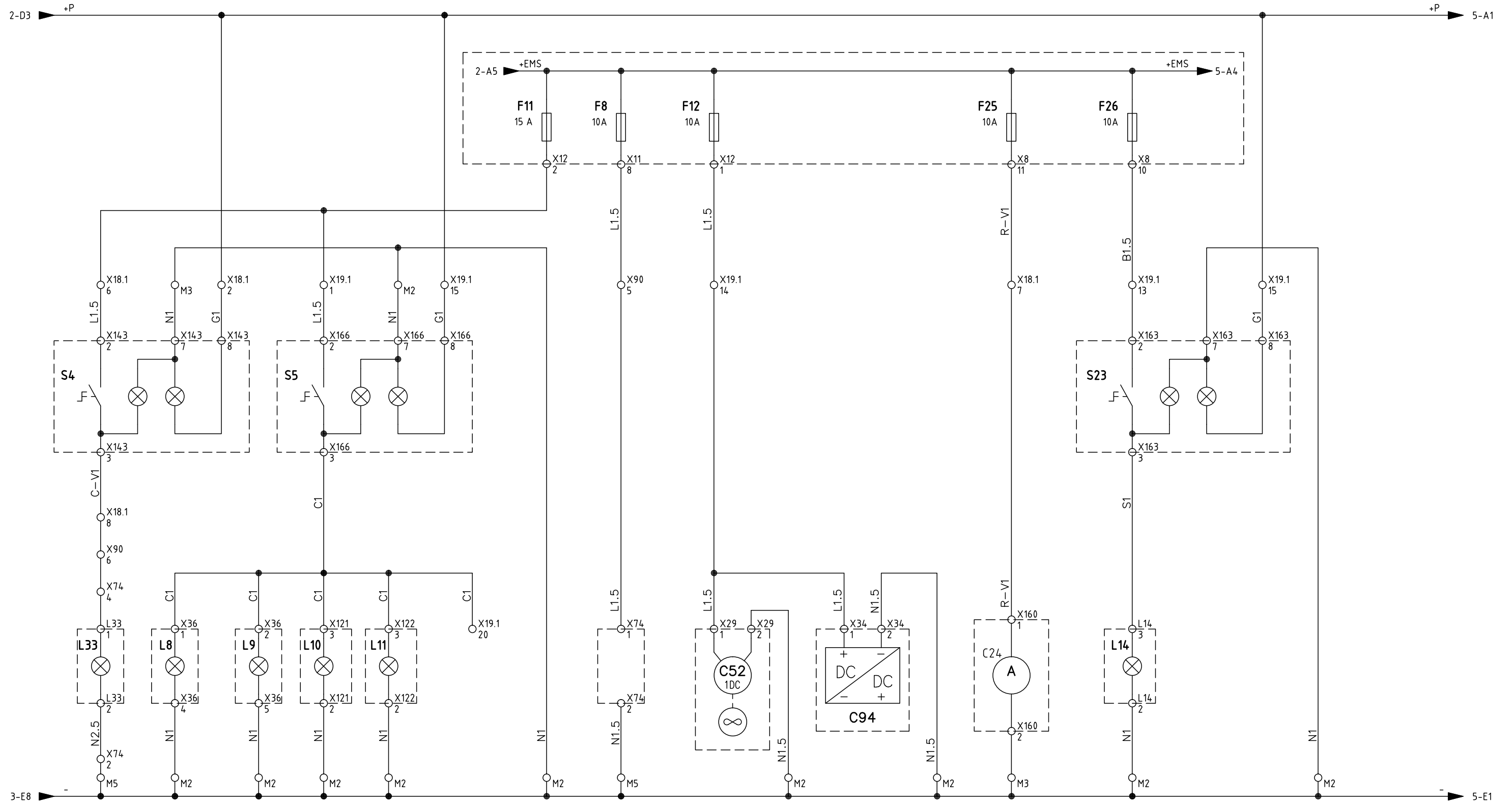
RELAY KEY 1  
VEHICLE

START-UP  
SIGNAL

SARL  
SUPPLY







WORK LIGHT ON  
BOOM (PREDISPOSED)

FRONT CABIN  
WORK LIGHT 1

FRONT CABIN  
WORK LIGHT 2

REAR CABIN  
WORK LIGHT 3

REAR CABIN  
WORK LIGHT 4

WORK LIGHTS SIGNAL  
(PREDISPOSITION)

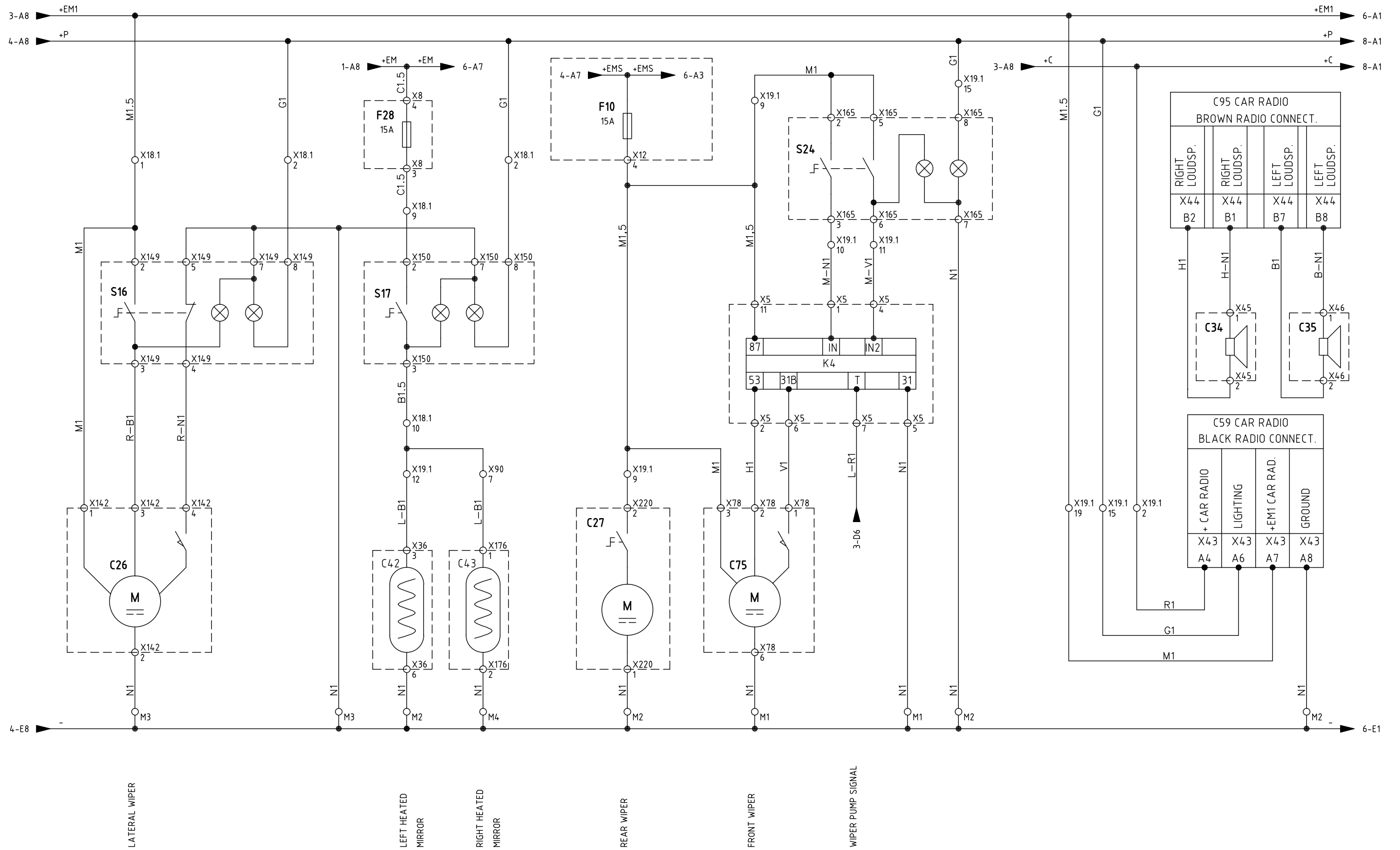
PEB SUPPLY  
(PREDISPOSITION)

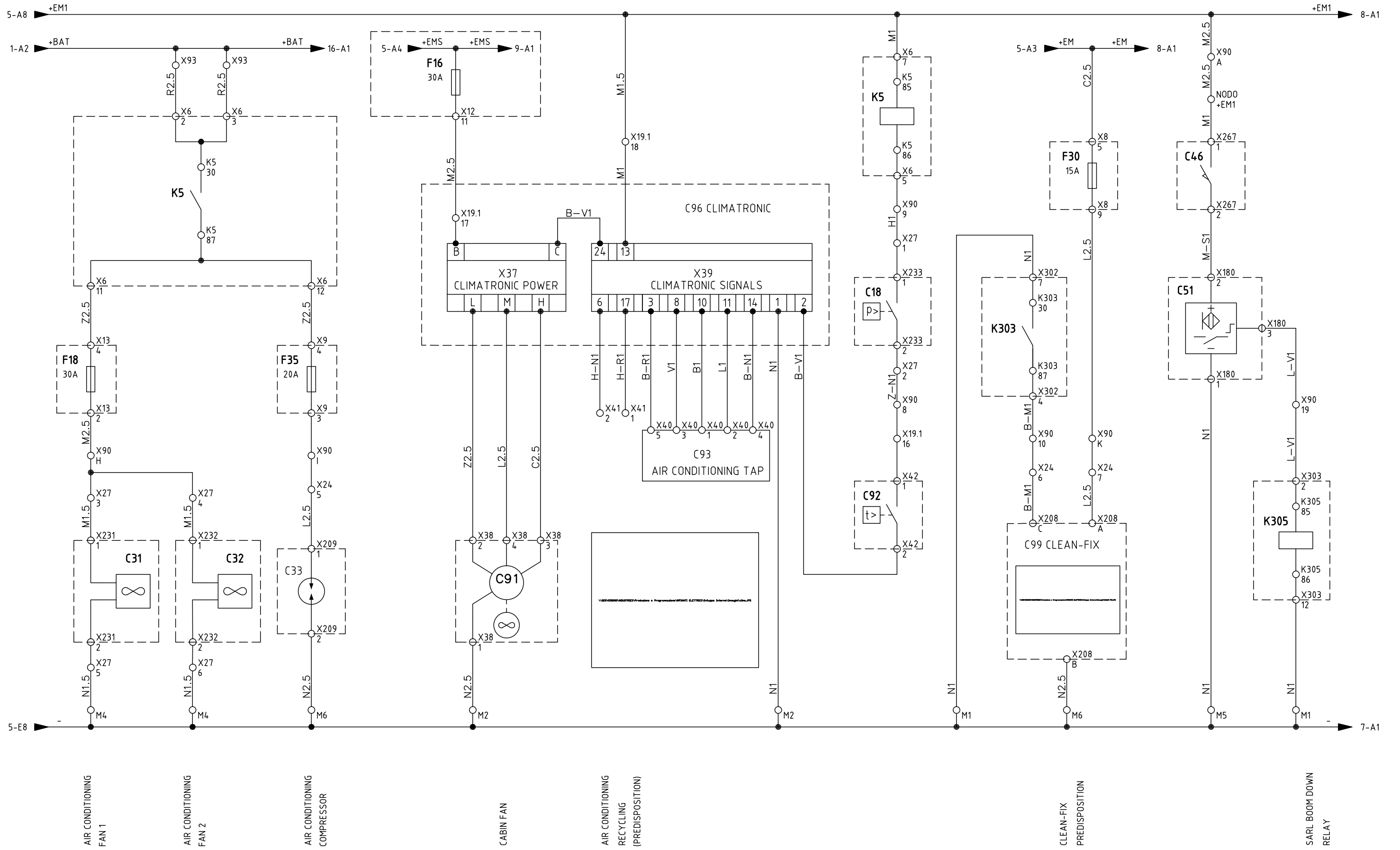
AIR SEAT  
(PREDISPOSITION)

SUPPLY  
BATTERY CHARGER  
(PREDISPOSITION)

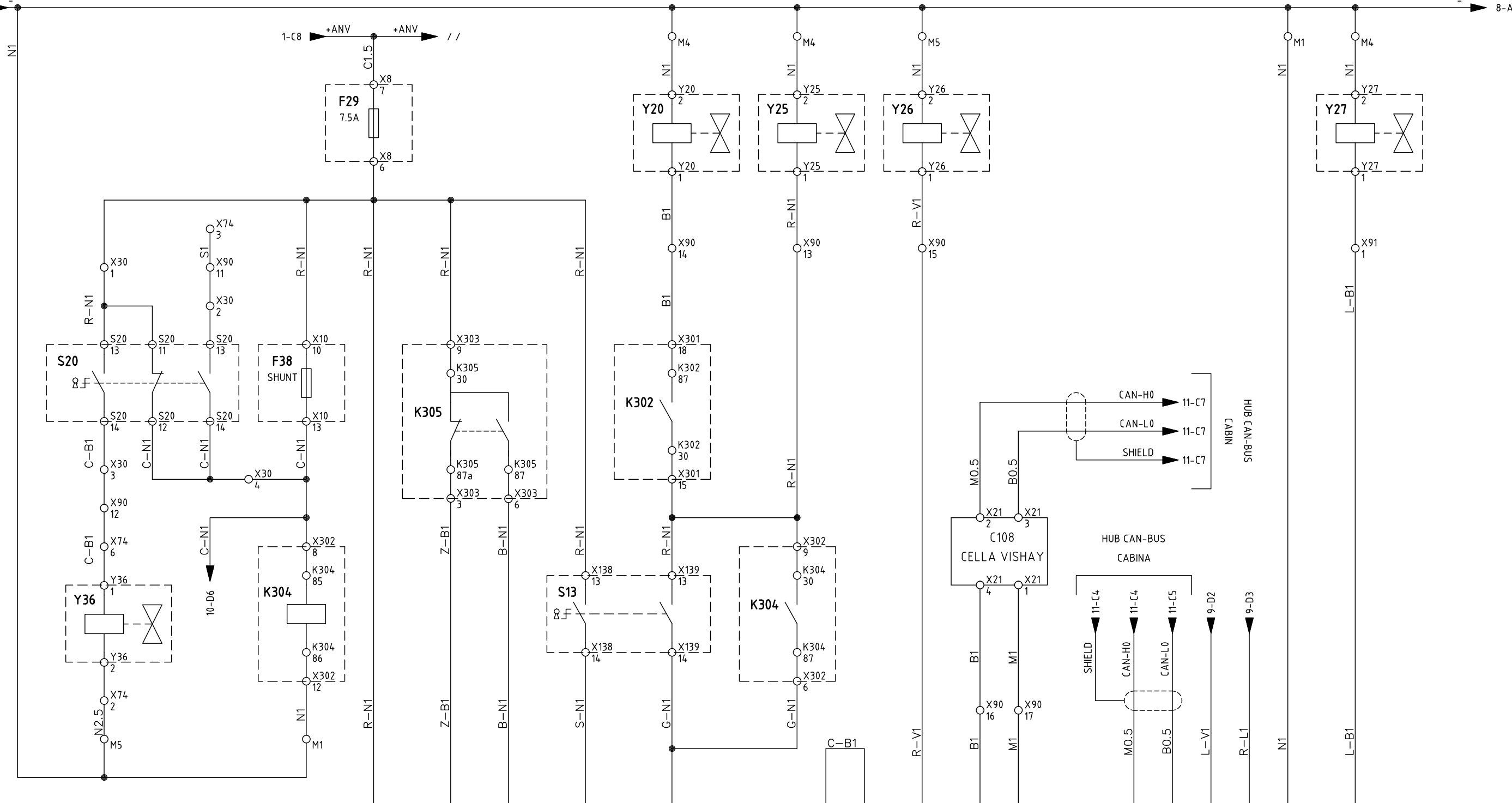
LIGHTER

FRONT WORK LAMP

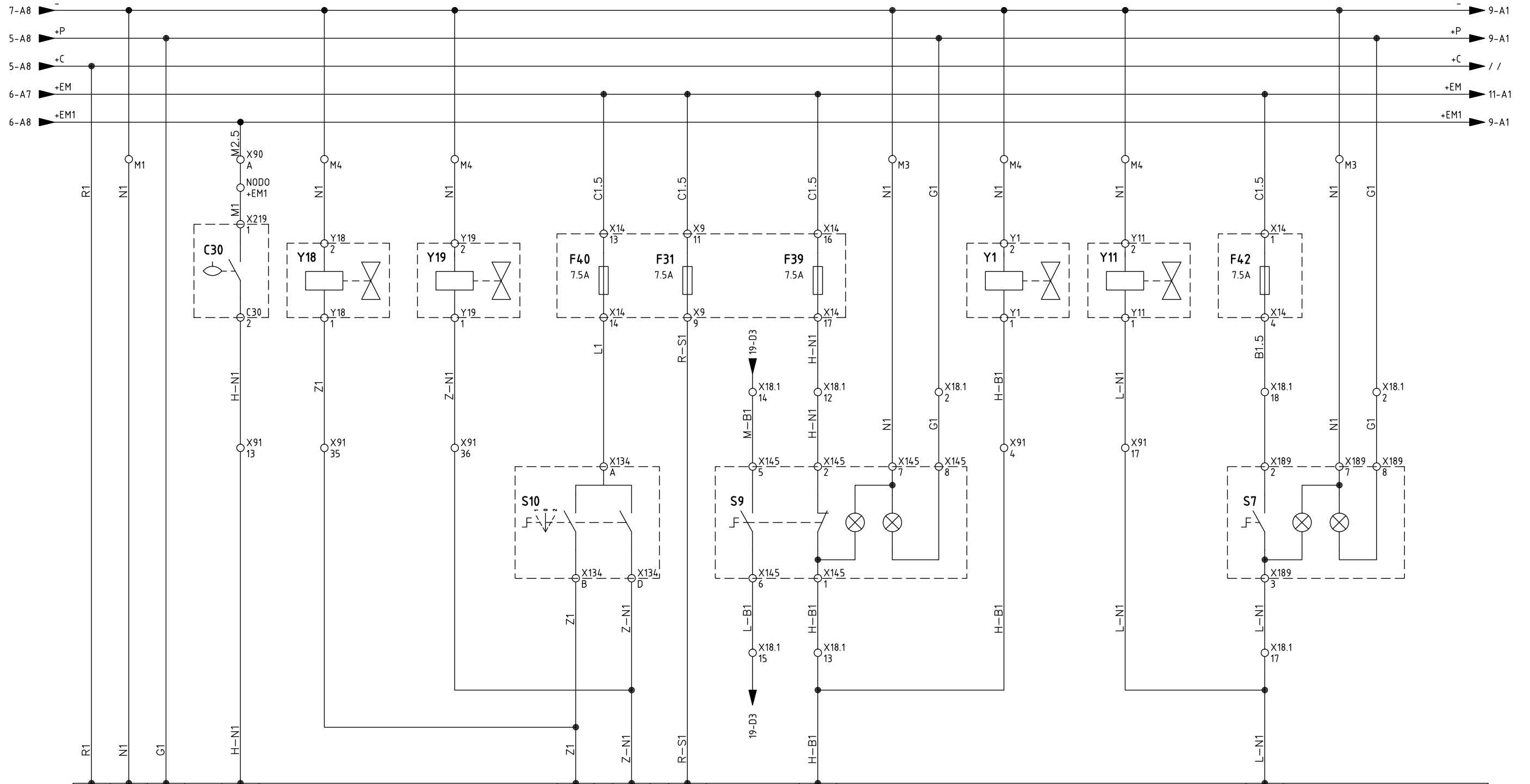





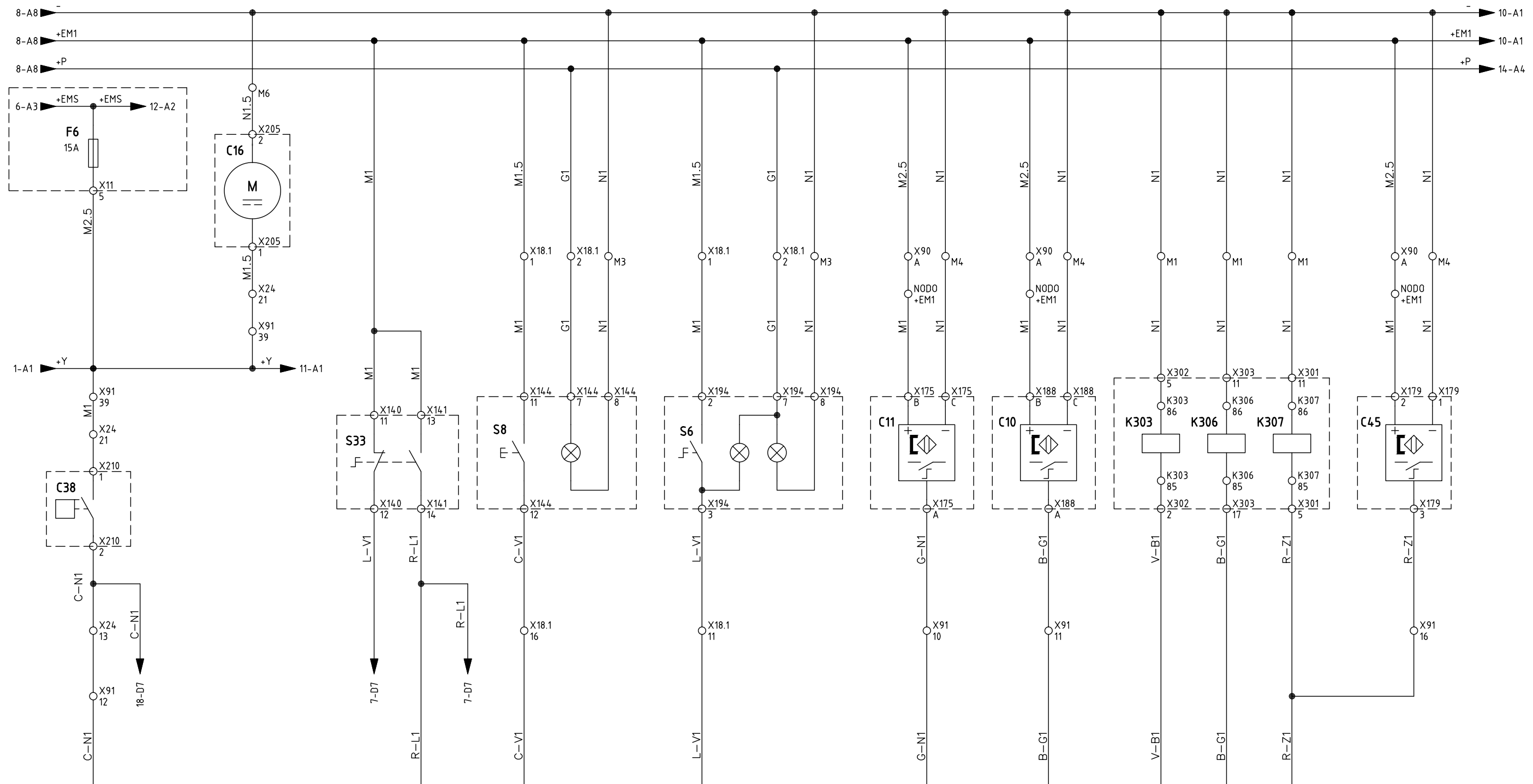




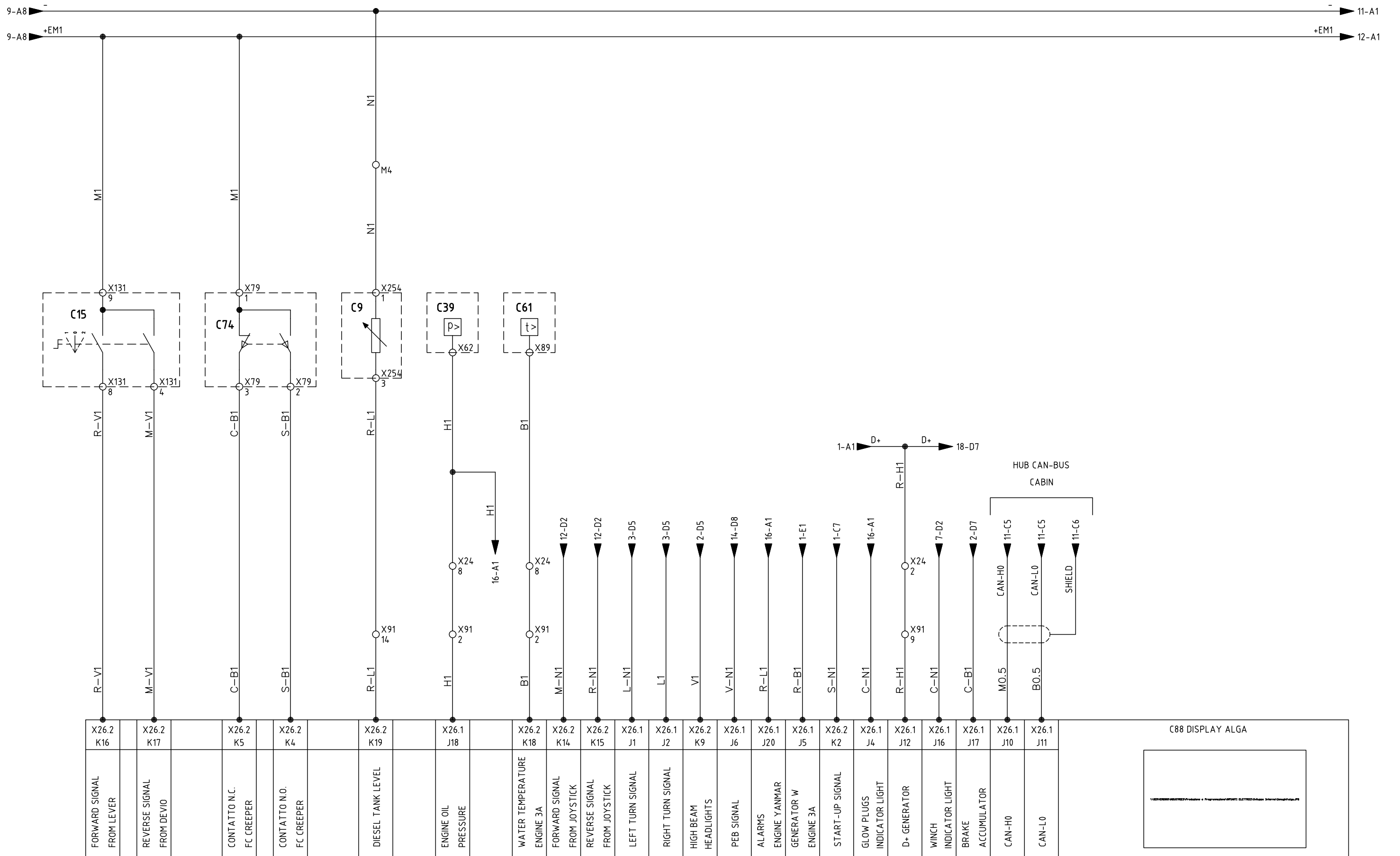
X31 8	X31 19	X31 21	X31 5	X31 17	X31 1	X31 16	X31 18	X31 15	X31 22	X31 14	X31 6	X31 4	X31 20	X31 23	X31 3	C87 ANTI ROLLOVER ECU
SUPPLY SARL	ANTI ROLLOVER SYS. SAFETY	ANTI ROLLOVER SYS. SAFETY	ANTI ROLLOVER SYS. EXCLUSION	ANTI ROLLOVER SYS. BLOCK 1	BRIDGE	BRIDGE	ANTI ROLLOVER SYS. BLOCK 2	LOAD CELL GROUND	LOAD CELL +VDC	CAN-H0	CAN-L0	PALA MODE	BUILDING SITE MODE	GROUND	EV SLOW MOTION	

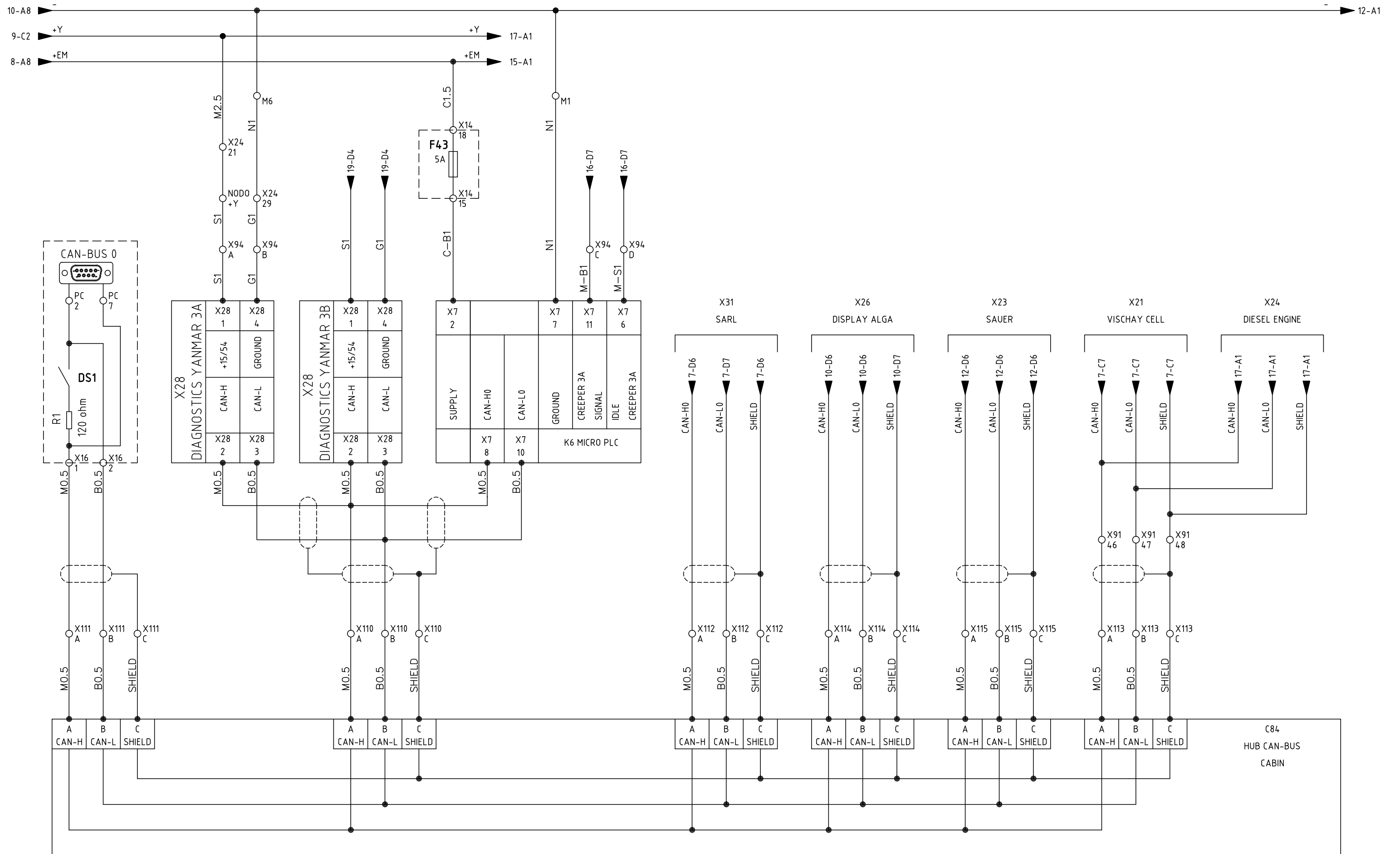


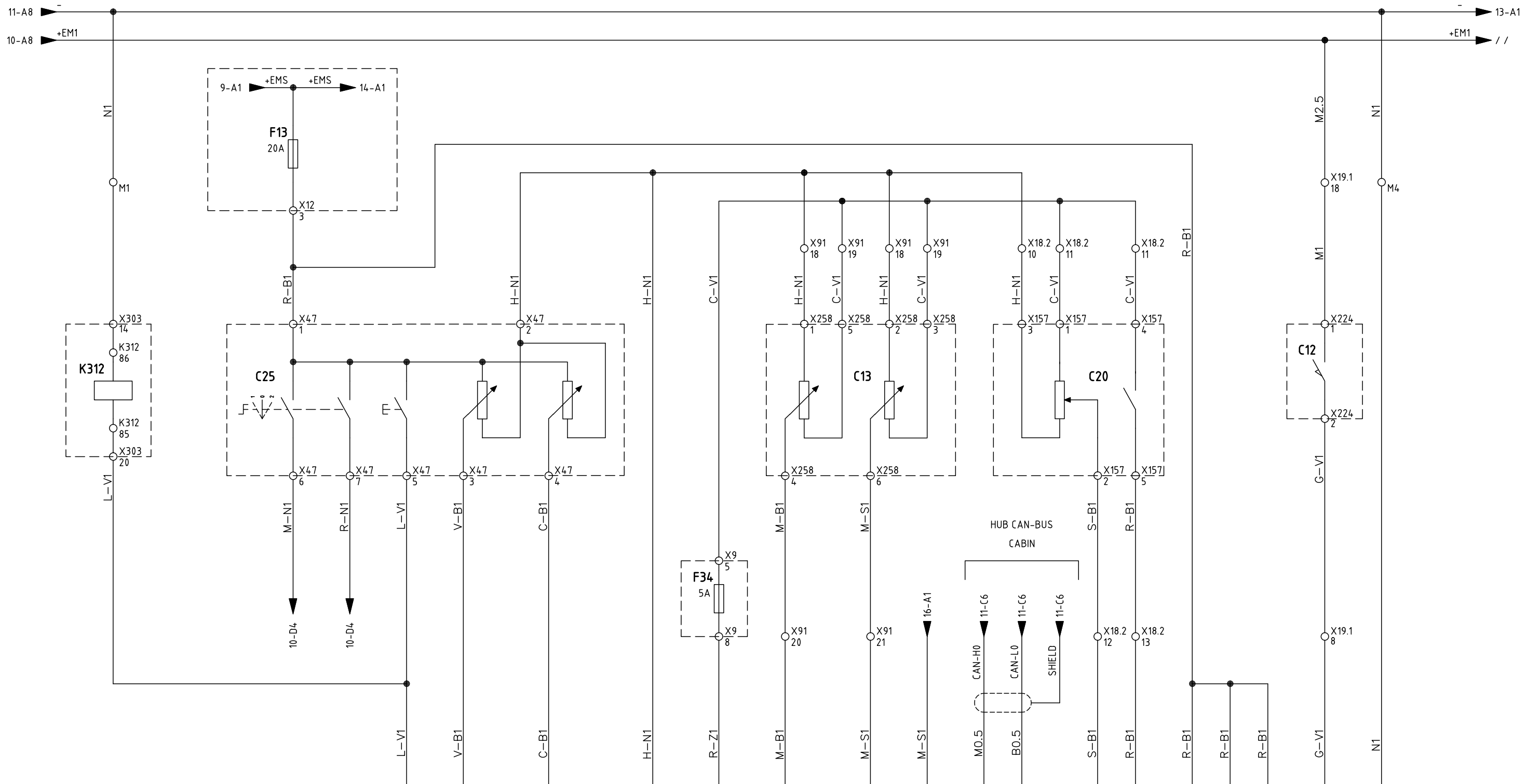
X26.1 J24	X26.1 J26	X26.1 J3	X26.2 K13		X26.2 K6	X26.2 K7	X26.1 J22		X26.2 K11		X26.2 K12	C88 DISPLAY ALGA 
SUPPLY AT KEY 0	GROUND	POSITION LIGHTS SIGNAL	HYDRAULIC OIL RESERVE		CRAB STEERING SIGNAL	INTEGRAL STEERING SIGNAL	SUPPLY AT KEY 1		PARK BRAKE SIGNAL		AGRI MODE SIGNAL	



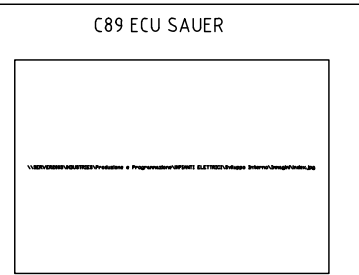
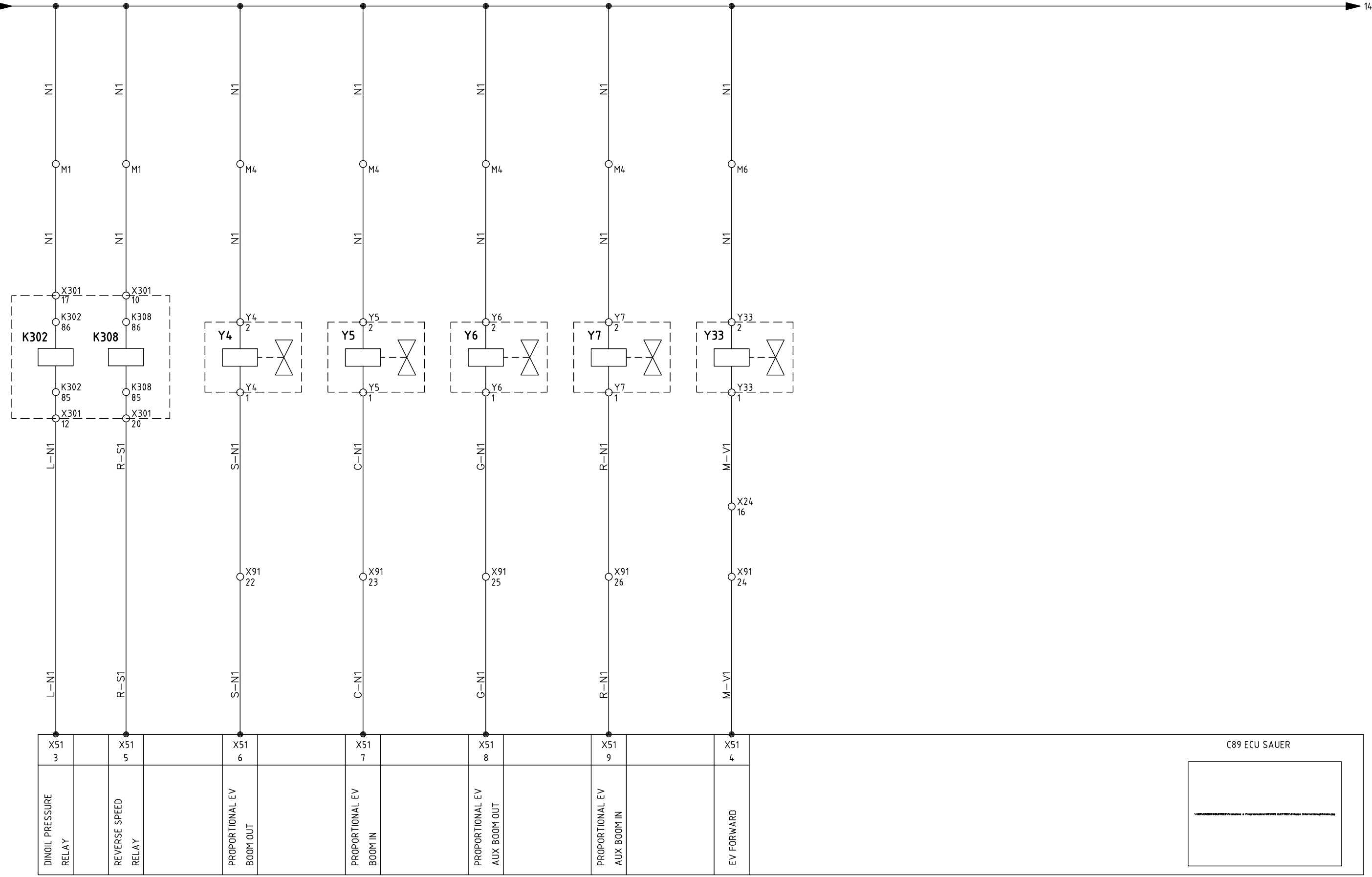
X26.1 J21		X26.2 K1		X26.1 J13		X26.1 J13		X26.1 J14		X26.1 J15		X26.2 K26	X26.1 J8	X26.2 K8	C88 DISPLAY ALGA
AIR FILTER CLOGGED		BUILDING SITE MODE SELECTOR		CLEAN-FIX SELECTOR		CONSTANT FLUX SELECTOR		FRONT AXLE CENTERED		REAR AXLE CENTERED		CLEAN-FIX RELAY	TRAILER BRAKE RELAY	BOOM DOWN SENSOR	

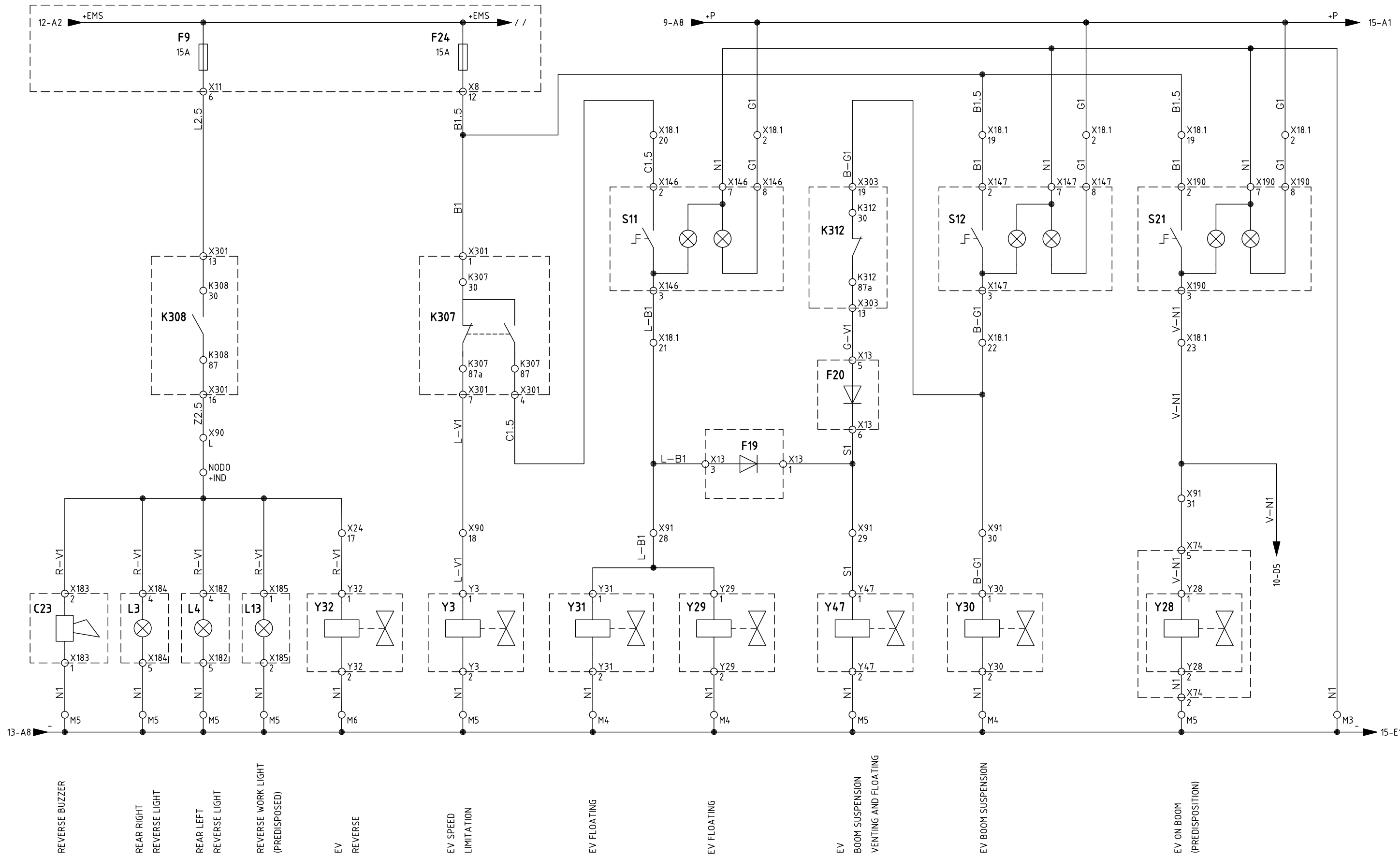






C89		X50	X50	X50	X50	X50	X50	X51	X51	X50	X50	X51	X50	X50	X51	X51	X50	X50
		6	10	11	9	8	12	1	10	3	4	2	7	2	11	12	5	1
		DEAD MAN SWITCH JOYSTICK	ROLLER 1 JOYSTICK	ROLLER 2 JOYSTICK	-5VDC	+5VDC	PEDAL SIGNAL 1 ENGINE 3B	PEDAL SIGNAL 2 ENGINE 3B	START-UP ENABLE	CAN-H0	CAN-L0	CREEPER SIGNAL	IDLE SWITCH CREEPER	SUPPLY ECU SAUER	SUPPLY ECU SAUER	SUPPLY ECU SAUER	SEAT SENSOR	GROUND





REVERSE BUZZER

REAR RIGHT REVERSE LIGHT

REAR LEFT REVERSE LIGHT

REVERSE WORK LIGHT (PREDISPOSED)

EV REVERSE

EV SPEED LIMITATION

EV FLOATING

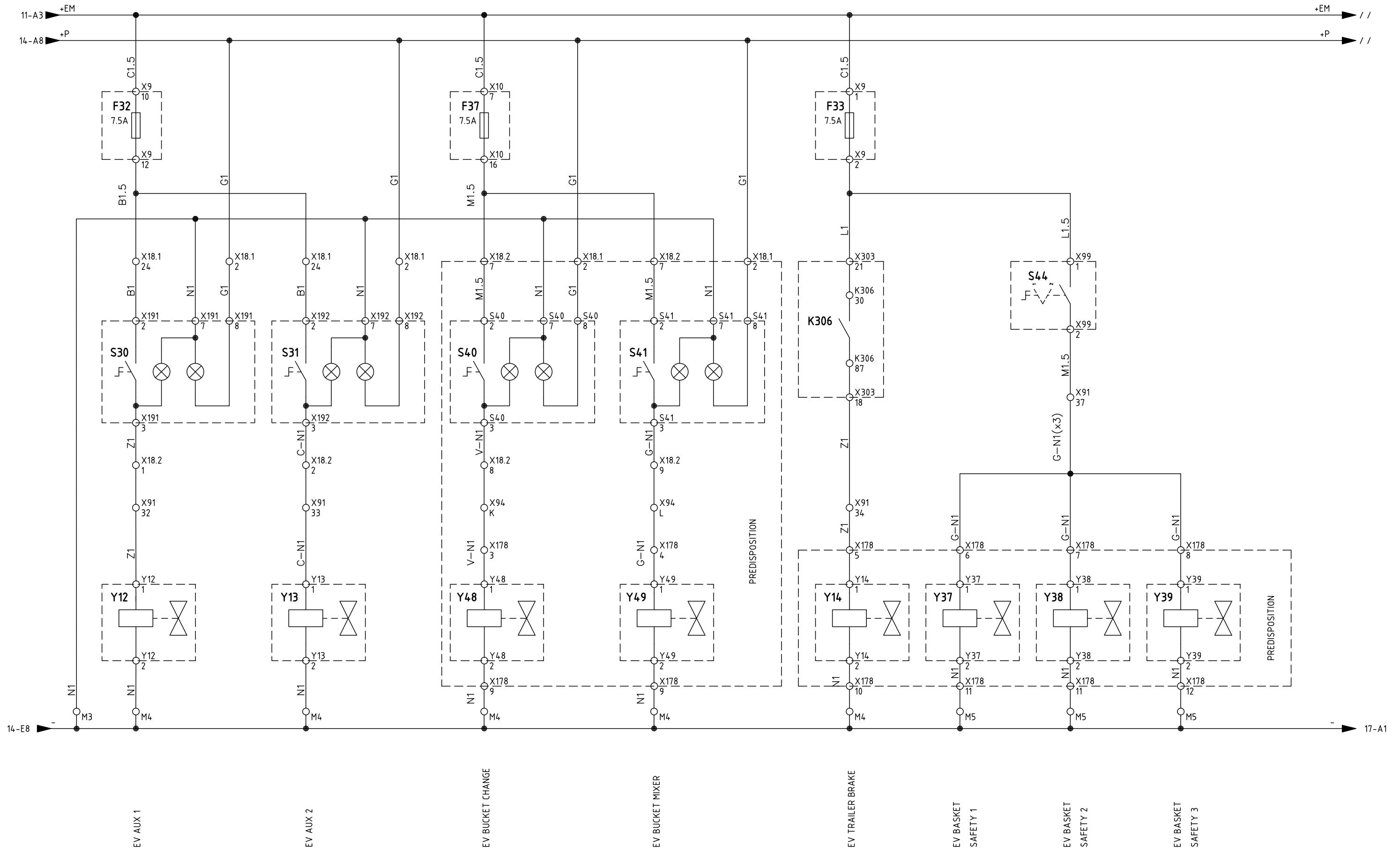
EV FLOATING

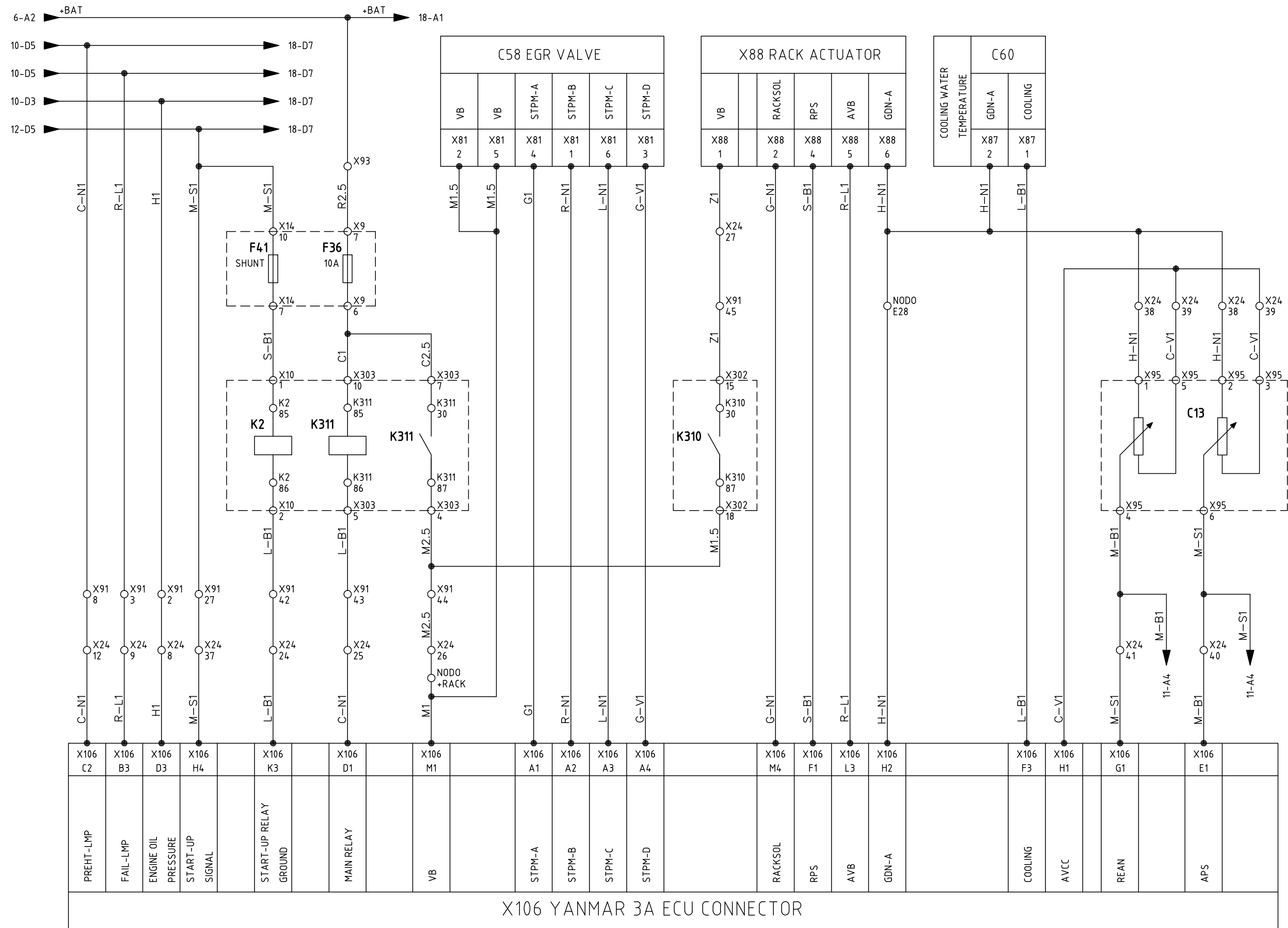
EV BOOM SUSPENSION VENTING AND FLOATING

EV BOOM SUSPENSION

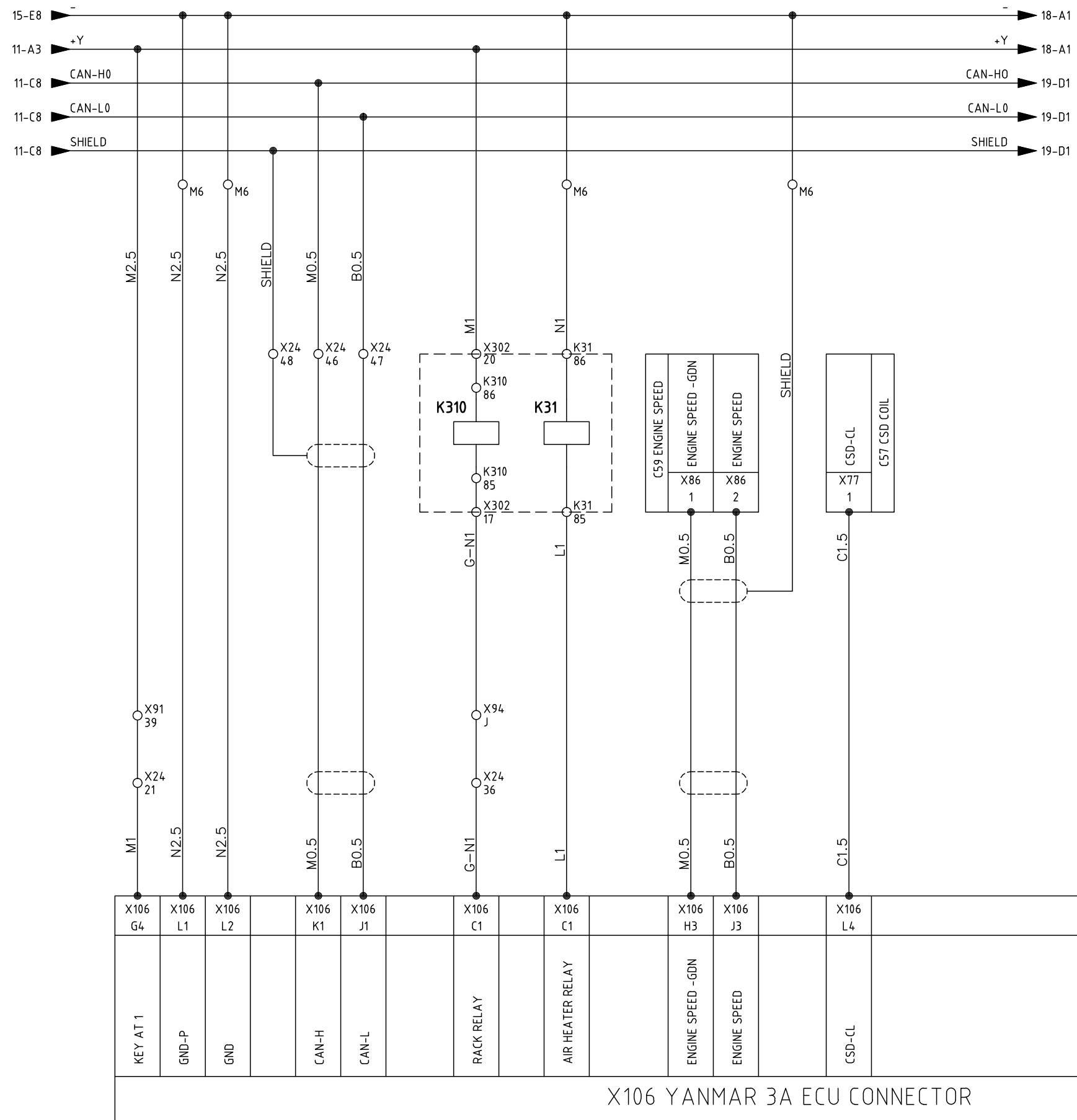
EV ON BOOM (PREDISPOSITION)



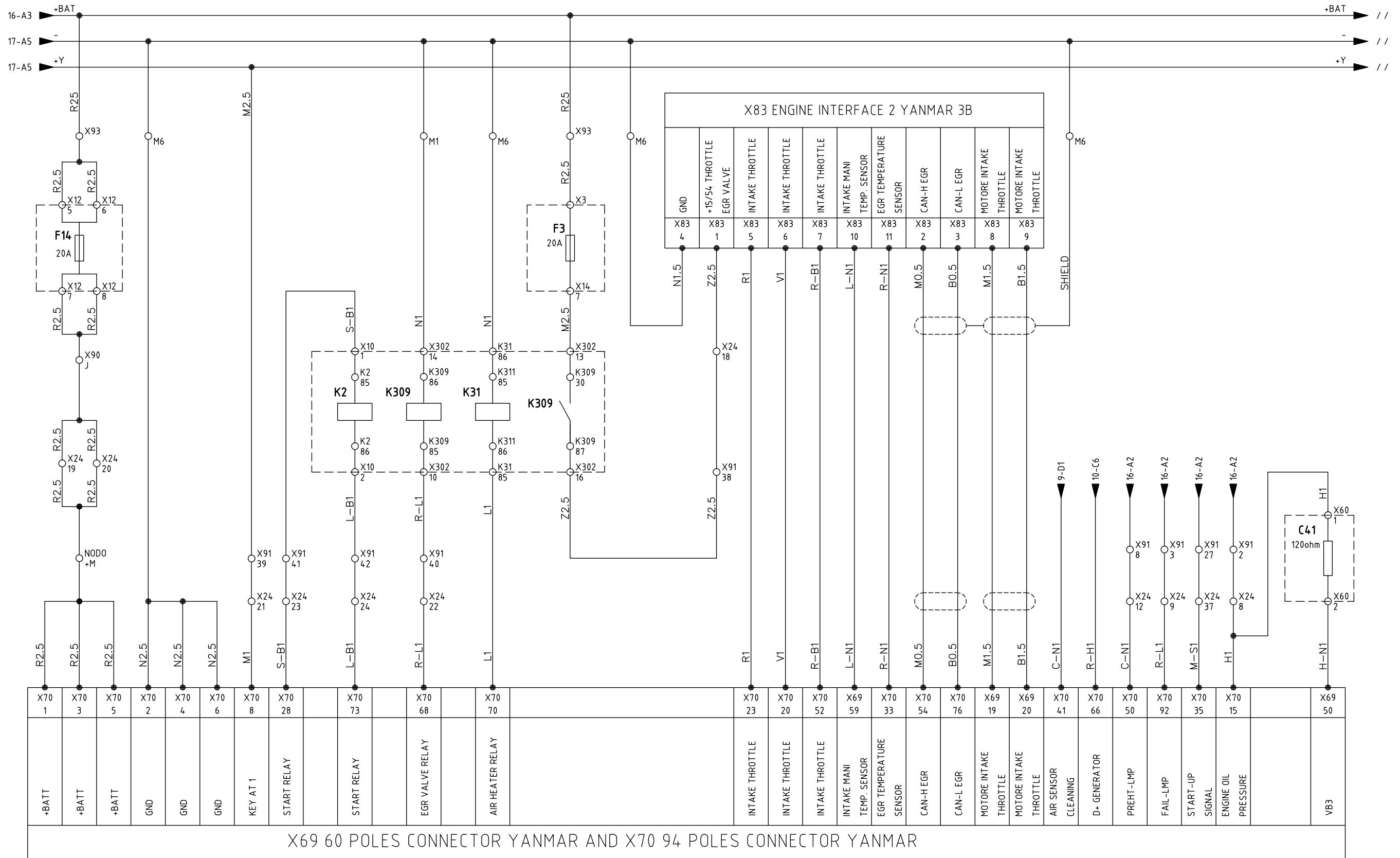




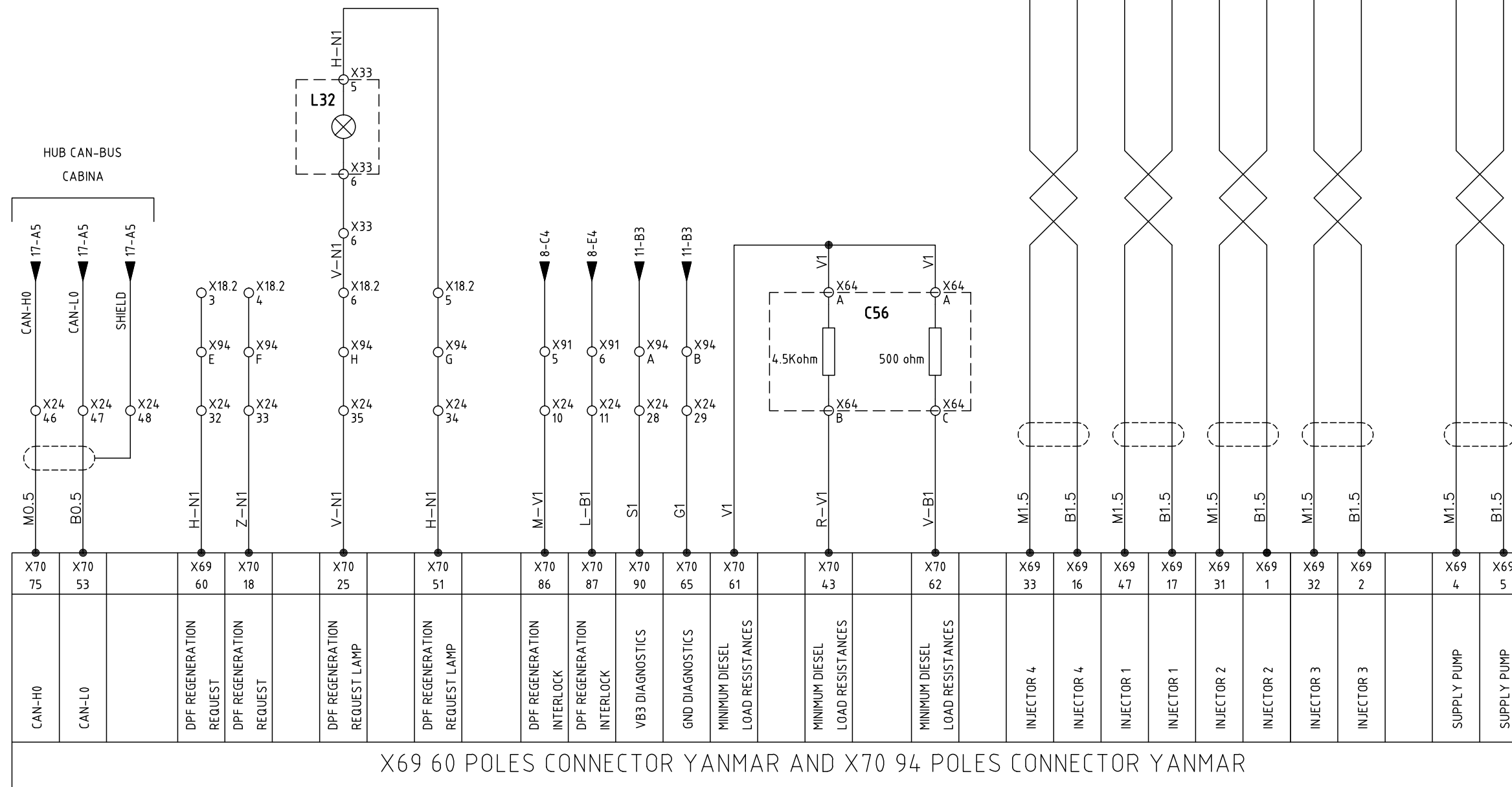
YANMAR 3A



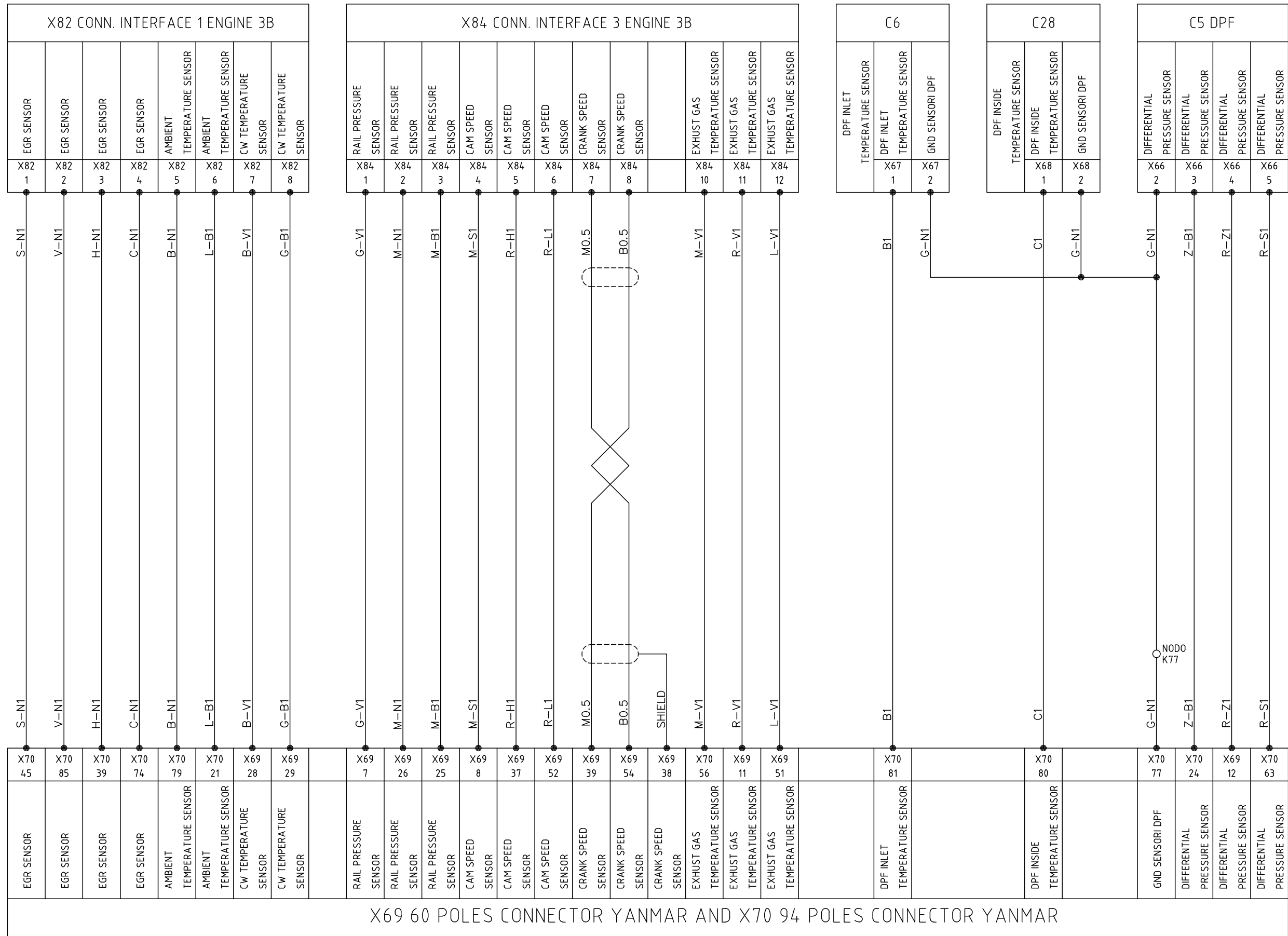
YANMAR 3A



YANMAR 3B



YANMAR 3B



X69 60 POLES CONNECTOR YANMAR AND X70 94 POLES CONNECTOR YANMAR

YANMAR 3B

**CONNECTORS LEGEND FOR FR00**

CONNECTORS	FUNCTION
X1	WURTH BOARD CONNECTOR
X2	WURTH BOARD CONNECTOR
X3	WURTH BOARD CONNECTOR
X4	WURTH BOARD CONNECTOR
X5	WURTH BOARD CONNECTOR
X6	WURTH BOARD CONNECTOR
X7	WURTH BOARD CONNECTOR
X8	WURTH BOARD CONNECTOR
X9	WURTH BOARD CONNECTOR
X10	WURTH BOARD CONNECTOR
X11	WURTH BOARD CONNECTOR
X12	WURTH BOARD CONNECTOR
X13	WURTH BOARD CONNECTOR
X14	WURTH BOARD CONNECTOR
X16	WURTH BOARD CONNECTOR
X18.1	KEYBOARD CONNECTOR 1
X18.2	KEYBOARD CONNECTOR 2
X19.1	ROOF CONNECTOR 1
X21	LOAD CELL VISHAY CONNECTOR
X24	FRAME-ENGINE CONNECTOR
X26.1	CONNECTOR INSTRUMENT ALGA J
X26.2	CONNECTOR INSTRUMENT ALGA K
X27	AIR CONDITIONING PREDISPOSITION CONNECTOR
X28	ENGINE DIAGNOSTICS CONNECTOR
X29	AIR SEAT CONNECTOR
X30	WINCH PREDISPOSITION CONNECTOR
X31	ANTI ROLLOVER SYS. CONNECTOR
X33	INDICATOR LIGHT KEYBOARD CONNECTOR
X34	BATTERY CHARGER CONNECTOR
X35	WIPER PUMP CONNECTOR
X36	FRONT WORK LIGHTS CABIN / LEFT HEATED MIRROR
X37	POWER CLIMATRONIC CONNECTOR
X38	CABIN FAN CONNECTOR
X39	CLIMATRONIC SIGNALS CONNECTOR
X40	AIR CONDITIONING TAP CONNECTOR
X41	AIR RECYCLING CONNECTOR
X42	FASTON THERMOSTAT CONNECTOR
X43	CAR RADIO GREY CONNECTOR
X44	CAR RADIO BROWN CONNECTOR
X45	FASTON RIGHT LOUDSPEAKER CONNECTOR

CONNECTORS	FUNCTION
X59	GLOW PLUGS RELAY CONNECTOR
X60	YANMAR OIL RESISTANCE BULB CONNECTOR
X62	OIL PRESSURE BULB CONNECTOR
X64	LOAD RESISTANCES YANMAR ACCELERATOR CONNECTOR
X66	DPF PRS YANMAR SENSOR CONNECTOR
X67	DPF INLET YANMAR SENSOR CONNECTOR
X68	DPS INSIDE SENSOR YANMAR CONNECTOR
X69	60 POLES ECU YAMNAR CONNECTOR
X70	94 POLES ECU YAMNAR CONNECTOR
X74	PEB (BOOM ELECTRIC SOCKET)
X76	GLOW PLUGS CONNECTOR
X77	CSD COIL YANMAR CONNECTOR
X78	WIPER CONNECTOR
X79	CREEPER LIMIT CONNECTOR
X81	EGR VALVE YANMAR CONNECTOR
X82	ENGINE INTERFACE 1 YANMAR CONNECTOR
X83	ENGINE INTERFACE 2 YANMAR CONNECTOR
X84	ENGINE INTERFACE 3 YANMAR CONNECTOR
X85	ENGINE INTERFACE 4 YANMAR CONNECTOR
X86	SPEED SENSOR YANMAR ENGINE CONNECTOR
X87	WATER TEMPERATURE YANMAR ECU CONNECTOR
X88	RACK ACTUATOR YANMAR ECU CONNECTOR
X89	WATER TEMPERATURE YANMAR BULB CONNECTOR
X90	CABIN-FRAME CONNECTOR 1
X91	CABIN-FRAME CONNECTOR 2
X93	CABIN POWER CONNECTOR
X94	CABIN-FRAME CONNECTOR 4
X95	PROPEL PEDAL YANMAR 3A CONNECTOR
X99	BASKET SAFETY PREDISPOSITION CONNECTOR
X106	YANMAR 3A ECU CONNECTOR
X110	DRIVER SEAT HUB CAN-BUS 1 CONNECTOR
X111	DRIVER SEAT HUB CAN-BUS 2 CONNECTOR
X112	DRIVER SEAT HUB CAN-BUS 3 CONNECTOR
X113	DRIVER SEAT HUB CAN-BUS 4 CONNECTOR
X114	DRIVER SEAT HUB CAN-BUS 5 CONNECTOR
X115	DRIVER SEAT HUB CAN-BUS 6 CONNECTOR
X130	LEVER LIGHTS CONNECTOR
X131	LEVER GEARS CONNECTOR
X132	START-UP KEY 9,5 CONNECTOR
X133	START-UP KEY 6,3 CONNECTOR

COLORS LEGEND

SIGN	COLOR
B	WHITE
C	ORANGE
G	YELLOW
H	GREY
L	BLUE
M	BROWN
N	BLACK
R	RED
S	PINK
V	GREEN
Z	VIOLET



**CONNECTORS LEGEND FOR FR00**

CONNECTORS	FUNCTION	CONNECTORS	FUNCTION
X134	FASTON STEERING SWITCH CONNECTOR	X201	LOAD GENERATOR CONNECTOR
X135	EMERGENCY BUTTON SWITCH CONTACT 1	X205	DIESEL PUMP CONNECTOR
X138	EMERGENCY BY-PASS SWITCH CONTACT 1	X208	CLEAN-FIX CONNECTOR
X139	EMERGENCY BY-PASS SWITCH CONTACT 2	X209	AIR CONDITIONING COMPRESSOR CONNECTOR
X140	BUCKET MODE SWITCH CONTACT 1	X210	AIR PRESSURE SWITCH CONNECTOR
X141	BUCKET MODE SWITCH CONTACT 2	X218	D+ GENERATOR CONNECTOR
X142	LATERAL WIPER CONNECTOR	X219	HYDRAULIC OIL LEVEL CONNECTOR
X143	WORK LIGHT ON BOOM SWITCH CONNECTOR	X220	REAR WIPER CONNECTOR
X144	CLEAN-FIX SWITCH CONNECTOR	X221	REAR LEFT CABIN WORK LIGHT CONNECTOR
X145	PARK BRAKE SWITCH CONNECTOR	X222	REAR RIGHT CABIN WORK LIGHT CONNECTOR
X146	FLOATING SWITCH CONNECTOR	X223	FASTON WORK LAMP CABIN CONNECTOR
X147	BOOM SUSPENSION SWITCH CONNECTOR	X224	SEAT SENSOR CONNECTOR
X149	LATERAL WIPER SWITCH CONNECTOR	X226	STARTER MOTOR CONNECTOR
X150	HEATED MIRRORS SWITCH CONNECTOR	X231	AIR CONDITIONING FUN CONNECTOR 1
X157	CREEPER POTENTIOMETER CONNECTOR	X232	AIR CONDITIONING FUN CONNECTOR 2
X160	LIGHTING CONNECTOR	X233	AIR CONDITIONING PRESSURE SWITCH CONNECTOR
X163	WORK LAMP SWITCH CONNECTOR	X250	ENCUMBRANCE LIGHT CONNECTOR 1
X164	EMERGENCY INDICATOR LIGHTS SWITCH CONNECTOR	X251	CABIN LIGHT CONNECTOR
X165	WIPER SWITCH CONNECTOR	X252	FASTON BRAKE PRESSURE SWITCH CONNECTOR
X166	WORK LIGHTS SWITCH CONNECTOR	X253	FASTON BRAKE ACCUMULATOR PRESSURE SWITCH CONNECTOR
X167	RESISTANCE BLOCK EMRCY INDICATOR LIGHTS SWITCH CONNECTOR	X254	DIESEL TANK LEVEL SENSOR CONNECTOR
X171	FASTON DISTRIBUTOR PRESSURE SWITCH CONNECTOR	X256	FASTON CLAXON CONNECTOR
X173	FRONT RIGHT LIGHT CONNECTOR	X258	PROPEL PEDAL CONNECTOR
X174	FRONT LEFT LIGHT CONNECTOR		
X175	FRONT AXLE SENSOR CONNECTOR		
X176	RIGHT HEATED MIRROR CONNECTOR		
X178	OPTIONAL PREDISPOSITION CONNECTOR		
X179	BOOM DOWN PNP SENSOR CONNECTOR 1		
X180	BOOM DOWN PNP SENSOR CONNECTOR 2		
X181	PEP (REAR ELECTRIC SOCKET) CONNECTOR		
X182	REAR LEFT LIGHT CONNECTOR		
X183	REVERSE BUZZER CONNECTOR		
X184	REAR RIGHT LIGHT CONNECTOR		
X185	REAR WORK LIGHT CONNECTOR		
X186	LICENSE PLATE LIGHT CONNECTOR		
X188	REAR AXLE SENSOR CONNECTOR		
X190	EV BOOM OPTION SWITCH CONNECTOR		
X191	EV LEVER SWITCH CONNECTOR 1		
X192	EV LEVER SWITCH CONNECTOR 2		
X194	CONSTANT FLUX SWITCH CONNECTOR		



**FUSES LEGEND FOR FR00**

FUSE	SIZE	FUNCTION	REFERENCE
F1	50A	STARTER MOTOR SUPPLY	1-A4
F2	50A	KEY AT 1 BOARD SUPPLY	1-B4
F3	20A	EGR YANMAR 3B SUPPLY	13-B4
F4	15A	KEY AT 0 VEHICLE SUPPLY	1-B5
F5	20A	KEY AT 1 VEHICLE SUPPLY	1-A5
F6	15A	KEY AT 1 ENGINE SUPPLY	10-A3
F8	10A	PEB SUPPLY	4-A4
F9	15A	BUZZER AND REVERSE LIGHTS SUPPLY	14-A2
F10	10A	FRONT/REAR WIPER SUPPLY	5-A4
F11	15A	WORK LIGHTS SUPPLY	4-A3
F12	10A	AIR SEAT AND BATTERY CHARGER SUPPLY	4-A4
F13	20A	SAUER ECU SUPPLY	12-A2
F14	20A	KEY AT 0 YANMAR 3B ECU SUPPLY	18-B1
F16	30A	CABIN FAN SUPPLY	6-A3
F17	20A	POSITION LIGHTS SUPPLY	2-A3
F18	30A	AIR CONDITIONING FANS SUPPLY	6-C1
F19	DIODE	FLOATING VENTING DIODE	14-C5
F20	DIODE	BOOM SUSPENSION VENTING DIODE	14-C5
F21	DIODE	EMERGENCY INDICATOR LIGHTS DIODE	3-B1
F22	15A	LOW BEAM HEAD LIGHTS SUPPLY	2-A4
F23	15A	HIGH BEAM HEAD LIGHTS SUPPLY	2-A4
F24	15A	FLOATING, BOOM SUSPENSION AND SPEED LIMITATION SUPPLY	19-A3
F25	10A	LIGHTING SUPPLY	4-A6
F26	10A	WORK LAMP SUPPLY	4-A6
F27	15A	INTERMITTENCE RELAY SUPPLY	3-C1
F28	15A	HEATED MIRRORS SUPPLY	5-A3
F29	7.5A	SARL SUPPLY	7-A3
F30	15A	CLEAN-FIX SUPPLY	6-A7
F31	7.5A	KEY AT 1 DISPLAY SUPPLY	8-B4
F32	7.5A	AUXILIARY SERVICES SUPPLY	15-A1
F33	7.5A	TRAILER BRAKE AND BASKET SAFETY SUPPLY	15-A5
F34	5A	+5VDC SAUER SUPPLY	12-D4
F35	20A	AIR CONDITIONING COMPRESSOR SUPPLY	6-C2
F36	10A	KEY AT 0 YANMAR 3A ECU SUPPLY	16-B2
F37	7.5A	BUCKET-MIXER SUPPLY	15-A3
F38	SHUNT	WINCH MODE BY-PASS	7-C2
F39	7.5A	PARKING BRAKE SUPPLY	8-B5
F40	7.5A	STEERING MODE SWITCH SUPPLY	8-B4
F41	SHUNT	START-UP CONFIGURATION YANMAR 3A	16-B2
F42	7.5A	AGRI MODE SUPPLY	8-B7
F43	5A	MICRO PLC K6 PROPEL YANMAR 3A	11-B3

**EXTERNAL FUSES LEGEND FOR FR00**

FUSE	SIZE	FUNCTION	REFERENCE
F66	80A	GLOW PLUGS PRE HEATING SUPPLY	1-C2

**RESISTORS LEGEND FOR FR00**

RESISTORS	FUNCTION	REFERENCE
R1	120 Ω RESISTOR CAN-0 CABIN	11-C1
DS1	DIP SWITCH R1	11-C1

**SWITCH LEGEND FOR FR00**

SWITCH	FUNCTION	REFERENCE
S1	START-UP KEY	1-B6
S2	EMERGENCY BUTTON	1-C6
S3	EMERGENCY INDICATOR LIGHTS	3-B2
S4	WORK LIGHT ON BOOM SWITCH	4-C1
S5	WORK LIGHT SWITCH	4-C2
S6	CONSTANT FLUX SWITCH	9-C4
S7	AGRI MODE SWITCH	8-D7
S8	CLEAN-FIX SWITCH	9-C3
S9	PARKING BRAKE SWITCH	8-D4
S10	STEERING MODE SWITCH	8-D4
S11	FLOATING SWITCH	14-B4
S12	BOOM SUSPENSION SWITCH	14-B6
S13	WINCH BY-PASS SWITCH	7-D4
S16	LATERAL WIPER SWITCH	5-B1
S17	HEATED MIRRORS SWITCH	5-B3
S20	WINCH SWITCH	7-C1
S21	EV BOOM OPTION SWITCH	14-B7
S23	WORK LAMP SWITCH	4-C7
S24	FRONT WIPER SWITCH	5-B5
S30	EV LEVER SWITCH 1	15-C1
S31	EV LEVER SWITCH 2	15-C2
S33	BUCKET MODE SWITCH	9-C2
S40	BUCKET CHANGE SWITCH	15-C3
S41	BUCKET MIX SWITCH	15-C4
S44	SAFETY BASKET SWITCH	15-B7

**COMPONENTS LEGEND FOR FR00**

COMPONENTS	FUNCTION	REFERENCE
C1	LIGHTS LEVER	3-B5
C2	BRAKE PRESSURE SWITCH	2-B6
C3	BRAKE ACCUMULATOR PRESSURE SWITCH	2-B7
C4	DISTRIBUTOR PRESSURE SWITCH	2-B7
C5	DPF PRS SENSOR YANMAR	20-A7
C6	DPF INLET SENSOR YANMAR	20-A5
C7	CLAXON	3-D5
C8	STARTING MOTOR	1-C3
C9	DIESEL TANK LEVEL SENSOR	10-C3
C10	REAR AXLE SENSOR	9-C6
C11	FRONT AXLE SENSOR	9-C5
C12	CABIN SEAT	12-C7
C13	PROPEL PEDAL	12-C5 / 16-C7
C14	GENERATOR	1-C1
C15	GEAR LEVER	10-C1
C16	DIESEL PUMP	9-B2
C17	WIPER PUMP	3-D6
C18	AIR CONDITIONING PRESSURE SWITCH	6-B6
C19	TRAILER BRAKE PRESSURE SWITCH	2-B8
C20	SPEED LIMIT POTENTIOMETER	12-C6
C23	REVERSE BUZZER	14-D1
C24	LIGHTING	4-D6
C25	JOISTYCK	12-C2
C26	LATERAL WIPER	5-D1
C27	REAR WIPER	5-D4
C28	DPS INSIDE SENSOR YANMAR	20-A6
C30	HYDRAULIC OIL LEVEL SENSOR	8-B2
C31	AIR CONDITIONING FAN 1	6-D1
C32	AIR CONDITIONING FAN 2	6-D2
C33	AIR CONDITIONING COMPRESSOR	6-D2
C34	RIGHT LOUDSPEAKER CAR RADIO	5-C8
C35	LEFT LOUDSPEAKER CAR RADIO	5-C8
C38	AIR CONDITIONING PRESSURE SWITCH	9-C1

COMPONENTS	FUNCTION	REFERENCE
C39	ENGINE OIL BULB PRESSURE	10-C3
C41	YANMAR OIL RESISTANCE BULB	18-D8
C42	LEFT HEATED MIRROR	5-D3
C43	RIGHT HEATED MIRROR	5-D3
C45	BOOM DOWN PNP SENSOR 1	9-C8
C46	BOOM IN LIMIT	6-A7
C51	BOOM DOWN PNP SENSOR 2	6-C7
C52	AIR SEAT COMPRESSOR	4-D4
C53	BATTERY	1-C2
C54	BATTERY SWITCH	1-D2
C55	GLOW PLUGS	1-D2
C56	LOAD RESISTANCES PROPEL YANMAR	19-D4
C57	CSD COIL YANMAR	17-C4
C58	EGR VALVE YANMAR	16-A3
C59	SPEED SENSOR YANMAR	17-C3
C60	WATER TEMPERATURE YANMAR ECU SENSOR	16-A6
C61	WATER TEMPERATURE YANMAR BULB	10-C4
C74	CREEPER LIMIT	10-C2
C75	FRONT WIPER	5-D5
C84	DRIVER SEAT HUB CAN-BUS	11
C87	ANTI ROLLOVER SYSTEM SARL	7
C88	DISPLAY ALGA	8 / 9 / 10
C89	FRONT SAUER ECU	12 / 13
C91	AIR CONDITIONING FAN	6-D3
C92	AIR CONDITIONING THERMOST	6-D6
C93	AIR CONDITIONING TAP	6-D4
C94	BATTERY CHARGER	4-D5
C95	CAR RADIO	5-B8 / 5-D8
C96	CLIMATRONIC INSTRUMENT	6-B4
C99	CLEAN-FIX	6-D7
C101	LOAD RESISTANCES BLOCK GENERATOR	1-B1
C105	RESISTANCES BLOCK EMRCY INDICATOR LIGHTS SWITCH	3-B4
C108	LOAD CELL VISHAY	7-D6

**EV (SOLENOID VALVES) LEGEND FOR FR00**

EV	FUNCTION	REFERENCE
Y1	EV PARK BRAKE	8-B6
Y3	EV SPEED DECELERATION	14-D3
Y4	EV BOOM OUT	13-C2
Y5	EV BOOM IN	13-C3
Y6	EV AUXILIARY BOOM OUT	13-C3
Y7	EV AUXILIARY BOOM IN	13-C4
Y11	EV AGRI MODE	8-B6
Y12	EV LEVER 1	15-D1
Y13	EV LEVER 2	15-D2
Y14	EV TRAILER BRAKE	15-D5
Y18	EV CRAB STEERING	8-B2
Y19	EV INTEGRAL STEERING	8-B3
Y20	EV PRESSURE ENABLE DISTRIBUTOR	7-A4
Y25	EV BLOCK BOOM 1	7-A5
Y26	EV BLOCK BOOM 2	7-A5
Y27	EV SLOW MOTION	7-A8
Y28	EV OPTION ON BOOM	14-D7
Y29	EV FLOATING 1	14-D5
Y30	EV BOOM SUSPENSION	14-D6
Y31	EV FLOATING 2	14-D4
Y32	EV REVERSE	14-D2
Y33	EV FORWARD	13-C5
Y36	EV ROPE BLOCK	7-D1
Y37	EV SAFETY BASKET 1	15-D6
Y38	EV SAFETY BASKET 2	15-D7
Y39	EV SAFETY BASKET 3	15-D7
Y47	EV BOOM SUSPENSION VENTING AND FLOATING	14-D5
Y48	EV BUCKET CHANGE	15-D3
Y49	EV MIX BUCKET	15-D4



**RELAYS LEGEND FOR FR00**

RELAY	TYPE	FUNCTION	COIL	CONTACT N.O.
K1	N.O.	KEY AT 1 BOARD RELAY	1-D7	1-B5
K2	N.O.	START-UP RELAY	16-C2 / 18-C2	1-B4
K3		INTERMITTENCE RELAY	3-D2	
K4		WIPER RELAY	5-C5	
K5	N.O.	AIR CONDITIONING RELAY	6-A6	6-B2
K6	MICROPLC	PROPEL PEDAL 3A MICROPLC	11-C3	
K7	N.O.	LOW BEAM HEAD LIGHTS RELAY	3-D7	2-B4
K8	N.O.	HIGH BEAM HEAD LIGHTS RELAY	3-D7	2-B4
K9	N.O.	POSITION LIGHTS RELAY	3-D7	2-B3

RELAY	TYPE	FUNCTION	COIL	CONTACT N.O.	CONTACT N.C.
K301	N.O.	KEY AT 1 VEHICLE RELAY	1-D7	1-A7	
K302	N.O.	PRESSURE ENABLE DINOIL RELAY	13-C1	7-C4	
K303	N.O.	CLEAN-FIX RELAY	9-C6	6-C6	
K304	N.O.	ANTI ROLLOVER SYS. BLOCK RELAY	7-D2	7-D5	
K305	N.C.	BOOM DOWN SARL RELAY	6-D8	7-C3	7-C3
K306	N.O.	TRAILER BRAKE RELAY	9-C7	15-C5	
K307	N.C.	BOOM DOWN RELAY	9-C7	14-C3	14-C3
K308	N.O.	REVERSE SPEED RELAY	13-C1	14-C2	
K309	N.O.	EGR VALVE RELAY	18-C3	18-C4	
K310	N.O.	RACK ACTUATOR YANMAR 3A RELAY	17-C3	16-C4	
K311	N.O.	START-UP ENABLE YANMAR 3A RELAY	16-C2	16-C3	
K312	N.C.	DEAD MAN JOYSTICK RELAY	12-C1		14-B5

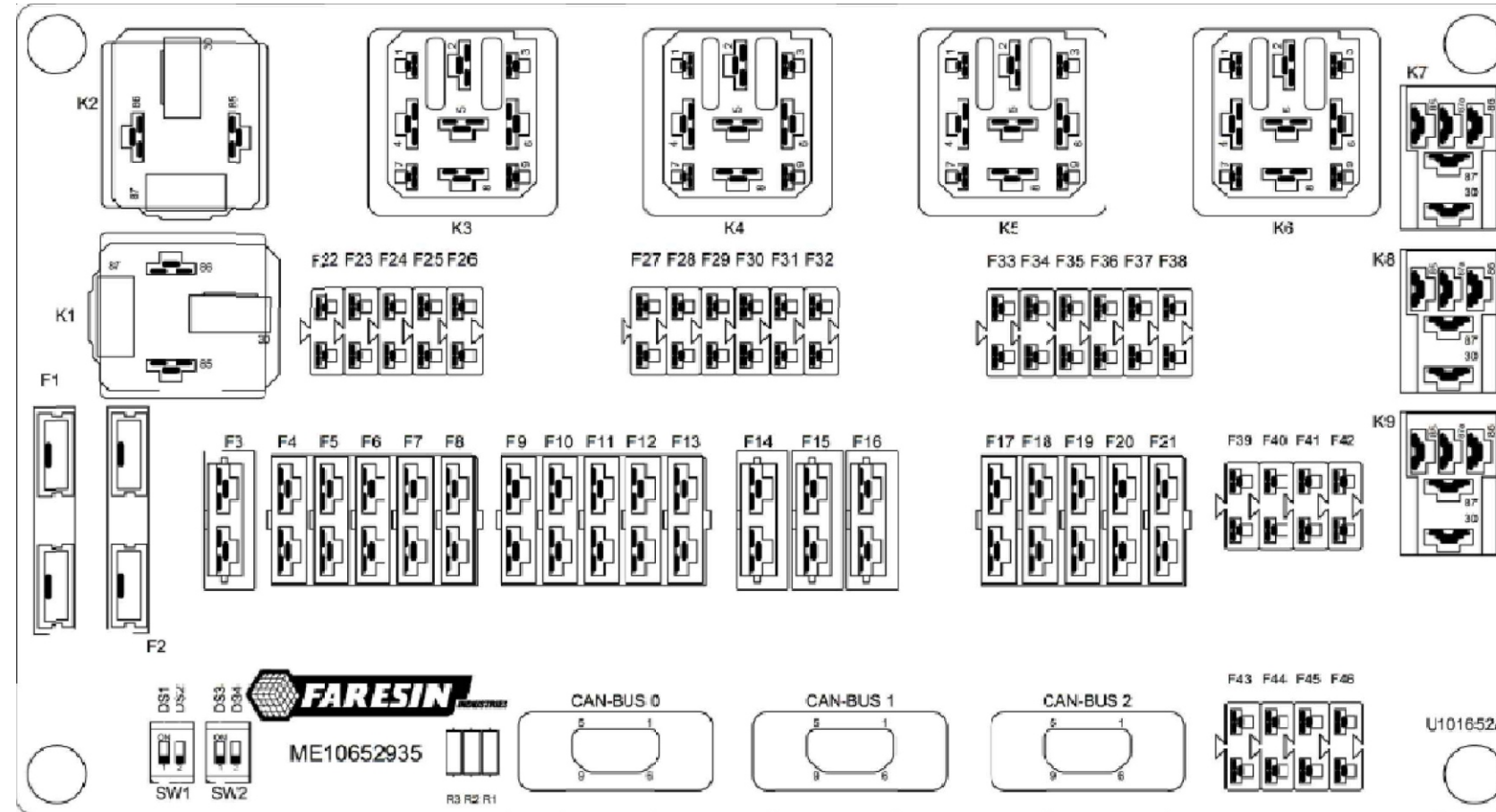
**BOARD EXTERNAL RELAYS LEGEND**

RELAY	TYPE	FUNCTION	COIL	CONTACT N.O.
K31	N.O.	GLOW PLUGS RELAY	17-C3 / 18-C3	1-C2

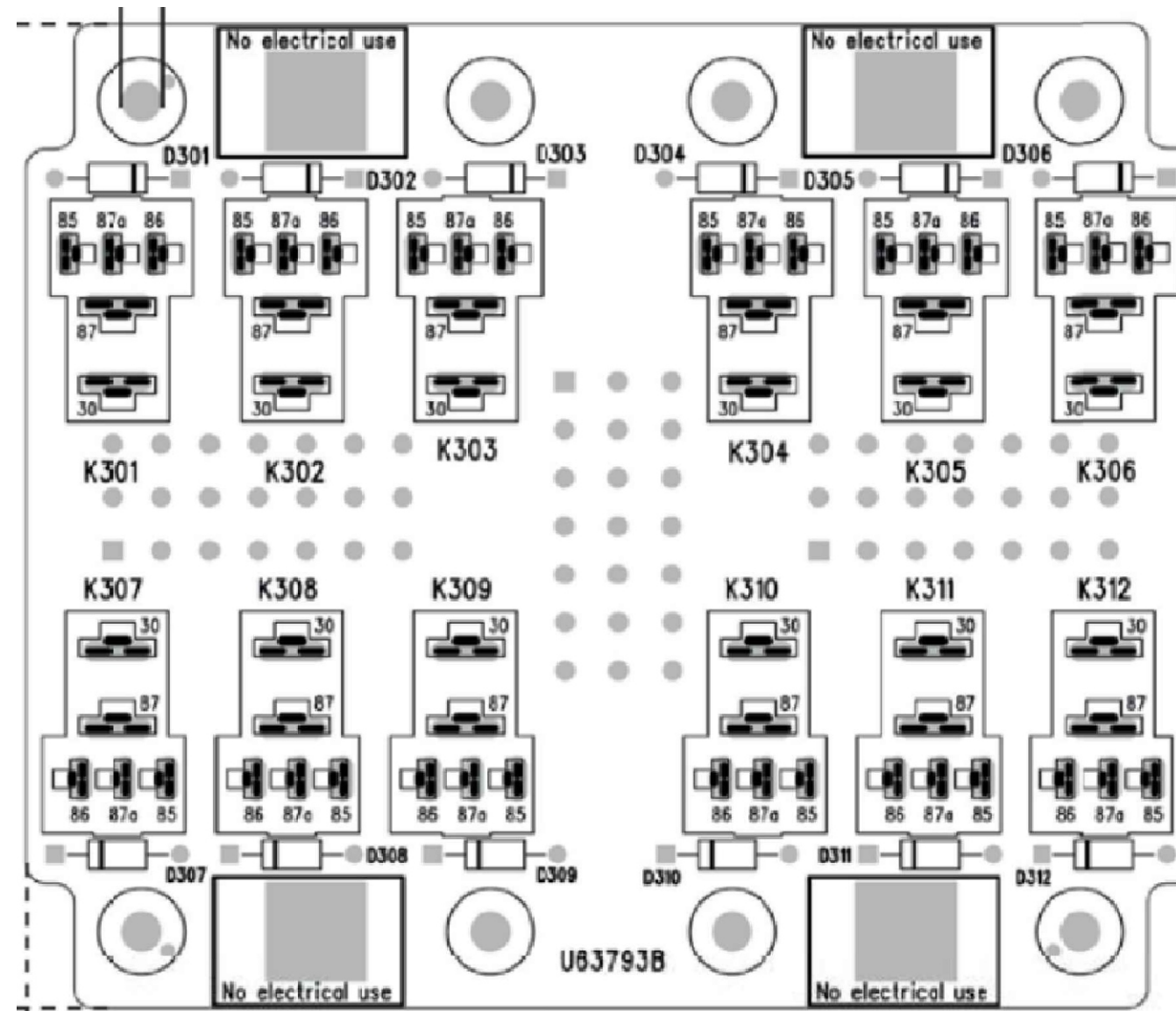
**LAMPS LEGEND FOR FR00**

LAMPS	FUNCTION	REFERENCE
L1	FRONT RIGHT LIGHT	2-D1 / 2-D4 / 3-D3
L2	FRONT LEFT LIGHT	2-D1 / 2-D4 / 2-D5 / 3-D4
L3	REAR RIGHT LIGHT	2-D1 / 2-D6 / 3-D3 / 14-D1
L4	REAR LEFT LIGHT	2-D2 / 2-D6 / 3-D4 / 14-D2
L5	ENCUMBRANCE LIGHT 1	2-D3
L6	CABIN LIGHT	3-D8
L7	LICENSE PLATE LIGHT	2-D2
L8	FRONT LEFT CABIN WORK LIGHT	4-D1
L9	FRONT RIGHT CABIN WORK LIGHT	4-D2
L10	REAR LEFT CABIN WORK LIGHT	4-D2
L11	REAR RIGHT CABIN WORK LIGHT	4-D3
L13	REAR WORK LIGHT	14-D2
L14	WORK LAMP CABIN	4-D6
L15	TRAILER LEFT LIGHT	2-D2 / 2-D6
L16	TRAILER RIGHT LIGHT	2-D3 / 2-D6
L17	TRAILER LEFT TURN SIGNAL	3-D4
L18	TRAILER RIGHT TURN SIGNAL	3-D3
L19	TRAILER LICENSE PLATE LIGHT	2-D3
L29	BRAKE ACCUMULATOR LED	2-D7
L30	DISTRIBUTOR PRESSURE SWITCH LED	2-D7
L31	TRAILER BRAKE PRESSURE SWITCH LED	2-D8
L32	RECOVERY LED	19-C2
L33	WORK LIGHT ON BOOM	4-D1

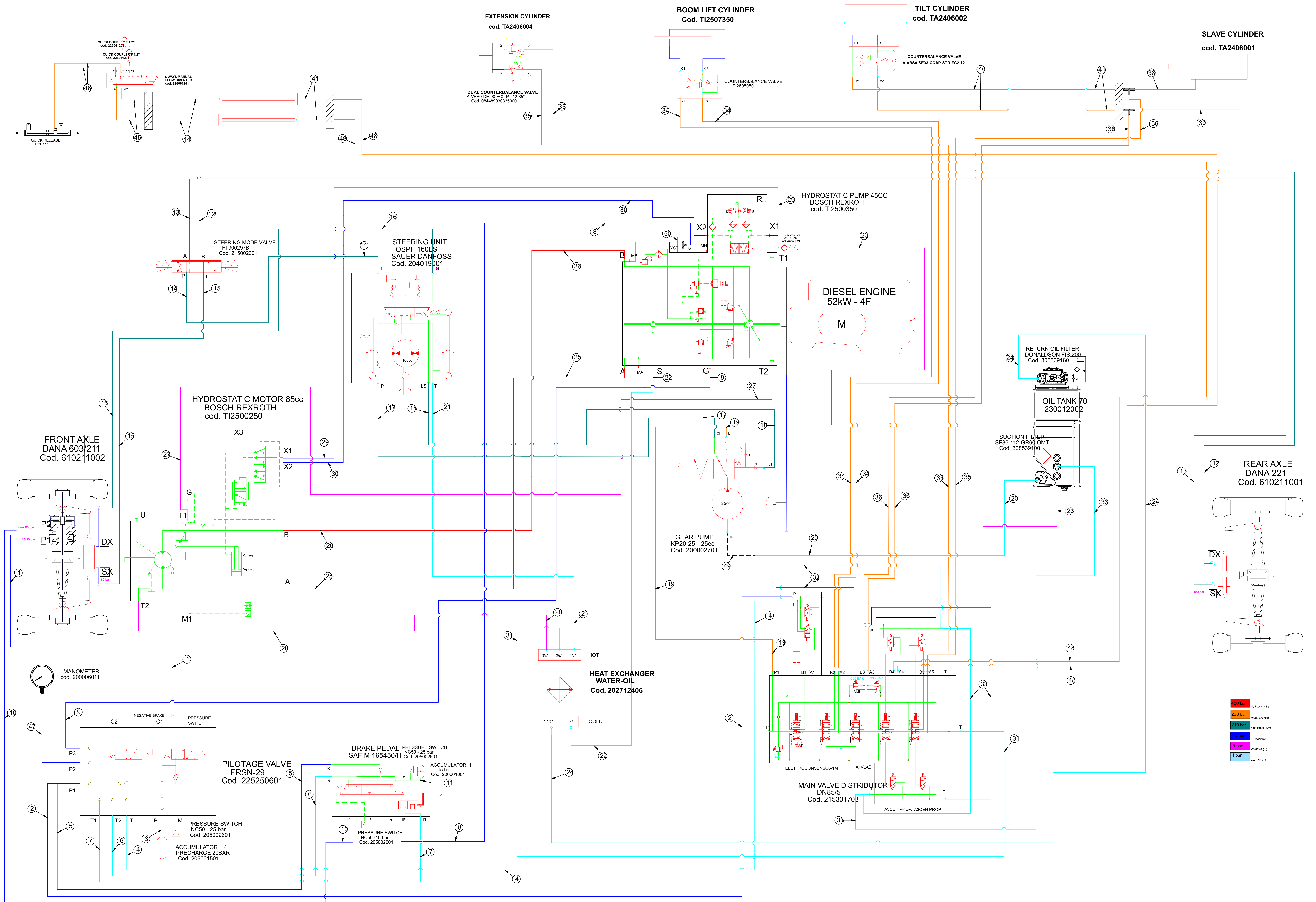
FRONT AND REAR BOARD FOR FUSES AND RELAYS FARESIN ME10652935



REAR BOARD FOR RELAYS FARESIN ME10807954







A	DANA REAR AXLE . . . . .	2-14, 2-15, 2-16, 2-17, 2-18
6 WAY ELECTRIC AND 6 WAY MANUAL	DECAL KIT . . . . .	2-38
DIVERTER ON BOOM . . . . .	DECAL KIT SR5719 FRENCH . . . . .	2-39
6 WAY ELECTRIC DIVERTER ON BOOM . . . . .	DIESEL TANK FR00 . . . . .	2-5
23	DIFFERENTIAL LOCKING KIT . . . . .	3-26
6 WAY MANUAL DIVERTER ON BOOM . . . . .	DOUBLE HYDRAULIC CONNECTION HOSE KIT . . . . .	3-27
22	DRIVER SEAT FR00 . . . . .	4-10
6 WAY SOLENOID VALVE . . . . .	EXTENSION CYLINDER FR00 . . . . .	3-10
ACCESSORY HOLDER WITH EURO	FIXED BOOM FR00 . . . . .	2-20
COUPLING FR00 . . . . .	FLOATING ARM KIT . . . . .	3-29
2-22	FRONT DASH BOARD SELECTORS FR00 . . . . .	4-7
ADJUSTABLE TOWING HOOK FR00 . . . . .	FRONT SIDE DASH BOARD SELECTORS FR00 . . . . .	4-6
5-4	FUSE AND RELAY PANEL 1 . . . . .	4-1
ARM PINS FR00 . . . . .	GENERAL INFORMATION . . . . .	1-1
2-8	HYDRAULIC BRAKING KIT . . . . .	3-25
ARM SUSPENSION KIT . . . . .	HYDRAULIC PUMP JOINT . . . . .	3-5
3-28	HYDRAULIC QUICK DISCONNECT FLATFACE	
ASSEMBLY VALVE BLOCK ACCESSRIES	SR5719 JUANUARY 2020 AND AFTER . . . . .	5-11
FR00 . . . . .	HYDRAULIC SYSTEM FR00 . . . . .	3-16
5-5	HYDROSTATIC ENGINE 85CC VERSION 1 . . . . .	3-1
BOBCAT FITTING SERVICE KIT . . . . .	HYDROSTATIC PUMP 40CC VERSION 2 . . . . .	3-4
5-3	HYDROSTATIC PUMP 45CC VERSION 1 . . . . .	3-3
BOOM EXTENSION FR00 . . . . .	HYDROSTRATIC ENGINE 80CC VERSION 2 . . . . .	3-2
2-21	INCHING POTENTIOMETER WITH RESISTORS . . . . .	4-14
BRAKE PEDAL ACCUMULATOR . . . . .	INCLINATION BOOM INDICATOR . . . . .	2-26
3-9	INNER COATING CABIN FR00 . . . . .	2-36
BRAKE PEDAL FR00 . . . . .	JOYSTICK . . . . .	4-3
3-8	LED WORK LIGHTS . . . . .	5-7
BUCKET 1.00CU YD STAR JANUARY 2020	LEVELING BUBBLE . . . . .	2-37
AND AFTER . . . . .	LIFTING CYLINDER FR00 VERSION 1 . . . . .	3-11
5-9	LIFTING CYLINDER FR00 VERSION 2 . . . . .	3-12
CAB QUEEN CABIN DOOR . . . . .	OIL TANK . . . . .	2-27
2-34		
CAB QUEEN STEERING COLUMN . . . . .		
2-33		
CABIN FR00 CLASIC AGRITOP . . . . .		
2-30		
CARRIAGE 48 IN FP 5919 . . . . .		
2-25		
CARRIAGE PIN ASSEMBLY . . . . .		
2-24		
CHASSIS AND CARTER FR00 . . . . .		
2-7		
CHASSIS ASSEMBLY FR00 . . . . .		
2-6		
CHASSIS HARNESS FR00 . . . . .		
4-8		
CLEANFIX FAN . . . . .		
5-2		
COMPENSATION CYLINDER FR00 . . . . .		
3-13		
COMPLETE BOOM FR00 . . . . .		
2-19		
CONTROLLER WRIST RESETS CLASSIS . . . . .		
4-4		
DANA FRONT AXLE . . . . .		
2-10, 2-11, 2-12, 2-13		

OIL TANK NEW TRANSMISSION FR00 . . . . .	2-28	CT357V479A-13 . . . . .	6-13
PNP WIRED SENSOR . . . . .	4-13	SR5719 SR626 ELECTRICAL SCHEMATIC	
POWER STEERING . . . . .	3-7	CT357V479A-14 . . . . .	6-14
PROPORTIONAL EXTENSION DISTRIBUTOR		SR5719 SR626 ELECTRICAL SCHEMATIC	
DN 85/5 FR00 VERSION 1 . . . . .	3-17	CT357V479A-15 . . . . .	6-15
PROPORTIONAL EXTENSION DISTRIBUTOR		SR5719 SR626 ELECTRICAL SCHEMATIC	
DN 85/5 FR00 VERSION 2 . . . . .	3-18	CT357V479A-16 . . . . .	6-16
PUSH BUTTON PANEL FR00 . . . . .	4-11	SR5719 SR626 ELECTRICAL SCHEMATIC	
QUICK COUPLER SKIDSTEER BRADCO .5-		CT357V479A-17 . . . . .	6-17
10		SR5719 SR626 ELECTRICAL SCHEMATIC	
QUICK UNCOUPLING CYLINDER . . . . .	3-15	CT357V479A-18 . . . . .	6-18
REAR HYDRAULIC CONNECTION HOSE KIT		SR5719 SR626 ELECTRICAL SCHEMATIC	
. . . . .	3-30	CT357V479A-19 . . . . .	6-19
REAR HYDRAULIC WEIGHT FR00 . . . . .	2-29	SR5719 SR626 ELECTRICAL SCHEMATIC	
RELAY PANEL 2 . . . . .	4-2	CT357V479A-2 . . . . .	6-2
REPLACEMENT KEYS FOR		SR5719 SR626 ELECTRICAL SCHEMATIC	
TELEHANDLERS . . . . .	2-31	CT357V479A-20 . . . . .	6-20
SEAT WITH MECHANICAL SUSPENSION	2-	SR5719 SR626 ELECTRICAL SCHEMATIC	
35		CT357V479A-21-27 . . . . .	6-21
SERVICE PUMP 25CC . . . . .	3-20	SR5719 SR626 ELECTRICAL SCHEMATIC	
SIDE DASH BOARD SELECTORS FR00 . . . . .	4-5	CT357V479A-3 . . . . .	6-3
SOLENOID VALVE ASSEMBLY 6 WAY 2		SR5719 SR626 ELECTRICAL SCHEMATIC	
POST 1/2 . . . . .	3-24	CT357V479A-4 . . . . .	6-4
SR5719 AFTER MARKET OPTIONS . . . . .	5-8	SR5719 SR626 ELECTRICAL SCHEMATIC	
SR5719 EXTREME CARRIAGE KIT . . . . .	5-12	CT357V479A-5 . . . . .	6-5
SR5719 SR626 ELECTRICAL SCHEMATIC		SR5719 SR626 ELECTRICAL SCHEMATIC	
CT357V479A-1 . . . . .	6-1	CT357V479A-6 . . . . .	6-6
SR5719 SR626 ELECTRICAL SCHEMATIC		SR5719 SR626 ELECTRICAL SCHEMATIC	
CT357V479A-10 . . . . .	6-10	CT357V479A-7 . . . . .	6-7
SR5719 SR626 ELECTRICAL SCHEMATIC		SR5719 SR626 ELECTRICAL SCHEMATIC	
CT357V479A-11 . . . . .	6-11	CT357V479A-8 . . . . .	6-8
SR5719 SR626 ELECTRICAL SCHEMATIC		SR5719 SR626 ELECTRICAL SCHEMATIC	
CT357V479A-12 . . . . .	6-12	CT357V479A-9 . . . . .	6-9
SR5719 SR626 ELECTRICAL SCHEMATIC		SR5719 SR626 HYDRAULIC SCHEMATIC	



TI00626200D ..... 6-22  
STEERING BLOCK FR00 ..... 3-19  
STEERING DISTRIBUTOR ..... 3-6  
TELEHANDLER AIR CONDITIONING ... 5-6  
TILTING CYLINDER ..... 3-14  
TIRE ASSEMBLY FOAM FILED ..... 5-1  
TRANSMISSION FR00 ..... 2-9  
UNIVERSAL CABIN ROOF SHEATH .... 4-12  
XTREME ADAPTER ..... 2-23  
YANMAR ENGINE 4TNV98C TIER 4 FINAL  
REPLACEMENT PARTS ..... 2-4  
YANMAR T4F ENGINE ..... 2-1  
YANMAR T4F ENGINE EXHAUST ..... 2-2  
YANMAR T4F ENGINE HARNESS FR00 .. 4-9  
YANMAR T4F ENGINE THROTTLE ..... 2-3

B	159-0036-000	5-8
* ITEMS NOT INCLUDED IN DECAL KIT	1590022 C	5-12
38	1590039	2-6
0113885	1590046 A	5-3
0113885FR	1590047-1	5-3
10826-016	1590048	5-3
11002-020	1590049	5-3
11217-003	204019001	3-7
14841-000 A	250121201	3-24
14878-020	25672-000	2-24
159-0005-000A	30009-000	5-12
159-0006-000	3028929	2-31, 2-34, 4-6
159-0007-000	3028930	2-5, 2-31
159-0008-000	31095-000	2-25, 5-12
159-0009-000	31147-000	2-24
159-0010-000	31147-000-SP	5-12
159-0011-000	31148-000	2-24
159-0011-001	5018877	2-1, 2-1
159-0011-002	5028056	5-3
159-0011-003	5098389	5-11
159-0011-004	5098390	5-11
159-0012-000A	5098391	5-11
159-0013-000	5098392	5-11
159-0014-000	5098393	5-11
159-0015-000	5098394 A	5-11
159-0016-000	5560004	2-1
159-0017-000	5560168	2-25
159-0018-000	563536	2-1, 2-1
159-0019-000	601211002-1	2-10
159-0021	610211001-1	2-14
159-0021B	610211001-2	2-15
159-0021FR A	610211001-3	2-16
159-0034-000	610211001-5	2-18
159-0035-000	610211002-2	2-11

620211002-4	2-13, 2-17	SN-120080801	2-30, 3-17
620611002-3	2-12	SN-120081101	2-1
707301702	2-35	SN-120083001	2-21, 2-30
7631238	2-1	SN-120083501	2-20
8030051	2-31	SN-120086001	2-7, 3-12
970049	2-1	SN-120087001	2-21
984519	2-25	SN-120101001	2-20
986019	2-1	SN-120102001	2-6, 3-7
CT0877460	4-11	SN-120102501	2-21
CT087D463	4-9	SN-120103501	2-1, 3-5
CT087F461	4-8	SN-120106001	2-27, 2-28
CT0882459	4-10	SN-120121101	2-6, 2-21, 2-22, 2-23
CT146483	4-13	SN-120121301	2-20
CU211A406	4-14	SN-120129001	2-20
CU2393114	4-12	SN-120201001	2-21
LOAD CHARTS	2-38	SN-122051001	4-4
ME09523B44	4-3	SN-122051601	2-6
ME106522935	4-1	SN-122052001	2-30, 4-3, 4-4
ME10807954	4-2	SN-122061601	2-7, 2-26
S1N-20126001	2-1	SN-122062001	2-7, 2-30
S6N-10021174	2-15	SN-122062501	2-6, 2-7
SH-7631464	2-4	SN-122063001	2-6, 2-26
SN- 225250601	3-19	SN-122082001	2-1, 2-6
SN--610021187	2-12	SN-122082501	2-1, 2-30
SN--7631480	2-4	SN-122084001	2-20
SN-10004-032	2-25	SN-122086001	2-30
SN-100040401	4-4	SN-122122001	2-20, 2-21
SN-100121001	4-3, 4-4	SN-122123001	2-21
SN-10060373	2-11	SN-122123501	2-20, 2-21
SN-101061002	2-26	SN-123482200	2-5
SN-101061003	2-1, 2-6	SN-125053501	2-6
SN-101101001	2-1, 2-22, 2-27, 2-28, 2-32, 3-22	SN-125062001	2-27, 2-28
SN-111300601	2-6	SN-125063001	2-1
SN-120064001	5-5	SN-125064501	3-23

SN-125068001	2-29, 3-19, 3-21, 3-24	SN-208101401	3-19
SN-125082001	2-1	SN-208121003	3-4
SN-125082501	2-6	SN-208141200	3-4
SN-125083001	2-3	SN-208141490	3-20
SN-125084001	3-6	SN-208141501	3-8
SN-125085001	2-3, 3-10, 3-11	SN-208150001	2-6
SN-125102501	3-5	SN-208180000	2-1, 2-1
SN-125104002	2-9	SN-208181400	2-1
SN-125108001	2-32, 3-22	SN-208181510	3-9
SN-125111030	2-27, 2-28	SN-208189000	2-1, 2-1
SN-130050001	2-6, 2-30, 4-3, 4-4	SN-208189601	3-8
SN-130050005	2-30	SN-208222200	3-4
SN-130100001	2-21, 2-32, 3-22	SN-208332800	3-4
SN-130100302	2-6	SN-209143801	3-19
SN-132060601	2-22	SN-210051302	3-21, 3-24
SN-140060101	2-21	SN-210121800	2-9
SN-140100101	2-20, 2-21	SN-210122200	3-3
SN-150380301	2-21, 2-29	SN-210342200	3-1, 3-2
SN-165004101	2-37	SN-211142001	3-17
SN-165005101	2-30	SN-212000501	2-5, 2-27, 2-28
SN-165006101	2-1	SN-212003401	3-17
SN-165008201	2-21	SN-212014001	2-1
SN-165061301	2-30	SN-212050502	2-32, 3-22, 3-23
SN-165081501	2-30	SN-212112350	2-27, 2-28
SN-170048501	2-6	SN-212121205	2-32
SN-200002701	3-20	SN-212123401	2-28
SN-200002753	3-20	SN-212141401	3-17
SN-202712407	2-1	SN-212141501	3-8
SN-204019001	3-7	SN-212181840	2-9
SN-205002001	3-8	SN-212342720	3-3
SN-205002601	3-8, 3-19	SN-212343001	3-17
SN-206001001	3-8	SN-212383803	3-19, 5-5
SN-206001501	3-9	SN-213001402	3-8
SN-208001501	2-6	SN-214001205	2-21, 2-29, 2-32, 3-22, 3-23, 5-5

SN-215002001	3-6	SN-220122502	3-25
SN-215301706	3-18	SN-220123601	3-25
SN-215301707	3-18	SN-220125001	3-25
SN-215301708	3-17, 3-18	SN-220140105	3-26
SN-215301751	3-17	SN-220140110	3-16, 3-16, 3-16
SN-215301752	3-17	SN-220140111	3-26
SN-215301754	3-18	SN-220140123	3-16
SN-215301755	3-18	SN-220140127	3-28, 3-29
SN-215301756	3-18	SN-220140128	3-16
SN-215301757	3-18	SN-220140139	3-16
SN-215301759	3-18	SN-220140142	3-16, 3-16
SN-215301761	3-18	SN-220140143	3-16, 3-26
SN-216000101	3-1, 3-2	SN-220140154	3-16
SN-216003401	3-3, 3-4	SN-220140155	3-16
SN-216141401	3-20	SN-220140156	3-16, 3-16
SN-217101007	2-1	SN-220140157	3-16
SN-218000101	3-1, 3-2	SN-220140401	3-16
SN-218003401	3-3, 3-4	SN-220140403	3-25
SN-218011401	3-20	SN-220140501	3-8
SN-218353566	2-27, 2-28	SN-220163002	3-16
SN-220101806	3-16	SN-220340101	3-16
SN-220120106	3-16	SN-220340102	3-16
SN-220120115	3-16	SN-220340103	3-16
SN-220120136	3-16, 3-30	SN-220340214	3-16
SN-220120153	3-16, 3-30	SN-220340215	3-16
SN-220120159	3-16, 3-30	SN-220340217	3-16
SN-220120162	3-16	SN-220380107	3-16
SN-220120163	3-16	SN-220380108	3-16
SN-220120164	3-16	SN-220380113	3-16
SN-220120165	3-16, 3-16	SN-220380119	3-16
SN-220120166	2-32	SN-220380123	3-16
SN-220120167	3-16	SN-220380127	3-16
SN-220120168	5-5	SN-220380129	3-16
SN-220122206	3-25	SN-220380134	2-32, 3-16

SN-220380140	3-16	SN-30009-000	2-25
SN-220381507	3-27	SN-308417550	2-22, 3-19
SN-220580109	3-16	SN-308419850	2-27, 2-28
SN-220961001	3-8	SN-308443150	5-5
SN-221019000	2-1	SN-308494650	2-28, 3-21, 3-24
SN-221040000	2-1	SN-308503550	3-19
SN-221152301	5-6, 5-6	SN-308527950	2-1, 2-28, 3-3, 3-17
SN-222904001	2-1	SN-308528150	2-1, 2-19, 2-21, 2-29, 2-32, 3-7, 3-11, 3-13, 3-21, 3-22, 3-23, 3-24, 5-5
SN-223004001	2-1	SN-308528350	3-20
SN-223006074	2-1	SN-308539100	2-27, 2-28
SN-225141006	3-16	SN-308539160	2-27, 2-28
SN-225141009	3-16	SN-308539161	2-27, 2-28
SN-226061201	2-22, 2-32, 3-22, 5-5	SN-308551250	2-1
SN-228001401	3-19	SN-308573150	3-7, 3-19
SN-230012002	2-27, 2-28	SN-31091-000	2-25
SN-230012502	2-5	SN-320001001	3-18
SN-230203101	2-1	SN-329810301	2-28
SN-231013002	2-5	SN-364001201	3-21, 3-23
SN-240004001	2-27, 2-28	SN-366062801	3-18
SN-240040070	2-30	SN-366270101	3-19
SN-240100140	2-1	SN-366430601	3-6
SN-240100141	2-1	SN-400190601	4-3, 4-4
SN-240100142	2-1	SN-402012001	2-33
SN-240100144	2-1	SN-403000301	2-33
SN-240100145	2-1	SN-403167001	2-33
SN-240100418	2-1	SN-403430001	2-3
SN-250003403	2-28, 3-3	SN-414018750	2-7, 2-7
SN-250121201	2-22, 2-29, 2-32, 3-21, 3-23, 3-24	SN-414025000	2-30
SN-250383804	5-5	SN-414025950	2-1, 2-27, 2-28, 3-17, 3-19, 3-20
SN-250555550	2-7	SN-414026050	3-19, 5-5
SN-25389-000	2-25	SN-414026150	2-5, 2-27, 2-28, 2-32, 3-21, 3-22, 3-23, 3-24, 5-5
SN-25412-000	2-25	SN-414026250	2-28, 3-3, 3-17
SN-270012001	3-17		

SN-414026350	2-1	SN-523403104	2-7
SN-414026450	2-1	SN-523403105	2-7
SN-414102154	2-10, 2-14	SN-541043001	2-34
SN-414102156	2-10, 2-14	SN-541102003	2-7
SN-41410215J	2-11	SN-541172301	2-34
SN-41410216F	2-12, 2-16	SN-550605801	3-11, 3-12
SN-41410216G	2-12, 2-16	SN-586126501	2-34
SN-414102182	2-12, 2-16	SN-600005009	2-1, 2-4
SN-501000601	2-7	SN-600005053	2-1, 2-1
SN-510160002	2-9	SN-600005055	2-1, 2-4
SN-510160002 A	5-1	SN-600005057	2-1
SN-510160002-FOAM	2-9	SN-600005058	2-1
SN-510180103	2-9	SN-600005059	2-1, 2-4
SN-512014950	2-1, 2-27, 2-28, 3-19, 3-20	SN-600005060	2-1
SN-512015450	3-19	SN-600005062	2-1
SN-512038501	2-1	SN-600005063	2-1
SN-512039050	3-17, 3-19	SN-600005080	2-1, 2-4
SN-513009050	2-1	SN-600005081	2-1, 2-4
SN-520161601	2-20	SN-600005082	2-1, 2-4
SN-520161602	2-20	SN-600005084	2-1, 2-4
SN-520161603	2-20	SN-601040000	2-1
SN-520181801	2-21	SN-601055010	2-2
SN-520181802	2-21	SN-601055020	2-2
SN-520181803	2-21	SN-601055040	2-1
SN-521000402	3-8, 3-9	SN-602065601	3-5
SN-521006002	2-2	SN-602065602	3-5
SN-521502001	2-34	SN-602065603	3-5
SN-522001005	2-1	SN-604072202	2-34
SN-522001006	2-1	SN-609020950	3-6
SN-522400801	2-1, 2-5, 2-27, 2-28	SN-609021950	3-3
SN-522403001	2-1	SN-609034650	2-1
SN-522502001	2-1	SN-609036350	2-9, 3-3, 3-8
SN-522601302	2-30	SN-609063450	2-6
SN-522603001	2-30	SN-609063570	2-30

SN-609077850	2-21, 2-32	SN-61002116G	2-11, 2-13, 2-17
SN-609080954	5-6	SN-61002116I	2-18
SN-609080956	5-6	SN-61002116J	2-18
SN-609080957	5-6	SN-610021170	2-15
SN-609080958	5-6	SN-610021171	2-11, 2-15
SN-609080959	5-6	SN-610021172	2-11, 2-15
SN-610001206	2-11	SN-610021173	2-11, 2-15
SN-61000126A	2-18	SN-610021174	2-11
SN-610002151	2-11, 2-12	SN-610021175	2-11
SN-610010201	2-15	SN-610021176	2-11, 2-15
SN-610021151	2-10, 2-11, 2-14	SN-610021177	2-11
SN-610021153	2-11, 2-15	SN-610021178	2-11
SN-610021155	2-11, 2-15	SN-610021179	2-11
SN-610021156	2-11, 2-15	SN-610021180	2-11
SN-610021157	2-11, 2-15	SN-610021181	2-11
SN-610021158	2-11, 2-15	SN-610021182	2-11
SN-610021159	2-11, 2-15	SN-610021183	2-11
SN-61002115A	2-12, 2-16	SN-610021184	2-11
SN-61002115B	2-16	SN-610021185	2-11
SN-61002115C	2-16	SN-610021187	2-16
SN-61002115D	2-12, 2-16	SN-610021188	2-16
SN-61002115E	2-12, 2-16	SN-610021190	2-12, 2-16
SN-61002115F	2-12, 2-16	SN-610021191	2-12, 2-16
SN-61002115J	2-12, 2-16	SN-610021193	2-12, 2-16
SN-61002115M	2-12, 2-16	SN-610021194	2-12, 2-16
SN-610021160	2-11, 2-15	SN-610021195	2-11, 2-12, 2-16
SN-610021162	2-11, 2-15	SN-610021197	2-9, 2-12, 2-16
SN-610021163	2-11, 2-15	SN-610021198	2-12
SN-610021164	2-11, 2-15	SN-610021199	2-12, 2-16
SN-610021165	2-11, 2-15	SN-610021301	2-12, 2-16, 2-18
SN-610021166	2-11, 2-15	SN-610040401	2-15
SN-610021167	2-11, 2-15	SN-610051178	2-12, 2-16
SN-610021169	2-11, 2-15	SN-610054101	2-15
SN-61002116F	2-13, 2-17	SN-610060304	2-11



SN-610060351	2-10	SN-610211059	2-11
SN-610060353	2-11	SN-610211060	2-11
SN-610060354	2-11	SN-610211061	2-11
SN-610060355	2-11	SN-610211062	2-11
SN-610060356	2-11	SN-610211063	2-11
SN-610060358	2-11	SN-610211064	2-12
SN-610060359	2-15	SN-610211065	2-11, 2-15
SN-610060360	2-11	SN-610211066	2-12
SN-610060361	2-11	SN-610211067	2-12
SN-610060362	2-11	SN-610211068	2-12
SN-610060363	2-11	SN-610211069	2-12
SN-610060364	2-11	SN-610211070	2-12
SN-610060365	2-11	SN-610211071	2-12
SN-610060367	2-11	SN-610211072	2-12
SN-610060368	2-11	SN-610211073	2-12
SN-610060369	2-11	SN-610211074	2-13, 2-17
SN-610060374	2-12	SN-610211075	2-13, 2-17
SN-610060375	2-16	SN-610211076	2-16
SN-610060376	2-12	SN-610211077	2-12
SN-610060391	2-13, 2-17	SN-61021206H	2-11
SN-610060442	2-12, 2-16	SN-610296101	2-16
SN-610063193	2-12, 2-16	SN-610600502	2-12, 2-16
SN-610070101	2-16	SN-610600504	2-12, 2-16
SN-610147001	2-12, 2-16	SN-610600601	2-16
SN-610161001	2-12, 2-16	SN-610601001	2-12, 2-16
SN-610211001	2-9	SN-610601601	2-16
SN-610211002	2-9	SN-610601901	2-12, 2-16
SN-610211051	2-15	SN-610602801	2-12, 2-16
SN-610211052	2-15	SN-610607407	2-12, 2-16
SN-610211053	2-16	SN-610671101	2-12, 2-16
SN-610211055	2-11	SN-610701501	2-12, 2-16, 2-18
SN-610211056	2-11, 2-15	SN-610746001	2-15
SN-610211057	2-11, 2-15	SN-611181502	2-9
SN-610211058	2-12, 2-16	SN-611185902	2-9

SN-612041200	2-32, 3-7, 3-22, 3-23	SN-704061001	2-30
SN-612041300	3-17	SN-704061002	2-6
SN-612041500	3-17, 3-20	SN-706000101	2-34
SN-617104101	2-15	SN-706011001	2-34
SN-618004250	3-3	SN-706032001	2-34
SN-620280604	2-1	SN-706163101	2-34
SN-621011801	2-16	SN-706172301	2-34
SN-621060001	2-12, 2-16	SN-707000001	2-35
SN-621060101	2-12, 2-16	SN-707000101	2-35
SN-621060601	2-12, 2-16	SN-707000301	2-35
SN-621061201	2-12, 2-16	SN-707301702	2-30
SN-621061301	2-12, 2-16	SN-707301703	2-35
SN-621067001	2-12, 2-16	SN-707301705	2-35
SN-621073001	2-15	SN-710062502	2-7
SN-622006750	3-16	SN-710062551	2-7
SN-626505002	2-2	SN-715182701	2-34
SN-627825001	2-18	SN-719000201	2-33
SN-628033650	2-3	SN-720000010B	2-38
SN-628052650	2-1	SN-720000011B	2-38
SN-628053250	2-30	SN-720000012B	2-38
SN-628058850	5-2	SN-720000013C	2-38
SN-628072650	2-30	SN-720000015B	2-38
SN-631041003	2-1, 2-1	SN-720000020C	2-38
SN-635007850	2-5	SN-720000022B	2-38
SN-635011864	3-12	SN-720000034B	2-38
SN-635011865	3-1, 3-2, 3-3	SN-720000046A	2-38
SN-635011866	3-3	SN-720000177A	2-38
SN-675808002	2-1	SN-720000178A	2-38
SN-701001201	2-32, 3-22, 3-23, 5-5	SN-720000520C	2-38
SN-701004001	2-9	SN-720000620A	2-38
SN-701007003	2-27, 2-28	SN-725191001A	2-38
SN-703250601	2-6, 2-9	SN-731101101	4-6
SN-704000201	2-6	SN-7621408	2-4
SN-704032001	2-34	SN-763-1520	2-4

SN-7631389	2-4	SN-7631424	2-4
SN-7631390	2-4	SN-7631425	2-4
SN-7631391	2-4	SN-7631426	2-4
SN-7631392	2-4	SN-7631427	2-4
SN-7631393	2-4	SN-7631429	2-4
SN-7631394	2-4	SN-7631430	2-4
SN-7631395	2-4	SN-7631431	2-4
SN-7631396	2-4	SN-7631432	2-4
SN-7631397	2-4	SN-7631433	2-4
SN-7631398	2-4	SN-7631434	2-4
SN-7631399	2-4	SN-7631435	2-4
SN-7631400	2-4	SN-7631436	2-4
SN-7631401	2-4	SN-7631437	2-4
SN-7631402	2-4	SN-7631438	2-4
SN-7631403	2-4	SN-7631439	2-4
SN-7631404	2-4	SN-7631440	2-4
SN-7631405	2-4	SN-7631441	2-4
SN-7631406	2-4	SN-7631442	2-4
SN-7631407	2-4	SN-7631443	2-4
SN-7631409	2-4	SN-7631444	2-4
SN-7631410	2-4	SN-7631445	2-4
SN-7631411	2-4	SN-7631446	2-4
SN-7631412	2-4	SN-7631447	2-4
SN-7631413	2-4	SN-7631448	2-4, 2-4
SN-7631414	2-4	SN-7631449	2-4
SN-7631415	2-4, 2-4	SN-7631450	2-4
SN-7631416	2-4	SN-7631451	2-4
SN-7631417	2-4	SN-7631452	2-4
SN-7631418	2-4	SN-7631453	2-4
SN-7631419	2-4	SN-7631454	2-4
SN-7631420	2-4	SN-7631455	2-4
SN-7631421	2-4	SN-7631456	2-4, 2-4
SN-7631422	2-4	SN-7631457	2-4
SN-7631423	2-4	SN-7631459	2-4

SN-7631460	2-4	SN-7631497	2-4
SN-7631461	2-4	SN-7631498	2-4
SN-7631462	2-4	SN-7631499	2-4
SN-7631463	2-4	SN-7631501	2-4
SN-7631465	2-4	SN-7631502	2-4
SN-7631466	2-4	SN-7631503	2-4
SN-7631467	2-4	SN-7631504	2-4
SN-7631468	2-4	SN-7631505	2-4
SN-7631469	2-4	SN-7631506	2-4
SN-7631470	2-4	SN-7631507	2-4
SN-7631471	2-4	SN-7631508	2-4
SN-7631472	2-4	SN-7631509	2-4
SN-7631473	2-4	SN-7631510	2-4
SN-7631474	2-4	SN-7631511	2-4
SN-7631475	2-4	SN-7631512	2-4
SN-7631476	2-4	SN-7631513	2-4
SN-7631477	2-4	SN-7631514	2-4
SN-7631479	2-4	SN-7631515	2-4
SN-7631481	2-4	SN-7631516	2-4
SN-7631482	2-4	SN-7631517	2-4
SN-7631483	2-4	SN-7631518	2-4
SN-7631484	2-4	SN-7631519	2-4
SN-7631485	2-4	SN-7631521	2-4
SN-7631486	2-4	SN-7631522	2-4
SN-7631487	2-4	SN-7631523	2-4
SN-7631488	2-4	SN-7631524	2-4
SN-7631489	2-4	SN-7631525	2-4
SN-7631490	2-4	SN-7631526	2-4
SN-7631491	2-4	SN-7631527	2-4
SN-7631492	2-4	SN-7631528	2-4
SN-7631493	2-4	SN-7631529	2-4
SN-7631494	2-4	SN-7631530	2-4
SN-7631495	2-4	SN-7631531	2-4
SN-7631496	2-4	SN-7631532	2-4

SN-7631533	2-4	SN-800506090	5-2
SN-7631534	2-4	SN-800508040	2-21
SN-7631535	2-4	SN-800511240	3-5
SN-7631536	2-4	SN-801701020	2-1
SN-7631537	2-4	SN-801704016	4-4
SN-7631538	2-4	SN-801705016	2-30
SN-7631539	2-4	SN-801706020	2-7, 2-30
SN-7631540	2-4	SN-802220120	2-9
SN-7631728	2-4	SN-804001610	4-3, 4-4
SN-800106020	2-1, 2-6, 2-30	SN-804002005	2-6, 2-30, 4-3, 4-4
SN-800106025	2-1, 2-3, 2-6, 2-9, 5-2	SN-804002006	2-1, 2-3, 2-6, 2-7, 2-9, 2-26, 2-30, 3-23, 5-2
SN-800106030	2-3, 2-7	SN-804002008	2-1, 2-2, 2-3, 2-5, 2-6, 2-7, 2-21, 2-30, 3-17
SN-800108016	2-5, 2-21, 2-27, 2-28, 5-5	SN-804002010	2-1, 2-5, 2-20
SN-800108020	3-8, 3-9	SN-804002012	2-1, 2-6, 2-8, 2-20, 2-21, 2-22, 2-23
SN-800108025	5-2	SN-804002014	2-1
SN-800108030	2-1, 2-2, 2-21	SN-804002018	2-7
SN-800108040	2-1, 2-21	SN-804002020	2-9, 2-30
SN-800110030	2-1, 2-6, 3-3, 3-4, 3-20	SN-804003006	2-1, 2-3, 2-6, 2-7, 2-29, 2-30, 3-19, 3-23, 3-24, 5-2, 5-5
SN-800110035	2-5, 2-22	SN-804003008	2-1, 2-2, 2-3, 2-5, 2-6, 2-7, 2-21, 2-27, 2-28, 2-30, 3-6, 3-8, 3-12, 3-17, 5-2
SN-800110040	2-27, 2-28, 2-30	SN-804003010	2-1, 2-5, 2-6, 2-20, 2-22, 2-27, 2-28, 3-5, 3-7, 3-20
SN-800112035	2-1	SN-804003012	2-1, 2-6, 2-8, 2-20, 2-21, 2-22, 2-23, 3-1, 3-2
SN-800112040	3-1, 3-2	SN-804003014	2-1
SN-800112100	2-8	SN-804003016	3-3, 3-4
SN-800114030	2-1	SN-804003018	2-7
SN-800208050	2-1, 2-20, 2-30	SN-804003020	2-9
SN-800210030	2-1	SN-804003106	2-1, 2-6, 2-7, 2-9, 2-26, 5-2
SN-800212120	2-8	SN-804003108	2-1, 2-30, 3-9, 3-17
SN-800216050	3-3, 3-4	SN-804003110	2-1, 2-30
SN-800220120	2-30		
SN-800220230	2-9		
SN-800501245	3-1, 3-2		
SN-800504020	2-30		
SN-800504030	2-37		
SN-800506040	2-6, 2-32		

SN-804003112	2-1	SN-ME02006191	4-1, 4-1, 4-1
SN-804003120	2-30	SN-ME02007192	4-1, 4-1, 4-1, 4-1, 4-1, 4-1
SN-804003206	2-1, 2-3, 2-7, 2-29, 3-19, 3-24, 5-2, 5-5	SN-ME02008193	4-1
SN-804003208	2-1, 2-2, 2-5, 2-27, 2-28, 2-30, 3-6, 3-9, 5-2	SN-ME02794920	4-1, 4-1, 4-1
SN-804003210	2-1, 2-6, 2-21, 2-27, 2-28, 2-30, 3-3, 3-4, 3-7, 3-20	SN-ME02805931	4-1, 4-1
SN-804003212	2-1, 2-20, 2-21, 3-1, 3-2	SN-ME03012160	4-1, 4-1
SN-804003216	3-3, 3-4	SN-ME05015210	4-1, 4-1, 4-1, 4-2, 4-2, 4-2, 4-2, 4-2, 4-2, 4-2, 4-2, 4-2
SN-804801800	2-22	SN-ME05016346	4-2, 4-2, 4-2
SN-804801802	2-9	SN-ME05017412	4-1
SN-805007015	2-5	SN-ME05019371	4-1, 4-1
SN-805007020	2-1	SN-ME05405370	4-1
SN-805007032	2-1	SN-ME05536642	4-1
SN-805007058	2-1	SN-ME07035025	2-30, 4-6
SN-805007087	2-1	SN-ME07039261	2-30
SN-860450001	5-2	SN-ME07373072	4-5
SN-861109001	2-1, 5-6	SN-ME07374073	4-5, 4-5
SN-861109002	2-1, 5-6	SN-ME07406381	2-30, 4-6
SN-900006011	2-30, 4-6	SN-ME07445536	4-5, 4-5, 4-5, 4-5, 4-5
SN-905161101	2-37	SN-ME07493597	2-30
SN-CT0877460	4-11	SN-ME07494603	4-7
SN-CT087D463	4-9	SN-ME07534640	2-30
SN-CT087F461	4-8	SN-ME09066027	2-30, 4-6
SN-CT0882459	4-10	SN-ME09072A69	2-30
SN-CT146483	4-13	SN-ME09080328	2-30
SN-CU211A406	4-14	SN-ME09088335	2-6
SN-CU2393114	4-12	SN-ME09089019	2-27, 2-28
SN-CUK443501	2-30	SN-ME09380327	2-6
SN-D2806053	3-27	SN-ME09397A86	2-30, 4-5
SN-ME02004189	4-1, 4-1	SN-ME09466562	2-30, 4-6
SN-ME02005190	4-1, 4-1, 4-1, 4-1, 4-1, 4-1, 4-1, 4-1	SN-ME09523B44	2-30, 4-3, 4-4
		SN-ME09523B51	4-3
		SN-ME09523B52	4-3
		SN-ME09523B53	4-3

---

SN-ME09523B54	4-3	SN-T24005350	2-1
SN-ME09529635	2-6	SN-T24007050	2-27, 2-28
SN-ME09636748	2-33	SN-T24007550	2-1, 2-1
SN-ME09725853	5-6	SN-T24009150	2-20
SN-ME09909A82	2-6	SN-T24009450	2-1
SN-ME10401353	2-30	SN-T24011250	2-22
SN-ME10651764	4-5	SN-T24014250	2-21
SN-ME10778906	2-30	SN-T24015550	2-21
SN-ME10852917	2-30	SN-T24016250	2-20
SN-ME10857A05	4-1	SN-T24016750	2-19, 2-20
SN-ME11082B53	2-30	SN-T24016850	2-19, 2-21, 2-32
SN-ME11095A39	2-6	SN-T24017050	2-8
SN-ME11096A40	2-6	SN-T24017250	2-21
SN-ME11496222	2-6	SN-T24017350	2-21
SN-ME11497223	2-6	SN-T24018250	2-7
SN-ME1A865C53	2-30, 4-7	SN-T24018750	4-3, 4-4
SN-ME35065D44	2-6	SN-T24018850	3-17
SN-ME57006578	4-1, 4-1, 4-1	SN-T25021750	2-6
SN-ME57007579	4-1, 4-1, 4-1, 4-1	SN-T25026350	2-27, 2-28, 2-30, 2-32, 3-22
SN-ME57008580	4-1, 4-1, 4-1, 4-1, 4-1	SN-T25031550	4-3, 4-4
SN-ME57010581	4-1, 4-1	SN-T25031650	4-3, 4-4
SN-ME65253452	2-6	SN-T25047350	2-21
SN-ME65607716	2-1	SN-T25048250	2-22, 2-23
SN-ME96382330	2-30	SN-T25053950	2-30
SN-SME09764892	2-9	SN-T25054750	2-20
SN-SME09845970	2-9	SN-T25054850	2-20
SN-ST25060050	2-9	SN-T25054950	2-26
SN-ST25060750	2-9	SN-T25055050	2-26
SN-T24000155	2-9	SN-T25055150	2-26
SN-T24002250	2-8	SN-T25055350	2-6
SN-T24002350	2-20	SN-T25055450	2-6
SN-T24002750	2-8	SN-T25055550	2-6, 2-8, 2-29
SN-T24003050	2-20	SN-T25055650	2-21
SN-T24005250	2-1	SN-T25055750	2-1

SN-T25055850	2-1	SN-T25059650	2-7
SN-T25055950	2-1	SN-T25059750	2-7
SN-T25056050	2-2	SN-T25059850	2-7
SN-T25056150	2-7	SN-T25059950	2-7
SN-T25056250	2-7	SN-T25060150	2-1
SN-T25056350	2-7	SN-T25060250	2-2
SN-T25056450	2-1	SN-T25060550	2-7
SN-T25056550	2-1, 2-7	SN-T25060850	2-6, 2-9
SN-T25056650	2-7	SN-T25060950	2-32, 5-5
SN-T25056750	2-7	SN-T25061350	5-2
SN-T25056850	2-7	SN-T25061450	2-1
SN-T25056950	2-7	SN-T25061550	2-20
SN-T25057050	2-7	SN-T25061750	4-4
SN-T25057150	2-3	SN-T25061850	4-4
SN-T25057250	2-5	SN-T25062250	4-4
SN-T25057550	2-1	SN-T25062350	2-7
SN-T25057750	2-1	SN-T25062550	2-6
SN-T25057850	2-7	SN-T25062650	2-7
SN-T25058050	2-1, 2-7	SN-T25063050	2-7
SN-T25058150	2-7	SN-T25064150	5-4
SN-T25058250	2-7	SN-T25065250	2-6
SN-T25058350	2-7	SN-T25065350	2-6
SN-T25058450	2-1	SN-T25065750	5-4, 5-4, 5-4, 5-4, 5-4, 5-4, 5-4, 5-4, 5-4
SN-T25058550	2-1	SN-T25066050	5-5
SN-T25058650	2-1	SN-T25067850	2-23
SN-T25058750	2-7	SN-T2506795	2-21
SN-T25058850	2-7	SN-T28002950	2-23
SN-T25058950	2-7	SN-T28020750	2-20
SN-T25059050	2-7, 2-29	SN-T28023750	2-27, 2-28
SN-T25059150	2-27, 2-28	SN-T28023850	2-27, 2-28
SN-T25059250	2-6	SN-T28029850	2-20
SN-T25059350	2-6, 2-7	SN-T28042150	2-20
SN-T25059450	2-7	SN-T28054250	2-22
SN-T25059550	2-7	SN-T28054350	2-21



SN-T28056650	2-30	SN-T30182758	2-36
SN-T28058750	2-30	SN-T30182760	2-36
SN-T28062450	2-27, 2-28	SN-T30182761	2-36
SN-T28063250	2-3	SN-T30182762	2-36
SN-T28065050	2-6	SN-T30182763	2-36
SN-T30025350	2-6	SN-T30182764	2-36
SN-T30038250	2-6	SN-T30182765	2-36
SN-T30073650	2-20, 2-21	SN-T30182766	2-36
SN-T30073750	2-20, 2-21	SN-T30182767	2-36
SN-T30073850	2-20, 2-21	SN-T30182768	2-36
SN-T30180660	2-37	SN-T30182769	2-36
SN-T30180680	2-37	SN-T30182770	2-36
SN-T30181450	2-30	SN-T30183162	5-6
SN-T30181550	2-30	SN-T30183163	5-6
SN-T30181650	2-30	SN-T30183550	2-30
SN-T30181750	2-30	SN-T30187351	5-6
SN-T30182050	2-30, 2-34	SN-T30187352	5-6, 5-6
SN-T30182051	2-34	SN-T30187355	2-30
SN-T30182052	2-34	SN-T30187362	5-6
SN-T30182053	2-34	SN-T30187363	5-6
SN-T30182054	2-34	SN-T30187366	2-1, 5-6
SN-T30182055	2-34	SN-T30187367	5-6
SN-T30182056	2-34	SN-T30187368	5-6
SN-T30182057	2-34	SN-T30187373	5-6
SN-T30182059	2-34	SN-T30187375	5-6
SN-T30182061	2-34	SN-T30187382	5-6
SN-T30182062	2-34	SN-T30187388	5-6
SN-T30182250	2-30	SN-T30188250	2-30
SN-T30182751	2-36	SN-T30192150	2-30
SN-T30182752	2-36	SN-T30193350	2-30
SN-T30182753	2-36	SN-T30194550	2-30
SN-T30182754	2-36	SN-T30194650	2-30
SN-T30182755	2-36	SN-T30197850	2-30
SN-T30182756	2-36	SN-T35140150	2-22

SN-T60001050	2-30	SN-TI2507950	3-2
SN-TA2406001	3-13	SN-TI2508650	2-21
SN-TA2406002	2-21, 3-14	SN-TI2800550	2-33, 3-8
SN-TA2406003	3-11	SN-TI2805050	3-12
SN-TA2406004	2-19, 3-10	SN-YAS7035AT	3-13
SN-TA2406053	3-11, 3-14	SN-YAS7050AE	3-10
SN-TA2406054	3-10	SN-YASA160AH	3-14
SN-TA2406201	3-10	SN-YASA160AL	3-11, 3-12
SN-TA2506043	2-20	SN720000010B	2-39
SN-TA2506087	2-30	SN720000011B	2-39
SN-TI2500250	3-1	SN720000012B	2-39
SN-TI2500251	3-1, 3-2	SN720000013C	2-39
SN-TI2500350	3-3	SN720000015B	2-39
SN-TI2500351	3-3	SN720000020C	2-39
SN-TI2500352	3-3	SN720000022B	2-39
SN-TI2500353	3-3	SN720000034B	2-39
SN-TI2500356	3-3	SN720000046A	2-39
SN-TI2500363	3-3	SN720000177A	2-39
SN-TI2506450	2-20	SN720000178A	2-39
SN-TI2506550	2-20	SN720000520C	2-39
SN-TI2506650	2-20	SN720000620A	2-39
SN-TI2506750	2-20	SN725191001A	2-39
SN-TI2506850	3-16, 3-20	T25060950	2-22
SN-TI2506950	2-5	T30182250	4-5
SN-TI2507050	2-5	T30188250	4-6
SN-TI2507150	3-16	T30194650B	2-36
SN-TI2507250	2-19, 3-16	T60001050	4-7
SN-TI2507350	3-12	TA2056064B	2-8
SN-TI2507450	3-28	TA24026004B	3-10
SN-TI2507550	3-28	TA2406002	3-14
SN-TI2507650	2-19	TA2406003	3-11
SN-TI2507750	2-22, 3-15	TA2506004A	3-21
SN-TI2507751	3-15	TA2506017A	3-3
SN-TI2507850	3-4	TA2506043A	2-26

TA2506048A .....	3-5	TA2807012A .....	3-23
TA2506049B .....	3-8	TA2807024A .....	3-6
TA2506050A .....	3-9	TA3007040A .....	2-30
TA2506057A .....	2-27	TE3514024A .....	2-33
TA2506058A .....	2-5	TI00626200E .....	3-16
TA2506059A .....	3-19	TI2507750 .....	3-15
TA2506060A .....	3-17		
TA2506060A-3 .....	3-18		
TA2506061A .....	2-2		
TA2506062A .....	2-7		
TA2506063C .....	2-6		
TA2506065A .....	2-9		
TA2506066A .....	2-34		
TA2506067B .....	2-1		
TA2506068A .....	3-20		
TA2506069A .....	2-3		
TA2506070A .....	3-1		
TA2506072A .....	2-29		
TA2506073A .....	3-13		
TA2506074A .....	3-12		
TA2506076B .....	4-4		
TA2506082A .....	3-2		
TA2506083A .....	5-2		
TA2506084A .....	5-4		
TA2506086A .....	2-32		
TA2506087A .....	2-37		
TA2506088A .....	3-4		
TA2506089A .....	2-28		
TA2506090B .....	5-5		
TA2506901E .....	2-20		
TA2506902D .....	2-21		
TA2506903E .....	2-19		
TA2509602A .....	2-23		
TA2807011A .....	3-22		