

# **SR9244 PARTS MANUAL**

## GENERAL INFORMATION

SR9244 GENERAL INFORMATION .....	1-1
----------------------------------	-----

## REPAIR PARTS

CHASSIS AND CARTER FR00 .....	2-1
CABIN FR00 CLASIC AGRITOP .....	2-2
REPLACEMENT KEYS FOR TELEHANDLERS .....	2-3
CAB QUEEN CABIN DOOR 1 .....	2-4
CAB QUEEN CABIN DOOR 2 .....	2-5
INNER COATINGS CABIN FR04 CLASSIC .....	2-6
CASTING AND PROTECTIONS FR04 .....	2-7
LEVELING BUBBLE .....	2-8
FRAME AND LIGHTS FR04 .....	2-9
FRAME AND PINS FR04 .....	2-10
TRANSMISSION FR04 CLASSIC .....	2-11
FRONT AXLE 26.25 SINGLE-SPEED TABLE 1 .....	2-12
FRONT AXLE 26.25 SINGLE-SPEED TABLE 2 .....	2-13
FRONT AXLE 26.25 SINGLE-SPEED TABLE 3 .....	2-14
FRONT AXLE 26.25 SINGLE-SPEED TABLE 4 .....	2-15
FRONT AXLE 26.25 SINGLE SPEED TABLE 5 .....	2-16
FRONT AXLE 26.25 SINGLE-SPEED TABLE 6 .....	2-17
FRONT AXLE 26.25 SINGLE-SPEED TABLE 7 .....	2-18
FRONT AXLE 26.25 SINGLE SPEED TABLE 8 .....	2-19
FRONT AXLE 26.25 SINGLE SPEED TABLE 9 .....	2-20
FRONT AXLE 26.25 SINGLE SPEED TABLE 10 .....	2-21
REAR AXLE 26.16 OSCILLATING TABLE 1 .....	2-22
REAR AXLE 26.16 OSCILLATING TABLE 2 .....	2-23
REAR AXLE 26.16 OSCILLATING TABLE 3 .....	2-24
REAR AXLE 26.16 OSCILLATING TABLE 4 .....	2-25
REAR AXLE 26.16 OSCILLATING TABLE 5 .....	2-26
REAR AXLE 26.16 OSCILLATING TABLE 6 .....	2-27
REAR AXLE 26.16 OSCILLATING TABLE 7 .....	2-28
STABILIZER FR04 .....	2-29
DEUTZ ENGINE 90KW TCD 3.6 L4 ASSEMBLY .....	2-30
DEUTZ ENGINE 134HP TCD3.6L4-EAT T4F REPLACEMENT PARTS .....	2-31
ENGINE-PUMP COUPLING .....	2-32
DEUTZ 90kW IIIB ENGINE EXHAUST .....	2-33
POWERCORE COMPLETE AIR FILTER 9 INCH .....	2-34
PLASTIC DIESEL FUEL TANK FR04 .....	2-35
CARRIAGE ASSY 60" FIXED .....	2-36
ARM FR04 17M SR9244 ASSSEMBLY .....	2-37
FIXED ARM FR04 17M SR9244 ASSEMBLY .....	2-38
EXTENSION FR04 17M SR9244 ASSEMBLY .....	2-39
EXTENSION FR04 17M SR9244 ASSEMBLY .....	2-40
EXTENSION FR04 17M SR9244 ASSEMBLY .....	2-41

BOOM INCLINOMETER .....	2-42
LOAD CHART SET SR9244 FINNISH .....	2-43
FLIP CHART SET SR1054 SR9244 .....	2-44
DECAL KIT SR9244 .....	2-45
FLIP CHART SET SR1054 SR9244 FRENCH .....	2-46

## HYDRAULICS

HYDRAULIC HOSE SCHEMATIC SR9244 .....	3-1
HYDRAULIC SCHEMATIC FR02 CLASSIC 3B .....	3-2
SUSPENSION BOOM HOSE KIT .....	3-3
FLOATING BOOM HOSE KIT .....	3-4
REAR HYDRAULIC CONNECTION HOSE KIT .....	3-5
QUICK RELEASE HOSE KIT .....	3-6
REAR AXLE LOCK HOSE KIT .....	3-7
LEVELING CYLINDER FR04 .....	3-8
STABILIZER CYLINDER .....	3-9
EXTENSION CYLINDER 17M .....	3-10
TILTING CYLINDER FR04 .....	3-11
LIFTING CYLINDER .....	3-12
LIFTING CYLINDER SUSPENSION BOOM 17M SCHEMATIC .....	3-13
LIFTING CYLINDER FLOATING BOOM 17M .....	3-14
LIFTING CYLINDER SUSPENSION BOOM 17M .....	3-15
COMPENSATION CYLINDER FR04 .....	3-16
HYDROSTATIC ENGINE 160CC .....	3-17
HYDROSTATIC PUMP 71CC .....	3-18
STEERING VALVE ASSEMBLY .....	3-19
POWER STEERING FR04 ASSEMBLY .....	3-20
BRAKE PEDAL FR04 ASSEMBLY .....	3-21
BRAKE ACCUMULATOR FR04 ASSEMBLY .....	3-22
CASAPPA PUMP 51CC .....	3-23
HYDRAULIC SERVICE PUMP ITAKE CAPAPPA PUMP 51CC .....	3-24
DISTRIBUTION DN85 FR04 .....	3-25
PROPORTIONA EXTENSION DISTRIBUTION DN85-5 FR00 VERSION 2 .....	3-26
FR04 DISTRIBUTOR .....	3-27
DISTRIBURTOR DN85 FR02 .....	3-28
DRAIN HYDRAULIC MANIFOLD .....	3-29
OIL TANK ASSEMBLY .....	3-30

## ELECTRICAL

JOYSTICK FR04 CLASSIC .....	4-1
WRIST RESTS CLASSIC .....	4-2
PNPWIRE SENSOR .....	4-3
ENGINE DEUTZ TCD 3.6 KW FR04 .....	4-4
LIMIT SWITCH CONNECTOR WIRING .....	4-5
DRIVER SEAT FR04 BASIC .....	4-6
PUSHBUTTON PANEL FR04 BASIC .....	4-7

FRAME TELAIO FR04 BASIC .....	4-8
UNIVERSAL CABIN ROOF SHEATH .....	4-9
PLATE LIGHT EXTENSION .....	4-10

**OPTIONS**

CLEANFIX FAN CLASSIC .....	5-1
TELEHANDLER AIR CONDITIONING .....	5-2
SKID STEER ADAPTER GROUP B ASSEMBLY .....	5-3
KIT LARGE FARESIN BOBCAT FITTINGS .....	5-4

**SCHEMATICS**

SR9244 HYDRAULIC HOSE SCHEMATIC T141442220 .....	6-1
SR1054 SR9244 ELECTRICAL SCHEMATIC DEUTZ T4 74.4 CT38A5697 1 OF 43 .....	6-2
SR1054 SR9244 ELECTRICAL SCHEMATIC DEUTZ T4 74.4 CT38A5697 2 OF 43 .....	6-3
SR1054 SR9244 ELECTRICAL SCHEMATIC DEUTZ T4 74.4 CT38A5697 3 OF 43 .....	6-4
SR1054 SR9244 ELECTRICAL SCHEMATIC DEUTZ T4 74.4 CT38A5697 4 OF 43 .....	6-5
SR1054 SR9244 ELECTRICAL SCHEMATIC DEUTZ T4 74.4 CT38A5697 5 OF 43 .....	6-6
SR1054 SR9244 ELECTRICAL SCHEMATIC DEUTZ T4 74.4 CT38A5697 6 OF 43 .....	6-7
SR1054 SR9244 ELECTRICAL SCHEMATIC DEUTZ T4 74.4 CT38A5697 7 OF 43 .....	6-8
SR1054 SR9244 ELECTRICAL SCHEMATIC DEUTZ T4 74.4 CT38A5697 8 OF 43 .....	6-9
SR1054 SR9244 ELECTRICAL SCHEMATIC DEUTZ T4 74.4 CT38A5697 9 OF 43 .....	6-10
SR1054 SR9244 ELECTRICAL SCHEMATIC DEUTZ T4 74.4 CT38A5697 10 OF 43 .....	6-11
SR1054 SR9244 ELECTRICAL SCHEMATIC DEUTZ T4 74.4 CT38A5697 11 OF 43 .....	6-12
SR1054 SR9244 ELECTRICAL SCHEMATIC DEUTZ T4 74.4 CT38A5697 12 OF 43 .....	6-13
SR1054 SR9244 ELECTRICAL SCHEMATIC DEUTZ T4 74.4 CT38A5697 13 OF 43 .....	6-14
SR1054 SR9244 ELECTRICAL SCHEMATIC DEUTZ T4 74.4 CT38A5697 14 OF 43 .....	6-15
SR1054 SR9244 ELECTRICAL SCHEMATIC DEUTZ T4 74.4 CT38A5697 15 OF 43 .....	6-16
SR1054 SR9244 ELECTRICAL SCHEMATIC DEUTZ T4 74.4 CT38A5697 16 OF 43 .....	6-17
SR1054 SR9244 ELECTRICAL SCHEMATIC DEUTZ T4 74.4 CT38A5697 17 OF 43 .....	6-18
SR1054 SR9244 ELECTRICAL SCHEMATIC DEUTZ T4 74.4 CT38A5697 18 OF 43 .....	6-19
SR1054 SR9244 ELECTRICAL SCHEMATIC DEUTZ T4 74.4 CT38A5697 19 OF 43 .....	6-20
SR1054 SR9244 ELECTRICAL SCHEMATIC DEUTZ T4 74.4 CT38A5697 20 OF 43 .....	6-21
SR1054 SR9244 ELECTRICAL SCHEMATIC DEUTZ T4 74.4 CT38A5697 21 OF 43 .....	6-22
SR1054 SR9244 ELECTRICAL SCHEMATIC DEUTZ T4 74.4 CT38A5697 22 OF 43 .....	6-23
SR1054 SR9244 ELECTRICAL SCHEMATIC DEUTZ T4 74.4 CT38A5697 23 OF 43 .....	6-24
SR1054 SR9244 ELECTRICAL SCHEMATIC DEUTZ T4 74.4 CT38A5697 24 OF 43 .....	6-25
SR1054 SR9244 ELECTRICAL SCHEMATIC DEUTZ T4 74.4 CT38A5697 25 OF 43 .....	6-26
SR1054 SR9244 ELECTRICAL SCHEMATIC DEUTZ T4 74.4 CT38A5697 26 OF 43 .....	6-27
SR1054 SR9244 ELECTRICAL SCHEMATIC DEUTZ T4 74.4 CT38A5697 27 OF 43 .....	6-28
SR1054 SR9244 ELECTRICAL SCHEMATIC DEUTZ T4 74.4 CT38A5697 28 OF 43 .....	6-29
SR1054 SR9244 ELECTRICAL SCHEMATIC DEUTZ T4 74.4 CT38A5697 29 OF 43 .....	6-30
SR1054 SR9244 ELECTRICAL SCHEMATIC DEUTZ T4 74.4 CT38A5697 30 OF 43 .....	6-31
SR1054 SR9244 ELECTRICAL SCHEMATIC DEUTZ T4 74.4 CT38A5697 31 OF 43 .....	6-32
SR1054 SR9244 ELECTRICAL SCHEMATIC DEUTZ T4 74.4 CT38A5697 32 OF 43 .....	6-33
SR1054 SR9244 ELECTRICAL SCHEMATIC DEUTZ T4 74.4 CT38A5697 33-43 .....	6-34

B ..... B

# snorkel

## SR9244



## **REPAIR PARTS** **MANUAL**

Part Number 159-0026-000  
January 2019

# DANGER

**The telehandler is not electrically insulated. Death or serious injury will result from contact with, or inadequate clearance from, an energized conductor.**

Regard all conductors as energized.

Allow for electrical wire sag and telehandler boom sway.

If the accessory carrier, accessory, boom structure, or any part of the telehandler contacts a high-voltage electrical conductor, the entire machine can become electrically charged.

If that happens, remain on the machine and do not contact any other structure or object. This includes the ground, adjacent buildings, poles, and any other objects that are not part of the telehandler.

Such contact could make your body a conductor to the other object, creating an electrical shock hazard resulting in death or serious injury.

If a telehandler is in contact with an energized conductor the operator must warn ground personnel in the vicinity to stay away. Their bodies can conduct electricity creating an electrical shock hazard resulting in death or serious injury.

Do not approach or leave the telehandler until the electricity has been turned off.

Do not attempt to operate the machine when any part of it is in contact with a high-voltage electrical conductor or if there is an immediate danger of such contact.

Personnel on or near a telehandler must be continuously aware of electrical hazards, recognizing that death or serious injury can result from contact with an energized conductor.

## California

### Proposition 65 Warning

Battery posts, terminals and related accessories contain lead and lead components, chemicals known to the State of California to cause cancer and birth defects or other reproductive harm. Wash hands after handling.

## California

### Proposition 65 Warning

Diesel and gasoline engine exhaust and some of its constituents are known by the State of California to cause cancer, birth defects or other reproductive harm.

---

# General Information

## About This Manual

This manual covers SR9244 telehandlers. Information is included for machines that have been manufactured to conform to all applicable requirements of the following organizations:

- American National Standards Institute (ANSI)
- Canadian Standards Association (CSA)
- European Committee for Standardization (CE)

Part pages include a drawing and a bill of material. The bill of material lists the item number that is on the drawing, the Snorkel part number, quantity used and a description of the item.

While Snorkel has attempted in every way to confirm that all information in this manual is correct, improvements are being constantly made to the machine that may not be reflected in this manual.

If you find information in this manual that is not correct or is confusing, you are urged to report your findings to Snorkel for our evaluation. Your input is important to us and will be used in future printings of this manual.

This machine is covered by a limited warranty that specifically identifies items warrantied by Snorkel and those items covered by original manufacturer's warranty. A copy of the Snorkel Limited Warranty is located on the inside of the back cover of the telehandler operators manual.

## Repairs and Maintenance

Every person who maintains, inspects, tests or repairs the machine must be qualified and authorized to do so.

### Caution

**Do not modify this telehandler without prior written consent of Snorkel Engineering Department. Modification may void the warranty, adversely affect stability or affect the operational characteristics of the machine.**

## Additional Information

All correspondence relative to this machine, such as field reports, discrepancy reports, requests for information, etc., should be directed to:

Snorkel International, Inc.  
P.O. Box 1160  
St. Joseph, MO 64502-1160 USA  
Phone: 1-800-255-0317

<http://www.snorkellifts.com>



# Service and Parts Information

## Ordering Parts

When placing an order for service or repair parts, please have the following machine information readily available.

- Model number
- Serial number
- Snorkel part number
- Description of part
- Quantity of parts required
- Your purchase order number
- Address for order to ship to
- The desired shipment method

Parts orders may be mailed or faxed to the attention of the Parts Department at the following location:

Snorkel International, Inc.  
P.O. Box 1160  
St. Joseph, MO 64502-1160 USA

Phone: 1-800-255-0317  
Parts Fax: 1-785-989-3077

Attention: Parts Department

For your convenience, our electronic on-line ordering system is available at the following Internet location:

<http://www.snorkelusa.com>

## OSHA Compliance

All owners and users of the aerial platform must read, understand and comply with all applicable regulations. Ultimate compliance to OSHA regulations is the responsibility of the user and their employer.

## Manuals

Manuals are available from Snorkel to support any of the machines that we produce.

The specific manuals for SR9244 telehandlers are as follows:

### **SR9244 – Operator’s Manual ANSI**

Snorkel part number – 159-0024-000

### **SR9244 – Repair Parts Manual**

Snorkel part number – 159-0026-000

## Machine Information

Model Number: \_\_\_\_\_

Serial Number: \_\_\_\_\_

Date of Purchase: \_\_\_\_\_

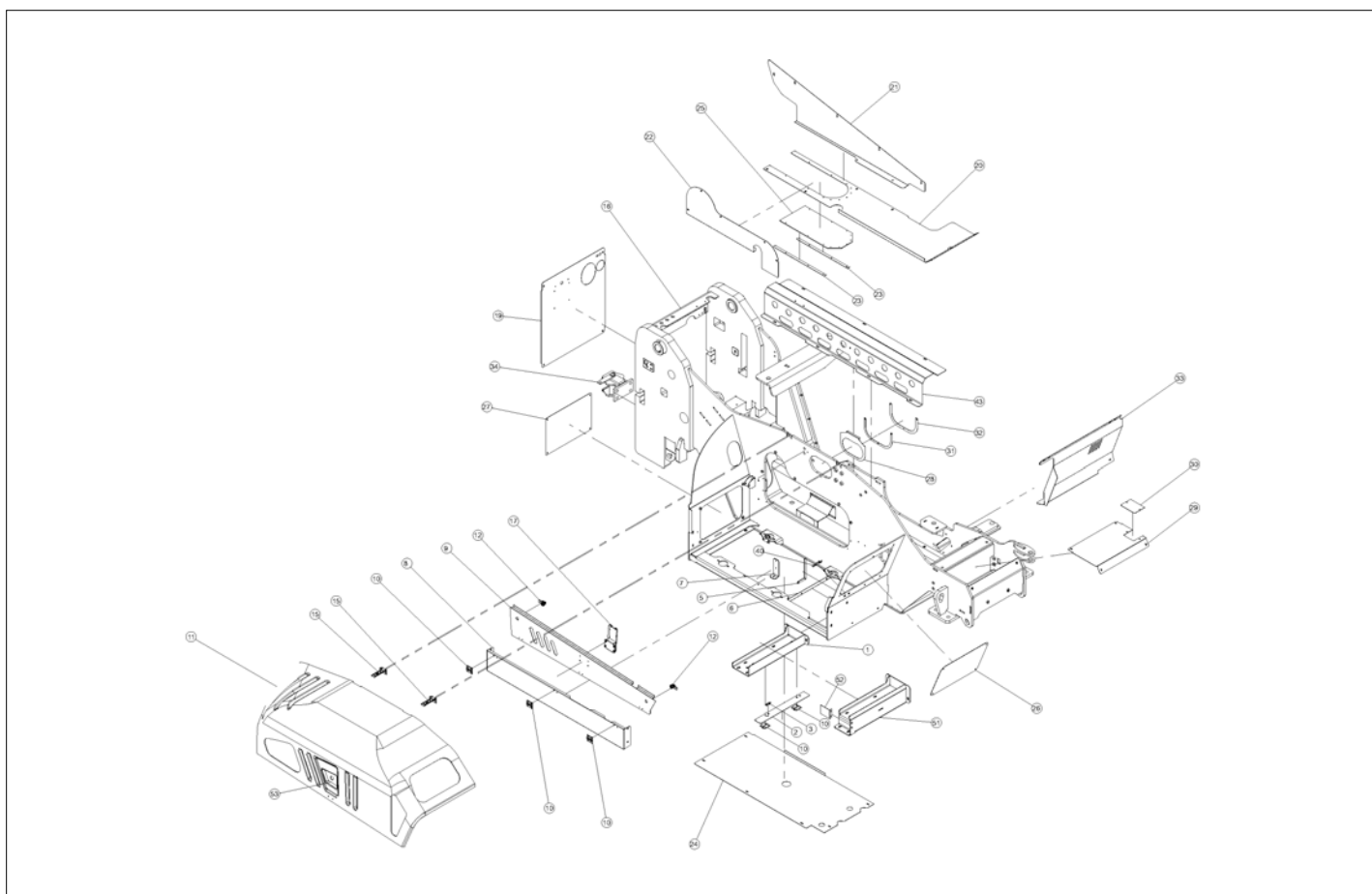
Purchased From: \_\_\_\_\_

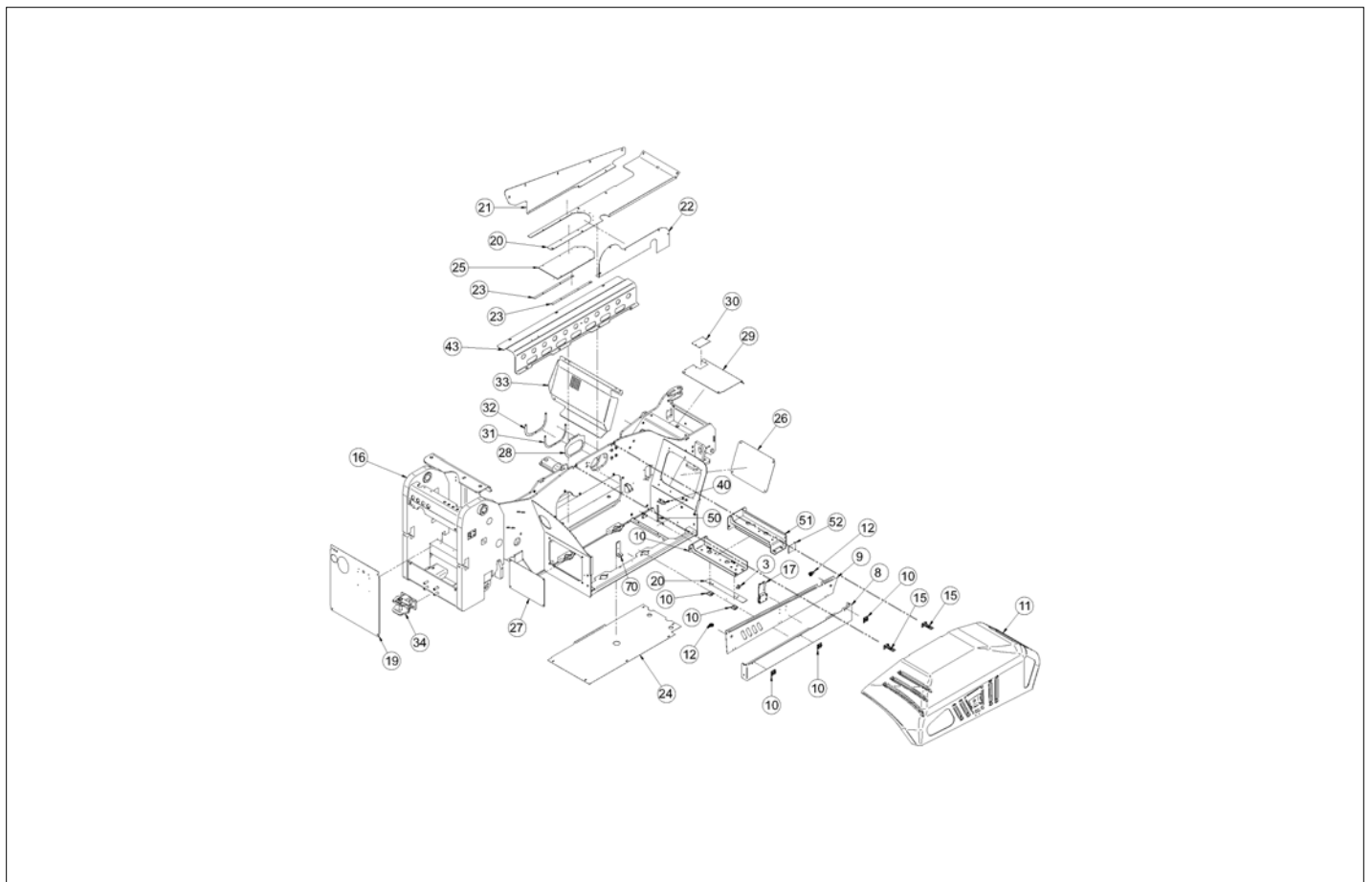
Snorkel Dealer or Distributor: \_\_\_\_\_

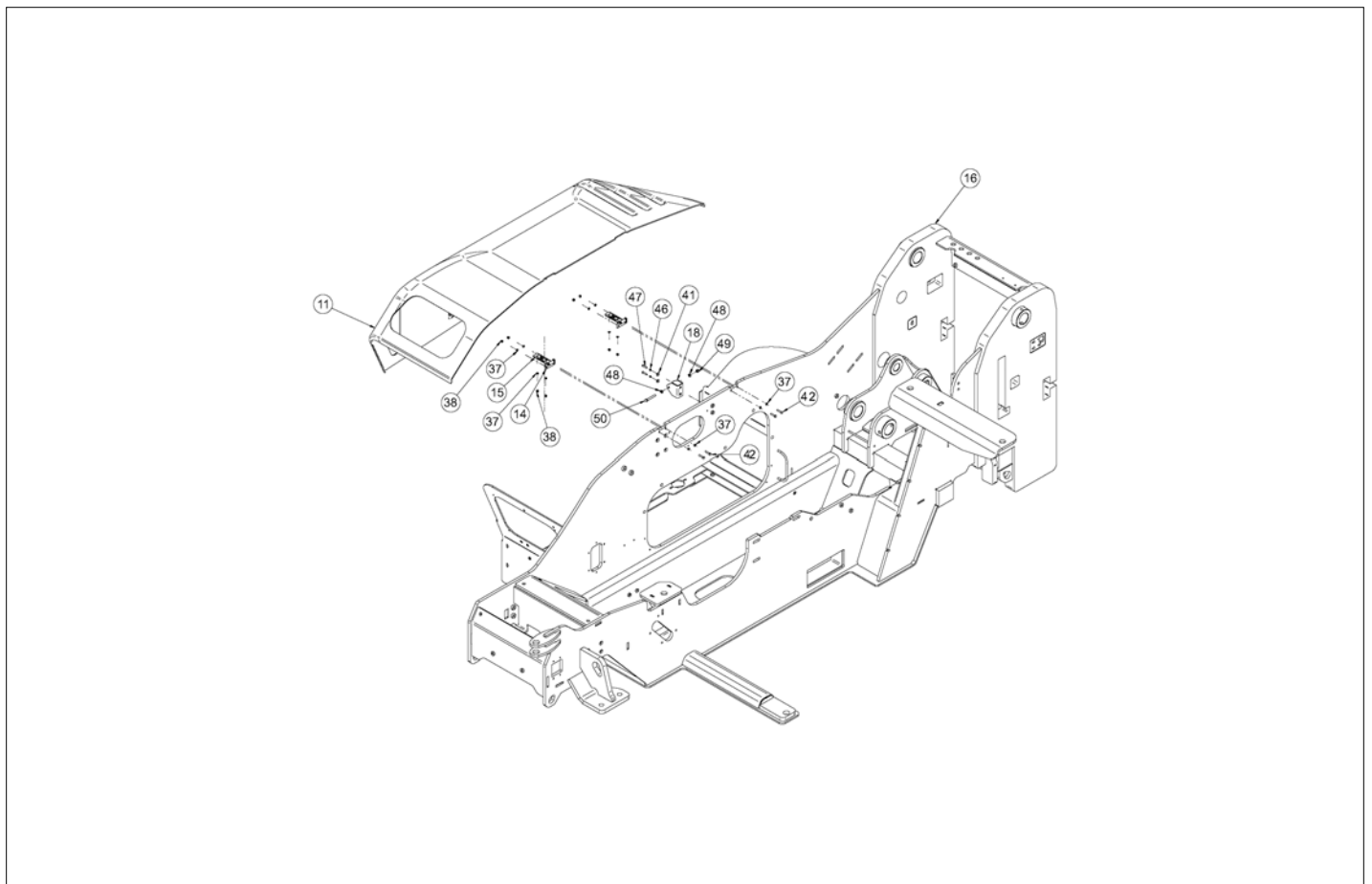
\_\_\_\_\_

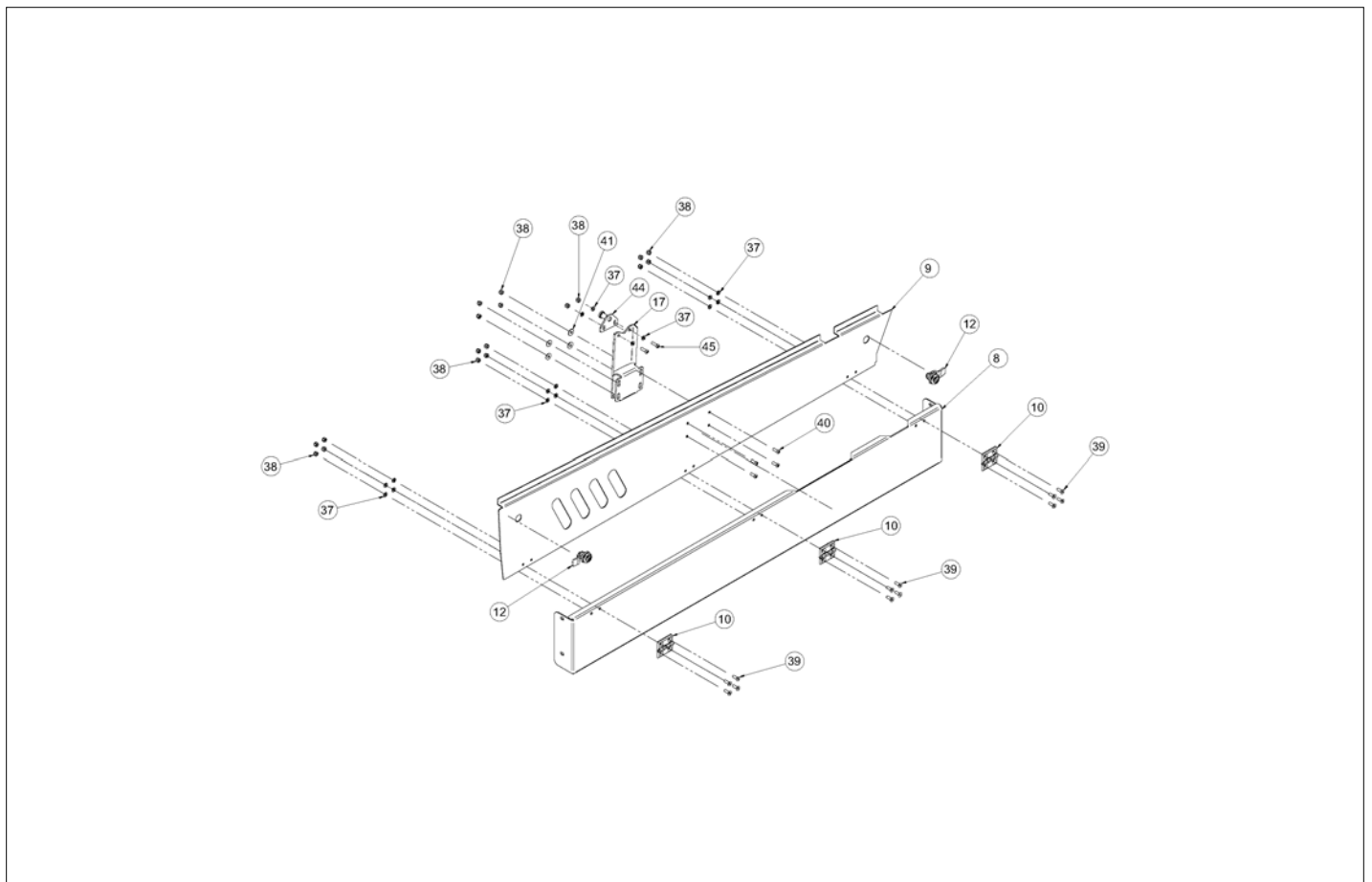
\_\_\_\_\_

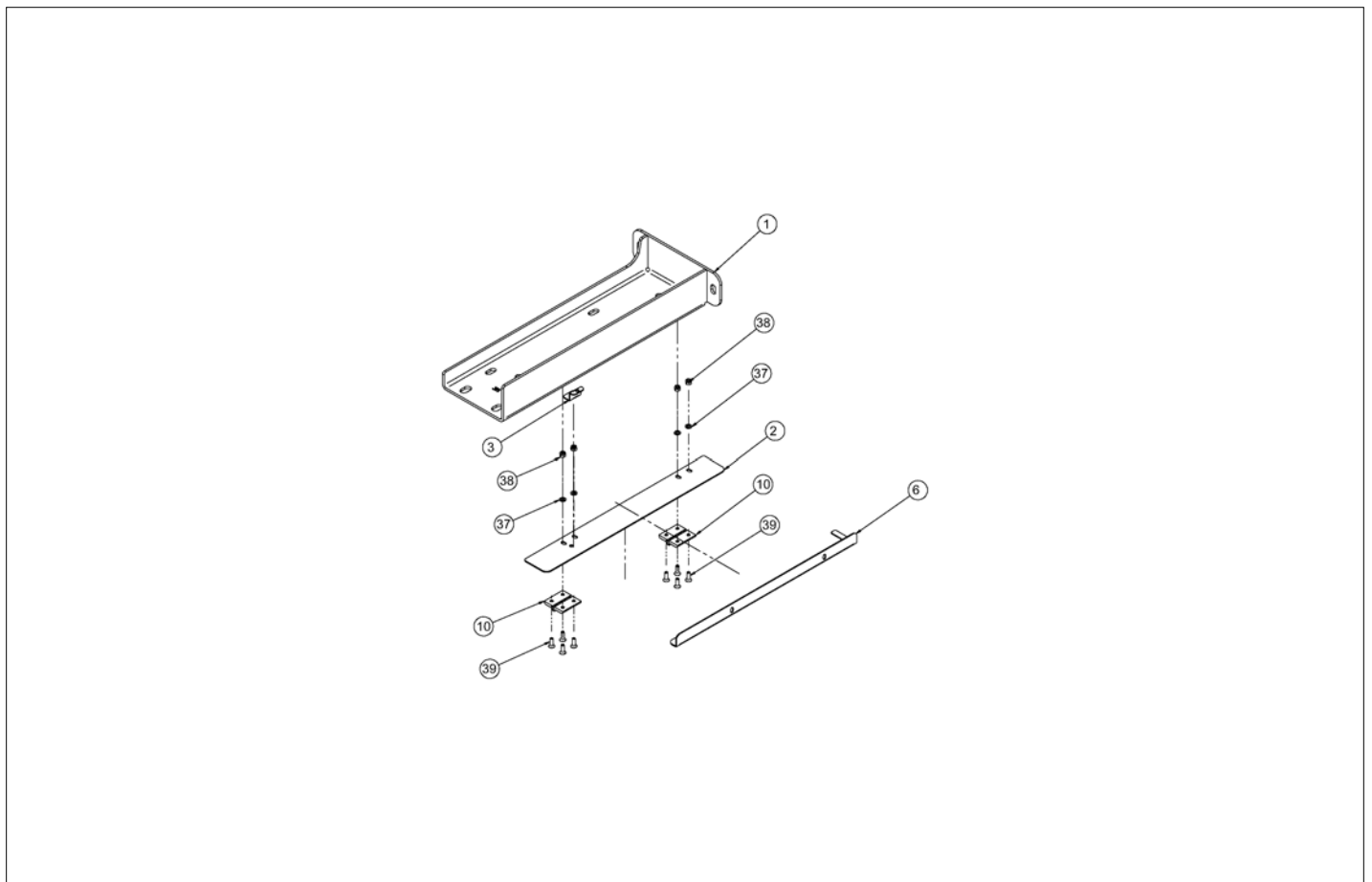
REPAIR PARTS

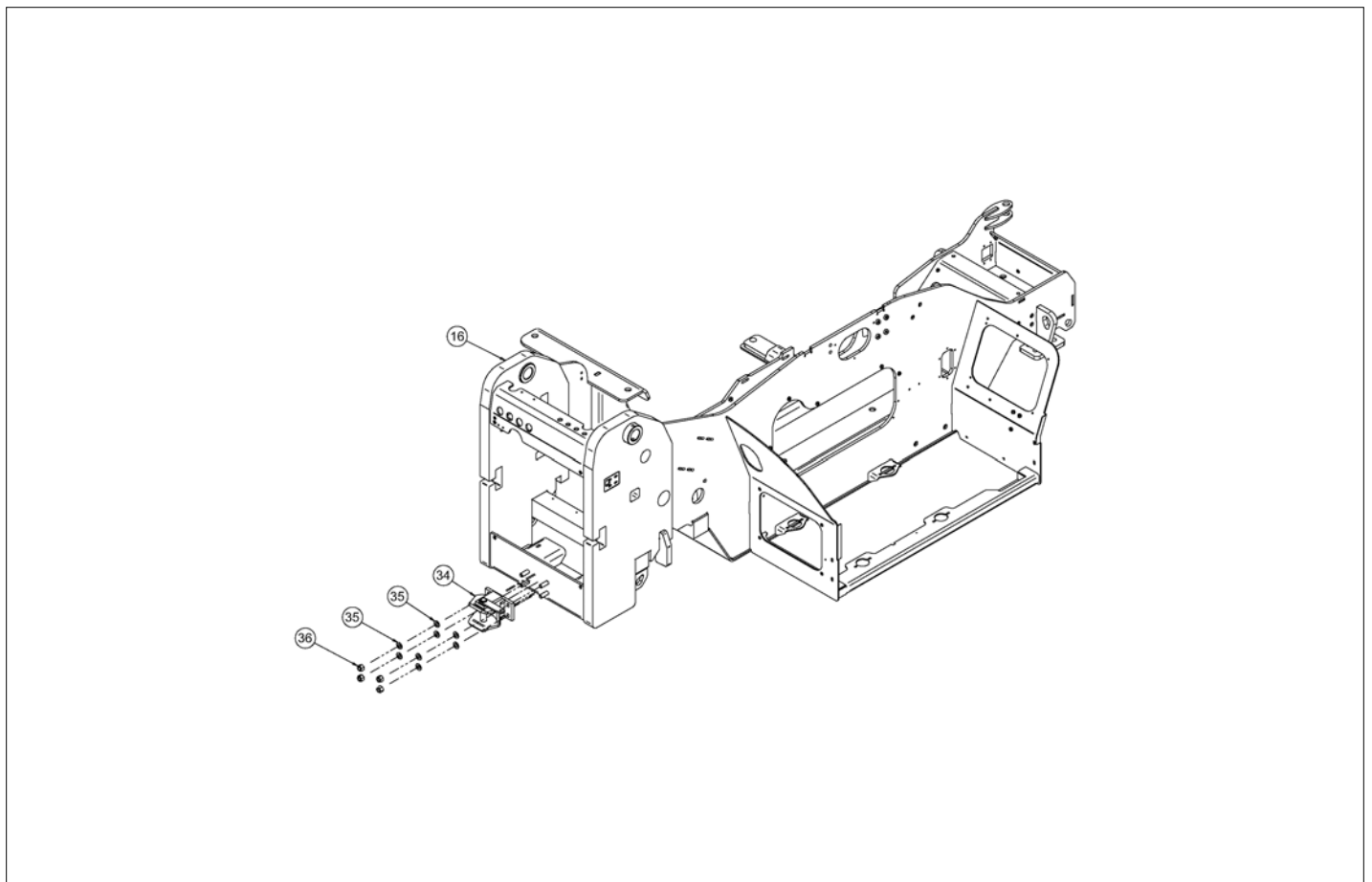












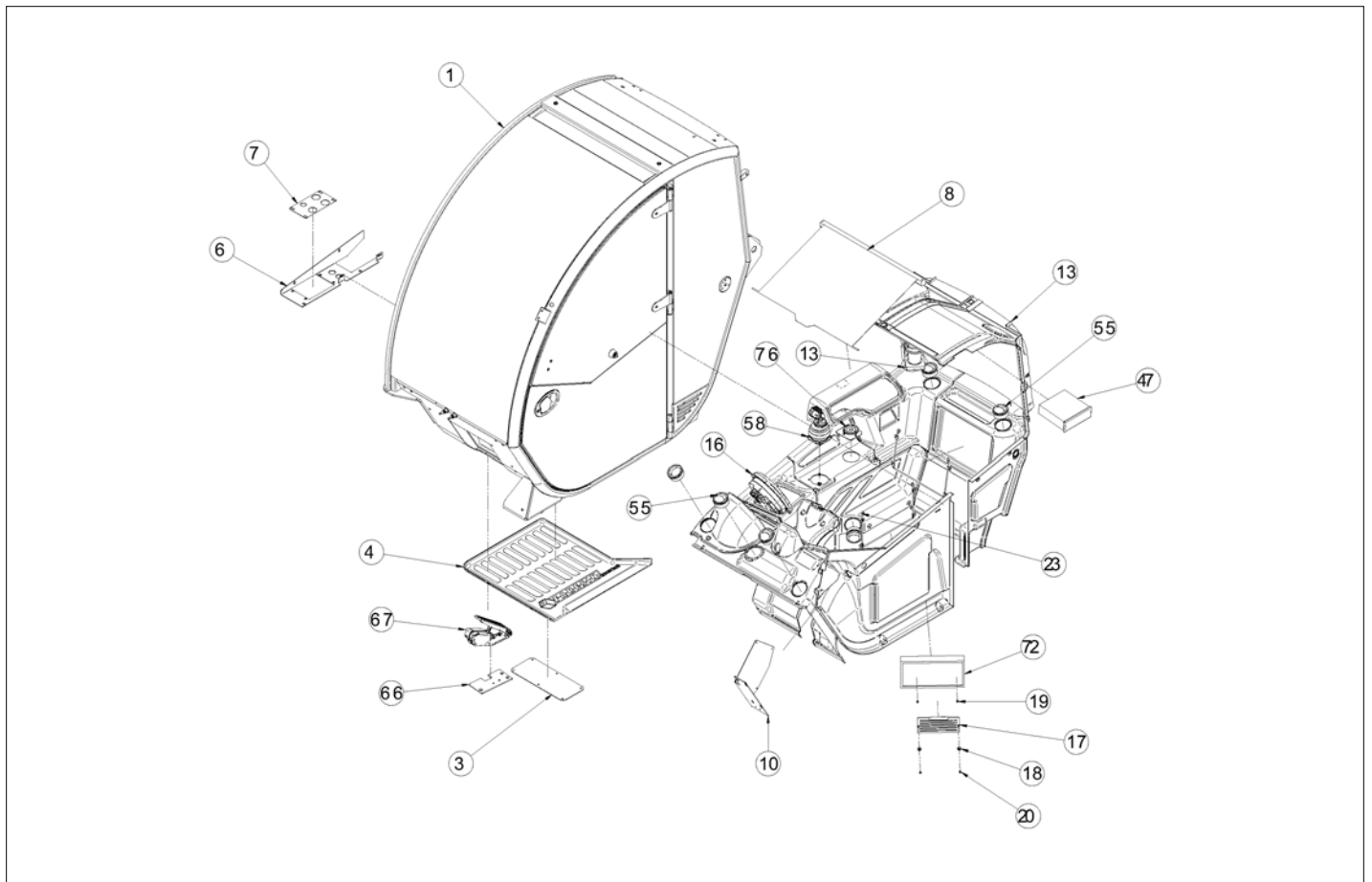
アイテム	部品番号	名前	数量	UOM
	TA2506062A	CHASSIS AND CARTER FR00		EA
1	SN T25058050	RADIATOR SUPPORT BRACKET FR00 IV FINAL	1	EA
2	SN T25056650	RADIATOR COMPARTMENT LOWER EXTENDABLE SHEET FR00	1	EA
3	SN T25056950	CABLE COUPLING OF RADIATOR LOWER COMPARTMENT OPENING FR00	1	EA
4	SN T25056750	LEVER BLOCK OF RADIATOR LOWER COMPARTMENT OPENING FR00	1	EA
5	SN T25057050	RADIATOR LOWER COMPARTMENT OPENING LEVER FR00	1	EA
6	SN T25056850	RADIATOR LOWER COMPARTMENT OPENING STOP FR00	1	EA
7	SN T25056550	DIESEL PUMP SUPPORT BRACKET FOR FR00 FRAME	1	EA
8	SN T25058850	SIDE FIXED SHEET FOR FR00 ENGINE COMPARTMENT	1	EA
9	SN T25058950	SIDE MOBILE SHEET FOR FR00 ENGINE COMPARTMENT	1	EA
10	SN 541102003	ENGINE HOOD COVER HINGE	5	EA
11	SN 710062502	ENGINE PLASTIC HOOD FR00	1	EA
12	SN 523403104	CAM CLOSURE WITH HEX WRENCH	2	EA
13	SN 523403105	CLOSURE CAM SOUTHCO	2	EA
14	SN 414018750	FURGO CAR HINGE	2	EA
15	SN 414018750	FURGO CAR HINGE	2	EA
16	SN 25055550	FR00 CHASSIS WITH DANA AXLES	1	EA
17	SN T25058750	CLOSURE BRACKET FOR HOOD HANDLE FR00	1	EA
18	SN T25059950	SUPPORT BRACKET FOR HOOD GAS SPRING FR00	1	EA

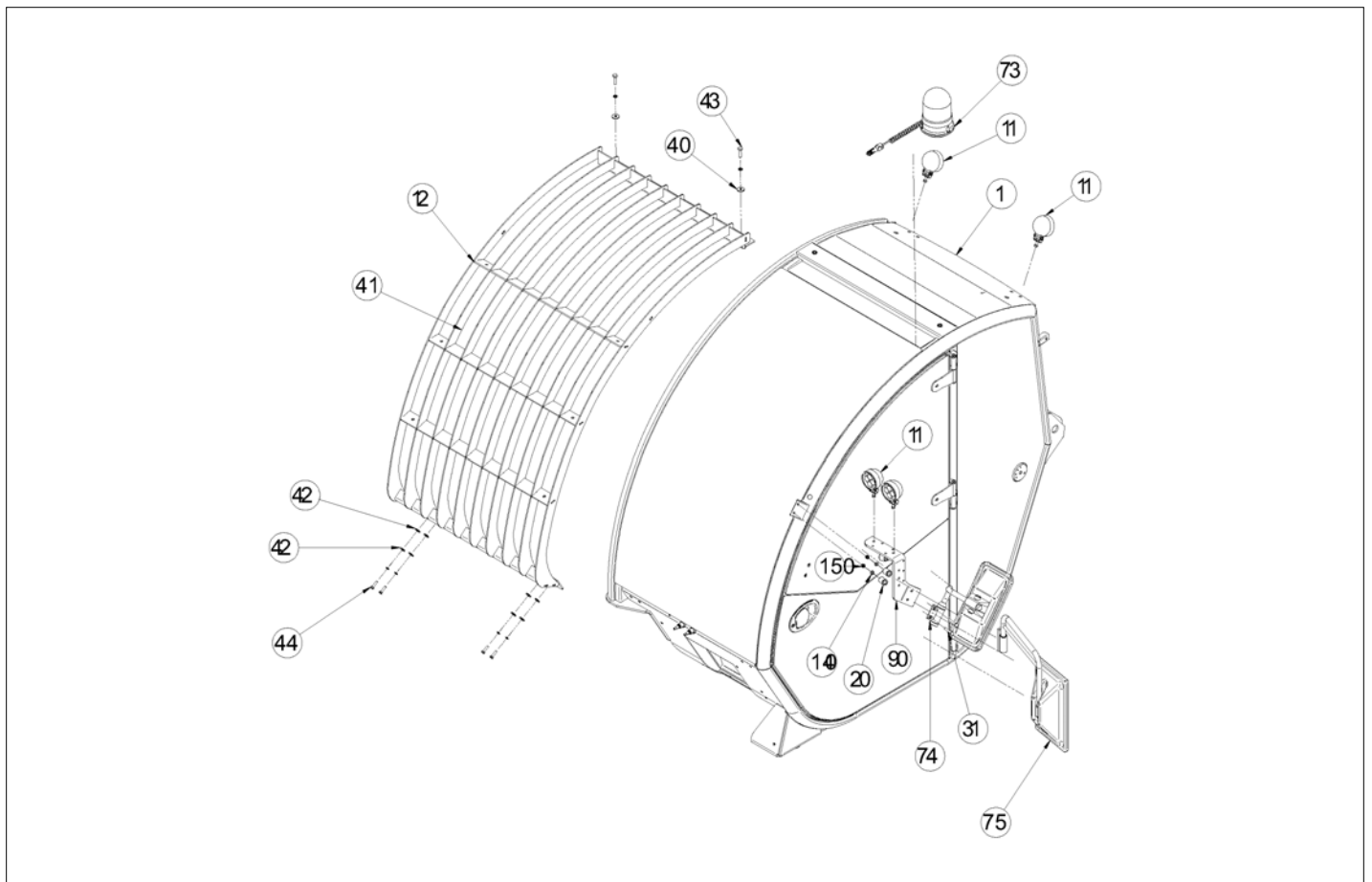


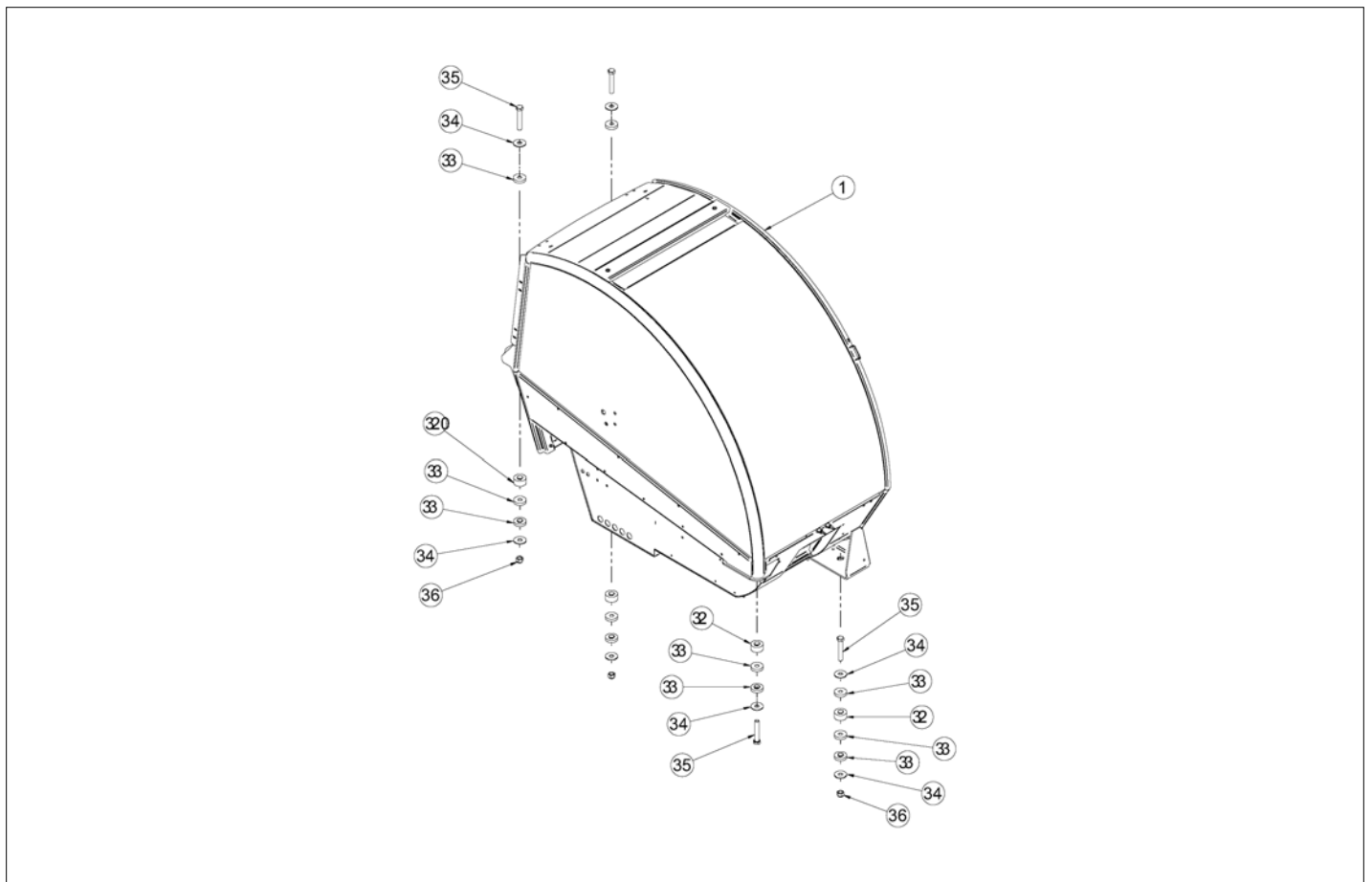
アイテム	部品番号	名前	数量	UOM
19	SN T25059350	REAR CLOSING SHEET FOR FR00 CHASSIS	1	EA
20	SN T25059550	PLATE CLOSING SHEET FR00	1	EA
21	SN T25059750	QUEEN CAB SIDE SHEET FR00	1	EA
22	SN T25059650	ENGINE SITE CLOSING SHEET FR00	1	EA
23	SN T25059850	ALIGNER FOR PLATE RUBBER CLOSURE FR00	2	EA
24	SN T25059450	ENGINE LOWER COMPARTMENT CLOSING SHEET	1	EA
25	SN T25060550	RUBBER SHEET FOR PLATE CLOSING FR00	1	EA
26	SN T25057850	ENGINE COMPARTMENT FRONT DRILLED SHEET FR00	1	EA
27	SN T25058350	PUMP COMPARTMENT CLOSING SHEET FR00	1	EA
28	SN T25056150	AIR FILTER CLOSING SHEET FR00	1	EA
29	SN T25058150	BATTERY CASING FOR FR00 CHASSIS	1	EA
30	SN T25058250	BATTERY POLES CASING FOR FR00 CHASSIS	1	EA
31	SN T25056350	SPACER FOR FILTER GRILLE LOCK FR00	1	EA
32	SN T25056250	FILTER GRILLE LOCKING FRAME FR00	1	EA
33	SN T24018250	KINGCAB LOWERED FRONT CASING	1	EA
34	SN 501000601	REAR TOWING HOOK 6000KG	1	EA
35	SN 804003018	M18 WASHER DIN125A GALV. 19.0x34x3.0	8	EA
36	SN 804002018	SELF LOCKING NUT M18 GALV. HIGH DIN982	4	EA
37	SN 804003006	M6 WASHER DIN125A GALV. 6.4x12x1.6	32	EA
38	SN 804002006	SELF LOCKING NUT M6 GALV. HIGH DIN982	30	EA

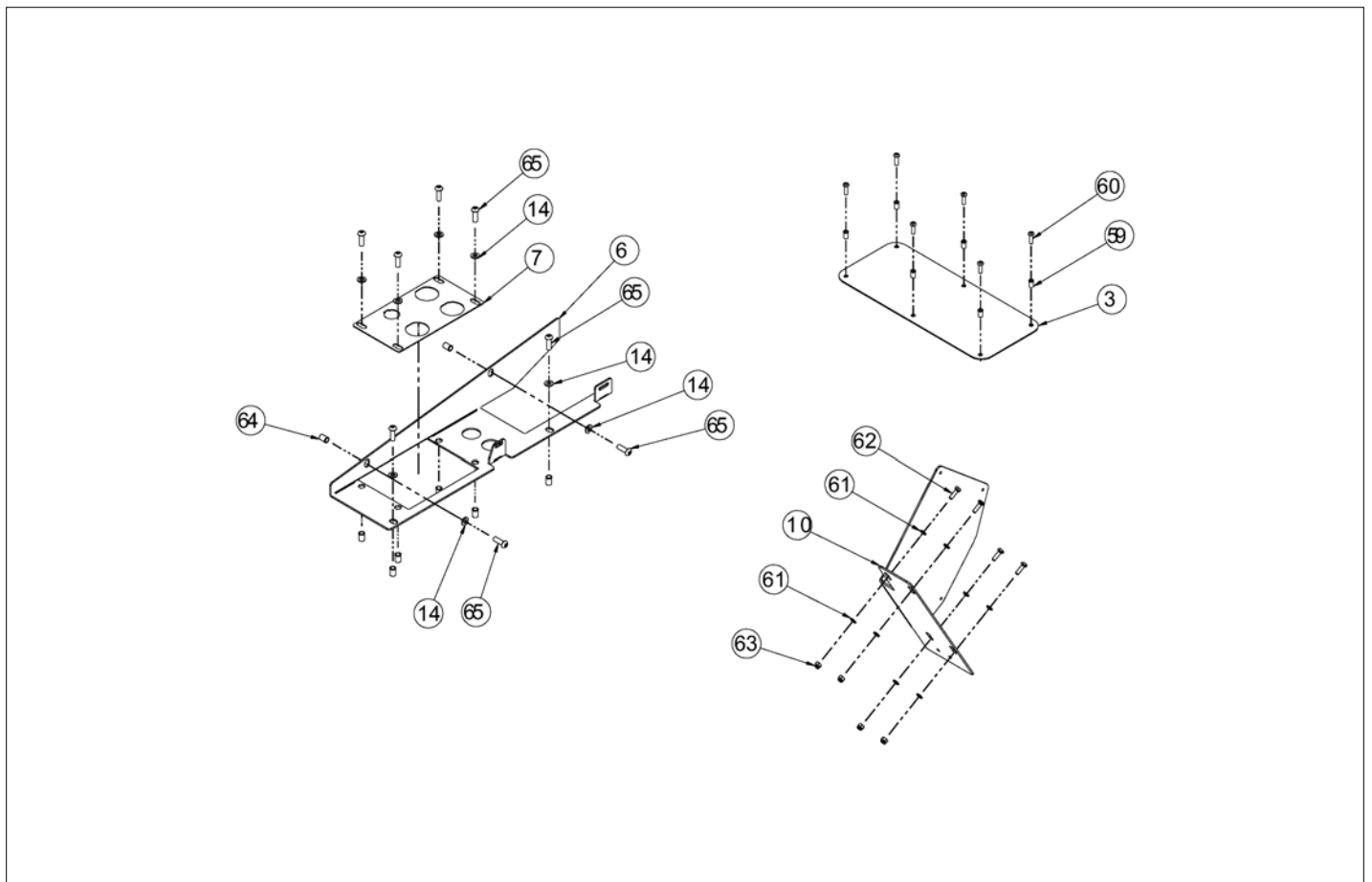
アイテム	部品番号	名前	数量	UOM
39	SN 801706020	HEX SOCKET COUNTERSUNK FLAT HEAD CAP SCREW M6x20 CL8.8 DIN7991 GALV.	20	EA
40	SN 122061601	HEX SOCKET SCREW M6X16 CL 10.9 UNI 7380 GALV.	4	EA
41	SN 804003106	M6 WASHER DIN9021 GALV. 6.4x18x1.6	6	EA
42	SN 800106030	HEXAGON HEAD SCREW M6x30 DIN933 GALV. IF	4	EA
43	SN T25059050	CARDAN COVER SHEET FR00	1	EA
44	SN T25063050	ALIGNER FOR HOOD CLOSURE FR00	1	EA
45	SN 122062001	HEX SOCKET SCREW M6X20 CL 10.9 UNI 7380 GALV.	2	EA
46	SN 804003206	M6 GROWER WASHER UNI7064 GALV. 6.1x11.8x3.2	2	EA
47	SN 122062501	HEX SOCKET SCREW M6X25 CL 10.9 UNI 7380 GALV.	2	EA
48	SN 804003008	M8 WASHER DIN125A GALV. 8.4x16x1.6	2	EA
49	SN 804002008	SELF LOCKING NUT M8 GALV. HIGH DIN982	1	EA
50	SN 120086001	HEXAGON HEAD SCREW M8X60 CL 8.8 UNI 5739 GALV.	1	EA
51	SN T25062350	RADIATOR SUPPORT BRACKET FR00 IIIA	1	EA
52	SN T25062650	EXCHANGER L SEAL FR00 IIIA	1	EA
53	SN 710062551	LOCK FOR BONNET FR00	1	EA

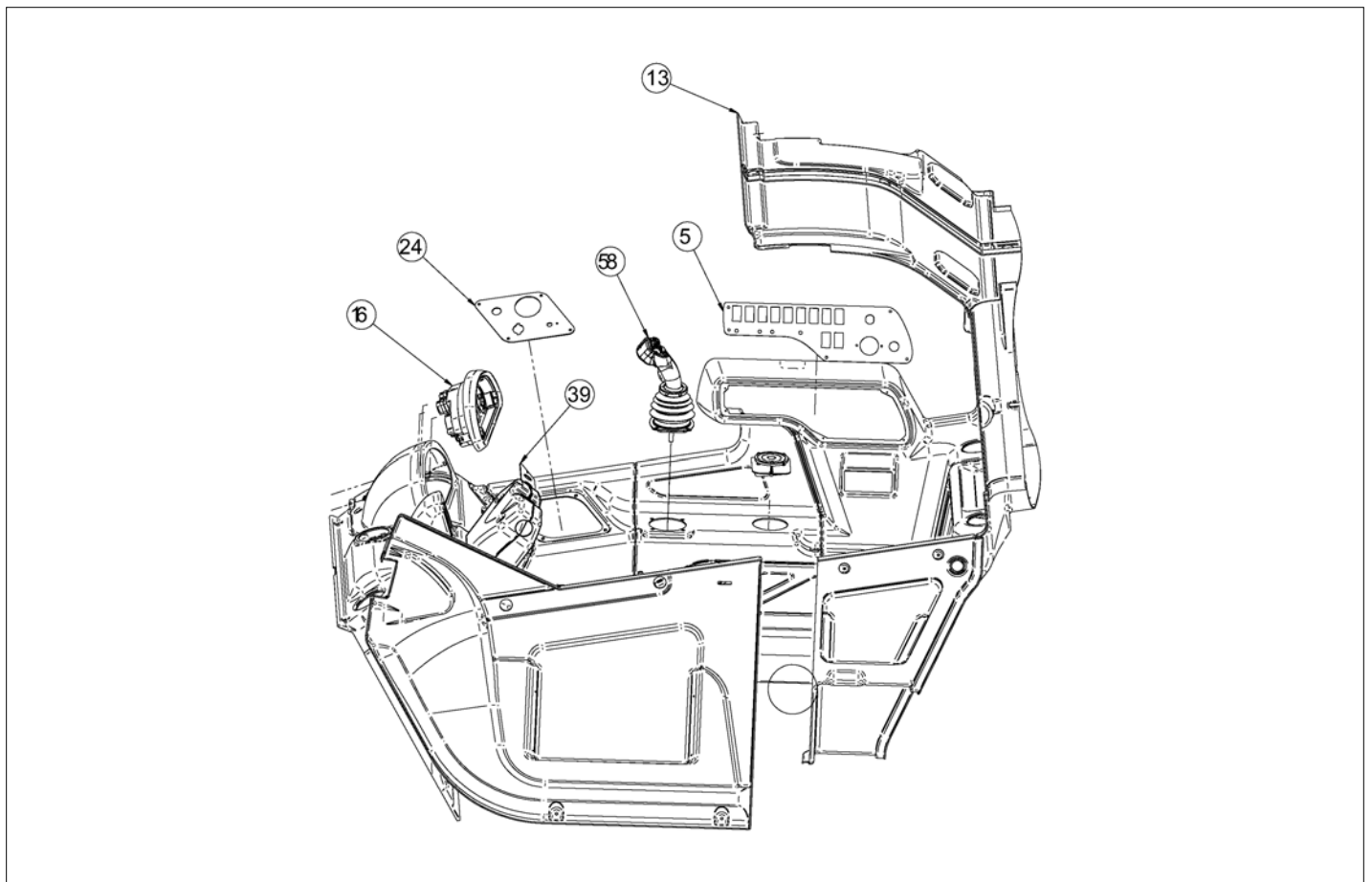
REPAIR PARTS

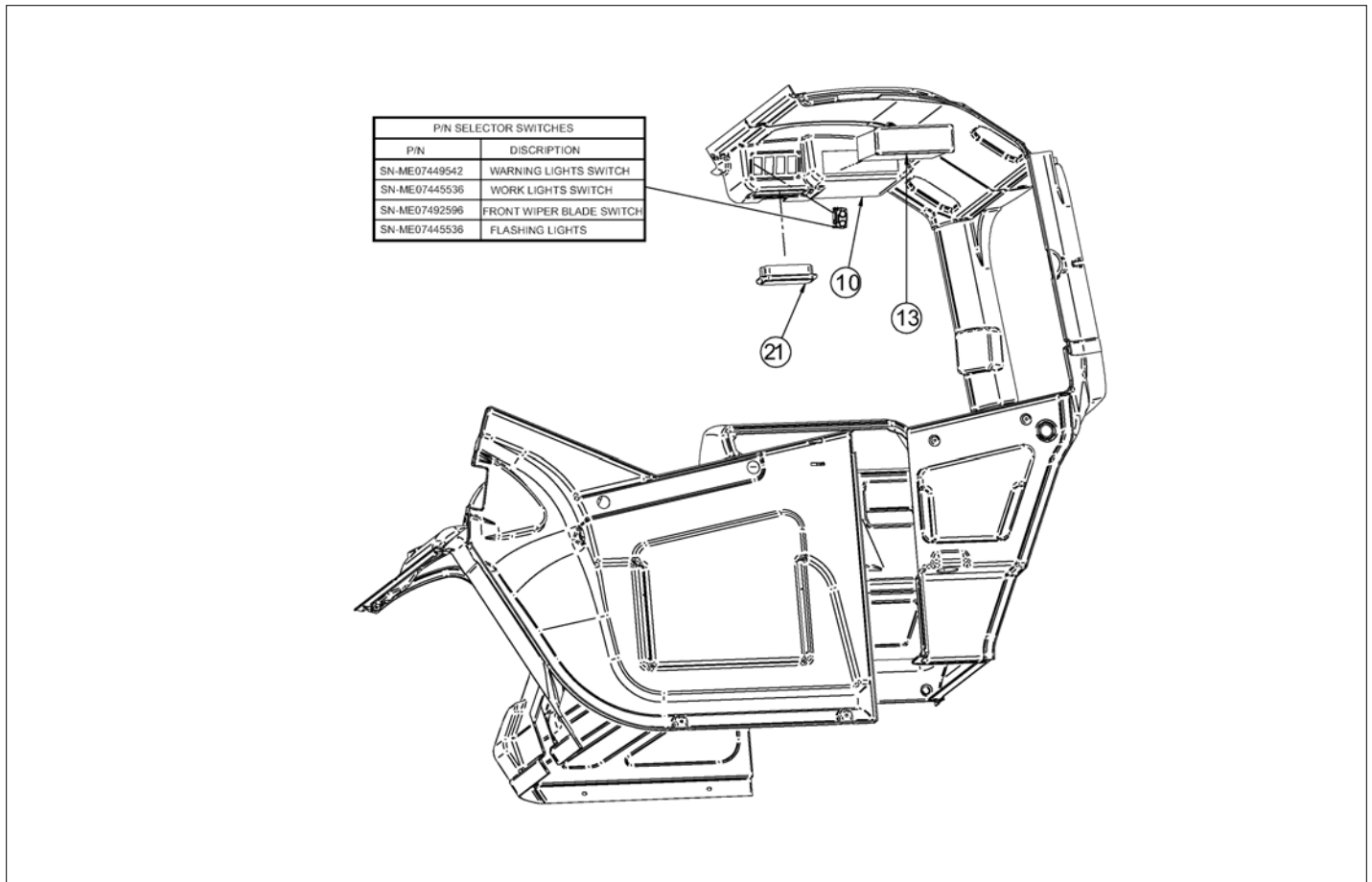




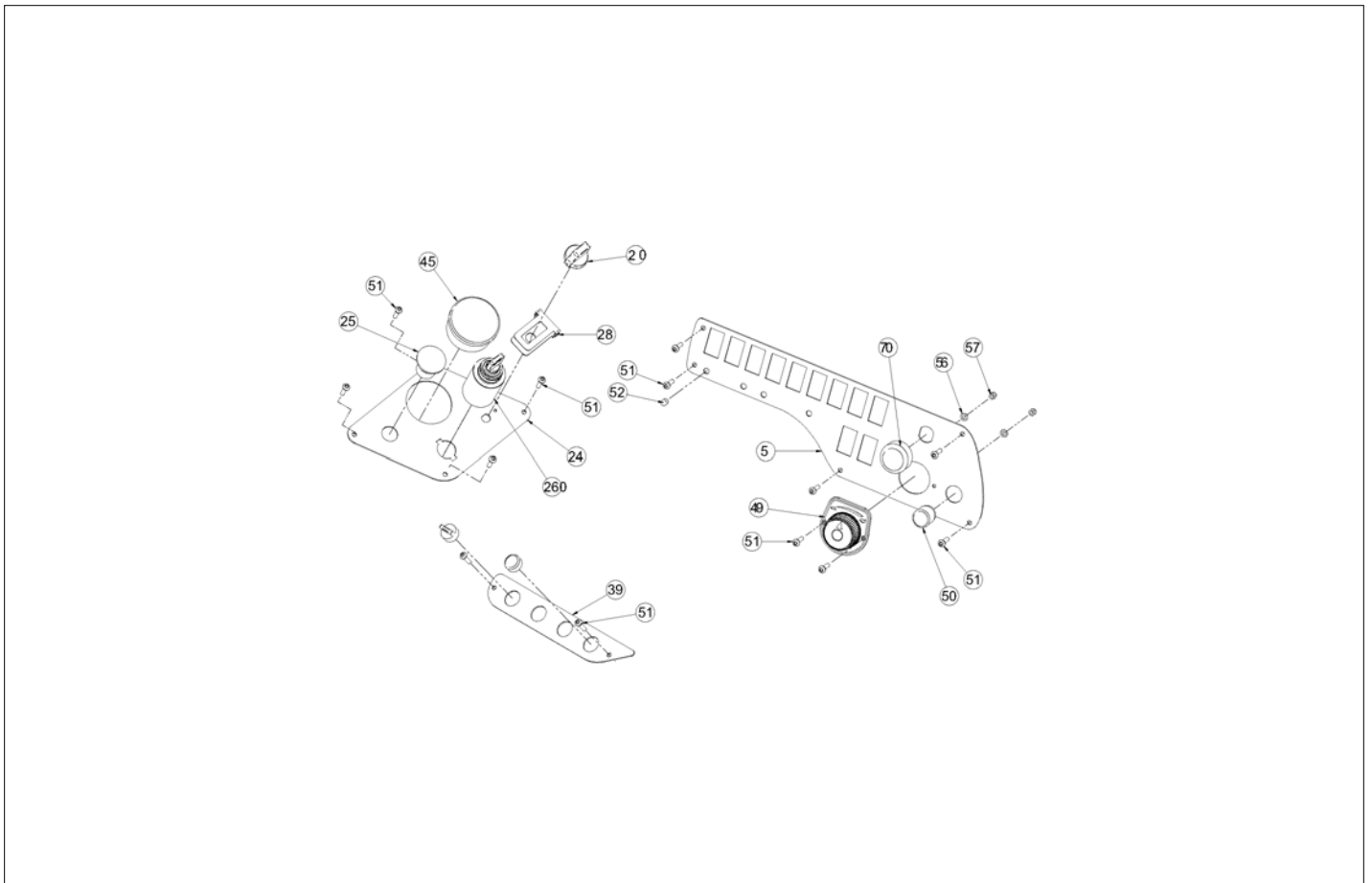


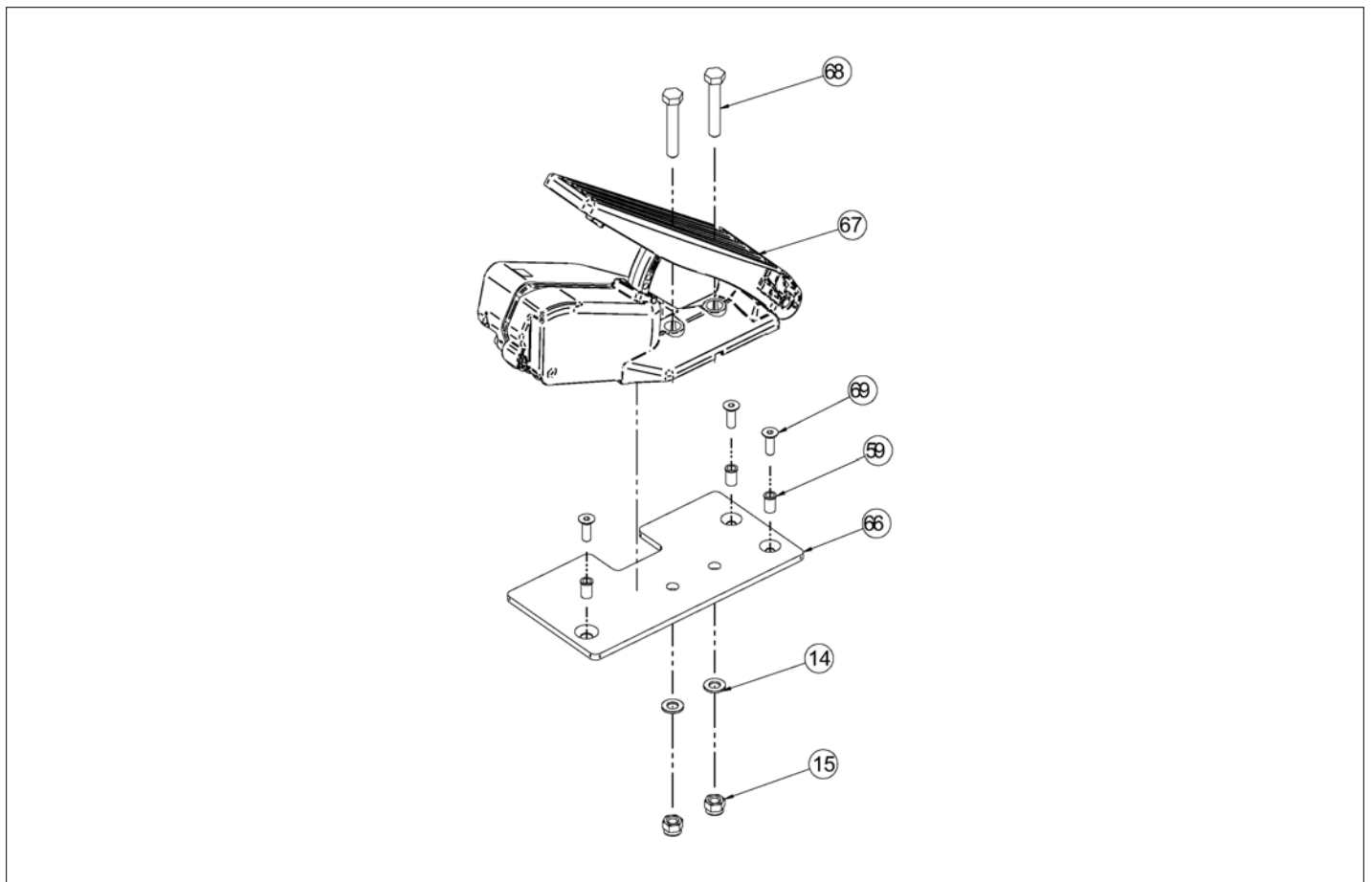


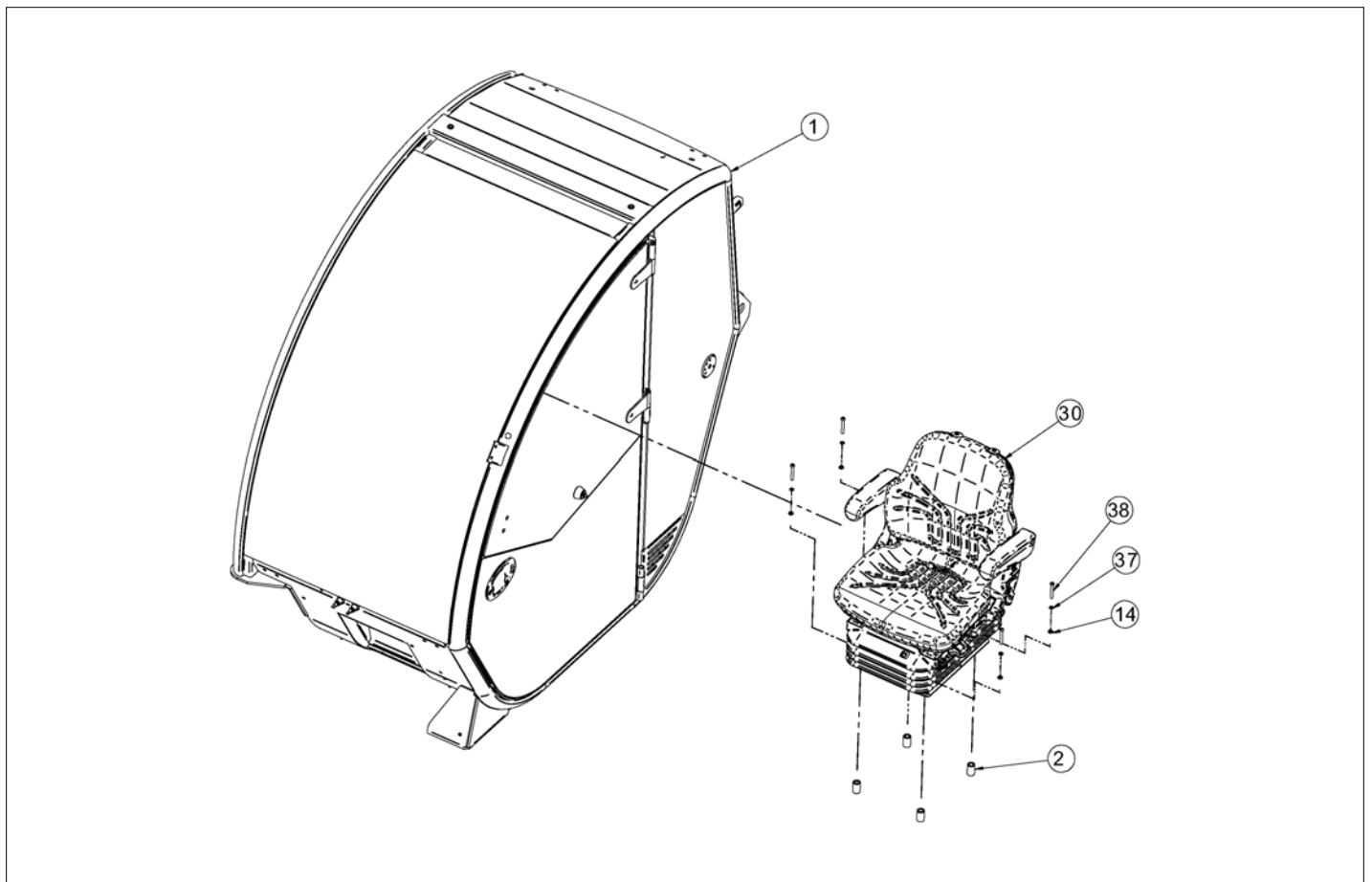












アイテム	部品番号	名前	数量	UOM
	TA3007040A	CABIN FR00 CLASSIC		EA
1	SN T30182050	NEW CABIN 2013	1	EA
2	SN T25026350	SEAT GALV. SPACER	6	EA
3	SN T28056650	CAB QUEEN CABIN BOTTOM CLOSING SHEET	1	EA
4	SN T30183550	FARESIN CABIN BELT 2013	1	EA
5	SN T30182250	TELEHANDLER CENTRAL SIDE DASHBOARD	1	EA
6	SN T30194550	JOYSTICK AND ABS FIX SUPP. BENT SHEET METAL	1	EA
7	SN T30193350	VPS CABIN CONNECTOR FASTENING SHEET	1	EA
8	SN T30181450	SUNBLIND FOR CABIN 2013	1	EA
9	SN 628053250	SUPPORT, MIRROR AND HEADLIGHTS FOR CABIN 2013	1	EA
10	SN T30197850	SUPPORT SHEET FOR WURTH CARD 12 RELAYS	1	EA
11	SN ME11082B53	CIAM 6 LEDS WORKING LIGHT (ONLY)	4	EA
Not Shown	SN CUK443501	WORK LIGHT ASSEMBLY		EA
12	SN T25053950	FRONT PROTECT. GRILLE ON QUEEN CABIN	1	EA
13	SN T30194650	ABS QUEEN CAB CABIN UPHOLSTERY ASS.	1	EA
14	SN 804003008	M8 WASHER DIN125A GALV. 8.4x16x1.6	16	EA
15	SN 804002008	SELF LOCKING NUT M8 GALV. HIGH DIN982	4	EA
16	SN ME10852917	DASH DISPLAY	1	EA
17	SN T28058750	CABIN AIR FILTER CLOSURE GRILLE	1	EA
18	SN 130050005	M5 PLASTIC COUNTERSUNK WASHER	2	EA
19	SN 165005101	THREADED INSERT M5 ART. 091775 WURTH 5X7X13	2	EA

アイテム	部品番号	名前	数量	UOM
20	SN 801705016	HEX SOCKET COUNTERSUNK FLAT HEAD CAP SCREW M5x16 DIN7991 GALV.	2	EA
21	SN T30181550	CEILING LIGHT FOR NEW CABIN	1	EA
22	SN T30181650	NEW CABIN GLASS HOLDER	1	EA
23	SN T30181750	FILTER SCREEN FOR NEW CABIN	2	EA
24	SN T30188250	SIDE DASHBOARD IGNITION ASSEMBLY	1	EA
25	SN ME07406381	EMERGENCY BUTTON	1	EA
26	SN ME09066027	STARTER BLOCK W/KEY	1	EA
27	SN ME07035025	STEERING WHEEL SELECTOR	1	EA
28	SN ME09466562	STEERING WHEEL SELECTOR GUARD	1	EA
29	SN T30192150	CABIN BOX COVER 2013	2	EA
30	SN 707301702	SEAT 951666 WITH MECHANICAL SUSPENSION	1	EA
31	SN 120080801	SCREW M8X80 CL 8.8 DIN 933 ZN	2	EA
32	SN 522603001	CABIN VIBRATION DAMPER Ø60 H30	4	EA
33	SN 522601302	CABIN VIBRATION DAMPER Ø60 H13/17	11	EA
34	SN 804003120	M20 WASHER DIN9021 GALV. 22.0x60x4.0	7	EA
35	SN 800220120	HEXAGON HEAD SCREW M 20x120 DIN931 GALV.	4	EA
36	SN 804002020	SELF LOCKING NUT M20 GALV. HIGH DIN982	3	EA
37	SN 804003208	M8 GROWER WASHER UNI7064 GALV.	8	EA
38	SN 122086001	HEX SOCKET SCREW M8X60 CL 10.9 UNI 7380 GALV.	4	EA
39	SN T60001050	KEY SELECTOR SWITCH DASHBOARD FR03	1	EA
40	SN 804003110	M10 WASHER DIN9021 GALV. 10.5x30x2.5	2	EA

アイテム	部品番号	名前	数量	UOM
41	SN 804003210	M10 GROWER WASHER UNI7064 GALV.	2	EA
42	SN 804003108	M8 WASHER DIN9021 GALV. 8.4x24x2.0	8	EA
43	SN 800110040	HEXAGON HEAD SCREW M10x40 DIN933 GALV. IF	2	EA
44	SN 120083001	HEXAGON HEAD SCREW M8X30 CL 8.8 UNI 5739 GALV.	4	EA
45	SN 900006011	PRESSURE GAUGE 0 60 BAR 1/4 DIN	1	EA
46	SN ME96382330	SAR CENTRAL UNIT	1	EA
47	SN 609063570	RADIO WITH FRONT CD AND BLUETOOTH	1	EA
48	SN ME07493597	SELECTOR 3 FIXED POSITIONS DUAL CONTACT	2	EA
49	SN ME10401353	INCHING POTENTIOMETER	1	EA
50	SN ME09397A86	CIGARETTE LIGHTER	1	EA
51	SN 122052001	HEX SOCKET SCREW M5X20 CL 10.9 UNI 7380 GALV.	13	EA
52	SN ME10778906	RED LED	1	EA
53	SN ME07039261	SELECTOR 3 FIXED POSITIONS DIAMETER 22	1	EA
54	SN 800504020	SOCKET HEAD CAP SCREW M4X20 DIN 912 ZN	4	EA
55	SN T30187355	GRILLE D82 P236 65718	6	EA
56	SN 130050001	FLAT WASHER M5 GALV.	2	EA
57	SN 804002005	SELF LOCKING NUT M5 GALV. HIGH DIN982	2	EA
58	SN ME09523B44	2 ROLLERS JOYSTICK DN85 + FNR	1	EA
59	SN 165061301	THREADED RIVET M6X13 GALV.	9	EA
60	SN 122062001	HEX SOCKET SCREW M6X20 CL 10.9 UNI 7380 GALV.	6	EA
61	SN 804003006	M6 WASHER DIN125A GALV. 6.4x12x1.6	8	EA

アイテム	部品番号	名前	数量	UOM
62	SN 800106020	HEXAGON HEAD SCREW M6x20 DIN933 GALV. IF	4	EA
63	SN 804002006	SELF LOCKING NUT M6 GALV. HIGH DIN982	4	EA
64	SN 165081501	THREADED RIVET M8X15,5 GALV.	8	EA
65	SN 122082501	HEX SOCKET SCREW M8X25 CL10.9 UNI 7380 GALV.	8	EA
66	SN 628072650	HELLA 2015 PEDAL PLATE	1	EA
67	SN ME09072A69	HELLA ELECTRONIC PEDAL	1	EA
68	SN 800208050	HEXAGON HEAD SCREW M8x50 DIN931 GALV.	2	EA
69	SN 801706020	HEX SOCKET COUNTERSUNK FLAT HEAD CAP SCREW M6x20 CL8.8 DIN7991 GALV.	3	EA
70	SN ME07534640	COBO PTO BUTTON	1	EA
71	SN ME1A865C53	BY PASS BUTTON	1	EA
72	SN 240040070	AIR TOP CABIN AIR FILTER	1	EA
73	SN ME09080328	ROTATING LIGHT	1	EA
74	SN 704061001	LH MIRROR ARM WITH SUPPORT	1	EA
75	SN 414025000	REAR W.MIRROR	1	EA
76	SN TA2506087	SPIRIT LEVEL KIT	1	EA

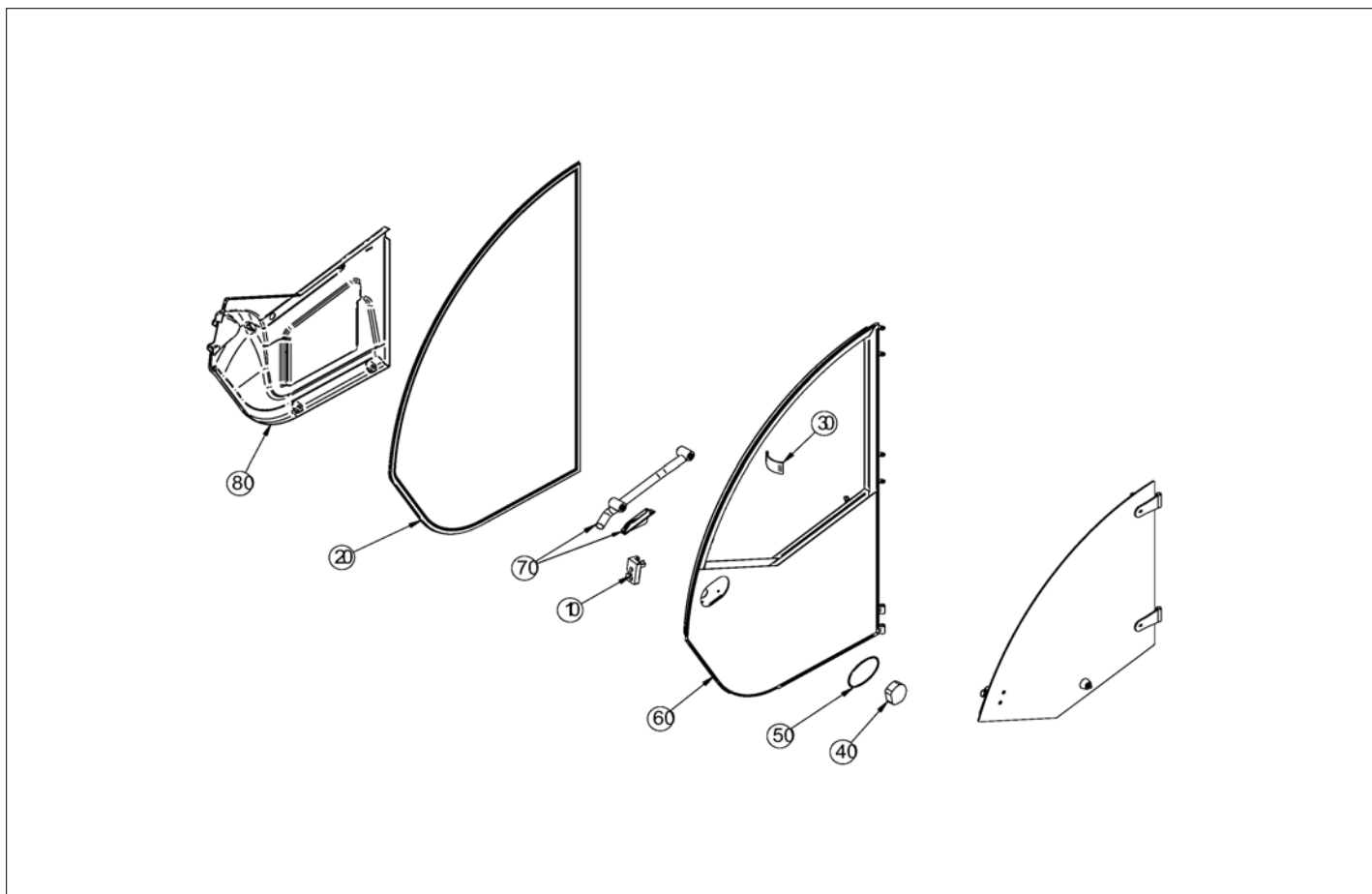
REPAIR PARTS

NO IMAGE AVAILABLE  
(BOM FOR REFERENCE ONLY)



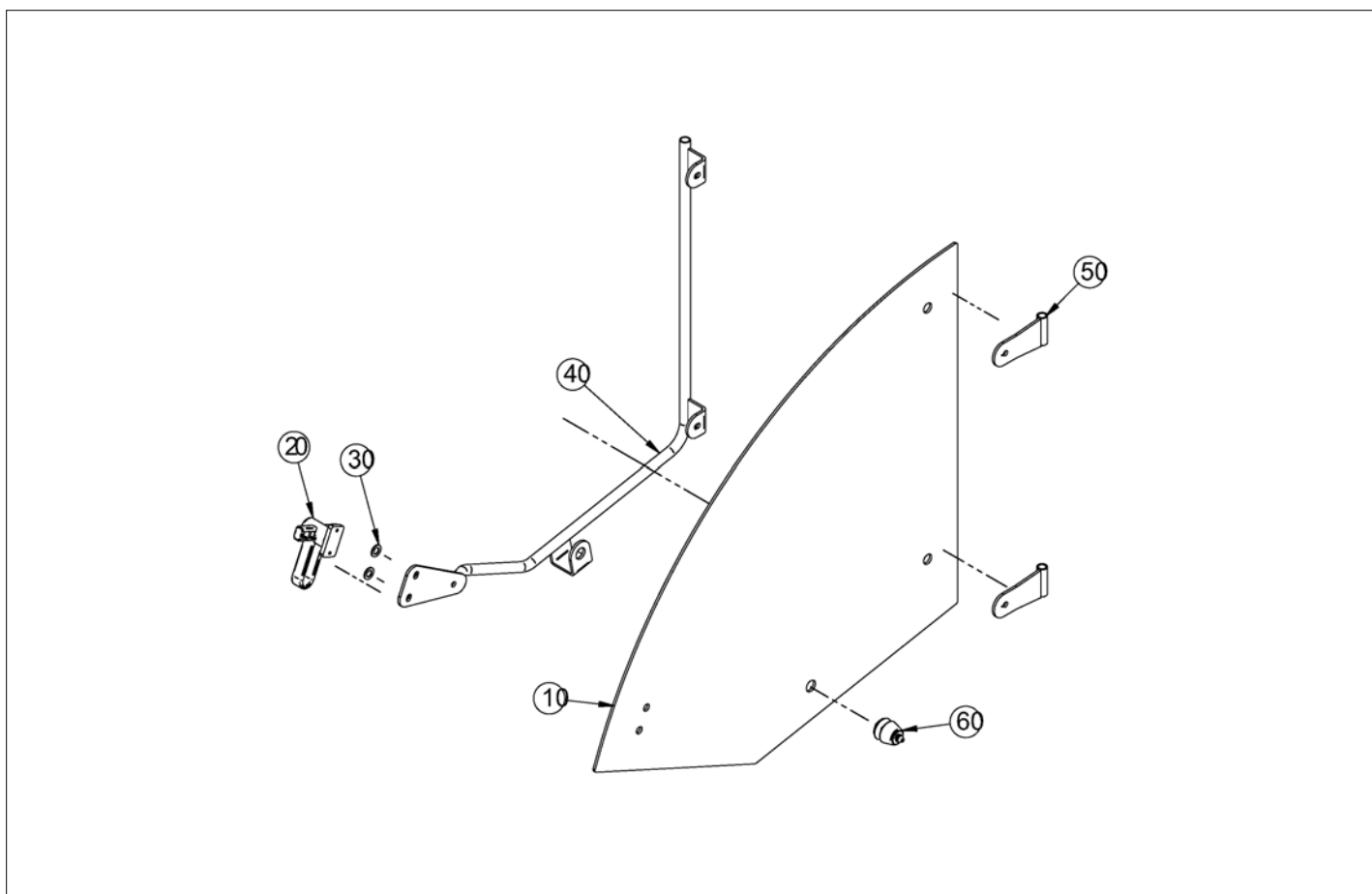
アイテム	部品番号	名前	数量	UOM
	PNNA	REPLACEMENT KEYS FOR TELEHANDLERS		EA
1	3028929	CAB/IGNITION AND ENGINE COVER KEY	1	EA
2	3028930	FUEL CAP KEY	1	EA
3	8030051	1054 AND 9244 REAR COVER	A/R	EA

REPAIR PARTS



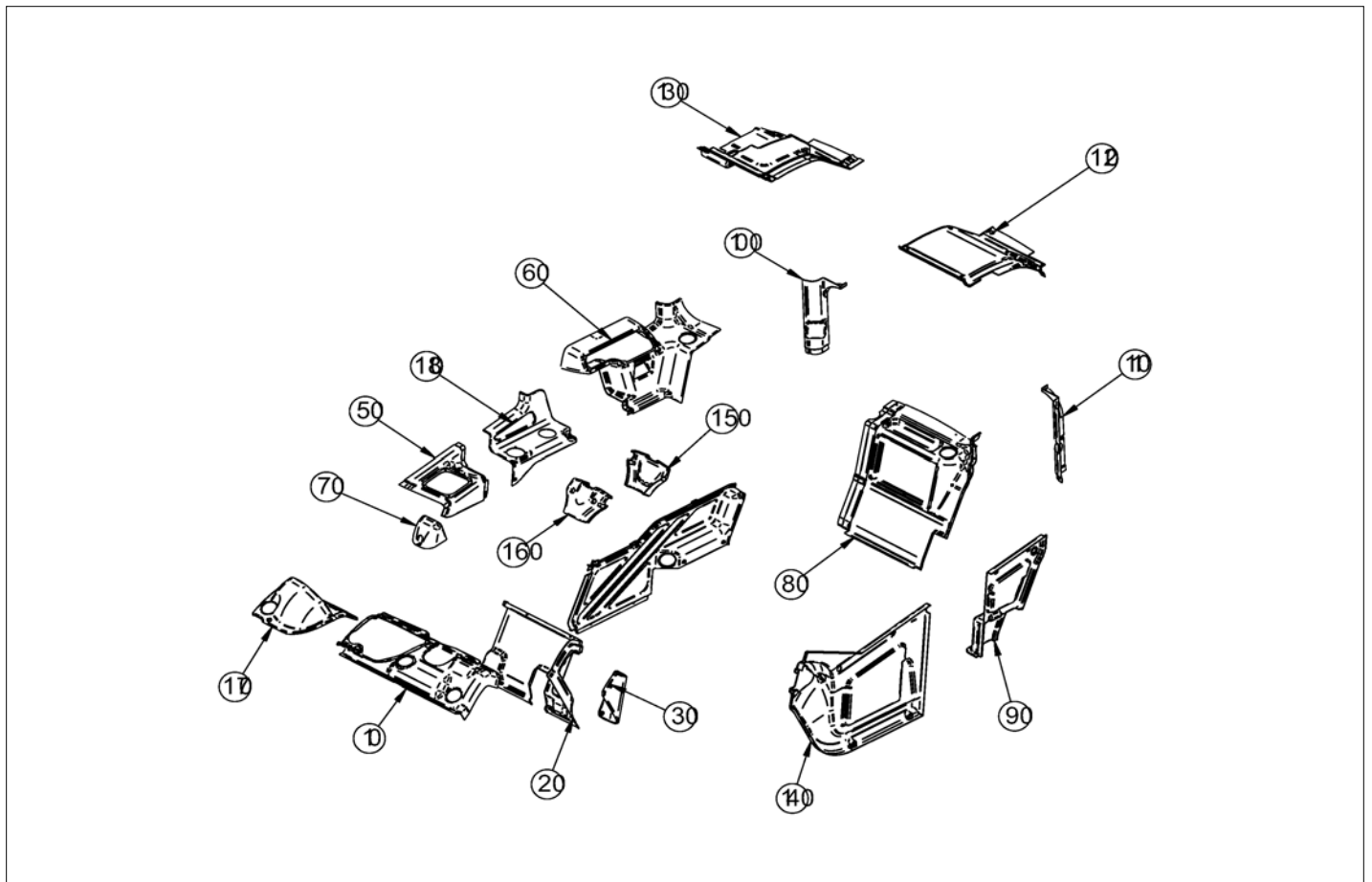
アイテム	部品番号	名前	数量	UOM
Not Shown	PNNA	CAB QUEEN CABIN DOOR 1		EA
10	SN T30182051	LOCK WITH LEVER	1	EA
20	SN 716211001	TLFH PRE JOINTED DOOR GUISNAP	1	EA
30	SN 521502001	CABIN DOOR FIXING BELT	1	EA
40	SN 706011001	OVAL DLP SLEEVE 176x122	1	EA
50	SN 706012001	GASKET FOR OVAL DLP SLEEVE	1	EA
60	SN 716172301	TLFH DOOR FRAME NR RAL 9005	1	EA
70	SN T30182054	LEVER DOOR OPENING DOOR QUEEN CAB	1	EA
80	SN T30182753	ABS DOOR WITH NEW HANDLE	1	EA

REPAIR PARTS



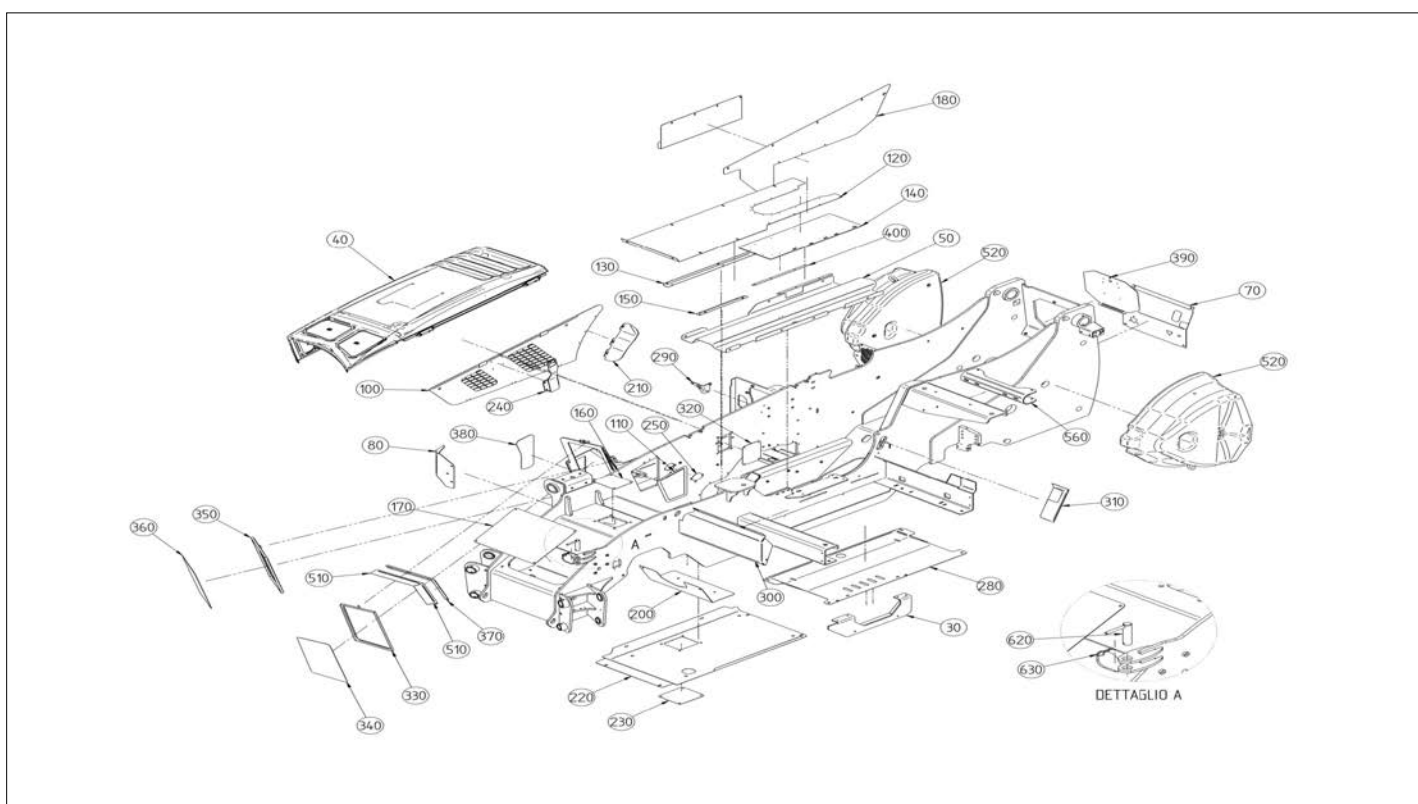
アイテム	部品番号	名前	数量	UOM
	PNNA	CAB QUEEN CABIN DOOR 2		EA
10	SN 715182701	WINDOW HINGE	1	EA
20	SN 706000101	LEFT/RIGHT SLEEVE 110x38 NYLON	1	EA
30	SN 706163101	WASHER EXT.D24 INT.D14 H2 EPDM 90SH	2	EA
40	SN 706172301	TLFH DOOR GLASS HANDLE NR RAL9005	1	EA
50	SN 541172301	TLFH DOOR HINGE NR RAL9005	2	EA
60	SN 706032001	DOORSTOP PIN DLP JAP MM70	1	EA

REPAIR PARTS

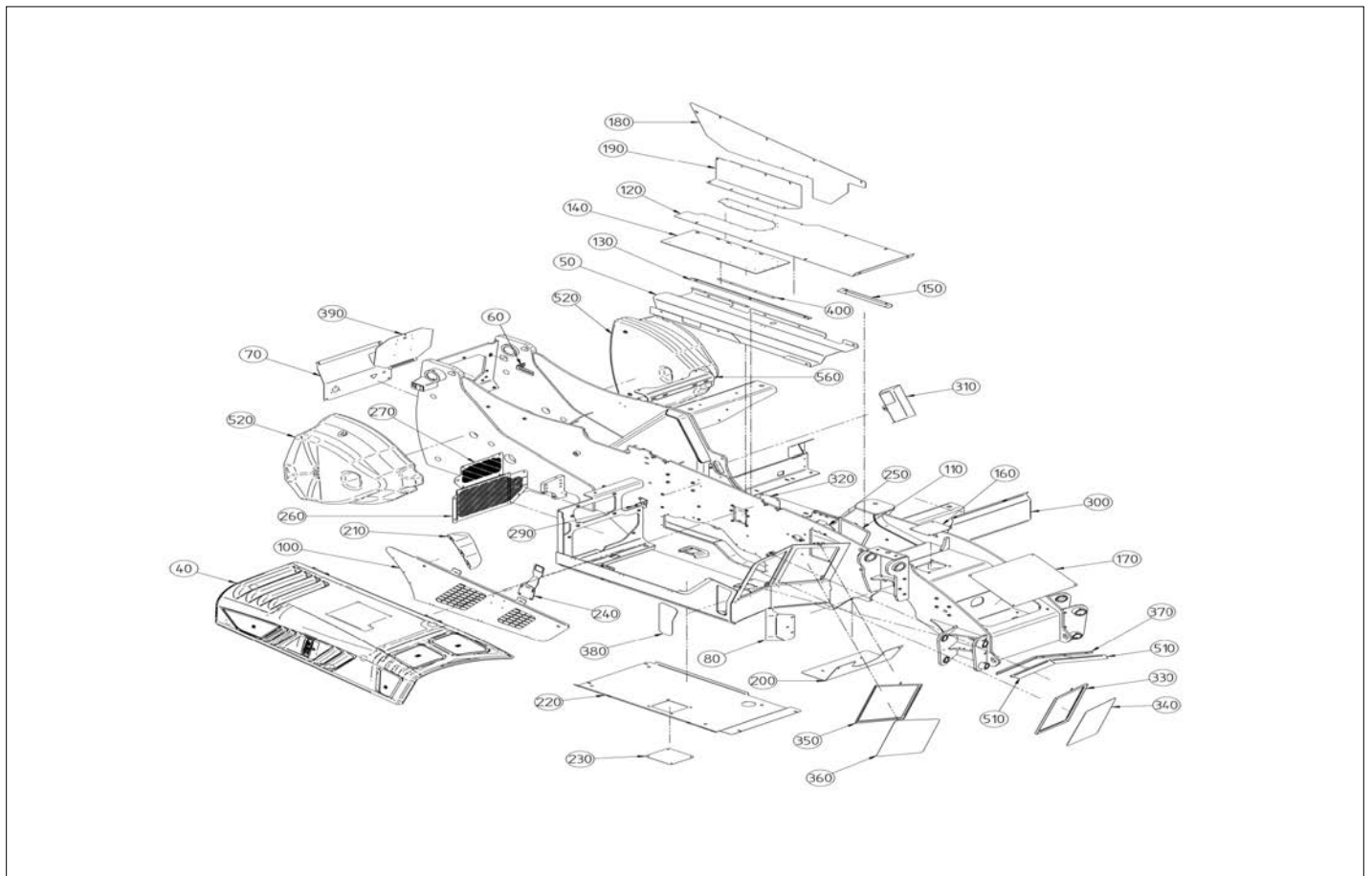


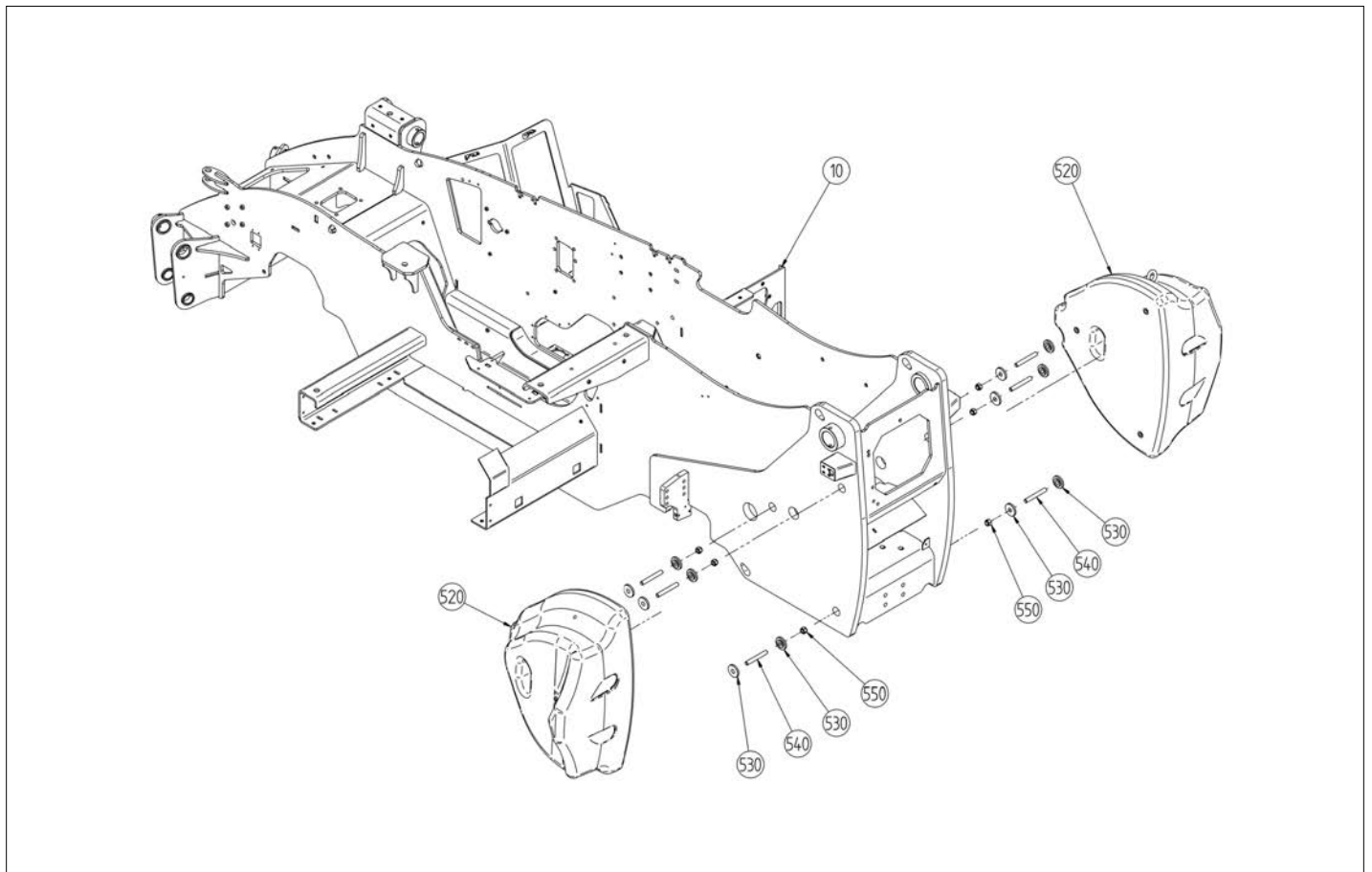
アイテム	部品番号	名前	数量	UOM
	PNNA	INNER COATINGS CABIN FR04 CLASSIC		EA
10	SN T30182751	ABS FRONT INSTRUMENT PANEL	1	EA
20	SN T30182752	ABS LOWER FRONT INSTRUMENT PANEL	1	EA
30	SN T30182754	ABS ELECTRIC PANEL DOOR	1	EA
40	SN T30182756	ABS LOWER RH	1	EA
50	SN T30182755	ABS STARTER SWITCH CONTROL PANEL	1	EA
60	SN T30182758	ABS CENTRAL UNIT AND A/C CONTROL PANEL	1	EA
70	SN T30182768	ABS ANTI OVERTURN COWL	1	EA
80	SN T30182761	ABS REAR CABIN	1	EA
90	SN T30182760	REAR LH SIDE ABS WASHER TANK	1	EA
100	SN T30182762	ABS RH REAR UPRIGHT	1	EA
110	SN T30182763	ABS LH REAR UPRIGHT	1	EA
120	SN T30182765	ABS ROOF LH SIDE	1	EA
130	SN T30182764	ABS ROOF RH SIDE	1	EA
140	SN T30182753	ABS DOOR WITH NEW HANDLE	1	EA
150	SN T30182767	ABS UPPER STEERING WHEEL COVER	1	EA
160	SN T30182766	ABS LOWER STEERING WHEEL COVER	1	EA
170	SN T30182770	ABS WINDSHIELD FOR ALGA	1	EA
180	SN T30182769	ABS TELESCOPIC TECNORD JOYSTICK	1	EA

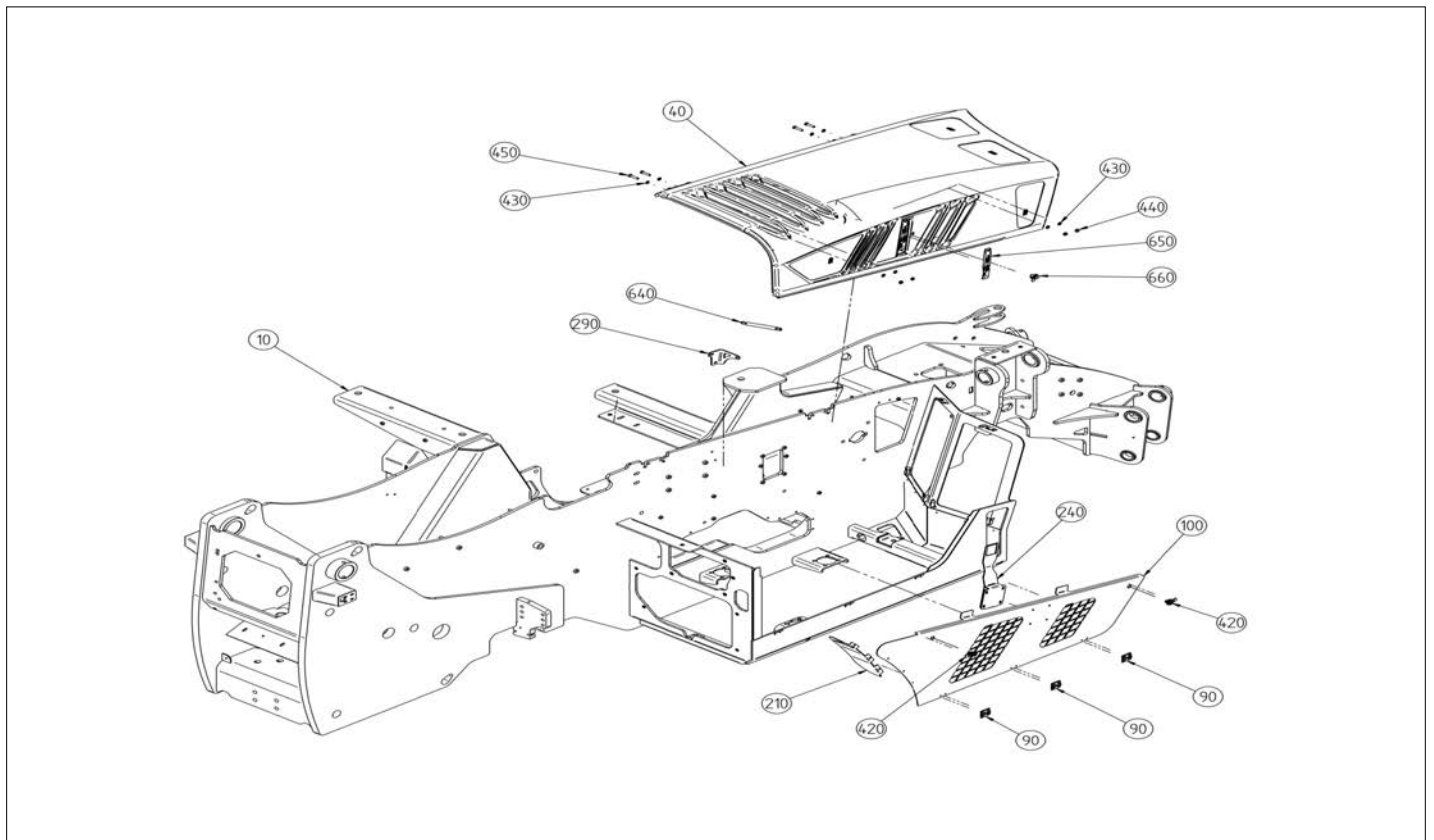
REPAIR PARTS

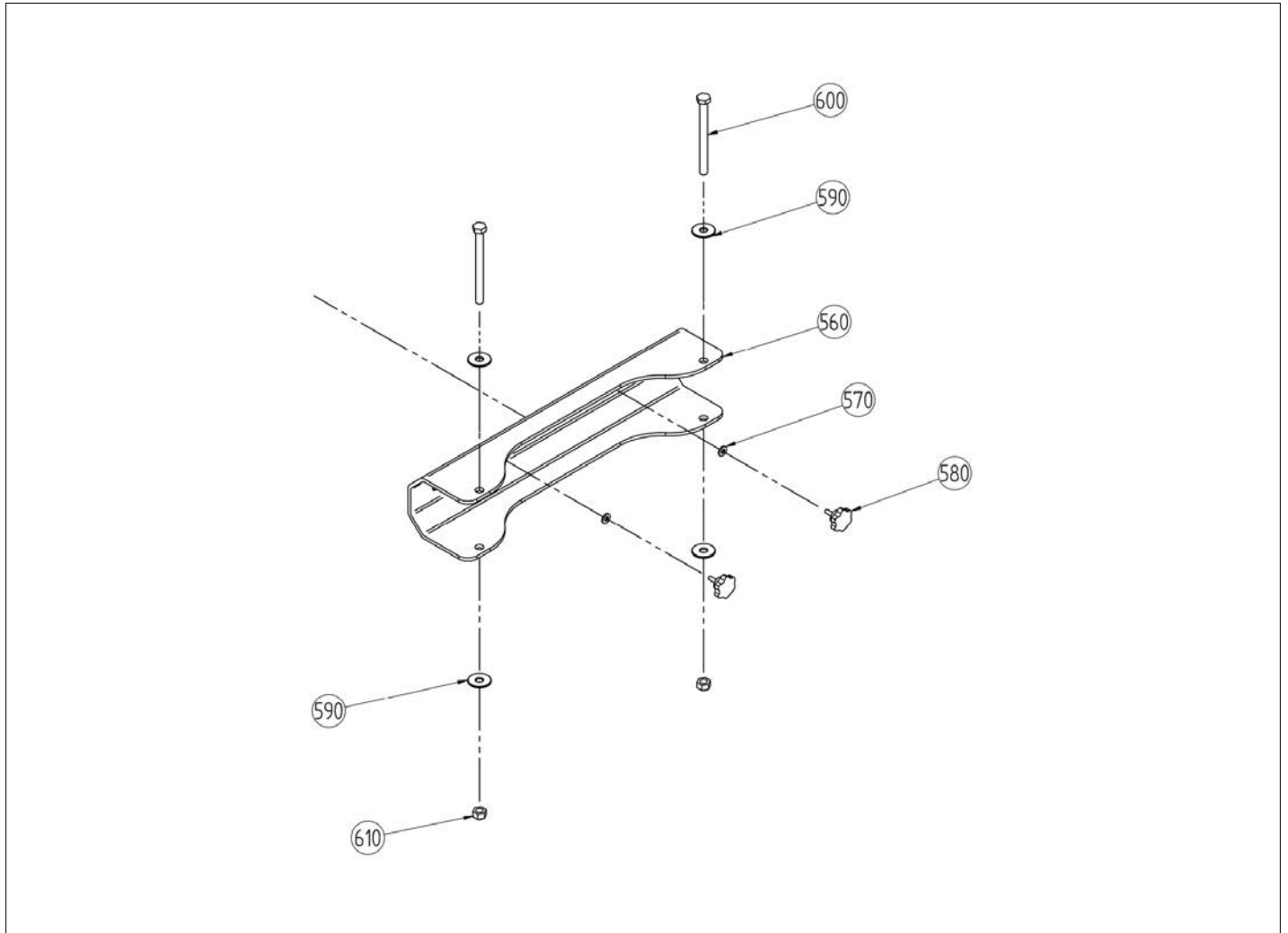












アイテム	部品番号	名前	数量	UOM
	PNNA	CASTING AND PROTECTIONS FR04		EA
10	SN T42000450	FR04 CHASSIS CARRARO AXLES	1	EA
20	SN T30186650	DIESEL TANK COVER + STEP	1	EA
30	SN T30186850	ADDITIONAL STEP	1	EA
40	SN 710011506	INTEGRAL PLASTIC ENGINE HOOD 2013	1	EA
50	SN T42000550	CARDAN COVER CASING FR04	1	EA
60	SN T30199550	1 SUPPORT BRACKET FOR HIGH BOOM SENSORS	1	EA
70	SN T42001650	REAR LOWER COVER FR04	1	EA
80	SN T70003150	LEVELLING PROTECTION CASING	1	EA
90	SN 541102003	ENGINE HOOD COVER HINGE	3	EA
100	SN T30190650	ENGINE CASING LAT. SHEET 2013	1	EA
110	SN T30186550	RAD. COMP. CLOSURE SIDE COVER 8.40	1	EA
120	SN T42001050	PLATE COVER CASING FR04	1	EA
130	SN T42000950	SUPPORT RIGHT FRAME FOR PLATE CASING FR04	1	EA
140	SN T28015950	MACHINE PLATE CLOSING RUBBER SHEET	1	EA
150	SN T42001150	SUPPORT LEFT FRAME FOR PLATE CASING FR04	1	EA
160	SN T42001250	CRADLE INSPECTION CASING FR04	1	EA
170	SN T42001350	BATTERY COMPARTMENT CASING FR04	1	EA
180	SN T30188550	QUEEN CAB FR02 SIDE COVER	1	EA
190	SN T42001450	DISTRIBUTOR SIDE CASING FR04	1	EA
200	SN T42001550	CHASSIS LOWER CASING FR04	1	EA
210	SN T30184850	OIL TANK SUCTION CLOSURE CASING	1	EA

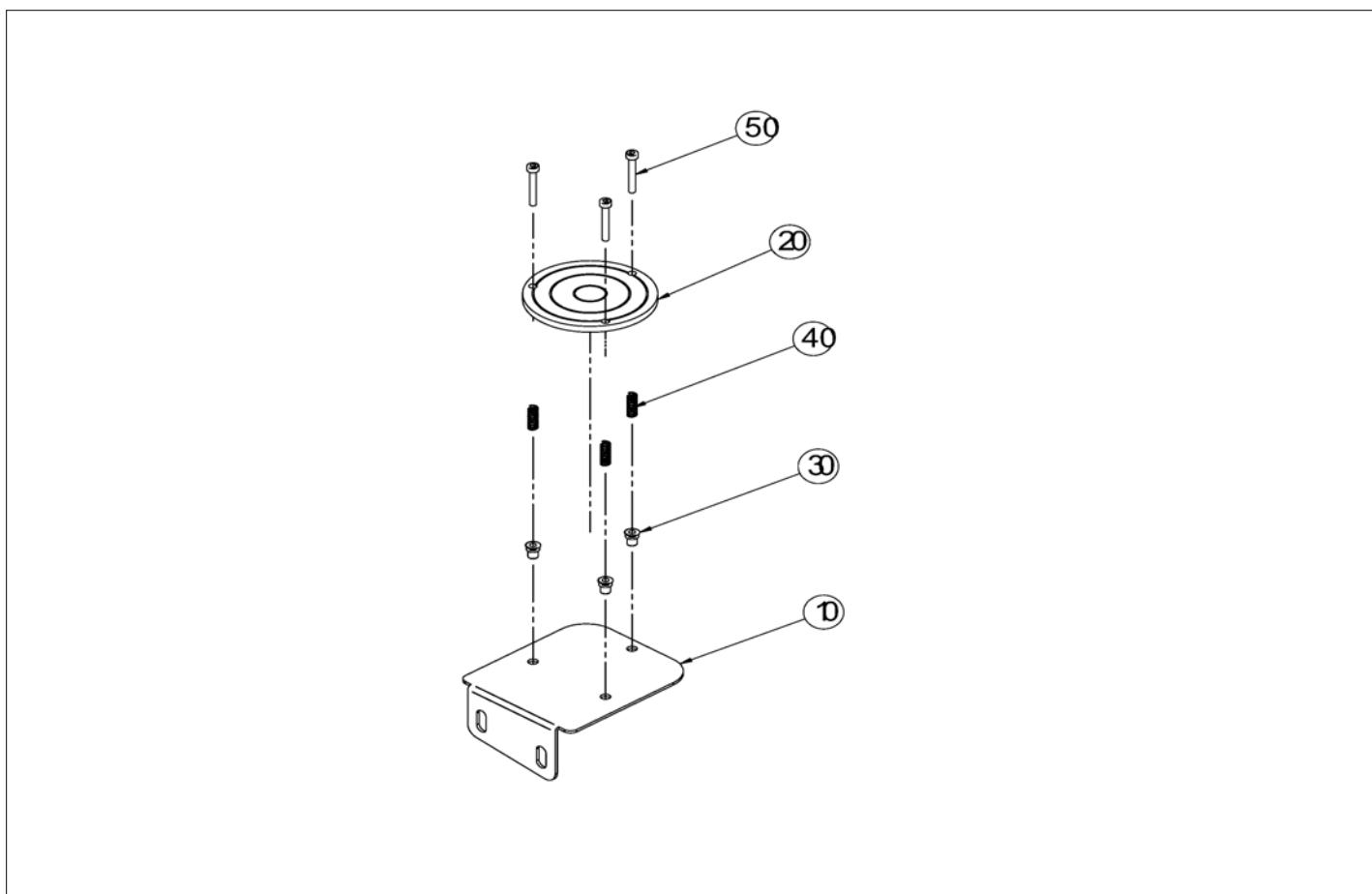
アイテム	部品番号	名前	数量	UOM
220	SN T28043950	SHEET UNDER 2013 COMPACT ENGINE	1	EA
230	SN T28044150	CLOSED COVER ENGINE OIL CHANGE	1	EA
240	SN T28050850	CLOSURE BRACKET FOR BONNET HANDLE 2013	1	EA
250	SN T28040550	BY PASS VALVE CLOSURE CASING	1	EA
260	SN T30184550	CLOSING SHEET ON PUMP COMPARTMENT 7 9 11	1	EA
270	SN T30184650	DPF 7 9 11 COMPARTMENT CLOSING SHEET	1	EA
280	SN T28057450	DIESEL TANK PROTECTION CASING	1	EA
290	SN T28052050	SUPPORT FOR GAS SPRING 2014	1	EA
300	SN T30073450	CABIN FRONT CLOSURE CASING ITALCAB	1	EA
310	SN T30194150	CABIN REAR CASING	1	EA
320	SN T28040250	INTAKE MANIFOLD CHASSIS COMP. CLOSURE	1	EA
330	SN T30190250	AXLE CLOSED FRAME FRONT RH ENGINE COMP.	1	EA
340	SN T30190350	RIGHT FRONT GRID CLOSING DRILLED SHEET	1	EA
350	SN T30190450	AXLE CLOSED FRAME FRONT LH ENGINE COMP.	1	EA
360	SN T30190550	LEFT FRONT GRILLE DRILLED SHEET	1	EA
370	SN T28055750	FRONT SPLASH GUARD SEAL PROFILE	1	EA
380	SN T28052150	ENG. COMPARTMENT LAT. WINDOW EXPANDED METAL	1	EA
390	SN T30177750	UPPER REAR COVER 7 17	1	EA
400	SN T25059850	ALIGNER FOR PLATE RUBBER CLOSURE FR00	2	EA
410	SN T30189350	EXCHANGER LOWER COVER	1	EA

アイテム	部品番号	名前	数量	UOM
420	SN 523403104	CAM CLOSURE WITH HEX WRENCH	2	EA
430	SN 804003010	M10 WASHER DIN125A GALV. 10.5x20x2	8	EA
440	SN 101101001	SELF LOCKING NUT M10 GALV.	4	EA
450	SN 800110045	HEXAGON HEAD SCREW M10x40 CL 8.8 DIN 933 GALV.	4	EA
460	SN 523403103	ROTATING TYPE PUSH CLOSURE	2	EA
470	SN 804003106	M6 WASHER DIN9021 GALV. 6.4x18x1.6	4	EA
480	SN 804003206	M6 GROWER WASHER UNI7064 GALV. 6.1x11.8x3.2	4	EA
490	SN 122062501	HEX SOCKET SCREW M6X25 CL 10.9 UNI 7380 GALV.	4	EA
500	SN 101061001	SELF LOCKING NUT M6 GALV.	4	EA
510	SN 585001401	FRONT GASKET STICKER H=26MM	2	EA
520	SN T30103250	CLS SIDE BALLAST 700 KG	2	EA
530	SN T30179650	FP PAC BALLAST SPACER WASHER	12	EA
540	SN 190201501	DOWEL M20X150	6	EA
550	SN 101202201	SELF LOCKING NUT M20 UNI7473	6	EA
560	SN T30029450	LIFTING CYL. SAFETY PLATE	1	EA
570	SN 130080001	FLAT WASHER M8 GALV.	2	EA
580	SN 111200801	SEAT FLYWHEEL M8x20	2	EA
590	SN 804003112	M12 WASHER DIN9021 GALV. 13.0x37x3.0	4	EA
600	SN 800112140	HEXAGON HEAD SCREW M12x140 DIN931 GALV. PF	2	EA
610	SN 804002012	SELF LOCKING NUT HIGH GALV. M12 DIN982	2	EA
620	SN T30025350	FRONT TOW HOOK PIN	1	EA
630	SN 170048501	SPLIT PIN R D5 L78	1	EA

アイテム	部品番号	名前	数量	UOM
640	SN 502070001	700 N GAS SPRING FOR MAP HOOD	1	EA
650	SN 710011552	HOOD (COD. 710011506) PLASTIC HANDLE	1	EA
660	SN 710011551	HOOD (COD. 710011506) LOCK WITH KEY	1	EA

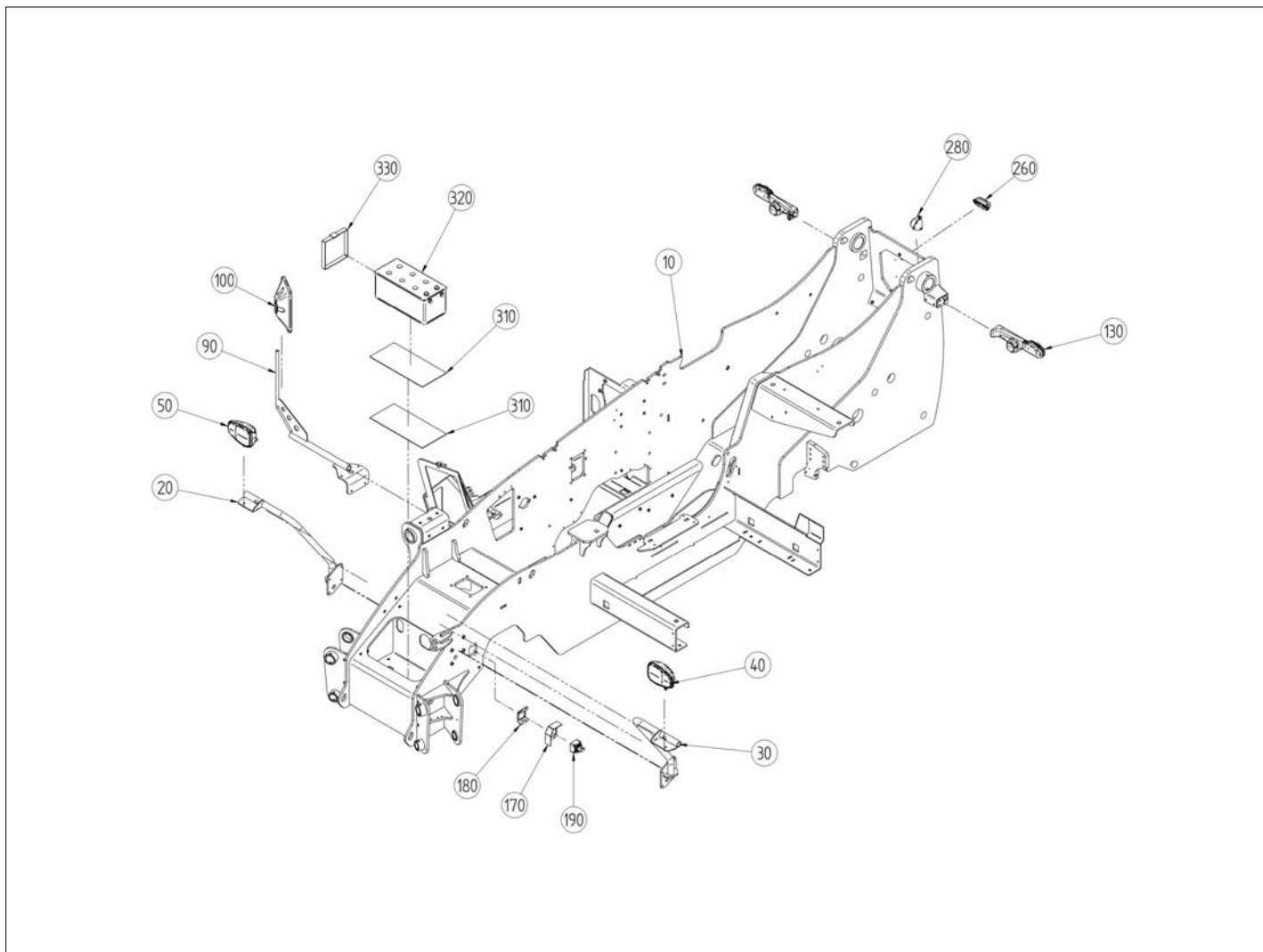


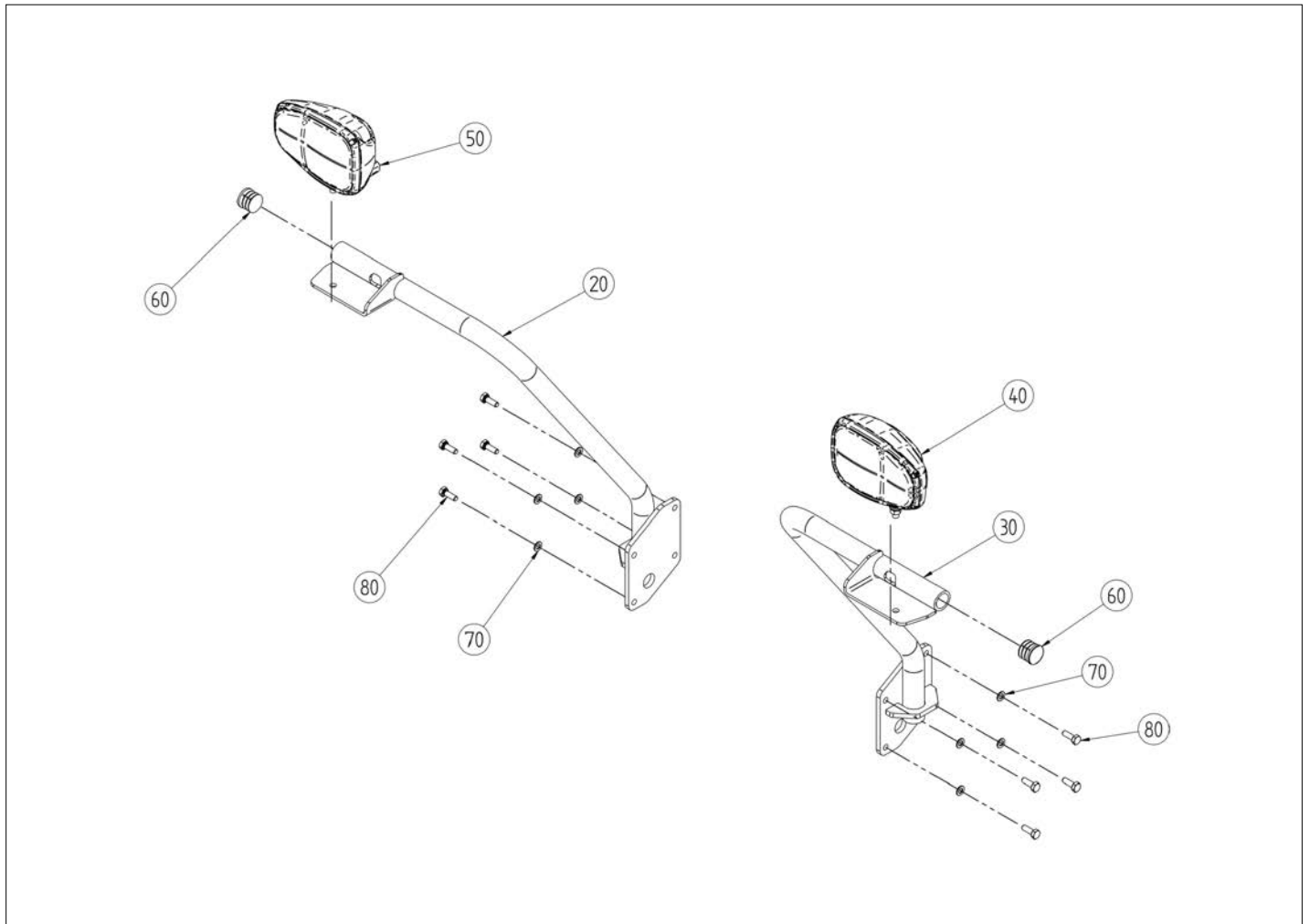
REPAIR PARTS

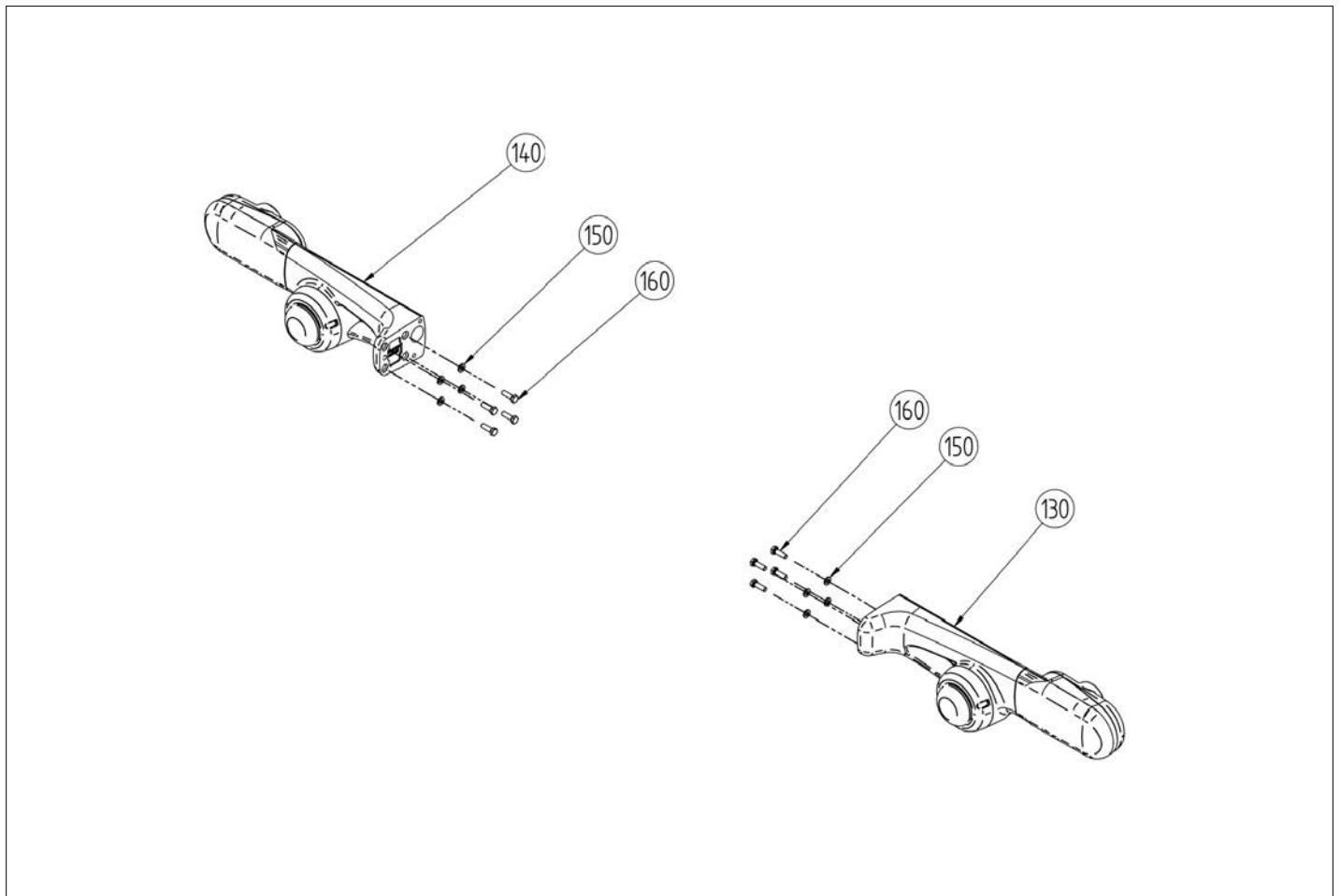


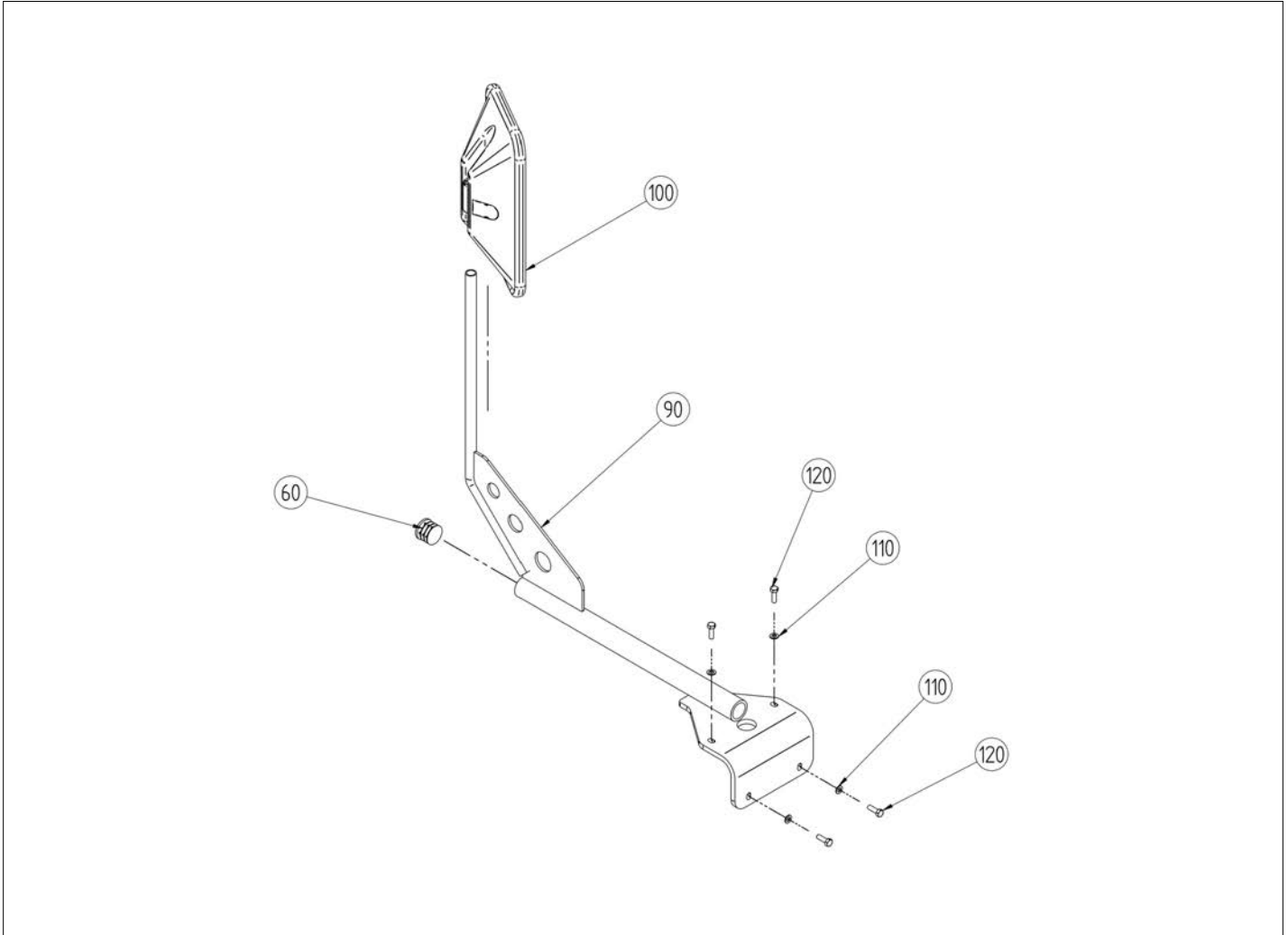
アイテム	部品番号	名前	数量	UOM
	PNNA	LEVELING BUBBLE		EA
10	SN T30180660	BUBBLE FIXING	1	EA
20	SN 905161101	SPIRIT LEVEL D80 SENS.5 PMMA	1	EA
30	SN 165004101	THREADED INSERT M4	3	EA
40	SN T30180680	SPRING ØEXT6 ØINT4.6 H18 SP0.7	3	EA
50	SN 800504030	SCREW M4X30 CL 8.8 DIN 912 ZN	3	EA

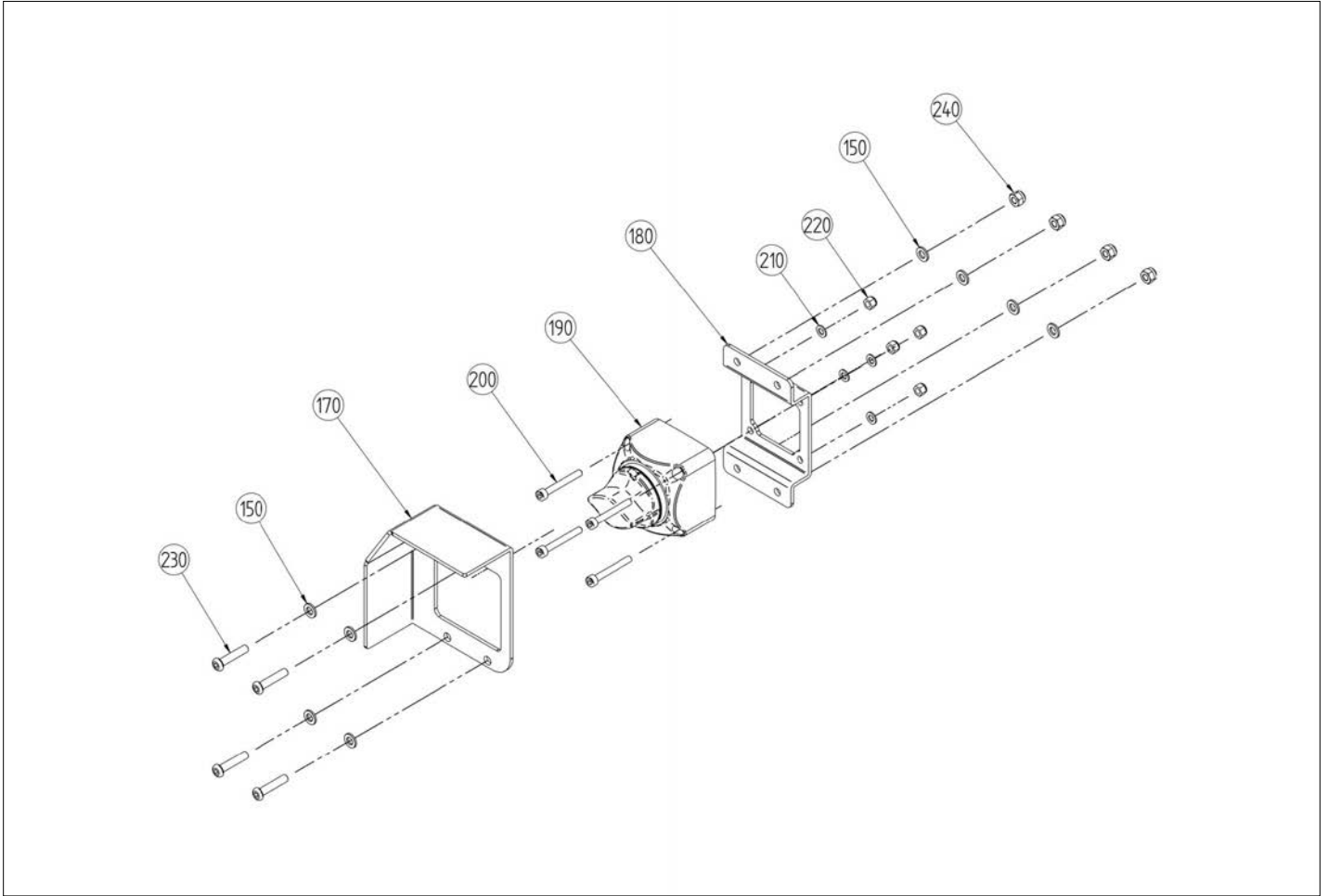
REPAIR PARTS

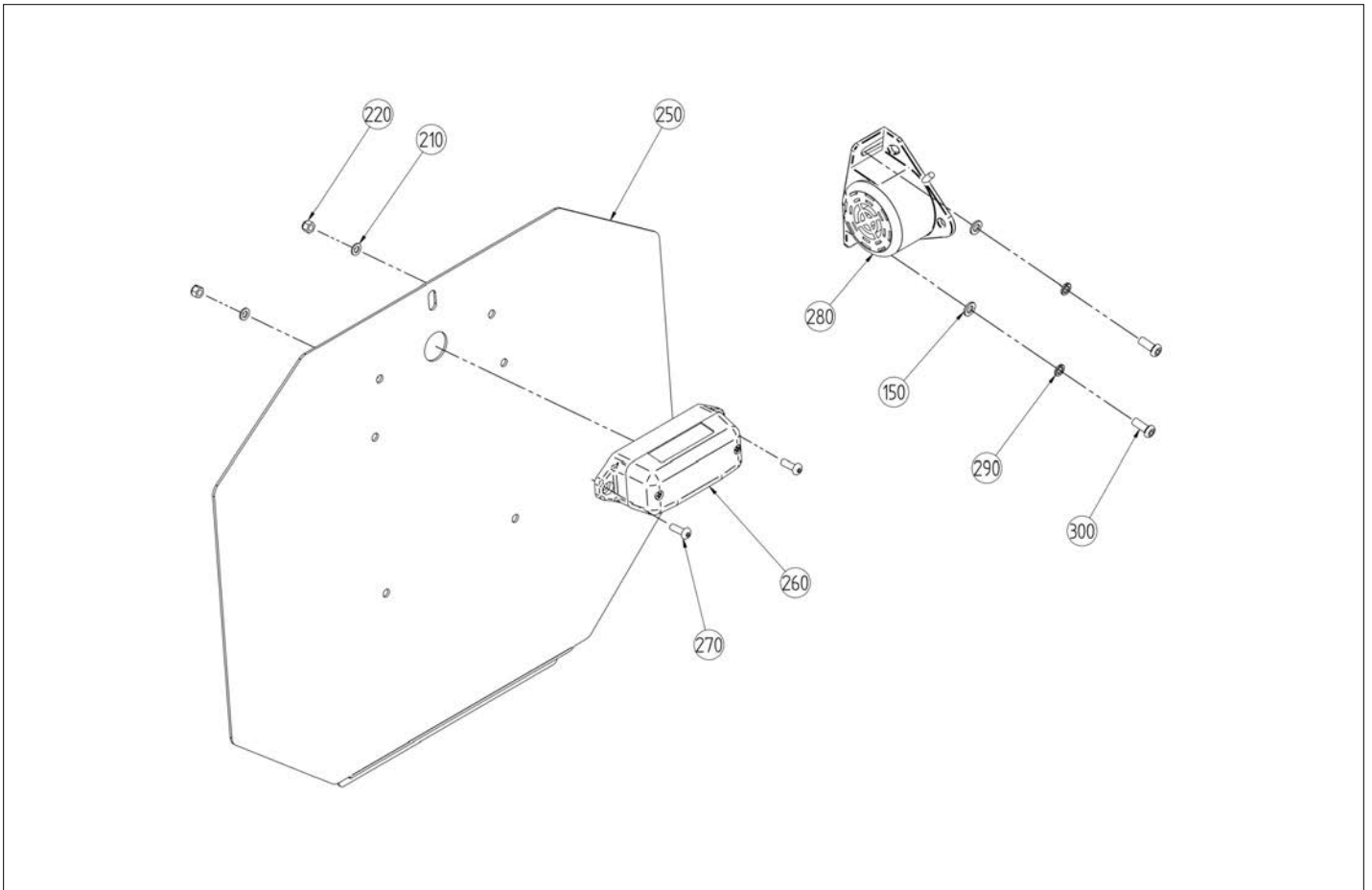










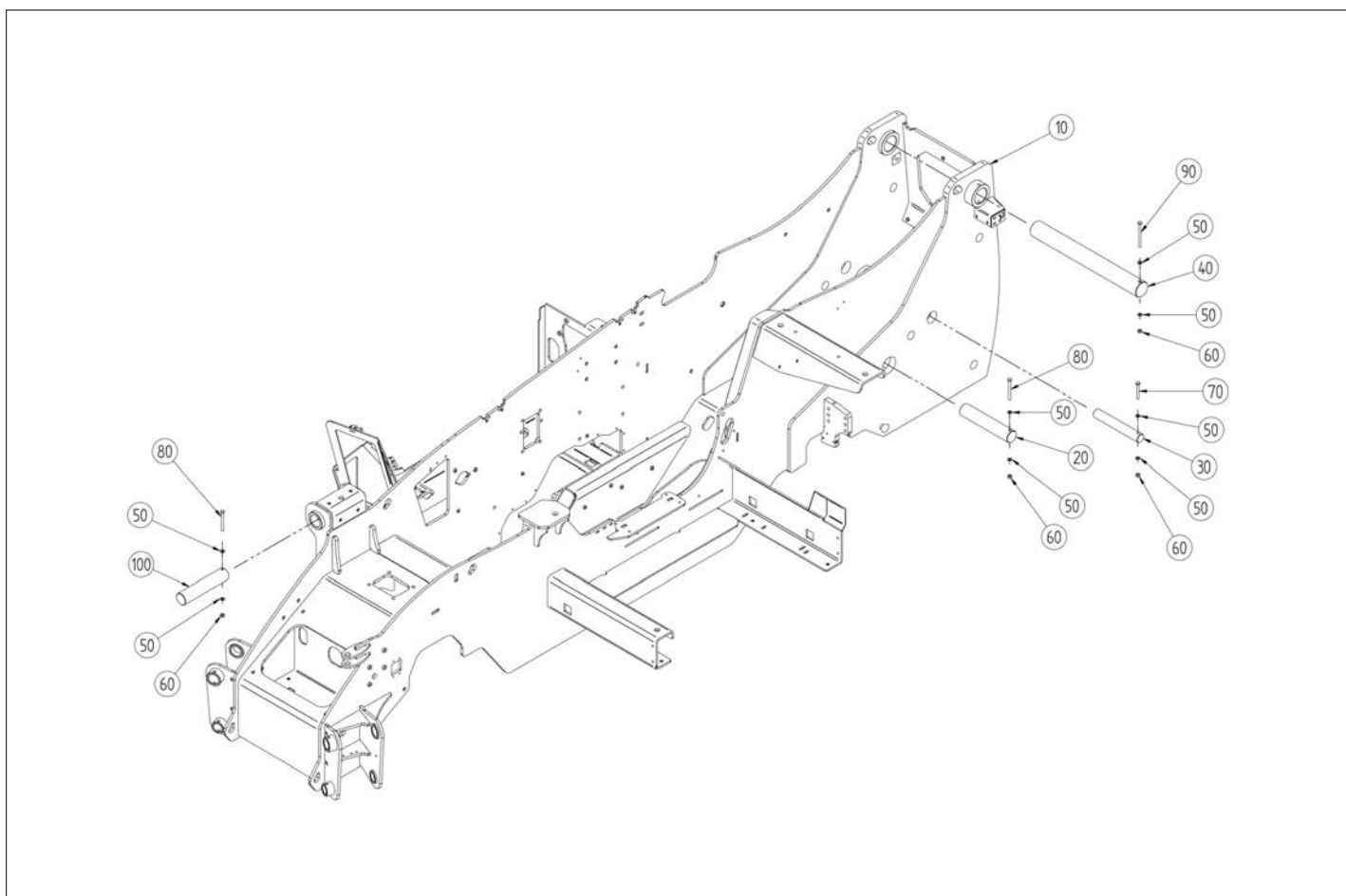




アイテム	部品番号	名前	数量	UOM
	PNNA	FRAME AND LIGHTS FR04		EA
10	SN T42000450	FR04 CHASSIS CARRARO AXLES	1	EA
20	SN T42000750	FRONT RIGHT LIGHT SUPPORT FR04	1	EA
30	SN T42000650	FRONT LEFT LIGHT SUPPORT FR04	1	EA
40	SN ME11095A39	FRONT RIGHT HEADLIGHT HELLA	1	EA
50	SN ME11096A40	FRONT LEFT HEADLIGHT HELLA	1	EA
60	SN 701004001	ROUND FINNED CAP IN POLYETHYLENE D.40	3	EA
70	SN 804003010	M10 WASHER DIN125A GALV. 10.5x20x2	8	EA
80	SN 800110030	HEXAGON HEAD SCREW M10x30 DIN933 GALV. IF	8	EA
90	SN T42000850	RIGHT REAR VIEW MIRRORS SUPPORT FR04	1	EA
100	SN 704000201	RIGHT MIRROR WITHOUT SUPPORT VELGRAF	1	EA
110	SN 804003008	M8 WASHER DIN125A GALV. 8.4x16x1.6	8	EA
120	SN 800108025	HEXAGON HEAD SCREW M8x25 DIN933 GALV. IF	4	EA
130	SN ME11496222	REAR LH HEADLIGHT EXTREME LIGHTING	1	EA
140	SN ME11497223	REAR RH HEADLIGHT EXTREME LIGHTING	1	EA
150	SN 804003006	M6 WASHER DIN125A GALV. 6.4x12x1.6	20	EA
160	SN 800106020	HEXAGON HEAD SCREW M6x20 DIN933 GALV. IF	8	EA
170	SN T25055350	HELLA BATTERY CUT OFF SWITCH GUARD SHEET	1	EA
180	SN T25055450	HELLA BATTERY CUT OFF SWITCH FIXING BRACKET	1	EA

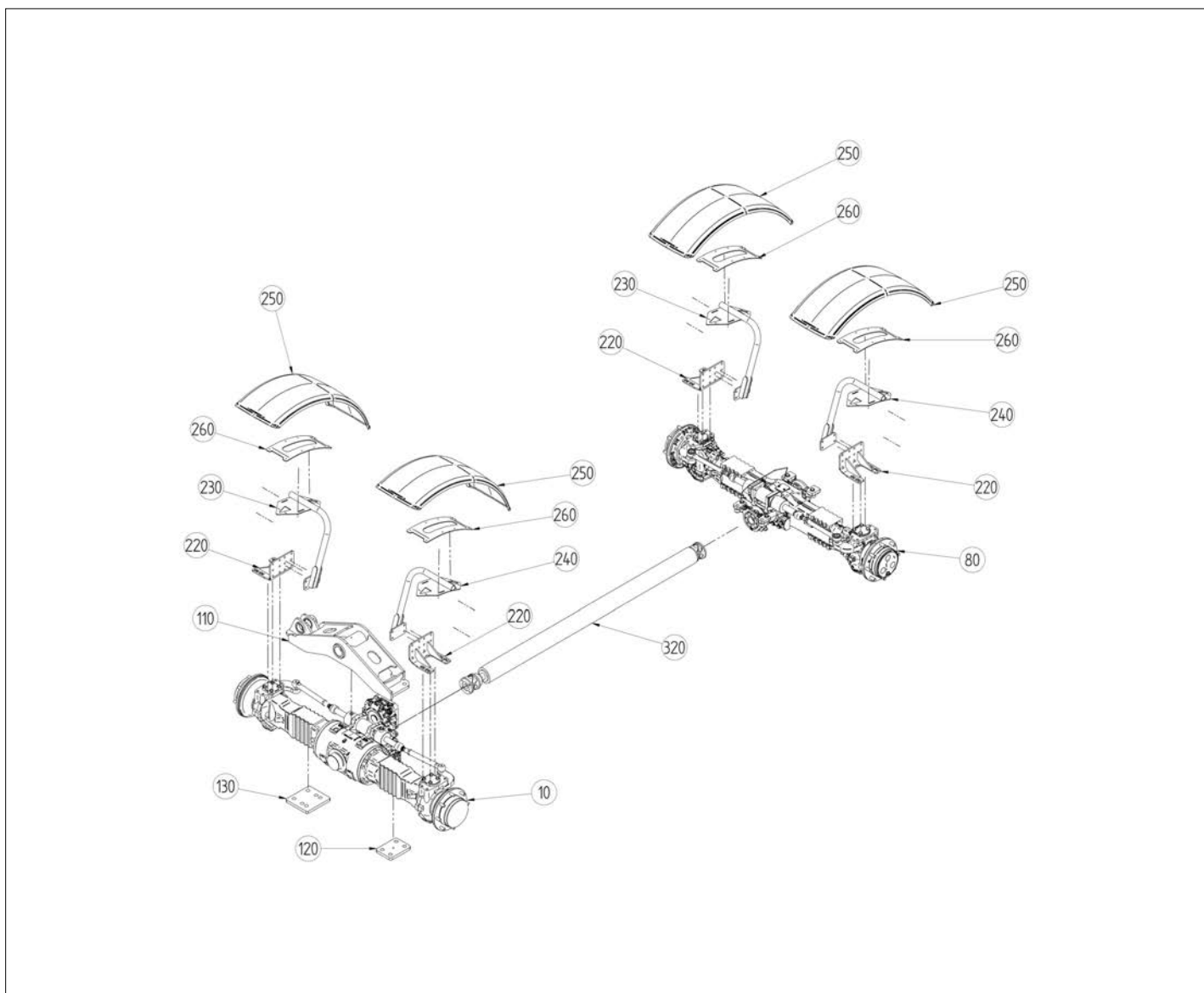
アイテム	部品番号	名前	数量	UOM
190	SN ME35065D44	PLASTIC BATTERY CUT OFF SWITCH MEMBERS	1	EA
200	SN 800505040	SOCKET HEAD CAP SCREW M5X40 CL 8.8 DIN 912 GALV.	4	EA
210	SN 130050001	FLAT WASHER M5 GALV.	6	EA
220	SN 804002005	SELF LOCKING NUT M5 GALV. HIGH DIN982	6	EA
230	SN 122063001	HEX SOCKET SCREW M6X30 CL 10.9 UNI 7380 GALV.	4	EA
240	SN 804002006	SELF LOCKING NUT M6 GALV. HIGH DIN982	4	EA
250	SN T30177750	UPPER REAR COVER 7 17	1	EA
260	SN ME09529635	NUMBER PLATE LIGHT	1	EA
270	SN 122051601	BUTTON HEAD WITH COUNTERSUNK HEX SCREW M5X16 CL 10.9 UNI 7380 ZN	2	EA
280	SN ME09088335	REAR BUZZER	1	EA
290	SN 804003206	M6 GROWER WASHER UNI7064 GALV. 6.1x11.8x3.2	4	EA
300	SN 122061601	HEX SOCKET SCREW M6X16 CL 10.9 UNI 7380 GALV.	4	EA
310	SN T30038250	BELT UNDER BATTERY	2	EA
320	SN 300016501	BATTERY 12V 160 AH THRUST 1050AH	1	EA
330	SN 609063450	BATTERY FIXING BELT	1	EA
340	SN T30199650	2 SUPPORT BRACKET FOR HIGH BOOM SENSORS	1	EA
350	SN T30199550	1 SUPPORT BRACKET FOR HIGH BOOM SENSORS	1	EA
360	SN 165061301	THREADED RIVET M6X13 GALV.	2	EA
370	SN 804002008	SELF LOCKING NUT M8 GALV. HIGH DIN982	2	EA
380	SN CR195555	FARESIN STORM WIRED SENSOR	2	EA
390	SN 122083001	HEX SOCKET SCREW M8X30 CL 10.9 UNI 7380 GALV	2	EA

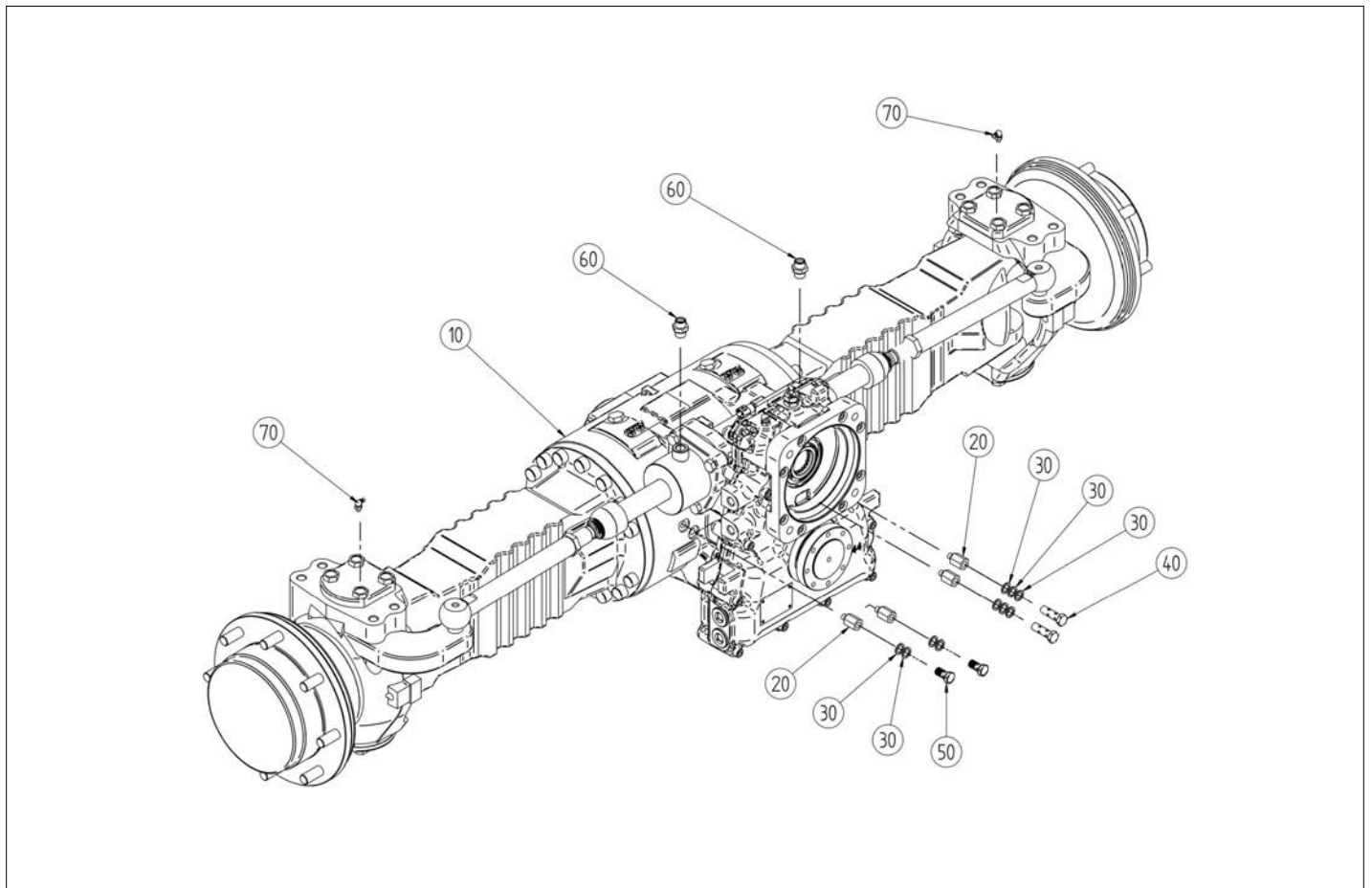
REPAIR PARTS

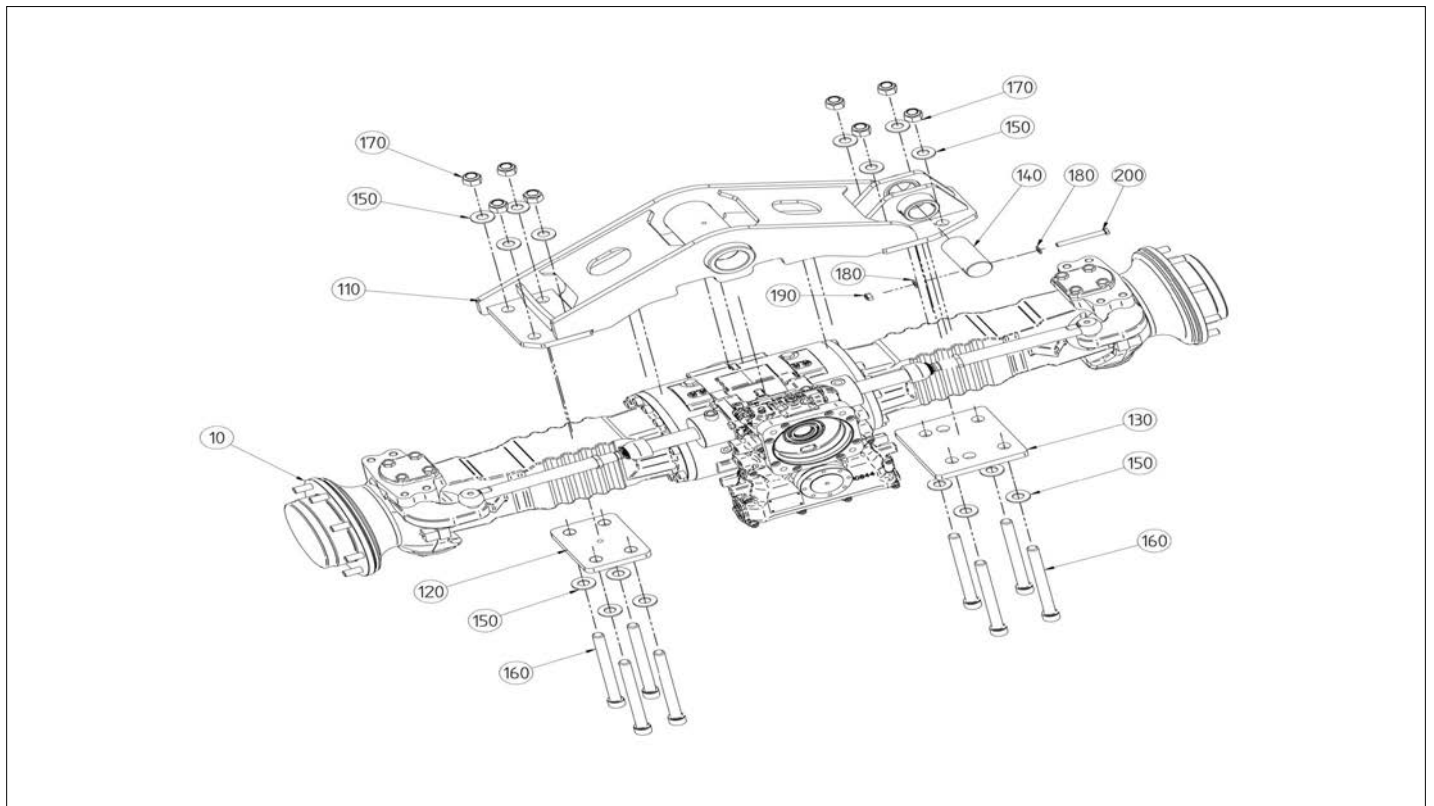


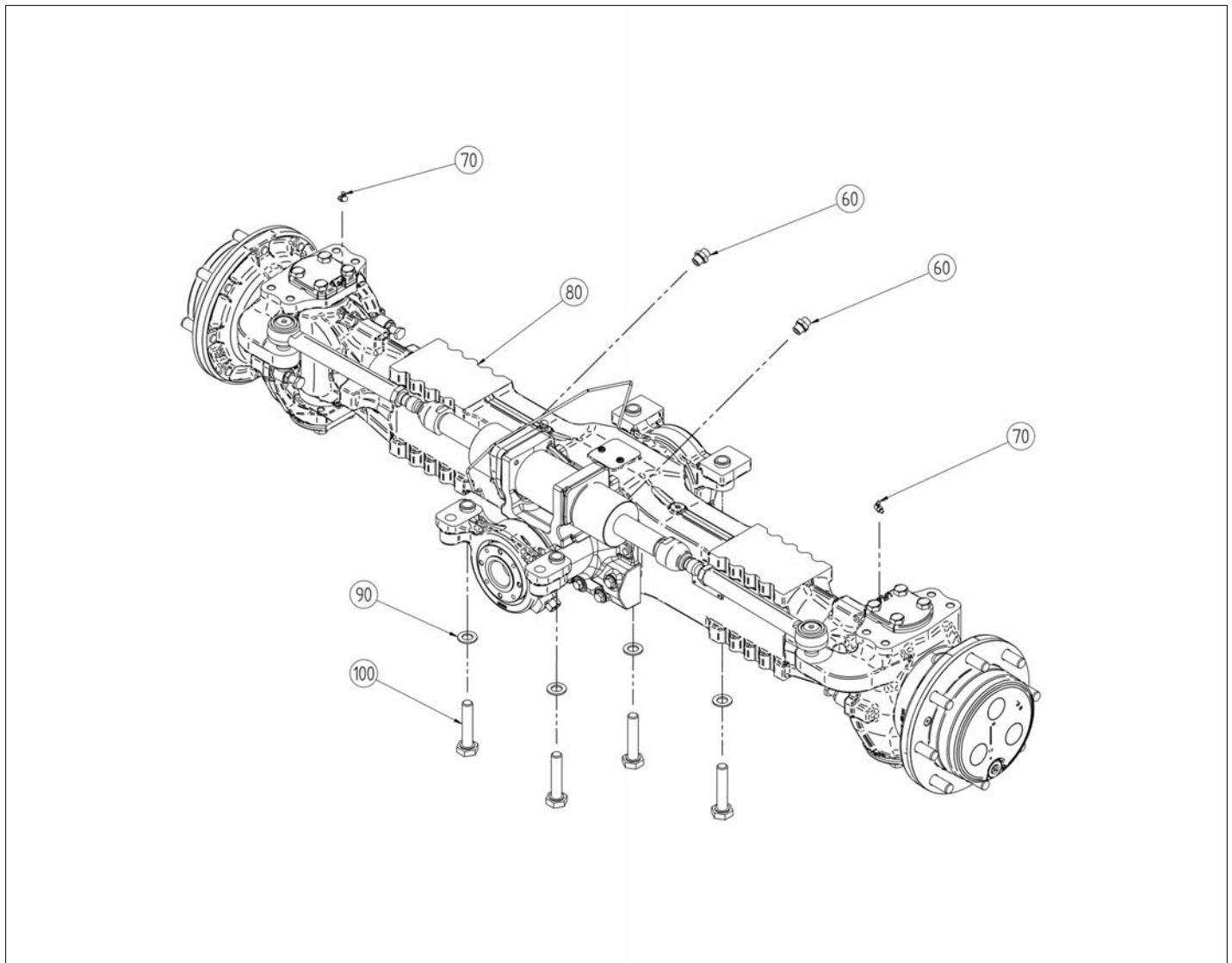
アイテム	部品番号	名前	数量	UOM
	PNNA	FRAME AND PINS FR04		EA
10	SN T42000450	FR04 CHASSIS CARRARO AXLES	1	EA
20	SN T30005750	PIN Ø70 L355	1	EA
30	SN T30067050	PIN Ø50 L330 W/HOLE Ø13	1	EA
40	SN T30102850	PIN Ø90 L790	1	EA
50	SN 804003012	M12 WASHER DIN125A GALV. 13.0x24x2.5	8	EA
60	SN 804002012	SELF LOCKING NUT HIGH GALV. M12 DIN982	4	EA
70	SN 120129001	HEXAGON HEAD SCREW M12X90 CL 8.8 UNI 5739 GALV.	1	EA
80	SN 800212120	HEXAGON HEAD SCREW M 12x120 DIN931 GALV.	2	EA
90	SN 800212150	HEXAGON HEAD SCREW M 12x150 DIN931 GALV.	1	EA
100	SN T70002450	PIN Ø70 L325 W/HOLE Ø13	1	EA

REPAIR PARTS

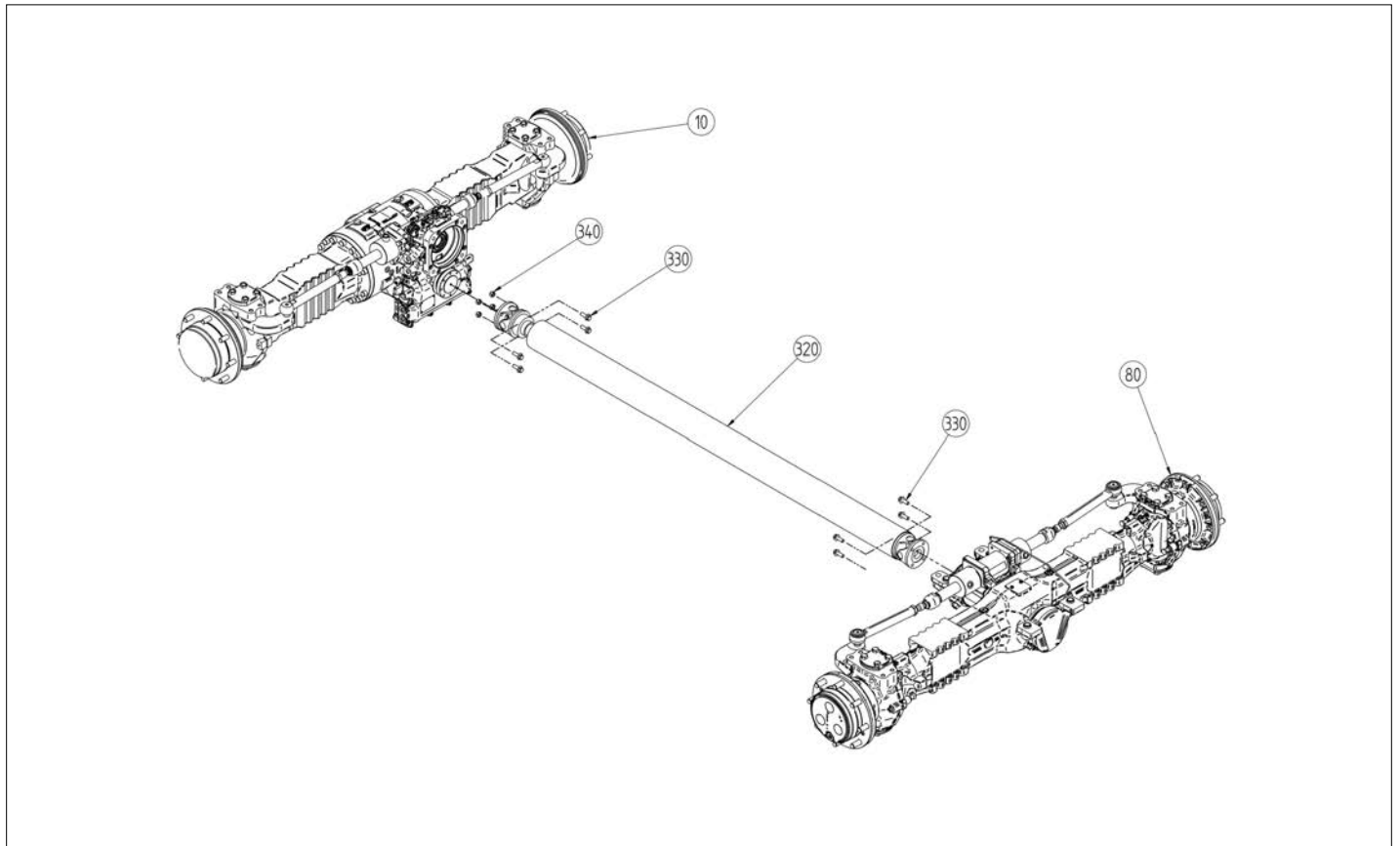


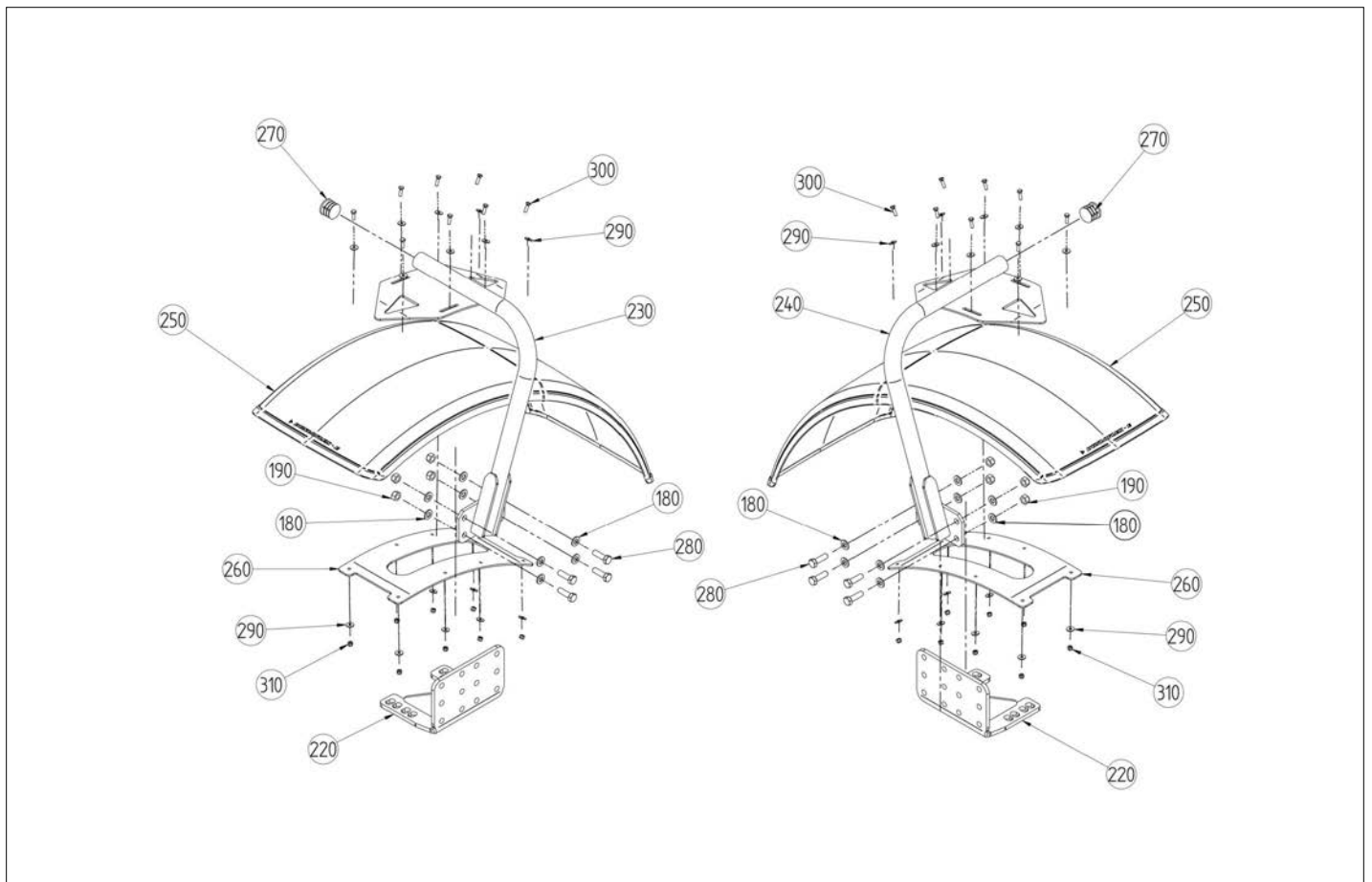


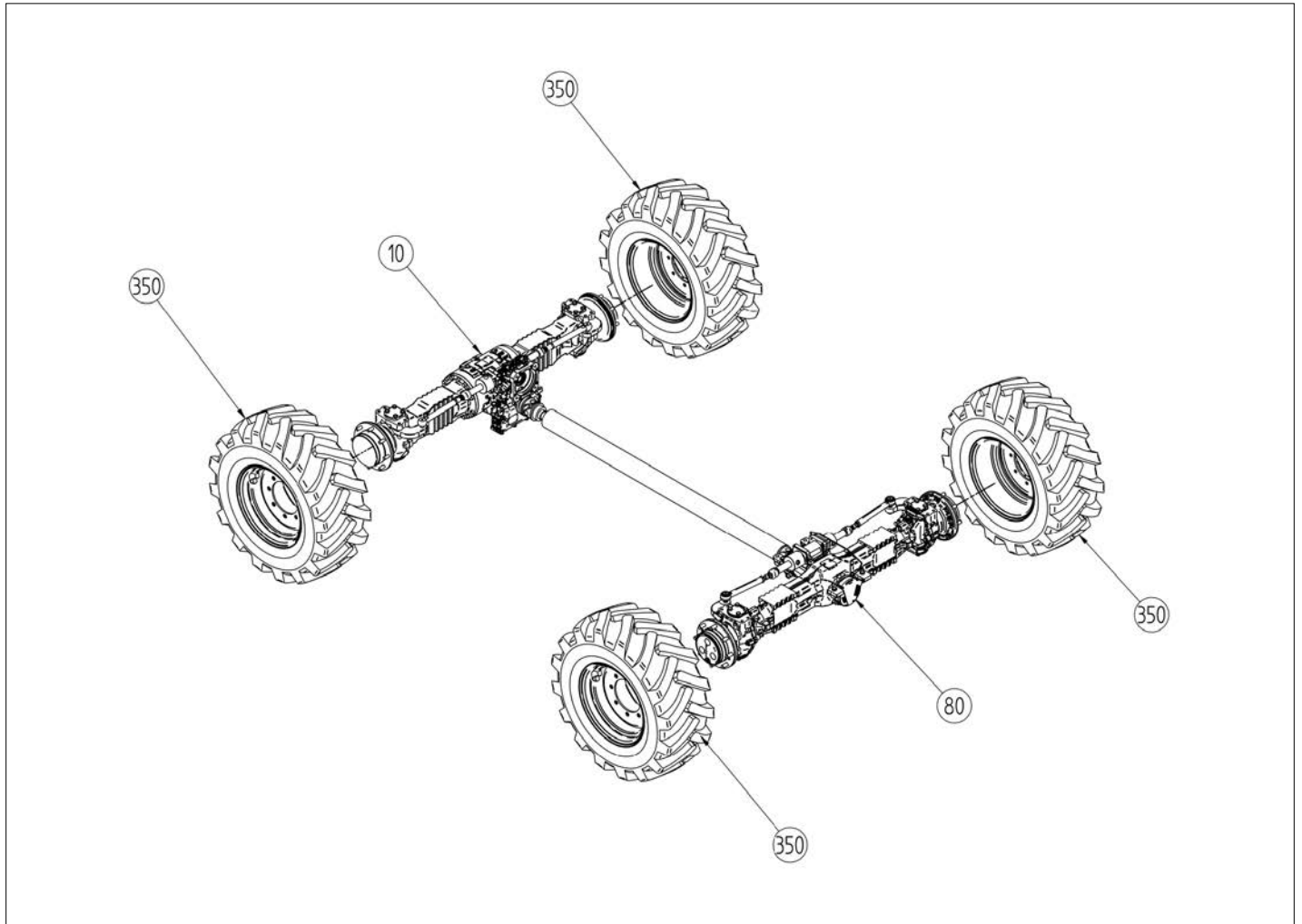


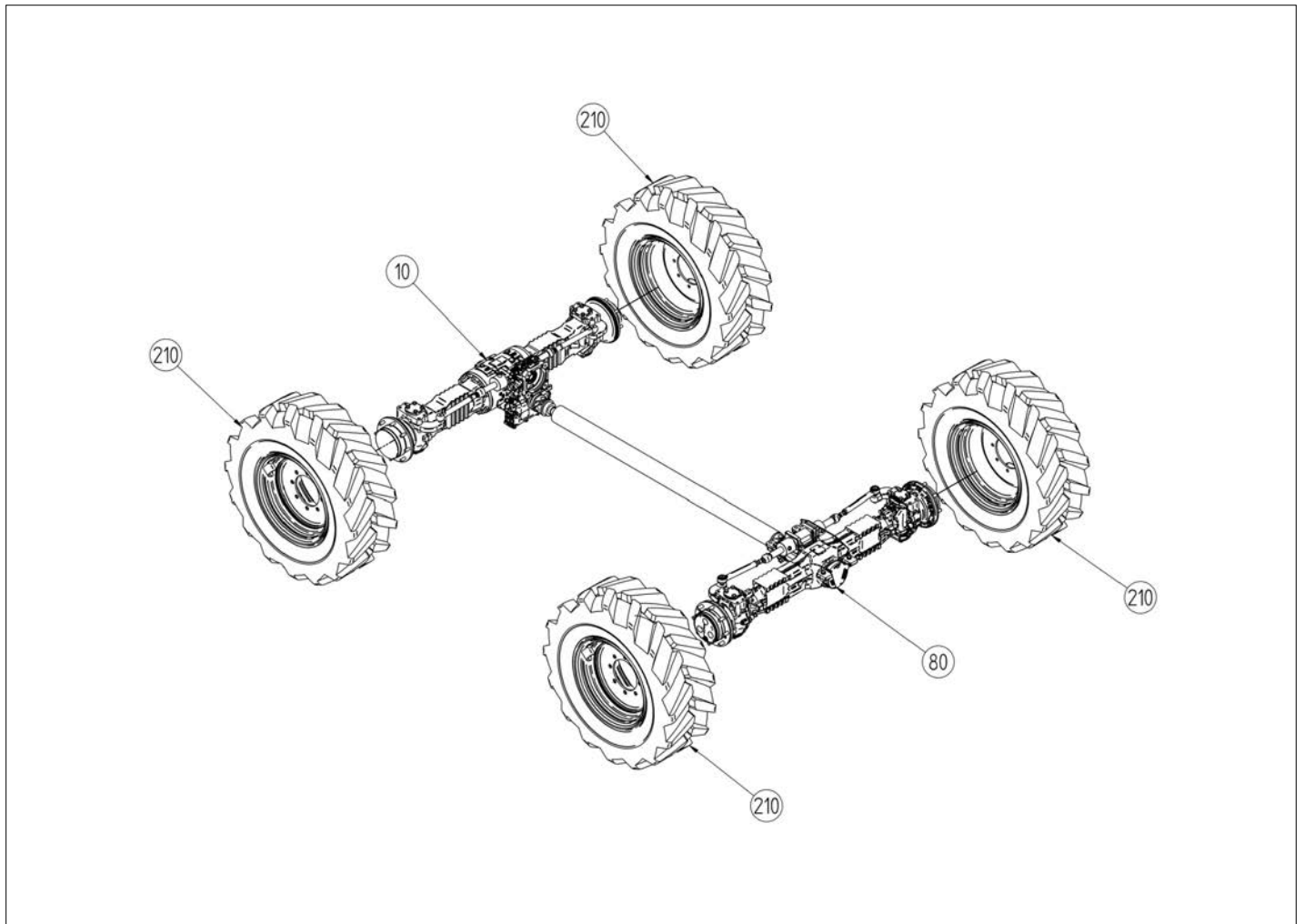








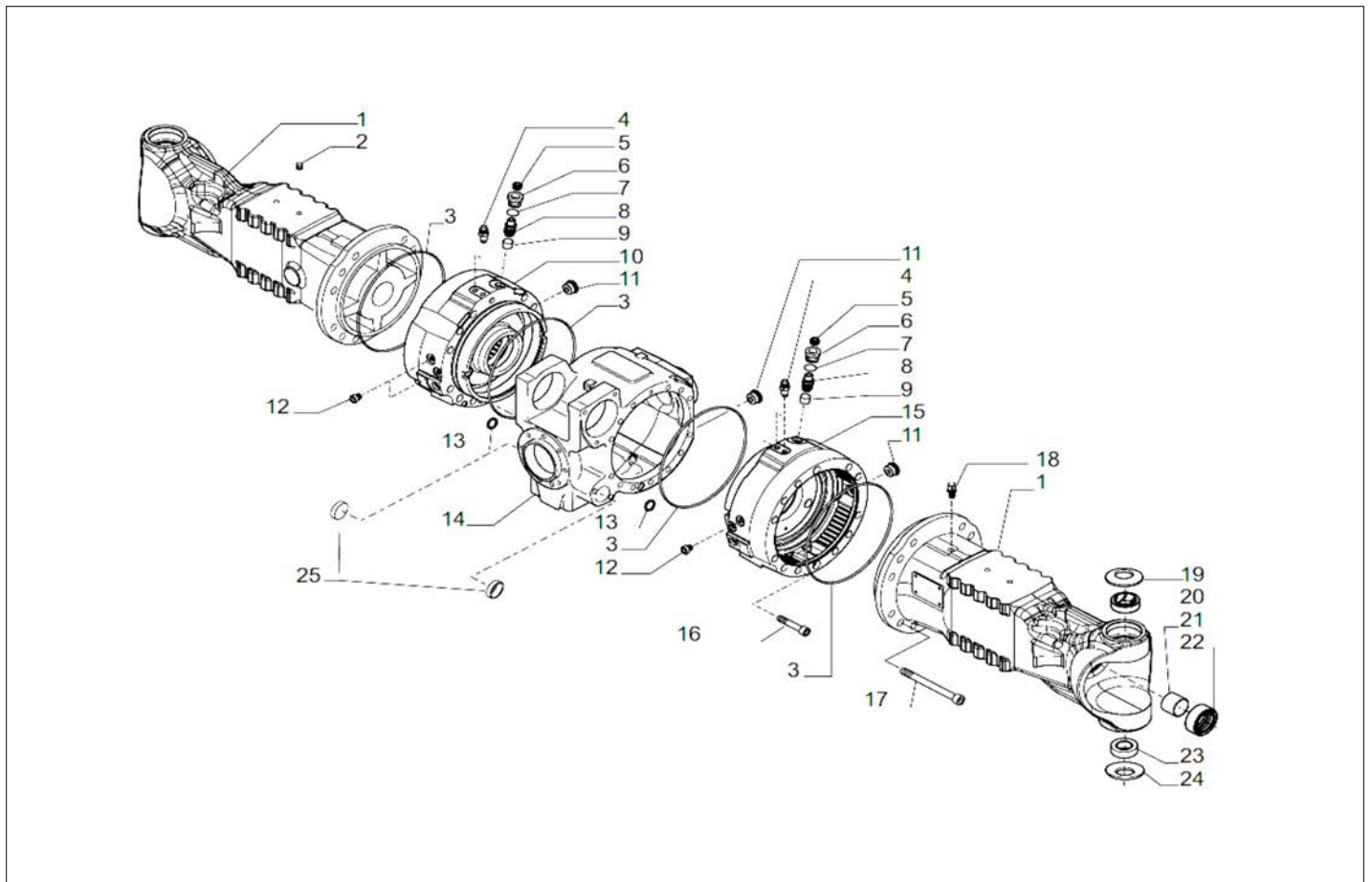




アイテム	部品番号	名前	数量	UOM
	PNNA	TRANSMISSION FR04 CLASSIC		EA
10	SN 610262501	SINGLE SPEED DRIVE AXLE 26.25M	1	EA
20	SN 609022650	EXT. M F M10*1 ISO6149 X F1/4" GAS H=25	4	EA
30	SN 414025950	1/4" *K* GAS BONDED WASHER	10	EA
40	SN 512039050	DOUBLE SCREW FOR EYE GAS 1/4" *K*	2	EA
50	SN 512014950	SCREW FOR EYE GAS 1/4" H=25 *K*	2	EA
60	SN 609021950	SEALING END BODY 12L * 18X1.5 ISO 6149	4	EA
70	SN 140060101	GREASER M6X1 90 °	4	EA
80	SN 610262502	OSCILLATING AXLE 26.25	1	EA
90	SN 804003020	M20 WASHER DIN125A GALV. 21.0x37x3.0	4	EA
100	SN 800220100	HEXAGON HEAD SCREW M20x100 DIN931 GALV.	4	EA
110	SN T30006450	OSCILLATING PUMP	1	EA
120	SN T30025750	AXLE CONN. PLATE	1	EA
130	SN T30038350	OSCIL. REAR AXLE FIXED PLATE ON AXLE	1	EA
140	SN T30008950	PIN Ø60 L132	1	EA
150	SN 130240301	FLAT WASHER 24X50 GALV.	16	EA
160	SN 125242801	SOCKET HEAD CAP SCREW M24X280 CL 8.8 UNI 912 GALV.	8	EA
170	SN 804002024	SELF LOCKING NUT M24 GALV. HIGH DIN982	8	EA
180	SN 804003012	M12 WASHER DIN125A GALV. 13.0x24x2.5	34	EA
190	SN 804002012	SELF LOCKING NUT HIGH GALV. M12 DIN982	17	EA
200	SN 120121101	HEXAGON HEAD SCREW M12X110 CL 8.8 UNI 5737 GALV.	1	EA

アイテム	部品番号	名前	数量	UOM
210	SN 510240103	COMPLETE WHEEL 24" MPT01 OFFSET +29 SR9244	4	EA
220	SN T30019550	LEFT AXLE MUDGUARD SUPPORT 26.25	4	EA
230	SN T30011850	RIGHT MUDGUARD SUPPORT	2	EA
240	SN T30011650	LEFT MUDGUARD SUPPORT	2	EA
250	SN 703072001	TELEHANDLER MUDGUARD	4	EA
260	SN T30016350	MUD GUARD FIXING BENT TUBE	4	EA
270	SN 701004001	ROUND FINNED CAP IN POLYETHYLENE D.40	4	EA
280	SN 800112040	HEXAGON HEAD SCREW M12x40 DIN933 GALV. IF	16	EA
290	SN 804003106	M6 WASHER DIN9021 GALV. 6.4x18x1.6	64	EA
300	SN 800106020	HEXAGON HEAD SCREW M6x20 DIN933 GALV. IF	32	EA
310	SN 804002006	SELF LOCKING NUT M6 GALV. HIGH DIN982	32	EA
320	SN 611201801	L=2254 3000RPM 72MM TRAVEL	1	EA
330	SN 124123501	HEXAGON HEAD SCREW M12X35 CLASS 10.9 FLANGED GALV.	8	EA
340	SN 102001201	NUT M12 CONE LOCK SPECIAL GALV.	4	EA
350	SN 510200501	COMPLETE WHEEL 20" MPT01 OFFSET 35 MITAS SR1054	4	EA
Not Shown	SN 510240112	AIR FILLED MITAS 405/70 24'	4	EA
Not Shown	SN 510240112FOA	FOAM FILLED MITAS 405/70 24"	4	EA
Not Shown	SN 510225003	AIR FILLED AEOLUS 445/65 22.5"	4	EA
Not Shown	SN 510225003FOA	FOAM FILLED AEOLUS 445/65 22.5"	4	EA

REPAIR PARTS

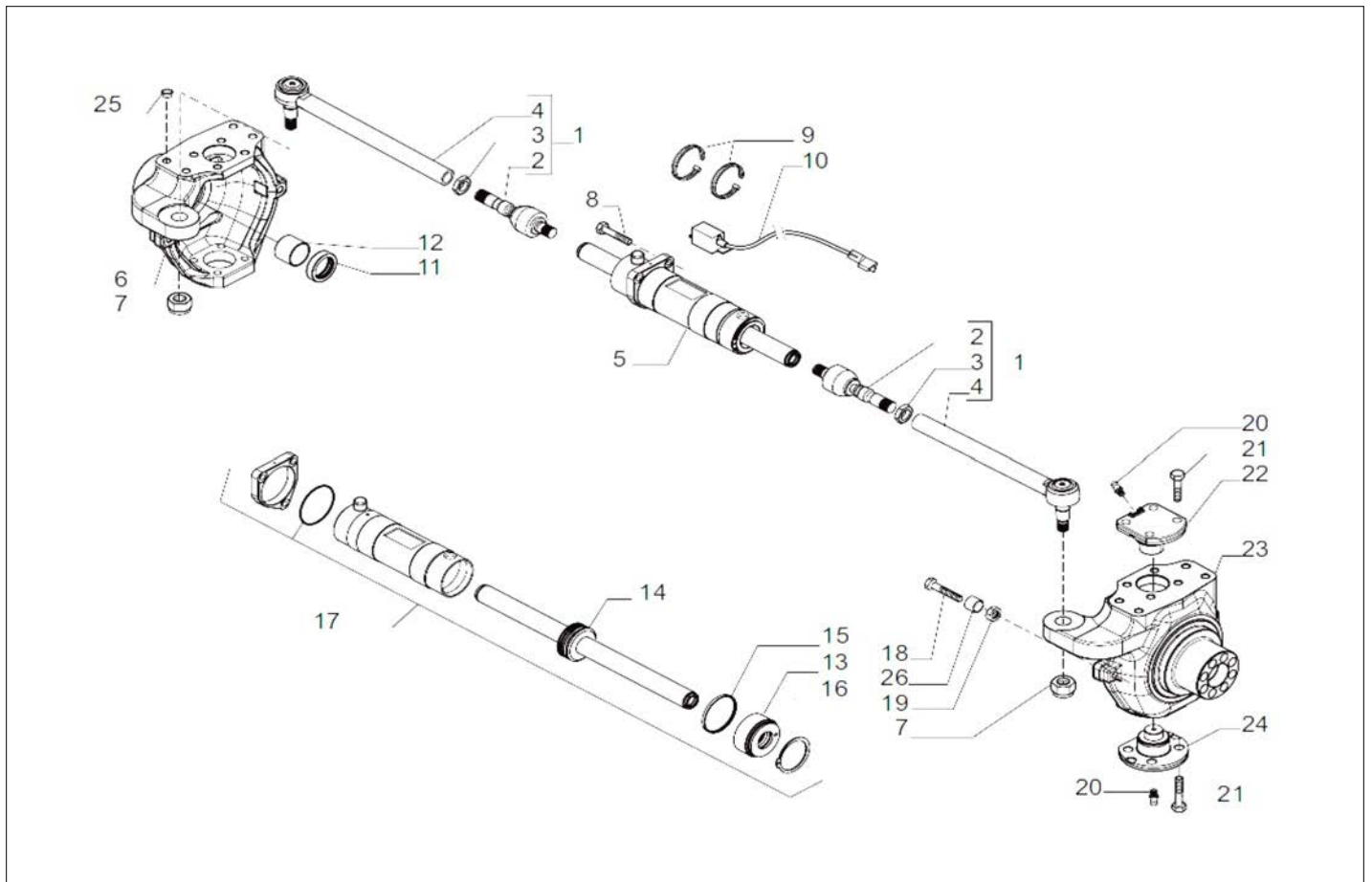


アイテム	部品番号	名前	数量	UOM
	PNNA	ARM FR04 17M SR9244 ASSEMBLY		EA
1	SN 614601401	AXLE LEG HOUSING CARRARO 26.25	2	EA
2	SN 602149401	HL SCREW M10X40 UNI 5929	4	EA
3	SN 602856201	O RING 4900 2 2700	4	EA
4	SN 611679201	VENT M10X1 105.3245.11	4	EA
5	SN 602156701	CONICAL CAP M16X1.5 STEI	6	EA
6	SN 613992201	SCREW M22X1.5 SPECIAL	6	EA
7	SN 602853401	O RING CARRARO	6	EA
8	SN 613615201	SCREW M16X1.5	6	EA
9	SN 613995501	NEGATIVE BRAKES PIN (WEDGE)	6	EA
10	SN 613981601	LEFT BRAKE CYLINDER (10755)	1	EA
11	SN 612528001	M30X2 CAPS FOR EPICYCLOIDAL ADAPTER OIL DRAINAGE	3	EA
12	SN 603074001	KAPSTO CAP 700 AM 10X1	4	EA
13	SN 602811101	THRUST PISTON O RING	2	EA
14	SN 614052001	BEAM CENTR. BODY 11151	1	EA
15	SN 613981501	AXLE RIGHT FLANGE	1	EA
16	SN 602133401	SOCKET HEAD CAP SCREW M12X110 8.8 GALV.	2	EA
17	SN 602136401	SOCKET HEAD CAP SCREW UNI 5931 M16X2	24	EA
18	SN 610498801	AXLE VENT M10X1 CARRARO	1	EA
19	SN 612863201	CARRARO BELLEVILLE WASHER	2	EA
20	SN 614455801	BUSHING 45X62X22	2	EA
21	SN 611854701	FRONT AXLE SLEEVE	2	EA
22	SN 616910101	COMBI RING 42X62X2 1.5S	2	EA
23	SN 604516001	LEFT SPHERICAL BALL JOINT GE 35	2	EA
24	SN 612863101	BELLEVILLE WASHER 76X56.5X1	2	EA



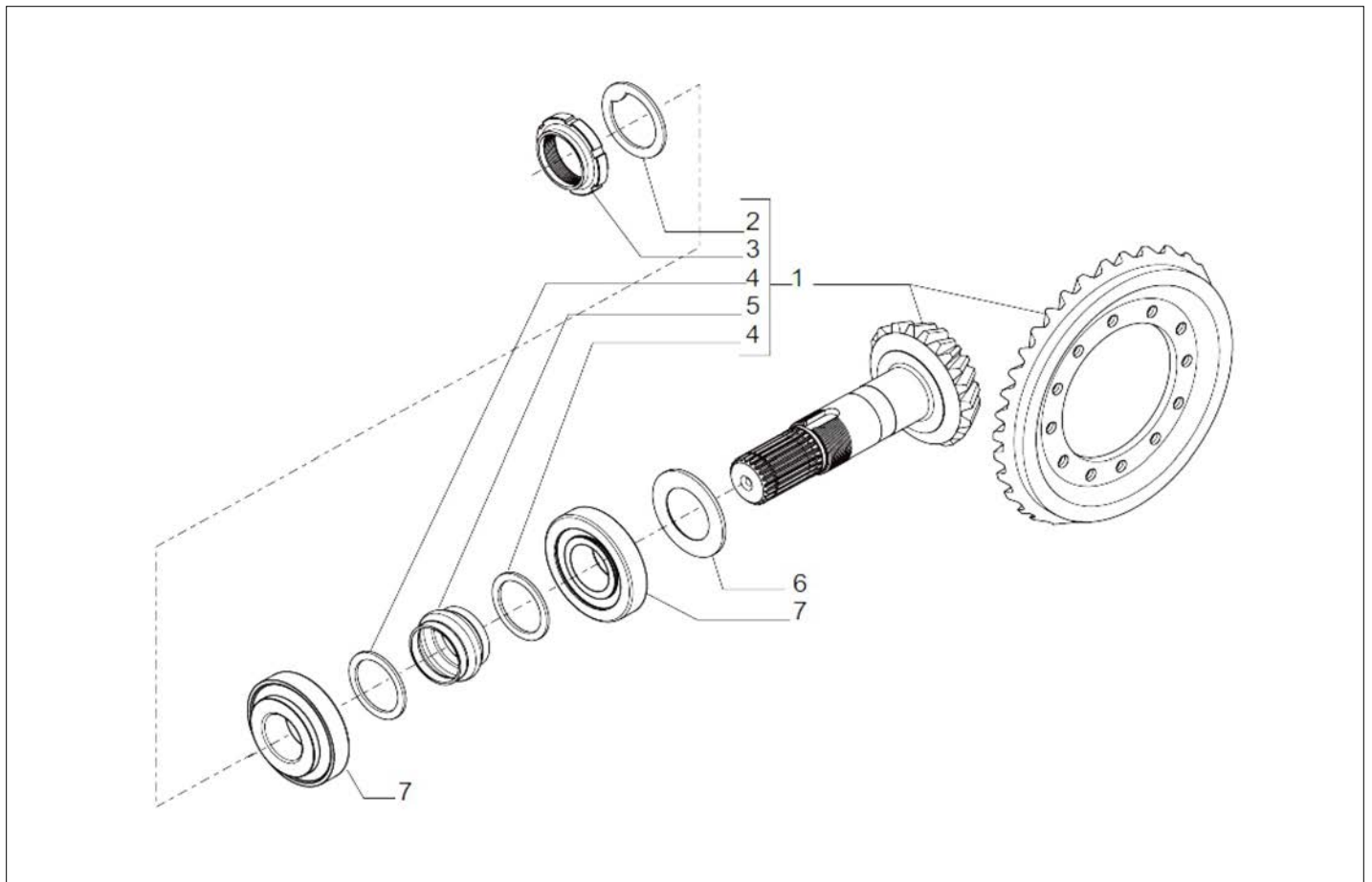
アイテム	部品番号	名前	数量	UOM
25	SN 613066701	CAP Ø42X12	2	EA

REPAIR PARTS



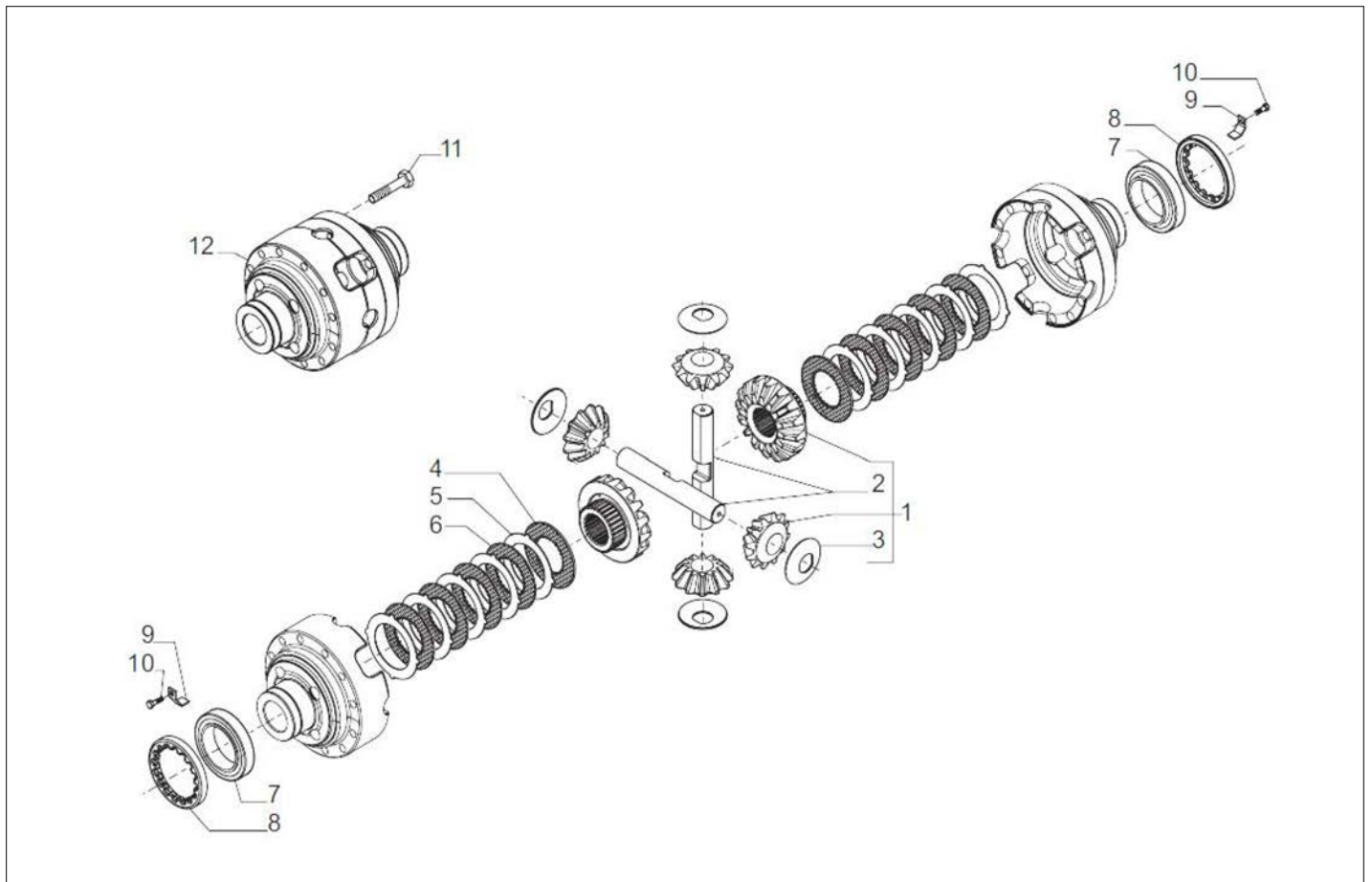
アイテム	部品番号	名前	数量	UOM
	PNNA	ARM FR04 17M SR9244 ASSEMBLY		EA
1	SN 614557801	AXLE STEERING ROD	2	EA
2	SN 635040001	BALL JOINT	2	EA
3	SN 607078701	NUT M24X1.5 TIE ROD	2	EA
4	SN 604902901	CARRARO CLP JOINT TIE ROD	2	EA
5	SN 612262001	FRONT AXLE JACK	1	EA
6	SN 614502101	AXLE LEFT COVER CARRARO	1	EA
7	SN 602243101	NUT M20X1.5 STEERING ROD FIXING	2	EA
8	SN 612853401	SCREW 10.9 M12X45 ATBL	3	EA
9	SN 602835201	OTECO CLAMP CH12090110	2	EA
10	SN 377717901	MAGNETIC SENSOR CABLE L250	1	EA
11	SN 616022401	RETAINING RING 48X65X16.5	2	EA
12	SN 612516101	AXLE SLEEVE CARRARO	2	EA
13	SN 604913801	JACK HEAD	1	EA
14	SN 604907401	ROD	1	EA
15	SN 545912301	REAR AXLE MAGNETIC BAND	1	EA
16	SN 604933301	SEEGER RING	1	EA
17	SN 585922601	CYL. GASKET KIT CARRARO STEERING COL.	1	EA
18	SN 612320601	SCREW M14X95 FOR CAP RETAINER	4	EA
19	SN 602213101	NUT M14	4	EA
20	SN 602421001	GREASER UNI 7663 A M	4	EA
21	SN 612692301	SELF LOCKING SCREW M16X38	16	EA
22	SN 613063101	JOINT PIN 26.25	2	EA
23	SN 614502201	AXLE RIGHT COVER CARRARO	1	EA
24	SN 613063201	JOINT PIN 26.25	2	EA
25	SN 603075501	PLASTIC CAP Ø14.5	8	EA
26	SN 612600301	BUSHING 25X14.5X15	4	EA

REPAIR PARTS



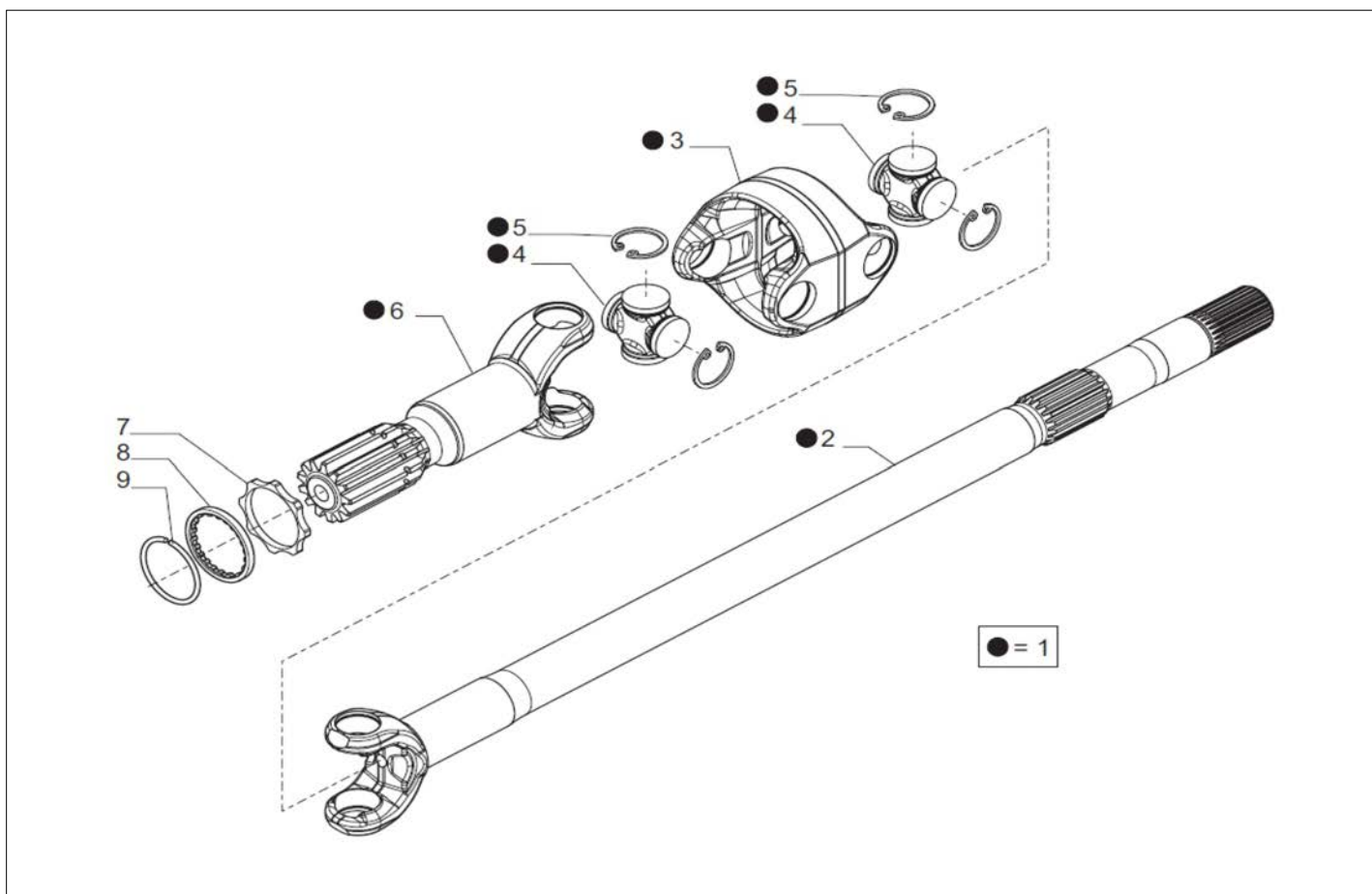
アイテム	部品番号	名前	数量	UOM
	PNNA	ARM FR04 17M SR9244 ASSEMBLY		EA
1	SN 610660901	CONICAL TORQUE Z13/31 AXLE CARRARO	1	EA
2	SN 611371701	LOCKNUT RESTRAINT WASHER	1	EA
3	SN 611505401	CARRARO RING NUT M40 X 1.5	1	EA
4	SN 612582901	CARRARO RING AND PINION SHAFT WASHER	2	EA
5	SN 612580601	CONICAL TORQUE ELASTIC SPACER	1	EA
6	SN 613226501	SHIM 63X40.3X2.5	6	EA
6	SN 613226601	SPACER 63X40.3X2.3	6	EA
6	SN 613226701	SPACER 63X40.3X2.7	6	EA
6	SN 613226801	SPACER 63X40.3X2.8	6	EA
6	SN 613226901	SPACER 63X40.3X2.9	6	EA
6	SN 613227001	SPACER 63X40.3X3	6	EA
6	SN 613227101	SPACER 63X40.3X3.1	6	EA
6	SN 613227201	SPACER 63X40.3X3.2	6	EA
6	SN 613227301	SPACER 63X40.3X3.3	6	EA
6	SN 613227401	SPACER 63X40.3X3.4	6	EA
7	SN 602735001	CONICAL TORQUE SUPPORT BEARING	7	EA

REPAIR PARTS



アイテム	部品番号	名前	数量	UOM
	PNNA	ARM FR04 17M SR9244 ASSEMBLY		EA
1	SN 606618501	DIFFERENTIAL KIT	1	EA
2	SN 610116301	CARRARO DIFFERENTIAL PIN	2	EA
3	SN 610115701	DIFFERENTIAL FIFTH WHEEL	4	EA
4	SN 610110601	DIFFERENTIAL LOCKING DISC	2	EA
5	SN 610114301	DIFFERENTIAL BLOCKCOUNTERPLATE	10	EA
6	SN 610114401	DIFFERENTIAL LOCKING DISC	8	EA
7	SN 602725601	CONIC ROLLER BEARING	2	EA
8	SN 612579201	RING NUT X104X2	2	EA
9	SN 610136101	DIFFERENTIAL RING NUT RETAINING PLATE	2	EA
10	SN 610128401	SCREW M6X10 DIFFERENTIAL	2	EA
11	SN 610125501	SCREW M10X75 DIFFERENTIAL	12	EA
12	SN 614710601	DIFFERENTIAL HOUSING	1	EA

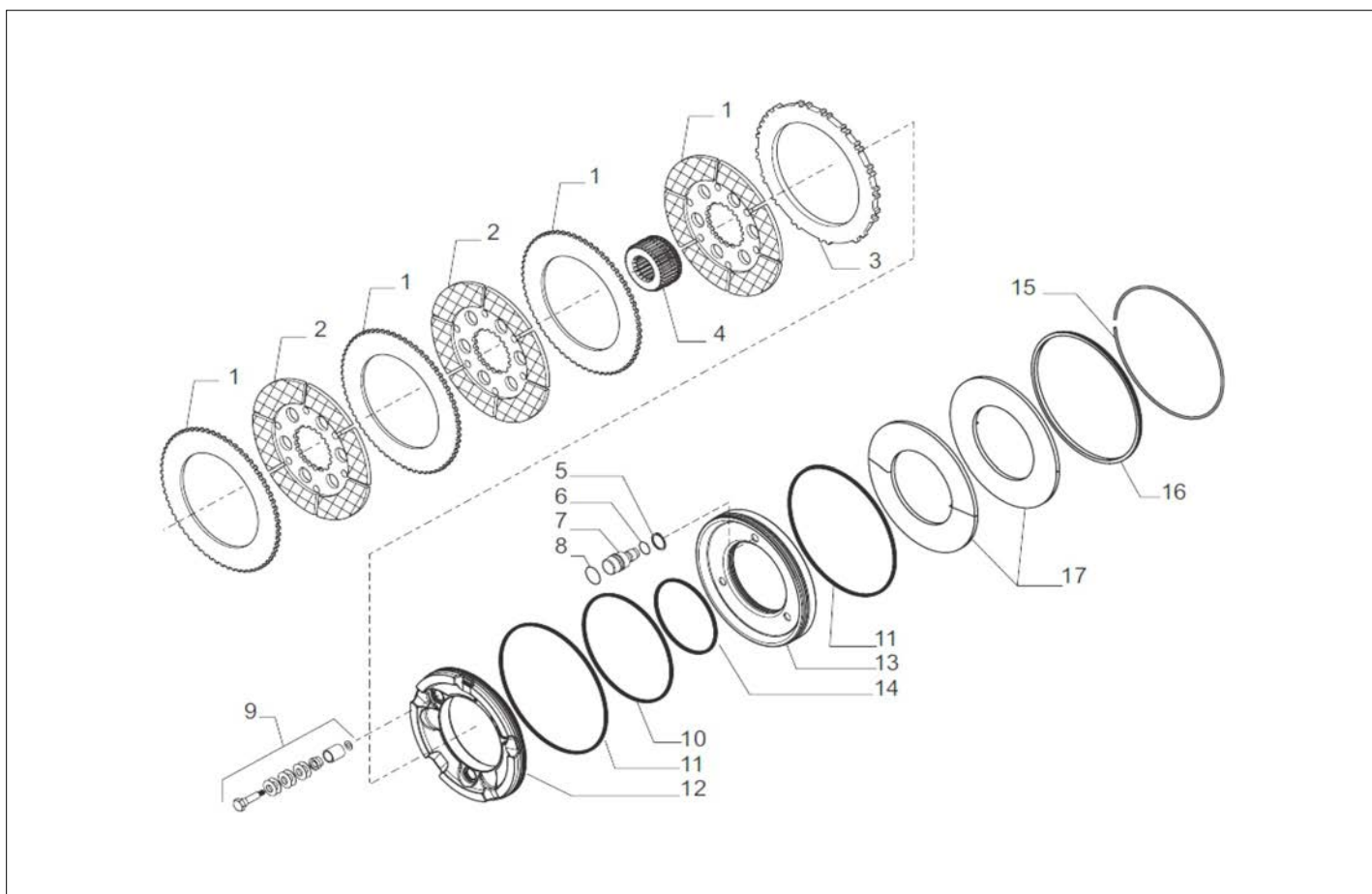
REPAIR PARTS





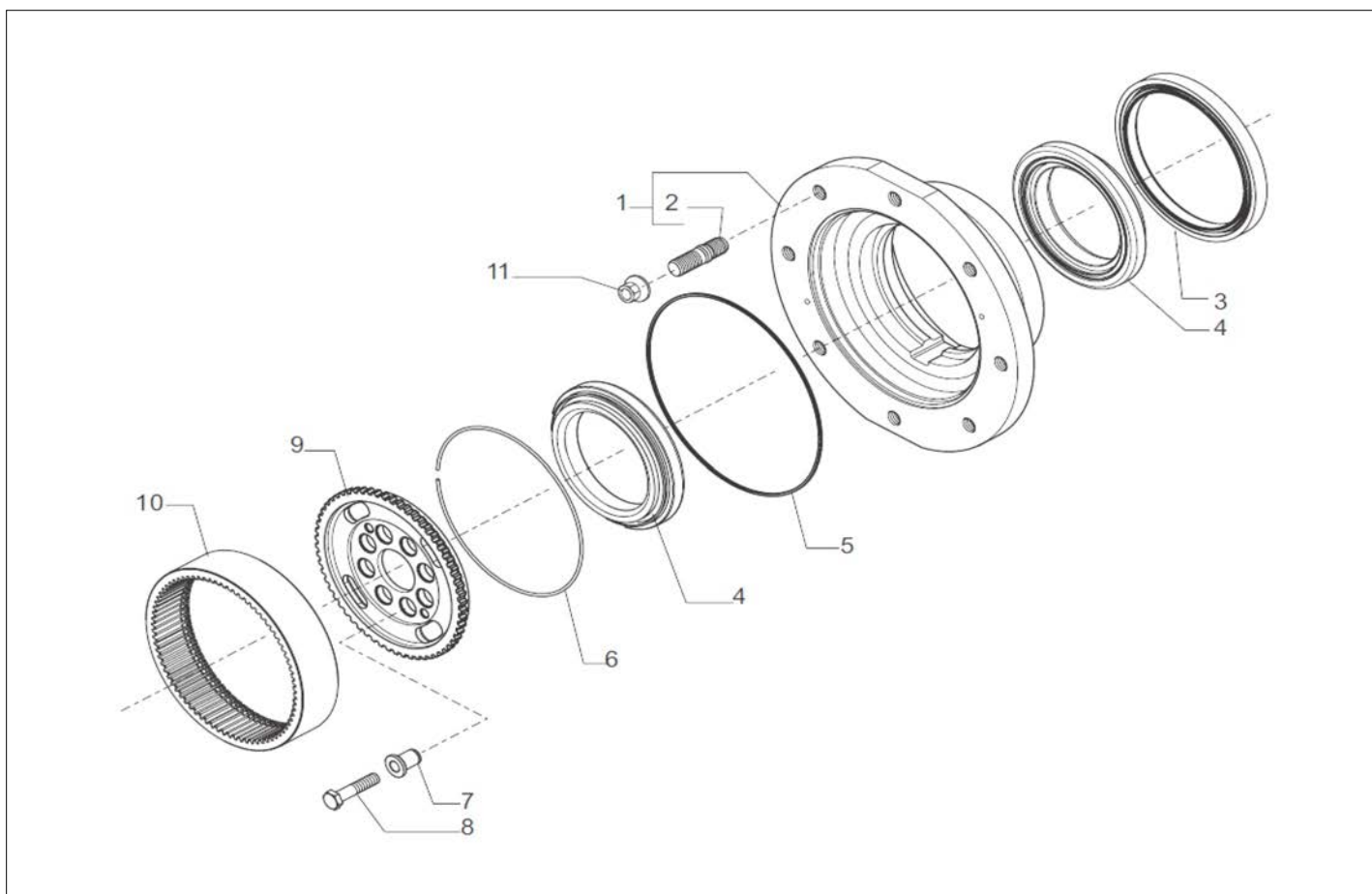
アイテム	部品番号	名前	数量	UOM
	PNNA	ARM FR04 17M SR9244 ASSEMBLY		EA
1	SN 614697801	AXLE DOUBLE JOINT 26.25	2	EA
2	SN 604416201	FORK (DIFF SIDE)	2	EA
3	SN 604622001	CENTRAL BODY	2	EA
4	SN 604622101	AXLE DOUBLE JOINT SPIDER CARRARO	4	EA
5	SN 604622201	AXLE SPIDER STOP RING	16	EA
6	SN 604416301	WHEEL SIDE FORK CARRARO 4PIN	2	EA
7	SN 610132165	SHIM WASHER 45.3X6	2	EA
8	SN 614694401	WASHER FOR DOUBLE JOINT	2	EA
9	SN 614359701	DOUB. JOINT STOP RING	2	EA

REPAIR PARTS



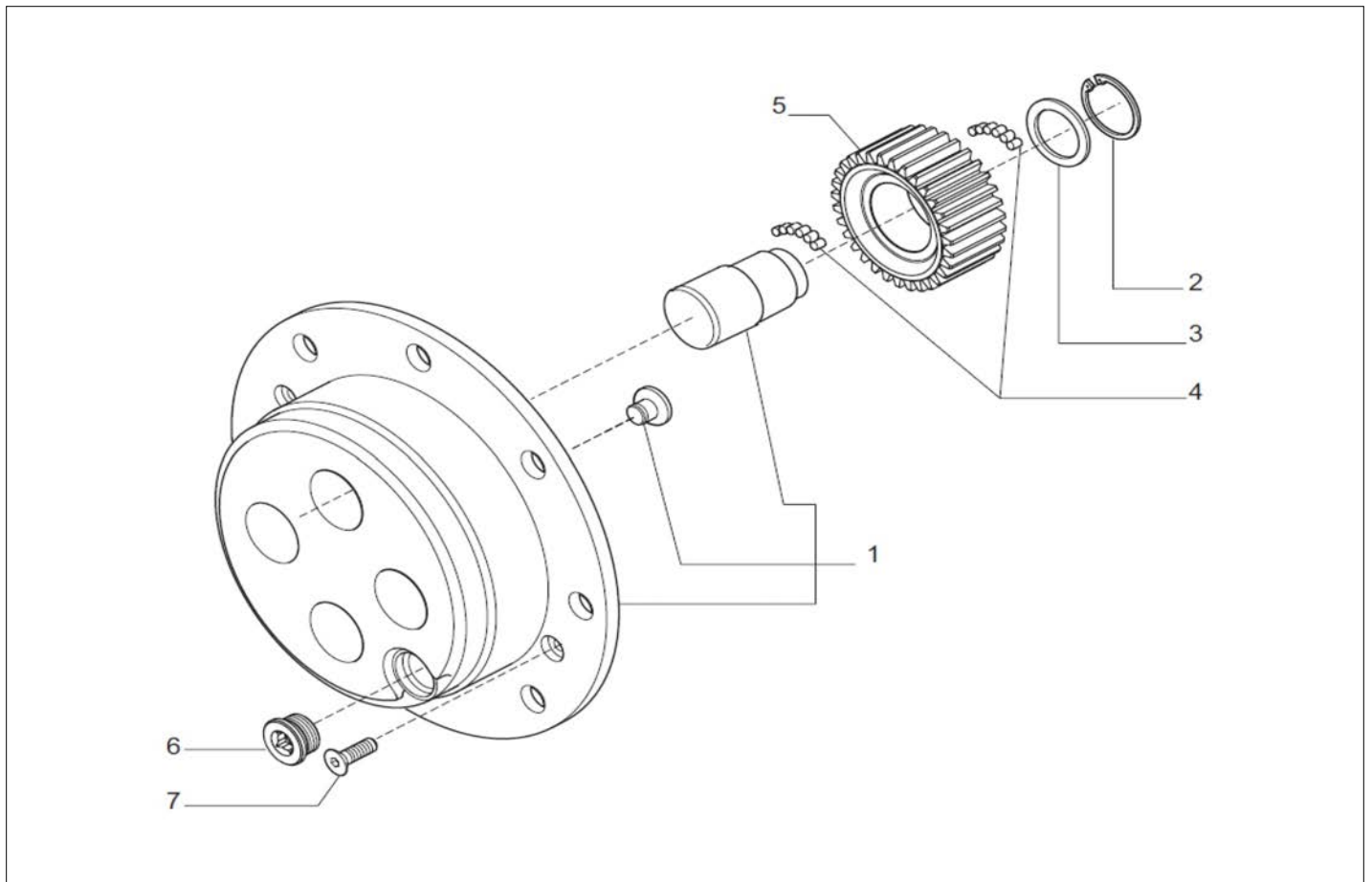
アイテム	部品番号	名前	数量	UOM
	PNNA	ARM FR04 17M SR9244 ASSEMBLY		EA
1	613615501	AXLE BRAKE COUNTER DISC	6	EA
2	613611201	BRAKE DISC Y 611 2	6	EA
3	610136601	AXLE BRAKE COUNTERPLATE 26.25 20.20	2	EA
4	613664801	TOW SLEEVE	2	EA
5	602478201	AXLE SEEGER RING D12 CARRARO	6	EA
6	614193601	O RING 2037 9.25X1	6	EA
7	614581501	THRUST PIN	6	EA
8	614193501	O RING 3062	6	EA
9	606657301	NEGATIVE BRAKE SELF ADJUST KIT 066573	2	EA
10	614193901	BRAKES PACK O RING 164.69X3.53	2	EA
11	614193701	O RING 202.79X3.53	4	EA
12	613596601	POSITIVE BRAKE PISTON	2	EA
13	613596501	NEGATIVE BRAKE PISTON	2	EA
14	614193801	O RING 117.07X3.53	2	EA
15	613557201	STOP RING CARRARO	2	EA
16	613599801	CARRARO AXLE SLEEVE	2	EA
17	613596401	BRAKE BELLEVILLE WASHER	4	EA

REPAIR PARTS



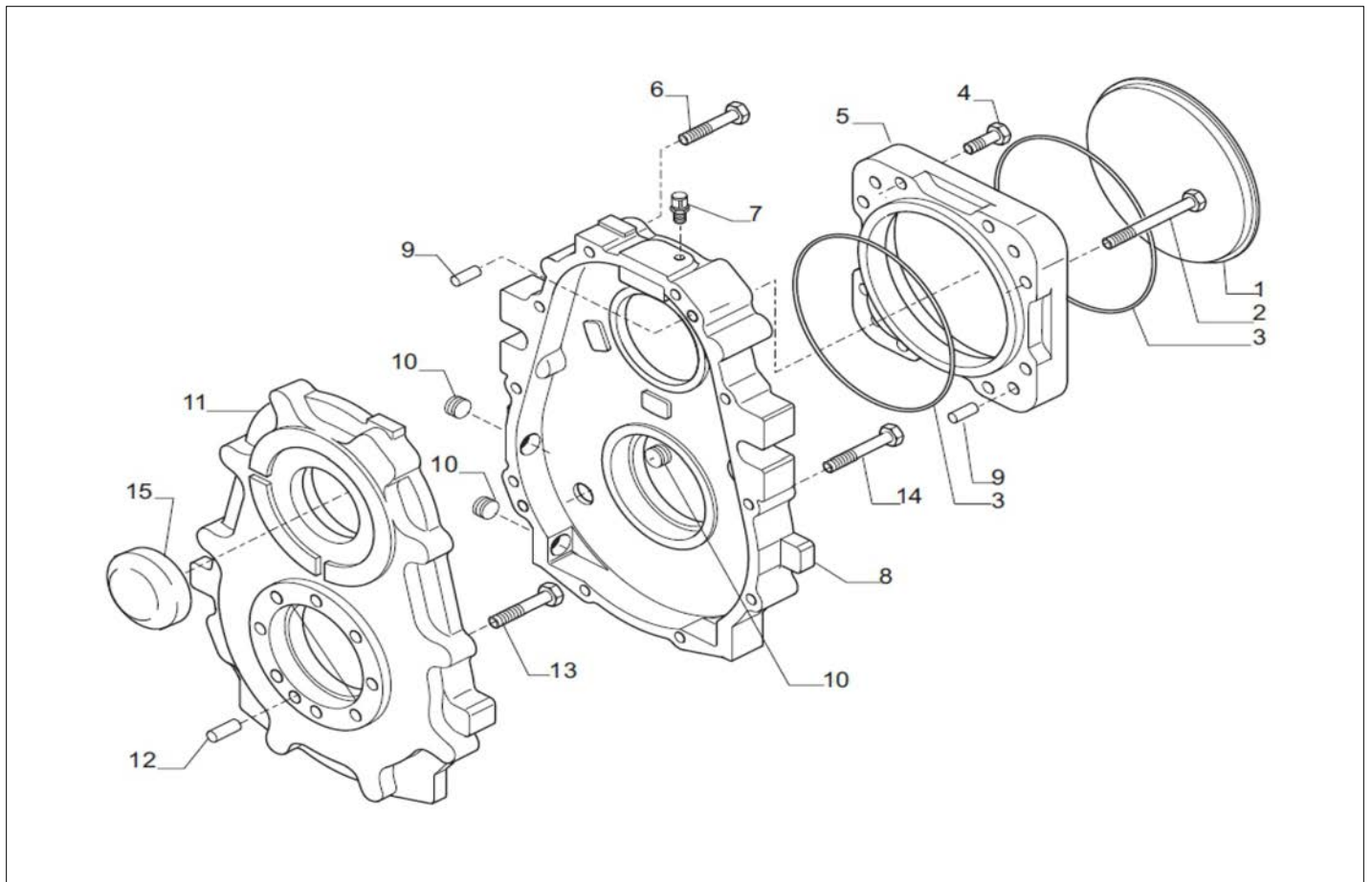
アイテム	部品番号	名前	数量	UOM
	PNNA	ARM FR04 17M SR9244 ASSEMBLY		EA
1	SN 606831301	WHEEL HUB KIT	2	EA
2	SN 613067901	WHEEL HUB DOWEL	16	EA
3	SN 610047702	RETAINING RING 150 180 14 5/16	2	EA
4	SN 611837001	TAPERED ROLLER BEARING	4	EA
5	SN 610028603	O RING 3850 SEAL	2	EA
6	SN 612534401	AXLE RING CARRARO	2	EA
7	SN 614119601	AXLE CENTRING SLEEVE	16	EA
8	SN 614025901	SCREW M12X45	16	EA
9	SN 613429801	CARRARO CROWN STOP HUB	2	EA
10	SN 613429901	PLANETARY GEAR RING	2	EA
11	SN 100180001	NUT M18X1.5 DIN 74361	16	EA

REPAIR PARTS



アイテム	部品番号	名前	数量	UOM
	PNNA	ARM FR04 17M SR9244 ASSEMBLY		EA
1	SN 606628701	4 PIN PLANETARY CARRIER SUPPORT	2	EA
2	SN 602479301	CARRARO AXLE SEEGER	8	EA
3	SN 613536601	CARRARO AXLE FIFTH WHEEL	8	EA
4	SN 602837001	CARRARO AXLE ROLLERS IN TENS	44.8	EA
5	SN 613594701	GEAR Z=23 AXLE	8	EA
6	SN 612528001	M30X2 CAPS FOR EPICYCLOIDAL ADAPTER OIL DRAINAGE	2	EA
7	SN 602049001	SCREW M8X20	4	EA

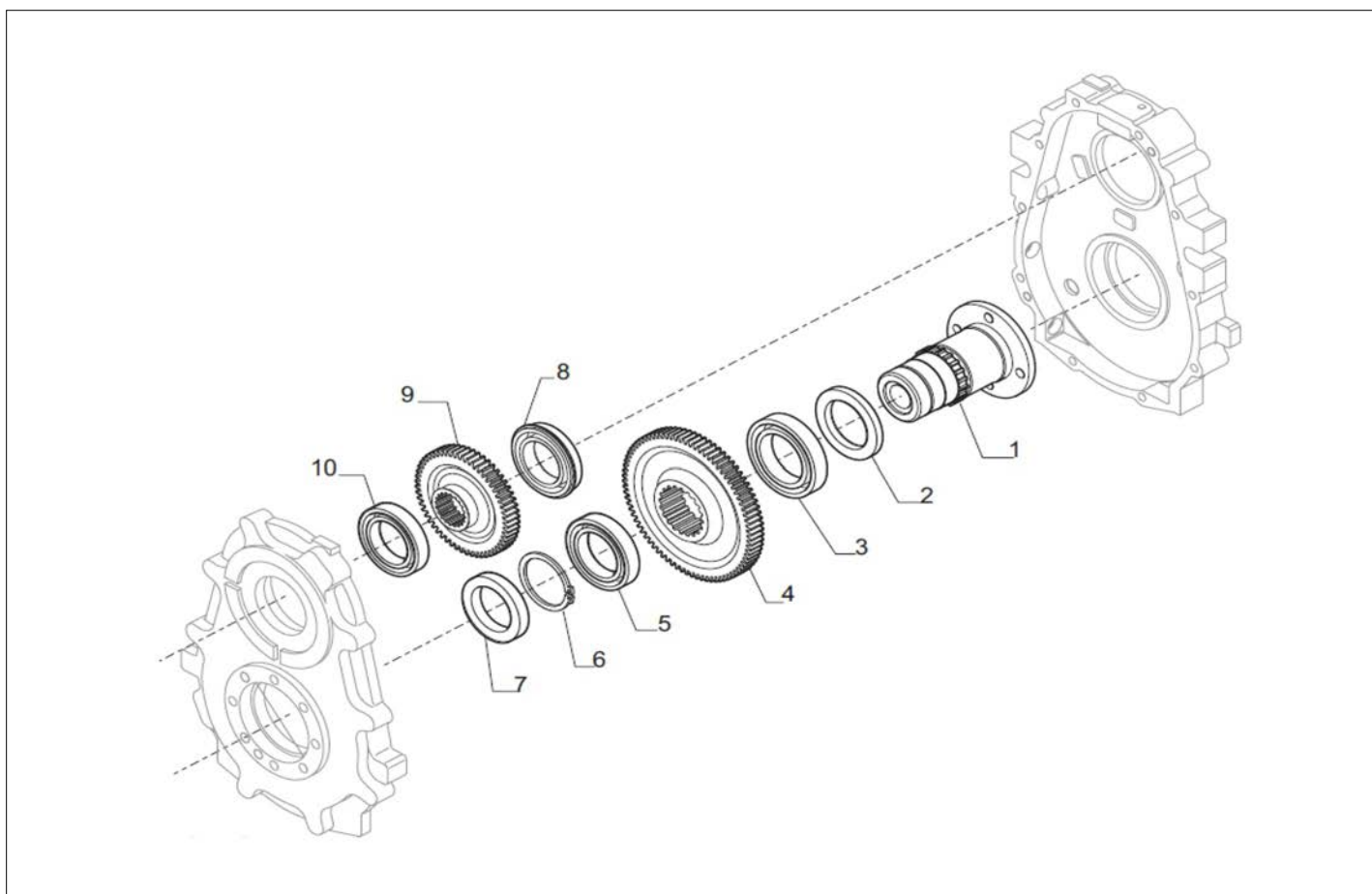
REPAIR PARTS





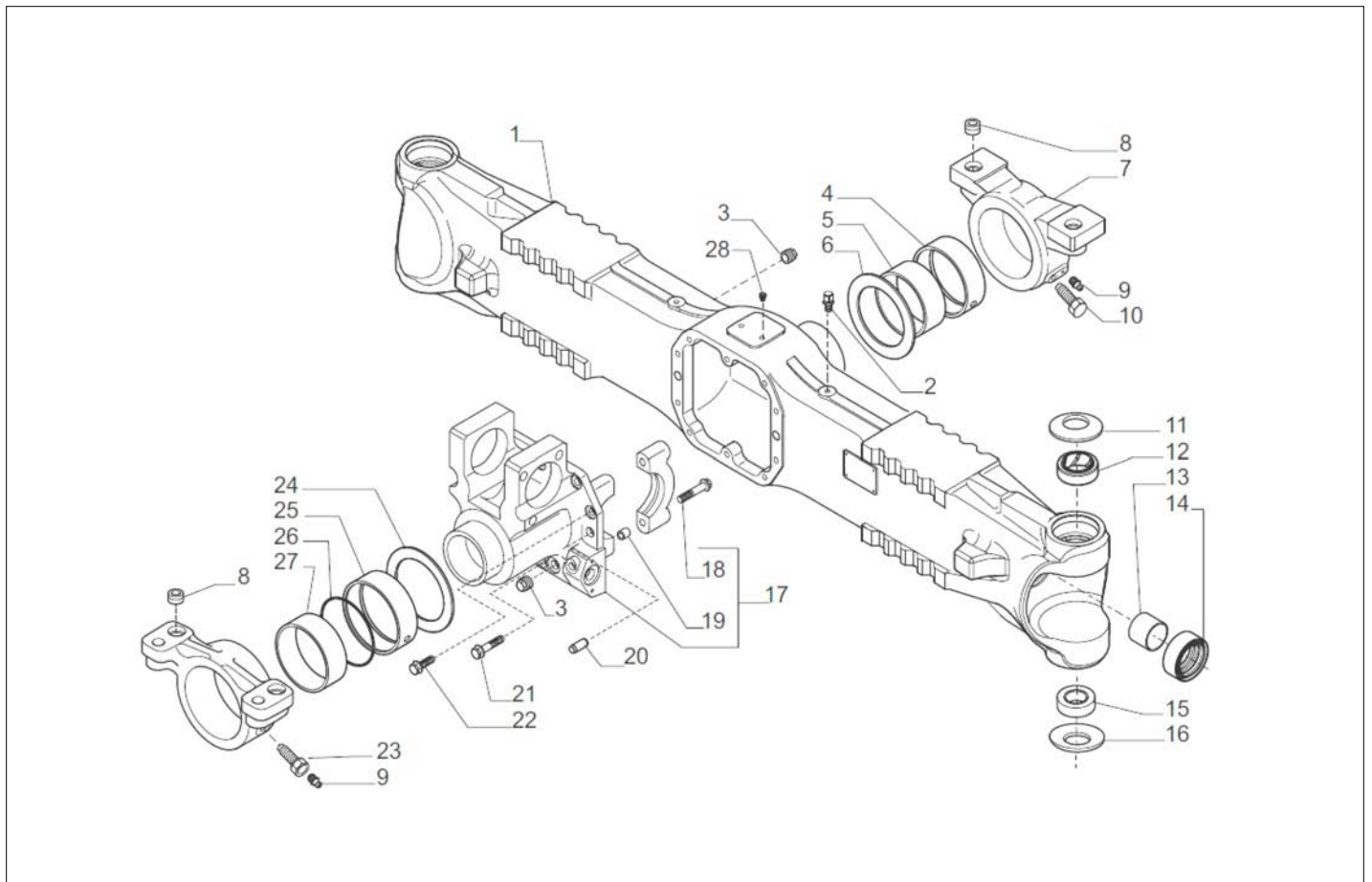
アイテム	部品番号	名前	数量	UOM
	PNNA	ARM FR04 17M SR9244 ASSEMBLY		EA
1	SN 664198401	PLASTIC CAP Ø180 TH 2.5	1	EA
2	SN 602143401	HSH SCREW M10X90 8.8 UNI 5931	2	EA
3	SN 602861101	AXLE O RING HYDROSTATIC ENGINE	2	EA
4	SN 602141201	SHC SCREW M10X35 8.8 UNI 5931	6	EA
5	SN 613687801	MOTOR FLANGE (011687)	1	EA
6	SN 602086801	HEX HEAD SCREW M10X75 8.8 UNI 5737	2	EA
7	SN 610498801	AXLE VENT M10X1 CARRARO	1	EA
8	SN 614367801	TRANSMISSION HALF HOUSING (DIFFER SIDE)	1	EA
9	SN 607225901	CYLINDRICAL PIN 10X25	2	EA
10	SN 612805001	TAPERED CAP M24X1.5	3	EA
11	SN 614367701	TRANSMISSION HALF HOUSING (EXT SIDE)	1	EA
12	SN 612171001	AXIS FLANGE CENTRING DOWEL	1	EA
13	SN 602109701	HEX HEAD SCREW UNI 5737 M12X55	8	EA
14	SN 602086401	HEX HEAD SCREW M10X55 UNI 5737	6	EA
15	SN 610974701	CAP 80X12	1	EA

REPAIR PARTS



アイテム	部品番号	名前	数量	UOM
	PNNA	ARM FR04 17M SR9244 ASSEMBLY		EA
1	SN 613175701	SHAFT WITH FLANGE AXLE OUTLET	1	EA
2	SN 610025296	RETAINING RING CARRARO	1	EA
3	SN 602574301	BALL BEARING 6014	1	EA
4	SN 612795901	GEAR Z65 REDUCER	1	EA
5	SN 602574201	BALL BEARING 6013	1	EA
6	SN 602481601	ELASTIC RING Ø35 DIN 471	1	EA
7	SN 612544201	RETAINING RING B1DUOSF 65 92 14	1	EA
8	SN 602582001	BALL BEARING 6012 R.GEAR	1	EA
9	SN 613758901	GEAR Z32 REDUCER	1	EA
10	SN 602574101	BALL BEARING R.GEAR	1	EA

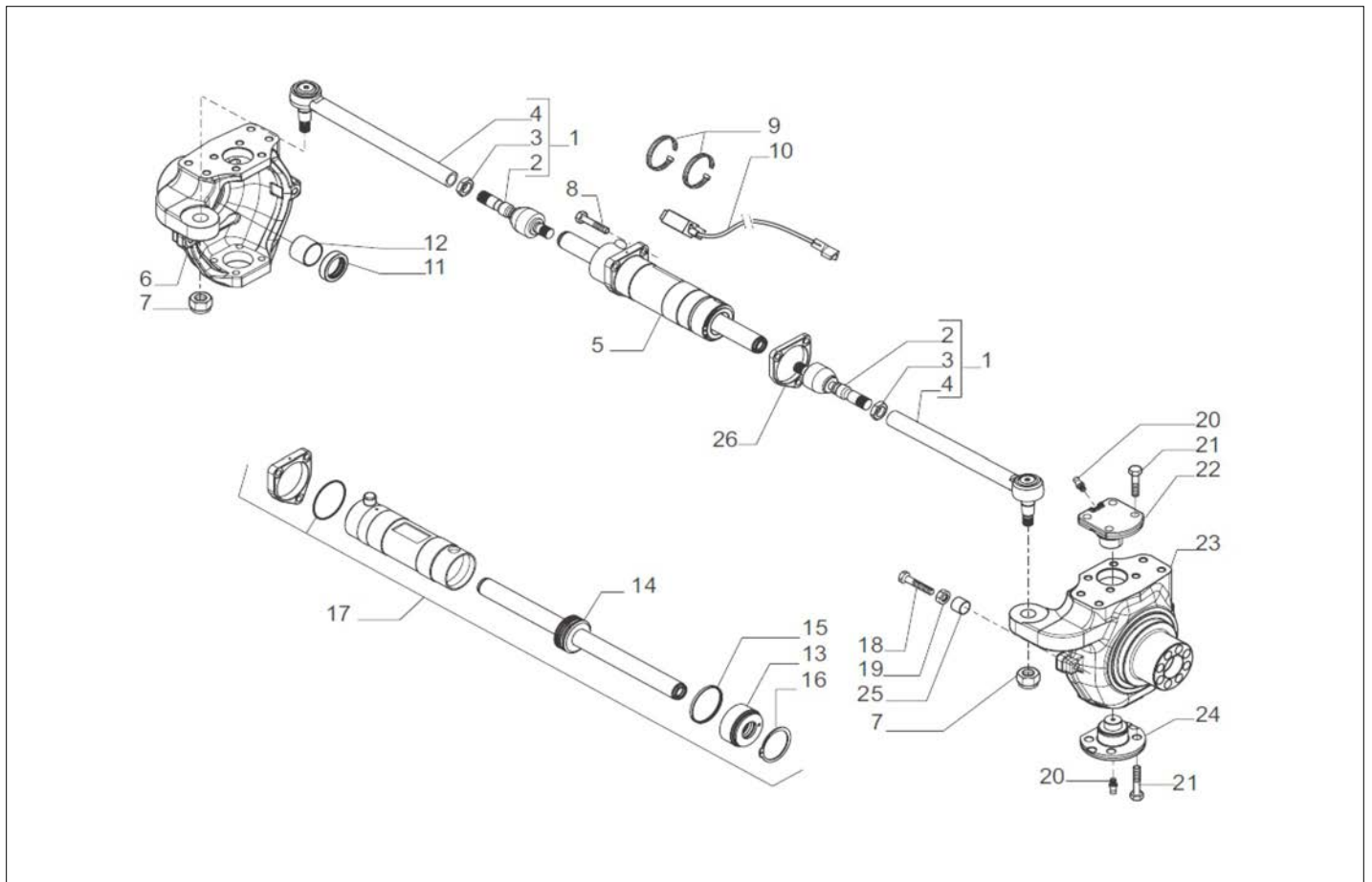
REPAIR PARTS



アイテム	部品番号	名前	数量	UOM
	PNNA	ARM FR04 17M SR9244 ASSEMBLY		EA
1	SN 614543501	BEAM SI 25.25 12656	1	EA
2	SN 610498801	AXLE VENT M10X1 CARRARO	1	EA
3	SN 609227001	MAGNETIC CAP M22X1.5	2	EA
4	SN 613251201	BUSHING 120X130X42	1	EA
5	SN 613176201	BUSHING 110X120X46 AXLE 26.25	1	EA
6	SN 615003101	FIFTH WHEEL 110.5X154X5 AXLE 26.25	1	EA
7	SN 613471401	FRONT AXLE SUPPORT	1	EA
8	SN 611652901	SLEEVE 30X21X16,5	4	EA
9	SN 602425801	GREASER UNI 7663	2	EA
10	SN 612078001	BUSHING RETAINER HEX HEAD SCREW C40 M16	1	EA
11	SN 612863201	CARRARO BELLEVILLE WASHER	2	EA
12	SN 614455801	BUSHING 45X62X22	2	EA
13	SN 611854701	FRONT AXLE SLEEVE	2	EA
14	SN 616910101	COMBI RING 42X62X2 1.5S	2	EA
15	SN 602769301	SPHERICAL BALL JOINT	2	EA
16	SN 612863101	BELLEVILLE WASHER 76X56.5X1	2	EA
17	SN 613794401	TEF SCREW M14X2X75	1	EA
18	SN 613794401	TEF SCREW M14X2X75	4	EA
19	SN 607223501	BUSHING 18X15X12	4	EA
20	SN 608766001	CYLINDRICAL PIN 15X35	2	EA
21	SN 612634401	CARRARO AXLE SCREW M12X75 REAR 126334	5	EA
22	SN 612582701	HEX HEAD WITH FLANGE SCREW M12X1.75X29	5	EA
23	SN 611653001	DRILLED SCREW	1	EA
24	SN 612009112	FIFTH WHEEL 154 115 5 5	1	EA

アイテム	部品番号	名前	数量	UOM
25	SN 612009117	BUSHING 125X135X42	1	EA
26	SN 602849801	O RING 125X2	1	EA
27	SN 612009118	BUSHING 115X125X44	1	EA

REPAIR PARTS

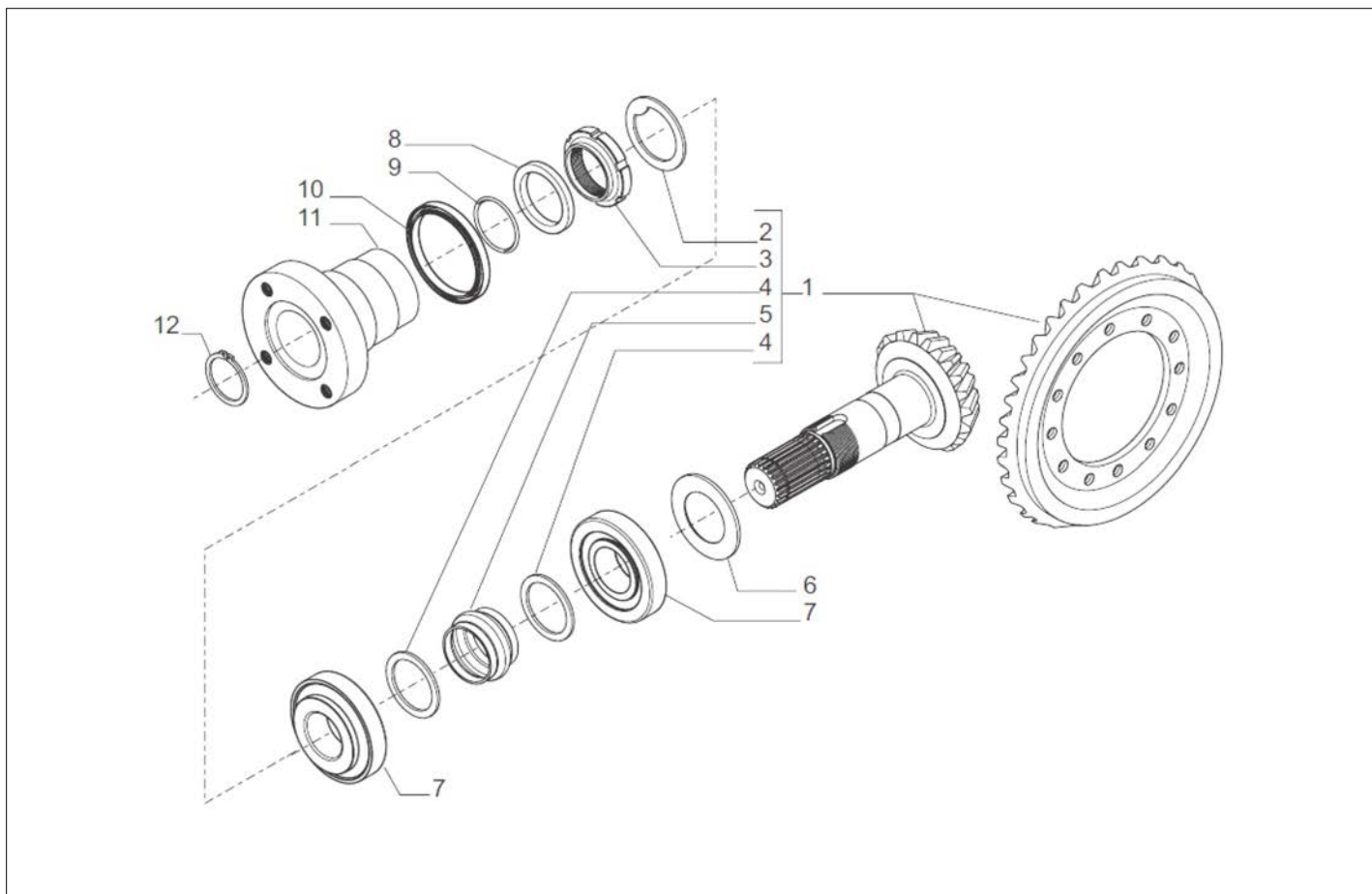


アイテム	部品番号	名前	数量	UOM
	PNNA	ARM FR04 17M SR9244 ASSEMBLY		EA
1	SN 614557801	AXLE STEERING ROD	2	EA
2	SN 635040001	BALL JOINT	2	EA
3	SN 607078701	NUT M24X1.5 TIE ROD	2	EA
4	SN 604902901	CARRARO CLP JOINT TIE ROD	2	EA
5	SN 613717801	JACK IN 85 38 200S	1	EA
6	SN 614502101	AXLE LEFT COVER CARRARO	1	EA
7	SN 602243101	NUT M20X1.5 STEERING ROD FIXING	2	EA
8	SN 602109701	HEX HEAD SCREW UNI 5737 M12X55	3	EA
9	SN 602835201	OTECO CLAMP CH12090110	2	EA
10	SN 622010514	MAGNETIC SENSOR CABLE L700 M26.25	1	EA
11	SN 616022401	RETAINING RING 48X65X16.5	2	EA
12	SN 612516101	AXLE SLEEVE CARRARO	2	EA
13	SN 604913801	JACK HEAD	1	EA
14	SN 604907401	ROD	1	EA
15	SN 545912301	REAR AXLE MAGNETIC BAND	1	EA
16	SN 604933301	SEEGER RING	1	EA
17	SN 585922601	CYL. GASKET KIT CARRARO STEERING COL.	1	EA
18	SN 612320601	SCREW M14X95 FOR CAP RETAINER	4	EA
19	SN 602213101	NUT M14	4	EA
20	SN 602421001	GREASER UNI 7663 A M	4	EA
21	SN 612692301	SELF LOCKING SCREW M16X38	16	EA
22	SN 613063101	JOINT PIN 26.25	2	EA
23	SN 614502201	AXLE RIGHT COVER CARRARO	1	EA
24	SN 613063201	JOINT PIN 26.25	2	EA
25	SN 612038701	BUSHING 30X14.5X28	4	EA



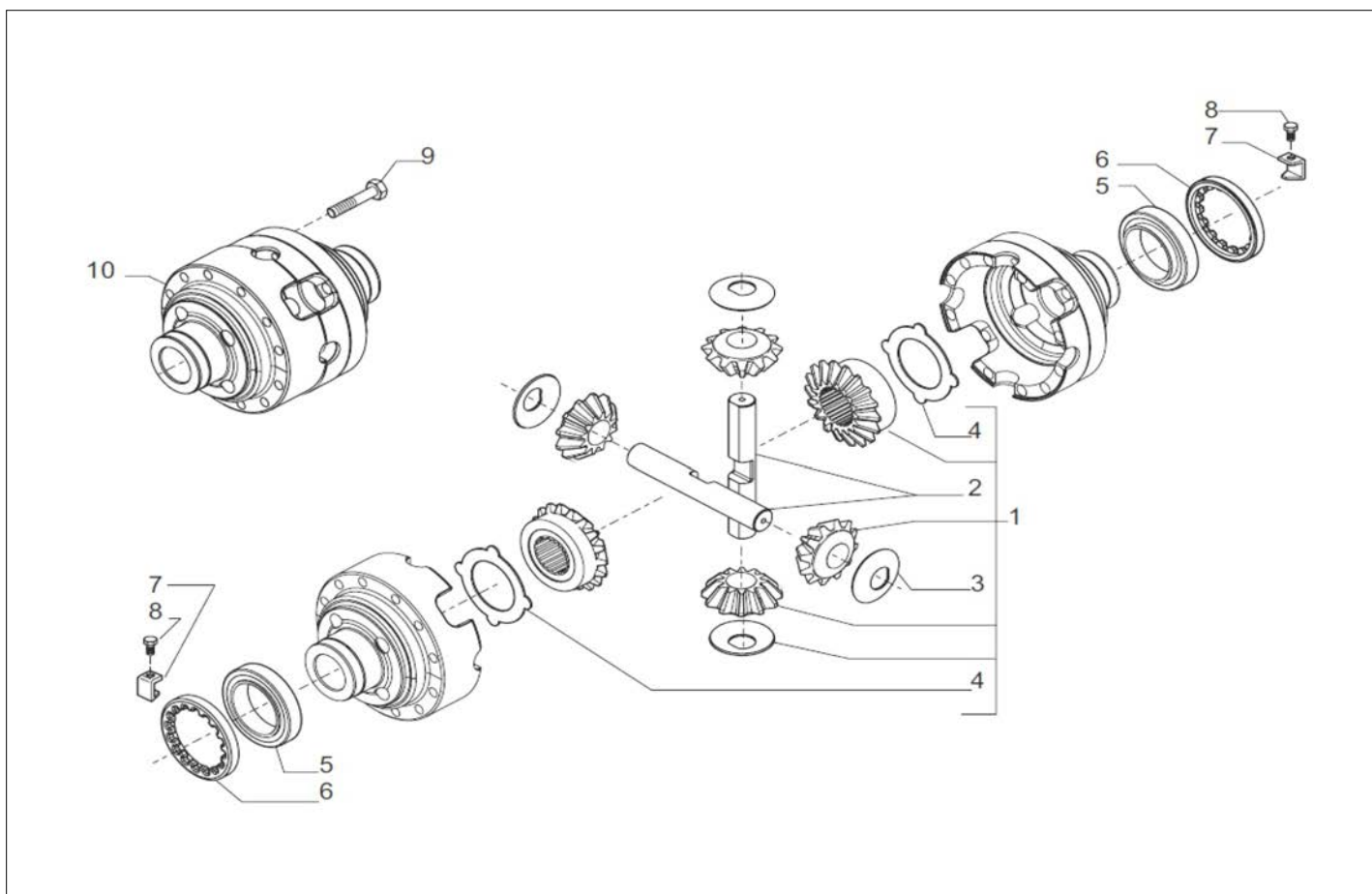
アイテム	部品番号	名前	数量	UOM
26	SN 613794501	FLANGE	1	EA

REPAIR PARTS



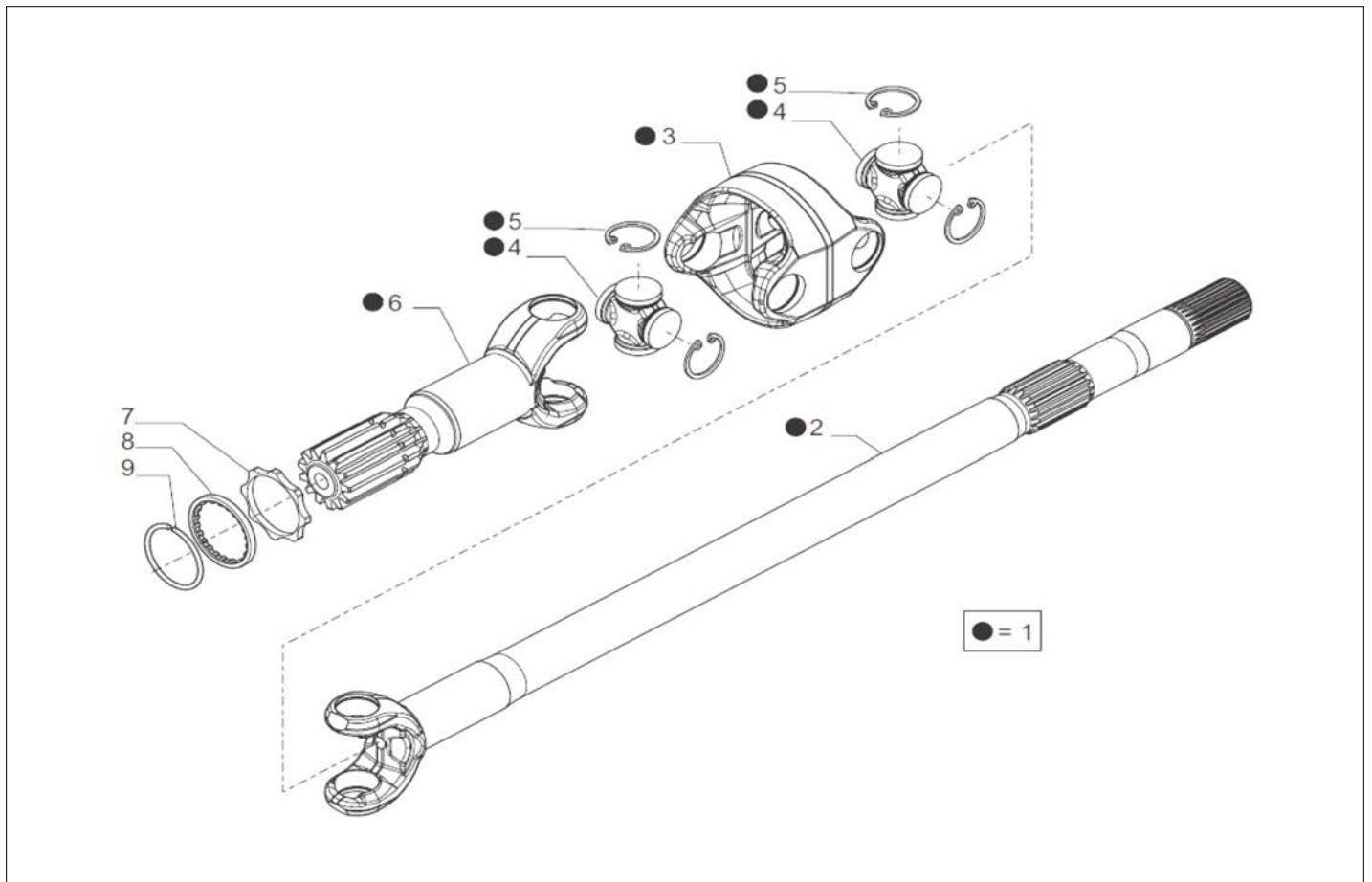
アイテム	部品番号	名前	数量	UOM
	PNNA	ARM FR04 17M SR9244 ASSEMBLY		EA
1	SN 606609301	TORQUE WITH 13/31 131654	1	EA
2	SN 611371701	LOCKNUT RESTRAINT WASHER	1	EA
3	SN 611505401	CARRARO RING NUT M40 X 1.5	1	EA
4	SN 612582901	CARRARO RING AND PINION SHAFT WASHER	2	EA
5	SN 612580601	CONICAL TORQUE ELASTIC SPACER	1	EA
6	SN 613226501	SHIM 63X40.3X2.5		EA
6	SN 613226601	SPACER 63X40.3X2.3		EA
6	SN 613226701	SPACER 63X40.3X2.7		EA
6	SN 613226801	SPACER 63X40.3X2.8		EA
6	SN 613226901	SPACER 63X40.3X2.9		EA
6	SN 613227001	SPACER 63X40.3X3		EA
6	SN 613227101	SPACER 63X40.3X3.1		EA
6	SN 613227201	SPACER 63X40.3X3.2		EA
6	SN 613227301	SPACER 63X40.3X3.3		EA
6	SN 613227401	SPACER 63X40.3X3.4		EA
7	SN 602735001	CONICAL TORQUE SUPPORT BEARING	2	EA
8	SN 612340201	OUTFEED FLANGE WASHER 51X35X3	1	EA
9	SN 602853201	REAR AXLE OUTPUT FLANGE O RING CAR	1	EA
10	SN 614505001	REAR AXLE OUTPUT FLANGE RETAINING RING	1	EA
11	SN 613294301	FLANGE SAE 1410	1	EA
12	SN 602478901	ELASTIC RING DIN471	1	EA

REPAIR PARTS



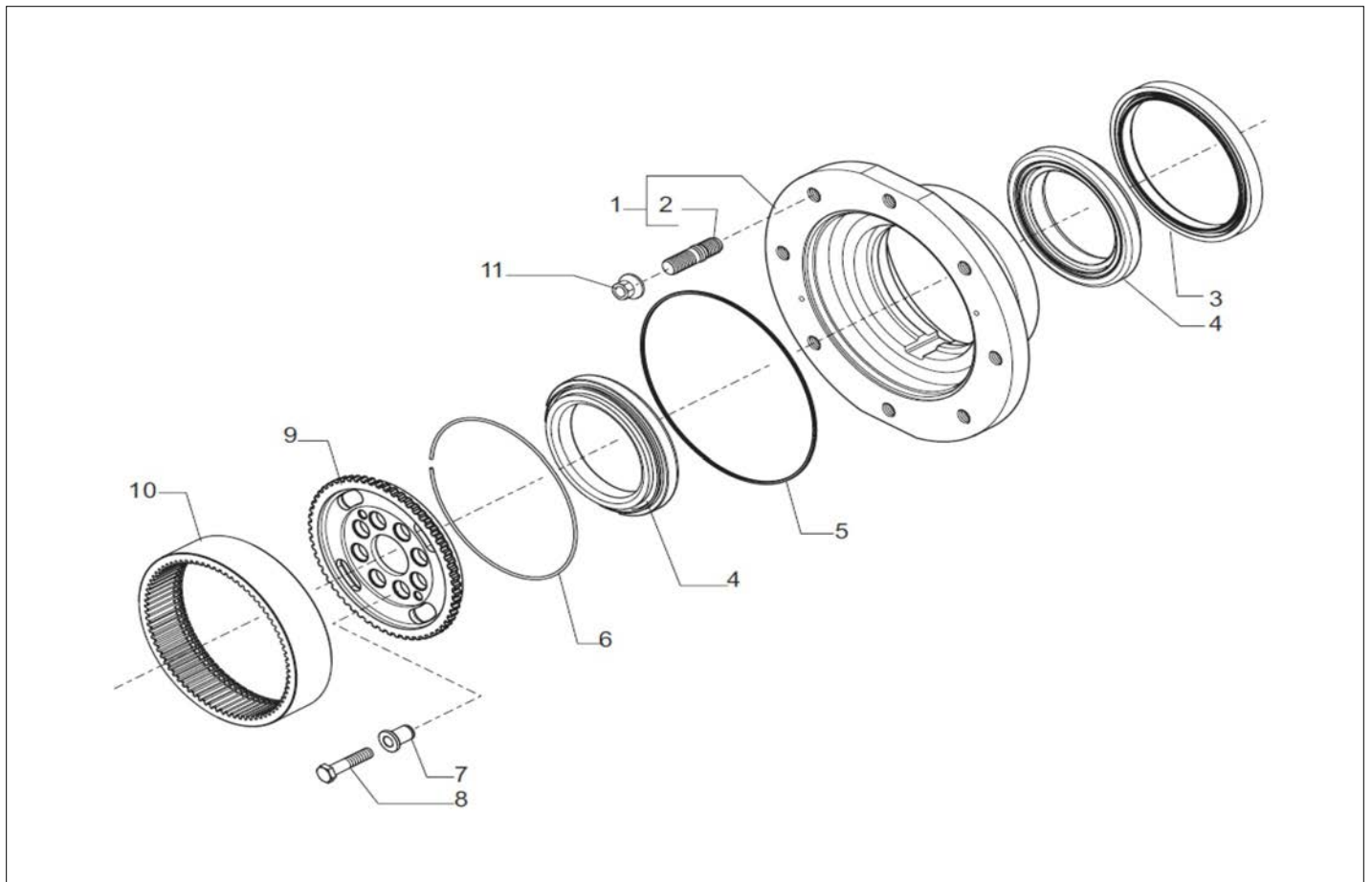
アイテム	部品番号	名前	数量	UOM
	PNNA	ARM FR04 17M SR9244 ASSEMBLY		EA
1	SN 606618601	DIFFERENTIAL KIT	1	EA
2	SN 610116301	CARRARO DIFFERENTIAL PIN	2	EA
3	SN 610115701	DIFFERENTIAL FIFTH WHEEL	4	EA
4	SN 612036101	DIFF BLOCK COUNTER DISC	2	EA
5	SN 602725601	CONIC ROLLER BEARING	2	EA
6	SN 612579201	RING NUT X104X2	2	EA
7	SN 610777801	RING NUT STOP	2	EA
8	SN 610128401	SCREW M6X10 DIFFERENTIAL	2	EA
9	SN 610125501	SCREW M10X75 DIFFERENTIAL	12	EA
10	SN 614710601	DIFFERENTIAL HOUSING	1	EA

REPAIR PARTS



アイテム	部品番号	名前	数量	UOM
	PNNA	ARM FR04 17M SR9244 ASSEMBLY		EA
1	SN 614697801	AXLE DOUBLE JOINT 26.25	2	EA
2	SN 604416201	FORK (DIFF SIDE)	2	EA
3	SN 604622001	CENTRAL BODY	2	EA
4	SN 604622101	AXLE DOUBLE JOINT SPIDER CARRARO	4	EA
5	SN 604622201	AXLE SPIDER STOP RING	16	EA
6	SN 604416301	WHEEL SIDE FORK CARRARO 4PIN	2	EA
7	SN 610132165	SHIM WASHER 45.3X6	2	EA
8	SN 614694401	WASHER FOR DOUBLE JOINT	2	EA
9	SN 614359701	DOUB. JOINT STOP RING	2	EA

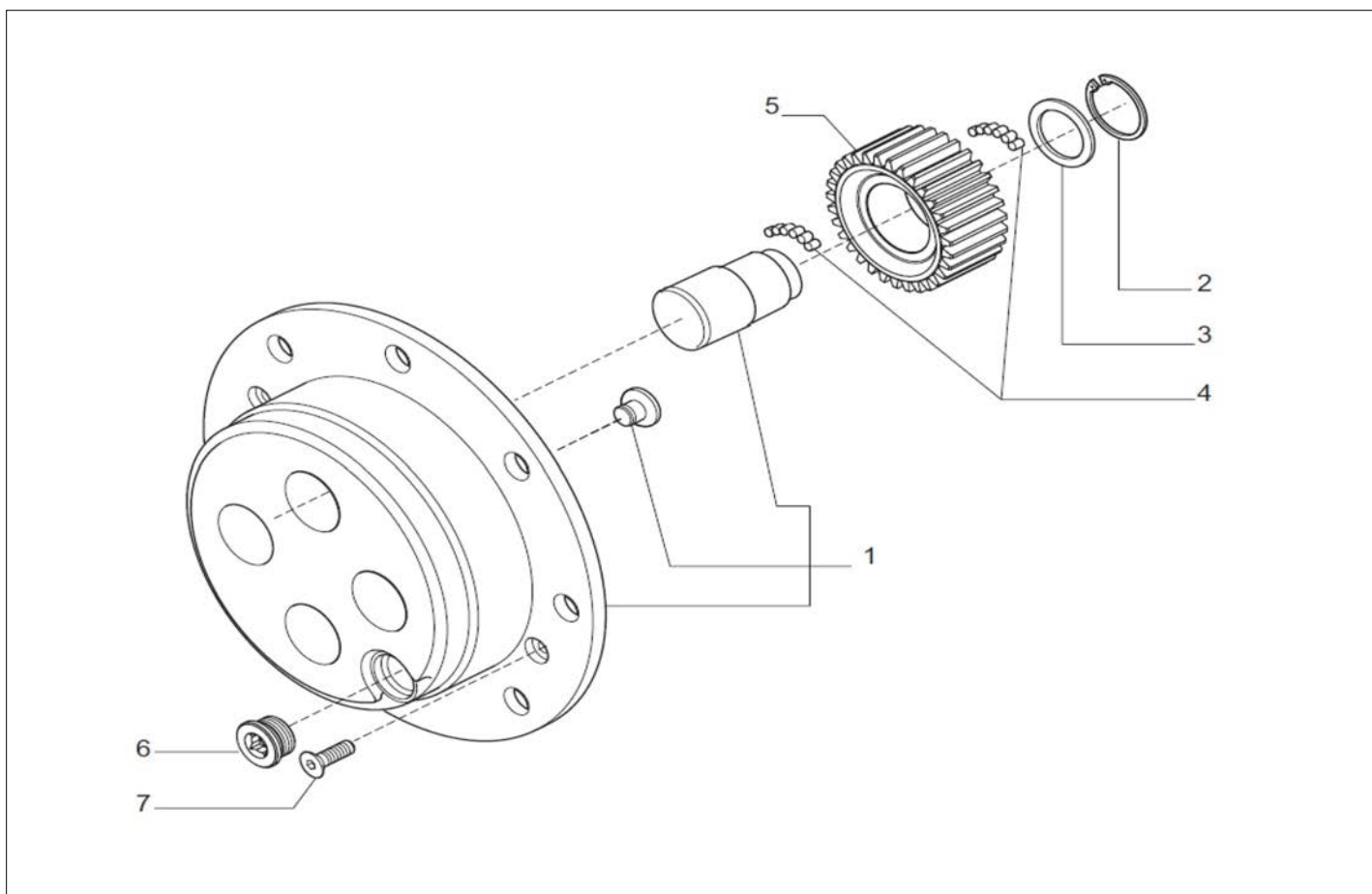
REPAIR PARTS





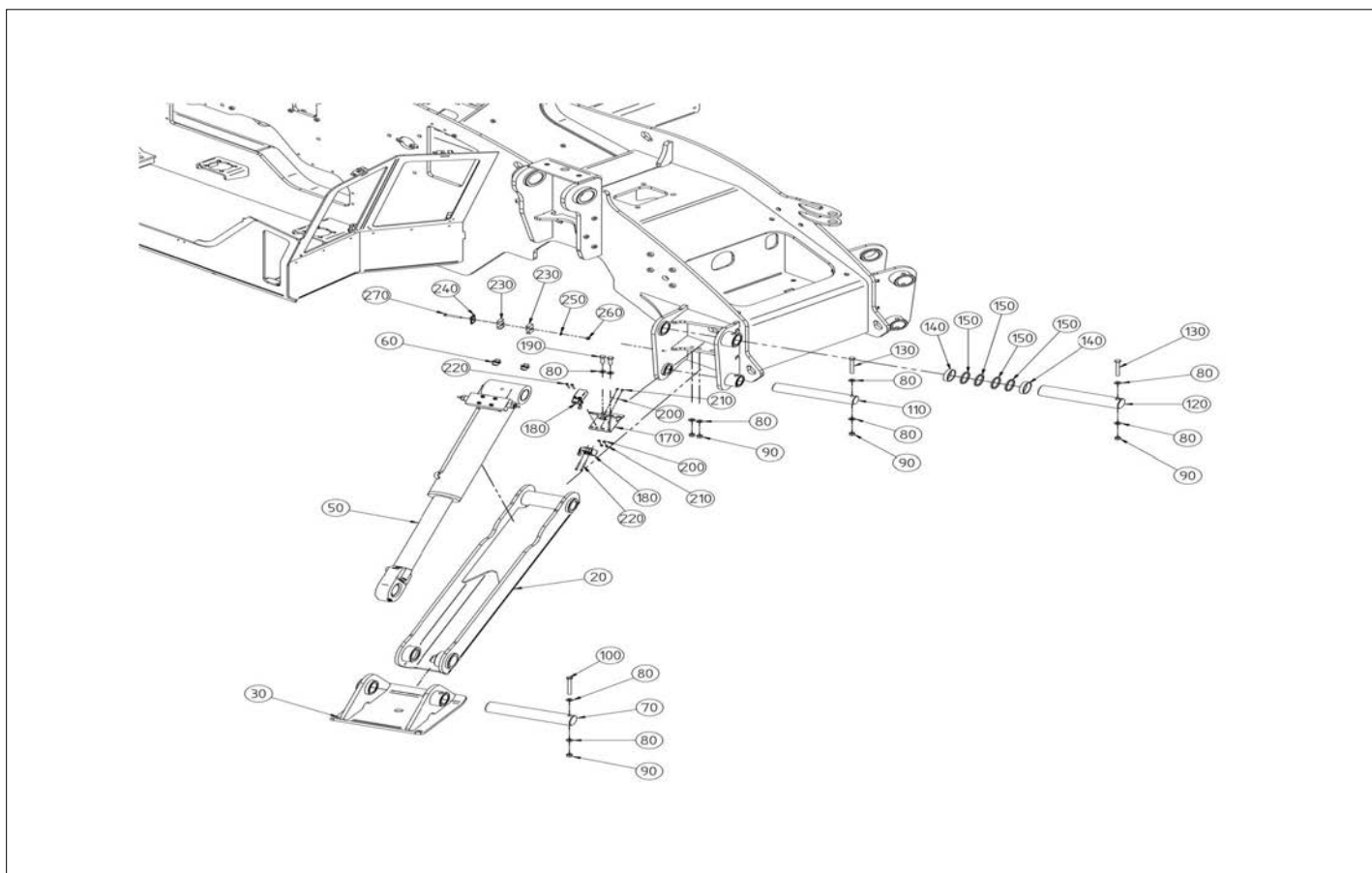
アイテム	部品番号	名前	数量	UOM
	PNNA	ARM FR04 17M SR9244 ASSEMBLY		EA
1	SN 606831301	WHEEL HUB KIT	2	EA
2	SN 6613067901	WHEEL HUB DOWEL	16	EA
3	SN 6610047702	RETAINING RING 150 180 14 5/16	2	EA
4	SN 6611837001	TAPERED ROLLER BEARING	4	EA
5	SN 6610028603	O RING 3850 SEAL	2	EA
6	SN 6612534401	AXLE RING CARRARO	2	EA
7	SN 6614119601	AXLE CENTRING SLEEVE	16	EA
8	SN 6614025901	SCREW M12X45	16	EA
9	SN 6613429801	CARRARO CROWN STOP HUB	2	EA
10	SN 6613429901	PLANETARY GEAR RING	2	EA
11	SN 6100180001	NUT M18X1.5 DIN 74361	16	EA

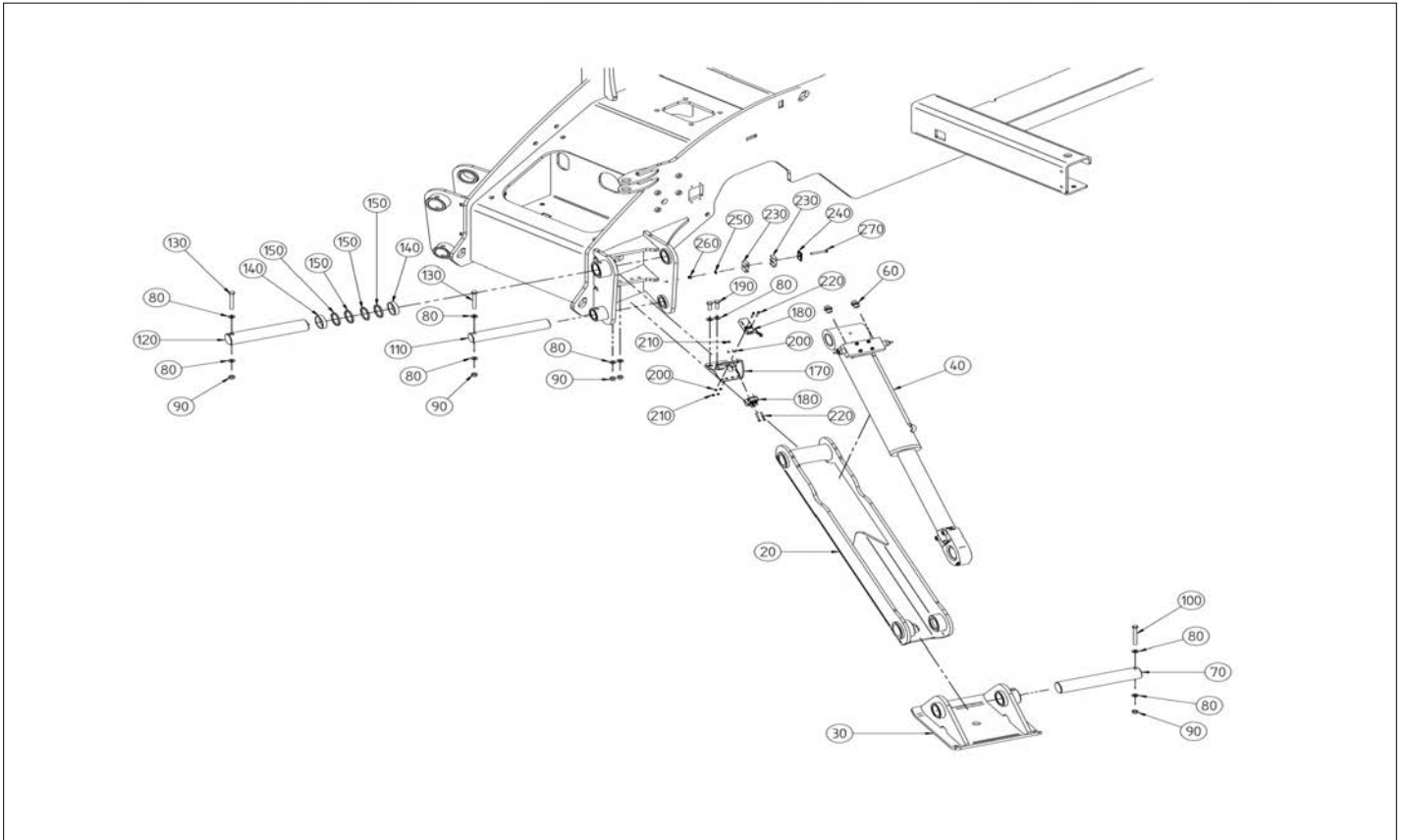
REPAIR PARTS



アイテム	部品番号	名前	数量	UOM
	PNNA	ARM FR04 17M SR9244 ASSEMBLY		EA
1	SN 606628701	4 PIN PLANETARY CARRIER SUPPORT	2	EA
2	SN 602479301	CARRARO AXLE SEEGER	8	EA
3	SN 613536601	CARRARO AXLE FIFTH WHEEL	8	EA
4	SN 602837001	CARRARO AXLE ROLLERS IN TENS	44.8	EA
5	SN 613594701	GEAR Z=23 AXLE	8	EA
6	SN 612528001	M30X2 CAPS FOR EPICYCLOIDAL ADAPTER OIL DRAINAGE	2	EA
7	SN 602049001	SCREW M8X20	4	EA

REPAIR PARTS

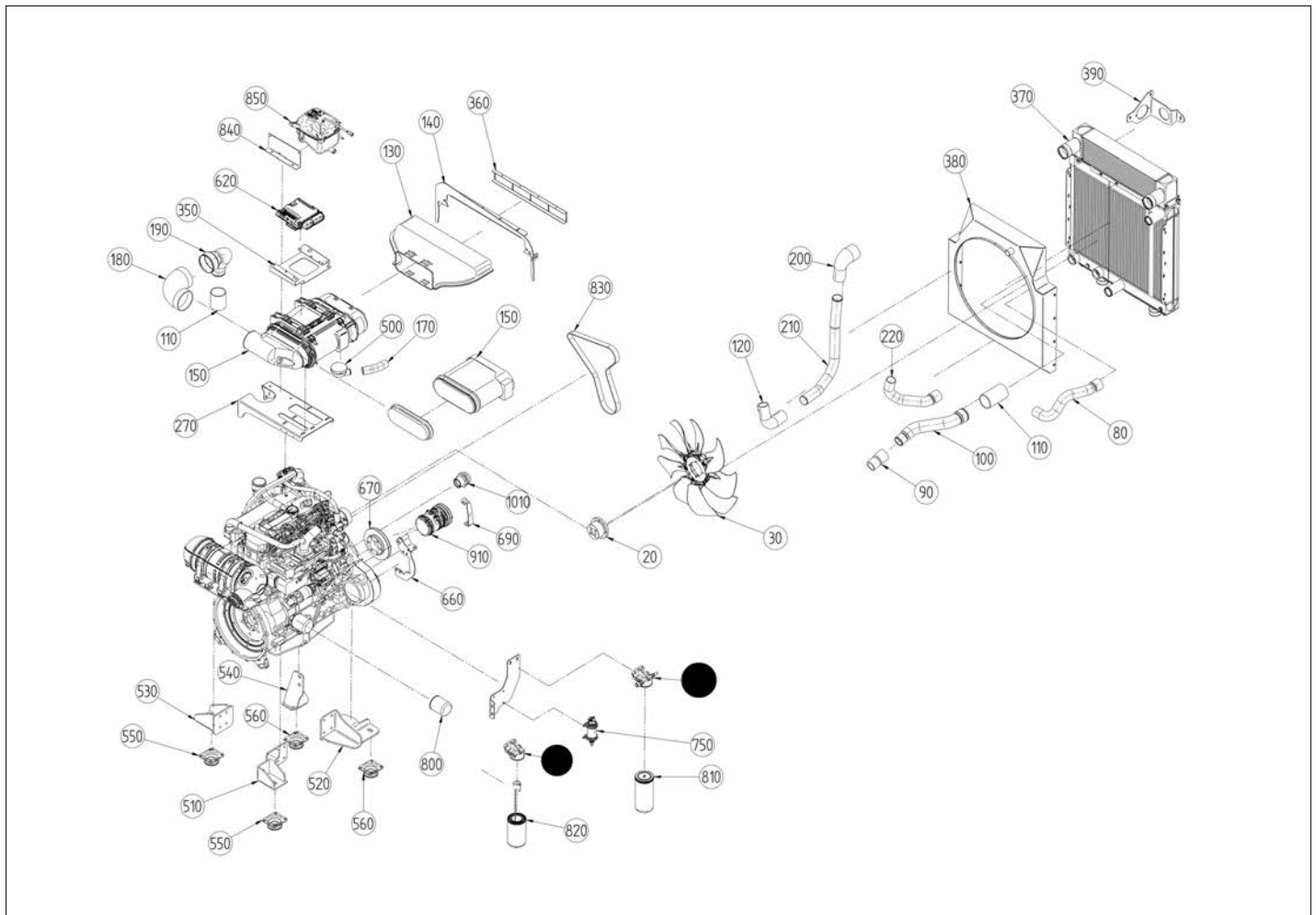




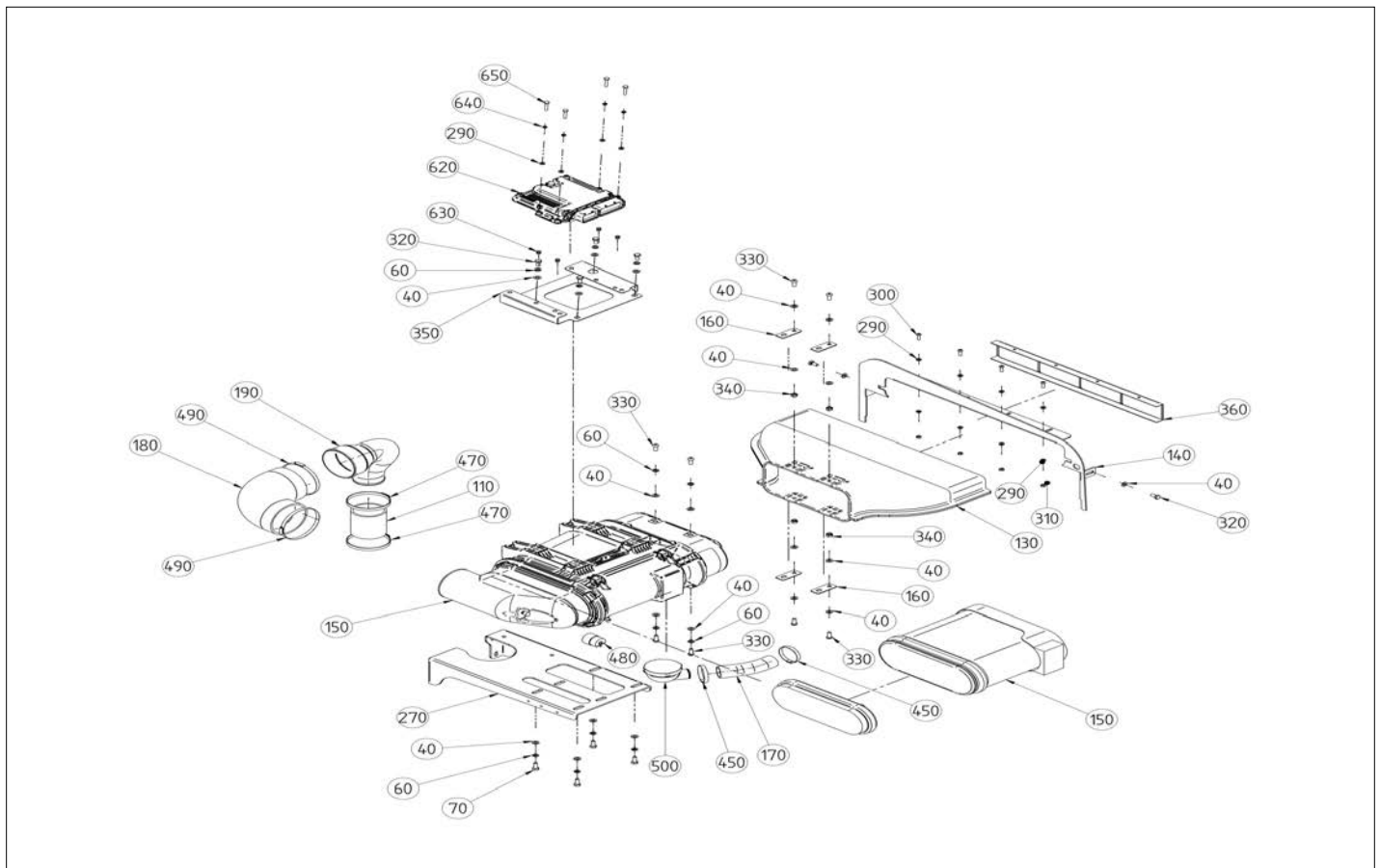
アイテム	部品番号	名前	数量	UOM
	PNNA	STABILIZER FR04		EA
10	SN T42000450	FR04 CHASSIS CARRARO AXLES	1	EA
20	SN T42001950	STABILISER FR04	2	EA
30	SN T30005250	STABILISER FOOT	2	EA
40	SN F30170202A	BLACK LEFT STABILISER CYLINDER UNIT	2	EA
50	SN F30170201A	BLACK RIGHT STABILISER CYLINDER UNIT	2	EA
60	SN 612041200	SEALING END BODY AND 12L * 1/2 GAS *K*	4	EA
70	SN T30009050	PIN Ø60 L330 W/HOLE Ø13	2	EA
80	SN 804003012	M12 WASHER DIN125A GALV. 13.0x24x2.5	20	EA
90	SN 804002012	SELF LOCKING NUT HIGH GALV. M12 DIN982	10	EA
100	SN 120121101	HEXAGON HEAD SCREW M12X110 CL 8.8 UNI 5737 GALV.	2	EA
110	SN T30005950	PIN Ø50 L315 W/HOLE Ø13	2	EA
120	SN T30005850	PIN Ø60 L315 W/HOLE Ø13	2	EA
130	SN 800112100	HEXAGON HEAD SCREW M12x100 DIN933 GALV. IF	4	EA
140	SN T30023850	STABILISER SPACER ø60INT ED ø70	4	EA
150	SN T30024050	SPACER D. INT.60,3 L=5	8	EA
160	SN T30093450	SPACER Ø70X51X1	4	EA
170	SN T30100950	FULL STABILISER SENSOR SUPPORT	2	EA
180	SN ME12362262	LEVER LIMIT SWITCH AND METAL WHEEL	8	EA
190	SN 800212040	SCREW TE M12X40 CL 10.9 DIN 933 ZN	4	EA
200	SN 130050001	FLAT WASHER M5 GALV.	8	EA
210	SN 804002005	SELF LOCKING NUT M5 GALV. HIGH DIN982	8	EA

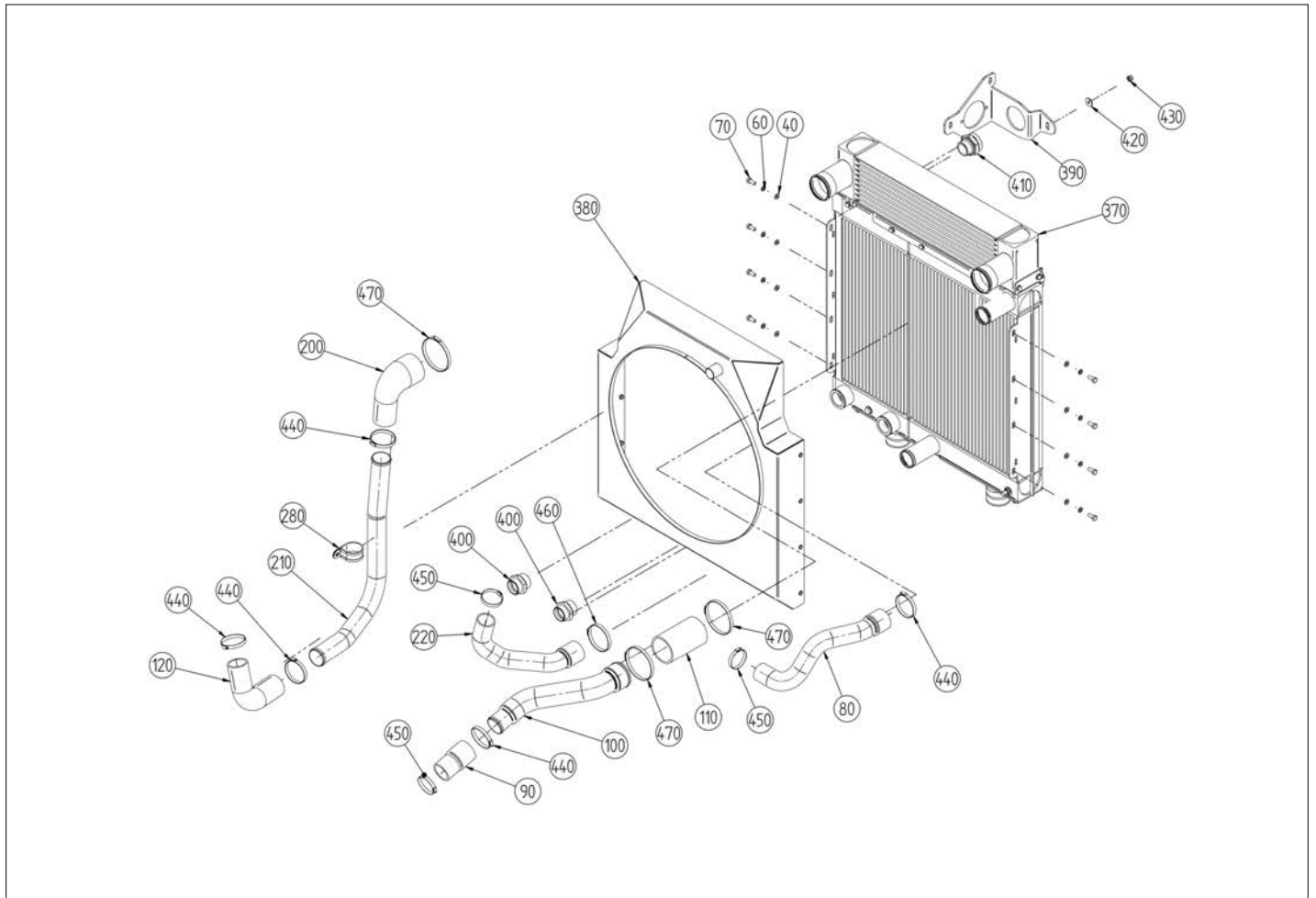
アイテム	部品番号	名前	数量	UOM
220	SN 800505040	SOCKET HEAD CAP SCREW M5X40 CL 8.8 DIN 912 GALV.	8	EA
230	SN 520181802	DOUBLE STANDARD COLLAR PAIR D18	4	EA
240	SN 520181803	COVER PLATE FOR PIPEHOLDER COLLAR DPP D18	2	EA
250	SN 804003008	M8 WASHER DIN125A GALV. 8.4x16x1.6	2	EA
260	SN 804002008	SELF LOCKING NUT M8 GALV. HIGH DIN982	2	EA
270	SN 801208060	HEXAGON HEAD SCREW M8X60 CL10.9 DIN 931 GALV.	2	EA

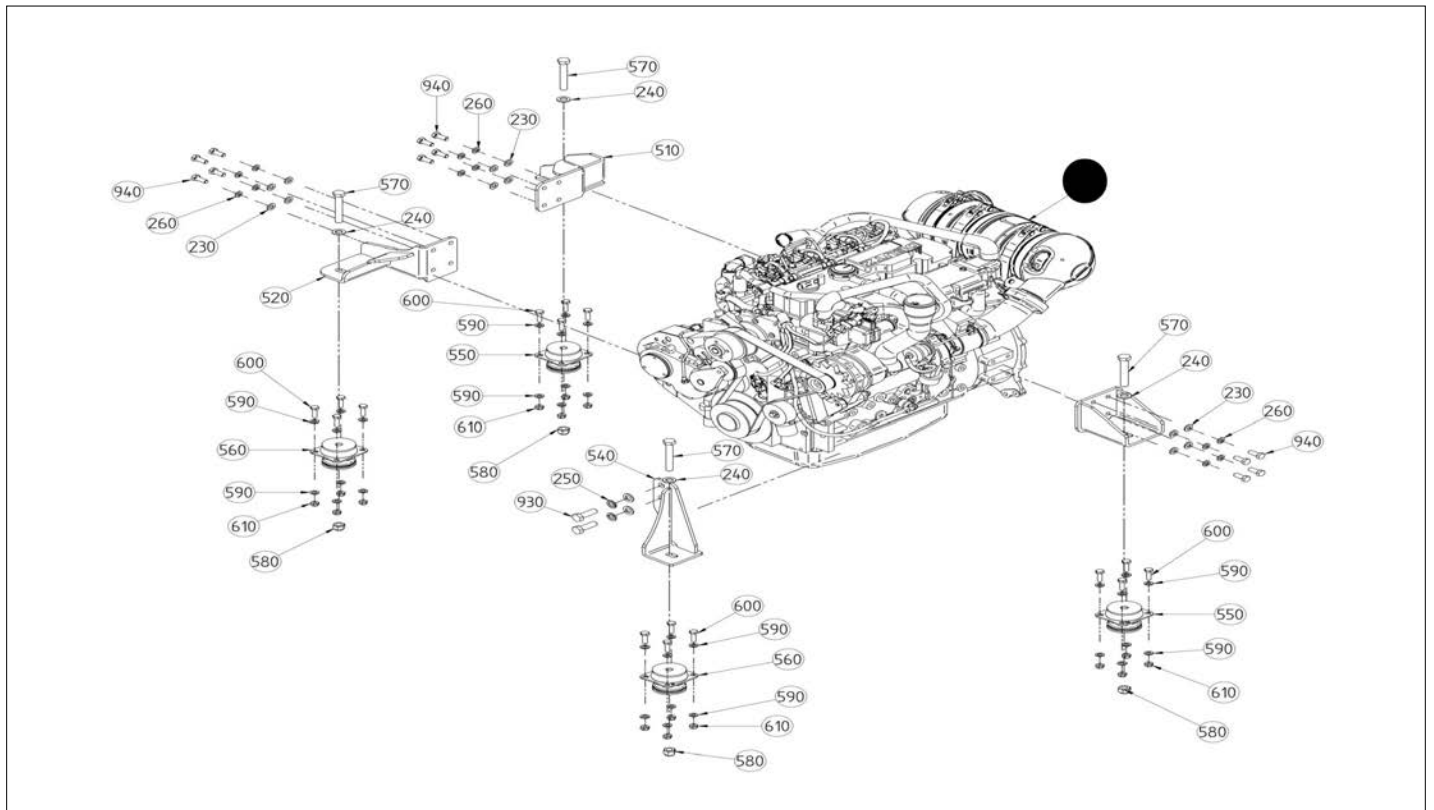
REPAIR PARTS

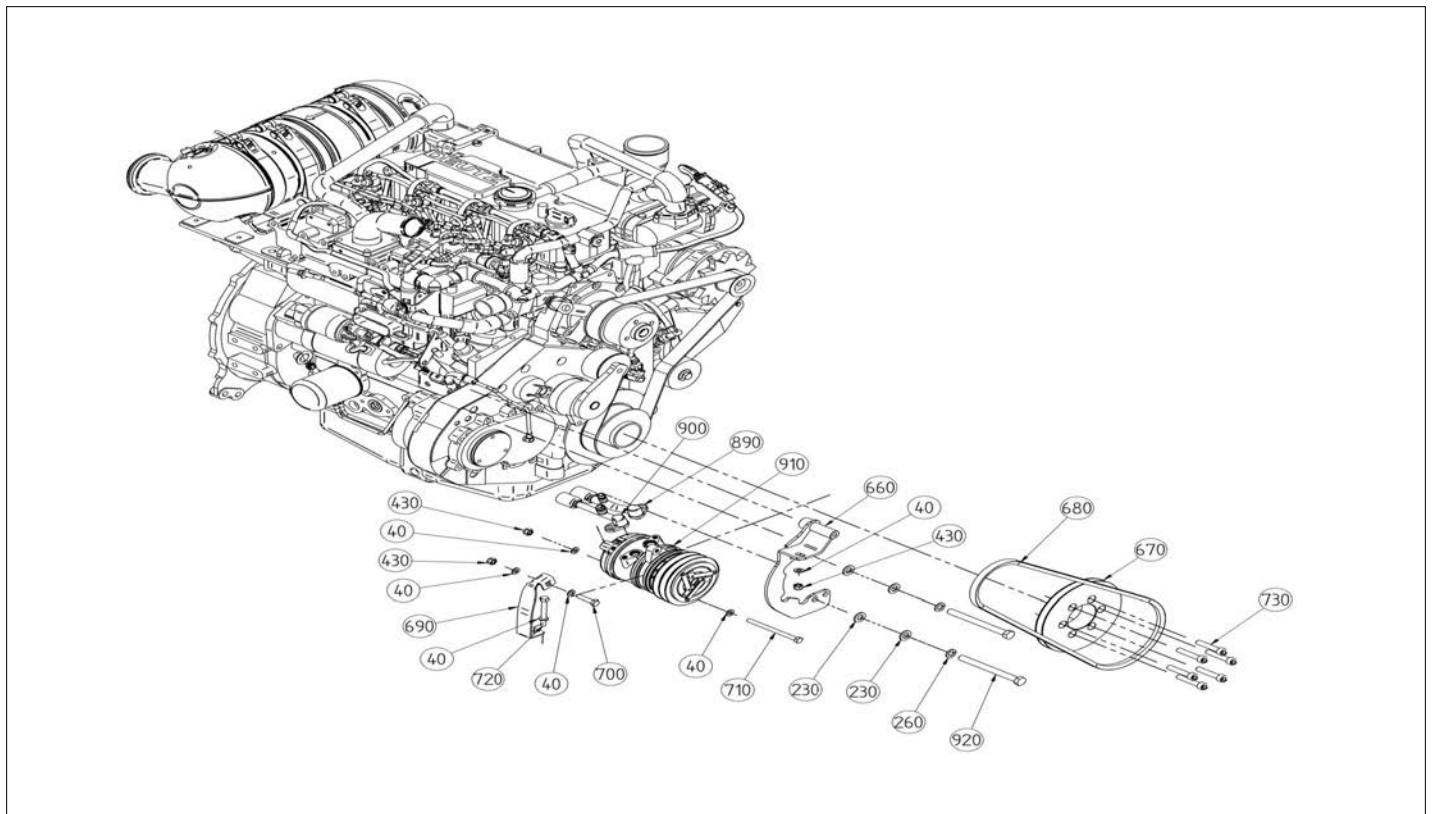


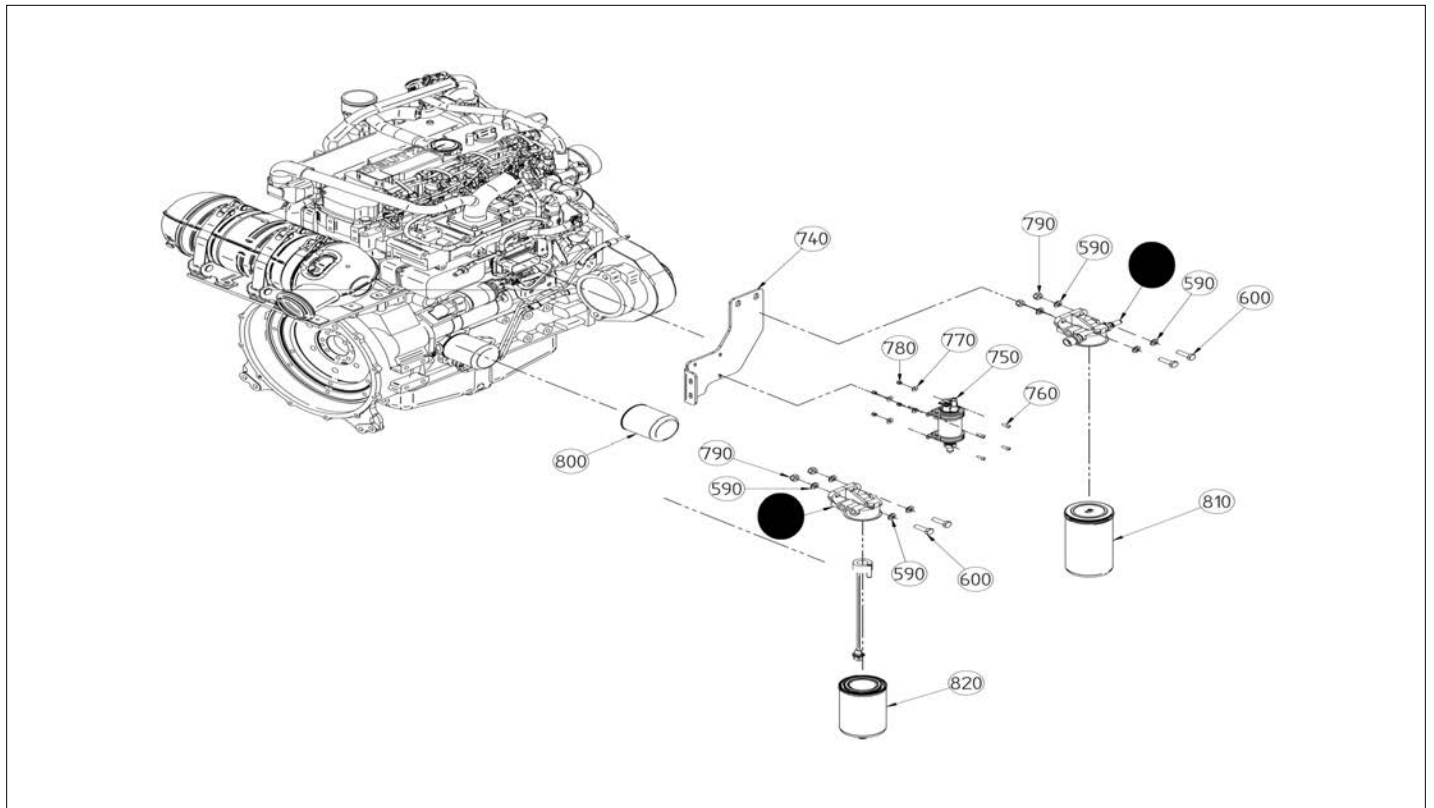


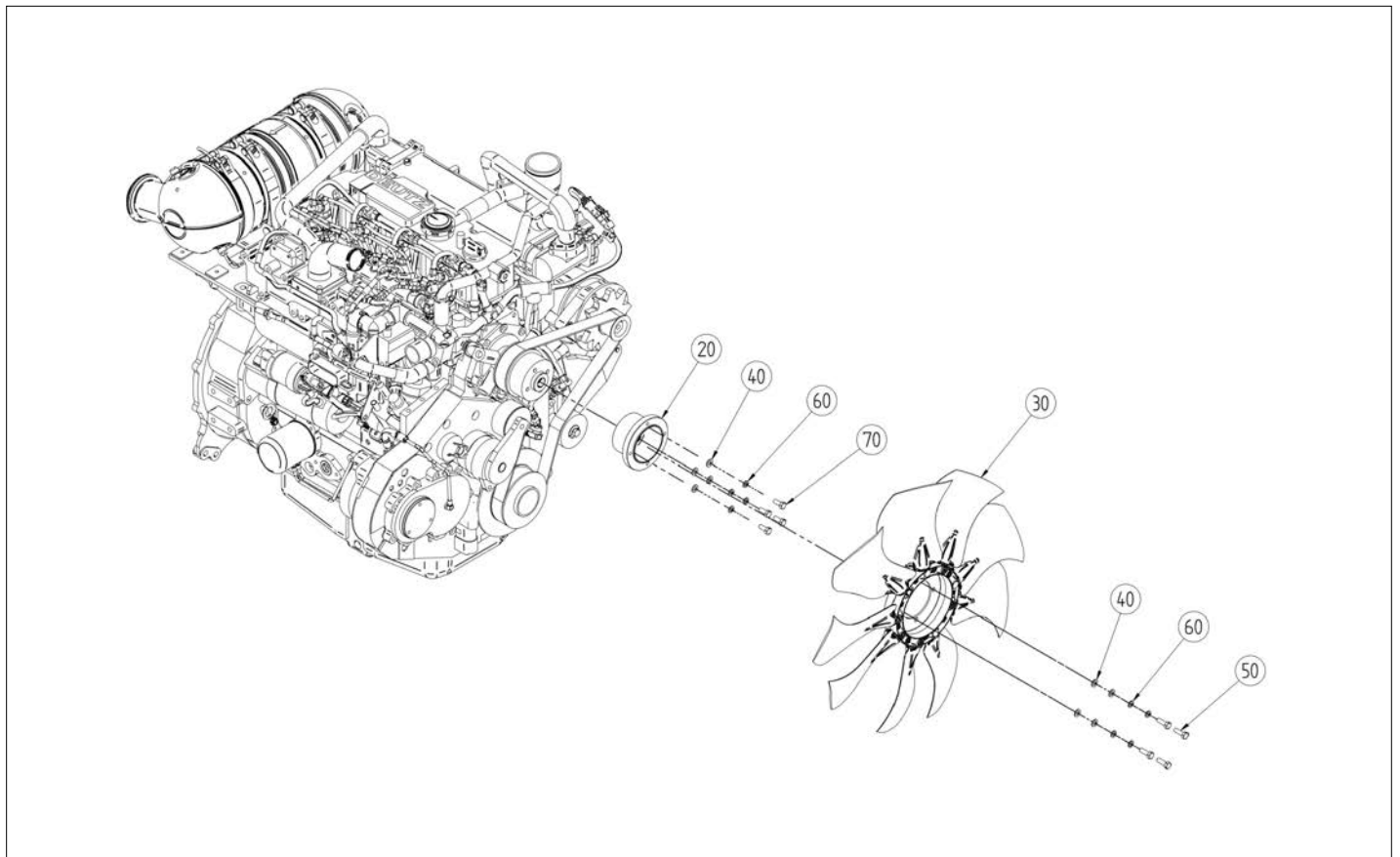


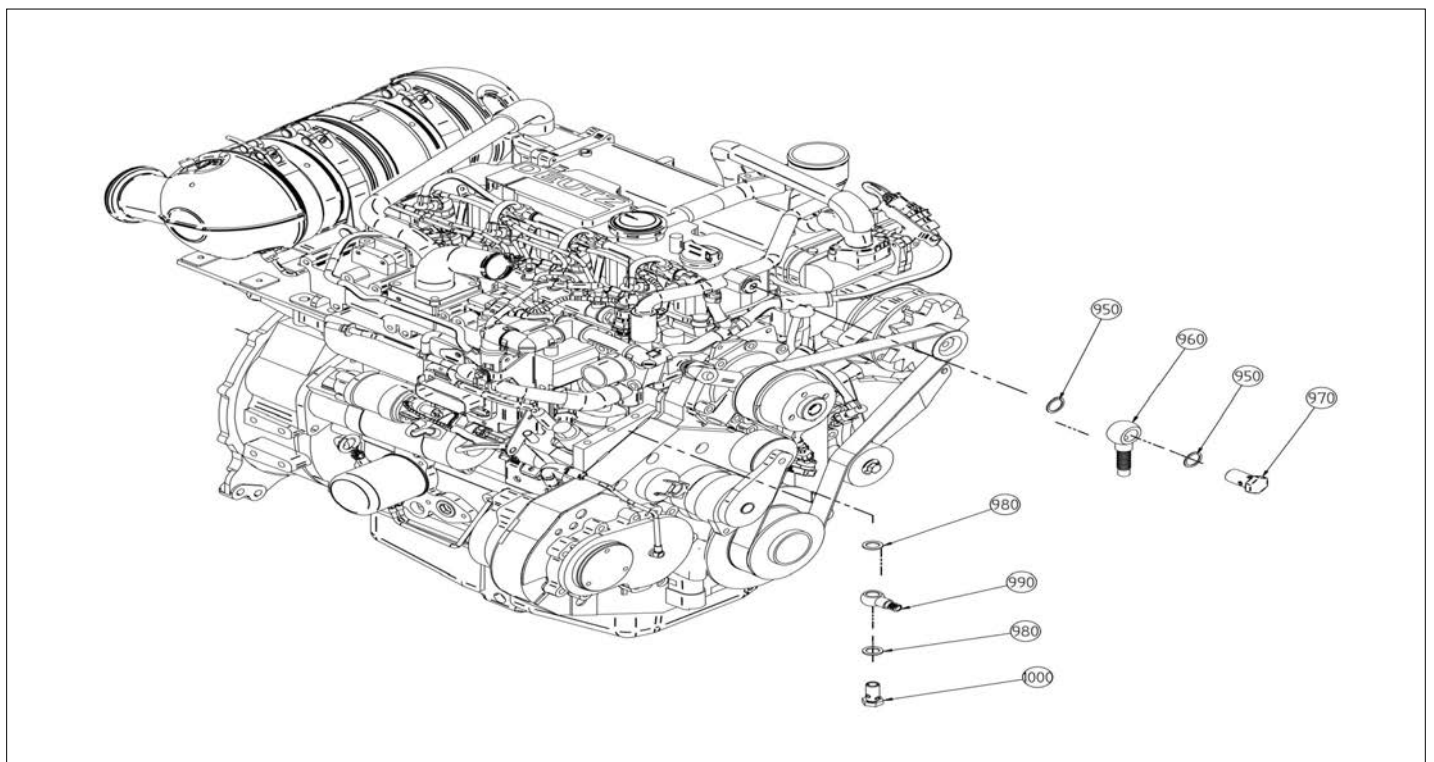


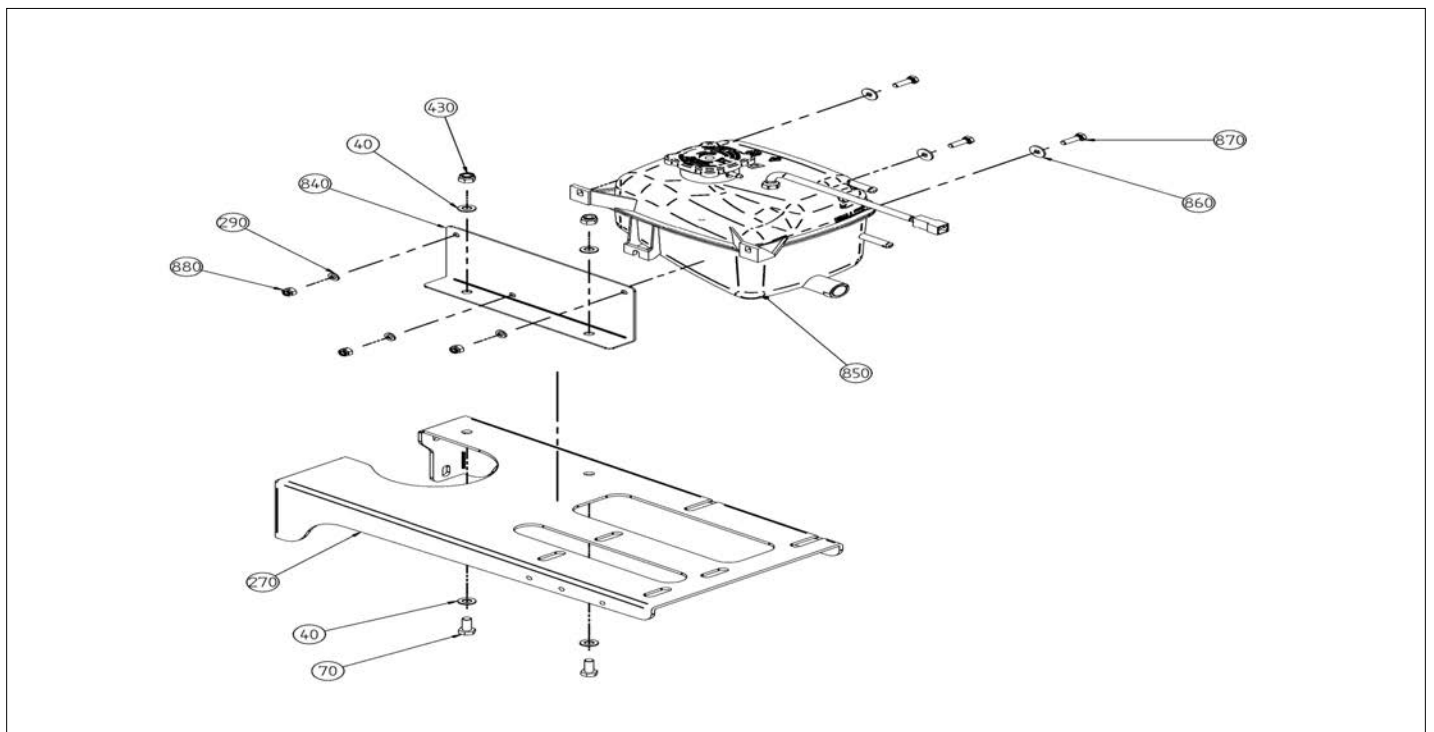














アイテム	部品番号	名前	数量	UOM
	600009001	DEUTZ ENGINE 90KW TCD 3.6 L4 ASSEMBLY		EA
20	SN T28052250	RKWB550 FAN ADAPTER HUB	1	EA
30	SN 675559000	FAN Ø550 9 ROSATI DEUTZ TCD3.6	1	EA
40	SN 804003008	M8 WASHER DIN125A GALV. 8.4x16x1.6	48	EA
50	SN 800108025	HEXAGON HEAD SCREW M8x25 DIN933 GALV. IF	4	EA
60	SN 804003208	M8 GROWER WASHER UNI7064 GALV.	28	EA
70	SN 800108020	HEXAGON HEAD SCREW M8x20 DIN933 GALV. IF	18	EA
80	SN 221042000	WATER DELIVERY PIPE DEUTZ TCD 3.6	1	EA
90	SN 224455100	RUBBER REDUCER 51/45 L=102	1	EA
100	SN 601050010	TURBO AIR RETURN PIPE DEUTZ TCD 3.6	1	EA
110	SN 609053750	SILICONE PIPE INT Ø=70 EXT Ø=80 GREEN	2	EA
120	SN 222905450	SILICON BEND 90 ° 55/45	1	EA
130	SN 240100412	AIR FILTER PLASTIC CONVEYOR	1	EA
140	SN T30184350	HOOD EXCHANGER 7 9 11 SEAL CASING	1	EA
150	SN 240100120	COMPLETE AIR FILTER POWERCORE 9"	1	EA
160	SN T28047850	DONALDSON FILTER CONNECTION PLATE	4	EA
170	SN 223003201	AIR SUCTION PIPE INT Ø 32MMOREGON	1	EA
180	SN 240100413	RUBBER BEND 90 ° D=101.6	1	EA
190	SN 601070117	DEUTZ AIR SUCTION PIPE TCD 3.6	1	EA
200	SN 222907550	SILICON BEND 90 ° 70/55	1	EA
210	SN 601050000	TURBO AIR DELIVERY PIPE DEUTZ TCD 3.6	1	EA

アイテム	部品番号	名前	数量	UOM
220	SN 221042010	WATER RETURN PIPE DEUTZ TCD 3.6	1	EA
230	SN 804003012	M12 WASHER DIN125A GALV. 13.0x24x2.5	16	EA
240	SN 804003016	M16 WASHER DIN125A GALV. 17x30x3	6	EA
250	SN 804003216	M16 GROWER WASHER UNI7064 GALV.	2	EA
260	SN 804003212	M12 GROWER WASHER UNI7064 GALV.	14	EA
270	SN T28047450	DEUTZ 3.6 AIR FILTER SUPPORT SHEET	1	EA
280	SN 521501001	HOSE CLAMP NORMA WURTH 054250	1	EA
290	SN 804003006	M6 WASHER DIN125A GALV. 6.4x12x1.6	15	EA
300	SN 122062001	HEX SOCKET SCREW M6X20 CL 10.9 UNI 7380 GALV.	4	EA
310	SN 101061001	SELF LOCKING NUT M6 GALV.	4	EA
320	SN 800108016	HEXAGON HEAD SCREW M8x16 DIN933 GALV. IF	6	EA
330	SN 122082001	HEX SOCKET SCREW M8X20 CL 10.9 UNI 7380 GALV.	8	EA
340	SN 101080801	SELF LOCKING NUT M8 GALV. LOW	4	EA
350	SN T28050050	CONTROL UNIT SUPPORT BRACKET ON FILTER	1	EA
360	SN T30184450	INTAKE BOX SUPPORT PLATE	1	EA
370	SN 690300702	COMBINED EXCHANGER DEUTZ TCD4.1L	1	EA
380	SN T28055550	CONVEYOR Ø550 DEUTZ TCD3.6	1	EA
390	SN T28058450	HYDAC EXCHANGER SUPP. BRACKET	1	EA
400	SN 308551250	FITTING M M 1' 1/4 L 35	2	EA
410	SN 308527850	NIPPLES M52X2 42L * 1.1/4" G	1	EA
420	SN 804003108	M8 WASHER DIN9021 GALV. 8.4x24x2.0	1	EA

アイテム	部品番号	名前	数量	UOM
430	SN 804002008	SELF LOCKING NUT M8 GALV. HIGH DIN982	6	EA
440	SN 805007050	BELT CLAMP 50 65	5	EA
450	SN 805007044	CLAMP ABA 44 56	5	EA
460	SN 805007058	CLAMP ABA 58 75	1	EA
470	SN 805007077	CLAMP ABA 77 95	5	EA
480	SN 240100416	CLOGGING INDICATOR TO 50 BAR	1	EA
490	SN 805007087	CLAMP ABA 87 112	2	EA
500	SN 240100417	DUST DISCHARGE 90 ° ADAPTOR Ø32MM	1	EA
510	SN T28057550	RIGHT REAR SUPPORT FOR DEUTZ TCD3.6L4	1	EA
520	SN T28057650	RIGHT FRONT SUPPORT FOR DEUTZ TCD3.6L4	1	EA
530	SN T28057850	LEFT REAR SUPPORT FOR DEUTZ TCD3.6L4	1	EA
540	SN T28057750	LEFT FRONT SUPPORT FOR DEUTZ TCD3.6L4	1	EA
550	SN 522306001	ANTI VIBRATING SUPPORT AMC CONE 30 60SH	2	EA
560	SN 522305001	ANTI VIBRATING SUPPORT AMC CONE 30 50SH	2	EA
570	SN 120161102	HEX HEAD SCREW M16X110 CL 8.8 DIN 931 ZN	4	EA
580	SN 804002216	SELF LOCKING NUT M16 TOP PG ZN DIN 982	4	EA
590	SN 804003010	M10 WASHER DIN125A GALV. 10.5x20x2	40	EA
600	SN 120103501	HEXAGON HEAD SCREW M10X35 CL 8.8 UNI 5739 GALV.	20	EA
610	SN 804002010	SELF LOCKING GALV. HIGH NUT M10 DIN982	16	EA
620	SN 600009060	DEUTZ ENGINE CONTROL UNIT 90KW	1	EA
630	SN 165006101	THREADED INSERT M6	4	EA

アイテム	部品番号	名前	数量	UOM
640	SN 804003206	M6 GROWER WASHER UNI7064 GALV. 6.1x11.8x3.2	4	EA
650	SN 120063001	HEXAGON HEAD SCREW M6X30 CL 8.8 UNI 5737 GALV.	4	EA
660	SN T28044850	DEUTZ A/C COMPRESSOR SUPPORT BRACKET	1	EA
670	SN T28045250	DEUTZ ENGINE AC PULLEY TCD3,6	1	EA
680	SN 631047001	V BELT MOD. A47 A/C	1	EA
690	SN T28044950	TIE ROD FOR A/C COMPRESSOR TH.10	1	EA
700	SN 120083501	HEXAGON HEAD SCREW M8X35 CL 8.8 UNI 5739 GALV.	1	EA
710	SN 120081101	HEXAGON HEAD SCREW M8X110 CL 8.8 UNI 5739 GALV.	1	EA
720	SN 120087001	HEXAGON HEAD SCREW M8X70 CL 8.8 DIN 933 GALV.	1	EA
730	SN 125105001	SOCKET HEAD CAP SCREW M10X50 CL 8.8 UNI 5931 GALV.	6	EA
740	SN T28041450	FILTER+DIESEL PUMP SUPPORT PLATE	1	EA
750	SN 600009058	DIESEL PUMP DEUTZ 85 90 KW	1	EA
760	SN 122051601	BUTTON HEAD WITH COUNTERSUNK HEX SCREW M5X16 CL 10.9 UNI 7380 ZN	4	EA
770	SN 804003105	WASHER M5 DIN9021 ZN 5.3x15x1.2	4	EA
780	SN 101050501	SELF LOCKING NUT M5	4	EA
790	SN 101101001	SELF LOCKING NUT M10 GALV.	4	EA
800	SN 600009055	OIL FILTER DEUTZ 90KW TCD3.6 L4	1	EA
810	SN 600009054	DIESEL FILTER DEUTZ 90KW TCD3.6 L4	1	EA
820	SN 600009053	DIESEL PRE FILTER DEUTZ 90KW TCD3.6 L4	1	EA
830	SN 600009056	TIMING BELT DEUTZ TCD3.6L4	1	EA

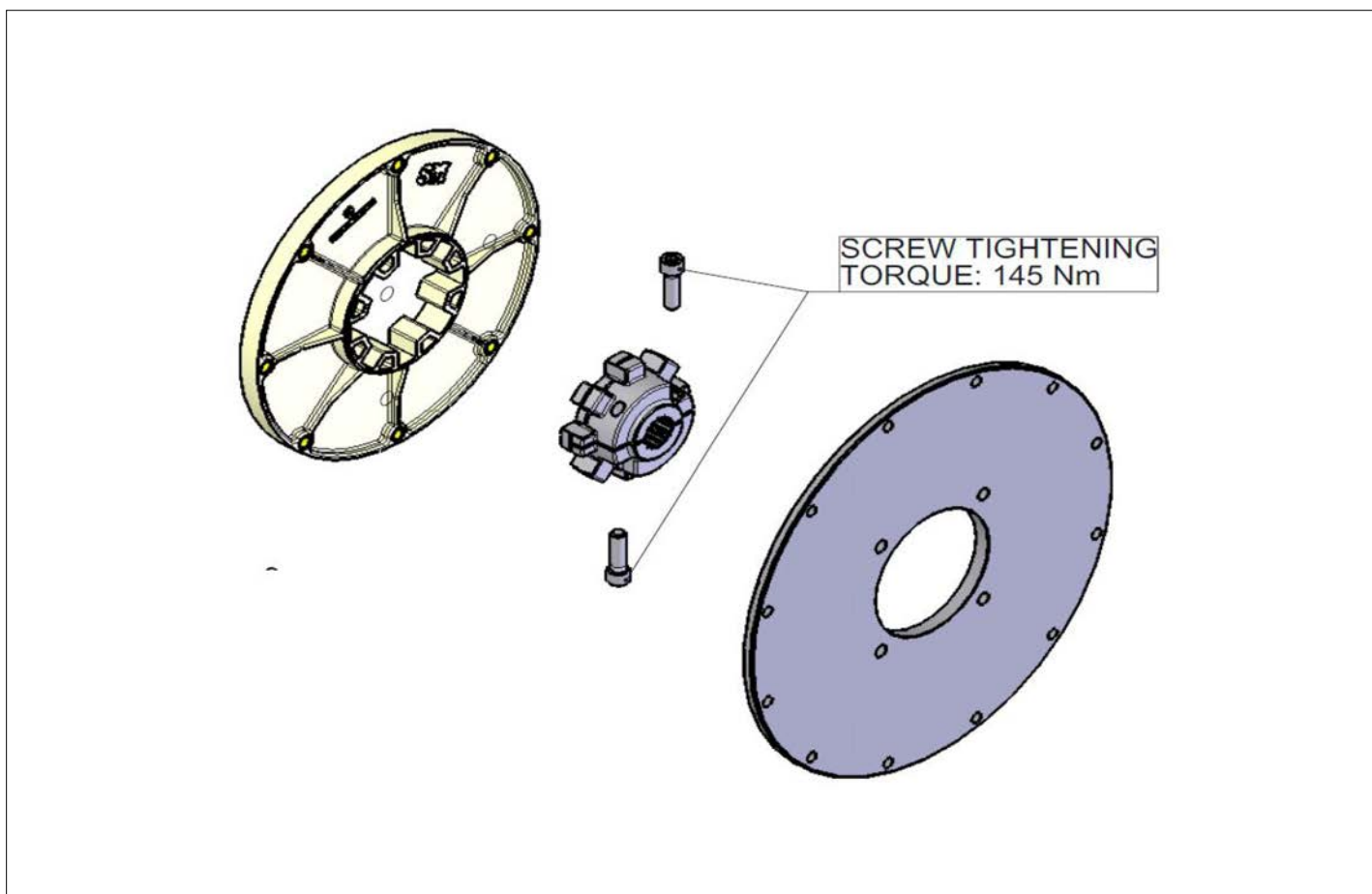
アイテム	部品番号	名前	数量	UOM
840	SN T28047550	UPPER SHEET DEUTZ 3.6 WATER TANK	1	EA
850	SN 230202003	WATER TANK DEUTZ TCD 3.6 WITH SENSOR	1	EA
860	SN 804003106	M6 WASHER DIN9021 GALV. 6.4x18x1.6	3	EA
870	SN 120062001	HEX HEAD SCREW M6X20 CL 8.8 UNI 5739 ZN	3	EA
880	SN 804002006	SELF LOCKING NUT M6 GALV. HIGH DIN982	3	EA
890	SN 861109001	COMP. INT. FLANGED FITTING SP10	1	EA
900	SN 861109002	COMP. RET. FLANGED FITTING SP10	1	EA
910	SN T30187366	COMPRESSOR SP10 VE.E E121/ 12V	1	EA
920	SN 800412130	HEX HEAD SCREW M12X130 CL 10.9 DIN 931 ZN	2	EA
930	SN 800116050	HEXAGON HEAD SCREW M16x50 DIN933 GALV.	2	EA
940	SN 800112030	HEXAGON HEAD SCREW M12X30 DIN933 GALV. IF	12	EA
950	SN 213002215	COPPER WASHER FOR DRILLED SCREW M22	2	EA
960	SN 217101006	RUBBER GRIP EYE FOR SCREW M22X1,5	1	EA
970	SN 212012215	SCREW FOR EYE M16X1.5 SINGLE	1	EA
980	SN 213001602	COPPER WASHER FOR M16X24	2	EA
990	SN 217101005	RUBBER GRIP EYE FOR SCREW M16X1.5	1	EA
1000	SN 212001615	SCREW FOR EYE M16X1.5 SINGLE	1	EA
1010	SN 212011202	BULKHEAD FITTING EO24 ° L42	1	EA

REPAIR PARTS

NO IMAGE AVAILABLE  
(BOM FOR REFERENCE ONLY)

アイテム	部品番号	名前	数量	UOM
	13983 000	DEUTZ ENGINE 134HP TCD3.6L4 EAT T4F REPLACEMENT PARTS		EA
1	7631265	FUEL PUMP	1	EA
2	7631380	ALTERNATOR	1	EA
3	7631381	DIPSTICK	1	EA
4	7631382	FANBELT	1	EA
5	7631383	HOSE CLAMP	1	EA
6	7631384	HOSE WATER	1	EA
7	7631385	STARTER ASSY	1	EA
8	7631386	STOP SOLENOID	1	EA
9	7631387	WATER PUMP	1	EA
10	7631388	TURBO	1	EA
11	8040149	OIL FILTER NOT SHOWN	1	EA
12	13983 024	FUEL FILTER ASSY	1	EA
13	13983 109	PIPE WATER	1	EA
14	13983 221	THERMOSTAT HOUSING	1	EA

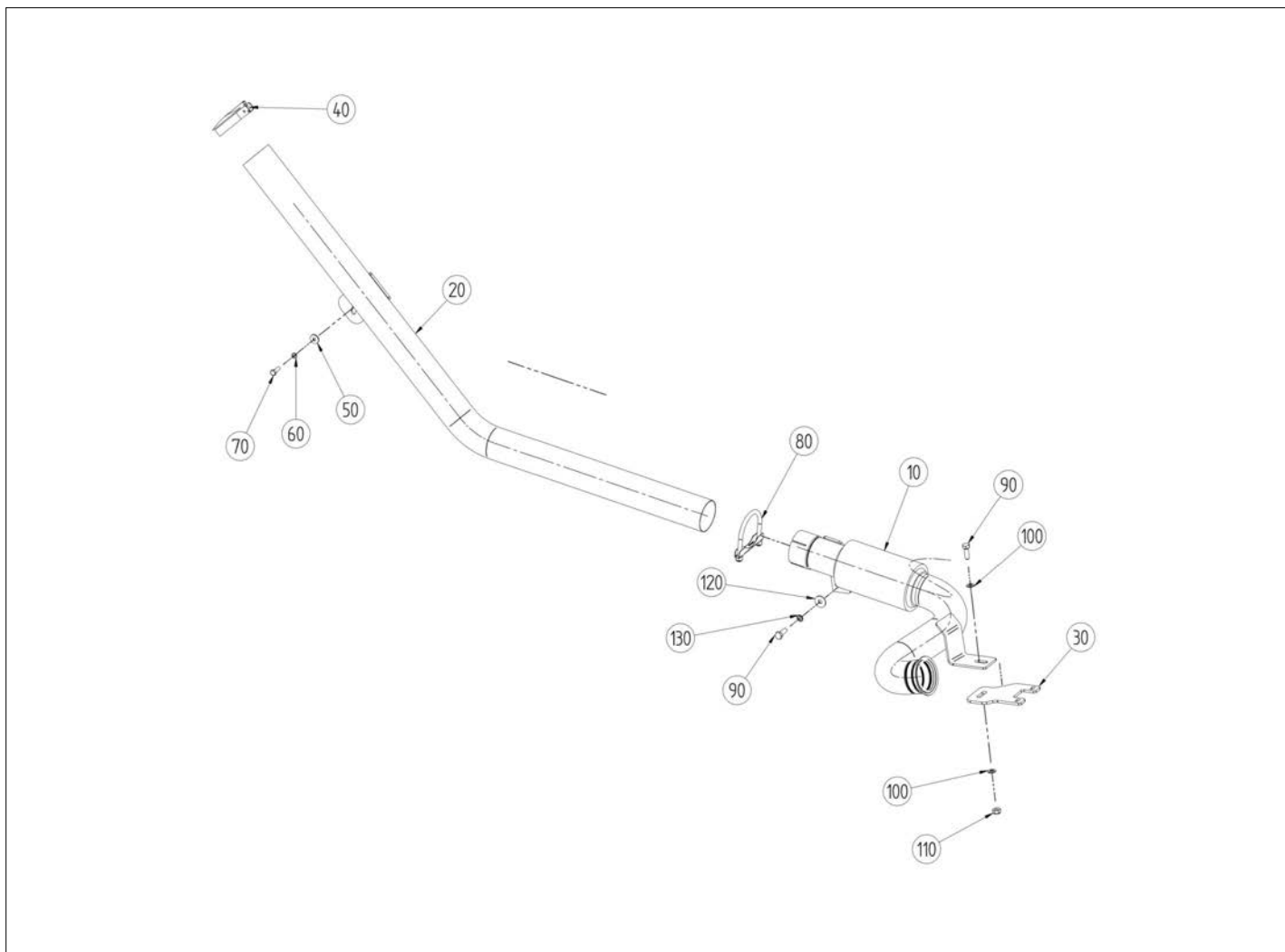
REPAIR PARTS





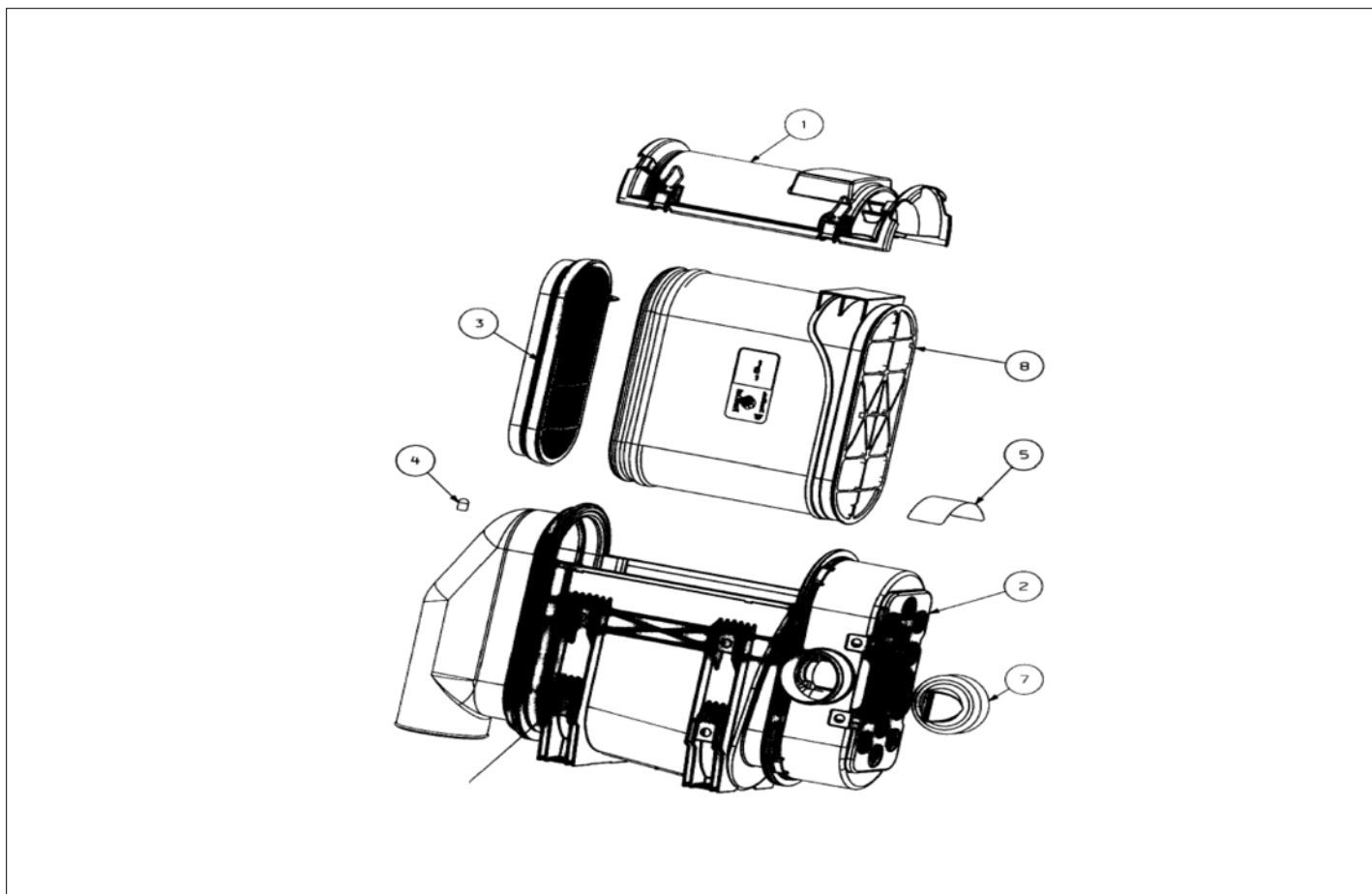
アイテム	部品番号	名前	数量	UOM
	SN 602090030	ENGINE PUMP COUPLING		EA
	SN 602065603	HUB KDR 38 M3 Z14 12/24 L50	1	EA
	SN 602090011	FLAT BELL SAE4 4FORI M14	1	EA
	SN 602090012	KDR KDE 10" 38 M3 FLANGE	1	EA

REPAIR PARTS



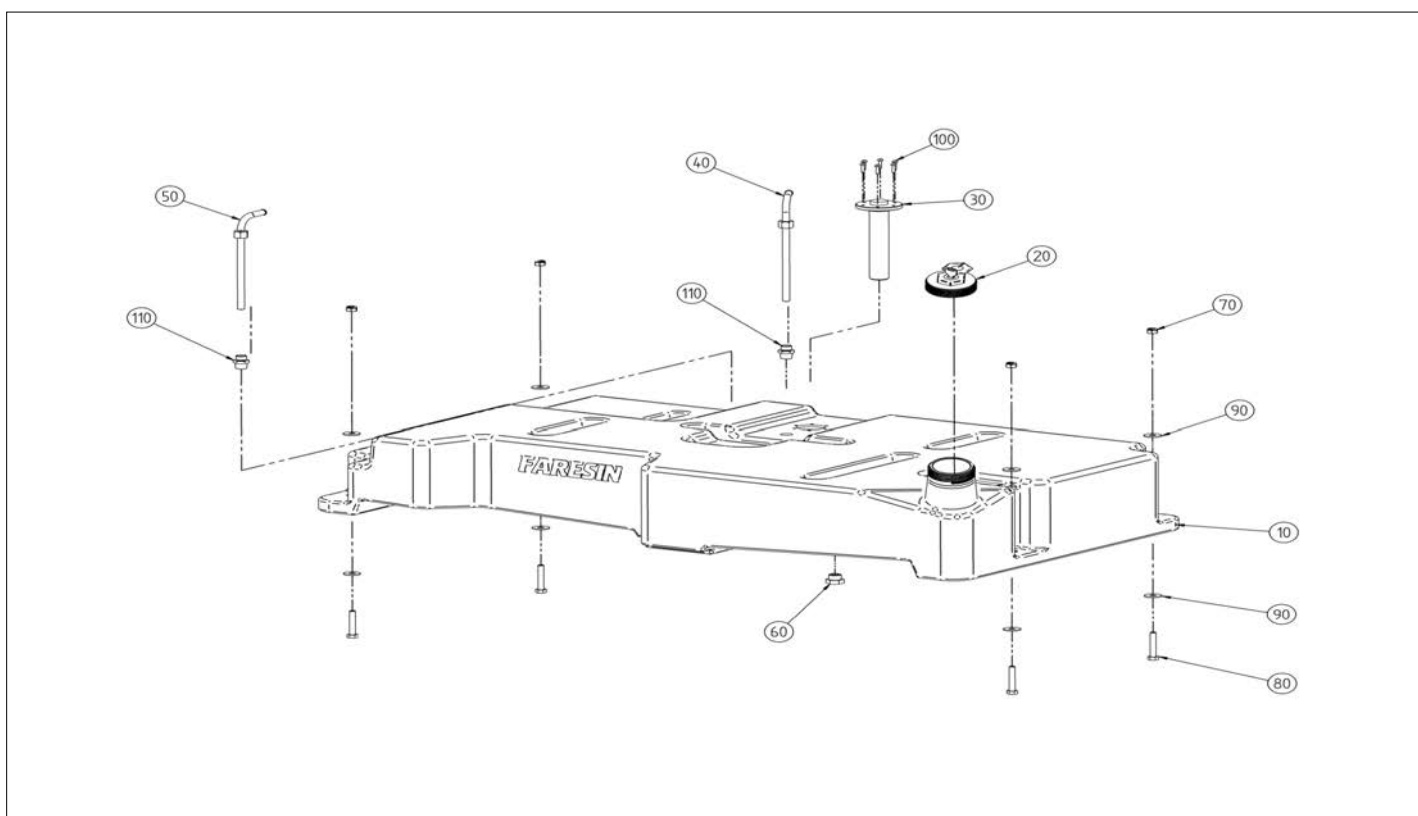
アイテム	部品番号	名前	数量	UOM
	PNNA	DEUTZ 90kW IIIB ENGINE EXHAUST		EA
10	SN 601080030	DOC PIPE D.80 WITH FLEX DEUTZ TCD3.6	1	EA
20	SN 601080060	UNLOADING TERMINAL D.80 TCD3,6 FR03A	1	EA
30	SN T28048050	DOC 3.6 UNLOADING SUPPORT BRACKET	1	EA
40	SN 601080020	CAP FOR UNLOADER Ø80MM	1	EA
50	SN 804003108	M8 WASHER DIN9021 GALV. 8.4x24x2.0	1	EA
60	SN 804003208	M8 GROWER WASHER UNI7064 GALV.	1	EA
70	SN 800108025	HEXAGON HEAD SCREW M8x25 DIN933 GALV. IF	1	EA
80	SN 521008601	JUMPER CLAMP Ø86 FOR EXHAUST	1	EA
90	SN 120103001	HEXAGON HEAD SCREW M10X30 CL 8.8 UNI 5739 GALV.	2	EA
100	SN 804003010	M10 WASHER DIN125A GALV. 10.5x20x2	2	EA
110	SN 804002010	SELF LOCKING GALV. HIGH NUT M10 DIN982	1	EA
120	SN 804003110	M10 WASHER DIN9021 GALV. 10.5x30x2.5	1	EA
130	SN 804003210	M10 GROWER WASHER UNI7064 GALV.	1	EA

REPAIR PARTS



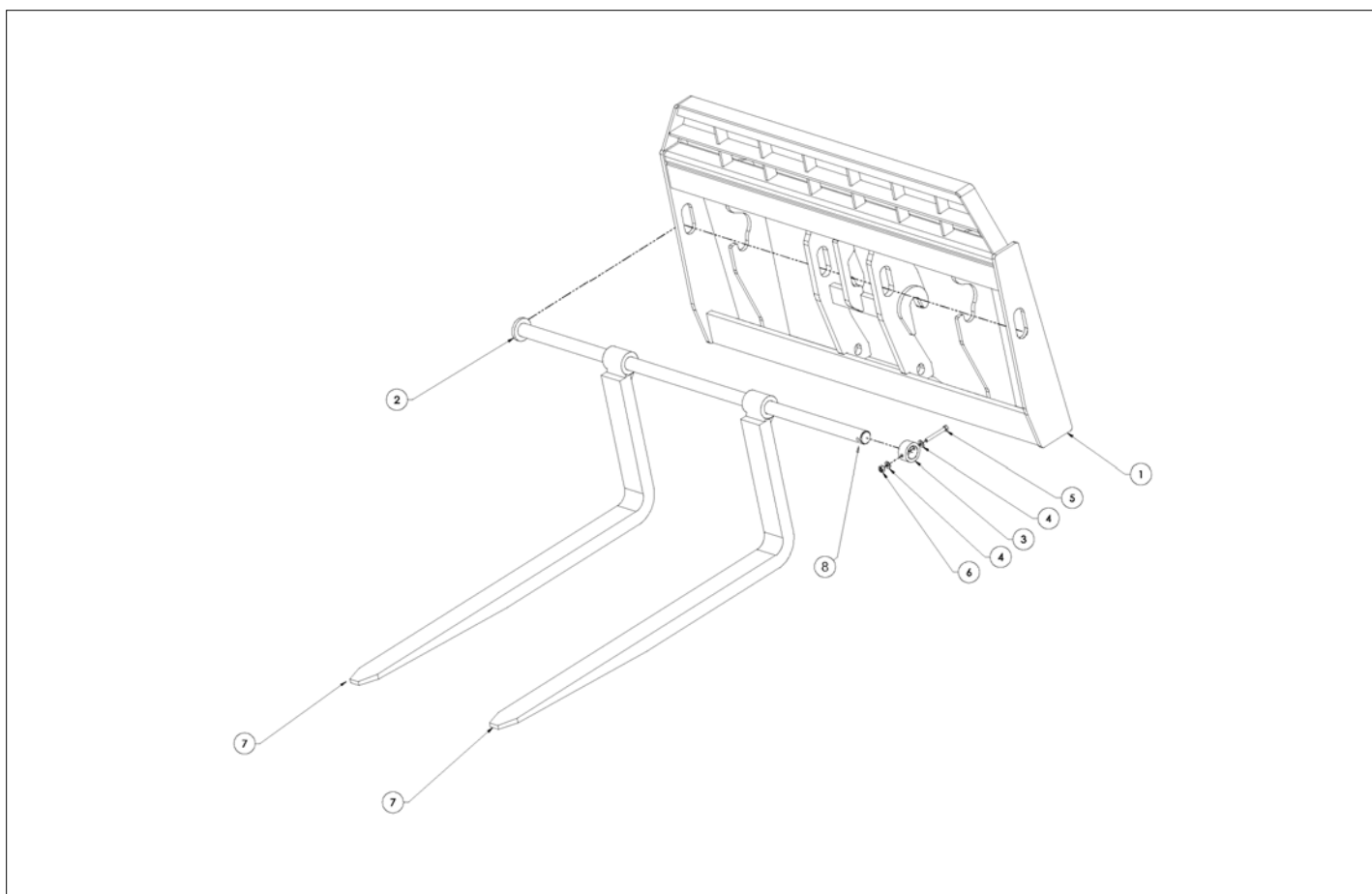
アイテム	部品番号	名前	数量	UOM
	PNNA	POWERCORE COMPLETE AIR FILTER 9 INCH		EA
1	240100154	POWERCORE AIR FILTER COVER 9"	1	EA
2	240100153	POWERCORE AIR FILTER BODY 9"	1	EA
3	SN 240100122	SECONDARY POWERCORE 9" FILTER CARTRIDGE	1	EA
4	240100152	POWERCORE AIR FILTER PROTECTION 9"	1	EA
5	240100155	POWERCORE AIR FILTER MARKING 9"	1	EA
6	240100156	CLIPS M8X1.25 POWERCORE AIR FILTER 9"	1	EA
7	240100151	POWERCORE AIR FILTER VALVE 9"	1	EA
8	SN 240100121	PRIMARY CARTRIDGE	1	EA

REPAIR PARTS



アイテム	部品番号	名前	数量	UOM
	PNNA	PLASTIC DIESEL FUEL TANK FR04		EA
10	SN 230012501	PLASTIC DIESEL TANK 120L	1	EA
20	SN 231013002	DIESEL TANK CAP IN PLASTIC WITH KEY	1	EA
30	SN 240038003	RESISTIVE LEVEL SENSOR B1 L=176	1	EA
40	SN TI2806150	PIPE Ø12 FOR DIESEL INTAKE 70X250	1	EA
50	SN TI2806250	PIPE Ø12 FOR DIESEL RETURN 70X225	1	EA
60	SN 212000501	1/2" COUNTERSUNK MALE GAS CAP 60 ° *K*	1	EA
70	SN 101101001	SELF LOCKING NUT M10 GALV.	4	EA
80	SN 800210060	HEXAGON HEAD SCREW M10X60 CL 8.8 DIN 931 GALV.	4	EA
90	SN 804003110	M10 WASHER DIN9021 GALV. 10.5x30x2.5	8	EA
100	SN 123482200	SELF TAPPING SCREW 4.8X22 ZN	6	EA
110	SN 212121208	FITTING M M 1/2"GK 12L HOLE Ø12 PAS	2	EA

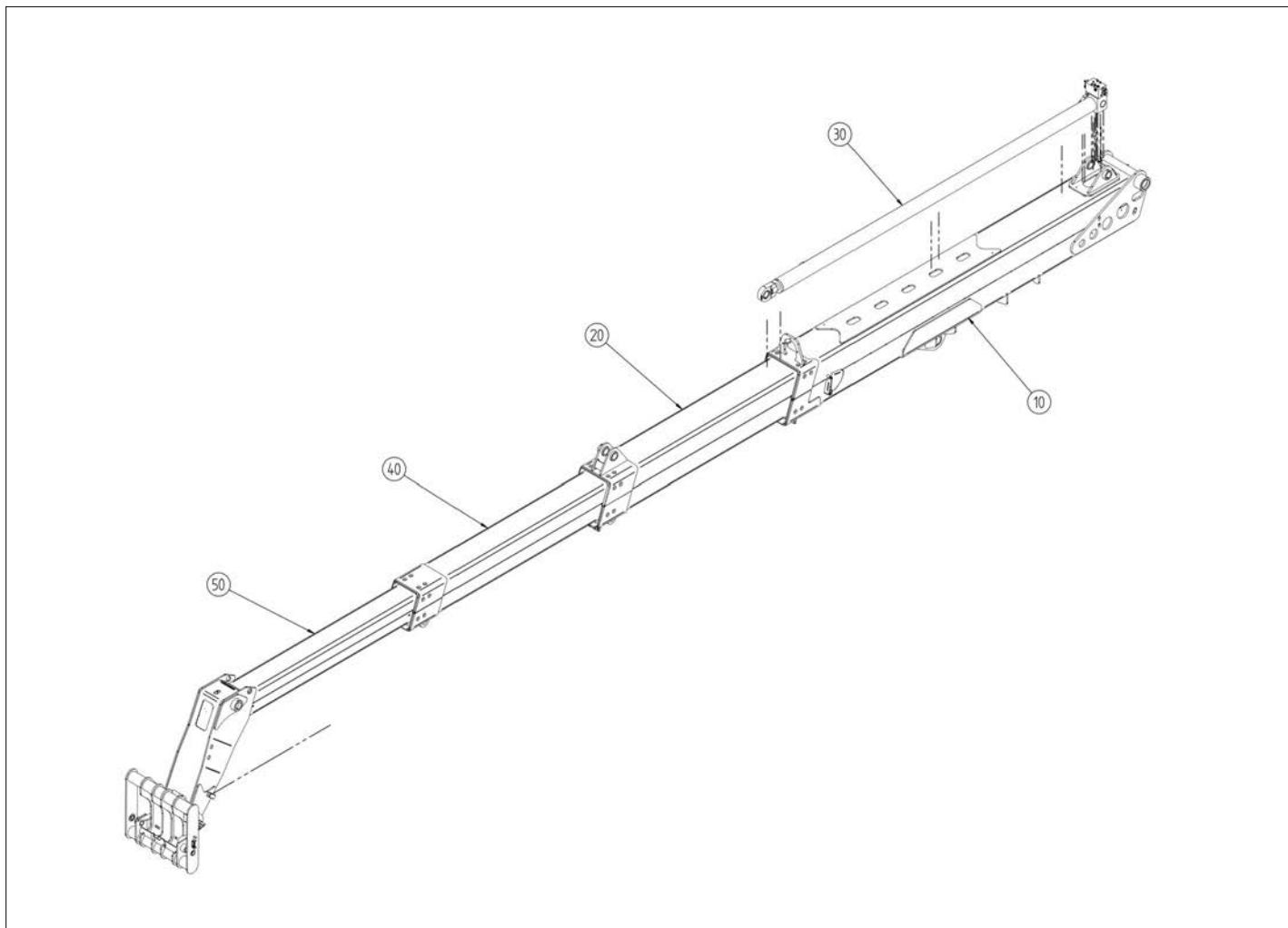
REPAIR PARTS





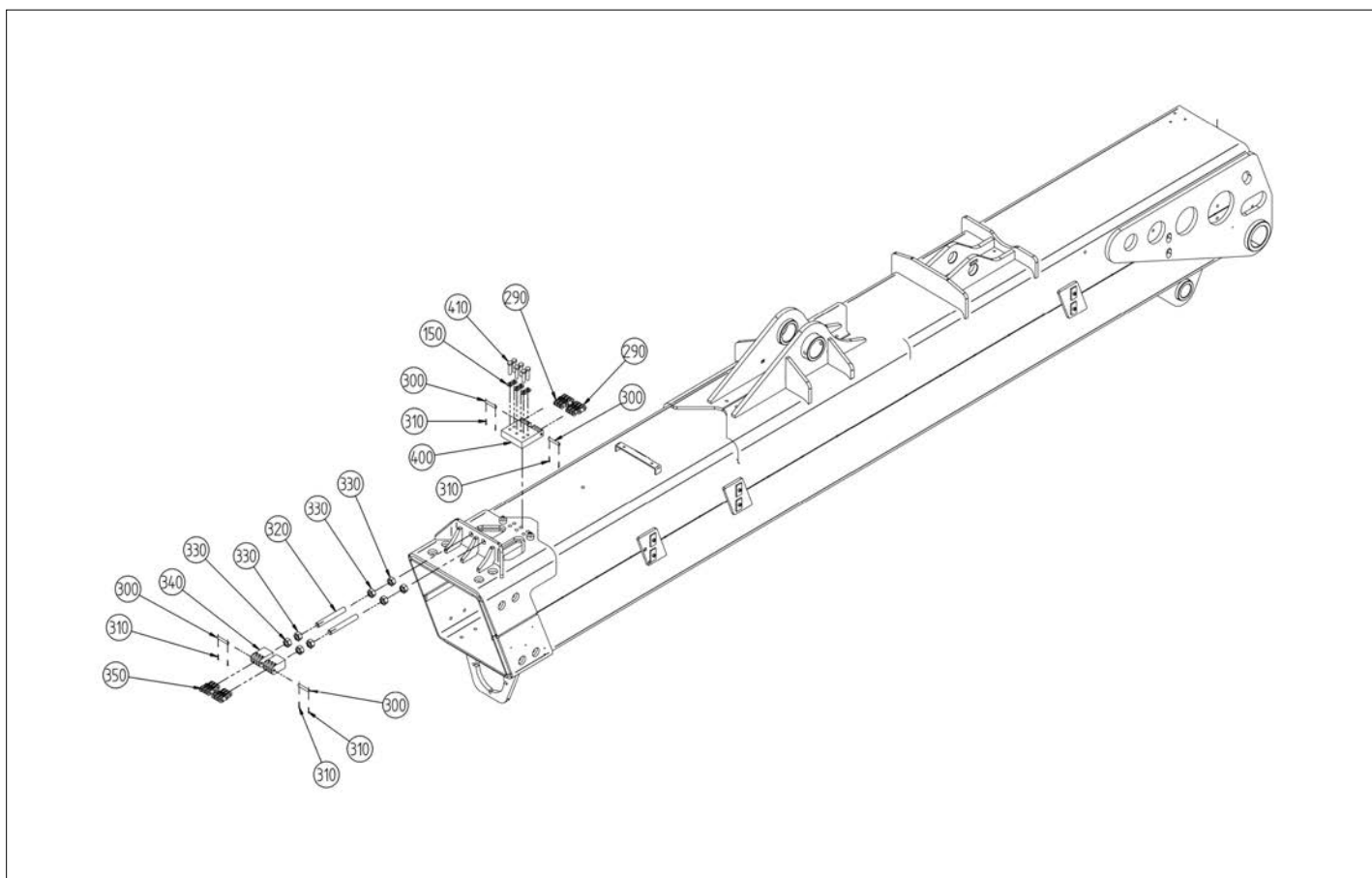
アイテム	部品番号	名前	数量	UOM
	27432 000	CARRAGE ASSEMBLY 60" FIXED		EA
1	27432 000	CARRAGE ASSEMBLY 60" FIXED	1	EA
2	25106 001 SP	CARRIAGE WELDMENT 72" HD	1	EA
3	25389 000	SHAFT COLLAR	1	EA
4	11001 008	WASHER 1/2 SAE FLAT ASTM	2	EA
5	10004 032	SCREW 1/2 13 UNC HHC X 4"	1	EA
6	10900 008	NUT 1/2 13UNC REG HEX	1	EA
7	14857 000	FORK TINES 2 1/4 X 4 X 60 2P	2	EA
8	11002 020	WASHER 1 1/4 SAE HEAVY FLAT ASTM	1	EA

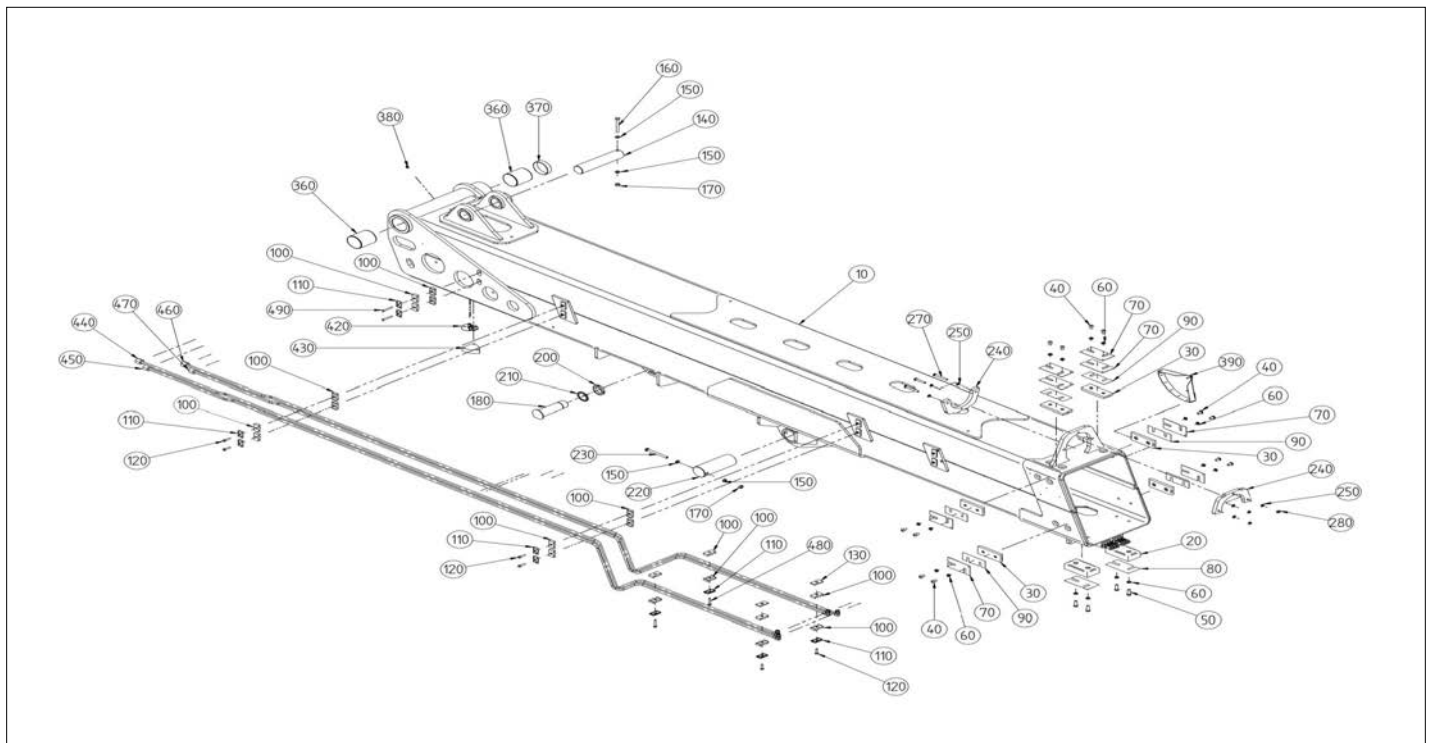
REPAIR PARTS



アイテム	部品番号	名前	数量	UOM
	PNNA	ARM FR04 17M SR9244 ASSEMBLY		EA
10	SN T30002750	FIXED ARM 30/17	1	EA
20	SN T30002850	EXTENSION I 30/17	1	EA
30	SN F30170155A	RED EXTENSION CYLINDER UNIT 30 17 C=3500 A110	1	EA
40	SN T30002950	EXTENSION II 30/17	1	EA
50	SN T30003050	EXTENSION III + TOP 30/17	1	EA

REPAIR PARTS





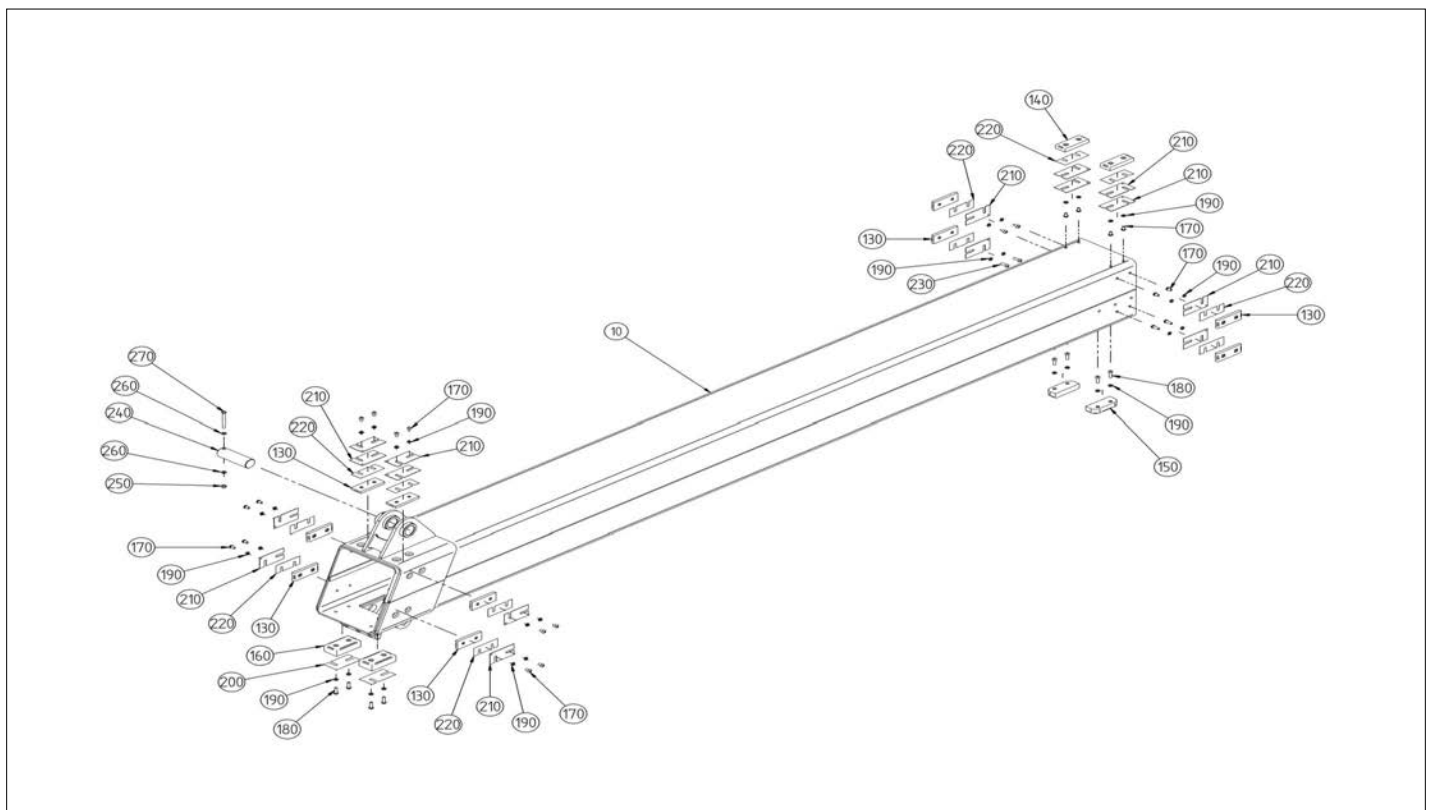
アイテム	部品番号	名前	数量	UOM
	T30002750	FIXED ARM FR04 17M SR9244 ASSEMBLY		EA
10	SN T30002750	FIXED ARM 30/17	1	EA
20	SN T30084450	SHOE TH 45MM METALLIC INSERT	2	EA
30	SN T30073850	BOOM SHOE W/THREADED INSERT TH15	6	EA
40	SN 122122001	HEX SOCKET SCREW M12X20 CL 10.9 UNI 7380 GALV.	12	EA
50	SN 122124001	BUTTON HEAD WITH COUNTERSUNK HEX SCREW M12X40 CL 10.9 UNI 7380 GALV.	4	EA
60	SN 804003212	M12 GROWER WASHER UNI7064 GALV.	16	EA
70	SN T30024750	SHOE SPACER	8	EA
80	SN T30033650	BOOM SHOE SPACER 0.5 MM	2	EA
90	SN T28060350	SHOE SPACER 0.5MM 60X150	6	EA
100	SN 520161602	COLLARS DOUBLE POLYP. SERIES	20	EA
110	SN 520161603	DOUBLE STANDARD UPPER PLATE	10	EA
120	SN 800108035	HEXAGON HEAD SCREW M8x35 DIN933 GALV. IF	6	EA
130	SN T25061550	SUPPORT PLATE STAUFF	2	EA
140	SN T30020450	PIN Ø60 L275 W/HOLE Ø13	1	EA
150	SN 804003012	M12 WASHER DIN125A GALV. 13.0x24x2.5	10	EA
160	SN 120121101	HEXAGON HEAD SCREW M12X110 CL 8.8 UNI 5737 GALV.	1	EA
170	SN 804002012	SELF LOCKING NUT HIGH GALV. M12 DIN982	2	EA
180	SN T30074850	PIN Ø50 L172 W/POD	1	EA
190	SN T30074950	NYLON SPACER FOR COMPENSATION	2	EA
200	SN 145501502	LOCKING RING NUT KM 10 FAD	1	EA

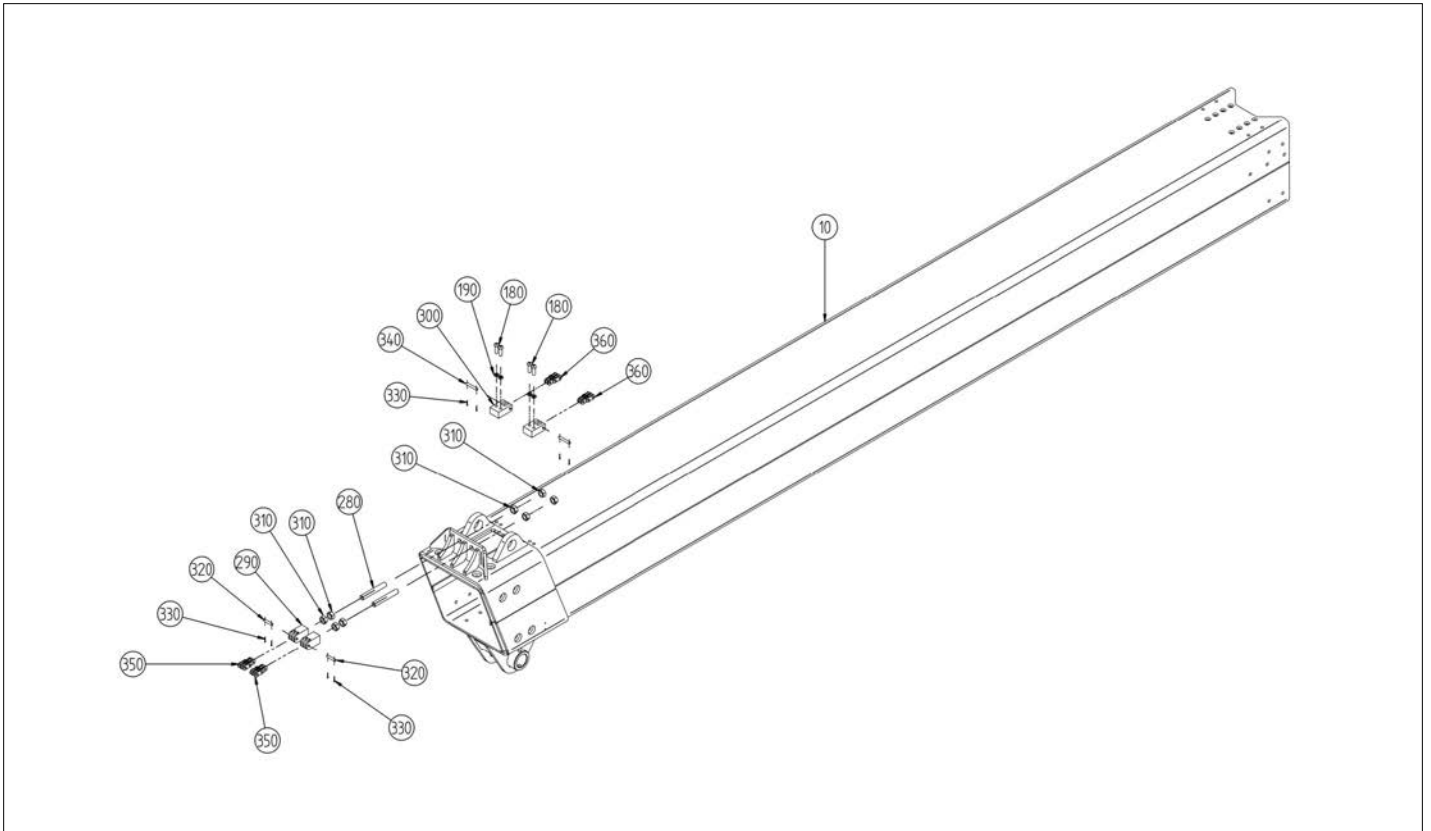
アイテム	部品番号	名前	数量	UOM
210	SN 145501503	WASHER MB10	1	EA
220	SN T30020650	PIN Ø80 L210 W/HOLE Ø13	1	EA
230	SN 120121301	HEXAGON HEAD SCREW M12X130 CL 8.8 UNI 5739 GALV.	1	EA
240	SN T30047950	EXTENSION CYLINDER STOP	2	EA
250	SN 804003010	M10 WASHER DIN125A GALV. 10.5x20x2	6	EA
260	SN 120106001	HEXAGON HEAD SCREW M10X60 CL 8.8 UNI 5737 GALV.	1	EA
270	SN 120108001	HEXAGON HEAD SCREW M10 X 80	2	EA
280	SN 101101001	SELF LOCKING NUT M10 GALV.	3	EA
290	SN 530256607	CHAIN BL 866 171 LINKS M M GALV.	2	EA
300	SN 155180401	DOWEL Ø 50X62.50 WITH R CLIP HOLES	4	EA
310	SN 170321801	SPLIT PIN 3,2 X 18 UNI 1336	8	EA
320	SN T35011150	CHAIN THREADED TIE BAR L160 M20	2	EA
330	SN 804001620	NUT M20 GALV. DIN934	8	EA
340	SN T30003550	TIE CHAIN COUPLING BL 866 GALV	2	EA
350	SN 530256606	CHAIN BL 866 161 LINKS M M GALV.	2	EA
360	SN T35010950	BMX BUSHING Ø95/Ø90 L100	2	EA
370	SN T30064150	BOOM/CHASSIS CONNECTION BUSHING	1	EA
380	SN 140100101	GREASER M10X1.5 UNI 7663 BM10X1 5.8	1	EA
390	SN TA2506043	INCLINATION ARM INDICATOR KIT	1	EA
400	SN T30195650	CHAIN FEMALE COUPLING BL 866	1	EA
410	SN 800212150	HEXAGON HEAD SCREW M 12x150 DIN931 GALV.	6	EA

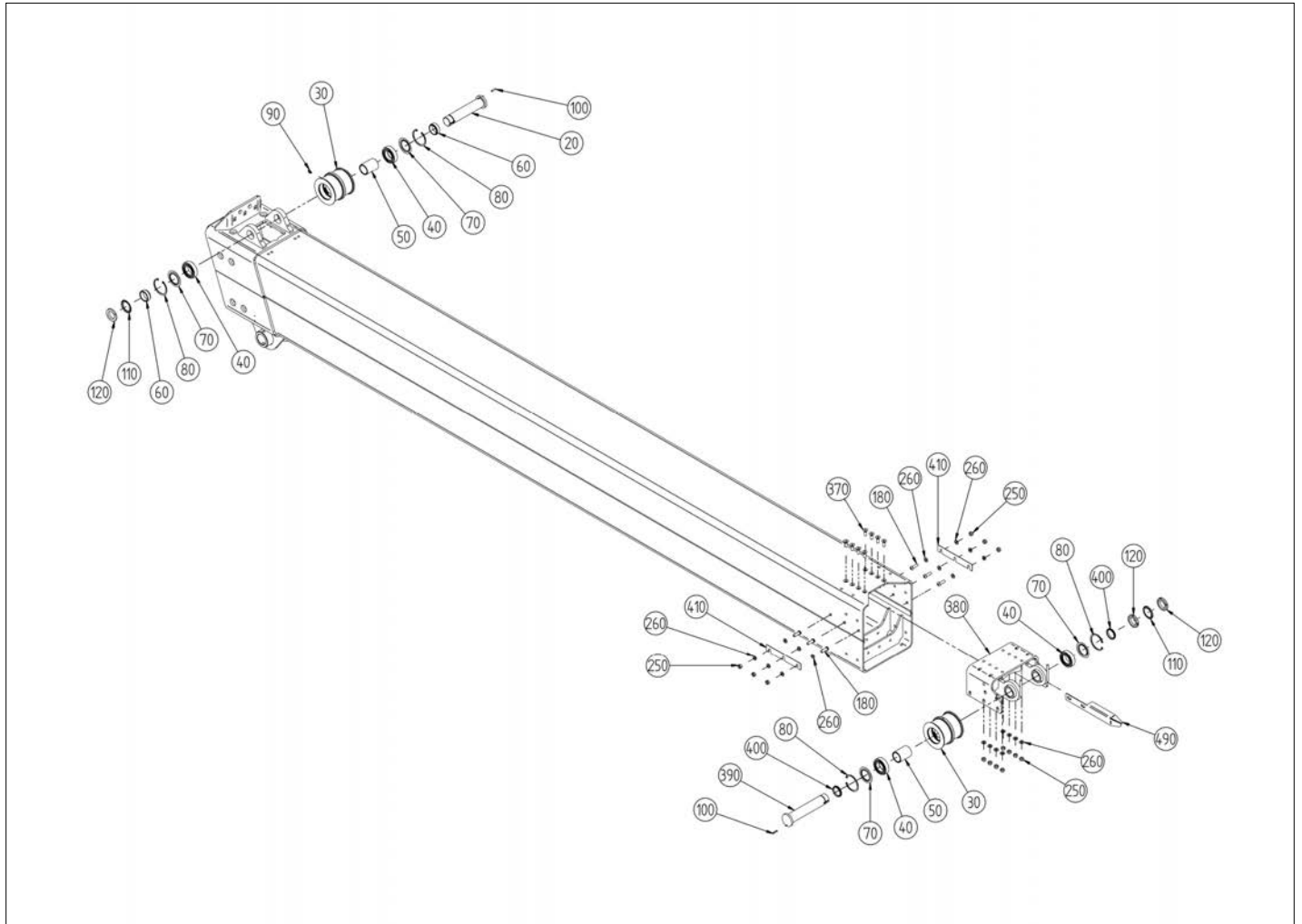
アイテム	部品番号	名前	数量	UOM
420	SN ME12362262	LEVER LIMIT SWITCH AND METAL WHEEL	2	EA
430	SN ME10079C81	ELOBAU BIAxIAL INCLINOMETER	1	EA
440	SN TI4000150	RIGID PIPE 1 FOR FIXED ARM 17M	1	EA
450	SN TI4000250	RIGID PIPE 2 FOR FIXED ARM 17M	1	EA
460	SN TI4000350	RIGID PIPE 3 FOR FIXED ARM 17M	1	EA
470	SN TI4000450	RIGID PIPE 4 FOR FIXED ARM 17M	1	EA
480	SN 800208050	HEXAGON HEAD SCREW M8x50 DIN931 GALV.	2	EA
490	SN 801208060	HEXAGON HEAD SCREW M8X60 CL10.9 DIN 931 GALV.	2	EA

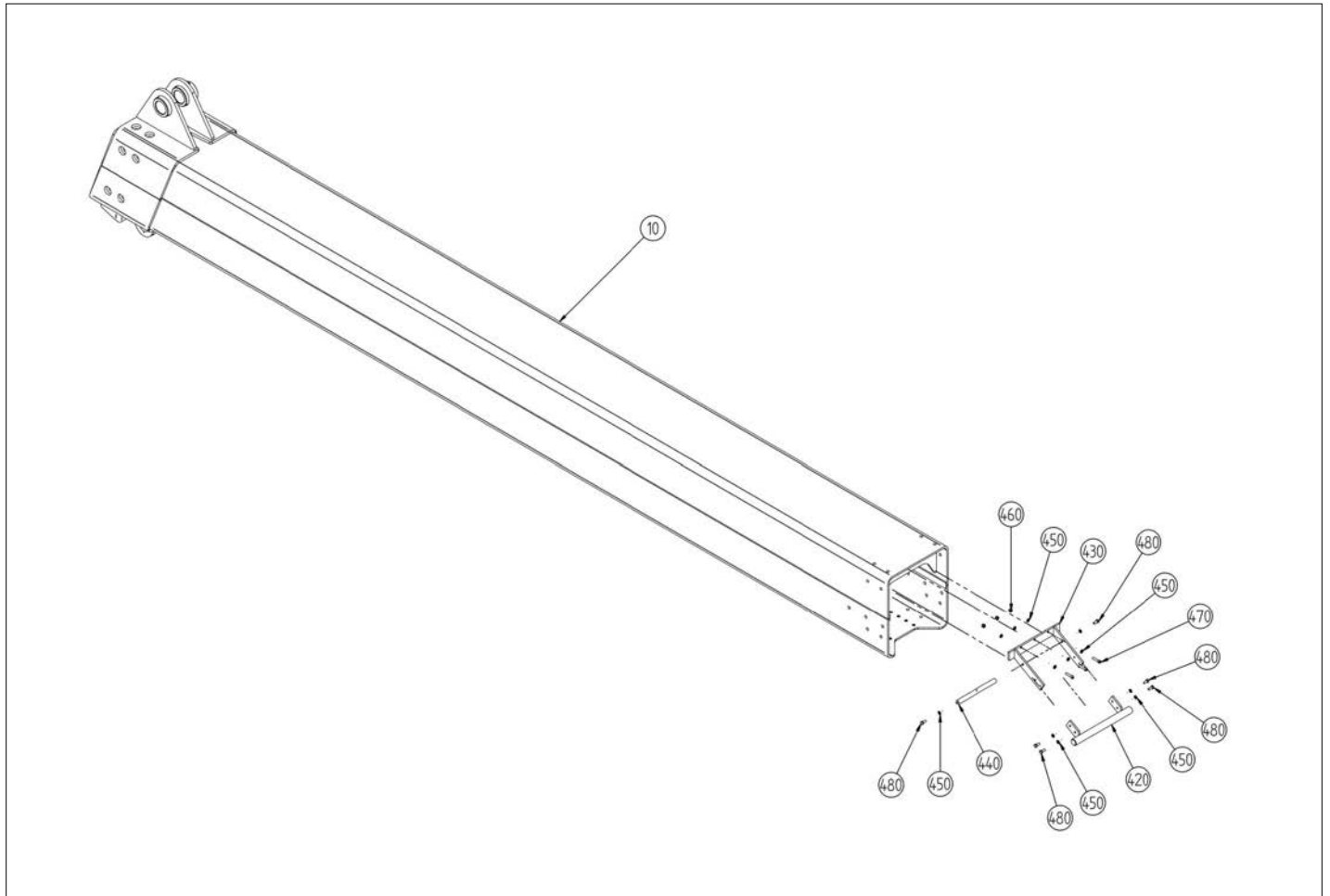


REPAIR PARTS







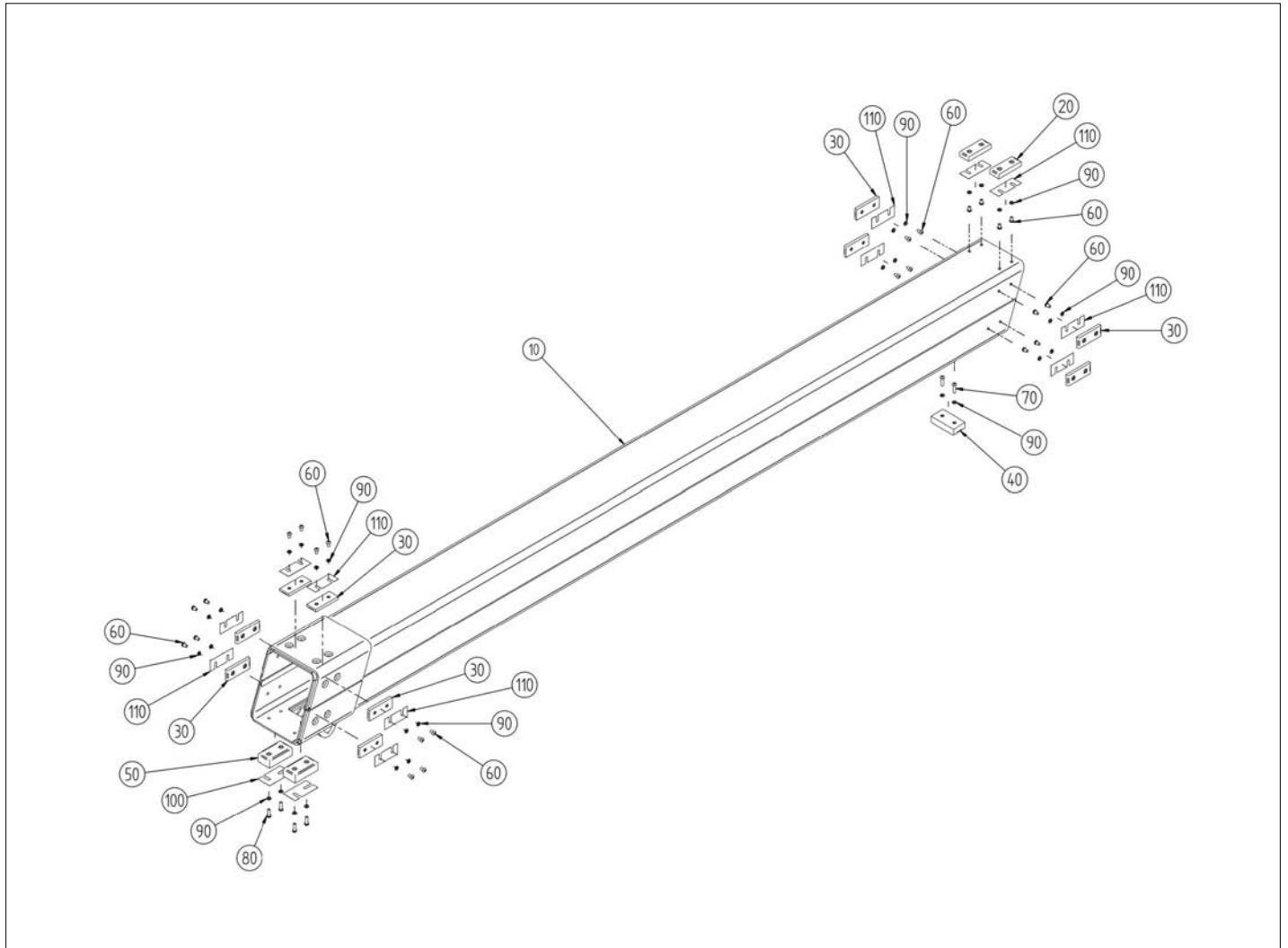


アイテム	部品番号	名前	数量	UOM
	T30002850	EXTENSION FR04 17M SR9244 ASSEMBLY		EA
10	SN T30002850	EXTENSION I 30/17	1	EA
20	SN T30003350	REAR PULLEY PIN	1	EA
30	SN T30003150	DOUBLE PULLEY BL 866	2	EA
40	SN 555509004	CYLIN. ROLLER BEARING SKFNUP2210 ECP	4	EA
50	SN T30008250	SPACER L80,5	2	EA
60	SN T30003450	SPACER L21,8	2	EA
70	SN 160221001	RING NYLOS 22210 JV	4	EA
80	SN 150900301	SEEGER RING Ø90 EXT UNI 7437 90	4	EA
90	SN 140060101	GREASER M6X1 90 °	1	EA
100	SN 155063001	SPRING PIN Ø4x30	2	EA
110	SN 145501503	WASHER MB10	2	EA
120	SN 145501502	LOCKING RING NUT KM 10 FAD	3	EA
130	SN T30073850	BOOM SHOE W/THREADED INSERT TH15	10	EA
140	SN T30084350	SHOE TH.25 W/METALLIC INSERT	2	EA
150	SN T30084550	SHOE TH 35MM ROUNDED METALLIC INSERT	2	EA
160	SN T30084450	SHOE TH 45MM METALLIC INSERT	2	EA
170	SN 122122001	HEX SOCKET SCREW M12X20 CL 10.9 UNI 7380 GALV.	20	EA
180	SN 122124001	BUTTON HEAD WITH COUNTERSUNK HEX SCREW M12X40 CL 10.9 UNI 7380 GALV.	18	EA
190	SN 804003212	M12 GROWER WASHER UNI7064 GALV.	36	EA
200	SN T30033650	BOOM SHOE SPACER 0.5 MM	2	EA
210	SN T30024750	SHOE SPACER	16	EA
220	SN T28060350	SHOE SPACER 0.5MM 60X150	12	EA

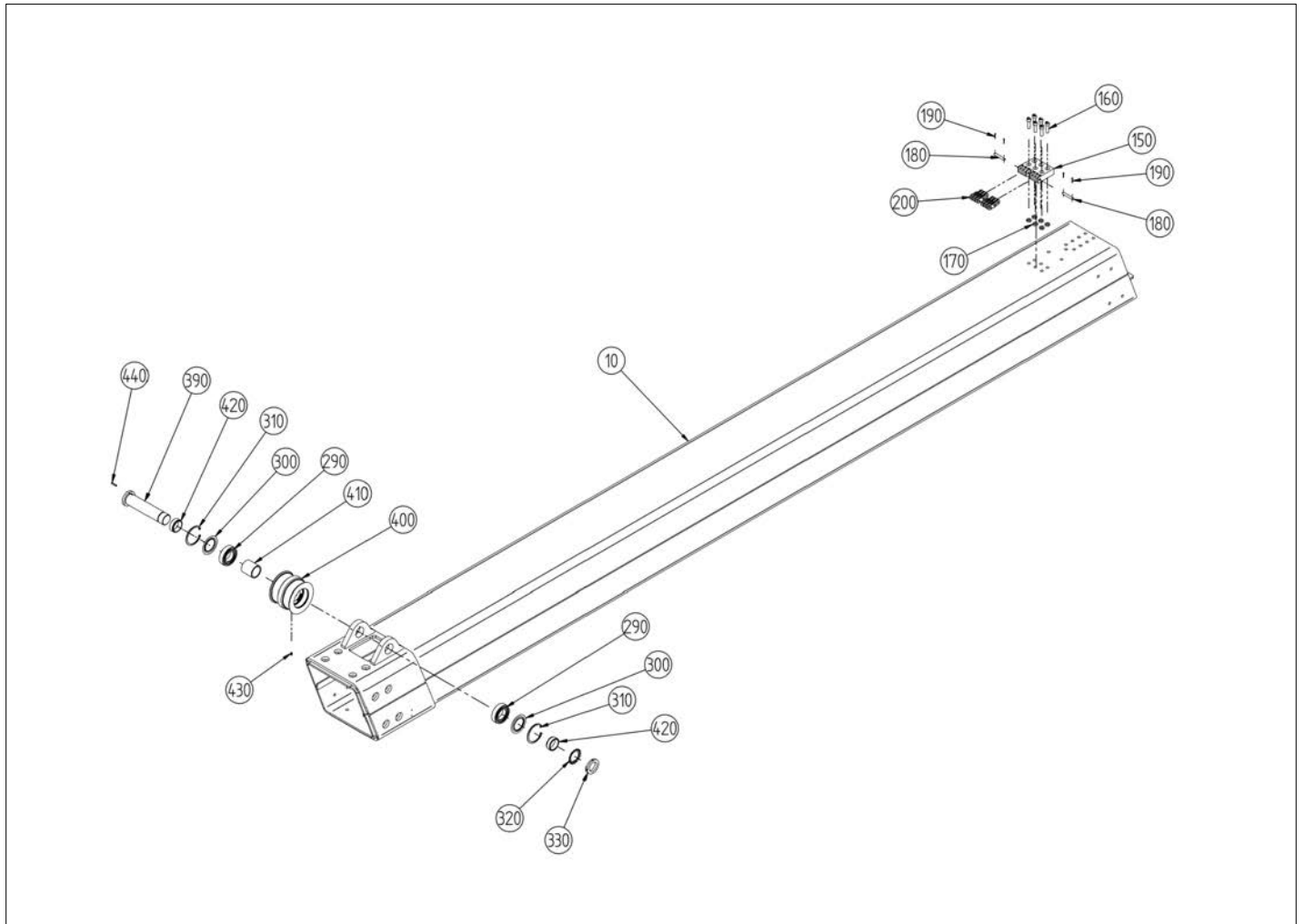
アイテム	部品番号	名前	数量	UOM
230	SN 122123501	HEX SOCKET SCREW M12X35 CL 10.9 UNI 7380 GALV.	4	EA
240	SN T30021150	PIN Ø60 L180 W/HOLE Ø13	1	EA
250	SN 804002012	SELF LOCKING NUT HIGH GALV. M12 DIN982	15	EA
260	SN 804003012	M12 WASHER DIN125A GALV. 13.0x24x2.5	22	EA
270	SN 120121101	HEXAGON HEAD SCREW M12X110 CL 8.8 UNI 5737 GALV.	1	EA
280	SN T30044150	CHAIN THREADED TIE BAR L=130 GRE	2	EA
290	SN T30195450	CHAIN FEMALE COUPLING BL 844	2	EA
300	SN T30195550	CHAIN FEMALE COUPLING BL 844	2	EA
310	SN 804001620	NUT M20 GALV. DIN934	8	EA
320	SN 155084401	BL844 CHAIN CONNECTION PIN Ø9.53	2	EA
330	SN 170321801	SPLIT PIN 3,2 X 18 UNI 1336	8	EA
340	SN 155180401	DOWEL Ø 50X62.50 WITH R CLIP HOLES	2	EA
350	SN 530254404	CHAIN BL 844 163 LINKS M M	2	EA
360	SN 530254405	CHAIN BL 844 183 LINKS M M	2	EA
370	SN 121123501	HEX SOCKET COUNTERSUNK FLAT HEAD CAP SCREW M12X35 CL 10.9 UNI 5933 GALV.	8	EA
380	SN T30051450	FIRST EXTENSION PULLEY COUPLING	1	EA
390	SN T30003250	PIN Ø50 L282 W/POD	1	EA
400	SN T30003650	SPACER L9,3	2	EA
410	SN T30058650	FIRST EXTENSION PULLEY SUPPORT SPACER, GALV.	2	EA
420	SN T30023250	PIPE PULLER 30.17	1	EA
430	SN T30037650	UNFINISHED RIGID PIPES SPACERS COUPLING	1	EA

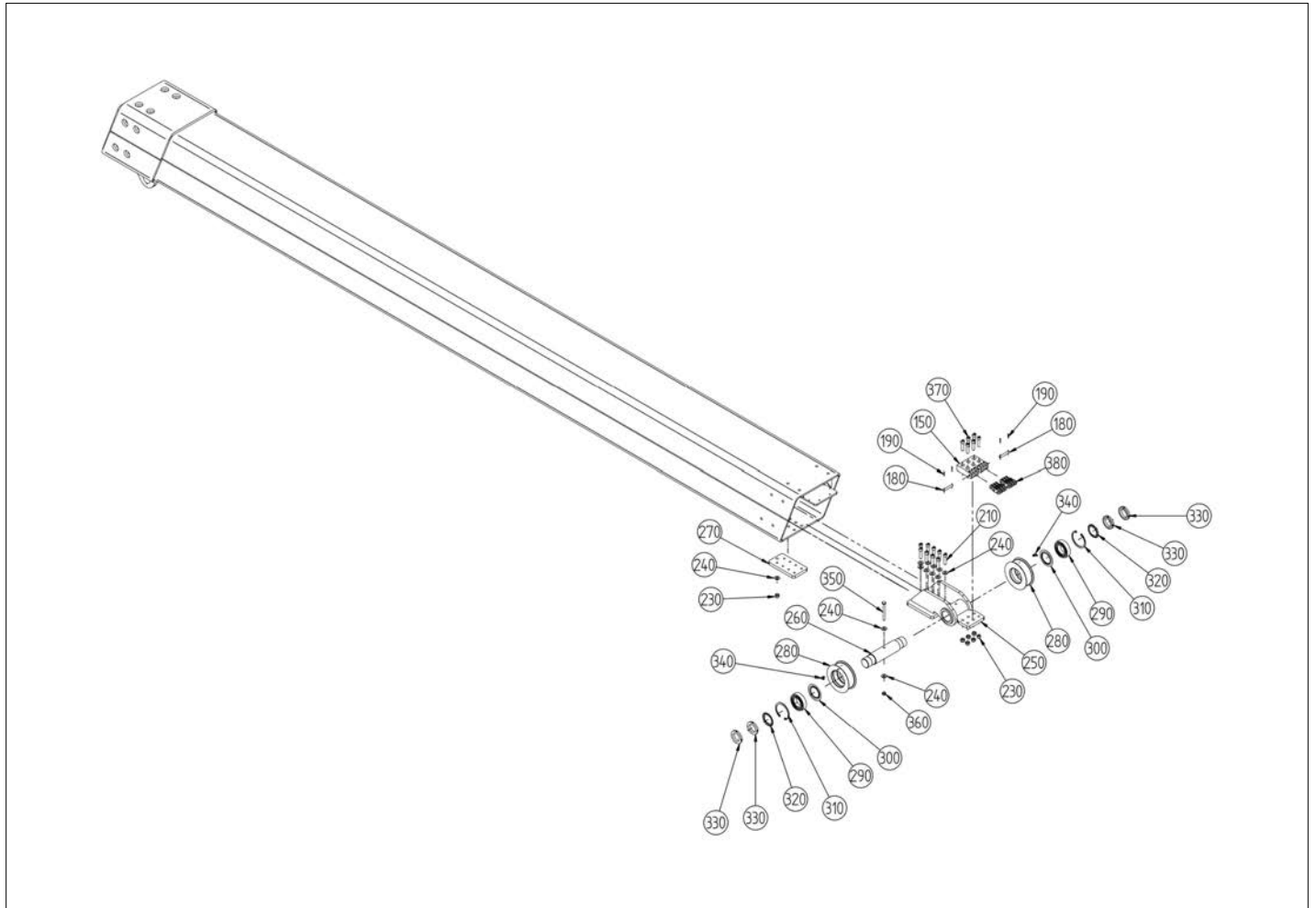
アイテム	部品番号	名前	数量	UOM
440	SN T35001950	INTERNAL pipe FOR FIXING PULLEY	1	EA
450	SN 804003008	M8 WASHER DIN125A GALV. 8.4x16x1.6	12	EA
460	SN 804002008	SELF LOCKING NUT M8 GALV. HIGH DIN982	3	EA
470	SN 800508035	SOCKET HEAD CAP SCREW M8x35 DIN912 GALV.	3	EA
480	SN 800108020	HEXAGON HEAD SCREW M8x20 DIN933 GALV. IF	6	EA
490	SN T30100350	EXTENSION SENSOR READING BRACKET 17M	1	EA

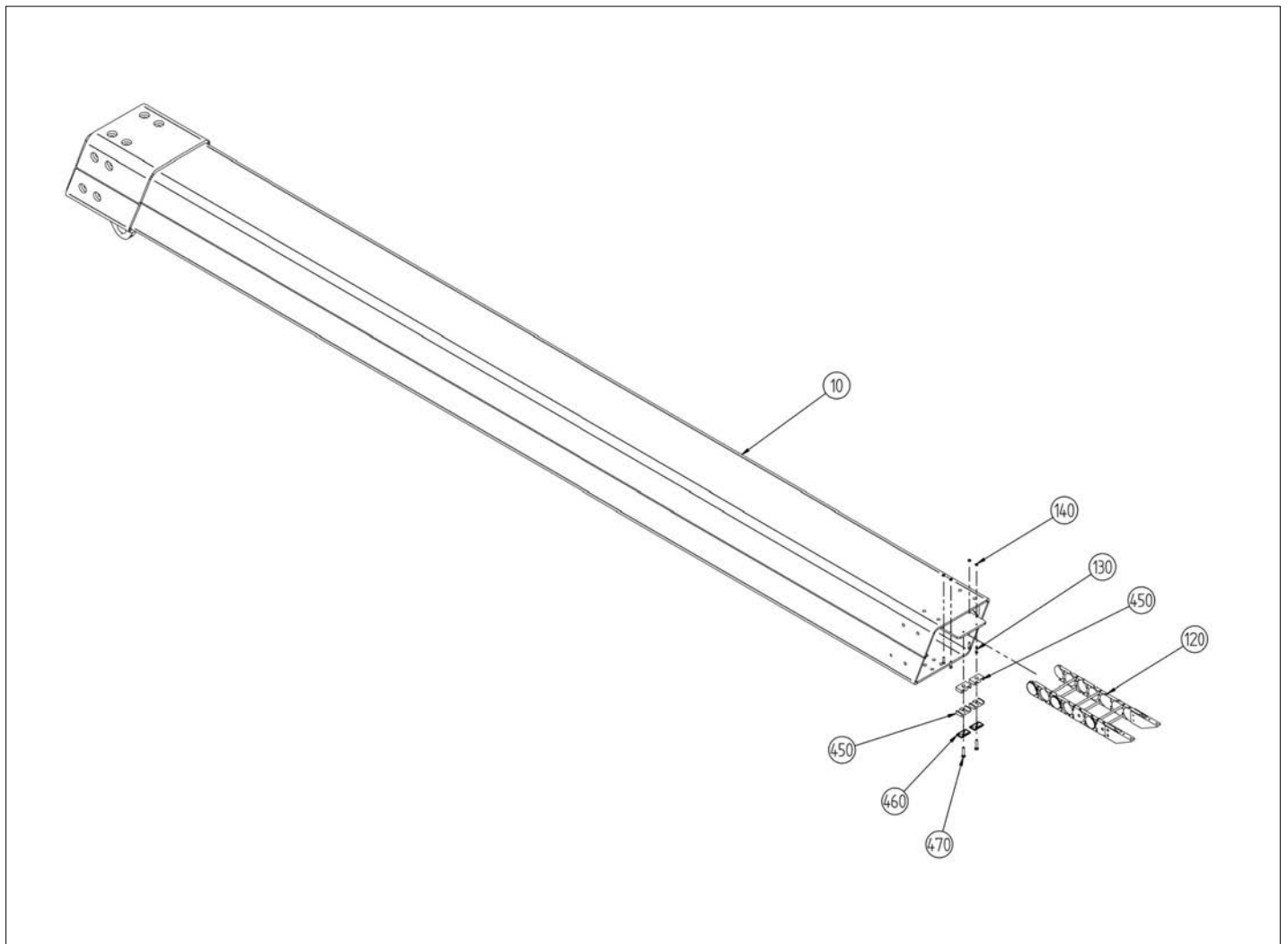
REPAIR PARTS









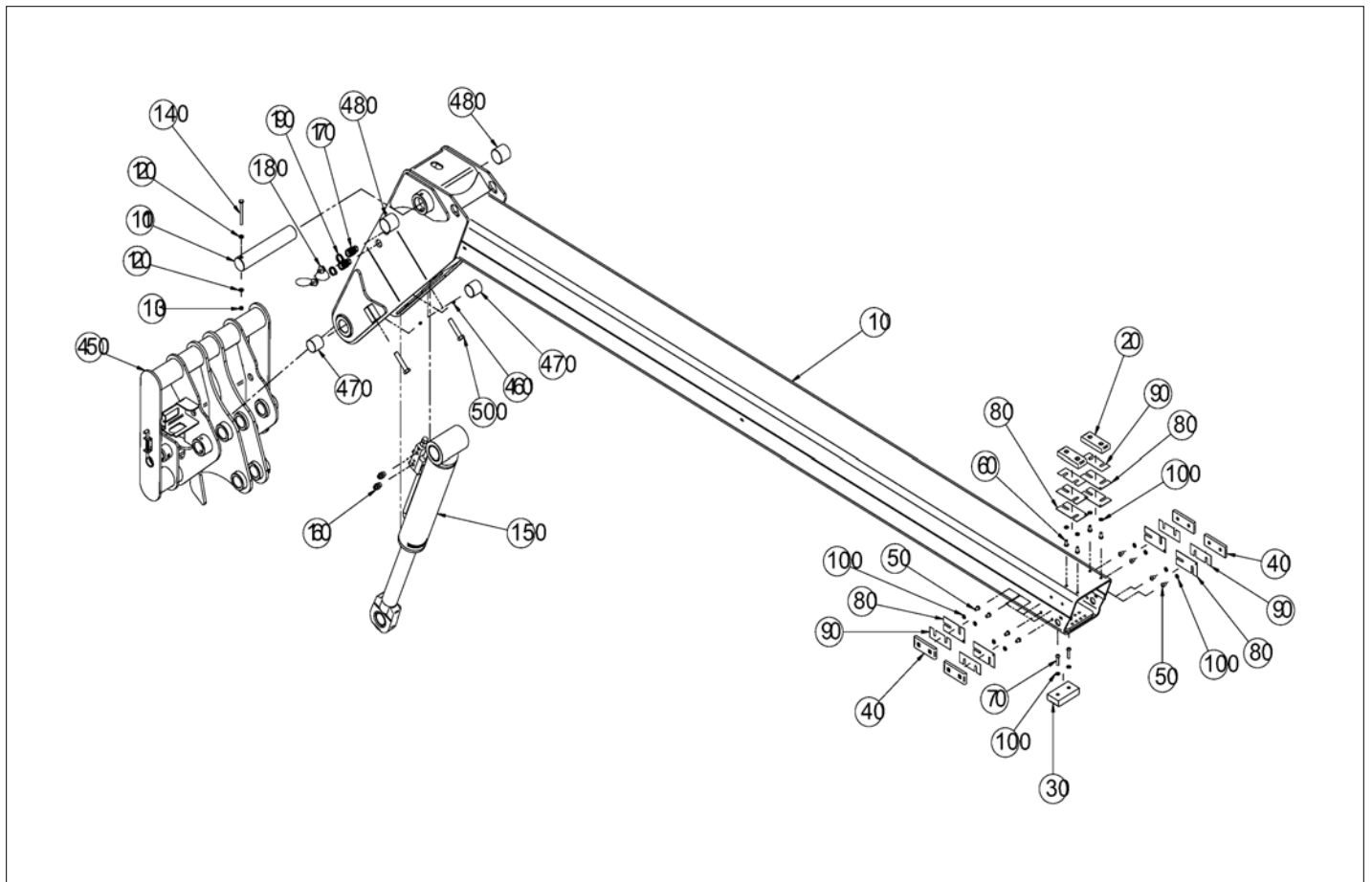


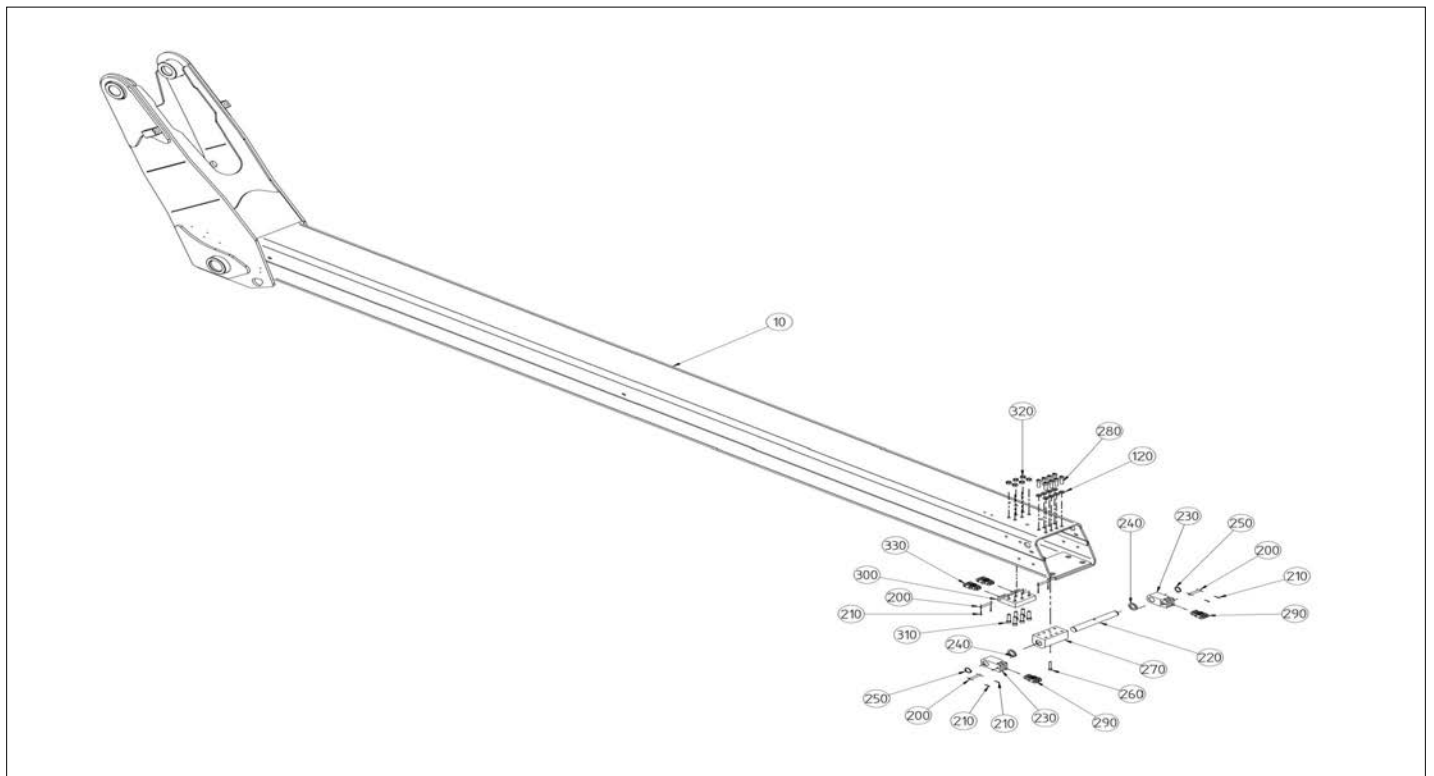
アイテム	部品番号	名前	数量	UOM
Not Shown	T30002950	EXTENSION FR04 17M SR9244 ASSEMBLY		EA
10	SN T30002950	EXTENSION II 30/17	1	EA
20	SN T30084350	SHOE TH.25 W/METALLIC INSERT	2	EA
30	SN T30073850	BOOM SHOE W/THREADED INSERT TH15	10	EA
40	SN T30075650	SHOE TH 35MM METALLIC INSERT	1	EA
50	SN T30084450	SHOE TH 45MM METALLIC INSERT	2	EA
60	SN 122122001	HEX SOCKET SCREW M12X20 CL 10.9 UNI 7380 GALV.	24	EA
70	SN 122124501	HEX SOCKET SCREW M12X45 TF	2	EA
80	SN 122124001	BUTTON HEAD WITH COUNTERSUNK HEX SCREW M12X40 CL 10.9 UNI 7380 GALV.	4	EA
90	SN 804003212	M12 GROWER WASHER UNI7064 GALV.	30	EA
100	SN T30033650	BOOM SHOE SPACER 0.5 MM	2	EA
110	SN T28060350	SHOE SPACER 0.5MM 60X150	12	EA
120	SN 560013001	CABLE HOLDER CHAIN KC0650	1	EA
130	SN 125062501	SOCKET HEAD CAP SCREW M6X25 CL 8.8 UNI 5931 GALV.	4	EA
140	SN 101061001	SELF LOCKING NUT M6 GALV.	4	EA
150	SN T30004250	CHAIN COUPLING 844 846	2	EA
160	SN 800512040	SOCKET HEAD CAP SCREW M12x40 DIN912 GALV.	6	EA
170	SN 100120701	NUT M12 LOW H7 UNI 5589 ZB CL 8.8	6	EA
180	SN 155180401	DOWEL Ø 50X62.50 WITH R CLIP HOLES	4	EA
190	SN 170321801	SPLIT PIN 3,2 X 18 UNI 1336	8	EA
200	SN 530256606	CHAIN BL 866 161 LINKS M M GALV.	2	EA

アイテム	部品番号	名前	数量	UOM
210	SN 125125001	SOCKET HEAD CAP SCREW M12X50 CL 8.8 UNI 5931 GALV.	8	EA
220	SN 125125501	SOCKET HEAD CAP SCREW M12X55 CL 8.8 UNI 5931 GALV.	1	EA
230	SN 101121501	SELF LOCKING NUT M12 DIN 982	7	EA
240	SN 130120001	FLAT WASHER M12 GALV.	12	EA
250	SN T30014750	UNFINISHED DOUBLE PULLEY COUPLING	1	EA
260	SN T30057850	DOUBLE PIN Ø57 L268.5 W/HOLE Ø10.5	1	EA
270	SN T30021250	THREADED PLATE	1	EA
280	SN T30004050	CHAIN PULLEY BL 844 EXTENSION RETRACTION 3	2	EA
290	SN 555509004	CYLIN. ROLLER BEARING SKFNUP2210 ECP	4	EA
300	SN 160221001	RING NYLOS 22210 JV	4	EA
310	SN 150900301	SEEGER RING Ø90 EXT UNI 7437 90	4	EA
320	SN 145501503	WASHER MB10	3	EA
330	SN 145501502	LOCKING RING NUT KM 10 FAD	5	EA
340	SN 140060101	GREASER M6X1 90 °	2	EA
350	SN 120101001	HEXAGON HEAD SCREW M10X100 CL 8.8 UNI 5739 GALV.	1	EA
360	SN 101101001	SELF LOCKING NUT M10 GALV.	1	EA
370	SN 125124501	SOCKET HEAD CAP SCREW M12X45 CL 8.8 UNI 5931 GALV.	6	EA
380	SN 530256607	CHAIN BL 866 171 LINKS M M GALV.	2	EA
390	SN T30008150	PIN Ø50 L237 W/POD	1	EA
400	SN T30003750	DOUBLE PULLEY BL 844	1	EA
410	SN T30027150	SPACER D=50 L=62,5 UNFINISHED	1	EA
420	SN T30003450	SPACER L21,8	2	EA

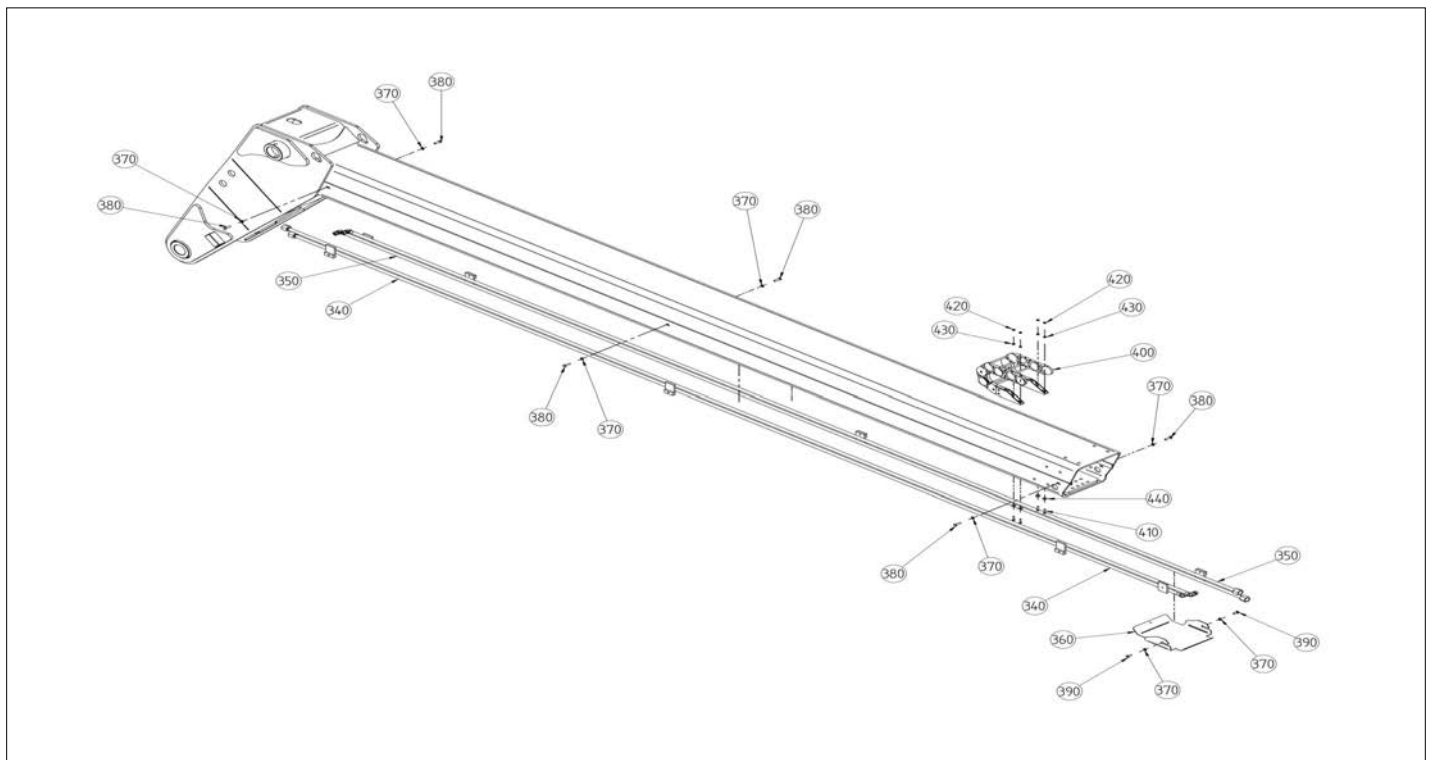
アイテム	部品番号	名前	数量	UOM
430	SN 140060102	GREASER M6X1 DIRECT PULLEYS	1	EA
440	SN 155063001	SPRING PIN Ø4x30	1	EA
450	SN 520161602	COLLARS DOUBLE POLYP. SERIES	4	EA
460	SN 520161603	DOUBLE STANDARD UPPER PLATE	2	EA
470	SN 120084001	HEXAGON HEAD SCREW M8X40 CL 8.8 UNI 5737 GALV.	2	EA

REPAIR PARTS







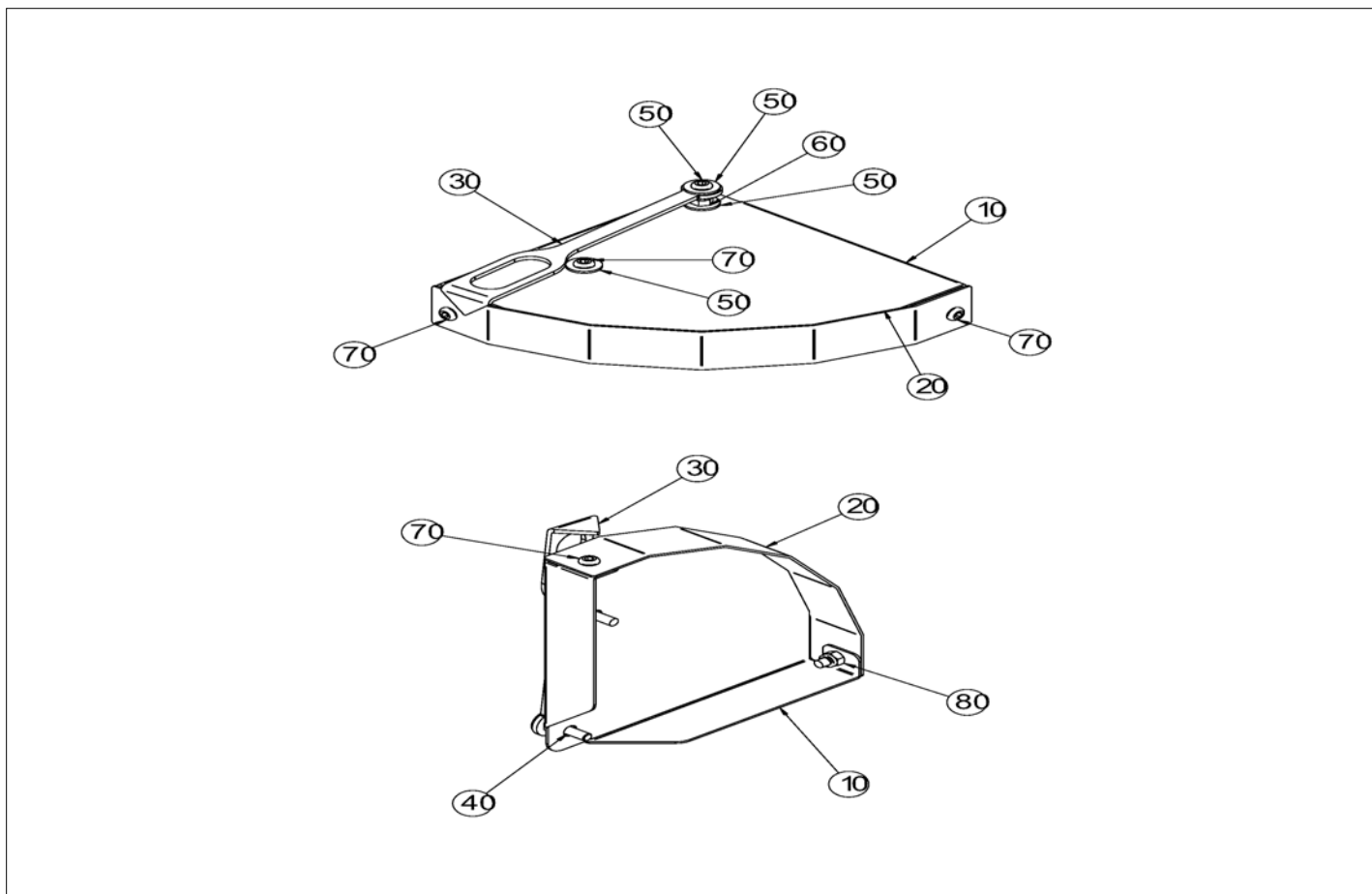


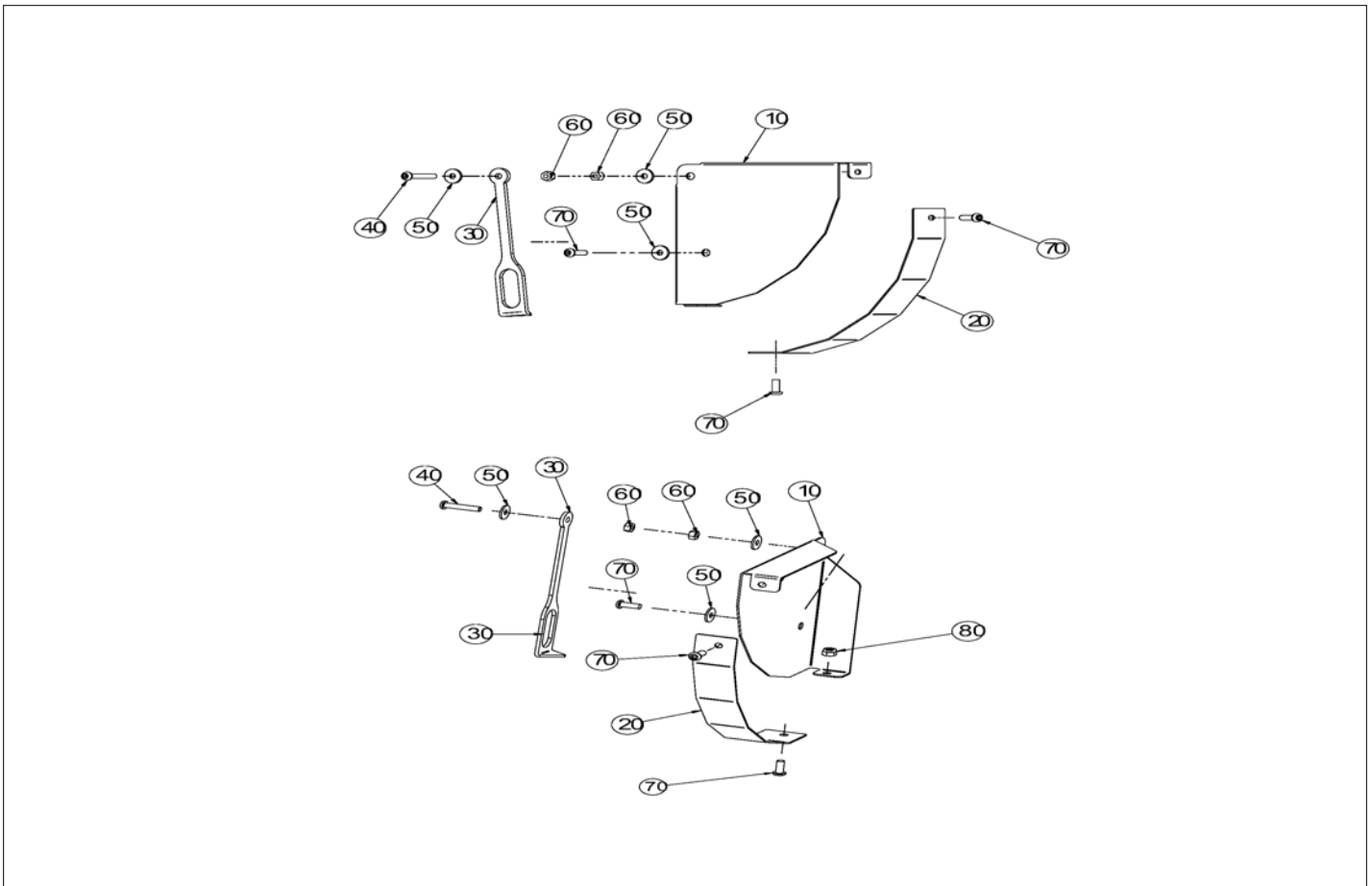
アイテム	部品番号	名前	数量	UOM
	T30003050	EXTENSION FR04 17M SR9244 ASSEMBLY		EA
10	SN T30003050	EXTENSION III + TOP 30/17	1	EA
20	SN T30084350	SHOE TH.25 W/METALLIC INSERT	2	EA
30	SN T30075650	SHOE TH 35MM METALLIC INSERT	1	EA
40	SN T30073850	BOOM SHOE W/THREADED INSERT TH15	4	EA
50	SN 122122001	HEX SOCKET SCREW M12X20 CL 10.9 UNI 7380 GALV.	8	EA
60	SN 122122501	HEX SOCKET SCREW M12X25 CL 10.9 UNI 7380 GALV.	4	EA
70	SN 122125001	HEX SOCKET SCREW M12X50 CL 10.9 UNI 7380 GALV.	2	EA
80	SN T30024750	SHOE SPACER	8	EA
90	SN T28060350	SHOE SPACER 0.5MM 60X150	6	EA
100	SN 804003212	M12 GROWER WASHER UNI7064 GALV.	14	EA
110	SN T30021950	PIN Ø70 L380 W/HOLE Ø13	1	EA
120	SN 804003012	M12 WASHER DIN125A GALV. 13.0x24x2.5	10	EA
130	SN 804002010	SELF LOCKING GALV. HIGH NUT M10 DIN982	1	EA
140	SN 120121301	HEXAGON HEAD SCREW M12X130 CL 8.8 UNI 5739 GALV.	1	EA
150	SN F30170206A	FLANGED VALVE SWINGING CYLINDER	2	EA
160	SN 210051302	GAS NIPPLES GAS 1/2" * 1/2"	2	EA
170	SN 214001205	FEMALE QUICK COUPLER	2	EA
180	SN 701001201	RUBBER CAP FOR QUICK BLUE COUPLING	2	EA
190	SN 150380301	SEEGER RING SEEGER 038 EST DIN471	4	EA

アイテム	部品番号	名前	数量	UOM
200	SN 155180401	DOWEL Ø 50X62.50 WITH R CLIP HOLES	4	EA
210	SN 170321801	SPLIT PIN 3,2 X 18 UNI 1336	8	EA
220	SN T30067350	PIN Ø30 L241 W/HOLE Ø9	1	EA
230	SN T30067450	CHAIN COUPLING BL 844 UNFINISHED	2	EA
240	SN T30068050	NYLON EXTENSION CHAIN COUPLING WASHER III	2	EA
250	SN 150300301	SEEGER RING 30 UNI 7435 30	2	EA
260	SN 125085001	SOCKET HEAD CAP SCREW M8X50 CL 8.8 UNI 5931 GALV.	1	EA
270	SN T30068150	CHAIN ATTACHMENT BAR EXTENSION 3	1	EA
280	SN 800512040	SOCKET HEAD CAP SCREW M12x40 DIN912 GALV.	8	EA
290	SN 530254405	CHAIN BL 844 183 LINKS M M	2	EA
300	SN T30004450	CHAIN COUPLING BL 866 100X117X30	1	EA
310	SN 125125001	SOCKET HEAD CAP SCREW M12X50 CL 8.8 UNI 5931 GALV.	6	EA
320	SN 804002012	SELF LOCKING NUT HIGH GALV. M12 DIN982	6	EA
330	SN 530254404	CHAIN BL 844 163 LINKS M M	2	EA
340	SN T30010450	INTERNAL RIGID SWING PIPES	1	EA
350	SN T30010550	INTERNAL RIGID ACCESSORY PIPES	1	EA
360	SN T30018550	PIPES PROTECTIVE COVER	1	EA
370	SN 804003008	M8 WASHER DIN125A GALV. 8.4x16x1.6	8	EA
380	SN 120083001	HEXAGON HEAD SCREW M8X30 CL 8.8 UNI 5739 GALV.	6	EA
390	SN 120082001	HEXAGON HEAD SCREW M8X20 CL 8.8 UNI 5739 GALV.	2	EA
400	SN 560013001	CABLE HOLDER CHAIN KC0650	1	EA
410	SN 125062501	SOCKET HEAD CAP SCREW M6X25 CL 8.8 UNI 5931 GALV.	4	EA

アイテム	部品番号	名前	数量	UOM
420	SN 101061001	SELF LOCKING NUT M6 GALV.	4	EA
430	SN 130060001	FLAT WASHER M6 GALV.	4	EA
440	SN 130061801	FLAT WASHER 6X18 GALV.	4	EA
450	SN TA3007070	QUICK UNCOUPLING KIT FH FR02 FR04 2016	1	EA
460	SN 140100101	GREASER M10X1.5 UNI 7663 BM10X1 5.8	2	EA
470	SN T30054550	PET BUSHING 60X65X60	2	EA
480	SN T25004750	EXTENSION UPPER RH NYLON BUSHING	2	EA
490	SN T30075350	FRONT CLOSURE CASING TOP	1	EA
500	SN 120201001	HEXAGON HEAD SCREW M20X100 CL 8.8 UNI 5739 GALV.	2	EA

REPAIR PARTS





アイテム	部品番号	名前	数量	UOM
	PNNA	BOOM INCLINOMETER		EA
10	SN T25054950	MAIN BODY	1	EA
20	SN T25055050	SIDE BODY	1	EA
30	SN T25055150	INCLINATION ARM INDICATOR NEEDLE	1	EA
40	SN 122063001	HEX SOCKET SCREW M6X30 CL 10.9 UNI 7380 GALV.	1	EA
50	SN 804003106	M6 WASHER DIN9021 GALV. 6.4x18x1.6	3	EA
60	SN 101061002	NUT M6 UNI 5588 8.8 GALV.	2	EA
70	SN 122061601	HEX SOCKET SCREW M6X16 CL 10.9 UNI 7380 GALV.	3	EA
80	SN 804002006	SELF LOCKING NUT M6 GALV. HIGH DIN982	2	EA

REPAIR PARTS

**NO IMAGE AVAILABLE  
(BOM FOR REFERENCE ONLY)**



アイテム	部品番号	名前	数量	UOM
	159 0028 000FN A	LOAD CHART SET SR9244		EA
1	159 0028 001FN	SR9244 LC OUTRIGGERS DOWN	1	EA
2	159 0028 002FN	SR9244 LC OUTRIGGERS UP AXLE U	1	EA
3	159 0028 003FN	SR1054 LC OUTRIGGERS UP AXLE L	1	EA

REPAIR PARTS

**NO IMAGE AVAILABLE  
(BOM FOR REFERENCE ONLY)**

アイテム	部品番号	名前	数量	UOM
	159 0045 000	FLIP CHART SET SR1054 SR9244		EA
1	159 0045 001	SR1054 SR9244 FLIP CHART COVER	1	EA
2	159 0045 002	OPERATION WARNINGS	1	EA
3	159 0045 003	UNIT DIMENSIONS	1	EA
4	159 0045 004	CONTROLS DRIVE SHIFTING	1	EA
5	159 0045 005	CONTROLS FORK TILT	1	EA
6	159 0045 006	CONTROLS EXTEND RETRACT	1	EA
7	159 0045 007	CONTROLS AGRI MODE	1	EA
8	159 0045 008	CONTROLS SWAY	1	EA
9	159 0045 009	CONTROLS OUTRIGGERS	1	EA
10	159 0045 010	PICK AND CARRY INFORMATION	1	EA

REPAIR PARTS

**NO IMAGE AVAILABLE  
(BOM FOR REFERENCE ONLY)**

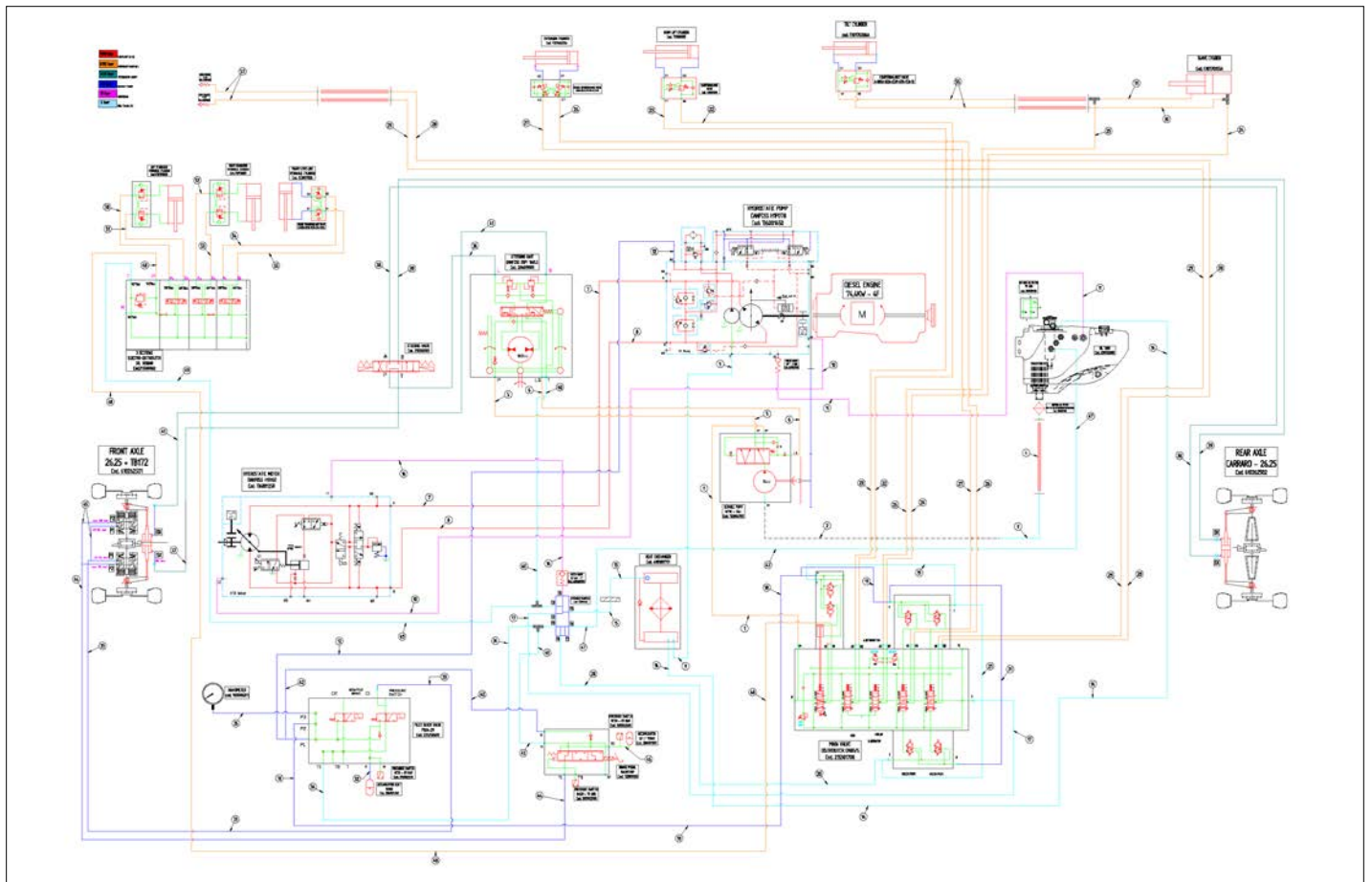
アイテム	部品番号	名前	数量	UOM
	159 0033 000FN B	DECAL KIT SR9244		EA
1	SN70000031	DECAL, BOOM ANGLE INDICATOR	1	EA
2	0113885FN	DECAL DIESEL ULTRA LOW SULFER	1	EA
3	SN720000010B	DECAL DO NOT CLIMB	1	EA
4	SN720000011B	DECAL FASTEN SEAT BELT	1	EA
5	SN720000012B	DECAL TOW HOOK	2	EA
6	SN720000013C	DECAL LIFTING LUG	4	EA
7	SN720000015B	DECAL OIL FILL POINT	1	EA
8	SN720000022B	DECAL TIE DOWN LUG	4	EA
9	SN720000034B	DECAL LUBRICATION POINT	10	EA
10	SN720000046A	DECAL DO NOT THRUST/PULL W/BOO	1	EA
11	SN725191001A	DECAL SOUND POWER 101DB	1	EA
12	SN720000179	DECAL CENTRAL DISTRIBUTOR	1	EA
13	SN720000195	DECAL DEF/AD BLUE	1	EA
14	SN720000196	AD BLUE ONLY	1	EA
15	SN720000197	DECAL DELAY CONNECTION	1	EA
16	159 0031 000	DECAL LOGO SNORKEL SR9244	2	EA

REPAIR PARTS

**NO IMAGE AVAILABLE  
(BOM FOR REFERENCE ONLY)**

アイテム	部品番号	名前	数量	UOM
*	159 0029 000FR A	FLIP CHART SET SR1054 SR9244 FRENCH		EA
1	159 0029 001	SR1054 SR9244 FLIP CHART COVER	1	EA
2	159 0029 002	OPERATION WARNINGS	1	EA
3	159 0029 003FR	UNIT DIMENSIONS	1	EA
4	159 0029 004FR	CONTROLS DRIVE SHIFTING	1	EA
5	159 0029 004FR	CONTROLS DRIVE SHIFTING	1	EA
6	159 0029 005	CONTROLS FORK TILT	1	EA
7	159 0029 006FR	CONTROLS EXTEND RETRACT	1	EA
8	159 0029 007FR	CONTROLS AGRI MODE	1	EA
9	159 0029 008FR	CONTROLS SWAY	1	EA
10	159 0029 009FR	CONTROLS OUTRIGGERS	1	EA
11	159 0029 010FR	PICK AND CARRY INFORMATION	1	EA

HYDRAULICS



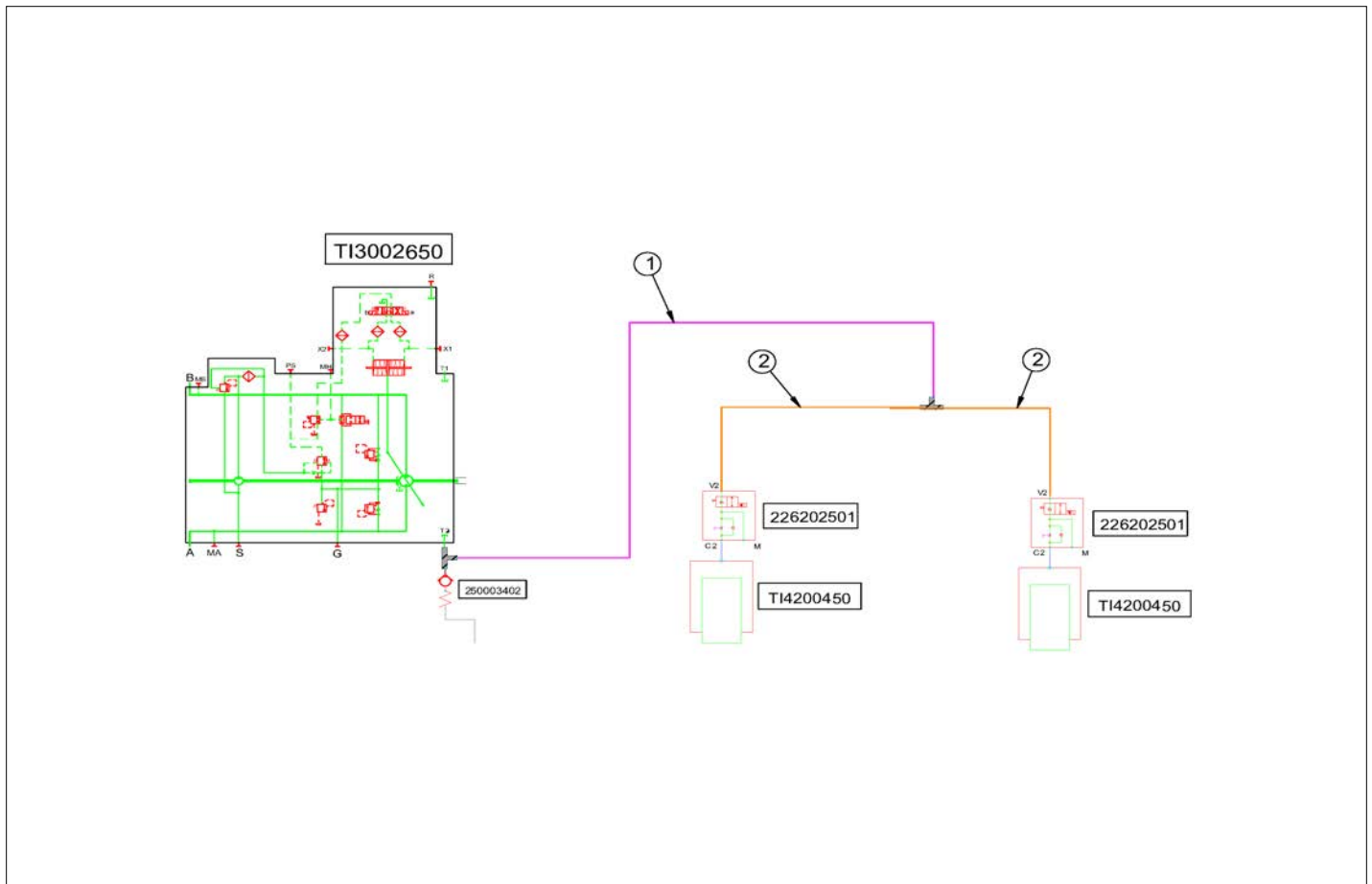


アイテム	部品番号	名前	数量	UOM
	T141442220 A	HYDRAULIC HOSE SCHEMATIC SR9244		EA
1	SN 220340418	M4KMF3 3/4" L2500 FDS20/F90S20	1	EA
2	SN TI2805350	FLANGED PIPE ASP. CASAPPA 51CC PUMP	1	EA
3	SN 224385100	STRAIGHT REDUCER PR ØI=51/38 L=150	1	EA
4	SN TI3000750	RIGID Ø50 SERVICE SUCTION PIPE	1	EA
5	SN 220120177	M3K 1/2" L3400 FDL15/F90L15	1	EA
6	SN 220140305	M3K 1/4" L3600 FDL10/F90L10	1	EA
7	SN 220101704 B	G6K 1" L1630 FL45 ° 1" FD1.1/4"SAE6000	1	EA
8	SN 220101704 B	G6K 1" L1630 FL45 ° 1" FD1.1/4"SAE6000	1	EA
9	SN 220101810	SAE100 R4 1" L1300 F4528L/F4528L 0 °	1	EA
10	SN 220340216	SAE100 R4 3/4" L1950 F90L22/F45L22	1	EA
11	SN 220340217	SAE 100 R4 3/4" L2000 F90L22 F90L22	1	EA
12	SN 220380119	PILOT 3/8" L1750 F90L12/EYE 3/8G 0 °	1	EA
13	SN 225120001	SAE100 R4 1" 1/2 L750 F90L42/F90L42 0 °	1	EA
14	SN 225141003	SAE100 R4 1"1/4 L2200 F45L35/F90L35 180 °	1	EA
15	SN 225120003	SAE100 R4 1"1/2 L1100 F45L42/F90L42 270 °	1	EA
16	SN 220340218	SAE 100 R4 3/4" L1550 F4522L/F9022L 0 °	1	EA
17	SN 220340211	SAE 100 R4 3/4" L760 FD22L/F9022L	1	EA
18	SN 220140110	PILOT 1/4"L700 EYE1/4G/EYE1/4G 0 °	1	EA

アイテム	部品番号	名前	数量	UOM
19	SN 220140111	PILOT 1/4" L400 EYE1/4G/EYE1/4G 0 °	2	EA
20	SN 220140116	PILOT 1/4" L1300 F90L10/EYE1/4G 0 °	1	EA
21	SN 220140111	PILOT 1/4" L400 EYE1/4G/EYE1/4G 0 °	2	EA
22	SN 220580108	M4K MFX 5/8" L4800 F90L18/F90L18 270 °	1	EA
23	SN 220580108	M4K MFX 5/8" L4800 F90L18/F90L18 270 °	1	EA
24	SN 220122405	PIPE M4KMTF 1/2 L2440 F 13/16O F9013/16O	1	EA
25	SN 220123803	PIPE M4KMTF 1/2 L3800 F90 13/16O F90 1O	1	EA
26	SN 220580106	M4K MEGAFLEX 5/8" L2500 F90L18/F90L18 0 °	1	EA
27	SN 220580106	M4K MEGAFLEX 5/8" L2500 F90L18/F90L18 0 °	1	EA
28	SN 220123501	PIPE M4KMTF 1/2 L3500 M 1O F90 13/16O	1	EA
29	SN 220123501	PIPE M4KMTF 1/2 L3500 M 1O F90 13/16O	1	EA
30	SN 220121006	PIPE M4KMTF 1/2 L1000 F 13/16O M 1O	1	EA
31	SN 220121511	PIPE M4KMTF 1/2 L1500 F 13/16O F 1O	1	EA
32	SN 220140107	PILOT 1/4" L800 FD10L/F9010L	1	EA
33	SN 220140116	PILOT 1/4" L1300 F90L10/EYE1/4G 0 °	1	EA
34	SN 220380112	PILOT 3/8" L1100 F90L12/FDL12 0 °	1	EA
35	SN 220163002	MICROPIPE MT021 L800 M16X2/1/4G	1	EA
36	SN 220380105	PIPE M3K 3/8" L2000 F90L12/FDL12	1	EA
37	SN 220380130	M3K 3/8" L2300 F90L12 FDL12	1	EA

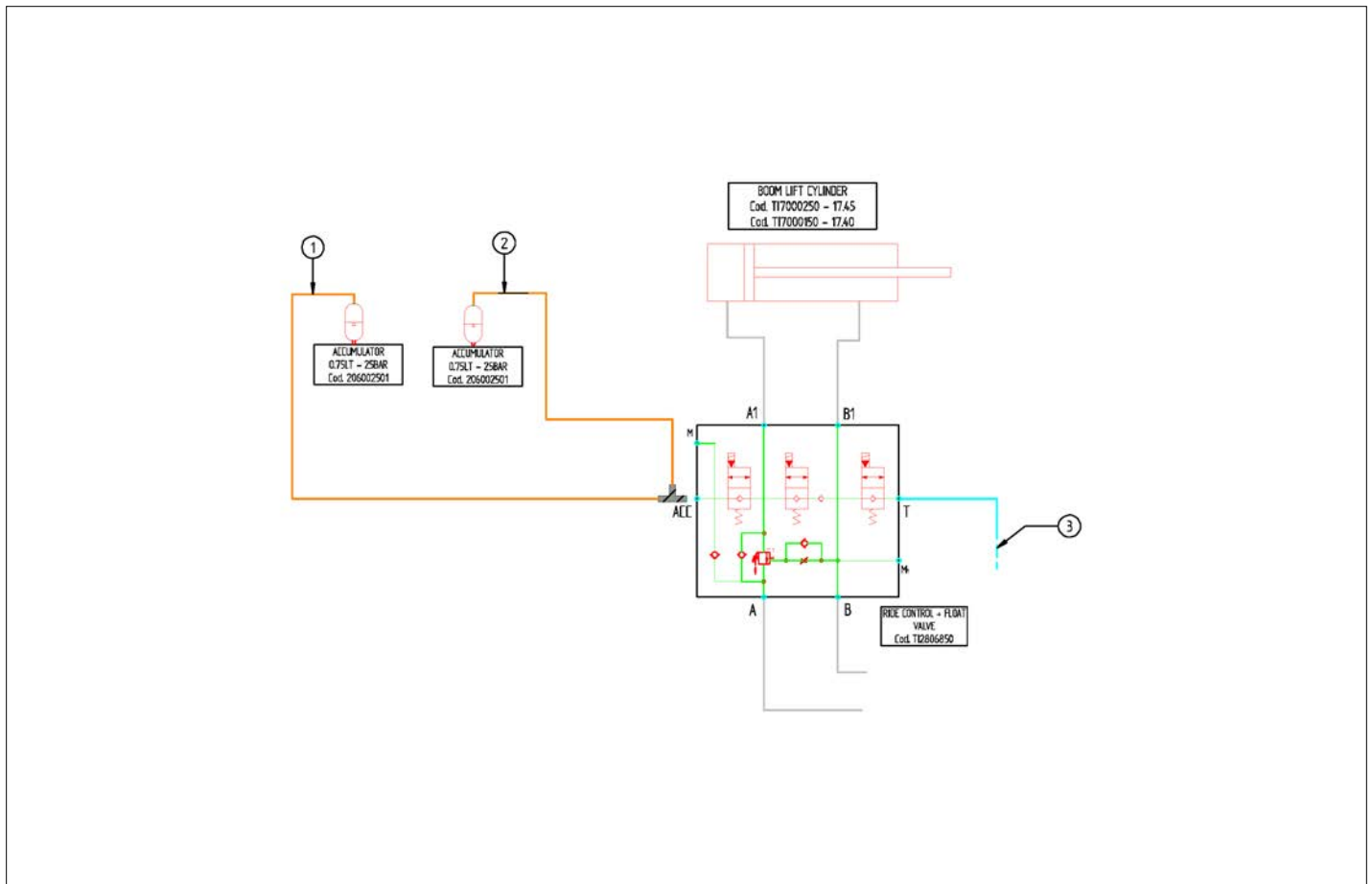
アイテム	部品番号	名前	数量	UOM
38	SN 220380107	PIPE M3K 3/8" L1400 F90L12/F90L12 0°	1	EA
39	SN 220380108	PIPE M3K 3/8" L1800 F90L12/F90L12 180°	1	EA
40	SN 220120113	1SC 1/2" L2000 F90L15/F90L15 180°	1	EA
41	SN 220380130	M3K 3/8" L2300 F90L12 FDL12	1	EA
42	SN 220380104	PILOT 3/8" L1200 F90L12/EYE3/8G 0°	1	EA
43	SN 220380120	PILOT 3/8" L=2200 F90L12 F90L12 0°	1	EA
44	SN 220140141	PILOT 1/4" L2000 F90L10/EYE 1/4G 0°	1	EA
45	SN 622006750	PILOT 1/4"L850 EYE1/4G/EYE1/4G 0°	2	EA
46	SN 220140401	PIPE M3K 1/4 L420 F90 9/16O F 9/16O	1	EA
47	SN 220120125	M3K 1/2" L1750 F90L15/BANJO1/2"G 0°	1	EA
48	SN 220120127	M4K 1/2" L1000 F90L15/F90L15 0°	1	EA
49	SN 220120131	M4K 1/2" L1000 FDL15/F90L15	1	EA
50	SN 220380138	M4K 3/8" L3200 F90L12 F90L12 180°	1	EA
51	SN 220380138	M4K 3/8" L3200 F90L12 F90L12 180°	1	EA
52	SN 220380138	M4K 3/8" L3200 F90L12 F90L12 180°	1	EA
53	SN 220380138	M4K 3/8" L3200 F90L12 F90L12 180°	1	EA
54	SN 220380139	M4K 3/8" L1600 F90L12 EYE 1/2G 0°	1	EA
55	SN 220380139	M4K 3/8" L1600 F90L12 EYE 1/2G 0°	1	EA
56	SN T35000950	TWIN SWING HOSE	1	EA
57	SN T35001050	TWIN PIPE MT2 1/2" L=11100 SERVICES	1	EA

HYDRAULICS



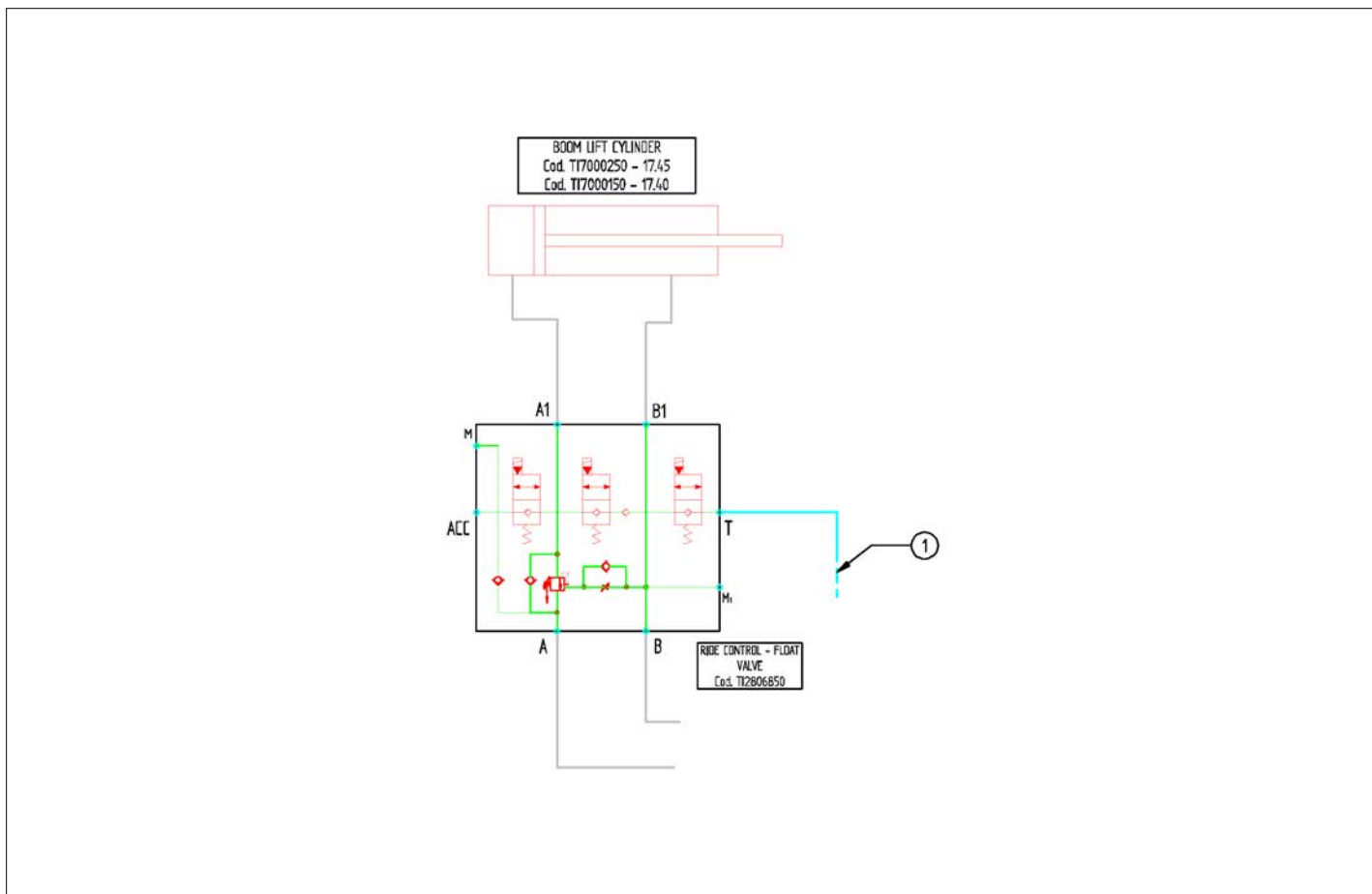
アイテム	部品番号	名前	数量	UOM
	PNNA	HYDRAULIC SCHEMATIC FR02 CLASSIC 3B		EA
1	SN 220120104	PIPE M3K 1/2" L1200 FDL15/F90L15	1	EA
2	SN 220380104	PILOT 3/8" L1200 F90L12/EYE3/8G 0°	2	EA

HYDRAULICS



アイテム	部品番号	名前	数量	UOM
	PNNA	SUSPENSION BOOM HOSE KIT		EA
1	SN T17001150	TUBO RIGDO 15 X 2 E02 ACCUMULATOR 1	1	EA
2	SN T17001250	TUBO RIGDO 15 X 2 E02 ACCUMULATOR 2	1	EA
3	SN 220380137	1SC 3/8" L4800 FDL12 / EYE 1/2G	1	EA

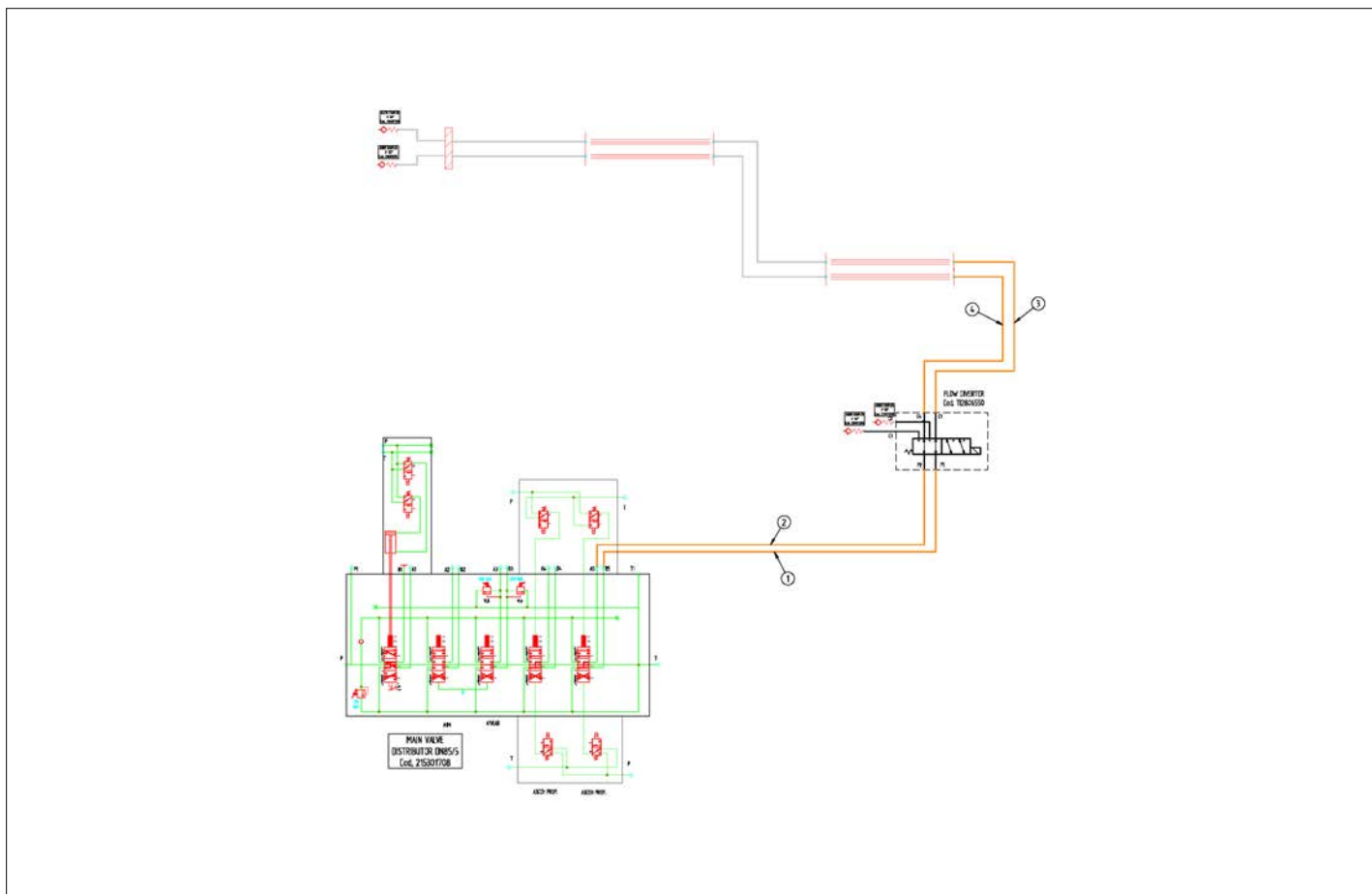
HYDRAULICS





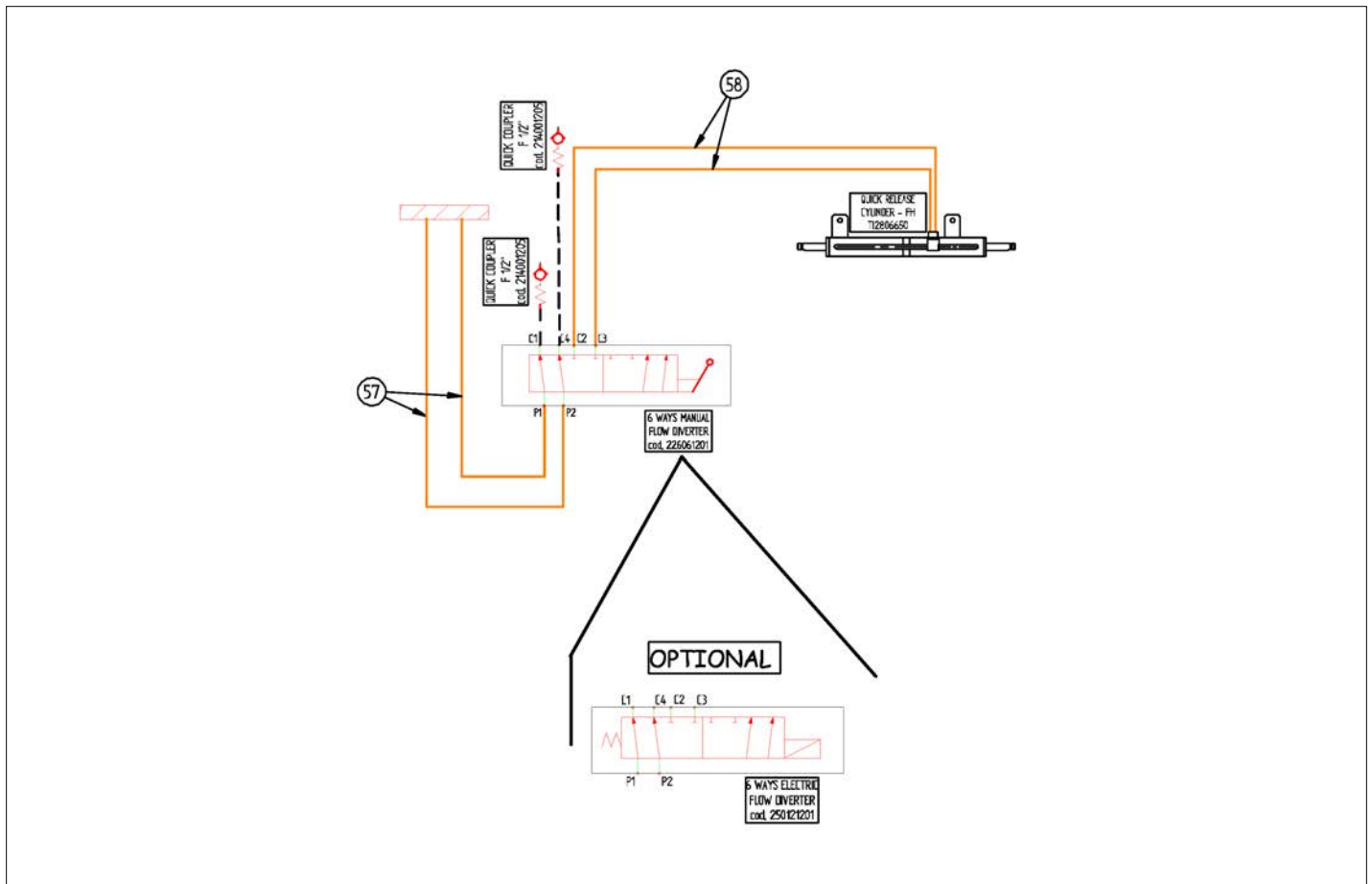
アイテム	部品番号	名前	数量	UOM
	PNNA	FLOATING BOOM HOSE KIT		EA
1	SN 220380137	1SC 3/8" L4800 FDL12 / EYE 1/2G	1	EA

HYDRAULICS



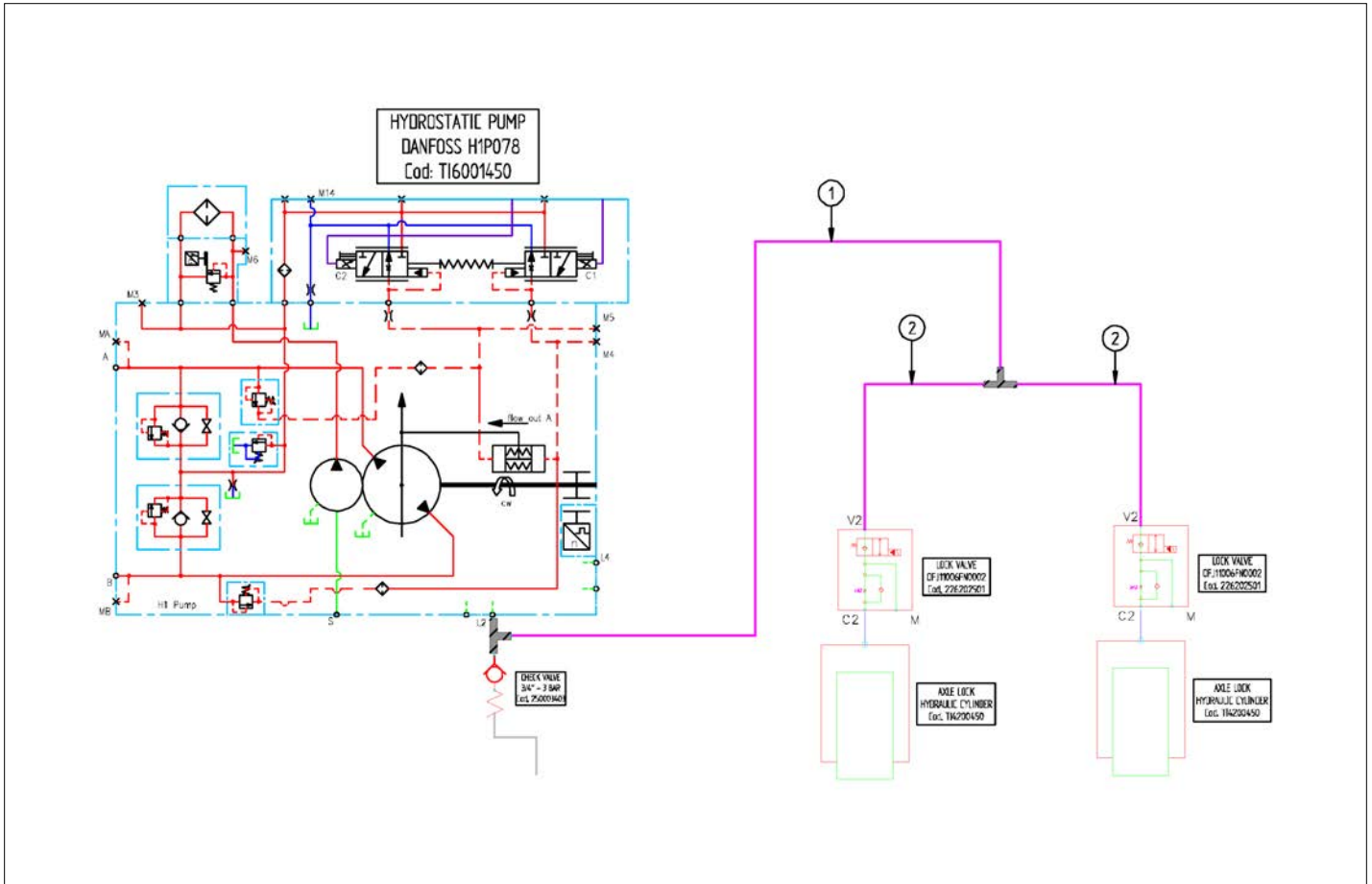
アイテム	部品番号	名前	数量	UOM
	PNNA	REAR HYDRAULIC CONNECTION HOSE KIT		EA
1	SN 220120120	M4K 1/2" L2580 F90L15/F90L15 0°	1	EA
2	SN 220120120	M4K 1/2" L2580 F90L15/F90L15 0°	1	EA
3	SN 220120140	M4K MTF 1/2" L1300 MD1" ORFS/FD15L	1	EA
4	SN 220120140	M4K MTF 1/2" L1300 MD1" ORFS/FD15L	1	EA

HYDRAULICS



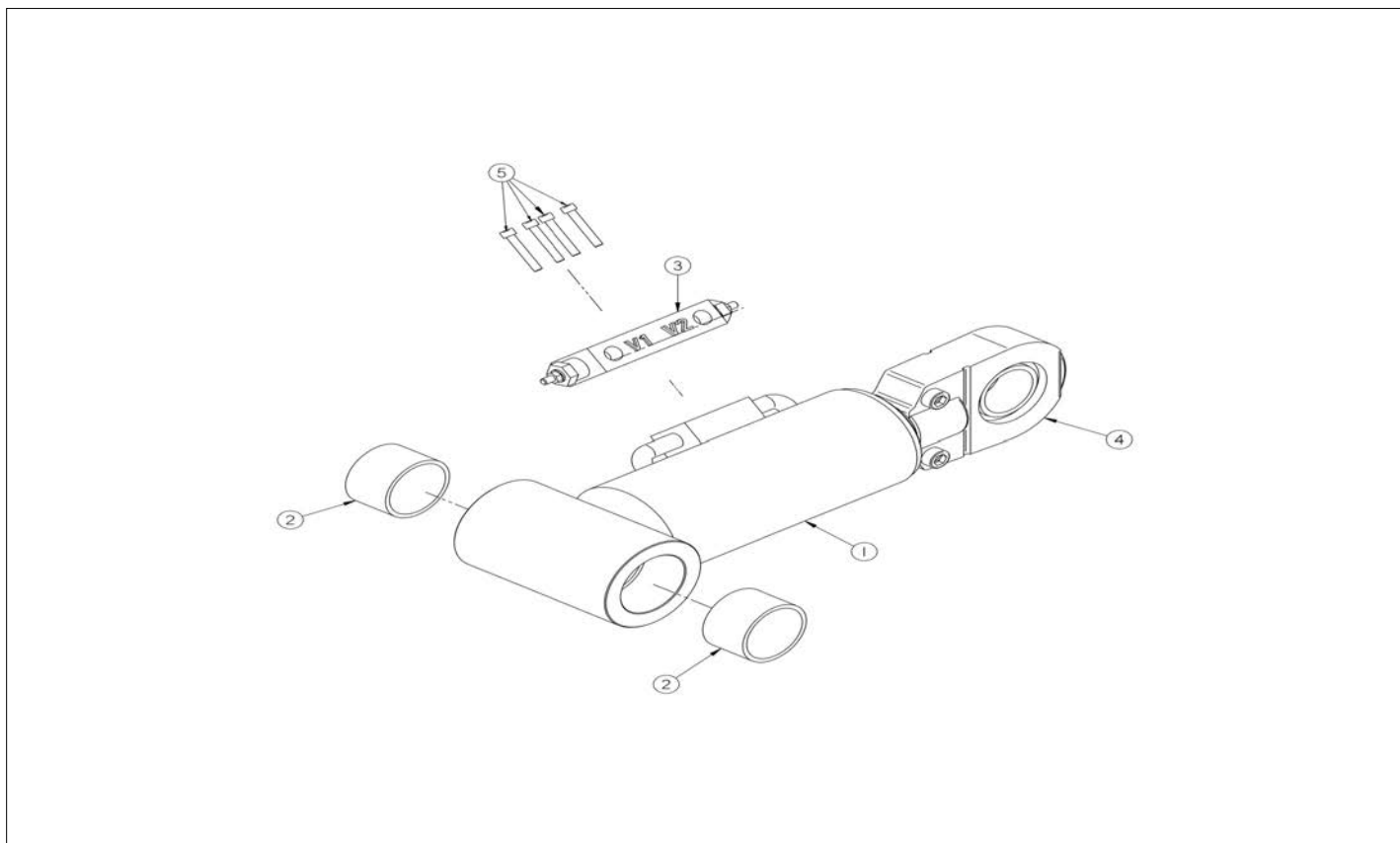
アイテム	部品番号	名前	数量	UOM
	PNNA	QUICK RELEASE HOSE KIT		EA
57	SN 220380134	M4K 3/8" L1000 F90L15 F45L15 90 °	1	EA
58	SN 220140138	M4K 1/4" L370 F90L10/F90L12 0 °	1	EA

HYDRAULICS

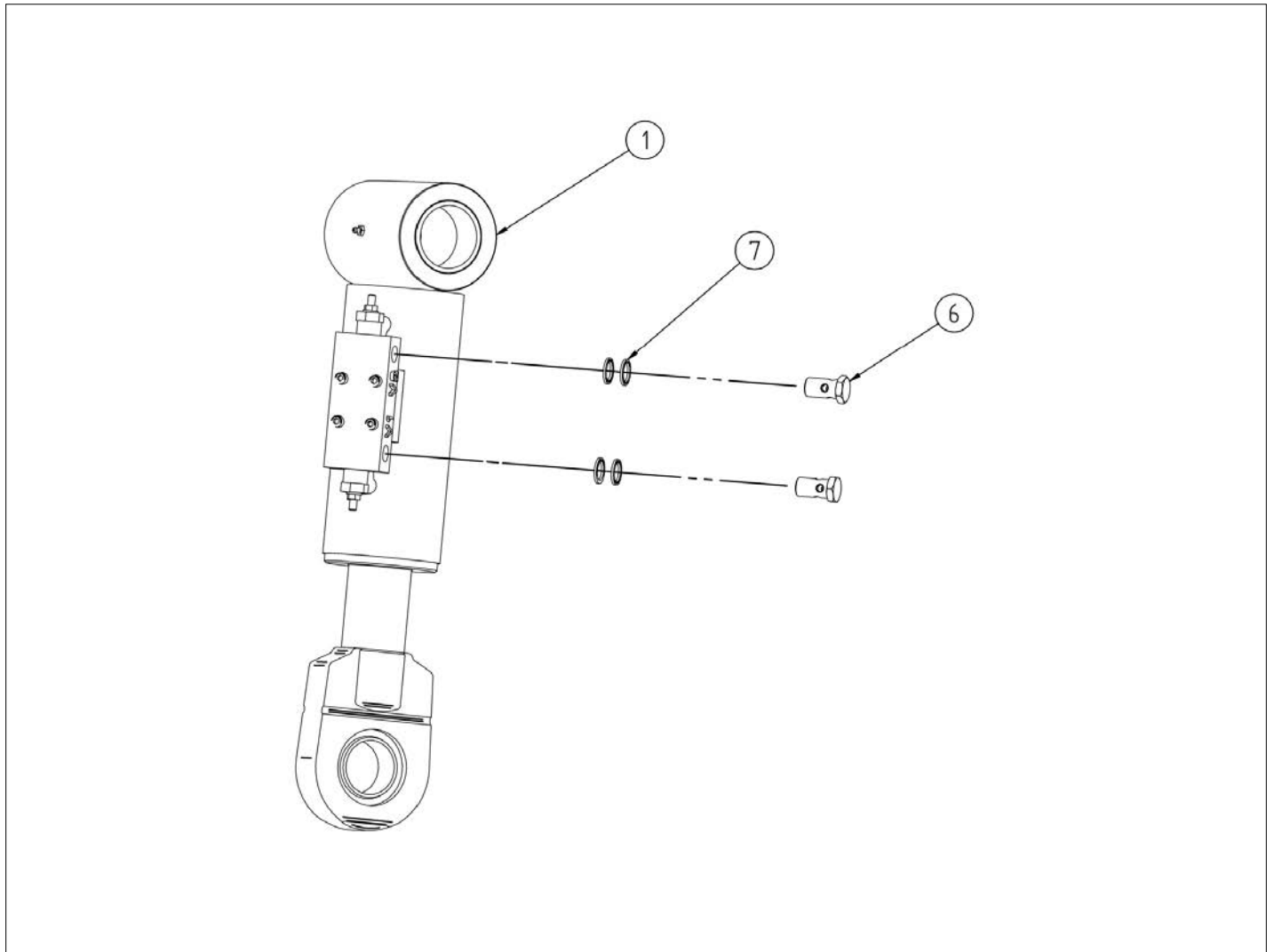


アイテム	部品番号	名前	数量	UOM
	PNNA	REAR AXLE LOCK HOSE KIT		EA
1	SN 220120104	PIPE M3K 1/2" L1200 FDL15/F90L15	1	EA
2	SN 220380104	PILOT 3/8" L1200 F90L12/EYE3/8G 0°	2	EA

HYDRAULICS

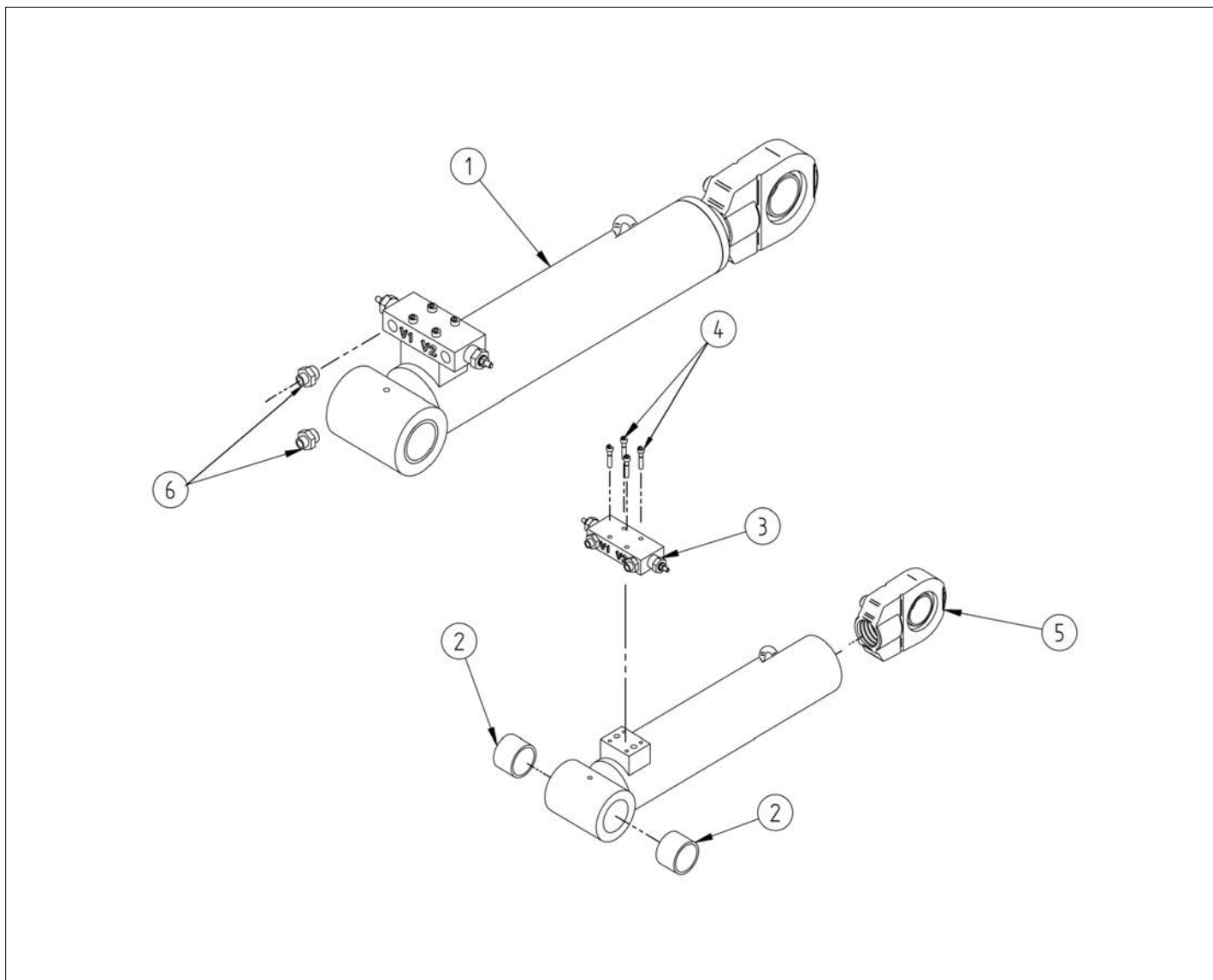






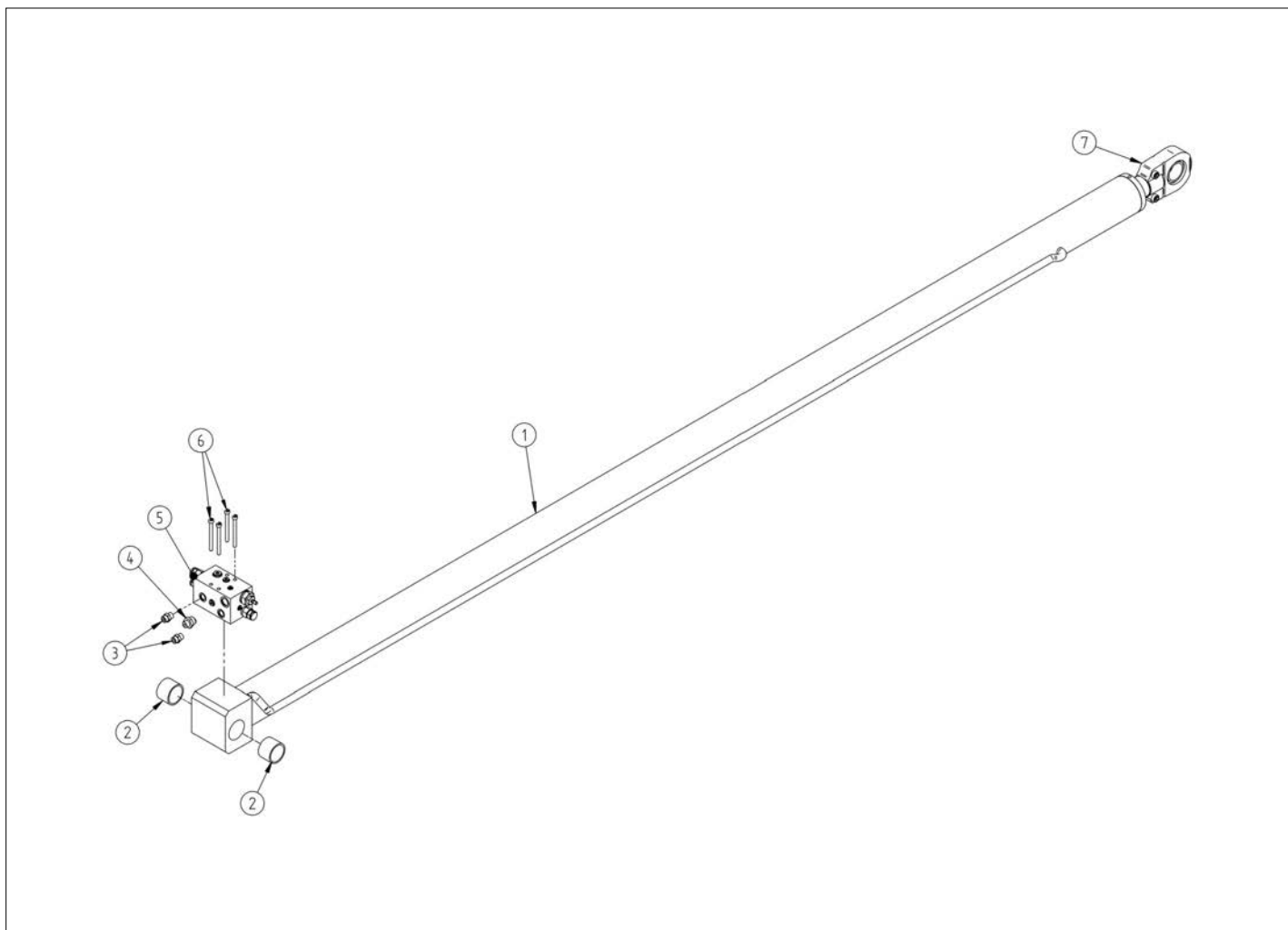
アイテム	部品番号	名前	数量	UOM
	PNNA	LEVELING CYLINDER FR04		EA
10	SN F30170208A	PAINTED LEVELLER CYLINDER 110 130	1	EA
20	SN 542708001	LIFTING CYLINDER SLEEVE K4 70X80X50	1	EA
	SN 218301750	PANNI14 17 7 9RID OSCILLATION CYLINDER GASKET KIT	1	EA
30	SN 250110301	DOUBLE ACTING STABILISER LEVEL VALVE	1	EA
40	SN 550605801	SWING CYLINDER JOINT	1	EA
50	SN 125085001	SOCKET HEAD CAP SCREW M8X50 CL 8.8 UNI 5931 GALV.	4	EA
60	SN 308419850	SCREW FOR EYE GAS 1/2" *K*	2	EA
70	SN 414026150	1/2" *K* GAS BONDED WASHER	4	EA

HYDRAULICS



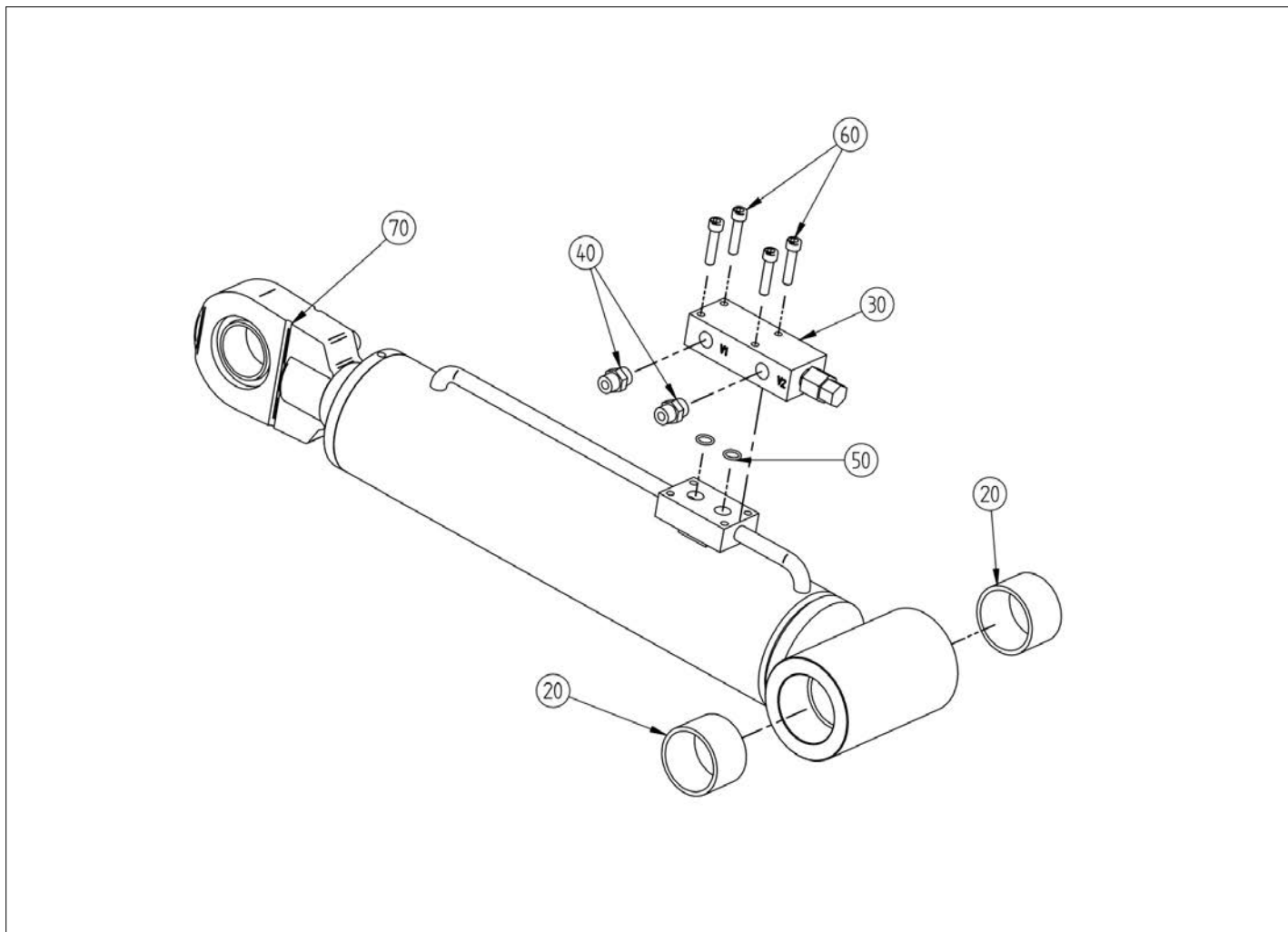
アイテム	部品番号	名前	数量	UOM
Not Shown	PNNA	STABILIZER CYLINDER		EA
1	SN F30170202A	BLACK LEFT STABILISER CYLINDER UNIT	1	EA
1	SN F30170201A	BLACK RIGHT STABILISER CYLINDER UNIT	1	EA
2	SN 542608001	SLEEVE K4 60X70X50	2	EA
3	SN 250110301	DOUBLE ACTING STABILISER LEVEL VALVE	1	EA
Not Shown	SN 218301740	GASKET KIT STABILIZ. CYLINDERS PANNI	1	EA
4	SN 125084001	SOCKET HEAD CAP SCREW M8X40 CL 8.8 UNI 5931 GALV.	4	EA
5	SN 550605801	SWING CYLINDER JOINT	1	EA
6	SN 210051101	EXT. FITTING M M 11/16" O LOK * 1/2" ED *K*	2	EA

HYDRAULICS



アイテム	部品番号	名前	数量	UOM
	PNNA	EXTENSION CYLINDER 17M		EA
1	SN F30170155A	RED EXTENSION CYLINDER UNIT 30 17 C=3500 A110	1	EA
2	SN 542608001	SLEEVE K4 60X70X50	1	EA
3	SN 210051302	GAS NIPPLES GAS 1/2" * 1/2"	1	EA
4	SN 210341303	STRAIGHT FITTING M 3/4BSP M 13/16ORFS	1	EA
5	SN 250650301	DOUBLE ACTING EXTENSION BALANCING VALVE	1	EA
Not Shown	SN 250650351	GASKET KIT FOR VALVE CODE 250650301	1	EA
6	SN 125105001	SOCKET HEAD CAP SCREW M10X50 CL 8.8 UNI 5931 GALV.	4	EA
7	SN 550605801	SWING CYLINDER JOINT	1	EA

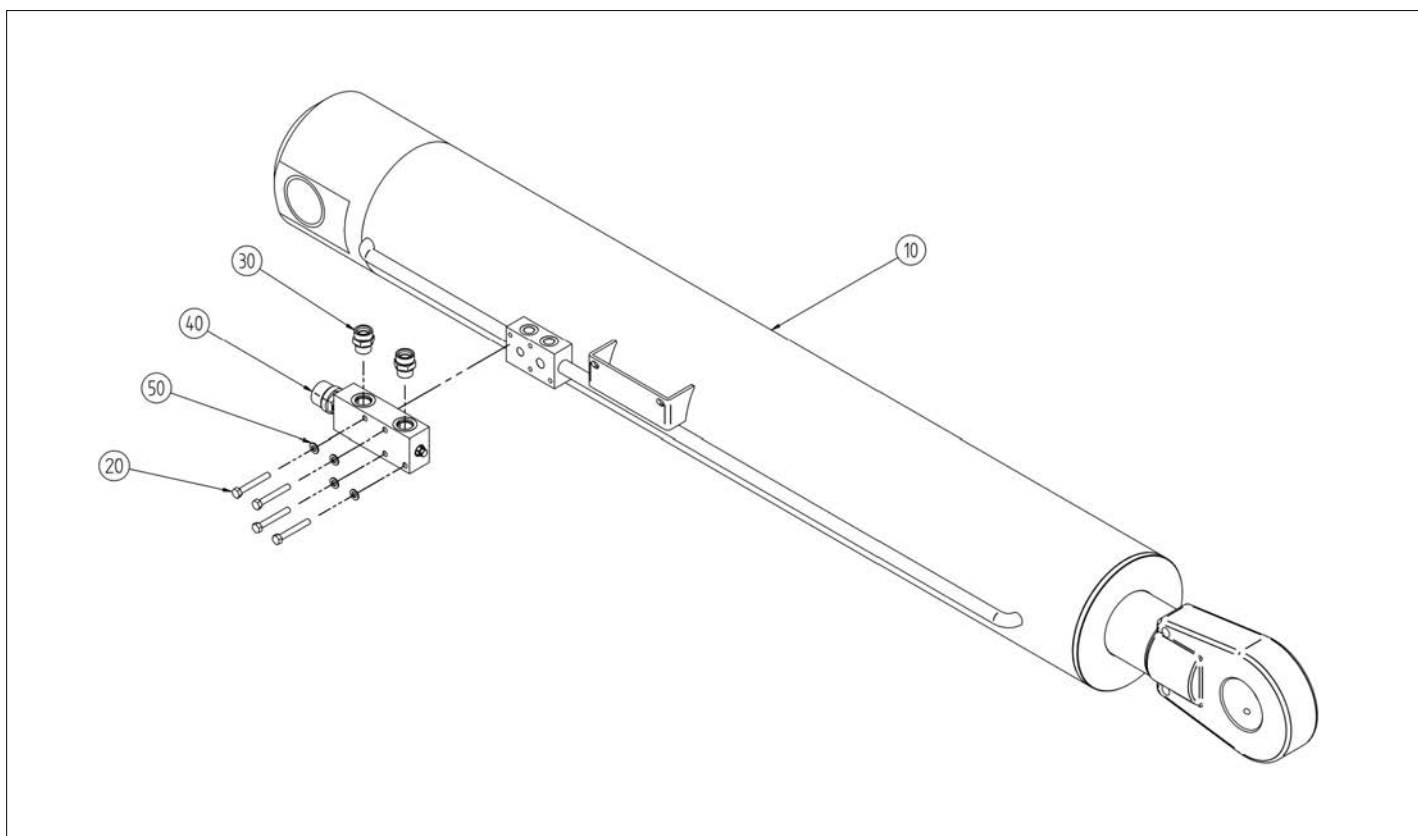
HYDRAULICS



アイテム	部品番号	名前	数量	UOM
	PNNA	TILTING CYLINDER FR04		EA
10	SN F30170206A	FLANGED VALVE SWINGING CYLINDER	1	EA
20	SN 542708001	LIFTING CYLINDER SLEEVE K4 70X80X50	2	EA
30	SN 250170301	SINGLE ACTING BALANCING VALVE	1	EA
40	SN 210051302	GAS NIPPLES GAS 1/2" * 1/2"	2	EA
50	SN 585150201	OR 5 243 LIFTING BOOM CYL. VALVE BR	2	EA
60	SN 125104501	BUTTON HEAD WITH COUNTERSUNK HEX SCREW M10X45 CL 8.8 UNI 5931 GALV.	4	EA
70	SN 550605801	SWING CYLINDER JOINT	1	EA
Not Shown	SN 218301760	FAB. SWING CYLINDER GASKET KIT PANNI	1	EA

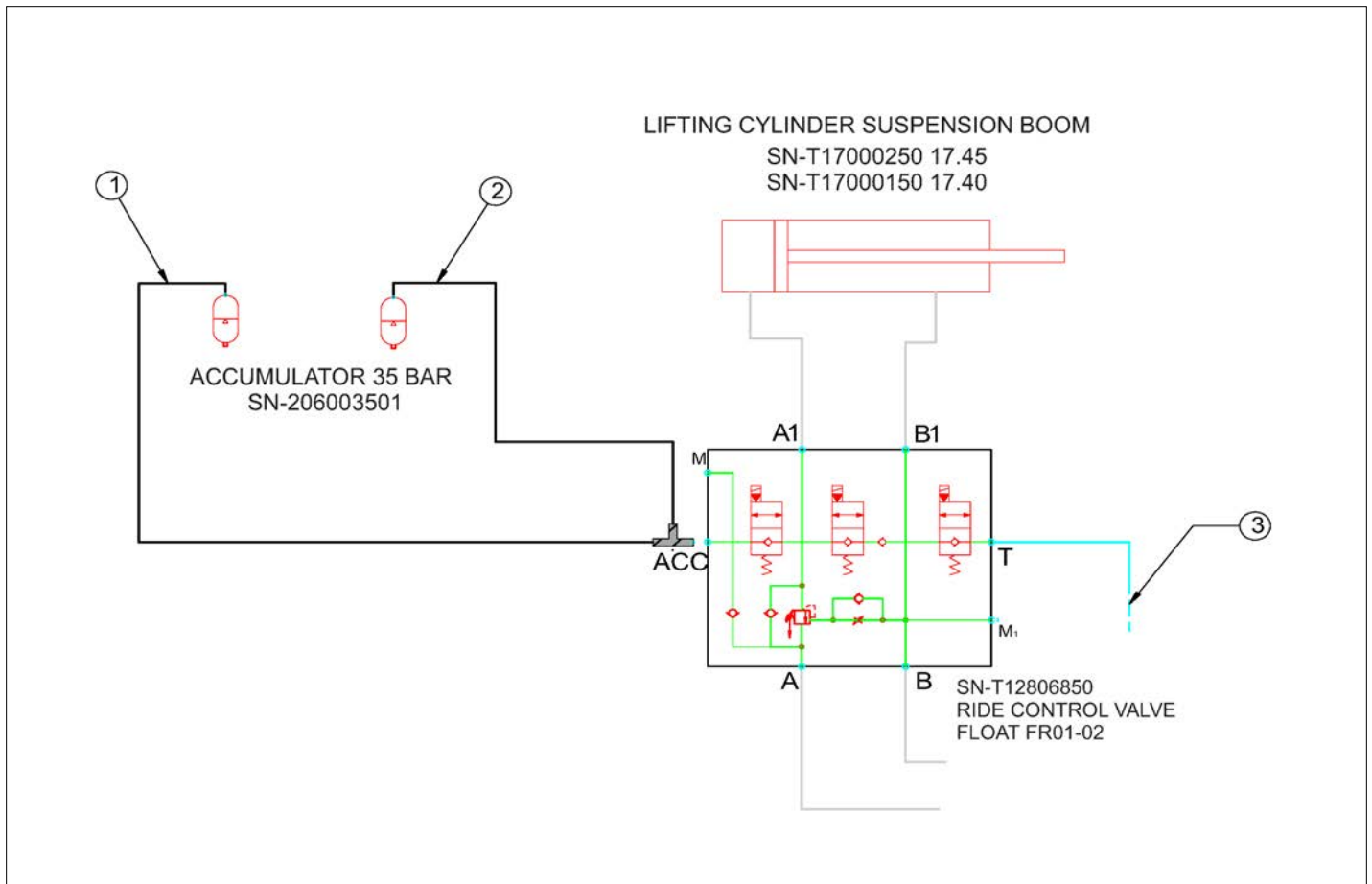


HYDRAULICS



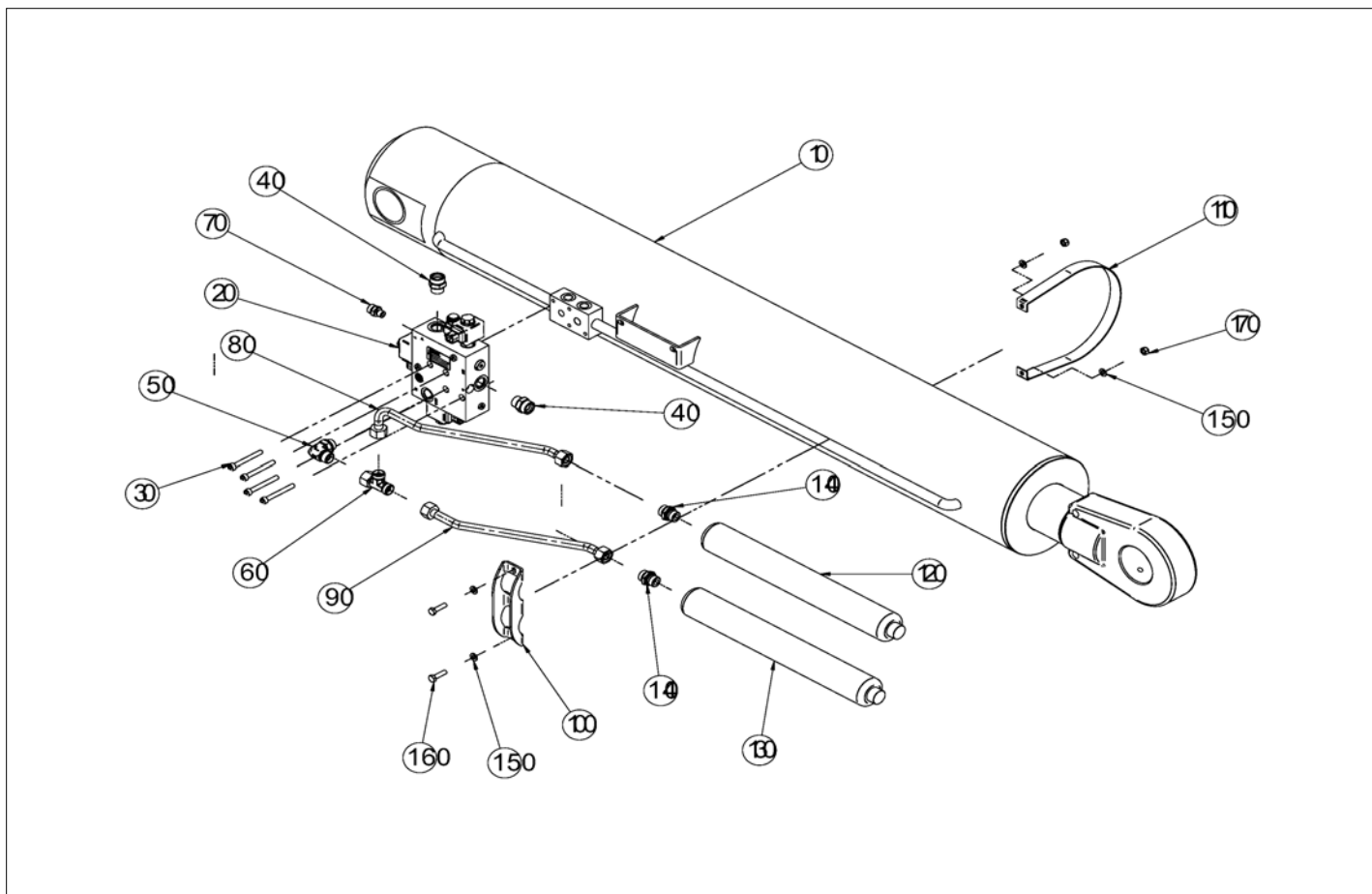
アイテム	部品番号	名前	数量	UOM
	PNNA	LIFTING CYLINDER		EA
10	SN TI7000150	LIFTING CYLINDER	1	EA
10	SN TI7000250	LIFTING CYLINDER	1	EA
20	SN 120086001	HEXAGON HEAD SCREW M8X60 CL 8.8 UNI 5739 GALV.	4	EA
30	SN 635011864	FITTING M18 L M22*1.5 ISO 6149	2	EA
40	SN TI2805050	SOLL SINGLE ACTING LOCK VALVE	1	EA
50	SN 804003008	M8 WASHER DIN125A GALV. 8.4x16x1.6	4	EA
Not Shown	SN TI7000151	CYLINDER (CODE TI7000150) GASKET KIT	1	EA

HYDRAULICS



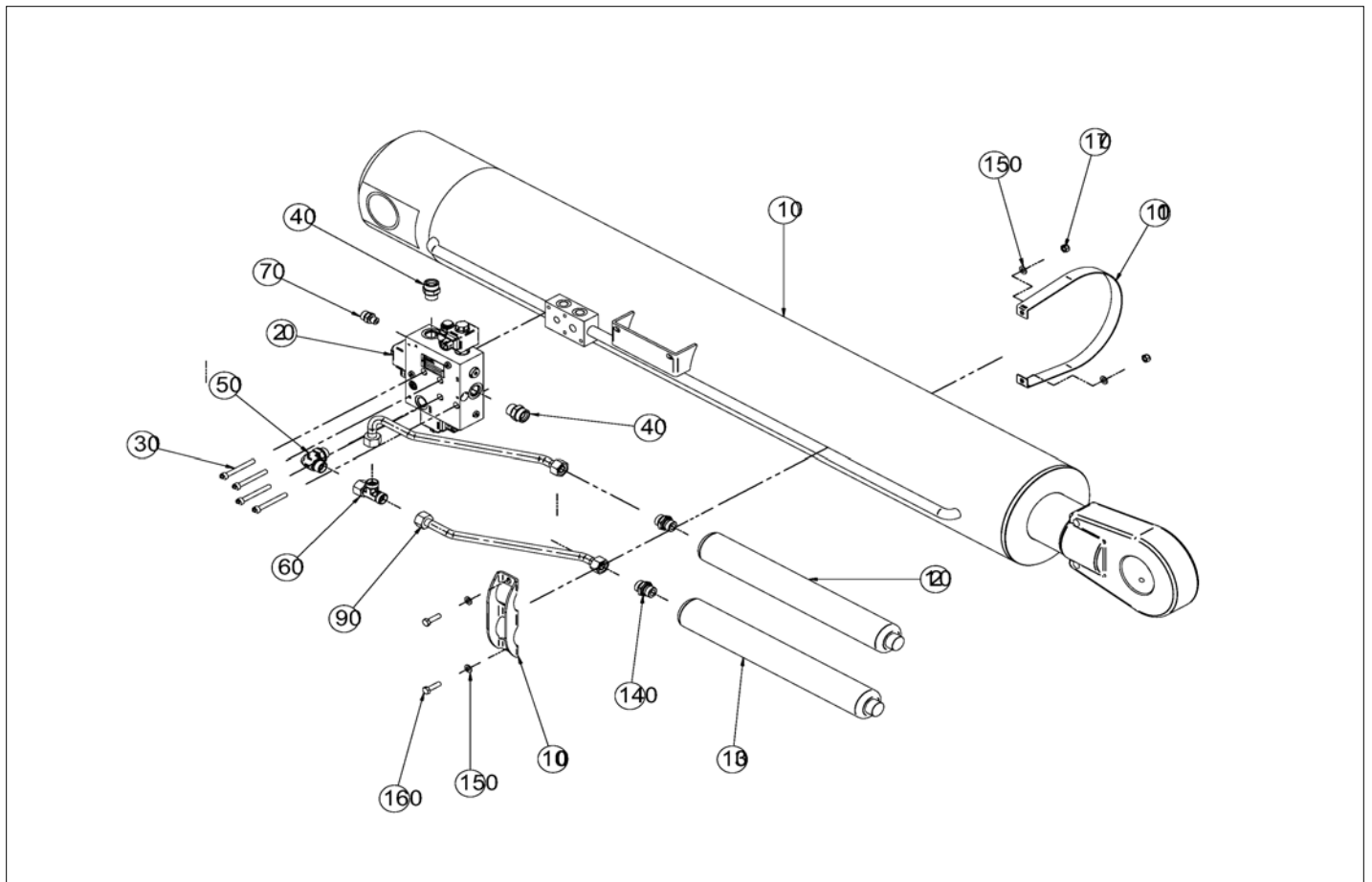
アイテム	部品番号	名前	数量	UOM
	PNNA	LIFTING CYLINDER SUSPENSION BOOM SCHEMATIC		EA
10	SN TI7001150	ACCUM. RIGID PIPE Ø15X2 1 CLASSIC	1	EA
20	SN TI7001250	ACCUM. RIGID PIPE Ø15X2 2 CLASSIC	1	EA
30	SN 220380137	1SC 3/8" L4800 FDL12 / EYE 1/2G	4	EA

HYDRAULICS



アイテム	部品番号	名前	数量	UOM
	PNNA	LIFTING CYLINDER FLOATING BOOM 17M		EA
10	SN TI7000150	LIFTING CYLINDER	1	EA
10	SN TI7000250	LIFTING CYLINDER	1	EA
20	SN TI2806850	RIDE CONTROL VALVE + FLOAT FR01 02	1	EA
30	SN 125087001	SHC SCREW M8X70 CL 8.8 UNI 5931 ZN	4	EA
40	SN 635011864	FITTING M18 L M22*1.5 ISO 6149	2	EA
50	SN 208159001	ADJUST. FITTING 90 ° M M.O. L15 1/2"G	1	EA
60	SN 208150001	T SHAPED BODY EO F.O. M M 15L	1	EA
70	SN 612041100	SEALING END BODY ED 12L * 1/4 GAS	1	EA
80	SN TI7001150	ACCUM. RIGID PIPE Ø15X2 1 CLASSIC	1	EA
90	SN TI7001250	ACCUM. RIGID PIPE Ø15X2 2 CLASSIC	1	EA
100	SN T28044450	UPPER SUPPORTFOR ACCUMULATORARM SUSPENSION	1	EA
110	SN T70004150	ACCUMULATOR FIXING CLAMP	1	EA
120	SN 206003501	ACCUMULATOR 0.75L 35BAR D=50MM L=451MM HYDAC	1	EA
130	SN 206002501	ACCUMULATOR 0.75L 25BAR D=50MM L=451MM HYDAC	1	EA
140	SN 308528150	SEALING END BODY AND 15L * 1/2 GAS *K*	2	EA
150	SN 804003008	M8 WASHER DIN125A GALV. 8.4x16x1.6	4	EA
160	SN 120083001	HEXAGON HEAD SCREW M8X30 CL 8.8 UNI 5739 GALV.	2	EA
170	SN 101080801	SELF LOCKING NUT M8 GALV. LOW	2	EA

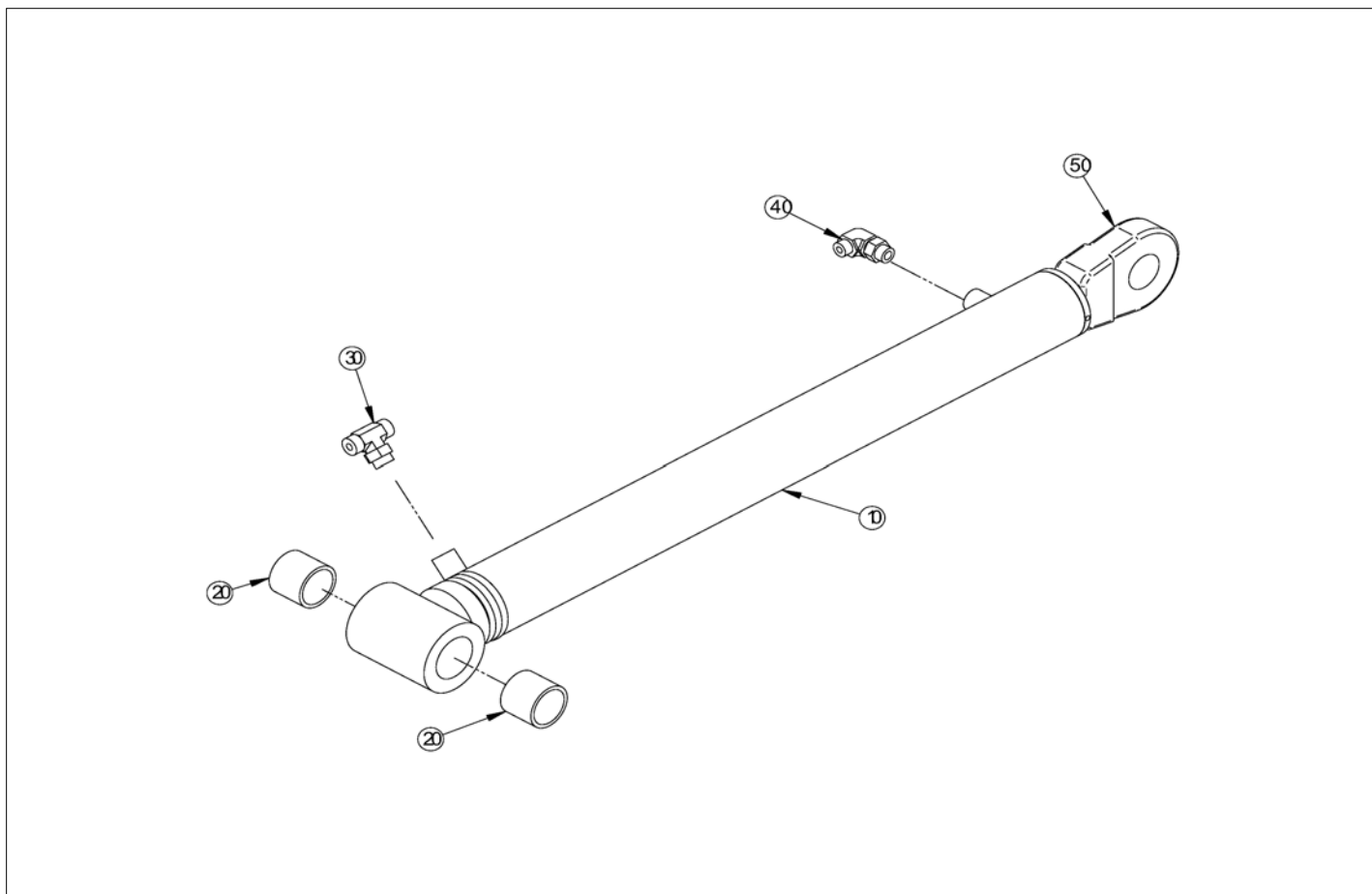
HYDRAULICS



アイテム	部品番号	名前	数量	UOM
Not Shown	PNNA	LIFTING CYLINDER SUSPENSION BOOM 17M		EA
10	SN TI7000150	LIFTING CYLINDER	1	EA
10	SN TI7000250	LIFTING CYLINDER	1	EA
20	SN TI2806850	RIDE CONTROL VALVE + FLOAT FR01 02	1	EA
30	SN 125087001	SHC SCREW M8X70 CL 8.8 UNI 5931 ZN	4	EA
40	SN 635011864	FITTING M18 L M22*1.5 ISO 6149	2	EA
50	SN 208159001	ADJUST. FITTING 90 ° M M.O. L15 1/2"G	1	EA
60	SN 208150001	T SHAPED BODY EO F.O. M M 15L	1	EA
70	SN 612041100	SEALING END BODY ED 12L * 1/4 GAS	1	EA
80	SN TI7001150	ACCUM. RIGID PIPE Ø15X2 1 CLASSIC	1	EA
90	SN TI7001250	ACCUM. RIGID PIPE Ø15X2 2 CLASSIC	1	EA
100	SN T28044450	UPPER SUPPORTFOR ACCUMULATORARM SUSPENSION	1	EA
110	SN T70004150	ACCUMULATOR FIXING CLAMP	1	EA
120	SN 206003501	ACCUMULATOR 0.75L 35BAR D=50MM L=451MM HYDAC	1	EA
130	SN 206002501	ACCUMULATOR 0.75L 25BAR D=50MM L=451MM HYDAC	1	EA
140	SN 308528150	SEALING END BODY AND 15L * 1/2 GAS *K*	2	EA
150	SN 804003008	M8 WASHER DIN125A GALV. 8.4x16x1.6	4	EA
160	SN 120083001	HEXAGON HEAD SCREW M8X30 CL 8.8 UNI 5739 GALV.	2	EA
170	SN 101080801	SELF LOCKING NUT M8 GALV. LOW	2	EA

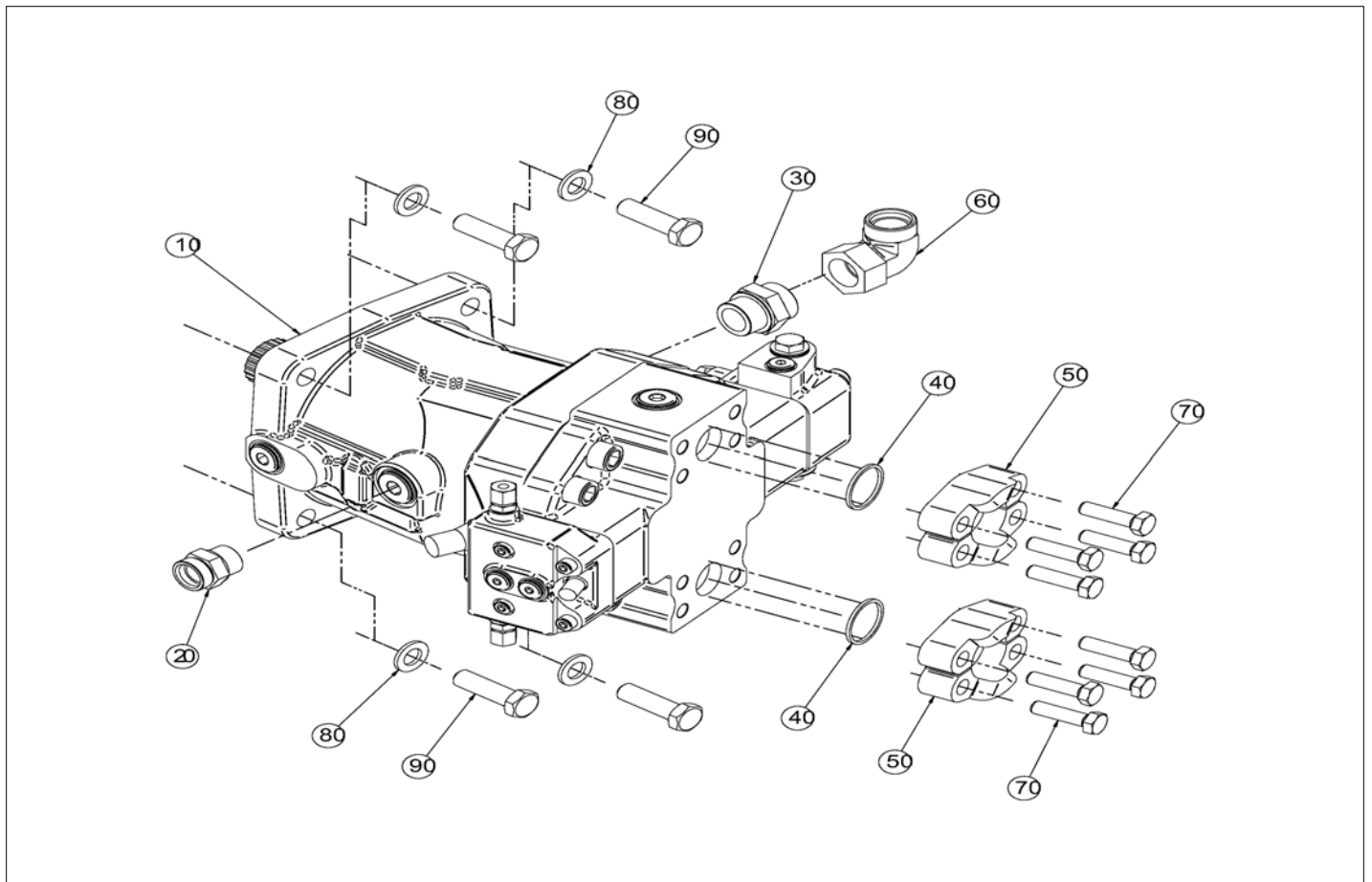


HYDRAULICS



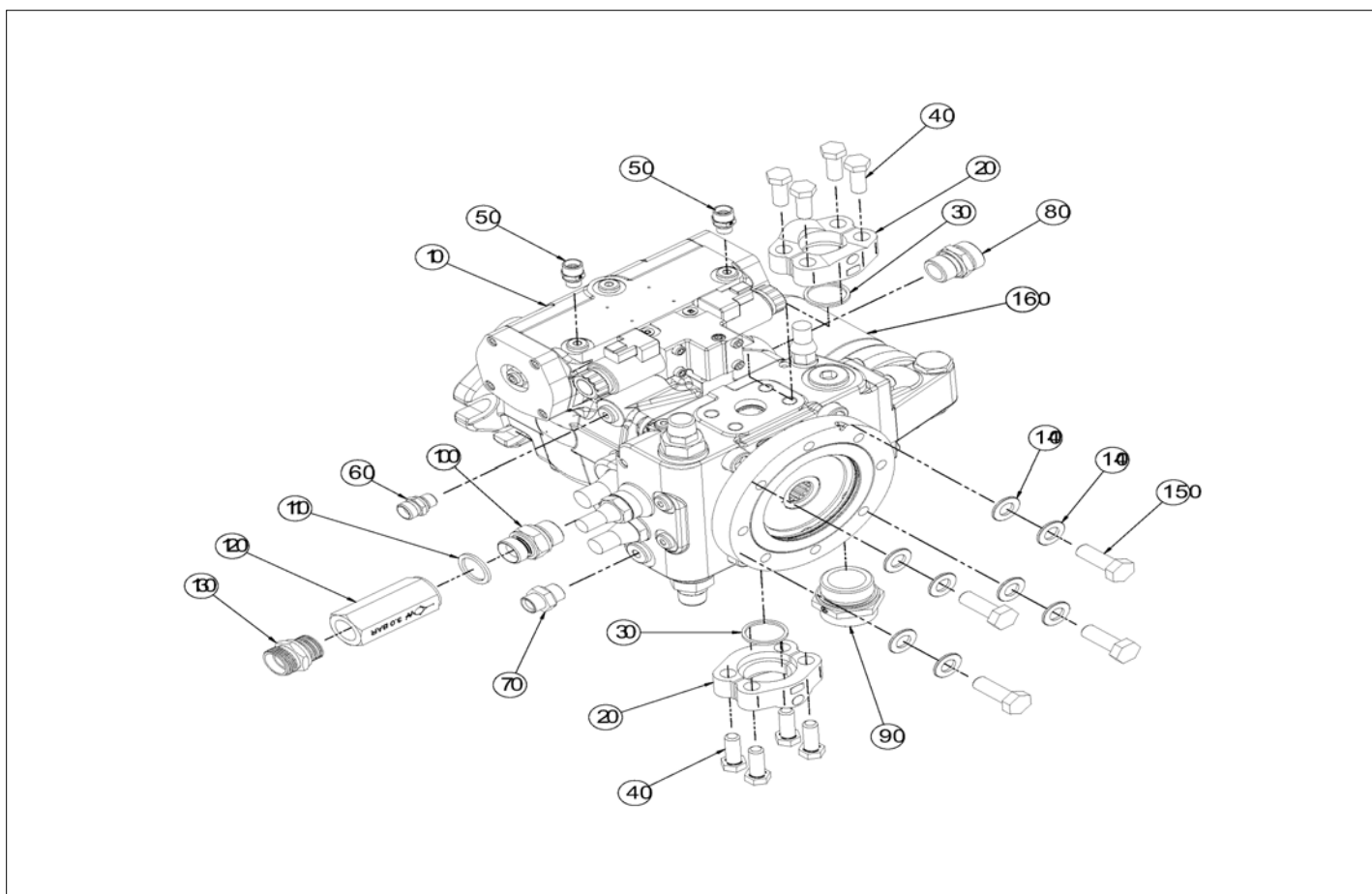
アイテム	部品番号	名前	数量	UOM
	PNNA	COMPENSATION CYLINDER FR04		EA
10	SN F30170055A	COMPENSATION CYLINDER UNIT PAIN.	1	EA
Not Shown	SN 218301730	COMPENSATION CYLINDER GASKET KIT	1	EA
20	SN 542508001	SLEEVE K4 50X60X50	2	EA
30	SN 210051303	TOR.CENT.13/16"ORFS* 1/2"G *13/16"ORFS	1	EA
40	SN 210051301	ADJ. FITTING 90 ° 1/2" * 13/16" O LOK *K*	1	EA
50	SN 550504501	JOINT TERMINAL SKF D50	1	EA

HYDRAULICS



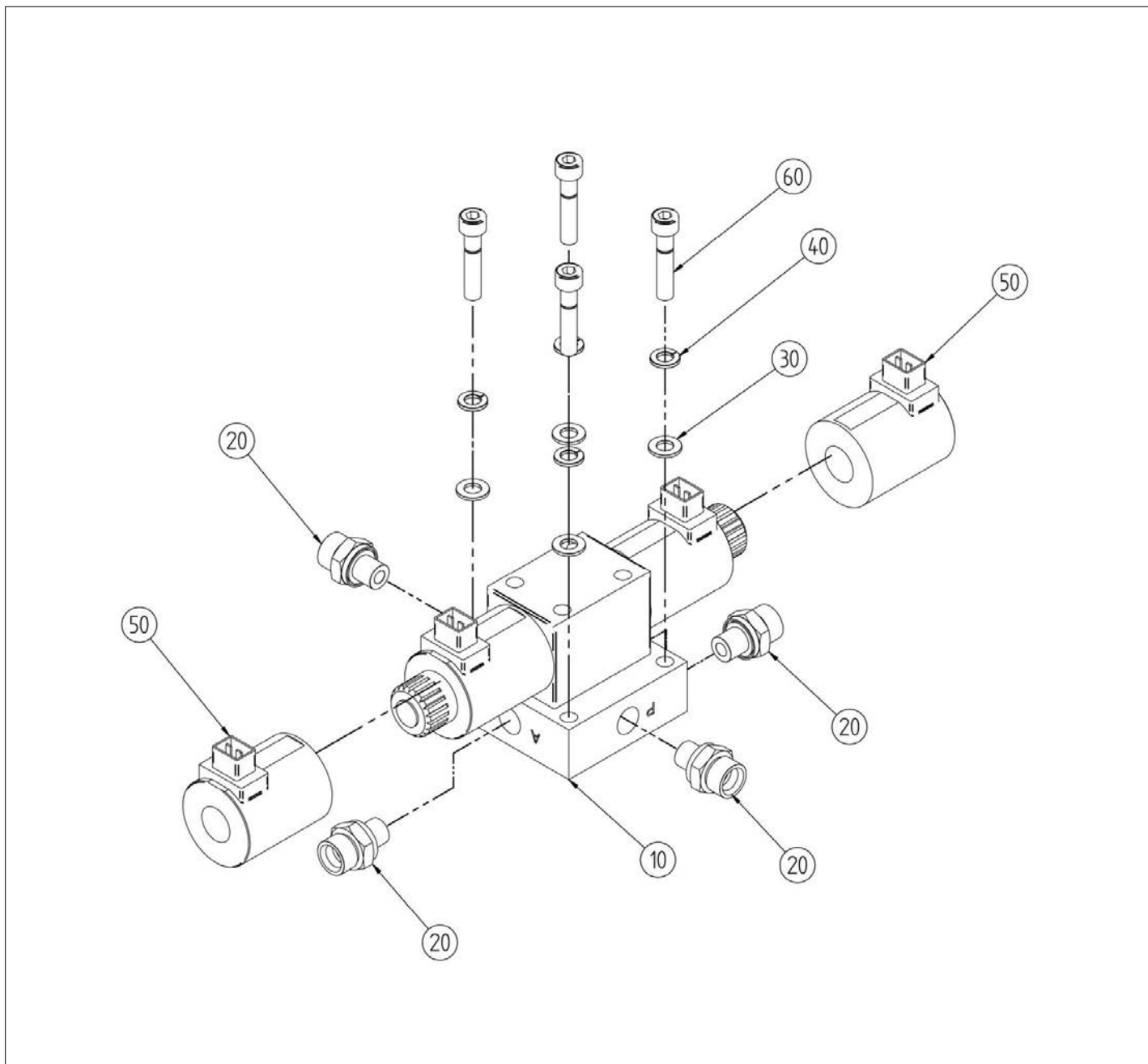
アイテム	部品番号	名前	数量	UOM
	*	TIRE AND WHEEL ASSEMBLY GNM OTR		EA
10	SN TI3002850	HYDROSTATIC ENGINE 160CC BOSCH REXROTH	1	EA
20	SN 635011865	FITTING M22 L M27*2 ISO 6149	1	EA
30	SN 635011866	FITTING M28L M32*2 ISO 6149 IN SEALING END BODY	1	EA
40	SN 218011401	O RING FOR FLANGE 1 1/4" SAE 6000	2	EA
50	SN 635011869	SEMI FLANGE PAIR 1" 1/4 SAE 6000	4	EA
60	SN 208289010	ELBOW WITH SWIVEL NUT L28 EO24 °	1	EA
70	SN 800112045	HEXAGON HEAD SCREW M12x45 DIN933 GALV. IF	8	EA
80	SN 804003016	M16 WASHER DIN125A GALV. 17x30x3	4	EA
90	SN 120165501	HEXAGON HEAD SCREW M16X55 CL 8.8 UNI 5739 GALV.	4	EA

HYDRAULICS



アイテム	部品番号	名前	数量	UOM
	PNNA	MACHINE SCR PAN HD SLOTTED #8 32 UNC X .50 MTS 16, 18		EA
10	SN TI3002650	HYDROSTATIC PUMP 71CC BOSCH REXROTH	1	EA
20	SN 216000101	SEMI FLANGE PAIR SAE 6000 1S	4	EA
30	SN 218000101	O RING FOR FLANGE 1" SAE 6000	2	EA
40	SN 800112035	HEXAGON HEAD SCREW M12x35 DIN933 GALV. IF	8	EA
50	SN 208121003	FITTING M M M12X1,5 L10 ED	2	EA
60	SN 208141200	FITTING M M M14X1,5 L12 ED	1	EA
70	SN 210121800	STRAIGHT FITTING M M M18 L12	1	EA
80	SN 208262200	END BODY M M M26X1.5 22L ED	1	EA
90	SN 208423500	FITTING M M M42X2 L35 ED	1	EA
100	SN 208263400	FITTING M M M26X1,5 3/4G ED	1	EA
110	SN 414026250	3/4" *K* GAS BONDED WASHER	1	EA
120	SN 250003403	ONE WAY VALVE 3 BAR F F 3/4"G REXROTH	1	EA
130	SN 308527950	SEALING END BODY AND 22L * 3/4 GAS *K*	1	EA
140	SN 804003014	M14 WASHER DIN125A GALV. 15.0x28x2.5	8	EA
150	SN 800214040	HEX HEAD SCREW M14X40 CL 10.9 DIN 933 IF	4	EA
160	SN TI2802251	REXROT HYDROSTATIC FILTER CARTRIDGE	1	EA

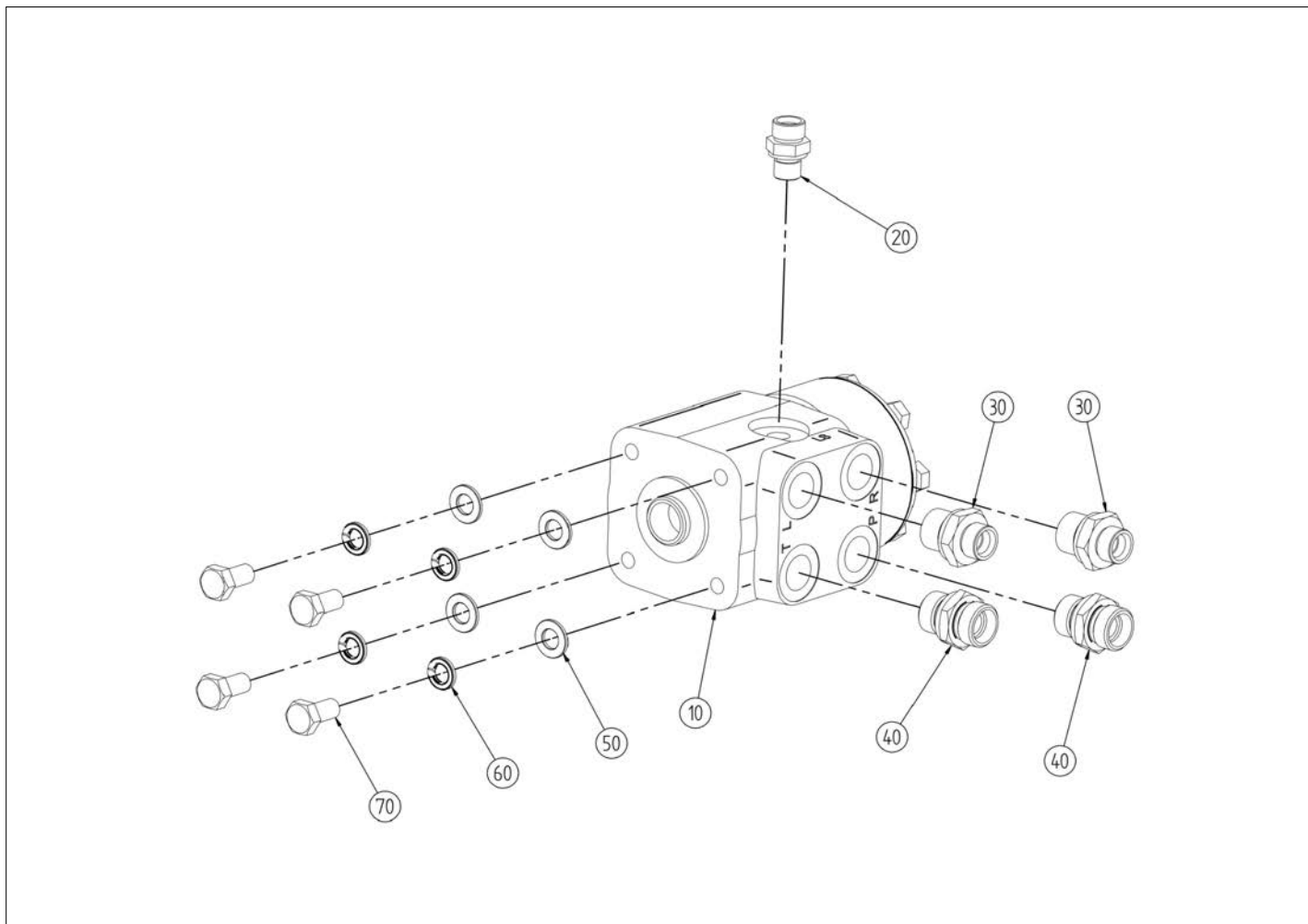
HYDRAULICS



アイテム	部品番号	名前	数量	UOM
	*	TIRE AND WHEEL ASSEMBLY GNM OTR		EA
10	SN 215002001	ELECTRIC STEERING DISTRIBUTOR FT900297B	1	EA
20	SN 609020950	SEALING END 12L * 9/16 18 UNF 2A	4	EA
30	SN 804003008	M8 WASHER DIN125A GALV. 8.4x16x1.6	4	EA
40	SN 804003208	M8 GROWER WASHER UNI7064 GALV.	4	EA
50	SN 366430601	STEERING DISTR. JUNIOR AMP CONNECTOR COIL	2	EA
60	SN 125084001	SOCKET HEAD CAP SCREW M8X40 CL 8.8 UNI 5931 GALV.	4	EA

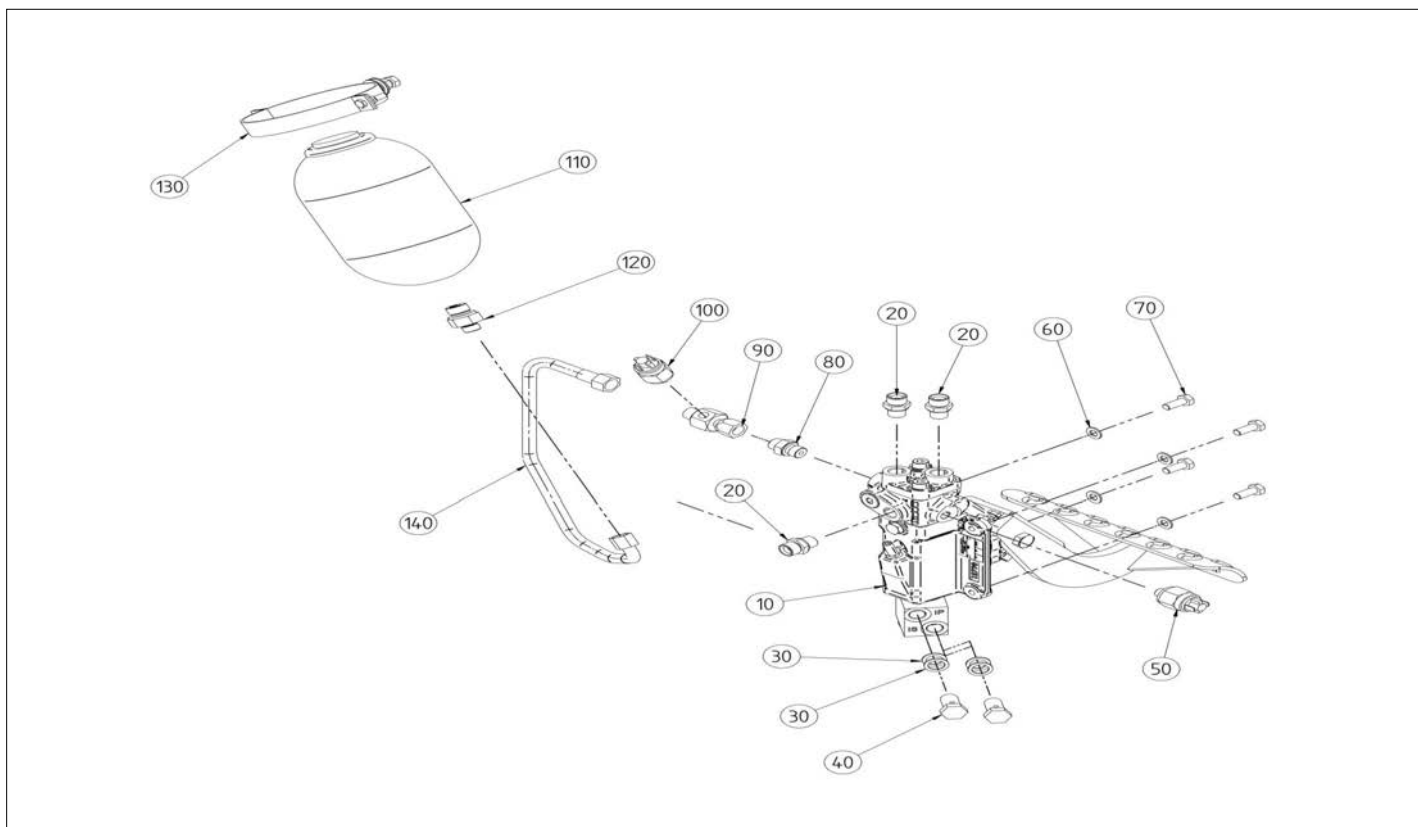


HYDRAULICS



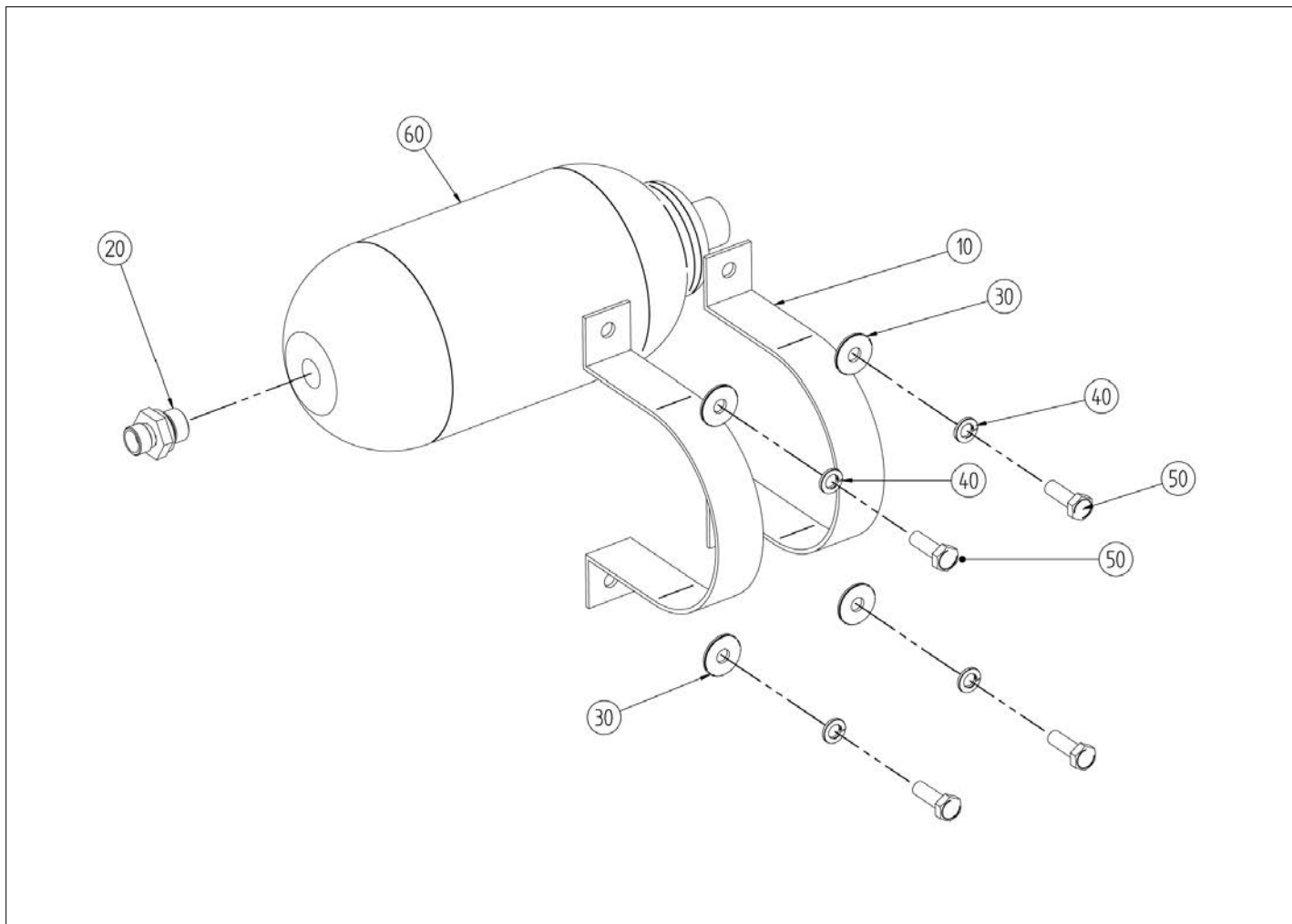
アイテム	部品番号	名前	数量	UOM
	*	TIRE AND WHEEL ASSEMBLY GNM OTR		EA
10	SN 204019001	POWER STEERING UNIT OSPF 160 LS SAUER DANFOSS	1	EA
20	SN 308573150	SEALING END BODY AND 10L * 1/4 GAS *K*	1	EA
30	SN 612041200	SEALING END BODY AND 12L * 1/2 GAS *K*	2	EA
40	SN 308528150	SEALING END BODY AND 15L * 1/2 GAS *K*	2	EA
50	SN 804003010	M10 WASHER DIN125A GALV. 10.5x20x2	4	EA
60	SN 804003210	M10 GROWER WASHER UNI7064 GALV.	4	EA
70	SN 120102001	SCREW M10X20 CL 8.8 UNI 5739 ZN	4	EA

HYDRAULICS



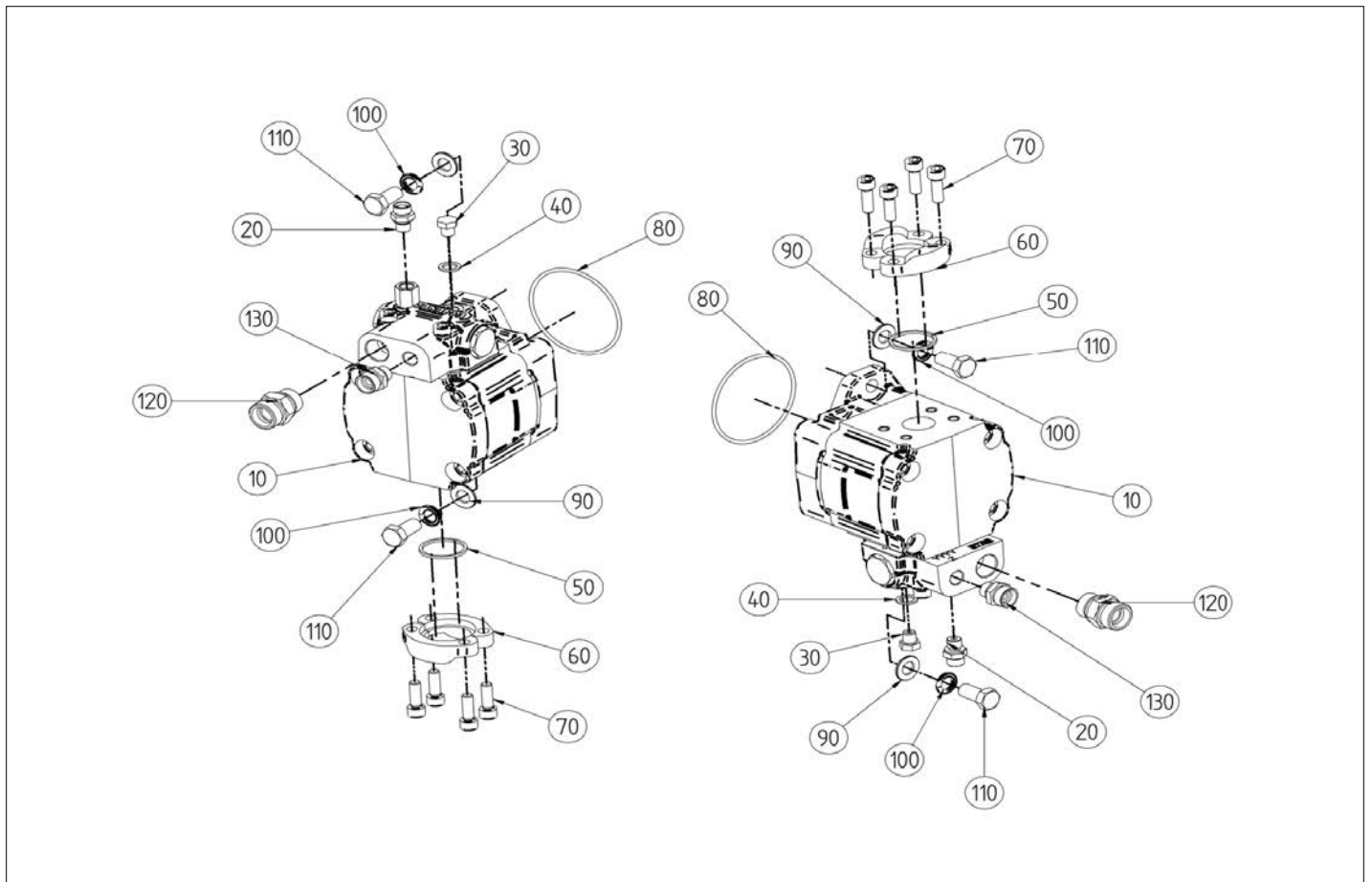
アイテム	部品番号	名前	数量	UOM
	*	TIRE AND WHEEL ASSEMBLY GNM OTR		EA
10	SN TI2800550	SAFIM INCHING BRAKE PEDAL	1	EA
20	SN 609036350	SEALING END BODY 10L * 14X1.5 ISO 6149	3	EA
30	SN 213001402	COPPER WASHER FOR M14	4	EA
40	SN 212141501	METRIC SCREW FOR EYE 14X1.5	2	EA
50	SN 205002001	PRESSURE SWITCH NA20 CALIBRATED 10 BAR	1	EA
60	SN 804003008	M8 WASHER DIN125A GALV. 8.4x16x1.6	4	EA
70	SN 800108020	HEXAGON HEAD SCREW M8x20 DIN933 GALV. IF	4	EA
80	SN 208141501	END FITT. M M 9/16" O LOK *M14X1.5 ED	1	EA
90	SN 220961001	STRAIGHT FITTING M 9/16"ORFS *M10X1* F 9/16"ORFS	1	EA
100	SN 205002601	PRESSURE SWITCH NC 50 CALIBRATED 25	1	EA
110	SN 206001001	AXLE BRAKE ACCUMULATOR 1L 15 BAR FOX H10	1	EA
120	SN 208189601	STRAIGHT FITT. M M18x1.5 M 9/16ORFS	1	EA
130	SN 521000402	CLAMP E/CL 4" BLISTER 2 PC.	1	EA
140	SN 220140401	PIPE M3K 1/4 L420 F90 9/16O F 9/16O	1	EA

HYDRAULICS



アイテム	部品番号	名前	数量	UOM
	*	TIRE AND WHEEL ASSEMBLY GNM OTR		EA
10	SN 521011501	COLLAR CLAMP DIAMETER 115M	2	EA
20	SN 208181510	SEALING END BODY AND 10L * M18X1.5	1	EA
30	SN 804003108	M8 WASHER DIN9021 GALV. 8.4x24x2.0	4	EA
40	SN 804003208	M8 GROWER WASHER UNI7064 GALV.	4	EA
50	SN 120082501	HEXAGON HEAD SCREW M8X25 CL 8.8 UNI 5739 GALV.	4	EA
60	SN 206001501	PARKING BRAKE ACCUMULATOR 25 BAR	1	EA

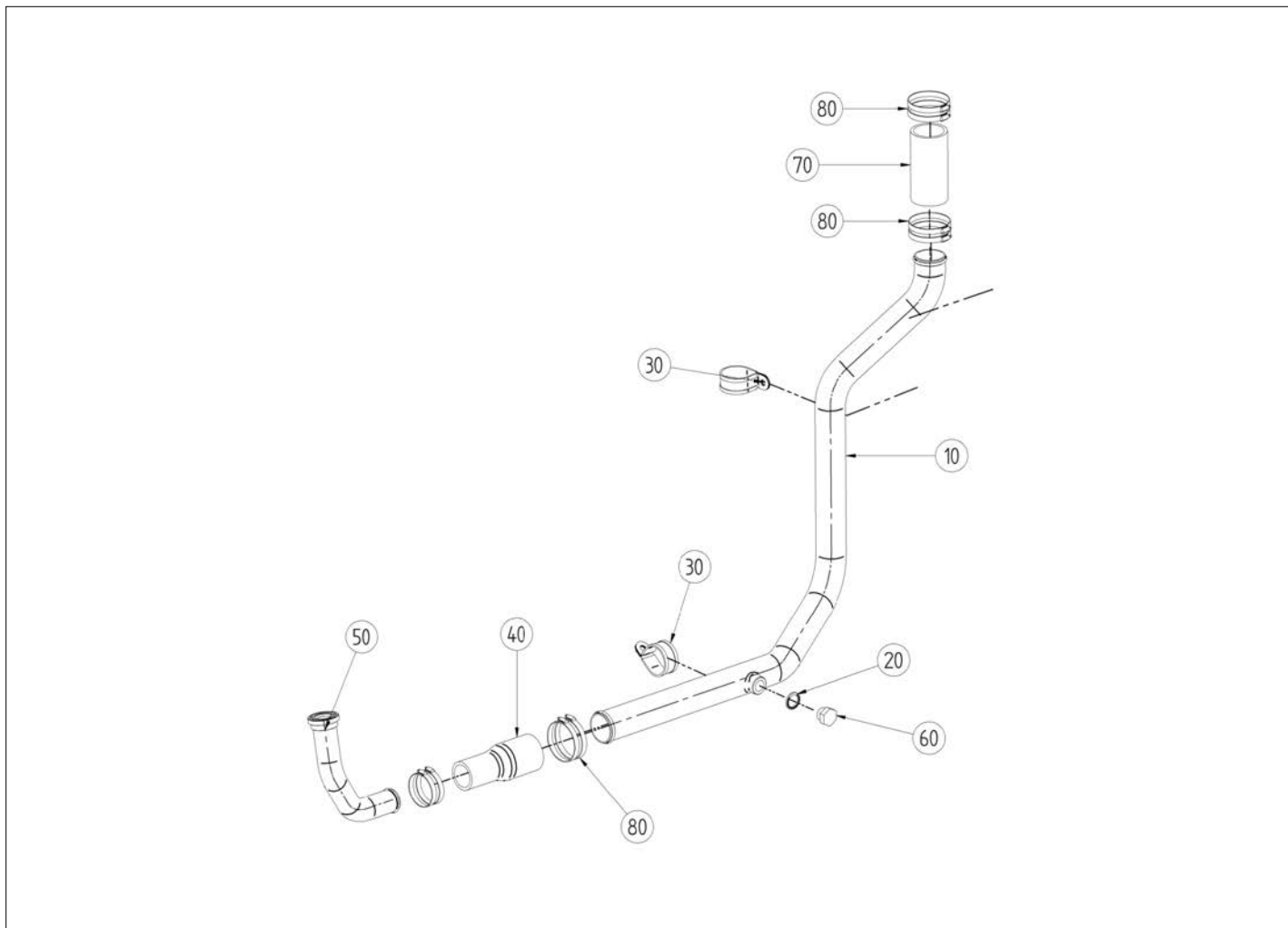
HYDRAULICS



アイテム	部品番号	名前	数量	UOM
	SN T12804750	CASAPPA PUMP 51CC		EA
10	SN TI2804750	CASAPPA PUMP KP30.51 SAE B 15T16/32DP	1	EA
20	SN 308573150	SEALING END BODY AND 10L * 1/4 GAS *K*	1	EA
30	SN 308503550	1/4" COUNTERSUNK MALE GAS CAP 60 ° *K*	1	EA
40	SN 414025950	1/4" *K* GAS BONDED WASHER	1	EA
50	SN 218011401	O RING FOR FLANGE 1 1/4" SAE 6000	1	EA
60	SN 216141401	SEMI FLANGE PAIR SAE 3000 1.1/4" *K*	2	EA
70	SN 125103001	SOCKET HEAD CAP SCREW M10X30 CL 12.9 GALV.	4	EA
80	SN 607201204	O RING FOR PTO DEUTZ	1	EA
90	SN 804003014	M14 WASHER DIN125A GALV. 15.0x28x2.5	2	EA
100	SN 804003214	M14 GROWER WASHER UNI7064 GALV.	2	EA
110	SN 800114030	HEXAGON HEAD SCREW M14x30 DIN933 GALV. IF	2	EA
120	SN 212342002	STRAIGHT FITTING M M 3/4"G S20 ED	1	EA
130	SN 308528350	SEALING END BODY ED 15L * 3/8 GAS *K*	1	EA

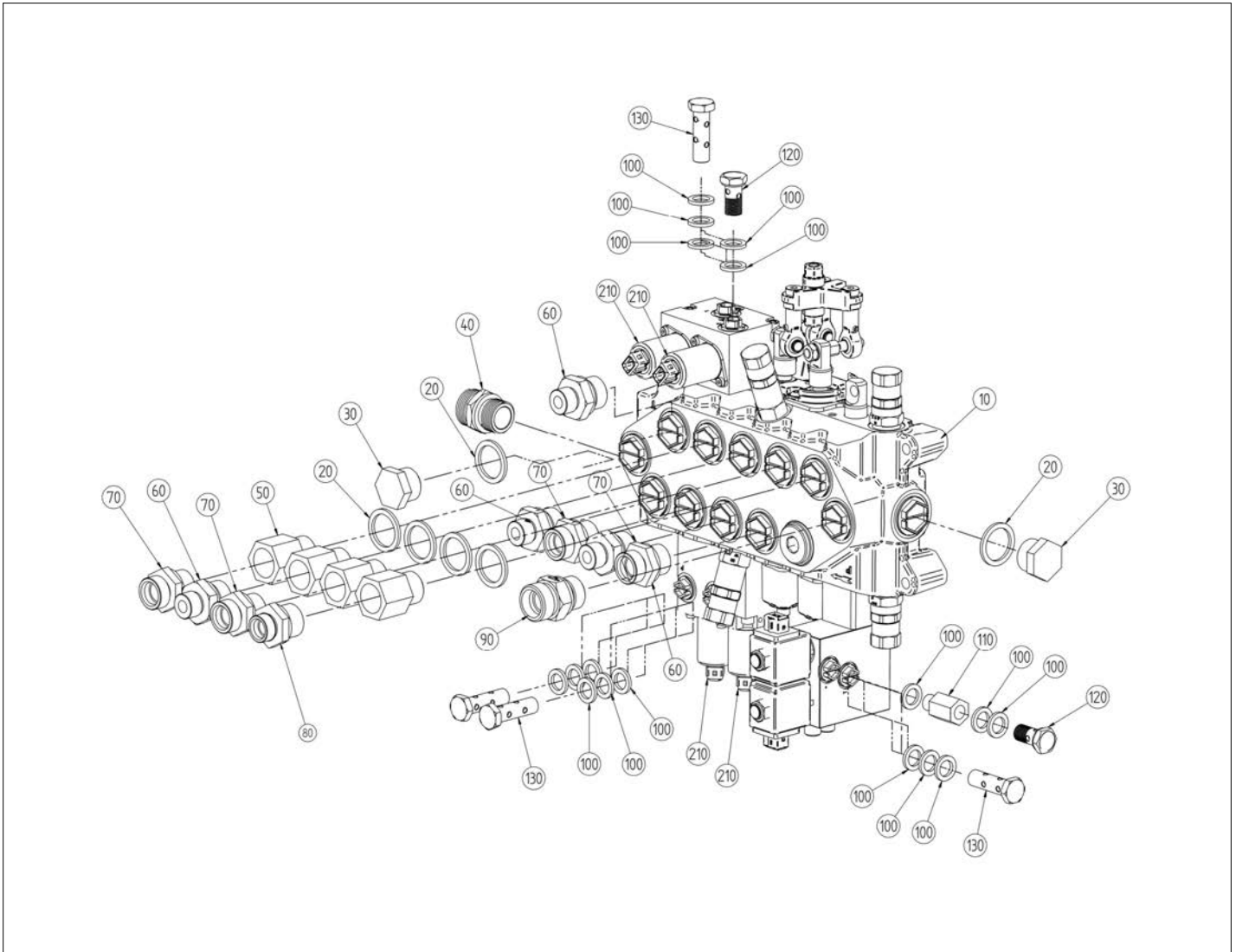


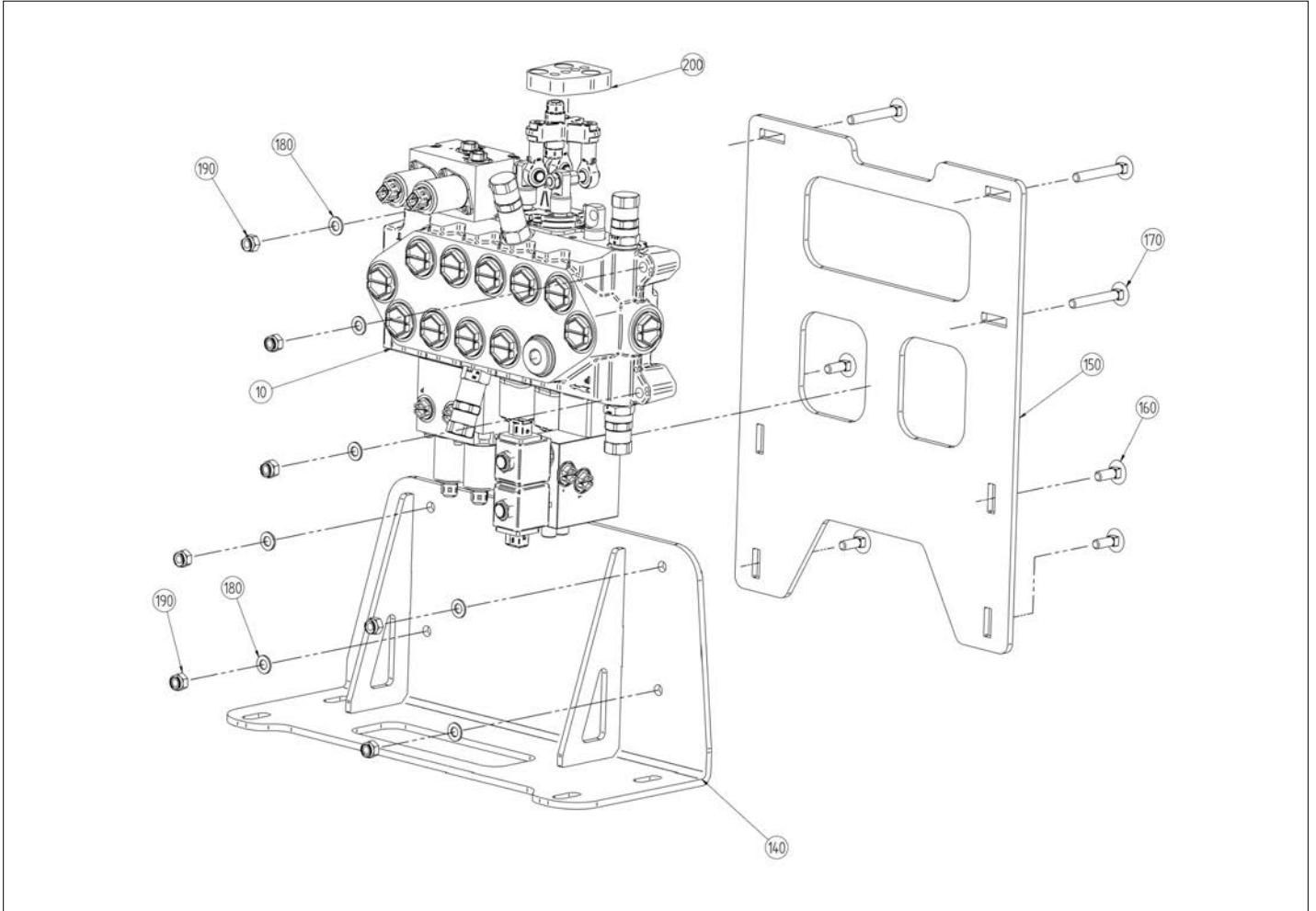
HYDRAULICS



アイテム	部品番号	名前	数量	UOM
	PNNA	HYDRAULIC SERVICE PUMP ITAKE CAPAPPA PUMP 51CC		EA
10	SN TI3000750	RIGID Ø50 SERVICE SUCTION PIPE	1	EA
20	SN 414026150	1/2" *K* GAS BONDED WASHER	1	EA
30	SN 521501001	HOSE CLAMP NORMA WURTH 054250	2	EA
40	SN 224385100	STRAIGHT REDUCER PR ØI=51/38 L=150	1	EA
50	SN TI2805350	FLANGED PIPE ASP. CASAPPA 51CC PUMP	1	EA
60	SN 212000501	1/2" COUNTERSUNK MALE GAS CAP 60 ° *K*	1	EA
70	SN 609077015	RADIATOR WATER PIPE SMOOTH INSIDE AND OUTSIDE	1	EA
80	SN 805007050	BELT CLAMP 50 65	6	EA
90	SN 805007044	CLAMP ABA 44 56	2	EA

HYDRAULICS

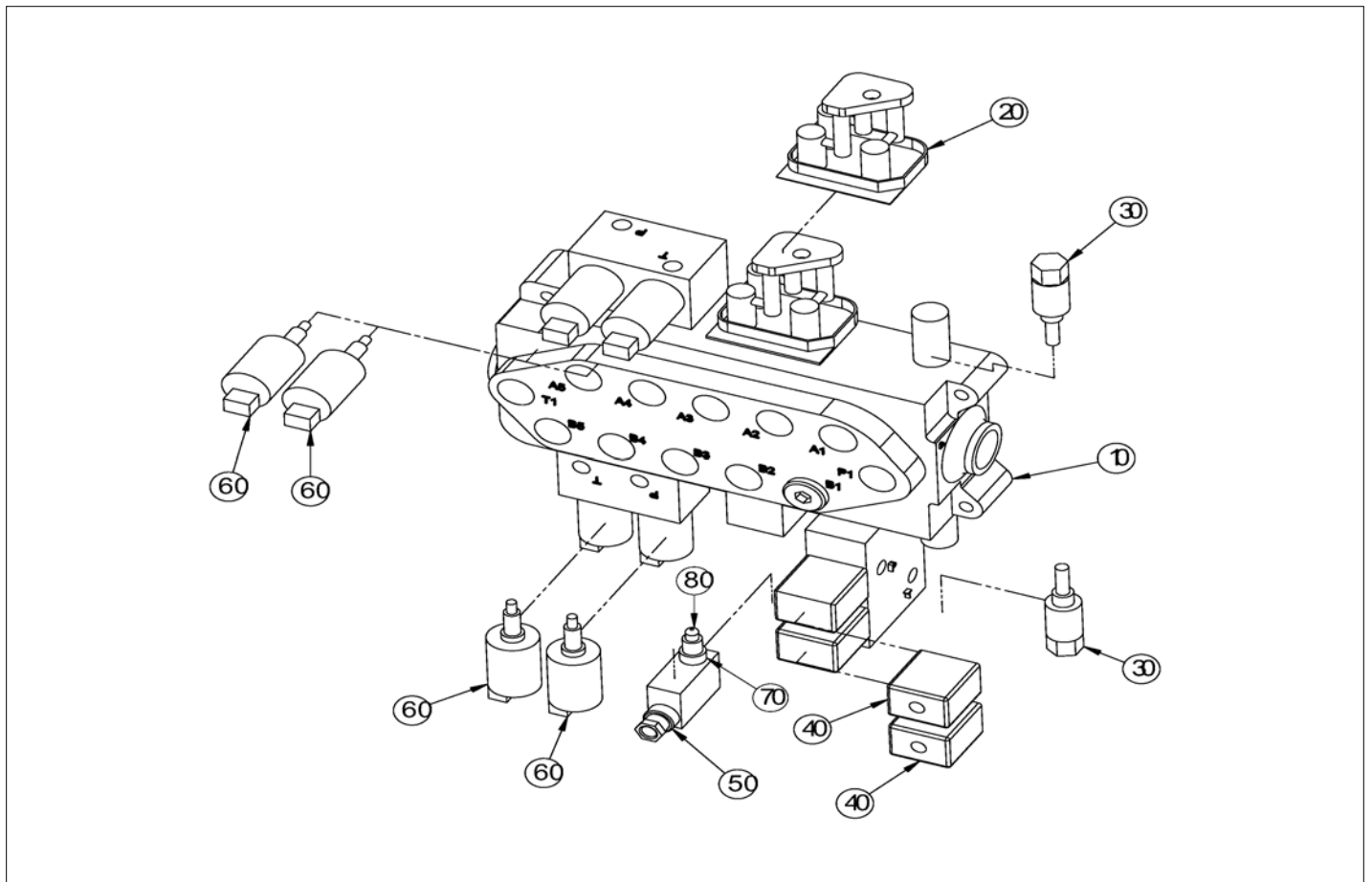




アイテム	部品番号	名前	数量	UOM
	PNNA	DISTRIBUTION DN85 FR04		EA
10	SN 215301708	PROPORTIONAL EXTENSION DISTRIBUTOR DN85/5	1	EA
20	SN 414026250	3/4" *K* GAS BONDED WASHER	6	EA
30	SN 308428950	3/4" MALE CAP NTMGG12	2	EA
40	SN 308527950	SEALING END BODY AND 22L * 3/4 GAS *K*	1	EA
50	SN 212343001	COLUMN FITT. 3/4 L30	4	EA
60	SN 209341303	STRAIGHT FITT. M 3/4BSP M 13/16ORFS	4	EA
70	SN 612041500	FITTING M M M 3/4" G L18	4	EA
80	SN 612041300	SEALING END ED 15L * 3/4 GAS *K*	1	EA
90	SN 212342002	STRAIGHT FITTING M M 3/4"G S20 ED	1	EA
100	SN 213001401	1/4" BONDED WASHER	17	EA
110	SN 211142001	EXTENSION M GAS F GAS 1/4" * 1/4" H=25	1	EA
120	SN 512014950	SCREW FOR EYE GAS 1/4" H=25 *K*	2	EA
130	SN 512039050	DOUBLE SCREW FOR EYE GAS 1/4" *K*	4	EA
140	SN T30193450	DISTRIBUTOR SUPP. PLATE DN85 ON FR02	1	EA
150	SN T28055450	DN85 DISTRIBUTOR BRACKET	1	EA
160	SN 803108025	ROUND HEAD SQUARE NECK SCREW M8x25 DIN603 GALV.	4	EA
170	SN 803108060	ROUND HEAD SQUARE NECK SCREW M8X60 CL8.8 DIN 603 GALV.	3	EA
180	SN 804003008	M8 WASHER DIN125A GALV. 8.4x16x1.6	7	EA
190	SN 804002008	SELF LOCKING NUT M8 GALV. HIGH DIN982	7	EA
200	SN T24018850	JOYSTICK CENTRING PLATE	1	EA

アイテム	部品番号	名前	数量	UOM
210	SN 215301754	PROPORTIONAL ELECTROVALVE DN85	4	EA

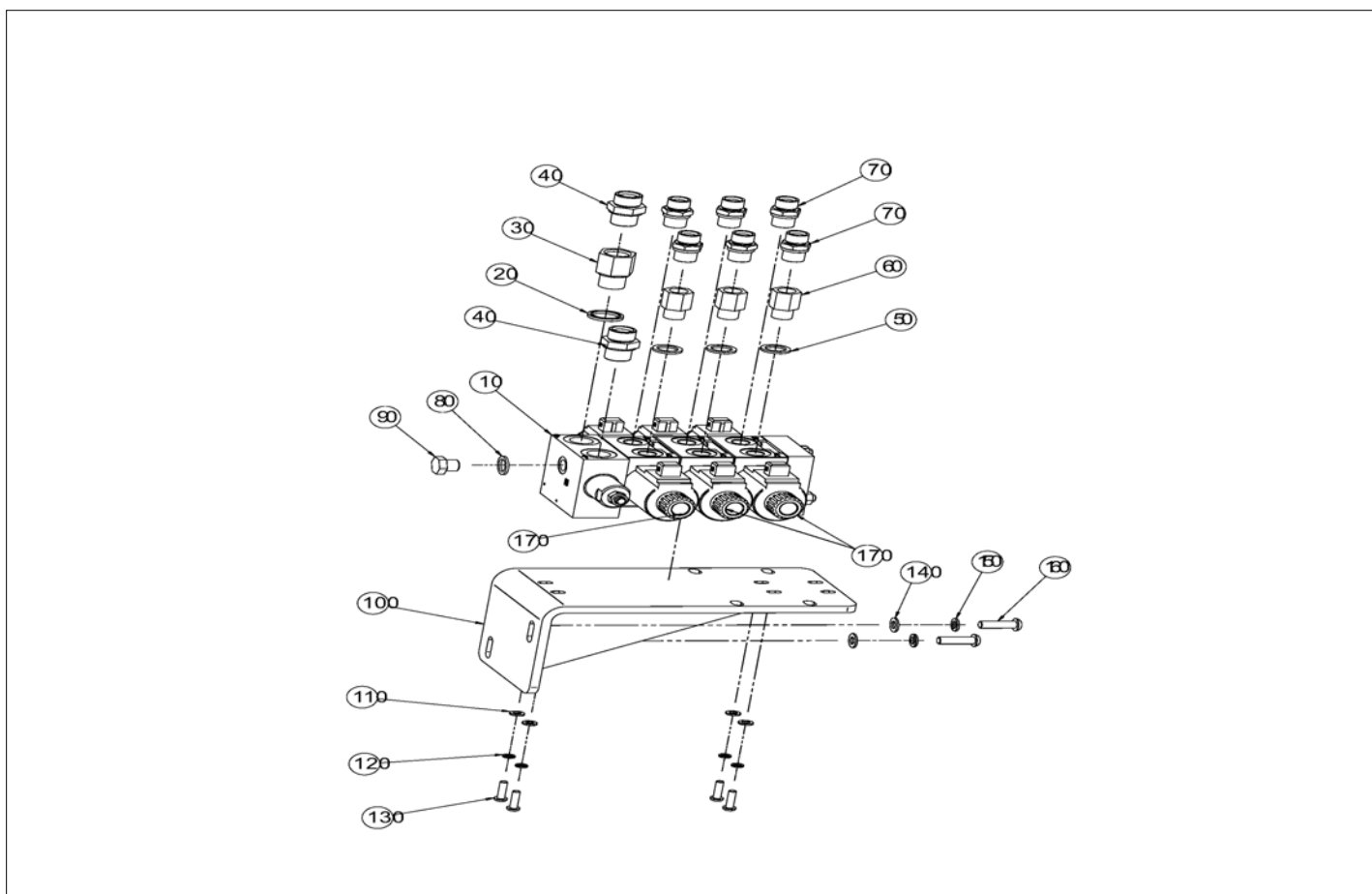
HYDRAULICS



アイテム	部品番号	名前	数量	UOM
	PNNA	PROPORTIONA EXTENSION DISTRIBUTION DN85 5 FR00 VERSION 2		EA
10	SN 215301708	PROPORTIONAL EXTENSION DISTRIBUTOR DN85/5	1	EA
Not Shown	SN 215301707	SEAL KIT FOR DISTRIBUTOR DN85 ON/OFF	1	EA
Not Shown	SN 215301755	SHUTTLE C.3 PER DN85 70 100 L/MIN	2	EA
Not Shown	SN 215301757	SHUTTLE DN85	2	EA
20	SN 215301761	MANIPULATOR OPERATION DN85 215301708	1	EA
30	SN 215301706	VALVE CARTRIDGE OF MAXIMUM VMP	2	EA
40	SN 366062801	DISTRIBUTOR COIL DN85 FULLY ELECTRIC	2	EA
50	SN 320001001	MANUAL DINOIL DISTRIBUTOR MICRO	1	EA
60	SN 215301754	PROPORTIONAL ELECTROVALVE DN85	4	EA
70	SN 215301759	OR DF2, 62 DI1, NBR SH	2	EA
80	SN 215301756	POS.KIT A HYDRAULIC ELECTRO ATTACK A	1	EA

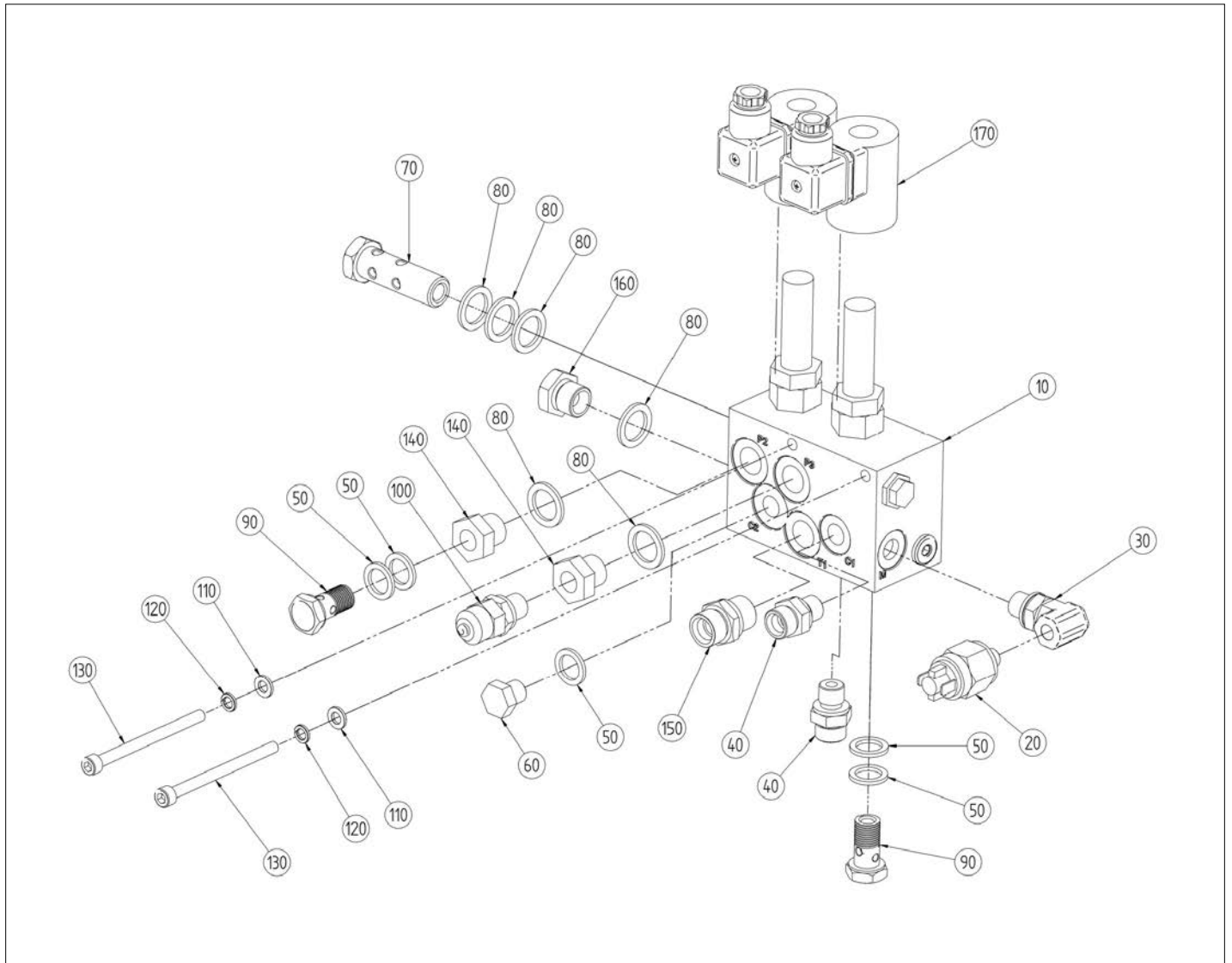


HYDRAULICS



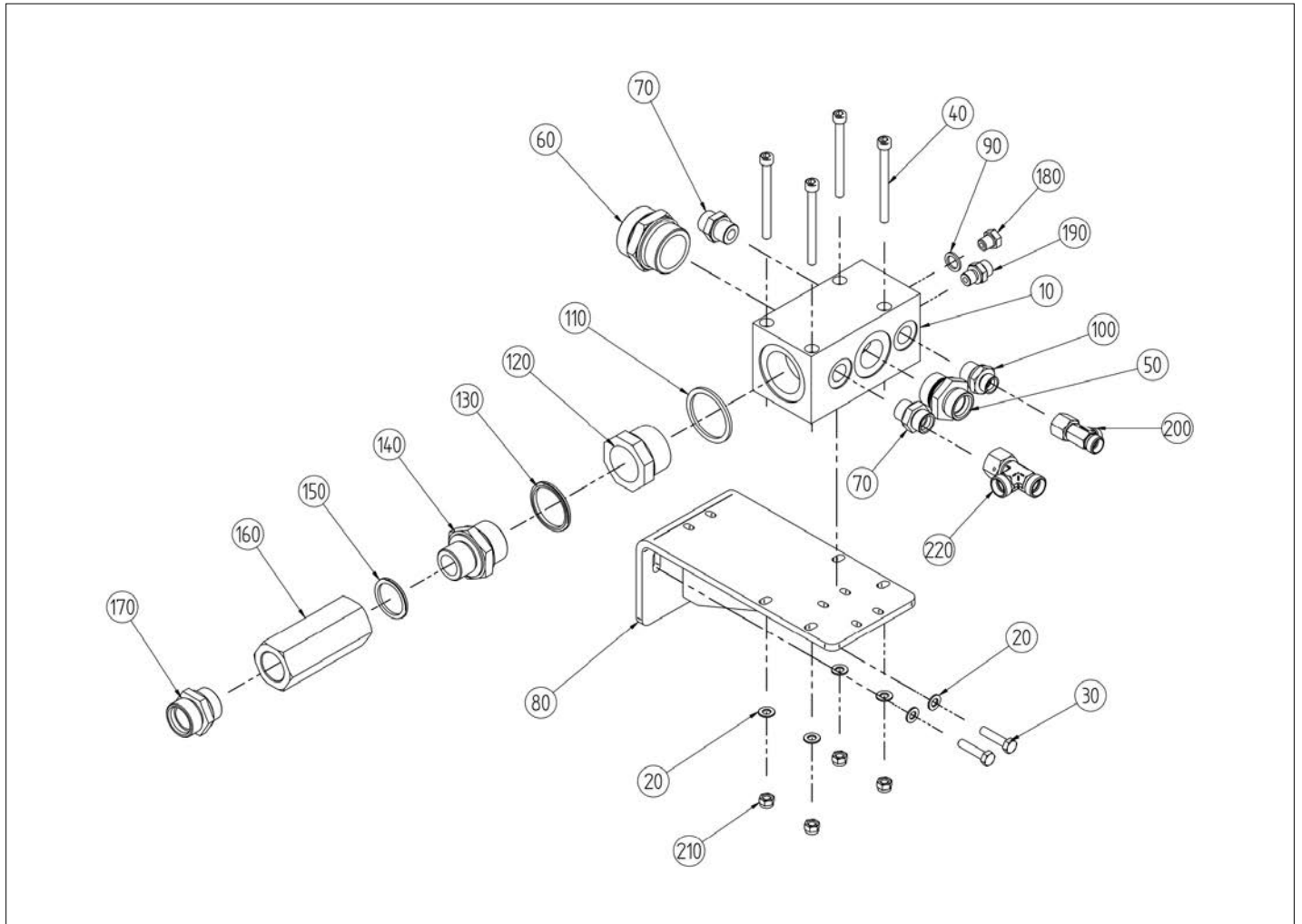
アイテム	部品番号	名前	数量	UOM
	PNNA	FR04 DISTRIBUTOR		EA
10	SN 215500302	ELECTRO.DISTRIB. WITH 3 ELEM. 50L 300BAR NEW	1	EA
20	SN 414026150	1/2" *K* GAS BONDED WASHER	1	EA
30	SN 308494650	STRUT 1/2" M/F L=25	1	EA
40	SN 308528150	SEALING END BODY AND 15L * 1/2 GAS *K*	2	EA
50	SN 414026050	3/8" *K* GAS BONDED WASHER	3	EA
60	SN 212382501	EXTENSION M GAS F GAS 3/8" * 3/8" H=20	3	EA
70	SN 308528250	SEALING END BODY AND 12L * 3/8 GAS *K*	6	EA
80	SN 414025950	1/4" *K* GAS BONDED WASHER	1	EA
90	SN 308503550	1/4" COUNTERSUNK MALE GAS CAP 60 ° *K*	1	EA
100	SN T30185050	SUPPORT FOR HYDRAULICDISCHARGE MANIFOLD	1	EA
110	SN 804003006	M6 WASHER DIN125A GALV. 6.4x12x1.6	4	EA
120	SN 804003206	M6 GROWER WASHER UNI7064 GALV. 6.1x11.8x3.2	4	EA
130	SN 122062001	HEX SOCKET SCREW M6X20 CL 10.9 UNI 7380 GALV.	4	EA
140	SN 804003008	M8 WASHER DIN125A GALV. 8.4x16x1.6	2	EA
150	SN 804003208	M8 GROWER WASHER UNI7064 GALV.	2	EA
160	SN 122083001	HEX SOCKET SCREW M8X30 CL 10.9 UNI 7380 GALV	2	EA
170	SN 215500351	271 041712 COIL C45 03 AD 13DC 31W H	6	EA

HYDRAULICS



アイテム	部品番号	名前	数量	UOM
	PNNA	DISTRIBUTOR DN85 FR02		EA
10	SN 225250601	STEERING BLOCK FRSN 29	1	EA
20	SN 205002601	PRESSURE SWITCH NC 50 CALIBRATED 25	1	EA
30	SN 208101401	FITTING 90 ° M 1/4" BSP ORIEN F 10X1 *K*	1	EA
40	SN 308573150	SEALING END BODY AND 10L * 1/4 GAS *K*	2	EA
50	SN 414025950	1/4" *K* GAS BONDED WASHER	5	EA
60	SN 308503550	1/4" COUNTERSUNK MALE GAS CAP 60 ° *K*	1	EA
70	SN 212383802	DOUBLE SCREW FOR EYE GAS 3/8" *K*	1	EA
80	SN 414026050	3/8" *K* GAS BONDED WASHER	6	EA
90	SN 512014950	SCREW FOR EYE GAS 1/4" H=25 *K*	2	EA
100	SN 228001401	PRESSURE CONNECTION 1 4	1	EA
110	SN 804003006	M6 WASHER DIN125A GALV. 6.4x12x1.6	2	EA
120	SN 804003206	M6 GROWER WASHER UNI7064 GALV. 6.1x11.8x3.2	2	EA
130	SN 125068001	SOCKET HEAD CAP SCREW M6X80 CL 8.8 UNI 5931 GALV.	2	EA
140	SN 209143801	REDUCTION M F GAS 3/8" * 1/4"	2	EA
150	SN 308528250	SEALING END BODY AND 12L * 3/8 GAS *K*	1	EA
160	SN 308503650	3/8" COUNTERSUNK MALE GAS CAP 60 ° *K*	1	EA
170	SN 366270101	COIL BT/CS 12VCC	2	EA

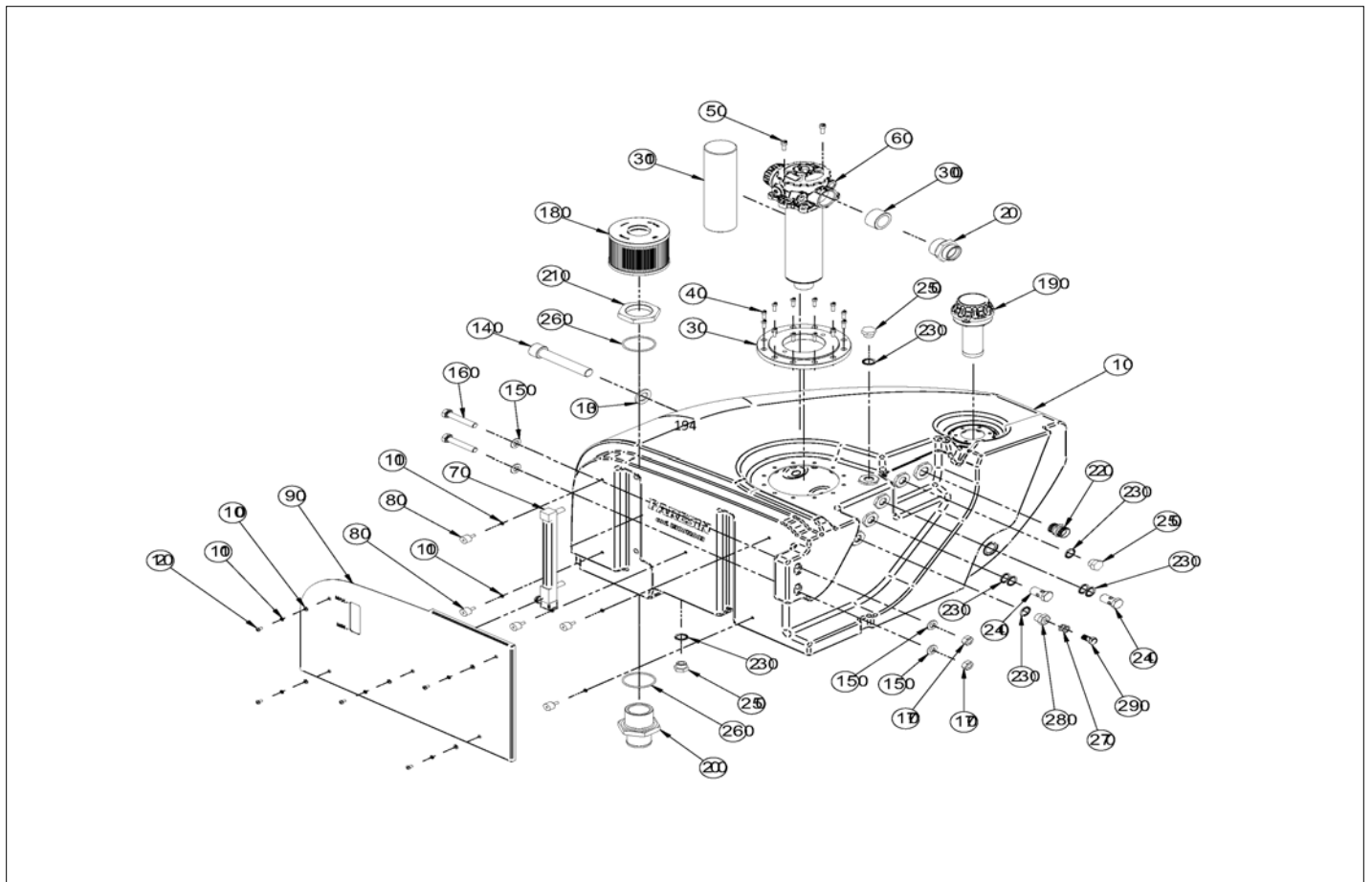
HYDRAULICS



アイテム	部品番号	名前	数量	UOM
	PNNA	DRAIN HYDRAULIC MANIFOLD		EA
10	SN TI2801450	HYDRAULIC EXHAUST MANIFOLD	1	EA
20	SN 804003008	M8 WASHER DIN125A GALV. 8.4x16x1.6	6	EA
30	SN 800108035	HEXAGON HEAD SCREW M8x35 DIN933 GALV. IF	2	EA
40	SN 800508901	SOCKET HEAD CAP SCREW M8x90 DIN 912 ZN	4	EA
50	SN 513009050	SEALING END BODY ED 22L * 1" GAS	1	EA
60	SN 212112420	STRAIGHT FITTING M M 1 1/2G L42	1	EA
70	SN 308528150	SEALING END BODY AND 15L * 1/2 GAS *K*	2	EA
80	SN T30185050	SUPPORT FOR HYDRAULICDISCHARGE MANIFOLD	1	EA
90	SN 414025950	1/4" *K* GAS BONDED WASHER	3	EA
100	SN 612041200	SEALING END BODY AND 12L * 1/2 GAS *K*	1	EA
110	SN 414026550	1+1/2" BONDED WASHER	1	EA
120	SN 212121402	REDUCTION M F GAS 1.1/2" * 1.1/4"	1	EA
130	SN 414026450	1+1/4" *K* GAS BONDED WASHER	1	EA
140	SN 308411850	FITTING M M 1" 1"1/4 FILTER RETERN	1	EA
150	SN 414026350	1" BONDED WASHER	1	EA
160	SN 628029350	NON RETURN VALVE 1" 0.5 BAR	1	EA
170	SN 308528050	SEALING END BODY AND 28L * 1" GAS *K*	1	EA
180	SN 308503550	1/4" COUNTERSUNK MALE GAS CAP 60 ° *K*	1	EA
190	SN 512014950	SCREW FOR EYE GAS 1/4" H=25 *K*	1	EA

アイテム	部品番号	名前	数量	UOM
200	SN 618004250	CASING "T" EO F(DKOL) M M 12L *K*	1	EA
210	SN 804002008	SELF LOCKING NUT M8 GALV. HIGH DIN982	4	EA
220	SN 208150001	T SHAPED BODY EO F.O. M M 15L	1	EA

HYDRAULICS

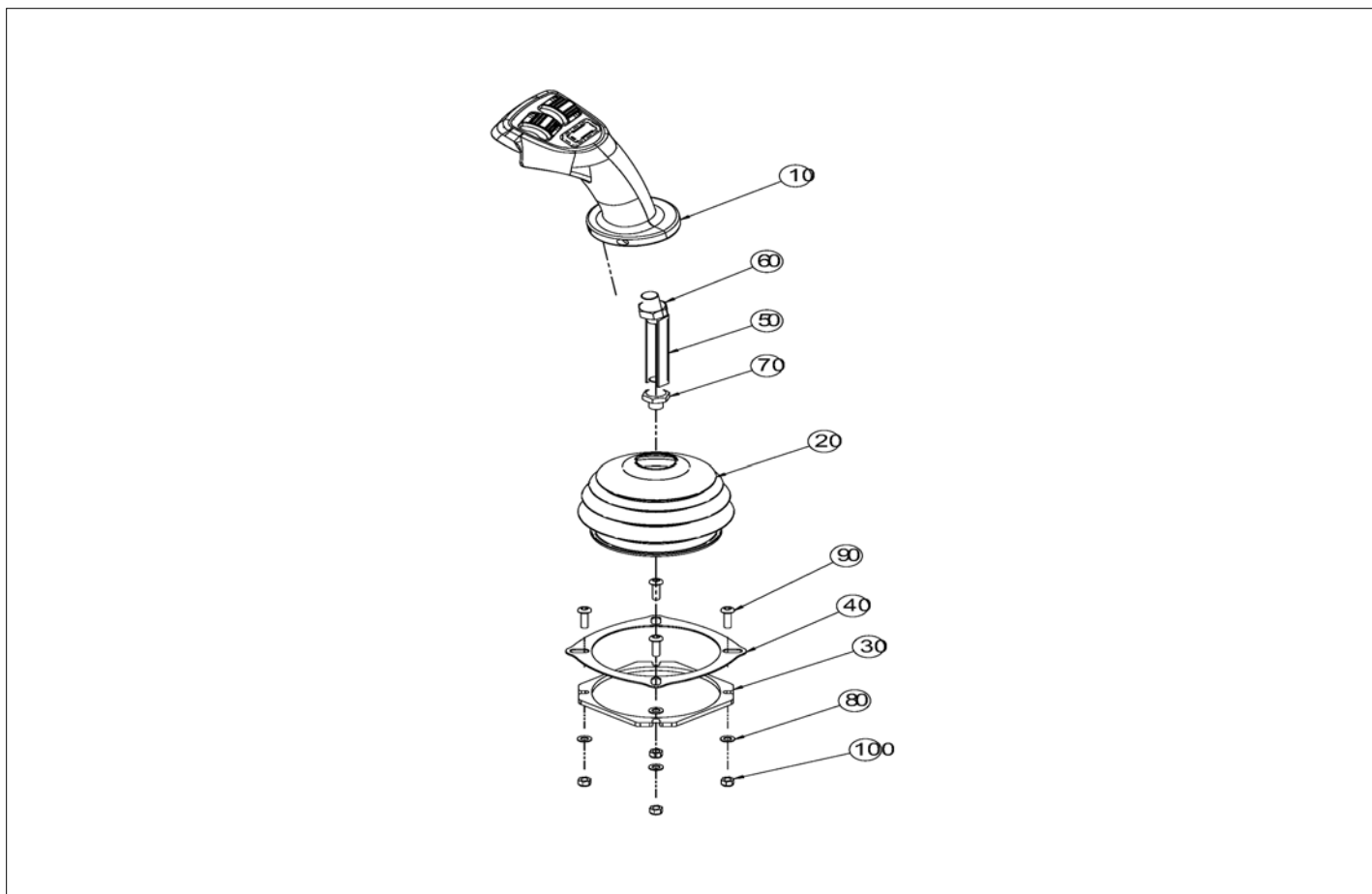




アイテム	部品番号	名前	数量	UOM
Not Shown	PNNA	OIL TANK ASSEMBLY		EA
10	"SN 230012003	null	1	EA
20	SN 212112350	STRAIGHT FITTING M M 1'1/2G L35	1	EA
30	SN T28062450	OIL FILTER FLANGE DONALDSON FIS200	1	EA
40	SN 125062001	SOCKET HEAD CAP SCREW M6X20 CL 8.8 UNI 5931 GALV.	12	EA
50	SN 125082001	SOCKET HEAD CAP SCREW M8X20 CL 8.8 UNI 5931 GALV.	2	EA
60	SN 308539160	OIL FILTER DONALDSON FIS200	1	EA
70	SN 240004001	VISUAL OIL LEVEL INDICATOR	1	EA
80	SN 609076750	VIBRATION DAMPER 25X20 M M6X18 60SH F M6	5	EA
90	SN T28064850	OIL TANK PROTECTION CASING	1	EA
100	SN 804003006	M6 WASHER DIN125A GALV. 6.4x12x1.6	5	EA
110	SN 804003206	M6 GROWER WASHER UNI7064 GALV. 6.1x11.8x3.2	10	EA
120	SN 122061001	HEX SOCKET SCREW M6X10 CL 10.9 UNI 7380 GALV.	5	EA
130	SN 804003024	WASHER M24 DIN125A ZN 25.0x44x4.0	1	EA
140	SN 125241401	SOCKET HEAD CAP SCREW M24X140 CL 8.8 UNI 5931 GALV.	1	EA
150	SN 130140001	FLAT WASHER M14 GALV.	4	EA
160	SN 120148001	HEXAGON HEAD SCREW M14 X 80	2	EA
170	SN 101141001	NUT M14 GALV. DIN934	2	EA
180	SN 308539180	OIL FILTER 2" 180 L/MIN M90/H130	1	EA
190	SN 231010010	HYDRAULIC OIL TANK FILLER CAP	1	EA
200	SN TI2801250	HOSE CONNECTOR 2" OIL TANK INTAKE	1	EA

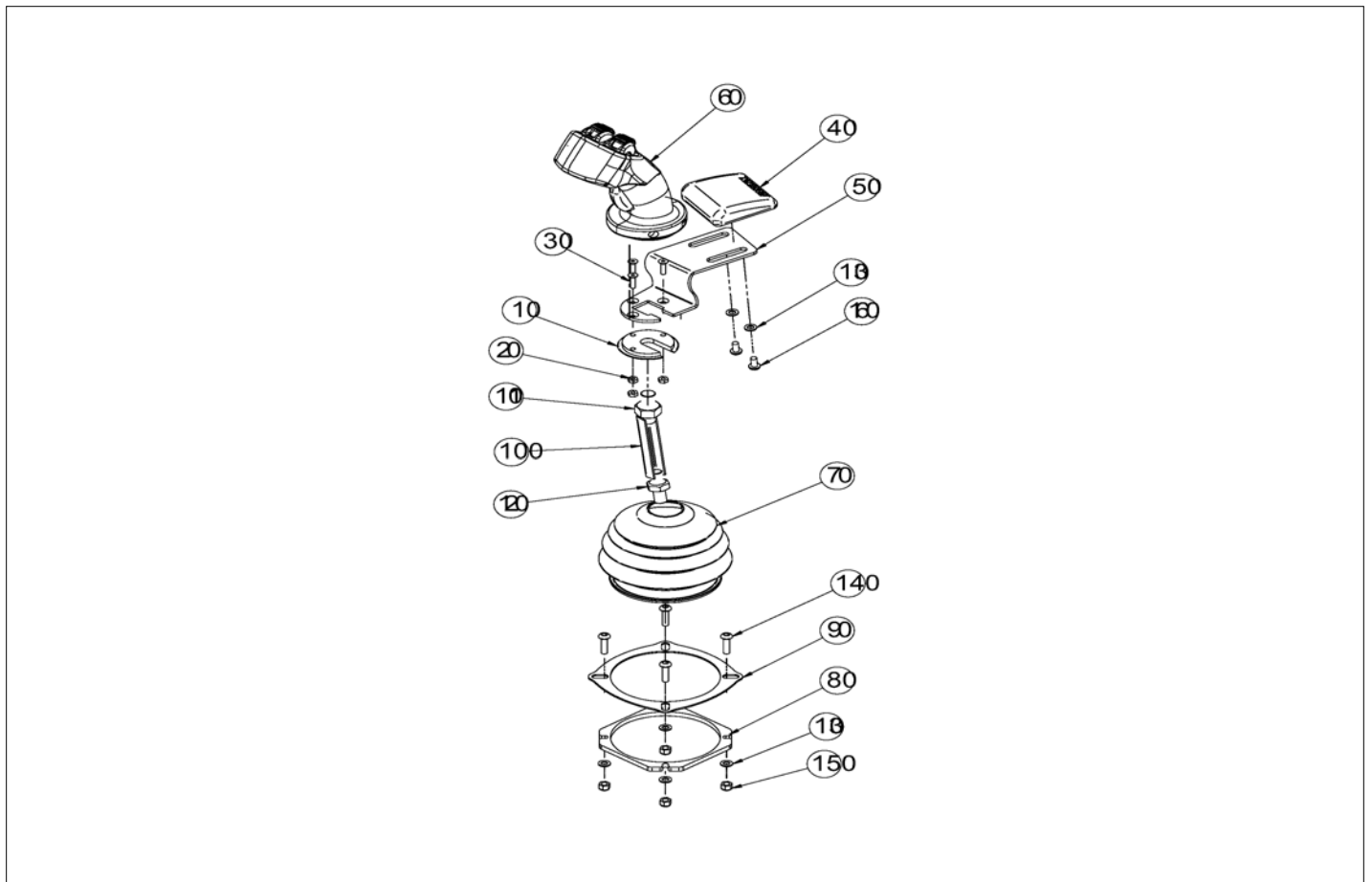
アイテム	部品番号	名前	数量	UOM
210	SN TI2802150	SLEEVE LOCKING RING NUT G2"	1	EA
220	SN 308527950	SEALING END BODY AND 22L * 3/4 GAS *K*	1	EA
230	SN 414026150	1/2" *K* GAS BONDED WASHER	8	EA
240	SN 308419850	SCREW FOR EYE GAS 1/2" *K*	2	EA
250	SN 212000501	1/2" COUNTERSUNK MALE GAS CAP 60 ° *K*	3	EA
260	SN 218353651	O RING NBR70 S=3.53MM ØINT=65.1MM	2	EA
270	SN 414025950	1/4" *K* GAS BONDED WASHER	2	EA
280	SN 308553050	REDUCTION FITTING M/F 1/2"G A 1/4"G	1	EA
290	SN 512014950	SCREW FOR EYE GAS 1/4" H=25 *K*	1	EA
300	SN 308539162	OIL FILTER AIR VENT CARTRIDGE FIS200	1	EA
310	SN 308539161	OIL FILTER CARTRIDGE DONALDSON FIS200	1	EA

ELECTRICAL



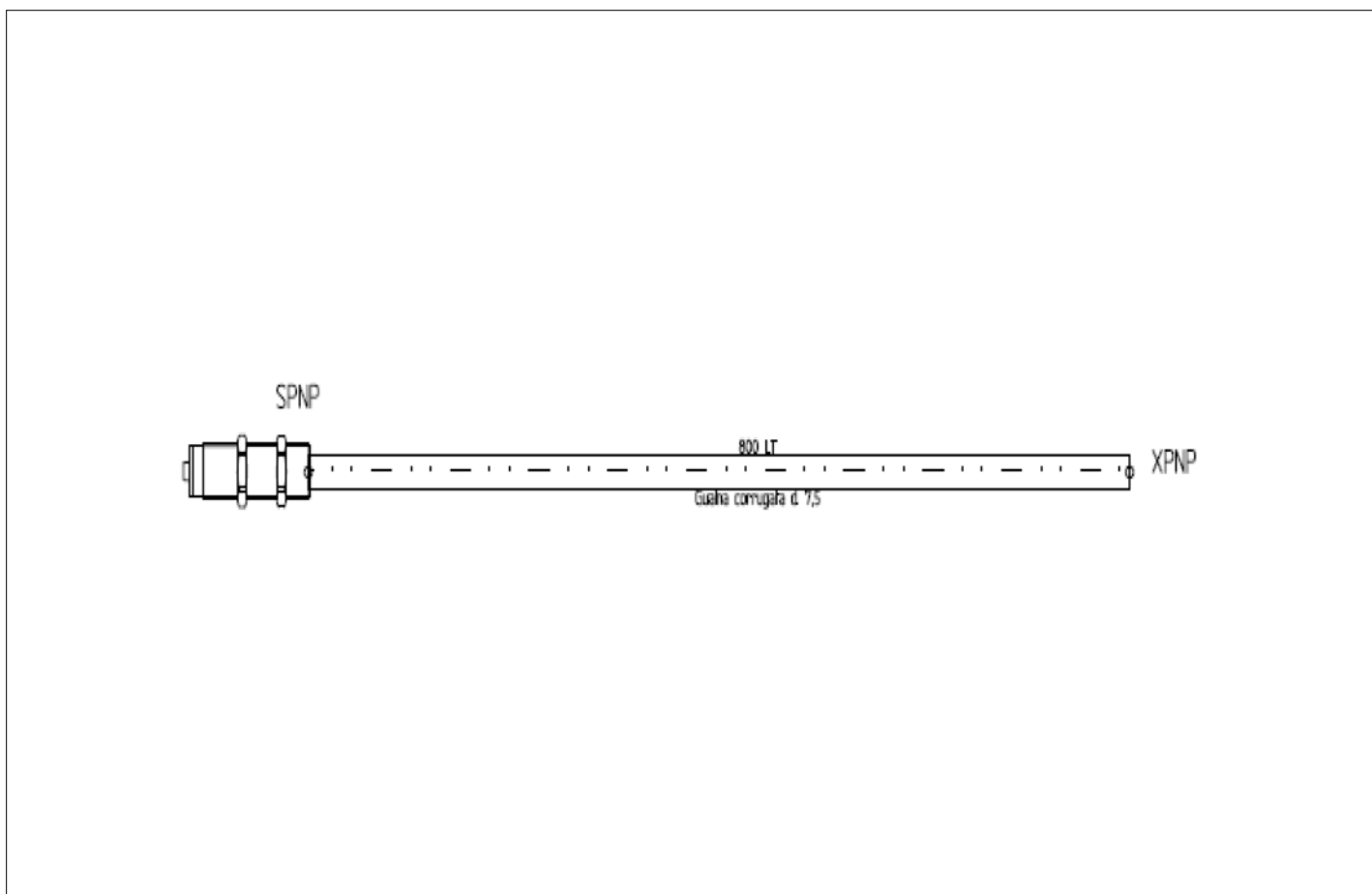
アイテム	部品番号	名前	数量	UOM
	PNNA	JOYSTICK FR04 CLASSIC		EA
10	SN ME09523B44	2 ROLLERS JOYSTICK DN85 + FNR	1	EA
20	SN 400190601	NEOPRENE CAP TECNORD	1	EA
30	SN T25031550	HOOD SUPPORT	1	EA
40	SN T25031650	HOOD COUPLING	1	EA
50	SN T24018750	"C" PROFILE JOYSTICK ROD	1	EA
60	SN 100121001	NUT M12 MEDIUM H10 UNI 5588 ZB CL 8.8	1	EA
70	SN 804001610	NUT M10 GALV. DIN934	1	EA
80	SN 130050001	FLAT WASHER M5 GALV.	4	EA
90	SN 122052001	HEX SOCKET SCREW M5X20 CL 10.9 UNI 7380 GALV.	4	EA
100	SN 804002005	SELF LOCKING NUT M5 GALV. HIGH DIN982	4	EA

ELECTRICAL



アイテム	部品番号	名前	数量	UOM
	PNNA	WRIST RESTS CLASSIC		EA
10	SN T25061850	ATTACK COUPLE JOYSTICK TECNORD	1	EA
20	SN 100040401	NUT M4 UNI 5588 ZN	3	EA
30	SN 801704016	SCREW M 4X16 CL 10.9 DIN7991 ZN	3	EA
40	SN T25062250	PLASTIC JOYSTICK	1	EA
50	SN T25061750	WRIST JOYSTICK TECNORD	1	EA
60	SN ME09523B44	2 ROLLERS JOYSTICK DN85 + FNR	1	EA
70	SN 400190601	NEOPRENE CAP TECNORD	1	EA
80	SN T25031550	HOOD SUPPORT	1	EA
90	SN T25031650	HOOD COUPLING	1	EA
100	SN T24018750	"C" PROFILE JOYSTICK ROD	1	EA
110	SN 100121001	NUT M12 MEDIUM H10 UNI 5588 ZB CL 8.8	1	EA
120	SN 804001610	NUT M10 GALV. DIN934	1	EA
130	SN 130050001	FLAT WASHER M5 GALV.	6	EA
140	SN 122052001	HEX SOCKET SCREW M5X20 CL 10.9 UNI 7380 GALV.	4	EA
150	SN 804002005	SELF LOCKING NUT M5 GALV. HIGH DIN982	4	EA
160	SN 122051001	SCREW M5X10 CL 10.9 ISO 7380 ZN	2	EA

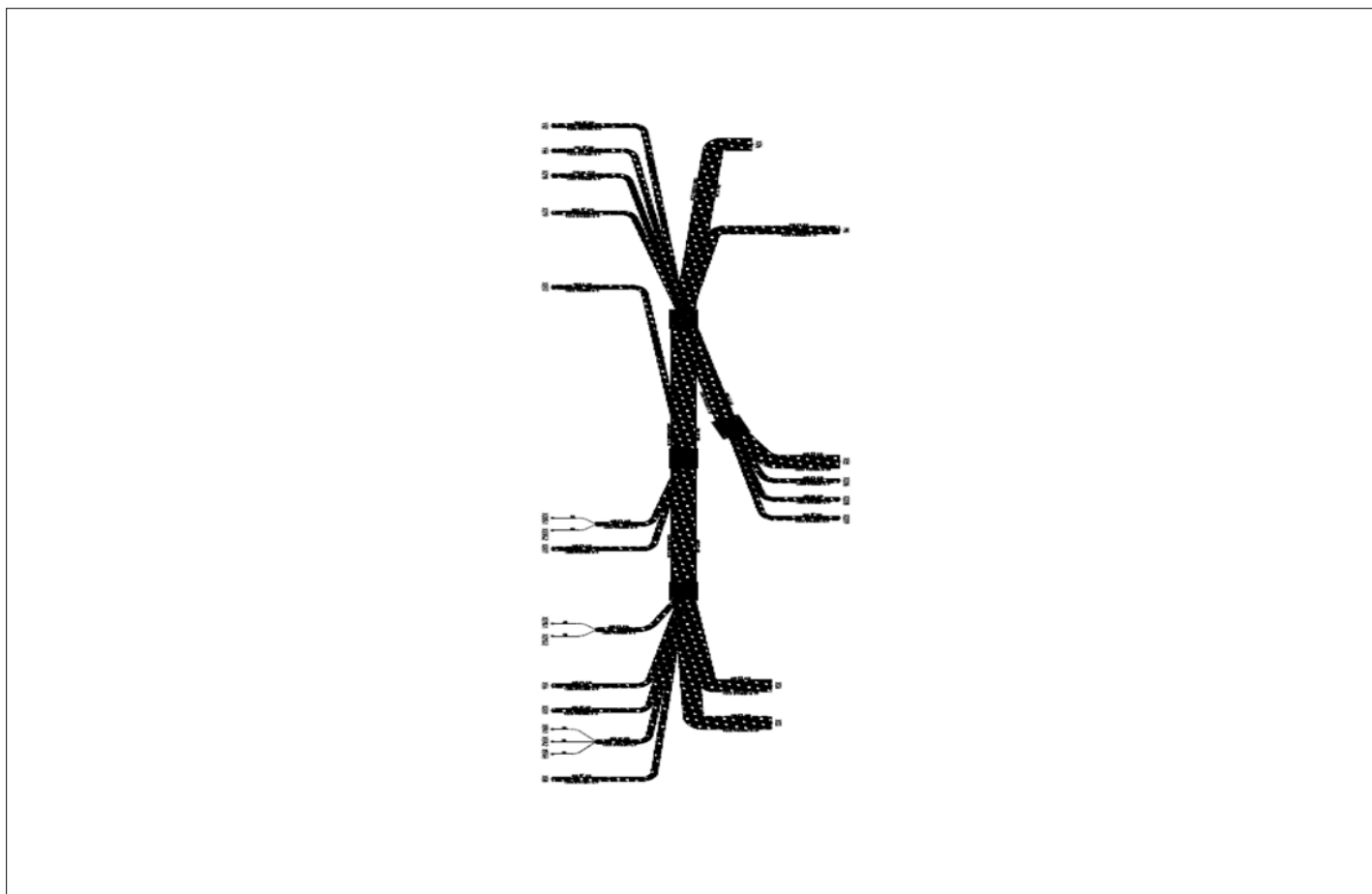
ELECTRICAL



アイテム	部品番号	名前	数量	UOM
	CT146483	PNP WIRED SENSOR		EA
1	SN CT146483	PNP WIRED SENSOR	1	EA

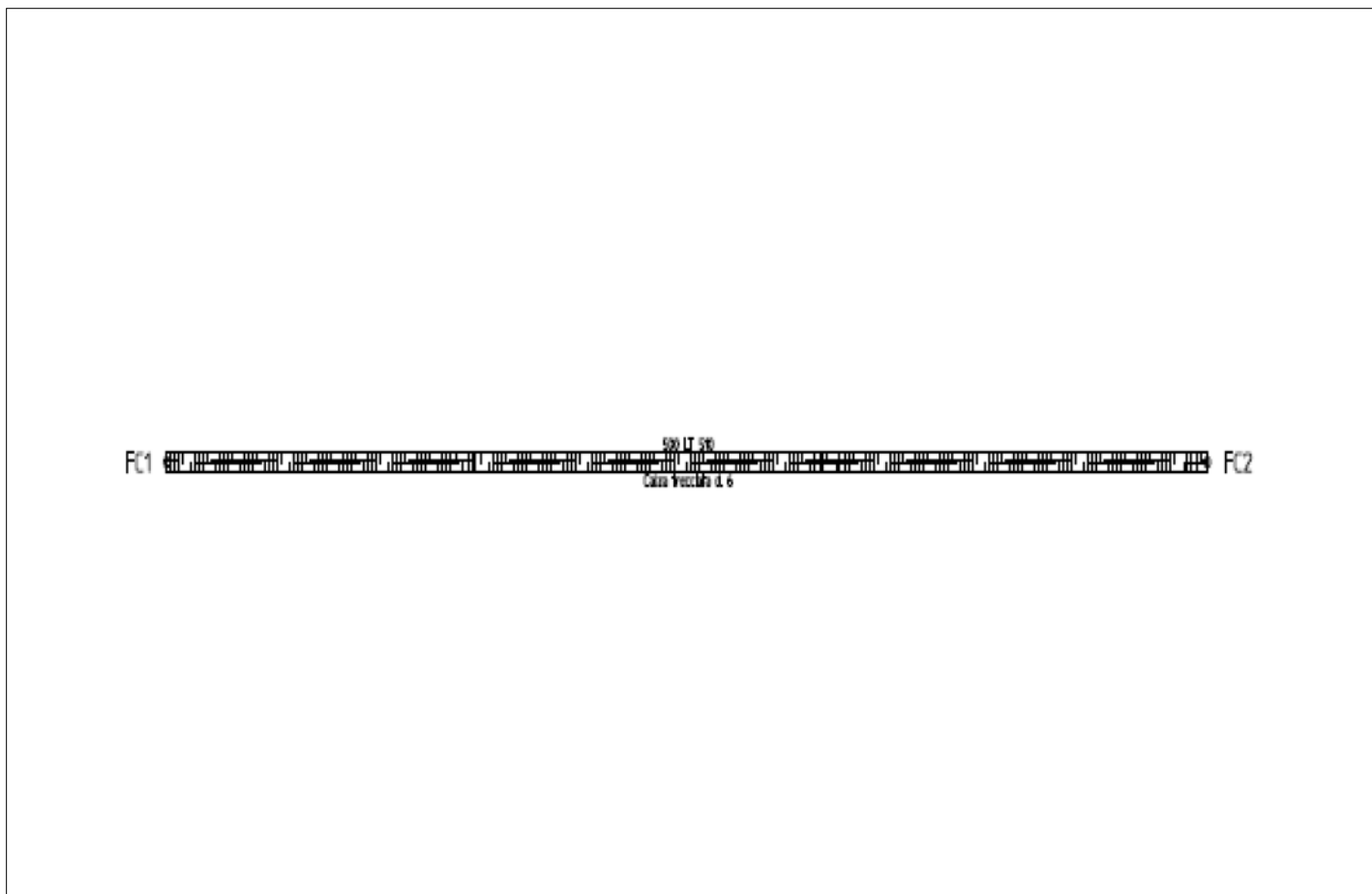


ELECTRICAL



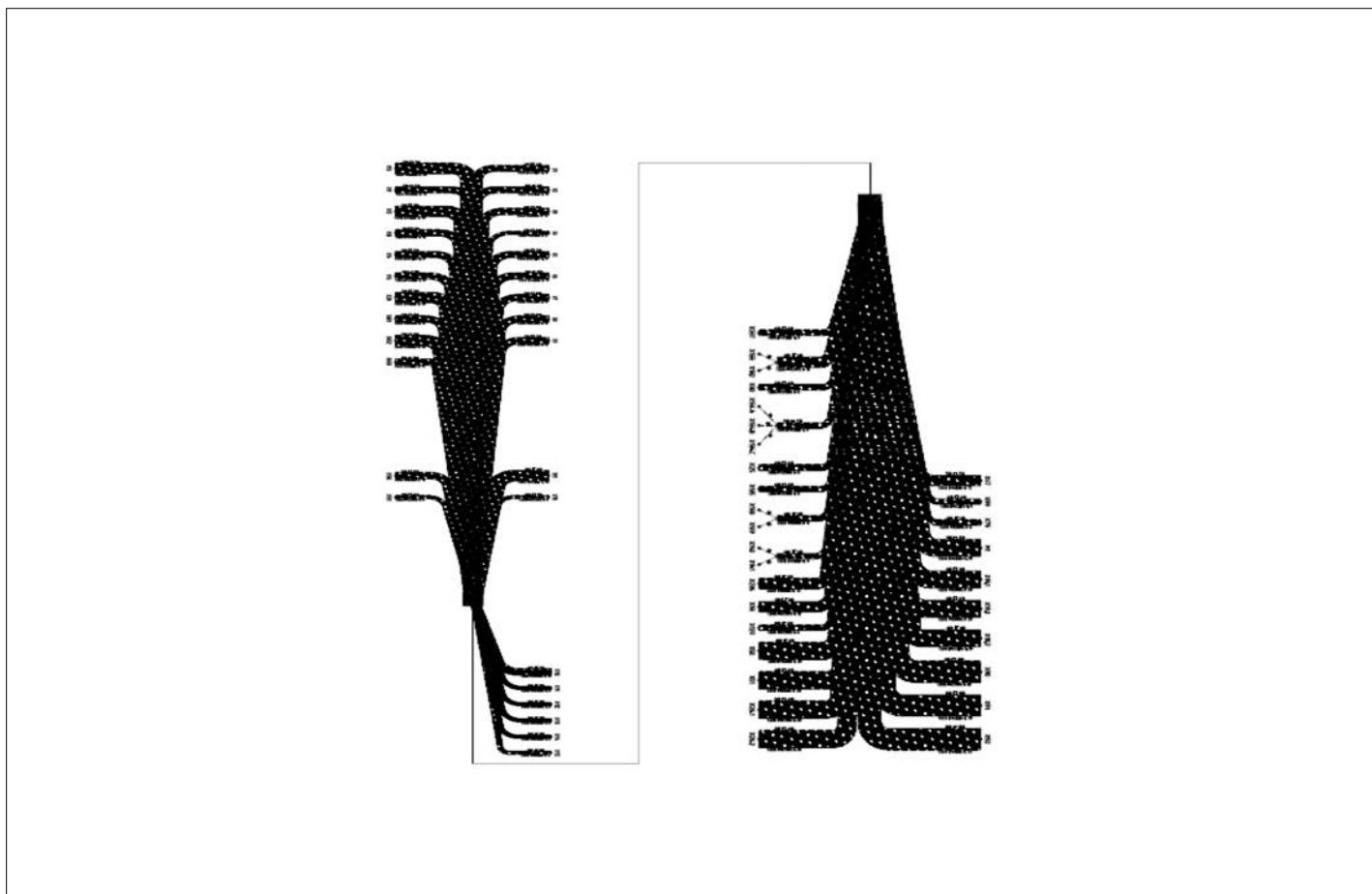
アイテム	部品番号	名前	数量	UOM
	CT099L468	ENGINE DEUTZ TCD 3.6 90KW FR04		EA
1	SN CT099L468	ENGINE DEUTZ TCD 3.6 90KW FR04	1	EA
2	SN ME05020211	POWER RELAY (NOT SHOWN)	1	EA

ELECTRICAL



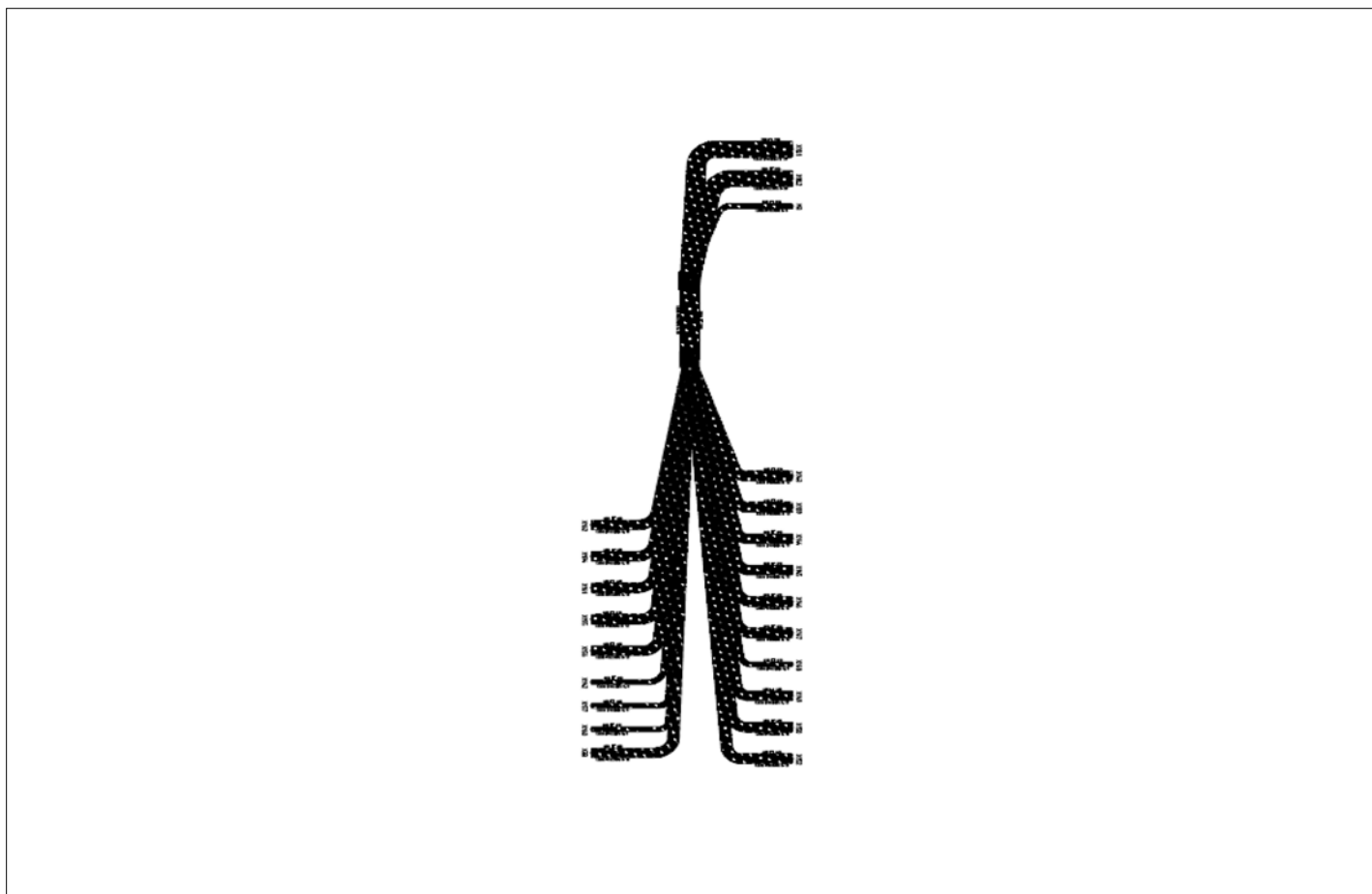
アイテム	部品番号	名前	数量	UOM
	CU2147467	LIMIT SWITCH CONNECTOR WIRING		EA
1	SN CU2147467	LIMIT SWITCH CONNECTOR WIRING	5	EA

ELECTRICAL



アイテム	部品番号	名前	数量	UOM
	CT0202464	DRIVER SEAT FR04 BASIC		EA
Not Shown	SN CT0202464	DRIVER SEAT FR04 BASIC	1	EA

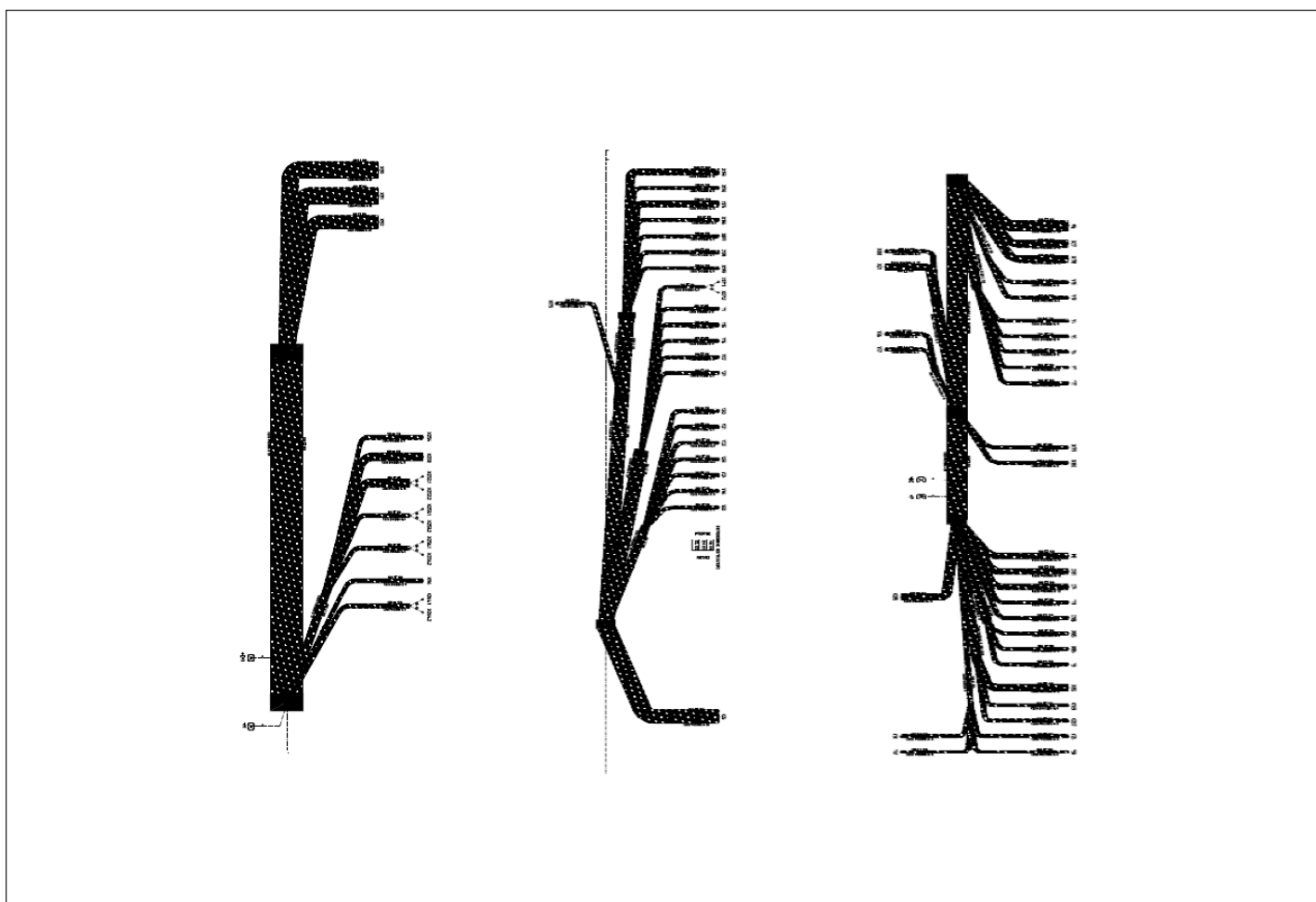
ELECTRICAL



アイテム	部品番号	名前	数量	UOM
	CT2685465	PUSHBUTTON PANEL FR04 BASIC		EA
1	SN CT2685465	PUSHBUTTON PANEL FR04 BASI	1	EA

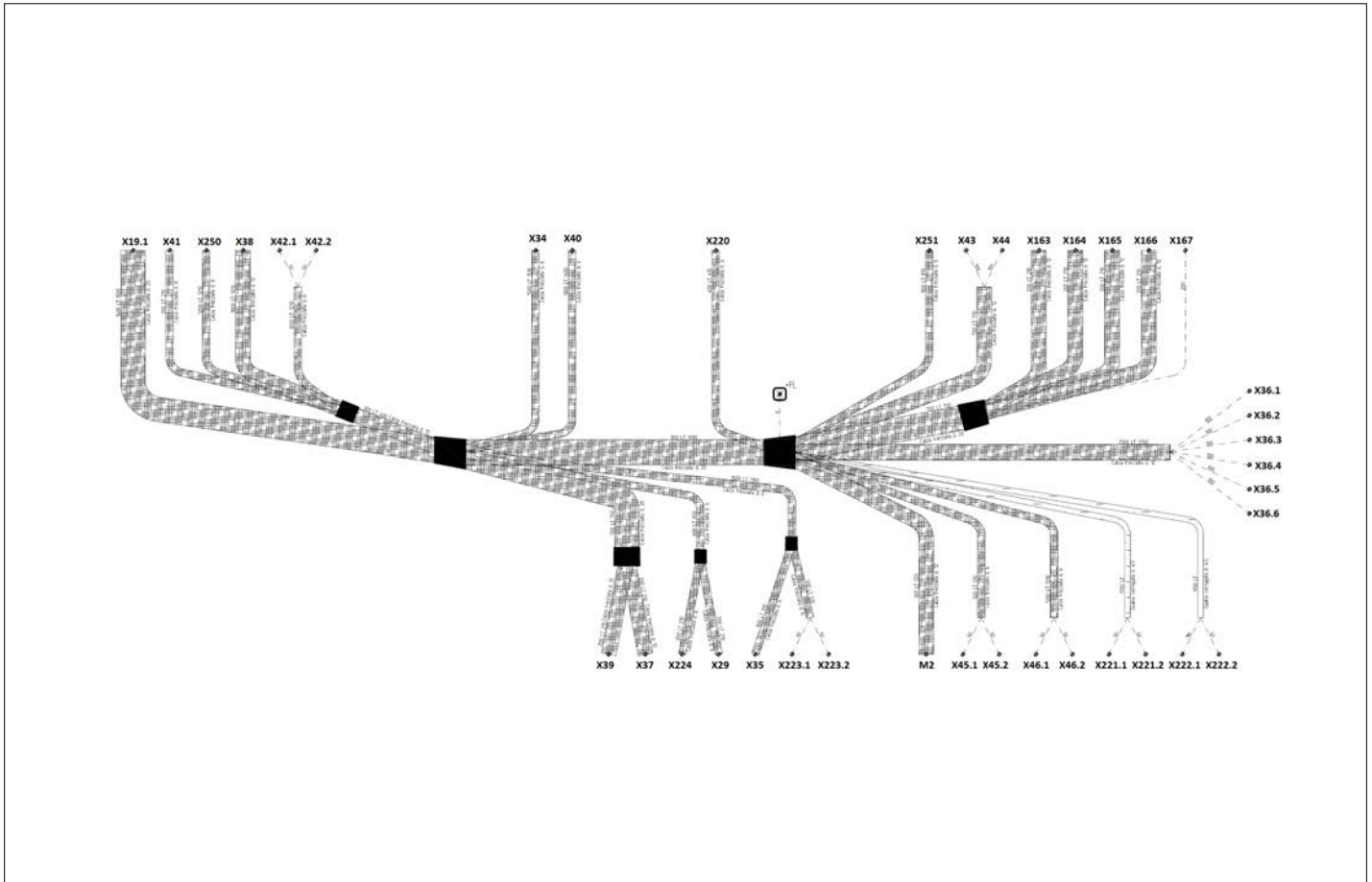


ELECTRICAL



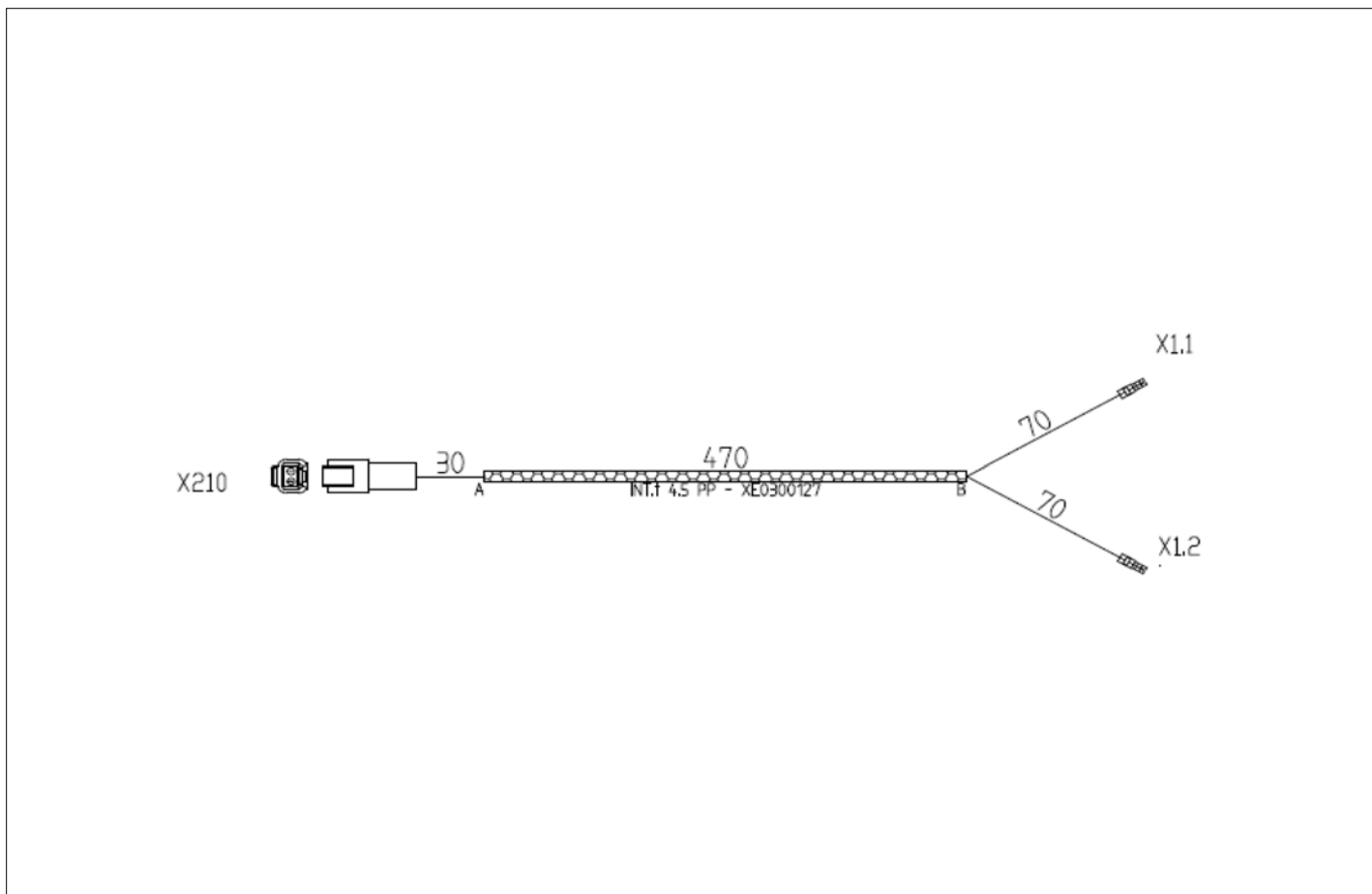
アイテム	部品番号	名前	数量	UOM
	CT266U466	FRAME TELAIO FR04 BASIC		EA
1	SN CT266U466	FRAME TELAIO FR04 BASIC	1	EA

ELECTRICAL



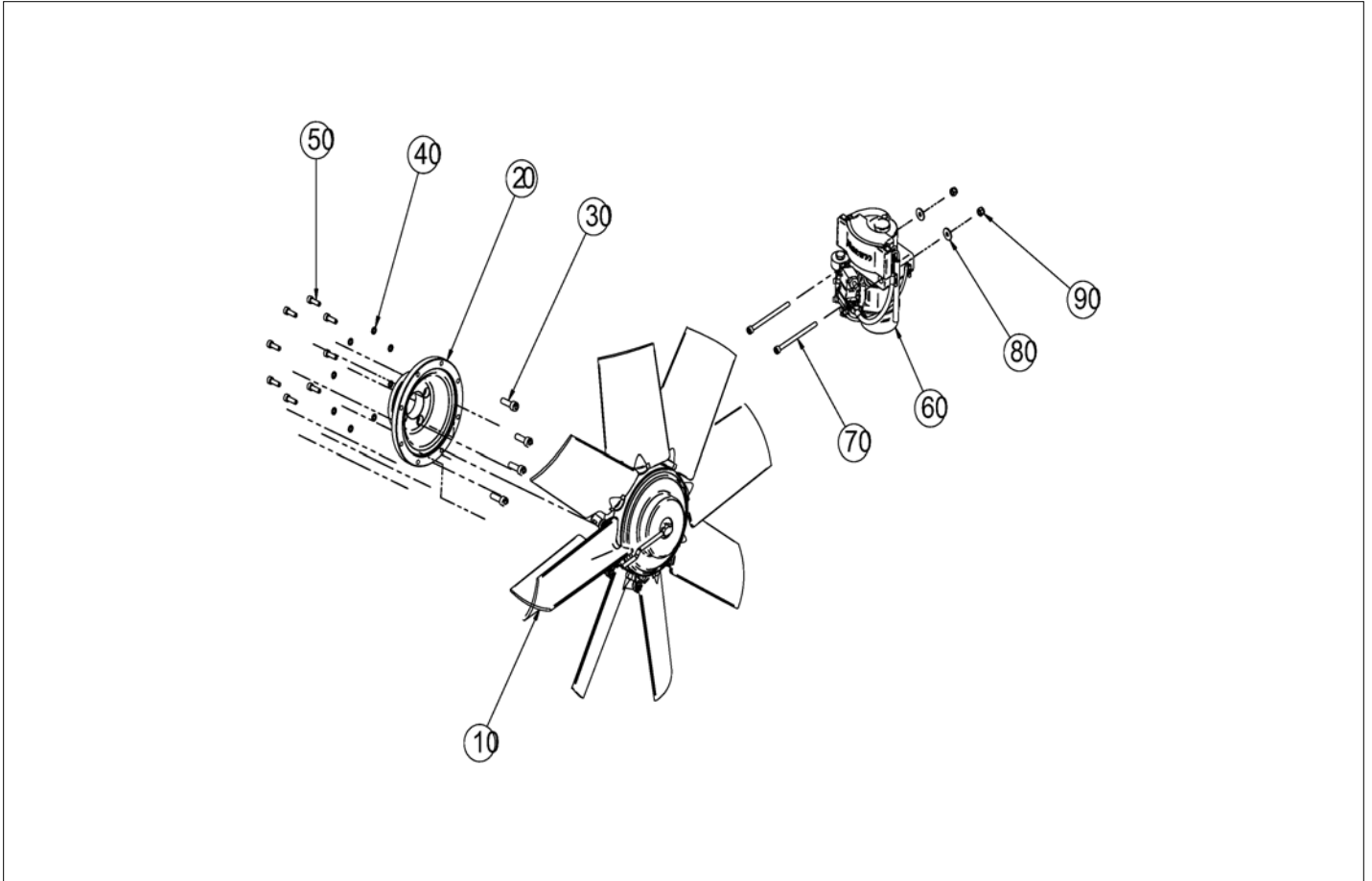
アイテム	部品番号	名前	数量	UOM
	CU2393114	UNIVERSALCABIN ROOF SHEATH		EA
1	SN CU2393114	UNIVERSALCABIN ROOF SHEATH	1	EA

ELECTRICAL



アイテム	部品番号	名前	数量	UOM
	CT140816	PLATE LIGHT EXTENSION		EA
1	SN CT140816	PLATE LIGHT EXTENSION	1	EA

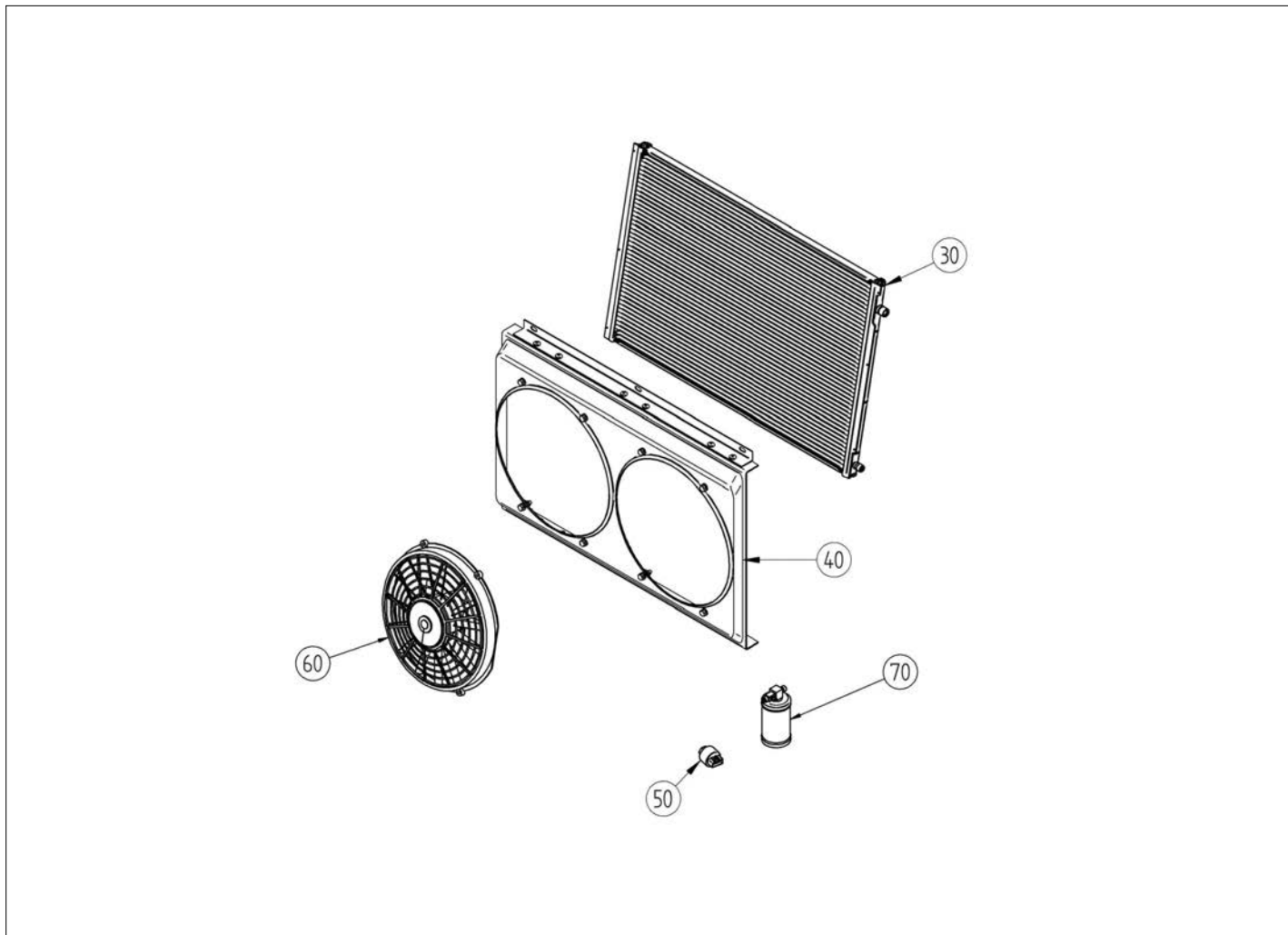
OPTIONS

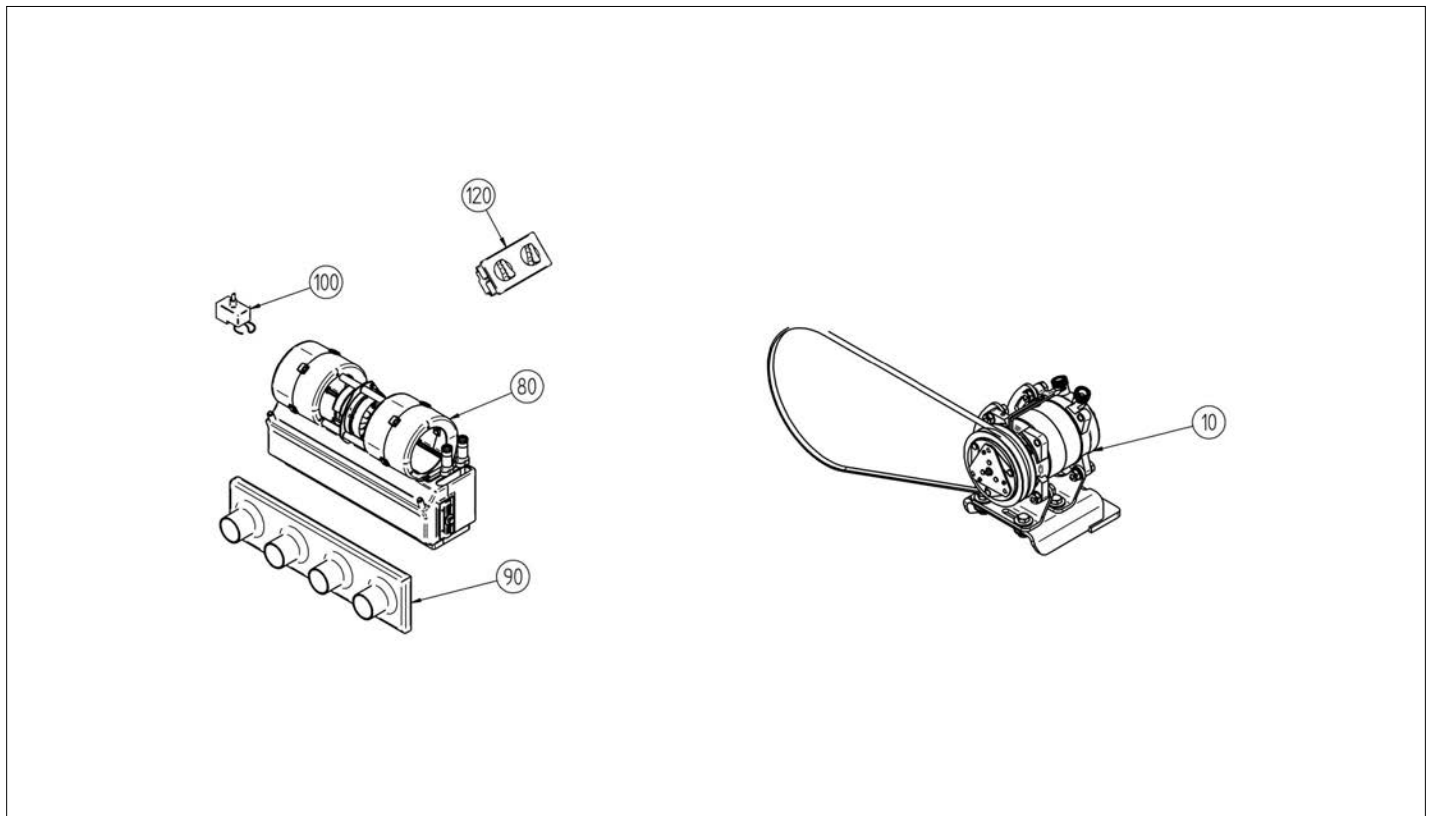


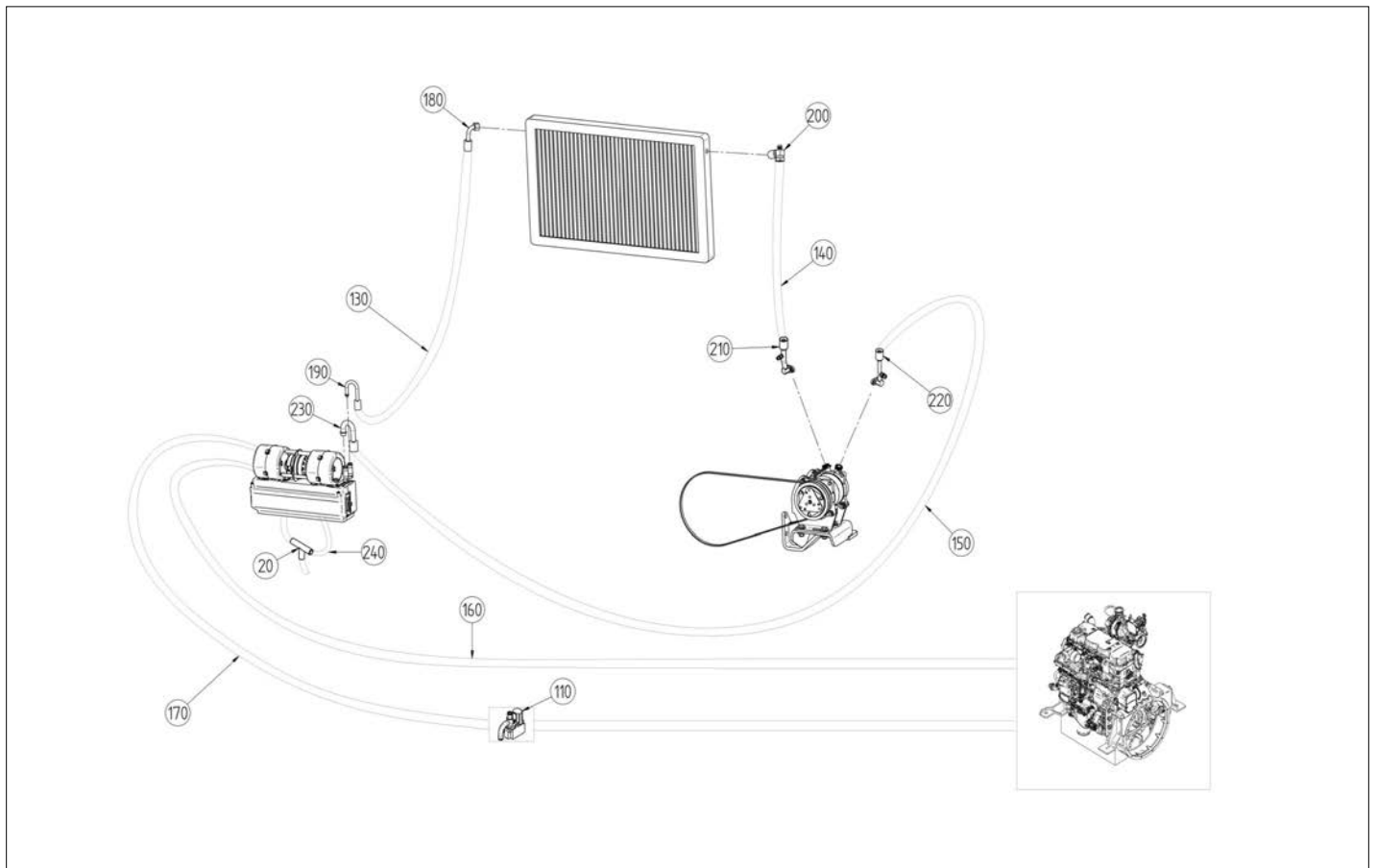
アイテム	部品番号	名前	数量	UOM
	PNNA	CLEANFIX FAN CLASSIC		EA
10	SN 860550001	FAN CLEANFIX C162 Z20 D550	1	EA
20	SN T28058550	FLANGE FOR CLEANFIX C162 TCD 3,6	1	EA
30	SN 125082501	SCREW M8X25 CL 8.8 UNI 5931 ZN	4	EA
40	SN 804003206	M6 GROWER WASHER UNI7064 GALV. 6.1x11.8x3.2	8	EA
50	SN 800506020	SOCKET HEAD CAP SCREW M6x20 DIN912 GALV.	8	EA
60	SN 628058850	MINITIMER FOR CLEAN FIX FAN	1	EA
70	SN 800506090	SOCKET HEAD CAP SCREW M6X90 CL 8.8 DIN 912 GALV.	2	EA
80	SN 804003106	M6 WASHER DIN9021 GALV. 6.4x18x1.6	2	EA
90	SN 804002006	SELF LOCKING NUT M6 GALV. HIGH DIN982	2	EA



OPTIONS



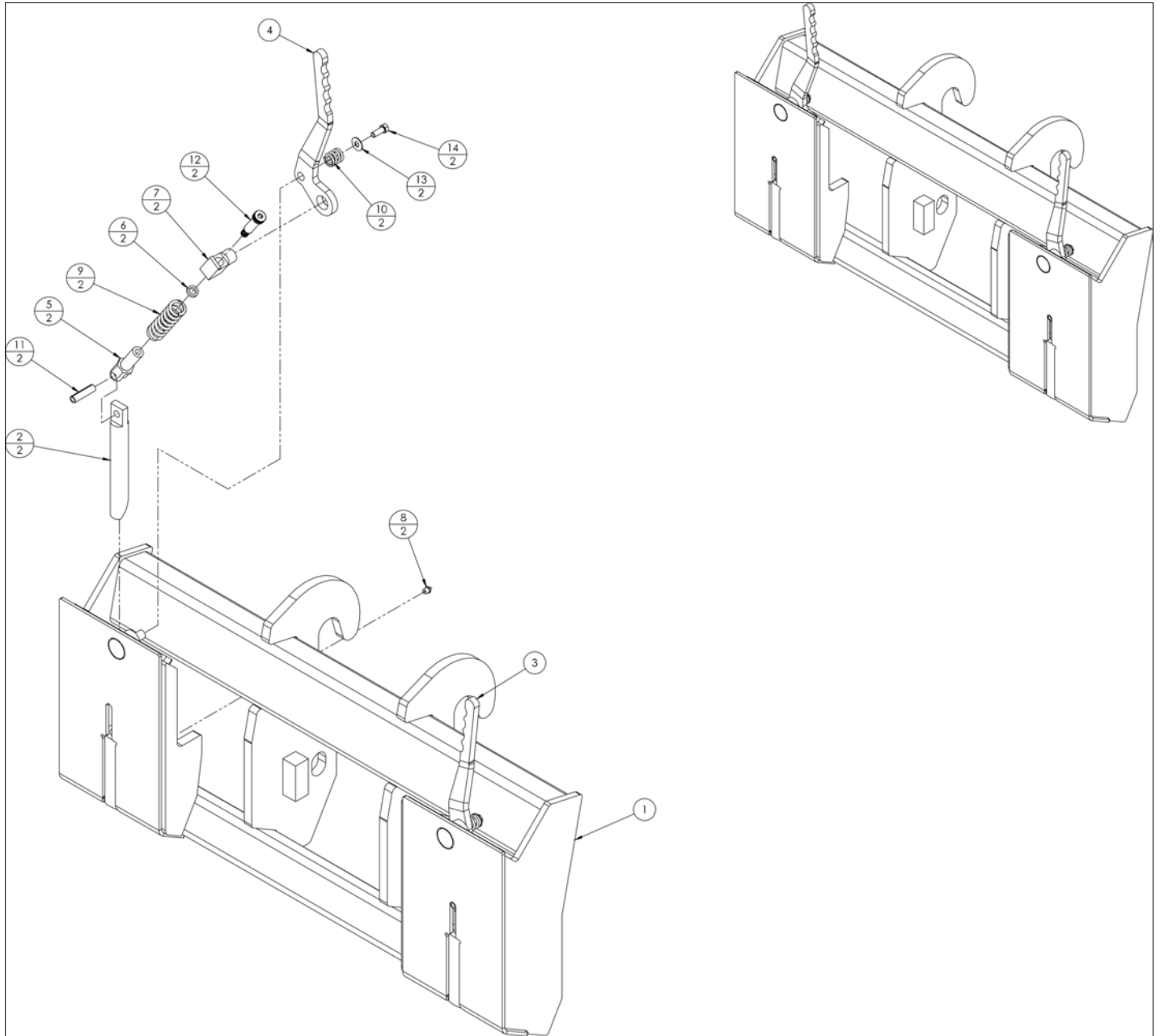




アイテム	部品番号	名前	数量	UOM
	PNNA	TELEHANDLER AIR CONDITIONING		EA
10	SN T30187366	COMPRESSOR SP10 VE.E E121/ 12V	1	EA
20	SN T30187352	T FITTING FOR CONDENS. PIPE	1	EA
30	SN T30187375	CONDENSER E/VENT TELEHANDER FARE	1	EA
40	SN T30187373	CONDENSER COVER TELEHANDER FARESIN	1	EA
50	SN T30187367	PRESSURE SWITCH .3LIV FARESIN TELEHANDLER	1	EA
60	SN T30187388	AIR CONDITIONING CONDENSOR FAN	1	EA
70	SN T30187368	DRYER FILTER TELEHANDER FARESIN	1	EA
80	SN T30187362	CAB EVAPORATOR (HEATER CORE/MOTOR)	1	EA
90	SN T30187363	OSLO A/C DIFFUSER X PIPES D.45	1	EA
100	SN T30187382	WEBASTO THERMOSTAT	1	EA
110	SN T30187351	WIRED TAP AMP MARK2 5V	1	EA
120	SN ME09725853	MANUAL CONTROL PANEL 12V AIR CONDITIONING	1	EA
130	SN 609080959	GOODYEAR PIPE 4826 BARRIER G6	1	EA
140	SN 609080958	GOODYEAR PIPE 4826 BARRIER G8	1	EA
150	SN 609080957	GOODYEAR PIPE 4826 BARRIER G10	1	EA
160	SN 221152301	WATER TRANSIT PIPE 10 BAR Ø16X23	1	EA
170	SN 221152301	WATER TRANSIT PIPE 10 BAR Ø16X23	2	EA
180	SN 609080956	FITTING FOR PIPE 5/16" F. >90	1	EA
190	SN T30183162	U TYPE FITTING CODE 80106FG357	1	EA
200	SN 609080954	FITTING FOR PIPE 13/32"F. >90	1	EA

アイテム	部品番号	名前	数量	UOM
210	SN 861109001	COMP. INT. FLANGED FITTING SP10	1	EA
220	SN 861109002	COMP. RET. FLANGED FITTING SP10	1	EA
230	SN T30183163	U TYPE FITTING 80110FG358	1	EA
240	SN T30187352	T FITTING FOR CONDENS. PIPE	2	EA

OPTIONS



アイテム	部品番号	名前	数量	UOM
*	14832 010 A	SKID STEER ADAPTER GROUP B ASSEMBLY		EA
1	22169 010	WLDMT SKID STEER ADAPTER	1	EA
2	22159 000	PIN, 1.25 X 9.25	2	EA
3	22160 000	PLATE, HANDLE	1	EA
4	22167 000	PLATE, HANDLE	1	EA
5	22161 000	ROD, HEX LINKAGE	2	EA
6	22163 000	TUBE, SPACER	2	EA
7	22162 000	BAR, LINKAGE	2	EA
8	11910 000	FITTING GREASE 1/8NPT STR*	2	EA
9	11258 001	COMP SPRG, 1.25OD X .875ID X 4	2	EA
10	11258 002	SPRING COMP 1/2od X .047 X 2.0	2	EA
11	11205 025	ROLLIPIN, 1/2 DIA X 2 LG	2	EA
12	10304 002	SH SCREW 1/2 13X5/8 DIA SHX2.5	2	EA
13	11003 056	WASHER, FLAT .375, 1.0 OD, PLT	2	EA
14	10002 008	SCREW 3/8 16UNC HHC X 1	2	EA

OPTIONS

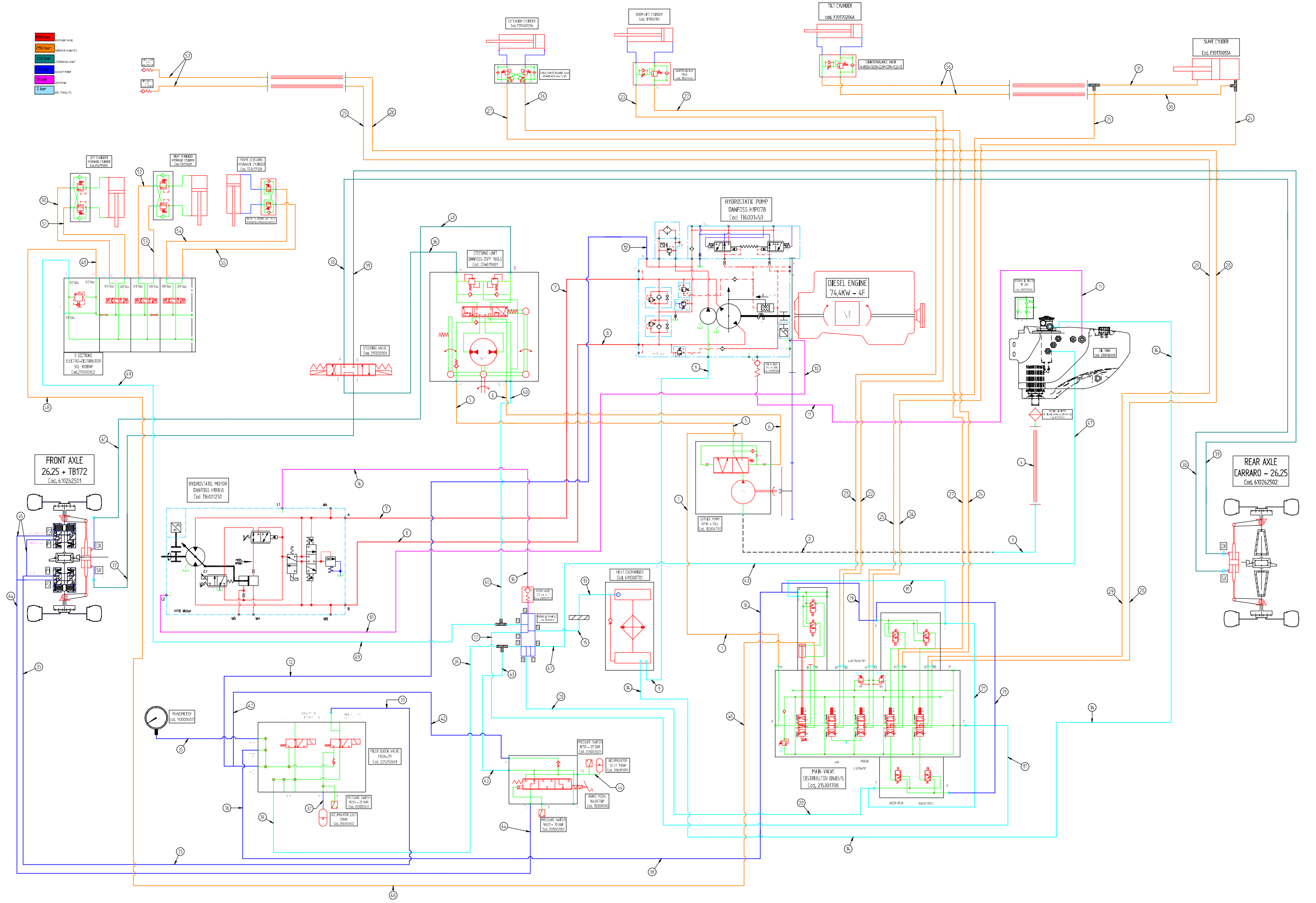


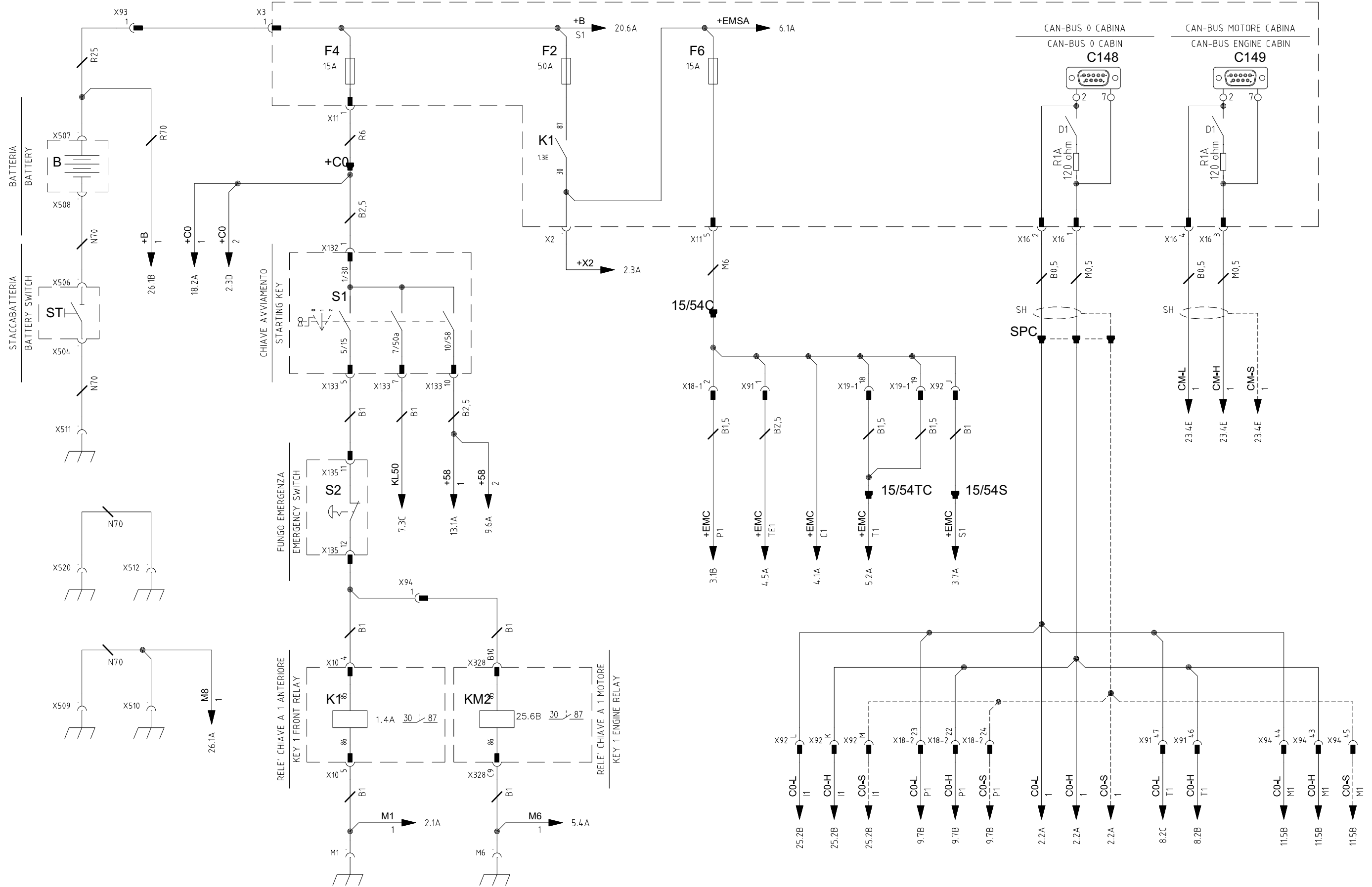
NO IMAGE AVAILABLE  
(BOM FOR REFERENCE ONLY)



アイテム	部品番号	名前	数量	UOM
	1590056	KIT LARGE FARESIN BOBCAT FITTINGS		EA
1	1590055 1	PLATE LARGE FARESIN BOBCAT FITTINGS	1	EA
2	1590048	BOBCAT FITTING FEMALE	1	EA
3	1590049	BOBCAT FITTING MALE	1	EA
4	11712 004	FTG 90 ° ELBOW BLKHD 8MORFS 9MORFS	2	EA
5	11691 003	NUT BLKHD 8MFS	2	EA
6	11734 003	FTG STR 8FORFS 8MNPT	2	EA
7	10001 005	SCREW 5/16 18UNC HHC X 5/8	2	EA
8	11001 005	WASHER FW 0.3125	2	EA

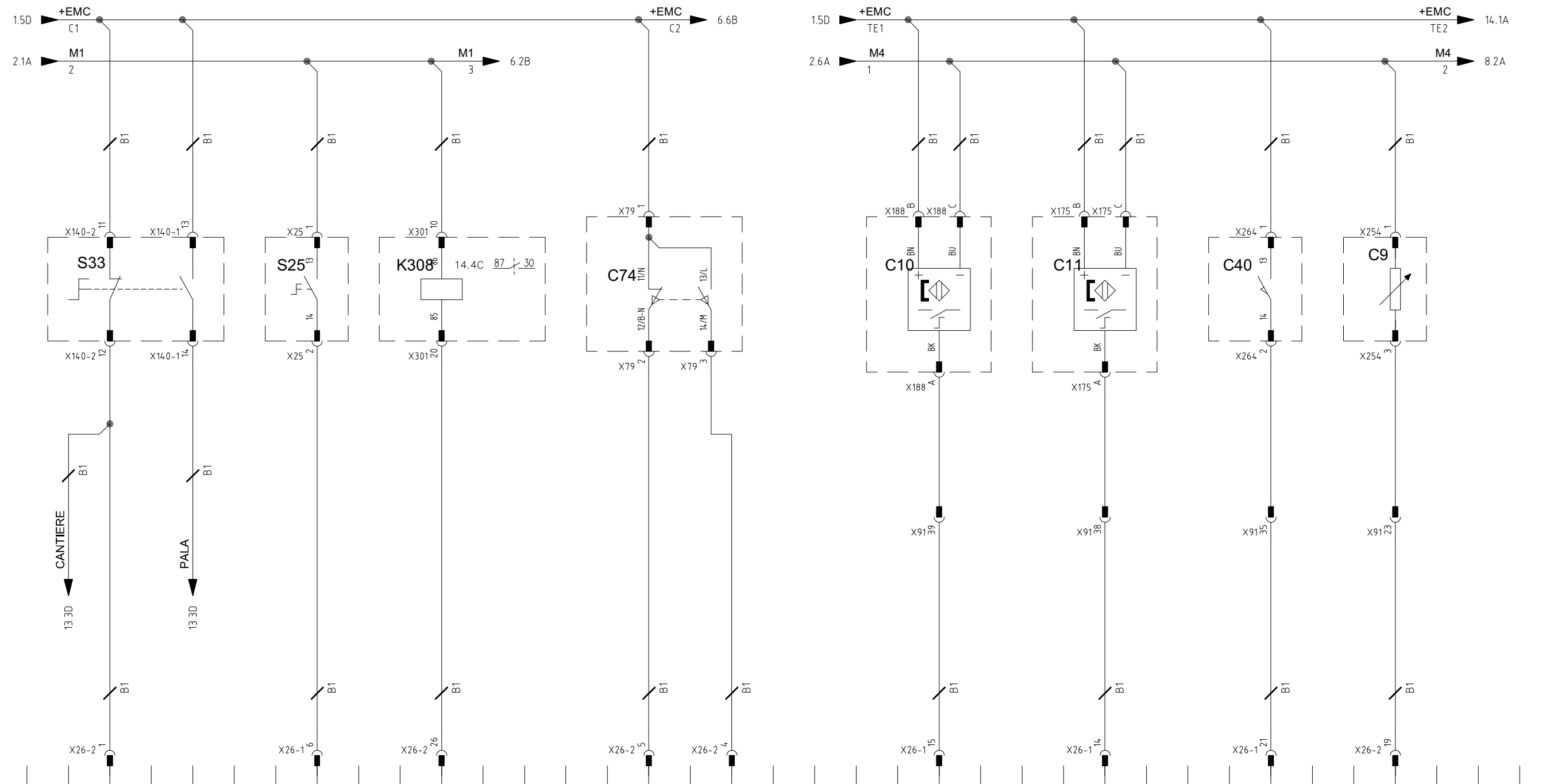
- 450 bar HYDRA-PUMP (A/B)
- 250 bar SERVICE PUMP (S)
- 250 bar HYDRA-LINE
- 10 bar BOOST PUMP
- 5 bar MOUNTING
- 1 bar COIL TANK (T)











MODALITA' PALA  
SHOVEL MODALITY

SELETTORE PEB  
PEB SELECTOR

RELE' OPTIONAL SU BRACCIO  
OPTION BOOM RELAY

FINECORSA CREEPER  
CREEPER LIMIT SWITCH

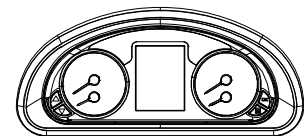
FINECORSA CREEPER  
CREEPER LIMIT SWITCH

SENSORE ASSALE POSTERIORE  
REAR AXLE SENSOR

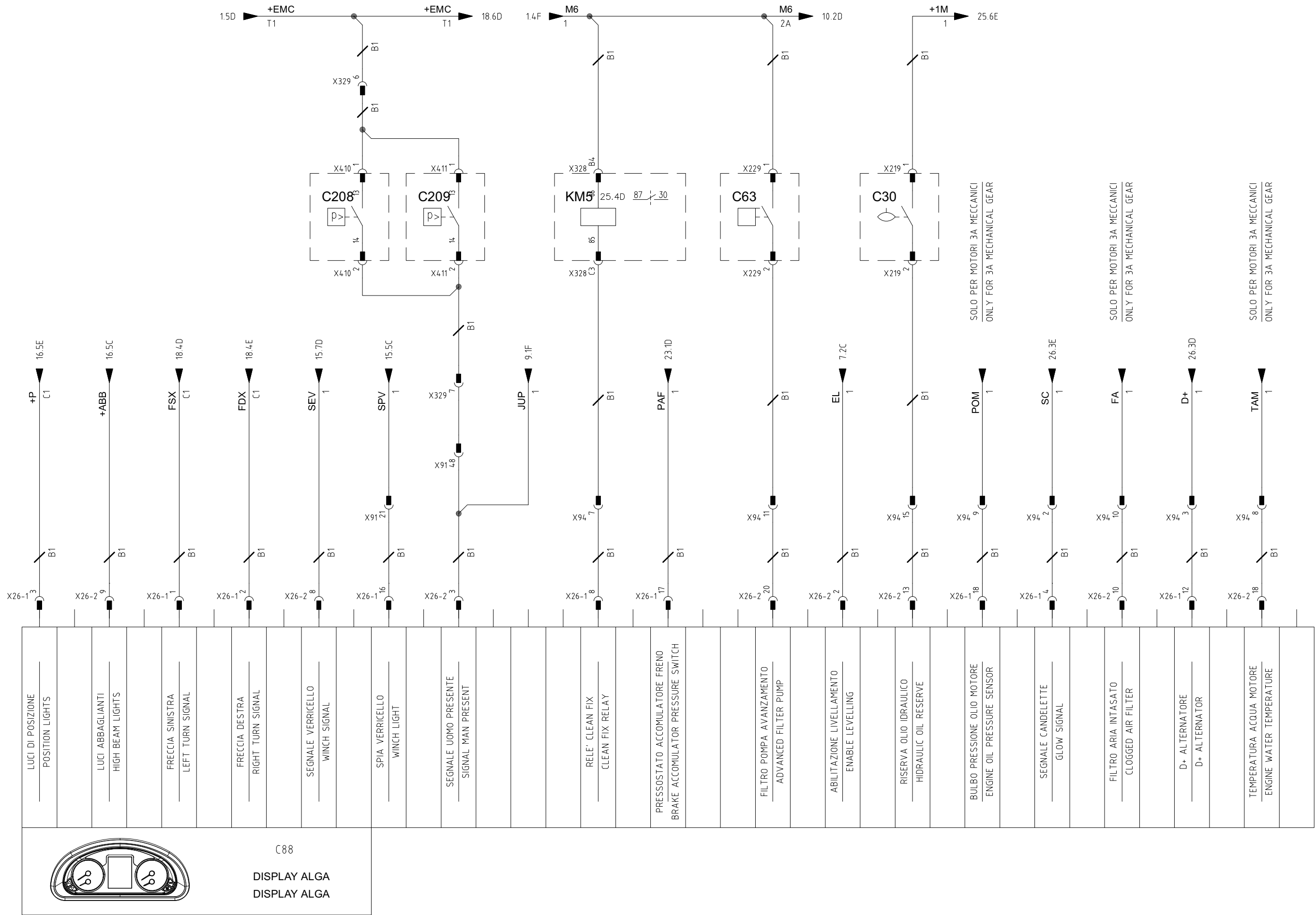
SENSORE ASSALE ANTERIORE  
FRONT AXLE SENSOR

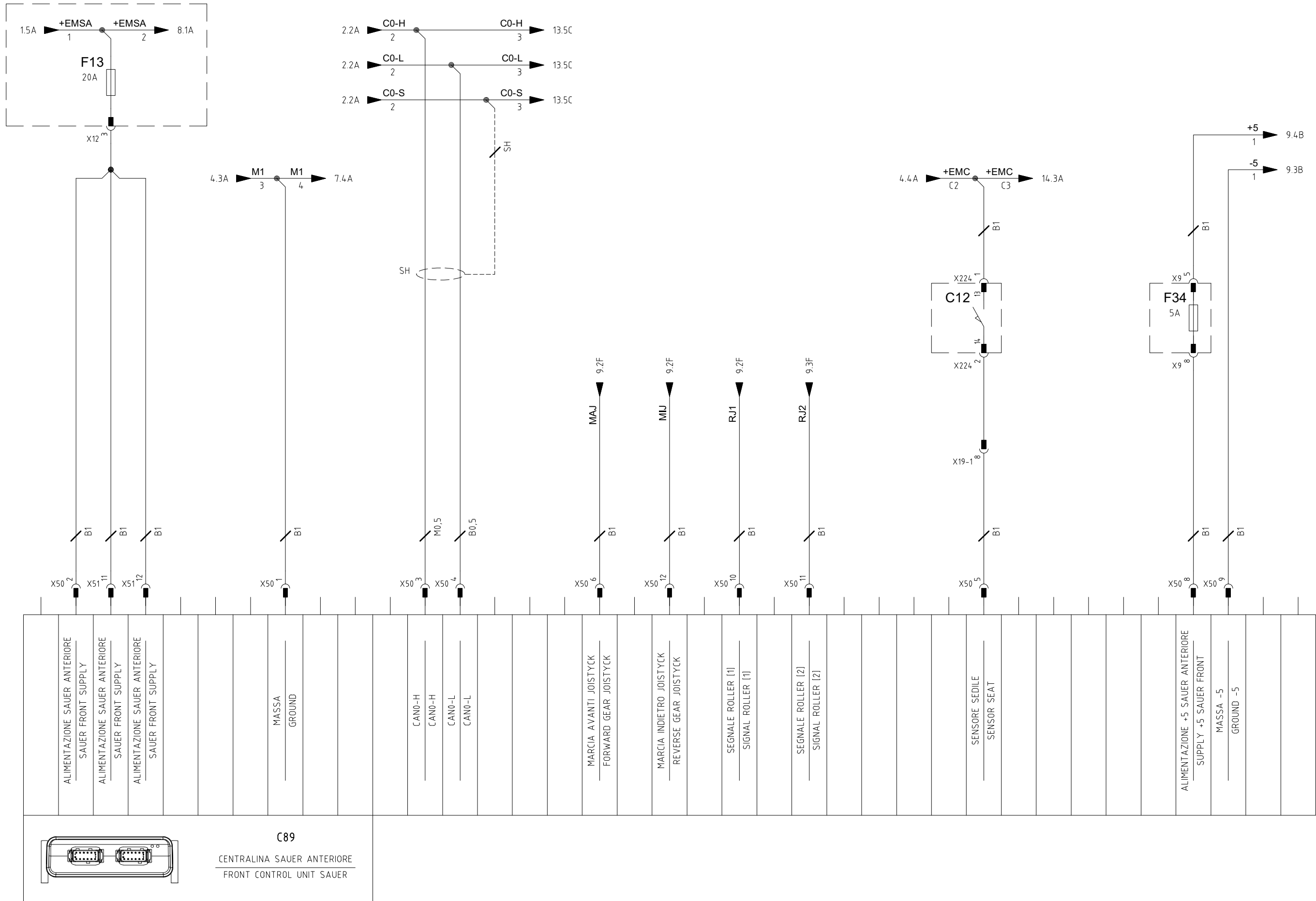
FINECORSA MARCIA NON INSERITA  
GEAR NOT INSERTED LIMIT SWITCH

SENSORE LIVELLO GASOLIO  
DIESEL LEVEL SENSOR

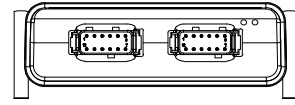
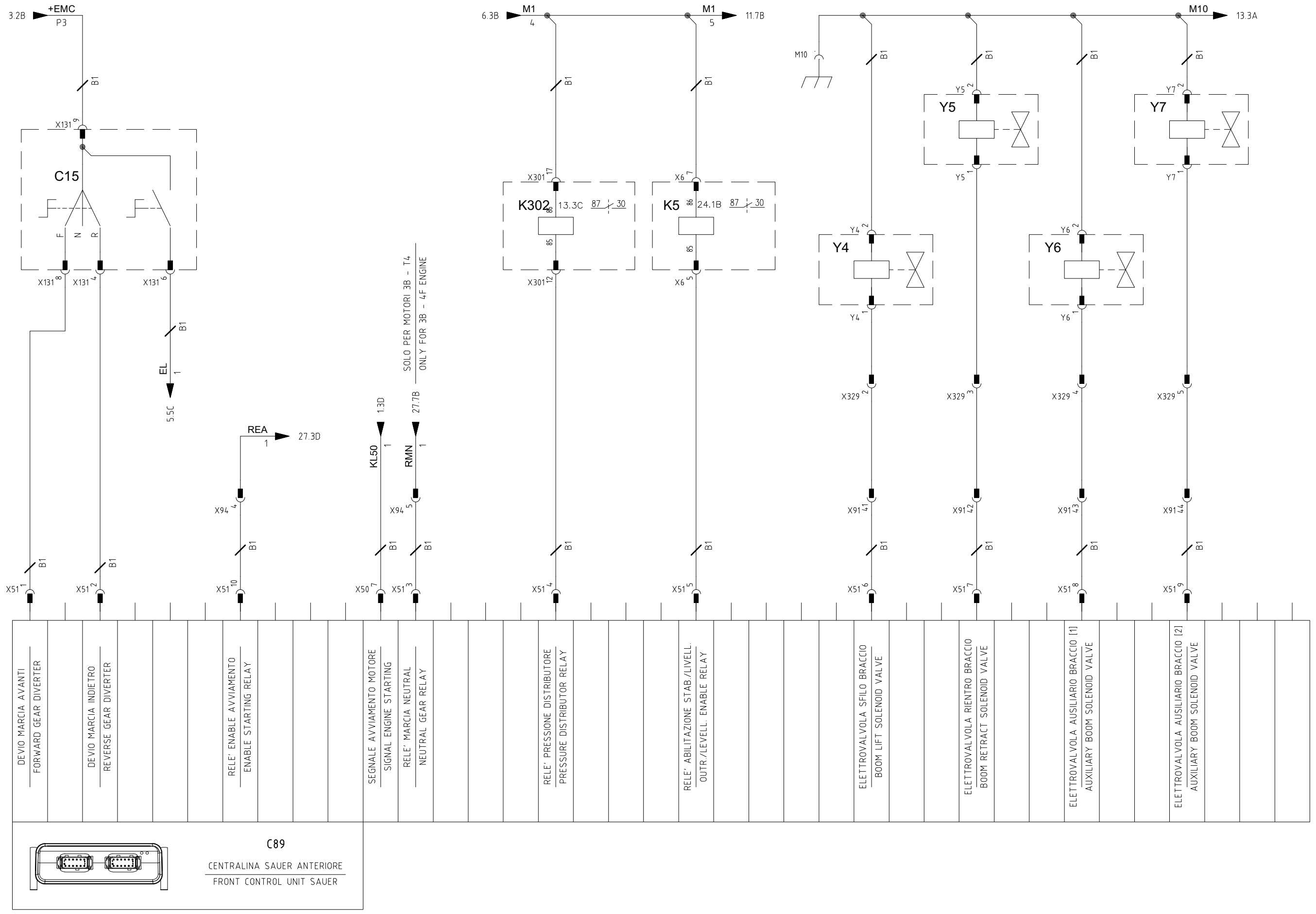


C88  
DISPLAY ALGA  
DISPLAY ALGA

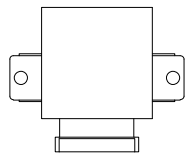
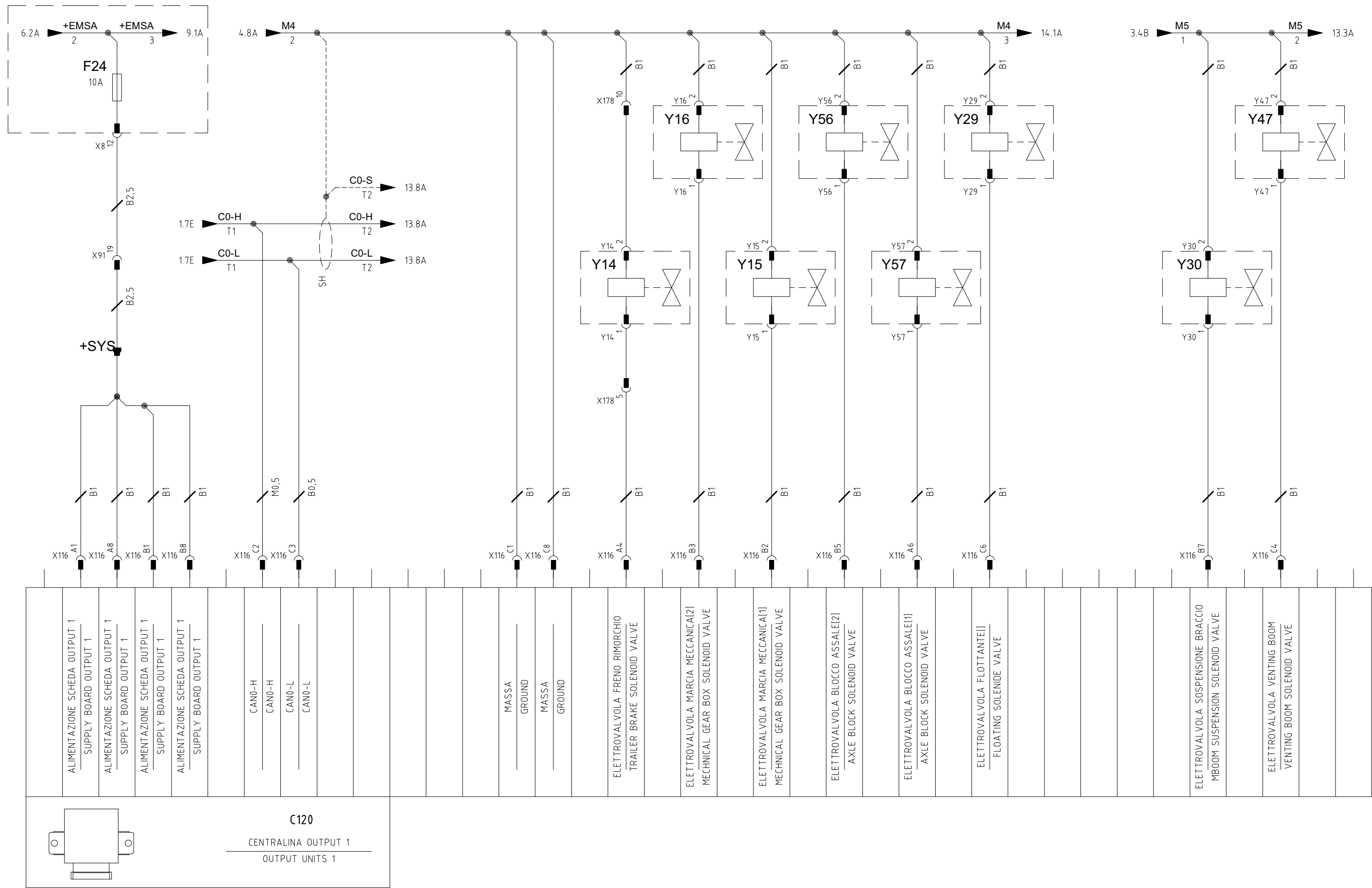






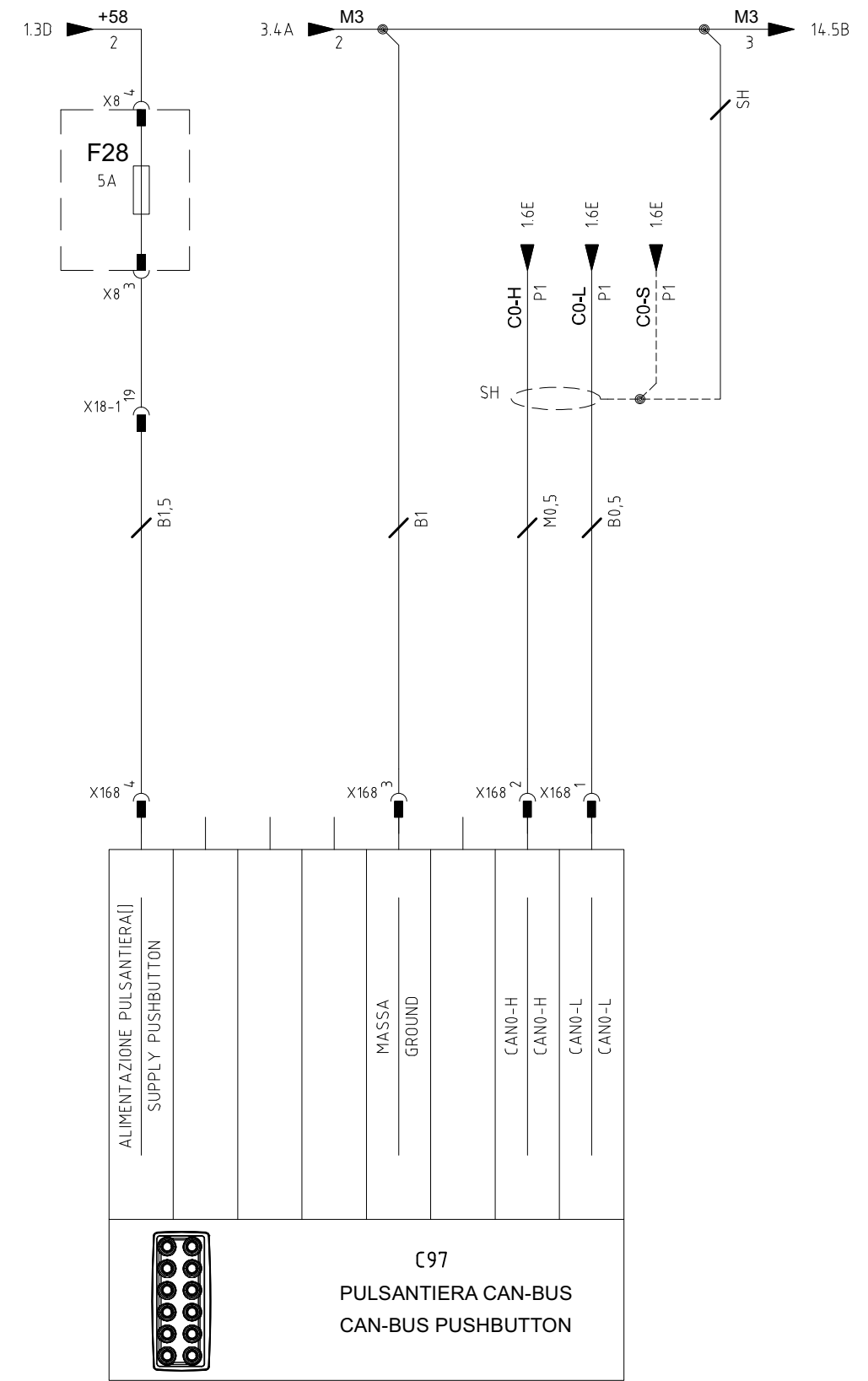
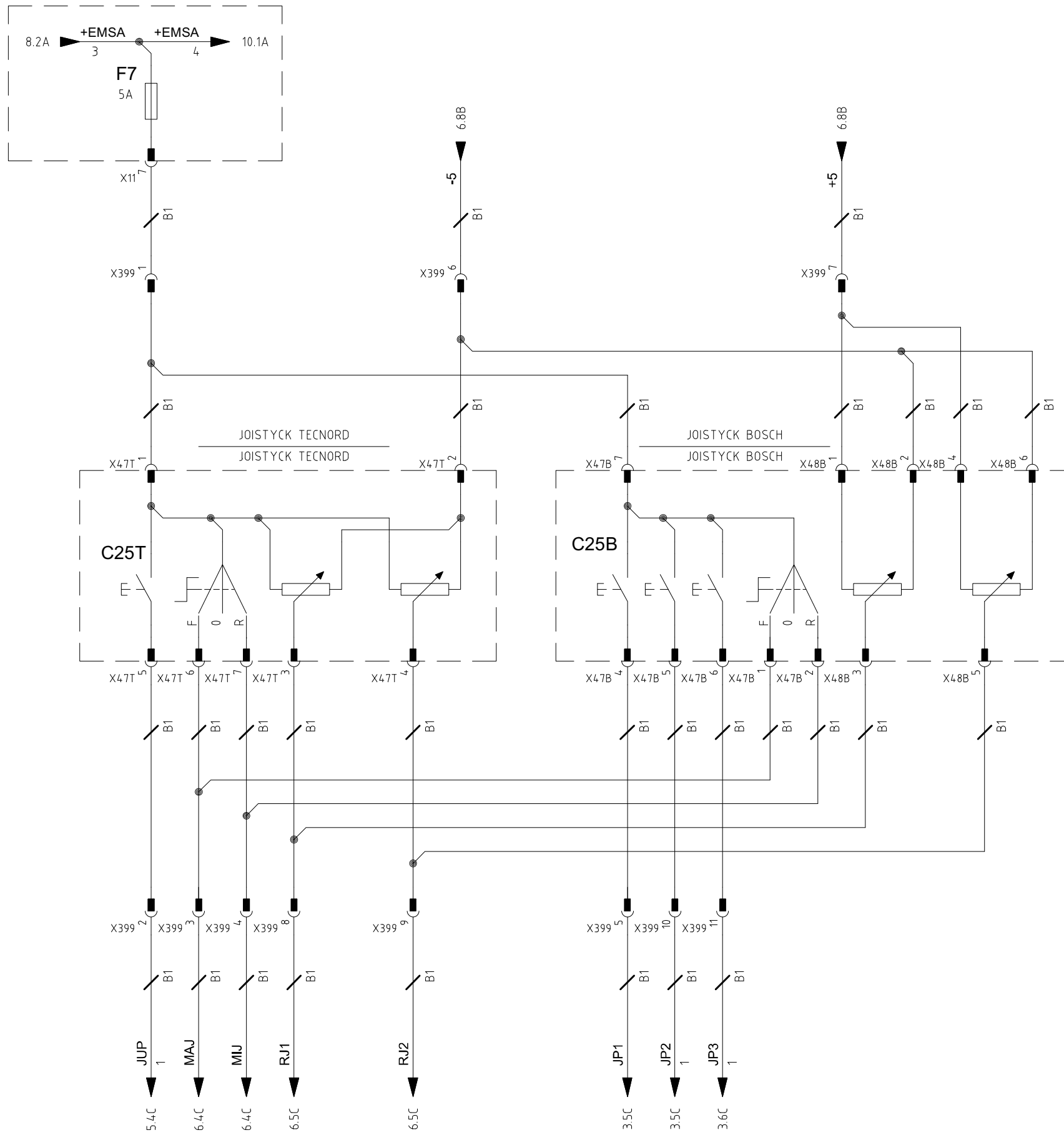


**C89**  
CENTRALINA SAUER ANTERIORE  
FRONT CONTROL UNIT SAUER

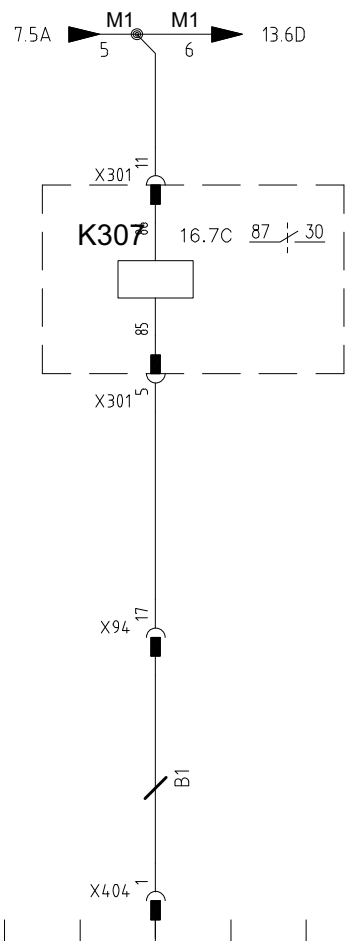
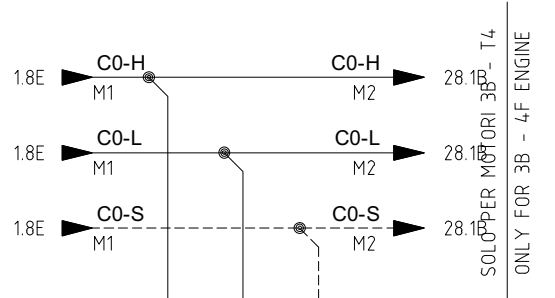
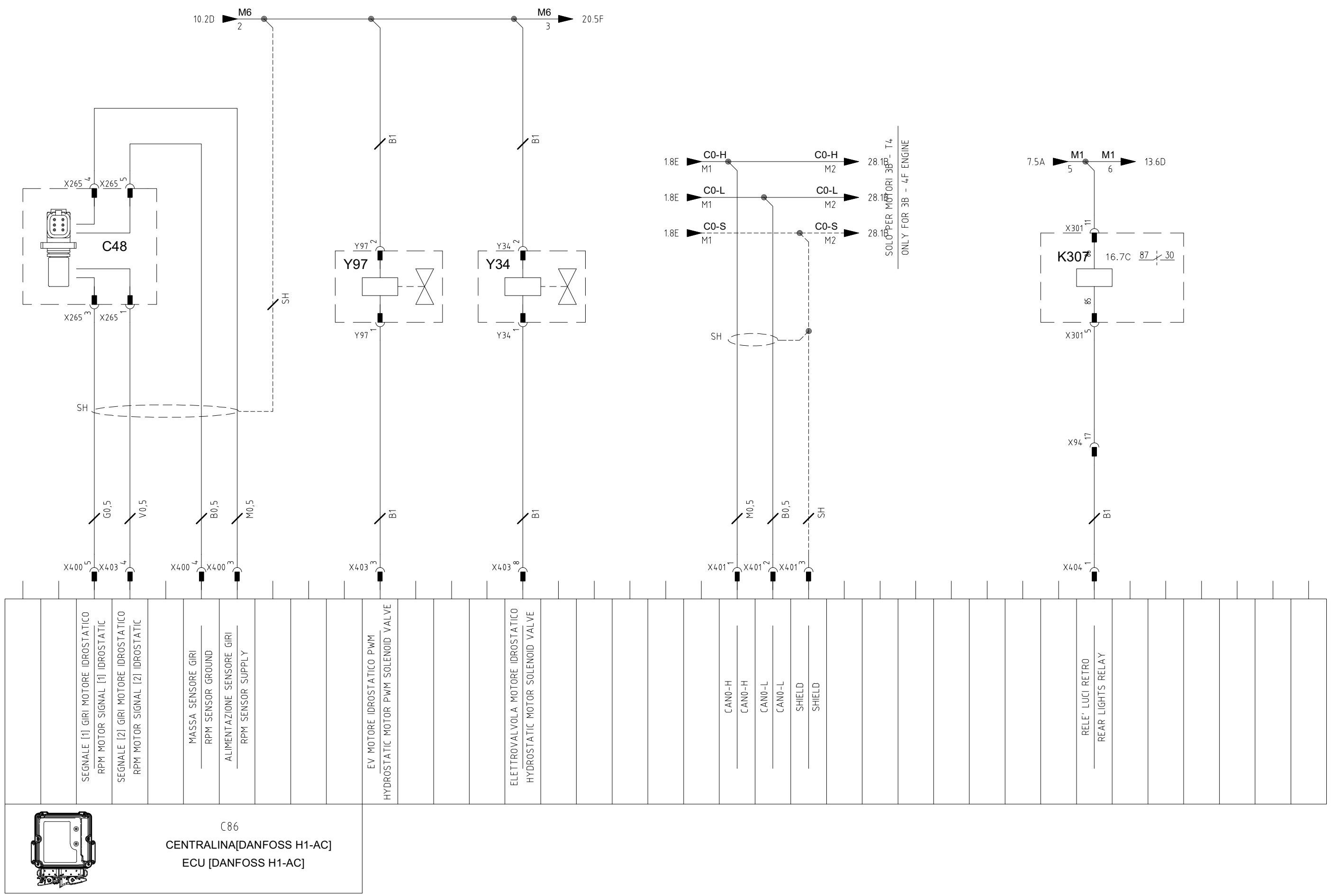


**C120**  
CENTRALINA OUTPUT 1  
OUTPUT UNITS 1

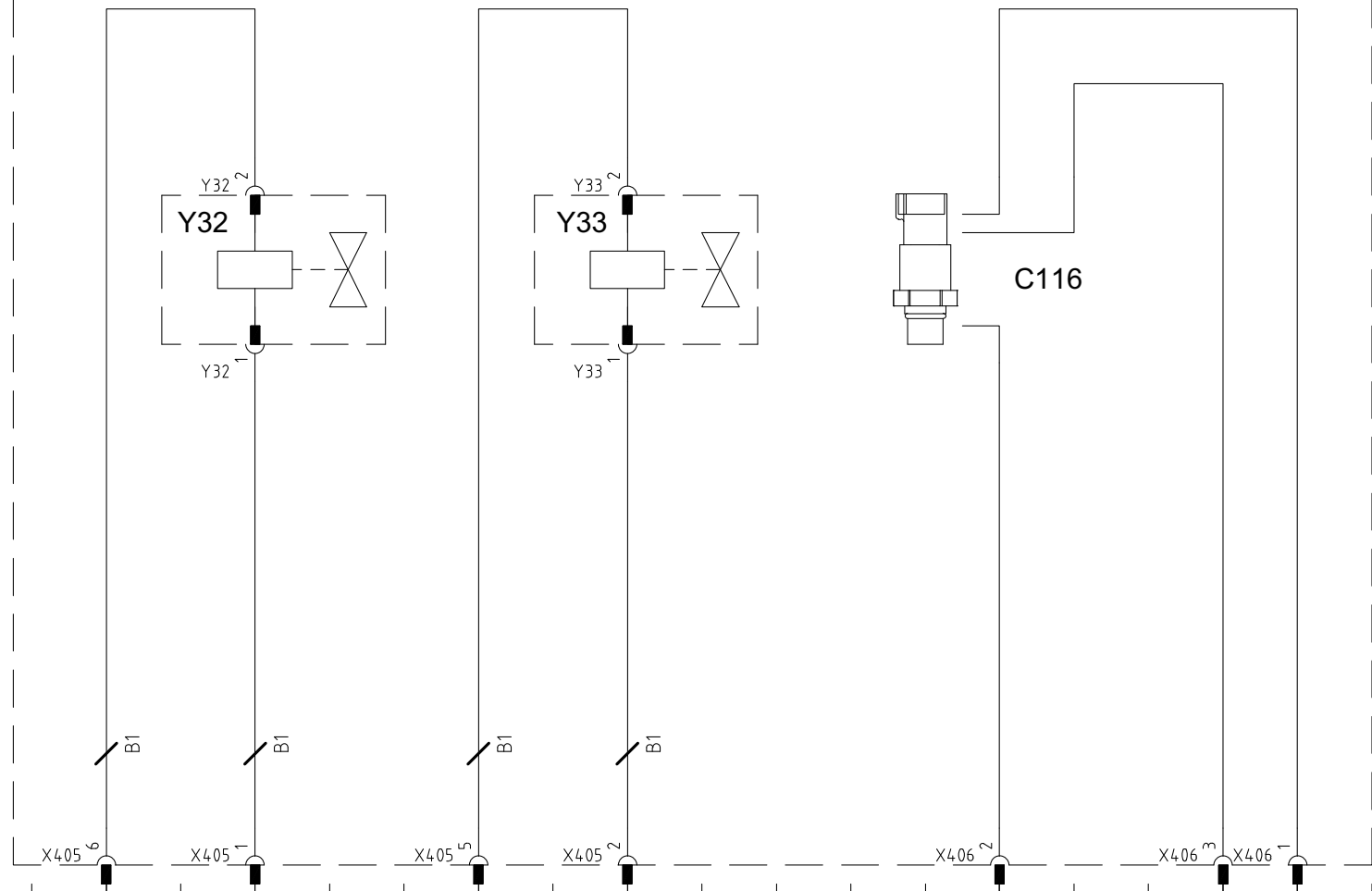
ALIMENTAZIONE SCHEDA OUTPUT 1 SUPPLY BOARD OUTPUT 1	A1	X116
ALIMENTAZIONE SCHEDA OUTPUT 1 SUPPLY BOARD OUTPUT 1	A8	X116
ALIMENTAZIONE SCHEDA OUTPUT 1 SUPPLY BOARD OUTPUT 1	B1	X116
ALIMENTAZIONE SCHEDA OUTPUT 1 SUPPLY BOARD OUTPUT 1	B8	X116
CANO-H CANO-H	C2	X116
CANO-L CANO-L	C3	X116
MASSA GROUND	C1	X116
MASSA GROUND	C8	X116
ELETTROVALVOLA FRENO RIMORCHIO TRAILER BRAKE SOLENOID VALVE	A4	X116
ELETTROVALVOLA MARCIA MECCANICA[2] MECHANICAL GEAR BOX SOLENOID VALVE	B3	X116
ELETTROVALVOLA MARCIA MECCANICA[1] MECHANICAL GEAR BOX SOLENOID VALVE	B2	X116
ELETTROVALVOLA BLOCCO ASSALE[2] AXLE BLOCK SOLENOID VALVE	B5	X116
ELETTROVALVOLA BLOCCO ASSALE[1] AXLE BLOCK SOLENOID VALVE	A6	X116
ELETTROVALVOLA FLOTTANTE[] FLOATING SOLENOID VALVE	C6	X116
ELETTROVALVOLA SOSPENSIONE BRACCIO MBOOM SUSPENSION SOLENOID VALVE	B7	X116
ELETTROVALVOLA VENTING BOOM VENTING BOOM SOLENOID VALVE	C4	X116







PRECABLATO SU POMPA  
PRE WIRED ON PUMP



ELETTROVALVOLA MARCIA AVANTI  
FORWARD GEAR SOLENOID VALVE

ELETTROVALVOLA MARCIA AVANTI  
FORWARD GEAR SOLENOID VALVE

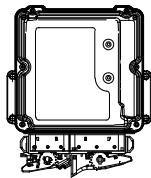
ELETTROVALVOLA MARCIA INDIETRO  
BACK GEAR SOLENOID VALVE

ELETTROVALVOLA MARCIA INDIETRO  
BACK GEAR SOLENOID VALVE

SENSORE GIRI POMPA  
PUMP RPM SENSOR

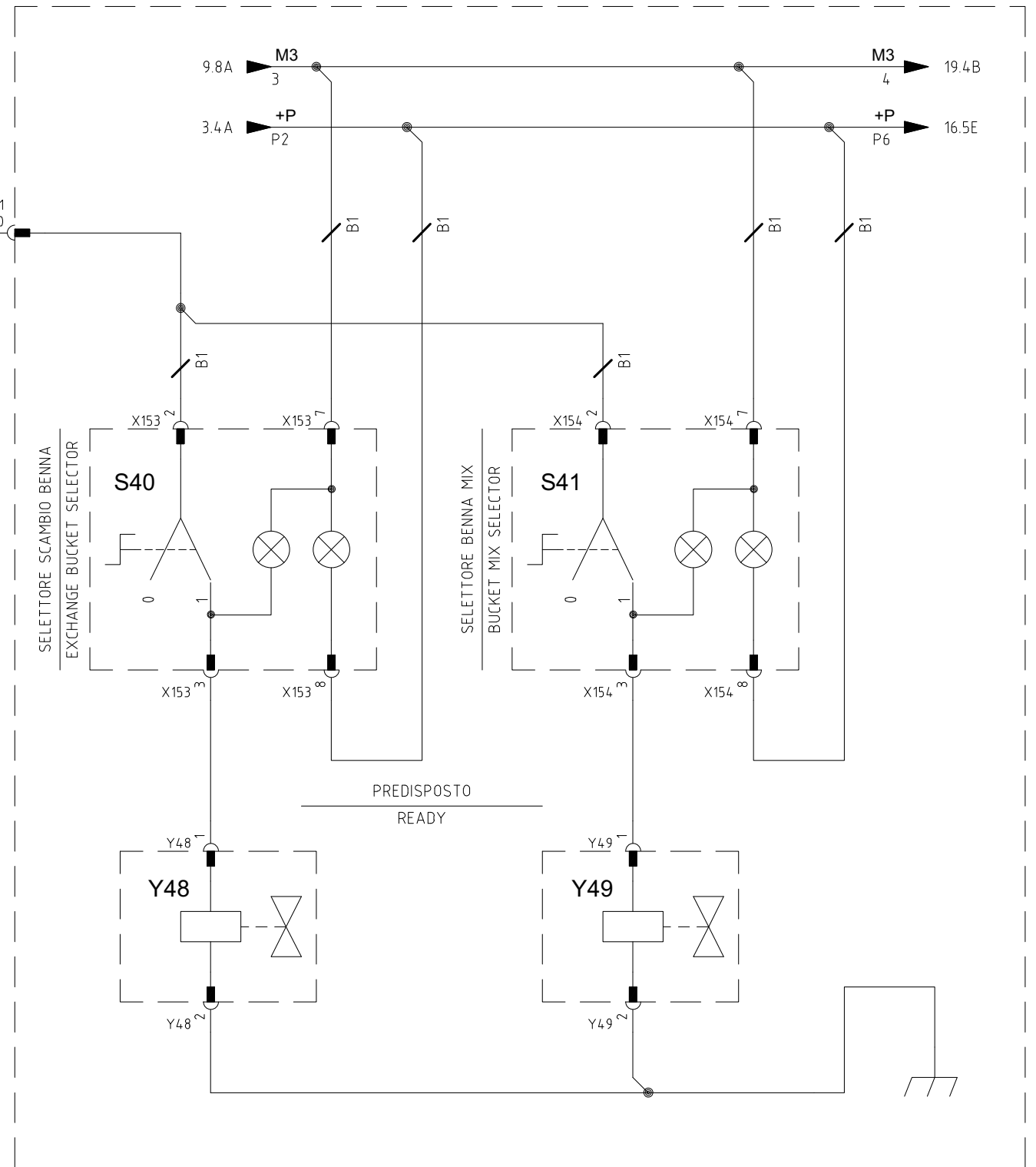
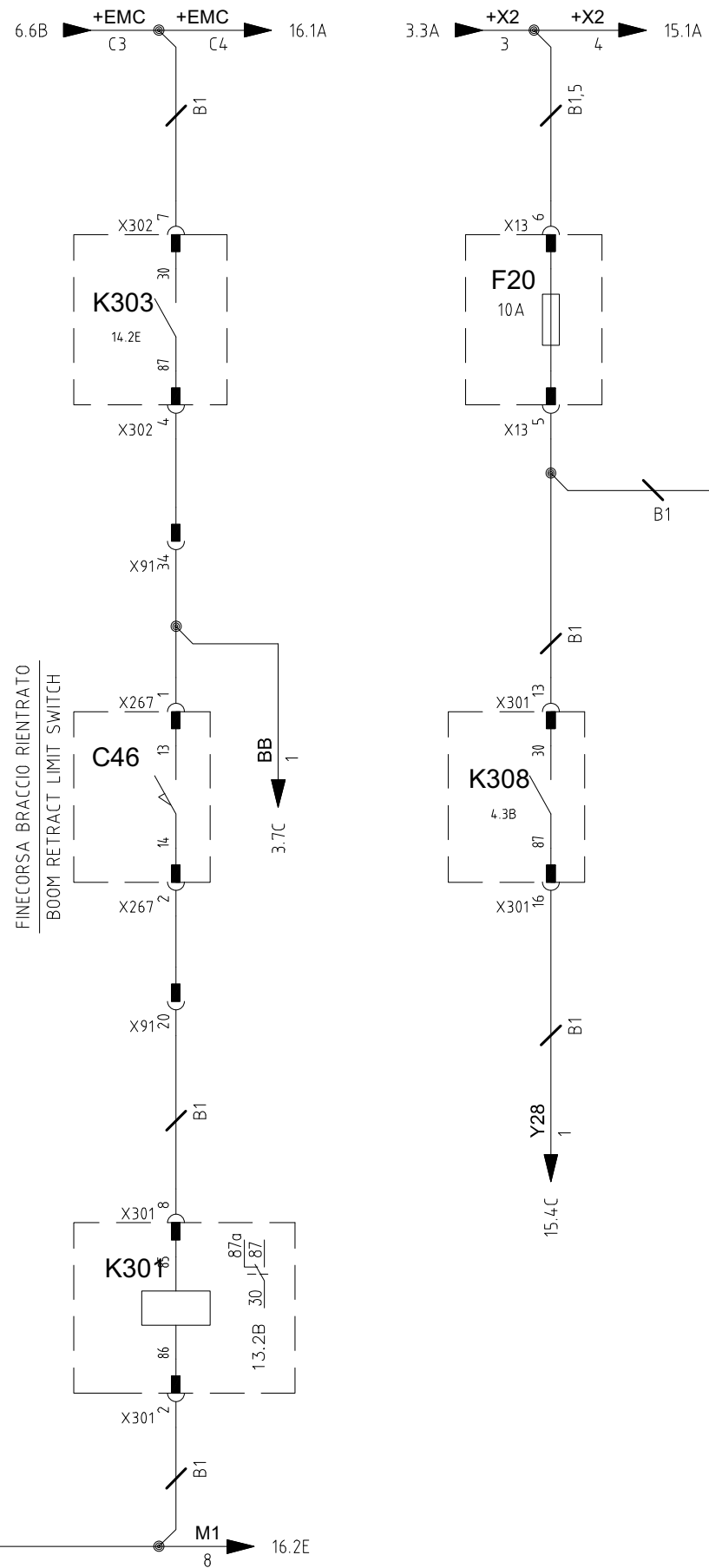
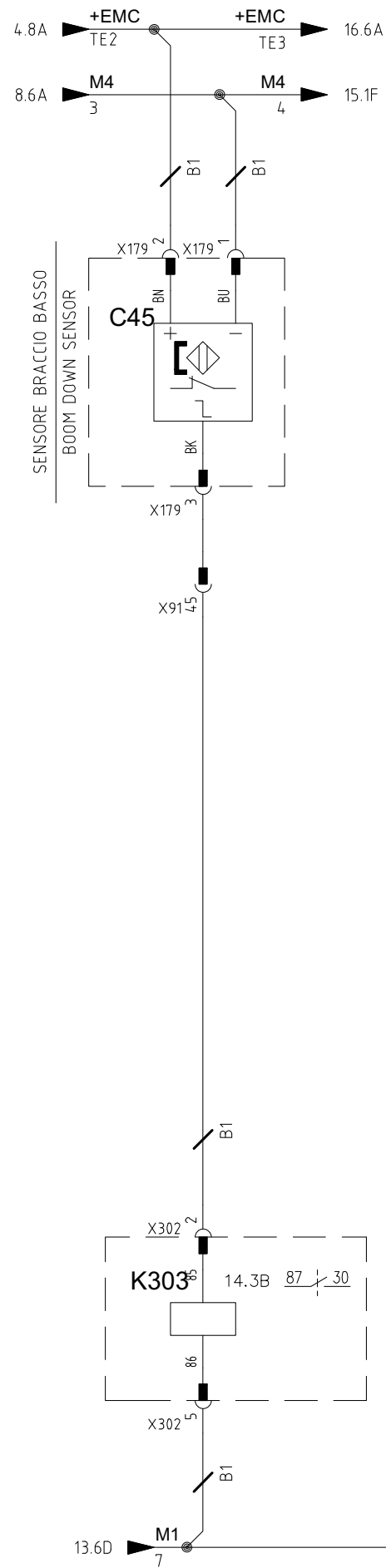
MASSA SENSORE  
GROUND SUPPLY

ALIMENTAZIONE SENSORE  
SENSOR SUPPLY

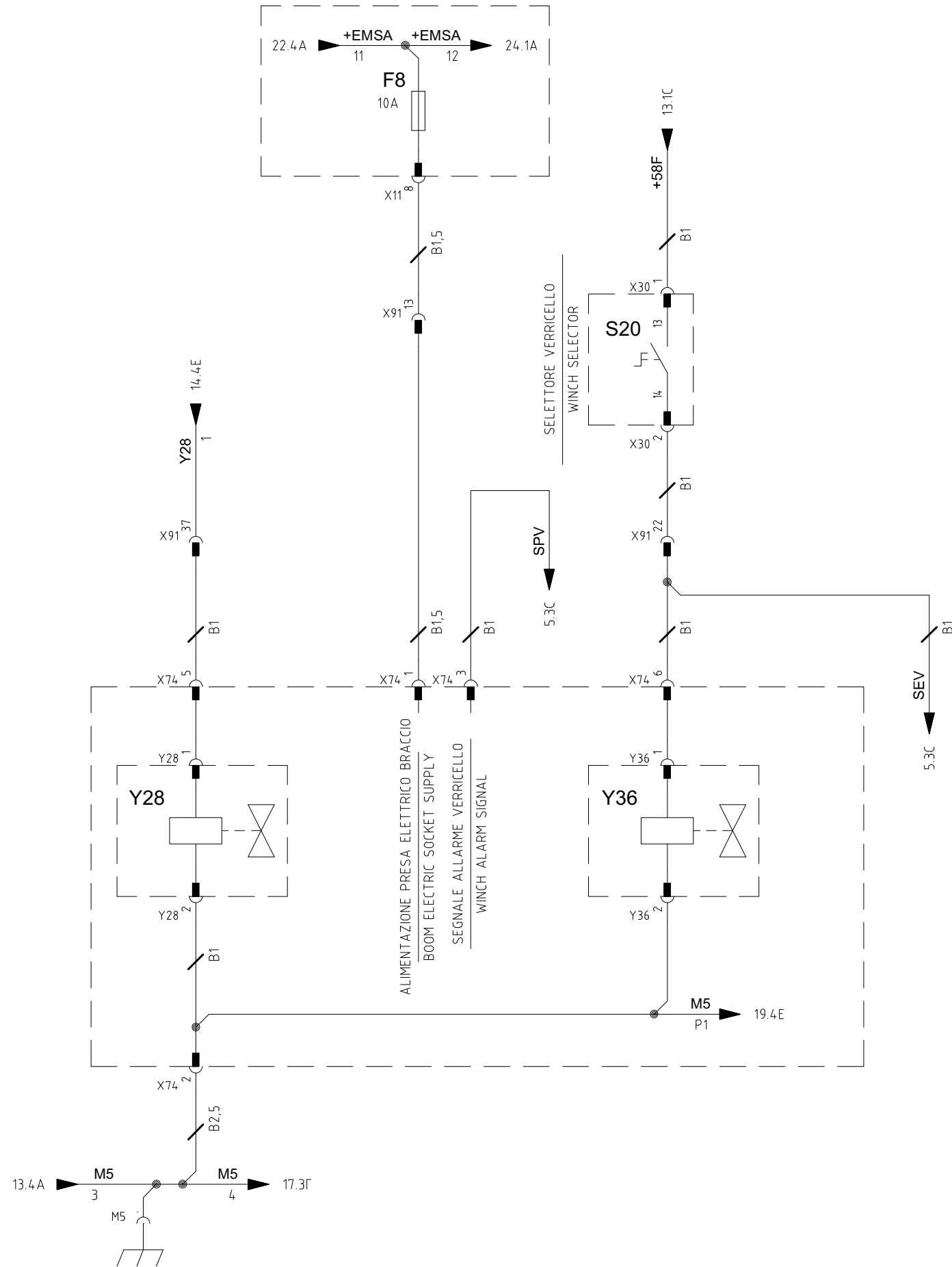
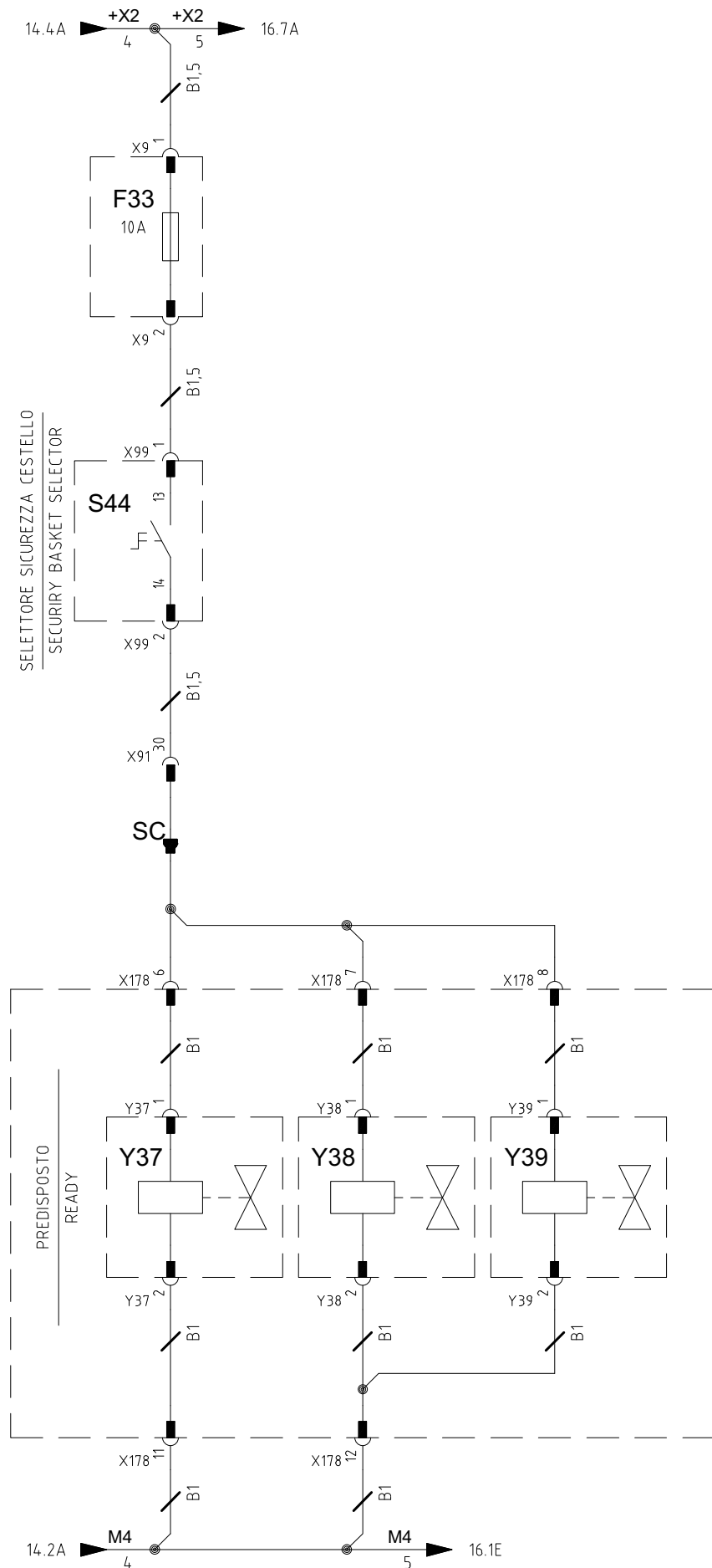


C86  
CENTRALINA [DANFOSS H1-AC]  
ECU [DANFOSS H1-AC]

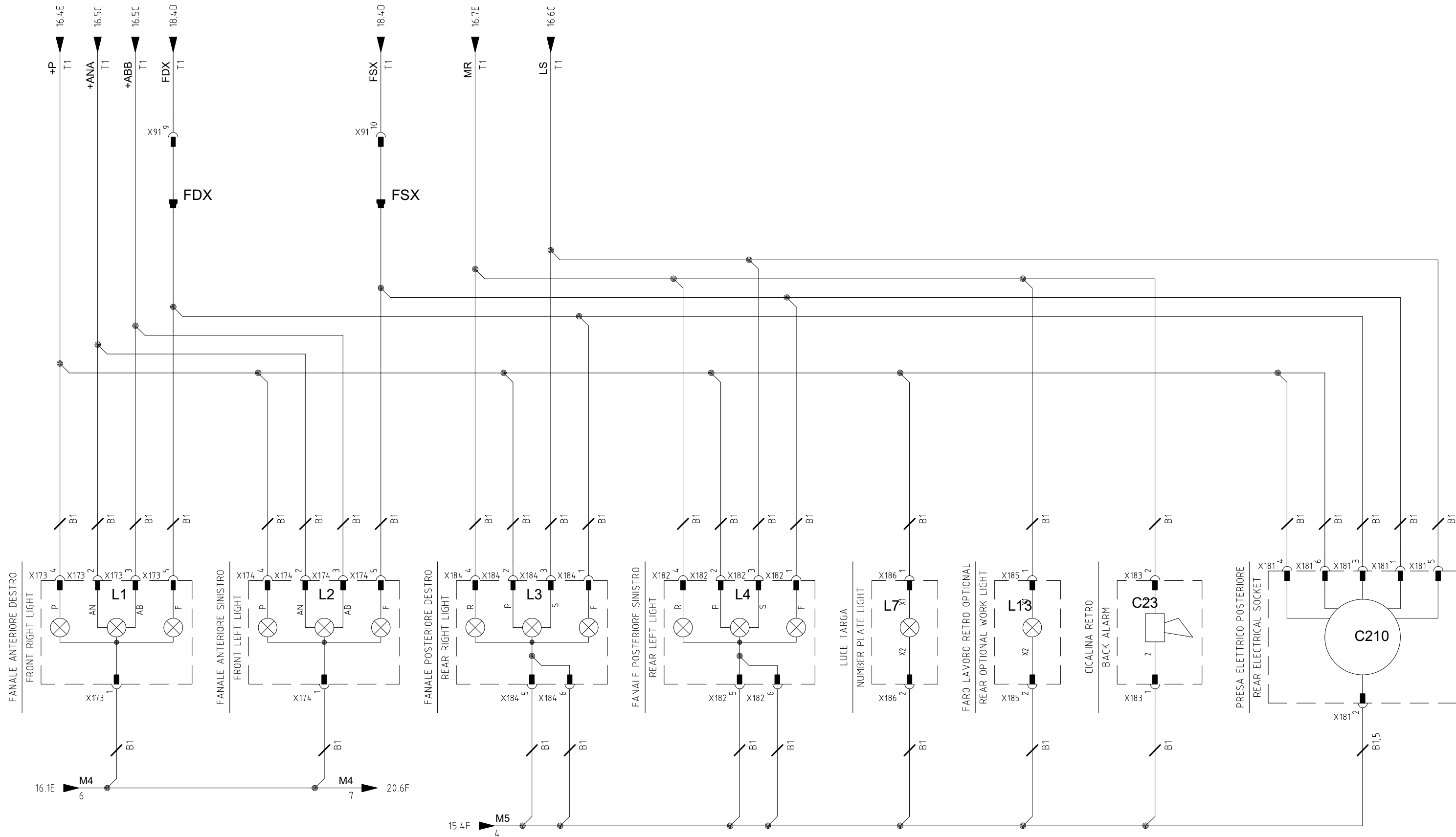


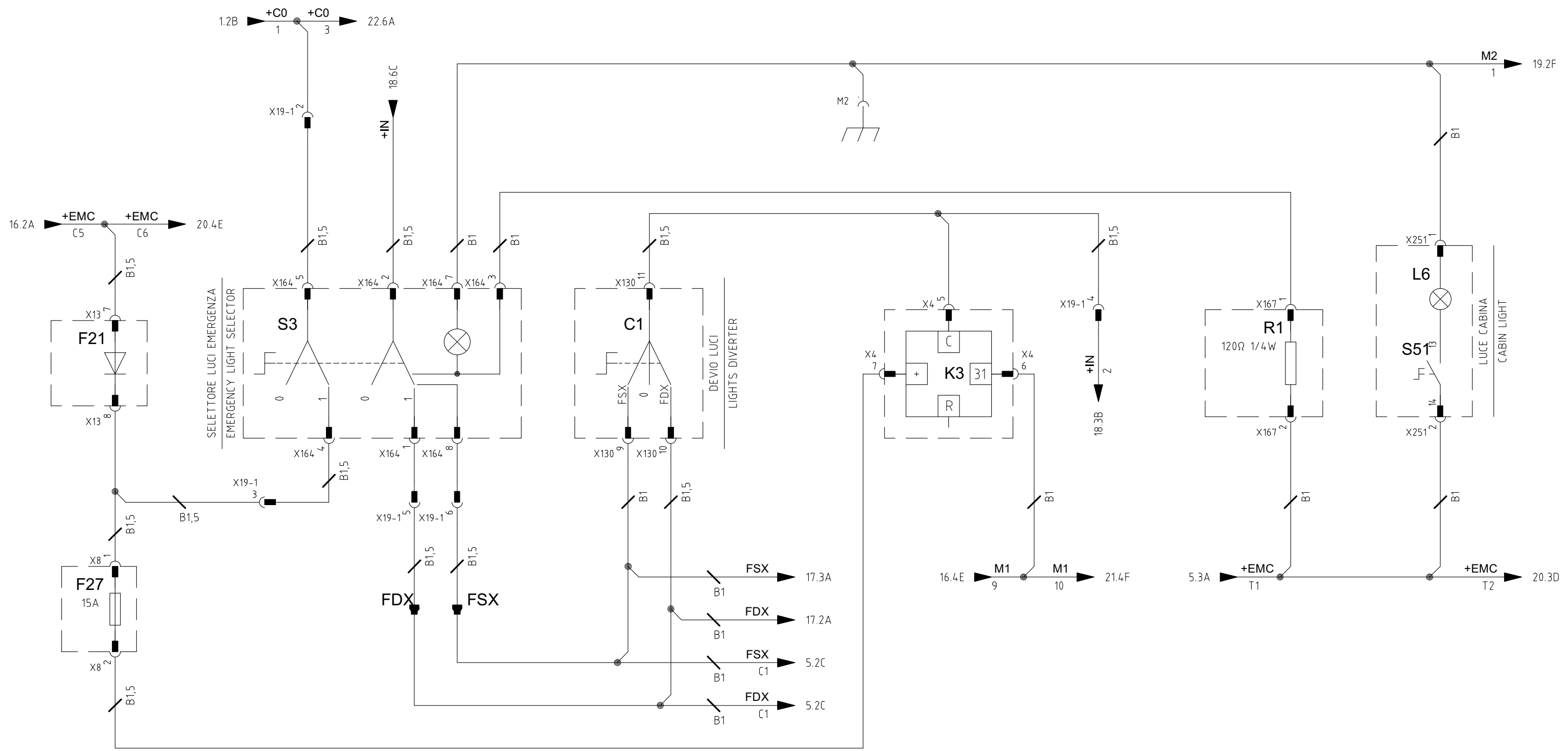


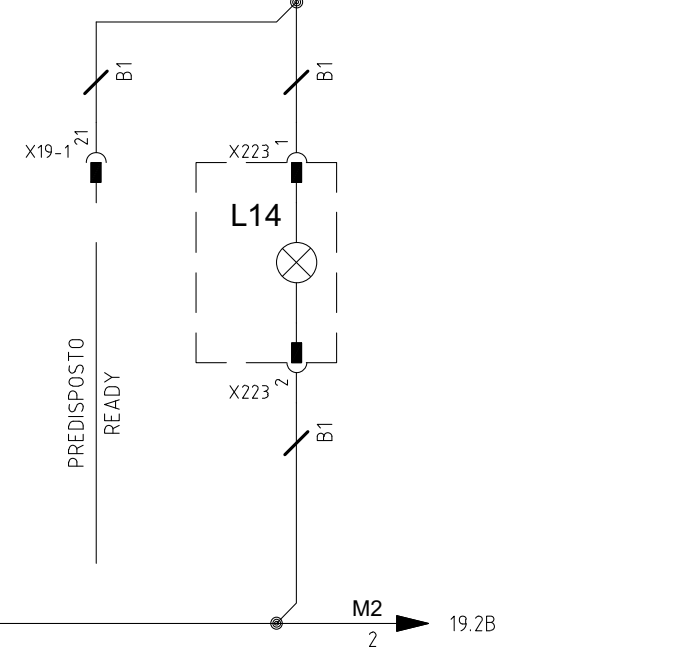
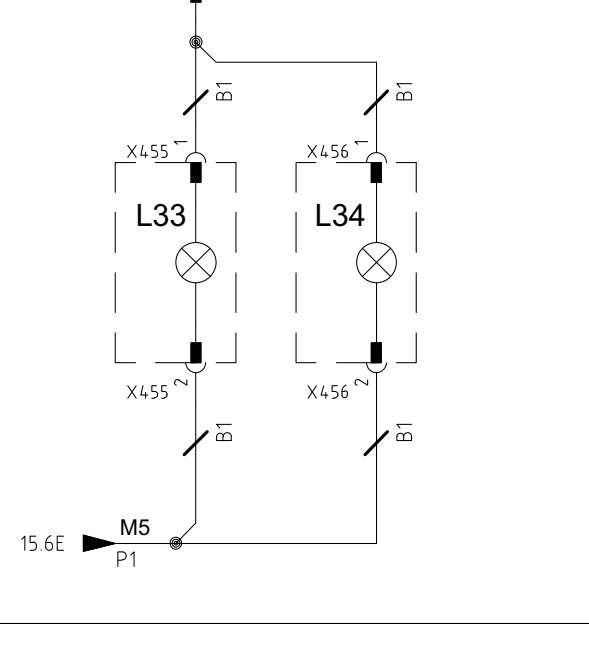
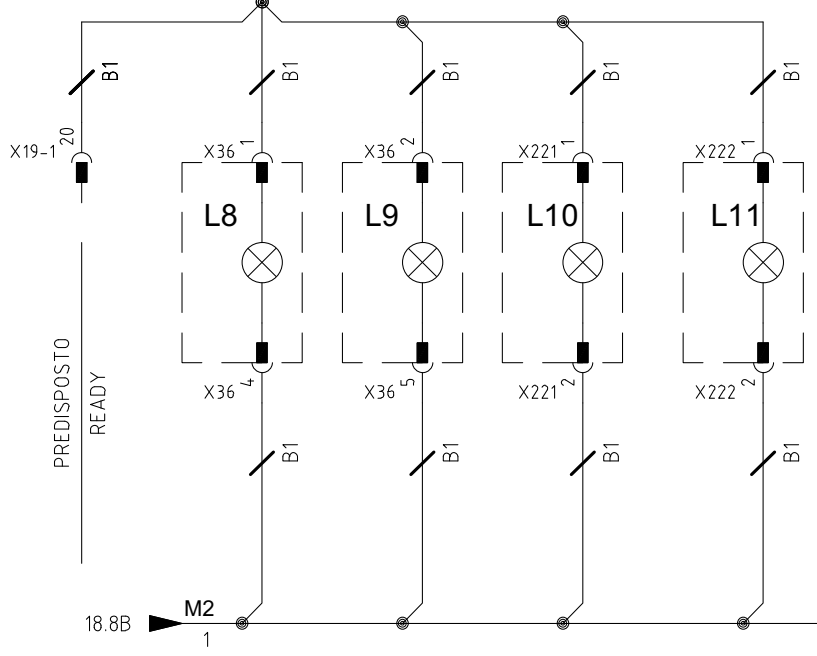
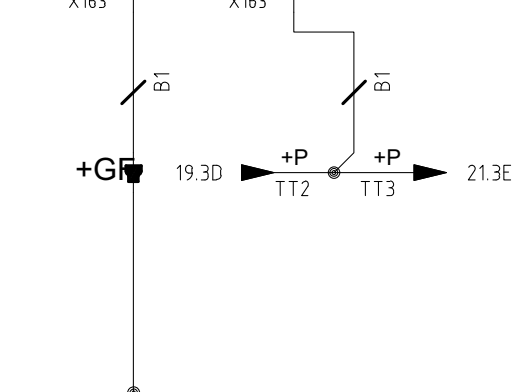
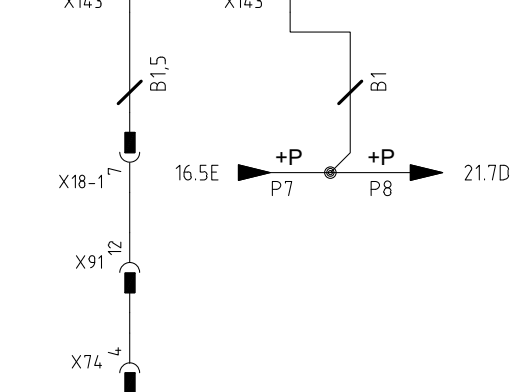
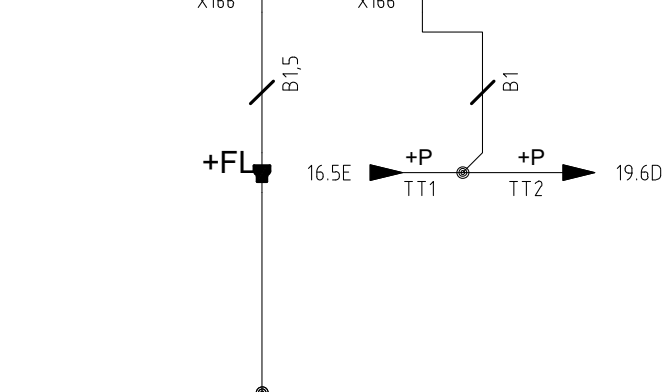
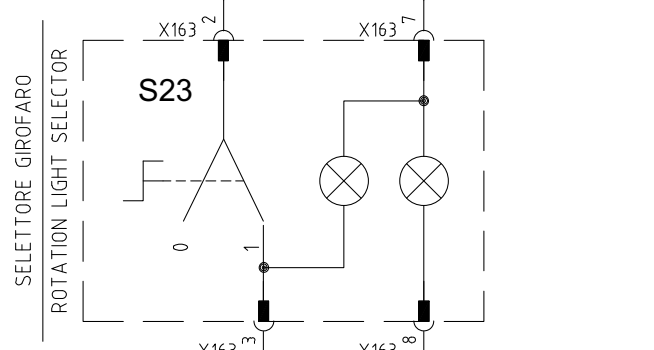
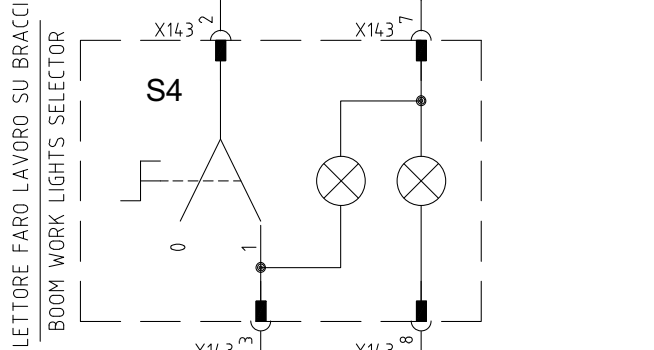
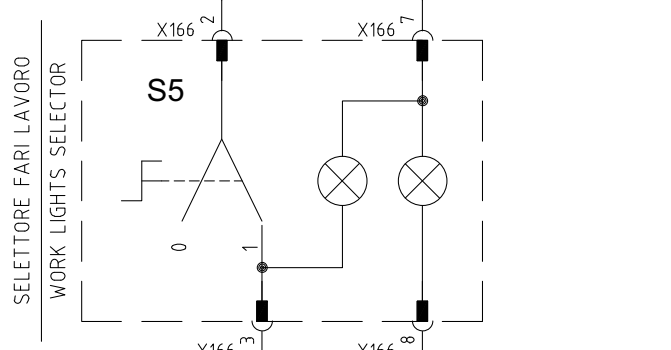
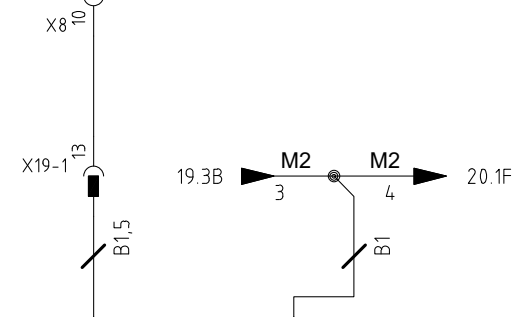
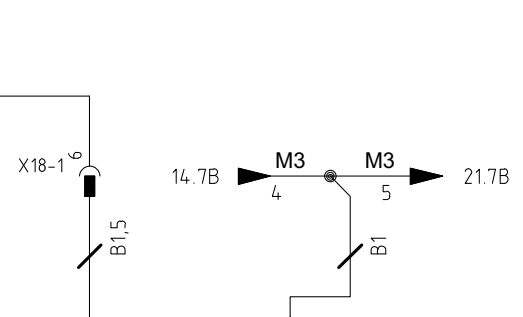
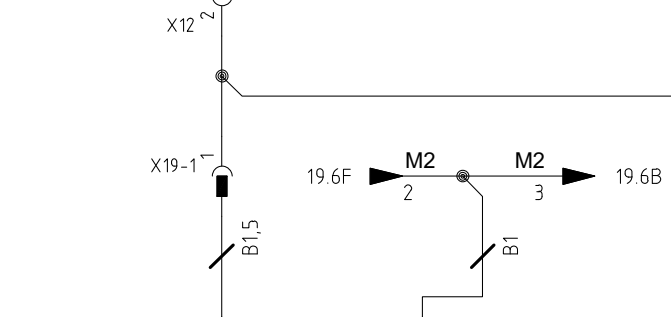
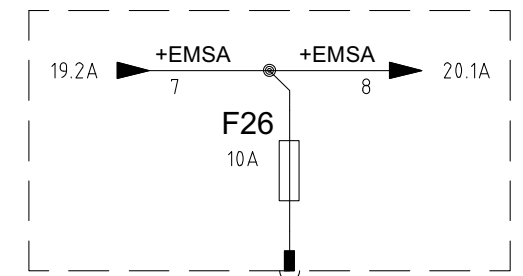
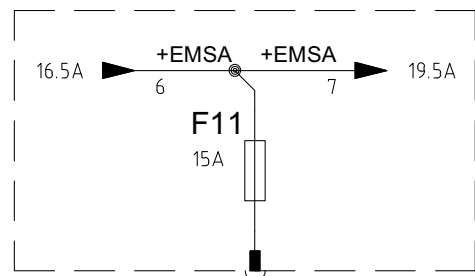


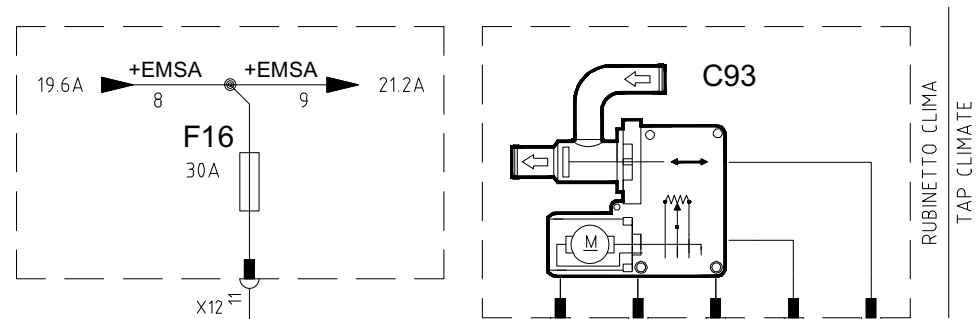




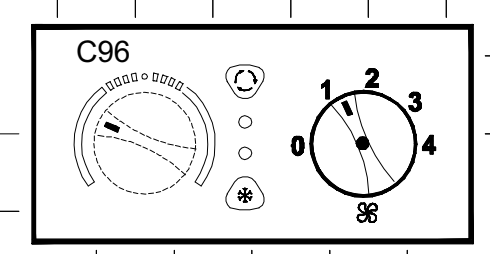




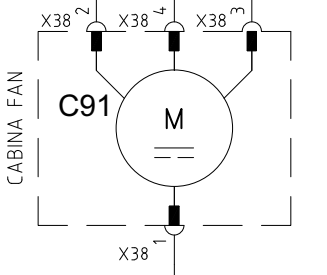




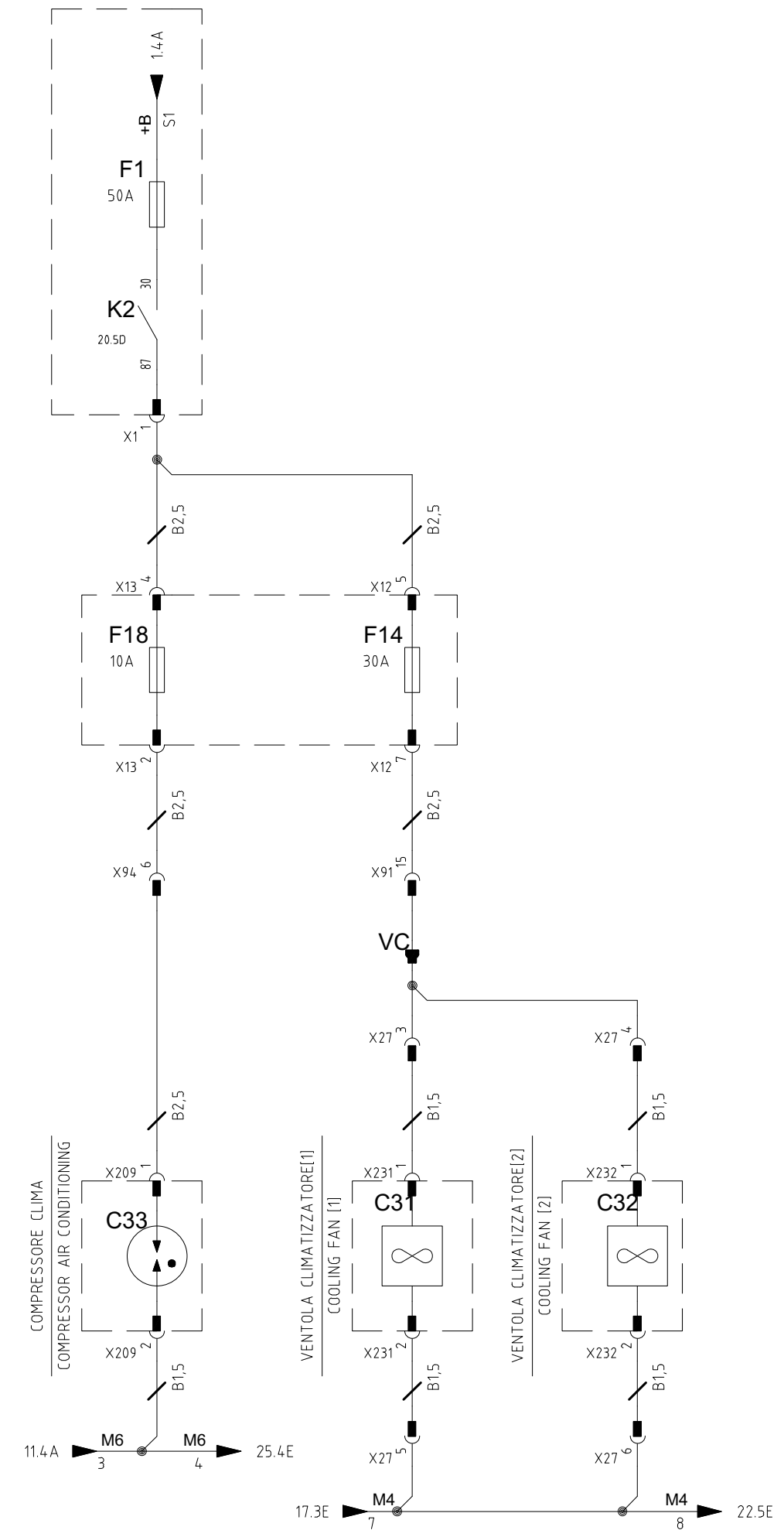
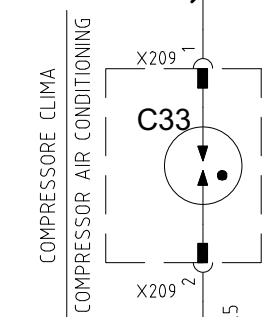
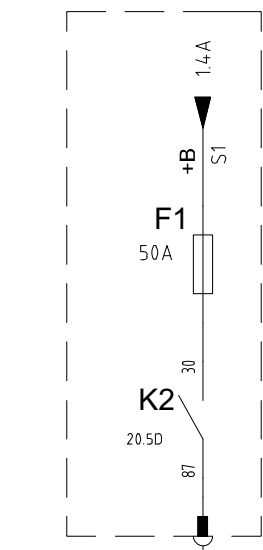
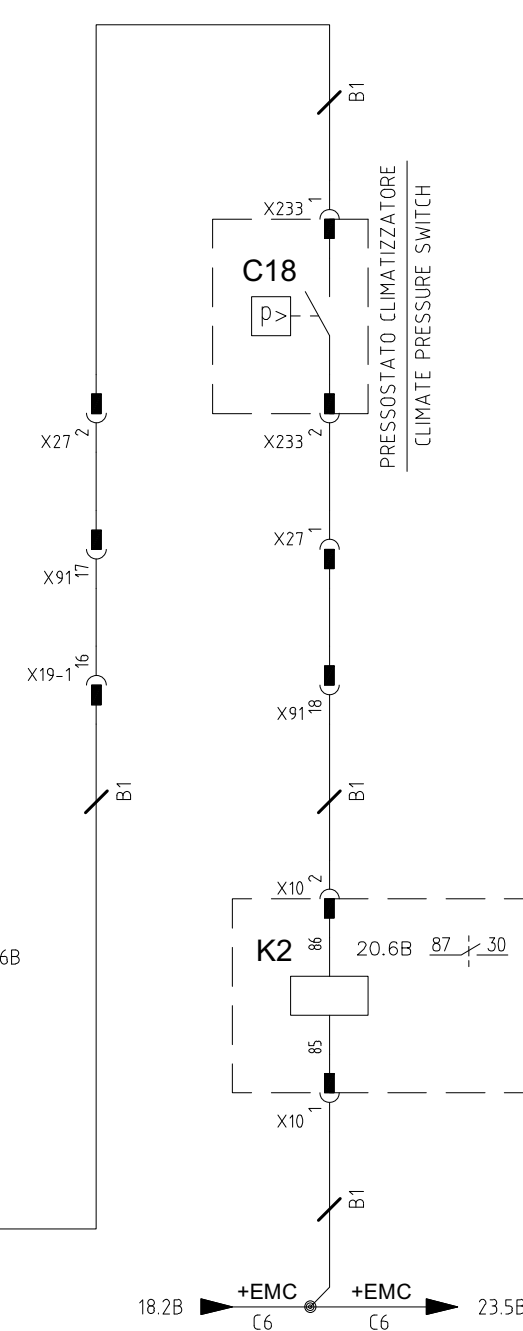
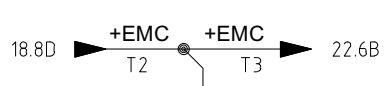
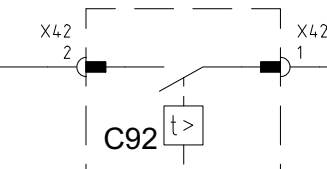
STRUMENTO CLIMATRONIC  
CLIMATRONIC INSTRUMENT

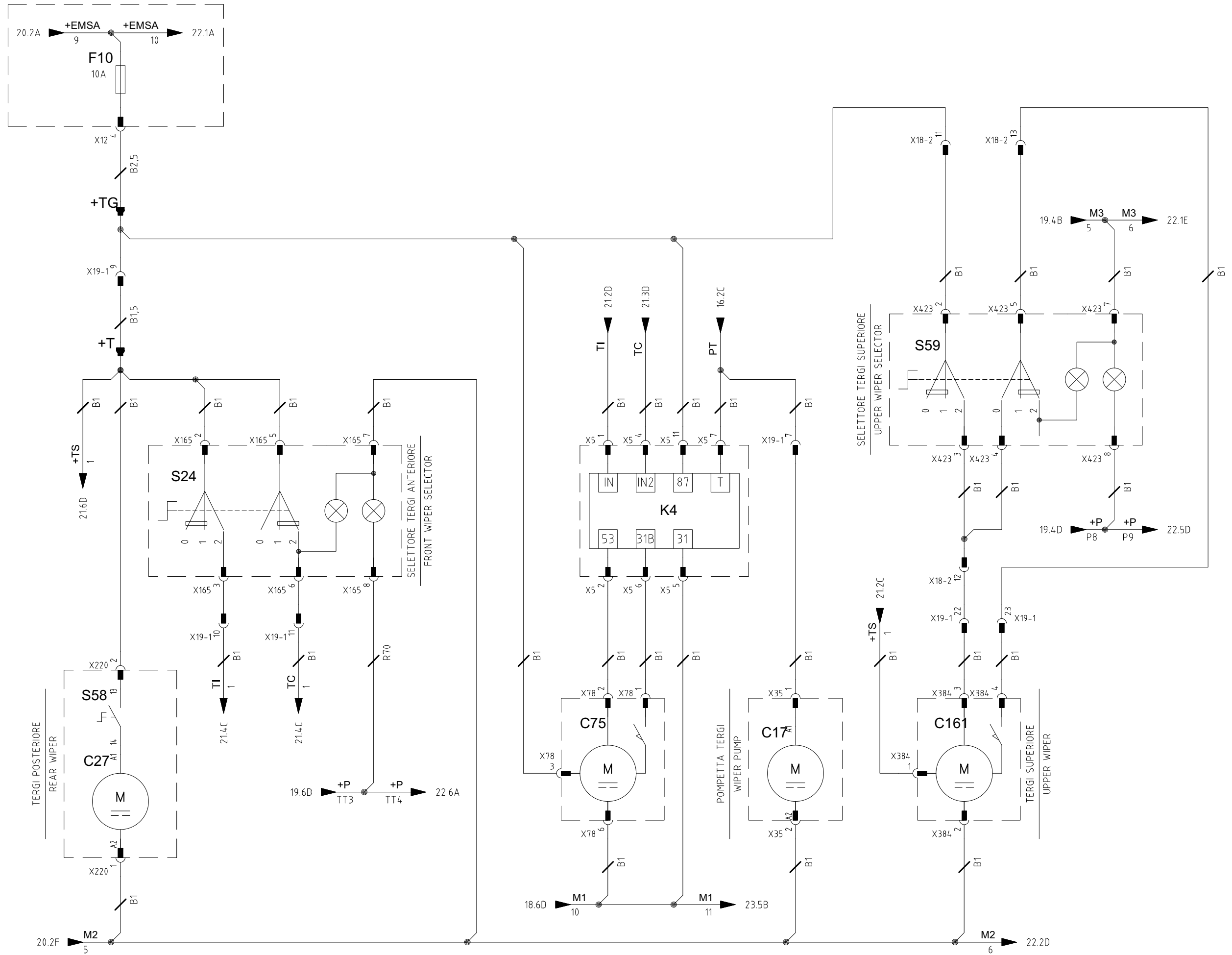


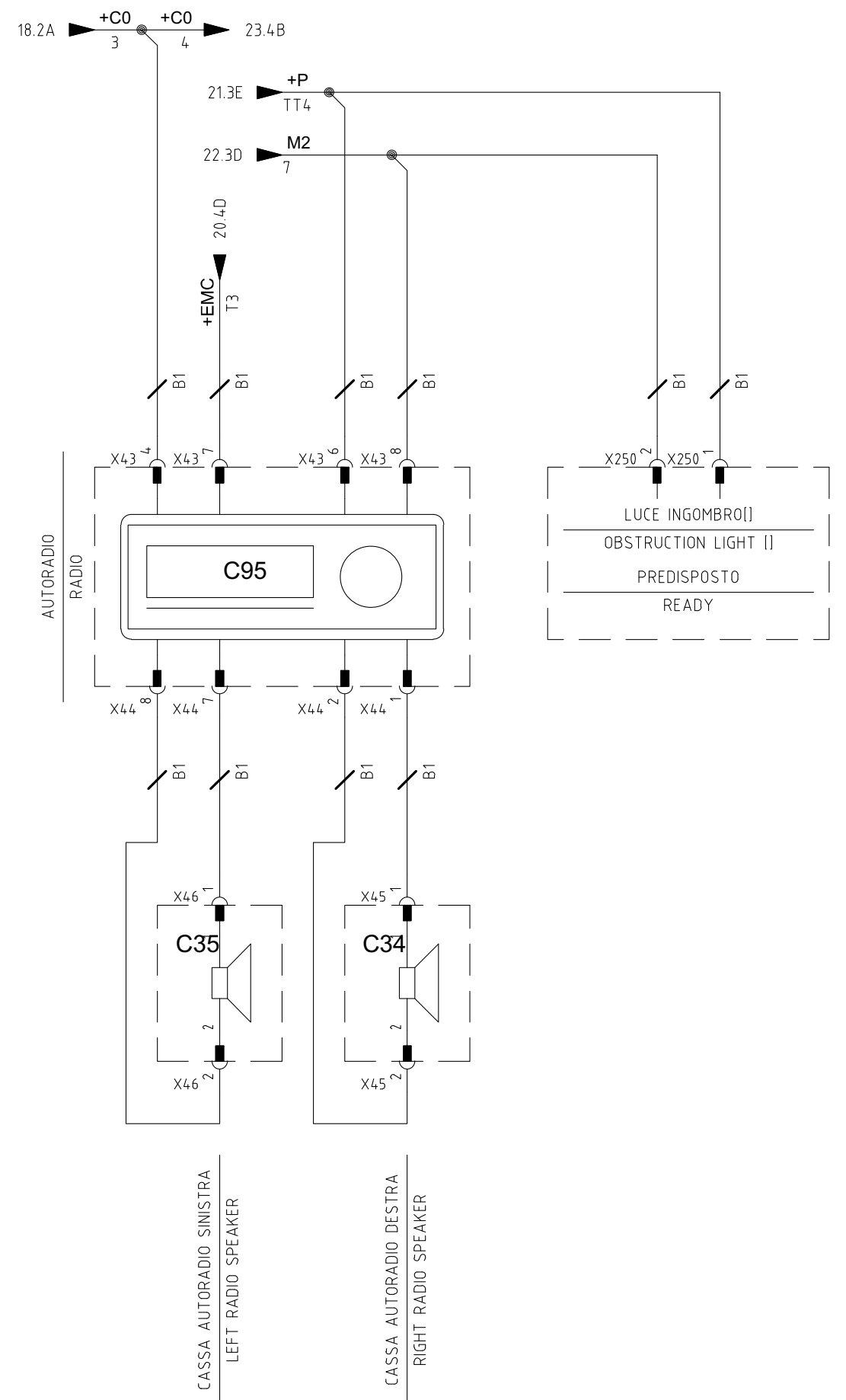
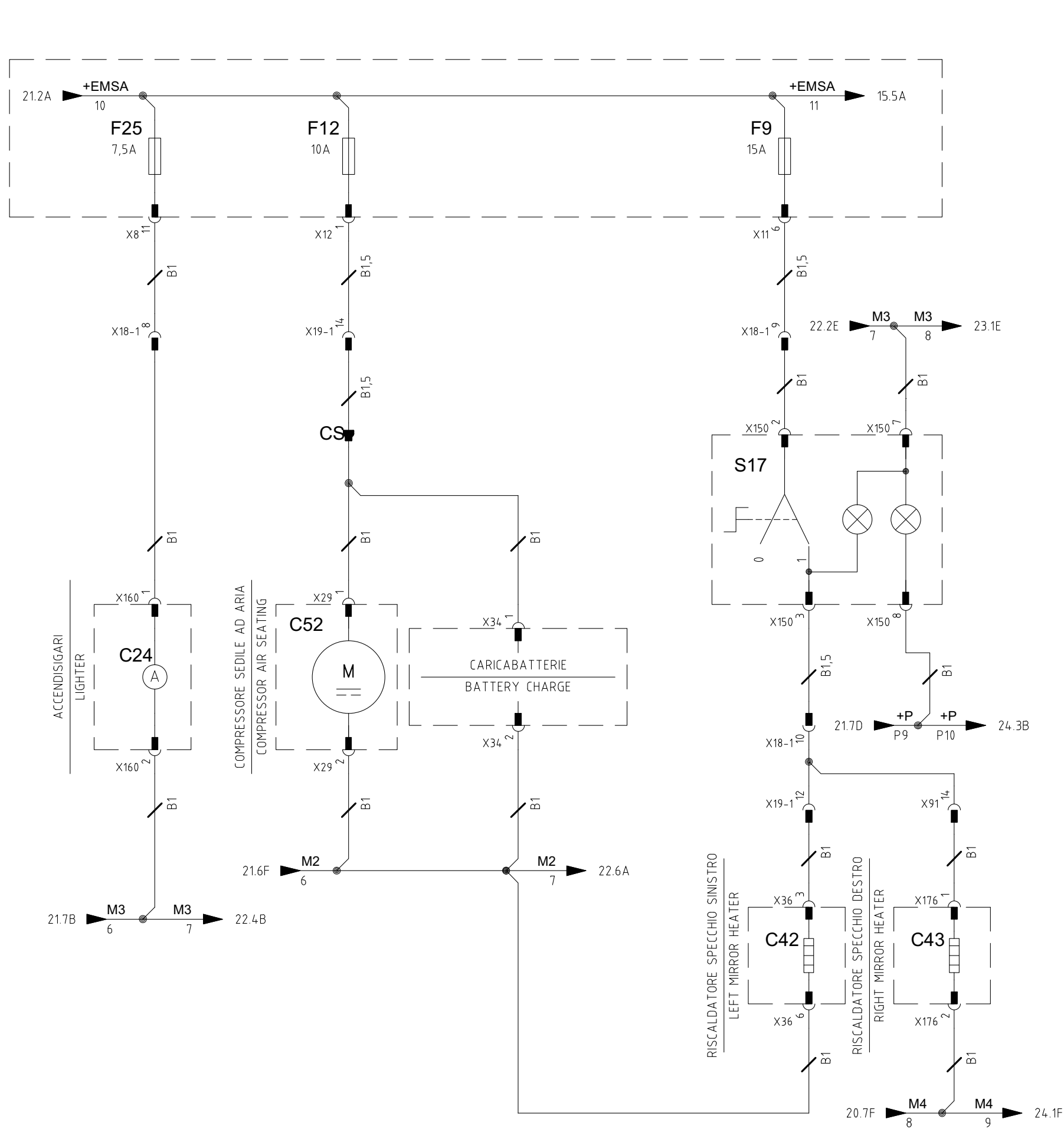
VENTILATORE CABINA  
CABINA FAN



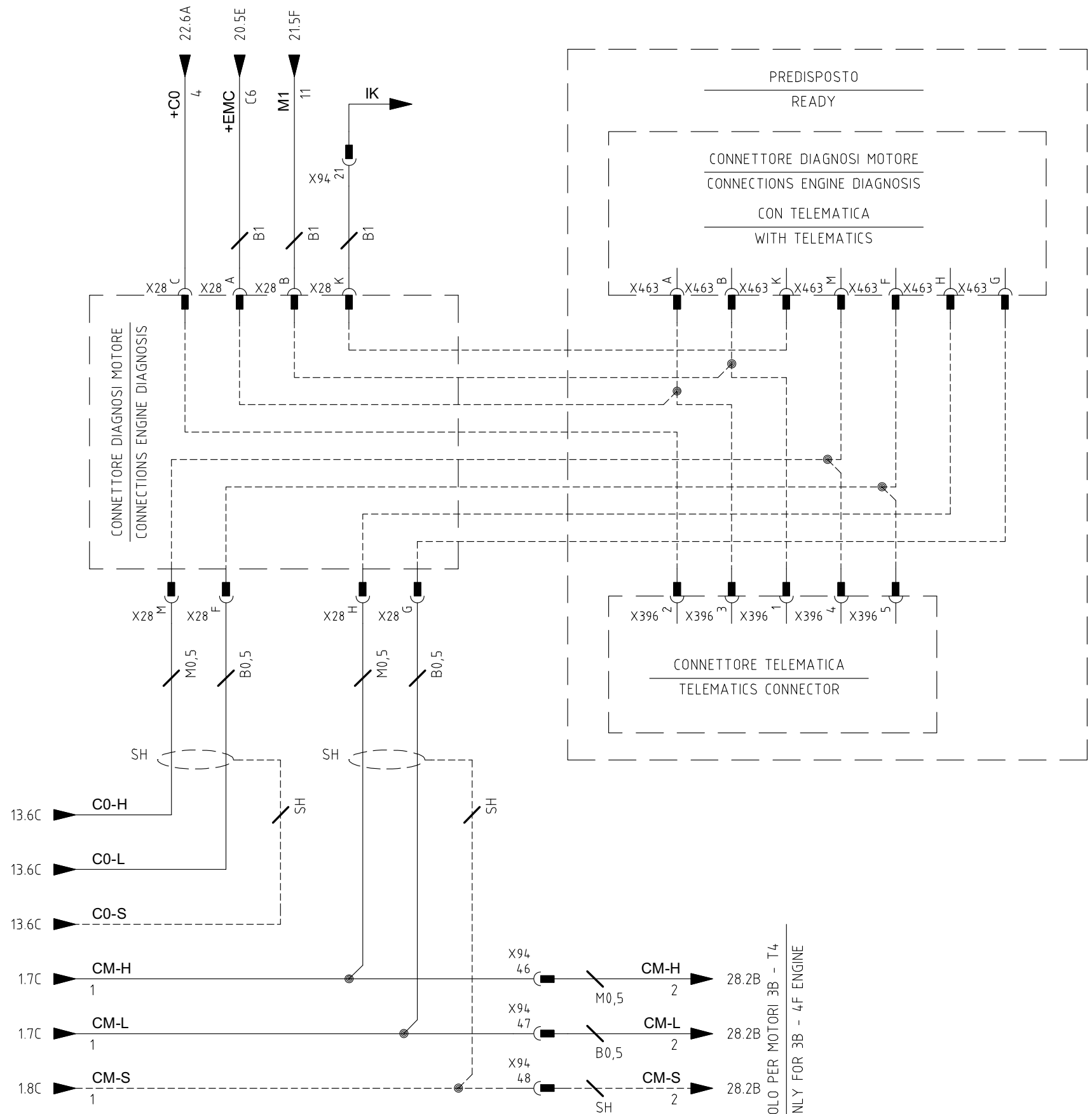
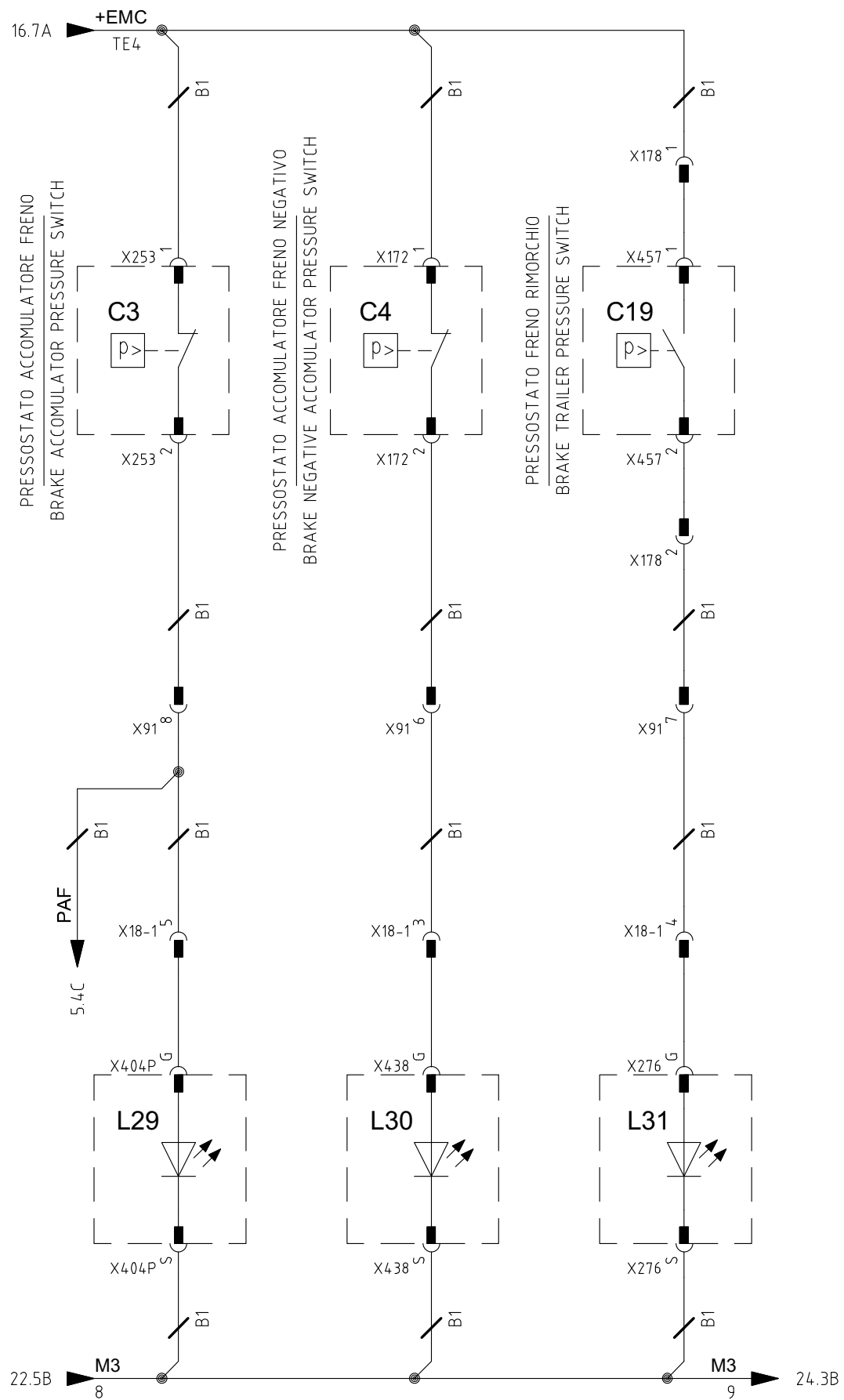
TERMOSTATO CLIMA  
CLIMATE THERMOSTAT

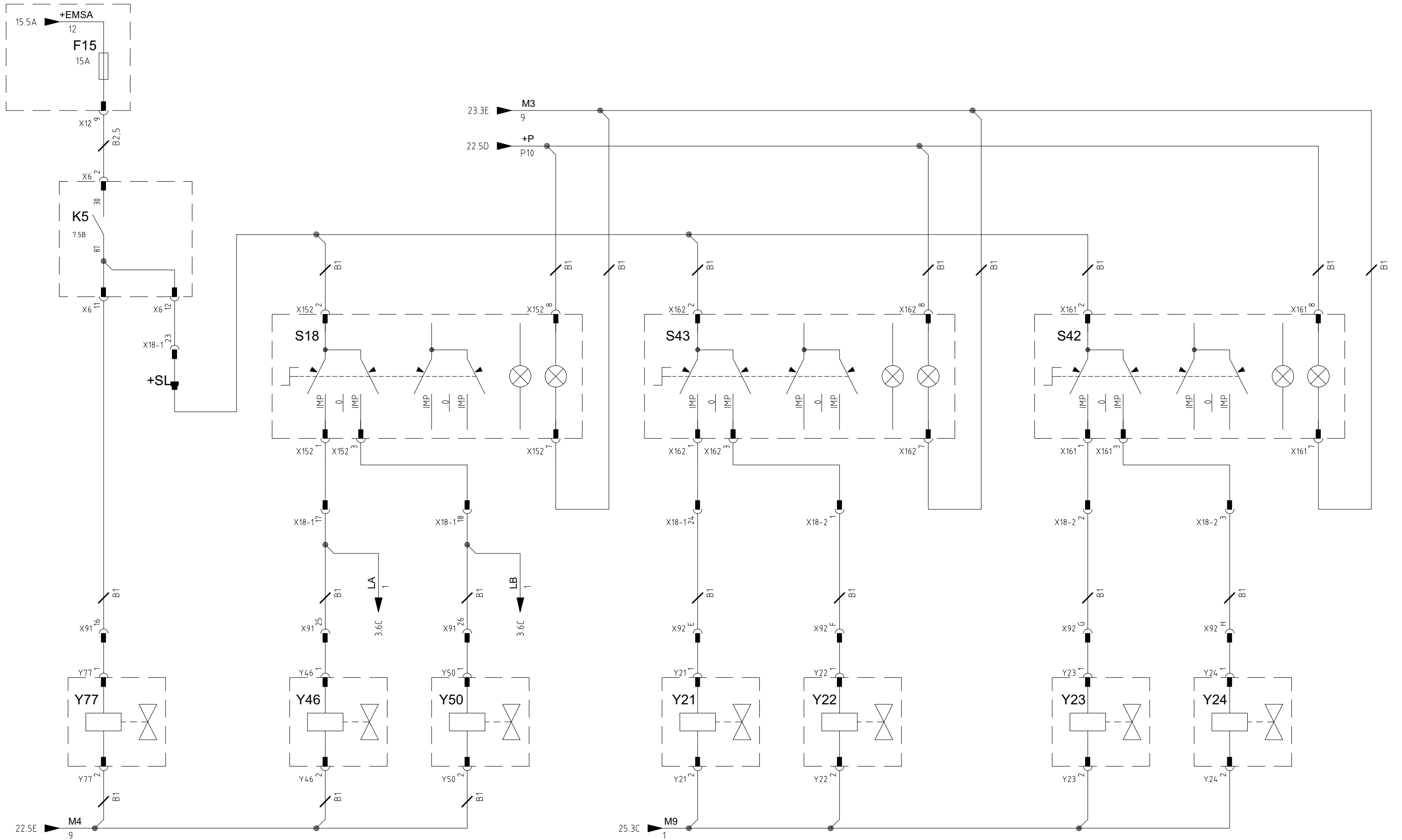


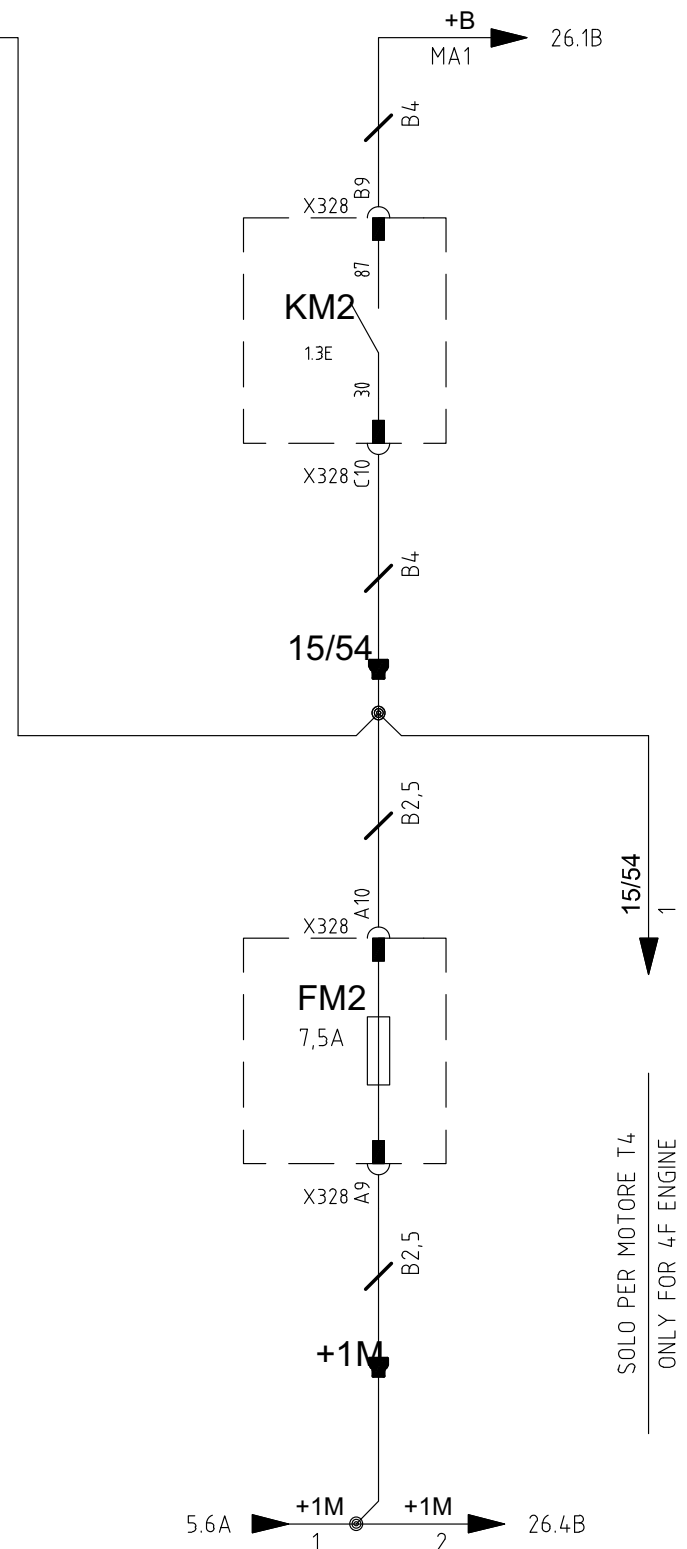
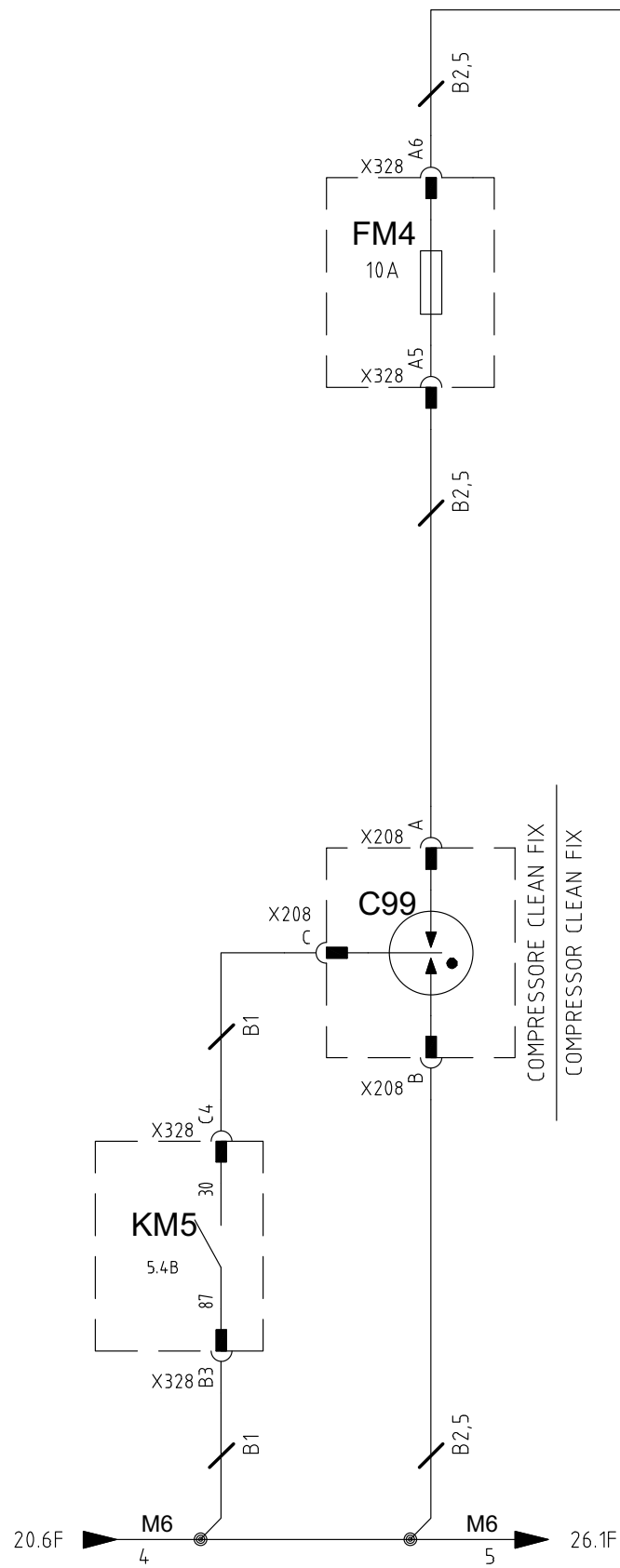
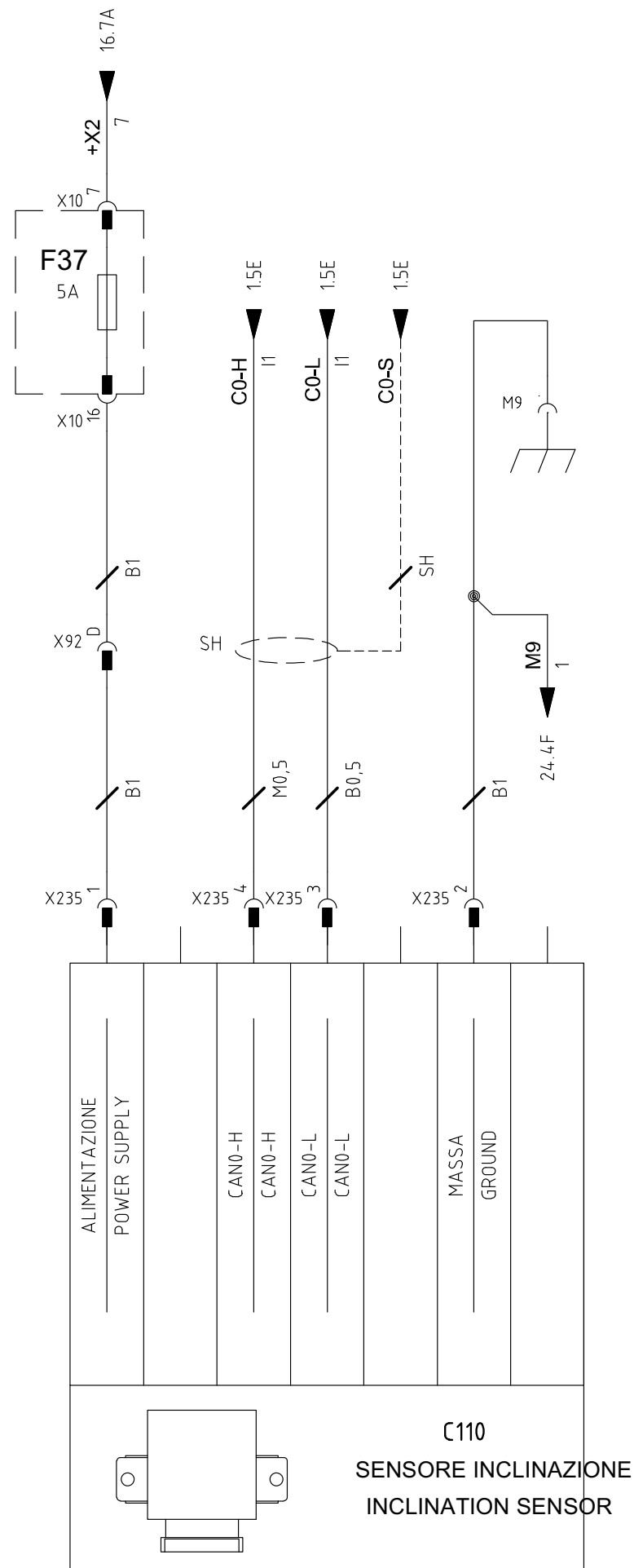


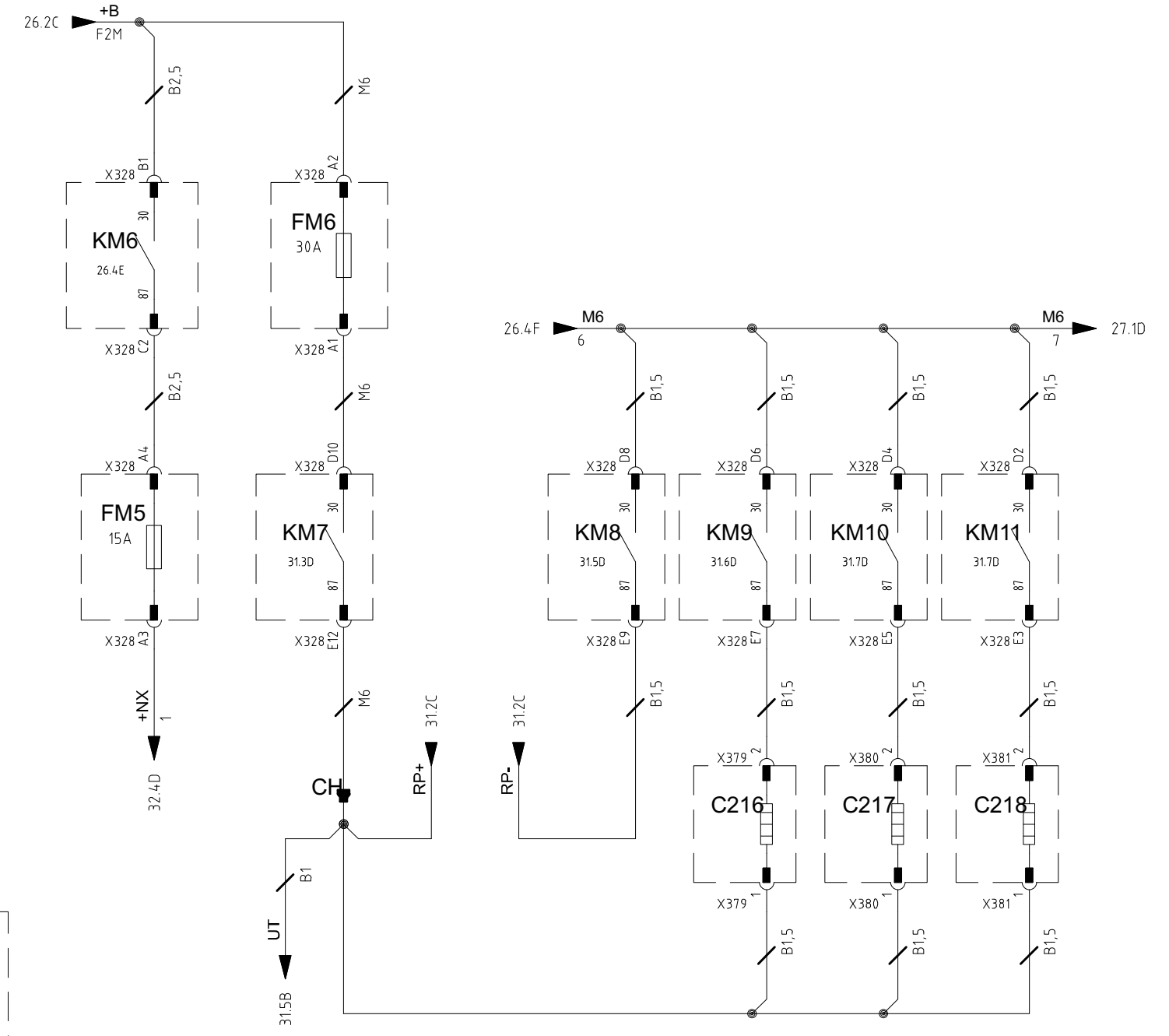
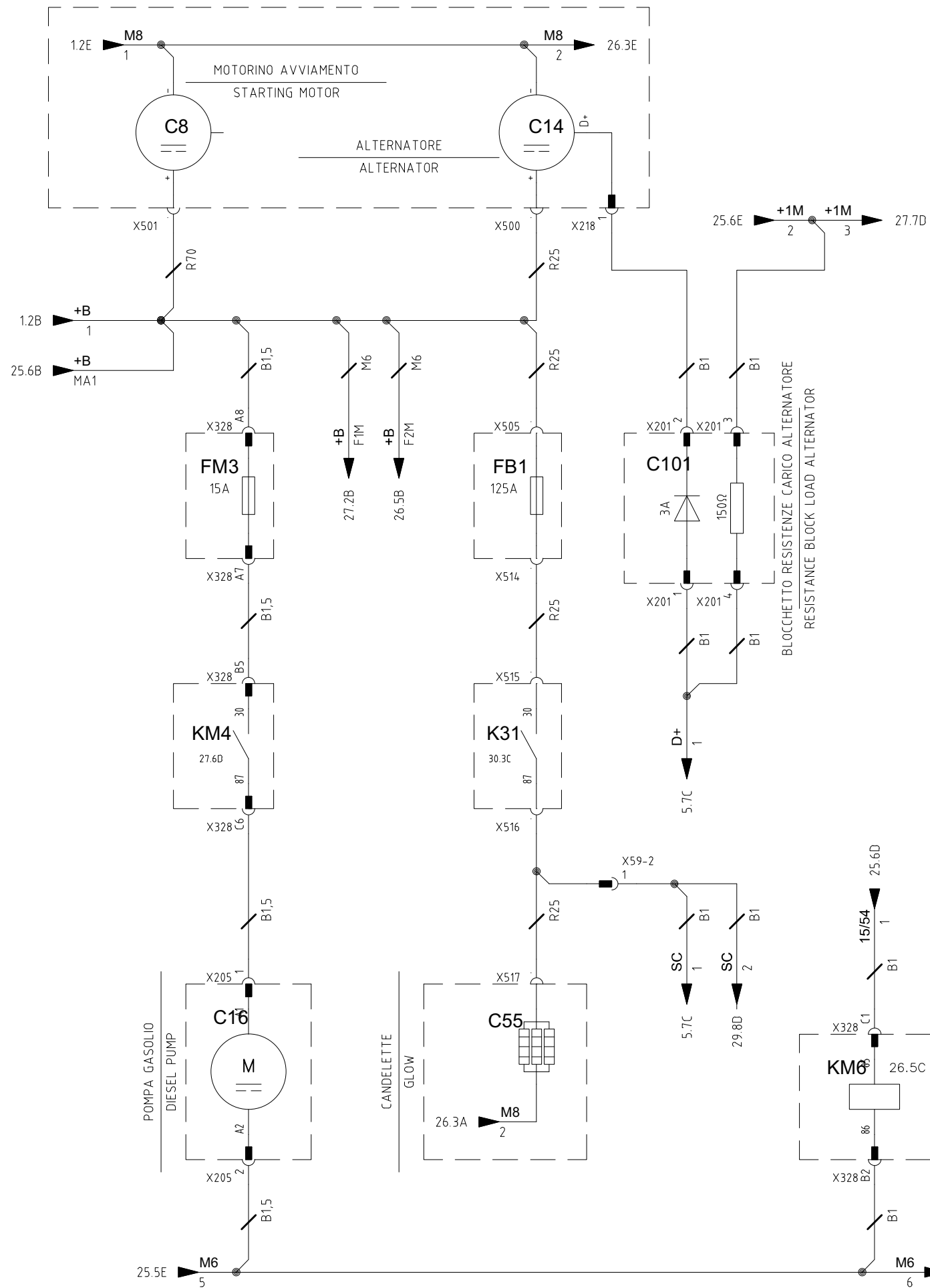


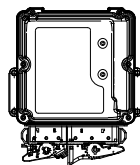
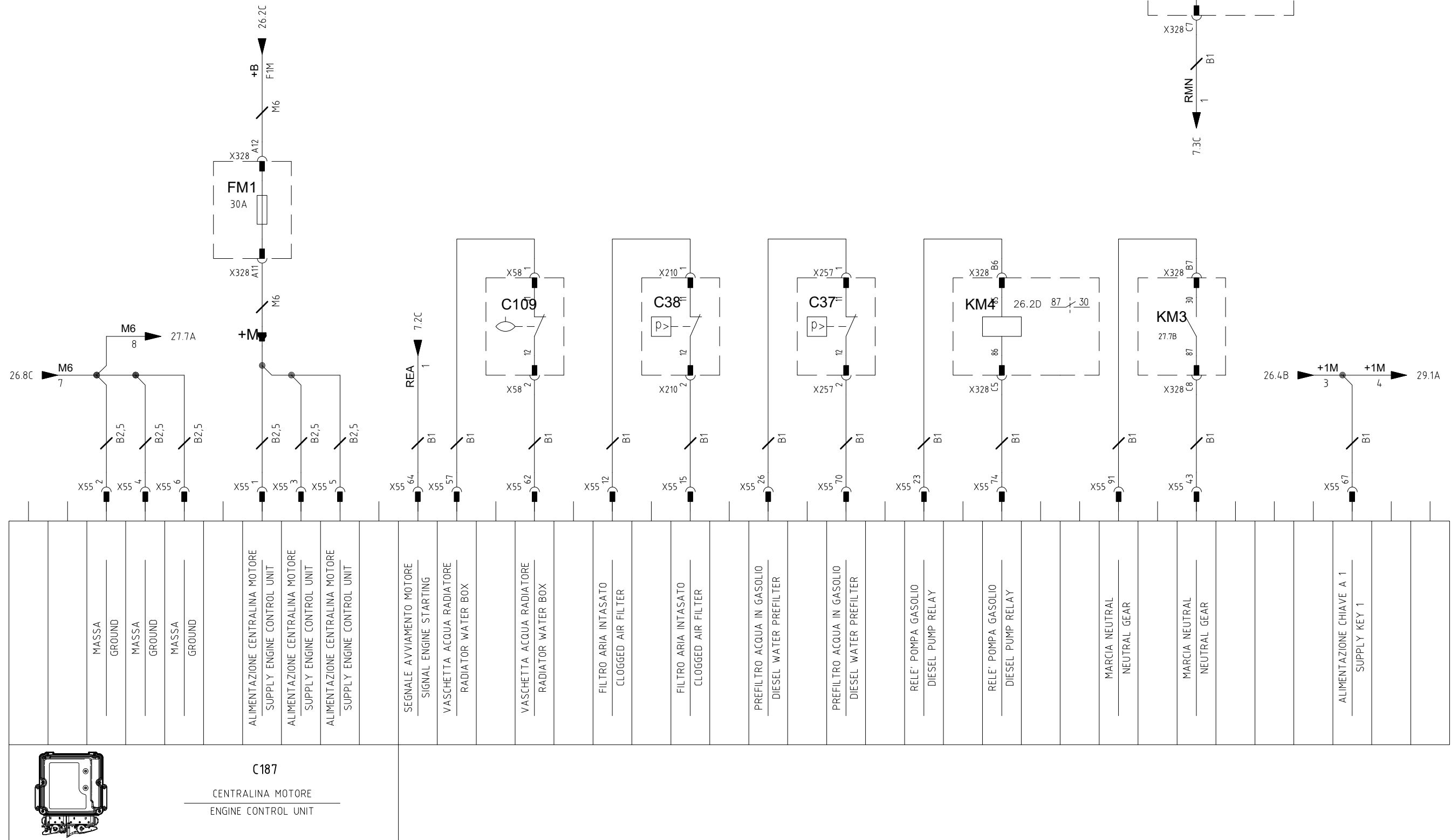








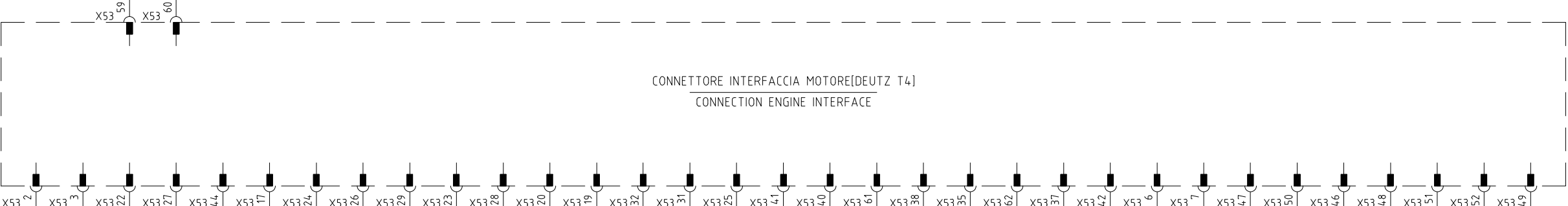
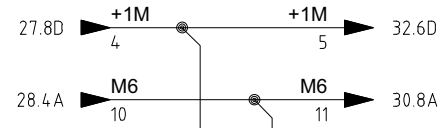




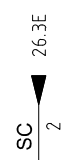
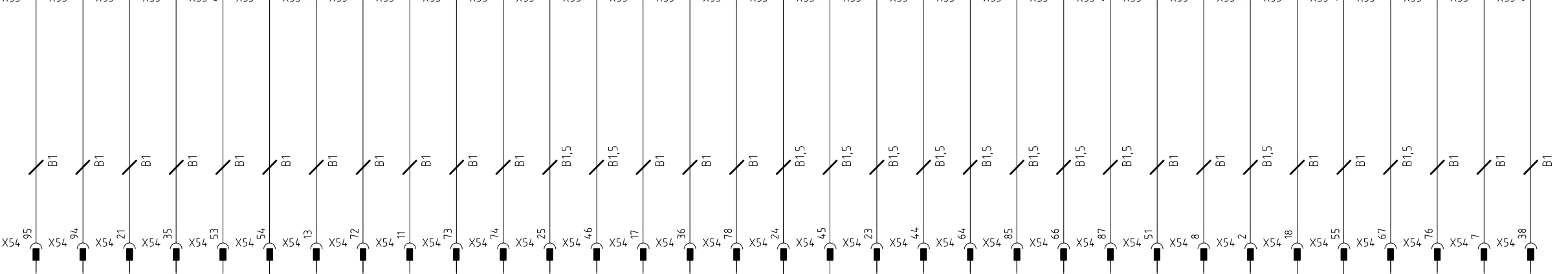
C187

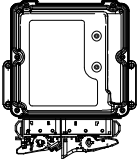
CENTRALINA MOTORE  
ENGINE CONTROL UNIT

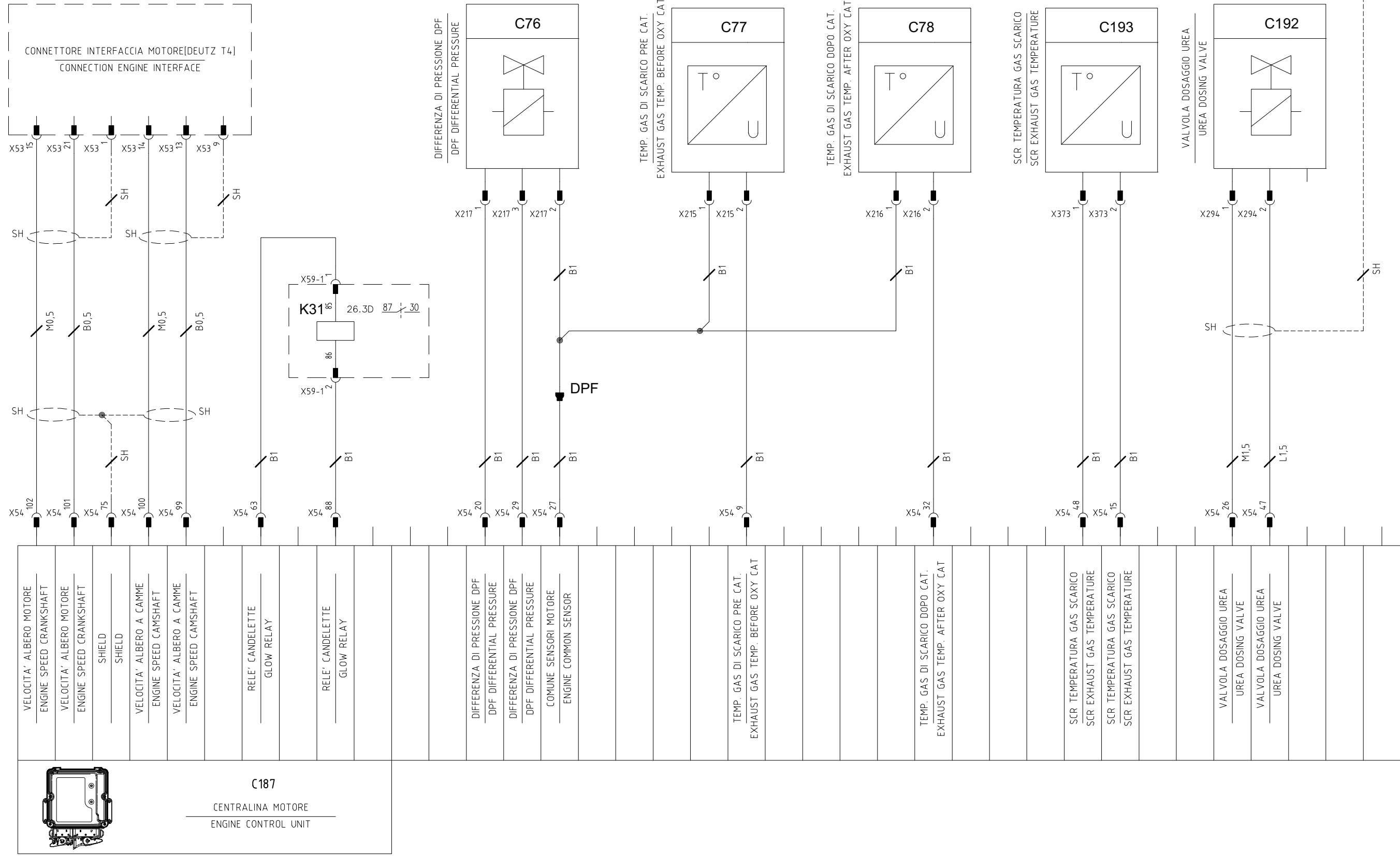




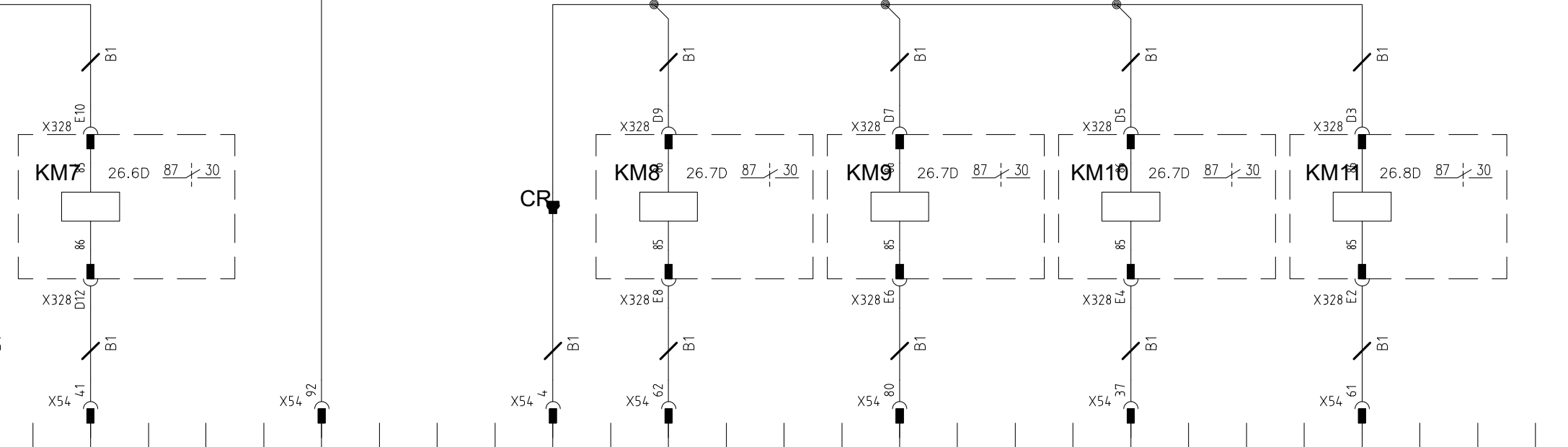
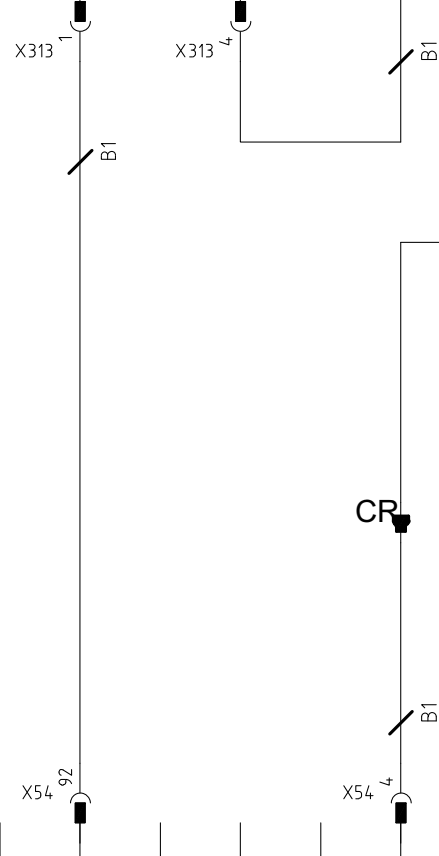
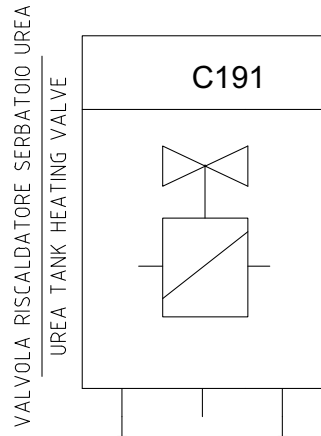
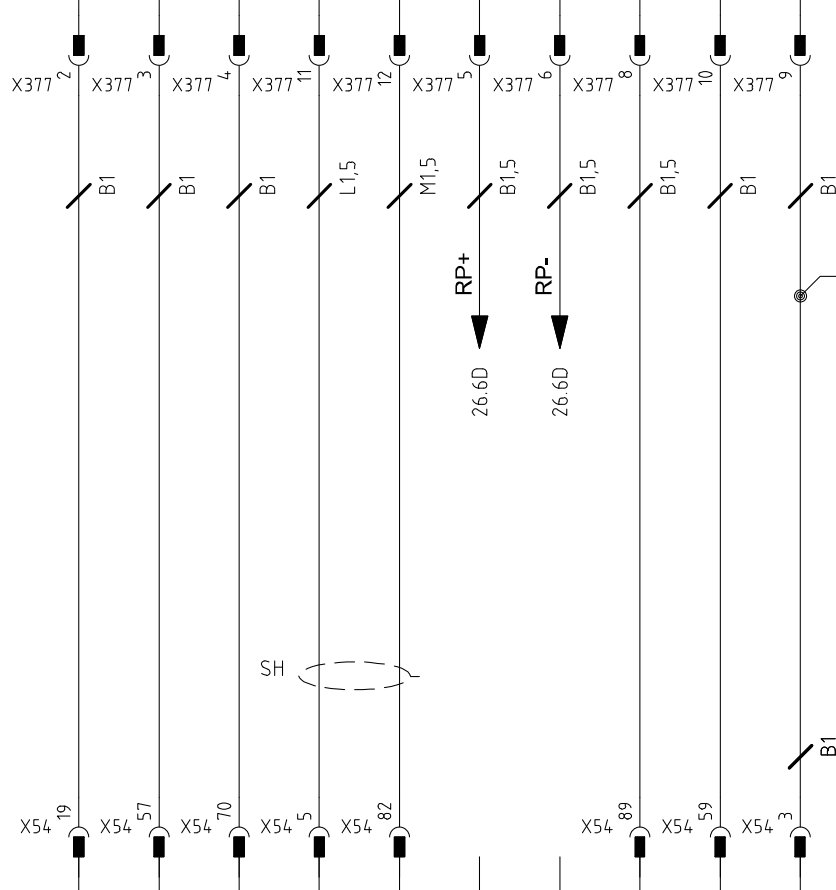
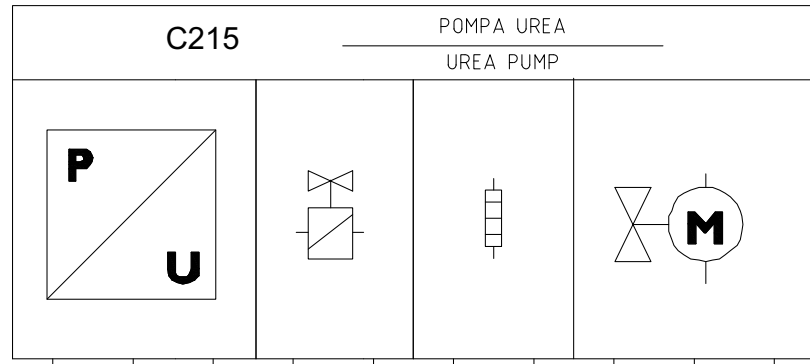
CONNETTORE INTERFACCIA MOTORE[DEUTZ T4]  
CONNECTION ENGINE INTERFACE



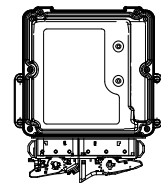
	<p>C187 CENTRALINA MOTORE ENGINE CONTROL UNIT</p>	<p>RELE' AVVIAMENTO STARTING RELAY</p>	X53_2	B1	X54_95
	<p>RELE' AVVIAMENTO STARTING RELAY</p>	X53_3	B1	X54_94	
<p>COMUNE SENSORI MOTORE ENGINE COMMON SENSOR</p>	X53_22	B1	X54_21		
<p>COMUNE SENSORI MOTORE ENGINE COMMON SENSOR</p>	X53_27	B1	X54_35		
<p>GAS DI SCARICO PRE TURBINA EXHAUST GAS BEFORE TURBINE</p>	X53_44	B1	X54_53		
<p>BASSA PRESSIONE GASOLIO FUEL LOW PRESSURE</p>	X53_17	B1	X54_54		
<p>TEMPERATURA ACQUA COOLING TEMPERATURE</p>	X53_24	B1	X54_13		
<p>PRESSIONE OLIO OIL PRESSURE</p>	X53_26	B1	X54_72		
<p>INCREMENTO PRESSIONE BOOST PRESSURE</p>	X53_29	B1	X54_11		
<p>INCREMENTO PRESSIONE BOOST PRESSURE</p>	X53_23	B1	X54_73		
<p>INCREMENTO PRESSIONE BOOST PRESSURE</p>	X53_28	B1	X54_74		
<p>INCREMENTO PRESSIONE BOOST PRESSURE</p>	X53_20	B1,5	X54_25		
<p>ATTUATORE PROPORZIONALE ACTUATOR PROPORTIONAL</p>	X53_19	B1,5	X54_46		
<p>ATTUATORE PROPORZIONALE ACTUATOR PROPORTIONAL</p>	X53_32	B1,5	X54_17		
<p>PRESSIONE RAIL GASOLIO RAIL FUEL PRESSURE</p>	X53_31	B1	X54_36		
<p>PRESSIONE RAIL GASOLIO RAIL FUEL PRESSURE</p>	X53_25	B1	X54_78		
<p>PRESSIONE RAIL GASOLIO RAIL FUEL PRESSURE</p>	X53_41	B1	X54_24		
<p>INIEETTORE [1] INJECTOR [1]</p>	X53_40	B1,5	X54_45		
<p>INIEETTORE [1] INJECTOR [1]</p>	X53_61	B1,5	X54_23		
<p>INIEETTORE [2] INJECTOR [2]</p>	X53_38	B1,5	X54_44		
<p>INIEETTORE [2] INJECTOR [2]</p>	X53_35	B1,5	X54_64		
<p>INIEETTORE [3] INJECTOR [3]</p>	X53_62	B1,5	X54_85		
<p>INIEETTORE [3] INJECTOR [3]</p>	X53_37	B1,5	X54_66		
<p>INIEETTORE [4] INJECTOR [4]</p>	X53_42	B1,5	X54_87		
<p>INIEETTORE [4] INJECTOR [4]</p>	X53_6	B1,5	X54_51		
<p>PONTE INTERNO ELECTRICAL JOINT</p>	X53_7	B1	X54_8		
<p>PONTE INTERNO ELECTRICAL JOINT</p>	X53_47	B1	X54_2		
<p>RICIRCOLO GAS DI SCARICO EXHAUST GAS RECIRCULATION</p>	X53_50	B1,5	X54_18		
<p>RICIRCOLO GAS DI SCARICO EXHAUST GAS RECIRCULATION</p>	X53_46	B1	X54_55		
<p>RICIRCOLO GAS DI SCARICO EXHAUST GAS RECIRCULATION</p>	X53_48	B1	X54_67		
<p>RICIRCOLO GAS DI SCARICO EXHAUST GAS RECIRCULATION</p>	X53_51	B1,5	X54_76		
<p>RICIRCOLO GAS DI SCARICO EXHAUST GAS RECIRCULATION</p>	X53_52	B1	X54_7		
<p>ASPIRAZIONE ARIA ACCELERATORE AIR INTAKE TROTTLER</p>	X53_49	B1	X54_38		
<p>ASPIRAZIONE ARIA ACCELERATORE AIR INTAKE TROTTLER</p>					
<p>SEGNALE CANDELETTE GLOW SIGNAL</p>	X54_58	B1			



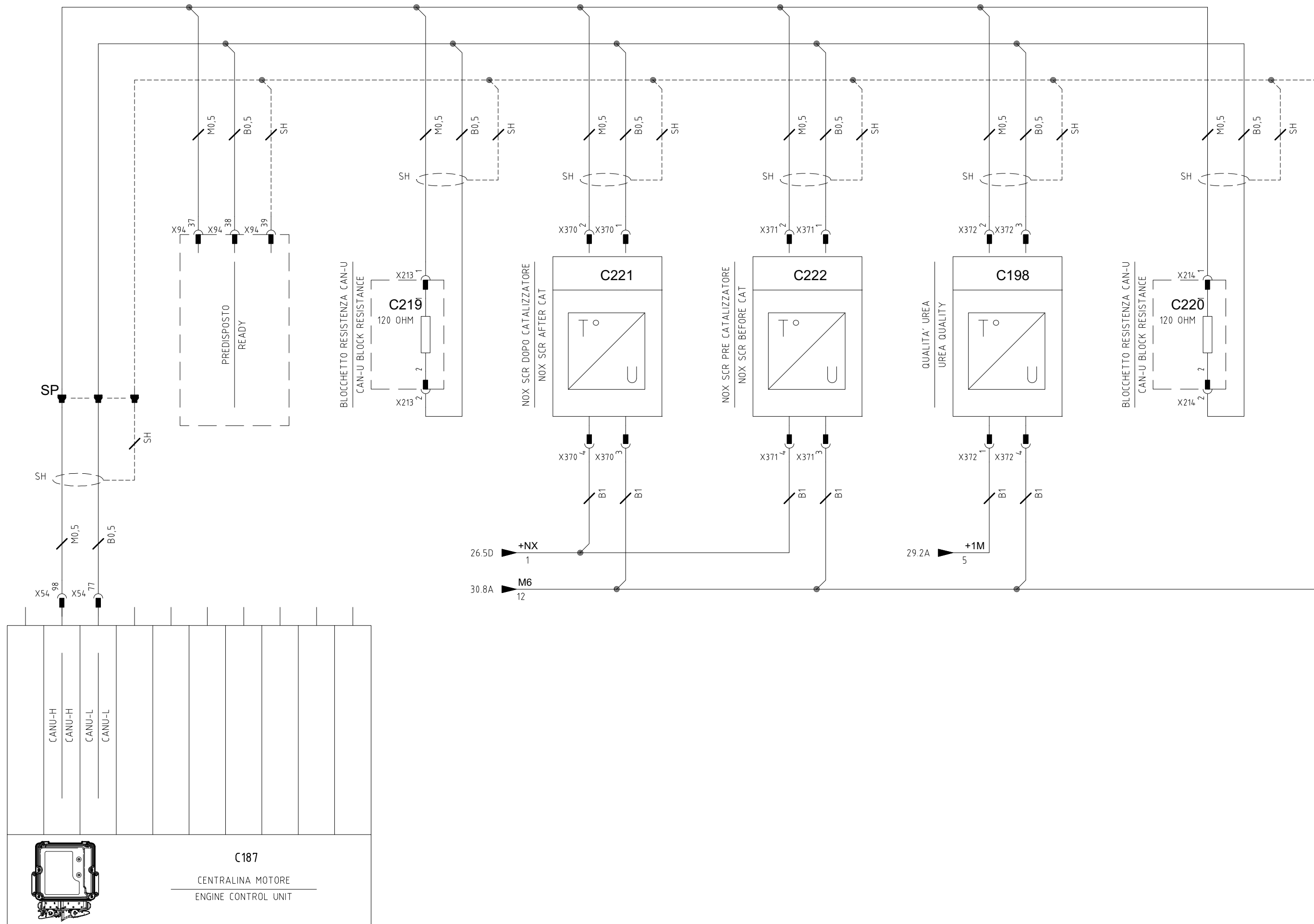




PRESSIONE UREA DOPO POMPA UREA PRESSURE AFTER PUMP	PRESSIONE UREA DOPO POMPA UREA PRESSURE AFTER PUMP	PRESSIONE UREA DOPO POMPA UREA PRESSURE AFTER PUMP	PRESSIONE UREA DOPO POMPA UREA PRESSURE AFTER PUMP	VALVOLA EPURAZIONE UREA UREA PURGE VALVE	VALVOLA EPURAZIONE UREA UREA PURGE VALVE	RISCALDATORE UREA UREA HEATING	RISCALDATORE UREA UREA HEATING	POMPA UREA UREA PUMP	POMPA UREA UREA PUMP	POMPA UREA UREA PUMP	RELE' RISCALDATORE [ ] HEATER [ ] RELAY	RISCALDATORE SERBATOIO UREA TANK HEATING VALVE	RISCALDATORE SERBATOIO UREA TANK HEATING VALVE	RELE' RISCALDATORE [ ] HEATER [ ] RELAY	RELE' RISCALDATORE [1] HEATER [1] RELAY	RELE' RISCALDATORE [2] HEATER [2] RELAY	RELE' RISCALDATORE [3] HEATER [3] RELAY
---	---	---	---	---	---	-----------------------------------	-----------------------------------	-------------------------	-------------------------	-------------------------	--	---	---	--	--	--	--



**C187**  
CENTRALINA MOTORE  
ENGINE CONTROL UNIT



Nome/Item	Funzione/Function [1]	Funzione/Function [2]	Fg/Sh
C220	RESISTENZA CAN MOTORE	CAN RESISTOR ENGINE	32
C221	NOX SCR DOPO CATALIZZATORE	NOX SCR AFTER CAT	32
C222	NOX SCR PRE CATALIZZATORE	NOX SCR BEFORE CAT	32
C23	CICALINA RETRO	BACK ALARM	17
C24	ACCENDISIGARI	LIGHTER	22
C25B	JOISTYCK BOSCH	JOISTYCK BOSCH	9
C25T	JOISTYCK TECNORD	JOISTYCK TECNORD	9
C27	TERGI POSTERIORE	REAR WIPER	21
C29	BLOCCHETTO RESISTENZA 120 OHM CAN-M MOTORI	RESISTANCE BLOCK 120 OHM CAN-M ENGINE	28
C3	FASTOM PRESSOSTATO ACCOMULATORE FRENO POSITIVO	CONNECTOR ACCOMULATOR POSITIVE BRAKE PRESSURE SWITCH	23
C30	LIVELLO OLIO IDRAULICO	HYDRAULICO OIL LEVEL	5
C31	VENTOLA CLIMATIZZATORE[1]	COOLING FAN [1]	20
C32	VENTOLA CLIMATIZZATORE[2]	COOLING FAN [2]	20
C33	COMPRESSORE CLIMA	COMPRESSOR AIR CONDITIONING	20
C34	CASSA AUTORADIO DESTRA	RIGHT RADIO SPEAKER	22
C35	CASSA AUTORADIO SINISTRA	LEFT RADIO SPEAKER	22
C37	PREFILTRO ACQUA IN GASOLIO	DIESEL WATER PREFILTER	27
C38	FILTRO ARIA INTASATO	CLOGGED AIR FILTER	27
C4	PRESSOSTATO ACCOMULATORE FRENO NEGATIVO	BRAKE NEGATIVE ACCOMULATOR PRESSURE SWITCH	23
C40	FINECORSA MARCIA NON INSERITA	GEAR NOT INSERTED LIMIT SWITCH	4
C42	RISCALDATORE SPECCHIO SINISTRO	LEFT MIRROR HEATER	22
C43	RISCALDATORE SPECCHIO DESTRO	RIGHT MIRROR HEATER	22
C44	PEDALE INCHING	INCHING PEDAL	10
C45	SENSORE BRACCIO BASSO	BOOM DOWN SENSOR	14
C46	FINECORSA BRACCIO RIENTRATO	BOOM RETRACT LIMIT SWITCH	14
C48	SENSORE GIRI CAMBIO[H1AC]	RPM GEARBOX SENSOR	11
C52	COMPRESSORE SEDILE AD ARIA	COMPRESSOR AIR SEATING	22
C55	CANDELETTE	GLOW	26
C63	FILTRO POMPA AVANZAMENTO	ADVANCED FILTER PUMP	5
C7	CLAXON	HORN	16
C70	AMBIENT TEMPERATURE SENSOR	AMBIENT TEMPERATURE SENSOR	28
C74	FINECORSA CREEPER	CREEPER LIMIT SWITCH	4
C75	TERGICRISTALLO ANTERIORE	FRONT WIPER	21
C76	DIFFERENZA DI PRESSIONE DPF	DPF DIFFERENTIAL PRESSURE	30
C77	TEMP. GAS DI SCARICO PRE CAT.	EXHAUST GAS TEMP. BEFORE OXY CAT	30
C78	TEMP. GAS DI SCARICO DOPO CAT.	EXHAUST GAS TEMP. AFTER OXY CAT	30
C8	MOTORINO AVVIAMENTO	STARTING MOTOR	26
C86	CENTRALINA[DANFOSS H1-AC]	ECU [DANFOSS H1-AC]	10
C87	STRUMENTO SARL ANTIRIBALTAMENTO	SARL ANTIROLLOVER INSTRUMENT	13
C88	DISPLAY ALGA	DISPLAY ALGA	2

Nome/Item	Funzione/Function [1]	Funzione/Function [2]	Fg/Sh
B	BATTERIA	BATTERY	1
C1	DEVIO LUCI	LIGHTS DIVERTER	16
C10	SENSORE ASSALE POSTERIORE	REAR AXLE SENSOR	4
C101	BLOCCHETTO RESISTENZE CARICO ALTERNATORE	RESISTANCE BLOCK LOAD ALTERNATOR	26
C108	CELLA DI CARICO[VISHAY]	CELLS LOAD	13
C109	VASCHETTA ACQUA RADIATORE	RADIATOR WATER BOX	27
C11	SENSORE ASSALE ANTERIORE	FRONT AXLE SENSOR	4
C110	SENSORE INCLINAZIONE	INCLINATION SENSOR	25
C112	FC STABILIZZATORE DX SU	RIGHT DOWN OUTRIGGER LIMIT SWITCH	3
C113	FC STABILIZZATORE DX GIU'	RIGHT UP OUTRIGGER LIMIT SWITCH	13
C114	FC STABILIZZATORE SX SU	LEFT DOWN OUTRIGGER LIMIT SWITCH	3
C115	FC STABILIZZATORE SX GIU'	LEFT UP OUTRIGGER LIMIT SWITCH	13
C116	SENSORE GIRI POMPA	PUMP RPM SENSOR	12
C12	SENSORE SEDILE	SENSOR SEAT	6
C120	CENTRALINA OUTPUT 1	OUTPUT UNITS 1	8
C13	PEDALE ACCELERATORE	GAS PEDAL	10
C14	ALTERNATORE	ALTERNATOR	26
C15	DEVIO MARCE	GEAR SELECTOR	7
C16	POMPA GASOLIO	DIESEL PUMP	26
C161	TERGI SUPERIORE	UPPER WIPER	21
C17	POMPETTA TERGI	WIPER PUMP	21
C18	PRESSOSTATO CLIMATIZZATORE	CLIMATE PRESSURE SWITCH	20
C187	CENTRALINA MOTORE	ENGINE CONTROL UNIT	27
C19	PRESSOSTATO FRENO RIMORCHIO	BRAKE TRAILER PRESSURE SWITCH	23
C191	VALVOLA RISCALDATORE SERBATOIO UREA	UREA TANK HEATING VALVE	31
C192	VALVOLA DOSAGGIO UREA	UREA DOSING VALVE	30
C193	SCR TEMPERATURA GAS SCARICO	SCR EXHAUST GAS TEMPERATURE	30
C198	QUALITA' UREA	UREA QUALITY	32
C2	PRESSOSTATO FRENO	BRAKE PRESSURE SWITCH	16
C20	POTENZIOMETRO ACCELERATORE MANUALE	POTENTIOMETER HANDGAS	10
C202	PRESSIONE A VALLE DPF	PRESSURE DOWNSTREAM DPF	28
C208	PRESSOSTATO DISCESA BRACCIO	BOOM DOWN PRESSURE SWITCH	5
C209	PRESSOSTATO SALITA BRACCIO	BOOM UP PRESSURE SWITCH	5
C210	PRESA ELETTRICO POSTERIORE	REAR ELECTRICAL SOCKET	17
C215	POMPA UREA	UREA PUMP	31
C216	RISCALDATORE [1]	HEATER [1]	26
C217	RISCALDATORE [2]	HEATER [2]	26
C218	RISCALDATORE [3]	HEATER [3]	26
C219	RESISTENZA CAN MOTORE	CAN RESISTOR ENGINE	32
C22	POTENZIONETRO LIMITATORE VELOCITA'	POTENTIOMETER SPEED LIMIT	10

Nome/Item	Funzione/Function [1]	Funzione/Function [2]	Fg/Sh
C89	CENTRALINA SAUER ANTERIORE	FRONT CONTROL UNIT SAUER	6
C9	SENSORE LIVELLO GASOLIO	DIESEL LEVEL SENSOR	4
C91	VENTILATORE CABINA	CABINA FAN	20
C92	TERMOSTATO CLIMA	CLIMATE THERMOSTAT	20
C93	RUBINETTO CLIMA	TAP CLIMATE	20
C95	AUTORADIO	RADIO	22
C96	STRUMENTO CLIMATRONIC	CLIMATRONIC INSTRUMENT	20
C97	PULSANTIERA CAN-BUS	CAN-BUS PUSHBUTTON	9
C99	COMPRESSORE CLEAN FIX	COMPRESSOR CLEAN FIX	25
F1	FUSIBILE CLIMATIZZATORE	AIR CONDITION FUSE	20
F10	FUSIBILE TERGICRISTALLO	FRONT WIPER FUSE	21
F11	FUSIBILE FARI LAVORO	WORK LIGHTS FUSE	19
F12	FUSIBILE SEDILE AD ARIA	AIR SEAT COMPRESSOR FUSE	22
F13	FUSIBILE ALIMENTAZIONE CENTRALINA [SAUER MC24]	SUPPLY ECU [SAUER MC24] FUSE	6
F14	FUSIBILE VENTOLE CLIMATIZZATORE	CLIMATE FAN FUSE	20
F15	FUSIBILE LIVELLAMENTO/STABILIZZATORI	LEVELLING/OUTRIGGER FUSE	24
F16	FUSIBILE ALIMENTAZIONE CLIMATRONIC	SUPPLY CLIMATRONIC FUSE	20
F17	FUSIBILE LUCI ABBAGLIANTI	LOW BEAM LIGHTS FUSE	16
F18	FUSIBILE COMPRESSORE CLIMATIZZATORE	CLIMATE COMPRESSOR FUSE	20
F19	FUSIBILE LUCI RETRO	REAR LIGHTS FUSE	16
F2	FUSIBILE CHIAVE A 1 SCHEDA ANTERIORE	SUPPLY KEY 1 FRONT ELECTRICAL BOARD	1
F20	FUSIBILE ELETTROVALVOLE BENNA	BUCKET SOLENOID VALVE FUSE	14
F21	DIODO INTERMITTENZA	FLASHER DIODE	18
F22	FUSIBILE LUCI ANABBAGLIANTI	HIGH BEAM LIGHTS FUSE	16
F23	FUSIBILE LUCI DI POSIZIONE	POSITION LIGHT FUSE	16
F24	FUSIBILE ALIMENTAZIONE MRS 1	SUPPLY OUTPUT ECU [1] FUSE	8
F25	FUSIBILE ACCENDISIGARI[]	LIGHTER FUSE []	22
F26	FUSIBILE GIROFARO ANTERIORE	FRONT ROTATION LIGHT FUSE	19
F27	FUSIBILE LUCI EMERGENZA	EMERGENCY LIGHTS FUSE	18
F28	FUSIBILE ALIMENTAZIONE PULSANTIERA CAN-BUS	CAN-BUS PUSHBUTTON SUPPLY FUSE	9
F29	ALIMENTAZIONE [SARL]	[SARL] POWER SUPPLY	13
F31	FUSIBILE CHIAVE A 1 DISPLAY	DISPLAY KEY 1 FUSE	2
F32	FUSIBILE ALIMENTAZIONE CENTRALINA [EMBEDDED]	SUPPLY ECU [EMBEDDED] FUSE	10
F33	FUSIBILE SICUREZZA CESTELLO	SECURITY BASKET FUSE	15
F34	FUSIBILE +5VDC SAUER ANTERIORE	FUSE +5VDC SAUER FRONT	6
F35	FUSIBILE STERZATURA	STEERING FUSE	2
F36	FUSIBILE ALIMENTAZIONE AGRIMODE	AGRIMODE SUPPLY FUSE	3
F37	FUSIBILE SENSORE INCLINAZIONE	INCLINATION SENSOR FUSE	25
F4	FUSIBILE CHIAVE A 0	KEY 0 FUSE	1
F6	FUSIBILE CHIAVE A 1 CABINA	KEY 1 CABIN FUSE	1

Nome/Item	Funzione/Function [1]	Funzione/Function [2]	Fg/Sh
F7	FUSIBILE ALIMENTAZIONE JOISTYCK	SUPPLY JOISTYCKC FUSE	9
F8	FUSIBILE PRESA ELETTRICA BRACCIO	BOOM ELECTRIC SOCKET FUSE	15
F9	FUSIBILE SPECCHI RISCALDATI	HEATED MIRRORS FUSE	22
FB1	FUSIBILE CANDELETTE	GLOW FUSE	26
FM1	ALIMENTAZIONE CENTRALINA MOTORE	SUPPLY ENGINE CONTROL UNIT	27
FM2	FUSIBILE CHIAVE A 1 MOTORE	SUPPLY KEY 1 ENGINE FUSE	25
FM3	POMPA GASOLIO	DIESEL PUMP	26
FM4	FUSIBILE COMPRESSORE CLEAN FIX	CLEAN FIX COMPRESSOR FUSE	25
FM5	FUSIBILE ALIMENTAZIONE SENSORI NOX	SUPPLY NOX SENSOR FUSE	26
FM6	FUSIBILE RISCALDATORI	HEATERS FUSE	26
K1	RELE' CHIAVE A 1 ANTERIORE	KEY 1 FRONT RELAY	1
K2	RELE' CLIMATIZZATORE	AIR CONDITION RELAY	20
K3	INTERMITTENZA LUCI EMERGENZA	FLASHING LIGHTS	18
K301	RELE' BRACCIO ABBASSATO E RIENTRARO	RETRACT END LOWER BOOM RELAY	14
K302	RELE' PRESSIONE DISTRIBUTORE	PRESSURE DISTRIBUTOR RELAY	7
K303	RELE' BRACCIO BASSO	BOOM DOWN RELAY	14
K307	RELE' LUCI RETRO	REAR LIGHTS RELAY	11
K308	RELE' OPTIONAL SU BRACCIO	OPTION BOOM RELAY	4
K31	RELE' CANDELETTE	GLOW RELAY	30
K4	RELE' TERGI SUPERIORE	SIDE WIPER RELAY	21
K5	ABILITAZIONE LIVELLAMENTO	ENABLE LEVELLING	7
K7	RELE' LUCI ANABBAGLIANTI	LOW BEAM LIGHTS RELAY	16
K8	RELE' LUCI DI POSIZIONE	POSITION LIGHTS RELAY	16
K9	RELE' LUCI ABBAGLIANTI	HIGH BEAM LIGHTS RELAY	16
KM10	RELE' RISCALDATORE [2]	HEATER [2] RELAY	31
KM11	RELE' RISCALDATORE [3]	HEATER [3] RELAY	31
KM2	RELE' CHIAVE A 1 MOTORE	KEY 1 ENGINE RELAY	1
KM3	RELE' MARCIA NEUTRAL	NEUTRAL GEAR RELAY	27
KM4	RELE' POMPA GASOLIO	DIESEL PUMP RELAY	27
KM5	RELE' CLEAN FIX	CLEAN FIX RELAY	5
KM6	RELE' ALIMENTAZIONE SENSORI NOX	SUPPLY NOX SENSOR RELAY	26
KM7	RELE' RISCALDATORE [ ]	HEATER [ ] RELAY	31
KM8	RELE' RISCALDATORE [SUPPLY MODULE]	HEATER [SUPPLY MODULE] RELAY	31
KM9	RELE' RISCALDATORE [1]	HEATER [1] RELAY	31
L1	FANALE ANTERIORE DESTRO	FRONT RIGHT LIGHT	17
L10	FARO LAVORO POSTERIORE SINISTRO	REAR LEFT WORK LIGHT	19
L11	FARO LAVORO POSTERIORE DESTRO	REAR RIGHT WORK LIGHT	19
L13	FARO LAVORO RETRO OPTIONAL	REAR OPTIONAL WORK LIGHT	17
L14	GIROFARO ANTERIORE	FRONT ROTATION LIGHT	19
L2	FANALE ANTERIORE SINISTRO	FRONT LEFT LIGHT	17

Nome/Item	Funzione/Function [1]	Funzione/Function [2]	Fg/Sh
L29	LED ACCOMULATORE FRENO POSITIVO	ACCOMULATOR BRAKE POSITIVE LIGHT	23
L3	FANALE POSTERIORE DESTRO	REAR RIGHT LIGHT	17
L30	LED ACCOMULATORE FRENO NEGATIVO	ACCOMULATOR BRAKE NEGATIVE LIGHT	23
L31	LED PRESSOSTATO FRENO RIMORCHIO	BRAKE TRAILER PRESSURE LED	23
L33	FARO LAVORO SU BRACCIO	BOOM WORK LIGHT	19
L34	FARO LAVORO SU BRACCIO	BOOM WORK LIGHT	19
L4	FANALE POSTERIORE SINISTRO	REAR LEFT LIGHT	17
L6	LUCE CABINA	CABIN LIGHT	18
L7	LUCE TARGA	NUMBER PLATE LIGHT	17
L8	FARO LAVORO ANTERIORE SINISTRO	FRONT LEFT WORK LIGHT	19
L9	FARO LAVORO ANTERIORE DESTRO	FRONT RIGHT WORK LIGHT	19
R1	CONNETTORE RESISTENZA RETROILLUMINAZIONE	CONNECTOR RESISTANCE BACKLIGHTING	18
S1	CHIAVE AVVIAMENTO	STARTING KEY	1
S10	SELETTORE STERZO	STEERING SELECTOR	2
S13	SELETTORE ESCLUSIONE ANTIRIBALTAMENTO	DISABLE ANTIROLLOVER SYSTEM SELECTOR	13
S17	SELETTORE SPECCHI RISCALDATI	HEATING MIRRORS SELECTOR	22
S18	SELETTORE LIVELLAMENTO-OSCILLAZIONE	LEVELLING-OSCILLATION SELECTOR	24
S19	SELETTORE DRIVE MODE	DRIVE MODE SELECTOR	3
S2	FUNGO EMERGENZA	EMERGENCY SWITCH	1
S20	SELETTORE VERRICELLO	WINCH SELECTOR	15
S23	SELETTORE GIROFARO	ROTATION LIGHT SELECTOR	19
S24	SELETTORE TERGI ANTERIORE	FRONT WIPER SELECTOR	21
S25	SELETTORE PEB	PEB SELECTOR	4
S3	SELETTORE LUCI EMERGENZA	EMERGENCY LIGHT SELECTOR	18
S33	SELETTORE MODALITA' PALA-CANTIERE	SHOVEL-CONSTRUCTION MODALITY SELECTOR	4
S4	SELETTORE FARO LAVORO SU BRACCIO	BOOM WORK LIGHTS SELECTOR	19
S40	SELETTORE SCAMBIO BENNA	EXCHANGE BUCKET SELECTOR	14
S41	SELETTORE BENNA MIX	BUCKET MIX SELECTOR	14
S42	SELETTORE STABILIZZATORE DESTRO	RIGHT OUTRIGGER SELECTOR	24
S43	SELETTORE STABILIZZATORE SINISTRO	LEFT OUTRIGGER SELECTOR	24
S44	SELETTORE SICUREZZA CESTELLO	SECURITY BASKET SELECTOR	15
S5	SELETTORE FARI LAVORO	WORK LIGHTS SELECTOR	19
S51	SELETTORE LUCE CABINA	CABIN LIGHT SELECTOR	18
S58	SELETTORE TERGI POSTERIORE	REAR WIPER SELECTOR	21
S59	SELETTORE TERGI SUPERIORE	UPPER WIPER SELECTOR	21
S7	SELETTORE AGRIMODE[]	AGRIMODE SELECTOR []	3
S9	SELETTORE FRENO PARCHEGGIO	PARK BRAKE SELECTOR	2
ST	STACCABATTERIA	BATTERY SWITCH	1
Y1	ELETTROVALVOLA FRENO PARCHEGGIO	PARK BRAKE SOLENOID VALVE	2
Y11	ELETTROVALVOLA AGRIMODE[]	AGRIMODE SOLENOID VALVE	3

Nome/Item	Funzione/Function [1]	Funzione/Function [2]	Fg/Sh
Y14	ELETTROVALVOLA FRENO RIMORCHIO	TRAILER BRAKE SOLENOID VALVE	8
Y15	ELETTROVALVOLA MARCIA MECCANICA[1]	MECHNICAL GEAR BOX SOLENOID VALVE	8
Y16	ELETTROVALVOLA MARCIA MECCANICA[2]	MECHNICAL GEAR BOX SOLENOID VALVE	8
Y18	ELETTROVALVOLA RUOTE A GRANCHIO	CRAB WHEELS SOLENOID VALVE	2
Y19	ELETTROVALVOLA RUOTE INTEGRALI	INTEGRAL WHEELS SOLENOID VALVE	2
Y21	ELETTROVALVOLA STABILIZZATORE SINISTRO UP	RIGHT OUTRIGGER UP SOLENOID VALVE	24
Y22	ELETTROVALVOLA STABILIZZATORE SINISTRO GIU'	LEFT OUTRIGGER DOWN SOLENOID VALVE	24
Y23	ELETTROVALVOLA STABILIZZATORE DESTRO SU'	RIGHT OUTRIGGER UP SOLENOID VALVE	24
Y24	ELETTROVALVOLA STABILIZZATORE DESTRO GIU'	RIGHT OUTRIGGER DOWN SOLENOID VALVE	24
Y25	ELETTROVALVOLA BLOCCO BRACCIO[1]	BOOM BLOCK SOLENOID VALVE	13
Y26	ELETTROVALVOLA BLOCCO BRACCIO[2]	BOOM BLOCK SOLENOID VALVE	13
Y27	ELETTROVALVOLA SLOW MOTION	SLOW MOTION SOLENOID VALVE	13
Y28	ELETTROVALVOLA OPTION SU BRACCIO	OPTION BOOM SOLENOID VALVE	15
Y29	ELETTROVALVOLA FLOTTANTE[1]	FLOATING SOLENIDE VALVE	8
Y30	ELETTROVALVOLA SOSPENSIONE BRACCIO	MBOOM SUSPENSION SOLENOID VALVE	8
Y32	ELETTROVALVOLA AVANTI	FORWARD GEAR SOLENOI VALVE	12
Y33	ELETTROVALVOLA INDIETRO	BACKWORD SOLENOID VALVE	12
Y34	ELETTROVALVOLA MOTORE IDROSTATICO	HYDROSTATIC MOTOR SOLENOID VALVE	11
Y36	ELETTROVALVOLA BLOCCO FUNE	BLOCK ROPE SOLENOID VALVE	15
Y37	ELETTROVALVOLA SICUREZZA CESTELLO[1]	SECURITY BASKET SOLENOID VALVE	15
Y38	ELETTROVALVOLA SICUREZZA CESTELLO[2]	SECURITY BASKET SOLENOID VALVE	15
Y39	ELETTROVALVOLA SICUREZZA CESTELLO[3]	SECURITY BASKET SOLENOID VALVE	15
Y4	ELETTROVALVOLA SFILO BRACCIO	BOOM LIFT SOLENOID VALVE	7
Y46	ELETTROVALVOLA LIVELLAMENTO A	LEVELING A SOLENOID VALVE	24
Y47	ELETTROVALVOLA VENTING FLOTTANTE-SOSPENSIONE BRACCIO	VENTING BOOM FLOATING-SUSPENSION SOLENOID VALVE	8
Y48	ELETTROVALVOLA SCAMBIO BENNA	BUCKET EXCHANGE SOLENOID VALVE	14
Y49	ELETTROVALVOLA BENNA MIX	BUCKET MIX SOLENOID VALVE	14
Y5	ELETTROVALVOLA RIENTRO BRACCIO	BOOM RETRACT SOLENOID VALVE	7
Y50	ELETTROVALVOLA LIVELLAMENTO B	LEVELING B SOLENOID VALVE	24
Y56	ELETTROVALVOLA BLOCCO ASSALE[1]	AXLE BLOCK SOLENOID VALVE	8
Y57	ELETTROVALVOLA BLOCCO ASSALE[2]	AXLE BLOCK SOLENOID VALVE	8
Y6	ELETTROVALVOLA AUSILIARIO BRACCIO [1]	AUXILIARY BOOM SOLENOID VALVE	7
Y7	ELETTROVALVOLA AUSILIARIO BRACCIO [2]	AUXILIARY BOOM SOLENOID VALVE	7
Y77	ELETTROVALVOLA VENTING LIVELLAMENTO-STABILIZZATORI	VENTING LEVELLING-OUTRIGGER SOLENOID VALVE	24
Y97	ELETTROVALVOLA MOTORE IDROSTATICO PWM	MOTOR CONTROL SOLENOID VALVE	11



Nome/Item	Funzione/Function [1]	Funzione/Function [2]
M1	OCCHIELLO MASSA CABINA	CONNECTOR GROUND CABIN
M2	OCCHIELLO MASSA TETTUCCIO	CONNECTOR GROUND ROOF
M3	OCCHIELLO MASSA PULSANTIERA	GROUND PUSHBUTTON CONNECTOR
M4	OCCHIELLO POTENZA MASSA TELAIO FRONTALE	CONNECTOR GROUND FRONT FRAME
M5	OCCHIELLO MASSA TELAIO POSTERIORE	REAR FRAME GROUND CONNECTOR
M6	OCCHIELLO MASSA MOTORE	CONNECTOR GROUND ENGINE
M7	OCCHIELLO MASSA ELETTROVALVOLE OPTIONAL	OPTIONAL SOLENOID VALVE GROUND CONNECTOR
X1	CONNETTORE SCHEDA FUSIBILI-RELE'	FUSE-RELAY ELECTRICAL BOARD CONNECTOR
X10	CONNETTORE SCHEDA FUSIBILI-RELE'	FUSE-RELAY ELECTRICAL BOARD CONNECTOR
X11	CONNETTORE SCHEDA FUSIBILI-RELE'	FUSE-RELAY ELECTRICAL BOARD CONNECTOR
X116	CONNETTORE CENTRALINA OUTPUT 1	CONNECTION OUTPUT UNIT 1
X12	CONNETTORE SCHEDA FUSIBILI-RELE'	FUSE-RELAY ELECTRICAL BOARD CONNECTOR
X13	CONNETTORE SCHEDA FUSIBILI-RELE'	FUSE-RELAY ELECTRICAL BOARD CONNECTOR
X130	CONNETTORE DEVIO LUCI	CONNECTION LIGHTS SELECTOR
X131	CONNETTORE DEVIO MARCE	CONNECTOR GEAR SELECTOR
X132	CONNETTORE CHIAVE AVVIAMENTO PASSO[9,5]	CONNECTION STARTING KEY STEP [9,5]
X133	CONNETTORE CHIAVE AVVIAMENTO PASSO[6,3]	CONNECTION STARTING KEY STEP [6,3]
X134	CONNETTORE FASTOM SELETTORE STERZATURA	CONNECTOR FASTOM STEERING SELECTOR
X135	CONTATTO SELETTORE FUNGO EMERGENZA[]	EMERGENCY PUSH BUTTON SELECTOR
X138	SELETTORE ESCLUSIONE ANTIRIBALTAMENTO	DISABLE ANTIROLLOVER SYSTEM SELECTOR
X140-1	SELETTORE MODALITA' PALA-CANTIERE	SHOVEL-CONSTRUCTION MODALITY SELECTOR
X140-2	SELETTORE MODALITA' PALA-CANTIERE	SHOVEL-CONSTRUCTION MODALITY SELECTOR
X143	CONNETTORE SELETTORE FARO LAVORO SU BRACCIO	CONNECTOR BOOM WORK LIGHT SELECTOR
X145	CONNETTORE SELETTORE FRENO PARCHEGGIO	CONNECTOR PARK BRAKE SELECTOR
X150	CONNETTORE SELETTORE SPECCHI RISCALDATI	CONNECTOR HEATING MIRROR SELECTOR
X151	CONNETTORE SELETTORE MODI GUIDA	CONNECTOR DRIVE MODE SELECTOR
X152	CONNETTORE SELETTORE LIVELLAMENTO	CONNECTOR LEVELLING SELECTOR
X157	CONNETTORE POTENZIOMETRO LIMITATORE VELOCITA'	CONNECTOR LIMIT SPEED POTENTIOMETER
X158	CONNETTORE POTENZIOMETRO ACCLERATORE MANUALE	CONNECTOR POTENTIOMETER MANUAL ACCELERTOR
X16	CONNETTORE SCHEDA FUSIBILI-RELE'	FUSE-RELAY ELECTRICAL BOARD CONNECTOR
X160	CONNETTORE ACCENDISIGARI CABINA	CONNECTION CABIN LIGHTER
X161	SELETTORE STABILIZZATORE DESTRO	RIGHT OUTRIGGER SELECTOR
X162	SELETTORE STABILIZZATORE SINISTRO	LEFT OUTRIGGER SELECTOR
X163	CONNETTORE SELETTORE GIROFARO	CONNECTOR FLASHING LIGHT SELECTOR
X164	CONNETTORE SELETTORE LUCI EMERGENZA	CONNECTOR EMERGENCY LIGHTS SELECTOR
X165	CONNETTORE SELETTORE TERGI	CONNECTOR WIPER SELECTOR
X166	CONNETTORE SELETTORE FARI LAVORO	CONNECTOR WORK LIGHT SELECTOR
X167	CONNETTORE RESISTENZA RETROILLUMINAZIONE	CONNECTOR RESISTANCE BACKLIGHTING
X168	CONNETTORE PULSANTIERA ELETTRONICA[]	CONNECTOR ELECTRONIC PUSH BUTTON PANEL
X172	CONNETTORE FASTOM PRESSOSTATO FEED BACK FRENO NEGATIVO	CONNECTOR FASTOM NEGATE BRAKE PRESSURE SWITCH

Nome/Item	Funzione/Function [1]	Funzione/Function [2]
X173	CONNETTORE FANALE ANTERIORE DESTRO	CONNECTOR FRONT RIGHT LIGHT
X174	CONNETTORE FANALE ANTERIORE SINISTRO	CONNECTION FRONT LEFT LIGHT
X175	CONNETTORE SENSORE ASSALE ANTERIORE	CONNECTOR FRONT AXLE SENSOR
X176	CONNETTORE SPECCHIO RISCALDATO DESTRO	RIGHT HEATED MIRROR CONNECTOR
X178	CONNETTORE PREDISPOSIZIONE OPTIONAL	CONNECTOR OPTIONAL SET UP
X179	CONNETTORE SENSORE BRACCIO BASSO	BOOM DOWN SENSOR CONNECTOR
X18-1	CONNETTORE PULSANTIERA[1]	CONNECTOR PUSH BUTTON PANEL
X18-2	CONNETTORE PULSANTIERA[2]	CONNECTOR PUSH BUTTON PANEL
X181	CONNETTORE PEP PRESA ELETTRICA POSTERIORE	CONNECTOR PEP REAR ELECTRICAL SOCKET
X182	CONNETTORE FANALE POSTERIORE SINISTRO	CONNECTOR REAR LEFT LIGHT
X183	CONNETTORE CICALINA RETRO	CONNECTION BACK ALARM
X184	CONNETTORE FANALE POSTERIORE DESTRO	CONNECTOR REAR RIGHT LIGHT
X185	CONNETTORE FARO LAVORO RETRO	CONNECTOR WORK LIGHT REAR
X186	CONNETTORE LUCE TARGA	CONNECTOR NUMBER PLATE LIGHT
X188	CONNETTORE SENSORE ASSALE POSTERIORE	CONNECTOR REAR AXLE SENSOR
X189	CONNETTORE SELETTORE AGRIMODE[]	CONNECTOR AGRIMODE SELECTOR []
X19-1	CONNETTORE TETTuccio[]	ROOF CONNECTOR
X196	CONNETTORE FC STABILIZZATORE DX SU	CONNECTOR RIGHT OUTRIGGER UP LIMIT SWITCH
X197	CONNETTORE FC STABILIZZATORE DX GIU'	CONNECTOR RIGHT OUTRIGGER DOWN LIMIT SWITCH
X198	CONNETTORE FC STABILIZZATORE SX SU	CONNECTOR LEFT OUTRIGGER UP LIMIT SWITCH
X199	CONNETTORE FC STABILIZZATORE SX GIU'	CONNECTOR LEFT OUTRIGGER DOWN LIMIT SWITCH
X2	CONNETTORE SCHEDA FUSIBILI-RELE'	FUSE-RELAY ELECTRICAL BOARD CONNECTOR
X201	BLOCCHETTO RESISTENZE CARICO ALTERNATORE	RESISTANCE BLOCK LOAD ALTERNATOR
X205	CONNETTORE POMPA GASOLIO	CONNECTOR DIESEL PUMP
X206	CONNETTORE PREFILTRO ACQUA IN GASOLIO	CONNECTOR PREPARATION WATER FILTER
X207	CONNETTORE PREFILTRO ACQUA IN GASOLIO	CONNECTOR PREPARATION WATER FILTER
X208	CONNETTORE CLEAN FIX	CONNECTOR CLEAN FIX
X209	CONNETTORE COMPRESSORE CLIMA	CONNECTION COMPRESSORE CLIMATE
X21	CELLA DI CARICO[]	CELLS LOAD
X210	CONNETTORE FILTRO ARIA INTASATO	CONNECTION CLOGGED AIR FILTER
X212	CONNETTORE SENSORE TEMPERATURA AMBIENTE	TEMPERATURE AMBIENT SENSOR CONNECTOR
X213	CONNETTORE RESISTENZA [CAN-U1]	CONNECTOR RESISTANCE [CAN-U1]
X214	CONNETTORE RESISTENZA [CAN-U2]	CONNECTOR BLOCK RESISTANCE [CAN-U2]
X215	CONNETTORE TEMPERATURA PRE CATALIZZATORE	CONNECTOR PRIOR EXHAUST TEMPERATURE SENSOR
X216	CONNETTORE TEMPERATURA DOPO CATALIZZATORE	CONNECTOR AFTER EXHAUST TEMPERATURE SENSOR
X217	CONNETTORE SENSORE DPF	CONNECTOR DPF SENSOR
X218	CONNETTORE D+ ALTERNATORE	CONNECTION D+ ALTERNATOR
X219	CONNETTORE LIVELLO OLIO IDRAULICO	CONNECTION HYDRAULIC OIL LEVEL
X220	CONNETTORE TERGI POSTERIORE	REAR WINDSCREEN WIPER CONNECTOR
X221	CONNETTORE FARO LAVORO CABINA POSTERIORE SINISTRO	CONNECTOR REAR LEFT CABIN WORK LIGHT

Nome/Item	Funzione/Function [1]	Funzione/Function [2]
X222	CONNETTORE FARO LAVORO CABINA POSTERIORE DESTRO	CONNECTOR REAR RIGHT CABIN WORK LIGHT
X223	CONNETTORE FASTOM GIROFARO CABINA	CONNECTOR FASTOM CABIN ROTATION LIGHT
X224	CONNETTORE SENSORE SEDILE	SEATING SENSOR CONNECTOR
X229	CONNETTORE FILTRO POMPA AVANZAMENTO	CONNECTOR ADVANCE FILTER PUMP
X235	CONNETTORE SENSORE INCLINAZIONE	CONNECTOR INCLINATION SENSOR
X25	CONNETTORE SELETTORE PEB	CONNECTOR PEB SELECTOR
X250	CONNETTORE LUCE INGOMBRO[]	CONNECTION OBSTRUCTION LIGHT []
X251	CONNETTORE LUCE CABINA	CONNECTION CABIN LIGHT
X252	CONNETTORE FASTOM PRESSOSTATO FRENO	CONNECTOR BRAKE PRESSURE SWITCH
X253	FASTOM PRESSOSTATO ACCOMULATORE FRENO POSITIVO	CONNECTOR ACCUMULATOR POSITIVE BRAKE PRESSURE SWITCH
X254	CONNETTORE SENSORE LIVELLO GASOLIO	CONNECTOR OIL LEVEL SENSOR
X255	CONNETTORE PEDALE INCHING	CONNECTOR INCHING PEDAL
X256	CONNETTORE FASTOM CLAXON	CONNECTOR FASTOM HORN
X257	CONNETTORE PREFILTRO ACQUA IN GASOLIO	CONNECTOR PREPARATION WATER FILTER
X258	CONNETTORE PEDALE ACCELERATORE	CONNECTOR GAS PEDAL
X26-1	CONNETTORE STRUMENTO ALGA J	CONNECTOR DISPLAY ALGA J
X26-2	CONNETTORE STRUMENTO ALGA K	CONNECTOR DISPLAY ALGA K
X264	CONNETTORE FASTOM FINECORSA MARCIA NON INSERITA	CONNECTOR GEAR NOT INSERED LIMIT SWITCH
X265	CONNETTORE SENSORE GIRI[]	CONNECTOR RPM [] SENSOR
X267	CONNETTORE FINECORSA BRACCIO RIENTRATO	CONNECTOR BOOM RETRACT LIMIT SWITCH
X27	CONNETTORE PREDISPOSIZIONE CLIMA	CONNECTOR PREPARATION CLIMATE
X276	PRESSOSTATO FRENO RIMORCHIO	BRAKE TRAILER PRESSURE SWITCH
X28	CONNETTORE DIAGNOSI MOTORE	CONNECTIONS ENGINE DIAGNOSIS
X29	CONNETTORE SEDILE AD ARIA	CONNECTOR AIR SEATING
X294	CONNETTORE VALVOLA DOSAGGIO UREA	UREA DOSING VALVE CONNECTOR
X3	CONNETTORE SCHEDA FUSIBILI-RELE'	FUSE-RELAY ELECTRICAL BOARD CONNECTOR
X30	CONNETTORE PREDISPOSIZIONE VERRICELLO	CONNECTOR PREPARATION WINCH
X301	CONNETTORE SCHEDA 12 MICRORELE'	12 MICRO RELAY ELECTRICAL BOARD CONNECTOR
X302	CONNETTORE SCHEDA 12 MICRORELE'	12 MICRO RELAY ELECTRICAL BOARD CONNECTOR
X31	CONNETTORE ANTIRIBALTAMENTO	CONNECTOR ANTIROLLOVER SYSTEM
X313	CONNETTORE RISCALDATORE SERBATORIO UREA	UREA TANK HEATER CONNECTOR
X328	SCATOLA PORTA FUSIBILI E RELE' VANO MOTORE	ENGINE COMPARTMENT FUSES AND RELAYS BOX
X329	CONNETTORE INTERFACCIA DISTRIBUTORE[]	CONNECTOR DISTRIBUTOR INTERFACE []
X34	CONNETTORE CARICABATTERIE	BATTERY CHARGE CONNECTOR
X35	CONNETTORE POMPETTA TERGI	CONNECTIONS WINDSCREEN WIPER PUMP
X36	CONNETTORE FARI LAVORO CABINA FRONTALE - SPECCHIO RISCALDATO SX	WORK LIGHT FRONT CABIN - HEATED MIRROR LEFT CONNECTOR
X37	CONNETTORE POTENZA CLIMATRONIC	CONNECTOR CLIMATRONIC POWER SUPPLY
X370	CONNETTORE NOX AFTER SCR[]	CONNECTOR NOX AFTER SCR[]
X371	CONNETTORE NOX PRIOR SCR[]	CONNECTOR NOX PRIOR SCR[]
X372	CONNETTORE SENSORE QUALITA' UREA []	CONNECTOR UREA QUALITY SENSOR []

Nome/Item	Funzione/Function [1]	Funzione/Function [2]
X373	CONNETTORE SENSORE SCARICO PRE SCR	EXHAUST GAS PRIOR SCR CONNECTOR
X376	CONNETTORE SENSORE PRESSIONE A VALLE DPF	DOWNSTREAM PRESSURE DPF SENSOR CONNECTOR
X377	CONNETTORE POMPA UREA	CONNECTOR UREA PUMP
X379	CONNETTORE RISCALDATORE [1]	HEATER [1] CONNECTOR
X38	CONNETTORE VENTILATORE CABINA	CABIN COOLING FAN CONNECTOR
X380	CONNETTORE RISCALDATORE [2]	HEATER [2] CONNECTOR
X381	CONNETTORE RISCALDATORE [3]	HEATER [3] CONNECTOR
X384	CONNETTORE TERGI SUPERIORE[]	UPPER WINDSCREEN WIPER CONNECTOR
X39	CONNETTORE SEGNALI CLIMATRONIC	CONNECTOR CLIMATRONIC SIGNALS
X399	CONNETTORE INTERFACCIA JOISTYCK	JOISTYCK INTERFACE CONNECTOR
X4	CONNETTORE SCHEDA FUSIBILI-RELE'	FUSE-RELAY ELECTRICAL BOARD CONNECTOR
X40	CONNETTORE RUBINETTO CLIMATIZZATORE	CONNECTOR AIR CONDITIONING TAP
X400	CONNETTORE CENTRALINA SAUER EMBEDDED	CONNECTOR CENTRAL UNIT SAUER EMBEDDED
X401	CONNETTORE CENTRALINA SAUER EMBEDDED	CONNECTOR CENTRAL UNIT SAUER EMBEDDED
X402	CONNETTORE CENTRALINA SAUER EMBEDDED	CONNECTOR CENTRAL UNIT SAUER EMBEDDED
X403	CONNETTORE CENTRALINA SAUER EMBEDDED	CONNECTOR CENTRAL UNIT SAUER EMBEDDED
X404	CONNETTORE CENTRALINA SAUER EMBEDDED	CONNECTOR CENTRAL UNIT SAUER EMBEDDED
X405	CONNETTORE CENTRALINA SAUER EMBEDDED	CONNECTOR CENTRAL UNIT SAUER EMBEDDED
X410	CONNETTORE PRESSOSTATO DISCESA BRACCIO	CONNECTOR LOWER BOOM PRESSURE SWITCH
X411	PRESSOSTATO SALITA BRACCIO	BOOM UP PRESSURE SWITCH
X42	TERMOSTATO CLIMA	CLIMATE THERMOSTAT
X423	CONNETTORE SELETTORE TERGI SUPERIORE	UPPER WINDSCREEN WIPER SELECTOR CONNECTOR
X43	CONNETTORE AUTORADIO GRIGIO	GRAY RADIO CONNECTION
X438	CONNETTORE FASTOM PRESSOSTATO FEED BACK FRENO NEGATIVO	CONNECTOR FASTOM NEGATE BRAKE PRESSURE SWITCH
X44	CONNETTORE AUTORADIO MARRONE	BROWN CONNECTION RADIO
X45	CONNETTORE FASTOM CASSA AUTORADIO DESTRA	CONNECTOR FASTOM RIGHT AUDIO SPEAKER
X46	CONNETTORE FASTOM CASSA AUTORADIO SINISTRA	CONNECTOR FASTOM LEFT AUDIO SPEAKER
X47B	CONNETTORE SEGNALI JOISTYCK [BOSCH]	SIGNAL JOISTYCK [BOSCH] CONNECTOR
X47T	CONNETTORE SEGNALI JOISTYCK [TECNORD]	SIGNAL JOISTYCK [TECNORD] CONNECTOR
X48B	CONNETTORE ROLLER JOISTYCK [BOSCH]	ROLLER JOISTYCK [BOSCH] CONNECTOR
X5	CONNETTORE SCHEDA FUSIBILI-RELE'	FUSE-RELAY ELECTRICAL BOARD CONNECTOR
X50	CONNETTORE SAUER MC24 GRIGIO	CONNECTOR GREY SAUER MC24
X500	OCCHIELLO POTENZA ALTERNATORE	CONNECTOR POWER ALTERNATOR
X501	OCCHIELLO POTENZA MOTORINO AVVIAMENTO	CONNECTOR POWER ENGINE STARTING
X504	OCCHIELLO POTENZA STACCABATTERIA	CONNECTOR POWER BATTERY SWITCH
X505	OCCHIELLO PORTAFUSIBILE RELE' CANDELETTE	GLOW RELAY FUSE HOLDER GLOW
X506	OCCHIELLO POTENZA STACCABATTERIA	CONNECTOR POWER BATTERY SWITCH
X507	OCCHIELLO POTENZA POLO POSITIVO BATTERIA	CONNECTOR POWER + BATTERY
X508	OCCHIELLO POTENZA POLO - BATTERIA	CONNECTOR GROUND - BATTERY
X509	OCCHIELLO MASSA TELAIO MOTORE	CONNECTOR GROUND ENGINE FRAME

Nome/Item	Funzione/Function [1]	Funzione/Function [2]
X51	CONNETTORE SAUER MC24 NERO	CONNECTOR BLACK SAUER MC24
X510	OCCHIELLO MASSA MOTORE	CONNECTOR GROUND ENGINE
X511	OCCHIELLO POTENZA MASSA TELAI0 FRONTALE	CONNECTOR GROUND FRONT FRAME
X512	OCCHIELLO MASSA CABINA	CONNECTOR GROUND CABIN
X514	OCCHIELLO PORTAFUSIBILE RELE' CANDELETTE	GLOW RELAY FUSE HOLDER GLOW
X515	OCCHIELLO CONTATTO RELE' CANDELETTE	GLOW RELAY CONTACT CONNECTOR
X516	OCCHIELLO CONTATTO RELE' CANDELETTE	GLOW RELAY CONTACT CONNECTOR
X517	OCCHIELLO CANDELETTE	GLOW CONNECTOR
X520	OCCHIELLO POTENZA MASSA TELAI0 FRONTALE	CONNECTOR GROUND FRONT FRAME
X53	CONNETTORE INTERFACCIA MOTORE[]	CONNECTION ENGINE INTERFACE
X54	CONNETTORE CENTRALINA MOTORE	CONNECTIONS ENGINE CENTRAL UNIT
X55	CONNETTORE CENTRALINA MOTORE	CONNECTIONS ENGINE CENTRAL UNIT
X56	CONNETTORE RESISTENZA [CAN-M]	CONNECTOR RESISTANCE [CAN-M]
X58	CONNETTORE LIVELLO LIQUIDO REFRIGERANTE	COOLANT LEVEL CONNECTOR
X59-1	CONNETTORE RELE' CANDELETTE	CONNECTOR SPARK PLUG RELAYS
X59-2	CONNETTORE RELE' CANDELETTE	CONNECTOR SPARK PLUG RELAYS
X6	CONNETTORE SCHEDA FUSIBILI-RELE'	FUSE-RELAY ELECTRICAL BOARD CONNECTOR
X74	CONNETTORE PEB PRESA ELETTRICA BRACCIO	CONNECTOR PEB BOOM ELECTRICAL SOCKET
X78	CONNETTORE TERGICRISTALLO	WINDSCREEN WIPER CONNECTOR
X79	CONNETTORE FINECORSO CREEPER	CONNECTOR CREEPER LIMIT SWITCH
X8	CONNETTORE SCHEDA FUSIBILI-RELE'	FUSE-RELAY ELECTRICAL BOARD CONNECTOR
X9	CONNETTORE SCHEDA FUSIBILI-RELE'	FUSE-RELAY ELECTRICAL BOARD CONNECTOR
X91	CONNETTORE CABINA-TELAIO[1]	CONNECTION CABIN-FRAME
X92	CONNETTORE CABINA-TELAIO[2]	CONNECTION CABIN-FRAME
X93	CONNETTORE POWER CABINA	CABIN POWER CONNECTOR
X94	CONNETTORE MOTORE[]	CONNECTOR ENGINE []
X99	CONNETTORE SELETORE SICUREZZA CESTELLO	SECURITY BASKET SELECTOR CONNECTOR

A	2-46
ARM FR04 17M SR9244 ASSEMBLY ...	FLOATING BOOM HOSE KIT .....
2-37	3-4
BOOM INCLINOMETER .....	FR04 DISTRIBUTOR .....
2-42	3-27
BRAKE ACCUMULATOR FR04 ASSEMBLY .	FRAME AND LIGHTS FR04 .....
3-22	2-9
BRAKE PEDAL FR04 ASSEMBLY .....	FRAME AND PINS FR04 .....
3-21	2-10
CAB QUEEN CABIN DOOR 1 .....	FRAME TELAIO FR04 BASIC .....
2-4	4-8
CAB QUEEN CABIN DOOR 2 .....	FRONT AXLE 26.25 SINGLE SPEED TABLE 10 .
2-5	2-21
CABIN FR00 CLASIC AGRITOP .....	FRONT AXLE 26.25 SINGLE SPEED TABLE 5 ..
2-2	2-16
CARRIAGE ASSY 60" FIXED .....	FRONT AXLE 26.25 SINGLE SPEED TABLE 8 ..
2-36	2-19
CASAPPA PUMP 51CC .....	FRONT AXLE 26.25 SINGLE SPEED TABLE 9 ..
3-23	2-20
CASTING AND PROTECTIONS FR04 .....	FRONT AXLE 26.25 SINGLE-SPEED TABLE 1 ..
2-7	2-12
CHASSIS AND CARTER FR00 .....	FRONT AXLE 26.25 SINGLE-SPEED TABLE 2 ..
2-1	2-13
CLEANFIX FAN CLASSIC .....	FRONT AXLE 26.25 SINGLE-SPEED TABLE 3 ..
5-1	2-14
COMPENSATION CYLINDER FR04 .....	FRONT AXLE 26.25 SINGLE-SPEED TABLE 4 ..
3-16	2-15
DECAL KIT SR9244 .....	FRONT AXLE 26.25 SINGLE-SPEED TABLE 6 ..
2-45	2-17
DEUTZ 90kW IIIB ENGINE EXHAUST ..	FRONT AXLE 26.25 SINGLE-SPEED TABLE 7 ..
2-33	2-18
DEUTZ ENGINE 134HP TCD3.6L4-EAT T4F	HYDRAULIC HOSE SCHEMATIC SR9244 .....
REPLACEMENT PARTS .....	3-1
2-31	HYDRAULIC SCHEMATIC FR02 CLASSIC 3B ...
DEUTZ ENGINE 90KW TCD 3.6 L4	3-2
ASSEMBLY .....	HYDRAULIC SERVICE PUMP ITAKE CAPAPPA
2-30	PUMP 51CC .....
DISTRIBUTOR DN85 FR02 .....	3-24
3-28	HYDROSTATIC ENGINE 160CC .....
DISTRIBUTION DN85 FR04 .....	3-17
3-25	HYDROSTATIC PUMP 71CC .....
3-29	3-18
DRAIN HYDRAULIC MANIFOLD .....	INNER COATINGS CABIN FR04 CLASSIC .....
3-29	2-6
DRIVER SEAT FR04 BASIC .....	JOYSTICK FR04 CLASSIC .....
4-6	4-1
ENGINE DEUTZ TCD 3.6 KW FR04 .....	KIT LARGE FARESIN BOBCAT FITTINGS .....
4-4	5-4
ENGINE-PUMP COUPLING .....	LEVELING BUBBLE .....
2-32	2-8
EXTENSION CYLINDER 17M .....	LEVELING CYLINDER FR04 .....
3-10	3-8
EXTENSION FR04 17M SR9244 ASSEMBLY .	LIFTING CYLINDER .....
2-39, 2-40, 2-41	3-12
FIXED ARM FR04 17M SR9244 ASSEMBLY ..	LIFTING CYLINDER FLOATING BOOM 17M ..
2-38	3-14
FLIP CHART SET SR1054 SR9244 .....	LIFTING CYLINDER SUSPENSION BOOM 17M 3-
2-44	15
FLIP CHART SET SR1054 SR9244 FRENCH	LIFTING CYLINDER SUSPENSION BOOM 17M
	SCHEMATIC .....
	3-13
	LIMIT SWITCH CONNECTOR WIRING .....
	4-5

LOAD CHART SET SR9244 FINNISH	2-43	DEUTZ T4 74.4 CT38A5697 1 OF 43	6-2
OIL TANK ASSEMBLY	3-30	SR1054 SR9244 ELECTRICAL SCHEMATIC DEUTZ	
PLASTIC DIESEL FUEL TANK FR04	2-35	T4 74.4 CT38A5697 10 OF 43	6-11
PLATE LIGHT EXTENSION	4-10	SR1054 SR9244 ELECTRICAL SCHEMATIC DEUTZ	
PNPWIRE SENSOR	4-3	T4 74.4 CT38A5697 11 OF 43	6-12
POWER STEERING FR04 ASSEMBLY	3-20	SR1054 SR9244 ELECTRICAL SCHEMATIC DEUTZ	
POWERCORE COMPLETE AIR FILTER 9		T4 74.4 CT38A5697 12 OF 43	6-13
INCH	2-34	SR1054 SR9244 ELECTRICAL SCHEMATIC DEUTZ	
PROPORTIONA EXTENSION DISTRIBUTION		T4 74.4 CT38A5697 13 OF 43	6-14
DN85-5 FR00 VERSION 2	3-26	SR1054 SR9244 ELECTRICAL SCHEMATIC DEUTZ	
PUSHBUTTON PANEL FR04 BASIC	4-7	T4 74.4 CT38A5697 14 OF 43	6-15
QUICK RELEASE HOSE KIT	3-6	SR1054 SR9244 ELECTRICAL SCHEMATIC DEUTZ	
REAR AXLE 26.16 OSCILLATING TABLE 1	2-22	T4 74.4 CT38A5697 15 OF 43	6-16
REAR AXLE 26.16 OSCILLATING TABLE 2	2-23	SR1054 SR9244 ELECTRICAL SCHEMATIC DEUTZ	
REAR AXLE 26.16 OSCILLATING TABLE 3	2-24	T4 74.4 CT38A5697 16 OF 43	6-17
REAR AXLE 26.16 OSCILLATING TABLE 4	2-25	SR1054 SR9244 ELECTRICAL SCHEMATIC DEUTZ	
REAR AXLE 26.16 OSCILLATING TABLE 5	2-26	T4 74.4 CT38A5697 17 OF 43	6-18
REAR AXLE 26.16 OSCILLATING TABLE 6	2-27	SR1054 SR9244 ELECTRICAL SCHEMATIC DEUTZ	
REAR AXLE 26.16 OSCILLATING TABLE 7	2-28	T4 74.4 CT38A5697 18 OF 43	6-19
REAR AXLE LOCK HOSE KIT	3-7	SR1054 SR9244 ELECTRICAL SCHEMATIC DEUTZ	
REAR HYDRAULIC CONNECTION HOSE KIT	3-5	T4 74.4 CT38A5697 19 OF 43	6-20
REPLACEMENT KEYS FOR		SR1054 SR9244 ELECTRICAL SCHEMATIC DEUTZ	
TELEHANDLERS	2-3	T4 74.4 CT38A5697 2 OF 43	6-3
SKID STEER ADAPTER GROUP B		SR1054 SR9244 ELECTRICAL SCHEMATIC DEUTZ	
ASSEMBLY	5-3	T4 74.4 CT38A5697 20 OF 43	6-21
SR1054 SR9244 ELECTRICAL SCHEMATIC		SR1054 SR9244 ELECTRICAL SCHEMATIC DEUTZ	
		T4 74.4 CT38A5697 21 OF 43	6-22
		SR1054 SR9244 ELECTRICAL SCHEMATIC DEUTZ	
		T4 74.4 CT38A5697 22 OF 43	6-23
		SR1054 SR9244 ELECTRICAL SCHEMATIC DEUTZ	
		T4 74.4 CT38A5697 23 OF 43	6-24
		SR1054 SR9244 ELECTRICAL SCHEMATIC DEUTZ	
		T4 74.4 CT38A5697 24 OF 43	6-25
		SR1054 SR9244 ELECTRICAL SCHEMATIC DEUTZ	

T4 74.4 CT38A5697 25 OF 43	6-26	STABILIZER CYLINDER	3-9
SR1054 SR9244 ELECTRICAL SCHEMATIC		STABILIZER FR04	2-29
DEUTZ T4 74.4 CT38A5697 26 OF 43	6-27	STEERING VALVE ASSEMBLY	3-19
SR1054 SR9244 ELECTRICAL SCHEMATIC		SUSPENSION BOOM HOSE KIT	3-3
DEUTZ T4 74.4 CT38A5697 27 OF 43	6-28	TELEHANDLER AIR CONDITIONING	5-2
SR1054 SR9244 ELECTRICAL SCHEMATIC		TILTING CYLINDER FR04	3-11
DEUTZ T4 74.4 CT38A5697 28 OF 43	6-29	TRANSMISSION FR04 CLASSIC	2-11
SR1054 SR9244 ELECTRICAL SCHEMATIC		UNIVERSAL CABIN ROOF SHEATH	4-9
DEUTZ T4 74.4 CT38A5697 29 OF 43	6-30	WRIST RESTS CLASSIC	4-2
SR1054 SR9244 ELECTRICAL SCHEMATIC			
DEUTZ T4 74.4 CT38A5697 3 OF 43	6-4		
SR1054 SR9244 ELECTRICAL SCHEMATIC			
DEUTZ T4 74.4 CT38A5697 30 OF 43	6-31		
SR1054 SR9244 ELECTRICAL SCHEMATIC			
DEUTZ T4 74.4 CT38A5697 31 OF 43	6-32		
SR1054 SR9244 ELECTRICAL SCHEMATIC			
DEUTZ T4 74.4 CT38A5697 32 OF 43	6-33		
SR1054 SR9244 ELECTRICAL SCHEMATIC			
DEUTZ T4 74.4 CT38A5697 33-43	6-34		
SR1054 SR9244 ELECTRICAL SCHEMATIC			
DEUTZ T4 74.4 CT38A5697 4 OF 43	6-5		
SR1054 SR9244 ELECTRICAL SCHEMATIC			
DEUTZ T4 74.4 CT38A5697 5 OF 43	6-6		
SR1054 SR9244 ELECTRICAL SCHEMATIC			
DEUTZ T4 74.4 CT38A5697 6 OF 43	6-7		
SR1054 SR9244 ELECTRICAL SCHEMATIC			
DEUTZ T4 74.4 CT38A5697 7 OF 43	6-8		
SR1054 SR9244 ELECTRICAL SCHEMATIC			
DEUTZ T4 74.4 CT38A5697 8 OF 43	6-9		
SR1054 SR9244 ELECTRICAL SCHEMATIC			
DEUTZ T4 74.4 CT38A5697 9 OF 43	6-10		
SR9244 GENERAL INFORMATION	1-1		
SR9244 HYDRAULIC HOSE SCHEMATIC			
T141442220	6-1		



B		159-0029-004FR	2-46, 2-46
"SN-230012003	3-30	159-0029-005	2-46
*	3-17, 3-19, 3-20, 3-21, 3-22	159-0029-006FR	2-46
0113885FN	2-45	159-0029-007FR	2-46
10001-005	5-4	159-0029-008FR	2-46
10002-008	5-3	159-0029-009FR	2-46
10004-032	2-36	159-0029-010FR	2-46
10304-002	5-3	159-0031-000	2-45
10900-008	2-36	159-0033-000FN B	2-45
11001-005	5-4	159-0045-000	2-44
11001-008	2-36	159-0045-001	2-44
11002-020	2-36	159-0045-002	2-44
11003-056	5-3	159-0045-003	2-44
11205-025	5-3	159-0045-004	2-44
11258-001	5-3	159-0045-005	2-44
11258-002	5-3	159-0045-006	2-44
11691-003	5-4	159-0045-007	2-44
11712-004	5-4	159-0045-008	2-44
11734-003	5-4	159-0045-009	2-44
11910-000	5-3	159-0045-010	2-44
13983-000	2-31	1590048	5-4
13983-024	2-31	1590049	5-4
13983-109	2-31	1590055-1	5-4
13983-221	2-31	1590056	5-4
14832-010 A	5-3	22159-000	5-3
14857-000	2-36	22160-000	5-3
159-0028-000FN A	2-43	22161-000	5-3
159-0028-001FN	2-43	22162-000	5-3
159-0028-002FN	2-43	22163-000	5-3
159-0028-003FN	2-43	22167-000	5-3
159-0029-000FR A	2-46	22169-010	5-3
159-0029-001	2-46	240100151	2-34
159-0029-002	2-46	240100152	2-34
159-0029-003FR	2-46	240100153	2-34

240100154	2-34	7631387	2-31
240100155	2-34	7631388	2-31
240100156	2-34	8030051	2-3
25106-001-SP	2-36	8040149	2-31
25389-000	2-36	CT0202464	4-6
27432-000	2-36, 2-36	CT099L468	4-4
3028929	2-3	CT140816	4-10
3028930	2-3	CT146483	4-3
600009001	2-30	CT266U466	4-8
602478201	2-17	CT2685465	4-7
606657301	2-17	CU2147467	4-5
610136601	2-17	CU2393114	4-9
613557201	2-17	SN-100040401	4-2
613596401	2-17	SN-100120701	2-40
613596501	2-17	SN-100121001	4-1, 4-2
613596601	2-17	SN-100180001	2-18
613599801	2-17	SN-101050501	2-30
613611201	2-17	SN-101061001	2-7, 2-30, 2-40, 2-41
613615501	2-17	SN-101061002	2-42
613664801	2-17	SN-101080801	2-30, 3-14, 3-15
614193501	2-17	SN-101101001	2-7, 2-30, 2-35, 2-38, 2-40
614193601	2-17	SN-101121501	2-40
614193701	2-17	SN-101141001	3-30
614193801	2-17	SN-101202201	2-7
614193901	2-17	SN-102001201	2-11
614581501	2-17	SN-111200801	2-7
7631265	2-31	SN-120062001	2-30
7631380	2-31	SN-120063001	2-30
7631381	2-31	SN-120080801	2-2
7631382	2-31	SN-120081101	2-30
7631383	2-31	SN-120082001	2-41
7631384	2-31	SN-120082501	3-22
7631385	2-31	SN-120083001	2-2, 2-41, 3-14, 3-15
7631386	2-31	SN-120083501	2-30

SN-120084001	2-40	SN-122125001	2-41
SN-120086001	2-1, 3-12	SN-123482200	2-35
SN-120087001	2-30	SN-124123501	2-11
SN-120101001	2-40	SN-125062001	3-30
SN-120102001	3-20	SN-125062501	2-40, 2-41
SN-120103001	2-33	SN-125068001	3-28
SN-120103501	2-30	SN-125082001	3-30
SN-120106001	2-38	SN-125082501	5-1
SN-120108001	2-38	SN-125084001	3-9, 3-19
SN-120121101	2-11, 2-29, 2-38, 2-39	SN-125085001	2-41, 3-8
SN-120121301	2-38, 2-41	SN-125087001	3-14, 3-15
SN-120129001	2-10	SN-125103001	3-23
SN-120148001	3-30	SN-125104501	3-11
SN-120161102	2-30	SN-125105001	2-30, 3-10
SN-120165501	3-17	SN-125124501	2-40
SN-120201001	2-41	SN-125125001	2-40, 2-41
SN-121123501	2-39	SN-125125501	2-40
SN-122051001	4-2	SN-125241401	3-30
SN-122051601	2-9, 2-30	SN-125242801	2-11
SN-122052001	2-2, 4-1, 4-2	SN-130050001	2-2, 2-9, 2-29, 4-1, 4-2
SN-122061001	3-30	SN-130050005	2-2
SN-122061601	2-1, 2-9, 2-42	SN-130060001	2-41
SN-122062001	2-1, 2-2, 2-30, 3-27	SN-130061801	2-41
SN-122062501	2-1, 2-7	SN-130080001	2-7
SN-122063001	2-9, 2-42	SN-130120001	2-40
SN-122082001	2-30	SN-130140001	3-30
SN-122082501	2-2	SN-130240301	2-11
SN-122083001	2-9, 3-27	SN-140060101	2-11, 2-39, 2-40
SN-122086001	2-2	SN-140060102	2-40
SN-122122001	2-38, 2-39, 2-40, 2-41	SN-140100101	2-38, 2-41
SN-122122501	2-41	SN-145501502	2-38, 2-39, 2-40
SN-122123501	2-39	SN-145501503	2-38, 2-39, 2-40
SN-122124001	2-38, 2-39, 2-40	SN-150300301	2-41
SN-122124501	2-40	SN-150380301	2-41

SN-150900301	2-39, 2-40	SN-210051101	3-9
SN-155063001	2-39, 2-40	SN-210051301	3-16
SN-155084401	2-39	SN-210051302	2-41, 3-10, 3-11
SN-155180401	2-38, 2-39, 2-40, 2-41	SN-210051303	3-16
SN-160221001	2-39, 2-40	SN-210121800	3-18
SN-165004101	2-8	SN-210341303	3-10
SN-165005101	2-2	SN-211142001	3-25
SN-165006101	2-30	SN-212000501	2-35, 3-24, 3-30
SN-165061301	2-2, 2-9	SN-212001615	2-30
SN-165081501	2-2	SN-212011202	2-30
SN-170048501	2-7	SN-212012215	2-30
SN-170321801	2-38, 2-39, 2-40, 2-41	SN-212112350	3-30
SN-190201501	2-7	SN-212112420	3-29
SN-204019001	3-20	SN-212121208	2-35
SN-205002001	3-21	SN-212121402	3-29
SN-205002601	3-21, 3-28	SN-212141501	3-21
SN-206001001	3-21	SN-212342002	3-23, 3-25
SN-206001501	3-22	SN-212343001	3-25
SN-206002501	3-14, 3-15	SN-212382501	3-27
SN-206003501	3-14, 3-15	SN-212383802	3-28
SN-208101401	3-28	SN-213001401	3-25
SN-208121003	3-18	SN-213001402	3-21
SN-208141200	3-18	SN-213001602	2-30
SN-208141501	3-21	SN-213002215	2-30
SN-208150001	3-14, 3-15, 3-29	SN-214001205	2-41
SN-208159001	3-14, 3-15	SN-215002001	3-19
SN-208181510	3-22	SN-215301706	3-26
SN-208189601	3-21	SN-215301707	3-26
SN-208262200	3-18	SN-215301708	3-25, 3-26
SN-208263400	3-18	SN-215301754	3-25, 3-26
SN-208289010	3-17	SN-215301755	3-26
SN-208423500	3-18	SN-215301756	3-26
SN-209143801	3-28	SN-215301757	3-26
SN-209341303	3-25	SN-215301759	3-26

SN-215301761	3-26	SN-220140141	3-1
SN-215500302	3-27	SN-220140305	3-1
SN-215500351	3-27	SN-220140401	3-1, 3-21
SN-216000101	3-18	SN-220163002	3-1
SN-216141401	3-23	SN-220340211	3-1
SN-217101005	2-30	SN-220340216	3-1
SN-217101006	2-30	SN-220340217	3-1
SN-218000101	3-18	SN-220340218	3-1
SN-218011401	3-17, 3-23	SN-220340418	3-1
SN-218301730	3-16	SN-220380104	3-1, 3-2, 3-7
SN-218301740	3-9	SN-220380105	3-1
SN-218301750	3-8	SN-220380107	3-1
SN-218301760	3-11	SN-220380108	3-1
SN-218353651	3-30	SN-220380112	3-1
SN-220101704_B	3-1, 3-1	SN-220380119	3-1
SN-220101810	3-1	SN-220380120	3-1
SN-220120104	3-2, 3-7	SN-220380130	3-1, 3-1
SN-220120113	3-1	SN-220380134	3-6
SN-220120120	3-5, 3-5	SN-220380137	3-3, 3-4, 3-13
SN-220120125	3-1	SN-220380138	3-1, 3-1, 3-1, 3-1
SN-220120127	3-1	SN-220380139	3-1, 3-1
SN-220120131	3-1	SN-220580106	3-1, 3-1
SN-220120140	3-5, 3-5	SN-220580108	3-1, 3-1
SN-220120177	3-1	SN-220961001	3-21
SN-220121006	3-1	SN-221042000	2-30
SN-220121511	3-1	SN-221042010	2-30
SN-220122405	3-1	SN-221152301	5-2, 5-2
SN-220123501	3-1, 3-1	SN-222905450	2-30
SN-220123803	3-1	SN-222907550	2-30
SN-220140107	3-1	SN-223003201	2-30
SN-220140110	3-1	SN-224385100	3-1, 3-24
SN-220140111	3-1, 3-1	SN-224455100	2-30
SN-220140116	3-1, 3-1	SN-225120001	3-1
SN-220140138	3-6	SN-225120003	3-1

SN-225141003	3-1	SN-308528250	3-27, 3-28
SN-225250601	3-28	SN-308528350	3-23
SN-228001401	3-28	SN-308539160	3-30
SN-230012501	2-35	SN-308539161	3-30
SN-230202003	2-30	SN-308539162	3-30
SN-231010010	3-30	SN-308539180	3-30
SN-231013002	2-35	SN-308551250	2-30
SN-240004001	3-30	SN-308553050	3-30
SN-240038003	2-35	SN-308573150	3-20, 3-23, 3-28
SN-240040070	2-2	SN-320001001	3-26
SN-240100120	2-30	SN-366062801	3-26
SN-240100121	2-34	SN-366270101	3-28
SN-240100122	2-34	SN-366430601	3-19
SN-240100412	2-30	SN-377717901	2-13
SN-240100413	2-30	SN-400190601	4-1, 4-2
SN-240100416	2-30	SN-414018750	2-1, 2-1
SN-240100417	2-30	SN-414025000	2-2
SN-250003403	3-18	SN-414025950	2-11, 3-23, 3-27, 3-28, 3-29, 3-30
SN-250110301	3-8, 3-9	SN-414026050	3-27, 3-28
SN-250170301	3-11	SN-414026150	3-8, 3-24, 3-27, 3-30
SN-250555550	2-1	SN-414026250	3-18, 3-25
SN-250650301	3-10	SN-414026350	3-29
SN-250650351	3-10	SN-414026450	3-29
SN-300016501	2-9	SN-414026550	3-29
SN-308411850	3-29	SN-501000601	2-1
SN-308419850	3-8, 3-30	SN-502070001	2-7
SN-308428950	3-25	SN-510200501	2-11
SN-308494650	3-27	SN-510225003	2-11
SN-308503550	3-23, 3-27, 3-28, 3-29	SN-510225003FOA	2-11
SN-308503650	3-28	SN-510240103	2-11
SN-308527850	2-30	SN-510240112	2-11
SN-308527950	3-18, 3-25, 3-30	SN-510240112FOA	2-11
SN-308528050	3-29	SN-512014950	2-11, 3-25, 3-28, 3-29, 3-30
SN-308528150	3-14, 3-15, 3-20, 3-27, 3-29	SN-512039050	2-11, 3-25

SN-513009050	3-29	SN-600009053	2-30
SN-520161602	2-38, 2-40	SN-600009054	2-30
SN-520161603	2-38, 2-40	SN-600009055	2-30
SN-520181802	2-29	SN-600009056	2-30
SN-520181803	2-29	SN-600009058	2-30
SN-521000402	3-21	SN-600009060	2-30
SN-521008601	2-33	SN-601050000	2-30
SN-521011501	3-22	SN-601050010	2-30
SN-521501001	2-30, 3-24	SN-601070117	2-30
SN-521502001	2-4	SN-601080020	2-33
SN-522305001	2-30	SN-601080030	2-33
SN-522306001	2-30	SN-601080060	2-33
SN-522601302	2-2	SN-602049001	2-19, 2-28
SN-522603001	2-2	SN-602065603	2-32
SN-523403103	2-7	SN-602086401	2-20
SN-523403104	2-1, 2-7	SN-602086801	2-20
SN-523403105	2-1	SN-602090011	2-32
SN-530254404	2-39, 2-41	SN-602090012	2-32
SN-530254405	2-39, 2-41	SN-602090030	2-32
SN-530256606	2-38, 2-40	SN-602109701	2-20, 2-23
SN-530256607	2-38, 2-40	SN-602133401	2-12
SN-541102003	2-1, 2-7	SN-602136401	2-12
SN-541172301	2-5	SN-602141201	2-20
SN-542508001	3-16	SN-602143401	2-20
SN-542608001	3-9, 3-10	SN-602149401	2-12
SN-542708001	3-8, 3-11	SN-602156701	2-12
SN-545912301	2-13, 2-23	SN-602213101	2-13, 2-23
SN-550504501	3-16	SN-602243101	2-13, 2-23
SN-550605801	3-8, 3-9, 3-10, 3-11	SN-602421001	2-13, 2-23
SN-555509004	2-39, 2-40	SN-602425801	2-22
SN-560013001	2-40, 2-41	SN-602478901	2-24
SN-585001401	2-7	SN-602479301	2-19, 2-28
SN-585150201	3-11	SN-602481601	2-21
SN-585922601	2-13, 2-23	SN-602574101	2-21

SN-602574201	2-21	SN-607225901	2-20
SN-602574301	2-21	SN-608766001	2-22
SN-602582001	2-21	SN-609020950	3-19
SN-602725601	2-15, 2-25	SN-609021950	2-11
SN-602735001	2-14, 2-24	SN-609022650	2-11
SN-602769301	2-22	SN-609036350	3-21
SN-602811101	2-12	SN-609053750	2-30
SN-602835201	2-13, 2-23	SN-609063450	2-9
SN-602837001	2-19, 2-28	SN-609063570	2-2
SN-602849801	2-22	SN-609076750	3-30
SN-602853201	2-24	SN-609077015	3-24
SN-602853401	2-12	SN-609080954	5-2
SN-602856201	2-12	SN-609080956	5-2
SN-602861101	2-20	SN-609080957	5-2
SN-603074001	2-12	SN-609080958	5-2
SN-603075501	2-13	SN-609080959	5-2
SN-604416201	2-16, 2-26	SN-609227001	2-22
SN-604416301	2-16, 2-26	SN-6100180001	2-27
SN-604516001	2-12	SN-610025296	2-21
SN-604622001	2-16, 2-26	SN-610028603	2-18
SN-604622101	2-16, 2-26	SN-610047702	2-18
SN-604622201	2-16, 2-26	SN-610110601	2-15
SN-604902901	2-13, 2-23	SN-610114301	2-15
SN-604907401	2-13, 2-23	SN-610114401	2-15
SN-604913801	2-13, 2-23	SN-610115701	2-15, 2-25
SN-604933301	2-13, 2-23	SN-610116301	2-15, 2-25
SN-606609301	2-24	SN-610125501	2-15, 2-25
SN-606618501	2-15	SN-610128401	2-15, 2-25
SN-606618601	2-25	SN-610132165	2-16, 2-26
SN-606628701	2-19, 2-28	SN-610136101	2-15
SN-606831301	2-18, 2-27	SN-610262501	2-11
SN-607078701	2-13, 2-23	SN-610262502	2-11
SN-607201204	3-23	SN-610498801	2-12, 2-20, 2-22
SN-607223501	2-22	SN-610660901	2-14



---

SN-610777801	2-25	SN-612692301	2-13, 2-23
SN-610974701	2-20	SN-612795901	2-21
SN-611201801	2-11	SN-612805001	2-20
SN-611371701	2-14, 2-24	SN-612853401	2-13
SN-611505401	2-14, 2-24	SN-612863101	2-12, 2-22
SN-611652901	2-22	SN-612863201	2-12, 2-22
SN-611653001	2-22	SN-613063101	2-13, 2-23
SN-611679201	2-12	SN-613063201	2-13, 2-23
SN-611837001	2-18	SN-613066701	2-12
SN-611854701	2-12, 2-22	SN-613067901	2-18
SN-612009112	2-22	SN-613175701	2-21
SN-612009117	2-22	SN-613176201	2-22
SN-612009118	2-22	SN-613226501	2-14, 2-24
SN-612036101	2-25	SN-613226601	2-14, 2-24
SN-612038701	2-23	SN-613226701	2-14, 2-24
SN-612041100	3-14, 3-15	SN-613226801	2-14, 2-24
SN-612041200	2-29, 3-20, 3-29	SN-613226901	2-14, 2-24
SN-612041300	3-25	SN-613227001	2-14, 2-24
SN-612041500	3-25	SN-613227101	2-14, 2-24
SN-612078001	2-22	SN-613227201	2-14, 2-24
SN-612171001	2-20	SN-613227301	2-14, 2-24
SN-612262001	2-13	SN-613227401	2-14, 2-24
SN-612320601	2-13, 2-23	SN-613251201	2-22
SN-612340201	2-24	SN-613294301	2-24
SN-612516101	2-13, 2-23	SN-613429801	2-18
SN-612528001	2-12, 2-19, 2-28	SN-613429901	2-18
SN-612534401	2-18	SN-613471401	2-22
SN-612544201	2-21	SN-613536601	2-19, 2-28
SN-612579201	2-15, 2-25	SN-613594701	2-19, 2-28
SN-612580601	2-14, 2-24	SN-613615201	2-12
SN-612582701	2-22	SN-613687801	2-20
SN-612582901	2-14, 2-24	SN-613717801	2-23
SN-612600301	2-13	SN-613758901	2-21
SN-612634401	2-22	SN-613794401	2-22, 2-22

---

SN-613794501	2-23	SN-635011866	3-17
SN-613981501	2-12	SN-635011869	3-17
SN-613981601	2-12	SN-635040001	2-13, 2-23
SN-613992201	2-12	SN-6610028603	2-27
SN-613995501	2-12	SN-6610047702	2-27
SN-614025901	2-18	SN-6611837001	2-27
SN-614052001	2-12	SN-6612534401	2-27
SN-614119601	2-18	SN-6613067901	2-27
SN-614359701	2-16, 2-26	SN-6613429801	2-27
SN-614367701	2-20	SN-6613429901	2-27
SN-614367801	2-20	SN-6614025901	2-27
SN-614455801	2-12, 2-22	SN-6614119601	2-27
SN-614502101	2-13, 2-23	SN-664198401	2-20
SN-614502201	2-13, 2-23	SN-675559000	2-30
SN-614505001	2-24	SN-690300702	2-30
SN-614543501	2-22	SN-701001201	2-41
SN-614557801	2-13, 2-23	SN-701004001	2-9, 2-11
SN-614601401	2-12	SN-703072001	2-11
SN-614694401	2-16, 2-26	SN-704000201	2-9
SN-614697801	2-16, 2-26	SN-704061001	2-2
SN-614710601	2-15, 2-25	SN-706000101	2-5
SN-615003101	2-22	SN-706011001	2-4
SN-616022401	2-13, 2-23	SN-706012001	2-4
SN-616910101	2-12, 2-22	SN-706032001	2-5
SN-618004250	3-29	SN-706163101	2-5
SN-622006750	3-1	SN-706172301	2-5
SN-622010514	2-23	SN-707301702	2-2
SN-628029350	3-29	SN-710011506	2-7
SN-628053250	2-2	SN-710011551	2-7
SN-628058850	5-1	SN-710011552	2-7
SN-628072650	2-2	SN-710062502	2-1
SN-631047001	2-30	SN-710062551	2-1
SN-635011864	3-12, 3-14, 3-15	SN-715182701	2-5
SN-635011865	3-17	SN-716172301	2-4

SN-716211001	..... 2-4	SN-800512040	..... 2-40, 2-41
SN-800106020	..... 2-2, 2-9, 2-11	SN-801208060	..... 2-29, 2-38
SN-800106030	..... 2-1	SN-801704016	..... 4-2
SN-800108016	..... 2-30	SN-801705016	..... 2-2
SN-800108020	..... 2-30, 2-39, 3-21	SN-801706020	..... 2-1, 2-2
SN-800108025	..... 2-9, 2-30, 2-33	SN-803108025	..... 3-25
SN-800108035	..... 2-38, 3-29	SN-803108060	..... 3-25
SN-800110030	..... 2-9	SN-804001610	..... 4-1, 4-2
SN-800110040	..... 2-2	SN-804001620	..... 2-38, 2-39
SN-800110045	..... 2-7	SN-804002005	..... 2-2, 2-9, 2-29, 4-1, 4-2
SN-800112030	..... 2-30	SN-804002006	..... 2-1, 2-2, 2-9, 2-11, 2-30, 2-42, 5-1
SN-800112035	..... 3-18	SN-804002008	2-1, 2-2, 2-9, 2-29, 2-30, 2-39, 3-25, 3-29
SN-800112040	..... 2-11	SN-804002010	..... 2-30, 2-33, 2-41
SN-800112045	..... 3-17	SN-804002012	... 2-7, 2-10, 2-11, 2-29, 2-38, 2-39, 2-41
SN-800112100	..... 2-29	SN-804002018	..... 2-1
SN-800112140	..... 2-7	SN-804002020	..... 2-2
SN-800114030	..... 3-23	SN-804002024	..... 2-11
SN-800116050	..... 2-30	SN-804002216	..... 2-30
SN-800208050	..... 2-2, 2-38	SN-804003006	..... 2-1, 2-2, 2-9, 2-30, 3-27, 3-28, 3-30
SN-800210060	..... 2-35	SN-804003008	2-1, 2-2, 2-9, 2-29, 2-30, 2-39, 2-41, 3-12, 3-14, 3-15, 3-19, 3-21, 3-25, 3-27, 3-29
SN-800212040	..... 2-29	SN-804003010	..... 2-7, 2-9, 2-30, 2-33, 2-38, 3-20
SN-800212120	..... 2-10	SN-804003012	. 2-10, 2-11, 2-29, 2-30, 2-38, 2-39, 2-41
SN-800212150	..... 2-10, 2-38	SN-804003014	..... 3-18, 3-23
SN-800214040	..... 3-18	SN-804003016	..... 2-30, 3-17
SN-800220100	..... 2-11	SN-804003018	..... 2-1
SN-800220120	..... 2-2	SN-804003020	..... 2-11
SN-800412130	..... 2-30	SN-804003024	..... 3-30
SN-800504020	..... 2-2	SN-804003105	..... 2-30
SN-800504030	..... 2-8	SN-804003106	..... 2-1, 2-7, 2-11, 2-30, 2-42, 5-1
SN-800505040	..... 2-9, 2-29	SN-804003108	..... 2-2, 2-30, 2-33, 3-22
SN-800506020	..... 5-1	SN-804003110	..... 2-2, 2-33, 2-35
SN-800506090	..... 5-1	SN-804003112	..... 2-7
SN-800508035	..... 2-39		
SN-800508901	..... 3-29		

SN-804003120	2-2	SN-ME05020211	4-4
SN-804003206	2-1, 2-7, 2-9, 2-30, 3-27, 3-28, 3-30, 5-1	SN-ME07035025	2-2
SN-804003208	2-2, 2-30, 2-33, 3-19, 3-22, 3-27	SN-ME07039261	2-2
SN-804003210	2-2, 2-33, 3-20	SN-ME07406381	2-2
SN-804003212	2-30, 2-38, 2-39, 2-40, 2-41	SN-ME07493597	2-2
SN-804003214	3-23	SN-ME07534640	2-2
SN-804003216	2-30	SN-ME09066027	2-2
SN-805007044	2-30, 3-24	SN-ME09072A69	2-2
SN-805007050	2-30, 3-24	SN-ME09080328	2-2
SN-805007058	2-30	SN-ME09088335	2-9
SN-805007077	2-30	SN-ME09397A86	2-2
SN-805007087	2-30	SN-ME09466562	2-2
SN-860550001	5-1	SN-ME09523B44	2-2, 4-1, 4-2
SN-861109001	2-30, 5-2	SN-ME09529635	2-9
SN-861109002	2-30, 5-2	SN-ME09725853	5-2
SN-900006011	2-2	SN-ME10079C81	2-38
SN-905161101	2-8	SN-ME10401353	2-2
SN-CR195555	2-9	SN-ME10778906	2-2
SN-CT0202464	4-6	SN-ME10852917	2-2
SN-CT099L468	4-4	SN-ME11082B53	2-2
SN-CT140816	4-10	SN-ME11095A39	2-9
SN-CT146483	4-3	SN-ME11096A40	2-9
SN-CT266U466	4-8	SN-ME11496222	2-9
SN-CT2685465	4-7	SN-ME11497223	2-9
SN-CU2147467	4-5	SN-ME12362262	2-29, 2-38
SN-CU2393114	4-9	SN-ME1A865C53	2-2
SN-CUK443501	2-2	SN-ME35065D44	2-9
SN-F30170055A	3-16	SN-ME96382330	2-2
SN-F30170155A	2-37, 3-10	SN-T12804750	3-23
SN-F30170201A	2-29, 3-9	SN-T17001150	3-3
SN-F30170202A	2-29, 3-9	SN-T17001250	3-3
SN-F30170206A	2-41, 3-11	SN-T24018250	2-1
SN-F30170208A	3-8	SN-T24018750	4-1, 4-2
		SN-T24018850	3-25

SN-T25004750	2-41	SN-T25059950	2-1
SN-T25026350	2-2	SN-T25060550	2-1
SN-T25031550	4-1, 4-2	SN-T25061550	2-38
SN-T25031650	4-1, 4-2	SN-T25061750	4-2
SN-T25053950	2-2	SN-T25061850	4-2
SN-T25054950	2-42	SN-T25062250	4-2
SN-T25055050	2-42	SN-T25062350	2-1
SN-T25055150	2-42	SN-T25062650	2-1
SN-T25055350	2-9	SN-T25063050	2-1
SN-T25055450	2-9	SN-T28015950	2-7
SN-T25056150	2-1	SN-T28040250	2-7
SN-T25056250	2-1	SN-T28040550	2-7
SN-T25056350	2-1	SN-T28041450	2-30
SN-T25056550	2-1	SN-T28043950	2-7
SN-T25056650	2-1	SN-T28044150	2-7
SN-T25056750	2-1	SN-T28044450	3-14, 3-15
SN-T25056850	2-1	SN-T28044850	2-30
SN-T25056950	2-1	SN-T28044950	2-30
SN-T25057050	2-1	SN-T28045250	2-30
SN-T25057850	2-1	SN-T28047450	2-30
SN-T25058050	2-1	SN-T28047550	2-30
SN-T25058150	2-1	SN-T28047850	2-30
SN-T25058250	2-1	SN-T28048050	2-33
SN-T25058350	2-1	SN-T28050050	2-30
SN-T25058750	2-1	SN-T28050850	2-7
SN-T25058850	2-1	SN-T28052050	2-7
SN-T25058950	2-1	SN-T28052150	2-7
SN-T25059050	2-1	SN-T28052250	2-30
SN-T25059350	2-1	SN-T28055450	3-25
SN-T25059450	2-1	SN-T28055550	2-30
SN-T25059550	2-1	SN-T28055750	2-7
SN-T25059650	2-1	SN-T28056650	2-2
SN-T25059750	2-1	SN-T28057450	2-7
SN-T25059850	2-1, 2-7	SN-T28057550	2-30

SN-T28057650	2-30	SN-T30011650	2-11
SN-T28057750	2-30	SN-T30011850	2-11
SN-T28057850	2-30	SN-T30014750	2-40
SN-T28058450	2-30	SN-T30016350	2-11
SN-T28058550	5-1	SN-T30018550	2-41
SN-T28058750	2-2	SN-T30019550	2-11
SN-T28060350	2-38, 2-39, 2-40, 2-41	SN-T30020450	2-38
SN-T28062450	3-30	SN-T30020650	2-38
SN-T28064850	3-30	SN-T30021150	2-39
SN-T30002750	2-37, 2-38	SN-T30021250	2-40
SN-T30002850	2-37, 2-39	SN-T30021950	2-41
SN-T30002950	2-37, 2-40	SN-T30023250	2-39
SN-T30003050	2-37, 2-41	SN-T30023850	2-29
SN-T30003150	2-39	SN-T30024050	2-29
SN-T30003250	2-39	SN-T30024750	2-38, 2-39, 2-41
SN-T30003350	2-39	SN-T30025350	2-7
SN-T30003450	2-39, 2-40	SN-T30025750	2-11
SN-T30003550	2-38	SN-T30027150	2-40
SN-T30003650	2-39	SN-T30029450	2-7
SN-T30003750	2-40	SN-T30033650	2-38, 2-39, 2-40
SN-T30004050	2-40	SN-T30037650	2-39
SN-T30004250	2-40	SN-T30038250	2-9
SN-T30004450	2-41	SN-T30038350	2-11
SN-T30005250	2-29	SN-T30044150	2-39
SN-T30005750	2-10	SN-T30047950	2-38
SN-T30005850	2-29	SN-T30051450	2-39
SN-T30005950	2-29	SN-T30054550	2-41
SN-T30006450	2-11	SN-T30057850	2-40
SN-T30008150	2-40	SN-T30058650	2-39
SN-T30008250	2-39	SN-T30064150	2-38
SN-T30008950	2-11	SN-T30067050	2-10
SN-T30009050	2-29	SN-T30067350	2-41
SN-T30010450	2-41	SN-T30067450	2-41
SN-T30010550	2-41	SN-T30068050	2-41

SN-T30068150	2-41	SN-T30182760	2-6
SN-T30073450	2-7	SN-T30182761	2-6
SN-T30073850	2-38, 2-39, 2-40, 2-41	SN-T30182762	2-6
SN-T30074850	2-38	SN-T30182763	2-6
SN-T30074950	2-38	SN-T30182764	2-6
SN-T30075350	2-41	SN-T30182765	2-6
SN-T30075650	2-40, 2-41	SN-T30182766	2-6
SN-T30084350	2-39, 2-40, 2-41	SN-T30182767	2-6
SN-T30084450	2-38, 2-39, 2-40	SN-T30182768	2-6
SN-T30084550	2-39	SN-T30182769	2-6
SN-T30093450	2-29	SN-T30182770	2-6
SN-T30100350	2-39	SN-T30183162	5-2
SN-T30100950	2-29	SN-T30183163	5-2
SN-T30102850	2-10	SN-T30183550	2-2
SN-T30103250	2-7	SN-T30184350	2-30
SN-T30177750	2-7, 2-9	SN-T30184450	2-30
SN-T30179650	2-7	SN-T30184550	2-7
SN-T30180660	2-8	SN-T30184650	2-7
SN-T30180680	2-8	SN-T30184850	2-7
SN-T30181450	2-2	SN-T30185050	3-27, 3-29
SN-T30181550	2-2	SN-T30186550	2-7
SN-T30181650	2-2	SN-T30186650	2-7
SN-T30181750	2-2	SN-T30186850	2-7
SN-T30182050	2-2	SN-T30187351	5-2
SN-T30182051	2-4	SN-T30187352	5-2, 5-2
SN-T30182054	2-4	SN-T30187355	2-2
SN-T30182250	2-2	SN-T30187362	5-2
SN-T30182751	2-6	SN-T30187363	5-2
SN-T30182752	2-6	SN-T30187366	2-30, 5-2
SN-T30182753	2-4, 2-6	SN-T30187367	5-2
SN-T30182754	2-6	SN-T30187368	5-2
SN-T30182755	2-6	SN-T30187373	5-2
SN-T30182756	2-6	SN-T30187375	5-2
SN-T30182758	2-6	SN-T30187382	5-2

SN-T30187388	5-2	SN-T42001250	2-7
SN-T30188250	2-2	SN-T42001350	2-7
SN-T30188550	2-7	SN-T42001450	2-7
SN-T30189350	2-7	SN-T42001550	2-7
SN-T30190250	2-7	SN-T42001650	2-7
SN-T30190350	2-7	SN-T42001950	2-29
SN-T30190450	2-7	SN-T60001050	2-2
SN-T30190550	2-7	SN-T70002450	2-10
SN-T30190650	2-7	SN-T70003150	2-7
SN-T30192150	2-2	SN-T70004150	3-14, 3-15
SN-T30193350	2-2	SN-TA2506043	2-38
SN-T30193450	3-25	SN-TA2506087	2-2
SN-T30194150	2-7	SN-TA3007070	2-41
SN-T30194550	2-2	SN-TI2800550	3-21
SN-T30194650	2-2	SN-TI2801250	3-30
SN-T30195450	2-39	SN-TI2801450	3-29
SN-T30195550	2-39	SN-TI2802150	3-30
SN-T30195650	2-38	SN-TI2802251	3-18
SN-T30197850	2-2	SN-TI2804750	3-23
SN-T30199550	2-7, 2-9	SN-TI2805050	3-12
SN-T30199650	2-9	SN-TI2805350	3-1, 3-24
SN-T35000950	3-1	SN-TI2806150	2-35
SN-T35001050	3-1	SN-TI2806250	2-35
SN-T35001950	2-39	SN-TI2806850	3-14, 3-15
SN-T35010950	2-38	SN-TI3000750	3-1, 3-24
SN-T35011150	2-38	SN-TI3002650	3-18
SN-T42000450	2-7, 2-9, 2-10, 2-29	SN-TI3002850	3-17
SN-T42000550	2-7	SN-TI4000150	2-38
SN-T42000650	2-9	SN-TI4000250	2-38
SN-T42000750	2-9	SN-TI4000350	2-38
SN-T42000850	2-9	SN-TI4000450	2-38
SN-T42000950	2-7	SN-TI7000150	3-12, 3-14, 3-15
SN-T42001050	2-7	SN-TI7000151	3-12
SN-T42001150	2-7	SN-TI7000250	3-12, 3-14, 3-15



SN-TI7001150	3-13, 3-14, 3-15
SN-TI7001250	3-13, 3-14, 3-15
SN70000031	2-45
SN720000010B	2-45
SN720000011B	2-45
SN720000012B	2-45
SN720000013C	2-45
SN720000015B	2-45
SN720000022B	2-45
SN720000034B	2-45
SN720000046A	2-45
SN720000179	2-45
SN720000195	2-45
SN720000196	2-45
SN720000197	2-45
SN725191001A	2-45
T141442220 A	3-1
T30002750	2-38
T30002850	2-39
T30002950	2-40
T30003050	2-41
TA2506062A	2-1
TA3007040A	2-2