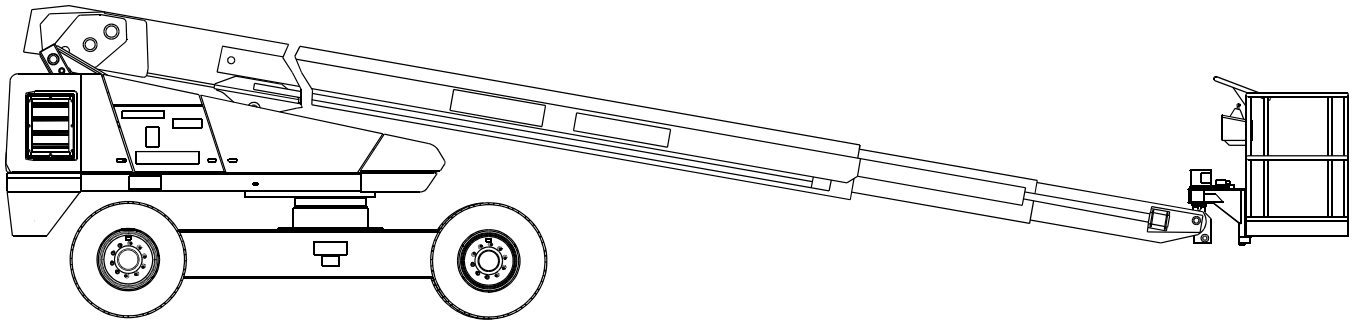




TB120

T120



CE

**REPAIR PARTS**  
**MANUAL**

Manufactured 07-05 and after

Models TB120/T120

Replaces 0191909 March 2014

Part Number 0192646

October 2016

## GENERAL INFORMATION

GENERAL INFORMATION .....	1-1
---------------------------	-----

## REPAIR PARTS

CHASSIS SUB ASSEMBLY .....	2-1
CHASSIS AXLE ASSEMBLY TB120 TB26J MARCH 2019 AND AFTER .....	2-2
CHASSIS HYDRAULIC INSTLLATION MAY 2017 AND AFTER .....	2-3
STEERING INSTALLATION NOVEMBER 2014 AND AFTER .....	2-4
AXLE INSTALLATION NOVEMBER 2017 AND AFTER .....	2-5
AXLE STOP INSTALLATION DECEMBER 2012 AND AFTER .....	2-6
GEAR HUB AUBURN .....	2-7
GEAR HUB FAIRFIELD .....	2-8
GEAR HUB .....	2-9
TIRES 4X4 STANDARD TB120 TB126J .....	2-10
CHASSIS TURNTABLE INSTALLATION .....	2-11
TURNTABLE SUB ASSEMBLY CUMMINS TIER 3 TB126J .....	2-12
TURNTABLE ASSEMBLY KUBOTA V2403 TIER 4 FINAL FEBRUARY 2019 AND BEFORE ....	2-13
TURNTABLE ASSEMBLY KUBOTA V2403 TIER 4 FINAL MARCH 2019 AND AFTER .....	2-14
LIFT AND SWING/ COUNTERWEIGHT INSTALLATION .....	2-15
SWING DRIVE PERFECTION MARCH 2015 AND BEFORE .....	2-16
SWING DRIVE AUBURN GEAR WITH BRAKE .....	2-17
FUEL TANK INSTALLATION DECEMBER 2007 AND BEFORE .....	2-18
FUEL TANK INSTALLATION T3 JANUARY 2017 AND AFTER .....	2-19
HYDRAULIC OIL RESERVOIR ASSEMBLY FEBRUARY 2019 AND AFTER .....	2-20
HYDRAULIC RESERVIOR MOUNTING METAL COWLING OR PLASTIC COWLING .....	2-21
ENGINE TRAY ASSEMBLY CUMMINS 3.3 TURBO .....	2-22
ENGINE CUMMINS 3.3 TURBO 85HP SUB ASSEMBLY .....	2-23
ENGINE CUMMINS 3.3 TURBO 85HP REPLACEMENT PARTS .....	2-24
RADIATOR MOUNTING CUMMINS T3 CUMMINS WITH TURBO AND GM .....	2-25
ENGINE KUBOTA SUB ASSEMBLY V2403 CR T4F .....	2-26
ENGINE KUBOTA V2403 CR TIER 4B DIESEL OXIDATION CATALYST MUFFLER .....	2-27
ENGINE SUB ASSEMBLY KUBOTA V2403 T4F .....	2-28
V2403-CR TIER 4B KUBOTA ENGINE REPLACEMENT PARTS .....	2-29
V2403-M-T-E3B-KEA-2F KUBOTA ENGINE WITH RADIATOR REPLACEMENT PARTS .....	2-30
RADIATOR FOR KUBOTA T4F ENGINE .....	2-31
AIR CLEANER NELSON .....	2-32
AIR CLEANER ASSEMBLY CUMMINS 45 HP CUMMINS 65 HP FORD LRG 425 GM T3 2.4L KUBODA V1505T TIER 3 V2403 .....	2-33
COWLING INSTALLATION FEBRUARY 2017 AND BEFORE .....	2-34
COWLING KIT TB100J TB120J TB126J .....	2-35
BOOM AND HOSE CARRIER ASSEMBLY .....	2-36
HOSE CARRIER ASSY .....	2-37
BOOM ASSEMBLY .....	2-38
BOOM ANGLE SENSOR ASSEMBLY .....	2-39
BOOM LENGTH SENSOR ASSEMBLY .....	2-40

PLATFORM ROTATOR ASSEMBLY MARCH 2006 AND BEFORE	2-41
PLATFORM MOUNTING/INSTALLATION	2-42
PLATFORM GATE	2-43
LEGACY SNORKEL GUARD KIT WIRING	2-44
SNORKEL GUARD ASSEMBLY	2-45
PLATFORM ASSEMBLY 8 FOOT STEEL TRI ENTRY AND SNORKEL GUARD	2-46
SNORKEL GUARD TRI ENTRY KIT MAY 2015 AND AFTER	2-47
DECALS AND PLACARDS COMMON TB100 TB120 TB126J	2-48
DECAL PLACARD INSTALLATION TB120 T4F	2-49
DECALS AND PLACARDS	2-50
DECAL PLACARD TB126J T4F CSA INSTALLATION	2-51

## HYDRAULICS

HYDRAULIC SUB ASSEMBLY TB120 CUMMINS	3-1
CHASSIS HYDRAULIC EQUIPMENT	3-2
DRIVE MOTOR WITH BRAKE VON RUDEN	3-3
DRIVE VALVE SUB ASSEMBLY	3-4
RGHT HAND SERIES PACKAGE VALVE 4X4	3-5
LEFT HAND SERIES PACKAGE VALVE 4X4	3-6
DUAL SEQUENCE VALVE SUB ASSEMBLY 4X4 RIGHT HAND	3-7
DUAL SEQUENCE VALVE 4X2 LEFT HAND	3-8
JACKING CYLINDER SUB ASSEMBLY JANUARY 2001 AND AFTER	3-9
AXLE JACKING CONTROL VALVE ASSEMBLY	3-10
AXLE INTERLOCK SUB ASSEMBLY	3-11
CAM VALVE	3-12
CAM VALVE SUB ASSEMBLY	3-13
STEER CUT OUT VALVE FOUR WHEEL DRIVE	3-14
ANTI CAVIATION VALVE	3-15
ANTI CAVIATION VALVE SUB ASSEMBLY NOVEMBER 2015 AND BEFORE	3-16
ANTI-CAVITATION VALVE SUB-ASSEMBLY NOVEMBER 2015 AND AFTER	3-17
HIGH RANGE SPEED SELECTOR VALVE	3-18
HYDRAULIC EQUIPMENT TURNTABLE WITH HOSES	3-19
HYDRAULIC PUMP ASSEMBLY NOVEMBER 2019 AND AFTER	3-20
PUMP SUB ASSEMBLY SEPTEMBER 2019 AND BEFORE	3-21
NON PROPORTIONAL FOUR STATION CONTROL VALVE ASSEMBLY JANUARY 2001 AND AFTER	3-22
NON-PROPORTIONAL FOUR SECTION CONTROL VALVE ASSEMBLY MARCH 2006 AND AFTER	3-23
NON PROPORTIONAL FOUR STATION VALVE JANUARY 2001 AND AFTER	3-24
NON PROPORTIONAL FOUR SECTION VALVE MARCH 2006 AND AFTER	3-25
PROPORTIONAL CONTROL VALVE ASSEMBLY JANUARY 2001 AND AFTER	3-26
CONTROL VALVE, PROPORTIONAL SUB ASSY JUNE 2015 AND AFTER	3-27
PROPORTIONAL CONTROL VALVE	3-28
HYDRAULIC OIL RESERVOIR ASSEMBLY	3-29
HYDRAULIC OIL RETURN FILTER	3-30
ACCUMULATOR CHARGED	3-31

MOTION CONTROL VALVE SWING .....	3-32
FOUR STAGE BLOCKING VALVE SUB ASSEMBLY JANUARY 2001 AND AFTER .....	3-33
CHECK VALVE MANIFOLD SUB ASSEMBLY .....	3-34
CENTERPOST AND FITTINGS SUB ASSEMBLY .....	3-35
AXLE EXTEND CYLINDER HENGLI NOVEMBER 2016 AND AFTER .....	3-36
JACKING CYLINDER ROSENBOOM .....	3-37
JACK CYLINDER HENGLI .....	3-38
LIFT CYLINDER SUB-ASSEMBLY .....	3-39
LIFT CYLINDER GBI .....	3-40
LIFT CYLINDER HENGLI .....	3-41
STEERING AND LEVELING CYLINDER ROSENBOOM JANUARY 2001 AND AFTER .....	3-42
MASTER LEVEL CYLINDER ROSENBOOM .....	3-43
EXTENSION CYLINDER ASSEMBLY .....	3-44
EXTENSION CYLINDER HENGLI .....	3-45
JIB BOOM LIFT CYLINDER ROSENBOOM .....	3-46
JIB CYLINDER HENGLI .....	3-47
JIB BOOM LIFT CYLINDER SUB ASSEMBLY .....	3-48
SLAVE LEVEL CYLINDER ASSEMBLY .....	3-49
SLAVE LEVEL CYLINDER ROSENBOOM .....	3-50
EMERGENCY POWER UNIT LEFT HAND .....	3-51
EMERGENCY POWER UNIT RIGHT HAND .....	3-52
PISTON PUMP HENGLI SEPTEMBER 2019 AND AFTER .....	3-53
MANIFOLD SUB ASSEMBLY .....	3-54
SHUTTLE VALVE ASSEMBLY .....	3-55
PUMP CONTROL VALVE ASSEMBLY .....	3-56
DUAL CROSSOVER RELIEF VALVE .....	3-57
PLATFORM ROTATOR PARKER .....	3-58
PLATFORM ROTATOR HELEC .....	3-59

## **ELECTRICAL**

TURNTABLE ELECTRICAL AND CONTROLS CUMMINS .....	4-1
TURNTABLE ELECTRICAL CUMMINS AND KUBOTA JANUARY 2006 AND AFTER .....	4-2
TURNTABLE WIRE ASSEMBLY .....	4-3
ENGINE WIRE ASSEMBLY CUMMINS .....	4-4
WIRING BOX PANEL DECEMBER 2015 AND BEFORE .....	4-5
DIODE RESISTOR WIRE ASSEMBLY .....	4-6
WIRE ASSEMBLY EMS BACK UP MARCH 2005 AND AFTER .....	4-7
WIRE ASSEMBLY EMS PRIMARY MARCH 2005 AND AFTER .....	4-8
JUNCTION BOX ASSEMBLY JANUARY 2005 AND AFTER .....	4-9
JUNCTION BOX WITH MURPHY CONTROLS APRIL 2016 AND AFTER .....	4-10
JUNCTION BOX PANEL ASSEMBLY .....	4-11
WIRING BOX GROUND CONTROL ASSEMBLY .....	4-12
GROUND CONTROL BOX TB120 T4F ASSEMBLY .....	4-13
PANEL SUB ASSEMBLY CUMMINS .....	4-14
GROUND CONTROL WIRING BOX ASSEMBLY .....	4-15



BOOM LIFT SWITCH ASSEMBLY JUNE 2007 AND AFTER .....	4-16
BOOM ELECTRICAL .....	4-17
BOOM SPEED SWITCH ASSEMBLY MAY 2007 AND BEFORE .....	4-18
BOOM SPEED SWITCH ASSEMBLY JUNE 2007 AND AFTER .....	4-19
BOOM CALIBRATION SWITCH APRIL 2008 AND BEFORE .....	4-20
BOOM CALIBRATION SWITCH ASSEMBLY MAY 2008 AND AFTER .....	4-21
DRIVE SPEED SWITCH JANUARY 2001 AND AFTER .....	4-22
DRIVE SPEED CUTOUT SWITCH SUB ASSEMBLY JUNE 2007 AND AFTER .....	4-23
EXTEND CUT OUT SWITCH .....	4-24
EXTEND CUTOUT SWITCH ASSEMBLY JUNE 2007 AND AFTER .....	4-25
BOOM LIMIT SWITCH SETING PROCEDURE .....	4-26
PLATFORM CONTROL BOX ASSEMBLY, AUGUST 2008 AND BEFORE .....	4-27
PLATFORM BOX ASSEMBLY, SEPTEMBER 2008 AND AFTER .....	4-28
PLATFORM FOOT SWITCH ASSEMBLY .....	4-29
CONTROLLER 33HZ DRIVE STEER .....	4-30
CONTROLLER EXTEND RETRACT .....	4-31
CONTROLLER LIFT SWING .....	4-32
110V POWER TO PLATFORM INSTALLATION .....	4-33

## **OPTIONS**

TOW PACKAGE .....	5-1
HYDRAULIC AC GENERATOR INSTALLATION 110V .....	5-2
HYDRAULIC AC GENERATOR SUB ASSEMBLY 110V .....	5-3
VALVE HYDRAULIC MOTOR FLOW CONTROL .....	5-4
HYDRAULIC AC GENERATOR VALVE SUB ASSEMBLY .....	5-5
HYDRAULIC AC GENERATOR INSTALLATION 220V 50HZ .....	5-6
HYDRAULIC AC GENERATOR ASSEMBLY 220V .....	5-7
DUAL AMBER BEACON INSTALLATION .....	5-8
BLOCK HEATER CUMMINS 3.3 .....	5-9
ISOLATION VALVE INSTALLATION .....	5-10
HYDRAULIC WARM UP .....	5-11
SANDBLAST KIT .....	5-12
ALARM MOTION DRIVE ONLY .....	5-13
AIRLINE TO PLATFORM .....	5-14
PLATFORM ASSEMBLY ALUMINUM BUMPGUARD WITH PADDING NON SLIDING .....	5-15
PLATFORM CONTROL BOX COVER .....	5-16
LIGHTS PLATFORM BOX INSTALLATION .....	5-17
PLATFORM WORK LIGHTS INSTALLATION .....	5-18
36 X 96 PLATFORM ASSEMBLY WITH BUMP GUARD AND PADDING MARCH 2009 AND AFTER	5-19
36 X 96 PLATFORM ASSEMBLY BUMPGUARD WITH PADDING MARCH 2009 AND AFTER ..	5-20

## **MAINTENANCE**

MAINTENANCE, TB120 .....	6-1
--------------------------	-----

## **SCHEMATICS**

TB120 ELECTRICAL SCHEMATICS A19034B CUMMINS 3.3 TIER 3 .....	7-1
TB120 ELECTRICAL SCHEMATIC CUMMINS TIER 3 A19034C UPDATE TO SHOW NEW EMS SYSTEM .....	7-2
TB120 ELECTRICAL SCHEMATIC CUMMINS TIER 3 A19034D ADDED GLOW PLUGS AND RELATED WIRING .....	7-3
TB120 HYDRAULIC SCHEMATIC 0190823A .....	7-4
A .....	A
B .....	B

# DANGER

**The aerial platform is not electrically insulated. Death or serious injury will result from contact with, or inadequate clearance from, an energized conductor.**

**Do not go closer than the Minimum Safe Approach Distance as defined by ANSI standards.**

Regard all conductors as energized.

Allow for electrical wire sag and aerial platform sway.

If the platform, boom structure, or any part of the aerial platform contacts a high-voltage electrical conductor, the entire machine can become electrically charged.

If that happens, remain on the machine and do not contact any other structure or object. This includes the ground, adjacent buildings, poles, and any other objects that are not part of the aerial platform.

Such contact could make your body a conductor to the other object, creating an electrical shock hazard resulting in death or serious injury.

If an aerial platform is in contact with an energized conductor the platform operator must warn ground personnel in the vicinity to stay away. Their bodies can conduct electricity creating an electrical shock hazard resulting in death or serious injury.

Do not approach or leave the aerial platform until the electricity has been turned off.

Do not attempt to operate the lower controls when the platform, scissors structure, or any part of the aerial platform is in contact with a high-voltage electrical conductor or if there is an immediate danger of such contact.

Personnel on or near an aerial platform must be continuously aware of electrical hazards, recognizing that death or serious injury can result from contact with an energized conductor.

## California

### Proposition 65 Warning

Battery posts, terminals and related accessories contain lead and lead components, chemicals known to the State of California to cause cancer and birth defects or other reproductive harm. Wash hands after handling.

## California

### Proposition 65 Warning

Diesel and gasoline engine exhaust and some of its constituents are known by the State of California to cause cancer, birth defects or other reproductive harm.

# General Information

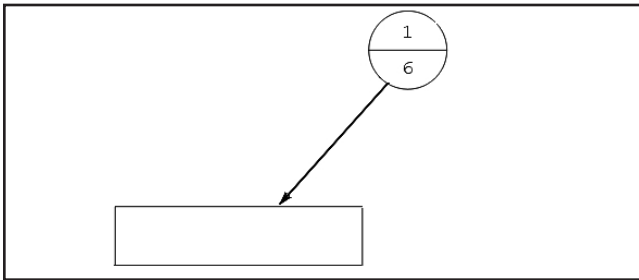
## About This Manual

This manual covers TB120 aerial platforms. Information is included for machines that have been manufactured to conform to all applicable requirements of the following organizations:

- American National Standards Institute (ANSI)
- Canadian Standards Association (CSA)
- European Committee for Standardization (CE)

Part pages include a drawing and a bill of material. The bill of material lists the item number that is on the drawing, the Snorkel part number, quantity used and a description of the item.

Some callouts in the drawings may have a balloon with two numbers. The top number is the item number and the bottom number is the quantity of the item at that location.



While Snorkel has attempted in every way to confirm that all information in this manual is correct, improvements are being constantly made to the machine that may not be reflected in this manual.

If you find information in this manual that is not correct or is confusing, you are urged to report your findings to Snorkel for our evaluation. Your input is important to us and will be used in future printings of this manual.

This machine is covered by a limited warranty that specifically identifies items warrantied by Snorkel and those items covered by original manufacturer's warranty. A copy of the Snorkel Limited Warranty is located on the inside of the back cover of this manual.

## Repairs and Maintenance

Every person who maintains, inspects, tests or repairs the machine must be qualified and authorized to do so.

### ⚠ Caution

**Do not modify this aerial platform without prior written consent of Snorkel Engineering Department. Modification may void the warranty, adversely affect stability or affect the operational characteristics of the aerial platform.**

## Abbreviations

The following abbreviations may be used in this manual.

AC	alternating current
ANSI	American National Standards Institute
AR	as required
CCA	cold cranking amps
cm	centimeter
DC	direct current
ft	feet
GFCI	ground fault circuit interruptor
in	inch
lbs	pounds
mm	millimeter
no	number
NPT	national pipe thread
psi	pounds per square inch
qty	quantity
rpm	revolutions per minute
UL	Underwriters Laboratories Inc.

## Additional Information

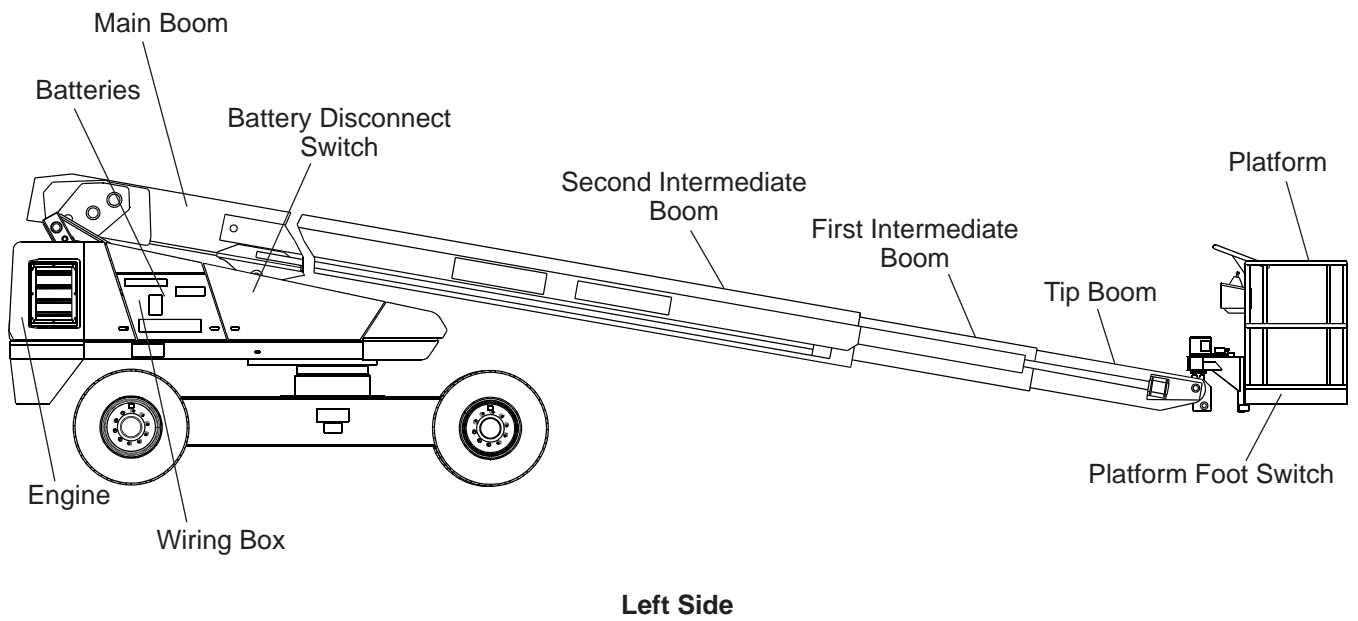
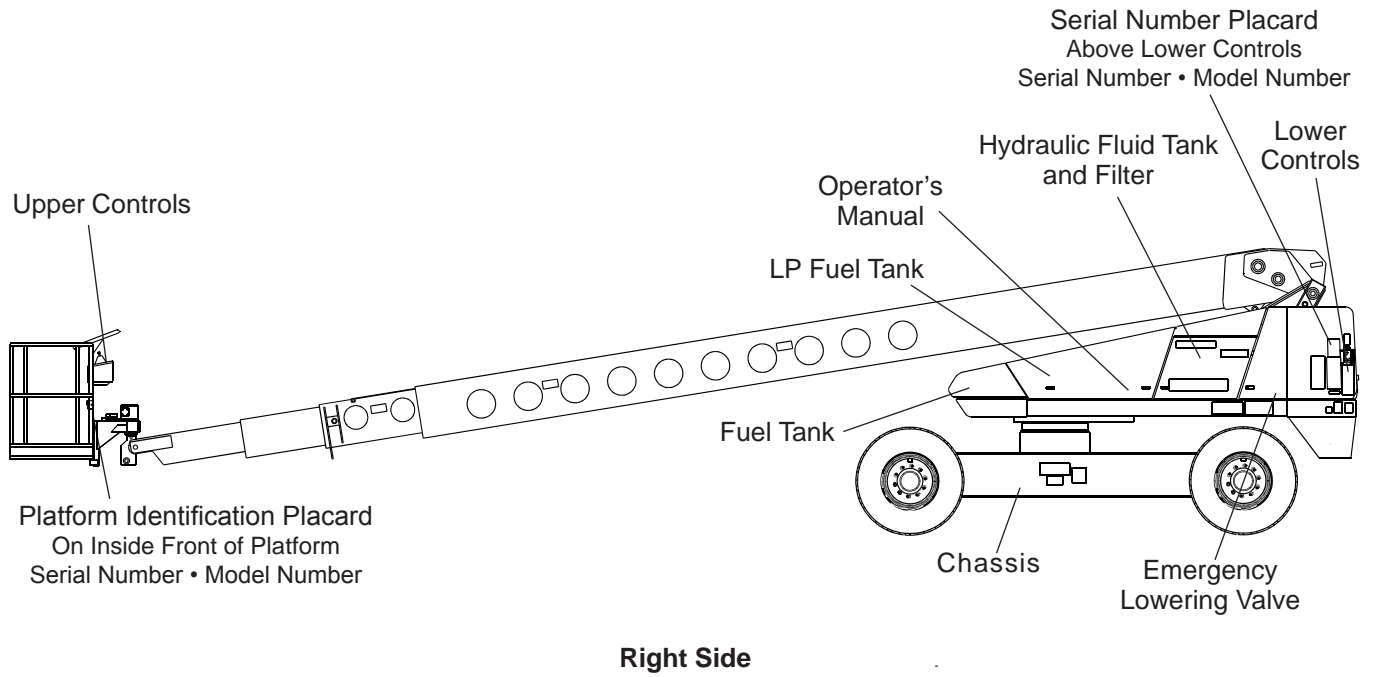
All correspondence relative to this machine, such as field reports, discrepancy reports, requests for information, etc., should be directed to:

Snorkel North America  
P.O. Box 1160  
St. Joseph, MO 64502-1160 USA  
Phone: 1-800-255-0317

Snorkel Europe  
Vigo Centre  
Birtley Road  
Washington  
Tyne & Wear  
NE38 9DA  
Phone: +44 (0) 845 1550 058

<http://www.snorkellifts.com>

# Component Identification



# Service and Parts Information

## Ordering Parts

When placing an order for service or repair parts, please have the following machine information readily available.

- Model number
- Serial number
- Snorkel part number
- Description of part
- Quantity of parts required
- Your purchase order number
- Address for order to ship to
- The desired shipment method

If ordering parts off-line, the parts order form on the following page may be mailed or faxed to the attention of the Parts Department at the following location:

Snorkel North America  
P.O. Box 1160  
St. Joseph, MO 64502-1160 USA  
Phone: 1-800-255-0317  
Parts Fax: 1-785-989-3077

Snorkel Europe  
Vigo Centre  
Birtley Road  
Washington  
Tyne & Wear  
NE38 9DA  
Phone: +44 (0) 845 1550 058  
Parts Fax: +44 (0) 1952 607 678

Attention: Parts Department

For your convenience, our electronic on-line ordering system is accessible from the following Internet location:

<http://www.snorkellifts.com>

## ANSI and OSHA Compliance

All owners and users of the aerial platform must read, understand and comply with all applicable regulations. Ultimate compliance to OSHA regulations is the responsibility of the user and their employer.

ANSI publications clearly identify the responsibilities of all personnel who may be involved with the aerial platform. A reprint of the "Manual of Responsibilities for Dealers, Owners, Users, Operators, Lessors and Lessees of ANSI/SIA A92.5-2006 Boom-Supported Elevating Work Platforms" is available from Snorkel dealers or from the factory upon request.

Copies are also available from:

Scaffold Industry Association, Inc.  
P.O. Box 20574  
Phoenix, AZ 85036-0574 USA

## Manuals

Manuals are available from Snorkel to support any of the machines that we produce.

The specific manuals for TB120 aerial platforms are as follows:

**TB120 – Operator’s Manual ANSI**  
Snorkel part number – 0192518

**TB120 – Operator’s Manual CE**  
Snorkel part number – 0192520

**TB120 – Repair Parts Manual**  
Snorkel part number – 0192646

**ANSI Manual of Responsibilities**  
ANSI/SIA A92.5-2006  
Snorkel part number – 0084053

## Machine Information

Model Number: \_\_\_\_\_

Serial Number: \_\_\_\_\_

Date of Purchase: \_\_\_\_\_

Purchased From: \_\_\_\_\_

Snorkel Dealer or Distributor: \_\_\_\_\_

\_\_\_\_\_

\_\_\_\_\_

# Parts Order Form

Fill out completely and fax attention Parts Department to:  
Snorkel USA 1-785-989-3077  
Snorkel Europe +44 (0) 1952 607 678

Date: \_\_\_\_\_ Account Number: \_\_\_\_\_

Company: \_\_\_\_\_ Purchase Order Number: \_\_\_\_\_

Address: \_\_\_\_\_ Model Number: \_\_\_\_\_

\_\_\_\_\_ Serial Number: \_\_\_\_\_

\_\_\_\_\_ Ship To: \_\_\_\_\_

Contact Name: \_\_\_\_\_

Phone Number: \_\_\_\_\_

Fax Number: \_\_\_\_\_

Shipping Method: \_\_\_\_\_

Part Number	Description	Quantity

Note: Backordered parts will be shipped as soon as available using the same shipping method as the original order unless otherwise indicated below.

- Ship complete order only. Do not backorder parts.
- Ship all available parts and disposition of backordered parts.
- Other instructions as specified: \_\_\_\_\_

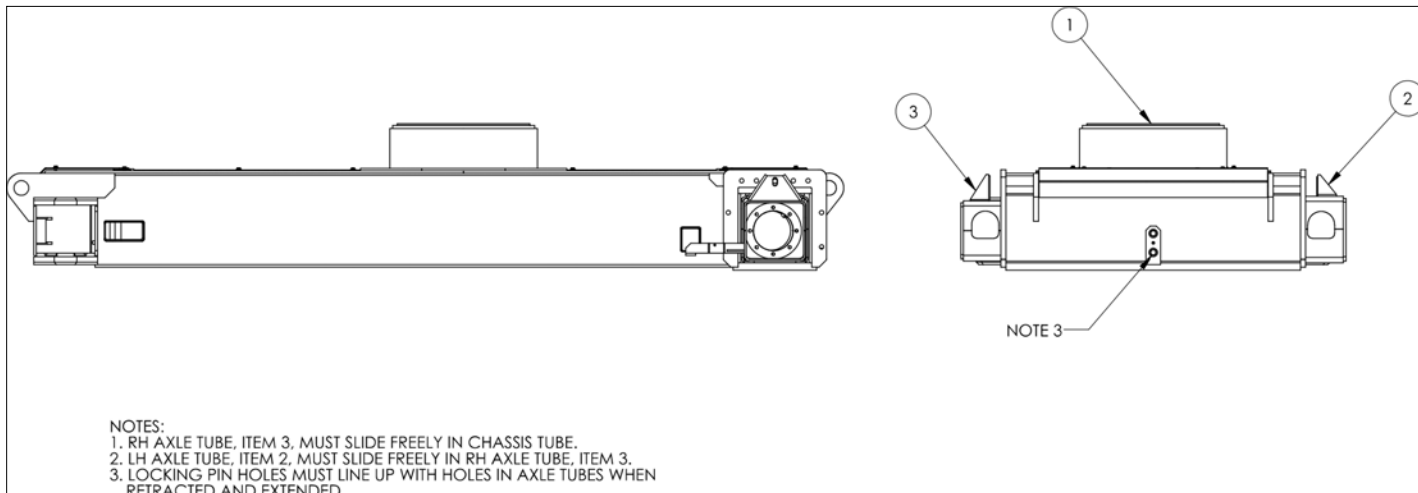
REPAIR PARTS

NO IMAGE AVAILABLE  
(BOM FOR REFERENCE ONLY)



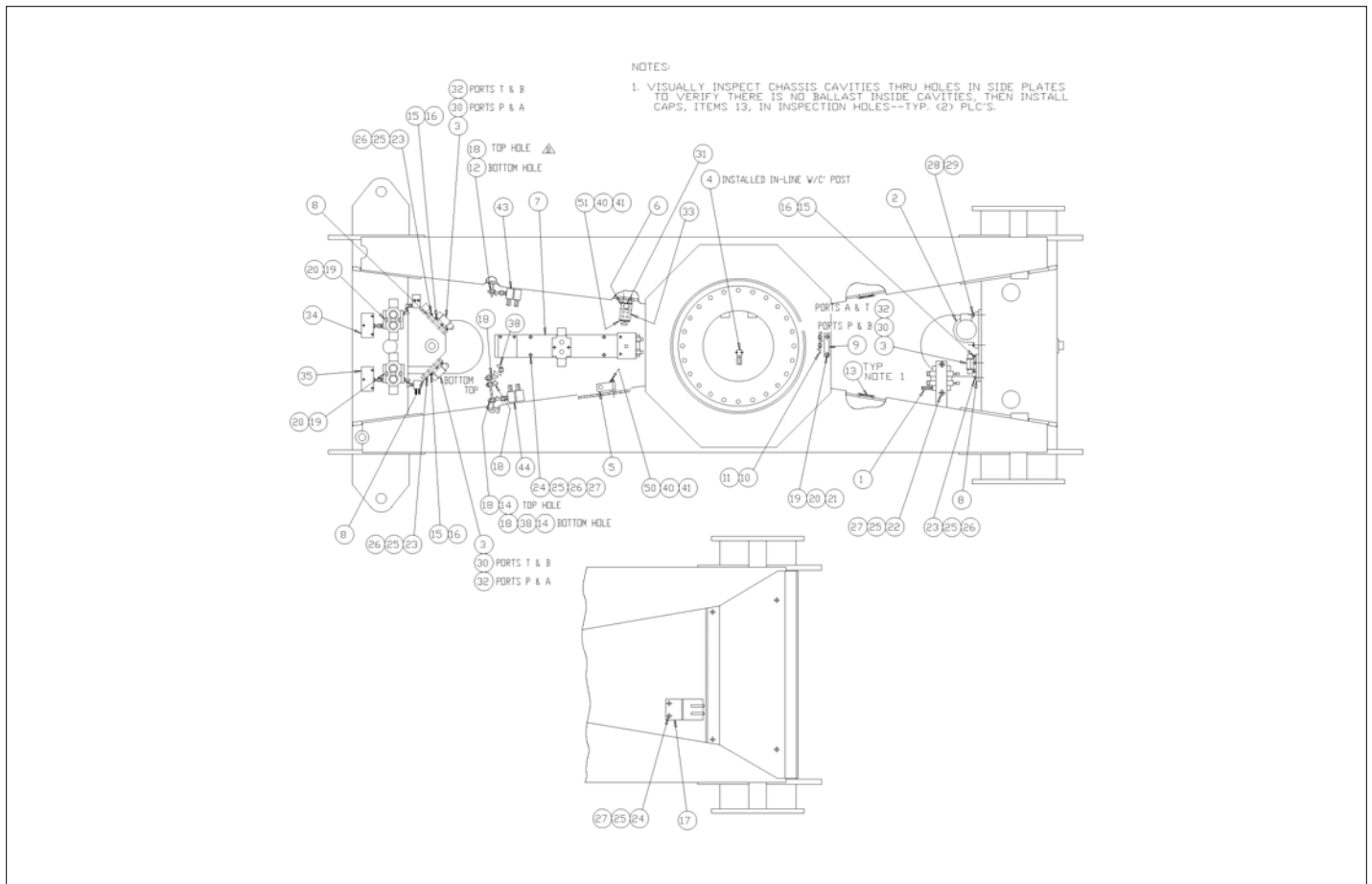
アイテム	部品番号	名前	数量	UOM
	0191334 A	CHASSIS SUB ASSEMBLY		EA
1	0111225	AXLE STOP INSTL	1	EA
2	0111537	HYDR EQPT CHAS	1	EA
3	0190782	AXLE INSTL	1	EA
4	0190785	CHASSIS TRNTBL INSTL TB120	1	EA
5	0191422 0	STEERING INSTL	1	EA
6	0191423 8	CHASSIS/AXLES ASSY TB 120/126	1	EA

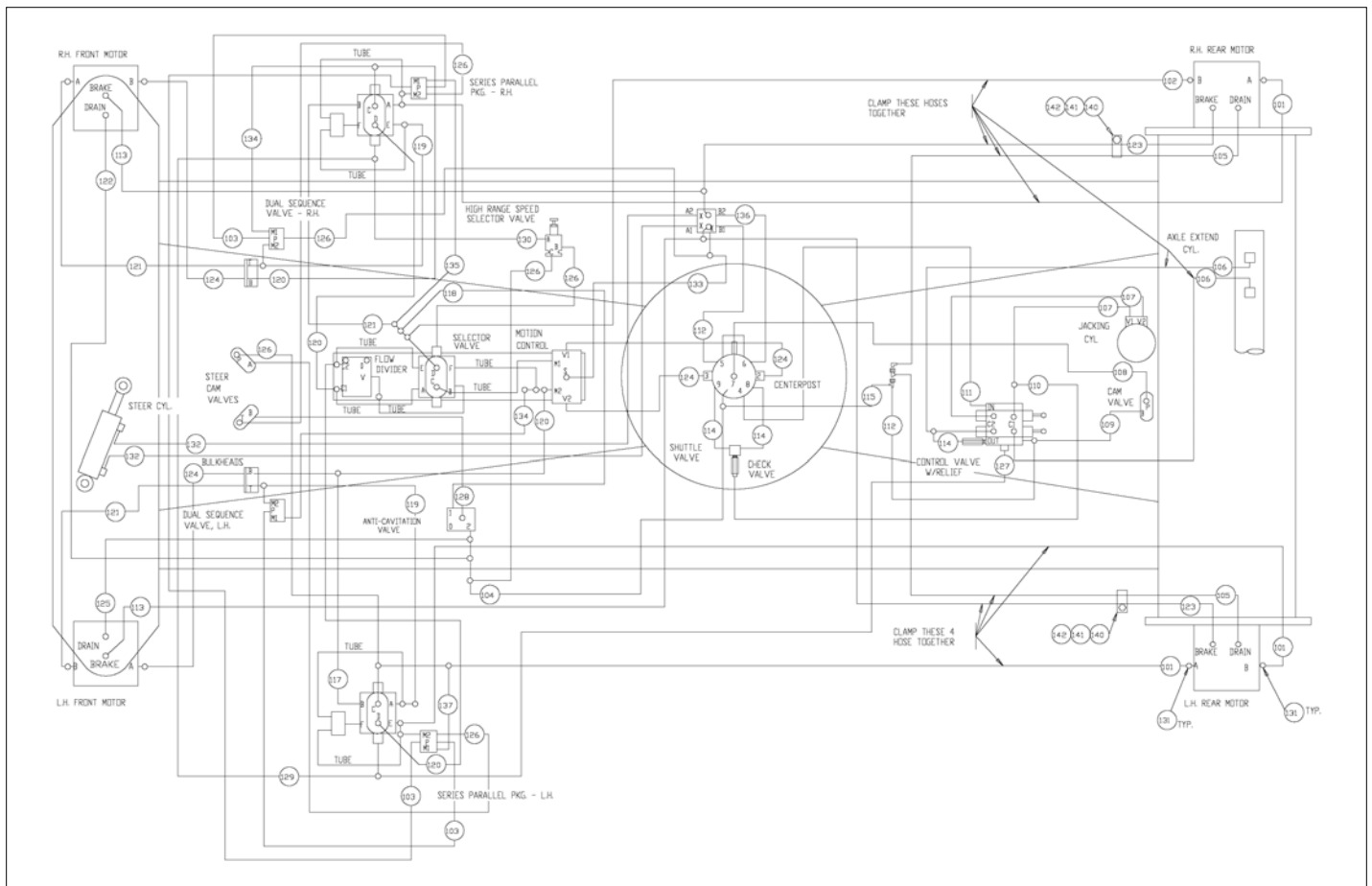
REPAIR PARTS



アイテム	部品番号	名前	数量	UOM
	0191423 F	CHASSIS AXLE ASSEMBLY TB120 TB26J MARCH 2019 AND AFTER		EA
1	0190800	CHASSIS WLDMT TB80	1	EA
2	0191362	WLDMT AXLE TUBE RH 4X4	1	EA
3	0191363	WLDMT AXLE TUBE LH 4X4	1	EA

REPAIR PARTS





アイテム	部品番号	名前	数量	UOM
	A19074A B	CHASSIS HYDRAULIC INSTLLATION MAY 2017 AND AFTER		EA
1	0111291	CONTROL VALVE SUB ASSEMBLY	REF	EA
2	0111292	JACKING CYLINDER SUB ASSY	1	EA
3	6010222	CAM VALVE	3	EA
4	0111290	SHUTTLE VALVE SUB ASSEMBLY	REF	EA
5	0111273	ANTI CAV VALVE SUB ASSEMBLY L.H	REF	EA
6	0111344	HIGH RNG SPD SEL VALVE SUB ASSEMBLY	REF	EA
7	0111264	DRIVE VALVE SUB ASSEMBLY	REF	EA
8	0110495	BASE PLATE CAM VALVE	3	EA
9	0110590	TUBE CLAMP BAR W/BONDED RUBBER	1	EA
10	5034203	FTG ELB90UN 6S 6S STL	1	EA
11	5036705	FTG TEE SWVL RUN 6S 6S STL	2	EA
12	5034505	FTG ELB90BHD 12S 12S STL PH 12	1	EA
13	5070026	CAP WHEEL SERVICE	2	EA
15	5569880	SCREW MACH SKTHD 10 24 X .625	12	EA
16	5560654	WSHR LOCK #10 SPLIT TYPE	12	EA
17	0111305	GUARD	1	EA
18	5035408	FTG TEE BHD RUN 12S 12S STL	3	EA
19	970319	BLT HEXHD .313 18 2.50 GR5	6	EA
20	987109	WSHR LOCK .313	6	EA
21	984089	NUT HEX .313 18	2	EA
22	972469	BLT FLSKTHD .375 16 X 1.00 GR	2	EA
23	970426	BLT HHD .375 16 X .875	9	EA
24	970469	HHD BLT .375 16 X 1.00 GR5	8	EA

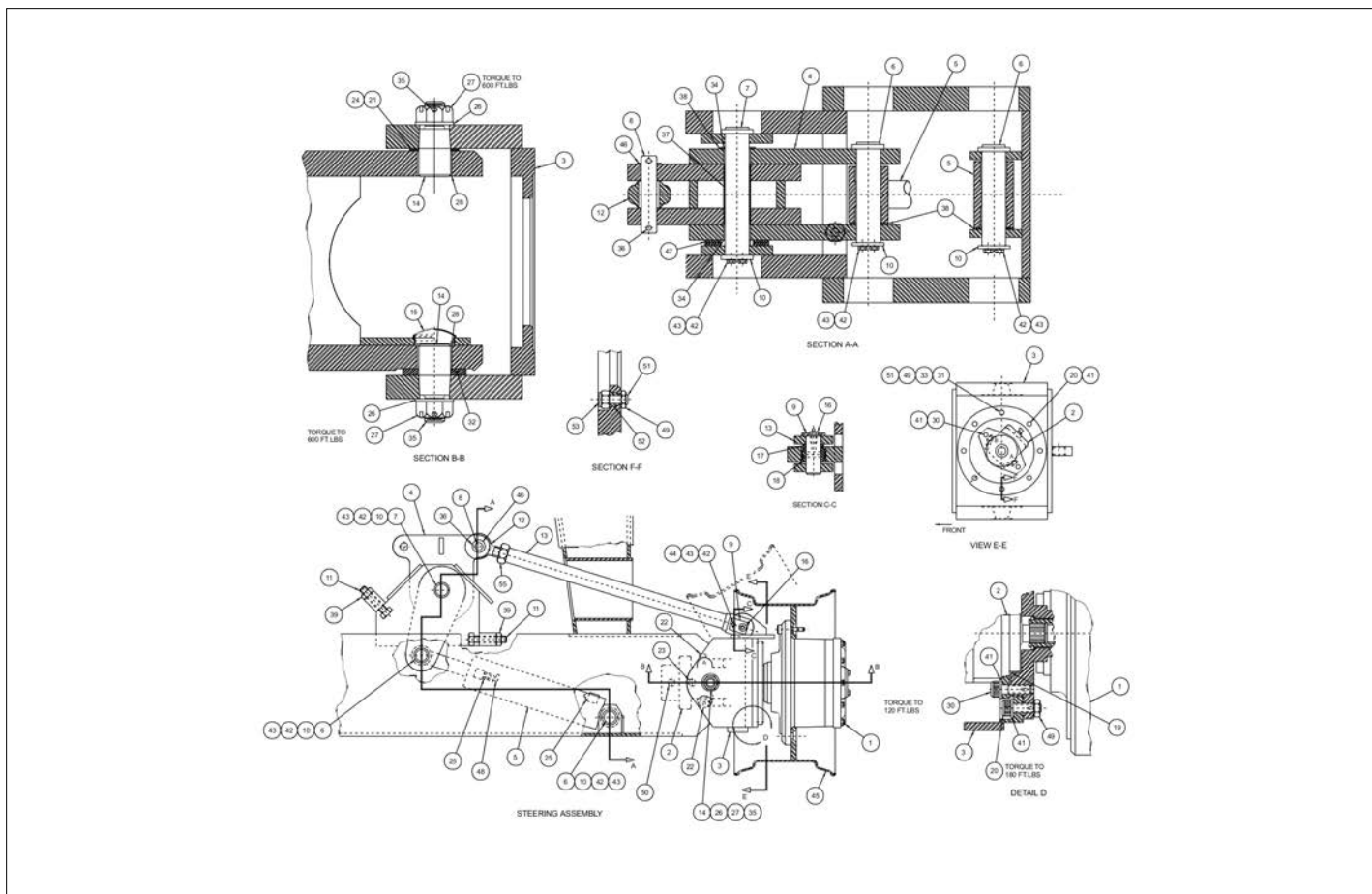
アイテム	部品番号	名前	数量	UOM
25	987119	WSHR LOCK .375	17	EA
26	986299	WASHER, FLAT, .375 STANDARD, PLATED	15	EA
27	984109	NUT HEX .375 16	8	EA
28	5560693	BLT SKTHD .750 10 1.75 \$C075C	4	EA
29	987179	WSHR LOCK .750	4	EA
30	5035303	FTG ELB90STRTHD 4B 4S STL	6	EA
31	0112030	SPCR .125 1.00 3.00 STL SP	2	EA
32	5075203	FTG PL HEX HD 4B STL	6	EA
33	0111492	VALVE	REF	EA
34	0111535	R H SERIES PKG VALVE 4 X 4	REF	EA
35	0111536	VALVE	REF	EA
38	5037008	ADAPTER 90 ° ELBOW SWIVEL 12 JIC	1	EA
40	987099	WSHR LOCK .250	4	EA
41	986019	WSHR FLAT .250	4	EA
43	0111530	VALVE	REF	EA
44	0111528	VALVE	REF	EA
45	5035708	FTG ELB45STRTHD 12B 12S STL	1	EA
49	5560033	.375 16UNC HEX LOCK NUT	2	EA
50	970169	BOLTHEXHD .250 20 2.00 GR5	2	EA
51	969979	BLT HEXHD .250 20 X 4.50 GR5	2	EA
101	0111282	HOSE 12 12S 12S 190 100R2	3	EA
102	0111283	HOSE 12 12S 12S 142 100R2	1	EA
103	0040276	HOSE 4 4S 4S 20.5 100R1	3	EA
104	0111285	HOSE 12 10S 10S 36 100R2	1	EA
105	0090402	HOSE 6 6S 6S 108 100R2 (SEE PAGE 2)	2	EA
106	0100270	HOSE 4 6S 6S 108 100R1	2	EA
107	0070779	HOSE 4 6S 6S 23.75 100R1	2	EA

アイテム	部品番号	名前	数量	UOM
108	0080386	HOSE 4 4S 4S 70 100R1	1	EA
109	0080359	HOSE 4 4S 6S 23.5 100R1	1	EA
110	0070781	HOSE 4 6S 6S 52 100R1	1	EA
111	0070782	HOSE 4 6S 6S 66 100R1	1	EA
112	0070780	HOSE 4 6S 6S 36 100R1	2	EA
113	0070771	HOSE 4 4S 4S 77 100R1	2	EA
114	0070773	HOSE 4 6S 6S 13.5 100R1	3	EA
115	0020276	HOSE 6 6S 6S 27.625 100R2	1	EA
117	0080939	HOSE 12 12S45 12S 31.5 100R2	1	EA
118	0323885	HOSE 12 10S 12S 37 100R2	1	EA
119	0323804	HOSE 12 12S 12S 24 100R2	2	EA
120	0080524	HOSE 12 12S 12S 30 100R2 30	4	EA
121	0110171	HOSE 12 12S 12S 44 100R2	3	EA
122	0111286	HOSE 6 6S 6S 84 100R2	1	EA
123	0100491	HOSE 4 4S 4S 150 100R1	2	EA
124	0110173	HOSE 12 12S 12S 41 100R2	4	EA
125	0081080	HOSE 6 6S 6S 65 100R2	1	EA
126	0020280	HOSE 4 4S 4S 23.5 (SEE PAGE 2)	6	EA
127	0111346	HOSE 4 4S 4S 133 100R1	1	EA
128	0100278	HOSE 4 4S 4S 43 100R1	1	EA
129	0070768	1/4 I.D. HOSE ASSY	1	EA
130	0070911	HOSE 4 4S 4S 62 100R1	1	EA
131	5080015	LAST CHANCE FILTER	8	EA
132	0070783	HOSE 4 6S 6S 76.5 100R1	2	EA
133	0070765	HOSE 4 4S 4S 29 100R1	1	EA
134	0073040	HOSE 8 8S 8S 28 100R2	2	EA
135	0070792	HOSE 8 8S 8S 32 100R2	1	EA
136	0090299	HOSE 4 6S 6S 43 100R1	1	EA
137	0020424	HOSE 8 8S 8S 30 100R2	1	EA



アイテム	部品番号	名前	数量	UOM
140	970469	HHD BLT .375 16 X 1.00 GR5	2	EA
141	986299	WASHER, FLAT, .375 STANDARD, PLATED	4	EA
142	5560033	.375 16UNC HEX LOCK NUT	2	EA
Not Shown	A19074A	TB100J 126J CHASSIS HYD INSTL	1	EA
Not Shown	*	TIRE AND WHEEL ASSEMBLY GNM OTR		EA

REPAIR PARTS

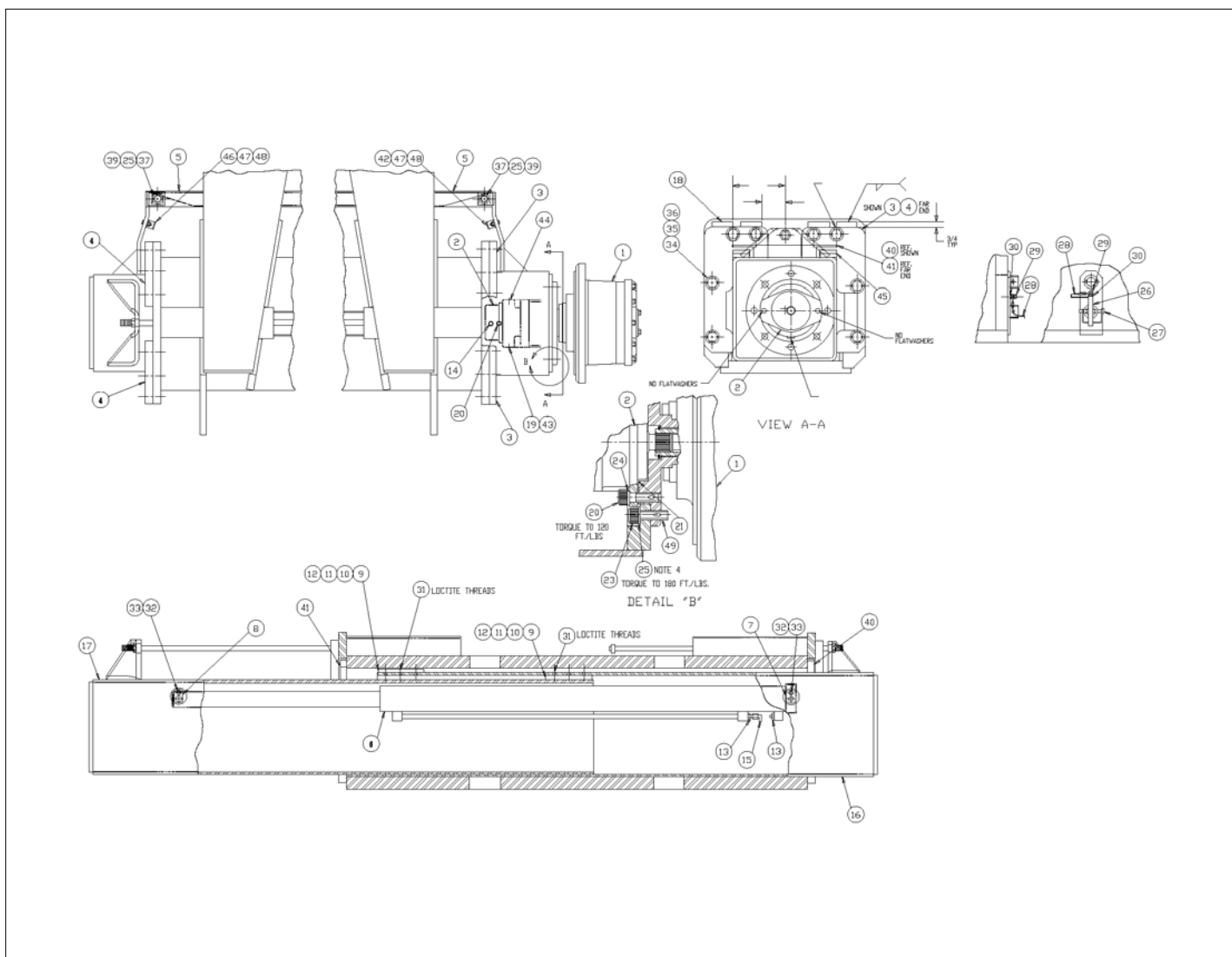


アイテム	部品番号	名前	数量	UOM
	0191422 F	STEERING INSTALLATION NOVEMBER 2014 AND AFTER		EA
1	0110283	POWER WHEEL	2	EA
2	6030037	VR DRIVE MTR W/BRAKE VON RUDEN	2	EA
3	0191419	WLDMT YOKE MACHINED	2	EA
4	0111135	STEERING ARM	1	EA
5	0074799	CYL 3.50 9.50 1.75 LEVEL/STEER	1	EA
6	0070442	WLDMT PIN 1.50 5.875 GRIP	2	EA
7	0110323	PIN 1.50 X 7.630 GRIP	1	EA
8	0150094	PIN 1.00 4.065 GRIP	2	EA
9	0110320	WELDMT PIN STEERING YOKE	2	EA
10	0070033	PIN LOCK 2.00 DIA 2H	3	EA
11	5563449	BLT HEXHD .750 10 X 4.00 GR5 F	2	EA
12	2690005	ROD END 1.00ID	2	EA
13	0190786	TIE ROD	2	EA
14	0190715	PIN KING FR WHL DR	4	EA
15	5070026	CAP WHEEL SERVICE	2	EA
16	5570001	GREASE FITTING, 1/8 NPT STRAIGHT	2	EA
17	0080348	SPACER, TIE ROD MOUNTING	2	EA
18	2690001	BUSHING, 1 INCH SPHERICAL PLAIN	2	EA
19	7110159	O RING 5.00ID 5.19OD .094 70D	2	EA
20	5560099	BLT SKTHD .625 11 1.75 HEX LKG	12	EA
21	5560717	BSHG MCHRY 2.25ID 3.25OD .13	6	EA
22	5035319	FTG ELB90STRTHD 16B 12S STL	4	EA
23	5035303	FTG ELB90STRTHD 4B 4S STL	24	EA
24	5569854	BSHG MCHRY 2.25ID 3.25OD 14GA	6	EA

アイテム	部品番号	名前	数量	UOM
25	5065707	FTG ADPTR STRTHD 6B 6S STL PH	26	EA
26	5560232	WSHR FLAT HARD 1.63 SP	4	EA
27	5560241	NUT HEX SLTD 1.50 12 Z/Y	4	EA
28	2503620	BRG 2.25ID 2.50OD 1.25	4	EA
30	5560245	Bolt	4	EA
31	5560040	NUT 5/8 11 SELF LOCKING	4	EA
32	0190788	BRG THR 2.255ID X 4.50OD X .25	2	EA
33	0111675	WEDGE STUD(WEDGE DRIVE FLANGE)	4	EA
34	2502416	BRG CSB 50 24IB 16	2	EA
35	5569975	PIN COTTER .250 DIA 2.250 ITEM NOT SHOWN	4	EA
36	5560152	PIN ROLL .313 2.00LG 5/16 X 2	4	EA
37	0111136	SPCR 1.58ID 1.63OD 3.69 STL	1	EA
38	5560688	BSHG MCHRY 1.50ID 2.25OD 14GA	3	EA
39	984469	NUT, 3/4 10 HEX JAM	2	EA
40	987159	WSHR LOCK .625	4	EA
41	5560169	WSHR FLAT HARD .625 SP	12	EA
42	970239	BLT HEXHD .313 18 .750 GR5	8	EA
43	987109	WSHR LOCK .313	8	EA
44	986269	WSHR FLAT .313	2	EA
45	0192339	TIRES AND WHEELS	1	EA
46	5560689	BUSHING MCHRY	2	EA
47	0090840	BRG THR 1.63ID 2.88OD .125	2	EA
48	5037005	TERM FEM F.I. .250 16/14	1	EA
49	984449	NUT HEX JAM .625 11	16	EA
50	5035305	FTG ELB90STRTHD 6S 6S STL	2	EA
51	0111674	STUD .625 11 X 2.50 LG GR 8	4	EA

アイテム	部品番号	名前	数量	UOM
52	0111675	WEDGE STUD(WEDGE DRIVE FLANGE)	4	EA
53	5560131	NUT HEX LKG .625 11 GR8	4	EA
55	5560202	NUT HEX JAM 1.250 12 GR8	2	EA

REPAIR PARTS

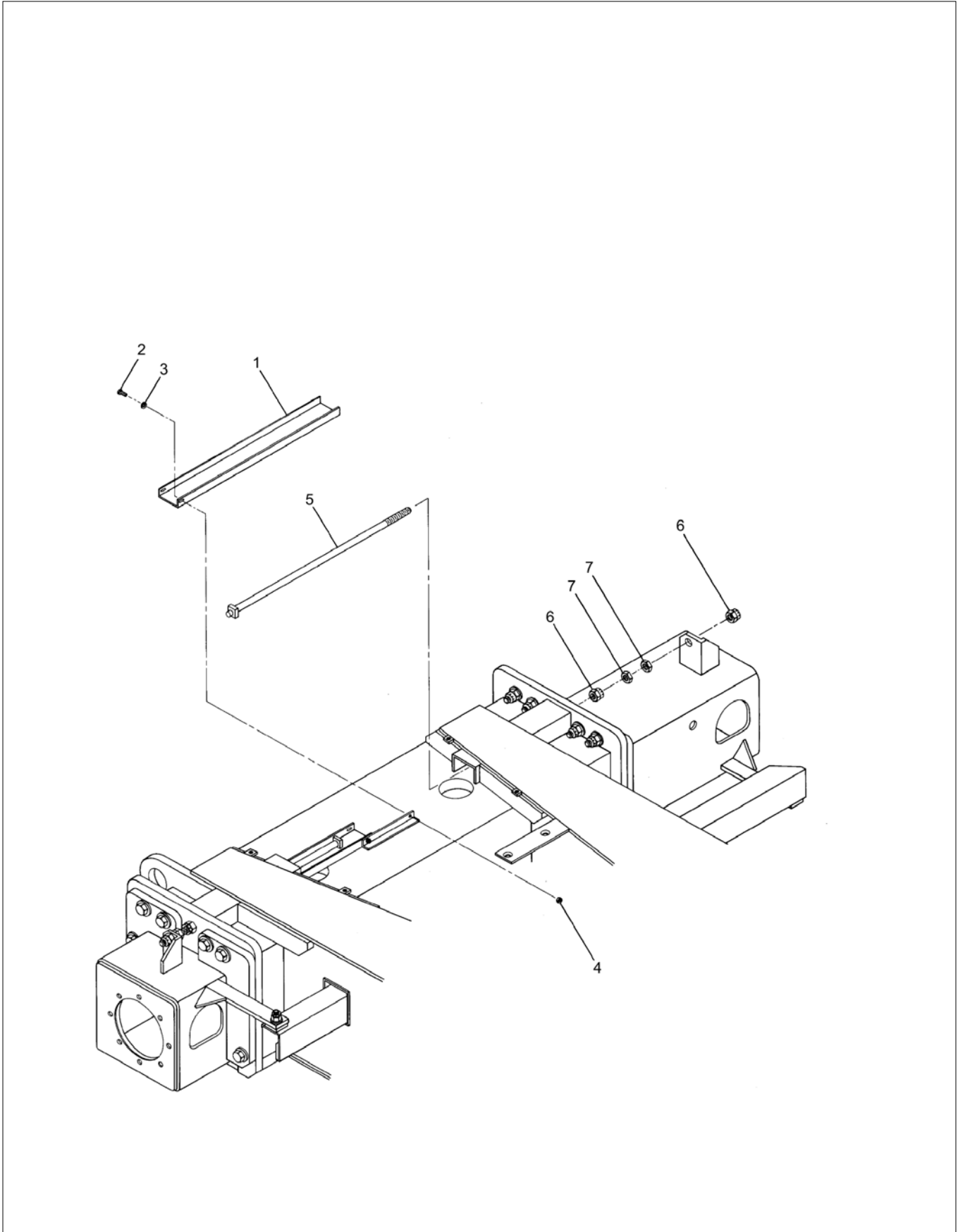


アイテム	部品番号	名前	数量	UOM
	0190782 D	AXLE INSTALLATION NOVEMBER 2017 AND AFTER		EA
1	0110283	POWER WHEEL	2	EA
2	6030037	VR DRIVE MTR W/BRAKE VON RUDEN	2	EA
3	0190969	END FLANGE RH	2	EA
4	0190968	END FLANGE LH	2	EA
5	0190713	HOSE CARRIER TUBE WELDMENT	2	EA
6	0190709	CYLINDER ASSEMBLY EXTENDING AXLES	1	EA
7	0110261	WLDMT PIN AXLE EXT CYL DR	1	EA
8	0110260	WLDMT PIN AXLE EXT CYL	1	EA
9	0080293	SLIDE PAD	4	EA
10	0070030	SHIM (NOTE 5) (.030)	A/R	EA
11	0072567	SPCR 2.00 5.88 .063	A/R	EA
12	0090141	SHIM (.090)	A/R	EA
13	5065707	FTG ADPTR STRTHD 6B 6S STL PH	2	EA
14	5035305	FTG ELB90STRTHD 6S 6S STL	2	EA
15	5037005	TERM FEM F.I. .250 16/14	1	EA
16	0191362	WLDMT AXLE TUBE RH 4X4	A/R	EA
17	0191363	WLDMT AXLE TUBE LH 4X4	A/R	EA
18	0110731	STOP BAR	8	EA
19	5035319	FTG ELB90STRTHD 16B 12S STL	2	EA
20	5035303	FTG ELB90STRTHD 4B 4S STL	2	EA
21	7110159	O RING 5.00ID 5.19OD .094 70D	2	EA
23	5560099	BLT SKTHD .625 11 1.75 HEX LKG	20	EA
24	987159	WSHR LOCK .625	4	EA
25	5560169	WSHR FLAT HARD .625 SP	14	EA
26	0111362	WLDMT PIN 1.00 20.81 GRIP	1	EA

アイテム	部品番号	名前	数量	UOM
27	5580002	PIN SNAPPER	1	EA
28	0110594	RTNR LOCK PIN AXLES	1	EA
29	970049	BLT HEXHD .250 20 1.00 GR5 GRADE 5 PLT SAME AS 970189	2	EA
30	5560004	NUT LKG .250 20	2	EA
31	5560679	M.SCR 3/8 16 5/8 SOC. CAD	12	EA
32	5561555	BLT BTNHD .313 18 .50	2	EA
33	987109	WSHR LOCK .313	2	EA
34	5560676	BLT HEXHD .750 10 X 3.50 GR8	16	EA
35	5560170	WSHR FLAT HARD .750 SP	32	EA
36	5560035	NUT HEX LKG .750 10	16	EA
37	971309	BLT HEXHD .625 11 X 2.00 GR5 ZP	2	EA
39	5560036	NUT HEX LKG .625 11	2	EA
40	0111303	SL PAD 1.63 14.75 .750 SP	1	EA
41	0111304	SL PAD 2.63 14.75 .750 SP	1	EA
42	5093030	CLP CUSH 2.50 VINYL COATED	1	EA
43	5037008	ADAPTER 90 ° ELBOW SWIVEL 12 JIC	2	EA
44	5065715	FTG ADPTR STRTHD 16B 12S STL B	2	EA
45	0190972	WLDMT PAD	4	EA
46	5093013	CLP CUSH 2.00 VINYL COATED	1	EA
47	970489	BLT HEXHD .375 16 1.50 GR5 PL	2	EA
48	5560033	.375 16UNC HEX LOCK NUT	2	EA
49	984449	NUT HEX JAM .625 11	16	EA

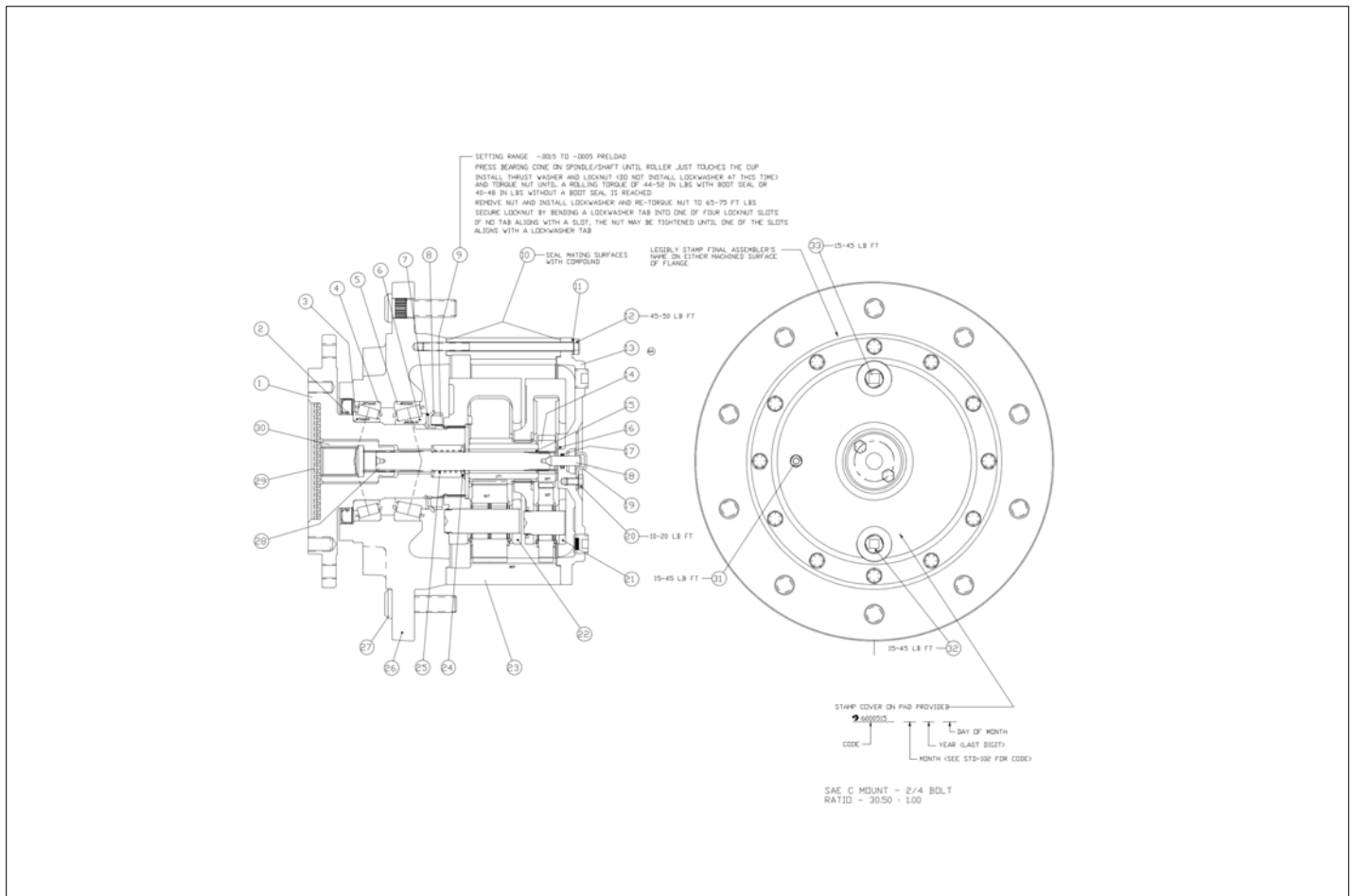


REPAIR PARTS



アイテム	部品番号	名前	数量	UOM
*	0111225 B	AXLE STOP INSTALLATION DECEMBER 2012 AND AFTER		EA
1	0111270	TRAY	2	EA
2	970239	BLT HEXHD .313 18 .750 GR5	2	EA
3	986019	WSHR FLAT .250	2	EA
4	5560031	NUT HEX LKG .313 18	2	EA
5	0110926	AXLE STOP ROD	2	EA
6	5560035	NUT HEX LKG .750 10	4	EA
7	984469	NUT, 3/4 10 HEX JAM	4	EA

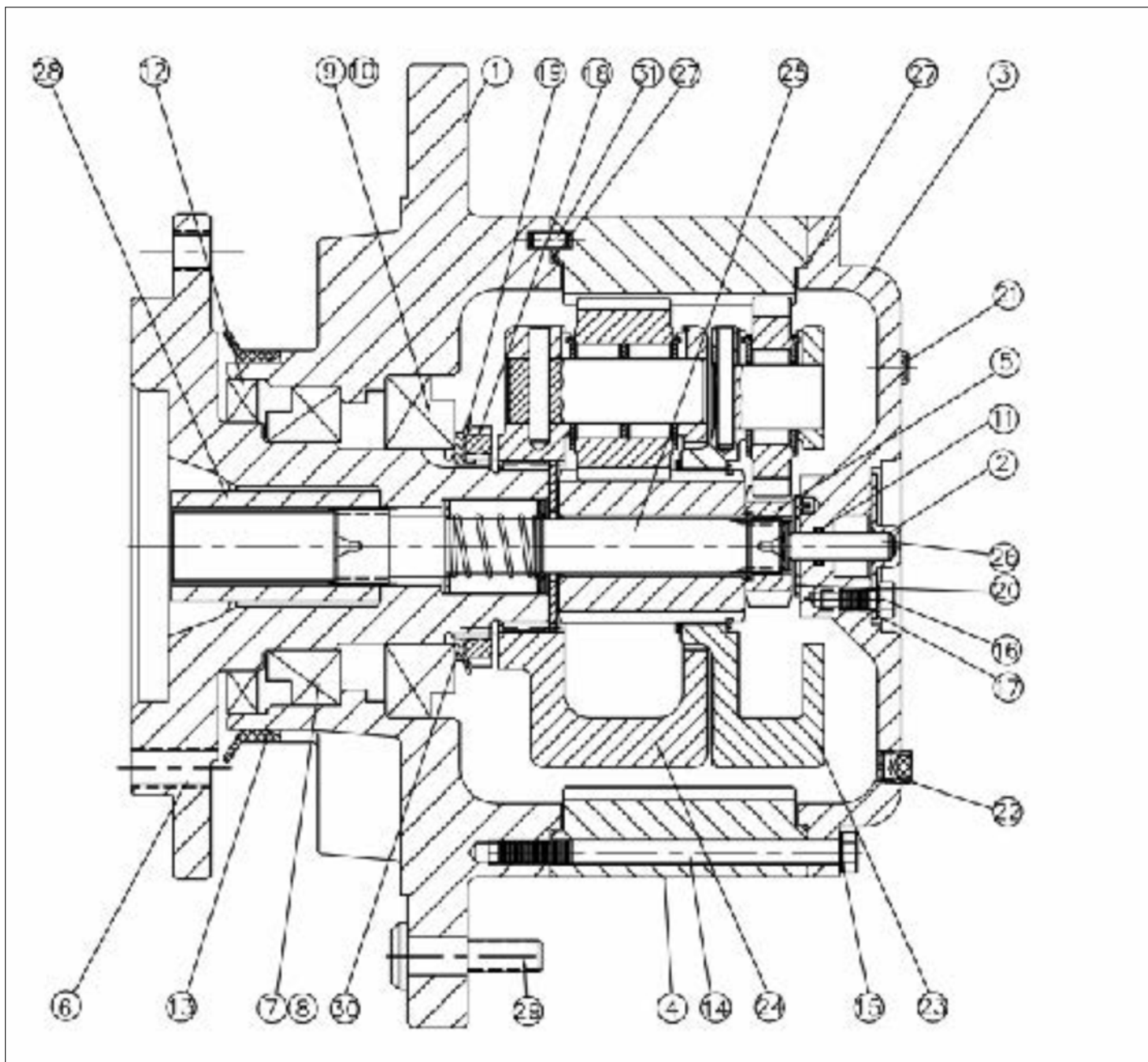
REPAIR PARTS



アイテム	部品番号	名前	数量	UOM
*	0110283 H 1	GEAR HUB AUBURN		EA
1	0112216	SPINDLE	1	EA
2	8010027	SEAL OIL	1	EA
3	8010030	BEARING CONE	1	EA
4	8010029	BEARING CUP	1	EA
5	0112217	BEARING CUP	1	EA
6	0112218	BEARING CONE	1	EA
7	8010275	WASHER THRUST	1	EA
8	8010276	WASHER LOCK	1	EA
9	8010277	NUT LOCK	1	EA
10	8010021	PLUG PIPE	1	EA
11	8010105	WASHER FLAT	12	EA
12	8010278	BOLT HEX HEAD	12	EA
13	0112219	COVER	1	EA
14	0112220	GEAR PRI SUN	1	EA
15	8010145	RING RETAINING	2	EA
16	8010075	WASHER THRUST	1	EA
17	8010149	O RING	1	EA
18	8010143	PLUNGER	1	EA
19	8010080	COVER DISENGAGE	1	EA
20	8010168	BOLT HEX HEAD	2	EA
21	0112221	ASSEMBLY PRI CARRIER	1	EA
22	0112222	ASSEMBLY SEC CARRIER	1	EA
23	0112223	GEAR RING	1	EA
24	8010279	WASHER THRUST	2	EA
25	0112224	SPRING DISENGAGE	1	EA
26	0112225	HUB	1	EA
27	8010280	BOLT WHEEL	10	EA
28	0112226	SHAFT INPUT	1	EA

アイテム	部品番号	名前	数量	UOM
29	8010281	PLUG SHIPPING	1	EA
30	8010138	COUPLING	1	EA
31	0112227	PLUG PIPE	1	EA
32	8010028	PLUG PIPE	1	EA
33	8010021	PLUG PIPE	1	EA

REPAIR PARTS

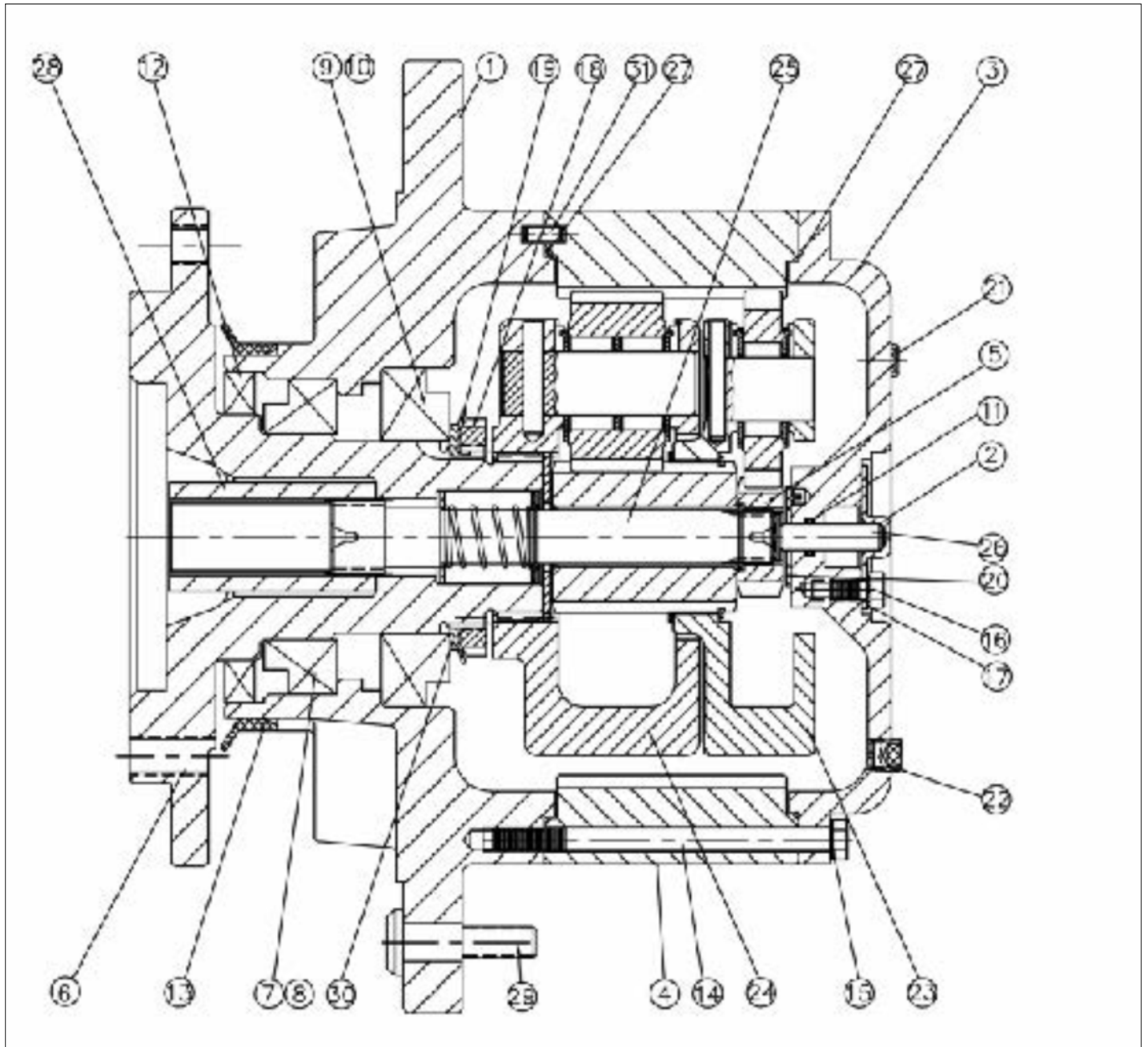


アイテム	部品番号	名前	数量	UOM
*	0110283 H 2	GEAR HUB FAIRFIELD		EA
1	6091716	HOUSING	1	EA
2	6091723	CAP, LOCKOUT	1	EA
3	6091722	CAP, END	1	EA
4	6091717	GEAR, RING 79T	1	EA
5	6091718	GEAR, SUN 17T	1	EA
6	6091727	SPINDLE, 'C2'	1	EA
7	6091730	BEARING, CUP	1	EA
8	6091731	BEARING CONE	1	EA
9	6091732	BEARING , CUP	1	EA
10	6091733	BEARING CONE	1	EA
11	6091734	O RING	1	EA
12	6091735	OIL SEAL	1	EA
13	6091736	PROTECTOR SEAL	1	EA
14	6091740	HEX HEAD BOLT, M10 X 1.5 GR10.9	12	EA
15	PNNA	LOCK WASHER M8	12	EA
16	6091741	HEX HEAD BOLT, M8 X 1.25 GR10.9	2	EA
17	PNNA	LOCK WASHER M8	2	EA
18	6091742	LOCK NUT M75 X 2	1	EA
19	6091744	LOCK NUT WASHER M75	1	EA
20	6091743	RETAINING WASHER, SUN	1	EA
21	6091745	PIPE PLUG, 1/4" 18NPT SCCKET HD	1	EA
22	6091746	PIPE PLUG, 1/2" 14NPT MAGNETIC	1	EA
23	6091719	PRIMARY CARRIER SUB ASSEMBLY	1	EA
24	6091720	SECONDARY CARRIER SUB ASSEMBLY	1	EA
25	6091713	DRIVE SHAFT SUB ASSEMBLY	1	EA

アイテム	部品番号	名前	数量	UOM
26	6091751	PLUNGER	1	EA
27	6091737	O RING	2	EA
28	6091715	MOTOR COUPLER	1	EA
29	6091738	WHEEL STUD, 3/4" 16UNF 2A	10	EA
30	6091752	SPACER, FLAT TONGUED	1	EA
31	6091729	PIN	4	EA



REPAIR PARTS



アイテム	部品番号	名前	数量	UOM
	0110283 H	GEAR HUB OMNI		EA
1	6091716	HOUSING	1	EA
2	6091723	CAP, LOCKOUT	1	EA
3	6091722	CAP, END	1	EA
4	6091717	GEAR, RING 79T	1	EA
5	6091718	GEAR, SUN 17T	1	EA
6	6091727	SPINDLE, 'C2'	1	EA
7	6091730	BEARING, CUP	1	EA
8	6091731	BEARING CONE	1	EA
9	6091732	BEARING , CUP	1	EA
10	6091733	BEARING CONE	1	EA
11	6091734	O RING	1	EA
12	6091735	OIL SEAL	1	EA
13	6091736	PROTECTOR SEAL	1	EA
14	6091740	HEX HEAD BOLT, M10 X 1.5 GR10.9	12	EA
15	PNNA	LOCK WASHER M8	12	EA
16	6091741	HEX HEAD BOLT, M8 X 1.25 GR10.9	2	EA
17	PNNA	LOCK WASHER M8	2	EA
18	6091742	LOCK NUT M75 X 2	1	EA
19	6091744	LOCK NUT WASHER M75	1	EA
20	6091743	RETAINING WASHER, SUN	1	EA
21	6091745	PIPE PLUG, 1/4" 18NPT SCCKET HD	1	EA
22	6091746	PIPE PLUG, 1/2" 14NPT MAGNETIC	1	EA
23	6091719	PRIMARY CARRIER SUB ASSEMBLY	1	EA
24	6091720	SECONDARY CARRIER SUB ASSEMBLY	1	EA
25	6091713	DRIVE SHAFT SUB ASSEMBLY	1	EA

アイテム	部品番号	名前	数量	UOM
26	6091751	PLUNGER	1	EA
27	6091737	O RING	2	EA
28	6091715	MOTOR COUPLER	1	EA
29	6091738	WHEEL STUD, 3/4" 16UNF 2A	10	EA
30	6091752	SPACER, FLAT TONGUED	1	EA
31	6091729	PIN	4	EA

REPAIR PARTS

**NO IMAGE AVAILABLE  
(BOM FOR REFERENCE ONLY)**

アイテム	部品番号	名前	数量	UOM
*	0192339 A	TIRES 4X4 STANDARD TB120 TB126 OVER THE ROAD		EA
1	0073298	Decal, Foam Tyres	2	EA
2	0192340 1	FF TIRE ASSY LUG TRD DRV LH	2	EA
3	0192341 1	FF TIRE ASSY TRD DRV RH	2	EA
4	7280010	NUT HEX LUG .750 16 RH	40	EA

REPAIR PARTS

**NO IMAGE AVAILABLE  
(BOM FOR REFERENCE ONLY)**

アイテム	部品番号	名前	数量	UOM
*	0190785 B	CHASSIS TURNTABLE INSTALLATION		EA
1	0100491	HOSE 4 4S 4S 150 100R1	1	EA
2	0110756	SLEWING RING	1	EA
3	3040295	CONN .75 .625 .75	1	EA
4	5037102	FTG CONN FEM BHD 2N 4S STL	1	EA
5	5038702	FTG ELB45MALE 2N 4S STL	1	EA
6	5560171	WASHER, 7/8 HARD FLAT ASTM F 436	24	EA
7	5560223	BLT FLGHD .875 9 3.75 12PT SP	20	EA
8	5560224	BLT FLGHD .875 9 3.25 12PT SP	3	EA
9	5560236	BLT FLGHD .750 10 4.75 12PT SP	24	EA
10	5570001	GREASE FITTING, 1/8 NPT STRAIGHT	1	EA
11	5560170	WSHR FLAT HARD .750 SP	24	EA

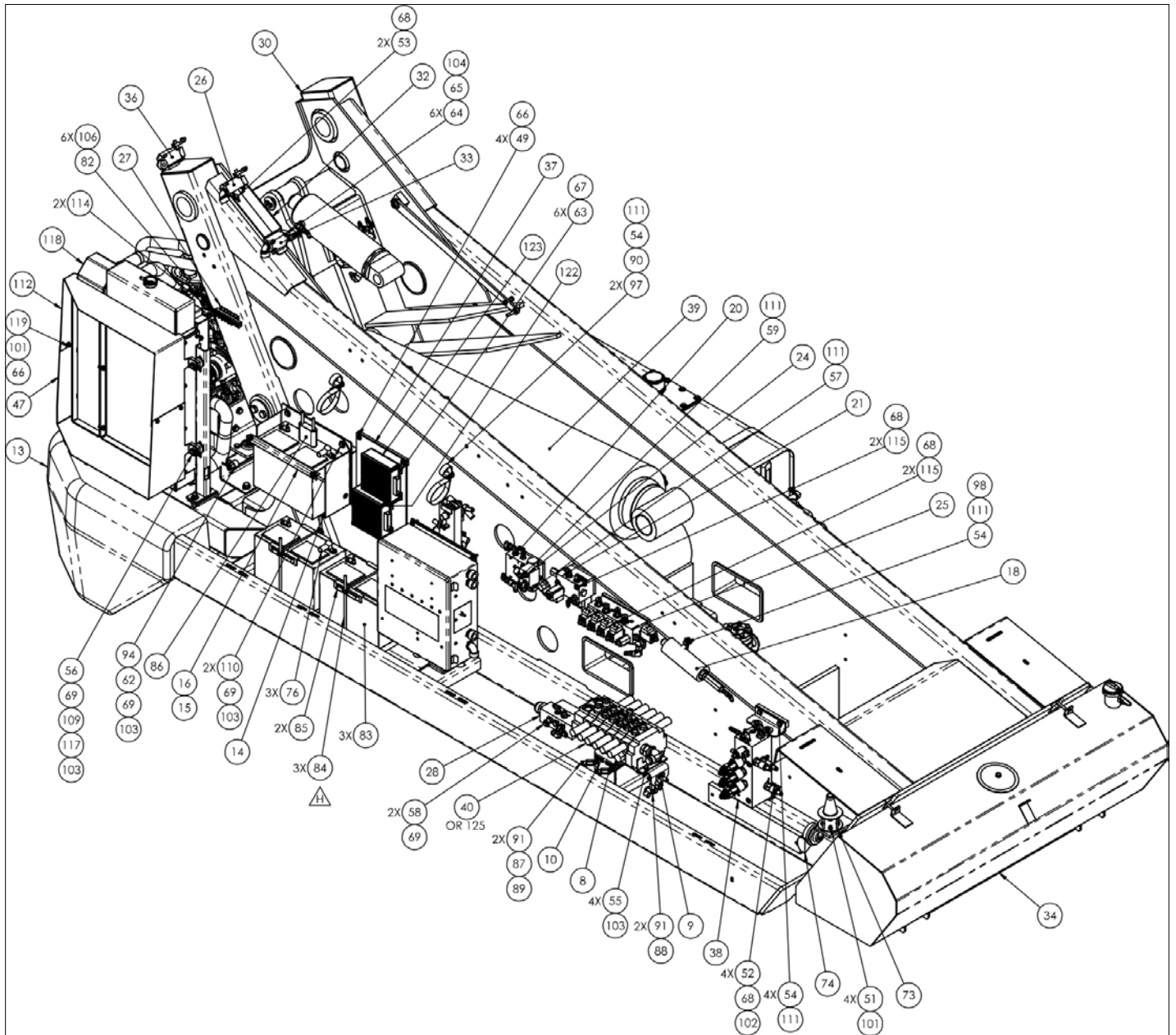
REPAIR PARTS

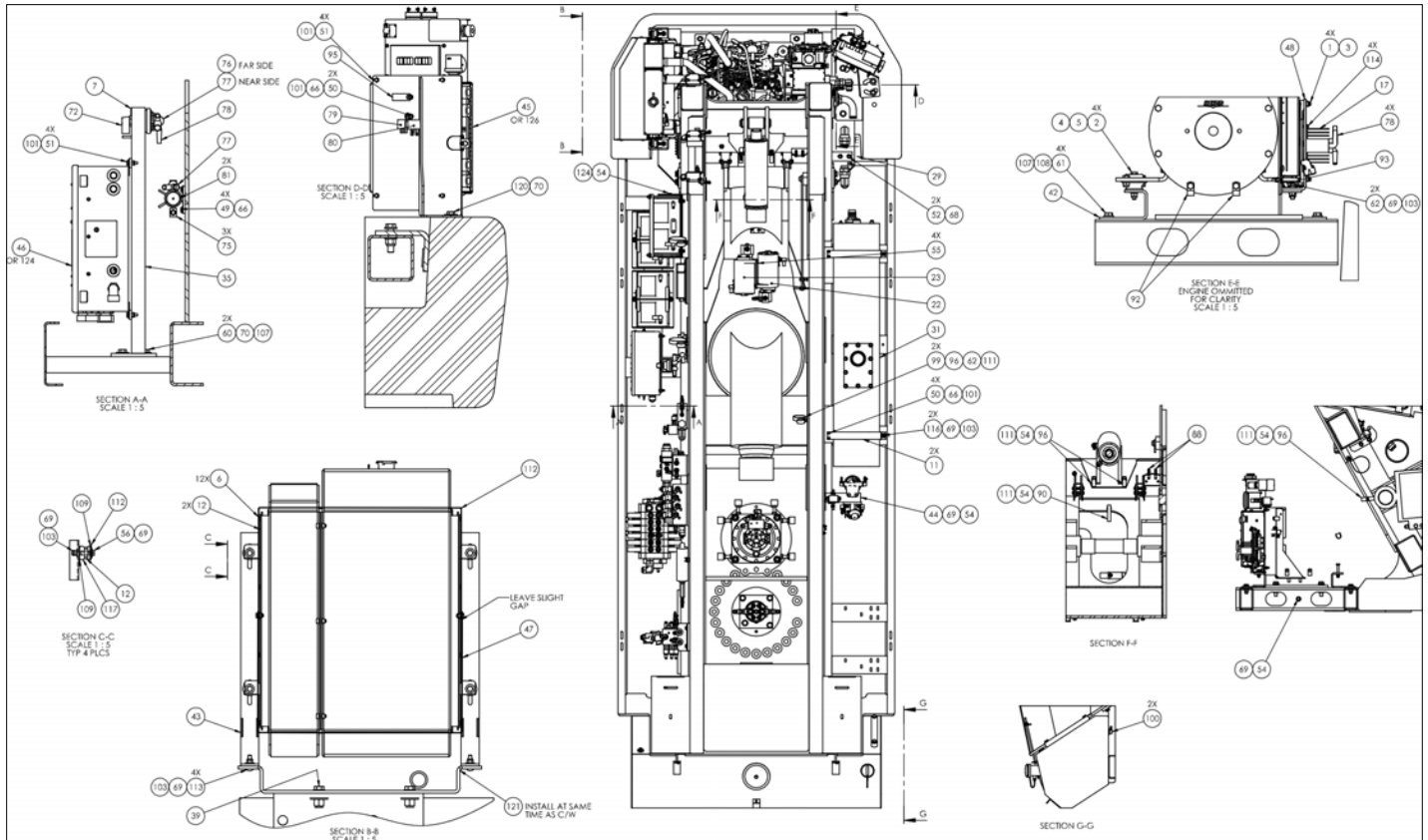
**NO IMAGE AVAILABLE  
(BOM FOR REFERENCE ONLY)**

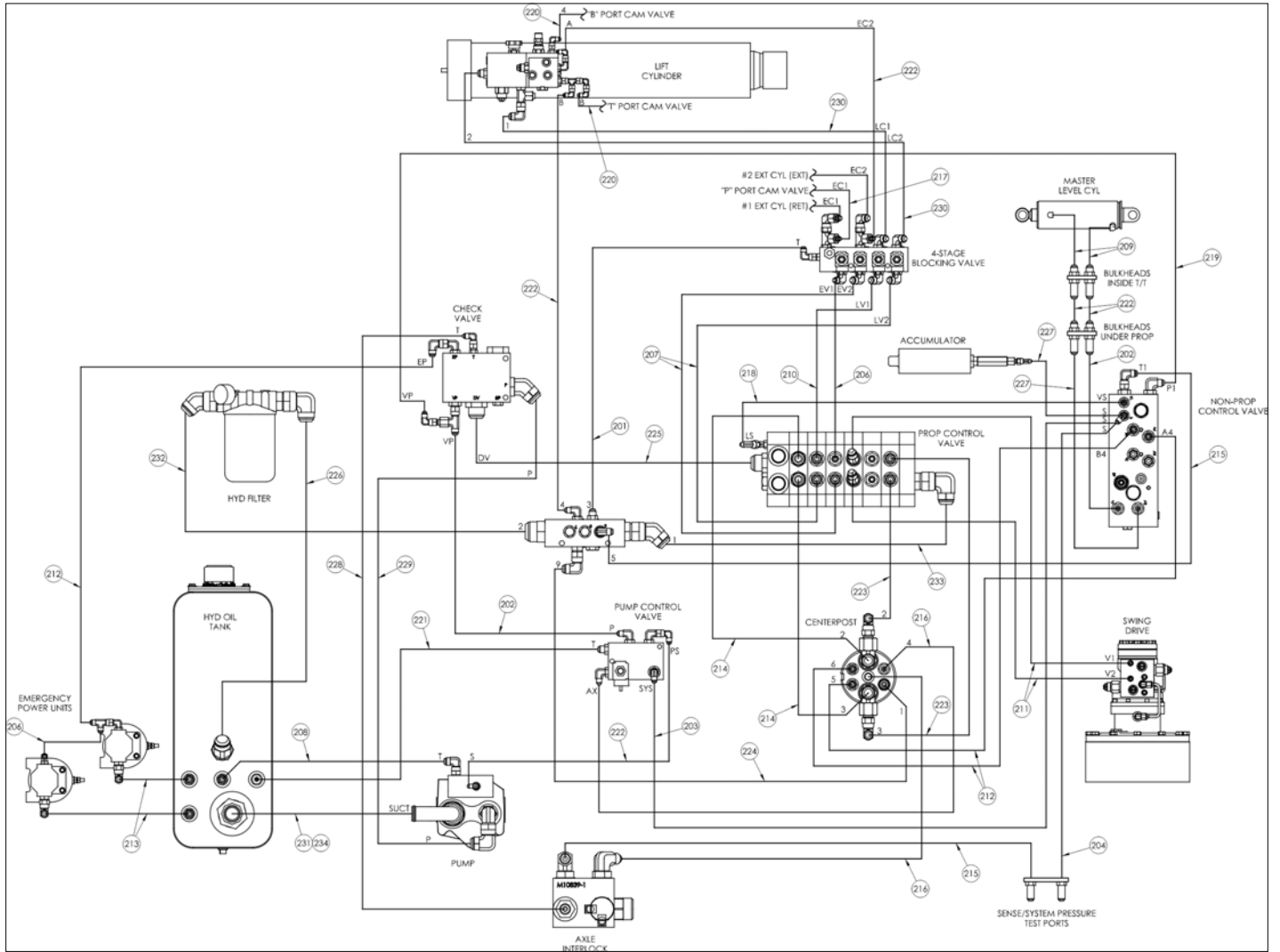


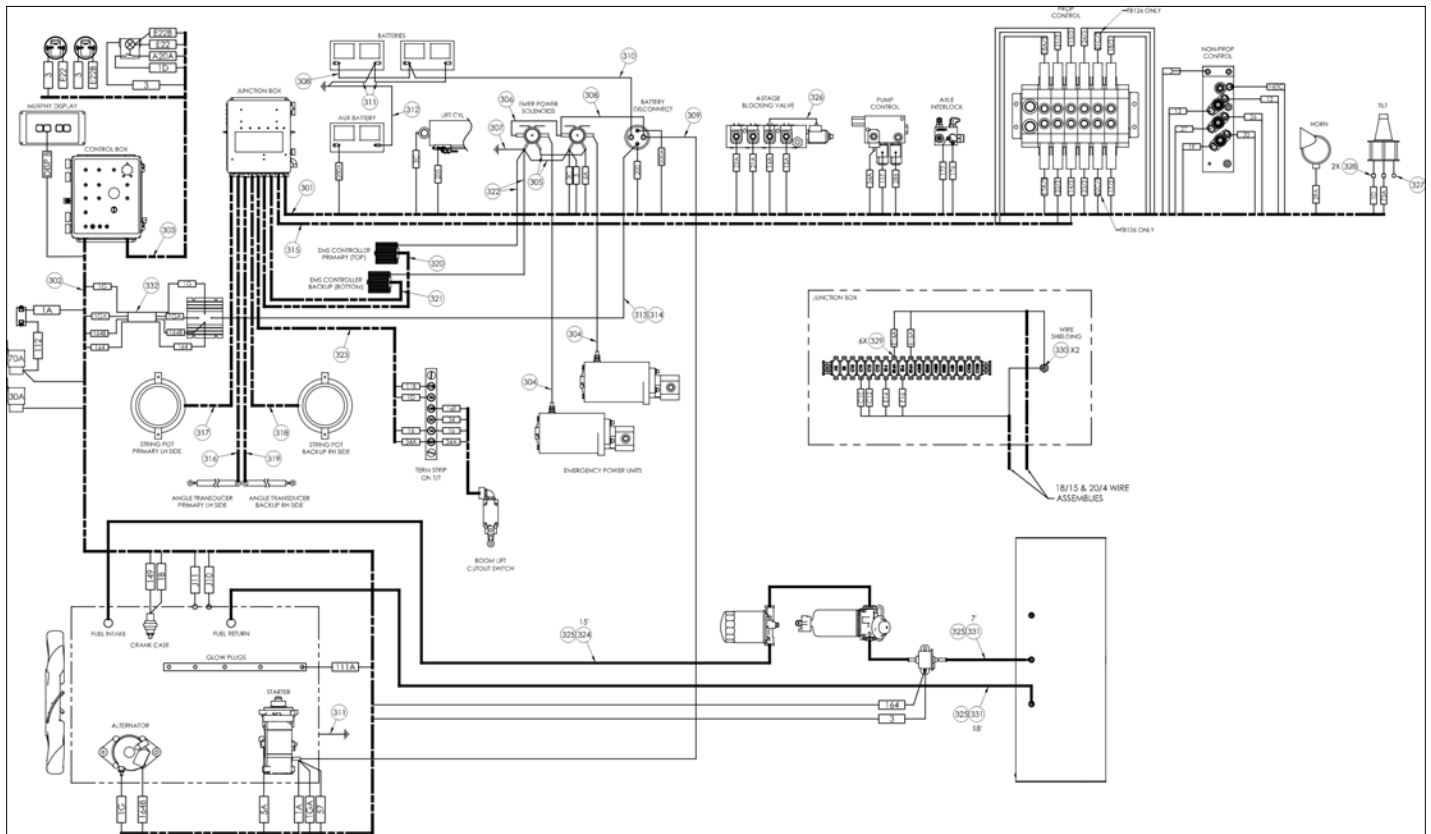
アイテム	部品番号	名前	数量	UOM
*	0192293 A	TURNTABLE SUB ASSEMBLY CUMMINS TIER 3 TB126J		EA
1	0191184	LIFT/SWING/CTWT INSTL	1	EA
2	0191680 8	TURNTABLE WLDMT	1	EA
3	0191809	HYD OIL RSVR INSTL	1	EA
4	0191830	FUEL TANK INSTALL	1	EA
5	0191862	HYDR EQPT TRNTBL INSTL PRO	1	EA
6	0192244	ENG INSTALL CU T3 TB100J/120/126J	1	EA
7	0192303 0	T/T ELEC INST TB126J CU T3	1	EA

REPAIR PARTS









アイテム	部品番号	名前	数量	UOM
	0192653 H	TURNTABLE ASSEMBLY KUBOTA TIER 4 FINAL		EA
1	056059 030	Bolt, HexBolt DIN931 M8 x 30mm	4	EA
2	056060 070	Bolt, HexBolt DIN931 M10 x 70m	4	EA
3	056066 008	NUT NYLOCKNUT DIN985 M8 8.0 ZP	4	EA
4	056066 010	Nut, NylockNut DIN985 M10 8.0ZincPlated	4	EA
5	056069 010	Washer, SteelFlatWasher DIN125A M10 ZincPlated	4	EA
6	058491 020	HHCS M6 X 1 X 20 G8.8 DIN 933	12	EA
7	0073089	PLAC BATTERY DISCONNECT SWITCH	1	EA
8	0075378	DECAL SYSTEM PRESSURE	1	EA
9	0075379	DECAL LEVEL RELIEF PRESSUSRE	1	EA
10	0075380	DECAL SENSE PRESSURE	1	EA
11	0110362	STRAP, HYD. OIL RESERVOIR	2	EA
12	0113792	WLDMT RADIATOR MOUNT	2	EA
13	0192681	ASSY CASTED C'WEIGHT 4950LBS	1	EA
14	0150810	WLDMT BATTERY BOX	1	EA
15	0150811	INSULATOR ANGLE	1	EA
16	0150813	ANGLE, BATTERY HOLDDOWN	1	EA
17	0162936	BATTERY ISOLATOR GP 2	1	EA
18	0180870	ACCUMULATOR CHARGED	A/R	EA
Not Shown	0192703	WLDMT CNTRL BOX MNT	1	EA
20	0190836	CHECK VALVE MANIFOLD SUB ASSEMBLY	A/R	EA
21	0190837	PUMP CONTROL VALVE SUB ASSEMBLY	A/R	EA

アイテム	部品番号	名前	数量	UOM
22	0190839	EMER. POWER UNIT SUB ASSY R.H.	A/R	EA
23	0190840	EMER. POWER UNIT SUB ASSY L.H.	A/R	EA
24	0190878	AXLE INTERLOCK VALVE SUB ASSEMBLY	A/R	EA
25	0190879	4 STAGE BLOCKING VALVE SUBASSY	A/R	EA
26	0190986	DRIVE SPEED CUTOFF SWITCH SUB ASSEMBLY	A/R	EA
27	0191011	DECAL TERM STRIP VERT 6	1	EA
28	0191179	MANIFOLD SUB ASSEMBLY	A/R	EA
29	0191458	RETURN OIL FILTER ASSY	A/R	EA
30	0191680	WLDMT, TURNTABLE	1	EA
31	0191756	HYDRAULIC OIL RESERVOIR, PLASTIC COWLING	A/R	EA
32	0191787	WLDMT MNT LIMIT SW	1	EA
33	0191789	BOOM LIFT SWITCH CO ASSEMBLY	1	EA
34	0191830	FUEL TANK INSTALL	1	EA
35	0191971	WLDMT BRKT JUNCTION BOX	1	EA
36	0192037	BOOM CALIBRATION SWITCH ASSEMBLY	A/R	EA
37	0192054	PLATE EMS MNTG	1	EA
38	0192197	NON PROP VALVE ASSY TB100/120/126	A/R	EA
39	0192587	LIFT/SWING/CTWT/ INSTL	1	EA
40	0192590	PROP CONTROL VALVE ASSY	A/R	EA
Not Shown	0192652	ASSY ENGINE KU T4F	A/R	EA
42	0192656	BRKT ENGINE MOUNT KU T4F	2	EA
43	0192658	WLDMT RADIATOR SUPPORT	2	EA
44	0192689	ASSY FUEL SYSTEM T4F	1	EA
45	0192705	ASSY GRND CNTRL BOX T4F	A/R	EA

アイテム	部品番号	名前	数量	UOM
46	0192706	ASSY JNCTN BOX T4F	A/R	EA
47	0192725	PLT SHROUD BOTTOM	1	EA
48	0192714	BRKT ECU/ISO MOUNT	1	EA
49	970009	Capscrew 1/4 20 x 1/2 inch lon	8	EA
50	970029	BLT .25 20 .750	6	EA
51	970049	BLT HEXHD .250 20 1.00 GR5 GRADE 5 PLT SAME AS 970189	12	EA
52	970239	BLT HEXHD .313 18 .750 GR5	4	EA
53	970369	BLT HEXHD .313 18 X 1.00 GR5	2	EA
54	970449	HHD BLT .375 16 X .750 GR5	13	EA
55	970469	HHD BLT .375 16 X 1.00 GR5	8	EA
56	970519	CAPSCREW 3/8 16 X 2 1/4" LG H.H.	4	EA
57	970529	BLT HEXHD .375 16 2.50 GR5 PLTD	1	EA
58	970549	BLT HEXHD .375 16 3.00 GR5	2	EA
59	970589	BLT HEXHD .375 16 4.50 GR5	1	EA
60	970909	BLT HEXHD .500 13 1.50 GR5 PLA	2	EA
61	970919	BLT HEXHD .500 13 1.75 GR5	8	EA
62	972479	BLT HEXHD .375 16 1.25 GR5	6	EA
63	974439	ROUND HEAD SCREW 8 32 X .50	6	EA
64	974749	SCR RDH MACH I 0 24 I. 75	6	EA
65	986009	WSHR FLAT 10	6	EA
66	986019	WSHR FLAT .250	17	EA
67	986169	WASHER, FLAT, #8, NARROW, PLTD (SAE)	7	EA
68	986269	WSHR FLAT .313	12	EA
69	986299	WASHER, FLAT, .375 STANDARD, PLATED	23	EA
70	986359	FLATWASHER 1/2"	4	EA



アイテム	部品番号	名前	数量	UOM
Not Shown	986459	WSHR FLAT .75	2	EA
72	3020061	Battery Disconnect Nut	1	EA
73	3020103	LEVEL SENSOR 3.5 DEGREE	1	EA
74	3040127	HORN 12VDC	1	EA
75	3040268	BOOT BTRY CABLE END BLK	5	EA
76	3040269	Boot Cable Entry Black 1/0 GA	5	EA
77	3040270	BOOT BTRY CABLE END Y TYPE	2	EA
78	3040452	BOOT BTRY CABLE UL RED 10GA	5	EA
79	3040469	RELAY SPDT 12V 30AMP SONG	1	EA
80	3040502	RELAY 12VDC 70 AMP SPST	1	EA
81	3040506	SOLENOID 12V 150	2	EA
82	3044721	TERM STRIP (6) #10 STUD	1	EA
83	3050002	BATTERY 12V	3	EA
84	012039 000	ROD BAT HOLD DOWN	3	EA
85	3050008	BATTERY HOLD DOWN	2	EA
86	3050096	SURGE PROTECTOR 12V	1	EA
87	5034601	FTG ELB45BHD 4S 4S STL	2	EA
88	5035403	FTG TEE BHD RUN 4S 4S STL	4	EA
89	5037003	FTG ELB90SWVL 4S 4S STL	1	EA
90	5059706	CLAMP 3.56 I.D.	3	EA
91	5070005	FTG NIP DIGN 4S FEM PD345 6 W/DUST CAP	4	EA
92	5093000	CLP CUSH .438 VINYL COATED	2	EA
93	5093002	CLAMP .562 AEROQUIP HOSE SUPPORT	1	EA
94	5093006	CLP CUSH .937 VINYL COATED	1	EA
95	5093008	CLP CUSH 1.06 VINYL COATED	1	EA
96	5093010	CLP CUSH 1.50 VINYL COATED	6	EA
97	5093012	CLP CUSH 1.75 VINYL COATED	2	EA

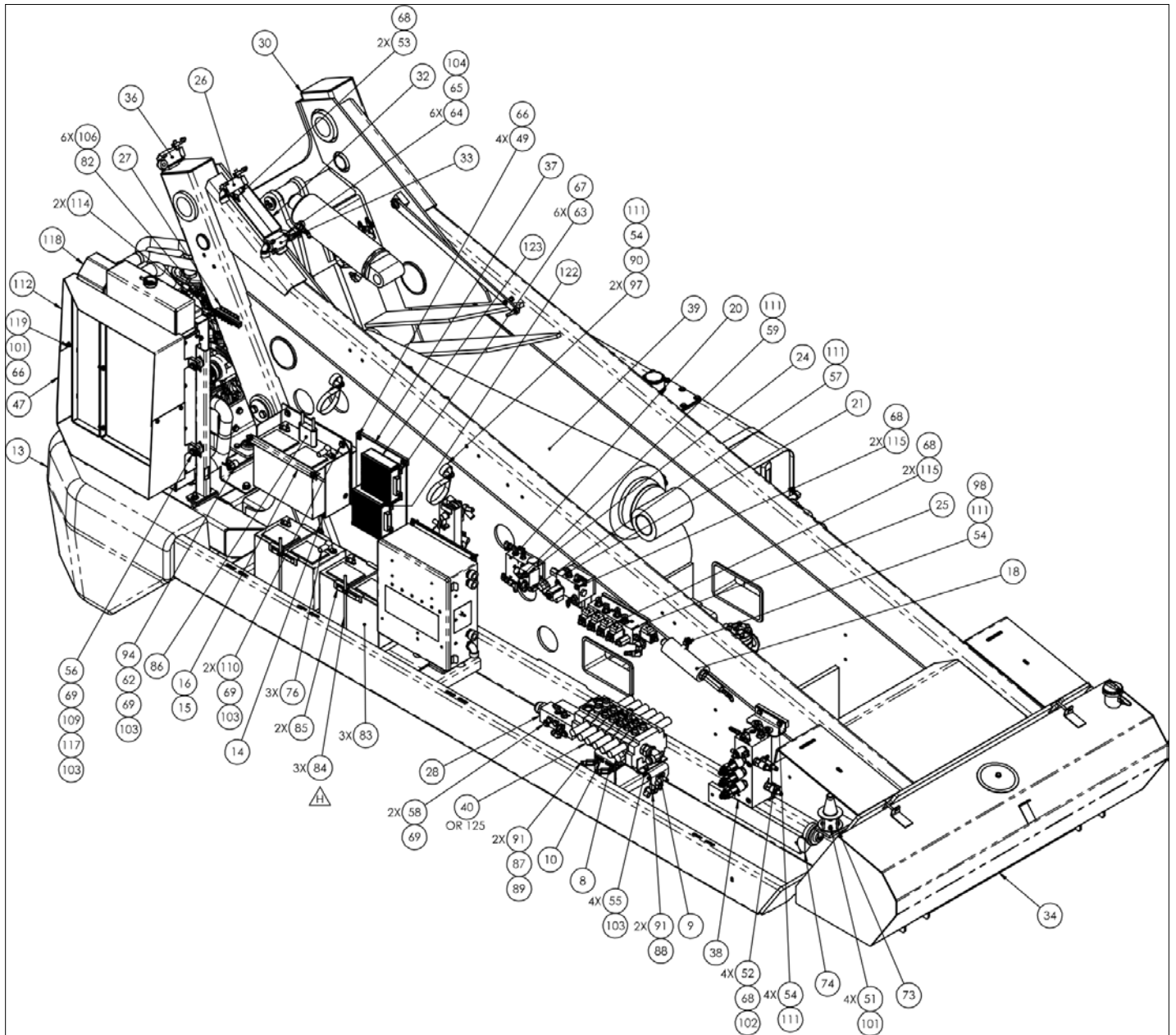
アイテム	部品番号	名前	数量	UOM
98	5093014	CLP CUSH 2.25 VINYL COATED	1	EA
99	5093030	CLP CUSH 2.50 VINYL COATED	2	EA
100	5093039	FTG ELB90 MALE 6N 5H BR	2	EA
101	5560004	NUT LKG .250 20	21	EA
102	5560031	NUT HEX LKG .313 18	2	EA
103	5560033	.375 16UNC HEX LOCK NUT	21	EA
104	5560034	NUT LKG 10 24	6	EA
Not Shown	5560035	NUT HEX LKG .750 10	2	EA
106	5560038	NUT LKG 10 32	6	EA
107	5560039	NUT HEX LKG .500 13	10	EA
108	5560168	WSHR FLAT HARD .500 SP	16	EA
109	5560179	Flat Washer Special	8	EA
110	5560206	SBHCS .375 16 UNC X 1.00, STL, GR 8, PLTD	2	EA
111	5560222	WSHR FLAT HARD .375 SP	14	EA
112	0192724	PLT SHROUD TOP	1	EA
113	5560531	BLT CRG .375 16 1.50	4	EA
114	5560609	SCR TRHD 10 24 .500	6	EA
115	5560641	CAPSCREW 5/16 18 X 3 1/2 LG HH GR5	4	EA
116	5569865	BLT HEXHD .375 16 2.75 GR5	2	EA
117	7630180	RADIATOR CUSHION	4	EA
118	7631088	V2403 CR TI COOLING SYSTEM	1	EA
119	970019	BLT HEX .250 20 .625 GR5	3	EA
120	970889	CAPSCREW 1/2 13 X 1" LG H.H.	2	EA
121	0192729	BRKT RADIATOR MNT	1	EA
122	0192107	EMS CONTRL PROGD TB126J BU	A/R	EA
123	0192106	EMS CONTRL PROGD TB126J PRIM	A/R	EA
124	0190095	OPTION ALARM MOTION DRIVE ONLY	1	EA

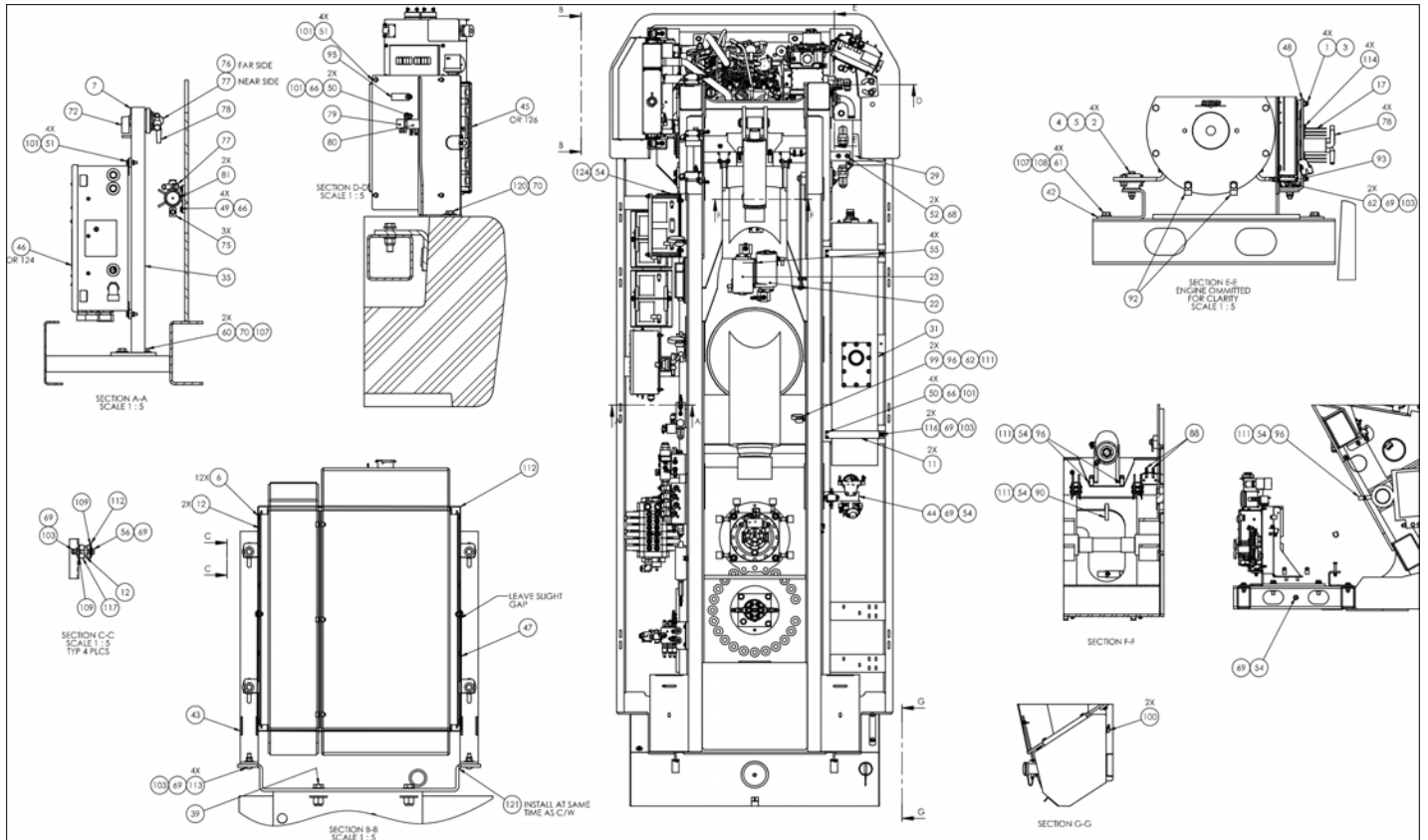
アイテム	部品番号	名前	数量	UOM
201	0020276	HOSE 6 6S 6S 27.625 100R2	1	EA
202	0040276	HOSE 4 4S 4S 20.5 100R1	2	EA
203	0050137	HOSE 4 4S 4S 36 100R1	1	EA
204	0070769	HOSE 4 4S 4S 30.5 100R1	1	EA
Not Shown	0070772	3/8 I.D. HOSE ASSEMBLY	1	EA
206	0070786	HOSE 6 6S 6S 19 100R2	2	EA
207	0070791	HOSE 8 8S 8S 20.5 100R2	2	EA
208	0070792	HOSE 8 8S 8S 32 100R2	1	EA
209	0070910	HOSE 4 4S 4S 39 100R1	2	EA
210	0070927	HOSE 8 8S 8S 23.5 100R2	1	EA
211	0073040	HOSE 8 8S 8S 28 100R2	2	EA
212	0080362	HOSE 6 6S 6S 93.5 100R2	3	EA
213	0080522	HOSE 8 8S 8S 42 100R2	2	EA
214	0080543	HOSE 12 12S 12S90 56 SP	2	EA
215	0081080	HOSE 6 6S 6S 65 100R2	1	EA
216	0081136	HOSE 4 4S 4S 67 100R1	2	EA
217	0090988	HOSE 4 4S 4S 204 100R1	1	EA
218	0100278	HOSE 4 4S 4S 43 100R1	1	EA
219	0100422	HOSE 6 6S 6S 69 100R2	1	EA
220	0100491	HOSE 4 4S 4S 150 100R1	2	EA
221	0101896	HOSE 4 4S 4S 120 100R2	1	EA
222	0101897	HOSE 4 4S 4S 130 100R2	5	EA
223	0110732	HOSE 8 8S 8S 72 100R2	2	EA
224	0151861	HOSE 8 8S 8S 76 100R2	1	EA
225	0180781	HOSE 16 16S45 16S 24 100R12	1	EA
226	0180944	HOSE 20 20S 20S 33 SP	1	EA
227	0180946	HOSE 4 4S 4S 18.5 100R2	2	EA
228	0181161	HOSE 4 4S 4S 15.25 100R2	1	EA

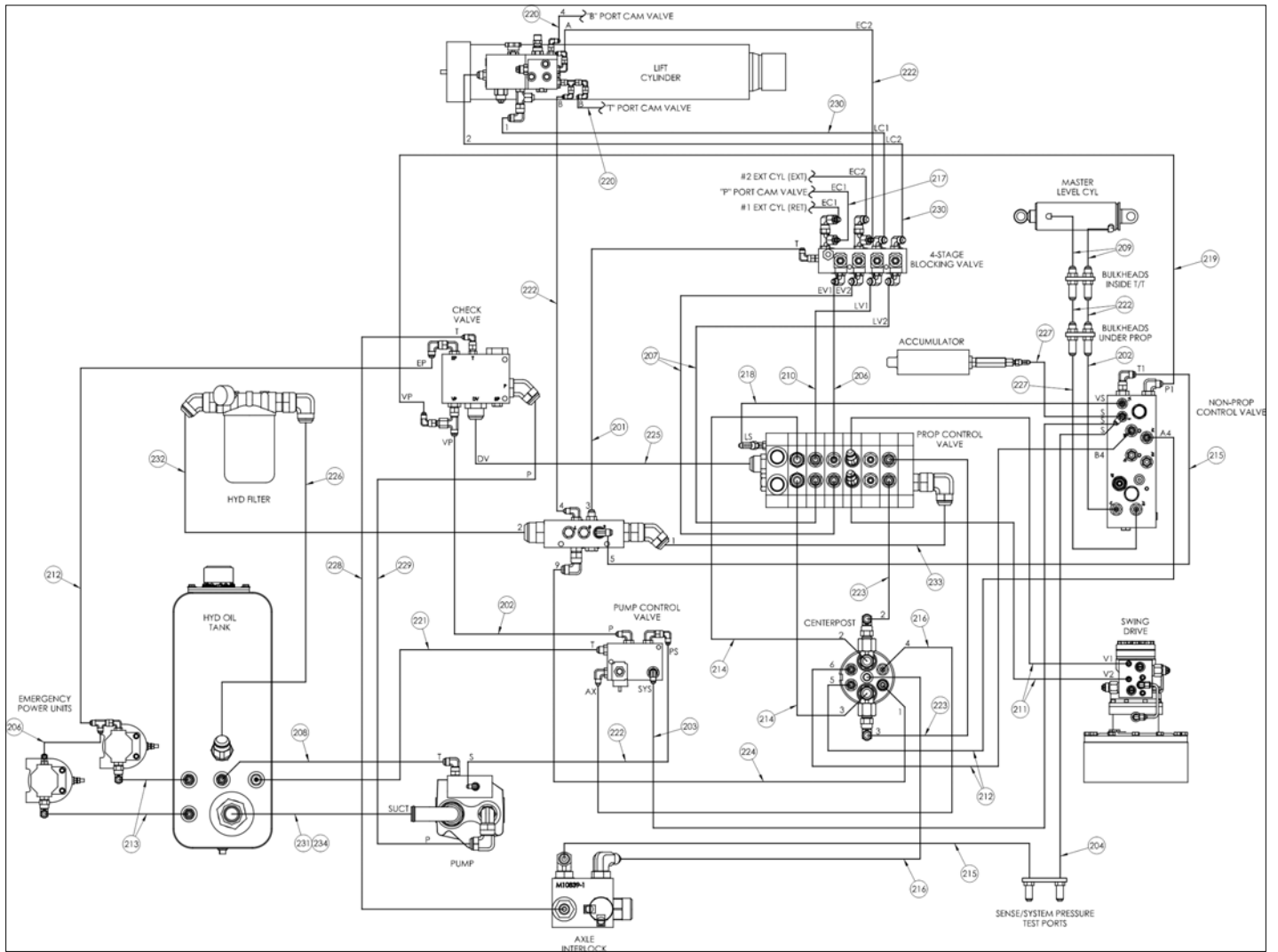
アイテム	部品番号	名前	数量	UOM
229	0190596	HOSE 16 16S 16S 132 100R12 SP	1	EA
230	0190599	HOSE 8 8S 8S 134 100R2	2	EA
231	0190915	HOSE SUCTION 1.5 ID 23	1	EA
232	0190916	HOSE 20 20S 20S 106	1	EA
233	0191241	HOSE 16 16S 16S 27 100R1	1	EA
234	5058824	CLP WORM DRV	2	EA
Not Shown	5059706	CLAMP 3.56 I.D.	3	EA
301	0191181	TURNTABLE WIRE ASSEMBLY	A/R	EA
302	0192730	HARNESS ENGINE KU T4F	A/R	EA
303	0192715	HARNESS INSTRUMENT PANEL	A/R	EA
304	0090959	WIRE 4 R313I R375I 47	2	EA
305	0070712	WIRE 12 R10I R10I 5	2	EA
306	0090319	WIRE 4 R375I R313I 8 RED	1	EA
307	0071568	WIRE 12 R10I R250I 4	1	EA
308	0080484	WIRE 2/0 R375 R375 13 RED	2	EA
309	0073940	WIRE 2/0 R375 R375 80	1	EA
310	0192193	WIRE 4 R375I R313I 8 RED	1	EA
311	0075268	WIRE 2/0 R375 R375 13 BLK	3	EA
312	0070698	WIRE 4 R313I R313I 25 BLK	1	EA
313	0190984	WIRE 10 R375 R10 110 12/13	1	EA
314	3090019	TUBE FLEXGARD .250 ID	9.2"	EA
315	0192042	WIRE ASSEMBLY EMS VPL	A/R	EA
316	0192043	WIRE ASSY EMS PRIMARY ANGLE	A/R	EA
317	0192044	WIRE ASSY EMS PRIMARY LGTH	A/R	EA
318	0192022	WIRE ASSY EMS BU LGTH SENSOR EMS2	A/R	EA
319	0192023	WIRE ASSY EMS BU ANGLE SENSOREMS2	A/R	EA
320	0192047	WIRE ASSEMBLY EMS PRIMARY	A/R	EA

アイテム	部品番号	名前	数量	UOM
321	0192048	WIRE ASSY EMS BACKUP	A/R	EA
322	0110596	WIRE 12 RIOIR81 10	2	EA
323	0192039	WIRE ASSEMBLY T STRIP/JUNCTION BOX	A/R	EA
324	5018832	HOSE FUEL .38ID T3	15'	EA
325	5550006	CLP WORM DRV .38 .88 SAE#6	6	EA
326	0071542	WIRE 16 R10I R10I 10	1	EA
327	3044162	TERM R250I 16/14	1	EA
328	3040082	TERM MALE250FI 16/14	2	EA
329	3046972	TERM FEM188I 22/18	6	EA
330	3040360	TERM R10 2GA PANDUIPV2 10RX XY	2	EA
331	5010011	HOSE SAE30R2 05 .312 FUEL	25'	EA
332	0192723	BATTERY ISOLATOR HARNESS T4F	1	EA

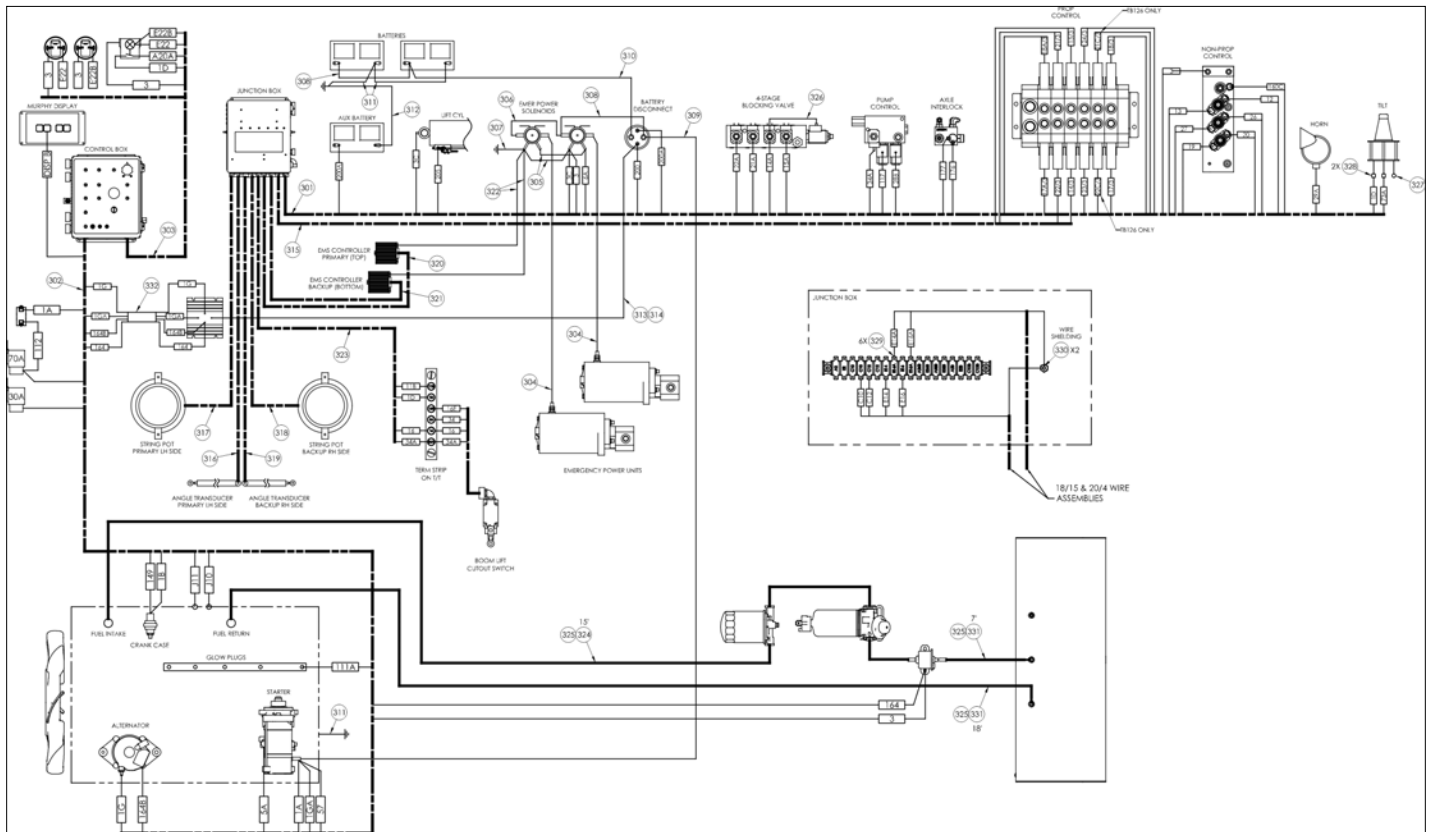
REPAIR PARTS











アイテム	部品番号	名前	数量	UOM
	0192653 K	TURNTABLE ASSEMBLY KUBOTA TIER 4 FINAL		EA
1	056059 030	Bolt, HexBolt DIN931 M8 x 30mm	4	EA
2	056060 070	Bolt, HexBolt DIN931 M10 x 70m	4	EA
3	056066 008	NUT NYLOCKNUT DIN985 M8 8.0 ZP	4	EA
4	056066 010	Nut, NylockNut DIN985 M10 8.0ZincPlated	4	EA
5	056069 010	Washer, SteelFlatWasher DIN125A M10 ZincPlated	4	EA
6	058491 020	HHCS M6 X 1 X 20 G8.8 DIN 933	12	EA
7	0073089	PLAC BATTERY DISCONNECT SWITCH	1	EA
8	0075378	DECAL SYSTEM PRESSURE	1	EA
9	0075379	DECAL LEVEL RELIEF PRESSUSRE	1	EA
10	0075380	DECAL SENSE PRESSURE	1	EA
11	0110362	STRAP, HYD. OIL RESERVOIR	2	EA
12	0113792	WLDMT RADIATOR MOUNT	2	EA
13	0192681	ASSY CASTED C'WEIGHT 4950LBS	1	EA
14	0150810	WLDMT BATTERY BOX	1	EA
15	0150811	INSULATOR ANGLE	1	EA
16	0150813	ANGLE, BATTERY HOLDDOWN	1	EA
17	0162936	BATTERY ISOLATOR GP 2	1	EA
18	0180870	ACCUMULATOR CHARGED	A/R	EA
Not Shown	0192703	WLDMT CNTRL BOX MNT	1	EA
20	0190836	CHECK VALVE MANIFOLD SUB ASSEMBLY	A/R	EA
21	0190837	PUMP CONTROL VALVE SUB ASSEMBLY	A/R	EA

アイテム	部品番号	名前	数量	UOM
22	0190839	EMER. POWER UNIT SUB ASSY R.H.	A/R	EA
23	0190840	EMER. POWER UNIT SUB ASSY L.H.	A/R	EA
24	0190878	AXLE INTERLOCK VALVE SUB ASSEMBLY	A/R	EA
25	0190879	4 STAGE BLOCKING VALVE SUBASSY	A/R	EA
26	0190986	DRIVE SPEED CUTOFF SWITCH SUB ASSEMBLY	A/R	EA
27	0191011	DECAL TERM STRIP VERT 6	1	EA
28	0191179	MANIFOLD SUB ASSEMBLY	A/R	EA
29	0191458	RETURN OIL FILTER ASSY	A/R	EA
30	0191680	WLDMT, TURNTABLE	1	EA
31	0191756	HYDRAULIC OIL RESERVOIR, PLASTIC COWLING	A/R	EA
32	0191787	WLDMT MNT LIMIT SW	1	EA
33	0191789	BOOM LIFT SWITCH CO ASSEMBLY	1	EA
34	0191830	FUEL TANK INSTALL	1	EA
35	0191971	WLDMT BRKT JUNCTION BOX	1	EA
36	0192037	BOOM CALIBRATION SWITCH ASSEMBLY	A/R	EA
37	0192054	PLATE EMS MNTG	1	EA
38	0192197	NON PROP VALVE ASSY TB100/120/126	A/R	EA
39	0192587	LIFT/SWING/CTWT/ INSTL	1	EA
40	0192590	PROP CONTROL VALVE ASSY	A/R	EA
Not Shown	0192652	ASSY ENGINE KU T4F	A/R	EA
42	0192656	BRKT ENGINE MOUNT KU T4F	2	EA
43	0192658	WLDMT RADIATOR SUPPORT	2	EA
44	0192689	ASSY FUEL SYSTEM T4F	1	EA
45	0192705	ASSY GRND CNTRL BOX T4F	A/R	EA

アイテム	部品番号	名前	数量	UOM
46	0192706	ASSY JNCTN BOX T4F	A/R	EA
47	0192725	PLT SHROUD BOTTOM	1	EA
48	0192714	BRKT ECU/ISO MOUNT	1	EA
49	970009	Capscrew 1/4 20 x 1/2 inch lon	8	EA
50	970029	BLT .25 20 .750	6	EA
51	970049	BLT HEXHD .250 20 1.00 GR5 GRADE 5 PLT SAME AS 970189	12	EA
52	970239	BLT HEXHD .313 18 .750 GR5	4	EA
53	970369	BLT HEXHD .313 18 X 1.00 GR5	2	EA
54	970449	HHD BLT .375 16 X .750 GR5	13	EA
55	970469	HHD BLT .375 16 X 1.00 GR5	8	EA
56	970519	CAPSCREW 3/8 16 X 2 1/4" LG H.H.	4	EA
57	970529	BLT HEXHD .375 16 2.50 GR5 PLTD	1	EA
58	970549	BLT HEXHD .375 16 3.00 GR5	2	EA
59	970589	BLT HEXHD .375 16 4.50 GR5	1	EA
60	970909	BLT HEXHD .500 13 1.50 GR5 PLA	2	EA
61	970919	BLT HEXHD .500 13 1.75 GR5	8	EA
62	972479	BLT HEXHD .375 16 1.25 GR5	6	EA
63	974439	ROUND HEAD SCREW 8 32 X .50	6	EA
64	974749	SCR RDH MACH I 0 24 I. 75	6	EA
65	986009	WSHR FLAT 10	6	EA
66	986019	WSHR FLAT .250	17	EA
67	986169	WASHER, FLAT, #8, NARROW, PLTD (SAE)	7	EA
68	986269	WSHR FLAT .313	12	EA
69	986299	WASHER, FLAT, .375 STANDARD, PLATED	23	EA
70	986359	FLATWASHER 1/2"	4	EA

アイテム	部品番号	名前	数量	UOM
Not Shown	986459	WSHR FLAT .75	2	EA
72	3020061	Battery Disconnect Nut	1	EA
73	3020103	LEVEL SENSOR 3.5 DEGREE	1	EA
74	3040127	HORN 12VDC	1	EA
75	3040268	BOOT BTRY CABLE END BLK	5	EA
76	3040269	Boot Cable Entry Black 1/0 GA	5	EA
77	3040270	BOOT BTRY CABLE END Y TYPE	2	EA
78	3040452	BOOT BTRY CABLE UL RED 10GA	5	EA
79	3040469	RELAY SPDT 12V 30AMP SONG	1	EA
80	3040502	RELAY 12VDC 70 AMP SPST	1	EA
81	3040506	SOLENOID 12V 150	2	EA
82	3044721	TERM STRIP (6) #10 STUD	1	EA
83	3050002	BATTERY 12V	3	EA
84	012039 000	ROD BAT HOLD DOWN	3	EA
85	3050008	BATTERY HOLD DOWN	2	EA
86	3050096	SURGE PROTECTOR 12V	1	EA
87	5034601	FTG ELB45BHD 4S 4S STL	2	EA
88	5035403	FTG TEE BHD RUN 4S 4S STL	4	EA
89	5037003	FTG ELB90SWVL 4S 4S STL	1	EA
90	5059706	CLAMP 3.56 I.D.	3	EA
91	5070005	FTG NIP DIGN 4S FEM PD345 6 W/DUST CAP	4	EA
92	5093000	CLP CUSH .438 VINYL COATED	2	EA
93	5093002	CLAMP .562 AEROQUIP HOSE SUPPORT	1	EA
94	5093006	CLP CUSH .937 VINYL COATED	1	EA
95	5093008	CLP CUSH 1.06 VINYL COATED	1	EA
96	5093010	CLP CUSH 1.50 VINYL COATED	6	EA
97	5093012	CLP CUSH 1.75 VINYL COATED	2	EA

アイテム	部品番号	名前	数量	UOM
98	5093014	CLP CUSH 2.25 VINYL COATED	1	EA
99	5093030	CLP CUSH 2.50 VINYL COATED	2	EA
100	5093039	FTG ELB90 MALE 6N 5H BR	2	EA
101	5560004	NUT LKG .250 20	21	EA
102	5560031	NUT HEX LKG .313 18	2	EA
103	5560033	.375 16UNC HEX LOCK NUT	21	EA
104	5560034	NUT LKG 10 24	6	EA
Not Shown	5560035	NUT HEX LKG .750 10	2	EA
106	5560038	NUT LKG 10 32	6	EA
107	5560039	NUT HEX LKG .500 13	10	EA
108	5560168	WSHR FLAT HARD .500 SP	16	EA
109	5560179	Flat Washer Special	8	EA
110	5560206	SBHCS .375 16 UNC X 1.00, STL, GR 8, PLTD	2	EA
111	5560222	WSHR FLAT HARD .375 SP	14	EA
112	0192724	PLT SHROUD TOP	1	EA
113	5560531	BLT CRG .375 16 1.50	4	EA
114	5560609	SCR TRHD 10 24 .500	6	EA
115	5560641	CAPSCREW 5/16 18 X 3 1/2 LG HH GR5	4	EA
116	5569865	BLT HEXHD .375 16 2.75 GR5	2	EA
117	7630180	RADIATOR CUSHION	4	EA
118	7631088	V2403 CR TI COOLING SYSTEM	1	EA
119	970019	BLT HEX .250 20 .625 GR5	3	EA
120	970889	CAPSCREW 1/2 13 X 1" LG H.H.	2	EA
121	0192729	BRKT RADIATOR MNT	1	EA
122	0192107	EMS CONTRL PROGD TB126J BU	A/R	EA
123	0192106	EMS CONTRL PROGD TB126J PRIM	A/R	EA
124	0190095	OPTION ALARM MOTION DRIVE ONLY	1	EA

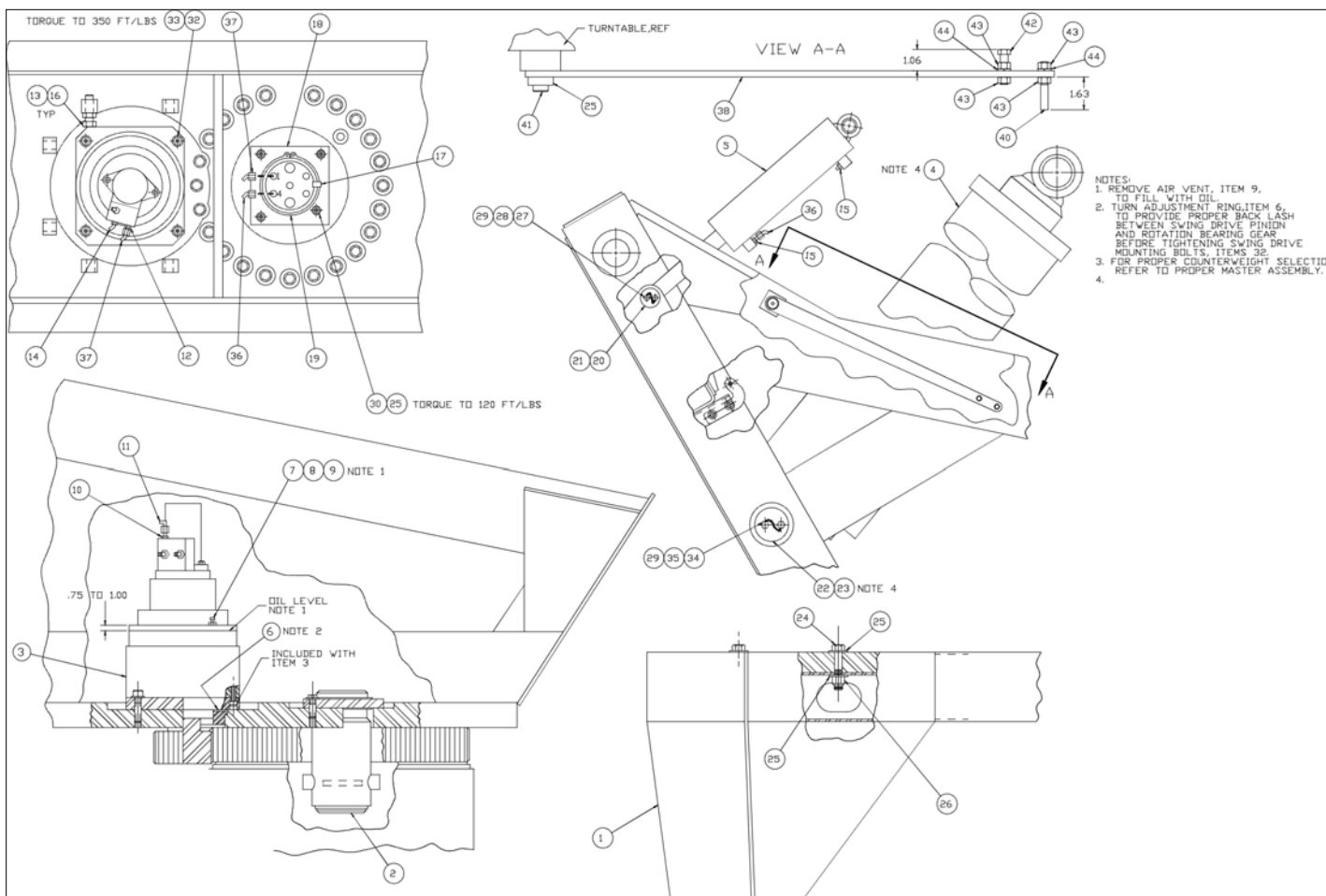
アイテム	部品番号	名前	数量	UOM
201	0020276	HOSE 6 6S 6S 27.625 100R2	1	EA
202	0040276	HOSE 4 4S 4S 20.5 100R1	2	EA
203	0050137	HOSE 4 4S 4S 36 100R1	1	EA
204	0070769	HOSE 4 4S 4S 30.5 100R1	1	EA
Not Shown	0070772	3/8 I.D. HOSE ASSEMBLY	1	EA
206	0070786	HOSE 6 6S 6S 19 100R2	2	EA
207	0070791	HOSE 8 8S 8S 20.5 100R2	2	EA
208	0070792	HOSE 8 8S 8S 32 100R2	1	EA
209	0070910	HOSE 4 4S 4S 39 100R1	2	EA
210	0070927	HOSE 8 8S 8S 23.5 100R2	1	EA
211	0073040	HOSE 8 8S 8S 28 100R2	2	EA
212	0080362	HOSE 6 6S 6S 93.5 100R2	3	EA
213	0080522	HOSE 8 8S 8S 42 100R2	2	EA
214	0080543	HOSE 12 12S 12S90 56 SP	2	EA
215	0081080	HOSE 6 6S 6S 65 100R2	1	EA
216	0081136	HOSE 4 4S 4S 67 100R1	2	EA
217	0090988	HOSE 4 4S 4S 204 100R1	1	EA
218	0100278	HOSE 4 4S 4S 43 100R1	1	EA
219	0100422	HOSE 6 6S 6S 69 100R2	1	EA
220	0100491	HOSE 4 4S 4S 150 100R1	2	EA
221	0101896	HOSE 4 4S 4S 120 100R2	1	EA
222	0101897	HOSE 4 4S 4S 130 100R2	5	EA
223	0110732	HOSE 8 8S 8S 72 100R2	2	EA
224	0151861	HOSE 8 8S 8S 76 100R2	1	EA
225	0180781	HOSE 16 16S45 16S 24 100R12	1	EA
226	0180944	HOSE 20 20S 20S 33 SP	1	EA
227	0180946	HOSE 4 4S 4S 18.5 100R2	2	EA
228	0181161	HOSE 4 4S 4S 15.25 100R2	1	EA

アイテム	部品番号	名前	数量	UOM
229	0190596	HOSE 16 16S 16S 132 100R12 SP	1	EA
230	0190599	HOSE 8 8S 8S 134 100R2	2	EA
231	0190915	HOSE SUCTION 1.5 ID 23	1	EA
232	0190916	HOSE 20 20S 20S 106	1	EA
233	0191241	HOSE 16 16S 16S 27 100R1	1	EA
234	5058824	CLP WORM DRV	2	EA
Not Shown	5059706	CLAMP 3.56 I.D.	3	EA
301	0191181	TURNTABLE WIRE ASSEMBLY	A/R	EA
302	0192730	HARNESS ENGINE KU T4F	A/R	EA
303	0192715	HARNESS INSTRUMENT PANEL	A/R	EA
304	0090959	WIRE 4 R313I R375I 47	2	EA
305	0070712	WIRE 12 R10I R10I 5	2	EA
306	0090319	WIRE 4 R375I R313I 8 RED	1	EA
307	0071568	WIRE 12 R10I R250I 4	1	EA
308	0080484	WIRE 2/0 R375 R375 13 RED	2	EA
309	0073940	WIRE 2/0 R375 R375 80	1	EA
310	0192193	WIRE 4 R375I R313I 8 RED	1	EA
311	0075268	WIRE 2/0 R375 R375 13 BLK	3	EA
312	0070698	WIRE 4 R313I R313I 25 BLK	1	EA
313	0190984	WIRE 10 R375 R10 110 12/13	1	EA
314	3090019	TUBE FLEXGARD .250 ID	9.2"	EA
315	0192042	WIRE ASSEMBLY EMS VPL	A/R	EA
316	0192043	WIRE ASSY EMS PRIMARY ANGLE	A/R	EA
317	0192044	WIRE ASSY EMS PRIMARY LGTH	A/R	EA
318	0192022	WIRE ASSY EMS BU LGTH SENSOR EMS2	A/R	EA
319	0192023	WIRE ASSY EMS BU ANGLE SENSOREMS2	A/R	EA
320	0192047	WIRE ASSEMBLY EMS PRIMARY	A/R	EA



アイテム	部品番号	名前	数量	UOM
321	0192048	WIRE ASSY EMS BACKUP	A/R	EA
322	0110596	WIRE 12 RIOIR81 10	2	EA
323	0192039	WIRE ASSEMBLY T STRIP/JUNCTION BOX	A/R	EA
324	5018832	HOSE FUEL .38ID T3	15'	EA
325	5550028	CLP WORM DRV .25 .63 .31 BAND	6	EA
326	0071542	WIRE 16 R10I R10I 10	1	EA
327	3044162	TERM R250I 16/14	1	EA
328	3040082	TERM MALE250FI 16/14	2	EA
329	3046972	TERM FEM188I 22/18	6	EA
330	3040360	TERM R10 2GA PANDUIPV2 10RX XY	2	EA
331	5010011	HOSE SAE30R2 05 .312 FUEL	25'	EA
332	0192723	BATTERY ISOLATOR HARNESS T4F	1	EA

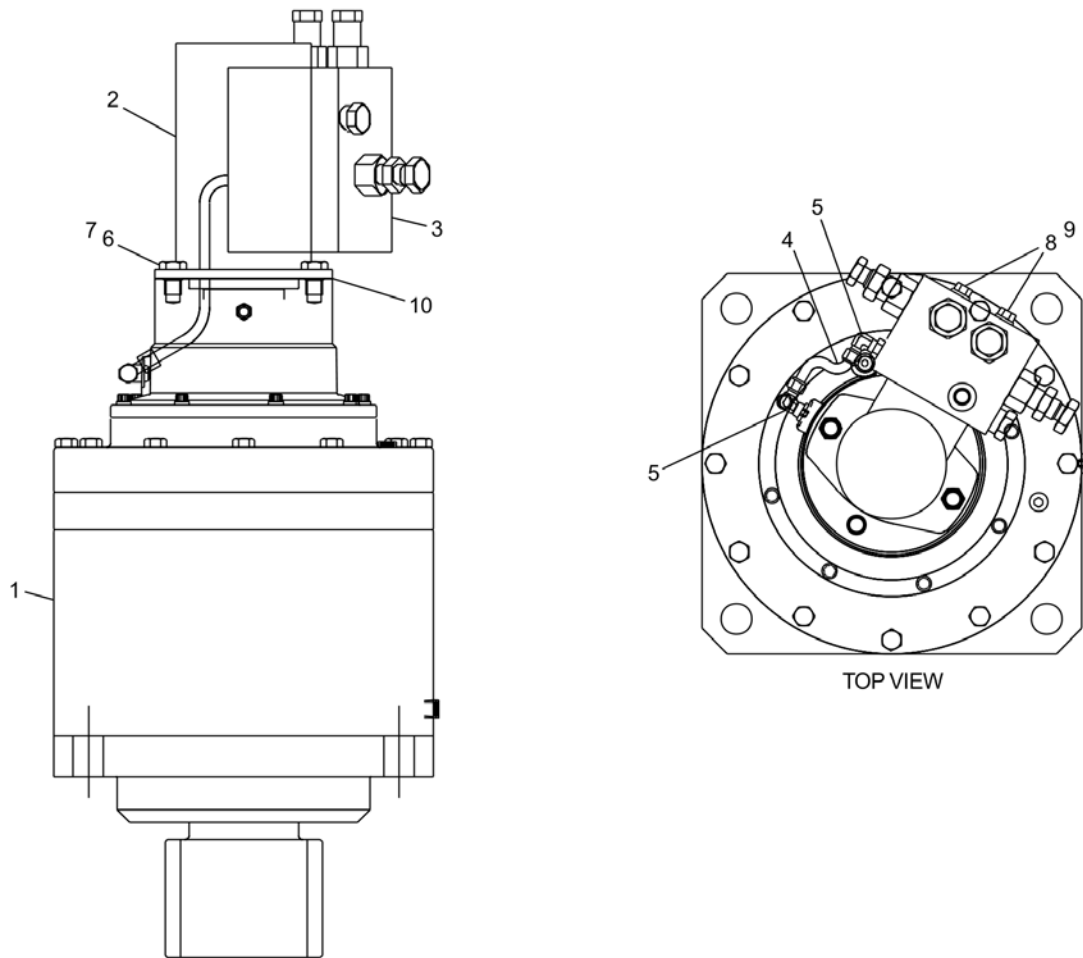
REPAIR PARTS



アイテム	部品番号	名前	数量	UOM
	0190811 M	LIFT AND SWING/ COUNTERWEIGHT INSTALLATION		EA
1	NOTE 3	SLAVE LEVEL CYLINDER ASSEMBLY	REF	EA
2	0191178	CENTERPOST AND FITTINGS ASSEMBLY	1	EA
3	0110837	SWING DRIVE ASSEMBLY	1	EA
4	0190613	LIFT CYLINDER SUB ASSEMBLY	1	EA
5	0074799	CYL 3.50 9.50 1.75 LEVEL/STEER	1	EA
6	0110942	ADJUSTMENT RING 7.50 ID	1	EA
7	7720302	REDUCER BUSHING (3/8/1/4)	A/R	EA
8	7720201	REDUCER BUSHING 1/4 NPT 1/8 NPT	A/R	EA
9	PNNA	AIR VENT	A/R	EA
10	5065703	FTG ADPTR STRTHD 4B 4S STL	1	EA
11	5037003	FTG ELB90SWVL 4S 4S STL	1	EA
12	5065709	FTG ADPTR STRTHD 8B 8S STL PH	1	EA
13	984449	NUT HEX JAM .625 11	6	EA
14	5035706	ADAPTER 45 DEG ELBOW 8 SAE 8 JIC	1	EA
15	5065705	FTG ADPTR STRTHD 6B 4S STL	2	EA
16	5560022	BLT ADJ .625 11 2.25 GR5 TAP B	6	EA
17	0070472	KEY CENTERPOST ASSY	1	EA
18	0070256	ADAPTER PLATE CENTER POST	1	EA
19	5590003	SNAP RING 4.50 EXT TRUARC 5100 450 3100 450 STPA	2	EA
20	0070033	PIN LOCK 2.00 DIA 2H	1	EA
21	0070442	WLDMT PIN 1.50 5.875 GRIP	1	EA
22	0110235	PIN LOCK 3.50DIA 2H	2	EA
23	0190504	PIN 3.00 X 34.38 GRIP	1	EA

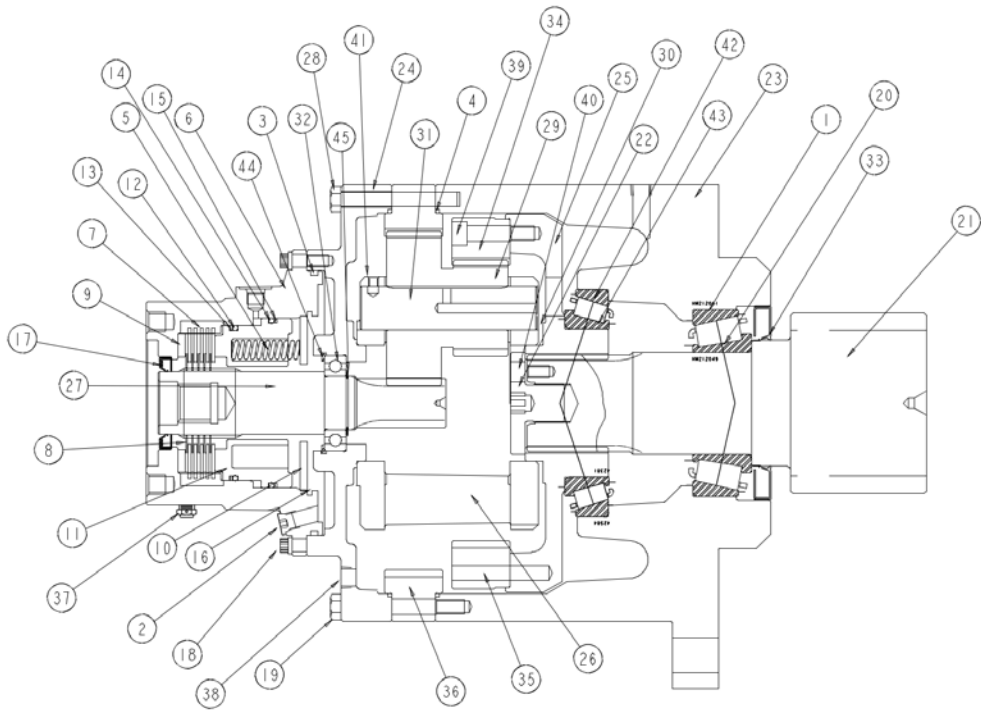
アイテム	部品番号	名前	数量	UOM
24	971379	BLT HEXHD .625 11 X 3.75 SP GR8 ZP	4	EA
25	5560169	WSHR FLAT HARD .625 SP	15	EA
26	5560036	NUT HEX LKG .625 11	4	EA
27	0070473	BLT HEXHD .313 18 .75 DR	2	EA
28	987109	WSHR LOCK .313	2	EA
29	PNNA	.040 DIA SAFETY LOCKWIRE S.S.	AR	EA
30	5560051	BLT HEXHD .625 11 2.00 GR8 SP	4	EA
32	5560100	BLT SKTHD .750 10 2.50 HEX SP	4	EA
33	5560170	WSHR FLAT HARD .750 SP	4	EA
34	0110681	BLT HEXHD .625 11 1.25 DR	4	EA
35	987159	WSHR LOCK .625	4	EA
36	5036903	FTG ELB45SWVL 4S 4S STL	2	EA
37	5036906	COVER	2	EA
38	0191065	LINK 60 DEG. INDICATOR	1	EA
40	0191078	ROD 60 INDICATOR	1	EA
41	5560005	ANCHOR BOLT	1	EA
42	970489	BLT HEXHD .375 16 1.50 GR5 PL	1	EA
43	984109	NUT HEX .375 16	4	EA
44	987119	WSHR LOCK .375	2	EA

REPAIR PARTS



アイテム	部品番号	名前	数量	UOM
	0110837 R	SWING DRIVE PERFECTION MARCH 2015 AND BEFORE		EA
1	0112233	SWING DRIVE	1	EA
2	6030017	MTRTRW ROSS MOTOR SWING DRIVE	1	EA
Not Shown	0071089	SEAL REPAIR KIT, TRW MOTOR	1	EA
Not Shown	8230073	SEAL REPAIR KIT, WHITE MOTOR	1	EA
3	6010216	MOTION CONTROL VALVE, TURNTABLE SWING (VALVE INCLUDES ITEMS 2,3 AND 4)	1	EA
4	0112272	TUBE AND FITTINGS	1	EA
5	0112418	ELBOW 90 °	2	EA
6	0112421	CAPSCREW 1/2 13 X 3 1/2 INCH LONG SOCKET HEAD	2	EA
7	0112422	WASHER 1/2 SPLIT RING LOCK	2	EA
8	0112423	CAPSCREW 5/16 18 X 3 1/2 INCH LONG HEX HEAD GR5	4	EA
9	0112424	WASHER 5/16 MEDIUM LOCK PLATED	4	EA
10	7190005	GASKET, SWING DRIVE MOTOR	1	EA

REPAIR PARTS

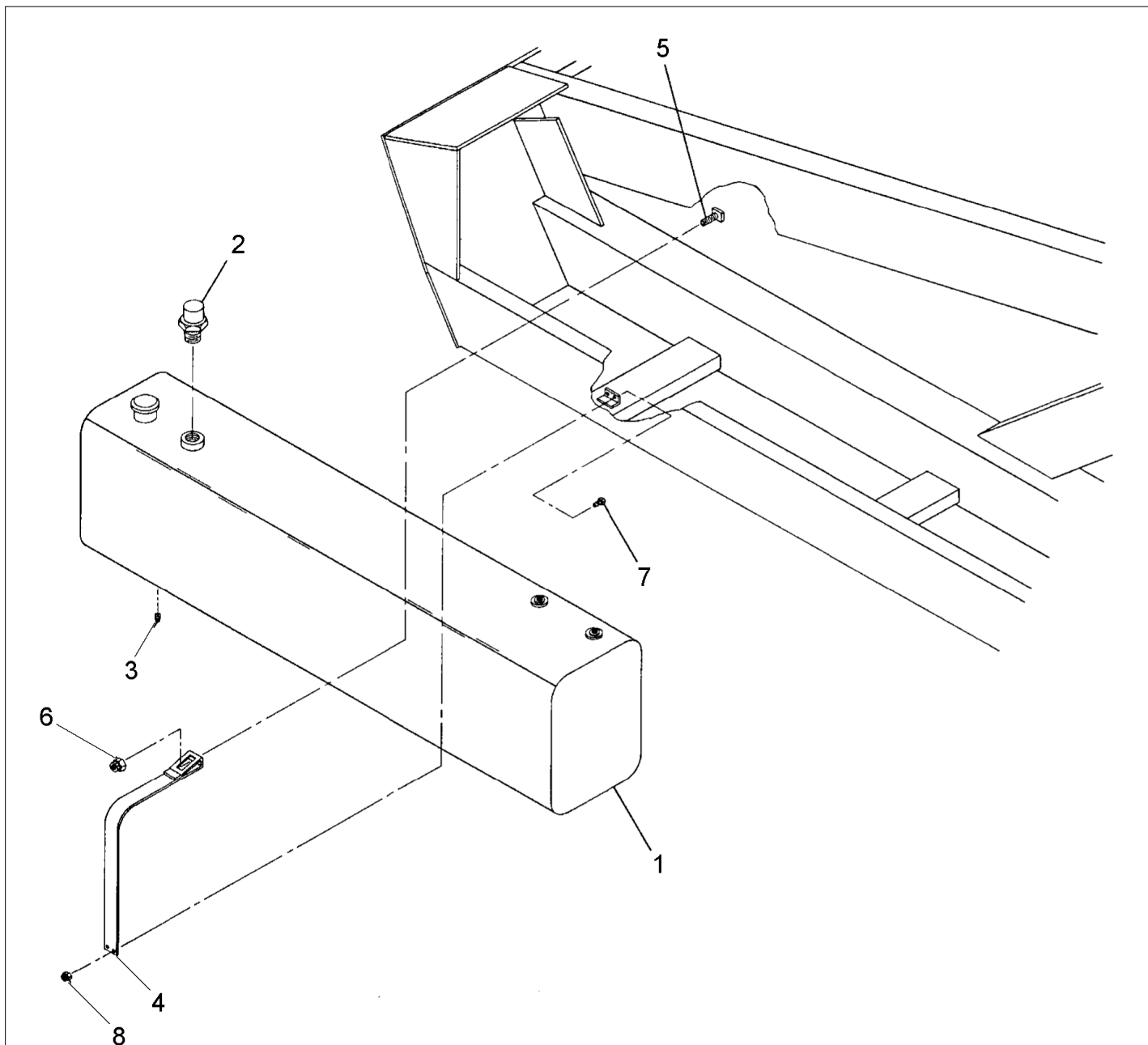


アイテム	部品番号	名前	数量	UOM
	0113341 B	SWING DRIVE AUBURN GEAR WITH BRAKE		EA
1	0172033	BEARING CUP	1	EA
2	0112273	PLUG, O RING	2	EA
3	KIT ITEM	O RING (NOT SOLD SEPARATELY)	1	EA
4	KIT ITEM	O RING (NOT SOLD SEPARATELY)	1	EA
5	0112276	SPRING	11	EA
6	0112277	HOUSING	1	EA
7	0112278	PRESSURE DISC	5	EA
8	0112279	PRESSURE DISC	1	EA
9	0112280	PRESSURE PLATE	1	EA
10	0112281	PRESSURE PLATE	1	EA
11	0112282	BRAKE PISTON	1	EA
12	KIT ITEM	O RING (NOT SOLD SEPARATELY)	1	EA
13	0112284	BACK UP RING	1	EA
14	KIT ITEM	O RING (NOT SOLD SEPARATELY)	1	EA
15	0112286	BACK UP RING	1	EA
16	0112292	SNAP RING, INTERNAL	1	EA
17	KIT ITEM	OIL SEAL (NOT SOLD SEPARATELY)	1	EA
18	0112287	CAPSCREW 5/16 18 X 7/8	8	EA
19	0112288	CAPSCREW 3/8 16 X 3	8	EA
20	0112289	BEARING CONE	1	EA
21	0112290	PINION	1	EA
22	0112297	INPUT PINION	1	EA
23	0112293	HOUSING	1	EA
24	0112294	BRAKE ADAPTER	1	EA
25	0112295	DRIVE WEB	1	EA



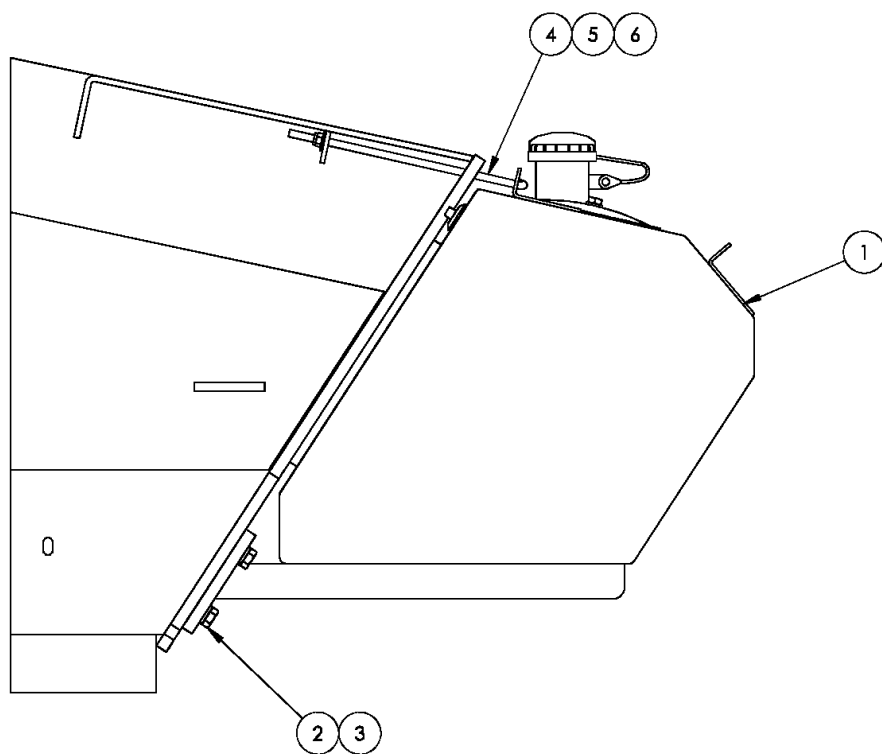
アイテム	部品番号	名前	数量	UOM
26	0112296	CARRIER	1	EA
27	0112297	INPUT PINION	1	EA
28	0112298	3/8 X 3 in SHSB	4	EA
29	0112299	PLANET GEAR	3	EA
30	0112300	THRUST WASHER	1	EA
31	0112301	IDLER PIN	3	EA
32	0112303	BALL BEARING	1	EA
33	KIT ITEM	OIL SEAL (NOT SOLD SEPARATELY)	1	EA
34	0112304	ROLL PIN 3/8 ID X 2	3	EA
35	0112305	RING GEAR, 72 TEETH	1	EA
36	0112306	RING GEAR, 87 TEETH	1	EA
37	0172053	PRESSURE VENT PLUG	1	EA
38	0172050	PIPE PLUG	2	EA
39	0112308	CAPSCREW 3/8 16 X 1 1/2	12	EA
40	0112309	CAPSCREW 5/16 18 X 1/2	1	EA
41	0112310	CAPSCREW 1/4 20 X 1/2	3	EA
42	0112311	BEARING CUP	1	EA
43	0112312	BEARING CONE	1	EA
44	0112313	SNAP RING, INTERNAL	1	EA
45	0112314	SNAP RING, EXTERNAL	1	EA

REPAIR PARTS



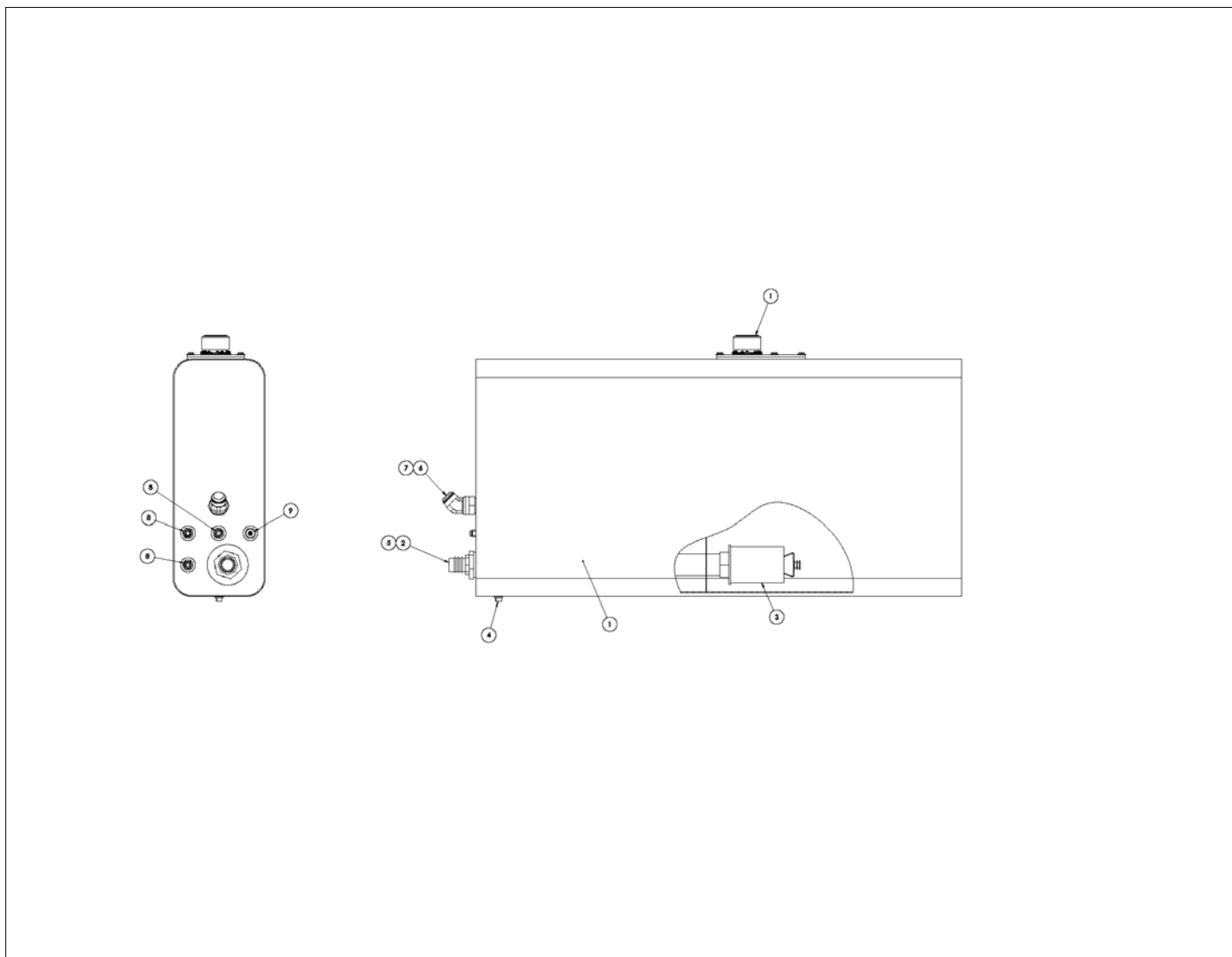
アイテム	部品番号	名前	数量	UOM
	0170798 C	FUEL TANK INSTALLATION DECEMBER 2007 AND BEFORE		EA
1	0080030	FUEL TANK, 40 GALLON CAPACITY	1	EA
Not Shown	9940001	FUEL TANK CAP – BEFORE SEPTEMBER 2010	1	EA
2	0070483	Fuel Gauge, 375mm (14.75")	1	EA
Not Shown	8180014	REPLACEMENT GAUGE LENS	1	EA
3	7714202	PIPE PLUG, 1/4" NPT SQ HD GALV	1	EA
4	0071940	STRAP FUEL TANK	1	EA
5	0191002	ROD (NOTE I)	2	EA
6	5560033	.375 16UNC HEX LOCK NUT	2	EA
7	970049	BLT HEXHD .250 20 1.00 GR5 GRADE 5 PLT SAME AS 970189	4	EA
8	5560004	NUT LKG .250 20	4	EA

REPAIR PARTS



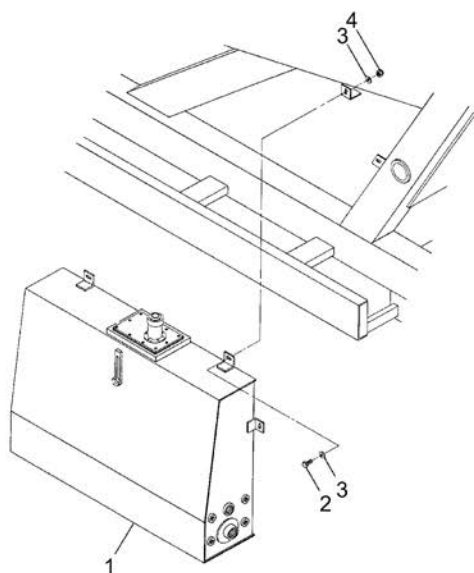
アイテム	部品番号	名前	数量	UOM
	A19021B B	FUEL TANK INSTALLATION T3 JANUARY 2017 AND AFTER		EA
1	0192661	TANK FUEL STEEL 45 GAL	1	EA
2	970849	BLT HEXHD .500 13 1.25 GR5	8	EA
3	987139	WSHR LOCK .500	8	EA
4	3050004	BLT BTRY HLDN .313 18 X 10.00 (J BOLT)	2	EA
5	986269	WSHR FLAT .313	2	EA
6	5560031	NUT HEX LKG .313 18	2	EA

REPAIR PARTS

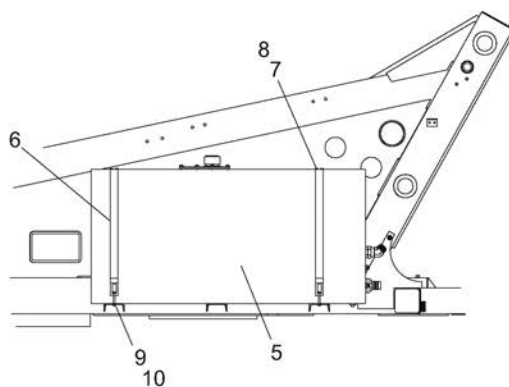


アイテム	部品番号	名前	数量	UOM
*	0191756 C	HYDRAULIC OIL RESERVOIR ASSEMBLY PLASTIC COWLING		EA
1	0191755	HYDRAULIC OIL RESERVOIR	1	EA
2	5037305	FTG ADPTR MALE 24N 24H STL 018	1	EA
3	5080018	STRAINER SUCTION	1	EA
4	7714204	PIPE PLUG1/2 in NPT SQ.HD BLK.	1	EA
5	7721612	REDUCER BUSHING 2X1 1/2 HEX HD	1	EA
6	5036911	FTG ELB45SWVL 20S 20S STL	1	EA
7	5065721	FTG ADPTR STRTHD 20B 20S STL P	1	EA
8	5065709	FTG ADPTR STRTHD 8B 8S STL PH	3	EA
9	5065732	FTG ADPTR STRTHD 8B 4S STL PH	1	EA

REPAIR PARTS



Reservoir mounting, metal cowling

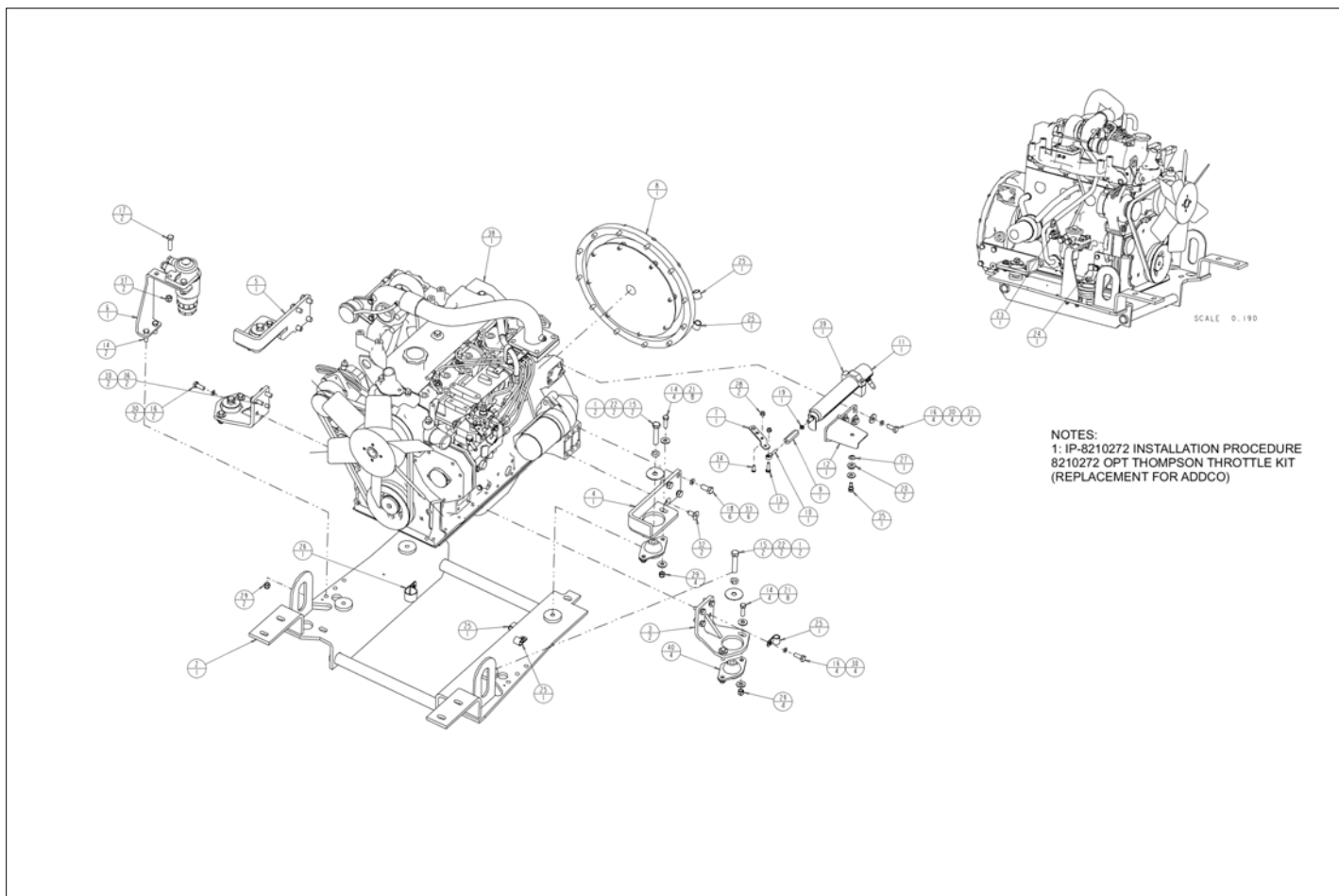


Reservoir mounting, plastic cowling



アイテム	部品番号	名前	数量	UOM
	M00288	HYDRAULIC RESERVIOR MOUNTING METAL COWLING PLASTIC COWLING		EA
1	0190795	HYDRAULIC OIL RESERVOIR, METAL COWLING	1	EA
2	970479	CAPSCREW HEXHD 3/8 16 X 1.25 GR5	4	EA
3	986299	WASHER, FLAT, .375 STANDARD, PLATED	8	EA
4	5560033	.375 16UNC HEX LOCK NUT	6	EA
5	0191756	HYDRAULIC OIL RESERVOIR, PLASTIC COWLING	1	EA
6	0110356	MOUNT STRAP, HYDRAULIC OIL RESERVOIR	2	EA
7	970029	BLT .25 20 .750	4	EA
8	5560004	NUT LKG .250 20	4	EA
9	970529	BLT HEXHD .375 16 2.50 GR5 PLTD	2	EA
10	*	TIRE AND WHEEL ASSEMBLY GNM OTR		EA

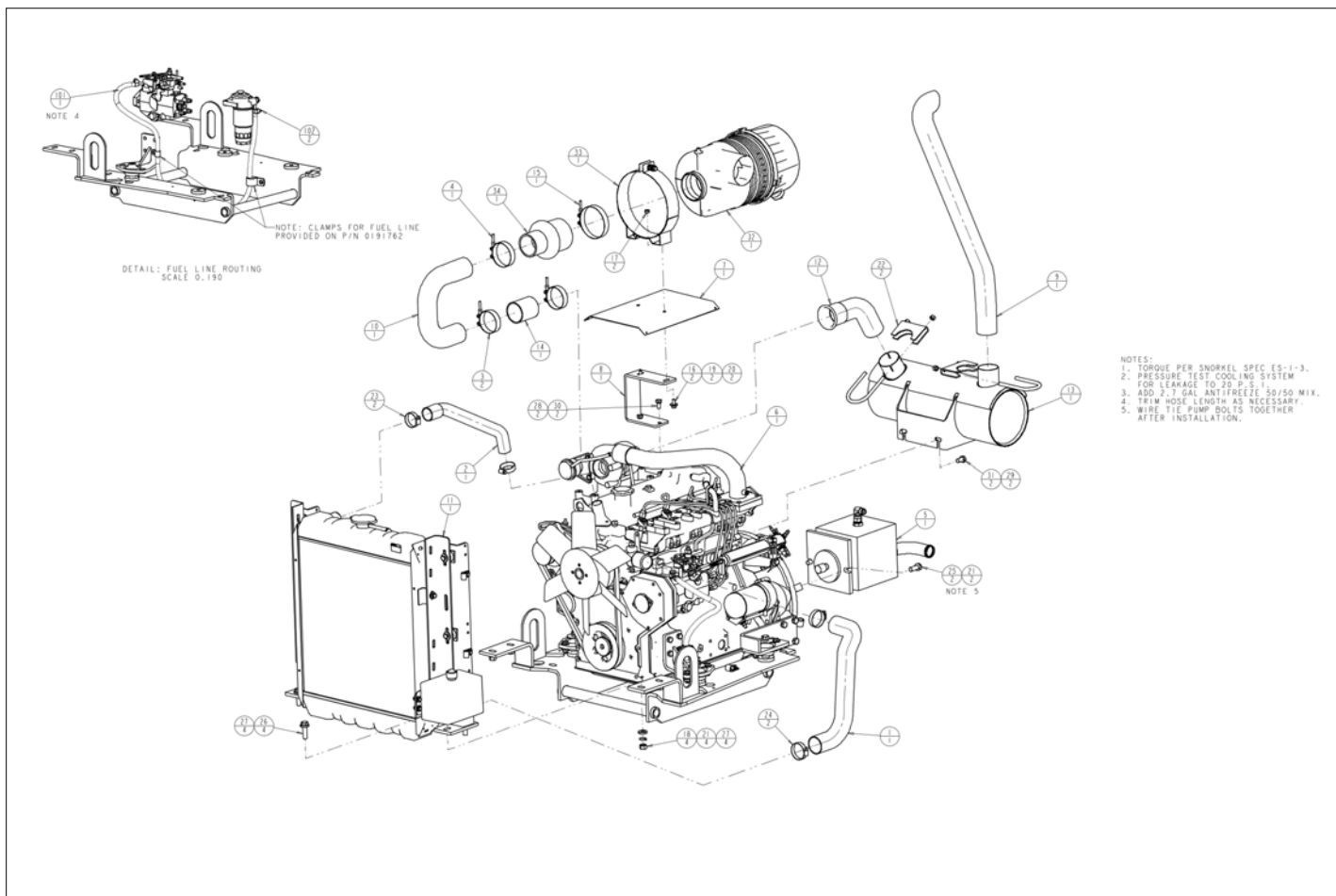
REPAIR PARTS



アイテム	部品番号	名前	数量	UOM
*	0191762 H	ENGINE CUMMINS 3.3 TURBO 85HP TRAY ASSEMBLY		EA
1	0070148	WASHER SPCL .531 X 2 X .06	4	EA
2	0074615	WELDMENT ENG TRAY	1	EA
3	0074622	WELDMENT FRONT BRACKET	2	EA
4	0074625	WELDMENT LEFT REAR BRACKET	1	EA
5	0074628	WELDMENT RIGHT REAR BRACKET	1	EA
6	0074972	BRKT FUEL FILTER (CU)	1	EA
7	0083155	THROTTLE LEVER EXTENSION	1	EA
8	0083437	KIT HAYES CU CPLR / FLYWHEEL	1	EA
9	0083586	THROTTLE ACTUATOR COUPLER	1	EA
10	0083587	ROD END LEFT HAND THREADS	1	EA
11	0162698	ACTUATOR SUB ASSEMBLY	1	EA
12	0191876	BRKT THROTTLE ACTUATOR	1	EA
13	970049	BLT HEXHD .250 20 1.00 GR5 GRADE 5 PLT SAME AS 970189	1	EA
14	972479	BLT HEXHD .375 16 1.25 GR5	10	EA
15	970949	BLT HEXHD .500 13 2.50 GR5 PLATED	4	EA
16	972019	BLT HEXHD M10 1.5 X 25MM	10	EA
17	972049	BOLT 10MM 1.50P 40MM GR8	2	EA
18	972059	BLT 12MM 1.75P 25MM CL8.8	6	EA
19	984329	NUT HEX JAM .250 20	1	EA
20	986269	WSHR FLAT .313	2	EA
21	986299	WASHER, FLAT, .375 STANDARD, PLATED	16	EA
22	987139	WSHR LOCK .500	4	EA
23	3020095	SWITCH PRESSURE 6 PSI	1	EA
24	5093002	CLAMP .562 AEROQUIP HOSE SUPPORT	1	EA

アイテム	部品番号	名前	数量	UOM
25	5093021	CLP CUSH .625 VINYL COATED	5	EA
26	5093024	CLAMP	1	EA
27	5530017	WSHR SPRING CRV .375	1	EA
28	5560004	NUT LKG .250 20	2	EA
29	5560033	.375 16UNC HEX LOCK NUT	10	EA
30	5560356	WSHR LOCK 10	12	EA
31	5560364	WSHR FLAT 10	4	EA
32	5560598	BOLT FLSKTHD M12 25.0	2	EA
33	5560614	LOCK WASHER M12	6	EA
34	5560615	BLT BTNHD .250 20 .625 GR 5 CR	1	EA
35	5560618	BLT SKTHD SHLDR .375 .375 HEX .313 18 .500 GR8	1	EA
36	5560626	BLT HEXHD M10 1.5 X 30MM GR8	2	EA
37	5560719	NUT HEX LKG M 10 1.50 GR 8.8	2	EA
38	7620063	ENGINE CUMMINS 3.3 TURBO 85HP	1	EA
39	7630323	CLAMP ACTUATOR	1	EA
40	7630707	ENGINE ISOLATOR	4	EA

REPAIR PARTS



アイテム	部品番号	名前	数量	UOM
*	0191763 E	ENGINE CUMMINS 3.3 TURBO 85HP SUB ASSEMBLY		EA
1	0074684	HOSE LOWER RAD CU 3.3	1	EA
2	0074685	HOSE LOWER RAD CU 3.3	1	EA
3	0083165	CLAMP T BOLT 2.75 NOM	2	EA
4	0083544	CLAMP T BOLT 3.00 NOM	1	EA
5	0191326	PUMP SUB ASSY	1	EA
6	0191762	ASSY ENGINE TRAY (CU) TURBO	1	EA
7	0191765	HEAT SHIELD	1	EA
8	0191766	MT AIR CLEANER CU 3.3 TURBO	1	EA
9	0191767	TAIL PIPE CU 3.3 TURBO	1	EA
10	0191768	180 DEG ELB	1	EA
11	0191769	ASSY RADIATOR	1	EA
12	0191771	EXHAUST PIPE	1	EA
13	0191772	MUFFLER ASSY TURBO 511 CFM CU 3.3 TURBO	1	EA
14	0191835	ADPTR HOSE AIR INTAKE	1	EA
15	0191883	CLP T BOLT 4.00 NOM	1	EA
16	970239	BLT HEXHD .313 18 .750 GR5	2	EA
17	984089	NUT HEX .313 18	2	EA
18	984149	NUT, .500 13	4	EA
19	986269	WSHR FLAT .313	2	EA
20	987109	WSHR LOCK .313	2	EA
21	987139	WSHR LOCK .500	6	EA
22	5550026	EXHAUST CLAMP	2	EA
23	5550038	CLP WORM DRV 1.25 2.25 SAE#28	2	EA
24	5550040	CLP WORM DRV 2.00 3.00 SAE#40	2	EA

アイテム	部品番号	名前	数量	UOM
25	5560136	HEX HEAD CAP SCREW, DRILLED, .500 13 UNIFIED NATIONAL COURSE, STEEL, GR 5, 1.25 LG.	2	EA
26	5560154	BLT HEXHD LKG .500 13 1.75 GR8	4	EA
27	5560168	WSHR FLAT HARD .500 SP	8	EA
28	5560356	WSHR LOCK 10	2	EA
29	5560614	LOCK WASHER M12	2	EA
30	5560625	BOLT 10MM 1.50P 20MM	2	EA
31	058494 020	BOLT,HEXSETSCREW DIN933 M12 X 2.0 8.8 ZIN	2	EA
32	7630757	AIR CLEANER NELSON 8 in	1	EA
33	7630760	MTG BRKT ASSY	1	EA
34	7630761	RDCR HOSE 3.5 2.5	1	EA
101	5010005	HOSE .38 831 6 RL PUSH LOCK	5.00 FT	EA
102	5550006	CLP WORM DRV .38 .88 SAE#6	2	EA

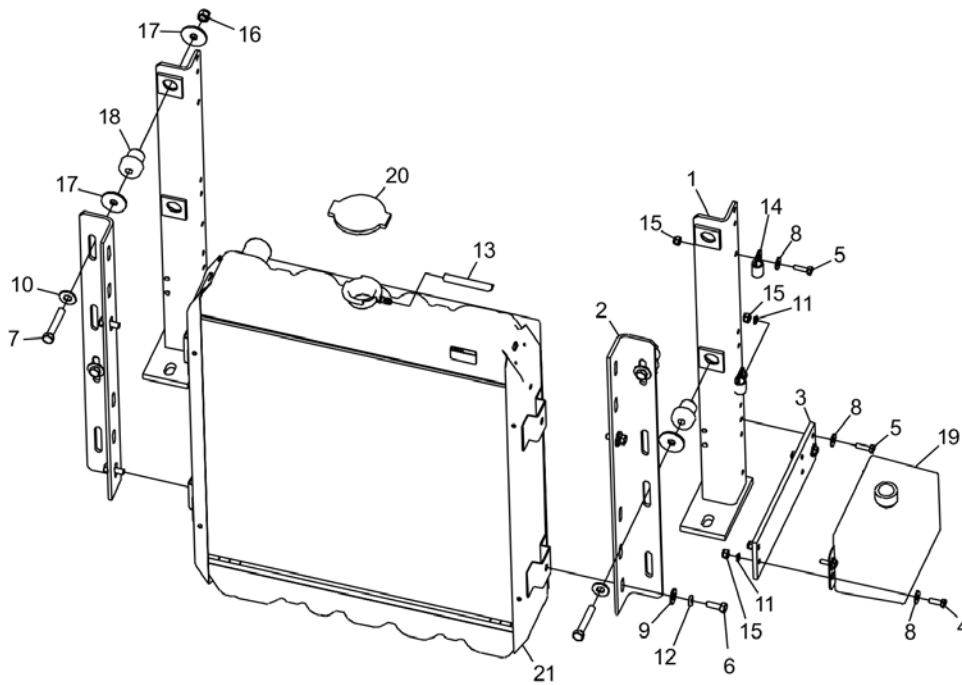
REPAIR PARTS

**NO IMAGE AVAILABLE  
(BOM FOR REFERENCE ONLY)**



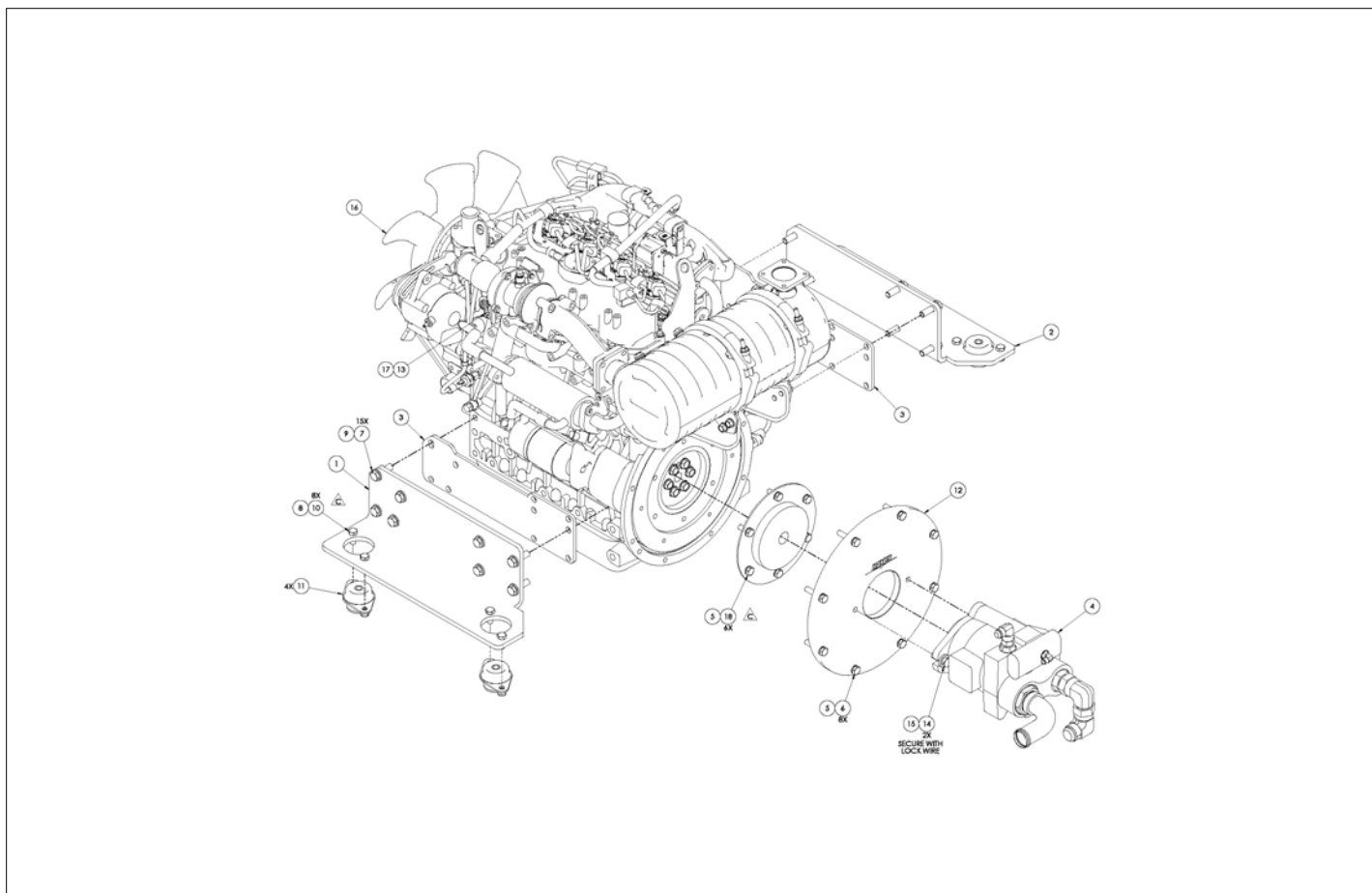
アイテム	部品番号	名前	数量	UOM
*	7620063 D	ENGINE CUMMINS 3.3 TURBO 85HP REPLACEMENT PARTS		EA
1	7630772	GASKET VALVE COVER CU B3.3 CUM	1	EA
2	7630773	ELEMENT AIR FLTR OUTER CU B3.3	1	EA
3	7630774	ELEMENT AIR FLTR INNER CU B3.3	1	EA
4	8036201	REPLACEMENT FUEL FILTER	1	EA
4	8036204	REPLACEMENT OIL FILTER	1	EA

REPAIR PARTS



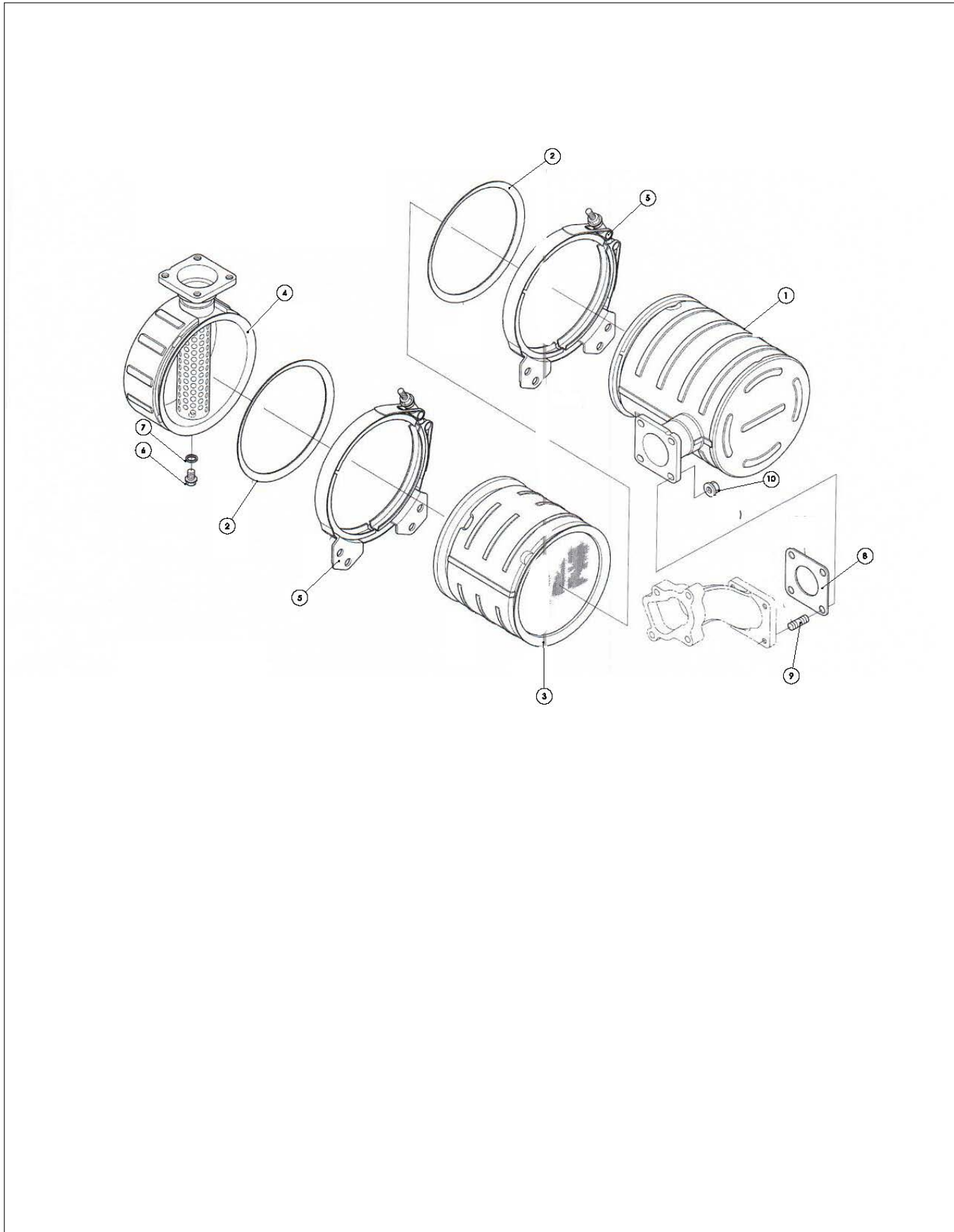
アイテム	部品番号	名前	数量	UOM
*	0191769 C	RADIATOR MOUNTING CUMMINS TIER 3 CUMMINS WITH TURBO GM		EA
1	0074630	BRACKET RADIATOR	2	EA
2	0083153	ANGLE RADIATOR MOUNT	2	EA
3	0191782	BRKT OVERFLOW BOTTLE	1	EA
4	970029	BLT .25 20 .750	4	EA
5	970039	BLT HEXHD .250 20 .875 LKG	4	EA
6	970249	BLT HEXHD .313 18 .875 GR5	4	EA
7	970519	CAPSCREW 3/8 16 X 2 1/4" LG H.H.	4	EA
8	986019	WSHR FLAT .250	8	EA
9	986269	WSHR FLAT .313	4	EA
10	986299	WASHER, FLAT, .375 STANDARD, PLATED	4	EA
11	987099	WSHR LOCK .250	6	EA
12	987109	WSHR LOCK .313	4	EA
13	5010011	HOSE SAE30R2 05 .312 FUEL	1	EA
14	5093001	CLP CUSH .500 VINYL COATED	2	EA
15	5560004	NUT LKG .250 20	8	EA
16	5560033	.375 16UNC HEX LOCK NUT	4	EA
17	5560179	Flat Washer Special	8	EA
18	7630180	RADIATOR CUSHION	4	EA
19	7630227	OVERFLOW BOTTLE 2QT	1	EA
Not Shown	8060277	REPLACEMENT CAP	1	EA
20	1431994	RADIATOR CAP	1	EA
21	7630756 001	RADIATOR	1	EA

REPAIR PARTS



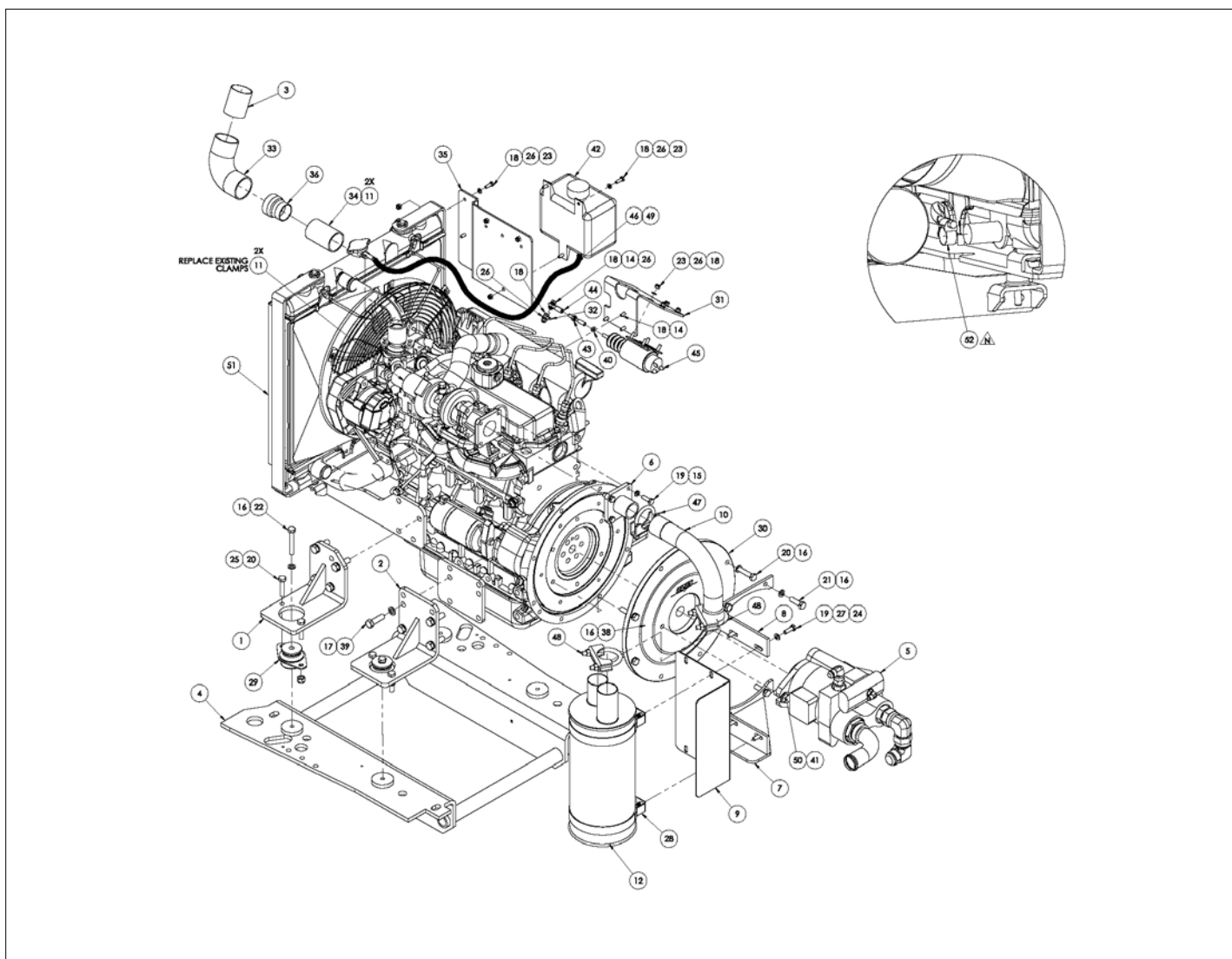
アイテム	部品番号	名前	数量	UOM
*	0192652C	ENGINE KUBOTA V2403 CR TIER4B		EA
1	0113802	BRKT LEFT ENGINE MOUNT KU T4F	1	EA
2	0113803	BRKT RIGHT ENGINE MOUNT KU T4F	1	EA
3	0113805	PLT ENGINE SPACER KU T4F	2	EA
4	0191326	PUMP SUB ASSY	1	EA
5	056021 010	Washer, SpringWasher DIN127B M	14	EA
6	056060 045	Bolt, HexBolt DIN931 M10 x 45mm 8.8 ZincPlated	8	EA
7	513133 040	BOLT HEXHD M12X1.25X40MM DIN 960	15	EA
8	056066 010	Nut, NylockNut DIN985 M10 8.0ZincPlated	8	EA
9	056069 012	WASHER DIN125A M12 ZP	15	EA
10	058493 025	HHCS M10 X 25MM GR10.9 DIN933	8	EA
11	100209 000	ISOLATOR ENGINE	4	EA
12	104703 000	HOUSING ADAPTER KIT AB62 POLARIS HAYES	1	EA
13	5090032	FITTING BARBED 1/4" NPT X 3/16" BRASS	1	EA
14	5560136	HEX HEAD CAP SCREW, DRILLED, .500 13 UNIFIED NATIONAL COURSE, STEEL, GR 5, 1.25 LG.	2	EA
15	5560168	WSHR FLAT HARD .500 SP	2	EA
16	7624796	V2403 CR TIER 4B KUBOTA ENGINE REPLACEMENT PARTS	1	EA
17	7714535	FTG REDUCER BSHG 6N 4N BR	1	EA
18	510587 025	BLT HEXSETSCREW DIN961 M10 X 1.25X	6	EA

REPAIR PARTS



アイテム	部品番号	名前	数量	UOM
*	7624796 MUFFLER	ENGINE KUBOTA V2403 CR TIER 4B DIESEL OXIDATION CATALYST MUFFLER		EA
1	7631213	CATALYST KIT	1	EA
2	7631214	GASKET	2	EA
3	7631215	CATALYST, KIT	1	EA
4	7631216	BODY, KIT	1	EA
5	7631218	BRACKET (V BAND DPF)	1	EA
6	7631207	BOLT FLANGE	2	EA
7	7631208	PACKING	1	EA
8	7631221	GASKET, MUFFLER	1	EA
9	7631222	BOLT, STUD	1	EA
10	7631223	NUT, FLANGE	1	EA

REPAIR PARTS





アイテム	部品番号	名前	数量	UOM
	0192554 N	ENGINE SUB ASSEMBLY KUBOTA V2403 T4F AUGUST 2017 AND BEFORE		EA
1	0075737	WLDMT, ENGINE BRACKET FRONT	2	EA
2	0075738	WLDMT, ENGINE MOUNT REAR	2	EA
3	0075743	AIR INLET PIPE, 2"OD X 2.5"LG	1	EA
4	0075745	WLDMT, KU ENGINE MOUNT	1	EA
5	0191326	PUMP SUB ASSY	1	EA
6	0192561	BRACKET, EXHAUST FLANGE KU	1	EA
7	0192562	WELDMENT, EXHAUST BRACKET KU	1	EA
8	0192563	BRACKET, EXHAUST KU, TOP	1	EA
9	0192566	HEAT SHIELD, KU EXHAUST	1	EA
10	0192568	PIPE, EXHAUST KU	1	EA
11	020541 013	HOSE CLAMP 1".313 2".25	4	EA
12	0260856	WLDMT WALKER MUFFLER	1	EA
Not Shown	0421796	REAR MOTOR MOUNT ENGINE PAD	2	EA
14	056021 006	WASHER SPRING WASHER M6 DIN 127B GR8.8 ZP	5	EA
15	056021 008	Washer SpringWasher DIN127B M8	4	EA
16	056021 010	Washer, SpringWasher DIN127B M	18	EA
17	056021 012	Washer, SpringWasher DIN127B M	15	EA
18	056058 018	BOLT, HEXBOLT DIN 931 M6 X 16MM 8.8 ZP	14	EA
19	058492 025	BOLT HEXSETSCREW DIN933 M8 X 25MM 8.8 ZP	8	EA
20	056060 045	Bolt, HexBolt DIN931 M10 x 45mm 8.8 ZincPlated	12	EA
21	056060 035	BOLTHEXBOLT DIN 931 M10 X 35MM 8.8 ZP	4	EA

アイテム	部品番号	名前	数量	UOM
22	056060 065	Bolt, HexBolt DIN931 M10 x 65mm 8.8 ZincPlated	4	EA
23	056066 006	Nut NylockNut DIN985 M6 8.0 Zi	10	EA
24	056066 008	NUT NYLOCKNUT DIN985 M8 8.0 ZP	4	EA
25	056066 010	Nut, NylockNut DIN985 M10 8.0ZincPlated	8	EA
26	056069 006	WSHR STEELFLATWSHE M6 DIN125A	12	EA
27	056069 008	WASHER, STEELFLATWASHER DIN12M8 FLAT WASHER DIN 125	4	EA
28	100180 041	CLAMP, MUFFLER #P00235 1	2	EA
29	100209 000	ISOLATOR ENGINE	4	EA
30	104703 000	HOUSING ADAPTER KIT AB62 POLARIS HAYES	1	EA
31	104737 000	THROTTLE BRACKET	1	EA
32	104744 000	THROTTLE LINKAGE WELDMENT	2	EA
33	104754 000	90 ° ELBOW 2INCH ID	1	EA
34	0113905	INTAKE HOSE 1.75 ID X 3" LONG	1	EA
35	104883 000	OVER FLOW BOTTLE BRKT	1	EA
36	106960 001	REDUCER METAL INTAKE 1.625" OD X 2" OD	1	EA
Not Shown	3028812	TEMP SWITCH .375 NPT M SPST NC	1	EA
38	510587 025	BLT HEXSETSCREW DIN961 M10 X 1.25X	6	EA
39	513133 040	BOLT HEXHD M12X1.25X40MM DIN 960	15	EA
40	984339	NUT HEX JAM .250 28	1	EA
41	5560168	WSHR FLAT HARD .500 SP	2	EA
42	1430527	FLUID RESERVOIR	1	EA
43	2650001	Swivel Inline	1	EA
44	2690004	Rod End	1	EA

アイテム	部品番号	名前	数量	UOM
45	3040174	SOLENOID, THROTTLE	1	EA
46	5010011	HOSE SAE30R2 05 .312 FUEL	2	EA
47	5550005	CLP EXH 1.75	1	EA
48	5550007	CLP MUFFLER 1.88 .375 16 HVY	2	EA
49	5550028	CLP WORM DRV .25 .63 .31 BAND	2	EA
50	5560136	HEX HEAD CAP SCREW, DRILLED, .500 13 UNIFIED NATIONAL COURSE, STEEL, GR 5, 1.25 LG.	2	EA
51	7624794	V2403 M T E3B KEA 2F KUBOTA ENGINE WITH RADIATOR REPLACEMENT PARTS	1	EA
52	5550010	CLP WORM DRV .50 1.06 SAE#10	1	EA

REPAIR PARTS



NO IMAGE AVAILABLE  
(BOM FOR REFERENCE ONLY)

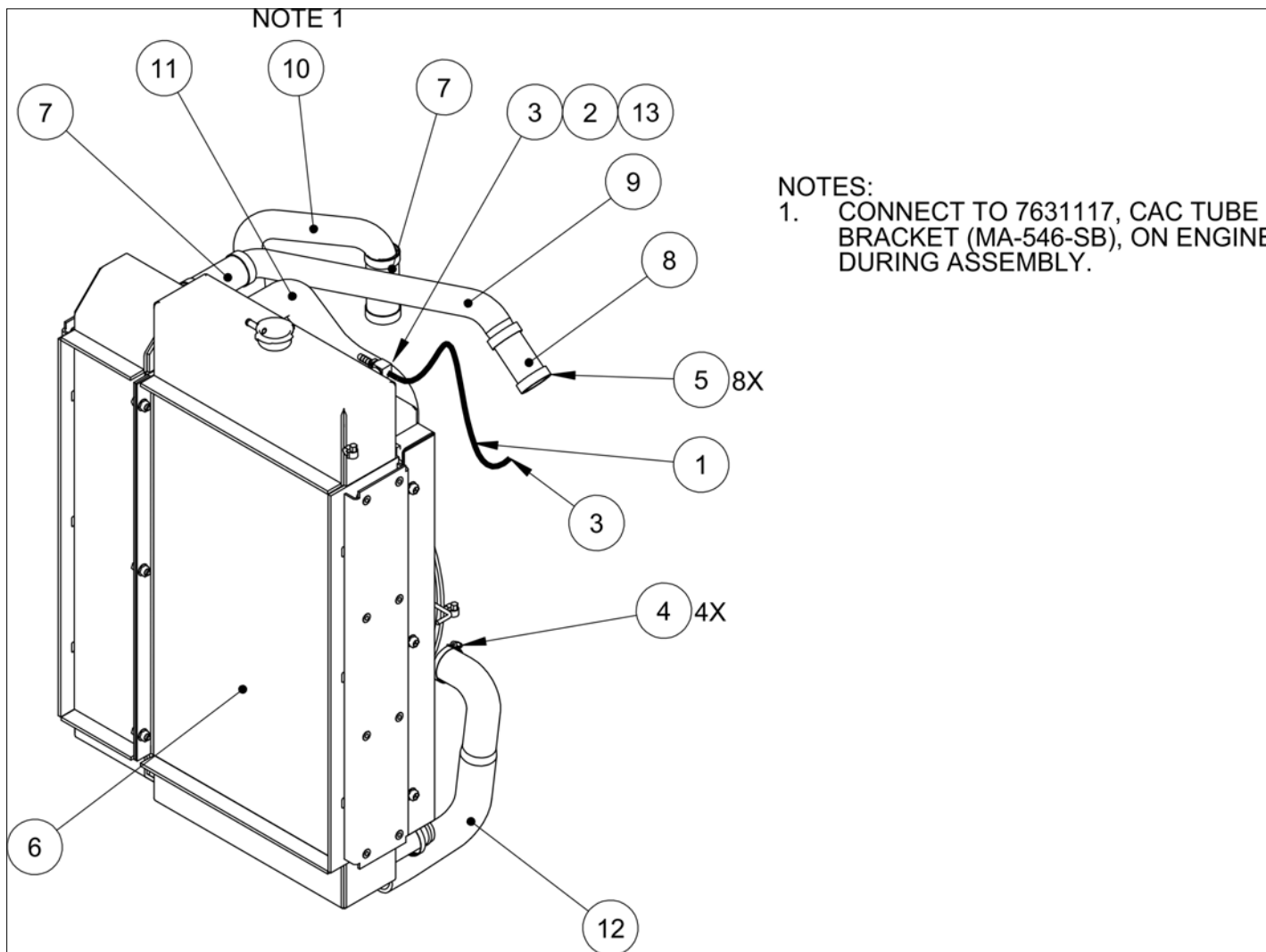
アイテム	部品番号	名前	数量	UOM
	7624796	V2403 CR TIER 4B KUBOTA ENGINE REPLACEMENT PARTS		EA
1	7631293	CLAMP HOSE	1	EA
2	7631294	BAND HOSE	1	EA
3	7631295	BAND CLAMP	1	EA
4	7631297	UPPER HOUSING COVER	1	EA
5	7631319	TURBO GASKET	1	EA
6	7631332	GAUGE ENG OIL	1	EA
7	7631337	COMP FLANGE WATER	1	EA
8	7631344	ASSY PUMP WATER	1	EA
9	7631345	ASSY PUMP FUEL	1	EA
10	7631351	ASSY THERMOSTAT	1	EA
11	7631353	COLLOR FAN	1	EA
12	7631354	TURBO GASKET	1	EA
13	7631355	MANIFOLD EXHAUST	1	EA
14	7631356	TUBE	1	EA
15	7631357	HOSE	1	EA
16	7631358	HOSE	1	EA
17	7631359	TURBO CHARGER ASSY	1	EA
18	7631360	PIPE ASSY	1	EA
19	7631361	PIPE COMP	1	EA
20	7631362	GASKET ENG OIL	1	EA
21	7631369	AIR FILTER BRACKET	1	EA

REPAIR PARTS

NO IMAGE AVAILABLE  
(BOM FOR REFERENCE ONLY)

アイテム	部品番号	名前	数量	UOM
	7624794	V2403 M T E3B KEA 2F KUBOTA ENGINE WITH RADIATOR REPLACEMENT PARTS		EA
1	7631292	O RING	1	EA
2	7631295	BAND CLAMP	1	EA
3	7631307	PIPE WATER RETURN	1	EA
4	7631318	BAND PIPE	1	EA
5	7631327	RAIDATOR HOSE LOWER	1	EA
6	7631329	PUMP FUEL	1	EA
7	7631331	ASSY FUEL FILTER	1	EA
8	7631333	GASKET THERMOSTAT	1	EA
9	7631334	THERMOSTAT ASSY	1	EA
10	7631335	PIPE WATER RETURN	1	EA
11	7631336	GASKET WATER PUMP	1	EA
12	7631338	GASKET EX MANIFOLD	1	EA
13	763133.9	GASKET EX MANIFOLD	1	EA
14	7631342	MANIFOLD EXHAUST	1	EA
15	7631344	ASSY PUMP WATER	1	EA
16	7631349	GASKET	1	EA
17	7631350	FLANGE COMP WATER	1	EA
18	7631352	ASSY TURBO CHARGER	1	EA
19	7631362	GASKET ENG OIL	1	EA
20	7631364	RADIATOR	1	EA
21	7631365	RADIATOR SHROUD	1	EA
22	7630948	OIL DRAIN PLUG	1	EA
23	104673 105	FAN BELT	1	EA
24	0260466	THERMOSTAT GASKET	1	EA
25	067614 023	OIL PRESSURE SWITCH		EA

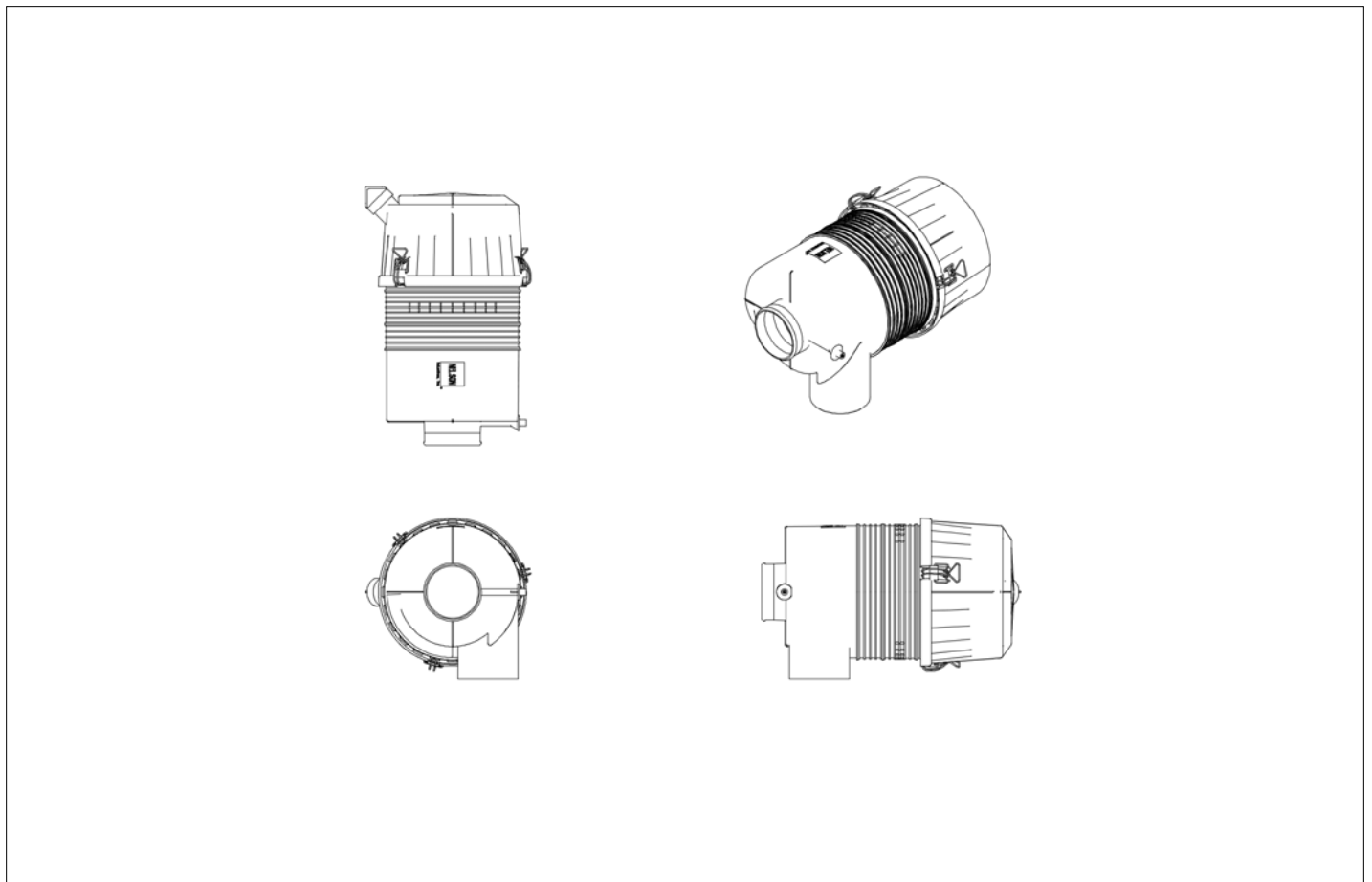
REPAIR PARTS





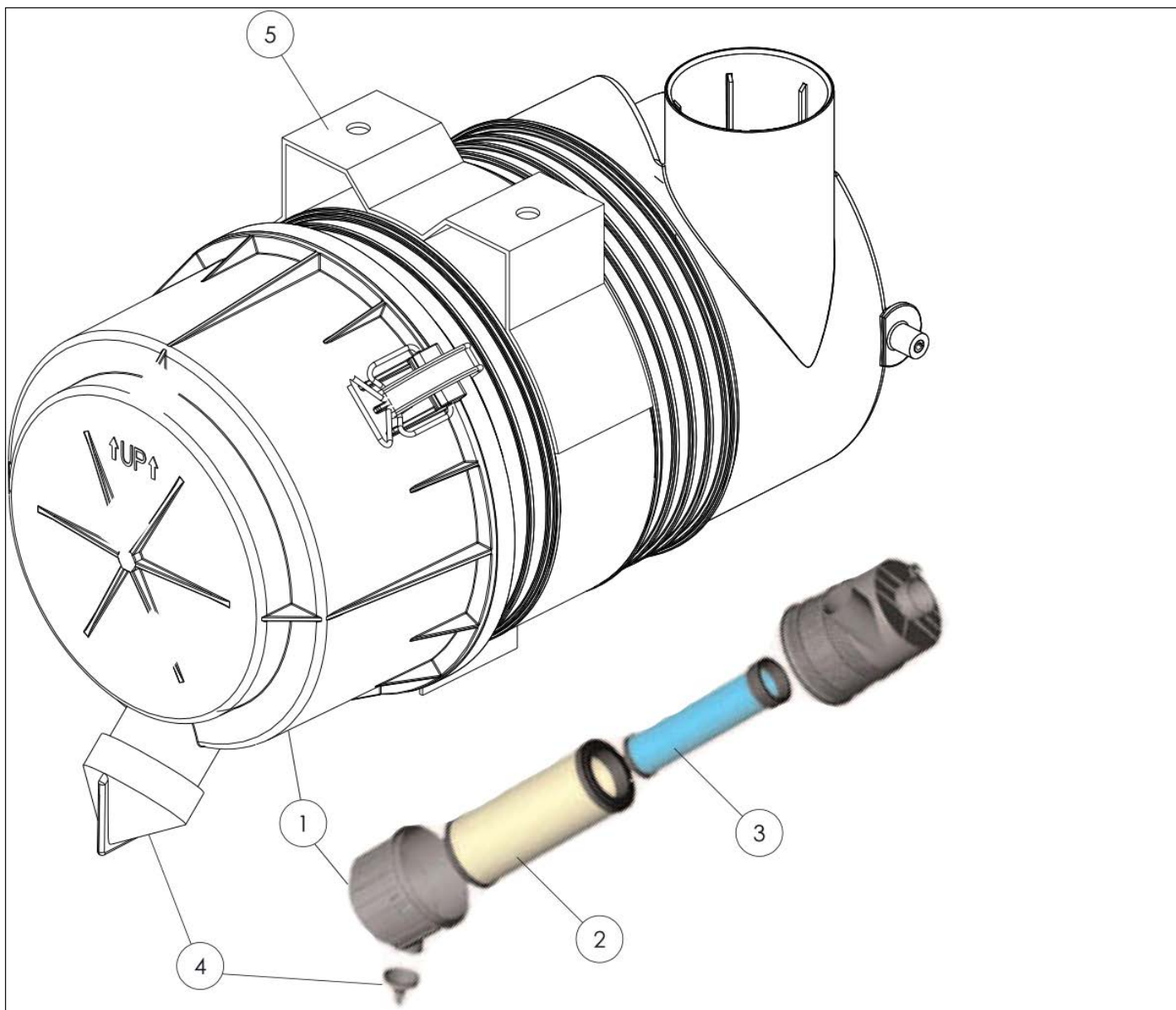
アイテム	部品番号	名前	数量	UOM
	7631088 G	COOLING SYSTEM KUBOTA V2403 CR T1 SEPTEMBER 2017 AND AFTER		EA
1	5010011	HOSE SAE30R2 05 .312 FUEL	2	EA
2	5090032	FITTING BARBED 1/4" NPT X 3/16" BRASS	1	EA
3	5550028	CLP WORM DRV .25 .63 .31 BAND	2	EA
4	5550038	CLP WORM DRV 1.25 2.25 SAE#28	4	EA
5	5554379	CLAMP CHARGE AIR PIPES	8	EA
6	7631077	RADIATOR W/CAC	1	EA
7	7631078	RUBBER SLEEVE 1.5" X 4"	3	EA
8	7631079	RUBBER SLEEVE 1.375" X 4"	1	EA
9	7631080	TUBE TURBO TO CAC	1	EA
10	7631081	TUBE CAC TO INTAKE	1	EA
11	7631082	HOSE UPPER RAD	1	EA
12	7631083	HOSE LOWER RAD	1	EA
13	5090033	ADAPTER 90 ° ELBOW 1/4 NPT TO 1/4 ENPT	1	EA

REPAIR PARTS



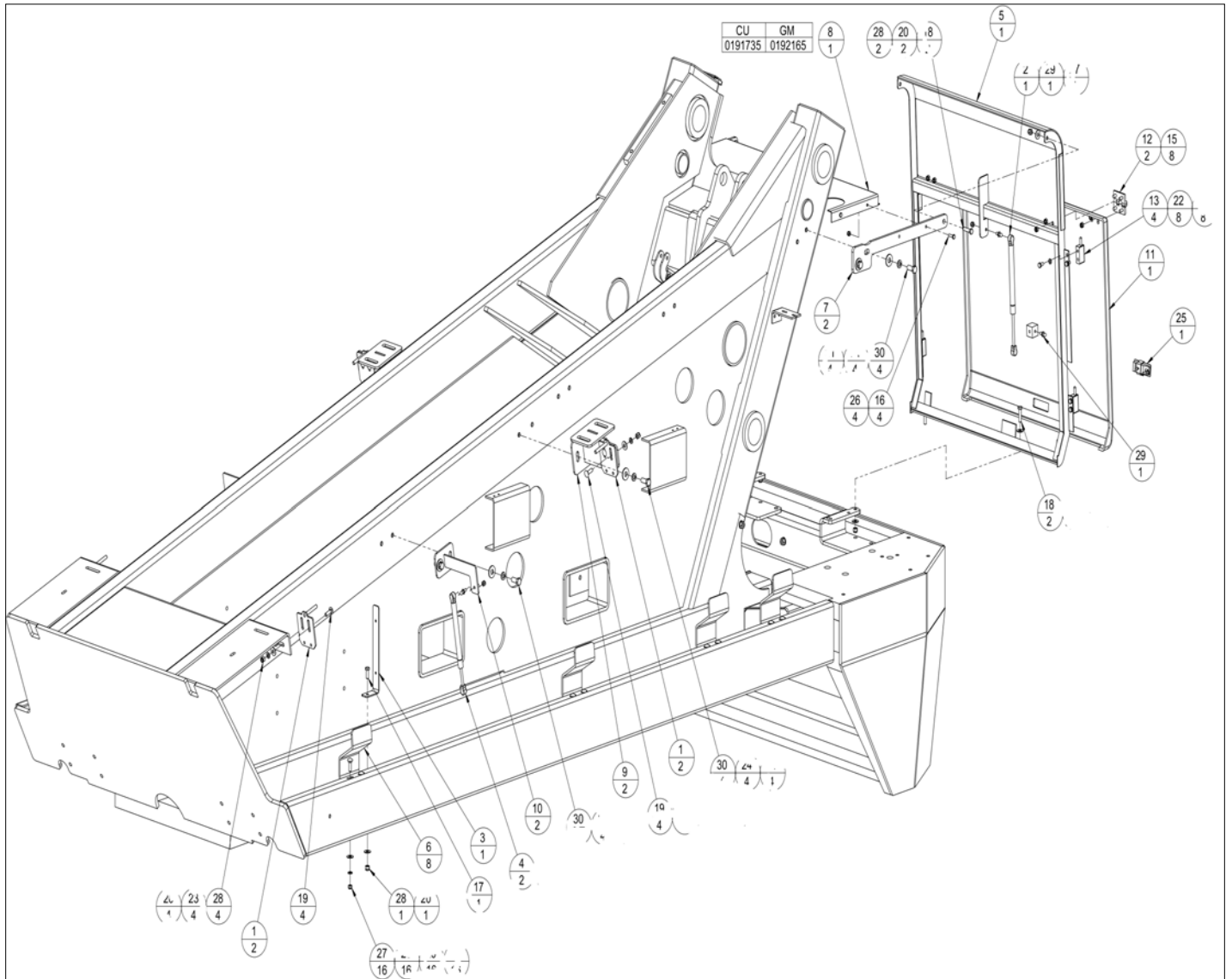
アイテム	部品番号	名前	数量	UOM
1	7630757 A	AIR CLEANER NELSON CUMMINS WITH TURBO		EA
Not Shown	8140019	AIR FILTER ELEMENT	1	EA
Not Shown	8140023	DUST VALVE	1	EA

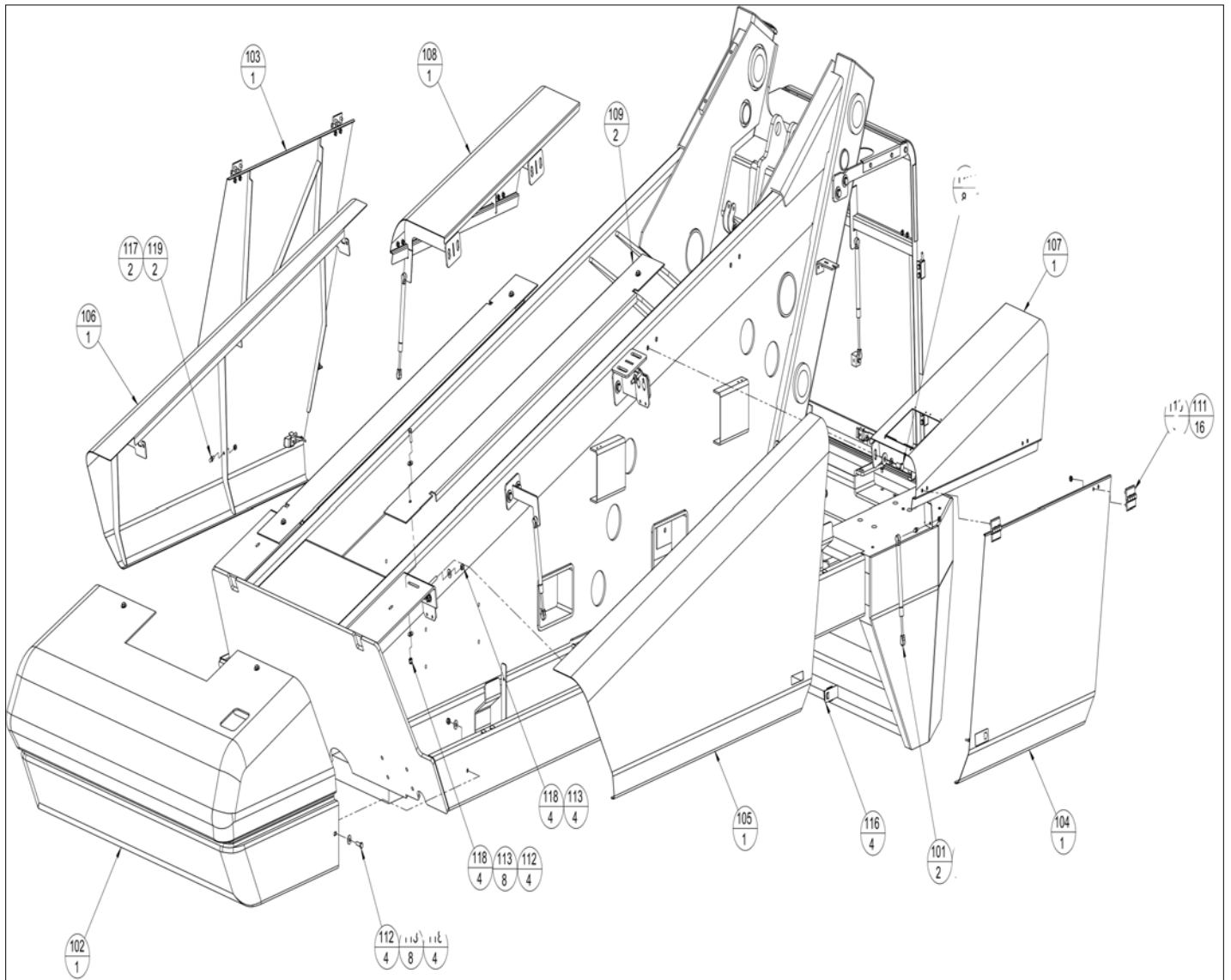
REPAIR PARTS

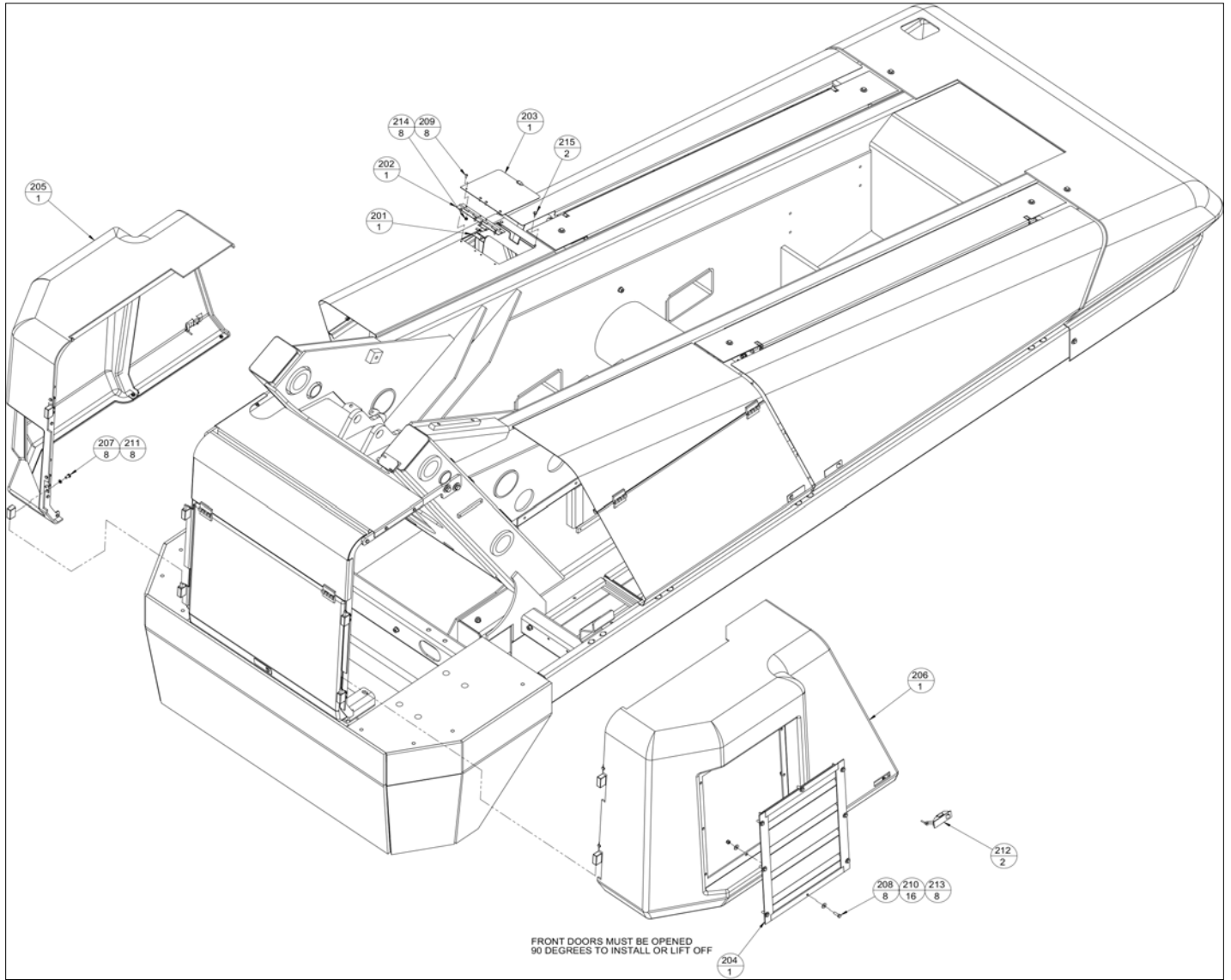


アイテム	部品番号	名前	数量	UOM
	7630755 B	AIR CLEANER ASSEMBLY CUMMINS 45 HP CUMMINS 65 HP FORD LRG 425 GM T3 2.4L KUBOTA V1505T TIER 3 V2403		EA
	8140014	cap retainer clip	3	EA
1	8140013	cover	1	EA
2	8050097	PRIMARY ELEMENT	1	EA
	8140011	element	1	EA
3	8050098	SAFETY ELEMENT	1	EA
4	8050099	EXTERNAL EJECTOR	1	EA
	068903 009	DUST EJECTOR	1	EA
5	8050100	METAL BRACKET	1	EA

REPAIR PARTS









アイテム	部品番号	名前	数量	UOM
*	A19028C B	COWLING INSTALLATION MARCH 2017 AND BEFORE		EA
1	0074408	HINGE, DOOR	4	EA
2	0074461	GAS SPRING APROX 18 1/4 in L	1	EA
3	0074602	MOUNT RECORDS BOX	1	EA
4	0082321	GAS SPRING	2	EA
5	0191704	WLDMT, FRONT COWLING	1	EA
6	0191706	DOOR STOP	8	EA
7	0191734	PLATE COWL MOUNT	2	EA
8	SEE CHART	JIB BOOM ASSEMBLY	1	EA
9	0191740	WLDMT, GAS SPRING MOUNT	2	EA
10	0191780	WLDMT, GAS SPRING MOUNT	2	EA
11	0191817	ACCESS DOOR W/BLOCK	1	EA
12	0191910	HINGE W/STUDS	2	EA
13	0191912	HINGE INLINE	4	EA
14	056059 016	HHCS M8 X 16 GR8.8 DIN 931	8	EA
15	056066 008	NUT NYLOCKNUT DIN985 M8 8.0 ZP	8	EA
16	970049	BLT HEXHD .250 20 1.00 GR5 GRADE 5 PLT SAME AS 970189	4	EA
17	970469	HHD BLT .375 16 X 1.00 GR5	1	EA
18	970489	BLT HEXHD .375 16 1.50 GR5 PL	4	EA
19	972439	BLT CRG .375 16 X 1.25 GR 5 ZP	24	EA
20	986299	WASHER, FLAT, .375 STANDARD, PLATED	31	EA
21	986359	FLATWASHER 1/2"	12	EA
22	987109	WSHR LOCK .313	8	EA
23	987119	WSHR LOCK .375	24	EA
24	987139	WSHR LOCK .500	12	EA
25	5510022	ADJUSTABLE LEVER LATCH	1	EA
26	5560004	NUT LKG .250 20	4	EA

アイテム	部品番号	名前	数量	UOM
27	5560031	NUT HEX LKG .313 18	19	EA
28	5560033	.375 16UNC HEX LOCK NUT	13	EA
29	5560311	BALLSTUD GAS SPRING	4	EA
30	5563017	BLT HEX HD .500 13X1.25 GR5	12	EA
31	5560083	HOSE GUIDE .125 RUBBER EDGE TR	20	EA
101	0082321	GAS SPRING	2	EA
102	0191678	COVER, TURNTABLE REAR	1	EA
103	0191712	WLDMT DOOR LH MID	1	EA
104	0191714	WLDMT DOOR RH MID	1	EA
105	0191717	WLDMT DOOR RHR	1	EA
106	0191718	WLDMT DOOR LHR	1	EA
107	0191725	WLDMT COVER TOP RH	1	EA
108	0191726	WLDMT COVER TOP LH	1	EA
109	0191744	COWLING, SIDE	2	EA
110	0191910	HINGE W/STUDS	4	EA
111	056066 008	NUT NYLOCKNUT DIN985 M8 8.0 ZP	16	EA
112	972479	BLT HEXHD .375 16 1.25 GR5	8	EA
113	986299	WASHER, FLAT, .375 STANDARD, PLATED	20	EA
114	986359	FLATWASHER 1/2"	8	EA
115	987139	WSHR LOCK .500	8	EA
116	5510022	ADJUSTABLE LEVER LATCH	4	EA
117	5560031	NUT HEX LKG .313 18	6	EA
118	5560033	.375 16UNC HEX LOCK NUT	12	EA
119	5560311	BALLSTUD GAS SPRING	6	EA
120	5563017	BLT HEX HD .500 13X1.25 GR5	8	EA
201	0070548	DOOR RETAINING SPRING QY 100	1	EA
202	0070554	HINGE	1	EA

アイテム	部品番号	名前	数量	UOM
203	0070555	DOOR ACCESS	1	EA
204	0190549	SHROUD WELDMENT	1	EA
205	0191732	RHF DOOR W/GUSSETS	1	EA
206	0191815	LHF DOOR W/ GUSSETS	1	EA
207	056059 016	HHCS M8 X 16 GR8.8 DIN 931	8	EA
208	970369	BLT HEXHD .313 18 X 1.00 GR5	8	EA
209	974659	SCR RDH MACH 10 24 .500	8	EA
210	986269	WSHR FLAT .313	16	EA
211	987109	WSHR LOCK .313	8	EA
212	5510022	ADJUSTABLE LEVER LATCH	2	EA
213	5560031	NUT HEX LKG .313 18	8	EA
214	5560034	NUT LKG 10 24	8	EA
215	5569012	BUMPER RUBBER	2	EA

REPAIR PARTS

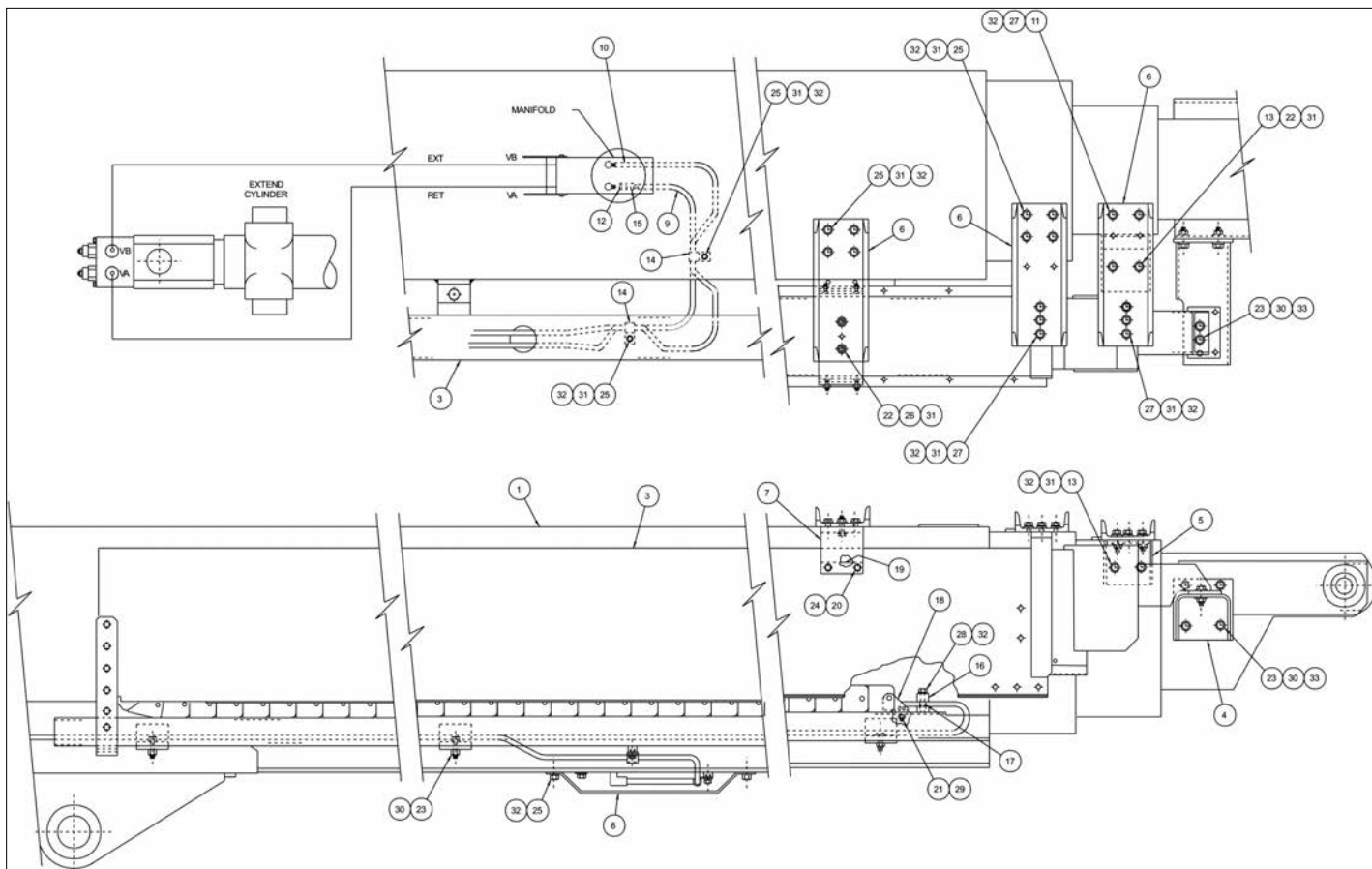
**NO IMAGE AVAILABLE  
(BOM FOR REFERENCE ONLY)**

アイテム	部品番号	名前	数量	UOM
	0192642 D	COWLING KIT TB100J TB120 TB126J		EA
1	0070548	DOOR RETAINING SPRING QY 100	1	EA
2	0074461	GAS SPRING APROX 18 1/4 in L	1	EA
3	0082321	GAS SPRING	4	EA
4	0191704 5	WLDMT FRONT COWLING	1	EA
5	0191712 5	WLDMT DOOR FRONT LF	1	EA
6	0191714 5	WLDMT DOOR FRONT RT	1	EA
7	0191717 5	DOOR WLDMT RHR	1	EA
8	0191718 5	WLDMT DOOR REAR LF	1	EA
9	0191725 5	WLDMT COVER TOP RT	1	EA
10	0191726 5	WLDMT COVER TOP LF	1	EA
11	0191735 5	COWLING TOP COVER	1	EA
12	0191744 5	COWLING SIDE	2	EA
13	0191780 8	WLDMT GAS SPRING MOUNT	2	EA
14	0191910	HINGE W/STUDS	6	EA
15	0191912	HINGE INLINE	4	EA
16	5510022	ADJUSTABLE LEVER LATCH	7	EA
17	5560083	HOSE GUIDE .125 RUBBER EDGE TR	20.000	EA
18	5560311	BALLSTUD GAS SPRING	10	EA
19	5569012	BUMPER RUBBER	2	EA
20	970049	BLT HEXHD .250 20 1.00 GR5 GRADE 5 PLT SAME AS 970189	4	EA
21	970369	BLT HEXHD .313 18 X 1.00 GR5	8	EA
22	972479	BLT HEXHD .375 16 1.25 GR5	8	EA
23	970469	HHD BLT .375 16 X 1.00 GR5	1	EA
24	970489	BLT HEXHD .375 16 1.50 GR5 PL	4	EA
25	970849	BLT HEXHD .500 13 1.25 GR5	20	EA
26	972439	BLT CRG .375 16 X 1.25 GR 5 ZP	24	EA

アイテム	部品番号	名前	数量	UOM
27	974659	SCR RDH MACH 10 24 .500	8	EA
28	984109	NUT HEX .375 16	24	EA
29	986269	WSHR FLAT .313	16	EA
30	986299	WASHER, FLAT, .375 STANDARD, PLATED	51	EA
31	986359	FLATWASHER 1/2"	20	EA
32	987109	WSHR LOCK .313	8	EA
33	987119	WSHR LOCK .375	24	EA
34	987139	WSHR LOCK .500	20	EA
35	5560004	NUT LKG .250 20	8	EA
36	5560031	NUT HEX LKG .313 18	17	EA
37	5560033	.375 16UNC HEX LOCK NUT	17	EA
38	5560034	NUT LKG 10 24	8	EA
39	056066 008	NUT NYLOCKNUT DIN985 M8 8.0 ZP	24	EA
40	058492 016	HHCS M8 x 1.25 X 16GR 8.8 DIN933	16	EA
41	0074408 8	HINGE DOOR	4	EA
42	0074602 8	MOUNT RECORD BOX	1	EA
43	0191706 8	STOP DOOR	8	EA
44	0191734 8	PLATE COWL MOUNT	2	EA
45	056021 008	Washer SpringWasher DIN127B M8	8	EA
46	0192620 5	WLDMT LEFT FRONT COWLING DOOR	1	EA
47	0192628 5	WLDMT RIGHT FRONT COWLING DOOR	1	EA
48	0192635 5	WLDMT FRONT COWLING DOOR	1	EA
49	0070555 5	DOOR	1	EA
50	0060089	SLIDE PAD	2	EA
51	0071342	SHIM	8	EA

アイテム	部品番号	名前	数量	UOM
52	5560331	M.SCR, 184 20 1.0 F.H. SOC. CAD PL	4	EA
53	A19073A	CWLING INSTALL TB100J/120/126J	1	EA
54	0192644 5	ASSY, REAR COWLING, STEEL	1	EA
55	0192649 5	PLT, REAR COWLING, REAR	1	EA
56	0192650 5	WLDMT, REAR COWLING, RH	1	EA
57	0192651 5	WLDMT, REAR COWLING, LH	1	EA
58	5563142	TAPPED BARREL U MAX M8X1.25	12	EA
59	5563141	BLT HX WSHR HD M8 1.25X25 DOG PT	12	EA
60	0070554 5	HINGE 1.50 OPEN .125 9.00	1	EA
61	0070554	HINGE	1	EA
62	955008	HINGE11/2OPEN16GA1/8PIN20 0B	9.000	EA
63	0191740 4	WLDMT COWL MOUNT	2	EA

REPAIR PARTS

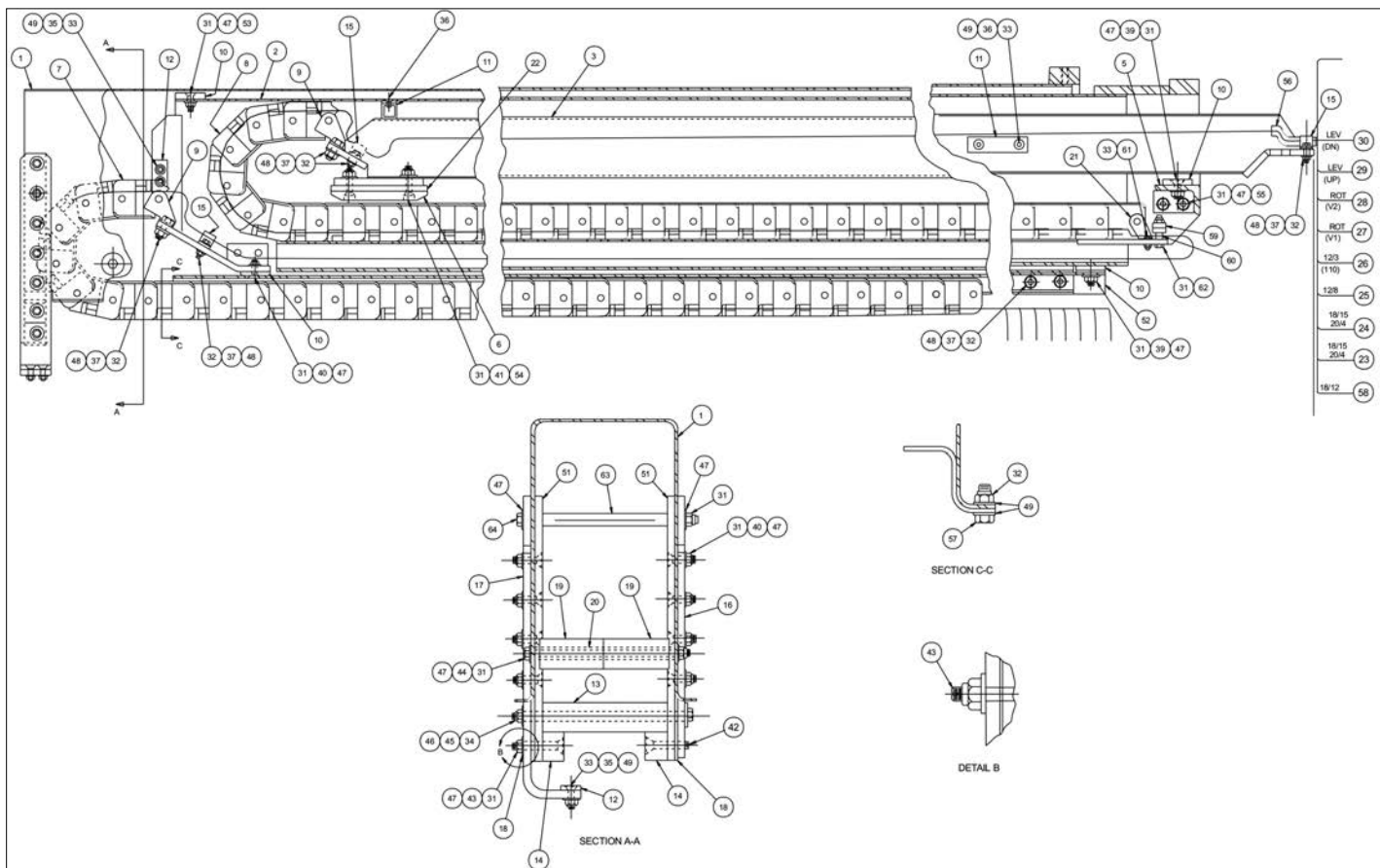




アイテム	部品番号	名前	数量	UOM
	0191556 A	BOOM AND HOSE CARRIER ASSEMBLY		EA
1	0191553	BOOMS	1	EA
2	0191291	HOSE CARRIER ASSEMBLY	1	EA
3	0190737	WLDMT SUPPORT TUBE	1	EA
4	0191090	WLDMT TUBE BRACKET	1	EA
5	0190626	WLDMT BRACKET	1	EA
6	0190624	CHANNEL	3	EA
7	0190657	BRACKET HOSECARRIER GUIDE	1	EA
8	0190976	COVER	1	EA
9	0190966	HOSE 6 6S 6S 336	1	EA
10	0190967	HOSE 8 8S 8S 336	1	EA
11	5560126	THREAD INSERT .375 16 .375 LKG	2	EA
12	5063906	FTG NUT 8S STL	1	EA
13	972479	BLT HEXHD .375 16 1.25 GR5	4	EA
14	5093009	CLP CUSH 1.13 VINYL COATED	2	EA
15	5064003	FTG RDCR 8S 6S W/O NUT STL (SEE PAGE 2)	1	EA
16	0110590	TUBE CLAMP BAR W/BONDED RUBBER	1	EA
17	0150586	SPCR .465ID .500OD .750 STL	2	EA
18	0190736	BRACKET MODIFIED END	1	EA
19	0101371	SL PAD 1.25 4.00 .375 2H	2	EA
20	5560004	NUT LKG .250 20	4	EA
21	5560031	NUT HEX LKG .313 18	2	EA
22	5560033	.375 16UNC HEX LOCK NUT	4	EA
23	5560039	NUT HEX LKG .500 13	16	EA
24	5560331	M.SCR, 184 20 1.0 F.H. SOC. CAD PL	4	EA
25	5560683	CAPSCREW, 3/8 16 X 5/8 LG HH	13	EA

アイテム	部品番号	名前	数量	UOM
26	970489	BLT HEXHD .375 16 1.50 GR5 PL	2	EA
27	970469	HHD BLT .375 16 X 1.00 GR5	8	EA
28	970509	BLT HEXHD .375 16 2.00 GR5 PLTD	2	EA
29	970239	BLT HEXHD .313 18 .750 GR5	2	EA
30	970919	BLT HEXHD .500 13 1.75 GR5	12	EA
31	986299	WASHER, FLAT, .375 STANDARD, PLATED	28	EA
32	987119	WSHR LOCK .375	27	EA
33	5560168	WSHR FLAT HARD .500 SP	10	EA

REPAIR PARTS

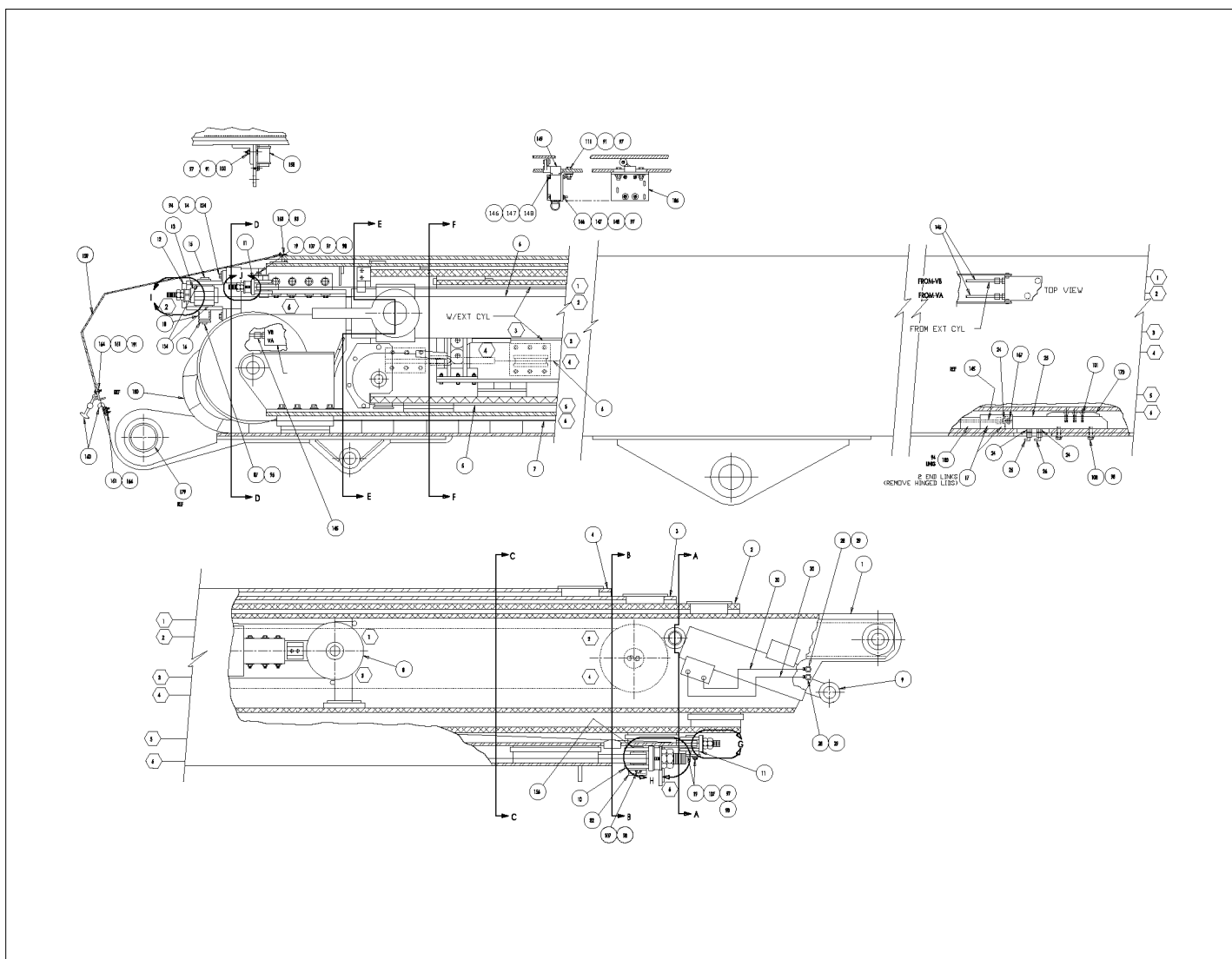


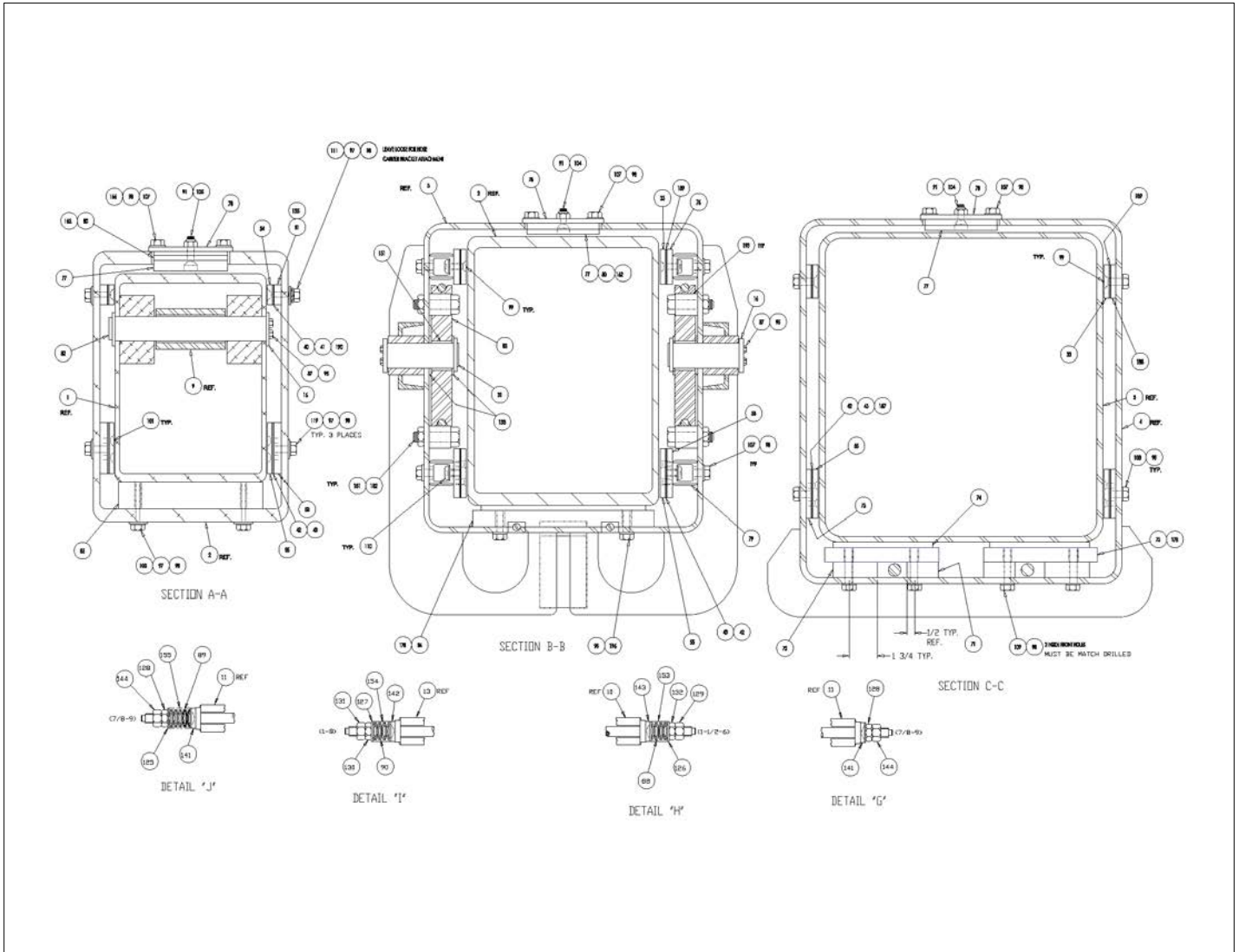
アイテム	部品番号	名前	数量	UOM
	0191291 H	HOSE CARRIER ASSEMBLY		EA
1	0190740	OUTER COVER	1	EA
2	0190747	INNER COVER	1	EA
3	0190734	WLDMT TUBE	1	EA
4	0191609	BLT HEXHD .375 16 8.75 GR5	1	EA
5	0190735	BRKT SLIDE PAD	1	EA
6	0190631	SPCR 4.50OD .125 5H AL	1	EA
7	9920017	POWER TRACK LINK	32	EA
8	9920017	POWER TRACK LINK	32	EA
9	9920018	END BRKT HOSE CARRIER	2	EA
10	0080293	SLIDE PAD	4	EA
11	0101379	SL PAD 1.00 4.00 .25 2H	3	EA
12	0060089	SLIDE PAD	3	EA
13	0110841	SL PAD 1.50 6.250 1.50 1H	1	EA
14	0110842	SL PAD 1.50 1.50 1.10 1H	2	EA
15	5093012	CLP CUSH 1.75 VINYL COATED	3	EA
16	0191597	BAR OUTSIDE MOUNTING	1	EA
17	0191599	BRACKET MOUNTING	1	EA
18	0190756	SPCR .100 1.50 2.75 AL	2	EA
19	0181270	ROLLER	2	EA
20	0110227	SPCR .530ID .625OD 7.13 STL	1	EA
21	0190736	BRACKET MODIFIED END	1	EA
22	0190633	PLATE	1	EA
23	3010014	SHIELDED CABLE 18/15&20/4	1	EA
24	3010014	SHIELDED CABLE 18/15&20/4	1	EA
25	3010006	CABLE 12GA/8 CONDUCTOR	1	EA
Not Shown	3044854	TERM R10I 12/10		EA
26	0191337	WIRE 12 3 CNDCT 169.00 FT	1	EA

アイテム	部品番号	名前	数量	UOM
Not Shown	3044854	TERM R10I 12/10		EA
27	0191292	HOSE 3 4S 4S 2004	1	EA
28	0191292	HOSE 3 4S 4S 2004	1	EA
29	0191293	HOSE 3 4S 4S 1860	1	EA
30	0191293	HOSE 3 4S 4S 1860	1	EA
31	5560033	.375 16UNC HEX LOCK NUT	31	EA
32	5560031	NUT HEX LKG .313 18	25	EA
33	5560004	NUT LKG .250 20	10	EA
34	5560039	NUT HEX LKG .500 13	1	EA
35	5560331	M.SCR, 184 20 1.0 F.H. SOC. CAD PL	6	EA
36	5560330	BLT FLSKTHD .250 20 .75	6	EA
37	970259	C.SCREW, 5/16 18 X 1" LG. HH	13	EA
38	970469	HHD BLT .375 16 X 1.00 GR5	3	EA
39	972479	BLT HEXHD .375 16 1.25 GR5	6	EA
40	978409	CAPSCREW 3/8 16 X 1 1/2 INCH LONG SOCKET FLAT HEAD	11	EA
41	5560645	BLT HEXHD .375 16 5.50 GR5 BIN	1	EA
42	972509	FLSKTHD .375 X 2.00 ZINC PLTD	1	EA
43	5560682	M.SCR, 3/8 16 2 1/2 F.H. SOC. CAD	1	EA
44	970639	BLT HEXHD .375 16 8.00 GR5	1	EA
45	5560309	BLT HEXHD .375 16 9.00 GR 5	1	EA
46	986359	FLATWASHER 1/2"	2	EA
47	986299	WASHER, FLAT, .375 STANDARD, PLATED	41	EA
48	986269	WSHR FLAT .313	22	EA
49	986019	WSHR FLAT .250	34	EA
50	987119	WSHR LOCK .375	3	EA

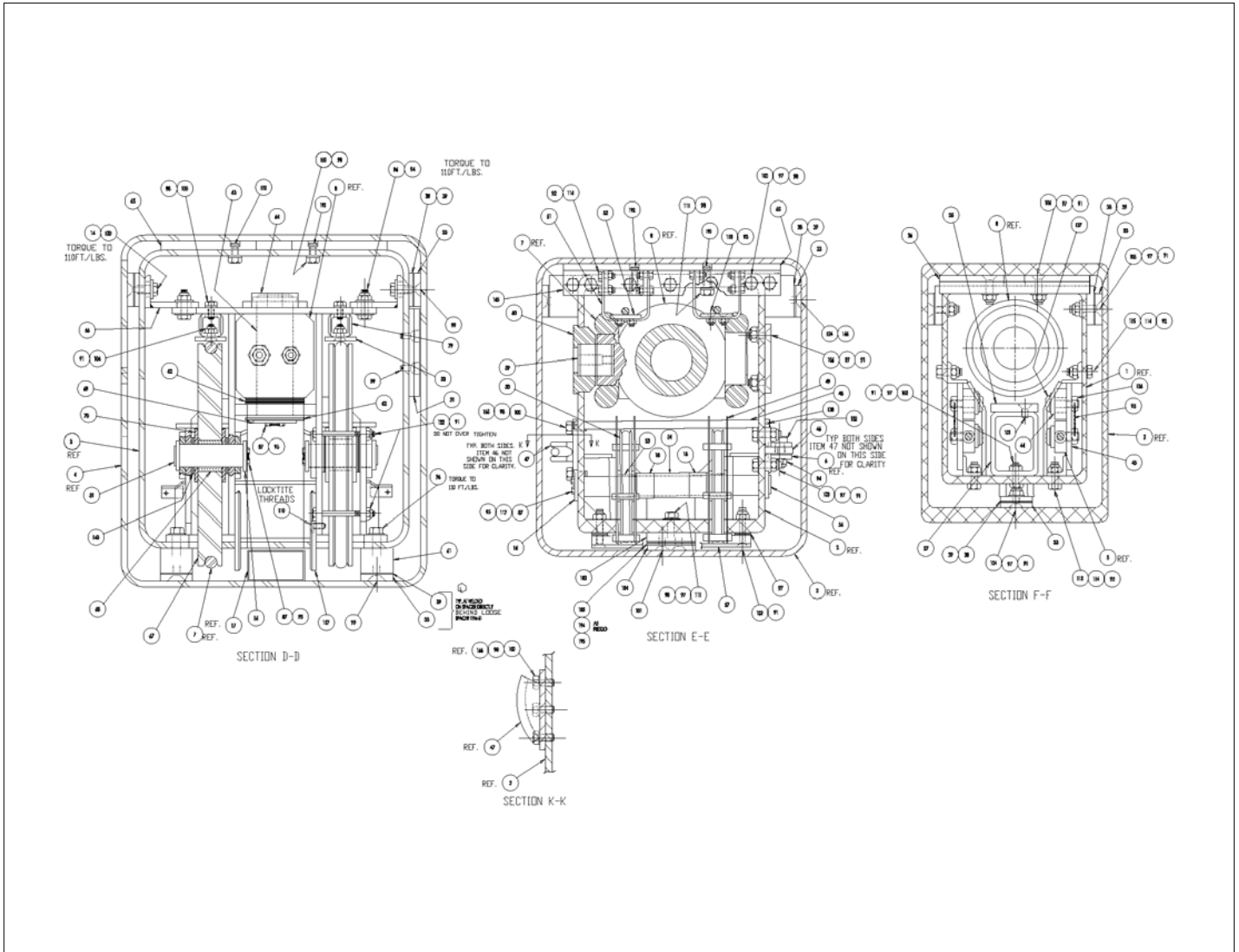
アイテム	部品番号	名前	数量	UOM
51	0191598	BAR INSIDE MOUNTING	2	EA
52	0190859	CHANNEL	1	EA
53	972469	BLT FLSKTHD .375 16 X 1.00 GR	3	EA
54	972509	FLSKTHD .375 X 2.00 ZINC PLTD	4	EA
55	972479	BLT HEXHD .375 16 1.25 GR5	4	EA
56	5090034	SLEEVEHOSE ABRASION GRD 1.81 in	1	EA
57	970239	BLT HEXHD .313 18 .750 GR5	12	EA
58	3010009	CABLE 18GA/12 CONDUCTOR	1	EA
Not Shown	3046972	TERM FEM188I 22/18		EA
59	0110590	TUBE CLAMP BAR W/BONDED RUBBER	1	EA
60	0150586	SPCR .465ID .500OD .750 STL	2	EA
61	970049	BLT HEXHD .250 20 1.00 GR5 GRADE 5 PLT SAME AS 970189	2	EA
62	970529	BLT HEXHD .375 16 2.50 GR5 PLTD	2	EA
63	0191596	SPCR .530ID .625OD 6.25 STL	1	EA

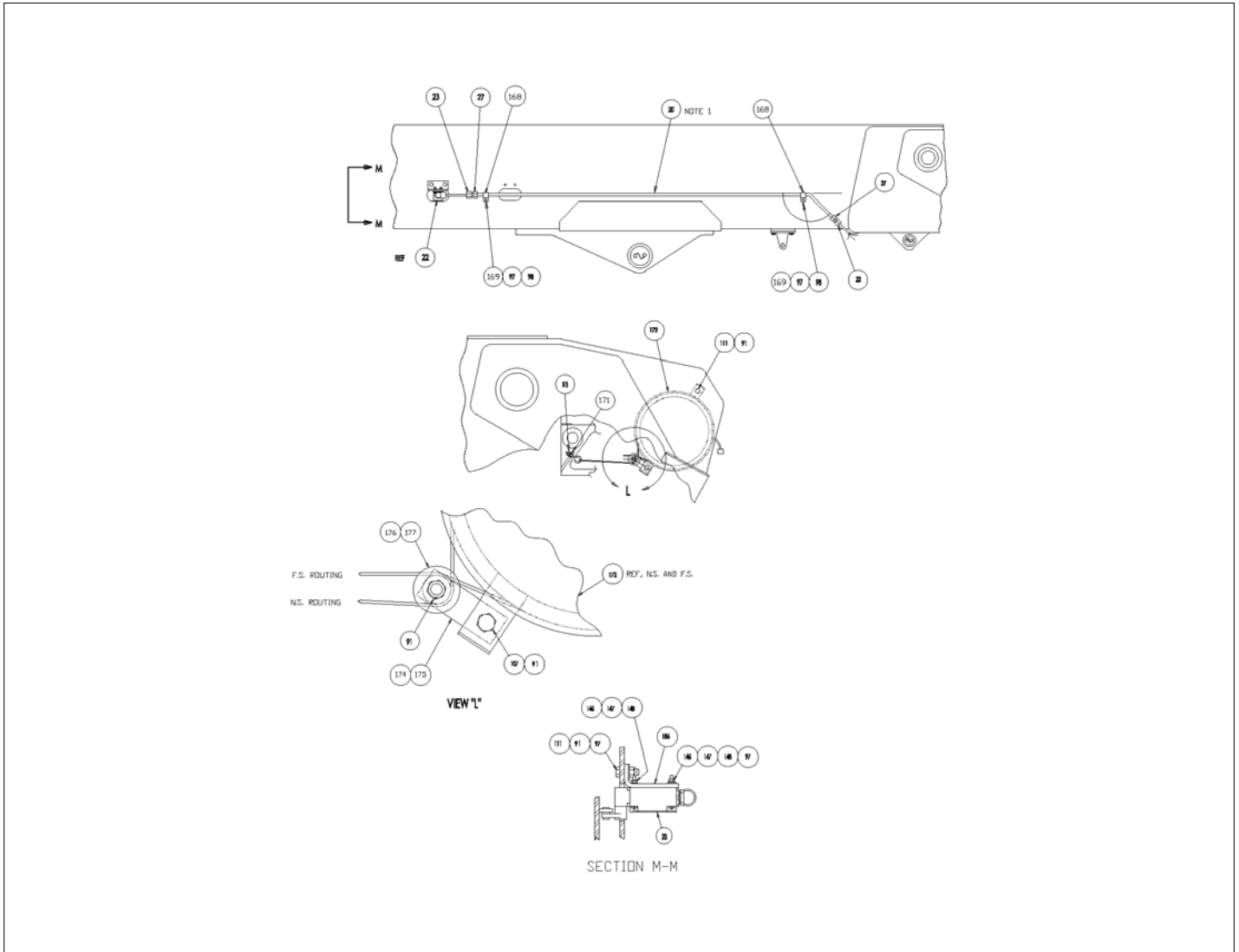
REPAIR PARTS











アイテム	部品番号	名前	数量	UOM
	0191553 W	BOOM ASSEMBLY		EA
1	0190423	TIP BOOM	1	EA
2	0190424	OUTER INT BOOM	1	EA
3	0190590	INT BOOM WLDMT	1	EA
4	0191550	WLDMT BASE BOOM	1	EA
5	0190483	WIRE ROPE ASSEMBLY BOX RETRACT	2	EA
6	0190449	WIRE ROPE ASSEMBLY BOOM RETRACT	2	EA
7	0190448	WIRE ROPE ASSEMBLY BOOM EXTEND	2	EA
8	0190762	EXTEND CYLINDER ASSEMBLY	1	EA
9	0080399	SLAVE LEVEL CYLINDER	1	EA
10	0190495	WHIFFLE INNER EXTEND	1	EA
11	0190479	WHIFFLE	2	EA
12	0190470	SUPPORT INNER RETRACT WHIFFLE	1	EA
13	0190471	WHIFFLE	1	EA
14	5560168	WSHR FLAT HARD .500 SP	32	EA
15	0070438	WLDMT PIN 1.25 5.120 GRIP	1	EA
16	0070033	PIN LOCK 2.00 DIA 2H	7	EA
17	9920014	POWER TRACK LINK	2 LINKS	EA
18	2500035	BEARING	3	EA
19	0071494	WLDMT PIN 1.00 2.375 GRIP	2	EA
20	0110547	CONDUIT	1	EA
21	0190631	SPCR 4.50OD .125 5H AL	1	EA
22	0191410	BOOM SPEED SWITCH ASSEMBLY	1	EA
23	3040115	CONN .500 .375 .500	2	EA
24	5065709	FTG ADPTR STRTHD 8B 8S STL PH	4	EA
25	0190979	MANIFOLD EXTEND	1	EA

アイテム	部品番号	名前	数量	UOM
26	5037006	ADAPTER 90 ° ELBOW SWIVEL 8 JIC	2	EA
27	3040262	CONDUIT COUPLER, 1/2	2	EA
28	5074401	FTG LKNT BHD 4 STL	2	EA
29	5034501	FTG ELB90BHD 4S 4S STL	2	EA
30	0070768	1/4 I.D. HOSE ASSY	2	EA
31	0070440	WLDMT PIN 1.50 3.940 GRIP	4	EA
32	0180680	GUARD PIN	1	EA
33	0080293	SLIDE PAD	17	EA
34	0080294	SLIDE PAD	2	EA
35	0190767	SL PAD 3.00 6.00 .500 3H	1	EA
36	0110703	SLIDE PAD	2	EA
37	0190618	TUBE	1	EA
38	0090141	SHIM (.090)	30	EA
39	0070030	SHIM (NOTE 5) (.030)	6	EA
40	0070043	SHIM (.030)	2	EA
41	0073343	SHIM (.090)	2	EA
42	0110707	SHIM (.090)	4	EA
43	0110706	SHIM (.030)	4	EA
44	0111005	SPACER	4	EA
45	0190849	WLDMT ANCHOR	2	EA
46	0190417	ANCHOR WIRE ROPE LOWER RETRACT	2	EA
47	0190418	GUIDE WIRE ROPE LOWER RETRACT	2	EA
48	0110670	PIN CABLE RETAINER	1	EA
49	0190404	WLDMT SHEAVE CAGE	2	EA
50	0111701	SHEAVE WIRE ROPE 7/16 DIA A80	2	EA
51	0190494	CABLE GUIDE	2	EA
52	0060089	SLIDE PAD	2	EA

アイテム	部品番号	名前	数量	UOM
53	2502028	BEARING, 1 4/4 BORE X 1" LG GARMAX	2	EA
54	2502032	BEARING	1	EA
55	0070639	SLIDE PAD	6	EA
56	0110671	PIN RETRACT SHEAVE	1	EA
57	0111317	CABLE RETAINER	1	EA
58	0110701	SPACER	4	EA
59	0110190	PIN, CYLINDER ANCHOR	2	EA
60	0110191	CYLINDER ANCHOR	2	EA
61	0190768	SPACER	2	EA
62	PNNA	BUSHING 3 3/4 ODX2 1/4 IDX10 GA.	A/R	EA
63	0190764	PIN 2.25 X 7.500 GRIP	1	EA
64	0190570	EXTENSION CYLINDER BRACKET	1	EA
65	0190769	SLIDE PAD ASSEMBLY	4	EA
66	0190595	WLDMT BRKT	2	EA
67	0190858	SHEAVE MACHINED WIRE ROPE	2	EA
68	2500044	BRG 1.50ID 2.00OD 1.50	2	EA
69	0080023	PIN LOCK 2.75 DIA 2H	1	EA
70	2580010	BRG THR 1.50ID 3.50OD .188	4	EA
71	0190773	SPCR 1.00 2.00 6.00 2H AL	2	EA
72	0190772	SPCR 1.00 2.75 10.50 3H AL	2	EA
73	0110702	SPACER	2	EA
74	0110696	SLIDE PAD	3	EA
75	0110700	PAD PLATE BASE BOOM LR	2	EA
76	0070484	SPACER	2	EA
77	0072682	SLIDE PAD	3	EA
78	0072681	SLIDE PAD MOUNT	3	EA
79	0190591	SPCR .250 1.50 1.50 6.00 SP	6	EA
80	0072683	SPACER	4	EA

アイテム	部品番号	名前	数量	UOM
81	0090138	SPCR .375 1.25 6.00 5H STL	2	EA
82	0110661	PIN, LEVEL CYLINDER	1	EA
83	0190416	SHEAVE WIRE ROPE	2	EA
84	0190770	PAD PLATE	1	EA
85	0113186	SLIDE PAD (INTER. BOOM OUTER)	1	EA
87	0070473	BLT HEXHD .313 18 .75 DR	16	EA
88	5530015	SPRING WASHER 1 1/2"	14	EA
89	5530008	WSHR SPRING .880ID 1.75OD .057	24	EA
90	5530014	WSHR SPRING 1.00ID 2.00OD .136	14	EA
91	5560033	.375 16UNC HEX LOCK NUT	65	EA
92	5560031	NUT HEX LKG .313 18	20	EA
93	5560004	NUT LKG .250 20	10	EA
94	5560039	NUT HEX LKG .500 13	13	EA
95	PNNA	.040 DIA S.S. SAFETY LOCKWIRE	A/R	EA
96	5560154	BLT HEXHD LKG .500 13 1.75 GR8	14	EA
97	986299	WASHER, FLAT, .375 STANDARD, PLATED	68	EA
98	987119	WSHR LOCK .375	122	EA
99	5560679	M.SCR 3/8 16 5/8 SOC. CAD	48	EA
100	0090469	HOSE 5 6S45 4N 72 LPG	33	EA
101	972449	M.SCR 3/8 16 3/4 SOC. CAD	27	EA
102	5560681	M.SCR, 3/8 16 2 1/4 F.H. SOC. CAD	2	EA
103	970489	BLT HEXHD .375 16 1.50 GR5 PL	27	EA
104	5560675	M.SCR 3/8 16 1 1/4 SOC. CAD	23	EA
105	972499	FLSKTHD .375 X 1.75 ZINC PLTD	8	EA
106	972489	M.SCR 3/8 16 1 1/2 SOC. CAD	14	EA

アイテム	部品番号	名前	数量	UOM
107	970449	HHD BLT .375 16 X .750 GR5	29	EA
108	970439	BLTHHD .375 16 X .625 GR5	10	EA
109	PNNA	CAPSCREW 3/8 16X2" LG. H.H GR.5	12	EA
110	5560243	BLT BTNHD .375 16 .50	18	EA
111	972479	BLT HEXHD .375 16 1.25 GR5	20	EA
Not Shown	PNNA	CAPSCREW 3/8 16X2 3/4" LG. F.H. SKT.	4	EA
113	970269	BLT HEXHD .313 18 1.25 GR5 PLA	6	EA
114	986269	WSHR FLAT .313	12	EA
115	PNNA	CAPSCREW 5/16 18X1" LG. H.H. GR.5	6	EA
116	PNNA	CAPSCREW 5/1 18X3/4" LG. H.H. GR.5	10	EA
117	987109	WSHR LOCK .313	12	EA
118	5560331	M.SCR, 184 20 1.0 F.H. SOC. CAD PL	4	EA
119	970426	BLT HHD .375 16 X .875	7	EA
120	5560242	CAPSCREW 1/2 13X1" LG. H.H. GR.8, NYLOCK	8	EA
Not Shown	987139	WSHR LOCK .500	4	EA
122	5560643	BLT HEXHD .375 16 3.25 GR5	4	EA
124	970909	BLT HEXHD .500 13 1.50 GR5 PLA	4	EA
125	5560171	WASHER, 7/8 HARD FLAT ASTM F 436	2	EA
126	5560232	WSHR FLAT HARD 1.63 SP	2	EA
127	PNNA	FLATWASHER, 1 HARDENED	2	EA
128	5560685	NUT, 7/8 9 HEX JAM	4	EA
129	5569870	NUT HEX JAM 1.50 6	2	EA
130	5569871	NUT HEX JAM 1.00 8	2	EA
131	984249	NUT HEX 1.00 8	2	EA

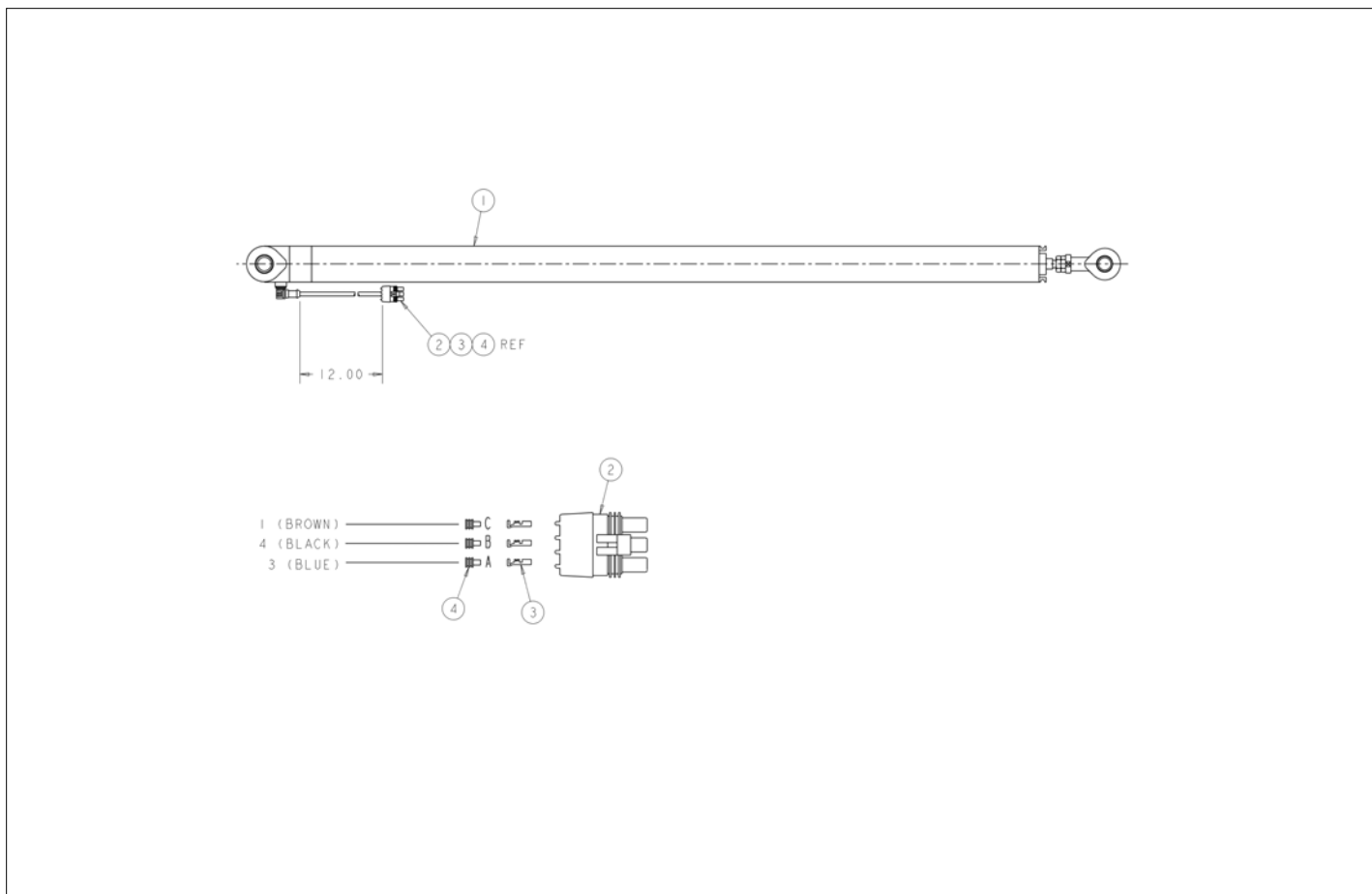
アイテム	部品番号	名前	数量	UOM
132	5569872	NUT HEX 1.50 6	2	EA
133	5560256	BRG THR 1.50ID 2.50OD .059	4	EA
134	5560254	BRG THR 1.25ID 2.25OD .059	2	EA
135	0090444	SPACER (1/2")	2	EA
136	5560230	NUT 5/8 11 JAM DRILLED	4	EA
137	5560231	BLT BTNHD .625 11 1.75 5/8 11	4	EA
138	988179	COTTER PIN, 1/8 DIA. X 1" LG.	2	EA
140	PNNA	MACH. BUSHING, 2 1/2 O.D.X1 1/2 I.D.X14 GA.	A/R	EA
141	5560233	7/8" SPHERICAL WASHER SET	4	EA
142	5560234	1" SPHERICAL WASHER SET	2	EA
143	5560235	1 1/2" SPHERICAL WASHER SET	2	EA
144	984229	NUT HEX .875 9	4	EA
145	0190853	HOSE 8 8S 8S 175.5 100R2	2	EA
146	974759	SCR RDH MACH 10 24 2.00	8	EA
147	986009	WSHR FLAT 10	16	EA
148	984049	NUT HEX 10 24	8	EA
149	0191411	SWITCH ASSY EXTEND CUT OUT	1	EA
151	2500046	BRG 1.50ID 2.00OD 1.25	2	EA
152	5560146	ANCHOR BOLT	2	EA
153	0190854	WASHER RETAINER 3 O.D.	2	EA
154	0190855	WASHER RETAINER 2 O.D.	2	EA
155	0190856	RTNR WSHR 1.69ID 1.75OD .065	2	EA
156	0090134	WLDMT PIN 1.25 3.310 GRIP	1	EA
157	0191023	GUIDE TRACK	2	EA
158	0190876	CAM VALVE SUB ASSEMBLY	1	EA
159	0190655	WLDMT COVER	1	EA
160	5510004	RUBBER HOOD LATCH W/HARDWARE	2	EA
161	5560198	NUT HEX LKG 8 32	10	EA



アイテム	部品番号	名前	数量	UOM
162	0073111	SLIDE PAD SPACER	2	EA
163	970029	BLT .25 20 .750	5	EA
164	974439	ROUND HEAD SCREW 8 32 X .50	10	EA
165	0190905	WLDMT CABLE GUIDE	1	EA
166	5560126	THREAD INSERT .375 16 .375 LKG	22	EA
167	0190980	PIN	2	EA
168	5093004	CLP CUSH .750 VINYL COATED	2	EA
169	970429	CAPSCREW .375 16 X .50 HH	2	EA
170	0191054	SL PAD 3.00 6.00 .375 3H SP	1	EA
171	984069	NUT HEX .250 20	2	EA
172	0191055	BOOM LENGTH SENSOR ASSEMBLY	2	EA
174	0190847	WLDMT PIN	2	EA
175	0190843	BAR	2	EA
176	0190842	PLASTIC ROLLER 1.50/1.00 X 3.50	2	EA
177	0190844	SPCR .435ID .625OD 3.56 STL	2	EA
178	5560015	3/8 THREADED INSERT	22	EA
179	2504857	BEARING	REF.	EA
180	9920020	PLASTIC TRACK LOW PROFILE	92	EA
181	970939	BLT HEXHD .500 13 2.25 GR5	4	EA
182	984409	NUT HEX .50 13UNC	4	EA
183	0191229	SPCR .313 4.00 8.00 4H STL	1	EA
184	0191230	SL PAD 4.00 8.00 .630 8H SP	1	EA
185	0191231	SPCR .090 4.00 8.00 8H AL	4	EA
186	0191172	BRKT SWITCH	2	EA
187	0072680	SHIM .060 3.00 6.00 8H AL	4	EA
188	0070485	SPCR .313 2.00 6.00 5H STL	2	EA
Not Shown	0072567	SPCR 2.00 5.88 .063	6	EA

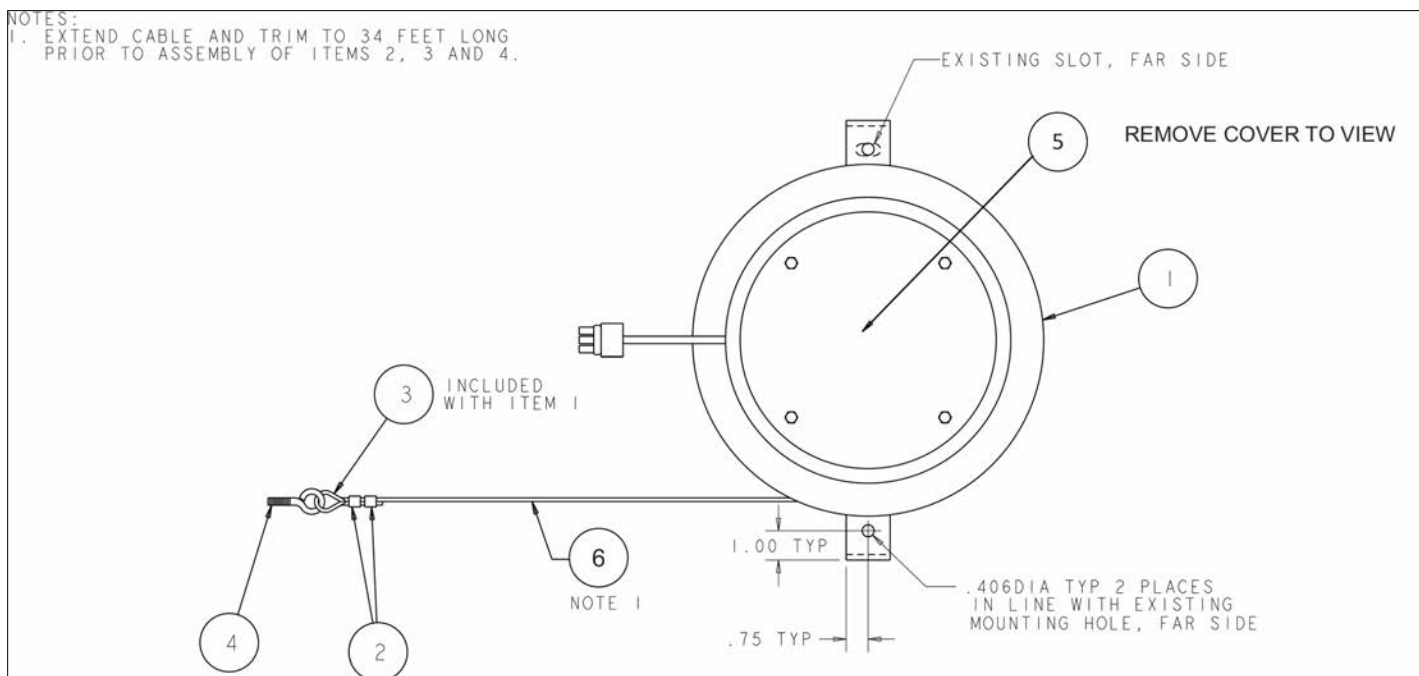
アイテム	部品番号	名前	数量	UOM
190	0073342	SHIM .063 1.25 5.88 5H AL	2	EA
191	987079	WASHER LOCK MB	10	EA
192	5560244	NUT WELD TAB .375 16	4	EA
193	0191518	SPCR .500ID 1.00OD 1.500 STL	4	EA
194	0191620	SHIM .030 4.00 8.00 5H AL	1	EA
195	0191621	SHIM .063 4.00 8.00 8H AL	2	EA
196	5560253	SBHCS .375 16 UNC X 1.25, STL, GR 8, PLTD	6	EA

REPAIR PARTS



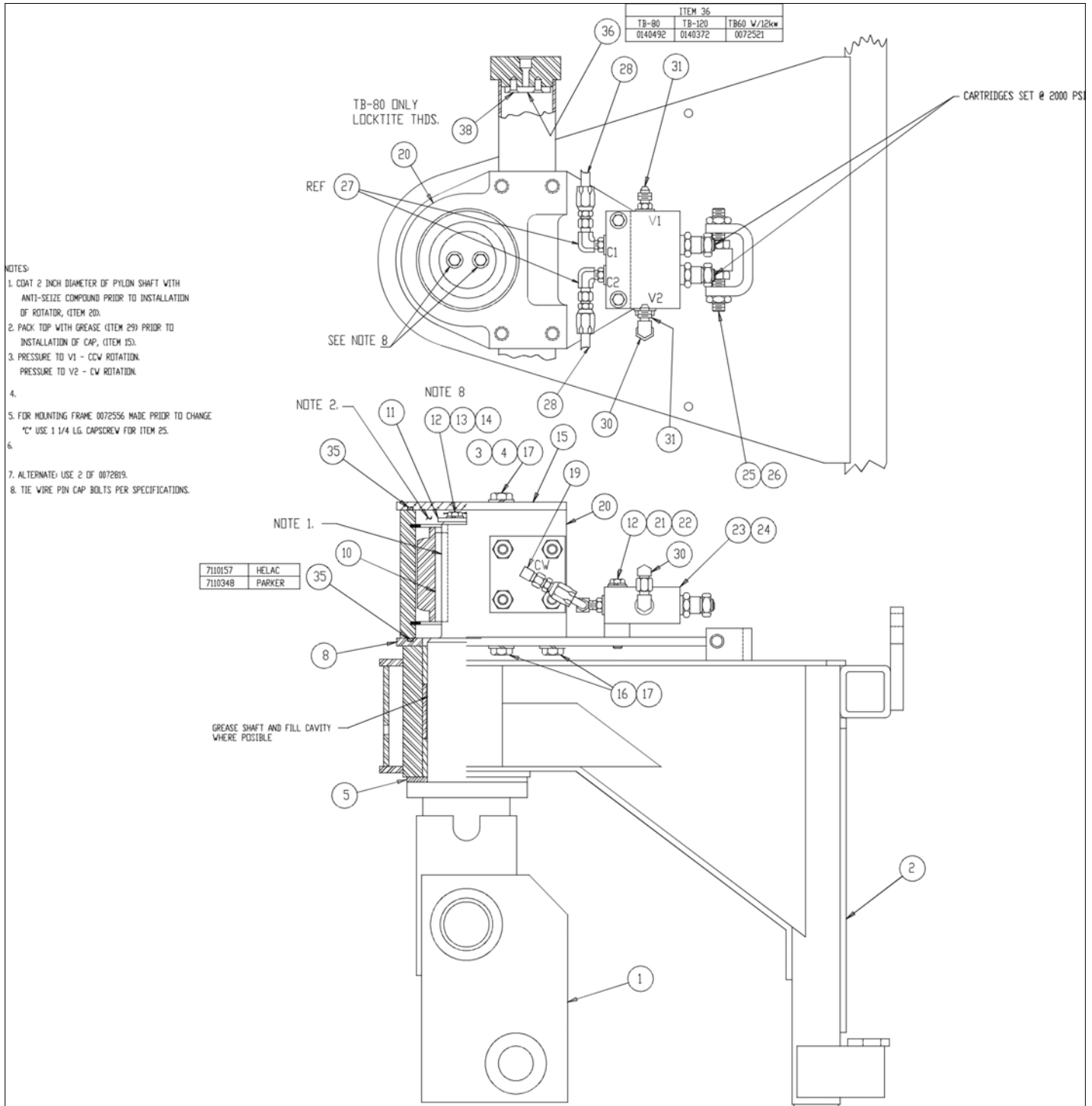
アイテム	部品番号	名前	数量	UOM
*	0191944 A	BOOM ANGLE SENSOR ASSEMBLY		EA
1	3030145	LINEAR TRANSDUCER	1	EA
2	3040565	TOWER, 3 WAY	1	EA
3	3040566	SLEEVE	3	EA
4	3040499	SEAL	3	EA

REPAIR PARTS



アイテム	部品番号	名前	数量	UOM
*	0191055 D	BOOM LENGTH SENSOR ASSEMBLY		EA
1	3030076	BOOM LENGTH SENSOR	1	EA
2	0241160	CRIMP SLEEVE	2	EA
3	964989	CABLE THIMBLE (INCLUDED W/ITEM #1)	REF	EA
4	5560251	EYEBOLT 1/4 20	1	EA
5	5520109	DIA COATED 34' CABLE	34 FT	EA
6	8160492	POTENTIOMETER 10K	A/R	EA

REPAIR PARTS

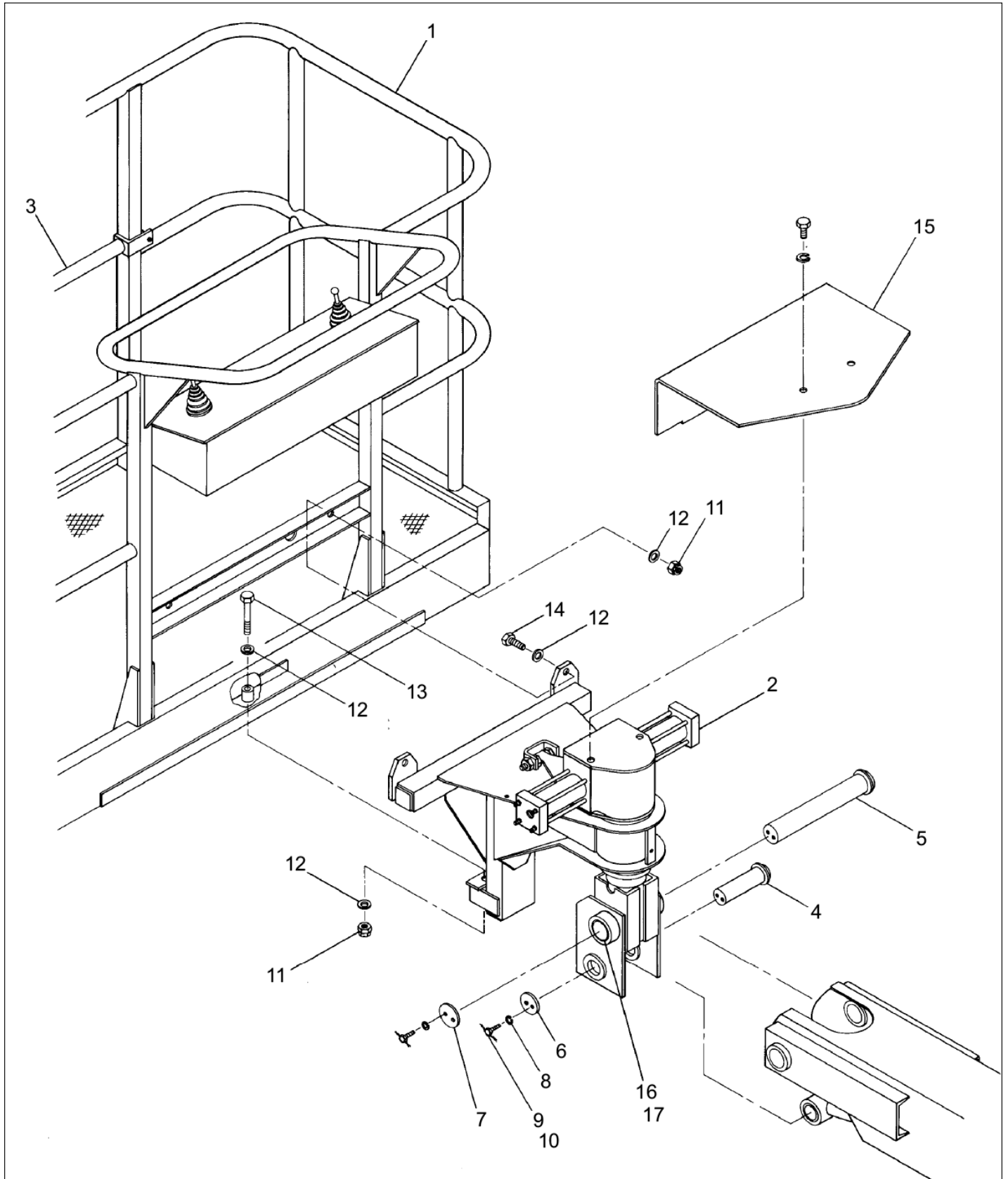


アイテム	部品番号	名前	数量	UOM
*	0072552	PLATFORM ROTATOR ASSEMBLY MARCH 2006 AND BEFORE		EA
1	0072553	PYLON, PLATFORM ROTATOR (REQUIRES 0072555 COLLAR)	1	EA
2	0072556	MOUNTING FRAME, PLATFORM ROTATOR	1	EA
3	970909	BLT HEXHD .500 13 1.50 GR5 PLA	2	EA
4	986359	FLATWASHER 1/2"	2	EA
5	0072561	BRG THR 3.03ID 4.75OD .250	1	EA
8	0072818	TORQUE PLATE	1	EA
10	0070916	KEY	1	EA
11	0070132	PIN LOCK 2.25 DIA 2H	1	EA
12	987109	WSHR LOCK .313	4	EA
13	0070473	BLT HEXHD .313 18 .75 DR	2	EA
14	PNNA	.040 DIA S.S SAFETY LOCKWIRE	AR	EA
15	0072508	COVER PLATE	1	EA
16	970889	CAPSCREW 1/2 13 X 1" LG H.H.	4	EA
17	987139	WSHR LOCK .500	6	EA
19	5035303	FTG ELB90STRTHD 4B 4S STL	2	EA
20	0070570	HYDR ROTARY ACTUATOR PLATF	1	EA
21	986269	WSHR FLAT .313	2	EA
22	970349	BLT HEXHD .313 18 2.75 GR5	2	EA
23	6019047	PLATFORM ROTATION VALVE	1	EA
24	0073783	VALVE SPACER	1	EA
25	5560217	CAPSCREW 1/2 13 X 1 3/4 INCH LONG HEX HEAD GRADE 5	2	EA
26	984409	NUT HEX .50 13UNC	2	EA
27	5035318	STRAIGHT THREAD 90 ° ELBOW	REF	EA
28	0020283	HOSE 4 4S 4S 15.25 100R1 SAE:100R1 4 BAND IN	2	EA



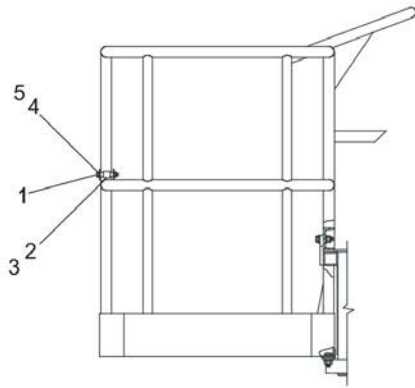
アイテム	部品番号	名前	数量	UOM
29	(NOTE 2)	PLATFORM WELDMENT	AR	EA
30	5037003	FTG ELB90SWVL 4S 4S STL	2	EA
31	5065705	FTG ADPTR STRTHD 6B 4S STL	2	EA
35	SEE CHART	JIB BOOM ASSEMBLY	2	EA
36	SEE CHART	JIB BOOM ASSEMBLY	1	EA
38	5560329	BLT FLSKTHD .250 20 .50	2	EA

REPAIR PARTS

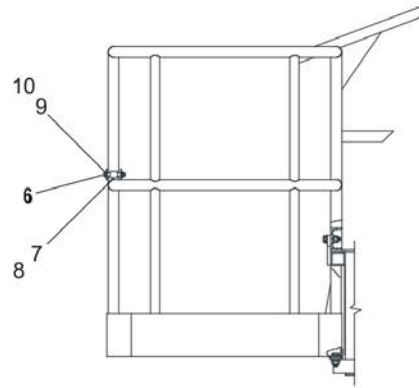


アイテム	部品番号	名前	数量	UOM
	0191522 B	PLATFORM MOUNTING/INSTALLATION		EA
1	PNNA	PLATFORM (CONSULT FACTORY)	1	EA
2	0072552	PLATFORM ROTATOR ASSEMBLY MARCH 2006 AND BEFORE	1	EA
4	0070441	WLDMT PIN 1.50 4.875 GRIP	1	EA
5	0070446	PIN	1	EA
6	0070033	PIN LOCK 2.00 DIA 2H	1	EA
7	0070132	PIN LOCK 2.25 DIA 2H	1	EA
8	987109	WSHR LOCK .313	4	EA
9	0070473	BLT HEXHD .313 18 .75 DR	4	EA
10	9980012	.040 S. S. SAFETY LOCKWIRE	1	EA
11	5560039	NUT HEX LKG .500 13	4	EA
12	986359	FLATWASHER 1/2"	8	EA
13	971009	CAP SCREW 1/2 13 X 4 INCH LONG HEX HEAD GRADE 5	2	EA
14	970909	BLT HEXHD .500 13 1.50 GR5 PLA	2	EA
15	0070874	COVER	1	EA
16	0070351	BEARING SPACER	1	EA
17	2502832	BEARING	2	EA

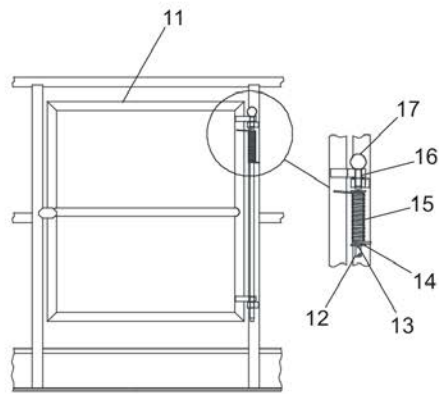
REPAIR PARTS



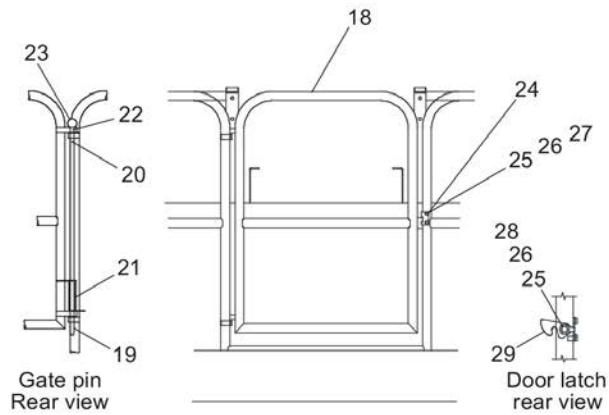
Gravity gate, steel platform



Gravity gate, aluminum platform



Swinging gate, steel platform

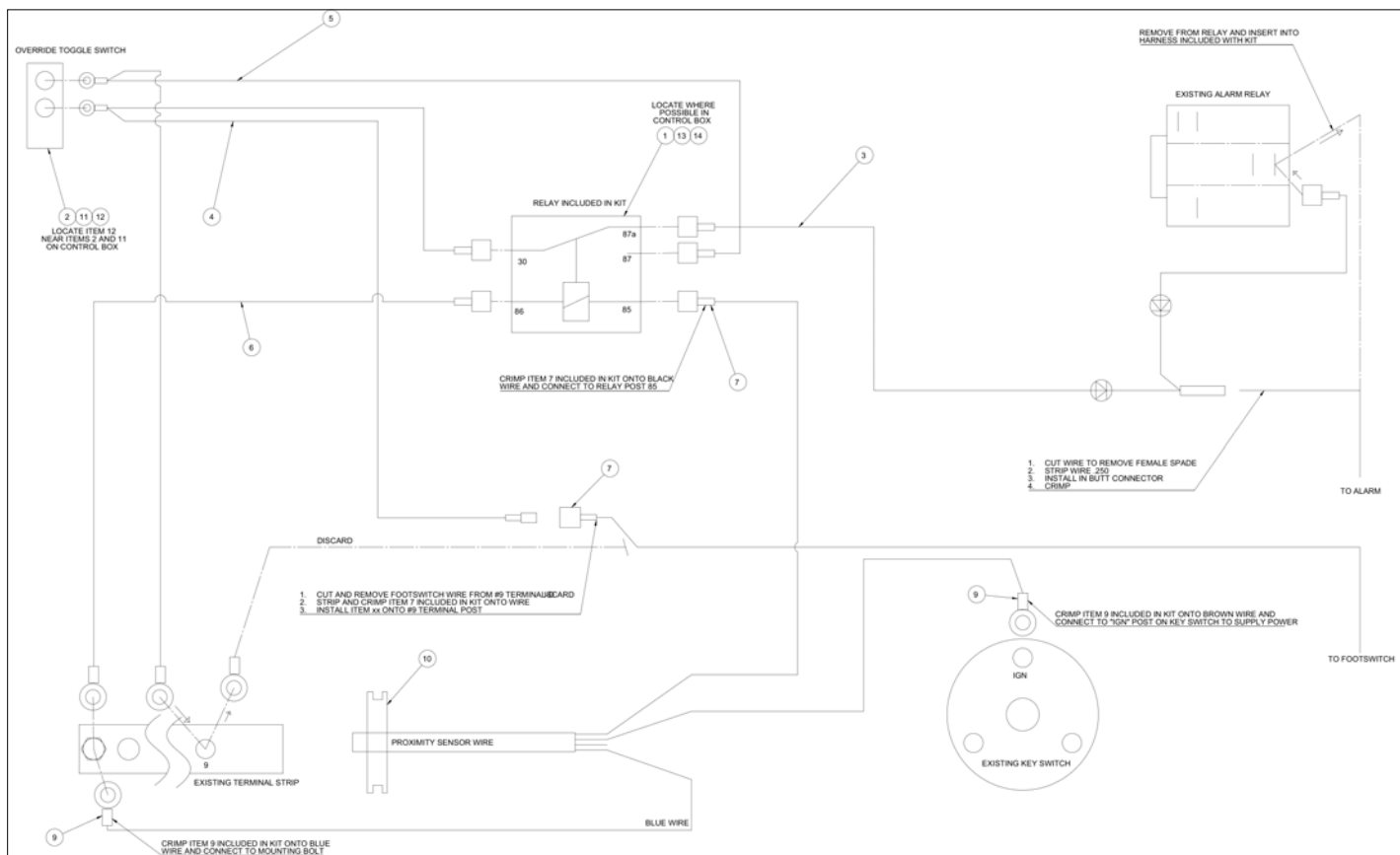


Swinging gate, aluminum platform

アイテム	部品番号	名前	数量	UOM
	M00206	PLATFORM GATE		EA
Not Shown	0071954	GRAVITY GATE ASSEMBLY FOR 5FT AND 8FT STEEL PLATFORMS (INCLUDES ITEMS 1 THROUGH 5)		EA
1	0071951	GRAVITY GATE, STEEL PLATFORM	1	EA
2	0150509	ROLLER	2	EA
3	0071953	SPCR .451ID .500OD 1.88 STL	2	EA
4	9701529	CAPSCRW 3/8 16 X 2 1/2 INCH LONG HEX HEAD GRADE 5	2	EA
5	5560033	.375 16UNC HEX LOCK NUT	2	EA
Not Shown	0161177	GRAVITY GATE SERVICE KIT (KIT INCLUDES ITEMS 6 THROUGH 10)	1	EA
6	0161177	GRAVITY GATE SERVICE KIT (KIT INCLUDES ITEMS 6 THROUGH 10)	1	EA
7	0161182	ROLLER, ALUMINUM GRAVITY GATE	2	EA
8	0161184	ROLLER SPACER, ALUMINUM GRAVITY GATE	2	EA
9	970889	CAPSCREW 1/2 13 X 1" LG H.H.	2	EA
10	5560039	NUT HEX LKG .500 13	2	EA
Not Shown	PNNA	SWINGING GATE FOR 5FT AND 8FTSTEEL PLATFORMS		EA
11	0071834	SWINGING GATE, STEEL PLATFORM (SWINGING GATE FOR 5FT AND 8FTSTEEL PLATFORMS)	1	EA
12	0322724	PIN, GATE HINGE (FULL HEIGHT SWINGING GATE FOR 8FT STEEL PLATFORMS)	1	EA
13	988179	COTTER PIN, 1/8 DIA. X 1" LG.	2	EA
14	986359	FLATWASHER 1/2"	2	EA
15	0071837	TORSION SPRING BASKET MODIF.	1	EA

アイテム	部品番号	名前	数量	UOM
16	2570002	BEARING (FULL HEIGHT SWINGING GATE FOR 8FT STEEL PLATFORMS)	2	EA
17	2667500	95 BALL KNOB 1 3/8 X 1/2 13	1	EA
Not Shown	PNNA	SWING GATE FOR 5FT AND 8FT ALUMINUM PLATFORMS		EA
18	0160970	SWING GATE , ALUMINUM PLATFORM (SWING GATE FOR 5FT AND 8FT ALUMINUM PLATFORMS)	1	EA
19	0322724	PIN, GATE HINGE (FULL HEIGHT SWINGING GATE FOR 8FT STEEL PLATFORMS)	1	EA
20	5560056	ROLL PIN 1/8 DIAMETER X 1 INCH LONG (SWING GATE FOR 5FT AND 8FT ALUMINUM PLATFORMS)	1	EA
21	0071837	TORSION SPRING BASKET MODIF.	1	EA
22	2570002	BEARING (FULL HEIGHT SWINGING GATE FOR 8FT STEEL PLATFORMS)	2	EA
23	2667500	95 BALL KNOB 1 3/8 X 1/2 13	1	EA
24	0161472	LATCH STOP (SWING GATE FOR 5FT AND 8FT ALUMINUM PLATFORMS)	1	EA
25	970099	CAPSCREW 1/4 20 X 5/8 INCH LONG HEX HEAD GRADE 5 (FULL HEIGHT SWINGING GATE FOR 8FT STEEL PLATFORMS)	3	EA
26	984529	NUT SERT 1/4 20 (FULL HEIGHT SWINGING GATE FOR 8FT STEEL PLATFORMS)	3	EA
27	987009	WASHER 1/4 MEDIUM LOCK	2	EA
28	986019	WSHR FLAT .250	1	EA
29	300891	DOOR LATCH (FULL HEIGHT SWINGING GATE FOR 8FT STEEL PLATFORMS)	1	EA

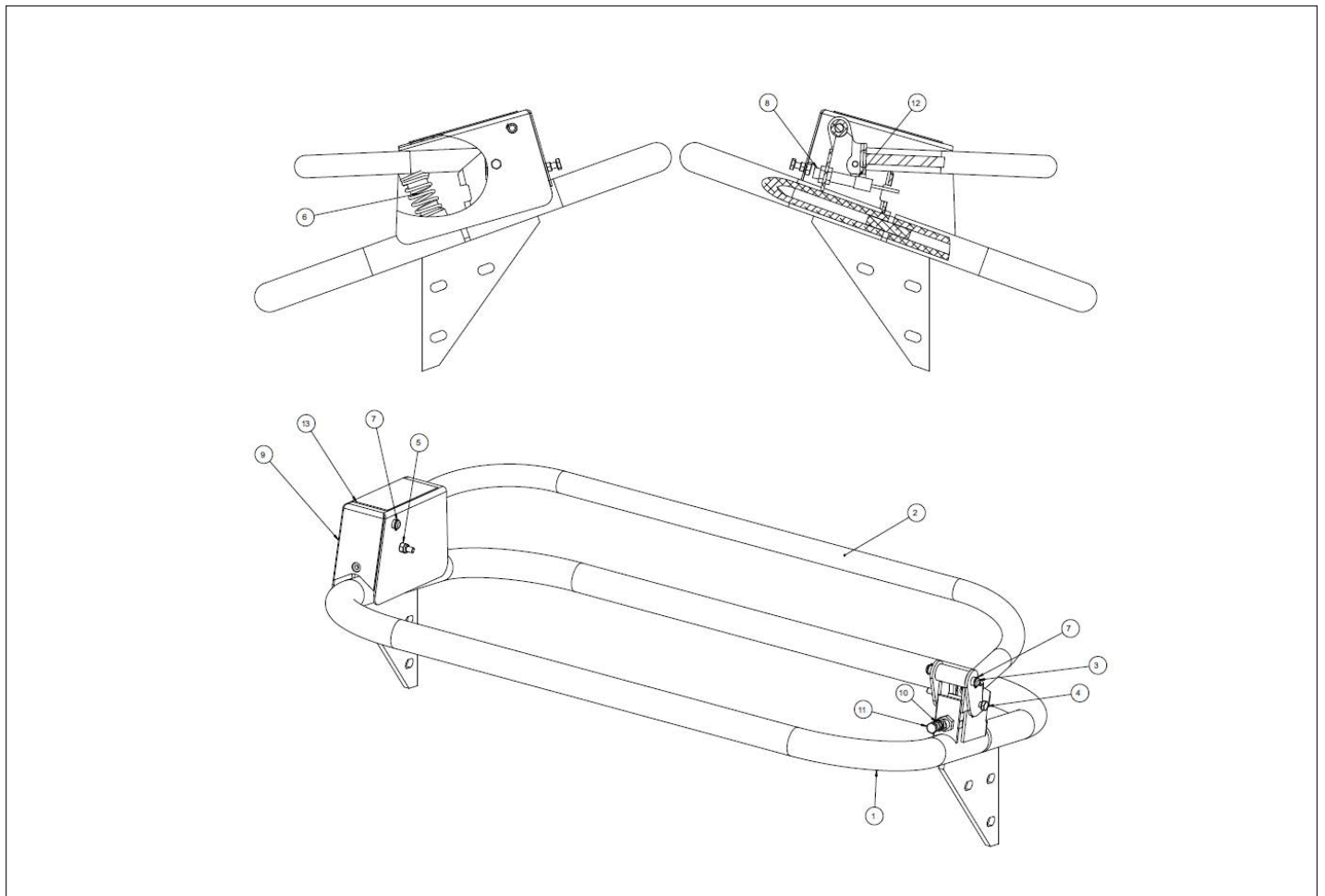
REPAIR PARTS



アイテム	部品番号	名前	数量	UOM
*	0113536 G 2	LEGACY SNORKEL GUARD KIT WIRING		EA
1	3040469	RELAY SPDT 12V 30AMP SONG	1	EA
2	3020080	TOGGLE SWITCH	1	EA
3	0113540	ASSY DIODE WIRE	1	EA
4	0113541	ASSY SWITCHED WIRE COMMON	1	EA
5	0113542	ASSY SWITCHED WIRE	1	EA
6	0071556	WIRE 16 R10I FEM250I 24	1	EA
7	3040083	TERM FEM250FI 16/14	2	EA
9	3044161	TERM R10I 16/14	2	EA
10	5569059	GROMMET .313ID .536DIA X .125GRV	1	EA
11	7030161	DECAL, SNORKEL GUARD OVERRIDE	1	EA
12	7030162	DECAL, OVERRIDE WARNING	1	EA
13	5560609	SCR TRHD 10 24 .500	1	EA
14	5560034	NUT LKG 10 24	1	EA

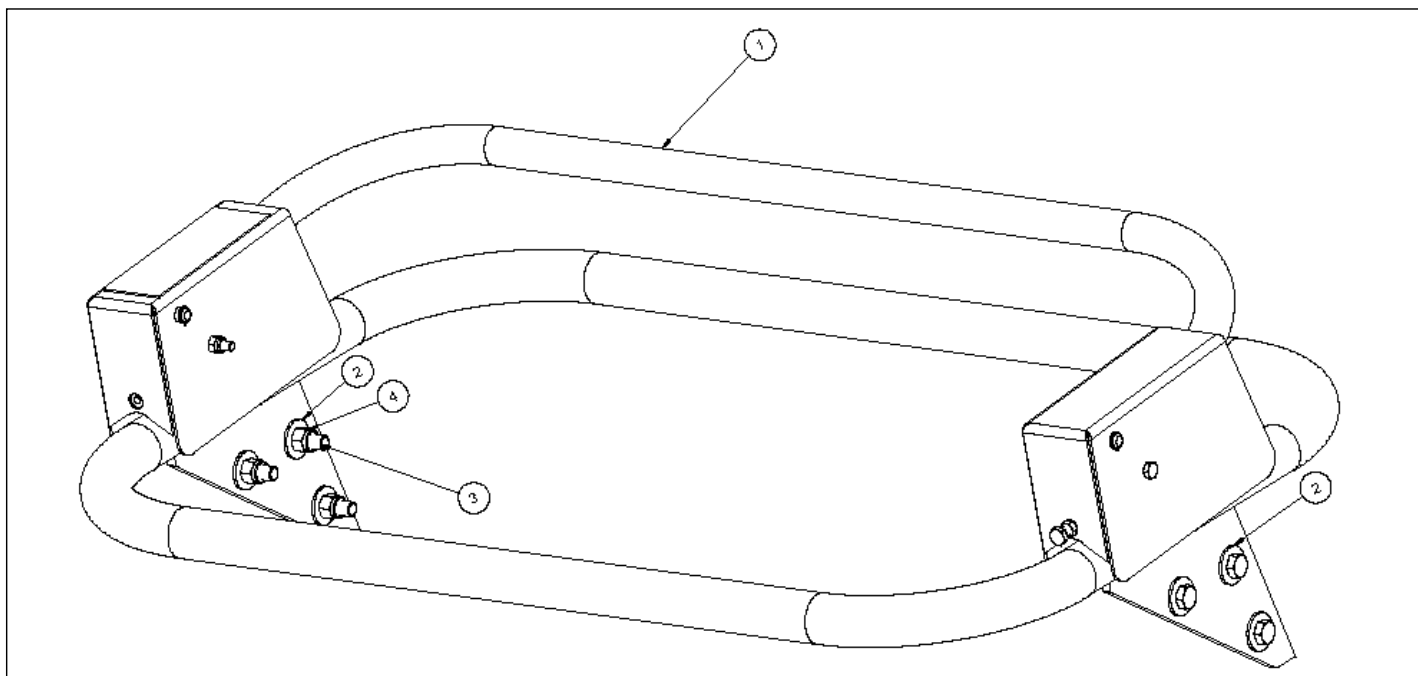


REPAIR PARTS



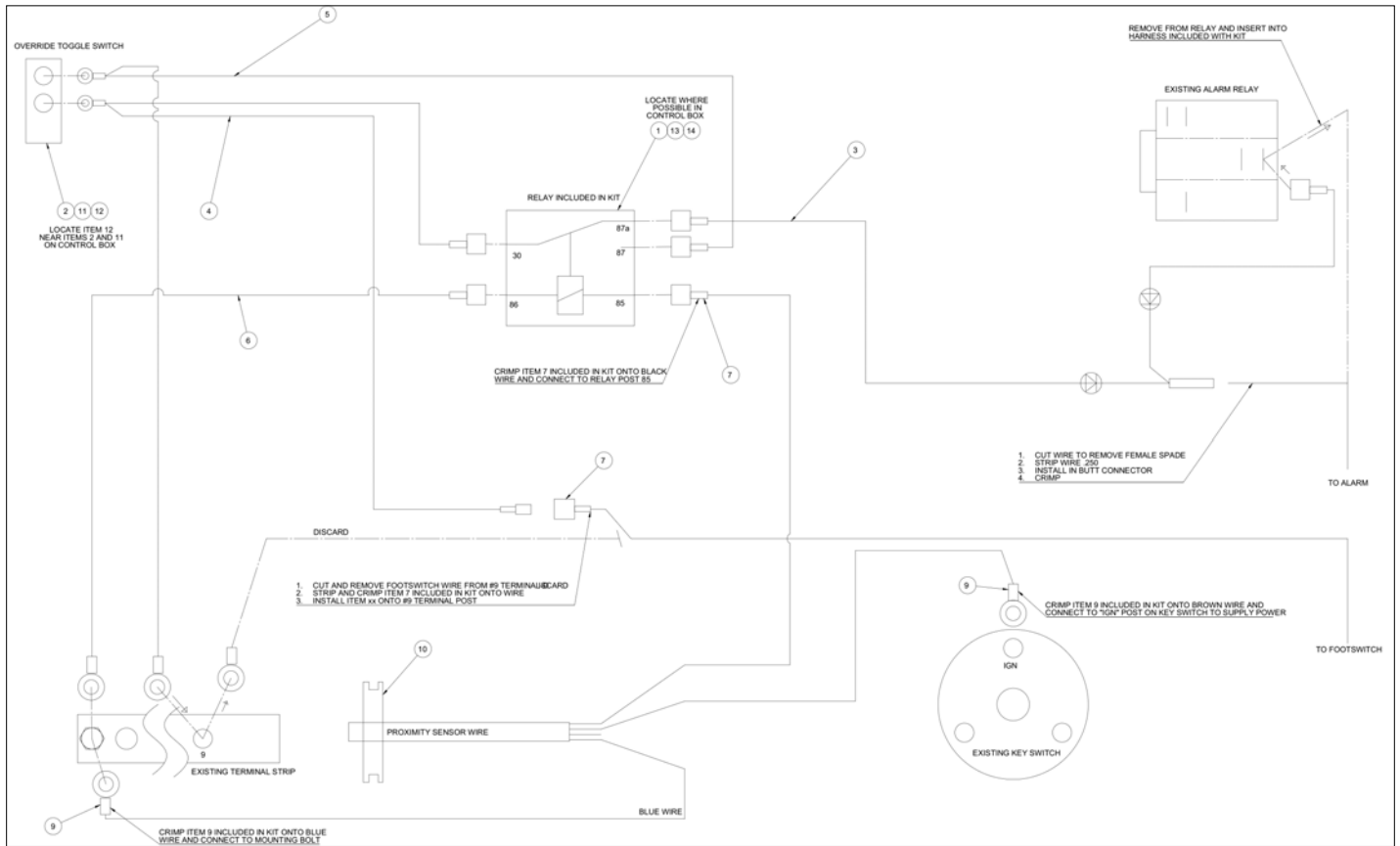
アイテム	部品番号	名前	数量	UOM
	0113531 F	SNORKEL GUARD ASSEMBLY	1	EA
1	0113519	WLDMT, SNORKEL GUARD	1	EA
2	0113529	WLDMT ACTIVATION BAR	1	EA
3	0113528	PIN .375 X 2.31 GRIP	2	EA
4	056058 070	Bolt, HexBolt DIN931 M6 x 70mm	2	EA
5	056066 006	Nut NylockNut DIN985 M6 8.0 Zi	2	EA
6	0113530	SPRING ANTI ENTRAPMENT	1	EA
7	5592018	SNAP RING .375 DIA EXT	4	EA
8	3028844	IFS241 (IFM PROXY)	1	EA
9	0113538	WLDMT SHEILD	2	EA
10	984069	NUT HEX .250 20	1	EA
11	970029	BLT .25 20 .750	1	EA
12	3014753	SNORKEL GUARD SENSOR (CABLE, M12 X 2M L)	1	M
13	7030163	DECAL SNORKEL GUARD OVERRIDE OPERATION	1	EA
Not Shown	7030161	DECAL, SNORKEL GUARD OVERRIDE	1	EA

REPAIR PARTS



アイテム	部品番号	名前	数量	UOM
	0113584	SNORKEL GUARD TRI ENTRY 8 FOOT STEEL ASSEMBLY		EA
1	0113531	ASSY, SNORKEL GUARD	1	EA
2	986299	WASHER, FLAT, .375 STANDARD, PLATED	12	EA
3	972479	BLT HEXHD .375 16 1.25 GR5	6	EA
4	5560033	.375 16UNC HEX LOCK NUT	6	EA

REPAIR PARTS



アイテム	部品番号	名前	数量	UOM
*	0113584 A 2	SNORKEL GUARD TRI ENTRY KIT MAY 2015 AND BEFORE		EA
1	3040469	RELAY SPDT 12V 30AMP SONG	1	EA
2	3020080	TOGGLE SWITCH	1	EA
3	0113540	ASSY DIODE WIRE	1	EA
4	0113541	ASSY SWITCHED WIRE COMMON	1	EA
5	0113542	ASSY SWITCHED WIRE	1	EA
6	0071556	WIRE 16 R10I FEM250I 24	1	EA
7	3040083	TERM FEM250FI 16/14	2	EA
9	3044161	TERM R10I 16/14	2	EA
10	5569059	GROMMET .313ID .536DIA X .125GRV	1	EA
11	7030161	DECAL, SNORKEL GUARD OVERRIDE	1	EA
12	7030162	DECAL, OVERRIDE WARNING	1	EA
13	5560609	SCR TRHD 10 24 .500	1	EA
14	5560034	NUT LKG 10 24	1	EA

REPAIR PARTS

**NO IMAGE AVAILABLE  
(BOM FOR REFERENCE ONLY)**

アイテム	部品番号	名前	数量	UOM
*	0191884 C	DECAL/PLACARD TB100 TB120 TB126J COMMON		EA
1	0071927	DECAL, HYDRAULIC OIL	2	EA
2	0073298	Decal, Foam Tyres	2	EA
3	0073491	Decal, safe operation information	1	EA
4	0073667	DECAL INSPECT WIRE ROPES	3	EA
5	0074311	DECAL DANGER CYLINDER FAILURE	7	EA
6	0074372	PLACARD, ENGINE RPM	1	EA
7	0110708	DECAL DNGR AXLES/JACK	1	EA
8	0151410	DECAL, DANGER ROTATING PARTS	2	EA
9	0181562	Decal, Amchine Complies With ANSI (USA Only)	1	EA
10	0190988	PLAC DNGR GROUND CONT INSTR	1	EA
11	0190989	DECAL DNGR DO NOT REACH	3	EA
12	0191244	DECAL GROUND CONT SYMBOL DEF	1	EA
13	0191491	DECAL DNGR EMS TAMPERING	1	EA
14	0192120	DECAL EMS GRD OPER	1	EA
15	0323896	DECAL DNGR ELEC HAZARD	5	EA
16	0323897	Decal, Must Not Operate	1	EA
17	0323899	Decal, danger electrical hazar	1	EA
18	451986	Decal, Interlocks	1	EA
19	7030003	DECAL, LUBE RECOMMENDATIONS	1	EA
20	969249	DECAL STRIPE YEL /BLK 1000 INCH	408	EA
21	0150606	Decal, 125 Volts Power To Platform (USA Only)	1	EA



REPAIR PARTS



NO IMAGE AVAILABLE  
(BOM FOR REFERENCE ONLY)

アイテム	部品番号	名前	数量	UOM
	0192735 B	DECAL PLACARD INSTALLATION TB120 T4F		EA
1	0074913	DECAL 4X4 LOGO	2	EA
2	0075563	DECAL DO NOT USE ETHER CU T3	1	EA
3	0111343	DECAL HIGH RANGE SP SEL VALVE	1	EA
4	0113885	DECAL DIESEL ULTRA LOW SULFER	1	EA
5	0191759	DECAL LIFT/TIE DN LCTN 100/120	1	EA
6	0191884	DECAL/PLAC 100/120/126 COMMON	1	EA
7	0191885	DECAL/PLAC 100/120/126LOGO/SYM	1	EA
8	0191886	DECAL/PLAC 100/120/126 HRDWR	1	EA
9	0192518	OPS MANUAL TB120/T120 STW EMS BUILT/INSTALLED AFTER 7 2005	1	EA
10	0192550	DECAL TB120 LOGO 5.00 NEW ST	2	EA
11	0192551	DECAL TB120 LOGO 9.00 NEW ST	1	EA
12	A19032J	INSTALLATION DECAL & PLACARD T	1	EA
13	0113974	DECAL FUEL IDLE WARNING	1	EA
14	0361367	MANUAL RSPNSBLTY A92.6	1	EA

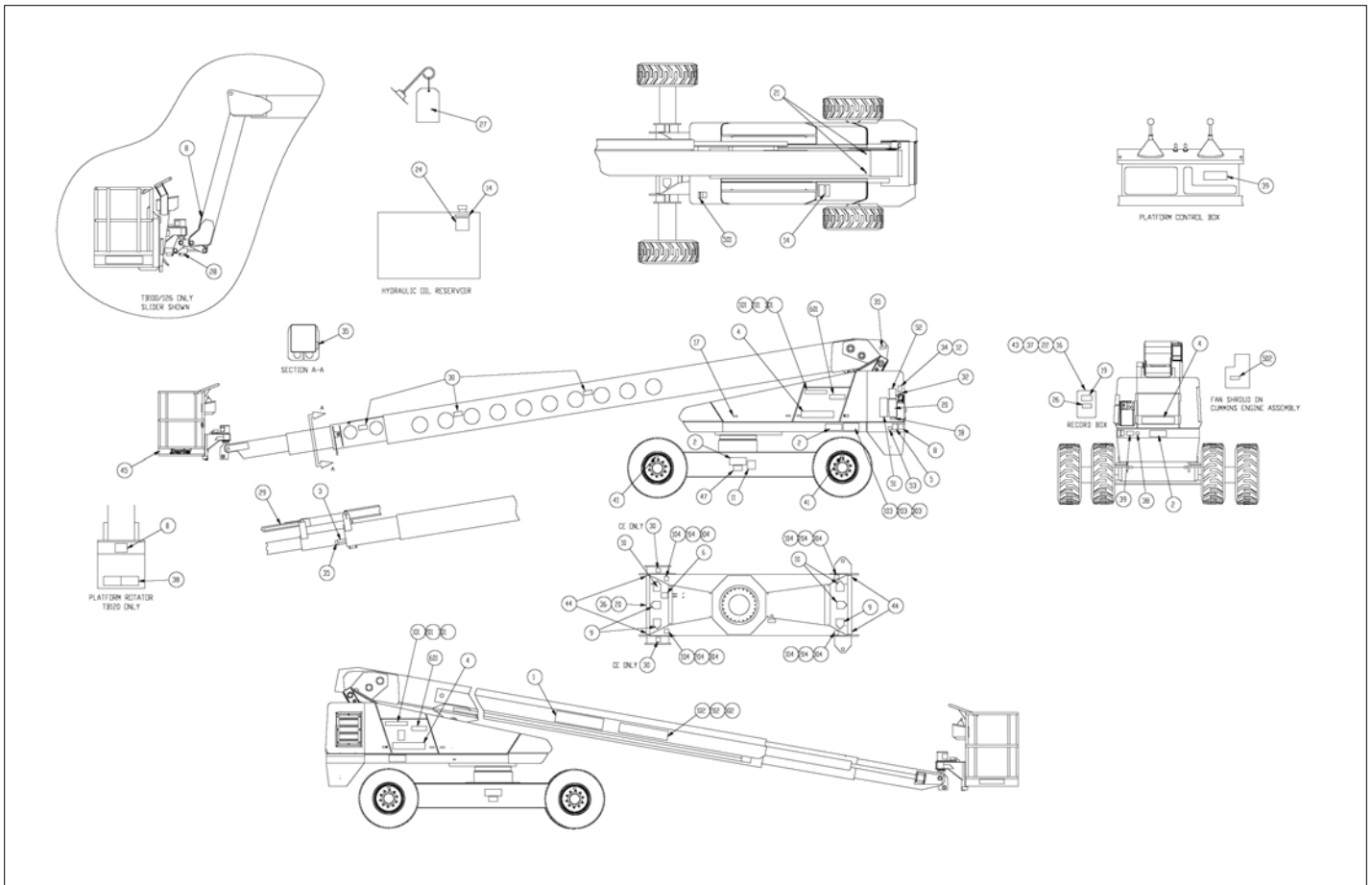
REPAIR PARTS

DECAL/PLACARD KIT INFORMATION

MACHINE	DECAL/PLACARD FOR MODEL	DECAL/PLACARD COMMON	DECAL/PLACARD CC COMMON	DECAL/PLACARD LIGHT	DECAL/PLACARD INCREASE	DECAL/PLACARD PLATFORM DE-ICE	DECAL/PLACARD PLATFORM DE-ICE
TB120 424	020840	X		X	X		X
TB120 482	020840	X		X	X		X
TB120 483 CE	020840	X		X	X		X
TB120 482 CE	020820	X		X	X		X
TB120	020840	X		X	X	X	X
TB120 CE	020840	X		X	X	X	X
TB120	020840	X		X	X	X	X
TB120 CE	020820	X	X	X	X	X	X

ITEM	QTY	QTY	QTY	QTY	QTY	QTY	QTY	QTY	QTY	QTY	QTY	DESCRIPTION	REF
1												DECAL/PLACARD KIT	1
2												DECAL/PLACARD KIT	2
3												DECAL/PLACARD KIT	3
4												DECAL/PLACARD KIT	4
5												DECAL/PLACARD KIT	5
6												DECAL/PLACARD KIT	6
7												DECAL/PLACARD KIT	7
8												DECAL/PLACARD KIT	8
9												DECAL/PLACARD KIT	9
10												DECAL/PLACARD KIT	10
11												DECAL/PLACARD KIT	11
12												DECAL/PLACARD KIT	12
13												DECAL/PLACARD KIT	13
14												DECAL/PLACARD KIT	14
15												DECAL/PLACARD KIT	15
16												DECAL/PLACARD KIT	16
17												DECAL/PLACARD KIT	17
18												DECAL/PLACARD KIT	18
19												DECAL/PLACARD KIT	19
20												DECAL/PLACARD KIT	20
21												DECAL/PLACARD KIT	21
22												DECAL/PLACARD KIT	22
23												DECAL/PLACARD KIT	23
24												DECAL/PLACARD KIT	24
25												DECAL/PLACARD KIT	25
26												DECAL/PLACARD KIT	26
27												DECAL/PLACARD KIT	27
28												DECAL/PLACARD KIT	28
29												DECAL/PLACARD KIT	29
30												DECAL/PLACARD KIT	30
31												DECAL/PLACARD KIT	31
32												DECAL/PLACARD KIT	32
33												DECAL/PLACARD KIT	33
34												DECAL/PLACARD KIT	34
35												DECAL/PLACARD KIT	35
36												DECAL/PLACARD KIT	36
37												DECAL/PLACARD KIT	37
38												DECAL/PLACARD KIT	38
39												DECAL/PLACARD KIT	39
40												DECAL/PLACARD KIT	40
41												DECAL/PLACARD KIT	41
42												DECAL/PLACARD KIT	42
43												DECAL/PLACARD KIT	43
44												DECAL/PLACARD KIT	44
45												DECAL/PLACARD KIT	45
46												DECAL/PLACARD KIT	46
47												DECAL/PLACARD KIT	47
48												DECAL/PLACARD KIT	48
49												DECAL/PLACARD KIT	49
50												DECAL/PLACARD KIT	50
51												DECAL/PLACARD KIT	51
52												DECAL/PLACARD KIT	52
53												DECAL/PLACARD KIT	53
54												DECAL/PLACARD KIT	54
55												DECAL/PLACARD KIT	55
56												DECAL/PLACARD KIT	56
57												DECAL/PLACARD KIT	57
58												DECAL/PLACARD KIT	58
59												DECAL/PLACARD KIT	59
60												DECAL/PLACARD KIT	60
61												DECAL/PLACARD KIT	61
62												DECAL/PLACARD KIT	62
63												DECAL/PLACARD KIT	63
64												DECAL/PLACARD KIT	64
65												DECAL/PLACARD KIT	65
66												DECAL/PLACARD KIT	66
67												DECAL/PLACARD KIT	67
68												DECAL/PLACARD KIT	68
69												DECAL/PLACARD KIT	69
70												DECAL/PLACARD KIT	70
71												DECAL/PLACARD KIT	71
72												DECAL/PLACARD KIT	72
73												DECAL/PLACARD KIT	73
74												DECAL/PLACARD KIT	74
75												DECAL/PLACARD KIT	75
76												DECAL/PLACARD KIT	76
77												DECAL/PLACARD KIT	77
78												DECAL/PLACARD KIT	78
79												DECAL/PLACARD KIT	79
80												DECAL/PLACARD KIT	80

- NOTE
- 1. REFER TO THE PLATFORM MANUAL FOR THE CORRECT PLATFORM CAPACITY PLACARD.
- 2. FOREIGN LANGUAGE DECALS TO BE INSTALLED AT DEPOSIT.
- 3. DECAL/PLACARD KIT INFORMATION SHOWN IN COLUMN 51 FOR REFERENCE USE ONLY.
- 4. SEE ITEM 51 ON SHEET ONE FOR OTHER LANGUAGES.
- 5. QUANTITY IS 1 FOR ENGLISH MACHINES AND 2 FOR CE MACHINES.
- 6. SEE ITEM 51 ON SHEET 2.



4x4 ONLY

RIVET PLACARD TO PLATFORM

RIVET PLACARDS TO PLATFORM

TB120

318	362039	DECAL SNORKEL BRAND LOGO 3.8L	2		
319	01673367/01673368	01673366/01673366	01673369	DECAL INGR ELEC HAZARD	1
320			01673370	DECAL PLATFORM ENTRY & DESCRIPTION	1
321			0170450	DECAL ATTACH FAIL RESTRAINT	1
322	010448F		0113342	DECAL HIGH WING SP SEL LOC	1
323					
324			0073668	DECAL DO NOT USE BOOM	1
325			0170531	DECAL INGR ELEC HAZARD	1
326			0071425	PLAC PLAT IDENTIFICATION	1
327			0170501	DECAL 125 VOLTS IS AMPS	1
	FRENCH	CE	US		

RIVET PLACARD TO PLATFORM

PRO100 & PRO126 (NS)

100	362039	DECAL SNORKEL BRAND LOGO 3.8L	2		
101	01673367	DECAL PLATFORM ENTRY & DESCRIPTION	1		
102	0170450	DECAL ATTACH FAIL RESTRAINT	1		
103	010448F	DECAL HIGH WING SP SEL LOC	1		
104	0073668	DECAL DO NOT USE BOOM	1		
105	0170531	DECAL INGR ELEC HAZARD	1		
106	0171425	PLAC PLAT IDENTIFICATION	1		
107	0170501	DECAL 125 VOLTS IS AMPS	1		
	FRENCH	CE	US		

APPLY RH HALF DN INSIDE OF RH RAIL SUPPORT  
APPLY LH HALF DN INSIDE OF LH RAIL SUPPORT

RIVET PLACARD TO PLATFORM

PRO126 SLIDER

318	362039	DECAL SNORKEL BRAND LOGO 3.8L	2		
319	01673367	01673368	01673369	DECAL PLATF LATCHES	2
320			01673370	DECAL PLATFORM ENTRY & DESCRIPTION	1
321			0170450	DECAL ATTACH FAIL RESTRAINT	1
322	010448F		0113342	DECAL HIGH WING SP SEL LOC	1
323					
324			0073668	DECAL DO NOT USE BOOM	1
325			0170531	DECAL INGR ELEC HAZARD	1
326			0071425	PLAC PLAT IDENTIFICATION	1
327			0170501	DECAL 125 VOLTS IS AMPS	1
	FRENCH	CE	US		

RIVET PLACARD TO PLATFORM

INSTALL ON PLATFORM SLIDE CYLINDER

400	01673367	01673370	PLAC PLATF CAPACITY 600 LBS	1	
401	01673368	01673370	PLAC PLATF CAPACITY 500 LBS	1	
402	01673369	01673374	PLAC PLATF CAPACITY 650 LBS	1	
	FRENCH	CE	US		

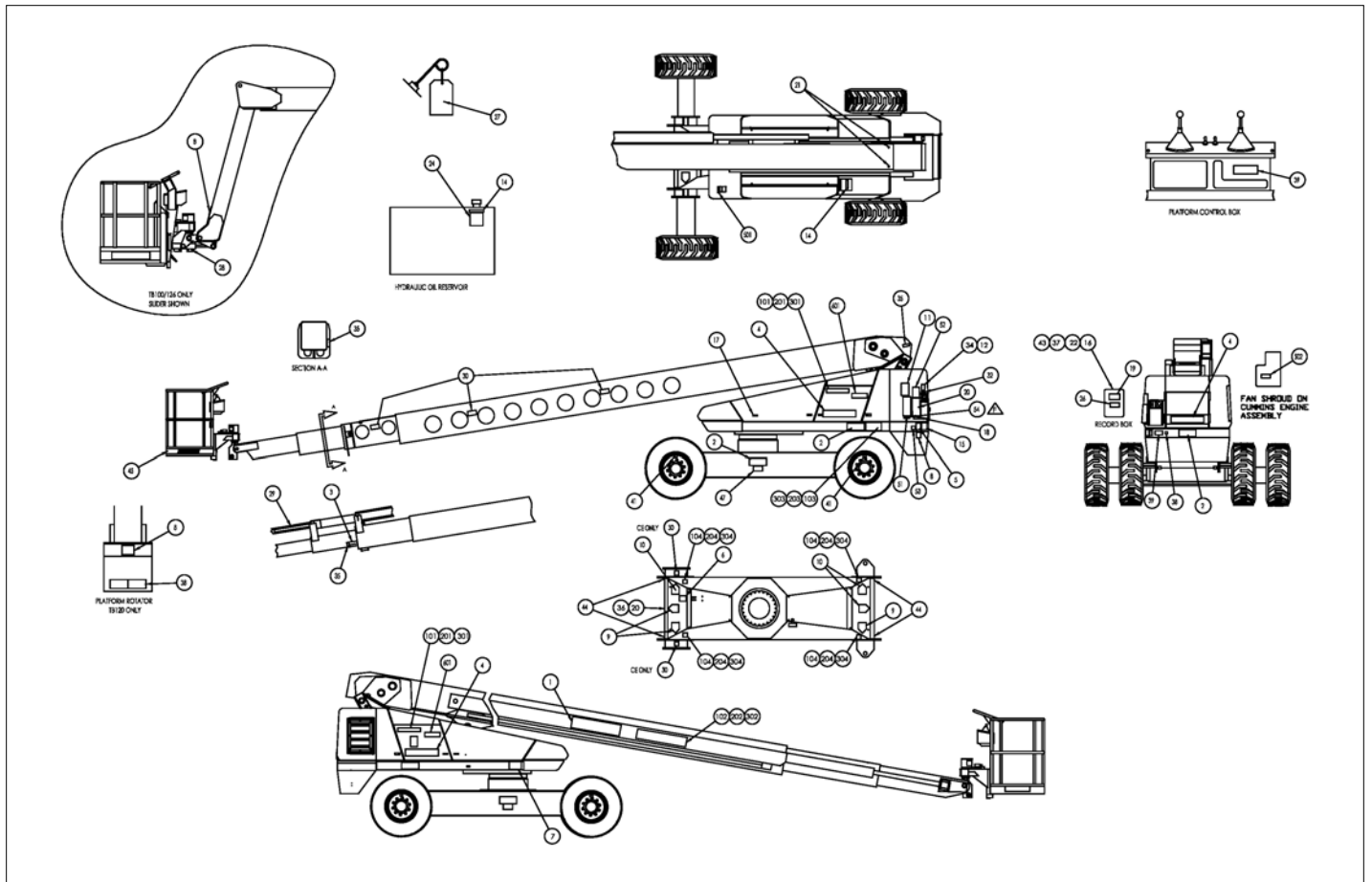
REPAIR PARTS

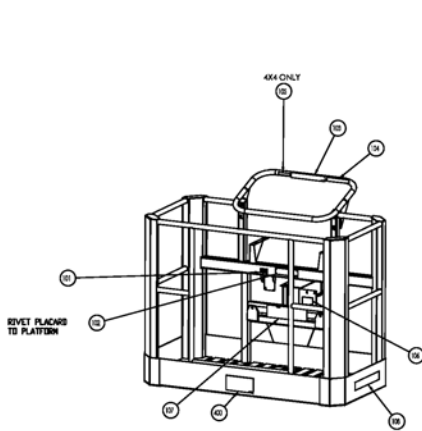
DECAL/PLACARD KIT INFORMATION

MODEL	DECAL/PLACARD KIT NUMBER	DECAL/PLACARD COMMON	DECAL/PLACARD CE COMMON	DECAL/PLACARD LOGO	DECAL/PLACARD HARDWARE (PLAT 100-12)	DECAL/PLACARD PLAT 100	DECAL/PLACARD PLAT 100
9104A	0190	1		1			1
9104B	0190	2		1			1
9104C	0190	2	2	2			1
9104D	0190	2	2	2			1
9105	0190	1		1			1
9105A	0190	2		1			1
9105B	0190	2		1			1
9105C	0190	2		1			1
9105D	0190	2		1			1

- NOTE:
1. REFER TO THE PLATFORM MODULE FOR THE CORRECT PLATFORM CAPACITY PLACARDS.
  2. FOREIGN LANGUAGE DECALS TO BE INSTALLED AT DEPOS.
  3. DECAL/PLACARD KIT INFORMATION SHOWN IN CHART IS FOR REFERENCE USE ONLY.
  4. SEE ITEM 31 ON SHEET ONE FOR OTHER LANGUAGES.
  5. QUANTITY 3 FOR STANDARD MACHINES AND 1 FOR CE MACHINES.
  6. SEE BOM ON SHEET 3.

ITEM	QTY	DESCRIPTION	UNIT	PRICE	REVISION
1	1	PLACARD CAPACITY			
2	1	PLACARD CAPACITY			
3	1	PLACARD CAPACITY			
4	1	PLACARD CAPACITY			
5	1	PLACARD CAPACITY			
6	1	PLACARD CAPACITY			
7	1	PLACARD CAPACITY			
8	1	PLACARD CAPACITY			
9	1	PLACARD CAPACITY			
10	1	PLACARD CAPACITY			
11	1	PLACARD CAPACITY			
12	1	PLACARD CAPACITY			
13	1	PLACARD CAPACITY			
14	1	PLACARD CAPACITY			
15	1	PLACARD CAPACITY			
16	1	PLACARD CAPACITY			
17	1	PLACARD CAPACITY			
18	1	PLACARD CAPACITY			
19	1	PLACARD CAPACITY			
20	1	PLACARD CAPACITY			
21	1	PLACARD CAPACITY			
22	1	PLACARD CAPACITY			
23	1	PLACARD CAPACITY			
24	1	PLACARD CAPACITY			
25	1	PLACARD CAPACITY			
26	1	PLACARD CAPACITY			
27	1	PLACARD CAPACITY			
28	1	PLACARD CAPACITY			
29	1	PLACARD CAPACITY			
30	1	PLACARD CAPACITY			
31	1	PLACARD CAPACITY			
32	1	PLACARD CAPACITY			
33	1	PLACARD CAPACITY			
34	1	PLACARD CAPACITY			
35	1	PLACARD CAPACITY			
36	1	PLACARD CAPACITY			
37	1	PLACARD CAPACITY			
38	1	PLACARD CAPACITY			
39	1	PLACARD CAPACITY			
40	1	PLACARD CAPACITY			
41	1	PLACARD CAPACITY			
42	1	PLACARD CAPACITY			
43	1	PLACARD CAPACITY			
44	1	PLACARD CAPACITY			
45	1	PLACARD CAPACITY			
46	1	PLACARD CAPACITY			
47	1	PLACARD CAPACITY			
48	1	PLACARD CAPACITY			
49	1	PLACARD CAPACITY			
50	1	PLACARD CAPACITY			
51	1	PLACARD CAPACITY			
52	1	PLACARD CAPACITY			
53	1	PLACARD CAPACITY			
54	1	PLACARD CAPACITY			
55	1	PLACARD CAPACITY			
56	1	PLACARD CAPACITY			
57	1	PLACARD CAPACITY			
58	1	PLACARD CAPACITY			
59	1	PLACARD CAPACITY			
60	1	PLACARD CAPACITY			
61	1	PLACARD CAPACITY			
62	1	PLACARD CAPACITY			
63	1	PLACARD CAPACITY			
64	1	PLACARD CAPACITY			
65	1	PLACARD CAPACITY			
66	1	PLACARD CAPACITY			
67	1	PLACARD CAPACITY			
68	1	PLACARD CAPACITY			
69	1	PLACARD CAPACITY			
70	1	PLACARD CAPACITY			
71	1	PLACARD CAPACITY			
72	1	PLACARD CAPACITY			
73	1	PLACARD CAPACITY			
74	1	PLACARD CAPACITY			
75	1	PLACARD CAPACITY			
76	1	PLACARD CAPACITY			
77	1	PLACARD CAPACITY			
78	1	PLACARD CAPACITY			
79	1	PLACARD CAPACITY			
80	1	PLACARD CAPACITY			
81	1	PLACARD CAPACITY			
82	1	PLACARD CAPACITY			
83	1	PLACARD CAPACITY			
84	1	PLACARD CAPACITY			
85	1	PLACARD CAPACITY			
86	1	PLACARD CAPACITY			
87	1	PLACARD CAPACITY			
88	1	PLACARD CAPACITY			
89	1	PLACARD CAPACITY			
90	1	PLACARD CAPACITY			
91	1	PLACARD CAPACITY			
92	1	PLACARD CAPACITY			
93	1	PLACARD CAPACITY			
94	1	PLACARD CAPACITY			
95	1	PLACARD CAPACITY			
96	1	PLACARD CAPACITY			
97	1	PLACARD CAPACITY			
98	1	PLACARD CAPACITY			
99	1	PLACARD CAPACITY			
100	1	PLACARD CAPACITY			



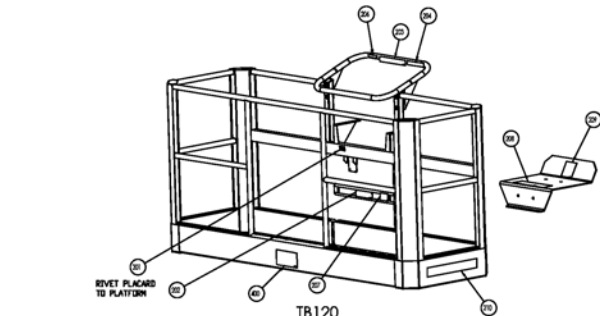


RVET PLACARD TO PLATFORM

PRO100 & PRO126 (NS)

QTY	PART NO.	DESCRIPTION	UNIT	QTY
2	002955	DECAL INDOOR BRAND LOGO 100		2
1	0191240	DECAL PLATFORM CHAIR 1 DESCRIPTION		1
1	017685	DECAL ATTACH PAUL RETRAINT		1
1	011340	DECAL HIGH RING SP BR LOC		1
1	007648	DECAL DO NOT USE ROOM		1
1	007651	DECAL ENGIE BRG HAZARD		1
1	007428	PLAC PLAT IDENTIFICATION		1
1	007092	DECAL 125 VOLTS 15 AMP		1
	FRENCH	CI	US	

QTY	PART NO.	DESCRIPTION	UNIT	QTY
1	0110495	007037 PLAC PLAT CAPACITY 800 LBS		1
1	0060895	007037 PLAC PLAT CAPACITY 800 LBS		1
1	0070958	007037 PLAC PLAT CAPACITY 800 LBS		1
	FRENCH	CI	US	



RVET PLACARD TO PLATFORM

TB120

QTY	PART NO.	DESCRIPTION	UNIT	QTY
2	0142067/0142068	002899 DECAL INDOOR BRAND LOGO 120		2
1	0142067/0142068	002899 DECAL INDOOR BRAND LOGO 120		1
1	0191240	DECAL PLATFORM CHAIR 1 DESCRIPTION		1
1	017685	DECAL ATTACH PAUL RETRAINT		1
1	011340	DECAL HIGH RING SP BR LOC		1
1	007648	DECAL DO NOT USE ROOM		1
1	007651	DECAL ENGIE BRG HAZARD		1
1	007428	PLAC PLAT IDENTIFICATION		1
1	007092	DECAL 125 VOLTS 15 AMP		1
	FRENCH	CI	US	

APPLY RH HALF ON INSIDE OF RH RAIL SUPPORT  
APPLY LH HALF ON INSIDE OF LH RAIL SUPPORT

RVET PLACARD TO PLATFORM

PRO126 SLIDER

QTY	PART NO.	DESCRIPTION	UNIT	QTY
2	0191260	0191260 DECAL PLAT CAPACITY		2
1	0191240	DECAL PLATFORM CHAIR 1 DESCRIPTION		1
1	017685	DECAL ATTACH PAUL RETRAINT		1
1	011340	DECAL HIGH RING SP BR LOC		1
1	007648	DECAL DO NOT USE ROOM		1
1	007651	DECAL ENGIE BRG HAZARD		1
1	007428	PLAC PLAT IDENTIFICATION		1
1	007092	DECAL 125 VOLTS 15 AMP		1
	FRENCH	CI	US	

INSTALL ON PLATFORM SLIDE CYLINDER



アイテム	部品番号	名前	数量	UOM
*	A19032J F	DECALS PLACARD TB126J T4F CSA INSTALLATION		EA

HYDRAULICS

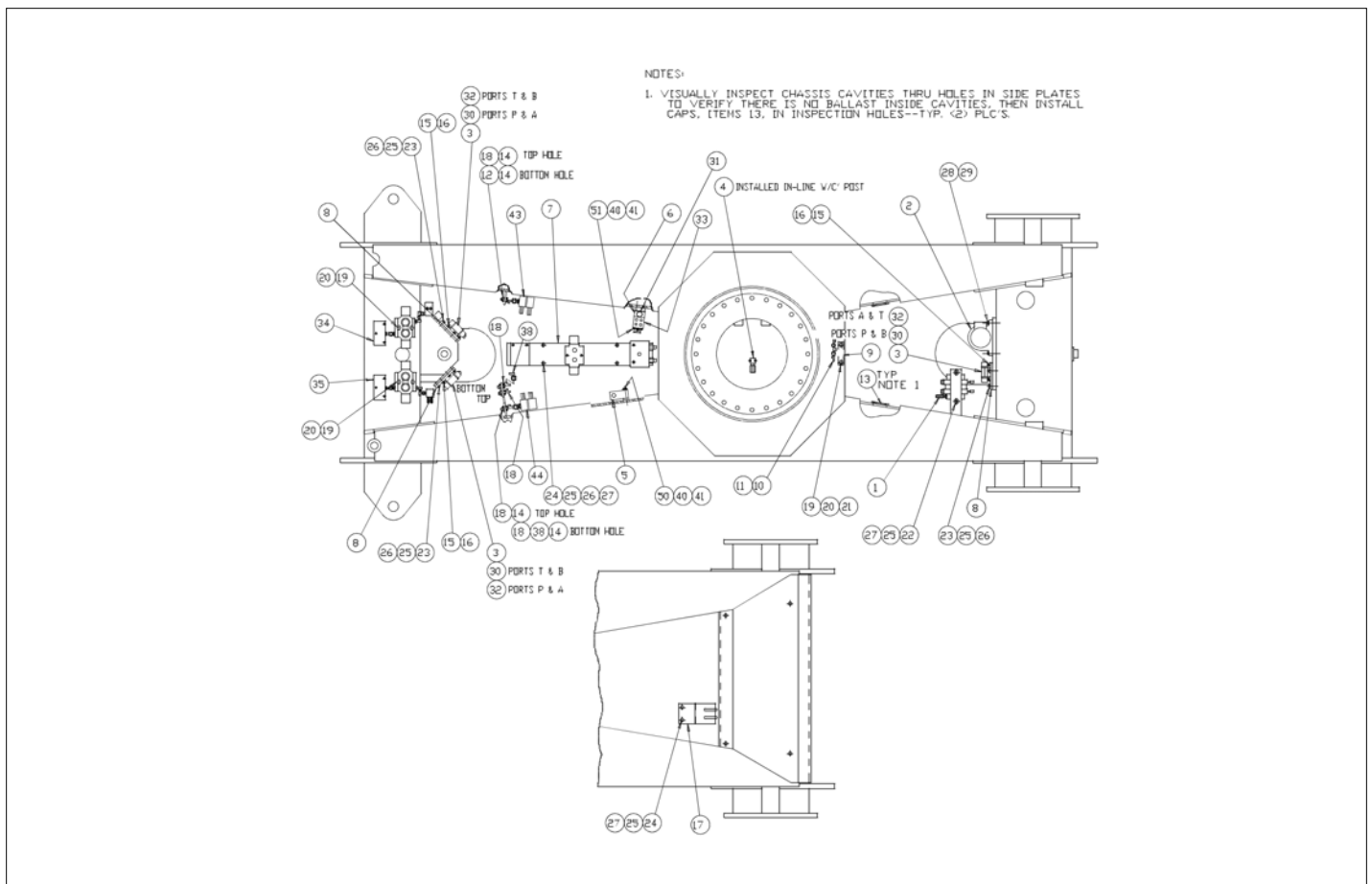


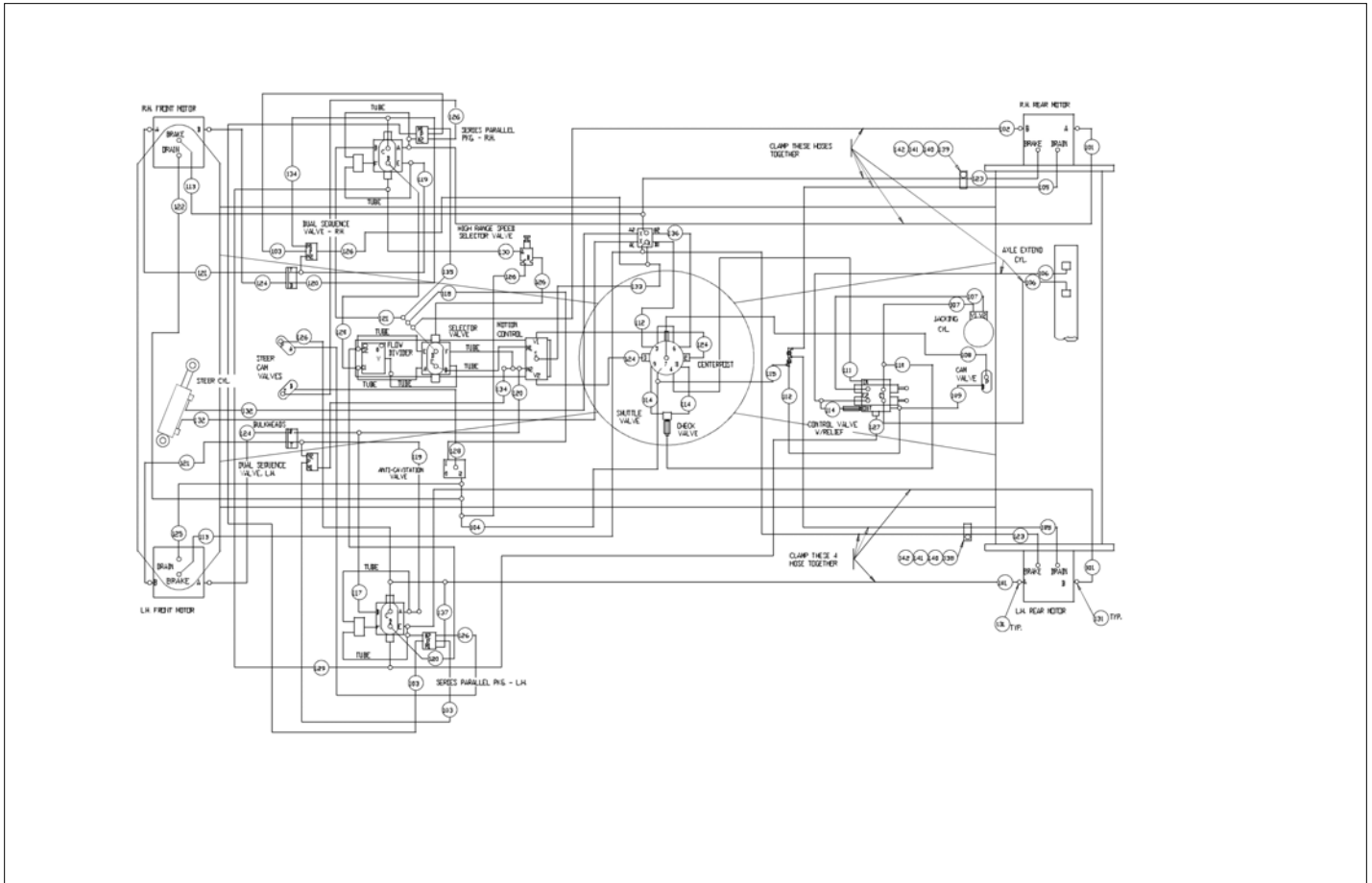
NO IMAGE AVAILABLE  
(BOM FOR REFERENCE ONLY)

アイテム	部品番号	名前	数量	UOM
	0192521 A	HYDRAULIC SUB ASSEMBLY TB120 CUMMINS		EA
1	0111264	DRIVE VALVE SUB ASSEMBLY	1	EA
2	0111273	ANTI CAV VALVE SUB ASSEMBLY L.H	1	EA
3	0111290	SHUTTLE VALVE SUB ASSEMBLY	1	EA
4	0111291	CONTROL VALVE SUB ASSEMBLY	1	EA
5	0111344	HIGH RNG SPD SEL VALVE SUB ASSEMBLY	1	EA
6	0111492	VALVE	1	EA
7	0111528	VALVE	1	EA
8	0111530	VALVE	1	EA
9	0111535	R H SERIES PKG VALVE 4 X 4	1	EA
10	0111536	VALVE	1	EA
11	0191178	CENTERPOST AND FITTINGS ASSEMBLY	1	EA
12	0191756	HYDRAULIC OIL RESERVOIR, PLASTIC COWLING	1	EA
13	0180870	ACCUMULATOR CHARGED	1	EA
14	0190836	CHECK VALVE MANIFOLD SUB ASSEMBLY	1	EA
15	0190837	PUMP CONTROL VALVE SUB ASSEMBLY	1	EA
16	0190839	EMER. POWER UNIT SUB ASSY R.H.	1	EA
17	0190840	EMER. POWER UNIT SUB ASSY L.H.	1	EA
18	0190878	AXLE INTERLOCK VALVE SUB ASSEMBLY	1	EA
19	0190879	4 STAGE BLOCKING VALVE SUBASSY	1	EA
20	0191179	MANIFOLD SUB ASSEMBLY	1	EA
21	0191285	PROPORTIONALCONTROL VALVE SUB ASSEMBLY	1	EA

アイテム	部品番号	名前	数量	UOM
22	0191458	RETURN OIL FILTER ASSY	1	EA
23	0192197	NON PROP VALVE ASSY TB100/120/126	1	EA

HYDRAULICS





アイテム	部品番号	名前	数量	UOM
	0111537 J	CHASSIS HYDRAULIC EQUIPMENT		EA
1	0111291	CONTROL VALVE SUB ASSEMBLY	1	EA
2	0111292	JACKING CYLINDER SUB ASSY	1	EA
3	6010222	CAM VALVE	3	EA
4	0111290	SHUTTLE VALVE SUB ASSEMBLY	1	EA
5	0111273	ANTI CAV VALVE SUB ASSEMBLY L.H	1	EA
6	0111344	HIGH RNG SPD SEL VALVE SUB ASSEMBLY	1	EA
7	0111264	DRIVE VALVE SUB ASSEMBLY	1	EA
8	0110495	BASE PLATE CAM VALVE	3	EA
9	0110590	TUBE CLAMP BAR W/BONDED RUBBER	1	EA
10	5034203	FTG ELB90UN 6S 6S STL	1	EA
11	5036705	FTG TEE SWVL RUN 6S 6S STL	2	EA
12	5034505	FTG ELB90BHD 12S 12S STL PH 12	1	EA
13	5070026	CAP WHEEL SERVICE	2	EA
14	5074406	BULKHEAD LOCKNUT ( 12)	4	EA
15	5569880	SCREW MACH SKTHD 10 24 X .625	12	EA
16	5560654	WSHR LOCK #10 SPLIT TYPE	12	EA
17	0111305	GUARD	1	EA
18	5035408	FTG TEE BHD RUN 12S 12S STL	3	EA
19	970319	BLT HEXHD .313 18 2.50 GR5	6	EA
20	987109	WSHR LOCK .313	6	EA
21	984089	NUT HEX .313 18	2	EA
22	972469	BLT FLSKTHD .375 16 X 1.00 GR	2	EA
23	970426	BLT HHD .375 16 X .875	9	EA
24	970469	HHD BLT .375 16 X 1.00 GR5	8	EA

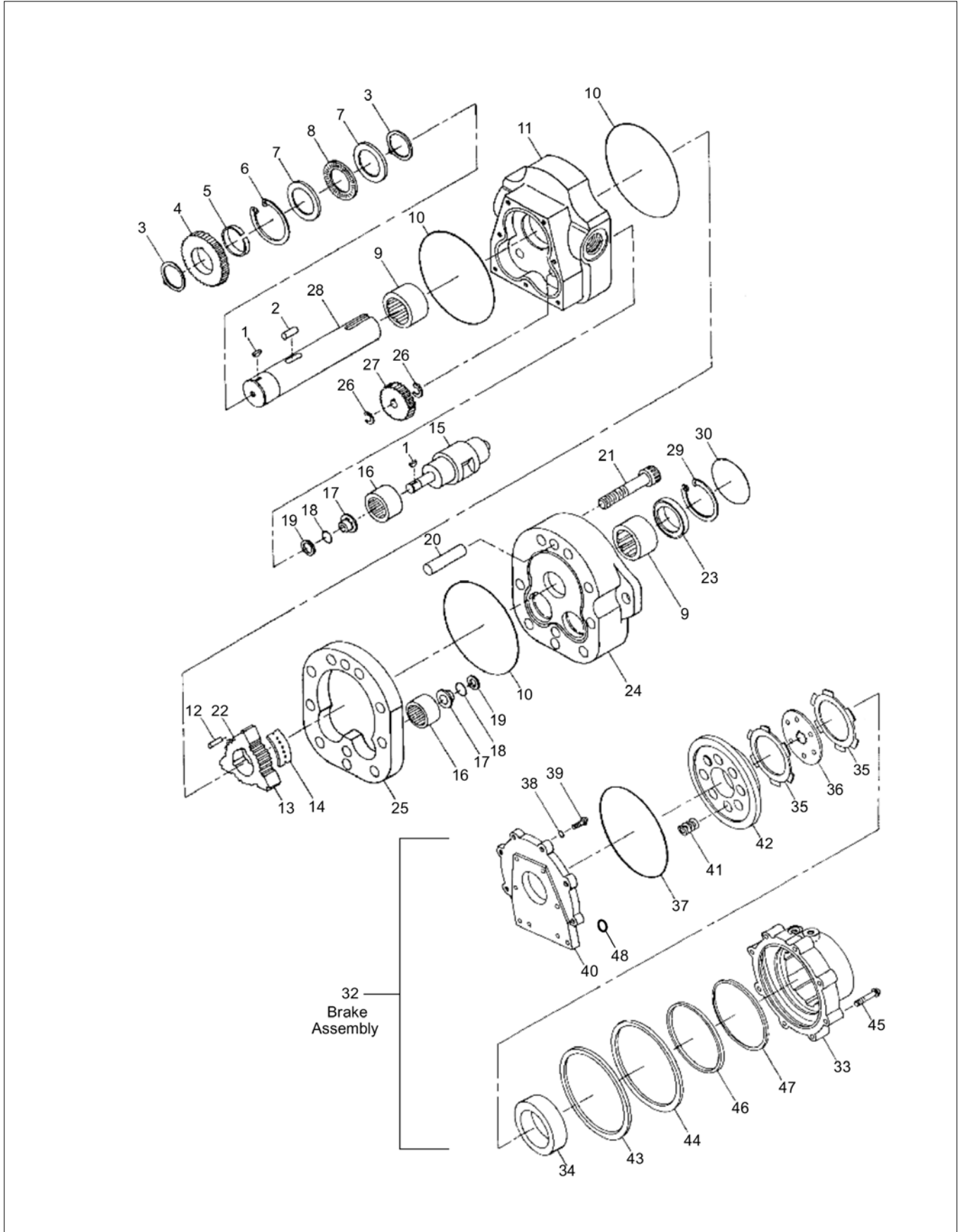
アイテム	部品番号	名前	数量	UOM
25	987119	WSHR LOCK .375	17	EA
26	986299	WASHER, FLAT, .375 STANDARD, PLATED	15	EA
27	984109	NUT HEX .375 16	8	EA
28	5560693	BLT SKTHD .750 10 1.75 \$C075C	4	EA
29	987179	WSHR LOCK .750	4	EA
30	5035303	FTG ELB90STRTHD 4B 4S STL	6	EA
31	0112030	SPCR .125 1.00 3.00 STL SP	2	EA
32	5075203	FTG PL HEX HD 4B STL	6	EA
33	0111492	VALVE	1	EA
34	0111535	R H SERIES PKG VALVE 4 X 4	1	EA
35	0111536	VALVE	1	EA
38	5037008	ADAPTER 90 ° ELBOW SWIVEL 12 JIC	1	EA
40	987099	WSHR LOCK .250	4	EA
41	986019	WSHR FLAT .250	4	EA
43	0111530	VALVE	1	EA
44	0111528	VALVE	1	EA
45	5035708	FTG ELB45STRTHD 12B 12S STL	1	EA
47	5093014	CLP CUSH 2.25 VINYL COATED	1	EA
48	5093013	CLP CUSH 2.00 VINYL COATED	1	EA
49	5560033	.375 16UNC HEX LOCK NUT	2	EA
50	970169	BOLTHEXHD .250 20 2.00 GR5	2	EA
51	969979	BLT HEXHD .250 20 X 4.50 GR5	2	EA
101	0111282	HOSE 12 12S 12S 190 100R2	3	EA
102	0111283	HOSE 12 12S 12S 142 100R2	1	EA
103	0040276	HOSE 4 4S 4S 20.5 100R1	3	EA
104	0111285	HOSE 12 10S 10S 36 100R2	1	EA
105	0090402	HOSE 6 6S 6S 108 100R2 (SEE PAGE 2)	2	EA



アイテム	部品番号	名前	数量	UOM
106	0100270	HOSE 4 6S 6S 108 100R1	2	EA
107	0070779	HOSE 4 6S 6S 23.75 100R1	2	EA
108	0080386	HOSE 4 4S 4S 70 100R1	1	EA
109	0080359	HOSE 4 4S 6S 23.5 100R1	1	EA
110	0070781	HOSE 4 6S 6S 52 100R1	1	EA
111	0070782	HOSE 4 6S 6S 66 100R1	1	EA
112	0070780	HOSE 4 6S 6S 36 100R1	2	EA
113	0070771	HOSE 4 4S 4S 77 100R1	2	EA
114	0070773	HOSE 4 6S 6S 13.5 100R1	3	EA
115	0020276	HOSE 6 6S 6S 27.625 100R2	1	EA
117	0080939	HOSE 12 12S45 12S 31.5 100R2	1	EA
118	0323885	HOSE 12 10S 12S 37 100R2	1	EA
119	0323804	HOSE 12 12S 12S 24 100R2	2	EA
120	0080524	HOSE 12 12S 12S 30 100R2 30	4	EA
121	0110171	HOSE 12 12S 12S 44 100R2	3	EA
122	0111286	HOSE 6 6S 6S 84 100R2	1	EA
123	0100491	HOSE 4 4S 4S 150 100R1	2	EA
124	0110173	HOSE 12 12S 12S 41 100R2	4	EA
125	0081080	HOSE 6 6S 6S 65 100R2	1	EA
126	0020280	HOSE 4 4S 4S 23.5 (SEE PAGE 2)	6	EA
127	0111346	HOSE 4 4S 4S 133 100R1	1	EA
128	0100278	HOSE 4 4S 4S 43 100R1	1	EA
129	0070768	1/4 I.D. HOSE ASSY	1	EA
130	0070911	HOSE 4 4S 4S 62 100R1	1	EA
131	5080015	LAST CHANCE FILTER	8	EA
132	0070783	HOSE 4 6S 6S 76.5 100R1	2	EA
133	0070765	HOSE 4 4S 4S 29 100R1	1	EA
134	0073040	HOSE 8 8S 8S 28 100R2	2	EA
135	0070792	HOSE 8 8S 8S 32 100R2	1	EA

アイテム	部品番号	名前	数量	UOM
136	0090299	HOSE 4 6S 6S 43 100R1	1	EA
137	0020424	HOSE 8 8S 8S 30 100R2	1	EA
138	5093013	CLP CUSH 2.00 VINYL COATED	1	EA
139	5093014	CLP CUSH 2.25 VINYL COATED	1	EA
140	970469	HHD BLT .375 16 X 1.00 GR5	2	EA
141	986299	WASHER, FLAT, .375 STANDARD, PLATED	4	EA
142	5560033	.375 16UNC HEX LOCK NUT	2	EA

HYDRAULICS

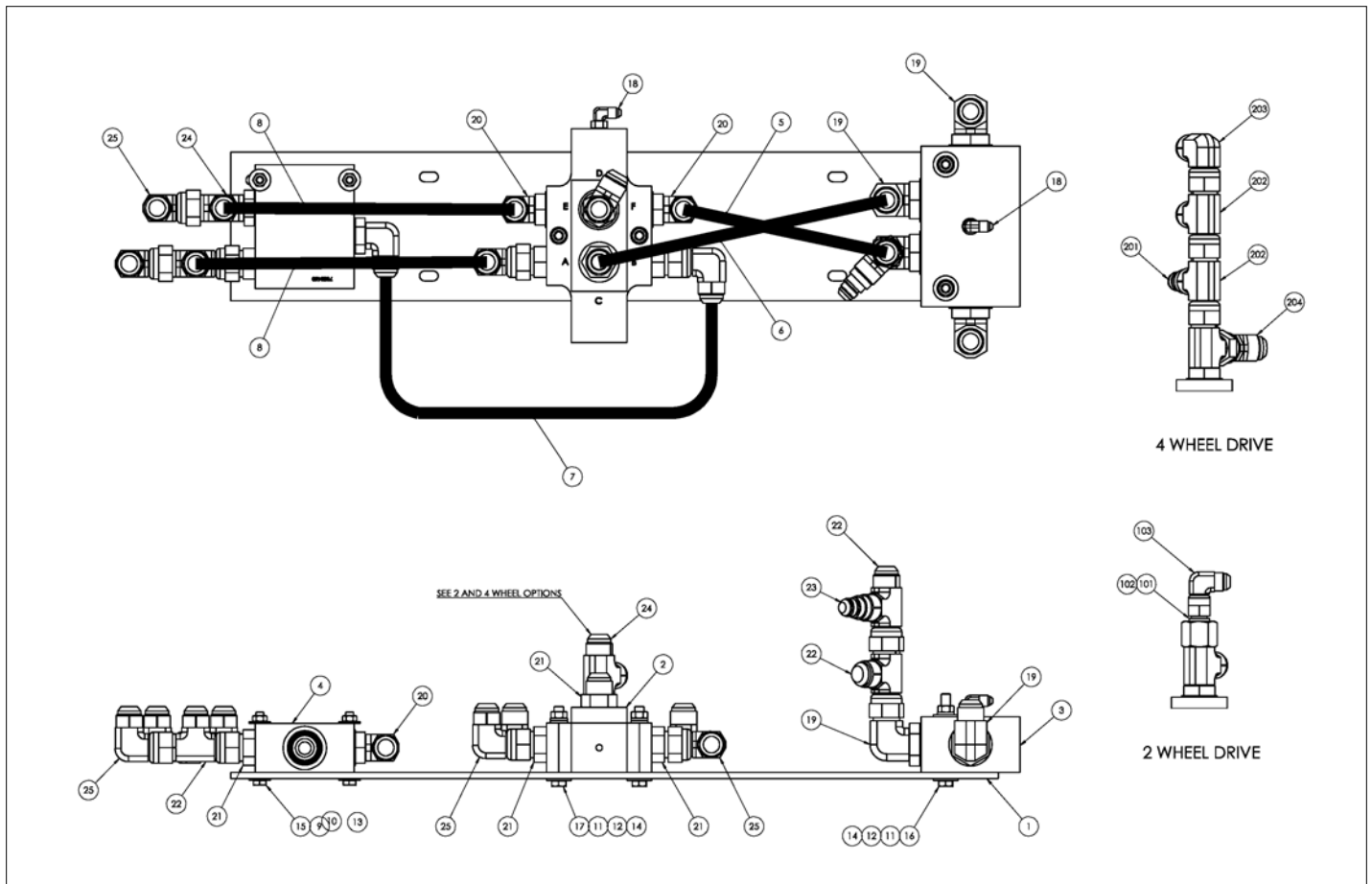


アイテム	部品番号	名前	数量	UOM
*	6030037 C	DRIVE MOTOR WITH BRAKE VON RUDEN		EA
*	0111494	SEAL KIT (KIT INCLUDES ITEMS 10,18,19,23,30,43,44,45,46,47 AND 48)		EA
1	8220126	WOODRUFF KEY	3	EA
2	8220157	DRIVE PIN	1	EA
3	8220158	RETAINING RING	2	EA
4	8220159	GEAR DRIVE	1	EA
5	8220160	SPACER WASHER	1	EA
6	8220161	RETAINING RING	1	EA
7	8220162	THRUST BEARING RACE	2	EA
8	8220163	THRUST BEARING	1	EA
9	8220034	NEEDLE BEARING	2	EA
10	KIT ITEM	OIL SEAL (NOT SOLD SEPARATELY)	3	EA
11	8220035	REAR END CAP	1	EA
12	8220165	TIP SEAL ROLLER	3	EA
13	8220167	ROTAR	1	EA
14	8220168	SEAL PLATE	3	EA
15	8220169	ABUTMENT VALVE	2	EA
16	8220036	NEEDLE BEARING	4	EA
17	8220170	STEP BEARING	4	EA
18	KIT ITEM	O RING (NOT SOLD SEPARATELY)	4	EA
19	KIT ITEM	BACK UP RING (NOT SOLD SEPARATELY)	4	EA
20	8220180	DOWEL PIN	4	EA
21	8220173	CAPSCREW	18	EA
22	8220166	BODY SEAL ROLLER	18	EA
23	KIT ITEM	SHAFT SEAL (NOT SOLD SEPARATELY)	1	EA

アイテム	部品番号	名前	数量	UOM
24	8220175	FRONT END CAP	1	EA
25	8220176	DISPLACEMENT HOUSING	1	EA
26	8220142	RETAINING RING	4	EA
27	8220177	GEAR PINION (STANDARD)	2	EA
28	8220178	S SHAFT FOR BRAKE	1	EA
29	8220179	RETAINING RING	1	EA
30	KIT ITEM	O RING (NOT SOLD SEPARATELY)	1	EA
Not Shown	8220019	FRONT SEALING CAP	1	EA
32	8220182	DRIVE MOTOR BRAKE, 4 CUBIC INCH (INCLUDES ITEMS 33 48)	1	EA
Not Shown	8220038	BRAKE REPLACEMENT KIT	1	EA
33	KIT ITEM	HOUSING (NOT SOLD SEPARATELY)	1	EA
34	6030038	SPACER RING	1	EA
35	8220014	FRICTION DISC	5	EA
36	8220015	DRIVER PLATE	4	EA
37	8220010	O RING	1	EA
38	8230077	BRASS WASHER	7	EA
39	8220016	CAPSCREW	7	EA
40	KIT ITEM	ADAPTER PLATE (NOT SOLD SEPARATELY)	1	EA
41	8220025	DIE SPRING	8	EA
42	8220026	PRESSURE PLATE	1	EA
43	KIT ITEM	BACK UP RING (NOT SOLD SEPARATELY)	1	EA
44	KIT ITEM	O RING (NOT SOLD SEPARATELY)	1	EA
45	KIT ITEM	CAPSCREW (NOT SOLD SEPARATELY)	8	EA
46	KIT ITEM	O RING (NOT SOLD SEPARATELY)	1	EA

アイテム	部品番号	名前	数量	UOM
47	KIT ITEM	BACK UP RING (NOT SOLD SEPARATELY)	2	EA
48	KIT ITEM	O RING (NOT SOLD SEPARATELY)	1	EA

HYDRAULICS

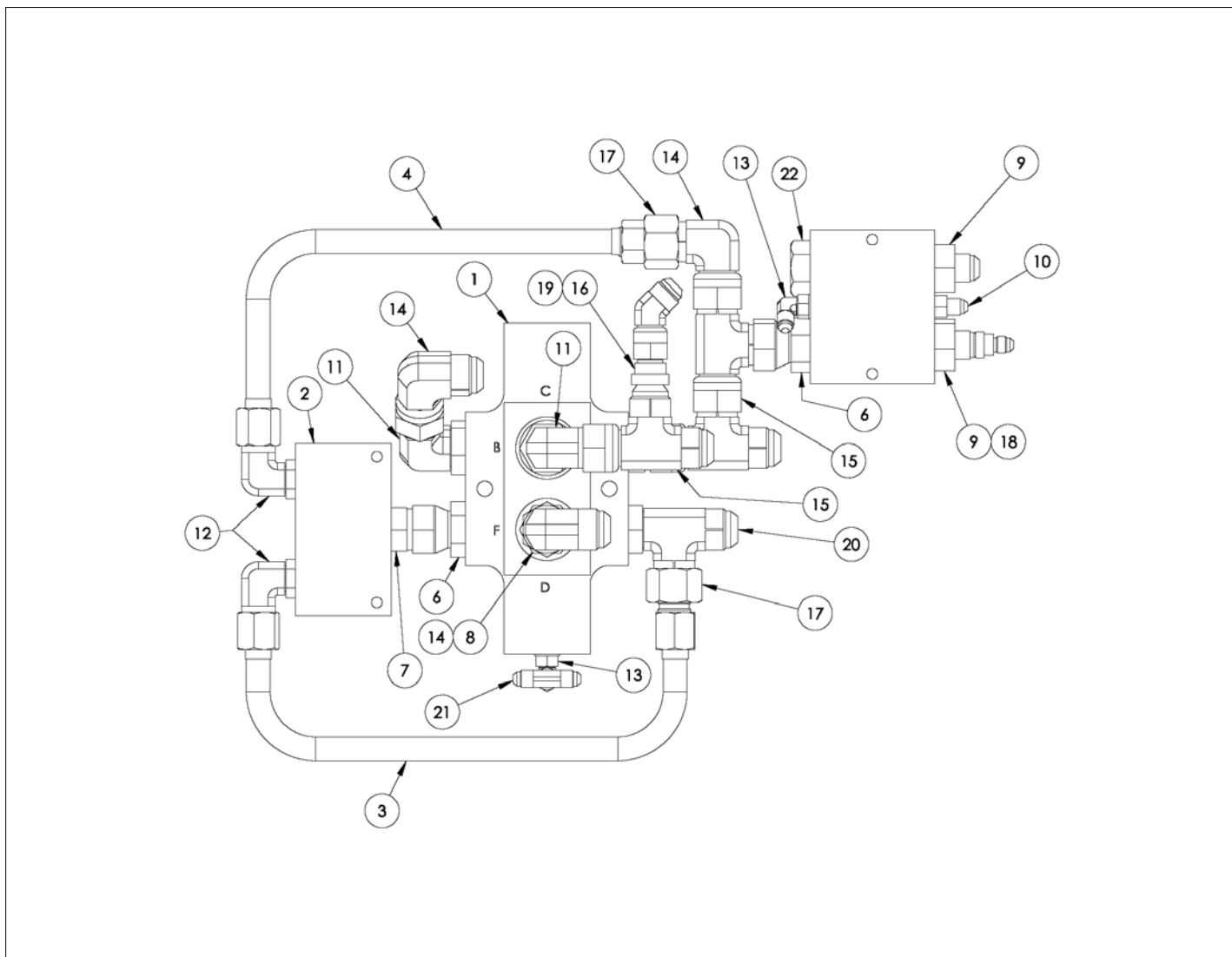


アイテム	部品番号	名前	数量	UOM
*	0111264 G	DRIVE VALVE SUB ASSEMBLY		EA
1	0111265 8	MOUNT PLATE	1	EA
2	0080529 3	ASSY VALVE SELECTOR	1	EA
*	0081127	SEAL KIT	1	EA
*	0080528	END CAP	1	EA
3	6010633	DUAL COUNTERBALANCE VALVE	1	EA
4	6010231	FLOW DIVIDER/COMBINER	1	EA
5	0111266	3/4 INCH HYDRAULIC TUBE	1	EA
6	0111267	3/4 INCH HYDRAULIC TUBE	1	EA
7	0111268	3/4 INCH HYDRAULIC TUBE	1	EA
8	0111269	3/4 INCH HYDRAULIC TUBE	2	EA
9	986269	WSHR FLAT .313	4	EA
10	987339	WASHER LOCK, INT TOOTH, #6 STL PLTD	2	EA
11	986299	WASHER, FLAT, .375 STANDARD, PLATED	6	EA
12	987119	WSHR LOCK .375	6	EA
13	984089	NUT HEX .313 18	2	EA
14	984109	NUT HEX .375 16	4	EA
15	970349	BLT HEXHD .313 18 2.75 GR5	2	EA
16	970569	BLT HEXHD .375 16 3.50 GR5	2	EA
17	970549	BLT HEXHD .375 16 3.00 GR5	2	EA
18	5035303	FTG ELB90STRTHD 4B 4S STL	2	EA
19	5035319	FTG ELB90STRTHD 16B 12S STL	4	EA
20	5035308	ADAPTER 90 ° ELBOW 12 SAE TO 12 JIC	3	EA
21	5065714	FTG HYD 12 MB TO 12 MJC	4	EA
22	5036708	FTG TEE SWVL RUN 12S 12S STL	5	EA
23	5064008	FTG RDCR TUBE END 12S 8S STL	2	EA
24	5036108	STRAIGHT THREAD RUN TEE	2	EA



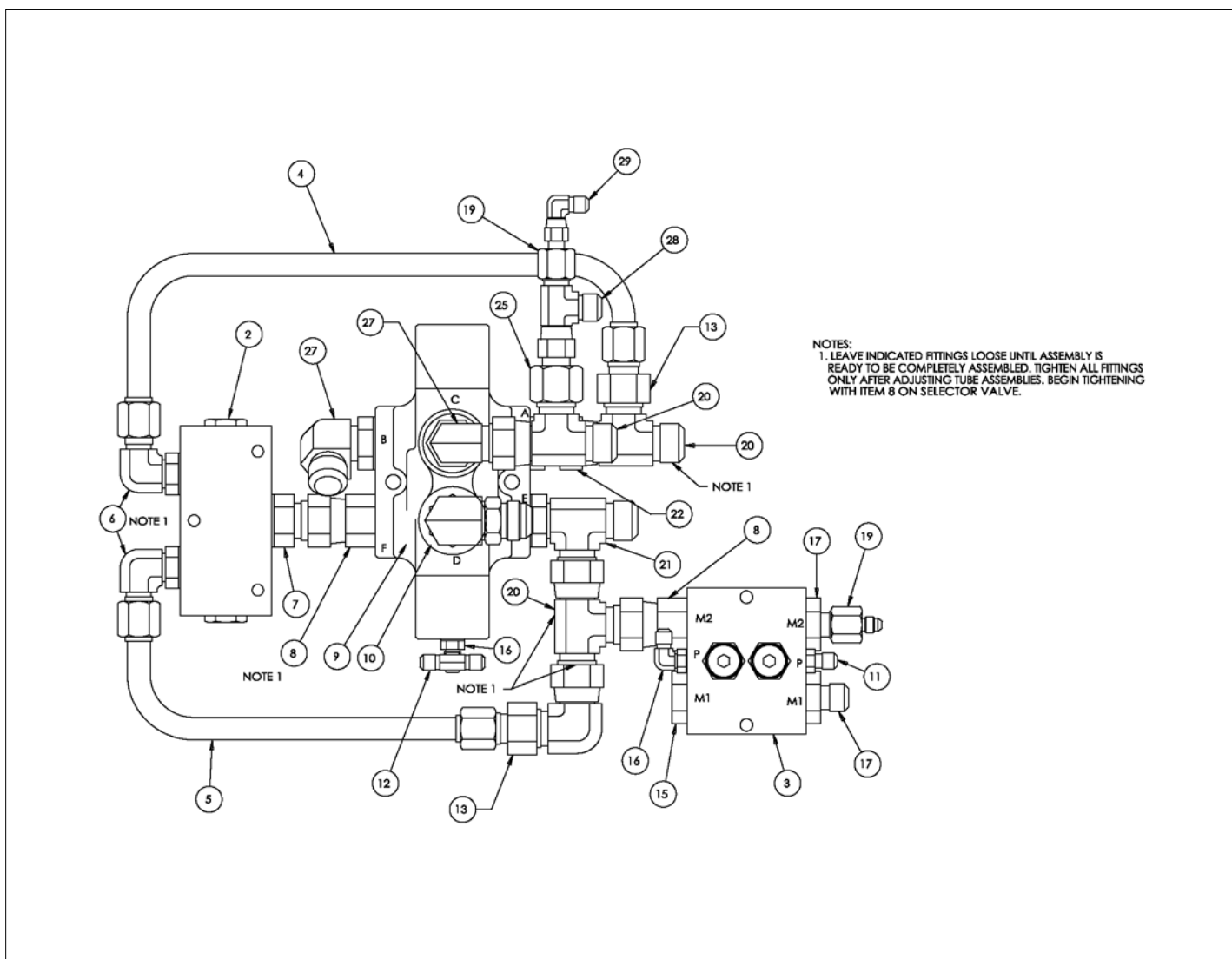
アイテム	部品番号	名前	数量	UOM
25	5037008	ADAPTER 90 ° ELBOW SWIVEL 12 JIC	5	EA
101	5064008	FTG RDCR TUBE END 12S 8S STL	1	EA
102	5036908	SWIVEL NUT 45 ° ELBOW	1	EA
103	5037006	ADAPTER 90 ° ELBOW SWIVEL 8 JIC	1	EA
201	5064008	FTG RDCR TUBE END 12S 8S STL	1	EA
202	5036708	FTG TEE SWVL RUN 12S 12S STL	2	EA
203	5037008	ADAPTER 90 ° ELBOW SWIVEL 12 JIC	1	EA
204	5036908	SWIVEL NUT 45 ° ELBOW	1	EA

HYDRAULICS



アイテム	部品番号	名前	数量	UOM
	0111535 D	RIGHT HAND SERIES PACKAGE VALVE 4X4		EA
1	0080529	SELECTOR VALVE	1	EA
*	0081127	SEAL KIT	1	EA
*	0080528	END CAP	1	EA
2	6010437	FLOW DIVIDER/COMBINER VALVE	1	EA
3	0111340	5/8 OD TUBE ASSEMBLY	1	EA
4	0111338	5/8 OD TUBE ASSEMBLY	1	EA
*	6010613	VALVE PACKAGE	1	EA
6	5025001	FTG ADPTR SWVL 12B 12S STL	2	EA
7	5065731	FTG, HYD 8 MB TO 12 MJIC	1	EA
8	5065714	FTG HYD 12 MB TO 12 MJC	2	EA
9	5065711	FTG ADPTR STRTHD 12B 8S STL	2	EA
10	5065703	FTG ADPTR STRTHD 4B 4S STL	1	EA
11	5035308	ADAPTER 90 ° ELBOW 12 SAE TO 12 JIC	2	EA
12	5035322	STR THD 90 DEGREE ELBOW	2	EA
13	5035303	FTG ELB90STRTHD 4B 4S STL	2	EA
14	5037008	ADAPTER 90 ° ELBOW SWIVEL 12 JIC	3	EA
15	5036708	FTG TEE SWVL RUN 12S 12S STL	3	EA
16	5064008	FTG RDCR TUBE END 12S 8S STL	1	EA
17	5064011	FTG RDCR TUBE END 12S 10S STL	2	EA
18	5064002	ADAPTER STREIGHT TUBE REDUCER 8 JIC TO 4 JIC	1	EA
19	5036906	COVER	1	EA
20	5036108	STRAIGHT THREAD RUN TEE	1	EA
21	5036803	FTG TEE SWVL 8R 4S 4S STL	1	EA
22	5075208	FTG PL HEX HD 12B STL	1	EA

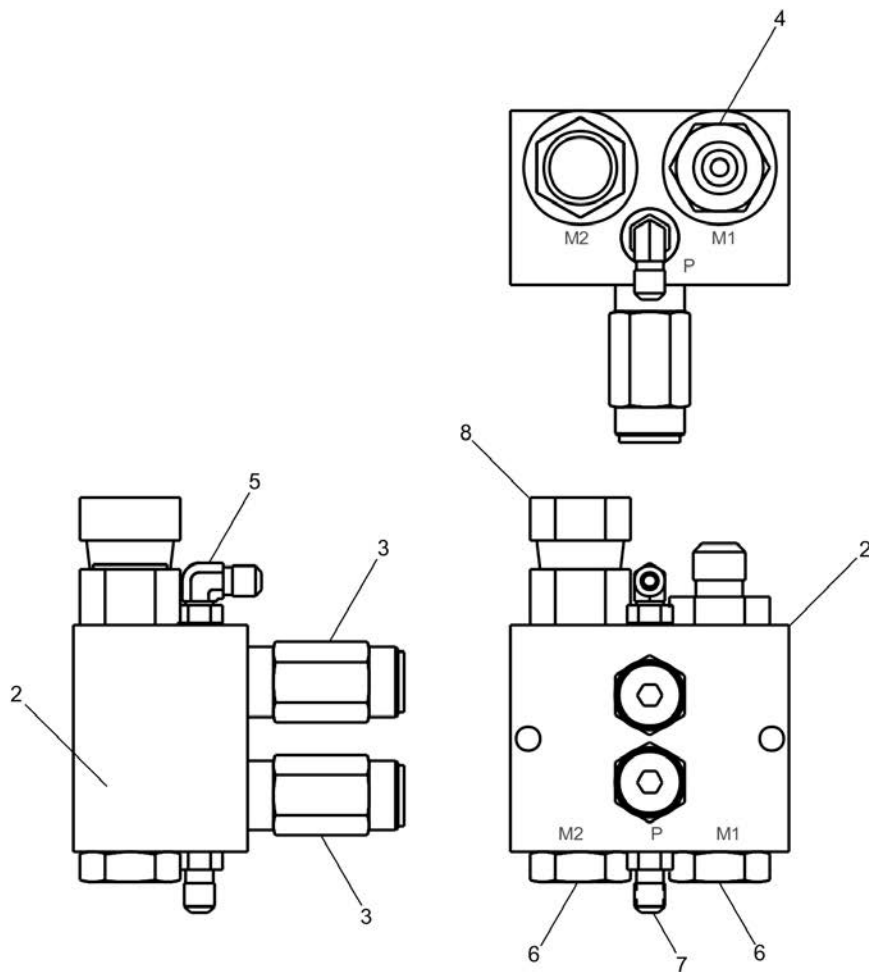
HYDRAULICS



アイテム	部品番号	名前	数量	UOM
	0111536 D	LIFT HAND SERIES PACKAGE VALVE 4X4		EA
*	0080529	SELECTOR VALVE	1	EA
*	0081127	SEAL KIT	1	EA
*	0080528	END CAP	1	EA
2	6010437	FLOW DIVIDER/COMBINER VALVE	1	EA
3	6010613	VALVE PACKAGE	1	EA
4	0111341	5/8 OD TUBE ASSEMBLY	1	EA
5	0111339	5/8 OD TUBE ASSEMBLY	1	EA
6	5035322	STR THD 90 DEGREE ELBOW	2	EA
7	5065731	FTG, HYD 8 MB TO 12 MJIC	1	EA
8	5025001	FTG ADPTR SWVL 12B 12S STL	2	EA
9	5033618	FTG ELB90STRTHD 12N 12S STL	1	EA
10	5076206	FTG ELB90STRTHD 12N 12S STL	1	EA
11	5065703	FTG ADPTR STRTHD 4B 4S STL	1	EA
12	5036803	FTG TEE SWVL 8R 4S 4S STL	1	EA
13	5064011	FTG RDCR TUBE END 12S 10S STL	2	EA
*	5037008	ADAPTER 90 ° ELBOW SWIVEL 12 JIC	1	EA
15	5075208	FTG PL HEX HD 12B STL	1	EA
16	5035303	FTG ELB90STRTHD 4B 4S STL	2	EA
17	5065711	FTG ADPTR STRTHD 12B 8S STL	2	EA
19	5064002	ADAPTER STREIGHT TUBE REDUCER 8 JIC TO 4 JIC	2	EA
20	5036708	FTG TEE SWVL RUN 12S 12S STL	3	EA
21	5036108	STRAIGHT THREAD RUN TEE	1	EA
22	5065714	FTG HYD 12 MB TO 12 MJC	1	EA
25	5064008	FTG RDCR TUBE END 12S 8S STL	1	EA

アイテム	部品番号	名前	数量	UOM
27	5035308	ADAPTER 90 ° ELBOW 12 SAE TO 12 JIC	2	EA
28	5036706	FTG TEE SWVL RUN 8S 8S STL (SEE PAGE 2)	1	EA
29	5037003	FTG ELB90SWVL 4S 4S STL	1	EA

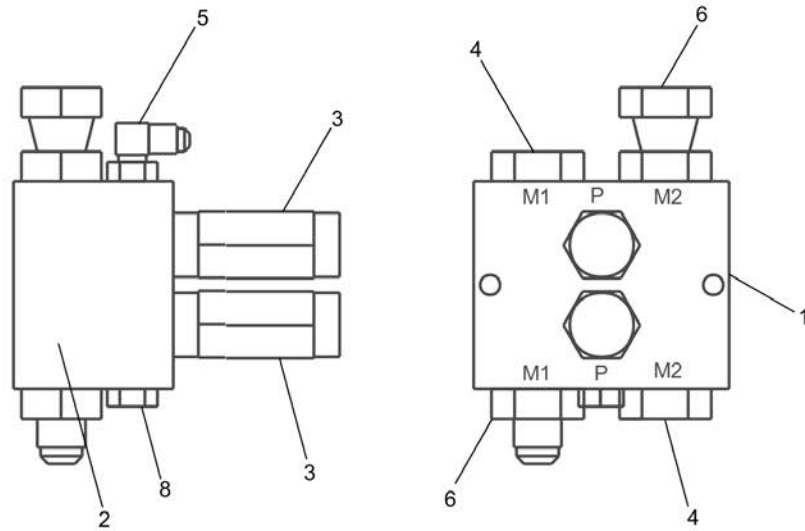
HYDRAULICS



アイテム	部品番号	名前	数量	UOM
	0111530 B	DUAL SEQUENCE VALVE SUB ASSEMBLY 4X4 RIGHT HAND		EA
1	6010613	VALVE PACKAGE	1	EA
2	6010614	VALVE BODY, FLUIDTECH	1	EA
Not Shown	6010624	VALVE BODY, WECO	1	EA
3	6019168	SEQUENCE VALVE	2	EA
Not Shown	6010269	CARTRIDGE SEQUENCE VALVE, WECO	2	EA
4	5065711	FTG ADPTR STRTHD 12B 8S STL	1	EA
5	5035303	FTG ELB90STRTHD 4B 4S STL	1	EA
6	5075208	FTG PL HEX HD 12B STL	2	EA
7	5065703	FTG ADPTR STRTHD 4B 4S STL	1	EA
8	5025001	FTG ADPTR SWVL 12B 12S STL	1	EA

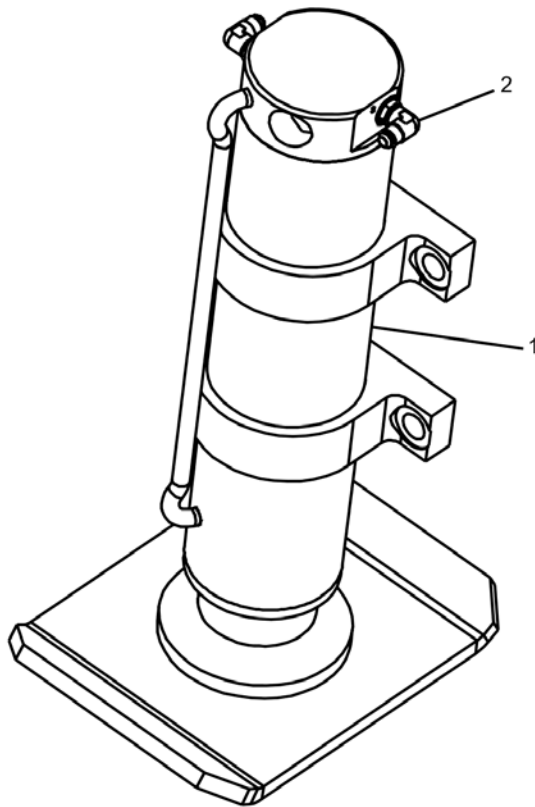


HYDRAULICS



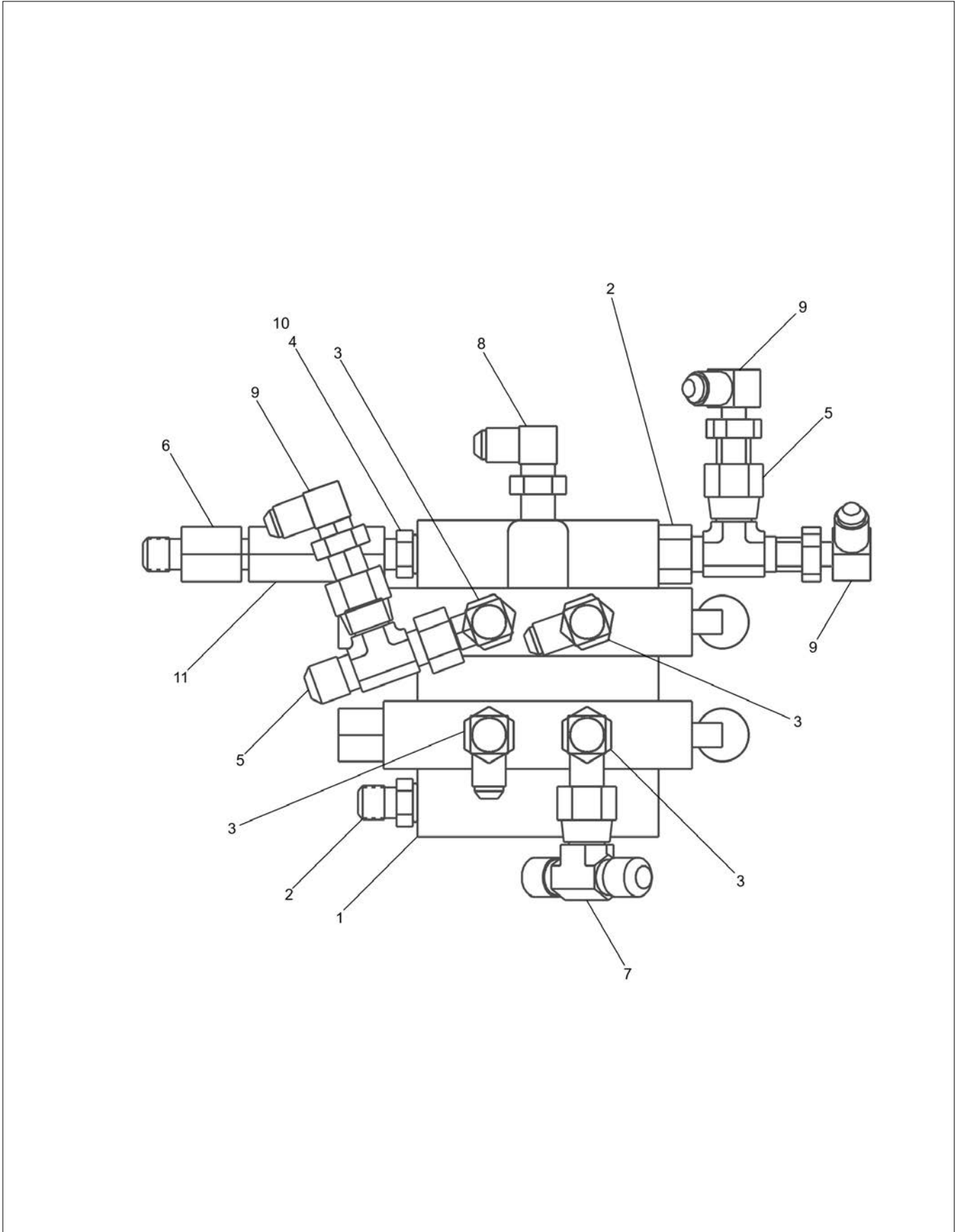
アイテム	部品番号	名前	数量	UOM
*	0111528 B	DUAL SEQUENCE VALVE LEFT HAND		EA
1	6010613	VALVE PACKAGE	1	EA
2	6010614	VALVE BODY, FLUIDTECH	1	EA
*	6010624	VALVE BODY, WECO	1	EA
3	6019168	SEQUENCE VALVE	2	EA
*	6010269	CARTRIDGE SEQUENCE VALVE, WECO	2	EA
4	5075208	FTG PL HEX HD 12B STL	2	EA
5	5035303	FTG ELB90STRTHD 4B 4S STL	1	EA
6	5065711	FTG ADPTR STRTHD 12B 8S STL	1	EA
7	5025001	FTG ADPTR SWVL 12B 12S STL	1	EA
8	5075203	FTG PL HEX HD 4B STL	1	EA

HYDRAULICS



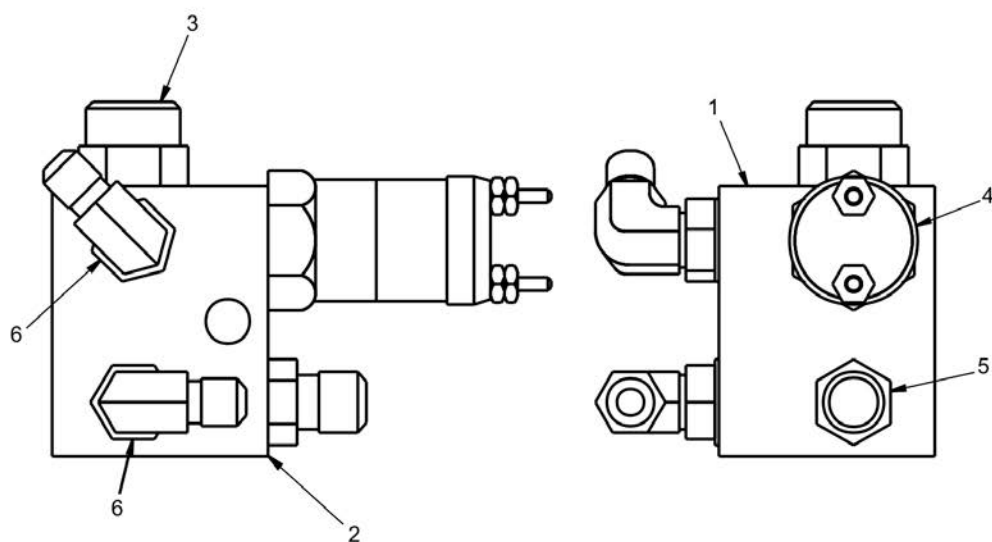
アイテム	部品番号	名前	数量	UOM
*	0111292 B	JACKING CYLINDER SUB ASSEMBLY		EA
1	0112379	CYLINDER, JACKING	1	EA
2	5035305	FTG ELB90STRTHD 6S 6S STL	2	EA

HYDRAULICS



アイテム	部品番号	名前	数量	UOM
*	0111291 A	AXLE JACKING CONTROL VALVE ASSEMBLY		EA
1	6010223	VALVE, AXLE JACKING	1	EA
*	0110713	SEAL REPAIR KIT	1	EA
*	8060142	REPLACEMENT VALVE HANDLE	1	EA
2	5065707	FTG ADPTR STRTHD 6B 6S STL PH	2	EA
3	5035305	FTG ELB90STRTHD 6S 6S STL	4	EA
4	5033610	MALE ADAPTER	1	EA
5	5036705	FTG TEE SWVL RUN 6S 6S STL	2	EA
6	5038805	FEMALE ADAPTER	1	EA
7	5036805	ADAPTER TEE SWIVEL 6 JIC TO 6 JIC FEMALE	1	EA
8	5035318	STRAIGHT THREAD 90 ° ELBOW	1	EA
9	5037005	TERM FEM F.I. .250 16/14	3	EA
10	7110906	O RING	1	EA
11	6010159	PRESSURE RELIEF VALVE (FACTORY PRESET, DO NOT RESET)	1	EA

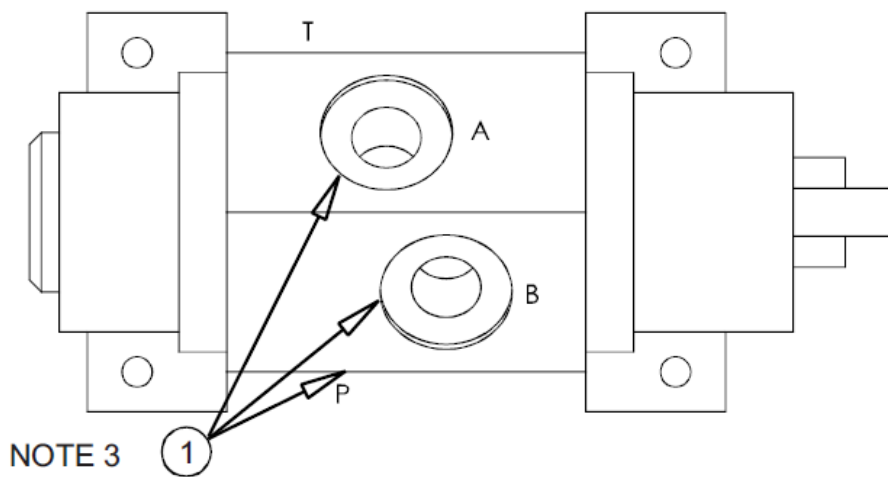
HYDRAULICS



アイテム	部品番号	名前	数量	UOM
*	0190878 B	AXLE INTERLOCK SUB ASSEMBLY		EA
1	6010723	VALVE, AXLE INTERLOCK (AXLE INCLUDES ITEMS 2 AND 3)	1	EA
2	6010735	VALVE BODY, FLUID TECH	1	EA
*	6010913	VALVE BODY, WECO	1	EA
3	6010734	VALVE COUNTER BALANCE	1	EA
*	6010914	FLOW CONTROL VALVE, WECO	1	EA
4	3020077	PRESSURE SWITCH	1	EA
5	5065705	FTG ADPTR STRTHD 6B 4S STL	1	EA
6	5035318	STRAIGHT THREAD 90 ° ELBOW	2	EA



HYDRAULICS



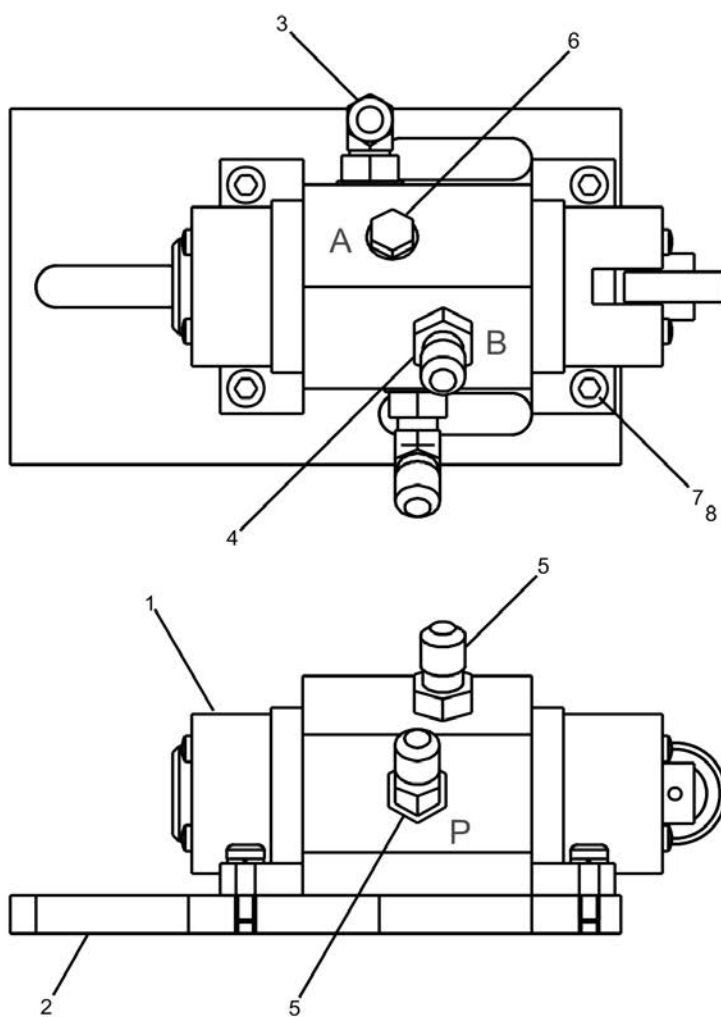
NOTES:

1. PRESSURE - 2500PSI MAX
2. ATTN. RECEIVING: AIRMATIC DOES NOT STAMP THIS COMPLETE NUMBERS ON THE VALVE. CHECK FOR MODEL NUMBER "BC" AND SPOOL NUMBER "I". ALSO VERIFY THAT PORTS ARE 1/4 SAE O-RING TYPE AND NOT PIPE THREAD.
3. CAM VALVE TO COME IN WITH 1 SCREEN IN EACH PORT A, B, P. SCREEN PART NO. W-16747 (REF SNORKEL P/N 6091045 FOR SCREEN).



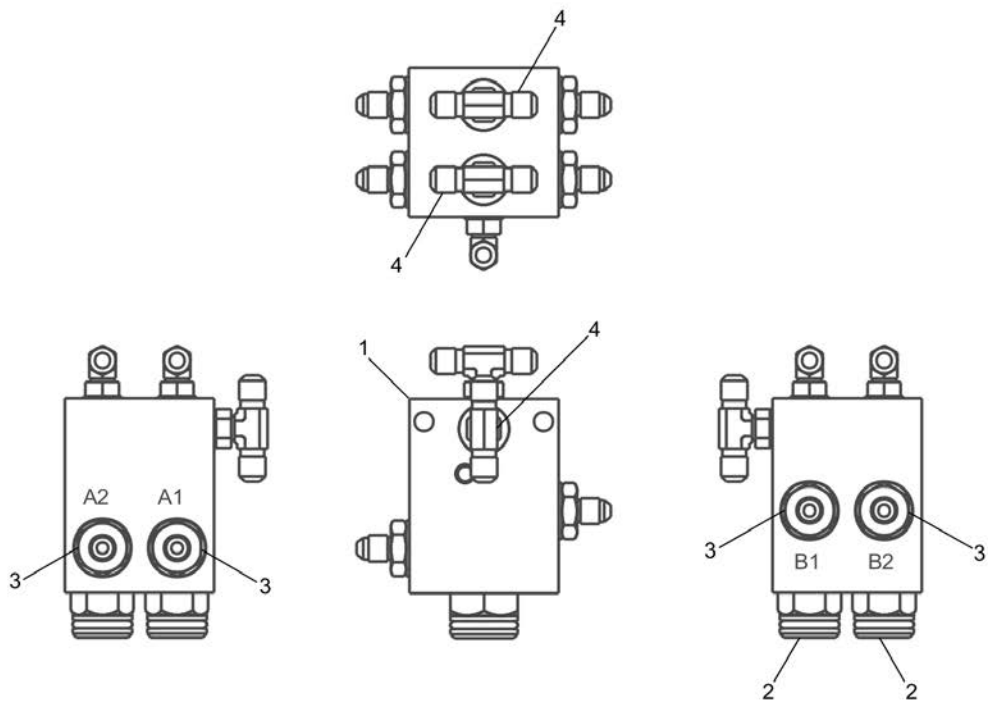
アイテム	部品番号	名前	数量	UOM
*	6010222 C	CAM VALVE		EA
*	0110714	SEAL KIT		EA
1	6091045	SCREEN (IN A, B AND P PORTS)	3	EA

HYDRAULICS



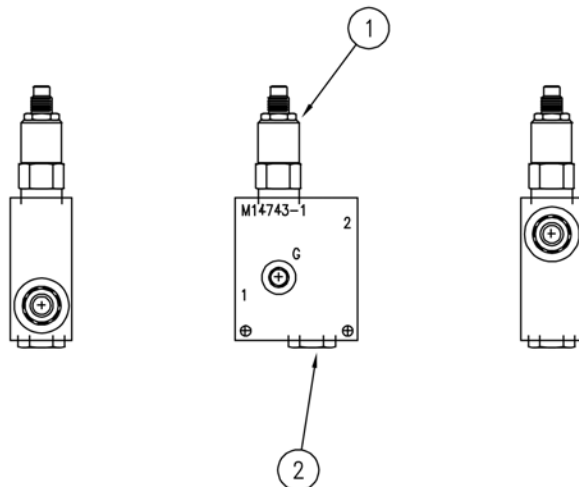
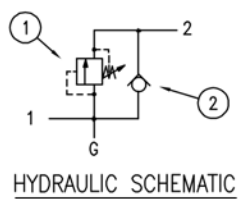
アイテム	部品番号	名前	数量	UOM
*	0190876 A	CAM VALVE SUB ASSEMBLY		EA
1	6010222	CAM VALVE	1	EA
Not Shown	0110714	SEAL KIT	1	EA
2	0110495	BASE PLATE CAM VALVE	1	EA
3	5035303	FTG ELB90STRTHD 4B 4S STL	1	EA
4	5065703	FTG ADPTR STRTHD 4B 4S STL	1	EA
5	5035703	ADAPTER 45 DEG ELBOW 4 SAE 4 JIC	1	EA
6	5075203	FTG PL HEX HD 4B STL	1	EA
7	5569880	SCREW MACH SKTHD 10 24 X .625	4	EA
8	987089	WSHR LOCK #10 SPLIT TYPE	4	EA

HYDRAULICS



アイテム	部品番号	名前	数量	UOM
*	0111492 B	STEER CUT OUT VALVE, 4 WHEEL DRIVE		EA
1	6010607	STEER CUT OUT VALVE (VALVE INCLUDES 3 WAY CARTRIDGE)	1	EA
2	6010549	3 WAY CARTRIDGE VALVE	2	EA
3	5065707	FTG ADPTR STRTHD 6B 6S STL PH	4	EA
4	5036503	ADAPTER TEE SWIVEL 4JIC TO 4 JIC TO 4 JIC FEMALE	3	EA

HYDRAULICS



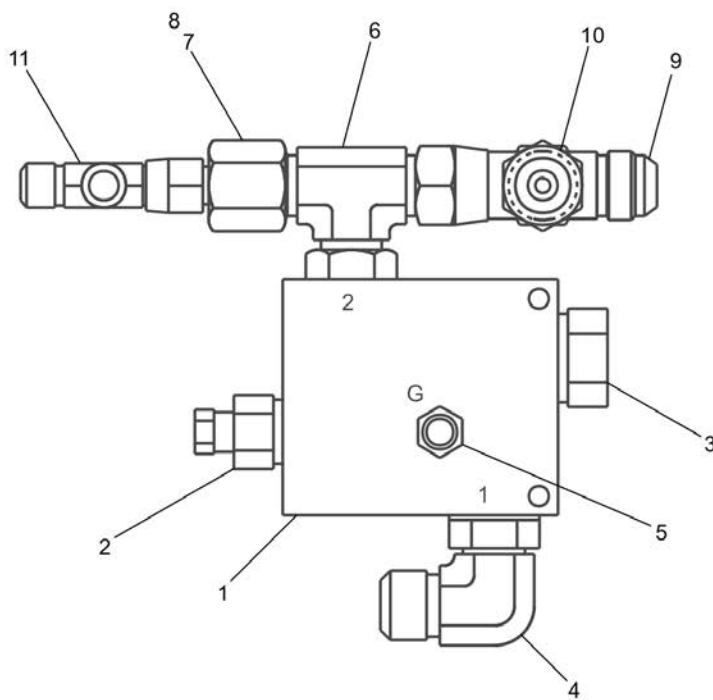
SPECIFICATIONS:

MAXIMUM PRESSURE:	3500 PSI
NOMINAL FLOW:	15 GPM
PORT SIZES: (G)	-4 SAE O-RING
(1, 2)	-10 SAE O-RING
MOUNTING HOLES: (2)	.250 DIA.

アイテム	部品番号	名前	数量	UOM
*	6019050 A	ANTI CAVIATION VALVE		EA
1	6091913	RELIEF VALVE	1	EA
2	561956	VALVE CART CHECK	1	EA

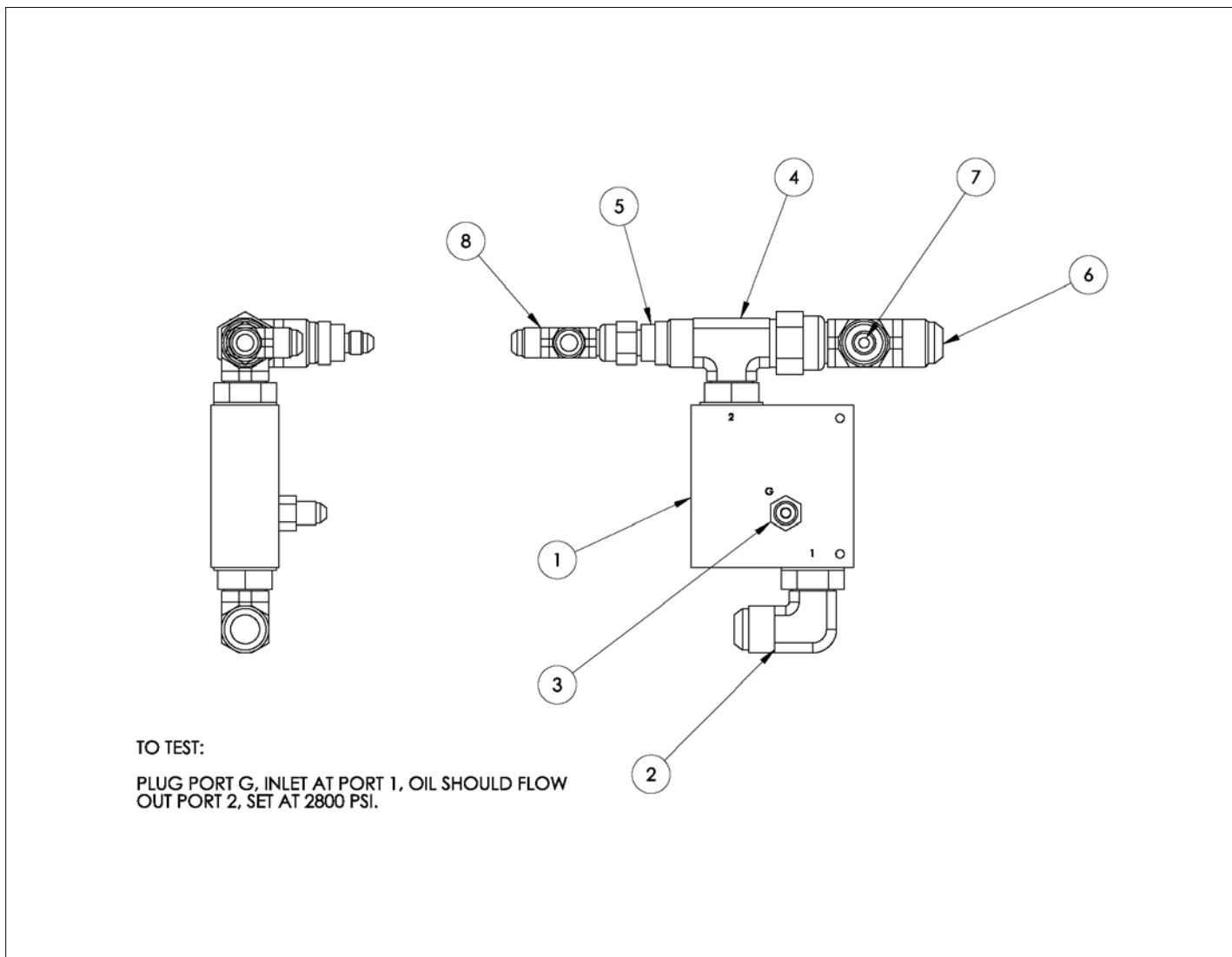


HYDRAULICS



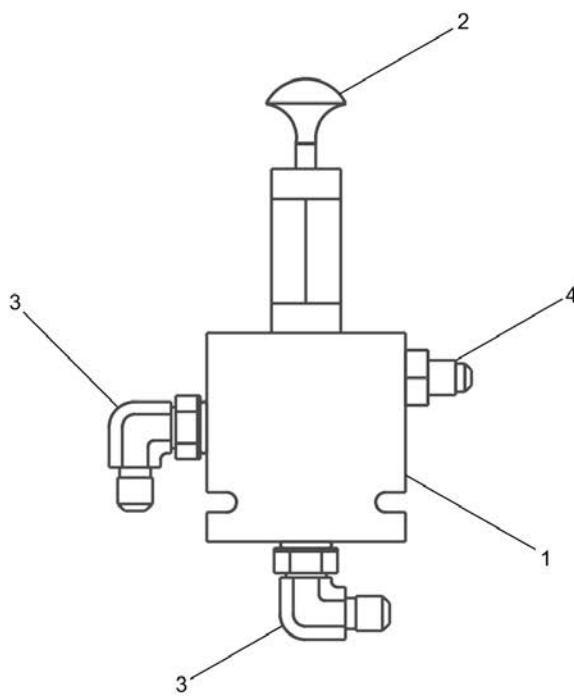
アイテム	部品番号	名前	数量	UOM
*	0111273 B	ANTI CAVIATION VALVE SUB ASSEMBLY NOVEMBER 2015 AND BEFORE		EA
1	6019050	VALVE, ANTI CAVIATION (VALVE INCLUDES ITEMS 2 AND 3)	1	EA
*	0110683	SEAL REPAIR KIT	1	EA
2	6091913	RELIEF VALVE	1	EA
3	561956	VALVE CART CHECK	1	EA
*	8190291	SEAL REPAIR KIT	1	EA
4	5035307	STRAIGHT THREAD 90 ° ELBOW	1	EA
5	5065703	FTG ADPTR STRTHD 4B 4S STL	1	EA
6	5036507	STRAIGHT THREAD BRANCH TEE	1	EA
7	5063907	FITTING NUT	1	EA
8	5064004	TUBE END REDUCER	1	EA
9	5036707	FTG TEE SWVL RUN 10S 10S STL	1	EA
10	5064012	TUBE END REDUCER	1	EA
11	5036705	FTG TEE SWVL RUN 6S 6S STL	1	EA

HYDRAULICS



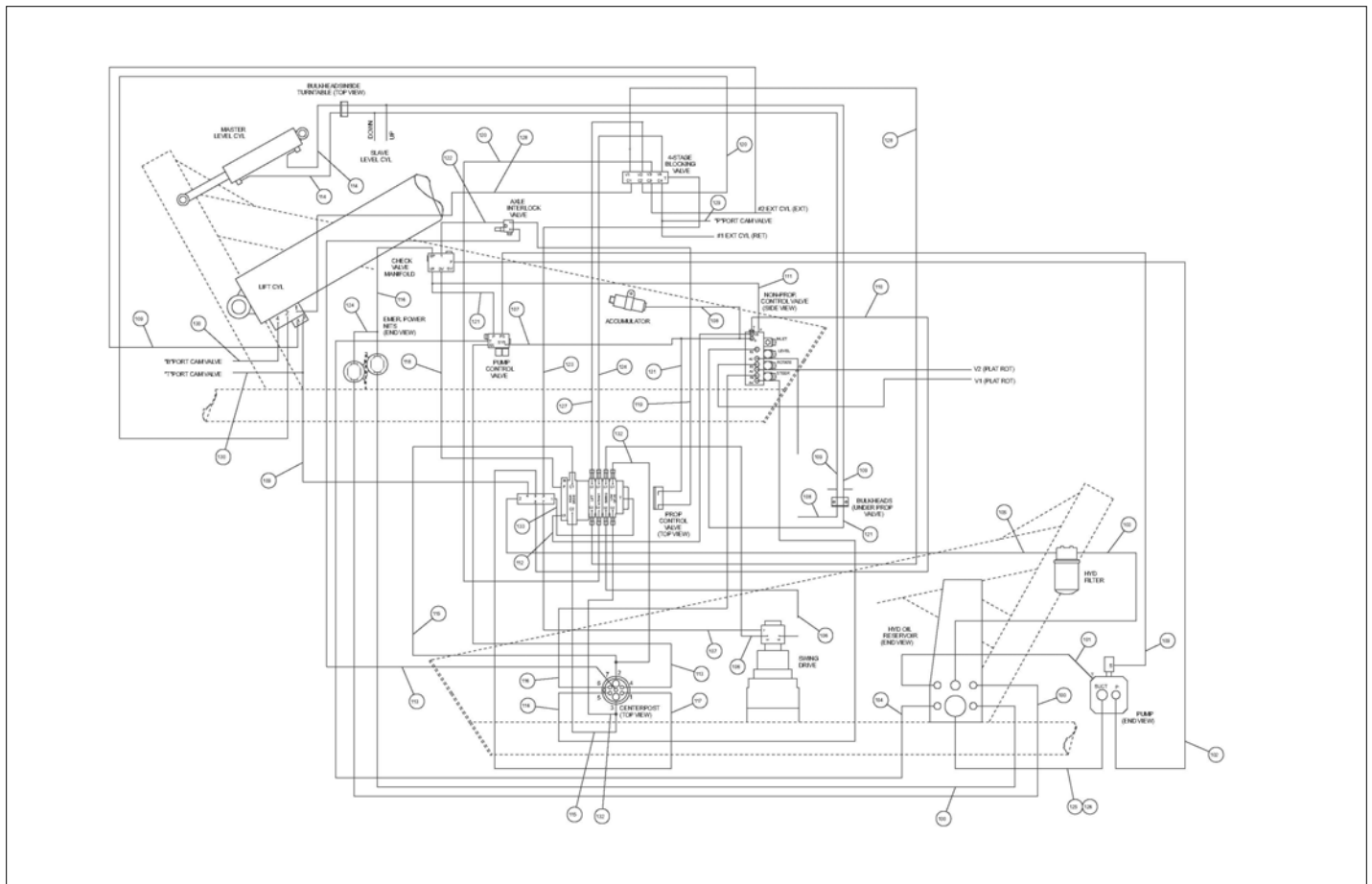
アイテム	部品番号	名前	数量	UOM
	0111273 D	ANTI CAVITATION VALVE SUB ASSEMBLY		EA
1	6019050	VALVE, ANTI CAVIATION (VALVE INCLUDES ITEMS 2 AND 3)	1	EA
2	5035307	STRAIGHT THREAD 90 ° ELBOW	1	EA
3	5065703	FTG ADPTR STRTHD 4B 4S STL	1	EA
4	5036507	STRAIGHT THREAD BRANCH TEE	1	EA
5	5064004	TUBE END REDUCER	1	EA
6	5036707	FTG TEE SWVL RUN 10S 10S STL	1	EA
7	5064012	TUBE END REDUCER	1	EA
8	5036705	FTG TEE SWVL RUN 6S 6S STL	1	EA

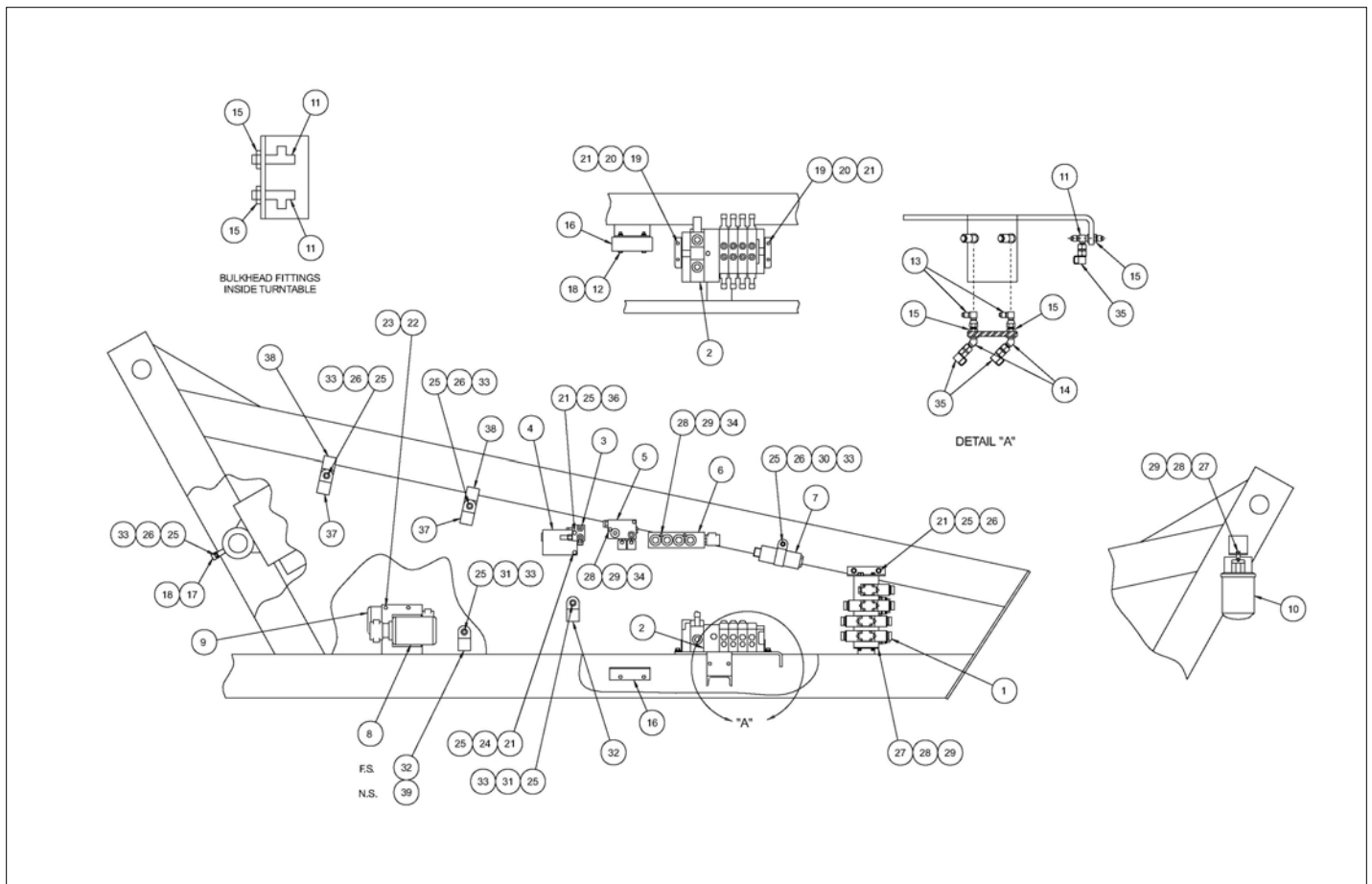
HYDRAULICS



アイテム	部品番号	名前	数量	UOM
*	0111344 A	HIGH RANGE SPEED SELECTOR VALVE		EA
1	6010493	HIGH RANGE SPD SELECTOR VALVE	1	EA
2	8080110	KNOB	1	EA
3	5035318	STRAIGHT THREAD 90 ° ELBOW	2	EA
4	5065705	FTG ADPTR STRTHD 6B 4S STL	1	EA

HYDRAULICS





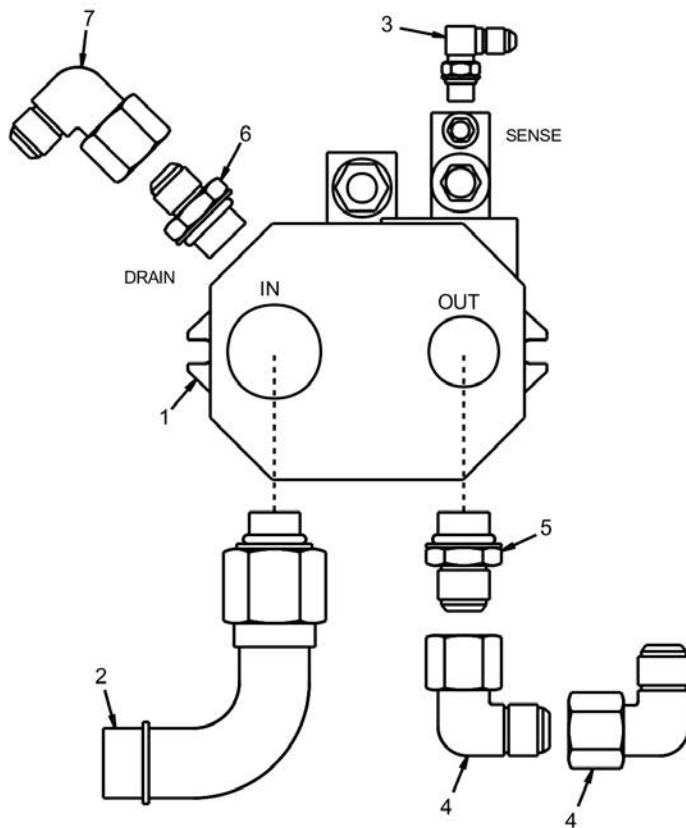


アイテム	部品番号	名前	数量	UOM
	0191278 D	HYDRAULIC EQUIPMENT TURNTABLE WITH HOSES		EA
1	0191605	NON PROP CONTROL VALVE S/A	1	EA
2	0191285	PROPORTIONALCONTROL VALVE SUB ASSEMBLY	1	EA
3	0190878	AXLE INTERLOCK VALVE SUB ASSEMBLY	1	EA
4	0190836	CHECK VALVE MANIFOLD SUB ASSEMBLY	1	EA
5	0190837	PUMP CONTROL VALVE SUB ASSEMBLY	1	EA
6	0190879	4 STAGE BLOCKING VALVE SUBASSY	1	EA
7	0180870	ACCUMULATOR CHARGED	1	EA
8	0190840	EMER. POWER UNIT SUB ASSY L.H.	1	EA
9	0190839	EMER. POWER UNIT SUB ASSY R.H.	1	EA
10	0191458	RETURN OIL FILTER ASSY	1	EA
11	5035403	FTG TEE BHD RUN 4S 4S STL	4	EA
12	5560106	CAPSCREW 3/8 16 X 2 3/4 INCH LONG HEX HEAD GRADE 5	2	EA
13	5037003	FTG ELB90SWVL 4S 4S STL	2	EA
14	5034601	FTG ELB45BHD 4S 4S STL	2	EA
15	5074401	FTG LKNT BHD 4 STL	6	EA
16	0191179	MANIFOLD SUB ASSEMBLY	1	EA
17	5093010	CLP CUSH 1.50 VINYL COATED	1	EA
18	5560033	.375 16UNC HEX LOCK NUT	2	EA
19	972479	BLT HEXHD .375 16 1.25 GR5	4	EA
20	984109	NUT HEX .375 16	4	EA
21	987119	WSHR LOCK .375	8	EA
22	970709	CAPSCREW 7/16 14 X 1" LG HH GR5	6	EA
23	987129	WSHR 7/17 MED LOCK	6	EA

アイテム	部品番号	名前	数量	UOM
24	970529	BLT HEXHD .375 16 2.50 GR5 PLTD	1	EA
25	986299	WASHER, FLAT, .375 STANDARD, PLATED	11	EA
26	970449	HHD BLT .375 16 X .750 GR5	6	EA
27	970239	BLT HEXHD .313 18 .750 GR5	4	EA
28	987109	WSHR LOCK .313	8	EA
29	986269	WSHR FLAT .313	8	EA
30	5093014	CLP CUSH 2.25 VINYL COATED	1	EA
31	970429	CAPSCREW .375 16 X .50 HH	3	EA
32	5093030	CLP CUSH 2.50 VINYL COATED	2	EA
33	987119	WSHR LOCK .375	7	EA
34	5560641	CAPSCREW 5/16 18 X 3 1/2 LG HH GR5	4	EA
35	5070005	FTG NIP DIGN 4S FEM PD345 6 W/DUST CAP	4	EA
36	970589	BLT HEXHD .375 16 4.50 GR5	1	EA
37	5093016	CLAMP	2	EA
38	5093012	CLP CUSH 1.75 VINYL COATED	3	EA
39	5093008	CLP CUSH 1.06 VINYL COATED	1	EA
100	0080522	HOSE 8 8S 8S 42 100R2	2	EA
101	0323886	HOSE 8 8S 10S 25 100R2	1	EA
102	0190596	HOSE 16 16S 16S 132 100R12 SP	1	EA
103	0180944	HOSE 20 20S 20S 33 SP	1	EA
104	0101896	HOSE 4 4S 4S 120 100R2	1	EA
105	0190916	HOSE 20 20S 20S 106	1	EA
106	0073040	HOSE 8 8S 8S 28 100R2	2	EA
107	0050137	HOSE 4 4S 4S 36 100R1	2	EA
108	0180946	HOSE 4 4S 4S 18.5 100R2	2	EA
109	0101897	HOSE 4 4S 4S 130 100R2	5	EA
110	0081080	HOSE 6 6S 6S 65 100R2	1	EA

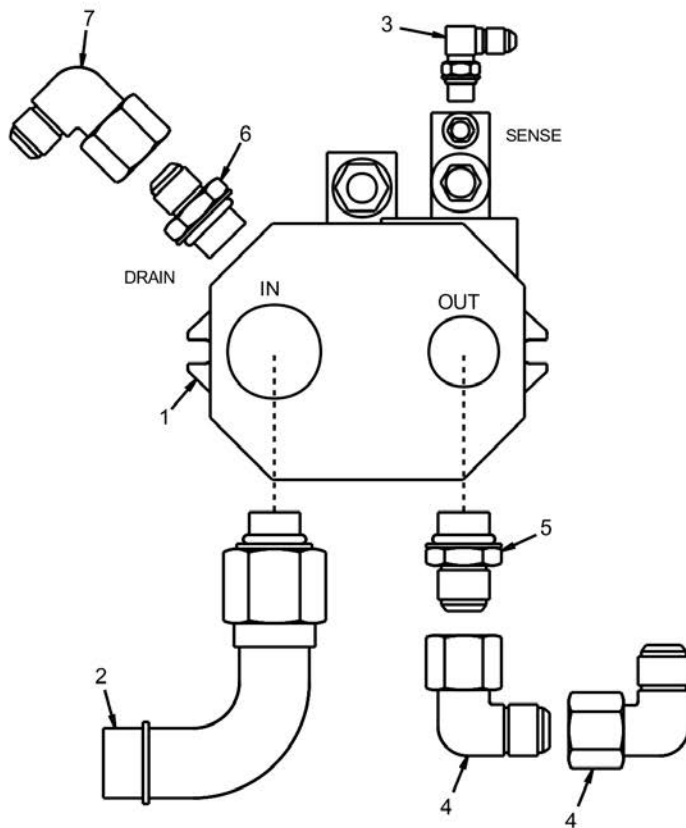
アイテム	部品番号	名前	数量	UOM
111	0100422	HOSE 6 6S 6S 69 100R2	1	EA
112	0100278	HOSE 4 4S 4S 43 100R1	1	EA
113	0081136	HOSE 4 4S 4S 67 100R1	2	EA
114	0070910	HOSE 4 4S 4S 39 100R1	2	EA
115	0080543	HOSE 12 12S 12S90 56 SP	2	EA
116	0080362	HOSE 6 6S 6S 93.5 100R2	3	EA
117	0151861	HOSE 8 8S 8S 76 100R2	1	EA
118	0180781	HOSE 16 16S45 16S 24 100R12	1	EA
119	0070772	3/8 I.D. HOSE ASSEMBLY	1	EA
120	0190599	HOSE 8 8S 8S 134 100R2	2	EA
121	0040276	HOSE 4 4S 4S 20.5 100R1	2	EA
122	0181161	HOSE 4 4S 4S 15.25 100R2	1	EA
123	0020276	HOSE 6 6S 6S 27.625 100R2	1	EA
124	0070786	HOSE 6 6S 6S 19 100R2	2	EA
125	0190915	HOSE SUCTION 1.5 ID 23	1	EA
126	5058824	CLP WORM DRV	2	EA
127	0070927	HOSE 8 8S 8S 23.5 100R2	1	EA
128	0070791	HOSE 8 8S 8S 20.5 100R2	2	EA
129	0090988	HOSE 4 4S 4S 204 100R1	1	EA
130	0100491	HOSE 4 4S 4S 150 100R1	2	EA
131	0070769	HOSE 4 4S 4S 30.5 100R1	1	EA
132	0110732	HOSE 8 8S 8S 72 100R2	2	EA
133	0191241	HOSE 16 16S 16S 27 100R1	1	EA

HYDRAULICS



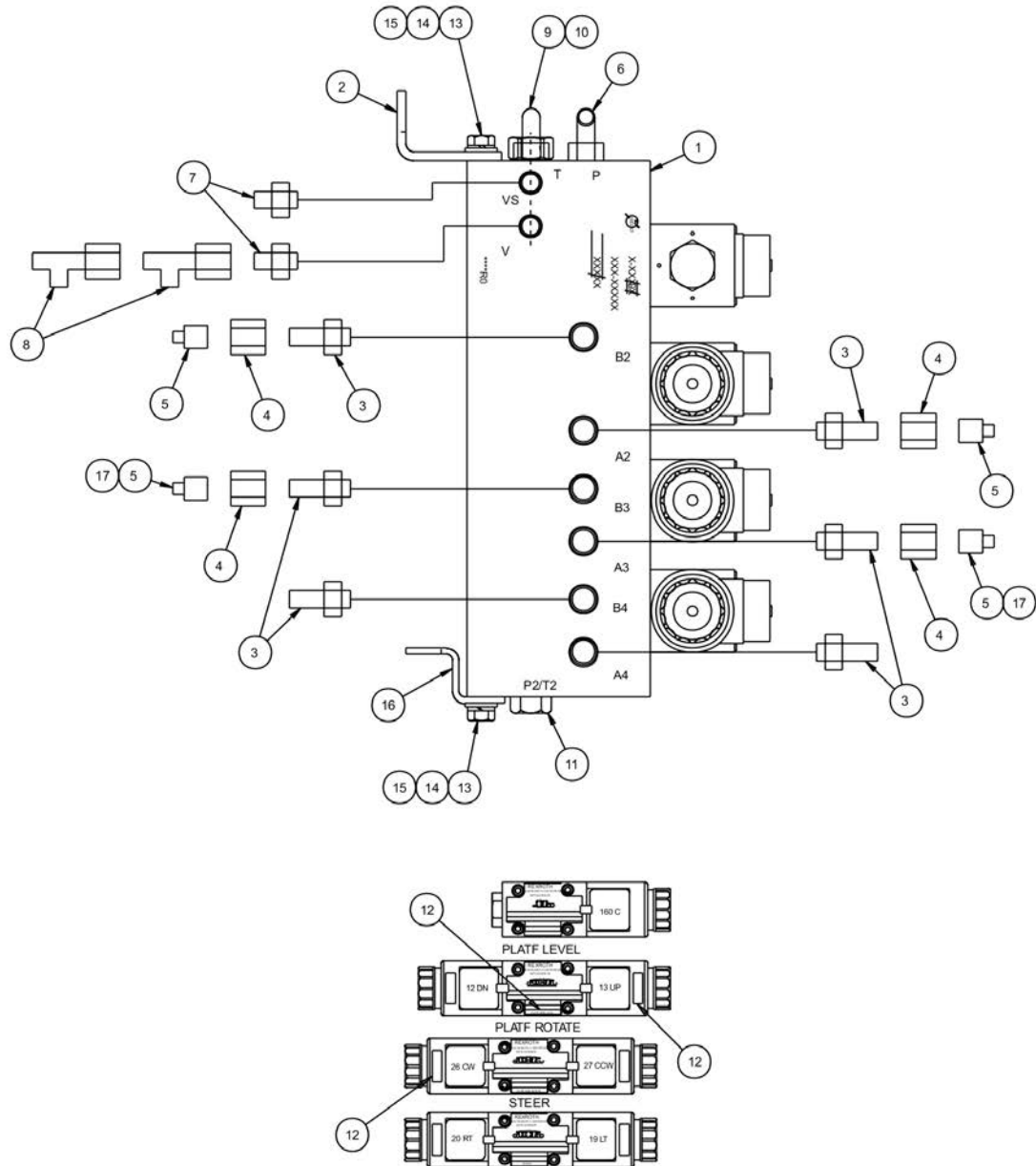
アイテム	部品番号	名前	数量	UOM
*	0191326 H	HYDRAULIC PUMP ASSEMBLY NOVEMBER 2019 AND AFTER		EA
1	6029702 005	PISTON PUMP HP5V45 REAR PORT HEGLI	1	EA
*	6092077	COMPENSATOR CONTROL VALVE	1	EA
*	6092078	PUMP SEAL KIT	1	EA
2	5038005	FTG. BEADED 90 ° ELBOW	1	EA
3	5035303	FTG ELB90STRTHD 4B 4S STL	1	EA
4	5037010	ADAPTER 90 DEG ELBOW SWIVEL 16 JIC	2	EA
5	5065718	FTG, HYD 16 MB TO 16 MJIC	1	EA
6	5065710	FTG HYD 10 MB TO 8 MJIC	1	EA
7	5037006	ADAPTER 90 ° ELBOW SWIVEL 8 JIC	1	EA

HYDRAULICS



アイテム	部品番号	名前	数量	UOM
*	0191326 D	PUMP SUB ASSEMBLY SEPTEMBER 2019 AND BEFORE		EA
1	6020065	PUMP PISTON 2.7	1	EA
*	6091990	seal kit for 6020065		EA
*	8220119	SEAL REPAIR KIT VICKERS PUMP	1	EA
*	8160100	SEAL KIT – PARKER	1	EA
*	8180021	SEAL KIT – REXROTH	1	EA
*	8220120	REPLACEMENT COMPENSATOR VICKERS PUMP	1	EA
*	6090057	REPLACEMENT COMPENSATOR PARKER PUMP	1	EA
*	8180023	REPLACEMENT COMPENSATOR – REXROTH	1	EA
*	6081989	COMPENSATOR, OIL AIR	1	EA
2	5038005	FTG. BEADED 90 ° ELBOW	1	EA
3	5035303	FTG ELB90STRTHD 4B 4S STL	1	EA
4	5037010	ADAPTER 90 DEG ELBOW SWIVEL 16 JIC	2	EA
5	5065718	FTG, HYD 16 MB TO 16 MJIC	1	EA
6	5065710	FTG HYD 10 MB TO 8 MJIC	1	EA
7	5037006	ADAPTER 90 ° ELBOW SWIVEL 8 JIC	1	EA

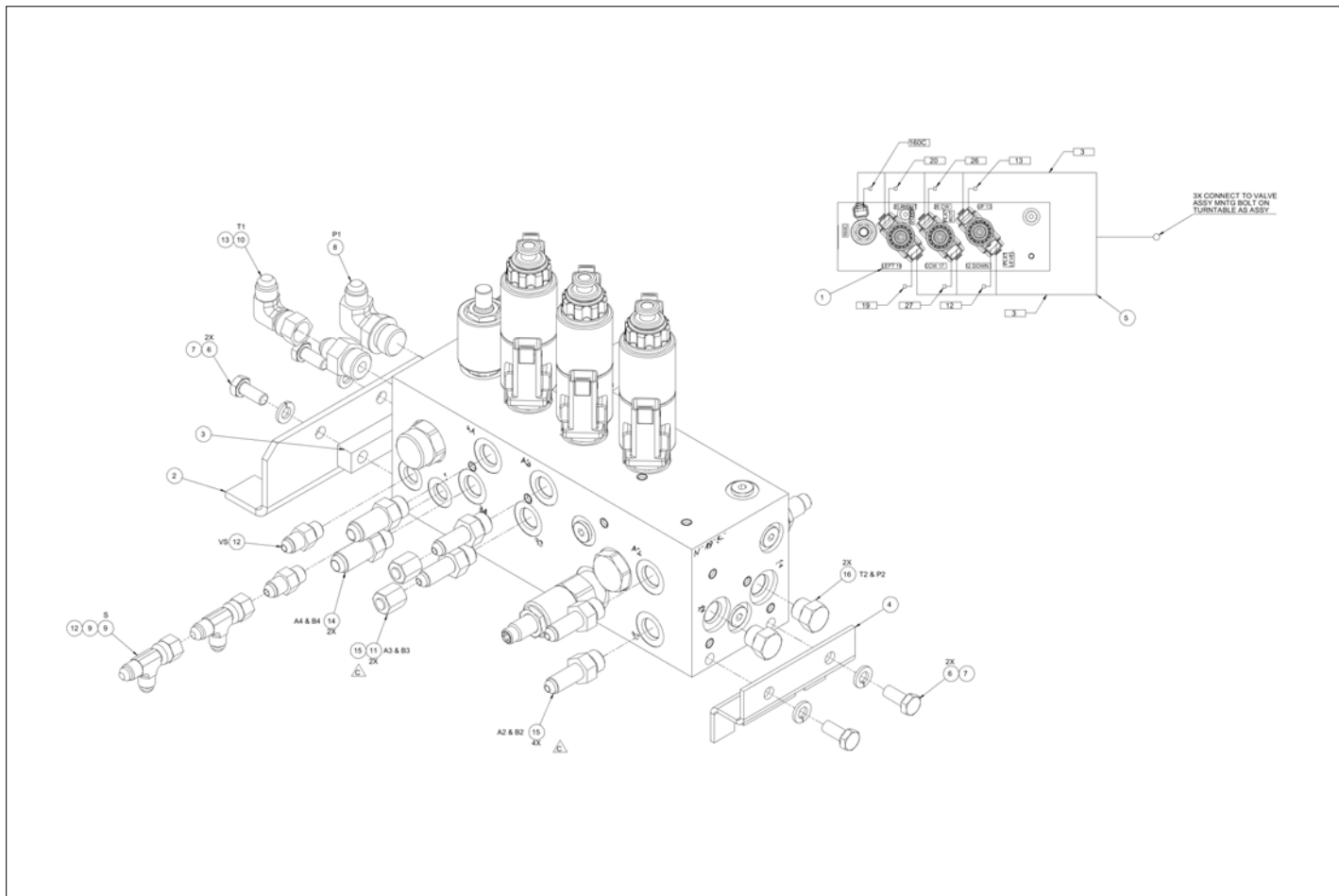
HYDRAULICS





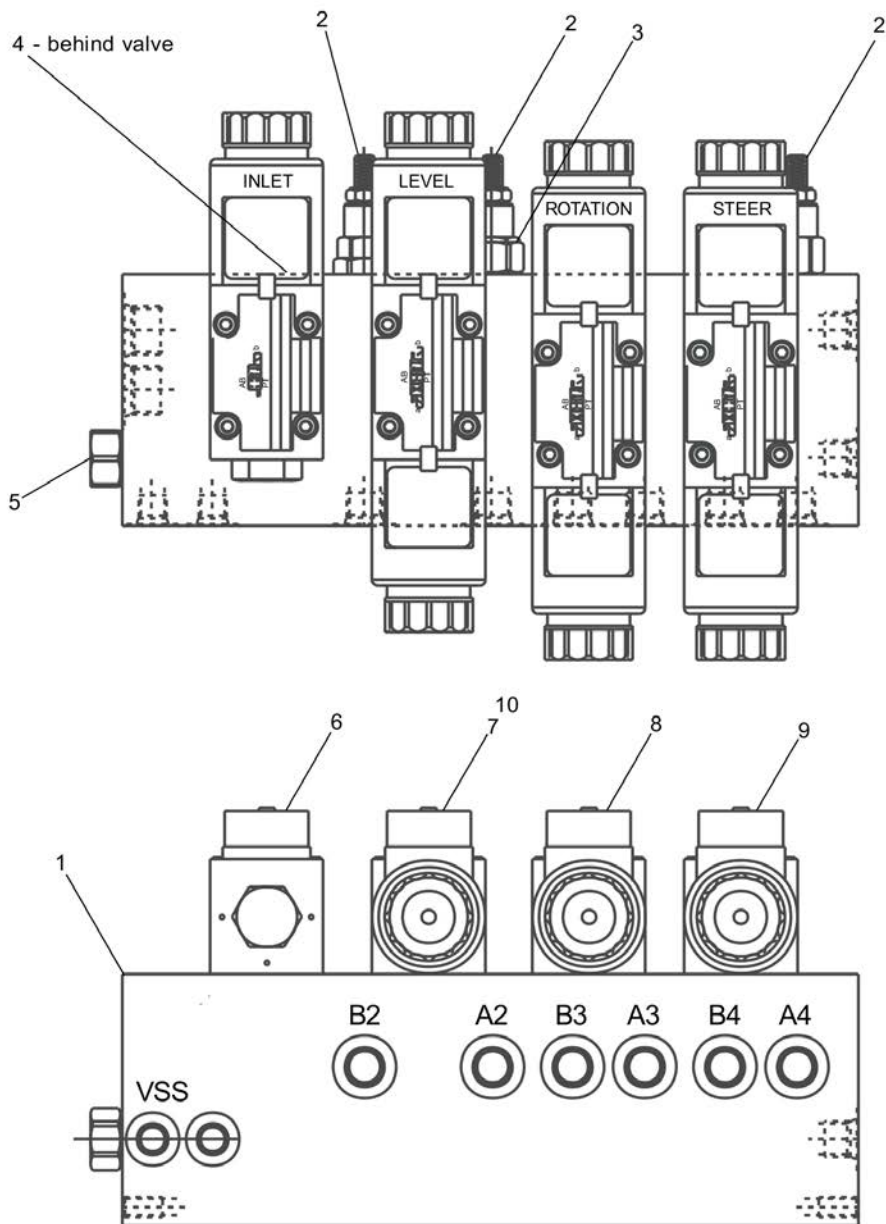
アイテム	部品番号	名前	数量	UOM
*	0191605 D	NON PROPORTIONAL FOUR STATION CONTROL VALVE ASSEMBLY JANUARY 2001 AND AFTER		EA
1	6010974	VALVE NON PROPORTIONAL 4 STAT	1	EA
2	0191640	ANGLE	1	EA
3	5065805	FTG ADAPTER STRTHDL 6B 6S STL LONG	6	EA
4	5063905	FTG NUT 6S STL	4	EA
5	5064001	ADAPTER STRAIGHT TUBE REDUCER 6 JIC TO 4 JIC	4	EA
6	5035320	ADAPTER 90 DEG ELBOW 8 SAE TO 6 JIC	1	EA
7	5065703	FTG ADPTR STRTHD 4B 4S STL	2	EA
8	5036703	FTG TEE SWVL RUN 4S 4S STL (SEE PAGE 2)	2	EA
9	5037005	TERM FEM F.I. .250 16/14	1	EA
10	5065708	FTG, HYD 8 MB TO 6 MJIC	1	EA
11	5075205	FTG PL HEXHD 6B STL	6	EA
12	0082010	DECAL SET	1	EA
13	970239	BLT HEXHD .313 18 .750 GR5	4	EA
14	987109	WSHR LOCK .313	4	EA
15	986269	WSHR FLAT .313	4	EA
16	0191642	STEP ANGLE	1	EA
17	5063701	ADAPTER, CAP, 4 JIC FEMALE	2	EA

HYDRAULICS



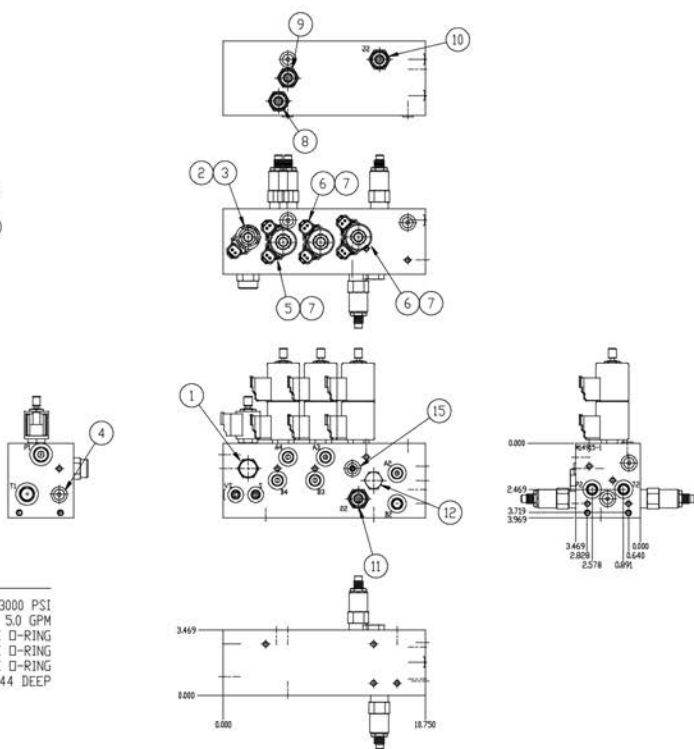
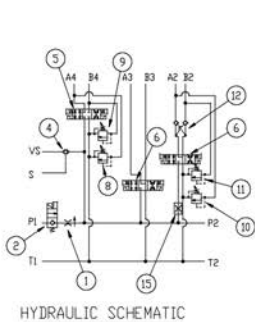
アイテム	部品番号	名前	数量	UOM
*	0192197 C	NON PROPORTIONAL FOUR SECTION CONTROL VALVE ASSEMBLY MARCH 2006 AND AFTER		EA
1	0082010	DECAL SET	1	EA
2	0191640	ANGLE	1	EA
3	0191641	SPACER PLATE	1	EA
4	0191642	STEP ANGLE	1	EA
5	0192127	ADPTR HARNESS, NON PROP VALVE	1	EA
6	970239	BLT HEXHD .313 18 .750 GR5	4	EA
7	987109	WSHR LOCK .313	4	EA
8	5035320	ADAPTER 90 DEG ELBOW 8 SAE TO 6 JIC	1	EA
9	5036703	FTG TEE SWVL RUN 4S 4S STL (SEE PAGE 2)	2	EA
10	5037005	TERM FEM F.I. .250 16/14	1	EA
11	5063701	ADAPTER, CAP, 4 JIC FEMALE	2	EA
12	5065703	FTG ADPTR STRTHD 4B 4S STL	2	EA
13	5065708	FTG, HYD 8 MB TO 6 MJIC	1	EA
14	5065805	FTG ADAPTER STRTHDL 6B 6S STL LONG	2	EA
15	5067020	FTG, HYD 6 MB TO 4 MJIC LONG	4	EA
16	5075205	FTG PL HEXHD 6B STL	2	EA
17	6019060	NON PROP VALVE (FLUID TECH)	1	EA

HYDRAULICS



アイテム	部品番号	名前	数量	UOM
*	6010974 A	NON PROPORTIONAL VALVE		EA
1	8230105	MANIFOLD BODY, ALUMINUM	1	EA
2	8230106	RELIEF VALVE	4	EA
3	8230107	CHECK VALVE	2	EA
4	8230108	FLOW CONTROL VALVE	1	EA
5	8230109	SHUTTLE VALVE	1	EA
6	8230110	DIRECTIONAL CONTROL VALVE SECTION, INLET	1	EA
7	6010904	DIRECTIONAL CONTROL VALVE SECTION, ROTATE	1	EA
*	3040524	REPLACEMENT COIL, 12 VOLT DC	2	EA
8	6010904	DIRECTIONAL CONTROL VALVE SECTION, ROTATE	1	EA
*	3040524	REPLACEMENT COIL, 12 VOLT DC	2	EA
9	6010908	DIRECTIONAL CONTROL VALVE SECTION, STEER	1	EA
*	3040524	REPLACEMENT COIL, 12 VOLT DC	2	EA
10	8230111	ORIFICE, 1.0MM DIAMETER	1	EA

HYDRAULICS

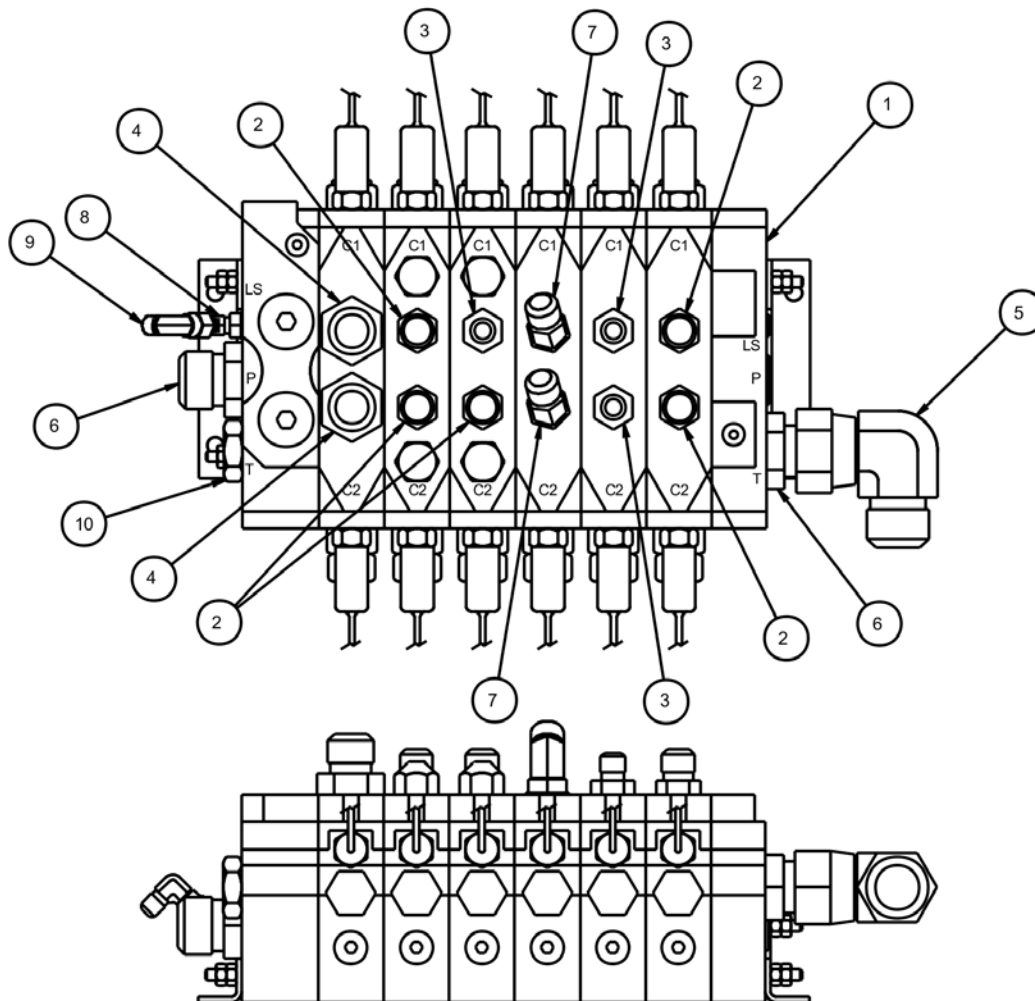


SPECIFICATIONS:

MAXIMUM PRESSURE:	3000 PSI
NOMINAL FLOW:	5.0 GPM
PORT SIZES(S, VS)	-4 SAE O-RING
(ALL OTHERS)	-6 SAE O-RING
(P1, T1)	-8 SAE O-RING
MOUNTING HOLES (6)	5/16-18 TAPPED X .44 DEEP

アイテム	部品番号	名前	数量	UOM
*	6019060 D	NON PROPORTIONAL FOUR SECTION VALVE MARCH 2006 AND AFTER		EA
1	487086	#10 FLOW CONTROL PRESS COMP 5.0 GPM	1	EA
2	255256	N.C. SOL VALVE	1	EA
3	3220126	10VDC DRZ COIL	1	EA
4	6019041	SHUTTLE VALVE	1	EA
5	6019096	4 WAY SOL VALVE	1	EA
6	6019097	4 WAY SOL VALVE	2	EA
7	3040781	10 VDC DN01 COIL	6	EA
8	6019155	REL VLV B2	1	EA
9	6019155	REL VLV B2	1	EA
10	6019039	N.C. RELIEF VALVE B3	1	EA
11	6019039	N.C. RELIEF VALVE B3	1	EA
12	6019157	DOUBLE PCV	1	EA
15	6018948	1/16" NPT PLUG DRILLED .035" ORIFICE	1	EA

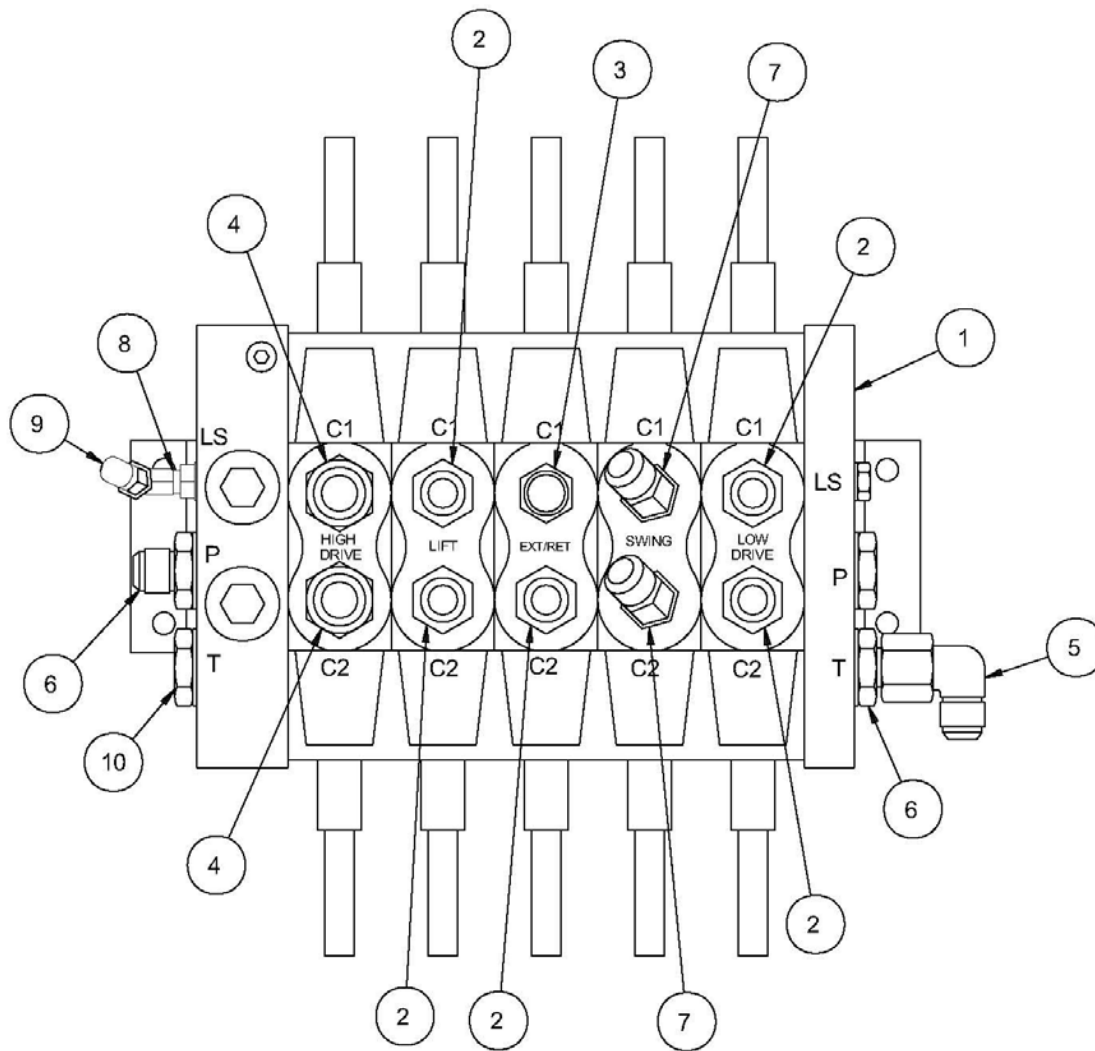
HYDRAULICS





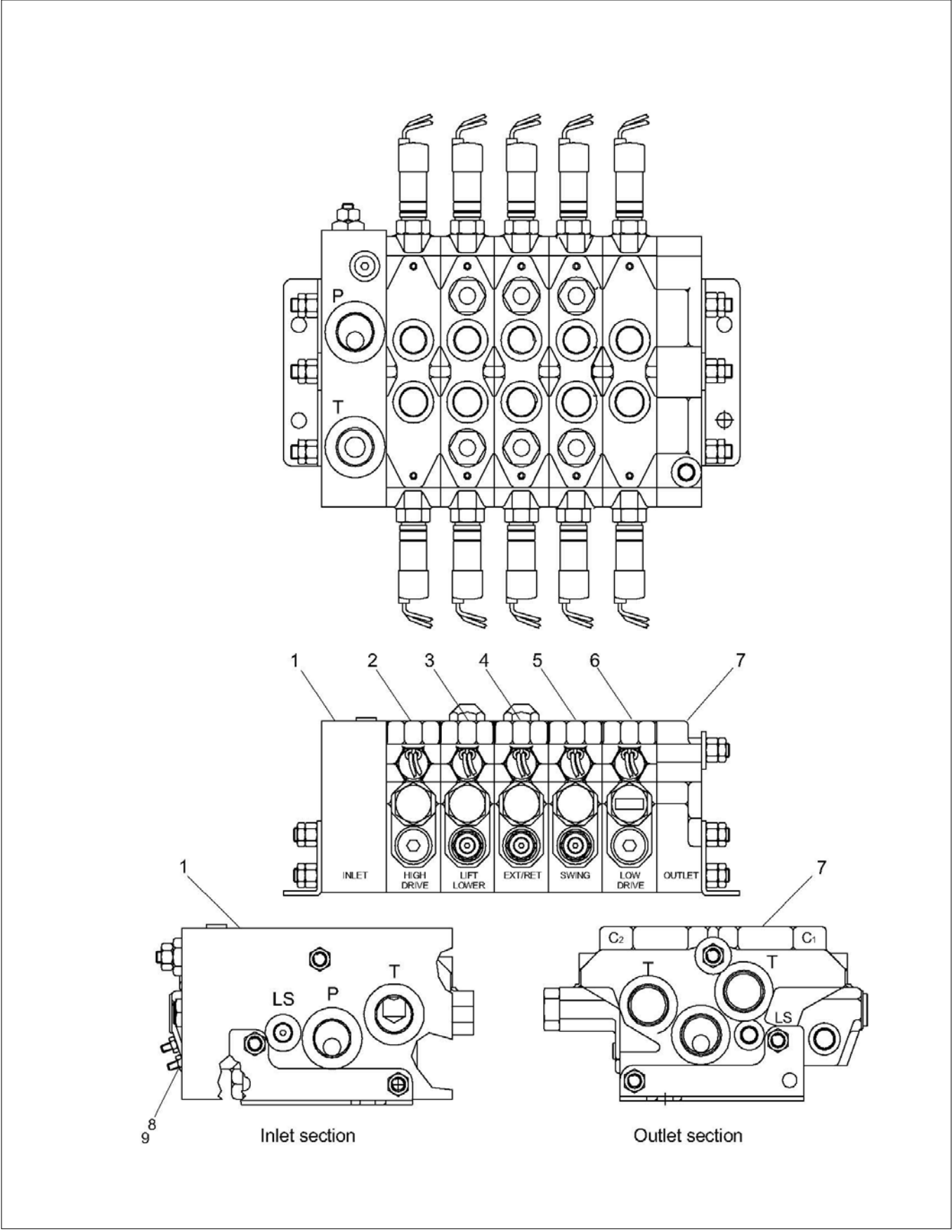
アイテム	部品番号	名前	数量	UOM
*	0191180 B	PROPORTIONAL CONTROL VALVE ASSEMBLY JANUARY 2001 AND AFTER		EA
1	6010842	VALVE PROP CONTOL	1	EA
2	5065709	FTG ADPTR STRTHD 8B 8S STL PH	5	EA
3	5065708	FTG, HYD 8 MB TO 6 MJIC	3	EA
4	5065731	FTG, HYD 8 MB TO 12 MJIC	2	EA
5	5037010	ADAPTER 90 DEG ELBOW SWIVEL 16 JIC	1	EA
6	5065719	FTG ADPTRSTRTHD 12B 16S STL	2	EA
7	5035706	ADAPTER 45 DEG ELBOW 8 SAE 8 JIC	2	EA
8	5035703	ADAPTER 45 DEG ELBOW 4 SAE 4 JIC	1	EA
9	5037003	FTG ELB90SWVL 4S 4S STL	1	EA
10	5075208	FTG PL HEX HD 12B STL	1	EA

HYDRAULICS



アイテム	部品番号	名前	数量	UOM
	0191285 A	CONTROL VALVE, PROPORTIONAL SUB ASSY JUNE 2015 AND AFTER		EA
1	6010858	VALVE PROPORTIONAL CONTROL	1	EA
2	5065709	FTG ADPTR STRTHD 8B 8S STL PH	5	EA
3	5065708	FTG, HYD 8 MB TO 6 MJIC	1	EA
4	5065731	FTG, HYD 8 MB TO 12 MJIC	2	EA
5	5037010	ADAPTER 90 DEG ELBOW SWIVEL 16 JIC	1	EA
6	5065719	FTG ADPTRSTRTHD 12B 16S STL	2	EA
7	5035706	ADAPTER 45 DEG ELBOW 8 SAE 8 JIC	2	EA
8	5035703	ADAPTER 45 DEG ELBOW 4 SAE 4 JIC	1	EA
9	5037003	FTG ELB90SWVL 4S 4S STL	1	EA
10	5075208	FTG PL HEX HD 12B STL	1	EA

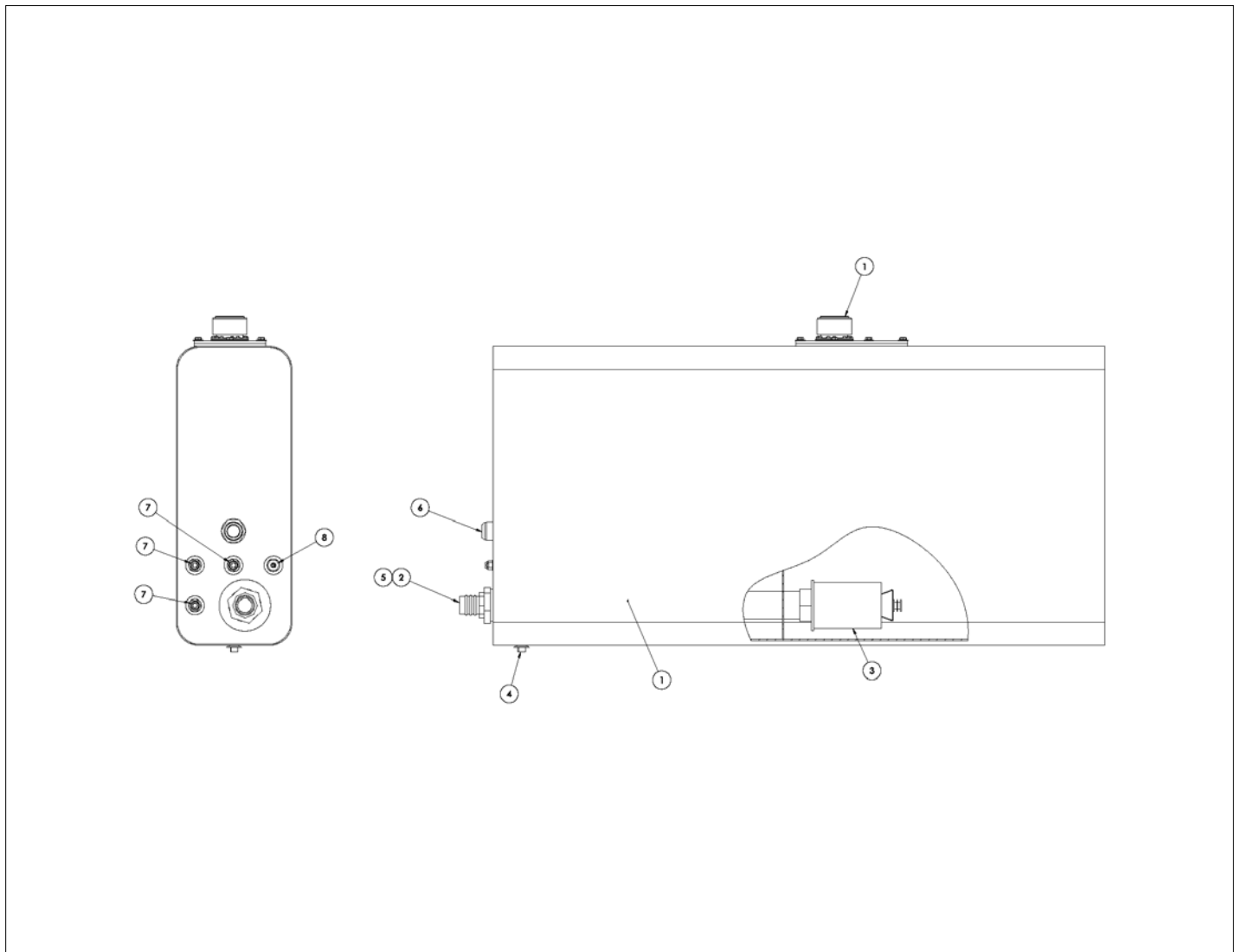
HYDRAULICS



アイテム	部品番号	名前	数量	UOM
	6010858 D	PROPORTIONAL CONTROL VALVE		EA
1	6010860	MANIFOLD INLET FOR CONTROL VLV	1	EA
Not Shown	8010245	O RING KIT ONE PER SECTION – ITEM NOT SHOWN	1	EA
2	6010861	HIGH SPEED DRIVE VALVE SECTION	1	EA
Not Shown	8010245	O RING KIT ONE PER SECTION – ITEM NOT SHOWN	1	EA
Not Shown	6010653	DIGITAL PULSAR SOLENOID CARTRIDGE, 12 VOLT DC – BLACK = 33 HZ FREQUENCY	2	EA
3	6010867	LIFT VALVE SECTION	1	EA
Not Shown	8010245	O RING KIT ONE PER SECTION – ITEM NOT SHOWN	1	EA
Not Shown	6010653	DIGITAL PULSAR SOLENOID CARTRIDGE, 12 VOLT DC – BLACK = 33 HZ FREQUENCY	2	EA
4	6010868	EXTEND VALVE SECTION	1	EA
Not Shown	8010245	O RING KIT ONE PER SECTION – ITEM NOT SHOWN	1	EA
Not Shown	6010653	DIGITAL PULSAR SOLENOID CARTRIDGE, 12 VOLT DC – BLACK = 33 HZ FREQUENCY	2	EA
5	6010869	SWING VALVE SECTION	1	EA
Not Shown	8010245	O RING KIT ONE PER SECTION – ITEM NOT SHOWN	1	EA
Not Shown	6010653	DIGITAL PULSAR SOLENOID CARTRIDGE, 12 VOLT DC – BLACK = 33 HZ FREQUENCY	2	EA
6	6010862	LOW SPEED DRIVE VALVE SECTION	1	EA
Not Shown	8010245	O RING KIT ONE PER SECTION – ITEM NOT SHOWN	1	EA
Not Shown	6010653	DIGITAL PULSAR SOLENOID CARTRIDGE, 12 VOLT DC – BLACK = 33 HZ FREQUENCY	2	EA

アイテム	部品番号	名前	数量	UOM
7	6010871	OUTLET SECTION APITECH	1	EA
Not Shown	8010245	O RING KIT ONE PER SECTION – ITEM NOT SHOWN	1	EA
8	8010273	SEALING NUT WITH WASHER	2	EA
9	8010274	SET SCREW	2	EA

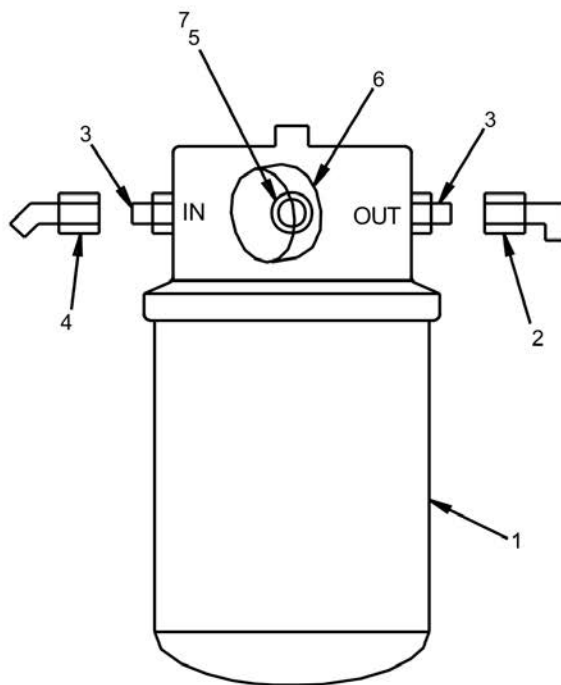
HYDRAULICS



アイテム	部品番号	名前	数量	UOM
*	0191756 D	HYDRAULIC OIL RESERVOIR ASSEMBLY PLASTIC COWLING		EA
1	0191755	HYDRAULIC OIL RESERVOIR	1	EA
2	5037305	FTG ADPTR MALE 24N 24H STL 018	1	EA
3	5080018	STRAINER SUCTION	1	EA
4	7714204	PIPE PLUG 1/2 in NPT SQ.HD BLK.	1	EA
5	7721612	REDUCER BUSHING 2X1 1/2 HEX HD	1	EA
6	5065721	FTG ADPTR STRTHD 20B 20S STL P	1	EA
7	5065709	FTG ADPTR STRTHD 8B 8S STL PH	3	EA
8	5065732	FTG ADPTR STRTHD 8B 4S STL PH	1	EA

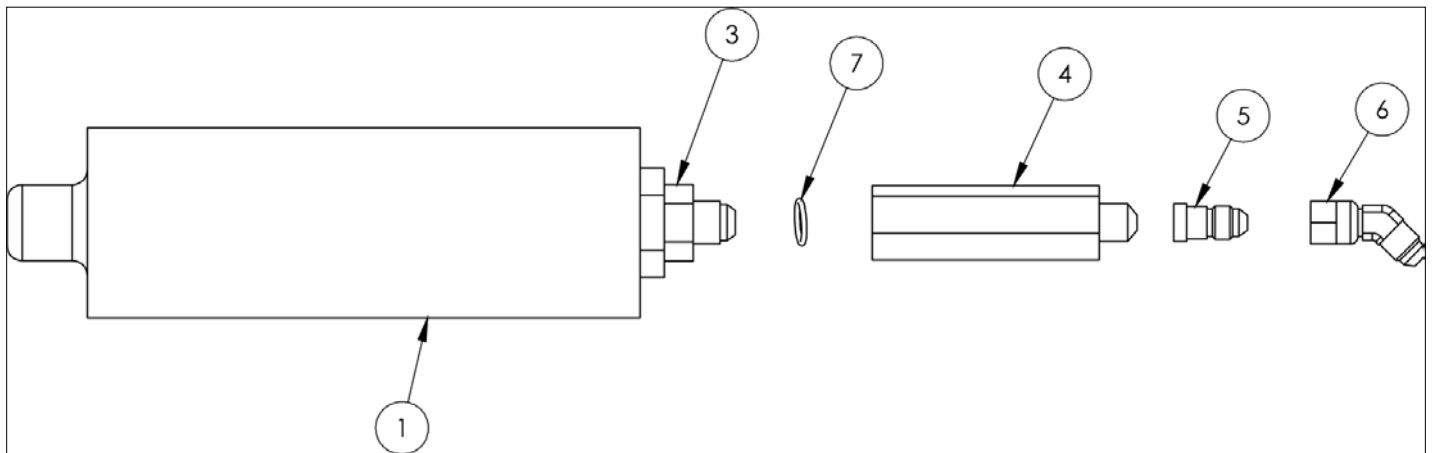


HYDRAULICS



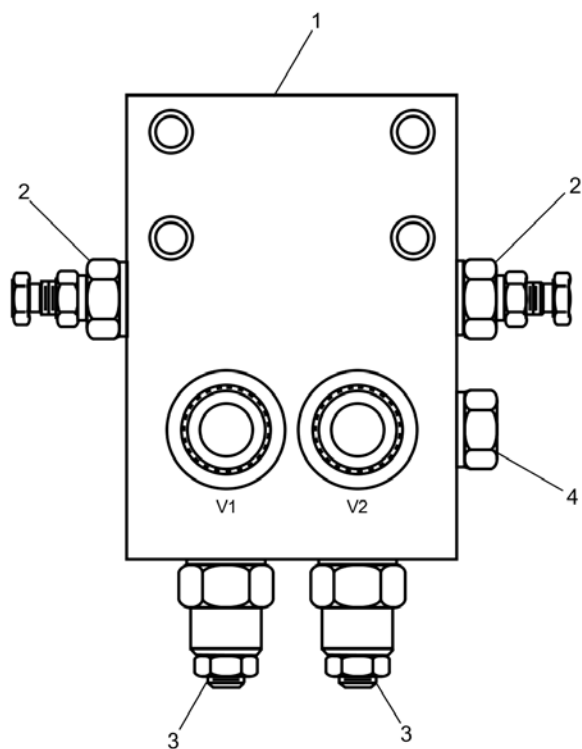
アイテム	部品番号	名前	数量	UOM
*	0191458 B	HYDRAULIC OIL RETURN FILTER		EA
1	5080044	FILTER RETURN LINE W/GAUGE	1	EA
2	5037011	FTG ELB90SWVL 20S 20S STL PH 2	1	EA
3	5065721	FTG ADPTR STRTHD 20B 20S STL P	2	EA
4	5036911	FTG ELB45SWVL 20S 20S STL	1	EA
5	5090031	STREET ELBOW 45 ° , 1/8 NPT	1	EA
6	7630140	FILTER MINDER GAUGE AIR CLNR	1	EA
7	5090006	STREET 90 ° ELBOW, 1/8 NPT	1	EA

HYDRAULICS



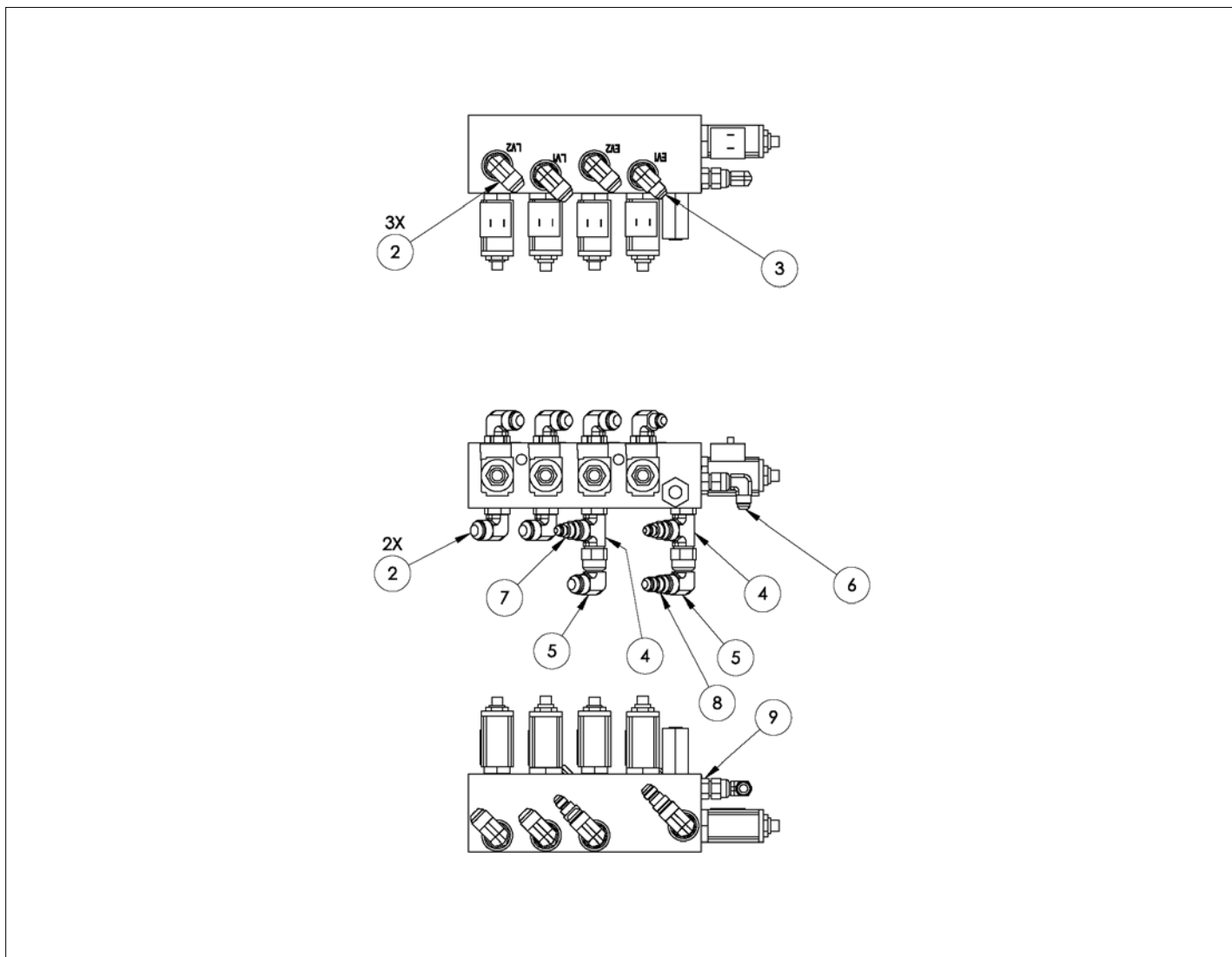
アイテム	部品番号	名前	数量	UOM
*	0180870 E	ACCUMULATOR CHARGED		EA
1	6070006	ACCUMULATOR 300 PSI	1	EA
*	5076003	ADAPTER STRAIGHT 12SAE TO 8SAE FEMALE	1	EA
3	5065708	FTG, HYD 8 MB TO 6 MJIC	1	EA
4	6010636	CHECK VALVE, ORIFICED	1	EA
5	5064001	ADAPTER STRAIGHT TUBE REDUCER 6 JIC TO 4 JIC	1	EA
6	5036903	FTG ELB45SWVL 4S 4S STL	1	EA
7	7110906	O RING	1	EA

HYDRAULICS



アイテム	部品番号	名前	数量	UOM
*	6010216 D	MOTION CONTROL VALVE		EA
1	6010216	MOTION CONTROL VALVE, TURNTABLE SWING (VALVE INCLUDES ITEMS 2,3 AND 4)	1	EA
*	0110682	SEAL REPAIR KIT	1	EA
2	6010255	SEQUENCE VALVE CARTRIDGE (FACTORY PRESET,DO NOT RESET)	2	EA
3	6010256	COUNTERBALANCE VALVE CARTRIDGE	2	EA
4	6010531	SHUTTLE VALVE	1	EA
*	0150562	SEAL REPAIR KIT	1	EA

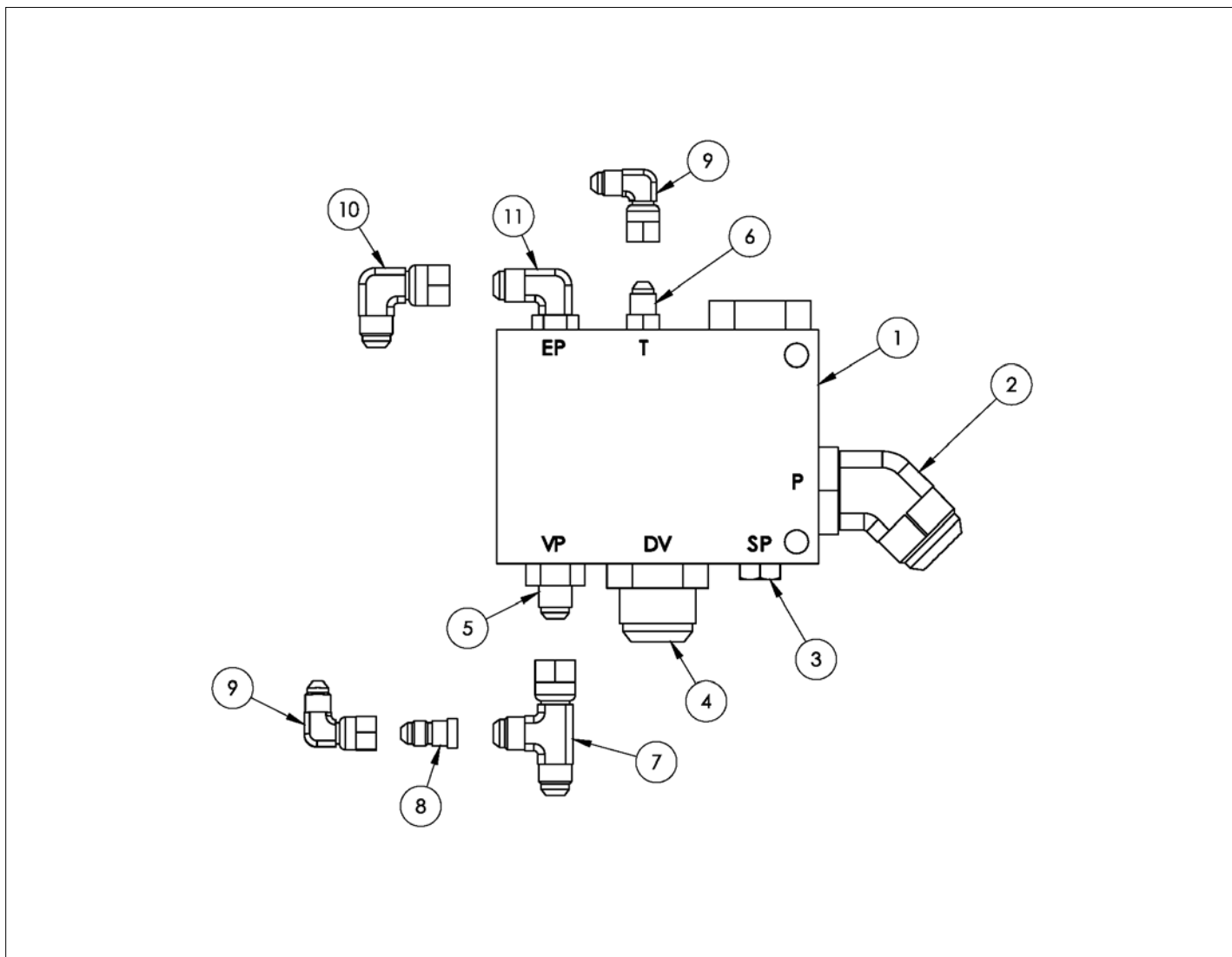
HYDRAULICS



アイテム	部品番号	名前	数量	UOM
*	0190879 D	FOUR STAGE BLOCKING VALVE SUB ASSEMBLY		EA
*	6010721	BLOCKING VALVE (INCLUDES ITEMS 2 AND 3)	1	EA
2	5035306	FTG ELB90STRTHD 8B 8S STL	5	EA
3	5035320	ADAPTER 90 DEG ELBOW 8 SAE TO 6 JIC	1	EA
4	5036106	ADAPTER TEE 8 SAE 8 JIC 8 JIC	2	EA
5	5037006	ADAPTER 90 ° ELBOW SWIVEL 8 JIC	2	EA
6	5037005	TERM FEM F.I. .250 16/14	1	EA
7	5064002	ADAPTER STREIGHT TUBE REDUCER 8 JIC TO 4 JIC	2	EA
8	5064003	FTG RDCR 8S 6S W/O NUT STL (SEE PAGE 2)	1	EA
9	5065707	FTG ADPTR STRTHD 6B 6S STL PH	1	EA

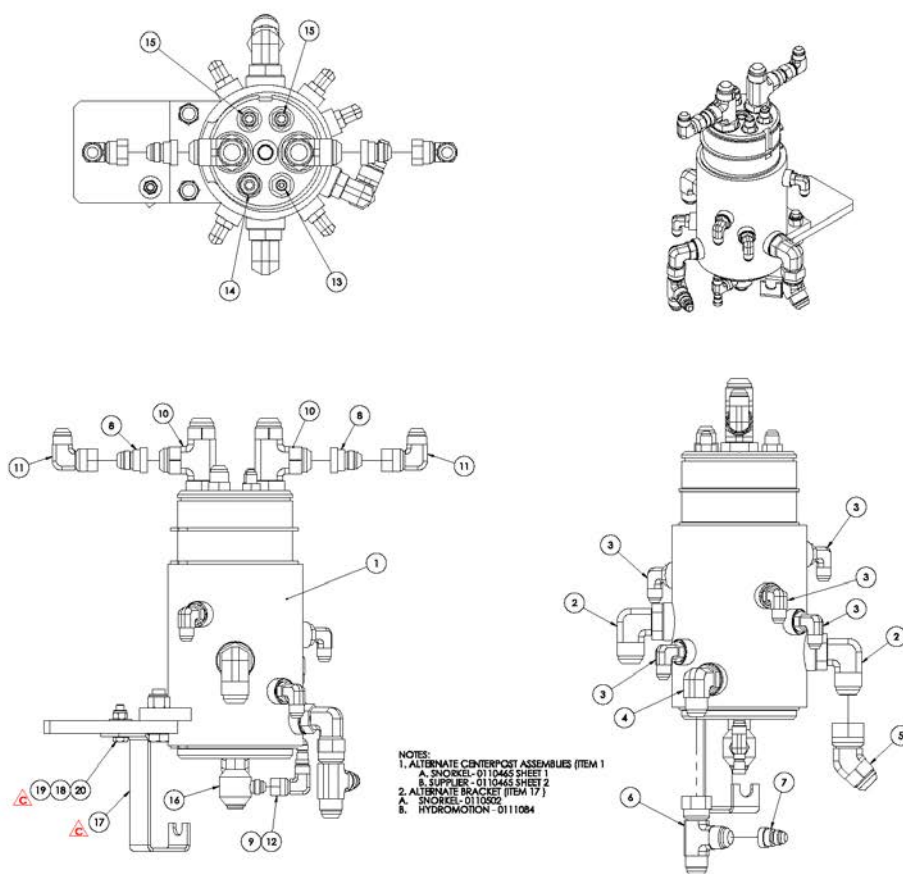


HYDRAULICS



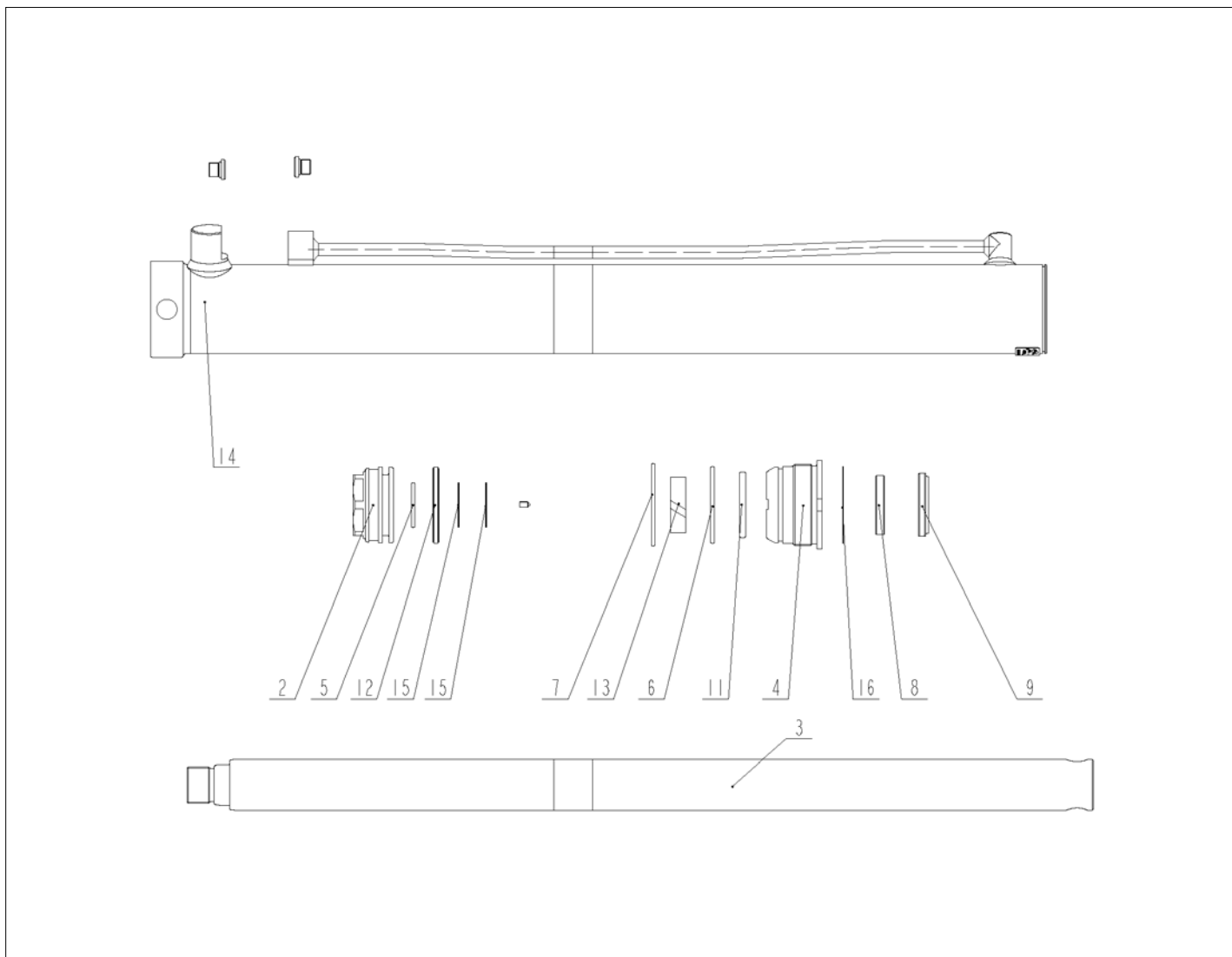
アイテム	部品番号	名前	数量	UOM
*	0190836 C	CHECK VALVE MANIFOLD SUB ASSEMBLY		EA
1	6010579	CHECK VALVE MANIFOLD	1	EA
2	5035710	STRAIGHT THREAD 45 ° ELBOW	1	EA
3	5075205	FTG PL HEXHD 6B STL	1	EA
4	5065718	FTG, HYD 16 MB TO 16 MJIC	1	EA
5	5065708	FTG, HYD 8 MB TO 6 MJIC	1	EA
6	5065703	FTG ADPTR STRTHD 4B 4S STL	1	EA
7	5036705	FTG TEE SWVL RUN 6S 6S STL	1	EA
8	5064001	ADAPTER STRAIGHT TUBE REDUCER 6 JIC TO 4 JIC	1	EA
9	5037003	FTG ELB90SWVL 4S 4S STL	2	EA
10	5037005	TERM FEM F.I. .250 16/14	1	EA
11	5035305	FTG ELB90STRTHD 6S 6S STL	1	EA

HYDRAULICS



アイテム	部品番号	名前	数量	UOM
*	0191178 C	CENTERPOST AND FITTINGS SUB ASSEMBLY		EA
1	0110465	CENTERPOST	1	EA
2	5035308	ADAPTER 90 ° ELBOW 12 SAE TO 12 JIC	2	EA
3	5035305	FTG ELB90STRTHD 6S 6S STL	5	EA
4	5035307	STRAIGHT THREAD 90 ° ELBOW	1	EA
5	5036908	SWIVEL NUT 45 ° ELBOW	1	EA
6	5036707	FTG TEE SWVL RUN 10S 10S STL	1	EA
7	5064004	TUBE END REDUCER	1	EA
8	5064008	FTG RDCR TUBE END 12S 8S STL	2	EA
9	5064001	ADAPTER STRAIGHT TUBE REDUCER 6 JIC TO 4 JIC	1	EA
10	5036108	STRAIGHT THREAD RUN TEE	2	EA
11	5037006	ADAPTER 90 ° ELBOW SWIVEL 8 JIC	2	EA
12	5037005	TERM FEM F.I. .250 16/14	1	EA
13	5065705	FTG ADPTR STRTHD 6B 4S STL	1	EA
14	5065728	1/2 I.D. HOSE ASSEMBLY	1	EA
15	5065707	FTG ADPTR STRTHD 6B 6S STL PH	2	EA
16	5020001	FTG ELBOW HYDROMOTION SWIVEL	1	EA
17	0110502	FITTING BRACKET	1	EA
18	986269	WSHR FLAT .313	1	EA
19	5560031	NUT HEX LKG .313 18	1	EA
20	970269	BLT HEXHD .313 18 1.25 GR5 PLA	1	EA

HYDRAULICS



アイテム	部品番号	名前	数量	UOM
*	0190709 B	AXLE EXTEND CYLINDER HENGLI NOVEMBER 2016 AND AFTER		EA
2	6091922	PISTON	1	EA
3	6091921	ROD	1	EA
4	6091923	GUIDE BUSH	1	EA
*	6091920	SEAL KIT (INCLUDES ITEMS 5 9 AND 11 16)	1	EA
5	KIT ITEM	O RING	1	EA
6	KIT ITEM	O RING	1	EA
7	KIT ITEM	O RING	1	EA
8	KIT ITEM	ROD SEAL	1	EA
9	KIT ITEM	WIPER RING	1	EA
11	KIT ITEM	BUFFER RING	1	EA
12	KIT ITEM	PISTON SEAL	1	EA
13	KIT ITEM	WEAR RING	1	EA
14	KIT ITEM	WEAR RING	1	EA
15	KIT ITEM	BACK UP RING	2	EA
16	KIT ITEM	BACK UP RING	1	EA

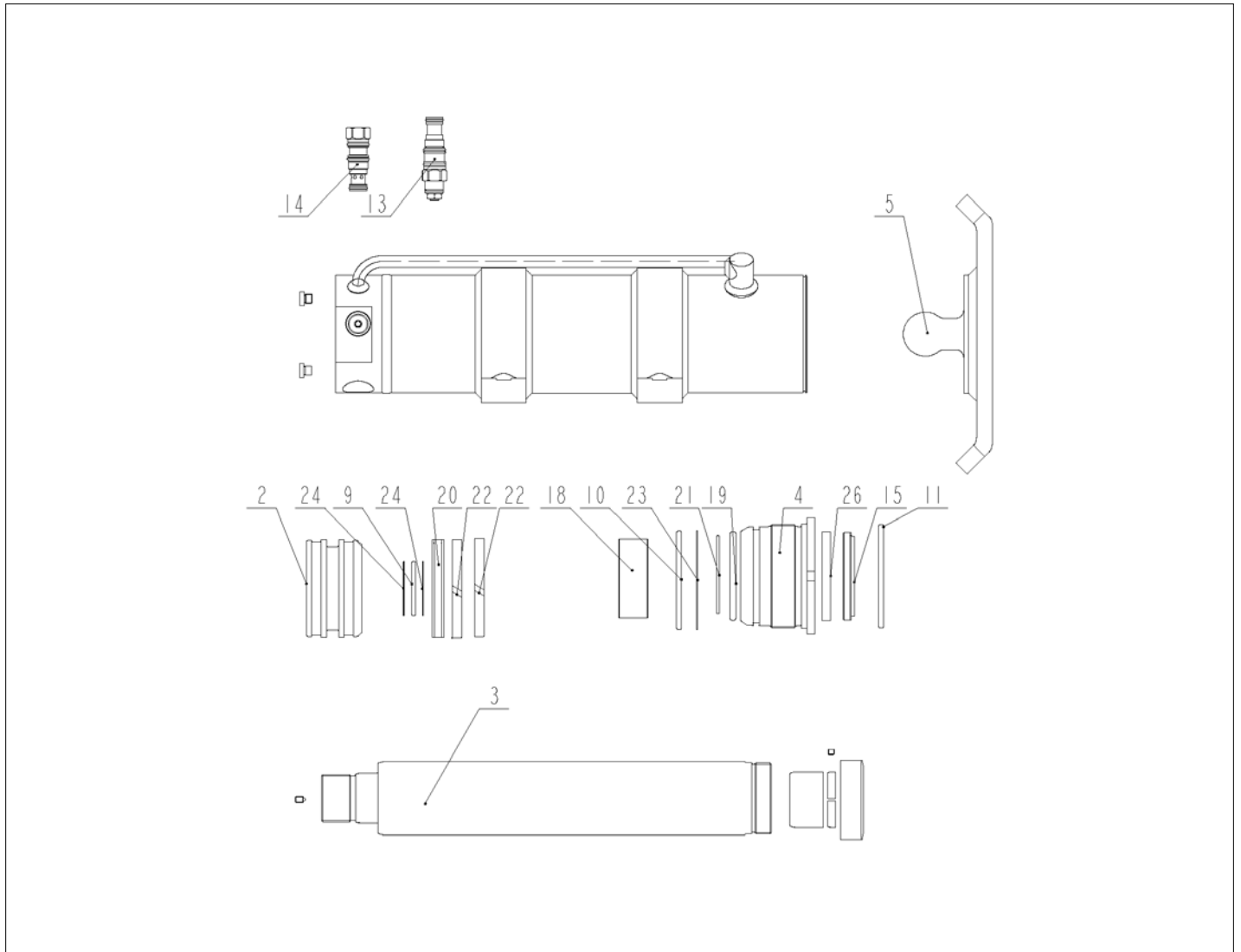


アイテム	部品番号	名前	数量	UOM
*	0112379 A	JACKING CYLINDER ROSENBOOM		EA
Not Shown	6091355	SEAL REPAIR KIT (KIT INCLUDES ITEMS 10 21)	1	EA
1	6091353	TUBE (NOT SOLD SEPARATELY)	1	EA
2	6091354	ROD	1	EA
3	6091351	HEAD GLAND	1	EA
4	6091350	PISTON	1	EA
5	6091352	JACK SHOE WLDMT	1	EA
6	6091272	LOCKNUT	1	EA
7	6010488	CARTRIDGE COUNTERBALANCE VALVE (FACTORY PRESET, DO NOT RESET)	1	EA
8	6010426	CHECK VALVE	1	EA
9	5569835	SET SCREW 5/16 18 X 1/4 INCH LONG	1	EA
10	KIT ITEM	SNAP RING (NOT SOLD SEPARATELY)	1	EA
11	KIT ITEM	O RING (NOT SOLD SEPARATELY)	1	EA
12	KIT ITEM	O RING (NOT SOLD SEPARATELY)	1	EA
13	KIT ITEM	O RING (NOT SOLD SEPARATELY)	1	EA
14	KIT ITEM	BACK UP (NOT SOLD SEPARATELY)	1	EA
15	KIT ITEM	DISO PAC (NOT SOLD SEPARATELY)	1	EA
16	KIT ITEM	DEEP Z SEAL (NOT SOLD SEPARATELY)	1	EA
17	KIT ITEM	ROD WIPER (NOT SOLD SEPARATELY)	1	EA
18	KIT ITEM	WEAR BAND (NOT SOLD SEPARATELY)	1	EA
19	KIT ITEM	WEAR BAND (NOT SOLD SEPARATELY)	2	EA



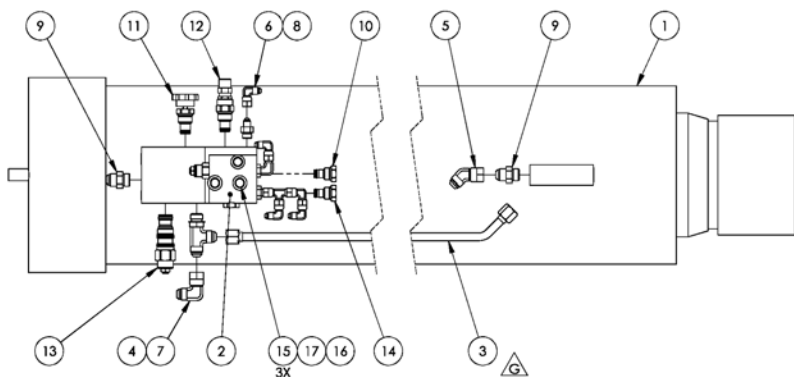
アイテム	部品番号	名前	数量	UOM
20	KIT ITEM	LOCKING INSERT (NOT SOLD SEPARATELY)	2	EA
21	KIT ITEM	LOCKING INSERT (NOT SOLD SEPARATELY)	1	EA

HYDRAULICS



アイテム	部品番号	名前	数量	UOM
*	0112379 B	JACK CYLINDER HENGLI		EA
2	6091926	PISTON 0112379 CYLINDER	1	EA
3	6091925	ROD 0112379 CYLINDER	1	EA
4	6091928	HEAD GLAND 0112379 CYLINDER	1	EA
5	6091929	ROD END (FOOT) 0112379 CYLINDE	1	EA
*	6091924	SEAL KIT (INCLUDES ITEMS 9 11, 15, 18 24 AND 26)	1	EA
9	KIT ITEM	O RING	1	EA
10	KIT ITEM	O RING	1	EA
11	KIT ITEM	O RING	1	EA
13	104260 108	CB VALVE, CBCA LHN (3000)	1	EA
14	14266 002	CARTRIDGE VALVE	1	EA
15	KIT ITEM	WIPER RING	1	EA
18	KIT ITEM	BUSHING	1	EA
19	KIT ITEM	BUFFER RING	1	EA
20	KIT ITEM	SEAL RING ASS'Y	1	EA
21	KIT ITEM	SNAP RING	1	EA
22	KIT ITEM	WEAR RING	2	EA
23	KIT ITEM	BACK UP RING	1	EA
24	KIT ITEM	BACK UP RING	2	EA
26	KIT ITEM	ROD SEAL	2	EA

HYDRAULICS

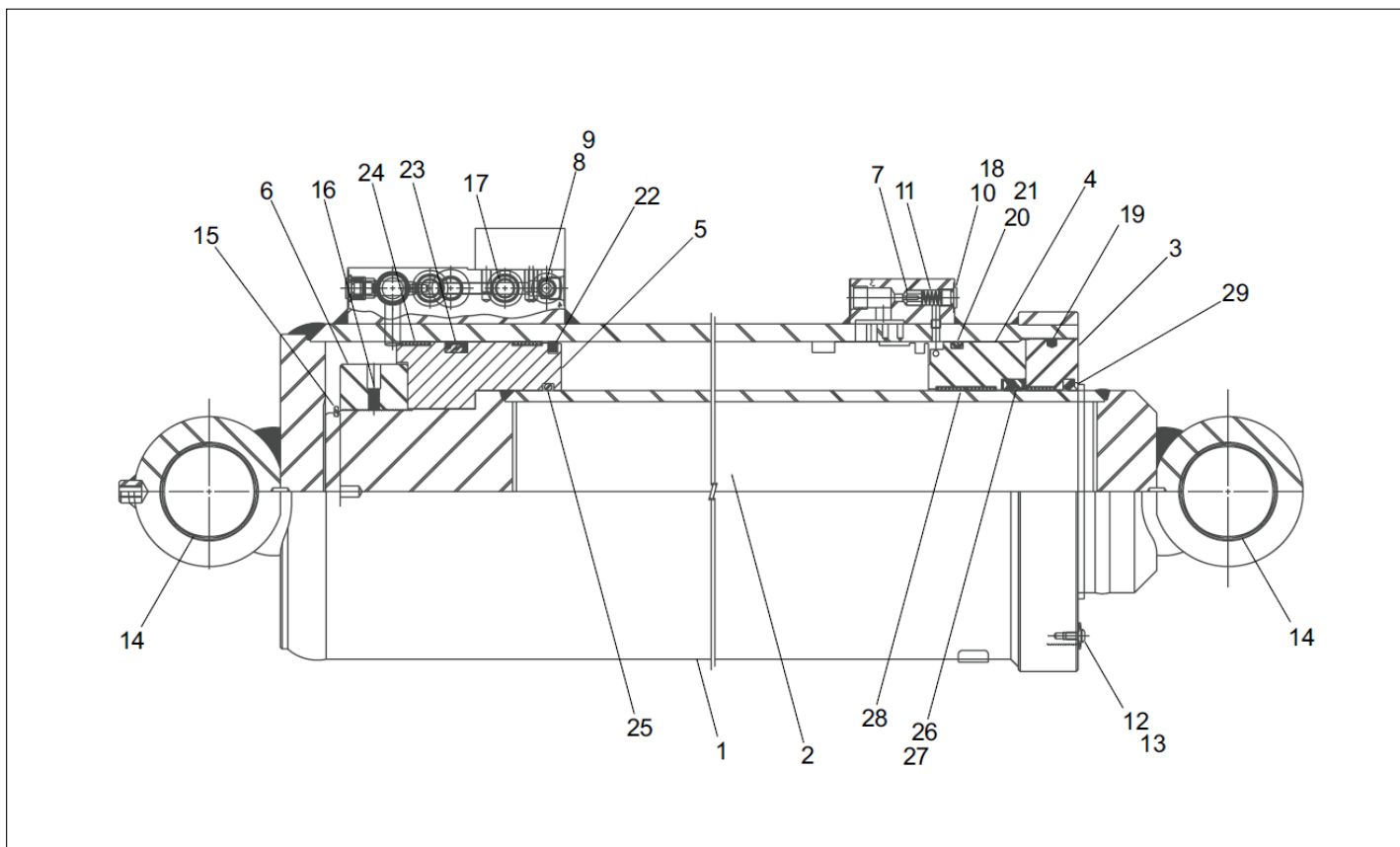


- NOTES:
1. REMOVE PLUG FROM CYLINDER AND CHECK TO ENSURE ORIFICE WAS INSTALLED BY VENDOR.
  2. WHEN TESTING CYLINDER BE SURE TO MEASURE STROKE LENGTH FOR CYLINDER OF MACHINE YOU ARE BUILDING.

PART NO	MACHINE	STROKE LENGTH
0191368	100	42.25"
0190499	120/126	42.50"

アイテム	部品番号	名前	数量	UOM
	0190613 G	CYLINDER LIFT SUB ASSEMBLY		EA
1	0190499	CYLINDER LIFT	1	EA
2	0190862	ASSY LIFT CYL ADD ON VALVE	1	EA
3	0192684	TRANSFER TUBE LIFT CYL	1	EA
4	5036106	ADAPTER TEE 8 SAE 8 JIC 8 JIC	1	EA
5	5036906	COVER	1	EA
6	5037003	FTG ELB90SWVL 4S 4S STL	1	EA
7	5037006	ADAPTER 90 ° ELBOW SWIVEL 8 JIC	1	EA
8	5065705	FTG ADPTR STRTHD 6B 4S STL	1	EA
9	5065709	FTG ADPTR STRTHD 8B 8S STL PH	2	EA
10	561176	VALVE CART CHECK	1	EA
11	6010292	CARTRIDGE NEEDLE VALVE	1	EA
12	6010508	HYDRAFORCE CARTRIDGE 12 VOLT	1	EA
13	6010663	CARTRIDGE HOLDING VALVE	1	EA
14	6010724	CHECK VALVE CARTRIDGE	1	EA
15	970299	BOLT HEX HD .313 18 2.00 GR5 PL	3	EA
16	986269	WSHR FLAT .313	3	EA
17	987109	WSHR LOCK .313	3	EA

HYDRAULICS

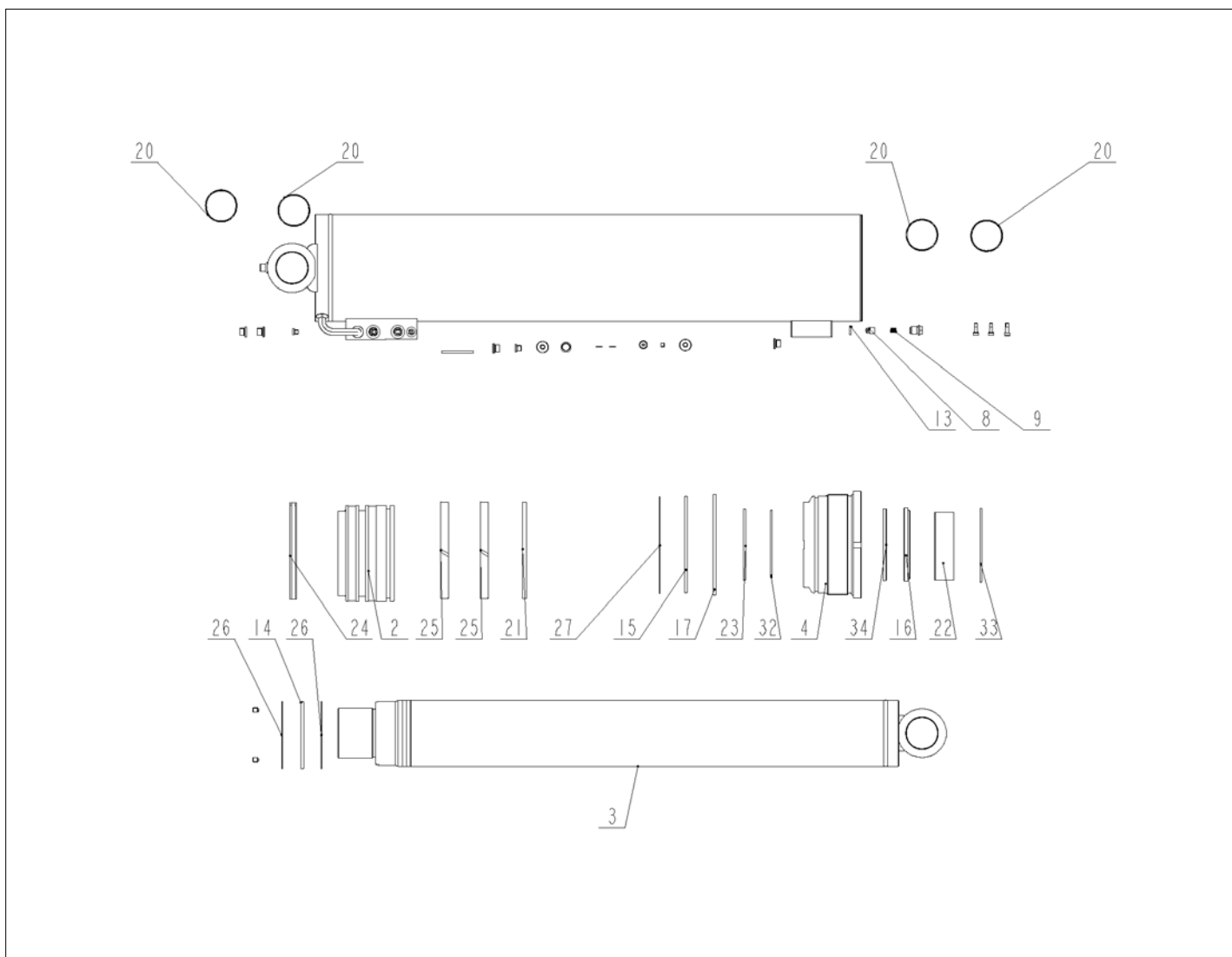


アイテム	部品番号	名前	数量	UOM
*	0190499 C	LIFT CYLINDER GBI		EA
*	0190911	SEAL REPAIR KIT (KIT INCLUDES ITEMS 17 29)	1	EA
1	PNNA	CASE (NOT SOLD SEPARATELY)	1	EA
2	8070708	ROD	1	EA
3	8070707	THREAD RING	1	EA
4	8070393	HEAD GLAND	1	EA
5	8070706	PISTON	1	EA
6	8070705	RING NUT	1	EA
7	8070012	POPPET	1	EA
8	8070677	PIPE PLUG	1	EA
9	8070542	PORT PLUG	1	EA
10	8070368	PORT PLUG	2	EA
11	8070369	SPRING	1	EA
12	8070370	LOCK WASHER	1	EA
13	8070371	CAPSCREW	1	EA
14	8070671	BUSHING	1	EA
15	8070704	SNAP RING	4	EA
16	8070367	SET SCREW	1	EA
17	KIT ITEM	O RING (NOT SOLD SEPARATELY)	1	EA
18	KIT ITEM	O RING (NOT SOLD SEPARATELY)	1	EA
19	KIT ITEM	NYLON PLUG (NOT SOLD SEPARATELY)	2	EA
20	KIT ITEM	BACK UP (NOT SOLD SEPARATELY)	2	EA
21	KIT ITEM	O RING (NOT SOLD SEPARATELY)	1	EA
22	KIT ITEM	C.I. RING (NOT SOLD SEPARATELY)	1	EA
23	KIT ITEM	CST RING (NOT SOLD SEPARATELY)	1	EA

アイテム	部品番号	名前	数量	UOM
24	KIT ITEM	WEAR RING (NOT SOLD SEPARATELY)	2	EA
25	KIT ITEM	O RING (NOT SOLD SEPARATELY)	1	EA
26	KIT ITEM	U RING (NOT SOLD SEPARATELY)	1	EA
27	KIT ITEM	BACK UP (NOT SOLD SEPARATELY)	1	EA
28	KIT ITEM	WEAR RING (NOT SOLD SEPARATELY)	3	EA
29	KIT ITEM	WIPER (NOT SOLD SEPARATELY)	1	EA

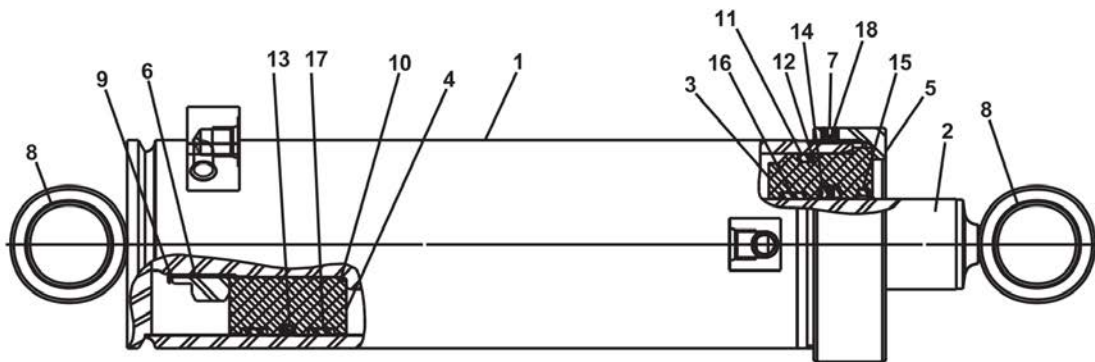


HYDRAULICS



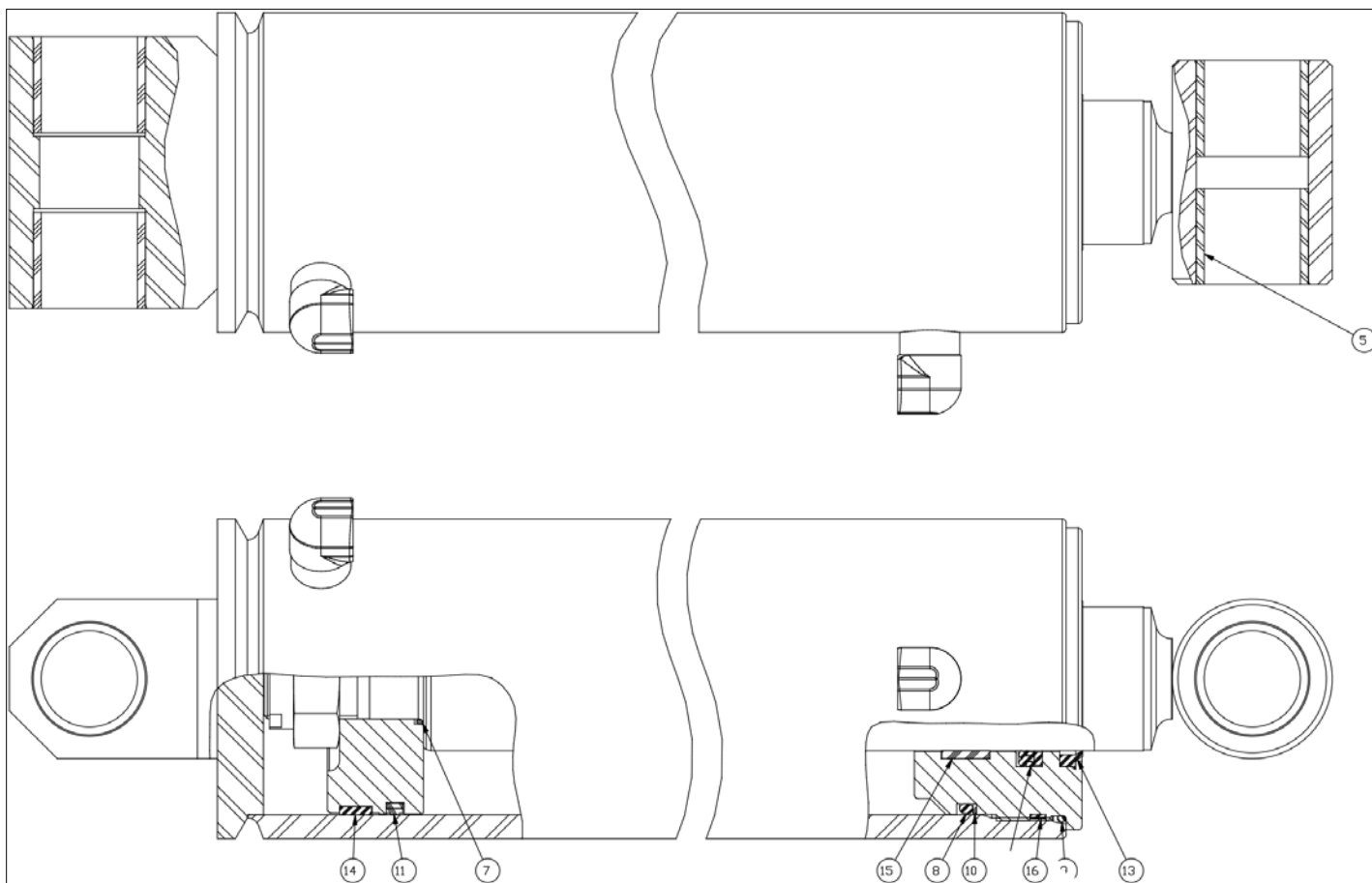
アイテム	部品番号	名前	数量	UOM
	0190499 E	LIFT CYLINDER HENGLI		EA
2	6091904	PISTON	1	EA
3	6091903	ROD	1	EA
4	6091905	HEAD GLAND	1	EA
8	6091907	SPOOL VALVE	1	EA
9	6091906	SPRING	1	EA
*	6091927	SEAL KIT (INCLUDES ITEMS 13 17, 21 27 AND 32 34)	1	EA
13	KIT ITEM	O RING	1	EA
14	KIT ITEM	O RING	1	EA
15	KIT ITEM	O RING	1	EA
16	KIT ITEM	WIPER RING	1	EA
17	KIT ITEM	O RING	1	EA
20	2500066	BRG .750ID 1.00OD .750	4	EA
21	KIT ITEM	PISTON RING	1	EA
22	KIT ITEM	BUSHING	1	EA
23	KIT ITEM	BUFFER RING	1	EA
24	KIT ITEM	SEAL RING ASS'Y	1	EA
25	KIT ITEM	WEAR RING	2	EA
26	KIT ITEM	BACK UP RING	2	EA
27	KIT ITEM	BACK UP RING	1	EA
32	KIT ITEM	SNAP RING	1	EA
33	KIT ITEM	SNAP RING	1	EA
34	KIT ITEM	ROD SEAL	1	EA

HYDRAULICS



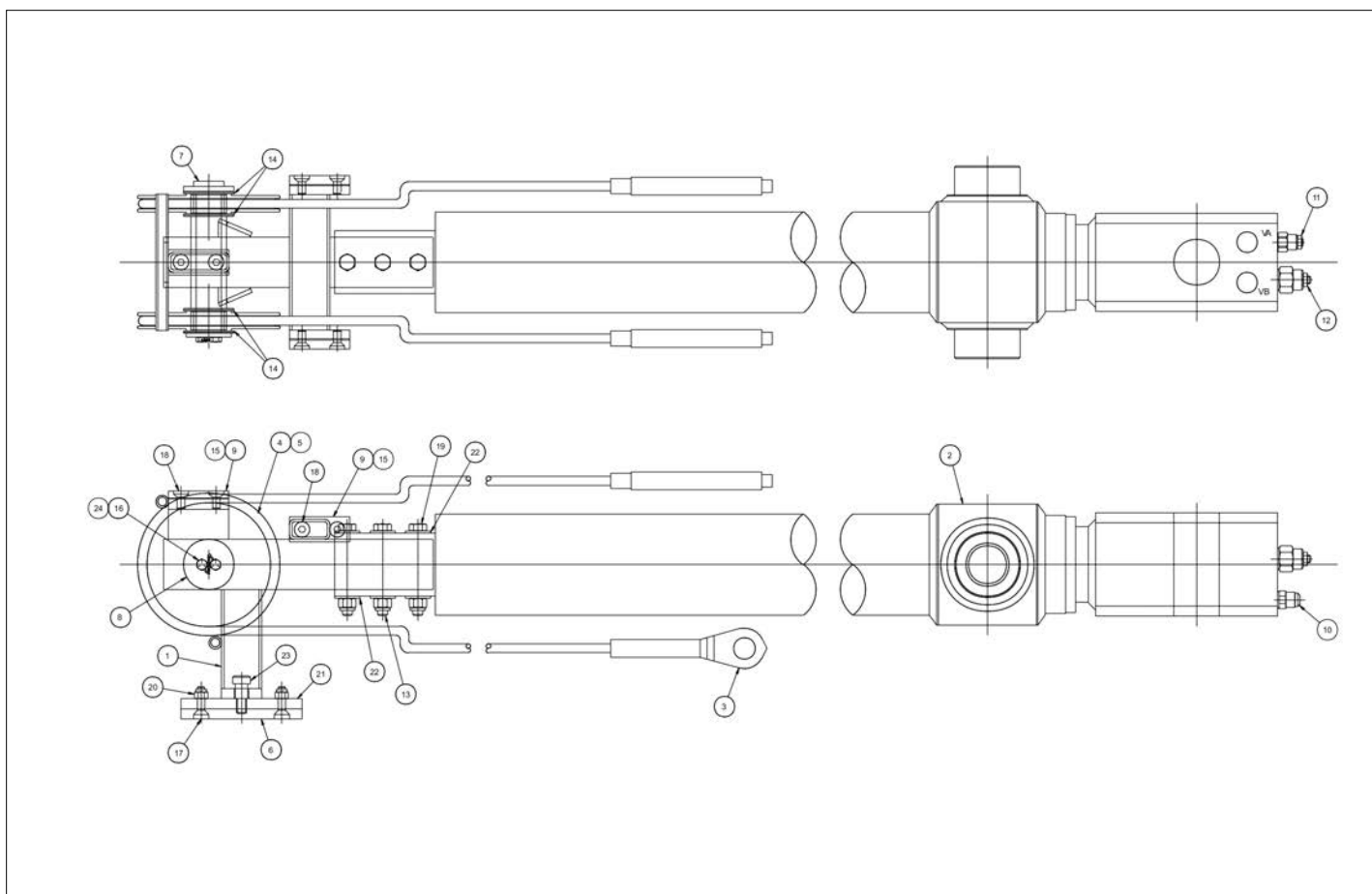
アイテム	部品番号	名前	数量	UOM
	0074799 C	STEERING AND LEVELING CYLINDER ROSENBOOM JANUARY 2001 AND AFTER	1	EA
1	PNNA	TUBE	1	EA
2	6091374	ROD	1	EA
3	6091257	HEAD GLAND	1	EA
4	6091256	PISTON	1	EA
5	6091255	HEAD GLAND CAP	1	EA
6	6091259	LOCK NUT	1	EA
7	5569835	SET SCREW 5/16 18 X 1/4 INCH LONG	1	EA
8	2502416	BRG CSB 50 24IB 16	4	EA
	6091260	SEAL KIT	1	EA
9	PNNA	SNAP RING – KIT ITEM	1	EA
10	PNNA	O RING – KIT ITEM	1	EA
11	PNNA	O RING – KIT ITEM	1	EA
12	PNNA	BACK UP – KIT ITEM	1	EA
13	PNNA	CAPPED T SEAL – KIT ITEM	1	EA
14	PNNA	DEEP Z SEAL – KIT ITEM	1	EA
15	PNNA	ROD WIPER – KIT ITEM	1	EA
16	PNNA	WEAR BAND – KIT ITEM	1	EA
17	PNNA	WEAR BAND – KIT ITEM	2	EA
18	PNNA	LOCKING INSERT – KIT ITEM	1	EA

HYDRAULICS



アイテム	部品番号	名前	数量	UOM
*	6047152 B	MASTER LEVEL CYLINDER ROSENBOOM SN TB66J 04 000100 AND AFTER		EA
*	6047156	SEAL KIT RMT		EA
5	6047161	GARMAX JOURNAL BEARING RMT	4	EA
*	6047152	CYLINDER MASTER LEVEL	1	EA
7	PNNA	O RING	1	EA
8	PNNA	O RING	1	EA
9	PNNA	O RING	1	EA
10	PNNA	BACKUP RING	1	EA
11	PNNA	DISO PAC	1	EA
12	PNNA	DEEP Z SEAL	1	EA
13	PNNA	HD ROD WIPER, SEALED OD	1	EA
14	PNNA	WEARBAND	1	EA
15	PNNA	PRECISION WEARBAND	1	EA
16	PNNA	LOCKING INSERT	2	EA

HYDRAULICS

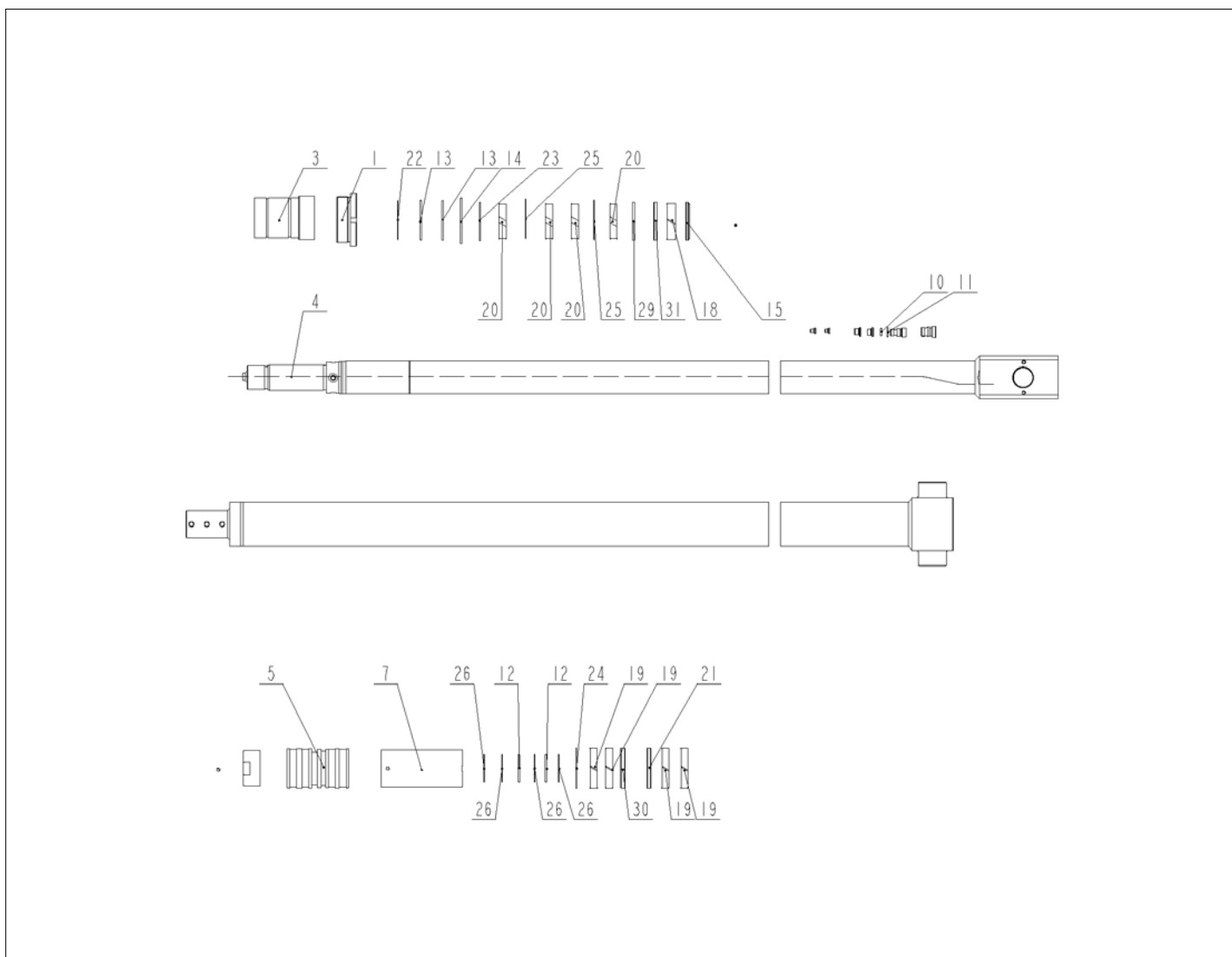


アイテム	部品番号	名前	数量	UOM
*	0190762 F	EXTENSION CYLINDER ASSEMBLY		EA
1	0190761	SUPPORT BRACKET	1	EA
2	0190688	EXTENSION CYLINDER	1	EA
3	0190482	WIRE ROPE, EXTEND	2	EA
4	0111701	SHEAVE WIRE ROPE 7/16 DIA A80	2	EA
5	2502028	BEARING, 1 4/4 BORE X 1" LG GARMAX	2	EA
6	0191071	SLIDE PAD	1	EA
7	0110645	PIN, EXTEND SHEAVE	1	EA
8	0070033	PIN LOCK 2.00 DIA 2H	1	EA
9	0071341	SHIM .063 1.25 3.00 2H AL	3	EA
10	5065709	FTG ADPTR STRTHD 8B 8S STL PH	2	EA
11	6010488	CARTRIDGE COUNTERBALANCE VALVE (FACTORY PRESET, DO NOT RESET)	1	EA
*	6091190	SEAL REPAIR KIT	1	EA
12	6010882	CARTRIDGE COUNTERBALANCE VALVE (FACTORY PRESET, DO NOT RESET)	1	EA
*	6091190	SEAL REPAIR KIT	1	EA
13	5560039	NUT HEX LKG .500 13	3	EA
14	5560254	BRG THR 1.25ID 2.25OD .059	8	EA
15	0070141	SL PAD 1.25 3.00 .330 2H	3	EA
16	0070473	BLT HEXHD .313 18 .75 DR	2	EA
17	5560644	BLT FLSKTHD .375 16 1.25 GR8	4	EA
18	972449	M.SCR 3/8 16 3/4 SOC. CAD	6	EA
19	971009	CAP SCREW 1/2 13 X 4 INCH LONG HEX HEAD GRADE 5	3	EA
20	5560033	.375 16UNC HEX LOCK NUT	4	EA
21	0191070	SLIDE PAD PLATE	1	EA



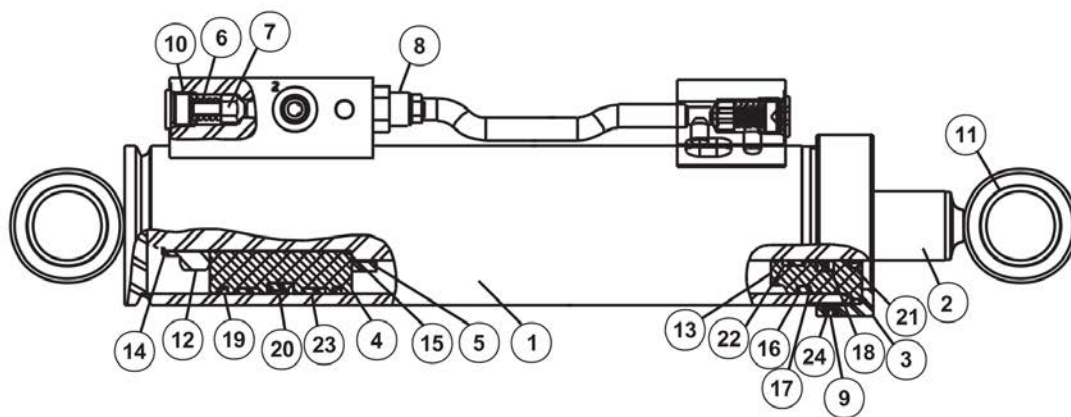
アイテム	部品番号	名前	数量	UOM
22	5560168	WSHR FLAT HARD .500 SP	6	EA
23	5560005	ANCHOR BOLT	2	EA
24	9980012	.040 S. S. SAFETY LOCKWIRE	1	EA

HYDRAULICS



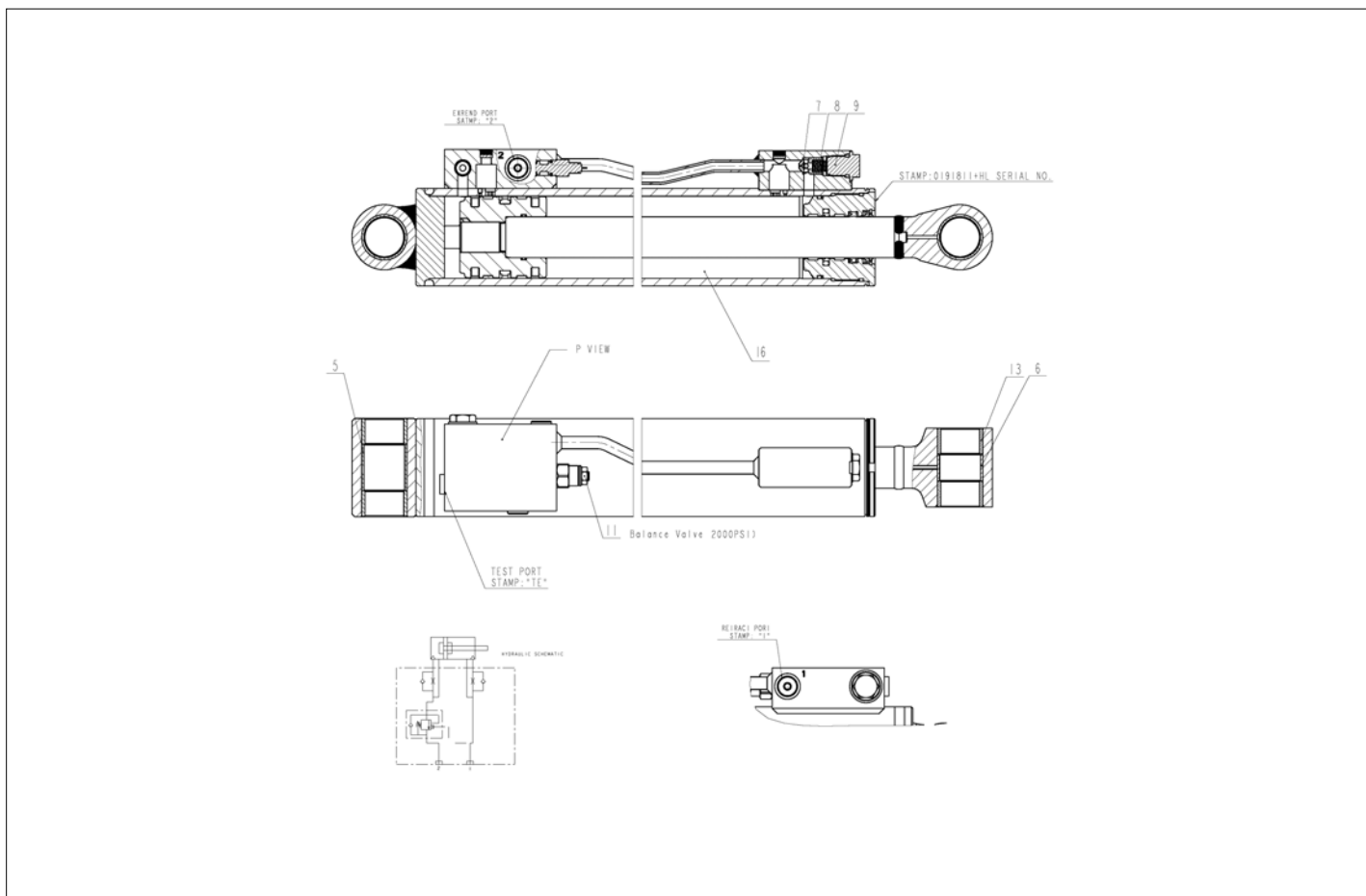
アイテム	部品番号	名前	数量	UOM
	0190688 G	EXTENSION CYLINDER HENGLI		EA
1	6091918	COVER 0190688 CYLINDER	1	EA
3	6091917	HEAD GLAND 0190688 CYLINDER	1	EA
4	6091915	ROD 0190688 CYLINDER	1	EA
5	6091916	PISTON 0190688 CYLINDER	1	EA
7	6091919	STOP TUBE 0190688 CYLINDER	1	EA
*	6091914	SEAL KIT (INCLUDES ITEMS 10 15, 18 26 AND 29 31)	1	EA
10	KIT ITEM	O RING	1	EA
11	KIT ITEM	O RING	1	EA
12	KIT ITEM	O RING	2	EA
13	KIT ITEM	O RING	2	EA
14	KIT ITEM	O RING	1	EA
15	KIT ITEM	WIPER RING	1	EA
18	KIT ITEM	GUIDE RING	1	EA
19	KIT ITEM	GUIDE RING	4	EA
20	KIT ITEM	WEAR RING	4	EA
21	KIT ITEM	SEAL RING ASS'Y	1	EA
22	KIT ITEM	RING	1	EA
23	KIT ITEM	BACK UP RING	1	EA
24	KIT ITEM	BACK UP RING	1	EA
25	KIT ITEM	BACK UP RING	2	EA
26	KIT ITEM	BACK UP RING	4	EA
29	KIT ITEM	BUFFER RING	1	EA
30	KIT ITEM	ROD SEAL	1	EA
31	KIT ITEM	ROD SEAL	1	EA

HYDRAULICS



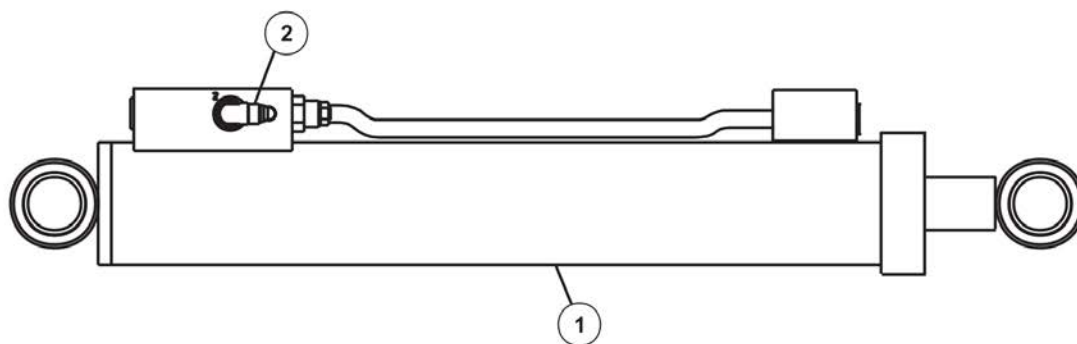
アイテム	部品番号	名前	数量	UOM
	0191811 A	JIB BOOM CYLINDER ROSENBOOM		EA
1	PNNA	TUBE	1	EA
2	6091292	ROD	1	EA
3	6091288	HEAD GLAND CAP	1	EA
4	6091289	PISTON	1	EA
5	6091291	ROD SPACER	1	EA
6	6091246	SPRING	2	EA
7	6091241	POPPET	2	EA
8	6010794	CARTRIDGE, HOLDING VALVE (FACTORY PRESET, DO NOT RESET)	1	EA
Not Shown	0150563	SEAL REPAIR KIT	1	EA
9	5569835	SET SCREW 5/16 18 X 1/4 INCH LONG	1	EA
10	5075306	HEX PLUG	2	EA
11	2502229	BEARING	4	EA
12	6091293	LOCKING NUT 1 1/4 12	1	EA
13	6091311	HEAD GLAND	1	EA
14	Kit item	Oilseal (not sold separately)	1	EA
15	Kit item	Oilseal (not sold separately)	1	EA
16	Kit item	Oilseal (not sold separately)	1	EA
17	Kit item	Oilseal (not sold separately)	1	EA
18	Kit item	Oilseal (not sold separately)	1	EA
19	Kit item	Oilseal (not sold separately)	2	EA
20	Kit item	Oilseal (not sold separately)	1	EA
21	Kit item	Oilseal (not sold separately)	1	EA
22	Kit item	Oilseal (not sold separately)	1	EA
23	Kit item	Oilseal (not sold separately)	2	EA
24	Kit item	Oilseal (not sold separately)	1	EA

HYDRAULICS



アイテム	部品番号	名前	数量	UOM
	0191811 B	JIB BOOM LIFT CYLINDER ROSENBOOM		EA
1	6092067	BARREL ASSEMBLY	1	EA
2	6092068	PISTON	1	EA
3	6092069	ROD WELDMENT	1	EA
4	6092070	GUIDE BUSHING	1	EA
5	6092071	BUSHING	1	EA
6	6092072	BUSHING	1	EA
7	6092049	SPOOL VALVE	2	EA
8	6092050	SPRING	2	EA
9	6092051	PLUG	2	EA
10	6092052	O RING	2	EA
11	6092040	PLUG	1	EA
Not Shown	6010794	CARTRIDGE, HOLDING VALVE (FACTORY PRESET, DO NOT RESET)	1	EA
13	6092021	SET SCREW	1	EA
14	2502229	BEARING	4	EA
Not Shown	6092073	SEAL KIT	1	EA

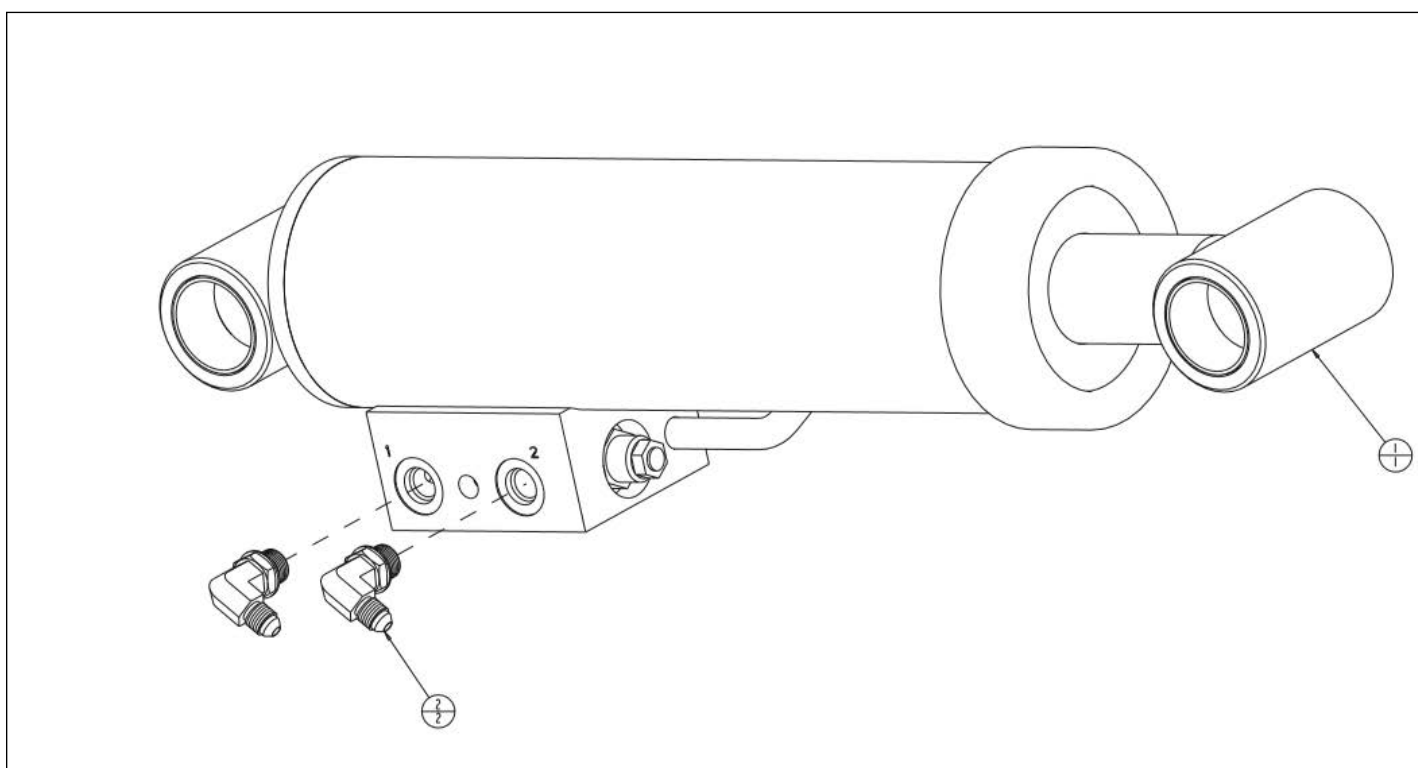
HYDRAULICS





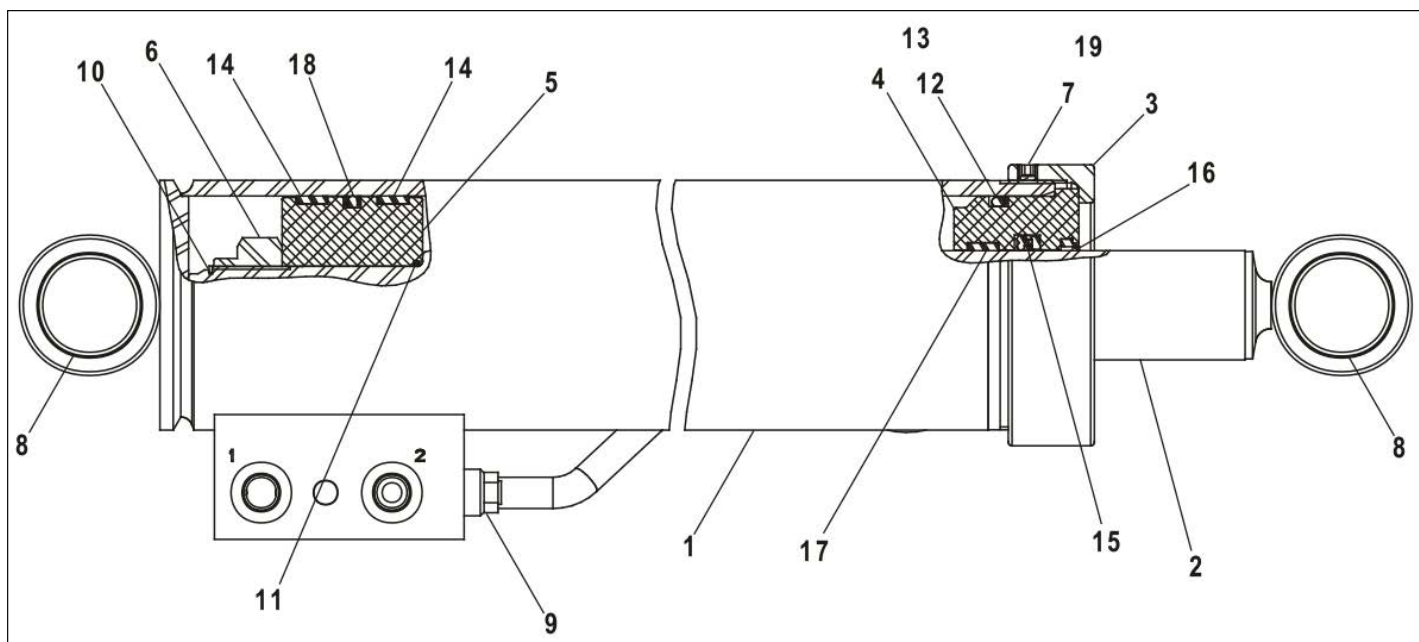
アイテム	部品番号	名前	数量	UOM
	0180901D	JIB BOOM LIFT CYLINDER SUB ASSY	1	EA
1	0191811	JIB BOOM LIFT CYLINDER – ROSENBOOM	1	EA
2	5035305	FTG ELB90STRTHD 6S 6S STL	2	EA

HYDRAULICS



アイテム	部品番号	名前	数量	UOM
	0080399 A	SLAVE LEVEL CYLINDER ASSEMBLY	1	EA
1	6047153	SLAVE CYLINDER RMT	1	EA
2	5035318	STRAIGHT THREAD 90 ° ELBOW	2	EA

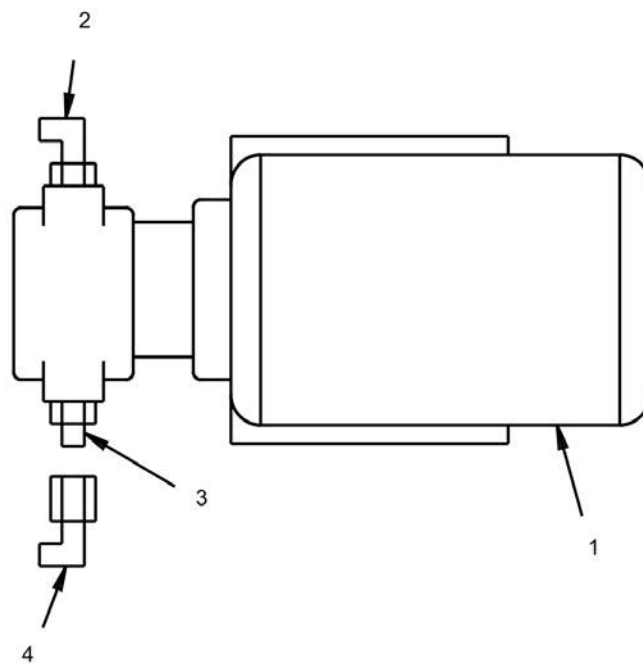
HYDRAULICS



アイテム	部品番号	名前	数量	UOM
*	0074713 B	SLAVE LEVEL CYLINDER ROSENBOOM		EA
Not Shown	6091260	SEAL KIT	1	EA
1	PNNA	CYLINDER TUBE (NOT SOLD SEPERATELY)	1	EA
2	PNNA	ROD	1	EA
3	PNNA	HEAD GLAND CAP	1	EA
4	PNNA	HEAD GLAND	1	EA
5	PNNA	PISTON	1	EA
6	PNNA	LOCK NUT	1	EA
7	PNNA	SET SCREW 5/16 18 X 1/4 INCH LONG	1	EA
8	PNNA	BUSHING	4	EA
9	PNNA	CARTRIDGE HOLDING VALVE (FACTORY PRESET, DO NOT RESET)	2	EA
Not Shown	0150563	SEAL REPAIR KIT	1	EA
10	KIT ITEM	EXTERNAL SNAP RING (NOT SOLD SEPERATELY)	1	EA
11	KIT ITEM	O RING (NOT SOLD SEPERATELY)	1	EA
12	KIT ITEM	O RING (NOT SOLD SEPERATELY)	1	EA
13	KIT ITEM	BACK UP RING (NOT SOLD SEPERATELY)	1	EA
14	KIT ITEM	T SEAL (NOT SOLD SEPERATELY)	1	EA
15	KIT ITEM	DEEP Z SEAL	1	EA
16	KIT ITEM	ROD WIPER (NOT SOLD SEPERATELY)	1	EA
17	KIT ITEM	WEARBAND (NOT SOLD SEPERATELY)	1	EA
18	KIT ITEM	WEARBAND (NOT SOLD SEPERATELY)	2	EA

アイテム	部品番号	名前	数量	UOM
19	KIT ITEM	LOCKING INSERT (NOT SOLD SEPERATELY)	1	EA

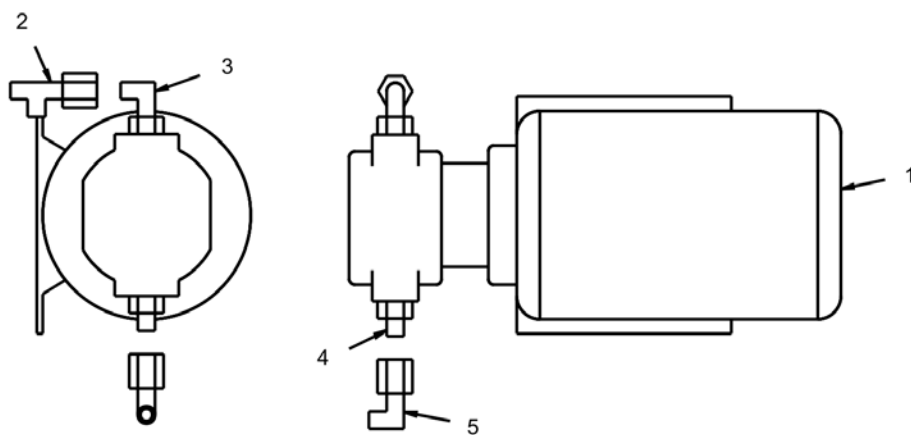
HYDRAULICS



アイテム	部品番号	名前	数量	UOM
*	0190840 A	EMERGENCY POWER UNIT LEFT HAND		EA
1	6020058	EMERGENCY PWR UNIT TB/ATB	1	EA
2	5035305	FTG ELB90STRTHD 6S 6S STL	1	EA
3	5065709	FTG ADPTR STRTHD 8B 8S STL PH	1	EA
4	5037006	ADAPTER 90 ° ELBOW SWIVEL 8 JIC	1	EA

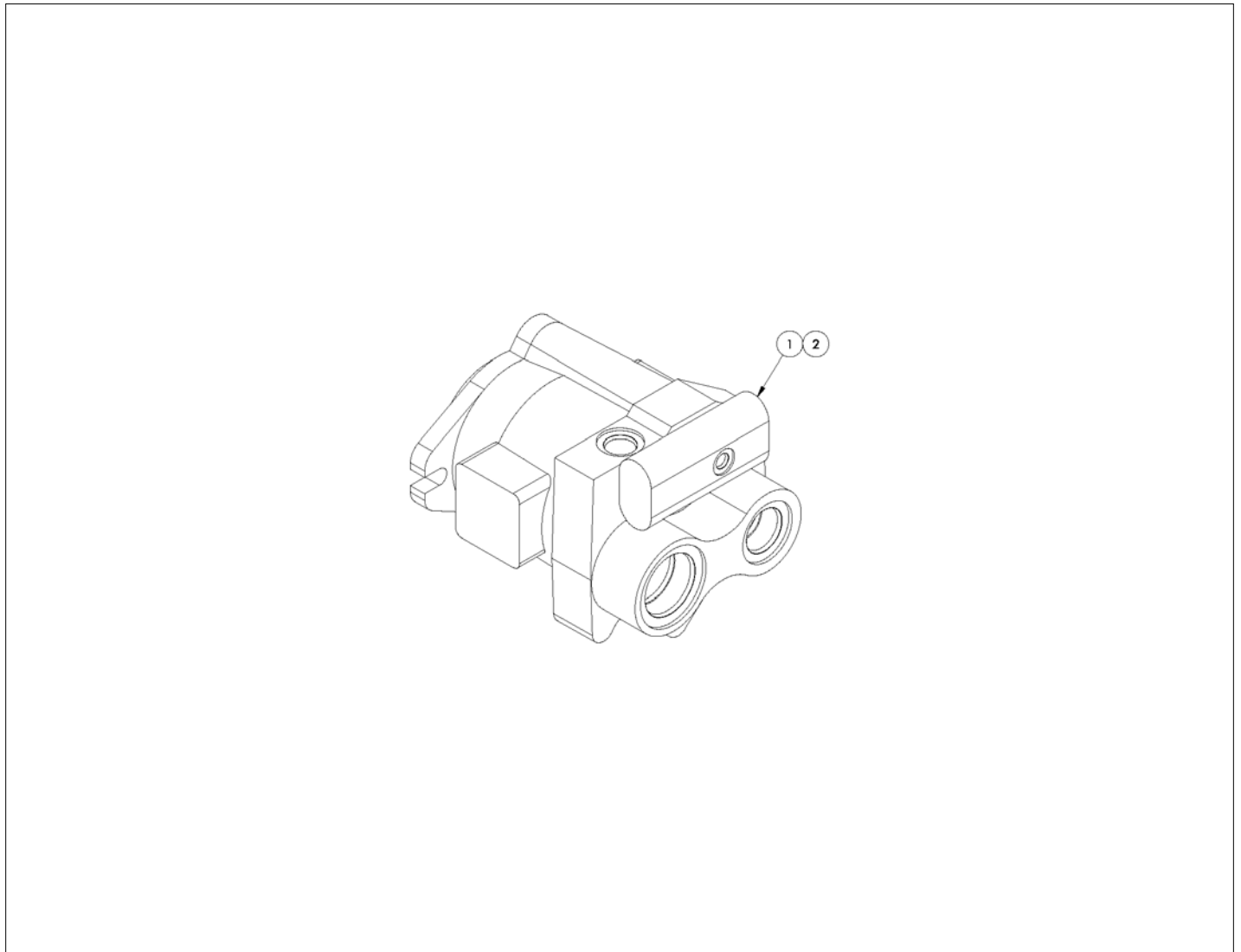


HYDRAULICS



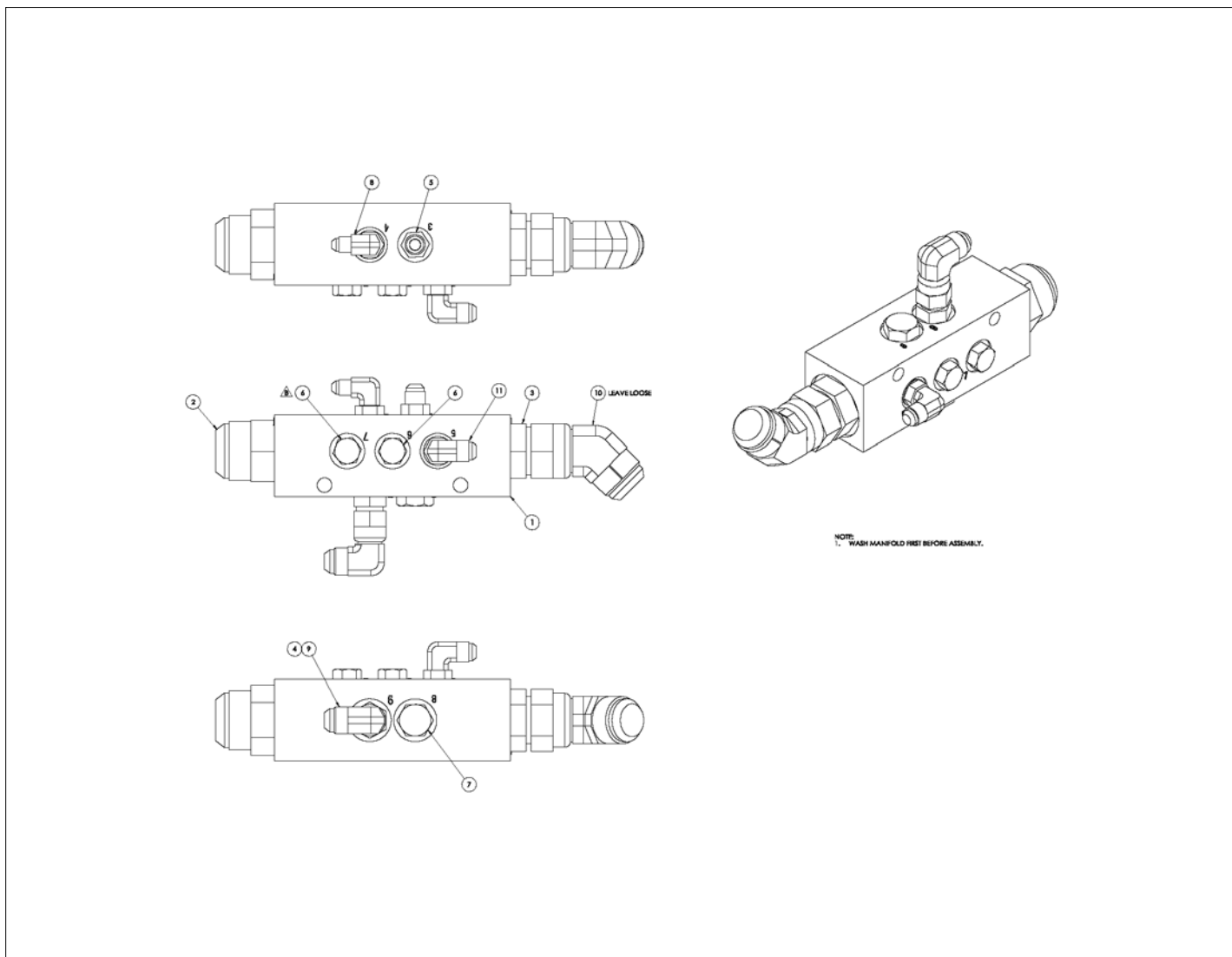
アイテム	部品番号	名前	数量	UOM
*	0190839 B	EMERGENCY POWER UNIT RIGHT HAND		EA
1	6020058	EMERGENCY PWR UNIT TB/ATB	1	EA
2	5035305	FTG ELB90STRTHD 6S 6S STL	1	EA
3	5036705	FTG TEE SWVL RUN 6S 6S STL	1	EA
4	5065709	FTG ADPTR STRTHD 8B 8S STL PH	1	EA
5	5037006	ADAPTER 90 ° ELBOW SWIVEL 8 JIC	1	EA

HYDRAULICS



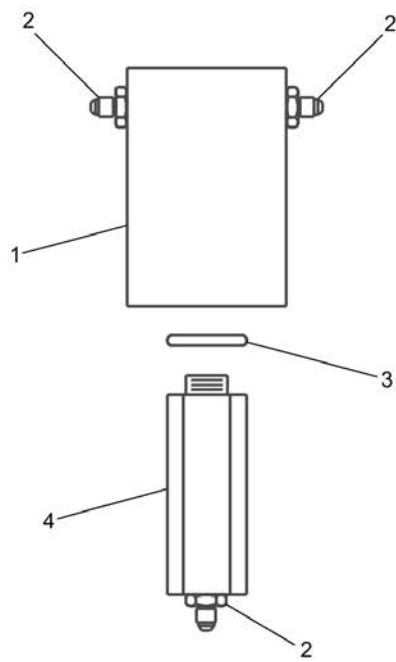
アイテム	部品番号	名前	数量	UOM
*	6029702 005 A	PISTON PUMP HENGLI SEPTEMBER 2019 AND AFTER		EA
1	6092077	COMPENSATOR CONTROL VALVE	1	EA
2	6092078	PUMP SEAL KIT	1	EA

HYDRAULICS



アイテム	部品番号	名前	数量	UOM
*	0191179 B	MANIFOLD SUB ASSEMBLY		EA
1	0110156	PRESSURE MANIFOLD	1	EA
2	5065737	FTG, HYD 16 MB TO 20 MJIC	1	EA
3	5065718	FTG, HYD 16 MB TO 16 MJIC	1	EA
4	5065709	FTG ADPTR STRTHD 8B 8S STL PH	1	EA
5	5065707	FTG ADPTR STRTHD 6B 6S STL PH	1	EA
6	5075205	FTG PL HEXHD 6B STL	2	EA
7	5075206	FTG PL HEXHD 8B STL	1	EA
8	5035318	STRAIGHT THREAD 90 ° ELBOW	1	EA
9	5037006	ADAPTER 90 ° ELBOW SWIVEL 8 JIC	1	EA
10	5036910	ADAPTER 45 DEG ELBOW SWIVEL 16 JIC	1	EA
11	5035305	FTG ELB90STRTHD 6S 6S STL	1	EA

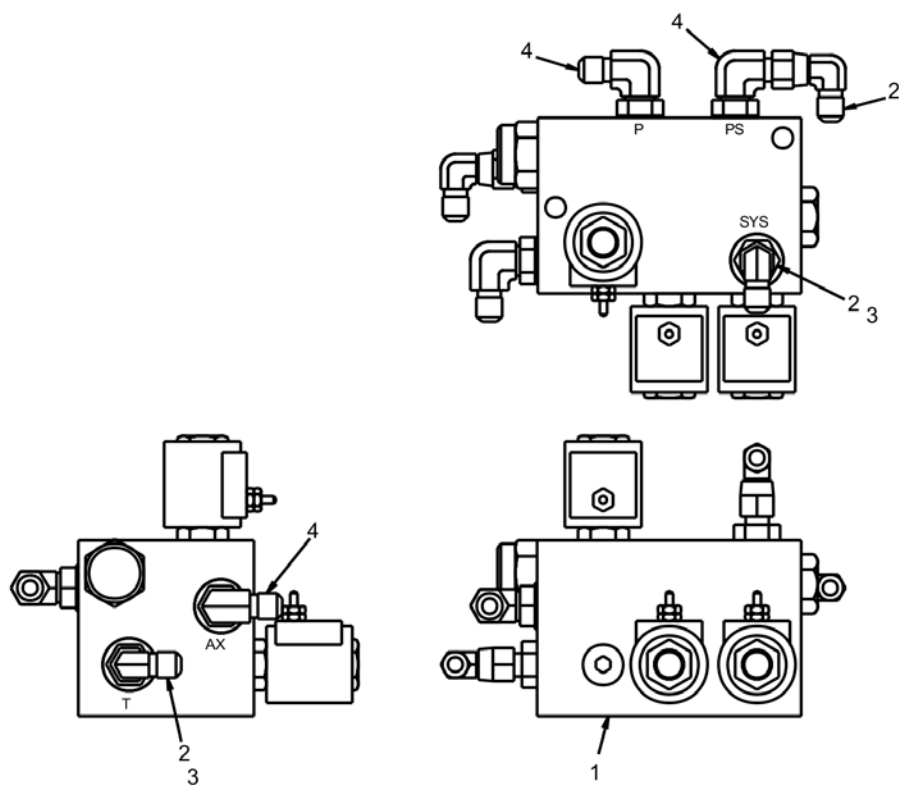
HYDRAULICS



アイテム	部品番号	名前	数量	UOM
*	0111290 A	SHUTTLE VALVE ASSEMBLY		EA
1	6010083	SHUTTLE VALVE	1	EA
2	5065707	FTG ADPTR STRTHD 6B 6S STL PH	3	EA
3	7110906	O RING	1	EA
4	6010490	CHECK VALVE	1	EA

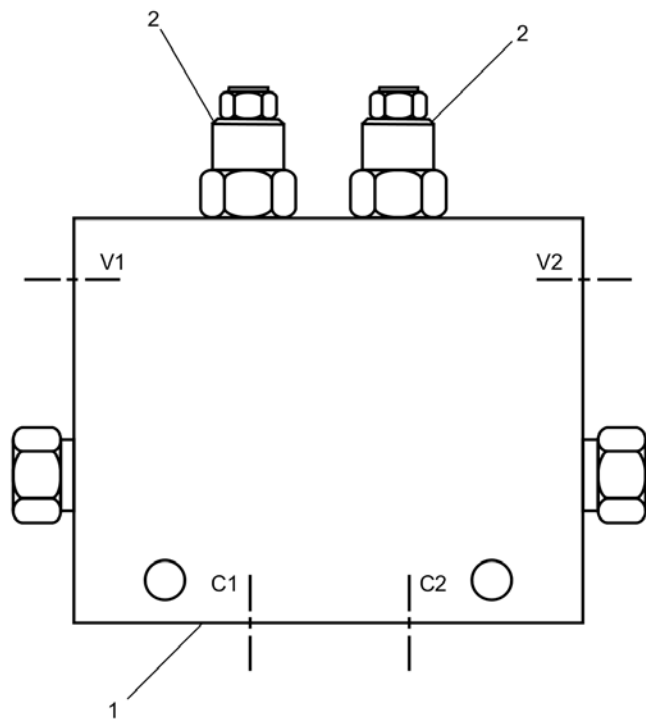


HYDRAULICS



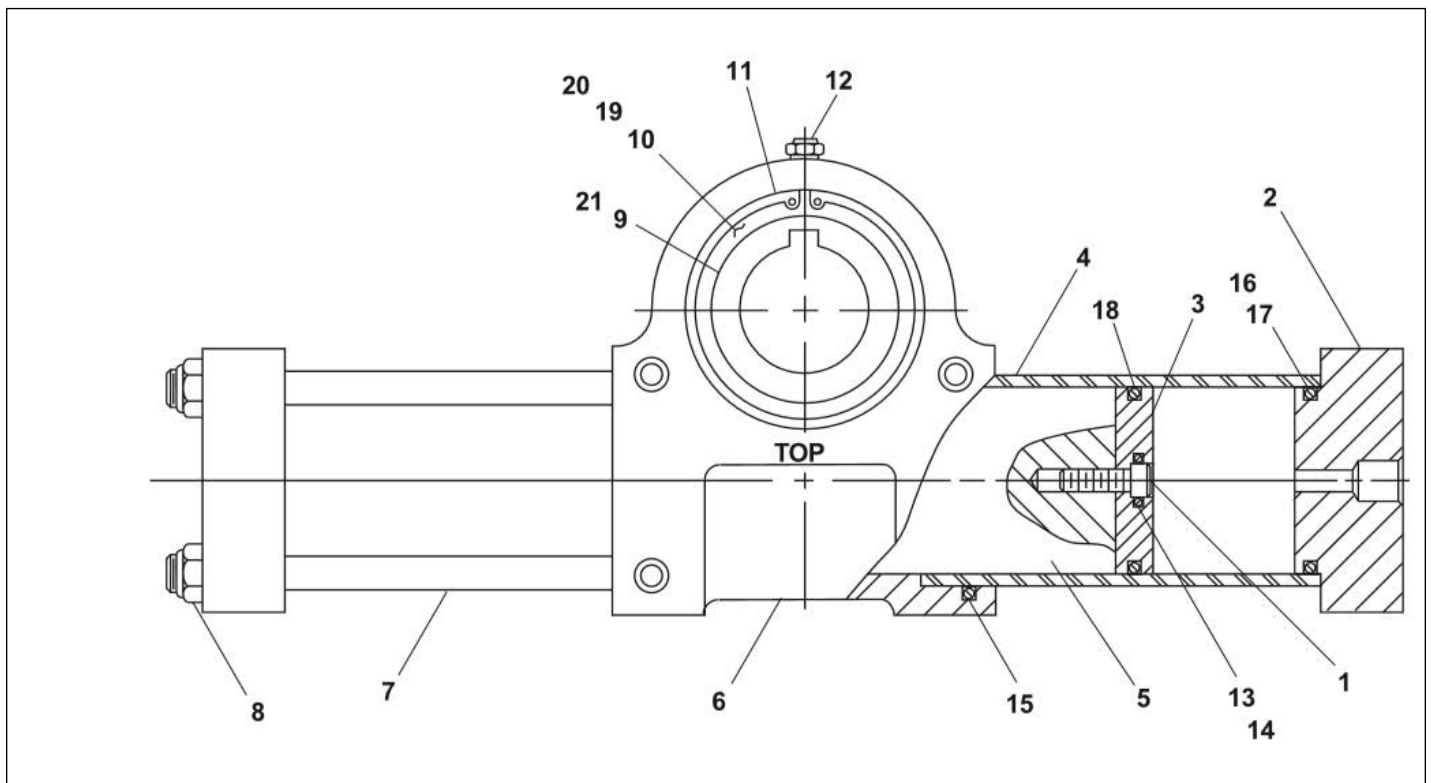
アイテム	部品番号	名前	数量	UOM
*	0190837 B	PUMP CONTROL VALVE ASSEMBLY		EA
1	6010672	PUMP CONTROL VALVE	1	EA
*	6010472	VALVECART 3 WAY VALVE	3	EA
*	6010473	REPLACEMENT SOLENOID COIL, 10V DC	1	EA
*	6010736	FLOW REGULATOR	1	EA
*	6010737	SHUTTLE VALVE	1	EA
2	5037003	FTG ELB90SWVL 4S 4S STL	3	EA
3	5065705	FTG ADPTR STRTHD 6B 4S STL	2	EA
4	5035318	STRAIGHT THREAD 90 ° ELBOW	3	EA

HYDRAULICS



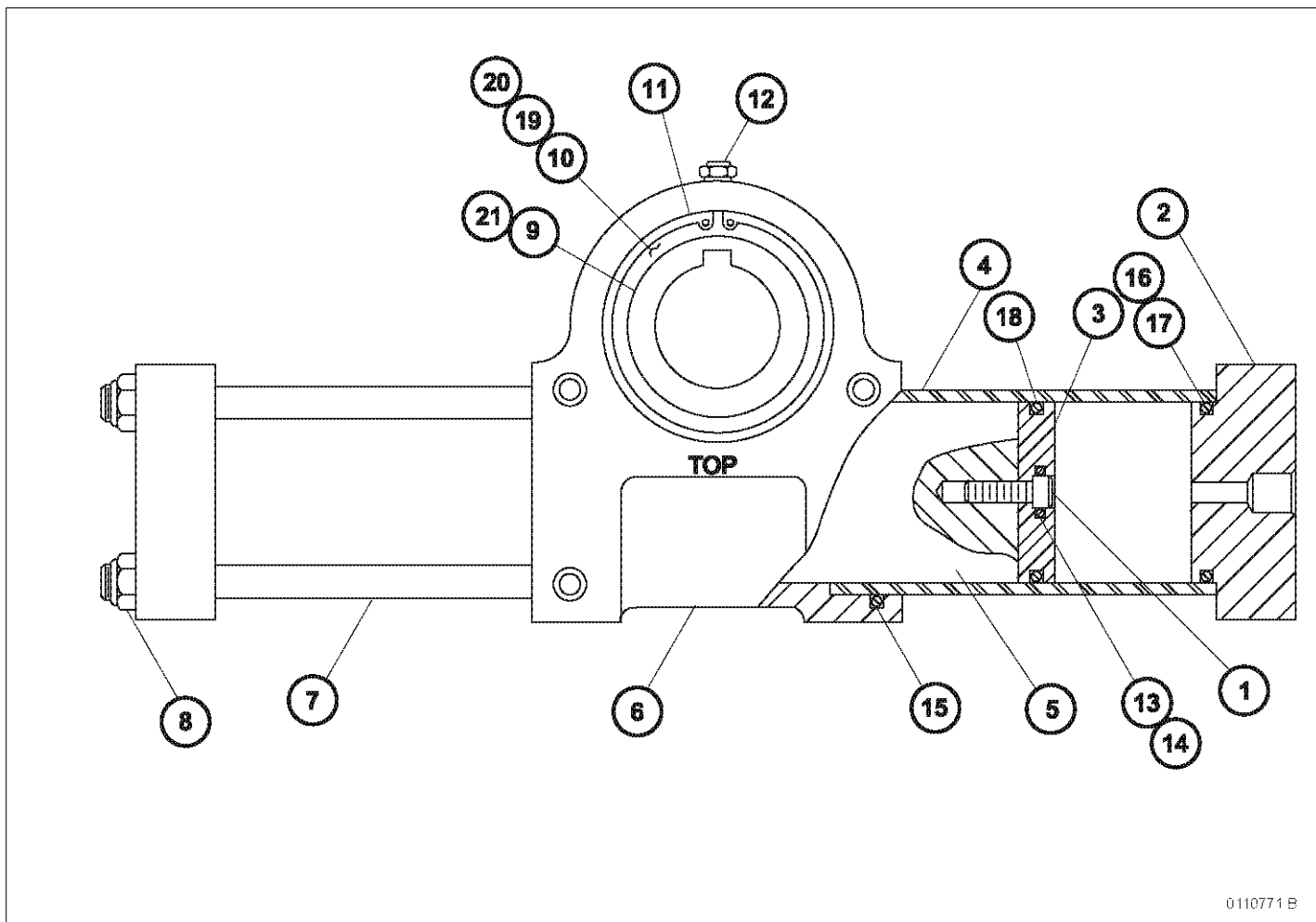
アイテム	部品番号	名前	数量	UOM
*	6010541 A	VALVE DUAL CROSSOVER RELIEF	1	EA
1	6010578	CROSSOVER RELIEF CARTRIDGE	2	EA

HYDRAULICS



アイテム	部品番号	名前	数量	UOM
	0110771 B	PLATFORM ROTATOR PARKER	1	EA
1	8080018	RACK BOLT	2	EA
2	8080016	END CAP	2	EA
3	8080015	PISTON	2	EA
4	8080040	CYLINDER	2	EA
5	8080060	RACK BOLT	1	EA
6	8080039	HOUSING	1	EA
7	0073281	TIE ROD	8	EA
8	8080041	LOCKNUT	8	EA
9	8080061	PINION	1	EA
10	8080038	PINION BUSHING	2	EA
11	8080062	SNAP RING	2	EA
12	8080064	RELIEF VALVE	1	EA
	0071275	SEAL REPAIR KIT (KIT INCLUDES 13 21)	1	EA
13	PNNA	O RING – KIT ITEM	2	EA
14	PNNA	PARBAT SEAL – KIT ITEM	2	EA
15	PNNA	O RING – KIT ITEM	2	EA
16	PNNA	O RING – KIT ITEM	2	EA
17	PNNA	PARBAT SEAL – KIT ITEM	2	EA
18	PNNA	POLYPAK SEAL – KIT ITEM	2	EA
19	PNNA	O RING – KIT ITEM	2	EA
20	PNNA	PARBAT SEAL – KIT ITEM	2	EA
21	PNNA	O RING – KIT ITEM	1	EA

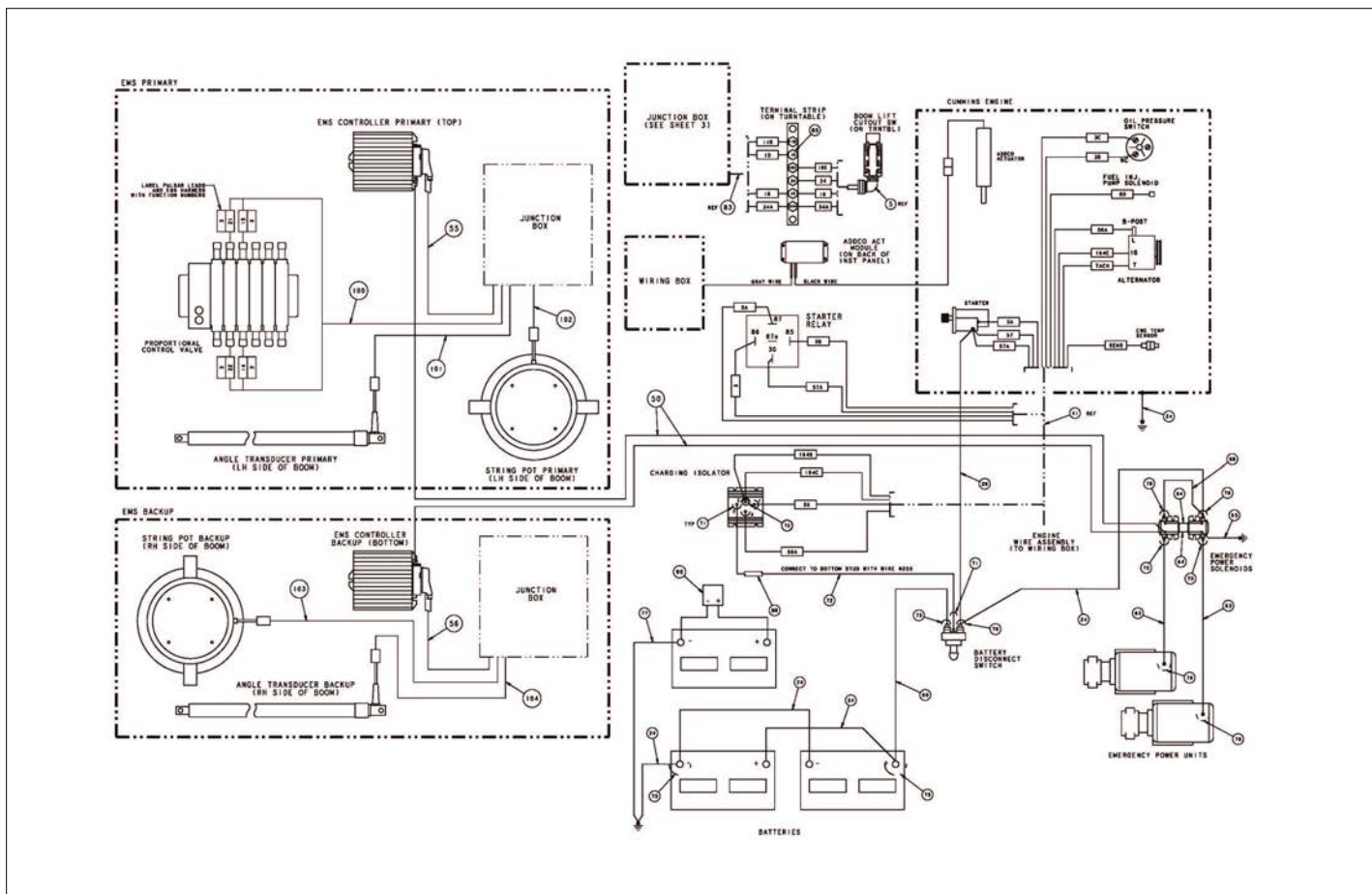
HYDRAULICS

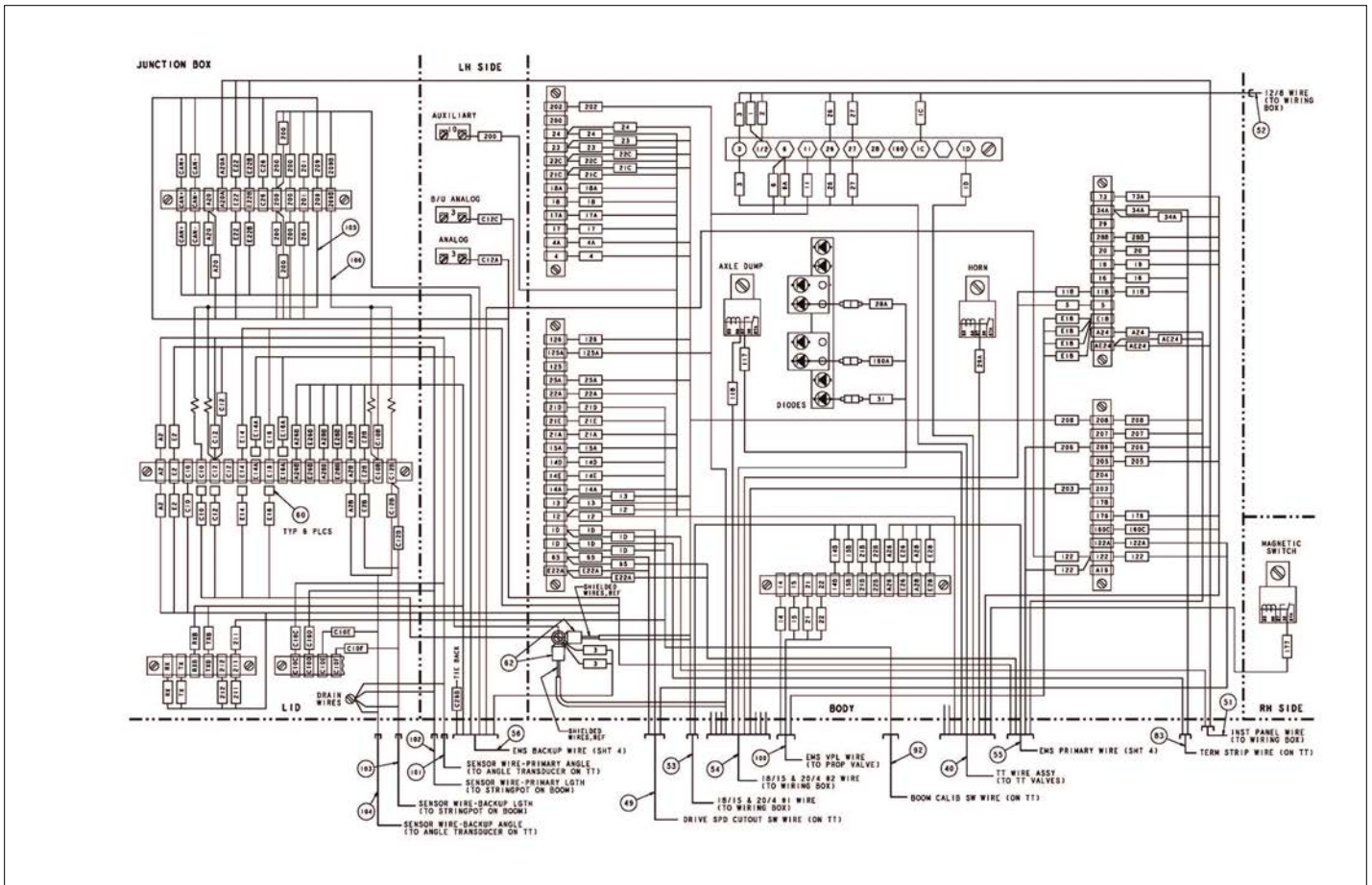


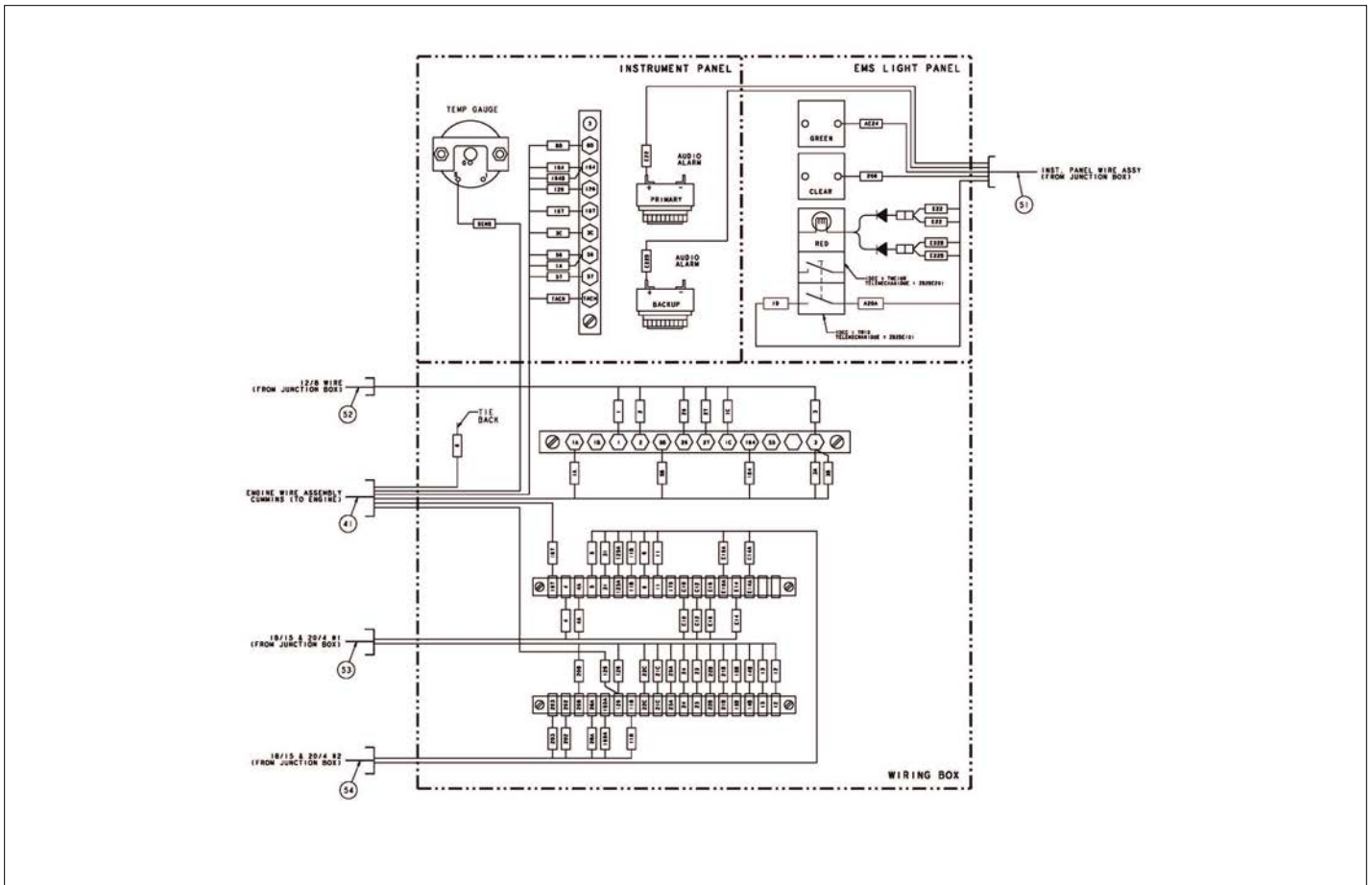
アイテム	部品番号	名前	数量	UOM
	0110771B	PLATFORM ROTATOR HELEC	1	EA
	0071275	SEAL REPAIR KIT (KIT INCLUDES 13 21)	1	EA
1	8080018	RACK BOLT	2	EA
2	8080016	END CAP	2	EA
3	8080015	PISTON	2	EA
4	8080040	CYLINDER	2	EA
5	8080060	RACK BOLT	1	EA
6	8080039	HOUSING	1	EA
7	0073281	TIE ROD	8	EA
8	8080041	LOCKNUT	8	EA
9	8080061	PINION	1	EA
10	8080038	PINION BUSHING	2	EA
11	8080062	SNAP RING	2	EA
12	8080064	RELIEF VALVE	1	EA
13	KIT ITEM	O RING (NOT SOLD SEPARATELY)	2	EA
14	KIT ITEM	PARBAT SEAL (NOT SOLD SEPARATELY)	2	EA
15	KIT ITEM	O RING (NOT SOLD SEPARATELY)	2	EA
16	KIT ITEM	O RING (NOT SOLD SEPARATELY)	2	EA
17	KIT ITEM	PARBAT SEAL (NOT SOLD SEPARATELY)	2	EA
18	KIT ITEM	POLYPAK SEAL (NOT SOLD SEPARATELY)	2	EA
19	KIT ITEM	O RING (NOT SOLD SEPARATELY)	2	EA
20	KIT ITEM	PARBAT SEAL (NOT SOLD SEPARATELY)	2	EA
21	KIT ITEM	O RING (NOT SOLD SEPARATELY)	1	EA

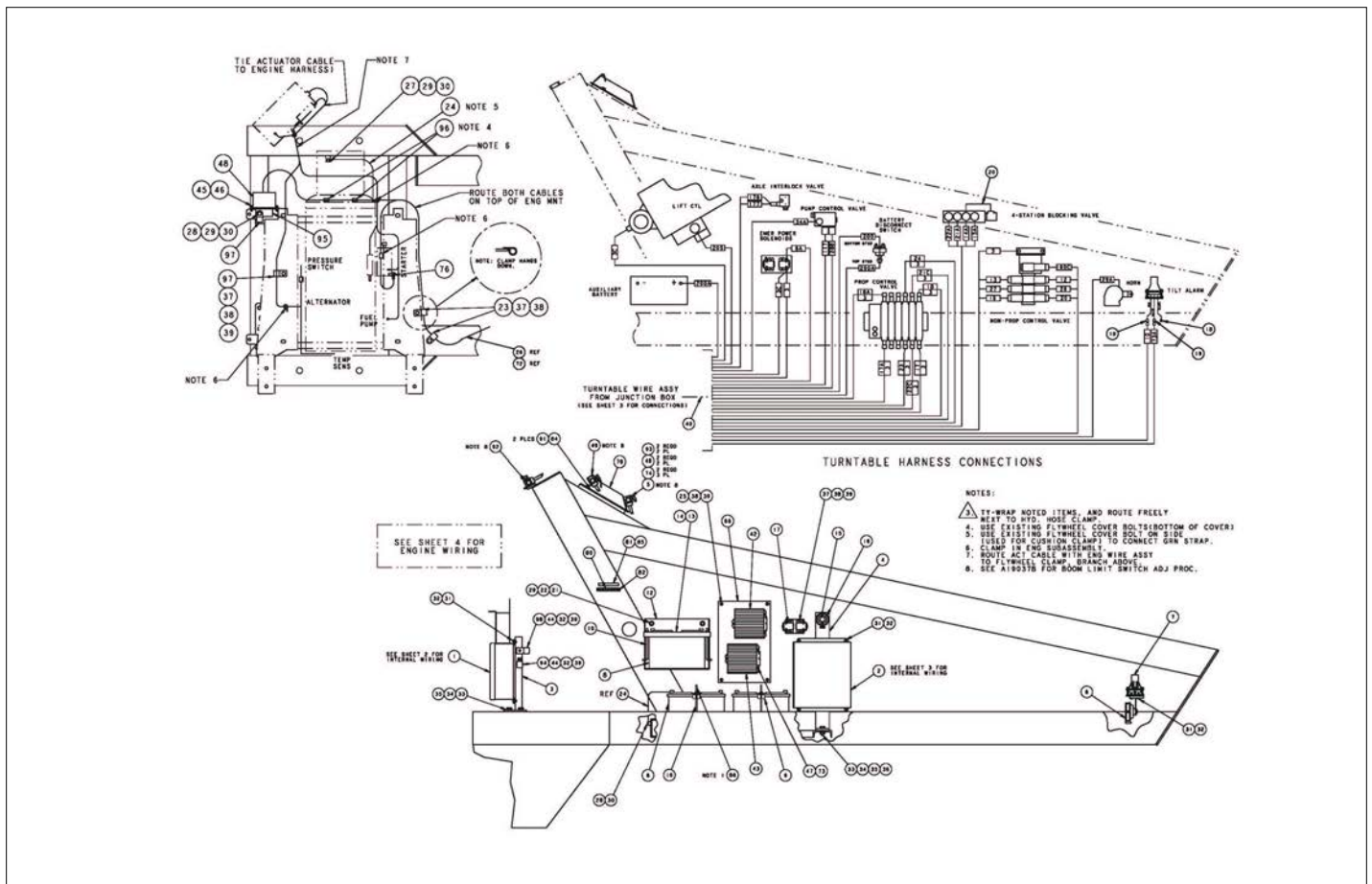


ELECTRICAL









アイテム	部品番号	名前	数量	UOM
	0192050 F	TURNTABLE ELECTRICAL AND CONTROLS CU		EA
1	0192000	WIRING BOX/GRD CONT ASSY	1	EA
2	0191976	JUNCTION BOX ASSEMBLY	1	EA
3	0190601	WLDMT BRKT WIRING BOX	1	EA
4	0191971	WLDMT BRKT JUNCTION BOX	1	EA
5	0191789	BOOM LIFT SWITCH CO ASSEMBLY	1	EA
6	3040127	HORN 12VDC	1	EA
7	0192518	OPS MANUAL TB120/T120 STW EMS BUILT/INSTALLED AFTER 7 2005	1	EA
8	3050002	BATTERY 12V	3	EA
9	3050008	BATTERY HOLD DOWN	2	EA
10	3050004	BLT BTRY HLDN .313 18 X 10.00 (J BOLT)	6	EA
12	0150810	WLDMT BATTERY BOX	1	EA
13	0150811	INSULATOR ANGLE	1	EA
14	0150813	ANGLE, BATTERY HOLDDOWN	1	EA
15	3020061	Battery Disconnect Nut	1	EA
16	0073089	PLAC BATTERY DISCONNECT SWITCH	1	EA
17	3040506	SOLENOID 12V 150	2	EA
18	3044162	TERM R250I 16/14	1	EA
19	3040082	TERM MALE250FI 16/14	2	EA
20	0071542	WIRE 16 R10I R10I 10	1	EA
23	5093006	CLP CUSH .937 VINYL COATED	2	EA
24	0080484	WIRE 2/0 R375 R375 13 RED	5	EA
25	PNNA	BLT .250 20 X .50 LG HH	4	EA
26	0110529	WIRE 2/0 R375 R375 106 RED	1	EA
27	970429	CAPSCREW .375 16 X .50 HH	1	EA
28	970449	HHD BLT .375 16 X .750 GR5	3	EA

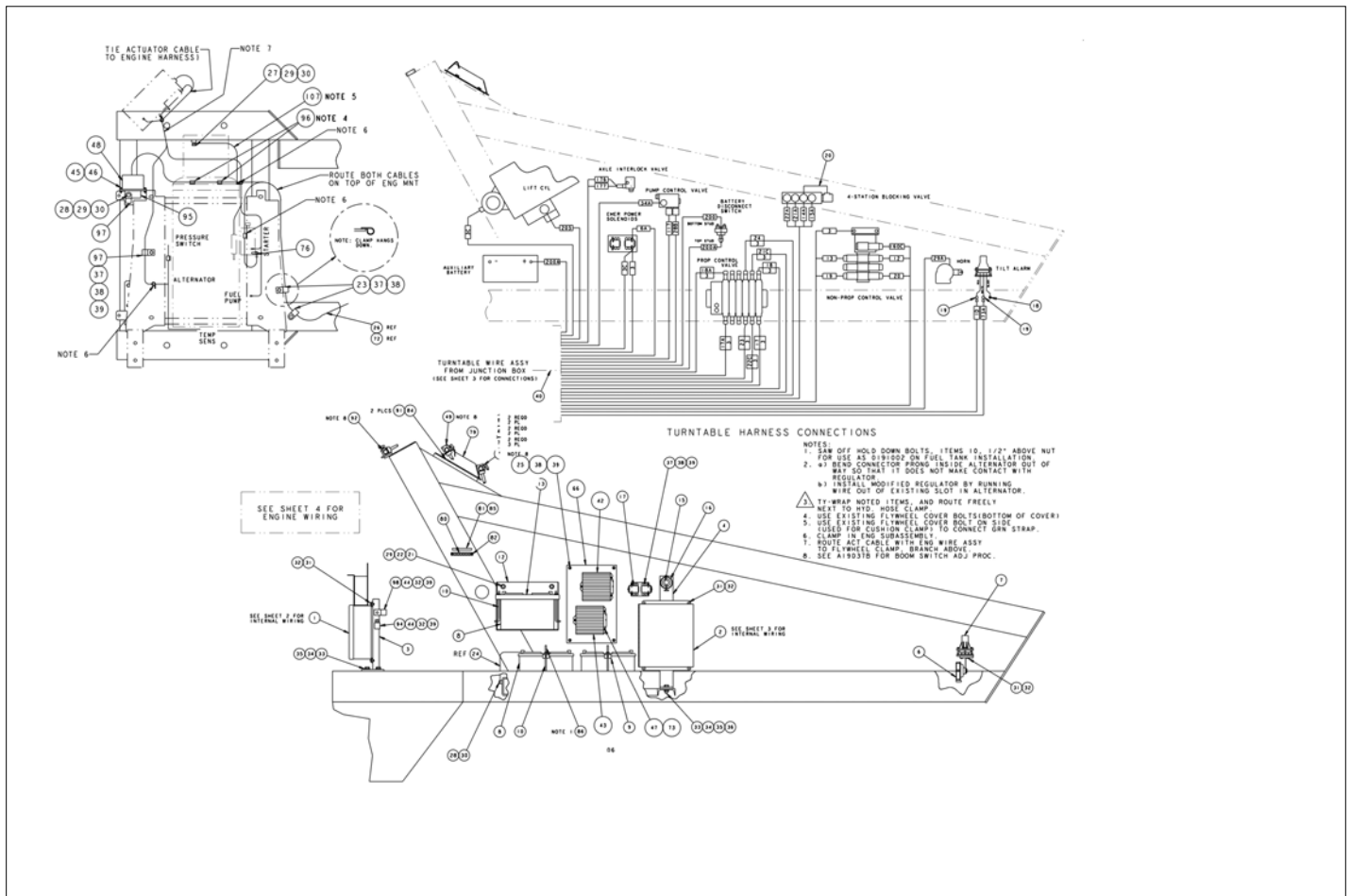
アイテム	部品番号	名前	数量	UOM
29	986299	WASHER, FLAT, .375 STANDARD, PLATED	5	EA
30	987119	WSHR LOCK .375	4	EA
31	970049	BLT HEXHD .250 20 1.00 GR5 GRADE 5 PLT SAME AS 970189	12	EA
32	5560004	NUT LKG .250 20	14	EA
33	970889	CAPSCREW 1/2 13 X 1" LG H.H.	4	EA
34	987139	WSHR LOCK .500	4	EA
35	986359	FLATWASHER 1/2"	4	EA
36	984149	NUT, .500 13	2	EA
37	970009	Capscrew 1/4 20 x 1/2 inch lon		EA
38	987099	WSHR LOCK .250		EA
39	986019	WSHR FLAT .250		EA
40	0191181	TURNTABLE WIRE ASSEMBLY	1	EA
41	0191826	ENGINE WIRE ASSEMBLY CUMMINS T3	1	EA
42	0192104	EMS CONTRL PROGD TB120 PRIM	1	EA
43	0192105	EMS CONTRL PROGD TB120 BU	1	EA
45	PNNA	SCR MACH I 0 24 .75 TRUSS	4	EA
46	5560034	NUT LKG 10 24	8	EA
48	0162936	BATTERY ISOLATOR GP 2	1	EA
49	0190986	DRIVE SPEED CUTOFF SWITCH SUB ASSEMBLY	1	EA
51	0192049	WIRE ASSEMBLY INSTRUMENT PANEL	1	EA
52	0191189	BOOM HARNESS ASSEMBLY 12/8	1	EA
53	0192040	WIRE ASSEMBLY 18/15 & 20/4 #1	1	EA
54	0192041	WIRE ASSEMBLY 18/15 & 20/4 #2	1	EA
55	0192047	WIRE ASSEMBLY EMS PRIMARY	1	EA

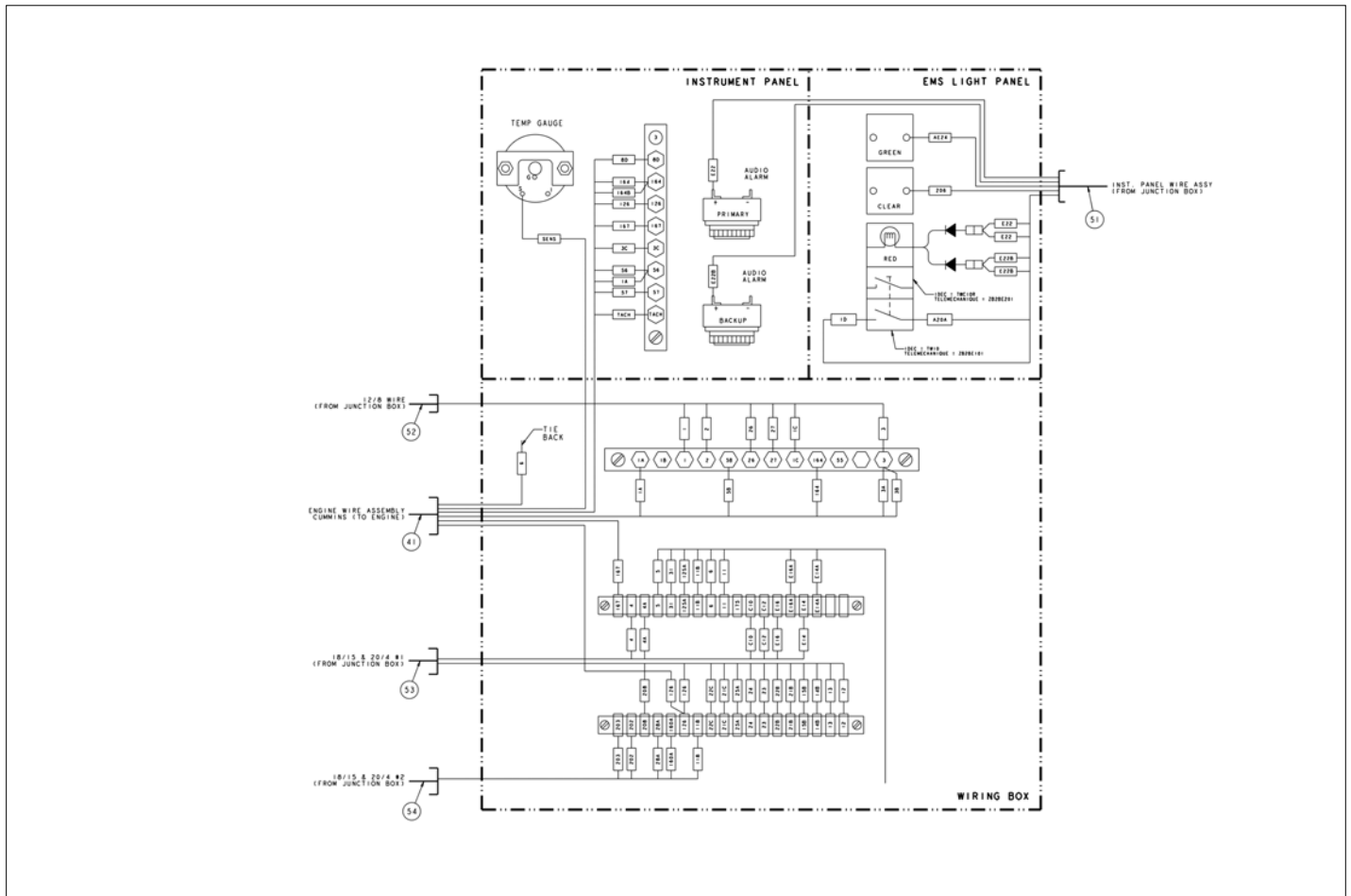
アイテム	部品番号	名前	数量	UOM
56	0192048	WIRE ASSY EMS BACKUP	1	EA
58	3044146	TERM R10I 22/18	5	EA
59	3040047	TERM FEM250FI 22/18	8	EA
60	3046972	TERM FEM188I 22/18	6	EA
62	3040360	TERM R10 2GA PANDUIPV2 10RX XY	1	EA
63	0090959	WIRE 4 R313I R375I 47	2	EA
64	0070712	WIRE 12 R10I R10I 5	2	EA
65	0071568	WIRE 12 R10I R250I 4	1	EA
66	0192054	PLATE EMS MNTG	1	EA
68	0090319	WIRE 4 R375I R313I 8 RED	1	EA
69	0080483	WIRE 2/0 R375 R375 28 BLACK	1	EA
70	3040268	BOOT BTRY CABLE END BLK	5	EA
71	3040452	BOOT BTRY CABLE UL RED 10GA	5	EA
72	0190984	WIRE 10 R375 R10 110 12/13	1	EA
74	974749	SCR RDH MACH I 0 24 I. 75	6	EA
75	3040269	Boot Cable Entry Black 1/0 GA	4	EA
76	3040270	BOOT BTRY CABLE END Y TYPE	3	EA
77	0070698	WIRE 4 R313I R313I 25 BLK	1	EA
79	0191787	WLDMT MNT LIMIT SW	1	EA
80	3044721	TERM STRIP (6) #10 STUD	1	EA
81	0191011	DECAL TERM STRIP VERT 6	1	EA
83	0192039	WIRE ASSEMBLY T STRIP/JUNCTION BOX	1	EA
84	987109	WSHR LOCK .313	2	EA
85	5560038	NUT LKG 10 32		EA
86	0191002	ROD (NOTE I)	2	EA
88	3090019	TUBE FLEXGARD .250 ID	9.2 FT	EA
91	970259	C.SCREW, 5/16 18 X 1" LG. HH	2	EA

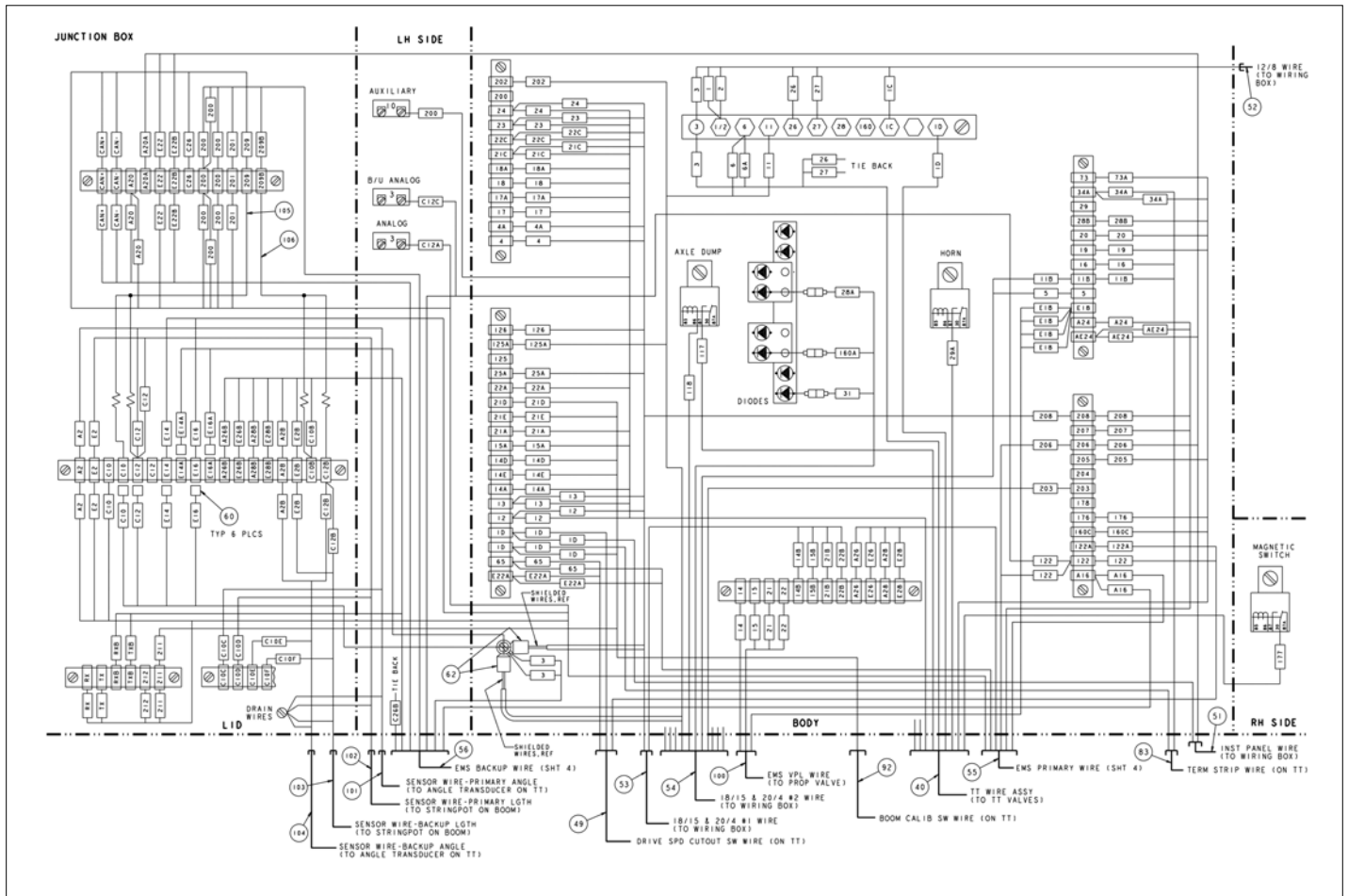
アイテム	部品番号	名前	数量	UOM
92	0192037	BOOM CALIBRATION SWITCH ASSEMBLY	1	EA
93	986009	WSHR FLAT 10	4	EA
94	3040469	RELAY SPDT 12V 30AMP SONG	1	EA
95	0072951	GUIDE BAR	1	EA
97	5093002	CLAMP .562 AEROQUIP HOSE SUPPORT	2	EA
98	5093008	CLP CUSH 1.06 VINYL COATED	1	EA
99	3050096	SURGE PROTECTOR 12V	1	EA
100	0192042	WIRE ASSEMBLY EMS VPL	1	EA
101	0192043	WIRE ASSY EMS PRIMARY ANGLE	1	EA
102	0192044	WIRE ASSY EMS PRIMARY LGTH	1	EA
103	0192022	WIRE ASSY EMS BU LGTH SENSOR EMS2	1	EA
104	0192023	WIRE ASSY EMS BU ANGLE SENSOREMS2	1	EA
105	0191996	RESISTOR WIRE TB120 PRIMARY	1	EA
106	0191997	RESISTOR WIRE TB120 BACKUP	1	EA
21	5560033	.375 16UNC HEX LOCK NUT	2	EA
82	5560609	SCR TRHD 10 24 .500	2	EA
22	970489	BLT HEXHD .375 16 1.50 GR5 PL	2	EA
44	970029	BLT .25 20 .750	4	EA
47	PNNA	SCR 118 32 X .50 LG RDHD	6	EA
73	PNNA	WSHR FLAT 118	6	EA
50	0110596	WIRE 12 RIOIR81 10	2	EA

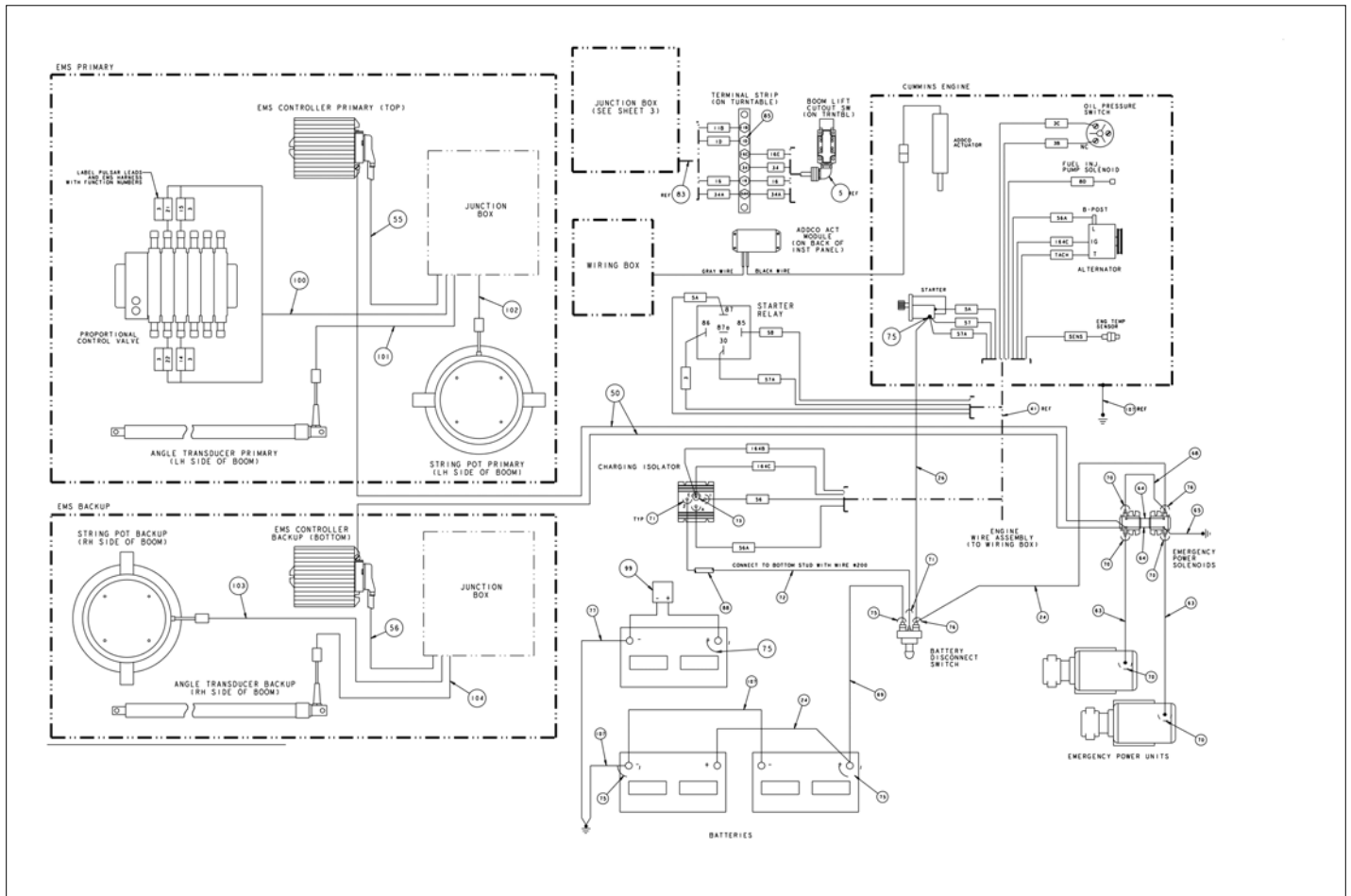


ELECTRICAL









アイテム	部品番号	名前	数量	UOM
	0192051 G	TURNTABLE ELECTRICAL CUMMINS AND KUBOTA JANUARY 2006 AND AFTER		EA
1	0191989	WIRING BOX / GROUD CONTROL ASSEMBLY	1	EA
2	0191976	JUNCTION BOX ASSEMBLY	1	EA
3	0190601	WLDMT BRKT WIRING BOX	1	EA
4	0191971	WLDMT BRKT JUNCTION BOX	1	EA
5	0191789	BOOM LIFT SWITCH CO ASSEMBLY	1	EA
6	3040127	HORN 12VDC	1	EA
7	3020103	LEVEL SENSOR 3.5 DEGREE	1	EA
8	3050002	BATTERY 12V	3	EA
9	3050008	BATTERY HOLD DOWN	2	EA
10	3050004	BLT BTRY HLDN .313 18 X 10.00 (J BOLT)	6	EA
12	0150810	WLDMT BATTERY BOX	1	EA
13	0150811	INSULATOR ANGLE	1	EA
14	0150813	ANGLE, BATTERY HOLDDOWN	1	EA
15	3020061	Battery Disconnect Nut	1	EA
16	0073089	PLAC BATTERY DISCONNECT SWITCH	1	EA
17	3040506	SOLENOID 12V 150	2	EA
18	3044162	TERM R250I 16/14	1	EA
19	6040082	TERM MALE250FI 16/14	2	EA
20	0071542	WIRE 16 R10I R10I 10	1	EA
21	5560033	.375 16UNC HEX LOCK NUT	2	EA
22	970489	BLT HEXHD .375 16 1.50 GR5 PL	2	EA
23	5093006	CLP CUSH .937 VINYL COATED	2	EA
24	0080484	WIRE 2/0 R375 R375 13 RED	2	EA
25	PNNA	BOLT .250 20 X .50 LG HH	4	EA

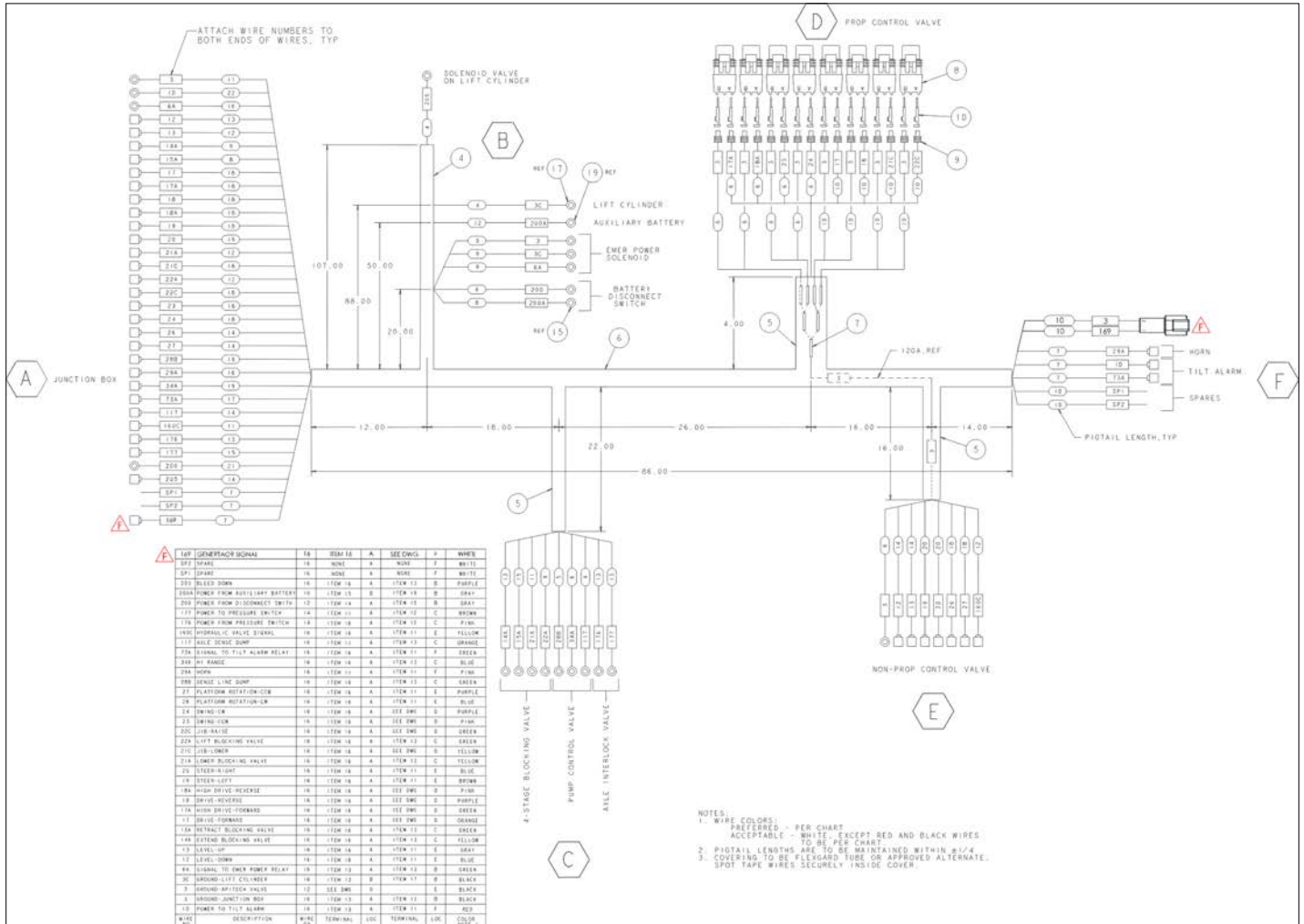
アイテム	部品番号	名前	数量	UOM
26	0110529	WIRE 2/0 R375 R375 106 RED	1	EA
27	970429	CAPSCREW .375 16 X .50 HH	1	EA
28	970449	HHD BLT .375 16 X .750 GR5	3	EA
29	986299	WASHER, FLAT, .375 STANDARD, PLATED	5	EA
30	987119	WSHR LOCK .375	4	EA
31	970049	BLT HEXHD .250 20 1.00 GR5 GRADE 5 PLT SAME AS 970189	12	EA
32	5560004	NUT LKG .250 20	14	EA
33	970889	CAPSCREW 1/2 13 X 1" LG H.H.	4	EA
34	987139	WSHR LOCK .500	4	EA
35	986359	FLATWASHER 1/2"	4	EA
36	984149	NUT, .500 13	2	EA
37	970009	Capscrew 1/4 20 x 1/2 inch lon	6	EA
38	987099	WSHR LOCK .250	14	EA
39	986019	WSHR FLAT .250	14	EA
40	0191181	TURNTABLE WIRE ASSEMBLY	1	EA
41	0191826	ENGINE WIRE ASSEMBLY CUMMINS T3	1	EA
42	0192106	EMS CONTRL PROGD TB126J PRIM	1	EA
43	0192107	EMS CONTRL PROGD TB126J BU	1	EA
44	970029	BLT .25 20 .750	4	EA
45	PNNA	SCR MACH 10 24 .75 TRUSS	4	EA
46	5560034	NUT LKG 10 24	8	EA
47	PNNA	SCR #8 32 X .50 LG RDHD	6	EA
48	0162936	BATTERY ISOLATOR GP 2	1	EA
49	0190986	DRIVE SPEED CUTOOUT SWITCH SUB ASSEMBLY	1	EA
50	0110596	WIRE 12 RIOIR81 10	2	EA
51	0192049	WIRE ASSEMBLY INSTRUMENT PANEL	1	EA

アイテム	部品番号	名前	数量	UOM
52	0191189	BOOM HARNESS ASSEMBLY 12/8	1	EA
53	0192040	WIRE ASSEMBLY 18/15 & 20/4 #1	1	EA
54	0192041	WIRE ASSEMBLY 18/15 & 20/4 #2	1	EA
55	0192047	WIRE ASSEMBLY EMS PRIMARY	1	EA
56	0192048	WIRE ASSY EMS BACKUP	1	EA
58	3044146	TERM R10I 22/18	5	EA
59	3040047	TERM FEM250FI 22/18	8	EA
60	3046972	TERM FEM188I 22/18	6	EA
62	3040360	TERM R10 2GA PANDUIPV2 10RX XY	2	EA
63	0090959	WIRE 4 R313I R375I 47	2	EA
64	0070712	WIRE 12 R10I R10I 5	2	EA
65	0071568	WIRE 12 R10I R250I 4	1	EA
66	0192054	PLATE EMS MNTG	1	EA
68	0090319	WIRE 4 R375I R313I 8 RED	1	EA
69	0192193	WIRE 4 R375I R313I 8 RED	1	EA
70	3040268	BOOT BTRY CABLE END BLK	5	EA
71	3040452	BOOT BTRY CABLE UL RED 10GA	5	EA
72	0190984	WIRE 10 R375 R10 110 12/13	1	EA
73	PNNA	WASHER FLAT #8	6	EA
74	974749	SCR RDH MACH I 0 24 I. 75	6	EA
75	3040269	Boot Cable Entry Black 1/0 GA	6	EA
76	3040270	BOOT BTRY CABLE END Y TYPE	3	EA
77	0070698	WIRE 4 R313I R313I 25 BLK	1	EA
79	0191787	WLDMT MNT LIMIT SW	1	EA
80	3044721	TERM STRIP (6) #10 STUD	1	EA
81	0191011	DECAL TERM STRIP VERT 6	1	EA
82	5560609	SCR TRHD 10 24 .500	2	EA

アイテム	部品番号	名前	数量	UOM
83	0192039	WIRE ASSEMBLY T STRIP/JUNCTION BOX	1	EA
84	987109	WSHR LOCK .313	2	EA
85	5560038	NUT LKG 10 32	6	EA
86	0191002	ROD (NOTE I)	2	EA
88	3090019	TUBE FLEXGARD .250 ID	9.2'	EA
91	970259	C.SCREW, 5/16 18 X 1" LG. HH	2	EA
92	0192037	BOOM CALIBRATION SWITCH ASSEMBLY	1	EA
93	986009	WSHR FLAT 10	4	EA
94	3040469	RELAY SPDT 12V 30AMP SONG	1	EA
95	0072951	GUIDE BAR	1	EA
96	5093000	CLP CUSH .438 VINYL COATED	2	EA
97	5093002	CLAMP .562 AEROQUIP HOSE SUPPORT	2	EA
98	5093008	CLP CUSH 1.06 VINYL COATED	1	EA
99	3050096	SURGE PROTECTOR 12V	1	EA
100	0192042	WIRE ASSEMBLY EMS VPL	1	EA
101	0192043	WIRE ASSY EMS PRIMARY ANGLE	1	EA
102	0192044	WIRE ASSY EMS PRIMARY LGTH	1	EA
103	0192022	WIRE ASSY EMS BU LGTH SENSOR EMS2	1	EA
104	0192023	WIRE ASSY EMS BU ANGLE SENSOREMS2	1	EA
105	0191994	RESISTOR WIRE TB126J PRIMARY	1	EA
106	0191995	RESISTOR WIRE TB126J BACKUP	1	EA
107	0075268	WIRE 2/0 R375 R375 13 BLK	2	EA

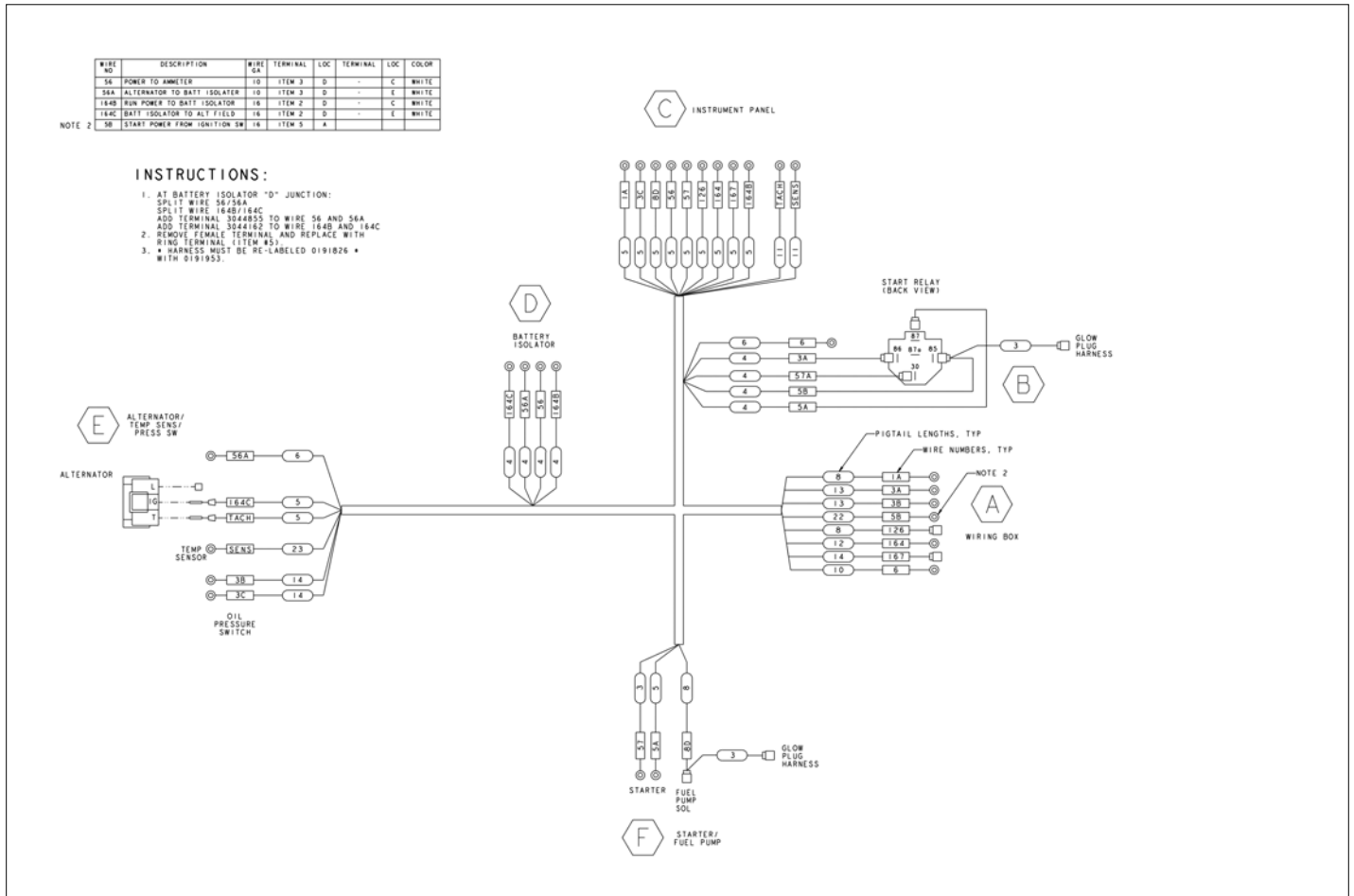


ELECTRICAL



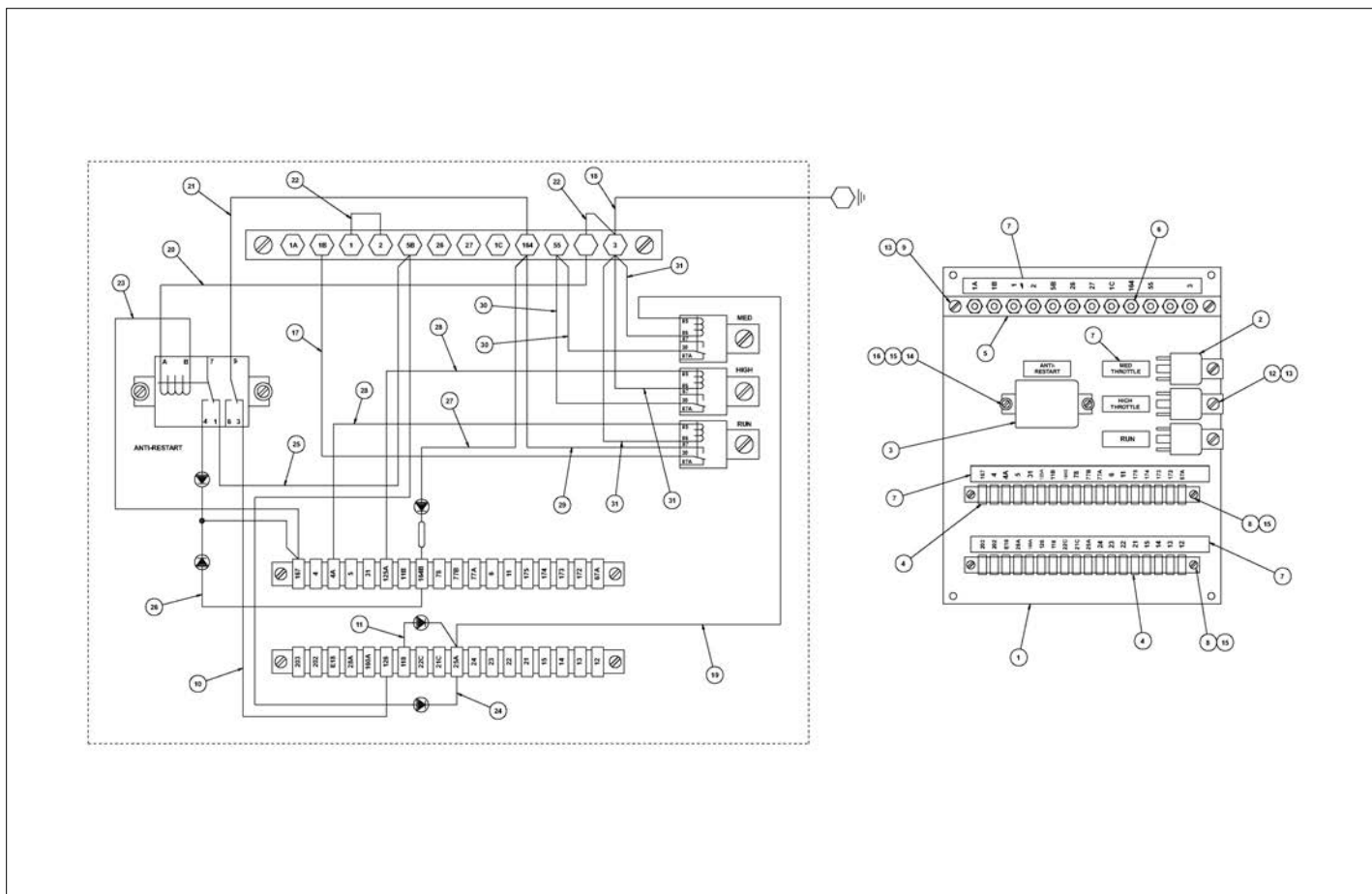
アイテム	部品番号	名前	数量	UOM
	0191181 F	TURNTABLE WIRE ASSEMBLY		EA
Not Shown	3011201	WIRE 12GA RED SINGLE CONDUCTOR	14FT	EA
Not Shown	3011401	14GA SINGLE COND. WIRE	9FT	EA
Not Shown	3011601	WIRE 16GA SINGLE CONDUCTOR BLK	A/R	EA
4	3090006	TUBE FLEXGARD .350 ID	9FT	EA
5	3090008	FLEXGARD TUBE .625 I.D.	4FT	EA
6	3090020	TUBE FLEXGARD .750 ID	8FT	EA
7	3044072	TERM BUTT CONN INSUL 12/10	7	EA
8	3040498	SHROUD, FEMALE SOCKET	8	EA
9	3040499	SEAL	8	EA
10	3040567	MALE CONNECTOR	8	EA
11	3040083	TERM FEM250FI 16/14	13	EA
12	3044160	TERM R8I 16/14	2	EA
13	3044161	TERM R10I 16/14	14	EA
14	3044852	TERM R6I 12/10	1	EA
15	3044854	TERM R10I 12/10	2	EA
16	3046697	TERM FEM188I 16/14GA	24	EA
17	3040573	TERMINAL 3/8 STUD 16/14	1	EA
Not Shown	3011001	WIRE, 10 GAUGE SINGLE CONDUCTOR X 144 INCH LONG	4.5FT	EA
19	3044836	TERM R375I 12/10	2	EA
Not Shown	3049804	CONNECTOR 2 PIN DEUTSCH RECEP	1	EA
Not Shown	3049808	LOCK WEDGE 2 PIN DEUTSCH RECEP	1	EA

ELECTRICAL



アイテム	部品番号	名前	数量	UOM
	0191826 F	ENGINE WIRE ASSEMBLY CUMMINS		EA
1	0182025	HARNESS, ENG WIRE CU	1	EA
2	3044162	TERM R250I 16/14	2	EA
3	3044855	TERM R250I 12/10	2	EA
4	0191953	DECAL, HARNESS	1	EA
5	3044161	TERM R10I 16/14	1	EA

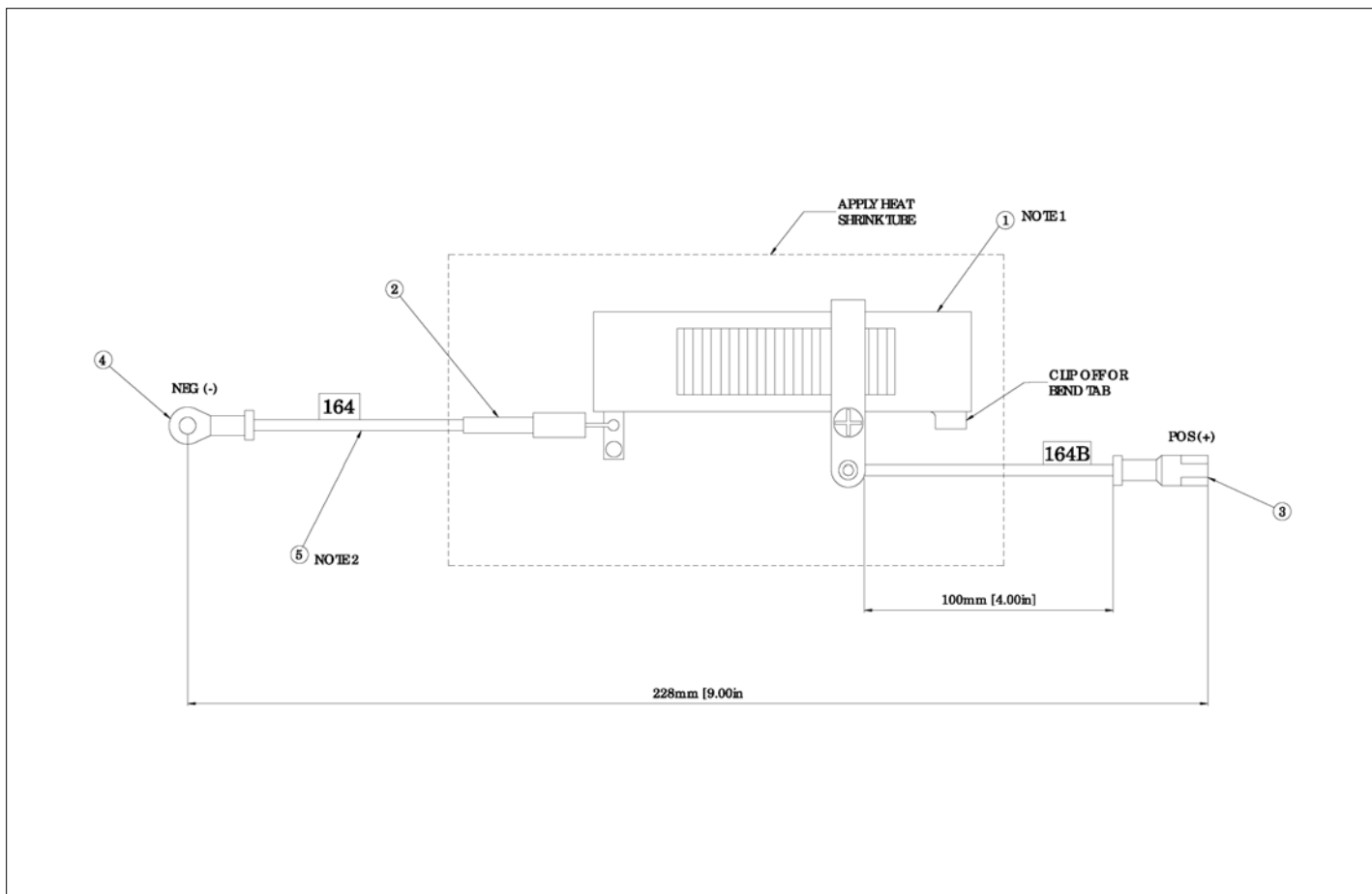
ELECTRICAL



アイテム	部品番号	名前	数量	UOM
	0191140 C	WIRING BOX PANEL DECEMBER 2015 AND BEFORE		EA
1	0072950 3	PANEL DRILLED	1	EA
2	3040469	RELAY SPDT 12V 30AMP SONG	3	EA
3	3040214	RELAY DPDT 12V 10AMP	1	EA
4	3040057	TERMINAL STRIP 18 CIRCUIT	2	EA
5	3044712	TERM STRIP (12) #10 STUD	1	EA
6	5560038	NUT LKG 10 32	12	EA
7	0191232	DECAL SET, WIRING BOX	1	EA
8	974279	SCR RHD 6 32 .750	4	EA
9	974689	SCR RDH MACH 10 24 .75	2	EA
10	0071840	WIRE 16 FEM188I FEM188I 11	1	EA
11	0170335	DIODE WIRE	1	EA
12	974659	SCR RDH MACH 10 24 .500	3	EA
13	987089	WSHR LOCK #10 SPLIT TYPE	5	EA
14	974239	SCR RDH 6 32 .500	2	EA
15	987349	WSHR LOCK 6	6	EA
16	986159	WSHR FLAT 6	2	EA
17	0090975	WIRE 12 R10I FEM250FI 9	1	EA
18	0070712	WIRE 12 R10I R10I 5	1	EA
19	0181030	WIRE 16 FEM188 FEM250FI 15	1	EA
20	0070713	WIRE 18 R10I FEM188I 10	1	EA
21	0090621	WIRE 16 R10I FEM188I 13	1	EA
22	0070711	WIRE 12 R10I R10I 3	2	EA
23	0110468	WIRE 16 FEM188I FEM188I 4	1	EA
24	0073618	WIRE 18 DIODE R10IFEM188I 15	1	EA
25	0071552	WIRE 16 R10I FEM188I 7	1	EA
26	0181432	DIODE WIRE	1	EA
27	0181434	DIODE/RESISTER WIRE	1	EA

アイテム	部品番号	名前	数量	UOM
28	0151205	WIRE 16 FEM188 FEM250FI 7	2	EA
29	0072418	JUMPER WIRE	1	EA
30	0181136	WIRE 12 R10 FEM250FI 5	2	EA
31	0071555	WIRE 16 R10I FEM250I 6	3	EA

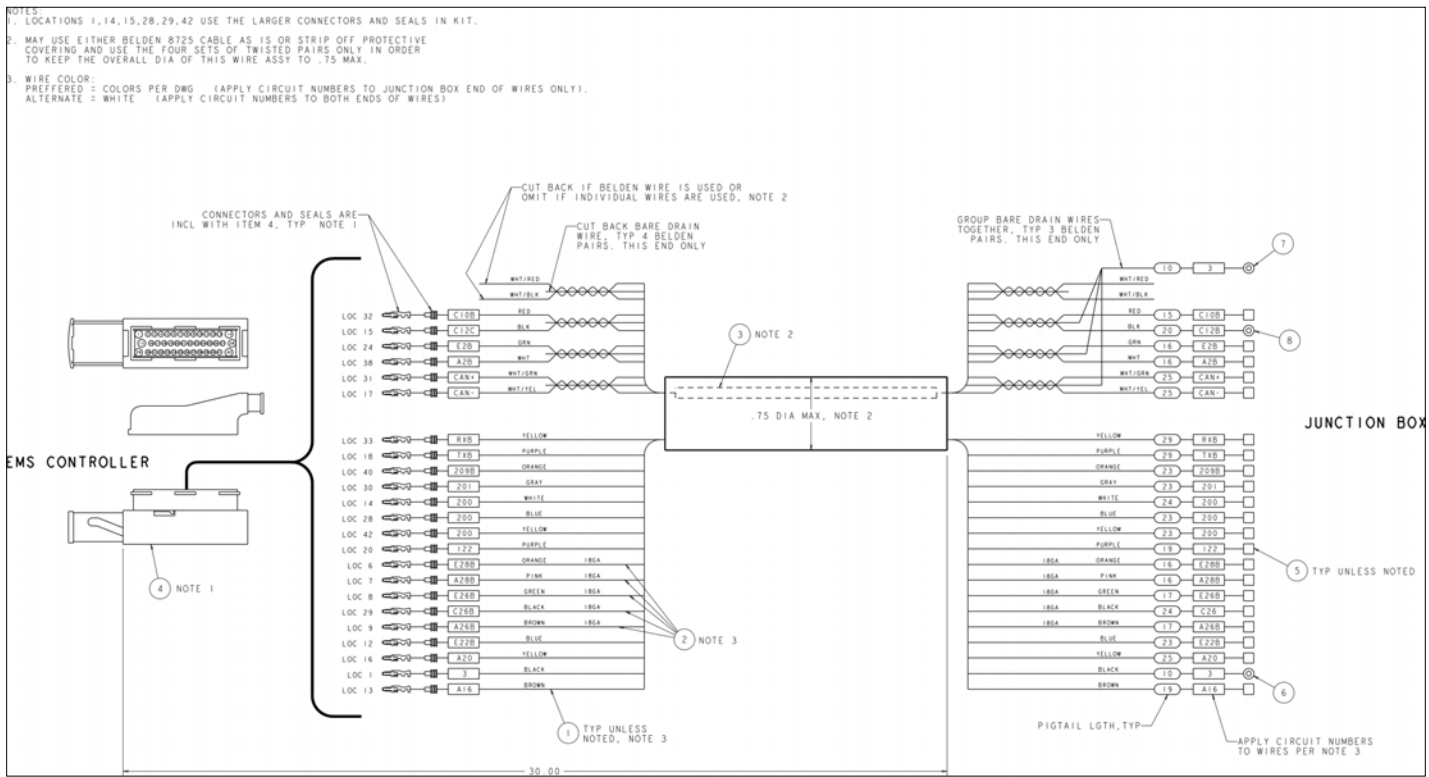
ELECTRICAL





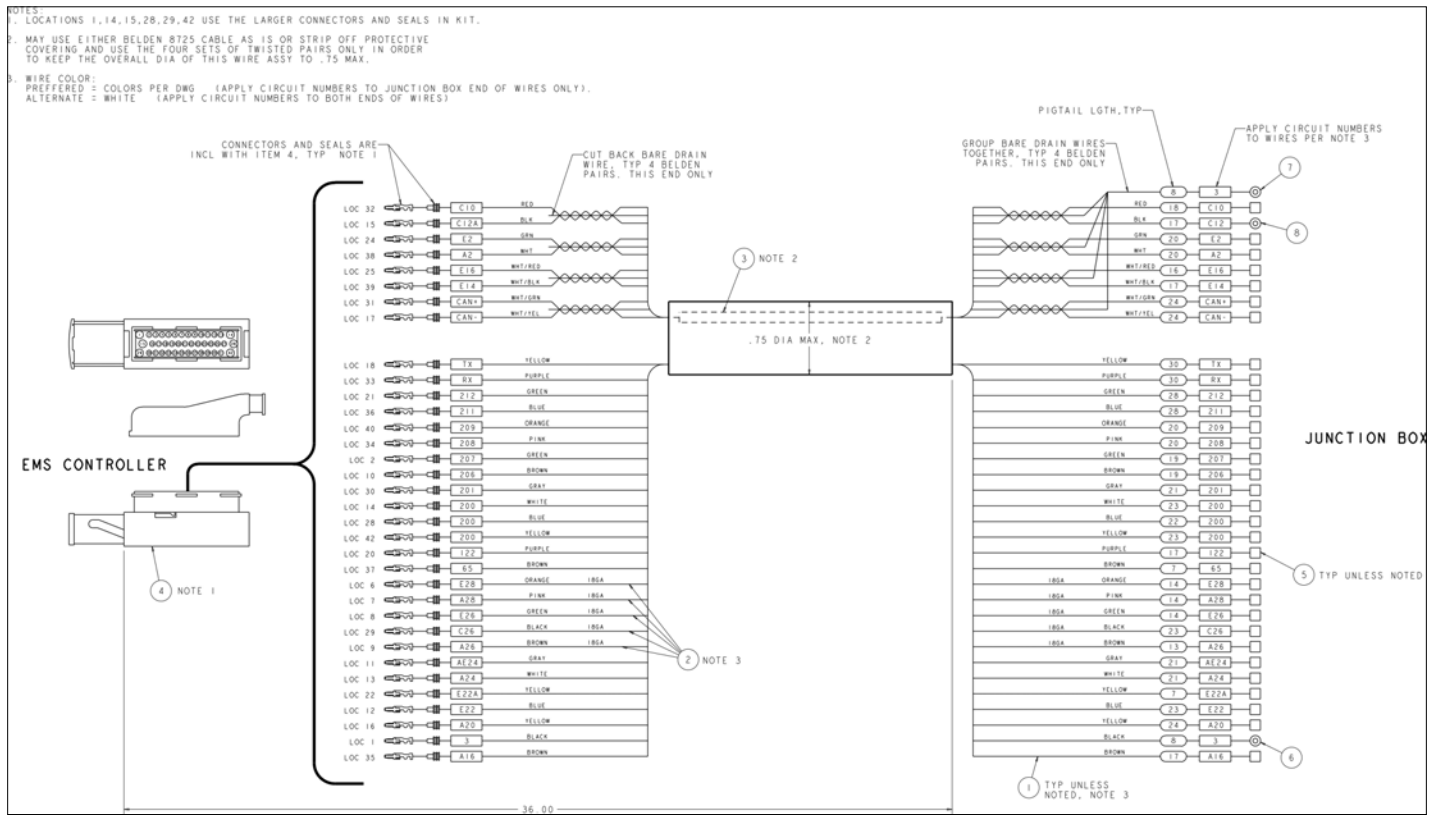
アイテム	部品番号	名前	数量	UOM
	0181434 C	DIODE RESISTOR WIRE ASSEMBLY		EA
1	3040678	VARIABLE RESISTOR 1 TO 150 OHM	1	EA
2	3040293	DIODE	1	EA
3	3046697	TERM FEM188I 16/14GA	1	EA
4	3044161	TERM R10I 16/14	1	EA
5	3011601	WIRE 16GA SINGLE CONDUCTOR BLK	.58 FT	EA

ELECTRICAL



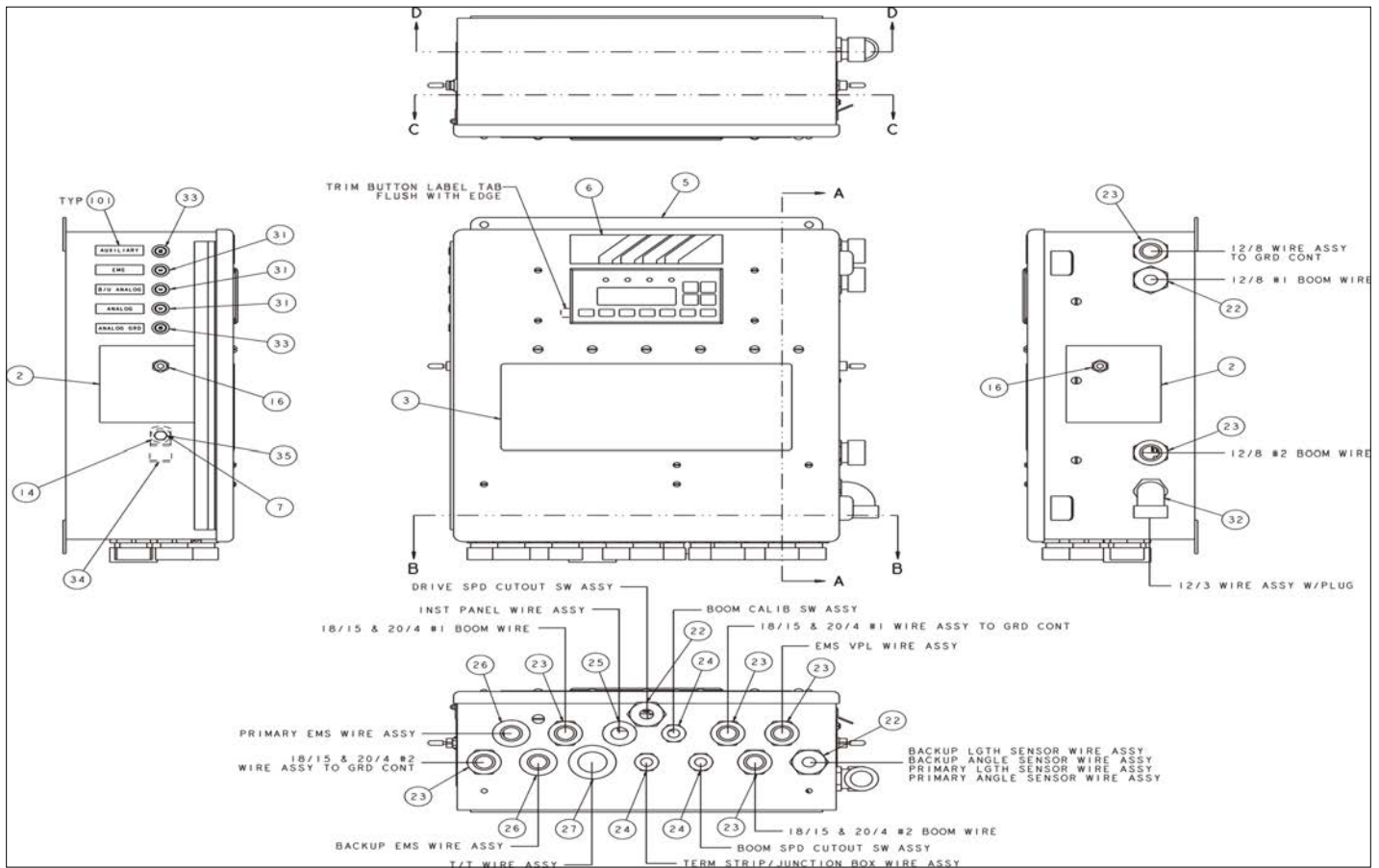
アイテム	部品番号	名前	数量	UOM
	0192048 C	WIRE ASSEMBLY EMS BACK UP MARCH 2005 AND AFTER		EA
1	PNNA	WIRE 20GA SINGLE COND	52.5 FT	EA
2	PNNA	WIIRE 18GA SINGLE COND	20 FT	EA
3	PNNA	WIRE BELDEN 8725 20GA 4 TWISTED PAIRS	4.6 FT	EA
4	3030153	CONNECTOR KIT, 42 PIN	1	EA
5	3046972	TERM FEM188I 22/18	22	EA
6	3044146	TERM R10I 22/18	1	EA
7	3044161	TERM R10I 16/14	1	EA
8	3044142	TERM, .250 TAB 12/10, MALE F.I.	1	EA

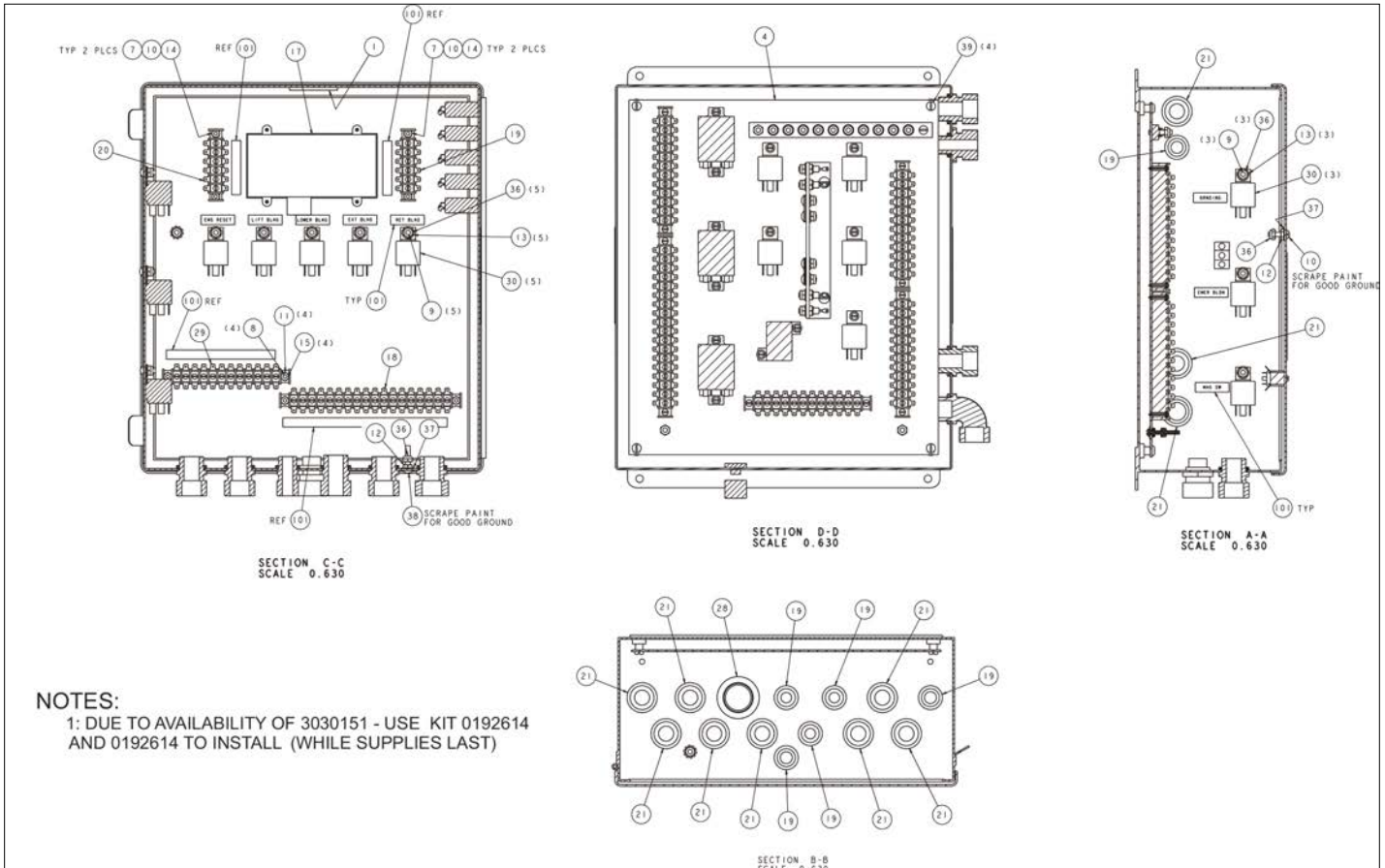
ELECTRICAL

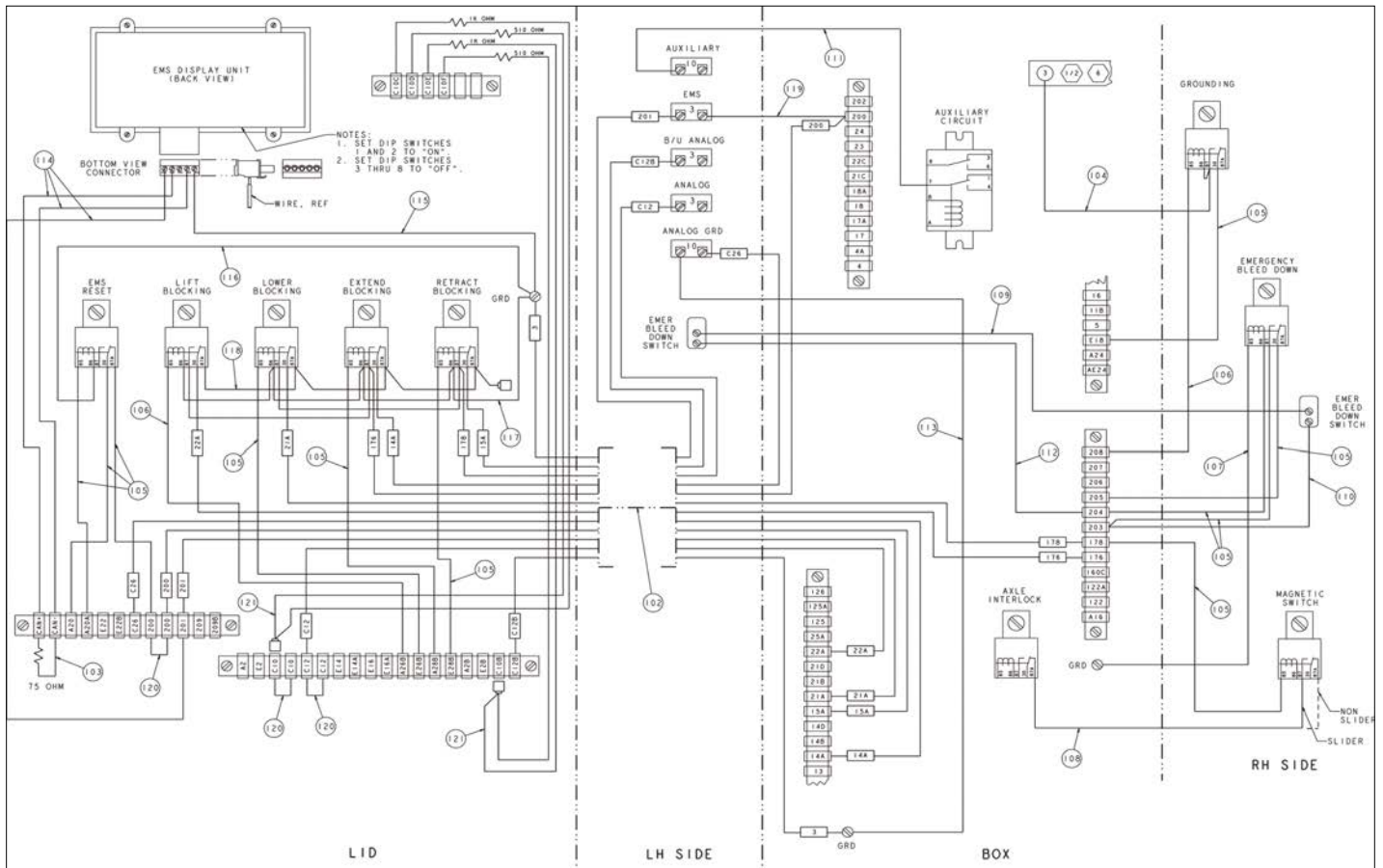


アイテム	部品番号	名前	数量	UOM
*	0192047 C	WIRE ASSEMBLY EMS PRIMARY MARCH 2005 AND AFTER		EA
1	PNNA	WIRE 20GA SINGLE COND	94.8FT	EA
2	PNNA	WIRE 18GA SINGLE COND	21.5FT	EA
3	PNNA	WIRE BELDEN 8725 20GA 4 TWISTED PAIRS	5FT	EA
4	3030153	CONNECTOR KIT, 42 PIN	1	EA
5	3046972	TERM FEM188I 22/18	32	EA
6	3044146	TERM R10I 22/18	1	EA
7	3044161	TERM R10I 16/14	1	EA
8	3044142	TERM, .250 TAB 12/10, MALE F.I.	1	EA

ELECTRICAL







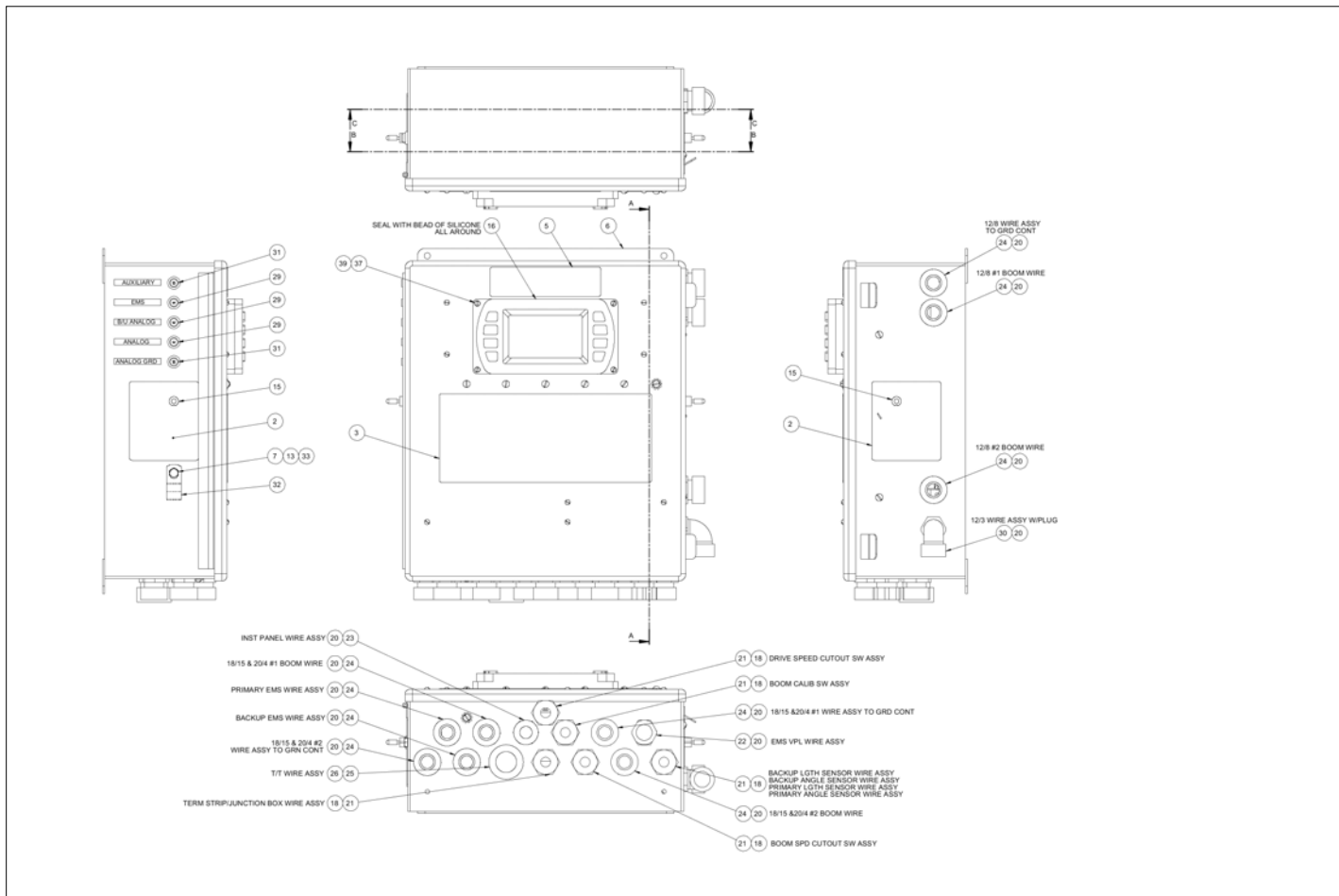


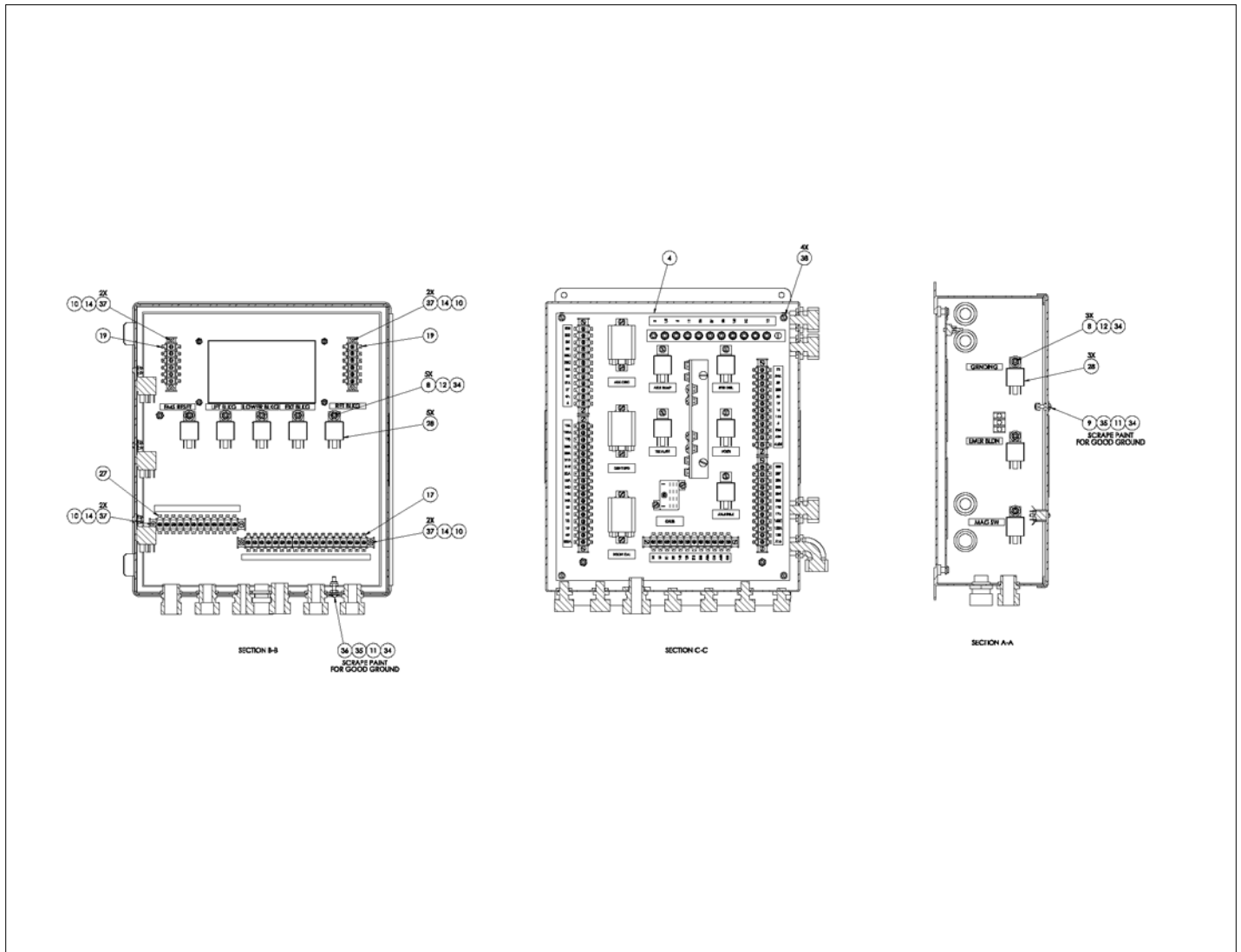
アイテム	部品番号	名前	数量	UOM
	0191976 J	JUNCTION BOX ASSEMBLY JANUARY 2005 AND AFTER		EA
1	0070967	CORROSION INHIBITOR STICK BACK	1	EA
2	0190992	DECAL EMER BLEED DOWN	2	EA
3	0190995	DECAL DNGR ELEC/MNL EMER BL DN	1	EA
4	0191977	PANEL ASSY, JUNCTION BOX	1	EA
5	0191978	DECAL DNGR ELEC/MNL EMER BL DN	1	EA
6	0192118	DECAL EMS DISPLAY	1	EA
7	970029	BLT .25 20 .750	1	EA
8	974269	SCR RHD 6 32 1.00	8	EA
9	974659	SCR RDH MACH 10 24 .500	8	EA
10	974689	SCR RDH MACH 10 24 .75	1	EA
11	984009	NUT HEX 6 32		EA
12	984049	NUT HEX 10 24		EA
13	986009	WSHR FLAT 10		EA
14	986019	WSHR FLAT .250		EA
15	987349	WSHR LOCK 6		EA
16	3020080	TOGGLE SWITCH	2	EA
17	3030151	EMS BASIC DISPLAY UNIT STW: OPUS LIGHT (WHILE SUPPLIES LAST)	1	EA
*	0192614	MURPHY DISPLAY KIT (SEE NOTE)	A/R	EA
18	3040057	TERMINAL STRIP 18 CIRCUIT	1	EA
19	3040070	NUT LKG HUB .500 APPLETON: P/N BL50 REG 801	6	EA
20	3040092	TERMINAL STRIP (6) .188 TABS	2	EA
21	3040110	NUT LKG HUB .750 SAMEAS 962129	11	EA
22	3040115	CONN .500 .375 .500	3	EA

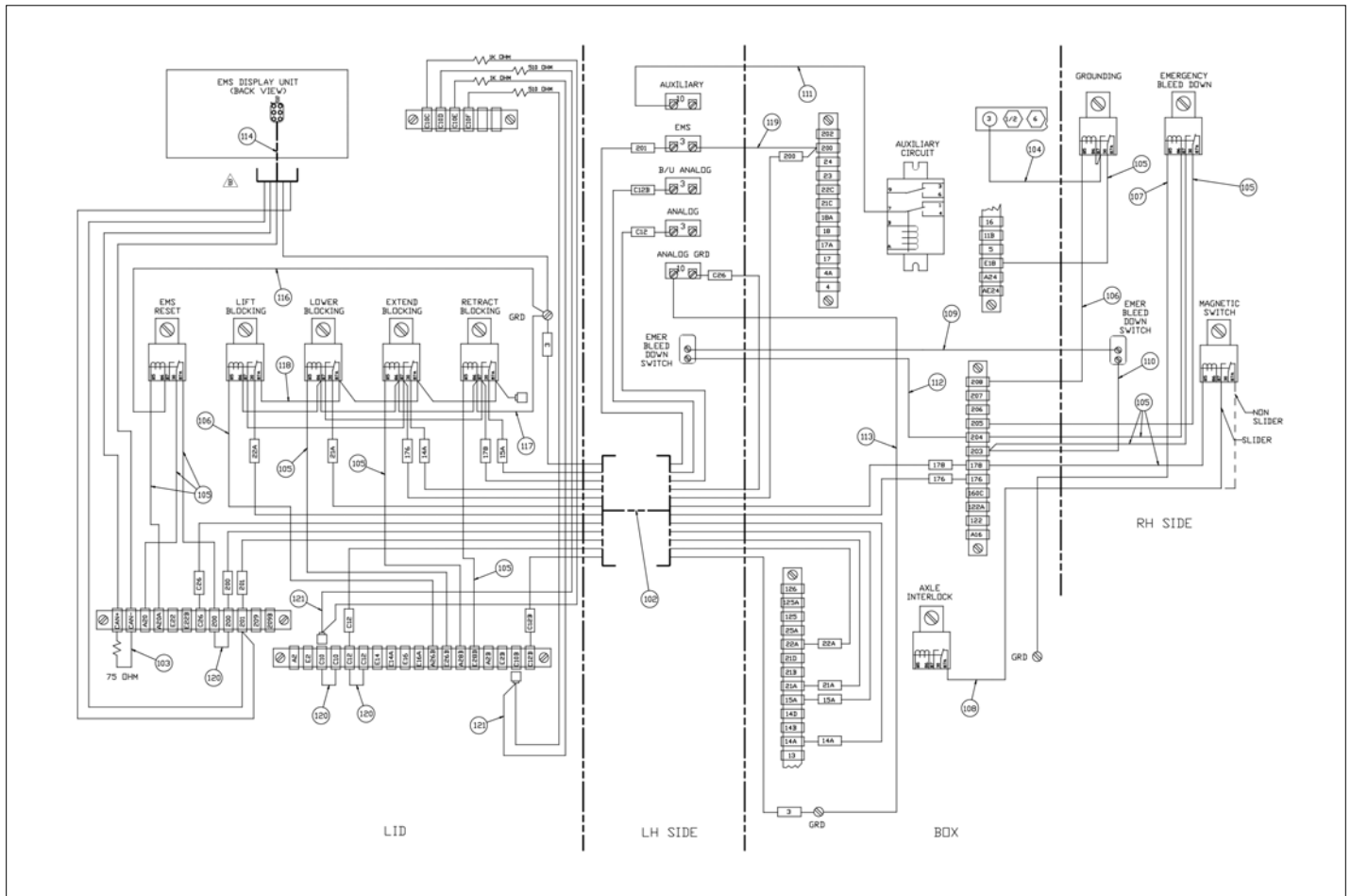
アイテム	部品番号	名前	数量	UOM
23	3040116	CONN .75 .500 .625	7	EA
24	3040187	CONN .500 .313 .438	3	EA
25	3040285	CONN .75 .375 .500	1	EA
26	3040295	CONN .75 .625 .75	2	EA
27	3040386	CONN 1.00 .875 1.00	1	EA
28	3040387	NUT, CONDUIT LOCKNUT 1" HUB	1	EA
29	3040433	TERMINAL STRIP (12) .188 TAB	1	EA
30	3040469	RELAY SPDT 12V 30AMP SONG	8	EA
31	3040535	CIRCUIT BREAKER 3 AMP	3	EA
32	3040691	CONNECTOR	1	EA
33	3220019	CIRCUIT BREAKER 10 AMP	2	EA
34	5093004	CLP CUSH .750 VINYL COATED	1	EA
35	5560034	NUT LKG 10 24		EA
36	5560341	WSHR STAR .250 EXTERNAL TOOTH		EA
37	5560673	SCR TRHD 10 24 1.00		EA
38	5560707	SCR PANHD 10 32 .375		EA
101	019187	DECAL SET, JUNCTION BOX		EA
102	0191988	WIRE ASSY INTERNAL JUNCTION BO	1	EA
103	0191999	RESISTOR WIRE ASSEMBLY	1	EA
104	0192094	WIRE 16 SEE DRAWING	1	EA
105	0151205	WIRE 16 FEM188 FEM250FI 7	10	EA
106	0181030	WIRE 16 FEM188 FEM250FI 15	2	EA
107	0072112	WIRE 18 R10I FEM250FI 16	1	EA
108	0073642	WIRE 16 FEM250FI 10	1	EA
109	0191617	WIRE 16 R6I R6I 36 0191618	1	EA
110	0140332	WIRE 16 R10I FEM188I 9	1	EA
111	0070713	WIRE 18 R10I FEM188I 10	1	EA
112	0101878	WIRE 16 R6 FEM188I 30	1	EA

アイテム	部品番号	名前	数量	UOM
113	0151910	WIRE 16 R6 R10 14	1	EA
114	0192009	WIRE 16 FEM1881 NONE 10	3	EA
115	0192010	WIRE 16 R10I NONE 7	1	EA
116	0181111	WIRE 16 R10I FEM250FI 5	1	EA
117	0192011	WIRE 16 SEE DWG	1	EA
118	0192012	WIRE 16 SEE DWG	1	EA
119	0151556	WIRE 16 R6 FEM188I 6	1	EA
120	3045279	TERMINAL STRIP STRAP	3	EA
121	0192096	RESISTOR WIRE ASSEMBLY 1K/510 OHM	2	EA

ELECTRICAL







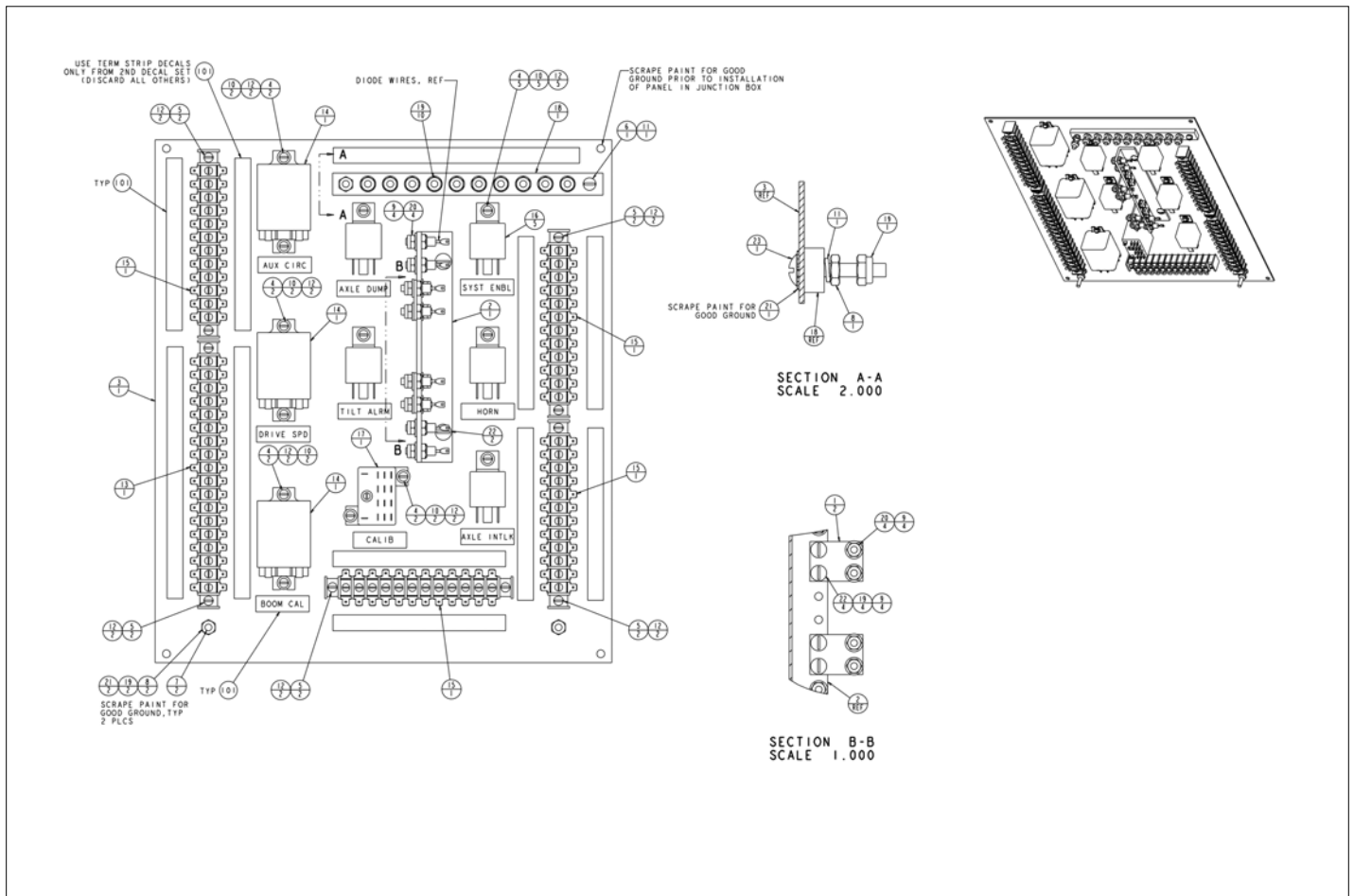
アイテム	部品番号	名前	数量	UOM
*	0192612 B	JUNCTION BOX WITH MURPHY CONTROLS TB126J 04 00047 AND AFTER		EA
1	0070967	CORROSION INHIBITOR STICK BACK	1	EA
2	0190992	DECAL EMER BLEED DOWN	2	EA
3	0190995	DECAL DNGR ELEC/MNL EMER BL DN	1	EA
4	0191977	PANEL ASSY, JUNCTION BOX	1	EA
5	0192118	DECAL EMS DISPLAY	1	EA
6	0192611	JUNCTION BOX DRILLED	1	EA
7	970029	BLT .25 20 .750	1	EA
8	974659	SCR RDH MACH 10 24 .500	8	EA
9	974689	SCR RDH MACH 10 24 .75	1	EA
10	984009	NUT HEX 6 32	8	EA
11	984049	NUT HEX 10 24	2	EA
12	986009	WSHR FLAT 10	8	EA
13	986019	WSHR FLAT .250	1	EA
14	987349	WSHR LOCK 6	8	EA
15	3020080	TOGGLE SWITCH	2	EA
16	3030176	STW MURPHY DISPLAY	1	EA
17	3040057	TERMINAL STRIP 18 CIRCUIT	1	EA
18	3040070	NUT LKG HUB .500 APPLETON: P/N BL50 REG 801	5	EA
19	3040092	TERMINAL STRIP (6) .188 TABS	2	EA
20	3040110	NUT LKG HUB .750 SAMEAS 962129	12	EA
21	3040115	CONN .500 .375 .500	5	EA
22	3040116	CONN .75 .500 .625	1	EA
23	3040285	CONN .75 .375 .500	1	EA
24	3040295	CONN .75 .625 .75	9	EA
25	3040386	CONN 1.00 .875 1.00	1	EA

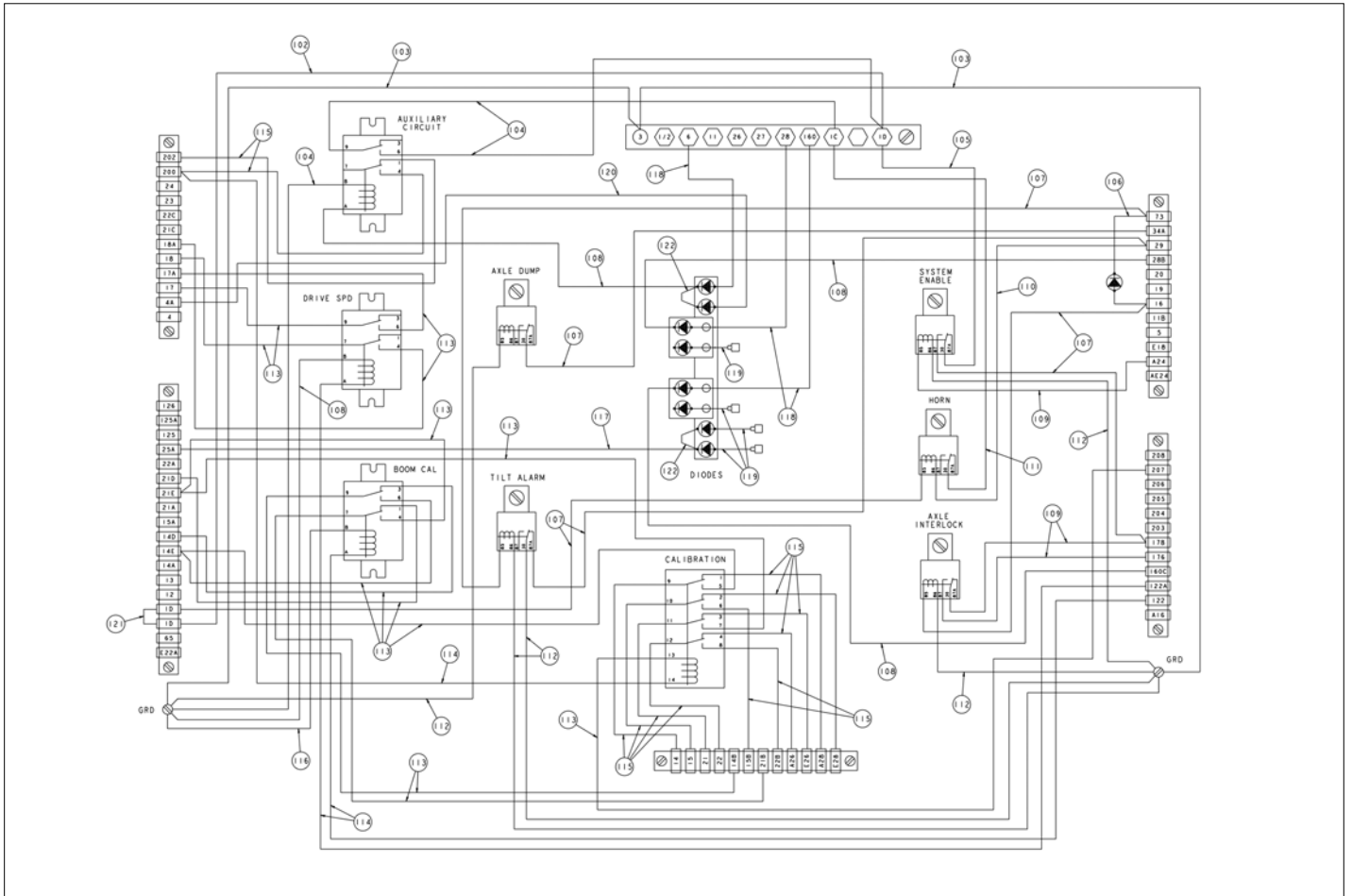
アイテム	部品番号	名前	数量	UOM
26	3040387	NUT, CONDUIT LOCKNUT 1" HUB	1	EA
27	3040433	TERMINAL STRIP (12) .188 TAB	1	EA
28	3040469	RELAY SPDT 12V 30AMP SONG	8	EA
29	3040535	CIRCUIT BREAKER 3 AMP	3	EA
30	3040691	CONNECTOR	1	EA
31	3220019	CIRCUIT BREAKER 10 AMP	2	EA
32	5093004	CLP CUSH .750 VINYL COATED	1	EA
33	5560004	NUT LKG .250 20	1	EA
34	5560034	NUT LKG 10 24	10	EA
35	5560341	WSHR STAR .250 EXTERNAL TOOTH	2	EA
36	5560673	SCR TRHD 10 24 1.00	1	EA
37	5560700	MACH SCRW #6 32 X 1.00 RDHD GR5	12	EA
38	5560707	SCR PANHD 10 32 .375	4	EA
39	5569997	NUT HEX LKG 6 32	4	EA
101	0191987	DECAL SET JUNCTION BOX	A/R	EA
102	0191988	WIRE ASSY INTERNAL JUNCTION BO	1	EA
103	0191999	RESISTOR WIRE ASSEMBLY	1	EA
104	0192094	WIRE 16 SEE DRAWING	1	EA
105	0151205	WIRE 16 FEM188 FEM250FI 7	11	EA
106	0181030	WIRE 16 FEM188 FEM250FI 15	2	EA
107	0072112	WIRE 18 R10I FEM250FI 16	1	EA
108	0073642	WIRE 16 FEM250FI 10	1	EA
109	0191617	WIRE 16 R6I R6I 36 0191618	1	EA
110	0140332	WIRE 16 R10I FEM188I 9	1	EA
111	0070713	WIRE 18 R10I FEM188I 10	1	EA
112	0101878	WIRE 16 R6 FEM188I 30	1	EA
113	0151910	WIRE 16 R6 R10 14	1	EA



アイテム	部品番号	名前	数量	UOM
114	0192616	HARNESS MURPHY DISPLAY	1	EA
116	0181111	WIRE 16 R10I FEM250FI 5	1	EA
117	0192011	WIRE 16 SEE DWG	1	EA
118	0192012	WIRE 16 SEE DWG	1	EA
119	0151556	WIRE 16 R6 FEM188I 6	1	EA
120	3045279	TERMINAL STRIP STRAP	3	EA
121	0192096	RESISTOR WIRE ASSEMBLY 1K/510 OHM	2	EA

ELECTRICAL

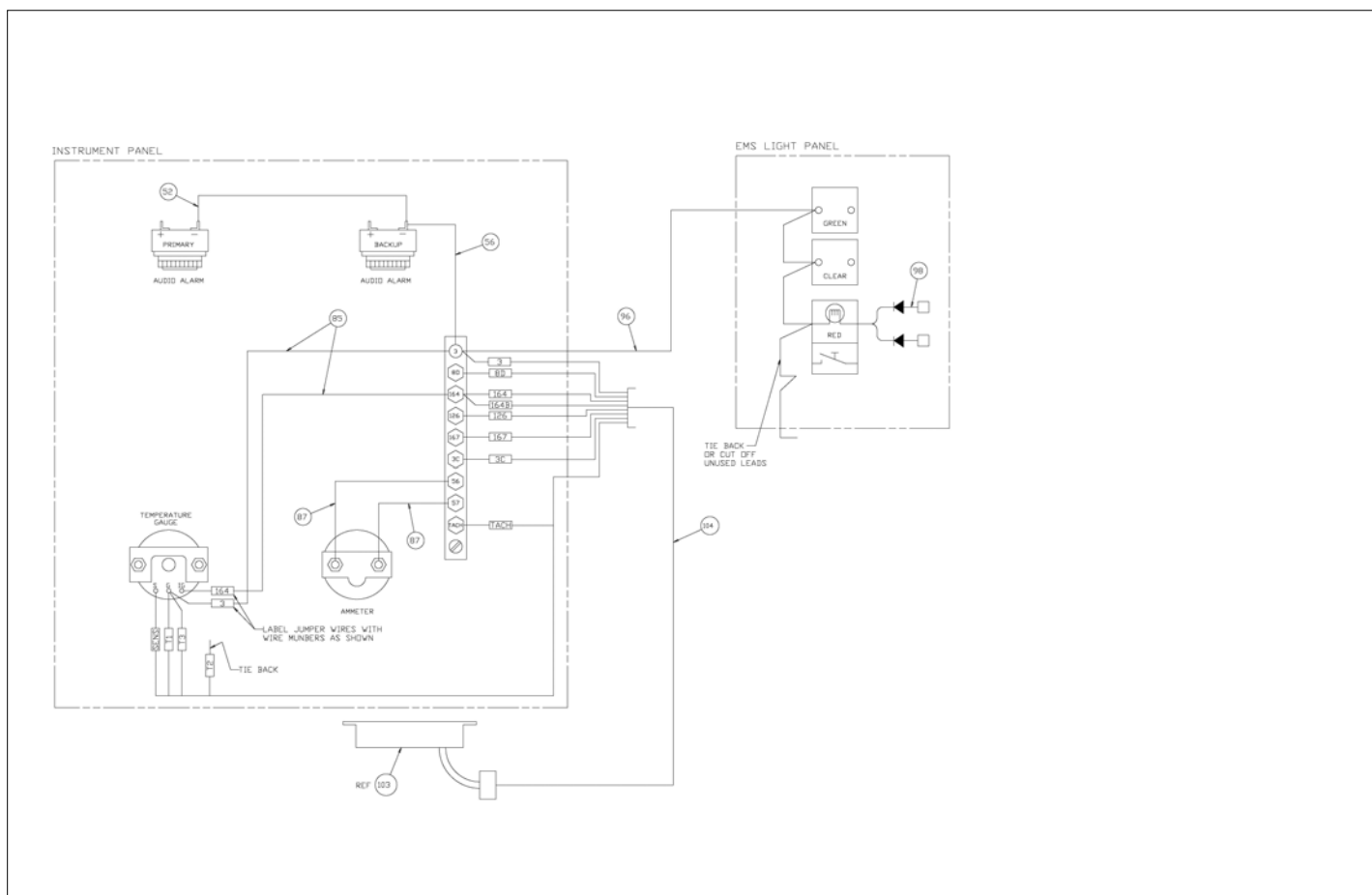


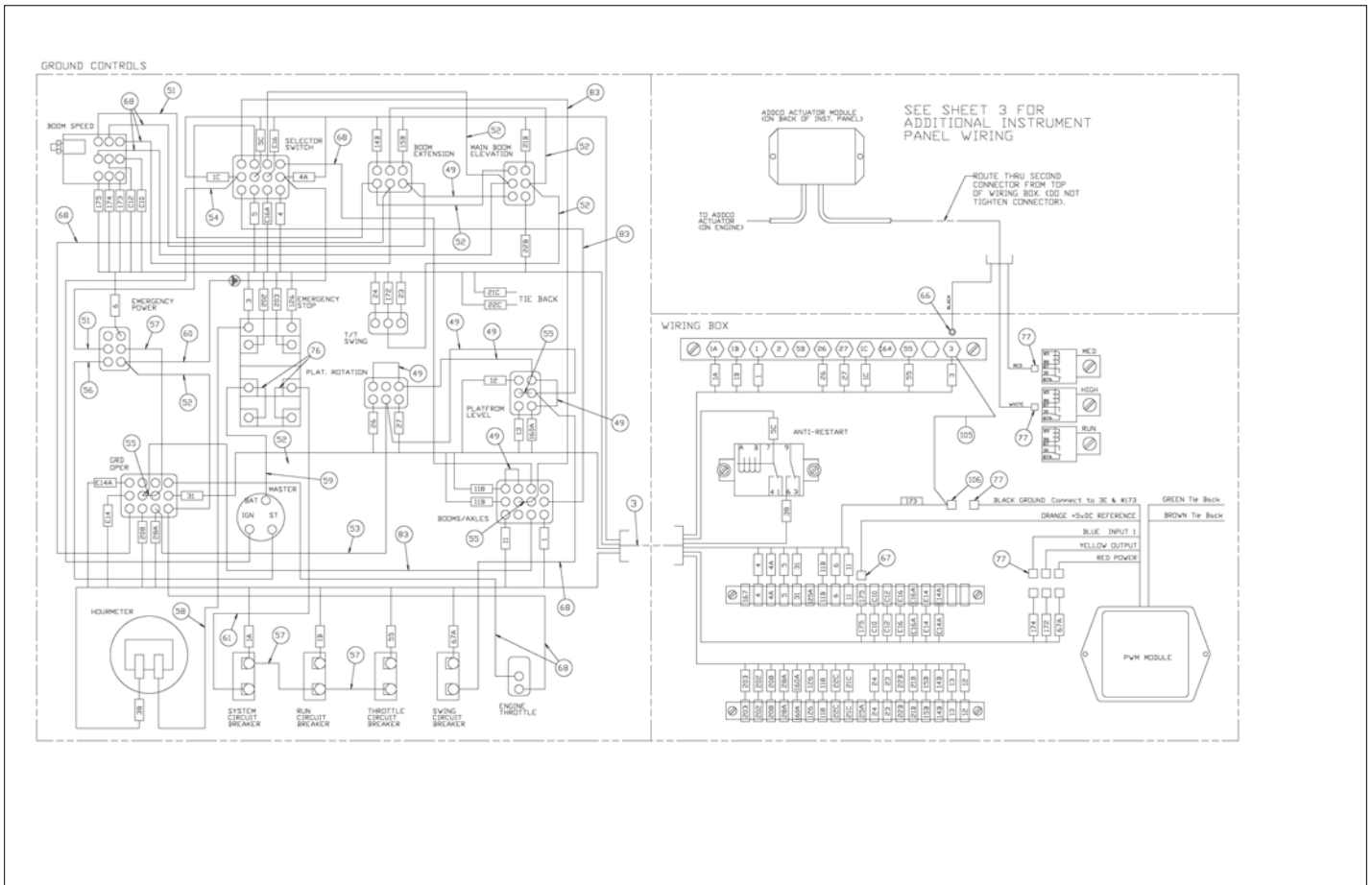


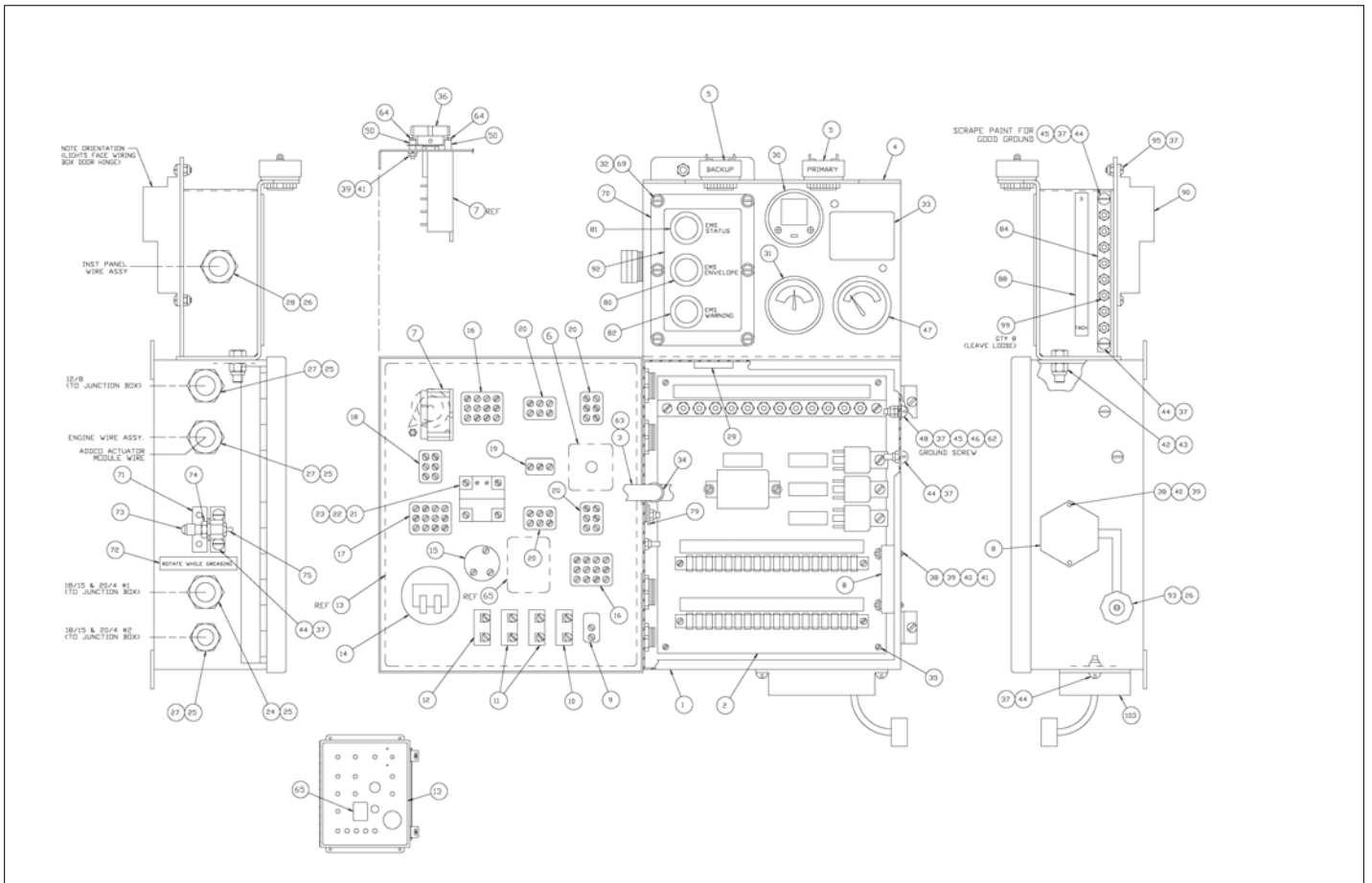
アイテム	部品番号	名前	数量	UOM
	0191977 D	JUNCTION BOX PANEL ASSEMBLY		EA
1	0073631	DIODE STAND OFF 2 DIODE	2	EA
2	0150488	DIODE HOLDER 10PLC	1	EA
3	0191975	PANEL JUNCTION BOX	1	EA
4	974239	SCR RDH 6 32 .500	13	EA
5	974279	SCR RHD 6 32 .750	10	EA
6	974659	SCR RDH MACH 10 24 .500	1	EA
7	974729	SCR RDH MACH 10 24 1.25	2	EA
8	984049	NUT HEX 10 24	3	EA
9	986009	WSHR FLAT 10	12	EA
10	986159	WSHR FLAT 6	13	EA
11	987089	WSHR LOCK #10 SPLIT TYPE	2	EA
12	987349	WSHR LOCK 6	23	EA
13	3040057	TERMINAL STRIP 18 CIRCUIT	1	EA
14	3040214	RELAY DPDT 12V 10AMP	3	EA
15	3040433	TERMINAL STRIP (12) .188 TAB	4	EA
16	3040469	RELAY SPDT 12V 30AMP SONG	5	EA
17	3040576	RELAY 4PDT 12V COIL .188MALE O	1	EA
18	3044710	TERM STRIP (10) #10 STUD	1	EA
19	5560034	NUT LKG 10 24	17	EA
20	5560038	NUT LKG 10 32	8	EA
21	5560341	WSHR STAR .250 EXTERNAL TOOTH	3	EA
22	5560609	SCR TRHD 10 24 .500	6	EA
23	5560610	SCR TRHD 10 24 1.25	1	EA
101	0191987	DECAL SET JUNCTION BOX	2	EA
102	0071534	WIRE 18 R10I FEM188I 21	1	EA
103	0071566	WIRE 16 R10I R10I 17	2	EA
104	0090621	WIRE 16 R10I FEM188I 13	3	EA

アイテム	部品番号	名前	数量	UOM
105	0073057	WIRE 12R10I FEM250FI 5.5	1	EA
106	0170335	DIODE WIRE	1	EA
107	0181030	WIRE 16 FEM188 FEM250FI 15	6	EA
108	0140332	WIRE 16 R10I FEM188I 9	4	EA
109	0151205	WIRE 16 FEM188 FEM250FI 7	4	EA
110	0090622	WIRE 18 FEM188I FEM250I 9	1	EA
111	0072112	WIRE 18 R10I FEM250FI 16	1	EA
112	0071556	WIRE 16 R10I FEM250I 24	5	EA
113	0071511	WIRE 18 FEM188I FEM188I 11	13	EA
114	0140323	WIRE JUMPER 13 in	3	EA
115	0071530	WIRE 18 FEM188I FEM188I 7	13	EA
116	0073728	WIRE 16 R10 FEM188I 18	1	EA
117	0070719	WIRE 18 R10I FEM188I 7	1	EA
118	0070681	WIRE 16 R10 DIODE 7	3	EA
119	0181110	WIRE 16 FEM250FI DIO 2.25	4	EA
120	0110471	WIRE 16 FEM188I DIODE 11	1	EA
121	3045279	TERMINAL STRIP STRAP	1	EA
122	0070724	WIRE 18 R10I R10I 3	2	EA

ELECTRICAL









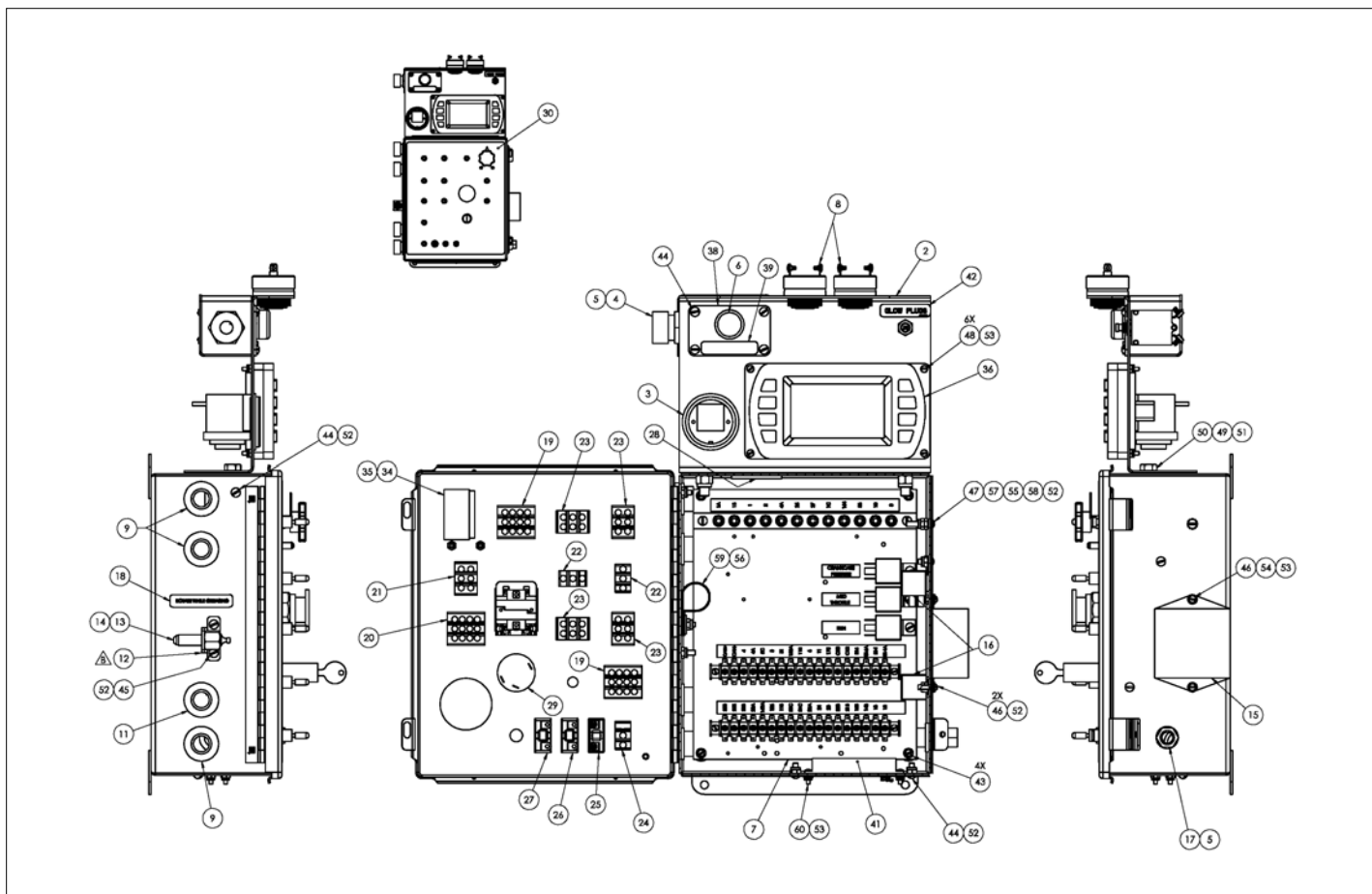
アイテム	部品番号	名前	数量	UOM
	0192000 G	WIRING BOX GROUND CONTROL ASSEMBLY		EA
1	0190931	WIRING BOX DRILLED	1	EA
2	0191990	WIRING BOX PANEL SUB ASSEMBLY	1	EA
3	0191992	WIRE ASSY INTERNAL WIRING BOX	1	EA
4	0191889	WLDMT INSTRUMENT PANEL	1	EA
5	3030086	SONALERTS	2	EA
6	0191287	PLAC BLANK 1.75 X 2.13 BLACK	1	EA
7	3030155	RESISTOR BRIDGE MODULE	1	EA
8	3220166	CONTROLLER PWM MODULE 120 126	1	EA
9	3020013	Switch, Toggle Honeywell INTI 2	1	EA
10	3040535	CIRCUIT BREAKER 3 AMP	1	EA
11	3040252	Circuit Breaker 15AMP	2	EA
12	3040069	CIRCUIT BREAKER 25AMP	1	EA
13	0191137	PLACARD LOWER CONTROL BOX PRO1	1	EA
14	3070001	HOURMETER	1	EA
15	3020087	KEY SWITCH	1	EA
16	3020048	SWITCH TOGGLE 4PDT ON/ON	2	EA
17	3020107	SW TGL 4PDT(M/ON) SEALED	1	EA
18	3020081	SW TGL DPDT (M/ON) SEALED	1	EA
19	3020016	Switch, Toggle Honeywell INTI 7	2	EA
20	3020018	SWITCH TOGGLE DPDT MOM/OFF/MOM	4	EA
21	3020020	SW EMER STOP PUSH/PULL	1	EA
22	3040185	CONTACT BLOCK	2	EA
23	3020108	MODULE EMER STOP SWITCH LIGHT	1	EA

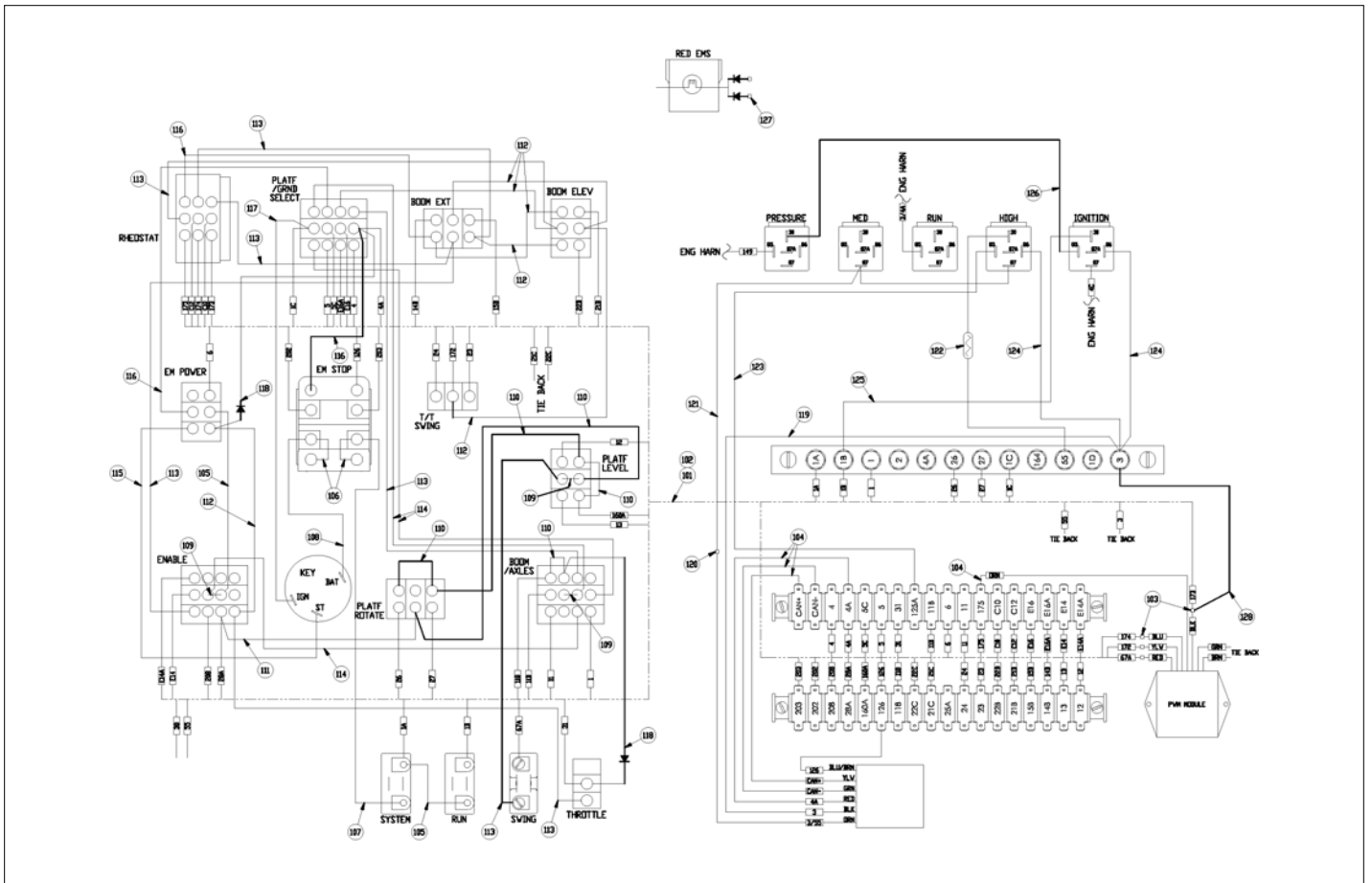
アイテム	部品番号	名前	数量	UOM
24	3040298	CONN .75 .75 .875	1	EA
25	3040110	NUT LKG HUB .750 SAMEAS 962129	4	EA
26	3040070	NUT LKG HUB .500 APPLETON: P/N BL50 REG 801	2	EA
27	3040295	CONN .75 .625 .75	3	EA
28	3040115	CONN .500 .375 .500	1	EA
29	0070967	CORROSION INHIBITOR STICK BACK	1	EA
30	7630140	FILTER MINDER GAUGE AIR CLNR	1	EA
31	3070003	AMMETER	1	EA
32	PNNA	WASHER LOCK #10	6	EA
33	0191892	PLACARD ENGINE PROTECTION SYSTEM	1	EA
34	5093008	CLP CUSH 1.06 VINYL COATED	1	EA
35	5560707	SCR PANHD 10 32 .375	4	EA
36	3040777	KNOB RHEOSTAT	1	EA
37	5560034	NUT LKG 10 24	12	EA
38	974239	SCR RDH 6 32 .500	2	EA
39	984009	NUT HEX 6 32	3	EA
40	986159	WSHR FLAT 6	2	EA
41	987349	WSHR LOCK 6	3	EA
42	970469	HHD BLT .375 16 X 1.00 GR5	2	EA
43	5560033	.375 16UNC HEX LOCK NUT	2	EA
44	PNNA	SCR TRHD 10 24 .750	7	EA
45	5560703	WSHR 10 STAR TOOTH	2	EA
46	987089	WSHR LOCK #10 SPLIT TYPE	1	EA
47	3070040	GAUGE TEMP 320	1	EA
48	5560673	SCR TRHD 10 24 1.00	1	EA
49	0070747	WIRE 16 R6I R6I 3	6	EA
50	0191993	SPCR .250OD .140ID .375 AL	2	EA

アイテム	部品番号	名前	数量	UOM
51	0070746	WIRE 16 R6I R6I 9	2	EA
52	0070730	WIRE 16 R6I R6I 5.5	7	EA
53	0070742	WIRE 12 R6I R6I 8 REV K	1	EA
54	0071541	WIRE 12 R6I R10I 14	1	EA
55	0060373	JUMPER SWITCH TERMINAL STRAP	3	EA
56	0240483	WIRE 16 R6I R10I 8	2	EA
57	0181104	WIRE 12 R6 R6 6	3	EA
58	0073295	WIRE 16 R6I FEM250FI 8	1	EA
59	0070735	WIRE 12 R6I R10I 3	1	EA
60	0073254	WIRE 18 R10I R10I 5 DIO SP SEE	1	EA
61	0071589	WIRE 12 R6I R8I 7	1	EA
62	984049	NUT HEX 10 24	1	EA
63	3090020	TUBE FLEXGARD .750 ID	1FT	EA
64	PNNA	SCR #6 32 X .75 LG RDHD	2	EA
65	0075564	PLAC COLDSTART GLOW PLUG (GROU	1	EA
66	3044146	TERM R10I 22/18	3	EA
67	3046972	TERM FEM188I 22/18	1	EA
68	0070753	WIRE 16 R6I R6I 12	8	EA
69	PNNA	SCR 10 24 X 1/2" RDHD	6	EA
70	0191136	COVER	1	EA
71	5560135	STAPLE PLATE	1	EA
72	0073492	Decal, rotate while greasing	1	EA
73	5037102	FTG CONN FEM BHD 2N 4S STL	1	EA
74	5074401	FTG LKNT BHD 4 STL	1	EA
75	5570001	GREASE FITTING, 1/8 NPT STRAIGHT	1	EA
76	0070711	WIRE 12 R10I R10I 3	2	EA
77	3040047	TERM FEM250FI 22/18	6	EA

アイテム	部品番号	名前	数量	UOM
80	3060099	EMS WARNING LIGHT ASSY (CLEAR)	1	EA
81	3060100	EMS WARNING LIGHT ASSY (GREEN)	1	EA
82	3069526	EMS WARNING LIGHT ASSY (RED)	1	EA
83	0071564	WIRE 12 R6I R8I 11	3	EA
84	3044708	TERMINAL STRIP, #10 STUD, 8 POST	1	EA
85	0151816	WIRE 16 R10I R10I 7.5	2	EA
87	0191166	WIRE 10 R10 R10 5	2	EA
88	0191991	DECAL SET WIRING BOX	A/R	EA
90	0082046	ASSY ACTUATOR MODULE FOR KIT USE 0084574	1	EA
92	0191174	PLAC EMS/STATUS/ENVELOPE/WRN	1	EA
93	3040187	CONN .500 .313 .438	1	EA
95	974659	SCR RDH MACH 10 24 .500	4	EA
96	0191417	WIRE 18 SEE DWG	1	EA
98	0191238	DIODE WIRE ASSEMBLY	1	EA
99	5560038	NUT LKG 10 32	8	EA
103	3030122	ENG PROTECT MODULE 4 PNT HIGH SETPOINTS A	1	EA
104	0191829	EPS WIRE ASSY 100/120/126 CU	1	EA
105	0071812	WIRE 16 R10 FEM250FI 18	1	EA
106	3040082	TERM MALE250FI 16/14	1	EA

ELECTRICAL





アイテム	部品番号	名前	数量	UOM
	0192732B	GROUND CONTROL BOX TB120 T4F ASSEMBLY		EA
1	0190931	WIRING BOX DRILLED	1	EA
2	0192697 8	WLDMT INSTRUMENT PANEL T4F	1	EA
3	7630140	FILTER MINDER GAUGE AIR CLNR	1	EA
4	3040115	CONN .500 .375 .500	1	EA
5	3040070	NUT LKG HUB .500 APPLETON: P/N BL50 REG 801	2	EA
6	3069526	EMS WARNING LIGHT ASSY (RED)	1	EA
7	0192712	ASSY PANEL WIRING BOX T4F	1	EA
8	3030086	SONALERTS	2	EA
9	3040295	CONN .75 .625 .75	3	EA
10	3040110	NUT LKG HUB .750 SAMEAS 962129	4	EA
11	3040298	CONN .75 .75 .875	1	EA
12	0192746 4	BRKT, GREASE ZERK	1	EA
13	5037102	FTG CONN FEM BHD 2N 4S STL	1	EA
14	5570001	GREASE FITTING, 1/8 NPT STRAIGHT	1	EA
15	3220166	CONTROLLER PWM MODULE 120 126	1	EA
16	3040469	RELAY SPDT 12V 30AMP SONG	2	EA
17	3040187	CONN .500 .313 .438	1	EA
18	0073492	Decal, rotate while greasing	1	EA
19	3020048	SWITCH TOGGLE 4PDT ON/ON	2	EA
20	3020107	SW TGL 4PDT(M/ON) SEALED	1	EA
21	3020081	SW TGL DPDT (M/ON) SEALED	1	EA
22	3020016	Switch, Toggle Honeywell INTI 7	2	EA
23	3020018	SWITCH TOGGLE DPDT MOM/OFF/MOM	4	EA

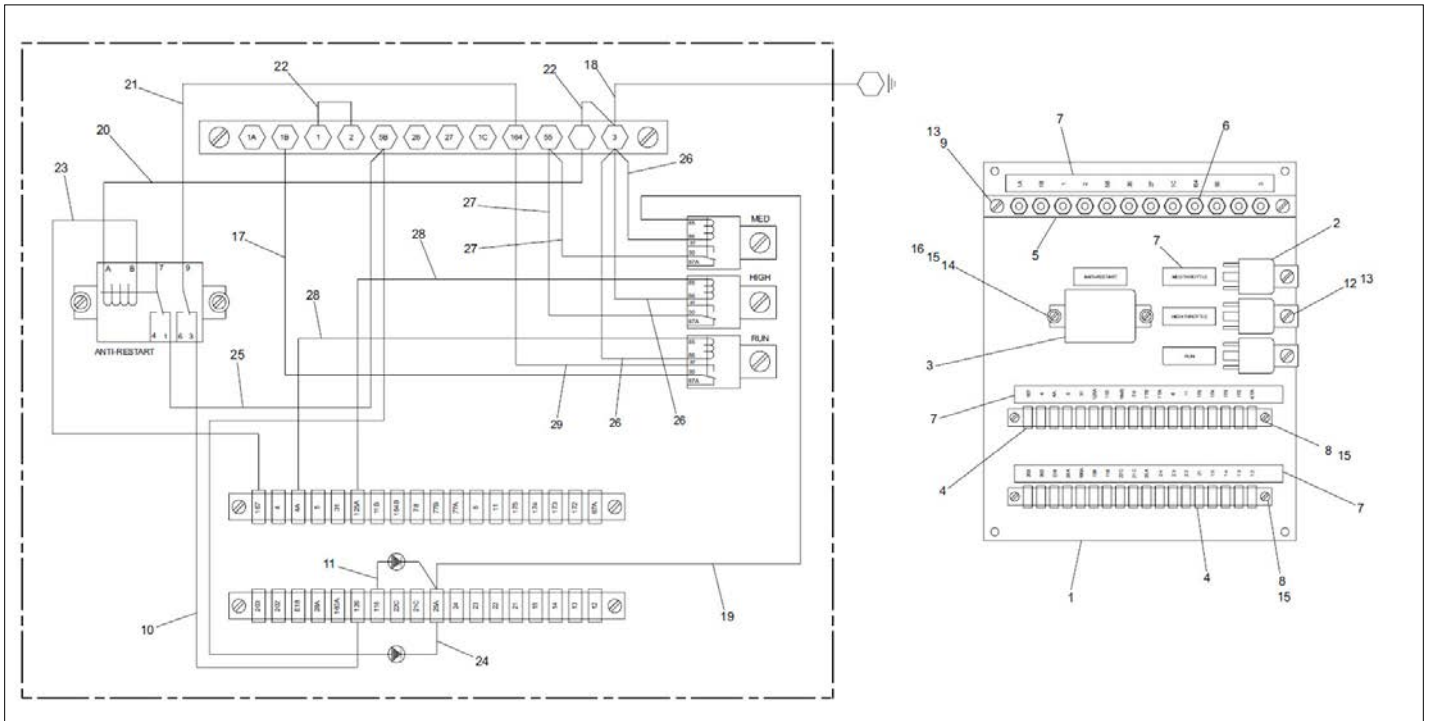
アイテム	部品番号	名前	数量	UOM
24	3020013	Switch, Toggle Honeywell INTI 2	1	EA
25	3040535	CIRCUIT BREAKER 3 AMP	1	EA
26	3040252	Circuit Breaker 15AMP	1	EA
27	3040069	CIRCUIT BREAKER 25AMP	1	EA
28	0070967	CORROSION INHIBITOR STICK BACK	1	EA
29	3020087	KEY SWITCH	1	EA
30	0192713	PLACARD GRND CNTRL BOX T4F	1	EA
31	3020020	SW EMER STOP PUSH/PULL	1	EA
32	3020108	MODULE EMER STOP SWITCH LIGHT	1	EA
33	3040185	CONTACT BLOCK	2	EA
34	3030155	RESISTOR BRIDGE MODULE	1	EA
35	3040777	KNOB RHEOSTAT	1	EA
36	3030182	DISPLAY MURPHY T4F	1	EA
37	3220305	CIRCUIT BREAKER 50A	1	EA
38	0192701 8	PLT EMS LIGHT MOUNT	1	EA
39	0192708	DECAL EMS WARNING	1	EA
40	0191993	SPCR .250OD .140ID .375 AL	2	EA
41	3030183	CAN INTERFACE MURPHY	1	EA
42	0080914	PLAC GLOW PLUGS	1	EA
43	5560707	SCR PANHD 10 32 .375	4	EA
44	974659	SCR RDH MACH 10 24 .500	9	EA
45	974689	SCR RDH MACH 10 24 .75	2	EA
46	974239	SCR RDH 6 32 .500	2	EA
47	5560673	SCR TRHD 10 24 1.00	1	EA
48	974279	SCR RHD 6 32 .750	6	EA
49	5560586	WSHR STAR .375 EXTERNAL TOOTH	2	EA
50	970469	HHD BLT .375 16 X 1.00 GR5	2	EA



アイテム	部品番号	名前	数量	UOM
51	5560033	.375 16UNC HEX LOCK NUT	2	EA
52	5560034	NUT LKG 10 24	8	EA
53	5569997	NUT HEX LKG 6 32	12	EA
54	986159	WSHR FLAT 6	2	EA
55	5560654	WSHR LOCK #10 SPLIT TYPE	1	EA
56	986019	WSHR FLAT .250	1	EA
57	5560703	WSHR 10 STAR TOOTH	1	EA
58	984049	NUT HEX 10 24	1	EA
59	5093008	CLP CUSH 1.06 VINYL COATED	1	EA
60	5560666	SCR TRHD 6 32 .500	4	EA
101	0191992	WIRE ASSY INTERNAL WIRING BOX	1	EA
102	3090020	TUBE FLEXGARD .750 ID	1	EA
103	3040047	TERM FEM250FI 22/18	4	EA
104	3046972	TERM FEM188I 22/18	4	EA
105	0181104	WIRE 12 R6 R6 6	2	EA
106	0070711	WIRE 12 R10I R10I 3	2	EA
107	0071589	WIRE 12 R6I R8I 7	1	EA
108	0070735	WIRE 12 R6I R10I 3	1	EA
109	0060373	JUMPER SWITCH TERMINAL STRAP	3	EA
110	0070747	WIRE 16 R6I R6I 3	5	EA
111	0070742	WIRE 12 R6I R6I 8 REV K	1	EA
112	0070730	WIRE 16 R6I R6I 5.5	5	EA
113	0070753	WIRE 16 R6I R6I 12	7	EA
114	0071564	WIRE 12 R6I R8I 11	3	EA
115	0260483	FRONT AXLE, PINION SHOE	1	EA
116	0070746	WIRE 16 R6I R6I 9	3	EA
117	0071541	WIRE 12 R6I R10I 14	1	EA
118	0073254	WIRE 18 R10I R10I 5 DIO SP SEE	2	EA

アイテム	部品番号	名前	数量	UOM
119	3044146	TERM R10I 22/18	1	EA
120	3040046	TERM MALE250FI 22/18	1	EA
121	0081702	WIRE 16 SEE DWG	1	EA
122	0182537	WIRE 16 R10 FEM250FI 6 RSTR120	1	EA
123	0181030	WIRE 16 FEM188 FEM250FI 15	1	EA
124	0081515	WIRE 16 R10 FEM250FI 8	2	EA
125	0151817	WIRE 12 R10I FEM250FI 13	1	EA
126	0073642	WIRE 16 FEM250FI 10	1	EA
127	0191238	DIODE WIRE ASSEMBLY	1	EA
128	0071812	WIRE 16 R10 FEM250FI 18	1	EA

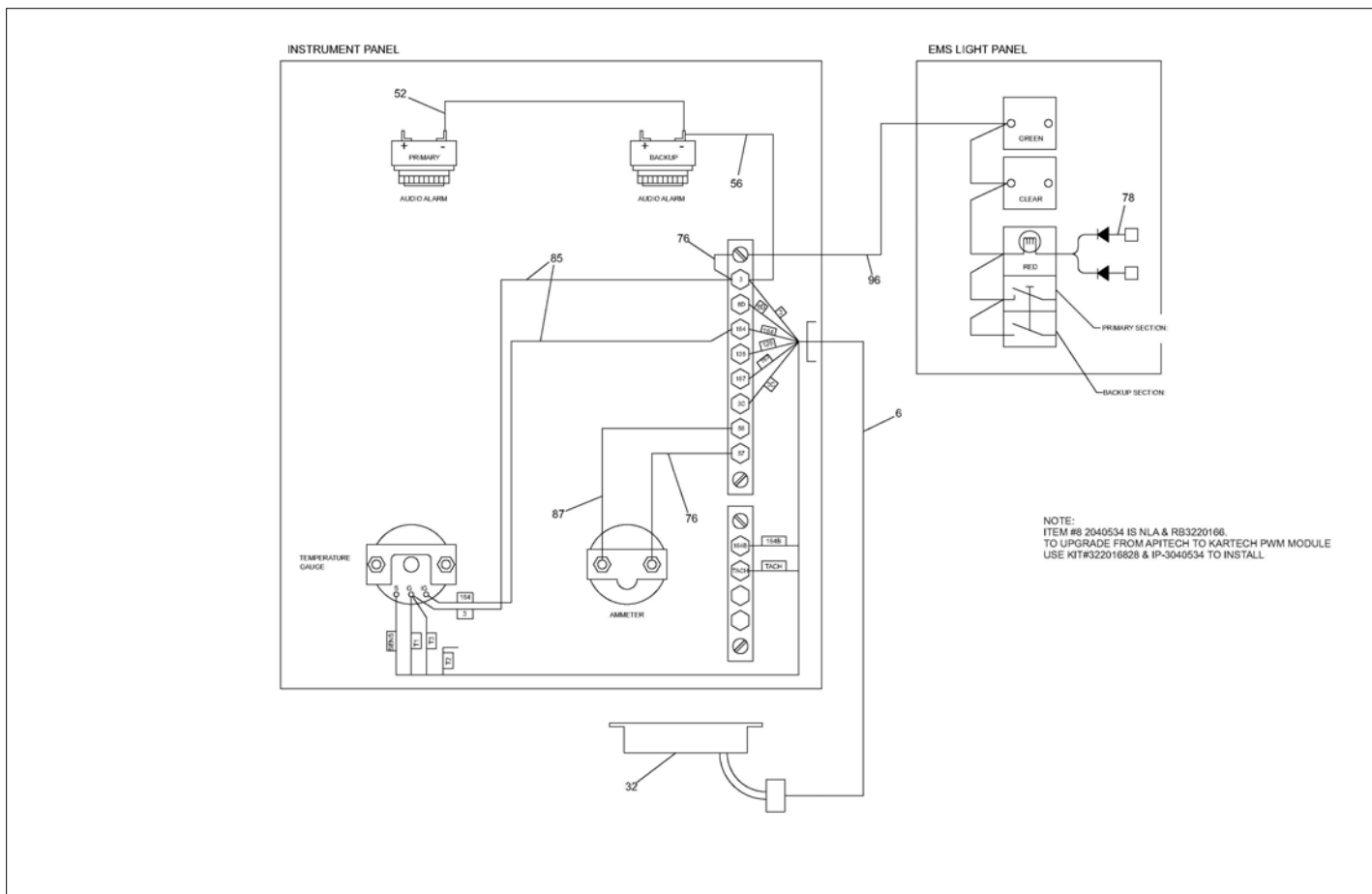
ELECTRICAL

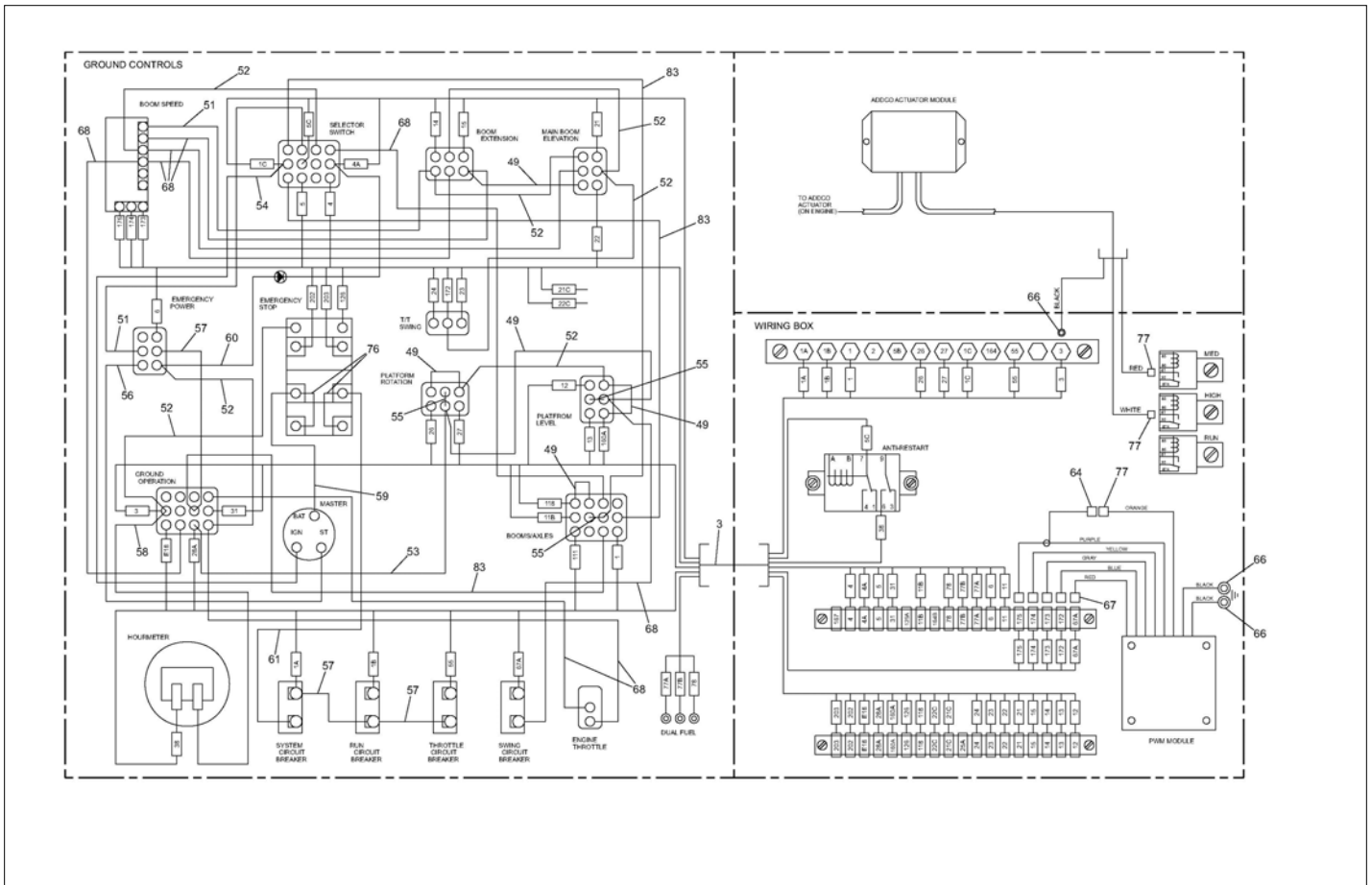


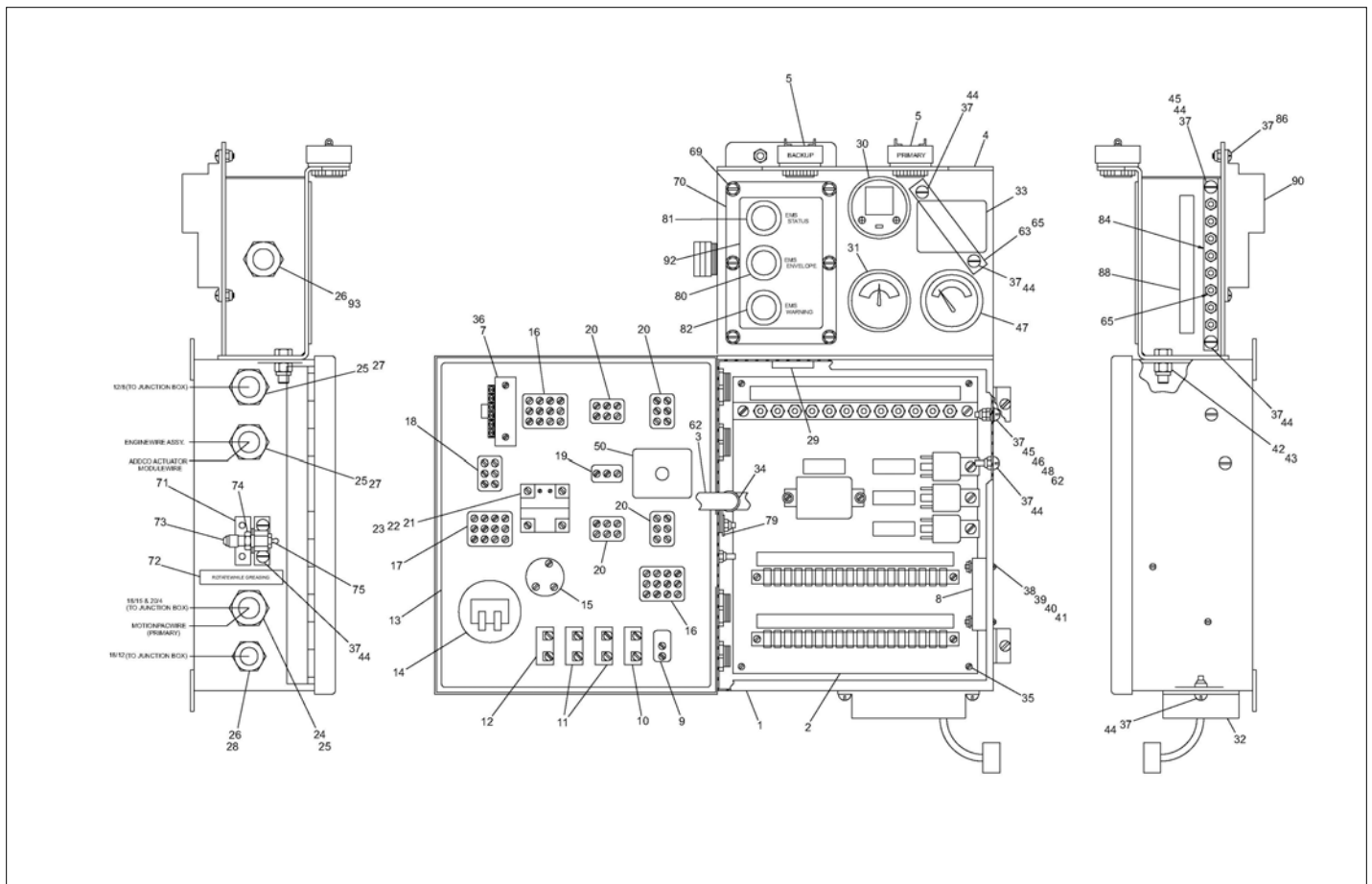
アイテム	部品番号	名前	数量	UOM
	0191893 A	PANEL SUB ASSEMBLY CUMMINS		EA
1	0072950	PANEL DRILLED	1	EA
2	3040469	RELAY SPDT 12V 30AMP SONG	3	EA
3	3040214	RELAY DPDT 12V 10AMP	1	EA
4	3040057	TERMINAL STRIP 18 CIRCUIT	2	EA
5	3044712	TERM STRIP (12) #10 STUD	1	EA
6	5560038	NUT LKG 10 32	12	EA
7	0191232	DECAL SET, WIRING BOX	1	EA
8	974279	SCR RHD 6 32 .750	4	EA
9	974689	SCR RDH MACH 10 24 .75	2	EA
10	0071840	WIRE 16 FEM188I FEM188I 11	1	EA
11	0170335	DIODE WIRE	1	EA
12	974659	SCR RDH MACH 10 24 .500	3	EA
13	987089	WSHR LOCK #10 SPLIT TYPE	5	EA
14	974239	SCR RDH 6 32 .500	2	EA
15	987349	WSHR LOCK 6	6	EA
16	986159	WSHR FLAT 6	2	EA
17	0090975	WIRE 12 R10I FEM250FI 9	1	EA
18	0070712	WIRE 12 R10I R10I 5	1	EA
19	0181030	WIRE 16 FEM188 FEM250FI 15	1	EA
20	0070713	WIRE 18 R10I FEM188I 10	1	EA
21	0090621	WIRE 16 R10I FEM188I 13	1	EA
22	0070711	WIRE 12 R10I R10I 3	2	EA
23	0110468	WIRE 16 FEM188I FEM188I 4	1	EA
24	0073618	WIRE 18 DIODE R10IFEM188I 15	1	EA
25	0071552	WIRE 16 R10I FEM188I 7	1	EA
26	0071555	WIRE 16 R10I FEM250I 6	3	EA
27	0181136	WIRE 12 R10 FEM250FI 5	2	EA

アイテム	部品番号	名前	数量	UOM
28	0151205	WIRE 16 FEM188 FEM250FI 7	2	EA
29	0072418	JUMPER WIRE	1	EA

ELECTRICAL









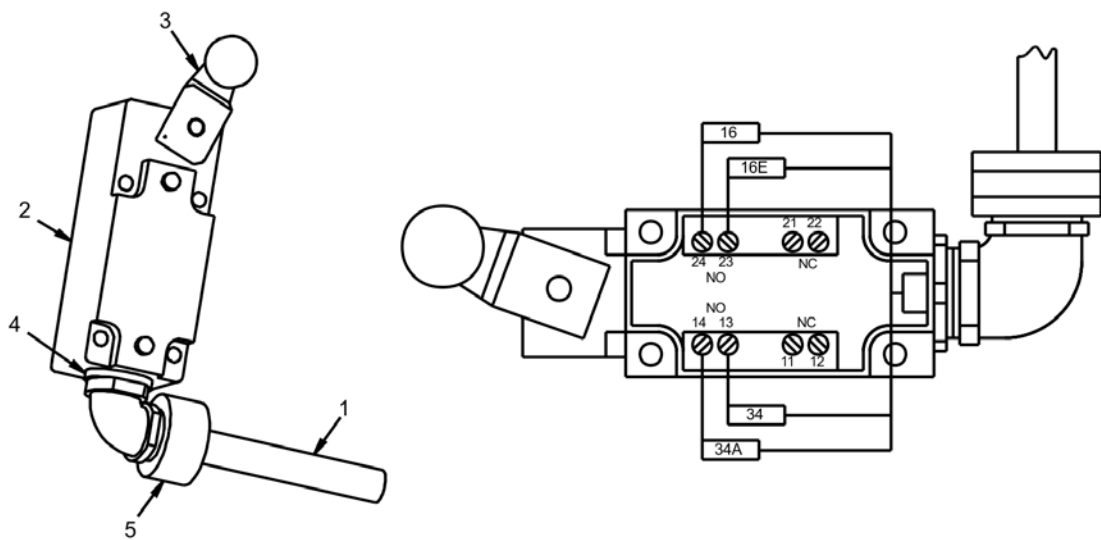
アイテム	部品番号	名前	数量	UOM
	0191871 B	GROUND CONTROL WIRING BOX ASSEMBLY		EA
1	0190931	WIRING BOX DRILLED	1	EA
2	0191893	PANEL SUB ASSEMBLY CU	1	EA
3	0191132	INTERNAL WIRE ASSY WIRING BOX	1	EA
4	0191889	WLDMT INSTRUMENT PANEL	1	EA
5	3030086	SONALERTS	2	EA
6	0191829	EPS WIRE ASSY 100/120/126 CU	1	EA
7	3030087	RESISTOR BRIDGE AND POT	1	EA
8	3220166	CONTROLLER PWM MODULE 120 126	1	EA
9	3020013	Switch, Toggle Honeywell INTI 2	1	EA
10	3040535	CIRCUIT BREAKER 3 AMP	1	EA
11	3040252	Circuit Breaker 15AMP	2	EA
12	3040069	CIRCUIT BREAKER 25AMP	1	EA
13	0191137	PLACARD LOWER CONTROL BOX PRO1	1	EA
14	3070001	HOURMETER	1	EA
15	3020087	KEY SWITCH	1	EA
Not Shown	8030044	REPLACEMENT KEY	1	EA
16	3020048	SWITCH TOGGLE 4PDT ON/ON	2	EA
17	3020107	SW TGL 4PDT(M/ON) SEALED	1	EA
18	3020081	SW TGL DPDT (M/ON) SEALED	1	EA
19	3020016	Switch, Toggle Honeywell INTI 7	1	EA
20	3020018	SWITCH TOGGLE DPDT MOM/OFF/MOM	4	EA
21	3020020	SW EMER STOP PUSH/PULL	1	EA
Not Shown	3040194	REPLACEMENT SWITCH KNOB	1	EA

アイテム	部品番号	名前	数量	UOM
22	3040185	CONTACT BLOCK	2	EA
23	3020108	MODULE EMER STOP SWITCH LIGHT	1	EA
24	3040298	CONN .75 .75 .875	1	EA
25	3040110	NUT LKG HUB .750 SAMEAS 962129	3	EA
26	3040070	NUT LKG HUB .500 APPLETON: P/N BL50 REG 801	2	EA
27	3040295	CONN .75 .625 .75	2	EA
28	3040115	CONN .500 .375 .500	1	EA
29	0070967	CORROSION INHIBITOR STICK BACK	1	EA
30	7630140	FILTER MINDER GAUGE AIR CLNR	1	EA
31	3070003	AMMETER	1	EA
32	3030122	ENG PROTECT MODULE 4 PNT HIGH SETPOINTS A	1	EA
33	0191892	PLACARD ENGINE PROTECTION SYSTEM	1	EA
34	5093008	CLP CUSH 1.06 VINYL COATED	1	EA
35	5560707	SCR PANHD 10 32 .375	4	EA
36	3040348	KNOB RHEOSTAT	1	EA
37	5560034	NUT LKG 10 24	14	EA
38	974289	MACHINE SCREW #6 32 X 1 1/4 INCH LONG ROUND HEAD	2	EA
39	984009	NUT HEX 6 32	2	EA
40	986159	WSHR FLAT 6	2	EA
41	987349	WSHR LOCK 6	2	EA
42	970469	HHD BLT .375 16 X 1.00 GR5	2	EA
43	5560033	.375 16UNC HEX LOCK NUT	2	EA
44	5560648	SCR RDHD 10 24 .750	9	EA
45	5560654	WSHR LOCK #10 SPLIT TYPE	2	EA
46	987089	WSHR LOCK #10 SPLIT TYPE	1	EA

アイテム	部品番号	名前	数量	UOM
47	3070040	GAUGE TEMP 320	1	EA
48	5560673	SCR TRHD 10 24 1.00	1	EA
49	0070747	WIRE 16 R6I R6I 3	5	EA
50	0191287	PLAC BLANK 1.75 X 2.13 BLACK	1	EA
51	0070746	WIRE 16 R6I R6I 9	3	EA
52	0070730	WIRE 16 R6I R6I 5.5	8	EA
53	0070742	WIRE 12 R6I R6I 8 REV K	1	EA
54	0071541	WIRE 12 R6I R10I 14	1	EA
55	0060373	JUMPER SWITCH TERMINAL STRAP	3	EA
56	0240483	WIRE 16 R6I R10I 8	2	EA
57	0181104	WIRE 12 R6 R6 6	3	EA
58	0073295	WIRE 16 R6I FEM250FI 8	1	EA
59	0070735	WIRE 12 R6I R10I 3	1	EA
60	0073254	WIRE 18 R10I R10I 5 DIO SP SEE	1	EA
61	0071589	WIRE 12 R6I R8I 7	1	EA
62	3090020	TUBE FLEXGARD .750 ID	1	EA
63	3044704	TERM STRIP (4) #10 STUD	1	EA
64	3040082	TERM MALE250FI 16/14	1	EA
65	5560038	NUT LKG 10 32	12	EA
66	3044146	TERM R10I 22/18	3	EA
67	3046972	TERM FEM188I 22/18	5	EA
68	0070753	WIRE 16 R6I R6I 12	8	EA
69	5569849	SCR MACH SLFTPG 10 32 .625	6	EA
70	0191136	COVER	1	EA
71	5560135	STAPLE PLATE	1	EA
72	0073492	Decal, rotate while greasing	1	EA
73	5037102	FTG CONN FEM BHD 2N 4S STL	1	EA
74	5074401	FTG LKNT BHD 4 STL	1	EA

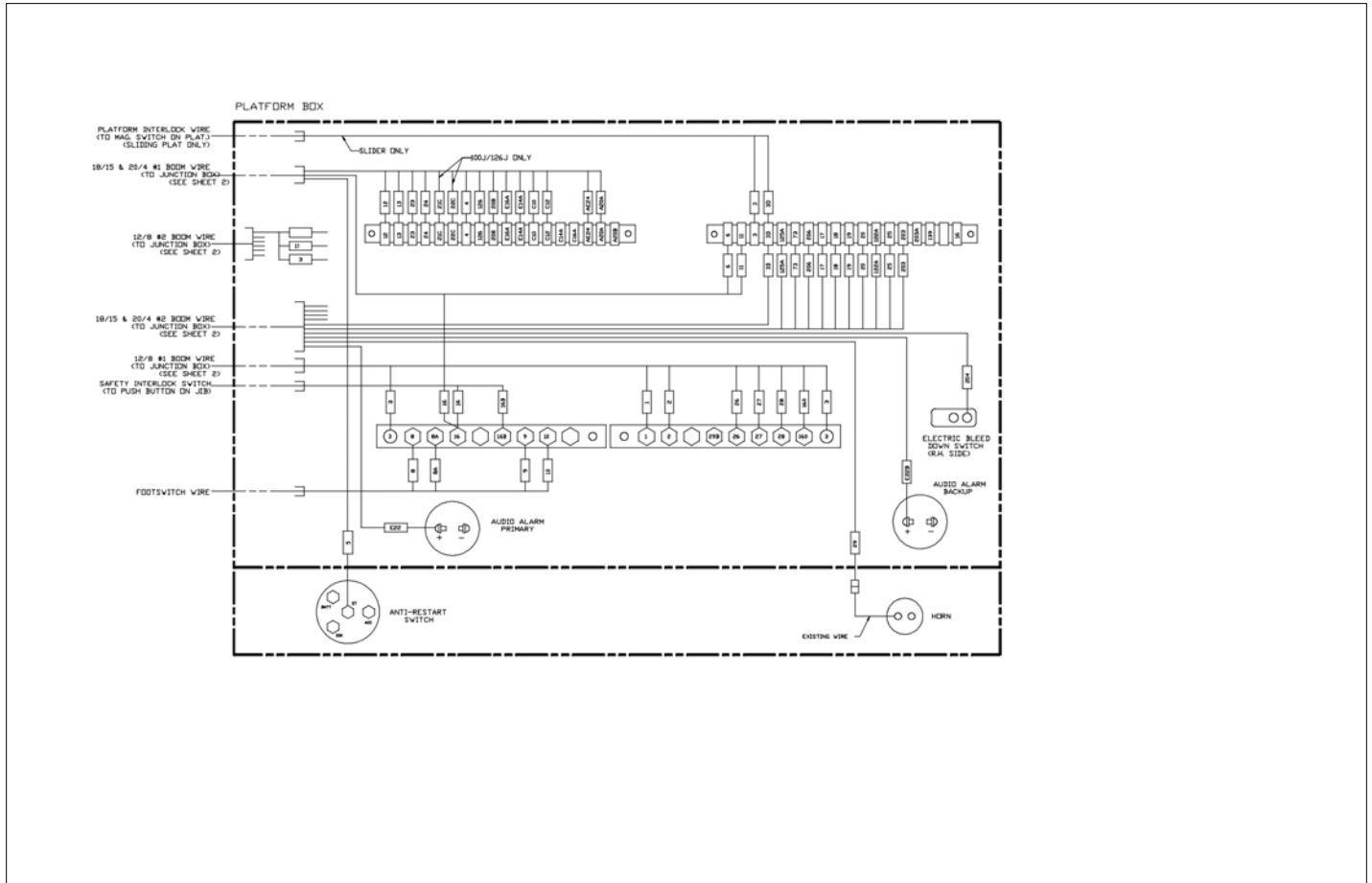
アイテム	部品番号	名前	数量	UOM
75	5570001	GREASE FITTING, 1/8 NPT STRAIGHT	1	EA
76	0070711	WIRE 12 R10I R10I 3	4	EA
77	3040047	TERM FEM250FI 22/18	3	EA
78	0191238	DIODE WIRE ASSEMBLY	1	EA
79	0191417	WIRE 18 SEE DWG	1	EA
80	3060099	EMS WARNING LIGHT ASSY (CLEAR)	1	EA
Not Shown	8010191	NLA LENSE (CLEAR) USE 3060099	1	EA
81	3060100	EMS WARNING LIGHT ASSY (GREEN)	1	EA
Not Shown	8010193	REPLACEMENT LENS, GREEN	1	EA
82	3060097	EMS WARNING LIGHT ASSY (RED)	1	EA
Not Shown	8010192	PILOT LENSE(RED)FOR EMS	1	EA
83	0071564	WIRE 12 R6I R8I 11	3	EA
84	3044708	TERMINAL STRIP, #10 STUD, 8 POST	1	EA
85	0151816	WIRE 16 R10I R10I 7.5	2	EA
86	974659	SCR RDH MACH 10 24 .500	4	EA
87	0191166	WIRE 10 R10 R10 5	1	EA
88	0191232	DECAL SET, WIRING BOX	1	EA
89	3040187	CONN .500 .313 .438	1	EA
90	20082046	ACTUATOR MODULE – INCLUDED WITH ENGINE	1	EA
91	0191174	PLAC EMS/STATUS/ENVELOPE/WRN	1	EA

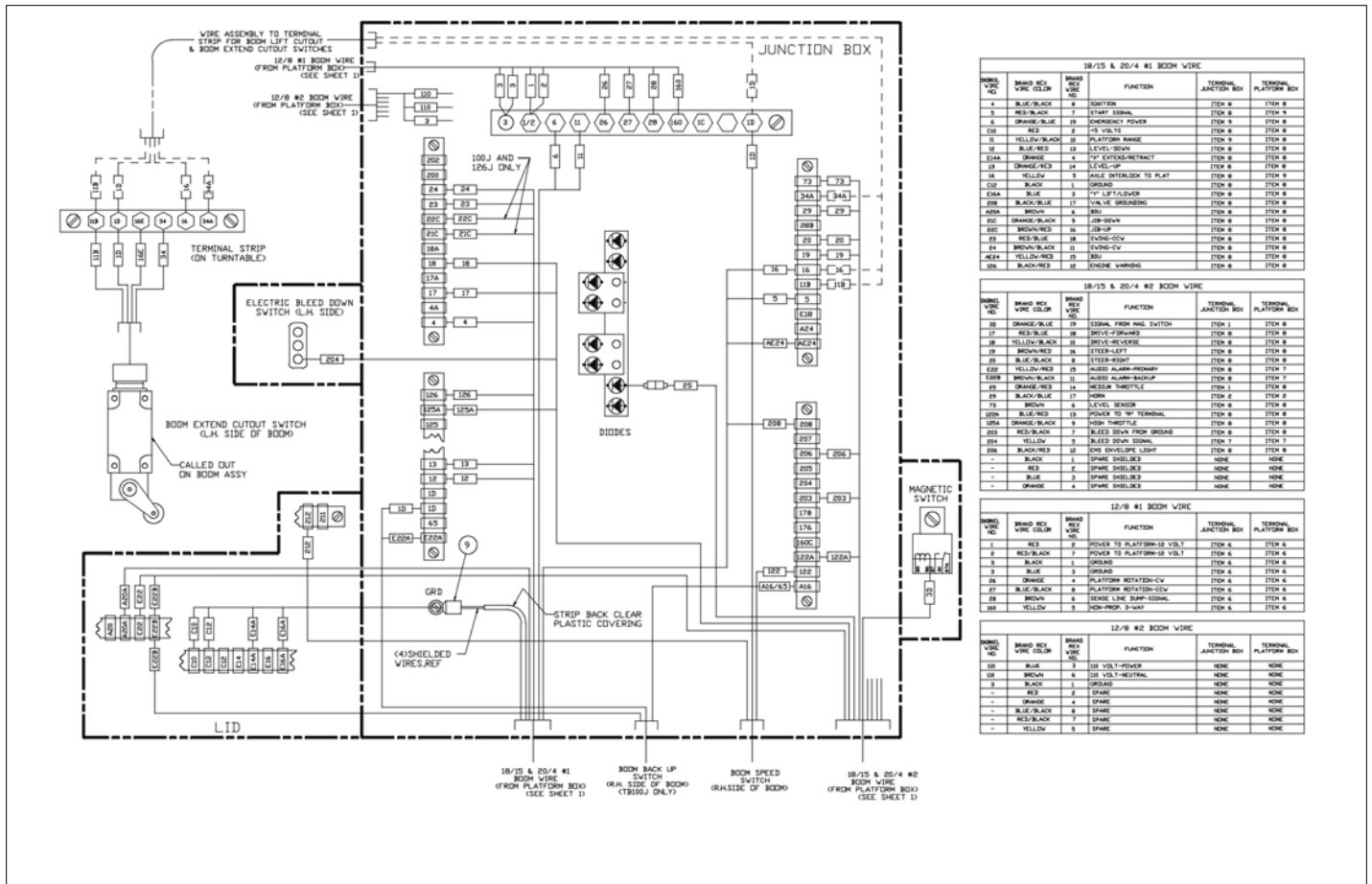
ELECTRICAL



アイテム	部品番号	名前	数量	UOM
	0191789 C	BOOM LIFT SWITCH ASSEMBLY JUNE 2007 AND AFTER		EA
1	0190944	WIRE HARNESS, BOOM LIFT SWITCH	1	EA
2	3020059	SWITCH	1	EA
3	3020072	ROLLER LEVER	1	EA
4	3040070	NUT LKG HUB .500 APPLETON: P/N BL50 REG 801	1	EA
5	3040358	CONN 90 .500 .25 .375	1	EA

ELECTRICAL





18/15 & 20/4 #1 BOOM WIRE					
WIRE NO.	BOOM BOX WIRE COLOR	BOOM BOX WIRE NO.	FUNCTION	TERMINAL JUNCTION BOX	TERMINAL PLATFORM BOX
4	BLK/BLK	8	IGNITION	ITEM 8	ITEM 8
5	RED/BLK	7	START SIGNAL	ITEM 8	ITEM 9
6	ORNG/BLU	19	EMERGENCY POWER	ITEM 9	ITEM 8
10	RED	2	15 VOLT	ITEM 8	ITEM 8
11	YELW/BLK	20	PLATFORM RANGE	ITEM 9	ITEM 8
12	BLU/RED	13	LEVEL-DOWN	ITEM 8	ITEM 8
13A	ORNG	4	14" EXTEND/RETRACT	ITEM 8	ITEM 8
13	ORNG/RED	14	LEVEL-UP	ITEM 8	ITEM 8
14	YELW	5	HAZE DETROCK TO PLAT	ITEM 8	ITEM 8
15	BLK	1	GROUND	ITEM 8	ITEM 8
16	BLU	3	1" LIFT/LOWER	ITEM 8	ITEM 8
17	BLK/BLU	17	VALVE SENSING	ITEM 8	ITEM 8
18	BLU	6	BRU	ITEM 8	ITEM 8
19	ORNG/BLK	9	JOB-DOWN	ITEM 8	ITEM 8
20	BLU/BLK	16	JIB-UP	ITEM 8	ITEM 8
21	RED/BLU	18	SWING-CLW	ITEM 8	ITEM 8
22	BRN/BLK	11	EVING-CLW	ITEM 8	ITEM 8
23	YELW/RED	15	BRU	ITEM 8	ITEM 8
24	BLK/RED	18	ENGINE WARNING	ITEM 8	ITEM 8

18/15 & 20/4 #2 BOOM WIRE					
WIRE NO.	BOOM BOX WIRE COLOR	BOOM BOX WIRE NO.	FUNCTION	TERMINAL JUNCTION BOX	TERMINAL PLATFORM BOX
19	ORNG/BLU	19	STRAIN FROM PMS SWITCH	ITEM 1	ITEM 8
17	RED/BLK	18	DRIVE-UP/DRAG	ITEM 8	ITEM 8
18	YELW/BLK	18	DRIVE-UP/DRAG	ITEM 8	ITEM 8
19	BLU/RED	16	STEER-LEFT	ITEM 8	ITEM 8
20	BLK/BLK	8	STEER-RIGHT	ITEM 8	ITEM 8
21	YELW/RED	25	ALARM-PRIMARY	ITEM 8	ITEM 7
22	BRN/BLK	11	ALARM-BACKUP	ITEM 8	ITEM 7
23	ORNG/RED	14	WHEEL TRACTILE	ITEM 1	ITEM 8
24	BLK/BLU	17	HORN	ITEM 2	ITEM 2
25	BLU	6	LEVEL SENSOR	ITEM 8	ITEM 8
26	BLU/RED	13	POWER TO "B" TERMINAL	ITEM 8	ITEM 8
27	ORNG/BLK	9	HORN TRIGGER	ITEM 8	ITEM 8
28	RED/BLK	7	BLEED DOWN FROM GROUND	ITEM 8	ITEM 8
29	YELW	5	BLEED DOWN SIGNAL	ITEM 7	ITEM 7
30	BLK/RED	10	ONE DEVELOPER LIGHT	ITEM 8	ITEM 8
-	BLK	1	SPARE SHIELD	NONE	NONE
-	RED	2	SPARE SHIELD	NONE	NONE
-	BLU	3	SPARE SHIELD	NONE	NONE
-	ORNG	4	SPARE SHIELD	NONE	NONE

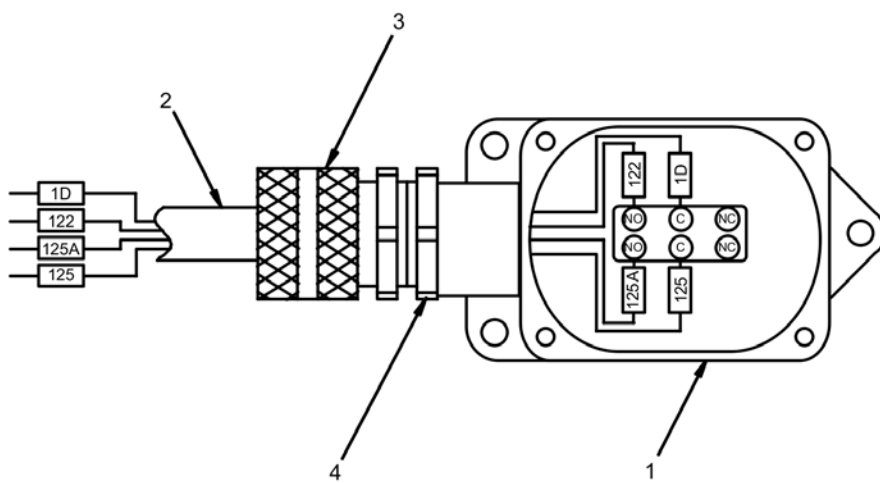
12/8 #1 BOOM WIRE					
WIRE NO.	BOOM BOX WIRE COLOR	BOOM BOX WIRE NO.	FUNCTION	TERMINAL JUNCTION BOX	TERMINAL PLATFORM BOX
1	RED	2	POWER TO PLATFORM-UP VOLT	ITEM 6	ITEM 6
2	RED/BLK	7	POWER TO PLATFORM-UP VOLT	ITEM 6	ITEM 6
3	BLK	1	GROUND	ITEM 6	ITEM 6
4	BLU	3	GROUND	ITEM 6	ITEM 6
5	ORNG	4	PLATFORM RELEASER-CV	ITEM 6	ITEM 6
6	BLK/BLK	8	PLATFORM RELEASER-CV	ITEM 6	ITEM 6
7	BLK/BLK	8	PLATFORM RELEASER-CV	ITEM 6	ITEM 6
8	BLK/BLK	8	PLATFORM RELEASER-CV	ITEM 6	ITEM 6
9	YELW	5	NON-PRGP. 3-WAY	ITEM 6	ITEM 6

12/8 #2 BOOM WIRE					
WIRE NO.	BOOM BOX WIRE COLOR	BOOM BOX WIRE NO.	FUNCTION	TERMINAL JUNCTION BOX	TERMINAL PLATFORM BOX
1	BLU	3	10V VOLT-POWER	NONE	NONE
2	BRN	6	10V VOLT-NEUTRAL	NONE	NONE
3	BLK	1	GROUND	NONE	NONE
-	RED	2	SPARE	NONE	NONE
-	ORNG	4	SPARE	NONE	NONE
-	BLK/BLK	8	SPARE	NONE	NONE
-	RED/BLK	7	SPARE	NONE	NONE
-	YELW	5	SPARE	NONE	NONE



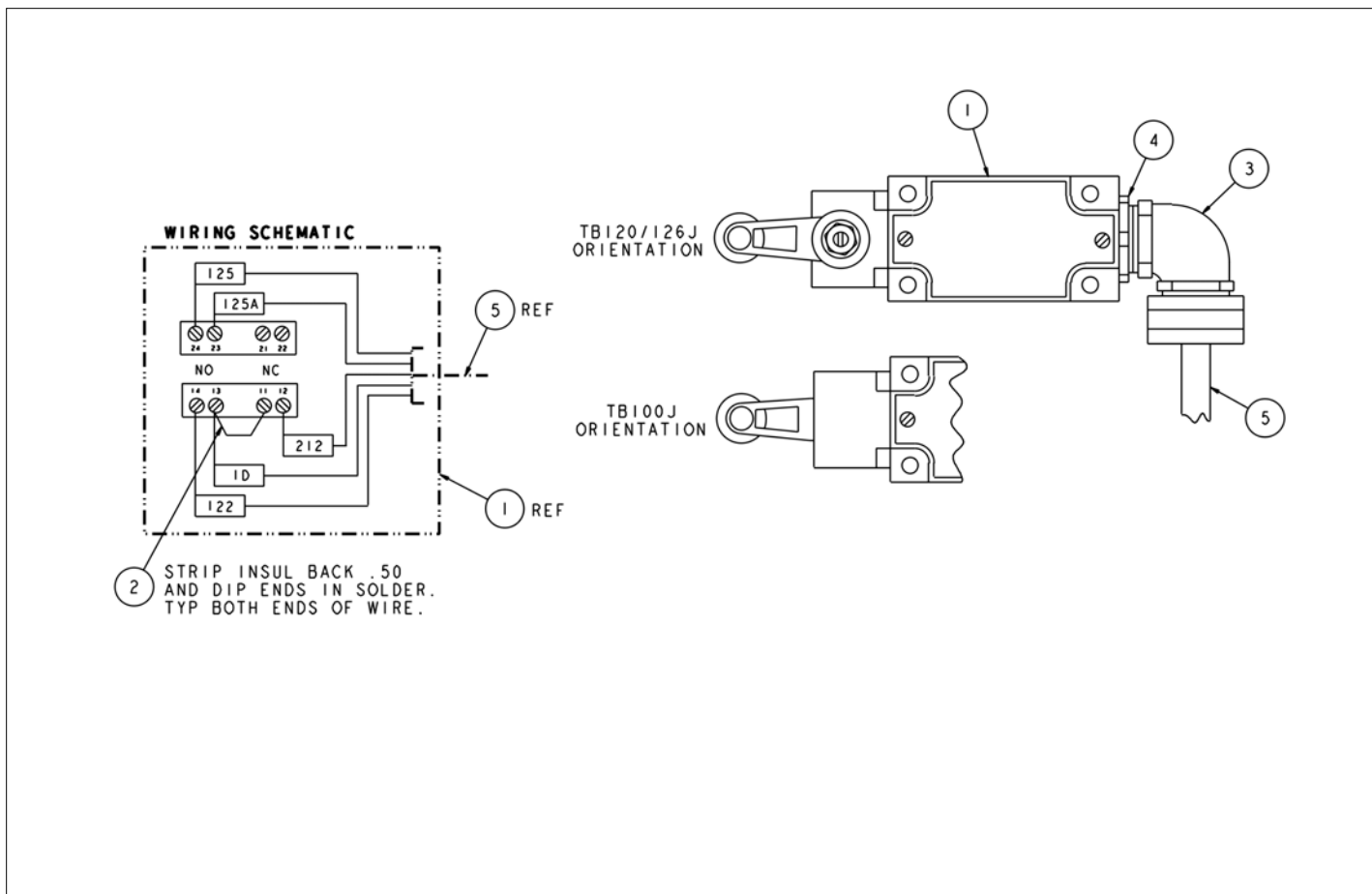
アイテム	部品番号	名前	数量	UOM
	0192015 G	BOOM ELECTRICAL		EA
1	3040047	TERM FEM250FI 22/18	2	EA
2	3040046	TERM MALE250FI 22/18	2	EA
6	3044854	TERM R10I 12/10	16	EA
7	3044142	TERM, .250 TAB 12/10, MALE F.I.	4	EA
8	3046972	TERM FEM188I 22/18	56	EA
9	3044146	TERM R10I 22/18	5	EA

ELECTRICAL



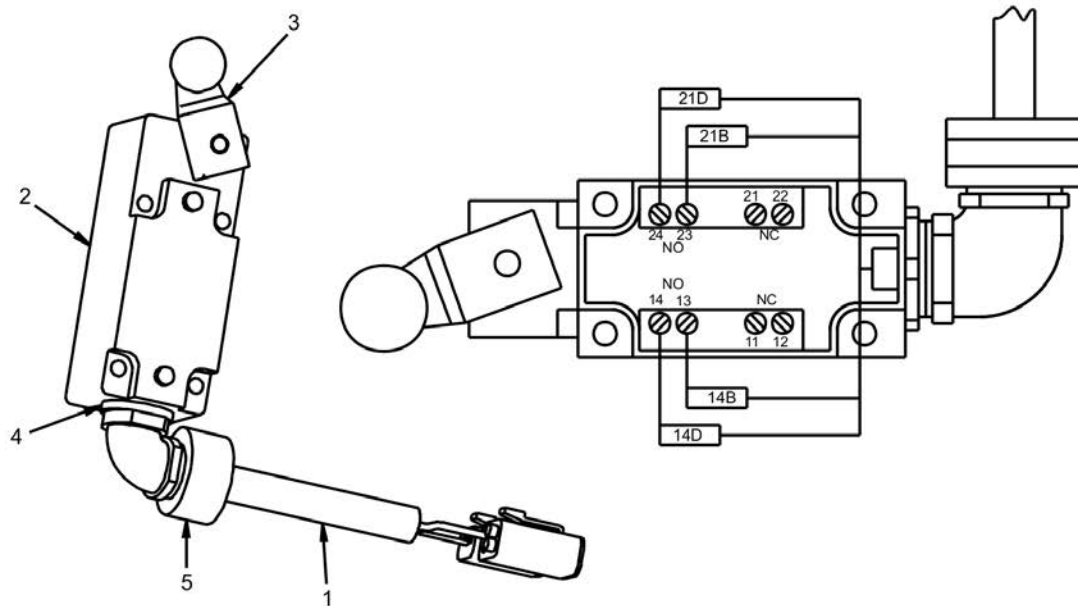
アイテム	部品番号	名前	数量	UOM
	0191003 A	BOOM SPEED SWITCH ASSEMBLY MAY 2007 AND BEFORE		EA
1	3020019	SWITCH ROLLER LEVER	1	EA
2	0191004	WIRE HARNESS, BOOM SPEED SWITCH	1	EA
3	3040187	CONN .500 .313 .438	1	EA
4	3040070	NUT LKG HUB .500 APPLETON: P/N BL50 REG 801	1	EA

ELECTRICAL



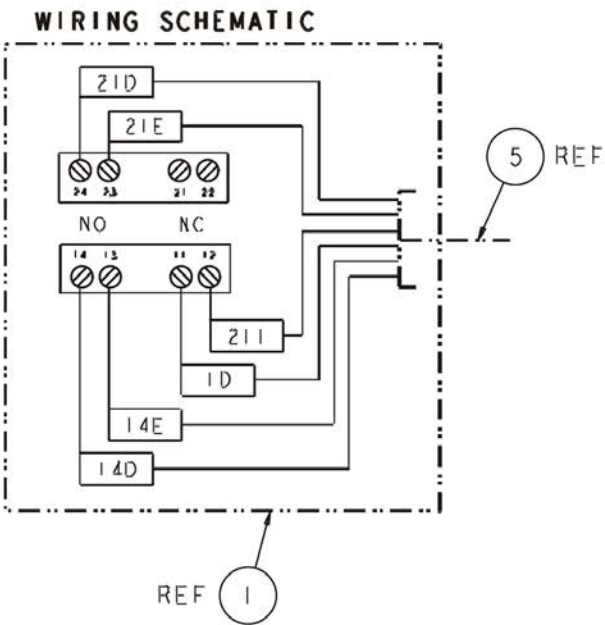
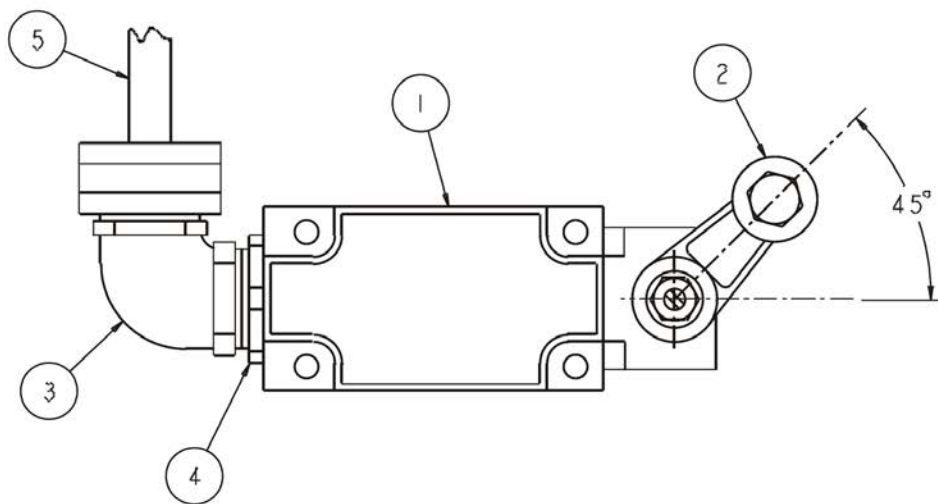
アイテム	部品番号	名前	数量	UOM
	0191410 E	BOOM SPEED SWITCH ASSEMBLY JUNE 2007 AND AFTER		EA
1	3028804	ASSEMBLY, LIMIT SWITCH SR STL WHL	1	EA
2	3011801	WIRE 18GA SINGLE CONDUCTOR WHT	16FT	EA
3	3040711	CONN 90 .500 .375 .500	1	EA
4	3040070	NUT LKG HUB .500 APPLETON: P/N BL50 REG 801	1	EA
5	0191431	WIRE ASSEMBLY BOOM SPEED	1	EA

ELECTRICAL



アイテム	部品番号	名前	数量	UOM
	0191793 D	BOOM CALIBRATION SWITCH APRIL 2008 AND BEFORE		EA
1	0191792	WIRE HARNESS, BOOM SWITCH CALIBRATION SWITCH	1	EA
2	3020059	SWITCH	1	EA
3	3020072	ROLLER LEVER	1	EA
4	3040070	NUT LKG HUB .500 APPLETON: P/N BL50 REG 801	1	EA
5	3040358	CONN 90 .500 .25 .375	1	EA

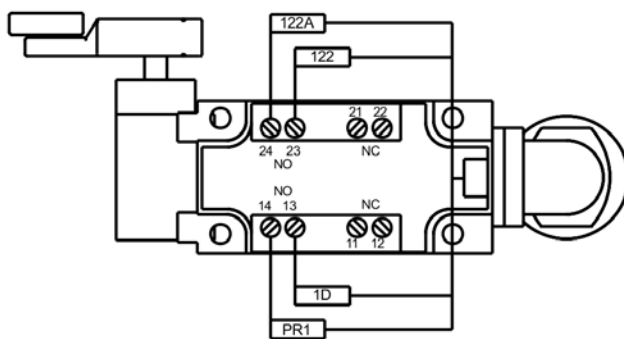
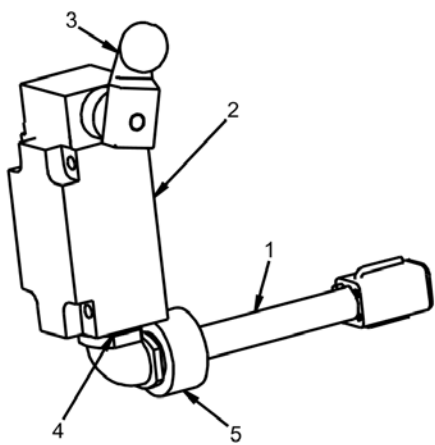
ELECTRICAL





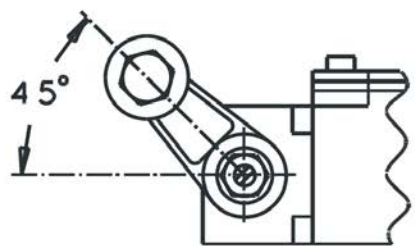
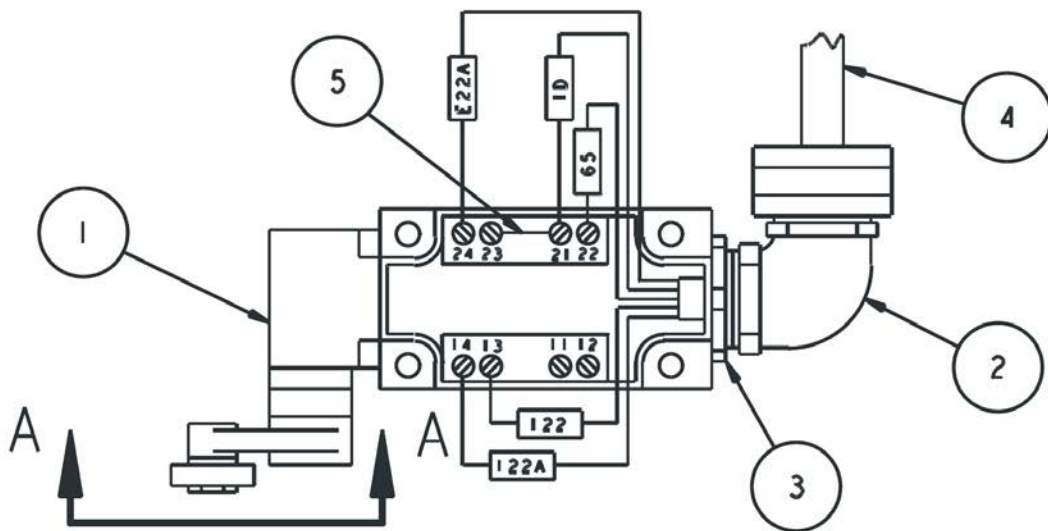
アイテム	部品番号	名前	数量	UOM
	0192037 D	BOOM CALIBRATION SWITCH ASSEMBLY MAY 2008 AND AFTER		EA
*	3028808	ASSY LIMIT SWITCH SR PLC WHL	1	EA
1	3020059	SWITCH	1	EA
2	3020072	ROLLER LEVER	1	EA
3	3040358	CONN 90 .500 .25 .375	1	EA
4	3040070	NUT LKG HUB .500 APPLETON: P/N BL50 REG 801	1	EA
5	0191792	WIRE HARNESS, BOOM SWITCH CALIBRATION SWITCH	1	EA

ELECTRICAL



アイテム	部品番号	名前	数量	UOM
	0191791 B	DRIVE SPEED SWITCH JANUARY 2001 AND AFTER		EA
1	0191790	WIRE HARNESS, DRIVE SPEED SWITCH	1	EA
2	3020059	SWITCH	1	EA
3	3020072	ROLLER LEVER	1	EA
4	3040070	NUT LKG HUB .500 APPLETON: P/N BL50 REG 801	1	EA
5	3040358	CONN 90 .500 .25 .375	1	EA

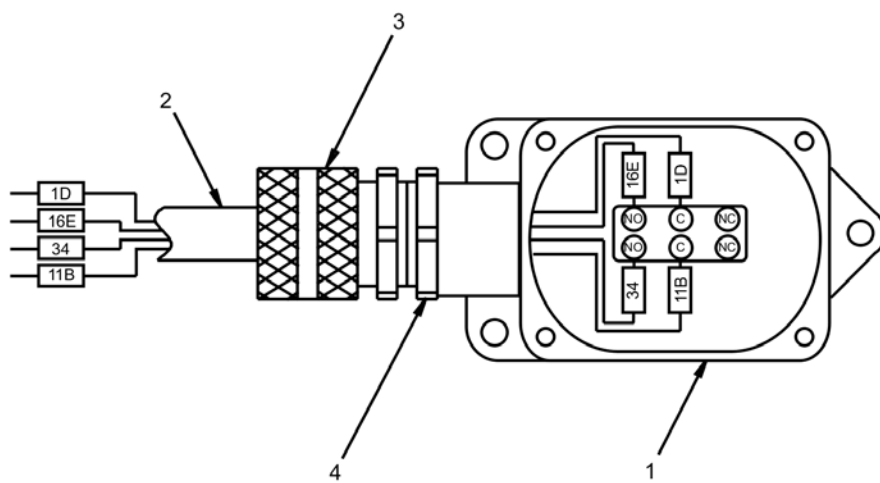
ELECTRICAL



VIEW A-A

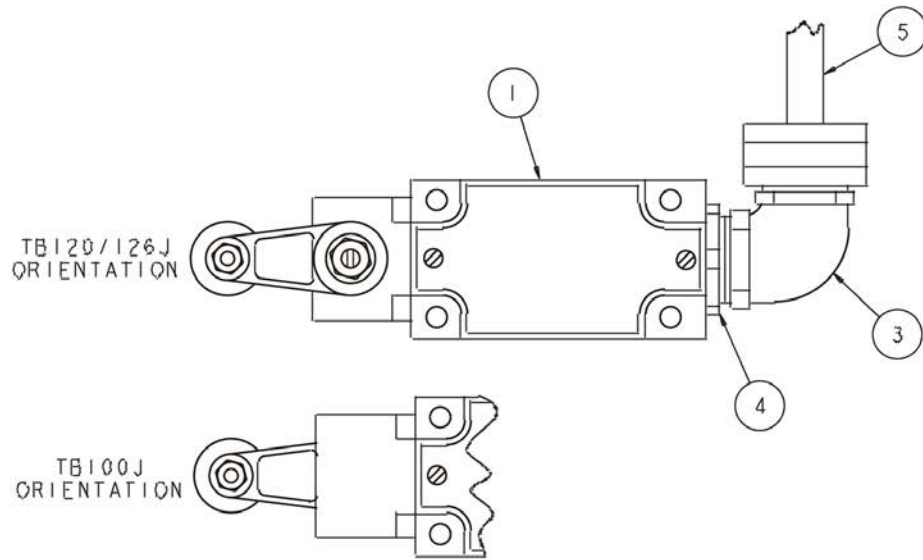
アイテム	部品番号	名前	数量	UOM
	0190986 E	DRIVE SPEED CUTOUT SWITCH SUB ASSEMBLY JUNE 2007 AND AFTER		EA
1	3028808	ASSY LIMIT SWITCH SR PLC WHL	1	EA
2	3040711	CONN 90 .500 .375 .500	1	EA
3	3040070	NUT LKG HUB .500 APPLETON: P/N BL50 REG 801	1	EA
4	0190987	WIRE ASSEMBLY	1	EA
5	3011601	WIRE 16GA SINGLE CONDUCTOR BLK	1	EA

ELECTRICAL

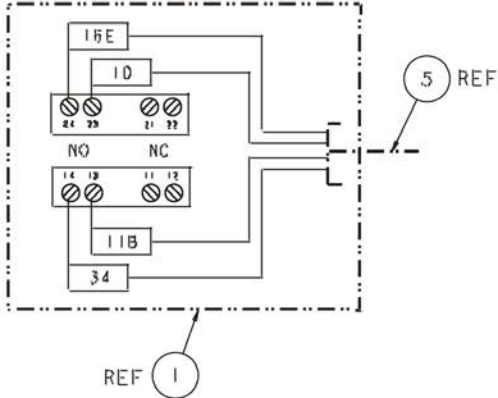


アイテム	部品番号	名前	数量	UOM
	0190813 A	EXTEND CUT OUT SWITCH		EA
1	3020019	SWITCH ROLLER LEVER	1	EA
2	0190814	WIRE HARNESS, EXTEND CUT OUT SWITCH	1	EA
3	3040187	CONN .500 .313 .438	1	EA
4	3040070	NUT LKG HUB .500 APPLETON: P/N BL50 REG 801	1	EA

ELECTRICAL



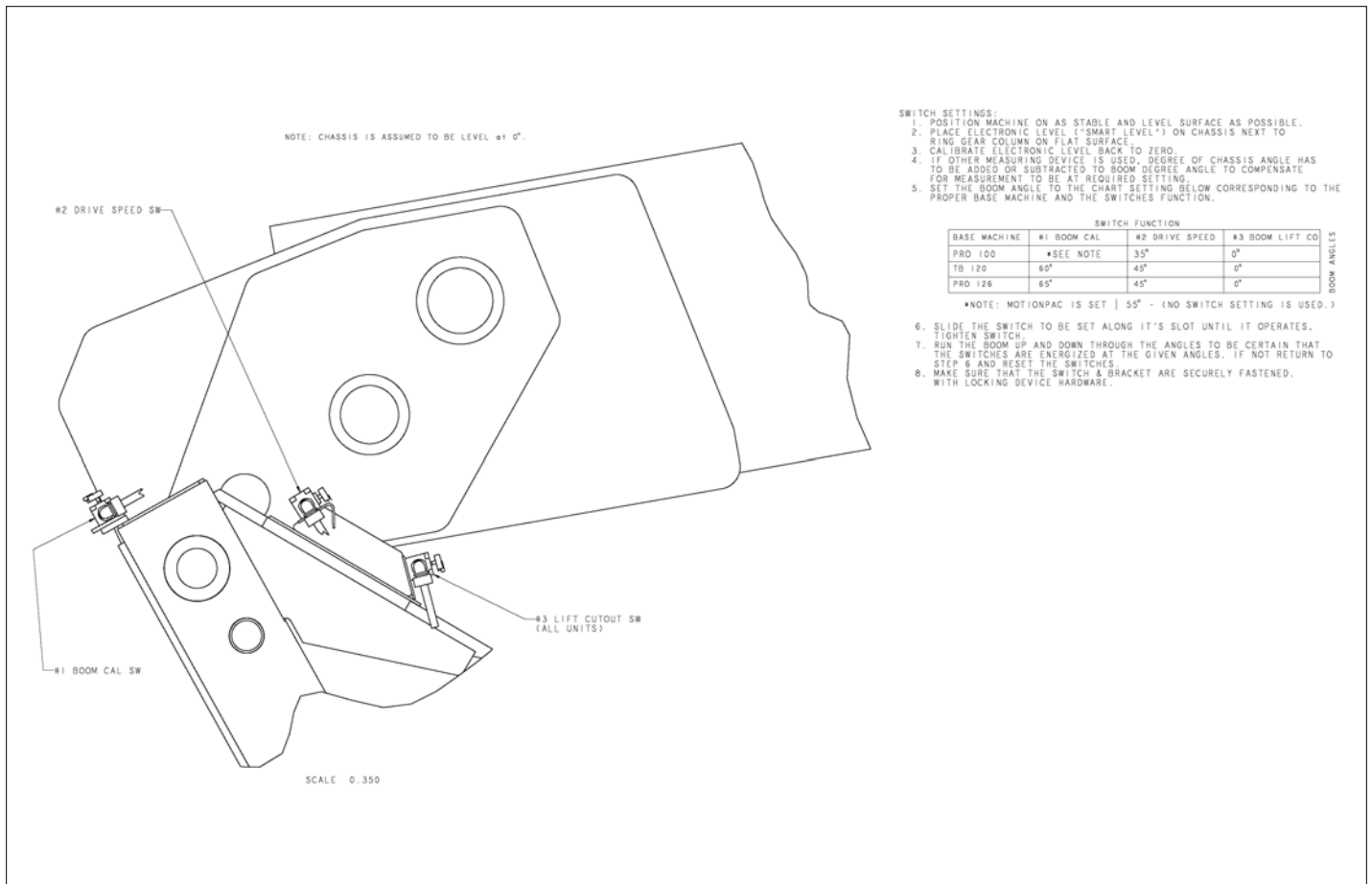
WIRING SCHEMATIC





アイテム	部品番号	名前	数量	UOM
	0191411 C	EXTEND CUTOFF SWITCH ASSEMBLY JUNE 2007 AND AFTER		EA
1	3020059	SWITCH	1	EA
3	3040358	CONN 90 .500 .25 .375	1	EA
4	3040070	NUT LKG HUB .500 APPLETON: P/N BL50 REG 801	1	EA
5	0191430	WIRE ASSEMBLY EXTEND CUT OUT	1	EA

ELECTRICAL



- SWITCH SETTINGS:**
1. POSITION MACHINE ON AS STABLE AND LEVEL SURFACE AS POSSIBLE.
  2. PLACE ELECTRONIC LEVEL ("SMART LEVEL") ON CHASSIS NEXT TO RING GEAR COLUMN ON FLAT SURFACE.
  3. CALIBRATE ELECTRONIC LEVEL BACK TO ZERO.
  4. IF OTHER MEASURING DEVICE IS USED, DEGREE OF CHASSIS ANGLE HAS TO BE ADDED OR SUBTRACTED TO BOOM DEGREE ANGLE TO COMPENSATE FOR MEASUREMENT TO BE AT REQUIRED SETTING.
  5. SET THE BOOM ANGLE TO THE CHART SETTING BELOW CORRESPONDING TO THE PROPER BASE MACHINE AND THE SWITCHES FUNCTION.

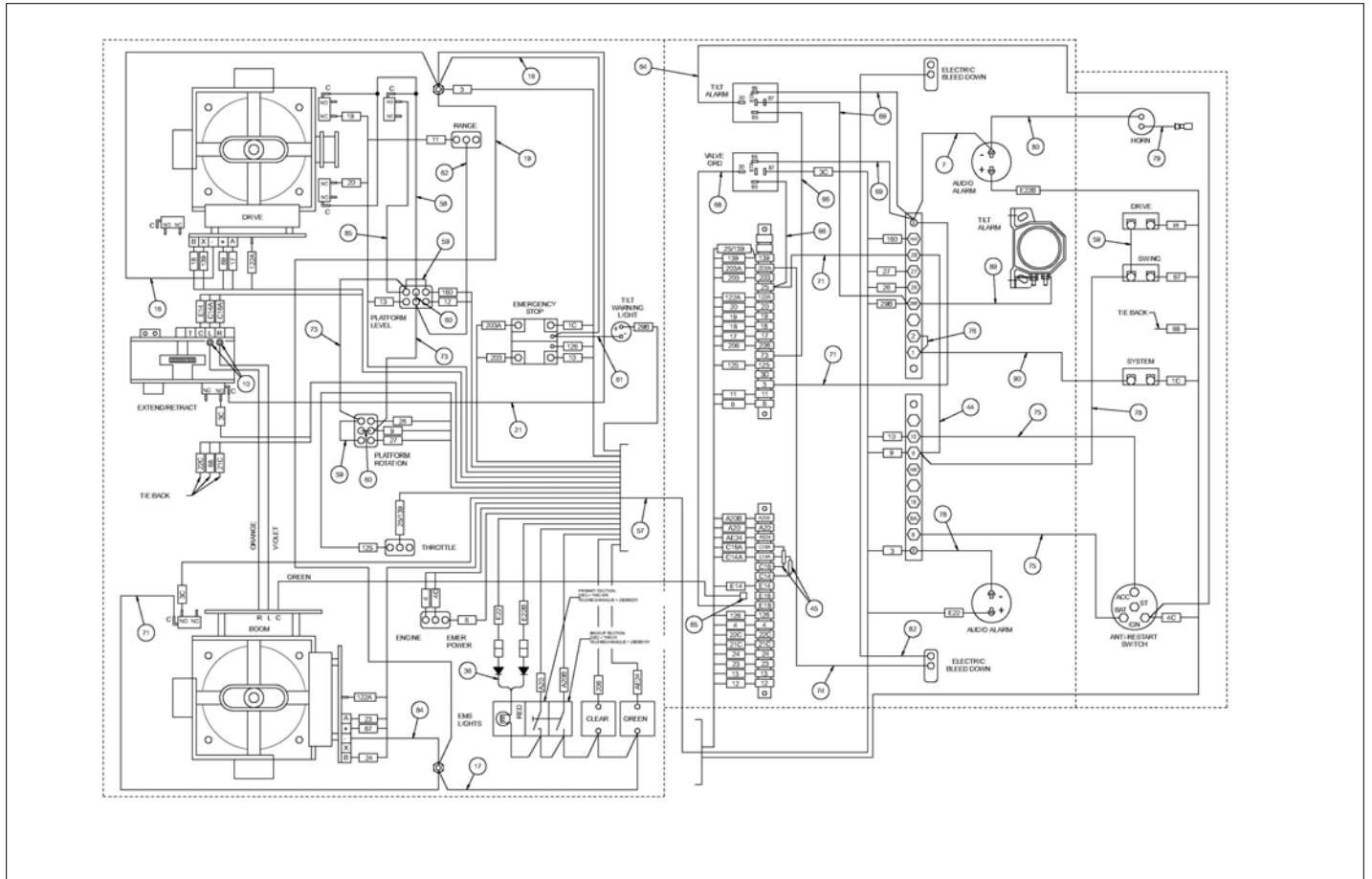
BASE MACHINE	SWITCH FUNCTION			BOOM ANGLES
	#1 BOOM CAL	#2 DRIVE SPEED	#3 BOOM LIFT CO	
PRO 100	*SEE NOTE	35°	0°	
TB 120		45°	0°	
PRO 126		45°	0°	

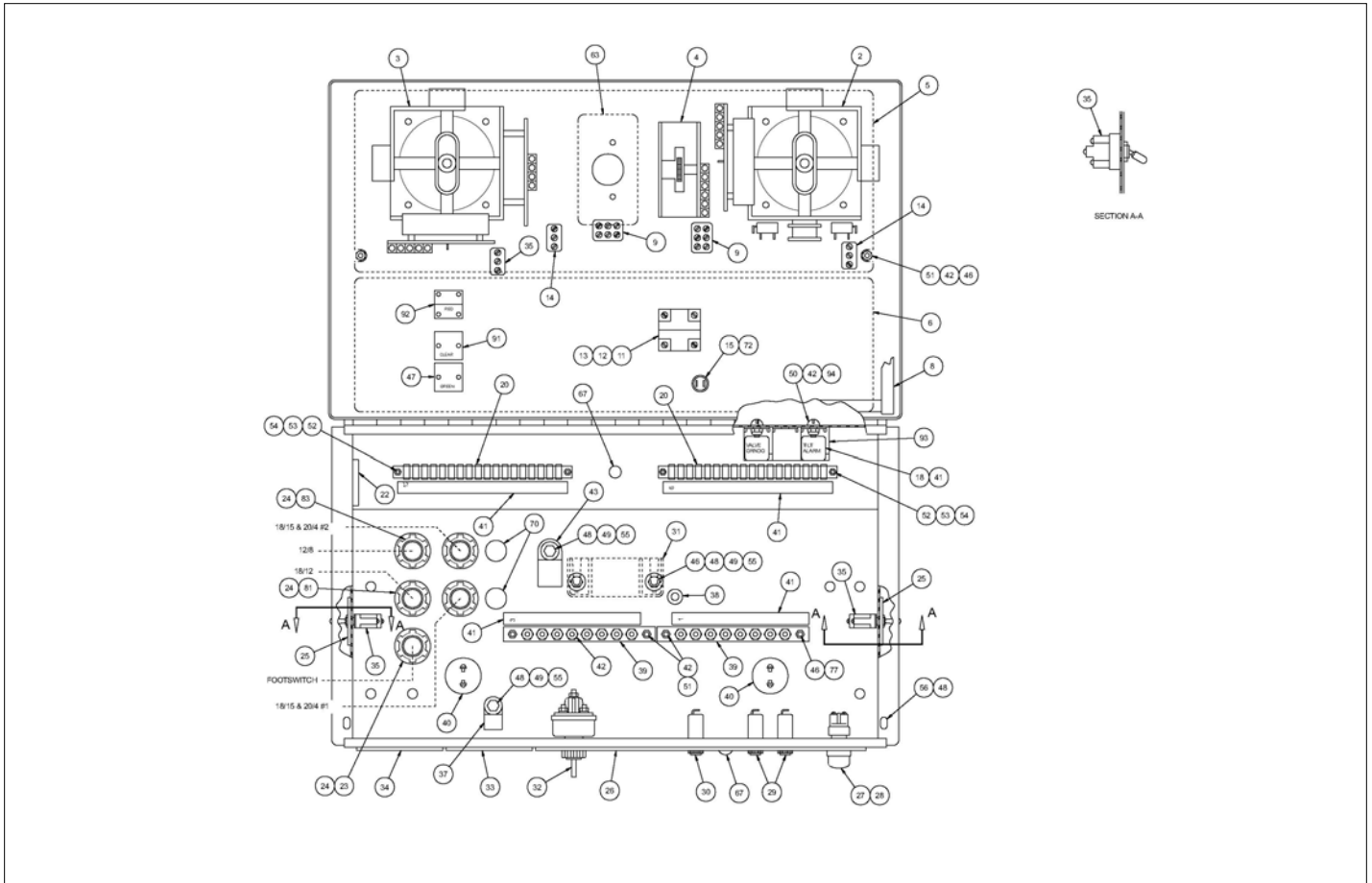
\*NOTE: MOTIONPAC IS SET | 55° - (NO SWITCH SETTING IS USED.)

6. SLIDE THE SWITCH TO BE SET ALONG IT'S SLOT UNTIL IT OPERATES. TIGHTEN SWITCH.
7. RUN THE BOOM UP AND DOWN THROUGH THE ANGLES TO BE CERTAIN THAT THE SWITCHES ARE ENERGIZED AT THE GIVEN ANGLES. IF NOT RETURN TO STEP 6 AND RESET THE SWITCHES.
8. MAKE SURE THAT THE SWITCH & BRACKET ARE SECURELY FASTENED. WITH LOCKING DEVICE HARDWARE.

アイテム	部品番号	名前	数量	UOM
	A19037B A	BOOM LIMIT SWITCH SETING PROCEDURE		EA

ELECTRICAL





アイテム	部品番号	名前	数量	UOM
	0191281 I	PLATFORM CONTROL BOX ASSEMBLY, AUGUST 2008 AND BEFORE		EA
1	0191147	WLDMT PLATF CONT BOX	1	EA
2	3040492	CONTROLLER 33HZ DRIVE/STEER	1	EA
3	3040568	CONTROLLER LIFT/SWING	1	EA
4	3040526	CONTROLLER EXTEND RETRACT	1	EA
5	0191138	PLAC PLATF CONT BOX TOP	1	EA
6	0191139	PLAC EMS OPN/LIGHTS	1	EA
7	0073781	WIRE 16 R10I R6I 6	1	EA
8	7190001	GASKET WEATHERPROOF 6.00LG 1/8 in X 1/2 in (50 FT LG ROLLS)	1	EA
9	3020018	SWITCH TOGGLE DPDT MOM/OFF/MOM	2	EA
10	3044142	TERM, .250 TAB 12/10, MALE F.I.	2	EA
11	3020020	SW EMER STOP PUSH/PULL	1	EA
Not Shown	3040194	REPLACEMENT SWITCH KNOB	1	EA
12	3020108	MODULE EMER STOP SWITCH LIGHT	1	EA
13	3040185	CONTACT BLOCK	1	EA
14	3020013	Switch, Toggle Honeywell INTI 2	2	EA
15	3060069	LIGHT INDICATING 12V RED	1	EA
16	0151910	WIRE 16 R6 R10 14	2	EA
17	0191417	WIRE 18 SEE DWG	1	EA
18	562326	Relay	2	EA
19	0191156	WIRE 12 R10 R10 24	1	EA
20	3040057	TERMINAL STRIP 18 CIRCUIT	2	EA
21	0090621	WIRE 16 R10I FEM188I 13	1	EA

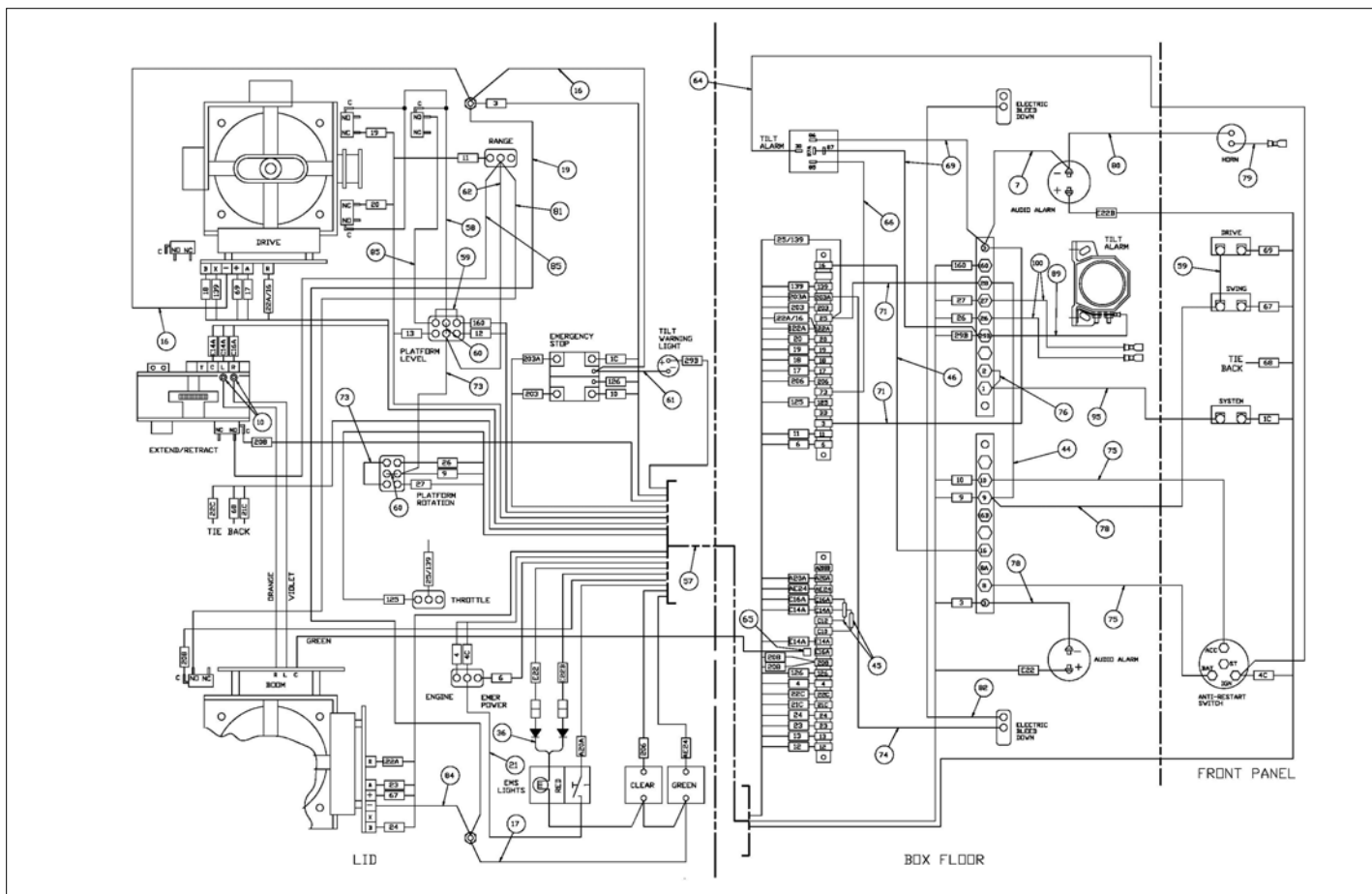
アイテム	部品番号	名前	数量	UOM
22	0070967	CORROSION INHIBITOR STICK BACK	1	EA
23	3040295	CONN .75 .625 .75	1	EA
24	3040110	NUT LKG HUB .750 SAMEAS 962129	5	EA
25	0190992	DECAL EMER BLEED DOWN	2	EA
26	0191150	PLAC PLATF CONTO BOX FRONT	1	EA
27	3026027	SW PUSH BUTTON	1	EA
28	7140092	SEAL KIT 600 0002 5/8	1	EA
29	3040535	CIRCUIT BREAKER 3 AMP	2	EA
30	3040068	CIRCUIT BREAKER 20 AMP	1	EA
31	480652	ALARM97DBA DUAL TONE 12/24V	1	EA
32	3020090	SW ANTI RESTART IGNITION	1	EA
33	0323899	Decal, danger electrical hazar	1	EA
34	0190994	DECAL, ELEC EMER BLEED DOWN	1	EA
35	3020080	TOGGLE SWITCH	3	EA
36	0191238	DIODE WIRE ASSEMBLY	1	EA
37	5093004	CLP CUSH .750 VINYL COATED	1	EA
38	5569711	GROMMET .438ID .688DIAx.125GRV	1	EA
39	3044708	TERMINAL STRIP, #10 STUD, 8 POST	2	EA
40	3030086	SONALERTS	2	EA
41	0191152	DECAL SET PLATF BOX	1	EA
42	5560034	NUT LKG 10 24	28	EA
43	5093009	CLP CUSH 1.13 VINYL COATED	1	EA
44	0070732	WIRE 12 R10I R10I 10	1	EA
45	0191022	RESISTOR WIRE ASSY	2	EA
46	5560341	WSHR STAR .250 EXTERNAL TOOTH	10	EA

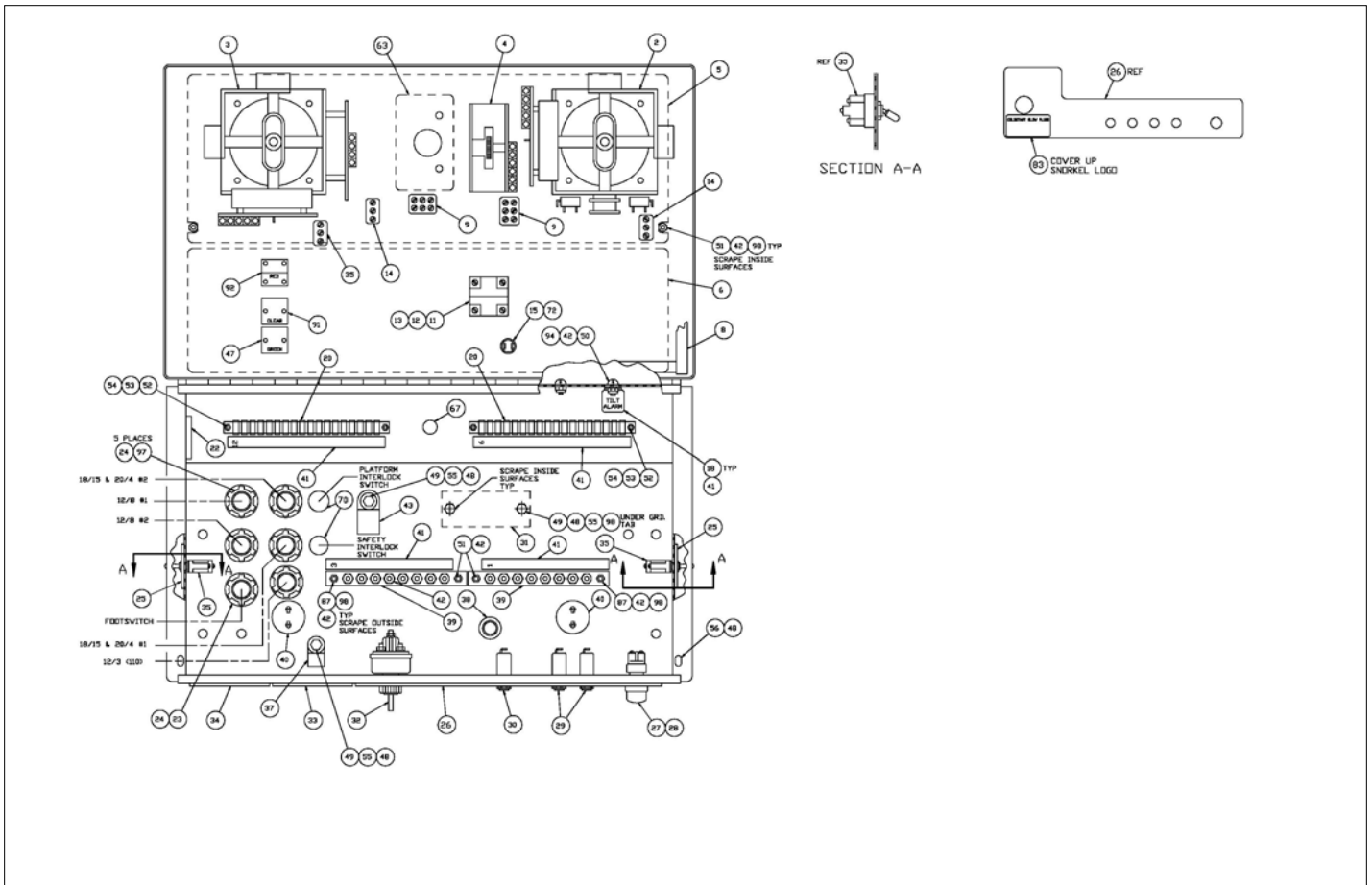
アイテム	部品番号	名前	数量	UOM
47	3060100	EMS WARNING LIGHT ASSY (GREEN)	1	EA
Not Shown	8010193	REPLACEMENT LENS, GREEN	1	EA
48	5560004	NUT LKG .250 20	6	EA
49	970029	BLT .25 20 .750	4	EA
50	5560716	SCR TRHD #10 24 X .75 PLTD	2	EA
51	974689	SCR RDH MACH 10 24 .75	4	EA
52	974279	SCR RHD 6 32 .750	4	EA
53	987349	WSHR LOCK 6	4	EA
54	984009	NUT HEX 6 32	4	EA
55	986019	WSHR FLAT .250	4	EA
56	970049	BLT HEXHD .250 20 1.00 GR5 GRADE 5 PLT SAME AS 970189	2	EA
57	0191151	INTERNAL WIRE ASSY PLATF BOX	1	EA
58	0181074	WIRE 16 SPECIAL (SEE DWG)	1	EA
59	0070747	WIRE 16 R6I R6I 3	3	EA
60	0060373	JUMPER SWITCH TERMINAL STRAP	2	EA
61	0070730	WIRE 16 R6I R6I 5.5	1	EA
62	0070746	WIRE 16 R6I R6I 9	1	EA
63	0191288	PLAC BLANK 2.50 X 4.63 BLACK	1	EA
64	0152126	WIRE 16 R10 FEM250 24	1	EA
65	3046972	TERM FEM188I 22/18	1	EA
66	0191154	WIRE 16 FEM188 FEM250 12	2	EA
67	3040015	HOLE PLUG .50	2	EA
68	0191155	WIRE 16 FEM188 FEM250 17	1	EA
69	0152123	WIRE 16 R10 FEM250 17	3	EA
70	3040301	PLUG HOLE .875	2	EA
71	0070713	WIRE 18 R10I FEM188I 10	3	EA
72	3061815	LIGHT BULB	1	EA



アイテム	部品番号	名前	数量	UOM
73	0181104	WIRE 12 R6 R6 6	2	EA
74	0073542	WIRE 16 R6 FEM188I 24	1	EA
75	0070712	WIRE 12 R10I R10I 5	2	EA
76	0070711	WIRE 12 R10I R10I 3	1	EA
77	974729	SCR RDH MACH 10 24 1.25	2	EA
78	0240483	WIRE 16 R6I R10I 8	2	EA
79	0091202	WIRE 16 R8I FEM250FI 10	1	EA
80	0071590	WIRE 18 R6I R10I 7	1	EA
81	3040285	CONN .75 .375 .500	1	EA
82	0071558	WIRE 16 R6I R6I 30	1	EA
83	3040116	CONN .75 .500 .625	3	EA
84	0170519	WIRE 16 R10I R6I 8	1	EA
85	0071517	SWITCH	1	EA
86	974679	SCR RDH MACH 10 24 .625	4	EA
87	987089	WSHR LOCK #10 SPLIT TYPE	4	EA
88	984049	NUT HEX 10 24	4	EA
89	0151815	WIRE 16 R10I R10I 12	1	EA
90	0150530	WIRE 12 R6I R10I 5	1	EA
91	3060099	EMS WARNING LIGHT ASSY (CLEAR)	1	EA
Not Shown	8010191	NLA LENSE (CLEAR) USE 3060099	1	EA
92	3060097	EMS WARNING LIGHT ASSY (RED)	1	EA
Not Shown	8010192	PILOT LENSE(RED)FOR EMS	1	EA
93	584486	RELAY SOCKET BRACKET MOUNT	3	EA
94	986009	WSHR FLAT 10	2	EA

ELECTRICAL





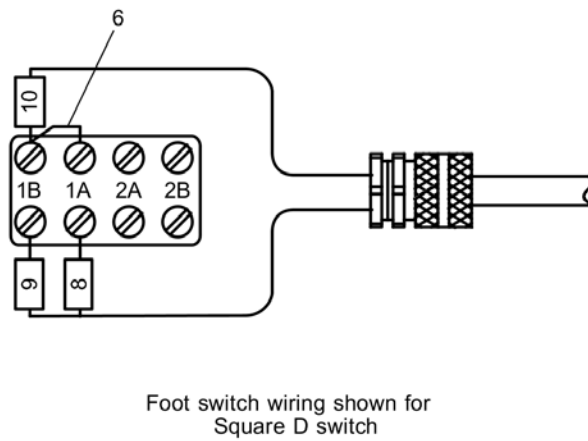
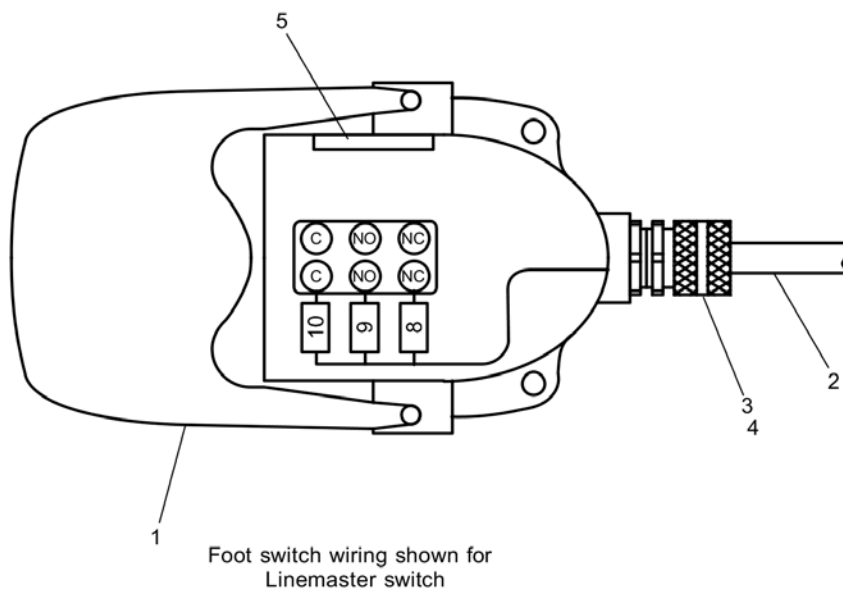
アイテム	部品番号	名前	数量	UOM
	0192005 G	PLATFORM BOX ASSEMBLY, SEPTEMBER 2008 AND AFTER		EA
1	0191147	WLDMT PLATF CONT BOX	1	EA
2	3040492	CONTROLLER 33HZ DRIVE/STEER	1	EA
3	3040568	CONTROLLER LIFT/SWING	1	EA
4	3040526	CONTROLLER EXTEND RETRACT	1	EA
5	0191138	PLAC PLATF CONT BOX TOP	1	EA
6	0192119	PLAC EMS PLAT OPER	1	EA
7	0073781	WIRE 16 R10I R6I 6	1	EA
8	7190001	GASKET WEATHERPROOF 6.00LG 1/8 in X 1/2 in (50 FT LG ROLLS)	78"	EA
9	3020018	SWITCH TOGGLE DPDT MOM/OFF/MOM	2	EA
10	3044142	TERM, .250 TAB 12/10, MALE F.I.	2	EA
11	3020020	SW EMER STOP PUSH/PULL	1	EA
12	3020108	MODULE EMER STOP SWITCH LIGHT	1	EA
13	3040185	CONTACT BLOCK	1	EA
14	3020013	Switch, Toggle Honeywell INTI 2	2	EA
15	3060069	LIGHT INDICATING 12V RED	1	EA
16	0151910	WIRE 16 R6 R10 14	2	EA
17	0192008	WIRE 18 SEE DWG	1	EA
18	3040469	RELAY SPDT 12V 30AMP SONG	1	EA
19	0191156	WIRE 12 R10 R10 24	1	EA
20	3040057	TERMINAL STRIP 18 CIRCUIT	2	EA
21	560757	CONTROLLER OEM PROP PROP	1	EA
22	0070967	CORROSION INHIBITOR STICK BACK	1	EA
23	3040295	CONN .75 .625 .75	1	EA

アイテム	部品番号	名前	数量	UOM
24	3040110	NUT LKG HUB .750 SAMEAS 962129	5	EA
25	0190992	DECAL EMER BLEED DOWN	2	EA
26	0191150	PLAC PLATF CONTO BOX FRONT	1	EA
27	3026027	SW PUSH BUTTON	1	EA
28	7140092	SEAL KIT 600 0002 5/8	1	EA
29	3040535	CIRCUIT BREAKER 3 AMP	2	EA
30	3040068	CIRCUIT BREAKER 20 AMP	1	EA
31	480652	ALARM97DBA DUAL TONE 12/24V	1	EA
32	3020090	SW ANTI RESTART IGNITION	1	EA
33	0323899	Decal, danger electrical hazar	1	EA
34	0190994	DECAL, ELEC EMER BLEED DOWN	1	EA
35	3020080	TOGGLE SWITCH	3	EA
36	0191238	DIODE WIRE ASSEMBLY	1	EA
37	5093004	CLP CUSH .750 VINYL COATED	1	EA
38	5569711	GROMMET .438ID .688DIA X.125GRV	1	EA
39	3044708	TERMINAL STRIP, #10 STUD, 8 POST	2	EA
40	3030086	SONALERTS	2	EA
41	0192007	DECAL SET PLAT BOX TB100J/120/126J	1	EA
42	PNNA	NUT #10 24 ESNA	28	EA
43	5093010	CLP CUSH 1.50 VINYL COATED	1	EA
44	0070732	WIRE 12 R10I R10I 10	1	EA
45	0192095	RESISTOR WIRE ASSY 510 OHM	2	EA
46	0073728	WIRE 16 R10 FEM188I 18	1	EA
47	3060100	EMS WARNING LIGHT ASSY (GREEN)	1	EA
48	PNNA	NUT 1/4 20 ESNA	6	EA

アイテム	部品番号	名前	数量	UOM
49	PNNA	CAPSCREW 1/4 20 X 3/4" LG HH GR5	4	EA
50	PNNA	MACHINE SCREW #10 24 X 3/8" LG TR HD	2	EA
51	PNNA	MACHINE SCREW #10 24 X 3/4" LG RD HD	4	EA
52	PNNA	MACHINE SCREW #6 32 X 3/4" LG RD HD	4	EA
53	PNNA	LOCKWASHER #6 MED	4	EA
54	PNNA	NUT #6 32 HEX	4	EA
55	PNNA	FLATWASHER 1/4"	4	EA
56	PNNA	CAPSCREW 1/4 20 X 1" LG HH GR5	2	EA
57	0192006	INTERNAL WIRE ASSY PLAT BOX	1	EA
58	0181074	WIRE 16 SPECIAL (SEE DWG)	1	EA
59	0070747	WIRE 16 R6I R6I 3	2	EA
60	0060373	JUMPER SWITCH TERMINAL STRAP	2	EA
61	0070730	WIRE 16 R6I R6I 5.5	1	EA
62	0070746	WIRE 16 R6I R6I 9	1	EA
63	0191288	PLAC BLANK 2.50 X 4.63 BLACK	1	EA
64	0152126	WIRE 16 R10 FEM250 24	1	EA
65	3046972	TERM FEM188I 22/18	1	EA
66	0191154	WIRE 16 FEM188 FEM250 12	1	EA
67	3040015	HOLE PLUG .50	1	EA
69	0152123	WIRE 16 R10 FEM250 17	2	EA
70	3040301	PLUG HOLE .875	2	EA
71	0070713	WIRE 18 R10I FEM188I 10	2	EA
72	3061815	LIGHT BULB	1	EA
73	0181104	WIRE 12 R6 R6 6	2	EA
74	0073542	WIRE 16 R6 FEM188I 24	1	EA
75	0070712	WIRE 12 R10I R10I 5	2	EA

アイテム	部品番号	名前	数量	UOM
76	0070711	WIRE 12 R10I R10I 3	1	EA
78	0240483	WIRE 16 R6I R10I 8	2	EA
79	0091202	WIRE 16 R8I FEM250FI 10	1	EA
80	0071590	WIRE 18 R6I R10I 7	1	EA
81	0071538	WIRE 18 R6I FEM188I 22	1	EA
82	0071558	WIRE 16 R6I R6I 30	1	EA
83	0084213	PLAC COLDSTART GLOW PLUGS (PLATFORM)	1	EA
84	0170519	WIRE 16 R10I R6I 8	1	EA
85	0071517	SWITCH	2	EA
87	PNNA	CAPSCREW #10 24 X 1 1/4 LG RD HD	2	EA
89	0151815	WIRE 16 R10I R10I 12	1	EA
91	3060099	EMS WARNING LIGHT ASSY (CLEAR)	1	EA
92	3069526	EMS WARNING LIGHT ASSY (RED)	1	EA
94	PNNA	FLATWASHER #10	2	EA
95	0150530	WIRE 12 R6I R10I 5	1	EA
97	3040116	CONN .75 .500 .625	4	EA
98	PNNA	FLATWASHER #10	2	EA
100	0181031	WIRE 12 R10 FEM250FI 11	2	EA

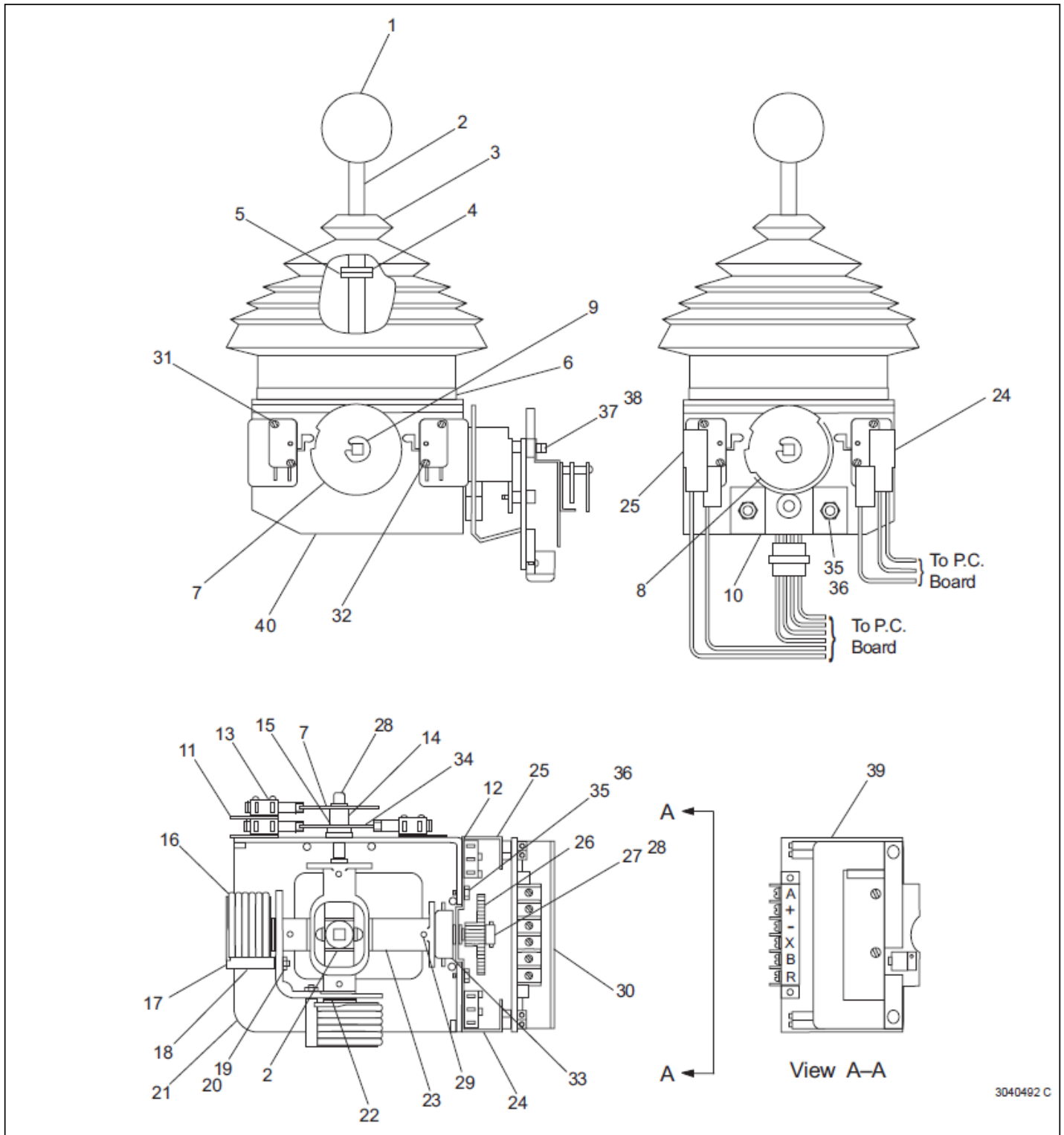
ELECTRICAL





アイテム	部品番号	名前	数量	UOM
*	0071800 H	PLATFORM FOOT SWITCH ASSEMBLY		EA
1	3020021	Foot Switch	1	EA
*	3020037	REPLACEMENT SWITCH, SQUARE D SWITCH, 4 POLE	1	EA
*	3020038	REPLACEMENT SWITCH, LINEMASTER SWITCH	1	EA
2	0070596	WIRE ASSY FOOT SWITCH	1	EA
3	3040116	CONN .75 .500 .625	1	EA
4	3040110	NUT LKG HUB .750 SAMEAS 962129	1	EA
5	0070967	CORROSION INHIBITOR STICK BACK	1	EA
6	0060373	JUMPER SWITCH TERMINAL STRAP	1	EA

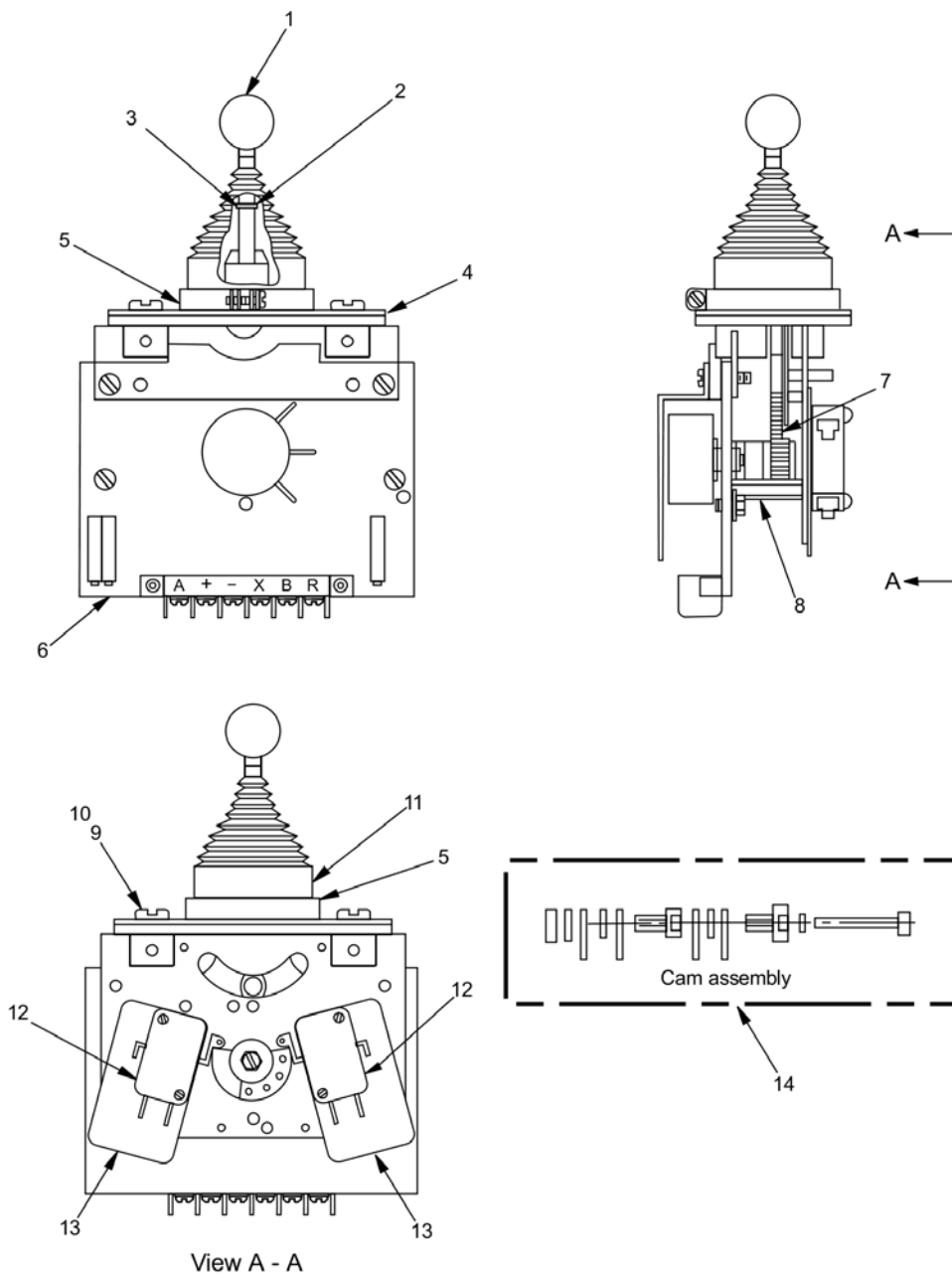
ELECTRICAL



アイテム	部品番号	名前	数量	UOM
	3040492 C	CONTROLLER 33HZ DRIVE STEER	1	EA
1	2660002	KNOB	1	EA
2	3040086	SHAFT	1	EA
3	3040146	BOOT	1	EA
4	8150145	RING	1	EA
5	8150146	TENSION CLIP	1	EA
6	3040169	BOOT CLAMP RING	1	EA
7	8150147	CAM	2	EA
8	8150009	FIXED CAM	1	EA
9	8150135	E CLIP	4	EA
10	8150148	MODIFIED BRACKET	1	EA
11	8150138	INSULATOR	4	EA
12	8150139	INSULATOR	2	EA
13	3020033	MICROSWITCH	6	EA
14	8150136	CAM SPACER	2	EA
15	8150149	BRASS WASHER	1	EA
16	8150005	SPRING RETURN WITH HOUSING	2	EA
17	8150004	SPRING RETURN BOLT	2	EA
18	8150150	WASHER	2	EA
19	8150144	WASHER SPLIT 5M BLACK	2	EA
20	8150143	NUT 5M HEX	2	EA
21	8150003	CASTING, MODIFIED	1	EA
22	3040271	BUSHING	4	EA
23	8150094	SECOND AXIS	1	EA
24	8150151	BRACKET, RIGHT SIDE	1	EA
25	8150152	BRACKET, LEFT SIDE	1	EA
26	3040073	DRIVE GEAR	1	EA
27	3040072	SLAVE GEAR	1	EA
28	8150082	BLANK CAM SHAFT	2	EA

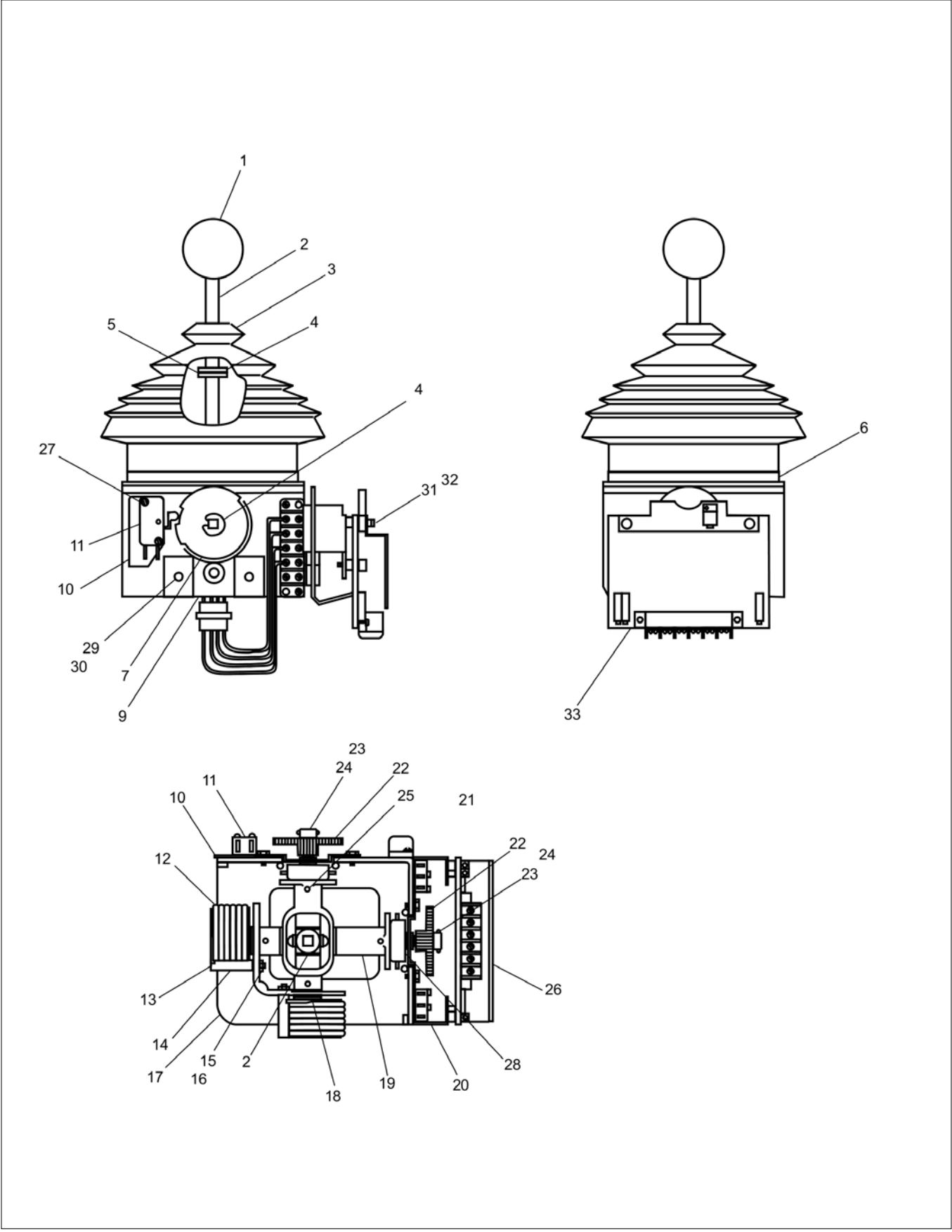
アイテム	部品番号	名前	数量	UOM
29	8150013	TENSION PIN	4	EA
30	8150153	HEAT SINK	1	EA
31	8150140	SCREW #4 40 X 1 1/4 INCH LONG	4	EA
32	8150137	SCREW #4 40 X 3/4 INCH LONG	4	EA
33	3040392	POT WITH BRACKET AND CONNECTOR	1	EA
34	8150084	FIXED CAM	2	EA
35	8150154	SCREW METRIC M4 X 6MM LONG DIN 85	2	EA
36	8150155	WASHER METRIC M4	2	EA
37	8150141	WASHER METRIC M3.5 X 16MM LONG DIN 85	2	EA
38	8150156	WASHER	4	EA
39	8150142	GATE FOR DRIVE/STEER CONTROLLER	1	EA
40	3220073	CIRCUIT BOARD OEM 33HZ	1	EA

ELECTRICAL



アイテム	部品番号	名前	数量	UOM
	3040526	CONTROLLER EXTEND RETRACT		EA
Not Shown	3040392	POT WITH BRACKET AND CONNECTOR	1	EA
1	8150087	HANDLE	1	EA
2	8150008	TENSION CLIP	1	EA
3	8150205	WASHER	1	EA
4	3040170	GASKET	1	EA
5	8150090	BOOT CLAMP RING	1	EA
6	PNNA	CIRCUIT BOARD ASSEMBLY (NOT SOLD SEPARATELY)	1	EA
7	8150102	SLAVE GEAR	1	EA
8	8150211	STANDOFF	2	EA
9	8150212	MOUNTING SCREW	2	EA
10	8150213	WASHER	2	EA
11	3040259	BOOT CLAMP	1	EA
12	3020033	MICROSWITCH	2	EA
13	8150139	INSULATOR	2	EA
14	PNNA	CAM ASSEMBLY (NOT SOLD SEPARATELY)	1	EA

ELECTRICAL

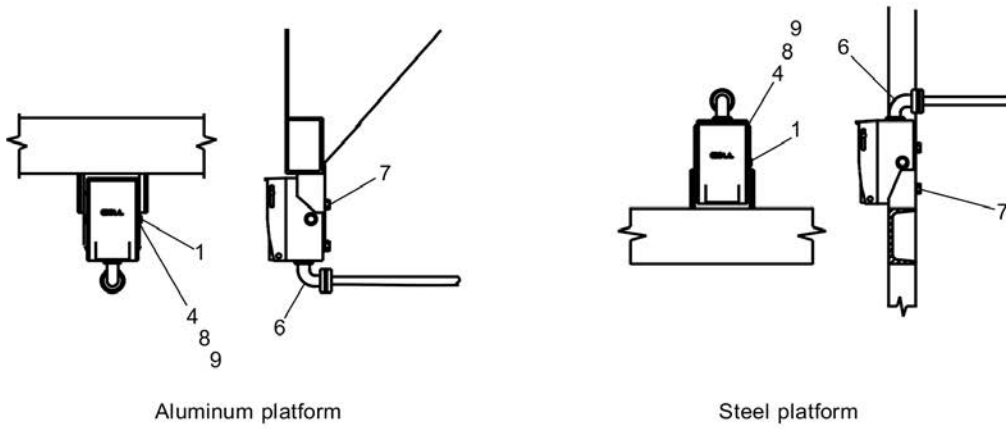


アイテム	部品番号	名前	数量	UOM
	3040568 B	CONTROLLER LIFT SWING		EA
1	2660002	KNOB	1	EA
2	3040086	SHAFT	1	EA
3	3040146	BOOT	1	EA
4	8150145	RING	5	EA
5	8150146	TENSION CLIP	1	EA
6	3040169	BOOT CLAMP RING	1	EA
7	8150009	FIXED CAM	1	EA
9	8150148	MODIFIED BRACKET	2	EA
10	8150138	INSULATOR	3	EA
11	3020033	MICROSWITCH	3	EA
12	8150005	SPRING RETURN WITH HOUSING	2	EA
13	8150004	SPRING RETURN BOLT	2	EA
14	8150150	WASHER	2	EA
15	8150144	WASHER SPLIT 5M BLACK	2	EA
16	8150143	NUT 5M HEX	2	EA
17	8150003	CASTING, MODIFIED	1	EA
18	3040271	BUSHING	4	EA
19	8150094	SECOND AXIS	1	EA
20	8150151	BRACKET, RIGHT SIDE	1	EA
21	8150152	BRACKET, LEFT SIDE	1	EA
22	3040073	DRIVE GEAR	2	EA
23	3040072	SLAVE GEAR	2	EA
24	8150214	BLANK CAM SHAFT	4	EA
25	8150013	TENSION PIN	4	EA
26	8150153	HEAT SINK	1	EA
27	8150137	SCREW #4 40 X 3/4 INCH LONG	6	EA
28	3040392	POT WITH BRACKET AND CONNECTOR	2	EA



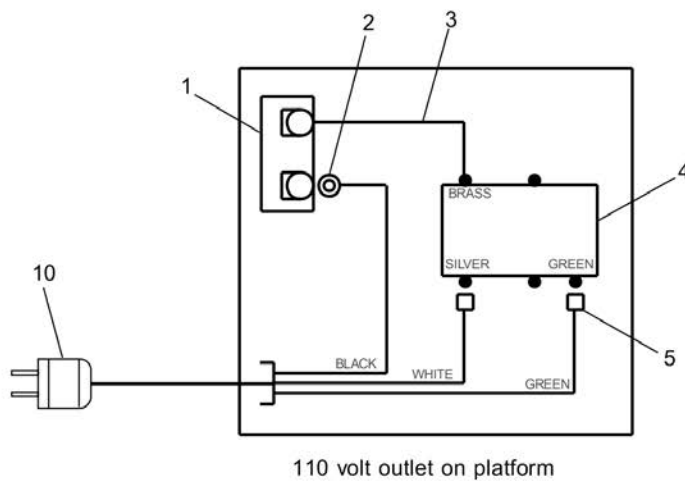
アイテム	部品番号	名前	数量	UOM
29	8150154	SCREW METRIC M4 X 6MM LONG DIN 85	4	EA
30	8150155	WASHER METRIC M4	4	EA
31	5569883	SCREW METRIC M3.5 X 14MM LONG DIN 85	2	EA
32	8150156	WASHER	4	EA
33	3220073	CIRCUIT BOARD OEM 33HZ	1	EA

ELECTRICAL



Aluminum platform

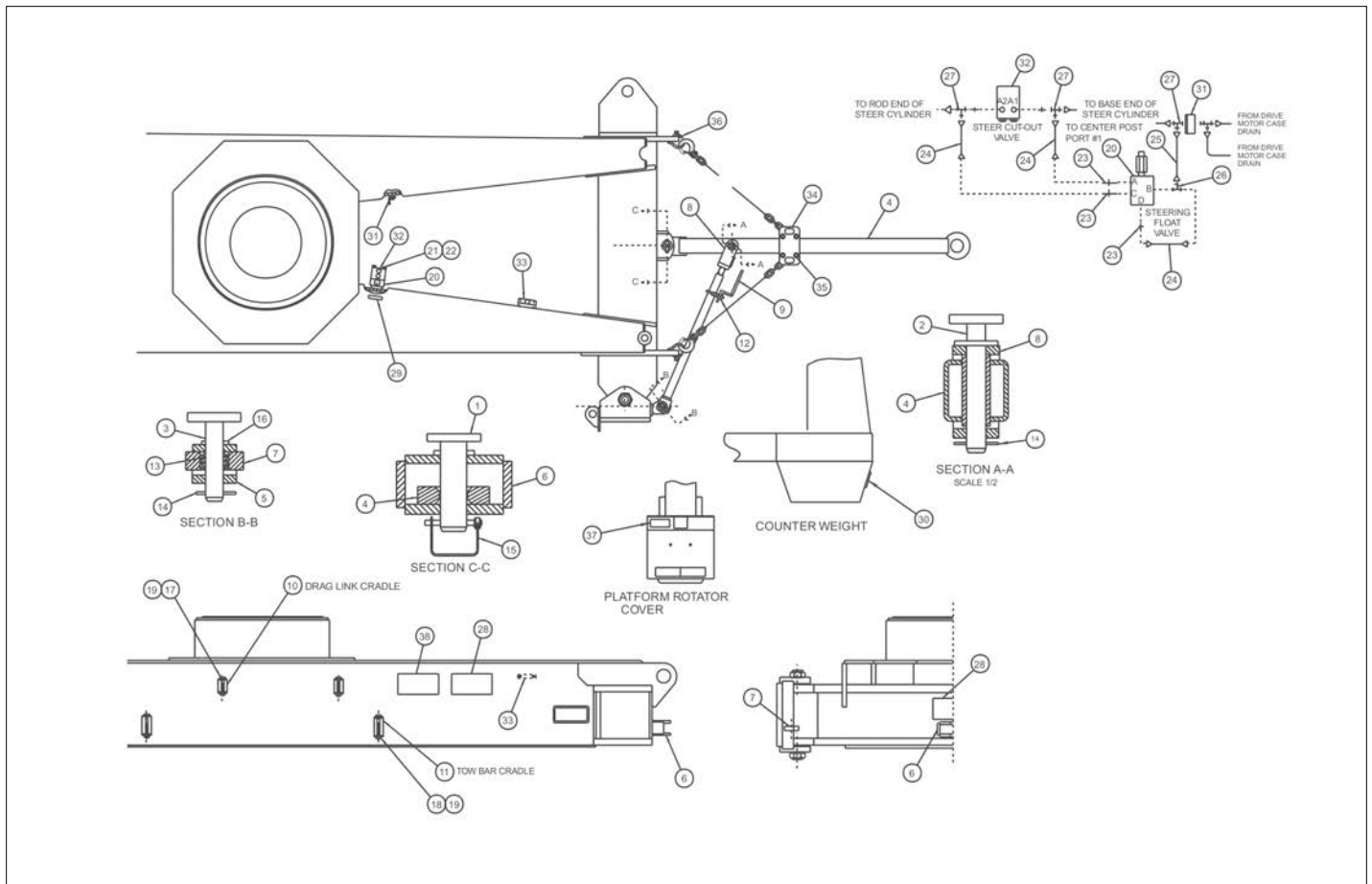
Steel platform



110 volt outlet on platform

アイテム	部品番号	名前	数量	UOM
	A07035E A	110V POWER TO PLATFORM INSTALLATION		EA
1	3040252	Circuit Breaker 15AMP	1	EA
2	3044854	TERM R10I 12/10	1	EA
3	0071582	JUMPER WIRE	1	EA
4	3040624	Recepticle Outlet 20AMP	1	EA
5	3040397	TERM SPADE 81 12/10	2	EA
6	3040691	CONNECTOR	1	EA
7	5569978	SCR HEXHD 8 32 .375 THD CUTTING	4	EA
8	0074979	Enclosure	1	EA
9	3040625	Enclosure Face	1	EA
10	3040368	PLUG CONNECTOR MALE	1	EA
11	3040272	PLUG	1	EA

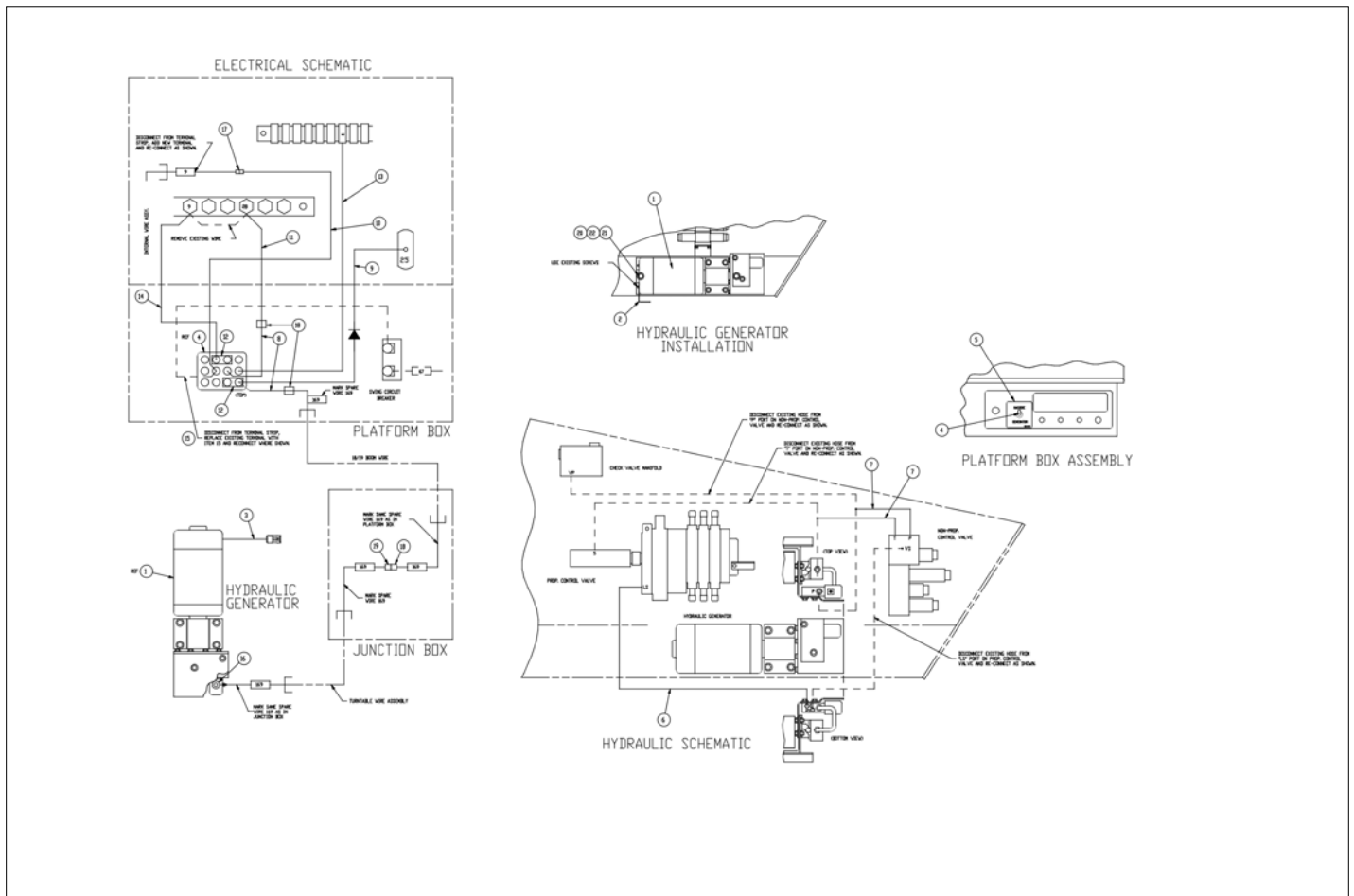
OPTIONS



アイテム	部品番号	名前	数量	UOM
	0111398 E	TOW PACKAGE		EA
1	0110831	WLDMT PIN 1.50 4.266 GRIP	1	EA
2	0110833	DRAG LING PIN WLDMT	1	EA
3	0110493	PIN, DRAG LINK OUTER	1	EA
4	0110463	TOW BAR	1	EA
5	0111130	TIE ROD	1	EA
6	0111464	CHASSIS BRKT WELDMENT	1	EA
7	0080884	STEERING LUG	1	EA
8	0111465	WLDMT TIE ROD	1	EA
9	0111520	ROTATION STOP	1	EA
10	0110836	CRADLE DRAG LINK	2	EA
11	0112032	TOW BAR STORAGE CRADLE	2	EA
12	5550005	CLP EXH 1.75	1	EA
13	2690001	BUSHING, 1 INCH SPHERICAL PLAIN	1	EA
14	5561550	HAIRPIN COTTER, LEITZKE #2108	2	EA
15	5580002	PIN SNAPPER	1	EA
16	5560189	PIN ROLL .188DIA 1.25LG	2	EA
17	971009	CAP SCREW 1/2 13 X 4 INCH LONG HEX HEAD GRADE 5	2	EA
18	5560647	CAPSCREW 1/2 13 X 5 INCH LONG HEX HEAD GRADE 5	2	EA
19	5560039	NUT HEX LKG .500 13	2	EA
20	6010616	FLOAT VALVE	1	EA
21	5560369	BLT HEXHD .250 20 4.00 GR5	2	EA
22	986019	WSHR FLAT .250	2	EA
23	5065707	FTG ADPTR STRTHD 6B 6S STL PH	3	EA
24	0060297	HOSE 4 6S 6S 28 100R2	3	EA
25	0070780	HOSE 4 6S 6S 36 100R1	1	EA
26	5036105	SWIVEL NUT 90 DEG ELBOW	1	EA

アイテム	部品番号	名前	数量	UOM
27	5036705	FTG TEE SWVL RUN 6S 6S STL	3	EA
28	0082171	DECAL TOWING INSTRUCTIONS	2	EA
29	0090760	DECAL STEERING FLOAT VALVE TOW PACKAGE	1	EA
30	0082203	DECAL, DANGER CRUSHING HAZARD	1	EA
31	0111426	MOUNT ANGLE	1	EA
32	0111490	STEER CUT OUT VALVE	1	EA
33	0111345	MOUNTING BAR	1	EA
34	0181676	WLDMT CHAIN/PLATE	1	EA
35	0181675	BLT SQU .75 16 5.50 GR5 INCL NUTS AND WASHERS PART #U	2	EA
36	5563994	FORGED ANCHORSHACKEL 1.47 DIA	2	EA
37	0082164	DECAL DNGR DO NOT RIDE PLATF	1	EA
38	0082160	DECAL, DANGER TOW PACKAGE	1	EA

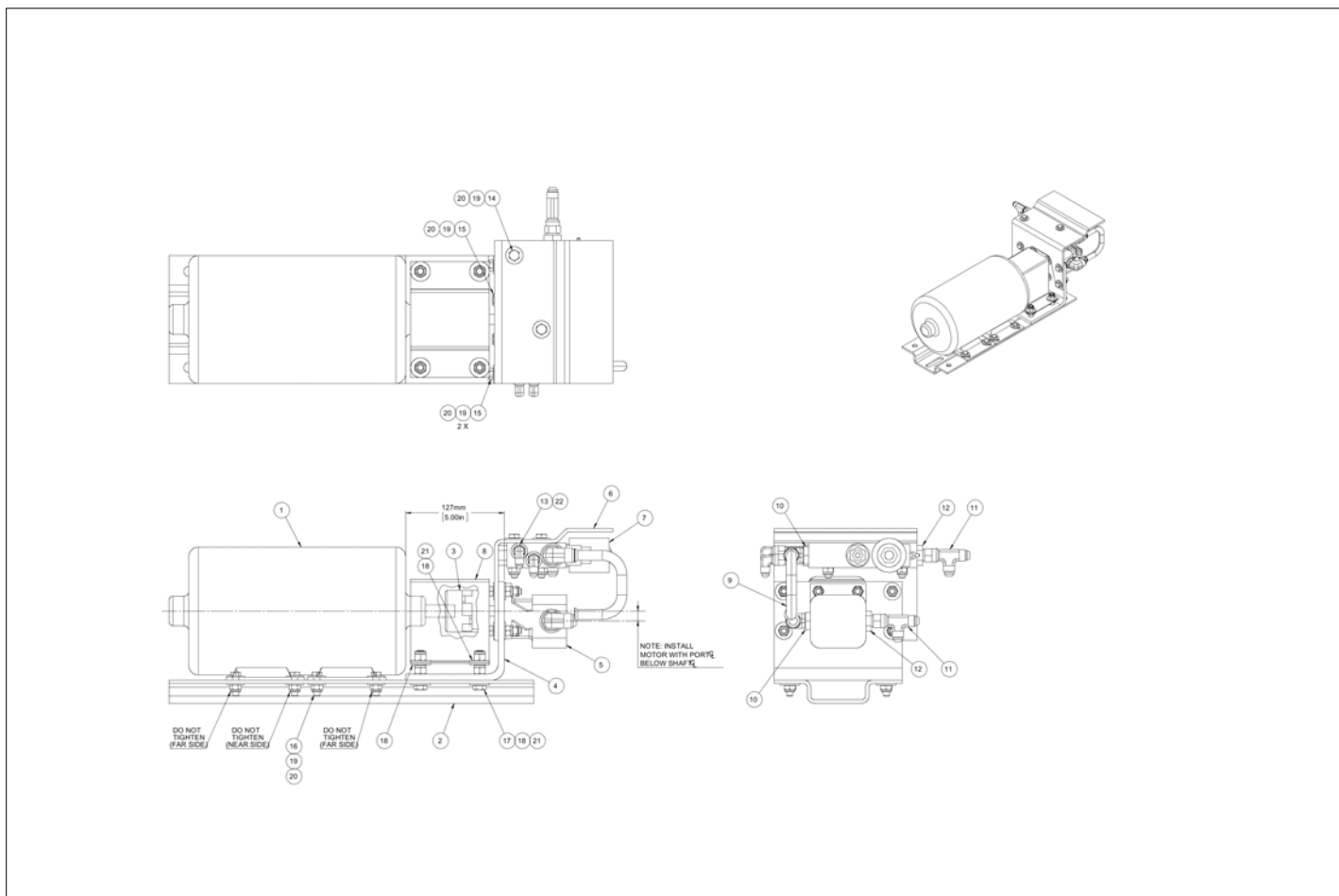
OPTIONS



アイテム	部品番号	名前	数量	UOM
	A19045C B	HYDRAULIC GENERATOR INSTALLATION		EA
1	0191015	HYDR AC GEN SUBASSY	1	EA
2	0073163	GUARD PLUG RETENTION	1	EA
3	0073077	CABLE ASSEMBLY EXTENSION	1	EA
4	3020048	SWITCH TOGGLE 4PDT ON/ON	1	EA
5	0151459	DECAL AC GEN SW	1	EA
6	0070772	3/8 I.D. HOSE ASSEMBLY	1	EA
7	0070786	HOSE 6 6S 6S 19 100R2	2	EA
8	0090757	JUMPER WIRE	2	EA
9	0073250	WIRE 18 R10I FEM 1881 17 DIO	1	EA
10	0181187	JUMPER WIRE	1	EA
11	0170519	WIRE 16 R10I R6I 8	1	EA
12	0060373	JUMPER SWITCH TERMINAL STRAP	2	EA
13	0071538	WIRE 18 R6I FEM188I 22	1	EA
14	0071565	WIRE 12 R10I R6I 8	1	EA
15	3044142	TERM, .250 TAB 12/10, MALE F.I.	1	EA
16	3044161	TERM R10I 16/14	1	EA
17	3040064	TERM .250 MALE SLIP ON 12/10 WIRE	1	EA
18	3040046	TERM MALE250FI 22/18	3	EA
19	3040083	TERM FEM250FI 16/14	1	EA
20	5560138	BLT HEXHD LKG .500 13 1.00 GR5	2	EA
21	987139	WSHR LOCK .500	2	EA
22	986359	FLATWASHER 1/2"	2	EA



OPTIONS

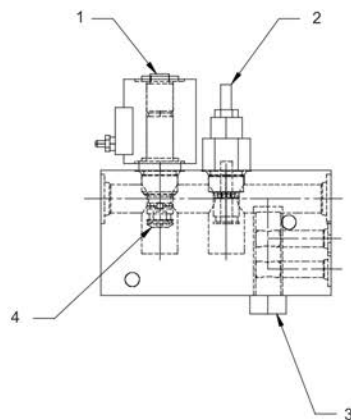


アイテム	部品番号	名前	数量	UOM
	0191015 A	HYDRAULIC AC GENERATOR SUB ASSEMBLY 110V		EA
1	3080001	GENERATOR 2000 WATT AC 115	1	EA
2	0151457	MOUNT PLATE	1	EA
3	7240012	COUPLER	1	EA
4	0151458	MOTOR MOUNTING ANGLE	1	EA
5	6030029	HYD PUMP	1	EA
6	0151469	BRACKET, VALVE MOUNTING	1	EA
7	6010489	AC GENERATOR VALVE	1	EA
8	0151484	COUPLING COVER	1	EA
9	0151470	1/2 INCH HYDRAULIC TUBE	1	EA
10	5035306	FTG ELB90STRTHD 8B 8S STL	2	EA
11	5036705	FTG TEE SWVL RUN 6S 6S STL	2	EA
12	5065708	FTG, HYD 8 MB TO 6 MJIC	2	EA
13	5065803	LONG STRAIGHT THREAD ADAPTER	2	EA
14	970299	BOLT HEX HD .313 18 2.00 GR5 PL	2	EA
15	970269	BLT HEXHD .313 18 1.25 GR5 PLA	8	EA
16	970369	BLT HEXHD .313 18 X 1.00 GR5	8	EA
17	970499	BLT HEXHD .375 16 1.75 GR5	4	EA
18	986299	WASHER, FLAT, .375 STANDARD, PLATED	12	EA
19	986269	WSHR FLAT .313	30	EA
20	5560031	NUT HEX LKG .313 18	18	EA
21	5560033	.375 16UNC HEX LOCK NUT	8	EA
22	5037003	FTG ELB90SWVL 4S 4S STL	2	EA

OPTIONS

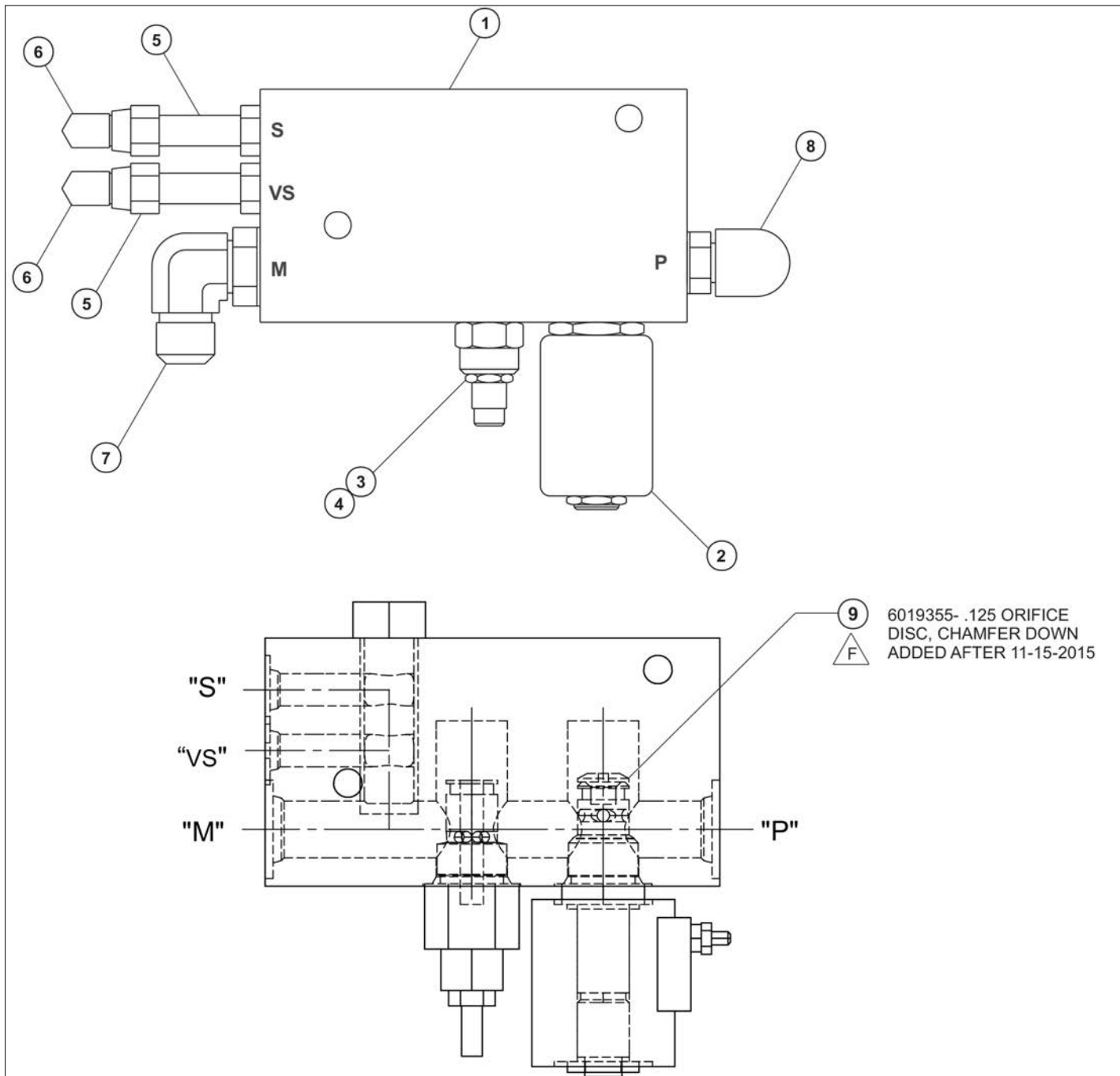
NOTES:

1. SOLENOID VALVE COIL FOR 12 VOLT DC INTERNALLY GROUNDED SINGLE STUD TERMINAL.
2. ORIFICE INSTALLED UNDER SOLENOID VALVE.
3. NEEDLE VALVE TO INCLUDE ADJUSTMENT JAM NUT.
4. MAX PRESSURE: 3000psi.
5. PORTS TO BE STAMPED AS SHOWN.
6. SERVICE PARTS:
  - A. 6010508- CARTRIDGE VALVE WITH COIL
  - 6010509- VALVE CARTRIDGE (W/O COIL)
  - 3040457- COIL
  - B. 6018901- VALVE CART. FLOW CONTROL 5.0gpm
  - C. 6010510- SHUTTLE VALVE CARTRIDGE
  - D. 6019355- ORIFICE DISC .125



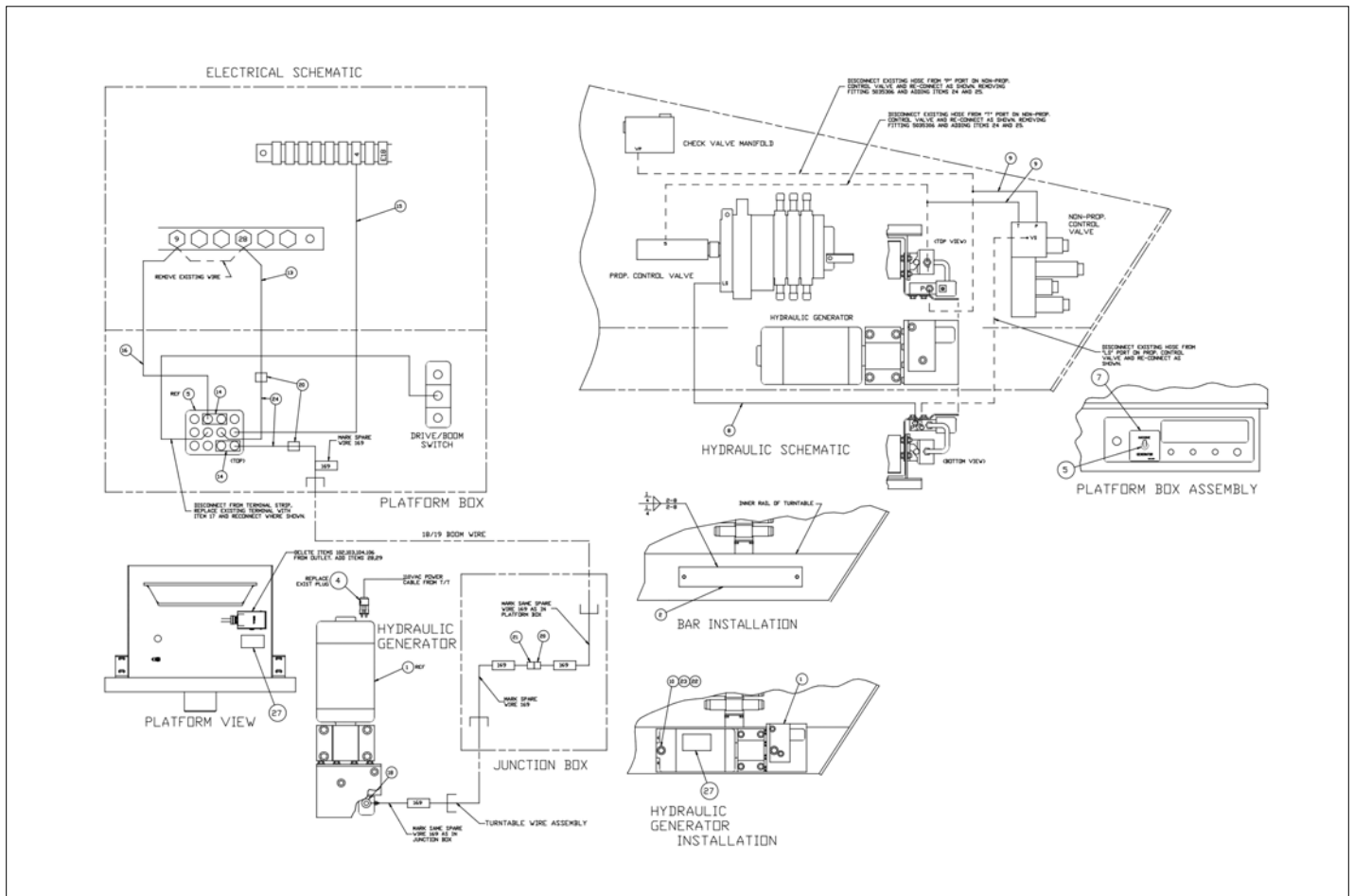
アイテム	部品番号	名前	数量	UOM
	6010489 F	VALVE HYDRAULIC MOTOR FLOW CONTROL		EA
1	6010508	HYDRAFORCE CARTRIDGE 12 VOLT	1	EA
Not Shown	565666	SEAL REPAIR KIT	2	EA
2	6018901	FLOW CONTROL VALVE CARTRIDGE	1	EA
3	6010510	SHUTTLE VALVE CARTRIDGE	1	EA
4	6019355	ORIFICE DISC .125	1	EA

OPTIONS



アイテム	部品番号	名前	数量	UOM
Not Shown	0152831 B	AC GENERATOR VALVE SUB ASSEMBLY	1	EA
1	6010489	AC GENERATOR VALVE	1	EA
2	6010508	HYDRAFORCE CARTRIDGE 12 VOLT	1	EA
Not Shown	6010509	REPLACEMENT CARTRIDGE VALVE	1	EA
Not Shown	3040457	REPLACEMENT COIL, 12 VOLT DC	1	EA
Not Shown	6019355	ORIFICE DISC .125	1	EA
3	6018901	FLOW CONTROL VALVE CARTRIDGE	1	EA
4	6010510	SHUTTLE VALVE CARTRIDGE	1	EA
5	5065803	LONG STRAIGHT THREAD ADAPTER	2	EA
6	5037003	FTG ELB90SWVL 4S 4S STL	2	EA
7	5035306	FTG ELB90STRTHD 8B 8S STL	1	EA
8	5035320	ADAPTER 90 DEG ELBOW 8 SAE TO 6 JIC	1	EA

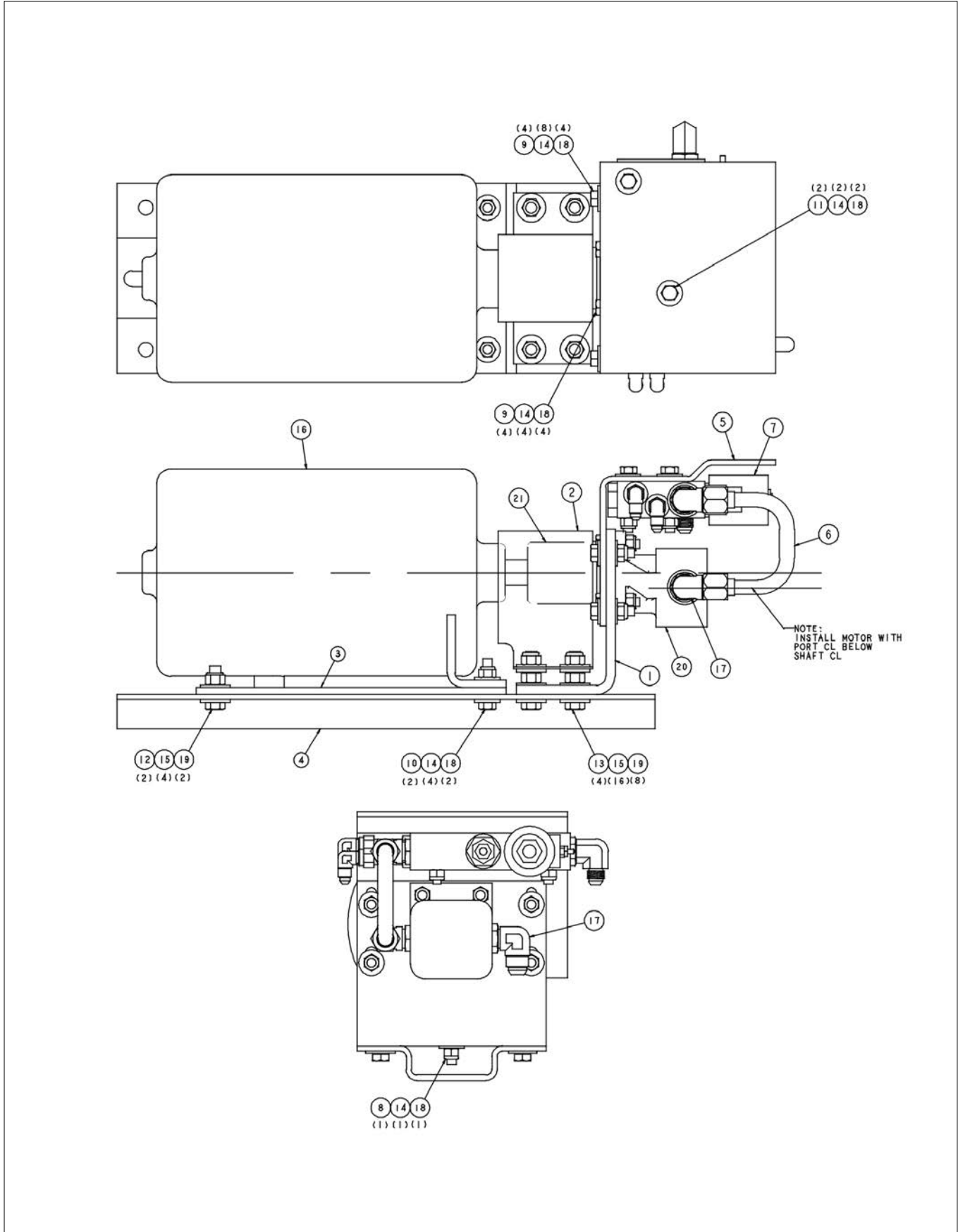
OPTIONS



アイテム	部品番号	名前	数量	UOM
*	0192083 E	220V 50HZ HYDRAULIC AC GENERATOR		EA
1	0074981	AC GENERATOR SUB ASSEMBLY	1	EA
2	0151513	MOUNT BAR	1	EA
4	3220028	PLUG, MALE 250VAC	1	EA
5	3020048	SWITCH TOGGLE 4PDT ON/ON	1	EA
7	0151459	DECAL AC GEN SW	1	EA
8	0070772	3/8 I.D. HOSE ASSEMBLY	1	EA
9	0070786	HOSE 6 6S 6S 19 100R2	2	EA
10	PNNA	FLATWASHER 1/2"	2	EA
13	0170519	WIRE 16 R10I R6I 8	1	EA
14	0060373	JUMPER SWITCH TERMINAL STRAP	2	EA
15	0071538	WIRE 18 R6I FEM188I 22	1	EA
16	0071565	WIRE 12 R10I R6I 8	1	EA
17	3044142	TERM, .250 TAB 12/10, MALE F.I.	1	EA
18	3044161	TERM R10I 16/14	1	EA
20	3040046	TERM MALE250FI 22/18	3	EA
21	3040083	TERM FEM250FI 16/14	1	EA
22	PNNA	CAPSCREW 1/2 13 X 1" LG HH GR5	2	EA
23	PNNA	LOCKWASHER 1/2" MED	2	EA
24	0090757	JUMPER WIRE	2	EA
25	5036705	FTG TEE SWVL RUN 6S 6S STL	2	EA
26	5065708	FTG, HYD 8 MB TO 6 MJIC	2	EA
27	0182055	DECAL, 220V 50HZ 10A	2	EA
28	3040015	HOLE PLUG .50	1	EA
29	3040180	BLANK WTHPRF COVER W/ GASKET	1	EA

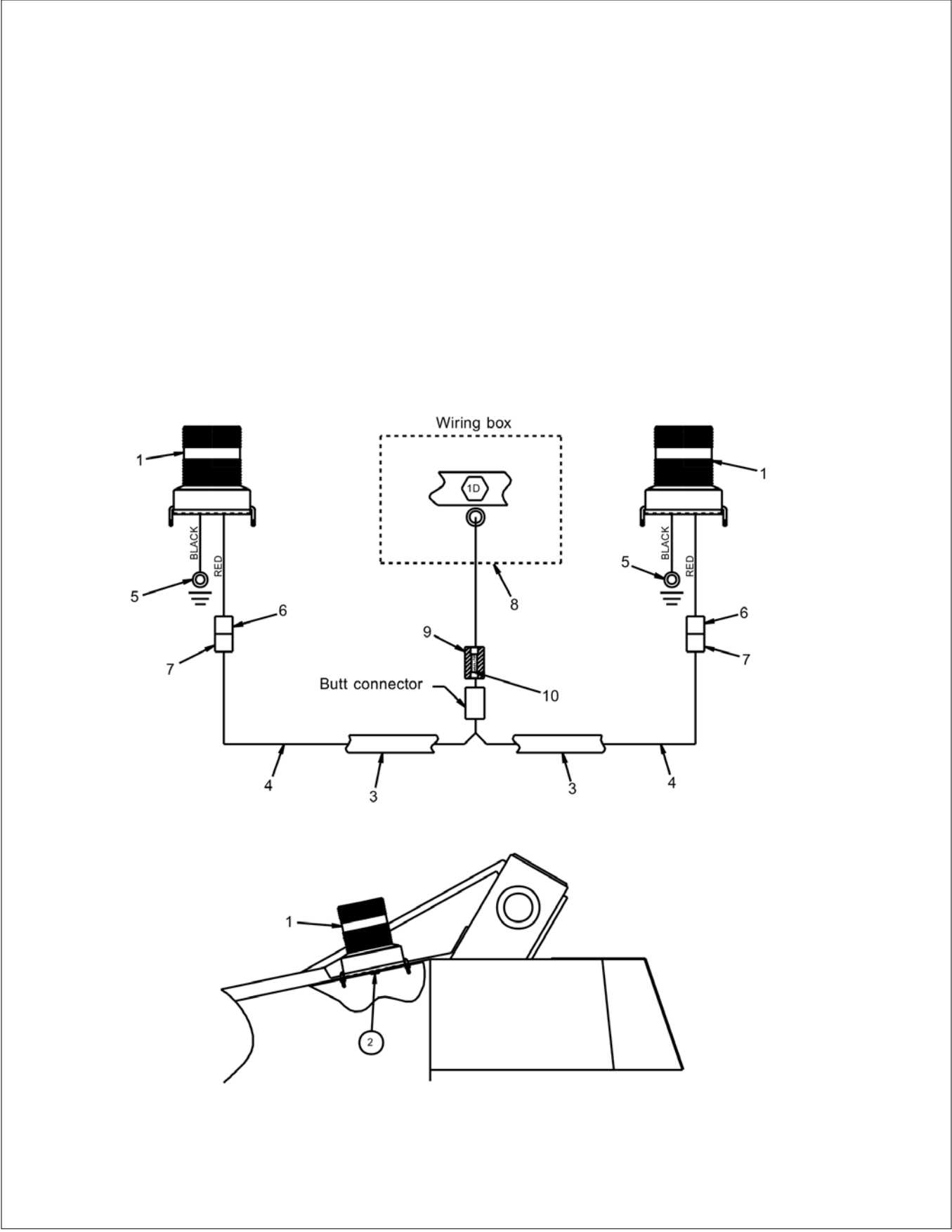


OPTIONS



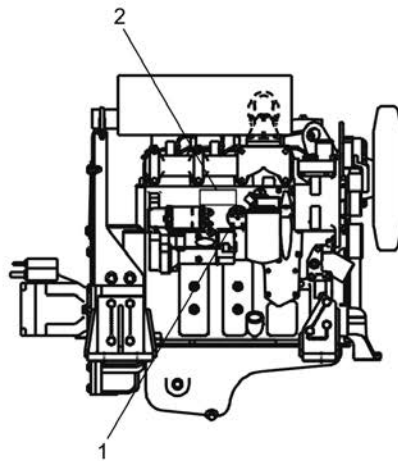
アイテム	部品番号	名前	数量	UOM
	0074981 A	220V AC 50HZ HYDRAULIC GENERATOR SUB ASSEMBLY		EA
1	0074983	MOUNT ANGLE	1	EA
2	0074984	COVER, CPLG	1	EA
3	0074985	SPACER PLATE	1	EA
4	0151457	MOUNT PLATE	1	EA
5	0151469	BRACKET, VALVE MOUNTING	1	EA
6	0151470	1/2 INCH HYDRAULIC TUBE	1	EA
7	0152831	AC GENERATOR VALVE	1	EA
8	970259	C.SCREW, 5/16 18 X 1" LG. HH	1	EA
9	910269	BOLT .313 18 1.25 GR5	8	EA
10	970279	BLT HEXHD .313 18 1.50 GR5	2	EA
11	970299	BOLT HEX HD .313 18 2.00 GR5 PL	2	EA
12	972479	BLT HEXHD .375 16 1.25 GR5	2	EA
13	970499	BLT HEXHD .375 16 1.75 GR5	4	EA
14	986269	WSHR FLAT .313	19	EA
15	986299	WASHER, FLAT, .375 STANDARD, PLATED	20	EA
16	3087785	GENERATOR	1	EA
17	5035306	FTG ELB90STRTHD 8B 8S STL	2	EA
18	5560031	NUT HEX LKG .313 18	13	EA
19	5560333	NUT LKG .375 16	10	EA
20	6030029	HYD PUMP	1	EA
21	7249577	FLEXIBLE COUPLING	1	EA

OPTIONS



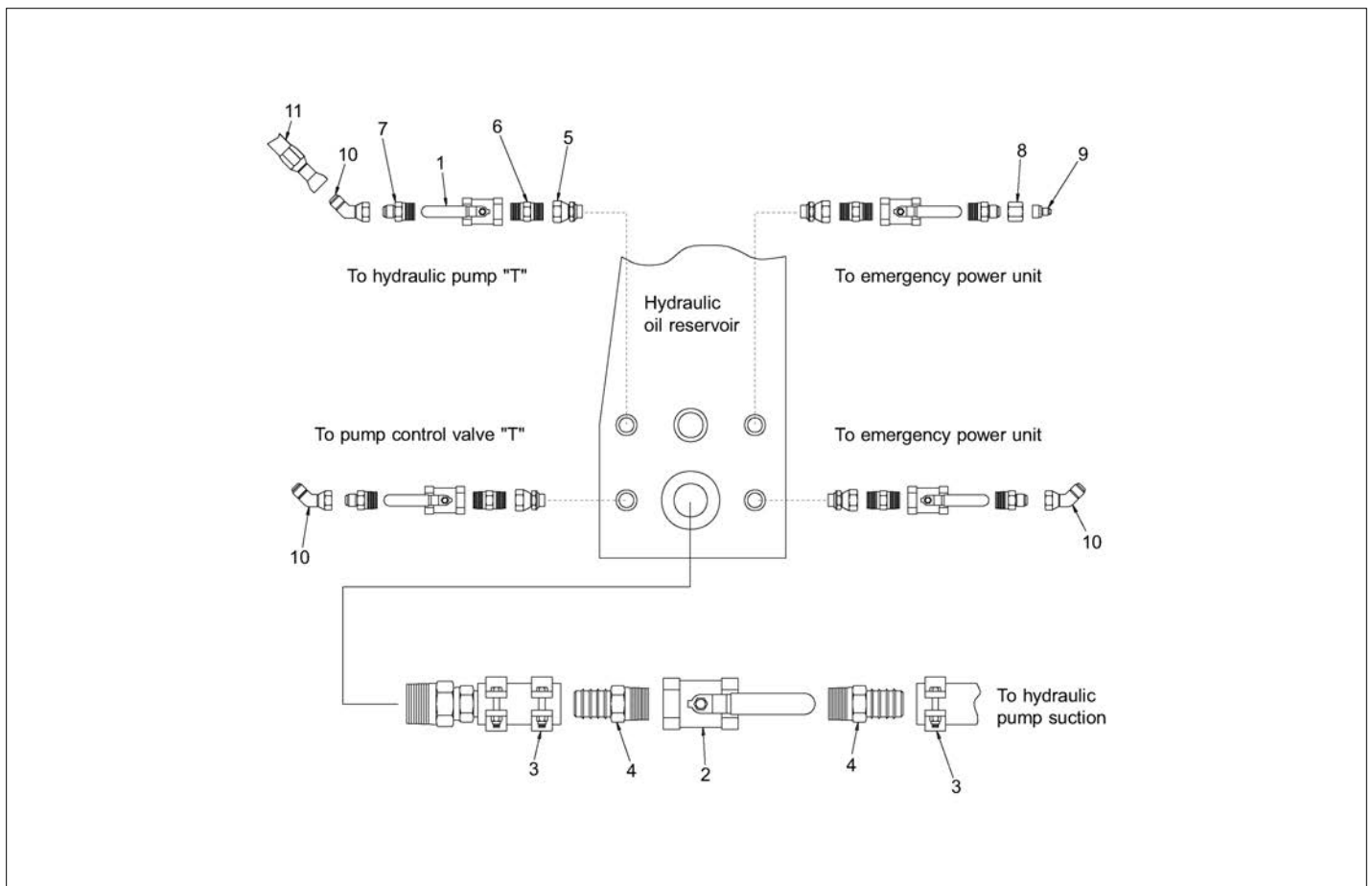
アイテム	部品番号	名前	数量	UOM
*	A19043C	BEACON DUAL AMBER INSTALL		EA
1	3060083	WARNING LIGHT AMBER 12 48VDC	2	EA
2	5569711	GROMMET .438ID .688DIA X.125GRV	2	EA
3	3090019	TUBE FLEXGARD .250 ID	1	EA
4	3011601	WIRE 16GA SINGLE CONDUCTOR BLK	1	EA
5	3044162	TERM R250I 16/14	2	EA
6	3040083	TERM FEM250FI 16/14	2	EA
7	3040082	TERM MALE250FI 16/14	2	EA
8	3044161	TERM R10I 16/14	2	EA
9	3040038	FUSE HOLDER	1	EA
10	3040039	FUSE 10 AMP AGC BUSS: 10 AMP AGC	1	EA

OPTIONS



アイテム	部品番号	名前	数量	UOM
	0074761 A	BLOCK HEATER CU 3.3		EA
1	7630762	ENGINE BLOCK HEATER WITH CORD, CUMMINS 3.3 ENGINE	1	EA
2	0181634	DECAL ENGINE BLOCK HEATER	1	EA

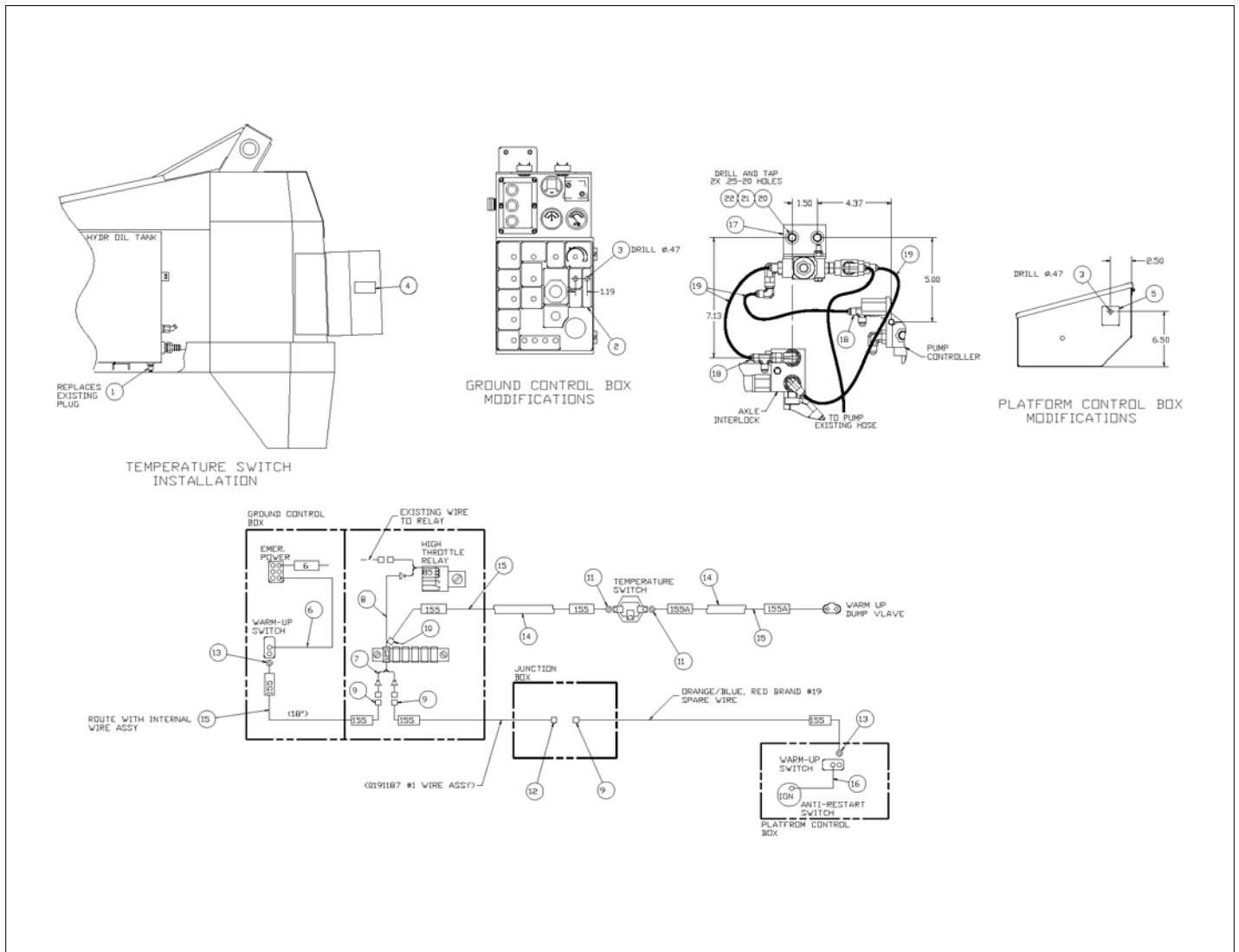
OPTIONS



アイテム	部品番号	名前	数量	UOM
	0190091 B	ISOLATION VALVE INSTALLATION		EA
1	6010495	BALL VALVE	4	EA
2	6010498	BALL VALVE	1	EA
3	5058824	CLP WORM DRV	2	EA
4	5037305	FTG ADPTR MALE 24N 24H STL 018	2	EA
5	5022903	ADAPTER UNION, 3/4 NPT	4	EA
6	5060505	MALE PIPE NIPPLE, 3/4 NPT	4	EA
7	5033615	ADAPTER STRAIGHT 3/4 NPTF TO 8 JIC	4	EA
8	5063906	FTG NUT 8S STL	1	EA
9	5064002	ADAPTER STREIGHT TUBE REDUCER 8 JIC TO 4 JIC	1	EA
10	5036906	COVER	3	EA
11	0070927	HOSE 8 8S 8S 23.5 100R2	1	EA
12	PNNA	PUBLISHER NOTE: ART AND BOM TAKEN FROM RPM 0191908		EA

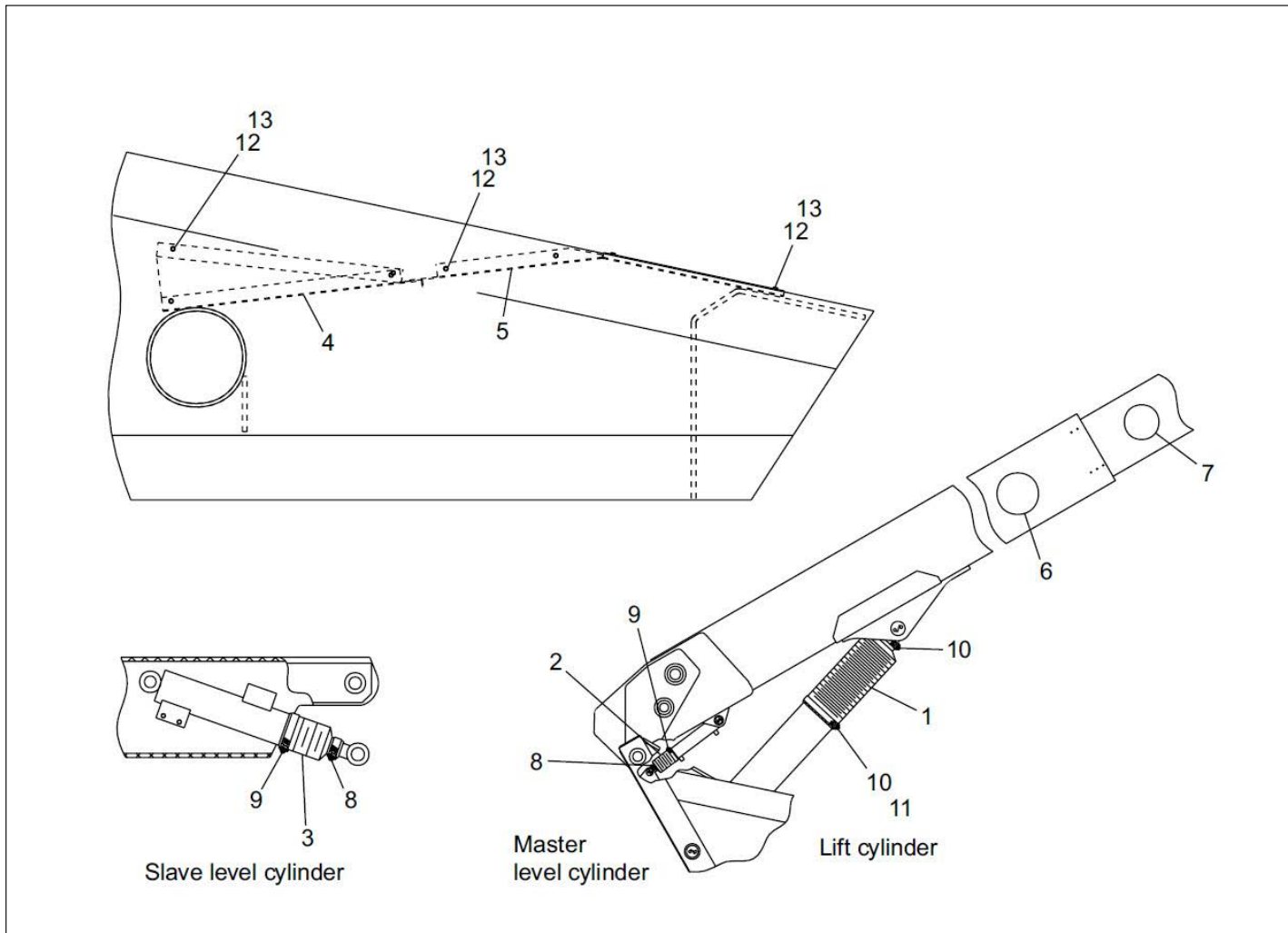


OPTIONS



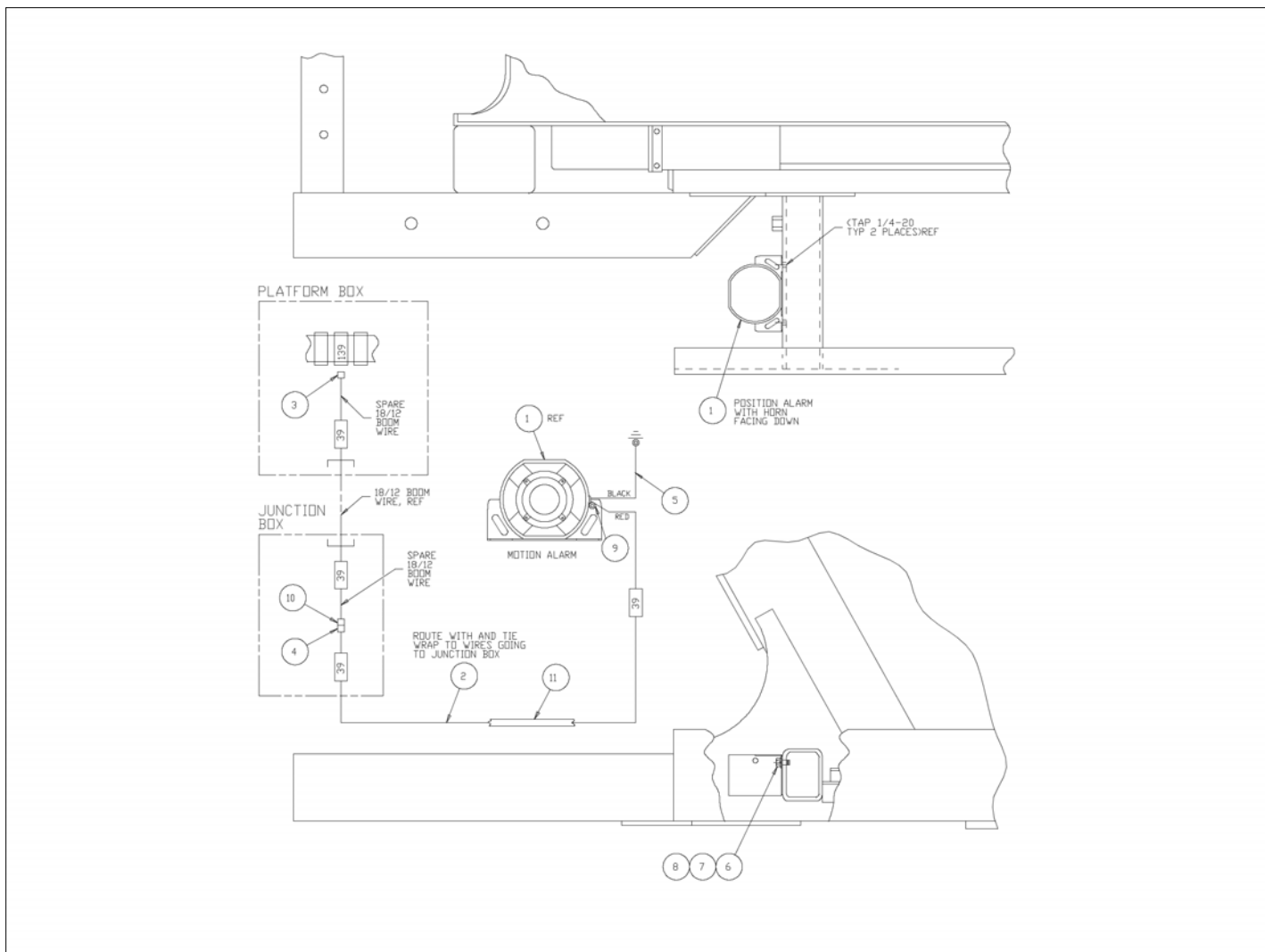
アイテム	部品番号	名前	数量	UOM
	0190124 E	HYDRAULIC WARM UP		EA
1	3020078	TEMPERATURE SWITCH	1	EA
2	0191435	PLAC WARM UP AT GROUND	1	EA
3	3020013	Switch, Toggle Honeywell INTI 2	2	EA
4	0071793	DECAL, HYDRAULIC WARMUP INSTRUCTIONS - OPTION	1	EA
5	0191436	PLAC WARM UP AT PLATF	1	EA
6	0070746	WIRE 16 R6I R6I 9	1	EA
7	0181285	DIODE	1	EA
8	0181398	DIODE WIRE	1	EA
9	3040047	TERM FEM250FI 22/18	4	EA
10	3046972	TERM FEM188I 22/18	1	EA
11	3044145	TERM R8I 22/18	2	EA
12	3040046	TERM MALE250FI 22/18	1	EA
13	3044142	TERM, .250 TAB 12/10, MALE F.I.	2	EA
14	3090006	TUBE FLEXGARD .350 ID	23ft	EA
15	3011801	WIRE 18GA SINGLE CONDUCTOR WHT	25ft	EA
16	0071844	WIRE 16 R6I R10I 12	1	EA
17	0082053	HYDRAULIC WARM UP VALVE	1	EA
18	5036703	FTG TEE SWVL RUN 4S 4S STL (SEE PAGE 2)	2	EA
19	0020283	HOSE 4 4S 4S 15.25 100R1 SAE:100R1 4 BAND IN	3	EA
20	970029	BLT .25 20 .750	2	EA
21	987099	WSHR LOCK .250	2	EA
22	986019	WSHR FLAT .250	2	EA

OPTIONS



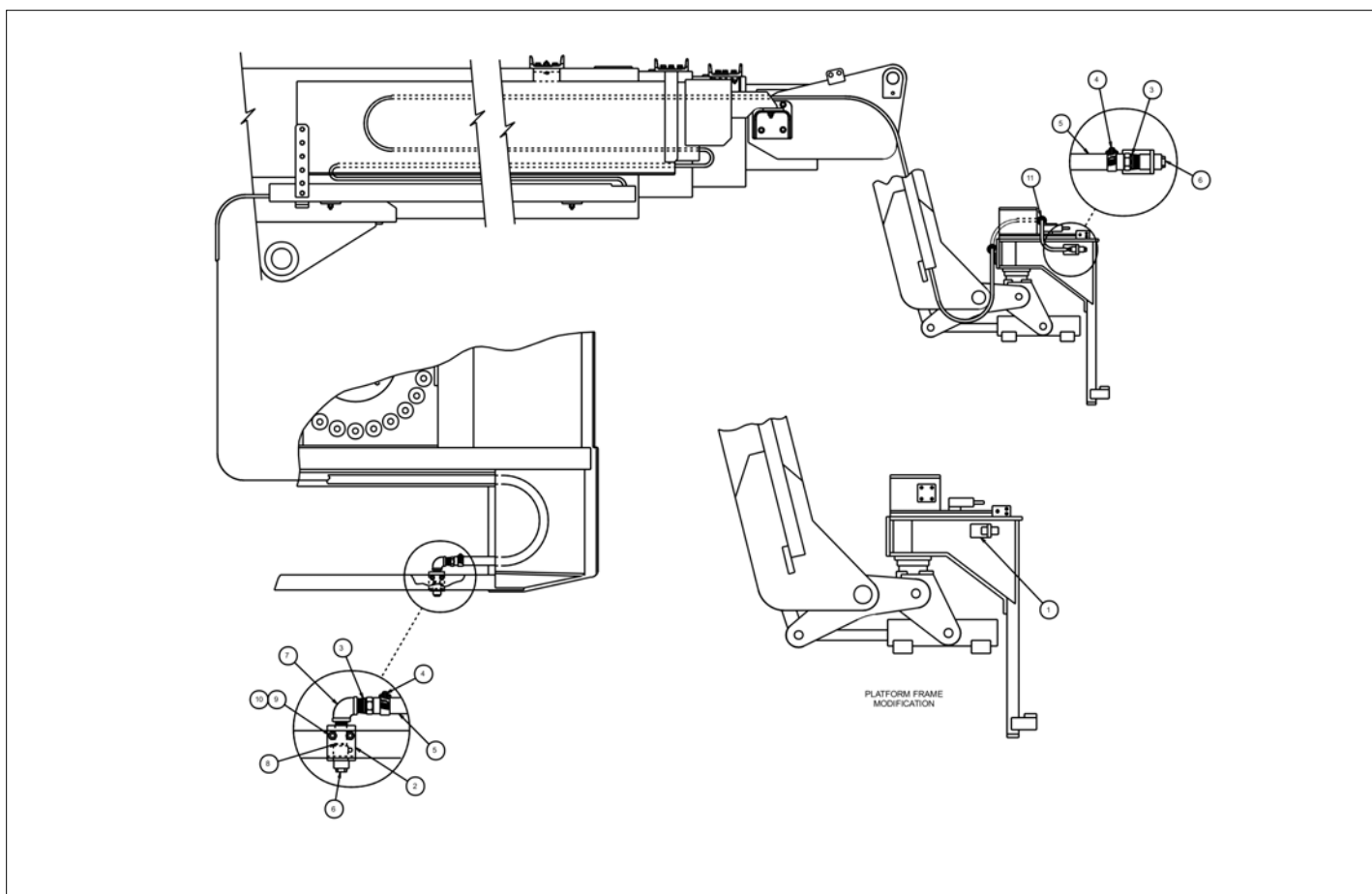
アイテム	部品番号	名前	数量	UOM
	0190087 C	SANDBLAST KIT		EA
1	0191058	BELLOWS (LIFT CYL.)	1	EA
2	0071982	BELLOWS, MASTER LEVEL CYLINDER	1	EA
3	0071982	BELLOWS, MASTER LEVEL CYLINDER	1	EA
4	0191059	TURNTABLE COVER	1	EA
5	0191060	TURNTABLE COVER	1	EA
6	0191061	COVER (BASE BOOM)	20	EA
7	0191062	COVER (INTER BOOM)	28	EA
8	5550037	CLP WORM DRV 1.00 2.00 SAE#24	2	EA
9	5550060	CLP WORM DRV 2.50 4.50 SAE#64	2	EA
10	5550105	CLAMP WORM DRIVE 5.00 7.00 SAE #104D DEUTZ ONLY	2	EA
11	5550152	CLAMP	1	EA
12	970029	BLT .25 20 .750	12	EA
13	987099	WSHR LOCK .250	12	EA

OPTIONS



アイテム	部品番号	名前	数量	UOM
	0190095 B	ALARM MOTION DRIVE ONLY		EA
1	3040129	ALARM107 112DBA 2HZ 9.8 36.4V	1	EA
2	3011801	WIRE 18GA SINGLE CONDUCTOR WHT	6FT	EA
3	3046972	TERM FEM188I 22/18	1	EA
4	3040046	TERM MALE250FI 22/18	1	EA
5	0072104	WIRE 12 R250I R8I 4	1	EA
6	970029	BLT .25 20 .750	2	EA
7	987099	WSHR LOCK .250	2	EA
8	986019	WSHR FLAT .250	2	EA
9	3044160	TERM R8I 16/14	1	EA
10	3040047	TERM FEM250FI 22/18	1	EA
11	3090019	TUBE FLEXGARD .250 ID	5FT	EA

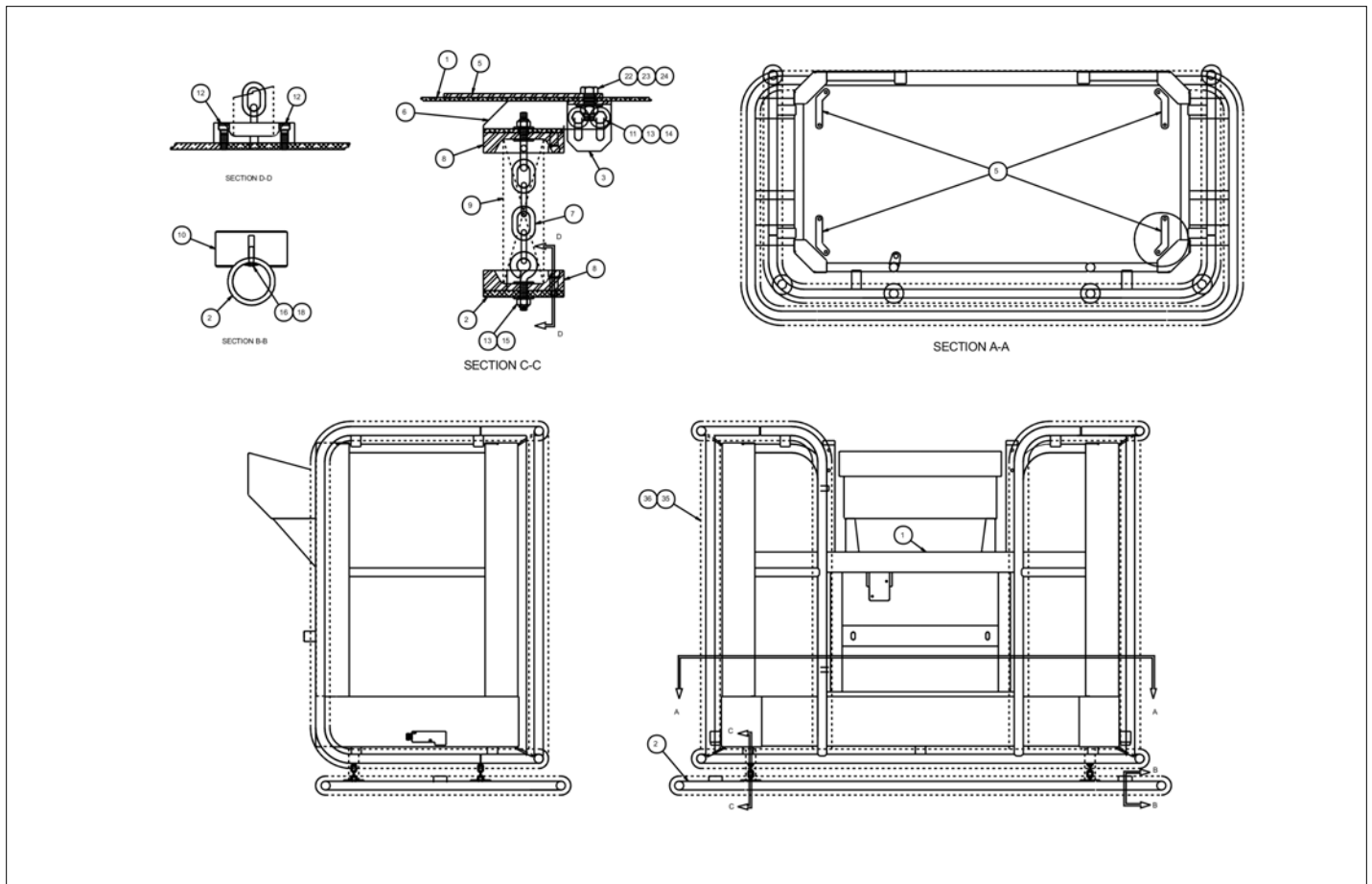
OPTIONS

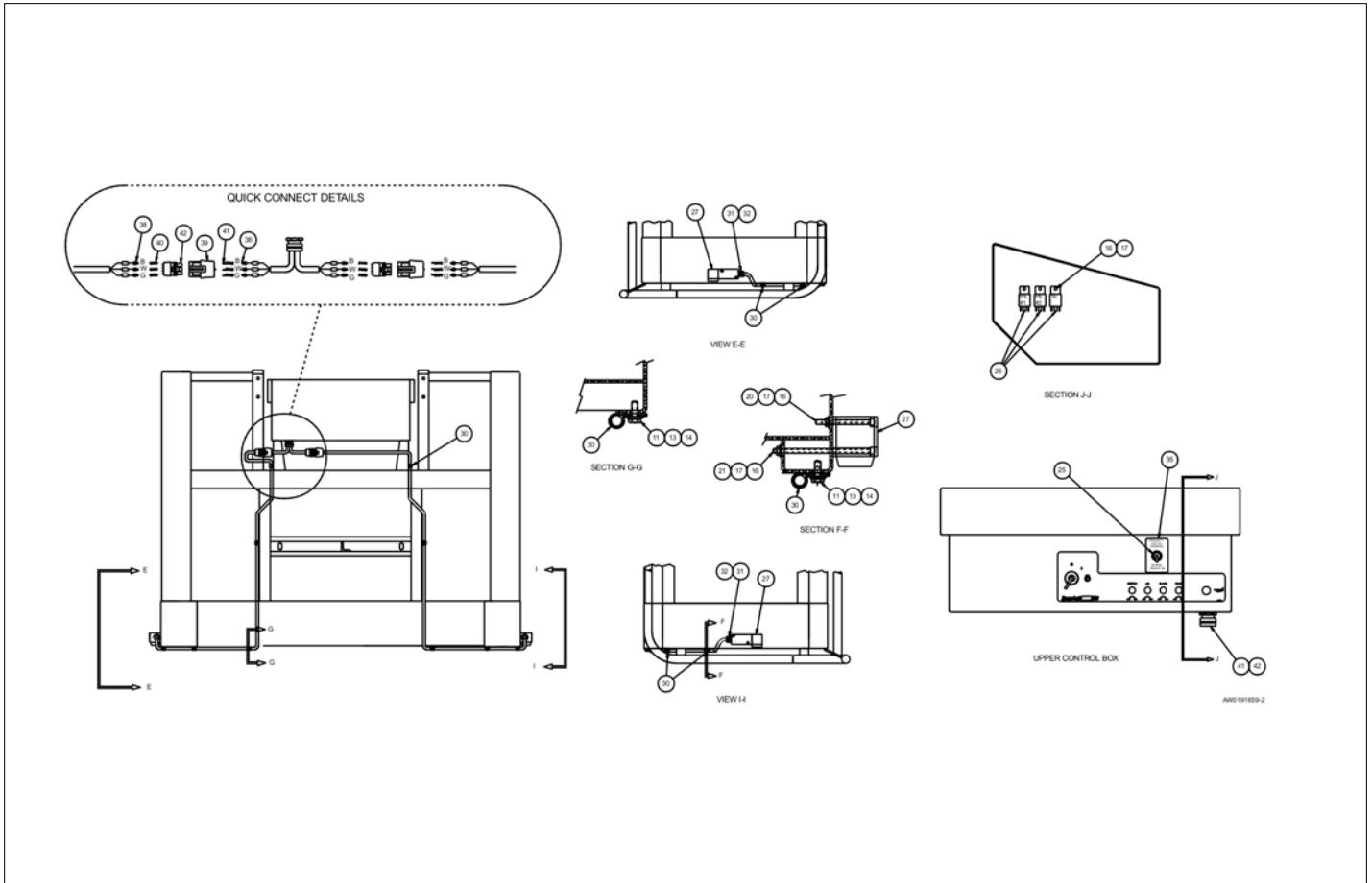


アイテム	部品番号	名前	数量	UOM
	0190097 B	AIRLINE TO PLATFORM		EA
1	0181276	BULKHEAD BRACKET	1	EA
2	0080759	ANGLE	1	EA
3	5260013	FTG ADPTR MALE 8N 8 BARBED	2	EA
4	5550010	CLP WORM DRV .50 1.06 SAE#10	2	EA
5	5010024	HOSE .50 ID AIR HOSE	1	EA
6	7714204	PIPE PLUG 1/2 in NPT SQ.HD BLK.	2	EA
7	7734504	90' ELBOW 1/2 NPT 90 DEG. ELBO	1	EA
8	7740420	PIPE NIPPLE 1/2 NPTX 2 1/2	1	EA
9	970049	BLT HEXHD .250 20 1.00 GR5 GRADE 5 PLT SAME AS 970189	2	EA
10	5560004	NUT LKG .250 20	2	EA
11	5093004	CLP CUSH .750 VINYL COATED	1	EA



OPTIONS

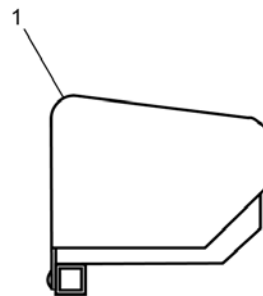
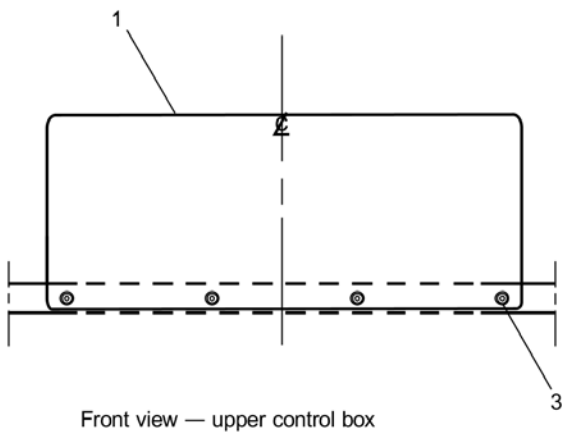
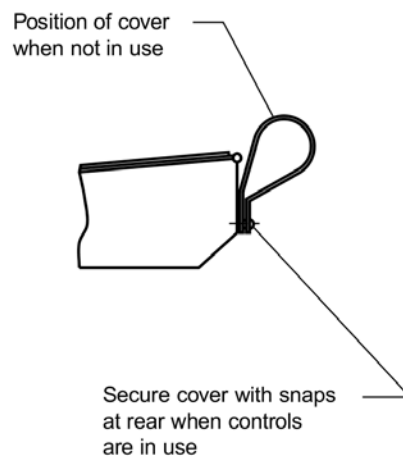
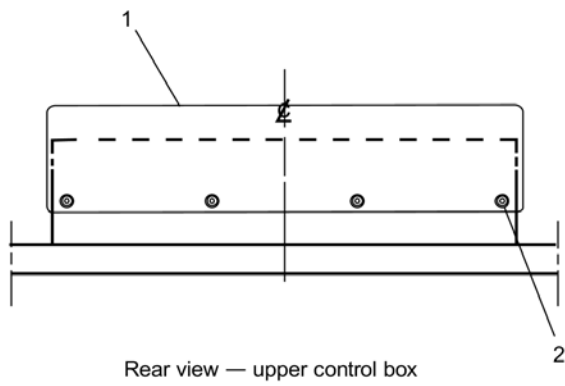




アイテム	部品番号	名前	数量	UOM
	0191659 A	PLATFORM ASSEMBLY ALUMINUM BUMPGUARD WITH PADDING NON SLIDING		EA
1	PNNA	PLATFORM, ALUMINUM WITH GUARDRAILS (CONSULT FACTORY)	1	EA
2	0162432	FRAME	1	EA
3	0162424	MTG ANGLE AL OPTL BMPGRD	8	EA
4	0162425	CHANNEL RR/LF AL OPTL BMPGRD	2	EA
5	0162426	PLT WSHR 2 X 5.91 10GA 2H SP	4	EA
6	0162427	CHANNEL LR/RF AL OPTL BMPGRD	2	EA
7	0181408	CHAIN ASSY	4	EA
8	0181381	SPRING KEEPER	8	EA
9	5530013	SPRING COMPRESSION 1.50 O.D. X	4	EA
10	0181406	TARGET PROXIMITY SWITCH INSTL	2	EA
11	970029	BLT .25 20 .750	30	EA
12	978389	BLT SKTHD .250 20 .75	16	EA
13	986019	WSHR FLAT .250	47	EA
14	987099	WSHR LOCK .250	16	EA
15	5560004	NUT LKG .250 20	24	EA
16	986009	WSHR FLAT 10	9	EA
17	5560034	NUT LKG 10 24	11	EA
18	974659	SCR RDH MACH 10 24 .500	5	EA
19	974709	M SCR #10 24 X 1.00 RNDHD PLTD	2	EA
20	974769	SCR RDH MACH 10 24 2.25	2	EA
21	5560344	SCR RDH MACH 10 24 4.00	2	EA
22	970469	HHD BLT .375 16 X 1.00 GR5	8	EA
23	986299	WASHER, FLAT, .375 STANDARD, PLATED	8	EA

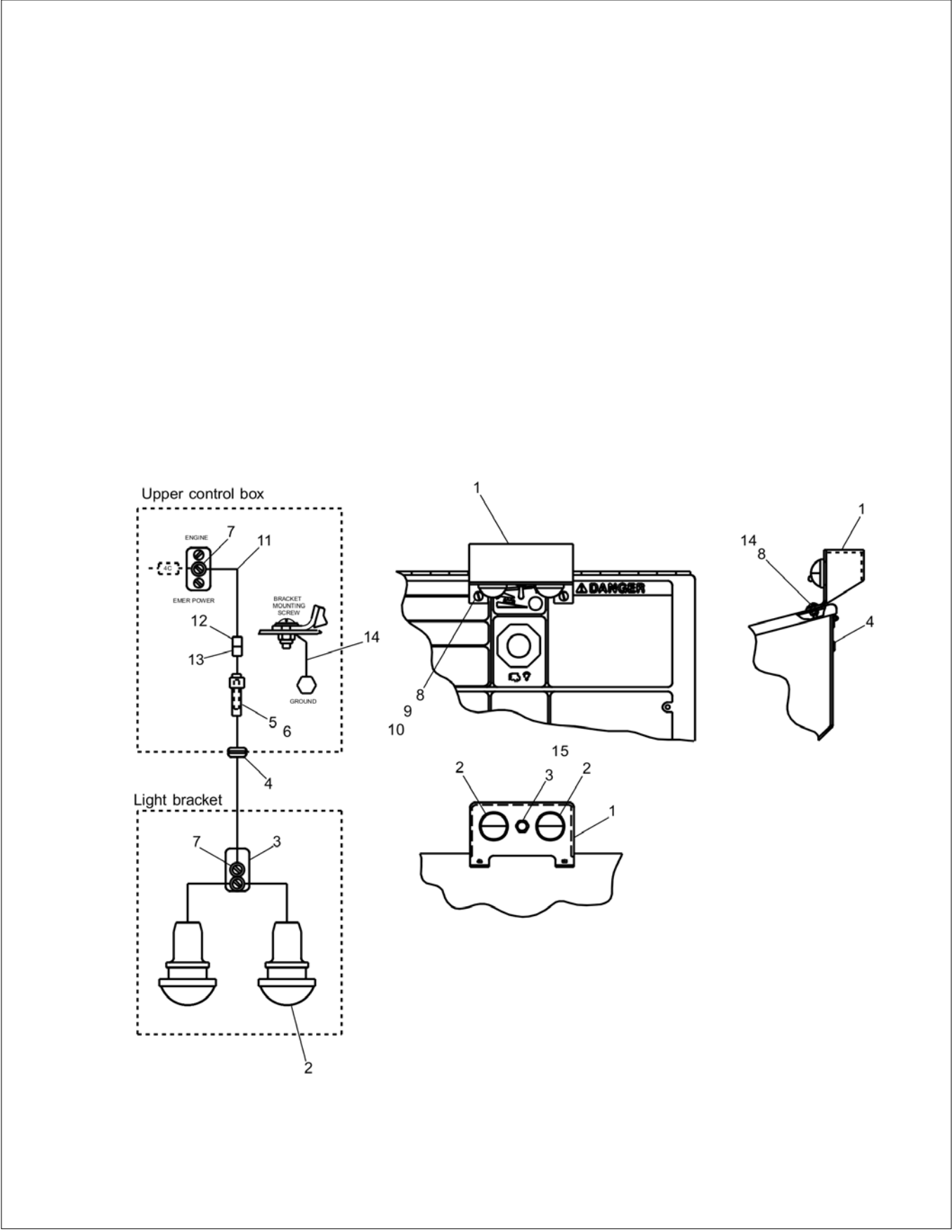
アイテム	部品番号	名前	数量	UOM
24	5560033	.375 16UNC HEX LOCK NUT	8	EA
25	3020080	TOGGLE SWITCH	1	EA
26	3040469	RELAY SPDT 12V 30AMP SONG	3	EA
27	3020098	ASSY PHOTOELECTRIC SWITCH	2	EA
28	3011803	CABLE 18GA/3 CONDUCTOR WIRE	1	EA
29	9980006	3/8 ID PLASTIC FLEX WATER PIPE	1	EA
30	5093001	CLP CUSH .500 VINYL COATED	14	EA
31	3040187	CONN .500 .313 .438	2	EA
32	3040070	NUT LKG HUB .500 APPLETON: P/N BL50 REG 801	2	EA
33	3040116	CONN .75 .500 .625	1	EA
34	3040110	NUT LKG HUB .750 SAMEAS 962129	1	EA
35	9980004	COVER KIT BUMPER FRAME PLATF H	1	EA
36	9980003	PIPE INSUL CLOSED CELL AP ARMA	1	EA
37	9980005	CABLE TIE UV RESISTANT	500	EA
38	3040499	SEAL	12	EA
39	3040564	SHROUD	2	EA
40	3040566	SLEEVE	6	EA
41	3040567	MALE CONNECTOR	6	EA
42	3040565	TOWER, 3 WAY	2	EA

OPTIONS



アイテム	部品番号	名前	数量	UOM
	0190100	COVER PLATFORM CONTROL BOX		EA
1	0191315	COVER, UPPER CONTROL BOX COVER	1	EA
2	5560557	POP RIVET 1/8 INCH ALUMINUM #RVT AD48 ABS	4	EA
3	5560556	POP RIVET 1/8 INCH ALUMINUM #RVT AD46 ABS	4	EA

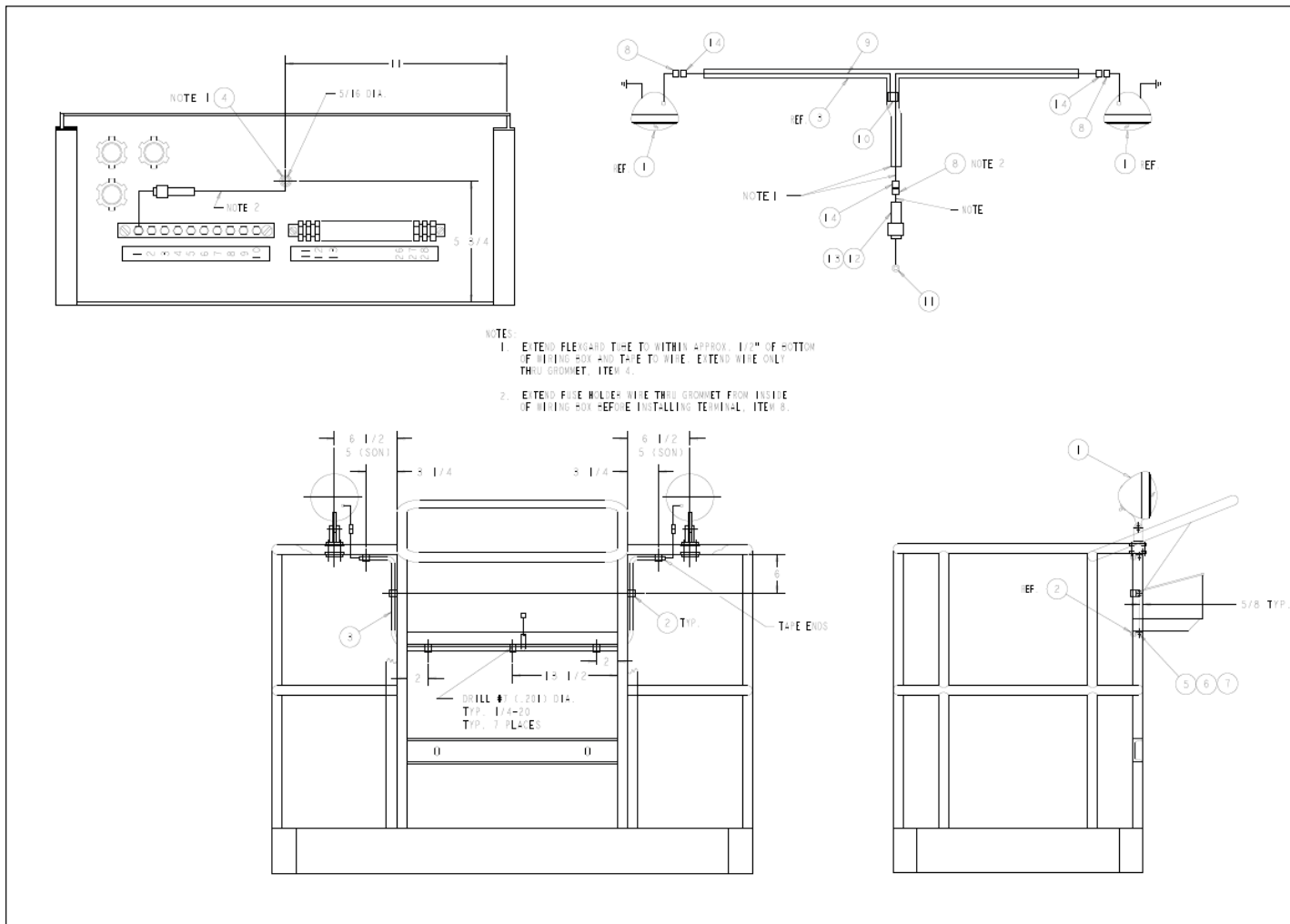
OPTIONS



アイテム	部品番号	名前	数量	UOM
	0190092 A	LIGHTS PLATFORM BOX INSTALLATION		EA
1	0072004	LIGHT BRACKET WLDMT	1	EA
2	3060008	COURTESY LIGHT	2	EA
3	3020013	Switch, Toggle Honeywell INTI 2	1	EA
4	5569003	GROMMET .188ID .313DIAX.125GRV	1	EA
5	3040038	FUSE HOLDER	1	EA
6	3040039	FUSE 10 AMP AGC BUSS: 10 AMP AGC	1	EA
7	3044158	TERM R6I	4	EA
8	5560654	WSHR LOCK #10 SPLIT TYPE	2	EA
9	5560648	SCR RDHD 10 24 .750	2	EA
10	5560034	NUT LKG 10 24	2	EA
11	3011601	WIRE 16GA SINGLE CONDUCTOR BLK	1	EA
12	3040083	TERM FEM250FI 16/14	1	EA
13	3040082	TERM MALE250FI 16/14	1	EA
14	0151815	WIRE 16 R10I R10I 12	1	EA
15	0181376	DECAL	1	EA

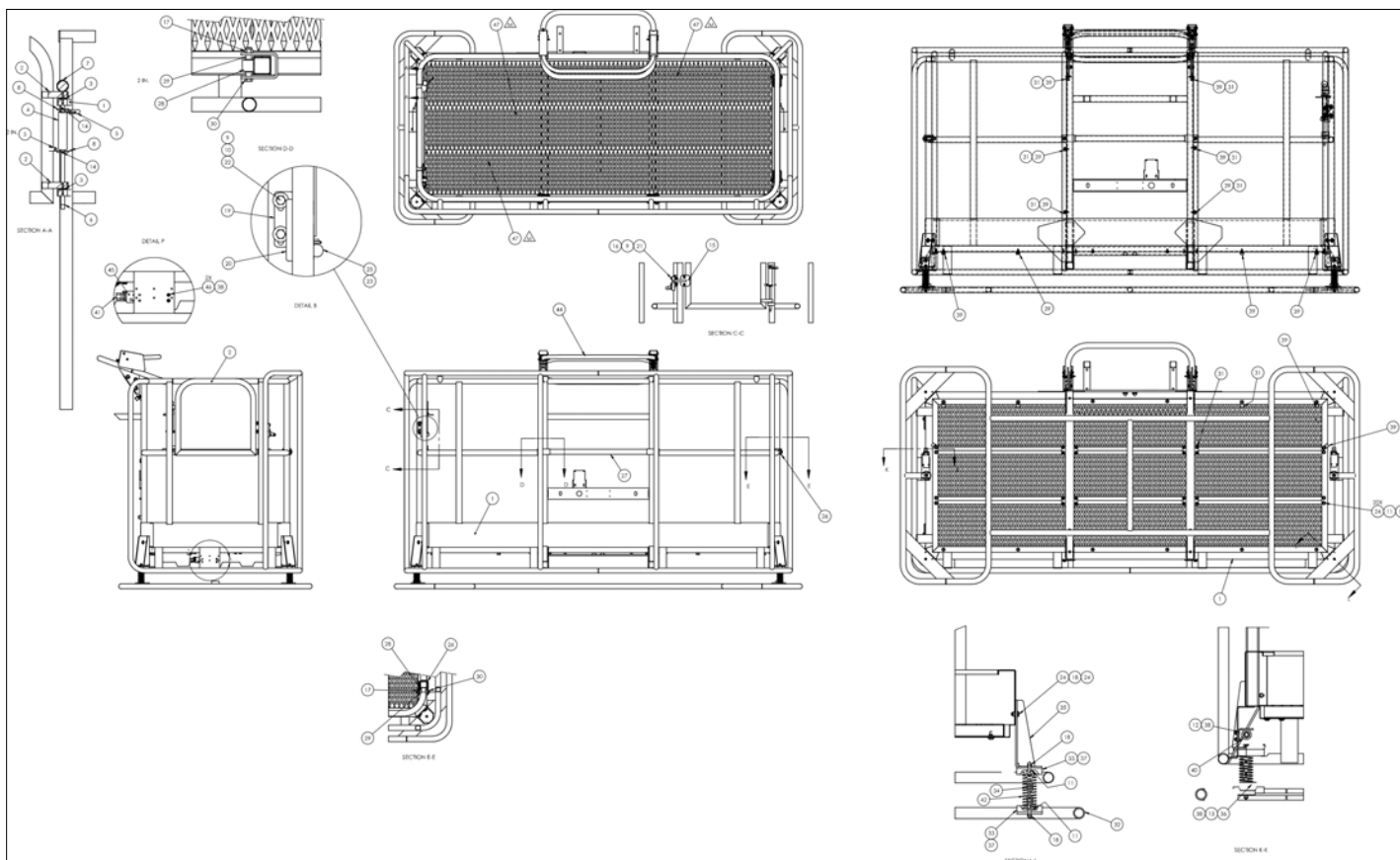


OPTIONS



アイテム	部品番号	名前	数量	UOM
	0080768 H	PLATFORM WORK LIGHTS 2 FLOOD A46JE 04 0001585 AND BEFORE CE A46JE 01 010859 AND BEFORE		EA
1	3064413	LIGHT FLOOD WITH CLAMP – INCANDESCENT	2	EA
	3067620	LIGHT FLOOD WITH CLAMP – HALOGEN	2	EA
2	5093019	CLP CUSH .375 VINYL COATED	7	EA
3	3090019	TUBE FLEXGARD .250 ID	1	EA
4	5569003	GROMMET .188ID .313DIAX.125GRV	1	EA
5	970029	BLT .25 20 .750	7	EA
6	986019	WSHR FLAT .250	7	EA
7	987009	WASHER 1/4 MEDIUM LOCK	7	EA
8	3040082	TERM MALE250FI 16/14	3	EA
9	3011601	WIRE 16GA SINGLE CONDUCTOR BLK	1	EA
10	3040114	CONNECTOR	1	EA
11	3044161	TERM R10I 16/14	1	EA
12	3040038	FUSE HOLDER	1	EA
13	3040039	FUSE 10 AMP AGC BUSS: 10 AMP AGC	1	EA
14	3040083	TERM FEM250FI 16/14	3	EA

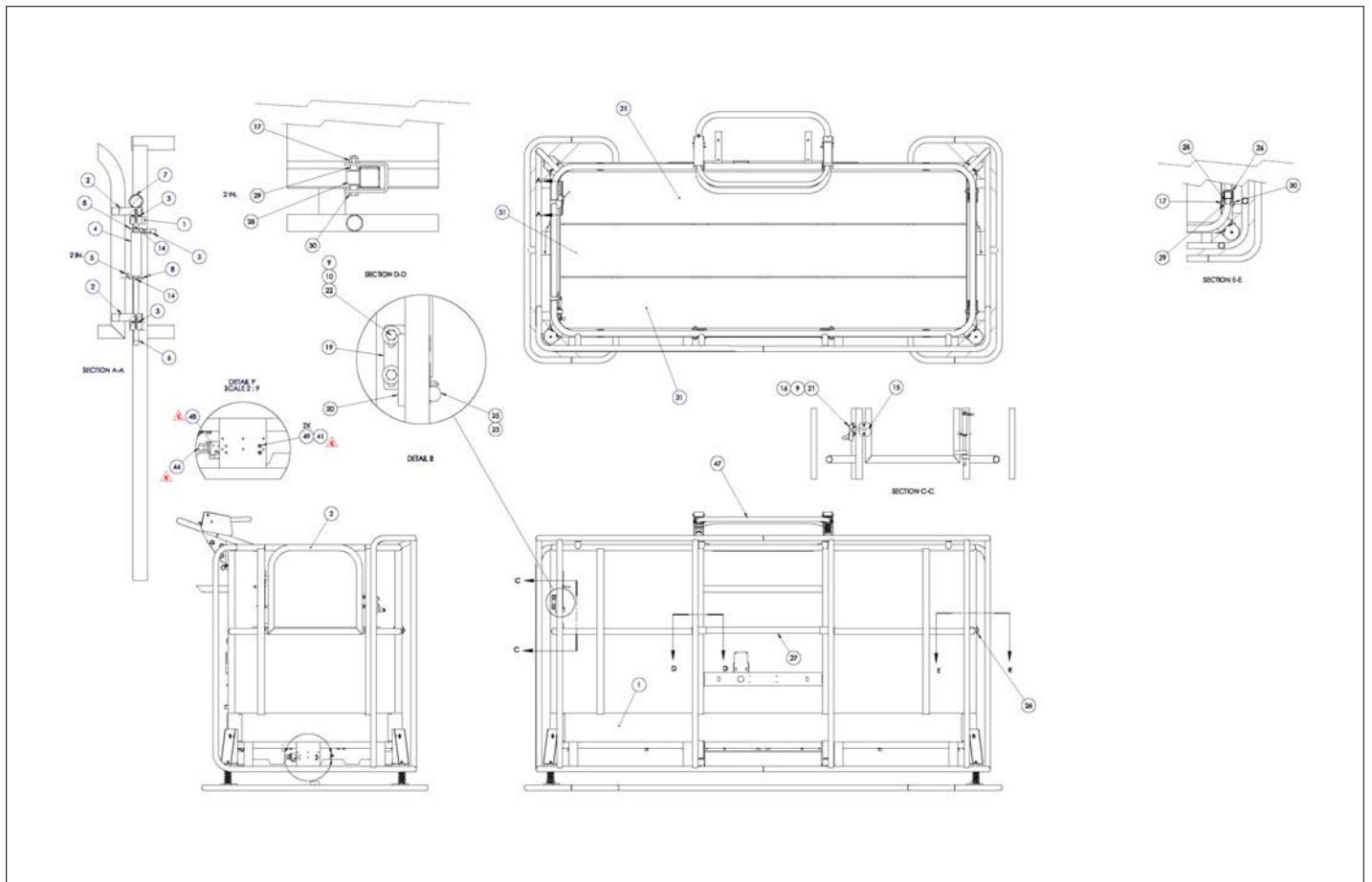
# OPTIONS

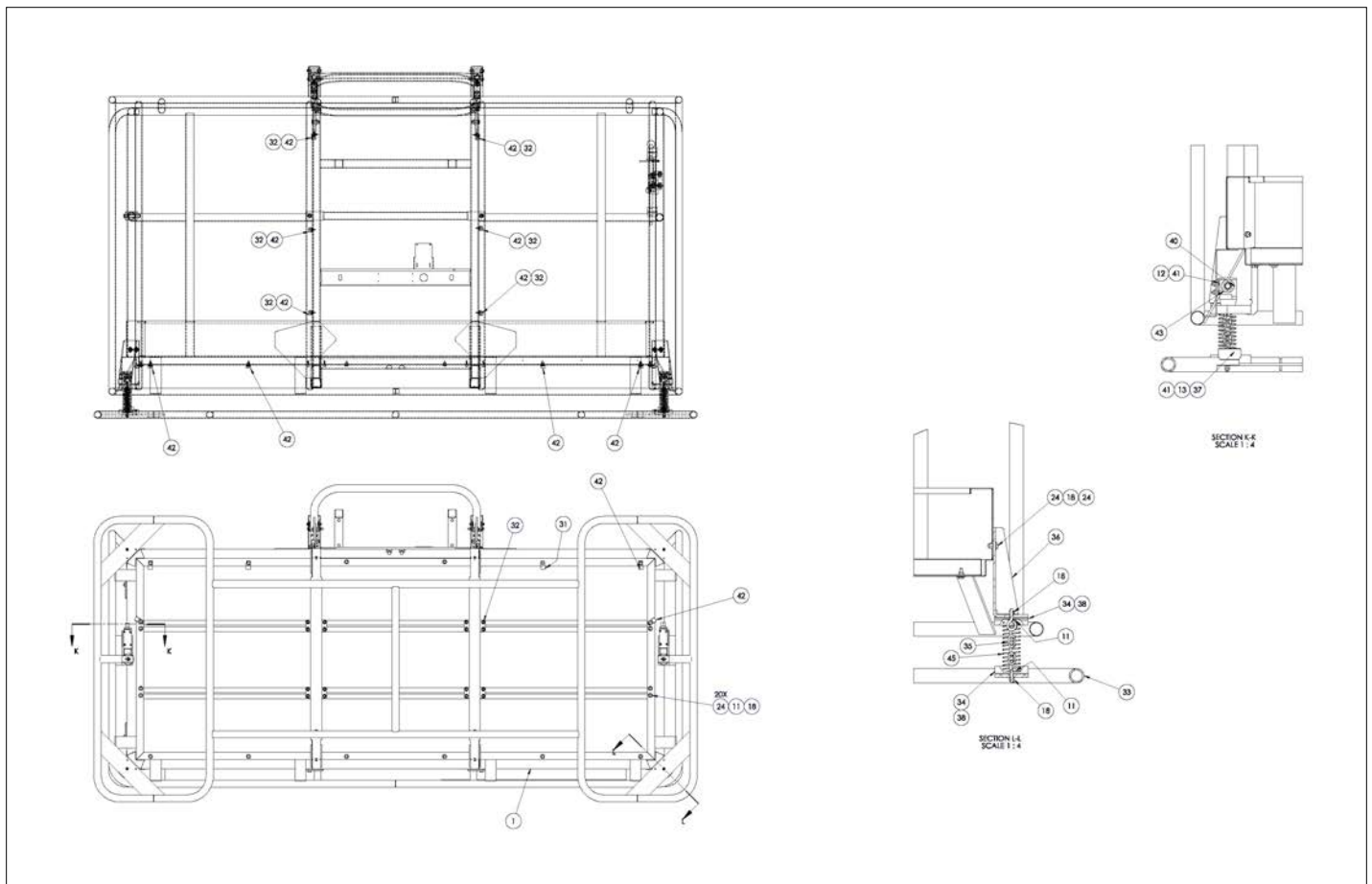


アイテム	部品番号	名前	数量	UOM
	1430385 M	36 X 96 PLATFORM ASSEMBLY WITH BUMP GUARD AND PADDING MARCH 2009 AND AFTER		EA
1	1430378 5	WLDMT PLATF BUMP FRAME MOD	1	EA
2	1430099 5	WLDMT STRIKE GATE SWING	1	EA
3	2572007	BRG .500ID .625OD .625	4	EA
4	0071837	TORSION SPRING BASKET MODIF.	1	EA
5	5010007	HOSE VACUUM .156 ID 4.0MM	0.33	EA
6	0420632	PIN 0.50 4.859 GRIP	1	EA
7	2667500	95 BALL KNOB 1 3/8 X 1/2 13	1	EA
8	986359	FLATWASHER 1/2"	2	EA
9	986269	WSHR FLAT .313	4	EA
10	5563393	WASHER FLAT .438 HARDENED	2	EA
11	986019	WSHR FLAT .250	36	EA
12	5560654	WSHR LOCK #10 SPLIT TYPE	4	EA
13	986009	WSHR FLAT 10	2	EA
14	988179	COTTER PIN, 1/8 DIA. X 1" LG.	2	EA
15	0421529 5	WLDMT STRIKER SWING GATE	1	EA
16	5560031	NUT HEX LKG .313 18	4	EA
17	5560033	.375 16UNC HEX LOCK NUT	4	EA
18	5560004	NUT LKG .250 20	36	EA
19	0421519 5	PLT LATCH MNT SWING GATE	1	EA
20	300492	LATCH LH TRAY ROTARY LOCK	1	EA
21	970279	BLT HEXHD .313 18 1.50 GR5	2	EA
22	970239	BLT HEXHD .313 18 .750 GR5	2	EA
23	970009	Capscrew 1/4 20 x 1/2 inch lon	1	EA
24	970029	BLT .25 20 .750	28	EA
25	302555	KNOB ROUND .25 20NC FEMALE DIM	1	EA

アイテム	部品番号	名前	数量	UOM
26	0420199 5	WLDMT GATE GRAVITY SIDE 36X96	1	EA
27	0421321 5	WLDMT GG FRONT 36X96 STL PLAT	1	EA
28	0150509	ROLLER	4	EA
29	0071953 8	SPCR .451ID .500OD 1.88 STL	4	EA
30	5569865	BLT HEXHD .375 16 2.75 GR5	4	EA
31	5563310	HWH .25 14 SELF DRILLING X .75	22	EA
32	1430381 5	WLDMT BUMP GUARD FRAME	1	EA
33	0181381	SPRING KEEPER	8	EA
34	0181408	CHAIN ASSY	4	EA
35	1430371 5	ANGLE SPRING KEEPER MNT	4	EA
36	0181407	PLAC PROXIMITY SW OVERRIDE	1	EA
37	978389	BLT SKTHD .250 20 .75	16	EA
38	5563388	MACHINE SCREW, PAN HD, SLOTTED, #10 24 UNC X .50 MTS 16, 18	2	EA
39	5093001	CLP CUSH .500 VINYL COATED	12	EA
40	3040070	NUT LKG HUB .500 APPLETON: P/N BL50 REG 801	2	EA
41	3040187	CONN .500 .313 .438	2	EA
42	5530013	SPRING COMPRESSION 1.50 O.D. X	4	EA
43	972259	BLT FLSKTHD .313 18 1.00	2	EA
44	0113584	SNORKEL GUARD TRI ENTRY 8 FOOT STEEL ASSEMBLY	1	EA
45	182340	SENSOR BRKT	2	EA
46	5560034	NUT LKG 10 24	3	EA
47	8060311	PLATE GRIPSTRUT 8FT	3	EA

OPTIONS





アイテム	部品番号	名前	数量	UOM
	1430385 K 1	null		EA
1	1430378	PLATFORM BUMP FRAME	1	EA
2	1430099	WLDMT, GATE SWING SIDE	1	EA
3	2572007	BRG .500ID .625OD .625	4	EA
4	0071837	TORSION SPRING BASKET MODIF.	1	EA
5	5010007	HOSE VACUUM .156 ID 4.0MM	2	EA
6	0420632	PIN 0.50 4.859 GRIP	1	EA
7	2667500	95 BALL KNOB 1 3/8 X 1/2 13	1	EA
8	986359	FLATWASHER 1/2"	2	EA
9	986269	WSHR FLAT .313	4	EA
10	5563393	WASHER FLAT .438 HARDENED	2	EA
11	986019	WSHR FLAT .250	36	EA
12	5560654	WSHR LOCK #10 SPLIT TYPE	4	EA
13	986009	WSHR FLAT 10	2	EA
14	988179	COTTER PIN, 1/8 DIA. X 1" LG.	2	EA
15	0421529 5	WLDMT STRIKER SWING GATE	1	EA
16	5560031	NUT HEX LKG .313 18	4	EA
17	5560033	.375 16UNC HEX LOCK NUT	4	EA
18	5560004	NUT LKG .250 20	36	EA
19	0421519 5	PLT LATCH MNT SWING GATE	1	EA
20	300492	LATCH LH TRAY ROTARY LOCK	1	EA
21	970279	BLT HEXHD .313 18 1.50 GR5	2	EA
22	970239	BLT HEXHD .313 18 .750 GR5	2	EA
23	970009	Capscrew 1/4 20 x 1/2 inch lon	1	EA
24	970029	BLT .25 20 .750	28	EA
25	302555	KNOB ROUND .25 20NC FEMALE DIM	1	EA
26	0420199	WLDMT, GATE GRAVITY SIDE	1	EA
27	0421321	WLDMT, GG FRONT 36x96 STL PLAT	1	EA



アイテム	部品番号	名前	数量	UOM
28	0150509	ROLLER	4	EA
29	0071953	SPCR .451ID .500OD 1.88 STL	4	EA
30	5569865	BLT HEXHD .375 16 2.75 GR5	4	EA
31	8060311	PLATE GRIPSTRUT 8FT	3	EA
32	5563310	HWH .25 14 SELF DRILLING X .75	22	EA
33	1430381	WLDMT BUMPGUARD FRAME	1	EA
34	0181381	SPRING KEEPER	8	EA
35	0181408	CHAIN ASSY	4	EA
36	1430371	SPRING KEEPER MNT ANGLE	4	EA
37	0181406	TARGET PROXIMITY SWITCH INSTL	2	EA
38	978389	BLT SKTHD .250 20 .75	16	EA
39	3028937	ASSY PHOTOELECTRIC SWITCH	1	EA
40	3028937	ASSY PHOTOELECTRIC SWITCH	1	EA
41	5563388	MACHINE SCREW, PAN HD, SLOTTED, #10 24 UNC X .50 MTS 16, 18	2	EA
42	5093001	CLP CUSH .500 VINYL COATED	12	EA
43	3040070	NUT LKG HUB .500 APPLETON: P/N BL50 REG 801	2	EA
44	3040187	CONN .500 .313 .438	2	EA
45	5530013	SPRING COMPRESSION 1.50 O.D. X	4	EA
46	972259	BLT FLSKTHD .313 18 1.00	2	EA
47	0113584	SNORKEL GUARD TRI ENTRY 8 FOOT STEEL ASSEMBLY	1	EA
48	0182340	SENSOR BRKT	2	EA
49	5560034	NUT LKG 10 24	4	EA

## Maintenance

Every person who maintains, inspects, tests or repairs the aerial platform must be qualified to do so. Maintenance functions must be performed by maintenance personnel who are qualified to work on the aerial platform.

### Caution

**Welding current can be very intense. Damage to electronic components can result. Connect the ground clamp as close as possible to the area being welded. Disconnect the battery cables and any microprocessors and engine control modules before welding on the machine.**

If it becomes necessary to weld aerial platform components as a method of repair, take all precautions to prevent damage to electronic circuitry and devices on the machine. This includes, but may not be limited to, disconnecting battery cables and electronic devices.

Do not modify this aerial platform without prior written consent of the Snorkel Engineering Department. Modification may void the warranty, adversely affect stability or affect the operational characteristics of the aerial platform.

### Maintenance Schedules

The manufacturer has established a preventative maintenance schedule to detect any defective, damaged or improperly secured parts and provide information regarding lubrication and other minor maintenance items.

This schedule includes the following:

- Daily Prestart Inspection
- Frequent Inspection and Maintenance – Every 90 Days or 150 Hours
- Annual Maintenance – Every 500 Hours

The Daily Prestart Inspection must be performed by a trained operator. All other maintenance and inspection must be performed by a trained service technician only. Retain a copy of these forms for your records.

All placards and decals on the machine must be in place and legible. Use the Placards and Decals parts page in the Repair Parts section of this manual to check these placards and decals.

Snorkel recommends that you make additional copies of the preventative inspection and maintenance checklists for your use in performing these inspections.

### Warning

**The potential for accident increases when operating an aerial platform that is damaged or malfunctioning.**

**Death or serious injury can result from such accidents. Do not operate the aerial platform if it is damaged or malfunctioning.**

Repair all defects before returning the machine to service.

### General Information

The parts drawings located in the Repair Parts section are designed for use as a guide for proper disassembly of the machine and components, as well as, for parts replacement.

### Danger

**Hydraulic fluid escaping under pressure can have enough force to inject fluid into the flesh. Serious infection or reaction will result if medical treatment is not given immediately. In case of injury by escaping hydraulic fluid, seek medical attention at once.**

Always refer to the hydraulic system installation drawings and the electrical wiring diagram before removing or disassembling associated parts.

When disassembling or reassembling components, complete the procedural step in sequence. Do not partially disassemble or assemble one part, then start on another. Always check your work to assure that nothing has been overlooked.

Keep the following in mind when disassembling or assembling the machine.

- Always be conscious of weight.
- Never attempt to lift heavy objects without the aid of a mechanical device.
- Do not allow heavy object to rest in an unstable condition.
- Always make sure the work platform is in the stowed position, blocked or the weight removed by a suitable lifting device before removing any components from the machine.
- When raising a portion of the machine, be sure that adequate blocking is properly positioned. Do not depend solely on the lifting device to hold and secure weight.
- If a part resists removal, check to see if all fasteners, electrical wiring, hydraulic lines, etc., have been removed or that other parts are not interfering.

Parts should be thoroughly inspected before restoring to service at the time of reassembly. Burrs, nicks or scratches may be removed from machines surfaces by honing or polishing with a #600 crocus cloth,

followed by a thorough cleaning with an approved cleaning solvent, and blown dry with compressed air. Do not alter the contour of any part. If this operation does not restore the part to a serviceable condition, replace the part.

Replace all o-rings, seals and gaskets at reassembly. Use new roll pins or cotter pins. Dip all packing rings and seals in hydraulic oil before reassembling in cylinder and manifolds. Replace any part having imperfect threads. In general, machines that have been disassembled can be reassembled by reversing the order of disassembly.

The service life of a machine can be increased by keeping dirt and foreign materials out of the vital components. Shields, covers, seals and filters help to keep air and oil supplies clean. However, these items must be maintained on a scheduled basis in order to function properly.

Clean surrounding areas, as well as the opening and fittings before disconnecting air or oil lines. As soon as a line or component is disconnected, cap or cover all openings to prevent the entry of dirt or foreign materials.

New parts should remain in their container until they are ready to be used.

Clearly mark or tag hydraulic lines and electrical wiring connections when disconnecting or removing them from the machine. This will assure that they are correctly reinstalled.

Proper assembly is critical to the successful rebuilding of any machine. Carefully, inspect any parts which are to be reused. If in doubt, replace.

“Safety First” is a good slogan.

Replace any guards and protective devices that have been removed to carry out maintenance and repair work.

## Daily Prestart Inspection

Item	Inspect For	OK
<b>Operator's Manual</b>	In place, all pages readable and intact	
<b>Engine</b>		
Oil Level	Between full and add marks	
Coolant	Liquid cooled engines – proper fluid level Air cooled engines – air intake and fan free of obstructions, belt in good condition	
Radiator	Cap tight, good condition and clean	
Fuel tank and line	Tank full, cap in place and tight/no leaks	
Air filter	Clear indicator	
Charging system	Proper operation	
Cold weather start kit	No damage or deformation	
<b>Electrical System</b>		
Battery	Condition and charged for proper operation	
Battery fluid level and terminals	Proper level/clean, connectors tight	
Cables and wiring harness	No wear or physical damage	
<b>Hydraulic System</b>		
Fluid level	Between add and full marks, cap in place and tight	
Fluid filter	Verify operation in the green zone	
Hoses, tubes and fittings	No leaks	
Cold weather warm-up kit	Proper operation	
<b>Tires and wheels</b>	Good condition	
<b>Lower Control Station</b>		
Operating controls	Proper operation	
Emergency stop and emergency power	Shuts off lower controls/proper operation	
<b>Emergency Lowering</b>	Proper operation	
<b>Level Sensor</b>	Sounds tilt alarm	
<b>Flashing Lights</b>	Proper operation	
<b>Structures</b>		
Weldments – Chassis, turntable, booms, platform, etc.	Welds intact, no damage or deformation	
Slide pads	In place, no damage or deformation	
Fasteners	In place, tight, and no damage	
<b>Upper Control Station</b>		
Guardrail system and lanyard anchors	Welds intact, no damage or deformation	
Operating controls–Boom functions, drive, brakes, etc.	Proper operation	
Emergency stop and emergency power	Shuts off upper controls/proper operation	
Horn	Sounds when activated	
Electrical power outlet – GFCI	Proper operation	
Driving and work lights	Proper operation	
Platform control cover	In place and proper operation	
<b>All Motion Alarm</b>	Sounds when machine is operated and/or driven	
<b>Sandblast Protection Kit</b>	In place and proper operation	
<b>Air Line to Platform</b>	No damage or deformation, caps in place	
<b>Driving and Platform Work Lights</b>	No damage or deformation, proper operation	
<b>Tow Kit</b>	In place, no damage or deformation	
<b>Platform Glazier Package</b>	Good condition	
<b>Bumpguard System</b>	Good condition, proper operation	
<b>Placards and Decals</b>	In place and readable	

# ***Maintenance***

# Frequent Inspection and Maintenance – Every 90 Days or 150 Hours

OK	OK - No Service Required
✓	Corrective Action Required
X	Corrected, (Record description of corrective action).

Serial Number \_\_\_\_\_

**Maintenance**

Inspection Procedures Codes
(1) Weld cracks, dents and/or rust
(2) Installation
(3) Leaks
(4) Operation
(5) Condition
(6) Tightness
(7) Residue buildup
(8) See placards and decals inspection chart

Check	OK	✓	X
<b>Chassis</b>			
Structural (1)			
Steering cylinder pin caps and tie wire (2,6)			
Steering linkage (4)			
Tires, foam filled (5)			
Hydraulic tubes and hoses (3,5)			
Decals and placards (2,8)			
Torque drive wheel lug nuts per placard on wheel (6)			
Torque steer wheel lug nuts per placard on wheel (6)			
Right drive motor (3)			
Left drive motor (3)			
Lubrication points			
<b>Turntable</b>			
Structural (1)			
Torque turntable top bolts @180 ft. lbs. (6)			
Torque turntable bottom bolts @180 ft. lbs. (6)			
Hydraulic tubes and hoses (3,5)			
Riser lift cylinder pin caps and tie wire (2,6)			
Riser lift cylinder and holding valve (2,6)			
Riser boom emergency bleed down valve (4)			
Cowling (5,6)			
Wire harness (2,5)			
Decals and placards (2,8)			
Master level cylinder pin caps (2,6)			
Torque master level cylinder bolts @80-100 ft. lbs.			
Rotation backlash (5)			
Correct operators manual in document holder			
System pressure			
Lubrication points			
Rotation brake (4)			
Centerpost (3,6)			
<b>Booms</b>			
Structural (1)			
Main boom pin caps and tie wire (2,6)			
Main boom emergency bleed down valve (4)			
Hydraulic tubes and hoses (3,5)			
Extension cylinder pin caps and tie wire (2,6)			
Extension cylinder and holding valve (3,4)			
Hose carrier tube and support (7)			
Plastic hose track			
Electrical wires (5)			
Extend retract wire ropes and sheaves (2,5,6)			
Main lift cylinder pin caps and tie wire (2,6)			
Main lift cylinder holding valve (3,4)			
Riser boom pin caps and tie wire (2,6)			
Follower arm pin caps and tie wire (2,6)			
Jib cylinder pin caps and tie wire (2,6)			
Jib cylinder holding valve (3,4)			

Check	OK	✓	X
<b>Booms (Continued)</b>			
Jib boom leveling pin caps and tie wire (2,6)			
Leveling bellcrank pin caps and tie wire (2,6)			
Decals and placards (2,8)			
Follower arm "X" bars (1,2,6)			
<b>Platform</b>			
Structural (1)			
Decals and placards (2,8)			
Platform gate (4)			
Hydraulic tubes and hoses (3,5)			
Slave level cylinder pin caps and tie wire (2,6)			
Slave level cylinder holding valves (3,4)			
Platform mounting bolts (2,6)			
<b>Platform rotator</b>			
Structural (1)			
Hydraulic rotator actuator (3)			
Platform rotation holding valve (4)			
Pylon pin caps and tie wire (2,6)			
Mounting bolts and pin caps (2,6)			
<b>Upper control station</b>			
Foot switch, unit will not start when engaged (4)			
Foot switch, functions operate when engaged (4)			
Engine START-STOP (4)			
Electric throttle, if equipped (4)			
Turntable rotation (4)			
Riser boom UP-DOWN (4)			
Main boom UP-DOWN (4)			
Jib boom UP-DOWN (4)			
Boom extension IN-OUT (4)			
Platform leveling (4)			
Platform rotation (4)			
Drive range HIGH-MID-LOW, boom stowed (4)			
Drive speed SLOW, boom raised (4)			
Emergency power, all functions (4)			
Emergency shutdown control (4)			
Gradual start to stop lift/swing/drive controls (4)			
Drive speed limit switch, boom lift (4)			
Drive speed limit switch, boom extend (4)			
5° tilt alarm (4)			
110 volt AC power to platform (2,4)			

# Maintenance

Check	OK	✓	X
<b>Lower control station</b>			
Station selector switch - ground controls platform controls DO NOT work (4)			
Station selector switch - platform controls ground controls DO NOT work (4)			
Ground control switches (4)			
Turntable rotation (4)			
Riser boom UP-DOWN (4)			
Main boom UP-DOWN (4)			
Jib boom UP-DOWN (4)			
Boom extension IN-OUT (4)			
Platform leveling (4)			
Platform rotation (4)			
Emergency power, all functions (4)			
Emergency stop (4)			
<b>Hydraulic oil reservoir</b>			
Filler/breather cap and tank (6)			
Hydraulic fluid level (5)			
Hydraulic filter (3,4)			
<b>Engine</b>			
Charging system (4)			
Air filter (5)			
Hour meter (4)			

Check	OK	✓	X
<b>Engine (Continued)</b>			
Belts and hoses (5)			
Hydraulic pump (4)			
Engine oil (5)			
Battery terminals (6)			
Battery electrolyte level (5)			
Indicator gauges (4,5)			
Engine START-STOP (4)			
Electric throttle (4)			
Electric choke, if equipped (4)			
Engine coolant level (5)			
<b>Optional Equipment</b>			
Air line to platform (2,4)			
Dual fuel system (2,4)			
Horn (2,4)			
Motion warning alarm (2,4)			
Operation warning light (2,4,6)			
Optional platform (2,4,6)			
Platform work lights (2,4)			
Tool tray (2)			
Tow package (2,4)			
110 volt onboard generator (2,4)			

Corrective Action Required

---

---

---

---

---

---

---

---

---

---

---

---

---

---

---

---

---

---

---

---

---

---

---

---

---

---

---

---

---

---

---

Note: If correction action is required on any item, attach sheet indicating problem and action taken.

All items have been properly checked and tested and found to be operating satisfactory or necessary corrective action has been completed.

Inspected By: \_\_\_\_\_ Date \_\_\_\_\_

## Frequent Maintenance – Every 90 Days or 150 Hours

Components	Service Required	Recommended Lubricant or Further Instructions
Daily maintenance	Perform maintenance as per schedule	
Preventive inspection maintenance checklist	Perform inspection, complete form	Retain copy of checklist
Placards and decals inspection	Inspect using drawing and parts listing in section 1 (repair parts)	Replace any missing or unreadable decals/placards
Door hinges and latches	Lubricate	SAE 10W oil or spray lure
Rotation bearing	Lubricate	Conoco Super Sta #2 Above 32° Mobilgrease CM-P Below 32° Mobilgrease CM-L
Rotation bearing teeth & pinion	Lubricate	Mobil Mobilnac 375NC
Tie rods	Lubricate	Conoco Super Sta #2 Above 32° Mobilgrease CM-P Below 32° Mobilgrease CM-L
Gear hubs	Check fluid level, fill if low	Mobil Mobilube HD 80W-90
Swing drive	Check fluid level, fill if low	Mobil Mobilube HD 80W-90
Platform rotator	Check smooth operation	Repair or replace if not working properly
Platform controller	Check smooth operation & speeds	
Batteries	Check specific gravity	1.260/1.275 at 80° F.
Hydraulic return filter	Check condition	Replace if dirty
Engine RPM	Check for proper engine RPM	See engine manufacturer's owner's manual
Engine oil and filter	Replace per engine owners manual	
Engine fuel filter	Check condition	Replace every 6 months or if dirty

Performed by: \_\_\_\_\_ Date: \_\_\_\_\_

## Annual Maintenance – Every 500 Hours

Components	Service Required	Recommended Lubricant or Further Instructions
90 day or 150 hour maintenance	Perform maintenance per schedule	
Hydraulic oil reservoir	Clean and replace fluid	Above 10° Mobil DTE-13M Below 10° Mobil DTE-11M
Hydraulic return filter	Replace	After 1st. 50 hours, thereafter at recommended interval
Hydraulic reservoir suction filter	Clean and reinstall	
Hydraulic pressures	Check pressures	
Gear hubs	Replace fluid	Mobil Mobilube HD 80W-90
Swing drive	Replace fluid	Mobil Mobilube HD 80W-90
Engine coolant	Check Condition	See engine manufacturer's owner's manual
Front wheel bearings	Clean and repack	Conoco Super Sta #2 Above 32° Mobilgrease CM-P Below 32° Mobilgrease CM-L

Performed by: \_\_\_\_\_ Date: \_\_\_\_\_

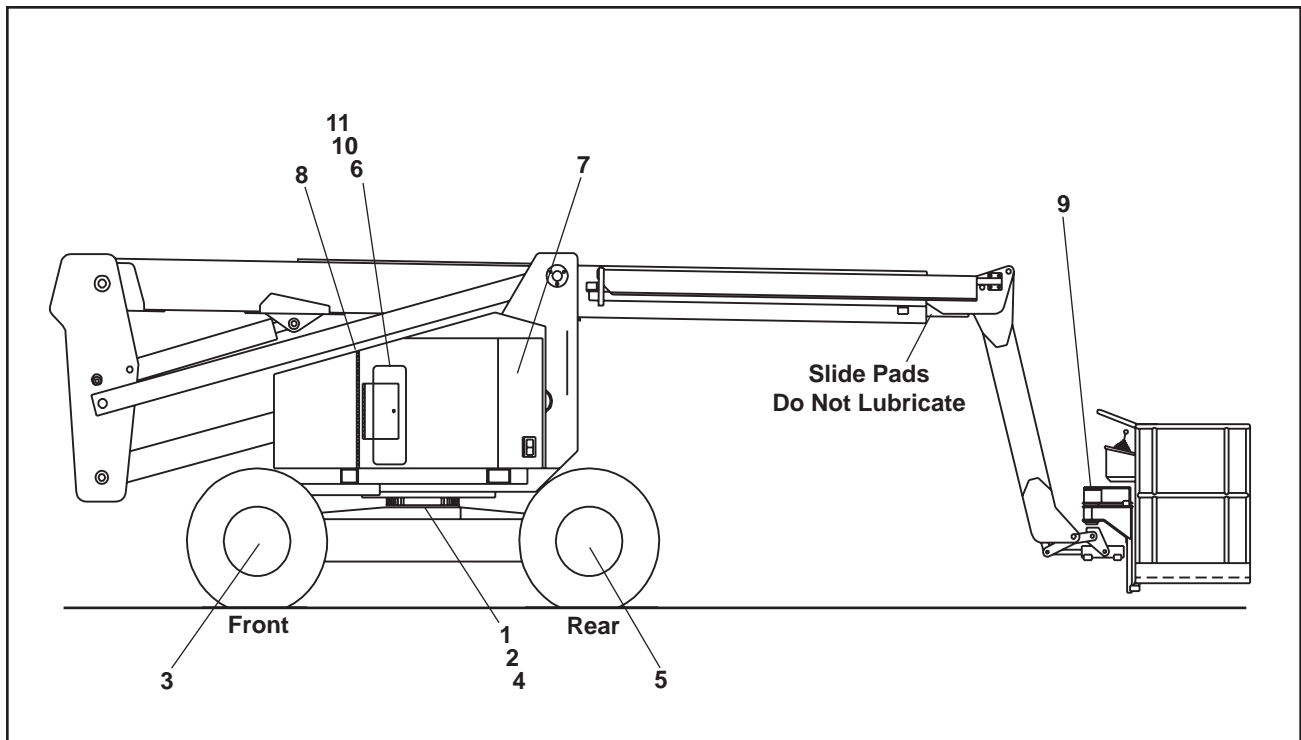


# ***Maintenance***

## Major Repairs

Date	Part Number	Part Description	Repair Performed

# ***Maintenance***



## Lubrication Points

### Lubrication

Specific lubricants as recommended by Snorkel, should be used in maintaining the unit. If in doubt regarding the use of lubricants other than those listed, contact Snorkel Customer Service Department for evaluation and recommendation.

Refer to the above lubrication illustration to locate component item numbers.

Service all fittings as indicated on the Frequent Maintenance schedule and lubrication illustration. Wipe away all excess lubricant from exposed surfaces. Over lubrication can collect dirt and foreign matter which acts as an abrasive. Lubrication of accessory equipment should be in accordance with the manufacturer's recommendations.

### Rotation Bearing

Rotation bearing – Item 1. Pressure gun lubricate bearing at recommended interval using lubricant as outlined in the maintenance schedule. Rotate while lubricating. The lubrication fitting is located on the rear of the turntable.

### Rotation Gear Teeth and Pinion

Rotation gear teeth and pinion – Item 2. Gear teeth and gear box pinion should be lubricated with a spray-on type open gear lubricant.

### Tie Rods

Tie rods – Item 3. Lubricate at recommended interval using lubricant as outlined in the maintenance schedule.

### Swing Drive

Swing drive – Item 4. To check oil level, remove check plug located on the front side of the gear box. Unit is full if oil is level with bottom of fill hole or just starts to run out. If low, remove the vent on top of the gearbox and fill until lubricant flows from port, reinstall plug.

### Gear Hubs

Gear hubs – Item 5. To check and fill Gear hubs:

1. Rotate wheel until bottom of filler/drain plug is about 1 inch above horizontal centerline.
2. Remove plug with drive ratchet and extension.
3. Fill until lubricant is level with bottom of fill hole.

### Note

*Do not overfill gear hubs as they are not vented and need air space for expansion of oil to prevent damage to hubs.*

### Hydraulic Oil Reservoir

Hydraulic oil reservoir – Item 6. The fluid level should be kept between the low and full marks on the sight gauge and should be checked with the machine in the stowed position.

The interior of the reservoir should be wiped out and cleaned each time the hydraulic oil is changed. The reservoir filler/breather cap should be removed and the cap strainer cleaned with Kerosene, fuel oil, or other solvent at this time.

It is absolutely necessary that only new, clean hydraulic oil is added.

**Note**

If it becomes necessary to add or use an oil other than the recommended fluid, it is important that it be compatible and equivalent to the factory fill. Local oil suppliers can generally furnish this information.

If questions still remain, contact Snorkel Customer Service Department for further information.

**Engine**

Engine – Item 7. Refer to the engine manufacturer's instruction manual or consult your local engine service representative if engine adjustments or repairs are needed. The engine must be operated in accordance with manufacturer's instructions and serviced at recommended intervals.

**Door Hinges and Latches**

Door hinges and latches – Item 8. After lubricating, remove any excess lubricant or over spray so it will not collect dirt or debris.

**Platform Rotator**

Platform Rotator – Item 9. Platform rotators will require lubrication only if disassembled for repairs. Consult factory for proper lubricant if replacement of platform rotator is required.

**Hydraulic Oil Return Filter**

Return filter – Item 10. The hydraulic oil return filter is located next to the side of the proportional control valve.

The filter element is a throw-away type filter and should be changed after the initial break-in period (approximately 50 hours operation time).

The filter is equipped with a hydraulic pressure gauge to indicate the filter element condition. A by-pass relief within the filter base is provided and is set to by-pass at 25 psi. If pressure readings are above 25 psi, the filter should be changed.

The filter condition should be checked at the 90 day or 150 hour Preventive Inspection Maintenance interval or more frequently under extreme working conditions.

The filter condition indicator is accurate only when the engine is running at maximum rpm and pump is discharging maximum flow, which occurs only during full speed driving. This requires that the indicator be observed while the unit is in motion, booms fully retracted and in stowed position, drive range switch in "LO" position, and drive controller fully forward. Oil temperature should be at least 70° F (21° C).

**⚠Warning**

**Use extreme caution while observing the condition indicator because of the motion of the drive wheels. The condition indicator is best observed from outside of the tract of the vehicle wheels**

**to avoid possible personal injury or machine damage.**

The return filter hose is equipped with a check valve to limit leakage from the reservoir while the element is being changed.

When changing the filter element, the oil inside of the filter element, should be examined for deposits of metal cuttings, which is present, could indicate excessive wear in some of the system components.

**Suction Filter**

Suction filter – Item 11. A 100 mesh strainer is located within the hydraulic oil reservoir and filters the pump suction flow.

The filter should be cleaned at the time interval shown in the maintenance schedule chart, using Kerosene, fuel oil or other solvent and a soft bristled brush.

Inspect the filter wire cloth for damage. Holes in the filter cloth leak dirt into the pump and other vital hydraulic components. If element is damaged, replace.

When the filter has been thoroughly cleaned, reinstall in suction line and tighten securely.

**Slide Pads**

Slide pads – Item 12. Check slide pads for excessive wear and replace as required. Slide pads do not require lubrication.

**Battery**

Battery – Item 13. The battery will have longer life if the water level is maintained and they are kept charged. The engine will have better starting characteristics with a fully charged battery. In cold weather the battery should be maintained at full charge to keep from freezing. An extremely low or dead battery can freeze in cold weather. Make sure connections are clean and tight.

Make sure charging equipment is operating properly.

**⚠Danger**

**Lead-acid batteries produce flammable and explosive gases. Never allow smoking, flames or sparks around batteries. Lead-acid batteries contain sulfuric acid which will damage eyes or skin on contact. When working around batteries, always wear a face shield to avoid acid in eyes.**

If acid contacts eyes, flush immediately with clear water and get medical attention. Wear rubber gloves and protective clothing to keep acid off skin, if acid contacts skin, wash off immediately with clear water.

## Battery Care and Maintenance





The following information about battery care and maintenance was supplied by Interstate Batteries and is reprinted here with their permission.

1. New batteries need to be cycled several times before reaching full capacity (20-50 cycles, depending on type). Usage should be limited during this period.
2. Always recharge batteries fully, immediately after use. Batteries perform best when they are fully charged. More capacity and longer life will result from this practice.
3. The deeper the discharge, the fewer number of cycles a lead-acid battery will deliver. Deep discharges deteriorate the battery quicker than lighter shallow cycles.
4. Battery cables should be intact and connectors kept tight at all times. Systematic inspection is recommended.
5. Vent caps should be kept in place and tight during vehicle operation and battery charging.
6. Batteries should be kept clean – free of dirt and corrosion – at all times. Always keep the top of batteries clean. A film on top of the battery can cause the current to migrate between the posts, accelerating self discharge.
7. Never let the electrolyte level of a lead-acid battery fall below the plates. Lack of maintaining the electrolyte in a lead-acid battery causes damage to the exposed portion of the plate which reduces capacity.
8. Always check electrolyte level before charging. Do not add water to individual cells unless plates are exposed. Batteries should be watered after charging unless the plates are exposed before charging. If exposed before charging, the plates should be covered by approximately 1/8" of water. Check water level after charging. Water should be kept 1/4" below the bottom of the fill tube in the cell cover.
9. Water used to replenish batteries should be distilled or treated to not exceed 200 T.D.S. (total dissolved solids... parts per million). Particular care should be taken to avoid metallic solids (iron).
10. A fully charged battery will give you the best and longest service. Be sure the batteries are fully charged before testing or using. A fully charged battery, without a drain or load, after the surface charge has dissipated, is 6.35 volts for a 6 volt battery.
11. Batteries should not be discharged below 20% of capacity (approximately 1.8 volts per cell under normal operating load; 1.98 volts open circuit; 1.145 specific gravity). Proper battery sizing will help avoid excessive discharge.
12. Battery chargers should be sized to fully charge batteries in an eight hour period. Chargers should be kept in proper operating condition.
13. Do not use a mismatched charger of any type; i.e., a 12 volt charger on a 24 volt pack or a 24 volt charger on a 12 volt pack. An undersized charger will never get the job done, no matter how long it tries. An oversized charger will cause excess gassing and heat that could possibly result in a battery meltdown and/or explosion.
14. Never charge a lead-acid battery with a sealed (gel cell) battery charger. The lead-acid battery needs higher voltage to finish its charge. Without it the battery will never come back to 100% and sulfation can occur.
15. Always allow batteries to cool off after charging. The cooling time is very important because heat is generated during the recharge and discharge cycles. Without the cooling time the heat grows, accelerating grid corrosion which is one of the major causes of battery failure. Charging practice should enable batteries to cool before use.
16. Deep cycle batteries need to be equalized periodically. Equalizing is an extended, low current charge performed after the normal charge cycle. It helps keep cells in balance. Actively used batteries should be equalized once per week. Manually timed chargers should have the charge time extended approximately 3 hours. Automatically controlled chargers should be unplugged and reconnected after completing a charge cycle.
17. In situations where multiple batteries are connected in series, parallel or series-parallel, a replacement battery's should be of the same size, age and usage level as the companion batteries. Do not put a new battery in a pack that has 50 or more cycles. Either replace all the batteries with new batteries or install a good used battery's in place of the bad. New batteries should be given a full charge before use.
18. Periodic battery testing is an important preventative maintenance procedure. Hydrometer readings of each cell (fully charged) give an indication of balance and true charge level. Imbalance could mean the need for equalizing and is often a sign of improper charging or a bad cell. Voltage checks (open circuit, charged and discharged) can locate a bad cell or weak battery. Load testing will pick out a bad cell when other methods fail. The point

is to look for the abnormal. A weak cell or battery will cause premature failure of companion cells or batteries respectively.

19. As batteries age, their maintenance requirements change. Generally their specific gravity is higher and gassing voltage goes up. This means longer charging time and/or higher finish rate (higher amperage at the end of charge). Usually, older batteries need to be watered more often and their capacity decreases.
20. "Opportunity charging", a short partial charge during an extended duty cycle, is a controversial subject. Generally, the practice is a "crutch" to make up for undersized batteries. The correct approach is to install adequate battery capacity. If this is impossible because of lack of space in the battery compartment or extreme operating conditions (24 hour intermittent use, as an example), "opportunity charging" is better than excessive battery discharging. However, the practice can cause batteries to overheat, require more watering and usually will shorten battery life. "Opportunity charging" is a trade off; something to avoid if possible. One charging cycle per day is preferable.
21. Extreme temperatures can substantially affect battery performance and charging. Cold reduces battery capacity and retards charging. Heat increases water usage and can result in overcharging. Very high temperature can cause "thermal run away" which may lead to an explosion or fire. If extreme temperature is an unavoidable part of an application, consult a battery/charger specialist about ways to deal with the problem.
22. An overly discharged battery might need to be cycled a few times before it can recover fully. If a battery begins to heat before coming up to a full charge, it might be necessary to discharge the battery and recharge it a few times. The charge and discharge cycle might help the current acceptance of the battery and facilitate its recovery to a usable condition.
23. Inactivity can be harmful to deep cycle batteries. If they sit for several months, a "boost" charge should be given – more frequently in warm climate (about once a month) than in cold (every 2-3 months).
24. Never store a battery in a discharged state. The sulfate that forms during discharge can make the battery impossible to recharge fully.

### Fastener Torque Chart – Standard System

Bolt Grade	SAE Grade 1 or 2	SAE Grade 5	SAE Grade 6	SAE Grade 8
Marking				
Definition	Indeterminate Quality	Minimum Commercial Quality	Medium Commercial Quality	Best Commercial Quality
Material	Low Carbon Steel	Medium Carbon Steel Tempered	Medium Carbon Steel Quenched and Tempered	Medium Carbon Alloy Steel Quenched and Tempered
Minimum Tensile Strength	64,000 psi.	105,000 psi	133,000 psi.	150,000 psi
Bolt Size	Recommended Torque Value (ft lbs)			
1/4	5	7	10	10.5
5/16	9	14	19	22
3/8	15	25	34	37
7/16	24	40	55	60
1/2	37	60	85	92
9/16	53	88	120	132
5/8	74	120	167	180
3/4	120	200	280	296
7/8	190	302	440	473
1	282	466	660	714

Torque chart information:

- Consult manufacturers' specific recommendations, when available.
- The chart may be used with both coarse and fine thread fasteners lightly lubricated.
- Increase torque by 20% when multiple tapered tooth (shake proof) lock washers are used.
- The torque values are given in foot-pounds.
- Inch/pound equivalent may be obtained by multiplying by 12.



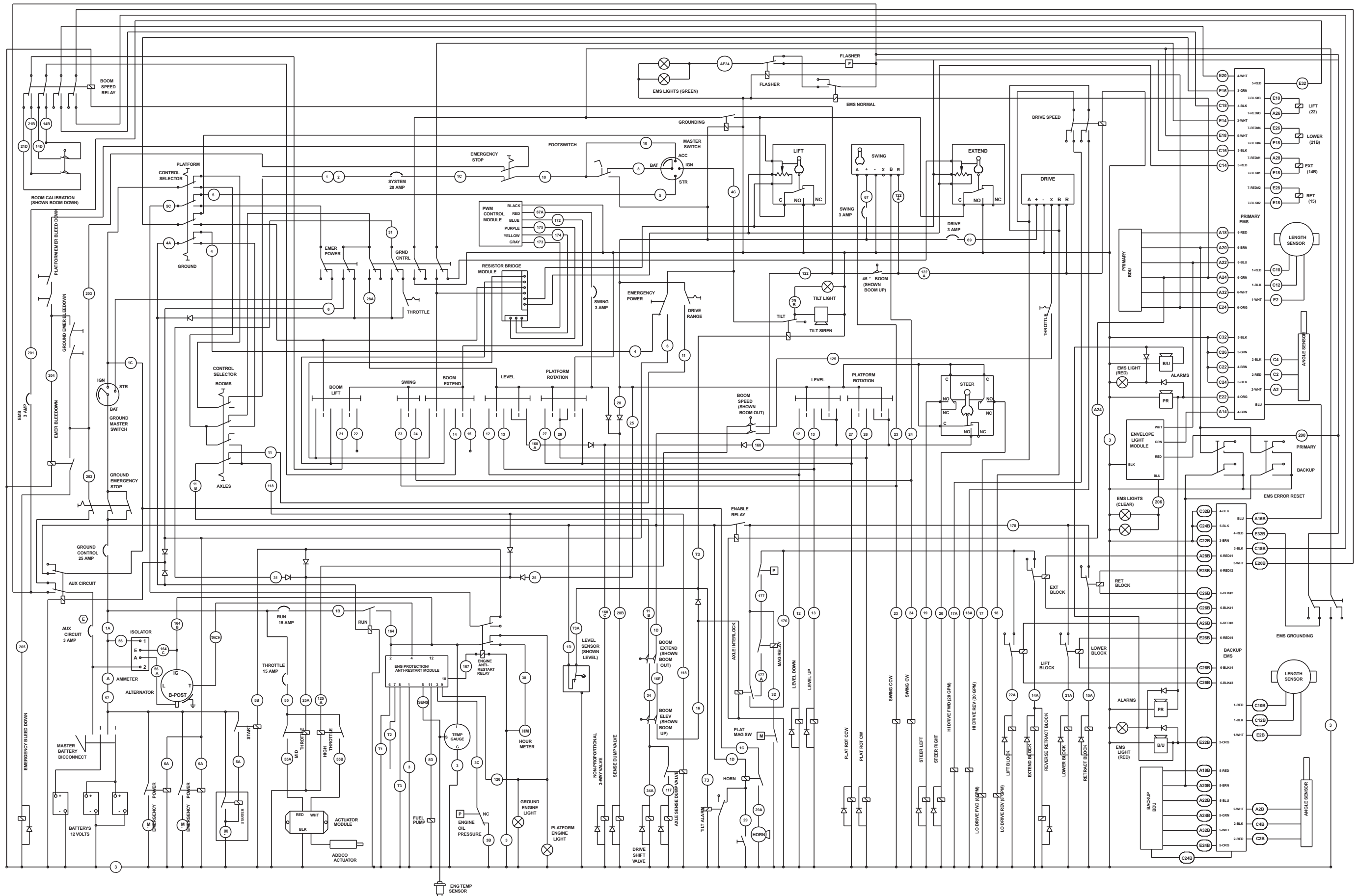
**Fastener Torque Chart – Metric System**

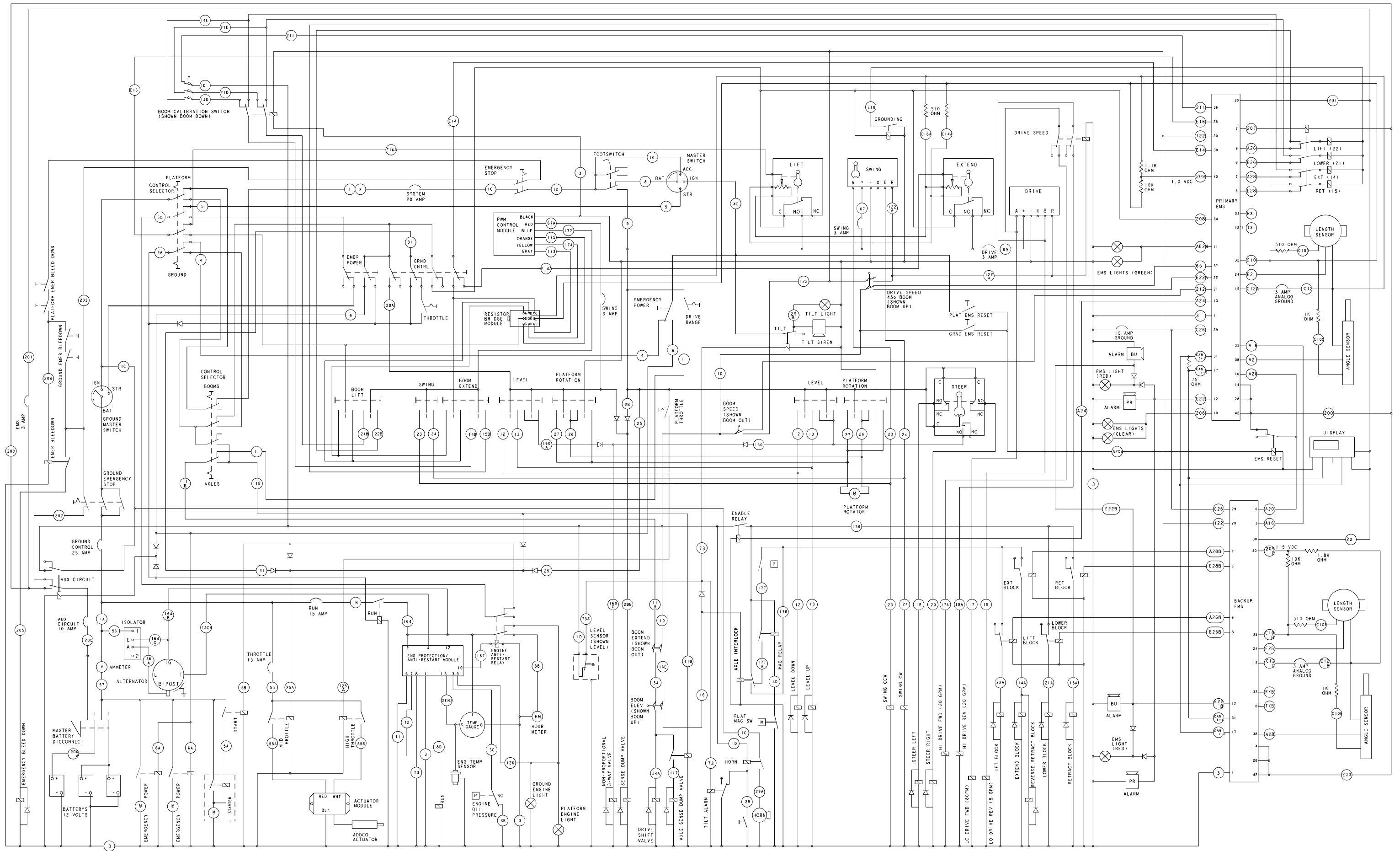
Capscrew Size	Grade 8.8					Grade 10.9				
	In-LBS Dry	In-LBS Lubed	FT-LBS Dry	FT-LBS Lubed	Clamp Load (lb)	In-LBS Dry	In-LBS Lubed	FT-LBS Dry	FT-LBS Lubed	Clamp Load (lb)
M4 - 0.7	27	20			861	36	24			1,173
M5 - 0.8	55	41			1,394	72	60			1,895
M6 - 1.0	93	70			1,971	132	96			2,686
M8 - 1.25	228	168	19	14	3,591	312	228			4,889
M8 - 1.0	240	180	20	15	3,844	336	252			5,232
M10 - 1.5			37	28	5,693			51	38	7,744
M10 - 1.25			39	30	6,008			54	41	8,171
M12 - 1.75			65	49	8,273			89	66	11,257
M12 - 1.25			71	53	9,037			96	72	12,297
M14 - 2.0			103	77	11,285			140	107	15,354
M14 - 1.5			114	85	12,263			155	114	16,691
M16 - 2.0			162	122	15,404			221	166	20,963
M16 - 1.5			173	129	16,388			236	177	22,311
M18 - 2.5			222	167	19,423			235	176	
M18 - 1.5										
M20 - 2.5			317	236	24,042			428	321	32,720
M20 - 1.5			350	262	26,695			479	358	36,316
M22 - 2.5			428	321	30,651			452	339	
M22 - 1.5										
M24 - 3.0			546	409	34,642			745	557	47,141
M24 - 2.0			594	446	37,676			811	605	51,277
M27 - 3.0			796	597	45,039			1,084	811	61,292
M27 - 2.0			863	645	58,785			1,173	848	66,226
M30 - 3.5			1084	811	55,054			1,475	1106	74,915
M30 - 3.0			1121	841	56,908			1,527	1143	77,444
M30 - 2.0			1202	900	60,932			1,630	1224	82,917

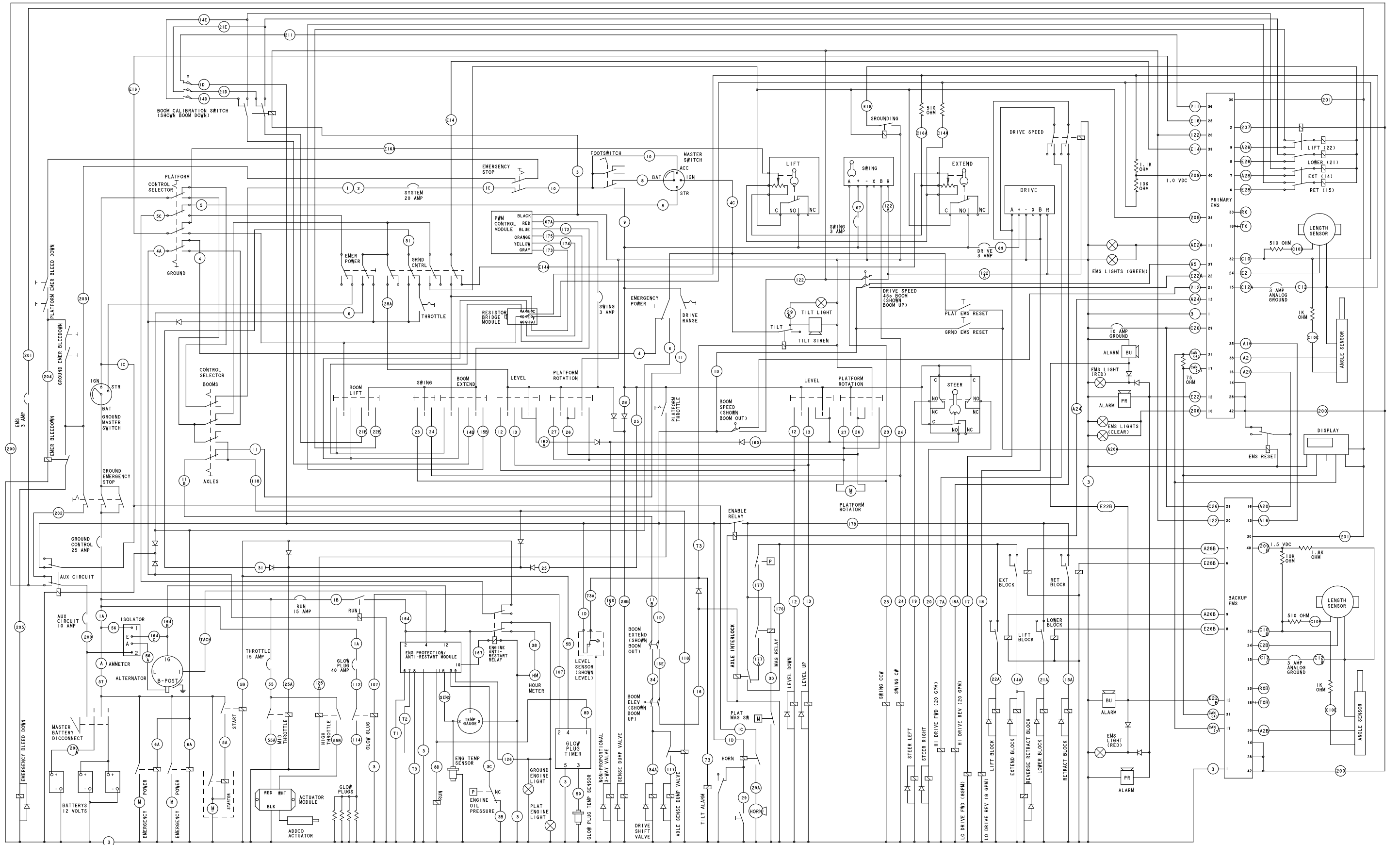
Rev D

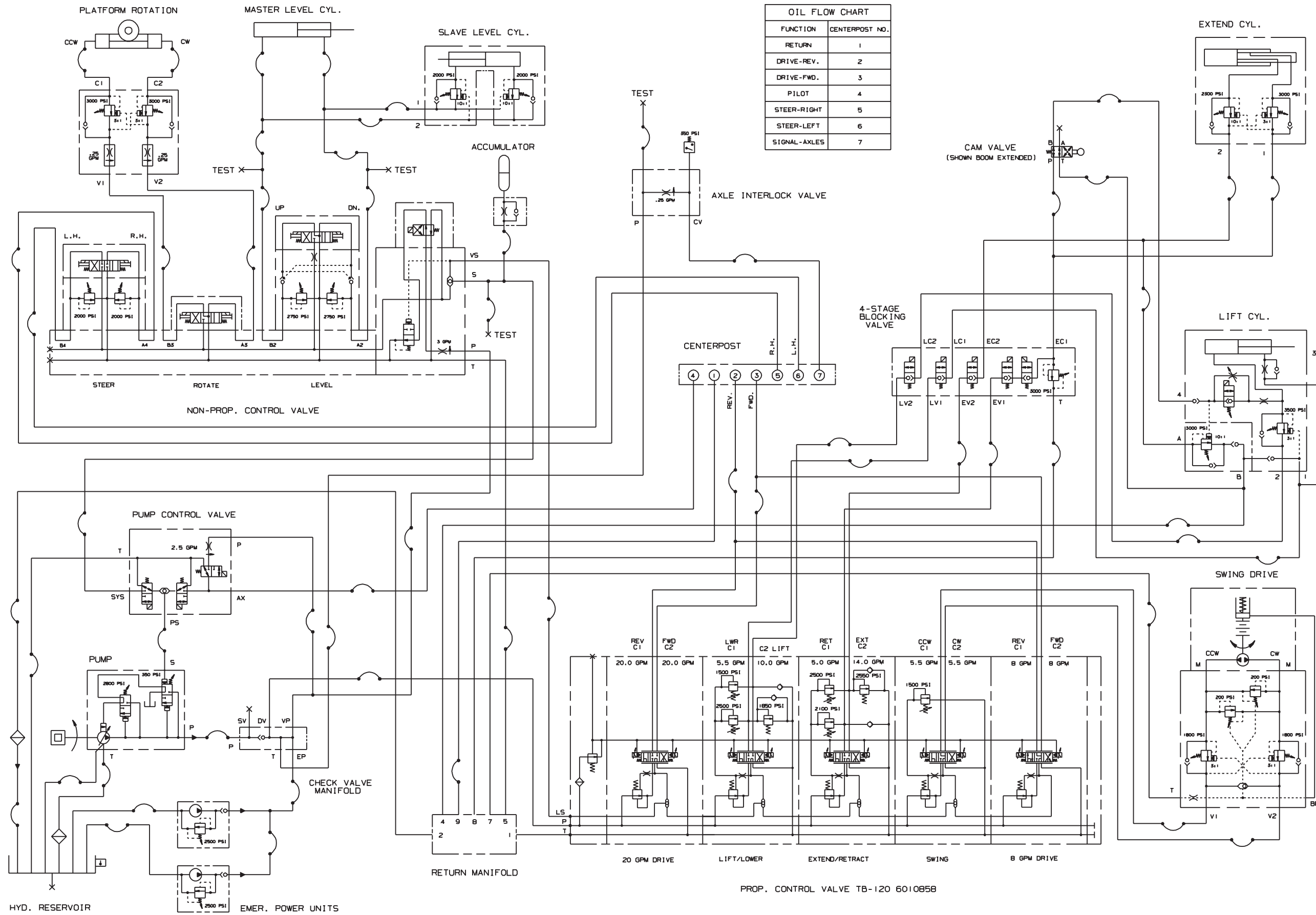
Torque chart information:

- Consult manufacturers' specific recommendations, when available.
- The chart may be used with both coarse and fine thread fasteners lightly lubricated.
- Increase torque by 20% when multiple tapered tooth (shake proof) lock washers are used.
- Foot/pound equivalent may be obtained by dividing by 12.
- Inch/pound equivalent may be obtained by multiplying by 12.
- Newton/meter equivalent may be obtained by multiplying inch/pound by 0.1130.
- Newton/meter equivalent may be obtained by multiplying foot/pound by 1.3558.









OIL FLOW CHART

FUNCTION	CENTERPOST NO.
RETURN	1
DRIVE-REV.	2
DRIVE-FWD.	3
PILOT	4
STEER-RIGHT	5
STEER-LEFT	6
SIGNAL-AXLES	7

PROP. CONTROL VALVE TB-120 6010858

A	36
110V POWER TO PLATFORM INSTALLATION ..... 4-33	BOOM ASSEMBLY ..... 2-38
36 X 96 PLATFORM ASSEMBLY BUMPGUARD WITH PADDING MARCH 2009 AND AFTER ..... 5-20	BOOM CALIBRATION SWITCH APRIL 2008 AND BEFORE ..... 4-20
36 X 96 PLATFORM ASSEMBLY WITH BUMP GUARD AND PADDING MARCH 2009 AND AFTER ..... 5-19	BOOM CALIBRATION SWITCH ASSEMBLY MAY 2008 AND AFTER ..... 4-21
ACCUMULATOR CHARGED ..... 3-31	BOOM ELECTRICAL ..... 4-17
AIR CLEANER ASSEMBLY CUMMINS 45 HP CUMMINS 65 HP FORD LRG 425 GM T3 2.4L KUBODA V1505T TIER 3 V2403 ..... 2-33	BOOM LENGTH SENSOR ASSEMBLY ..... 2-40
AIR CLEANER NELSON ..... 2-32	BOOM LIFT SWITCH ASSEMBLY JUNE 2007 AND AFTER ..... 4-16
AIRLINE TO PLATFORM ..... 5-14	BOOM LIMIT SWITCH SETING PROCEDURE .. 4-26
ALARM MOTION DRIVE ONLY ..... 5-13	BOOM SPEED SWITCH ASSEMBLY JUNE 2007 AND AFTER ..... 4-19
ANTI CAVIATION VALVE ..... 3-15	BOOM SPEED SWITCH ASSEMBLY MAY 2007 AND BEFORE ..... 4-18
ANTI CAVIATION VALVE SUB ASSEMBLY NOVEMBER 2015 AND BEFORE ..... 3-16	CAM VALVE ..... 3-12
ANTI-CAVITATION VALVE SUB- ASSEMBLY NOVEMBER 2015 AND AFTER . 3-17	CAM VALVE SUB ASSEMBLY ..... 3-13
AXLE EXTEND CYLINDER HENGLI NOVEMBER 2016 AND AFTER ..... 3-36	CENTERPOST AND FITTINGS SUB ASSEMBLY 3- 35
AXLE INSTALLATION NOVEMBER 2017 AND AFTER ..... 2-5	CHASSIS AXLE ASSEMBLY TB120 TB26J MARCH 2019 AND AFTER ..... 2-2
AXLE INTERLOCK SUB ASSEMBLY ... 3-11	CHASSIS HYDRAULIC EQUIPMENT ..... 3-2
AXLE JACKING CONTROL VALVE ASSEMBLY ..... 3-10	CHASSIS HYDRAULIC INSTLLATION MAY 2017 AND AFTER ..... 2-3
AXLE STOP INSTALLATION DECEMBER 2012 AND AFTER ..... 2-6	CHASSIS SUB ASSEMBLY ..... 2-1
BLOCK HEATER CUMMINS 3.3 ..... 5-9	CHASSIS TURNTABLE INSTALLATION ..... 2-11
BOOM ANGLE SENSOR ASSEMBLY ... 2-39	CHECK VALVE MANIFOLD SUB ASSEMBLY . 3-34
BOOM AND HOSE CARRIER ASSEMBLY . 2-	CONTROL VALVE, PROPORTIONAL SUB ASSY JUNE 2015 AND AFTER ..... 3-27
	CONTROLLER 33HZ DRIVE STEER ..... 4-30
	CONTROLLER EXTEND RETRACT ..... 4-31
	CONTROLLER LIFT SWING ..... 4-32
	COWLING INSTALLATION FEBRUARY 2017 AND BEFORE ..... 2-34

COWLING KIT TB100J TB120J TB126J ..	2-35	OXIDATION CATALYST MUFFLER .....	2-27
DECAL PLACARD INSTALLATION TB120		ENGINE SUB ASSEMBLY KUBOTA V2403 T4F	2-28
T4F .....	2-49	ENGINE TRAY ASSEMBLY CUMMINS 3.3 TURBO	2-22
DECAL PLACARD TB126J T4F CSA		ENGINE WIRE ASSEMBLY CUMMINS .....	4-4
INSTALLATION .....	2-51	EXTEND CUT OUT SWITCH .....	4-24
DECALS AND PLACARDS .....	2-50	EXTEND CUTOUT SWITCH ASSEMBLY JUNE 2007	
DECALS AND PLACARDS COMMON TB100		AND AFTER .....	4-25
TB120 TB126J .....	2-48	EXTENSION CYLINDER ASSEMBLY .....	3-44
DIODE RESISTOR WIRE ASSEMBLY ....	4-6	EXTENSION CYLINDER HENGLI .....	3-45
DRIVE MOTOR WITH BRAKE VON RUDEN	3-3	FOUR STAGE BLOCKING VALVE SUB ASSEMBLY	
DRIVE SPEED CUTOUT SWITCH SUB		JANUARY 2001 AND AFTER .....	3-33
ASSEMBLY JUNE 2007 AND AFTER ...	4-23	FUEL TANK INSTALLATION DECEMBER 2007	
DRIVE SPEED SWITCH JANUARY 2001 AND		AND BEFORE .....	2-18
AFTER .....	4-22	FUEL TANK INSTALLATION T3 JANUARY 2017	
DRIVE VALVE SUB ASSEMBLY .....	3-4	AND AFTER .....	2-19
DUAL AMBER BEACON INSTALLATION	5-8	GEAR HUB .....	2-9
DUAL CROSSOVER RELIEF VALVE ....	3-57	GEAR HUB AUBURN .....	2-7
DUAL SEQUENCE VALVE 4X2 LEFT HAND	3-8	GEAR HUB FAIRFIELD .....	2-8
DUAL SEQUENCE VALVE SUB ASSEMBLY		GENERAL INFORMATION .....	1-1
4X4 RIGHT HAND .....	3-7	GROUND CONTROL BOX TB120 T4F ASSEMBLY	4-13
EMERGENCY POWER UNIT LEFT HAND	3-51	GROUND CONTROL WIRING BOX ASSEMBLY	4-15
EMERGENCY POWER UNIT RIGHT HAND	3-52	HIGH RANGE SPEED SELECTOR VALVE ....	3-18
ENGINE CUMMINS 3.3 TURBO 85HP		HOSE CARRIER ASSY .....	2-37
REPLACEMENT PARTS .....	2-24	HYDRAULIC AC GENERATOR ASSEMBLY 220V	5-7
ENGINE CUMMINS 3.3 TURBO 85HP SUB		HYDRAULIC AC GENERATOR INSTALLATION	
ASSEMBLY .....	2-23	110V .....	5-2
ENGINE KUBOTA SUB ASSEMBLY V2403		HYDRAULIC AC GENERATOR INSTALLATION	
CR T4F .....	2-26	220V 50HZ .....	5-6
ENGINE KUBOTA V2403 CR TIER 4B DIESEL		HYDRAULIC AC GENERATOR SUB ASSEMBLY	

110V .....	5-3	3-6	
HYDRAULIC AC GENERATOR VALVE SUB ASSEMBLY .....	5-5	LEGACY SNORKEL GUARD KIT WIRING .....	2-44
HYDRAULIC EQUIPMENT TURNTABLE WITH HOSES .....	3-19	LIFT AND SWING/ COUNTERWEIGHT INSTALLATION .....	2-15
HYDRAULIC OIL RESERVOIR ASSEMBLY .	3-29	LIFT CYLINDER GBI .....	3-40
HYDRAULIC OIL RESERVOIR ASSEMBLY FEBRUARY 2019 AND AFTER .....	2-20	LIFT CYLINDER HENGLI .....	3-41
HYDRAULIC OIL RETURN FILTER .....	3-30	LIFT CYLINDER SUB-ASSEMBLY .....	3-39
HYDRAULIC PUMP ASSEMBLY NOVEMBER 2019 AND AFTER .....	3-20	LIGHTS PLATFORM BOX INSTALLATION ....	5-17
HYDRAULIC RESERVIOR MOUNTING METAL COWLING OR PLASTIC COWLING .	2-21	MAINTENANCE, TB120 .....	6-1
HYDRAULIC SUB ASSEMBLY TB120 CUMMINS .....	3-1	MANIFOLD SUB ASSEMBLY .....	3-54
HYDRAULIC WARM UP .....	5-11	MASTER LEVEL CYLINDER ROSENBOOM ...	3-43
ISOLATION VALVE INSTALLATION ...	5-10	MOTION CONTROL VALVE SWING .....	3-32
JACK CYLINDER HENGLI .....	3-38	NON PROPORTIONAL FOUR SECTION VALVE MARCH 2006 AND AFTER .....	3-25
JACKING CYLINDER ROSENBOOM ....	3-37	NON PROPORTIONAL FOUR STATION CONTROL VALVE ASSEMBLY JANUARY 2001 AND AFTER	3-22
JACKING CYLINDER SUB ASSEMBLY JANUARY 2001 AND AFTER .....	3-9	NON PROPORTIONAL FOUR STATION VALVE JANUARY 2001 AND AFTER .....	3-24
JIB BOOM LIFT CYLINDER ROSENBOOM	3-46	NON-PROPORTIONAL FOUR SECTION CONTROL VALVE ASSEMBLY MARCH 2006 AND AFTER	3-23
JIB BOOM LIFT CYLINDER SUB ASSEMBLY .....	3-48	PANEL SUB ASSEMBLY CUMMINS .....	4-14
JIB CYLINDER HENGLI .....	3-47	PISTON PUMP HENGLI SEPTEMBER 2019 AND AFTER .....	3-53
JUNCTION BOX ASSEMBLY JANUARY 2005 AND AFTER .....	4-9	PLATFORM ASSEMBLY ALUMINUM BUMPGUARD WITH PADDING NON SLIDING	5-15
JUNCTION BOX PANEL ASSEMBLY ...	4-11	PLATFORM ASSEMBLY 8 FOOT STEEL TRI ENTRY AND SNORKEL GUARD .....	2-46
JUNCTION BOX WITH MURPHY CONTROLS APRIL 2016 AND AFTER ..	4-10	PLATFORM BOX ASSEMBLY, SEPTEMBER 2008 AND AFTER .....	4-28
LEFT HAND SERIES PACKAGE VALVE 4X4		PLATFORM CONTROL BOX ASSEMBLY, AUGUST 2008 AND BEFORE .....	4-27



PLATFORM CONTROL BOX COVER . . .	5-16	STEERING AND LEVELING CYLINDER	
PLATFORM FOOT SWITCH ASSEMBLY	4-29	ROSENBOOM JANUARY 2001 AND AFTER . . .	3-42
PLATFORM GATE . . . . .	2-43	STEERING INSTALLATION NOVEMBER 2014 AND	
PLATFORM MOUNTING/INSTALLATION	2-42	AFTER . . . . .	2-4
PLATFORM ROTATOR ASSEMBLY MARCH		SWING DRIVE AUBURN GEAR WITH BRAKE .	2-17
2006 AND BEFORE . . . . .	2-41	SWING DRIVE PERFECTION MARCH 2015 AND	
PLATFORM ROTATOR HELEC . . . . .	3-59	BEFORE . . . . .	2-16
PLATFORM ROTATOR PARKER . . . . .	3-58	TB120 ELECTRICAL SCHEMATIC CUMMINS TIER	
PLATFORM WORK LIGHTS INSTALLATION		3 A19034C UPDATE TO SHOW NEW EMS SYSTEM	
. . . . .	5-18	7-2	
PROPORTIONAL CONTROL VALVE . . . .	3-28	TB120 ELECTRICAL SCHEMATIC CUMMINS TIER	
PROPORTIONAL CONTROL VALVE		3 A19034D ADDED GLOW PLUGS AND RELATED	
ASSEMBLY JANUARY 2001 AND AFTER . .	3-26	WIRING . . . . .	7-3
PUMP CONTROL VALVE ASSEMBLY . .	3-56	TB120 ELECTRICAL SCHEMATICS A19034B	
PUMP SUB ASSEMBLY SEPTEMBER 2019		CUMMINS 3.3 TIER 3 . . . . .	7-1
AND BEFORE . . . . .	3-21	TB120 HYDRAULIC SCHEMATIC 0190823A . . . .	7-4
RADIATOR FOR KUBOTA T4F ENGINE	2-31	TIRES 4X4 STANDARD TB120 TB126J . . . . .	2-10
RADIATOR MOUNTING CUMMINS T3		TOW PACKAGE . . . . .	5-1
CUMMINS WITH TURBO AND GM . . . . .	2-25	TURNTABLE ASSEMBLY KUBOTA V2403 TIER 4	
RGHT HAND SERIES PACKAGE VALVE 4X4		FINAL FEBRUARY 2019 AND BEFORE . . . . .	2-13
. . . . .	3-5	TURNTABLE ASSEMBLY KUBOTA V2403 TIER 4	
SANDBLAST KIT . . . . .	5-12	FINAL MARCH 2019 AND AFTER . . . . .	2-14
SHUTTLE VALVE ASSEMBLY . . . . .	3-55	TURNTABLE ELECTRICAL AND CONTROLS	
SLAVE LEVEL CYLINDER ASSEMBLY .	3-49	CUMMINS . . . . .	4-1
SLAVE LEVEL CYLINDER ROSENBOOM .	3-50	TURNTABLE ELECTRICAL CUMMINS AND	
SNORKEL GUARD ASSEMBLY . . . . .	2-45	KUBOTA JANUARY 2006 AND AFTER . . . . .	4-2
SNORKEL GUARD TRI ENTRY KIT MAY		TURNTABLE SUB ASSEMBLY CUMMINS TIER 3	
2015 AND AFTER . . . . .	2-47	TB126J . . . . .	2-12
STEER CUT OUT VALVE FOUR WHEEL		TURNTABLE WIRE ASSEMBLY . . . . .	4-3
DRIVE . . . . .	3-14	V2403-CR TIER 4B KUBOTA ENGINE	
		REPLACEMENT PARTS . . . . .	2-29
		V2403-M-T-E3B-KEA-2F KUBOTA ENGINE WITH	
		RADIATOR REPLACEMENT PARTS . . . . .	2-30
		VALVE HYDRAULIC MOTOR FLOW CONTROL .	5-

4

WIRE ASSEMBLY EMS BACK UP MARCH  
2005 AND AFTER .....4-7

WIRE ASSEMBLY EMS PRIMARY MARCH  
2005 AND AFTER .....4-8

WIRING BOX GROUND CONTROL  
ASSEMBLY ..... 4-12

WIRING BOX PANEL DECEMBER 2015 AND  
BEFORE ..... 4-5

B	0070555	2-34
(NOTE 2)	0070555-5	2-35
*	0070570	2-41
0020276	0070596	4-29
0020280	0070639	2-38
0020283	0070681	4-11
0020424	0070698	2-13, 2-14, 4-1, 4-2
0040276	0070711	4-5, 4-12, 4-13, 4-14, 4-15, 4-27, 4-28
0050137	0070712	2-13, 2-14, 4-1, 4-2, 4-5, 4-14, 4-27, 4-28
0060089	0070713	4-5, 4-9, 4-10, 4-14, 4-27, 4-28
0060297	0070719	4-11
0060373	0070724	4-11
5-6	0070730	4-12, 4-13, 4-15, 4-27, 4-28
0070030	0070732	4-27, 4-28
0070033	0070735	4-12, 4-13, 4-15
0070043	0070742	4-12, 4-13, 4-15
0070132	0070746	4-12, 4-13, 4-15, 4-27, 4-28, 5-11
0070141	0070747	4-12, 4-13, 4-15, 4-27, 4-28
0070148	0070753	4-12, 4-13, 4-15
0070256	0070765	2-3, 3-2
0070351	0070768	2-3, 2-38, 3-2
0070438	0070769	2-13, 2-14, 3-19
0070440	0070771	2-3, 3-2
0070441	0070772	2-13, 2-14, 3-19, 5-2, 5-6
0070442	0070773	2-3, 3-2
0070446	0070779	2-3, 3-2
0070472	0070780	2-3, 3-2, 5-1
0070473	0070781	2-3, 3-2
0070483	0070782	2-3, 3-2
0070484	0070783	2-3, 3-2
0070485	0070786	2-13, 2-14, 3-19, 5-2, 5-6
0070548	0070791	2-13, 2-14, 3-19
0070554	0070792	2-3, 2-13, 2-14, 3-2
0070554-5	0070874	2-42

0070910	..... 2-13, 2-14, 3-19	0071840	..... 4-5, 4-14
0070911	..... 2-3, 3-2	0071844	..... 5-11
0070916	..... 2-41	0071927	..... 2-48
0070927	..... 2-13, 2-14, 3-19, 5-10	0071940	..... 2-18
0070967	. 4-9, 4-10, 4-12, 4-13, 4-15, 4-27, 4-28, 4-29	0071951	..... 2-43
0071089	..... 2-16	0071953	..... 2-43, 5-20
0071275	..... 3-58, 3-59	0071953-8	..... 5-19
0071341	..... 3-44	0071954	..... 2-43
0071342	..... 2-35	0071982	..... 5-12, 5-12
0071494	..... 2-38	0072004	..... 5-17
0071511	..... 4-11	0072104	..... 5-13
0071517	..... 4-27, 4-28	0072112	..... 4-9, 4-10, 4-11
0071530	..... 4-11	0072418	..... 4-5, 4-14
0071534	..... 4-11	0072508	..... 2-41
0071538	..... 4-28, 5-2, 5-6	0072552	..... 2-41, 2-42
0071541	..... 4-12, 4-13, 4-15	0072553	..... 2-41
0071542	..... 2-13, 2-14, 4-1, 4-2	0072556	..... 2-41
0071552	..... 4-5, 4-14	0072561	..... 2-41
0071555	..... 4-5, 4-14	0072567	..... 2-5, 2-38
0071556	..... 2-44, 2-47, 4-11	0072680	..... 2-38
0071558	..... 4-27, 4-28	0072681	..... 2-38
0071564	..... 4-12, 4-13, 4-15	0072682	..... 2-38
0071565	..... 5-2, 5-6	0072683	..... 2-38
0071566	..... 4-11	0072818	..... 2-41
0071568	..... 2-13, 2-14, 4-1, 4-2	0072950	..... 4-14
0071582	..... 4-33	0072950-3	..... 4-5
0071589	..... 4-12, 4-13, 4-15	0072951	..... 4-1, 4-2
0071590	..... 4-27, 4-28	0073040	..... 2-3, 2-13, 2-14, 3-2, 3-19
0071793	..... 5-11	0073057	..... 4-11
0071800 H	..... 4-29	0073077	..... 5-2
0071812	..... 4-12, 4-13	0073089	..... 2-13, 2-14, 4-1, 4-2
0071834	..... 2-43	0073111	..... 2-38
0071837	..... 2-43, 2-43, 5-19, 5-20	0073163	..... 5-2
		0073250	..... 5-2

0073254	4-12, 4-13, 4-15	0074799 C	3-42
0073281	3-58, 3-59	0074913	2-49
0073295	4-12, 4-15	0074972	2-22
0073298	2-10, 2-48	0074979	4-33
0073342	2-38	0074981	5-6
0073343	2-38	0074981 A	5-7
0073491	2-48	0074983	5-7
0073492	4-12, 4-13, 4-15	0074984	5-7
0073542	4-27, 4-28	0074985	5-7
0073618	4-5, 4-14	0075268	2-13, 2-14, 4-2
0073631	4-11	0075378	2-13, 2-14
0073642	4-9, 4-10, 4-13	0075379	2-13, 2-14
0073667	2-48	0075380	2-13, 2-14
0073728	4-11, 4-28	0075563	2-49
0073781	4-27, 4-28	0075564	4-12
0073783	2-41	0075737	2-28
0073940	2-13, 2-14	0075738	2-28
0074311	2-48	0075743	2-28
0074372	2-48	0075745	2-28
0074408	2-34	0080023	2-38
0074408-8	2-35	0080030	2-18
0074461	2-34, 2-35	0080293	2-5, 2-37, 2-38
0074602	2-34	0080294	2-38
0074602-8	2-35	0080348	2-4
0074615	2-22	0080359	2-3, 3-2
0074622	2-22	0080362	2-13, 2-14, 3-19
0074625	2-22	0080386	2-3, 3-2
0074628	2-22	0080399	2-38
0074630	2-25	0080399 A	3-49
0074684	2-23	0080483	4-1
0074685	2-23	0080484	2-13, 2-14, 4-1, 4-2
0074713 B	3-50	0080522	2-13, 2-14, 3-19
0074761 A	5-9	0080524	2-3, 3-2
0074799	2-4, 2-15	0080528	3-4, 3-5, 3-6

0080529	3-5, 3-6	0090402	2-3, 3-2
0080529-3	3-4	0090444	2-38
0080543	2-13, 2-14, 3-19	0090469	2-38
0080759	5-14	0090621	4-5, 4-11, 4-14, 4-27
0080768 H	5-18	0090622	4-11
0080884	5-1	0090757	5-2, 5-6
0080914	4-13	0090760	5-1
0080939	2-3, 3-2	0090840	2-4
0081080	2-3, 2-13, 2-14, 3-2, 3-19	0090959	2-13, 2-14, 4-1, 4-2
0081127	3-4, 3-5, 3-6	0090975	4-5, 4-14
0081136	2-13, 2-14, 3-19	0090988	2-13, 2-14, 3-19
0081515	4-13	0091202	4-27, 4-28
0081702	4-13	0100270	2-3, 3-2
0082010	3-22, 3-23	0100278	2-3, 2-13, 2-14, 3-2, 3-19
0082046	4-12	0100422	2-13, 2-14, 3-19
0082053	5-11	0100491	2-3, 2-11, 2-13, 2-14, 3-2, 3-19
0082160	5-1	0101371	2-36
0082164	5-1	0101379	2-37
0082171	5-1	0101878	4-9, 4-10
0082203	5-1	0101896	2-13, 2-14, 3-19
0082321	2-34, 2-34, 2-35	0101897	2-13, 2-14, 3-19
0083153	2-25	0110156	3-54
0083155	2-22	0110171	2-3, 3-2
0083165	2-23	0110173	2-3, 3-2
0083437	2-22	0110190	2-38
0083544	2-23	0110191	2-38
0083586	2-22	0110227	2-37
0083587	2-22	0110235	2-15
0084213	4-28	0110260	2-5
0090134	2-38	0110261	2-5
0090138	2-38	0110283	2-4, 2-5
0090141	2-5, 2-38	0110283 H	2-9
0090299	2-3, 3-2	0110283 H-1	2-7
0090319	2-13, 2-14, 4-1, 4-2	0110283 H-2	2-8

0110320	..... 2-4	0110732	..... 2-13, 2-14, 3-19
0110323	..... 2-4	0110756	..... 2-11
0110356	..... 2-21	0110771 B	..... 3-58
0110362	..... 2-13, 2-14	0110771B	..... 3-59
0110463	..... 5-1	0110831	..... 5-1
0110465	..... 3-35	0110833	..... 5-1
0110468	..... 4-5, 4-14	0110836	..... 5-1
0110471	..... 4-11	0110837	..... 2-15
0110493	..... 5-1	0110837 R	..... 2-16
0110495	..... 2-3, 3-2, 3-13	0110841	..... 2-37
0110502	..... 3-35	0110842	..... 2-37
0110529	..... 4-1, 4-2	0110926	..... 2-6
0110547	..... 2-38	0110942	..... 2-15
0110590	..... 2-3, 2-36, 2-37, 3-2	0111005	..... 2-38
0110594	..... 2-5	0111130	..... 5-1
0110596	..... 2-13, 2-14, 4-1, 4-2	0111135	..... 2-4
0110645	..... 3-44	0111136	..... 2-4
0110661	..... 2-38	0111225	..... 2-1
0110670	..... 2-38	0111225 B	..... 2-6
0110671	..... 2-38	0111264	..... 2-3, 3-1, 3-2
0110681	..... 2-15	0111264 G	..... 3-4
0110682	..... 3-32	0111265-8	..... 3-4
0110683	..... 3-16	0111266	..... 3-4
0110696	..... 2-38	0111267	..... 3-4
0110700	..... 2-38	0111268	..... 3-4
0110701	..... 2-38	0111269	..... 3-4
0110702	..... 2-38	0111270	..... 2-6
0110703	..... 2-38	0111273	..... 2-3, 3-1, 3-2
0110706	..... 2-38	0111273 B	..... 3-16
0110707	..... 2-38	0111273 D	..... 3-17
0110708	..... 2-48	0111282	..... 2-3, 3-2
0110713	..... 3-10	0111283	..... 2-3, 3-2
0110714	..... 3-12, 3-13	0111285	..... 2-3, 3-2
0110731	..... 2-5	0111286	..... 2-3, 3-2

0111290	2-3, 3-1, 3-2	0111535 D	3-5
0111290 A	3-55	0111536	2-3, 3-1, 3-2
0111291	2-3, 3-1, 3-2	0111536 D	3-6
0111291 A	3-10	0111537	2-1
0111292	2-3, 3-2	0111537 J	3-2
0111292 B	3-9	0111674	2-4
0111303	2-5	0111675	2-4, 2-4
0111304	2-5	0111701	2-38, 3-44
0111305	2-3, 3-2	0112030	2-3, 3-2
0111317	2-38	0112032	5-1
0111338	3-5	0112216	2-7
0111339	3-6	0112217	2-7
0111340	3-5	0112218	2-7
0111341	3-6	0112219	2-7
0111343	2-49	0112220	2-7
0111344	2-3, 3-1, 3-2	0112221	2-7
0111344 A	3-18	0112222	2-7
0111345	5-1	0112223	2-7
0111346	2-3, 3-2	0112224	2-7
0111362	2-5	0112225	2-7
0111398 E	5-1	0112226	2-7
0111426	5-1	0112227	2-7
0111464	5-1	0112233	2-16
0111465	5-1	0112272	2-16
0111490	5-1	0112273	2-17
0111492	2-3, 3-1, 3-2	0112276	2-17
0111492 B	3-14	0112277	2-17
0111494	3-3	0112278	2-17
0111520	5-1	0112279	2-17
0111528	2-3, 3-1, 3-2	0112280	2-17
0111528 B	3-8	0112281	2-17
0111530	2-3, 3-1, 3-2	0112282	2-17
0111530 B	3-7	0112284	2-17
0111535	2-3, 3-1, 3-2	0112286	2-17



0112287	2-17	0113341 B	2-17
0112288	2-17	0113519	2-45
0112289	2-17	0113528	2-45
0112290	2-17	0113529	2-45
0112292	2-17	0113530	2-45
0112293	2-17	0113531	2-46
0112294	2-17	0113531 F	2-45
0112295	2-17	0113536 G 2	2-44
0112296	2-17	0113538	2-45
0112297	2-17, 2-17	0113540	2-44, 2-47
0112298	2-17	0113541	2-44, 2-47
0112299	2-17	0113542	2-44, 2-47
0112300	2-17	0113584	2-46, 5-19, 5-20
0112301	2-17	0113584 A 2	2-47
0112303	2-17	0113792	2-13, 2-14
0112304	2-17	0113802	2-26
0112305	2-17	0113803	2-26
0112306	2-17	0113805	2-26
0112308	2-17	0113885	2-49
0112309	2-17	0113905	2-28
0112310	2-17	0113974	2-49
0112311	2-17	012039-000	2-13, 2-14
0112312	2-17	0140323	4-11
0112313	2-17	0140332	4-9, 4-10, 4-11
0112314	2-17	0150094	2-4
0112379	3-9	0150488	4-11
0112379 A	3-37	0150509	2-43, 5-19, 5-20
0112379 B	3-38	0150530	4-27, 4-28
0112418	2-16	0150562	3-32
0112421	2-16	0150563	3-46, 3-50
0112422	2-16	0150586	2-36, 2-37
0112423	2-16	0150606	2-48
0112424	2-16	0150810	2-13, 2-14, 4-1, 4-2
0113186	2-38	0150811	2-13, 2-14, 4-1, 4-2

0150813	2-13, 2-14, 4-1, 4-2	0170798 C	2-18
0151205	4-5, 4-9, 4-10, 4-11, 4-14	0172033	2-17
0151410	2-48	0172050	2-17
0151457	5-3, 5-7	0172053	2-17
0151458	5-3	0180680	2-38
0151459	5-2, 5-6	0180781	2-13, 2-14, 3-19
0151469	5-3, 5-7	0180870	2-13, 2-14, 3-1, 3-19
0151470	5-3, 5-7	0180870 E	3-31
0151484	5-3	0180901D	3-48
0151513	5-6	0180944	2-13, 2-14, 3-19
0151556	4-9, 4-10	0180946	2-13, 2-14, 3-19
0151815	4-27, 4-28, 5-17	0181030	4-5, 4-9, 4-10, 4-11, 4-13, 4-14
0151816	4-12, 4-15	0181031	4-28
0151817	4-13	0181074	4-27, 4-28
0151861	2-13, 2-14, 3-19	0181104	4-12, 4-13, 4-15, 4-27, 4-28
0151910	4-9, 4-10, 4-27, 4-28	0181110	4-11
0152123	4-27, 4-28	0181111	4-9, 4-10
0152126	4-27, 4-28	0181136	4-5, 4-14
0152831	5-7	0181161	2-13, 2-14, 3-19
0152831 B	5-5	0181187	5-2
0160970	2-43	0181270	2-37
0161177	2-43, 2-43	0181276	5-14
0161182	2-43	0181285	5-11
0161184	2-43	0181376	5-17
0161472	2-43	0181381	5-15, 5-19, 5-20
0162424	5-15	0181398	5-11
0162425	5-15	0181406	5-15, 5-20
0162426	5-15	0181407	5-19
0162427	5-15	0181408	5-15, 5-19, 5-20
0162432	5-15	0181432	4-5
0162698	2-22	0181434	4-5
0162936	2-13, 2-14, 4-1, 4-2	0181434 C	4-6
0170335	4-5, 4-11, 4-14	0181562	2-48
0170519	4-27, 4-28, 5-2, 5-6	0181634	5-9

0181675	5-1	0190570	2-38
0181676	5-1	0190590	2-38
0182025	4-4	0190591	2-38
0182055	5-6	0190595	2-38
0182340	5-20	0190596	2-13, 2-14, 3-19
0182537	4-13	0190599	2-13, 2-14, 3-19
0190087 C	5-12	0190601	4-1, 4-2
0190091 B	5-10	0190613	2-15
0190092 A	5-17	0190613 G	3-39
0190095	2-13, 2-14	0190618	2-38
0190095 B	5-13	0190624	2-36
0190097 B	5-14	0190626	2-36
0190100	5-16	0190631	2-37, 2-38
0190124 E	5-11	0190633	2-37
0190404	2-38	0190655	2-38
0190416	2-38	0190657	2-36
0190417	2-38	0190688	3-44
0190418	2-38	0190688 G	3-45
0190423	2-38	0190709	2-5
0190424	2-38	0190709 B	3-36
0190448	2-38	0190713	2-5
0190449	2-38	0190715	2-4
0190470	2-38	0190734	2-37
0190471	2-38	0190735	2-37
0190479	2-38	0190736	2-36, 2-37
0190482	3-44	0190737	2-36
0190483	2-38	0190740	2-37
0190494	2-38	0190747	2-37
0190495	2-38	0190756	2-37
0190499	3-39	0190761	3-44
0190499 C	3-40	0190762	2-38
0190499 E	3-41	0190762 F	3-44
0190504	2-15	0190764	2-38
0190549	2-34	0190767	2-38

0190768	2-38	0190859	2-37
0190769	2-38	0190862	3-39
0190770	2-38	0190876	2-38
0190772	2-38	0190876 A	3-13
0190773	2-38	0190878	2-13, 2-14, 3-1, 3-19
0190782	2-1	0190878 B	3-11
0190782 D	2-5	0190879	2-13, 2-14, 3-1, 3-19
0190785	2-1	0190879 D	3-33
0190785 B	2-11	0190905	2-38
0190786	2-4	0190911	3-40
0190788	2-4	0190915	2-13, 2-14, 3-19
0190795	2-21	0190916	2-13, 2-14, 3-19
0190800	2-2	0190931	4-12, 4-13, 4-15
0190811 M	2-15	0190944	4-16
0190813 A	4-24	0190966	2-36
0190814	4-24	0190967	2-36
0190836	2-13, 2-14, 3-1, 3-19	0190968	2-5
0190836 C	3-34	0190969	2-5
0190837	2-13, 2-14, 3-1, 3-19	0190972	2-5
0190837 B	3-56	0190976	2-36
0190839	2-13, 2-14, 3-1, 3-19	0190979	2-38
0190839 B	3-52	0190980	2-38
0190840	2-13, 2-14, 3-1, 3-19	0190984	2-13, 2-14, 4-1, 4-2
0190840 A	3-51	0190986	2-13, 2-14, 4-1, 4-2
0190842	2-38	0190986 E	4-23
0190843	2-38	0190987	4-23
0190844	2-38	0190988	2-48
0190847	2-38	0190989	2-48
0190849	2-38	0190992	4-9, 4-10, 4-27, 4-28
0190853	2-38	0190994	4-27, 4-28
0190854	2-38	0190995	4-9, 4-10
0190855	2-38	0191002	2-18, 4-1, 4-2
0190856	2-38	0191003 A	4-18
0190858	2-38	0191004	4-18

0191011	2-13, 2-14, 4-1, 4-2	0191178	2-15, 3-1
0191015	5-2	0191178 C	3-35
0191015 A	5-3	0191179	2-13, 2-14, 3-1, 3-19
0191022	4-27	0191179 B	3-54
0191023	2-38	0191180 B	3-26
0191054	2-38	0191181	2-13, 2-14, 4-1, 4-2
0191055	2-38	0191181 F	4-3
0191055 D	2-40	0191184	2-12
0191058	5-12	0191189	4-1, 4-2
0191059	5-12	0191229	2-38
0191060	5-12	0191230	2-38
0191061	5-12	0191231	2-38
0191062	5-12	0191232	4-5, 4-14, 4-15
0191065	2-15	0191238	4-12, 4-13, 4-15, 4-27, 4-28
0191070	3-44	0191241	2-13, 2-14, 3-19
0191071	3-44	0191244	2-48
0191078	2-15	0191278 D	3-19
0191090	2-36	0191281 I	4-27
0191132	4-15	0191285	3-1, 3-19
0191136	4-12, 4-15	0191285 A	3-27
0191137	4-12, 4-15	0191287	4-12, 4-15
0191138	4-27, 4-28	0191288	4-27, 4-28
0191139	4-27	0191291	2-36
0191140 C	4-5	0191291 H	2-37
0191147	4-27, 4-28	0191292	2-37, 2-37
0191150	4-27, 4-28	0191293	2-37, 2-37
0191151	4-27	0191315	5-16
0191152	4-27	0191326	2-23, 2-26, 2-28
0191154	4-27, 4-28	0191326 D	3-21
0191155	4-27	0191326 H	3-20
0191156	4-27, 4-28	0191334 A	2-1
0191166	4-12, 4-15	0191337	2-37
0191172	2-38	0191362	2-2, 2-5
0191174	4-12, 4-15	0191363	2-2, 2-5

0191410	2-38	0191641	3-23
0191410 E	4-19	0191642	3-22, 3-23
0191411	2-38	0191659 A	5-15
0191411 C	4-25	0191678	2-34
0191417	4-12, 4-15, 4-27	0191680	2-13, 2-14
0191419	2-4	0191680-8	2-12
0191422 F	2-4	0191704	2-34
0191422-0	2-1	0191704-5	2-35
0191423 F	2-2	0191706	2-34
0191423-8	2-1	0191706-8	2-35
0191430	4-25	0191712	2-34
0191431	4-19	0191712-5	2-35
0191435	5-11	0191714	2-34
0191436	5-11	0191714-5	2-35
0191458	2-13, 2-14, 3-1, 3-19	0191717	2-34
0191458 B	3-30	0191717-5	2-35
0191491	2-48	0191718	2-34
0191518	2-38	0191718-5	2-35
0191522 B	2-42	0191725	2-34
0191550	2-38	0191725-5	2-35
0191553	2-36	0191726	2-34
0191553 W	2-38	0191726-5	2-35
0191556 A	2-36	0191732	2-34
0191596	2-37	0191734	2-34
0191597	2-37	0191734-8	2-35
0191598	2-37	0191735-5	2-35
0191599	2-37	0191740	2-34
0191605	3-19	0191740-4	2-35
0191605 D	3-22	0191744	2-34
0191609	2-37	0191744-5	2-35
0191617	4-9, 4-10	0191755	2-20, 3-29
0191620	2-38	0191756	2-13, 2-14, 2-21, 3-1
0191621	2-38	0191756 C	2-20
0191640	3-22, 3-23	0191756 D	3-29

0191759	2-49	019187	4-9
0191762	2-23	0191871 B	4-15
0191762 H	2-22	0191876	2-22
0191763 E	2-23	0191883	2-23
0191765	2-23	0191884	2-49
0191766	2-23	0191884 C	2-48
0191767	2-23	0191885	2-49
0191768	2-23	0191886	2-49
0191769	2-23	0191889	4-12, 4-15
0191769 C	2-25	0191892	4-12, 4-15
0191771	2-23	0191893	4-15
0191772	2-23	0191893 A	4-14
0191780	2-34	0191910	2-34, 2-34, 2-35
0191780-8	2-35	0191912	2-34, 2-35
0191782	2-25	0191944 A	2-39
0191787	2-13, 2-14, 4-1, 4-2	0191953	4-4
0191789	2-13, 2-14, 4-1, 4-2	0191971	2-13, 2-14, 4-1, 4-2
0191789 C	4-16	0191975	4-11
0191790	4-22	0191976	4-1, 4-2
0191791 B	4-22	0191976 J	4-9
0191792	4-20, 4-21	0191977	4-9, 4-10
0191793 D	4-20	0191977 D	4-11
0191809	2-12	0191978	4-9
0191811	3-48	0191987	4-10, 4-11
0191811 A	3-46	0191988	4-9, 4-10
0191811 B	3-47	0191989	4-2
0191815	2-34	0191990	4-12
0191817	2-34	0191991	4-12
0191826	4-1, 4-2	0191992	4-12, 4-13
0191826 F	4-4	0191993	4-12, 4-13
0191829	4-12, 4-15	0191994	4-2
0191830	2-12, 2-13, 2-14	0191995	4-2
0191835	2-23	0191996	4-1
0191862	2-12	0191997	4-1

0191999	4-9, 4-10	0192104	4-1
0192000	4-1	0192105	4-1
0192000 G	4-12	0192106	2-13, 2-14, 4-2
0192005 G	4-28	0192107	2-13, 2-14, 4-2
0192006	4-28	0192118	4-9, 4-10
0192007	4-28	0192119	4-28
0192008	4-28	0192120	2-48
0192009	4-9	0192127	3-23
0192010	4-9	0192193	2-13, 2-14, 4-2
0192011	4-9, 4-10	0192197	2-13, 2-14, 3-1
0192012	4-9, 4-10	0192197 C	3-23
0192015 G	4-17	0192244	2-12
0192022	2-13, 2-14, 4-1, 4-2	0192293 A	2-12
0192023	2-13, 2-14, 4-1, 4-2	0192303-0	2-12
0192037	2-13, 2-14, 4-1, 4-2	0192339	2-4
0192037 D	4-21	0192339 A	2-10
0192039	2-13, 2-14, 4-1, 4-2	0192340-1	2-10
0192040	4-1, 4-2	0192341-1	2-10
0192041	4-1, 4-2	0192518	2-49, 4-1
0192042	2-13, 2-14, 4-1, 4-2	0192521 A	3-1
0192043	2-13, 2-14, 4-1, 4-2	0192550	2-49
0192044	2-13, 2-14, 4-1, 4-2	0192551	2-49
0192047	2-13, 2-14, 4-1, 4-2	0192554 N	2-28
0192047 C	4-8	0192561	2-28
0192048	2-13, 2-14, 4-1, 4-2	0192562	2-28
0192048 C	4-7	0192563	2-28
0192049	4-1, 4-2	0192566	2-28
0192050 F	4-1	0192568	2-28
0192051 G	4-2	0192587	2-13, 2-14
0192054	2-13, 2-14, 4-1, 4-2	0192590	2-13, 2-14
0192083 E	5-6	0192611	4-10
0192094	4-9, 4-10	0192612 B	4-10
0192095	4-28	0192614	4-9
0192096	4-9, 4-10	0192616	4-10



0192620-5	2-35	0192735 B	2-49
0192628-5	2-35	0192746-4	4-13
0192635-5	2-35	020541-013	2-28
0192642 D	2-35	0240483	4-12, 4-15, 4-27, 4-28
0192644-5	2-35	0241160	2-40
0192649-5	2-35	0260466	2-30
0192650-5	2-35	0260483	4-13
0192651-5	2-35	0260856	2-28
0192652	2-13, 2-14	0322724	2-43, 2-43
0192652C	2-26	0323804	2-3, 3-2
0192653 H	2-13	0323885	2-3, 3-2
0192653 K	2-14	0323886	3-19
0192656	2-13, 2-14	0323896	2-48
0192658	2-13, 2-14	0323897	2-48
0192661	2-19	0323899	2-48, 4-27, 4-28
0192681	2-13, 2-14	0361367	2-49
0192684	3-39	0420199	5-20
0192689	2-13, 2-14	0420199-5	5-19
0192697-8	4-13	0420632	5-19, 5-20
0192701-8	4-13	0421321	5-20
0192703	2-13, 2-14	0421321-5	5-19
0192705	2-13, 2-14	0421519-5	5-19, 5-20
0192706	2-13, 2-14	0421529-5	5-19, 5-20
0192708	4-13	0421796	2-28
0192712	4-13	056021-006	2-28
0192713	4-13	056021-008	2-28, 2-35
0192714	2-13, 2-14	056021-010	2-26, 2-28
0192715	2-13, 2-14	056021-012	2-28
0192723	2-13, 2-14	056058-018	2-28
0192724	2-13, 2-14	056058-070	2-45
0192725	2-13, 2-14	056059-016	2-34, 2-34
0192729	2-13, 2-14	056059-030	2-13, 2-14
0192730	2-13, 2-14	056060-035	2-28
0192732B	4-13	056060-045	2-26, 2-28

056060-065	2-28	1430381-5	5-19
056060-070	2-13, 2-14	1430385 K-1	5-20
056066-006	2-28, 2-45	1430385 M	5-19
056066-008	2-13, 2-14, 2-28, 2-34, 2-34, 2-35	1430527	2-28
056066-010	2-13, 2-14, 2-26, 2-28	1431994	2-25
056069-006	2-28	182340	5-19
056069-008	2-28	20082046	4-15
056069-010	2-13, 2-14	2500035	2-38
056069-012	2-26	2500044	2-38
058491-020	2-13, 2-14	2500046	2-38
058492-016	2-35	2500066	3-41
058492-025	2-28	2502028	2-38, 3-44
058493-025	2-26	2502032	2-38
058494-020	2-23	2502229	3-46, 3-47
067614-023	2-30	2502416	2-4, 3-42
068903-009	2-33	2502832	2-42
100180-041	2-28	2503620	2-4
100209-000	2-26, 2-28	2504857	2-38
104260-108	3-38	255256	3-25
104673-105	2-30	2570002	2-43, 2-43
104703-000	2-26, 2-28	2572007	5-19, 5-20
104737-000	2-28	2580010	2-38
104744-000	2-28	2650001	2-28
104754-000	2-28	2660002	4-30, 4-32
104883-000	2-28	2667500	2-43, 2-43, 5-19, 5-20
106960-001	2-28	2690001	2-4, 5-1
14266-002	3-38	2690004	2-28
1430099	5-20	2690005	2-4
1430099-5	5-19	300492	5-19, 5-20
1430371	5-20	300891	2-43
1430371-5	5-19	3010006	2-37
1430378	5-20	3010009	2-37
1430378-5	5-19	3010014	2-37, 2-37
1430381	5-20	3011001	4-3

3011201	..... 4-3	3028812	..... 2-28
3011401	..... 4-3	3028844	..... 2-45
3011601	..... 4-3, 4-6, 4-23, 5-8, 5-17, 5-18	3028937	..... 5-20, 5-20
3011801	..... 4-19, 5-11, 5-13	3030076	..... 2-40
3011803	..... 5-15	3030086	..... 4-12, 4-13, 4-15, 4-27, 4-28
3014753	..... 2-45	3030087	..... 4-15
3020013	.. 4-12, 4-13, 4-15, 4-27, 4-28, 5-11, 5-17	3030122	..... 4-12, 4-15
3020016	..... 4-12, 4-13, 4-15	3030145	..... 2-39
3020018	..... 4-12, 4-13, 4-15, 4-27, 4-28	3030151	..... 4-9
3020019	..... 4-18, 4-24	3030153	..... 4-7, 4-8
3020020	..... 4-12, 4-13, 4-15, 4-27, 4-28	3030155	..... 4-12, 4-13
3020021	..... 4-29	3030176	..... 4-10
3020033	..... 4-30, 4-31, 4-32	3030182	..... 4-13
3020037	..... 4-29	3030183	..... 4-13
3020038	..... 4-29	3040015	..... 4-27, 4-28, 5-6
3020048	..... 4-12, 4-13, 4-15, 5-2, 5-6	3040038	..... 5-8, 5-17, 5-18
3020059	..... 4-16, 4-20, 4-21, 4-22, 4-25	3040039	..... 5-8, 5-17, 5-18
3020061	..... 2-13, 2-14, 4-1, 4-2	3040046	..... 4-13, 4-17, 5-2, 5-6, 5-11, 5-13
3020072	..... 4-16, 4-20, 4-21, 4-22	3040047	..... 4-1, 4-2, 4-12, 4-13, 4-15, 4-17, 5-11, 5-13
3020077	..... 3-11	3040057	..... 4-5, 4-9, 4-10, 4-11, 4-14, 4-27, 4-28
3020078	..... 5-11	3040064	..... 5-2
3020080	.. 2-44, 2-47, 4-9, 4-10, 4-27, 4-28, 5-15	3040068	..... 4-27, 4-28
3020081	..... 4-12, 4-13, 4-15	3040069	..... 4-12, 4-13, 4-15
3020087	..... 4-12, 4-13, 4-15	3040070	4-9, 4-10, 4-12, 4-13, 4-15, 4-16, 4-18, 4-19, 4-20, 4-21, 4-22, 4-23, 4-24, 4-25, 5-15, 5-19, 5-20
3020090	..... 4-27, 4-28	3040072	..... 4-30, 4-32
3020095	..... 2-22	3040073	..... 4-30, 4-32
3020098	..... 5-15	3040082	..... 2-13, 2-14, 4-1, 4-12, 4-15, 5-8, 5-17, 5-18
3020103	..... 2-13, 2-14, 4-2	3040083	..... 2-44, 2-47, 4-3, 5-2, 5-6, 5-8, 5-17, 5-18
3020107	..... 4-12, 4-13, 4-15	3040086	..... 4-30, 4-32
3020108	..... 4-12, 4-13, 4-15, 4-27, 4-28	3040092	..... 4-9, 4-10
302555	..... 5-19, 5-20	3040110	4-9, 4-10, 4-12, 4-13, 4-15, 4-27, 4-28, 4-29, 5-15
3026027	..... 4-27, 4-28	15	
3028804	..... 4-19	3040114	..... 5-18
3028808	..... 4-21, 4-23		

3040115	..... 2-38, 4-9, 4-10, 4-12, 4-13, 4-15	3040392	..... 4-30, 4-31, 4-32
3040116	..... 4-9, 4-10, 4-27, 4-28, 4-29, 5-15	3040397	..... 4-33
3040127	..... 2-13, 2-14, 4-1, 4-2	3040433	..... 4-9, 4-10, 4-11
3040129	..... 5-13	3040452	..... 2-13, 2-14, 4-1, 4-2
3040146	..... 4-30, 4-32	3040457	..... 5-5
3040169	..... 4-30, 4-32	3040469	. 2-13, 2-14, 2-44, 2-47, 4-1, 4-2, 4-5, 4-9, 4-10, 4-11, 4-13, 4-14, 4-28, 5-15
3040170	..... 4-31	3040492	..... 4-27, 4-28
3040174	..... 2-28	3040492 C	..... 4-30
3040180	..... 5-6	3040498	..... 4-3
3040185	..... 4-12, 4-13, 4-15, 4-27, 4-28	3040499	..... 2-39, 4-3, 5-15
3040187	. 4-9, 4-12, 4-13, 4-15, 4-18, 4-24, 5-15, 5-19, 5-20	3040502	..... 2-13, 2-14
3040194	..... 4-15, 4-27	3040506	..... 2-13, 2-14, 4-1, 4-2
3040214	..... 4-5, 4-11, 4-14	3040524	..... 3-24, 3-24, 3-24
3040252	..... 4-12, 4-13, 4-15, 4-33	3040526	..... 4-27, 4-28, 4-31
3040259	..... 4-31	3040535	..... 4-9, 4-10, 4-12, 4-13, 4-15, 4-27, 4-28
3040262	..... 2-38	3040564	..... 5-15
3040268	..... 2-13, 2-14, 4-1, 4-2	3040565	..... 2-39, 5-15
3040269	..... 2-13, 2-14, 4-1, 4-2	3040566	..... 2-39, 5-15
3040270	..... 2-13, 2-14, 4-1, 4-2	3040567	..... 4-3, 5-15
3040271	..... 4-30, 4-32	3040568	..... 4-27, 4-28
3040272	..... 4-33	3040568 B	..... 4-32
3040285	..... 4-9, 4-10, 4-27	3040573	..... 4-3
3040293	..... 4-6	3040576	..... 4-11
3040295	. 2-11, 4-9, 4-10, 4-12, 4-13, 4-15, 4-27, 4-28	3040624	..... 4-33
3040298	..... 4-12, 4-13, 4-15	3040625	..... 4-33
3040301	..... 4-27, 4-28	3040678	..... 4-6
3040348	..... 4-15	3040691	..... 4-9, 4-10, 4-33
3040358	..... 4-16, 4-20, 4-21, 4-22, 4-25	3040711	..... 4-19, 4-23
3040360	..... 2-13, 2-14, 4-1, 4-2	3040777	..... 4-12, 4-13
3040368	..... 4-33	3040781	..... 3-25
3040386	..... 4-9, 4-10	3044072	..... 4-3
3040387	..... 4-9, 4-10	3044142	..... 4-7, 4-8, 4-17, 4-27, 4-28, 5-2, 5-6, 5-11
		3044145	..... 5-11

3044146	4-1, 4-2, 4-7, 4-8, 4-12, 4-13, 4-15, 4-17	3067620	..... 5-18
3044158	..... 5-17	3069526	..... 4-12, 4-13, 4-28
3044160	..... 4-3, 5-13	3070001	..... 4-12, 4-15
3044161	.. 2-44, 2-47, 4-3, 4-4, 4-6, 4-7, 4-8, 5-2, 5-6, 5-8, 5-18	3070003	..... 4-12, 4-15
3044162	..... 2-13, 2-14, 4-1, 4-2, 4-4, 5-8	3070040	..... 4-12, 4-15
3044704	..... 4-15	3080001	..... 5-3
3044708	..... 4-12, 4-15, 4-27, 4-28	3087785	..... 5-7
3044710	..... 4-11	3090006	..... 4-3, 5-11
3044712	..... 4-5, 4-14	3090008	..... 4-3
3044721	..... 2-13, 2-14, 4-1, 4-2	3090019	..... 2-13, 2-14, 4-1, 4-2, 5-8, 5-13, 5-18
3044836	..... 4-3	3090020	..... 4-3, 4-12, 4-13, 4-15
3044852	..... 4-3	3220019	..... 4-9, 4-10
3044854	..... 2-37, 2-37, 4-3, 4-17, 4-33	3220028	..... 5-6
3044855	..... 4-4	3220073	..... 4-30, 4-32
3045279	..... 4-9, 4-10, 4-11	3220126	..... 3-25
3046697	..... 4-3, 4-6	3220166	..... 4-12, 4-13, 4-15
3046972	2-13, 2-14, 2-37, 4-1, 4-2, 4-7, 4-8, 4-12, 4-13, 4-15, 4-17, 4-27, 4-28, 5-11, 5-13	3220305	..... 4-13
3049804	..... 4-3	451986	..... 2-48
3049808	..... 4-3	480652	..... 4-27, 4-28
3050002	..... 2-13, 2-14, 4-1, 4-2	487086	..... 3-25
3050004	..... 2-19, 4-1, 4-2	5010005	..... 2-23
3050008	..... 2-13, 2-14, 4-1, 4-2	5010007	..... 5-19, 5-20
3050096	..... 2-13, 2-14, 4-1, 4-2	5010011	..... 2-13, 2-14, 2-25, 2-28, 2-31
3060008	..... 5-17	5010024	..... 5-14
3060069	..... 4-27, 4-28	5018832	..... 2-13, 2-14
3060083	..... 5-8	5020001	..... 3-35
3060097	..... 4-15, 4-27	5022903	..... 5-10
3060099	..... 4-12, 4-15, 4-27, 4-28	5025001	..... 3-5, 3-6, 3-7, 3-8
3060100	..... 4-12, 4-15, 4-27, 4-28	5033610	..... 3-10
3061815	..... 4-27, 4-28	5033615	..... 5-10
3064413	..... 5-18	5033618	..... 3-6
		5034203	..... 2-3, 3-2
		5034501	..... 2-38
		5034505	..... 2-3, 3-2

5034601	..... 2-13, 2-14, 3-19	5036910	..... 3-54
5035303	2-3, 2-4, 2-5, 2-41, 3-2, 3-4, 3-5, 3-6, 3-7, 3-8, 3-13, 3-20, 3-21	5036911	..... 2-20, 3-30
5035305	. 2-4, 2-5, 3-9, 3-10, 3-34, 3-35, 3-48, 3-51, 3-52, 3-54	5037003	2-13, 2-14, 2-15, 2-41, 3-6, 3-19, 3-26, 3-27, 3-34, 3-39, 3-56, 5-3, 5-5
5035306	..... 3-33, 5-3, 5-5, 5-7	5037005	..... 2-4, 2-5, 3-10, 3-22, 3-23, 3-33, 3-34, 3-35
5035307	..... 3-16, 3-17, 3-35	5037006	2-38, 3-4, 3-20, 3-21, 3-33, 3-35, 3-39, 3-51, 3-52, 3-54
5035308	..... 3-4, 3-5, 3-6, 3-35	5037008	..... 2-3, 2-5, 3-2, 3-4, 3-4, 3-5, 3-6
5035318	. 2-41, 3-10, 3-11, 3-18, 3-49, 3-54, 3-56	5037010	..... 3-20, 3-21, 3-26, 3-27
5035319	..... 2-4, 2-5, 3-4	5037011	..... 3-30
5035320	..... 3-22, 3-23, 3-33, 5-5	5037102	..... 2-11, 4-12, 4-13, 4-15
5035322	..... 3-5, 3-6	5037305	..... 2-20, 3-29, 5-10
5035403	..... 2-13, 2-14, 3-19	5038005	..... 3-20, 3-21
5035408	..... 2-3, 3-2	5038702	..... 2-11
5035703	..... 3-13, 3-26, 3-27	5038805	..... 3-10
5035706	..... 2-15, 3-26, 3-27	5058824	..... 2-13, 2-14, 3-19, 5-10
5035708	..... 2-3, 3-2	5059706	..... 2-13, 2-13, 2-14, 2-14
5035710	..... 3-34	5060505	..... 5-10
5036105	..... 5-1	5063701	..... 3-22, 3-23
5036106	..... 3-33, 3-39	5063905	..... 3-22
5036108	..... 3-4, 3-5, 3-6, 3-35	5063906	..... 2-36, 5-10
5036503	..... 3-14	5063907	..... 3-16
5036507	..... 3-16, 3-17	5064001	..... 3-22, 3-31, 3-34, 3-35
5036703	..... 3-22, 3-23, 5-11	5064002	..... 3-5, 3-6, 3-33, 5-10
5036705	2-3, 3-2, 3-10, 3-16, 3-17, 3-34, 3-52, 5-1, 5-3, 5-6	5064003	..... 2-36, 3-33
5036706	..... 3-6	5064004	..... 3-16, 3-17, 3-35
5036707	..... 3-16, 3-17, 3-35	5064008	..... 3-4, 3-4, 3-4, 3-5, 3-6, 3-35
5036708	..... 3-4, 3-4, 3-5, 3-6	5064011	..... 3-5, 3-6
5036803	..... 3-5, 3-6	5064012	..... 3-16, 3-17
5036805	..... 3-10	5065703	2-15, 3-5, 3-6, 3-7, 3-13, 3-16, 3-17, 3-22, 3-23, 3-34
5036903	..... 2-15, 3-31	5065705	..... 2-15, 2-41, 3-11, 3-18, 3-35, 3-39, 3-56
5036906	..... 2-15, 3-5, 3-39, 5-10	5065707	2-4, 2-5, 3-10, 3-14, 3-33, 3-35, 3-54, 3-55, 5-1
5036908	..... 3-4, 3-4, 3-35	5065708	..... 3-22, 3-23, 3-26, 3-27, 3-31, 3-34, 5-3, 5-6

5065709	2-15, 2-20, 2-38, 3-26, 3-27, 3-29, 3-39, 3-44, 3-51, 3-52, 3-54	5090034	..... 2-37
5065710	..... 3-20, 3-21	5093000	..... 2-13, 2-14, 4-2
5065711	..... 3-5, 3-6, 3-7, 3-8	5093001	..... 2-25, 5-15, 5-19, 5-20
5065714	..... 3-4, 3-5, 3-6	5093002	..... 2-13, 2-14, 2-22, 4-1, 4-2
5065715	..... 2-5	5093004	..... 2-38, 4-9, 4-10, 4-27, 4-28, 5-14
5065718	..... 3-20, 3-21, 3-34, 3-54	5093006	..... 2-13, 2-14, 4-1, 4-2
5065719	..... 3-26, 3-27	5093008	..... 2-13, 2-14, 3-19, 4-1, 4-2, 4-12, 4-13, 4-15
5065721	..... 2-20, 3-29, 3-30	5093009	..... 2-36, 4-27
5065728	..... 3-35	5093010	..... 2-13, 2-14, 3-19, 4-28
5065731	..... 3-5, 3-6, 3-26, 3-27	5093012	..... 2-13, 2-14, 2-37, 3-19
5065732	..... 2-20, 3-29	5093013	..... 2-5, 3-2, 3-2
5065737	..... 3-54	5093014	..... 2-13, 2-14, 3-2, 3-2, 3-19
5065803	..... 5-3, 5-5	5093016	..... 3-19
5065805	..... 3-22, 3-23	5093019	..... 5-18
5067020	..... 3-23	5093021	..... 2-22
5070005	..... 2-13, 2-14, 3-19	5093024	..... 2-22
5070026	..... 2-3, 2-4, 3-2	5093030	..... 2-5, 2-13, 2-14, 3-19
5074401	..... 2-38, 3-19, 4-12, 4-15	5093039	..... 2-13, 2-14
5074406	..... 3-2	510587-025	..... 2-26, 2-28
5075203	..... 2-3, 3-2, 3-8, 3-13	513133-040	..... 2-26, 2-28
5075205	..... 3-22, 3-23, 3-34, 3-54	5260013	..... 5-14
5075206	..... 3-54	5510004	..... 2-38
5075208	..... 3-5, 3-6, 3-7, 3-8, 3-26, 3-27	5510022	..... 2-34, 2-34, 2-34, 2-35
5075306	..... 3-46	5520109	..... 2-40
5076003	..... 3-31	5530008	..... 2-38
5076206	..... 3-6	5530013	..... 5-15, 5-19, 5-20
5080015	..... 2-3, 3-2	5530014	..... 2-38
5080018	..... 2-20, 3-29	5530015	..... 2-38
5080044	..... 3-30	5530017	..... 2-22
5090006	..... 3-30	5550005	..... 2-28, 5-1
5090031	..... 3-30	5550006	..... 2-13, 2-23
5090032	..... 2-26, 2-31	5550007	..... 2-28
5090033	..... 2-31	5550010	..... 2-28, 5-14
		5550026	..... 2-23

5550028	..... 2-14, 2-28, 2-31	5560100	..... 2-15
5550037	..... 5-12	5560106	..... 3-19
5550038	..... 2-23, 2-31	5560126	..... 2-36, 2-38
5550040	..... 2-23	5560131	..... 2-4
5550060	..... 5-12	5560135	..... 4-12, 4-15
5550105	..... 5-12	5560136	..... 2-23, 2-26, 2-28
5550152	..... 5-12	5560138	..... 5-2
5554379	..... 2-31	5560146	..... 2-38
5560004	. 2-5, 2-13, 2-14, 2-18, 2-21, 2-22, 2-25, 2-34, 2-35, 2-36, 2-37, 2-38, 4-1, 4-2, 4-10, 4-27, 5-14, 5-15, 5-19, 5-20	5560152	..... 2-4
5560005	..... 2-15, 3-44	5560154	..... 2-23, 2-38
5560015	..... 2-38	5560168	.. 2-13, 2-14, 2-23, 2-26, 2-28, 2-36, 2-38, 3-44
5560022	..... 2-15	5560169	..... 2-4, 2-5, 2-15
5560031	. 2-6, 2-13, 2-14, 2-19, 2-34, 2-34, 2-34, 2-35, 2-36, 2-37, 2-38, 3-35, 5-3, 5-7, 5-19, 5-20	5560170	..... 2-5, 2-11, 2-15
5560033	. 2-3, 2-3, 2-5, 2-13, 2-14, 2-18, 2-21, 2- 22, 2-25, 2-34, 2-34, 2-35, 2-36, 2-37, 2-38, 2-43, 2-46, 3-2, 3-2, 3-19, 3-44, 4-1, 4-2, 4-12, 4-13, 4- 15, 5-3, 5-15, 5-19, 5-20	5560171	..... 2-11, 2-38
5560034	. 2-13, 2-14, 2-34, 2-35, 2-44, 2-47, 4-1, 4-2, 4-9, 4-10, 4-11, 4-12, 4-13, 4-15, 4-27, 5-15, 5-17, 5-19, 5-20	5560179	..... 2-13, 2-14, 2-25
5560035	..... 2-5, 2-6, 2-13, 2-14	5560189	..... 5-1
5560036	..... 2-5, 2-15	5560198	..... 2-38
5560038	. 2-13, 2-14, 4-1, 4-2, 4-5, 4-11, 4-12, 4- 14, 4-15	5560202	..... 2-4
5560039	2-13, 2-14, 2-36, 2-37, 2-38, 2-42, 2-43, 3-44, 5-1	5560206	..... 2-13, 2-14
5560040	..... 2-4	5560217	..... 2-41
5560051	..... 2-15	5560222	..... 2-13, 2-14
5560056	..... 2-43	5560223	..... 2-11
5560083	..... 2-34, 2-35	5560224	..... 2-11
5560099	..... 2-4, 2-5	5560230	..... 2-38
		5560231	..... 2-38
		5560232	..... 2-4, 2-38
		5560233	..... 2-38
		5560234	..... 2-38
		5560235	..... 2-38
		5560236	..... 2-11
		5560241	..... 2-4
		5560242	..... 2-38
		5560243	..... 2-38
		5560244	..... 2-38



5560245	..... 2-4	5560654	..... 2-3, 3-2, 4-13, 4-15, 5-17, 5-19, 5-20
5560251	..... 2-40	5560666	..... 4-13
5560253	..... 2-38	5560673	..... 4-9, 4-10, 4-12, 4-13, 4-15
5560254	..... 2-38, 3-44	5560675	..... 2-38
5560256	..... 2-38	5560676	..... 2-5
5560309	..... 2-37	5560679	..... 2-5, 2-38
5560311	..... 2-34, 2-34, 2-35	5560681	..... 2-38
5560329	..... 2-41	5560682	..... 2-37
5560330	..... 2-37	5560683	..... 2-36
5560331	..... 2-35, 2-36, 2-37, 2-38	5560685	..... 2-38
5560333	..... 5-7	5560688	..... 2-4
5560341	..... 4-9, 4-10, 4-11, 4-27	5560689	..... 2-4
5560344	..... 5-15	5560693	..... 2-3, 3-2
5560356	..... 2-22, 2-23	5560700	..... 4-10
5560364	..... 2-22	5560703	..... 4-12, 4-13
5560369	..... 5-1	5560707	..... 4-9, 4-10, 4-12, 4-13, 4-15
5560531	..... 2-13, 2-14	5560716	..... 4-27
5560556	..... 5-16	5560717	..... 2-4
5560557	..... 5-16	5560719	..... 2-22
5560586	..... 4-13	5561550	..... 5-1
5560598	..... 2-22	5561555	..... 2-5
5560609	... 2-13, 2-14, 2-44, 2-47, 4-1, 4-2, 4-11	5563017	..... 2-34, 2-34
5560610	..... 4-11	5563141	..... 2-35
5560614	..... 2-22, 2-23	5563142	..... 2-35
5560615	..... 2-22	5563310	..... 5-19, 5-20
5560618	..... 2-22	5563388	..... 5-19, 5-20
5560625	..... 2-23	5563393	..... 5-19, 5-20
5560626	..... 2-22	5563449	..... 2-4
5560641	..... 2-13, 2-14, 3-19	5563994	..... 5-1
5560643	..... 2-38	5569003	..... 5-17, 5-18
5560644	..... 3-44	5569012	..... 2-34, 2-35
5560645	..... 2-37	5569059	..... 2-44, 2-47
5560647	..... 5-1	5569711	..... 4-27, 4-28, 5-8
5560648	..... 4-15, 5-17	5569835	..... 3-37, 3-42, 3-46

5569849	4-15	6010437	3-5, 3-6
5569854	2-4	6010472	3-56
5569865	2-13, 2-14, 5-19, 5-20	6010473	3-56
5569870	2-38	6010488	3-37, 3-44
5569871	2-38	6010489	5-3, 5-5
5569872	2-38	6010489 F	5-4
5569880	2-3, 3-2, 3-13	6010490	3-55
5569883	4-32	6010493	3-18
5569975	2-4	6010495	5-10
5569978	4-33	6010498	5-10
5569997	4-10, 4-13	6010508	3-39, 5-4, 5-5
5570001	2-4, 2-11, 4-12, 4-13, 4-15	6010509	5-5
5580002	2-5, 5-1	6010510	5-4, 5-5
5590003	2-15	6010531	3-32
5592018	2-45	6010541 A	3-57
560757	4-28	6010549	3-14
561176	3-39	6010578	3-57
561956	3-15, 3-16	6010579	3-34
562326	4-27	6010607	3-14
565666	5-4	6010613	3-5, 3-6, 3-7, 3-8
584486	4-27	6010614	3-7, 3-8
6010083	3-55	6010616	5-1
6010159	3-10	6010624	3-7, 3-8
6010216	2-16, 3-32	6010633	3-4
6010216 D	3-32	6010636	3-31
6010222	2-3, 3-2, 3-13	6010653	3-28, 3-28, 3-28, 3-28, 3-28
6010222 C	3-12	6010663	3-39
6010223	3-10	6010672	3-56
6010231	3-4	6010721	3-33
6010255	3-32	6010723	3-11
6010256	3-32	6010724	3-39
6010269	3-7, 3-8	6010734	3-11
6010292	3-39	6010735	3-11
6010426	3-37	6010736	3-56

6010737	3-56	6020058	3-51, 3-52
6010794	3-46, 3-47	6020065	3-21
6010842	3-26	6029702-005	3-20
6010858	3-27	6029702-005 A	3-53
6010858 D	3-28	6030017	2-16
6010860	3-28	6030029	5-3, 5-7
6010861	3-28	6030037	2-4, 2-5
6010862	3-28	6030037 C	3-3
6010867	3-28	6030038	3-3
6010868	3-28	6040082	4-2
6010869	3-28	6047152	3-43
6010871	3-28	6047152 B	3-43
6010882	3-44	6047153	3-49
6010904	3-24, 3-24	6047156	3-43
6010908	3-24	6047161	3-43
6010913	3-11	6070006	3-31
6010914	3-11	6081989	3-21
6010974	3-22	6090057	3-21
6010974 A	3-24	6091045	3-12
6018901	5-4, 5-5	6091190	3-44, 3-44
6018948	3-25	6091241	3-46
6019039	3-25, 3-25	6091246	3-46
6019041	3-25	6091255	3-42
6019047	2-41	6091256	3-42
6019050	3-16, 3-17	6091257	3-42
6019050 A	3-15	6091259	3-42
6019060	3-23	6091260	3-42, 3-50
6019060 D	3-25	6091272	3-37
6019096	3-25	6091288	3-46
6019097	3-25	6091289	3-46
6019155	3-25, 3-25	6091291	3-46
6019157	3-25	6091292	3-46
6019168	3-7, 3-8	6091293	3-46
6019355	5-4, 5-5	6091311	3-46

6091350	3-37	6091751	2-8, 2-9
6091351	3-37	6091752	2-8, 2-9
6091352	3-37	6091903	3-41
6091353	3-37	6091904	3-41
6091354	3-37	6091905	3-41
6091355	3-37	6091906	3-41
6091374	3-42	6091907	3-41
6091713	2-8, 2-9	6091913	3-15, 3-16
6091715	2-8, 2-9	6091914	3-45
6091716	2-8, 2-9	6091915	3-45
6091717	2-8, 2-9	6091916	3-45
6091718	2-8, 2-9	6091917	3-45
6091719	2-8, 2-9	6091918	3-45
6091720	2-8, 2-9	6091919	3-45
6091722	2-8, 2-9	6091920	3-36
6091723	2-8, 2-9	6091921	3-36
6091727	2-8, 2-9	6091922	3-36
6091729	2-8, 2-9	6091923	3-36
6091730	2-8, 2-9	6091924	3-38
6091731	2-8, 2-9	6091925	3-38
6091732	2-8, 2-9	6091926	3-38
6091733	2-8, 2-9	6091927	3-41
6091734	2-8, 2-9	6091928	3-38
6091735	2-8, 2-9	6091929	3-38
6091736	2-8, 2-9	6091990	3-21
6091737	2-8, 2-9	6092021	3-47
6091738	2-8, 2-9	6092040	3-47
6091740	2-8, 2-9	6092049	3-47
6091741	2-8, 2-9	6092050	3-47
6091742	2-8, 2-9	6092051	3-47
6091743	2-8, 2-9	6092052	3-47
6091744	2-8, 2-9	6092067	3-47
6091745	2-8, 2-9	6092068	3-47
6091746	2-8, 2-9	6092069	3-47

6092070	3-47	7630762	5-9
6092071	3-47	7630772	2-24
6092072	3-47	7630773	2-24
6092073	3-47	7630774	2-24
6092077	3-20, 3-53	7630948	2-30
6092078	3-20, 3-53	7631077	2-31
7030003	2-48	7631078	2-31
7030161	2-44, 2-45, 2-47	7631079	2-31
7030162	2-44, 2-47	7631080	2-31
7030163	2-45	7631081	2-31
7110159	2-4, 2-5	7631082	2-31
7110906	3-10, 3-31, 3-55	7631083	2-31
7140092	4-27, 4-28	7631088	2-13, 2-14
7190001	4-27, 4-28	7631088 G	2-31
7190005	2-16	7631207	2-27
7240012	5-3	7631208	2-27
7249577	5-7	7631213	2-27
7280010	2-10	7631214	2-27
7620063	2-22	7631215	2-27
7620063 D	2-24	7631216	2-27
7624794	2-28, 2-30	7631218	2-27
7624796	2-26, 2-29	7631221	2-27
7624796-MUFFLER	2-27	7631222	2-27
7630140	3-30, 4-12, 4-13, 4-15	7631223	2-27
7630180	2-13, 2-14, 2-25	7631292	2-30
7630227	2-25	7631293	2-29
7630323	2-22	7631294	2-29
7630707	2-22	7631295	2-29, 2-30
7630755 B	2-33	7631297	2-29
7630756-001	2-25	7631307	2-30
7630757	2-23	7631318	2-30
7630757 A	2-32	7631319	2-29
7630760	2-23	7631327	2-30
7630761	2-23	7631329	2-30

763133.9	2-30	7721612	2-20, 3-29
7631331	2-30	7734504	5-14
7631332	2-29	7740420	5-14
7631333	2-30	8010021	2-7, 2-7
7631334	2-30	8010027	2-7
7631335	2-30	8010028	2-7
7631336	2-30	8010029	2-7
7631337	2-29	8010030	2-7
7631338	2-30	8010075	2-7
7631342	2-30	8010080	2-7
7631344	2-29, 2-30	8010105	2-7
7631345	2-29	8010138	2-7
7631349	2-30	8010143	2-7
7631350	2-30	8010145	2-7
7631351	2-29	8010149	2-7
7631352	2-30	8010168	2-7
7631353	2-29	8010191	4-15, 4-27
7631354	2-29	8010192	4-15, 4-27
7631355	2-29	8010193	4-15, 4-27
7631356	2-29	8010245	3-28, 3-28, 3-28, 3-28, 3-28, 3-28, 3-28
7631357	2-29	8010273	3-28
7631358	2-29	8010274	3-28
7631359	2-29	8010275	2-7
7631360	2-29	8010276	2-7
7631361	2-29	8010277	2-7
7631362	2-29, 2-30	8010278	2-7
7631364	2-30	8010279	2-7
7631365	2-30	8010280	2-7
7631369	2-29	8010281	2-7
7714202	2-18	8030044	4-15
7714204	2-20, 3-29, 5-14	8036201	2-24
7714535	2-26	8036204	2-24
7720201	2-15	8050097	2-33
7720302	2-15	8050098	2-33

8050099	.....2-33	8140014	.....2-33
8050100	.....2-33	8140019	.....2-32
8060142	.....3-10	8140023	.....2-32
8060277	.....2-25	8150003	.....4-30, 4-32
8060311	.....5-19, 5-20	8150004	.....4-30, 4-32
8070012	.....3-40	8150005	.....4-30, 4-32
8070367	.....3-40	8150008	.....4-31
8070368	.....3-40	8150009	.....4-30, 4-32
8070369	.....3-40	8150013	.....4-30, 4-32
8070370	.....3-40	8150082	.....4-30
8070371	.....3-40	8150084	.....4-30
8070393	.....3-40	8150087	.....4-31
8070542	.....3-40	8150090	.....4-31
8070671	.....3-40	8150094	.....4-30, 4-32
8070677	.....3-40	8150102	.....4-31
8070704	.....3-40	8150135	.....4-30
8070705	.....3-40	8150136	.....4-30
8070706	.....3-40	8150137	.....4-30, 4-32
8070707	.....3-40	8150138	.....4-30, 4-32
8070708	.....3-40	8150139	.....4-30, 4-31
8080015	.....3-58, 3-59	8150140	.....4-30
8080016	.....3-58, 3-59	8150141	.....4-30
8080018	.....3-58, 3-59	8150142	.....4-30
8080038	.....3-58, 3-59	8150143	.....4-30, 4-32
8080039	.....3-58, 3-59	8150144	.....4-30, 4-32
8080040	.....3-58, 3-59	8150145	.....4-30, 4-32
8080041	.....3-58, 3-59	8150146	.....4-30, 4-32
8080060	.....3-58, 3-59	8150147	.....4-30
8080061	.....3-58, 3-59	8150148	.....4-30, 4-32
8080062	.....3-58, 3-59	8150149	.....4-30
8080064	.....3-58, 3-59	8150150	.....4-30, 4-32
8080110	.....3-18	8150151	.....4-30, 4-32
8140011	.....2-33	8150152	.....4-30, 4-32
8140013	.....2-33	8150153	.....4-30, 4-32

8150154	4-30, 4-32	8220162	3-3
8150155	4-30, 4-32	8220163	3-3
8150156	4-30, 4-32	8220165	3-3
8150205	4-31	8220166	3-3
8150211	4-31	8220167	3-3
8150212	4-31	8220168	3-3
8150213	4-31	8220169	3-3
8150214	4-32	8220170	3-3
8160100	3-21	8220173	3-3
8160492	2-40	8220175	3-3
8180014	2-18	8220176	3-3
8180021	3-21	8220177	3-3
8180023	3-21	8220178	3-3
8190291	3-16	8220179	3-3
8220010	3-3	8220180	3-3
8220014	3-3	8220182	3-3
8220015	3-3	8230073	2-16
8220016	3-3	8230077	3-3
8220019	3-3	8230105	3-24
8220025	3-3	8230106	3-24
8220026	3-3	8230107	3-24
8220034	3-3	8230108	3-24
8220035	3-3	8230109	3-24
8220036	3-3	8230110	3-24
8220038	3-3	8230111	3-24
8220119	3-21	910269	5-7
8220120	3-21	955008	2-35
8220126	3-3	964989	2-40
8220142	3-3	969249	2-48
8220157	3-3	969979	2-3, 3-2
8220158	3-3	970009	2-13, 2-14, 4-1, 4-2, 5-19, 5-20
8220159	3-3	970019	2-13, 2-14
8220160	3-3	970029	2-13, 2-14, 2-21, 2-25, 2-38, 2-45, 4-1, 4-2, 4-9,
8220161	3-3		4-10, 4-27, 5-11, 5-12, 5-13, 5-15, 5-18, 5-19, 5-20



970039	..... 2-25	970849	..... 2-19, 2-35
970049	2-5, 2-13, 2-14, 2-18, 2-22, 2-34, 2-35, 2-37, 4-1, 4-2, 4-27, 5-14	970889	..... 2-13, 2-14, 2-41, 2-43, 4-1, 4-2
970099	..... 2-43	970909	..... 2-13, 2-14, 2-38, 2-41, 2-42
9701529	..... 2-43	970919	..... 2-13, 2-14, 2-36
970169	..... 2-3, 3-2	970939	..... 2-38
970239	2-4, 2-6, 2-13, 2-14, 2-23, 2-36, 2-37, 3- 19, 3-22, 3-23, 5-19, 5-20	970949	..... 2-22
970249	..... 2-25	971009	..... 2-42, 3-44, 5-1
970259	..... 2-37, 4-1, 4-2, 5-7	971309	..... 2-5
970269	..... 2-38, 3-35, 5-3	971379	..... 2-15
970279	..... 5-7, 5-19, 5-20	972019	..... 2-22
970299	..... 3-39, 5-3, 5-7	972049	..... 2-22
970319	..... 2-3, 3-2	972059	..... 2-22
970349	..... 2-41, 3-4	972259	..... 5-19, 5-20
970369	..... 2-13, 2-14, 2-34, 2-35, 5-3	972439	..... 2-34, 2-35
970426	..... 2-3, 2-38, 3-2	972449	..... 2-38, 3-44
970429	..... 2-38, 3-19, 4-1, 4-2	972469	..... 2-3, 2-37, 3-2
970439	..... 2-38	972479	2-13, 2-14, 2-22, 2-34, 2-35, 2-36, 2-37, 2-37, 2- 38, 2-46, 3-19, 5-7
970449	..... 2-13, 2-14, 2-38, 3-19, 4-1, 4-2	972489	..... 2-38
970469	2-3, 2-3, 2-13, 2-14, 2-34, 2-35, 2-36, 2- 37, 3-2, 3-2, 4-12, 4-13, 4-15, 5-15	972499	..... 2-38
970479	..... 2-21	972509	..... 2-37, 2-37
970489	2-5, 2-15, 2-34, 2-35, 2-36, 2-38, 4-1, 4- 2	974239	..... 4-5, 4-11, 4-12, 4-13, 4-14
970499	..... 5-3, 5-7	974269	..... 4-9
970509	..... 2-36	974279	..... 4-5, 4-11, 4-13, 4-14, 4-27
970519	..... 2-13, 2-14, 2-25	974289	..... 4-15
970529	..... 2-13, 2-14, 2-21, 2-37, 3-19	974439	..... 2-13, 2-14, 2-38
970549	..... 2-13, 2-14, 3-4	974659	2-34, 2-35, 4-5, 4-9, 4-10, 4-11, 4-12, 4-13, 4- 14, 4-15, 5-15
970569	..... 3-4	974679	..... 4-27
970589	..... 2-13, 2-14, 3-19	974689	..... 4-5, 4-9, 4-10, 4-13, 4-14, 4-27
970639	..... 2-37	974709	..... 5-15
970709	..... 3-19	974729	..... 4-11, 4-27
		974749	..... 2-13, 2-14, 4-1, 4-2
		974759	..... 2-38

974769	..... 5-15	987009	..... 2-43, 5-18
978389	..... 5-15, 5-19, 5-20	987079	..... 2-38
978409	..... 2-37	987089	..... 3-13, 4-5, 4-11, 4-12, 4-14, 4-15, 4-27
984009	..... 4-9, 4-10, 4-12, 4-15, 4-27	987099	... 2-3, 2-25, 3-2, 4-1, 4-2, 5-11, 5-12, 5-13, 5-15
984049	... 2-38, 4-9, 4-10, 4-11, 4-12, 4-13, 4-27	987109	. 2-3, 2-4, 2-5, 2-15, 2-23, 2-25, 2-34, 2-34, 2-35, 2-38, 2-41, 2-42, 3-2, 3-19, 3-22, 3-23, 3-39, 4-1, 4-2
984069	..... 2-38, 2-45	987119	. 2-3, 2-15, 2-34, 2-35, 2-36, 2-37, 2-38, 3-2, 3-4, 3-19, 3-19, 4-2
984089	..... 2-3, 2-23, 3-2, 3-4	987129	..... 3-19
984109	..... 2-3, 2-15, 2-35, 3-2, 3-4, 3-19	987139	2-19, 2-22, 2-23, 2-34, 2-34, 2-35, 2-38, 2-41, 4-1, 4-2, 5-2
984149	..... 2-23, 4-1, 4-2	987159	..... 2-4, 2-5, 2-15
984229	..... 2-38	987179	..... 2-3, 3-2
984249	..... 2-38	987339	..... 3-4
984329	..... 2-22	987349	..... 4-5, 4-9, 4-10, 4-11, 4-12, 4-14, 4-15, 4-27
984339	..... 2-28	988179	..... 2-38, 2-43, 5-19, 5-20
984409	..... 2-38, 2-41	9920014	..... 2-38
984449	..... 2-4, 2-5, 2-15	9920017	..... 2-37, 2-37
984469	..... 2-4, 2-6	9920018	..... 2-37
984529	..... 2-43	9920020	..... 2-38
986009	2-13, 2-14, 2-38, 4-1, 4-2, 4-9, 4-10, 4-11, 4-27, 5-15, 5-19, 5-20	9940001	..... 2-18
986019	. 2-3, 2-6, 2-13, 2-14, 2-25, 2-37, 2-43, 3-2, 4-1, 4-2, 4-9, 4-10, 4-13, 4-27, 5-1, 5-11, 5-13, 5-15, 5-18, 5-19, 5-20	9980003	..... 5-15
986159	..... 4-5, 4-11, 4-12, 4-13, 4-14, 4-15	9980004	..... 5-15
986169	..... 2-13, 2-14	9980005	..... 5-15
986269	2-4, 2-13, 2-14, 2-19, 2-22, 2-23, 2-25, 2-34, 2-35, 2-37, 2-38, 2-41, 3-4, 3-19, 3-22, 3-35, 3-39, 5-3, 5-7, 5-19, 5-20	9980006	..... 5-15
986299	. 2-3, 2-3, 2-13, 2-14, 2-21, 2-22, 2-25, 2-34, 2-34, 2-35, 2-36, 2-37, 2-38, 2-46, 3-2, 3-2, 3-4, 3-19, 4-1, 4-2, 5-3, 5-7, 5-15	9980012	..... 2-42, 3-44
986359	. 2-13, 2-14, 2-34, 2-34, 2-35, 2-37, 2-41, 2-42, 2-43, 4-1, 4-2, 5-2, 5-19, 5-20	A07035E A	..... 4-33
986459	..... 2-13, 2-14	A19021B B	..... 2-19
987 I 1 9	..... 4-1	A19028C B	..... 2-34
		A19032J	..... 2-49
		A19032J F	..... 2-51
		A19037B A	..... 4-26
		A19043C	..... 5-8
		A19045C B	..... 5-2

A19073A ..... 2-35  
A19074A ..... 2-3  
A19074A B ..... 2-3  
Kit item 3-46, 3-46, 3-46, 3-46, 3-46, 3-46, 3-46,  
3-46, 3-46, 3-46, 3-46  
M00206 ..... 2-43  
M00288 ..... 2-21  
NOTE 3 ..... 2-15