

snorkel

TB125J

T125J



REPAIR PARTS MANUAL

Manufactured 07-05 and after

Models TB125J/T125J

Replaces 0191909 March 2014

Part Number 0192647

October 2016

GENERAL INFORMATION

GENERAL INFORMATION	1-1
---------------------------	-----

REPAIR PARTS

CHASSIS HYDRAULIC INSTALLATION	2-1
AXLE INSTALLATION	2-2
EXTENDABLE AXLE	2-3
AXLE STOP INSTALLATION	2-4
STEERING INSTALLATION	2-5
TIRES AND WHEELS	2-6
GEAR HUB AUBURN	2-7
CHASSIS/TURNTABLE INSTALLATION	2-8
TURNTABLE ASSEMBLY KUBOTA V2403 TIER 4 FINAL FEBRUARY 2019 AND BEFORE	2-9
LIFT/SWING AND COUNTERWEIGHT INSTALLATION	2-10
SWING DRIVE	2-11
SWING DRIVE PERFECTION	2-12
FUEL TANK INSTALLATION DECEMBER 2008 AND BEFORE	2-13
FUEL TANK INSTALLATION JANUARY 2008 AND AFTER	2-14
HYDRAULIC OIL RESERVOIR ASSEMBLY	2-15
ENGINE TRAY ASSEMBLY	2-16
ENGINE SUB-ASSEMBLY KUBOTA	2-17
POWER UNIT ASSEMBLY	2-18
ENGINE CUMMINS 3.3 TURBO 85HP (REPLACEMENT PARTS)	2-19
V2403-CR TIER 4B KUBOTA ENGINE REPLACEMENT PARTS	2-20
V2403-M-T-E3B-KEA-2F KUBOTA ENGINE WITH RADIATOR REPLACEMENT PARTS	2-21
RADIATOR MOUNTING	2-22
ENGINE KUBOTA SUB ASSEMBLY V2403 CR T4F	2-23
ENGINE KUBOTA V2403 CR TIER 4B DIESEL OXIDATION CATALYST MUFFLER	2-24
AIR CLEANER CUMMINS	2-25
AIR CLEANER	2-26
EXHAUST /AIR CLEANER INSTALLATION KUBOTA	2-27
COWLING INSTALL	2-28
BOOM ASSEMBLY	2-29
BOOM, ANGLE SENSOR ASSEMBLY	2-30
BOOM ASSEMBLY LENGTH SENSOR	2-31
BOOM/HOSE CARRIER	2-32
HOSE CARRIER ASSEMBLY	2-33
5FT JIB ASSEMBLY	2-34
PLATFORM MOUNTING	2-35
SNORKEL GUARD ASSEMBLY	2-36
LEGACY SNORKEL GUARD KIT	2-37
PLATFORM GATE	2-38
PLACARDS AND DECALS	2-39

HYDRAULICS

HYDRAULIC EQUIPMENT-CHASSIS	3-1
DRIVE MOTOR WITH BRAKE	3-2
DRIVE CONTROL VALVE	3-3
SERIES PARALLEL PACKAGE RIGHT HAND	3-4
ANTI-CAVIATION VALVE SEPTEMBER 2015 AND BEFORE	3-5
ANTI-CAVIATION VALVE SUB-ASSEMBLY DECEMBER 2015 AND AFTER	3-6
ANTI-CAVIATION VALVE	3-7
STEER CUT OUT VALVE FOUR WHEEL DRIVE	3-8
DUAL SEQUENCE VALVE LEFT HAND	3-9
DUAL SEQUENCE VALVE FOUR WHEEL DRIVE RIGHT HAND	3-10
CAM VALVE	3-11
AXLE INTERLOCK	3-12
HIGH RANGE SPEED SELECTOR VALVE	3-13
AXLE JACKING CONTROL VALVE	3-14
HYDRAULIC EQUIPMENT TURNTABLE WITH HOSES MARCH 2017 AND BEFORE	3-15
TURNTABLE HYDRAULIC EQUIPMENT KU APRIL 2017 AND AFTER	3-16
CENTERPOST AND FITTINGS SUB ASSEMBLY	3-17
PUMP CONTROL VALVE ASSEMBLY	3-18
HYDRAULIC PUMP AND FITTINGS	3-19
EMERGENCY POWER UNIT LEFT HAND	3-20
EMERGENCY POWER UNIT RIGHT HAND	3-21
SHUTTLE VALVE ASSEMBLY	3-22
NON-PROPORTIONAL CONTROL VALVE ASSEMBLY FEBRUARY 2006 AND BEFORE	3-23
NON-PROPORTIONAL FOUR STATION VALVE	3-24
NON-PROPORTIONAL CONTROL VALVE ASSEMBLY MARCH 2006 AND AFTER	3-25
NON-PROP VALVE	3-26
PROPORTIONAL CONTROL VALVE ASSEMBLY MAY 2015 AND BEFORE	3-27
PROPORTIONAL VALVE MAY 2015 AND BEFORE	3-28
PROPORTION CONTROL VALVE ASSEMBLY WITH NEW JIB ONLY JUNE 2015 AND AFTER	3-29
PROPORTIONAL CONTROL VALVE JUNE 2015 AND AFTER	3-30
PRESSURE MANIFOLD	3-31
HYDRAULIC OIL RETURN FILTER	3-32
ACCUMULATOR CHARGED	3-33
BLOCKING VALVE	3-34
CHECK VALVE MANIFOLD	3-35
PLATFORM JIB SELECTOR VALVE ASSEMBLY	3-36
PLATFORM JIB SELECTOR VALVE	3-37
JACKING CYLINDER SUB ASSEMBLY	3-38
JACKING CYLINDER	3-39
LEVEL AND STEER CYLINDER ROSENBOOM	3-40
AXLE EXTEND CYLINDER	3-41
LIFT CYLINDER SUB-ASSEMBLY	3-42
MASTER LEVEL CYLINDER	3-43
EXTENSION CYLINDER ASSEMBLY	3-44
EXTENSION CYLINDER GBI	3-45

JIB CYLINDER HENGLI	3-46
JIB CYLINDER ROSENBOOM	3-47
MASTER LEVEL CYLINDER ROSENBOOM	3-48
SLAVE LEVEL CYLINDER ASSY	3-49
SLAVE LEVEL CYLINDER	3-50
PLATFORM SLIDING CYLINDER	3-51
DUAL HOLDING VALVE	3-52
MOTION CONTROL VALVE	3-53
PLATFORM ROTATOR ASSEMBLY	3-54
PLATFORM ROTATOR	3-55

ELECTRICAL

TURNTABLE ELECTRICAL CUMMINS AND KUBOTA	4-1
TURNTABLE WIRE ASSEMBLY	4-2
WIRE ASSEMBLY EMS PRIMARY	4-3
WIRE ASSEMBLY EMS BACK UP MARCH 2005 AND AFTER	4-4
WIRING BOX GROUND CONTROL ASSEMBLY	4-5
WIRING BOX PANEL SUB-ASSEMBLY KUBOTA	4-6
JUNCTION BOX ASSEMBLY	4-7
JUNCTION BOX PANEL ASSEMBLY	4-8
BOOM LIFT SWITCH	4-9
BOOM ELECTRICAL INSTALLATION	4-10
BOOM CALIBRATION SWITCH APRIL 2008 AND BEFORE	4-11
BOOM CALIBRATION SWITCH ASSEMBLY MAY 2008 AND AFTER	4-12
BOOM SPEED SWITCH MAY 2007 AND BEFORE	4-13
BOOM SPEED SWITCH ASSEMBLY JUNE 2007 AND AFTER	4-14
DRIVE SPEED SWITCH MAY 2007 AND BEFORE	4-15
DRIVE SPEED CUTOUT SWITCH SUB-ASSEMBLY JUNE 2007 AND AFTER	4-16
EXTEND CUT-OUT SWITCH	4-17
EXTEND CUTOUT SWITCH ASSEMBLY JUNE 2007 AND AFTER	4-18
PLATFORM/JIB SELECTOR - WIRE ASSEMBLY	4-19
SAFETY INTERLOCK WITH SLIDING PLATFORM	4-20
PLATFORM FOOT SWITCH ASSEMBLY	4-21
SNORKEL GUARD WIRING	4-22
UPPER CONTROL BOX ASSEMBLY	4-23
CONTROLLER DRIVE STEER	4-24
CONTROLLER EXTEND RETRACT	4-25
CONTROLLER LIFT SWING	4-26
CONTROLLER JIB ELEVATION	4-27
110V POWER TO PLATFORM INSTALLATION	4-28

OPTIONS

HYDRAULIC GENERATOR INSTALLATION 110V	5-1
HYDRAULIC AC GENERATOR SUB ASSEMBLY 110V	5-2
VALVE HYDRAULIC MOTOR FLOW CONTROL	5-3
AC GENERATOR VALVE	5-4

HYDRAULIC AC GENERATOR 220V	5-5
BEACON, DUAL AMBER	5-6
BLOCK HEATER CUMMINS 3.3	5-7
HYDRAULIC WARM UP	5-8
ISOLATION VALVE INSTALLATION	5-9
ALARM MOTION DRIVE ONLY	5-10
HEAD AND TAIL LIGHTS	5-11
PLATFORM WORK LIGHTS	5-12

MAINTENANCE

MAINTENANCE, TB125J	6-1
---------------------------	-----

SCHEMATICS

TB125J ELECTRICAL SCHEMATIC CUMMINS A19058A	7-1
TB125J ELECTRICAL SCHEMATIC CUMMINS CE A19060A	7-2
TB125J HYDRAULIC SCHEMATIC A19059A	7-3
TB80 TB100J TB125J TB126J HYDRAULIC SCHEMATIC A11011B	7-4
TB125J TB126J HYDRAULIC SCHEMATIC 0191268A	7-5
TB125J TB126J ELECTRICAL SCHEMATIC A19035E CUMMINS 3.3 GLOW PLUG WIRING	7-6

A	A
B	B

DANGER

The aerial platform is not electrically insulated. Death or serious injury will result from contact with, or inadequate clearance from, an energized conductor.

Do not go closer than the Minimum Safe Approach Distance as defined by ANSI standards.

Regard all conductors as energized.

Allow for electrical wire sag and aerial platform sway.

If the platform, boom structure, or any part of the aerial platform contacts a high-voltage electrical conductor, the entire machine can become electrically charged.

If that happens, remain on the machine and do not contact any other structure or object. This includes the ground, adjacent buildings, poles, and any other objects that are not part of the aerial platform.

Such contact could make your body a conductor to the other object, creating an electrical shock hazard resulting in death or serious injury.

If an aerial platform is in contact with an energized conductor the platform operator must warn ground personnel in the vicinity to stay away. Their bodies can conduct electricity creating an electrical shock hazard resulting in death or serious injury.

Do not approach or leave the aerial platform until the electricity has been turned off.

Do not attempt to operate the lower controls when the platform, scissors structure, or any part of the aerial platform is in contact with a high-voltage electrical conductor or if there is an immediate danger of such contact.

Personnel on or near an aerial platform must be continuously aware of electrical hazards, recognizing that death or serious injury can result from contact with an energized conductor.

California

Proposition 65 Warning

Battery posts, terminals and related accessories contain lead and lead components, chemicals known to the State of California to cause cancer and birth defects or other reproductive harm. Wash hands after handling.

California

Proposition 65 Warning

Diesel and gasoline engine exhaust and some of its constituents are known by the State of California to cause cancer, birth defects or other reproductive harm.

General Information

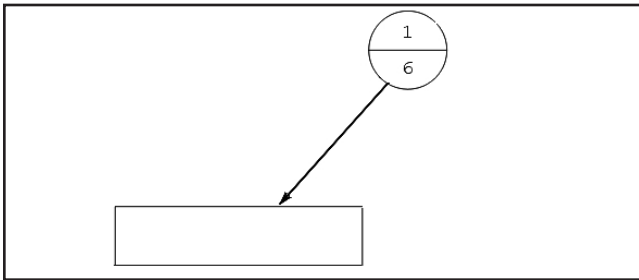
About This Manual

This manual covers TB125J aerial platforms. Information is included for machines that have been manufactured to conform to all applicable requirements of the following organizations:

- American National Standards Institute (ANSI)
- Canadian Standards Association (CSA)
- European Committee for Standardization (CE)

Part pages include a drawing and a bill of material. The bill of material lists the item number that is on the drawing, the Snorkel part number, quantity used and a description of the item.

Some callouts in the drawings may have a balloon with two numbers. The top number is the item number and the bottom number is the quantity of the item at that location.



While Snorkel has attempted in every way to confirm that all information in this manual is correct, improvements are being constantly made to the machine that may not be reflected in this manual.

If you find information in this manual that is not correct or is confusing, you are urged to report your findings to Snorkel for our evaluation. Your input is important to us and will be used in future printings of this manual.

This machine is covered by a limited warranty that specifically identifies items warrantied by Snorkel and those items covered by original manufacturer's warranty. A copy of the Snorkel Limited Warranty is located on the inside of the back cover of this manual.

Repairs and Maintenance

Every person who maintains, inspects, tests or repairs the machine must be qualified and authorized to do so.

Caution

Do not modify this aerial platform without prior written consent of Snorkel Engineering Department. Modification may void the warranty, adversely affect stability or affect the operational characteristics of the aerial platform.

Abbreviations

The following abbreviations may be used in this manual.

AC	alternating current
ANSI	American National Standards Institute
AR	as required
CCA	cold cranking amps
cm	centimeter
DC	direct current
ft	feet
GFCI	ground fault circuit interruptor
in	inch
lbs	pounds
mm	millimeter
no	number
NPT	national pipe thread
psi	pounds per square inch
qty	quantity
rpm	revolutions per minute
UL	Underwriters Laboratories Inc.

Additional Information

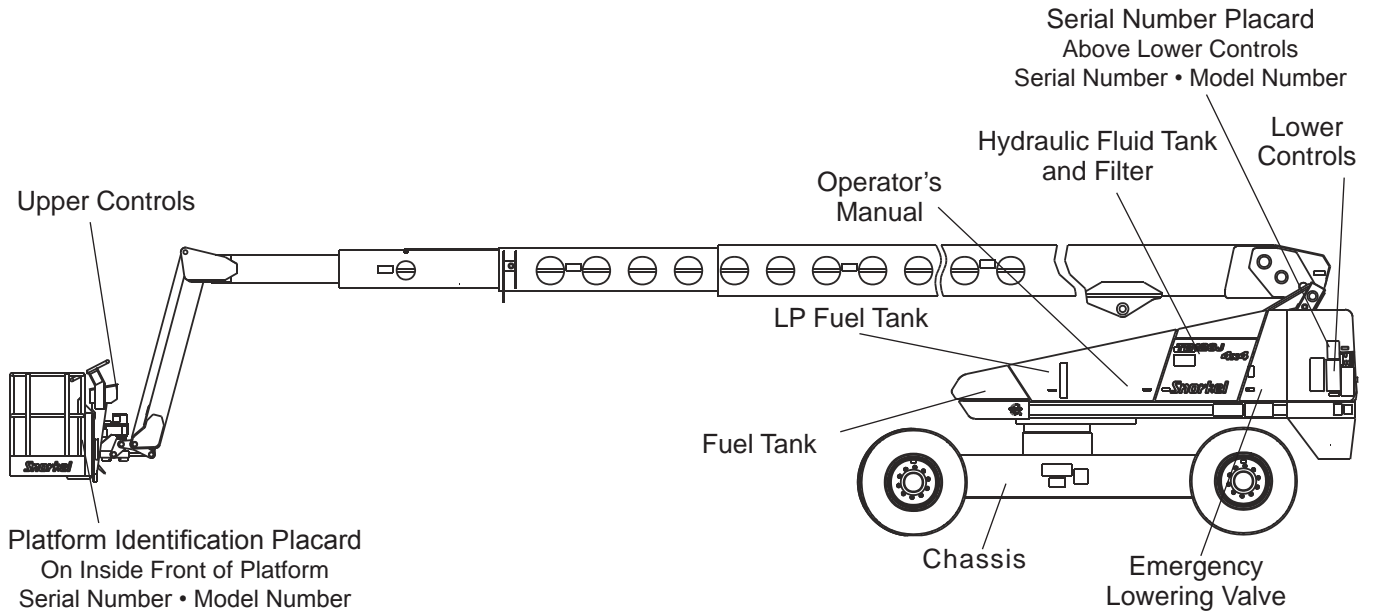
All correspondence relative to this machine, such as field reports, discrepancy reports, requests for information, etc., should be directed to:

Snorkel North America
P.O. Box 1160
St. Joseph, MO 64502-1160 USA
Phone: 1-800-255-0317

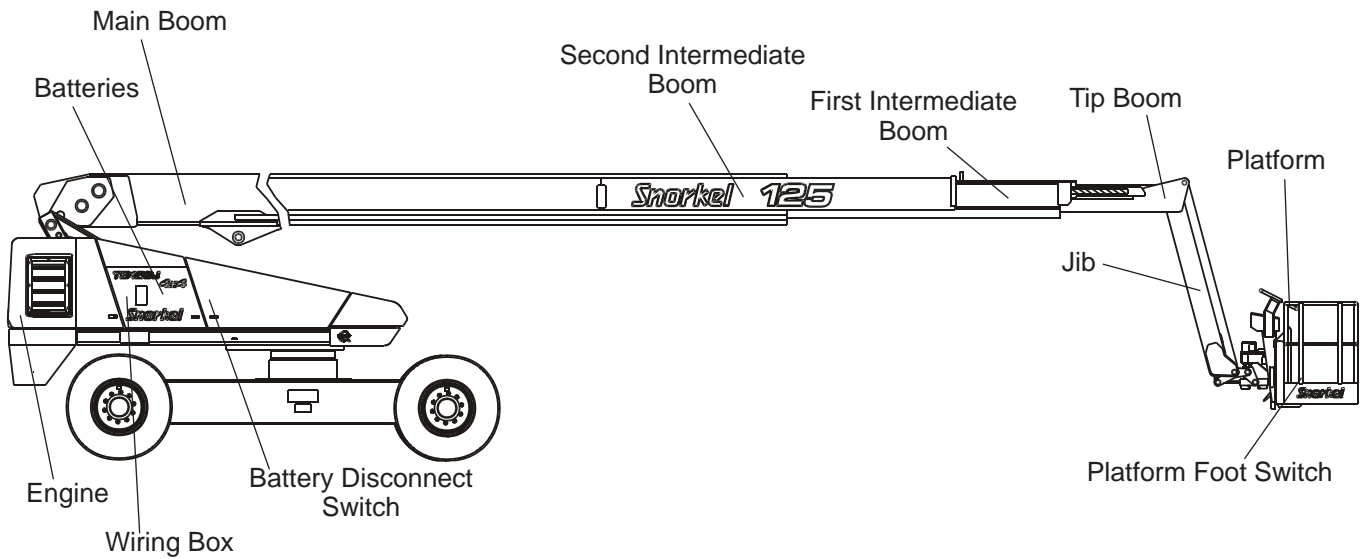
Snorkel Europe
Vigo Centre
Birtley Road
Washington
Tyne & Wear
NE38 9DA
Phone: +44 (0) 845 1550 058

<http://www.snorkellifts.com>

Component Identification



Right Side



Left Side

Service and Parts Information

Ordering Parts

When placing an order for service or repair parts, please have the following machine information readily available.

- Model number
- Serial number
- Snorkel part number
- Description of part
- Quantity of parts required
- Your purchase order number
- Address for order to ship to
- The desired shipment method

If ordering parts off-line, the parts order form on the following page may be mailed or faxed to the attention of the Parts Department at the following location:

Snorkel North America
P.O. Box 1160
St. Joseph, MO 64502-1160 USA
Phone: 1-800-255-0317
Parts Fax: 1-785-989-3077

Snorkel Europe
Vigo Centre
Birtley Road
Washington
Tyne & Wear
NE38 9DA
Phone: +44 (0) 845 1550 058
Parts Fax: +44 (0) 1952 607 678

Attention: Parts Department

For your convenience, our electronic on-line ordering system is accessible from the following Internet location:

<http://www.snorkellifts.com>

ANSI and OSHA Compliance

All owners and users of the aerial platform must read, understand and comply with all applicable regulations. Ultimate compliance to OSHA regulations is the responsibility of the user and their employer.

ANSI publications clearly identify the responsibilities of all personnel who may be involved with the aerial platform. A reprint of the "Manual of Responsibilities for Dealers, Owners, Users, Operators, Lessors and Lessees of ANSI/SIA A92.5-2006 Boom-Supported Elevating Work Platforms" is available from Snorkel dealers or from the factory upon request.

Copies are also available from:

Scaffold Industry Association, Inc.
P.O. Box 20574
Phoenix, AZ 85036-0574 USA

Manuals

Manuals are available from Snorkel to support any of the machines that we produce.

The specific manuals for TB125J aerial platforms are as follows:

TB125J – Operator's Manual ANSI

Snorkel part number – 0192214

TB125J – Repair Parts Manual

Snorkel part number – 0192647

ANSI Manual of Responsibilities

ANSI/SIA A92.5-2006

Snorkel part number – 0084053

Machine Information

Model Number: _____

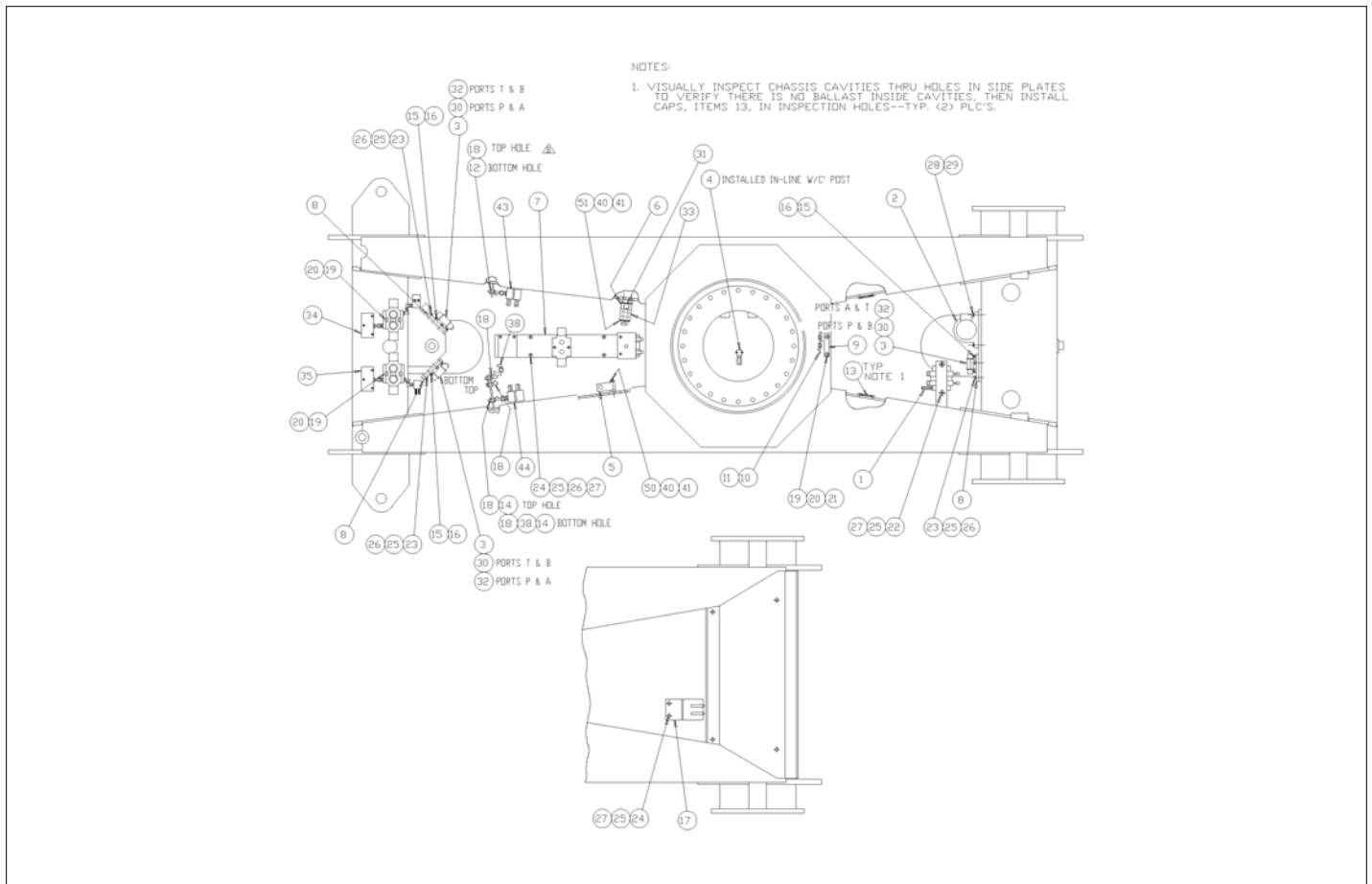
Serial Number: _____

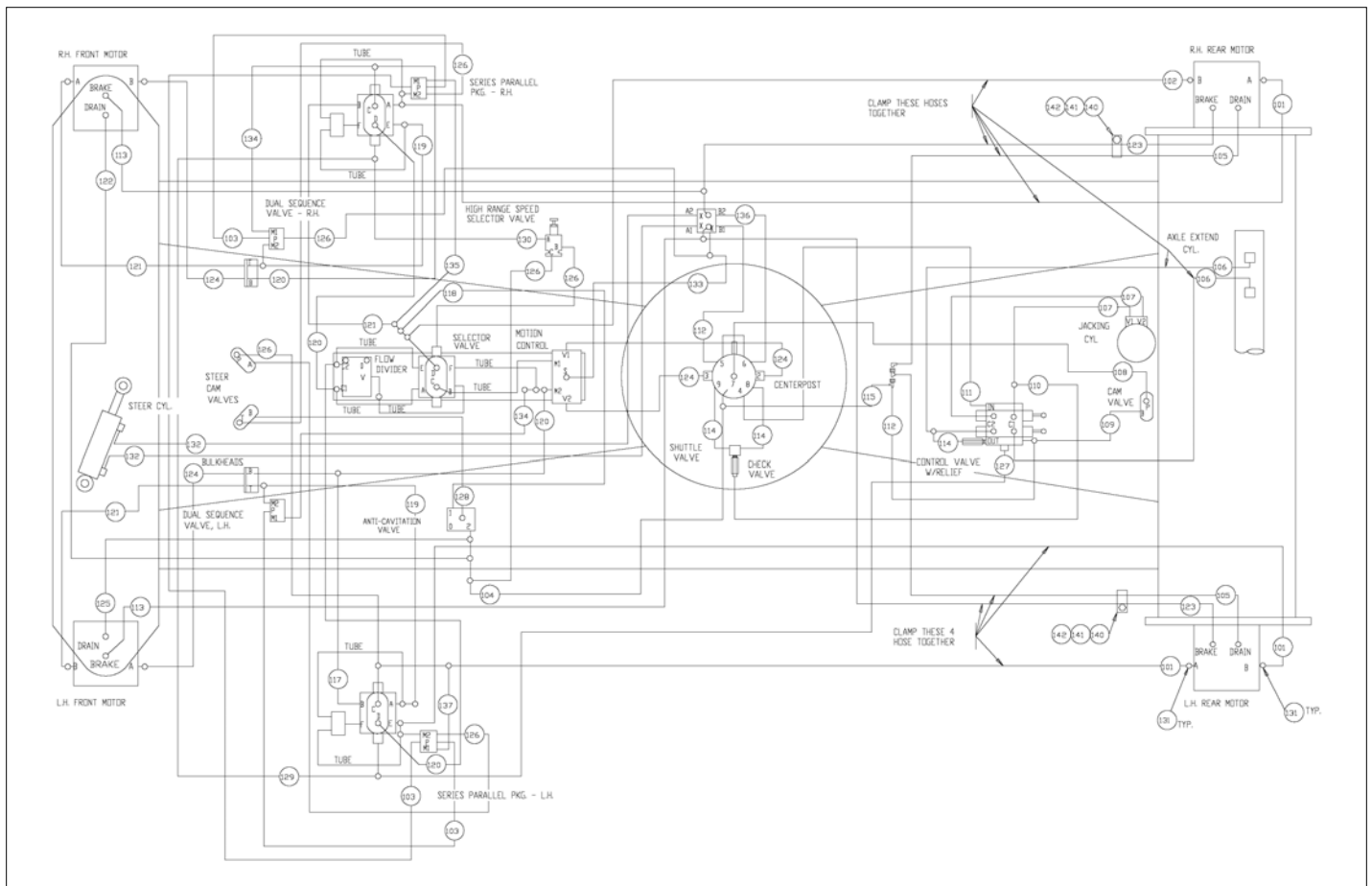
Date of Purchase: _____

Purchased From: _____

Snorkel Dealer or Distributor: _____

REPAIR PARTS





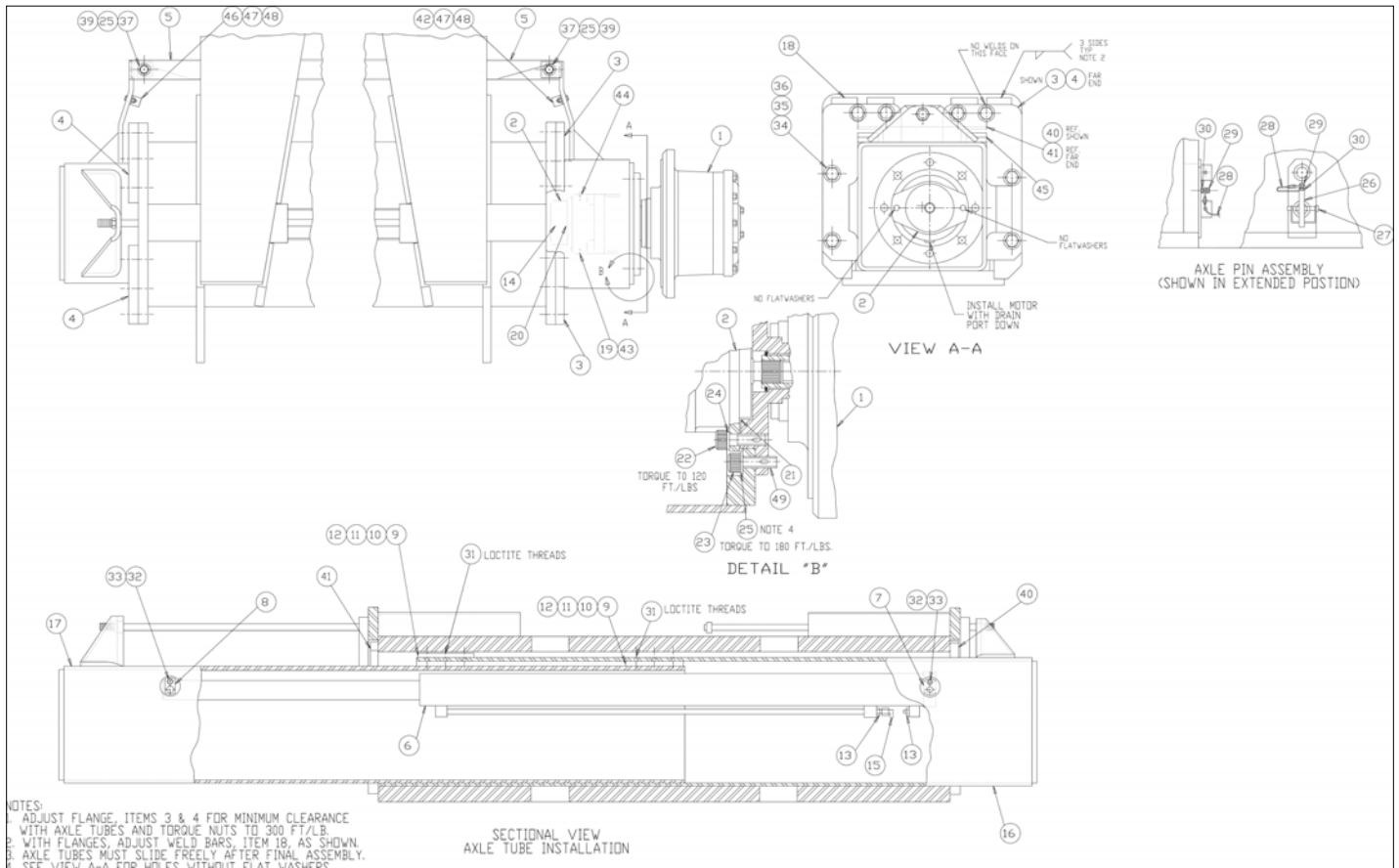
アイテム	部品番号	名前	数量	UOM
	A19074A B	CHASSIS HYDRAULIC INSTLLATION MAY 2017 AND AFTER		EA
1	0111291	CONTROL VALVE SUB ASSEMBLY	A/R	EA
2	0111292	JACKING CYLINDER SUB ASSY	1	EA
3	6010222	CAM VALVE	3	EA
4	0111290	SHUTTLE VALVE SUB ASSEMBLY	A/R	EA
5	0111273	ANTI CAV VALVE SUB ASSEMBLY L.H	A/R	EA
6	0111344	HIGH RNG SPD SEL VALVE SUB ASSEMBLY	A/R	EA
7	0111264	DRIVE VALVE SUB ASSEMBLY	A/R	EA
8	0110495	BASE PLATE CAM VALVE	3	EA
9	0110590	TUBE CLAMP BAR W/BONDED RUBBER	1	EA
10	5034203	FTG ELB90UN 6S 6S STL	1	EA
11	5036705	FTG TEE SWVL RUN 6S 6S STL	2	EA
12	5034505	FTG ELB90BHD 12S 12S STL PH 12	1	EA
13	5070026	CAP WHEEL SERVICE	2	EA
15	5569880	SCREW MACH SKTHD 10 24 X .625	12	EA
16	5560654	WSHR LOCK #10 SPLIT TYPE	12	EA
17	0111305	GUARD	1	EA
18	5035408	FTG TEE BHD RUN 12S 12S STL	3	EA
19	970319	BLT HEXHD .313 18 2.50 GR5	6	EA
20	987109	WSHR LOCK .313	6	EA
21	984089	NUT HEX .313 18	2	EA
22	972469	BLT FLSKTHD .375 16 X 1.00 GR	2	EA
23	970426	BLT HHD .375 16 X .875	9	EA
24	970469	HHD BLT .375 16 X 1.00 GR5	8	EA

アイテム	部品番号	名前	数量	UOM
25	987119	WSHR LOCK .375	17	EA
26	986299	WASHER, FLAT, .375 STANDARD, PLATED	15	EA
27	984109	NUT HEX .375 16	8	EA
28	5560693	BLT SKTHD .750 10 1.75 \$C075C	4	EA
29	987179	WSHR LOCK .750	4	EA
30	5035303	FTG ELB90STRTHD 4B 4S STL	6	EA
31	0112030	SPCR .125 1.00 3.00 STL SP	2	EA
32	5075203	FTG PL HEX HD 4B STL	6	EA
33	0111492	VALVE	A/R	EA
34	0111535	R H SERIES PKG VALVE 4 X 4	A/R	EA
35	0111536	VALVE	A/R	EA
38	5037008	ADAPTER 90 ° ELBOW SWIVEL 12 JIC	1	EA
40	987099	WSHR LOCK .250	4	EA
41	986019	WSHR FLAT .250	4	EA
43	0111530	VALVE	A/R	EA
44	0111528	VALVE	A/R	EA
Not Shown	5035708	FTG ELB45STRTHD 12B 12S STL	1	EA
Not Shown	5560033	.375 16UNC HEX LOCK NUT	2	EA
50	970169	BOLTHEXHD .250 20 2.00 GR5	2	EA
51	969979	BLT HEXHD .250 20 X 4.50 GR5	2	EA
101	0111282	HOSE 12 12S 12S 190 100R2	3	EA
102	0111283	HOSE 12 12S 12S 142 100R2	1	EA
103	0040276	HOSE 4 4S 4S 20.5 100R1	3	EA
104	0111285	HOSE 12 10S 10S 36 100R2	1	EA
105	0090402	HOSE 6 6S 6S 108 100R2 (SEE PAGE 2)	2	EA
106	0100270	HOSE 4 6S 6S 108 100R1	2	EA

アイテム	部品番号	名前	数量	UOM
107	0070779	HOSE 4 6S 6S 23.75 100R1	2	EA
108	0080386	HOSE 4 4S 4S 70 100R1	1	EA
109	0080359	HOSE 4 4S 6S 23.5 100R1	1	EA
110	0070781	HOSE 4 6S 6S 52 100R1	1	EA
111	0070782	HOSE 4 6S 6S 66 100R1	1	EA
112	0070780	HOSE 4 6S 6S 36 100R1	2	EA
113	0070771	HOSE 4 4S 4S 77 100R1	2	EA
114	0070773	HOSE 4 6S 6S 13.5 100R1	3	EA
115	0020276	HOSE 6 6S 6S 27.625 100R2	1	EA
117	0080939	HOSE 12 12S45 12S 31.5 100R2	1	EA
118	0323885	HOSE 12 10S 12S 37 100R2	1	EA
119	0323804	HOSE 12 12S 12S 24 100R2	2	EA
120	0080524	HOSE 12 12S 12S 30 100R2 30	4	EA
121	0110171	HOSE 12 12S 12S 44 100R2	3	EA
122	0111286	HOSE 6 6S 6S 84 100R2	1	EA
123	0100491	HOSE 4 4S 4S 150 100R1	2	EA
124	0110173	HOSE 12 12S 12S 41 100R2	4	EA
125	0081080	HOSE 6 6S 6S 65 100R2	1	EA
126	0020280	HOSE 4 4S 4S 23.5 (SEE PAGE 2)	6	EA
127	0111346	HOSE 4 4S 4S 133 100R1	1	EA
128	0100278	HOSE 4 4S 4S 43 100R1	1	EA
129	0070768	1/4 I.D. HOSE ASSY	1	EA
130	0070911	HOSE 4 4S 4S 62 100R1	1	EA
131	5080015	LAST CHANCE FILTER	8	EA
132	0070783	HOSE 4 6S 6S 76.5 100R1	2	EA
133	0070765	HOSE 4 4S 4S 29 100R1	1	EA
134	0073040	HOSE 8 8S 8S 28 100R2	2	EA
135	0070792	HOSE 8 8S 8S 32 100R2	1	EA
136	0090299	HOSE 4 6S 6S 43 100R1	1	EA

アイテム	部品番号	名前	数量	UOM
137	0020424	HOSE 8 8S 8S 30 100R2	1	EA
140	970469	HHD BLT .375 16 X 1.00 GR5	2	EA
141	986299	WASHER, FLAT, .375 STANDARD, PLATED	4	EA
142	5560033	.375 16UNC HEX LOCK NUT	2	EA

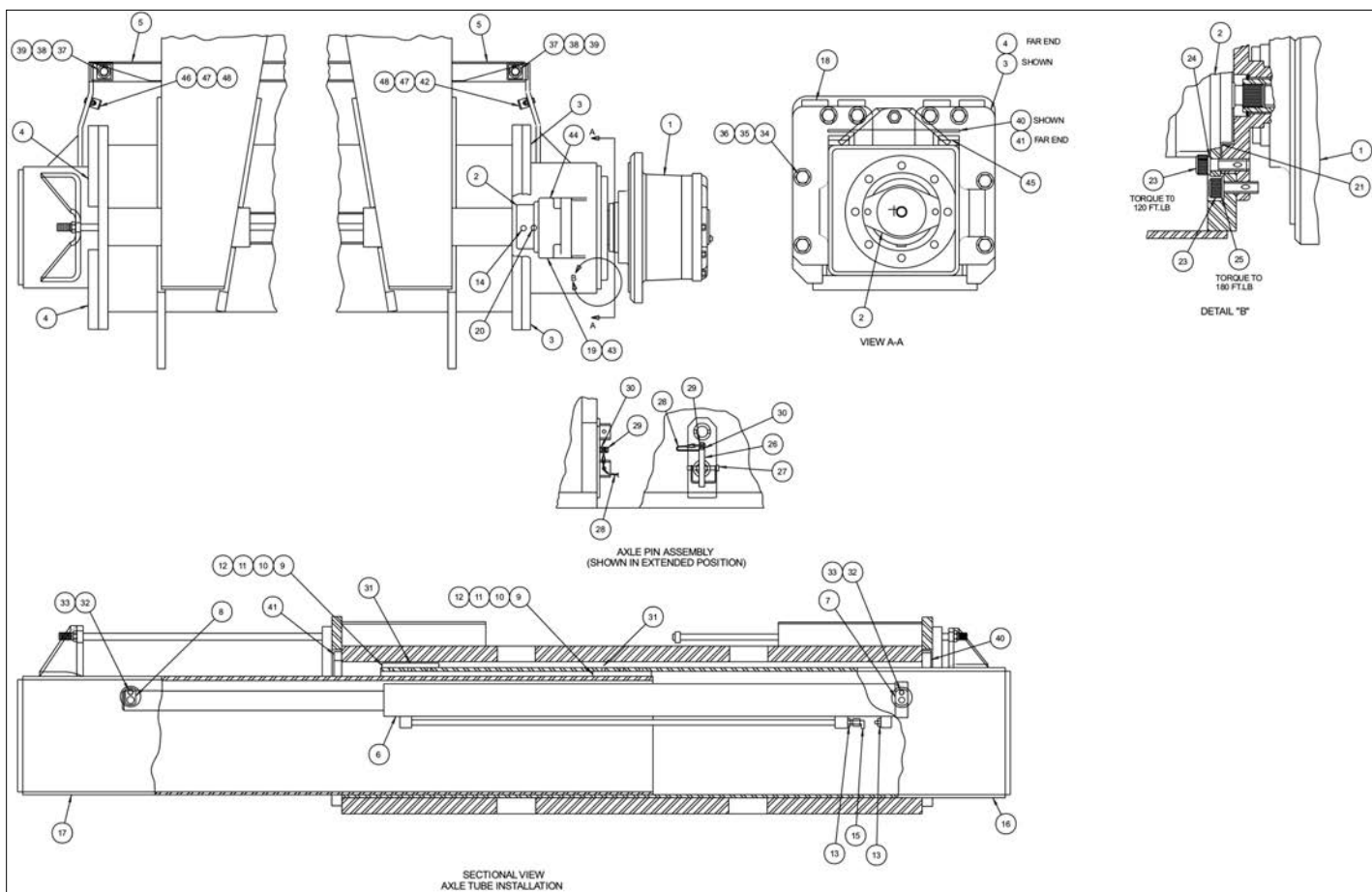
REPAIR PARTS



アイテム	部品番号	名前	数量	UOM
	0190782 C	AXLE INSTALLATION		EA
1	0110283	POWER WHEEL	2	EA
2	6030037	VR DRIVE MTR W/BRAKE VON RUDEN	2	EA
3	0190969	END FLANGE RH	2	EA
4	0190968	END FLANGE LH	2	EA
5	0190713	HOSE CARRIER TUBE WELDMENT	2	EA
6	0190709	CYLINDER ASSEMBLY EXTENDING AXLES	1	EA
7	0110261	WLDMT PIN AXLE EXT CYL DR	1	EA
8	0110260	WLDMT PIN AXLE EXT CYL	1	EA
9	0080293	SLIDE PAD	4	EA
10	0070030	SHIM (NOTE 5) (.030)	A/R	EA
11	0072567	SPCR 2.00 5.88 .063	A/R	EA
12	0090141	SHIM (.090)	A/R	EA
13	5065707	FTG ADPTR STRTHD 6B 6S STL PH	2	EA
14	5035305	FTG ELB90STRTHD 6S 6S STL	2	EA
15	5037005	TERM FEM F.I. .250 16/14	1	EA
16	0191362	WLDMT AXLE TUBE RH 4X4	A/R	EA
17	0191363	WLDMT AXLE TUBE LH 4X4	A/R	EA
18	0110731	STOP BAR	8	EA
19	5035319	FTG ELB90STRTHD 16B 12S STL	2	EA
20	5035303	FTG ELB90STRTHD 4B 4S STL	2	EA
21	7110159	O RING 5.00ID 5.19OD .094 70D	2	EA
22	5560245	Bolt	4	EA
23	5560099	BLT SKTHD .625 11 1.75 HEX LKG	16	EA
24	987159	WSHR LOCK .625	4	EA
25	5560169	WSHR FLAT HARD .625 SP	14	EA
26	0111362	WLDMT PIN 1.00 20.81 GRIP	1	EA

アイテム	部品番号	名前	数量	UOM
27	5580002	PIN SNAPPER	1	EA
28	0110594	RTNR LOCK PIN AXLES	1	EA
29	970049	BLT HEXHD .250 20 1.00 GR5 GRADE 5 PLT SAME AS 970189	2	EA
30	5560004	NUT LKG .250 20	2	EA
31	5560679	M.SCR 3/8 16 5/8 SOC. CAD	12	EA
32	5561555	BLT BTNHD .313 18 .50	2	EA
33	987109	WSHR LOCK .313	2	EA
34	5560676	BLT HEXHD .750 10 X 3.50 GR8	16	EA
35	5560170	WSHR FLAT HARD .750 SP	32	EA
36	5560035	NUT HEX LKG .750 10	16	EA
37	971309	BLT HEXHD .625 11 X 2.00 GR5 ZP	2	EA
39	5560036	NUT HEX LKG .625 11	2	EA
40	0111303	SL PAD 1.63 14.75 .750 SP	1	EA
41	0111304	SL PAD 2.63 14.75 .750 SP	1	EA
42	5093030	CLP CUSH 2.50 VINYL COATED	1	EA
43	5037008	ADAPTER 90 ° ELBOW SWIVEL 12 JIC	2	EA
44	5065715	FTG ADPTR STRTHD 16B 12S STL B	2	EA
45	0190972	WLDMT PAD	4	EA
46	5093013	CLP CUSH 2.00 VINYL COATED	1	EA
47	970489	BLT HEXHD .375 16 1.50 GR5 PL	2	EA
48	5560033	.375 16UNC HEX LOCK NUT	2	EA
49	984449	NUT HEX JAM .625 11	16	EA

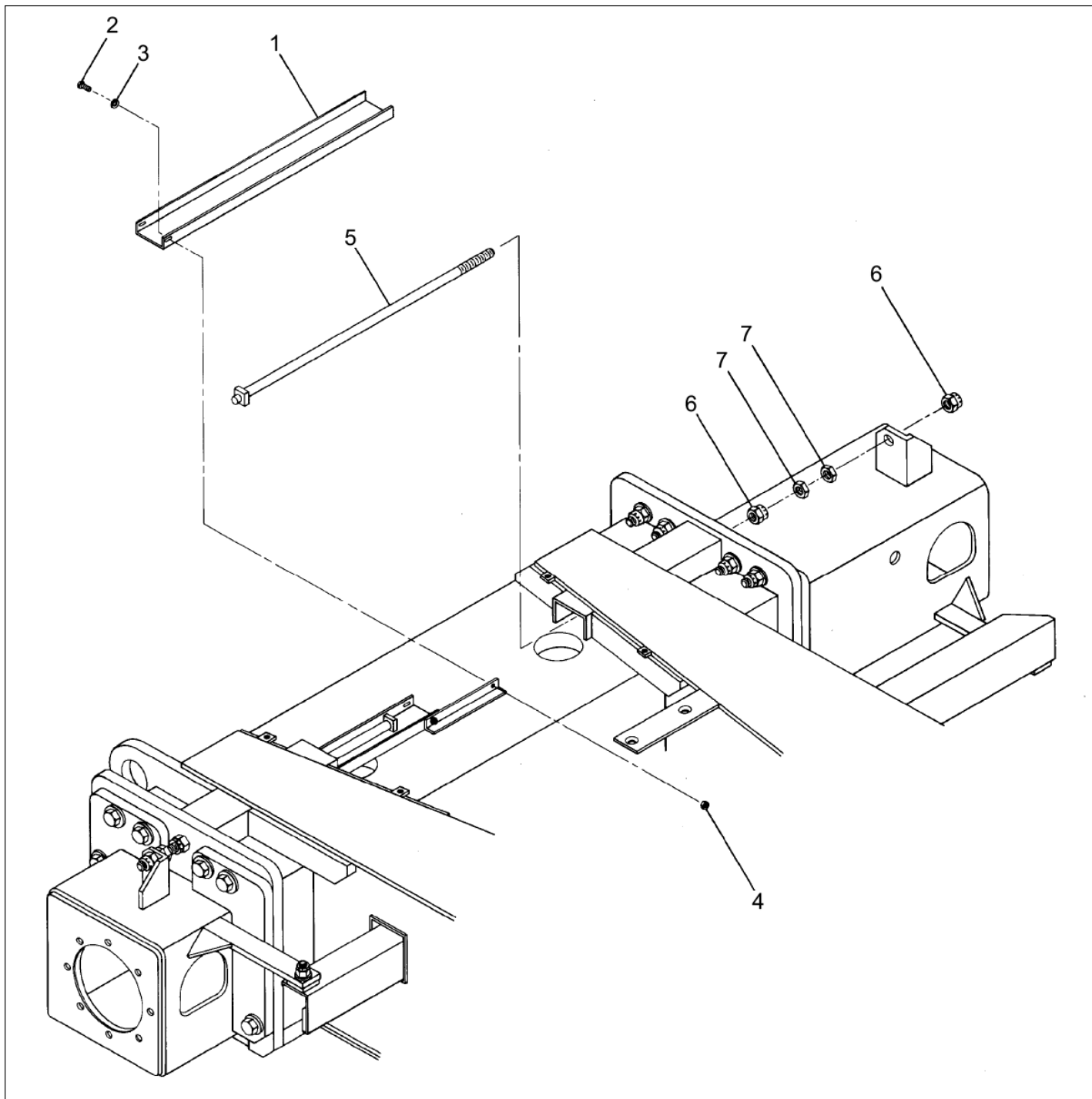
REPAIR PARTS



アイテム	部品番号	名前	数量	UOM
0110782 C	0190782 C	AXLE INSTALLATION		EA
1	0110283	POWER WHEEL	2	EA
2	6030037	VR DRIVE MTR W/BRAKE VON RUDEN	2	EA
3	0190969	END FLANGE RH	2	EA
4	0190968	END FLANGE LH	2	EA
5	0190713	HOSE CARRIER TUBE WELDMENT	2	EA
6	0190709	CYLINDER ASSEMBLY EXTENDING AXLES	1	EA
7	0110261	WLDMT PIN AXLE EXT CYL DR	1	EA
8	0110260	WLDMT PIN AXLE EXT CYL	1	EA
9	0080293	SLIDE PAD	4	EA
10	0070030	SHIM (NOTE 5) (.030)	1	EA
11	0072567	SPCR 2.00 5.88 .063	1	EA
12	0090141	SHIM (.090)	1	EA
13	5065707	FTG ADPTR STRTHD 6B 6S STL PH	2	EA
14	5035305	FTG ELB90STRTHD 6S 6S STL	2	EA
15	5037005	TERM FEM F.I. .250 16/14	1	EA
16	0191362	WLDMT AXLE TUBE RH 4X4	1	EA
17	0191363	WLDMT AXLE TUBE LH 4X4	1	EA
18	0110731	STOP BAR	8	EA
19	5035319	FTG ELB90STRTHD 16B 12S STL	2	EA
20	5035303	FTG ELB90STRTHD 4B 4S STL	2	EA
21	7110159	O RING 5.00ID 5.19OD .094 70D	2	EA
22	5560245	Bolt	4	EA
23	5560099	BLT SKTHD .625 11 1.75 HEX LKG	16	EA
24	987159	WSHR LOCK .625	4	EA
25	5560169	WSHR FLAT HARD .625 SP	12	EA

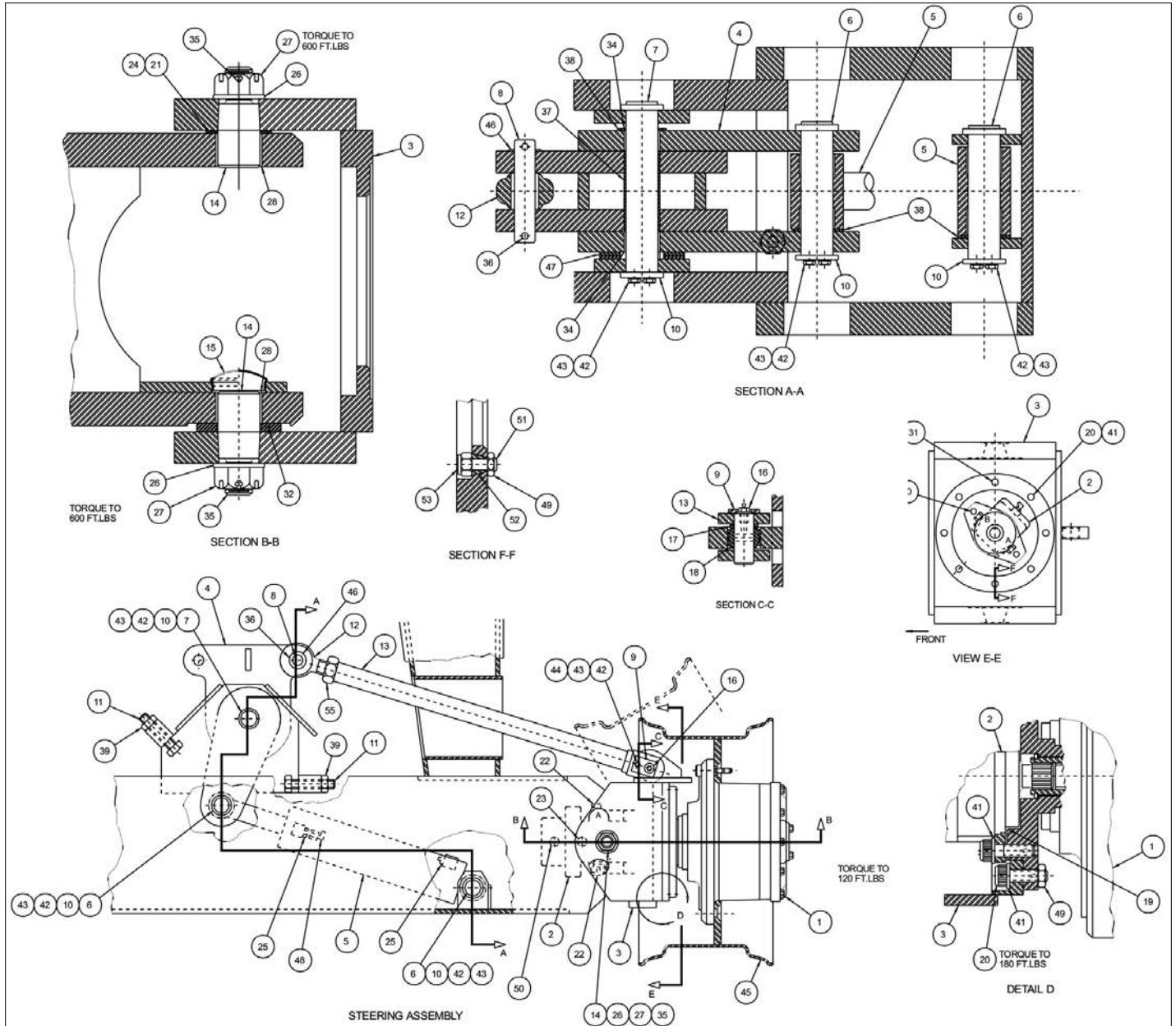
アイテム	部品番号	名前	数量	UOM
26	0111362	WLDMT PIN 1.00 20.81 GRIP	1	EA
27	5580002	PIN SNAPPER	1	EA
28	0110594	RTNR LOCK PIN AXLES	1	EA
29	970049	BLT HEXHD .250 20 1.00 GR5 GRADE 5 PLT SAME AS 970189	2	EA
30	984069	NUT HEX .250 20	2	EA
31	5560683	CAPSCREW, 3/8 16 X 5/8 LG HH	12	EA
32	970219	BLT HEXHD .313 18 .500 GR5 PLT	2	EA
33	987109	WSHR LOCK .313	2	EA
34	5560676	BLT HEXHD .750 10 X 3.50 GR8	16	EA
35	5560170	WSHR FLAT HARD .750 SP	32	EA
36	5560035	NUT HEX LKG .750 10	16	EA
37	971309	BLT HEXHD .625 11 X 2.00 GR5 ZP	2	EA
38	5560169	WSHR FLAT HARD .625 SP	2	EA
39	5560036	NUT HEX LKG .625 11	2	EA
40	0111303	SL PAD 1.63 14.75 .750 SP	1	EA
41	0111304	SL PAD 2.63 14.75 .750 SP	1	EA
42	5093030	CLP CUSH 2.50 VINYL COATED	1	EA
43	5037008	ADAPTER 90 ° ELBOW SWIVEL 12 JIC	2	EA
44	5065715	FTG ADPTR STRTHD 16B 12S STL B	2	EA
45	0190972	WLDMT PAD	4	EA
46	5093013	CLP CUSH 2.00 VINYL COATED	1	EA
47	970489	BLT HEXHD .375 16 1.50 GR5 PL	2	EA
48	5560033	.375 16UNC HEX LOCK NUT	2	EA

REPAIR PARTS



アイテム	部品番号	名前	数量	UOM
Not Shown	0111225 B	AXLE STOP INSTALLATION DECEMBER 2012 AND AFTER		EA
1	0111270	TRAY	2	EA
2	970239	BLT HEXHD .313 18 .750 GR5	2	EA
3	986019	WSHR FLAT .250	2	EA
4	5560031	NUT HEX LKG .313 18	2	EA
5	0110926	AXLE STOP ROD	2	EA
6	5560035	NUT HEX LKG .750 10	4	EA
7	984469	NUT, 3/4 10 HEX JAM	4	EA

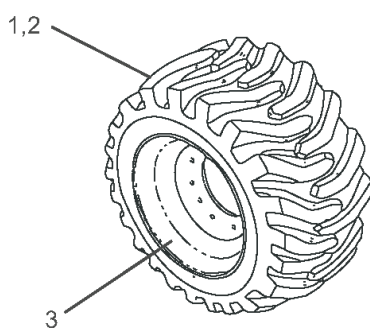
REPAIR PARTS



アイテム	部品番号	名前	数量	UOM
Not Shown	0191422 F	STEERING INSTALLATION NOVEMBER 2014 AND AFTER		EA
1	0110283	POWER WHEEL	2	EA
2	6030037	VR DRIVE MTR W/BRAKE VON RUDEN	2	EA
3	0191419	WLDMT YOKE MACHINED	2	EA
4	0111135	STEERING ARM	1	EA
5	0074799	CYL 3.50 9.50 1.75 LEVEL/STEER	1	EA
6	0070442	WLDMT PIN 1.50 5.875 GRIP	2	EA
7	0110323	PIN 1.50 X 7.630 GRIP	1	EA
8	0150094	PIN 1.00 4.065 GRIP	2	EA
9	0110320	WELDMT PIN STEERING YOKE	2	EA
10	0070033	PIN LOCK 2.00 DIA 2H	3	EA
11	5563449	BLT HEXHD .750 10 X 4.00 GR5 F	2	EA
12	2690005	ROD END 1.00ID	2	EA
13	0190786	TIE ROD	2	EA
14	0190715	PIN KING FR WHL DR	4	EA
15	5070026	CAP WHEEL SERVICE	2	EA
16	5570001	GREASE FITTING, 1/8 NPT STRAIGHT	2	EA
17	0080348	SPACER, TIE ROD MOUNTING	2	EA
18	2690001	BUSHING, 1 INCH SPHERICAL PLAIN	2	EA
19	7110159	O RING 5.00ID 5.19OD .094 70D	2	EA
20	5560099	BLT SKTHD .625 11 1.75 HEX LKG	12	EA
21	5560717	BSHG MCHRY 2.25ID 3.25OD .13	6	EA
22	5035319	FTG ELB90STRTHD 16B 12S STL	4	EA
23	5035303	FTG ELB90STRTHD 4B 4S STL	24	EA
24	5569854	BSHG MCHRY 2.25ID 3.25OD 14GA	6	EA

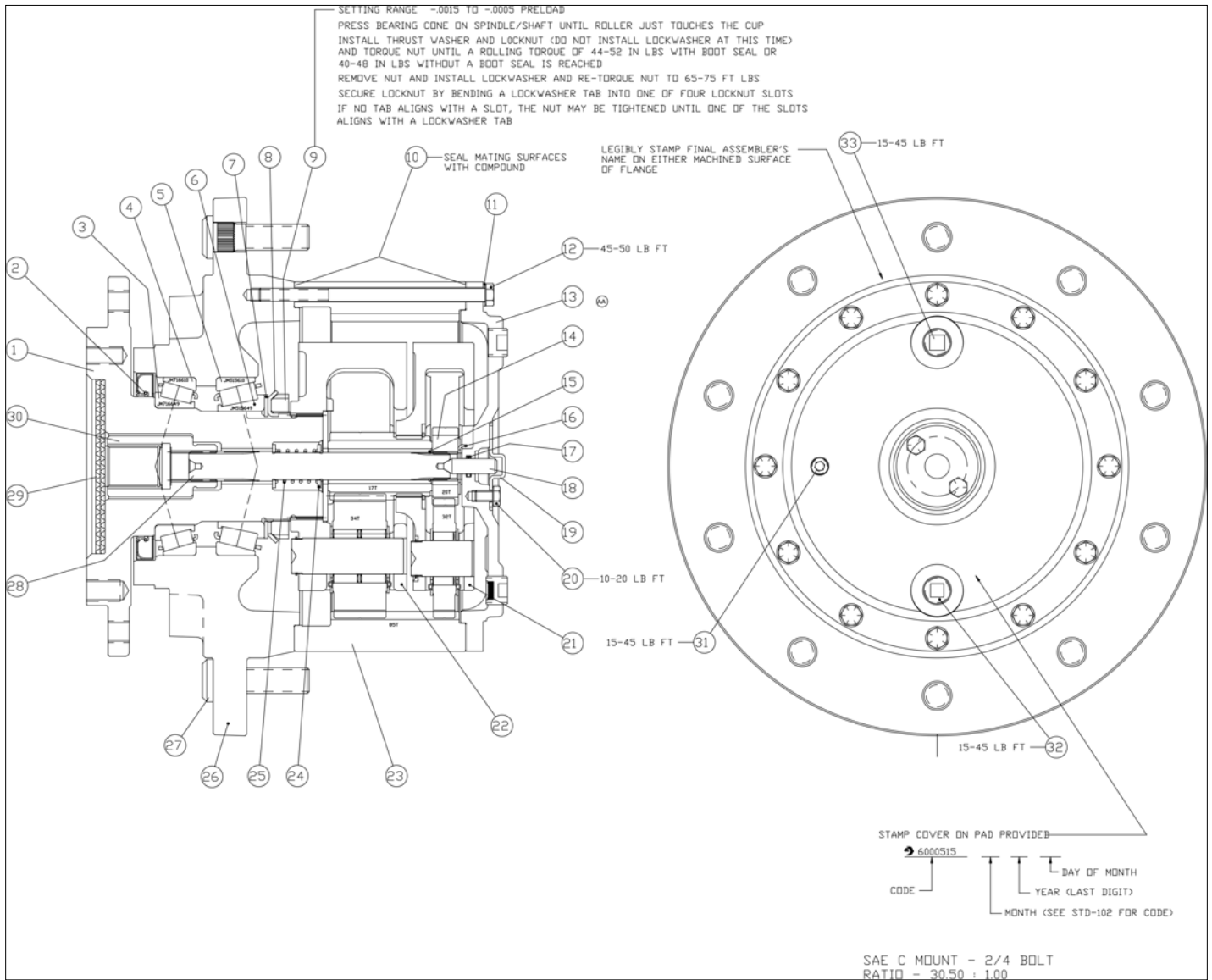
アイテム	部品番号	名前	数量	UOM
25	5065707	FTG ADPTR STRTHD 6B 6S STL PH	26	EA
26	5560232	WSHR FLAT HARD 1.63 SP	4	EA
27	5560241	NUT HEX SLTD 1.50 12 Z/Y	4	EA
28	2503620	BRG 2.25ID 2.50OD 1.25	4	EA
32	0190788	BRG THR 2.255ID X 4.50OD X .25	2	EA
34	2502416	BRG CSB 50 24IB 16	2	EA
35	5569975	PIN COTTER .250 DIA 2.250 ITEM NOT SHOWN	4	EA
36	5560152	PIN ROLL .313 2.00LG 5/16 X 2	4	EA
37	0111136	SPCR 1.58ID 1.63OD 3.69 STL	1	EA
38	5560688	BSHG MCHRY 1.50ID 2.25OD 14GA	3	EA
39	984469	NUT, 3/4 10 HEX JAM	2	EA
40	987159	WSHR LOCK .625	4	EA
41	5560169	WSHR FLAT HARD .625 SP	12	EA
42	970239	BLT HEXHD .313 18 .750 GR5	8	EA
43	987109	WSHR LOCK .313	8	EA
44	986269	WSHR FLAT .313	2	EA
45	0192339	TIRES AND WHEELS	1	EA
46	5560689	BUSHING MCHRY	2	EA
47	0090840	BRG THR 1.63ID 2.88OD .125	2	EA
48	5037005	TERM FEM F.I. .250 16/14	1	EA
49	984449	NUT HEX JAM .625 11	16	EA
50	5035305	FTG ELB90STRTHD 6S 6S STL	2	EA
51	0111674	STUD .625 11 X 2.50 LG GR 8	4	EA
52	0111675	WEDGE STUD(WEDGE DRIVE FLANGE)	4	EA
53	5560131	NUT HEX LKG .625 11 GR8	4	EA
55	5560202	NUT HEX JAM 1.250 12 GR8	2	EA

REPAIR PARTS



アイテム	部品番号	名前	数量	UOM
	0112754	TIRES AND WHEELS		EA
1	0112657	TIRE AND WHEEL, FOAM FILLED RIGHT HAND DRIVE	2	EA
2	0112658	TIRE AND WHEEL, FOAM FILLED LEFT HAND DRIVE	2	EA
3	0073298	Decal, Foam Tyres	4	EA
Not Shown	0072276	Placard, lug nut torque	4	EA

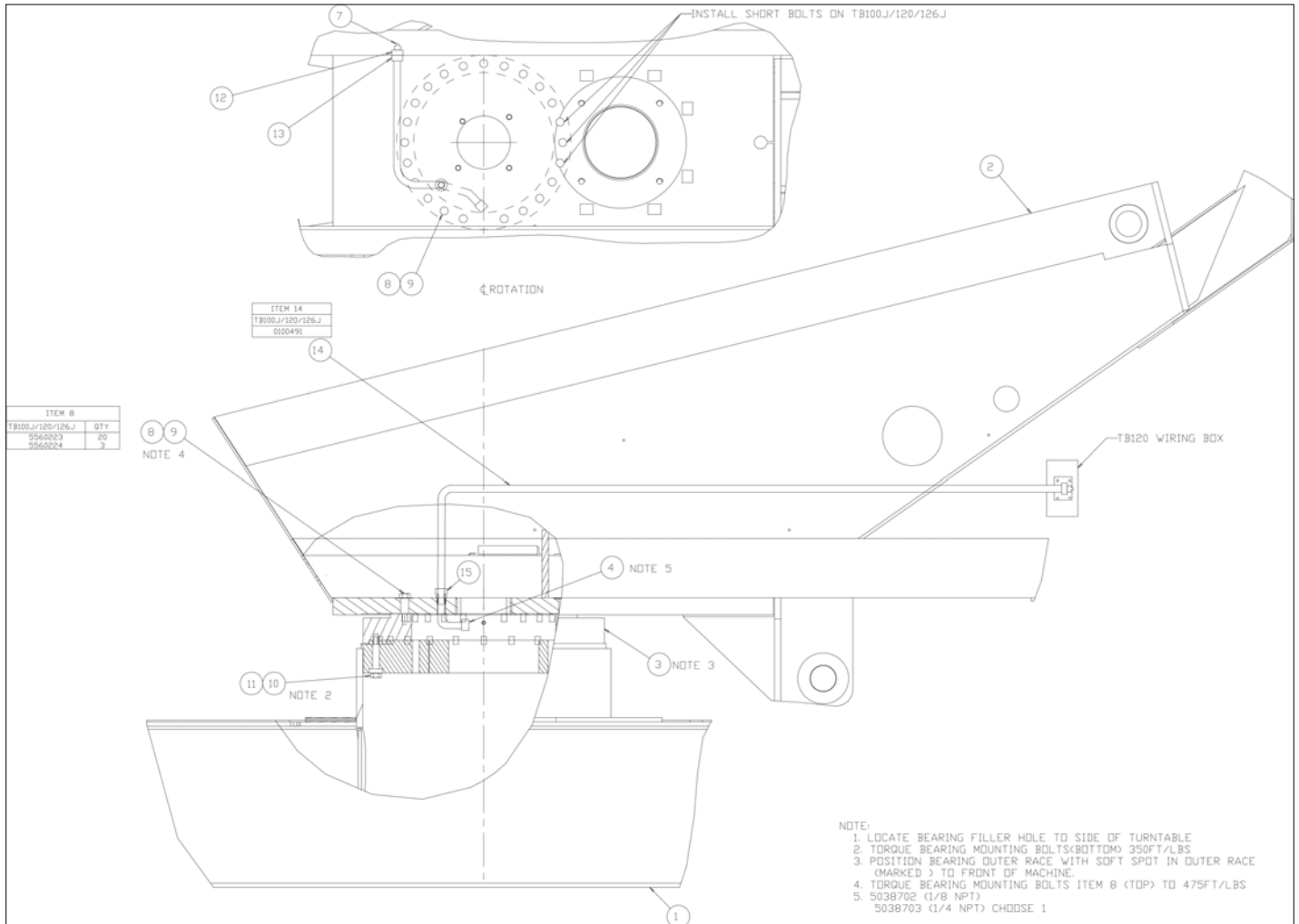
REPAIR PARTS



アイテム	部品番号	名前	数量	UOM
Not Shown	0110283 H	GEAR HUB OMNI		EA
1	0112216	SPINDLE	1	EA
2	8010027	SEAL OIL	1	EA
3	8010030	BEARING CONE	1	EA
4	8010029	BEARING CUP	1	EA
5	0112217	BEARING CUP	1	EA
6	0112218	BEARING CONE	1	EA
7	8010275	WASHER THRUST	1	EA
8	8010276	WASHER LOCK	1	EA
9	8010277	NUT LOCK	1	EA
10	8010021	PLUG PIPE	1	EA
11	8010105	WASHER FLAT	12	EA
12	8010278	BOLT HEX HEAD	12	EA
13	0112219	COVER	1	EA
14	0112220	GEAR PRI SUN	1	EA
15	8010145	RING RETAINING	2	EA
16	8010075	WASHER THRUST	1	EA
17	8010149	O RING	1	EA
18	8010143	PLUNGER	1	EA
19	8010080	COVER DISENGAGE	1	EA
20	8010168	BOLT HEX HEAD	2	EA
21	0112221	ASSEMBLY PRI CARRIER	1	EA
22	0112222	ASSEMBLY SEC CARRIER	1	EA
23	0112223	GEAR RING	1	EA
24	8010279	WASHER THRUST	2	EA
25	0112224	SPRING DISENGAGE	1	EA
26	0112225	HUB	1	EA
27	8010280	BOLT WHEEL	10	EA
28	0112226	SHAFT INPUT	1	EA

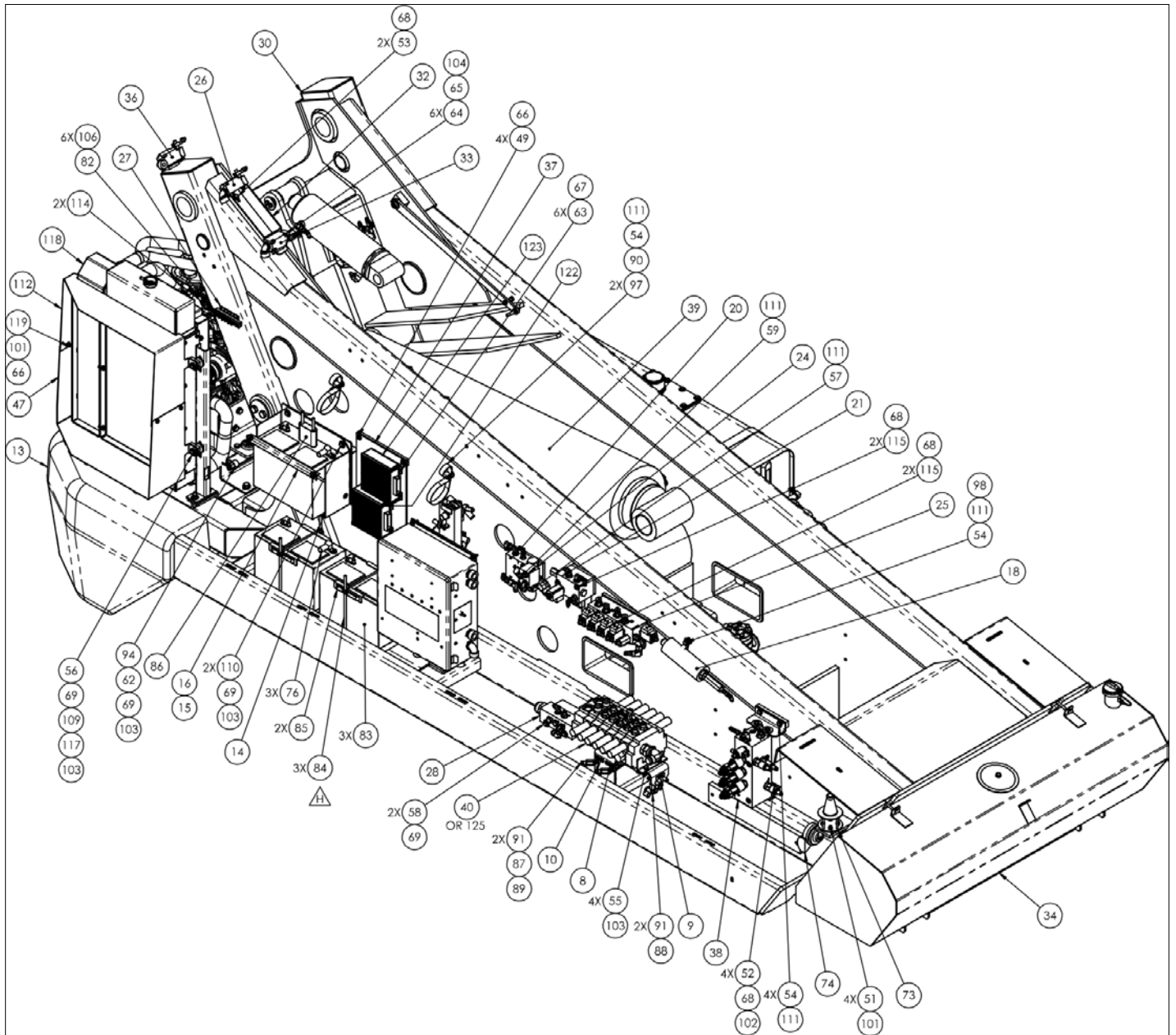
アイテム	部品番号	名前	数量	UOM
29	8010281	PLUG SHIPPING	1	EA
30	8010138	COUPLING	1	EA
31	0112227	PLUG PIPE	1	EA
32	8010028	PLUG PIPE	1	EA
33	8010021	PLUG PIPE	1	EA

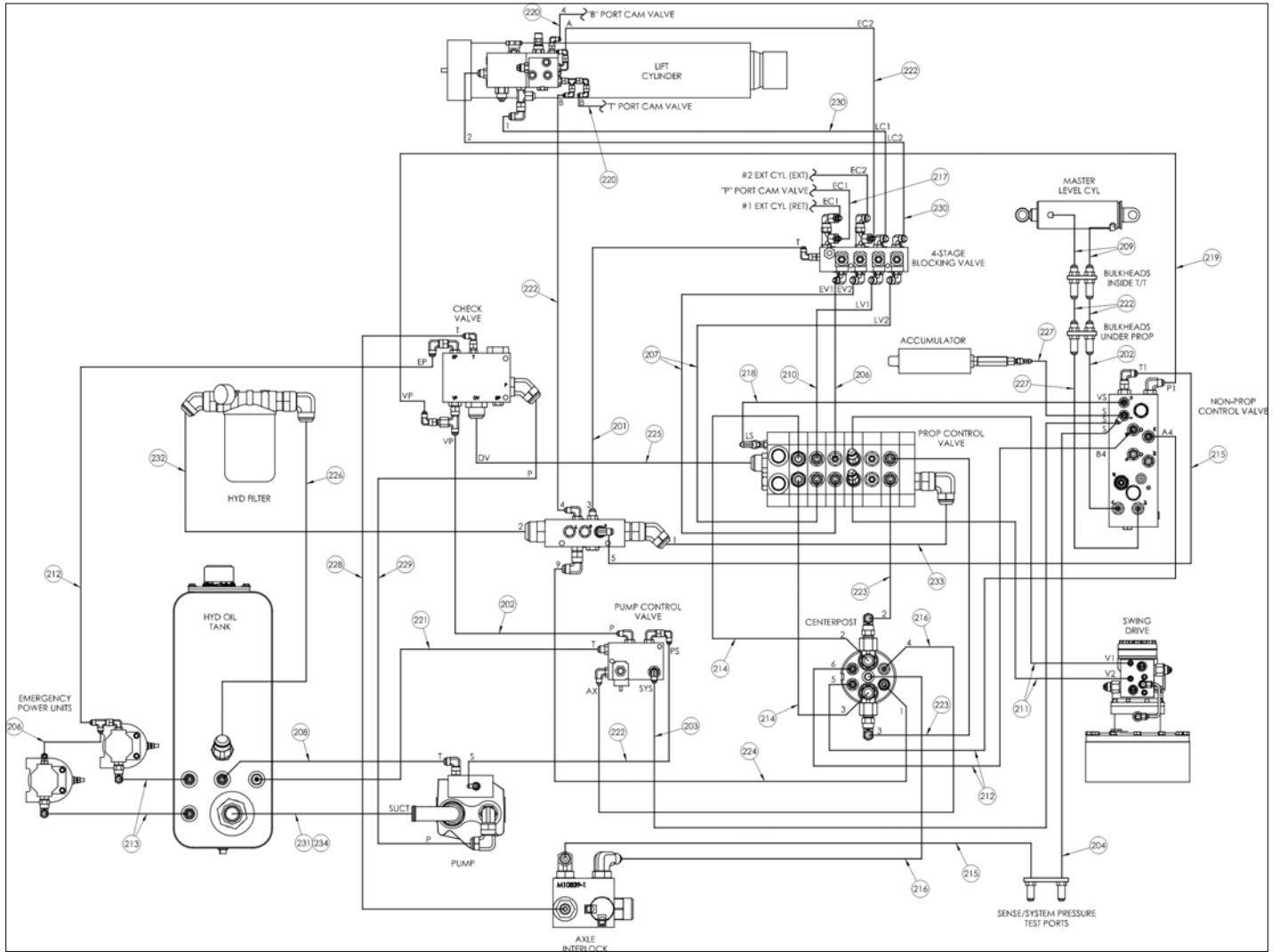
REPAIR PARTS

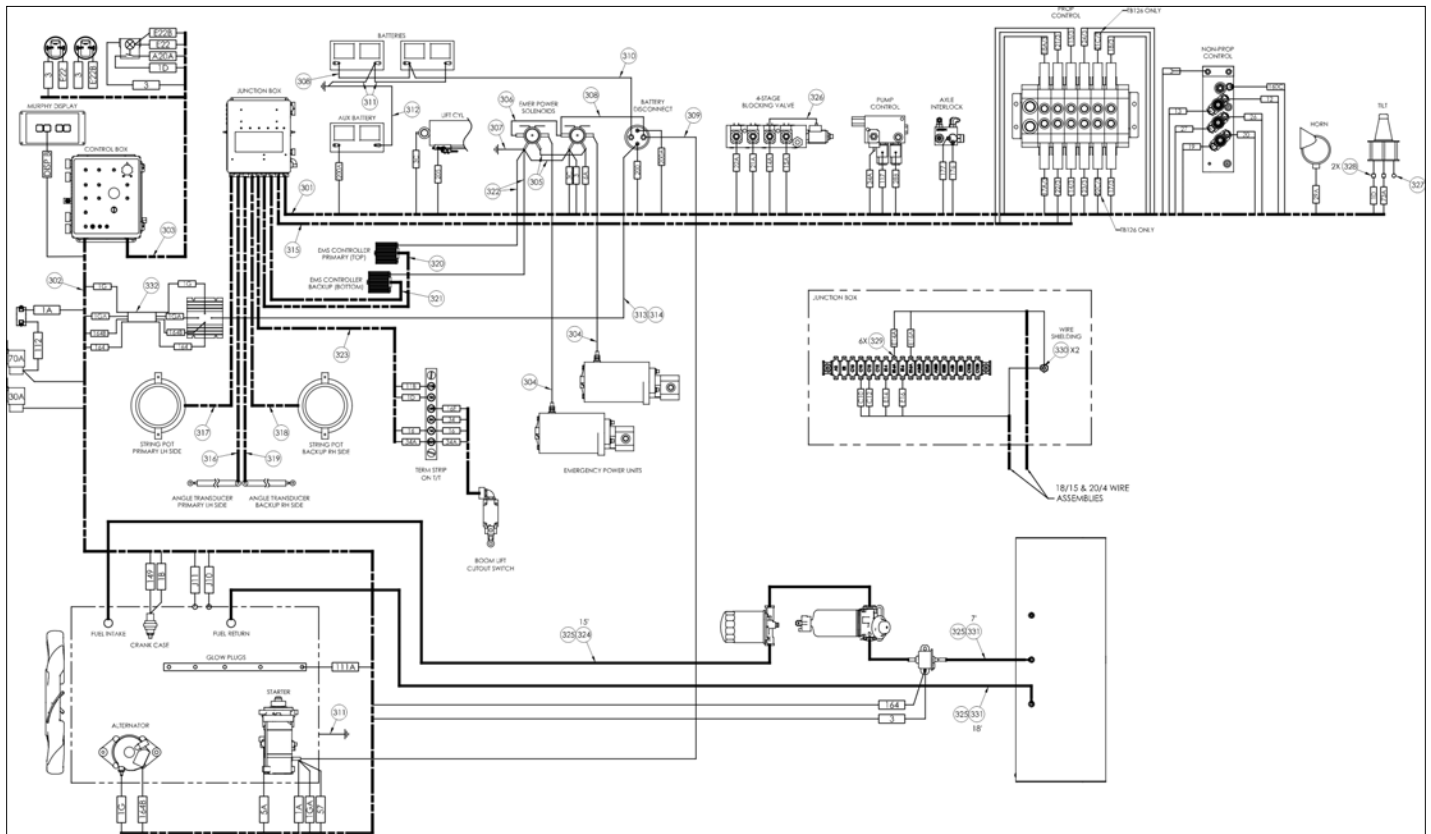


アイテム	部品番号	名前	数量	UOM
	0110804 K	CHASSIS TURNTABLE INSTALLATION		EA
1	PNNA	CHASSIS WELDMENT	REF	EA
2	PNNA	TURNTABLE WELDMENT	REF	EA
3	0110756	SLEWING RING	1	EA
4	NOTE 5	MALE ELBOW 45 °	1	EA
7	5570001	GREASE FITTING, 1/8 NPT STRAIGHT	1	EA
8	SEE CHART	BOLT HEXHD LKG	A/R	EA
9	5560171	WASHER, 7/8 HARD FLAT ASTM F 436	A/R	EA
10	5560170	WSHR FLAT HARD .750 SP	24	EA
11	5560236	BLT FLGHD .750 10 4.75 12PT SP	24	EA
12	5037102	FTG CONN FEM BHD 2N 4S STL	1	EA
13	5074401	FTG LKNT BHD 4 STL	1	EA
14	SEE CHART	HOSE 4S 4S	1	EA
15	3040295	CONN .75 .625 .75	1	EA

REPAIR PARTS







アイテム	部品番号	名前	数量	UOM
	0192653 H	TURNTABLE ASSEMBLY KUBOTA TIER 4 FINAL		EA
1	056059 030	Bolt, HexBolt DIN931 M8 x 30mm	4	EA
2	056060 070	Bolt, HexBolt DIN931 M10 x 70m	4	EA
3	056066 008	NUT NYLOCKNUT DIN985 M8 8.0 ZP	4	EA
4	056066 010	Nut, NylockNut DIN985 M10 8.0ZincPlated	4	EA
5	056069 010	Washer, SteelFlatWasher DIN125A M10 ZincPlated	4	EA
6	058491 020	HHCS M6 X 1 X 20 G8.8 DIN 933	12	EA
7	0073089	PLAC BATTERY DISCONNECT SWITCH	1	EA
8	0075378	DECAL SYSTEM PRESSURE	1	EA
9	0075379	DECAL LEVEL RELIEF PRESSUSRE	1	EA
10	0075380	DECAL SENSE PRESSURE	1	EA
11	0110362	STRAP, HYD. OIL RESERVOIR	2	EA
12	0113792	WLDMT RADIATOR MOUNT	2	EA
13	0192681	ASSY CASTED C'WEIGHT 4950LBS	1	EA
14	0150810	WLDMT BATTERY BOX	1	EA
15	0150811	INSULATOR ANGLE	1	EA
16	0150813	ANGLE, BATTERY HOLDDOWN	1	EA
17	0162936	BATTERY ISOLATOR GP 2	1	EA
18	0180870	ACCUMULATOR CHARGED	A/R	EA
Not Shown	0192703	WLDMT CNTRL BOX MNT	1	EA
20	0190836	CHECK VALVE MANIFOLD SUB ASSEMBLY	A/R	EA
21	0190837	PUMP CONTROL VALVE SUB ASSEMBLY	A/R	EA

アイテム	部品番号	名前	数量	UOM
22	0190839	EMER. POWER UNIT SUB ASSY R.H.	A/R	EA
23	0190840	EMER. POWER UNIT SUB ASSY L.H.	A/R	EA
24	0190878	AXLE INTERLOCK VALVE SUB ASSEMBLY	A/R	EA
25	0190879	4 STAGE BLOCKING VALVE SUBASSY	A/R	EA
26	0190986	DRIVE SPEED CUTOFF SWITCH SUB ASSEMBLY	A/R	EA
27	0191011	DECAL TERM STRIP VERT 6	1	EA
28	0191179	MANIFOLD SUB ASSEMBLY	A/R	EA
29	0191458	RETURN OIL FILTER ASSY	A/R	EA
30	0191680	WLDMT, TURNTABLE	1	EA
31	0191756	HYDRAULIC OIL RESERVOIR, PLASTIC COWLING	A/R	EA
32	0191787	WLDMT MNT LIMIT SW	1	EA
33	0191789	BOOM LIFT SWITCH CO ASSEMBLY	1	EA
34	0191830	FUEL TANK INSTALL	1	EA
35	0191971	WLDMT BRKT JUNCTION BOX	1	EA
36	0192037	BOOM CALIBRATION SWITCH ASSEMBLY	A/R	EA
37	0192054	PLATE EMS MNTG	1	EA
38	0192197	NON PROP VALVE ASSY TB100/120/126	A/R	EA
39	0192587	LIFT/SWING/CTWT/ INSTL	1	EA
40	0192590	PROP CONTROL VALVE ASSY	A/R	EA
Not Shown	0192652	ASSY ENGINE KU T4F	A/R	EA
42	0192656	BRKT ENGINE MOUNT KU T4F	2	EA
43	0192658	WLDMT RADIATOR SUPPORT	2	EA
44	0192689	ASSY FUEL SYSTEM T4F	1	EA
45	0192705	ASSY GRND CNTRL BOX T4F	A/R	EA

アイテム	部品番号	名前	数量	UOM
46	0192706	ASSY JNCTN BOX T4F	A/R	EA
47	0192725	PLT SHROUD BOTTOM	1	EA
48	0192714	BRKT ECU/ISO MOUNT	1	EA
49	970009	Capscrew 1/4 20 x 1/2 inch lon	8	EA
50	970029	BLT .25 20 .750	6	EA
51	970049	BLT HEXHD .250 20 1.00 GR5 GRADE 5 PLT SAME AS 970189	12	EA
52	970239	BLT HEXHD .313 18 .750 GR5	4	EA
53	970369	BLT HEXHD .313 18 X 1.00 GR5	2	EA
54	970449	HHD BLT .375 16 X .750 GR5	13	EA
55	970469	HHD BLT .375 16 X 1.00 GR5	8	EA
56	970519	CAPSCREW 3/8 16 X 2 1/4" LG H.H.	4	EA
57	970529	BLT HEXHD .375 16 2.50 GR5 PLTD	1	EA
58	970549	BLT HEXHD .375 16 3.00 GR5	2	EA
59	970589	BLT HEXHD .375 16 4.50 GR5	1	EA
60	970909	BLT HEXHD .500 13 1.50 GR5 PLA	2	EA
61	970919	BLT HEXHD .500 13 1.75 GR5	8	EA
62	972479	BLT HEXHD .375 16 1.25 GR5	6	EA
63	974439	ROUND HEAD SCREW 8 32 X .50	6	EA
64	974749	SCR RDH MACH I 0 24 I. 75	6	EA
65	986009	WSHR FLAT 10	6	EA
66	986019	WSHR FLAT .250	17	EA
67	986169	WASHER, FLAT, #8, NARROW, PLTD (SAE)	7	EA
68	986269	WSHR FLAT .313	12	EA
69	986299	WASHER, FLAT, .375 STANDARD, PLATED	23	EA
70	986359	FLATWASHER 1/2"	4	EA

アイテム	部品番号	名前	数量	UOM
Not Shown	986459	WSHR FLAT .75	2	EA
72	3020061	Battery Disconnect Nut	1	EA
73	3020103	LEVEL SENSOR 3.5 DEGREE	1	EA
74	3040127	HORN 12VDC	1	EA
75	3040268	BOOT BTRY CABLE END BLK	5	EA
76	3040269	Boot Cable Entry Black 1/0 GA	5	EA
77	3040270	BOOT BTRY CABLE END Y TYPE	2	EA
78	3040452	BOOT BTRY CABLE UL RED 10GA	5	EA
79	3040469	RELAY SPDT 12V 30AMP SONG	1	EA
80	3040502	RELAY 12VDC 70 AMP SPST	1	EA
81	3040506	SOLENOID 12V 150	2	EA
82	3044721	TERM STRIP (6) #10 STUD	1	EA
83	3050002	BATTERY 12V	3	EA
84	012039 000	ROD BAT HOLD DOWN	3	EA
85	3050008	BATTERY HOLD DOWN	2	EA
86	3050096	SURGE PROTECTOR 12V	1	EA
87	5034601	FTG ELB45BHD 4S 4S STL	2	EA
88	5035403	FTG TEE BHD RUN 4S 4S STL	4	EA
89	5037003	FTG ELB90SWVL 4S 4S STL	1	EA
90	5059706	CLAMP 3.56 I.D.	3	EA
91	5070005	FTG NIP DIGN 4S FEM PD345 6 W/DUST CAP	4	EA
92	5093000	CLP CUSH .438 VINYL COATED	2	EA
93	5093002	CLAMP .562 AEROQUIP HOSE SUPPORT	1	EA
94	5093006	CLP CUSH .937 VINYL COATED	1	EA
95	5093008	CLP CUSH 1.06 VINYL COATED	1	EA
96	5093010	CLP CUSH 1.50 VINYL COATED	6	EA
97	5093012	CLP CUSH 1.75 VINYL COATED	2	EA

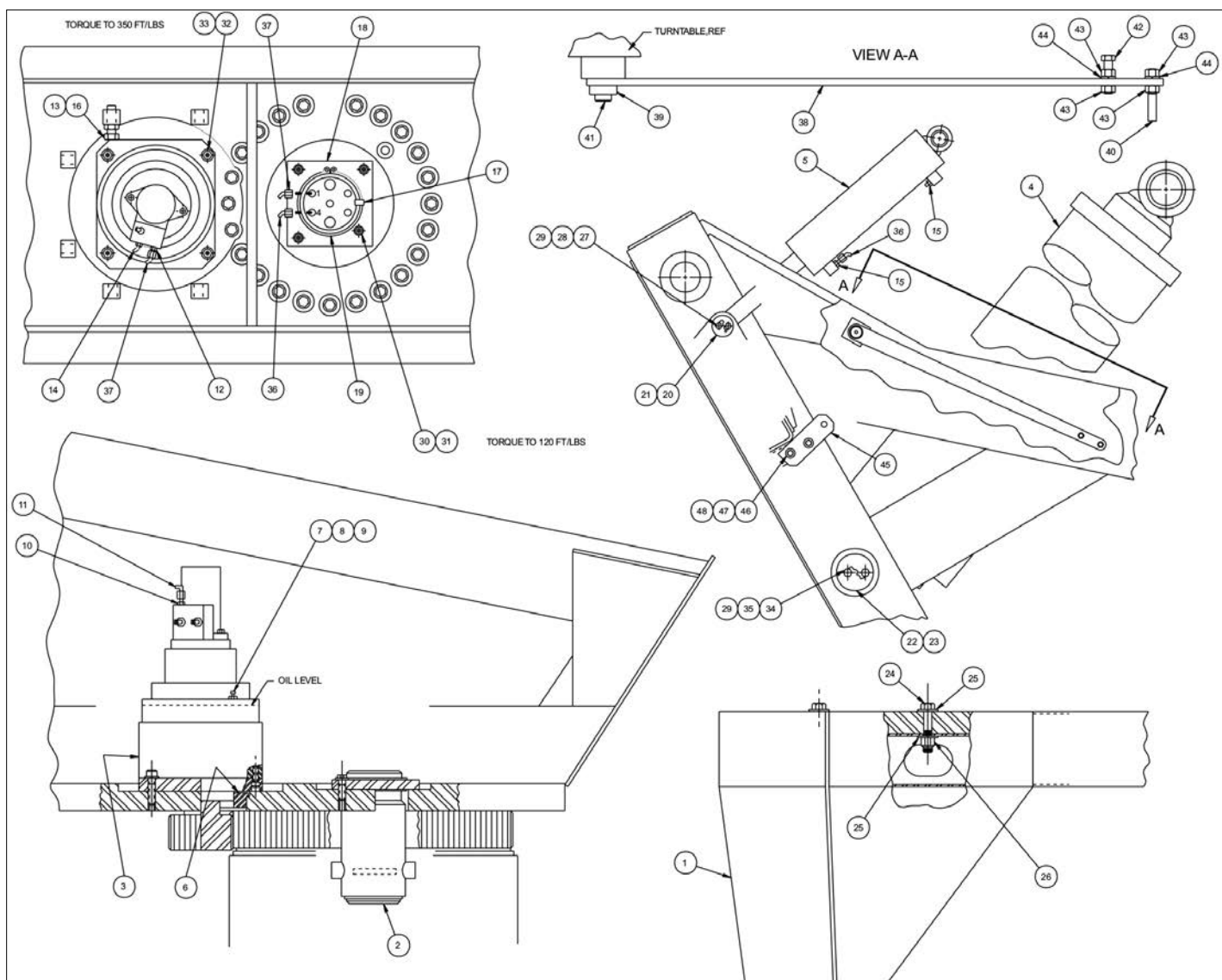
アイテム	部品番号	名前	数量	UOM
98	5093014	CLP CUSH 2.25 VINYL COATED	1	EA
99	5093030	CLP CUSH 2.50 VINYL COATED	2	EA
100	5093039	FTG ELB90 MALE 6N 5H BR	2	EA
101	5560004	NUT LKG .250 20	21	EA
102	5560031	NUT HEX LKG .313 18	2	EA
103	5560033	.375 16UNC HEX LOCK NUT	21	EA
104	5560034	NUT LKG 10 24	6	EA
Not Shown	5560035	NUT HEX LKG .750 10	2	EA
106	5560038	NUT LKG 10 32	6	EA
107	5560039	NUT HEX LKG .500 13	10	EA
108	5560168	WSHR FLAT HARD .500 SP	16	EA
109	5560179	Flat Washer Special	8	EA
110	5560206	SBHCS .375 16 UNC X 1.00, STL, GR 8, PLTD	2	EA
111	5560222	WSHR FLAT HARD .375 SP	14	EA
112	0192724	PLT SHROUD TOP	1	EA
113	5560531	BLT CRG .375 16 1.50	4	EA
114	5560609	SCR TRHD 10 24 .500	6	EA
115	5560641	CAPSCREW 5/16 18 X 3 1/2 LG HH GR5	4	EA
116	5569865	BLT HEXHD .375 16 2.75 GR5	2	EA
117	7630180	RADIATOR CUSHION	4	EA
118	7631088	V2403 CR TI COOLING SYSTEM	1	EA
119	970019	BLT HEX .250 20 .625 GR5	3	EA
120	970889	CAPSCREW 1/2 13 X 1" LG H.H.	2	EA
121	0192729	BRKT RADIATOR MNT	1	EA
122	0192107	EMS CONTRL PROGD TB126J BU	A/R	EA
123	0192106	EMS CONTRL PROGD TB126J PRIM	A/R	EA
124	0190095	OPTION ALARM MOTION DRIVE ONLY	1	EA

アイテム	部品番号	名前	数量	UOM
201	0020276	HOSE 6 6S 6S 27.625 100R2	1	EA
202	0040276	HOSE 4 4S 4S 20.5 100R1	2	EA
203	0050137	HOSE 4 4S 4S 36 100R1	1	EA
204	0070769	HOSE 4 4S 4S 30.5 100R1	1	EA
Not Shown	0070772	3/8 I.D. HOSE ASSEMBLY	1	EA
206	0070786	HOSE 6 6S 6S 19 100R2	2	EA
207	0070791	HOSE 8 8S 8S 20.5 100R2	2	EA
208	0070792	HOSE 8 8S 8S 32 100R2	1	EA
209	0070910	HOSE 4 4S 4S 39 100R1	2	EA
210	0070927	HOSE 8 8S 8S 23.5 100R2	1	EA
211	0073040	HOSE 8 8S 8S 28 100R2	2	EA
212	0080362	HOSE 6 6S 6S 93.5 100R2	3	EA
213	0080522	HOSE 8 8S 8S 42 100R2	2	EA
214	0080543	HOSE 12 12S 12S90 56 SP	2	EA
215	0081080	HOSE 6 6S 6S 65 100R2	1	EA
216	0081136	HOSE 4 4S 4S 67 100R1	2	EA
217	0090988	HOSE 4 4S 4S 204 100R1	1	EA
218	0100278	HOSE 4 4S 4S 43 100R1	1	EA
219	0100422	HOSE 6 6S 6S 69 100R2	1	EA
220	0100491	HOSE 4 4S 4S 150 100R1	2	EA
221	0101896	HOSE 4 4S 4S 120 100R2	1	EA
222	0101897	HOSE 4 4S 4S 130 100R2	5	EA
223	0110732	HOSE 8 8S 8S 72 100R2	2	EA
224	0151861	HOSE 8 8S 8S 76 100R2	1	EA
225	0180781	HOSE 16 16S45 16S 24 100R12	1	EA
226	0180944	HOSE 20 20S 20S 33 SP	1	EA
227	0180946	HOSE 4 4S 4S 18.5 100R2	2	EA
228	0181161	HOSE 4 4S 4S 15.25 100R2	1	EA

アイテム	部品番号	名前	数量	UOM
229	0190596	HOSE 16 16S 16S 132 100R12 SP	1	EA
230	0190599	HOSE 8 8S 8S 134 100R2	2	EA
231	0190915	HOSE SUCTION 1.5 ID 23	1	EA
232	0190916	HOSE 20 20S 20S 106	1	EA
233	0191241	HOSE 16 16S 16S 27 100R1	1	EA
234	5058824	CLP WORM DRV	2	EA
Not Shown	5059706	CLAMP 3.56 I.D.	3	EA
301	0191181	TURNTABLE WIRE ASSEMBLY	A/R	EA
302	0192730	HARNESS ENGINE KU T4F	A/R	EA
303	0192715	HARNESS INSTRUMENT PANEL	A/R	EA
304	0090959	WIRE 4 R313I R375I 47	2	EA
305	0070712	WIRE 12 R10I R10I 5	2	EA
306	0090319	WIRE 4 R375I R313I 8 RED	1	EA
307	0071568	WIRE 12 R10I R250I 4	1	EA
308	0080484	WIRE 2/0 R375 R375 13 RED	2	EA
309	0073940	WIRE 2/0 R375 R375 80	1	EA
310	0192193	WIRE 4 R375I R313I 8 RED	1	EA
311	0075268	WIRE 2/0 R375 R375 13 BLK	3	EA
312	0070698	WIRE 4 R313I R313I 25 BLK	1	EA
313	0190984	WIRE 10 R375 R10 110 12/13	1	EA
314	3090019	TUBE FLEXGARD .250 ID	9.2"	EA
315	0192042	WIRE ASSEMBLY EMS VPL	A/R	EA
316	0192043	WIRE ASSY EMS PRIMARY ANGLE	A/R	EA
317	0192044	WIRE ASSY EMS PRIMARY LGTH	A/R	EA
318	0192022	WIRE ASSY EMS BU LGTH SENSOR EMS2	A/R	EA
319	0192023	WIRE ASSY EMS BU ANGLE SENSOREMS2	A/R	EA
320	0192047	WIRE ASSEMBLY EMS PRIMARY	A/R	EA

アイテム	部品番号	名前	数量	UOM
321	0192048	WIRE ASSY EMS BACKUP	A/R	EA
322	0110596	WIRE 12 RIOIR81 10	2	EA
323	0192039	WIRE ASSEMBLY T STRIP/JUNCTION BOX	A/R	EA
324	5018832	HOSE FUEL .38ID T3	15'	EA
325	5550006	CLP WORM DRV .38 .88 SAE#6	6	EA
326	0071542	WIRE 16 R10I R10I 10	1	EA
327	3044162	TERM R250I 16/14	1	EA
328	3040082	TERM MALE250FI 16/14	2	EA
329	3046972	TERM FEM188I 22/18	6	EA
330	3040360	TERM R10 2GA PANDUIPV2 10RX XY	2	EA
331	5010011	HOSE SAE30R2 05 .312 FUEL	25'	EA
332	0192723	BATTERY ISOLATOR HARNESS T4F	1	EA

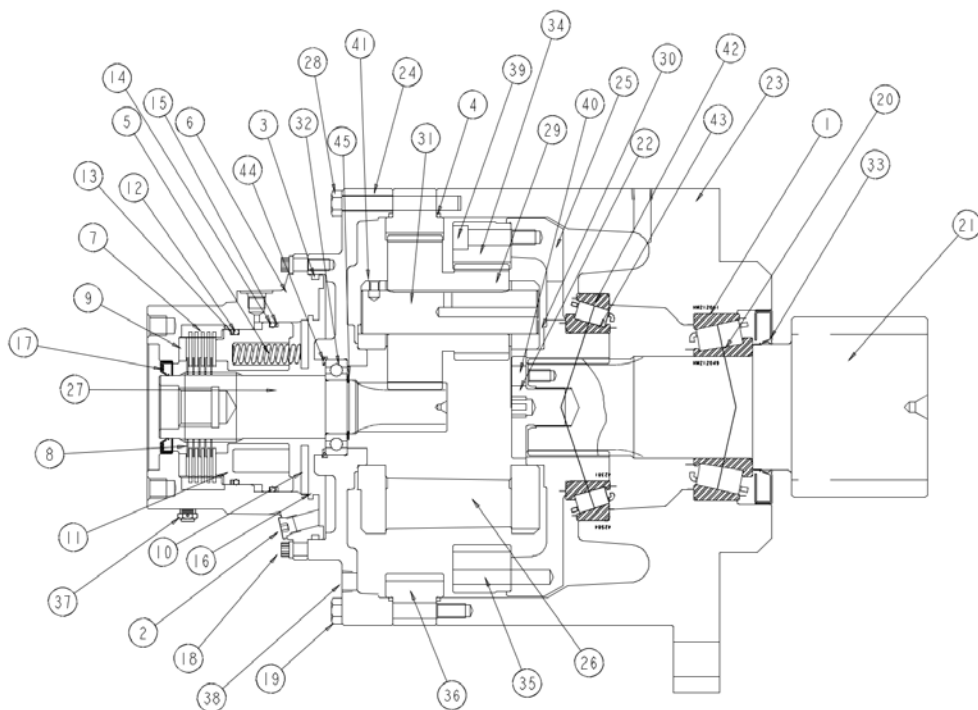
REPAIR PARTS



アイテム	部品番号	名前	数量	UOM
Not Shown	0191184 F	LIFT SWING COUNTERWEIGHT INSTALLATION SN TB126J 04 180200155 AND BEFORE		EA
1	PNNA	COUNTERWEIGHT	1	EA
2	0191178	CENTERPOST AND FITTINGS ASSEMBLY	1	EA
3	0110837	SWING DRIVE ASSEMBLY	1	EA
4	0190613	LIFT CYLINDER SUB ASSEMBLY	1	EA
5	0083694	CYL 2.50 9.50 1.00 LEVEL	1	EA
6	0110942	ADJUSTMENT RING 7.50 ID	1	EA
7	7720302	REDUCER BUSHING (3/8/1/4)	1	EA
8	7720201	REDUCER BUSHING 1/4 NPT 1/8 NPT	1	EA
9	5570008	AIR VENT (INCLUDED WITH ITEM 3)	1	EA
10	5065703	FTG ADPTR STRTHD 4B 4S STL	1	EA
11	5037003	FTG ELB90SWVL 4S 4S STL	1	EA
12	5065709	FTG ADPTR STRTHD 8B 8S STL PH	1	EA
13	984449	NUT HEX JAM .625 11	6	EA
14	5035706	ADAPTER 45 DEG ELBOW 8 SAE 8 JIC	1	EA
15	5065705	FTG ADPTR STRTHD 6B 4S STL	2	EA
16	5560022	BLT ADJ .625 11 2.25 GR5 TAP B	6	EA
17	0070472	KEY CENTERPOST ASSY	1	EA
18	0070256	ADAPTER PLATE CENTER POST	1	EA
19	5590003	SNAP RING 4.50 EXT TRUARC 5100 450 3100 450 STPA	2	EA
20	0070033	PIN LOCK 2.00 DIA 2H	1	EA
21	0070442	WLDMT PIN 1.50 5.875 GRIP	1	EA
22	0110235	PIN LOCK 3.50DIA 2H	2	EA
23	0190504	PIN 3.00 X 34.38 GRIP	1	EA

アイテム	部品番号	名前	数量	UOM
24	971379	BLT HEXHD .625 11 X 3.75 SP GR8 ZP	4	EA
25	5560169	WSHR FLAT HARD .625 SP	8	EA
26	5560131	NUT HEX LKG .625 11 GR8	4	EA
27	0070473	BLT HEXHD .313 18 .75 DR	2	EA
28	987109	WSHR LOCK .313	2	EA
29	9980012	.040 S. S. SAFETY LOCKWIRE	1	EA
30	5560051	BLT HEXHD .625 11 2.00 GR8 SP	4	EA
31	987159	WSHR LOCK .625	4	EA
32	5560100	BLT SKTHD .750 10 2.50 HEX SP	4	EA
33	5560170	WSHR FLAT HARD .750 SP	4	EA
34	0110681	BLT HEXHD .625 11 1.25 DR	4	EA
35	987159	WSHR LOCK .625	4	EA
36	5036903	FTG ELB45SWVL 4S 4S STL	2	EA
37	5036906	COVER	2	EA
38	0191065	LINK 60 DEG. INDICATOR	1	EA
39	5560678	WSHR FLAT .625	1	EA
40	0191078	ROD 60 INDICATOR	1	EA
41	5569875	SHOULDER BOLT 1/2 13 X 1 1/2 INCH LONG	1	EA
42	970489	BLT HEXHD .375 16 1.50 GR5 PL	1	EA
43	984109	NUT HEX .375 16	4	EA
44	987119	WSHR LOCK .375	2	EA
45	0191064	MOUNT PLATE	4	EA
46	5560349	CAPSCREW 5/16 18 X 3 1/4 INCH LONG HEXHD GR5	4	EA
47	5560031	NUT HEX LKG .313 18	4	EA
48	986269	WSHR FLAT .313	8	EA

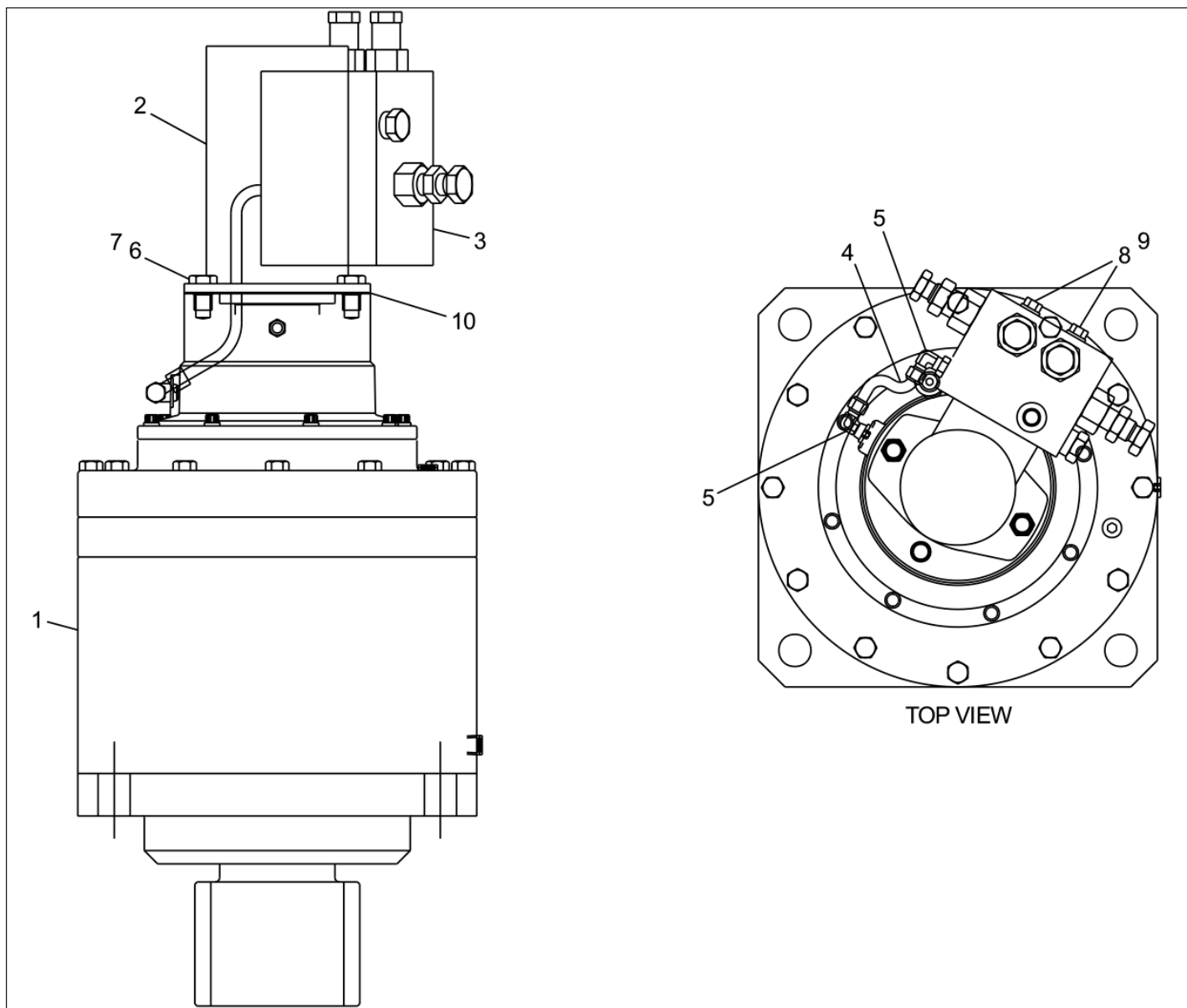
REPAIR PARTS



アイテム	部品番号	名前	数量	UOM
	0112233	SWING DRIVE	1	EA
*	0112316	SEAL KIT FOR 0112233		EA
1	0172033	BEARING CUP	1	EA
2	0112273	PLUG, O RING	2	EA
3	KIT ITEM	O RING (NOT SOLD SEPARATELY)	1	EA
4	KIT ITEM	O RING (NOT SOLD SEPARATELY)	1	EA
5	0112276	SPRING	11	EA
6	0112277	HOUSING	1	EA
7	0112278	PRESSURE DISC	5	EA
8	0112279	PRESSURE DISC	1	EA
9	0112280	PRESSURE PLATE	1	EA
10	0112281	PRESSURE PLATE	1	EA
11	0112282	BRAKE PISTON	1	EA
12	KIT ITEM	O RING (NOT SOLD SEPARATELY)	1	EA
13	0112284	BACK UP RING	1	EA
14	KIT ITEM	O RING (NOT SOLD SEPARATELY)	1	EA
15	0112286	BACK UP RING	1	EA
16	0112292	SNAP RING, INTERNAL	1	EA
17	KIT ITEM	OIL SEAL (NOT SOLD SEPARATELY)	1	EA
18	0112287	CAPSCREW 5/16 18 X 7/8	8	EA
19	0112288	CAPSCREW 3/8 16 X 3	8	EA
20	0112289	BEARING CONE	1	EA
21	0112290	PINION	1	EA
22	0112297	INPUT PINION	1	EA
23	0112293	HOUSING	1	EA
24	0112294	BRAKE ADAPTER	1	EA
25	0112295	DRIVE WEB	1	EA

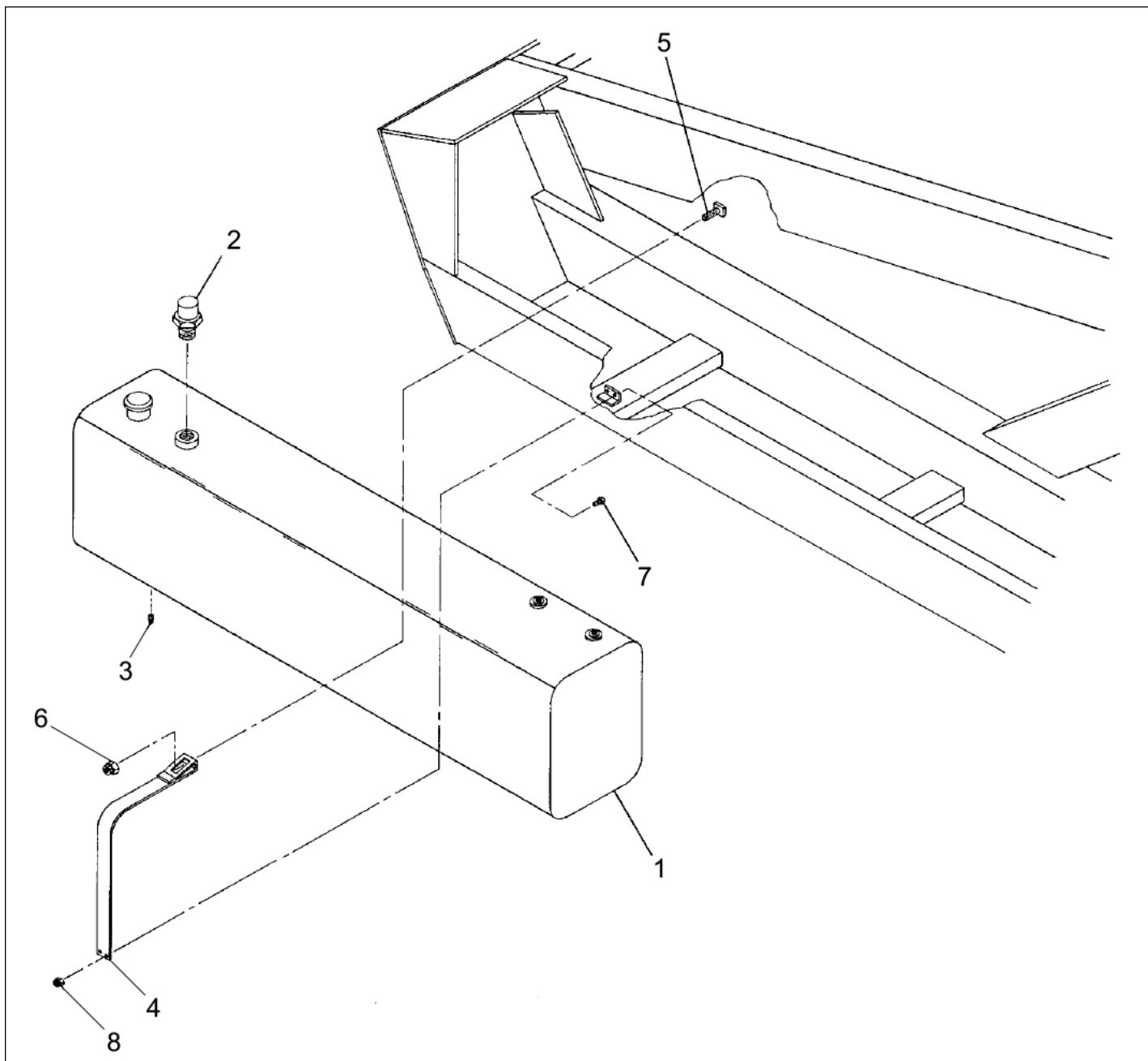
アイテム	部品番号	名前	数量	UOM
26	0112296	CARRIER	1	EA
27	0112297	INPUT PINION	1	EA
28	0112298	3/8 X 3 in SHSB	4	EA
29	0112299	PLANET GEAR	3	EA
30	0112300	THRUST WASHER	1	EA
31	0112301	IDLER PIN	3	EA
32	0112303	BALL BEARING	1	EA
33	KIT ITEM	OIL SEAL (NOT SOLD SEPARATELY)	1	EA
34	0112304	ROLL PIN 3/8 ID X 2	3	EA
35	0112305	RING GEAR, 72 TEETH	1	EA
36	0112306	RING GEAR, 87 TEETH	1	EA
37	0172053	PRESSURE VENT PLUG	1	EA
38	0172050	PIPE PLUG	2	EA
39	0112308	CAPSCREW 3/8 16 X 1 1/2	12	EA
40	0112309	CAPSCREW 5/16 18 X 1/2	1	EA
41	0112310	CAPSCREW 1/4 20 X 1/2	3	EA
42	0112311	BEARING CUP	1	EA
43	0112312	BEARING CONE	1	EA
44	0112313	SNAP RING, INTERNAL	1	EA
45	0112314	SNAP RING, EXTERNAL	1	EA

REPAIR PARTS



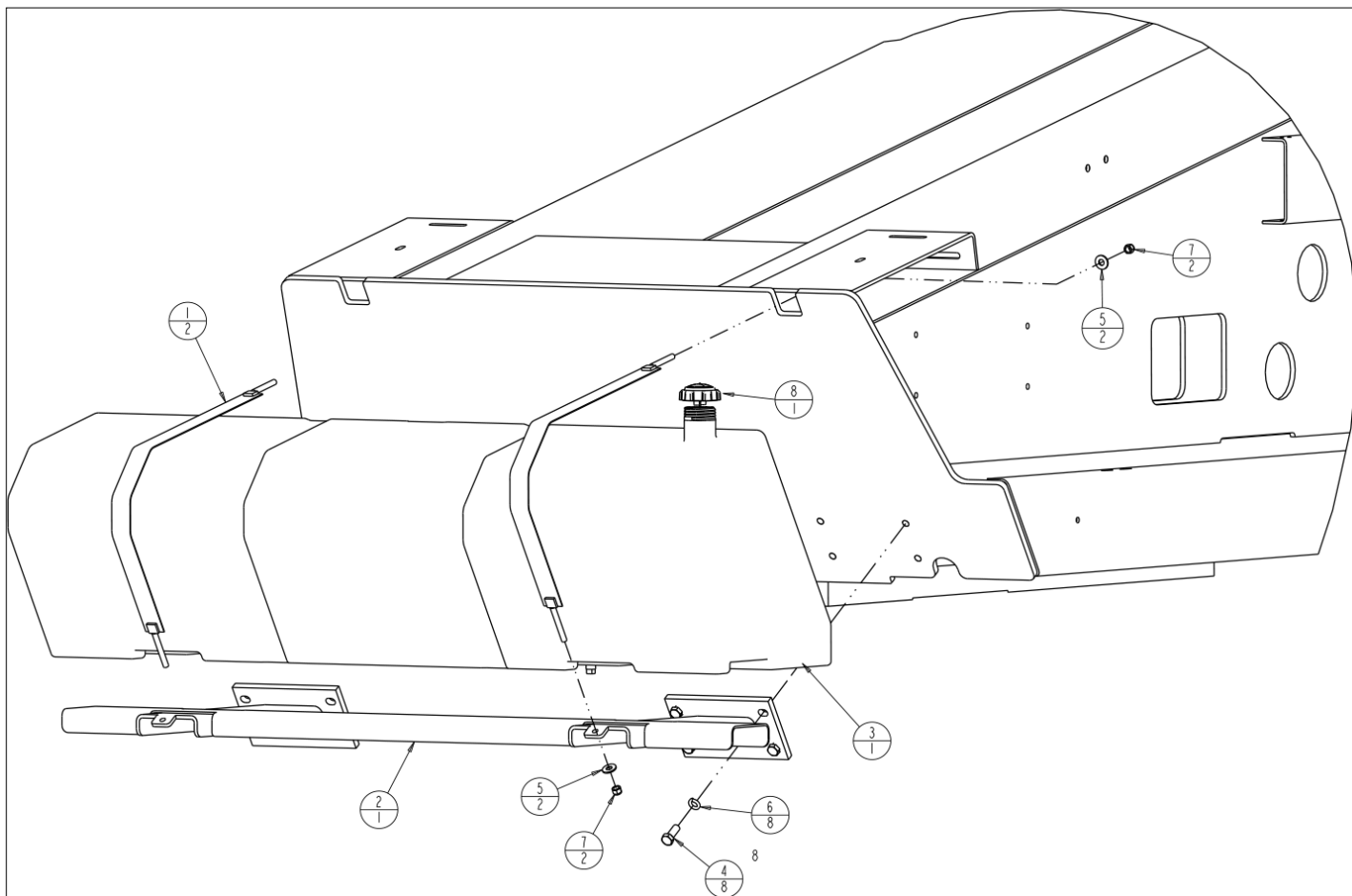
アイテム	部品番号	名前	数量	UOM
Not Shown	0110837	SWING DRIVE ASSEMBLY		EA
1	0112233	SWING DRIVE	1	EA
2	6030017	MTRTRW ROSS MOTOR SWING DRIVE	1	EA
Not Shown	0112316	SEAL KIT FOR 0112233		EA
Not Shown	0071089	SEAL REPAIR KIT, TRW MOTOR	1	EA
Not Shown	8230073	SEAL REPAIR KIT, WHITE MOTOR	1	EA
3	6010216	MOTION CONTROL VALVE, TURNTABLE SWING (VALVE INCLUDES ITEMS 2,3 AND 4)	1	EA
4	0112272	TUBE AND FITTINGS	1	EA
5	0112418	ELBOW 90 °	2	EA
6	0112421	CAPSCREW 1/2 13 X 3 1/2 INCH LONG SOCKET HEAD	2	EA
7	0112422	WASHER 1/2 SPLIT RING LOCK	2	EA
8	0112423	CAPSCREW 5/16 18 X 3 1/2 INCH LONG HEX HEAD GR5	4	EA
9	0112424	WASHER 5/16 MEDIUM LOCK PLATED	4	EA
10	7190005	GASKET, SWING DRIVE MOTOR	1	EA

REPAIR PARTS



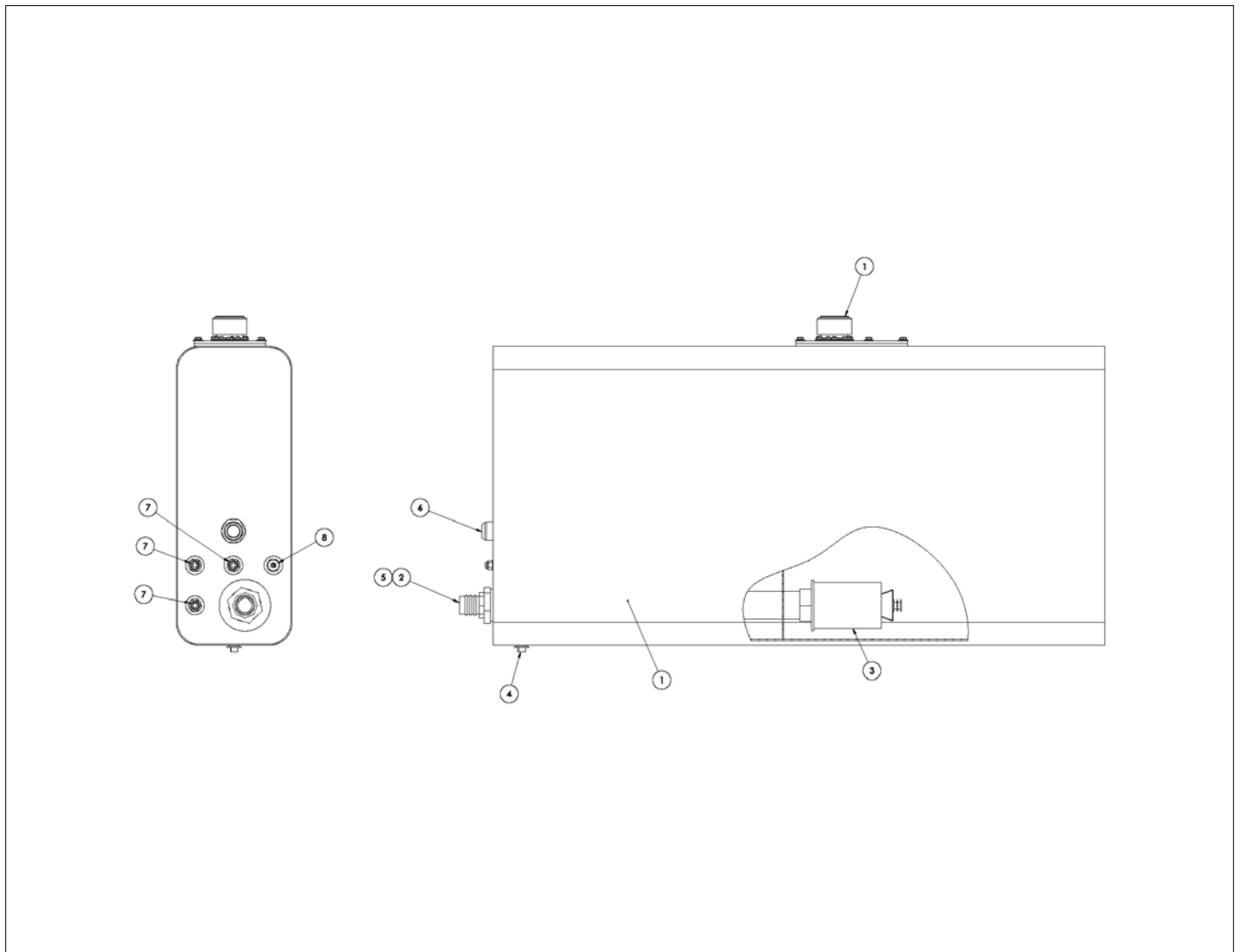
アイテム	部品番号	名前	数量	UOM
Not Shown	0170798 C	FUEL TANK INSTALLATION DECEMBER 2007 AND BEFORE		EA
1	0080030	FUEL TANK, 40 GALLON CAPACITY	1	EA
Not Shown	9940001	FUEL TANK CAP – BEFORE SEPTEMBER 2010	1	EA
2	0070483	Fuel Gauge, 375mm (14.75")	1	EA
Not Shown	8180014	REPLACEMENT GAUGE LENS	1	EA
3	7714202	PIPE PLUG, 1/4" NPT SQ HD GALV	1	EA
4	0071940	STRAP FUEL TANK	1	EA
5	0191002	ROD (NOTE I)	2	EA
6	5560033	.375 16UNC HEX LOCK NUT	2	EA
7	970049	BLT HEXHD .250 20 1.00 GR5 GRADE 5 PLT SAME AS 970189	4	EA
8	5560004	NUT LKG .250 20	4	EA

REPAIR PARTS



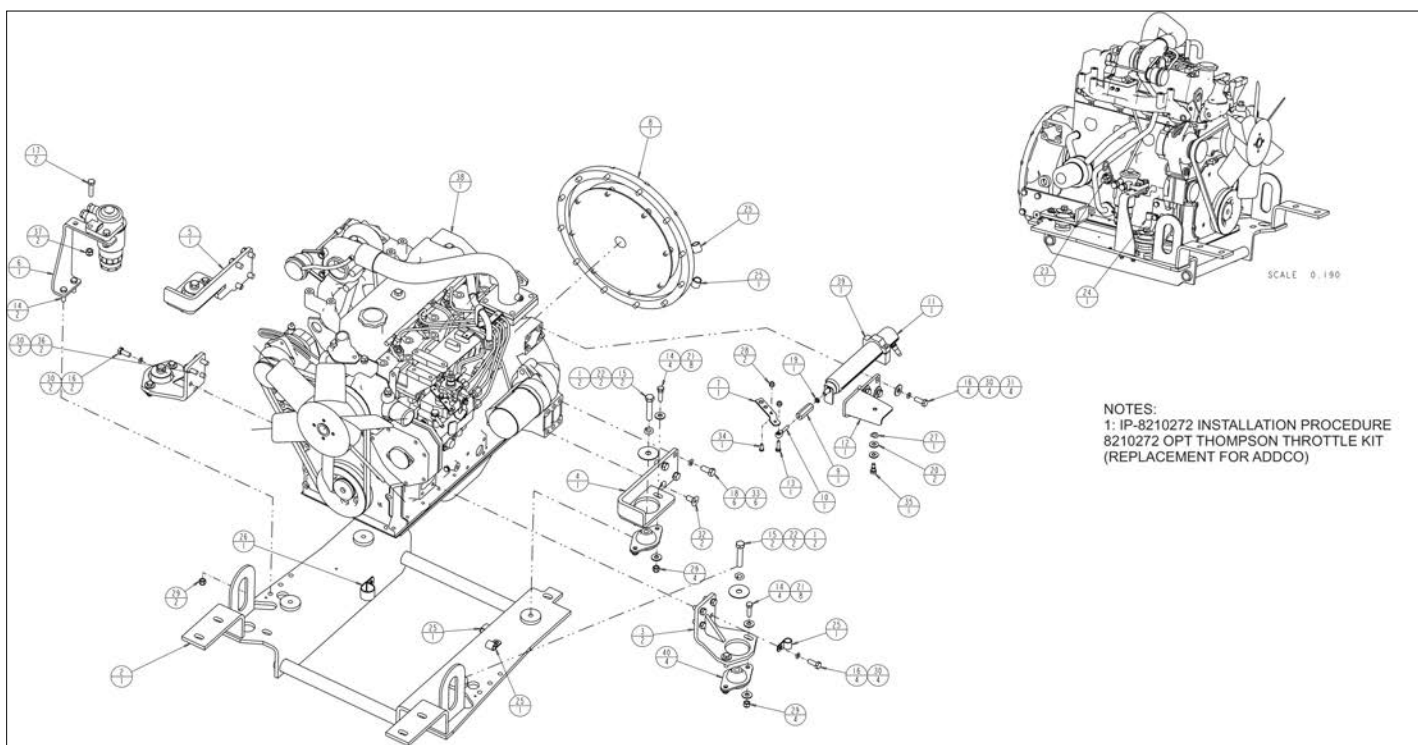
アイテム	部品番号	名前	数量	UOM
Not Shown	A19021 B	FUEL TANK INSTALLATION CUMMINS T3 DEUTZ GM T3 KUBOTA JANUARY 2008 AND AFTER		EA
1	0074680	STRAP RH	2	EA
2	0191690	WLDMT FUEL TANK MOUNT	1	EA
3	0191831	FUEL TANK AND CAP	1	EA
4	970849	BLT HEXHD .500 13 1.25 GR5	8	EA
5	986299	WASHER, FLAT, .375 STANDARD, PLATED	4	EA
6	987139	WSHR LOCK .500	8	EA
7	5560033	.375 16UNC HEX LOCK NUT	4	EA
8	9940021	FUEL TANK CAP	1	EA

REPAIR PARTS



アイテム	部品番号	名前	数量	UOM
*	0191756 D	HYDRAULIC OIL RESERVOIR ASSEMBLY PLASTIC COWLING		EA
1	0191755	HYDRAULIC OIL RESERVOIR	1	EA
2	5037305	FTG ADPTR MALE 24N 24H STL 018	1	EA
3	5080018	STRAINER SUCTION	1	EA
4	7714204	PIPE PLUG1/2 in NPT SQ.HD BLK.	1	EA
5	7721612	REDUCER BUSHING 2X1 1/2 HEX HD	1	EA
6	5065721	FTG ADPTR STRTHD 20B 20S STL P	1	EA
7	5065709	FTG ADPTR STRTHD 8B 8S STL PH	3	EA
8	5065732	FTG ADPTR STRTHD 8B 4S STL PH	1	EA

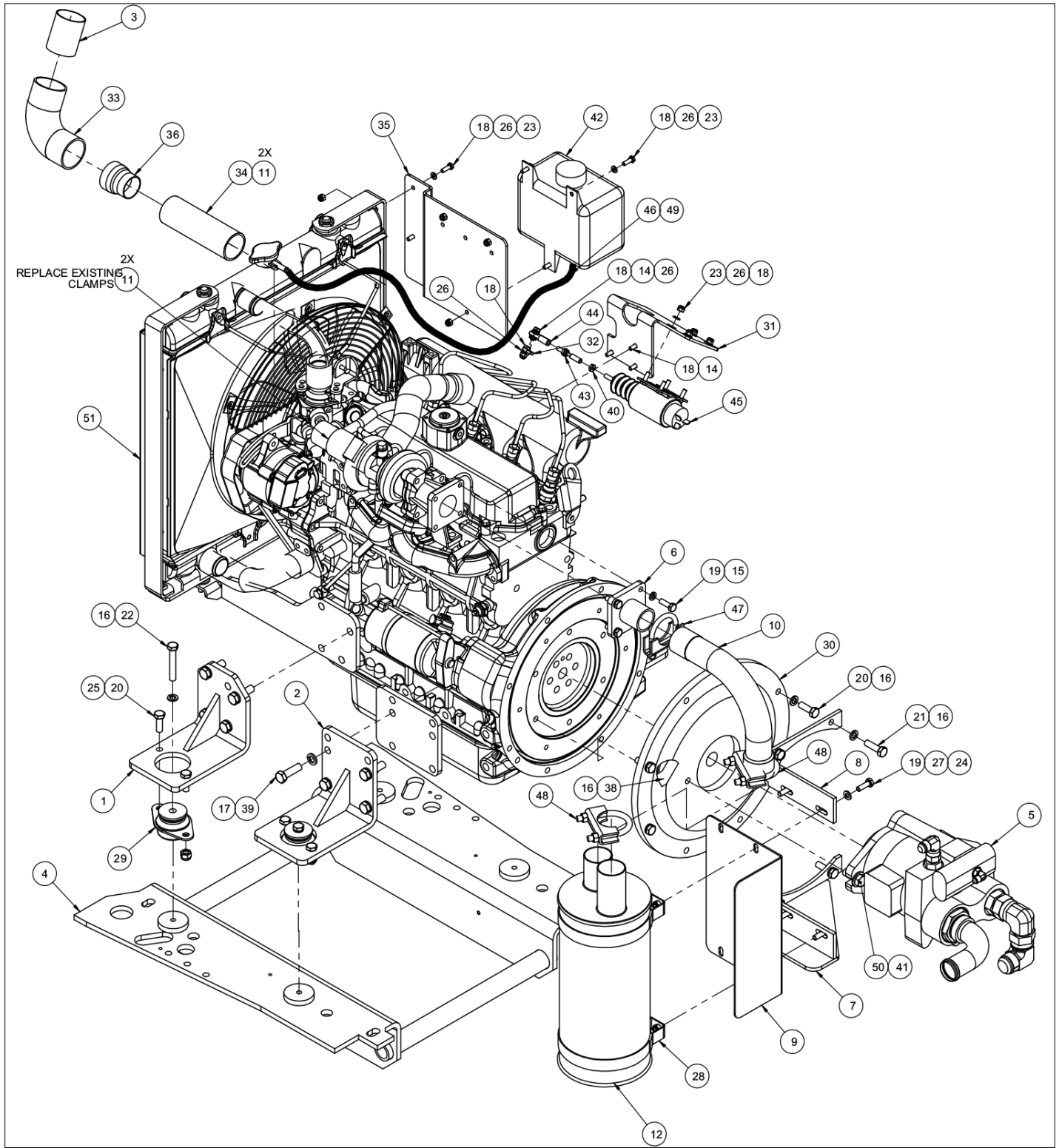
REPAIR PARTS



アイテム	部品番号	名前	数量	UOM
Not Shown	0191762 H	ENGINE CUMMINS 3.3 TURBO 85HP TRAY ASSEMBLY		EA
1	0070148	WASHER SPCL .531 X 2 X .06	4	EA
2	0074615	WELDMENT ENG TRAY	1	EA
3	0074622	WELDMENT FRONT BRACKET	2	EA
4	0074625	WELDMENT LEFT REAR BRACKET	1	EA
5	0074628	WELDMENT RIGHT REAR BRACKET	1	EA
6	0074972	BRKT FUEL FILTER (CU)	1	EA
7	0083155	THROTTLE LEVER EXTENSION	1	EA
8	0083437	KIT HAYES CU CPLR / FLYWHEEL	1	EA
9	0083586	THROTTLE ACTUATOR COUPLER	1	EA
10	0083587	ROD END LEFT HAND THREADS	1	EA
11	0162698	ACTUATOR SUB ASSEMBLY	1	EA
12	0191876	BRKT THROTTLE ACTUATOR	1	EA
13	970049	BLT HEXHD .250 20 1.00 GR5 GRADE 5 PLT SAME AS 970189	1	EA
14	972479	BLT HEXHD .375 16 1.25 GR5	10	EA
15	970949	BLT HEXHD .500 13 2.50 GR5 PLATED	4	EA
16	972019	BLT HEXHD M10 1.5 X 25MM	10	EA
17	972049	BOLT 10MM 1.50P 40MM GR8	2	EA
18	972059	BLT 12MM 1.75P 25MM CL8.8	6	EA
19	984329	NUT HEX JAM .250 20	1	EA
20	986269	WSHR FLAT .313	2	EA
21	986299	WASHER, FLAT, .375 STANDARD, PLATED	16	EA
22	987139	WSHR LOCK .500	4	EA
23	3020095	SWITCH PRESSURE 6 PSI	1	EA
24	5093002	CLAMP .562 AEROQUIP HOSE SUPPORT	1	EA

アイテム	部品番号	名前	数量	UOM
25	5093021	CLP CUSH .625 VINYL COATED	5	EA
26	5093024	CLAMP	1	EA
27	5530017	WSHR SPRING CRV .375	1	EA
28	5560004	NUT LKG .250 20	2	EA
29	5560033	.375 16UNC HEX LOCK NUT	10	EA
30	5560356	WSHR LOCK 10	12	EA
31	5560364	WSHR FLAT 10	4	EA
32	5560598	BOLT FLSKTHD M12 25.0	2	EA
33	5560614	LOCK WASHER M12	6	EA
34	5560615	BLT BTNHD .250 20 .625 GR 5 CR	1	EA
35	5560618	BLT SKTHD SHLDR .375 .375 HEX .313 18 .500 GR8	1	EA
36	5560626	BLT HEXHD M10 1.5 X 30MM GR8	2	EA
37	5560719	NUT HEX LKG M 10 1.50 GR 8.8	2	EA
38	7620063	ENGINE CUMMINS 3.3 TURBO 85HP	1	EA
39	7630323	CLAMP ACTUATOR	1	EA
40	7630707	ENGINE ISOLATOR	4	EA

REPAIR PARTS

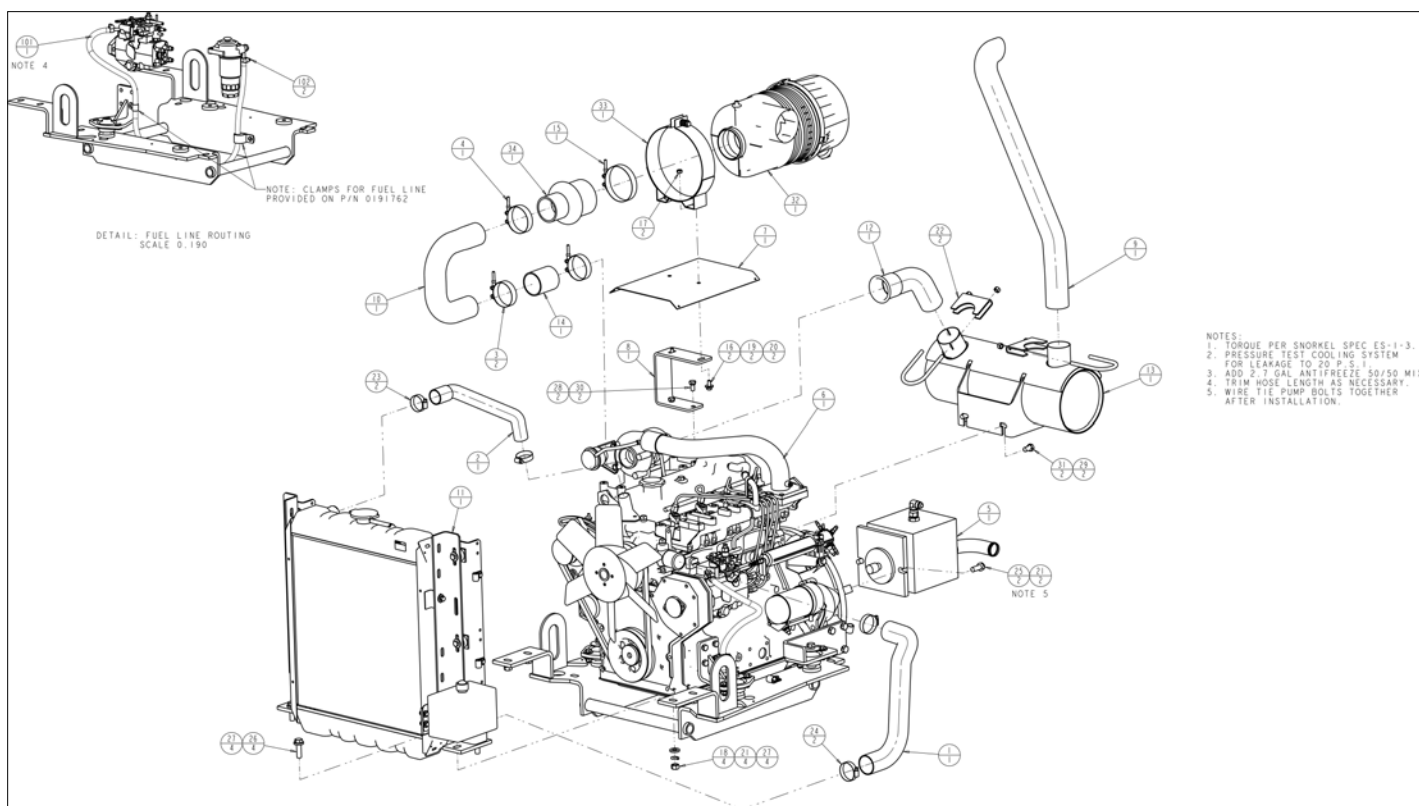


アイテム	部品番号	名前	数量	UOM
Not Shown	0192554 K	ENGINE SUB ASSEMBLY		EA
1	0075737	WLDMT, ENGINE BRACKET FRONT	2	EA
2	0075738	WLDMT, ENGINE MOUNT REAR	2	EA
3	0075743	AIR INLET PIPE, 2"OD X 2.5"LG	1	EA
4	0075745	WLDMT, KU ENGINE MOUNT	1	EA
5	0191326	PUMP SUB ASSY	1	EA
6	0192561	BRACKET, EXHAUST FLANGE KU	1	EA
7	0192562	WELDMENT, EXHAUST BRACKET KU	1	EA
8	0192563	BRACKET, EXHAUST KU, TOP	1	EA
9	0192566	HEAT SHIELD, KU EXHAUST	1	EA
10	0192568	PIPE, EXHAUST KU	1	EA
11	020541 013	HOSE CLAMP 1".313 2".25	4	EA
12	0260856	WLDMT WALKER MUFFLER	1	EA
13	0421796	REAR MOTOR MOUNT ENGINE PAD	2	EA
14	056021 006	WASHER SPRING WASHER M6 DIN 127B GR8.8 ZP	5	EA
15	056021 008	Washer SpringWasher DIN127B M8	4	EA
16	056021 010	Washer, SpringWasher DIN127B M	18	EA
17	056021 012	Washer, SpringWasher DIN127B M	15	EA
18	056058 018	BOLT, HEXBOLT DIN 931 M6 X 16MM 8.8 ZP	14	EA
19	058492 025	BOLT HEXSETSCREW DIN933 M8 X 25MM 8.8 ZP	8	EA
20	056060 030	BOLT HEXBOLT DIN931 M10 X 30MM 8.8 ZP	12	EA
21	056060 035	BOLTHEXBOLT DIN 931 M10 X 35MM 8.8 ZP	4	EA

アイテム	部品番号	名前	数量	UOM
22	056060 065	Bolt, HexBolt DIN931 M10 x 65mm 8.8 ZincPlated	4	EA
23	056066 006	Nut NylockNut DIN985 M6 8.0 Zi	10	EA
24	056066 008	NUT NYLOCKNUT DIN985 M8 8.0 ZP	4	EA
25	056066 010	Nut, NylockNut DIN985 M10 8.0ZincPlated	8	EA
26	056069 006	WSHR STEELFLATWSHE M6 DIN125A	12	EA
27	056069 008	WASHER, STEELFLATWASHER DIN12M8 FLAT WASHER DIN 125	4	EA
28	100180 041	CLAMP, MUFFLER #P00235 1	2	EA
29	100209 000	ISOLATOR ENGINE	4	EA
30	104703 000	HOUSING ADAPTER KIT AB62 POLARIS HAYES	1	EA
31	104737 000	THROTTLE BRACKET	1	EA
32	104744 000	THROTTLE LINKAGE WELDMENT	2	EA
33	704754 000	90 DEGREE ELBOW 2"ID	1	EA
34	104803 000	INTAKE HOSE 1.75 ID X 4" LONG	1	EA
35	104883 000	OVER FLOW BOTTLE BRKT	1	EA
36	106960 001	REDUCER METAL INTAKE 1.625" OD X 2" OD	1	EA
37	3028812	TEMP SWITCH .375 NPT M SPST NC	1	EA
38	510587 025	BLT HEXSETSCREW DIN961 M10 X 1.25X	6	EA
39	513133 040	BOLT HEXHD M12X1.25X40MM DIN 960	15	EA
40	984339	NUT HEX JAM .250 28	1	EA
41	5560168	WSHR FLAT HARD .500 SP	2	EA
42	1430527	FLUID RESERVOIR	1	EA
43	2650001	Swivel Inline	1	EA
44	2690004	Rod End	1	EA

アイテム	部品番号	名前	数量	UOM
45	3040174	SOLENOID, THROTTLE	1	EA
46	5010011	HOSE SAE30R2 05 .312 FUEL	2	EA
47	5550005	CLP EXH 1.75	1	EA
48	5550007	CLP MUFFLER 1.88 .375 16 HVY	2	EA
49	5550028	CLP WORM DRV .25 .63 .31 BAND	2	EA
50	5560136	HEX HEAD CAP SCREW, DRILLED, .500 13 UNITIFIED NATIONAL COURSE, STEEL, GR 5, 1.25 LG.	2	EA
51	7624794	V2403 M T E3B KEA 2F KUBOTA ENGINE WITH RADIATOR REPLACEMENT PARTS	1	EA
Not Shown	104673 107	STARTER ASSY	1	EA
Not Shown	104673 108	ALTERNATOR ASSY	1	EA
Not Shown	104673 109	GLOW PLUG	1	EA
Not Shown	104673 111	FUEL STOP SOLENOID	1	EA
Not Shown	104673 116	FAN	1	EA

REPAIR PARTS



アイテム	部品番号	名前	数量	UOM
Not Shown	0191763 E	ENGINE CUMMINS 3.3 TURBO 85HP SUB ASSEMBLY		EA
1	0074684	HOSE LOWER RAD CU 3.3	1	EA
2	0074685	HOSE LOWER RAD CU 3.3	1	EA
3	0083165	CLAMP T BOLT 2.75 NOM	2	EA
4	0083544	CLAMP T BOLT 3.00 NOM	1	EA
5	0191326	PUMP SUB ASSY	1	EA
6	0191762	ASSY ENGINE TRAY (CU) TURBO	1	EA
7	0191765	HEAT SHIELD	1	EA
8	0191766	MT AIR CLEANER CU 3.3 TURBO	1	EA
9	0191767	TAIL PIPE CU 3.3 TURBO	1	EA
10	0191768	180 DEG ELB	1	EA
11	0191769	ASSY RADIATOR	1	EA
12	0191771	EXHAUST PIPE	1	EA
13	0191772	MUFFLER ASSY TURBO 511 CFM CU 3.3 TURBO	1	EA
14	0191835	ADPTR HOSE AIR INTAKE	1	EA
15	0191883	CLP T BOLT 4.00 NOM	1	EA
16	970239	BLT HEXHD .313 18 .750 GR5	2	EA
17	984089	NUT HEX .313 18	2	EA
18	984149	NUT, .500 13	4	EA
19	986269	WSHR FLAT .313	2	EA
20	987109	WSHR LOCK .313	2	EA
21	987139	WSHR LOCK .500	6	EA
22	5550026	EXHAUST CLAMP	2	EA
23	5550038	CLP WORM DRV 1.25 2.25 SAE#28	2	EA
24	5550040	CLP WORM DRV 2.00 3.00 SAE#40	2	EA

アイテム	部品番号	名前	数量	UOM
25	5560136	HEX HEAD CAP SCREW, DRILLED, .500 13 UNIFIED NATIONAL COURSE, STEEL, GR 5, 1.25 LG.	2	EA
26	5560154	BLT HEXHD LKG .500 13 1.75 GR8	4	EA
27	5560168	WSHR FLAT HARD .500 SP	8	EA
28	5560356	WSHR LOCK 10	2	EA
29	5560614	LOCK WASHER M12	2	EA
30	5560625	BOLT 10MM 1.50P 20MM	2	EA
31	058494 020	BOLT,HEXSETSCREW DIN933 M12 X 2.0 8.8 ZIN	2	EA
32	7630757	AIR CLEANER NELSON 8 in	1	EA
33	7630760	MTG BRKT ASSY	1	EA
34	7630761	RDCR HOSE 3.5 2.5	1	EA
101	5010005	HOSE .38 831 6 RL PUSH LOCK	5.00 FT	EA
102	5550006	CLP WORM DRV .38 .88 SAE#6	2	EA

REPAIR PARTS

**NO IMAGE AVAILABLE
(BOM FOR REFERENCE ONLY)**

アイテム	部品番号	名前	数量	UOM
Not Shown	7620063	ENGINE CUMMINS 3.3 TURBO 85HP		EA
1	7630772	GASKET VALVE COVER CU B3.3 CUM	1	EA
Not Shown	7630773	ELEMENT AIR FLTR OUTER CU B3.3	1	EA
Not Shown	7630774	ELEMENT AIR FLTR INNER CU B3.3	1	EA
Not Shown	8036201	REPLACEMENT FUEL FILTER	1	EA
Not Shown	8036204	REPLACEMENT OIL FILTER	1	EA

REPAIR PARTS

NO IMAGE AVAILABLE
(BOM FOR REFERENCE ONLY)

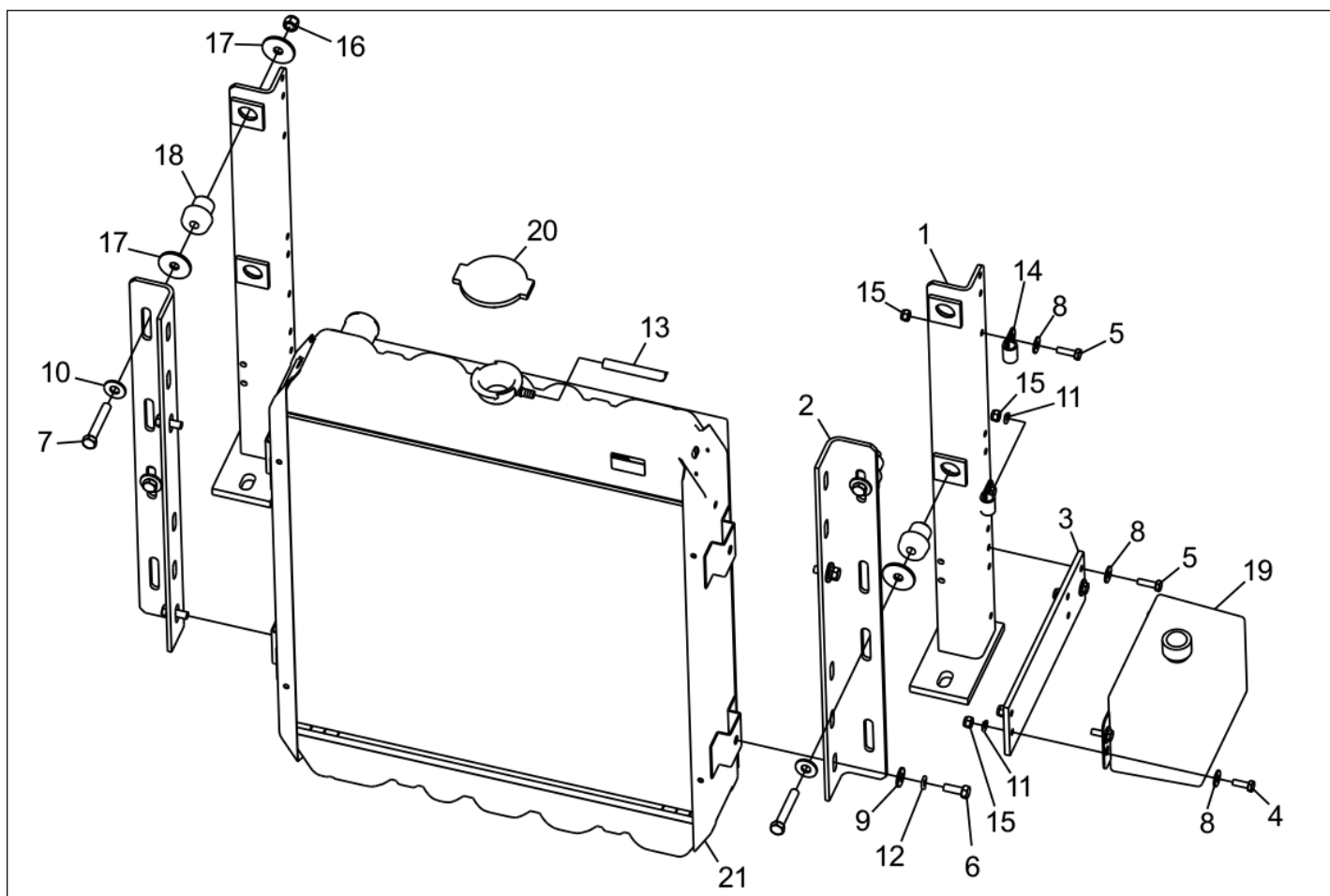
アイテム	部品番号	名前	数量	UOM
	7624796	V2403 CR TIER 4B KUBOTA ENGINE REPLACEMENT PARTS		EA
1	7631293	CLAMP HOSE	1	EA
2	7631294	BAND HOSE	1	EA
3	7631295	BAND CLAMP	1	EA
4	7631297	UPPER HOUSING COVER	1	EA
5	7631319	TURBO GASKET	1	EA
6	7631332	GAUGE ENG OIL	1	EA
7	7631337	COMP FLANGE WATER	1	EA
8	7631344	ASSY PUMP WATER	1	EA
9	7631345	ASSY PUMP FUEL	1	EA
10	7631351	ASSY THERMOSTAT	1	EA
11	7631353	COLLOR FAN	1	EA
12	7631354	TURBO GASKET	1	EA
13	7631355	MANIFOLD EXHAUST	1	EA
14	7631356	TUBE	1	EA
15	7631357	HOSE	1	EA
16	7631358	HOSE	1	EA
17	7631359	TURBO CHARGER ASSY	1	EA
18	7631360	PIPE ASSY	1	EA
19	7631361	PIPE COMP	1	EA
20	7631362	GASKET ENG OIL	1	EA
21	7631369	AIR FILTER BRACKET	1	EA

REPAIR PARTS

NO IMAGE AVAILABLE
(BOM FOR REFERENCE ONLY)

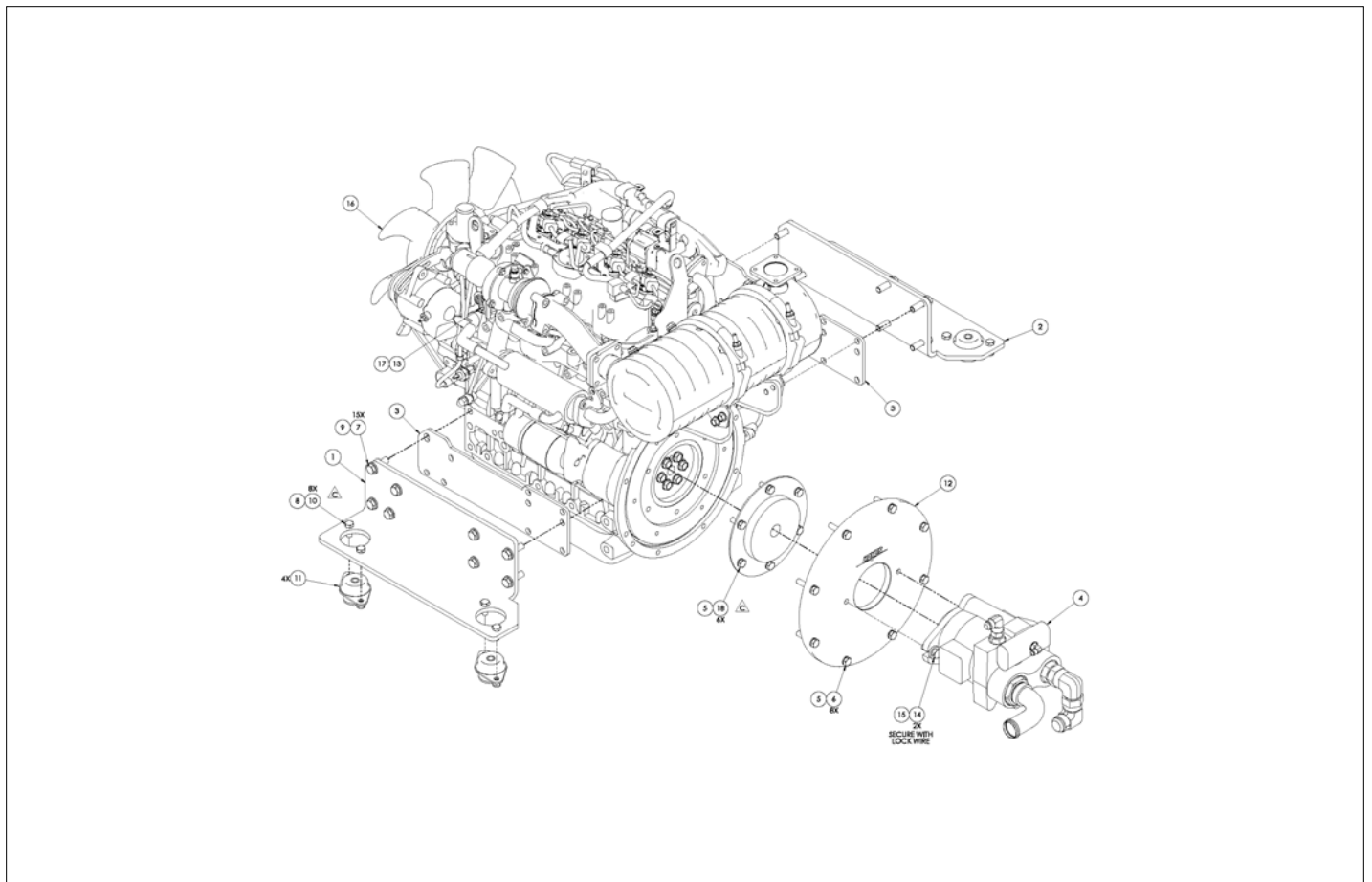
アイテム	部品番号	名前	数量	UOM
	7624794	V2403 M T E3B KEA 2F KUBOTA ENGINE WITH RADIATOR REPLACEMENT PARTS		EA
1	7631292	O RING	1	EA
2	7631295	BAND CLAMP	1	EA
3	7631307	PIPE WATER RETURN	1	EA
4	7631318	BAND PIPE	1	EA
5	7631327	RAIDATOR HOSE LOWER	1	EA
6	7631329	PUMP FUEL	1	EA
7	7631331	ASSY FUEL FILTER	1	EA
8	7631333	GASKET THERMOSTAT	1	EA
9	7631334	THERMOSTAT ASSY	1	EA
10	7631335	PIPE WATER RETURN	1	EA
11	7631336	GASKET WATER PUMP	1	EA
12	7631338	GASKET EX MANIFOLD	1	EA
13	763133.9	GASKET EX MANIFOLD	1	EA
14	7631342	MANIFOLD EXHAUST	1	EA
15	7631344	ASSY PUMP WATER	1	EA
16	7631349	GASKET	1	EA
17	7631350	FLANGE COMP WATER	1	EA
18	7631352	ASSY TURBO CHARGER	1	EA
19	7631362	GASKET ENG OIL	1	EA
20	7631364	RADIATOR	1	EA
21	7631365	RADIATOR SHROUD	1	EA
22	7630948	OIL DRAIN PLUG	1	EA
23	104673 105	FAN BELT	1	EA
24	0260466	THERMOSTAT GASKET	1	EA
25	067614 023	OIL PRESSURE SWITCH		EA

REPAIR PARTS



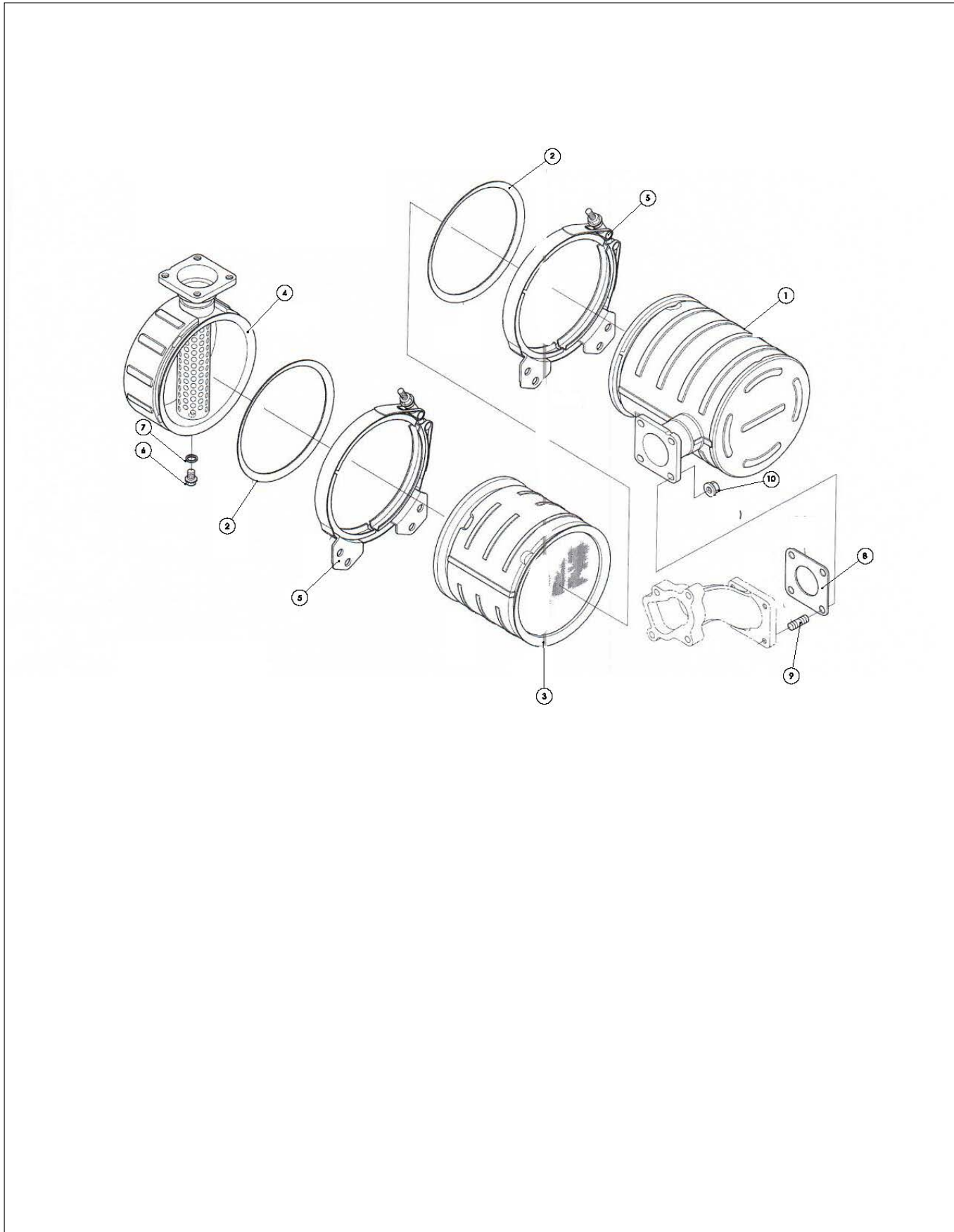
アイテム	部品番号	名前	数量	UOM
Not Shown	0191769 C	RADIATOR MOUNTING CUMMINS TIER 3 CUMMINS WITH TURBO GM		EA
1	0074630	BRACKET RADIATOR	2	EA
2	0083153	ANGLE RADIATOR MOUNT	2	EA
3	0191782	BRKT OVERFLOW BOTTLE	1	EA
4	970029	BLT .25 20 .750	4	EA
5	970039	BLT HEXHD .250 20 .875 LKG	4	EA
6	970249	BLT HEXHD .313 18 .875 GR5	4	EA
7	970519	CAPSCREW 3/8 16 X 2 1/4" LG H.H.	4	EA
8	986019	WSHR FLAT .250	8	EA
9	986269	WSHR FLAT .313	4	EA
10	986299	WASHER, FLAT, .375 STANDARD, PLATED	4	EA
11	987099	WSHR LOCK .250	6	EA
12	987109	WSHR LOCK .313	4	EA
13	5010011	HOSE SAE30R2 05 .312 FUEL	1	EA
14	5093001	CLP CUSH .500 VINYL COATED	2	EA
15	5560004	NUT LKG .250 20	8	EA
16	5560033	.375 16UNC HEX LOCK NUT	4	EA
17	5560179	Flat Washer Special	8	EA
18	7630180	RADIATOR CUSHION	4	EA
19	7630227	OVERFLOW BOTTLE 2QT	1	EA
Not Shown	8060277	REPLACEMENT CAP	1	EA
20	7630239	RADIATOR CAP 13 PSI	1	EA
21	7630756 001	RADIATOR	1	EA

REPAIR PARTS



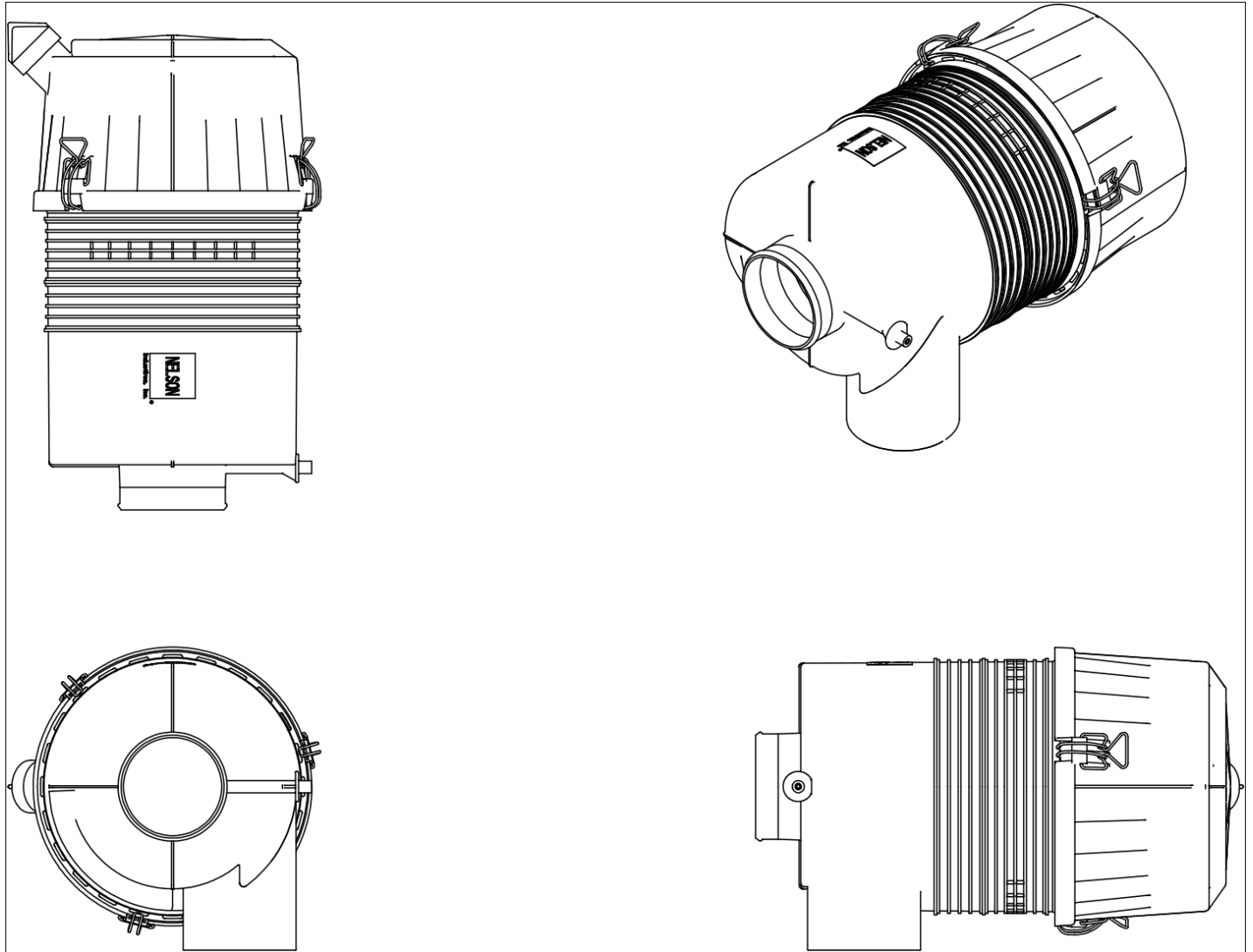
アイテム	部品番号	名前	数量	UOM
*	0192652C	ENGINE KUBOTA V2403 CR TIER4B		EA
1	0113802	BRKT LEFT ENGINE MOUNT KU T4F	1	EA
2	0113803	BRKT RIGHT ENGINE MOUNT KU T4F	1	EA
3	0113805	PLT ENGINE SPACER KU T4F	2	EA
4	0191326	PUMP SUB ASSY	1	EA
5	056021 010	Washer, SpringWasher DIN127B M	14	EA
6	056060 045	Bolt, HexBolt DIN931 M10 x 45mm 8.8 ZincPlated	8	EA
7	513133 040	BOLT HEXHD M12X1.25X40MM DIN 960	15	EA
8	056066 010	Nut, NylockNut DIN985 M10 8.0ZincPlated	8	EA
9	056069 012	WASHER DIN125A M12 ZP	15	EA
10	058493 025	HHCS M10 X 25MM GR10.9 DIN933	8	EA
11	100209 000	ISOLATOR ENGINE	4	EA
12	104703 000	HOUSING ADAPTER KIT AB62 POLARIS HAYES	1	EA
13	5090032	FITTING BARBED 1/4" NPT X 3/16" BRASS	1	EA
14	5560136	HEX HEAD CAP SCREW, DRILLED, .500 13 UNIFIED NATIONAL COURSE, STEEL, GR 5, 1.25 LG.	2	EA
15	5560168	WSHR FLAT HARD .500 SP	2	EA
16	7624796	V2403 CR TIER 4B KUBOTA ENGINE REPLACEMENT PARTS	1	EA
17	7714535	FTG REDUCER BSHG 6N 4N BR	1	EA
18	510587 025	BLT HEXSETSCREW DIN961 M10 X 1.25X	6	EA

REPAIR PARTS



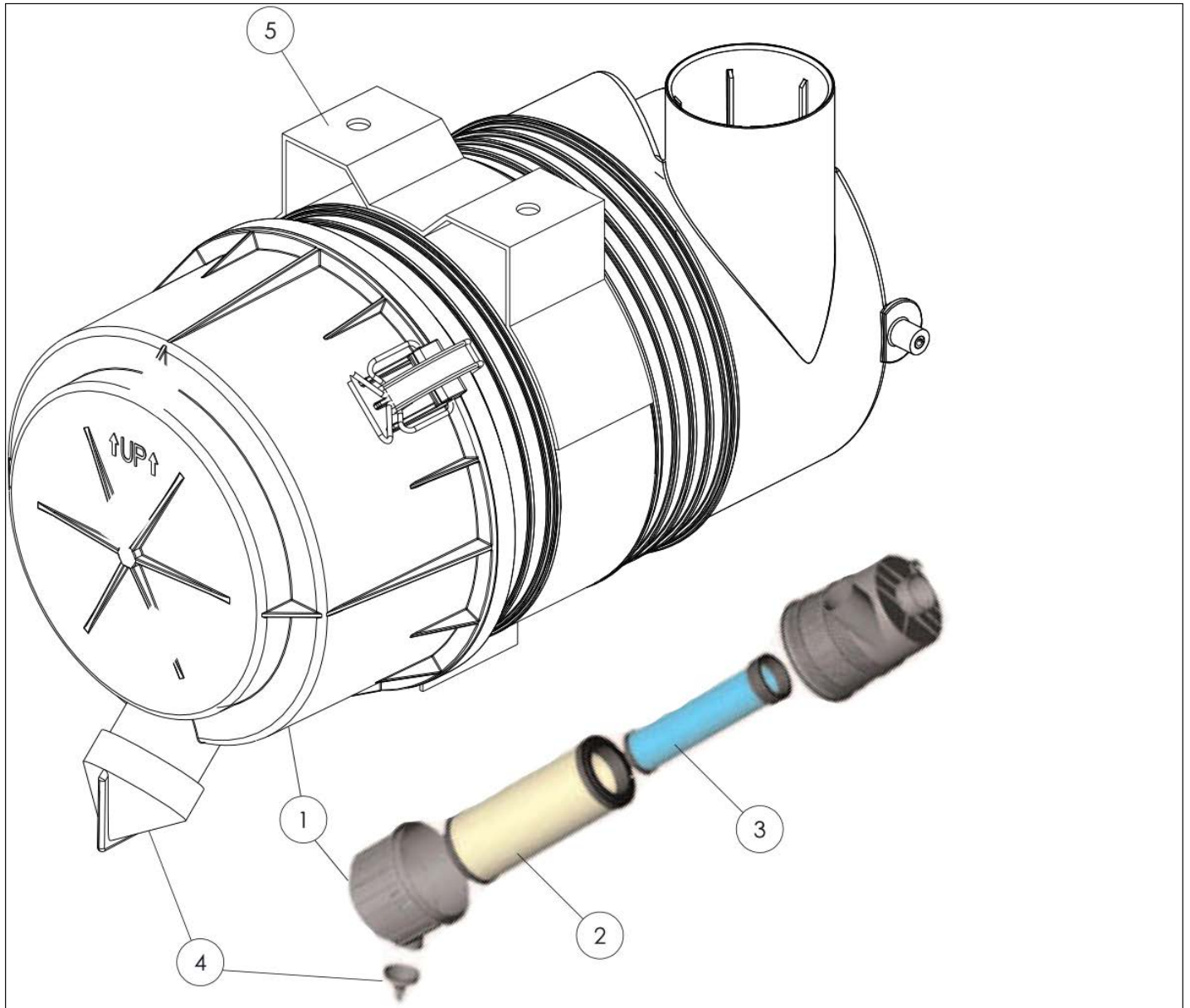
アイテム	部品番号	名前	数量	UOM
*	7624796 MUFFLER	ENGINE KUBOTA V2403 CR TIER 4B DIESEL OXIDATION CATALYST MUFFLER		EA
1	7631213	CATALYST KIT	1	EA
2	7631214	GASKET	2	EA
3	7631215	CATALYST, KIT	1	EA
4	7631216	BODY, KIT	1	EA
5	7631218	BRACKET (V BAND DPF)	1	EA
6	7631207	BOLT FLANGE	2	EA
7	7631208	PACKING	1	EA
8	7631221	GASKET, MUFFLER	1	EA
9	7631222	BOLT, STUD	1	EA
10	7631223	NUT, FLANGE	1	EA

REPAIR PARTS



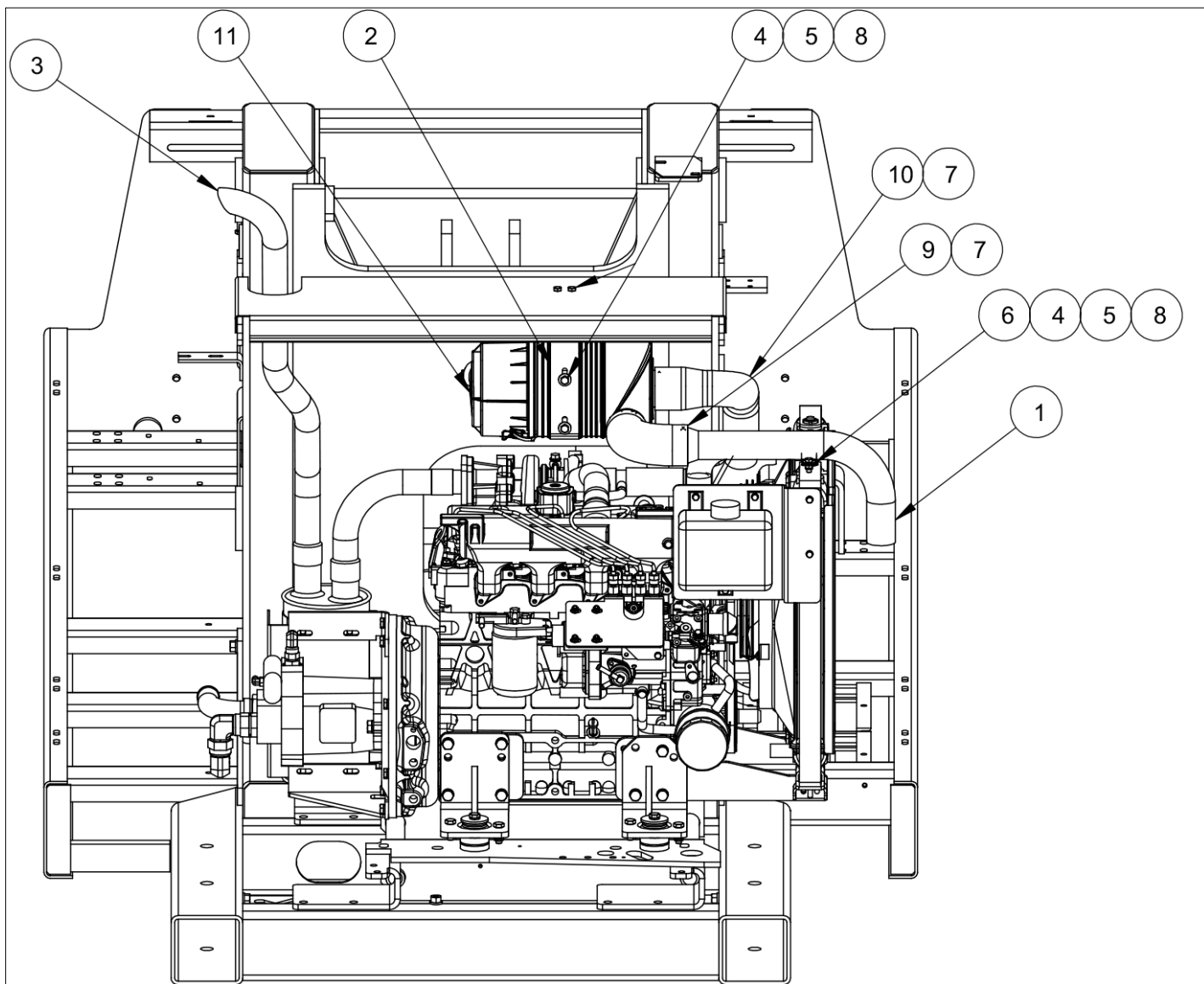
アイテム	部品番号	名前	数量	UOM
1	7630757 A	AIR CLEANER NELSON CUMMINS WITH TURBO		EA
Not Shown	8140019	AIR FILTER ELEMENT	1	EA
Not Shown	8140023	DUST VALVE	1	EA

REPAIR PARTS



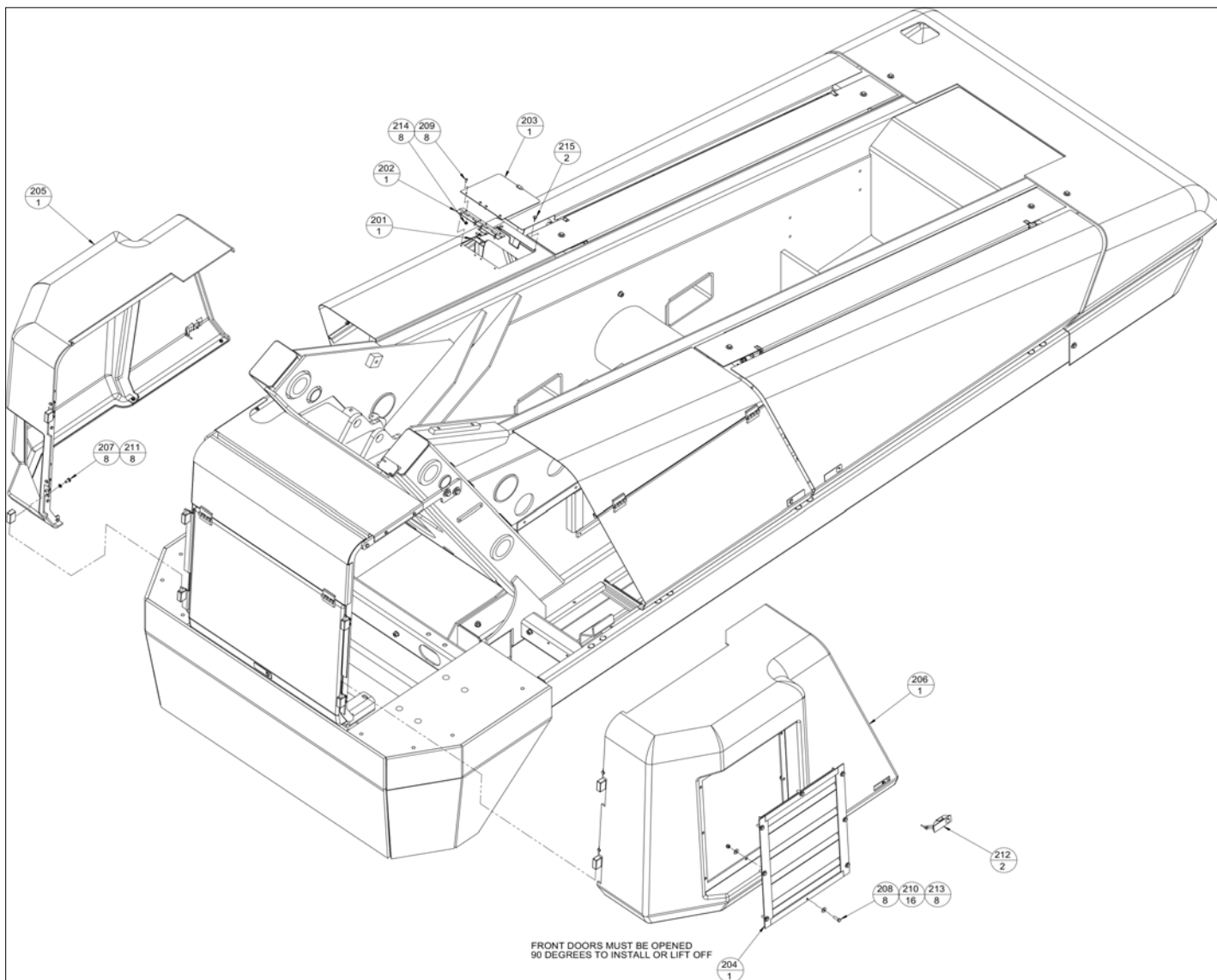
アイテム	部品番号	名前	数量	UOM
Not Shown	7630755 B	AIR CLEANER ASSEMBLY CUMMINS 45 HP CUMMINS 65 HP FORD LRG 425 GM T3 2.4L KUBOTA V1505T TIER 3 V2403		EA
Not Shown	8140014	cap retainer clip	3	EA
1	8140013	cover	1	EA
2	8050097	PRIMARY ELEMENT	1	EA
Not Shown	8140011	element	1	EA
3	8050098	SAFETY ELEMENT	1	EA
4	8050099	EXTERNAL EJECTOR	1	EA
Not Shown	068903 009	DUST EJECTOR	1	EA
5	8050100	METAL BRACKET	1	EA

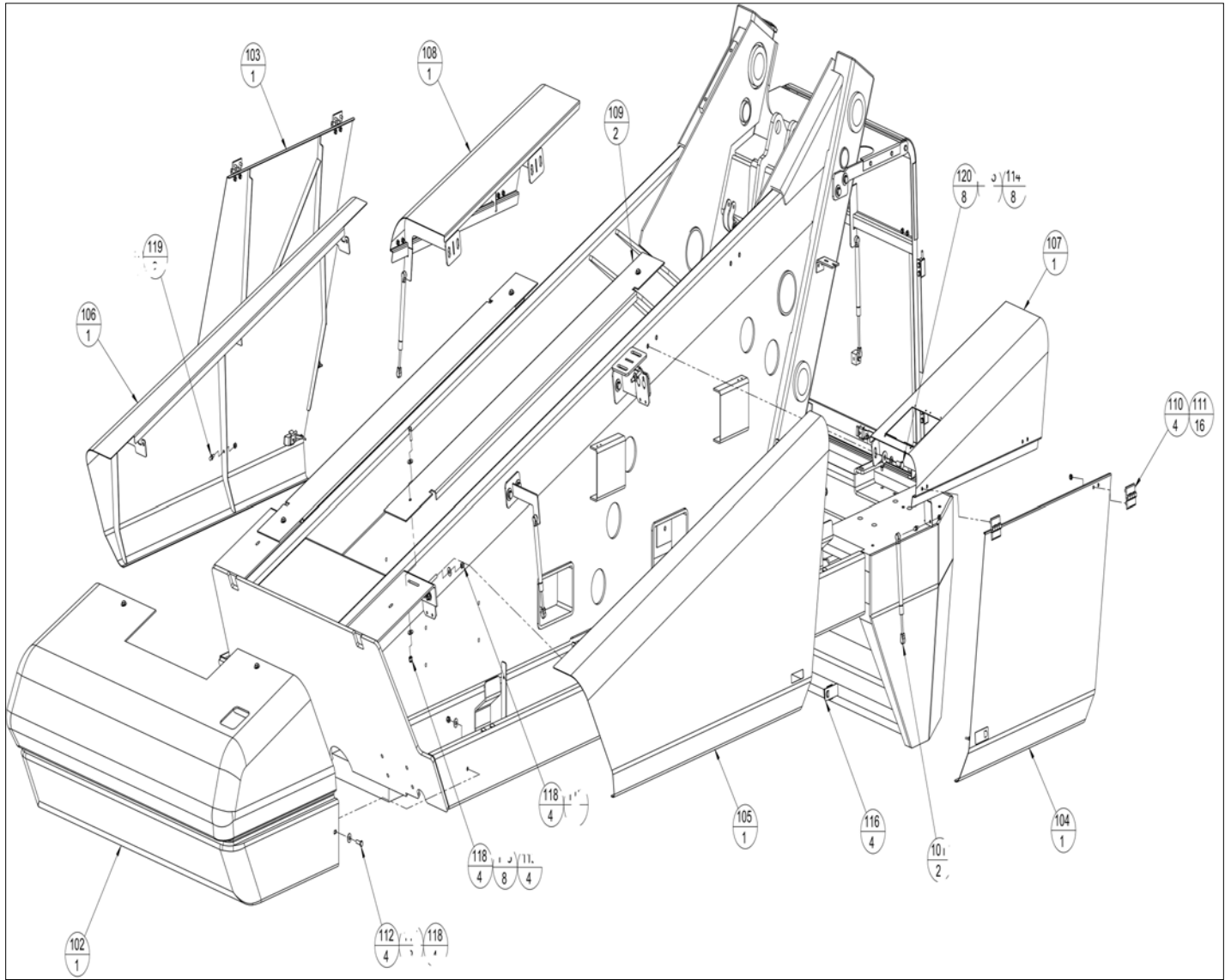
REPAIR PARTS



アイテム	部品番号	名前	数量	UOM
Not Shown	0192577 B	AIR CLEANER EXHAUST KUBOTA INSTALLATION		EA
1	0182432	PIPE AIR INTAKE 2.5/2 in OD 90DEGREE	1	EA
2	0192164	BRKT, AIR CLNR MNTG	1	EA
3	0192569	PIPE, TAIL KU	1	EA
4	970239	BLT HEXHD .313 18 .750 GR5	6	EA
5	986269	WSHR FLAT .313	5	EA
6	5093012	CLP CUSH 1.75 VINYL COATED	1	EA
7	5550040	CLP WORM DRV 2.00 3.00 SAE#40	4	EA
8	5560031	NUT HEX LKG .313 18	6	EA
9	7630015	ELBOW 90' 2.5	1	EA
10	7630229	ELBOW RUBBER 2.5 X 2.0	1	EA
11	7630755	AIR CLEANER CUMMINS 3.3 KUBOTA WG2403 TIER 3 AND TIER 4 ASSEMBLY	1	EA

REPAIR PARTS



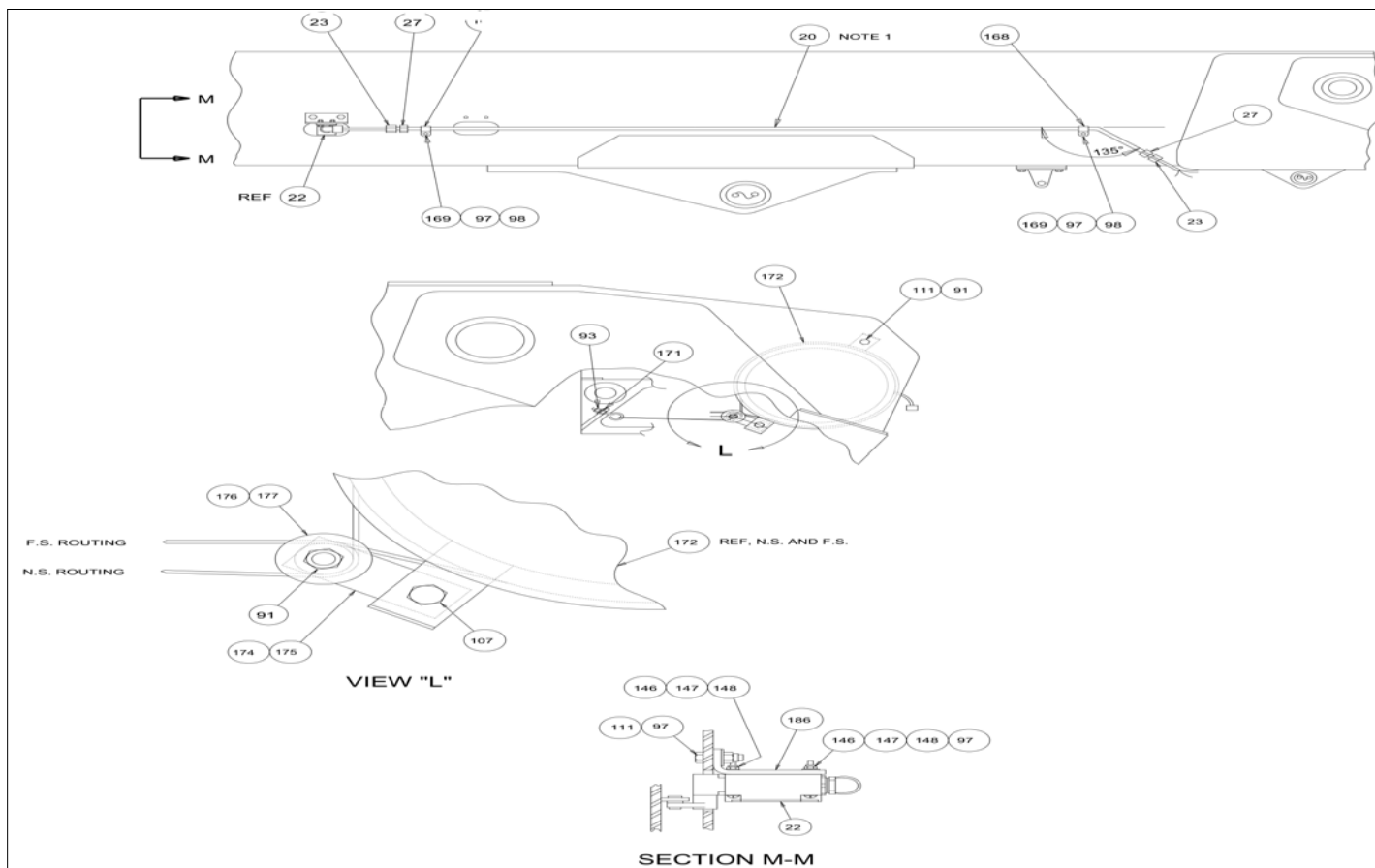


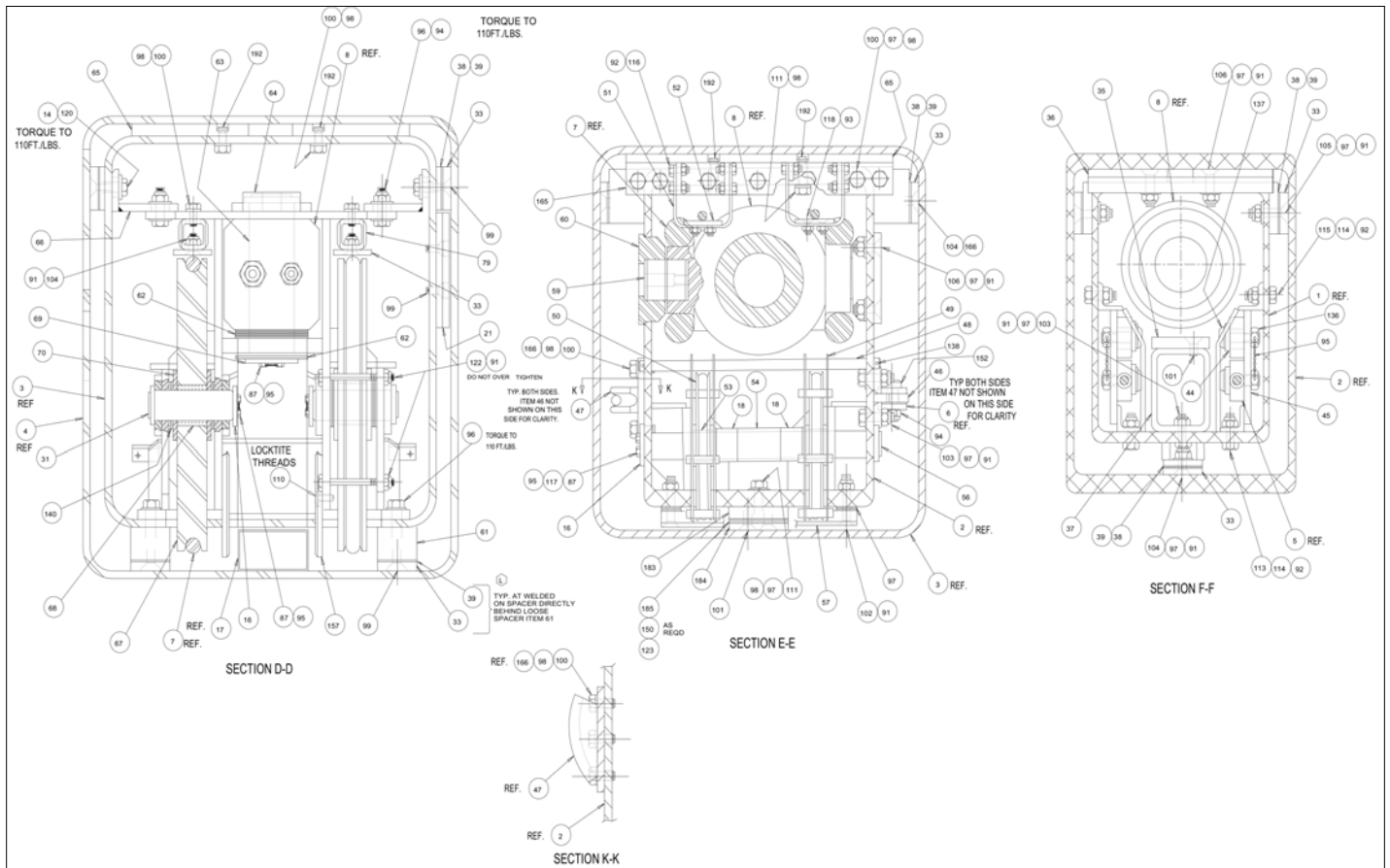
アイテム	部品番号	名前	数量	UOM
Not Shown	A19028C	COWLING INSTALLATION FEBRUARY 2006 AND AFTER		EA
1	0074408	HINGE, DOOR	4	EA
2	0074461	GAS SPRING APROX 18 1/4 in L	1	EA
3	0074602	MOUNT RECORDS BOX	1	EA
4	0082321	GAS SPRING	2	EA
5	0191704	WLDMT, FRONT COWLING	1	EA
6	0191706	DOOR STOP	8	EA
7	0191734	PLATE COWL MOUNT	2	EA
8	SEE CHART	JIB BOOM ASSEMBLY	1	EA
9	0191740	WLDMT, GAS SPRING MOUNT	2	EA
10	0191780	WLDMT, GAS SPRING MOUNT	2	EA
11	0191817	ACCESS DOOR W/BLOCK	1	EA
12	0191910	HINGE W/STUDS	2	EA
13	0191912	HINGE INLINE	4	EA
14	056059 016	HHCS M8 X 16 GR8.8 DIN 931	8	EA
15	056066 008	NUT NYLOCKNUT DIN985 M8 8.0 ZP	8	EA
16	970049	BLT HEXHD .250 20 1.00 GR5 GRADE 5 PLT SAME AS 970189	4	EA
17	970469	HHD BLT .375 16 X 1.00 GR5	1	EA
18	970489	BLT HEXHD .375 16 1.50 GR5 PL	4	EA
19	972439	BLT CRG .375 16 X 1.25 GR 5 ZP	24	EA
20	986299	WASHER, FLAT, .375 STANDARD, PLATED	31	EA
21	986359	FLATWASHER 1/2"	12	EA
22	987109	WSHR LOCK .313	8	EA
23	987119	WSHR LOCK .375	24	EA
24	987139	WSHR LOCK .500	12	EA
25	5510022	ADJUSTABLE LEVER LATCH	1	EA
26	5560004	NUT LKG .250 20	4	EA

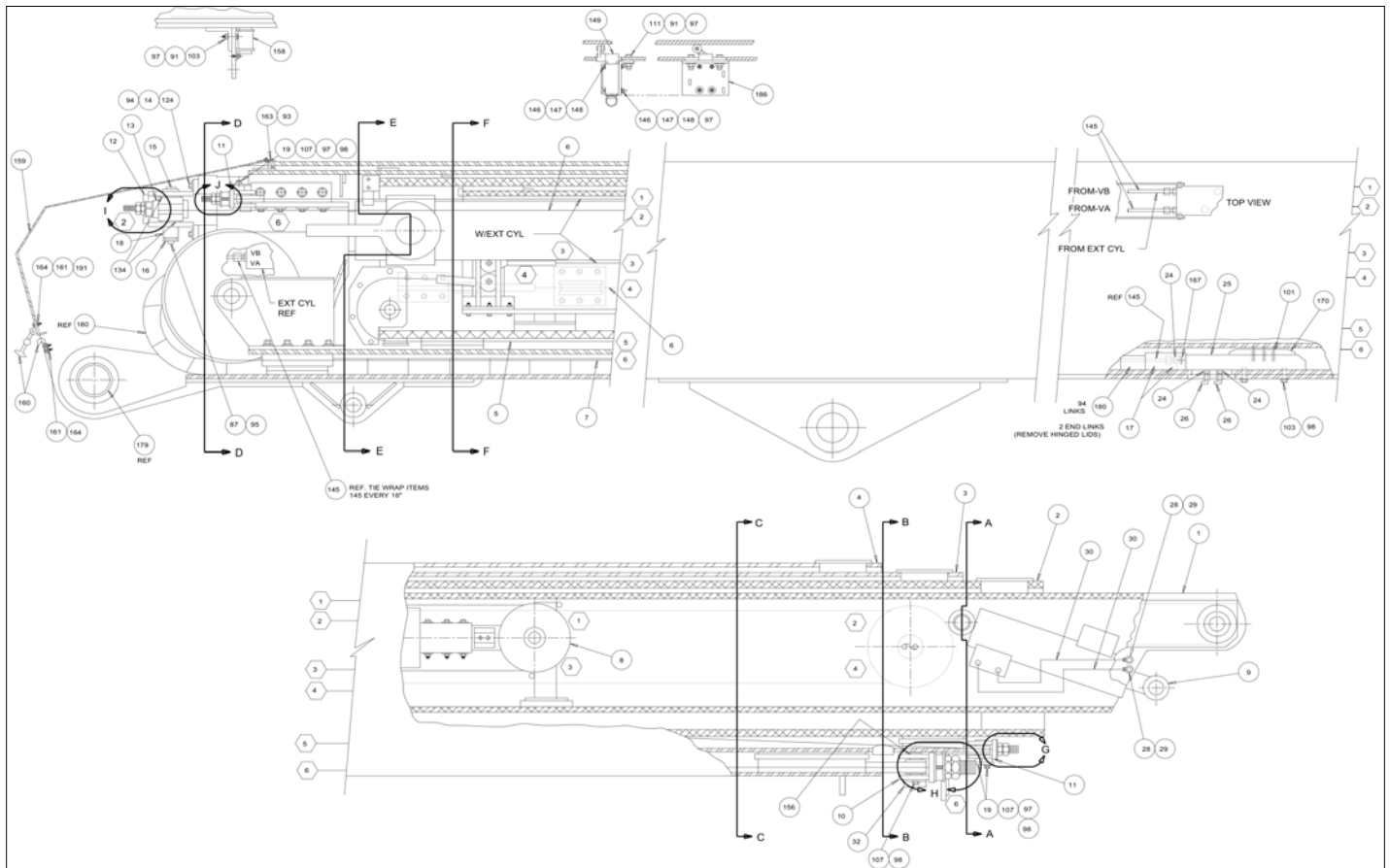
アイテム	部品番号	名前	数量	UOM
27	5560031	NUT HEX LKG .313 18	19	EA
28	5560033	.375 16UNC HEX LOCK NUT	13	EA
29	5560311	BALLSTUD GAS SPRING	4	EA
30	5563017	BLT HEX HD .500 13X1.25 GR5	12	EA
31	5560083	HOSE GUIDE .125 RUBBER EDGE TR	20	EA
101	0082321	GAS SPRING	2	EA
102	0191678	COVER, TURNTABLE REAR	1	EA
103	0191712	WLDMT DOOR LH MID	1	EA
104	0191714	WLDMT DOOR RH MID	1	EA
105	0191717	WLDMT DOOR RHR	1	EA
106	0191718	WLDMT DOOR LHR	1	EA
107	0191725	WLDMT COVER TOP RH	1	EA
108	0191726	WLDMT COVER TOP LH	1	EA
109	0191744	COWLING, SIDE	2	EA
110	0191910	HINGE W/STUDS	4	EA
111	056066 008	NUT NYLOCKNUT DIN985 M8 8.0 ZP	16	EA
112	972479	BLT HEXHD .375 16 1.25 GR5	8	EA
113	986299	WASHER, FLAT, .375 STANDARD, PLATED	20	EA
114	986359	FLATWASHER 1/2"	8	EA
115	987139	WSHR LOCK .500	8	EA
116	5510022	ADJUSTABLE LEVER LATCH	4	EA
117	5560031	NUT HEX LKG .313 18	6	EA
118	5560033	.375 16UNC HEX LOCK NUT	12	EA
119	5560311	BALLSTUD GAS SPRING	6	EA
120	5563017	BLT HEX HD .500 13X1.25 GR5	8	EA
201	0070548	DOOR RETAINING SPRING QY 100	1	EA
202	0070554	HINGE	1	EA

アイテム	部品番号	名前	数量	UOM
203	0070555	DOOR ACCESS	1	EA
204	0190549	SHROUD WELDMENT	1	EA
205	0191732	RHF DOOR W/GUSSETS	1	EA
206	0191815	LHF DOOR W/ GUSSETS	1	EA
207	056059 016	HHCS M8 X 16 GR8.8 DIN 931	8	EA
208	970369	BLT HEXHD .313 18 X 1.00 GR5	8	EA
209	974659	SCR RDH MACH 10 24 .500	8	EA
210	986269	WSHR FLAT .313	16	EA
211	987109	WSHR LOCK .313	8	EA
212	5510022	ADJUSTABLE LEVER LATCH	2	EA
213	5560031	NUT HEX LKG .313 18	8	EA
214	5560034	NUT LKG 10 24	8	EA
215	5569012	BUMPER RUBBER	2	EA

REPAIR PARTS







アイテム	部品番号	名前	数量	UOM
Not Shown	0192367 F	BOOM ASSEMBLY		EA
1	0190423	TIP BOOM	1	EA
2	0190424	OUTER INT BOOM	1	EA
3	0190590	INT BOOM WLDMT	1	EA
4	0191550	WLDMT BASE BOOM	1	EA
5	0190483	WIRE ROPE ASSEMBLY BOX RETRACT	2	EA
6	0190449	WIRE ROPE ASSEMBLY BOOM RETRACT	2	EA
7	0190448	WIRE ROPE ASSEMBLY BOOM EXTEND	2	EA
8	0190762	EXTEND CYLINDER ASSEMBLY	1	EA
9	0172230	SLAVE LEVEL CYL ASSY	1	EA
10	0190495	WHIFFLE INNER EXTEND	1	EA
11	0190479	WHIFFLE	2	EA
12	0190470	SUPPORT INNER RETRACT WHIFFLE	1	EA
13	0190471	WHIFFLE	1	EA
14	5560168	WSHR FLAT HARD .500 SP	32	EA
15	0070438	WLDMT PIN 1.25 5.120 GRIP	1	EA
16	0070033	PIN LOCK 2.00 DIA 2H	7	EA
17	9920014	POWER TRACK LINK	2 LINKS	EA
18	2500035	BEARING	3	EA
19	0071494	WLDMT PIN 1.00 2.375 GRIP	2	EA
20	0110547	CONDUIT	1	EA
21	0190631	SPCR 4.50OD .125 5H AL	1	EA
22	0191410	BOOM SPEED SWITCH ASSEMBLY	1	EA
23	3040115	CONN .500 .375 .500	2	EA
24	5065709	FTG ADPTR STRTHD 8B 8S STL PH	4	EA

アイテム	部品番号	名前	数量	UOM
25	0190979	MANIFOLD EXTEND	1	EA
26	5037006	ADAPTER 90 ° ELBOW SWIVEL 8 JIC	2	EA
27	3040262	CONDUIT COUPLER, 1/2	2	EA
28	5074401	FTG LKNT BHD 4 STL	2	EA
29	5034501	FTG ELB90BHD 4S 4S STL	2	EA
30	0070768	1/4 I.D. HOSE ASSY	2	EA
31	0070440	WLDMT PIN 1.50 3.940 GRIP	4	EA
32	0180680	GUARD PIN	1	EA
33	0080293	SLIDE PAD	17	EA
34	0080294	SLIDE PAD	2	EA
35	0190767	SL PAD 3.00 6.00 .500 3H	1	EA
36	0110703	SLIDE PAD	2	EA
37	0190618	TUBE	1	EA
38	0090141	SHIM (.090)	30	EA
39	0070030	SHIM (NOTE 5) (.030)	6	EA
40	0070043	SHIM (.030)	2	EA
41	0073343	SHIM (.090)	2	EA
42	0110707	SHIM (.090)	4	EA
43	0110706	SHIM (.030)	4	EA
44	0111005	SPACER	4	EA
45	0190849	WLDMT ANCHOR	2	EA
46	0190417	ANCHOR WIRE ROPE LOWER RETRACT	2	EA
47	0190418	GUIDE WIRE ROPE LOWER RETRACT	2	EA
48	0110670	PIN CABLE RETAINER	1	EA
49	0190404	WLDMT SHEAVE CAGE	2	EA
50	0111701	SHEAVE WIRE ROPE 7/16 DIA A80	2	EA
51	0190494	CABLE GUIDE	2	EA

アイテム	部品番号	名前	数量	UOM
52	0060089	SLIDE PAD	2	EA
53	2502028	BEARING, 1 4/4 BORE X 1" LG GARMAX	2	EA
54	2502032	BEARING	1	EA
55	0070639	SLIDE PAD	6	EA
56	0110671	PIN RETRACT SHEAVE	1	EA
57	0111317	CABLE RETAINER	1	EA
58	0110701	SPACER	4	EA
59	0110190	PIN, CYLINDER ANCHOR	2	EA
60	0110191	CYLINDER ANCHOR	2	EA
61	0190768	SPACER	2	EA
62	PNNA	MACHINE BUSHING 3 3/4OD X 2 1/4ID X 10GA	A.R	EA
63	0190764	PIN 2.25 X 7.500 GRIP	1	EA
64	0190570	EXTENSION CYLINDER BRACKET	1	EA
65	0190769	SLIDE PAD ASSEMBLY	4	EA
66	0190595	WLDMT BRKT	2	EA
67	0190858	SHEAVE MACHINED WIRE ROPE	2	EA
68	2500044	BRG 1.50ID 2.00OD 1.50	2	EA
69	0080023	PIN LOCK 2.75 DIA 2H	1	EA
70	2580010	BRG THR 1.50ID 3.50OD .188	4	EA
71	0190773	SPCR 1.00 2.00 6.00 2H AL	2	EA
72	0190772	SPCR 1.00 2.75 10.50 3H AL	2	EA
73	0110702	SPACER	2	EA
74	0110696	SLIDE PAD	3	EA
75	0110700	PAD PLATE BASE BOOM LR	2	EA
76	0070484	SPACER	2	EA
77	0072682	SLIDE PAD	3	EA
78	0072681	SLIDE PAD MOUNT	3	EA
79	0190591	SPCR .250 1.50 1.50 6.00 SP	6	EA

アイテム	部品番号	名前	数量	UOM
80	0072683	SPACER	4	EA
81	0090138	SPCR .375 1.25 6.00 5H STL	2	EA
82	0110661	PIN, LEVEL CYLINDER	1	EA
83	0110661	PIN, LEVEL CYLINDER	2	EA
84	0190416	SHEAVE WIRE ROPE	1	EA
85	0190770	PAD PLATE	1	EA
87	0070473	BLT HEXHD .313 18 .75 DR	16	EA
88	5530015	SPRING WASHER 1 1/2"	14	EA
89	5530008	WSHR SPRING .880ID 1.75OD .057	24	EA
90	5530014	WSHR SPRING 1.00ID 2.00OD .136	14	EA
91	5560033	.375 16UNC HEX LOCK NUT	65	EA
92	5560031	NUT HEX LKG .313 18	20	EA
93	5560004	NUT LKG .250 20	10	EA
94	5560039	NUT HEX LKG .500 13	13	EA
95	PNNA	.040 DIA. S.S. SAFETY LOCKWIRE	A.R	EA
96	5560154	BLT HEXHD LKG .500 13 1.75 GR8	14	EA
97	0986299	FLATWASHER 3/8"	68	EA
98	0987119	LOCKWASHER 3/8 MED.	122	EA
99	5560679	M.SCR 3/8 16 5/8 SOC. CAD	48	EA
100	0970469	CAPSCREW 3/8 16X1" LG. H.H. GR.5	33	EA
101	0972449	CAPSCREW 3/8 16X3/4" LG. F.H. SKT.	27	EA
102	5560681	M.SCR, 3/8 16 2 1/4 F.H. SOC. CAD	2	EA
103	0970489	CAPSCREW 3/8 16X1 1/2" LG. H.H. GR.5	27	EA
104	5560675	M.SCR 3/8 16 1 1/4 SOC. CAD	23	EA
105	0972499	CAPSCREW 3/8 16X1 3/4" LG. F.H. SKT.	8	EA

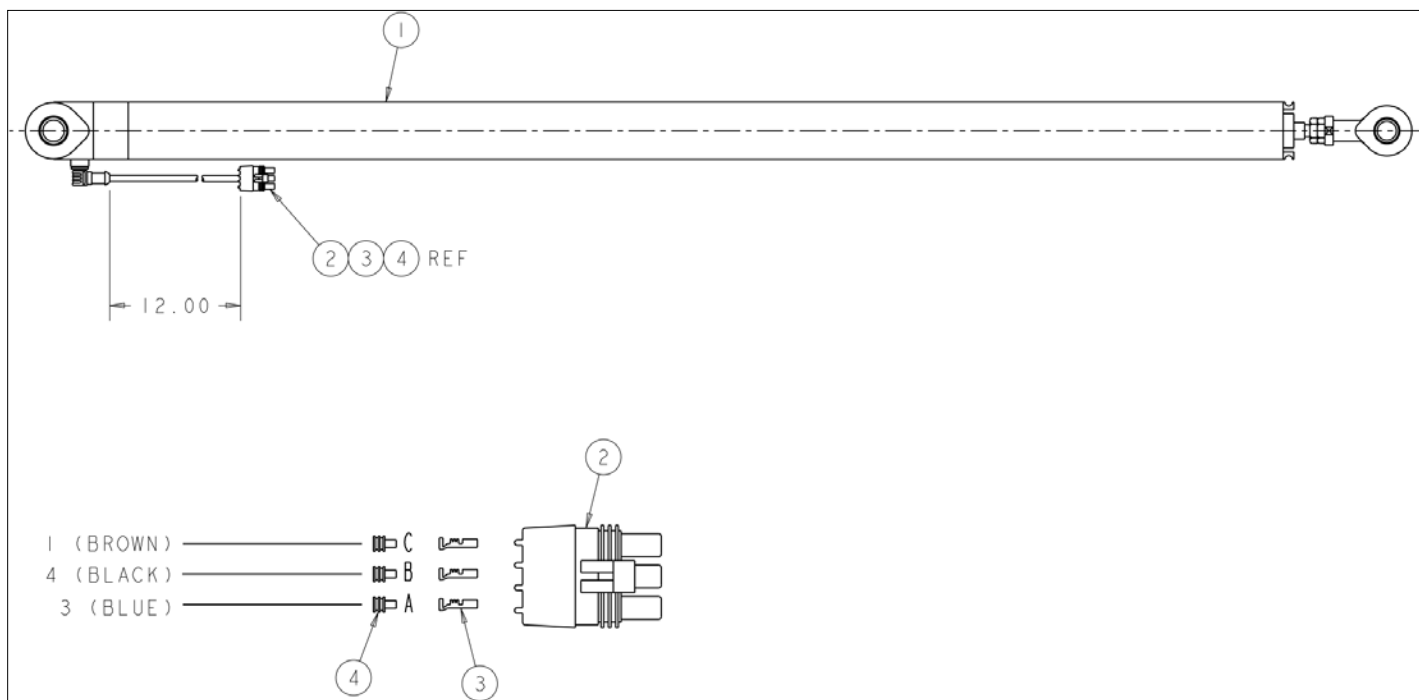
アイテム	部品番号	名前	数量	UOM
106	0972489	CAPSCREW 3/8 16X1 1/2 LG. F.H. SKT.	14	EA
107	0970449	CAPSCREW 3/8 16X3/4" LG. H.H. GR.5	29	EA
108	0970439	CAPSCREW 3/8 16X5/8" LG. H.H. GR.5	10	EA
109	PNNA	CAPSCREW 3/8 16X2" LG. H.H. GR.5	12	EA
110	5560243	BLT BTNHD .375 16 .50	18	EA
111	0972479	CAPSCREW 3/8 16X1 1/4" LG. H.H. GR.5	20	EA
112	PNNA	CAPSCREW 3/8 16X2 3/4" LG. F.H. SKT.	4	EA
113	0970269	CAPSCREW 5/16 18X1 1/4" LG. H.H. GR.5	6	EA
114	0986269	FLATWASHER 5/16	12	EA
115	PNNA	CAPSCREW 5/16 18X1" LG. H.H. GR.5	6	EA
116	PNNA	CAPSCREW 5/16 18X3/4" LG. H.H. GR.5	10	EA
117	0987109	LOCKWASHER 5/16 MED.	12	EA
118	5560331	M.SCR, 184 20 1.0 F.H. SOC. CAD PL	4	EA
119	0970426	CAPSCREW 3/8 16X7/8" LG H.H. GR.5	7	EA
120	5560242	CAPSCREW 1/2 13X1" LG. H.H. GR.8, NYLOCK	8	EA
121	0987139	LOCKWASHER 1/2 MED.	4	EA
122	5560643	BLT HEXHD .375 16 3.25 GR5	4	EA
123	0191621	SHIM .063 4.00 8.00 8H AL	2	EA
124	0970909	CAPSCREW 1/2 13X1 1/2" LG. H.H. GR5	4	EA
125	5560171	WASHER, 7/8 HARD FLAT ASTM F 436	2	EA
126	5560232	WSHR FLAT HARD 1.63 SP	2	EA
127	PNNA	FLATWASHER, 1 HARDENED	2	EA

アイテム	部品番号	名前	数量	UOM
128	5560685	NUT, 7/8 9 HEX JAM	4	EA
129	5569870	NUT HEX JAM 1.50 6	2	EA
130	5569871	NUT HEX JAM 1.00 8	2	EA
131	0984249	NUT 1 8, HEX	2	EA
132	5569872	NUT HEX 1.50 6	2	EA
133	5560256	BRG THR 1.50ID 2.50OD .059	4	EA
134	5560254	BRG THR 1.25ID 2.25OD .059	2	EA
135	0090444	SPACER (1/2")	2	EA
136	5560230	NUT 5/8 11 JAM DRILLED	4	EA
137	5560231	BLT BTNHD .625 11 1.75 5/8 11	2	EA
138	0988179	COTTER PIN, 1/8 DIA.X1" LG.	2	EA
140	PNNA	MACH. BUSHING, 2 1/2 O.D.X1 1/2 I.D.X14 G.A.	A.R	EA
141	5560233	7/8" SPHERICAL WASHER SET	4	EA
142	5560234	1" SPHERICAL WASHER SET	2	EA
143	5560235	1 1/2" SPHERICAL WASHER SET	2	EA
144	0984229	NUT 7/8 9 HEX	4	EA
145	0190853	HOSE 8 8S 8S 175.5 100R2	1	EA
146	0974759	MACH. SCREW #10 24 X 2" LG. RD HD.	8	EA
147	0986009	WSHR FLAT #10	16	EA
148	0984049	NUT HEX #10 24	8	EA
149	0191411	SWITCH ASSY EXTEND CUT OUT	1	EA
150	0191620	SHIM .030 4.00 8.00 5H AL	1	EA
151	2500046	BRG 1.50ID 2.00OD 1.25	2	EA
152	5560146	ANCHOR BOLT	2	EA
153	0190854	WASHER RETAINER 3 O.D.	2	EA
154	0190855	WASHER RETAINER 2 O.D.	2	EA
155	0190856	RTNR WSHR 1.69ID 1.75OD .065	2	EA
156	0090134	WLDMT PIN 1.25 3.310 GRIP	1	EA

アイテム	部品番号	名前	数量	UOM
157	0191023	GUIDE TRACK	2	EA
158	0190876	CAM VALVE SUB ASSEMBLY	1	EA
159	0190655	WLDMT COVER	1	EA
160	5510004	RUBBER HOOD LATCH W/HARDWARE	2	EA
161	5560198	NUT HEX LKG 8 32	10	EA
162	0073111	SLIDE PAD SPACER	2	EA
163	0970029	BLT HEXHD .250 20 .75 GR5	5	EA
164	0974439	MACH. SCREW #8 32 X 1/2" LG. TRUSS HD.	10	EA
165	0190905	WLDMT CABLE GUIDE	1	EA
166	5560126	THREAD INSERT .375 16 .375 LKG	22	EA
167	0190980	PIN	2	EA
168	5093004	CLP CUSH .750 VINYL COATED	2	EA
169	0970429	CAPSCREW 3/8 16X1/2" LG. H.H. GR.5	2	EA
170	0191054	SL PAD 3.00 6.00 .375 3H SP	1	EA
171	0984069	NUT 1/4 20 HEX	2	EA
172	0191055	BOOM LENGTH SENSOR ASSEMBLY	2	EA
174	0190847	WLDMT PIN	2	EA
175	0190843	BAR	2	EA
176	0190842	PLASTIC ROLLER 1.50/1.00 X 3.50	2	EA
177	0190844	SPCR .435ID .625OD 3.56 STL	2	EA
178	5560015	3/8 THREADED INSERT	22	EA
179	2504857	BEARING	REF	EA
180	9920020	PLASTIC TRACK LOW PROFILE	94 LINKS	EA
181	0970939	CAPSCREW 1/2 13X2 1/4" LG. H.H. GR.5	4	EA
182	0984409	NUT 1/2 13 JAM	4	EA

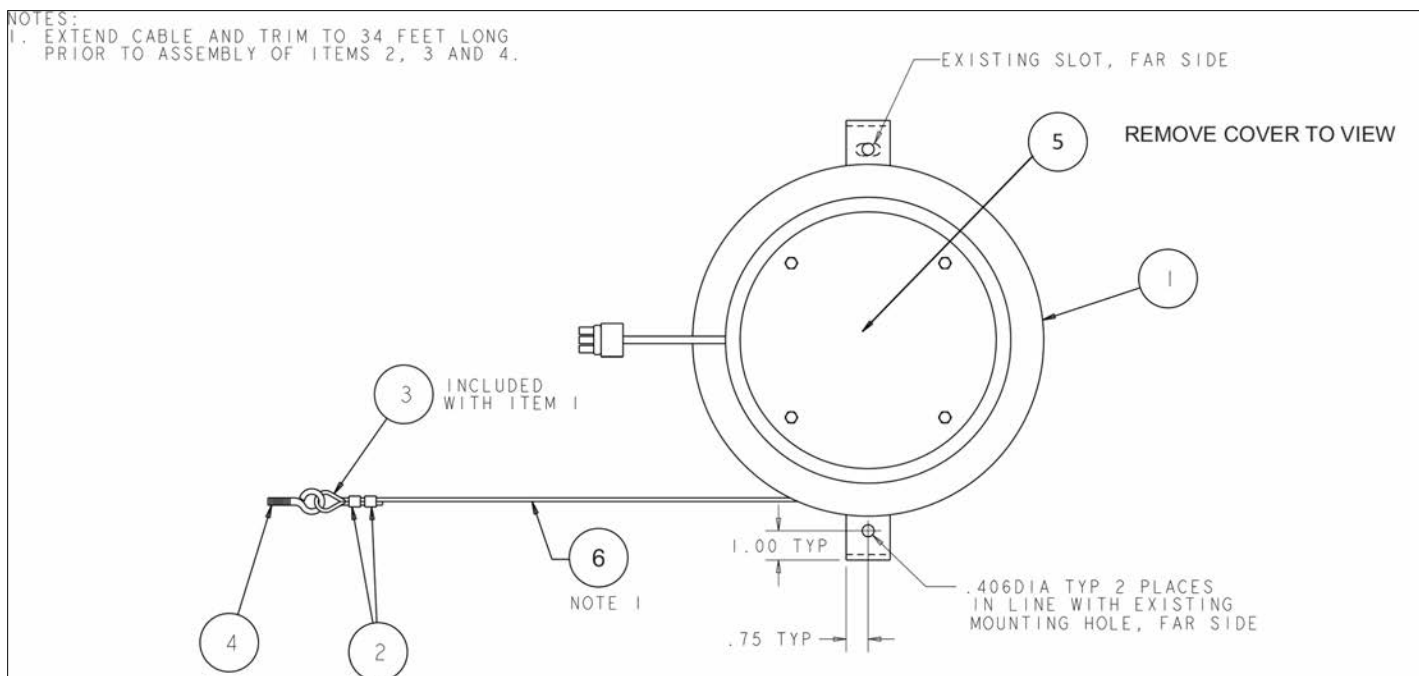
アイテム	部品番号	名前	数量	UOM
183	0191229	SPCR .313 4.00 8.00 4H STL	1	EA
184	0191230	SL PAD 4.00 8.00 .630 8H SP	1	EA
185	0191231	SPCR .090 4.00 8.00 8H AL	4	EA
186	0191172	BRKT SWITCH	2	EA
187	0072680	SHIM .060 3.00 6.00 8H AL	4	EA
188	0070485	SPCR .313 2.00 6.00 5H STL	2	EA
189	0072567	SPCR 2.00 5.88 .063	6	EA
190	0073342	SHIM .063 1.25 5.88 5H AL	2	EA
191	0987079	WASHER #8 LOCK MDM	10	EA
192	5560244	NUT WELD TAB .375 16	4	EA
193	0191518	SPCR .500ID 1.00OD 1.500 STL	4	EA
194	5560253	SBHCS .375 16 UNC X 1.25, STL, GR 8, PLTD	6	EA

REPAIR PARTS



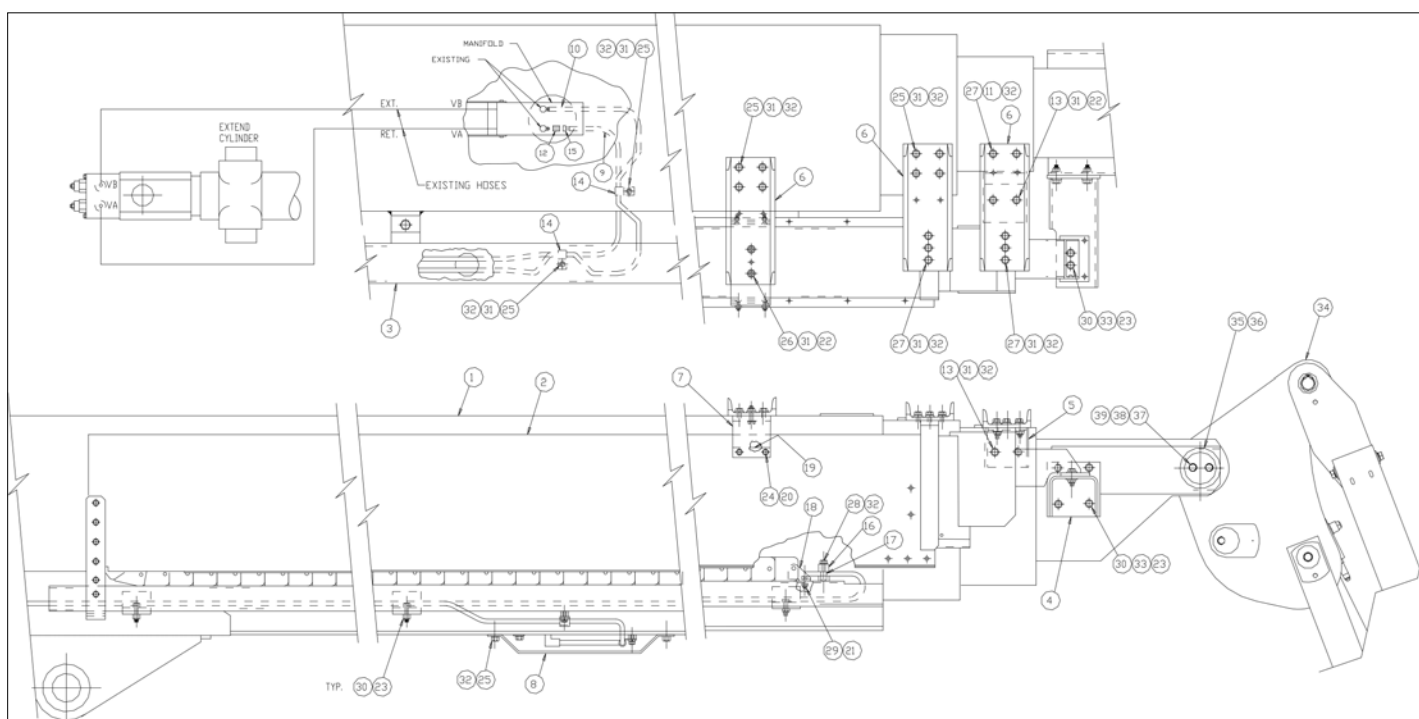
アイテム	部品番号	名前	数量	UOM
Not Shown	0191944 A	BOOM ANGLE SENSOR ASSEMBLY		EA
1	3030145	LINEAR TRANSDUCER	1	EA
2	3040565	TOWER, 3 WAY	1	EA
3	3040566	SLEEVE	3	EA
4	3040499	SEAL	3	EA

REPAIR PARTS



アイテム	部品番号	名前	数量	UOM
Not Shown	0191055 D	BOOM LENGTH SENSOR ASSEMBLY		EA
1	3030076	BOOM LENGTH SENSOR	1	EA
2	0241160	CRIMP SLEEVE	2	EA
3	964989	CABLE THIMBLE (INCLUDED W/ITEM #1)	REF	EA
4	5560251	EYEBOLT 1/4 20	1	EA
5	5520109	DIA COATED 34' CABLE	34 FT	EA
6	8160492	POTENTIOMETER 10K	A/R	EA

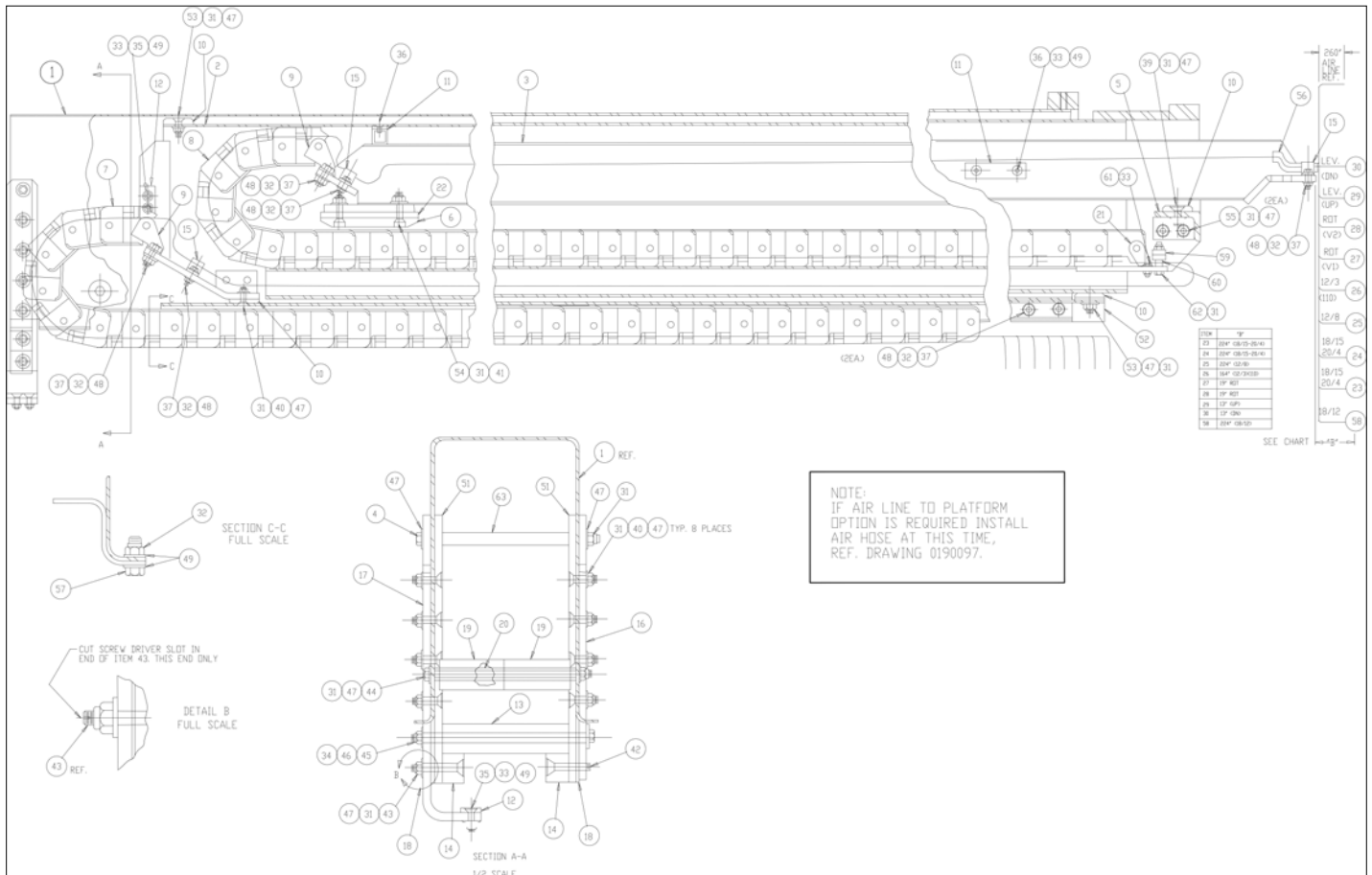
REPAIR PARTS



アイテム	部品番号	名前	数量	UOM
Not Shown	0192365 A	BOOM/HOSE CARRIER/		EA
1	0192367	BOOM ASSEMBLY	1	EA
2	0192364	HOSE CARRIER ASSEMBLY	1	EA
3	0190737	WLDMT SUPPORT TUBE	1	EA
4	0191090	WLDMT TUBE BRACKET	1	EA
5	0190626	WLDMT BRACKET	1	EA
6	0190624	CHANNEL	3	EA
7	0190657	BRACKET HOSECARRIER GUIDE	1	EA
8	0190976	COVER	1	EA
9	0190966	HOSE 6 6S 6S 336	1	EA
10	0190967	HOSE 8 8S 8S 336	1	EA
11	5560126	THREAD INSERT .375 16 .375 LKG	2	EA
12	5063906	FTG NUT 8S STL	1	EA
13	PNNA	BOLT HEXHD .375 16 1.25 GR5	4	EA
14	5093009	CLP CUSH 1.13 VINYL COATED	2	EA
15	5064003	FTG RDCR 8S 6S W/O NUT STL (SEE PAGE 2)	1	EA
16	0110590	TUBE CLAMP BAR W/BONDED RUBBER	1	EA
17	0150586	SPCR .465ID .500OD .750 STL	2	EA
18	0190736	BRACKET MODIFIED END	1	EA
19	0101371	SL PAD 1.25 4.00 .375 2H	2	EA
20	5560004	NUT LKG .250 20	4	EA
21	5560031	NUT HEX LKG .313 18	2	EA
22	5560033	.375 16UNC HEX LOCK NUT	4	EA
23	5560039	NUT HEX LKG .500 13	16	EA
24	PNNA	BOLT FLSKTHD .250 20 1.00 GR5	4	EA
25	PNNA	BOLT HEXHD .375 16 .875 GR5	13	EA
26	PNNA	BOLT HEXHD .375 16 1.50 GR5	2	EA

アイテム	部品番号	名前	数量	UOM
27	PNNA	BOLT HEXHD .375 16 1.00 GR5	8	EA
28	PNNA	BOLT HEXHD .375 16 2.00 GR5	2	EA
29	PNNA	BOLT HEXHD .313 18 .750 GR5	2	EA
30	PNNA	BOLT HEXHD .500 13 1.75 GR5	12	EA
31	PNNA	WASHER FLAT .375	28	EA
32	PNNA	WASHER LOCK .375 MDM	27	EA
33	5560168	WSHR FLAT HARD .500 SP	10	EA
34	0192387	ASSEMBLY, 5FT JIB	1	EA
35	0110678	WLDMT PIN 1.75 13.63 GRIP	1	EA
36	0070132	PIN LOCK 2.25 DIA 2H	1	EA
37	0070473	BLT HEXHD .313 18 .75 DR	2	EA
38	PNNA	WASHER .313 LOCK	2	EA
39	PNNA	.040 LOCK WIRE	A.R.	EA

REPAIR PARTS

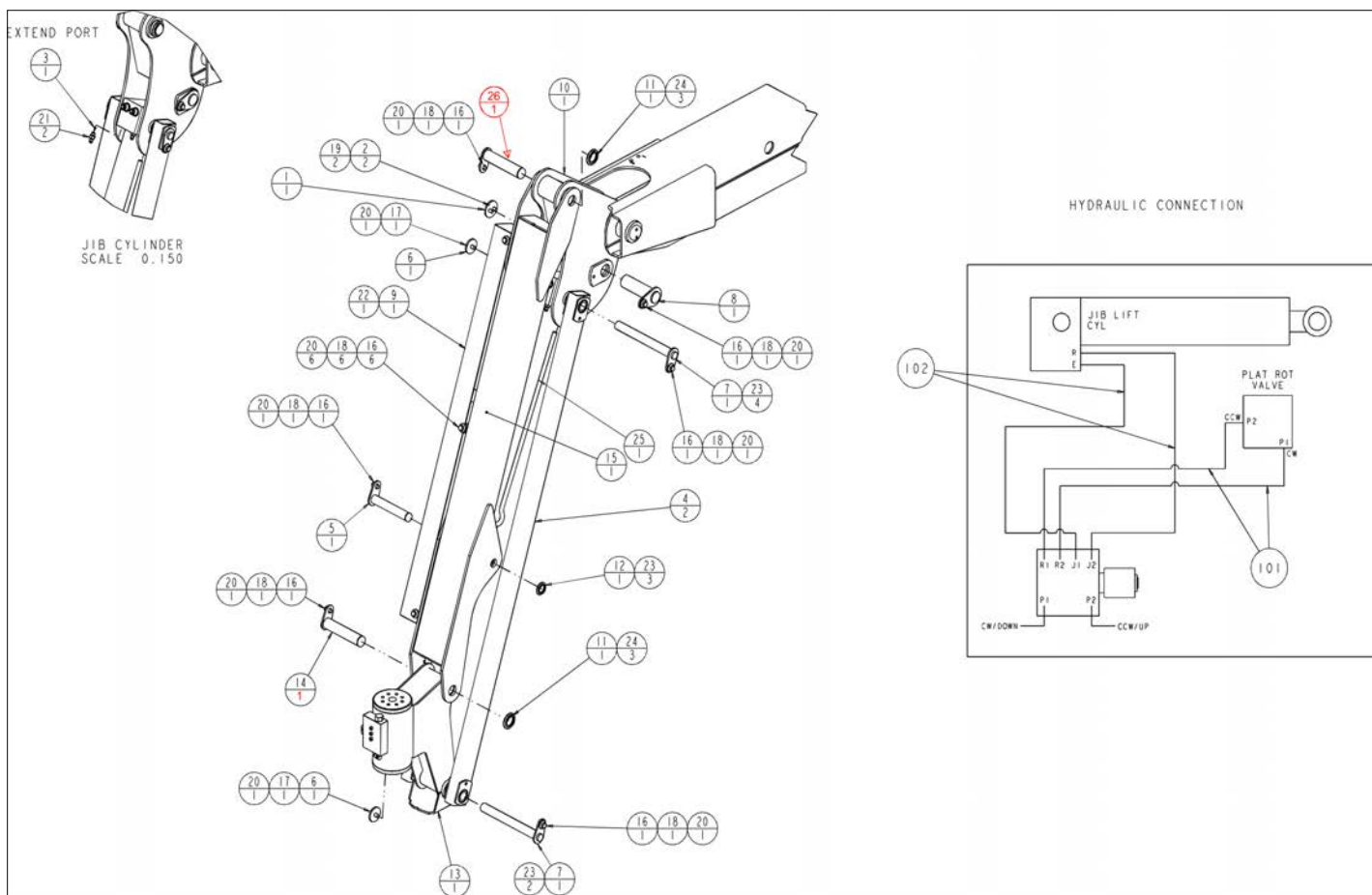


アイテム	部品番号	名前	数量	UOM
Not Shown	0192364 B	HOSE CARRIER ASSEMBLY		EA
1	0190740	OUTER COVER	1	EA
2	0190747	INNER COVER	1	EA
3	0190734	WLDMT TUBE	1	EA
4	970426	BLT HHD .375 16 X .875	1	EA
5	0190735	BRKT SLIDE PAD	1	EA
6	0190631	SPCR 4.50OD .125 5H AL	1	EA
7	9920017	POWER TRACK LINK	132LINK S	EA
8	9920017	POWER TRACK LINK	135LINK S	EA
9	9920018	END BRKT HOSE CARRIER	2	EA
10	0191935	SL PAD 2.00 6.00 .375 3H SP	4	EA
11	0101379	SL PAD 1.00 4.00 .25 2H	3	EA
12	0060089	SLIDE PAD	3	EA
13	0110841	SL PAD 1.50 6.250 1.50 1H	1	EA
14	0110842	SL PAD 1.50 1.50 1.10 1H	2	EA
15	5093012	CLP CUSH 1.75 VINYL COATED	3	EA
16	0191597	BAR OUTSIDE MOUNTING	1	EA
17	0191599	BRACKET MOUNTING	1	EA
18	0190756	SPCR .100 1.50 2.75 AL	2	EA
19	0181270	ROLLER	2	EA
20	0110227	SPCR .530ID .625OD 7.13 STL	1	EA
21	0190736	BRACKET MODIFIED END	1	EA
22	0190633	PLATE	1	EA
23	3010014	SHIELDED CABLE 18/15&20/4	1	EA
24	3010014	SHIELDED CABLE 18/15&20/4	1	EA
25	3010006	CABLE 12GA/8 CONDUCTOR	1	EA
26	0191336	WIRE 12 3 CNDCT 175.50 FT	1	EA
27	0191130	HOSE 3 4S 4S 1973 SP	1	EA

アイテム	部品番号	名前	数量	UOM
28	0191130	HOSE 3 4S 4S 1973 SP	1	EA
29	0192209	HOSE 4 4S 4S 1976	1	EA
30	0192209	HOSE 4 4S 4S 1976	1	EA
31	5560033	.375 16UNC HEX LOCK NUT	31	EA
32	5560031	NUT HEX LKG .313 18	25	EA
33	5560004	NUT LKG .250 20	10	EA
34	5560039	NUT HEX LKG .500 13	1	EA
35	5560331	M.SCR, 184 20 1.0 F.H. SOC. CAD PL	6	EA
36	5560330	BLT FLSKTHD .250 20 .75	6	EA
37	970369	BLT HEXHD .313 18 X 1.00 GR5	13	EA
38	970469	HHD BLT .375 16 X 1.00 GR5	3	EA
39	5560675	M.SCR 3/8 16 1 1/4 SOC. CAD	3	EA
40	972489	M.SCR 3/8 16 1 1/2 SOC. CAD	11	EA
41	5560645	BLT HEXHD .375 16 5.50 GR5 BIN	1	EA
42	972509	FLSKTHD .375 X 2.00 ZINC PLTD	1	EA
43	5560682	M.SCR, 3/8 16 2 1/2 F.H. SOC. CAD	1	EA
44	970369	BLT HEXHD .313 18 X 1.00 GR5	1	EA
45	5569861	BLT HEXHD .500 13 9.00 GR5	1	EA
46	986359	FLATWASHER 1/2"	2	EA
47	986299	WASHER, FLAT, .375 STANDARD, PLATED	41	EA
48	986269	WSHR FLAT .313	22	EA
49	986019	WSHR FLAT .250	34	EA
50	987119	WSHR LOCK .375	3	EA
51	0191598	BAR INSIDE MOUNTING	2	EA
52	0190859	CHANNEL	1	EA
53	972469	BLT FLSKTHD .375 16 X 1.00 GR	6	EA

アイテム	部品番号	名前	数量	UOM
54	972509	FLSKTHD .375 X 2.00 ZINC PLTD	4	EA
55	970269	BLT HEXHD .313 18 1.25 GR5 PLA	4	EA
56	5090034	SLEEVEHOSE ABRASION GRD 1.81 in	4FT	EA
57	970239	BLT HEXHD .313 18 .750 GR5	12	EA
58	3010009	CABLE 18GA/12 CONDUCTOR	1	EA
59	0110590	TUBE CLAMP BAR W/BONDED RUBBER	1	EA
60	0150586	SPCR .465ID .500OD .750 STL	2	EA
61	970049	BLT HEXHD .250 20 1.00 GR5 GRADE 5 PLT SAME AS 970189	2	EA
62	970529	BLT HEXHD .375 16 2.50 GR5 PLTD	2	EA
63	0191596	SPCR .530ID .625OD 6.25 STL	1	EA

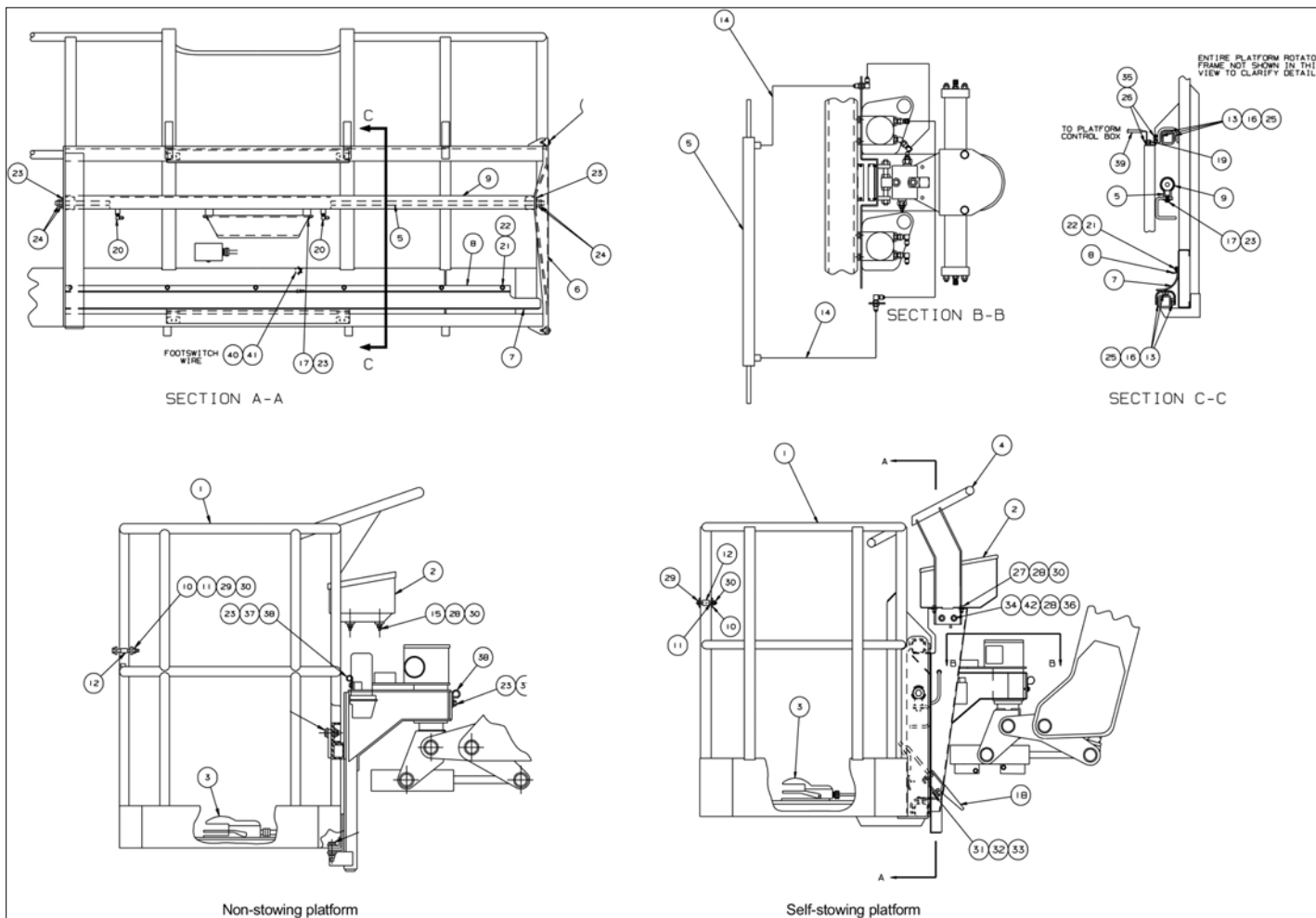
REPAIR PARTS



アイテム	部品番号	名前	数量	UOM
Not Shown	0192387 B	5FT JIB ASSEMBLY		EA
1	0070033	PIN LOCK 2.00 DIA 2H	1	EA
2	0070473	BLT HEXHD .313 18 .75 DR	2	EA
3	0151918	ORIFICE, .035	1	EA
4	0172199	LOWER JIB STRUT, WELDMENT	2	EA
5	0172213	WELDMENT 1.0 5.79 GRIP	1	EA
6	0172214	END CAP	2	EA
7	0172216	PIN TEARDROP 1.0 X 9.43	2	EA
8	0172228	WLDMT PIN 1.50 4.94 GRIP	1	EA
9	0172231	COVER HOSE 5' JIB	1	EA
10	0172462	WELDMENT, JIB INNER QUADRANT	1	EA
11	300541	1.25 SNAPRING	2	EA
12	300542	1.00 SNAPRING	1	EA
13	0420114	ASSEMBLY, ROTATOR PLATF	1	EA
14	0420124	PIN, TEARDROP 1.25 X 5.79 GRIP	1	EA
15	0420734	WELDMENT, UPPER ARM 5' JIB	1	EA
16	970439	BLTHHD .375 16 X .625 GR5	12	EA
17	970449	HHD BLT .375 16 X .750 GR5	2	EA
18	986299	WASHER, FLAT, .375 STANDARD, PLATED	12	EA
19	987109	WSHR LOCK .313	2	EA
20	987119	WSHR LOCK .375	14	EA
21	5065703	FTG ADPTR STRTHD 4B 4S STL	2	EA
22	5560083	HOSE GUIDE .125 RUBBER EDGE TR	24IN	EA
23	5560689	BUSHING MCHRY	9	EA
24	5560712	MACH BSHG 1.25 ID X 1.88 OD X	6	EA
25	6047114	CYL, 31.53 LG, 24.45 STROKE	1	EA

アイテム	部品番号	名前	数量	UOM
26	0421711	WLDMT PIN 1.25 5.915 GRIP	1	EA
101	0172444	HOSE 4 4S 4S 98 100R1	2	EA
102	0070772	3/8 I.D. HOSE ASSEMBLY	2	EA

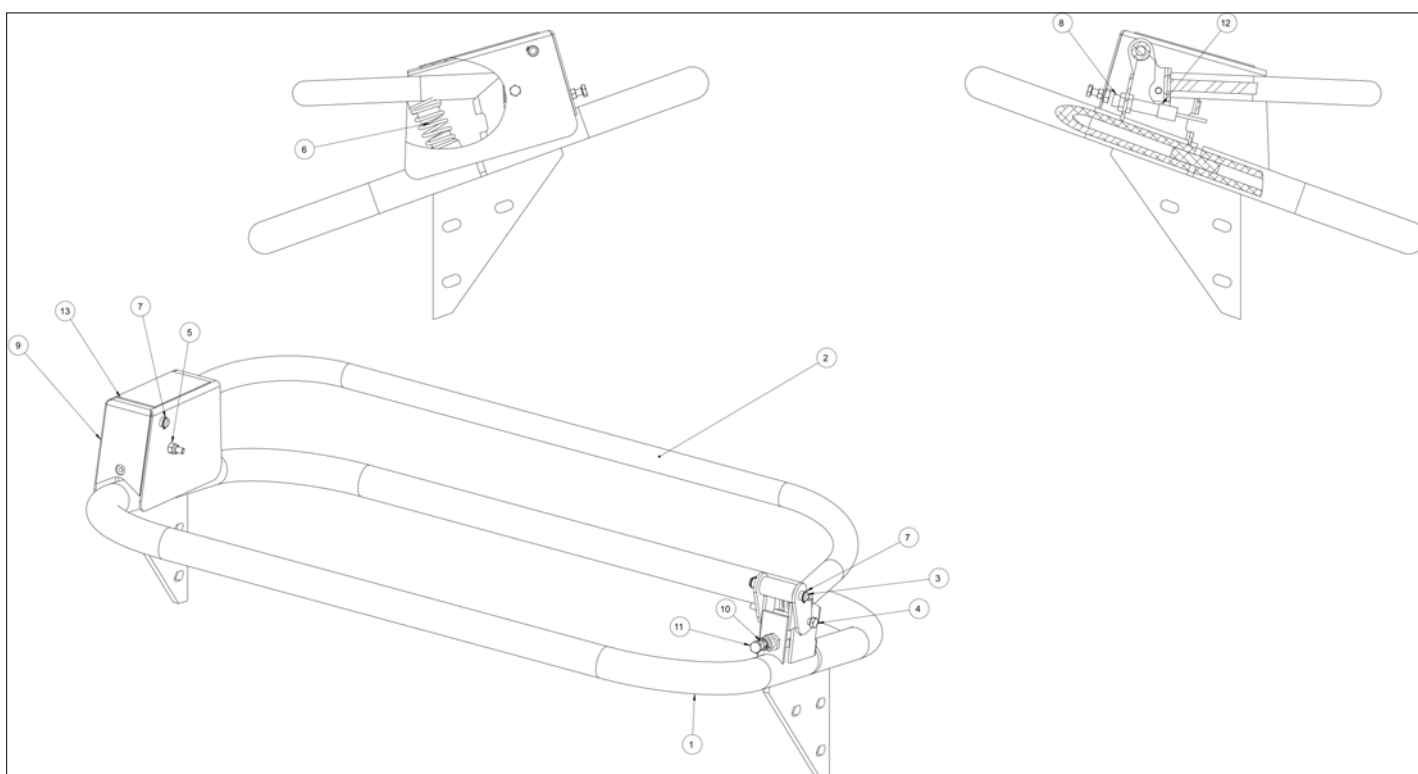
REPAIR PARTS



アイテム	部品番号	名前	数量	UOM
Not Shown	0191273	PLATFORM		EA
1	0191273	PLATFORM	1	EA
2	0191084	UPPER CONTROL BOX, SELF STOWING PLATFORM	1	EA
Not Shown	0191272	UPPER CONTROL BOX, NON STOWING PLATFORM	1	EA
3	0191265	PLATFORM FOOT SWITCH SELF STOWING PLATFORM	1	EA
Not Shown	0071800	FOOT SWITCH ASSEMBLY	1	EA
4	0191115	HAND RAIL	1	EA
5	0191203	CYLINDER, PLATFORM SLIDING	1	EA
6	0191202	CYLINDER MOUNT BRACKET	1	EA
7	0191215	RUBBER DEFLECTOR	1	EA
8	0191216	DEFLECTOR SUPPORT	1	EA
9	0191217	CYLINDER DEFLECTOR	1	EA
10	PNNA	PLATFORM GATE	1	EA
11	5560039	NUT HEX LKG .500 13	4	EA
12	986359	FLATWASHER 1/2"	10	EA
13	0060089	SLIDE PAD	12	EA
14	0020283	HOSE 4 4S 4S 15.25 100R1 SAE:100R1 4 BAND IN	2	EA
15	970529	BLT HEXHD .375 16 2.50 GR5 PLTD	4	EA
16	0071342	SHIM	12	EA
17	5560005	ANCHOR BOLT	2	EA
18	5516316	OVER CENTER HOOK LATCH	2	EA
19	475986	SW REED 3AMP	1	EA
20	5035303	FTG ELB90STRTHD 4B 4S STL	2	EA
21	970009	Capscrew 1/4 20 x 1/2 inch lon	6	EA
22	986019	WSHR FLAT .250	6	EA

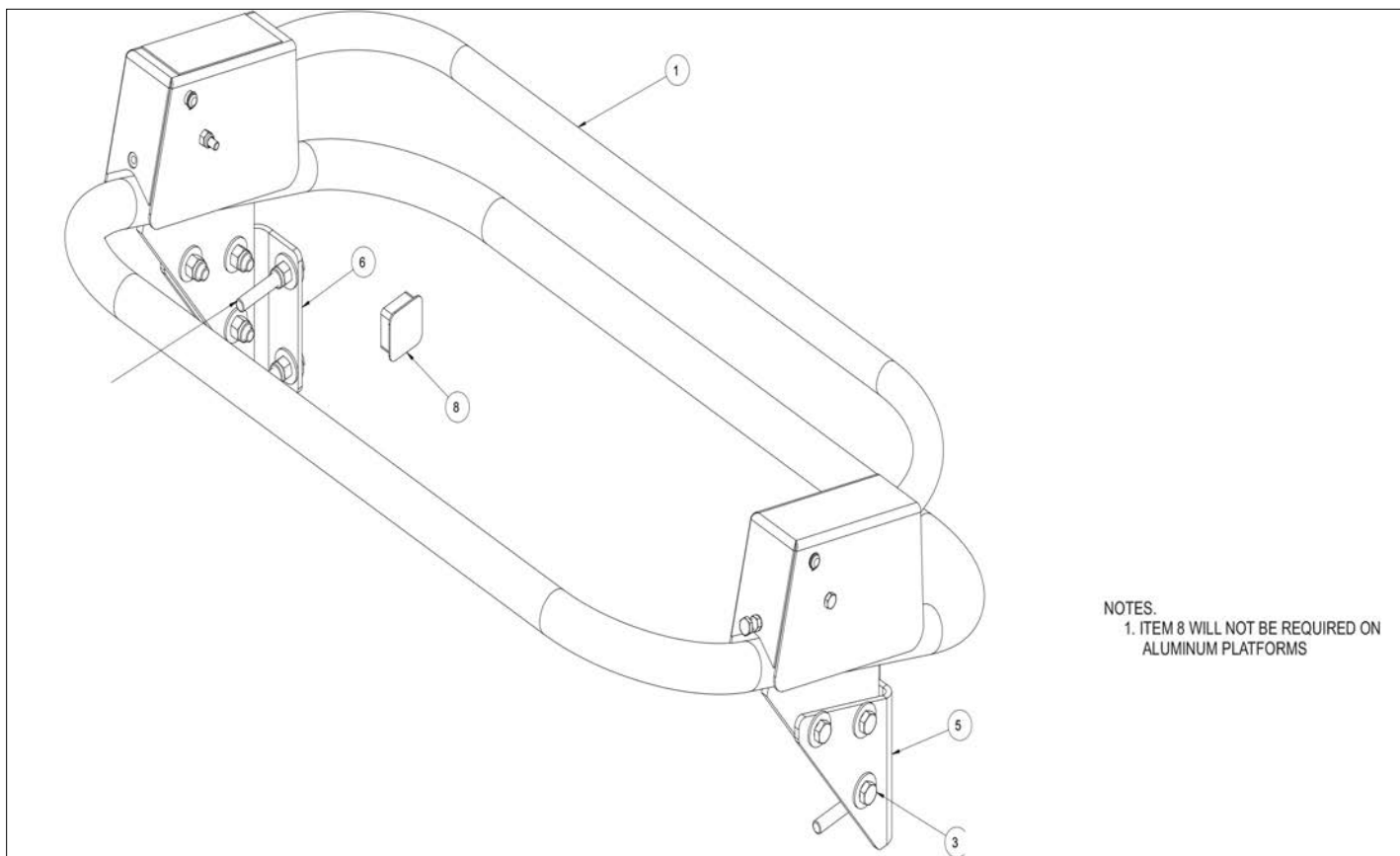
アイテム	部品番号	名前	数量	UOM
23	5560678	WSHR FLAT .625	4	EA
24	984449	NUT HEX JAM .625 11	4	EA
25	5560330	BLT FLSKTHD .250 20 .75	24	EA
26	5569847	MACHINE SCREW #8 32 X 3/4 INCH LONG SOCKET FLAT HEAD	4	EA
27	970469	HHD BLT .375 16 X 1.00 GR5	4	EA
28	986299	WASHER, FLAT, .375 STANDARD, PLATED	10	EA
29	970909	BLT HEXHD .500 13 1.50 GR5 PLA	4	EA
30	5560033	.375 16UNC HEX LOCK NUT	4	EA
31	970239	BLT HEXHD .313 18 .750 GR5	4	EA
32	986269	WSHR FLAT .313	4	EA
33	5560031	NUT HEX LKG .313 18	4	EA
34	970489	BLT HEXHD .375 16 1.50 GR5 PL	4	EA
35	984029	NUT HEX 6 32	4	EA
36	984109	NUT HEX .375 16	4	EA
37	970029	BLT .25 20 .750	2	EA
38	5073009	CLAMP	2	EA
39	0191259	WIRE HARNESS, PLATFORM INTERLOCK	1	EA
40	3040295	CONN .75 .625 .75	1	EA
41	3040110	NUT LKG HUB .750 SAMEAS 962129	1	EA
42	987119	WSHR LOCK .375	4	EA
43	970849	BLT HEXHD .500 13 1.25 GR5	2	EA

REPAIR PARTS



アイテム	部品番号	名前	数量	UOM
Not Shown	0113531 E	SNORKEL GUARD ASSEMBLY		EA
1	0113519	WLDMT, SNORKEL GUARD	1	EA
2	0113529	WLDMT ACTIVATION BAR	1	EA
3	0113528	PIN .375 X 2.31 GRIP	2	EA
4	056058 070	Bolt, HexBolt DIN931 M6 x 70mm	2	EA
5	056066 006	Nut NylockNut DIN985 M6 8.0 Zi	2	EA
6	0113530	SPRING ANTI ENTRAPMENT	1	EA
7	5592018	SNAP RING .375 DIA EXT	4	EA
8	3028844	IFS241 (IFM PROXY)	1	EA
9	0113538	WLDMT SHEILD	2	EA
10	984069	NUT HEX .250 20	1	EA
11	970029	BLT .25 20 .750	1	EA
12	3014753	SNORKEL GUARD SENSOR (CABLE, M12 X 2M L)	1	M
13	7030163	DECAL SNORKEL GUARD OVERRIDE OPERATION	1	EA

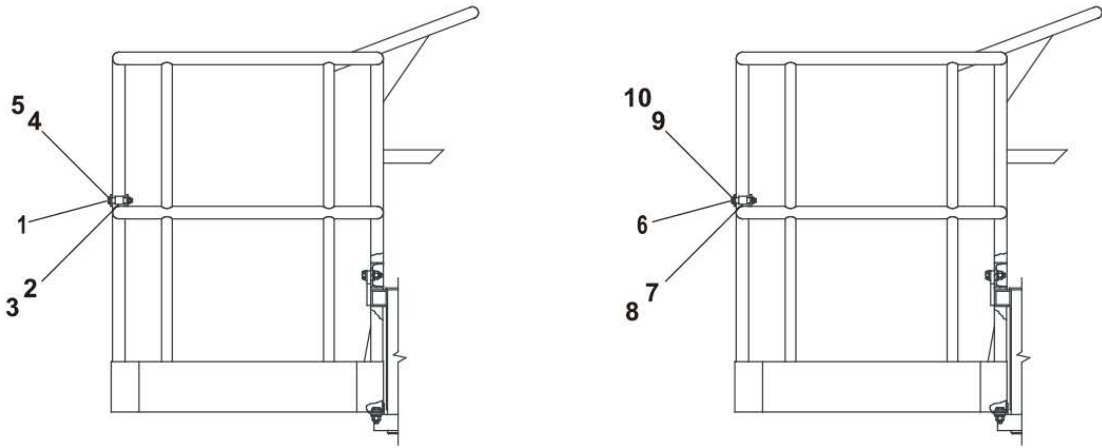
REPAIR PARTS



NOTES:
1. ITEM 8 WILL NOT BE REQUIRED ON ALUMINUM PLATFORMS

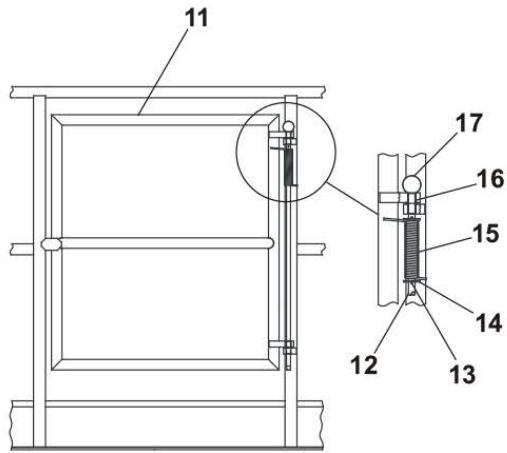
アイテム	部品番号	名前	数量	UOM
Not Shown	0113536 G 1	SNORKEL GUARD ASSEMBLY		EA
1	0113531	ASSY, SNORKEL GUARD	1	EA
2	986299	WASHER, FLAT, .375 STANDARD, PLATED	20	EA
3	972479	BLT HEXHD .375 16 1.25 GR5	6	EA
4	5560033	.375 16UNC HEX LOCK NUT	10	EA
5	0113560	HALO ADAPTER, LH	1	EA
6	0113561	HALO ADAPTER, RH	1	EA
7	970529	BLT HEXHD .375 16 2.50 GR5 PLTD	4	EA
8	2540014	END CAP 1.25 ID SQ PLASTIC BLACK	2	EA
9	IP 0113536	IP LEGACY SNORKEL GUARD	1	EA

REPAIR PARTS

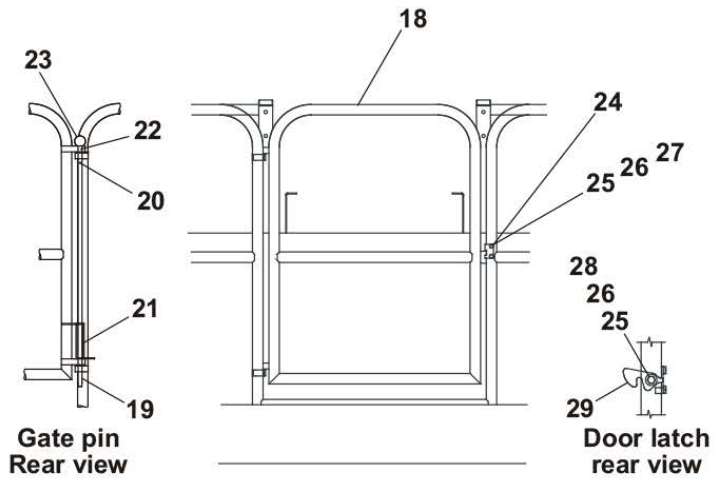


Gravity gate, steel platform

Gravity gate, aluminum platform



Swinging gate, steel platform

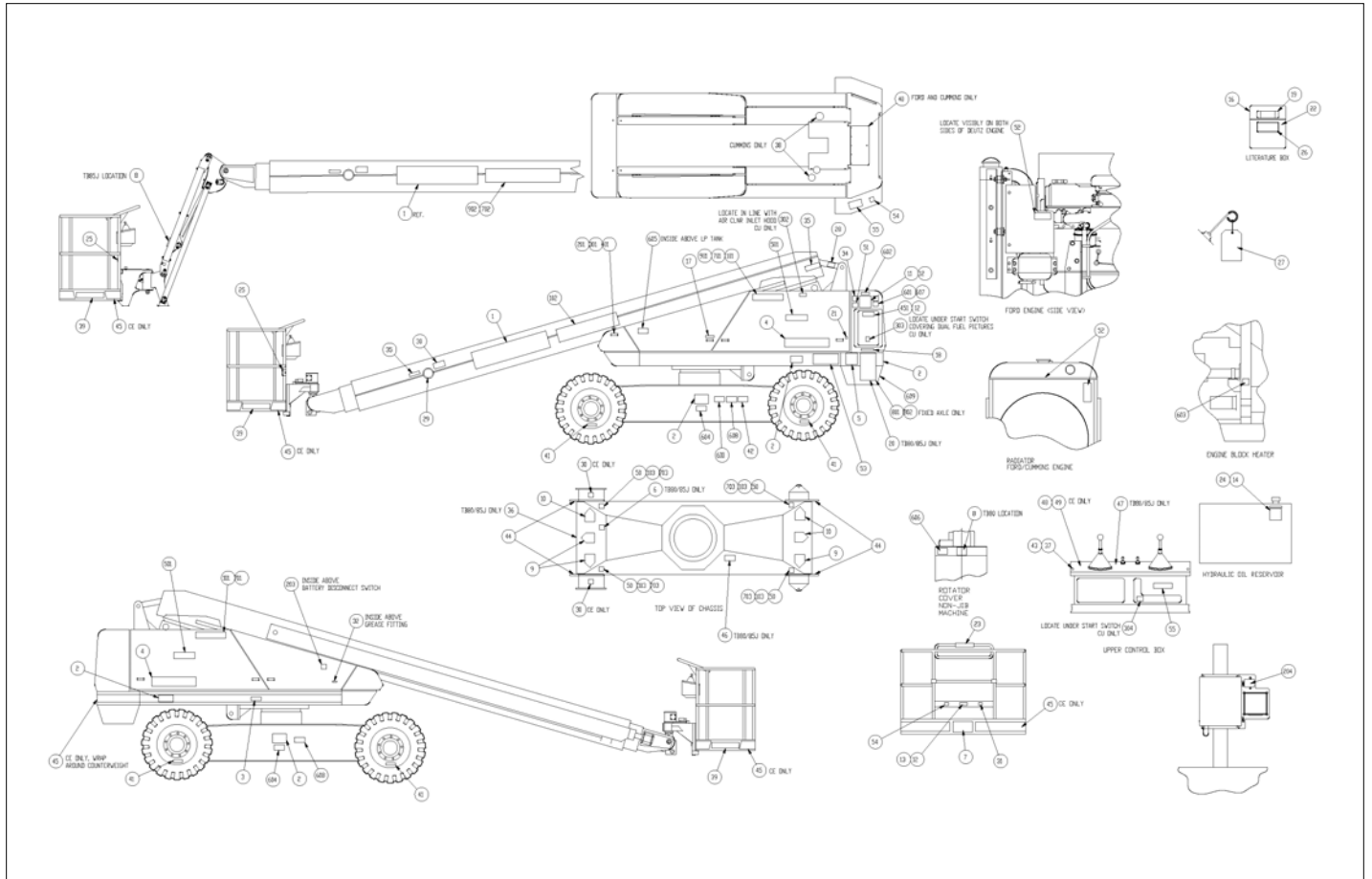


Swinging gate, aluminum platform

アイテム	部品番号	名前	数量	UOM
Not Shown	M00206	PLATFORM GATE		EA
Not Shown	0071954	GRAVITY GATE ASSEMBLY FOR 5FT AND 8FT STEEL PLATFORMS (INCLUDES ITEMS 1 THROUGH 5)		EA
1	0071951	GRAVITY GATE, STEEL PLATFORM	1	EA
2	0150509	ROLLER	2	EA
3	0071953	SPCR .451ID .500OD 1.88 STL	2	EA
4	9701529	CAPSCRW 3/8 16 X 2 1/2 INCH LONG HEX HEAD GRADE 5	2	EA
5	5560033	.375 16UNC HEX LOCK NUT	2	EA
Not Shown	0161177	GRAVITY GATE SERVICE KIT (KIT INCLUDES ITEMS 6 THROUGH 10)	1	EA
6	0161177	GRAVITY GATE SERVICE KIT (KIT INCLUDES ITEMS 6 THROUGH 10)	1	EA
7	0161182	ROLLER, ALUMINUM GRAVITY GATE	2	EA
8	0161184	ROLLER SPACER, ALUMINUM GRAVITY GATE	2	EA
9	970889	CAPSCREW 1/2 13 X 1" LG H.H.	2	EA
10	5560039	NUT HEX LKG .500 13	2	EA
Not Shown	PNNA	SWINGING GATE FOR 5FT AND 8FTSTEEL PLATFORMS	1	EA
11	0071834	SWINGING GATE, STEEL PLATFORM (SWINGING GATE FOR 5FT AND 8FTSTEEL PLATFORMS)	1	EA
12	0322724	PIN, GATE HINGE (FULL HEIGHT SWINGING GATE FOR 8FT STEEL PLATFORMS)	1	EA
13	988179	COTTER PIN, 1/8 DIA. X 1" LG.	2	EA
14	986359	FLATWASHER 1/2"	2	EA
15	0071837	TORSION SPRING BASKET MODIF.	1	EA

アイテム	部品番号	名前	数量	UOM
16	2570002	BEARING (FULL HEIGHT SWINGING GATE FOR 8FT STEEL PLATFORMS)	2	EA
17	2667500	95 BALL KNOB 1 3/8 X 1/2 13	1	EA
Not Shown	PNNA	SWING GATE FOR 5FT AND 8FT ALUMINUM PLATFORMS	1	EA
18	0160970	SWING GATE , ALUMINUM PLATFORM (SWING GATE FOR 5FT AND 8FT ALUMINUM PLATFORMS)	1	EA
19	0322724	PIN, GATE HINGE (FULL HEIGHT SWINGING GATE FOR 8FT STEEL PLATFORMS)	1	EA
20	5560056	ROLL PIN 1/8 DIAMETER X 1 INCH LONG (SWING GATE FOR 5FT AND 8FT ALUMINUM PLATFORMS)	1	EA
21	0071837	TORSION SPRING BASKET MODIF.	1	EA
22	2570002	BEARING (FULL HEIGHT SWINGING GATE FOR 8FT STEEL PLATFORMS)	2	EA
23	2667500	95 BALL KNOB 1 3/8 X 1/2 13	1	EA
24	0161472	LATCH STOP (SWING GATE FOR 5FT AND 8FT ALUMINUM PLATFORMS)	1	EA
25	970099	CAPSCREW 1/4 20 X 5/8 INCH LONG HEX HEAD GRADE 5 (FULL HEIGHT SWINGING GATE FOR 8FT STEEL PLATFORMS)	3	EA
26	984529	NUT SERT 1/4 20 (FULL HEIGHT SWINGING GATE FOR 8FT STEEL PLATFORMS)	3	EA
27	987009	WASHER 1/4 MEDIUM LOCK	2	EA
28	986019	WSHR FLAT .250	1	EA
29	300891	DOOR LATCH (FULL HEIGHT SWINGING GATE FOR 8FT STEEL PLATFORMS)	1	EA

REPAIR PARTS



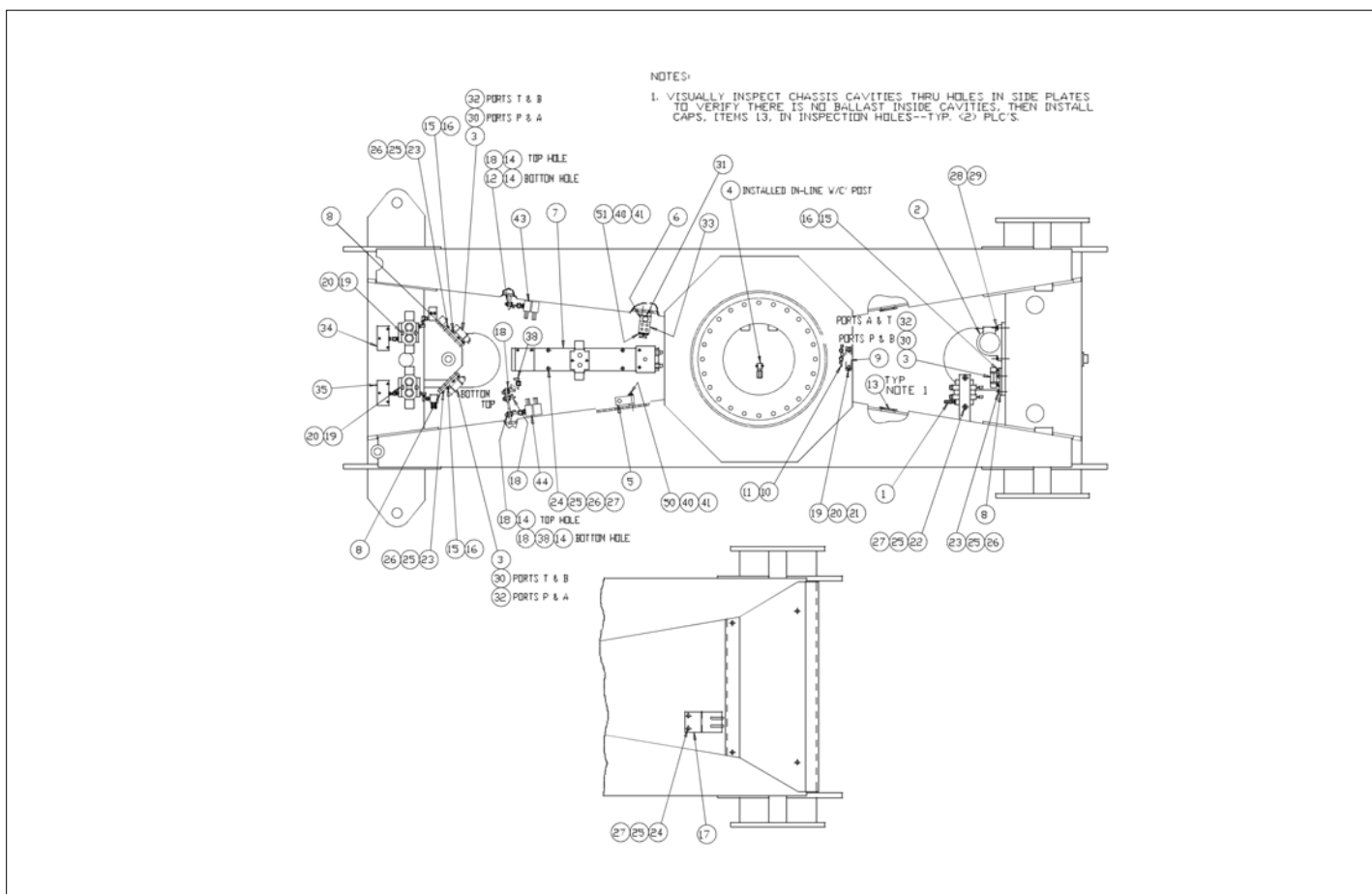
DECAL/PLACARD KIT INFORMATION

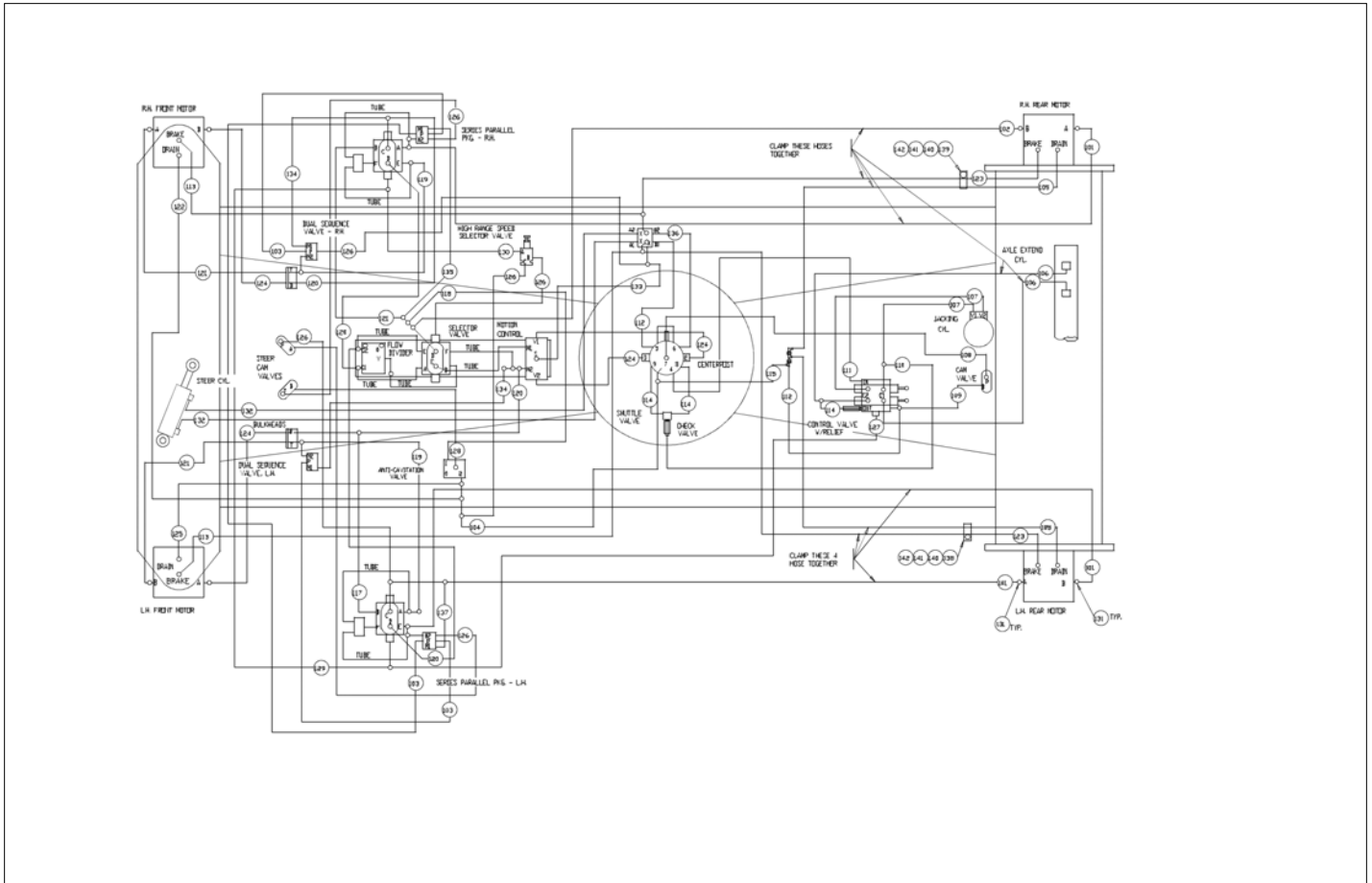
MOBILE	DECAL/PLACARD BOX NUMBER	DECAL PLACARD TIME/VEH COMBA	DECAL PLACARD TIME LOGS	DECAL PLACARD TIME HARDWARE	DECAL PLACARD TIME CE COMBA	DECAL PLACARD TIME CE PLATFORM	DECAL PLACARD TIME LOGS	DECAL PLACARD TIME/VEH COMBA
TB125J 402	020204	X	X	X				
TB125J 404	020403	X	X	X				
TB125J 406	020603	X	X	X				
TB125J 408	020803	X	X	X				
TB125J 410	021003	X	X	X				
TB125J 412	021203	X	X	X				
TB125J 414	021403	X	X	X				
TB125J 416	021603	X	X	X				
TB125J 418	021803	X	X	X				
TB125J 420	022003	X	X	X				
TB125J 422	022203	X	X	X				
TB125J 424	022403	X	X	X				
TB125J 426	022603	X	X	X				
TB125J 428	022803	X	X	X				
TB125J 430	023003	X	X	X				
TB125J 432	023203	X	X	X				
TB125J 434	023403	X	X	X				
TB125J 436	023603	X	X	X				
TB125J 438	023803	X	X	X				
TB125J 440	024003	X	X	X				
TB125J 442	024203	X	X	X				
TB125J 444	024403	X	X	X				
TB125J 446	024603	X	X	X				
TB125J 448	024803	X	X	X				
TB125J 450	025003	X	X	X				
TB125J 452	025203	X	X	X				
TB125J 454	025403	X	X	X				
TB125J 456	025603	X	X	X				
TB125J 458	025803	X	X	X				
TB125J 460	026003	X	X	X				
TB125J 462	026203	X	X	X				
TB125J 464	026403	X	X	X				
TB125J 466	026603	X	X	X				
TB125J 468	026803	X	X	X				
TB125J 470	027003	X	X	X				
TB125J 472	027203	X	X	X				
TB125J 474	027403	X	X	X				
TB125J 476	027603	X	X	X				
TB125J 478	027803	X	X	X				
TB125J 480	028003	X	X	X				
TB125J 482	028203	X	X	X				
TB125J 484	028403	X	X	X				
TB125J 486	028603	X	X	X				
TB125J 488	028803	X	X	X				
TB125J 490	029003	X	X	X				
TB125J 492	029203	X	X	X				
TB125J 494	029403	X	X	X				
TB125J 496	029603	X	X	X				
TB125J 498	029803	X	X	X				
TB125J 500	030003	X	X	X				

NOTE:
 01. REFER TO THE PLATFORM MODEL FOR THE CORRECT PLATFORM CAPACITY PLACARDS
 02. CROSS LANGUAGE DECALS TO BE INSTALLED AT 0000
 03. DECAL/PLACARD KIT INFORMATION SHOWN IN WHITE IS FOR REFERENCE USE ONLY.
 04. QUANTITY IS 1 FOR CHASSIS MODELS AND 3 FOR CE MODELS.

MOBILE	DECAL	PLACARD	TIME/VEH COMBA	TIME LOGS	TIME HARDWARE	TIME CE COMBA	TIME CE PLATFORM	TIME LOGS	TIME/VEH COMBA
TB125J 402	020204	X	X	X					
TB125J 404	020403	X	X	X					
TB125J 406	020603	X	X	X					
TB125J 408	020803	X	X	X					
TB125J 410	021003	X	X	X					
TB125J 412	021203	X	X	X					
TB125J 414	021403	X	X	X					
TB125J 416	021603	X	X	X					
TB125J 418	021803	X	X	X					
TB125J 420	022003	X	X	X					
TB125J 422	022203	X	X	X					
TB125J 424	022403	X	X	X					
TB125J 426	022603	X	X	X					
TB125J 428	022803	X	X	X					
TB125J 430	023003	X	X	X					
TB125J 432	023203	X	X	X					
TB125J 434	023403	X	X	X					
TB125J 436	023603	X	X	X					
TB125J 438	023803	X	X	X					
TB125J 440	024003	X	X	X					
TB125J 442	024203	X	X	X					
TB125J 444	024403	X	X	X					
TB125J 446	024603	X	X	X					
TB125J 448	024803	X	X	X					
TB125J 450	025003	X	X	X					
TB125J 452	025203	X	X	X					
TB125J 454	025403	X	X	X					
TB125J 456	025603	X	X	X					
TB125J 458	025803	X	X	X					
TB125J 460	026003	X	X	X					
TB125J 462	026203	X	X	X					
TB125J 464	026403	X	X	X					
TB125J 466	026603	X	X	X					
TB125J 468	026803	X	X	X					
TB125J 470	027003	X	X	X					
TB125J 472	027203	X	X	X					
TB125J 474	027403	X	X	X					
TB125J 476	027603	X	X	X					
TB125J 478	027803	X	X	X					
TB125J 480	028003	X	X	X					
TB125J 482	028203	X	X	X					
TB125J 484	028403	X	X	X					
TB125J 486	028603	X	X	X					
TB125J 488	028803	X	X	X					
TB125J 490	029003	X	X	X					
TB125J 492	029203	X	X	X					
TB125J 494	029403	X	X	X					
TB125J 496	029603	X	X	X					
TB125J 498	029803	X	X	X					
TB125J 500	030003	X	X	X					

HYDRAULICS





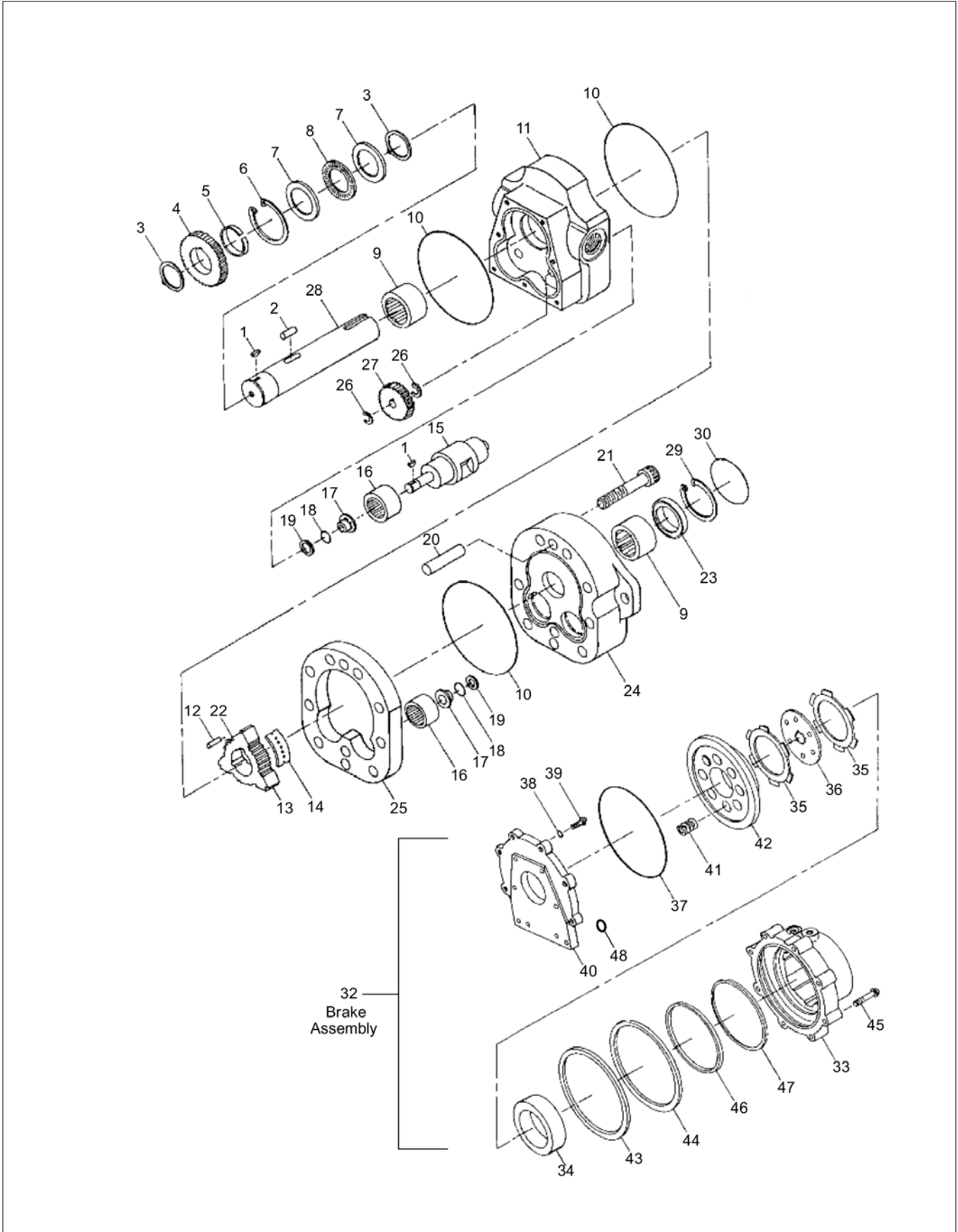
アイテム	部品番号	名前	数量	UOM
Not Shown	0111537 J	CHASSIS HYDRAULIC EQUIPMENT		EA
1	0111291	CONTROL VALVE SUB ASSEMBLY	1	EA
2	0111292	JACKING CYLINDER SUB ASSY	1	EA
3	6010222	CAM VALVE	3	EA
4	0111290	SHUTTLE VALVE SUB ASSEMBLY	1	EA
5	0111273	ANTI CAV VALVE SUB ASSEMBLY L.H	1	EA
6	0111344	HIGH RNG SPD SEL VALVE SUB ASSEMBLY	1	EA
7	0111264	DRIVE VALVE SUB ASSEMBLY	1	EA
8	0110495	BASE PLATE CAM VALVE	3	EA
9	0110590	TUBE CLAMP BAR W/BONDED RUBBER	1	EA
10	5034203	FTG ELB90UN 6S 6S STL	1	EA
11	5036705	FTG TEE SWVL RUN 6S 6S STL	2	EA
12	5034505	FTG ELB90BHD 12S 12S STL PH 12	1	EA
13	5070026	CAP WHEEL SERVICE	2	EA
14	5074406	BULKHEAD LOCKNUT (12)	4	EA
15	5569880	SCREW MACH SKTHD 10 24 X .625	12	EA
16	5560654	WSHR LOCK #10 SPLIT TYPE	12	EA
17	0111305	GUARD	1	EA
18	5035408	FTG TEE BHD RUN 12S 12S STL	3	EA
19	970319	BLT HEXHD .313 18 2.50 GR5	6	EA
20	987109	WSHR LOCK .313	6	EA
21	984089	NUT HEX .313 18	2	EA
22	972469	BLT FLSKTHD .375 16 X 1.00 GR	2	EA
23	970426	BLT HHD .375 16 X .875	9	EA
24	970469	HHD BLT .375 16 X 1.00 GR5	8	EA

アイテム	部品番号	名前	数量	UOM
25	987119	WSHR LOCK .375	17	EA
26	986299	WASHER, FLAT, .375 STANDARD, PLATED	15	EA
27	984109	NUT HEX .375 16	8	EA
28	5560693	BLT SKTHD .750 10 1.75 \$C075C	4	EA
29	987179	WSHR LOCK .750	4	EA
30	5035303	FTG ELB90STRTHD 4B 4S STL	6	EA
31	0112030	SPCR .125 1.00 3.00 STL SP	2	EA
32	5075203	FTG PL HEX HD 4B STL	6	EA
33	0111492	VALVE	1	EA
34	0111535	R H SERIES PKG VALVE 4 X 4	1	EA
35	0111536	VALVE	1	EA
38	5037008	ADAPTER 90 ° ELBOW SWIVEL 12 JIC	1	EA
40	987099	WSHR LOCK .250	4	EA
41	986019	WSHR FLAT .250	4	EA
43	0111530	VALVE	1	EA
44	0111528	VALVE	1	EA
45	5035708	FTG ELB45STRTHD 12B 12S STL	1	EA
47	5093014	CLP CUSH 2.25 VINYL COATED	1	EA
48	5093013	CLP CUSH 2.00 VINYL COATED	1	EA
49	5560033	.375 16UNC HEX LOCK NUT	2	EA
50	970169	BOLTHEXHD .250 20 2.00 GR5	2	EA
51	969979	BLT HEXHD .250 20 X 4.50 GR5	2	EA
101	0111282	HOSE 12 12S 12S 190 100R2	3	EA
102	0111283	HOSE 12 12S 12S 142 100R2	1	EA
103	0040276	HOSE 4 4S 4S 20.5 100R1	3	EA
104	0111285	HOSE 12 10S 10S 36 100R2	1	EA
105	0090402	HOSE 6 6S 6S 108 100R2 (SEE PAGE 2)	2	EA

アイテム	部品番号	名前	数量	UOM
106	0100270	HOSE 4 6S 6S 108 100R1	2	EA
107	0070779	HOSE 4 6S 6S 23.75 100R1	2	EA
108	0080386	HOSE 4 4S 4S 70 100R1	1	EA
109	0080359	HOSE 4 4S 6S 23.5 100R1	1	EA
110	0070781	HOSE 4 6S 6S 52 100R1	1	EA
111	0070782	HOSE 4 6S 6S 66 100R1	1	EA
112	0070780	HOSE 4 6S 6S 36 100R1	2	EA
113	0070771	HOSE 4 4S 4S 77 100R1	2	EA
114	0070773	HOSE 4 6S 6S 13.5 100R1	3	EA
115	0020276	HOSE 6 6S 6S 27.625 100R2	1	EA
117	0080939	HOSE 12 12S45 12S 31.5 100R2	1	EA
118	0323885	HOSE 12 10S 12S 37 100R2	1	EA
119	0323804	HOSE 12 12S 12S 24 100R2	2	EA
120	0080524	HOSE 12 12S 12S 30 100R2 30	4	EA
121	0110171	HOSE 12 12S 12S 44 100R2	3	EA
122	0111286	HOSE 6 6S 6S 84 100R2	1	EA
123	0100491	HOSE 4 4S 4S 150 100R1	2	EA
124	0110173	HOSE 12 12S 12S 41 100R2	4	EA
125	0081080	HOSE 6 6S 6S 65 100R2	1	EA
126	0020280	HOSE 4 4S 4S 23.5 (SEE PAGE 2)	6	EA
127	0111346	HOSE 4 4S 4S 133 100R1	1	EA
128	0100278	HOSE 4 4S 4S 43 100R1	1	EA
129	0070768	1/4 I.D. HOSE ASSY	1	EA
130	0070911	HOSE 4 4S 4S 62 100R1	1	EA
131	5080015	LAST CHANCE FILTER	8	EA
132	0070783	HOSE 4 6S 6S 76.5 100R1	2	EA
133	0070765	HOSE 4 4S 4S 29 100R1	1	EA
134	0073040	HOSE 8 8S 8S 28 100R2	2	EA
135	0070792	HOSE 8 8S 8S 32 100R2	1	EA

アイテム	部品番号	名前	数量	UOM
136	0090299	HOSE 4 6S 6S 43 100R1	1	EA
137	0020424	HOSE 8 8S 8S 30 100R2	1	EA
138	5093013	CLP CUSH 2.00 VINYL COATED	1	EA
139	5093014	CLP CUSH 2.25 VINYL COATED	1	EA
140	970469	HHD BLT .375 16 X 1.00 GR5	2	EA
141	986299	WASHER, FLAT, .375 STANDARD, PLATED	4	EA
142	5560033	.375 16UNC HEX LOCK NUT	2	EA

HYDRAULICS

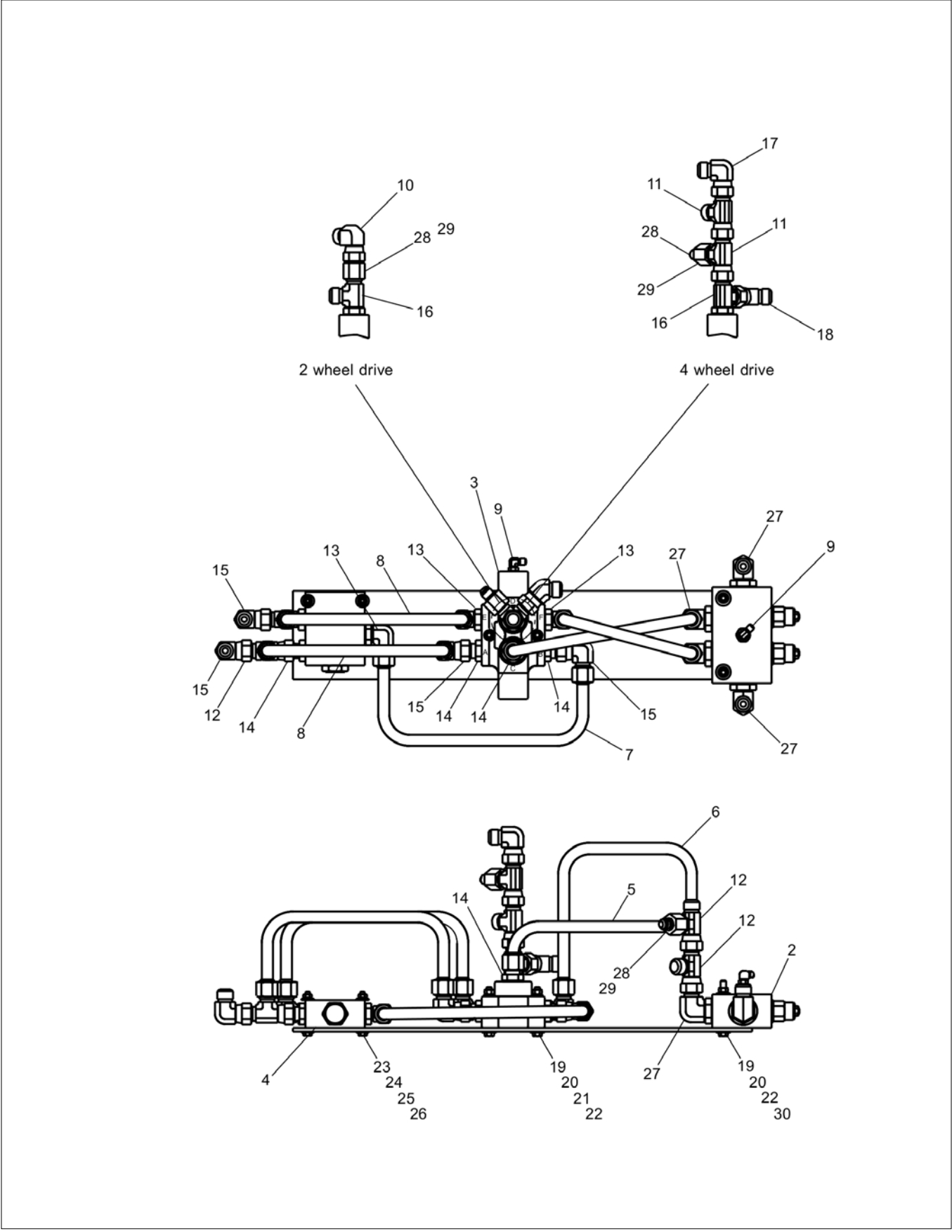


アイテム	部品番号	名前	数量	UOM
Not Shown	6030037	VR DRIVE MTR W/BRAKE VON RUDEN		EA
Not Shown	0111494	SEAL KIT (KIT INCLUDES ITEMS 10,18,19,23,30,43,44,45,46,47 AND 48)		EA
1	8220126	WOODRUFF KEY	3	EA
2	8220157	DRIVE PIN	1	EA
3	8220158	RETAINING RING	2	EA
4	8220159	GEAR DRIVE	1	EA
5	8220160	SPACER WASHER	1	EA
6	8220161	RETAINING RING	1	EA
7	8220162	THRUST BEARING RACE	2	EA
8	8220163	THRUST BEARING	1	EA
9	8220034	NEEDLE BEARING	2	EA
10	KIT ITEM	OIL SEAL (NOT SOLD SEPARATELY)	3	EA
11	8220035	REAR END CAP	1	EA
12	8220165	TIP SEAL ROLLER	3	EA
13	8220167	ROTAR	1	EA
14	8220168	SEAL PLATE	3	EA
15	8220169	ABUTMENT VALVE	2	EA
16	8220036	NEEDLE BEARING	4	EA
17	8220170	STEP BEARING	4	EA
18	KIT ITEM	O RING (NOT SOLD SEPARATELY)	4	EA
19	KIT ITEM	BACK UP RING (NOT SOLD SEPARATELY)	4	EA
20	8220180	DOWEL PIN	4	EA
21	8220173	CAPSCREW	18	EA
22	8220166	BODY SEAL ROLLER	18	EA
23	KIT ITEM	SHAFT SEAL (NOT SOLD SEPARATELY)	1	EA

アイテム	部品番号	名前	数量	UOM
24	8220175	FRONT END CAP	1	EA
25	8220176	DISPLACEMENT HOUSING	1	EA
26	8220142	RETAINING RING	4	EA
27	8220177	GEAR PINION (STANDARD)	2	EA
28	8220178	S SHAFT FOR BRAKE	1	EA
29	8220179	RETAINING RING	1	EA
30	KIT ITEM	O RING (NOT SOLD SEPARATELY)	1	EA
Not Shown	8220019	FRONT SEALING CAP	1	EA
32	8220182	DRIVE MOTOR BRAKE, 4 CUBIC INCH (INCLUDES ITEMS 33 48)	1	EA
Not Shown	8220038	BRAKE REPLACEMENT KIT	1	EA
33	KIT ITEM	HOUSING (NOT SOLD SEPARATELY)	1	EA
34	6030038	SPACER RING	1	EA
35	8220014	FRICTION DISC	5	EA
36	8220015	DRIVER PLATE	4	EA
37	8220010	O RING	1	EA
38	8230077	BRASS WASHER	7	EA
39	8220016	CAPSCREW	7	EA
40	KIT ITEM	ADAPTER PLATE (NOT SOLD SEPARATELY)	1	EA
41	8220025	DIE SPRING	8	EA
42	8220026	PRESSURE PLATE	1	EA
43	KIT ITEM	BACK UP RING (NOT SOLD SEPARATELY)	1	EA
44	KIT ITEM	O RING (NOT SOLD SEPARATELY)	1	EA
45	KIT ITEM	CAPSCREW (NOT SOLD SEPARATELY)	8	EA
46	KIT ITEM	O RING (NOT SOLD SEPARATELY)	1	EA

アイテム	部品番号	名前	数量	UOM
47	KIT ITEM	BACK UP RING (NOT SOLD SEPARATELY)	2	EA
48	KIT ITEM	O RING (NOT SOLD SEPARATELY)	1	EA

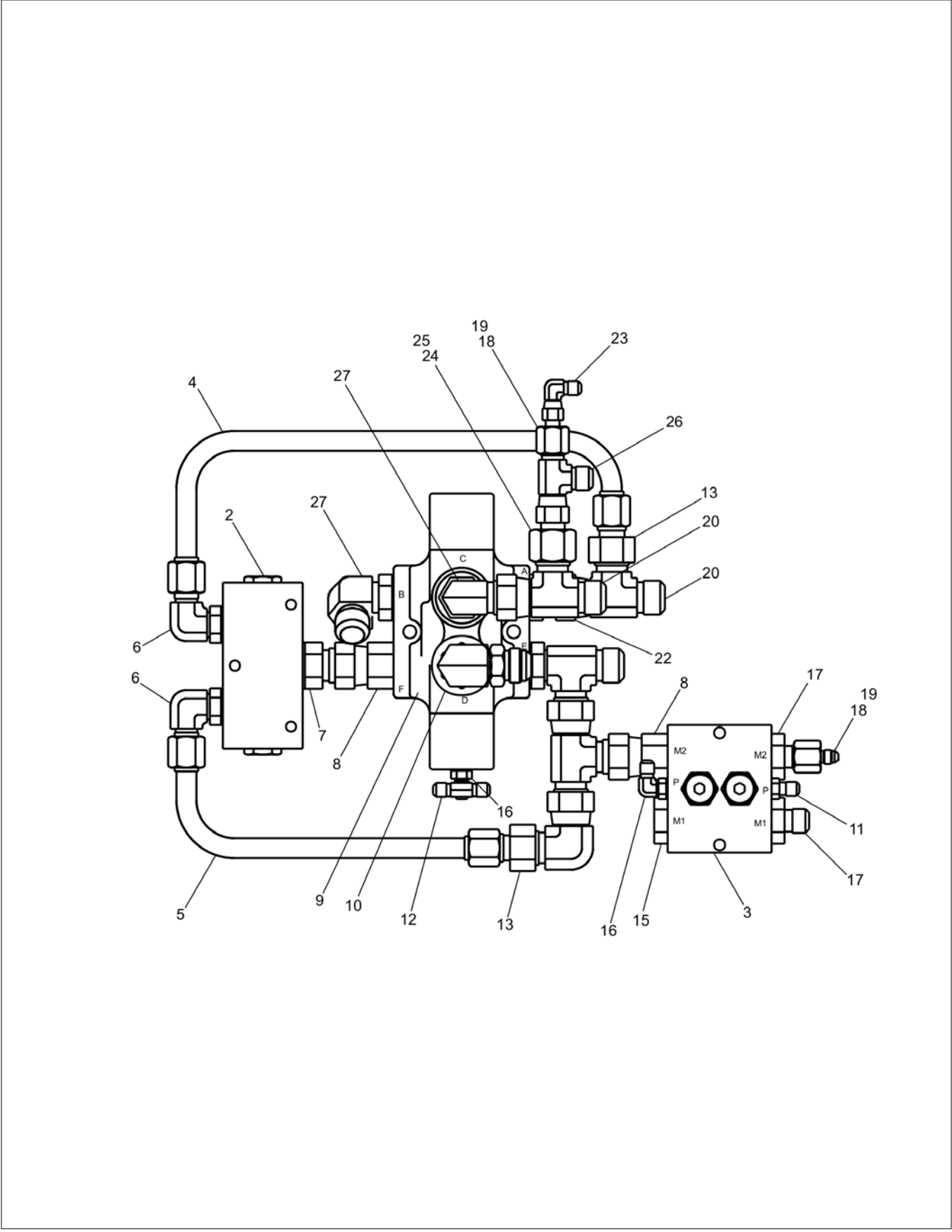
HYDRAULICS



アイテム	部品番号	名前	数量	UOM
Not Shown	0111264 F	DRIVE CONTROL VALVE		EA
1	0111268	3/4 INCH HYDRAULIC TUBE	1	EA
2	6010633	DUAL COUNTERBALANCE VALVE	1	EA
Not Shown	8190156	SEAL REPAIR KIT	1	EA
Not Shown	8190157	COUNTERBALANCE CARTRIDGE (FACTORY PRESET, DO NOT RESET)	1	EA
3	0080529	SELECTOR VALVE	1	EA
Not Shown	0081127	SEAL KIT	1	EA
Not Shown	0080528	END CAP	1	EA
4	6010231	FLOW DIVIDER/COMBINER	1	EA
5	0111267	3/4 INCH HYDRAULIC TUBE	1	EA
6	0111266	3/4 INCH HYDRAULIC TUBE	1	EA
7	0111268	3/4 INCH HYDRAULIC TUBE	1	EA
8	0111269	3/4 INCH HYDRAULIC TUBE	2	EA
9	5035303	FTG ELB90STRTHD 4B 4S STL	2	EA
10	5037006	ADAPTER 90 ° ELBOW SWIVEL 8 JIC	1	EA
11	5036708	FTG TEE SWVL RUN 12S 12S STL	2	EA
12	5036708	FTG TEE SWVL RUN 12S 12S STL	3	EA
13	5035308	ADAPTER 90 ° ELBOW 12 SAE TO 12 JIC	3	EA
14	5065714	FTG HYD 12 MB TO 12 MJC	4	EA
15	5037008	ADAPTER 90 ° ELBOW SWIVEL 12 JIC	4	EA
16	5036108	STRAIGHT THREAD RUN TEE	2	EA
17	5037008	ADAPTER 90 ° ELBOW SWIVEL 12 JIC	1	EA

アイテム	部品番号	名前	数量	UOM
18	5036908	SWIVEL NUT 45 ° ELBOW	1	EA
19	987119	WSHR LOCK .375	6	EA
20	986299	WASHER, FLAT, .375 STANDARD, PLATED	6	EA
21	970549	BLT HEXHD .375 16 3.00 GR5	2	EA
22	984109	NUT HEX .375 16	4	EA
23	970349	BLT HEXHD .313 18 2.75 GR5	2	EA
24	987109	WSHR LOCK .313	2	EA
25	986269	WSHR FLAT .313	4	EA
26	984089	NUT HEX .313 18	2	EA
27	5035319	FTG ELB90STRTHD 16B 12S STL	4	EA
28	5064008	FTG RDCR TUBE END 12S 8S STL	2	EA
29	5063908	FTG NUT 12S STL	2	EA
30	970569	BLT HEXHD .375 16 3.50 GR5	2	EA

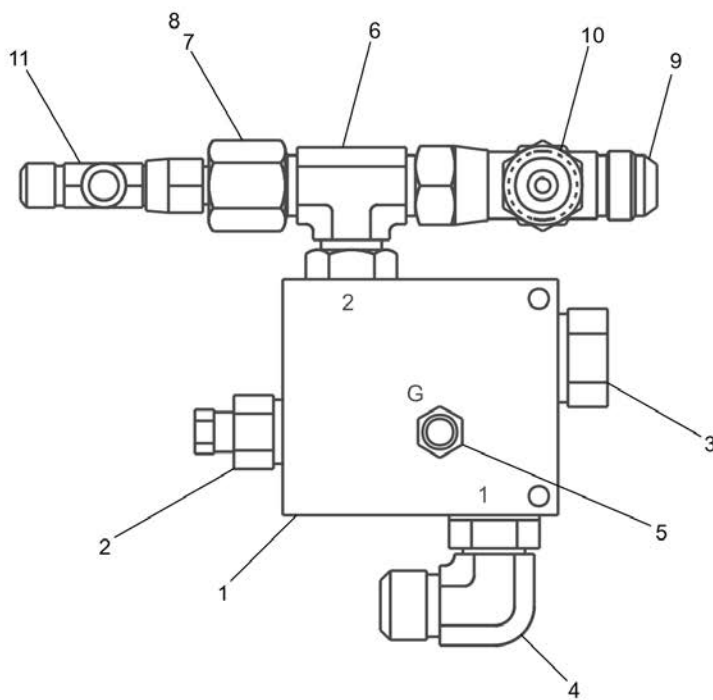
HYDRAULICS



アイテム	部品番号	名前	数量	UOM
Not Shown	0111536 C	SERIES PARALLEL PACKAGE 4X4 LEFT HAND		EA
1	0080529	SELECTOR VALVE	1	EA
Not Shown	0081127	SEAL KIT		EA
Not Shown	0080528	END CAP		EA
2	6010231	FLOW DIVIDER/COMBINER	1	EA
3	6010613	VALVE PACKAGE	1	EA
Not Shown	6010614	VALVE BODY, FLUIDTECH		EA
Not Shown	6010624	VALVE BODY, WECO		EA
6010615	6019168	SEQUENCE VALVE		EA
Not Shown	6010269	CARTRIDGE SEQUENCE VALVE, WECO		EA
4	0111341	5/8 OD TUBE ASSEMBLY	1	EA
5	0111339	5/8 OD TUBE ASSEMBLY	1	EA
6	5035322	STR THD 90 DEGREE ELBOW	2	EA
7	5065731	FTG, HYD 8 MB TO 12 MJIC	1	EA
8	5025001	FTG ADPTR SWVL 12B 12S STL	2	EA
9	5033618	FTG ELB90STRTHD 12N 12S STL	1	EA
10	5076206	FTG ELB90STRTHD 12N 12S STL	1	EA
11	5065703	FTG ADPTR STRTHD 4B 4S STL	1	EA
12	5036803	FTG TEE SWVL 8R 4S 4S STL	1	EA
13	5064011	FTG RDCR TUBE END 12S 10S STL	2	EA
14	5037008	ADAPTER 90 ° ELBOW SWIVEL 12 JIC	1	EA
15	5075208	FTG PL HEX HD 12B STL	1	EA
16	5035303	FTG ELB90STRTHD 4B 4S STL	2	EA
17	5065711	FTG ADPTR STRTHD 12B 8S STL	2	EA
18	5063906	FTG NUT 8S STL	2	EA

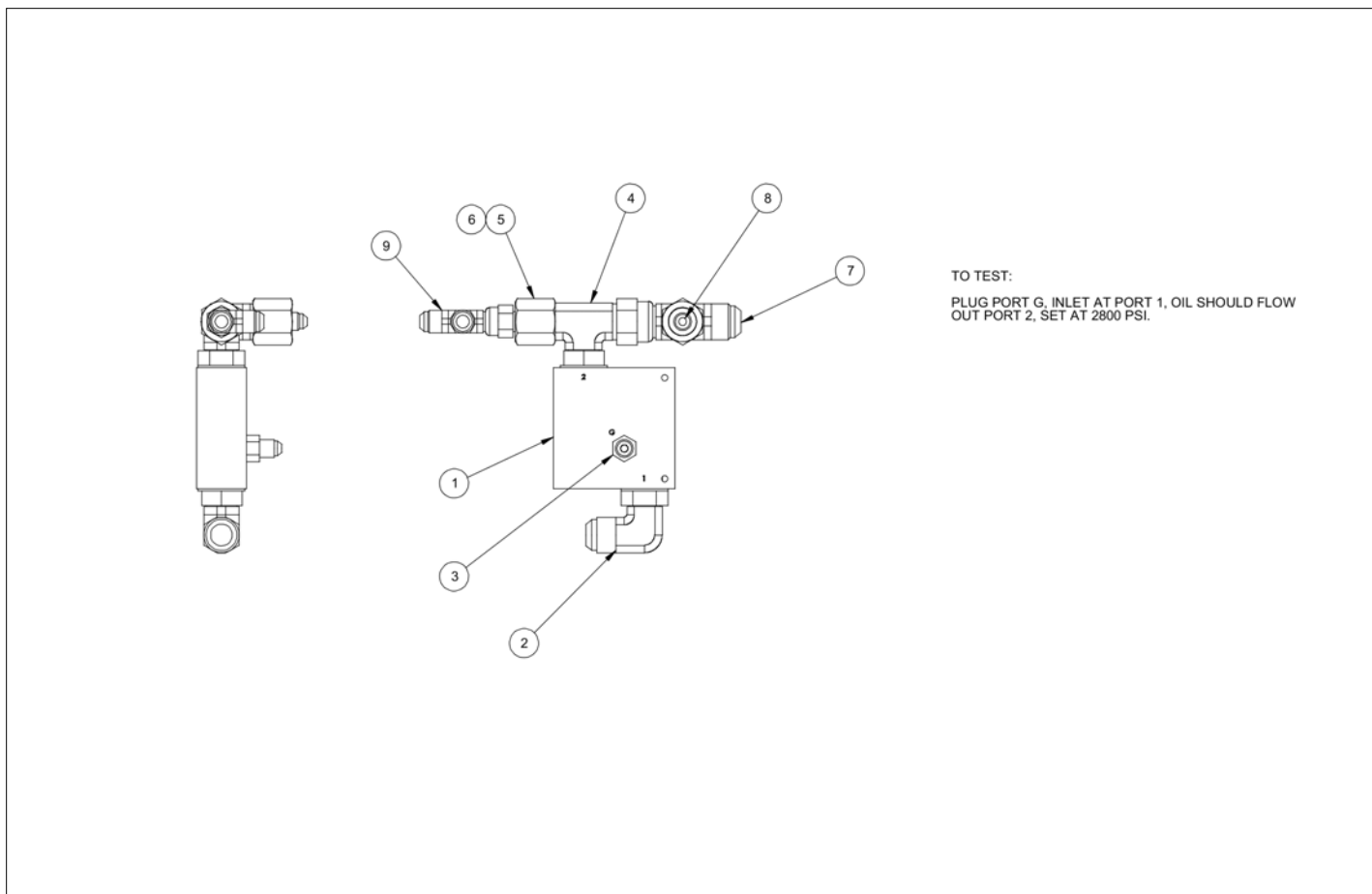
アイテム	部品番号	名前	数量	UOM
19	5064002	ADAPTER STREIGHT TUBE REDUCER 8 JIC TO 4 JIC	2	EA
20	5036708	FTG TEE SWVL RUN 12S 12S STL	3	EA
21	5036108	STRAIGHT THREAD RUN TEE	1	EA
22	5065714	FTG HYD 12 MB TO 12 MJC	1	EA
23	5037003	FTG ELB90SWVL 4S 4S STL	1	EA
24	5063908	FTG NUT 12S STL	1	EA
25	5064008	FTG RDCR TUBE END 12S 8S STL	1	EA
26	5036706	FTG TEE SWVL RUN 8S 8S STL (SEE PAGE 2)	1	EA
27	5035303	FTG ELB90STRTHD 4B 4S STL	2	EA

HYDRAULICS



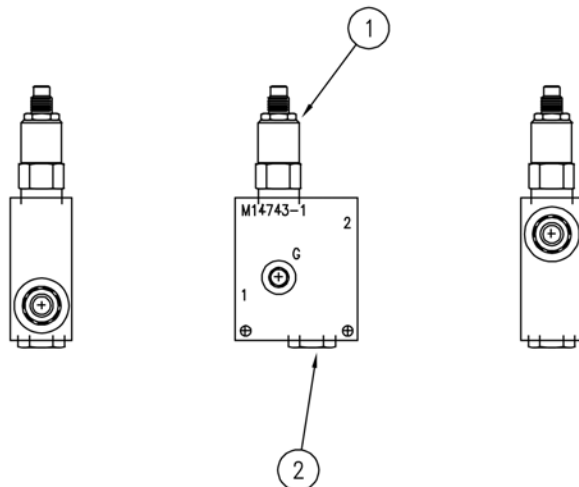
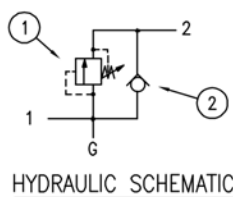
アイテム	部品番号	名前	数量	UOM
Not Shown	0111273 B	ANTI CAVIATION VALVE SUB ASSEMBLY NOVEMBER 2015 AND BEFORE		EA
1	6019050	VALVE, ANTI CAVIATION (VALVE INCLUDES ITEMS 2 AND 3)	1	EA
Not Shown	0110683	SEAL REPAIR KIT	1	EA
2	6091913	RELIEF VALVE	1	EA
3	561956	VALVE CART CHECK	1	EA
Not Shown	8190291	SEAL REPAIR KIT	1	EA
4	5035307	STRAIGHT THREAD 90 ° ELBOW	1	EA
5	5065703	FTG ADPTR STRTHD 4B 4S STL	1	EA
6	5036507	STRAIGHT THREAD BRANCH TEE	1	EA
7	5063907	FITTING NUT	1	EA
8	5064004	TUBE END REDUCER	1	EA
9	5036707	FTG TEE SWVL RUN 10S 10S STL	1	EA
10	5064012	TUBE END REDUCER	1	EA
11	5036705	FTG TEE SWVL RUN 6S 6S STL	1	EA

HYDRAULICS



アイテム	部品番号	名前	数量	UOM
Not Shown	0111273 C	ANTI CAVIATION VALVE SUB ASSEMBLY DECEMBER 2015 AND AFTER		EA
1	6019050	VALVE, ANTI CAVIATION (VALVE INCLUDES ITEMS 2 AND 3)	1	EA
2	5035307	STRAIGHT THREAD 90 ° ELBOW	1	EA
3	5065703	FTG ADPTR STRTHD 4B 4S STL	1	EA
4	5036507	STRAIGHT THREAD BRANCH TEE	1	EA
5	5063907	FITTING NUT	1	EA
6	5064004	TUBE END REDUCER	1	EA
7	5036707	FTG TEE SWVL RUN 10S 10S STL	1	EA
8	5064012	TUBE END REDUCER	1	EA
9	5036705	FTG TEE SWVL RUN 6S 6S STL	1	EA

HYDRAULICS

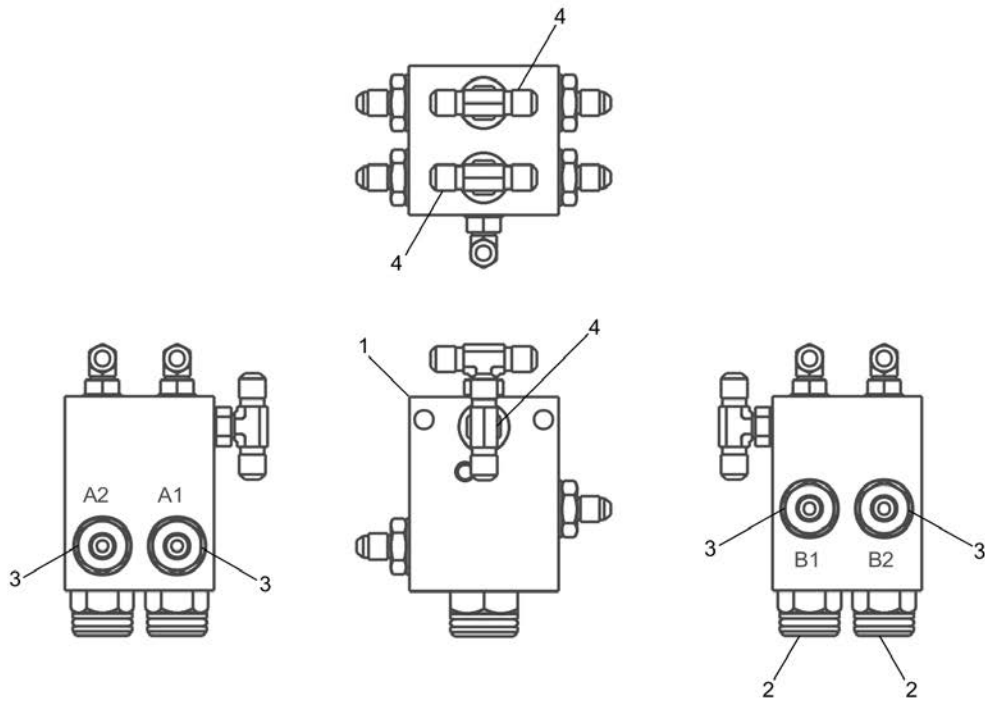


SPECIFICATIONS:

MAXIMUM PRESSURE:	3500 PSI
NOMINAL FLOW:	15 GPM
PORT SIZES: (G)	-4 SAE O-RING
(1, 2)	-10 SAE O-RING
MOUNTING HOLES: (2)	.250 DIA.

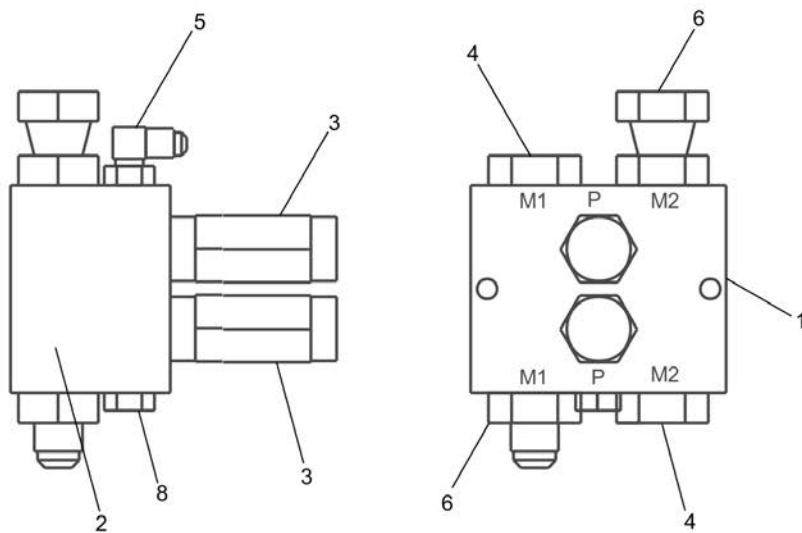
アイテム	部品番号	名前	数量	UOM
Not Shown	6019050 A	ANTI CAVIATION VALVE		EA
1	6091913	RELIEF VALVE	1	EA
2	561956	VALVE CART CHECK	1	EA

HYDRAULICS



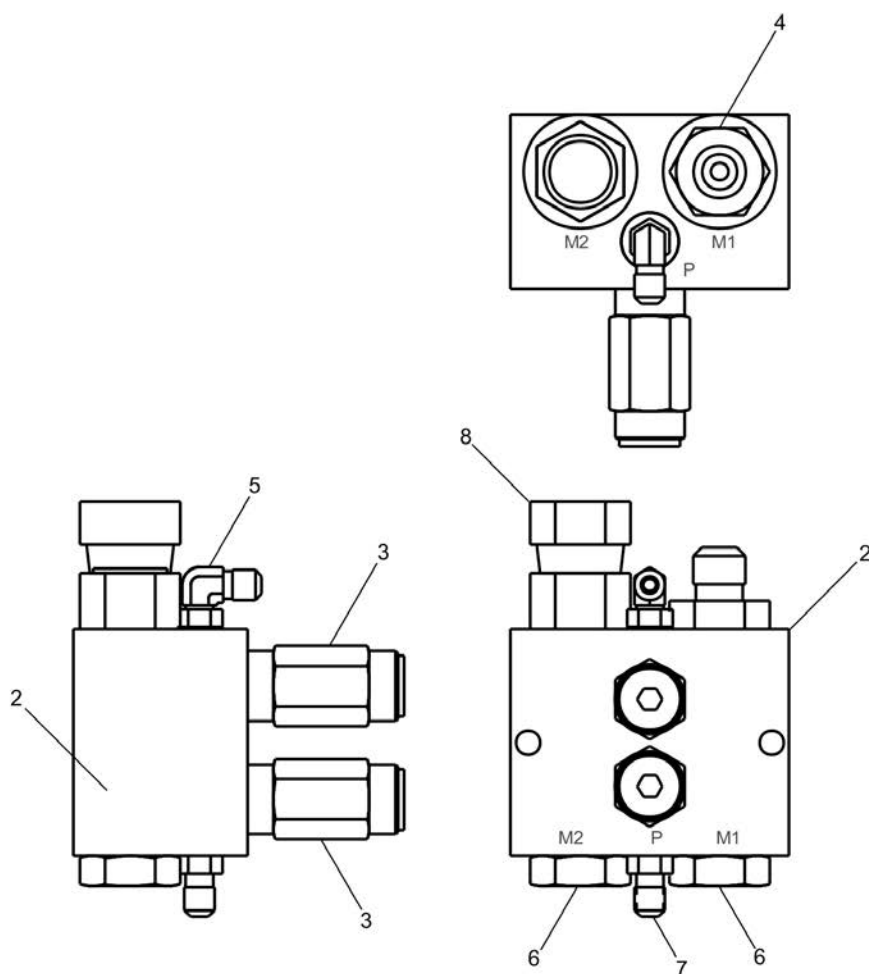
アイテム	部品番号	名前	数量	UOM
Not Shown	0111492 B	STEER CUT OUT VALVE, 4 WHEEL DRIVE		EA
1	6010607	STEER CUT OUT VALVE (VALVE INCLUDES 3 WAY CARTRIDGE)	1	EA
2	6010549	3 WAY CARTRIDGE VALVE	2	EA
3	5065707	FTG ADPTR STRTHD 6B 6S STL PH	4	EA
4	5036503	ADAPTER TEE SWIVEL 4JIC TO 4 JIC TO 4 JIC FEMALE	3	EA

HYDRAULICS



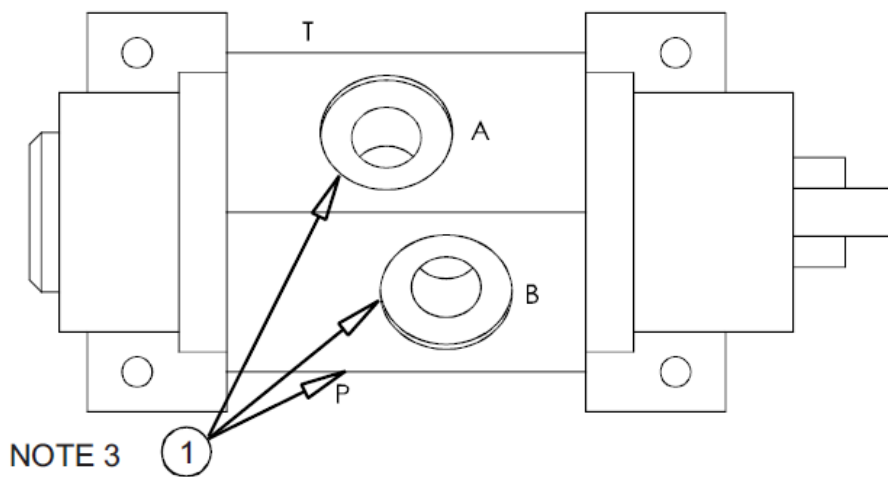
アイテム	部品番号	名前	数量	UOM
Not Shown	0111528 B	DUAL SEQUENCE VALVE LEFT HAND		EA
1	6010613	VALVE PACKAGE	1	EA
2	6010614	VALVE BODY, FLUIDTECH	1	EA
Not Shown	6010624	VALVE BODY, WECO	1	EA
3	6019168	SEQUENCE VALVE	2	EA
Not Shown	6010269	CARTRIDGE SEQUENCE VALVE, WECO	2	EA
4	5075208	FTG PL HEX HD 12B STL	2	EA
5	5035303	FTG ELB90STRTHD 4B 4S STL	1	EA
6	5065711	FTG ADPTR STRTHD 12B 8S STL	1	EA
7	5025001	FTG ADPTR SWVL 12B 12S STL	1	EA
8	5075203	FTG PL HEX HD 4B STL	1	EA

HYDRAULICS



アイテム	部品番号	名前	数量	UOM
Not Shown	0111530	VALVE		EA
1	6010613	VALVE PACKAGE	1	EA
2	6010614	VALVE BODY, FLUIDTECH	1	EA
Not Shown	6010624	VALVE BODY, WECO	1	EA
3	6019168	SEQUENCE VALVE	2	EA
Not Shown	6010269	CARTRIDGE SEQUENCE VALVE, WECO	2	EA
4	5065711	FTG ADPTR STRTHD 12B 8S STL	1	EA
5	5035303	FTG ELB90STRTHD 4B 4S STL	1	EA
6	5075208	FTG PL HEX HD 12B STL	2	EA
7	5065703	FTG ADPTR STRTHD 4B 4S STL	1	EA
8	5025001	FTG ADPTR SWVL 12B 12S STL	1	EA

HYDRAULICS



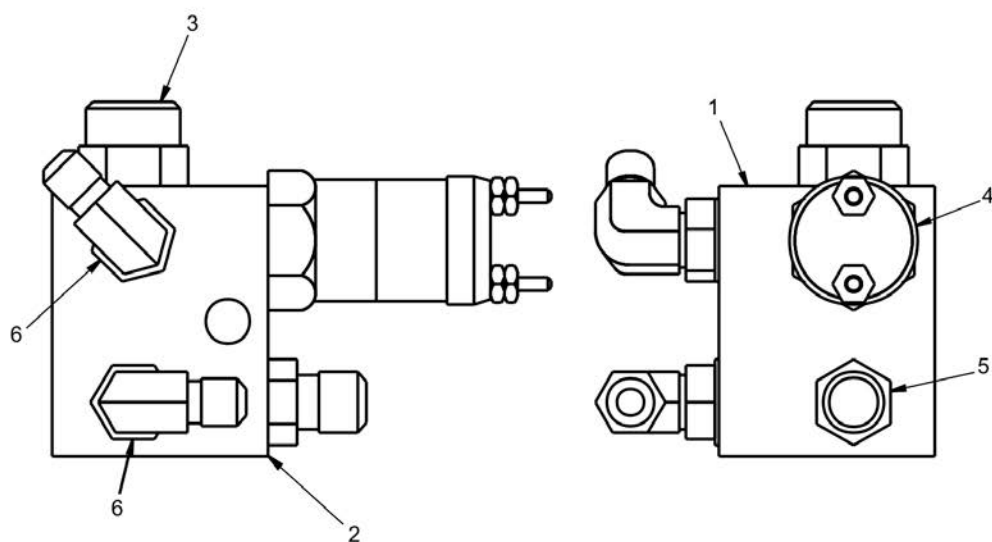
NOTES:

- 1. PRESSURE - 2500PSI MAX
- 2. ATTN. RECEIVING: AIRMATIC DOES NOT STAMP THIS COMPLETE NUMBERS ON THE VALVE. CHECK FOR MODEL NUMBER "BC" AND SPOOL NUMBER "I". ALSO VERIFY THAT PORTS ARE 1/4 SAE O-RING TYPE AND NOT PIPE THREAD.
- 3. CAM VALVE TO COME IN WITH 1 SCREEN IN EACH PORT A, B, P. SCREEN PART NO. W-16747 (REF SNORKEL P/N 6091045 FOR SCREEN).



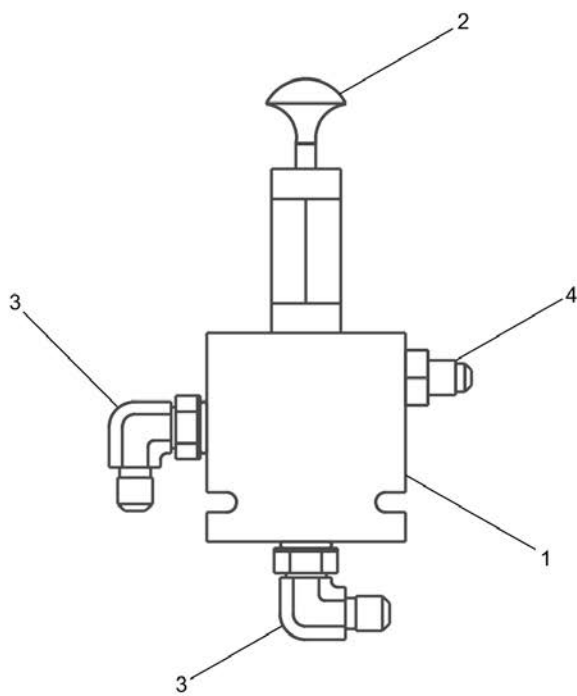
アイテム	部品番号	名前	数量	UOM
Not Shown	6010222 C	CAM VALVE		EA
Not Shown	0110714	SEAL KIT		EA
1	6091045	SCREEN (IN A, B AND P PORTS)	3	EA

HYDRAULICS



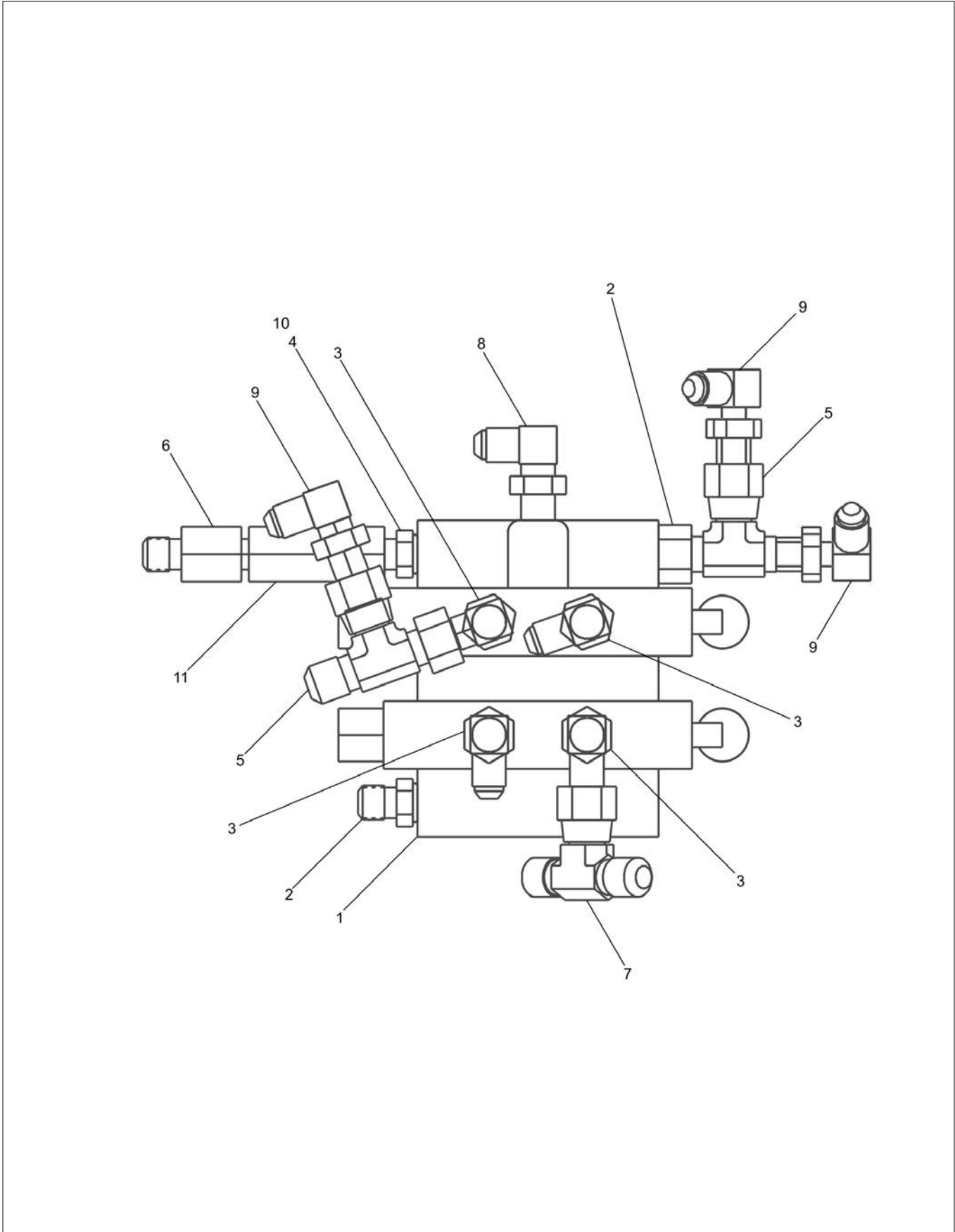
アイテム	部品番号	名前	数量	UOM
Not Shown	0190878 B	AXLE INTERLOCK SUB ASSEMBLY		EA
1	6010723	VALVE, AXLE INTERLOCK (AXLE INCLUDES ITEMS 2 AND 3)	1	EA
2	6010735	VALVE BODY, FLUID TECH	1	EA
Not Shown	6010913	VALVE BODY, WECO	1	EA
3	6010734	VALVE COUNTER BALANCE	1	EA
Not Shown	6010914	FLOW CONTROL VALVE, WECO	1	EA
4	3020077	PRESSURE SWITCH	1	EA
5	5065705	FTG ADPTR STRTHD 6B 4S STL	1	EA
6	5035318	STRAIGHT THREAD 90 ° ELBOW	2	EA

HYDRAULICS



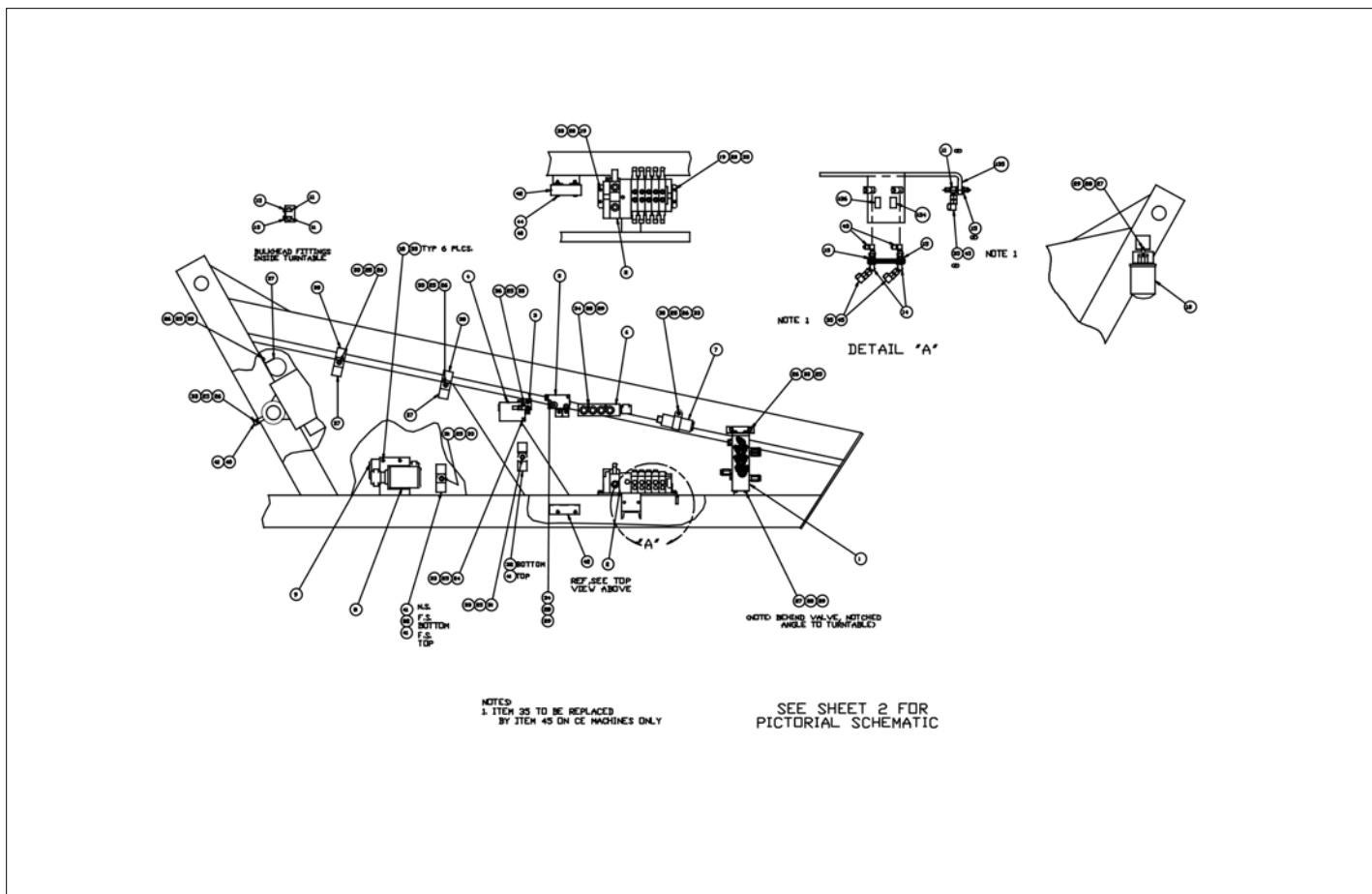
アイテム	部品番号	名前	数量	UOM
Not Shown	0111344 A	HIGH RANGE SPEED SELECTOR VALVE		EA
1	6010493	HIGH RANGE SPD SELECTOR VALVE	1	EA
2	8080110	KNOB	1	EA
3	5035318	STRAIGHT THREAD 90 ° ELBOW	2	EA
4	5065705	FTG ADPTR STRTHD 6B 4S STL	1	EA

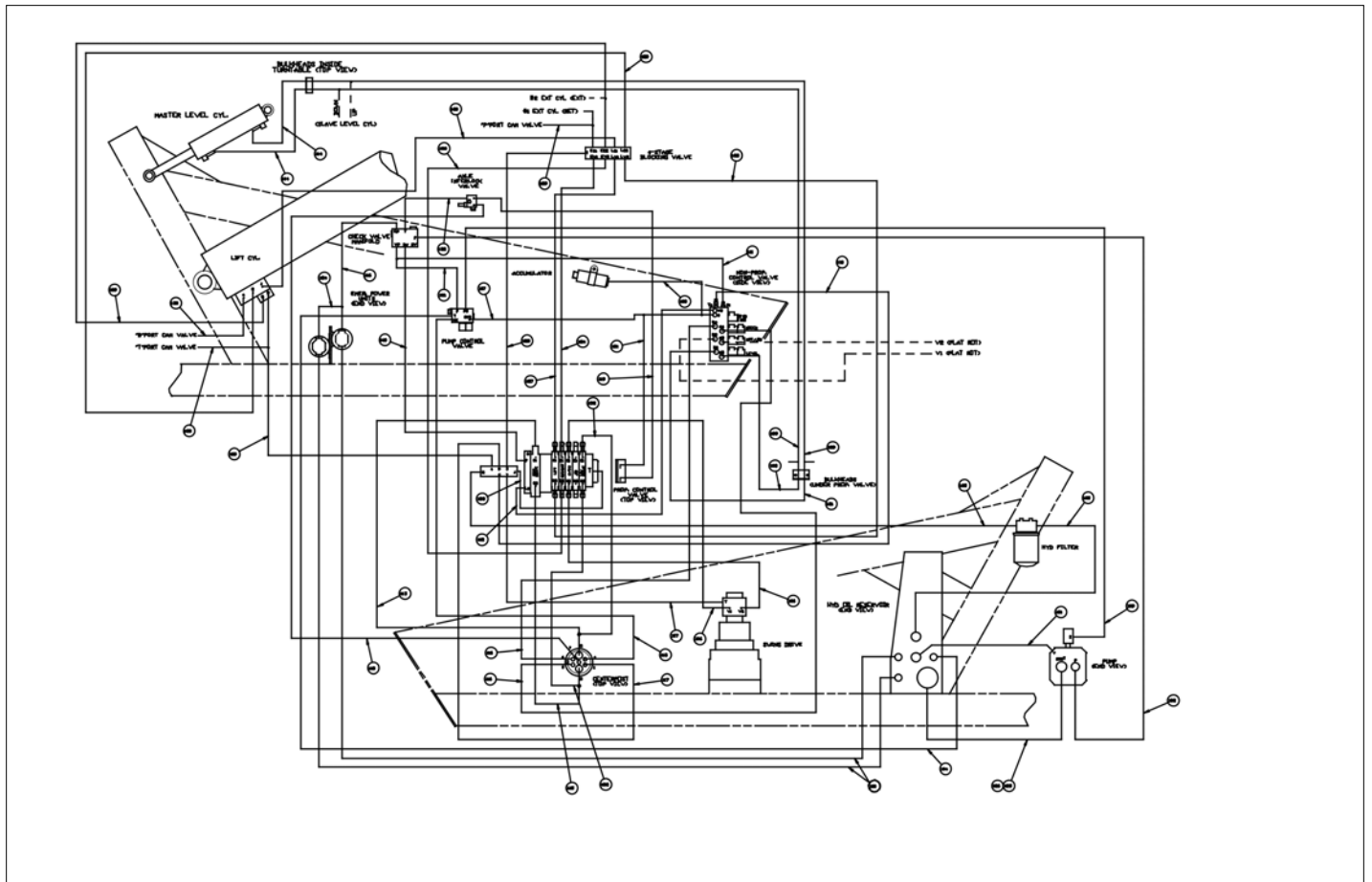
HYDRAULICS



アイテム	部品番号	名前	数量	UOM
Not Shown	0111291 A	AXLE JACKING CONTROL VALVE ASSEMBLY		EA
1	6010223	VALVE, AXLE JACKING	1	EA
Not Shown	0110713	SEAL REPAIR KIT	1	EA
Not Shown	8060142	REPLACEMENT VALVE HANDLE	1	EA
2	5065707	FTG ADPTR STRTHD 6B 6S STL PH	2	EA
3	5035305	FTG ELB90STRTHD 6S 6S STL	4	EA
4	5033610	MALE ADAPTER	1	EA
5	5036705	FTG TEE SWVL RUN 6S 6S STL	2	EA
6	5038805	FEMALE ADAPTER	1	EA
7	5036805	ADAPTER TEE SWIVEL 6 JIC TO 6 JIC FEMALE	1	EA
8	5035318	STRAIGHT THREAD 90 ° ELBOW	1	EA
9	5037005	TERM FEM F.I. .250 16/14	3	EA
10	7110906	O RING	1	EA
11	6010159	PRESSURE RELIEF VALVE (FACTORY PRESET, DO NOT RESET)	1	EA

HYDRAULICS



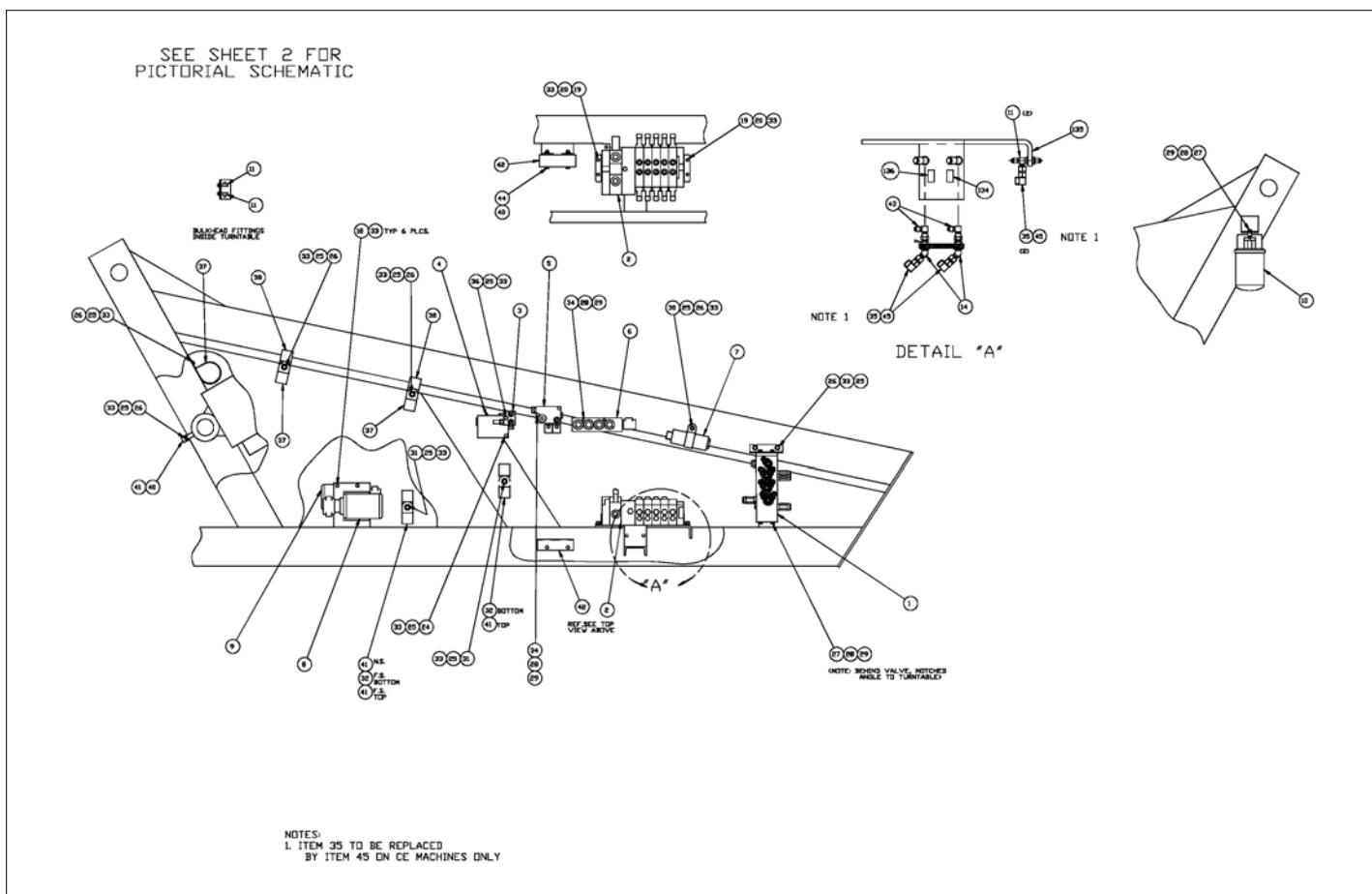


アイテム	部品番号	名前	数量	UOM
Not Shown	A19067A B	HYDRAULIC EQUIPMENT TURNTABLE W/HOSES		EA
1	0192197	NON PROP VALVE ASSY TB100/120/126	1	EA
2	0192590	PROP CONTROL VALVE ASSY	1	EA
3	0190878	AXLE INTERLOCK VALVE SUB ASSEMBLY	1	EA
4	0190836	CHECK VALVE MANIFOLD SUB ASSEMBLY	1	EA
5	0190837	PUMP CONTROL VALVE SUB ASSEMBLY	1	EA
6	0190879	4 STAGE BLOCKING VALVE SUBASSY	1	EA
7	0180870	ACCUMULATOR CHARGED	1	EA
8	0190840	EMER. POWER UNIT SUB ASSY L.H.	1	EA
9	0190839	EMER. POWER UNIT SUB ASSY R.H.	1	EA
10	0191458	RETURN OIL FILTER ASSY	1	EA
11	5035403	FTG TEE BHD RUN 4S 4S STL	4	EA
14	5034601	FTG ELB45BHD 4S 4S STL	2	EA
15	5074401	FTG LKNT BHD 4 STL	6	EA
18	970469	HHD BLT .375 16 X 1.00 GR5	4	EA
19	972479	BLT HEXHD .375 16 1.25 GR5	4	EA
20	984109	NUT HEX .375 16	4	EA
24	970529	BLT HEXHD .375 16 2.50 GR5 PLTD	1	EA
25	056069 012	WASHER DIN125A M12 ZP	12	EA
26	970449	HHD BLT .375 16 X .750 GR5	7	EA
27	970239	BLT HEXHD .313 18 .750 GR5	4	EA
28	987109	WSHR LOCK .313	8	EA
29	986269	WSHR FLAT .313	8	EA
30	5093014	CLP CUSH 2.25 VINYL COATED	1	EA

アイテム	部品番号	名前	数量	UOM
31	970429	CAPSCREW .375 16 X .50 HH	3	EA
32	5093030	CLP CUSH 2.50 VINYL COATED	2	EA
33	987119	WSHR LOCK .375	24	EA
34	5560641	CAPSCREW 5/16 18 X 3 1/2 LG HH GR5	4	EA
35	5070005	FTG NIP DIGN 4S FEM PD345 6 W/DUST CAP	4	EA
36	970589	BLT HEXHD .375 16 4.50 GR5	1	EA
37	5098340	CLP CUSH 3.00 VINLY COATED	3	EA
38	5093012	CLP CUSH 1.75 VINYL COATED	3	EA
40	5560033	.375 16UNC HEX LOCK NUT	2	EA
41	5093010	CLP CUSH 1.50 VINYL COATED	4	EA
42	0191179	MANIFOLD SUB ASSEMBLY	1	EA
43	5037003	FTG ELB90SWVL 4S 4S STL	2	EA
44	970539	BLT HEXHD .375 16 2.75 GR 5	2	EA
45	5070028	FTG NIP DIGN 4S FEM METRIC CE	REF	EA
100	0080522	HOSE 8 8S 8S 42 100R2	2	EA
101	0070792	HOSE 8 8S 8S 32 100R2	1	EA
102	0190596	HOSE 16 16S 16S 132 100R12 SP	1	EA
103	0180944	HOSE 20 20S 20S 33 SP	1	EA
104	0101896	HOSE 4 4S 4S 120 100R2	1	EA
105	0190916	HOSE 20 20S 20S 106	1	EA
106	0073040	HOSE 8 8S 8S 28 100R2	2	EA
107	0050137	HOSE 4 4S 4S 36 100R1	2	EA
108	0180946	HOSE 4 4S 4S 18.5 100R2	2	EA
109	0101897	HOSE 4 4S 4S 130 100R2	5	EA
110	0081080	HOSE 6 6S 6S 65 100R2	1	EA
111	0100422	HOSE 6 6S 6S 69 100R2	1	EA
112	0100278	HOSE 4 4S 4S 43 100R1	1	EA

アイテム	部品番号	名前	数量	UOM
113	0081136	HOSE 4 4S 4S 67 100R1	2	EA
114	0070910	HOSE 4 4S 4S 39 100R1	2	EA
115	0080543	HOSE 12 12S 12S90 56 SP	2	EA
116	0080362	HOSE 6 6S 6S 93.5 100R2	3	EA
117	0151861	HOSE 8 8S 8S 76 100R2	1	EA
118	0180781	HOSE 16 16S45 16S 24 100R12	1	EA
119	0070772	3/8 I.D. HOSE ASSEMBLY	1	EA
120	0190599	HOSE 8 8S 8S 134 100R2	2	EA
121	0040276	HOSE 4 4S 4S 20.5 100R1	2	EA
122	0181161	HOSE 4 4S 4S 15.25 100R2	1	EA
123	0020276	HOSE 6 6S 6S 27.625 100R2	1	EA
124	0070786	HOSE 6 6S 6S 19 100R2	2	EA
125	0190915	HOSE SUCTION 1.5 ID 23	1	EA
126	5058824	CLP WORM DRV	2	EA
127	0070927	HOSE 8 8S 8S 23.5 100R2	1	EA
128	0070791	HOSE 8 8S 8S 20.5 100R2	2	EA
129	0090988	HOSE 4 4S 4S 204 100R1	1	EA
130	0100491	HOSE 4 4S 4S 150 100R1	2	EA
131	0070769	HOSE 4 4S 4S 30.5 100R1	1	EA
132	0110732	HOSE 8 8S 8S 72 100R2	2	EA
133	0191241	HOSE 16 16S 16S 27 100R1	1	EA
134	0075378	DECAL SYSTEM PRESSURE	1	EA
135	0075379	DECAL LEVEL RELIEF PRESSUSRE	1	EA
136	0075380	DECAL SENSE PRESSURE	1	EA

HYDRAULICS

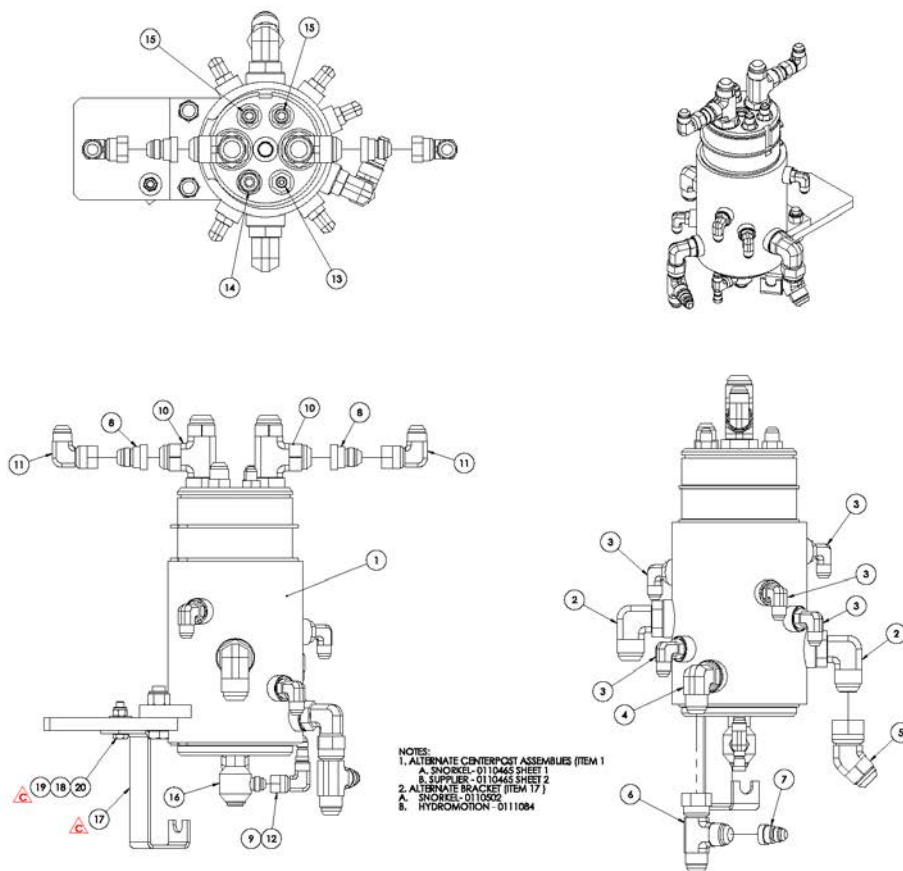


アイテム	部品番号	名前	数量	UOM
	A19067A D	TURNTABLE HYDRAULIC EQUIPMENT KU		EA
1	0192197	NON PROP VALVE ASSY TB100/120/126	1	EA
2	0192590	PROP CONTROL VALVE ASSY	1	EA
3	0190878	AXLE INTERLOCK VALVE SUB ASSEMBLY	1	EA
4	0190836	CHECK VALVE MANIFOLD SUB ASSEMBLY	1	EA
5	0190837	PUMP CONTROL VALVE SUB ASSEMBLY	1	EA
6	0190879	4 STAGE BLOCKING VALVE SUBASSY	1	EA
7	0180870	ACCUMULATOR CHARGED	1	EA
8	0190840	EMER. POWER UNIT SUB ASSY L.H.	1	EA
9	0190839	EMER. POWER UNIT SUB ASSY R.H.	1	EA
10	0191458	RETURN OIL FILTER ASSY	1	EA
11	5035403	FTG TEE BHD RUN 4S 4S STL	4	EA
14	5034601	FTG ELB45BHD 4S 4S STL	2	EA
18	970469	HHD BLT .375 16 X 1.00 GR5	4	EA
19	972479	BLT HEXHD .375 16 1.25 GR5	4	EA
20	984109	NUT HEX .375 16	4	EA
24	970529	BLT HEXHD .375 16 2.50 GR5 PLTD	1	EA
25	056069 012	WASHER DIN125A M12 ZP	12	EA
26	970449	HHD BLT .375 16 X .750 GR5	7	EA
27	970239	BLT HEXHD .313 18 .750 GR5	4	EA
28	987109	WSHR LOCK .313	8	EA
29	986269	WSHR FLAT .313	8	EA
30	5093014	CLP CUSH 2.25 VINYL COATED	1	EA
31	970429	CAPSCREW .375 16 X .50 HH	3	EA

アイテム	部品番号	名前	数量	UOM
32	5093030	CLP CUSH 2.50 VINYL COATED	2	EA
33	987119	WSHR LOCK .375	24	EA
34	5560641	CAPSCREW 5/16 18 X 3 1/2 LG HH GR5	4	EA
35	5070005	FTG NIP DIGN 4S FEM PD345 6 W/DUST CAP	4	EA
36	970589	BLT HEXHD .375 16 4.50 GR5	1	EA
37	5059706	CLAMP 3.56 I.D.	3	EA
38	5093012	CLP CUSH 1.75 VINYL COATED	3	EA
40	5560033	.375 16UNC HEX LOCK NUT	2	EA
41	5093010	CLP CUSH 1.50 VINYL COATED	4	EA
42	0191179	MANIFOLD SUB ASSEMBLY	1	EA
43	5037003	FTG ELB90SWVL 4S 4S STL	2	EA
44	970539	BLT HEXHD .375 16 2.75 GR 5	2	EA
45	5070028	FTG NIP DIGN 4S FEM METRIC CE	REF	EA
100	0080522	HOSE 8 8S 8S 42 100R2	2	EA
101	0070792	HOSE 8 8S 8S 32 100R2	1	EA
102	0190596	HOSE 16 16S 16S 132 100R12 SP	1	EA
103	0180944	HOSE 20 20S 20S 33 SP	1	EA
104	0101896	HOSE 4 4S 4S 120 100R2	1	EA
105	0190916	HOSE 20 20S 20S 106	1	EA
106	0073040	HOSE 8 8S 8S 28 100R2	2	EA
107	0050137	HOSE 4 4S 4S 36 100R1	2	EA
108	0180946	HOSE 4 4S 4S 18.5 100R2	2	EA
109	0101897	HOSE 4 4S 4S 130 100R2	5	EA
110	0081080	HOSE 6 6S 6S 65 100R2	1	EA
111	0100422	HOSE 6 6S 6S 69 100R2	1	EA
112	0100278	HOSE 4 4S 4S 43 100R1	1	EA
113	0081136	HOSE 4 4S 4S 67 100R1	2	EA

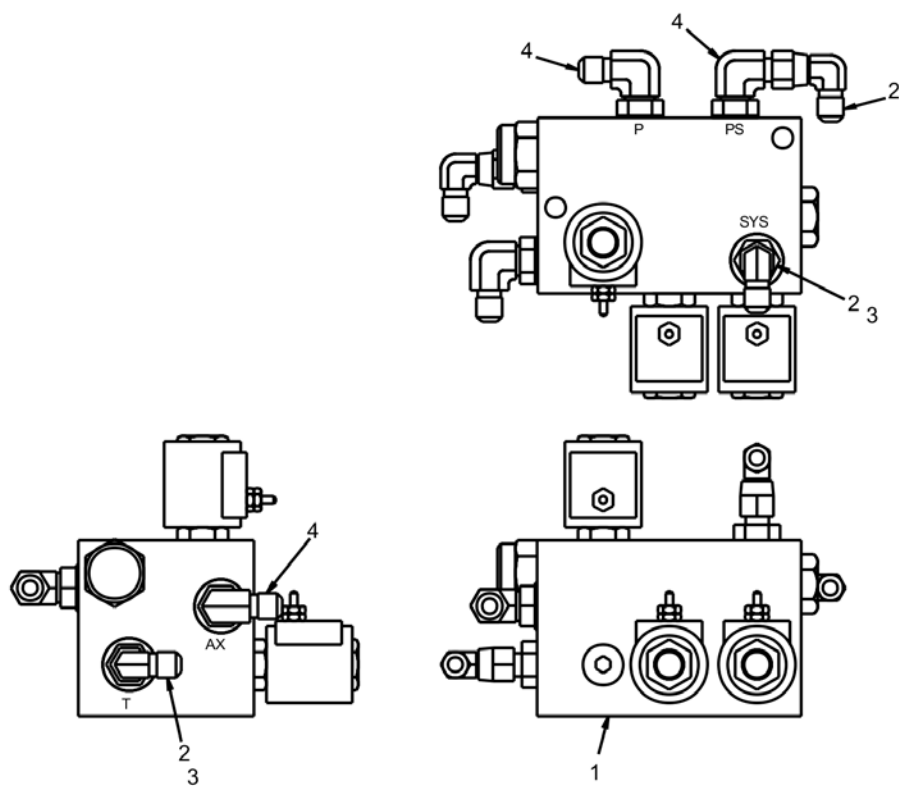
アイテム	部品番号	名前	数量	UOM
114	0070910	HOSE 4 4S 4S 39 100R1	2	EA
115	0080543	HOSE 12 12S 12S90 56 SP	2	EA
116	0080362	HOSE 6 6S 6S 93.5 100R2	3	EA
117	0151861	HOSE 8 8S 8S 76 100R2	1	EA
118	0180781	HOSE 16 16S45 16S 24 100R12	1	EA
119	0070772	3/8 I.D. HOSE ASSEMBLY	1	EA
120	0190599	HOSE 8 8S 8S 134 100R2	2	EA
121	0040276	HOSE 4 4S 4S 20.5 100R1	2	EA
122	0181161	HOSE 4 4S 4S 15.25 100R2	1	EA
123	0020276	HOSE 6 6S 6S 27.625 100R2	1	EA
124	0070786	HOSE 6 6S 6S 19 100R2	2	EA
125	0190915	HOSE SUCTION 1.5 ID 23	1	EA
126	5058824	CLP WORM DRV	2	EA
127	0070927	HOSE 8 8S 8S 23.5 100R2	1	EA
128	0070791	HOSE 8 8S 8S 20.5 100R2	2	EA
129	0090988	HOSE 4 4S 4S 204 100R1	1	EA
130	0100491	HOSE 4 4S 4S 150 100R1	2	EA
131	0070769	HOSE 4 4S 4S 30.5 100R1	1	EA
132	0110732	HOSE 8 8S 8S 72 100R2	2	EA
133	0191241	HOSE 16 16S 16S 27 100R1	1	EA
134	0075378	DECAL SYSTEM PRESSURE	1	EA
135	0075379	DECAL LEVEL RELIEF PRESSUSRE	1	EA
136	0075380	DECAL SENSE PRESSURE	1	EA

HYDRAULICS



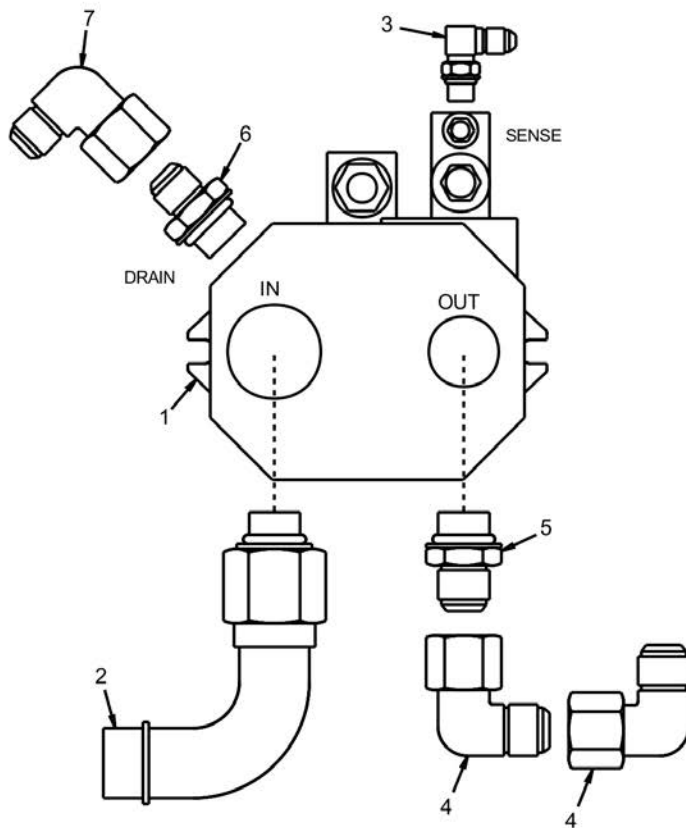
アイテム	部品番号	名前	数量	UOM
*	0191178 C	CENTERPOST AND FITTINGS SUB ASSEMBLY		EA
1	0110465	CENTERPOST	1	EA
2	5035308	ADAPTER 90 ° ELBOW 12 SAE TO 12 JIC	2	EA
3	5035305	FTG ELB90STRTHD 6S 6S STL	5	EA
4	5035307	STRAIGHT THREAD 90 ° ELBOW	1	EA
5	5036908	SWIVEL NUT 45 ° ELBOW	1	EA
6	5036707	FTG TEE SWVL RUN 10S 10S STL	1	EA
7	5064004	TUBE END REDUCER	1	EA
8	5064008	FTG RDCR TUBE END 12S 8S STL	2	EA
9	5064001	ADAPTER STRAIGHT TUBE REDUCER 6 JIC TO 4 JIC	1	EA
10	5036108	STRAIGHT THREAD RUN TEE	2	EA
11	5037006	ADAPTER 90 ° ELBOW SWIVEL 8 JIC	2	EA
12	5037005	TERM FEM F.I. .250 16/14	1	EA
13	5065705	FTG ADPTR STRTHD 6B 4S STL	1	EA
14	5065728	1/2 I.D. HOSE ASSEMBLY	1	EA
15	5065707	FTG ADPTR STRTHD 6B 6S STL PH	2	EA
16	5020001	FTG ELBOW HYDROMOTION SWIVEL	1	EA
17	0110502	FITTING BRACKET	1	EA
18	986269	WSHR FLAT .313	1	EA
19	5560031	NUT HEX LKG .313 18	1	EA
20	970269	BLT HEXHD .313 18 1.25 GR5 PLA	1	EA

HYDRAULICS



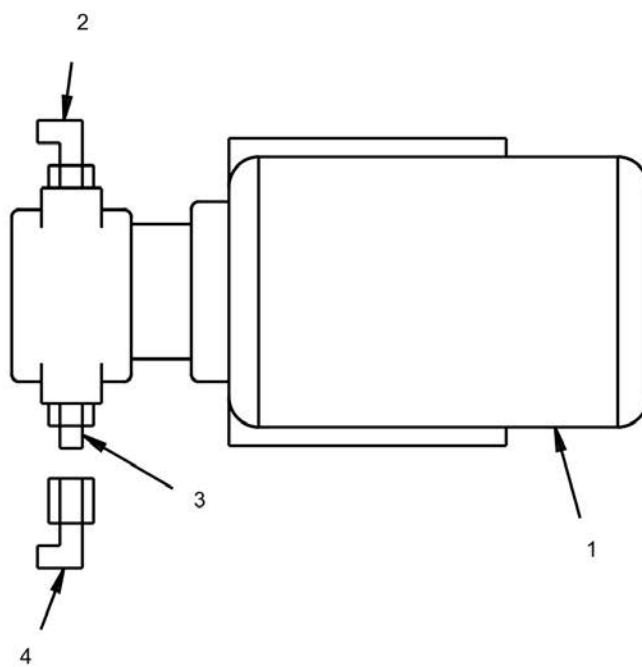
アイテム	部品番号	名前	数量	UOM
Not Shown	0190837 B	PUMP CONTROL VALVE ASSEMBLY		EA
1	6010672	PUMP CONTROL VALVE	1	EA
Not Shown	6010472	VALVECART 3 WAY VALVE	3	EA
Not Shown	6010473	REPLACEMENT SOLENOID COIL, 10V DC	1	EA
Not Shown	6010736	FLOW REGULATOR	1	EA
Not Shown	6010737	SHUTTLE VALVE	1	EA
2	5037003	FTG ELB90SWVL 4S 4S STL	3	EA
3	5065705	FTG ADPTR STRTHD 6B 4S STL	2	EA
4	5035318	STRAIGHT THREAD 90 ° ELBOW	3	EA

HYDRAULICS



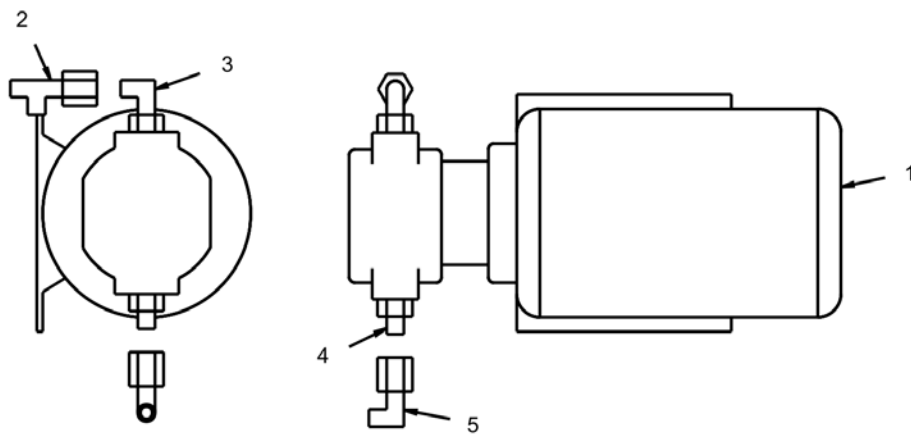
アイテム	部品番号	名前	数量	UOM
*	0191326 H	HYDRAULIC PUMP ASSEMBLY NOVEMBER 2019 AND AFTER		EA
1	6020065	PUMP PISTON 2.7	1	EA
*	6091990	seal kit for 6020065		EA
*	8220119	SEAL REPAIR KIT VICKERS PUMP	1	EA
*	8160100	SEAL KIT – PARKER	1	EA
*	8180021	SEAL KIT – REXROTH	1	EA
*	8220120	REPLACEMENT COMPENSATOR VICKERS PUMP	1	EA
*	6090057	REPLACEMENT COMPENSATOR PARKER PUMP	1	EA
*	8180023	REPLACEMENT COMPENSATOR – REXROTH	1	EA
*	6081989	COMPENSATOR, OIL AIR	1	EA
2	5038005	FTG. BEADED 90 ° ELBOW	1	EA
3	5035303	FTG ELB90STRTHD 4B 4S STL	1	EA
4	5037010	ADAPTER 90 DEG ELBOW SWIVEL 16 JIC	2	EA
5	5065718	FTG, HYD 16 MB TO 16 MJIC	1	EA
6	5065710	FTG HYD 10 MB TO 8 MJIC	1	EA
7	5037006	ADAPTER 90 ° ELBOW SWIVEL 8 JIC	1	EA

HYDRAULICS



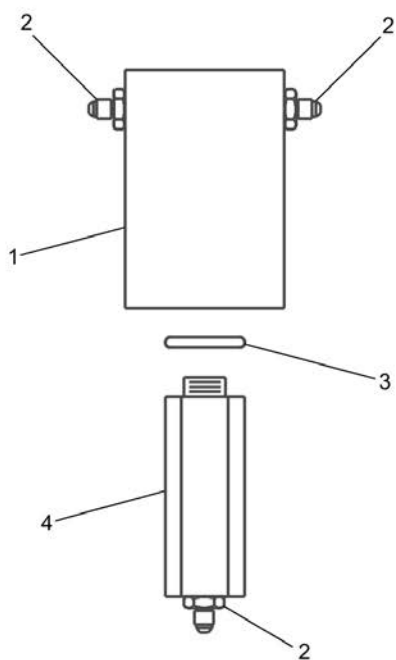
アイテム	部品番号	名前	数量	UOM
Not Shown	0190840 A	EMERGENCY POWER UNIT LEFT HAND		EA
1	6020058	EMERGENCY PWR UNIT TB/ATB	1	EA
2	5035305	FTG ELB90STRTHD 6S 6S STL	1	EA
3	5065709	FTG ADPTR STRTHD 8B 8S STL PH	1	EA
4	5037006	ADAPTER 90 ° ELBOW SWIVEL 8 JIC	1	EA

HYDRAULICS



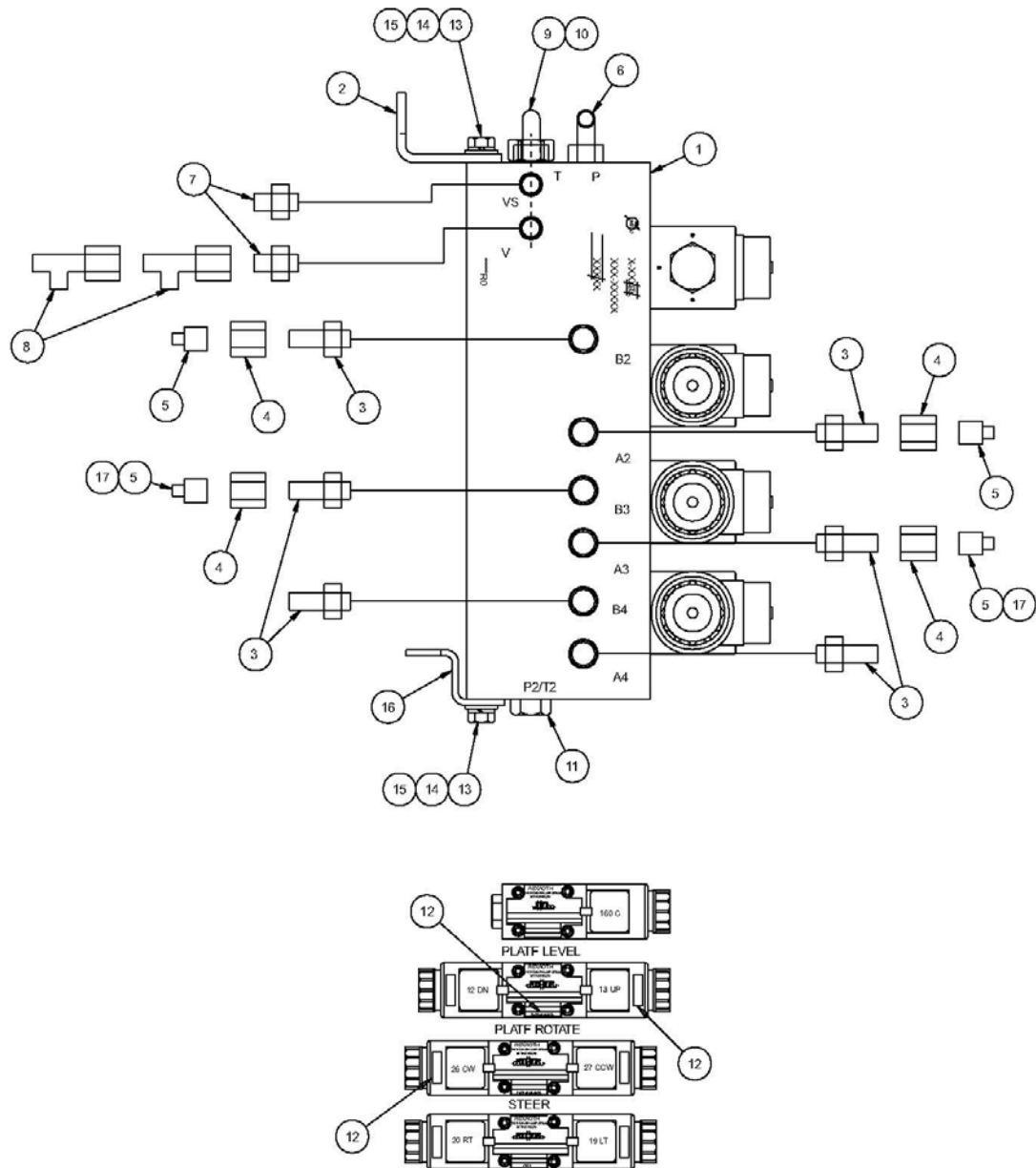
アイテム	部品番号	名前	数量	UOM
Not Shown	0190839 B	EMERGENCY POWER UNIT RIGHT HAND		EA
1	6020058	EMERGENCY PWR UNIT TB/ATB	1	EA
2	5035305	FTG ELB90STRTHD 6S 6S STL	1	EA
3	5036705	FTG TEE SWVL RUN 6S 6S STL	1	EA
4	5065709	FTG ADPTR STRTHD 8B 8S STL PH	1	EA
5	5037006	ADAPTER 90 ° ELBOW SWIVEL 8 JIC	1	EA

HYDRAULICS



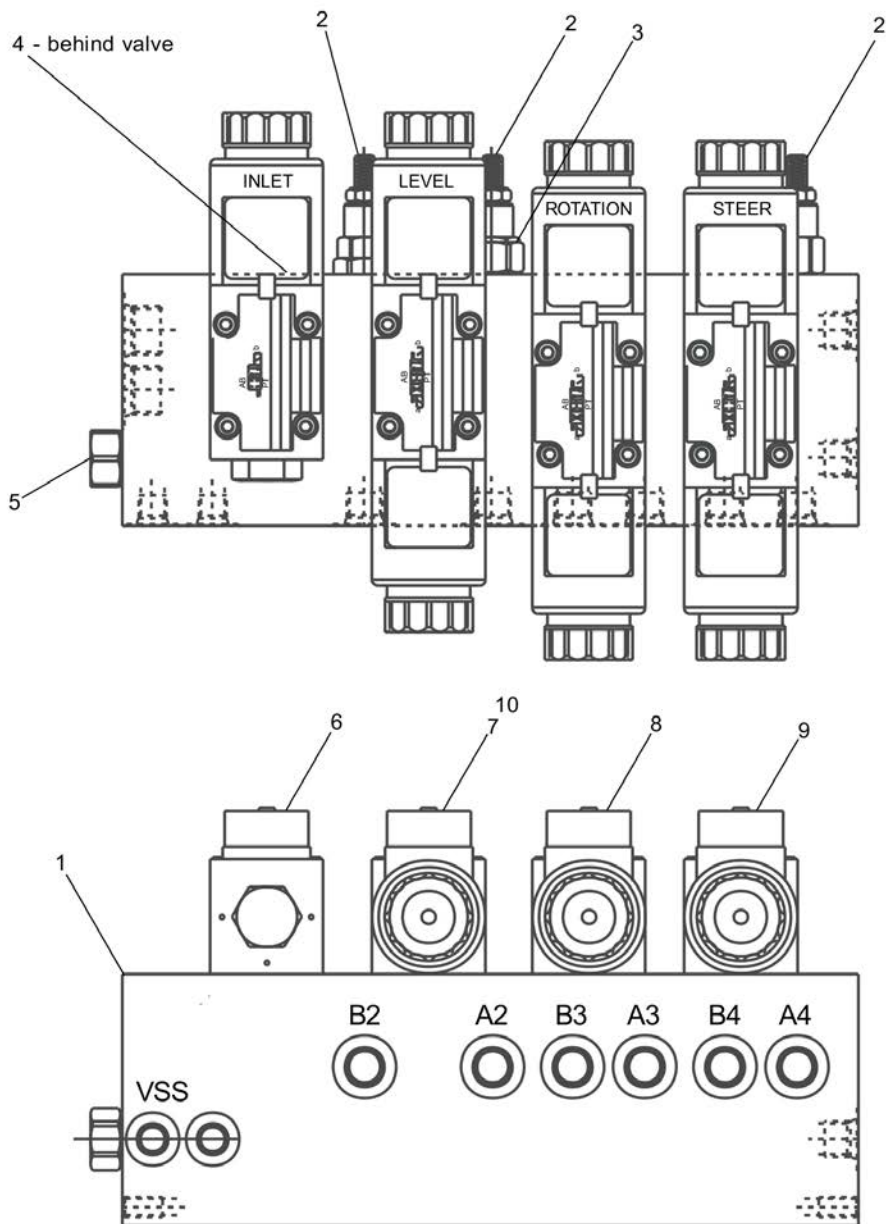
アイテム	部品番号	名前	数量	UOM
Not Shown	0111290 A	SHUTTLE VALVE ASSEMBLY		EA
1	6010083	SHUTTLE VALVE	1	EA
2	5065707	FTG ADPTR STRTHD 6B 6S STL PH	3	EA
3	7110906	O RING	1	EA
4	6010490	CHECK VALVE	1	EA

HYDRAULICS



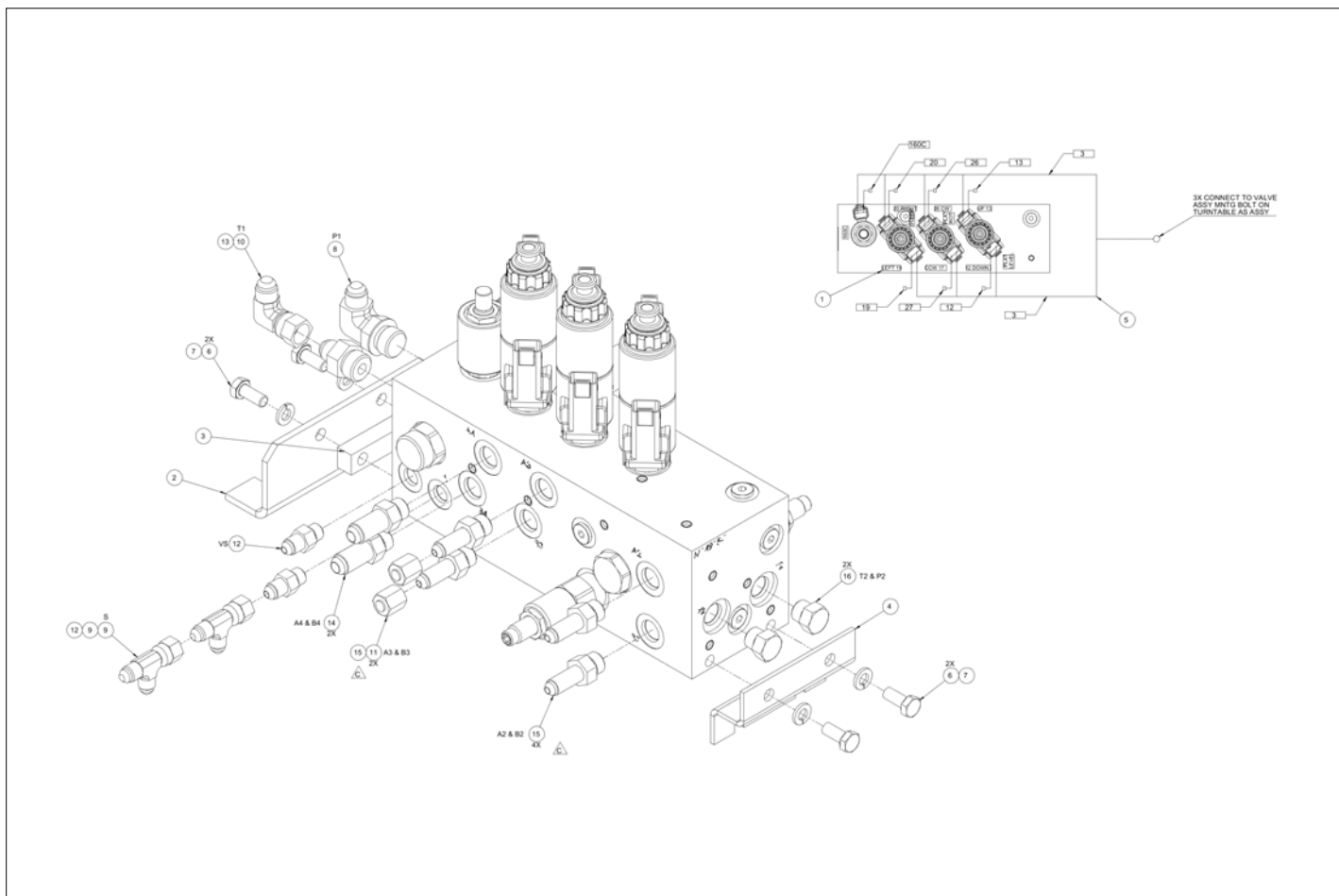
アイテム	部品番号	名前	数量	UOM
Not Shown	0191605 D	NON PROPORTIONAL FOUR STATION CONTROL VALVE ASSEMBLY JANUARY 2001 AND AFTER		EA
1	6010974	VALVE NON PROPORTIONAL 4 STAT	1	EA
2	0191640	ANGLE	1	EA
3	5065805	FTG ADAPTER STRTHDL 6B 6S STL LONG	6	EA
4	5063905	FTG NUT 6S STL	4	EA
5	5064001	ADAPTER STRAIGHT TUBE REDUCER 6 JIC TO 4 JIC	4	EA
6	5035320	ADAPTER 90 DEG ELBOW 8 SAE TO 6 JIC	1	EA
7	5065703	FTG ADPTR STRTHD 4B 4S STL	2	EA
8	5036703	FTG TEE SWVL RUN 4S 4S STL (SEE PAGE 2)	2	EA
9	5037005	TERM FEM F.I. .250 16/14	1	EA
10	5065708	FTG, HYD 8 MB TO 6 MJIC	1	EA
11	5075205	FTG PL HEXHD 6B STL	6	EA
12	0082010	DECAL SET	1	EA
13	970239	BLT HEXHD .313 18 .750 GR5	4	EA
14	987109	WSHR LOCK .313	4	EA
15	986269	WSHR FLAT .313	4	EA
16	0191642	STEP ANGLE	1	EA
17	5063701	ADAPTER, CAP, 4 JIC FEMALE	2	EA

HYDRAULICS



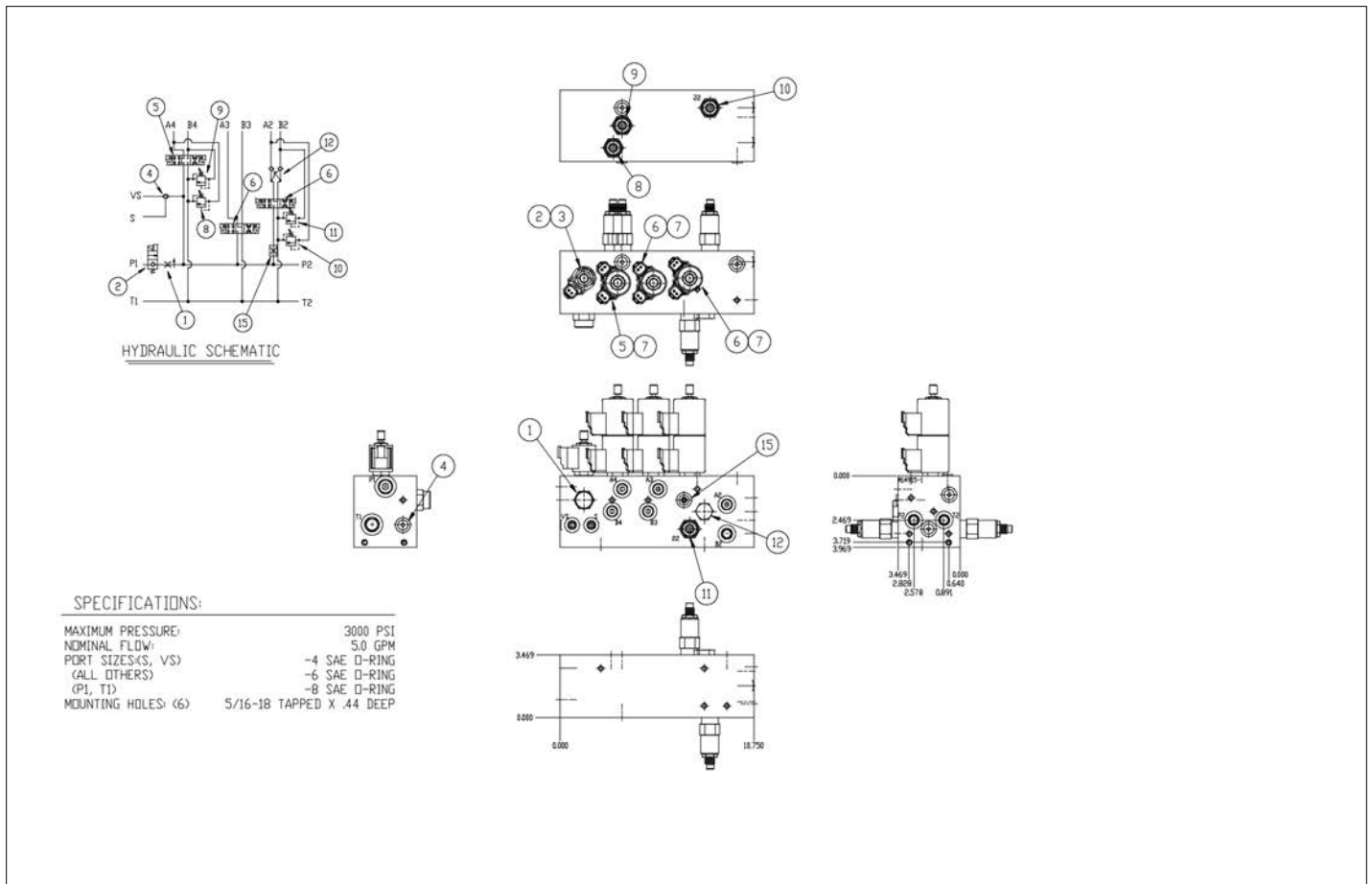
アイテム	部品番号	名前	数量	UOM
Not Shown	6010974 A	NON PROPORTIONAL VALVE		EA
1	8230105	MANIFOLD BODY, ALUMINUM	1	EA
2	8230106	RELIEF VALVE	4	EA
3	8230107	CHECK VALVE	2	EA
4	8230108	FLOW CONTROL VALVE	1	EA
5	8230109	SHUTTLE VALVE	1	EA
6	8230110	DIRECTIONAL CONTROL VALVE SECTION, INLET	1	EA
7	6010904	DIRECTIONAL CONTROL VALVE SECTION, ROTATE	1	EA
Not Shown	3040524	REPLACEMENT COIL, 12 VOLT DC	2	EA
8	6010904	DIRECTIONAL CONTROL VALVE SECTION, ROTATE	1	EA
Not Shown	3040524	REPLACEMENT COIL, 12 VOLT DC	2	EA
9	6010908	DIRECTIONAL CONTROL VALVE SECTION, STEER	1	EA
Not Shown	3040524	REPLACEMENT COIL, 12 VOLT DC	2	EA
10	8230111	ORIFICE, 1.0MM DIAMETER	1	EA

HYDRAULICS



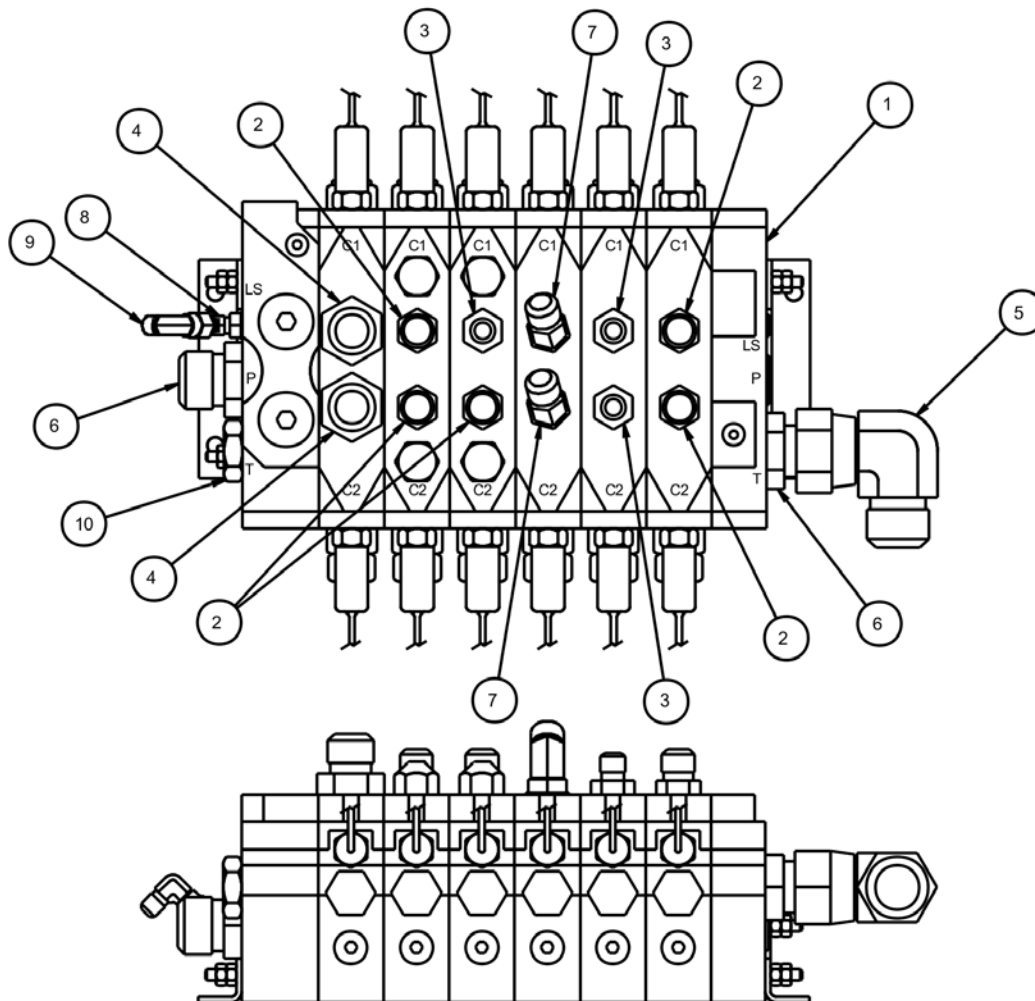
アイテム	部品番号	名前	数量	UOM
Not Shown	0192197 C	NON PROPORTIONAL FOUR SECTION CONTROL VALVE ASSEMBLY MARCH 2006 AND AFTER		EA
1	0082010	DECAL SET	1	EA
2	0191640	ANGLE	1	EA
3	0191641	SPACER PLATE	1	EA
4	0191642	STEP ANGLE	1	EA
5	0192127	ADPTR HARNESS, NON PROP VALVE	1	EA
6	970239	BLT HEXHD .313 18 .750 GR5	4	EA
7	987109	WSHR LOCK .313	4	EA
8	5035320	ADAPTER 90 DEG ELBOW 8 SAE TO 6 JIC	1	EA
9	5036703	FTG TEE SWVL RUN 4S 4S STL (SEE PAGE 2)	2	EA
10	5037005	TERM FEM F.I. .250 16/14	1	EA
11	5063701	ADAPTER, CAP, 4 JIC FEMALE	2	EA
12	5065703	FTG ADPTR STRTHD 4B 4S STL	2	EA
13	5065708	FTG, HYD 8 MB TO 6 MJIC	1	EA
14	5065805	FTG ADAPTER STRTHDL 6B 6S STL LONG	2	EA
15	5067020	FTG, HYD 6 MB TO 4 MJIC LONG	4	EA
16	5075205	FTG PL HEXHD 6B STL	2	EA
17	6019060	NON PROP VALVE (FLUID TECH)	1	EA

HYDRAULICS



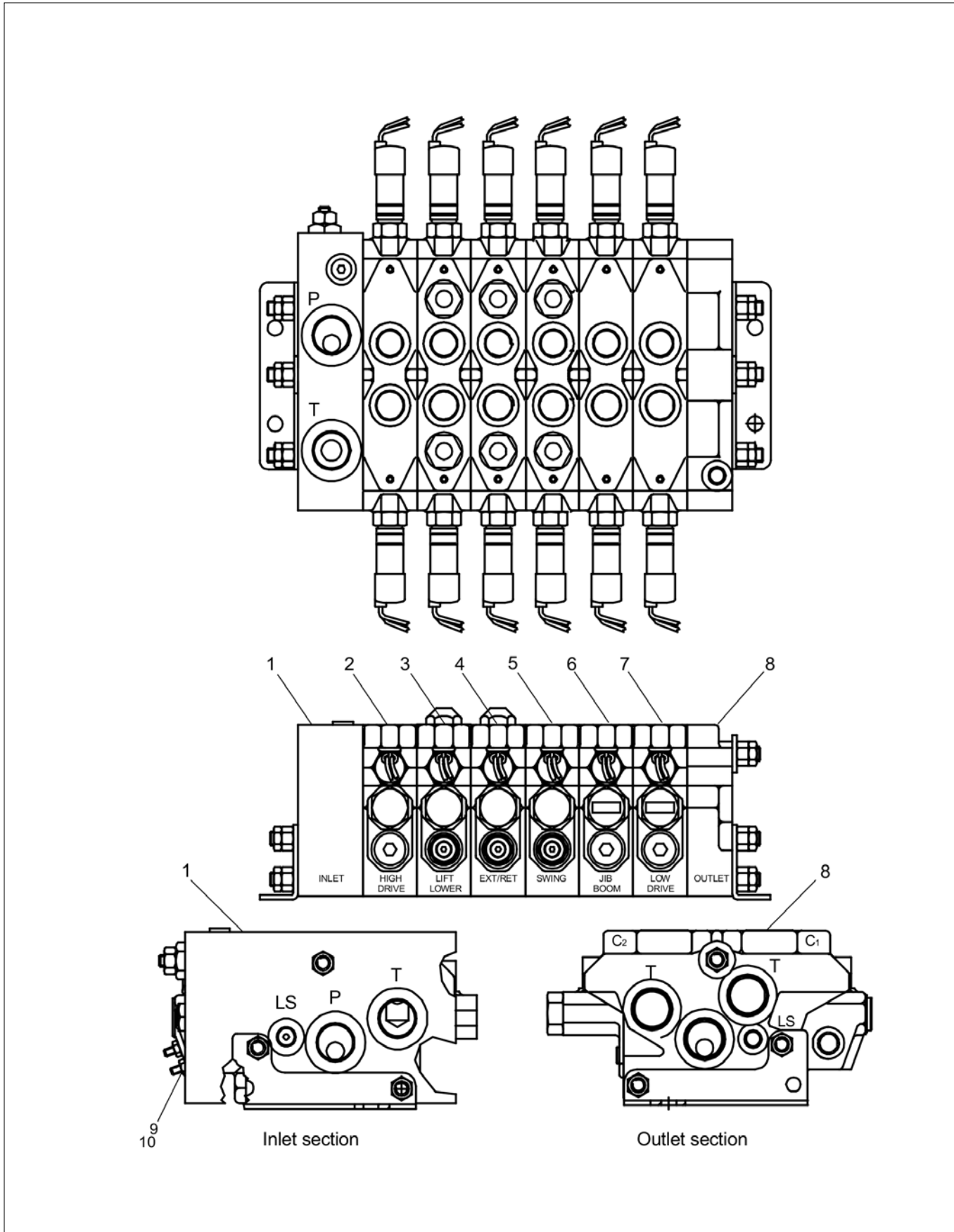
アイテム	部品番号	名前	数量	UOM
Not Shown	6019060 D	NON PROPORTIONAL FOUR SECTION VALVE MARCH 2006 AND AFTER		EA
1	487086	#10 FLOW CONTROL PRESS COMP 5.0 GPM	1	EA
2	255256	N.C. SOL VALVE	1	EA
3	3220126	10VDC DRZ COIL	1	EA
4	6019041	SHUTTLE VALVE	1	EA
5	6019096	4 WAY SOL VALVE	1	EA
6	6019097	4 WAY SOL VALVE	2	EA
7	3040781	10 VDC DN01 COIL	6	EA
8	6019155	REL VLV B2	1	EA
9	6019155	REL VLV B2	1	EA
10	6019039	N.C. RELIEF VALVE B3	1	EA
11	6019039	N.C. RELIEF VALVE B3	1	EA
12	6019157	DOUBLE PCV	1	EA
15	6018948	1/16" NPT PLUG DRILLED .035" ORIFICE	1	EA

HYDRAULICS



アイテム	部品番号	名前	数量	UOM
Not Shown	0191180 B	PROPORTIONAL CONTROL VALVE ASSEMBLY JANUARY 2001 AND AFTER		EA
1	6010842	VALVE PROP CONTOL	1	EA
2	5065709	FTG ADPTR STRTHD 8B 8S STL PH	5	EA
3	5065708	FTG, HYD 8 MB TO 6 MJIC	3	EA
4	5065731	FTG, HYD 8 MB TO 12 MJIC	2	EA
5	5037010	ADAPTER 90 DEG ELBOW SWIVEL 16 JIC	1	EA
6	5065719	FTG ADPTRSTRTHD 12B 16S STL	2	EA
7	5035706	ADAPTER 45 DEG ELBOW 8 SAE 8 JIC	2	EA
8	5035703	ADAPTER 45 DEG ELBOW 4 SAE 4 JIC	1	EA
9	5037003	FTG ELB90SWVL 4S 4S STL	1	EA
10	5075208	FTG PL HEX HD 12B STL	1	EA

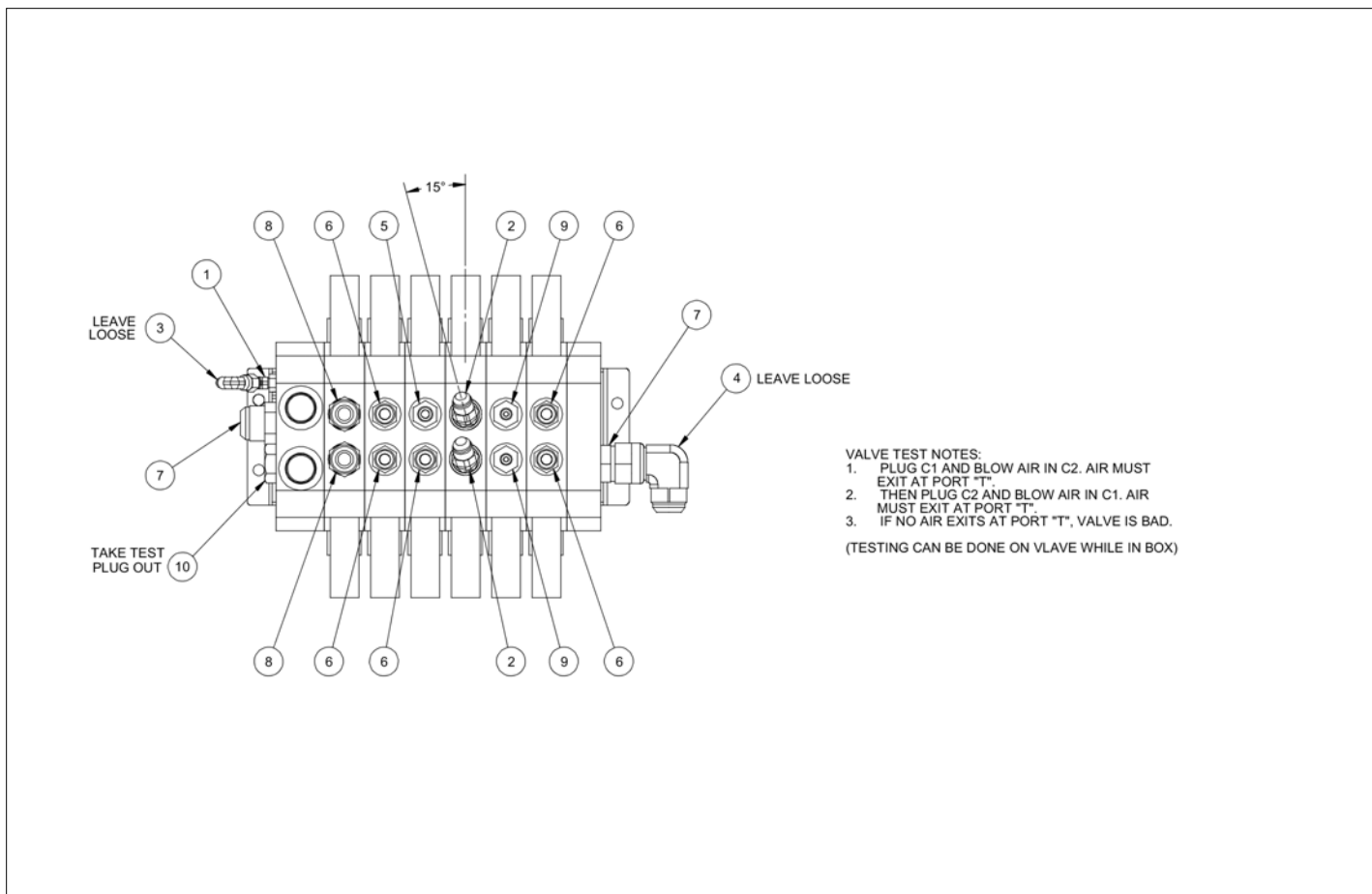
HYDRAULICS



アイテム	部品番号	名前	数量	UOM
Not Shown	6010842 F	PROPORTIONAL CONTROL VALVE APRIL 2015 AND BEFORE		EA
1	6010860	MANIFOLD INLET FOR CONTROL VLV	1	EA
Not Shown	8010245	O RING KIT ONE PER SECTION – ITEM NOT SHOWN	1	EA
2	6010861	HIGH SPEED DRIVE VALVE SECTION	1	EA
Not Shown	8010245	O RING KIT ONE PER SECTION – ITEM NOT SHOWN	1	EA
Not Shown	6010653	DIGITAL PULSAR SOLENOID CARTRIDGE, 12 VOLT DC – BLACK = 33 HZ FREQUENCY	2	EA
3	6010867	LIFT VALVE SECTION	1	EA
Not Shown	8010245	O RING KIT ONE PER SECTION – ITEM NOT SHOWN	1	EA
Not Shown	6010653	DIGITAL PULSAR SOLENOID CARTRIDGE, 12 VOLT DC – BLACK = 33 HZ FREQUENCY	2	EA
4	6010868	EXTEND VALVE SECTION	1	EA
Not Shown	8010245	O RING KIT ONE PER SECTION – ITEM NOT SHOWN	1	EA
Not Shown	6010653	DIGITAL PULSAR SOLENOID CARTRIDGE, 12 VOLT DC – BLACK = 33 HZ FREQUENCY	2	EA
5	6010869	SWING VALVE SECTION	1	EA
Not Shown	8010245	O RING KIT ONE PER SECTION – ITEM NOT SHOWN	1	EA
Not Shown	6010653	DIGITAL PULSAR SOLENOID CARTRIDGE, 12 VOLT DC – BLACK = 33 HZ FREQUENCY	2	EA
6	6010870	JIB BOOM CONTROL VALVE SECTION	1	EA
Not Shown	8010245	O RING KIT ONE PER SECTION – ITEM NOT SHOWN	1	EA
Not Shown	6010653	DIGITAL PULSAR SOLENOID CARTRIDGE, 12 VOLT DC – BLACK = 33 HZ FREQUENCY	2	EA

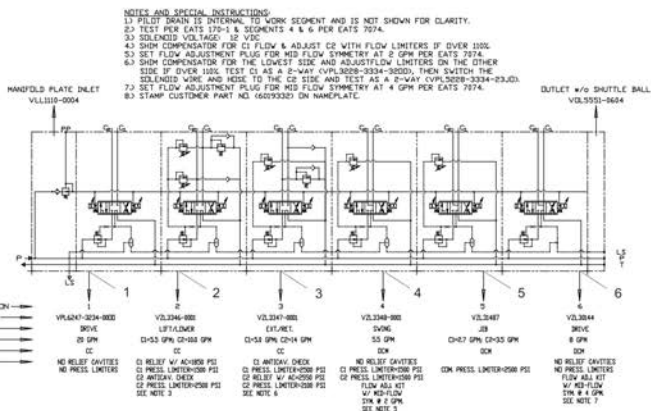
アイテム	部品番号	名前	数量	UOM
7	6010862	LOW SPEED DRIVE VALVE SECTION	1	EA
Not Shown	8010245	O RING KIT ONE PER SECTION – ITEM NOT SHOWN	1	EA
Not Shown	6010653	DIGITAL PULSAR SOLENOID CARTRIDGE, 12 VOLT DC – BLACK = 33 HZ FREQUENCY	2	EA
8	6010871	OUTLET SECTION APITECH	1	EA
Not Shown	8010245	O RING KIT ONE PER SECTION – ITEM NOT SHOWN	1	EA
9	8010273	SEALING NUT WITH WASHER	2	EA
10	8010274	SET SCREW	2	EA

HYDRAULICS



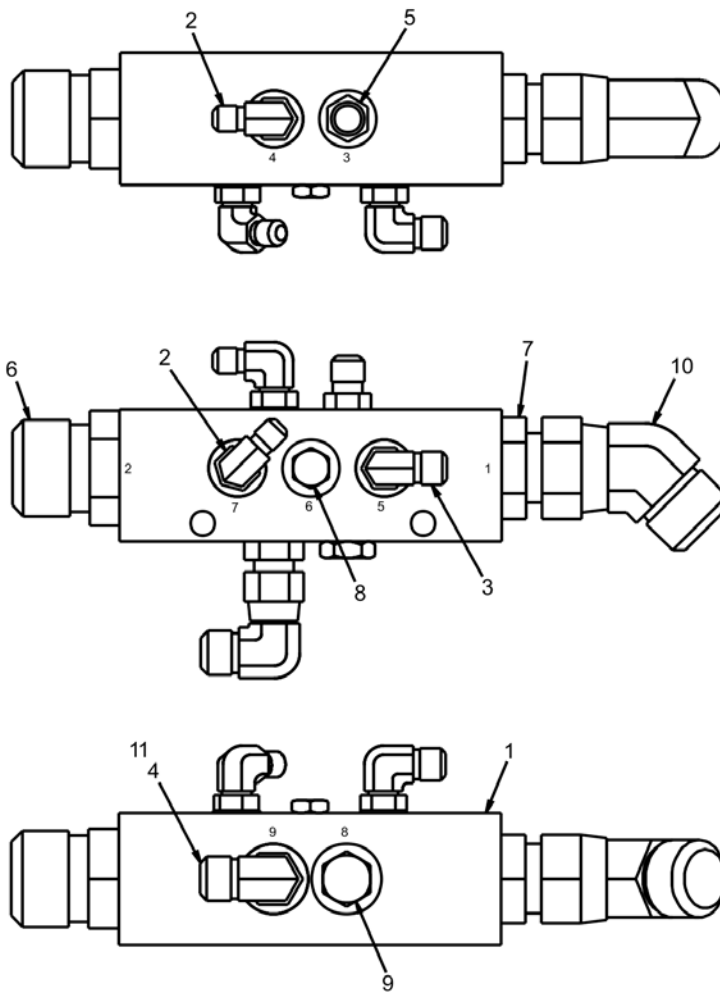
アイテム	部品番号	名前	数量	UOM
Not Shown	0192590 B	PROPORTION CONTROL VALVE ASSEMBLY W/ NEW JIB ONLYMAY 2015 AND AFTER		EA
1	5035703	ADAPTER 45 DEG ELBOW 4 SAE 4 JIC	1	EA
2	5035706	ADAPTER 45 DEG ELBOW 8 SAE 8 JIC	2	EA
3	5037003	FTG ELB90SWVL 4S 4S STL	1	EA
4	5037010	ADAPTER 90 DEG ELBOW SWIVEL 16 JIC	1	EA
5	5065708	FTG, HYD 8 MB TO 6 MJIC	1	EA
6	5065709	FTG ADPTR STRTHD 8B 8S STL PH	5	EA
7	5065719	FTG ADPTRSTRTHD 12B 16S STL	2	EA
8	5065731	FTG, HYD 8 MB TO 12 MJIC	2	EA
9	5065732	FTG ADPTR STRTHD 8B 4S STL PH	2	EA
10	5075208	FTG PL HEX HD 12B STL	1	EA
11	6019332	VALVE PROP CONTROL TB100J/126J NEW JIB	1	EA

HYDRAULICS



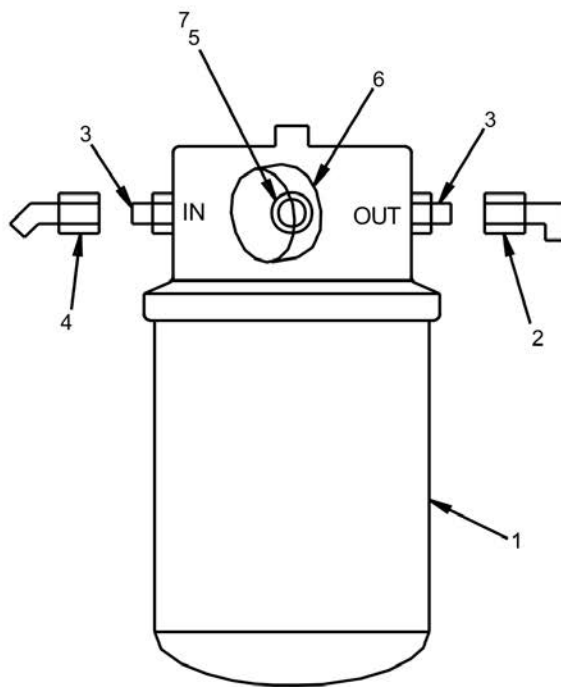
アイテム	部品番号	名前	数量	UOM
Not Shown	6019332 A	PROPORTIONAL CONTROL VALVE		EA
1	6010861	HIGH SPEED DRIVE VALVE SECTION	1	EA
2	6010867	LIFT VALVE SECTION	1	EA
3	6010868	EXTEND VALVE SECTION	1	EA
4	6010869	SWING VALVE SECTION	1	EA
5	6019376	JIB VALVE SECTION	1	EA
6	6010862	LOW SPEED DRIVE VALVE SECTION	1	EA

HYDRAULICS



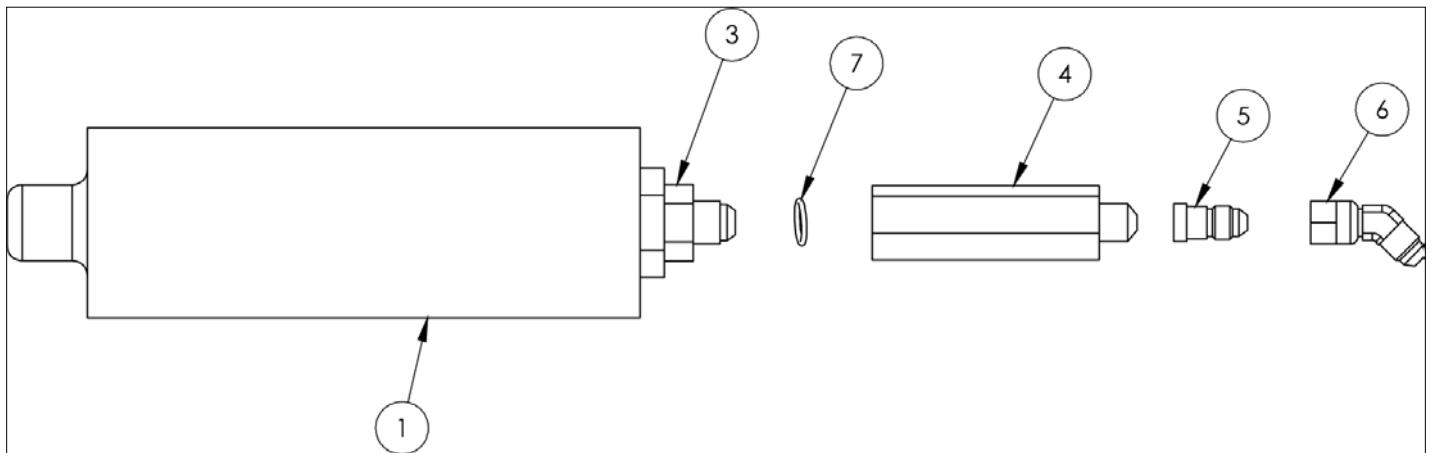
アイテム	部品番号	名前	数量	UOM
Not Shown	0191179 A	PRESSURE MANIFOLD		EA
1	0110156	PRESSURE MANIFOLD	1	EA
2	5035318	STRAIGHT THREAD 90 ° ELBOW	2	EA
3	5035305	FTG ELB90STRTHD 6S 6S STL	1	EA
4	5065709	FTG ADPTR STRTHD 8B 8S STL PH	1	EA
5	5065707	FTG ADPTR STRTHD 6B 6S STL PH	1	EA
6	5065737	FTG, HYD 16 MB TO 20 MJIC	1	EA
7	5065718	FTG, HYD 16 MB TO 16 MJIC	1	EA
8	5075205	FTG PL HEXHD 6B STL	1	EA
9	5075206	FTG PL HEXHD 8B STL	1	EA
10	5036910	ADAPTER 45 DEG ELBOW SWIVEL 16 JIC	1	EA
11	5037006	ADAPTER 90 ° ELBOW SWIVEL 8 JIC	1	EA

HYDRAULICS



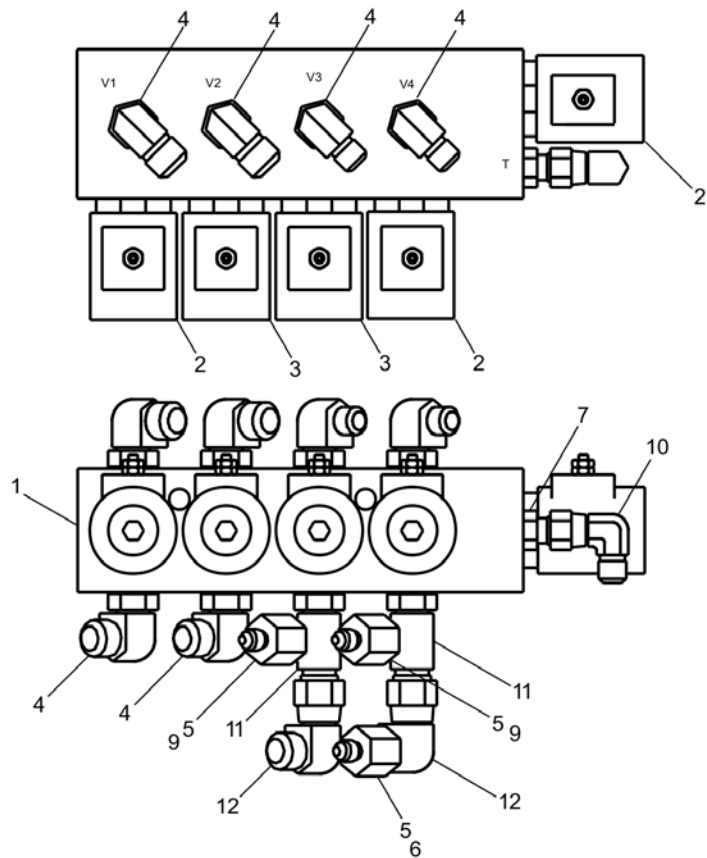
アイテム	部品番号	名前	数量	UOM
Not Shown	0191458 B	HYDRAULIC OIL RETURN FILTER		EA
1	5080044	FILTER RETURN LINE W/GAUGE	1	EA
2	5037011	FTG ELB90SWVL 20S 20S STL PH 2	1	EA
3	5065721	FTG ADPTR STRTHD 20B 20S STL P	2	EA
4	5036911	FTG ELB45SWVL 20S 20S STL	1	EA
5	5090031	STREET ELBOW 45 ° , 1/8 NPT	1	EA
6	7630140	FILTER MINDER GAUGE AIR CLNR	1	EA
7	5090006	STREET 90 ° ELBOW, 1/8 NPT	1	EA

HYDRAULICS



アイテム	部品番号	名前	数量	UOM
*	0180870 E	ACCUMULATOR CHARGED		EA
1	6070006	ACCUMULATOR 300 PSI	1	EA
*	5076003	ADAPTER STRAIGHT 12SAE TO 8SAE FEMALE	1	EA
3	5065708	FTG, HYD 8 MB TO 6 MJIC	1	EA
4	6010636	CHECK VALVE, ORIFICED	1	EA
5	5064001	ADAPTER STRAIGHT TUBE REDUCER 6 JIC TO 4 JIC	1	EA
6	5036903	FTG ELB45SWVL 4S 4S STL	1	EA
7	7110906	O RING	1	EA

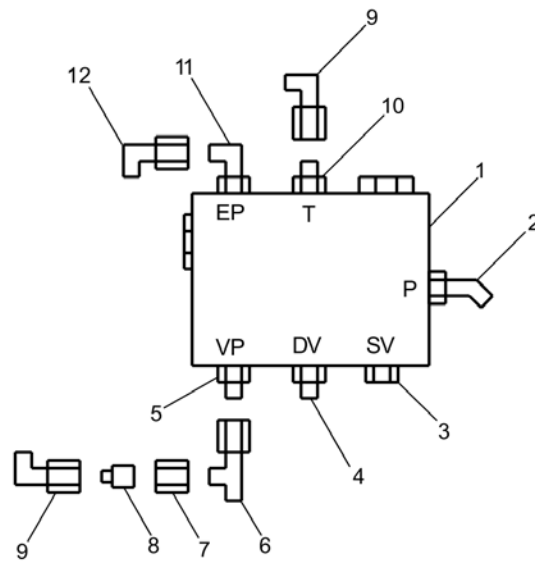
HYDRAULICS



アイテム	部品番号	名前	数量	UOM
Not Shown	0190879 C	4 STAGE BLOCKING VALVE SUB ASSEMBLY OCTOBER 2014 AND BEFORE		EA
1	6010721	BLOCKING VALVE (INCLUDES ITEMS 2 AND 3)	1	EA
Not Shown	6010728	REPLACEMENT RELIEF VALVE, FLUID TECH	1	EA
Not Shown	8080125	SEAL REPAIR KIT	1	EA
Not Shown	6010732	REPLACEMENT RELIEF VALVE, WECO	1	EA
2	6010726	SOLENOID, FLUID TECH	3	EA
Not Shown	3040457	REPLACEMENT COIL, 12 VOLT DC	1	EA
Not Shown	6010911	SOLENOID, WECO	3	EA
Not Shown	3040457	REPLACEMENT COIL, 12 VOLT DC	1	EA
3	6010727	SOLENOID, FLUID TECH	2	EA
Not Shown	6010856	SEAL REPAIR KIT	1	EA
Not Shown	3040457	REPLACEMENT COIL, 12 VOLT DC	1	EA
Not Shown	6010912	SOLENOID, WECO	1	EA
Not Shown	3040457	REPLACEMENT COIL, 12 VOLT DC	1	EA
4	5035306	FTG ELB90STRTHD 8B 8S STL	5	EA
5	5063906	FTG NUT 8S STL	3	EA
6	5064003	FTG RDCR 8S 6S W/O NUT STL (SEE PAGE 2)	1	EA
7	5065707	FTG ADPTR STRTHD 6B 6S STL PH	1	EA
8	5035320	ADAPTER 90 DEG ELBOW 8 SAE TO 6 JIC	1	EA
9	5064002	ADAPTER STREIGHT TUBE REDUCER 8 JIC TO 4 JIC	2	EA

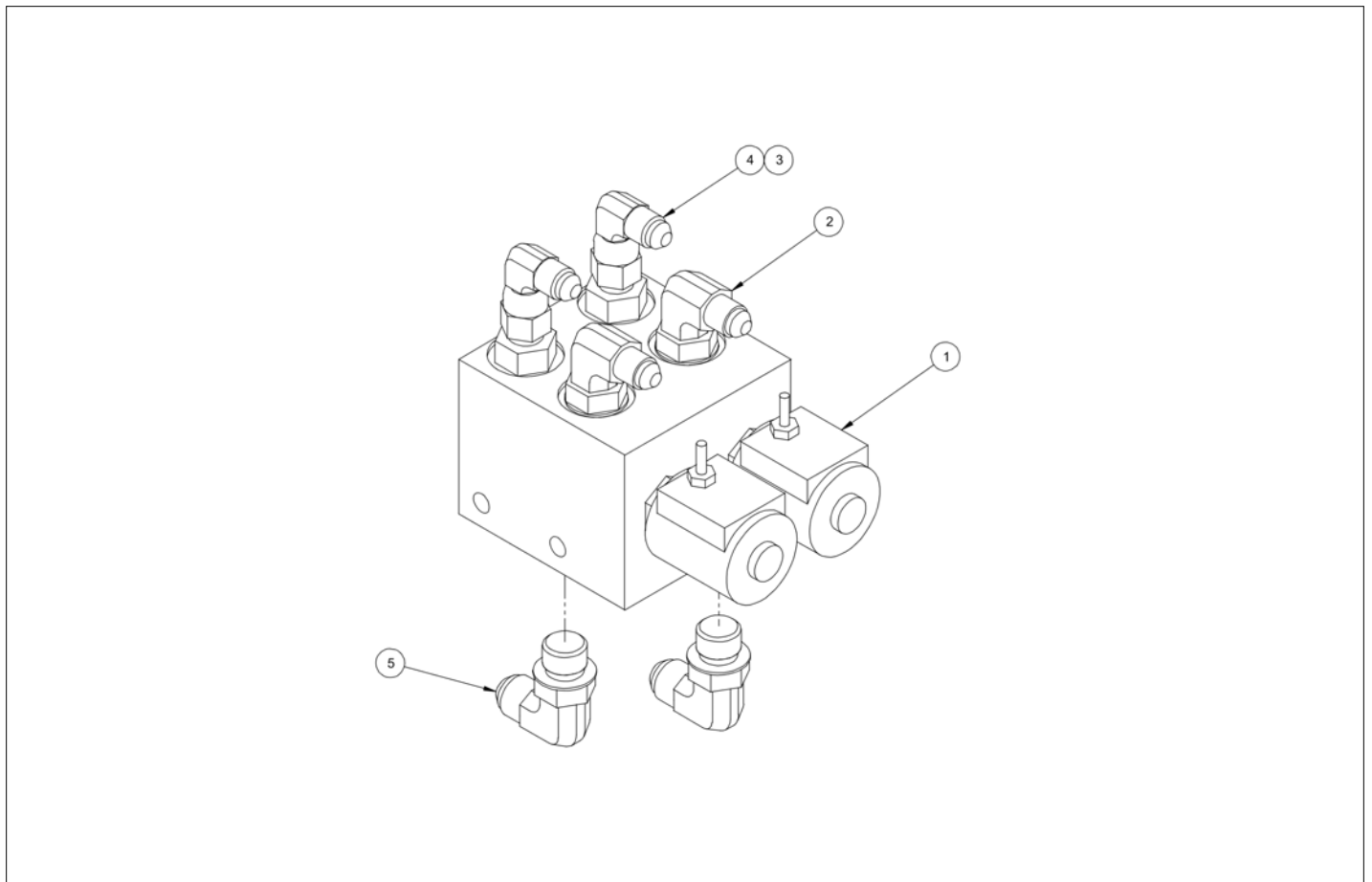
アイテム	部品番号	名前	数量	UOM
10	5037005	TERM FEM F.I. .250 16/14	1	EA
11	5036106	ADAPTER TEE 8 SAE 8 JIC 8 JIC	2	EA
12	5037006	ADAPTER 90 ° ELBOW SWIVEL 8 JIC	2	EA
Not Shown	0182437	HARNESS DEUTSCH COIL ADAPTER	1	EA

HYDRAULICS



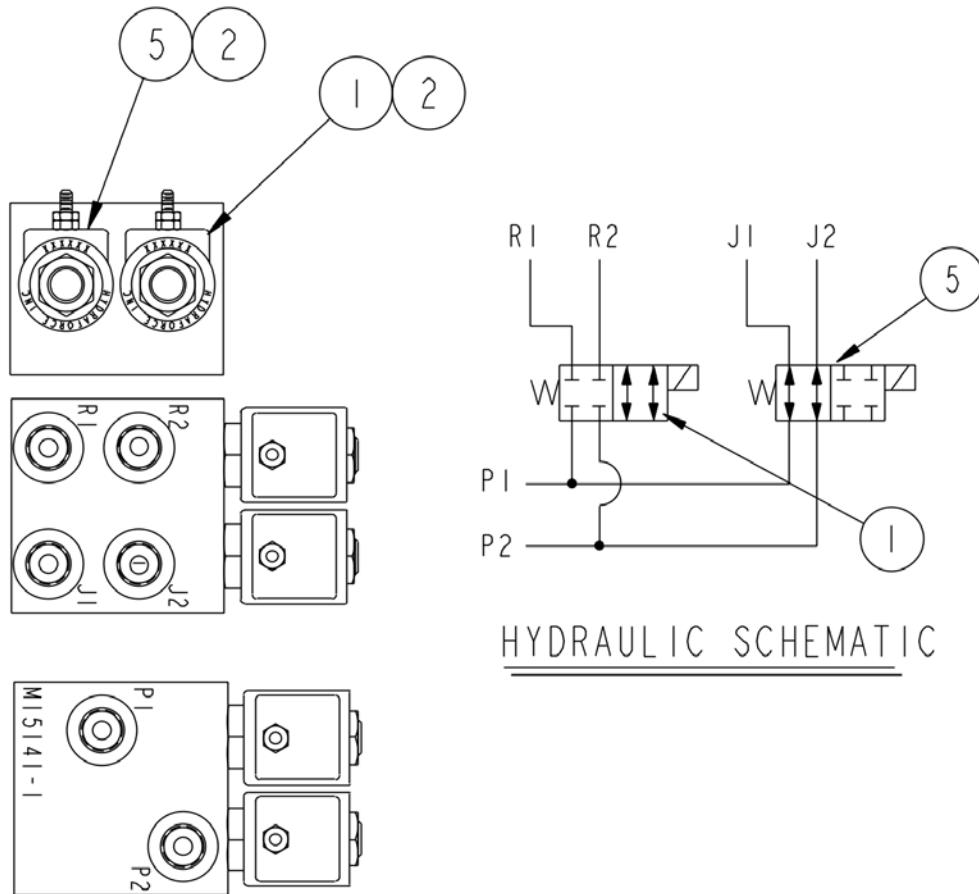
アイテム	部品番号	名前	数量	UOM
Not Shown	0190836 B	CHECK VALVE MANIFOLD		EA
1	6010579	CHECK VALVE MANIFOLD	1	EA
Not Shown	6010605	SEAL REPAIR KIT	1	EA
Not Shown	6010565	CHECK VALVE	1	EA
2	5035710	STRAIGHT THREAD 45 ° ELBOW	1	EA
3	5075205	FTG PL HEXHD 6B STL	1	EA
4	5065718	FTG, HYD 16 MB TO 16 MJIC	1	EA
5	5065708	FTG, HYD 8 MB TO 6 MJIC	1	EA
6	5036705	FTG TEE SWVL RUN 6S 6S STL	1	EA
7	5063905	FTG NUT 6S STL	1	EA
8	5064001	ADAPTER STRAIGHT TUBE REDUCER 6 JIC TO 4 JIC	1	EA
9	5037003	FTG ELB90SWVL 4S 4S STL	2	EA
10	5065703	FTG ADPTR STRTHD 4B 4S STL	1	EA
11	5035305	FTG ELB90STRTHD 6S 6S STL	1	EA
12	5037005	TERM FEM F.I. .250 16/14	1	EA

HYDRAULICS



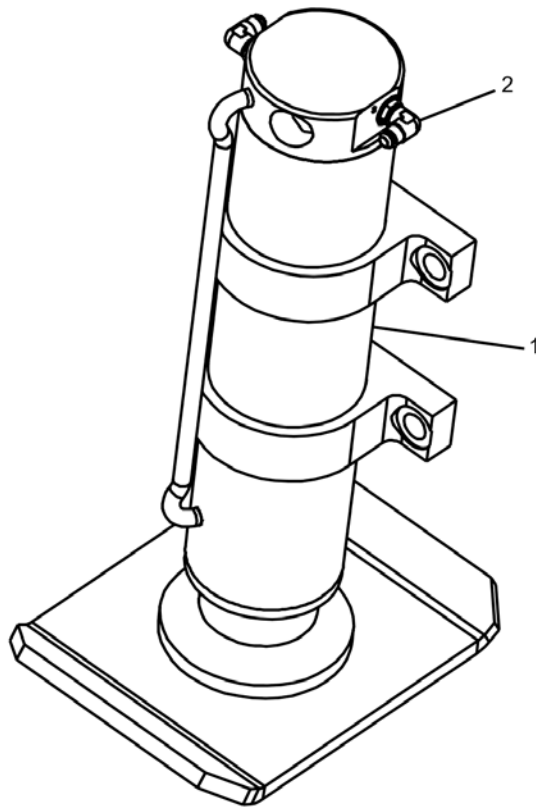
アイテム	部品番号	名前	数量	UOM
Not Shown	0192615 A	PLATFORM JIB SELECTOR VALVE ASSEMBLY		EA
1	6019093	VALVE, PLATFORM/JIB SELECTOR	1	EA
2	5035318	STRAIGHT THREAD 90 ° ELBOW	2	EA
3	5065705	FTG ADPTR STRTHD 6B 4S STL	2	EA
4	5037003	FTG ELB90SWVL 4S 4S STL	2	EA
5	5035305	FTG ELB90STRTHD 6S 6S STL	2	EA

HYDRAULICS



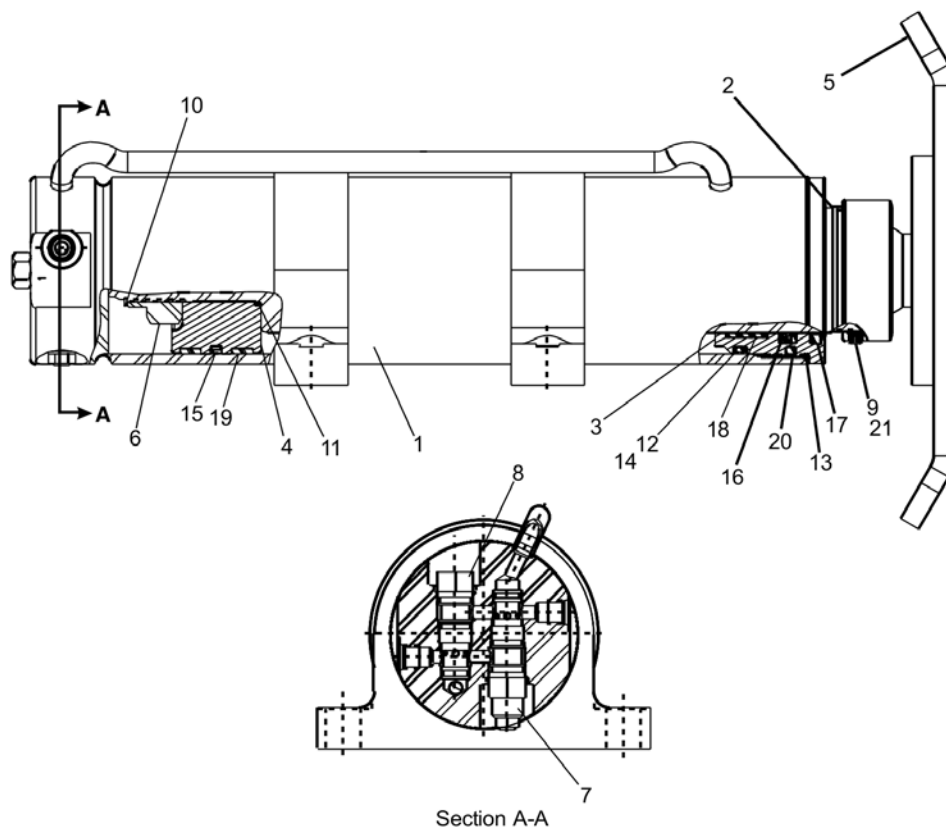
アイテム	部品番号	名前	数量	UOM
Not Shown	6019093 B	PLATFORM JIB SELECTOR VALVE		EA
1	6091591	SOL VLV	1	EA
2	3040473	HARNESS AND COIL 12VDC SIZE 8#8 32 STUD	2	EA
5	6091592	SOL VLV	1	EA

HYDRAULICS



アイテム	部品番号	名前	数量	UOM
*	0111292 B	JACKING CYLINDER SUB ASSEMBLY		EA
1	0112379	CYLINDER, JACKING	1	EA
2	5035305	FTG ELB90STRTHD 6S 6S STL	2	EA

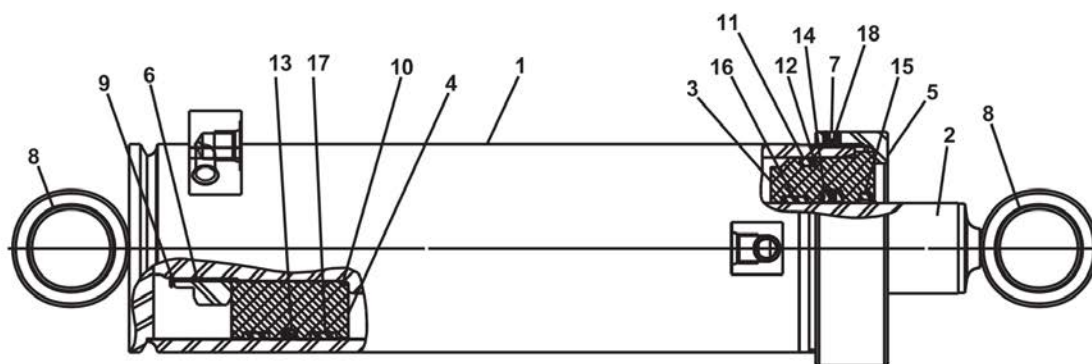
HYDRAULICS



アイテム	部品番号	名前	数量	UOM
Not Shown	0112379 A	JACKING CYLINDER ROSENBOOM		EA
Not Shown	6091355	SEAL REPAIR KIT (KIT INCLUDES ITEMS 10 21)	1	EA
1	PNNA	TUBE (NOT SOLD SEPARATELY)	1	EA
2	6091354	ROD	1	EA
3	6091351	HEAD GLAND	1	EA
4	6091350	PISTON	1	EA
5	6091362	SEAL KIT	1	EA
6	6091272	LOCKNUT	1	EA
7	6010488	CARTRIDGE COUNTERBALANCE VALVE (FACTORY PRESET, DO NOT RESET)	1	EA
8	6010426	CHECK VALVE	1	EA
9	5569835	SET SCREW 5/16 18 X 1/4 INCH LONG	1	EA
10	KIT ITEM	SNAP RING (NOT SOLD SEPARATELY)	1	EA
11	KIT ITEM	O RING (NOT SOLD SEPARATELY)	1	EA
12	KIT ITEM	O RING (NOT SOLD SEPARATELY)	1	EA
13	KIT ITEM	O RING (NOT SOLD SEPARATELY)	1	EA
14	KIT ITEM	BACK UP (NOT SOLD SEPARATELY)	1	EA
15	KIT ITEM	DISO PAC (NOT SOLD SEPARATELY)	1	EA
16	KIT ITEM	DEEP Z SEAL (NOT SOLD SEPARATELY)	1	EA
17	KIT ITEM	ROD WIPER (NOT SOLD SEPARATELY)	1	EA
18	KIT ITEM	WEAR BAND (NOT SOLD SEPARATELY)	1	EA
19	KIT ITEM	WEAR BAND (NOT SOLD SEPARATELY)	2	EA

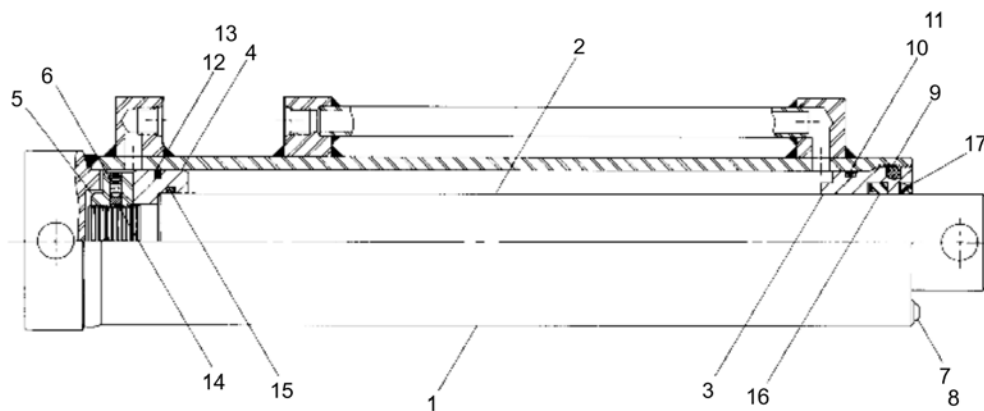
アイテム	部品番号	名前	数量	UOM
20	KIT ITEM	LOCKING INSERT (NOT SOLD SEPARATELY)	2	EA
21	KIT ITEM	LOCKING INSERT (NOT SOLD SEPARATELY)	1	EA

HYDRAULICS



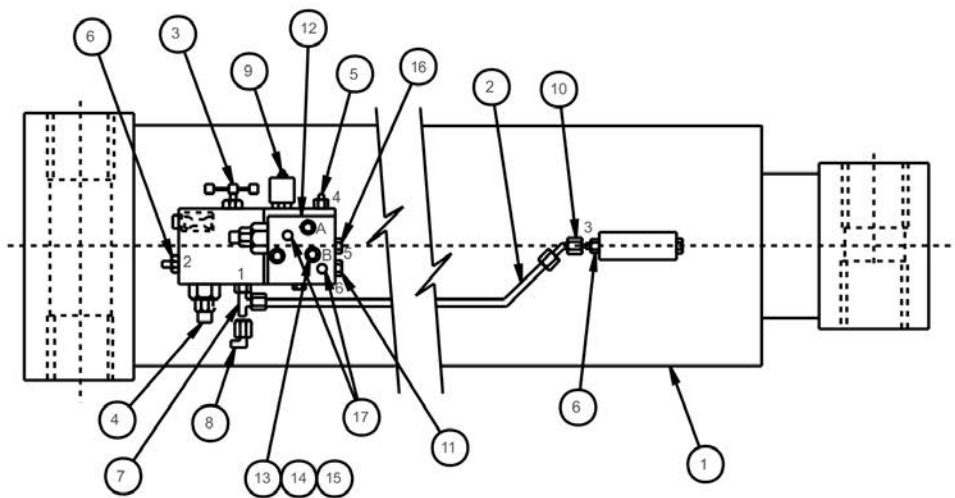
アイテム	部品番号	名前	数量	UOM
Not Shown	0074799 C	STEERING AND LEVELING CYLINDER ROSENBOOM JANUARY 2001 AND AFTER		EA
Not Shown	6091260	SEAL KIT		EA
1	PNNA	TUBE	1	EA
2	6091374	ROD	1	EA
3	6091257	HEAD GLAND	1	EA
4	6091256	PISTON	1	EA
5	6091250	HEAD GLAND CAP	1	EA
6	6091259	LOCK NUT	1	EA
7	5569835	SET SCREW 5/16 18 X 1/4 INCH LONG	1	EA
8	2502416	BRG CSB 50 24IB 16	4	EA
9	Kit item	Oilseal (not sold separately)	1	EA
10	Kit item	Oilseal (not sold separately)	1	EA
11	Kit item	Oilseal (not sold separately)	1	EA
12	Kit item	Oilseal (not sold separately)	1	EA
13	Kit item	Oilseal (not sold separately)	1	EA
14	Kit item	Oilseal (not sold separately)	1	EA
15	Kit item	Oilseal (not sold separately)	1	EA
16	Kit item	Oilseal (not sold separately)	1	EA
17	Kit item	Oilseal (not sold separately)	2	EA
18	Kit item	Oilseal (not sold separately)	1	EA

HYDRAULICS



アイテム	部品番号	名前	数量	UOM
Not Shown	0190709 A	AXLE EXTEND CYLINDER		EA
Not Shown	0190917	SEAL REPAIR KIT (KIT INCLUDES ITEMS 9 17)	1	EA
1	PNNA	TUBE (NOT SOLD SEPARATELY)	1	EA
2	8070827	ROD	1	EA
3	8070357	RETAINER	1	EA
4	8070358	PISTON	1	EA
5	8070360	NUT	1	EA
6	8070361	SET SCREW	1	EA
7	8070362	LOCK WASHER	1	EA
8	8070363	CAPSCREW	1	EA
9	KIT ITEM	NYLON PLUG (NOT SOLD SEPARATELY)	1	EA
10	KIT ITEM	O RING (NOT SOLD SEPARATELY)	1	EA
11	KIT ITEM	BACK UP (NOT SOLD SEPARATELY)	1	EA
12	KIT ITEM	O RING (NOT SOLD SEPARATELY)	1	EA
13	KIT ITEM	TEFLON RING (NOT SOLD SEPARATELY)	1	EA
14	KIT ITEM	BRONZE PLUG (NOT SOLD SEPARATELY)	1	EA
15	KIT ITEM	O RING (NOT SOLD SEPARATELY)	1	EA
16	KIT ITEM	U RING (NOT SOLD SEPARATELY)	1	EA
17	KIT ITEM	WIPER (NOT SOLD SEPARATELY)	1	EA

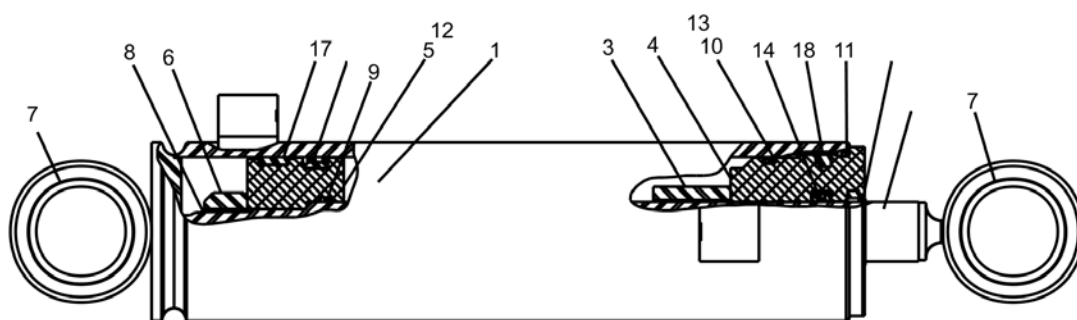
HYDRAULICS



アイテム	部品番号	名前	数量	UOM
Not Shown	0190613 F	LIFT CYLINDER		EA
1	0190499	CYLINDER LIFT	1	EA
2	0190612	1/2 INCH HYDRAULIC TUBE	1	EA
3	6010292	CARTRIDGE NEEDLE VALVE	1	EA
Not Shown	0150567	SEAL REPAIR KIT	1	EA
Not Shown	8060188	REPLACEMENT KNOB	1	EA
4	6010663	CARTRIDGE HOLDING VALVE	1	EA
5	5065705	FTG ADPTR STRTHD 6B 4S STL	1	EA
6	5065709	FTG ADPTR STRTHD 8B 8S STL PH	2	EA
7	5036106	ADAPTER TEE 8 SAE 8 JIC 8 JIC	1	EA
8	5037006	ADAPTER 90 ° ELBOW SWIVEL 8 JIC	1	EA
9	6010508	HYDRAFORCE CARTRIDGE 12 VOLT	1	EA
Not Shown	6010533	SEAL REPAIR KIT	1	EA
Not Shown	6010509	REPLACEMENT CARTRIDGE VALVE	1	EA
Not Shown	3040457	REPLACEMENT COIL, 12 VOLT DC	1	EA
10	5036906	COVER	1	EA
11	6010724	CHECK VALVE CARTRIDGE	1	EA
12	6010722	LIFT CYLINDER ADD ON VALVE	1	EA
Not Shown	6010731	REPLACEMENT VALVE BODY	1	EA
Not Shown	6010469	COUNTER BALANCE VALVE – HYDRATECH ROSENBOOM FISHER	1	EA
Not Shown	6010514	REPLACEMENT CHECK VALVE CARTRIDGE	1	EA

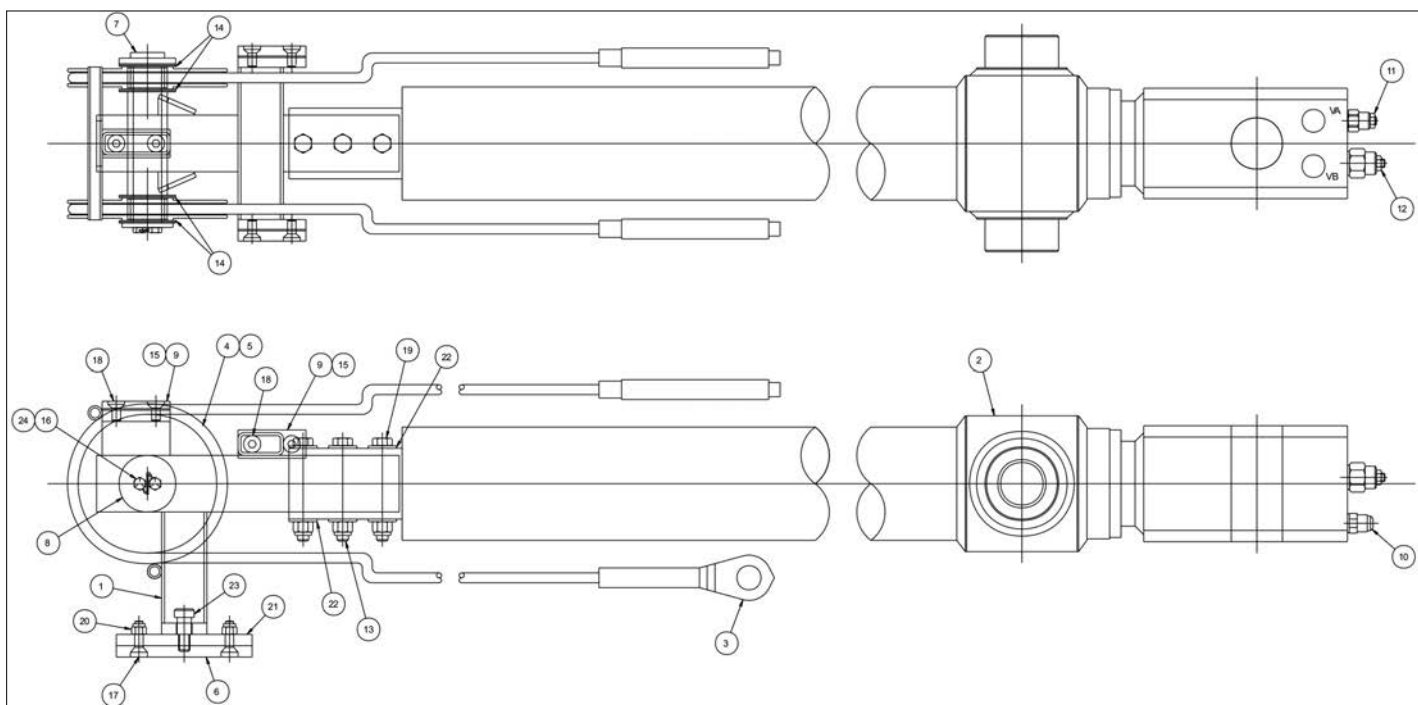
アイテム	部品番号	名前	数量	UOM
Not Shown	7110013	O RING (INCLUDED WITH ADD ON VALVE ITEM 12)	1	EA
13	970299	BOLT HEX HD .313 18 2.00 GR5 PL	3	EA
14	987109	WSHR LOCK .313	3	EA
15	986269	WSHR FLAT .313	3	EA
16	561176	VALVE CART CHECK	1	EA
17	7110013	O RING (INCLUDED WITH ADD ON VALVE ITEM 12)	2	EA

HYDRAULICS



アイテム	部品番号	名前	数量	UOM
Not Shown	0083694 A	MASTER LEVEL CYLINDER ROSENBOOM		EA
Not Shown	6091333	SEAL REPAIR KIT (KIT INCLUDES ITEMS 8 - 18)	1	EA
1	PNNA	TUBE (NOT SOLD SEPARATELY)	1	EA
2	6091419	ROD WELDMENT	1	EA
3	6091420	ROD SPACER	1	EA
4	6091336	HEAD GLAND	1	EA
5	6091331	PISTON	1	EA
6	6091282	.75 16 UNF LOCKNUT	1	EA
7	2502229	BEARING	4	EA
8	KIT ITEM	SNAP RING (NOT SOLD SEPARATELY)	1	EA
9	KIT ITEM	O RING (NOT SOLD SEPARATELY)	1	EA
10	KIT ITEM	O RING (NOT SOLD SEPARATELY)	1	EA
11	KIT ITEM	O RING (NOT SOLD SEPARATELY)	1	EA
12	KIT ITEM	BACK UP RING (NOT SOLD SEPARATELY)	2	EA
13	KIT ITEM	BACK UP RING (NOT SOLD SEPARATELY)	1	EA
14	KIT ITEM	DEEP Z SEAL (NOT SOLD SEPARATELY)	1	EA
15	KIT ITEM	CAPPED T SEAL (NOT SOLD SEPARATELY)	1	EA
16	KIT ITEM	ROD WIPER (NOT SOLD SEPARATELY)	1	EA
17	KIT ITEM	WEARBAND (NOT SOLD SEPARATELY)	1	EA
18	KIT ITEM	LOCKING INSERT (NOT SOLD SEPARATELY)	1	EA

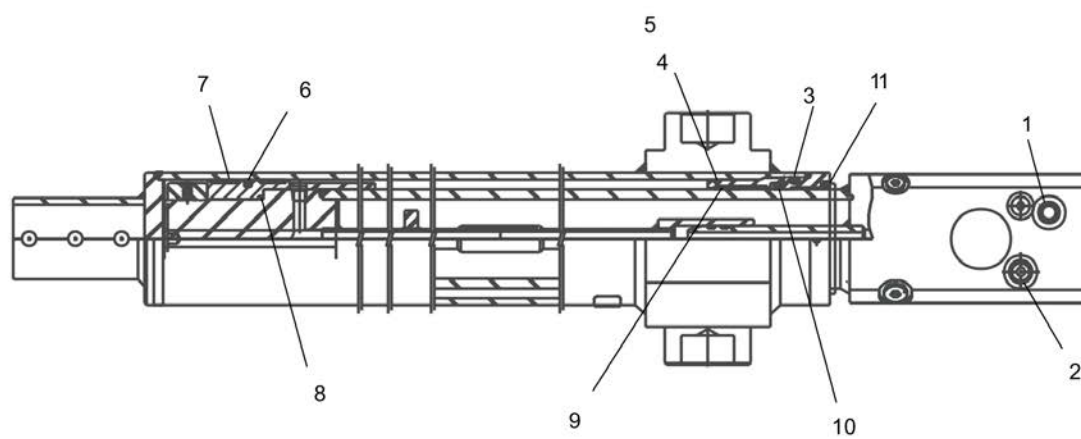
HYDRAULICS



アイテム	部品番号	名前	数量	UOM
Not Shown	0190762 F	EXTENSION CYLINDER ASSEMBLY		EA
1	0190761	SUPPORT BRACKET	1	EA
2	0190688	EXTENSION CYLINDER	1	EA
3	0190482	WIRE ROPE, EXTEND	2	EA
4	0111701	SHEAVE WIRE ROPE 7/16 DIA A80	2	EA
5	2502028	BEARING, 1 4/4 BORE X 1" LG GARMAX	2	EA
6	0191071	SLIDE PAD	1	EA
7	0110645	PIN, EXTEND SHEAVE	1	EA
8	0070033	PIN LOCK 2.00 DIA 2H	1	EA
9	0071341	SHIM .063 1.25 3.00 2H AL	3	EA
10	5065709	FTG ADPTR STRTHD 8B 8S STL PH	2	EA
11	6010488	CARTRIDGE COUNTERBALANCE VALVE (FACTORY PRESET, DO NOT RESET)	1	EA
Not Shown	6091190	SEAL REPAIR KIT	1	EA
12	6010882	CARTRIDGE COUNTERBALANCE VALVE (FACTORY PRESET, DO NOT RESET)	1	EA
Not Shown	6091190	SEAL REPAIR KIT	1	EA
13	5560039	NUT HEX LKG .500 13	3	EA
14	5560254	BRG THR 1.25ID 2.25OD .059	8	EA
15	0070141	SL PAD 1.25 3.00 .330 2H	3	EA
16	0070473	BLT HEXHD .313 18 .75 DR	2	EA
17	5560644	BLT FLSKTHD .375 16 1.25 GR8	4	EA
18	972449	M.SCR 3/8 16 3/4 SOC. CAD	6	EA
19	971009	CAP SCREW 1/2 13 X 4 INCH LONG HEX HEAD GRADE 5	3	EA
20	5560033	.375 16UNC HEX LOCK NUT	4	EA

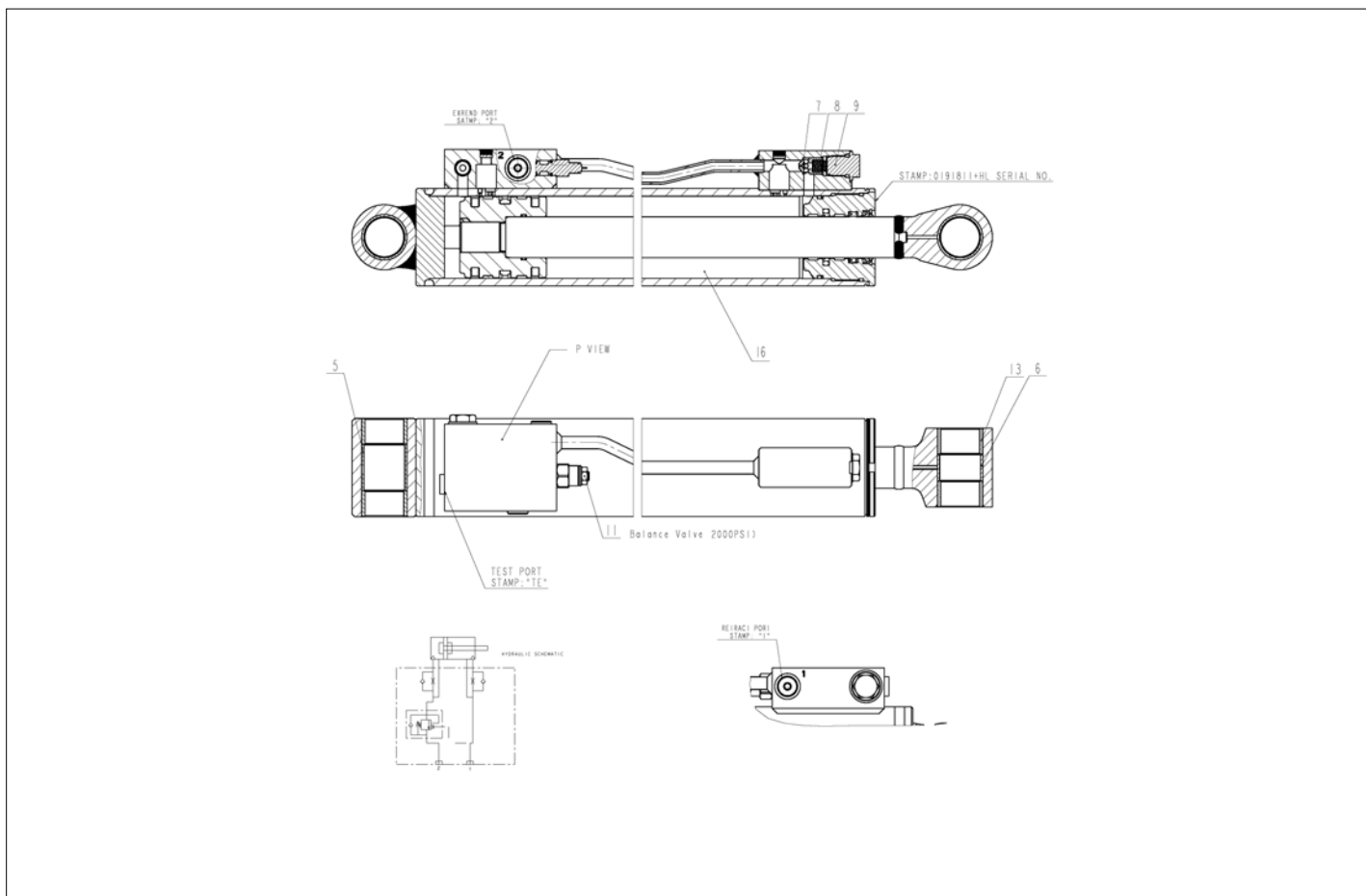
アイテム	部品番号	名前	数量	UOM
21	0191070	SLIDE PAD PLATE	1	EA
22	5560168	WSHR FLAT HARD .500 SP	6	EA
23	5560005	ANCHOR BOLT	2	EA
24	9980012	.040 S. S. SAFETY LOCKWIRE	1	EA

HYDRAULICS



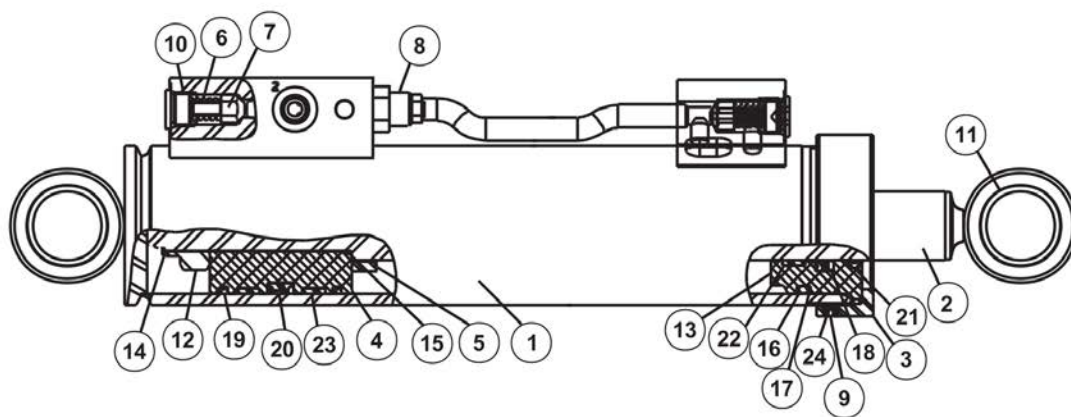
アイテム	部品番号	名前	数量	UOM
Not Shown	0190688 F	EXTENSION CYLINDER GBI		EA
Not Shown	8070804	SEAL REPAIR KIT (INCLUDES ITEMS 1-11)	1	EA
1	KIT ITEM	O RING (NOT SOLD SEPARATELY)	5	EA
2	KIT ITEM	O RING (NOT SOLD SEPARATELY)	3	EA
3	KIT ITEM	NYLON PLUG (NOT SOLD SEPARATELY)	3	EA
4	KIT ITEM	BACK UP (NOT SOLD SEPARATELY)	1	EA
5	KIT ITEM	O RING (NOT SOLD SEPARATELY)	1	EA
6	KIT ITEM	TEFLON SEAL (NOT SOLD SEPARATELY)	1	EA
7	KIT ITEM	WEAR RING (NOT SOLD SEPARATELY)	2	EA
8	KIT ITEM	O RING (NOT SOLD SEPARATELY)	1	EA
9	KIT ITEM	WEAR RING (NOT SOLD SEPARATELY)	3	EA
10	KIT ITEM	U CUP (NOT SOLD SEPARATELY)	1	EA
11	KIT ITEM	WIPER (NOT SOLD SEPARATELY)	1	EA

HYDRAULICS



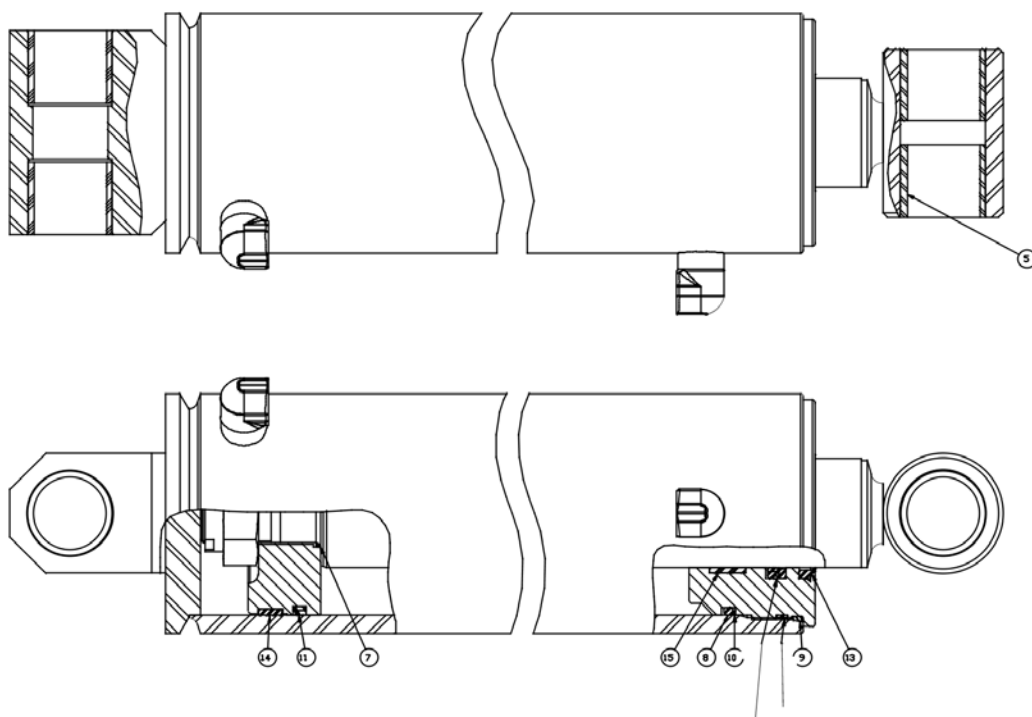
アイテム	部品番号	名前	数量	UOM
	0191811 B	JIB BOOM LIFT CYLINDER ROSENBOOM		EA
1	6092067	BARREL ASSEMBLY	1	EA
2	6092068	PISTON	1	EA
3	6092069	ROD WELDMENT	1	EA
4	6092070	GUIDE BUSHING	1	EA
5	6092071	BUSHING	1	EA
6	6092072	BUSHING	1	EA
7	6092049	SPOOL VALVE	2	EA
8	6092050	SPRING	2	EA
9	6092051	PLUG	2	EA
10	6092052	O RING	2	EA
11	6092040	PLUG	1	EA
Not Shown	6010794	CARTRIDGE, HOLDING VALVE (FACTORY PRESET, DO NOT RESET)	1	EA
13	6092021	SET SCREW	1	EA
14	2502229	BEARING	4	EA
Not Shown	6092073	SEAL KIT	1	EA

HYDRAULICS



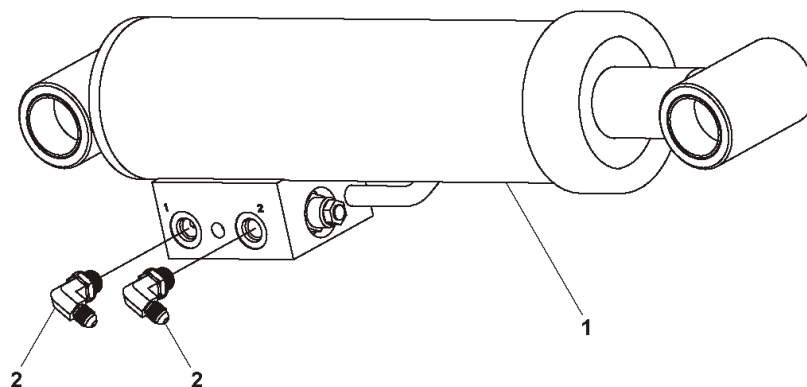
アイテム	部品番号	名前	数量	UOM
Not Shown	0191811 A	JIB BOOM CYLINDER ROSENBOOM		EA
1	PNNA	TUBE	1	EA
2	6091292	ROD	1	EA
3	6091288	HEAD GLAND CAP	1	EA
4	6091289	PISTON	1	EA
5	6091291	ROD SPACER	1	EA
6	6091246	SPRING	2	EA
7	6091241	POPPET	2	EA
8	6010794	CARTRIDGE, HOLDING VALVE (FACTORY PRESET, DO NOT RESET)	1	EA
Not Shown	0150563	SEAL REPAIR KIT	1	EA
9	5569835	SET SCREW 5/16 18 X 1/4 INCH LONG	1	EA
10	5075306	HEX PLUG	2	EA
11	2502229	BEARING	4	EA
12	6091293	LOCKING NUT 1 1/4 12	1	EA
13	6091311	HEAD GLAND	1	EA
14	Kit item	Oilseal (not sold separately)	1	EA
15	Kit item	Oilseal (not sold separately)	1	EA
16	Kit item	Oilseal (not sold separately)	1	EA
17	Kit item	Oilseal (not sold separately)	1	EA
18	Kit item	Oilseal (not sold separately)	1	EA
19	Kit item	Oilseal (not sold separately)	2	EA
20	Kit item	Oilseal (not sold separately)	1	EA
21	Kit item	Oilseal (not sold separately)	1	EA
22	Kit item	Oilseal (not sold separately)	1	EA
23	Kit item	Oilseal (not sold separately)	2	EA
24	Kit item	Oilseal (not sold separately)	1	EA

HYDRAULICS



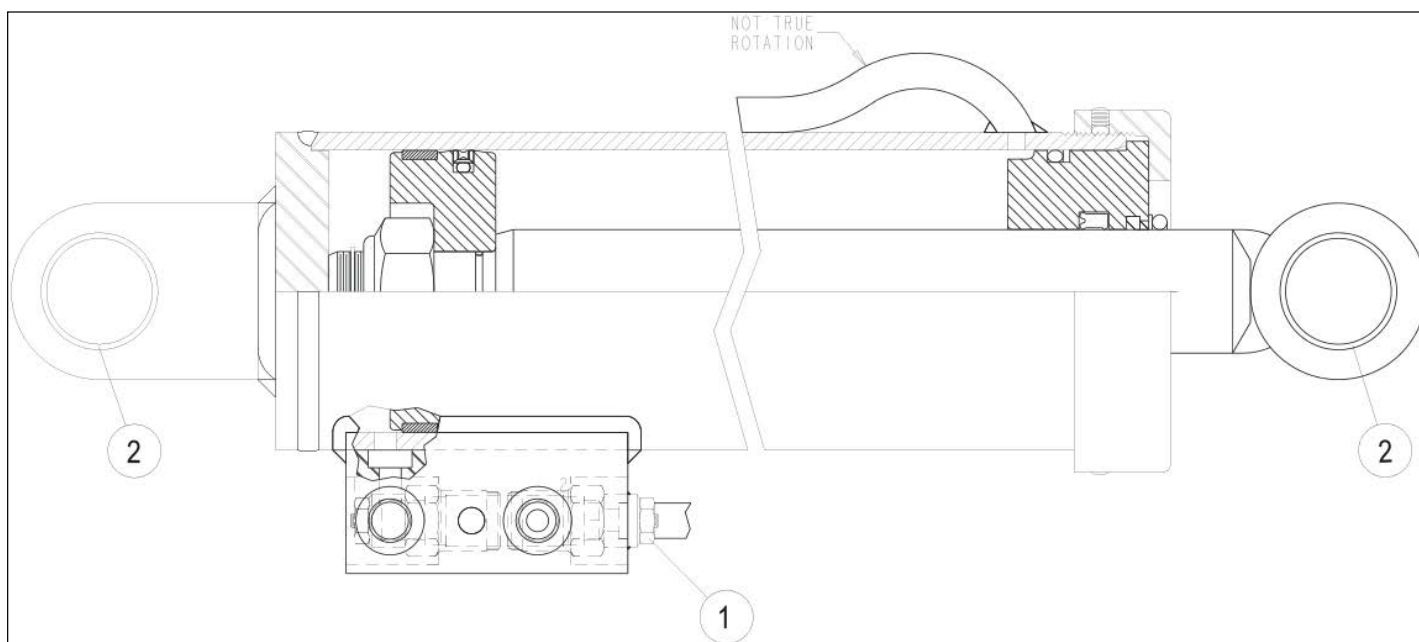
アイテム	部品番号	名前	数量	UOM
Not Shown	6047152 B	MASTER LEVEL CYLINDER ROSENBOOM SN TB66J 04 000100 AND AFTER		EA
Not Shown	6047156	SEAL KIT RMT		EA
5	6047161	GARMAX JOURNAL BEARING RMT	4	EA
Not Shown	6047152	CYLINDER MASTER LEVEL	1	EA
7	PNNA	O RING	1	EA
8	PNNA	O RING	1	EA
9	PNNA	O RING	1	EA
10	PNNA	BACKUP RING	1	EA
11	PNNA	DISO PAC	1	EA
12	PNNA	DEEP Z SEAL	1	EA
13	PNNA	HD ROD WIPER, SEALED OD	1	EA
14	PNNA	WEARBAND	1	EA
15	PNNA	PRECISION WEARBAND	1	EA
16	PNNA	LOCKING INSERT	2	EA

HYDRAULICS



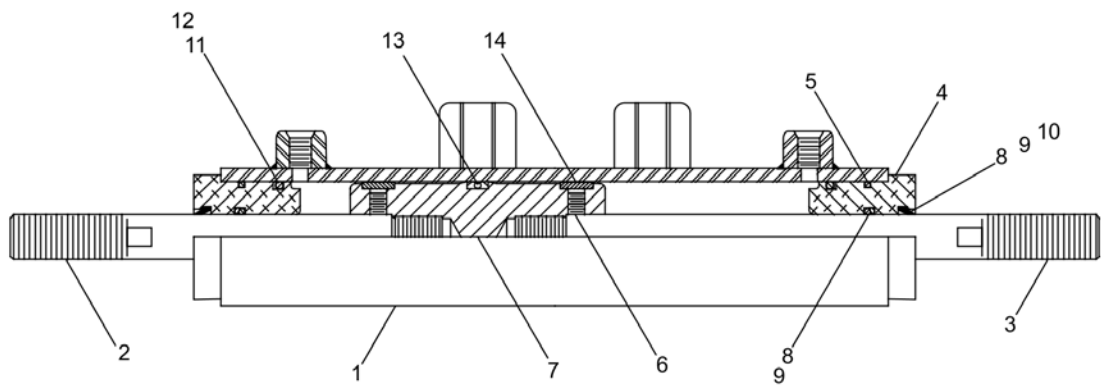
アイテム	部品番号	名前	数量	UOM
Not Shown	0172230	SLAVE LEVEL CYL ASSY		EA
1	0172224	SLAVE LEVEL CYLINDER GREEN	1	EA
Not Shown	6047153	SLAVE CYLINDER RMT		EA
2	5035318	STRAIGHT THREAD 90 ° ELBOW	2	EA

HYDRAULICS



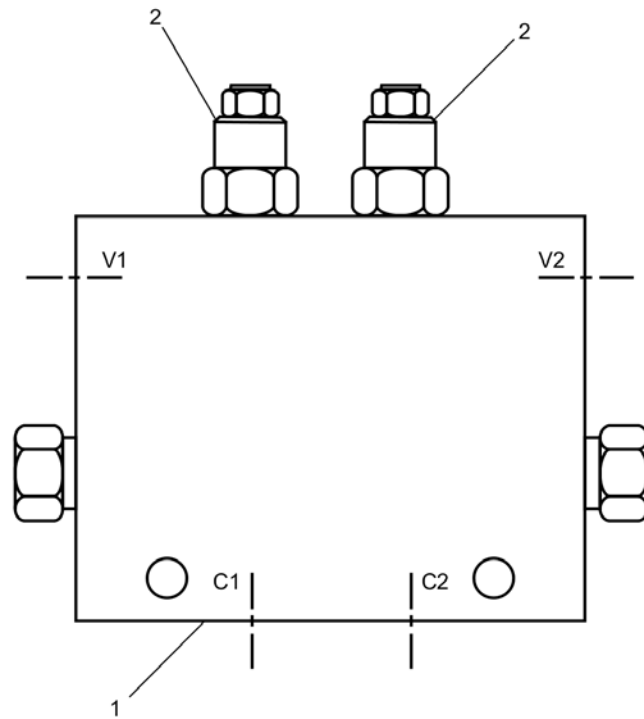
アイテム	部品番号	名前	数量	UOM
Not Shown	0172224	SLAVE LEVEL CYLINDER GREEN		EA
Not Shown	6047153 C	SLAVE LEVEL CYLINDER ROSENBOOM		EA
Not Shown	2509834	BEARINGS GREEN	4	EA
7	6047161	GARMAX JOURNAL BEARING RMT	4	EA
9	6019068	CB VALVE, CBBC LHN (3400)	2	EA
Not Shown	8071007	SEAL KIT GREEN	1	EA
Not Shown	6047156	SEAL KIT RMT	1	EA
10	PNNA	O RING	1	EA
11	PNNA	O RING	1	EA
12	PNNA	O RING	1	EA
13	PNNA	BACK UP RING	1	EA
14	PNNA	DISO PAC	1	EA
15	PNNA	DEEP Z SEAL	1	EA
16	PNNA	HD ROD WIPER, SEALED OD	1	EA
17	PNNA	WEARBAND	1	EA
18	PNNA	PRECISION WEARBAND	1	EA
19	PNNA	LOCKING INSERT	2	EA

HYDRAULICS



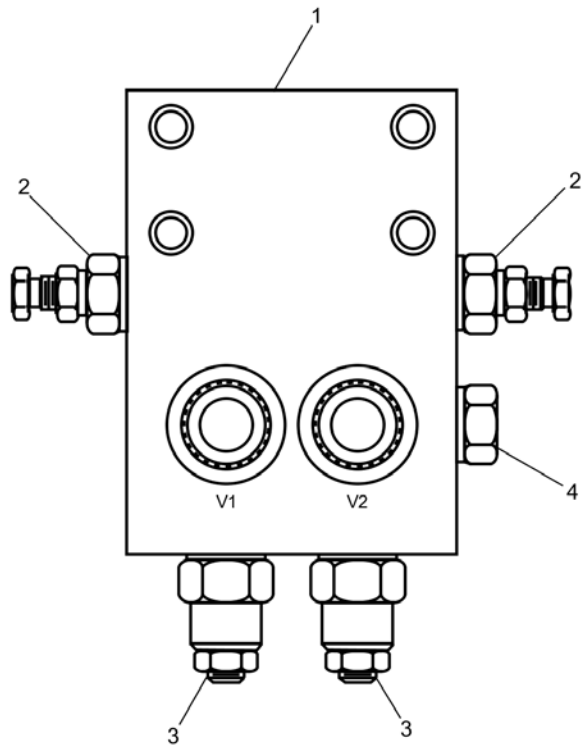
アイテム	部品番号	名前	数量	UOM
Not Shown	0191203	CYLINDER, PLATFORM SLIDING		EA
Not Shown	8070870	SEAL REPAIR KIT (KIT INCLUDES ITEMS 10 16)		EA
1	PNNA	CYLINDER BARREL (NOT SOLD SEPARATELY)	1	EA
2	8070877	ROD	1	EA
3	8070881	ROD	1	EA
4	8070878	HEAD	2	EA
5	8070237	LOCKWIRE	2	EA
6	5560339	SET SCREW	2	EA
7	8070880	PISTON	1	EA
8	8070871	O RING	2	EA
9	8070872	BACK UP	2	EA
10	KIT ITEM	O RING (NOT SOLD SEPARATELY)	2	EA
11	KIT ITEM	BACK UP (NOT SOLD SEPARATELY)	2	EA
12	KIT ITEM	ROD WIPER (NOT SOLD SEPARATELY)	2	EA
13	KIT ITEM	O RING (NOT SOLD SEPARATELY)	2	EA
14	KIT ITEM	BACK UP (NOT SOLD SEPARATELY)	2	EA
15	KIT ITEM	PISTON SEAL (NOT SOLD SEPARATELY)	1	EA
16	KIT ITEM	WEAR RING (NOT SOLD SEPARATELY)	2	EA

HYDRAULICS



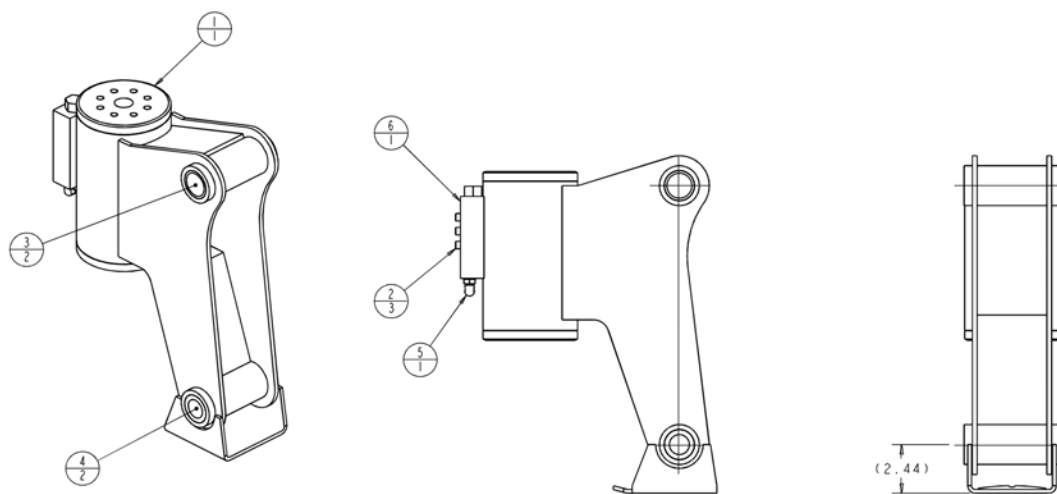
アイテム	部品番号	名前	数量	UOM
Not Shown	6010541	VALVE DUAL CROSSOVER RELIEF		EA
1	6010541	VALVE DUAL CROSSOVER RELIEF	1	EA
2	6010111	CARTRIDGE RELIEF	2	EA

HYDRAULICS



アイテム	部品番号	名前	数量	UOM
Not Shown	6010216 D	MOTION CONTROL VALVE		EA
1	6010216	MOTION CONTROL VALVE, TURNTABLE SWING (VALVE INCLUDES ITEMS 2,3 AND 4)	1	EA
Not Shown	0110682	SEAL REPAIR KIT	1	EA
2	6010255	SEQUENCE VALVE CARTRIDGE (FACTORY PRESET,DO NOT RESET)	2	EA
3	6010256	COUNTERBALANCE VALVE CARTRIDGE	2	EA
4	6010531	SHUTTLE VALVE	1	EA
Not Shown	0150562	SEAL REPAIR KIT	1	EA

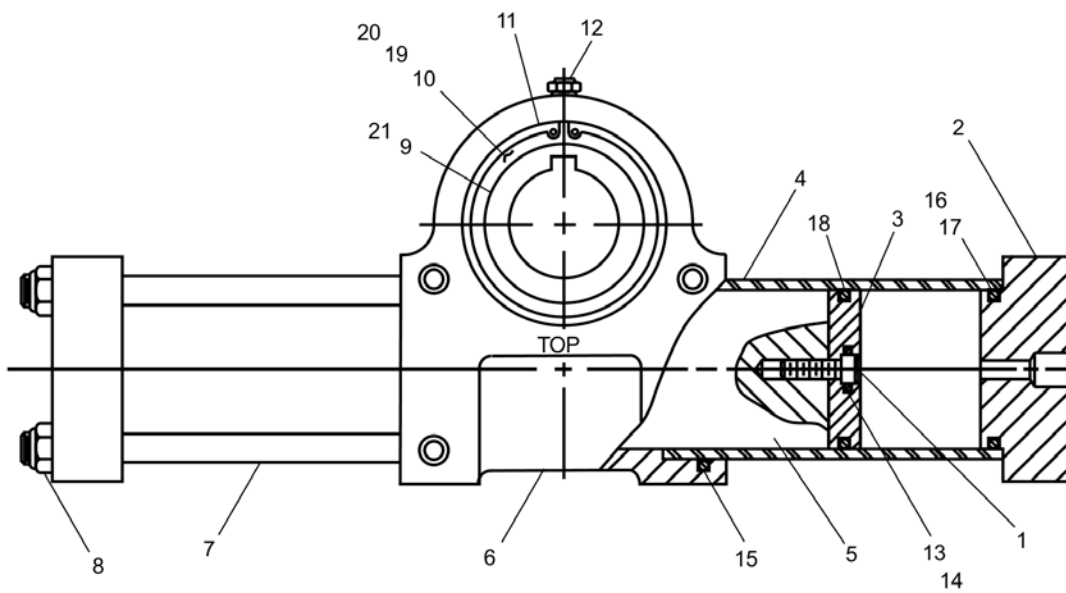
HYDRAULICS



NOTE:
1. INSTALL 5035303 PRIOR TO MOUNTING 6019089.

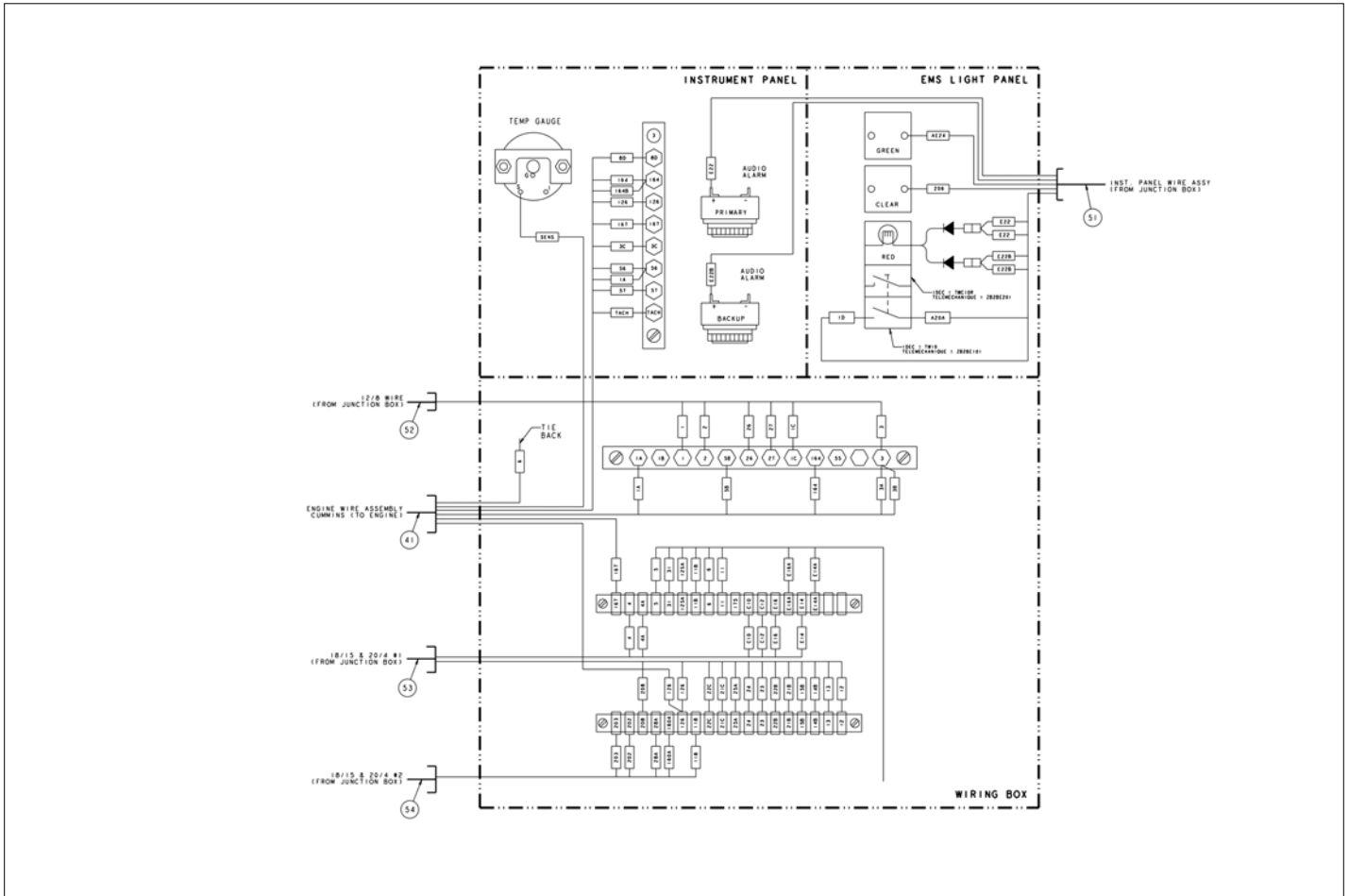
アイテム	部品番号	名前	数量	UOM
Not Shown	0420114 D	PLATFORM ROTATOR ASSEMBLY		EA
	8080152	SEAL KIT	1	EA
1	0420113	WLDMT ROTATOR PLATF	1	EA
2	978419	BLT SKTHD .250 20 X 1.50 GR8 P	3	EA
3	2500051	BASE END BRG 1.25ID X 1.50OD (10001174 FISHER CYL)	2	EA
4	2509677	BUSHING BOTTOM	2	EA
5	5035303	FTG ELB90STRTHD 4B 4S STL	1	EA
6	6019089	VALVE DUAL COUNTERBALANCE	1	EA

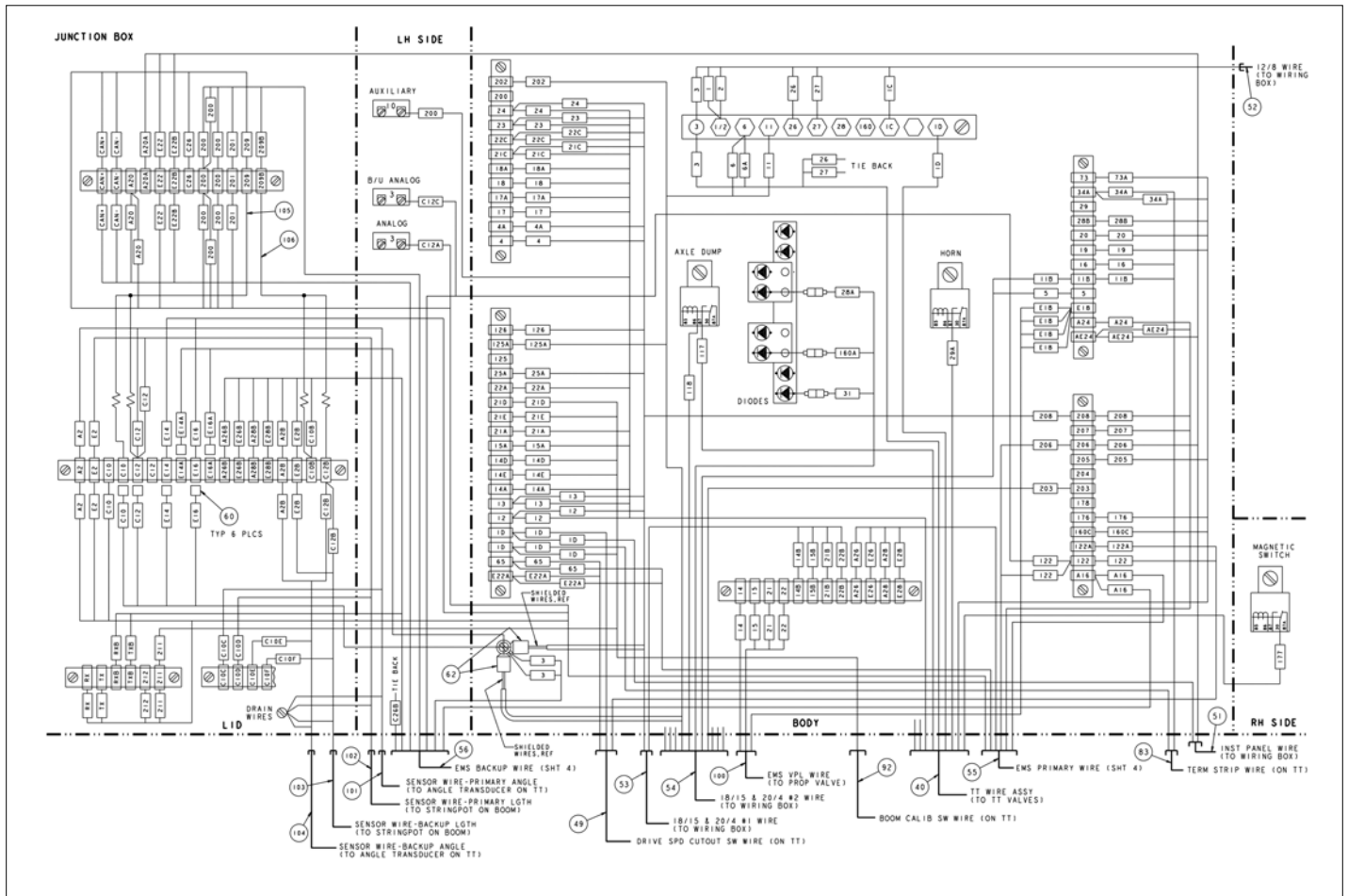
HYDRAULICS

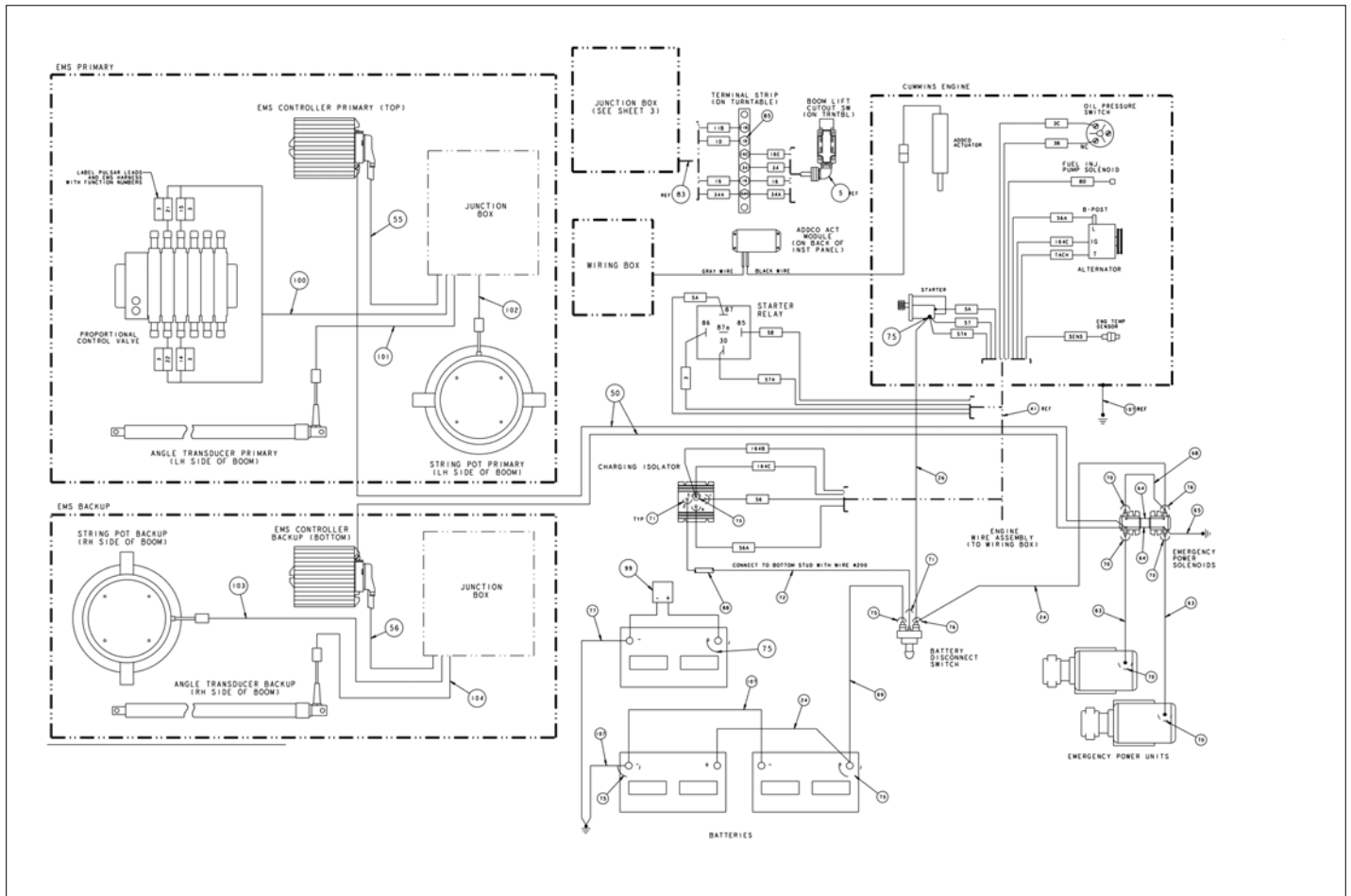


アイテム	部品番号	名前	数量	UOM
Not Shown	0110771 A	PLATFORM ROTATOR		EA
Not Shown	0070570	HYDR ROTARY ACTUATOR PLATF	1	EA
Not Shown	0071275	SEAL REPAIR KIT (KIT INCLUDES 13 21)	1	EA
Not Shown	0140492	Spacer (TB 50 only)	1	EA
1	8080018	RACK BOLT	2	EA
2	8080016	END CAP	2	EA
3	8080015	PISTON	2	EA
4	8080040	CYLINDER	2	EA
5	8080060	RACK BOLT	1	EA
6	8080039	HOUSING	1	EA
7	0073281	TIE ROD	8	EA
8	8080041	LOCKNUT	8	EA
9	8080061	PINION	1	EA
10	8080038	PINION BUSHING	2	EA
11	8080062	SNAP RING	2	EA
12	8080064	RELIEF VALVE	1	EA
13	KIT ITEM	O RING (NOT SOLD SEPARATELY)	2	EA
14	KIT ITEM	PARBAT SEAL (NOT SOLD SEPARATELY)	2	EA
15	KIT ITEM	O RING (NOT SOLD SEPARATELY)	2	EA
16	KIT ITEM	O RING (NOT SOLD SEPARATELY)	2	EA
17	KIT ITEM	PARBAT SEAL (NOT SOLD SEPARATELY)	2	EA
18	KIT ITEM	POLYPAK SEAL (NOT SOLD SEPARATELY)	2	EA
19	KIT ITEM	O RING (NOT SOLD SEPARATELY)	2	EA

アイテム	部品番号	名前	数量	UOM
20	KIT ITEM	PARBAT SEAL (NOT SOLD SEPARATELY)	2	EA
21	KIT ITEM	O RING (NOT SOLD SEPARATELY)	1	EA







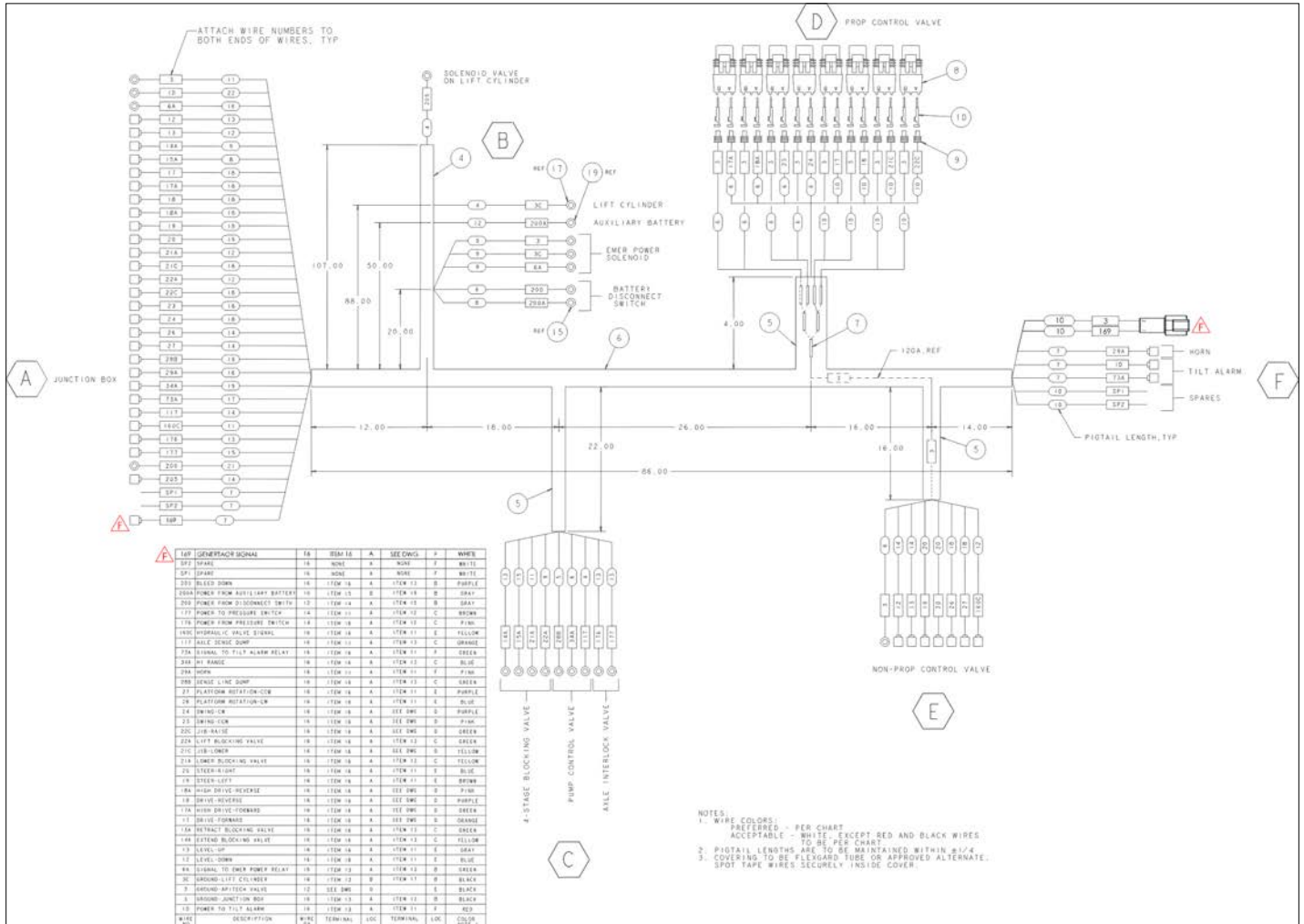
アイテム	部品番号	名前	数量	UOM
Not Shown	0192051 G	TURNTABLE ELECTRICAL CUMMINS AND KUBOTA JANUARY 2006 AND AFTER		EA
1	0191989	WIRING BOX / GROUD CONTROL ASSEMBLY	1	EA
2	0191976	JUNCTION BOX ASSEMBLY	1	EA
3	0190601	WLDMT BRKT WIRING BOX	1	EA
4	0191971	WLDMT BRKT JUNCTION BOX	1	EA
5	0191789	BOOM LIFT SWITCH CO ASSEMBLY	1	EA
6	3040127	HORN 12VDC	1	EA
7	3020103	LEVEL SENSOR 3.5 DEGREE	1	EA
8	3050002	BATTERY 12V	3	EA
9	3050008	BATTERY HOLD DOWN	2	EA
10	3050004	BLT BTRY HLDN .313 18 X 10.00 (J BOLT)	6	EA
12	0150810	WLDMT BATTERY BOX	1	EA
13	0150811	INSULATOR ANGLE	1	EA
14	0150813	ANGLE, BATTERY HOLDDOWN	1	EA
15	3020061	Battery Disconnect Nut	1	EA
16	0073089	PLAC BATTERY DISCONNECT SWITCH	1	EA
17	3040506	SOLENOID 12V 150	2	EA
18	3044162	TERM R250I 16/14	1	EA
19	6040082	TERM MALE250FI 16/14	2	EA
20	0071542	WIRE 16 R10I R10I 10	1	EA
21	5560033	.375 16UNC HEX LOCK NUT	2	EA
22	970489	BLT HEXHD .375 16 1.50 GR5 PL	2	EA
23	5093006	CLP CUSH .937 VINYL COATED	2	EA
24	0080484	WIRE 2/0 R375 R375 13 RED	2	EA
25	PNNA	BOLT .250 20 X .50 LG HH	4	EA

アイテム	部品番号	名前	数量	UOM
26	0110529	WIRE 2/0 R375 R375 106 RED	1	EA
27	970429	CAPSCREW .375 16 X .50 HH	1	EA
28	970449	HHD BLT .375 16 X .750 GR5	3	EA
29	986299	WASHER, FLAT, .375 STANDARD, PLATED	5	EA
30	987119	WSHR LOCK .375	4	EA
31	970049	BLT HEXHD .250 20 1.00 GR5 GRADE 5 PLT SAME AS 970189	12	EA
32	5560004	NUT LKG .250 20	14	EA
33	970889	CAPSCREW 1/2 13 X 1" LG H.H.	4	EA
34	987139	WSHR LOCK .500	4	EA
35	986359	FLATWASHER 1/2"	4	EA
36	984149	NUT, .500 13	2	EA
37	970009	Capscrew 1/4 20 x 1/2 inch lon	6	EA
38	987099	WSHR LOCK .250	14	EA
39	986019	WSHR FLAT .250	14	EA
40	0191181	TURNTABLE WIRE ASSEMBLY	1	EA
41	0191826	ENGINE WIRE ASSEMBLY CUMMINS T3	1	EA
42	0192106	EMS CONTRL PROGD TB126J PRIM	1	EA
43	0192107	EMS CONTRL PROGD TB126J BU	1	EA
44	970029	BLT .25 20 .750	4	EA
45	PNNA	SCR MACH 10 24 .75 TRUSS	4	EA
46	5560034	NUT LKG 10 24	8	EA
47	PNNA	SCR #8 32 X .50 LG RDHD	6	EA
48	0162936	BATTERY ISOLATOR GP 2	1	EA
49	0190986	DRIVE SPEED CUTOOUT SWITCH SUB ASSEMBLY	1	EA
50	0110596	WIRE 12 RIOIR81 10	2	EA
51	0192049	WIRE ASSEMBLY INSTRUMENT PANEL	1	EA

アイテム	部品番号	名前	数量	UOM
52	0191189	BOOM HARNESS ASSEMBLY 12/8	1	EA
53	0192040	WIRE ASSEMBLY 18/15 & 20/4 #1	1	EA
54	0192041	WIRE ASSEMBLY 18/15 & 20/4 #2	1	EA
55	0192047	WIRE ASSEMBLY EMS PRIMARY	1	EA
56	0192048	WIRE ASSY EMS BACKUP	1	EA
58	3044146	TERM R10I 22/18	5	EA
59	3040047	TERM FEM250FI 22/18	8	EA
60	3046972	TERM FEM188I 22/18	6	EA
62	3040360	TERM R10 2GA PANDUIPV2 10RX XY	2	EA
63	0090959	WIRE 4 R313I R375I 47	2	EA
64	0070712	WIRE 12 R10I R10I 5	2	EA
65	0071568	WIRE 12 R10I R250I 4	1	EA
66	0192054	PLATE EMS MNTG	1	EA
68	0090319	WIRE 4 R375I R313I 8 RED	1	EA
69	0192193	WIRE 4 R375I R313I 8 RED	1	EA
70	3040268	BOOT BTRY CABLE END BLK	5	EA
71	3040452	BOOT BTRY CABLE UL RED 10GA	5	EA
72	0190984	WIRE 10 R375 R10 110 12/13	1	EA
73	PNNA	WASHER FLAT #8	6	EA
74	974749	SCR RDH MACH I 0 24 I. 75	6	EA
75	3040269	Boot Cable Entry Black 1/0 GA	6	EA
76	3040270	BOOT BTRY CABLE END Y TYPE	3	EA
77	0070698	WIRE 4 R313I R313I 25 BLK	1	EA
79	0191787	WLDMT MNT LIMIT SW	1	EA
80	3044721	TERM STRIP (6) #10 STUD	1	EA
81	0191011	DECAL TERM STRIP VERT 6	1	EA
82	5560609	SCR TRHD 10 24 .500	2	EA

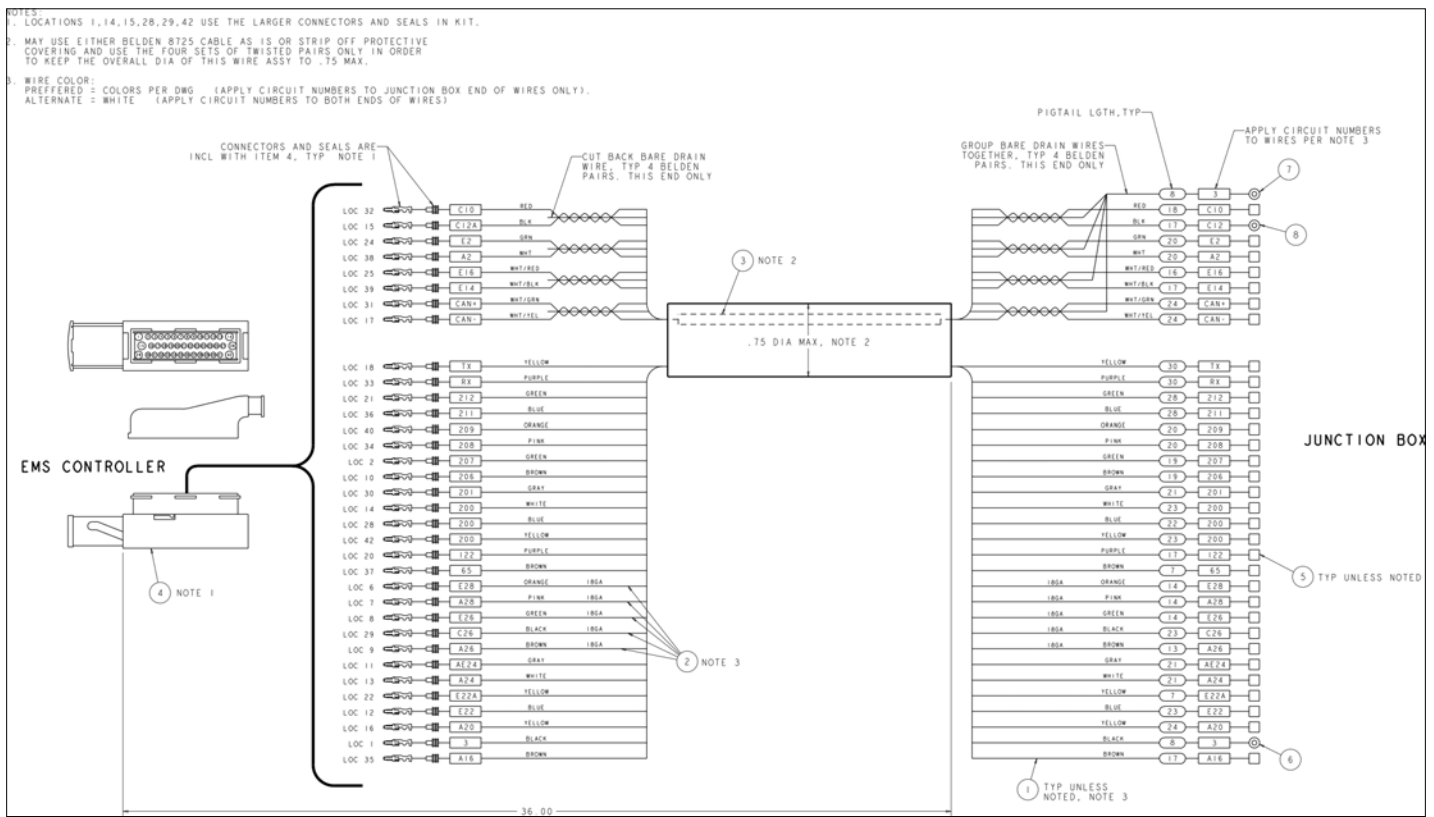
アイテム	部品番号	名前	数量	UOM
83	0192039	WIRE ASSEMBLY T STRIP/JUNCTION BOX	1	EA
84	987109	WSHR LOCK .313	2	EA
85	5560038	NUT LKG 10 32	6	EA
86	0191002	ROD (NOTE I)	2	EA
88	3090019	TUBE FLEXGARD .250 ID	9.2'	EA
91	970259	C.SCREW, 5/16 18 X 1" LG. HH	2	EA
92	0192037	BOOM CALIBRATION SWITCH ASSEMBLY	1	EA
93	986009	WSHR FLAT 10	4	EA
94	3040469	RELAY SPDT 12V 30AMP SONG	1	EA
95	0072951	GUIDE BAR	1	EA
96	5093000	CLP CUSH .438 VINYL COATED	2	EA
97	5093002	CLAMP .562 AEROQUIP HOSE SUPPORT	2	EA
98	5093008	CLP CUSH 1.06 VINYL COATED	1	EA
99	3050096	SURGE PROTECTOR 12V	1	EA
100	0192042	WIRE ASSEMBLY EMS VPL	1	EA
101	0192043	WIRE ASSY EMS PRIMARY ANGLE	1	EA
102	0192044	WIRE ASSY EMS PRIMARY LGTH	1	EA
103	0192022	WIRE ASSY EMS BU LGTH SENSOR EMS2	1	EA
104	0192023	WIRE ASSY EMS BU ANGLE SENSOREMS2	1	EA
105	0191994	RESISTOR WIRE TB126J PRIMARY	1	EA
106	0191995	RESISTOR WIRE TB126J BACKUP	1	EA
107	0075268	WIRE 2/0 R375 R375 13 BLK	2	EA

ELECTRICAL



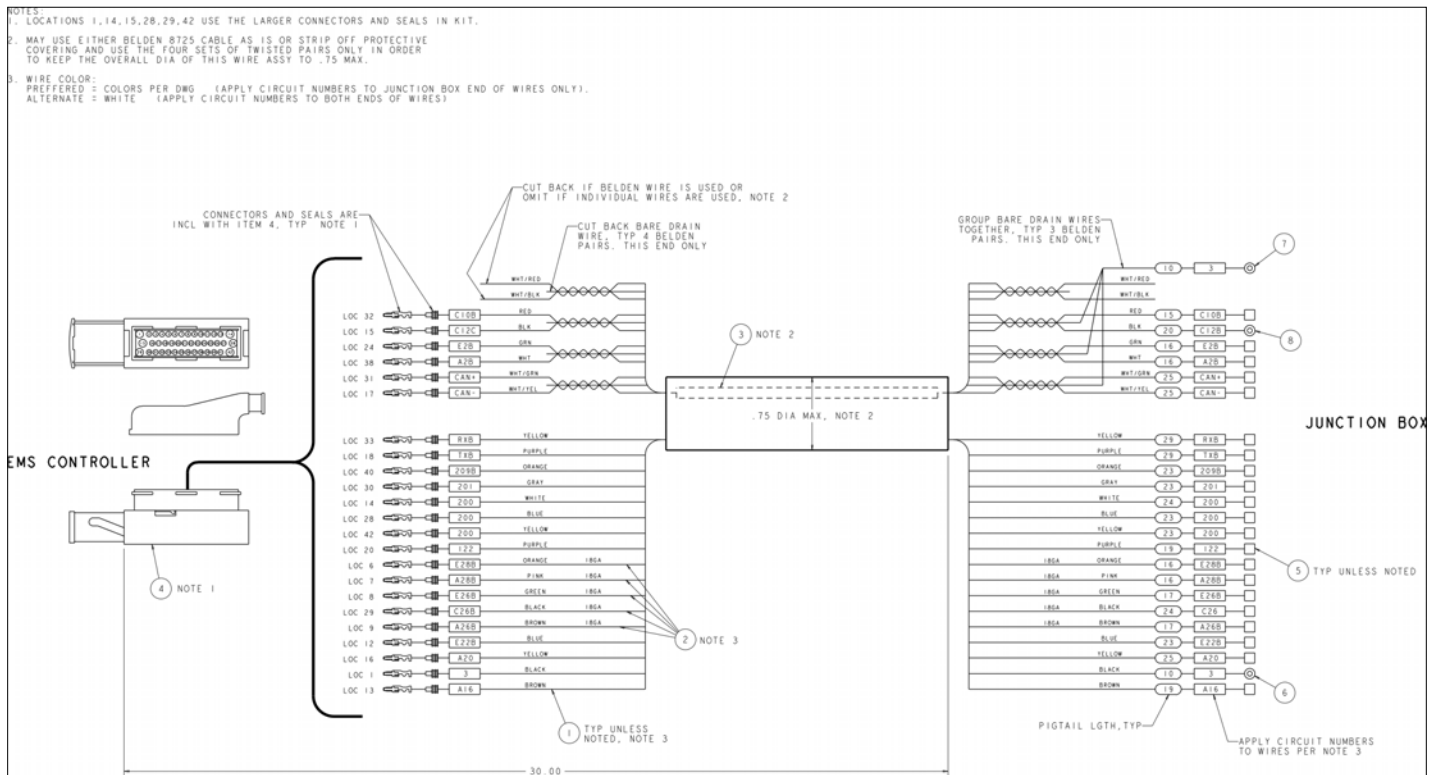
アイテム	部品番号	名前	数量	UOM
	0191181 F	TURNTABLE WIRE ASSEMBLY		EA
Not Shown	3011201	WIRE 12GA RED SINGLE CONDUCTOR	14FT	EA
Not Shown	3011401	14GA SINGLE COND. WIRE	9FT	EA
Not Shown	3011601	WIRE 16GA SINGLE CONDUCTOR BLK	A/R	EA
4	3090006	TUBE FLEXGARD .350 ID	9FT	EA
5	3090008	FLEXGARD TUBE .625 I.D.	4FT	EA
6	3090020	TUBE FLEXGARD .750 ID	8FT	EA
7	3044072	TERM BUTT CONN INSUL 12/10	7	EA
8	3040498	SHROUD, FEMALE SOCKET	8	EA
9	3040499	SEAL	8	EA
10	3040567	MALE CONNECTOR	8	EA
11	3040083	TERM FEM250FI 16/14	13	EA
12	3044160	TERM R8I 16/14	2	EA
13	3044161	TERM R10I 16/14	14	EA
14	3044852	TERM R6I 12/10	1	EA
15	3044854	TERM R10I 12/10	2	EA
16	3046697	TERM FEM188I 16/14GA	24	EA
17	3040573	TERMINAL 3/8 STUD 16/14	1	EA
Not Shown	3011001	WIRE, 10 GAUGE SINGLE CONDUCTOR X 144 INCH LONG	4.5FT	EA
19	3044836	TERM R375I 12/10	2	EA
Not Shown	3049804	CONNECTOR 2 PIN DEUTSCH RECEP	1	EA
Not Shown	3049808	LOCK WEDGE 2 PIN DEUTSCH RECEP	1	EA

ELECTRICAL



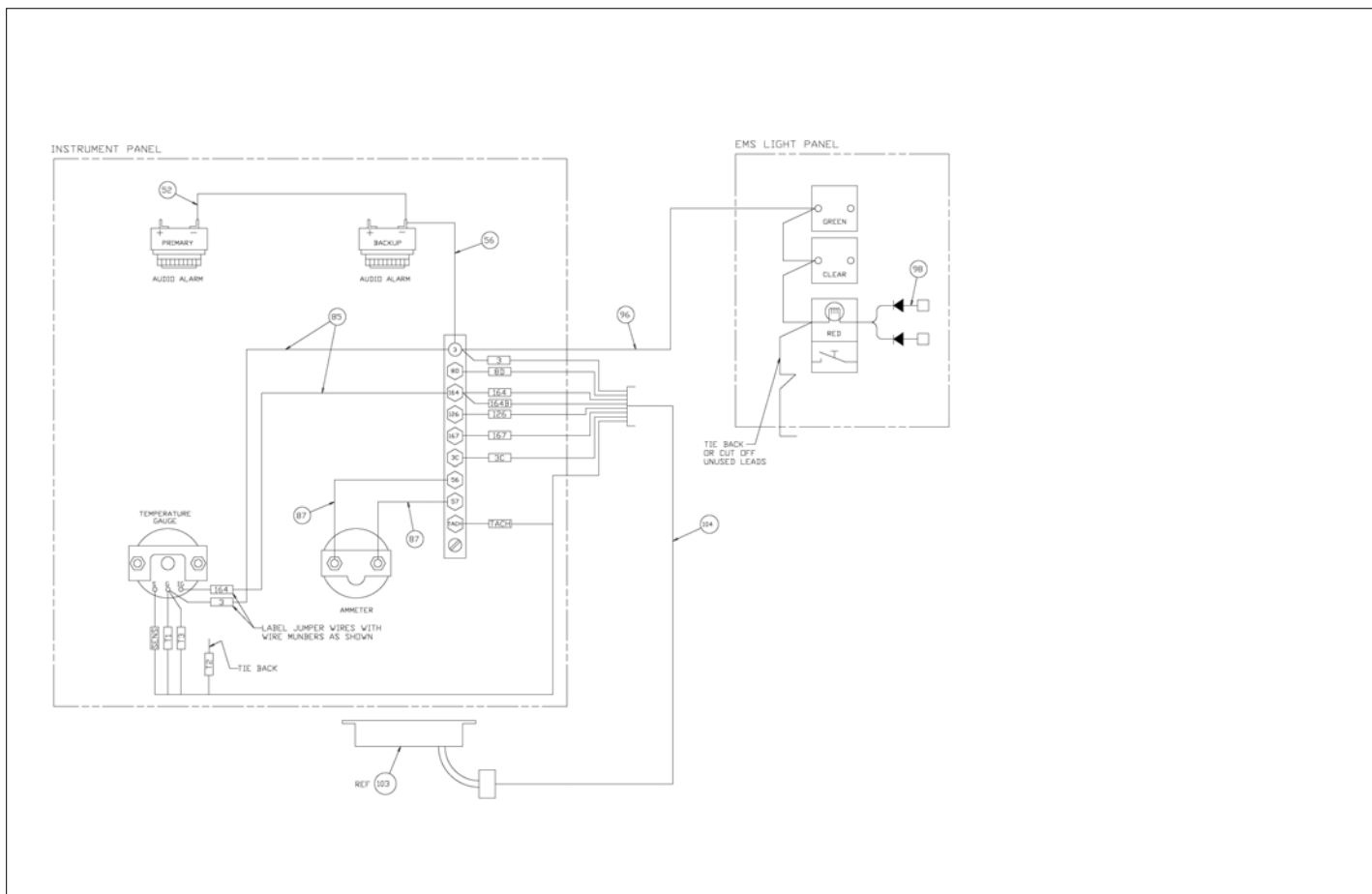
アイテム	部品番号	名前	数量	UOM
	0192047 C	WIRE ASSEMBLY EMS PRIMARY MARCH 2005 AND AFTER		EA
1	PNNA	WIRE 20GA SINGLE COND	94.8FT	EA
2	PNNA	WIRE 18GA SINGLE COND	21.5FT	EA
3	PNNA	WIRE BELDEN 8725 20GA 4 TWISTED PAIRS	5FT	EA
4	3030153	CONNECTOR KIT, 42 PIN	1	EA
5	3046972	TERM FEM188I 22/18	32	EA
6	3044146	TERM R10I 22/18	1	EA
7	3044161	TERM R10I 16/14	1	EA
8	3044142	TERM, .250 TAB 12/10, MALE F.I.	1	EA

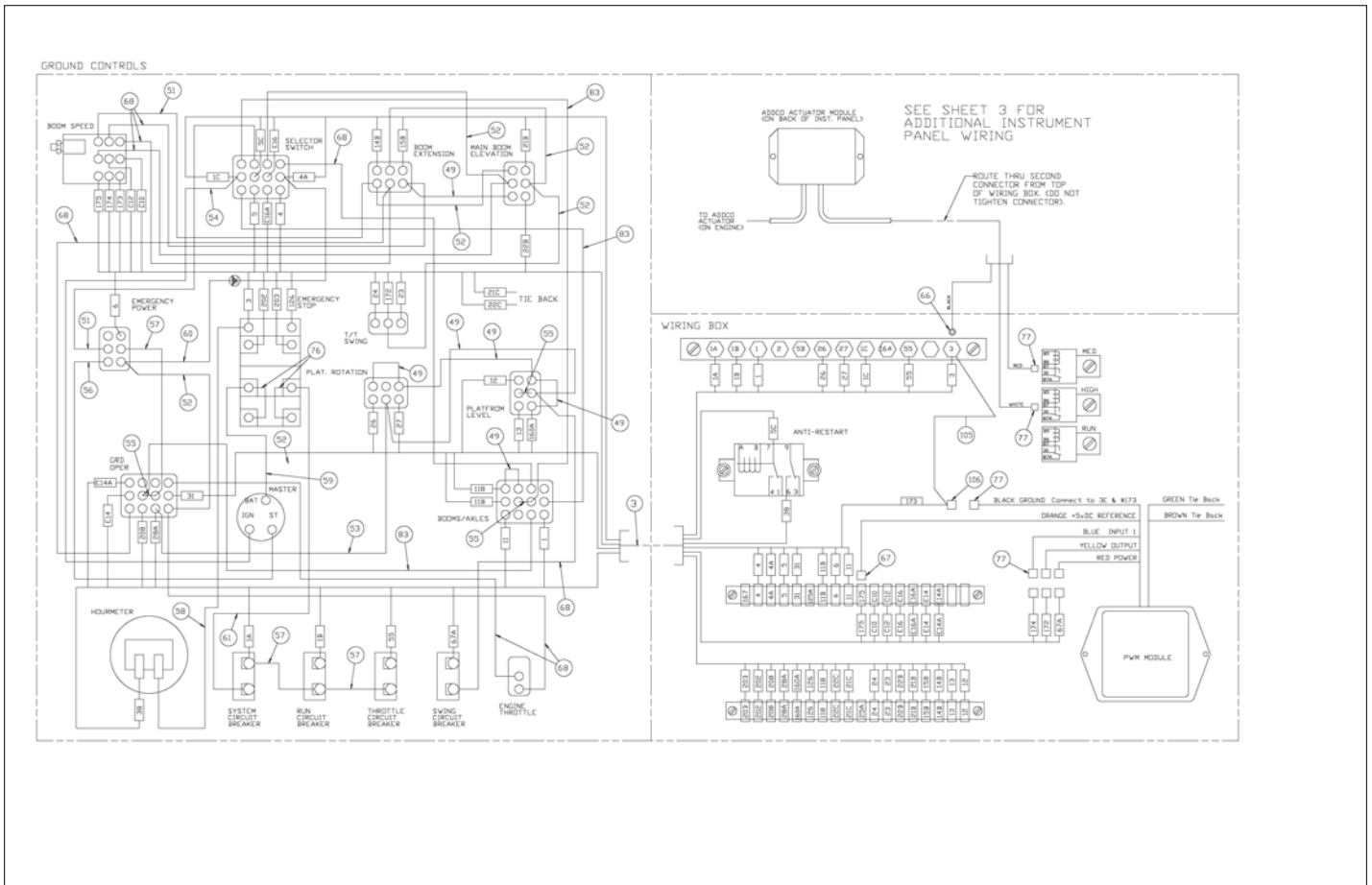
ELECTRICAL

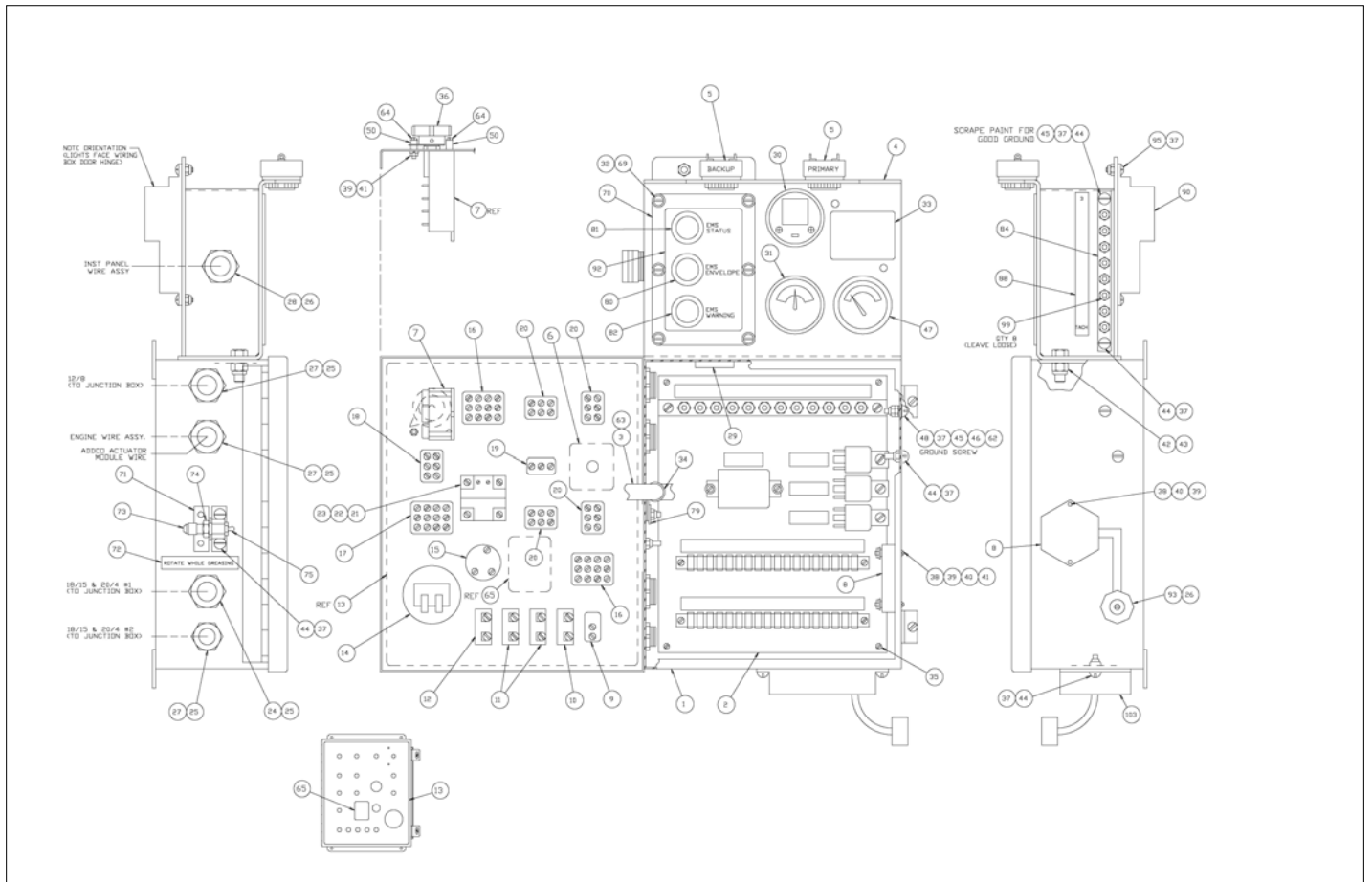


アイテム	部品番号	名前	数量	UOM
*	0192048 C	WIRE ASSEMBLY EMS BACK UP MARCH 2005 AND AFTER		EA
1	PNNA	WIRE 20GA SINGLE COND	52.5 FT	EA
2	PNNA	WIIRE 18GA SINGLE COND	20 FT	EA
3	PNNA	WIRE BELDEN 8725 20GA 4 TWISTED PAIRS	4.6 FT	EA
4	3030153	CONNECTOR KIT, 42 PIN	1	EA
5	3046972	TERM FEM188I 22/18	22	EA
6	3044146	TERM R10I 22/18	1	EA
7	3044161	TERM R10I 16/14	1	EA
8	3044142	TERM, .250 TAB 12/10, MALE F.I.	1	EA

ELECTRICAL







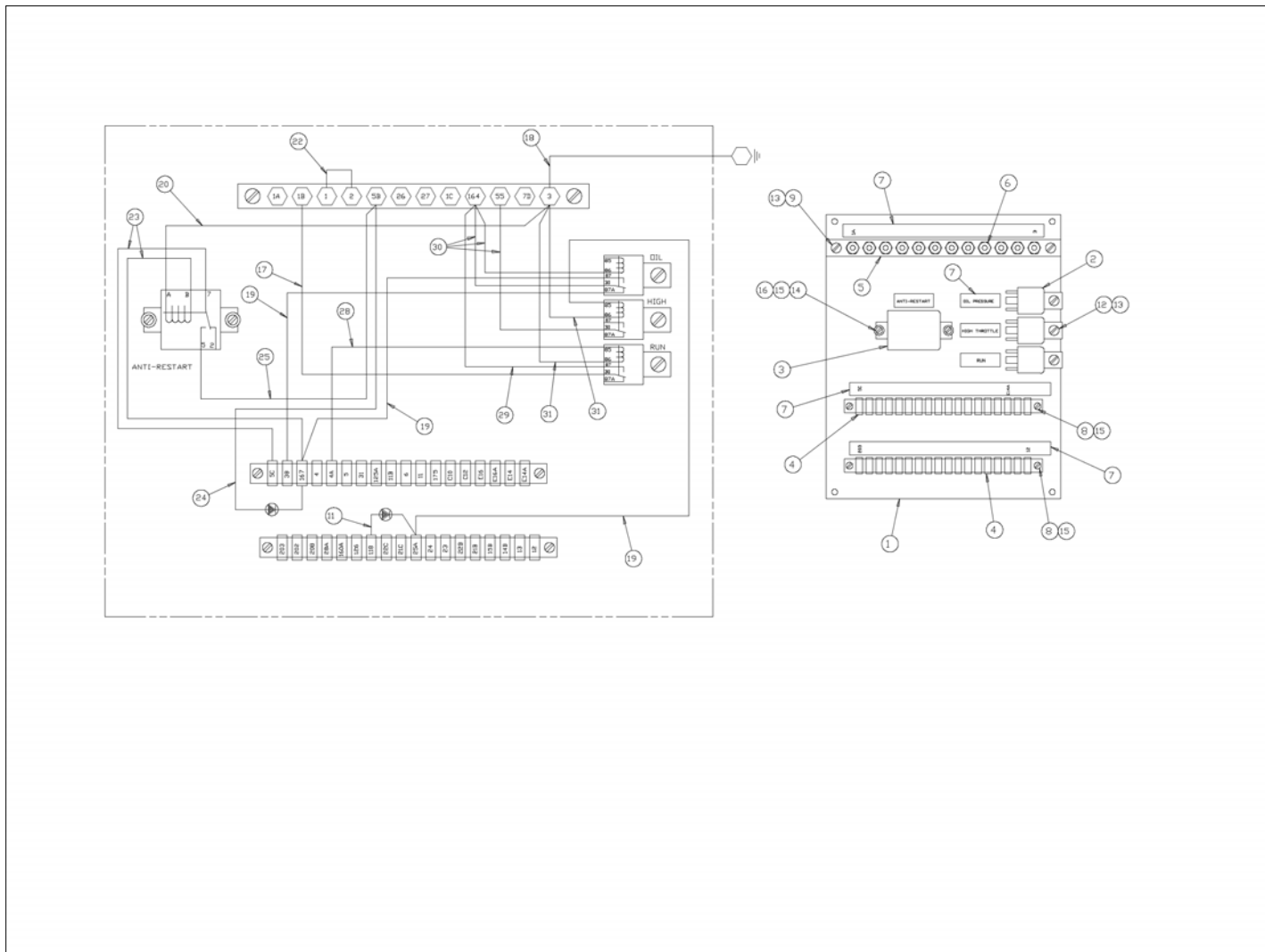
アイテム	部品番号	名前	数量	UOM
	0192000 G	WIRING BOX GROUND CONTROL ASSEMBLY		EA
1	0190931	WIRING BOX DRILLED	1	EA
2	0191990	WIRING BOX PANEL SUB ASSEMBLY	1	EA
3	0191992	WIRE ASSY INTERNAL WIRING BOX	1	EA
4	0191889	WLDMT INSTRUMENT PANEL	1	EA
5	3030086	SONALERTS	2	EA
6	0191287	PLAC BLANK 1.75 X 2.13 BLACK	1	EA
7	3030155	RESISTOR BRIDGE MODULE	1	EA
8	3220166	CONTROLLER PWM MODULE 120 126	1	EA
9	3020013	Switch, Toggle Honeywell INTI 2	1	EA
10	3040535	CIRCUIT BREAKER 3 AMP	1	EA
11	3040252	Circuit Breaker 15AMP	2	EA
12	3040069	CIRCUIT BREAKER 25AMP	1	EA
13	0191137	PLACARD LOWER CONTROL BOX PRO1	1	EA
14	3070001	HOURMETER	1	EA
15	3020087	KEY SWITCH	1	EA
16	3020048	SWITCH TOGGLE 4PDT ON/ON	2	EA
17	3020107	SW TGL 4PDT(M/ON) SEALED	1	EA
18	3020081	SW TGL DPDT (M/ON) SEALED	1	EA
19	3020016	Switch, Toggle Honeywell INTI 7	2	EA
20	3020018	SWITCH TOGGLE DPDT MOM/OFF/MOM	4	EA
21	3020020	SW EMER STOP PUSH/PULL	1	EA
22	3040185	CONTACT BLOCK	2	EA
23	3020108	MODULE EMER STOP SWITCH LIGHT	1	EA

アイテム	部品番号	名前	数量	UOM
24	3040298	CONN .75 .75 .875	1	EA
25	3040110	NUT LKG HUB .750 SAMEAS 962129	4	EA
26	3040070	NUT LKG HUB .500 APPLETON: P/N BL50 REG 801	2	EA
27	3040295	CONN .75 .625 .75	3	EA
28	3040115	CONN .500 .375 .500	1	EA
29	0070967	CORROSION INHIBITOR STICK BACK	1	EA
30	7630140	FILTER MINDER GAUGE AIR CLNR	1	EA
31	3070003	AMMETER	1	EA
32	PNNA	WASHER LOCK #10	6	EA
33	0191892	PLACARD ENGINE PROTECTION SYSTEM	1	EA
34	5093008	CLP CUSH 1.06 VINYL COATED	1	EA
35	5560707	SCR PANHD 10 32 .375	4	EA
36	3040777	KNOB RHEOSTAT	1	EA
37	5560034	NUT LKG 10 24	12	EA
38	974239	SCR RDH 6 32 .500	2	EA
39	984009	NUT HEX 6 32	3	EA
40	986159	WSHR FLAT 6	2	EA
41	987349	WSHR LOCK 6	3	EA
42	970469	HHD BLT .375 16 X 1.00 GR5	2	EA
43	5560033	.375 16UNC HEX LOCK NUT	2	EA
44	PNNA	SCR TRHD 10 24 .750	7	EA
45	5560703	WSHR 10 STAR TOOTH	2	EA
46	987089	WSHR LOCK #10 SPLIT TYPE	1	EA
47	3070040	GAUGE TEMP 320	1	EA
48	5560673	SCR TRHD 10 24 1.00	1	EA
49	0070747	WIRE 16 R6I R6I 3	6	EA
50	0191993	SPCR .250OD .140ID .375 AL	2	EA

アイテム	部品番号	名前	数量	UOM
51	0070746	WIRE 16 R6I R6I 9	2	EA
52	0070730	WIRE 16 R6I R6I 5.5	7	EA
53	0070742	WIRE 12 R6I R6I 8 REV K	1	EA
54	0071541	WIRE 12 R6I R10I 14	1	EA
55	0060373	JUMPER SWITCH TERMINAL STRAP	3	EA
56	0240483	WIRE 16 R6I R10I 8	2	EA
57	0181104	WIRE 12 R6 R6 6	3	EA
58	0073295	WIRE 16 R6I FEM250FI 8	1	EA
59	0070735	WIRE 12 R6I R10I 3	1	EA
60	0073254	WIRE 18 R10I R10I 5 DIO SP SEE	1	EA
61	0071589	WIRE 12 R6I R8I 7	1	EA
62	984049	NUT HEX 10 24	1	EA
63	3090020	TUBE FLEXGARD .750 ID	1FT	EA
64	PNNA	SCR #6 32 X .75 LG RDHD	2	EA
65	0075564	PLAC COLDSTART GLOW PLUG (GROU	1	EA
66	3044146	TERM R10I 22/18	3	EA
67	3046972	TERM FEM188I 22/18	1	EA
68	0070753	WIRE 16 R6I R6I 12	8	EA
69	PNNA	SCR 10 24 X 1/2" RDHD	6	EA
70	0191136	COVER	1	EA
71	5560135	STAPLE PLATE	1	EA
72	0073492	Decal, rotate while greasing	1	EA
73	5037102	FTG CONN FEM BHD 2N 4S STL	1	EA
74	5074401	FTG LKNT BHD 4 STL	1	EA
75	5570001	GREASE FITTING, 1/8 NPT STRAIGHT	1	EA
76	0070711	WIRE 12 R10I R10I 3	2	EA
77	3040047	TERM FEM250FI 22/18	6	EA

アイテム	部品番号	名前	数量	UOM
80	3060099	EMS WARNING LIGHT ASSY (CLEAR)	1	EA
81	3060100	EMS WARNING LIGHT ASSY (GREEN)	1	EA
82	3069526	EMS WARNING LIGHT ASSY (RED)	1	EA
83	0071564	WIRE 12 R6I R8I 11	3	EA
84	3044708	TERMINAL STRIP, #10 STUD, 8 POST	1	EA
85	0151816	WIRE 16 R10I R10I 7.5	2	EA
87	0191166	WIRE 10 R10 R10 5	2	EA
88	0191991	DECAL SET WIRING BOX	A/R	EA
90	0082046	ASSY ACTUATOR MODULE FOR KIT USE 0084574	1	EA
92	0191174	PLAC EMS/STATUS/ENVELOPE/WRN	1	EA
93	3040187	CONN .500 .313 .438	1	EA
95	974659	SCR RDH MACH 10 24 .500	4	EA
96	0191417	WIRE 18 SEE DWG	1	EA
98	0191238	DIODE WIRE ASSEMBLY	1	EA
99	5560038	NUT LKG 10 32	8	EA
103	3030122	ENG PROTECT MODULE 4 PNT HIGH SETPOINTS A	1	EA
104	0191829	EPS WIRE ASSY 100/120/126 CU	1	EA
105	0071812	WIRE 16 R10 FEM250FI 18	1	EA
106	3040082	TERM MALE250FI 16/14	1	EA

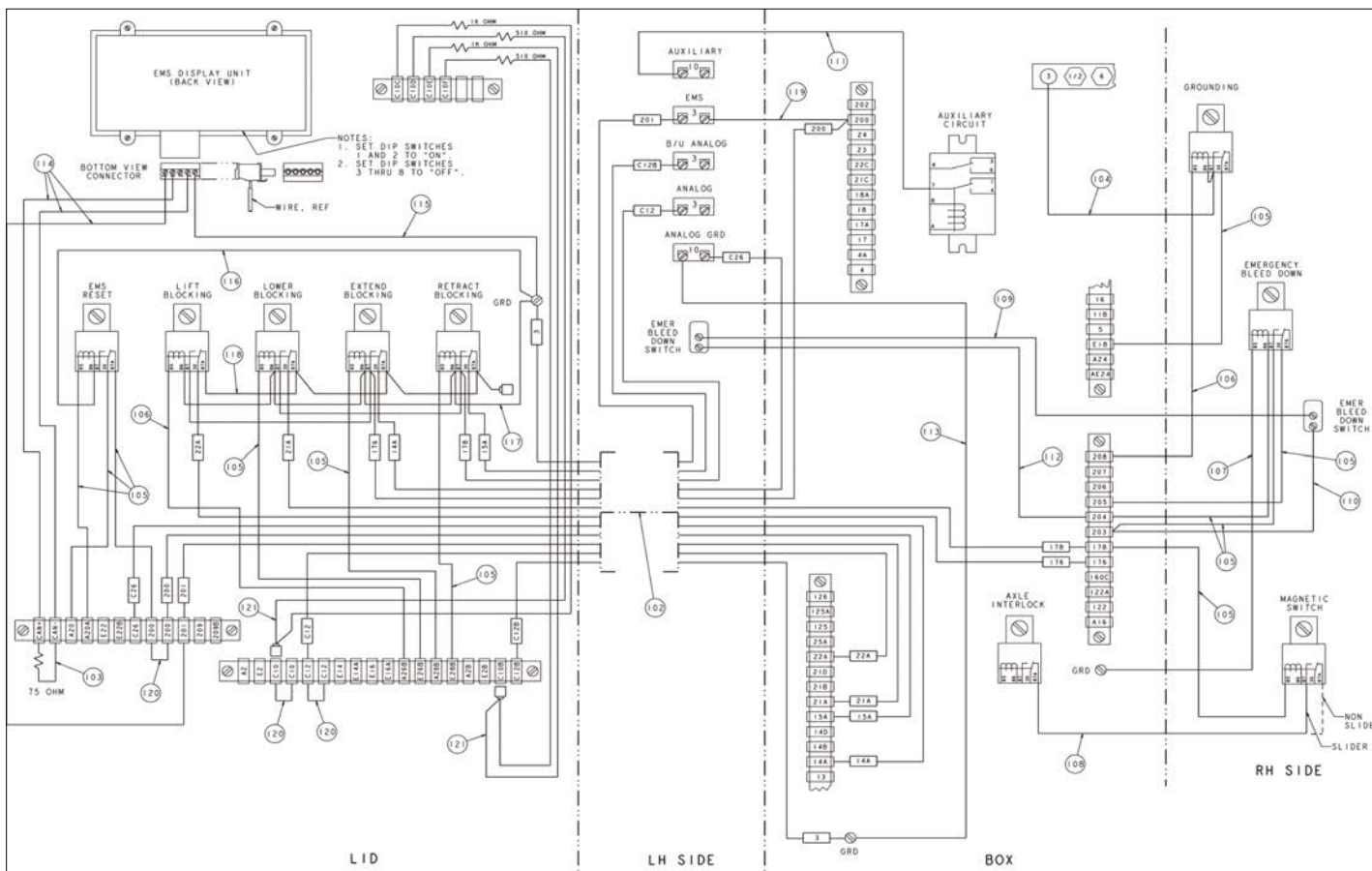
ELECTRICAL

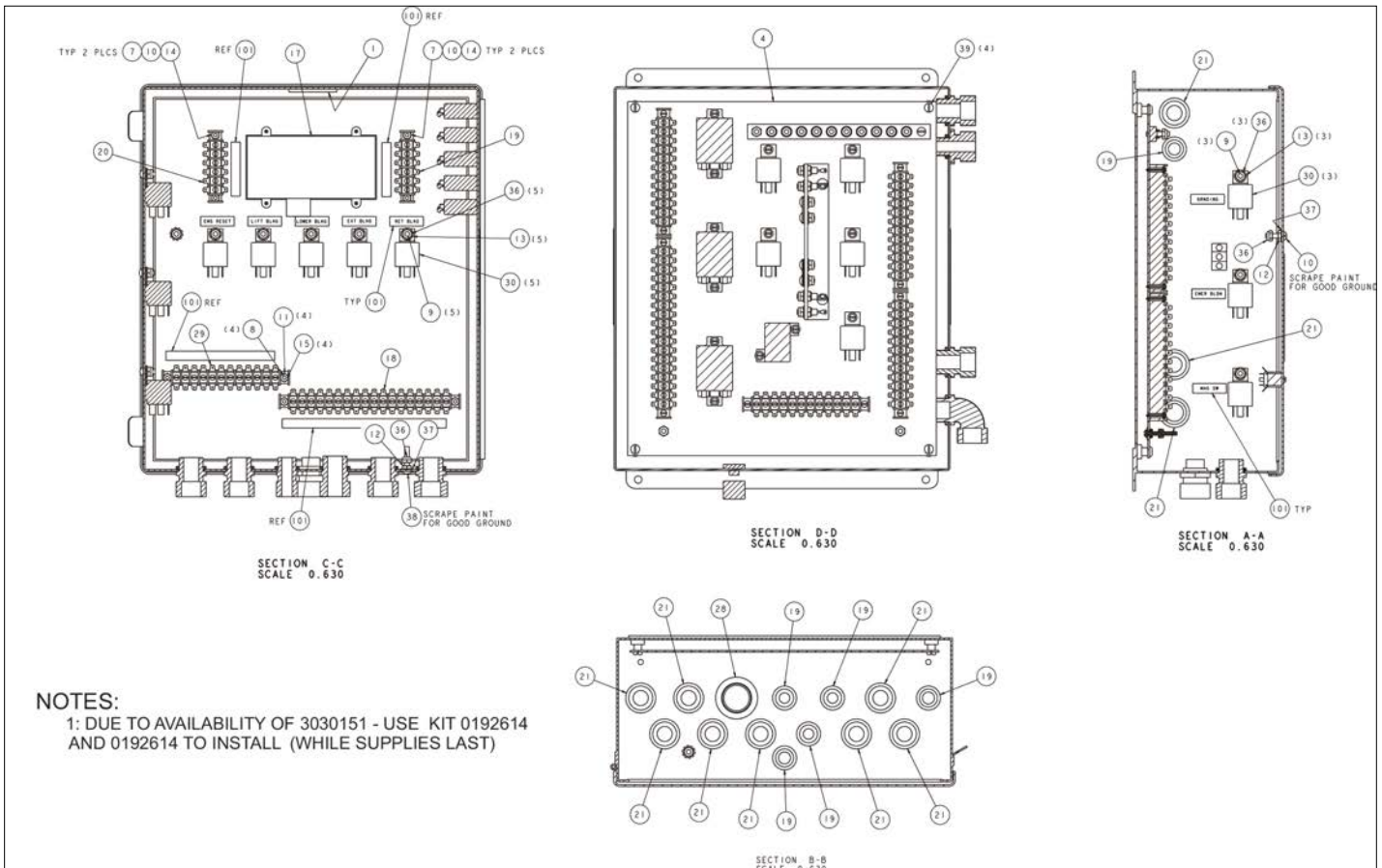


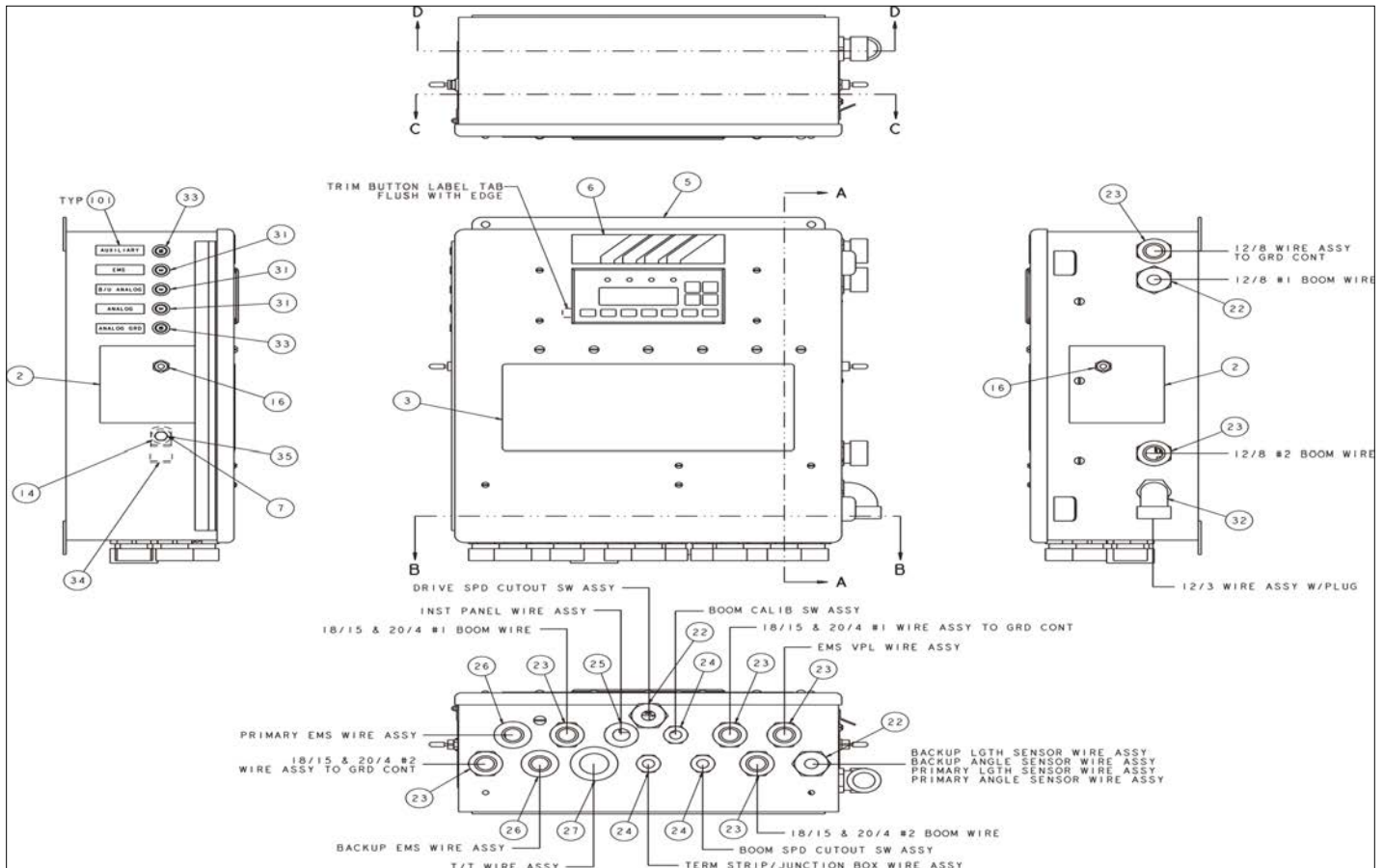
アイテム	部品番号	名前	数量	UOM
Not Shown	0192557 B	WIRING BOX PANEL SUB ASSEMBLY		EA
1	0072950	PANEL DRILLED	1	EA
2	3040469	RELAY SPDT 12V 30AMP SONG	3	EA
3	3040188	RELAY SPDT 12DC 10AMP	1	EA
4	3040057	TERMINAL STRIP 18 CIRCUIT	2	EA
5	3044712	TERM STRIP (12) #10 STUD	1	EA
6	5560038	NUT LKG 10 32	12	EA
Not Shown	3040108	REPLACEMENT DIODE (ORDER QUANTITY REQUIRED)		EA
7	0191991	DECAL SET WIRING BOX	1	EA
8	974279	SCR RHD 6 32 .750	6	EA
9	974689	SCR RDH MACH 10 24 .75	2	EA
11	0170335	DIODE WIRE	1	EA
12	974659	SCR RDH MACH 10 24 .500	3	EA
13	987089	WSHR LOCK #10 SPLIT TYPE	5	EA
14	974239	SCR RDH 6 32 .500	2	EA
15	987349	WSHR LOCK 6	8	EA
16	986159	WSHR FLAT 6	2	EA
17	0090975	WIRE 12 R10I FEM250FI 9	1	EA
18	0070712	WIRE 12 R10I R10I 5	1	EA
19	0181030	WIRE 16 FEM188 FEM250FI 15	3	EA
20	0070713	WIRE 18 R10I FEM188I 10	1	EA
22	0070711	WIRE 12 R10I R10I 3	1	EA
23	0110468	WIRE 16 FEM188I FEM188I 4	2	EA
24	0073618	WIRE 18 DIODE R10IFEM188I 15	1	EA
25	0071552	WIRE 16 R10I FEM188I 7	1	EA
28	0151205	WIRE 16 FEM188 FEM250FI 7	1	EA
29	0072418	JUMPER WIRE	1	EA
30	0181136	WIRE 12 R10 FEM250FI 5	3	EA

アイテム	部品番号	名前	数量	UOM
31	0071555	WIRE 16 R10I FEM250I 6	2	EA

ELECTRICAL





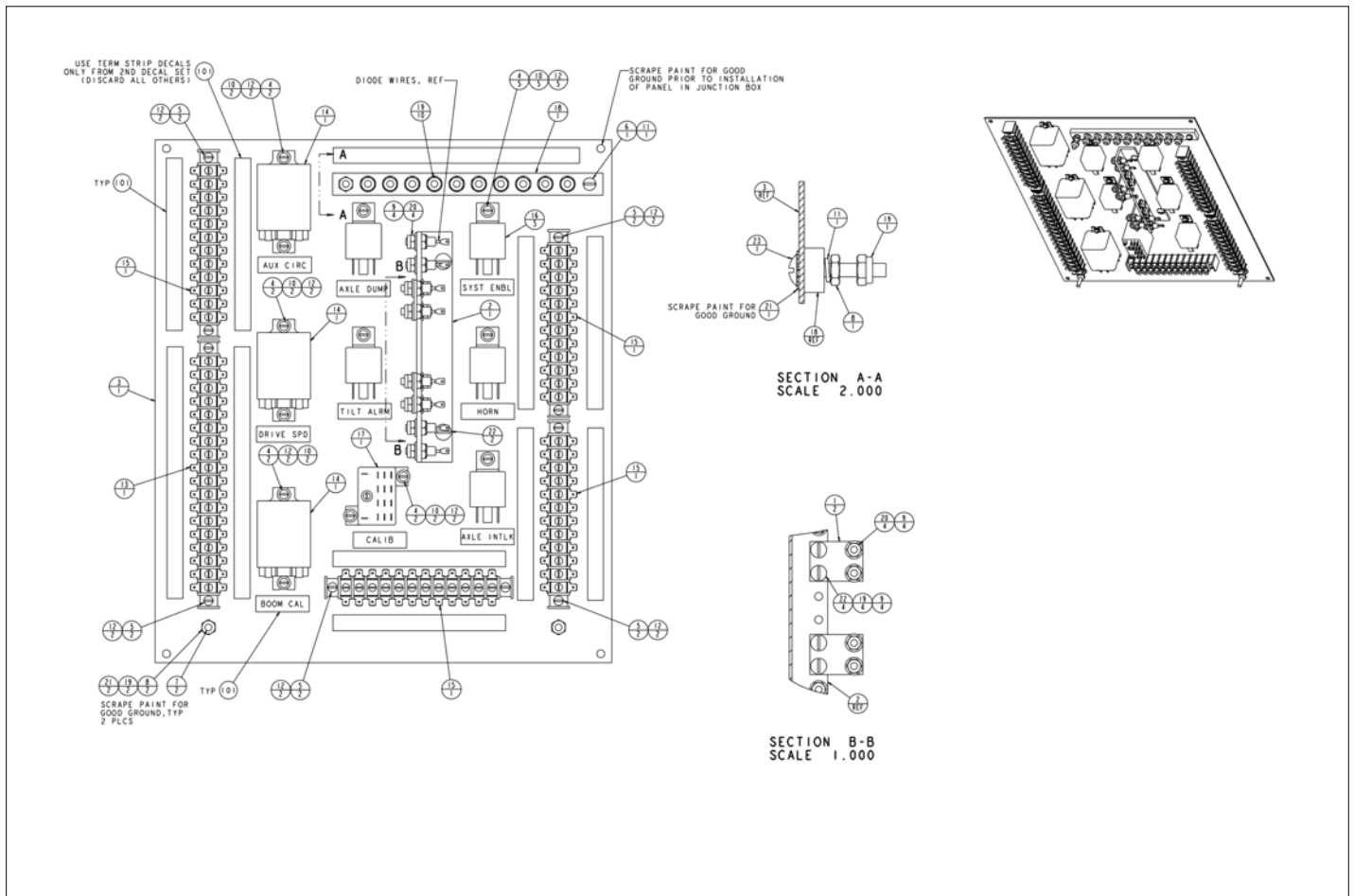


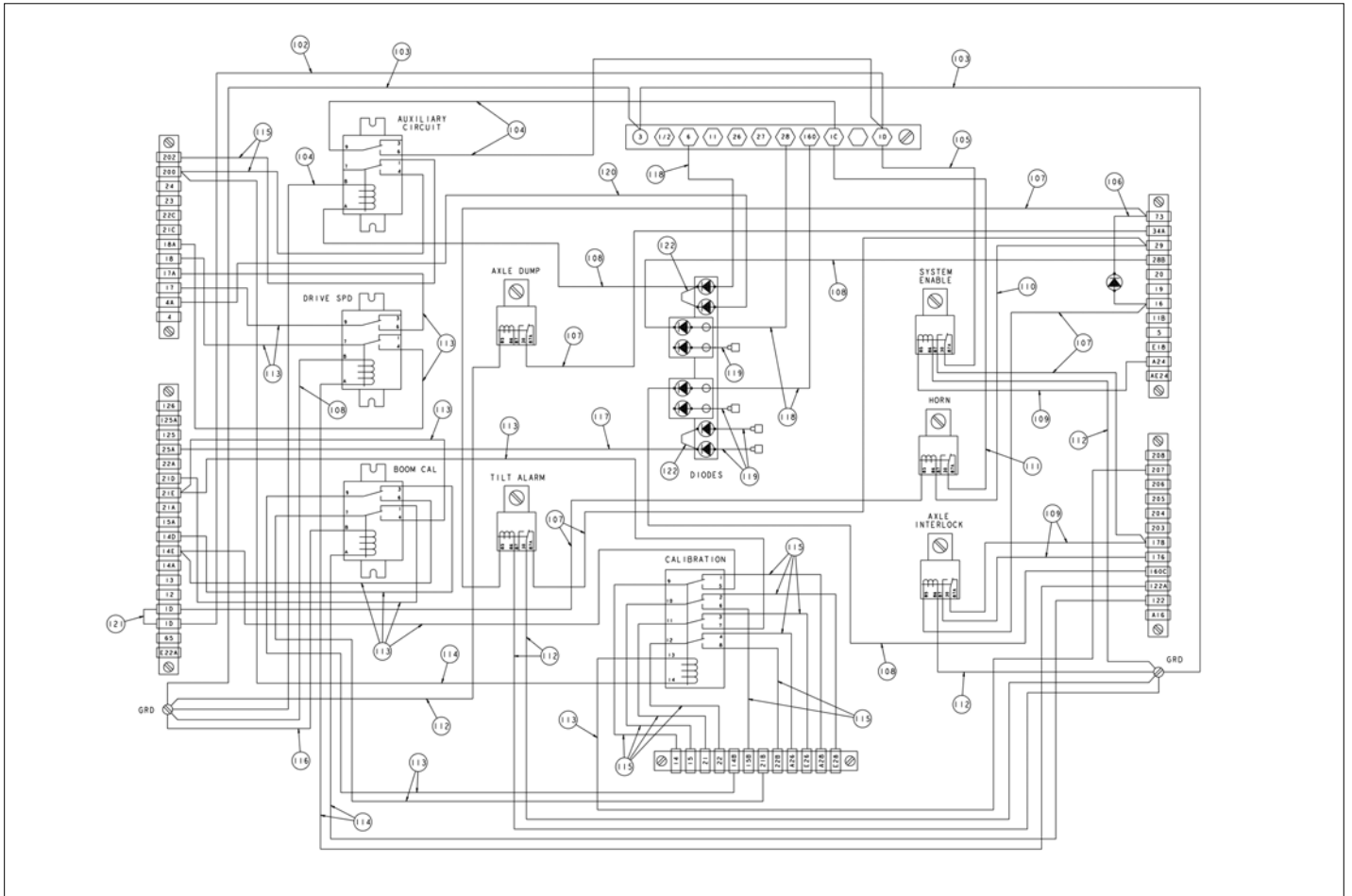
アイテム	部品番号	名前	数量	UOM
Not Shown	0191976 J	JUNCTION BOX ASSEMBLY JANUARY 2005 AND AFTER		EA
1	0070967	CORROSION INHIBITOR STICK BACK	1	EA
2	0190992	DECAL EMER BLEED DOWN	2	EA
3	0190995	DECAL DNGR ELEC/MNL EMER BL DN	1	EA
4	0191977	PANEL ASSY, JUNCTION BOX	1	EA
5	0191978	DECAL DNGR ELEC/MNL EMER BL DN	1	EA
6	0192118	DECAL EMS DISPLAY	1	EA
7	970029	BLT .25 20 .750	1	EA
8	974629	SCR RDH MACH 6 32 1.00		EA
9	974659	SCR RDH MACH 10 24 .500	8	EA
10	974689	SCR RDH MACH 10 24 .75	1	EA
11	984009	NUT HEX 6 32	8	EA
12	984049	NUT HEX 10 24		EA
13	986009	WSHR FLAT 10	8	EA
14	986019	WSHR FLAT .250	1	EA
15	986019	WSHR FLAT .250	8	EA
16	3020080	TOGGLE SWITCH	2	EA
17	3030151	EMS BASIC DISPLAY UNIT STW: OPUS LIGHT (WHILE SUPPLIES LAST)	1	EA
Not Shown	0192614	MURPHY DISPLAY KIT (SEE NOTE)	A/R	EA
18	3040057	TERMINAL STRIP 18 CIRCUIT	1	EA
19	3040070	NUT LKG HUB .500 APPLETON: P/N BL50 REG 801	6	EA
20	3040092	TERMINAL STRIP (6) .188 TABS	2	EA
21	3040110	NUT LKG HUB .750 SAMEAS 962129	11	EA
22	3040115	CONN .500 .375 .500	3	EA

アイテム	部品番号	名前	数量	UOM
23	3040116	CONN .75 .500 .625	7	EA
24	3040187	CONN .500 .313 .438	3	EA
25	3040285	CONN .75 .375 .500	1	EA
26	3040295	CONN .75 .625 .75	2	EA
27	3040386	CONN 1.00 .875 1.00	1	EA
28	3040387	NUT, CONDUIT LOCKNUT 1" HUB	1	EA
29	3040433	TERMINAL STRIP (12) .188 TAB	1	EA
30	3040469	RELAY SPDT 12V 30AMP SONG	8	EA
31	3040535	CIRCUIT BREAKER 3 AMP	3	EA
32	3040691	CONNECTOR	1	EA
33	3220019	CIRCUIT BREAKER 10 AMP	2	EA
34	5093004	CLP CUSH .750 VINYL COATED	1	EA
35	5560034	NUT LKG 10 24	10	EA
36	5560341	WSHR STAR .250 EXTERNAL TOOTH		EA
37	5560673	SCR TRHD 10 24 1.00		EA
38	5560707	SCR PANHD 10 32 .375		EA
101	0191987	DECAL SET JUNCTION BOX	REF	EA
102	0191988	WIRE ASSY INTERNAL JUNCTION BO	1	EA
103	0191999	RESISTOR WIRE ASSEMBLY	1	EA
104	0192094	WIRE 16 SEE DRAWING	1	EA
105	0151205	WIRE 16 FEM188 FEM250FI 7	10	EA
106	0181030	WIRE 16 FEM188 FEM250FI 15	2	EA
107	0072112	WIRE 18 R10I FEM250FI 16	1	EA
108	0073642	WIRE 16 FEM250FI 10	1	EA
109	0191617	WIRE 16 R6I R6I 36 0191618	1	EA
110	0140332	WIRE 16 R10I FEM188I 9	1	EA
111	0070713	WIRE 18 R10I FEM188I 10	1	EA
112	0101878	WIRE 16 R6 FEM188I 30	1	EA

アイテム	部品番号	名前	数量	UOM
113	0151910	WIRE 16 R6 R10 14	1	EA
114	0192009	WIRE 16 FEM1881 NONE 10	3	EA
115	0192010	WIRE 16 R10I NONE 7	1	EA
116	0181111	WIRE 16 R10I FEM250FI 5	1	EA
117	0192011	WIRE 16 SEE DWG	1	EA
118	0192012	WIRE 16 SEE DWG	1	EA
119	0151556	WIRE 16 R6 FEM188I 6	1	EA
120	3045279	TERMINAL STRIP STRAP	3	EA
121	0192096	RESISTOR WIRE ASSEMBLY 1K/510 OHM	2	EA

ELECTRICAL

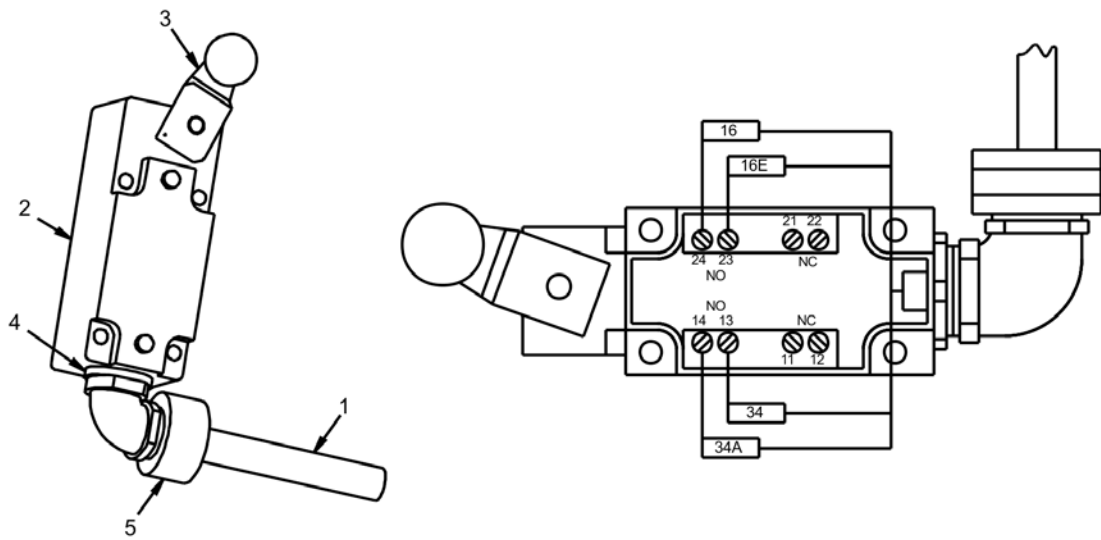




アイテム	部品番号	名前	数量	UOM
Not Shown	0191977 D	JUNCTION BOX PANEL ASSEMBLY		EA
1	0073631	DIODE STAND OFF 2 DIODE	2	EA
2	0150488	DIODE HOLDER 10PLC	1	EA
3	0191975	PANEL JUNCTION BOX	1	EA
4	974239	SCR RDH 6 32 .500	13	EA
5	974279	SCR RHD 6 32 .750	10	EA
6	974659	SCR RDH MACH 10 24 .500	1	EA
7	974729	SCR RDH MACH 10 24 1.25	2	EA
8	984049	NUT HEX 10 24	3	EA
9	986009	WSHR FLAT 10	12	EA
10	986159	WSHR FLAT 6	13	EA
11	987089	WSHR LOCK #10 SPLIT TYPE	2	EA
12	987349	WSHR LOCK 6	23	EA
13	3040057	TERMINAL STRIP 18 CIRCUIT	1	EA
14	3040214	RELAY DPDT 12V 10AMP	3	EA
15	3040433	TERMINAL STRIP (12) .188 TAB	4	EA
16	3040469	RELAY SPDT 12V 30AMP SONG	5	EA
17	3040576	RELAY 4PDT 12V COIL .188MALE O	1	EA
18	3044710	TERM STRIP (10) #10 STUD	1	EA
19	5560034	NUT LKG 10 24	17	EA
20	5560038	NUT LKG 10 32	8	EA
21	5560341	WSHR STAR .250 EXTERNAL TOOTH	3	EA
22	5560609	SCR TRHD 10 24 .500	6	EA
23	5560610	SCR TRHD 10 24 1.25	1	EA
101	0191987	DECAL SET JUNCTION BOX	2	EA
102	0071534	WIRE 18 R10I FEM188I 21	1	EA
103	0071566	WIRE 16 R10I R10I 17	2	EA
104	0090621	WIRE 16 R10I FEM188I 13	3	EA

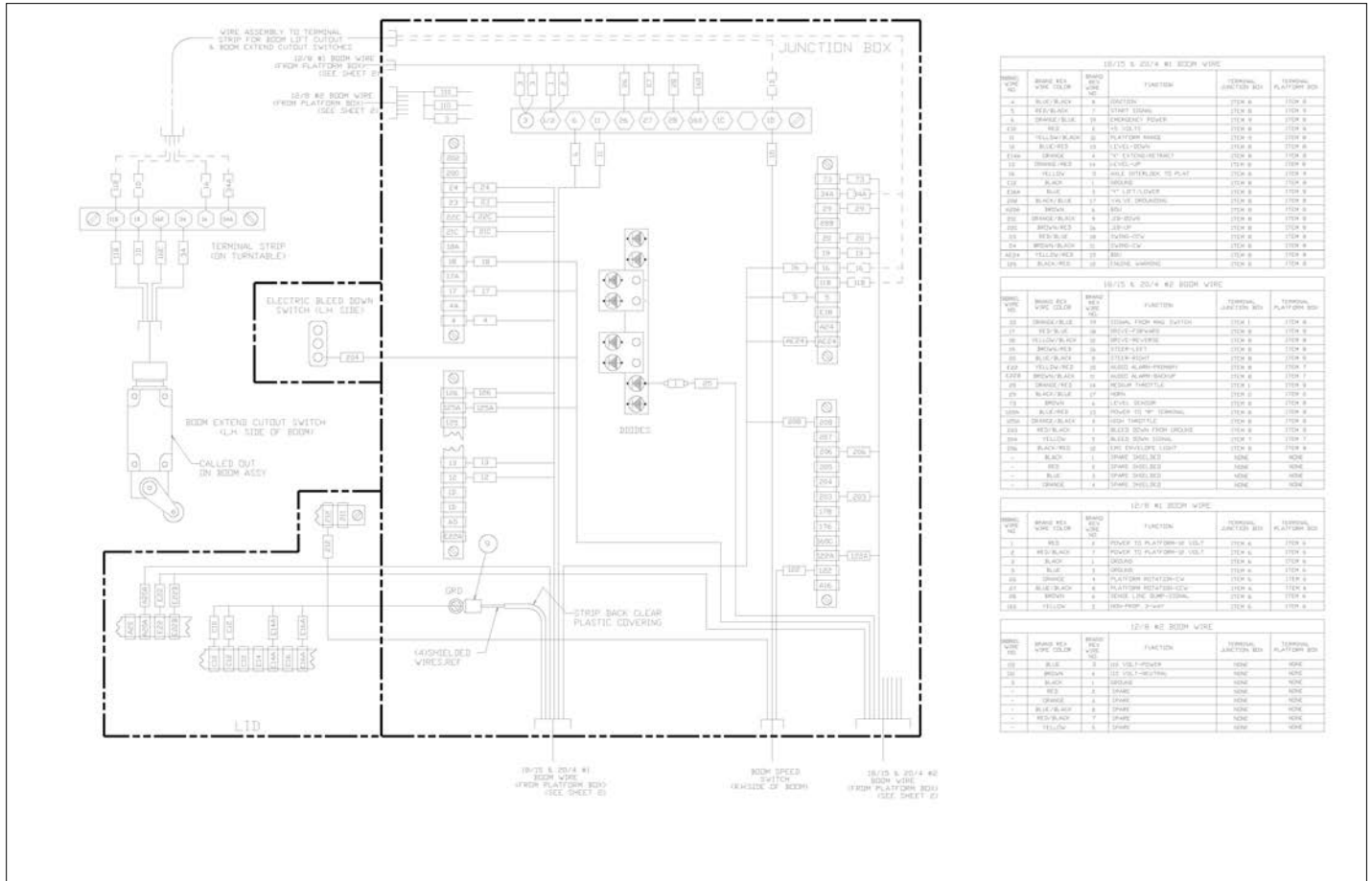
アイテム	部品番号	名前	数量	UOM
105	0073057	WIRE 12R10I FEM250FI 5.5	1	EA
106	0170335	DIODE WIRE	1	EA
107	0181030	WIRE 16 FEM188 FEM250FI 15	6	EA
108	0140332	WIRE 16 R10I FEM188I 9	4	EA
109	0151205	WIRE 16 FEM188 FEM250FI 7	4	EA
110	0090622	WIRE 18 FEM188I FEM250I 9	1	EA
111	0072112	WIRE 18 R10I FEM250FI 16	1	EA
112	0071556	WIRE 16 R10I FEM250I 24	5	EA
113	0071511	WIRE 18 FEM188I FEM188I 11	13	EA
114	0140323	WIRE JUMPER 13 in	3	EA
115	0071530	WIRE 18 FEM188I FEM188I 7	13	EA
116	0073728	WIRE 16 R10 FEM188I 18	1	EA
117	0070719	WIRE 18 R10I FEM188I 7	1	EA
118	0070681	WIRE 16 R10 DIODE 7	3	EA
119	0181110	WIRE 16 FEM250FI DIO 2.25	4	EA
120	0110471	WIRE 16 FEM188I DIODE 11	1	EA
121	3045279	TERMINAL STRIP STRAP	1	EA
122	0070724	WIRE 18 R10I R10I 3	2	EA

ELECTRICAL



アイテム	部品番号	名前	数量	UOM
Not Shown	0191789 C	BOOM LIFT SWITCH ASSEMBLY JUNE 2007 AND AFTER		EA
1	0190944	WIRE HARNESS, BOOM LIFT SWITCH	1	EA
2	3020059	SWITCH	1	EA
3	3020072	ROLLER LEVER	1	EA
4	3040070	NUT LKG HUB .500 APPLETON: P/N BL50 REG 801	1	EA
5	3040358	CONN 90 .500 .25 .375	1	EA

ELECTRICAL

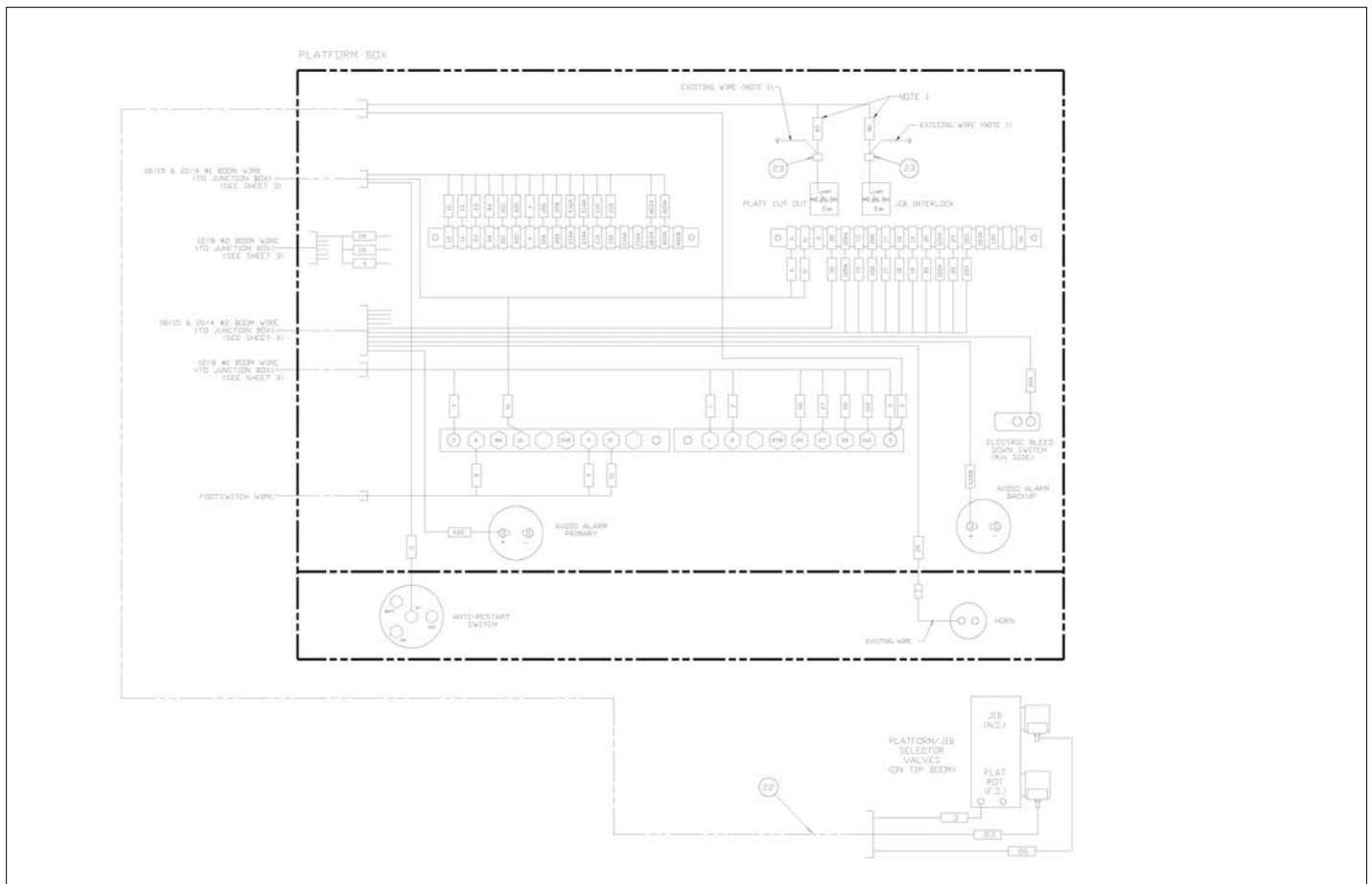


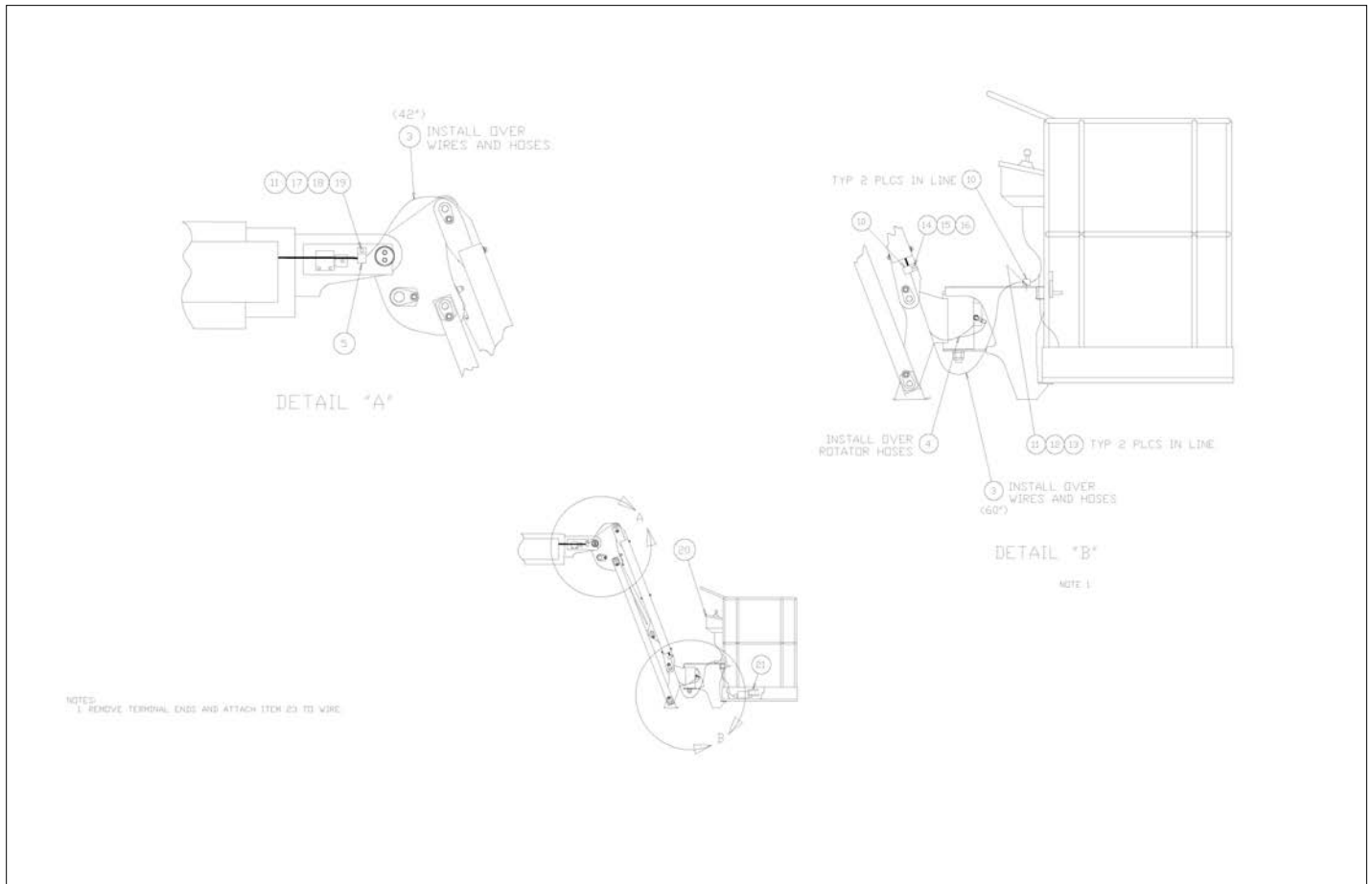
WIRE NO.	WIRE RES. WIRE COLOR	WIRE SIZE (AWG)	FUNCTION	TERMINAL (JUNCTION BOX)	TERMINAL (PLATFORM BOX)
1	BLK/BLACK	8	STOP	17A	17A
2	RED/BLACK	7	START SIGNAL	17B	17B
3	BROWN/BLACK	10	EMERGENCY POWER	17C	17C
4	RED	4	12V. VOLT	17D	17D
5	YELLOW/BLACK	10	PLATFORM RAISE	17E	17E
6	BLACK/RED	10	LEVEL DOWN	17F	17F
7	ORNG	8	4" EXTING. SIGNAL	17G	17G
8	BROWN/RED	10	4" VOLT	17H	17H
9	YELLOW	8	SOLE ENVELOPE TO PLAT	17I	17I
10	BLK	1	GROUND	17J	17J
11	BLK	3	7-1/2" VOLT	17K	17K
12	ORNG/BLACK	17	SOLE VE. (GROUNDING)	17L	17L
13	BROWN	6	STOP	17M	17M
14	ORNG/BLACK	8	12V. BEEP	17N	17N
15	BROWN/BLACK	10	STOP	17O	17O
16	RED/BLACK	10	START	17P	17P
17	BROWN/BLACK	10	START	17Q	17Q
18	BLACK/RED	10	SOLE VE. WARNING	17R	17R

WIRE NO.	WIRE RES. WIRE COLOR	WIRE SIZE (AWG)	FUNCTION	TERMINAL (JUNCTION BOX)	TERMINAL (PLATFORM BOX)
19	ORNG/BLACK	10	SOLE FROM RAISE SWITCH	17A	17A
20	RED/BLACK	10	SOLE FROM RAISE SWITCH	17B	17B
21	YELLOW/BLACK	10	SOLE REVERSE	17C	17C
22	BROWN/BLACK	10	SOLE LIFT	17D	17D
23	BLK/BLACK	8	SOLE STOP	17E	17E
24	YELLOW/RED	10	SOLE ALARM (WARNING)	17F	17F
25	BROWN/BLACK	10	SOLE ALARM (WARNING)	17G	17G
26	ORNG/BLACK	10	SOLE STOP	17H	17H
27	BLACK/BLACK	17	SOLE VE. (GROUNDING)	17I	17I
28	BROWN	6	STOP	17J	17J
29	YELLOW	8	SOLE ENVELOPE TO PLAT	17K	17K
30	BLK/BLACK	1	GROUND	17L	17L
31	ORNG/BLACK	8	SOLE STOP	17M	17M
32	RED/BLACK	1	SOLE STOP FROM GROUND	17N	17N
33	YELLOW	8	SOLE ENVELOPE TO PLAT	17O	17O
34	BLACK/RED	10	SOLE ENVELOPE LIGHT	17P	17P
35	BLK	1	GROUND	NONE	NONE
36	BLK	3	GROUND	NONE	NONE
37	BLK	3	GROUND	NONE	NONE
38	ORNG	1	GROUND	NONE	NONE

WIRE NO.	WIRE RES. WIRE COLOR	WIRE SIZE (AWG)	FUNCTION	TERMINAL (JUNCTION BOX)	TERMINAL (PLATFORM BOX)
1	RED	7	POWER TO PLATFORM OF LEFT	17A	17A
2	RED/BLACK	7	POWER TO PLATFORM OF LEFT	17B	17B
3	BLK	1	GROUND	17C	17C
4	ORNG	8	PLATFORM RETRACTION	17D	17D
5	ORNG	8	PLATFORM RETRACTION	17E	17E
6	BLK/BLACK	8	PLATFORM RETRACTION	17F	17F
7	BROWN	8	SOLE LINE STOP SIGNAL	17G	17G
8	YELLOW	8	SOLE LINE STOP	17H	17H

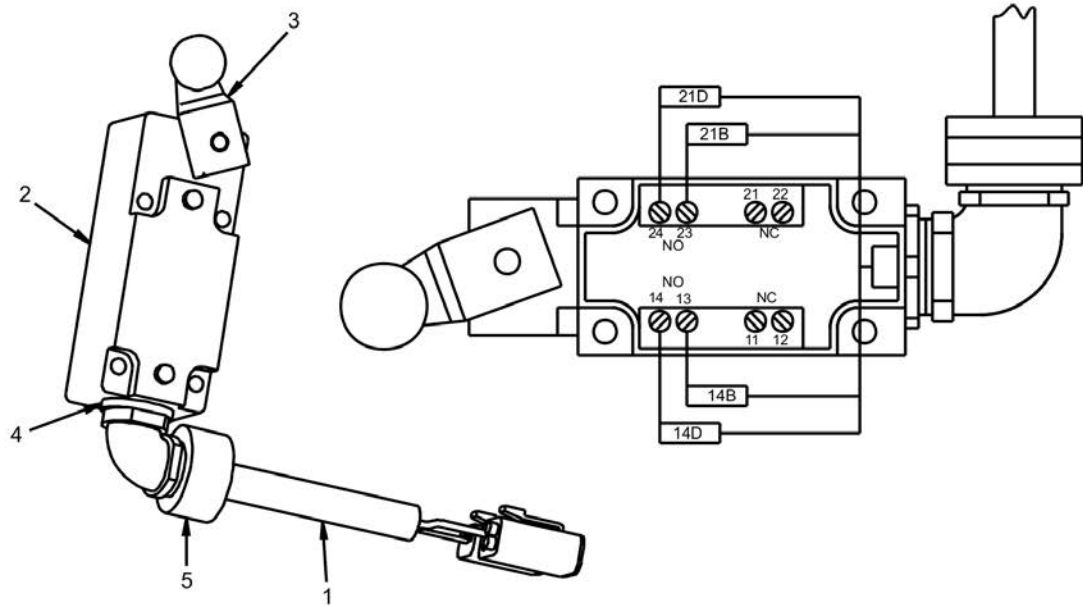
WIRE NO.	WIRE RES. WIRE COLOR	WIRE SIZE (AWG)	FUNCTION	TERMINAL (JUNCTION BOX)	TERMINAL (PLATFORM BOX)
9	BLK	8	SOLE POWER	NONE	NONE
10	BROWN	8	SOLE STOP	NONE	NONE
11	BLK	8	SOLE STOP	NONE	NONE
12	RED	8	SOLE STOP	NONE	NONE
13	ORNG	8	SOLE STOP	NONE	NONE
14	BLK/BLACK	8	SOLE STOP	NONE	NONE
15	RED/BLACK	8	SOLE STOP	NONE	NONE
16	YELLOW	8	SOLE STOP	NONE	NONE





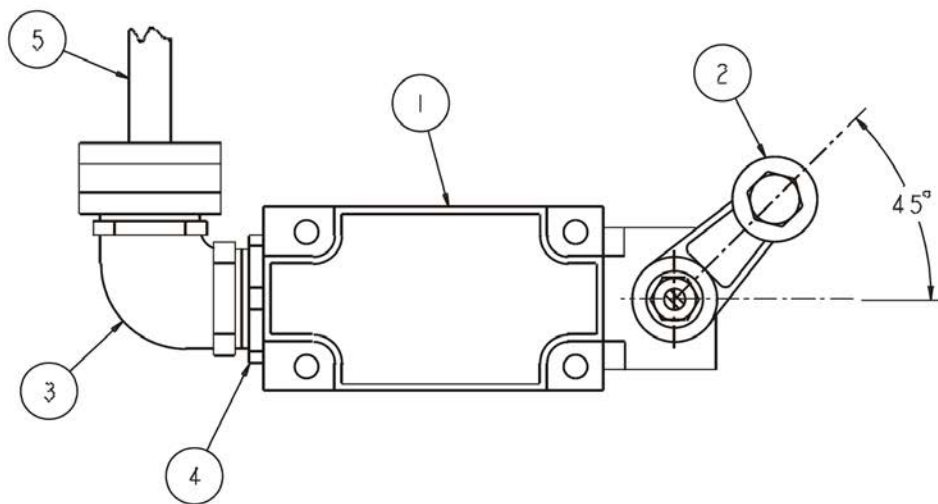
アイテム	部品番号	名前	数量	UOM
Not Shown	0192376 A	BOOM ELECTRICAL INSTALLATION		EA
1	3040047	TERM FEM250FI 22/18	2	EA
2	3040046	TERM MALE250FI 22/18	2	EA
3	5090034	SLEEVEHOSE ABRASION GRD 1.81 in	8.5FT	EA
4	563536	HOSE GUARD SPRIAL 3/4in ID	12IN	EA
5	5093024	CLAMP	1	EA
6	3044854	TERM R10I 12/10	16	EA
7	3044142	TERM, .250 TAB 12/10, MALE F.I.	4	EA
8	3046972	TERM FEM188I 22/18	56	EA
9	3040360	TERM R10 2GA PANDUIPV2 10RX XY	1	EA
10	5093010	CLP CUSH 1.50 VINYL COATED	3	EA
11	986019	WSHR FLAT .250	3	EA
12	011248 004	Locknut 1/4 20	2	EA
13	970189	BLT HEXHD .250 28 1.00 GR5	2	EA
14	970439	BLTHHD .375 16 X .625 GR5	1	EA
15	987119	WSHR LOCK .375	1	EA
16	986299	WASHER, FLAT, .375 STANDARD, PLATED	1	EA
17	970029	BLT .25 20 .750	1	EA
18	987099	WSHR LOCK .250	1	EA
19	5560603	NUTSERT .250 20 GRIP .260 .390	1	EA
20	0192377	ASSY PLATF CNTRL BOX TB125J	1	EA
21	0071800	FOOT SWITCH ASSEMBLY	1	EA
22	0112798	WIRE ASSY JIB/PLAT SELECTOR	1	EA
23	3040065	TERM FEM250FI 12/10 FULLY INSU	2	EA

ELECTRICAL

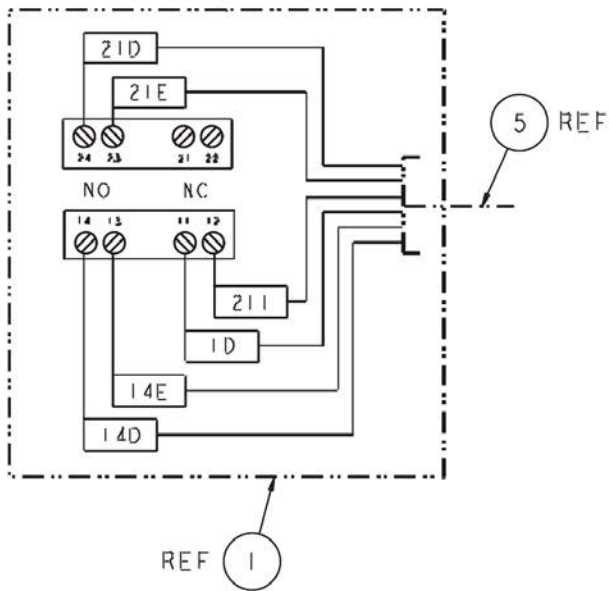


アイテム	部品番号	名前	数量	UOM
Not Shown	0191793 D	BOOM CALIBRATION SWITCH APRIL 2008 AND BEFORE		EA
1	0191792	WIRE HARNESS, BOOM SWITCH CALIBRATION SWITCH	1	EA
2	3020059	SWITCH	1	EA
3	3020072	ROLLER LEVER	1	EA
4	3040070	NUT LKG HUB .500 APPLETON: P/N BL50 REG 801	1	EA
5	3040358	CONN 90 .500 .25 .375	1	EA

ELECTRICAL

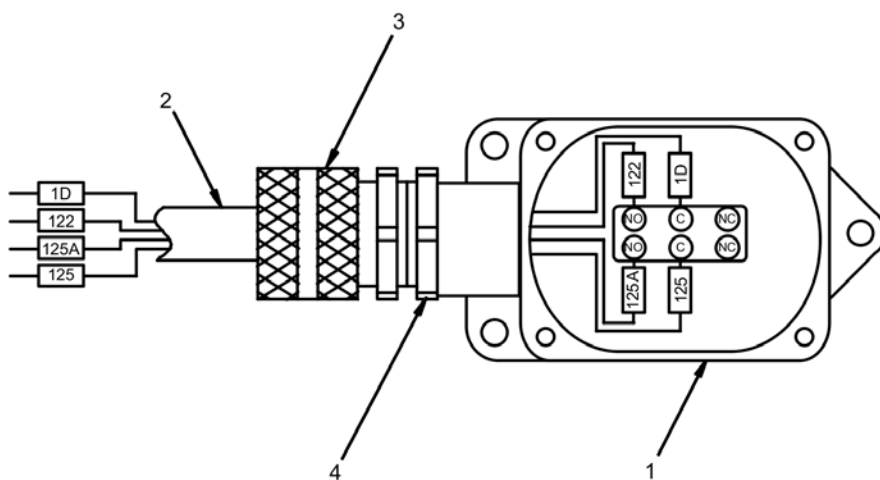


WIRING SCHEMATIC



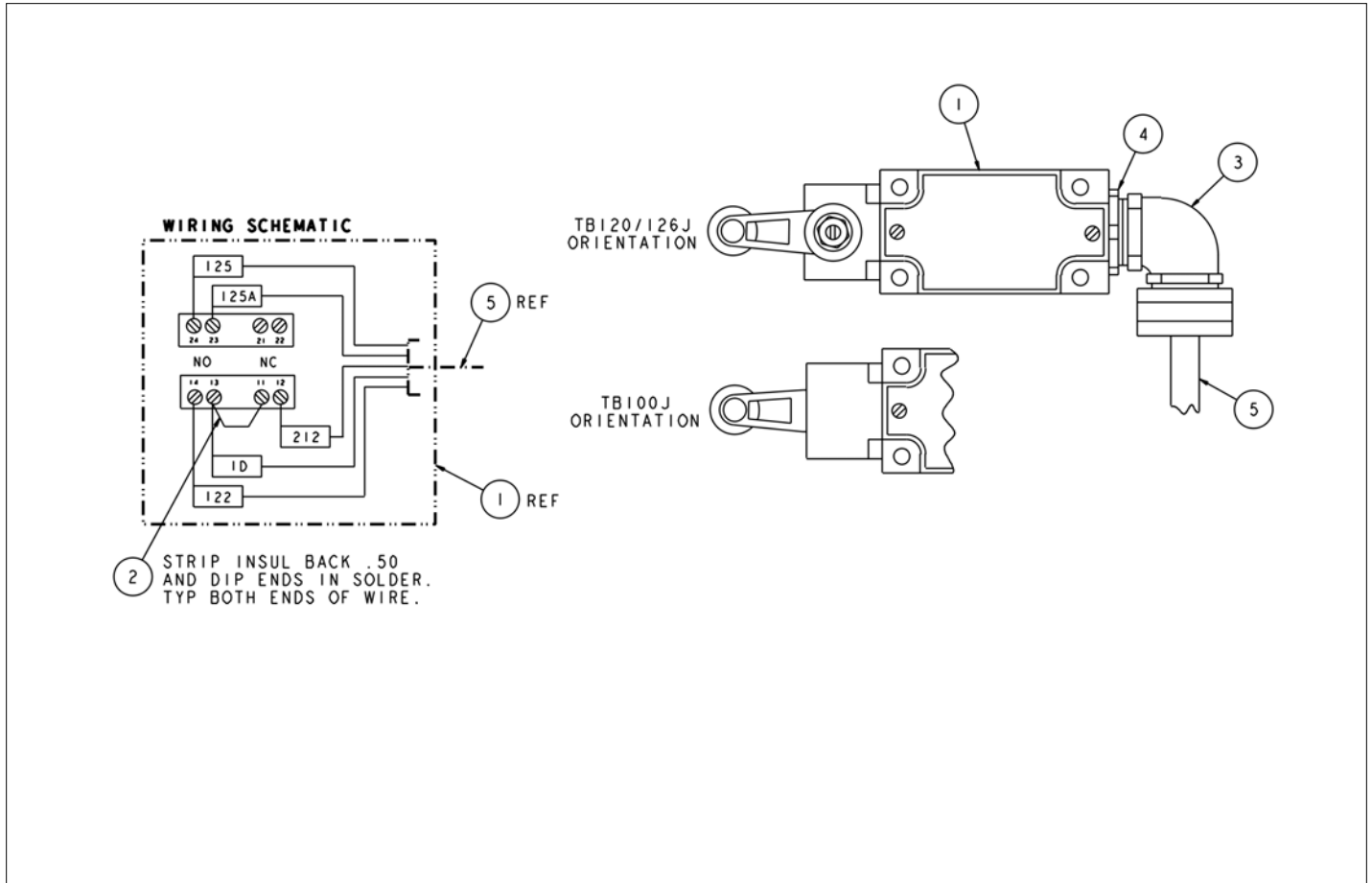
アイテム	部品番号	名前	数量	UOM
Not Shown	0192037 D	BOOM CALIBRATION SWITCH ASSEMBLY MAY 2008 AND AFTER		EA
Not Shown	3028808	ASSY LIMIT SWITCH SR PLC WHL	1	EA
1	3020059	SWITCH	1	EA
2	3020072	ROLLER LEVER	1	EA
3	3040358	CONN 90 .500 .25 .375	1	EA
4	3040070	NUT LKG HUB .500 APPLETON: P/N BL50 REG 801	1	EA
5	0191792	WIRE HARNESS, BOOM SWITCH CALIBRATION SWITCH	1	EA

ELECTRICAL



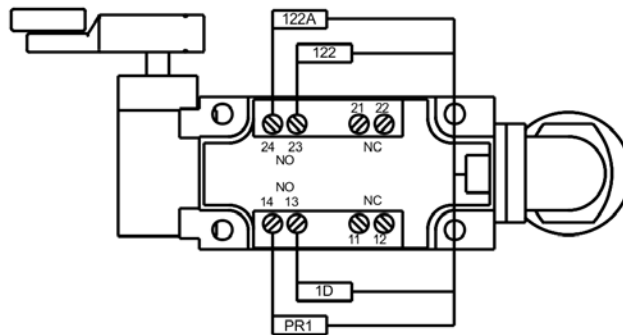
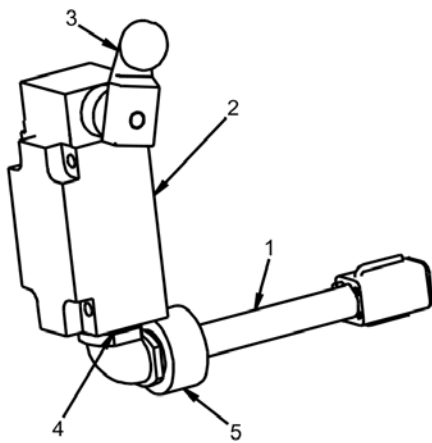
アイテム	部品番号	名前	数量	UOM
Not Shown	0191003	BOOM SPEED SWITCH ASSEMBLY MAY 2007 AND BEFORE		EA
1	3020019	SWITCH ROLLER LEVER	1	EA
2	0191004	WIRE HARNESS, BOOM SPEED SWITCH	1	EA
3	3040187	CONN .500 .313 .438	1	EA
4	3040070	NUT LKG HUB .500 APPLETON: P/N BL50 REG 801	1	EA

ELECTRICAL



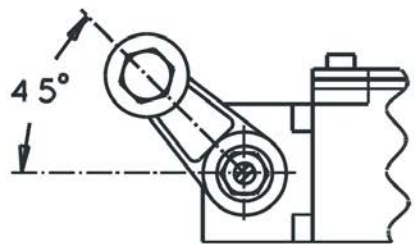
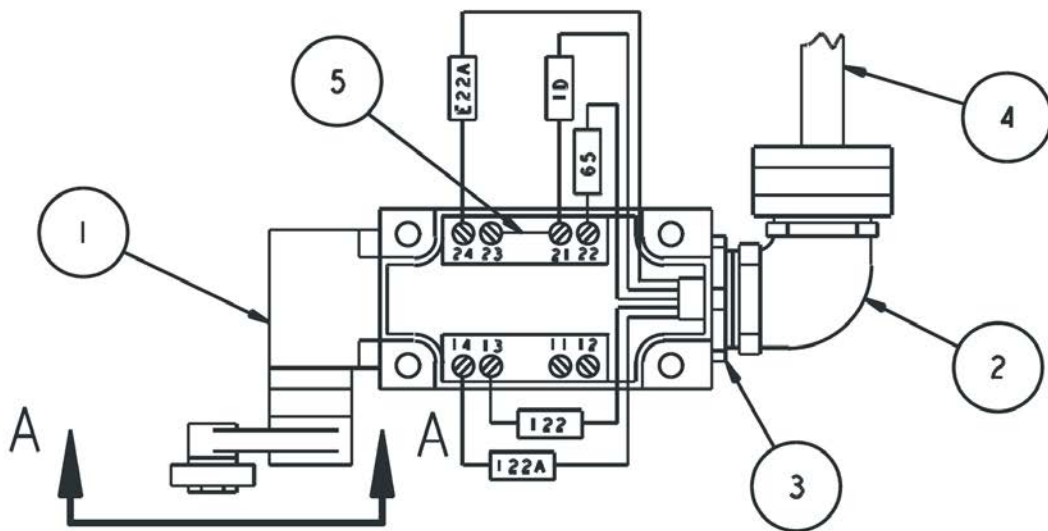
アイテム	部品番号	名前	数量	UOM
Not Shown	0191410 E	BOOM SPEED SWITCH ASSEMBLY JUNE 2007 AND AFTER		EA
1	3028804	ASSEMBLY, LIMIT SWITCH SR STL WHL	1	EA
2	3011801	WIRE 18GA SINGLE CONDUCTOR WHT	16FT	EA
3	3040711	CONN 90 .500 .375 .500	1	EA
4	3040070	NUT LKG HUB .500 APPLETON: P/N BL50 REG 801	1	EA
5	0191431	WIRE ASSEMBLY BOOM SPEED	1	EA

ELECTRICAL



アイテム	部品番号	名前	数量	UOM
Not Shown	0191791 B	DRIVE SPEED SWITCH JANUARY 2001 AND AFTER		EA
1	0191790	WIRE HARNESS, DRIVE SPEED SWITCH	1	EA
2	3020059	SWITCH	1	EA
3	3020072	ROLLER LEVER	1	EA
4	3040070	NUT LKG HUB .500 APPLETON: P/N BL50 REG 801	1	EA
5	3040358	CONN 90 .500 .25 .375	1	EA

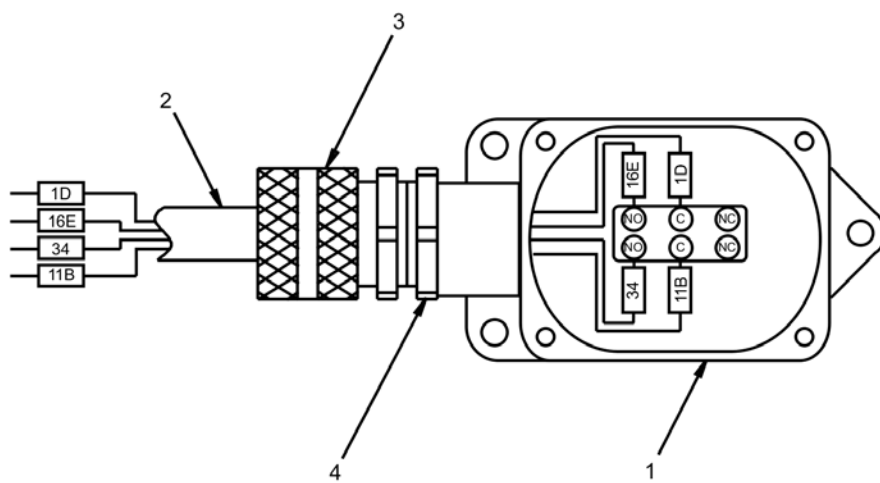
ELECTRICAL



VIEW A-A

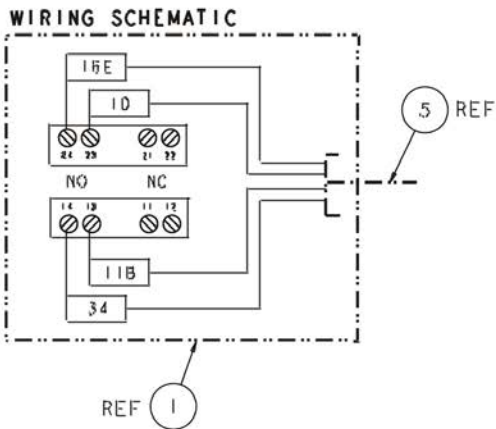
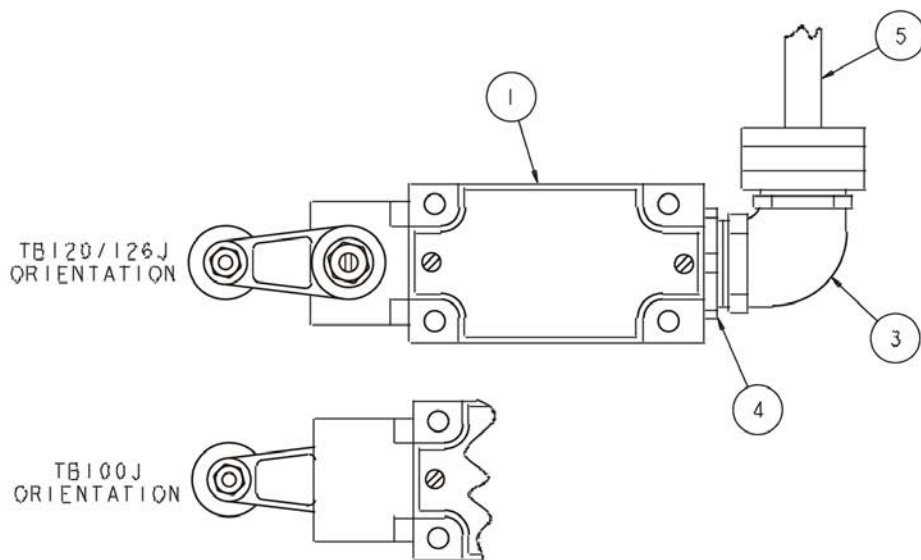
アイテム	部品番号	名前	数量	UOM
Not Shown	0190986 E	DRIVE SPEED CUTOUT SWITCH SUB ASSEMBLY JUNE 2007 AND AFTER		EA
1	3028808	ASSY LIMIT SWITCH SR PLC WHL	1	EA
2	3040711	CONN 90 .500 .375 .500	1	EA
3	3040070	NUT LKG HUB .500 APPLETON: P/N BL50 REG 801	1	EA
4	0190987	WIRE ASSEMBLY	1	EA
5	3011601	WIRE 16GA SINGLE CONDUCTOR BLK	1	EA

ELECTRICAL



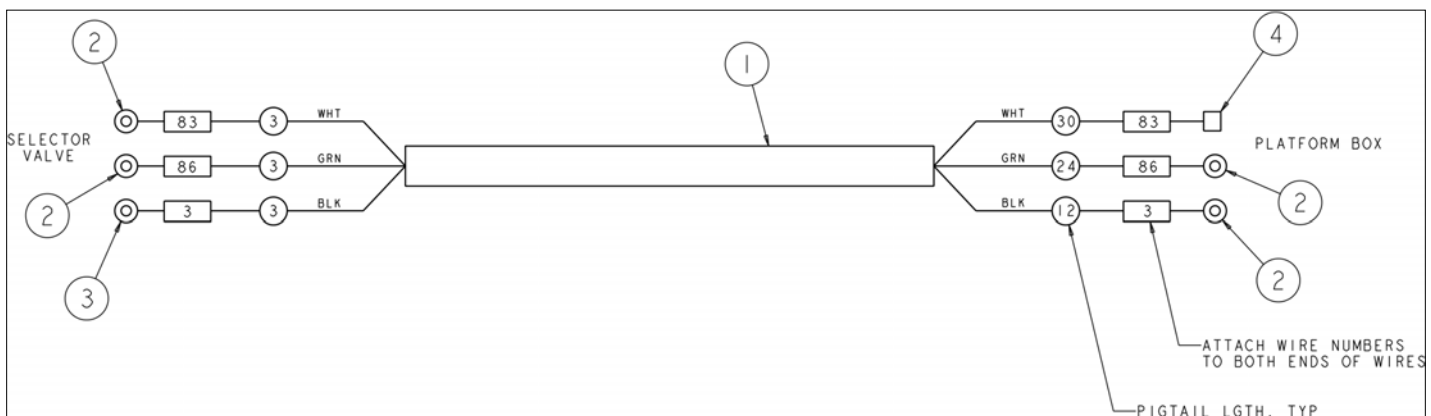
アイテム	部品番号	名前	数量	UOM
Not Shown	0190813	EXTEND CUT OUT SWITCH		EA
1	3020019	SWITCH ROLLER LEVER	1	EA
2	0190814	WIRE HARNESS, EXTEND CUT OUT SWITCH	1	EA
3	3040187	CONN .500 .313 .438	1	EA
4	3040070	NUT LKG HUB .500 APPLETON: P/N BL50 REG 801	1	EA

ELECTRICAL



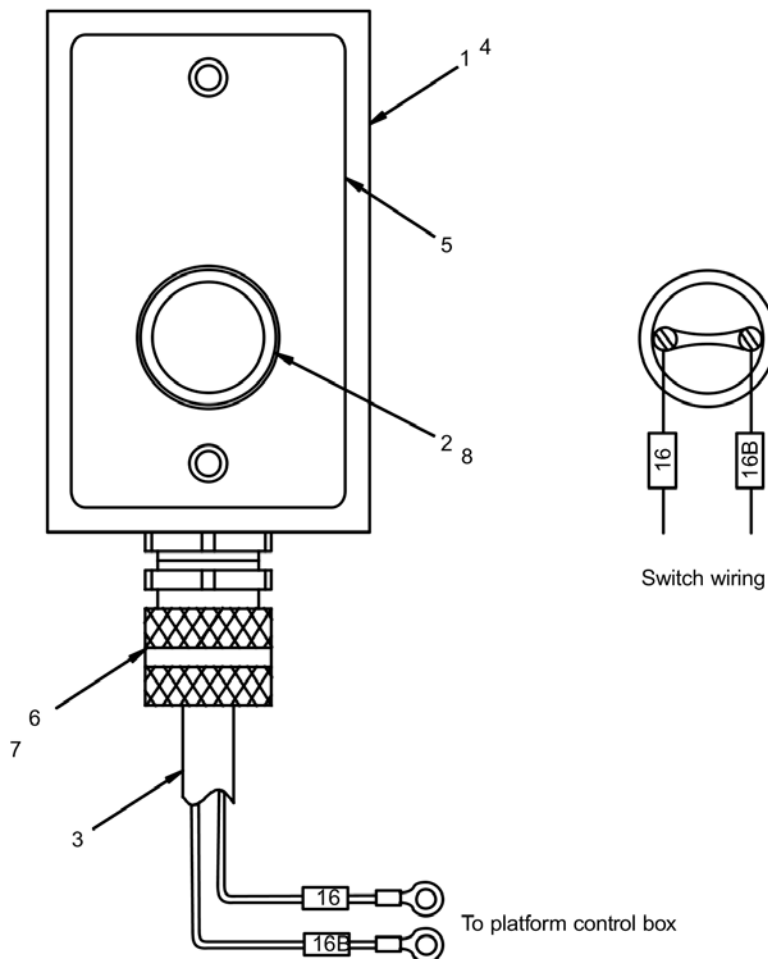
アイテム	部品番号	名前	数量	UOM
Not Shown	0191411 C	EXTEND CUTOFF SWITCH ASSEMBLY JUNE 2007 AND AFTER		EA
1	3020059	SWITCH	1	EA
3	3040358	CONN 90 .500 .25 .375	1	EA
4	3040070	NUT LKG HUB .500 APPLETON: P/N BL50 REG 801	1	EA
5	0191430	WIRE ASSEMBLY EXTEND CUT OUT	1	EA

ELECTRICAL



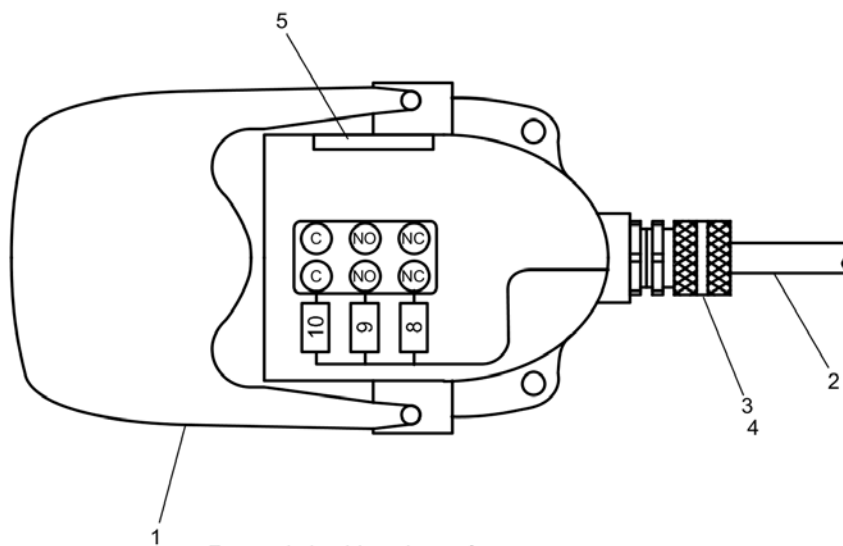
アイテム	部品番号	名前	数量	UOM
Not Shown	0112798 A	PLATFORM JIB SELECTOR WIRE ASSEMBLY		EA
1	3011803	CABLE 18GA/3 CONDUCTOR WIRE	17.25 FT	EA
2	3044146	TERM R10I 22/18	4	EA
3	3049952	TERM R250I 22/18	1	EA
4	3046972	TERM FEM188I 22/18	1	EA

ELECTRICAL

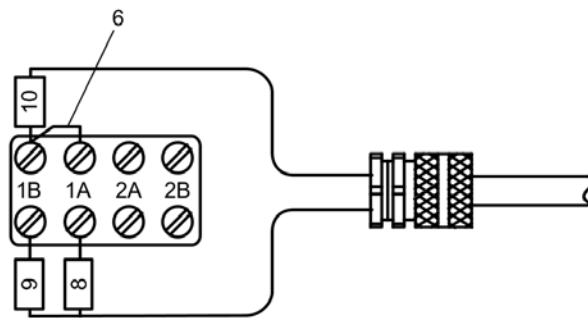


アイテム	部品番号	名前	数量	UOM
Not Shown	0191257 D	SAFETY INTERLOCK WITH SLIDING PLATFORM		EA
1	0072759	ELECTRICAL OUTLET BOX	1	EA
2	3026027	SW PUSH BUTTON	1	EA
3	0191258	WIRE HARNESS, SAFETY INTERLOCK	1	EA
4	0191237	COVER, SAFETY INTERLOCK BOX	1	EA
5	0191253	DECAL, SAFETY INTERLOCK	1	EA
6	3040285	CONN .75 .375 .500	1	EA
7	3040110	NUT LKG HUB .750 SAMEAS 962129	1	EA
8	7140092	SEAL KIT 600 0002 5/8	1	EA

ELECTRICAL



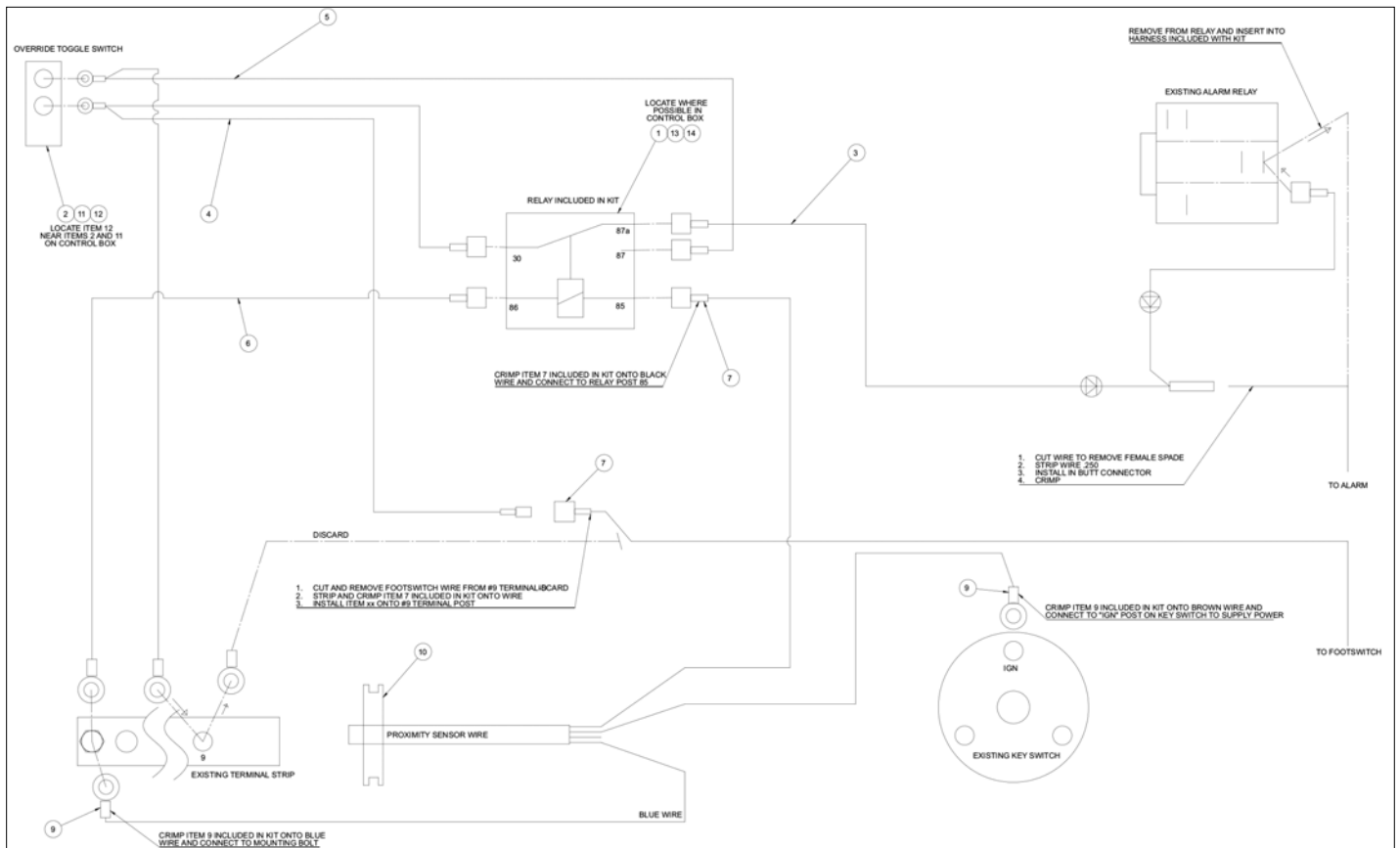
Foot switch wiring shown for Linemaster switch



Foot switch wiring shown for Square D switch

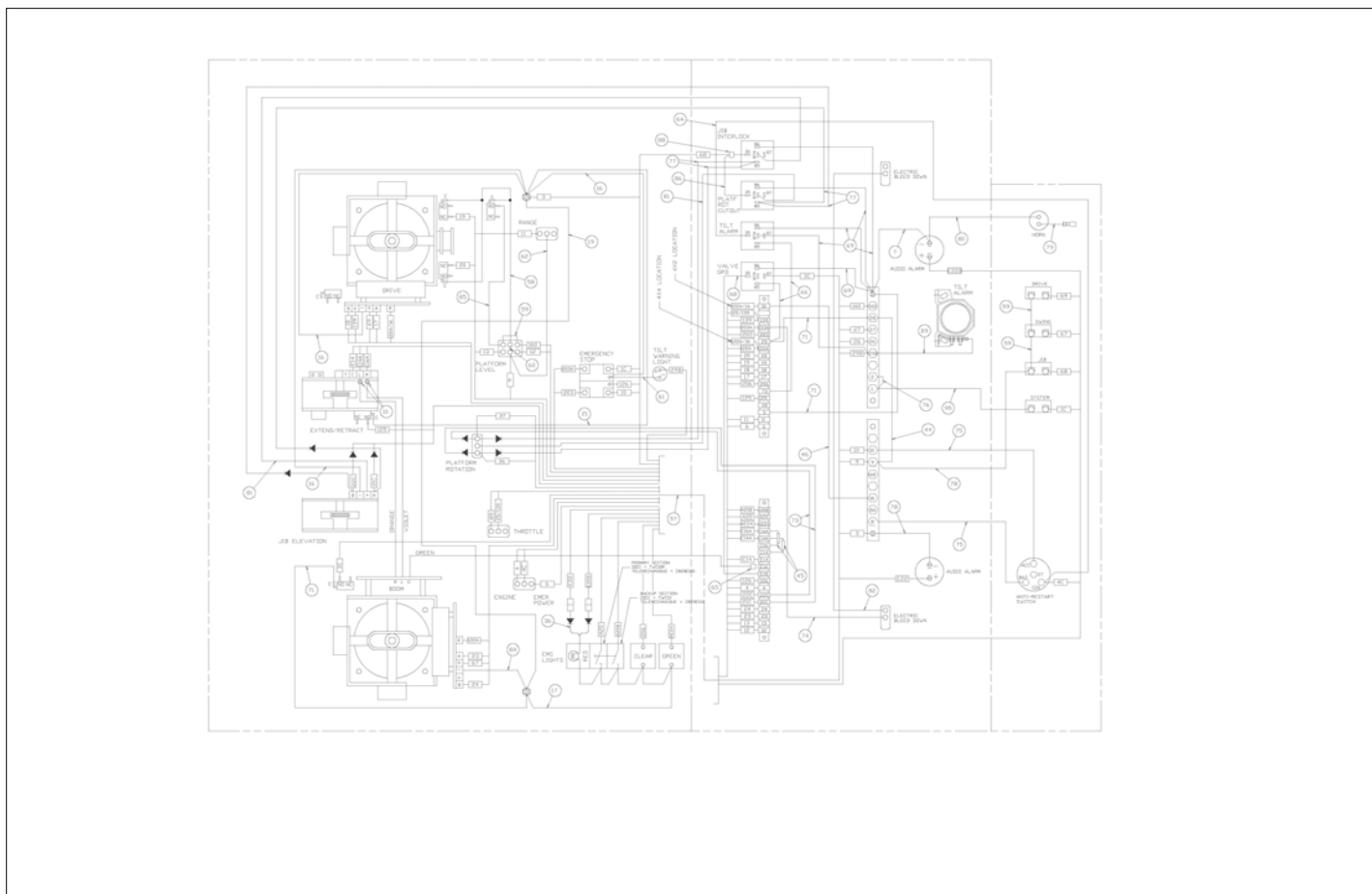
アイテム	部品番号	名前	数量	UOM
Not Shown	0071800 H	PLATFORM FOOT SWITCH ASSEMBLY		EA
1	3020021	Foot Switch	1	EA
Not Shown	3020037	REPLACEMENT SWITCH, SQUARE D SWITCH, 4 POLE	1	EA
Not Shown	3020038	REPLACEMENT SWITCH, LINEMASTER SWITCH	1	EA
2	0070596	WIRE ASSY FOOT SWITCH	1	EA
3	3040116	CONN .75 .500 .625	1	EA
4	3040110	NUT LKG HUB .750 SAMEAS 962129	1	EA
5	0070967	CORROSION INHIBITOR STICK BACK	1	EA
6	0060373	JUMPER SWITCH TERMINAL STRAP	1	EA

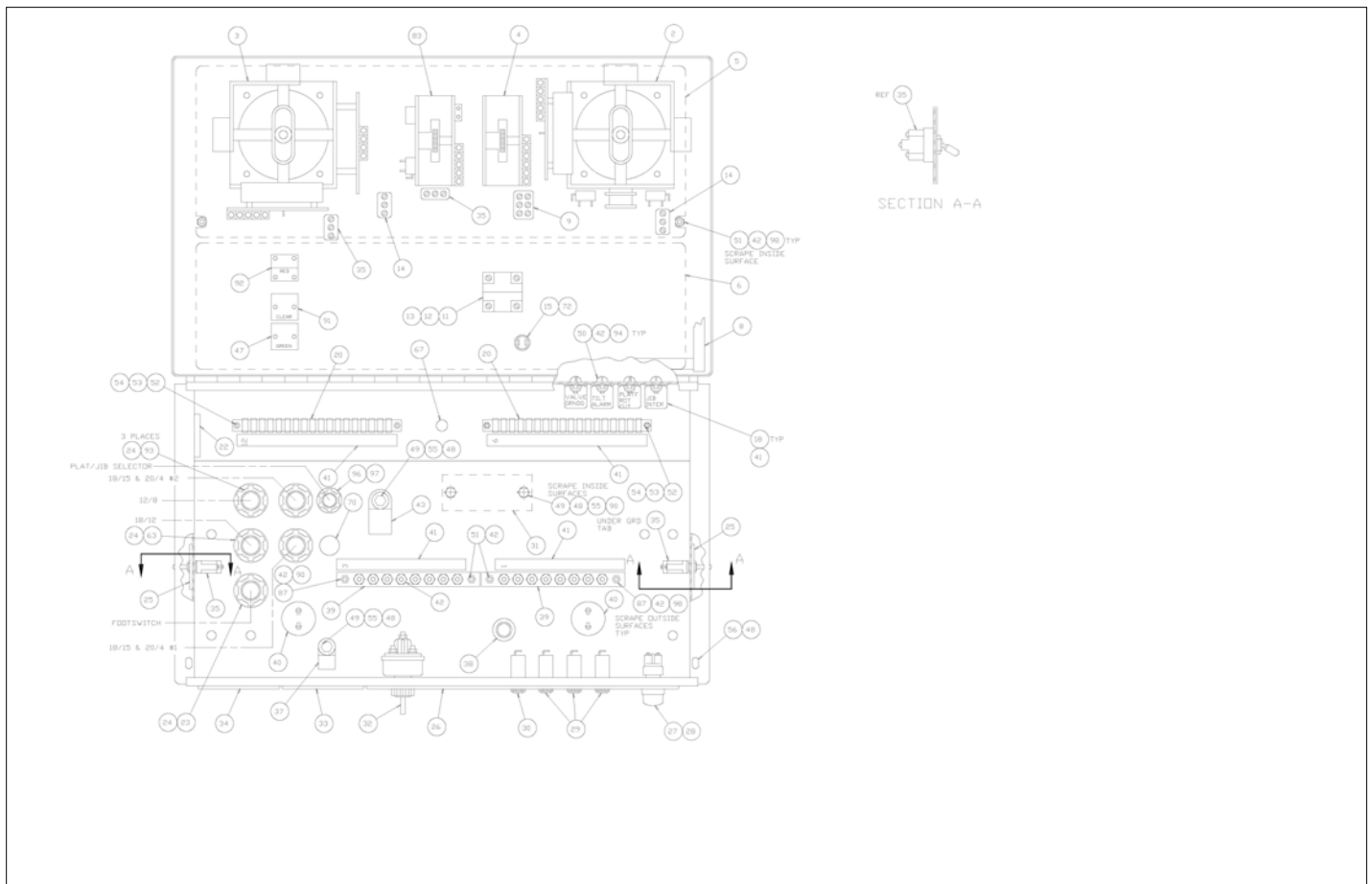
ELECTRICAL



アイテム	部品番号	名前	数量	UOM
Not Shown	0113536 G 2	LEGACY SNORKEL GUARD KIT WIRING		EA
1	3040469	RELAY SPDT 12V 30AMP SONG	1	EA
2	3020080	TOGGLE SWITCH	1	EA
3	0113540	ASSY DIODE WIRE	1	EA
4	0113541	ASSY SWITCHED WIRE COMMON	1	EA
5	0113542	ASSY SWITCHED WIRE	1	EA
6	0071556	WIRE 16 R10I FEM250I 24	1	EA
7	3040083	TERM FEM250FI 16/14	2	EA
9	3044161	TERM R10I 16/14	2	EA
10	5569059	GROMMET .313ID .536DIA X .125GRV	1	EA
11	7030161	DECAL, SNORKEL GUARD OVERRIDE	1	EA
12	7030162	DECAL, OVERRIDE WARNING	1	EA
13	5560609	SCR TRHD 10 24 .500	1	EA
14	5560034	NUT LKG 10 24	1	EA

ELECTRICAL





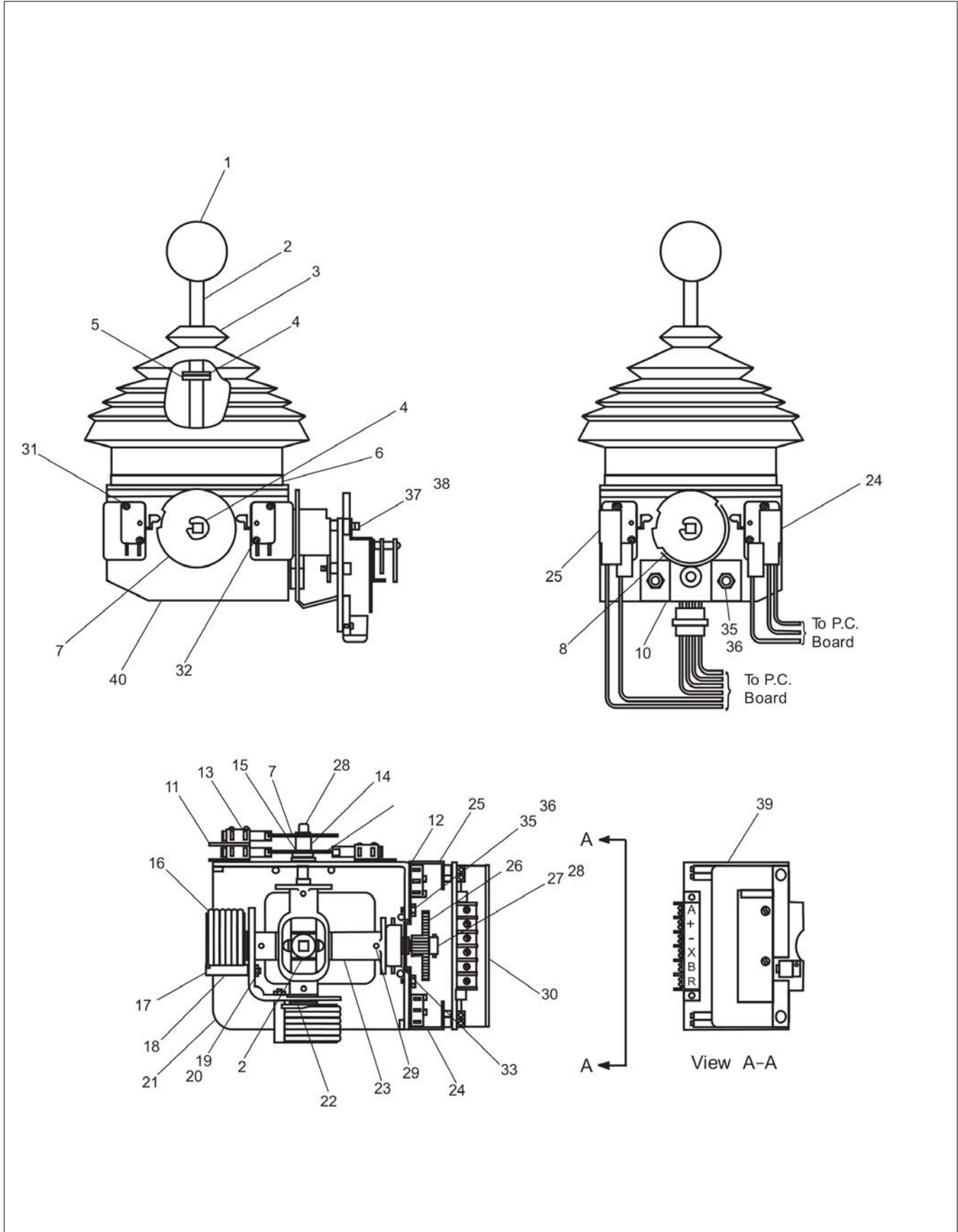
アイテム	部品番号	名前	数量	UOM
Not Shown	0192377 A	UPPER CONTROL BOX ASSEMBLY		EA
1	0191147	WLDMT PLATF CONT BOX	1	EA
2	3040492	CONTROLLER 33HZ DRIVE/STEER	1	EA
3	3040568	CONTROLLER LIFT/SWING	1	EA
4	3040526	CONTROLLER EXTEND RETRACT	1	EA
5	0191138	PLAC PLATF CONT BOX TOP	1	EA
6	0191139	PLAC EMS OPN/LIGHTS	1	EA
7	0073781	WIRE 16 R10I R6I 6	1	EA
8	7190001	GASKET WEATHERPROOF 6.00LG 1/8 in X 1/2 in (50 FT LG ROLLS)	78"	EA
9	3020018	SWITCH TOGGLE DPDT MOM/OFF/MOM	1	EA
10	3044142	TERM, .250 TAB 12/10, MALE F.I.	2	EA
11	3020020	SW EMER STOP PUSH/PULL	1	EA
12	3020108	MODULE EMER STOP SWITCH LIGHT	1	EA
13	3040185	CONTACT BLOCK	1	EA
14	3020013	Switch, Toggle Honeywell INTI 2	2	EA
15	3060069	LIGHT INDICATING 12V RED	1	EA
16	0151910	WIRE 16 R6 R10 14	3	EA
17	0191417	WIRE 18 SEE DWG	1	EA
18	562326	Relay	4	EA
19	0191156	WIRE 12 R10 R10 24	1	EA
20	3040057	TERMINAL STRIP 18 CIRCUIT	2	EA
21	0090621	WIRE 16 R10I FEM188I 13	1	EA
22	0070967	CORROSION INHIBITOR STICK BACK	1	EA
23	3040295	CONN .75 .625 .75	1	EA

アイテム	部品番号	名前	数量	UOM
24	3040110	NUT LKG HUB .750 SAMEAS 962129	5	EA
25	0190992	DECAL EMER BLEED DOWN	2	EA
26	0191150	PLAC PLATF CONTO BOX FRONT	1	EA
27	3026027	SW PUSH BUTTON	1	EA
28	7140092	SEAL KIT 600 0002 5/8	1	EA
29	3040535	CIRCUIT BREAKER 3 AMP	3	EA
30	3040068	CIRCUIT BREAKER 20 AMP	1	EA
31	480652	ALARM97DBA DUAL TONE 12/24V	1	EA
32	3020090	SW ANTI RESTART IGNITION	1	EA
33	0323899	Decal, danger electrical hazar	1	EA
34	0190994	DECAL, ELEC EMER BLEED DOWN	1	EA
35	3020080	TOGGLE SWITCH	4	EA
36	0191238	DIODE WIRE ASSEMBLY	1	EA
37	5093004	CLP CUSH .750 VINYL COATED	1	EA
38	5569711	GROMMET .438ID .688DIA X.125GRV	1	EA
39	3044708	TERMINAL STRIP, #10 STUD, 8 POST	2	EA
40	3030086	SONALERTS	2	EA
41	0191152	DECAL SET PLATF BOX	1	EA
42	PNNA	NUT #10 24 ESNA	30	EA
43	5093010	CLP CUSH 1.50 VINYL COATED	1	EA
44	0070732	WIRE 12 R10I R10I 10	1	EA
45	0191022	RESISTOR WIRE ASSY	2	EA
46	0073728	WIRE 16 R10 FEM188I 18	1	EA
47	3060100	EMS WARNING LIGHT ASSY (GREEN)	1	EA
48	PNNA	NUT 1/4 20 ESNA	6	EA

アイテム	部品番号	名前	数量	UOM
49	PNNA	CAPSCREW 1/4 20 X 3/4"LG H.H GR5	4	EA
50	PNNA	MACHINE SCREW #10 24 X 3/8" LG TRHD	4	EA
51	PNNA	MACHINE SCREW #10 24 X 3/4" LG RDHD	4	EA
52	PNNA	MACHINE SCREW #6 32 X 3/4" LG RDHD	4	EA
53	PNNA	LOCKWASHER #6 MED	4	EA
54	PNNA	NUT #6 32 HEX	4	EA
55	PNNA	FLATWASHER 1/4"	4	EA
56	PNNA	CAPSCREW 1/4 20 X1" LG HH GR5	2	EA
57	0192384	WIRE ASSEMBLY PLATFORM CONTROL BOX TB125J	1	EA
58	0181074	WIRE 16 SPECIAL (SEE DWG)	1	EA
59	0070747	WIRE 16 R6I R6I 3	3	EA
60	0060373	JUMPER SWITCH TERMINAL STRAP	1	EA
61	0070730	WIRE 16 R6I R6I 5.5	1	EA
62	0070746	WIRE 16 R6I R6I 9	1	EA
63	3040285	CONN .75 .375 .500	1	EA
64	0152126	WIRE 16 R10 FEM250 24	1	EA
65	3046972	TERM FEM188I 22/18	1	EA
66	0191154	WIRE 16 FEM188 FEM250 12	2	EA
67	3040015	HOLE PLUG .50	1	EA
68	0191155	WIRE 16 FEM188 FEM250 17	1	EA
69	0152123	WIRE 16 R10 FEM250 17	5	EA
70	3040301	PLUG HOLE .875	1	EA
71	0070713	WIRE 18 R10I FEM188I 10	3	EA
72	3061815	LIGHT BULB	1	EA
73	0192385	WIRE 16 FEM250I FEM188I DIO 24	2	EA

アイテム	部品番号	名前	数量	UOM
74	0073542	WIRE 16 R6 FEM188I 24	1	EA
75	0070712	WIRE 12 R10I R10I 5	2	EA
76	0070711	WIRE 12 R10I R10I 3	2	EA
77	0192386	WIRE DIODE SEE DRAWING	2	EA
78	0240483	WIRE 16 R6I R10I 8	2	EA
79	0091202	WIRE 16 R8I FEM250FI 10	1	EA
80	0071590	WIRE 18 R6I R10I 7	1	EA
81	0073884	WIRE 16 R6I FEM250FI 24	2	EA
82	0071558	WIRE 16 R6I R6I 30	1	EA
83	3040533	CONTROLLER SINGLE AXIS	1	EA
84	0170519	WIRE 16 R10I R6I 8	1	EA
85	0071517	SWITCH	1	EA
86	0111476	WIRE 16 FEM250FI FEM250FI 4	1	EA
87	PNNA	MACHINE SCREW, #10 24 X 1 1/4 LG RDHD PLATED	2	EA
88	3040065	TERM FEM250FI 12/10 FULLY INSU	1	EA
89	0151815	WIRE 16 R10I R10I 12	1	EA
90	PNNA	WASHER, 1/4 STAR TOOTH	9	EA
91	3060099	EMS WARNING LIGHT ASSY (CLEAR)	1	EA
92	3060097	EMS WARNING LIGHT ASSY (RED)	1	EA
93	3040116	CONN .75 .500 .625	3	EA
94	PNNA	FLAT WASHER #10	4	EA
95	0150530	WIRE 12 R6I R10I 5	1	EA
96	3040187	CONN .500 .313 .438	1	EA
97	3040070	NUT LKG HUB .500 APPLETON: P/N BL50 REG 801	1	EA

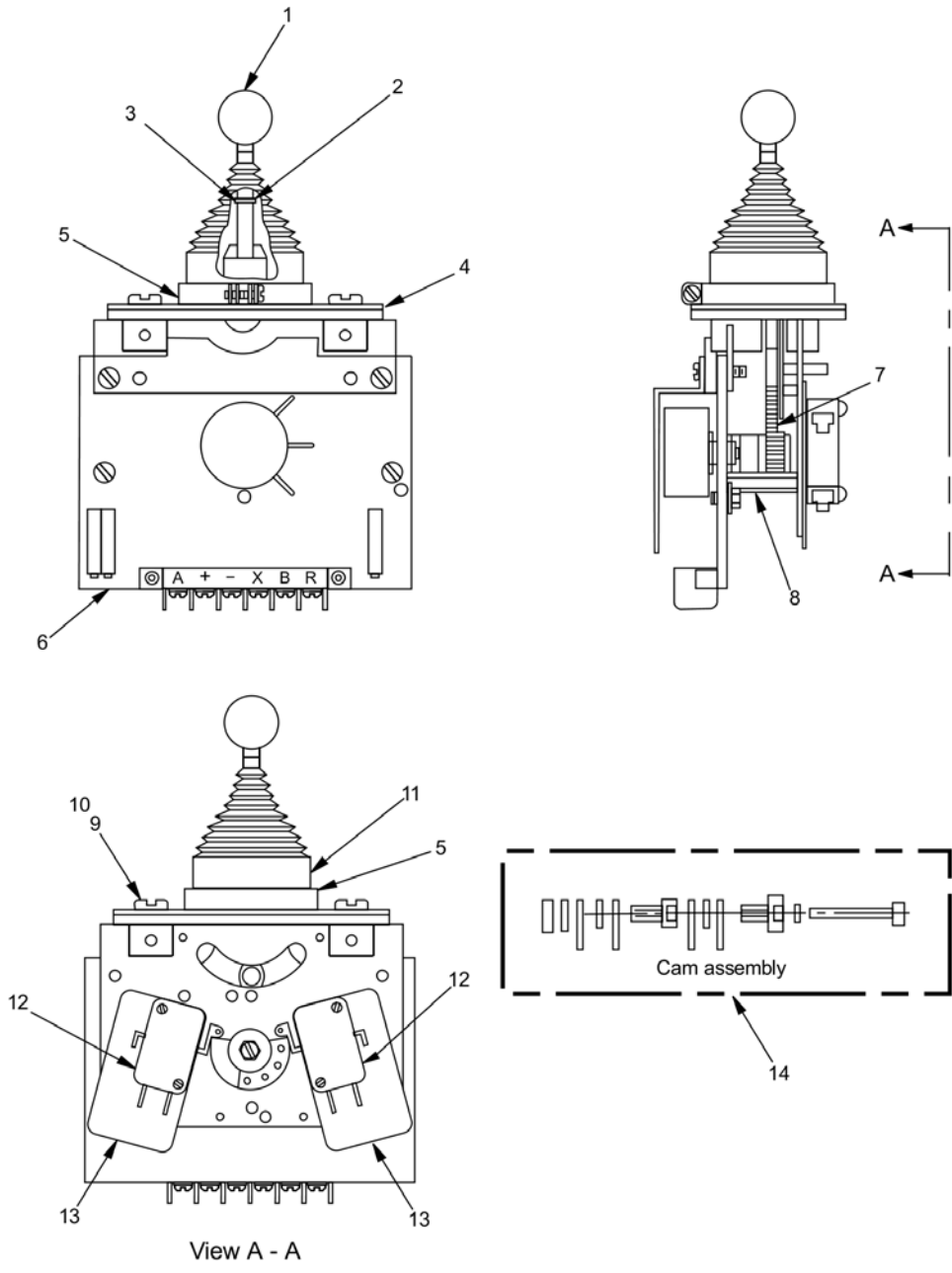
ELECTRICAL



アイテム	部品番号	名前	数量	UOM
Not Shown	3040492 C	CONTROLLER 33HZ DRIVE STEER		EA
1	2660002	KNOB	1	EA
2	3040086	SHAFT	1	EA
3	3040146	BOOT	1	EA
4	8150145	RING	5	EA
5	8150146	TENSION CLIP	1	EA
6	3040169	BOOT CLAMP RING	1	EA
7	8150147	CAM	2	EA
8	8150009	FIXED CAM	1	EA
10	8150148	MODIFIED BRACKET	1	EA
11	8150138	INSULATOR	4	EA
12	8150139	INSULATOR	2	EA
13	3020033	MICROSWITCH	6	EA
14	8150136	CAM SPACER	2	EA
15	8150149	BRASS WASHER	1	EA
16	8150005	SPRING RETURN WITH HOUSING	2	EA
17	8150004	SPRING RETURN BOLT	2	EA
18	8150150	WASHER	2	EA
19	5150144	WASHER SPLIT 5M BLACK	2	EA
20	8150143	NUT 5M HEX	2	EA
21	8150003	CASTING, MODIFIED	1	EA
22	3040271	BUSHING	4	EA
23	8150094	SECOND AXIS	1	EA
24	8150151	BRACKET, RIGHT SIDE	1	EA
25	8150152	BRACKET, LEFT SIDE	1	EA
26	3040073	DRIVE GEAR	1	EA
27	3040072	SLAVE GEAR	1	EA
28	8150082	BLANK CAM SHAFT	2	EA
29	8150013	TENSION PIN	4	EA

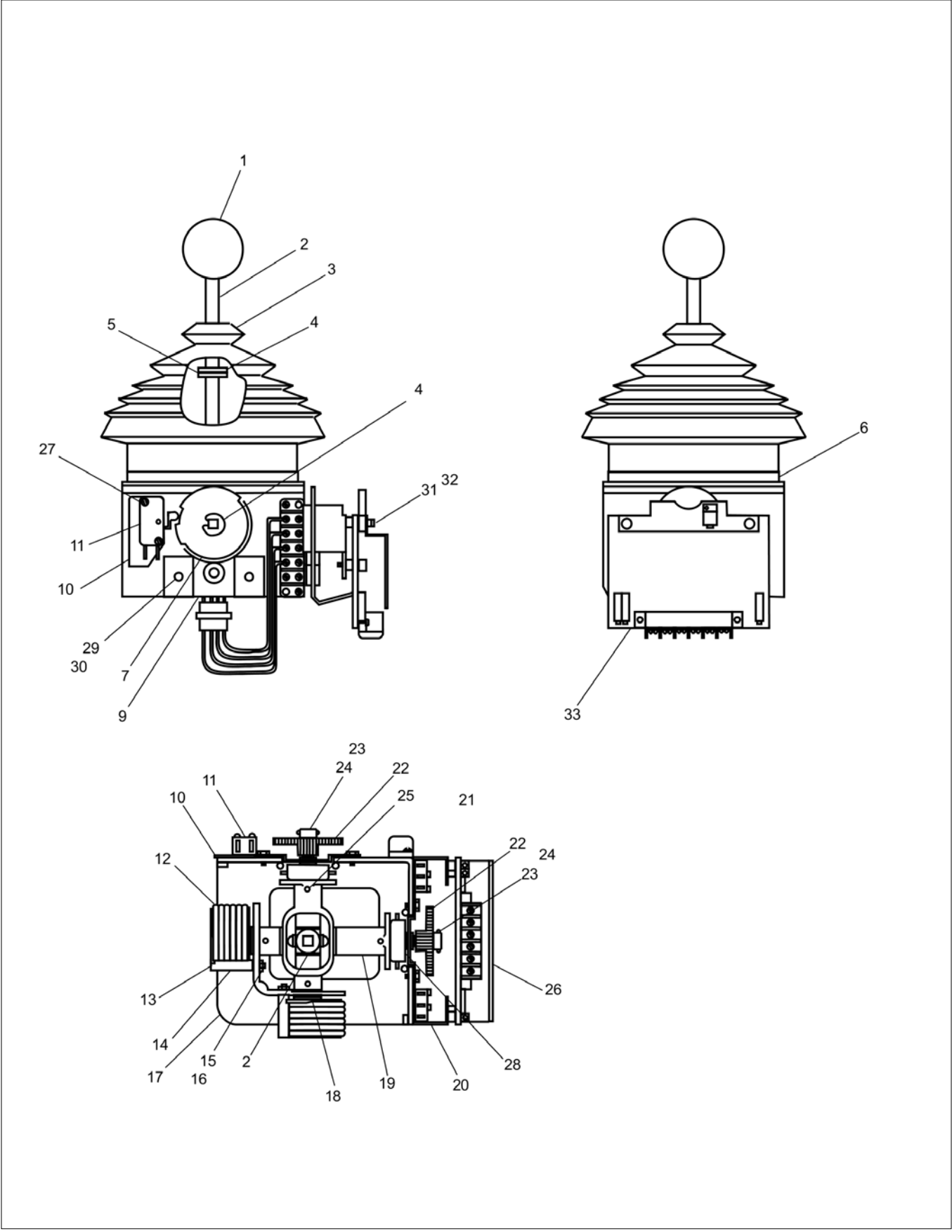
アイテム	部品番号	名前	数量	UOM
30	8150153	HEAT SINK	1	EA
31	8150140	SCREW #4 40 X 1 1/4 INCH LONG	4	EA
32	8150137	SCREW #4 40 X 3/4 INCH LONG	4	EA
33	3040392	POT WITH BRACKET AND CONNECTOR	1	EA
34	8150084	FIXED CAM	2	EA
35	8150154	SCREW METRIC M4 X 6MM LONG DIN 85	2	EA
36	8150155	WASHER METRIC M4	2	EA
37	8150141	WASHER METRIC M3.5 X 16MM LONG DIN 85	2	EA
38	8150156	WASHER	4	EA
39	8150142	GATE FOR DRIVE/STEER CONTROLLER	1	EA
40	3220073	CIRCUIT BOARD OEM 33HZ	1	EA

ELECTRICAL



アイテム	部品番号	名前	数量	UOM
Not Shown	3040526	CONTROLLER EXTEND RETRACT		EA
Not Shown	3040392	POT WITH BRACKET AND CONNECTOR	1	EA
1	8150087	HANDLE	1	EA
2	8150008	TENSION CLIP	1	EA
3	8150205	WASHER	1	EA
4	3040170	GASKET	1	EA
5	8150090	BOOT CLAMP RING	1	EA
6	PNNA	CIRCUIT BOARD ASSEMBLY (NOT SOLD SEPARATELY)	1	EA
7	8150102	SLAVE GEAR	1	EA
8	8150211	STANDOFF	2	EA
9	8150212	MOUNTING SCREW	2	EA
10	8150213	WASHER	2	EA
11	3040259	BOOT CLAMP	1	EA
12	3020033	MICROSWITCH	2	EA
13	8150139	INSULATOR	2	EA
14	PNNA	CAM ASSEMBLY (NOT SOLD SEPARATELY)	1	EA

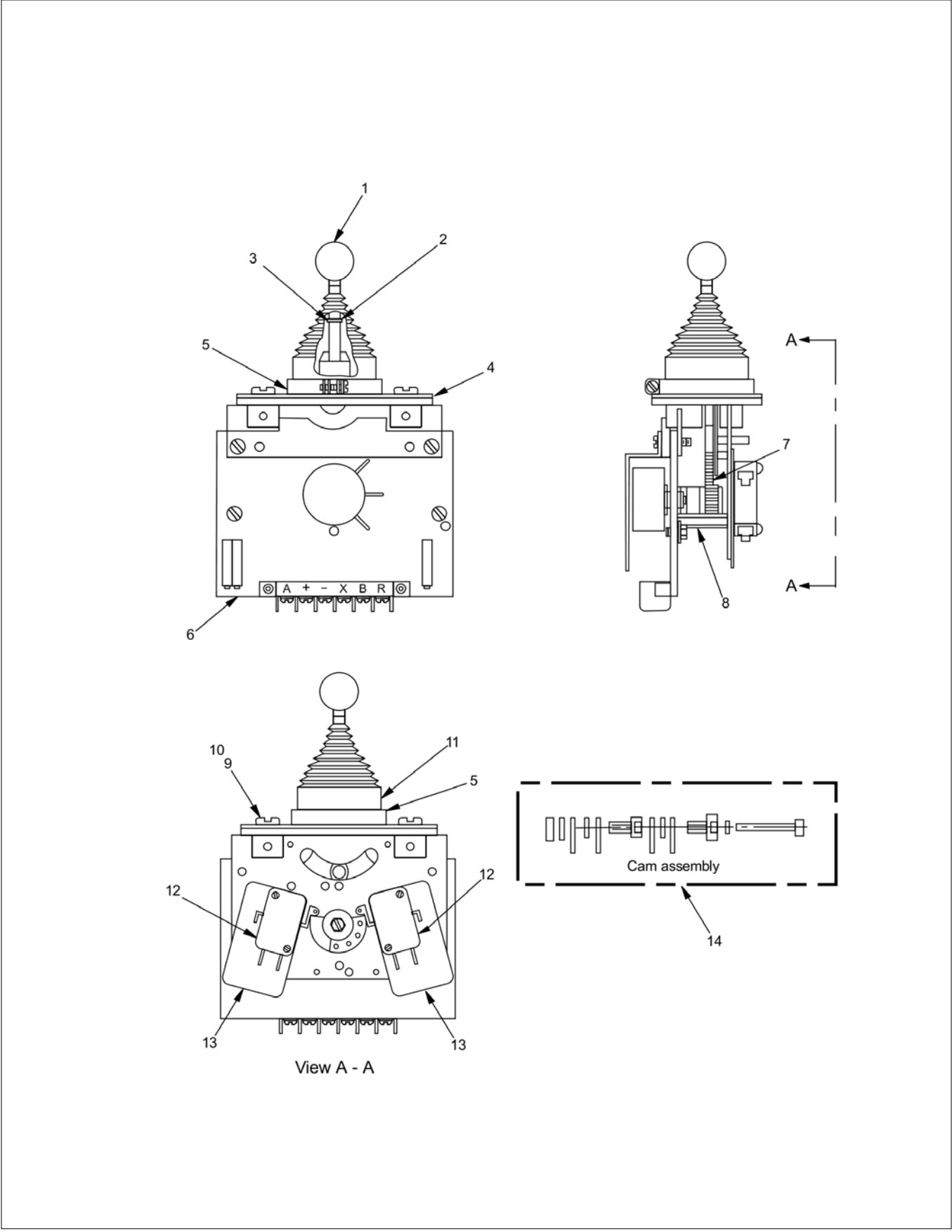
ELECTRICAL



アイテム	部品番号	名前	数量	UOM
Not Shown	3040568 B	CONTROLLER LIFT SWING		EA
1	2660002	KNOB	1	EA
2	3040086	SHAFT	1	EA
3	3040146	BOOT	1	EA
4	8150145	RING	5	EA
5	8150146	TENSION CLIP	1	EA
6	3040169	BOOT CLAMP RING	1	EA
7	8150009	FIXED CAM	1	EA
9	8150148	MODIFIED BRACKET	2	EA
10	8150138	INSULATOR	3	EA
11	3020033	MICROSWITCH	3	EA
12	8150005	SPRING RETURN WITH HOUSING	2	EA
13	8150004	SPRING RETURN BOLT	2	EA
14	8150150	WASHER	2	EA
15	8150144	WASHER SPLIT 5M BLACK	2	EA
16	8150143	NUT 5M HEX	2	EA
17	8150003	CASTING, MODIFIED	1	EA
18	3040271	BUSHING	4	EA
19	8150094	SECOND AXIS	1	EA
20	8150151	BRACKET, RIGHT SIDE	1	EA
21	8150152	BRACKET, LEFT SIDE	1	EA
22	3040073	DRIVE GEAR	2	EA
23	3040072	SLAVE GEAR	2	EA
24	8150214	BLANK CAM SHAFT	4	EA
25	8150013	TENSION PIN	4	EA
26	8150153	HEAT SINK	1	EA
27	8150137	SCREW #4 40 X 3/4 INCH LONG	6	EA
28	3040392	POT WITH BRACKET AND CONNECTOR	2	EA

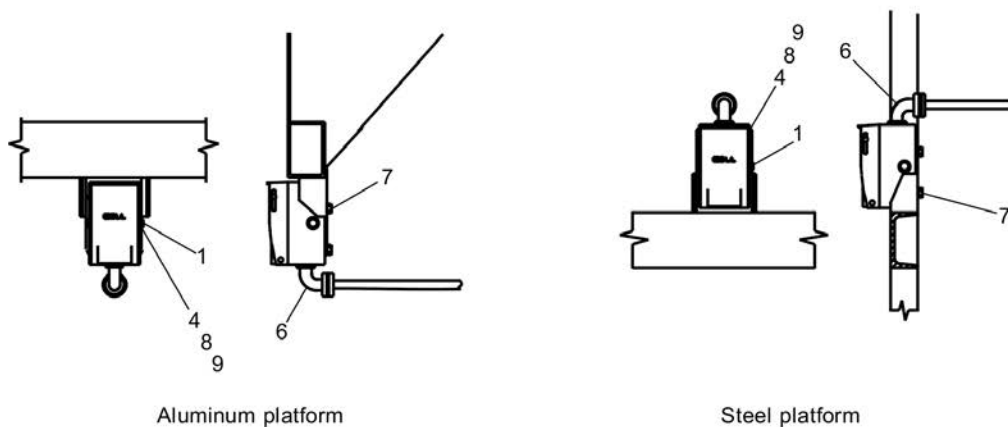
アイテム	部品番号	名前	数量	UOM
29	8150154	SCREW METRIC M4 X 6MM LONG DIN 85	4	EA
30	8150155	WASHER METRIC M4	4	EA
31	5569883	SCREW METRIC M3.5 X 14MM LONG DIN 85	2	EA
32	8150156	WASHER	4	EA
33	3220073	CIRCUIT BOARD OEM 33HZ	1	EA

ELECTRICAL



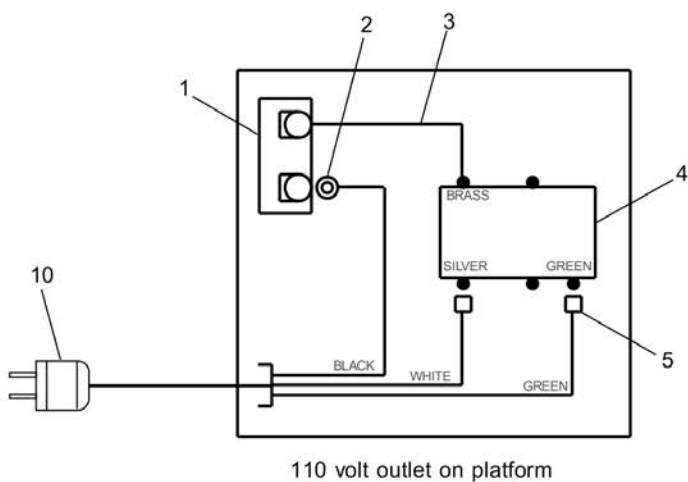
アイテム	部品番号	名前	数量	UOM
Not Shown	3040533	CONTROLLER SINGLE AXIS		EA
1	8150087	HANDLE	1	EA
2	8150008	TENSION CLIP	1	EA
3	8150205	WASHER	1	EA
4	3040170	GASKET	1	EA
5	8150090	BOOT CLAMP RING	1	EA
6	PNNA	CIRCUIT BOARD ASSEMBLY (NOT SOLD SEPARATELY)	1	EA
7	8150102	SLAVE GEAR	1	EA
8	8150211	STANDOFF	2	EA
9	8150212	MOUNTING SCREW	2	EA
10	8150213	WASHER	2	EA
11	3040359	BOOT CLAMP RING	1	EA
12	3020033	MICROSWITCH	2	EA
13	8150139	INSULATOR	2	EA
14	PNNA	CAM ASSEMBLY (NOT SOLD SEPARATELY)	1	EA

ELECTRICAL



Aluminum platform

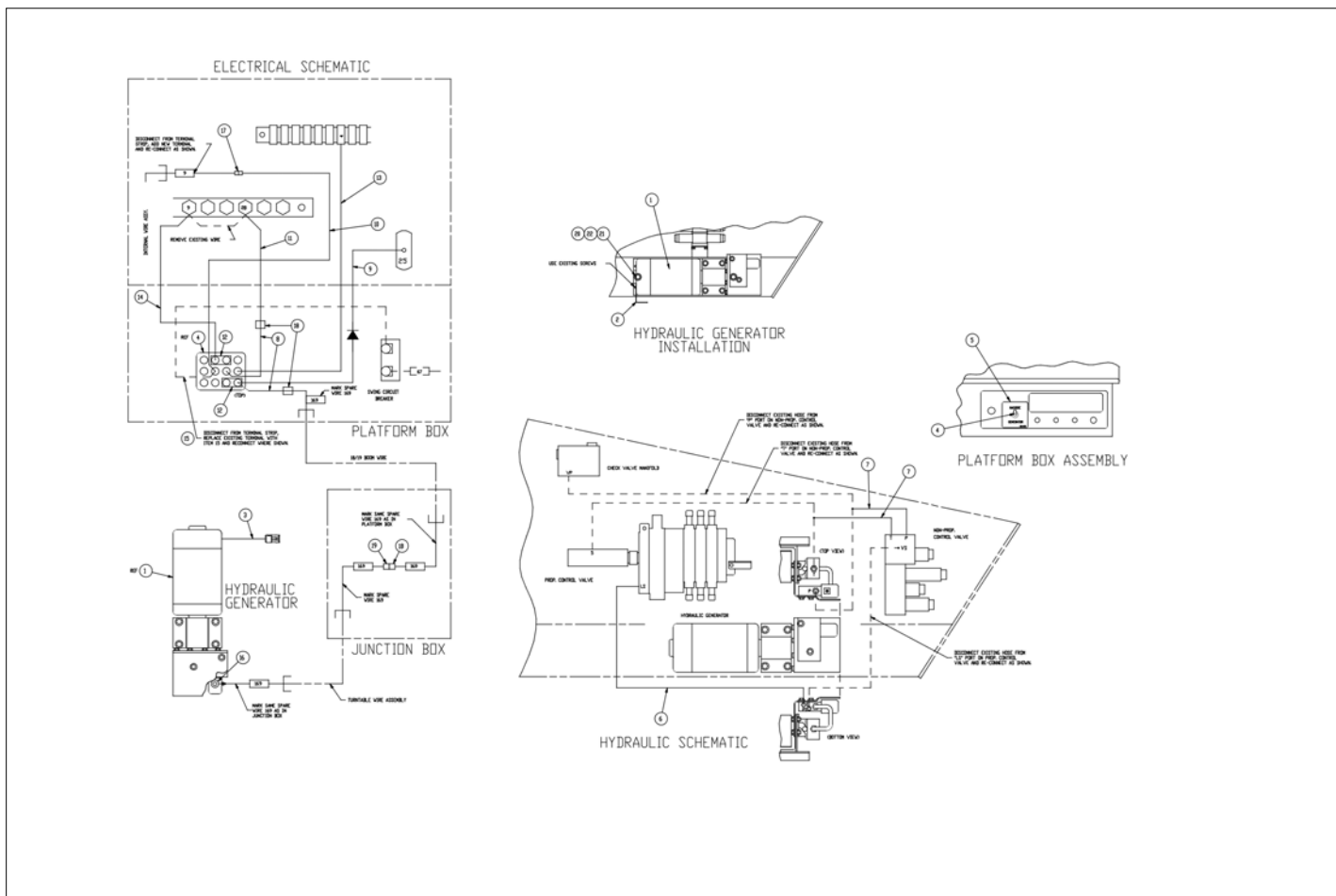
Steel platform



110 volt outlet on platform

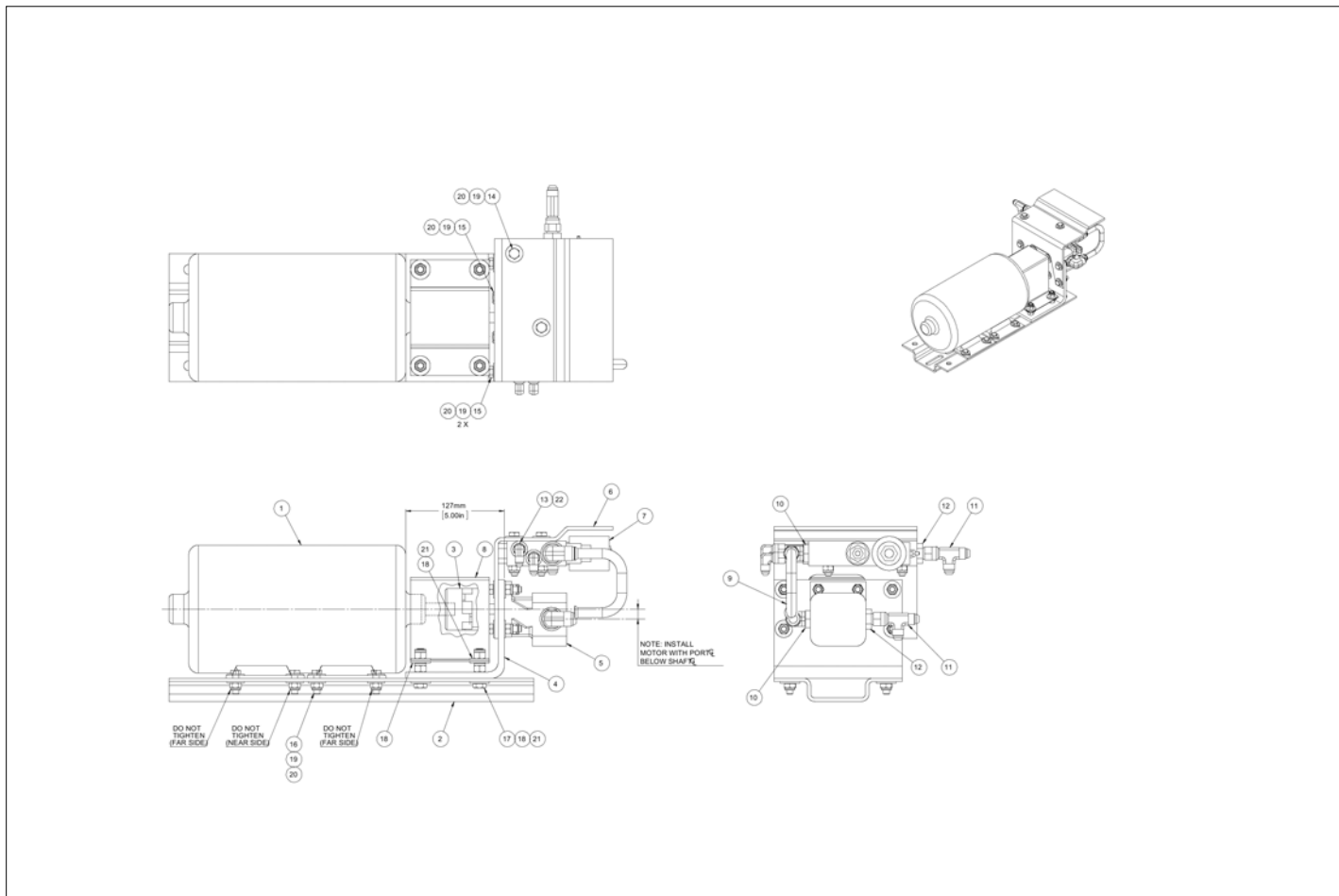
アイテム	部品番号	名前	数量	UOM
Not Shown	A07035E A	110V POWER TO PLATFORM INSTALLATION		EA
1	3040252	Circuit Breaker 15AMP	1	EA
2	3044854	TERM R10I 12/10	1	EA
3	0071582	JUMPER WIRE	1	EA
4	3040624	Recepticle Outlet 20AMP	1	EA
5	3040397	TERM SPADE 81 12/10	2	EA
6	3040691	CONNECTOR	1	EA
7	5569978	SCR HEXHD 8 32 .375 THD CUTTING	4	EA
8	0074979	Enclosure	1	EA
9	3040625	Enclosure Face	1	EA
10	3040368	PLUG CONNECTOR MALE	1	EA
11	3040272	PLUG	1	EA

OPTIONS



アイテム	部品番号	名前	数量	UOM
Not Shown	A19045C B	HYDRAULIC GENERATOR INSTALLATION		EA
1	0191015	HYDR AC GEN SUBASSY	1	EA
2	0073163	GUARD PLUG RETENTION	1	EA
3	0073077	CABLE ASSEMBLY EXTENSION	1	EA
4	3020048	SWITCH TOGGLE 4PDT ON/ON	1	EA
5	0151459	DECAL AC GEN SW	1	EA
6	0070772	3/8 I.D. HOSE ASSEMBLY	1	EA
7	0070786	HOSE 6 6S 6S 19 100R2	2	EA
8	0090757	JUMPER WIRE	2	EA
9	0073250	WIRE 18 R10I FEM 1881 17 DIO	1	EA
10	0181187	JUMPER WIRE	1	EA
11	0170519	WIRE 16 R10I R6I 8	1	EA
12	0060373	JUMPER SWITCH TERMINAL STRAP	2	EA
13	0071538	WIRE 18 R6I FEM188I 22	1	EA
14	0071565	WIRE 12 R10I R6I 8	1	EA
15	3044142	TERM, .250 TAB 12/10, MALE F.I.	1	EA
16	3044161	TERM R10I 16/14	1	EA
17	3040064	TERM .250 MALE SLIP ON 12/10 WIRE	1	EA
18	3040046	TERM MALE250FI 22/18	3	EA
19	3040083	TERM FEM250FI 16/14	1	EA
20	5560138	BLT HEXHD LKG .500 13 1.00 GR5	2	EA
21	987139	WSHR LOCK .500	2	EA
22	986359	FLATWASHER 1/2"	2	EA

OPTIONS

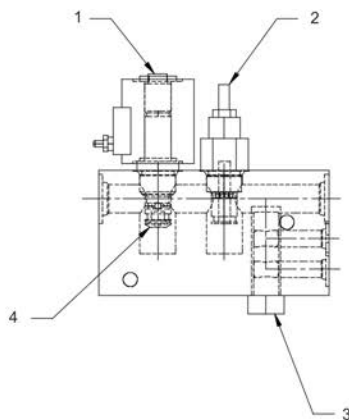


アイテム	部品番号	名前	数量	UOM
Not Shown	0191015 A	HYDRAULIC AC GENERATOR SUB ASSEMBLY 110V		EA
1	3080001	GENERATOR 2000 WATT AC 115	1	EA
2	0151457	MOUNT PLATE	1	EA
3	7240012	COUPLER	1	EA
4	0151458	MOTOR MOUNTING ANGLE	1	EA
5	6030029	HYD PUMP	1	EA
6	0151469	BRACKET, VALVE MOUNTING	1	EA
7	6010489	AC GENERATOR VALVE	1	EA
8	0151484	COUPLING COVER	1	EA
9	0151470	1/2 INCH HYDRAULIC TUBE	1	EA
10	5035306	FTG ELB90STRTHD 8B 8S STL	2	EA
11	5036705	FTG TEE SWVL RUN 6S 6S STL	2	EA
12	5065708	FTG, HYD 8 MB TO 6 MJIC	2	EA
13	5065803	LONG STRAIGHT THREAD ADAPTER	2	EA
14	970299	BOLT HEX HD .313 18 2.00 GR5 PL	2	EA
15	970269	BLT HEXHD .313 18 1.25 GR5 PLA	8	EA
16	970369	BLT HEXHD .313 18 X 1.00 GR5	8	EA
17	970499	BLT HEXHD .375 16 1.75 GR5	4	EA
18	986299	WASHER, FLAT, .375 STANDARD, PLATED	12	EA
19	986269	WSHR FLAT .313	30	EA
20	5560031	NUT HEX LKG .313 18	18	EA
21	5560033	.375 16UNC HEX LOCK NUT	8	EA
22	5037003	FTG ELB90SWVL 4S 4S STL	2	EA

OPTIONS

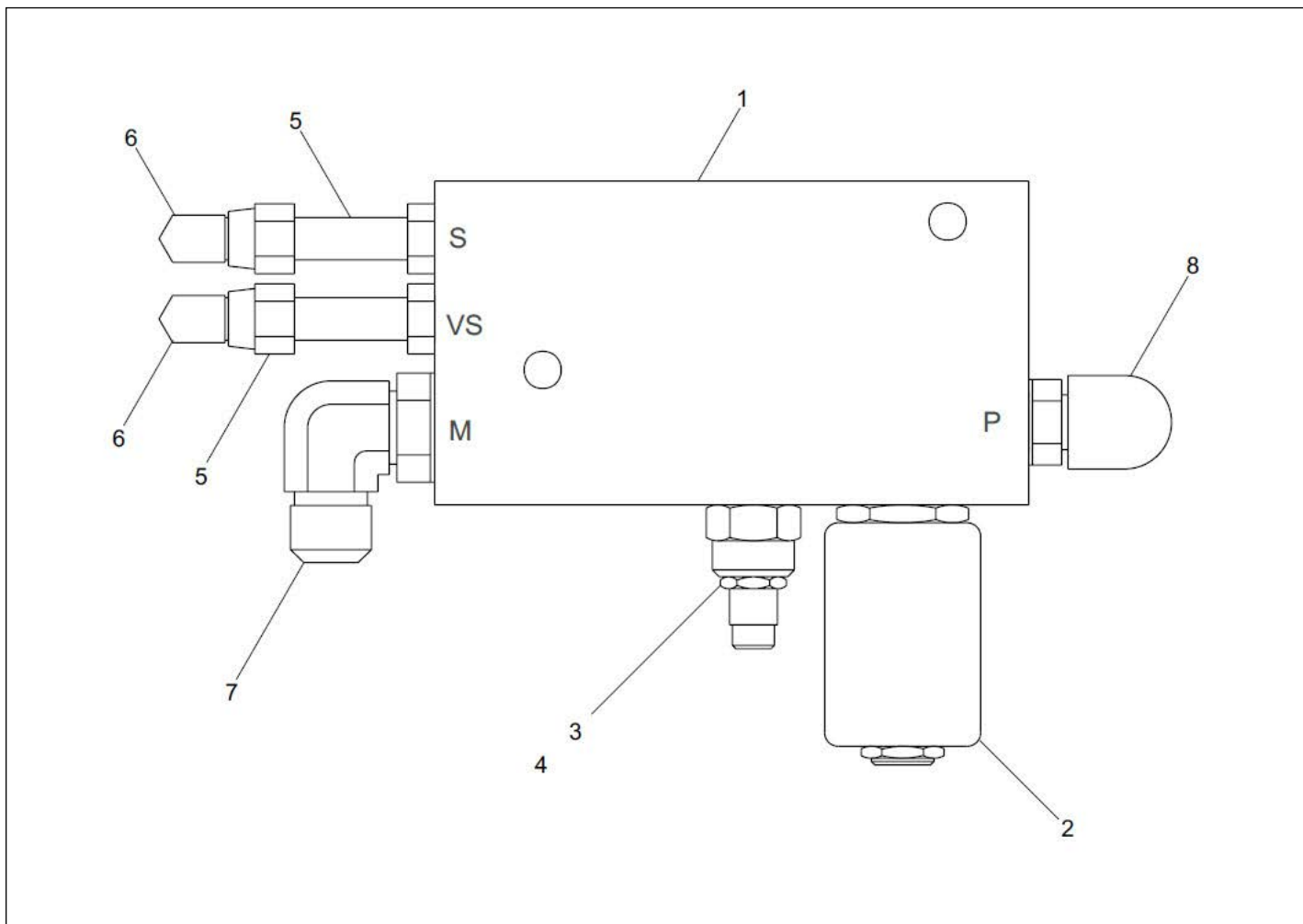
NOTES:

1. SOLENOID VALVE COIL FOR 12 VOLT DC INTERNALLY GROUNDED SINGLE STUD TERMINAL.
2. ORIFICE INSTALLED UNDER SOLENOID VALVE.
3. NEEDLE VALVE TO INCLUDE ADJUSTMENT JAM NUT.
4. MAX PRESSURE: 3000psi.
5. PORTS TO BE STAMPED AS SHOWN.
6. SERVICE PARTS:
 - A. 6010508- CARTRIDGE VALVE WITH COIL
 - 6010509- VALVE CARTRIDGE (W/O COIL)
 - 3040457- COIL
 - B. 6018901- VALVE CART. FLOW CONTROL 5.0gpm
 - C. 6010510- SHUTTLE VALVE CARTRIDGE
 - D. 6019355- ORIFICE DISC .125



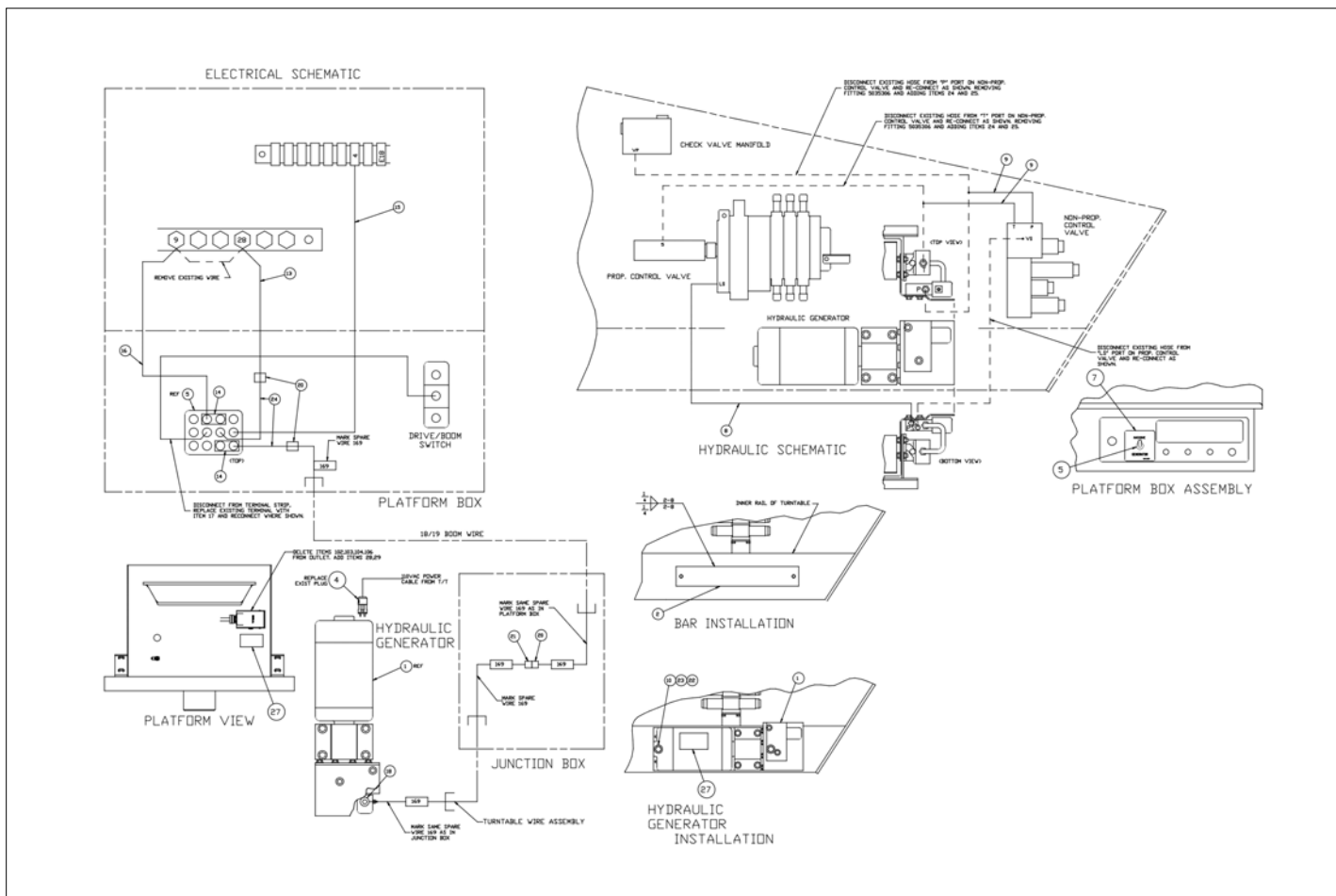
アイテム	部品番号	名前	数量	UOM
	6010489 F	VALVE HYDRAULIC MOTOR FLOW CONTROL		EA
1	6010508	HYDRAFORCE CARTRIDGE 12 VOLT	1	EA
Not Shown	565666	SEAL REPAIR KIT	2	EA
2	6018901	FLOW CONTROL VALVE CARTRIDGE	1	EA
3	6010510	SHUTTLE VALVE CARTRIDGE	1	EA
4	6019355	ORIFICE DISC .125	1	EA

OPTIONS



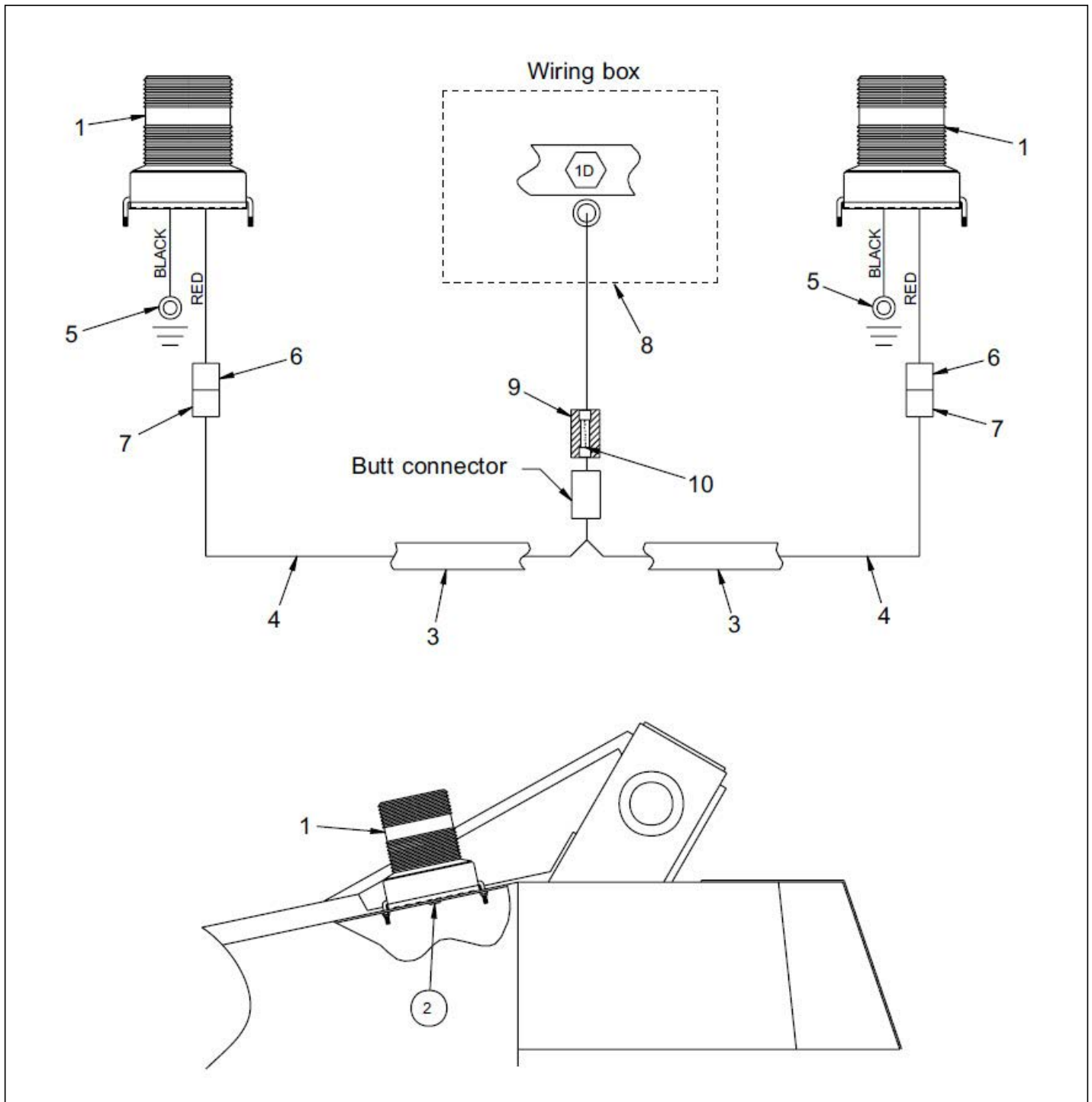
アイテム	部品番号	名前	数量	UOM
	0152831 B	AC GENERATOR VALVE SUB ASSEMBLY		EA
1	6010489	AC GENERATOR VALVE	1	EA
2	6010508	HYDRAFORCE CARTRIDGE 12 VOLT	1	EA
	6010509	REPLACEMENT CARTRIDGE VALVE	1	EA
	3040457	REPLACEMENT COIL, 12 VOLT DC	1	EA
3	6018901	FLOW CONTROL VALVE CARTRIDGE	1	EA
4	6010510	SHUTTLE VALVE CARTRIDGE	1	EA
5	5065803	LONG STRAIGHT THREAD ADAPTER	2	EA
6	5037003	FTG ELB90SWVL 4S 4S STL	2	EA
7	5035306	FTG ELB90STRTHD 8B 8S STL	1	EA
8	5035320	ADAPTER 90 DEG ELBOW 8 SAE TO 6 JIC	1	EA

OPTIONS



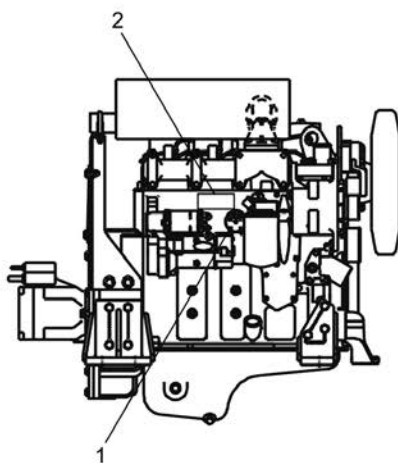
アイテム	部品番号	名前	数量	UOM
Not Shown	0192083 E	220V 50HZ HYDRAULIC AC GENERATOR		EA
1	0074981	AC GENERATOR SUB ASSEMBLY	1	EA
2	0151513	MOUNT BAR	1	EA
4	3220028	PLUG, MALE 250VAC	1	EA
5	3020048	SWITCH TOGGLE 4PDT ON/ON	1	EA
7	0151459	DECAL AC GEN SW	1	EA
8	0070772	3/8 I.D. HOSE ASSEMBLY	1	EA
9	0070786	HOSE 6 6S 6S 19 100R2	2	EA
10	PNNA	FLATWASHER 1/2"	2	EA
13	0170519	WIRE 16 R10I R6I 8	1	EA
14	0060373	JUMPER SWITCH TERMINAL STRAP	2	EA
15	0071538	WIRE 18 R6I FEM188I 22	1	EA
16	0071565	WIRE 12 R10I R6I 8	1	EA
17	3044142	TERM, .250 TAB 12/10, MALE F.I.	1	EA
18	3044161	TERM R10I 16/14	1	EA
20	3040046	TERM MALE250FI 22/18	3	EA
21	3040083	TERM FEM250FI 16/14	1	EA
22	PNNA	CAPSCREW 1/2 13 X 1" LG HH GR5	2	EA
23	PNNA	LOCKWASHER 1/2" MED	2	EA
24	0090757	JUMPER WIRE	2	EA
25	5036705	FTG TEE SWVL RUN 6S 6S STL	2	EA
26	5065708	FTG, HYD 8 MB TO 6 MJIC	2	EA
27	0182055	DECAL, 220V 50HZ 10A	2	EA
28	3040015	HOLE PLUG .50	1	EA
29	3040180	BLANK WTHPRF COVER W/ GASKET	1	EA

OPTIONS



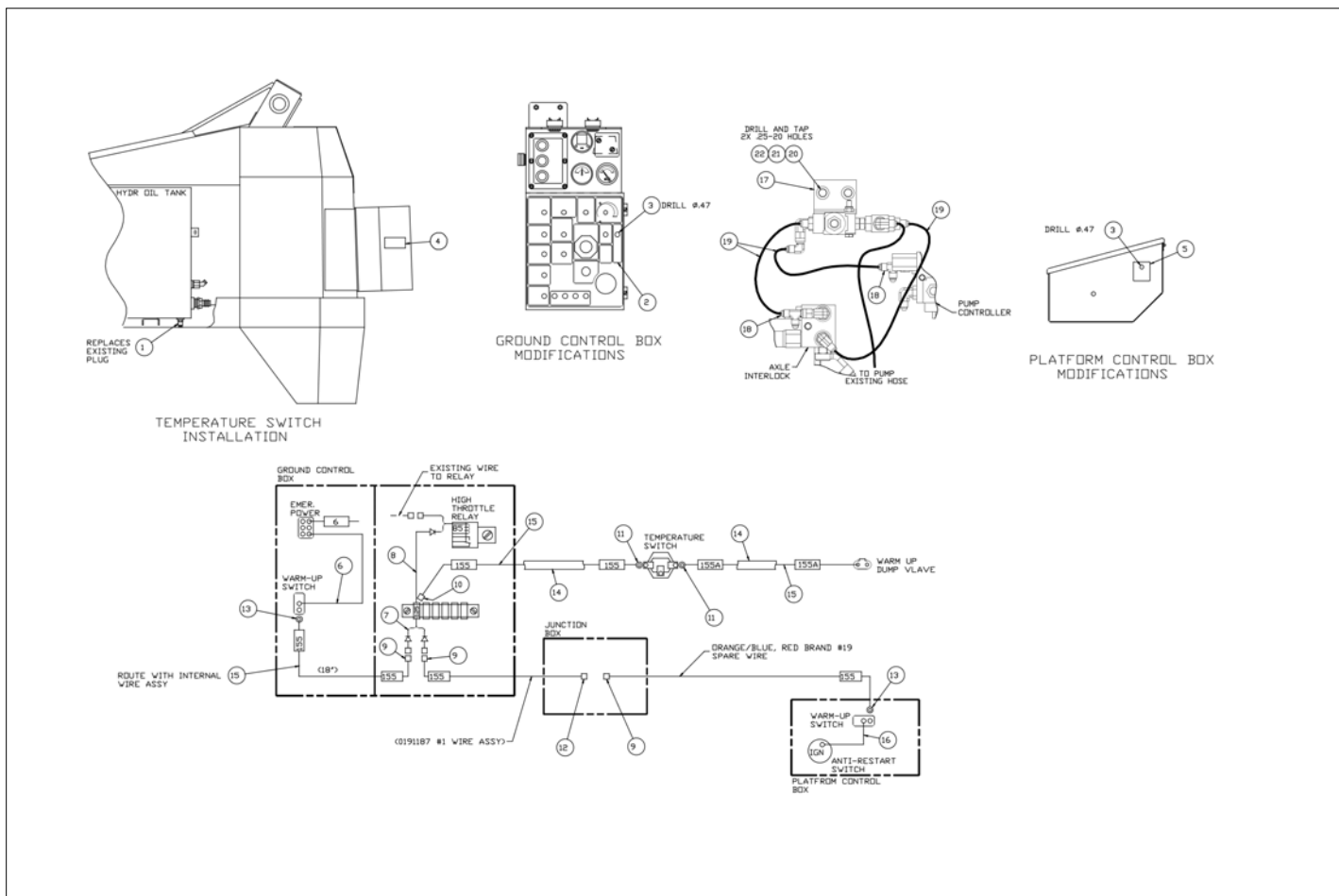
アイテム	部品番号	名前	数量	UOM
Not Shown	A19043C	BEACON DUAL AMBER INSTALL		EA
1	3060083	WARNING LIGHT AMBER 12 48VDC	2	EA
2	5569711	GROMMET .438ID .688DIA X.125GRV	2	EA
3	3090019	TUBE FLEXGARD .250 ID	1	EA
4	3011601	WIRE 16GA SINGLE CONDUCTOR BLK	1	EA
5	3044162	TERM R250I 16/14	2	EA
6	3040083	TERM FEM250FI 16/14	2	EA
7	3040082	TERM MALE250FI 16/14	2	EA
8	3044161	TERM R10I 16/14	2	EA
9	3040038	FUSE HOLDER	1	EA
10	3040039	FUSE 10 AMP AGC BUSS: 10 AMP AGC	1	EA

OPTIONS



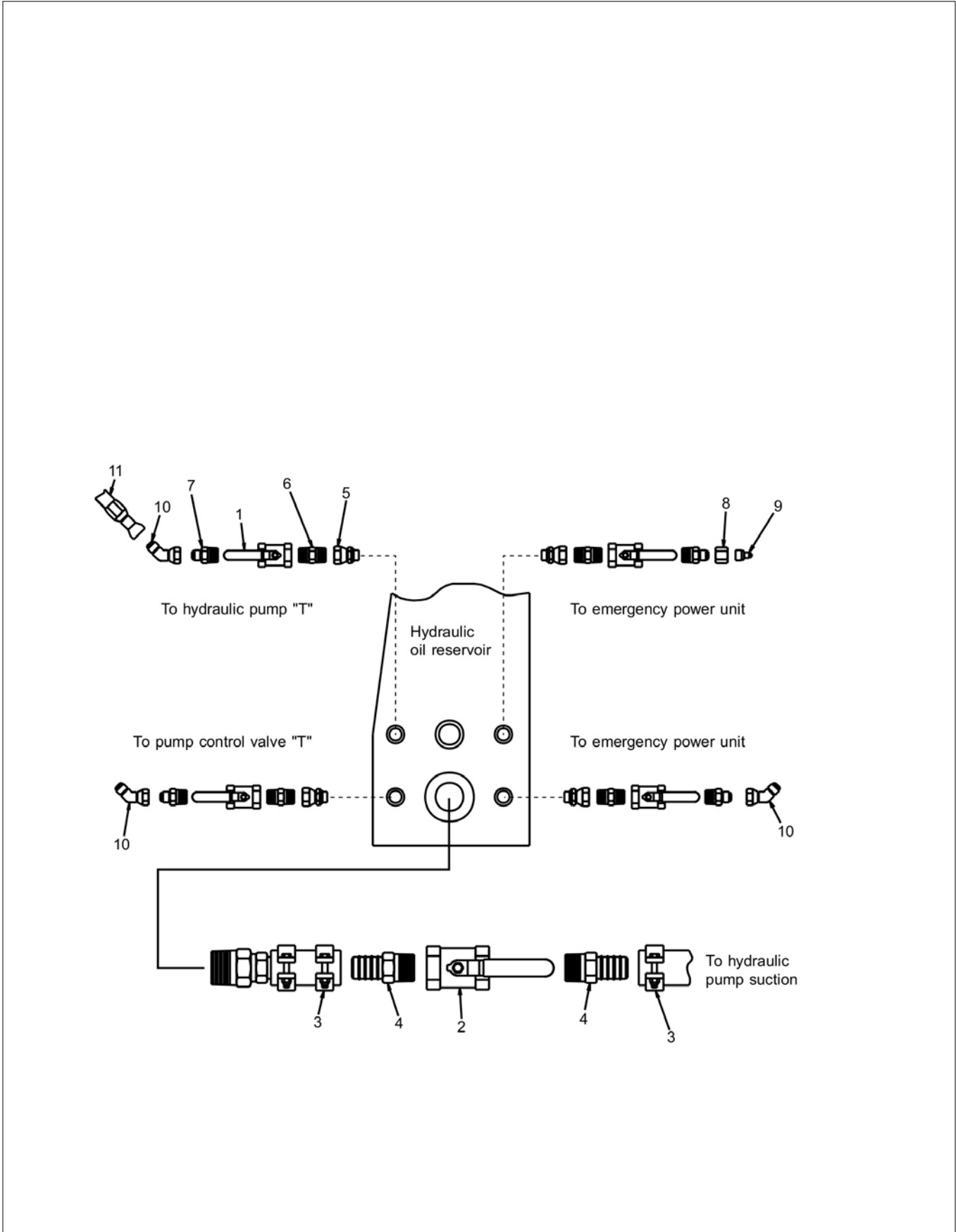
アイテム	部品番号	名前	数量	UOM
Not Shown	0074761	BLOCK HEATER CU 3.3		EA
1	7630762	ENGINE BLOCK HEATER WITH CORD, CUMMINS 3.3 ENGINE	1	EA
2	0181634	DECAL ENGINE BLOCK HEATER	1	EA

OPTIONS



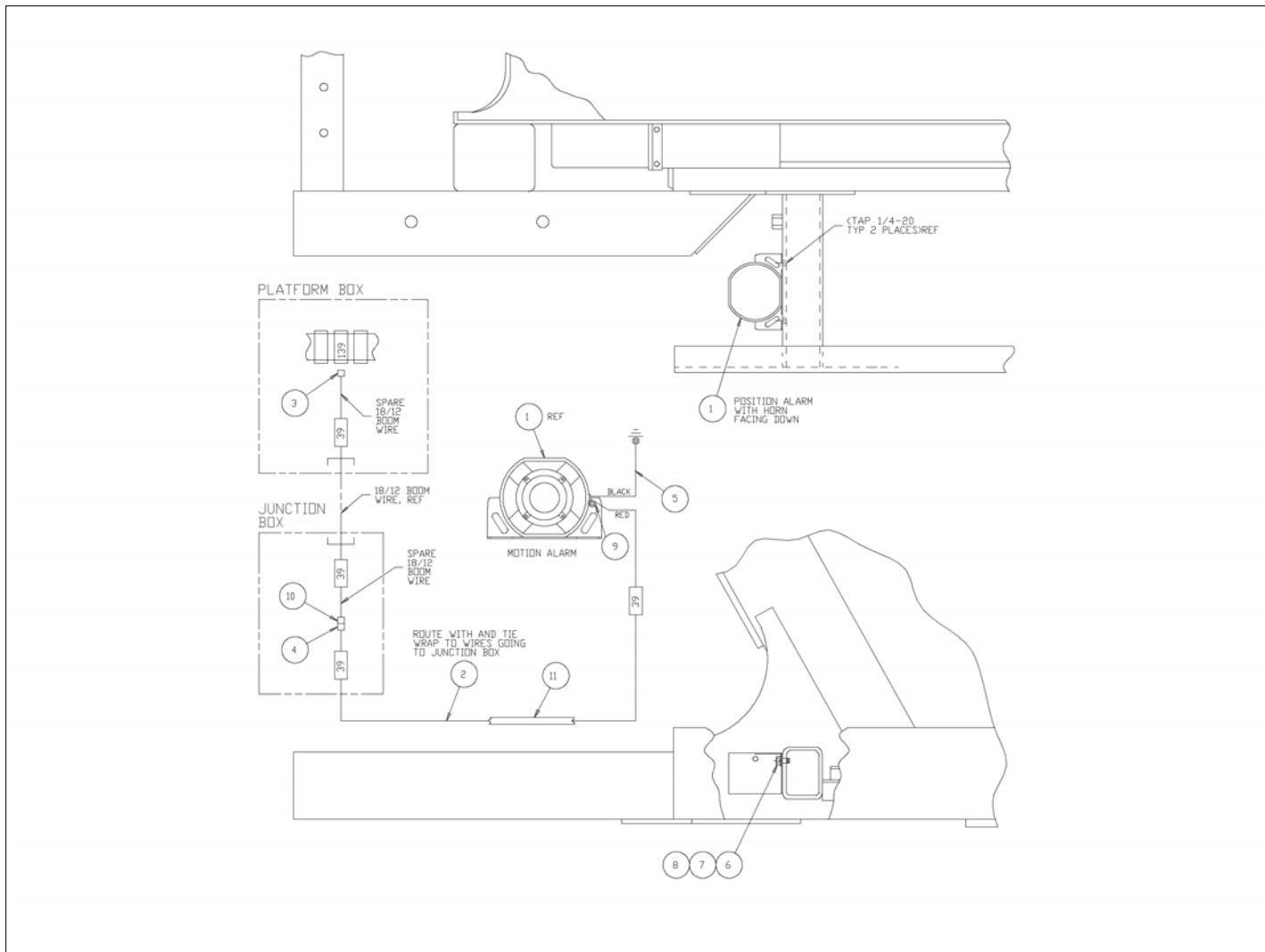
アイテム	部品番号	名前	数量	UOM
Not Shown	0190124 E	HYDRAULIC WARM UP		EA
1	3020078	TEMPERATURE SWITCH	1	EA
2	0191435	PLAC WARM UP AT GROUND	1	EA
3	3020013	Switch, Toggle Honeywell INTI 2	2	EA
4	0071793	DECAL, HYDRAULIC WARMUP INSTRUCTIONS - OPTION	1	EA
5	0191436	PLAC WARM UP AT PLATF	1	EA
6	0070746	WIRE 16 R6I R6I 9	1	EA
7	0181285	DIODE	1	EA
8	0181398	DIODE WIRE	1	EA
9	3040047	TERM FEM250FI 22/18	4	EA
10	3046972	TERM FEM188I 22/18	1	EA
11	3044145	TERM R8I 22/18	2	EA
12	3040046	TERM MALE250FI 22/18	1	EA
13	3044142	TERM, .250 TAB 12/10, MALE F.I.	2	EA
14	3090006	TUBE FLEXGARD .350 ID	23FT	EA
15	3011801	WIRE 18GA SINGLE CONDUCTOR WHT	25FT	EA
16	0071844	WIRE 16 R6I R10I 12	1	EA
17	0082053	HYDRAULIC WARM UP VALVE	1	EA
18	5036703	FTG TEE SWVL RUN 4S 4S STL (SEE PAGE 2)	2	EA
19	0020283	HOSE 4 4S 4S 15.25 100R1 SAE:100R1 4 BAND IN	3	EA
20	970029	BLT .25 20 .750	2	EA
21	987099	WSHR LOCK .250	2	EA
22	986019	WSHR FLAT .250	2	EA

OPTIONS



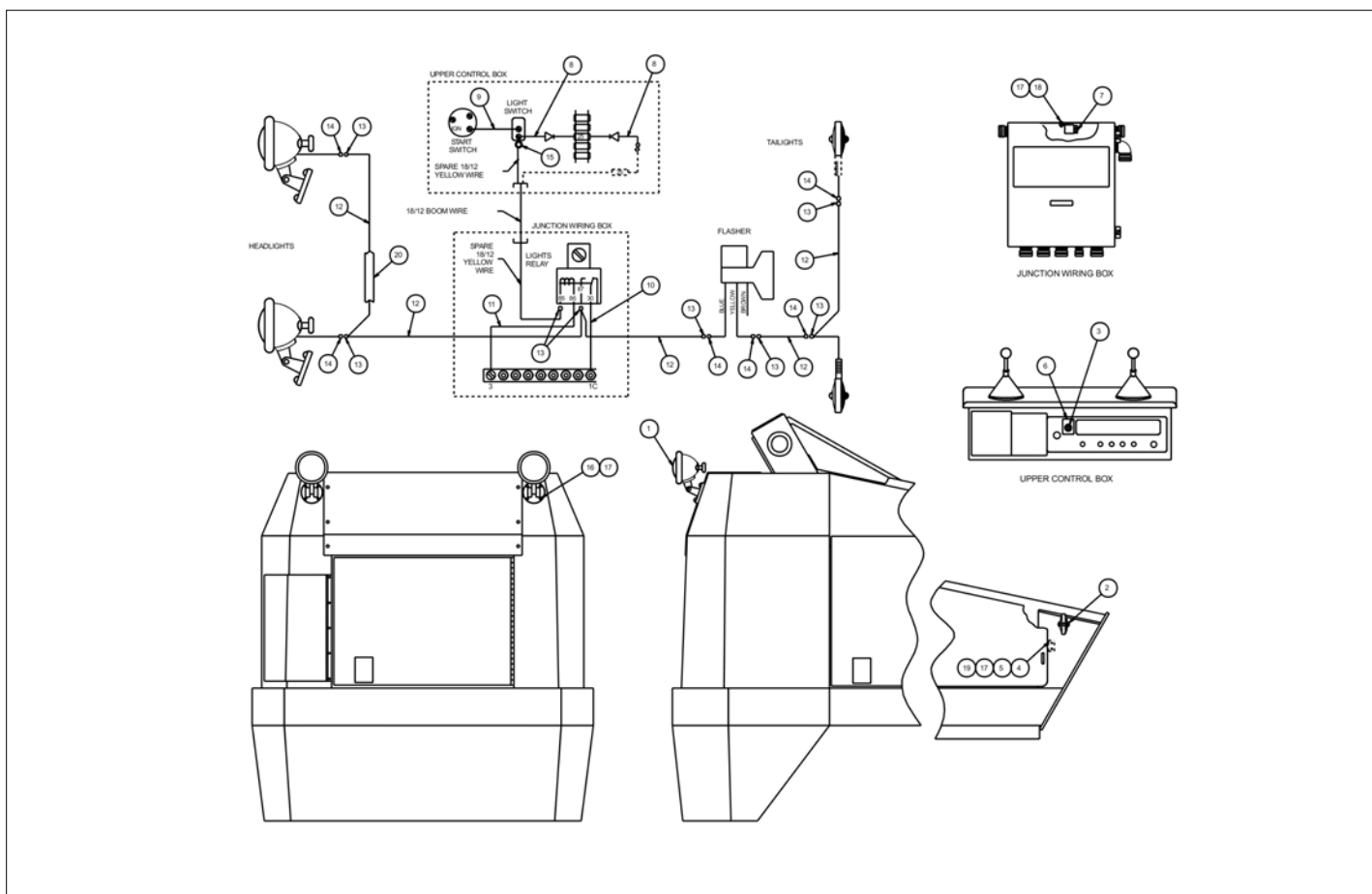
アイテム	部品番号	名前	数量	UOM
Not Shown	0190091 B	ISOLATION VALVE INSTALLATION		EA
1	6010495	BALL VALVE	4	EA
2	6010498	BALL VALVE	1	EA
3	5058824	CLP WORM DRV	2	EA
4	5037305	FTG ADPTR MALE 24N 24H STL 018	2	EA
5	5022903	ADAPTER UNION, 3/4 NPT	4	EA
6	5060505	MALE PIPE NIPPLE, 3/4 NPT	4	EA
7	5033615	ADAPTER STRAIGHT 3/4 NPTF TO 8 JIC	4	EA
8	5063906	FTG NUT 8S STL	1	EA
9	5064002	ADAPTER STREIGHT TUBE REDUCER 8 JIC TO 4 JIC	1	EA
10	5036906	COVER	3	EA
11	0070927	HOSE 8 8S 8S 23.5 100R2	1	EA

OPTIONS



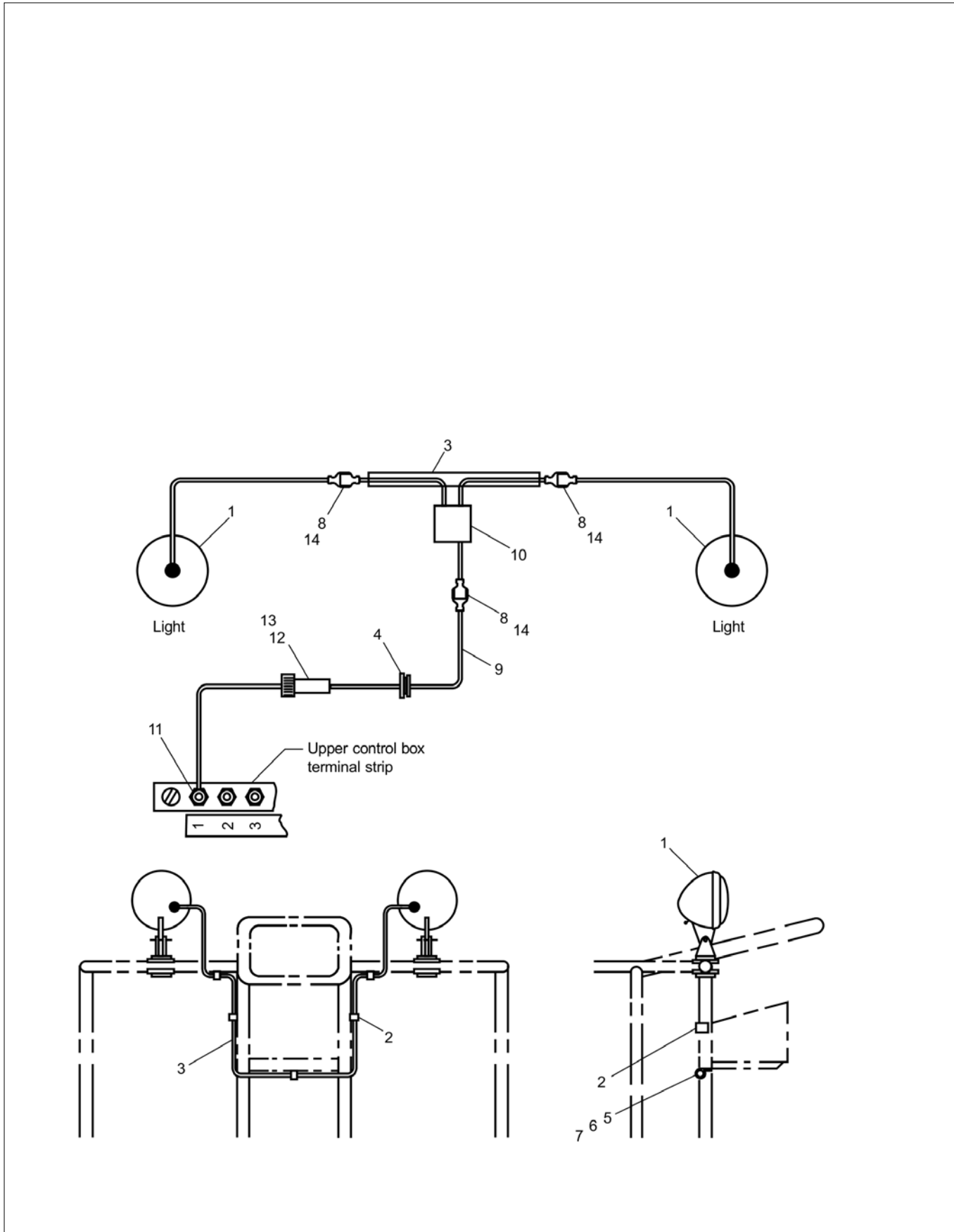
アイテム	部品番号	名前	数量	UOM
Not Shown	0190095 B	ALARM MOTION DRIVE ONLY		EA
1	3040129	ALARM107 112DBA 2HZ 9.8 36.4V	1	EA
2	3011801	WIRE 18GA SINGLE CONDUCTOR WHT	6FT	EA
3	3046972	TERM FEM188I 22/18	1	EA
4	3040046	TERM MALE250FI 22/18	1	EA
5	0072104	WIRE 12 R250I R8I 4	1	EA
6	970029	BLT .25 20 .750	2	EA
7	987099	WSHR LOCK .250	2	EA
8	986019	WSHR FLAT .250	2	EA
9	3044160	TERM R8I 16/14	1	EA
10	3040047	TERM FEM250FI 22/18	1	EA
11	3090019	TUBE FLEXGARD .250 ID	5FT	EA

OPTIONS



アイテム	部品番号	名前	数量	UOM
Not Shown	0190099 B	HEADLIGHTS AND TAIL LIGHTS SEPTEMBER 2006 AND BEFORE		EA
1	3067619	HALOGEN FLOOD LIGHT	2	EA
2	3060017	TURN SIGNAL LIGHT	2	EA
3	3020013	Switch, Toggle Honeywell INTI 2	1	EA
4	3060018	FLASHER BASE	1	EA
5	3060019	FLASHER	1	EA
6	0181376	DECAL	1	EA
7	3040469	RELAY SPDT 12V 30AMP SONG	1	EA
8	0073250	WIRE 18 R10I FEM 1881 17 DIO	2	EA
9	0071589	WIRE 12 R6I R8I 7	1	EA
10	0072418	JUMPER WIRE	1	EA
11	0151817	WIRE 12 R10I FEM250FI 13	1	EA
12	3011201	WIRE 12GA RED SINGLE CONDUCTOR	1	EA
13	3040065	TERM FEM250FI 12/10 FULLY INSU	8	EA
14	3040064	TERM .250 MALE SLIP ON 12/10 WIRE	6	EA
15	3044852	TERM R6I 12/10	1	EA
16	5560692	SCR PANHD 10 24 1.00	8	EA
17	5560034	NUT LKG 10 24	11	EA
18	5560609	SCR TRHD 10 24 .500	1	EA
19	974679	SCR RDH MACH 10 24 .625	2	EA
20	3090006	TUBE FLEXGARD .350 ID	1	EA
21	5093001	CLP CUSH .500 VINYL COATED	4	EA

OPTIONS



アイテム	部品番号	名前	数量	UOM
Not Shown	0080768 H	PLATFORM WORK LIGHTS 2 FLOOD A46JE 04 0001585 AND BEFORE CE A46JE 01 010859 AND BEFORE		EA
1	3064413	LIGHT FLOOD WITH CLAMP – INCANDESCENT	2	EA
Not Shown	3067620	LIGHT FLOOD WITH CLAMP – HALOGEN	2	EA
2	5093019	CLP CUSH .375 VINYL COATED	7	EA
3	3090019	TUBE FLEXGARD .250 ID	1	EA
4	5569003	GROMMET .188ID .313DIA X.125GRV	1	EA
5	970029	BLT .25 20 .750	7	EA
6	986019	WSHR FLAT .250	7	EA
7	987099	WSHR LOCK .250	7	EA
8	3040082	TERM MALE250FI 16/14	3	EA
9	3011601	WIRE 16GA SINGLE CONDUCTOR BLK	1	EA
10	3040114	CONNECTOR	1	EA
11	3044161	TERM R10I 16/14	1	EA
12	3040038	FUSE HOLDER	1	EA
13	3040039	FUSE 10 AMP AGC BUSS: 10 AMP AGC	1	EA
14	3040083	TERM FEM250FI 16/14	3	EA

Maintenance information

The parts drawings located in the repair parts sections, are designed for use as a guide for proper disassembly of the machine and components as well as for parts replacement. Always refer to the hydraulic system installation drawings and the electrical wiring diagram before removing or disassembling associated parts.

▲CAUTION

Do not attempt to disconnect or remove any hydraulic line before reading and understanding all text concerning the system hydraulics. In most cases, disassembly of the machine will be obvious from the illustration.

When disassembling or reassembling components, complete the procedural steps in sequence. Do not partially disassemble or assemble one part, then start on another. Always check your work to assure that nothing has been overlooked.

The following list is a gentle reminder when disassembling or assembling the machine.

- ✓ Always be conscious of weight.
- ✓ Never attempt to lift heavy objects without the aid of a mechanical device.
- ✓ Do not allow heavy objects to rest in an unstable condition.
- ✓ Always make sure work platform is in stowed position - blocked or the weight removed by a suitable lifting device before disconnecting the hydraulic hose from the motor/pump unit to the lift cylinder.
- ✓ When raising a portion of the machine, be sure that adequate blocking is properly positioned - Do not depend on lifting device to hold and secure weight.
- ✓ If a part resists removal, check to see if all fasteners, electrical wiring, hydraulic lines, etc., have been removed or that other parts are not interfering.

Parts should be thoroughly inspected before restoring to service at the time of reassembly. Burrs, nicks or scratches may be removed from machined surfaces by honing or polishing with #600 crocus cloth, followed by a thorough cleaning in an approved cleaning solvent, and blown dry with compressed air. Do not alter the contour of any part. If this operation does not restore the part to a serviceable condition, replace the part. Replace all O-rings, seals, and gaskets at reassembly. Use new roll pins or cotter pins. Dip all packing rings and seals in hydraulic oil before reassembling in cylinder and manifold installations. Replace any part having imperfect threads. In general, units that have been disassembled can be reassembled by reversing the order of disassembly.

Remember that the service life of a machine can be increased by keeping dirt and foreign materials out of the vital components. Precautions have been taken to safeguard against this; shields, covers, seals and filters are provided to keep air and oil supplies clean; however, these items must be maintained on a scheduled basis in order to function properly.

At any time air or oil lines are disconnected, clean surrounding areas as well as the opening and fittings themselves. As soon as a line or component is disconnected, cap or cover all openings to prevent the entry of dirt or foreign materials.

New parts should remain in their container until they are ready to be used.

Clearly mark or tag hydraulic lines and electrical wiring connections when disconnecting or removing them from unit. This will assure that they are correctly reinstalled.

Proper assembly is critical to the successful rebuilding of any unit. Carefully inspect any parts which are to be reused. If in doubt, replace.

“**SAFETY FIRST**” is a good slogan.

Replace any guards and protective devices that have been removed to carry out maintenance and repair work.

Maintenance schedules

Snorkel has established a Preventive Maintenance Schedule that includes Daily Maintenance (Operator's Inspection), 90 Day or 150 Hour (frequent) Maintenance and Yearly or 500 Hour (annual) Maintenance, to detect any defective, damaged or improperly secured parts and provide information regarding lubrication and other minor maintenance items.

The Maintenance Schedule following, outlines the requirements of these maintenance checks for each time interval. The Operator's Daily Maintenance and inspection must be performed by a trained operator. All other maintenance and inspections must be performed by a trained service technician only.

Note that the 90 Day or 150 hour (frequent) and yearly or 500 hour (annual) Maintenance, require use of the Preventive Inspection Maintenance Checklist to pinpoint all inspection items. Retain a copy of these forms for your records.

They also require that all placards and decals on the unit are to be inspected.

All placards and decals must be in place and legible. Use the placards installation drawing and parts listing in the repair parts section 1 of this manual to check these placards and decals.

Snorkel recommends that you make additional copies of the Preventive Inspection Maintenance Checklist forms for your use in performing these inspections.

▲ DANGER

Failure to perform the Preventive Maintenance at the intervals outlined in the Maintenance Schedule may result in a unit being operated with a defect that could result in INJURY or DEATH of the unit operator. Do not allow a unit to be operated that has been found to be defective.

Repair all defects before returning the unit to service.

Daily maintenance (operator's inspection)

Components	Service Required
Axle/boom interlock	Check operation
Emergency power motor/pump	Check operation
Air filter	Check condition
Engine oil	Check oil level
Fuel leaks	Visually inspect (hoses, connections, etc.)
Fuel tank cap	Visually inspect (installation)
Engine coolant	Check fluid level
Engine fuel level	Check fuel gauge
Bolts and fasteners	Visually inspect (looseness)
Platform gate	Visually inspect (operation)
Slide pads	Visually inspect (boom wear marks)
Structural damage and welds	Visually inspect (weld cracks, dents)
Tires and wheels	Visually inspect (condition)
Battery fluid level	Check fluid level
Battery terminals	Visually inspect (corrosion)
Charging system	Visually inspect (belt, gauge)
Control switches	Visually inspect (operation)
Wiring harnesses	Visually inspect (installation, condition)
Hydraulic leaks	Visually inspect (hoses, tubes, fittings)
Hydraulic oil	Check fluid level
Slider power unit	Check operation
Platform rotator hydraulic power unit	Check fluid level and operation
Envelope management system <i>EMS</i>	Check operation as outlined on page 6
Placards and decals	Visually inspect (installation, condition)

Maintenance schedules

90 day or 150 hour maintenance (trained service technician)

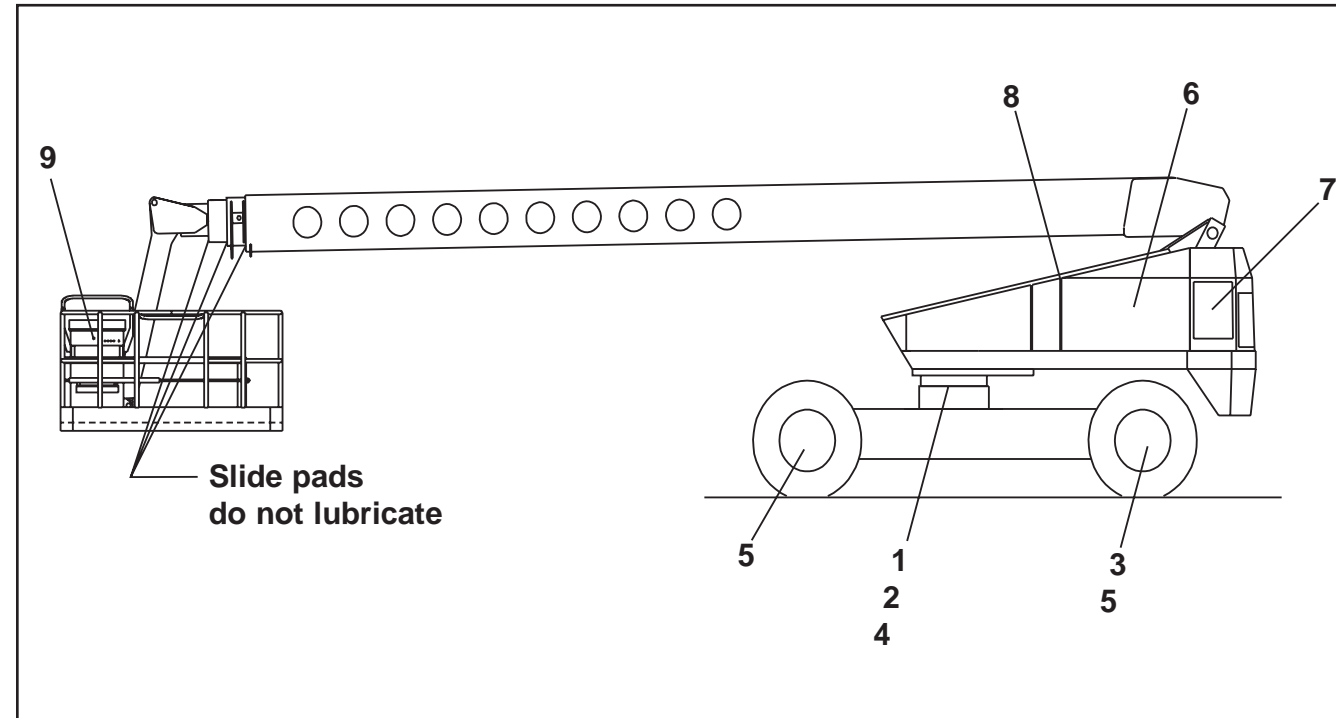
Components	Service Required	Recommended Lubricant or Further Instructions
Daily maintenance	Perform maintenance as per schedule	
Preventive inspection maintenance checklist	Perform inspection, complete form	Retain copy of checklist
Placards and decals inspection	Inspect using drawing and parts listing in section 1 (repair parts)	Replace any missing or unreadable decals/placards
Door hinges and latches	Lubricate	SAE 10W oil or spray lubricant
Rotation bearing	Lubricate	Conoco Super Sta #2 Above 32° Mobilgrease CM-P Below 32° Mobilgrease CM-L
Rotation bearing teeth & pinion	Lubricate	Mobil Mobiltac 375NC
Tie rods	Lubricate	Conoco Super Sta #2 Above 32° Mobilgrease CM-P Below 32° Mobilgrease CM-L
Gear hubs	Check fluid level, fill if low	Mobil Mobilube HD 80W-90
Swing drive	Check fluid level, fill if low	Mobil Mobilube HD 80W-90
Platform rotator	Refill if disassembled for repairs	Consult factory
Platform controller	Check smooth operation & speeds	
Batteries	Check specific gravity	1.260/1.275 at 80° F.
Hydraulic return filter	Check condition	Replace if dirty
Engine RPM	Check for proper engine RPM	See engine manufactures owner's manual
Engine oil and filter	Replace per engine owners manual	
Engine fuel filter	Check condition	Replace every 6 months or if dirty

Yearly or 500 hour maintenance (trained service technician)

Components	Service Required	Recommended Lubricant or Further Instructions
90 day or 150 hour maintenance	Perform maintenance per schedule	
Hydraulic oil reservoir	Clean and replace fluid	Above 10° Mobil DTE-13M Below 10° Mobil DTE-11M
Hydraulic return filter	Replace	After 1st. 50 hours, thereafter at recommended interval
Hydraulic reservoir suction filter	Clean and reinstall	
Hydraulic pressures	Check pressures	
Gear hubs	Replace fluid	Mobil Mobilube HD 80W-90
Swing drive	Replace fluid	Mobil Mobilube HD 80W-90
Engine coolant	Check Condition	See engine manufacturer's owner's manual
Platform rotator hyd. power unit	Replace fluid	Mobil Mobilube HD 80W-90
Front wheel bearings (two wheel drive machines)	Clean and repack	Conoco Super Sta #2 Above 32° Mobilgrease CM-P Below 32° Mobilgrease CM-L

Service information

Lubrication illustration



The illustration locates the lubrication points of the TB126J.

Lubricants

Specific lubricants as recommended by Snorkel, should be used in maintaining your unit. If in doubt regarding the use of lubricants other than those listed, contact Snorkel Customer Service Department, St. Joseph Missouri, for evaluation and recommendation.

Refer to the above lubrication illustration for location of item numbers.

Pressure gun application

Service all fittings as indicated in the Maintenance Schedule and lubrication illustration. Wipe away all excess lubricant from exposed surfaces. Over lubrication can collect dirt and foreign matter which acts as an abrasive. Lubrication of accessory equipment should be in accordance with the manufacturer's recommendations.

Rotation bearing

Rotation bearing (item 1.): Pressure gun lubricate bearing at recommended interval using lubricant as outlined in the maintenance schedule. Rotate while lubricating. Lubrication fitting is located on the lower control box.

Rotation gear teeth and pinion

Rotation gear teeth and pinion (item 2.): Gear teeth and gear box pinion should be lubricated with a spray-on type open gear lubricant.

Tie rods

Tie rods (item 3.): Lubricate at recommended interval using lubricant as outlined in the maintenance schedule.

Swing drive

Swing drive (item 4.): To check oil level, remove check plug located on the side of the gear box. Unit is full if oil is level with bottom of fill hole or just starts to run out.

Gear hubs

Gear hubs (item 5.): To check and fill Gear hubs:

1. Rotate wheel until bottom of filler/drain plug is about 1 inch above horizontal centerline.
2. Remove plug with drive ratchet and extension.
3. Fill until lubricant is level with bottom of fill hole.

Note:

Do not overfill gear hubs as they are not vented and need air space for expansion of oil to prevent damage to hubs.

Hydraulic oil reservoir

Hydraulic oil reservoir (item 6.): The fluid level should be kept between the low and full marks on the sight gauge indicator and should be checked with all cylinders fully retracted and the platform in stowed position.

The interior of the reservoir should be wiped out and cleaned each time the hydraulic oil is changed.

Service information

The reservoir filler/breather cap should be removed and the cap strainer cleaned with Kerosene, Fuel Oil, or other solvent at this time.

It is absolutely necessary that only new, clean hydraulic oil is added.

Note:

If it becomes necessary to add or use an oil other than the recommended fluid, it is important that it be compatible and equivalent to the factory fill. Local oil suppliers can generally furnish this information.

If questions still remain, contact Snorkel Customer Service Department, St. Joseph, Missouri, for further information.

Engines

Engine (item 7.): Refer to the engine manufacturer's instruction manual or consult your local engine service representative if engine adjustments or repairs are needed. The engine MUST be operated in accordance with manufacturer's instructions and serviced at recommended intervals.

Door hinges and latches

Door hinges and latches (item 8.): After lubricating, remove any excess oil or over spray so it will not collect dirt or debris.

Platform rotator

Platform rotator (item 9.): Platform rotators will require lubrication only if disassembled for repairs.

Consult factory for proper lubricant if replacement of platform rotator is required.

Hydraulic oil return filter

Return filter (item 10.): On TB126J models, the hydraulic oil return filter is located in the cowling near the hydraulic oil reservoir.

The filter element is a throw-away type filter and should be changed after the initial break-in period (approximately 50 hours operation time).

The filter is equipped with a hydraulic pressure gauge to indicate the filter element condition. A by-pass relief within the filter base is provided and is set to by-pass at 15 PSI. If pressure readings are above 15 PSI, the filter should be changed.

The filter condition should be checked at the 90 day or 150 hour Preventive Inspection Maintenance interval or more frequently under extreme working conditions.

The filter condition indicator is accurate only when the engine is running at maximum RPM and pump is discharging maximum flow, which occurs only during full speed driving. This requires that the indicator be observed while the unit is in motion, booms fully retracted

and in stowed position, drive range switch in "LO" position, and drive controller fully forward. Oil temperature should be at least 90 degrees.

Note:

Use extreme caution while observing the condition indicator because of the motion of the drive wheels. The condition indicator is best observed from outside of the tract of the vehicle wheels to avoid possible personal injury or machine damage.

When changing the filter element, the oil inside of the filter element, should be examined for deposits of metal cuttings, which is present, could indicate excessive wear in some of the system components.

Suction strainer

Suction strainer (item 11.): A 100 mesh strainer is located within the hydraulic oil reservoir and filters the pump suction flow.

The strainer is cleanable and should be cleaned at the time interval shown in the maintenance schedule chart, using Kerosene, Fuel oil or other solvent and a soft bristled brush.

Inspect filter for damage to wire cloth. Holes in the filter cloth leak dirt into the pump and other vital hydraulic components. If element is damaged, replace.

When filter has been thoroughly cleaned, reinstall filter on suction line and tighten securely.

Batteries

Batteries (not shown): Batteries will have longer life if the water level is maintained and they are kept charged. The unit will have better starting characteristics with a fully charged battery.

In cold weather the battery should be maintained at full charge to keep from freezing. An extremely low or dead battery can freeze in cold weather. Make sure connections are clean and tight.

Make sure charging equipment is operating properly.

▲ DANGER

Lead-acid batteries produce flammable and explosive gases. Never allow smoking, flames or sparks around batteries.

Lead-acid batteries contain sulfuric acid which will damage eyes or skin on contact. When working around batteries, always wear a face shield to avoid acid in eyes.

If acid contacts eyes, flush immediately with clear water and get medical attention.

Wear rubber gloves and protective clothing to keep acid off skin, if acid contacts skin, wash off immediately with clear water.

Service information

Boom/Axle Interlock System Inspection:

If following inspection of the unit reveals the systems are not functioning properly, **DO NOT** allow personnel to operate the unit in an elevated position until the problem has been located and corrected. **DEATH** or serious **INJURY** of personnel may occur, if the unit should become unstable and overturn.

Boom/axles Stowed Platform Interlock System:

The Boom/Axle interlock system is designed to prevent raising or extending the boom unless axle is extended and lock pin is in place and to prevent retracting the axle unless the boom is in the stowed (travel) position (retracted and down). The Boom/Axle interlock system is to be checked as follows to confirm proper operation. If any of the following tests are not successfully completed, the malfunction **MUST** be corrected before putting the machine in service.

Limited lift and extend with axle retracted.

With axle retracted, boom down and retracted, Boom/Axles switch on "BOOM", Platform/Ground switch in either position, raise boom and check for automatic stop slightly above horizontal. Lower boom. Extend boom and check for automatic stop at approximately seven (7) feet of extension. Retract boom.

Limited lift and extend with axle extended and not pinned.

With axle extended, boom down and retracted, Boom/Axles switch on "Boom", Platform/Ground switch in either position, and lock pin not in place, raise boom and check for automatic stop slightly above horizontal. Lower boom. Extend boom and check for automatic stop at approximately seven (7) feet of extension. Retract boom.

Axle system inoperative with boom in working position.

With axle extended and locked, Boom horizontal and extended approximately ten (10) feet, Boom/Axles switch on "Axles", Platform/Ground switch on "Ground", check that you cannot raise or retract axle.

Boom/Axles switch operation.

Axle and boom may be in any position. Platform/Ground switch on "Ground", check that when switch is set on "Axles" the boom cannot be raised beyond horizontal or extended beyond seven (7) feet and that no other boom function operate. When the switch is set on "Boom" that the axles system in inoperative (cannot lift or extend axles).

Envelope Management System (EMS):

Use the following procedures to assure that the *EMS* system is operating properly prior to use of the unit by operating personnel.

1. Disconnect primary boom angle transducer, primary *EMS* should error out. **ONLY** boom retract should function until inside boom speed switch, then **ONLY** boom lower should function.
2. Disconnect primary boom angle transducer, primary *EMS* should error out. **ONLY** boom retract should function until inside boom speed switch, then **ONLY** boom lower should function.
3. Disconnect primary boom angle transducer, primary *EMS* should error out. **ONLY** boom retract should function until inside boom speed switch, then **ONLY** boom lower should function.
4. Disconnect backup boom angle transducer, backup *EMS* should error out then the primary *EMS* should error out. **ONLY** boom retract should function until inside boom speed switch, then **ONLY** boom lower should function.
5. Pull out three (3) feet of primary boom length transducer string, primary *EMS* should error out, boom elevation and extension functions should not work.
6. With boom retracted and horizontal, open manual bleed down valve. Primary *EMS* should error out, boom elevation and extension functions should not work.
7. Power up *EMS* and let unit sit for ten (10) to fifteen (15) minutes without operating booms; Backup *EMS* should give five (5) quick beeps once every minute.
8. Without depressing foot switch, hold Raise/Lower or Extend/Retract controller full on; Boom should not move and *EMS* should error out within thirty (30) seconds.

If the *EMS* system is not operating properly, follow the procedures outlined in the ENVELOPE MANAGEMENT SYSTEM (*EMS*) CALIBRATION MANUAL for your unit to recalibrate the system to proper working order.

Recalibration of your unit will require the following test wire harnesses:

- Part no. 0191024 – 2 way test harness
- Part no. 0191025 – 3 way test harness

Preventive inspection maintenance

90 day or 150 hour checklist

OK	OK - No Service Required
✓	Corrective Action Required
X	Corrected, (Record description of corrective action).





Serial Number _____

Inspection Procedures Codes
(1) Weld cracks, dents and/or rust
(2) Installation
(3) Leaks
(4) Operation
(5) Condition
(6) Tightness
(7) Residue buildup
(8) See placards and decals inspection chart

Check	OK	✓	X
Chassis			
Structural (1)			
Steering cylinder pin caps (2,6)			
Steering linkage (4)			
Tires (5)			
Hydraulic tubes and hoses (3,5)			
Decals and placards (2,8)			
Axle lock pin (2)			
Axle interlock cam valve (4)			
Jacking and axle extend cylinder (3,4,6)			
Jacking cylinder holding valve (4)			
Drive motor brake (4)			
Torque all wheel lug nuts per placard on wheel (6)			
Right drive motors (3)			
Left drive motors (3)			
Lubrication points			
Turntable			
Structural (1)			
Torque turntable top bolts @475 ft. lbs. (6)			
Torque turntable bottom bolts @350 ft. lbs. (6)			
Hydraulic tubes and hoses (3,5)			
Centerpost (3)			
Centerpost securing bolts (6)			
Lift cylinder pin caps and tie wire (2,6)			
Lift cylinder and holding valves (3,4)			
Emergency bleed down valve (4)			
Cowling (5,6)			
Wire harness (2,5)			
Decals and placards (2,8)			
Master level cylinder pin caps and tie wire (2,6)			
Master level cylinder and holding valves (3,4)			
Rotation brake (4)			
Rotation backlash (5)			
Correct operators manual in document holder			
System pressure			
Lubrication points			
Lower control station			
Station selector switch - ground controls platform controls DO NOT work (4)			
Station selector switch - platform controls ground controls DO NOT work (4)			
Ground control switches (4)			
Turntable rotation (4)			
Boom UP - DOWN (4)			
Boom extension IN - OUT (4)			
Platform leveling UP - DOWN (4)			
Emergency power, all functions (4)			
Platform rotation (4)			

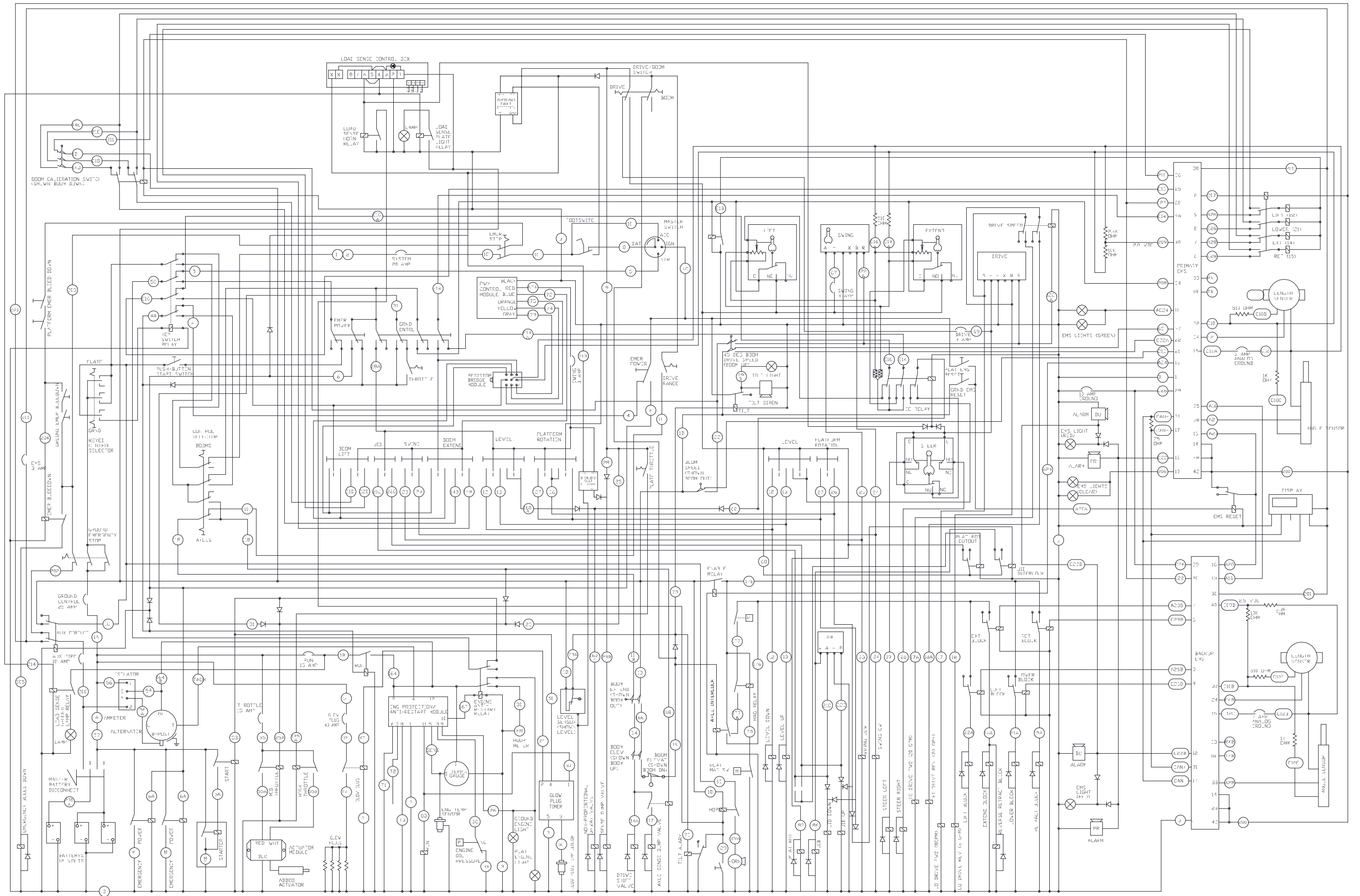
Check	OK	✓	X
Lower control station (continued)			
Boom/axle selector switch - ground and platform controls DO NOT work when in axle position (4)			
Emergency bleed down (4)			
Emergency shutdown control (4)			
Booms			
Structural (1)			
Lift cylinder pin caps and tie wire (2,6)			
Hydraulic hoses and tubes (3,5)			
Extension cylinder pin caps and tie wire (2,6)			
Extension cylinder and holding valve (3,4)			
Hose carrier tube (7)			
Hose carrier support (7)			
Plastic hose track (5)			
Electrical wires (5)			
Extend/retract wire ropes (2,5,6)			
Decals and placards (2,8)			
Platform			
Structural (1)			
Decals and placards (2,8)			
Gravity gate (4)			
Hydraulic hoses and tubes (3,5)			
Slave level cylinder pin caps and tie wire (2,6)			
Slave level cylinder and holding valve (3,4)			
Platform mounting bolts (2,6)			
Platform rotator			
Structural (1)			
Hydraulic rotator actuator (3)			
Platform rotation holding valve (4)			
Mounting bolts and pin caps (2,6)			
Envelope management system EMS			
Boom angle transducer (4,5)			
Boom length transducers (4,5)			
Primary EMS harness (5)			
Backup EMS harness (5)			
Upper control station			
Foot switch, unit will not start when engaged (4)			
Foot switch, functions operate when engaged (4)			
Engine START-STOP (4)			
Electric throttle (4)			
Turntable rotation (4)			
Boom UP - DOWN (4)			
Boom extension IN-OUT (4)			
Platform leveling UP-DOWN (4)			
Platform rotation (4)			
Drive range HIGH-LOW (4)			
Emergency power, all functions (4)			
Emergency shutdown control (4)			
Gradual start to stop, lift/swing/drive controls (4)			
Speed limit switch, 2 speed lift and swing (4)			
Speed limit switch, drive (4)			
Auto retract of jacking cylinder when driving (4)			
Boom/axle interlock system (4)			
3-1/2° tilt alarm (4)			
110 volt AC power to platform (2,4)			
Horn (4)			

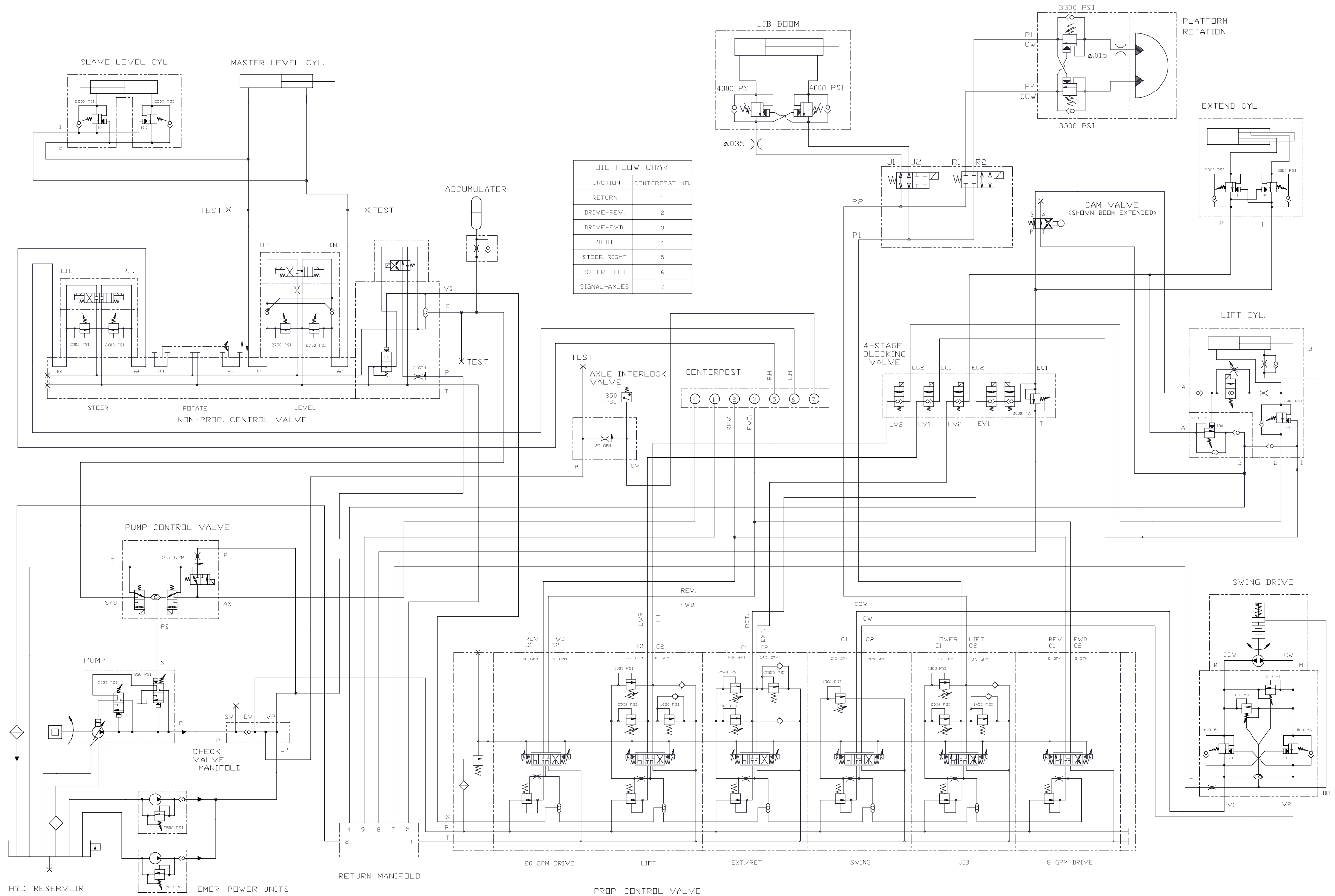
Capscrew torque chart

GRADE BOLT	SAE GRADE 1 OR 2	SAE GRADE 5	SAE GRADE 6	SAE GRADE 8
MARKING				
DEFINITION	INDETERMINATE QUALITY	MINIMUM COMMERCIAL QUALITY	MEDIUM COMMERCIAL QUALITY	BEST COMMERCIAL QUALITY
MATERIAL	LOW CARBON STEEL	MEDIUM CARBON STEEL TEMPERED	MEDIUM CARBON STEEL Q & T	MED. CARBON ALLOY STEEL Q & T
MIN. TENSILE STRENGTH	64,000 P.S.I.	105,000 P.S.I.	133,000 P.S.I.	150,000 P.S.I.
BOLT SIZE	RECOMMENDED TORQUE VALUES (FT · LBS)			
1/4	5	7	10	10.5
5/16	9	14	19	22
3/8	15	25	34	37
7/16	24	40	55	60
1/2	37	60	85	92
9/16	53	88	120	132
5/8	74	120	167	180
3/4	120	200	280	296
7/8	190	302	440	473
1	282	466	660	714

The following rules apply to the chart

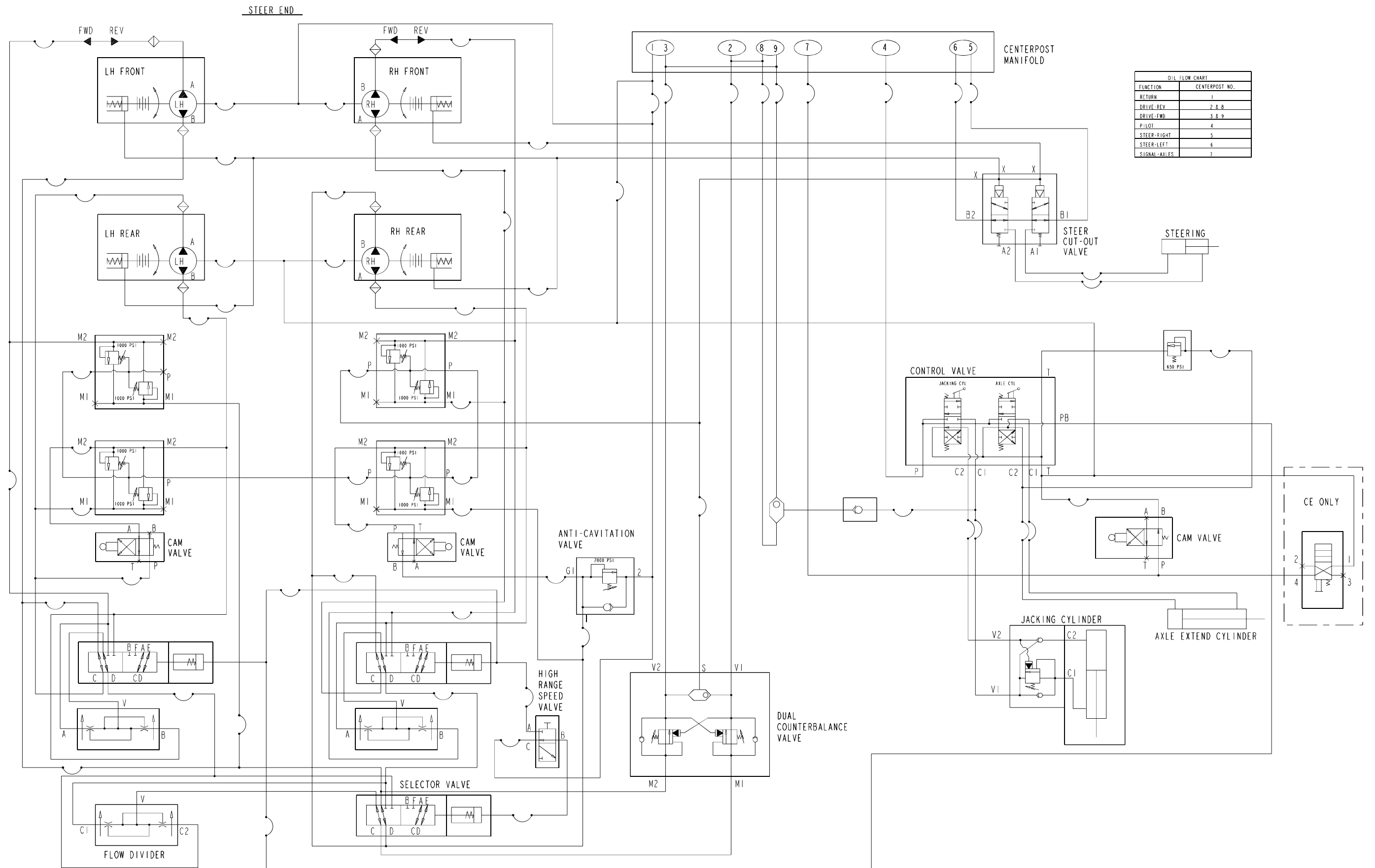
1. Consult manufacturers' specific recommendations when available.
2. The chart may be used with both course and fine thread fasteners lightly lubricated.
3. Increase torque by 20% when multiple tapered tooth (shake proof) lock washers are used.
4. The torque values are given in foot-pounds.
5. Inch pound equivalent may be obtained by multiplying by 12.





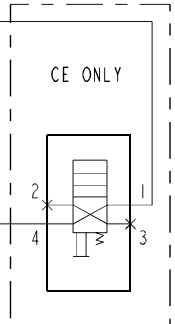
OIL FLOW CHART

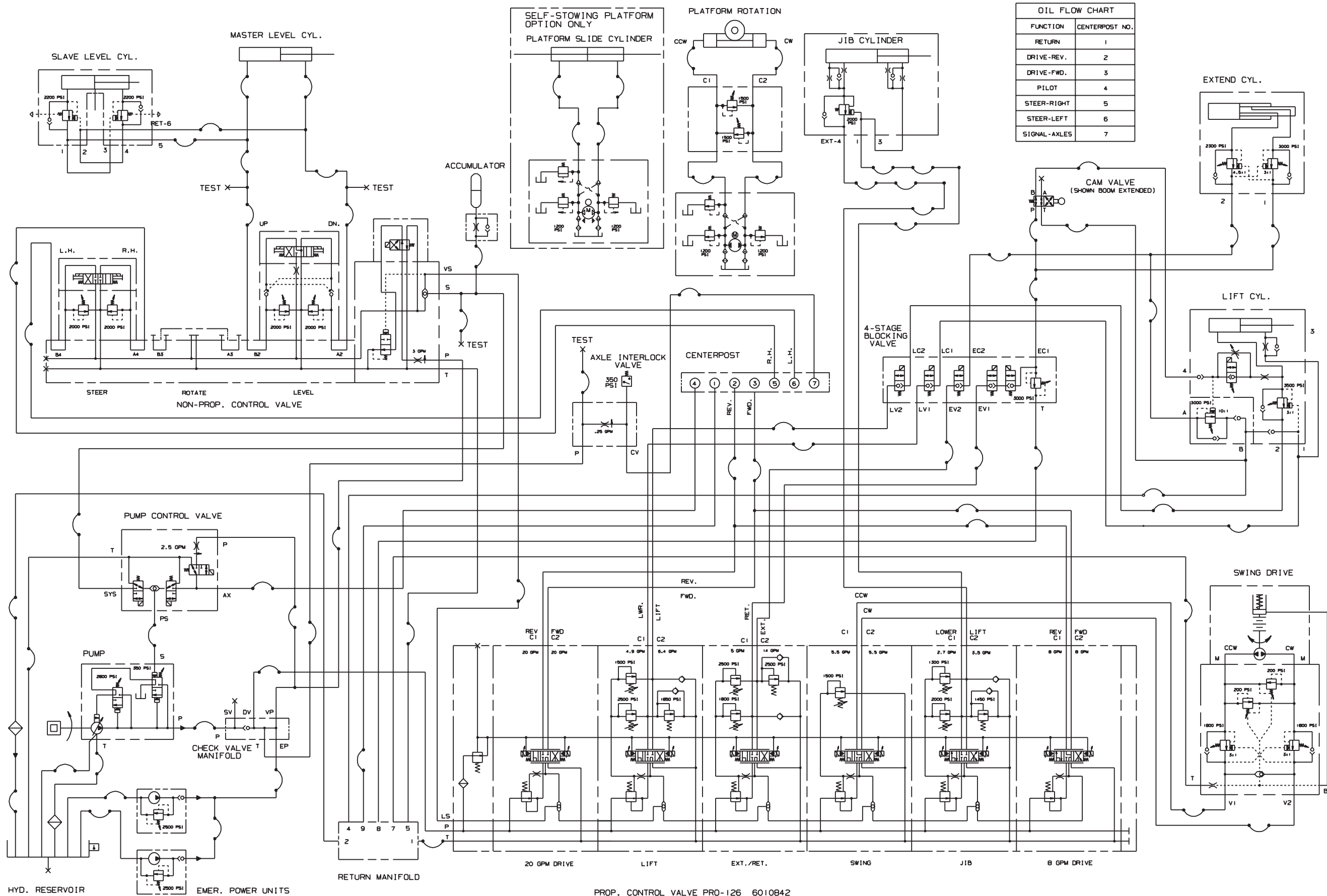
FUNCTION	CENTERPOST NO.
RETURN	1
DRIVE-REV.	2
DRIVE-FWD.	3
PILDT	4
STEER-RIGHT	5
STEER-LEFT	6
SIGNAL-AXLES	7



OIL FLOW CHART

FUNCTION	CENTERPOST NO.
RETURN	1
DRIVE-REV	2 & 8
DRIVE-FWD	3 & 9
PILOT	4
STEER-RIGHT	5
STEER-LEFT	6
SIGNAL-AXLES	7

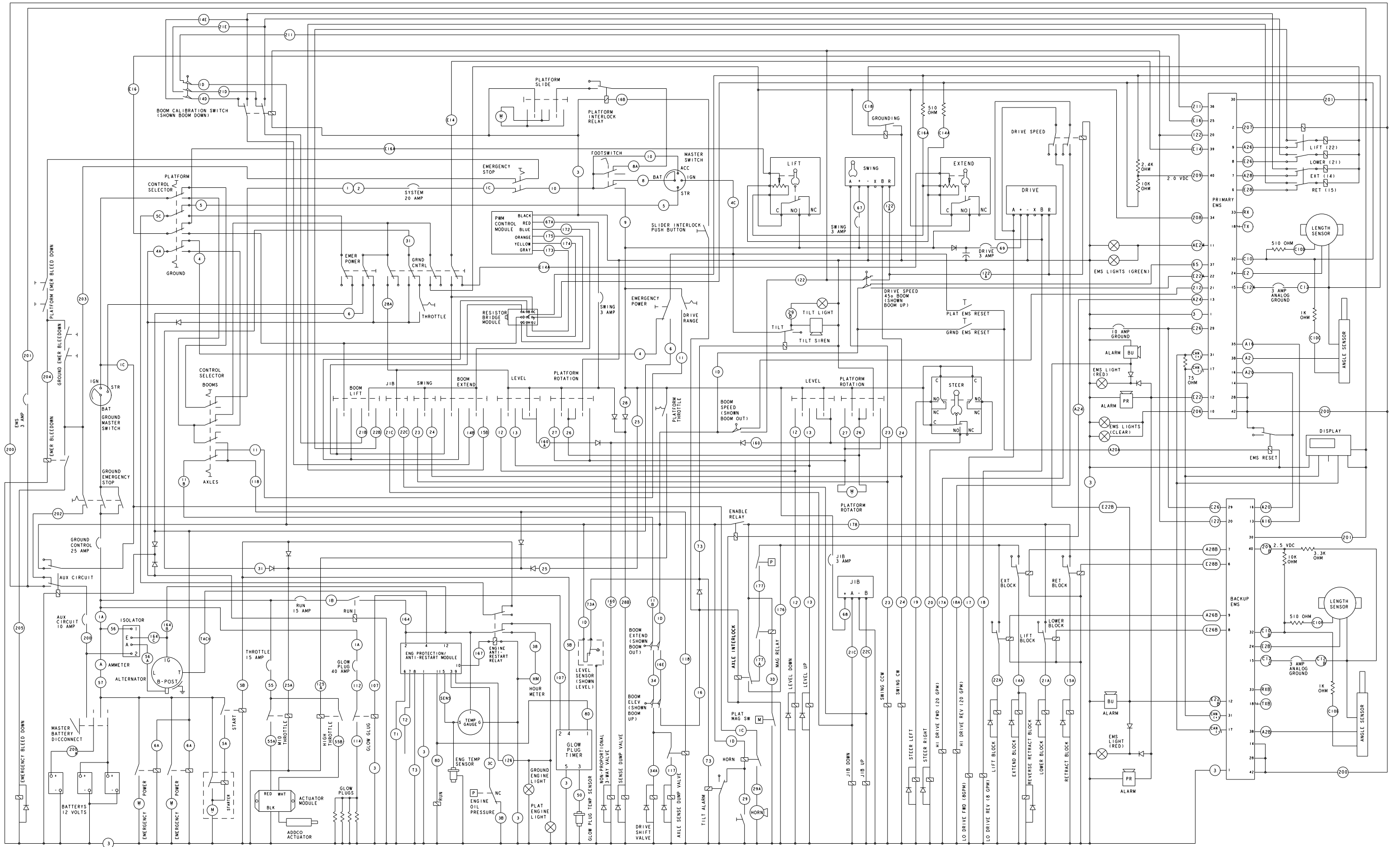




OIL FLOW CHART	
FUNCTION	CENTERPOST NO.
RETURN	1
DRIVE-REV.	2
DRIVE-FWD.	3
PILOT	4
STEER-RIGHT	5
STEER-LEFT	6
SIGNAL-AXLES	7

HYD. RESERVOIR EMER. POWER UNITS

PROP. CONTROL VALVE PRO-126 6010842



A	
110V POWER TO PLATFORM	
INSTALLATION	4-28
5FT JIB ASSEMBLY	2-34
AC GENERATOR VALVE	5-4
ACCUMULATOR CHARGED	3-33
AIR CLEANER	2-26
AIR CLEANER CUMMINS	2-25
ALARM MOTION DRIVE ONLY	5-10
ANTI-CAVIATION VALVE	3-7
ANTI-CAVIATION VALVE SEPTEMBER	
2015 AND BEFORE	3-5
ANTI-CAVIATION VALVE SUB-ASSEMBLY	
DECEMBER 2015 AND AFTER	3-6
AXLE EXTEND CYLINDER	3-41
AXLE INSTALLATION	2-2
AXLE INTERLOCK	3-12
AXLE JACKING CONTROL VALVE	3-14
AXLE STOP INSTALLATION	2-4
BEACON, DUAL AMBER	5-6
BLOCK HEATER CUMMINS 3.3	5-7
BLOCKING VALVE	3-34
BOOM ASSEMBLY	2-29
BOOM ASSEMBLY LENGTH SENSOR ..	2-31
BOOM CALIBRATION SWITCH APRIL 2008	
AND BEFORE	4-11
BOOM CALIBRATION SWITCH ASSEMBLY	
MAY 2008 AND AFTER	4-12
BOOM ELECTRICAL INSTALLATION ..	4-10
BOOM LIFT SWITCH	4-9
BOOM SPEED SWITCH ASSEMBLY JUNE	
2007 AND AFTER	4-14
BOOM SPEED SWITCH MAY 2007 AND	
BEFORE	4-13
BOOM, ANGLE SENSOR ASSEMBLY	2-30
BOOM/HOSE CARRIER	2-32
CAM VALVE	3-11
CENTERPOST AND FITTINGS SUB ASSEMBLY	
3-17	
CHASSIS HYDRAULIC INSTALLATION	2-1
CHASSIS/TURNTABLE INSTALLATION	2-8
CHECK VALVE MANIFOLD	3-35
CONTROLLER DRIVE STEER	4-24
CONTROLLER EXTEND RETRACT	4-25
CONTROLLER JIB ELEVATION	4-27
CONTROLLER LIFT SWING	4-26
COWLING INSTALL	2-28
DRIVE CONTROL VALVE	3-3
DRIVE MOTOR WITH BRAKE	3-2
DRIVE SPEED CUTOUT SWITCH SUB-ASSEMBLY	
JUNE 2007 AND AFTER	4-16
DRIVE SPEED SWITCH MAY 2007 AND BEFORE	
4-15	
DUAL HOLDING VALVE	3-52
DUAL SEQUENCE VALVE FOUR WHEEL DRIVE	
RIGHT HAND	3-10
DUAL SEQUENCE VALVE LEFT HAND	3-9
EMERGENCY POWER UNIT LEFT HAND	3-20
EMERGENCY POWER UNIT RIGHT HAND	3-21
ENGINE CUMMINS 3.3 TURBO 85HP	
(REPLACEMENT PARTS)	2-19
ENGINE KUBOTA SUB ASSEMBLY V2403 CR T4F	
.....	2-23
ENGINE KUBOTA V2403 CR TIER 4B DIESEL	
OXIDATION CATALYST MUFFLER	2-24
ENGINE SUB-ASSEMBLY KUBOTA	2-17
ENGINE TRAY ASSEMBLY	2-16
EXHAUST /AIR CLEANER INSTALLATION	

KUBOTA	2-27	JIB CYLINDER HENGLI	3-46
EXTEND CUT-OUT SWITCH	4-17	JIB CYLINDER ROSENBOOM	3-47
EXTEND CUTOUT SWITCH ASSEMBLY		JUNCTION BOX ASSEMBLY	4-7
JUNE 2007 AND AFTER	4-18	JUNCTION BOX PANEL ASSEMBLY	4-8
EXTENDABLE AXLE	2-3	LEGACY SNORKEL GUARD KIT	2-37
EXTENSION CYLINDER ASSEMBLY ...	3-44	LEVEL AND STEER CYLINDER ROSENBOOM	3-40
EXTENSION CYLINDER GBI	3-45	LIFT CYLINDER SUB-ASSEMBLY	3-42
FUEL TANK INSTALLATION DECEMBER		LIFT/SWING AND COUNTERWEIGHT	
2008 AND BEFORE	2-13	INSTALLATION	2-10
FUEL TANK INSTALLATION JANUARY 2008		MAINTENANCE, TB125J	6-1
AND AFTER	2-14	MASTER LEVEL CYLINDER	3-43
GEAR HUB AUBURN	2-7	MASTER LEVEL CYLINDER ROSENBOOM ...	3-48
GENERAL INFORMATION	1-1	MOTION CONTROL VALVE	3-53
HEAD AND TAIL LIGHTS	5-11	NON-PROP VALVE	3-26
HIGH RANGE SPEED SELECTOR VALVE	3-13	NON-PROPORTIONAL CONTROL VALVE	
HOSE CARRIER ASSEMBLY	2-33	ASSEMBLY FEBRUARY 2006 AND BEFORE ...	3-23
HYDRAULIC AC GENERATOR 220V	5-5	NON-PROPORTIONAL CONTROL VALVE	
HYDRAULIC AC GENERATOR SUB		ASSEMBLY MARCH 2006 AND AFTER	3-25
ASSEMBLY 110V	5-2	NON-PROPORTIONAL FOUR STATION VALVE	3-24
HYDRAULIC EQUIPMENT TURNTABLE		PLACARDS AND DECALS	2-39
WITH HOSES MARCH 2017 AND BEFORE	3-15	PLATFORM FOOT SWITCH ASSEMBLY	4-21
HYDRAULIC EQUIPMENT-CHASSIS	3-1	PLATFORM GATE	2-38
HYDRAULIC GENERATOR INSTALLATION		PLATFORM JIB SELECTOR VALVE	3-37
110V	5-1	PLATFORM JIB SELECTOR VALVE ASSEMBLY	3-36
HYDRAULIC OIL RESERVOIR ASSEMBLY		PLATFORM MOUNTING	2-35
2-15		PLATFORM ROTATOR	3-55
HYDRAULIC OIL RETURN FILTER	3-32	PLATFORM ROTATOR ASSEMBLY	3-54
HYDRAULIC PUMP AND FITTINGS	3-19	PLATFORM SLIDING CYLINDER	3-51
HYDRAULIC WARM UP	5-8	PLATFORM WORK LIGHTS	5-12
ISOLATION VALVE INSTALLATION	5-9	PLATFORM/JIB SELECTOR - WIRE ASSEMBLY	4-19
JACKING CYLINDER	3-39	POWER UNIT ASSEMBLY	2-18
JACKING CYLINDER SUB ASSEMBLY	3-38		

PRESSURE MANIFOLD	3-31	WIRING	7-6
PROPORTION CONTROL VALVE ASSEMBLY WITH NEW JIB ONLY JUNE 2015 AND AFTER	3-29	TB125J TB126J HYDRAULIC SCHEMATIC 0191268A	7-5
PROPORTIONAL CONTROL VALVE ASSEMBLY MAY 2015 AND BEFORE ..	3-27	TB80 TB100J TB125J TB126J HYDRAULIC SCHEMATIC A11011B	7-4
PROPORTIONAL CONTROL VALVE JUNE 2015 AND AFTER	3-30	TIRES AND WHEELS	2-6
PROPORTIONAL VALVE MAY 2015 AND BEFORE	3-28	TURNTABLE ASSEMBLY KUBOTA V2403 TIER 4 FINAL FEBRUARY 2019 AND BEFORE	2-9
PUMP CONTROL VALVE ASSEMBLY ..	3-18	TURNTABLE ELECTRICAL CUMMINS AND KUBOTA	4-1
RADIATOR MOUNTING	2-22	TURNTABLE HYDRAULIC EQUIPMENT KU APRIL 2017 AND AFTER	3-16
SAFETY INTERLOCK WITH SLIDING PLATFORM	4-20	TURNTABLE WIRE ASSEMBLY	4-2
SERIES PARALLEL PACKAGE RIGHT HAND	3-4	UPPER CONTROL BOX ASSEMBLY	4-23
SHUTTLE VALVE ASSEMBLY	3-22	V2403-CR TIER 4B KUBOTA ENGINE REPLACEMENT PARTS	2-20
SLAVE LEVEL CYLINDER	3-50	V2403-M-T-E3B-KEA-2F KUBOTA ENGINE WITH RADIATOR REPLACEMENT PARTS	2-21
SLAVE LEVEL CYLINDER ASSY	3-49	VALVE HYDRAULIC MOTOR FLOW CONTROL ..	5-3
SNORKEL GUARD ASSEMBLY	2-36	WIRE ASSEMBLY EMS BACK UP MARCH 2005 AND AFTER	4-4
SNORKEL GUARD WIRING	4-22	WIRE ASSEMBLY EMS PRIMARY	4-3
STEER CUT OUT VALVE FOUR WHEEL DRIVE	3-8	WIRING BOX GROUND CONTROL ASSEMBLY	4-5
STEERING INSTALLATION	2-5	WIRING BOX PANEL SUB-ASSEMBLY KUBOTA	4-6
SWING DRIVE	2-11		
SWING DRIVE PERFECTION	2-12		
TB125J ELECTRICAL SCHEMATIC CUMMINS A19058A	7-1		
TB125J ELECTRICAL SCHEMATIC CUMMINS CE A19060A	7-2		
TB125J HYDRAULIC SCHEMATIC A19059A ..	7-3		
TB125J TB126J ELECTRICAL SCHEMATIC A19035E CUMMINS 3.3 GLOW PLUG			

B		0070713	4-6, 4-7, 4-23
0020276	2-1, 2-9, 3-1, 3-15, 3-16	0070719	4-8
0020280	2-1, 3-1	0070724	4-8
0020283	2-35, 5-8	0070730	4-5, 4-23
0020424	2-1, 3-1	0070732	4-23
0040276	2-1, 2-9, 3-1, 3-15, 3-16	0070735	4-5
0050137	2-9, 3-15, 3-16	0070742	4-5
0060089	2-29, 2-33, 2-35	0070746	4-5, 4-23, 5-8
0060373	4-5, 4-21, 4-23, 5-1, 5-5	0070747	4-5, 4-23
0070030	2-2, 2-3, 2-29	0070753	4-5
0070033	2-5, 2-10, 2-29, 2-34, 3-44	0070765	2-1, 3-1
0070043	2-29	0070768	2-1, 2-29, 3-1
0070132	2-32	0070769	2-9, 3-15, 3-16
0070141	3-44	0070771	2-1, 3-1
0070148	2-16	0070772	2-9, 2-34, 3-15, 3-16, 5-1, 5-5
0070256	2-10	0070773	2-1, 3-1
0070438	2-29	0070779	2-1, 3-1
0070440	2-29	0070780	2-1, 3-1
0070442	2-5, 2-10	0070781	2-1, 3-1
0070472	2-10	0070782	2-1, 3-1
0070473	2-10, 2-29, 2-32, 2-34, 3-44	0070783	2-1, 3-1
0070483	2-13	0070786	2-9, 3-15, 3-16, 5-1, 5-5
0070484	2-29	0070791	2-9, 3-15, 3-16
0070485	2-29	0070792	2-1, 2-9, 3-1, 3-15, 3-16
0070548	2-28	0070910	2-9, 3-15, 3-16
0070554	2-28	0070911	2-1, 3-1
0070555	2-28	0070927	2-9, 3-15, 3-16, 5-9
0070570	3-55	0070967	4-5, 4-7, 4-21, 4-23
0070596	4-21	0071089	2-12
0070639	2-29	0071275	3-55
0070681	4-8	0071341	3-44
0070698	2-9, 4-1	0071342	2-35
0070711	4-5, 4-6, 4-23	0071494	2-29
0070712	2-9, 4-1, 4-6, 4-23	0071511	4-8

0071517	4-23	0072681	2-29
0071530	4-8	0072682	2-29
0071534	4-8	0072683	2-29
0071538	5-1, 5-5	0072759	4-20
0071541	4-5	0072950	4-6
0071542	2-9, 4-1	0072951	4-1
0071552	4-6	0073040	2-1, 2-9, 3-1, 3-15, 3-16
0071555	4-6	0073057	4-8
0071556	4-8, 4-22	0073077	5-1
0071558	4-23	0073089	2-9, 4-1
0071564	4-5	0073111	2-29
0071565	5-1, 5-5	0073163	5-1
0071566	4-8	0073250	5-1, 5-11
0071568	2-9, 4-1	0073254	4-5
0071582	4-28	0073281	3-55
0071589	4-5, 5-11	0073295	4-5
0071590	4-23	0073298	2-6
0071793	5-8	0073342	2-29
0071800	2-35, 4-10	0073343	2-29
0071800 H	4-21	0073492	4-5
0071812	4-5	0073542	4-23
0071834	2-38	0073618	4-6
0071837	2-38, 2-38	0073631	4-8
0071844	5-8	0073642	4-7
0071940	2-13	0073728	4-8, 4-23
0071951	2-38	0073781	4-23
0071953	2-38	0073884	4-23
0071954	2-38	0073940	2-9
0072104	5-10	0074408	2-28
0072112	4-7, 4-8	0074461	2-28
0072276	2-6	0074602	2-28
0072418	4-6, 5-11	0074615	2-16
0072567	2-2, 2-3, 2-29	0074622	2-16
0072680	2-29	0074625	2-16

0074628	2-16	0080768 H	5-12
0074630	2-22	0080939	2-1, 3-1
0074680	2-14	0081080	2-1, 2-9, 3-1, 3-15, 3-16
0074684	2-18	0081127	3-3, 3-4
0074685	2-18	0081136	2-9, 3-15, 3-16
0074761	5-7	0082010	3-23, 3-25
0074799	2-5	0082046	4-5
0074799 C	3-40	0082053	5-8
0074972	2-16	0082321	2-28, 2-28
0074979	4-28	0083153	2-22
0074981	5-5	0083155	2-16
0075268	2-9, 4-1	0083165	2-18
0075378	2-9, 3-15, 3-16	0083437	2-16
0075379	2-9, 3-15, 3-16	0083544	2-18
0075380	2-9, 3-15, 3-16	0083586	2-16
0075564	4-5	0083587	2-16
0075737	2-17	0083694	2-10
0075738	2-17	0083694 A	3-43
0075743	2-17	0090134	2-29
0075745	2-17	0090138	2-29
0080023	2-29	0090141	2-2, 2-3, 2-29
0080030	2-13	0090299	2-1, 3-1
0080293	2-2, 2-3, 2-29	0090319	2-9, 4-1
0080294	2-29	0090402	2-1, 3-1
0080348	2-5	0090444	2-29
0080359	2-1, 3-1	0090621	4-8, 4-23
0080362	2-9, 3-15, 3-16	0090622	4-8
0080386	2-1, 3-1	0090757	5-1, 5-5
0080484	2-9, 4-1	0090840	2-5
0080522	2-9, 3-15, 3-16	0090959	2-9, 4-1
0080524	2-1, 3-1	0090975	4-6
0080528	3-3, 3-4	0090988	2-9, 3-15, 3-16
0080529	3-3, 3-4	0091202	4-23
0080543	2-9, 3-15, 3-16	0100270	2-1, 3-1

0100278	2-1, 2-9, 3-1, 3-15, 3-16	0110670	2-29
0100422	2-9, 3-15, 3-16	0110671	2-29
0100491	2-1, 2-9, 3-1, 3-15, 3-16	0110678	2-32
0101371	2-32	0110681	2-10
0101379	2-33	0110682	3-53
0101878	4-7	0110683	3-5
0101896	2-9, 3-15, 3-16	0110696	2-29
0101897	2-9, 3-15, 3-16	0110700	2-29
0110156	3-31	0110701	2-29
0110171	2-1, 3-1	0110702	2-29
0110173	2-1, 3-1	0110703	2-29
0110190	2-29	0110706	2-29
0110191	2-29	0110707	2-29
0110227	2-33	0110713	3-14
0110235	2-10	0110714	3-11
0110260	2-2, 2-3	0110731	2-2, 2-3
0110261	2-2, 2-3	0110732	2-9, 3-15, 3-16
0110283	2-2, 2-3, 2-5	0110756	2-8
0110283 H	2-7	0110771 A	3-55
0110320	2-5	0110804 K	2-8
0110323	2-5	0110837	2-10, 2-12
0110362	2-9	0110841	2-33
0110465	3-17	0110842	2-33
0110468	4-6	0110926	2-4
0110471	4-8	0110942	2-10
0110495	2-1, 3-1	0111005	2-29
0110502	3-17	0111135	2-5
0110529	4-1	0111136	2-5
0110547	2-29	0111225 B	2-4
0110590	2-1, 2-32, 2-33, 3-1	0111264	2-1, 3-1
0110594	2-2, 2-3	0111264 F	3-3
0110596	2-9, 4-1	0111266	3-3
0110645	3-44	0111267	3-3
0110661	2-29, 2-29	0111268	3-3, 3-3

0111269	3-3	0111536 C	3-4
0111270	2-4	0111537 J	3-1
0111273	2-1, 3-1	0111674	2-5
0111273 B	3-5	0111675	2-5
0111273 C	3-6	0111701	2-29, 3-44
0111282	2-1, 3-1	0112030	2-1, 3-1
0111283	2-1, 3-1	0112216	2-7
0111285	2-1, 3-1	0112217	2-7
0111286	2-1, 3-1	0112218	2-7
0111290	2-1, 3-1	0112219	2-7
0111290 A	3-22	0112220	2-7
0111291	2-1, 3-1	0112221	2-7
0111291 A	3-14	0112222	2-7
0111292	2-1, 3-1	0112223	2-7
0111292 B	3-38	0112224	2-7
0111303	2-2, 2-3	0112225	2-7
0111304	2-2, 2-3	0112226	2-7
0111305	2-1, 3-1	0112227	2-7
0111317	2-29	0112233	2-11, 2-12
0111339	3-4	0112272	2-12
0111341	3-4	0112273	2-11
0111344	2-1, 3-1	0112276	2-11
0111344 A	3-13	0112277	2-11
0111346	2-1, 3-1	0112278	2-11
0111362	2-2, 2-3	0112279	2-11
0111476	4-23	0112280	2-11
0111492	2-1, 3-1	0112281	2-11
0111492 B	3-8	0112282	2-11
0111494	3-2	0112284	2-11
0111528	2-1, 3-1	0112286	2-11
0111528 B	3-9	0112287	2-11
0111530	2-1, 3-1, 3-10	0112288	2-11
0111535	2-1, 3-1	0112289	2-11
0111536	2-1, 3-1	0112290	2-11

0112292	2-11	0112798 A	4-19
0112293	2-11	0113519	2-36
0112294	2-11	0113528	2-36
0112295	2-11	0113529	2-36
0112296	2-11	0113530	2-36
0112297	2-11, 2-11	0113531	2-37
0112298	2-11	0113531 E	2-36
0112299	2-11	0113536 G 1	2-37
0112300	2-11	0113536 G 2	4-22
0112301	2-11	0113538	2-36
0112303	2-11	0113540	4-22
0112304	2-11	0113541	4-22
0112305	2-11	0113542	4-22
0112306	2-11	0113560	2-37
0112308	2-11	0113561	2-37
0112309	2-11	0113792	2-9
0112310	2-11	0113802	2-23
0112311	2-11	0113803	2-23
0112312	2-11	0113805	2-23
0112313	2-11	012039-000	2-9
0112314	2-11	0140323	4-8
0112316	2-11, 2-12	0140332	4-7, 4-8
0112379	3-38	0140492	3-55
0112379 A	3-39	0150094	2-5
0112418	2-12	0150488	4-8
0112421	2-12	0150509	2-38
0112422	2-12	0150530	4-23
0112423	2-12	0150562	3-53
0112424	2-12	0150563	3-47
011248-004	4-10	0150567	3-42
0112657	2-6	0150586	2-32, 2-33
0112658	2-6	0150810	2-9, 4-1
0112754	2-6	0150811	2-9, 4-1
0112798	4-10	0150813	2-9, 4-1

0151205	4-6, 4-7, 4-8	0172216	2-34
0151457	5-2	0172224	3-49, 3-50
0151458	5-2	0172228	2-34
0151459	5-1, 5-5	0172230	2-29, 3-49
0151469	5-2	0172231	2-34
0151470	5-2	0172444	2-34
0151484	5-2	0172462	2-34
0151513	5-5	0180680	2-29
0151556	4-7	0180781	2-9, 3-15, 3-16
0151815	4-23	0180870	2-9, 3-15, 3-16
0151816	4-5	0180870 E	3-33
0151817	5-11	0180944	2-9, 3-15, 3-16
0151861	2-9, 3-15, 3-16	0180946	2-9, 3-15, 3-16
0151910	4-7, 4-23	0181030	4-6, 4-7, 4-8
0151918	2-34	0181074	4-23
0152123	4-23	0181104	4-5
0152126	4-23	0181110	4-8
0152831 B	5-4	0181111	4-7
0160970	2-38	0181136	4-6
0161177	2-38, 2-38	0181161	2-9, 3-15, 3-16
0161182	2-38	0181187	5-1
0161184	2-38	0181270	2-33
0161472	2-38	0181285	5-8
0162698	2-16	0181376	5-11
0162936	2-9, 4-1	0181398	5-8
0170335	4-6, 4-8	0181634	5-7
0170519	4-23, 5-1, 5-5	0182055	5-5
0170798 C	2-13	0182432	2-27
0172033	2-11	0182437	3-34
0172050	2-11	0190091 B	5-9
0172053	2-11	0190095	2-9
0172199	2-34	0190095 B	5-10
0172213	2-34	0190099 B	5-11
0172214	2-34	0190124 E	5-8

0190404	2-29	0190657	2-32
0190416	2-29	0190688	3-44
0190417	2-29	0190688 F	3-45
0190418	2-29	0190709	2-2, 2-3
0190423	2-29	0190709 A	3-41
0190424	2-29	0190713	2-2, 2-3
0190448	2-29	0190715	2-5
0190449	2-29	0190734	2-33
0190470	2-29	0190735	2-33
0190471	2-29	0190736	2-32, 2-33
0190479	2-29	0190737	2-32
0190482	3-44	0190740	2-33
0190483	2-29	0190747	2-33
0190494	2-29	0190756	2-33
0190495	2-29	0190761	3-44
0190499	3-42	0190762	2-29
0190504	2-10	0190762 F	3-44
0190549	2-28	0190764	2-29
0190570	2-29	0190767	2-29
0190590	2-29	0190768	2-29
0190591	2-29	0190769	2-29
0190595	2-29	0190770	2-29
0190596	2-9, 3-15, 3-16	0190772	2-29
0190599	2-9, 3-15, 3-16	0190773	2-29
0190601	4-1	0190782 C	2-2, 2-3
0190612	3-42	0190786	2-5
0190613	2-10	0190788	2-5
0190613 F	3-42	0190813	4-17
0190618	2-29	0190814	4-17
0190624	2-32	0190836	2-9, 3-15, 3-16
0190626	2-32	0190836 B	3-35
0190631	2-29, 2-33	0190837	2-9, 3-15, 3-16
0190633	2-33	0190837 B	3-18
0190655	2-29	0190839	2-9, 3-15, 3-16

0190839 B	3-21	0190986	2-9, 4-1
0190840	2-9, 3-15, 3-16	0190986 E	4-16
0190840 A	3-20	0190987	4-16
0190842	2-29	0190992	4-7, 4-23
0190843	2-29	0190994	4-23
0190844	2-29	0190995	4-7
0190847	2-29	0191002	2-13, 4-1
0190849	2-29	0191003	4-13
0190853	2-29	0191004	4-13
0190854	2-29	0191011	2-9, 4-1
0190855	2-29	0191015	5-1
0190856	2-29	0191015 A	5-2
0190858	2-29	0191022	4-23
0190859	2-33	0191023	2-29
0190876	2-29	0191054	2-29
0190878	2-9, 3-15, 3-16	0191055	2-29
0190878 B	3-12	0191055 D	2-31
0190879	2-9, 3-15, 3-16	0191064	2-10
0190879 C	3-34	0191065	2-10
0190905	2-29	0191070	3-44
0190915	2-9, 3-15, 3-16	0191071	3-44
0190916	2-9, 3-15, 3-16	0191078	2-10
0190917	3-41	0191084	2-35
0190931	4-5	0191090	2-32
0190944	4-9	0191115	2-35
0190966	2-32	0191130	2-33, 2-33
0190967	2-32	0191136	4-5
0190968	2-2, 2-3	0191137	4-5
0190969	2-2, 2-3	0191138	4-23
0190972	2-2, 2-3	0191139	4-23
0190976	2-32	0191147	4-23
0190979	2-29	0191150	4-23
0190980	2-29	0191152	4-23
0190984	2-9, 4-1	0191154	4-23

0191155	4-23	0191326 H	3-19
0191156	4-23	0191336	2-33
0191166	4-5	0191362	2-2, 2-3
0191172	2-29	0191363	2-2, 2-3
0191174	4-5	0191410	2-29
0191178	2-10	0191410 E	4-14
0191178 C	3-17	0191411	2-29
0191179	2-9, 3-15, 3-16	0191411 C	4-18
0191179 A	3-31	0191417	4-5, 4-23
0191180 B	3-27	0191419	2-5
0191181	2-9, 4-1	0191422 F	2-5
0191181 F	4-2	0191430	4-18
0191184 F	2-10	0191431	4-14
0191189	4-1	0191435	5-8
0191202	2-35	0191436	5-8
0191203	2-35, 3-51	0191458	2-9, 3-15, 3-16
0191215	2-35	0191458 B	3-32
0191216	2-35	0191518	2-29
0191217	2-35	0191550	2-29
0191229	2-29	0191596	2-33
0191230	2-29	0191597	2-33
0191231	2-29	0191598	2-33
0191237	4-20	0191599	2-33
0191238	4-5, 4-23	0191605 D	3-23
0191241	2-9, 3-15, 3-16	0191617	4-7
0191253	4-20	0191620	2-29
0191257 D	4-20	0191621	2-29
0191258	4-20	0191640	3-23, 3-25
0191259	2-35	0191641	3-25
0191265	2-35	0191642	3-23, 3-25
0191272	2-35	0191678	2-28
0191273	2-35, 2-35	0191680	2-9
0191287	4-5	0191690	2-14
0191326	2-17, 2-18, 2-23	0191704	2-28

0191706	2-28	0191811 A	3-47
0191712	2-28	0191811 B	3-46
0191714	2-28	0191815	2-28
0191717	2-28	0191817	2-28
0191718	2-28	0191826	4-1
0191725	2-28	0191829	4-5
0191726	2-28	0191830	2-9
0191732	2-28	0191831	2-14
0191734	2-28	0191835	2-18
0191740	2-28	0191876	2-16
0191744	2-28	0191883	2-18
0191755	2-15	0191889	4-5
0191756	2-9	0191892	4-5
0191756 D	2-15	0191910	2-28, 2-28
0191762	2-18	0191912	2-28
0191762 H	2-16	0191935	2-33
0191763 E	2-18	0191944 A	2-30
0191765	2-18	0191971	2-9, 4-1
0191766	2-18	0191975	4-8
0191767	2-18	0191976	4-1
0191768	2-18	0191976 J	4-7
0191769	2-18	0191977	4-7
0191769 C	2-22	0191977 D	4-8
0191771	2-18	0191978	4-7
0191772	2-18	0191987	4-7, 4-8
0191780	2-28	0191988	4-7
0191782	2-22	0191989	4-1
0191787	2-9, 4-1	0191990	4-5
0191789	2-9, 4-1	0191991	4-5, 4-6
0191789 C	4-9	0191992	4-5
0191790	4-15	0191993	4-5
0191791 B	4-15	0191994	4-1
0191792	4-11, 4-12	0191995	4-1
0191793 D	4-11	0191999	4-7

0192000 G	4-5	0192339	2-5
0192009	4-7	0192364	2-32
0192010	4-7	0192364 B	2-33
0192011	4-7	0192365 A	2-32
0192012	4-7	0192367	2-32
0192022	2-9, 4-1	0192367 F	2-29
0192023	2-9, 4-1	0192376 A	4-10
0192037	2-9, 4-1	0192377	4-10
0192037 D	4-12	0192377 A	4-23
0192039	2-9, 4-1	0192384	4-23
0192040	4-1	0192385	4-23
0192041	4-1	0192386	4-23
0192042	2-9, 4-1	0192387	2-32
0192043	2-9, 4-1	0192387 B	2-34
0192044	2-9, 4-1	0192554 K	2-17
0192047	2-9, 4-1	0192557 B	4-6
0192047 C	4-3	0192561	2-17
0192048	2-9, 4-1	0192562	2-17
0192048 C	4-4	0192563	2-17
0192049	4-1	0192566	2-17
0192051 G	4-1	0192568	2-17
0192054	2-9, 4-1	0192569	2-27
0192083 E	5-5	0192577 B	2-27
0192094	4-7	0192587	2-9
0192096	4-7	0192590	2-9, 3-15, 3-16
0192106	2-9, 4-1	0192590 B	3-29
0192107	2-9, 4-1	0192614	4-7
0192118	4-7	0192615 A	3-36
0192127	3-25	0192652	2-9
0192164	2-27	0192652C	2-23
0192193	2-9, 4-1	0192653 H	2-9
0192197	2-9, 3-15, 3-16	0192656	2-9
0192197 C	3-25	0192658	2-9
0192209	2-33, 2-33	0192681	2-9

0192689	2-9	056059-030	2-9
0192703	2-9	056060-030	2-17
0192705	2-9	056060-035	2-17
0192706	2-9	056060-045	2-23
0192714	2-9	056060-065	2-17
0192715	2-9	056060-070	2-9
0192723	2-9	056066-006	2-17, 2-36
0192724	2-9	056066-008	2-9, 2-17, 2-28, 2-28
0192725	2-9	056066-010	2-9, 2-17, 2-23
0192729	2-9	056069-006	2-17
0192730	2-9	056069-008	2-17
020541-013	2-17	056069-010	2-9
0240483	4-5, 4-23	056069-012	2-23, 3-15, 3-16
0241160	2-31	058491-020	2-9
0260466	2-21	058492-025	2-17
0260856	2-17	058493-025	2-23
0322724	2-38, 2-38	058494-020	2-18
0323804	2-1, 3-1	067614-023	2-21
0323885	2-1, 3-1	068903-009	2-26
0323899	4-23	0970029	2-29
0420113	3-54	0970269	2-29
0420114	2-34	0970426	2-29
0420114 D	3-54	0970429	2-29
0420124	2-34	0970439	2-29
0420734	2-34	0970449	2-29
0421711	2-34	0970469	2-29
0421796	2-17	0970489	2-29
056021-006	2-17	0970909	2-29
056021-008	2-17	0970939	2-29
056021-010	2-17, 2-23	0972449	2-29
056021-012	2-17	0972479	2-29
056058-018	2-17	0972489	2-29
056058-070	2-36	0972499	2-29
056059-016	2-28, 2-28	0974439	2-29

0974759	2-29	2502032	2-29
0984049	2-29	2502229	3-43, 3-46, 3-47
0984069	2-29	2502416	2-5, 3-40
0984229	2-29	2503620	2-5
0984249	2-29	2504857	2-29
0984409	2-29	2509677	3-54
0986009	2-29	2509834	3-50
0986269	2-29	2540014	2-37
0986299	2-29	255256	3-26
0987079	2-29	2570002	2-38, 2-38
0987109	2-29	2580010	2-29
0987119	2-29	2650001	2-17
0987139	2-29	2660002	4-24, 4-26
0988179	2-29	2667500	2-38, 2-38
100180-041	2-17	2690001	2-5
100209-000	2-17, 2-23	2690004	2-17
104673-105	2-21	2690005	2-5
104673-107	2-17	300541	2-34
104673-108	2-17	300542	2-34
104673-109	2-17	300891	2-38
104673-111	2-17	3010006	2-33
104673-116	2-17	3010009	2-33
104703-000	2-17, 2-23	3010014	2-33, 2-33
104737-000	2-17	3011001	4-2
104744-000	2-17	3011201	4-2, 5-11
104803-000	2-17	3011401	4-2
104883-000	2-17	3011601	4-2, 4-16, 5-6, 5-12
106960-001	2-17	3011801	4-14, 5-8, 5-10
1430527	2-17	3011803	4-19
2500035	2-29	3014753	2-36
2500044	2-29	3020013	4-5, 4-23, 5-8, 5-11
2500046	2-29	3020016	4-5
2500051	3-54	3020018	4-5, 4-23
2502028	2-29, 3-44	3020019	4-13, 4-17

3020020	4-5, 4-23	3040046	4-10, 5-1, 5-5, 5-8, 5-10
3020021	4-21	3040047	4-1, 4-5, 4-10, 5-8, 5-10
3020033	4-24, 4-25, 4-26, 4-27	3040057	4-6, 4-7, 4-8, 4-23
3020037	4-21	3040064	5-1, 5-11
3020038	4-21	3040065	4-10, 4-23, 5-11
3020048	4-5, 5-1, 5-5	3040068	4-23
3020059	4-9, 4-11, 4-12, 4-15, 4-18	3040069	4-5
3020061	2-9, 4-1	3040070	4-5, 4-7, 4-9, 4-11, 4-12, 4-13, 4-14, 4-15, 4-16, 4-17, 4-18, 4-23
3020072	4-9, 4-11, 4-12, 4-15	3040072	4-24, 4-26
3020077	3-12	3040073	4-24, 4-26
3020078	5-8	3040082	2-9, 4-5, 5-6, 5-12
3020080	4-7, 4-22, 4-23	3040083	4-2, 4-22, 5-1, 5-5, 5-6, 5-12
3020081	4-5	3040086	4-24, 4-26
3020087	4-5	3040092	4-7
3020090	4-23	3040108	4-6
3020095	2-16	3040110	2-35, 4-5, 4-7, 4-20, 4-21, 4-23
3020103	2-9, 4-1	3040114	5-12
3020107	4-5	3040115	2-29, 4-5, 4-7
3020108	4-5, 4-23	3040116	4-7, 4-21, 4-23
3026027	4-20, 4-23	3040127	2-9, 4-1
3028804	4-14	3040129	5-10
3028808	4-12, 4-16	3040146	4-24, 4-26
3028812	2-17	3040169	4-24, 4-26
3028844	2-36	3040170	4-25, 4-27
3030076	2-31	3040174	2-17
3030086	4-5, 4-23	3040180	5-5
3030122	4-5	3040185	4-5, 4-23
3030145	2-30	3040187	4-5, 4-7, 4-13, 4-17, 4-23
3030151	4-7	3040188	4-6
3030153	4-3, 4-4	3040214	4-8
3030155	4-5	3040252	4-5, 4-28
3040015	4-23, 5-5	3040259	4-25
3040038	5-6, 5-12	3040262	2-29
3040039	5-6, 5-12		

3040268	2-9, 4-1	3040567	4-2
3040269	2-9, 4-1	3040568	4-23
3040270	2-9, 4-1	3040568 B	4-26
3040271	4-24, 4-26	3040573	4-2
3040272	4-28	3040576	4-8
3040285	4-7, 4-20, 4-23	3040624	4-28
3040295	2-8, 2-35, 4-5, 4-7, 4-23	3040625	4-28
3040298	4-5	3040691	4-7, 4-28
3040301	4-23	3040711	4-14, 4-16
3040358	4-9, 4-11, 4-12, 4-15, 4-18	3040777	4-5
3040359	4-27	3040781	3-26
3040360	2-9, 4-1, 4-10	3044072	4-2
3040368	4-28	3044142	4-3, 4-4, 4-10, 4-23, 5-1, 5-5, 5-8
3040386	4-7	3044145	5-8
3040387	4-7	3044146	4-1, 4-3, 4-4, 4-5, 4-19
3040392	4-24, 4-25, 4-26	3044160	4-2, 5-10
3040397	4-28	3044161	4-2, 4-3, 4-4, 4-22, 5-1, 5-5, 5-6, 5-12
3040433	4-7, 4-8	3044162	2-9, 4-1, 5-6
3040452	2-9, 4-1	3044708	4-5, 4-23
3040457	3-34, 3-34, 3-34, 3-34, 3-42, 5-4	3044710	4-8
3040469	2-9, 4-1, 4-6, 4-7, 4-8, 4-22, 5-11	3044712	4-6
3040473	3-37	3044721	2-9, 4-1
3040492	4-23	3044836	4-2
3040492 C	4-24	3044852	4-2, 5-11
3040498	4-2	3044854	4-2, 4-10, 4-28
3040499	2-30, 4-2	3045279	4-7, 4-8
3040502	2-9	3046697	4-2
3040506	2-9, 4-1	3046972	2-9, 4-1, 4-3, 4-4, 4-5, 4-10, 4-19, 4-23, 5-8, 5-10
3040524	3-24, 3-24, 3-24	10	
3040526	4-23, 4-25	3049804	4-2
3040533	4-23, 4-27	3049808	4-2
3040535	4-5, 4-7, 4-23	3049952	4-19
3040565	2-30	3050002	2-9, 4-1
3040566	2-30	3050004	4-1

3050008	2-9, 4-1	5020001	3-17
3050096	2-9, 4-1	5022903	5-9
3060017	5-11	5025001	3-4, 3-9, 3-10
3060018	5-11	5033610	3-14
3060019	5-11	5033615	5-9
3060069	4-23	5033618	3-4
3060083	5-6	5034203	2-1, 3-1
3060097	4-23	5034501	2-29
3060099	4-5, 4-23	5034505	2-1, 3-1
3060100	4-5, 4-23	5034601	2-9, 3-15, 3-16
3061815	4-23	5035303	2-1, 2-2, 2-3, 2-5, 2-35, 3-1, 3-3, 3-4, 3-4, 3-9, 3-10, 3-19, 3-54
3064413	5-12	5035305	2-2, 2-3, 2-5, 3-14, 3-17, 3-20, 3-21, 3-31, 3-35, 3-36, 3-38
3067619	5-11	5035306	3-34, 5-2, 5-4
3067620	5-12	5035307	3-5, 3-6, 3-17
3069526	4-5	5035308	3-3, 3-17
3070001	4-5	5035318	3-12, 3-13, 3-14, 3-18, 3-31, 3-36, 3-49
3070003	4-5	5035319	2-2, 2-3, 2-5, 3-3
3070040	4-5	5035320	3-23, 3-25, 3-34, 5-4
3080001	5-2	5035322	3-4
3090006	4-2, 5-8, 5-11	5035403	2-9, 3-15, 3-16
3090008	4-2	5035408	2-1, 3-1
3090019	2-9, 4-1, 5-6, 5-10, 5-12	5035703	3-27, 3-29
3090020	4-2, 4-5	5035706	2-10, 3-27, 3-29
3220019	4-7	5035708	2-1, 3-1
3220028	5-5	5035710	3-35
3220073	4-24, 4-26	5036106	3-34, 3-42
3220126	3-26	5036108	3-3, 3-4, 3-17
3220166	4-5	5036503	3-8
475986	2-35	5036507	3-5, 3-6
480652	4-23	5036703	3-23, 3-25, 5-8
487086	3-26	5036705	2-1, 3-1, 3-5, 3-6, 3-14, 3-21, 3-35, 5-2, 5-5
5010005	2-18	5036706	3-4
5010011	2-9, 2-17, 2-22		
5018832	2-9		

5036707 3-5, 3-6, 3-17	5064008 3-3, 3-4, 3-17
5036708 3-3, 3-3, 3-4	5064011 3-4
5036803 3-4	5064012 3-5, 3-6
5036805 3-14	5065703	2-10, 2-34, 3-4, 3-5, 3-6, 3-10, 3-23, 3-25, 3-35
5036903 2-10, 3-33	5065705 2-10, 3-12, 3-13, 3-17, 3-18, 3-36, 3-42
5036906 2-10, 3-42, 5-9	5065707	. 2-2, 2-3, 2-5, 3-8, 3-14, 3-17, 3-22, 3-31, 3-34
5036908 3-3, 3-17	5065708 3-23, 3-25, 3-27, 3-29, 3-33, 3-35, 5-2, 5-5
5036910 3-31	5065709	. 2-10, 2-15, 2-29, 3-20, 3-21, 3-27, 3-29, 3-31, 3-42, 3-44
5036911 3-32	5065710 3-19
5037003	2-9, 2-10, 3-4, 3-15, 3-16, 3-18, 3-27, 3-29, 3-35, 3-36, 5-2, 5-4	5065711 3-4, 3-9, 3-10
5037005	. 2-2, 2-3, 2-5, 3-14, 3-17, 3-23, 3-25, 3-34, 3-35	5065714 3-3, 3-4
5037006	. 2-29, 3-3, 3-17, 3-19, 3-20, 3-21, 3-31, 3-34, 3-42	5065715 2-2, 2-3
5037008 2-1, 2-2, 2-3, 3-1, 3-3, 3-3, 3-4	5065718 3-19, 3-31, 3-35
5037010 3-19, 3-27, 3-29	5065719 3-27, 3-29
5037011 3-32	5065721 2-15, 3-32
5037102 2-8, 4-5	5065728 3-17
5037305 2-15, 5-9	5065731 3-4, 3-27, 3-29
5038005 3-19	5065732 2-15, 3-29
5038805 3-14	5065737 3-31
5058824 2-9, 3-15, 3-16, 5-9	5065803 5-2, 5-4
5059706 2-9, 2-9, 3-16	5065805 3-23, 3-25
5060505 5-9	5067020 3-25
5063701 3-23, 3-25	5070005 2-9, 3-15, 3-16
5063905 3-23, 3-35	5070026 2-1, 2-5, 3-1
5063906 2-32, 3-4, 3-34, 5-9	5070028 3-15, 3-16
5063907 3-5, 3-6	5073009 2-35
5063908 3-3, 3-4	5074401 2-8, 2-29, 3-15, 4-5
5064001 3-17, 3-23, 3-33, 3-35	5074406 3-1
5064002 3-4, 3-34, 5-9	5075203 2-1, 3-1, 3-9
5064003 2-32, 3-34	5075205 3-23, 3-25, 3-31, 3-35
5064004 3-5, 3-6, 3-17	5075206 3-31
		5075208 3-4, 3-9, 3-10, 3-27, 3-29
		5075306 3-47

5076003 3-33	5530014 2-29
5076206 3-4	5530015 2-29
5080015 2-1, 3-1	5530017 2-16
5080018 2-15	5550005 2-17
5080044 3-32	5550006 2-9, 2-18
5090006 3-32	5550007 2-17
5090031 3-32	5550026 2-18
5090032 2-23	5550028 2-17
5090034 2-33, 4-10	5550038 2-18
5093000 2-9, 4-1	5550040 2-18, 2-27
5093001 2-22, 5-11	5560004	2-2, 2-9, 2-13, 2-16, 2-22, 2-28, 2-29, 2-32, 2-33, 4-1
5093002 2-9, 2-16, 4-1	5560005 2-35, 3-44
5093004 2-29, 4-7, 4-23	5560015 2-29
5093006 2-9, 4-1	5560022 2-10
5093008 2-9, 4-1, 4-5	5560031	2-4, 2-9, 2-10, 2-27, 2-28, 2-28, 2-28, 2-29, 2-32, 2-33, 2-35, 3-17, 5-2
5093009 2-32	5560033	2-1, 2-1, 2-2, 2-3, 2-9, 2-13, 2-14, 2-16, 2-22, 2-28, 2-28, 2-29, 2-32, 2-33, 2-35, 2-37, 2-38, 3-1, 3-1, 3-15, 3-16, 3-44, 4-1, 4-5, 5-2
5093010 2-9, 3-15, 3-16, 4-10, 4-23	5560034 2-9, 2-28, 4-1, 4-5, 4-7, 4-8, 4-22, 5-11
5093012 2-9, 2-27, 2-33, 3-15, 3-16	5560035 2-2, 2-3, 2-4, 2-9
5093013 2-2, 2-3, 3-1, 3-1	5560036 2-2, 2-3
5093014 2-9, 3-1, 3-1, 3-15, 3-16	5560038 2-9, 4-1, 4-5, 4-6, 4-8
5093019 5-12	5560039 2-9, 2-29, 2-32, 2-33, 2-35, 2-38, 3-44
5093021 2-16	5560051 2-10
5093024 2-16, 4-10	5560056 2-38
5093030 2-2, 2-3, 2-9, 3-15, 3-16	5560083 2-28, 2-34
5093039 2-9	5560099 2-2, 2-3, 2-5
5098340 3-15	5560100 2-10
510587-025 2-17, 2-23	5560126 2-29, 2-32
513133-040 2-17, 2-23	5560131 2-5, 2-10
5150144 4-24	5560135 4-5
5510004 2-29	5560136 2-17, 2-18, 2-23
5510022 2-28, 2-28, 2-28		
5516316 2-35		
5520109 2-31		
5530008 2-29		

5560138	5-1	5560349	2-10
5560146	2-29	5560356	2-16, 2-18
5560152	2-5	5560364	2-16
5560154	2-18, 2-29	5560531	2-9
5560168	2-9, 2-17, 2-18, 2-23, 2-29, 2-32, 3-44	5560598	2-16
5560169	2-2, 2-3, 2-3, 2-5, 2-10	5560603	4-10
5560170	2-2, 2-3, 2-8, 2-10	5560609	2-9, 4-1, 4-8, 4-22, 5-11
5560171	2-8, 2-29	5560610	4-8
5560179	2-9, 2-22	5560614	2-16, 2-18
5560198	2-29	5560615	2-16
5560202	2-5	5560618	2-16
5560206	2-9	5560625	2-18
5560222	2-9	5560626	2-16
5560230	2-29	5560641	2-9, 3-15, 3-16
5560231	2-29	5560643	2-29
5560232	2-5, 2-29	5560644	3-44
5560233	2-29	5560645	2-33
5560234	2-29	5560654	2-1, 3-1
5560235	2-29	5560673	4-5, 4-7
5560236	2-8	5560675	2-29, 2-33
5560241	2-5	5560676	2-2, 2-3
5560242	2-29	5560678	2-10, 2-35
5560243	2-29	5560679	2-2, 2-29
5560244	2-29	5560681	2-29
5560245	2-2, 2-3	5560682	2-33
5560251	2-31	5560683	2-3
5560253	2-29	5560685	2-29
5560254	2-29, 3-44	5560688	2-5
5560256	2-29	5560689	2-5, 2-34
5560311	2-28, 2-28	5560692	5-11
5560330	2-33, 2-35	5560693	2-1, 3-1
5560331	2-29, 2-33	5560703	4-5
5560339	3-51	5560707	4-5, 4-7
5560341	4-7, 4-8	5560712	2-34

5560717 2-5	6010159 3-14
5560719 2-16	6010216 2-12, 3-53
5561555 2-2	6010216 D 3-53
5563017 2-28, 2-28	6010222 2-1, 3-1
5563449 2-5	6010222 C 3-11
5569003 5-12	6010223 3-14
5569012 2-28	6010231 3-3, 3-4
5569059 4-22	6010255 3-53
5569711 4-23, 5-6	6010256 3-53
5569835 3-39, 3-40, 3-47	6010269 3-4, 3-9, 3-10
5569847 2-35	6010292 3-42
5569854 2-5	6010426 3-39
5569861 2-33	6010469 3-42
5569865 2-9	6010472 3-18
5569870 2-29	6010473 3-18
5569871 2-29	6010488 3-39, 3-44
5569872 2-29	6010489 5-2, 5-4
5569875 2-10	6010489 F 5-3
5569880 2-1, 3-1	6010490 3-22
5569883 4-26	6010493 3-13
5569975 2-5	6010495 5-9
5569978 4-28	6010498 5-9
5570001 2-5, 2-8, 4-5	6010508 3-42, 5-3, 5-4
5570008 2-10	6010509 3-42, 5-4
5580002 2-2, 2-3	6010510 5-3, 5-4
5590003 2-10	6010514 3-42
5592018 2-36	6010531 3-53
561176 3-42	6010533 3-42
561956 3-5, 3-7	6010541 3-52, 3-52
562326 4-23	6010549 3-8
563536 4-10	6010565 3-35
565666 5-3	6010579 3-35
6010083 3-22	6010605 3-35
6010111 3-52	6010607 3-8

6010613	3-4, 3-9, 3-10	6010904	3-24, 3-24
6010614	3-4, 3-9, 3-10	6010908	3-24
6010624	3-4, 3-9, 3-10	6010911	3-34
6010633	3-3	6010912	3-34
6010636	3-33	6010913	3-12
6010653	3-28, 3-28, 3-28, 3-28, 3-28, 3-28	6010914	3-12
6010663	3-42	6010974	3-23
6010672	3-18	6010974 A	3-24
6010721	3-34	6018901	5-3, 5-4
6010722	3-42	6018948	3-26
6010723	3-12	6019039	3-26, 3-26
6010724	3-42	6019041	3-26
6010726	3-34	6019050	3-5, 3-6
6010727	3-34	6019050 A	3-7
6010728	3-34	6019060	3-25
6010731	3-42	6019060 D	3-26
6010732	3-34	6019068	3-50
6010734	3-12	6019089	3-54
6010735	3-12	6019093	3-36
6010736	3-18	6019093 B	3-37
6010737	3-18	6019096	3-26
6010794	3-46, 3-47	6019097	3-26
6010842	3-27	6019155	3-26, 3-26
6010842 F	3-28	6019157	3-26
6010856	3-34	6019168	3-4, 3-9, 3-10
6010860	3-28	6019332	3-29
6010861	3-28, 3-30	6019332 A	3-30
6010862	3-28, 3-30	6019355	5-3
6010867	3-28, 3-30	6019376	3-30
6010868	3-28, 3-30	6020058	3-20, 3-21
6010869	3-28, 3-30	6020065	3-19
6010870	3-28	6030017	2-12
6010871	3-28	6030029	5-2
6010882	3-44	6030037	2-2, 2-3, 2-5, 3-2

6030038	3-2	6091354	3-39
6040082	4-1	6091355	3-39
6047114	2-34	6091362	3-39
6047152	3-48	6091374	3-40
6047152 B	3-48	6091419	3-43
6047153	3-49	6091420	3-43
6047153 C	3-50	6091591	3-37
6047156	3-48, 3-50	6091592	3-37
6047161	3-48, 3-50	6091913	3-5, 3-7
6070006	3-33	6091990	3-19
6081989	3-19	6092021	3-46
6090057	3-19	6092040	3-46
6091045	3-11	6092049	3-46
6091190	3-44, 3-44	6092050	3-46
6091241	3-47	6092051	3-46
6091246	3-47	6092052	3-46
6091250	3-40	6092067	3-46
6091256	3-40	6092068	3-46
6091257	3-40	6092069	3-46
6091259	3-40	6092070	3-46
6091260	3-40	6092071	3-46
6091272	3-39	6092072	3-46
6091282	3-43	6092073	3-46
6091288	3-47	7030161	4-22
6091289	3-47	7030162	4-22
6091291	3-47	7030163	2-36
6091292	3-47	704754-000	2-17
6091293	3-47	7110013	3-42, 3-42
6091311	3-47	7110159	2-2, 2-3, 2-5
6091331	3-43	7110906	3-14, 3-22, 3-33
6091333	3-43	7140092	4-20, 4-23
6091336	3-43	7190001	4-23
6091350	3-39	7190005	2-12
6091351	3-39	7240012	5-2

7620063	2-16, 2-19	7631223	2-24
7624794	2-17, 2-21	7631292	2-21
7624796	2-20, 2-23	7631293	2-20
7624796-MUFFLER	2-24	7631294	2-20
7630015	2-27	7631295	2-20, 2-21
7630140	3-32, 4-5	7631297	2-20
7630180	2-9, 2-22	7631307	2-21
7630227	2-22	7631318	2-21
7630229	2-27	7631319	2-20
7630239	2-22	7631327	2-21
7630323	2-16	7631329	2-21
7630707	2-16	763133.9	2-21
7630755	2-27	7631331	2-21
7630755 B	2-26	7631332	2-20
7630756-001	2-22	7631333	2-21
7630757	2-18	7631334	2-21
7630757 A	2-25	7631335	2-21
7630760	2-18	7631336	2-21
7630761	2-18	7631337	2-20
7630762	5-7	7631338	2-21
7630772	2-19	7631342	2-21
7630773	2-19	7631344	2-20, 2-21
7630774	2-19	7631345	2-20
7630948	2-21	7631349	2-21
7631088	2-9	7631350	2-21
7631207	2-24	7631351	2-20
7631208	2-24	7631352	2-21
7631213	2-24	7631353	2-20
7631214	2-24	7631354	2-20
7631215	2-24	7631355	2-20
7631216	2-24	7631356	2-20
7631218	2-24	7631357	2-20
7631221	2-24	7631358	2-20
7631222	2-24	7631359	2-20

7631360 2-20	8010280 2-7
7631361 2-20	8010281 2-7
7631362 2-20, 2-21	8036201 2-19
7631364 2-21	8036204 2-19
7631365 2-21	8050097 2-26
7631369 2-20	8050098 2-26
7714202 2-13	8050099 2-26
7714204 2-15	8050100 2-26
7714535 2-23	8060142 3-14
7720201 2-10	8060188 3-42
7720302 2-10	8060277 2-22
7721612 2-15	8070237 3-51
8010021 2-7, 2-7	8070357 3-41
8010027 2-7	8070358 3-41
8010028 2-7	8070360 3-41
8010029 2-7	8070361 3-41
8010030 2-7	8070362 3-41
8010075 2-7	8070363 3-41
8010080 2-7	8070804 3-45
8010105 2-7	8070827 3-41
8010138 2-7	8070870 3-51
8010143 2-7	8070871 3-51
8010145 2-7	8070872 3-51
8010149 2-7	8070877 3-51
8010168 2-7	8070878 3-51
8010245	3-28, 3-28, 3-28, 3-28, 3-28, 3-28, 3-28, 3-28	8070880 3-51
8010273 3-28	8070881 3-51
8010274 3-28	8071007 3-50
8010275 2-7	8080015 3-55
8010276 2-7	8080016 3-55
8010277 2-7	8080018 3-55
8010278 2-7	8080038 3-55
8010279 2-7	8080039 3-55
		8080040 3-55

80800413-55	81501454-24, 4-26
80800603-55	81501464-24, 4-26
80800613-55	81501474-24
80800623-55	81501484-24, 4-26
80800643-55	81501494-24
80801103-13	81501504-24, 4-26
80801253-34	81501514-24, 4-26
80801523-54	81501524-24, 4-26
81400112-26	81501534-24, 4-26
81400132-26	81501544-24, 4-26
81400142-26	81501554-24, 4-26
81400192-25	81501564-24, 4-26
81400232-25	81502054-25, 4-27
81500034-24, 4-26	81502114-25, 4-27
81500044-24, 4-26	81502124-25, 4-27
81500054-24, 4-26	81502134-25, 4-27
81500084-25, 4-27	81502144-26
81500094-24, 4-26	81601003-19
81500134-24, 4-26	81604922-31
81500824-24	81800142-13
81500844-24	81800213-19
81500874-25, 4-27	81800233-19
81500904-25, 4-27	81901563-3
81500944-24, 4-26	81901573-3
81501024-25, 4-27	81902913-5
81501364-24	82200103-2
81501374-24, 4-26	82200143-2
81501384-24, 4-26	82200153-2
81501394-24, 4-25, 4-27	82200163-2
81501404-24	82200193-2
81501414-24	82200253-2
81501424-24	82200263-2
81501434-24, 4-26	82200343-2
81501444-26	82200353-2

8220036	3-2	8230110	3-24
8220038	3-2	8230111	3-24
8220119	3-19	964989	2-31
8220120	3-19	969979	2-1, 3-1
8220126	3-2	970009	2-9, 2-35, 4-1
8220142	3-2	970019	2-9
8220157	3-2	970029	2-9, 2-22, 2-35, 2-36, 4-1, 4-7, 4-10, 5-8, 5-10,
8220158	3-2	5-12	
8220159	3-2	970039	2-22
8220160	3-2	970049	2-2, 2-3, 2-9, 2-13, 2-16, 2-28, 2-33, 4-1
8220161	3-2	970099	2-38
8220162	3-2	9701529	2-38
8220163	3-2	970169	2-1, 3-1
8220165	3-2	970189	4-10
8220166	3-2	970219	2-3
8220167	3-2	970239	2-4, 2-5, 2-9, 2-18, 2-27, 2-33, 2-35, 3-15, 3-16,
8220168	3-2	3-23, 3-25	
8220169	3-2	970249	2-22
8220170	3-2	970259	4-1
8220173	3-2	970269	2-33, 3-17, 5-2
8220175	3-2	970299	3-42, 5-2
8220176	3-2	970319	2-1, 3-1
8220177	3-2	970349	3-3
8220178	3-2	970369	2-9, 2-28, 2-33, 2-33, 5-2
8220179	3-2	970426	2-1, 2-33, 3-1
8220180	3-2	970429	3-15, 3-16, 4-1
8220182	3-2	970439	2-34, 4-10
8230073	2-12	970449	2-9, 2-34, 3-15, 3-16, 4-1
8230077	3-2	970469	2-1, 2-1, 2-9, 2-28, 2-33, 2-35, 3-1, 3-1, 3-15, 3-
8230105	3-24	16, 4-5	
8230106	3-24	970489	2-2, 2-3, 2-10, 2-28, 2-35, 4-1
8230107	3-24	970499	5-2
8230108	3-24	970519	2-9, 2-22
8230109	3-24	970529	2-9, 2-33, 2-35, 2-37, 3-15, 3-16

970539 3-15, 3-16	984069 2-3, 2-36
970549 2-9, 3-3	984089 2-1, 2-18, 3-1, 3-3
970569 3-3	984109 2-1, 2-10, 2-35, 3-1, 3-3, 3-15, 3-16
970589 2-9, 3-15, 3-16	984149 2-18, 4-1
970849 2-14, 2-35	984329 2-16
970889 2-9, 2-38, 4-1	984339 2-17
970909 2-9, 2-35	984449 2-2, 2-5, 2-10, 2-35
970919 2-9	984469 2-4, 2-5
970949 2-16	984529 2-38
971009 3-44	986009 2-9, 4-1, 4-7, 4-8
971309 2-2, 2-3	986019 2-1, 2-4, 2-9, 2-22, 2-33, 2-35, 2-38, 3-1, 4-1, 4-7, 4-7, 4-10, 5-8, 5-10, 5-12
971379 2-10	986159 4-5, 4-6, 4-8
972019 2-16	986169 2-9
972049 2-16	986269 2-5, 2-9, 2-10, 2-16, 2-18, 2-22, 2-27, 2-28, 2-33, 2-35, 3-3, 3-15, 3-16, 3-17, 3-23, 3-42, 5-2
972059 2-16	986299 2-1, 2-1, 2-9, 2-14, 2-16, 2-22, 2-28, 2-28, 2-33, 2-34, 2-35, 2-37, 3-1, 3-1, 3-3, 4-1, 4-10, 5-2
972439 2-28	986359 2-9, 2-28, 2-28, 2-33, 2-35, 2-38, 4-1, 5-1
972449 3-44	986459 2-9
972469 2-1, 2-33, 3-1	987009 2-38
972479 2-9, 2-16, 2-28, 2-37, 3-15, 3-16	987089 4-5, 4-6, 4-8
972489 2-33	987099 2-1, 2-22, 3-1, 4-1, 4-10, 5-8, 5-10, 5-12
972509 2-33, 2-33	987109 2-1, 2-2, 2-3, 2-5, 2-10, 2-18, 2-22, 2-28, 2-28, 2-34, 3-1, 3-3, 3-15, 3-16, 3-23, 3-25, 3-42, 4-1
974239 4-5, 4-6, 4-8	987119 2-1, 2-10, 2-28, 2-33, 2-34, 2-35, 3-1, 3-3, 3-15, 3-16, 4-1, 4-10
974279 4-6, 4-8	987139 2-14, 2-16, 2-18, 2-28, 2-28, 4-1, 5-1
974439 2-9	987159 2-2, 2-3, 2-5, 2-10, 2-10
974629 4-7	987179 2-1, 3-1
974659 2-28, 4-5, 4-6, 4-7, 4-8	987349 4-5, 4-6, 4-8
974679 5-11	988179 2-38
974689 4-6, 4-7	9920014 2-29
974729 4-8	9920017 2-33, 2-33
974749 2-9, 4-1		
978419 3-54		
984009 4-5, 4-7		
984029 2-35		
984049 4-5, 4-7, 4-8		

99200182-33
 99200202-29
 99400012-13
 99400212-14
 9980012 2-10, 3-44
 A07035E A 4-28
 A19021 B 2-14
 A19028C2-28
 A19043C 5-6
 A19045C B5-1
 A19067A B 3-15
 A19067A D 3-16
 A19074A B 2-1
 IP-01135362-37
 Kit item 3-40, 3-40, 3-40, 3-40, 3-40, 3-40, 3-40,
 3-40, 3-40, 3-40, 3-47, 3-47, 3-47, 3-47, 3-47, 3-
 47, 3-47, 3-47, 3-47, 3-47, 3-47
 M00206 2-38
 NOTE 5 2-8
 SEE CHART 2-28