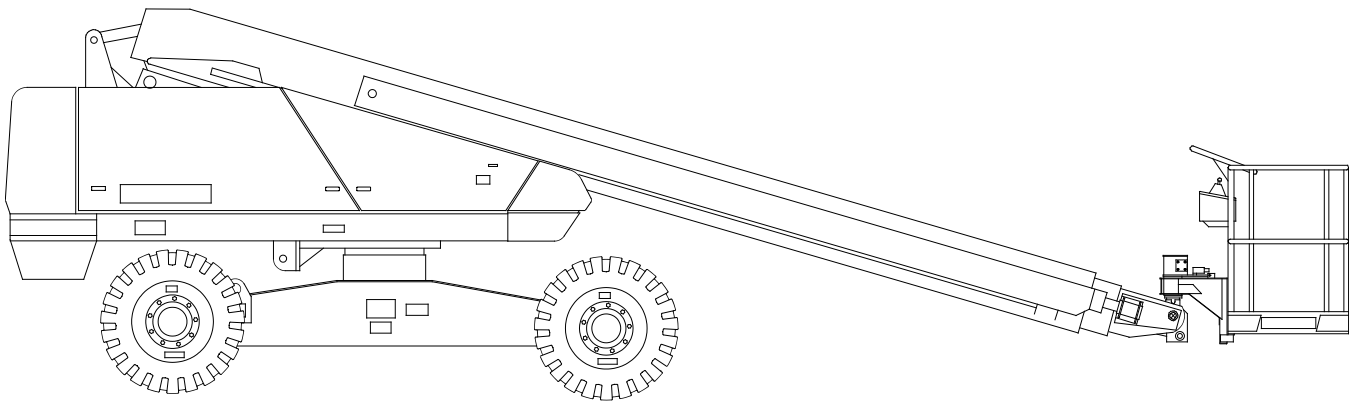




TB60



CE

REPAIR PARTS MANUAL

Manufactured 02-01 and after

Models TB60/TB60RT

Replaces 0083735 March 2014

Part Number 0083735

January 2016

GENERAL INFORMATION

GENERAL INFORMATION	1-1
---------------------------	-----

REPAIR PARTS

STEERING INSTALLATION 4X2 TB60 TBA60	2-1
FRONT WHEEL DRIVE TB60 4 WHEEL DRIVE INSTALLATION JANUARY 2001 AND BEFORE	2-2
FRONT WHEEL DRIVE 4X4 FEBRUARY 2001 AND AFTER	2-3
CHASSIS COVER INSTALLATION 4X4	2-4
DRIVE INSTALLATION JANUARY 2001 AND AFTER	2-5
CHASSIS TURNTABLE MOUNTING	2-6
TURNTABLE ELECTRICAL TB60 KUBOTA ASSEMBLY	2-7
TURNTABLE KUBOTA ASSEMBLY	2-8
LIFT SWING COUNTERWEIGHT INSTALLATION NOVEMBER 2014 AND AFTER	2-9
ENGINE TRAY ASSEMBLY CUMMINS 3.3 TIER 3 SEPTEMBER 2008 AND AFTER	2-10
ENGINE TRAY ASSEMBLY CUMMINS 3.3 T3 FEBRUARY 2009 AND AFTER	2-11
ENGINE ASSEMBLY CUMMINS TIER 3 WITH RADIATOR AUGUST 2008 AND BEFORE	2-12
ENGINE AND RADIATOR ASSEMBLY CUMMINS 3.3 TIER 3 JULY 2007 AND AFTER	2-13
ENGINE INSTALLATION CUMMINS	2-14
ENGINE AND RADIATOR ASSEMBLY CUMMINS 3.3 TIER 3 AUGUST 2008 AND AFTER	2-15
RADIATOR ASSEMBLY CUMMINS 3.3	2-16
ENGINE SUB ASSEMBLY DEUTZ F4L-1011F MARCH 2007 AND BEFORE	2-17
ENGINE SUB ASSEMBLY DEUTZ F4L1011F FEBRUARY 2009 AND AFTER	2-18
ENGINE SUB ASSEMBLY DEUTZ F4L1011F APRIL 2007 AND AFTER	2-19
ENGINE INSTALLATION DEUTZ T3 F4L1011 JANUARY 2008 AND AFTER	2-20
EXHAUST AND AIR CLEANER DEUTZ	2-21
AIR CLEANER DEUTZ ONLY	2-22
ENGINE MOUNTING FORD LRG 425 WITH ECM MARCH 2004 AND BEFORE	2-23
ENGINE MOUNTING FORD LRG 425 WITH CATALYTIC CONVERTOR AND EPM APRIL 2004 AND AFTER	2-24
ENGINE FORD LRG 425	2-25
EXHAUST AND AIR CLEANER INSTALLATION FORD NOVEMBER 2004 AND BEFORE	2-26
EXHAUST AND AIR CLEANER INSTALLATION FORD WITH CATALYTIC CONVERTER DECEMBER 2004 AND AFTER	2-27
AIR CLEANER CUMMINS FORD GM	2-28
ENGINE INSTALLATION GM TIER 3	2-29
ENGINE SUBASSEMBLY GM TIER 3	2-30
RADIATOR ASSEMBLY GM	2-31
AIR CLEANER INSTALLATION GM	2-32
SUPERTRAPP MUFFLER ADAPTER	2-33
ENGINE SUB ASSEMBLY KUBOTA V2403	2-34
V2403-M-T-E3B-KEA-2F KUBOTA ENGINE WITH RADIATOR REPLACEMENT PARTS	2-35
EXHAUST / AIR CLEANER INSTALLATION KUBOTA	2-36
FUEL TANK INSTALLATION	2-37
HYDRAULIC OIL RESERVIOR ASSEMBLY INSTALLATION	2-38
HYDRAULIC OIL RESIVIOR ASSEMBLY	2-39

PLASTIC COWLING INSTALLATION CUMMINS FORD GM TB60 TB66J	2-40
PLASTIC COWLING INSTALLATION DEUTZ SEPTEMBER 2006 AND BEFORE	2-41
PLASTIC COWLING INSTALLATION DEUTZ NOVEMBER 2006 AND AFTER	2-42
STEEL COWLING INSTALLATION CUMMINS FORD GM KUBOTA MAY 2015 AND AFTER ..	2-43
STEEL COWLING FORD CUMMINS GM KUBOTA AFTER APRIL 2015	2-44
STEEL COWLING INSTALLATION CUMMINGS AND FORD JUNE 2011 AND BEFORE	2-45
STEEL COWLING SERVICE KIT GM FORD CUMMINS KUBOTA	2-46
STEEL COWLING SERVICE KIT DEUTZ	2-47
REAR COWLING STEEL ASSEMBLY	2-48
BOOMS ASSEMBLY APRIL 2015 AND BEFORE	2-49
BOOMS AND HOSE CARRIER ASSEMBLY JANUARY 2001 AND AFTER	2-50
EXTENSION CYLINDER ASSEMBLY FEBRUARY 2000 AND BEFORE	2-51
HOSE CARRIER ASSEMBLY JANUARY 2001 AND AFTER	2-52
BOOM INSTALLATION	2-53
BOOMS ASSEMBLY MAY 2015 AND AFTER	2-54
EXTENSION CYLINDER ASSEMBLY MARCH 2000 AND AFTER	2-55
BOOM HOSE CARRIER ASSEMBLY MAY 2015 AND AFTER	2-56
HOSE CARRIER ASSEMBLY STEEL TRACK APRIL 2015 AND AFTER	2-57
BOOM INSTALLATION	2-58
PLATFORM ROTATOR ASSEMBLY MARCH 2006 AND BEFORE	2-59
PLATFORM ROTATOR ASSEMBLY MARCH 2006 AND AFTER	2-60
PLATFORM ROTATOR HELAC SUB ASSEMBLY JANUARY 2018 AND BEFORE	2-61
PLATFORM ROTATOR PARKER ASSEMBLY JUNE 2013 AND AFTER	2-62
PLATFORM ROTATOR HELAC ASSEMBLY OCTOBER 2014 AND AFTER	2-63
PLATFORM ROTATOR HELAC ASSEMBLY JANUARY 2015 AND AFTER	2-64
PLATFORM MOUNT HELAC	2-65
PLATFORM GATE	2-66
PLATFORM ASSEMBLY 8 FOOT ALUMINUM WITH GRAVITY GATE	2-67
PLATFORM ASSEMBLY ALUMINUM WITH SWING GATE AND PARKER ROTATOR	2-68
PLATFORM ASSEMBLY STEEL TRI ENTRY WITH HELAC ROTATOR	2-69
PLATFORM ASSEMBLY 8 FOOT ALUMIMUM WITH 600# CAPACITY	2-70
PLATFORM 8' ALUMINUM WITH SWING GATE TB60	2-71
PLATFORM 5' STEEL 500# DUAL HANDRAILS WITH SWING GATE TB60 ATB60	2-72
3' X 8' PLATFORM STEEL 500#	2-73
PLATFORM ASSEMBLY STEEL MARCH 2009 AND AFTER	2-74
PLATFORM INSTALLATION WITH HELAC ROTATOR	2-75
PLATFORM INSTALLATION WITH PARKER ROTATOR	2-76
PLATFORM INSTALLATION STEEL WITH GRAVITY GATE AND PARKER ROTATOR	2-77
PLATFORM 8 FOOT ALUMINUM INSTALLATION WITH SWING GATE	2-78
PLATFORM SUB ASSEMBLY 8' STEEL WITH SWING GATE	2-79
PLATFORM INSTALLATION ALUMINUM GRAVITY GATE CE PARKER ROTATOR	2-80
LEGACY SNORKEL GUARD WIRING	2-81
LEGACY SNORKEL GUARD ASSEMBLY	2-82
DECAL PLACARD TB60 KUBATA 4X4	2-83
DECAL PLACARD TB60 TB66J CUMMINS GM KUBOTA INSTALLATION MAY 2015	2-84

DECAL PLACARDS TB60 TB66J INSTALLATION NOVEMBER 2006 AND BEFORE	2-85
DECAL PLACARDS TB60 TB66J INSTALLATION OCTOBER 2006 AND AFTER	2-86
DECAL PLACARDS TB60 TB66J INSTALLATION OCTOBER 2007 AND AFTER	2-87
DECAL PLACARDS TB60 TB66J TNSTALLATION DECEMBER 2007 AND AFTER	2-88
DECAL PLACARDS TB60 TB66J INSTALLATION FEBURARY 2008 AND AFTER	2-89
DECAL PLACARDS TB60 TB66J INSTALLATION MAY 2015 AND AFTER	2-90

HYDRAULICS

CHASSIS HYDRAULIC EQUIPMENT 4X2 JANUARY 2001 AND BEFORE	3-1
CHASSIS HYDRAULIC EQUIPMENT 4X4 FUBURARY 2001 AND AFTER	3-2
CHASSIS HYDRAULIC EQUIPMENT 4X4 NOVEMBER 2006 AND AFTER	3-3
DRIVE MOTOR	3-4
DRIVE MOTOR WITH INTEGRAL BRAKE	3-5
GEAR HUB HIGH TORQUE AUBURN GEAR TB60-04-000114 AND BEFORE	3-6
GEAR HUB HIGH TORQUE OMNI GEAR TB60-04-000114 AND AFTER	3-7
DRIVE VALVE SUB-ASSEMBLY 4X4	3-8
DRIVE VALVE SUB-ASSEMBLY 4X2	3-9
DRIVE SEQUENCE VALVE LEFT HAND	3-10
DRIVE SEQUENCE VALVE RIGHT HAND	3-11
ANTI CAVITATION VALVE SUB ASSEMBLY MARCH 2005 AND BEFORE	3-12
ANTI-CAVITATION VALVE SUB ASSEMBLY JULY 2005 AND AFTER	3-13
ANTI-CAVITATION VALVE	3-14
FLOW DIVIDER VALVE	3-15
FLOW DIVIDER VALVE SUB-ASSEMBLY	3-16
SELECTOR VALVE 4X2	3-17
SELECTOR VALVE RIGHT HAND	3-18
SELECTOR VALVE LEFT HAND	3-19
SELECTOR VALVE 4X4	3-20
SERIES PARALLEL PACKAGE VALVE 4X4 RIGHT HAND	3-21
SERIES PARALLEL PACKAGE VALVE 4X4 LEFT HAND	3-22
TURNTABLE HYDRAULIC EQUIPMENT VICKERS APRIL 2007 AND BEFORE	3-23
TURNTABLE HYDRAULIC EQUIPMENT FLUIDTECH JANUARY 2008 AND AFTER	3-24
HYDRAULIC PUMP AND FITTINGS DEUTZ CUMMINS	3-25
HYDRAULIC PUMP ASSEMBLY JUNE 2018 AND AFTER	3-26
PISTON PUMP HENGLI SEPTEMBER 2019 AND AFTER	3-27
CENTERPOST AND FITTINGS SUB ASSEMBLY OCTOBER 2017 AND BEFORE	3-28
SWING DRIVE ASSEMBLY	3-29
SWING DRIVE PERFECTION	3-30
SWING DRIVE TULSA WINCH	3-31
SWING DRIVE AUBURN GEAR	3-32
MOTION CONTROL VALVE DRIVE	3-33
MOTION CONTROL VALVE DRIVE SUB ASSEMBLY	3-34
MOTION CONTROL VALVE TURNTABLE SWING WILLIAMS	3-35
MOTION CONTROL VALVE FLUIDTECH TECH	3-36
DRIVE LIFT SWING VALVE ASSEMBLY	3-37

DRIVE LIFT SWING CONTROL VALVE	3-38
NON PROPORTIONAL CONTROL VALVE VICKERS JANUARY 2001 AND AFTER	3-39
NON-PROPORTIONAL CONTROL VALVE FLUIDTECH FEBRUARY 2008 AND AFTER	3-40
ACCUMULATOR ASSEMBLY 300 PSI	3-41
EMERGENCY POWER UNIT	3-42
EMERGENCY POWER UNIT WUXI DELI APRIL 2016 AND AFTER	3-43
CHECK VALVE	3-44
DUAL CROSSOVER RELIEF VALVE	3-45
DUMP VALVE	3-46
RANGE VALVE SUB ASSEMBLY	3-47
HYDRAULIC OIL RESERVOIR AUGUST 1999 AND BEFORE	3-48
HYDRAULIC OIL RESERVOIR JULY 2006 AND AFTER	3-49
STEERING AND LEVELING CYLINDER ROSENBOOM JANUARY 2001 AND AFTER	3-50
LIFT CYLINDER ASSEMBLY	3-51
LIFT CYLINDER GBI	3-52
LIFT CYLINDER ROSENBOOM	3-53
MASTER LEVEL CYLINDER ROSENBOOM	3-54
EXTENSION CYLINDER GBI	3-55
EXTENSION CYLINDER ROSENBOOM	3-56
EXTENSION CYLINDER SEABEE	3-57
SLAVE LEVEL CYLINDER ASSEMBLY	3-58
SLAVE LEVEL CYLINDER ROSENBOOM	3-59
PLATFORM ROTATOR PARKER	3-60
PLATFORM ROTATOR ASSEMBLY HELAC OCTOBER 2014 AND AFTER	3-61
PLATFORM ROTATION VALVE	3-62

ELECTRICAL

TURNABLE ELECTRICAL INSTALLATION CUMMINS TIER 3 TB60 TB66J MAY 2008 AND BEFORE	4-1
TURNABLE ELECTRICAL INSTALLATION CUMMINS 3.3 JUNE 2008 AND AFTER	4-2
TURNABLE ELECTRICAL CUMMINS 3.3 MARCH 2008 AND BEFORE	4-3
TURNABLE ELECTRICAL INSTALLATION CUMMINS APRIL 2008 AND AFTER	4-4
TURNABLE ELECTRICAL INSTALLATION DEUTZ SEPTEMBER 2008 AND AFTER TB60	4-5
TURNABLE ELECTRICAL INSTALLATION DEUTZ AUGUST 2008 AND BEFORE TB60	4-6
TURNABLE ELECTRICAL INSTALLATION DEUTZ FEBRUARY 2009 AND AFTER TB60	4-7
TURNABLE ELECTRICAL INSTALLATION FORD JANUARY 2001 AND AFTER	4-8
TURNABLE ELECTRICAL FORD LRG 425	4-9
TURNABLE ELECTRICAL ASSEMBLY KUBOTA TB60	4-10
ENGINE HARNESS CUMMINS ASSEMBLY JANUARY 2001 AND AFTER	4-11
ENGINE HARNESS DEUTZ JANUARY 2001 AND AFTER	4-12
ENGINE HARNESS FORD EFI 425 APRIL 2004 AND AFTER	4-13
ENGINE HARNESS GM 2.4L TIER 3	4-14
ENGINE HARNESS KUBOTA V2403	4-15
DIODE RESISTOR WIRE ASSEMBLY	4-16
GROUND CONTROL PANEL ASSEMBLY DEUTZ FEBRUARY 2008 AND AFTER TB60	4-17

GROUND CONTROL PANEL ASSEMBLY CUMMINS AND DEUTZ NOVEMBER 2007 AND AFTER 4-18	
GROUND CONTROL PANEL ASSEMBLY CUMMINS AND DUETZ JANUARY 2001 AND AFTER TB60	4-19
GROUND CONTROL PANEL ASSEMBLY FORD	4-20
GROUND CONTROL PANEL ASSEMBLY GM TIER 3	4-21
GROUND CONTROL PANEL ASSEMBLY KUBOTA	4-22
GROUND BOX ASSEMBLY KUBOTA	4-23
WIRING BOX ASSEMBLY CUMMINS DEUTZ FORD ADDCO 3 SPEED JANUARY 2009 AND BEFORE	4-24
WIRING BOX ASSEMBLY CUMMINS DUETZ ADDCO 3 SPEED JANUARY 2001 AND AFTER 4-25	
WIRING BOX ASSEMBLY CUMMINS DEUTZ FORD TB60 B66J NOVEMBER 2011 AND AFTER 4-26	
WIRING BOX ASSEMBLY FORD LRG-425 AUGUST 2006 AND BEFORE	4-27
WIRING BOX KUBOTA ASSEMBLY JUNE 2014 AND AFTER	4-28
WIRING BOX ASSEMBLY KUBOTA CE APRIL 2015 AND AFTER	4-29
WIRING BOX ASSEMBLY GM TIER 3 JULY 2007 AND BEFORE	4-30
WIRING BOX PANEL CUMMINS DEUTZ 3 SPEED JANUARY 2001 AND AFTER	4-31
PANEL SUB ASSEMBLY CUMMINS DEUTZ ADDCO 3 SPEED AUGUST 2008 AND BEFORE	4-32
WIRING BOX PANEL CUMMINS DEUTZ 3 SPEED OCTOBER 2010 AND AFTER	4-33
PANEL SUB ASSEMBLY FORD LRG-425 SEPTEMBER 2003 AND AFTER	4-34
PANEL SUB ASSEMBLY GM TIER 3 OCTOBER 2007 AND BEFORE	4-35
PANEL SUB ASSEMBLY KUBOTA JUNE 2015 AND AFTER	4-36
BOOM SWITCH ASSEMBLY	4-37
BOOM ELECTRICAL TB60 TB66 FLUID TECH INSTALLATION OCTOBER 2007 AND AFTER	4-38
BOOM ELECTRICAL INSTALLATION JANUARY 2009 AND BEFORE	4-39
BOOM ELECTRICAL INSTALLATION FEBRUARY 2009 AND AFTER	4-40
PLATFORM CONTROL BOX SUB ASSEMBLY JANUARY 2001 AND AFTER	4-41
PLATFORM CONTROL BOX SUB ASSEMBLY MAY 2007 AND AFTER	4-42
PLATFORM CONTROL BOX ASSEMBLY CUMMINS DUETZ AND KUBOTA FEBRUARY 2009 AND AFTER	4-43
PLATFORM CONTROL BOX TB60 CUMMINS DEUTZ KUBOTA SUB ASSEMBLY NOVEMBER 2007 AND AFTER	4-44
PLATFORM CONTROL BOX TB60 CUMMINS DEUTZ KUBOTA SUB ASSEMBLY FEBURARY 2009 AND AFTER	4-45
CONTROLLER 33HZ DRIVE STEER	4-46
CONTROLLER LIFT/SWING	4-47
110V POWER OUTLET INSTALLATION	4-48
110 220 POWER TO PLATFORM INSTALLATION	4-49
PLATFORM FOOT SWITCH ASSEMBLY	4-50
FOOT SWITCH WIDE TREDLE ASSEMBLY	4-51

OPTIONS

TOW PACKAGE	5-1
OIL COOLER DEUTZ 12KW INSTALLATION TB60 TB65J TB66J	5-2
DUAL FUEL GM TIER 2 APRIL 2006 AND AFTER	5-3

DUAL FUEL GM TIER 3 AUGUST 2007 AND AFTER	5-4
GASOLINE ONLY GM TIER 3 AUGUST 2007 AND AFTER	5-5
LP ONLY GM TIER 3 SEPTEMBER 2007 AND AFTER	5-6
DUAL FUEL FORD LRG-425	5-7
LP FUEL ONLY FORD LRG-425	5-8
DUAL FUEL ENGINE SUBASSEMBLY FORD LRG-425	5-9
SPARK ARRESTOR MUFFLER DEUTZ	5-10
DEUTZ DIESEL SCRUBBER	5-11
HYDRAULIC WARM UP	5-12
WARM UP WITH SIMPLIFIED HYDRAULICS GM	5-13
HYDRAULIC WARM UP VALVE	5-14
COLD WEATHER HYDRAULIC OIL	5-15
COLD WEATHER PACKAGE CUMMINS	5-16
COLD WEATHER PACKAGE DEUTZ	5-17
COLD WEATHER PACKAGE GM TB60/66J	5-18
EXTREME COLD WEATHER PACKAGE DEUTZ	5-19
EXTREME COLD WEATHER PACKAGE GM	5-20
COLD WEATHER START GM	5-21
EXTREME COLD WEATHER PACKAGE KUBOTA	5-22
UPPER CONTROL BOX COVER JUNE 2014 AND BEFORE	5-23
EXTREME COLD WEATHER PACKAGE CUMMINS	5-24
EXTREME ENVIROMENT PACKAGE DEUTZ	5-25
EXTREME ENVIROMENT PACKAGE CUMMINS	5-26
EXTREME COLD WEATHER PACK GM	5-27
SANDBLAST KIT	5-28
SANDBLAST INSTALLATION DEUTZ ONLY TB60	5-29
BOOM BRUSH KIT	5-30
12KW GENERATOR ASSEMBLY FABCO	5-31
12KW GENERATOR INSTALLATION	5-32
12KW GENERATOR ASSEMBLY TENDAIRE	5-33
12KW GENERATOR VALVE ASSEMBLY	5-34
12KW GENERATOR WIRING BOX ASSEMBLY	5-35
12KW GENERATOR CIRCUIT BREAKER WIRING	5-36
12KW GENERATOR HOSE CARRIER ASSEMBLY	5-37
12KW GENERATOR BOOM ELECTRICAL INSTALLATION	5-38
12KW GENERATOR PLATFORM CONTROL BOX	5-39
220V AC GENERATOR INSTALLATION TB60/TB66J	5-40
HYDRAULIC AC GENERATOR SUB ASSEMBLY 220V AC 50HZ	5-41
HYDRAULIC AC GENERATOR ASSEMBLY 110V TB60 TB66J	5-42
110V AC GENERATOR INSTALLATION MARCH 2007 AND BEFORE	5-43
110V AC GENERATOR INSTALLATION APRIL 2007 AND AFTER	5-44
HYDRAULIC AC GENERATOR WITH MOTION ALARM MODIFICATION	5-45
HYDRAULIC AC GENERATOR VALVE SUB ASSEMBLY	5-46
ISOLATION VALVE INSTALLATION	5-47
AMBER BEACON SINGLE	5-48

DRIVING AND TAIL LIGHTS MAY 2015 AND BEFORE	5-49
DRIVING AND TAIL LIGHTS JUNE 2015 AND AFTER	5-50
LIGHT PACKAGE	5-51
PLATFORM BOX COURTESY LIGHT	5-52
PLATFORM WORK LIGHTS	5-53
PLATFORM WORK LIGHTS GLOBAL PLATFORM INSTALLATION	5-54
PLATFORM WORK LIGHTS 4 HALOGEN	5-55
SWING GATE SIDE MIDRAIL ALUMINUM PLATFORM OCTOBER 2007 AND AFTER	5-56
GRAVITY GATE SIDE ENTRY STEEL PLATFORM	5-57
ALL MOTION ALARM	5-58
HORN INSTALLATION	5-59
PLATFORM LIGHT INSTALLATION JULY 2014 AND BEFORE	5-60
PLATFORM LIGHT INSTALLATION AUGUST 2014 AND AFTER	5-61
PLATFORM CONTROL COVER VINYL	5-62
TILT ALARM LIGHT JULY 2005 AND AFTER	5-63
PROPORTIONAL EXTEND/RETRACT	5-64
MOTION ALARM DRIVE ONLY	5-65
AIR REEL INSTALLATION TB60	5-66
PLATFORM BUMPGUARD	5-67
LANYARD MOUNT	5-68
STEEL PLATFORM WITH WELDER	5-69
PERSONAL FALL ARREST ANCHORAGE INSTALLATION	5-70
WELDER ASSEMBLY	5-71
ALUMINUM PLATFORM WITH WELDER AND 11KW GENERATOR	5-72
GLAZIER TRAY ASSEMBLY	5-73
GLAZIER PACKAGE PLATFORM WITH 1.7 INCH TOE BOARD INSTALLATION	5-74
GLAZIER PACKAGE WORLD PLATFORM WITH 2 INCH TOE BOARD INSTALLATION	5-75
CSA PACKAGE	5-76
FOAM FILLED TIRES 4X4 TB60 TB66J	5-77
NON MARKING FOAM FILLED TIRES 4X4	5-78
FLOTATION TIRE ASSEMBLY	5-79
FLOTATION TIRES 4X4 TB60 TB66J	5-80

MAINTENANCE

MAINTENANCE, TB60	6-1
-------------------------	-----

SCHEMATICS

TB60 ELECTRICAL SCHEMATIC CUMMINS A08114B	7-1
TB60 ELECTRICAL SCHEMATIC CUMMINS TIER 3 ADDED GLOW PLUG TIMER ASSEMBLY WITH RELATED WIRING A08142A	7-2
TB60 ELECTRICAL SCHEMATIC CUMMINS TIER 3 REPLACED ADDCO ACTUATOR WITH SOLENOID A08142B	7-3
TB60 ELECTRICAL SCHEMATIC DEUTZ A08090B ADDED HARD START SOLENOID	7-4
TB60 ELECTRICAL SCHEMATIC DEUTZ A08090C REPLACED ADDCO ACTUATOR WITH SOLENOID	7-5
TB60 ELECTRICAL SCHEMATIC GM A08136B	7-6

TB60 ELECTRICAL SCHEMATIC GM 2.4L TIER 3 A08137A	7-7
TB60 ELECTRICAL SCHEMATIC GM TIER 3 ADDED FLUID TECH NON-PROPORTIONAL VALVE A08137B	7-8
TB60 ELECTRICAL SCHEMATIC GM TIER 3 ADDED HYDRAFORCE CONTROLLER WIRING A08137C	7-9
TB60 ELECTRICAL SCHEMATIC CE DEUTZ A08094B	7-10
TB60 ELECTRICAL SCHEMATIC GM UPDATED WIRING HARNESS A08137D	7-11
TB60 ELECTRICAL SCHEMATIC CE DEUTZ A08094C ADDED LOAD SENSE	7-12
TB60 ELECTRICAL SCHEMATIC CE DEUTZ A08094D ADDED BOOM ANGLE SWITCH AND UPDATED DRIVE BYPASS RELAY POWER	7-13
TB60 ELECTRICAL SCHEMATIC CE DEUTZ 1D WIRING CONNECTION IN WIRING BOX UPDATED LOAD SENSE CONTROL BOX MOUNT SCREWS TO SELF TAPPING PLATFORM AC POWER INSTALLATION AND 220V AC GEN OPTION UPDATED POWER TO RANGE SWITCH .	7-14
TB60 ELECTRICAL SCHEMATIC CE CUMMINS TIER 3 ADDED GLOW PLUG TIMER ASSEMBLY WITH RELATED WIRING	7-15
TB60 PRO65 TB65J PRO66 TB66J HYDRAULIC SCHEMATIC 2 WHEEL DRIVE 0082089A	7-16
TB60 TB60P PRO65 TB65J PRO66 TB66J HYDRAULIC SCHEMATIC 4 WHEEL DRIVE 0082090A .	7-17
TB60 HYDRAULIC SCHEMATIC 0082091B	7-18
A	A
B	B

DANGER

The aerial platform is not electrically insulated. Death or serious injury will result from contact with, or inadequate clearance from, an energized conductor.

Do not go closer than the Minimum Safe Approach Distance as defined by ANSI standards.

Regard all conductors as energized.

Allow for electrical wire sag and aerial platform sway.

If the platform, boom structure, or any part of the aerial platform contacts a high-voltage electrical conductor, the entire machine can become electrically charged.

If that happens, remain on the machine and do not contact any other structure or object. This includes the ground, adjacent buildings, poles, and any other objects that are not part of the aerial platform.

Such contact could make your body a conductor to the other object, creating an electrical shock hazard resulting in death or serious injury.

If an aerial platform is in contact with an energized conductor the platform operator must warn ground personnel in the vicinity to stay away. Their bodies can conduct electricity creating an electrical shock hazard resulting in death or serious injury.

Do not approach or leave the aerial platform until the electricity has been turned off.

Do not attempt to operate the lower controls when the platform, boom structure, or any part of the aerial platform is in contact with a high-voltage electrical conductor or if there is an immediate danger of such contact.

Personnel on or near an aerial platform must be continuously aware of electrical hazards, recognizing that death or serious injury can result from contact with an energized conductor.

California

Proposition 65 Warning

Battery posts, terminals and related accessories contain lead and lead components, chemicals known to the State of California to cause cancer and birth defects or other reproductive harm. Wash hands after handling.

California

Proposition 65 Warning

Diesel and gasoline engine exhaust and some of its constituents are known by the State of California to cause cancer, birth defects or other reproductive harm.

General Information

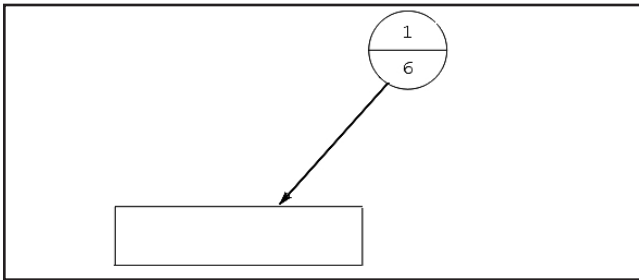
About This Manual

This manual covers TB60 and TB60RT aerial platforms. Information is included for machines that have been manufactured to conform to all applicable requirements of the following organizations:

- American National Standards Institute (ANSI)
- Canadian Standards Association (CSA)
- European Committee for Standardization (CE)
- Australian Standards (AS) certification

Part pages include a drawing and a bill of material. The bill of material lists the item number that is on the drawing, the Snorkel part number, quantity used and a description of the item.

Some callouts in the drawings may have a balloon with two numbers. The top number is the item number and the bottom number is the quantity of the item at that location.



While Snorkel has attempted in every way to confirm that all information in this manual is correct, improvements are being constantly made to the machine that may not be reflected in this manual.

If you find information in this manual that is not correct or is confusing, you are urged to report your findings to Snorkel for our evaluation. Your input is important to us and will be used in future printings of this manual.

This machine is covered by a limited warranty that specifically identifies items warrantied by Snorkel and those items covered by original manufacturer's warranty. A copy of the Snorkel Limited Warranty is located on the inside of the back cover of this manual.

Repairs and Maintenance

Every person who maintains, inspects, tests or repairs the machine must be qualified and authorized to do so.

⚠Caution

Do not modify this aerial platform without prior written consent of Snorkel Engineering Department. Modification may void the warranty, adversely affect stability or affect the operational characteristics of the aerial platform.

Abbreviations

The following abbreviations may be used in this manual.

AC	alternating current
ANSI	American National Standards Institute
AR	as required
CCA	cold cranking amps
cm	centimeter
DC	direct current
ft	feet
GFCI	ground fault circuit interruptor
in	inch
lbs	pounds
mm	millimeter
no	number
NPT	national pipe thread
psi	pounds per square inch
qty	quantity
rpm	revolutions per minute
UL	Underwriters Laboratories Inc.

Additional Information

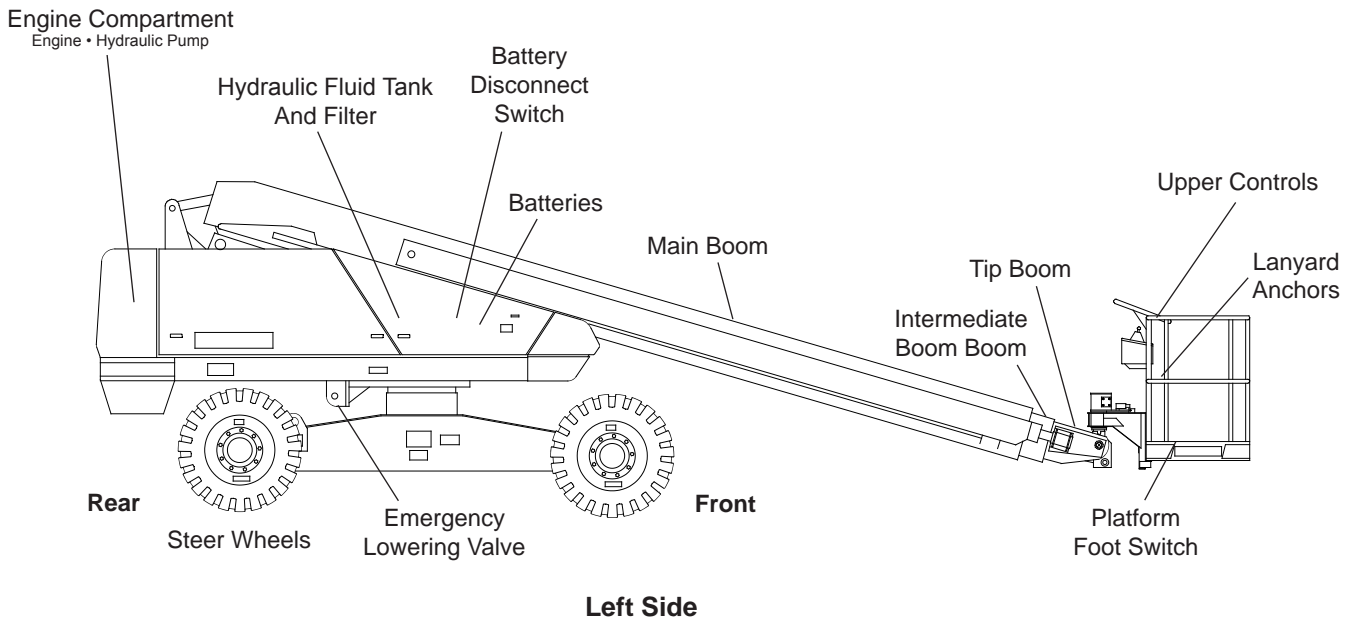
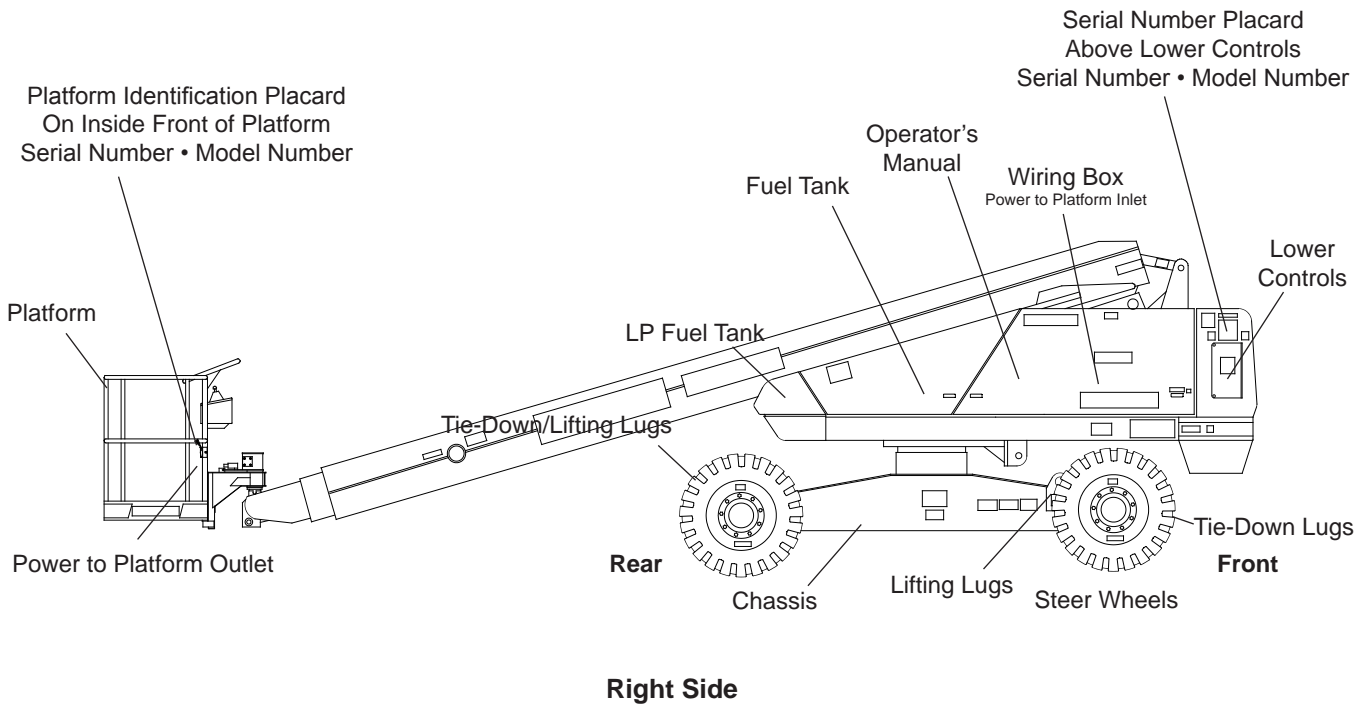
All correspondence relative to this machine, such as field reports, discrepancy reports, requests for information, etc., should be directed to:

Snorkel North America
P.O. Box 1160
St. Joseph, MO 64502-1160 USA
Phone: 1-800-255-0317

Snorkel Europe
Vigo Centre
Birtley Road
Washington
Tyne & Wear
NE38 9DA
Phone: +44 (0) 845 1550 058

<http://www.snorkellifts.com>

Component Identification



Service and Parts Information

Ordering Parts

When placing an order for service or repair parts, please have the following machine information readily available.

- Model number
- Serial number
- Snorkel part number
- Description of part
- Quantity of parts required
- Your purchase order number
- Address for order to ship to
- The desired shipment method

If ordering parts off-line, the parts order form on the following page may be mailed or faxed to the attention of the Parts Department at the following location:

Snorkel North America
P.O. Box 1160
St. Joseph, MO 64502-1160 USA
Phone: 1-800-255-0317
Parts Fax: 1-785-989-3077

Snorkel Europe
Vigo Centre
Birtley Road
Washington
Tyne & Wear
NE38 9DA
Phone: +44 (0) 845 1550 058
Parts Fax: +44 (0) 1952 607 678

Attention: Parts Department

For your convenience, our electronic on-line ordering system is accessible from the following Internet location:

<http://www.snorkellifts.com>

ANSI and OSHA Compliance

All owners and users of the aerial platform must read, understand and comply with all applicable regulations. Ultimate compliance to OSHA regulations is the responsibility of the user and their employer.

ANSI publications clearly identify the responsibilities of all personnel who may be involved with the aerial platform. A reprint of the "Manual of Responsibilities for Dealers, Owners, Users, Operators, Lessors and Lessees of ANSI/SIA A92.5-2006 Boom-Supported Elevating Work Platforms" is available from Snorkel dealers or from the factory upon request.

Copies are also available from:

Scaffold Industry Association, Inc.
P.O. Box 20574
Phoenix, AZ 85036-0574 USA

Manuals

Manuals are available from Snorkel to support any of the machines that we produce.

The specific manuals for TB66J aerial platforms are as follows:

TB60 Operator's Manual – ANSI
Snorkel part number – 0083739

TB60/TB60RT Repair Parts Manual
Snorkel part number – 0083735

ANSI Manual of Responsibilities
ANSI/SIA A92.5-2006
Snorkel part number – 0084053

Machine Information

Model Number: _____

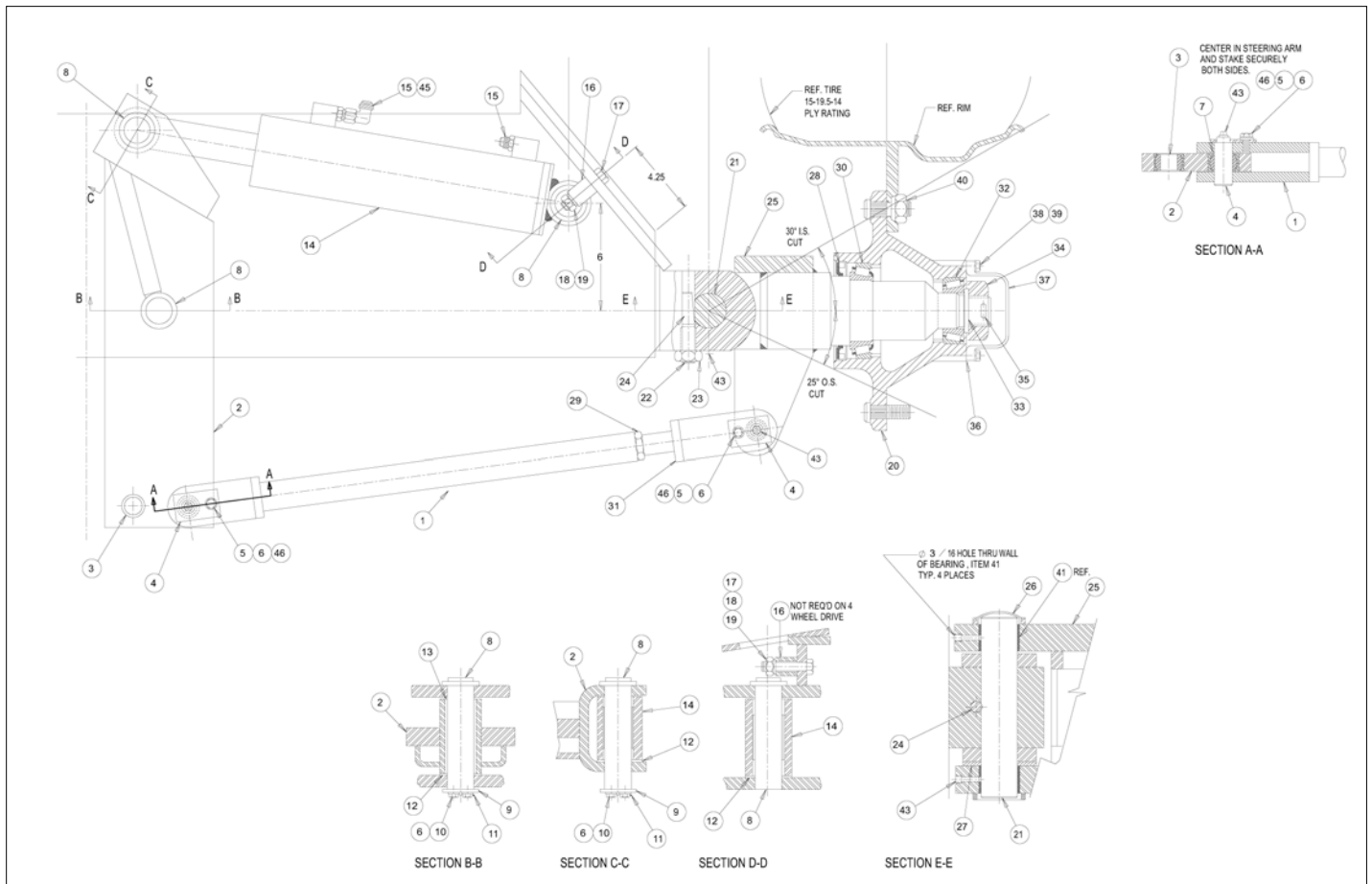
Serial Number: _____

Date of Purchase: _____

Purchased From: _____

Snorkel Dealer or Distributor: _____

REPAIR PARTS

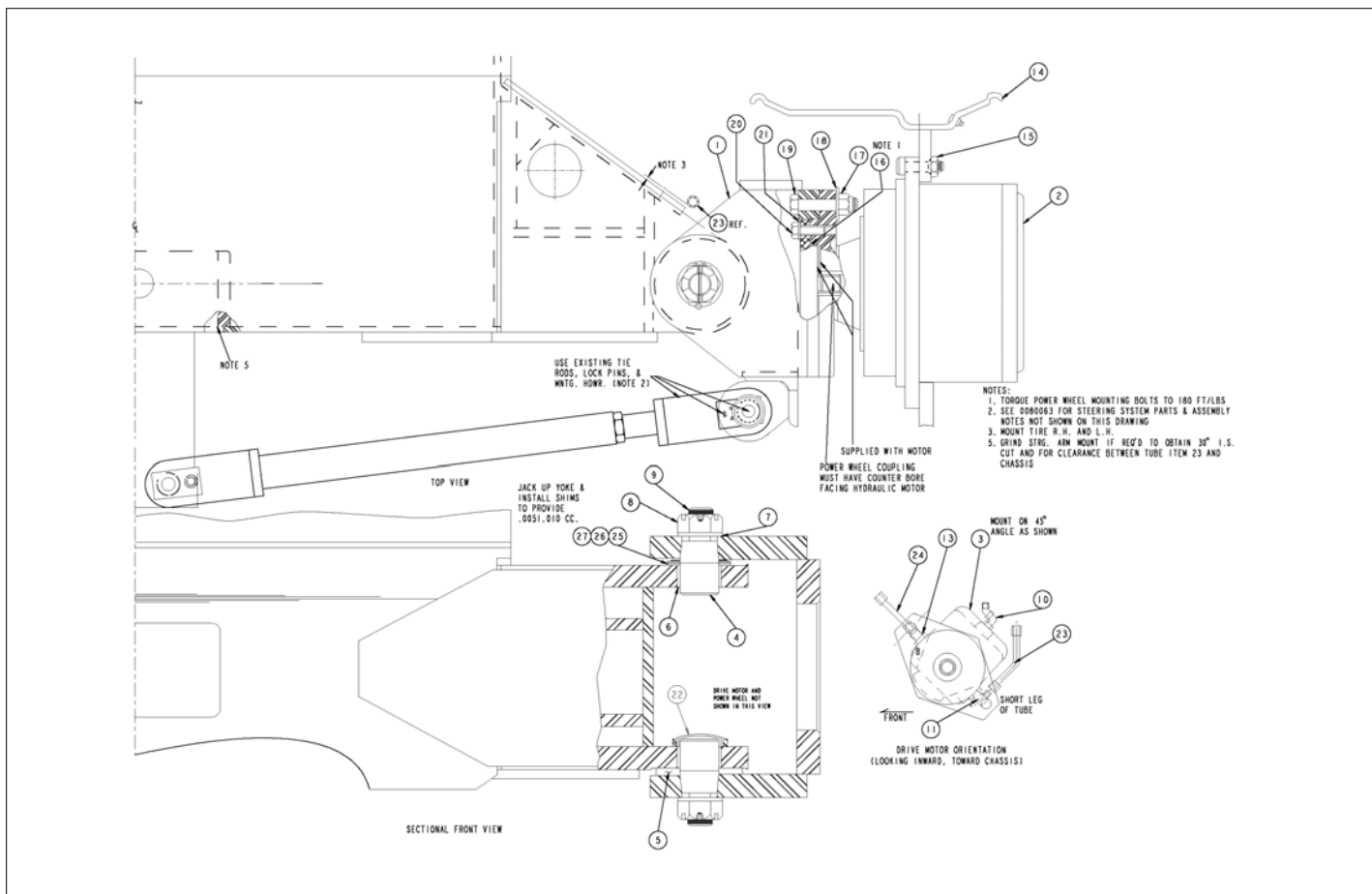


アイテム	部品番号	名前	数量	UOM
	0080063 V	STEERING TB60 TB65J TB66J 4X2 INSTALLATION		EA
1	0083416	WELDMENT TIE ROD	2	EA
2	0083562	WELDMENT STEERING ARM	1	EA
3	2690001	BUSHING, 1 INCH SPHERICAL PLAIN	4	EA
4	0110320	WELDMT PIN STEERING YOKE	4	EA
5	970239	BLT HEXHD .313 18 .750 GR5	4	EA
6	9877109	WASHER LOCK .312 MDM	8	EA
7	0080348	SPACER, TIE ROD MOUNTING	4	EA
8	0070442	WLDMT PIN 1.50 5.875 GRIP	3	EA
9	0070033	PIN LOCK 2.00 DIA 2H	25	EA
10	0070473	BLT HEXHD .313 18 .75 DR	4	EA
11	9980012	.040 S. S. SAFETY LOCKWIRE	AR	EA
12	5560688	BSHG MCHRY 1.50ID 2.25OD 14GA	1	EA
13	2502432	BRG 1.50ID 1.66OD 2.00	2	EA
14	0074799	CYL 3.50 9.50 1.75 LEVEL/STEER	1	EA
15	5065707	FTG ADPTR STRTHD 6B 6S STL PH	2	EA
16	0080098	SPCR .565ID .850 OD 1.25	1	EA
17	970979	CSCREW, 1/2 13 X 2 1/2 LG HHD GR5	1	EA
18	987139	WSHR LOCK .500	1	EA
19	984149	NUT, .500 13	1	EA
20	0081023	HUB SUB ASSY	2	EA
21	0080182	PIN KING	2	EA
22	5569836	SET SC 3/4 10 HSKT 1 3/4 LG	2	EA
23	984469	NUT, 3/4 10 HEX JAM	2	EA
24	0080183	PIN LOCK	2	EA
25	0083571	WELDMENT STEERING YOKE	2	EA

画像が存在しません

アイテム	部品番号	名前	数量	UOM
26	5070026	CAP WHEEL SERVICE	2	EA
27	2580001	THRUST BEARING	2	EA
28	7150003	GREASE SEAL	2	EA
29	5560202	NUT HEX JAM 1.250 12 GR8	1	EA
30	2560006	INNER BEARING CONE	2	EA
31	0083418	WELDMENT TIE ROD END	2	EA
32	2560005	BEARING CONE	2	EA
33	5560025	KEY WASHER	2	EA
34	5560026	SPINDLE NUT	2	EA
35	556061	COTTER PIN, 3/8 DIA X 2 1/2 LG	2	EA
36	0080185	GASKET, HUB CAP	2	EA
37	0080186	HUB CAP	2	EA
38	970059	BLT HEXHD .25 15 1.25	8	EA
39	9870099	WASHER LOCK .250 MDM	8	EA
40	7280010	NUT HEX LUG .750 16 RH	REF	EA
41	2503224	BEARING	REF	EA
43	5570001	GREASE FITTING, 1/8 NPT STRAIGHT	8	EA
44	0070328	ACCESS COVER, CHASSIS	1	EA
45	5037005	TERM FEM F.I. .250 16/14	1	EA
46	986269	WSHR FLAT .313	4	EA
48	0082282	COVER, CHASSIS 4 WHEEL DRIVE	1	EA
49	970889	CAPSCREW 1/2 13 X 1" LG H.H.	2	EA
50	986359	FLATWASHER 1/2"	2	EA
51	5560039	NUT HEX LKG .500 13	2	EA
52	5560215	BOLT HEXHD .375 16 .75 GR5	12	EA
53	0070224	ACCESS COVER, DRIVE	2	EA

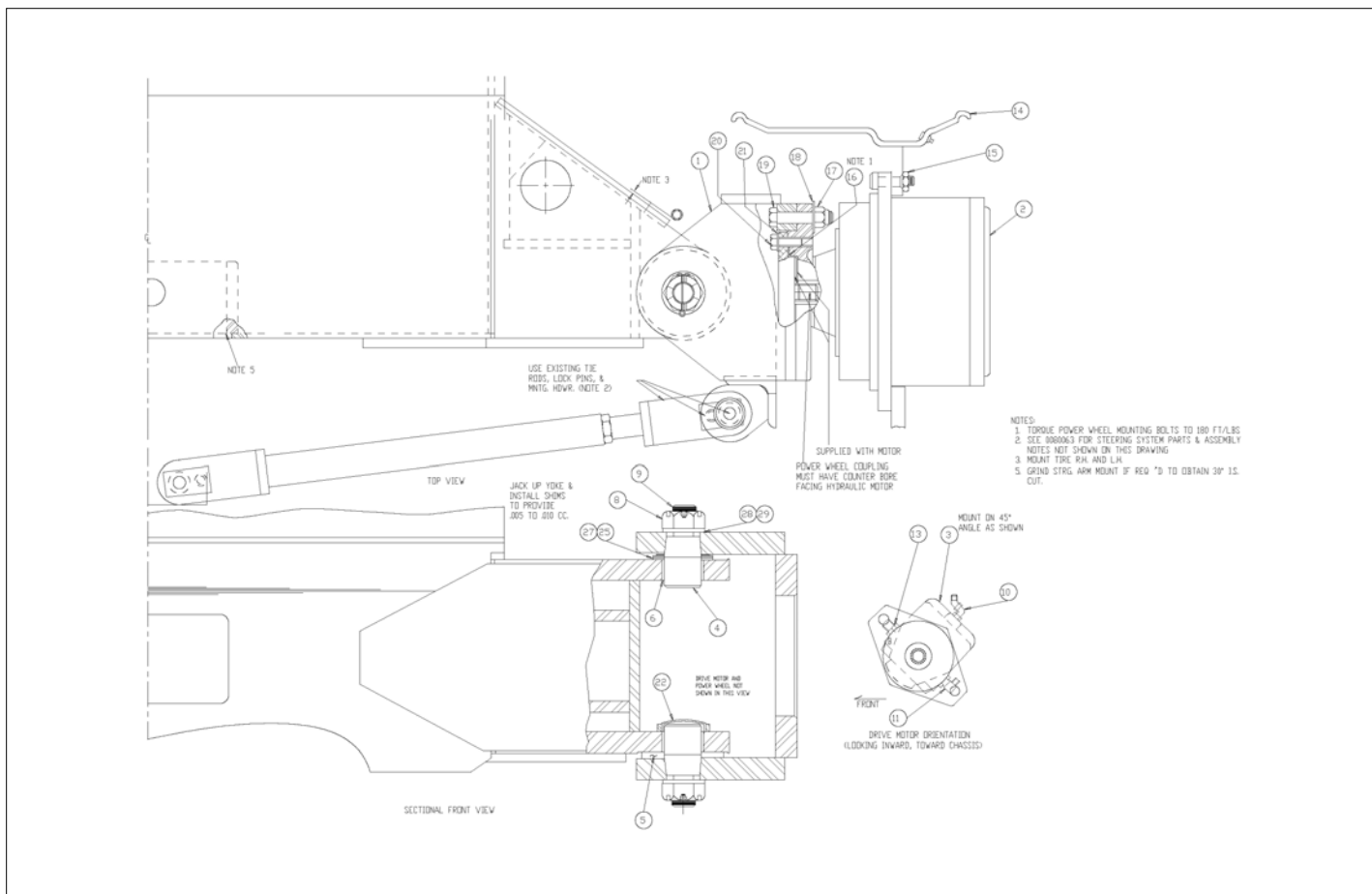
REPAIR PARTS



アイテム	部品番号	名前	数量	UOM
	0081991 A	FRONT WHEEL DRIVE TB60 4 WHEEL DRIVE INSTALLATION JANUARY 2001 AND BEFORE		EA
1	0083573	WELDMENT STEER YOKE	2	EA
2	0083495	GEAR HUB	2	EA
3	6030018 3	VR FRONT DRIVE MTR 4X4 VON RUD	2	EA
4	0080885	KING PIN	4	EA
5	2580001	THRUST BEARING	2	EA
6	2503220	BEARING, GARMAX #GM 3236 20	4	EA
7	0072438	WSHR 1.27ID 2.25OD .250	4	EA
8	5560018	SPINDLE NUT	4	EA
9	5560714	PIN COT .188DIA 2.50 CP018R250	4	EA
10	5035305	FTG ELB90STRTHD 6S 6S STL	2	EA
11	5035308	ADAPTER 90 ° ELBOW 12 SAE TO 12 JIC	2	EA
13	5065714	FTG HYD 12 MB TO 12 MJC	2	EA
14	0080965	FOAM TIRE ASSY RH LUGGED	REF	EA
	0080966	TIRE AND WHEEL LH DRIVE ASSEMBLY	REF	EA
15	7280001	LUG NUT	REF	EA
16	7110242	O RING, APR# DASH 242 70	2	EA
17	5560131	NUT HEX LKG .625 11 GR8	16	EA
18	5560169	WSHR FLAT HARD .625 SP	16	EA
19	5560640	BOLT HEXHD, 5/8 11 X 3" LG, GR8	16	EA
20	5560078	BOLT HEXHD .500 13 X 1.50 GR8	4	EA
21	987139	WSHR LOCK .500	4	EA
22	5070026	CAP WHEEL SERVICE	2	EA
23	0080935	3/4 TUBE ASSY	2	EA

アイテム	部品番号	名前	数量	UOM
24	0080934	3/4 INCH HYDRAULIC TUBE	2	EA
25	5569974	MCHRY BSHG 2" ID 3" OD 14 GA	6	EA
26	5560089	SCR HEXHD .25 20 1.00 W/SEMS	2	EA
27	5560091	SHIM, .015 INCH THICK	4	EA

REPAIR PARTS

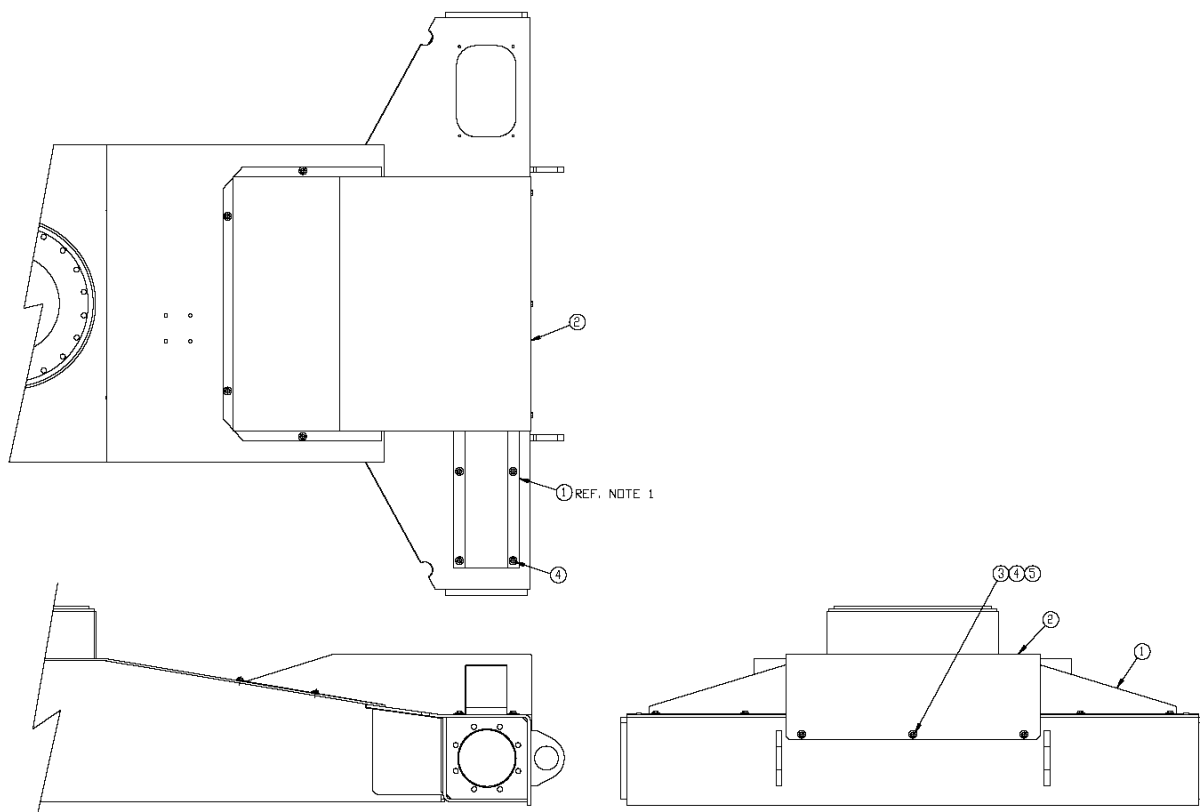


アイテム	部品番号	名前	数量	UOM
	0081991 J	FRONT WHEEL DRIVE 4X4 FEBRUARY 2001 AND AFTER		EA
1	0083573	WELDMENT STEER YOKE	2	EA
2	0083495	GEAR HUB	2	EA
3	6030018	VR FRONT DRIVE MTR 4X4 – VON RUD	2	EA
4	0080885	KING PIN	4	EA
5	2580001	THRUST BEARING	2	EA
6	2503220	BEARING, GARMAX #GM 3236 20	4	EA
8	5560018	SPINDLE NUT	4	EA
9	5560714	PIN COT .188DIA 2.50 CP018R250	4	EA
10	5035305	FTG ELB90STRTHD 6S 6S STL	2	EA
11	5035308	ADAPTER 90 ° ELBOW 12 SAE TO 12 JIC	2	EA
13	5065714	FTG HYD 12 MB TO 12 MJC	2	EA
14	0080965	FOAM TIRE ASSY RH LUGGED	A/R	EA
	0080966	TIRE AND WHEEL LH DRIVE ASSEMBLY	1	EA
15	7280001	LUG NUT	A/R	EA
16	7110242	O RING, APR# DASH 242 70	2	EA
17	5560131	NUT HEX LKG .625 11 GR8	16	EA
18	5560169	WSHR FLAT HARD .625 SP	16	EA
19	5560640	BOLT HEXHD, 5/8 11 X 3" LG, GR8	16	EA
20	5560078	BOLT HEXHD .500 13 X 1.50 GR8	4	EA
21	987139	WSHR LOCK .500	4	EA
22	5070026	CAP WHEEL SERVICE	2	EA
25	5569974	MCHRY BSHG 2" ID 3" OD 14 GA	6	EA
27	5560091	SHIM, .015 INCH THICK	2	EA

アイテム	部品番号	名前	数量	UOM
28	5560252	1.25 X 2.25 14GA MACHINE WASHER	4	EA
29	5569952	1.25 X 2.25 10GA MACHINE WASHER	4	EA

REPAIR PARTS

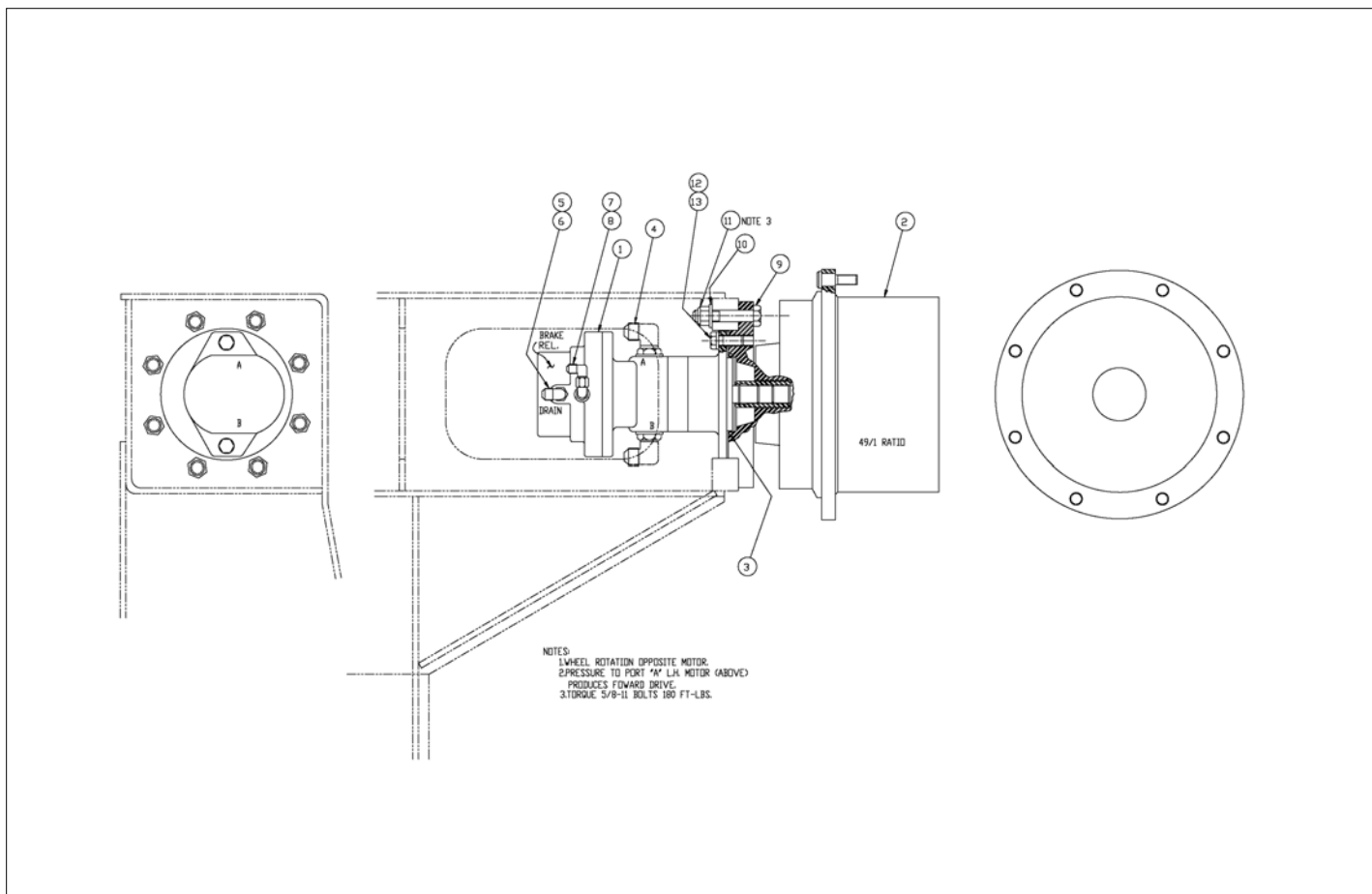
Repair



NOTES
1. MOUNT DRIVE MOTOR COVERS (ITEMS 1) WITH EXISTING HOLES AND BOLTS.

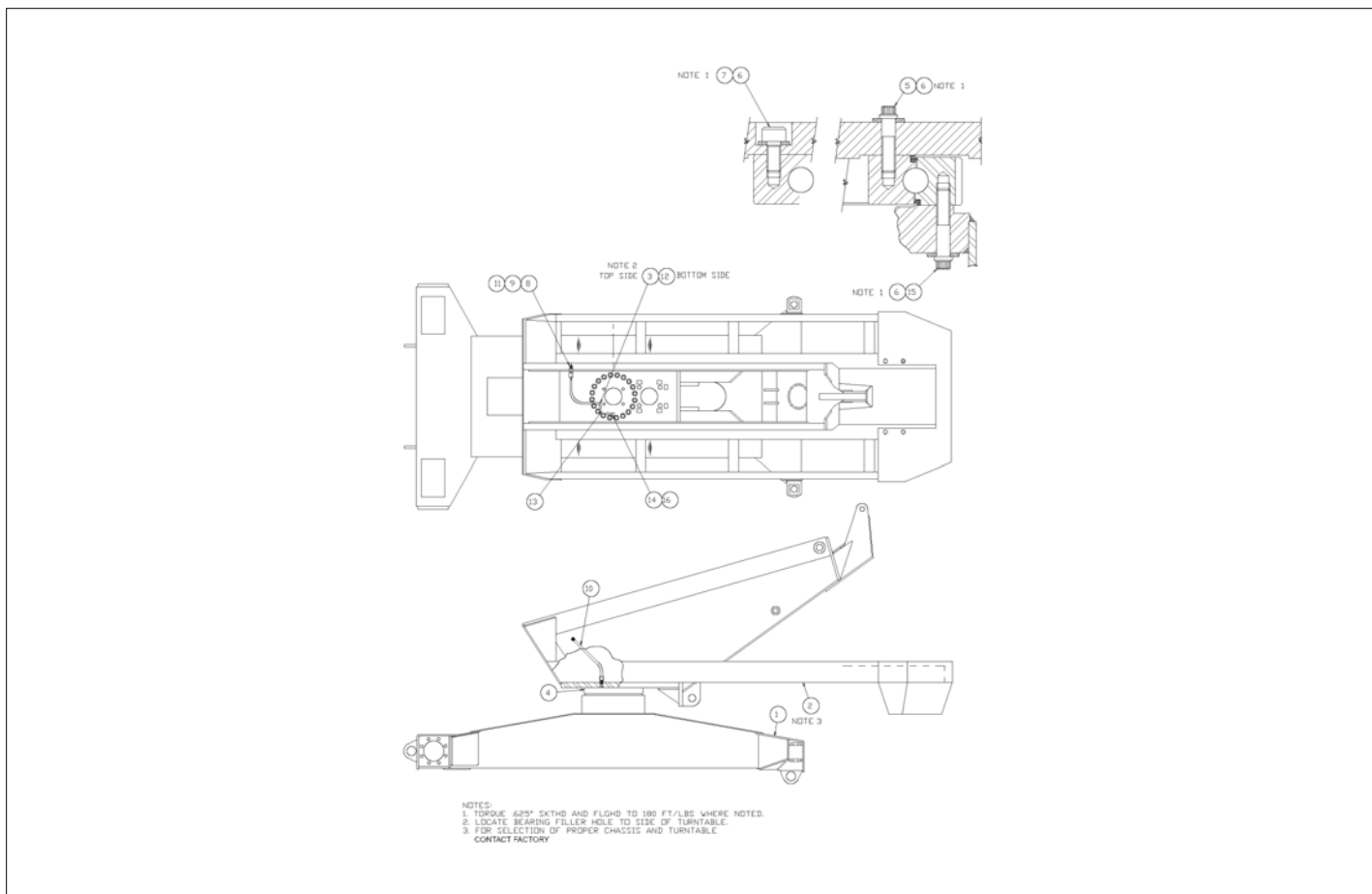
アイテム	部品番号	名前	数量	UOM
*	0080933 B	CHASSIS COVER INSTALLATION 4X4		EA
1	0080919	COVER, DRIVE MOTOR	2	EA
2	0080920	COVER HOSES 4WD	1	EA
3	5560215	BOLT HEXHD .375 16 .75 GR5	15	EA
4	986299	WASHER, FLAT, .375 STANDARD, PLATED	15	EA
5	987119	WSHR LOCK .375	15	EA

REPAIR PARTS



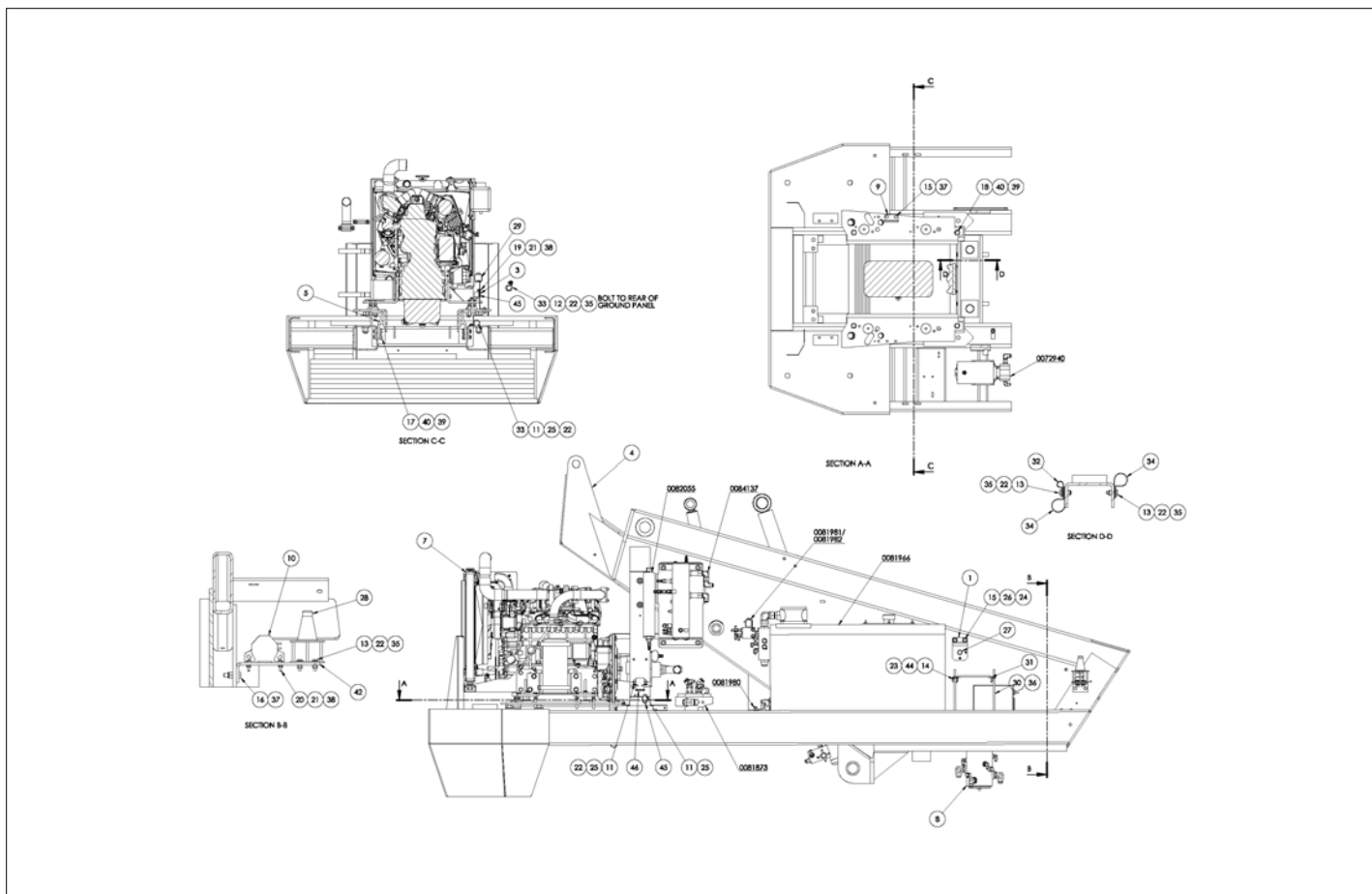
アイテム	部品番号	名前	数量	UOM
Not Shown	0080058 R	DRIVE 4X2 4X4 INSTALLATION NOVEMBER 2006 AND AFTER	1	EA
1	6030040	MTR W/BRAKE VON RUDEN	2	EA
2	0083495	GEAR HUB	2	EA
3	7110242	O RING, APR# DASH 242 70	2	EA
4	5035308	ADAPTER 90 ° ELBOW 12 SAE TO 12 JIC	4	EA
5	5065707	FTG ADPTR STRTHD 6B 6S STL PH	2	EA
6	5037005	TERM FEM F.I. .250 16/14	2	EA
7	5035303	FTG ELB90STRTHD 4B 4S STL	2	EA
8	5037003	FTG ELB90SWVL 4S 4S STL	2	EA
9	5560642	BLT HEXHD .625 11 3.25 GR8	16	EA
10	5560169	WSHR FLAT HARD .625 SP	16	EA
11	5560131	NUT HEX LKG .625 11 GR8	16	EA
12	5560078	BOLT HEXHD .500 13 X 1.50 GR8	4	EA
13	987139	WSHR LOCK .500	4	EA

REPAIR PARTS

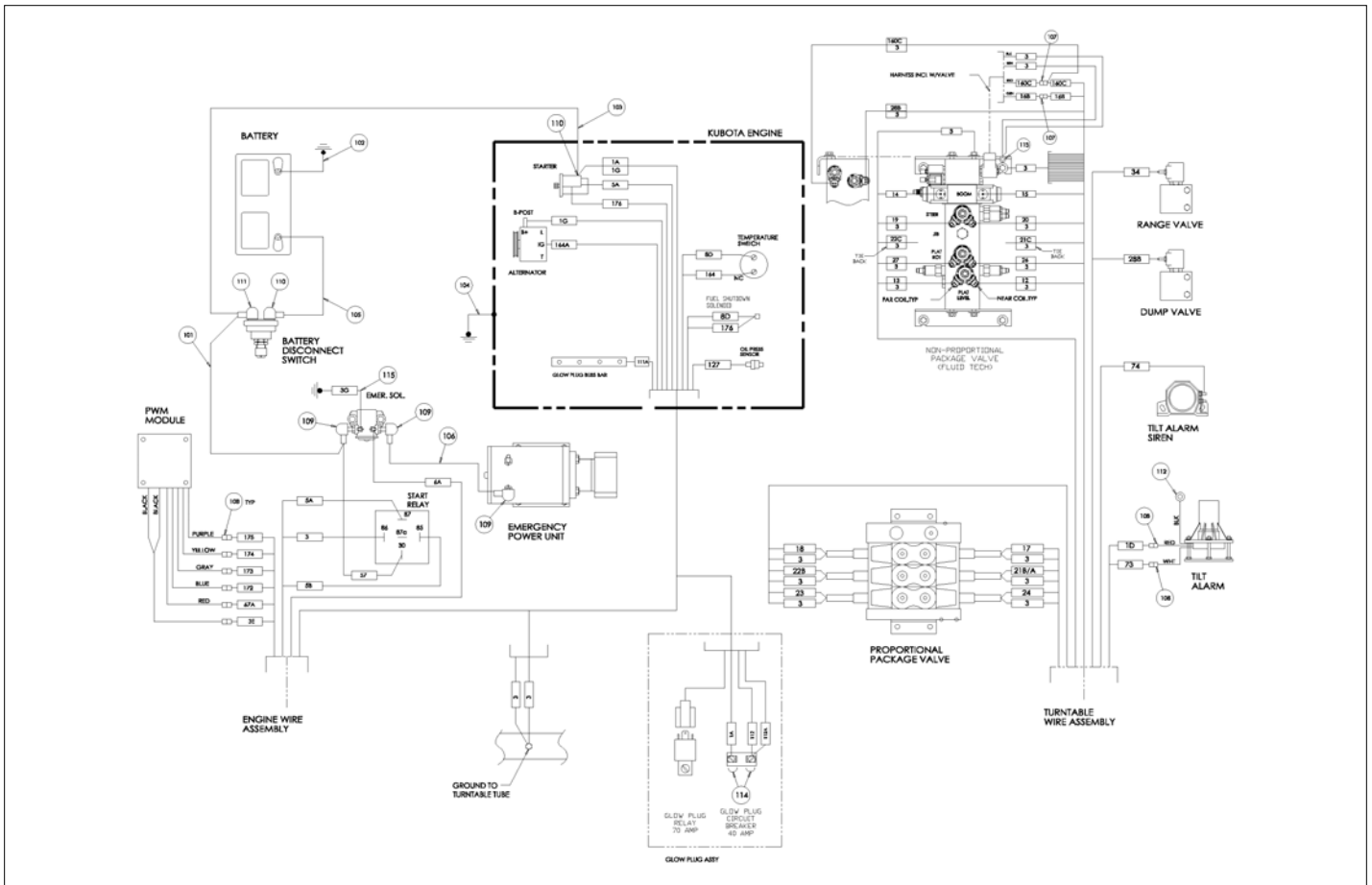


アイテム	部品番号	名前	数量	UOM
	0080055 L	CHASSIS TURNTABLE MOUNTING	1	EA
1	PNNA	CHASSIS WELDMENT	1	EA
2	PNNA	TURNTABLE WELDMENT	REF	EA
3	5033604	ADAPTER STRAIGHT 1/4 NPTG TO 4 JIC	REF	EA
4	0070021	SLEWING RING	1	EA
5	5560204	BLT FLGHD .625 11 1.25 HEX SP	18	EA
6	5560169	WSHR FLAT HARD .625 SP	40	EA
7	5560063	BLT SKTHD .625 11 1.25 HEX SP	2	EA
8	5037102	FTG CONN FEM BHD 2N 4S STL	1	EA
9	5074401	FTG LKNT BHD 4 STL	1	EA
10	0020655	HOSE 4 4S 4S 29.5 100R1	1	EA
11	5570001	GREASE FITTING, 1/8 NPT STRAIGHT	1	EA
12	5033704	FTG ELB90 MALE 4N 4S STL	1	EA
13	0070768	1/4 I.D. HOSE ASSY	1	EA
14	5033703	FTG ELB90 MALE 2N 4S	1	EA
15	5563062	BLT FLGH .625 11 2.75 12PT SP	20	EA
16	5036903	FTG ELB45SWVL 4S 4S STL		EA

REPAIR PARTS



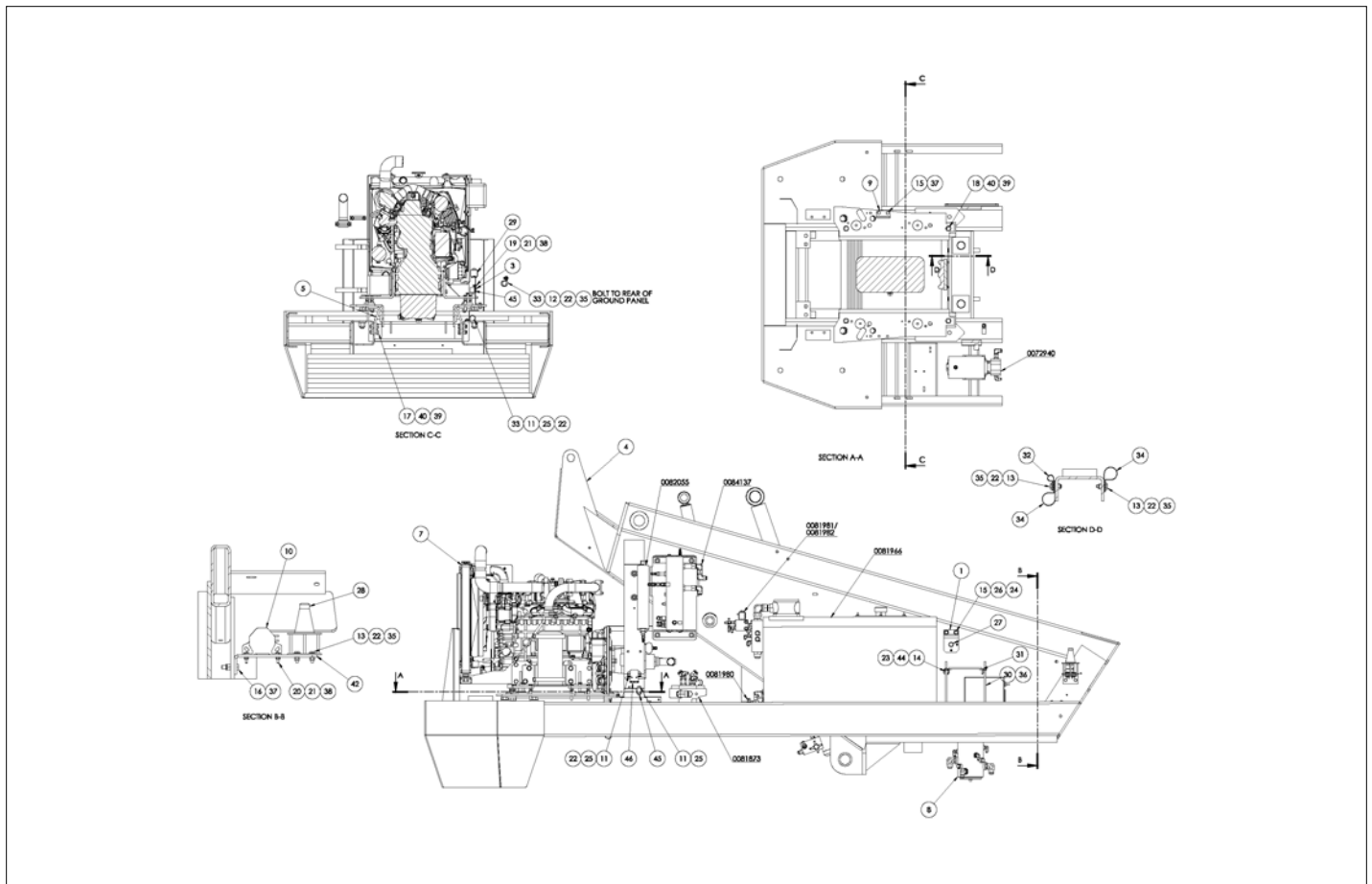
アイテム	部品番号	名前	数量	UOM
*	0084713 C	TURNTABLE ELECTRICAL TB60 KUBOTA ASSEMBLY		EA
1	0073051 8	DISCONNECT SWITCH BRKT	1	EA
2	0080056	FUEL TANK INSTL	1	EA
3	0080914	PLAC GLOW PLUGS	1	EA
4	0082312 8	WLDMT TRNTBL TB60	1	EA
5	0083438 8	MT ENG CU 3.3	4	EA
6	0080169 5	COUNTERWEIGHT 2550#	1	EA
7	0084708	KU V2403 ENGINE SUB ASSEMBLY	1	EA
8	0080054	LIFT/SWING/CW	1	EA
9	0192289 8	BRKT GLOW PLUG TIMER	1	EA
10	480652	ALARM97DBA DUAL TONE 12/24V	1	EA
11	970009	Capscrew 1/4 20 x 1/2 inch lon	5	EA
12	970029	BLT .25 20 .750	1	EA
13	970049	BLT HEXHD .250 20 1.00 GR5 GRADE 5 PLT SAME AS 970189	6	EA
14	970239	BLT HEXHD .313 18 .750 GR5	1	EA
15	970469	HHD BLT .375 16 X 1.00 GR5	4	EA
16	970489	BLT HEXHD .375 16 1.50 GR5 PL	2	EA
17	970909	BLT HEXHD .500 13 1.50 GR5 PLA	8	EA
18	970919	BLT HEXHD .500 13 1.75 GR5	4	EA
19	974679	SCR RDH MACH 10 24 .625	1	EA
20	5560673	SCR TRHD 10 24 1.00	3	EA
21	986009	WSHR FLAT 10	2	EA
22	986019	WSHR FLAT .250	11	EA
23	986269	WSHR FLAT .313	1	EA
24	986299	WASHER, FLAT, .375 STANDARD, PLATED	2	EA



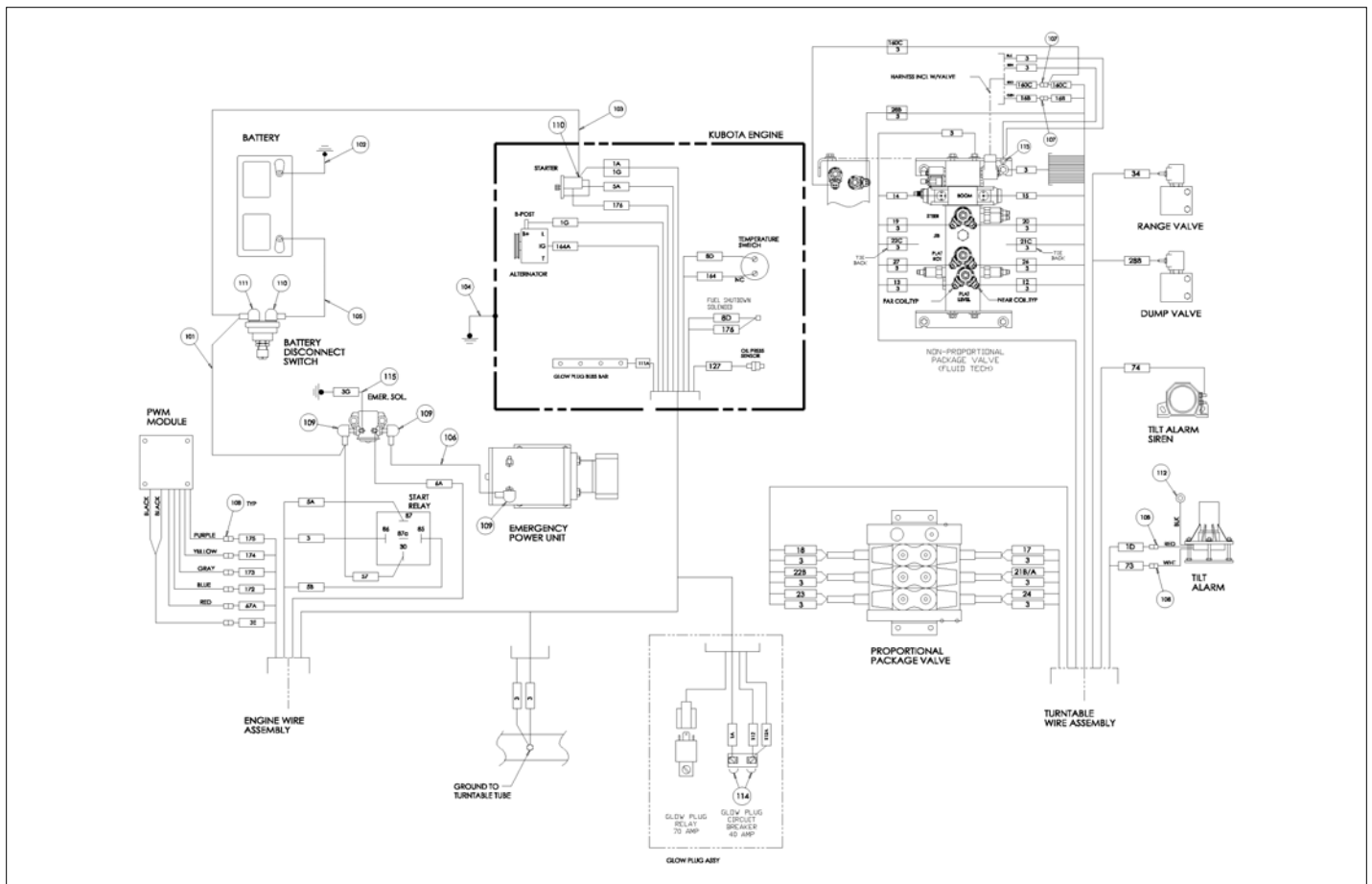
アイテム	部品番号	名前	数量	UOM
25	987099	WSHR LOCK .250	5	EA
26	987119	WSHR LOCK .375	2	EA
27	3020049	Switch, Battery Disconnect	1	EA
28	3020040	LEVEL SENSOR 5 DEGREE	1	EA
29	3041641	CIRCUIT BREAKER 40 AMP	1	EA
30	012039 000	ROD BAT HOLD DOWN	1	EA
31	3050008	BATTERY HOLD DOWN	1	EA
32	5093002	CLAMP .562 AEROQUIP HOSE SUPPORT	2	EA
33	5093008	CLP CUSH 1.06 VINYL COATED	2	EA
34	5093024	CLAMP	4	EA
35	5560004	NUT LKG .250 20	7	EA
36	5560031	NUT HEX LKG .313 18	2	EA
37	5560033	.375 16UNC HEX LOCK NUT	4	EA
38	5560034	NUT LKG 10 24	4	EA
39	5560039	NUT HEX LKG .500 13	12	EA
40	5560168	WSHR FLAT HARD .500 SP	12	EA
41	5560703	WSHR 10 STAR TOOTH	1	EA
42	0181503 8	BRKT TILT ALARM	1	EA
43	3050002	BATTERY 12V	1	EA
44	5563777	WASHER FLAT, .75 1.25OD X .812ID	1	EA
45	3040469	RELAY SPDT 12V 30AMP SONG	2	EA
46	3040506	SOLENOID 12V 150	1	EA
101	0070705	WIRE 4 R313I R375I 81 RED	1	EA
102	0075268	WIRE 2/0 R375 R375 13 BLK	1	EA
103	0080482	WIRE 2/0 R375 R375 108	1	EA
104	0080483	WIRE 2/0 R375 R375 28 BLACK	1	EA
105	0080484	WIRE 2/0 R375 R375 13 RED	1	EA
106	0090319	WIRE 4 R375I R313I 8 RED	1	EA

アイテム	部品番号	名前	数量	UOM
107	3040046	TERM MALE250FI 22/18	5	EA
108	3040082	TERM MALE250FI 16/14	5	EA
109	3040268	BOOT BTRY CABLE END BLK	4	EA
110	3040269	Boot Cable Entry Black 1/0 GA	2	EA
111	3040270	BOOT BTRY CABLE END Y TYPE	1	EA
112	3044162	TERM R250I 16/14	1	EA
113	981089	TERM R375I 16/14	1	EA
114	3040452	BOOT BTRY CABLE UL RED 10GA	2	EA
115	0071568	WIRE 12 R10I R250I 4	1	EA

REPAIR PARTS



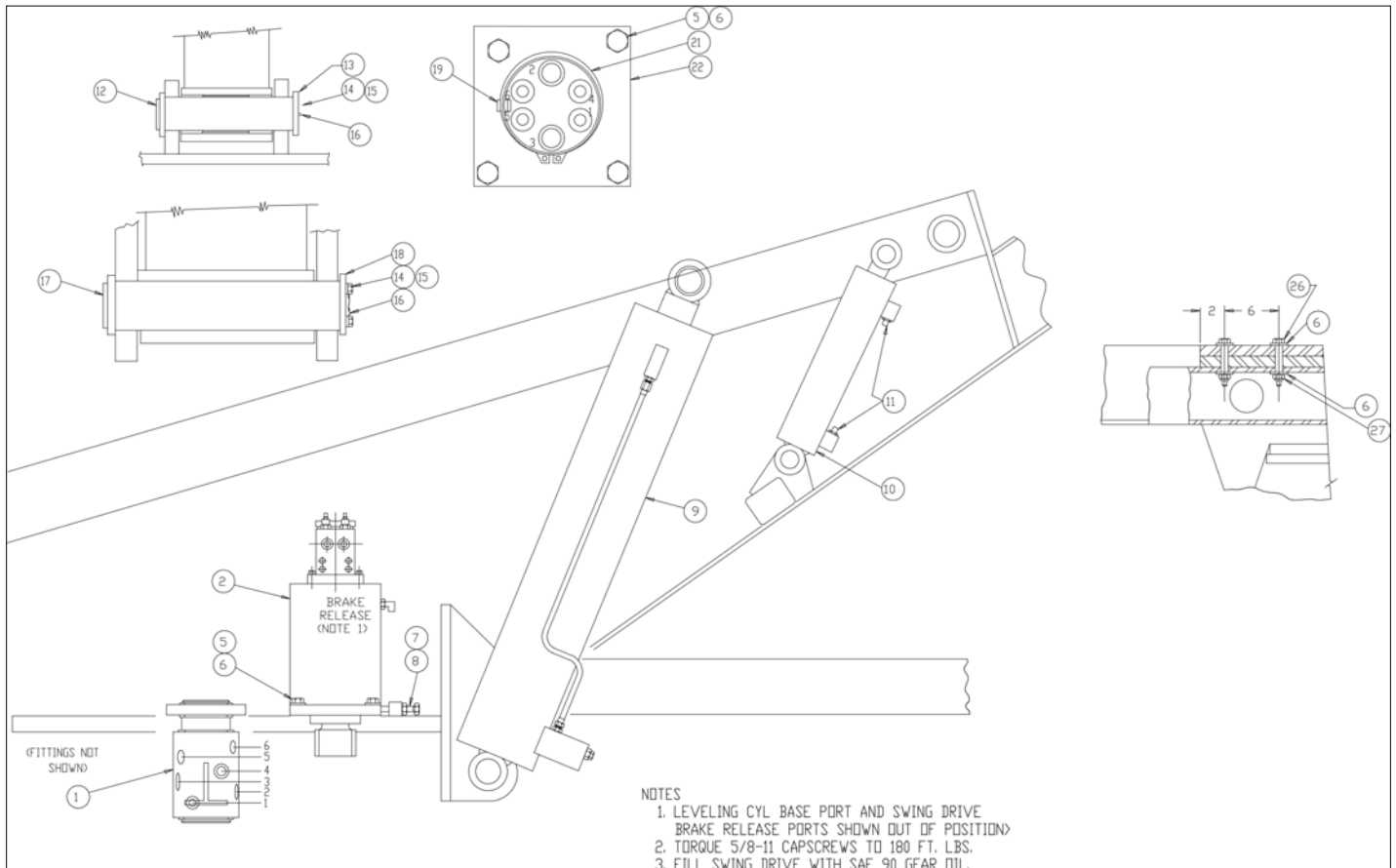
アイテム	部品番号	名前	数量	UOM
	0084713 B	TURNTABLE ELECTRICAL TB60 KUBOTA ASSEMBLY		EA
1	0073051	DISCONNECT SWITCH BRKT	1	EA
2	0080056	FUEL TANK INSTL	1	EA
3	0080914	PLAC GLOW PLUGS	1	EA
4	0082312	WELDMENT TURNTABLE TB60	1	EA
5	0083438	MT ENG CU 3.3	4	EA
6	0080169	COUNTERWEIGHT	1	EA
7	0084708	KU V2403 ENGINE SUB ASSEMBLY	1	EA
8	0080054	LIFT/SWING/CW	1	EA
9	0192289	BRKT, GLOW PLUG TIMER	1	EA
10	480652	ALARM97DBA DUAL TONE 12/24V	1	EA
11	970009	Capscrew 1/4 20 x 1/2 inch lon	5	EA
12	970029	BLT .25 20 .750	1	EA
13	970049	BLT HEXHD .250 20 1.00 GR5 GRADE 5 PLT SAME AS 970189	6	EA
14	970239	BLT HEXHD .313 18 .750 GR5	1	EA
15	970469	HHD BLT .375 16 X 1.00 GR5	4	EA
16	970489	BLT HEXHD .375 16 1.50 GR5 PL	2	EA
17	970909	BLT HEXHD .500 13 1.50 GR5 PLA	8	EA
18	970919	BLT HEXHD .500 13 1.75 GR5	4	EA
19	974679	SCR RDH MACH 10 24 .625	1	EA
20	5560673	SCR TRHD 10 24 1.00	3	EA
21	986009	WSHR FLAT 10	3	EA
22	986019	WSHR FLAT .250	11	EA
23	986269	WSHR FLAT .313	1	EA
24	986299	WASHER, FLAT, .375 STANDARD, PLATED	2	EA



アイテム	部品番号	名前	数量	UOM
25	987099	WSHR LOCK .250	5	EA
26	987119	WSHR LOCK .375	2	EA
27	3020049	Switch, Battery Disconnect	1	EA
28	3020040	LEVEL SENSOR 5 DEGREE	1	EA
29	3041641	CIRCUIT BREAKER 40 AMP	1	EA
30	3050004	BLT BTRY HLDN .313 18 X 10.00 (J BOLT)	2	EA
31	3050008	BATTERY HOLD DOWN	1	EA
32	5093002	CLAMP .562 AEROQUIP HOSE SUPPORT	2	EA
33	5093008	CLP CUSH 1.06 VINYL COATED	3	EA
34	5093024	CLAMP	4	EA
35	5560004	NUT LKG .250 20	7	EA
36	5560031	NUT HEX LKG .313 18	2	EA
37	5560033	.375 16UNC HEX LOCK NUT	4	EA
38	5560034	NUT LKG 10 24	4	EA
39	5560039	NUT HEX LKG .500 13	12	EA
40	5560168	WSHR FLAT HARD .500 SP	12	EA
41	5560703	WSHR 10 STAR TOOTH	1	EA
42	0181503	BRKT TILT ALARM	1	EA
43	3050002	BATTERY 12V	1	EA
44	5563777	WASHER FLAT, .75 1.25OD X .812ID	1	EA
45	3040469	RELAY SPDT 12V 30AMP SONG	2	EA
46	3040506	SOLENOID 12V 150	1	EA
101	0070705	WIRE 4 R313I R375I 81 RED	1	EA
102	0075268	WIRE 2/0 R375 R375 13 BLK	1	EA
103	0080482	WIRE 2/0 R375 R375 108	1	EA
104	0080483	WIRE 2/0 R375 R375 28 BLACK	1	EA
105	0080484	WIRE 2/0 R375 R375 13 RED	1	EA
106	0090319	WIRE 4 R375I R313I 8 RED	1	EA

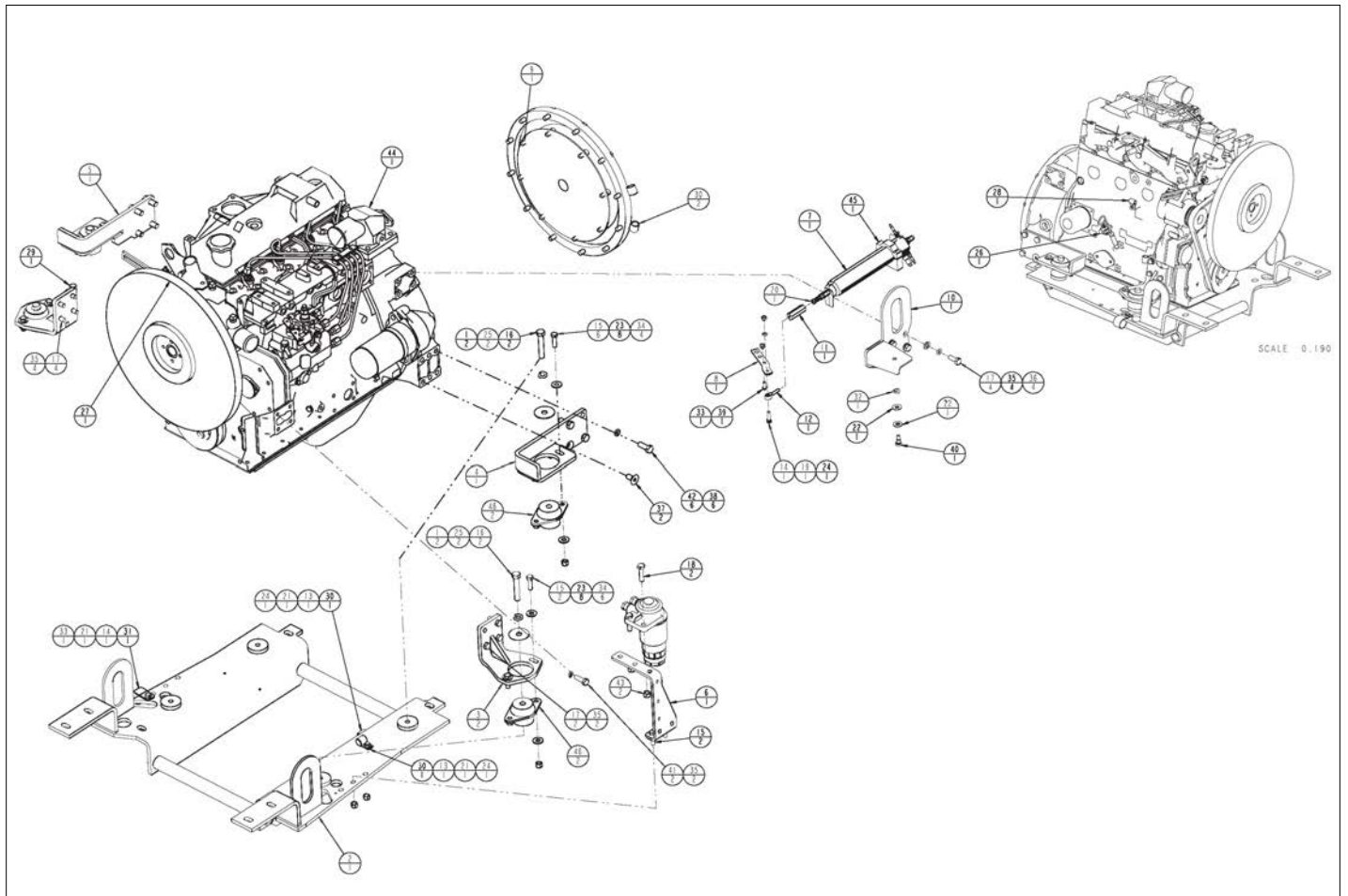
アイテム	部品番号	名前	数量	UOM
107	3040046	TERM MALE250FI 22/18	2	EA
108	3040082	TERM MALE250FI 16/14	8	EA
109	3040268	BOOT BTRY CABLE END BLK	3	EA
110	3040269	Boot Cable Entry Black 1/0 GA	2	EA
111	3040270	BOOT BTRY CABLE END Y TYPE	1	EA
112	3044162	TERM R250I 16/14	1	EA
113	961089	TERM R101 16/14	1	EA
114	3040452	BOOT BTRY CABLE UL RED 10GA	2	EA
115	0071568	WIRE 12 R10I R250I 4	1	EA
116	3220164	KARTECH PWM MODULE ONLY	1	EA
	322017028	PWM INSTAL KIT TB60 66J IF REPLACING APITECH PWM MODULE WITH KARTECH PWM MODULE	1	EA

REPAIR PARTS



アイテム	部品番号	名前	数量	UOM
	0080054P	LIFT SWING COUNTERWEIGHT INSTALLATION NOVEMBER 2014 AND AFTER		EA
1	0081486	CENTERPOST AND FITTINGS	1	EA
2	0073026	SWING DRIVE S/A	1	EA
5	5560051	BLT HEXHD .625 11 2.00 GR8 SP	8	EA
6	5560169	WSHR FLAT HARD .625 SP	16	EA
7	5560022	BLT ADJ .625 11 2.25 GR5 TAP B	6	EA
8	984449	NUT HEX JAM .625 11	6	EA
9	0080053	LIFT CYLINDER ASSEMBLY	1	EA
10	0074799 3	CYL 3.50 9.50 1.75 LEVEL/STEER	1	EA
11	5065707	FTG ADPTR STRTHD 6B 6S STL PH	2	EA
12	0070442	WLDMT PIN 1.50 5.875 GRIP	1	EA
13	0070033	PIN LOCK 2.00 DIA 2H	1	EA
14	0070473	BLT HEXHD .313 18 .75 DR	4	EA
15	987109	WSHR LOCK .313	4	EA
16	9980012	.040 S. S. SAFETY LOCKWIRE	AR	EA
17	0080020	PIN WELDMNT, 2.25 10.25 GRIP	1	EA
18	0080023	PIN LOCK 2.75 DIA 2H	1	EA
19	0070472	KEY CENTERPOST ASSY	1	EA
21	5590003	SNAP RING 4.50 EXT TRUARC 5100 450 3100 450 STPA	2	EA
22	0070256 8	ADAPTER PLATE CENTERPOST	1	EA
26	971379	BLT HEXHD .625 11 X 3.75 SP GR8 ZP	4	EA
27	5560036	NUT HEX LKG .625 11	4	EA

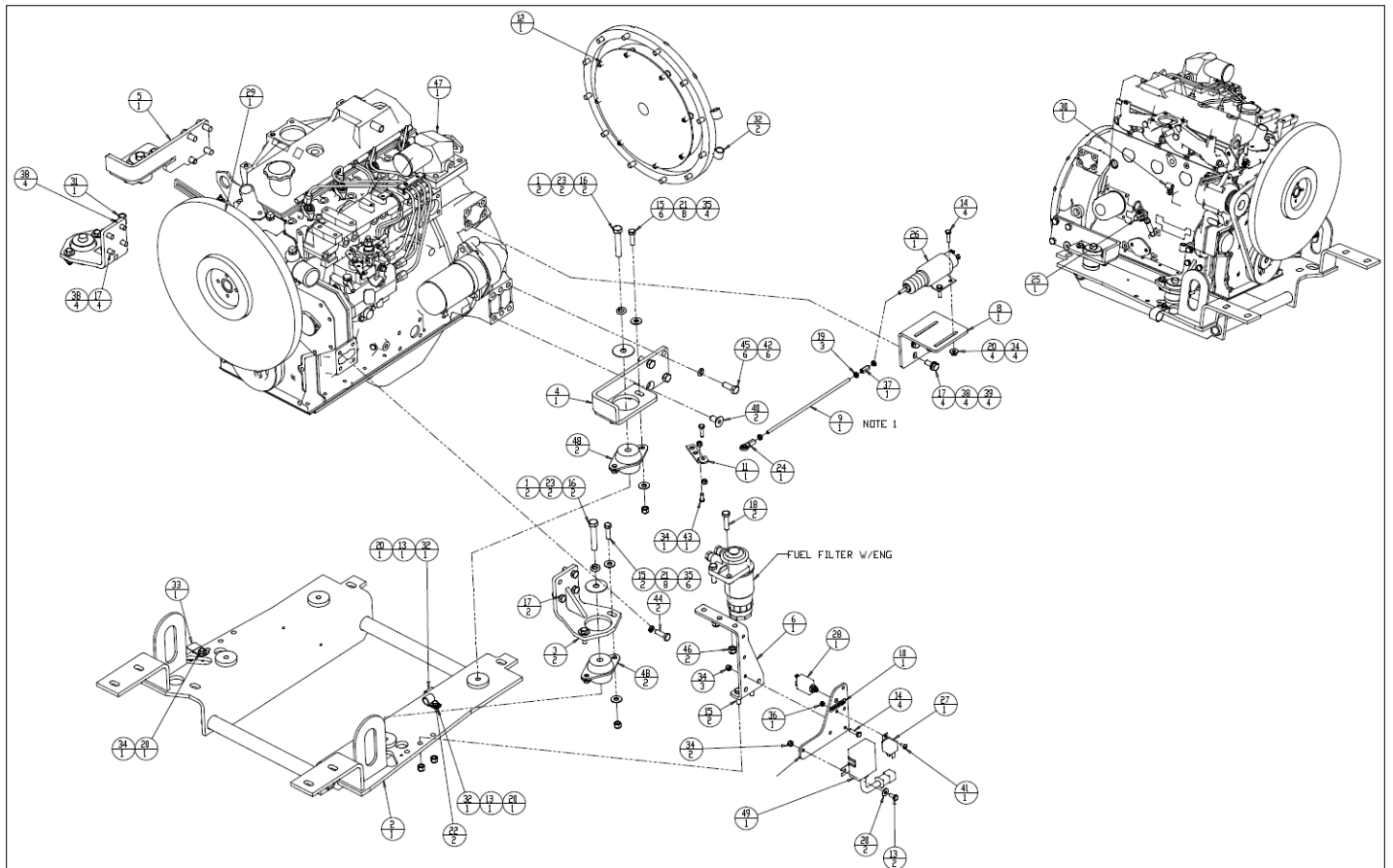
REPAIR PARTS



アイテム	部品番号	名前	数量	UOM
	0083445 L	ENGINE TRAY ASSEMBLY CUMMINS 3.3 TIER 3 SEPTEMBER 2008 AND AFTER	1	EA
1	0070148	WASHER SPCL .531 X 2 X .06	4	EA
2	0074615	WELDMENT ENG TRAY	1	EA
3	0074622	WELDMENT FRONT BRACKET	2	EA
4	0074625	WELDMENT LEFT REAR BRACKET	1	EA
5	0074628	WELDMENT RIGHT REAR BRACKET	1	EA
6	0074972	BRKT FUEL FILTER (CU)	1	EA
7	0082045	ACTUATOR ASSEMBLY FOR KIT USE 0084574	1	EA
8	0083155	THROTTLE LEVER EXTENSION	1	EA
9	0083437	KIT HAYES CU CPLR / FLYWHEEL	1	EA
10	0083570	THROTTLE ACTUATOR MT BRACKET WELDMENT	1	EA
11	0083586	THROTTLE ACTUATOR COUPLER	1	EA
12	0083587	ROD END LEFT HAND THREADS	1	EA
13	970019	BLT HEX .250 20 .625 GR5	2	EA
14	970049	BLT HEXHD .250 20 1.00 GR5 GRADE 5 PLT SAME AS 970189	2	EA
15	972479	BLT HEXHD .375 16 1.25 GR5	10	EA
16	971069	BOLT .500 13 2.75 GR5	4	EA
17	972019	BLT HEXHD M10 1.5 X 25MM	10	EA
18	972049	BOLT 10MM 1.50P 40MM GR8	2	EA
19	984069	NUT HEX .250 20	1	EA
20	984329	NUT HEX JAM .250 20	1	EA
21	986019	WSHR FLAT .250	3	EA
22	986269	WSHR FLAT .313	2	EA
23	986299	WASHER, FLAT, .375 STANDARD, PLATED	16	EA

アイテム	部品番号	名前	数量	UOM
24	98099	WASHER LOCK .250	3	EA
25	987139	WSHR LOCK .500	4	EA
26	3020095	SWITCH PRESSURE 6 PSI	1	EA
27	3070037	TEMP SENSOR 1/2NPT HIGH	1	EA
28	5093000	CLP CUSH .438 VINYL COATED	1	EA
29	5093002	CLAMP .562 AEROQUIP HOSE SUPPORT	1	EA
30	5093021	CLP CUSH .625 VINYL COATED	4	EA
31	5093024	CLAMP	1	EA
32	5530017	WSHR SPRING CRV .375	1	EA
33	5560004	NUT LKG .250 20	2	EA
34	5560033	.375 16UNC HEX LOCK NUT	10	EA
35	5560356	WSHR LOCK 10	12	EA
36	5560364	WSHR FLAT 10	4	EA
37	5560598	BOLT FLSKTHD M12 25.0	2	EA
38	5560614	LOCK WASHER M12	6	EA
39	5560615	BLT BTNHD .250 20 .625 GR 5 CR	1	EA
40	5560618	BLT SKTHD SHLDR .375 .375 HEX .313 18 .500 GR8	1	EA
41	5560626	BLT HEXHD M10 1.5 X 30MM GR8	2	EA
42	5560631	BOLT 12MM 1.75P 30MM	6	EA
43	5560719	NUT HEX LKG M 10 1.50 GR 8.8	2	EA
44	7624766	ENGINE CUMMINS B3.3 TIER III	1	EA
45	7630323	CLAMP ACTUATOR	1	EA
46	7630707	ENGINE ISOLATOR	4	EA

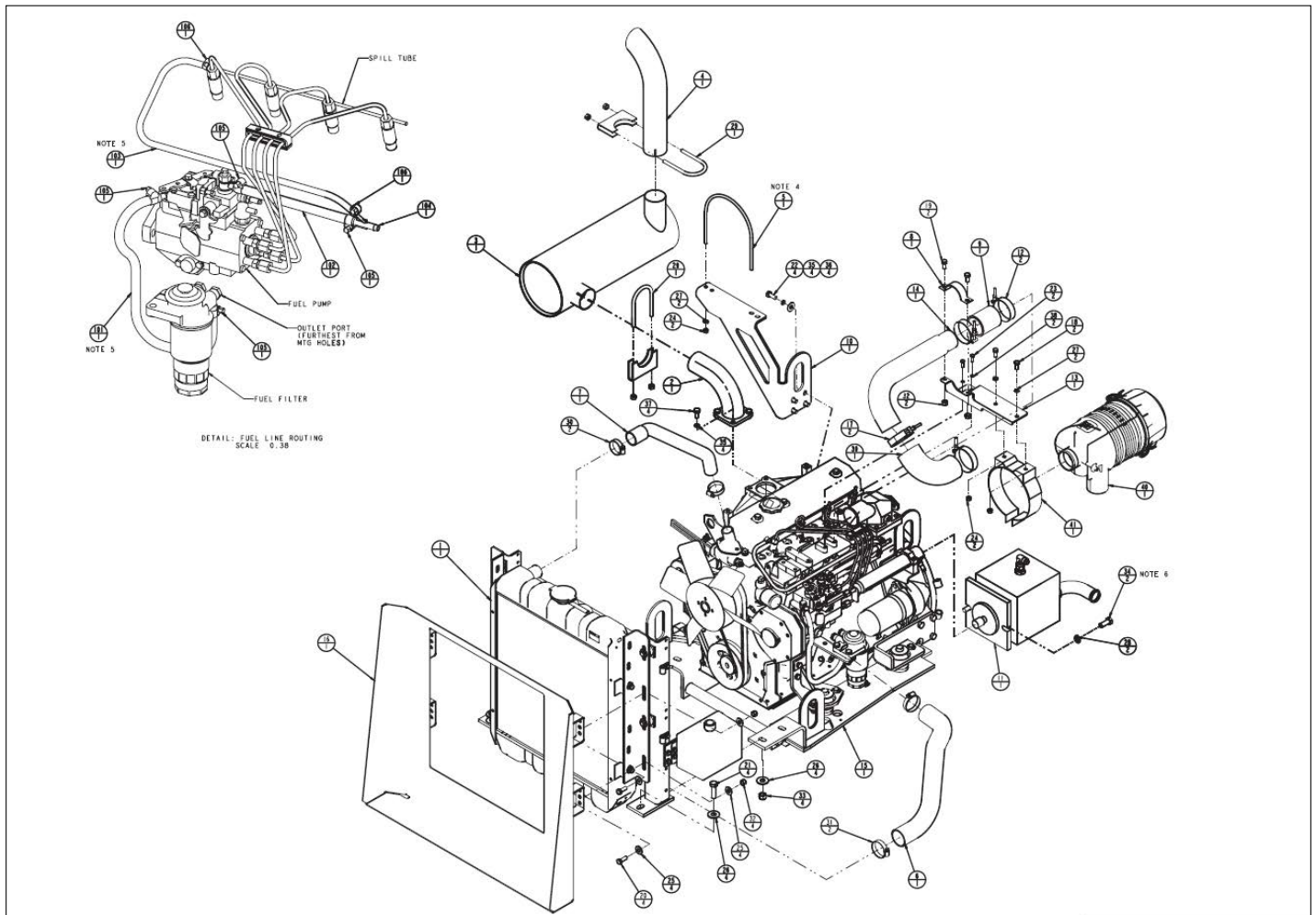
REPAIR PARTS



アイテム	部品番号	名前	数量	UOM
	0083445 P	ENGINE TRAY CUMMINS 3.3 TIER 3 FEBRUARY 2009 AND AFTER		EA
1	0070148	WASHER SPCL .531 X 2 X .06	4	EA
2	0074615	WELDMENT ENG TRAY	1	EA
3	0074622	WELDMENT FRONT BRACKET	2	EA
4	0074625	WELDMENT LEFT REAR BRACKET	1	EA
5	0074628	WELDMENT RIGHT REAR BRACKET	1	EA
6	0074972	BRKT FUEL FILTER (CU)	1	EA
7	0075560	BRKT, GLOW PLUG TIMER TB42/60/80	1	EA
8	0075623	BRKT, SOLENOID MOUNTING CU	1	EA
9	0075624	ALL THREAD .250 28	1	EA
10	0080914	PLAC GLOW PLUGS	1	EA
11	0083155	THROTTLE LEVER EXTENSION	1	EA
12	0083437	KIT HAYES CU CPLR / FLYWHEEL	1	EA
13	970019	BLT HEX .250 20 .625 GR5	4	EA
14	970049	BLT HEXHD .250 20 1.00 GR5 GRADE 5 PLT SAME AS 970189	8	EA
15	970419	CAPSCREW 3/8 16 X 1 1/4 LG HH GR5	10	EA
16	971069	BOLT .500 13 2.75 GR5	4	EA
17	972019	BLT HEXHD M10 1.5 X 25MM	10	EA
18	972049	BOLT 10MM 1.50P 40MM GR8	2	EA
19	984339	NUT HEX JAM .250 28	3	EA
20	986019	WSHR FLAT .250	9	EA
21	986299	WASHER, FLAT, .375 STANDARD, PLATED	16	EA
22	987099	WSHR LOCK .250	2	EA
23	987139	WSHR LOCK .500	4	EA

アイテム	部品番号	名前	数量	UOM
24	2690004	Rod End	1	EA
25	3020095	SWITCH PRESSURE 6 PSI	1	EA
26	3040174	SOLENOID, THROTTLE	1	EA
27	3040502	RELAY 12VDC 70 AMP SPST	1	EA
28	3041641	CIRCUIT BREAKER 40 AMP	1	EA
29	3070037	TEMP SENSOR 1/2NPT HIGH	1	EA
30	5093000	CLP CUSH .438 VINYL COATED	1	EA
31	5093002	CLAMP .562 AEROQUIP HOSE SUPPORT	1	EA
32	5093021	CLP CUSH .625 VINYL COATED	4	EA
33	5093024	CLAMP	1	EA
34	5560004	NUT LKG .250 20	11	EA
35	5560033	.375 16UNC HEX LOCK NUT	10	EA
36	5560038	NUT LKG 10 32	1	EA
37	5560094	NUT HEX COUPLER .250 28	1	EA
38	5560356	WSHR LOCK 10	12	EA
39	5560364	WSHR FLAT 10	4	EA
40	5560598	BOLT FLSKTHD M12 25.0	2	EA
41	5560609	SCR TRHD 10 24 .500	1	EA
42	5560614	LOCK WASHER M12	6	EA
43	5560615	BLT BTNHD .250 20 .625 GR 5 CR	1	EA
44	056060 030	BOLT HEXBOLT DIN931 M10 X 30MM 8.8 ZP	2	EA
45	056065 030	BLT 12MM 1.75P 30MM	6	EA
46	5560719	NUT HEX LKG M 10 1.50 GR 8.8	2	EA
47	7624766	ENGINE CUMMINS B3.3 TIER III	1	EA
48	7630707	ENGINE ISOLATOR	4	EA

REPAIR PARTS

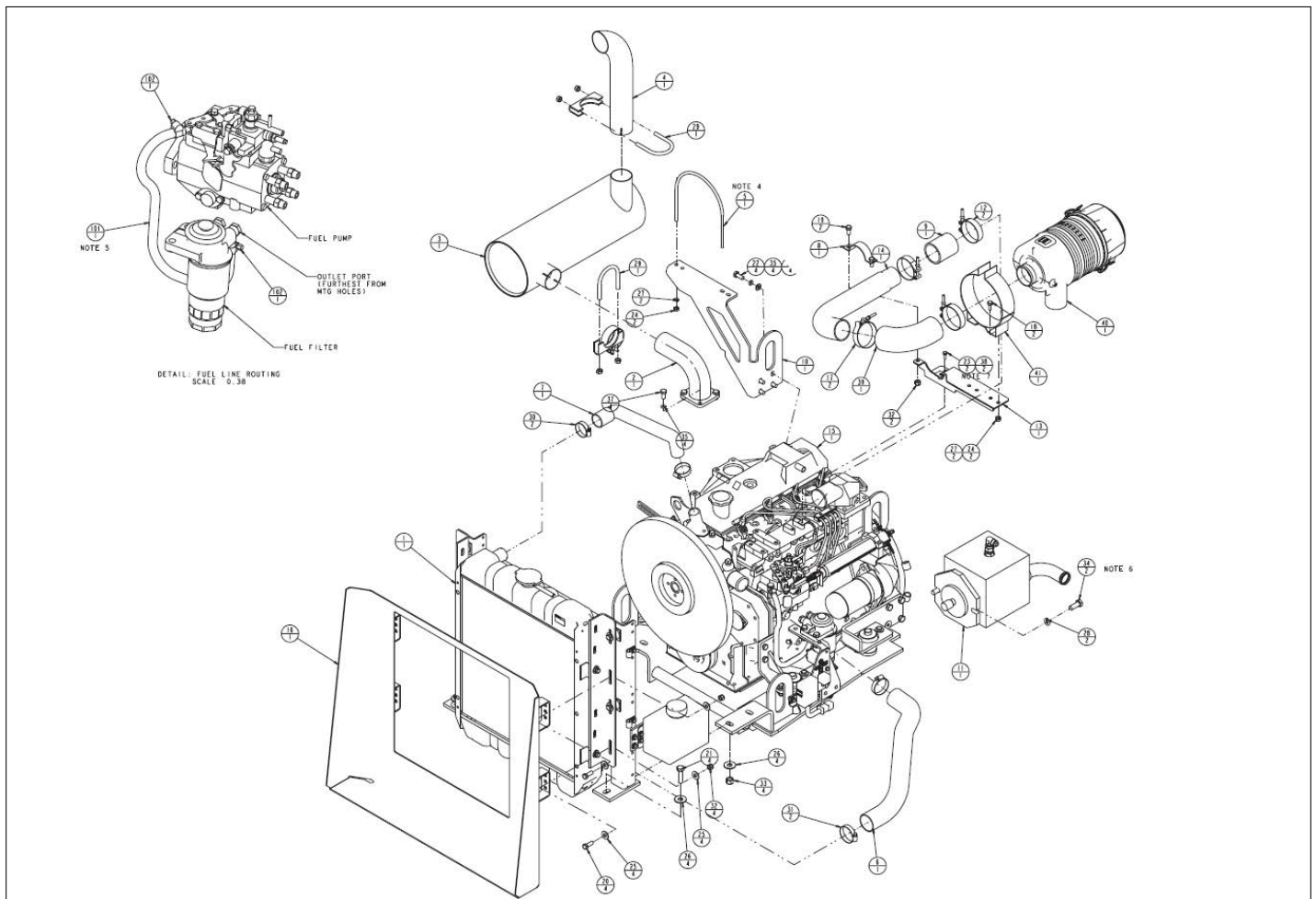


アイテム	部品番号	名前	数量	UOM
	0083436 F	ENGINE CUMMINS TIER 3 WITH RADIATOR ASSEMBLY AUGUST 2008 AND BEFORE	1	EA
1	0074634	RADIATOR ASSEMBLY	1	EA
2	0074641	WELDMTN EXHAUST ELB LONG	1	EA
3	0074644	MUFFLER	1	EA
4	0074645	TAIL PIPE	1	EA
5	0074664	MUFFLER CLAMP TB 42/50 CU 3.3	1	EA
6	0074684	HOSE LOWER RAD CU 3.3	1	EA
7	0074685	HOSE LOWER RAD CU 3.3	1	EA
8	0074687	CLAMP AIR INTAKE TUBE	1	EA
9	0074688	ADAPTOR HOSE AIR INTAKE	1	EA
10	0074786	MUFFLER SUPPORT BRKT	1	EA
11	0082138	HYDRAULIC PUMP AND FITTINGS DEUTZ CUMMINS	1	EA
12	0083165	CLAMP T BOLT 2.75 NOM	2	EA
13	0083167	MT BRKT AIR CLEANER	1	EA
14	0083175	AIR CLEANER HOSE COUPLER 2.5 2.25	1	EA
15	0083445	ENGINE TRAY ASSEMBLY CUMMINS T3	1	EA
16	0083501	SHOURD WELDMENT CU	1	EA
17	0083544	CLAMP T BOLT 3.00 NOM	2	EA
18	970239	BLT HEXHD .313 18 .750 GR5	2	EA
19	970449	HHD BLT .375 16 X .750 GR5	2	EA
20	970469	HHD BLT .375 16 X 1.00 GR5	4	EA
21	970919	BLT HEXHD .500 13 1.75 GR5	4	EA
22	058493 025	HHCS M10 X 25MM GR10.9 DIN933	4	EA
23	056058 018	BOLT, HEXBOLT DIN 931 M6 X 16MM 8.8 ZP	2	EA
24	984089	NUT HEX .313 18	4	EA

アイテム	部品番号	名前	数量	UOM
25	986299	WASHER, FLAT, .375 STANDARD, PLATED	8	EA
26	986359	FLATWASHER 1/2"	8	EA
27	987109	WSHR LOCK .313	4	EA
28	987139	WSHR LOCK .500	2	EA
29	5550026	EXHAUST CLAMP	2	EA
30	5550038	CLP WORM DRV 1.25 2.25 SAE#28	2	EA
31	5550040	CLP WORM DRV 2.00 3.00 SAE#40	2	EA
32	5560033	.375 16UNC HEX LOCK NUT	6	EA
33	5560039	NUT HEX LKG .500 13	4	EA
34	5560136	HEX HEAD CAP SCREW, DRILLED, .500 13 UNIFIED NATIONAL COURSE, STEEL, GR 5, 1.25 LG.	2	EA
35	056021 010	Washer, SpringWasher DIN127B M	8	EA
36	056069 010	Washer, SteelFlatWasher DIN125A M10 ZincPlated	4	EA
37	058493 020	BOLT HEXSETSCREW DIN933 M10 X 20MM 8.8 ZP	4	EA
38	8056021 006	WASHER LOCK M6	2	EA
39	7630015	ELBOW 90' 2.5	1	EA
40	7630755	AIR CLEANER CUMMINS 3.3 KUBOTA WG2403 TIER 3 AND TIER 4 ASSEMBLY	1	EA
41	7630759	BRACKET AIR CLEANER	1	EA
101	5010005	HOSE .38 831 6 RL PUSH LOCK	2.75'	EA
102	5010005	HOSE .38 831 6 RL PUSH LOCK	.75'	EA
103	5010027	FUEL HOSE 3/16 INCH DIAMETER X 24 INCH LONG	2.00'	EA
104	5093044	NYLON TEE	1	EA
105	5550006	CLP WORM DRV .38 .88 SAE#6	4	EA

アイテム	部品番号	名前	数量	UOM
106	5550028	CLP WORM DRV .25 .63 .31 BAND	2	EA

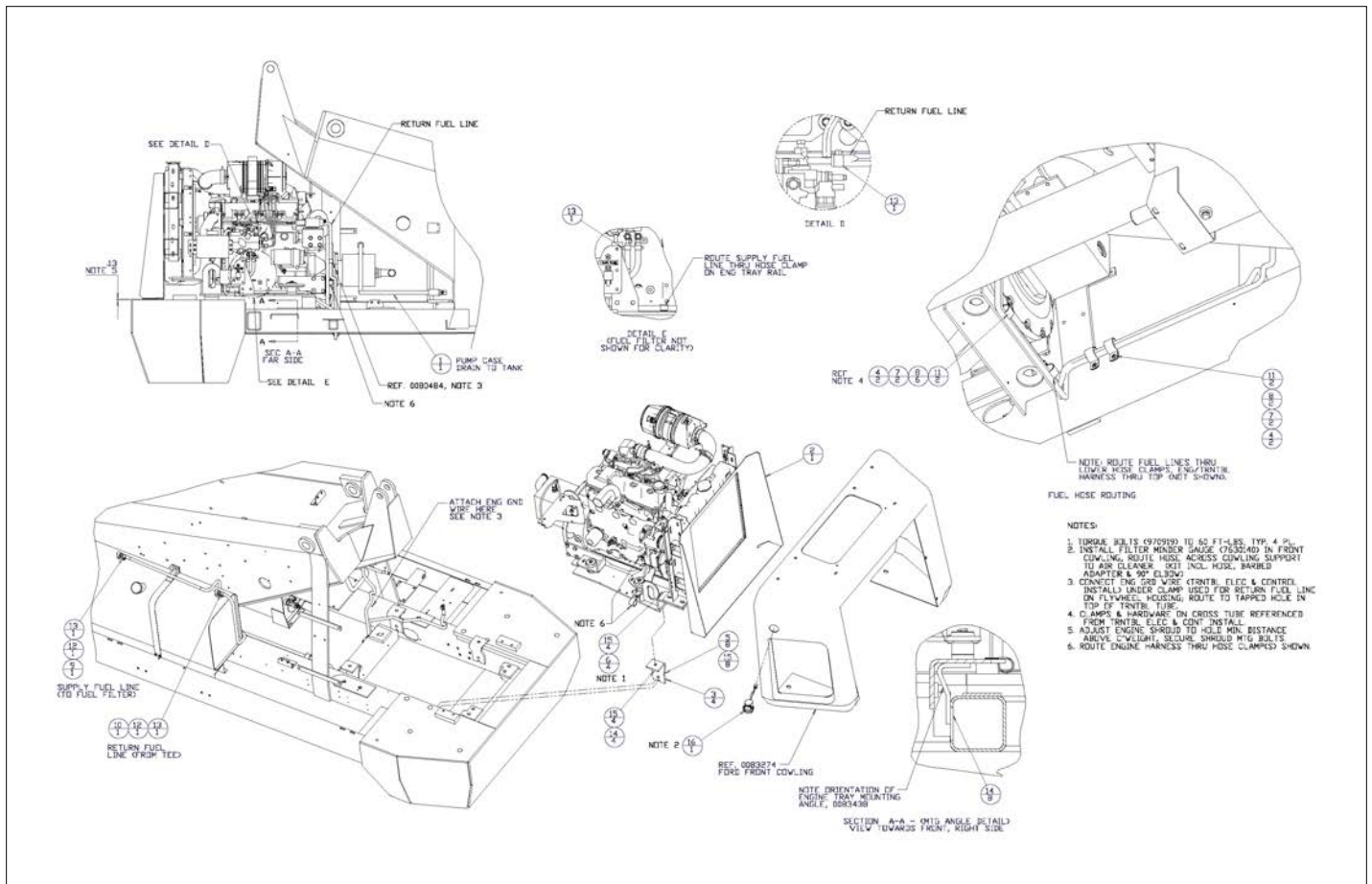
REPAIR PARTS



アイテム	部品番号	名前	数量	UOM
	0083436 K	ENGINE AND RADIATOR ASSEMBLY CUMMINS 3.3 TIER 3 JULY 2007 AND AFTER	1	EA
1	0074634	RADIATOR ASSEMBLY	1	EA
2	0074641	WELDMTN EXHAUST ELB LONG	1	EA
3	0074644	MUFFLER	1	EA
4	0074645	TAIL PIPE	1	EA
5	0074664	MUFFLER CLAMP TB 42/50 CU 3.3	1	EA
6	0074684	HOSE LOWER RAD CU 3.3	1	EA
7	0074685	HOSE LOWER RAD CU 3.3	1	EA
8	0074687	CLAMP AIR INTAKE TUBE	1	EA
9	0074688	ADAPTOR HOSE AIR INTAKE	1	EA
10	0074786	MUFFLER SUPPORT BRKT	1	EA
11	0082138	HYDRAULIC PUMP AND FITTINGS DEUTZ CUMMINS	1	EA
12	0083165	CLAMP T BOLT 2.75 NOM	2	EA
13	0083167	MT BRKT AIR CLEANER	1	EA
14	0083175	AIR CLEANER HOSE COUPLER 2.5 2.25	1	EA
15	0083445	ENGINE TRAY ASSEMBLY CUMMINS T3	1	EA
16	0083501	SHOURD WELDMENT CU	1	EA
17	0083544	CLAMP T BOLT 3.00 NOM	2	EA
18	970239	BLT HEXHD .313 18 .750 GR5	2	EA
19	970449	HHD BLT .375 16 X .750 GR5	2	EA
20	970469	HHD BLT .375 16 X 1.00 GR5	4	EA
21	970919	BLT HEXHD .500 13 1.75 GR5	4	EA
22	0058493 025	BLT 10MM 1.50P 25MM GR5	4	EA
23	056058 018	BOLT, HEXBOLT DIN 931 M6 X 16MM 8.8 ZP	2	EA
24	984089	NUT HEX .313 18	4	EA

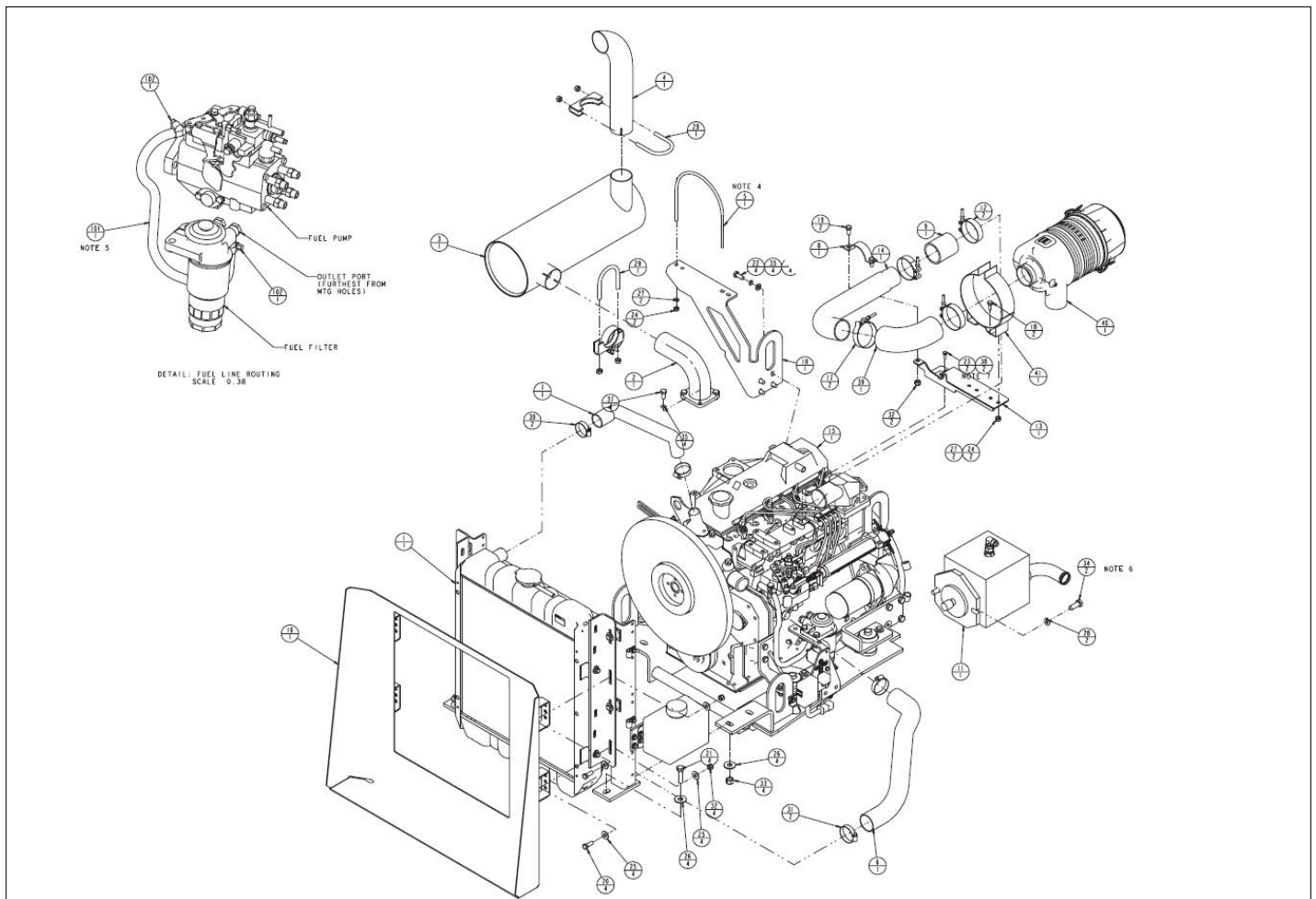
アイテム	部品番号	名前	数量	UOM
25	986299	WASHER, FLAT, .375 STANDARD, PLATED	8	EA
26	986359	FLATWASHER 1/2"	8	EA
27	987109	WSHR LOCK .313	4	EA
28	987139	WSHR LOCK .500	2	EA
29	5550026	EXHAUST CLAMP	2	EA
30	5550038	CLP WORM DRV 1.25 2.25 SAE#28	2	EA
31	5550040	CLP WORM DRV 2.00 3.00 SAE#40	2	EA
32	5560033	.375 16UNC HEX LOCK NUT	6	EA
33	5560039	NUT HEX LKG .500 13	4	EA
34	5560136	HEX HEAD CAP SCREW, DRILLED, .500 13 UNIFIED NATIONAL COURSE, STEEL, GR 5, 1.25 LG.	2	EA
35	056021 010	Washer, SpringWasher DIN127B M	8	EA
36	056069 010	Washer, SteelFlatWasher DIN125A M10 ZincPlated	4	EA
37	058493 020	BOLT HEXSETSCREW DIN933 M10 X 20MM 8.8 ZP	4	EA
38	8056021 006	WASHER LOCK M6	2	EA
39	7630015	ELBOW 90' 2.5	1	EA
40	7630755	AIR CLEANER CUMMINS 3.3 KUBOTA WG2403 TIER 3 AND TIER 4 ASSEMBLY	1	EA
41	7630759	BRACKET AIR CLEANER	1	EA
101	5010005	HOSE .38 831 6 RL PUSH LOCK	2.75 FT	EA
102	5550006	CLP WORM DRV .38 .88 SAE#6	2	EA

REPAIR PARTS



アイテム	部品番号	名前	数量	UOM
	0083543 B	ENGINE CUMMINS INSTALLATION		EA
1	0070792	HOSE 8 8S 8S 32 100R2	1	EA
2	0083436	ASSY ENGINE/RAD CU T3 TB60/66J	1	EA
3	0083438 3	MT ENG CU 3.3	4	EA
4	970099	CAPSCREW 1/4 20 X 5/8 INCH LONG HEX HEAD GRADE 5 (FULL HEIGHT SWINGING GATE FOR 8FT STEEL PLATFORMS)	4	EA
5	970909	BLT HEXHD .500 13 1.50 GR5 PLA	2	EA
6	970919	BLT HEXHD .500 13 1.75 GR5	2	EA
7	986019	WSHR FLAT .250	2	EA
8	987099	WSHR LOCK .250	8	EA
9	5010005	HOSE .38 831 6 RL PUSH LOCK	10.5 FT	EA
10	5010005	HOSE .38 831 6 RL PUSH LOCK	6.5 FT	EA
11	5093024	CLAMP	2	EA
12	5093045	FTG STR 6H 4N BR	2	EA
13	5550006	CLP WORM DRV .38 .88 SAE#6	4	EA
14	5560039	NUT HEX LKG .500 13	12	EA
15	5560168	WSHR FLAT HARD .500 SP	16	EA
16	7630140	FILTER MINDER GAUGE AIR CLNR	1	EA

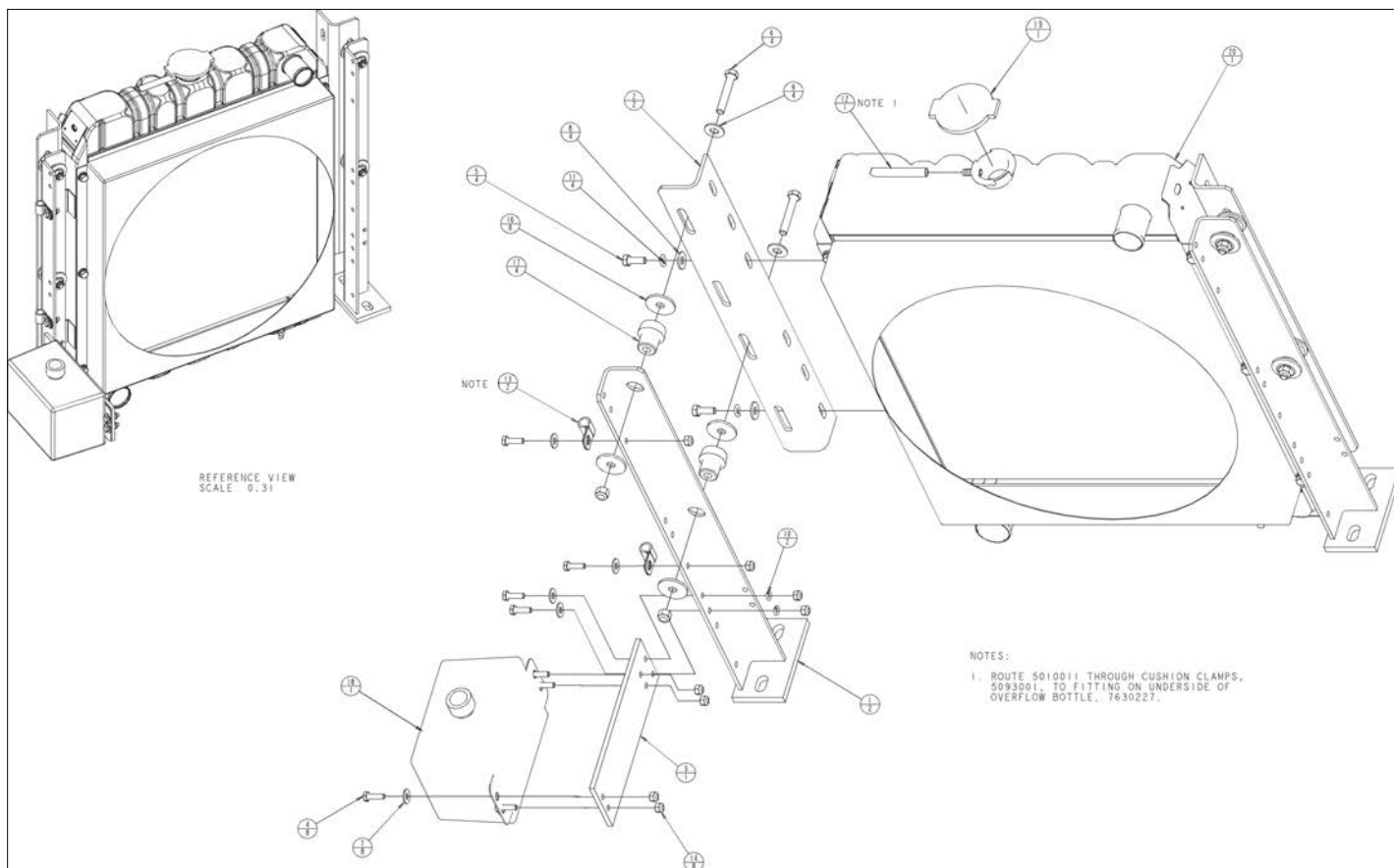
REPAIR PARTS



アイテム	部品番号	名前	数量	UOM
Not Shown	0083436 K	ENGINE AND RADIATOR ASSEMBLY CUMMINS 3.3 TIER 3 JULY 2007 AND AFTER	1	EA
1	0074634	RADIATOR ASSEMBLY	1	EA
2	0074641	WELDMTN EXHAUST ELB LONG	1	EA
3	0074644	MUFFLER	1	EA
4	0074645	TAIL PIPE	1	EA
5	0074664	MUFFLER CLAMP TB 42/50 CU 3.3	1	EA
6	0074684	HOSE LOWER RAD CU 3.3	1	EA
7	0074685	HOSE LOWER RAD CU 3.3	1	EA
8	0074687	CLAMP AIR INTAKE TUBE	1	EA
9	0074688	ADAPTOR HOSE AIR INTAKE	1	EA
10	0074786	MUFFLER SUPPORT BRKT	1	EA
11	0082138	HYDRAULIC PUMP AND FITTINGS DEUTZ CUMMINS	1	EA
12	0083165	CLAMP T BOLT 2.75 NOM	2	EA
13	0083167	MT BRKT AIR CLEANER	1	EA
14	0083175	AIR CLEANER HOSE COUPLER 2.5 2.25	1	EA
15	0083445	ENGINE TRAY ASSEMBLY CUMMINS T3	1	EA
16	0083501	SHOURD WELDMENT CU	1	EA
17	0083544	CLAMP T BOLT 3.00 NOM	2	EA
18	970239	BLT HEXHD .313 18 .750 GR5	2	EA
19	970449	HHD BLT .375 16 X .750 GR5	2	EA
20	970469	HHD BLT .375 16 X 1.00 GR5	4	EA
21	970919	BLT HEXHD .500 13 1.75 GR5	4	EA
22	0058493 025	BLT 10MM 1.50P 25MM GR5	4	EA
23	056058 018	BOLT, HEXBOLT DIN 931 M6 X 16MM 8.8 ZP	2	EA
24	984089	NUT HEX .313 18	4	EA

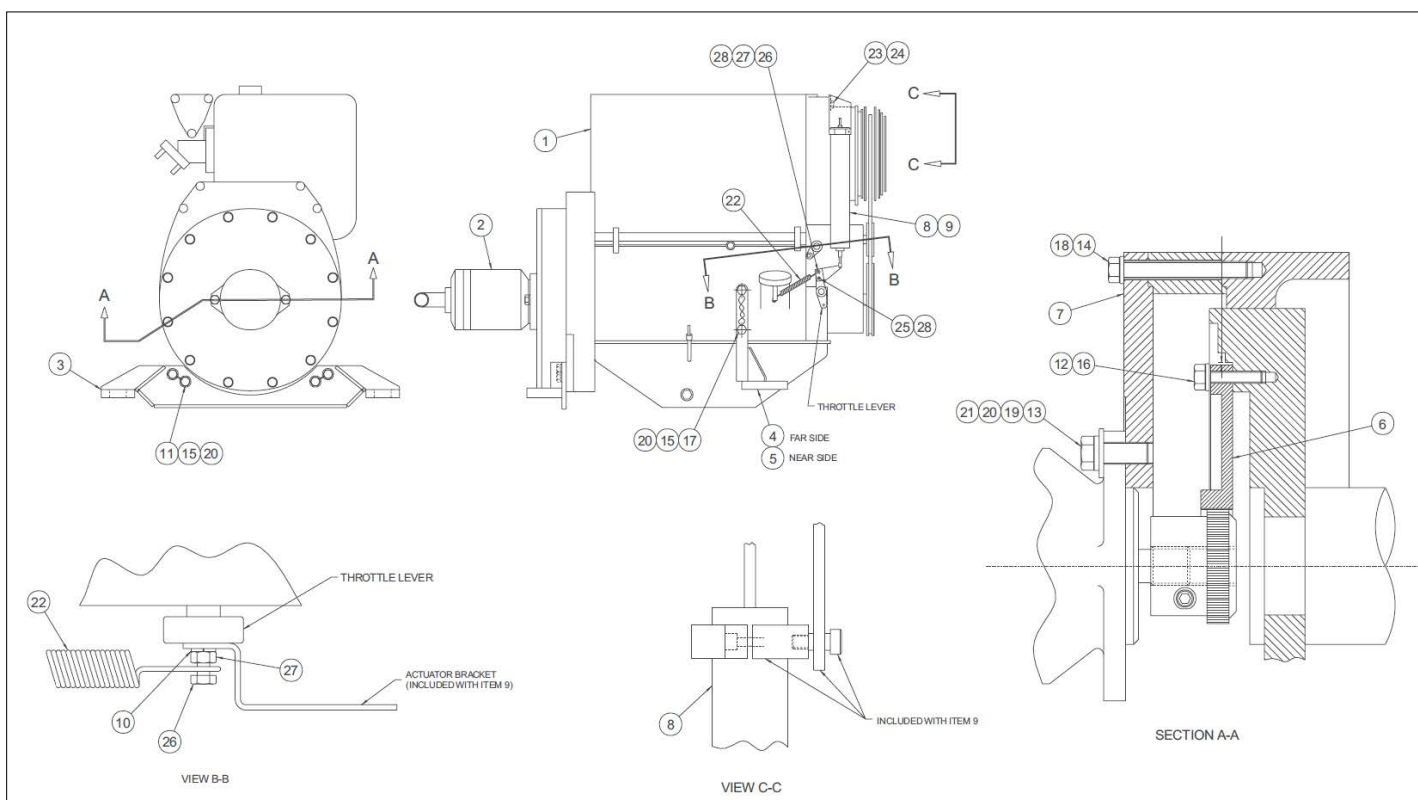
アイテム	部品番号	名前	数量	UOM
25	986299	WASHER, FLAT, .375 STANDARD, PLATED	8	EA
26	986359	FLATWASHER 1/2"	8	EA
27	987109	WSHR LOCK .313	4	EA
28	987139	WSHR LOCK .500	2	EA
29	5550026	EXHAUST CLAMP	2	EA
30	5550038	CLP WORM DRV 1.25 2.25 SAE#28	2	EA
31	5550040	CLP WORM DRV 2.00 3.00 SAE#40	2	EA
32	5560033	.375 16UNC HEX LOCK NUT	6	EA
33	5560039	NUT HEX LKG .500 13	4	EA
34	5560136	HEX HEAD CAP SCREW, DRILLED, .500 13 UNIFIED NATIONAL COURSE, STEEL, GR 5, 1.25 LG.	2	EA
35	056021 010	Washer, SpringWasher DIN127B M	8	EA
36	056069 010	Washer, SteelFlatWasher DIN125A M10 ZincPlated	4	EA
37	058493 020	BOLT HEXSETSCREW DIN933 M10 X 20MM 8.8 ZP	4	EA
38	8056021 006	WASHER LOCK M6	2	EA
39	7630015	ELBOW 90' 2.5	1	EA
40	7630755	AIR CLEANER CUMMINS 3.3 KUBOTA WG2403 TIER 3 AND TIER 4 ASSEMBLY	1	EA
41	7630759	BRACKET AIR CLEANER	1	EA
101	5010005	HOSE .38 831 6 RL PUSH LOCK	2.75 FT	EA
102	5550006	CLP WORM DRV .38 .88 SAE#6	2	EA

REPAIR PARTS



アイテム	部品番号	名前	数量	UOM
Not Shown	0074634 D	RADIATOR CUMMINS 3.3 ASSEMBLY	1	EA
1	0074630	BRACKET RADIATOR	2	EA
2	0083153	ANGLE RADIATOR MOUNT	2	EA
3	0180832	MTG PLATE OVERFLOW	1	EA
4	970039	BLT HEXHD .250 20 .875 LKG	8	EA
5	970249	BLT HEXHD .313 18 .875 GR5	4	EA
6	970519	CAPSCREW 3/8 16 X 2 1/4" LG H.H.	4	EA
7	986019	WSHR FLAT .250	8	EA
8	986269	WSHR FLAT .313	4	EA
9	986299	WASHER, FLAT, .375 STANDARD, PLATED	4	EA
10	987099	WSHR LOCK .250	2	EA
11	987109	WSHR LOCK .313	4	EA
12	5010011	HOSE SAE30R2 05 .312 FUEL	1	EA
13	5093001	CLP CUSH .500 VINYL COATED	2	EA
14	5560004	NUT LKG .250 20	8	EA
15	5560033	.375 16UNC HEX LOCK NUT	4	EA
16	5560179	Flat Washer Special	8	EA
17	7630180	RADIATOR CUSHION	1	EA
18	7630227	OVERFLOW BOTTLE 2QT	1	EA
Not Shown	8060277	REPLACEMENT CAP	1	EA
19	7630239	RADIATOR CAP 13 PSI	1	EA
20	7630756 001	RADIATOR	1	EA

REPAIR PARTS



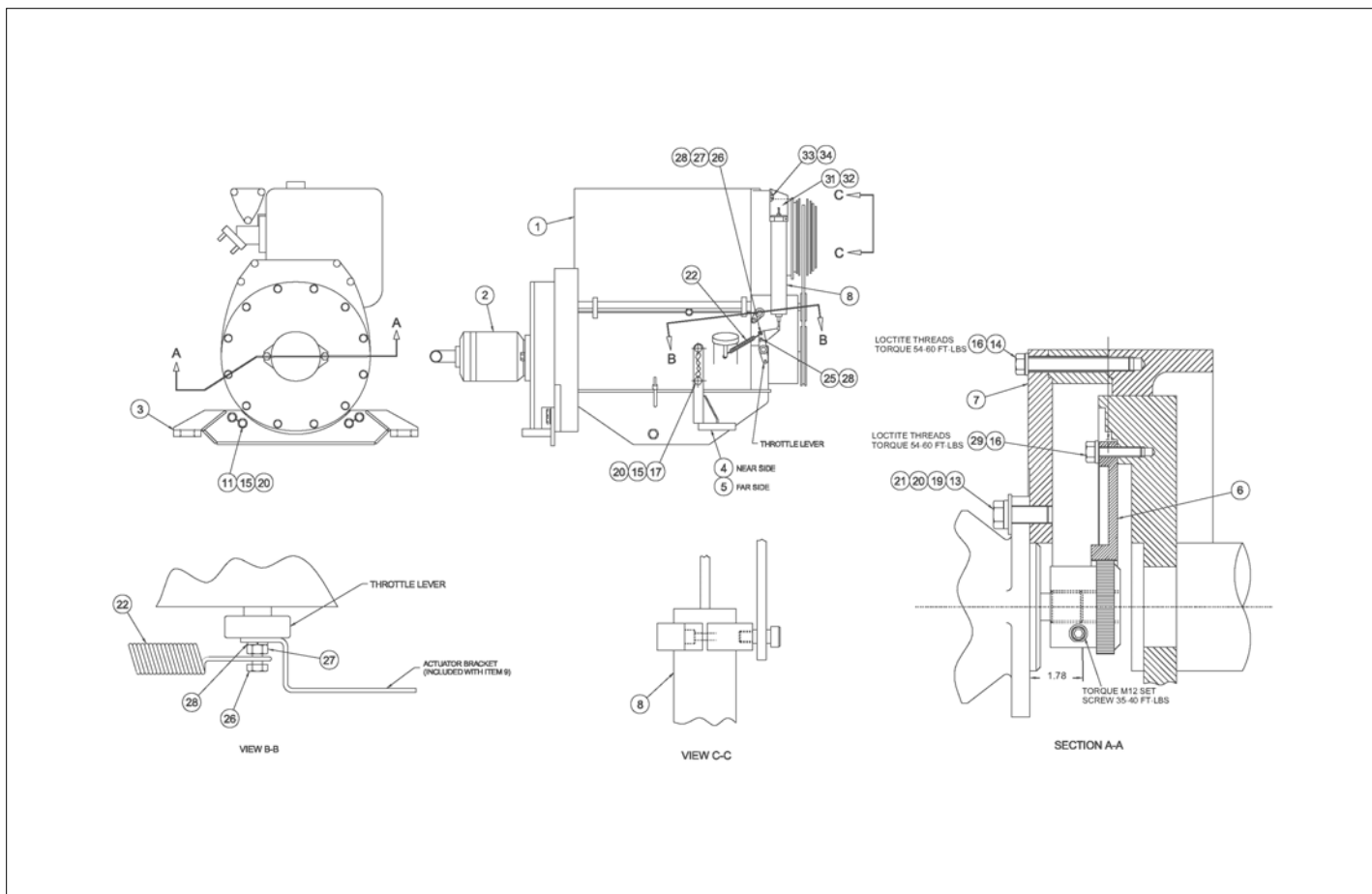
アイテム	部品番号	名前	数量	UOM
	0082013 H	ENGINE DEUTZ F4L1011F ASSEMBLY MARCH 2007 AND BEFORE	1	EA
1	7624750	ENGINE, DEUTZ F4L 1011F	1	EA
2	0082138	HYDRAULIC PUMP AND FITTINGS DEUTZ CUMMINS	1	EA
3	0081624	WLDMT MOTOR MOUNT REAR	1	EA
4	0081619	MOTOR MOUNT RH FRONT	1	EA
5	0081614	MOTOR MOUNT LH FRONT	1	EA
6	7630779	COUPLER SAE 8 KIT	1	EA
7	0081226	PLATE ENGINE ADAPTER	1	EA
8	0162698	ACTUATOR SUB ASSEMBLY	1	EA
9	7630311	PLATE ENGINE ADAPTER	1	EA
11	5560207	BOLT HEXHEAD M14 2.00 30MM DR	4	EA
12	986299	WASHER, FLAT, .375 STANDARD, PLATED	6	EA
13	987139	WSHR LOCK .500	2	EA
14	5560356	WSHR LOCK 10	8	EA
15	5560377	WASHER LOCK M14	8	EA
16	5560626	BLT HEXHD M10 1.5 X 30MM GR8	14	EA
17	5560228	BOLT HEXHEAD M14 2.00 50MM DR GRD8	4	EA
18	982129	.250 28UNC HEX NUT	2	EA
19	5560168	WSHR FLAT HARD .500 SP	2	EA
20	9980012	.040 S. S. SAFETY LOCKWIRE	A/R	EA
21	5560136	HEX HEAD CAP SCREW, DRILLED, .500 13 UNIFIED NATIONAL COURSE, STEEL, GR 5, 1.25 LG.	2	EA
22	0080825	SPRING CHOKE (INCL. W/ ACTUATOR)	A/R	EA
23	5563103	BLT HEXHD M8 1.25 X 16MM	2	EA

アイテム	部品番号	名前	数量	UOM
25	975209	BLT HEXHD M6 1.0 X 18MM	1	EA
26	980049	CAPSCREW, 1/4 20 X 1" LG HEXHD GR5	4	EA
27	5560264	NUT HEX .375 16 LKG	4	EA
28	986019	WSHR FLAT .250	4	EA
29	5560364	WSHR FLAT 10	6	EA
30	PNNA	LOCTITE (#242 BLUE)	A/R	EA
Not Shown	8040198	FUEL FILTER 0.4 L SPIN ON CARTRIDGE – ITEM NOT SHOWN	1	EA
Not Shown	8040201	ALTERNATOR, 14V, 60A – ITEM NOT SHOWN	1	EA
Not Shown	8040207	OIL PRESSURE SWITCH 0.5 BAR, NORMALLY CLOSED – ITEM NOT SHOWN	1	EA

アイテム	部品番号	名前	数量	UOM
	0082013 S	ENGINE SUB ASSEMBLY DEUTZ F4L1011F FEBRUARY 2009 AND AFTER	1	EA
1	0082013	ENGINE, DEUTZ F4L 1011F DIESEL	1	EA
2	0082138	HYDRAULIC PUMP AND FITTINGS DEUTZ CUMMINS	1	EA
3	0084233	WELDMENT MOTOR MOUNT REAR	1	EA
4	0084235	MOTOR MOUNT RIGHT HAND FRONT	1	EA
5	0084228	MOTOR MOUNT LEFT HAND FRONT	1	EA
6	7630779	COUPLER SAE 8 KIT	1	EA
7	0081226	PLATE ENGINE ADAPTER	1	EA
8	3040174	SOLENOID, THROTTLE	1	EA
9	0075621	BRKT, SOLENOID MOUNTING	1	EA
10	0075622	SPCR, SOLENOID MOUNTING	2	EA
11	5560207	BOLT HEXHEAD M14 2.00 30MM DR	4	EA
12	986299	WASHER, FLAT, .375 STANDARD, PLATED	6	EA
13	987139	WSHR LOCK .500	2	EA
14	056021 010	Washer, SpringWasher DIN127B M	8	EA
15	056021 014	WASHER LOCK M14	8	EA
16	058493 030	M10 X 30MM HHCS	14	EA
17	5560228	BOLT HEXHEAD M14 2.00 50MM DR GRD8	4	EA
18	982129	.250 28UNC HEX NUT	2	EA
19	5560168	WSHR FLAT HARD .500 SP	2	EA
20	9980012	.040 S. S. SAFETY LOCKWIRE	AR	EA
21	5560136	HEX HEAD CAP SCREW, DRILLED, .500 13 UNIFIED NATIONAL COURSE, STEEL, GR 5, 1.25 LG.	2	EA

アイテム	部品番号	名前	数量	UOM
22	2650001	Swivel Inline	1	EA
23	056059 016	HHCS M8 X 16 GR8.8 DIN 931	2	EA
25	056058 018	BOLT, HEXBOLT DIN 931 M6 X 16MM 8.8 ZP	1	EA
26	970069	BLT HEXHD .250 20 1.25 GR5	4	EA
27	5560004	NUT LKG .250 20	4	EA
28	986019	WSHR FLAT .250	4	EA
29	056069 010	Washer, SteelFlatWasher DIN125A M10 ZincPlated	6	EA
30	PNNA	LOCTITE (#242 BLUE)	AR	EA
31	2690004	Rod End	1	EA
32	058491 020	HHCS M6 X 1 X 20 G8.8 DIN 933	1	EA
33	056021 006	WASHER SPRING WASHER M6 DIN 127B GR8.8 ZP	1	EA
34	058492 020	Bolt HexSetScrew DIN933 M8 x 2	2	EA
35	056021 008	Washer SpringWasher DIN127B M8	4	EA
36	056069 008	WASHER, STEELFLATWASHER DIN12M8 FLAT WASHER DIN 125	2	EA
Not Shown	8040198	FUEL FILTER 0.4 L SPIN ON CARTRIDGE – ITEM NOT SHOWN	1	EA
Not Shown	8040201	ALTERNATOR, 14V, 60A – ITEM NOT SHOWN	1	EA
Not Shown	8040207	OIL PRESSURE SWITCH 0.5 BAR, NORMALLY CLOSED – ITEM NOT SHOWN	1	EA

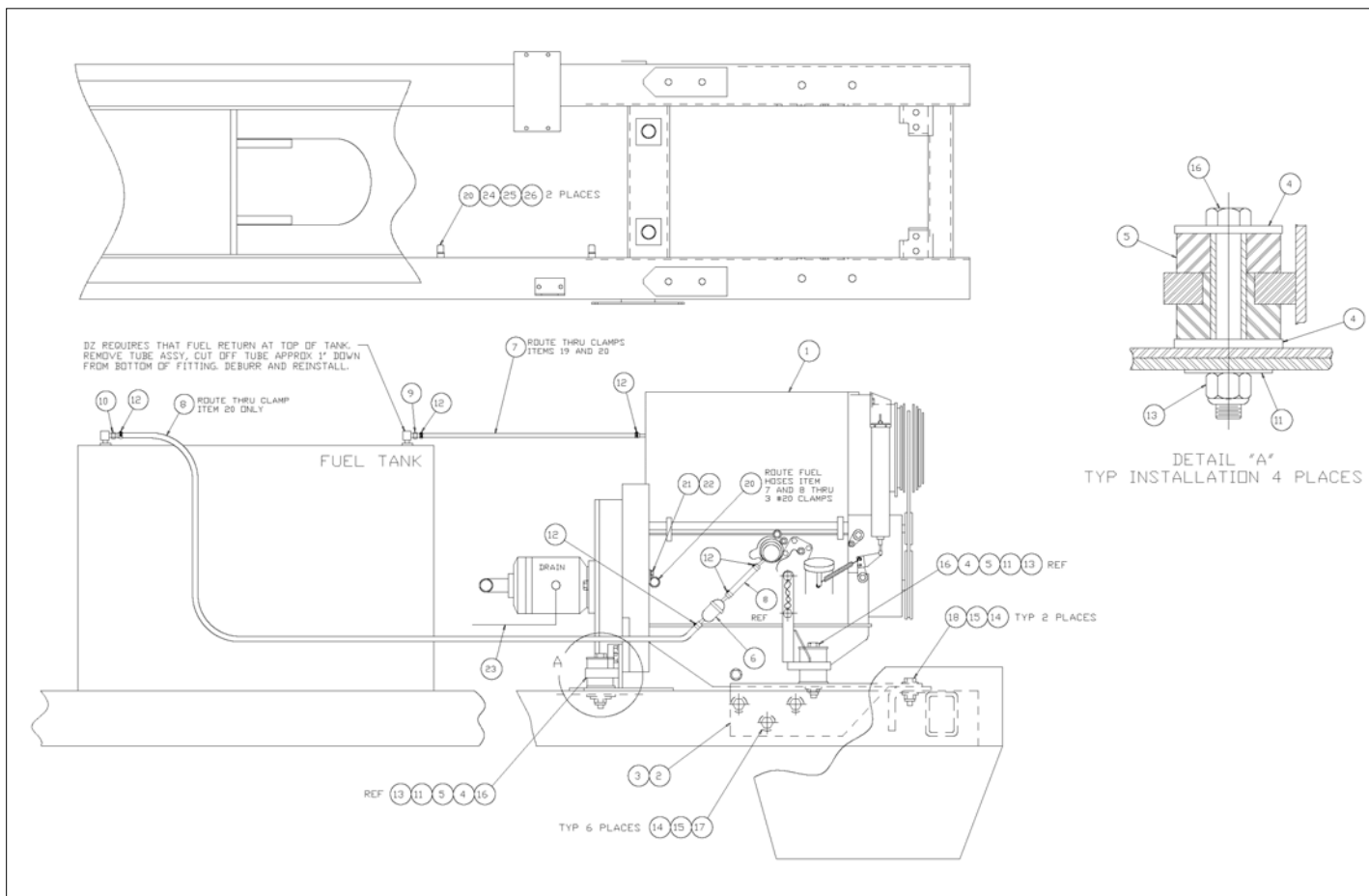
REPAIR PARTS



アイテム	部品番号	名前	数量	UOM
	0082013 N	ENGINE DEUTZ T3 F4L1011F TB60 INSTALLATION APRIL 2007 AND AFTER		EA
1	7624750	ENGINE, DEUTZ F4L 1011F	1	EA
2	0082138	HYDRAULIC PUMP AND FITTINGS DEUTZ CUMMINS	1	EA
3	0084228	MOTOR MOUNT LEFT HAND FRONT	1	EA
4	0084235	MOTOR MOUNT RIGHT HAND FRONT	1	EA
5	0084233	WELDMENT MOTOR MOUNT REAR	1	EA
6	7630779	COUPLER SAE 8 KIT	1	EA
7	0081226	PLATE ENGINE ADAPTER	1	EA
8	0162698	ACTUATOR SUB ASSEMBLY	1	EA
11	5560207	BOLT HEXHEAD M14 2.00 30MM DR	4	EA
12	986299	WASHER, FLAT, .375 STANDARD, PLATED	6	EA
13	987139	WSHR LOCK .500	2	EA
14	5560356	WSHR LOCK 10	8	EA
15	5560377	WASHER LOCK M14	8	EA
16	5560626	BLT HEXHD M10 1.5 X 30MM GR8	14	EA
17	5560228	BOLT HEXHEAD M14 2.00 50MM DR GRD8	4	EA
19	5560168	WSHR FLAT HARD .500 SP	2	EA
20	9980012	.040 S. S. SAFETY LOCKWIRE	A/R	EA
21	5560136	HEX HEAD CAP SCREW, DRILLED, .500 13 UNITIFIED NATIONAL COURSE, STEEL, GR 5, 1.25 LG.	2	EA
22	0080825	SPRING CHOKE (INCL. W/ ACTUATOR)	REF	EA
23	056059 016	HHCS M8 X 16 GR8.8 DIN 931	2	EA
24	984079	WSHR LOCK M8	2	EA

アイテム	部品番号	名前	数量	UOM
25	975209	BLT HEXHD M6 1.0 X 18MM	1	EA
26	5560628	BLT HEXHD M6 1.00 12MM	1	EA
27	984169	NUT HEX M6 1.00	1	EA
28	5560664	WSRH LOCK 6	2	EA
29	5560364	WSHR FLAT 10	6	EA
30	NS00151	LOCTITE #242 BLUE	A/R	EA
31	0075516	PLATE ACTUATOR MOUNT	1	EA
32	0075519	WLDMT ACTUATOR MOUNT	1	EA
33	970369	BLT HEXHD .313 18 X 1.00 GR5	2	EA
34	5560031	NUT HEX LKG .313 18	2	EA
35	N/A	PUBLISHERS NOTE: ART WAS CREATED FROM RPM ART		EA

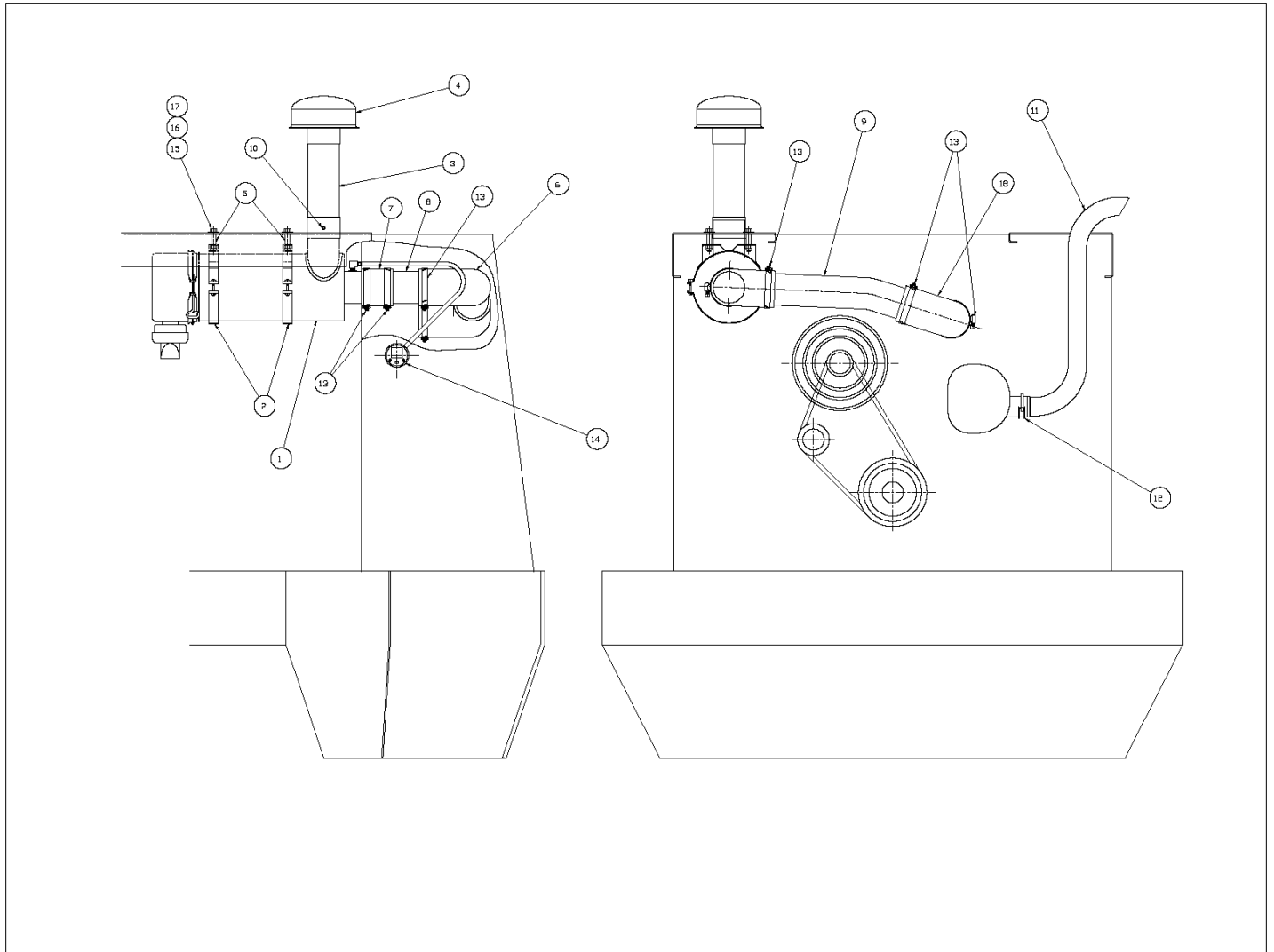
REPAIR PARTS



アイテム	部品番号	名前	数量	UOM
	0082015 H	DEUTZ F4L1011F TIER 3 ENGINE MOUNTING		EA
1	0082013	ENGINE, DEUTZ F4L 1011F DIESEL	1	EA
2	0081630	MOUNT BRKT RH FRONT	1	EA
3	0081631	MOUNT BRKT LH FRONT	1	EA
4	0071599	WSHR .650ID 2.63OD .188	8	EA
5	7630130	MOUNTENGINE	4	EA
6	7630286	FILTER N LINE FUEL	1	EA
7	967299	HOESAE30R2 04 TYPE 3 1/4 in ID FUEL LINE	4 FT	EA
8	5010011	HOSE SAE30R2 05 .312 FUEL	8 FT	EA
9	5093037	FTG STR 4H 4N BR	1	EA
10	5090032	FITTING BARBED 1/4" NPT X 3/16" BRASS	1	EA
11	5560678	WSHR FLAT .625	4	EA
12	5550028	CLP WORM DRV .25 .63 .31 BAND	6	EA
13	5560131	NUT HEX LKG .625 11 GR8	4	EA
14	986359	FLATWASHER 1/2"	16	EA
15	5560039	NUT HEX LKG .500 13	8	EA
16	5560639	CAPSCREW 5/8 11 X 4 1/2" LG H.H.	4	EA
17	980909	CAPSCREW 1/2 13 X 1.50 LG HH	6	EA
18	978559	CAPSCREW .50 13 C 2"LG HH	2	EA
20	5093006	CLP CUSH .937 VINYL COATED	3	EA
21	056059 016	HHCS M8 X 16 GR8.8 DIN 931	1	EA
22	5560355	WSHR LOCK M8	1	EA
23	0080522	HOSE 8 8S 8S 42 100R2	1	EA
24	970009	Capscrew 1/4 20 x 1/2 inch lon	2	EA
25	986019	WSHR FLAT .250	2	EA

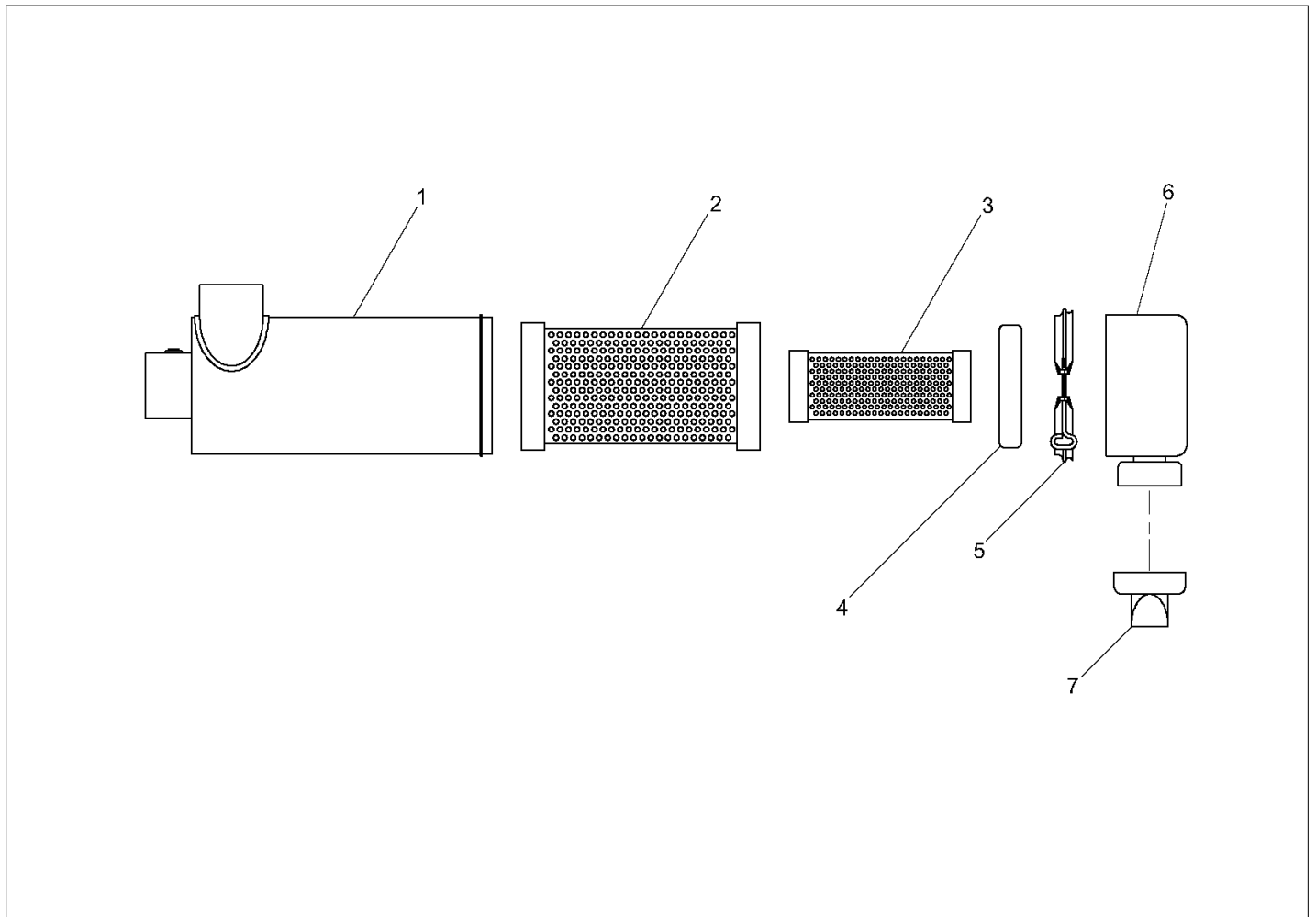
アイテム	部品番号	名前	数量	UOM
26	987099	WSHR LOCK .250	2	EA

REPAIR PARTS



アイテム	部品番号	名前	数量	UOM
Not Shown	0081638 E	DEUTZ EXHAUST AND AIR CLEANER INSTALLATION MAY 2014 AND BEFORE	1	EA
1	7630003	AIR CLEANER REPLACEMENT PARTS	1	EA
2	7630005	MOUNTING BAND	2	EA
3	0080679	TUBE AIR INLET	1	EA
4	7630004	HOOD AIR INLET	1	EA
5	0071510	SPCR .465ID .500OD 1.00 STL	4	EA
6	7630016	ELBOW 90 DEGREE RUBBER 3"	1	EA
7	0081053	HOSE, AIR INTAKE	1	EA
8	0081052	TUBE, AIR INTAKE	1	EA
9	0081639	TUBE, AIR INTAKE	1	EA
10	PNNA	POP RIVET #AD44 ABS	1	EA
11	0081640	PIPE, EXHAUST	1	EA
12	5550007	CLP MUFFLER 1.88 .375 16 HVY	1	EA
13	5550050	CLP WORM DRV 2.75 3.75 SAE#52	6	EA
14	7630140	FILTER MINDER GAUGE AIR CLNR	1	EA
15	970489	BLT HEXHD .375 16 1.50 GR5 PL	4	EA
16	986299	WASHER, FLAT, .375 STANDARD, PLATED	4	EA
17	5560033	.375 16UNC HEX LOCK NUT	4	EA
18	7630129	ELB 3" 90 RBR RDCR 2.76ID 3ID	1	EA

REPAIR PARTS



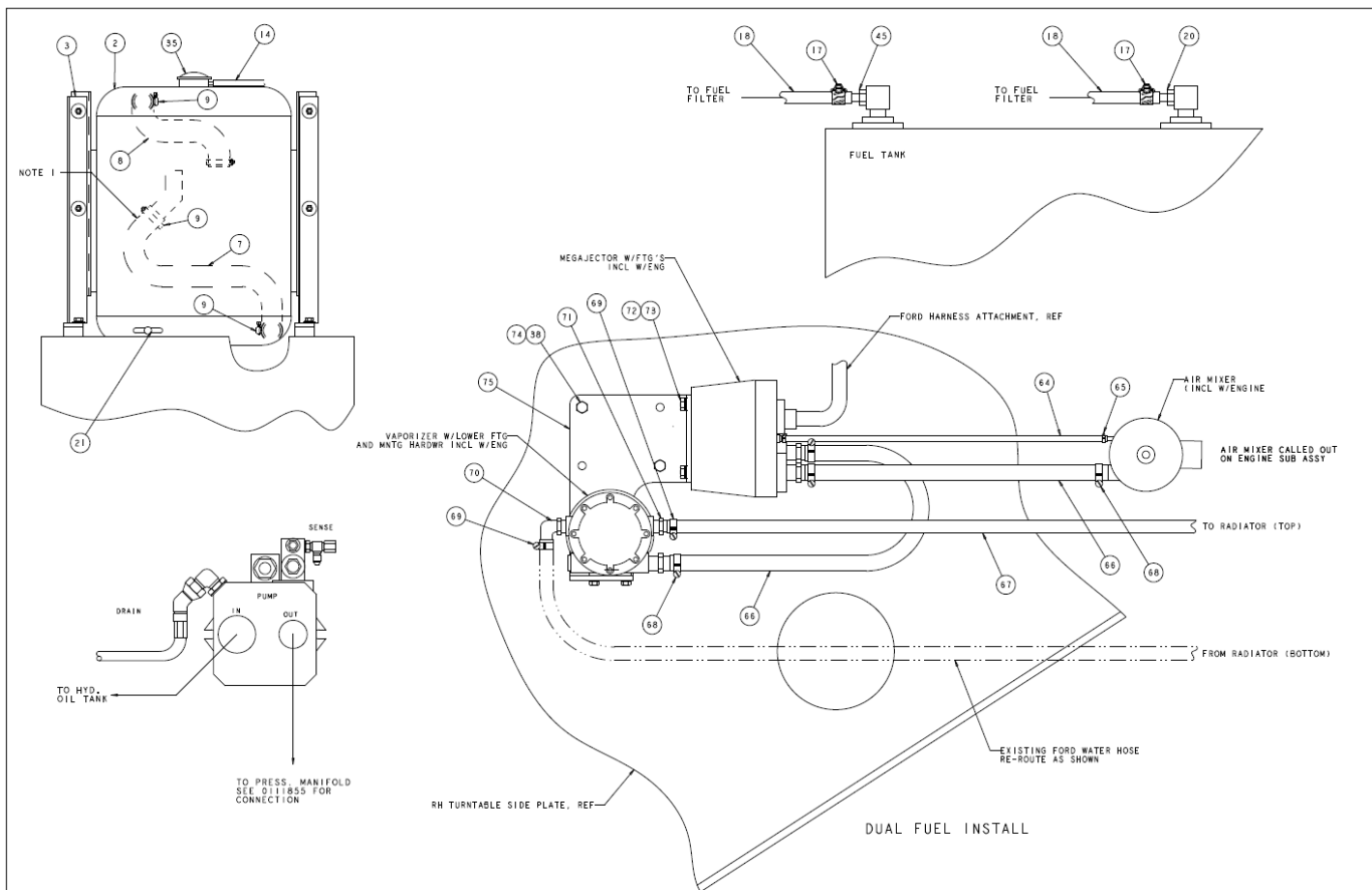
アイテム	部品番号	名前	数量	UOM
Not Shown	7630003	AIR CLEANER REPLACEMENT PARTS	1	EA
1	PNNA	HOUSING – NOT SOLD SEPARATELY	1	EA
2	8040106	PRIMARY FILTER ELEMENT	1	EA
3	8040107	SECONDARY FILTER ELEMENT	1	EA
4	8040112	CLEANER CAP BAFFLE	1	EA
5	8040114	CLAMP	1	EA
6	8040111	DUST CAP	1	EA
7	8040115	VACUATOR VALVE	1	EA

アイテム	部品番号	名前	数量	UOM
Not Shown	0082693 J	ENGINE MOUNTING FORD LRG 425 WITH ECM	1	EA
1	0083368	ENGINE SUB ASSEMBLY	1	EA
2	7630677	RADIATOR	1	EA
3	0180441	SUPPORT BRACKET WELDMENT, RADIATOR	2	EA
4	0081860	ANGLE RADIATOR	2	EA
5	7630180	RADIATOR CUSHION	4	EA
6	5560179	Flat Washer Special	8	EA
7	7630332	HOSE LOWER RADIATOR	1	EA
8	7630749	RADIATOR HOSE UPPER	1	EA
9	55500030	CLAMP	4	EA
10	7630117	MOUNT, ENGINE	4	EA
11	0071599	WSHR .650ID 2.63OD .188	8	EA
12	0180832	MTG PLATE OVERFLOW	1	EA
13	7630227	OVERFLOW BOTTLE 2QT	1	EA
14	5010012	5/16" I.D. HOSE	5FT	EA
15	970909	BLT HEXHD .500 13 1.50 GR5 PLA	6	EA
16	5560039	NUT HEX LKG .500 13	6	EA
17	5550028	CLP WORM DRV .25 .63 .31 BAND	6	EA
18	5010011	HOSE SAE30R2 05 .312 FUEL	10FT	EA
19	5093012	CLP CUSH 1.75 VINYL COATED	1	EA
20	5090032	FITTING BARBED 1/4" NPT X 3/16" BRASS	1	EA
21	PNNA	DRAIN COCK (INCL WITH ITEM 2)	REF	EA
22	970239	BLT HEXHD .313 18 .750 GR5	4	EA
23	987119	WSHR LOCK .375	4	EA
24	970889	CAPSCREW 1/2 13 X 1" LG H.H.	4	EA
25	986359	FLATWASHER 1/2"	4	EA

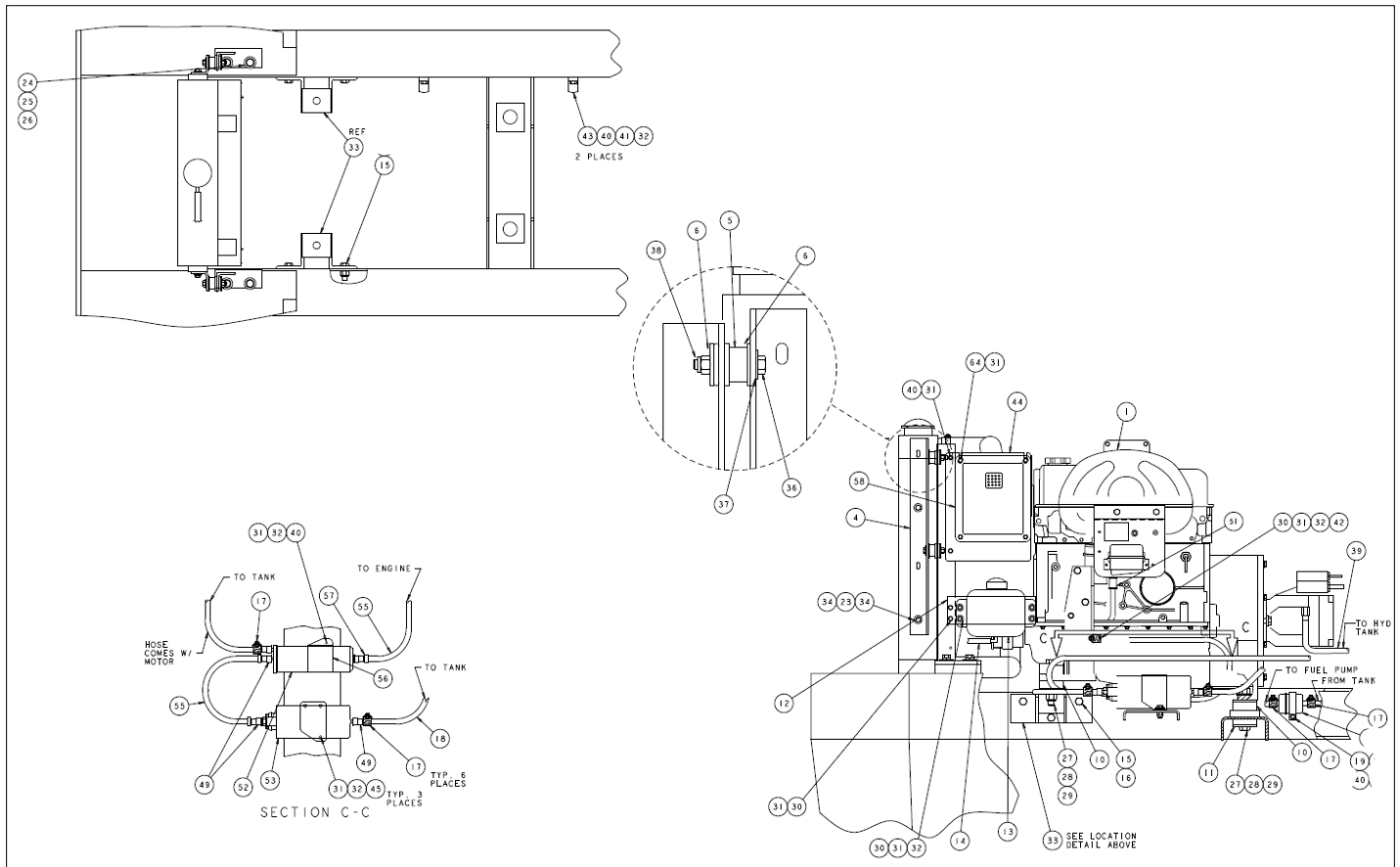
アイテム	部品番号	名前	数量	UOM
26	987119	WSHR LOCK .375	4	EA
27	5560639	CAPSCREW 5/8 11 X 4 1/2" LG H.H.	4	EA
28	5560169	WSHR FLAT HARD .625 SP	4	EA
29	5560036	NUT HEX LKG .625 11	4	EA
30	970049	BLT HEXHD .250 20 1.00 GR5 GRADE 5 PLT SAME AS 970189	14	EA
31	5560004	NUT LKG .250 20	16	EA
32	986019	WSHR FLAT .250	11	EA
33	0081464	MOTOR MOUNT WELDMENT FRONT	2	EA
34	986269	WSHR FLAT .313	4	EA
35	7630239	RADIATOR CAP 13 PSI	1	EA
36	970519	CAPSCREW 3/8 16 X 2 1/4" LG H.H.	4	EA
37	987299	FLATWASHER 3/8"	4	EA
38	5560033	.375 16UNC HEX LOCK NUT	4	EA
39	0070792	HOSE 8 8S 8S 32 100R2	1	EA
40	9700029	CAPSCREW, 1/4 20 X 3/4" LG H.H. GR5	8	EA
41	987099	WSHR LOCK .250	4	EA
42	5093008	CLP CUSH 1.06 VINYL COATED	1	EA
43	5093004	CLP CUSH .750 VINYL COATED	2	EA
44	0181154	SHIELD, ALTERNATOR ATB 60	1	EA
45	5093037	FTG STR 4H 4N BR	1	EA
49	7630678	FUEL LINE CONNECTOR (1/4)	REF	EA
50	7630679	FUEL LINE CONNECTOR (5/16)	REF	EA
51	7630680	FUEL LINE CNCTR (INJECTOR RAIL)	REF	EA
52	7630681	FUEL PRESSURE REGULATOR/FILTER	REF	EA
53	7630682	FUEL PUMP	REF	EA

アイテム	部品番号	名前	数量	UOM
54	7630683	FUEL FILTER	REF	EA
55	7630686	HIGH PRESSURE FUEL HOSE	REF	EA
56	7630685	FUEL PRESSURE REGULATOR CLAMP	REF	EA
57	7630691	HIGH PRESSURE FUEL LINE HOSE	REF	EA
58	7630687	ENGINE CONTROL MODULE	REF	EA
59	7630688	INDICATOR LAMP	1	EA
60	0112093	ECM MOUNTING BRACKET	1	EA
61	3020081	SW TGL DPDT (M/ON) SEALED	1	EA
62	0112092	DECAL ENG DIGN TROUBLE CODE	1	EA

REPAIR PARTS



アイテム	部品番号	名前	数量	UOM
Not Shown	0083937 B	ENGINE MOUNTING FORD LRG 425 WITH EPM	1	EA
1	0083938	ENGINE SUB ASSEMBLY TB60/66J (FORD)	1	EA
2	7630677	RADIATOR	1	EA
3	0180441	SUPPORT BRACKET WELDMENT, RADIATOR	2	EA
4	0081860	ANGLE RADIATOR	2	EA
5	7630180	RADIATOR CUSHION	4	EA
6	5560179	Flat Washer Special	8	EA
7	7630332	HOSE LOWER RADIATOR	1	EA
8	7630749	RADIATOR HOSE UPPER	1	EA
9	5550030	CLP WORM DRV 1.50 2.50 SAE#32	4	EA
10	7630117	MOUNT, ENGINE	4	EA
11	0071599	WSHR .650ID 2.63OD .188	8	EA
12	0180832	MTG PLATE OVERFLOW	1	EA
13	7630227	OVERFLOW BOTTLE 2QT	1	EA
14	5010012	5/16" I.D. HOSE	5 FT	EA
15	9070909	BLT HEXHD .500 13 1.50 GR5 PLA	6	EA
16	5560039	NUT HEX LKG .500 13	6	EA
17	5550028	CLP WORM DRV .25 .63 .31 BAND	6	EA
18	5010011	HOSE SAE30R2 05 .312 FUEL	10 FT	EA
19	5093012	CLP CUSH 1.75 VINYL COATED	1	EA
20	5090032	FITTING BARBED 1/4" NPT X 3/16" BRASS	1	EA
21	PNNA	DRAIN COCK (INCL WITH ITEM 2)	REF	EA
22	970239	BLT HEXHD .313 18 .750 GR5	4	EA
23	987109	WSHR LOCK .313	4	EA
24	970889	CAPSCREW 1/2 13 X 1" LG H.H.	4	EA



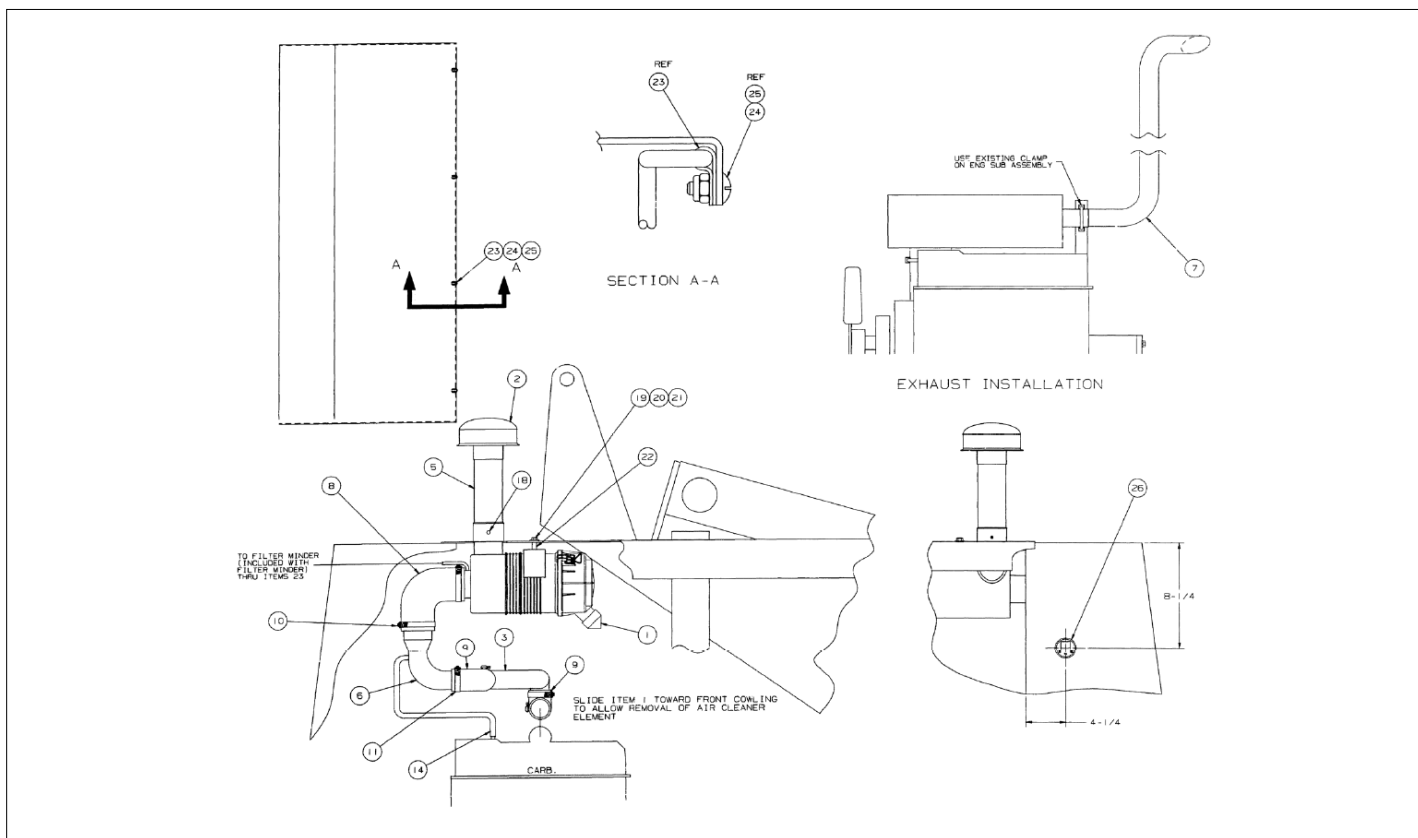
アイテム	部品番号	名前	数量	UOM
25	986359	FLATWASHER 1/2"	4	EA
26	987139	WSHR LOCK .500	4	EA
27	5560639	CAPSCREW 5/8 11 X 4 1/2" LG H.H.	4	EA
28	5560169	WSHR FLAT HARD .625 SP	4	EA
29	5560036	NUT HEX LKG .625 11	4	EA
30	5560086	SCR HEXHD .25 20 1.00 W/SEMS	14	EA
31	5560004	NUT LKG .250 20	16	EA
32	986019	WSHR FLAT .250	11	EA
33	0081464	MOTOR MOUNT WELDMENT FRONT	2	EA
34	986269	WSHR FLAT .313	4	EA
35	7630239	RADIATOR CAP 13 PSI	1	EA
36	970519	CAPSCREW 3/8 16 X 2 1/4" LG H.H.	4	EA
37	986299	WASHER, FLAT, .375 STANDARD, PLATED	4	EA
38	5560033	.375 16UNC HEX LOCK NUT	4	EA
39	0070792	HOSE 8 8S 8S 32 100R2	1	EA
40	970029	BLT .25 20 .750	8	EA
41	987099	WSHR LOCK .250	4	EA
42	5093008	CLP CUSH 1.06 VINYL COATED	1	EA
43	5093004	CLP CUSH .750 VINYL COATED	2	EA
44	0083783	MOUNT PLATE, EMP (FO)	1	EA
45	5093037	FTG STR 4H 4N BR	1	EA
46	970059	BLT HEXHD .25 15 1.25	3	EA
49	7630678	FUEL LINE CONNECTOR (1/4)	REF	EA
50	7630679	FUEL LINE CONNECTOR (5/16)	REF	EA
51	7630680	FUEL LINE CNCTR (INJECTOR RAIL)	REF	EA

アイテム	部品番号	名前	数量	UOM
52	7630681	FUEL PRESSURE REGULATOR/FILTER	REF	EA
53	76306842	FUEL PUMP – INCLUDED WITH ENGINE	REF	EA
54	7630683	FUEL FILTER	REF	EA
55	7630686	HIGH PRESSURE FUEL HOSE	REF	EA
56	7630685	FUEL PRESSURE REGULATOR CLAMP	REF	EA
57	7630691	HIGH PRESSURE FUEL LINE HOSE	REF	EA
58	PNNA	ENGINE CONTROL MODULE – INCLUDED WITH ENGINE	REF	EA
63	969989	BLT HEXHD .250 20 1.75 GR5	4	EA
64	5010006	HOSE VACUUM .25 1D	3 FT	EA
65	5090026	CLP HOSE .187 SPRING (VACUUM)	2	EA
66	5018829	HOSE .75 ID LPG	5 FT	EA
67	5010020	HOSE .625ID 16MM	6 FT	EA
68	5550020	CLP WORM DRV .75 1.75 SAE#20	4	EA
69	5550010	CLP WORM DRV .50 1.06 SAE#10	2	EA
70	5098336	FTG ELB 90 HOSE BEAD 10 6N BR	1	EA
71	5098335	FTG STR HOSE BEAD 10 6N BR	1	EA
72	5560698	BLT HEXHD M6 20MM	4	EA
73	5563051	WASHER SPRING LOCK M6 FASTENAL 40381	4	EA
74	5560531	BLT CRG .375 16 1.50	2	EA
75	0083915	BRKT DUAL FUEL (FO)	1	EA

アイテム	部品番号	名前	数量	UOM
Not Shown	0083368 B	ENGINE FORD LRG 425 SUB ASSEMBLY	1	EA
1	7620055	ENGINE FORD LRG 425	1	EA
2	0082138	HYDRAULIC PUMP AND FITTINGS DEUTZ CUMMINS	1	EA
3	0111838	R.H. MOTOR MOUNT WELDMENT	1	EA
4	0111839	L.H. MOTOR MOUNT WELDMENT	1	EA
5	7630777	PLATE ENGINE PUMP MOUNT (FORD)	1	EA
6	0181535	BRACKET, LOWER EXHAUST	1	EA
7	7630255	MUFFLER	1	EA
8	0181453	PIPE	1	EA
9	0112088	EXHAUST FLANGE WELDMENT LRG FORD	1	EA
10	PNNA	EXHAUST GASKET (INCLUDED WITH ENG.)	REF	EA
11	0181534	BRACKET, UPPER EXHAUST	1	EA
12	5550014	2" EXHAUST CLAMP	3	EA
14	PNNA	BLT HEXHD M10 X 1.5 70MM CLS 8.8	2	EA
15	PNNA	WASHER LOCK M10	4	EA
16	PNNA	BLT HEXHD M10 X 1.5 25MM CLS 8.8	2	EA
18	PNNA	BLT HEXHD M8 X 1.25 25MM CLS 8.8	1	EA
19	7630779	COUPLER SAE 8 KIT	1	EA
20	PNNA	WASHER LOCK M8	3	EA
21	5560136	HEX HEAD CAP SCREW, DRILLED, .500 13 UNITIFIED NATIONAL COURSE, STEEL, GR 5, 1.25 LG.	2	EA
22	5560168	WSHR FLAT HARD .500 SP	2	EA
23	PNNA	WASHER FLAT .375	1	EA

アイテム	部品番号	名前	数量	UOM
24	PNNA	BLT HEXHD .375 16 1.25 GR5	14	EA
25	PNNA	WASHER LOCK .375 MDM	14	EA
26	PNNA	WASHER FLAT .313	2	EA
27	PNNA	NUT HEXHD .375 16 LKG	2	EA
28	PNNA	HEGO SENSOR (INCLUDED WITH ENGINE)	1	EA
29	0112084	3" SPACER	1	EA
30	0112085	4" SPACER	1	EA
31	5093006	CLP CUSH .937 VINYL COATED	2	EA
32	0111869	ALTERNATOR WIRE ASSEMBLY	1	EA
33	PNNA	BLT HEXHD 8MM 1.2P X 105MM CLS 8.8	1	EA
34	PNNA	BLT HEXHD 8MM 1.2P X 130 MM CLS 8.8	1	EA
36	0112086	ENGINE HARDNESS COVER PLATE	1	EA
37	0112087	ENGINE HARNESS BRACKET	1	EA
41	PNNA	NUT HEXHD #10 24 LKG	7	EA
43	3020095	SWITCH PRESSURE 6 PSI	1	EA
44	7720201	REDUCER BUSHING 1/4 NPT 1/8 NPT	1	EA
45	PNNA	BLT HEXHD M10 X 1.5 X 20 CL 8.8	1	EA
46	3044145	TERM R8I 22/18	1	EA
47	0071563	WIRE 16 R81 R3131 7	1	EA
48	PNNA	SC TRSHD #10 24 .5 LG PLATED	5	EA
49	PNNA	SCR TRSHD #10 24 1.25 LG PLATE	2	EA
50	9980012	.040 S. S. SAFETY LOCKWIRE	1	EA

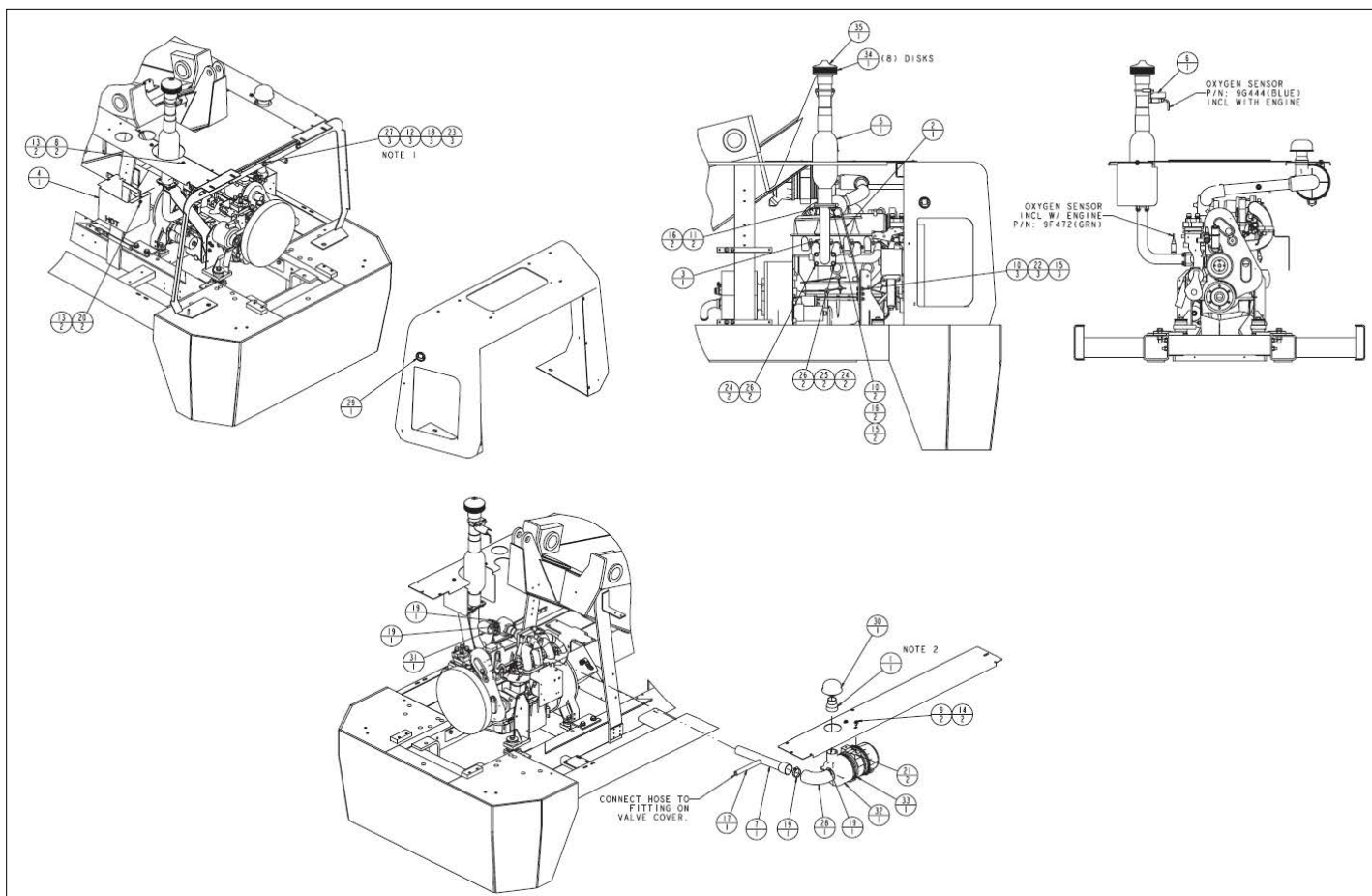
REPAIR PARTS



アイテム	部品番号	名前	数量	UOM
Not Shown	0112565 B	EXHAUST AND AIR CLEANER FORD MARCH 2005 AND AFTER	1	EA
1	0071995	TUBE, AIR CLEANER INLET	1	EA
2	0083909	BRACE, CATALYTIC CONVERTER	1	EA
3	0083911	WELDMENT, EXHAUST FLG	1	EA
4	0083914	COVER, CATALYTIC CONVERTER (FO)	1	EA
5	0083919	WELDMENT, CATALYTIC CONVERTER (FO)	1	EA
6	0083946	COVER OXYGEN SENSOR (FO)	1	EA
7	0112577	WELDMENT, AIR INLET	1	EA
8	970029	BLT .25 20 .750	2	EA
9	970239	BLT HEXHD .313 18 .750 GR5	2	EA
10	972479	BLT HEXHD .375 16 1.25 GR5	5	EA
11	970469	HHD BLT .375 16 X 1.00 GR5	2	EA
12	986009	WSHR FLAT 10	3	EA
13	986019	WSHR FLAT .250	4	EA
14	986269	WSHR FLAT .313	2	EA
15	986299	WASHER, FLAT, .375 STANDARD, PLATED	5	EA
16	987119	WSHR LOCK .375	4	EA
17	5010020	HOSE .625ID 16MM	24"	EA
18	5093000	CLP CUSH .438 VINYL COATED	3	EA
19	5550040	CLP WORM DRV 2.00 3.00 SAE#40	4	EA
20	5560004	NUT LKG .250 20	2	EA
21	5560031	NUT HEX LKG .313 18	2	EA
22	5560033	.375 16UNC HEX LOCK NUT	3	EA
23	5560034	NUT LKG 10 24	3	EA
24	5560356	WSHR LOCK 10	4	EA
25	5560364	WSHR FLAT 10	2	EA
26	5560625	BOLT 10MM 1.50P 20MM	4	EA

アイテム	部品番号	名前	数量	UOM
27	5560673	SCR TRHD 10 24 1.00	3	EA
28	7630015	ELBOW 90' 2.5	1	EA
29	7630140	FILTER MINDER GAUGE AIR CLNR	1	EA
30	7630196	AIR INLET HOOD	1	EA
31	7630197	ELBOW 2" 90 ° RUBBER	1	EA
32	7630755	AIR CLEANER CUMMINS 3.3 KUBOTA WG2403 TIER 3 AND TIER 4 ASSEMBLY	1	EA
33	7630759	BRACKET AIR CLEANER	1	EA
34	7630796	DIFFUSER DISK SUPERTRAP (12 PACK)	.67	EA
35	7630797	MUFFLER ADAPTER	1	EA

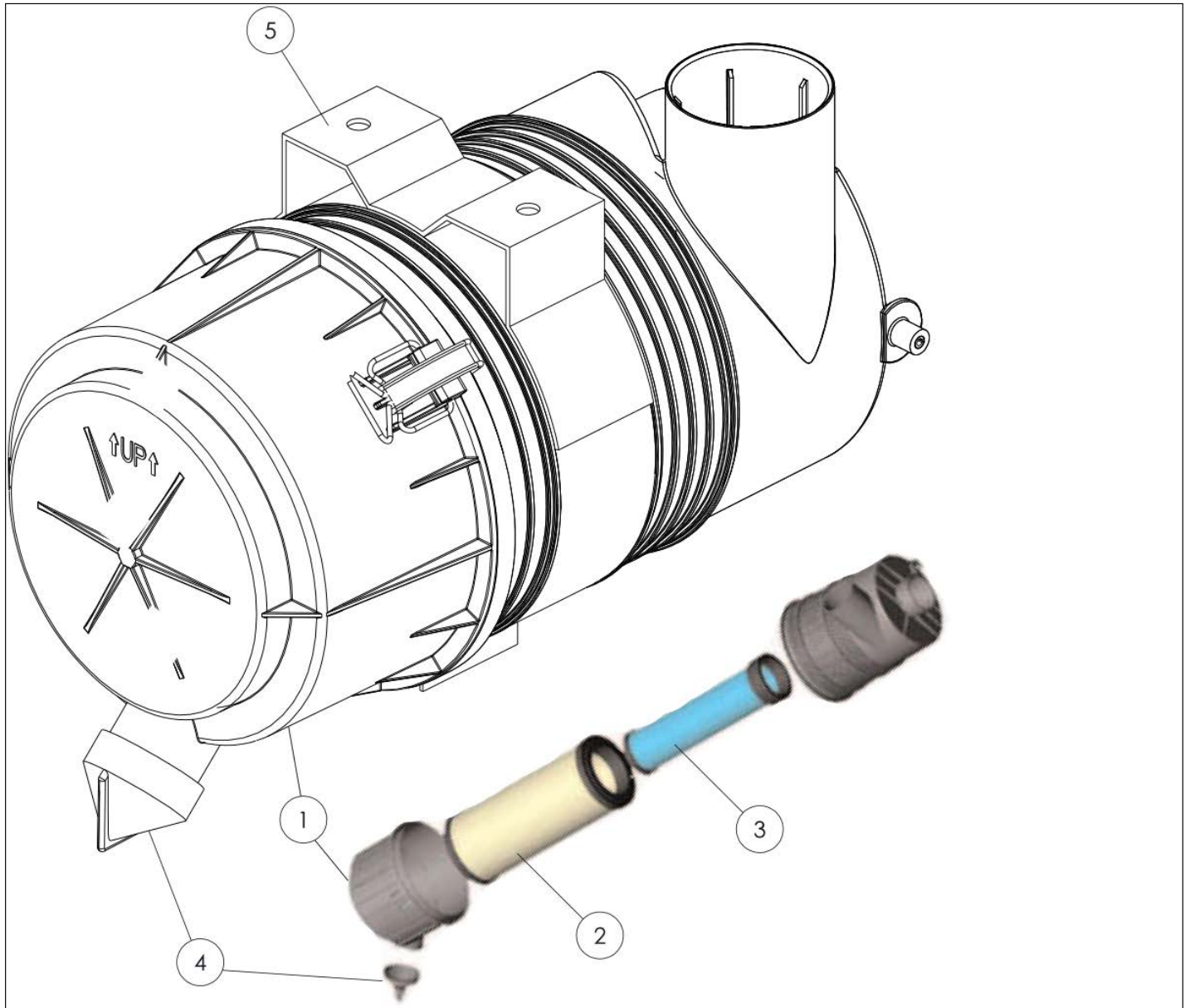
REPAIR PARTS



アイテム	部品番号	名前	数量	UOM
Not Shown	0112565 B	EXHAUST AND AIR CLEANER FORD MARCH 2005 AND AFTER	1	EA
1	0071995	TUBE, AIR CLEANER INLET	1	EA
2	0083909	BRACE, CATALYTIC CONVERTER	1	EA
3	0083911	WELDMENT, EXHAUST FLG	1	EA
4	0083914	COVER, CATALYTIC CONVERTER (FO)	1	EA
5	0083919	WELDMENT, CATALYTIC CONVERTER (FO)	1	EA
6	0083946	COVER OXYGEN SENSOR (FO)	1	EA
7	0112577	WELDMENT, AIR INLET	1	EA
8	970029	BLT .25 20 .750	2	EA
9	970239	BLT HEXHD .313 18 .750 GR5	2	EA
10	972479	BLT HEXHD .375 16 1.25 GR5	5	EA
11	970469	HHD BLT .375 16 X 1.00 GR5	2	EA
12	986009	WSHR FLAT 10	3	EA
13	986019	WSHR FLAT .250	4	EA
14	986269	WSHR FLAT .313	2	EA
15	986299	WASHER, FLAT, .375 STANDARD, PLATED	5	EA
16	987119	WSHR LOCK .375	4	EA
17	5010020	HOSE .625ID 16MM	24"	EA
18	5093000	CLP CUSH .438 VINYL COATED	3	EA
19	5550040	CLP WORM DRV 2.00 3.00 SAE#40	4	EA
20	5560004	NUT LKG .250 20	2	EA
21	5560031	NUT HEX LKG .313 18	2	EA
22	5560033	.375 16UNC HEX LOCK NUT	3	EA
23	5560034	NUT LKG 10 24	3	EA
24	5560356	WSHR LOCK 10	4	EA
25	5560364	WSHR FLAT 10	2	EA
26	5560625	BOLT 10MM 1.50P 20MM	4	EA

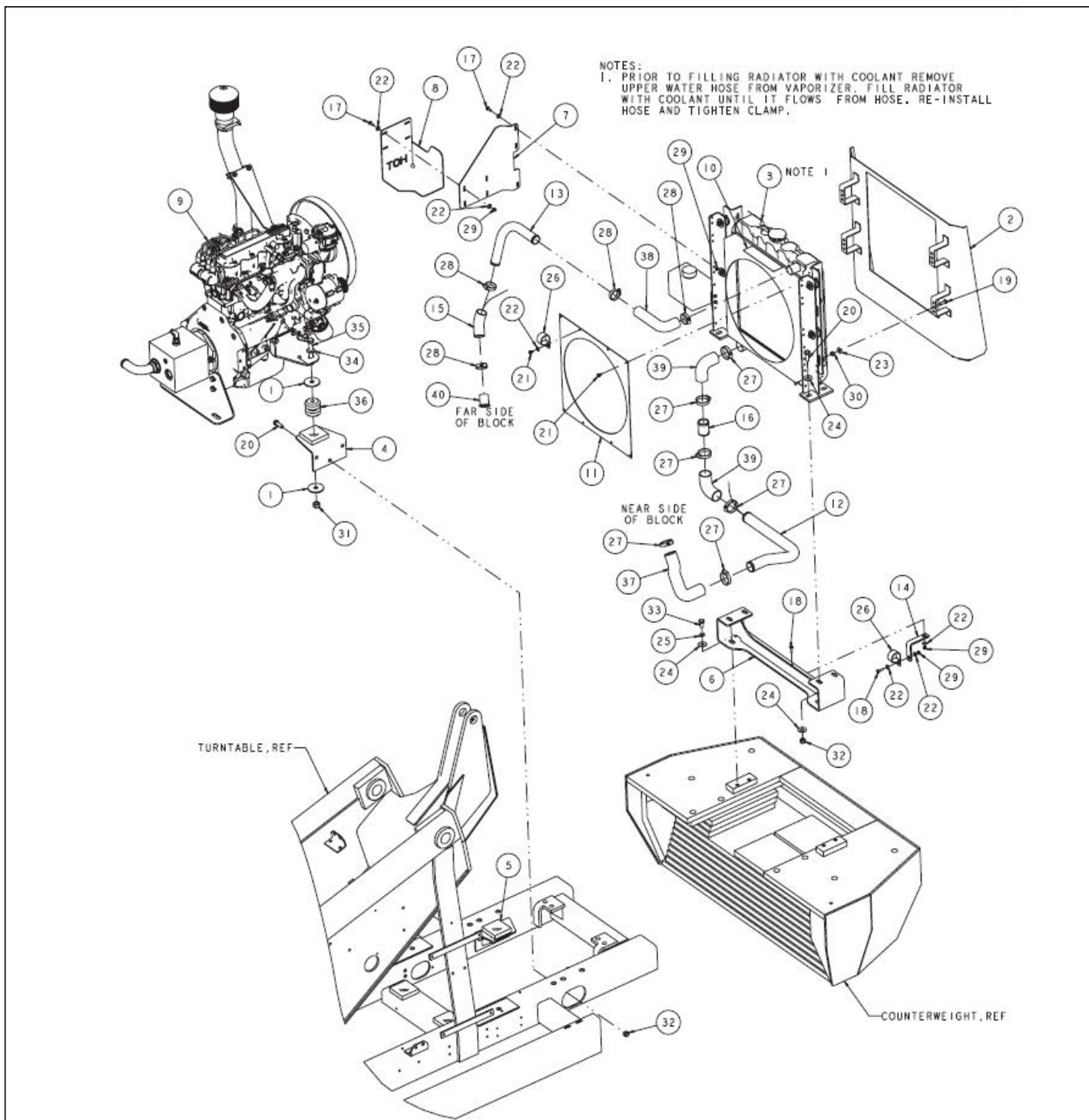
アイテム	部品番号	名前	数量	UOM
27	5560673	SCR TRHD 10 24 1.00	3	EA
28	7630015	ELBOW 90' 2.5	1	EA
29	7630140	FILTER MINDER GAUGE AIR CLNR	1	EA
30	7630196	AIR INLET HOOD	1	EA
31	7630197	ELBOW 2" 90 ° RUBBER	1	EA
32	7630755	AIR CLEANER CUMMINS 3.3 KUBOTA WG2403 TIER 3 AND TIER 4 ASSEMBLY	1	EA
33	7630759	BRACKET AIR CLEANER	1	EA
34	7630796	DIFFUSER DISK SUPERTRAP (12 PACK)	.67	EA
35	7630797	MUFFLER ADAPTER	1	EA

REPAIR PARTS



アイテム	部品番号	名前	数量	UOM
Not Shown	7630755	AIR CLEANER CUMMINS 3.3 KUBOTA WG2403 TIER 3 AND TIER 4 ASSEMBLY	1	EA
Not Shown	8140014	cap retainer clip	3	EA
1	8140013	cover	1	EA
2	8050097	PRIMARY ELEMENT	1	EA
Not Shown	8140011	element	1	EA
3	8050098	SAFETY ELEMENT	1	EA
4	8050099	EXTERNAL EJECTOR	1	EA
Not Shown	068903 009	DUST EJECTOR	1	EA
5	8050100	METAL BRACKET	1	EA

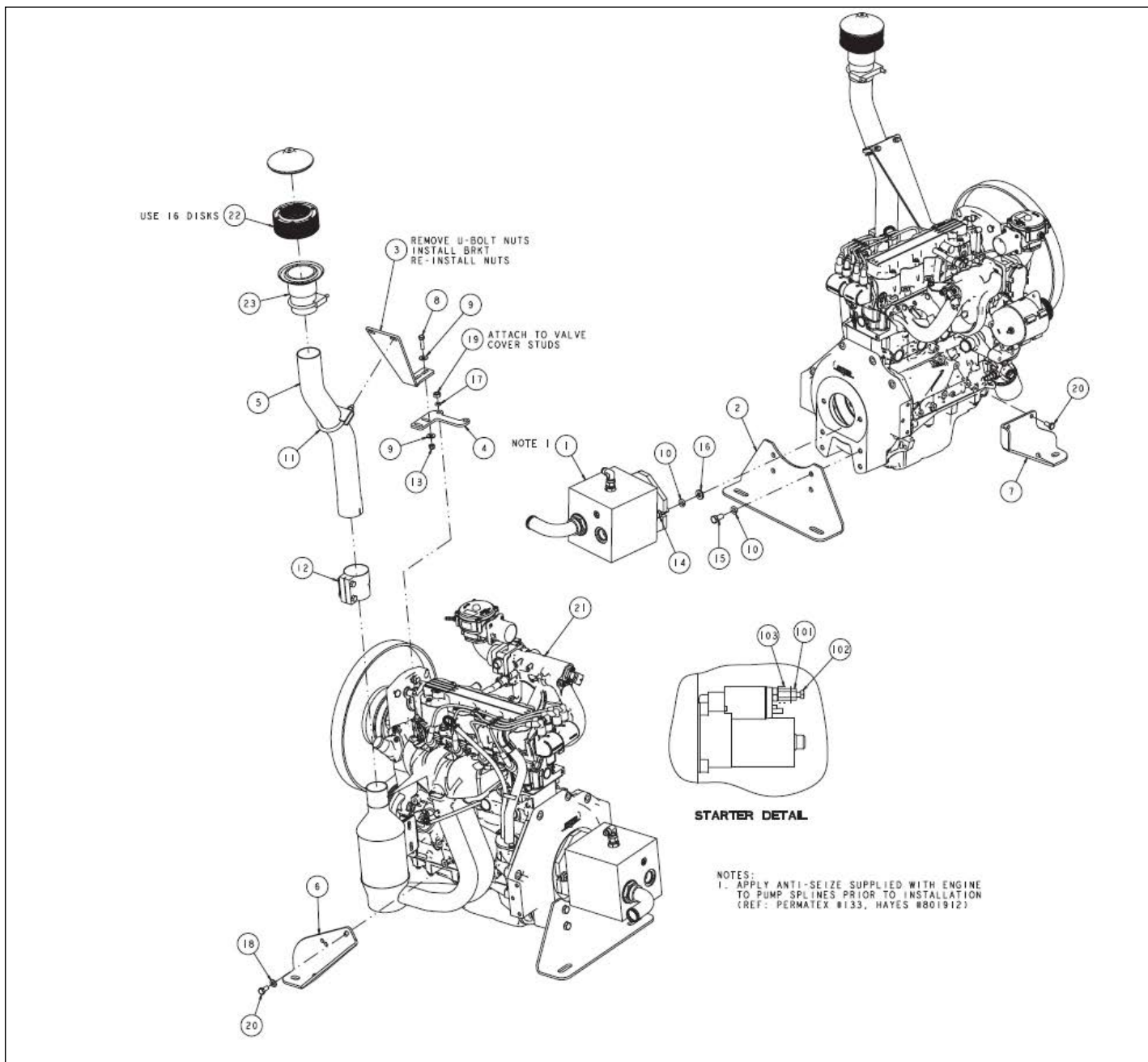
REPAIR PARTS



アイテム	部品番号	名前	数量	UOM
Not Shown	0084097 A	ENGINE GM TIER 3 INSTALLATION	1	EA
1	0071559	WASHER ENGINE MOUNTING DIESEL	8	EA
2	0083501	SHOUD WELDMENT CU	1	EA
3	0084046	RADIATOR ASSEMBLY GM	1	EA
4	0084047	WELDMENT MTR MNT RH (GM)	1	EA
5	0084048	WELDMENT MTR MNT LH (GM)	1	EA
6	0084058	WELDMENT RADIATOR SUPPORT GM	1	EA
7	0084080	HEAT SHIELD UPPER	1	EA
8	0084081	HEAT SHIELD LOWER	1	EA
9	0084096	ENGINE SUB ASSEMBLY GM TIER III	1	EA
10	0163367	DECAL, COOKANT FILLING	1	EA
11	0172395	SHROUD, GM	1	EA
12	0192170	TUBE, LOWER RADIATOR 1.75 OD	1	EA
13	0192172	TUBE, UPPER RADIATOR 1.50 OD	1	EA
14	0192173	BRACKET, LOWER RAD TUBE	1	EA
15	0192182	ELBOW, MOD 45 DEGREE 1.50 OD	1	EA
16	0192192	TUBE UNION 1.75 OD X 2.375 LG	1	EA
17	970029	BLT .25 20 .750	7	EA
18	970049	BLT HEXHD .250 20 1.00 GR5 GRADE 5 PLT SAME AS 970189	2	EA
19	970469	HHD BLT .375 16 X 1.00 GR5	4	EA
20	970909	BLT HEXHD .500 13 1.50 GR5 PLA	10	EA
21	978629	BOLT HEXHD SLFTPG .250 20 .500	5	EA
22	986019	WSHR FLAT .250	15	EA

アイテム	部品番号	名前	数量	UOM
23	986299	WASHER, FLAT, .375 STANDARD, PLATED	4	EA
24	986359	FLATWASHER 1/2"	12	EA
25	987139	WSHR LOCK .500	4	EA
26	5093012	CLP CUSH 1.75 VINYL COATED	2	EA
27	5550030	CLP WORM DRV 1.50 2.50 SAE#32	6	EA
28	5550038	CLP WORM DRV 1.25 2.25 SAE#28	4	EA
29	5560004	NUT LKG .250 20	9	EA
30	5560033	.375 16UNC HEX LOCK NUT	4	EA
31	5560036	NUT HEX LKG .625 11	4	EA
32	5560039	NUT HEX LKG .500 13	10	EA
33	5560138	BLT HEXHD LKG .500 13 1.00 GR5	4	EA
34	5560169	WSHR FLAT HARD .625 SP	4	EA
35	5560639	CAPSCREW 5/8 11 X 4 1/2" LG H.H.	4	EA
36	7630117	MOUNT, ENGINE	4	EA
37	7630820	ELB 1.75ID 90 ° W/OFFSET	1	EA
38	7630821	ELB 1.50ID 90 °	1	EA
39	7630833	ELBOW 1.75 90 DEGREE	2	EA
40	7630835	REDUCER, TUBE END 1.50/1.25	1	EA

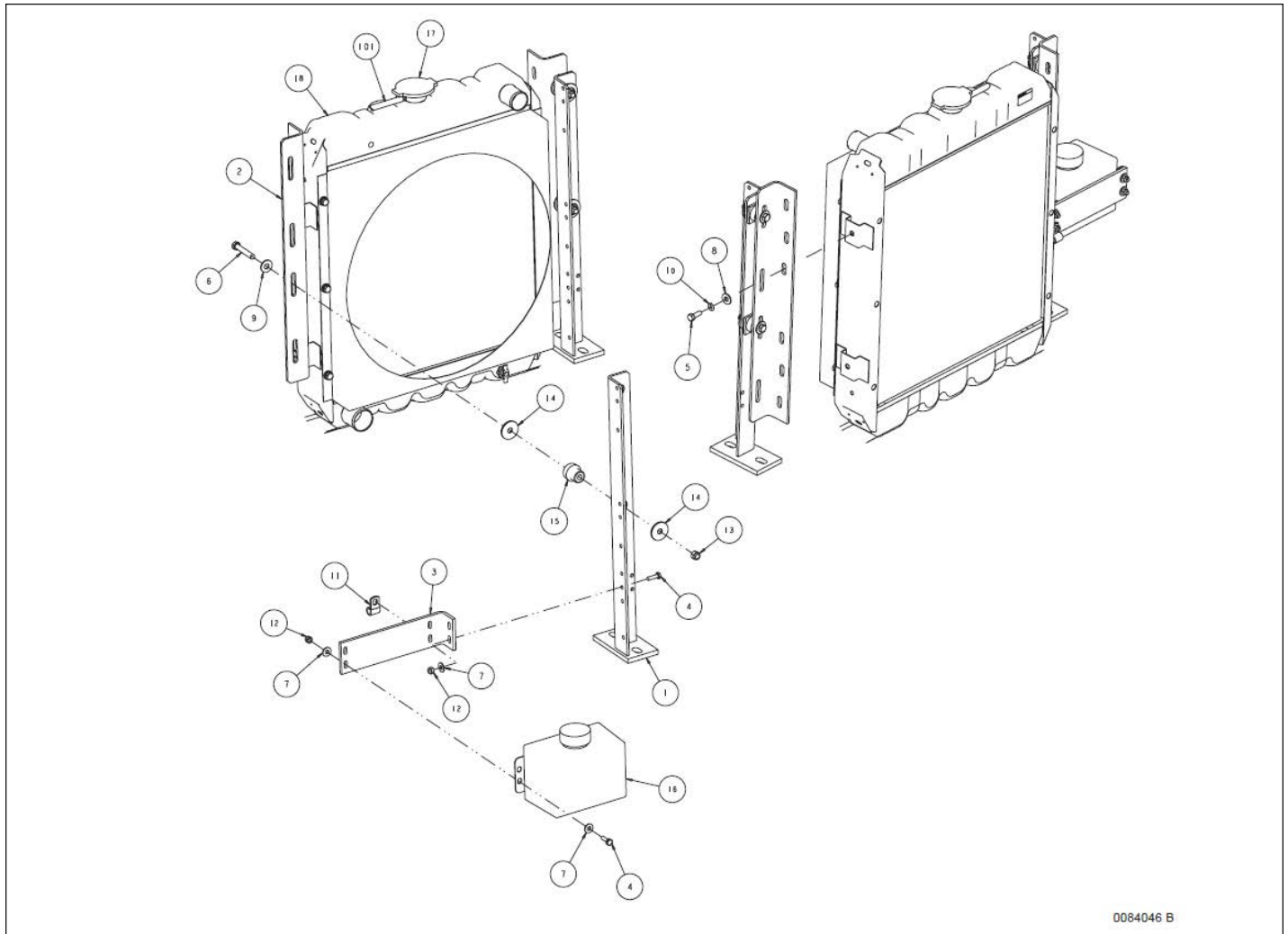
REPAIR PARTS



アイテム	部品番号	名前	数量	UOM
Not Shown	0084096 A	ENGINE GM TIER 3 SUBASSEMBLY	1	EA
1	0082138	HYDRAULIC PUMP AND FITTINGS DEUTZ CUMMINS	1	EA
2	0084045	MOTOR MOUNT REAR GM	1	EA
3	0084061	BRACE, TAILPIPE UPPER GM	1	EA
4	0084062	BRACE, TAILPIPE LOWER GM	1	EA
5	0084134	TAILPIPE GM T3 TB60	1	EA
6	0172373	MOTOR MOUNT FRONT LH (GM)	1	EA
7	0172374	MOTOR MOUNT FRONT RH (GM)	1	EA
8	970269	BLT HEXHD .313 18 1.25 GR5 PLA	2	EA
9	986269	WSHR FLAT .313	4	EA
10	987139	WSHR LOCK .500	6	EA
11	5550026	EXHAUST CLAMP	1	EA
12	5554373	CLAMP MUFFLER 2.50 STEPPED	1	EA
13	5560031	NUT HEX LKG .313 18	2	EA
14	5560136	HEX HEAD CAP SCREW, DRILLED, .500 13 UNIFIED NATIONAL COURSE, STEEL, GR 5, 1.25 LG.	2	EA
15	5560138	BLT HEXHD LKG .500 13 1.00 GR5	4	EA
16	5560168	WSHR FLAT HARD .500 SP	2	EA
17	5560356	WSHR LOCK 10	2	EA
18	5560364	WSHR FLAT 10	1	EA
19	5560400	NUT HEX M10 X 1.50	2	EA
20	5560625	BOLT 10MM 1.50P 20MM	4	EA
21	7624764	ENGINE, GM 2.4 T3	1	EA
22	7630796	DIFFUSER DISK SUPERTRAP (12 PACK)	1.33	EA
23	7630797	MUFFLER ADAPTER	1	EA
101	0075254	EXTENSION POWER STUD	1	EA

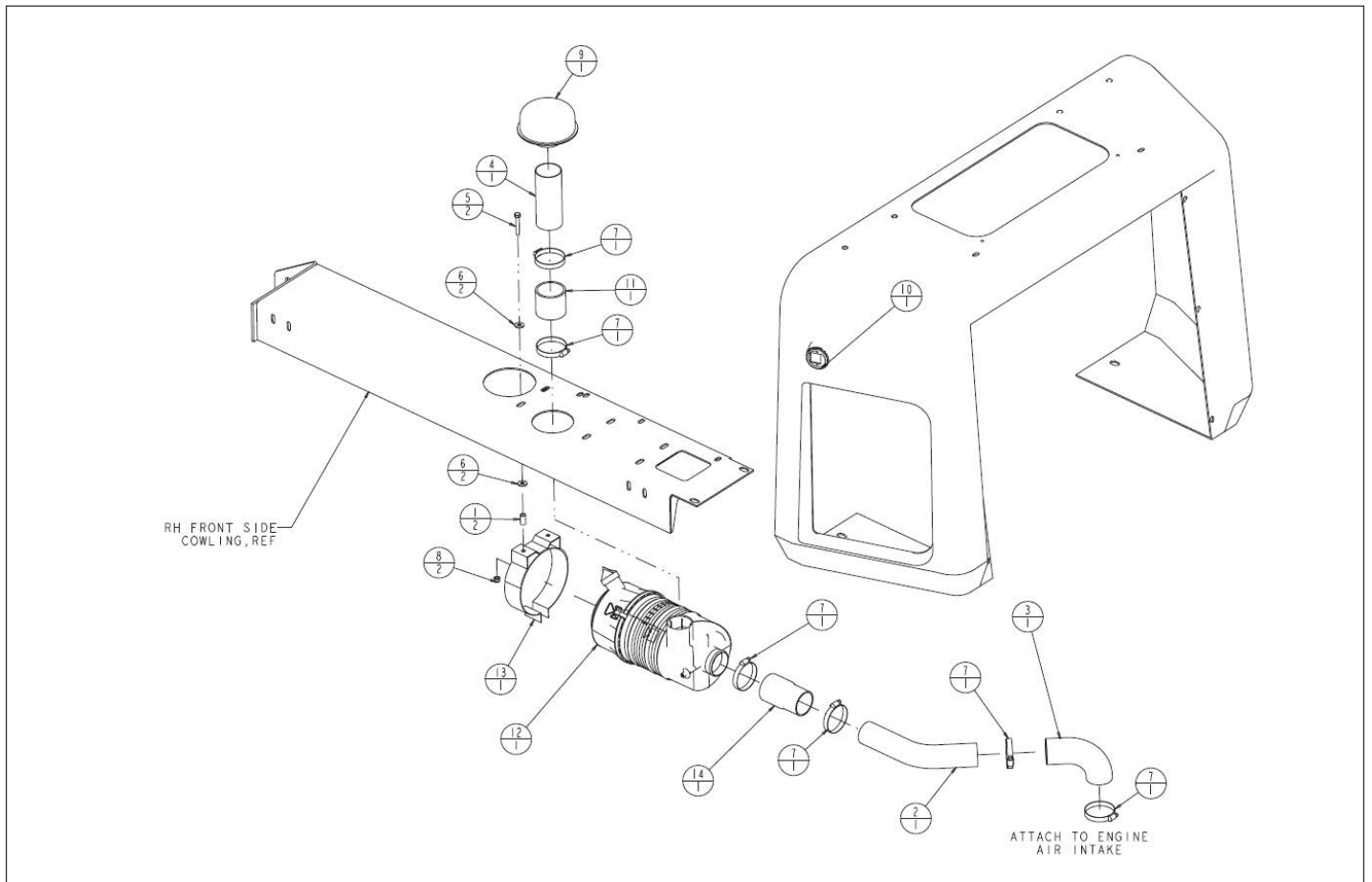
アイテム	部品番号	名前	数量	UOM
102	5560357	BLT HEX HD M8 1.25 25MM GR 8.8	1	EA
103	0075415	INSULATOR TUBE (GM ENGINES)	1	EA
Not Shown	8113651	SPARK PLUG – ITEM NOT SHOWN	4	EA
Not Shown	8113642	OIL FILTER BOT SHOWN	1	EA
Not Shown	8113643	FUEL FILTER NOT SHOWN	1	EA
Not Shown	8113657	FAN BELT – ITEM NOT SHOWN	1	EA
Not Shown	8113653	STARTER – ITEM NOT SHOWN	1	EA
Not Shown	8113650	ALTERNATOR – ITEM NOT SHOWN	1	EA
Not Shown	8113645	OIL PRESS SWITCH NOT SHOWN	1	EA
Not Shown	8113646	COOLANT TEMP SENSOR NOT SHOWN	1	EA
Not Shown	8113655	THERMOSTAT NOT SHOWN	1	EA
Not Shown	8113647	LP SHUT OFF SOLENOID/FILTER 1.6/2.4 GM – ITEM NOT SHOWN	1	EA
Not Shown	8113648	OXYGEN SENSOR – ITEM NOT SHOWN	1	EA
Not Shown	8113661	ENGINE HARNESS – ITEM NOT SHOWN	1	EA
Not Shown	8113462	ENGINE HARNESS RELAY 1.6 / 2.4 GM KEM – ITEM NOT SHOWN	1	EA
Not Shown	8113647	LP SHUT OFF SOLENOID/FILTER 1.6/2.4 GM – ITEM NOT SHOWN	1	EA
Not Shown	8113649	FUEL PUMP 1.6/2.4 GM KEM – ITEM NOT SHOWN	1	EA
Not Shown	7630874	GM ECU KEM 2.4L T3 DUAL FUEL – ITEM NOT SHOWN	1	EA

REPAIR PARTS



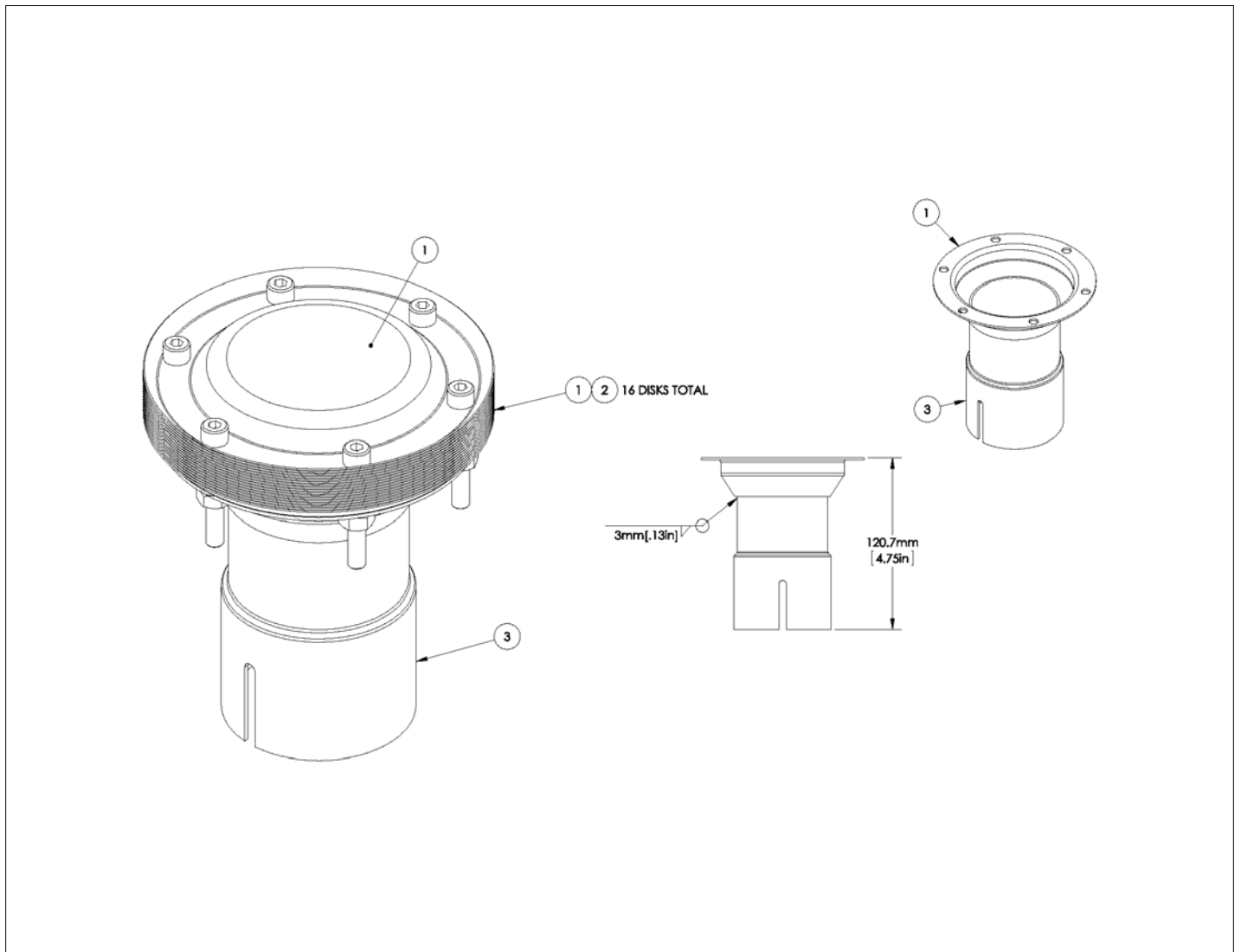
アイテム	部品番号	名前	数量	UOM
Not Shown	0084046 B	RADIATOR GM ASSEMBLY	1	EA
1	0074630	BRACKET RADIATOR	2	EA
2	0083153	ANGLE RADIATOR MOUNT	2	EA
3	0084055	BRACKET, OVERFLOW BOTTLE	1	EA
4	970039	BLT HEXHD .250 20 .875 LKG	6	EA
5	970249	BLT HEXHD .313 18 .875 GR5	4	EA
6	970519	CAPSCREW 3/8 16 X 2 1/4" LG H.H.	4	EA
7	986019	WSHR FLAT .250	10	EA
8	986269	WSHR FLAT .313	4	EA
9	986299	WASHER, FLAT, .375 STANDARD, PLATED	4	EA
10	987109	WSHR LOCK .313	4	EA
11	5093001	CLP CUSH .500 VINYL COATED	1	EA
12	5560004	NUT LKG .250 20	6	EA
13	5560033	.375 16UNC HEX LOCK NUT	4	EA
14	5560179	Flat Washer Special	8	EA
15	7630180	RADIATOR CUSHION	4	EA
16	7630227	OVERFLOW BOTTLE 2QT	1	EA
17	7630239	RADIATOR CAP 13 PSI	1	EA
18	7630756 001	RADIATOR	1	EA
101	5010011	HOSE SAE30R2 05 .312 FUEL	4 FT	EA

REPAIR PARTS



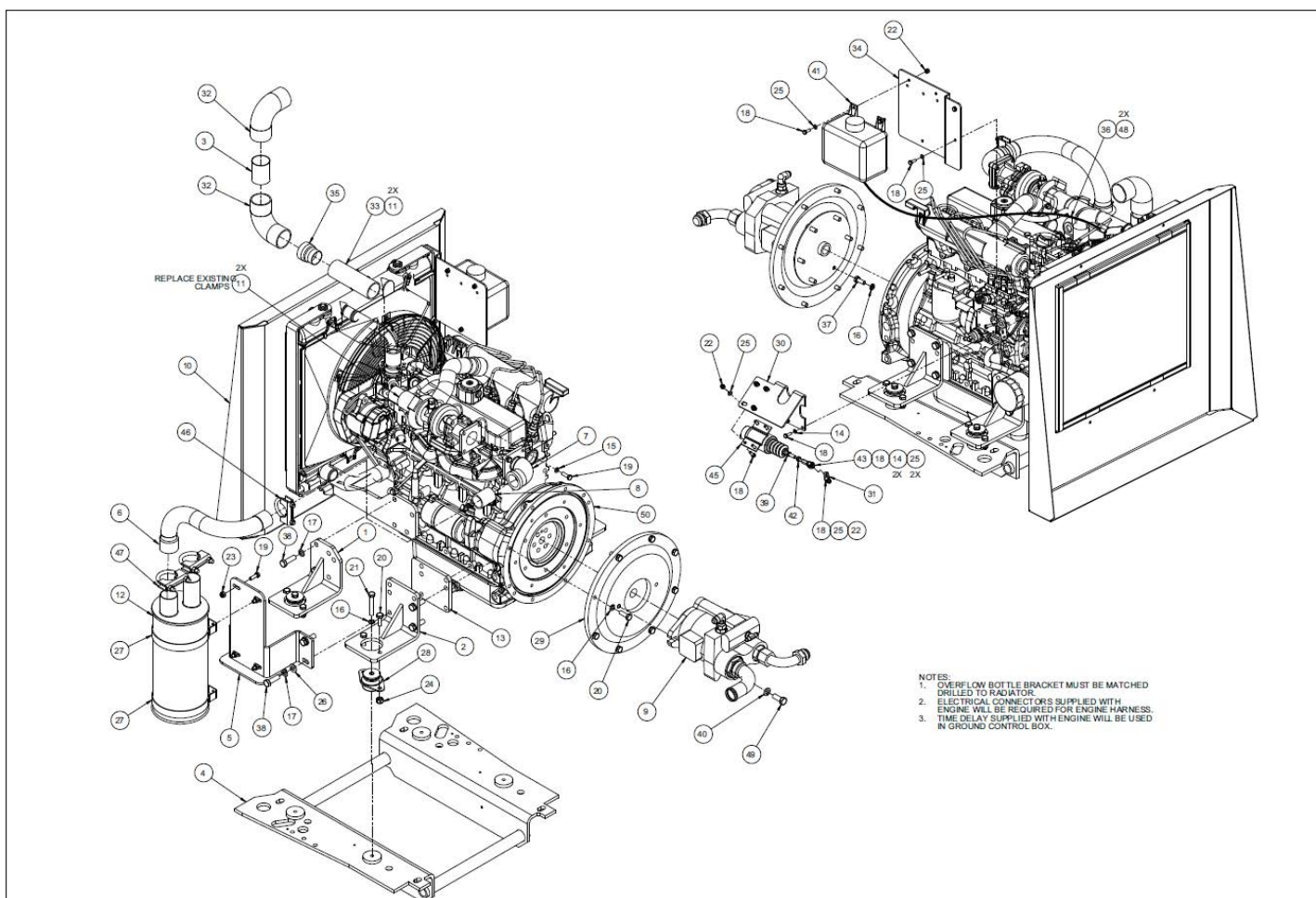
アイテム	部品番号	名前	数量	UOM
Not Shown	0084043 C	AIR CLEANER INSTALLATION GM	1	EA
1	0071510	SPCR .465ID .500OD 1.00 STL	2	EA
2	0084063	TUBE 45 DEG 2.25 OD	1	EA
3	0084064	ELBOW MOD 90 DEG 2.25 ID	1	EA
4	0182043	TUBE, AIR INLET AB60J FO	1	EA
5	970299	BOLT HEX HD .313 18 2.00 GR5 PL	2	EA
6	986269	WSHR FLAT .313	4	EA
7	5550050	CLP WORM DRV 2.75 3.75 SAE#52	6	EA
8	5560031	NUT HEX LKG .313 18	2	EA
9	7630024	HOODAIR INLET FOR AIR CLEANER	1	EA
10	7630140	FILTER MINDER GAUGE AIR CLNR	1	EA
11	7630158	HOSE RADIATOR 2.5 ID BULK	1	EA
12	7630755	AIR CLEANER CUMMINS 3.3 KUBOTA WG2403 TIER 3 AND TIER 4 ASSEMBLY	1	EA
13	7630759	BRACKET AIR CLEANER	1	EA
14	7630838	RDCR 2.50/2.25 ID	1	EA

REPAIR PARTS



アイテム	部品番号	名前	数量	UOM
*	7630797 D	SUPERTRAPP MUFFLER ADAPTER		EA
1	7631086	SUPERTRAPP, 2.5" OD	1	EA
2	7631087	SUPERTRAPP, 6 DISK	2.67	EA
3	7631084	MUFFLER ADAPTOR PIPE	1	EA

REPAIR PARTS



アイテム	部品番号	名前	数量	UOM
	0084708 J	ENGINE KUBOTA V2403 SUB ASSEMBLY	1	EA
1	0075737	WLDMT, ENGINE BRACKET FRONT	2	EA
2	0075738	WLDMT, ENGINE MOUNT REAR	2	EA
3	0075743	AIR INLET PIPE, 2"OD X 2.5"LG	1	EA
4	0075745	WLDMT, KU ENGINE MOUNT	1	EA
5	0075748	WLDMT, MUFFLER MOUNT	1	EA
6	0075751	PIPE, KU EXHAUST	1	EA
7	0075753	WLDMT, EXHAUST FLANGE	1	EA
8	0075756	PIPE, EXHAUST OUTLET	1	EA
9	0082138	HYDRAULIC PUMP AND FITTINGS DEUTZ CUMMINS	1	EA
10	0084717	SHROUD KU	1	EA
11	020451 013	CLAMP HOSE	4	EA
12	0260856	WLDMT WALKER MUFFLER	1	EA
13	0421796	REAR MOTOR MOUNT ENGINE PAD	2	EA
14	056021 006	WASHER SPRING WASHER M6 DIN 127B GR8.8 ZP	5	EA
15	056021 008	Washer SpringWasher DIN127B M8	4	EA
16	056021 010	Washer, SpringWasher DIN127B M	18	EA
17	056021 012	Washer, SpringWasher DIN127B M	15	EA
18	056058 018	BOLT, HEXBOLT DIN 931 M6 X 16MM 8.8 ZP	14	EA
19	058492 025	BOLT HEXSETSCREW DIN933 M8 X 25MM 8.8 ZP	8	EA
20	056060 030	BOLT HEXBOLT DIN931 M10 X 30MM 8.8 ZP	16	EA
21	056060 065	Bolt, HexBolt DIN931 M10 x 65mm 8.8 ZincPlated	4	EA
22	056066 006	Nut NylockNut DIN985 M6 8.0 Zi	10	EA

アイテム	部品番号	名前	数量	UOM
23	056066 008	NUT NYLOCKNUT DIN985 M8 8.0 ZP	4	EA
24	056066 010	Nut, NylockNut DIN985 M10 8.0ZincPlated	8	EA
25	056069 006	WSHR STEELFLATWSHE M6 DIN125A	12	EA
26	056069 012	WASHER DIN125A M12 ZP	4	EA
27	100180 041	CLAMP, MUFFLER #P00235 1	2	EA
28	100209 000	ISOLATOR ENGINE	4	EA
29	104703 000	HOUSING ADAPTER KIT AB62 POLARIS HAYES	1	EA
30	104737 000	THROTTLE BRACKET	1	EA
31	104744 000	THROTTLE LINKAGE WELDMENT	1	EA
32	104754 000	90 ° ELBOW 2INCH ID	2	EA
33	104803 000	INTAKE HOSE 1.75 ID X 4" LONG	1	EA
34	104883 000	OVER FLOW BOTTLE BRKT	1	EA
35	106960 001	REDUCER METAL INTAKE 1.625" OD X 2" OD	1	EA
36	5010011	HOSE SAE30R2 05 .312 FUEL	2	EA
37	510587 025	BLT HEXSETSCREW DIN961 M10 X 1.25X	6	EA
38	513133 040	BOLT HEXHD M12X1.25X40MM DIN 960	15	EA
39	984339	NUT HEX JAM .250 28	1	EA
40	987139	WSHR LOCK .500	2	EA
41	1430527	FLUID RESERVOIR	1	EA
42	2650001	Swivel Inline	1	EA
43	2690004	Rod End	1	EA
44	3028812	TEMP SWITCH .375 NPT M SPST NC	1	EA
45	3040174	SOLENOID, THROTTLE	1	EA
46	5550005	CLP EXH 1.75	1	EA

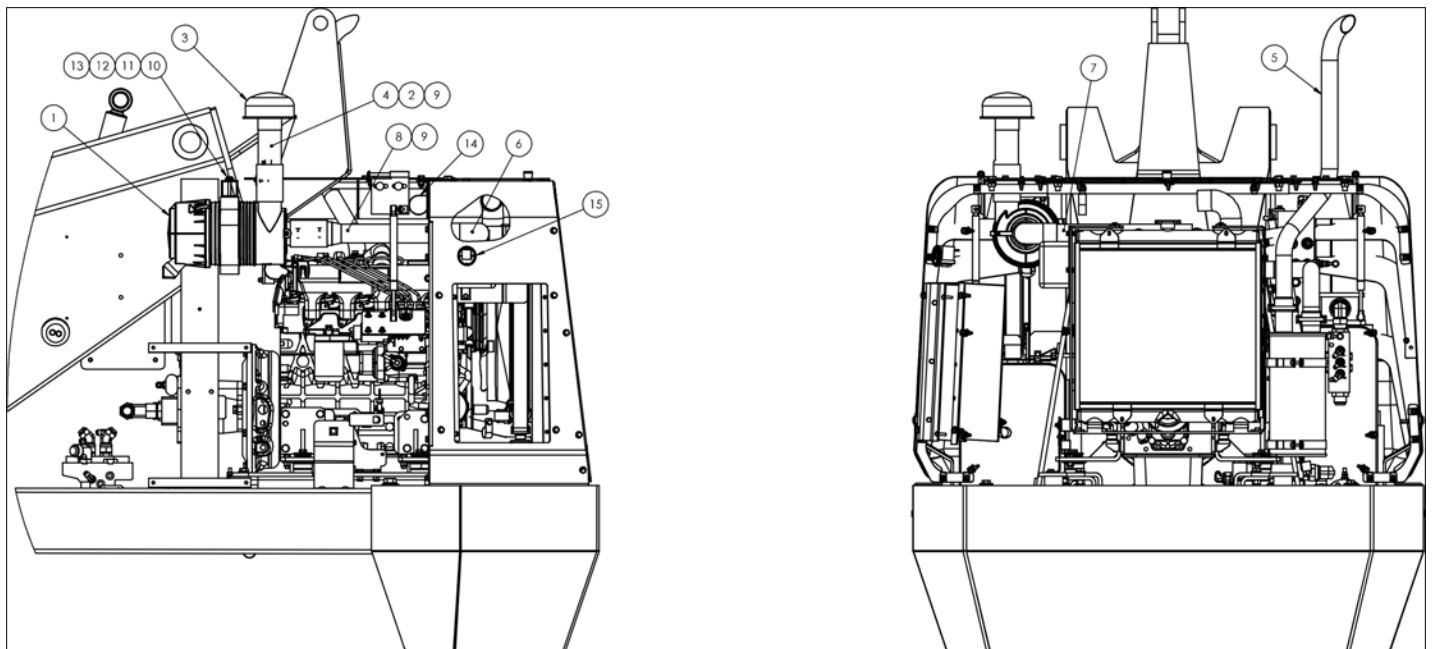
アイテム	部品番号	名前	数量	UOM
47	5550007	CLP MUFFLER 1.88 .375 16 HVY	2	EA
48	5550028	CLP WORM DRV .25 .63 .31 BAND	2	EA
49	5563017	BLT HEX HD .500 13X1.25 GR5	2	EA
50	7624794	V2403 M T E3B KEA 2F KUBOTA ENGINE WITH RADIATOR REPLACEMENT PARTS	1	EA
Not Shown	104673 107	STARTER ASSY	1	EA
Not Shown	104673 108	ALTERNATOR ASSY	1	EA
Not Shown	104673 109	GLOW PLUG	1	EA
Not Shown	104673 111	FUEL STOP SOLENOID	1	EA
Not Shown	104673 116	FAN	1	EA
Not Shown	7630948	OIL DRAIN PLUG	1	EA
Not Shown	104673 105	FAN BELT	1	EA
Not Shown	0260466	THERMOSTAT GASKET	1	EA
Not Shown	067614 023	OIL PRESSURE SWITCH	1	EA
Not Shown	104673 113	OIL FILTER	1	EA
Not Shown	5089682	FUEL FILTER FOR V2403T	1	EA
Not Shown	104701 000	RADIATOR KIT	1	EA

REPAIR PARTS

NO IMAGE AVAILABLE
(BOM FOR REFERENCE ONLY)

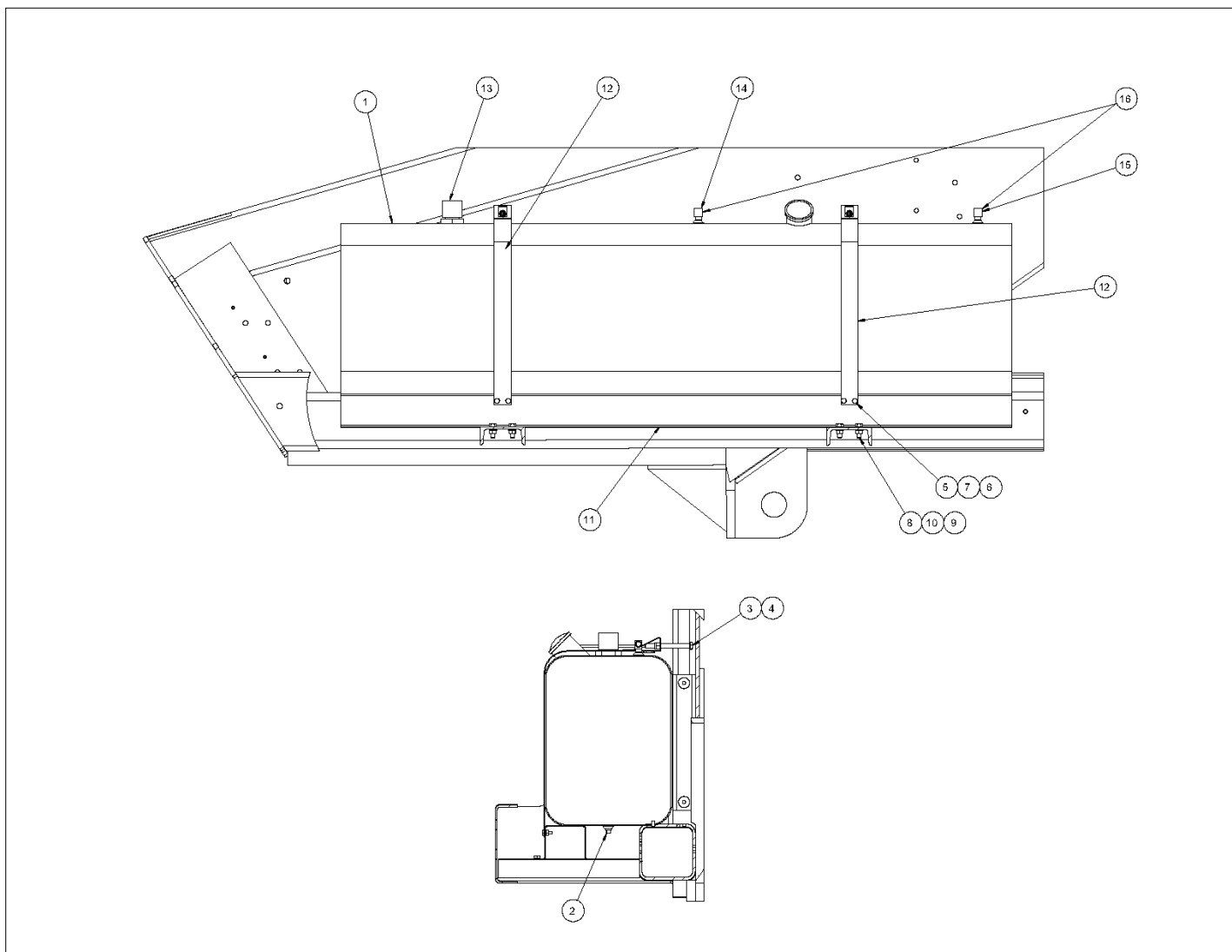
アイテム	部品番号	名前	数量	UOM
	7624794	V2403 M T E3B KEA 2F KUBOTA ENGINE WITH RADIATOR REPLACEMENT PARTS		EA
1	7631292	O RING	1	EA
2	7631295	BAND CLAMP	1	EA
3	7631307	PIPE WATER RETURN	1	EA
4	7631318	BAND PIPE	1	EA
5	7631327	RAIDATOR HOSE LOWER	1	EA
6	7631329	PUMP FUEL	1	EA
7	7631331	ASSY FUEL FILTER	1	EA
8	7631333	GASKET THERMOSTAT	1	EA
9	7631334	THERMOSTAT ASSY	1	EA
10	7631335	PIPE WATER RETURN	1	EA
11	7631336	GASKET WATER PUMP	1	EA
12	7631338	GASKET EX MANIFOLD	1	EA
13	763133.9	GASKET EX MANIFOLD	1	EA
14	7631342	MANIFOLD EXHAUST	1	EA
15	7631344	ASSY PUMP WATER	1	EA
16	7631349	GASKET	1	EA
17	7631350	FLANGE COMP WATER	1	EA
18	7631352	ASSY TURBO CHARGER	1	EA
19	7631362	GASKET ENG OIL	1	EA
20	7631364	RADIATOR	1	EA
21	7631365	RADIATOR SHROUD	1	EA
22	7630948	OIL DRAIN PLUG	1	EA
23	104673 105	FAN BELT	1	EA
24	0260466	THERMOSTAT GASKET	1	EA
25	067614 023	OIL PRESSURE SWITCH		EA

REPAIR PARTS



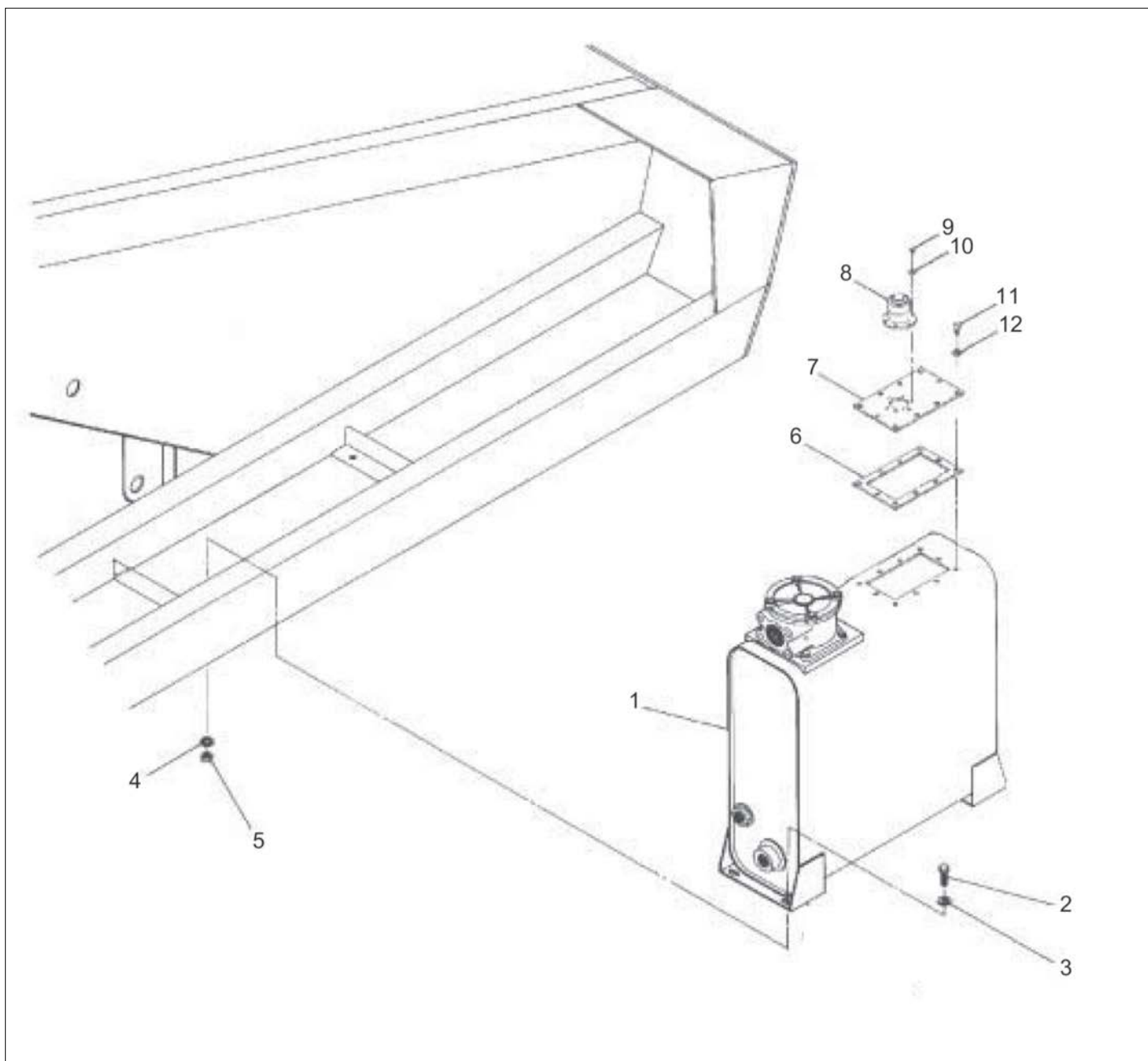
アイテム	部品番号	名前	数量	UOM
	0084709 F	EXHAUST / AIR CLEANER INSTALLATION KUBOTA		EA
1	7630755	AIR CLEANER CUMMINS 3.3 KUBOTA WG2403 TIER 3 AND TIER 4 ASSEMBLY	1	EA
2	7630158	HOSE RADIATOR 2.5 ID BULK	2	EA
3	7630024	HOODAIR INLET FOR AIR CLEANER	1	EA
4	0182043	TUBE, AIR INLET AB60J FO	1	EA
5	0084716	PIPE EXHAUST KU	1	EA
6	104754 000	90 ° ELBOW 2INCH ID	1	EA
7	0084714	AIR INLET PIPE 2 IN OD X 16.25 IN LG	1	EA
8	0084715	AIR INLET PIPE 2.5/2 IN OD X 14.75 IN LG	1	EA
9	5550040	CLP WORM DRV 2.00 3.00 SAE#40	4	EA
10	970349	BLT HEXHD .313 18 2.75 GR5	2	EA
11	986269	WSHR FLAT .313	2	EA
12	0075766	SPACER, KU AIR CLEANER	1	EA
13	5560031	NUT HEX LKG .313 18	2	EA
14	5093013	CLP CUSH 2.00 VINYL COATED	1	EA
15	7630140	FILTER MINDER GAUGE AIR CLNR	1	EA

REPAIR PARTS



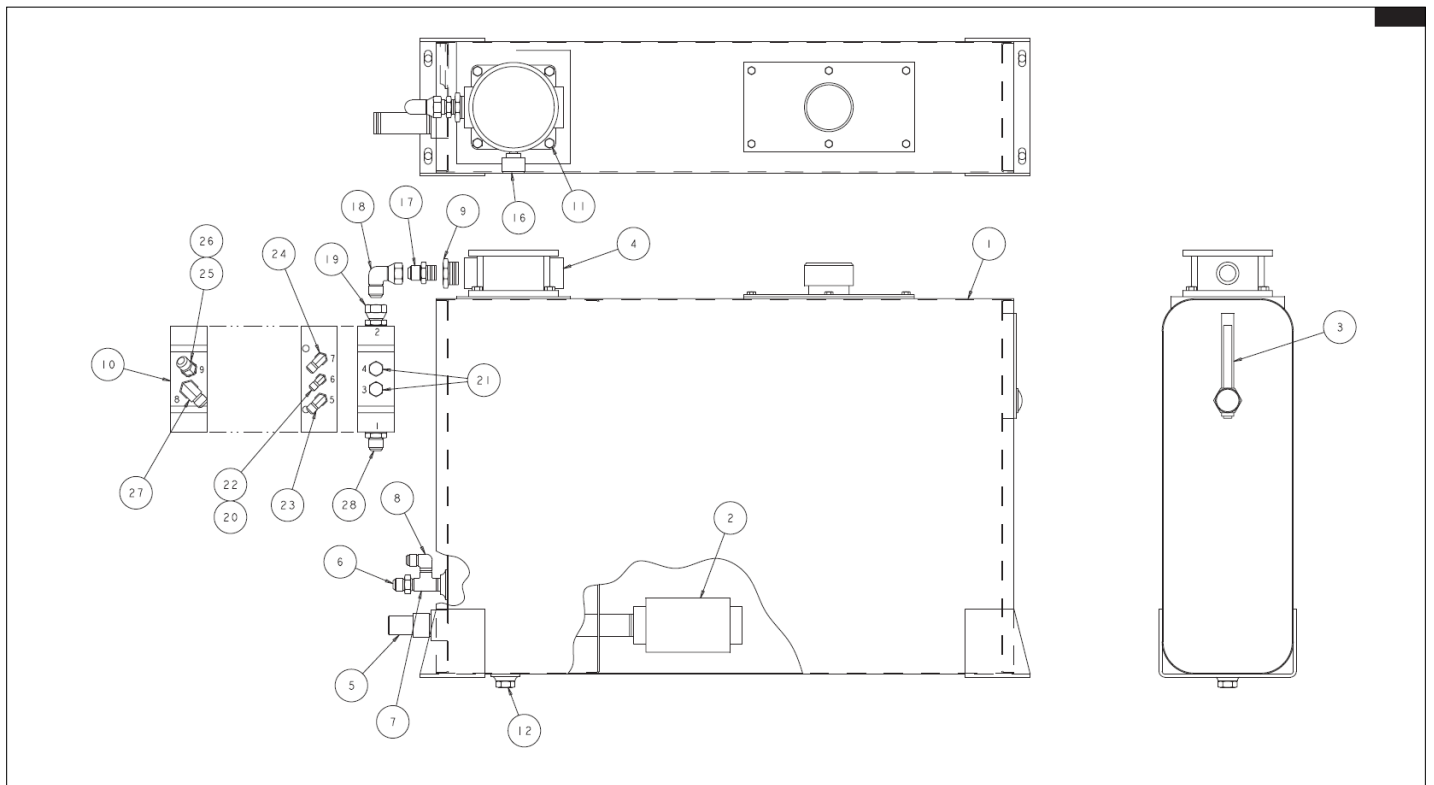
アイテム	部品番号	名前	数量	UOM
Not Shown	0080056 F	FUEL TANK	1	EA
1	0084121	40 GAL FUEL TANK	1	EA
Not Shown	0084570	Filler Cap	1	EA
2	7714202	PIPE PLUG, 1/4" NPT SQ HD GALV	1	EA
3	970599	BLT HEXHD .375 16 4.00 GR5	2	EA
4	5560033	.375 16UNC HEX LOCK NUT	2	EA
5	970029	BLT .25 20 .750	4	EA
6	984069	NUT HEX .250 20	4	EA
7	987099	WSHR LOCK .250	4	EA
8	970469	HHD BLT .375 16 X 1.00 GR5	4	EA
9	984109	NUT HEX .375 16	4	EA
10	987119	WSHR LOCK .375	4	EA
11	0080031	FUEL TANK SUPPORT	1	EA
12	0071940	STRAP FUEL TANK	2	EA
13	0070483	Fuel Gauge, 375mm (14.75")	1	EA
Not Shown	8180014	REPLACEMENT GAUGE LENS	1	EA
14	5090032	FITTING BARBED 1/4" NPT X 3/16" BRASS	1	EA
15	5093037	FTG STR 4H 4N BR	1	EA
16	5010011	HOSE SAE30R2 05 .312 FUEL	REF	EA

REPAIR PARTS



アイテム	部品番号	名前	数量	UOM
	0081966	HYDRAULIC OIL RESERVIOR ASSEMBLY	1	EA
1	0081875	HYDRAULIC OIL RESERVOIR	1	EA
2	972479	BLT HEXHD .375 16 1.25 GR5	4	EA
3	986299	WASHER, FLAT, .375 STANDARD, PLATED	4	EA
4	987119	WSHR LOCK .375	4	EA
5	984109	NUT HEX .375 16	4	EA
6	8010250	COVER GASKET	1	EA
7	8010249	COVER PLATE HYDRAULIC TANK	1	EA
8	5090008	BREATHER CAP	1	EA
9	5560609	SCR TRHD 10 24 .500	6	EA
10	987089	WSHR LOCK #10 SPLIT TYPE	6	EA
11	970369	BLT HEXHD .313 18 X 1.00 GR5	6	EA
12	987109	WSHR LOCK .313	6	EA

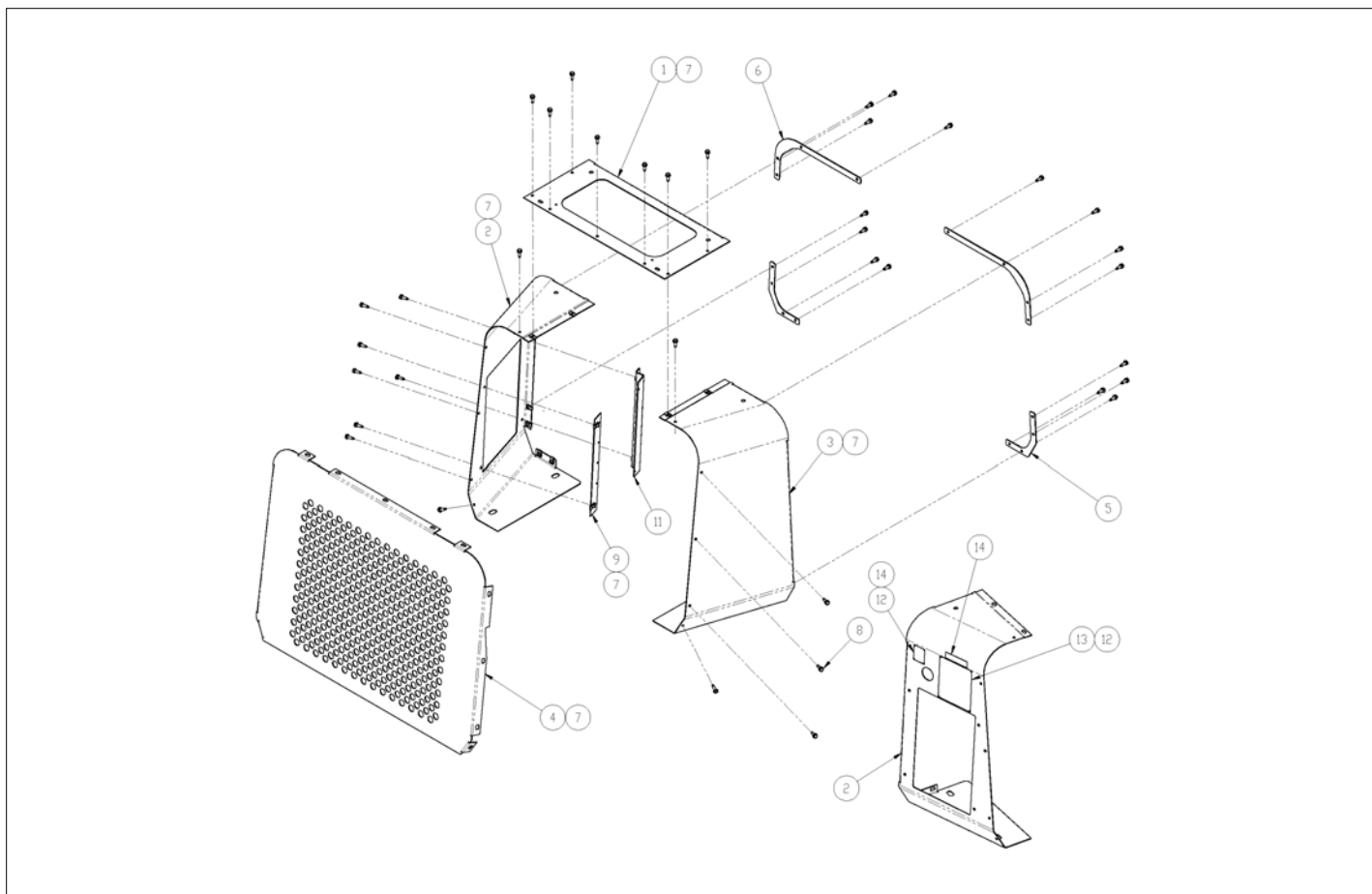
REPAIR PARTS



アイテム	部品番号	名前	数量	UOM
	0081875F	HYDRAULIC OIL RESIVIOR ASSEMBLY		EA
1	0081562 8	HYDR OIL RSVR	1	EA
2	5080004	FILTER, SUMP STRAINER	1	EA
3	5090007	LIQUID LEVEL GAUGE W/THERMOMETER	1	EA
4	5080003	HYDRAULIC OIL FILTER ASSEMBLY	1	EA
5	0080425	OUTLET ADAPTER, 1 1/4" NPT	1	EA
6	5033614	FTG ADPTR MALE 8N 8S STL 2404	1	EA
7	7714204	PIPE PLUG 1/2 in NPT SQ.HD BLK.	1	EA
8	5033713	FTG ELB90 MALE 8N 8S STL PH 21	1	EA
9	7721208	REDUCER BUSHING (1 1/2 1 NPT)	1	EA
10	0110156	PRESSURE MANIFOLD	1	EA
11	5560643	BLT HEXHD .375 16 3.25 GR5	4	EA
12	7734204	STREET TEE 1/2 NPT STREET TEE	1	EA
16	5080011	GAUGE FILTER CONDITION HYDRAULIC	1	EA
17	5033621	MALE ADAPTER (16)	1	EA
18	5037010	ADAPTER 90 DEG ELBOW SWIVEL 16 JIC	1	EA
19	5025002	FTG APDTRSWVL 16B 16S STL	1	EA
20	5037003	FTG ELB90SWVL 4S 4S STL	1	EA
21	5075205	FTG PL HEXHD 6B STL	2	EA
22	5065705	FTG ADPTR STRTHD 6B 4S STL	1	EA
23	5035305	FTG ELB90STRTHD 6S 6S STL	1	EA
24	5035318	STRAIGHT THREAD 90 ° ELBOW	1	EA
25	5065709	FTG ADPTR STRTHD 8B 8S STL PH	1	EA

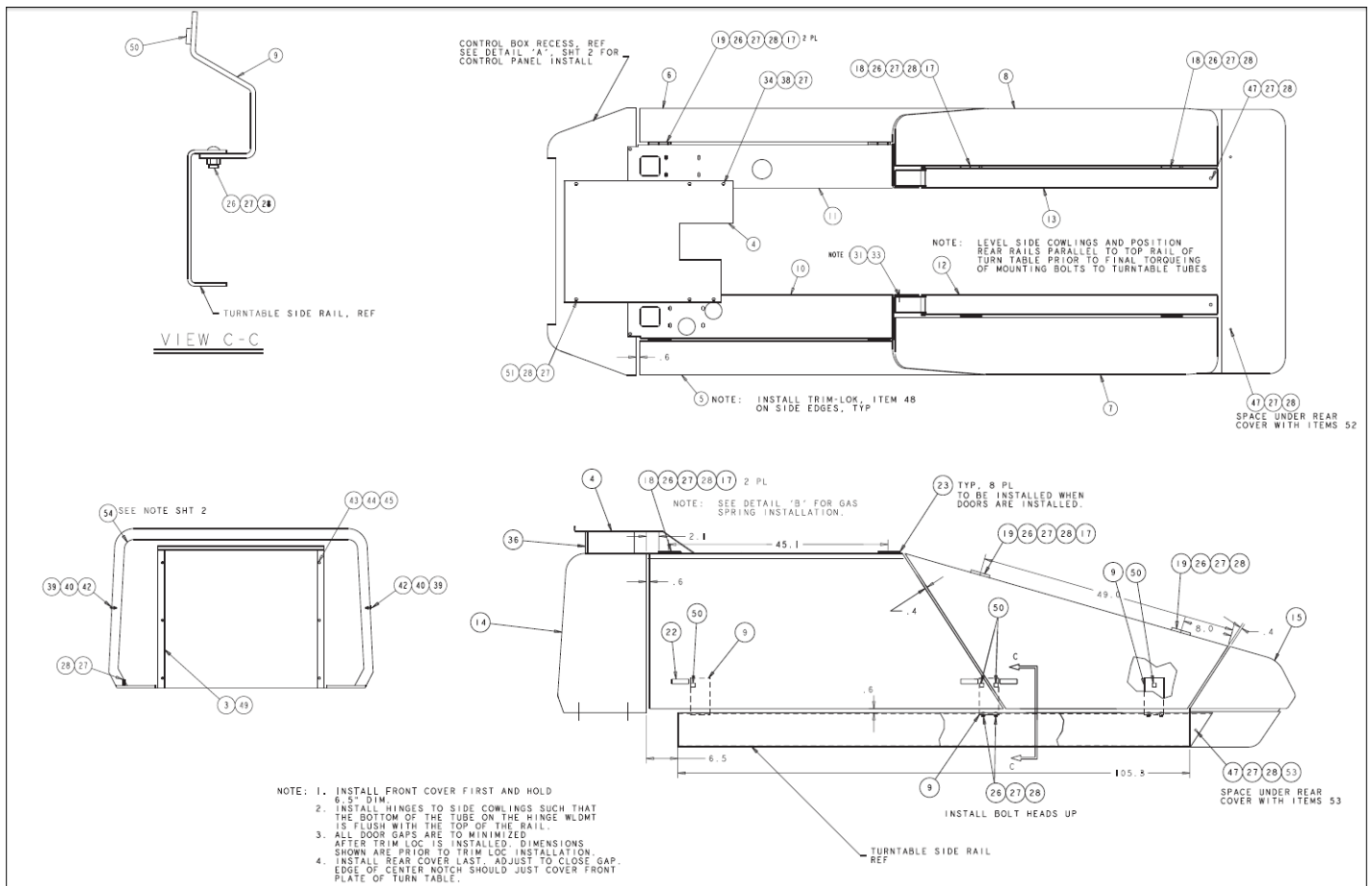
アイテム	部品番号	名前	数量	UOM
26	5036906	COVER	1	EA
27	5035322	STR THD 90 DEGREE ELBOW	1	EA
28	5065718	FTG, HYD 16 MB TO 16 MJIC	1	EA

REPAIR PARTS

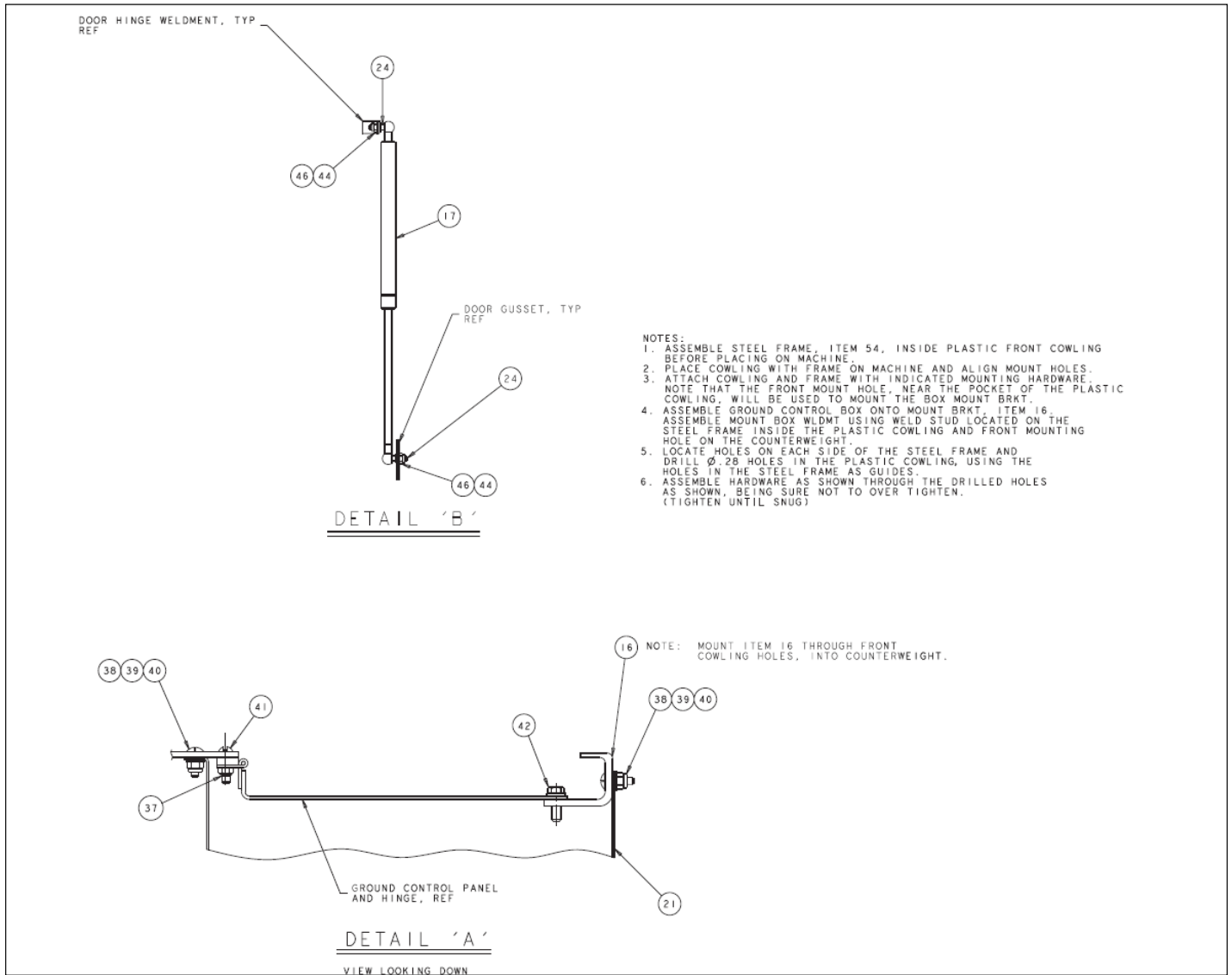


アイテム	部品番号	名前	数量	UOM
	0082341K 2	STEEL COWLING CUMMINS FORD GM TB60 TB66J INSTALLATION		EA
1	0084342	FRONT COWLING CENTER	1	EA
2	0084343	FRONT COWLING RH	1	EA
3	0084344	FRONT COWLING LH	1	EA
4	0084529	FRONT COVER	1	EA
5	0084346	LOWER CORNER BRACE	2	EA
6	0084347	UPPER CORNER BRACE	2	EA
7	5563142	TAPPED BARREL U MAX M8X1.25	37	EA
8	5563141	BLT HX WSHR HD M8 1.25X25 DOG PT	37	EA
9	0084524	BAR BOX MOUNT	1	EA
11	0084525	Z BRACKET	1	EA
12	5560655	POP RIVET	8	EA
13	0070901	Serial Number Plate, US Machines	1	EA
14	0074372	PLACARD, ENGINE RPM	1	EA
15	0181562	Decal, Amchine Complies With ANSI (USA Only)	1	EA

REPAIR PARTS



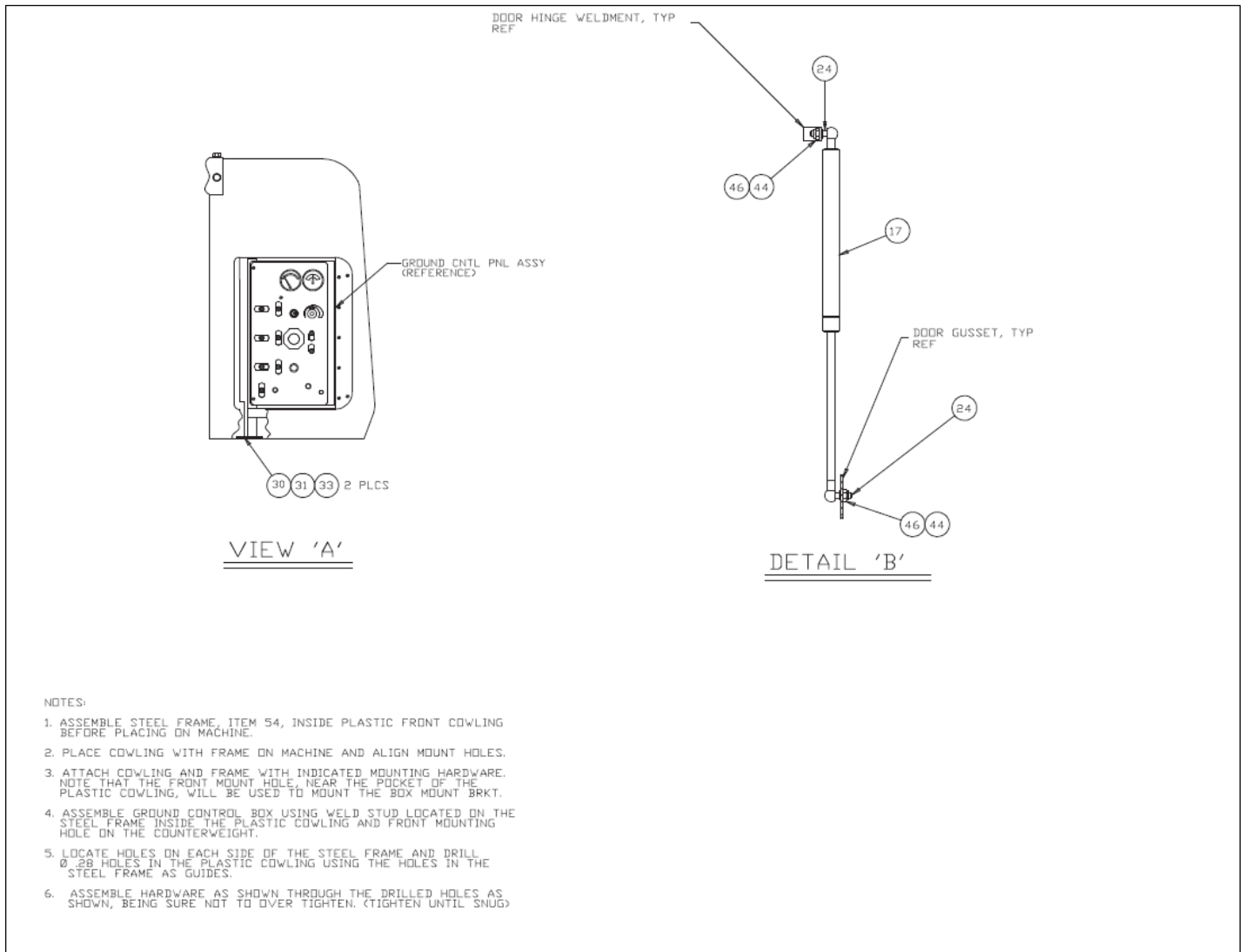
アイテム	部品番号	名前	数量	UOM
Not Shown	0082368 N	PLASTIC COWLING DEUTZ INSTALLATION OCTOBER 2006 AND AFTER	1	EA
1	0073481	COVER ASSEMBLY	1	EA
3	0081670	SHROUD INNER AIR INTAKE	1	EA
4	0081117	COVER	1	EA
5	0082288	WELDMENT DOOR COWLING LF	1	EA
6	0082290	WELDMENT DOOR COWLING RF	1	EA
7	0082293	WELDMENT DOOR COWLING LR	1	EA
8	0082294	WELDMENT DOOR COWLING RR	1	EA
9	0082303	DOOR STOP	6	EA
10	0082304	WELDMENT COWLING SIDE LF	1	EA
11	0082307	WELDMENT COWLING SIDE RF	1	EA
12	0082310	RAIL SIDE LR	1	EA
13	0082311	RAIL SIDE RR	1	EA
14	0083274	COWLING FRONT (PLASTIC)	1	EA
Not Shown	0084528	SERVICE KIT FRONT COWLING (STEEL) DEUTZ	1	EA
15	0082320	COVER TURNTABLE REAR	1	EA
16	0112239	WLDMT BOX MOUNT	1	EA
17	0082321	GAS SPRING	6	EA
18	0082346	WELDMENT HINGE HALF LF	4	EA
19	0082349	WELDMENT HINGE HALF RF	4	EA
21	0110483	WLDMT COVER GROUND CONT PANEL		EA
22	5510022	ADJUSTABLE LEVER LATCH	6	EA
23	5561559	PUSH RETAINER, 3/8 ID 7/8 OD	8	EA
24	PNNA	BALL STUD	12	EA
26	PNNA	3/8 16 SHT SHLDR CARR BOLT X 1.5 LG	28	EA
27	PNNA	WASHER 3/8 FLAT	47	EA
28	5560033	.375 16UNC HEX LOCK NUT	41	EA



アイテム	部品番号	名前	数量	UOM
29	PNNA	1/2 13 UNC X 2 1/2 LG HHCS GR5	4	EA
30	PNNA	WASHER 1/2 FLAT	4	EA
31	PNNA	WASHER 1/2 MED. LCOK	12	EA
32	PNNA	NUT 1/2 13 UNC	8	EA
33	PNNA	BOLT HEXHD 1/2 13 UNC X 1.25 LG GR5		EA
34	PNNA	BOLT HEXHD 3/8 16 UNC X 1.00 LG GR5		EA
36	0073158	SPCR .451ID .500OD 4.63 STL	2	EA
37	5560034	NUT LKG 10 24	5	EA
38	PNNA	BOLT 1/4 20 UNC X .75 LG TRUSS HD	5	EA
39	PNNA	1/2 20 ESNA		EA
40	PNNA	WASHER 1/4 FLAT		EA
41	PNNA	M SCREW #10 24 XLG TRUSS HD		EA
42	5560086	SCR HEXHD .25 20 1.00 W/SEMS	4	EA
43	PNNA	BOLT HEXHD 5/16 18 UNC X 1.00 LG GR5		EA
44	PNNA	WASHER 5/16 MED FLAT	18	EA
45	5569833	SPEED NUT 5/16 18 UNC W/CPATIVE NUT	6	EA
46	PNNA	5/16 18 UNC NUT ESNA	12	EA
47	PNNA	3/8 16 UNC X 1 1/2 LG HHCS GR5	6	EA
48	5560083	HOSE GUIDE .125 RUBBER EDGE TR	26 FT	EA
49	0081671	OUTER AIR INTAKE SHROUD	1	EA
50	5560080	BUMPER ADHESIVE BACK	10	EA
51	PNNA	3/8 16 UNC X 5 1/2 LG HHCS GR5	2	EA
52	0082546	SHIM	6	EA

アイテム	部品番号	名前	数量	UOM
53	0082547	SHIM	12	EA
54	0162758	FRONT COWLING FRAME	1	EA

アイテム	部品番号	名前	数量	UOM
	0082368 U	PLASTIC COWLING DEUTZ INSTALLATION NOVEMBER 2006 AND AFTER		EA
3	0084238	INNER AIR INTAKE SHROUD	1	EA
4	0081117	COVER	1	EA
5	0082288	WELDMENT DOOR COWLING LF	1	EA
6	0082290	WELDMENT DOOR COWLING RF	1	EA
7	0082293	WELDMENT DOOR COWLING LR	1	EA
8	0082294	WELDMENT DOOR COWLING RR	1	EA
9	0082303	DOOR STOP	6	EA
10	0082304	WELDMENT COWLING SIDE LF	1	EA
11	0082307	WELDMENT COWLING SIDE RF	1	EA
12	0082310	RAIL SIDE LR	1	EA
13	0082311	RAIL SIDE RR	1	EA
14	0083274	COWLING FRONT (PLASTIC)	1	EA
15	0082320	COVER TURNTABLE REAR	1	EA
17	0082321	GAS SPRING	6	EA
18	0082346	WELDMENT HINGE HALF LF	4	EA
19	0082349	WELDMENT HINGE HALF RF	4	EA
22	5510022	ADJUSTABLE LEVER LATCH	6	EA
23	5561559	PUSH RETAINER, 3/8 ID 7/8 OD	8	EA
24	5560311	BALLSTUD GAS SPRING	12	EA
26	5560531	BLT CRG .375 16 1.50	28	EA
27	986299	WASHER, FLAT, .375 STANDARD, PLATED	45	EA
28	5560033	.375 16UNC HEX LOCK NUT	45	EA
29	970989	BLT HEXHD .500 13 3.50 GR5	4	EA
30	986359	FLATWASHER 1/2"	14	EA
31	987139	WSHR LOCK .500	14	EA
33	970909	BLT HEXHD .500 13 1.50 GR5 PLA	10	EA



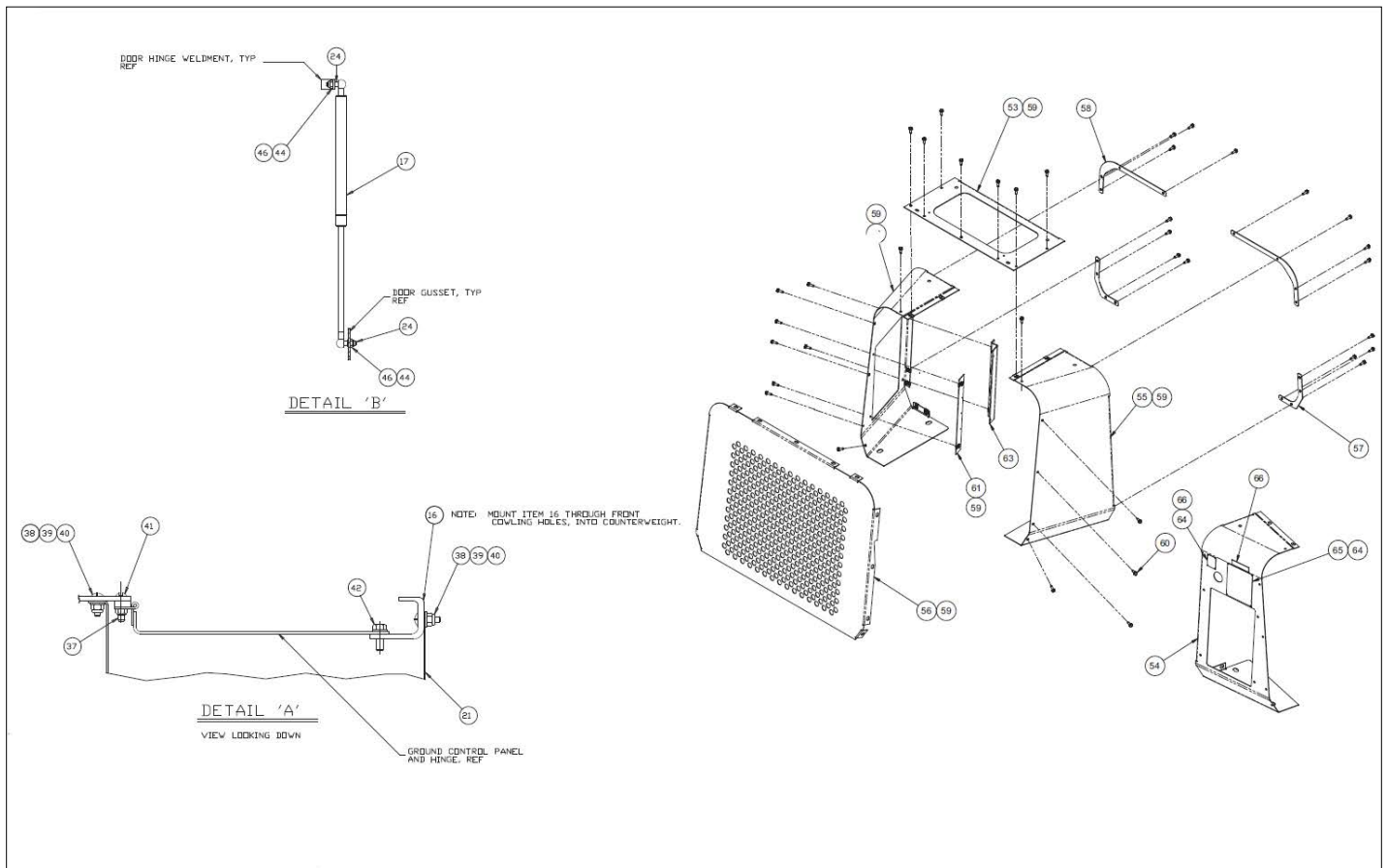
アイテム	部品番号	名前	数量	UOM
34	970469	HHD BLT .375 16 X 1.00 GR5	8	EA
36	0073158	SPCR .451ID .500OD 4.63 STL	2	EA
43	970369	BLT HEXHD .313 18 X 1.00 GR5	6	EA
44	986269	WSHR FLAT .313	18	EA
45	5569833	SPEED NUT 5/16 18 UNC W/CPATIVE NUT	6	EA
46	5560031	NUT HEX LKG .313 18	12	EA
47	970489	BLT HEXHD .375 16 1.50 GR5 PL	6	EA
48	5560083	HOSE GUIDE .125 RUBBER EDGE TR	24 FT	EA
49	0081671	OUTER AIR INTAKE SHROUD	1	EA
50	5560080	BUMPER ADHESIVE BACK	10	EA
51	5560686	BLT HEXHD .375 16 6.00 GR5	2	EA
52	0082546	SHIM	6	EA
53	0082547	SHIM	4	EA
54	0162758	FRONT COWLING FRAME	1	EA
55	0084094	ACCESS COVER	2	EA

アイテム	部品番号	名前	数量	UOM
Not Shown	A08129E K	STEEL COWLING – FORD/CU/GM/KU AFTER APRIL 2015	1	EA
1	0073481	COVER ASSEMBLY	1	EA
3	0080626	SHROUD WELDMENT	1	EA
4	0081357	ACCESS COVER WELDMENT	1	EA
5	0082298	WELDMENT DOOR COWLING LF	1	EA
6	0082290	WELDMENT DOOR COWLING RF	1	EA
7	0082293	WELDMENT DOOR COWLING LR	1	EA
8	0082294	WELDMENT DOOR COWLING RR	1	EA
9	0082303	DOOR STOP	4	EA
10	0082304	WELDMENT COWLING SIDE LF	1	EA
12	0082310	RAIL SIDE LR	1	EA
13	0082311	RAIL SIDE RR	1	EA
14	0083274	COWLING FRONT (PLASTIC)	1	EA
15	0082320	COVER TURNTABLE REAR	1	EA
16	0112239	WLDMT BOX MOUNT	1	EA
17	0082321	GAS SPRING	6	EA
18	0082346	WELDMENT HINGE HALF LF	4	EA
19	0082349	WELDMENT HINGE HALF RF	4	EA
21	0110483	WLDMT COVER GROUND CONT PANEL		EA
22	5510022	ADJUSTABLE LEVER LATCH	6	EA
23	5561559	PUSH RETAINER, 3/8 ID 7/8 OD	8	EA
24	PNNA	BALL STUD	12	EA
26	PNNA	3/8 16 SHT SHLDR CARR BOLT X 1.5 LG	28	EA
27	PNNA	WASHER 3/8 FLAT	45	EA
28	5560033	.375 16UNC HEX LOCK NUT	39	EA
29	PNNA	1/2 13 UNC X 2 1/2 LG HHCS GR5	4	EA
30	PNNA	WASHER 1/2 FLAT	4	EA

画像が存在しません

アイテム	部品番号	名前	数量	UOM
31	PNNA	WASHER 1/2 MED LOCK	12	EA
32	PNNA	NUT 1/2 13 UNC	8	EA
33	PNNA	1/2 13 UNC X 1 1/4 LG HHCS GR5	8	EA
34	PNNA	3/8 16 UNC X 1 LG HHCS GR5	4	EA
36	PNNA	M SCREW #10 24 X 1/2 LG TRUSS HD	5	EA
37	5560034	NUT LKG 10 24	10	EA
38	PNNA	1/4 20 UNC X 3/4 LG TRUSS HD CS	5	EA
39	PNNA	1/4 20 UNC ESNA	7	EA
40	PNNA	WASHER 1/4 FLAT	7	EA
41	PNNA	M SCREW #10 24 X 1 LG TRUSS HD	5	EA
42	5560086	SCR HEXHD .25 20 1.00 W/SEMS	4	EA
43	PNNA	5/16 18 UNC X 1 LG HHCS GR5	6	EA
44	PNNA	WASHER 5/16 MED FLAT	18	EA
45	5569833	SPEED NUT 5/16 18 UNC W/CPATIVE NUT	6	EA
46	PNNA	5/16 18 UNC NUT ESNA	12	EA
47	PNNA	3/8 16 UNC X 1 1/2 LG HHCS GR5	6	EA
48	5560083	HOSE GUIDE .125 RUBBER EDGE TR	26 FT	EA
49	5560080	BUMPER ADHESIVE BACK	10	EA
50	0082546	SHIM	6	EA
51	0082547	SHIM	12	EA
52	0162758	FRONT COWLING FRAME	1	EA
101	0082307	WELDMENT COWLING SIDE RF	1	EA
201	0083923	WELDMENT, RH SIDE COWLING (FO)	1	EA

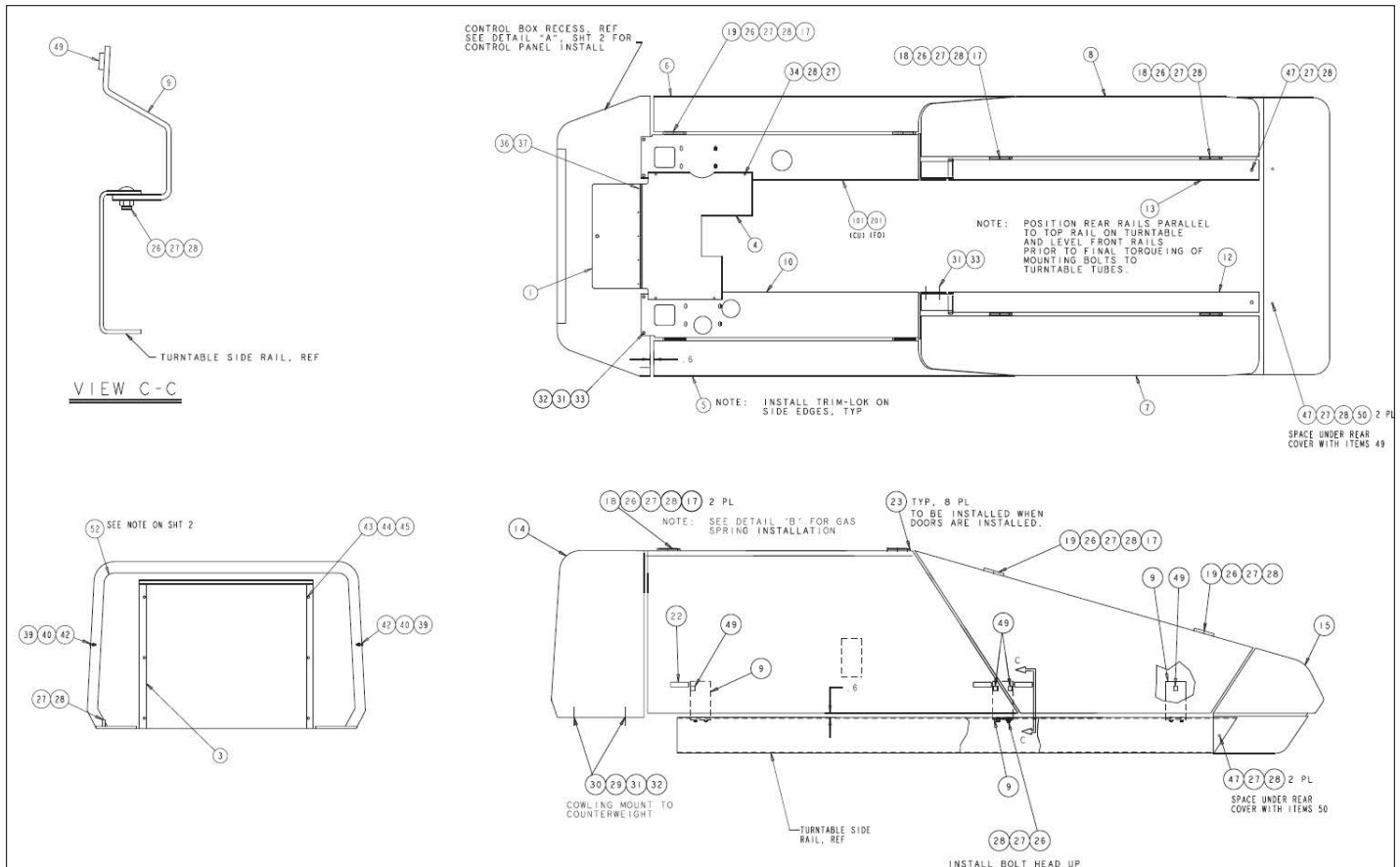
アイテム	部品番号	名前	数量	UOM
	0084778 B	STEEL COWLING FORD CUMMINS GM KUBOTA AFTER APRIL 2015		EA
1	0073481	COVER ASSEMBLY	1	EA
2	0084094	ACCESS COVER	2	EA
3	0080626	SHROUD WELDMENT	1	EA
4	0081357	ACCESS COVER WELDMENT	1	EA
5	0082288	WELDMENT DOOR COWLING LF	1	EA
6	0082290	WELDMENT DOOR COWLING RF	1	EA
7	0082293	WELDMENT DOOR COWLING LR	1	EA
8	0082294	WELDMENT DOOR COWLING RR	1	EA
9	0082303	DOOR STOP	4	EA
10	0082304	WELDMENT COWLING SIDE LF	1	EA
12	0082310	RAIL SIDE LR	1	EA
13	00822311	RAIL SIDE RR	1	EA
14	0083274	COWLING FRONT (PLASTIC)	1	EA
Not Shown	0084527	SERVICE KIT FRONT COWLING (STEEL) CUMMINS, FORD, GM, KUBOTA	1	EA
15	0082320	COVER TURNTABLE REAR	1	EA
16	0112239	WLDMT BOX MOUNT	1	EA
17	0082321	GAS SPRING	6	EA
18	0082346	WELDMENT HINGE HALF LF	4	EA
19	0082349	WELDMENT HINGE HALF RF	4	EA
21	0110483	WLDMT COVER GROUND CONT PANEL		EA
22	5510022	ADJUSTABLE LEVER LATCH	6	EA
23	5561559	PUSH RETAINER, 3/8 ID 7/8 OD	8	EA
24	5560331	M.SCR, 184 20 1.0 F.H. SOC. CAD PL	12	EA
26	5560531	BLT CRG .375 16 1.50	28	EA



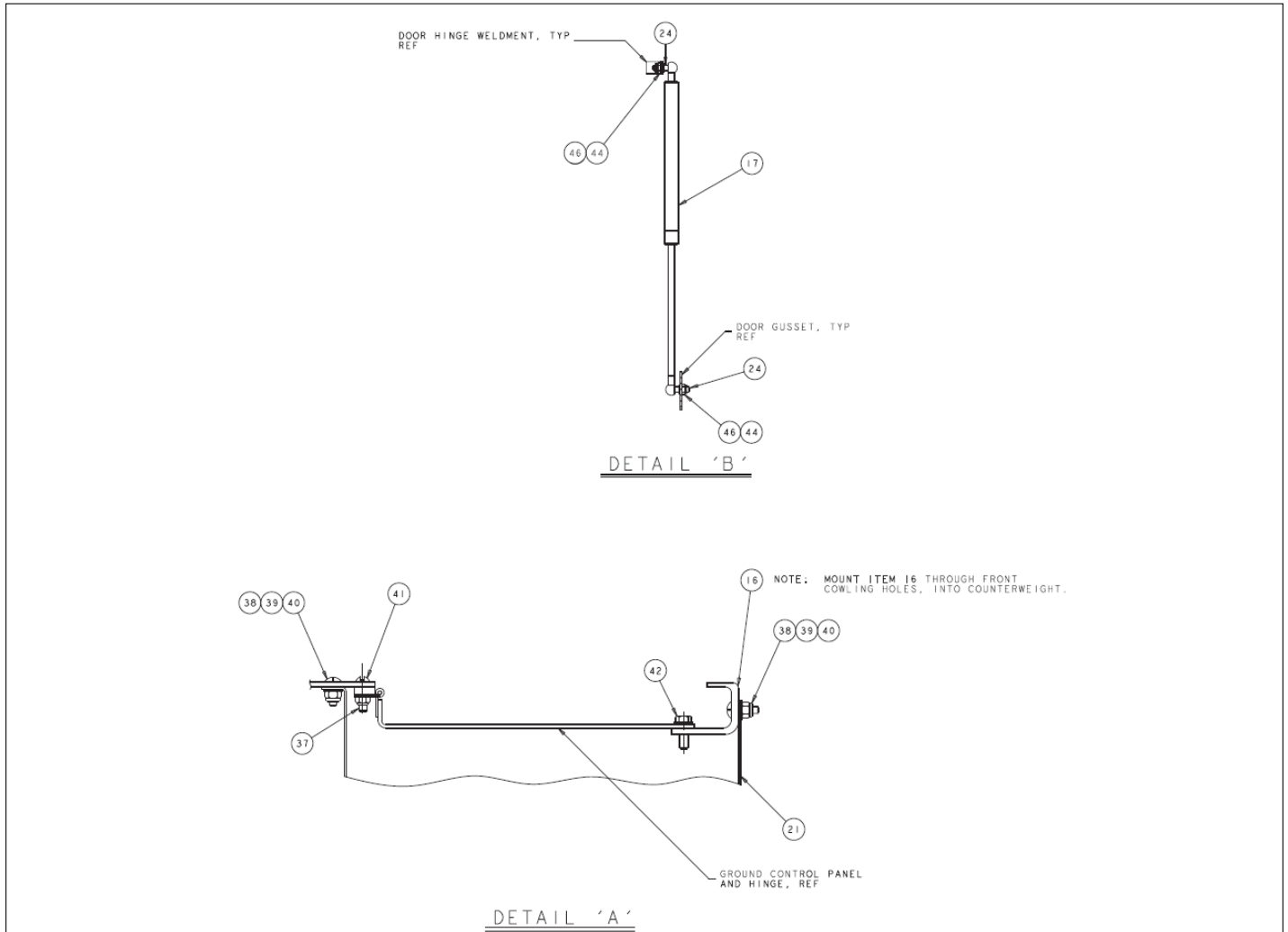
アイテム	部品番号	名前	数量	UOM
27	986299	WASHER, FLAT, .375 STANDARD, PLATED	49	EA
28	5560033	.375 16UNC HEX LOCK NUT	43	EA
29	970949	BLT HEXHD .500 13 2.50 GR5 PLATED	4	EA
30	986359	FLATWASHER 1/2"	4	EA
31	987139	WSHR LOCK .500	12	EA
32	984149	NUT, .500 13	8	EA
33	970849	BLT HEXHD .500 13 1.25 GR5	8	EA
34	970469	HHD BLT .375 16 X 1.00 GR5	8	EA
36	974659	SCR RDH MACH 10 24 .500	5	EA
37	5560034	NUT LKG 10 24	10	EA
38	975089	SCR RDH MACH .25 20 .75	5	EA
39	5560004	NUT LKG .250 20	7	EA
40	986019	WSHR FLAT .250	7	EA
41	5560673	SCR TRHD 10 24 1.00	5	EA
42	5560086	SCR HEXHD .25 20 1.00 W/SEMS	4	EA
43	970259	C.SCREW, 5/16 18 X 1" LG. HH	6	EA
44	986269	WSHR FLAT .313	18	EA
45	5569833	SPEED NUT 5/16 18 UNC W/CPATIVE NUT	6	EA
46	5560031	NUT HEX LKG .313 18	12	EA
47	970489	BLT HEXHD .375 16 1.50 GR5 PL	6	EA
48	5560083	HOSE GUIDE .125 RUBBER EDGE TR	26 FT	EA
49	5560080	BUMPER ADHESIVE BACK	10	EA
50	0082546	SHIM	6	EA
51	0082547	SHIM	4	EA
52	0162758	FRONT COWLING FRAME	1	EA
53	0084342	FRONT COWLING CENTER	1	EA

アイテム	部品番号	名前	数量	UOM
54	0084343	FRONT COWLING RH	1	EA
55	0084344	FRONT COWLING LH	1	EA
56	0084529	FRONT COVER	1	EA
57	0084346	LOWER CORNER BRACE	2	EA
58	0084347	UPPER CORNER BRACE	2	EA
59	5563142	TAPPED BARREL U MAX M8X1.25	37	EA
60	5563141	BLT HX WSHR HD M8 1.25X25 DOG PT	37	EA
61	0084524	BAR BOX MOUNT	1	EA
63	0084525	Z BRACKET	1	EA
64	5560655	POP RIVET	8	EA
65	0070901	Serial Number Plate, US Machines	1	EA
66	0074372	PLACARD, ENGINE RPM	1	EA
67	0181562	Decal, Amchine Complies With ANSI (USA Only)	1	EA
101	0082307	WELDMENT COWLING SIDE RF	1	EA
201	0083923	WELDMENT, RH SIDE COWLING (FO)	1	EA

REPAIR PARTS



アイテム	部品番号	名前	数量	UOM
Not Shown	A08129EH	STEEL COWLING INSTALLATION CUMMINS FORD JUNE 2011 AND BEFORE		EA
1	0073481	COVER ASSEMBLY	1	EA
3	0080626	SHROUD WELDMENT	1	EA
4	0081357	ACCESS COVER WELDMENT	1	EA
5	0082298	WELDMENT DOOR COWLING LF	1	EA
6	0082290	WELDMENT DOOR COWLING RF	1	EA
7	0082293	WELDMENT DOOR COWLING LR	1	EA
8	0082294	WELDMENT DOOR COWLING RR	1	EA
9	0082303	DOOR STOP	4	EA
10	0082304	WELDMENT COWLING SIDE LF	1	EA
12	0082310	RAIL SIDE LR	1	EA
13	0082311	RAIL SIDE RR	1	EA
14	0083274	COWLING FRONT (PLASTIC)	1	EA
Not Shown	0084527	SERVICE KIT FRONT COWLING (STEEL) CUMMINS, FORD, GM, KUBOTA	1	EA
15	0082320	COVER TURNTABLE REAR	1	EA
16	0112239	WLDMT BOX MOUNT	1	EA
17	0082321	GAS SPRING	6	EA
18	0082346	WELDMENT HINGE HALF LF	4	EA
19	0082349	WELDMENT HINGE HALF RF	4	EA
21	0110483	WLDMT COVER GROUND CONT PANEL		EA
22	5510022	ADJUSTABLE LEVER LATCH	6	EA
23	5561559	PUSH RETAINER, 3/8 ID 7/8 OD	8	EA
24	PNNA	BALL STUD	12	EA
26	PNNA	3/8 16 SHT SHLDR CARR BOLT X 1.5 LG	28	EA
27	PNNA	WASHER 3/8 FLAT	45	EA
28	5560033	.375 16UNC HEX LOCK NUT	39	EA



アイテム	部品番号	名前	数量	UOM
29	PNNA	1/2 13 UNC X 2 1/2 LG HHCS GR5	4	EA
30	PNNA	WASHER 1/2 FLAT	4	EA
31	PNNA	WASHER 1/2 MED LOCK	12	EA
32	PNNA	NUT 1/2 13 UNC	8	EA
33	PNNA	1/2 13 UNC X 1 1/4 LG HHCS GR5	8	EA
34	PNNA	3/8 16 UNC X 1 LG HHCS GR5	4	EA
36	PNNA	M SCREW #10 24 X 1/2 LG TRUSS HD	5	EA
37	5560034	NUT LKG 10 24	10	EA
38	PNNA	1/4 20 UNC X 3/4 LG TRUSS HD CS	5	EA
39	PNNA	1/4 20 UNC ESNA	7	EA
40	PNNA	WASHER 1/4 FLAT	7	EA
41	PNNA	M SCREW #10 24 X 1 LG TRUSS HD	5	EA
42	5560086	SCR HEXHD .25 20 1.00 W/SEMS	4	EA
43	PNNA	5/16 18 UNC X 1 LG HHCS GR5	6	EA
44	PNNA	WASHER 5/16 MED FLAT	18	EA
45	5569833	SPEED NUT 5/16 18 UNC W/CPATIVE NUT	6	EA
46	PNNA	5/16 18 UNC NUT ESNA	12	EA
47	PNNA	3/8 16 UNC X 1 1/2 LG HHCS GR5	6	EA
48	5560083	HOSE GUIDE .125 RUBBER EDGE TR	26 FT	EA
49	5560080	BUMPER ADHESIVE BACK	10	EA
50	0082546	SHIM	6	EA
51	0082547	SHIM	12	EA
52	0162758	FRONT COWLING FRAME	1	EA
101	0082307	WELDMENT COWLING SIDE RF	1	EA

アイテム	部品番号	名前	数量	UOM
201	0083923	WELDMENT, RH SIDE COWLING (FO)	1	EA

REPAIR PARTS

NO IMAGE AVAILABLE
(BOM FOR REFERENCE ONLY)

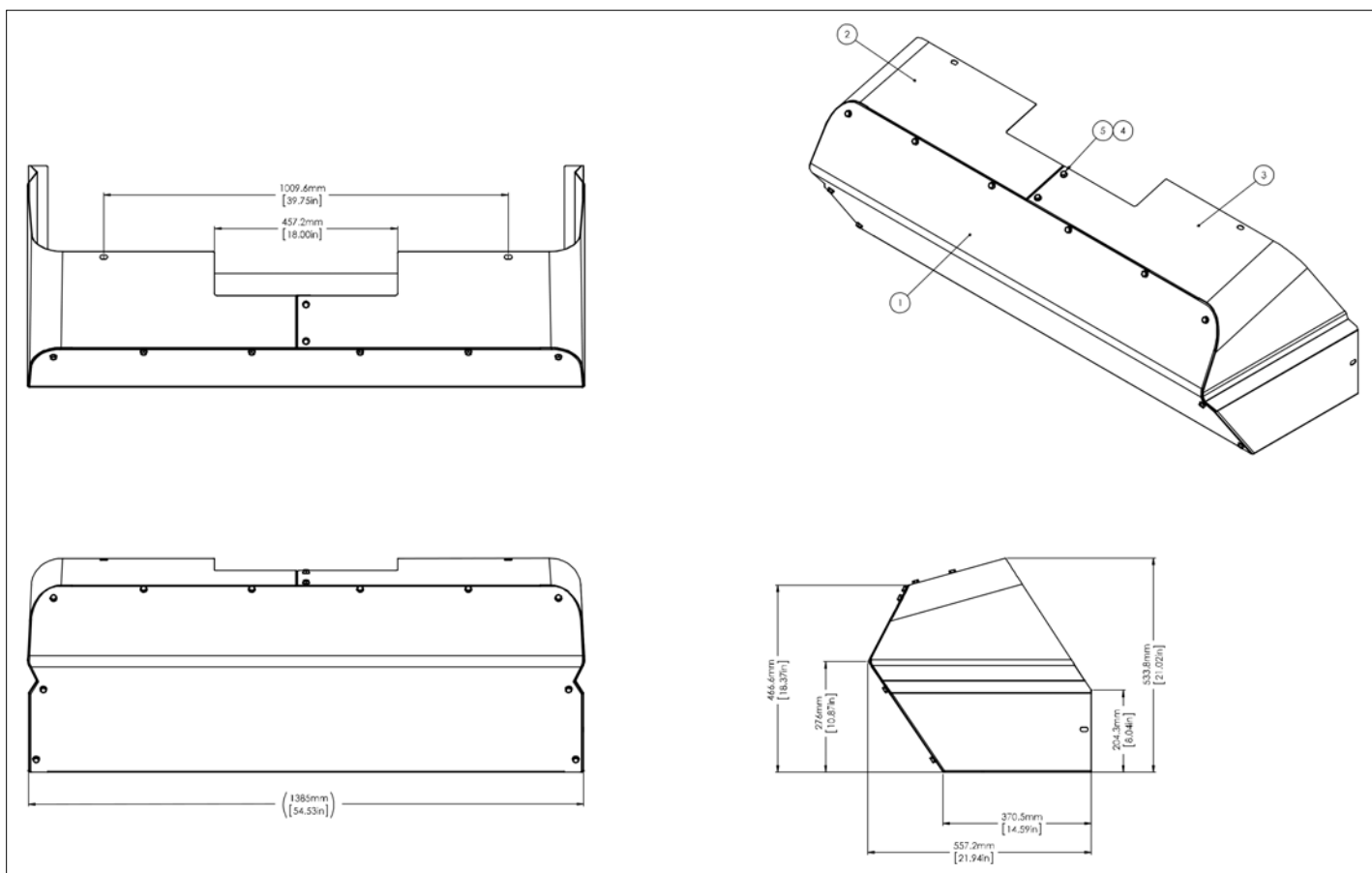
アイテム	部品番号	名前	数量	UOM
	0084527	SERVICE KIT FRONT COWLING (STEEL) CUMMINS, FORD, GM, KUBOTA		EA
1	5563141	BLT HX WSHR HD M8 1.25X25 DOG PT	39	EA
2	5563142	TAPPED BARREL U MAX M8X1.25	39	EA
3	0084342 0	FRONT COWL CENTER ORANGE	1	EA
4	0084343 0	FRONT COWL RH ORANGE	1	EA
5	0084344 0	FRONT COWL LH ORANGE	1	EA
6	0084347 0	UPPER CORNER BRACE ORANGE	2	EA
7	0084346 0	LOWER CORNER BRACE ORANGE	2	EA
8	0084524 3	BAR BOX MNT BLACK	1	EA
9	0084525 3	Z BRACKET BLACK	1	EA
10	0084529 0	FRONT COVER CU GM FO ORANG	1	EA

REPAIR PARTS

NO IMAGE AVAILABLE
(BOM FOR REFERENCE ONLY)

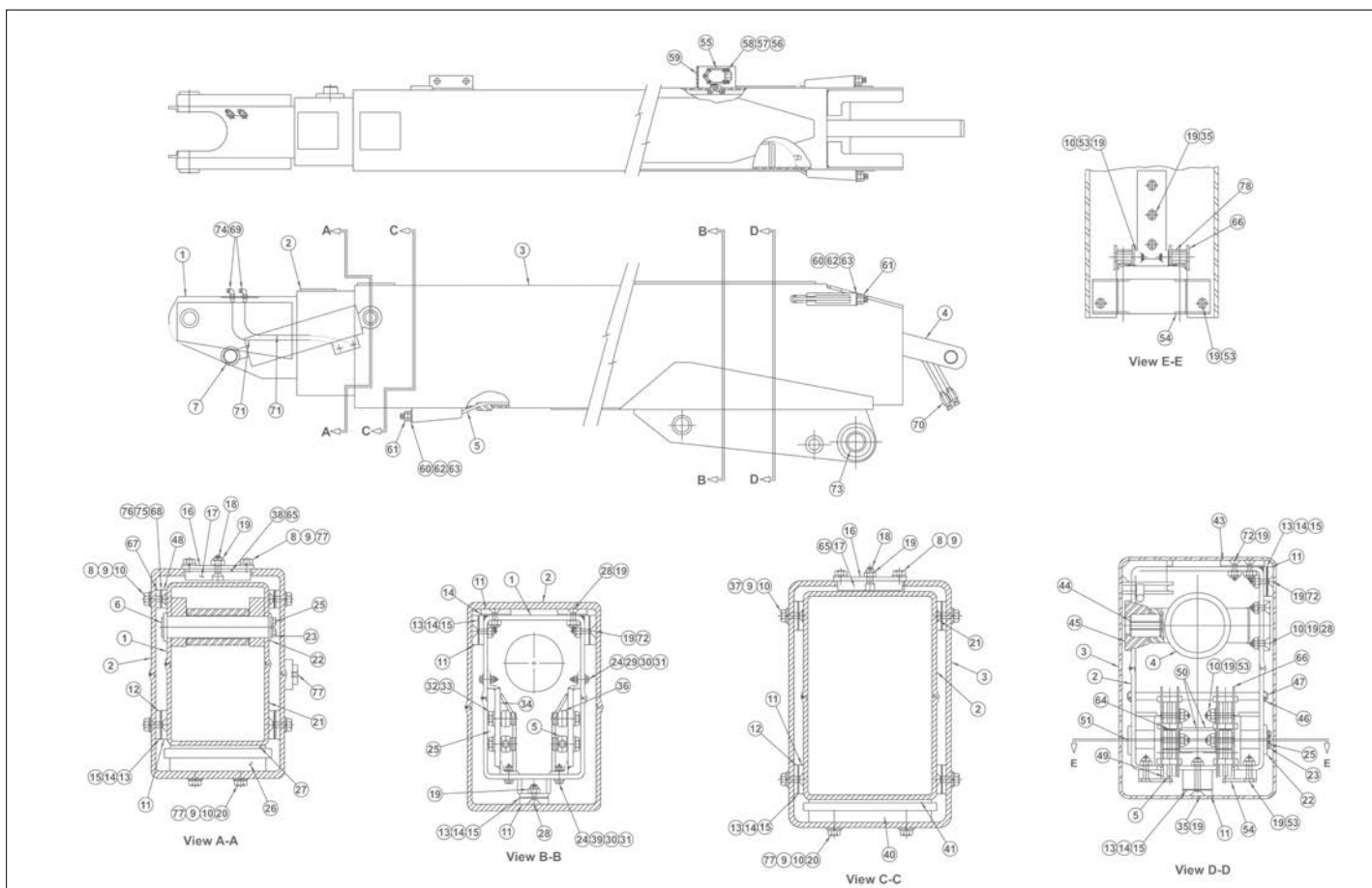
アイテム	部品番号	名前	数量	UOM
	0084528	SERVICE KIT FRONT COWLING (STEEL) DEUTZ		EA
1	5563141	BLT HX WSHR HD M8 1.25X25 DOG PT	39	EA
2	5563142	TAPPED BARREL U MAX M8X1.25	39	EA
3	0084342 0	FRONT COWL CENTER ORANGE	1	EA
4	0084343 0	FRONT COWL RH ORANGE	1	EA
5	0084344 0	FRONT COWL LH ORANGE	1	EA
6	0084345 0	FRONT COVER DZ ORANGE	1	EA
7	0084346 0	LOWER CORNER BRACE ORANGE	2	EA
8	0084347 0	UPPER CORNER BRACE ORANGE	2	EA
9	0084524 3	BAR BOX MNT BLACK	1	EA
10	0084525 3	Z BRACKET BLACK	1	EA

REPAIR PARTS



アイテム	部品番号	名前	数量	UOM
	0084821 B	REAR COWLING STEEL ASSEMBLY REBUILD		EA
1	0084822	PLT, REAR COWLING, REAR	1	EA
2	0084823	WLDMT, REAR COWLING, LH	1	EA
3	0084824	WLDMT, REAR COWLING, RH	1	EA
4	5563142	TAPPED BARREL U MAX M8X1.25	12	EA
5	5563141	BLT HX WSHR HD M8 1.25X25 DOG PT	12	EA

REPAIR PARTS

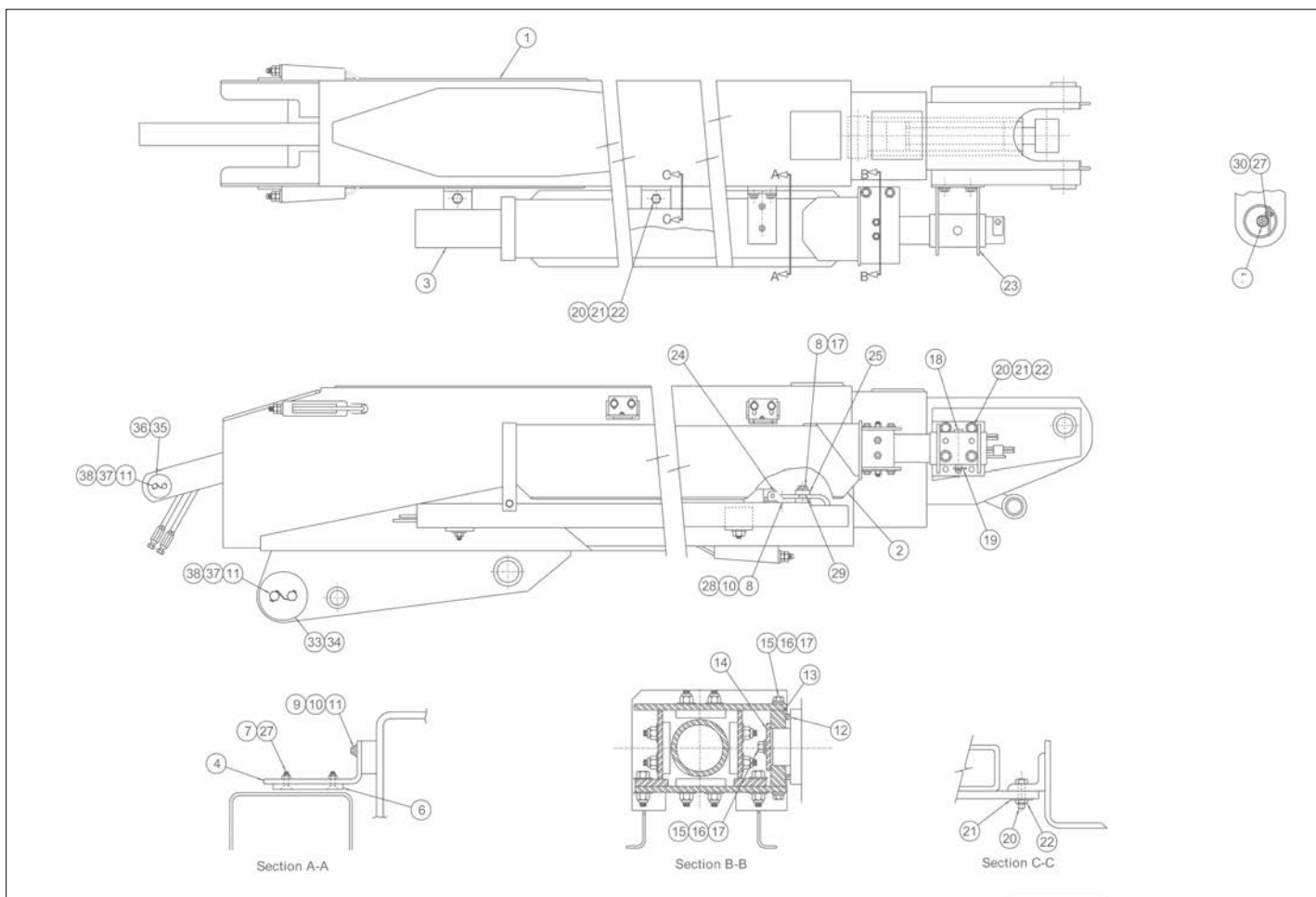


アイテム	部品番号	名前	数量	UOM
	0080969 K	BOOMS ASSEMBLY APRIL 2015 AND BEFORE		EA
1	0080953	TIP BOOM	1	EA
2	0080955	INTERMEDIATE BOOM	1	EA
3	0080967	BASE BOOM	1	EA
4	0080978	EXTENSION CYLINDER	1	EA
5	0081215	WIRE ROPE, RETRACT	2	EA
6	0070443	PIN	1	EA
7	0080399	SLAVE LEVEL CYLINDER	1	EA
8	970449	HHD BLT .375 16 X .750 GR5	16	EA
9	987119	WSHR LOCK .375	36	EA
10	986299	WASHER, FLAT, .375 STANDARD, PLATED	40	EA
11	0080293	SLIDE PAD	14	EA
12	0070486	SPACER (NOTE 4)	6	EA
13	0070030	SHIM (NOTE 5) (.030)	14	EA
14	0072567	SPCR 2.00 5.88 .063	16	EA
15	0090141	SHIM (.090)	14	EA
16	0072681	SLIDE PAD MOUNT	2	EA
17	0072682	SLIDE PAD	2	EA
18	972559	BOLT FLSKTHD .375 16 1.00	8	EA
19	5560033	.375 16UNC HEX LOCK NUT	56	EA
20	970469	HHD BLT .375 16 X 1.00 GR5	12	EA
21	970439	BLTHHD .375 16 X .625 GR5	24	EA
22	0070033	PIN LOCK 2.00 DIA 2H	2	EA
23	0070473	BLT HEXHD .313 18 .75 DR	4	EA
24	987109	WSHR LOCK .313	8	EA
25	9980012	.040 S. S. SAFETY LOCKWIRE	1	EA
26	0080951	PAD PLATE	1	EA
27	0081047	SL PAD 6.00 6.438 .625	1	EA

アイテム	部品番号	名前	数量	UOM
28	5560644	BLT FLSKTHD .375 16 1.25 GR8	17	EA
29	970369	BLT HEXHD .313 18 X 1.00 GR5	4	EA
30	986269	WSHR FLAT .313	8	EA
31	5560031	NUT HEX LKG .313 18	8	EA
32	986359	FLATWASHER 1/2"	4	EA
33	5560053	HEX JAM NUT, DRILLED	4	EA
34	0080045	WIRE ROPE ANCHOR	2	EA
35	972539	BLT FLSKTHD .375 16 2.75	4	EA
36	5560005	ANCHOR BOLT	4	EA
37	970429	CAPSCREW .375 16 X .50 HH	8	EA
38	0072683	SPACER	AR	EA
39	970269	BLT HEXHD .313 18 1.25 GR5 PLA	4	EA
40	0082165	PAD PLATE	1	EA
41	0081048	SLIDE PAD	1	EA
43	0070639	SLIDE PAD	2	EA
44	0070390	PIN, CYLINDER ANCHOR	2	EA
45	0072751	CYLINDER ANCHOR	2	EA
46	988179	COTTER PIN, 1/8 DIA. X 1" LG.	1	EA
47	0070448	PIN, CABLE RETAINER	1	EA
48	0080294	SLIDE PAD	2	EA
49	0081675	SHEAVE, EXTEND/RETRACT	2	EA
50	2500035	BEARING	2	EA
51	0070439	PIN RETRACT SHEAVE	1	EA
53	972509	FLSKTHD .375 X 2.00 ZINC PLTD	6	EA
54	0081450	CABLE RETAINER	1	EA
55	0081975	BOOM SWITCH SUB ASSEMBLY	1	EA
56	5560649	SCR TRHD #10 24 1.00	3	EA
57	986009	WSHR FLAT 10	6	EA

アイテム	部品番号	名前	数量	UOM
58	984049	NUT HEX 10 24	3	EA
59	0071216	GUARD	1	EA
60	5560170	WSHR FLAT HARD .750 SP	8	EA
61	984469	NUT, 3/4 10 HEX JAM	8	EA
62	0071922	SPACER (NOTE 3)	2	EA
63	0071921	SPACER (NOTE 3)	2	EA
64	2502028	BEARING, 1 4/4 BORE X 1" LG GARMAX	2	EA
65	0073111	SLIDE PAD SPACER	AR	EA
66	0073535	SHEAVE CAGE	2	EA
67	0073340	SPCR .250 1.25 6.00 5H STL	2	EA
68	0070043	SHIM (.030)	2	EA
69	5034501	FTG ELB90BHD 4S 4S STL	2	EA
70	0100422	HOSE 6 6S 6S 69 100R2	2	EA
71	0070768	1/4 I.D. HOSE ASSY	2	EA
72	978409	CAPSCREW 3/8 16 X 1 1/2 INCH LONG SOCKET FLAT HEAD	22	EA
73	2503644	BEARING	2	EA
74	5074401	FTG LKNT BHD 4 STL	2	EA
75	0073342	SHIM .063 1.25 5.88 5H AL	2	EA
76	0073343	SHIM (.090)	2	EA
77	5560015	3/8 THREADED INSERT	18	EA
78	0074639	SL PAD 1.00 3.563 1.00	2	EA

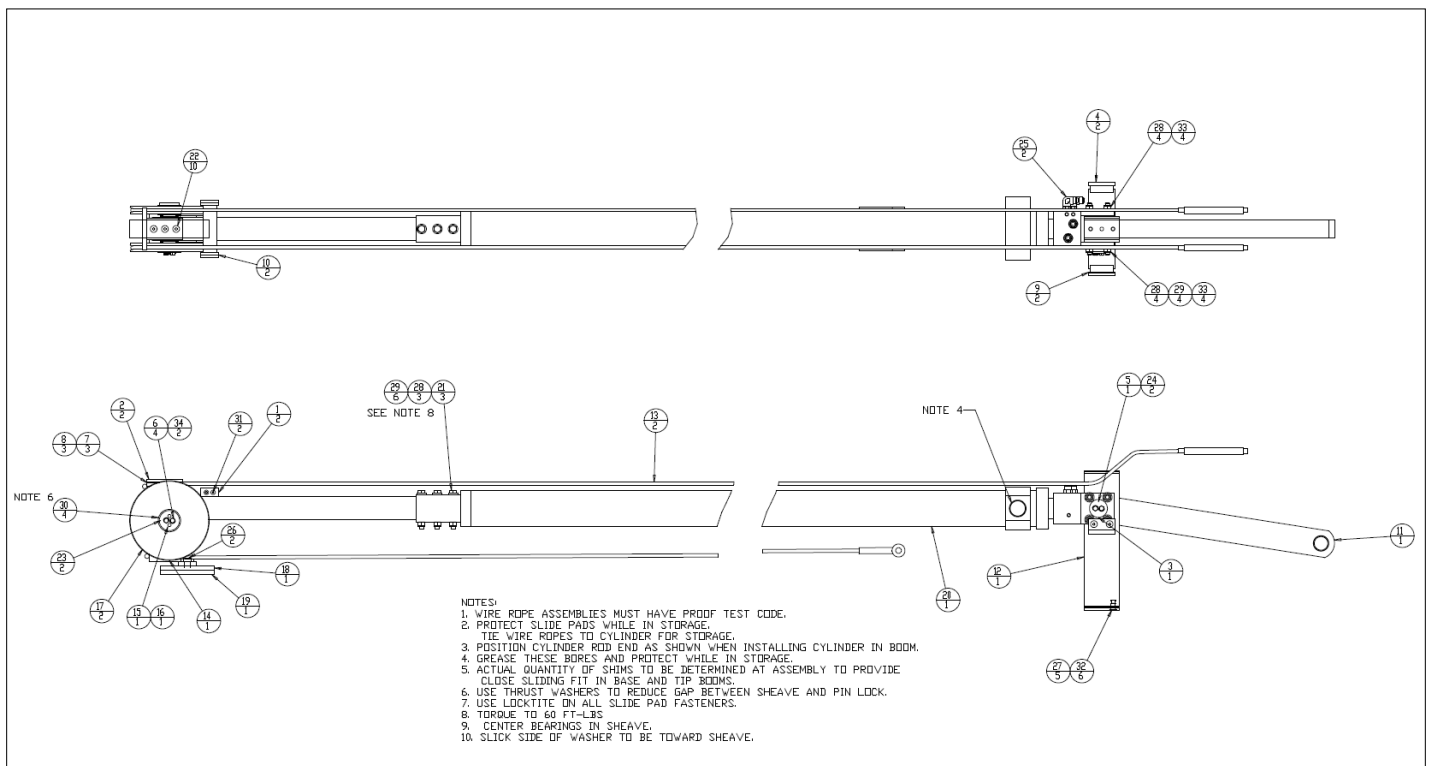
REPAIR PARTS



アイテム	部品番号	名前	数量	UOM
	0080977 R	BOOMS AND HOSE CARRIER ASSEMBLY JANUARY 2001 AND AFTER	1	EA
1	0080969	BOOMS	1	EA
2	0072727	HOSE CARRIER	1	EA
3	0080962	HOSE CARRIER SUPPORT TUBE	1	EA
4	0072951	GUIDE BAR	2	EA
5	5093009	CLP CUSH 1.13 VINYL COATED	1	EA
6	0070029	SLIDE PAD	2	EA
7	972469	BLT FLSKTHD .375 16 X 1.00 GR	4	EA
8	970029	BLT .25 20 .750	2	EA
9	970369	BLT HEXHD .313 18 X 1.00 GR5	4	EA
10	986019	WSHR FLAT .250	12	EA
11	987109	WSHR LOCK .313	4	EA
12	0070505	SPACER	1	EA
13	0070504	PIN JOINT PLATE	1	EA
14	0070506	PIN LOCK	1	EA
15	970426	BLT HHD .375 16 X .875	6	EA
16	986299	WASHER, FLAT, .375 STANDARD, PLATED	4	EA
17	987119	WSHR LOCK .375	8	EA
18	0072105	CLEVIS PIN	1	EA
19	5560014	PIN HAIRPIN CLIP.625	1	EA
20	970849	BLT HEXHD .500 13 1.25 GR5	9	EA
21	986359	FLATWASHER 1/2"	9	EA
22	5560039	NUT HEX LKG .500 13	9	EA
23	0082023	WELDMENT TUBE BRACKET	1	EA
24	9920016	END BRKT HOSE CARRIER	1	EA
25	0072937	CLAMP BAR	1	EA
26	972509	FLSKTHD .375 X 2.00 ZINC PLTD	2	EA

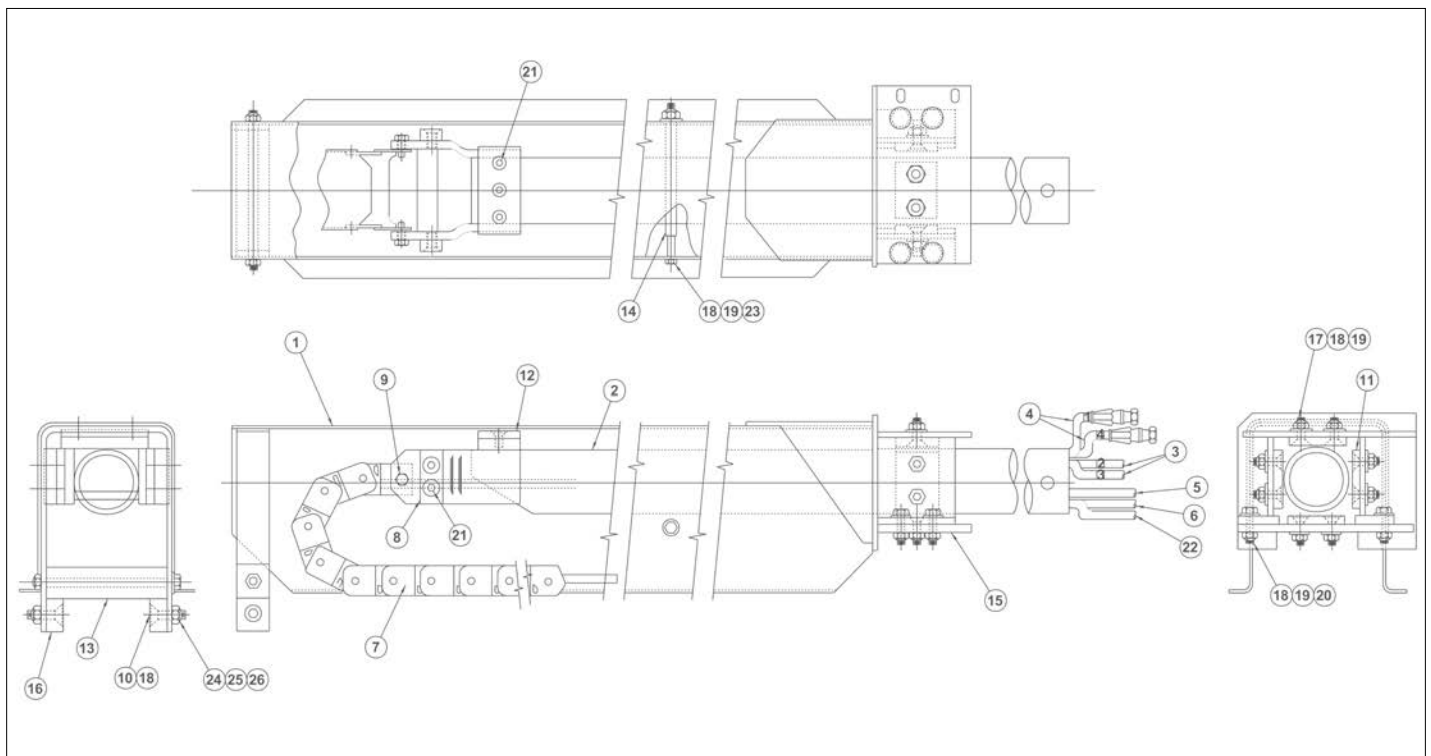
アイテム	部品番号	名前	数量	UOM
27	5560033	.375 16UNC HEX LOCK NUT	5	EA
28	5560004	NUT LKG .250 20	2	EA
29	0110581	SPCR .465ID .500OD .375 STL	2	EA
30	970629	BLT HHD .375 16 X 5 GR5	1	EA

REPAIR PARTS



アイテム	部品番号	名前	数量	UOM
Not Shown	0080978 R	EXTENSION CYLINDER ASSEMBLY – BEFORE MARCH 2000	1	EA
1	0080979	EXTEND CYLINDER AND SUPPORT BRACKET	1	EA
2	0081214	WIRE ROPE, EXTEND	2	EA
3	0070440	WLDMT PIN 1.50 3.940 GRIP	1	EA
4	0150121	SL PAD 2.00 4.00 .500 2H	1	EA
5	0081675	SHEAVE, EXTEND/RETRACT	2	EA
6	5560254	BRG THR 1.25ID 2.25OD .059	7	EA
7	0070438	WLDMT PIN 1.25 5.120 GRIP	1	EA
8	0191071	SLIDE PAD	1	EA
9	0191070	SLIDE PAD PLATE	2	EA
10	0070033	PIN LOCK 2.00 DIA 2H	2	EA
11	9980012	.040 S. S. SAFETY LOCKWIRE	1	EA
12	0070473	BLT HEXHD .313 18 .75 DR	4	EA
13	2502028	BEARING, 1 4/4 BORE X 1" LG GARMAX	2	EA
14	0070141	SL PAD 1.25 3.00 .330 2H	5	EA
15	0071341	SHIM .063 1.25 3.00 2H AL	5	EA
16	972449	M.SCR 3/8 16 3/4 SOC. CAD	10	EA
17	0080019	LINK	1	EA
18	2502432	BRG 1.50ID 1.66OD 2.00	2	EA
19	0070029	SLIDE PAD	1	EA
20	0070838	SHIM .030 2.00 4.00 3H AL	2	EA
21	0071272	SHIM .063 2.00 4.00 3H AL	2	EA
22	5560644	BLT FLSKTHD .375 16 1.25 GR8	10	EA
23	5560033	.375 16UNC HEX LOCK NUT	10	EA
24	0073650	SLIDE PAD SHIM, 1/4 INCH THICK	2	EA
25	5560005	ANCHOR BOLT	2	EA
26	5035306	FTG ELB90STRTHD 8B 8S STL	2	EA

REPAIR PARTS



アイテム	部品番号	名前	数量	UOM
	0072727 S	HOSE CARRIER ASSEMBLY JANUARY 2001 AND AFTER	1	EA
1	0072743	WELDMENT HOSE CARRIER	1	EA
2	0072737	WELDMENT CARRIER TUBE	1	EA
3	0081089	HOSE 3 4S 4S 739	2	EA
4	0081090	HOSE 3 4S 4S 790	2	EA
5	3010006	CABLE 12GA/8 CONDUCTOR	1	EA
Not Shown	3044854	TERM R10I 12/10		EA
6	3010009	CABLE 18GA/12 CONDUCTOR	1	EA
Not Shown	3046972	TERM FEM188I 22/18		EA
7	0080963	PLASTIC TRACK	1	EA
Not Shown	9920014	POWER TRACK LINK	111	EA
8	0072934	SLIDE PAD 1.25 2.50 .50 2H	2	EA
9	0072910	BOLT PLST CTRK 3/8 16 X 3/4 HHC	2	EA
10	978409	CAPSCREW 3/8 16 X 1 1/2 INCH LONG SOCKET FLAT HEAD	2	EA
11	0100105	SL PAD 2.00 2.50 .375 2H	4	EA
12	0070029	SLIDE PAD	2	EA
13	0072936	SLIDE PAD 1.50 5.625 1.50 1H	1	EA
14	0080284	SPACER .530ID .625OD 6.13 STL	6	EA
15	0110610	ANCHOR PLATE BOTTOM	1	EA
16	0072935	SLIDE PAD 1.50 1.50 .750 1H	2	EA
17	5560644	BLT FLSKTHD .375 16 1.25 GR8	8	EA
18	5560033	.375 16UNC HEX LOCK NUT	20	EA
19	986299	WASHER, FLAT, .375 STANDARD, PLATED	28	EA
20	972489	M.SCR 3/8 16 1 1/2 SOC. CAD	4	EA
21	972449	M.SCR 3/8 16 3/4 SOC. CAD	7	EA

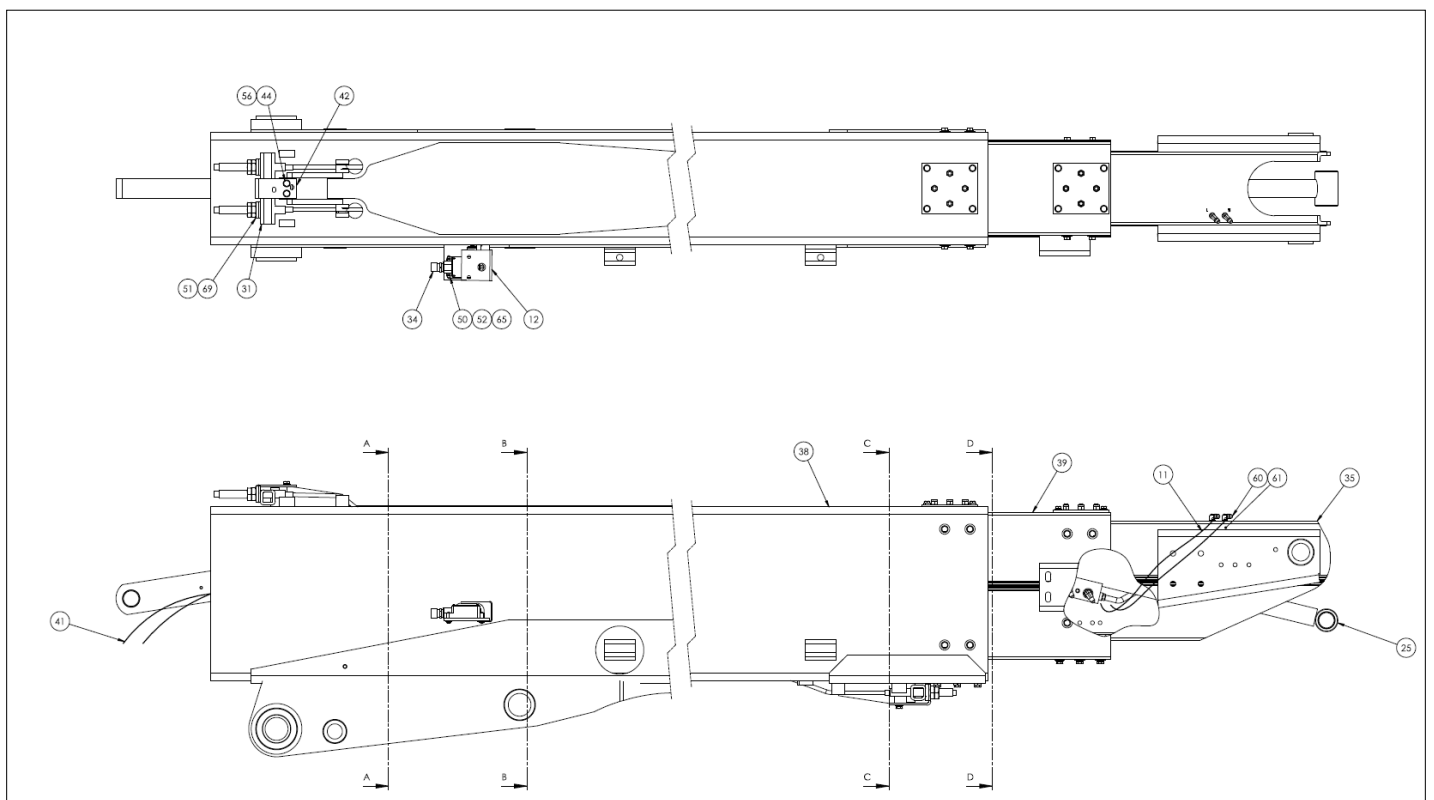
アイテム	部品番号	名前	数量	UOM
22	3010005	CABLE 18GA/19 CONDUCTOR	1	EA
Not Shown	3046972	TERM FEM188I 22/18		EA
23	5560605	BOLT HEX HEAD .375 16 7.00	6	EA
24	5560606	BOLT HEX HEAD .500 13 7.00	1	EA
25	986359	FLATWASHER 1/2"	2	EA
26	5560039	NUT HEX LKG .500 13	1	EA

REPAIR PARTS

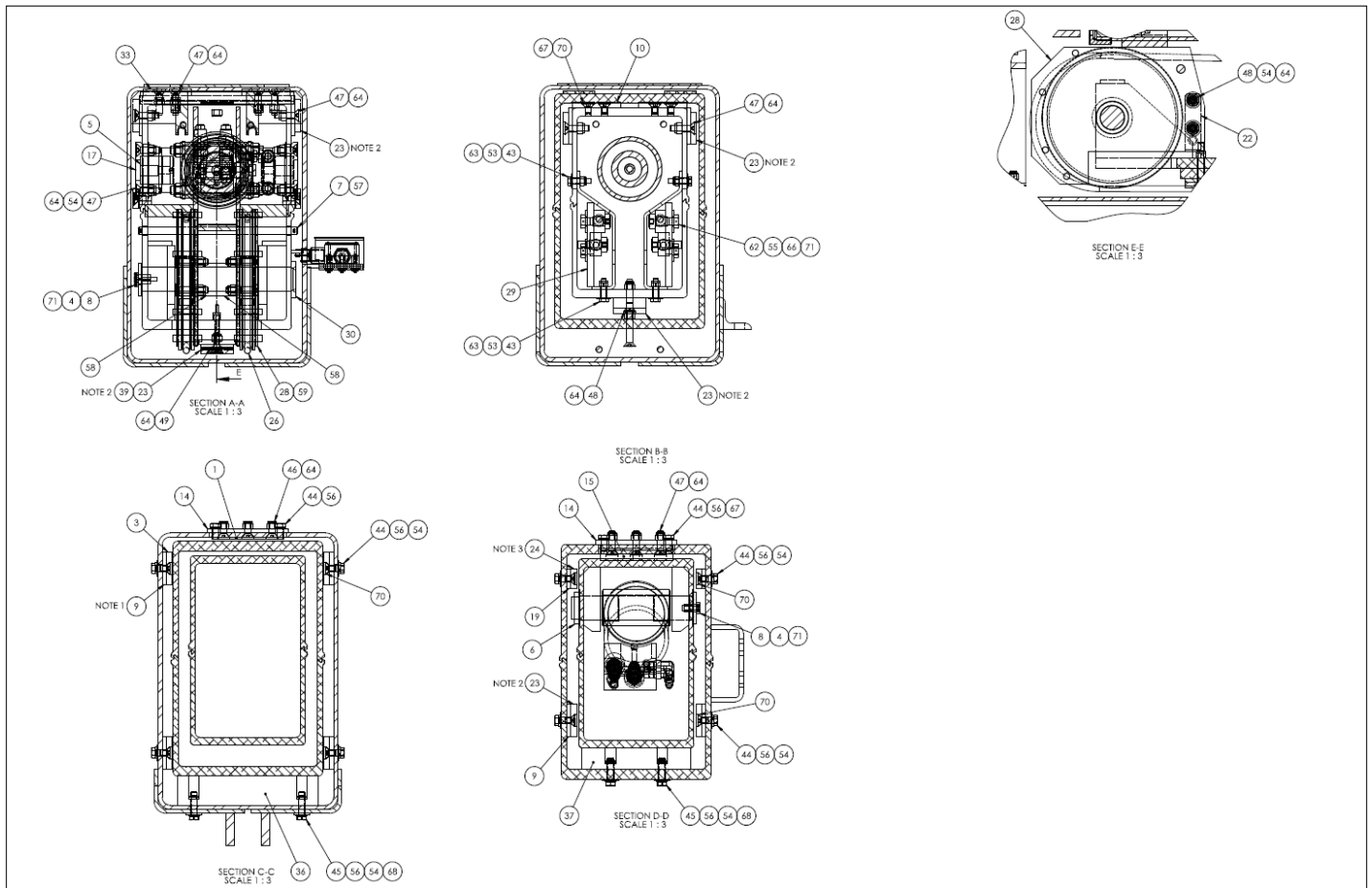
画像が存在しません

アイテム	部品番号	名前	数量	UOM
Not Shown	0082040 1	BOOM INSTALLATION		EA
1	0070033	PIN LOCK 2.00 DIA 2H	2	EA
2	0070440	WLDMT PIN 1.50 3.940 GRIP	1	EA
3	0070473	BLT HEXHD .313 18 .75 DR	8	EA
4	0080023	PIN LOCK 2.75 DIA 2H	2	EA
5	0080024	PIN WELDMENT2.25 11.75 GRIP	1	EA
6	0080026	PIN 2.25 23.31 GRIP	1	EA
7	0080028	PIN WELDMENT1.50 11.88 GRIP	1	EA
8	0082039 1	BOOMS/HOSE CARRIER INSTALL	1	EA
9	5093009	CLP CUSH 1.13 VINYL COATED	2	EA
10	5093010	CLP CUSH 1.50 VINYL COATED	4	EA

REPAIR PARTS



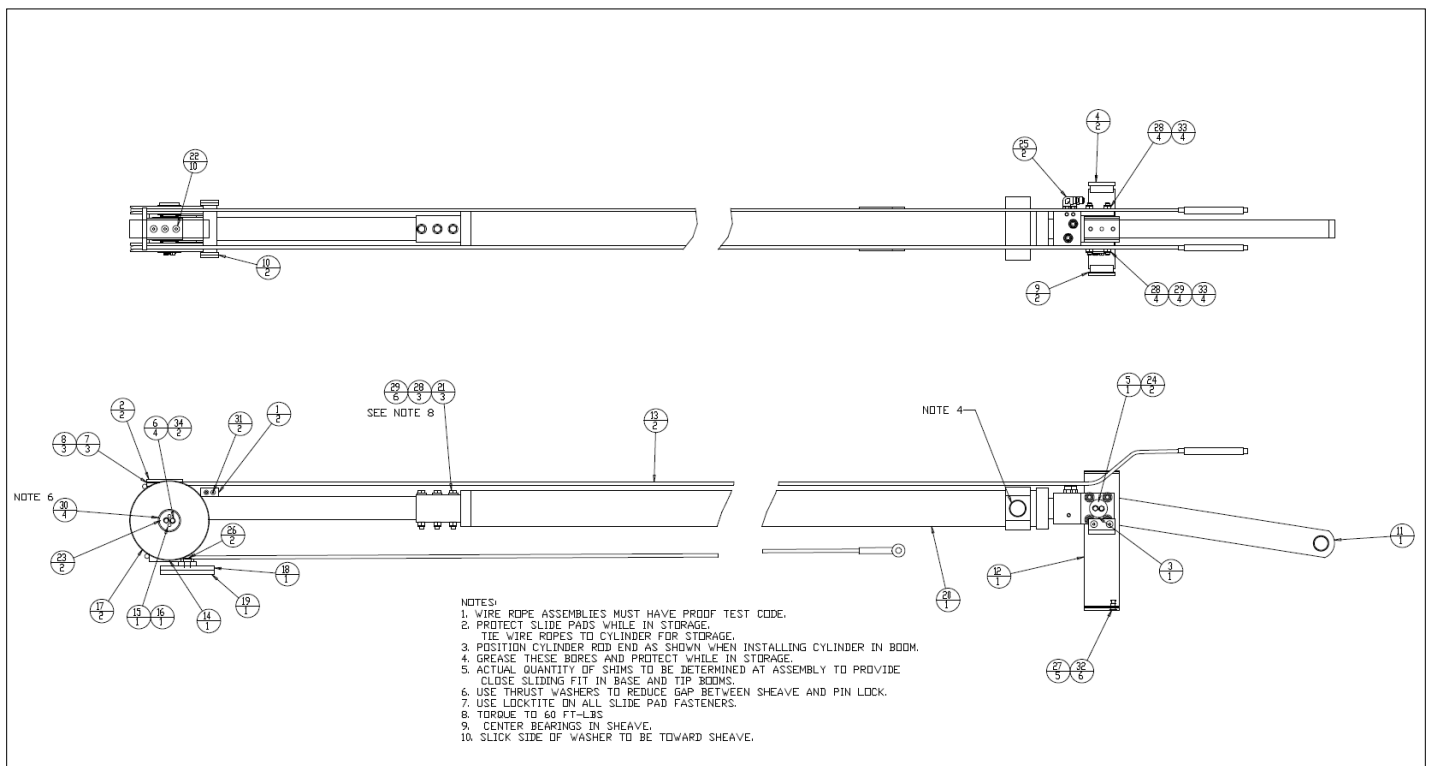
アイテム	部品番号	名前	数量	UOM
	0084798	BOOMS ASSEMBLY	1	EA
1	0030214	SLIDE PAD	1	EA
2	0070030	SHIM (NOTE 5) (.030)	A/R	EA
3	0070031	SLIDE PAD	4	EA
4	0070033	PIN LOCK 2.00 DIA 2H	2	EA
5	0070390	PIN, CYLINDER ANCHOR	2	EA
6	0070443	PIN	1	EA
7	0070448	PIN, CABLE RETAINER	1	EA
8	0070473	BLT HEXHD .313 18 .75 DR	4	EA
9	0070486	SPACER (NOTE 4)	6	EA
10	0070639	SLIDE PAD	2	EA
11	0070768	1/4 I.D. HOSE ASSY	2	EA
12	0071216	GUARD	1	EA
13	0072567	SPCR 2.00 5.88 .063	A/R	EA
14	0072681	SLIDE PAD MOUNT	2	EA
15	0072682	SLIDE PAD	1	EA
16	0072683	SPACER	1	EA
17	0072751	CYLINDER ANCHOR	2	EA
18	0073111	SLIDE PAD SPACER	1	EA
19	0073340	SPCR .250 1.25 6.00 5H STL	2	EA
20	0073342	SHIM .063 1.25 5.88 5H AL	A/R	EA
21	0073343	SHIM (.090)	A/R	EA
22	0074639	SL PAD 1.00 3.563 1.00	2	EA
23	0080293	SLIDE PAD	8	EA
24	0080294	SLIDE PAD	2	EA
25	0080399	SLAVE LEVEL CYLINDER	1	EA
26	0081730	WIRE ROPE ASSEMBLY RETRACT	2	EA
27	0081745	EXTEND CYLINDER SUB ASSEMBLY	1	EA
28	0081749	SHEAVE CAGE	2	EA



アイテム	部品番号	名前	数量	UOM
29	0081752	CABLE ANCHOR, TIP BOOM	2	EA
30	0081759	PIN, RETRACT SHEAVE	1	EA
31	0081774	WELDMENT, SWIVEL ANCHOR	2	EA
32	0081776	SHEAVE	2	EA
33	0081953	SLIDE PAD	2	EA
34	0081975	BOOM SWITCH SUB ASSEMBLY	1	EA
35	0082099	TIP BOOM WELDMENT	1	EA
36	0084536	SLIDE PAD (BASE BOOM)	1	EA
37	0084537	SLIDE PAD (INTERMEDIATE BOOM)	1	EA
38	0084787	WLDMT BASE BOOM	1	EA
39	0084788	WLDMT INT BOOM	1	EA
40	0090141	SHIM (.090)	A/R	EA
41	0100422	HOSE 6 6S 6S 69 100R2	2	EA
42	302363	BRACKET	2	EA
43	970269	BLT HEXHD .313 18 1.25 GR5 PLA	12	EA
44	970449	HHD BLT .375 16 X .750 GR5	28	EA
45	970489	BLT HEXHD .375 16 1.50 GR5 PL	12	EA
46	972469	BLT FLSKTHD .375 16 X 1.00 GR	4	EA
47	972489	M.SCR 3/8 16 1 1/2 SOC. CAD	34	EA
48	972509	FLSKTHD .375 X 2.00 ZINC PLTD	7	EA
49	972539	BLT FLSKTHD .375 16 2.75	3	EA
50	974709	M SCR #10 24 X 1.00 RNDHD PLTD	3	EA
51	984469	NUT, 3/4 10 HEX JAM	8	EA
52	986009	WSHR FLAT 10	3	EA
53	986269	WSHR FLAT .313	12	EA

アイテム	部品番号	名前	数量	UOM
54	986299	WASHER, FLAT, .375 STANDARD, PLATED	40	EA
55	986359	FLATWASHER 1/2"	4	EA
56	97819	WASHER LOCK .375 SPLIT TYPE	40	EA
57	988179	COTTER PIN, 1/8 DIA. X 1" LG.	2	EA
58	2500046	BRG 1.50ID 2.00OD 1.25	2	EA
59	2500047	BRG 1.50ID 2.00OD .875	2	EA
60	5034501	FTG ELB90BHD 4S 4S STL	2	EA
61	5074401	FTG LKNT BHD 4 STL	2	EA
62	5560005	ANCHOR BOLT	4	EA
63	5560031	NUT HEX LKG .313 18	12	EA
64	5560033	.375 16UNC HEX LOCK NUT	48	EA
65	5560034	NUT LKG 10 24	3	EA
66	5560053	HEX JAM NUT, DRILLED	4	EA
67	5560126	THREAD INSERT .375 16 .375 LKG	14	EA
68	5560244	NUT WELD TAB .375 16	12	EA
69	5560257	SPHERICAL WASHER	4	EA
70	5560679	M.SCR 3/8 16 5/8 SOC. CAD	34	EA
71	9980012	.040 S. S. SAFETY LOCKWIRE	1	EA

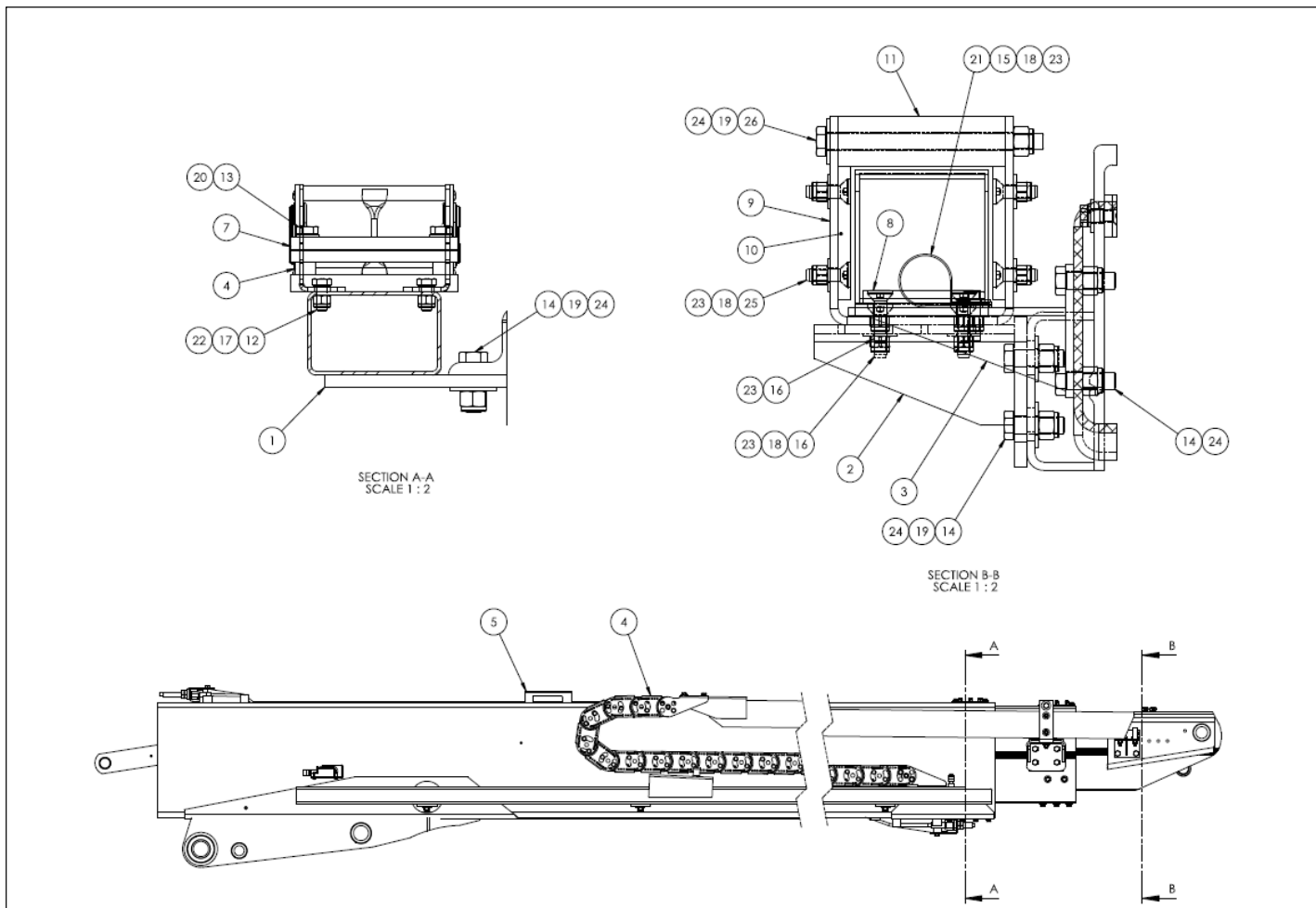
REPAIR PARTS



アイテム	部品番号	名前	数量	UOM
Not Shown	0081745	EXTEND CYLINDER SUB ASSEMBLY	1	EA
1	0060089	SLIDE PAD	2	EA
2	0070029	SLIDE PAD	2	EA
3	0070033	PIN LOCK 2.00 DIA 2H	1	EA
4	0070141	SL PAD 1.25 3.00 .330 2H	2	EA
5	0070440	WLDMT PIN 1.50 3.940 GRIP	1	EA
6	0070473	BLT HEXHD .313 18 .75 DR	4	EA
7	0070838	SHIM .030 2.00 4.00 3H AL	3	EA
8	0071272	SHIM .063 2.00 4.00 3H AL	3	EA
9	0071341	SHIM .063 1.25 3.00 2H AL	2	EA
10	0071342	SHIM	2	EA
11	0080019	LINK	1	EA
12	0080980	SUPPORT BRKT ROD END	1	EA
13	0081731	WIRE ROPE ASSEMBLY EXTEND 3/8 DIA	2	EA
14	0081736	SUPPORT BRKT EXTEND CYL	1	EA
15	0081761	WLDMT PIN 1.50 5.120 GRIP	1	EA
16	0081763	PIN LOCK 2.25 DIA 4H	1	EA
17	0081776	SHEAVE	2	EA
18	0081931	SPCR .500 3.00 6.00 5H STL	1	EA
19	0081932	SL PAD 3.00 6.00 .500 5H SP	1	EA
20	0083472	CYL 3.50 164.00 2.25 EXTEND	1	EA
Not Shown	0080975	EXTENSION CYLINDER	1	EA
21	971009	CAP SCREW 1/2 13 X 4 INCH LONG HEX HEAD GRADE 5	3	EA
22	972449	M.SCR 3/8 16 3/4 SOC. CAD	10	EA
23	2500047	BRG 1.50ID 2.00OD .875	2	EA
24	2502432	BRG 1.50ID 1.66OD 2.00	2	EA
25	5035315	FTG ELB90STRTHD 6B 8S STL	2	EA

アイテム	部品番号	名前	数量	UOM
26	5560005	ANCHOR BOLT	2	EA
27	5560033	.375 16UNC HEX LOCK NUT	5	EA
28	5560039	NUT HEX LKG .500 13	11	EA
29	5560168	WSHR FLAT HARD .500 SP	6	EA
30	5560256	BRG THR 1.50ID 2.50OD .059	4	EA
31	5560331	M.SCR, 184 20 1.0 F.H. SOC. CAD PL	2	EA
32	5560675	M.SCR 3/8 16 1 1/4 SOC. CAD	6	EA
33	5560718	BLT FLSKTHD .500 13 X 1.75	8	EA
34	9980012	.040 S. S. SAFETY LOCKWIRE	1	EA

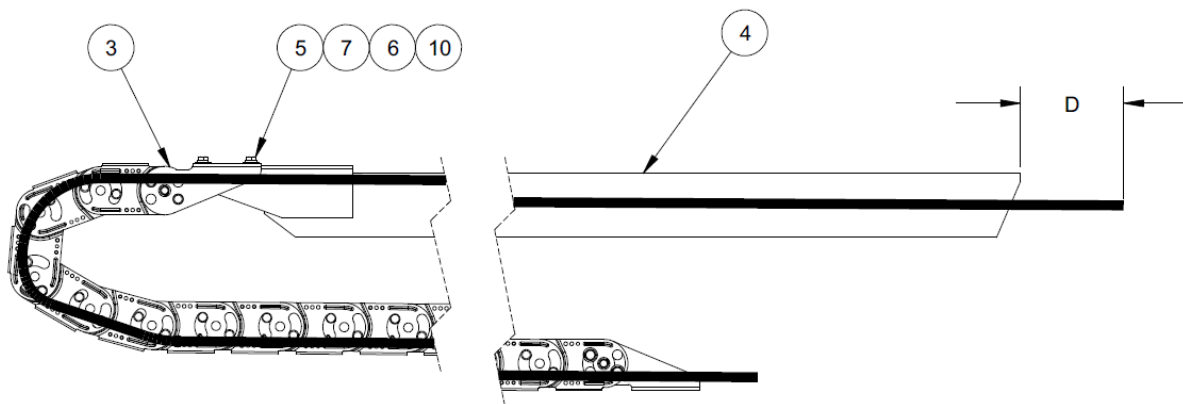
REPAIR PARTS



アイテム	部品番号	名前	数量	UOM
Not Shown	0084796 A	BOOM/HOSE CARRIER ASSEMBLY AFTER APRIL 2015	1	EA
1	0084781	WELDMENT, SUPPORT TUBE	1	EA
2	0084786	WLDMT SUPPORT PLT	1	EA
3	0084792	WLDMT CABLE SUPPORT	1	EA
4	0084797	ASSY HOSE CARRIER	1	EA
5	0084798	BOOMS ASSEMBLY	1	EA
6	0110581	SPCR .465ID .500OD .375 STL	2	EA
7	0110590	TUBE CLAMP BAR W/BONDED RUBBER	1	EA
8	0113592	SL PAD 2.00 3.50 .375 2H	1	EA
9	0113607	PLT TUBE GUIDE	1	EA
10	0161766	SL PAD 2.00 4.00 .375 2H	3	EA
11	0170045	SL PAD 1.50 5.00 1.50 1H	1	EA
12	970239	BLT HEXHD .313 18 .750 GR5	4	EA
13	970489	BLT HEXHD .375 16 1.50 GR5 PL	2	EA
14	970909	BLT HEXHD .500 13 1.50 GR5 PLA	13	EA
15	972479	BLT HEXHD .375 16 1.25 GR5	1	EA
16	972489	M.SCR 3/8 16 1 1/2 SOC. CAD	4	EA
17	986269	WSHR FLAT .313	4	EA
18	986299	WASHER, FLAT, .375 STANDARD, PLATED	7	EA
19	986359	FLATWASHER 1/2"	10	EA
20	987119	WSHR LOCK .375	2	EA
21	5093010	CLP CUSH 1.50 VINYL COATED	1	EA
22	5560031	NUT HEX LKG .313 18	4	EA
23	5560033	.375 16UNC HEX LOCK NUT	9	EA
24	5560039	NUT HEX LKG .500 13	14	EA
25	5560675	M.SCR 3/8 16 1 1/4 SOC. CAD	4	EA

アイテム	部品番号	名前	数量	UOM
26	5569900	HHCS, .500 13 UNC, STL, GR 5, 6.50 LG.	1	EA

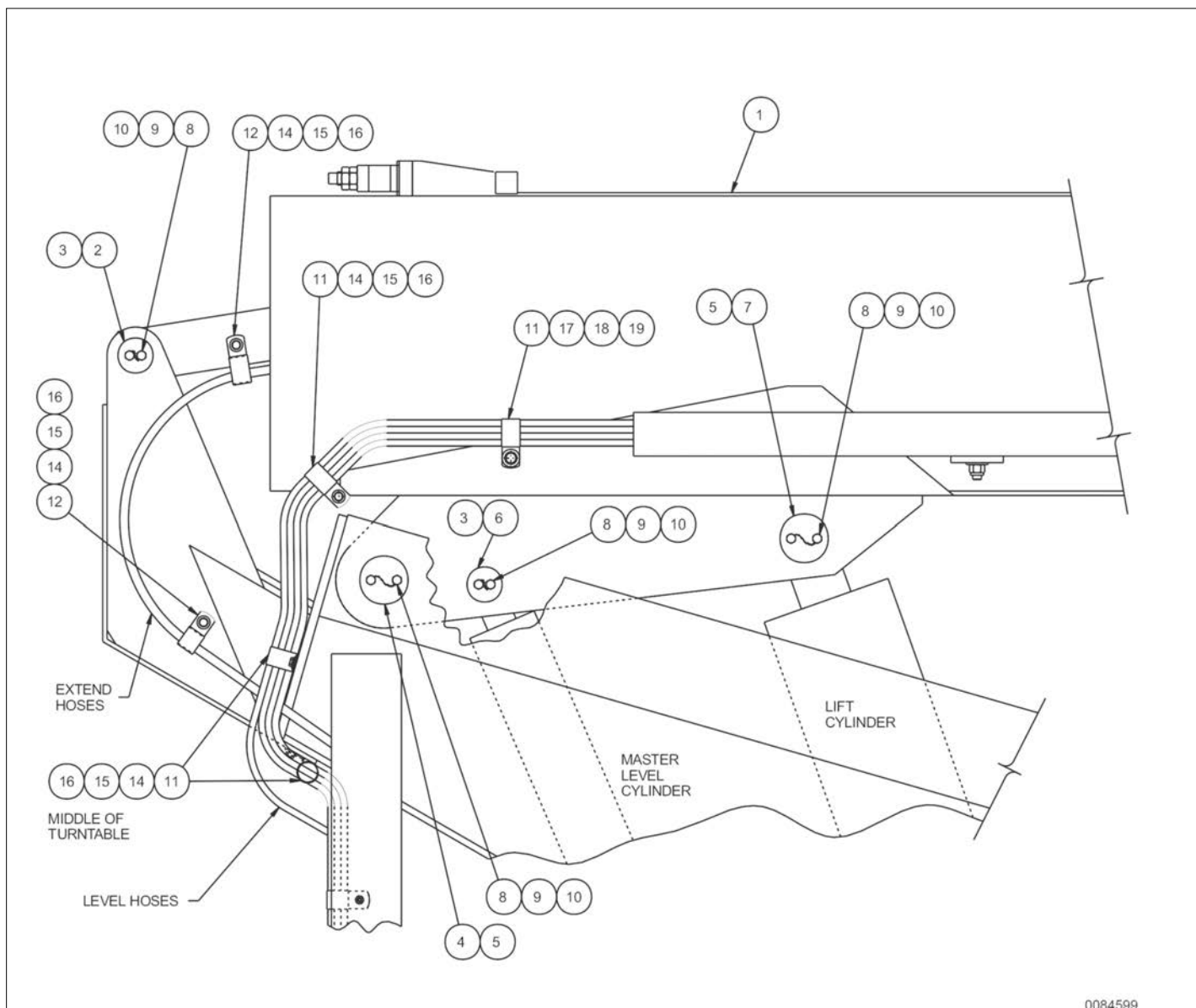
REPAIR PARTS



ITEM NO.	"D" LENGTH (in)	NOTES
1	13	LABEL #2 AND #3
2	55	LABEL #1
2	60	LABEL #4
8, 9, 10	121	

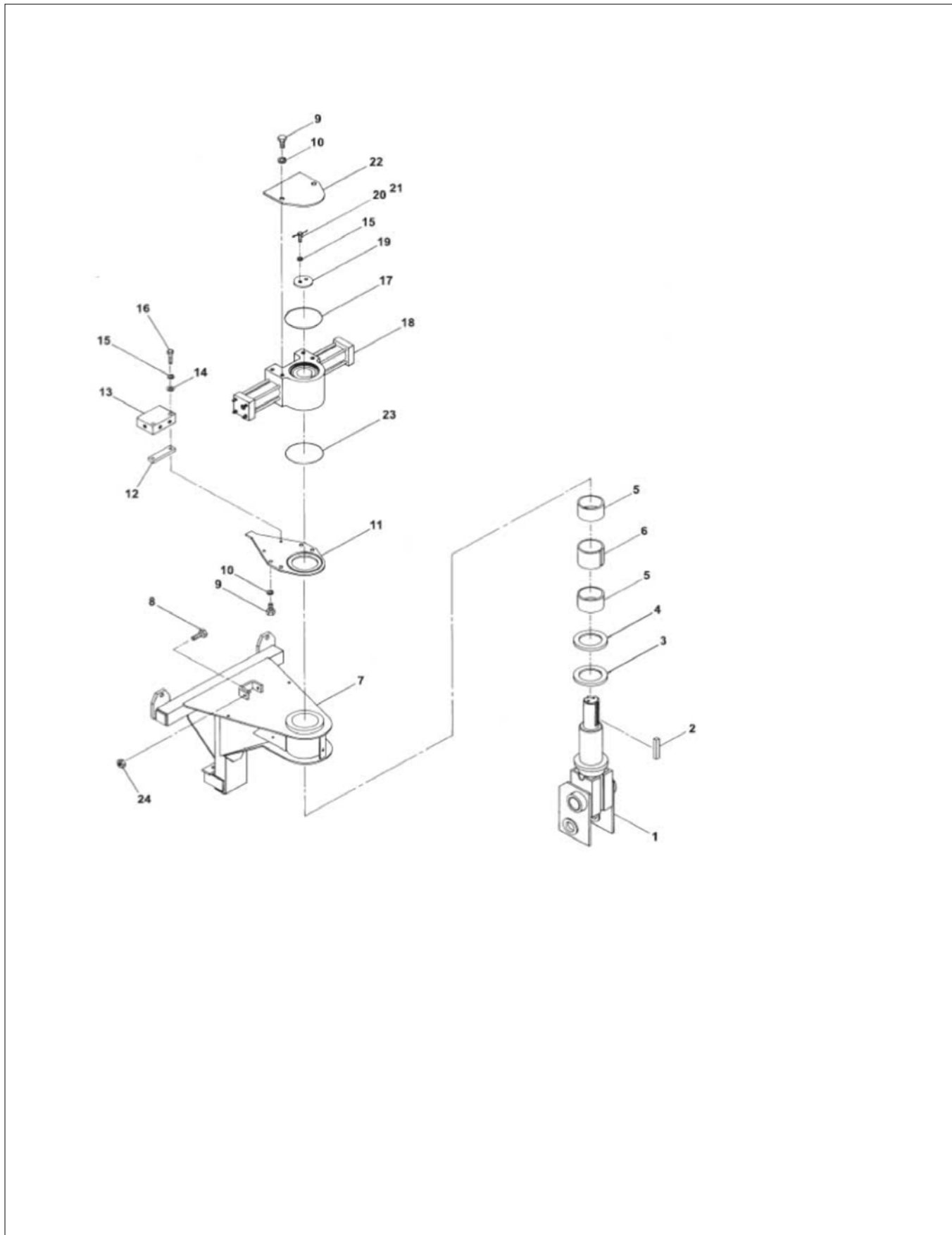
アイテム	部品番号	名前	数量	UOM
Not Shown	0084797A	ASSY HOSE CARRIER		EA
1	0110219	HOSE 3 4S 4S 1014 (LEVELING)	A/R	EA
2	0111957	HOSE 3 4S 4S 1078	A/R	EA
3	0113490	CAT TRACK STEEL	A/R	EA
4	0113598	WLDMT SUPPORT TUBE	A/R	EA
5	970449	HHD BLT .375 16 X .750 GR5	A/R	EA
6	986299	WASHER, FLAT, .375 STANDARD, PLATED	A/R	EA
7	987119	WSHR LOCK .375	A/R	EA
8	3010005	CABLE 18GA/19 CONDUCTOR	A/R	EA
9	3010006	CABLE 12GA/8 CONDUCTOR	A/R	EA
10	5560126	THREAD INSERT .375 16 .375 LKG	A/R	EA
Not Shown	0113641	SINGLE LINK	A/R	EA
Not Shown	6091708	FIXED END BRACKET	A/R	EA
Not Shown	6091709	MOVING END BRACKET	A/R	EA

REPAIR PARTS



アイテム	部品番号	名前	数量	UOM
	0084599A	BOOMS BASE END	1	EA
1	0080977	BOOMS AND HOSE CARRIER	1	EA
2	0070440	WLDMT PIN 1.50 3.940 GRIP	1	EA
3	0070033	PIN LOCK 2.00 DIA 2H	2	EA
4	0080026	PIN 2.25 23.31 GRIP	1	EA
5	0080023	PIN LOCK 2.75 DIA 2H	2	EA
6	0080028	PIN WELDMENT1.50 11.88 GRIP	1	EA
7	0080024	PIN WELDMENT2.25 11.75 GRIP	1	EA
8	0070473	BLT HEXHD .313 18 .75 DR	8	EA
9	987109	WSHR LOCK .313	8	EA
10	9980012	.040 S. S. SAFETY LOCKWIRE	1	EA
11	5093010	CLP CUSH 1.50 VINYL COATED	4	EA
12	5093009	CLP CUSH 1.13 VINYL COATED	2	EA
14	970029	BLT .25 20 .750	5	EA
15	986019	WSHR FLAT .250	5	EA
16	987099	WSHR LOCK .250	5	EA
17	970449	HHD BLT .375 16 X .750 GR5	1	EA
18	986299	WASHER, FLAT, .375 STANDARD, PLATED	1	EA
19	987119	WSHR LOCK .375	1	EA
20	3046972	TERM FEM188I 22/18	47	EA
	N/A	PUBLISHERS NOTE: ART CREATED FM RPM		EA

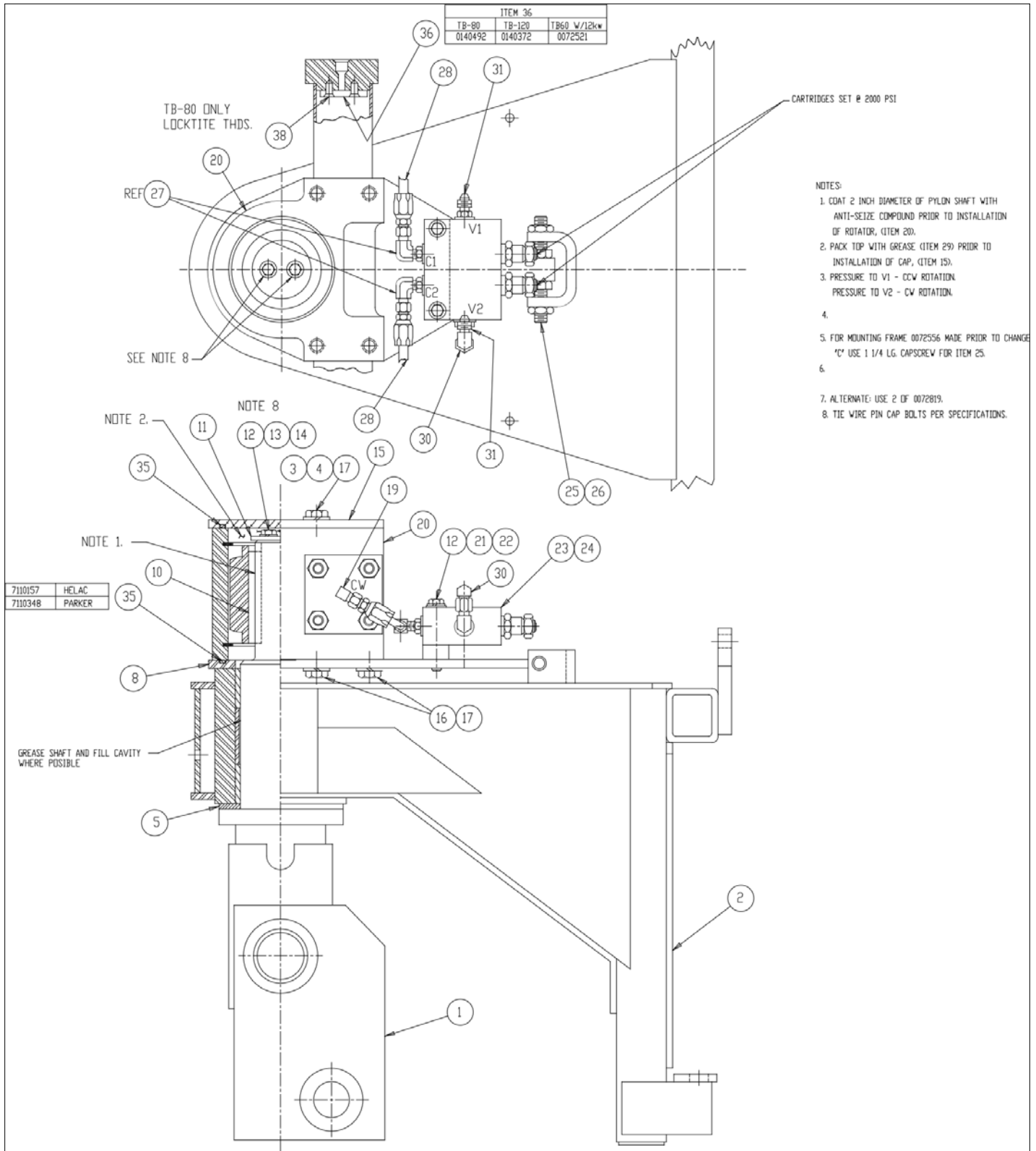
REPAIR PARTS



アイテム	部品番号	名前	数量	UOM
	0072552	PLATFORM ROTATOR ASSEMBLY MARCH 2006 AND BEFORE	1	EA
1	0072553	PYLON, PLATFORM ROTATOR (REQUIRES 0072555 COLLAR)	1	EA
2	70916	KEY	1	EA
3	0072555	COLLAR	1	EA
4	0072561	BRG THR 3.03ID 4.75OD .250	1	EA
5	2504856	Bearing	2	EA
6	0072562	BEARING SPACER	1	EA
7	0072556	MOUNTING FRAME, PLATFORM ROTATOR	1	EA
8	970919	BLT HEXHD .500 13 1.75 GR5	2	EA
9	970849	BLT HEXHD .500 13 1.25 GR5	6	EA
10	987139	WSHR LOCK .500	6	EA
11	0072818	TORQUE PLATE	1	EA
12	0073783	VALVE SPACER	1	EA
13	6010628	DUAL HOLDING VALVE PLATFORM ROTATION	1	EA
14	986269	WSHR FLAT .313	2	EA
15	987109	WSHR LOCK .313	4	EA
16	970349	BLT HEXHD .313 18 2.75 GR5	2	EA
17	7110348	O RING 4.38ID 4.75OD .188 70D AS568 34870	1	EA
18	0070570	HYDR ROTARY ACTUATOR PLATF	1	EA
19	0070132	PIN LOCK 2.25 DIA 2H	1	EA
20	0070473	BLT HEXHD .313 18 .75 DR	2	EA
21	9980012	.040 S. S. SAFETY LOCKWIRE	1	EA
22	0072508	COVER PLATE	1	EA
23	7110348	O RING 4.38ID 4.75OD .188 70D AS568 34870	1	EA
24	984409	NUT HEX .50 13UNC	2	EA

アイテム	部品番号	名前	数量	UOM
25	N/A	PUBLISHERS NOTE: ART CREATED FROM RPM ART		EA

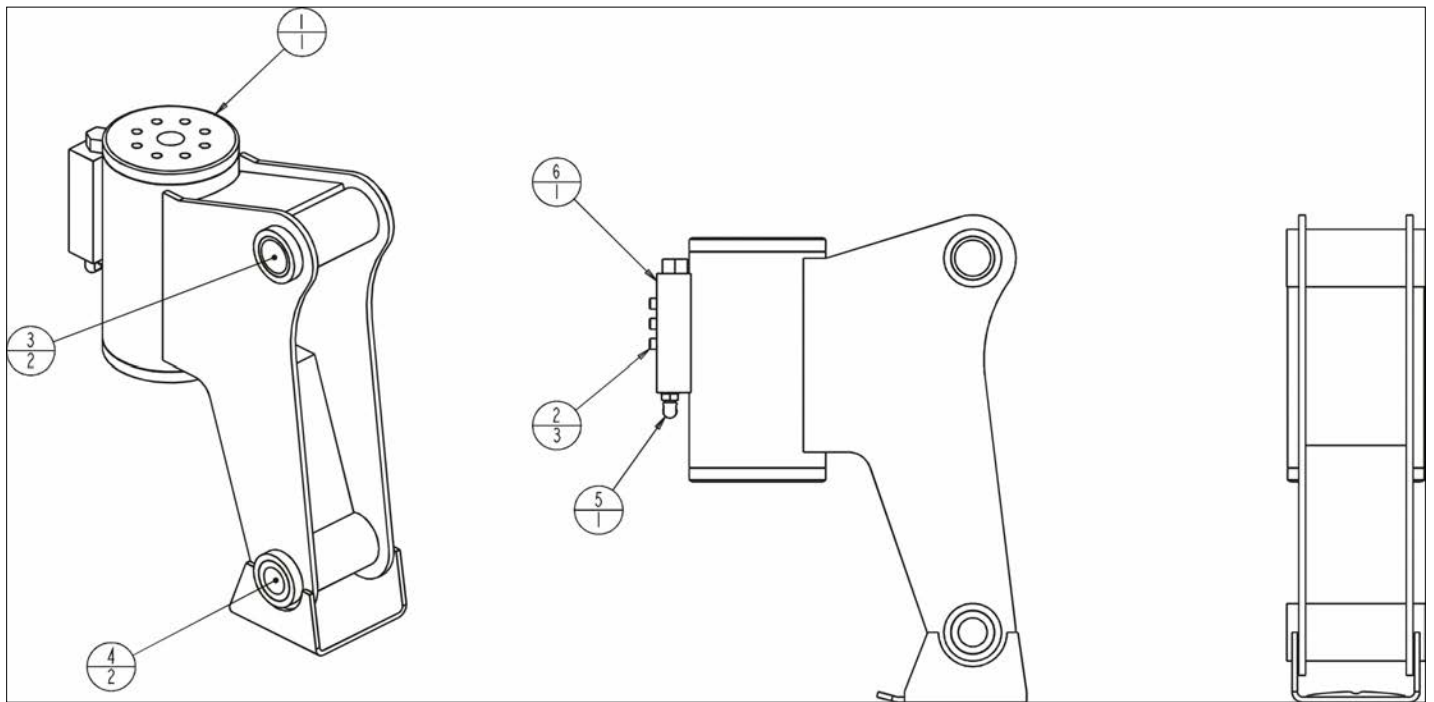
REPAIR PARTS



アイテム	部品番号	名前	数量	UOM
	0072552 X	PLATFORM ROTATOR ASSEMBLY MARCH 2006 AND AFTER	1	EA
1	0072553	PYLON, PLATFORM ROTATOR (REQUIRES 0072555 COLLAR)	1	EA
2	0072556	MOUNTING FRAME, PLATFORM ROTATOR	1	EA
3	970909	BLT HEXHD .500 13 1.50 GR5 PLA	2	EA
4	986359	FLATWASHER 1/2"	2	EA
5	0072561	BRG THR 3.03ID 4.75OD .250	1	EA
8	0072818	TORQUE PLATE	1	EA
10	0070916	KEY	1	EA
11	0070132	PIN LOCK 2.25 DIA 2H	1	EA
12	987109	WSHR LOCK .313	4	EA
13	0070473	BLT HEXHD .313 18 .75 DR	2	EA
14	9980012	.040 S. S. SAFETY LOCKWIRE	1	EA
15	0072508	COVER PLATE	1	EA
16	970889	CAPSCREW 1/2 13 X 1" LG H.H.	4	EA
17	987139	WSHR LOCK .500	6	EA
19	5035303	FTG ELB90STRTHD 4B 4S STL	2	EA
20	0070570	HYDR ROTARY ACTUATOR PLATF	1	EA
21	986269	WSHR FLAT .313	2	EA
22	970349	BLT HEXHD .313 18 2.75 GR5	2	EA
23	6019047	PLATFORM ROTATION VALVE	1	EA
24	0073783	VALVE SPACER	1	EA
25	5560217	CAPSCREW 1/2 13 X 1 3/4 INCH LONG HEX HEAD GRADE 5	2	EA
26	984409	NUT HEX .50 13UNC	2	EA
27	5035318	STRAIGHT THREAD 90 ° ELBOW	REF	EA
28	0020283	HOSE 4 4S 4S 15.25 100R1 SAE:100R1 4 BAND IN	2	EA

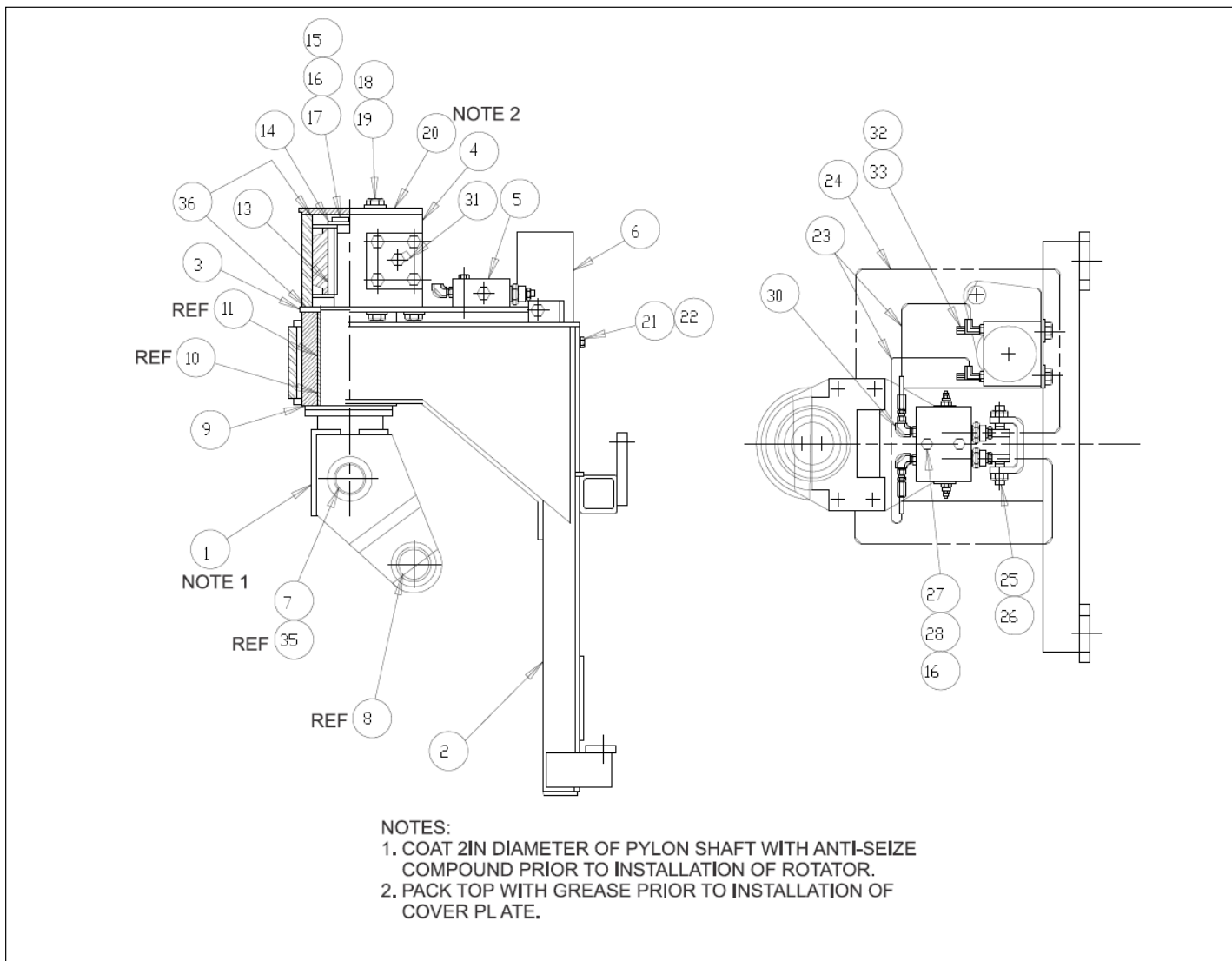
アイテム	部品番号	名前	数量	UOM
29	PNNA	GREASE, CONOCO SUPER STA	AR	EA
30	5037003	FTG ELB90SWVL 4S 4S STL	2	EA
31	5065705	FTG ADPTR STRTHD 6B 4S STL	2	EA
35	SEE CHART	O RING	2	EA
36	SEE CHART	SPACER	1	EA
38	5560329	BLT FLSKTHD .250 20 .50	2	EA

REPAIR PARTS



アイテム	部品番号	名前	数量	UOM
	0420114 D	PLATFORM ROTATOR ASSEMBLY	1	EA
1	0420113	WLDMT ROTATOR PLATF	1	EA
Not Shown	8080152	SEAL KIT	1	EA
2	978419	BLT SKTHD .250 20 X 1.50 GR8 P	3	EA
3	2500051	BASE END BRG 1.25ID X 1.50OD (10001174 FISHER CYL)	2	EA
4	2509677	BUSHING BOTTOM	2	EA
5	5035303	FTG ELB90STRTHD 4B 4S STL	2	EA
5	5035303	FTG ELB90STRTHD 4B 4S STL	1	EA
6	6019089	VALVE DUAL COUNTERBALANCE	1	EA

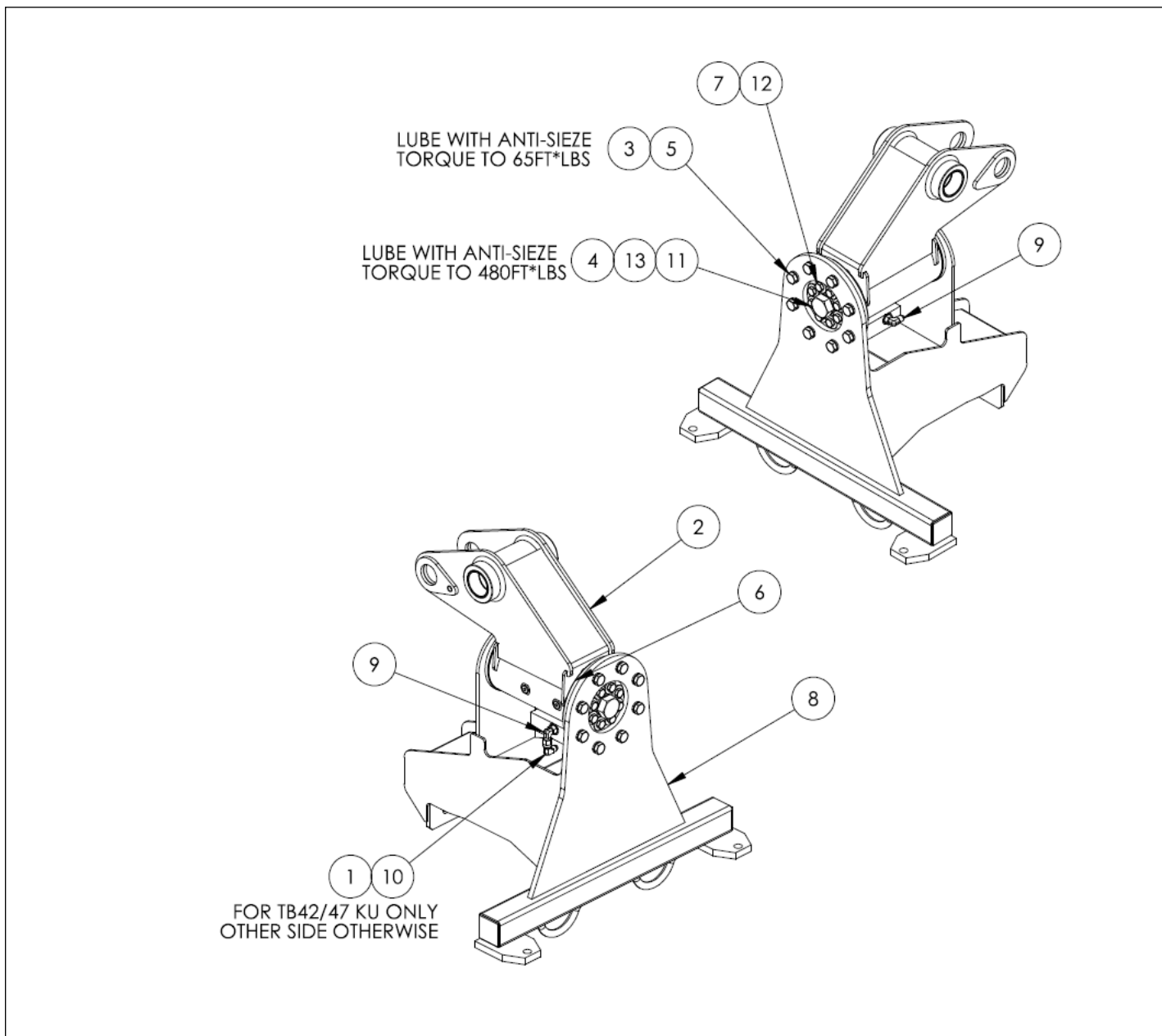
REPAIR PARTS



アイテム	部品番号	名前	数量	UOM
	0180873 J	PLATFORM ROTATOR PARKER ASSEMBLY JUNE 2013 AND AFTER	1	EA
1	0180516	WELDMENT PYLON	1	EA
2	0180509	ROTATOR FRAME	1	EA
3	0072818	TORQUE PLATE	1	EA
4	0070570	HYDR ROTARY ACTUATOR PLATF	1	EA
5	6010541	VALVE DUAL CROSSOVER RELIEF	1	EA
6	6029631	HYD PWR ATB 60PRO66PRO100	1	EA
7	2502032	BEARING	A/R	EA
8	2500038	BEARING	A/R	EA
9	0072561	BRG THR 3.03ID 4.75OD .250	1	EA
10	2504856	Bearing	A/R	EA
11	0072562	BEARING SPACER	A/R	EA
13	0070916	KEY	1	EA
14	0070132	PIN LOCK 2.25 DIA 2H	1	EA
15	0070473	BLT HEXHD .313 18 .75 DR	2	EA
16	987109	WSHR LOCK .313	4	EA
17	9980012	.040 S. S. SAFETY LOCKWIRE	1	EA
18	970889	CAPSCREW 1/2 13 X 1" LG H.H.	6	EA
19	987139	WSHR LOCK .500	6	EA
20	0072508	COVER PLATE	1	EA
21	970449	HHD BLT .375 16 X .750 GR5	2	EA
22	987119	WSHR LOCK .375	2	EA
23	0070908	HOSE 4 4S 4S 9.75 100R1	2	EA
24	0020283	HOSE 4 4S 4S 15.25 100R1 SAE:100R1 4 BAND IN	2	EA
25	970919	BLT HEXHD .500 13 1.75 GR5	2	EA
26	984409	NUT HEX .50 13UNC	2	EA

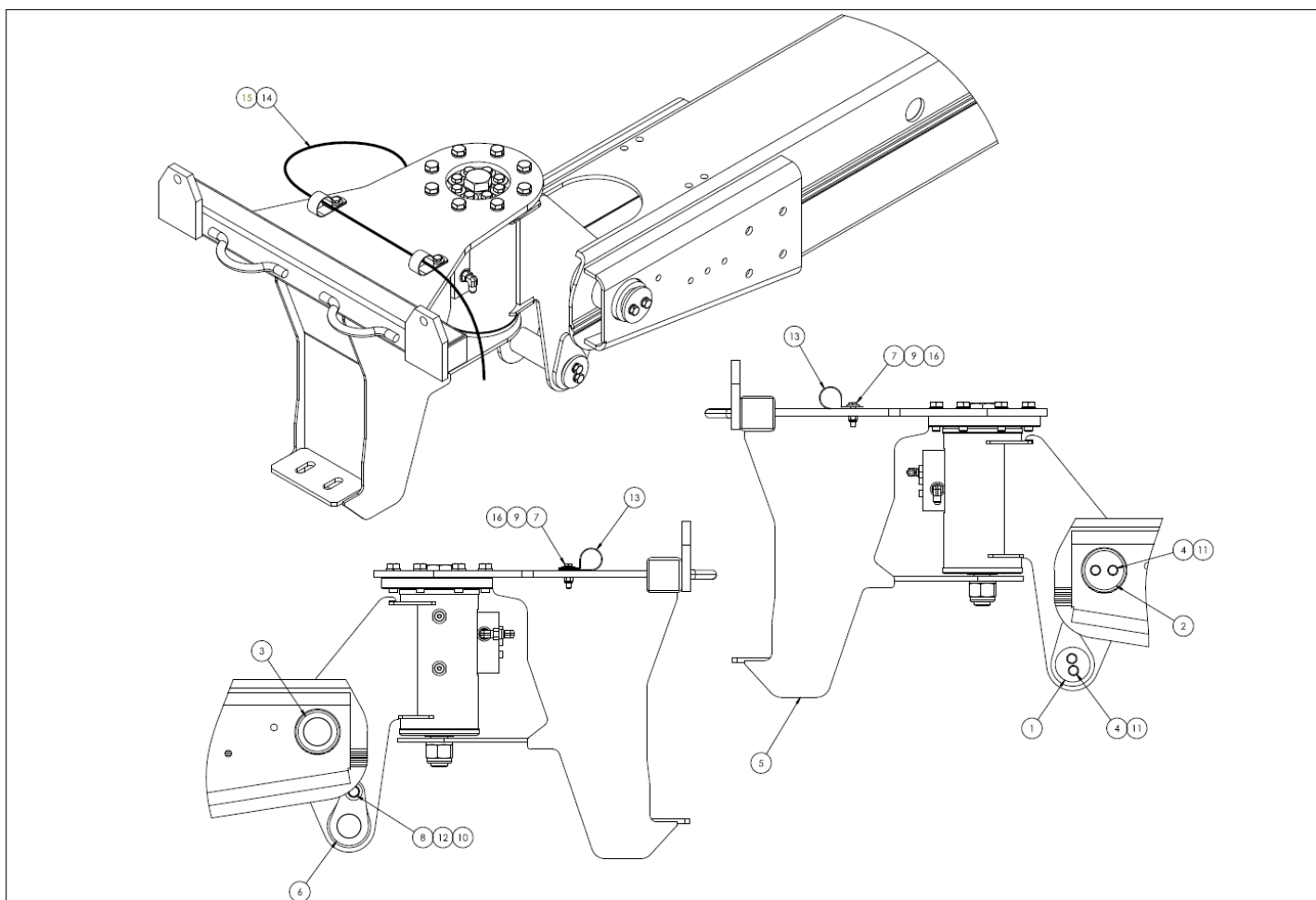
アイテム	部品番号	名前	数量	UOM
27	970299	BOLT HEX HD .313 18 2.00 GR5 PL	2	EA
28	986269	WSHR FLAT .313	2	EA
30	5035318	STRAIGHT THREAD 90 ° ELBOW	4	EA
31	5035303	FTG ELB90STRTHD 4B 4S STL	2	EA
32	5036103	ADAPTER TEE 4 SAE 4 JIC 4 JIC	2	EA
33	5063701	ADAPTER, CAP, 4 JIC FEMALE	2	EA
35	01800768	SPACER	A/R	EA
36	7110348	O RING 4.38ID 4.75OD .188 70D AS568 34870	1	EA
Not Shown	7110157	O RING – HELAC	1	EA

REPAIR PARTS



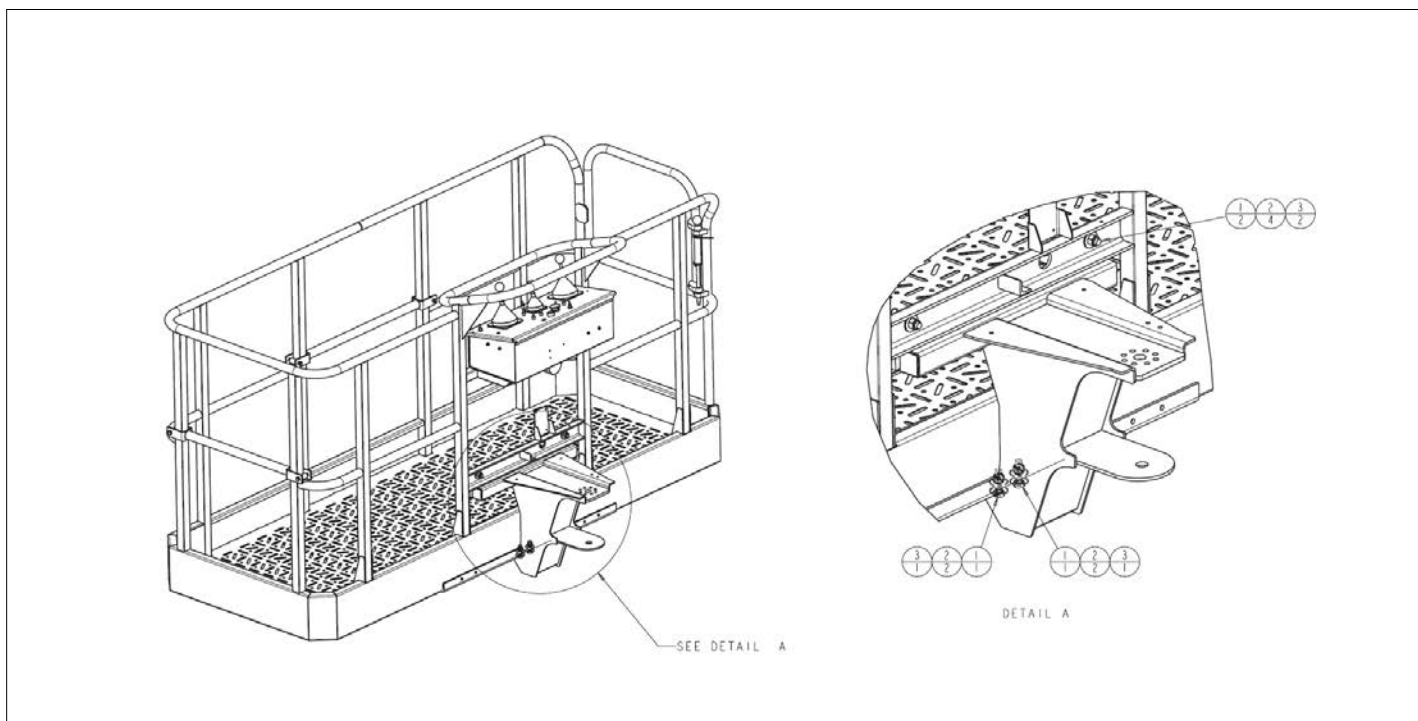
アイテム	部品番号	名前	数量	UOM
	0075770 A	PLATFORM ROTATOR HELAC ASSEMBLY OCTOBER 2014 AND AFTER	1	EA
1	0020356	ORIFICE	1	EA
2	0113508	HELAC HYD ROTATOR ACTUATOR	1	EA
3	056021 012	Washer, SpringWasher DIN127B M	8	EA
4	056064 024	Nut, NylockNut DIN985 M24 10.0	1	EA
5	056494 035	HHCS M12 X 1.75 X 35 G8.8 DIN 933	8	EA
6	106598 000	ROTATOR ADAPTOR PLATE	1	EA
7	986299	WASHER, FLAT, .375 STANDARD, PLATED	8	EA
8	1430312	MOUNT PLATFORM BEFORE SN 01 0004	1	EA
9	5035303	FTG ELB90STRTHD 4B 4S STL	2	EA
10	5037003	FTG ELB90SWVL 4S 4S STL	1	EA
11	512649 280	BOLT,HexBolt,DIN931,M24 x 280m	1	EA
12	5560704	BLT HEXHD .375 16 1.25 GR8	8	EA
13	5563135	WSHR FLAT 1 X 1.5 X .125	2	EA

REPAIR PARTS



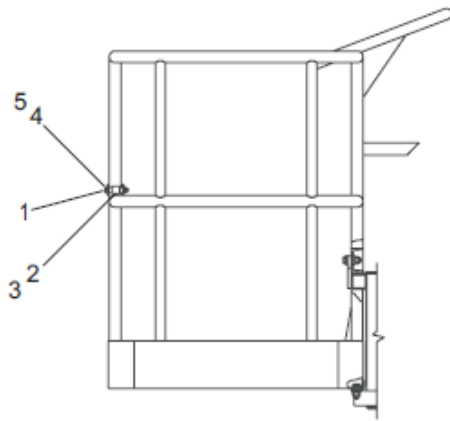
アイテム	部品番号	名前	数量	UOM
	0075775 B	PLATFORM ROTATOR HELAC ASSEMBLY JANUARY 2015 AND AFTER	1	EA
1	0070033	PIN LOCK 2.00 DIA 2H	1	EA
2	0070132	PIN LOCK 2.25 DIA 2H	1	EA
3	0070446	PIN	1	EA
4	0070473	BLT HEXHD .313 18 .75 DR	4	EA
5	0075770	PLATFORM ROTATOR ASSEMBLY HELAC	1	EA
6	0172228	WLDMT PIN 1.50 4.94 GRIP	1	EA
7	970069	BLT HEXHD .250 20 1.25 GR5	2	EA
8	970469	HHD BLT .375 16 X 1.00 GR5	1	EA
9	986019	WSHR FLAT .250	2	EA
10	986299	WASHER, FLAT, .375 STANDARD, PLATED	1	EA
11	987109	WSHR LOCK .313	4	EA
12	987119	WSHR LOCK .375	1	EA
13	5093027	CLAMP	2	EA
14	5090034	SLEEVEHOSE ABRASION GRD 1.81 in	4.5	EA
15	5090048	HOSE GUARD 16	2	EA
16	5560004	NUT LKG .250 20	2	EA

REPAIR PARTS

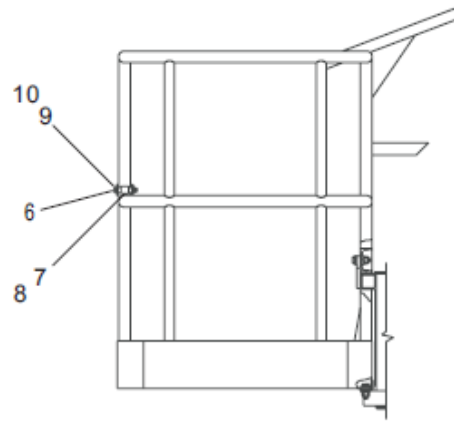


アイテム	部品番号	名前	数量	UOM
	0084310 A	PLATFORM INSTALLATION	1	EA
1	970919	BLT HEXHD .500 13 1.75 GR5	4	EA
2	986359	FLATWASHER 1/2"	8	EA
3	5560039	NUT HEX LKG .500 13	4	EA

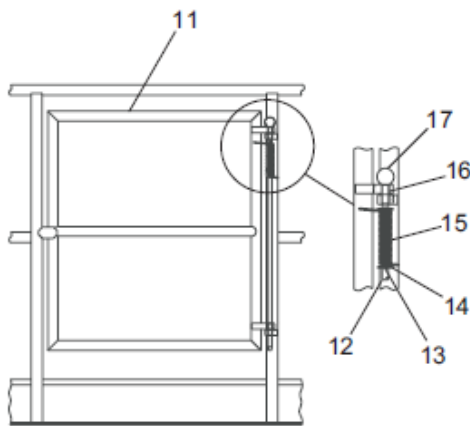
REPAIR PARTS



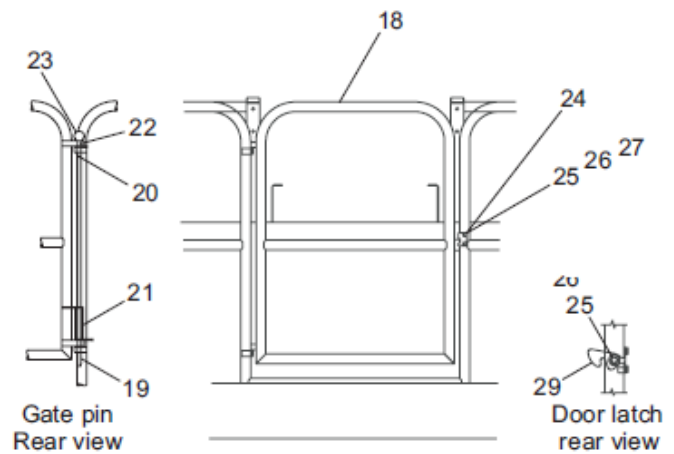
Gravity gate, steel platform



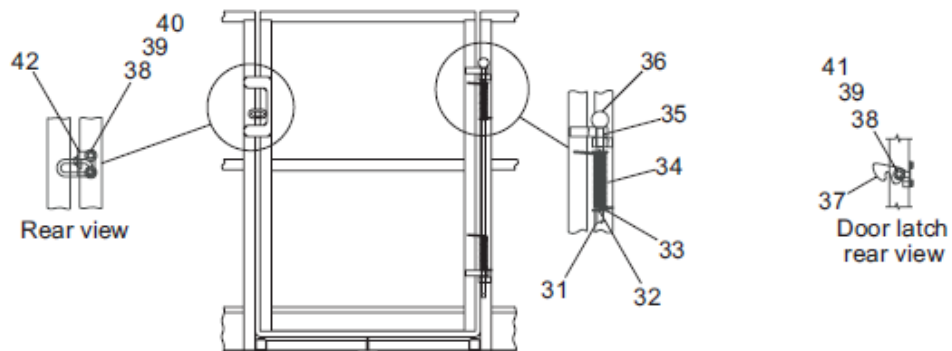
Gravity gate, aluminum platform



Swinging gate, steel platform



Swinging gate, aluminum platform



Full height swinging gate, steel platform

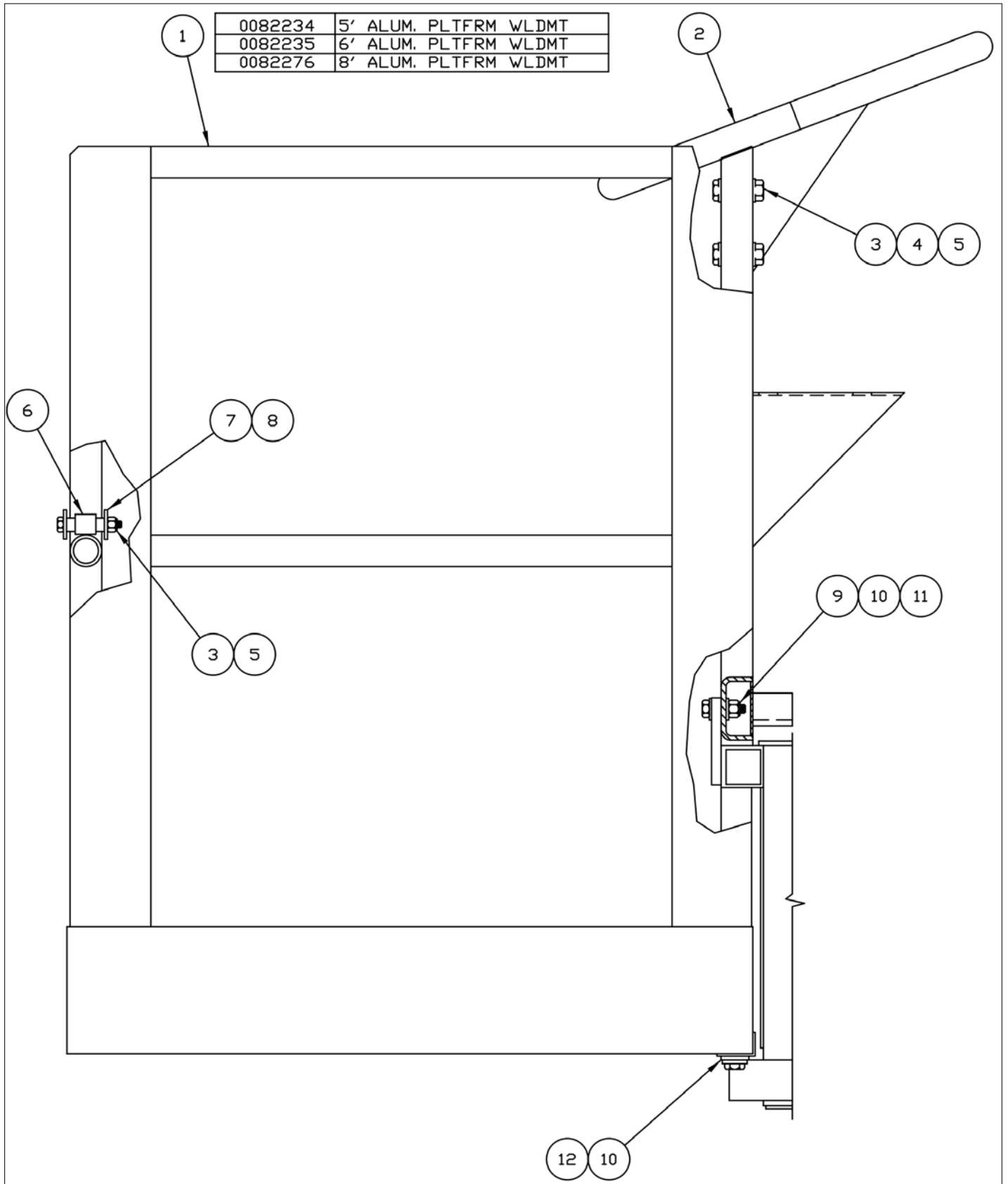
M00207

アイテム	部品番号	名前	数量	UOM
	M00207	PLATFORM GATE	1	EA
1	0071951	GRAVITY GATE, STEEL PLATFORM	1	EA
2	0150509	ROLLER	2	EA
3	0071953	SPCR .451ID .500OD 1.88 STL	2	EA
4	970529	BLT HEXHD .375 16 2.50 GR5 PLTD	2	EA
5	5560033	.375 16UNC HEX LOCK NUT	2	EA
	016117728	GRAVITY GATE SERVICE KIT – KIT INCLUDES ITEMS 6 THROUGH 10	1	EA
6	0161177	GRAVITY GATE SERVICE KIT (KIT INCLUDES ITEMS 6 THROUGH 10)	1	EA
7	0161182	ROLLER, ALUMINUM GRAVITY GATE	2	EA
8	0161184	ROLLER SPACER, ALUMINUM GRAVITY GATE	2	EA
9	970889	CAPSCREW 1/2 13 X 1" LG H.H.	2	EA
10	5560039	NUT HEX LKG .500 13	2	EA
11	0071834	SWINGING GATE, STEEL PLATFORM (SWINGING GATE FOR 5FT AND 8FT STEEL PLATFORMS)	1	EA
12	0322724	PIN, GATE HINGE (FULL HEIGHT SWINGING GATE FOR 8FT STEEL PLATFORMS)	1	EA
13	988179	COTTER PIN, 1/8 DIA. X 1" LG.	2	EA
14	986359	FLATWASHER 1/2"	2	EA
15	0071837	TORSION SPRING BASKET MODIF.	1	EA
16	2570002	BEARING (FULL HEIGHT SWINGING GATE FOR 8FT STEEL PLATFORMS)	2	EA
17	2667500	95 BALL KNOB 1 3/8 X 1/2 13	1	EA

アイテム	部品番号	名前	数量	UOM
18	0160970	SWING GATE , ALUMINUM PLATFORM (SWING GATE FOR 5FT AND 8FT ALUMINUM PLATFORMS)	1	EA
19	0322724	PIN, GATE HINGE (FULL HEIGHT SWINGING GATE FOR 8FT STEEL PLATFORMS)	1	EA
20	5560056	ROLL PIN 1/8 DIAMETER X 1 INCH LONG (SWING GATE FOR 5FT AND 8FT ALUMINUM PLATFORMS)	1	EA
21	0071837	TORSION SPRING BASKET MODIF.	1	EA
22	2570002	BEARING (FULL HEIGHT SWINGING GATE FOR 8FT STEEL PLATFORMS)	2	EA
23	2667500	95 BALL KNOB 1 3/8 X 1/2 13	1	EA
24	0161472	LATCH STOP (SWING GATE FOR 5FT AND 8FT ALUMINUM PLATFORMS)	1	EA
25	970099	CAPSCREW 1/4 20 X 5/8 INCH LONG HEX HEAD GRADE 5 (FULL HEIGHT SWINGING GATE FOR 8FT STEEL PLATFORMS)	3	EA
26	984529	NUT SERT 1/4 20 (FULL HEIGHT SWINGING GATE FOR 8FT STEEL PLATFORMS)	3	EA
27	987099	WSHR LOCK .250	2	EA
28	986019	WSHR FLAT .250	1	EA
29	300891	DOOR LATCH (FULL HEIGHT SWINGING GATE FOR 8FT STEEL PLATFORMS)	1	EA
30	0074468	FULL HEIGHT SWINGING GATE , STEEL PLATFORMS (FULL HEIGHT SWINGING GATE FOR 8FT STEEL PLATFORMS)	1	EA
31	0322724	PIN, GATE HINGE (FULL HEIGHT SWINGING GATE FOR 8FT STEEL PLATFORMS)	1	EA
32	988179	COTTER PIN, 1/8 DIA. X 1" LG.	2	EA
33	986359	FLATWASHER 1/2"	2	EA

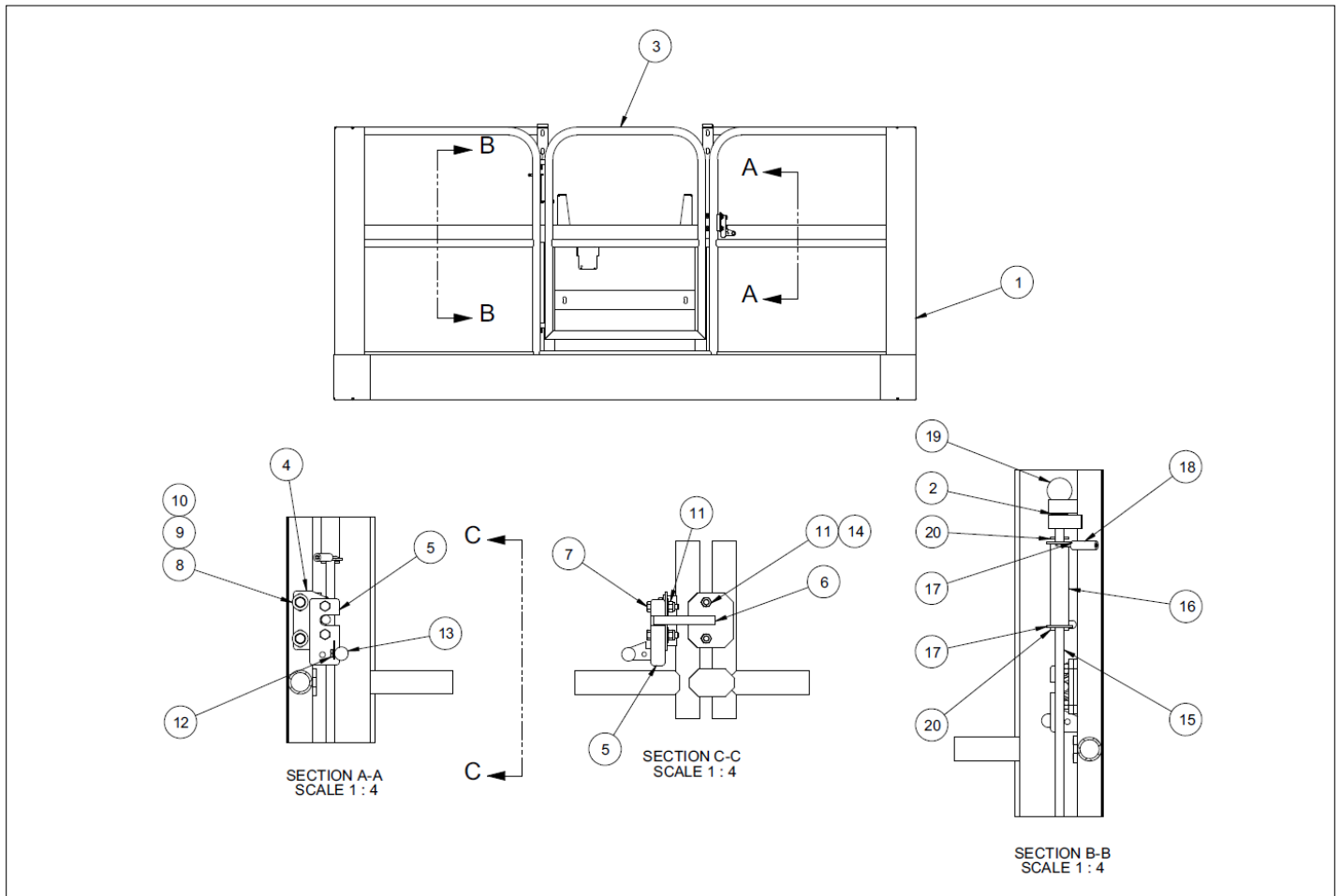
アイテム	部品番号	名前	数量	UOM
34	0071837	TORSION SPRING BASKET MODIF.	1	EA
35	2572002	BEARING (FULL HEIGHT SWINGING GATE FOR 8 FT STEEL PLATFORMS)	2	EA
36	2667500	95 BALL KNOB 1 3/8 X 1/2 13	1	EA
37	300891	DOOR LATCH (FULL HEIGHT SWINGING GATE FOR 8FT STEEL PLATFORMS)	1	EA
38	984529	NUT SERT 1/4 20 (FULL HEIGHT SWINGING GATE FOR 8FT STEEL PLATFORMS)	3	EA
39	970099	CAPSCREW 1/4 20 X 5/8 INCH LONG HEX HEAD GRADE 5 (FULL HEIGHT SWINGING GATE FOR 8FT STEEL PLATFORMS)	3	EA
40	987099	WSHR LOCK .250	2	EA
41	986019	WSHR FLAT .250	1	EA
42	0181574	LATCH STOP (FULL HEIGHT SWINGING GATE FOR 8 FT STEEL PLATFORMS)	1	EA
43	N/A	PUBLISHERS NOTE: ART/BOM CREATED FROM RPM		EA

REPAIR PARTS



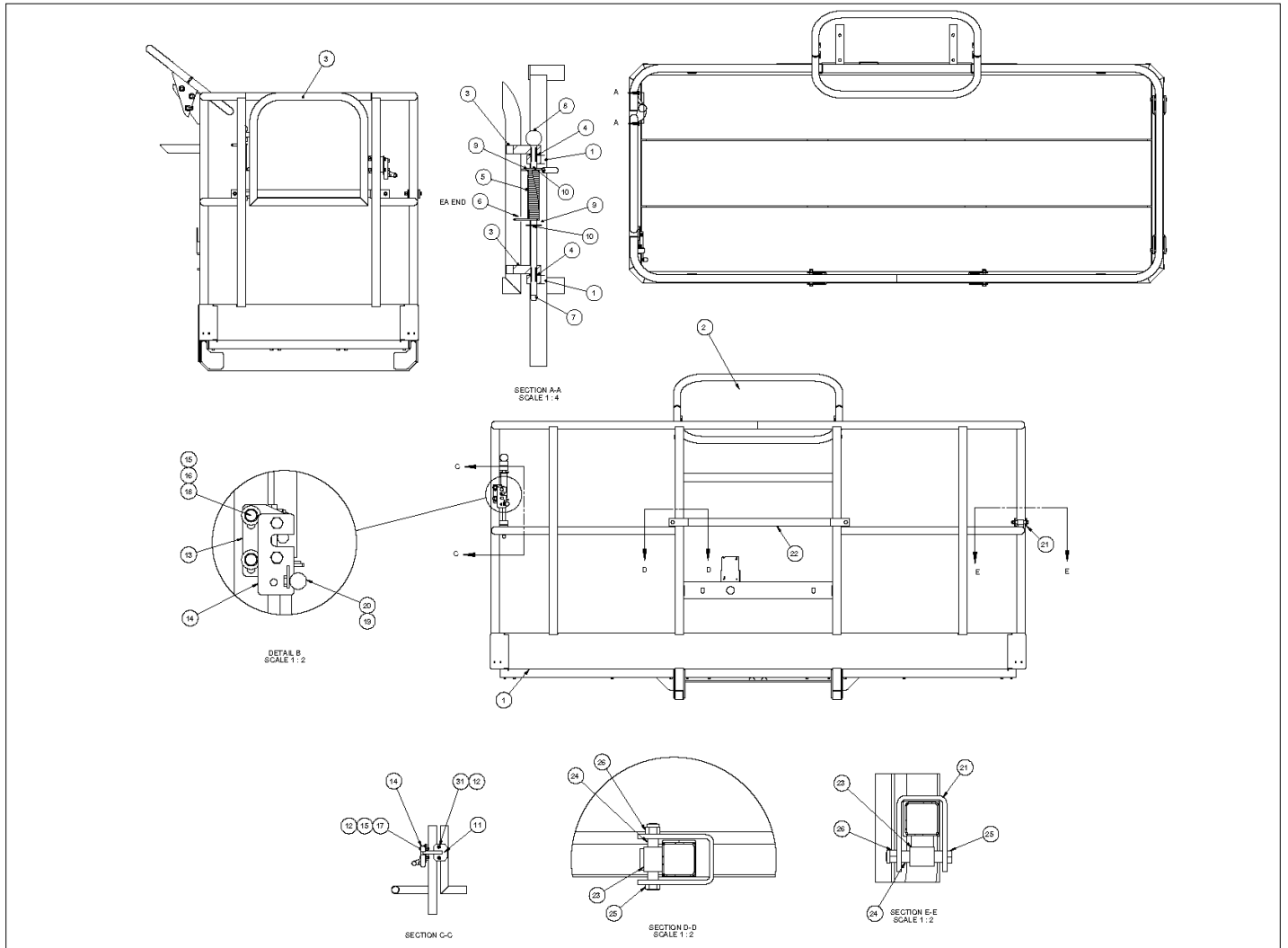
アイテム	部品番号	名前	数量	UOM
	A08021B	PLATFORM ASSEMBLY 8FT ALUMINUM GG		EA
1	0082276	8' AL PLATFORM WLDMNT	A/R	EA
2	0161487	WELDMNT, CONTROL BOX HANDRAIL	A/R	EA
3	970529	BLT HEXHD .375 16 2.50 GR5 PLTD	6	EA
4	986299	WASHER, FLAT, .375 STANDARD, PLATED	8	EA
5	984109	NUT HEX .375 16	6	EA
6	0161182	ROLLER, ALUMINUM GRAVITY GATE	A/R	EA
7	0161177	GRAVITY GATE SERVICE KIT (KIT INCLUDES ITEMS 6 THROUGH 10)	A/R	EA
8	0161184	ROLLER SPACER, ALUMINUM GRAVITY GATE	A/R	EA
9	970909	BLT HEXHD .500 13 1.50 GR5 PLA	2	EA
10	986359	FLATWASHER 1/2"	4	EA
11	5560039	NUT HEX LKG .500 13	2	EA
12	970889	CAPSCREW 1/2 13 X 1" LG H.H.	2	EA

REPAIR PARTS



アイテム	部品番号	名前	数量	UOM
	0074321 C	PLATFORM ALUMINUM SWING GATE PARKER ROTATOR ASSEMBLY	1	EA
1	0161665	WLDMT 8' SG AL BSKT	1	EA
2	2572007	BRG .500ID .625OD .625	4	EA
3	0160970	SWING GATE , ALUMINUM PLATFORM (SWING GATE FOR 5FT AND 8FT ALUMINUM PLATFORMS)	1	EA
4	0421519 5	PLT LATCH MNT SWING GATE	1	EA
5	300492	LATCH LH TRAY ROTARY LOCK	1	EA
6	0421529 5	WLDMT STRIKER SWING GATE	1	EA
7	970279	BLT HEXHD .313 18 1.50 GR5	2	EA
8	986269	WSHR FLAT .313	4	EA
9	987109	WSHR LOCK .313	2	EA
10	970229	BLT HEXHD .313 18 .625 GR5	2	EA
11	5560031	NUT HEX LKG .313 18	4	EA
12	970009	Capscrew 1/4 20 x 1/2 inch lon	1	EA
13	302555	KNOB ROUND .25 20NC FEMALE DIM	1	EA
14	972259	BLT FLSKTHD .313 18 1.00	2	EA
15	0322724	PIN, GATE HINGE (FULL HEIGHT SWINGING GATE FOR 8FT STEEL PLATFORMS)	1	EA
16	0071837	TORSION SPRING BASKET MODIF.	1	EA
17	986359	FLATWASHER 1/2"	2	EA
18	967299	HOESAE30R2 04 TYPE 3 1/4 in ID FUEL LINE	2	EA
19	2667500	95 BALL KNOB 1 3/8 X 1/2 13	1	EA
20	5560056	ROLL PIN 1/8 DIAMETER X 1 INCH LONG (SWING GATE FOR 5FT AND 8FT ALUMINUM PLATFORMS)	2	EA

REPAIR PARTS



アイテム	部品番号	名前	数量	UOM
	0084538 C	PLATFORM STEEL TRI ENTRY HELAC ROTATOR ASSEMBLY	1	EA
1	0071837	TORSION SPRING BASKET MODIF.	1	EA
2	0071953	SPCR .451ID .500OD 1.88 STL	4	EA
3	0074096	GUARD WELDMENT	1	EA
4	0084466	WELDMENT PLATFORM	1	EA
5	0150509	ROLLER	4	EA
6	300492	LATCH LH TRAY ROTARY LOCK	1	EA
7	302555	KNOB ROUND .25 20NC FEMALE DIM	1	EA
8	0420198	WLDMT, GATE SWING SIDE	1	EA
9	0420199	WLDMT, GATE GRAVITY SIDE	1	EA
10	0420632	PIN 0.50 4.859 GRIP	1	EA
11	0421321	WLDMT, GG FRONT 36x96 STL PLAT	1	EA
12	0421519 5	PLT LATCH MNT SWING GATE	1	EA
13	0421529 5	WLDMT STRIKER SWING GATE	1	EA
14	970009	Capscrew 1/4 20 x 1/2 inch lon	1	EA
15	970239	BLT HEXHD .313 18 .750 GR5	2	EA
16	970279	BLT HEXHD .313 18 1.50 GR5	2	EA
18	986269	WSHR FLAT .313	4	EA
19	986299	WASHER, FLAT, .375 STANDARD, PLATED	12	EA
20	986359	FLATWASHER 1/2"	2	EA
21	987109	WSHR LOCK .313	2	EA
22	988179	COTTER PIN, 1/8 DIA. X 1" LG.	2	EA
23	2572007	BRG .500ID .625OD .625	4	EA
24	2667500	95 BALL KNOB 1 3/8 X 1/2 13	1	EA
25	5010007	HOSE VACUUM .156 ID 4.0MM	4 IN	EA
26	5560031	NUT HEX LKG .313 18	4	EA
27	5560033	.375 16UNC HEX LOCK NUT	10	EA

アイテム	部品番号	名前	数量	UOM
28	972479	BLT HEXHD .375 16 1.25 GR5	6	EA
29	5569865	BLT HEXHD .375 16 2.75 GR5	4	EA
30	972259	BLT FLSKTHD .313 18 1.00	2	EA

REPAIR PARTS

**NO IMAGE AVAILABLE
(BOM FOR REFERENCE ONLY)**

アイテム	部品番号	名前	数量	UOM
	0082260 A	PLATFORM 8' ALUMIMUM 600#		EA
1	0070901	Serial Number Plate, US Machines	1	EA
2	0071425	PLACARD, PLATFORM IDENTIF	1	EA
3	0075373	PLAC PLAT CAP 600LBS 3 PERSONS	1	EA
4	0082276 0	8' AL PLATFORM WLDMNT	1	EA
5	0082799	DECAL/PLAC TB60/PRO66 PLATF	1	EA
6	0161177 0	WELDMNT GRAVITY GATE SRV USE 016117728 0	1	EA
7	0161182	ROLLER, ALUMINUM GRAVITY GATE	2	EA
8	0161184	ROLLER SPACER, ALUMINUM GRAVITY GATE	2	EA
9	0161487 0	WLDMT CONT BOX HANDRAIL	1	EA
10	0172453	DECAL PLAT CAP 600LBS 3 PERSON	2	EA
11	A08021A	PLATF INSTL AL GG	1	EA

REPAIR PARTS

**NO IMAGE AVAILABLE
(BOM FOR REFERENCE ONLY)**

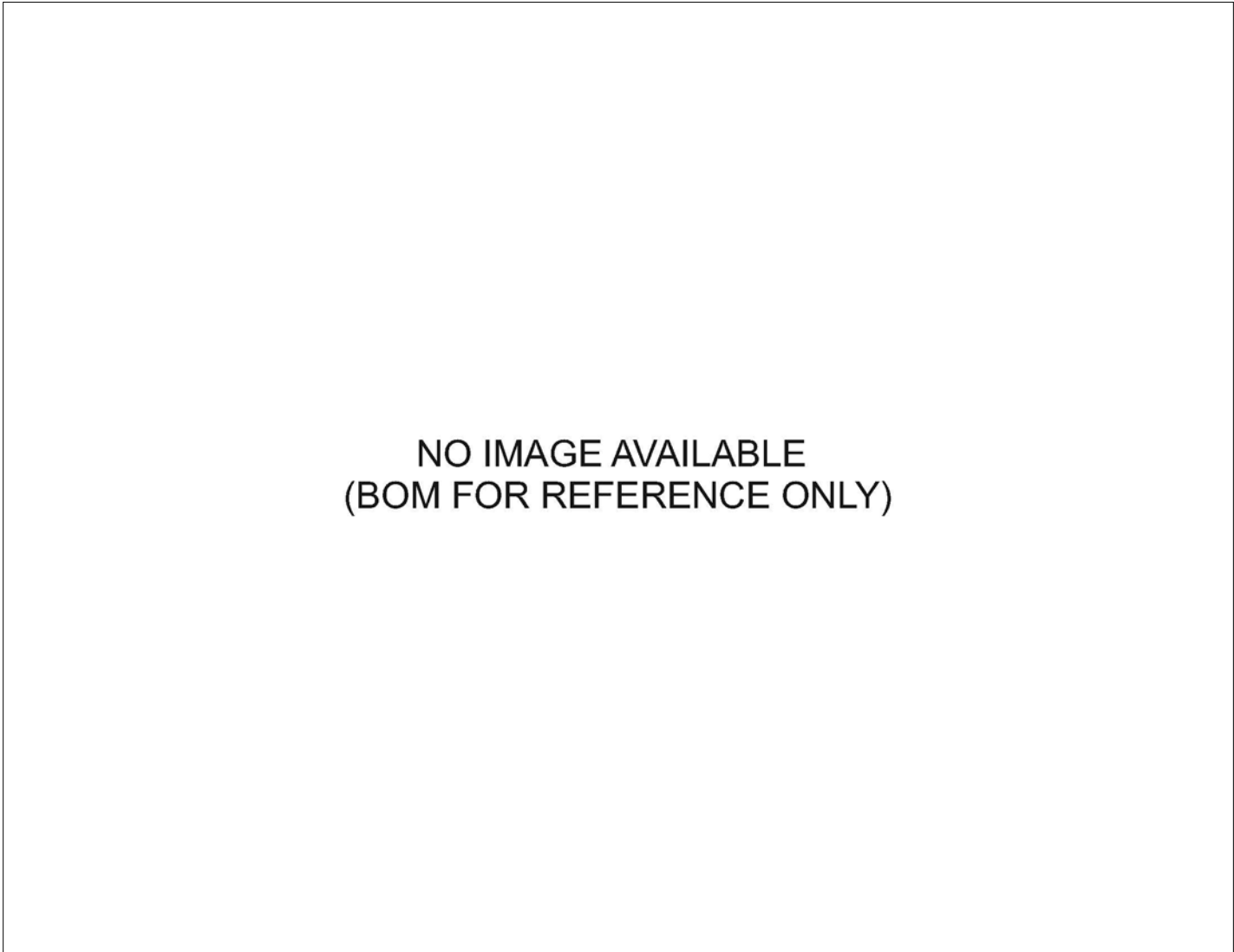
アイテム	部品番号	名前	数量	UOM
	0082261 A	PLATFORM 8' ALUMINUM WITH SWING GATE TB60		EA
1	0070901	Serial Number Plate, US Machines	1	EA
2	0071425	PLACARD, PLATFORM IDENTIF	1	EA
3	0074321	8' AL PLATF S.G. ASSY	1	EA
4	0075373	PLAC PLAT CAP 600LBS 3 PERSONS	1	EA
5	0082799	DECAL/PLAC TB60/PRO66 PLATF	1	EA
6	0161487 0	WLDMT CONT BOX HANDRAIL	1	EA
7	0172453	DECAL PLAT CAP 600LBS 3 PERSON	2	EA
8	A08023A	ALUMMUM PLATFORM SWING GATE INSTALLATION	REF ONLY	EA

REPAIR PARTS

NO IMAGE AVAILABLE
(BOM FOR REFERENCE ONLY)

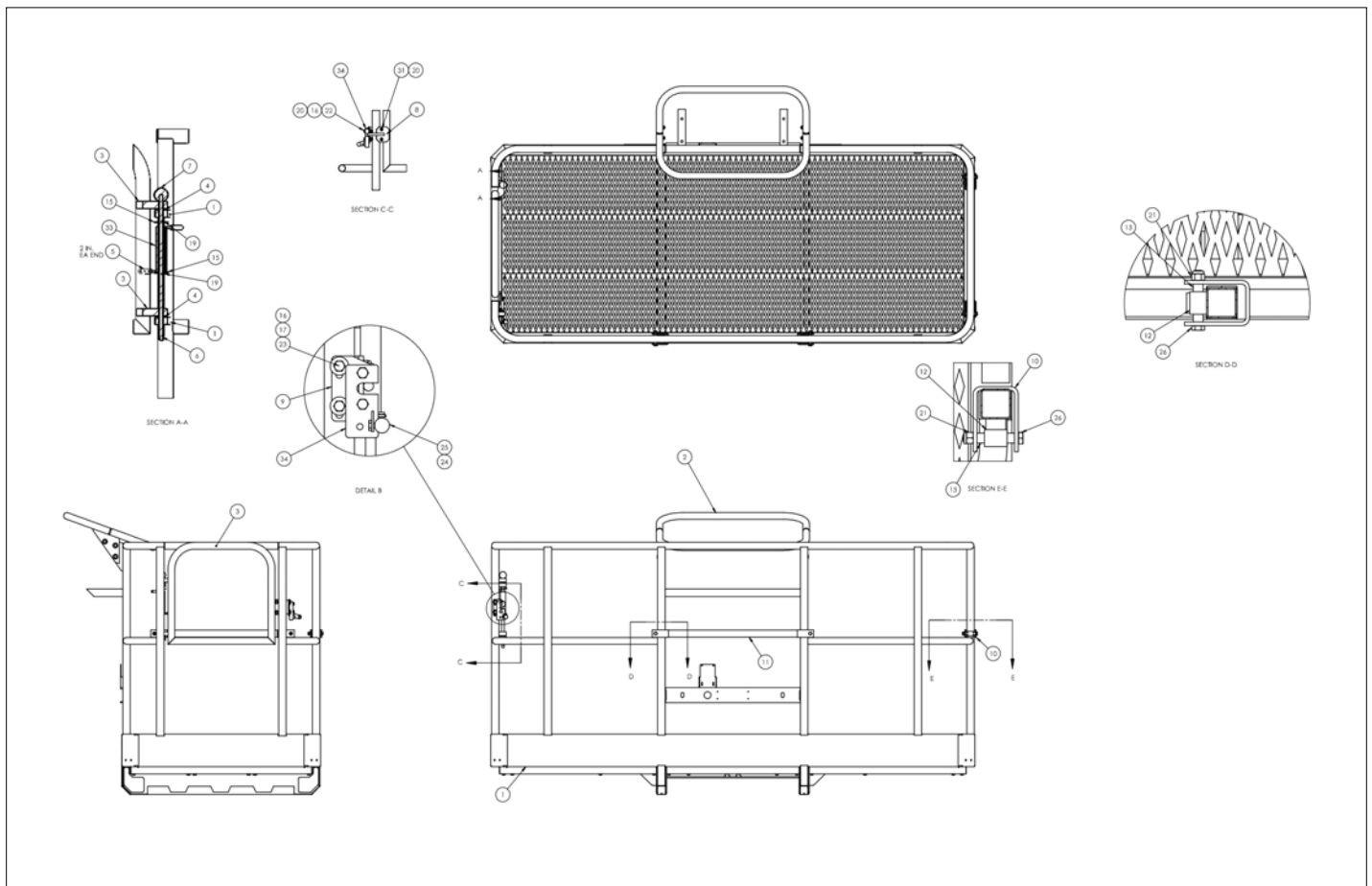
アイテム	部品番号	名前	数量	UOM
	0181917 A	PLATFORM 5' STEEL 500# DUAL HANDRAILS WITH SWING GATE TB60 ATB60		EA
1	0070901	Serial Number Plate, US Machines	1	EA
2	0071425	PLACARD, PLATFORM IDENTIF	1	EA
3	0075372	PLAC PLAT CAP 500LBS 2 PERSONS	1	EA
4	0090589E	PLACARD	2	EA
5	0181481 0	WLDMT 5' PLATF W/GUARD & GATE	1	EA
6	0181884	DECAL/PLAC KIT ATB60 PLATF	1	EA
7	A07033B	PLATF INSTL STL SG	1	EA

REPAIR PARTS



アイテム	部品番号	名前	数量	UOM
	0421071 A	3' X 8' PLATFORM STEEL 500#		EA
1	0070901	Serial Number Plate, US Machines	1	EA
2	0071425	PLACARD, PLATFORM IDENTIF	1	EA
3	0075372	PLAC PLAT CAP 500LBS 2 PERSONS	1	EA
4	0090589E	PLACARD	4	EA
5	0112132	DECAL/PLAC TB80 PLATFORM (NOT SHOWN)	1	EA
6	0420240	ASSY PLATFORM STEEL 36 X 96 SG AND 2X GG	1	EA
7	A42013A	INSTL PLATFORM	1	EA
8	5560031	NUT HEX LKG .313 18	4	EA
9	972259	BLT FLSKTHD .313 18 1.00	2	EA
10	970279	BLT HEXHD .313 18 1.50 GR5	2	EA
11	970009	Capscrew 1/4 20 x 1/2 inch lon	2	EA
12	986359	FLATWASHER 1/2"	2	EA
13	5560039	NUT HEX LKG .500 13	4	EA
14	986359	FLATWASHER 1/2"	8	EA
15	970919	BLT HEXHD .500 13 1.75 GR5	4	EA
16	0191245	DECAL PLATF CONT SYMBOL DEF	1	EA

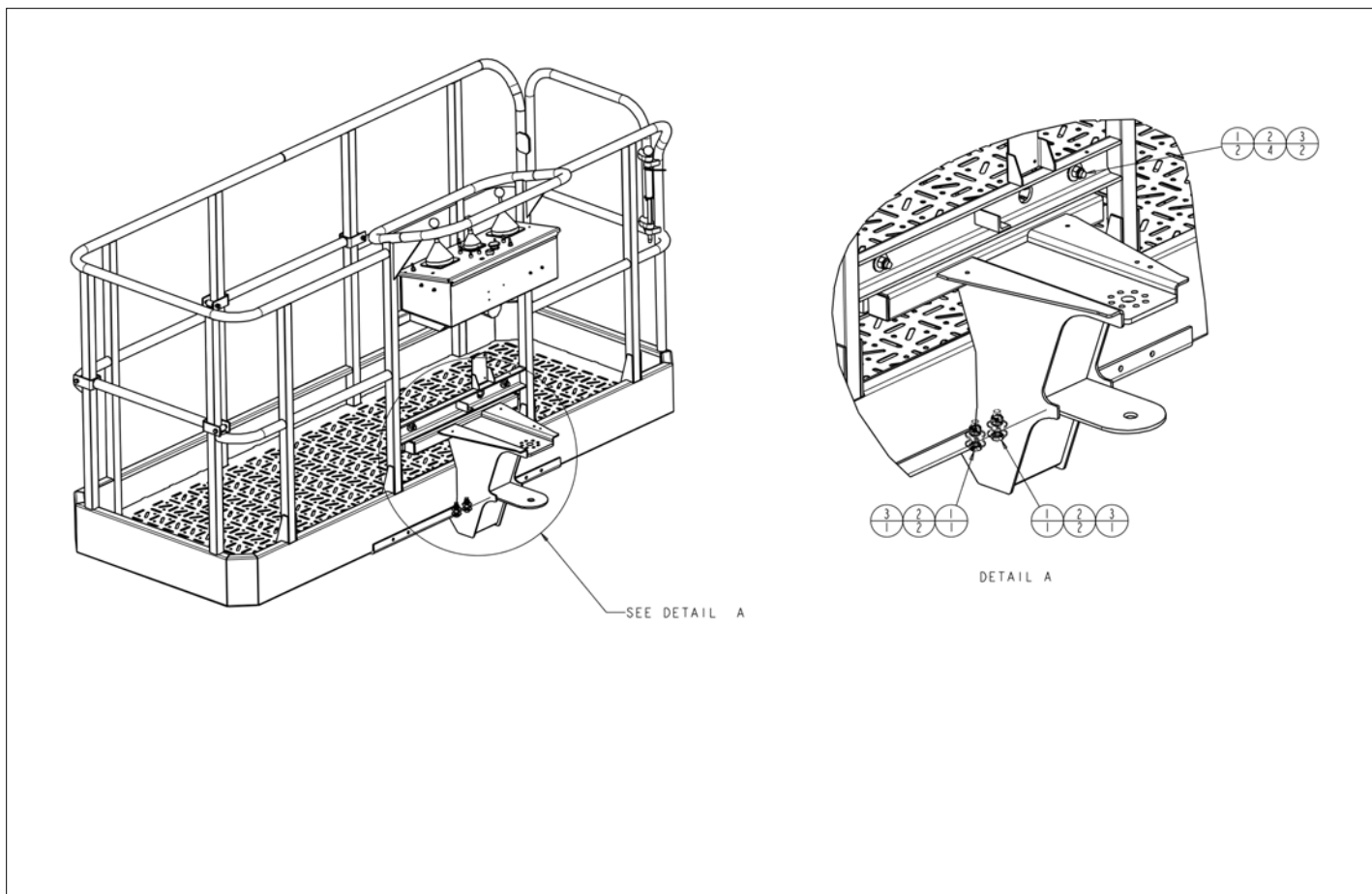
REPAIR PARTS



アイテム	部品番号	名前	数量	UOM
	1430100 L	GLOBAL PLATFORM ASSEMBLY STEEL MARCH 2009 AND AFTER		EA
*	1430100 0	PLATFORM ASSEMBLY STEEL	1	EA
*	1430100 5	PLATFORM ASSEMBLY STEEL	1	EA
1	1430080 0	GLOBAL STD PLATFORM WELDMENT	1	EA
2	0074096 0	GUARD WLDMT PLATF BOX	1	EA
3	1430099 0	WLDMT GATE SWING	1	EA
4	2572007	BRG .500ID .625OD .625	4	EA
5	5010007	HOSE VACUUM .156 ID 4.0MM	0.33	EA
6	0420632	PIN 0.50 4.859 GRIP	1	EA
7	2667500	95 BALL KNOB 1 3/8 X 1/2 13	1	EA
8	0421529 0	WLDMT STRIKER SWING GATE	1	EA
9	0421519 0	PLT LATCH MNT SWING GATE	1	EA
10	0420199 0	WLDMT GATE GRAVITY SIDE 36X96	1	EA
11	0421321 0	WLDMT GG FRONT 36X96 STL PLAT	1	EA
12	0150509	ROLLER	4	EA
13	0071953 8	SPCR .451ID .500OD 1.88 STL	4	EA
14	8060311	PLATE GRIPSTRUT 8FT	3	EA
15	986359	FLATWASHER 1/2"	2	EA
16	986269	WSHR FLAT .313	4	EA
17	5563393	WASHER FLAT .438 HARDENED	2	EA
18	986299	WASHER, FLAT, .375 STANDARD, PLATED	12	EA
19	988179	COTTER PIN, 1/8 DIA. X 1" LG.	2	EA
20	5560031	NUT HEX LKG .313 18	4	EA
21	5560033	.375 16UNC HEX LOCK NUT	10	EA
22	970279	BLT HEXHD .313 18 1.50 GR5	2	EA
23	970239	BLT HEXHD .313 18 .750 GR5	2	EA
24	970009	Capscrew 1/4 20 x 1/2 inch lon	1	EA

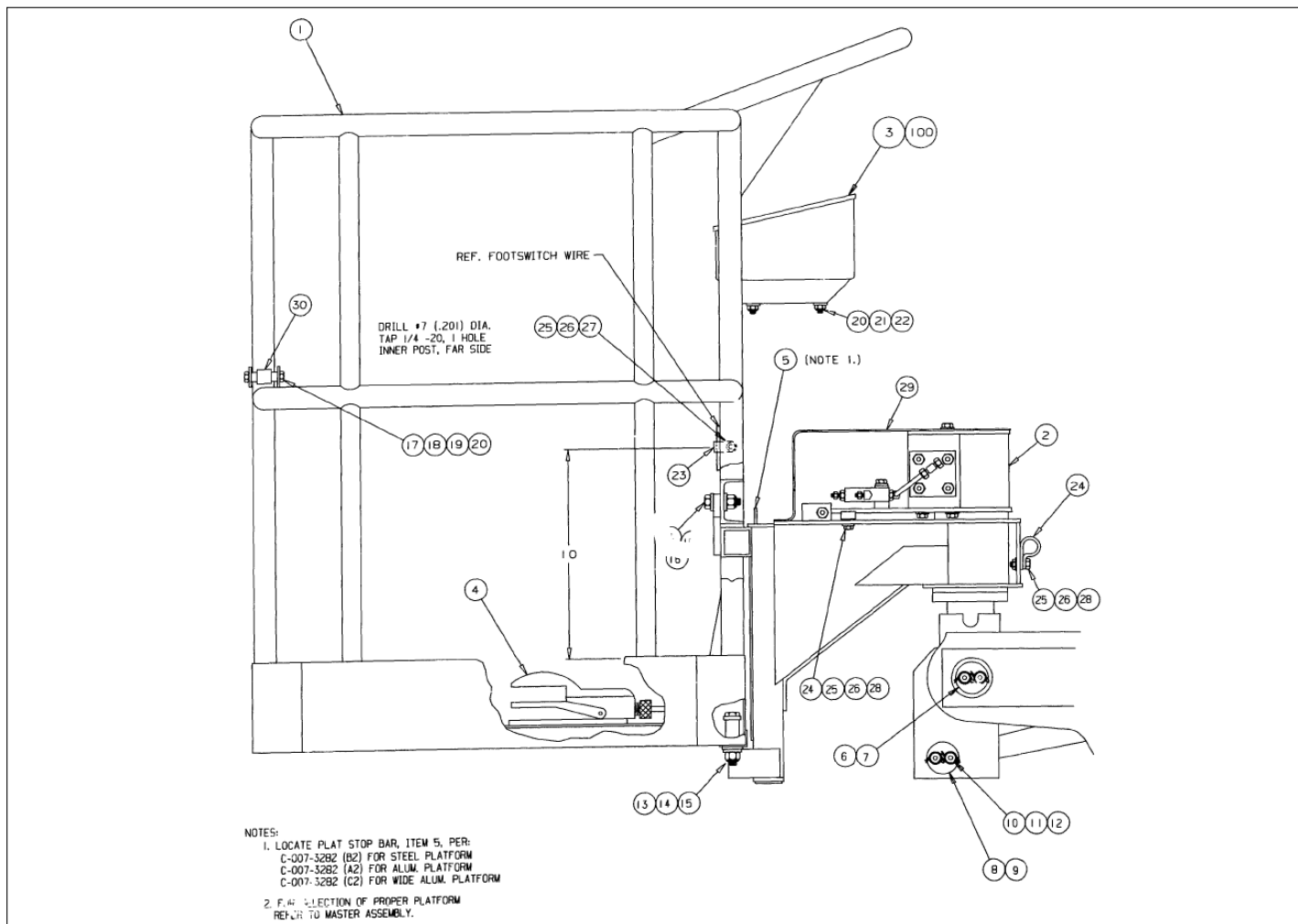
アイテム	部品番号	名前	数量	UOM
25	302555	KNOB ROUND .25 20NC FEMALE DIM	1	EA
26	5569865	BLT HEXHD .375 16 2.75 GR5	4	EA
27	972479	BLT HEXHD .375 16 1.25 GR5	6	EA
28	5563310	HWH .25 14 SELF DRILLING X .75	16	EA
29	972259	BLT FLSKTHD .313 18 1.00	2	EA
30	970029	BLT .25 20 .750	20	EA
31	986019	WSHR FLAT .250	20	EA
32	5560004	NUT LKG .250 20	20	EA
33	0071837	TORSION SPRING BASKET MODIF.	1	EA
34	300492	LATCH LH TRAY ROTARY LOCK	1	EA

REPAIR PARTS



アイテム	部品番号	名前	数量	UOM
Not Shown	A42013A A	PLATFORM INSTALLATION – HELAC ROTATOR		EA
1	970919	BLT HEXHD .500 13 1.75 GR5	4	EA
2	986359	FLATWASHER 1/2"	8	EA
3	5560039	NUT HEX LKG .500 13	4	EA

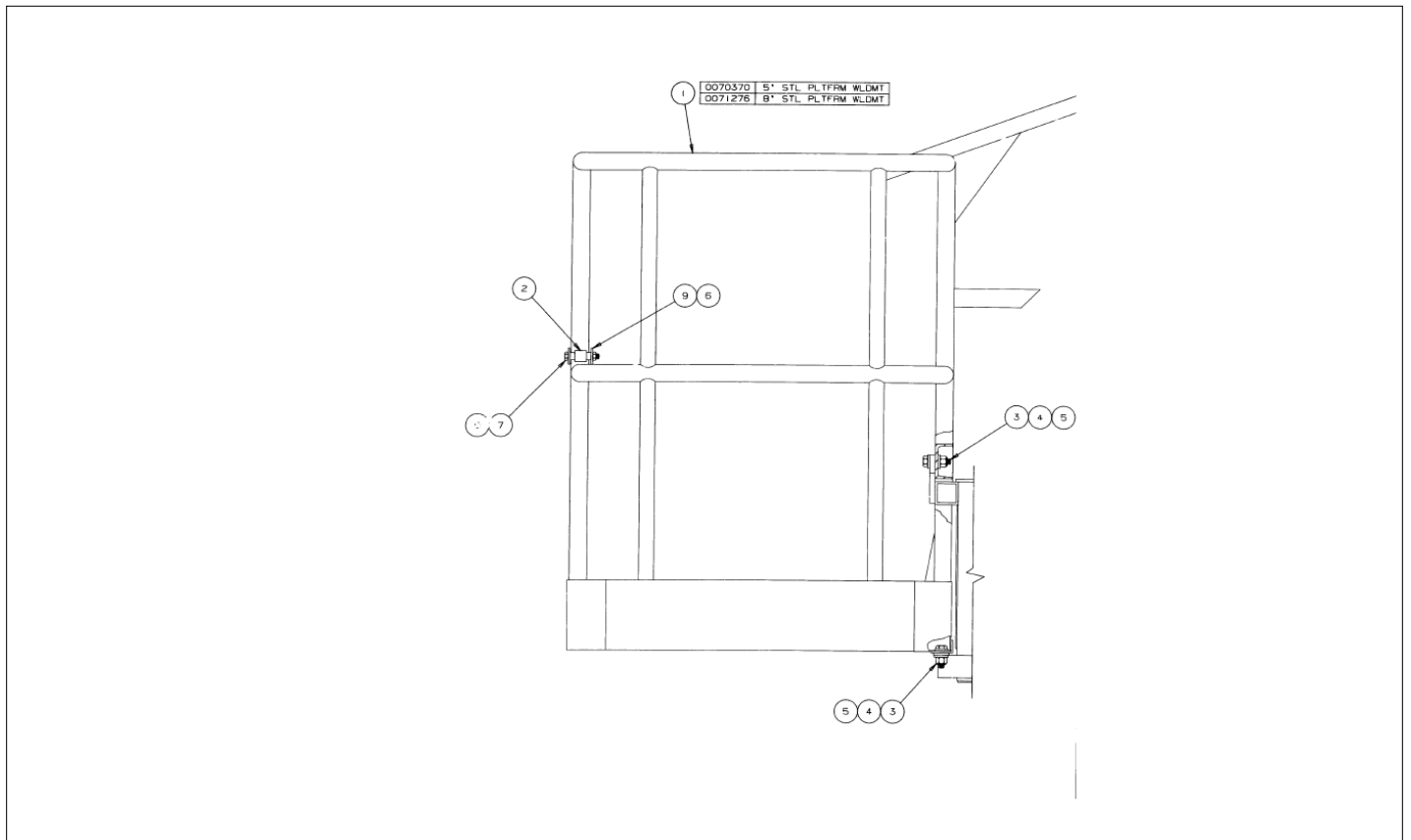
REPAIR PARTS



アイテム	部品番号	名前	数量	UOM
	0081985 A	PLATFORM ROTATOR PARKER INSTALLATION	1	EA
1	PNNA	PLATFORM WELDMENT	A/R	EA
2	0072552	PLATFORM ROTATOR ASSEMBLY MARCH 2006 AND BEFORE	1	EA
3	0081986	PLATFORM CONTROL BOX SUB ASSEMBLY	1	EA
4	0071800	FOOT SWITCH ASSEMBLY	1	EA
5	0071859	PLATFORM STOP	1	EA
6	0070446	PIN	1	EA
7	0070132	PIN LOCK 2.25 DIA 2H	1	EA
8	0070441	WLDMT PIN 1.50 4.875 GRIP	1	EA
9	0070033	PIN LOCK 2.00 DIA 2H	1	EA
10	0070473	BLT HEXHD .313 18 .75 DR	4	EA
11	PNNA	WASHER, 5/16 MEDIUM LOCK	4	EA
12	9980012	.040 S. S. SAFETY LOCKWIRE	1	EA
13	PNNA	CAPSCREW, 1/2 13 X 4" LG. HEX HD GR5	2	EA
14	PNNA	WASHER, 1/2 FLAT	8	EA
15	5560039	NUT HEX LKG .500 13	4	EA
16	PNNA	CAPSCREW, 1/2 14 X 1 1/2 LG H.H. GR5	2	EA
17	0071951	GRAVITY GATE, STEEL PLATFORM	1	EA
18	0071953	SPCR .451ID .500OD 1.88 STL	2	EA
19	PNNA	CAPSCREW, 3/8 16 X 2 3/4 LG H.H. GR5	2	EA
20	5560033	.375 16UNC HEX LOCK NUT	6	EA
21	PNNA	CAPSCREW, 3/8 16 X 2 1/2 LG H.H. GR5	4	EA
22	PNNA	WASHER, 3/8 FLAT	8	EA
23	5093004	CLP CUSH .750 VINYL COATED	1	EA

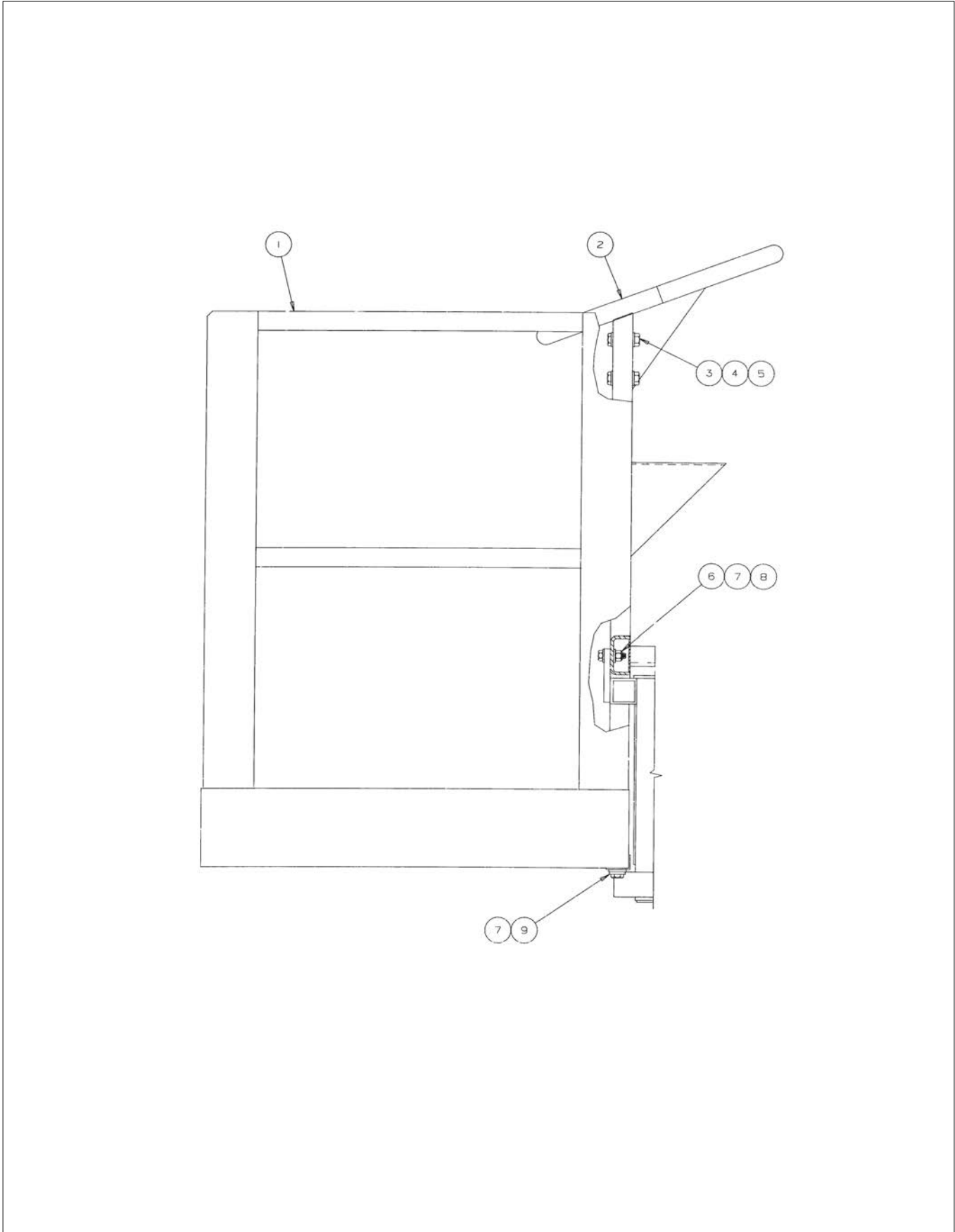
アイテム	部品番号	名前	数量	UOM
24	5093027	CLAMP	2	EA
25	PNNA	CAPSCREW, 1/4 20 X 3/4 LG H.H. GR5	4	EA
26	PNNA	WASHER 1/4 FLAT	4	EA
27	PNNA	WASHER, 1/4 MEDIUM LOCK	1	EA
28	5560004	NUT LKG .250 20	3	EA
29	0070874	COVER	1	EA
30	0150509	ROLLER	2	EA
100	0082184	OUTLET BOX – REFERENCE 0081986 PLATFORM CONTROL BOX SUB ASSEMBLY	1	EA

REPAIR PARTS



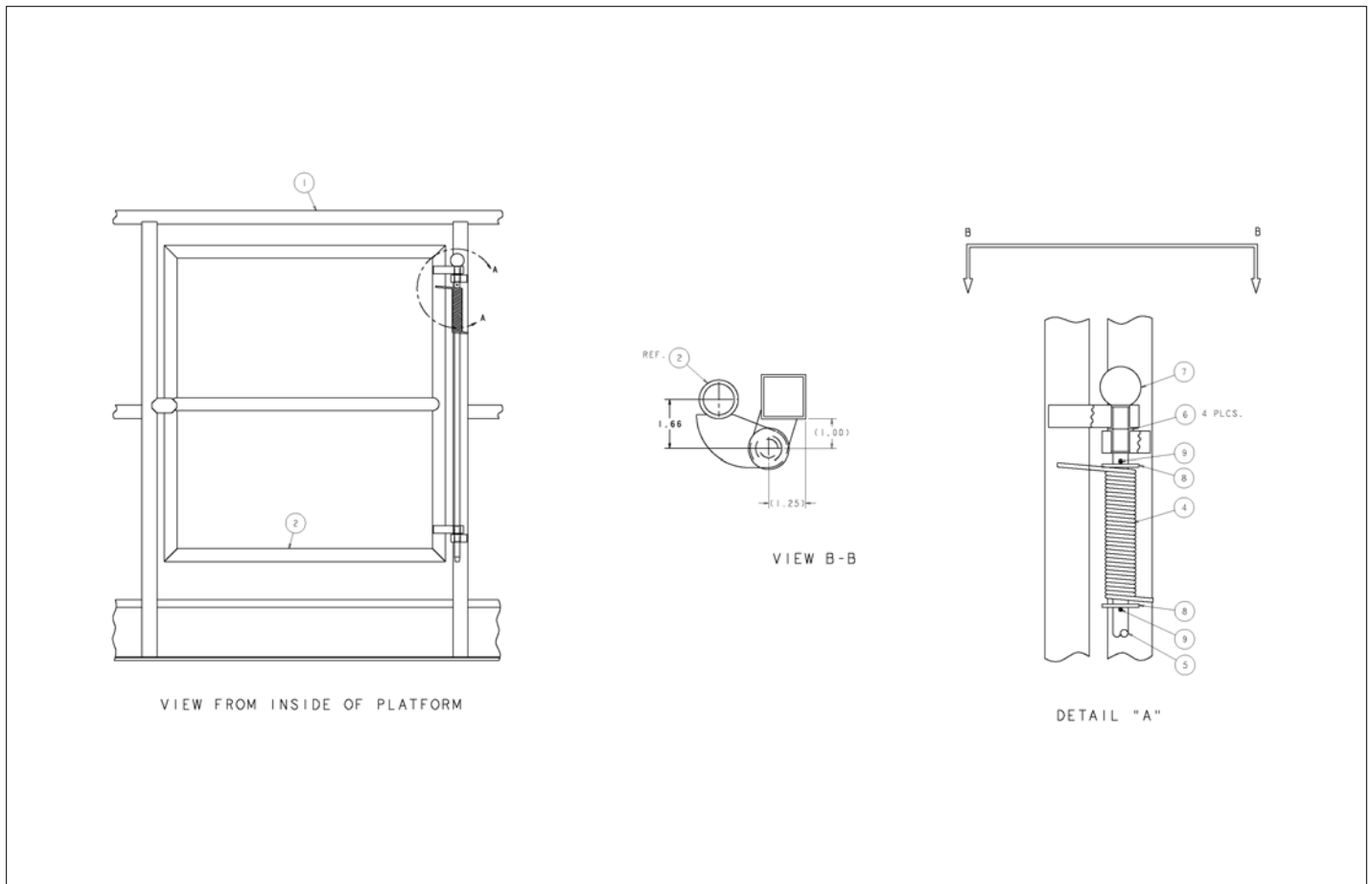
アイテム	部品番号	名前	数量	UOM
	0082257 A	PLATFORM STEEL GRAVITY GATE PARKER ROTATOR INSTALLATION	1	EA
1	0070370	WLDMT PLATF 5'STL TB/ATB60/PRO	1	EA
	0071276	WLDMNT PLAT 8'STL TB/PRO	1	EA
2	0150509	ROLLER	2	EA
3	970909	BLT HEXHD .500 13 1.50 GR5 PLA	2	EA
4	986359	FLATWASHER 1/2"	4	EA
5	5560039	NUT HEX LKG .500 13	2	EA
6	0071953	SPCR .451ID .500OD 1.88 STL	2	EA
7	970529	BLT HEXHD .375 16 2.50 GR5 PLTD	6	EA
8	984109	NUT HEX .375 16	6	EA
9	0071951	GRAVITY GATE, STEEL PLATFORM	1	EA
10	A07032A	PLATFORM STEEL GRAVITY GATE INSTALLATION	REF ONLY	EA

REPAIR PARTS



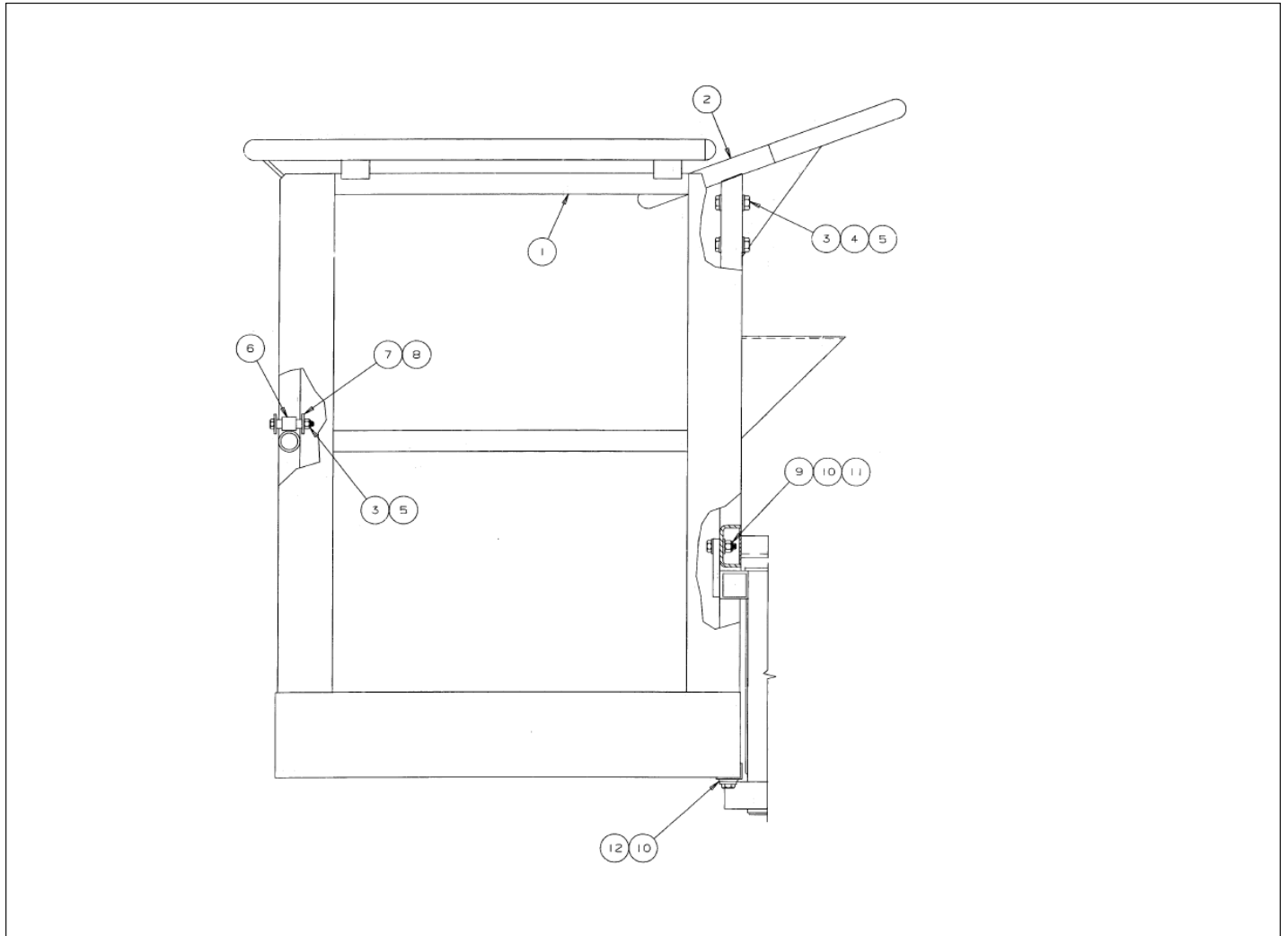
アイテム	部品番号	名前	数量	UOM
*	A08023A	ALUMMUM PLATFORM SWING GATE INSTALLATION		EA
1	0161665	WLDMT 8' SG AL BSKT	A/R	EA
2	0161487	WELDMENT, CONTROL BOX HANDRAIL	A/R	EA
3	970529	BLT HEXHD .375 16 2.50 GR5 PLTD	4	EA
4	986299	WASHER, FLAT, .375 STANDARD, PLATED	8	EA
5	5566033	NUT LKG .375 16	4	EA
6	970909	BLT HEXHD .500 13 1.50 GR5 PLA	2	EA
7	986359	FLATWASHER 1/2"	6	EA
8	984799	NUT LKG .500 13	2	EA
9	970889	CAPSCREW 1/2 13 X 1" LG H.H.	2	EA

REPAIR PARTS



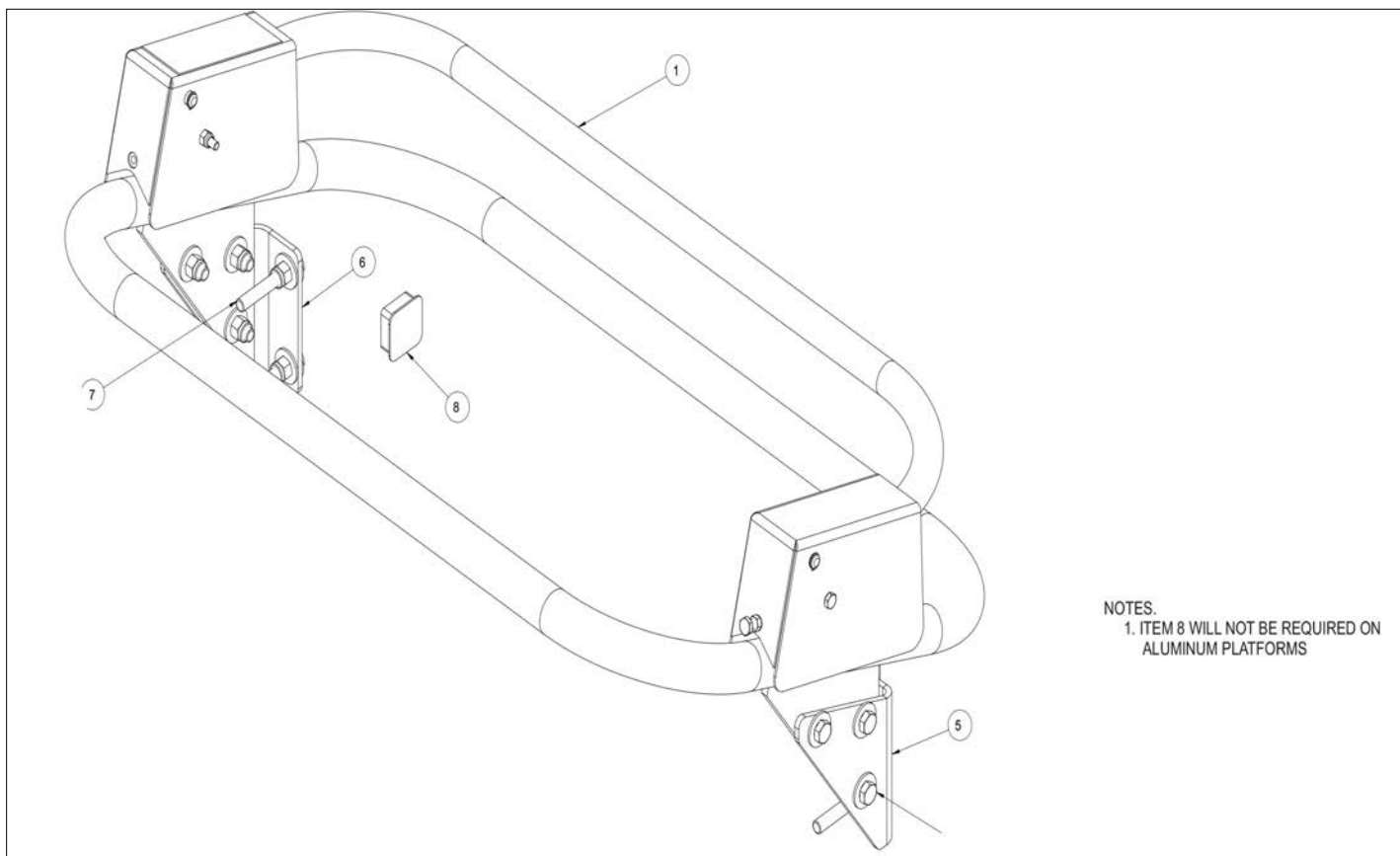
アイテム	部品番号	名前	数量	UOM
	0073950 B	PLATFORM 8' STEEL WITH SWING GATE		EA
1	0075399 0	8'STL W/SWING GATE HINGES	1	EA
2	0071834 0	GATE WLDMT	1	EA
4	0071837	TORSION SPRING BASKET MODIF.	1	EA
5	0322724	PIN, GATE HINGE (FULL HEIGHT SWINGING GATE FOR 8FT STEEL PLATFORMS)	1	EA
6	2572007	BRG .500ID .625OD .625	4	EA
7	2667500	95 BALL KNOB 1 3/8 X 1/2 13	1	EA
8	986359	FLATWASHER 1/2"	2	EA
9	988179	COTTER PIN, 1/8 DIA. X 1" LG.	2	EA

REPAIR PARTS



アイテム	部品番号	名前	数量	UOM
	0075278 A	PLATFORM INSTALLATION ALUMINUM GRAVITY GATE CE – PARKER ROTATOR	1	EA
1	REF	PLATFORM WELDMENT	1	EA
2	0161487	WELDMENT, CONTROL BOX HANDRAIL	1	EA
3	970529	BLT HEXHD .375 16 2.50 GR5 PLTD	6	EA
4	986299	WASHER, FLAT, .375 STANDARD, PLATED	8	EA
5	984109	NUT HEX .375 16	6	EA
6	0161182	ROLLER, ALUMINUM GRAVITY GATE	2	EA
7	016117728	GRAVITY GATE SERVICE KIT – KIT INCLUDES ITEMS 6 THROUGH 10	1	EA
8	0161184	ROLLER SPACER, ALUMINUM GRAVITY GATE	2	EA
9	970909	BLT HEXHD .500 13 1.50 GR5 PLA	2	EA
10	986359	FLATWASHER 1/2"	4	EA
11	5560039	NUT HEX LKG .500 13	2	EA
12	970889	CAPSCREW 1/2 13 X 1" LG H.H.	2	EA
13	A18028A	PLATFORM ALUMINUM GRAVITY GATE CE INSTALLATION	REF ONLY	EA

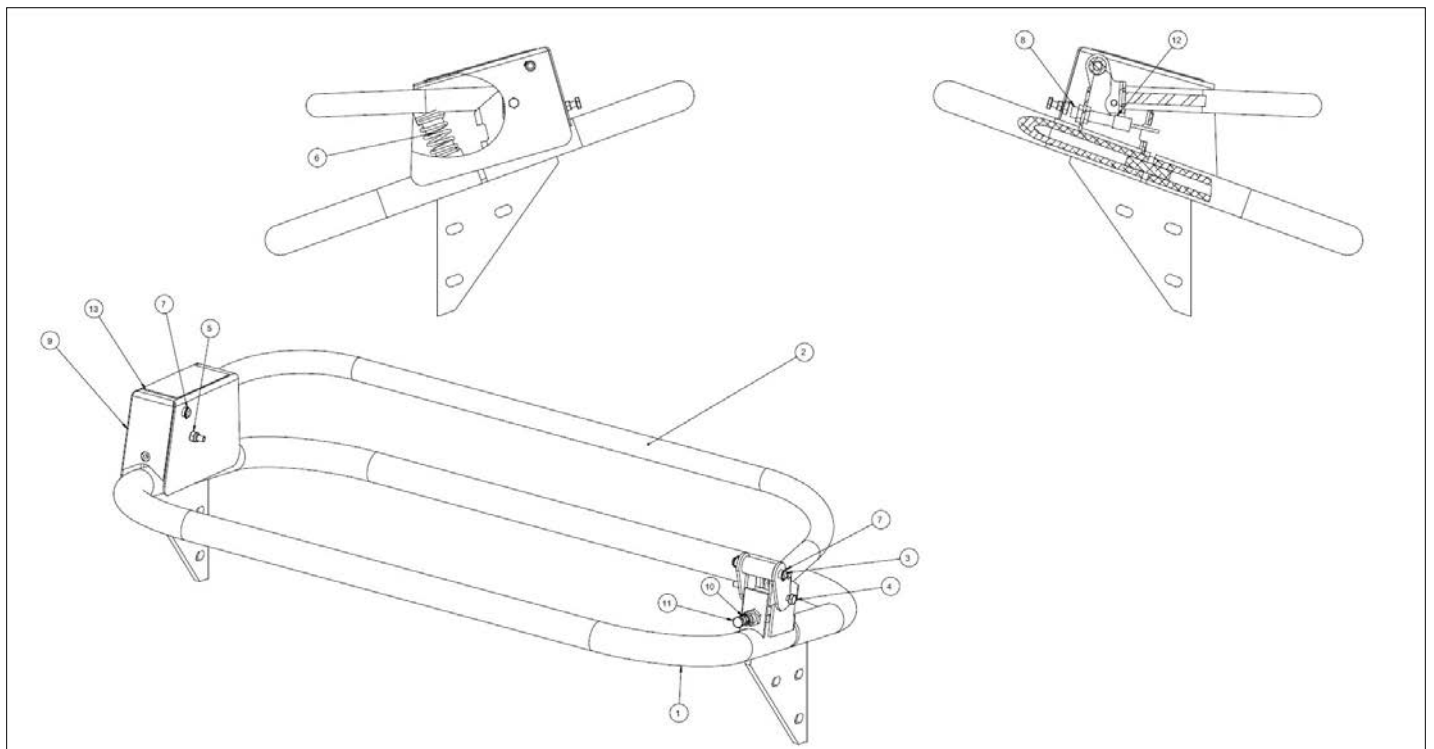
REPAIR PARTS



NOTES:
1. ITEM 8 WILL NOT BE REQUIRED ON ALUMINUM PLATFORMS

アイテム	部品番号	名前	数量	UOM
	0113536 G	LEGACY SNORKEL GUARD AND SNORKEL GUARD WIRING	1	EA
1	3040469	RELAY SPDT 12V 30AMP SONG	1	EA
2	3020080	TOGGLE SWITCH	1	EA
3	0113540	ASSY DIODE WIRE	1	EA
4	0113541	ASSY SWITCHED WIRE COMMON	1	EA
5	0113542	ASSY SWITCHED WIRE	1	EA
6	0071556	WIRE 16 R10I FEM250I 24	1	EA
7	3040083	TERM FEM250FI 16/14	2	EA
9	3044161	TERM R10I 16/14	2	EA
10	5569059	GROMMET .313ID .536DIA X .125GRV	1	EA
11	7030161	DECAL, SNORKEL GUARD OVERRIDE	1	EA
12	7030162	DECAL, OVERRIDE WARNING	1	EA
13	5560609	SCR TRHD 10 24 .500	1	EA
14	5560034	NUT LKG 10 24	1	EA

REPAIR PARTS



アイテム	部品番号	名前	数量	UOM
*	0113531 E	SNORKEL GUARD ASSEMBLY		EA
1	0113519	WLDMT, SNORKEL GUARD	1	EA
2	0113529	WLDMT ACTIVATION BAR	1	EA
3	0113528	PIN .375 X 2.31 GRIP	2	EA
4	056058 070	Bolt, HexBolt DIN931 M6 x 70mm	2	EA
5	056066 006	Nut NylockNut DIN985 M6 8.0 Zi	2	EA
6	0113530	SPRING ANTI ENTRAPMENT	1	EA
7	5592018	SNAP RING .375 DIA EXT	4	EA
8	3028844	IFS241 (IFM PROXY)	1	EA
9	0113538	WLDMT SHEILD	2	EA
10	984069	NUT HEX .250 20	1	EA
11	970029	BLT .25 20 .750	1	EA
12	3014753	SNORKEL GUARD SENSOR (CABLE, M12 X 2M L)	1	M
13	7030163	DECAL SNORKEL GUARD OVERRIDE OPERATION	1	EA

REPAIR PARTS



アイテム	部品番号	名前	数量	UOM
	0084724 D	DECAL PLACARD TB60 KUBATA 4X4		EA
1	0071926	DECAL, DIESEL FUEL	1	EA
2	0072277	Placard, lug nut torque	2	EA
3	0074913	DECAL 4X4 LOGO	2	EA
4	0075563	DECAL DO NOT USE ETHER CU T3	1	EA
5	0075564	PLAC COLDSTART GLOW PLUG (GROU	1	EA
6	0075767	Placard, Carb Compliant	1	EA
7	0082797	DECAL/PLAC TB60/PRO66 COMMON	1	EA
8	0082798	DECAL/PLAC TB60 LOGOS	1	EA
9	0082800	DECAL/PLAC TB60 HARDWARE	1	EA
10	0083739	MANUAL OPERATOR TB60 (MFG AFTE	1	EA
11	0083921 3	BRKT RECORD HOLDER	1	EA
12	0084213	PLAC COLDSTART GLOW PLUGS (PLATFORM)	1	EA
13	5569012	BUMPER RUBBER	4	EA
14	7030003	DECAL, LUBE RECOMMENDATIONS	1	EA
15	9980021	PLUG, HOLE 3.50 DIA PLASTIC (CUMMINS)	1	EA
16	9980251	PLUG HOLE 5.00 DIA PLASTIC	1	EA
17	A08149C	DECAL/PLAC INSTL TB60/65J	1	EA
18	0361367	MANUAL RSPNSBLTY A92.6	1	EA

REPAIR PARTS

DECAL/PLACARD KIT INFORMATION

MODEL	DECAL/PLACARD KIT NUMBER	DECAL/PLACARD TBA60 (CUMMINS)	DECAL/PLACARD TBA60 (GM)	DECAL/PLACARD TBA60 (KUBOTA)	DECAL/PLACARD TBA60 (CUMMINS)	DECAL/PLACARD TBA60 (GM)	DECAL/PLACARD TBA60 (KUBOTA)
TBA60 SE 400	888297	X	X	X			
TBA60 SE 404	888297	X	X	X			
TBA60 SE 408	888297	X	X	X			
TBA60 SE 414	888297	X	X	X			
TBA60 SE 420	888297	X	X	X			
TBA60 SE 424	888297	X	X	X			
TBA60 SE 428	888297	X	X	X			
TBA60 SE 434	888297	X	X	X			
TBA60 SE 440	888297	X	X	X			
TBA60 SE 444	888297	X	X	X			
TBA60 SE 448	888297	X	X	X			
TBA60 SE 454	888297	X	X	X			
TBA60 SE 460	888297	X	X	X			
TBA60 SE 464	888297	X	X	X			
TBA60 SE 468	888297	X	X	X			
TBA60 SE 474	888297	X	X	X			
TBA60 SE 480	888297	X	X	X			
TBA60 SE 484	888297	X	X	X			
TBA60 SE 488	888297	X	X	X			
TBA60 SE 494	888297	X	X	X			
TBA60 SE 498	888297	X	X	X			

ITEM	QTY	PART NUMBER	DESCRIPTION	UOM
10	1	888297	DECAL/PLACARD KIT	1
11	1	888297	DECAL/PLACARD KIT	1

ITEM	QTY	PART NUMBER	DESCRIPTION	UOM
1	1	888297	DECAL/PLACARD KIT	1
2	1	888297	DECAL/PLACARD KIT	1
3	1	888297	DECAL/PLACARD KIT	1
4	1	888297	DECAL/PLACARD KIT	1
5	1	888297	DECAL/PLACARD KIT	1
6	1	888297	DECAL/PLACARD KIT	1
7	1	888297	DECAL/PLACARD KIT	1
8	1	888297	DECAL/PLACARD KIT	1
9	1	888297	DECAL/PLACARD KIT	1
10	1	888297	DECAL/PLACARD KIT	1
11	1	888297	DECAL/PLACARD KIT	1
12	1	888297	DECAL/PLACARD KIT	1
13	1	888297	DECAL/PLACARD KIT	1
14	1	888297	DECAL/PLACARD KIT	1
15	1	888297	DECAL/PLACARD KIT	1
16	1	888297	DECAL/PLACARD KIT	1
17	1	888297	DECAL/PLACARD KIT	1
18	1	888297	DECAL/PLACARD KIT	1
19	1	888297	DECAL/PLACARD KIT	1
20	1	888297	DECAL/PLACARD KIT	1
21	1	888297	DECAL/PLACARD KIT	1
22	1	888297	DECAL/PLACARD KIT	1
23	1	888297	DECAL/PLACARD KIT	1
24	1	888297	DECAL/PLACARD KIT	1
25	1	888297	DECAL/PLACARD KIT	1
26	1	888297	DECAL/PLACARD KIT	1
27	1	888297	DECAL/PLACARD KIT	1
28	1	888297	DECAL/PLACARD KIT	1
29	1	888297	DECAL/PLACARD KIT	1
30	1	888297	DECAL/PLACARD KIT	1
31	1	888297	DECAL/PLACARD KIT	1
32	1	888297	DECAL/PLACARD KIT	1
33	1	888297	DECAL/PLACARD KIT	1
34	1	888297	DECAL/PLACARD KIT	1
35	1	888297	DECAL/PLACARD KIT	1
36	1	888297	DECAL/PLACARD KIT	1
37	1	888297	DECAL/PLACARD KIT	1
38	1	888297	DECAL/PLACARD KIT	1
39	1	888297	DECAL/PLACARD KIT	1
40	1	888297	DECAL/PLACARD KIT	1
41	1	888297	DECAL/PLACARD KIT	1
42	1	888297	DECAL/PLACARD KIT	1
43	1	888297	DECAL/PLACARD KIT	1
44	1	888297	DECAL/PLACARD KIT	1
45	1	888297	DECAL/PLACARD KIT	1
46	1	888297	DECAL/PLACARD KIT	1
47	1	888297	DECAL/PLACARD KIT	1
48	1	888297	DECAL/PLACARD KIT	1
49	1	888297	DECAL/PLACARD KIT	1
50	1	888297	DECAL/PLACARD KIT	1
51	1	888297	DECAL/PLACARD KIT	1
52	1	888297	DECAL/PLACARD KIT	1
53	1	888297	DECAL/PLACARD KIT	1
54	1	888297	DECAL/PLACARD KIT	1
55	1	888297	DECAL/PLACARD KIT	1
56	1	888297	DECAL/PLACARD KIT	1
57	1	888297	DECAL/PLACARD KIT	1
58	1	888297	DECAL/PLACARD KIT	1
59	1	888297	DECAL/PLACARD KIT	1
60	1	888297	DECAL/PLACARD KIT	1
61	1	888297	DECAL/PLACARD KIT	1
62	1	888297	DECAL/PLACARD KIT	1
63	1	888297	DECAL/PLACARD KIT	1
64	1	888297	DECAL/PLACARD KIT	1
65	1	888297	DECAL/PLACARD KIT	1
66	1	888297	DECAL/PLACARD KIT	1
67	1	888297	DECAL/PLACARD KIT	1
68	1	888297	DECAL/PLACARD KIT	1
69	1	888297	DECAL/PLACARD KIT	1
70	1	888297	DECAL/PLACARD KIT	1
71	1	888297	DECAL/PLACARD KIT	1
72	1	888297	DECAL/PLACARD KIT	1
73	1	888297	DECAL/PLACARD KIT	1
74	1	888297	DECAL/PLACARD KIT	1
75	1	888297	DECAL/PLACARD KIT	1
76	1	888297	DECAL/PLACARD KIT	1
77	1	888297	DECAL/PLACARD KIT	1
78	1	888297	DECAL/PLACARD KIT	1
79	1	888297	DECAL/PLACARD KIT	1
80	1	888297	DECAL/PLACARD KIT	1
81	1	888297	DECAL/PLACARD KIT	1
82	1	888297	DECAL/PLACARD KIT	1
83	1	888297	DECAL/PLACARD KIT	1
84	1	888297	DECAL/PLACARD KIT	1
85	1	888297	DECAL/PLACARD KIT	1
86	1	888297	DECAL/PLACARD KIT	1
87	1	888297	DECAL/PLACARD KIT	1
88	1	888297	DECAL/PLACARD KIT	1
89	1	888297	DECAL/PLACARD KIT	1
90	1	888297	DECAL/PLACARD KIT	1
91	1	888297	DECAL/PLACARD KIT	1
92	1	888297	DECAL/PLACARD KIT	1
93	1	888297	DECAL/PLACARD KIT	1
94	1	888297	DECAL/PLACARD KIT	1
95	1	888297	DECAL/PLACARD KIT	1
96	1	888297	DECAL/PLACARD KIT	1
97	1	888297	DECAL/PLACARD KIT	1
98	1	888297	DECAL/PLACARD KIT	1
99	1	888297	DECAL/PLACARD KIT	1
100	1	888297	DECAL/PLACARD KIT	1

アイテム	部品番号	名前	数量	UOM
	A08149CE	DECAL PLACARD TB60 TB66J CUMMINS GM KUBOTA INSTALLATION MAY 2015		EA

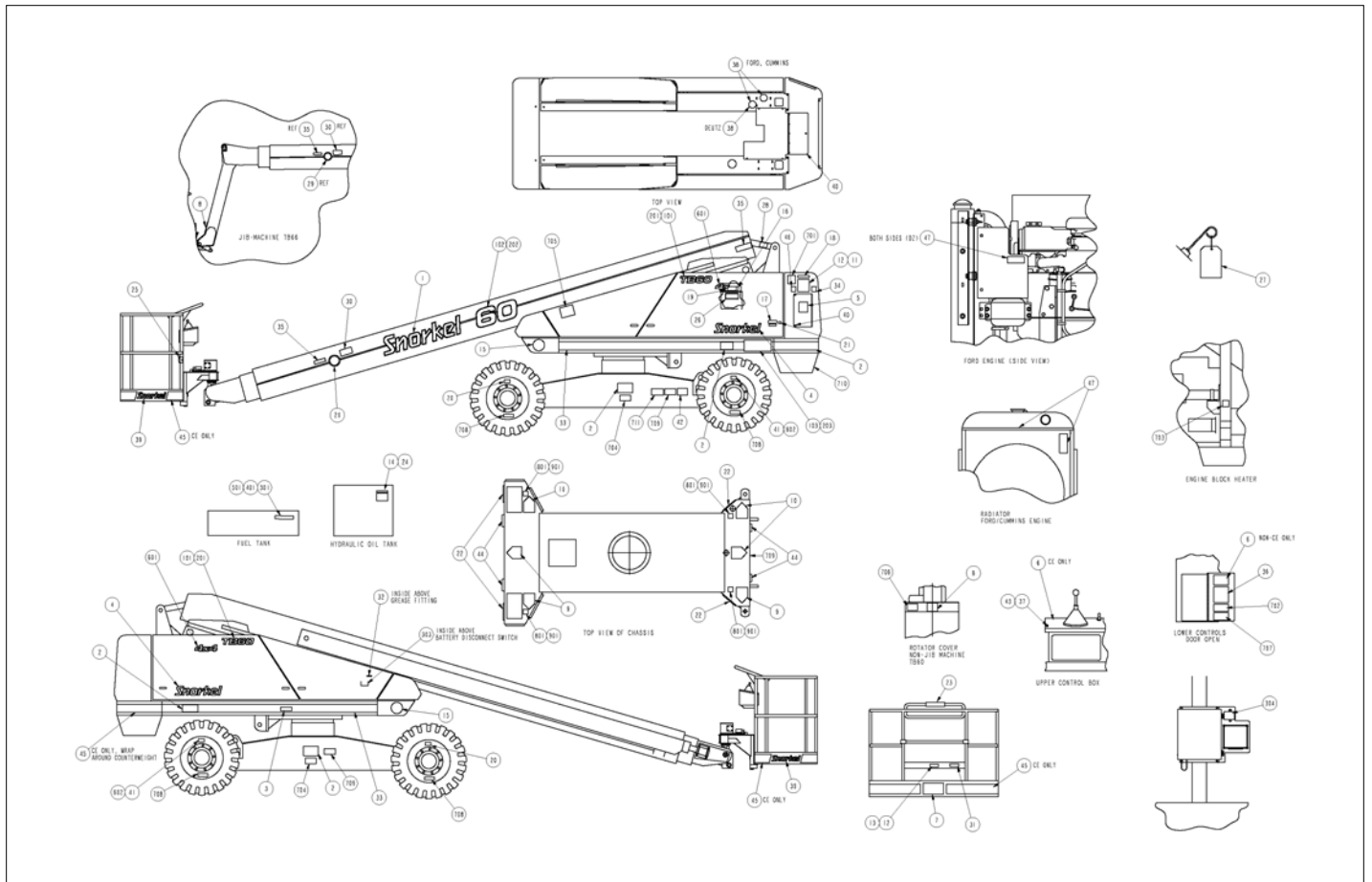
REPAIR PARTS

DECAL/PLACARD KIT INFORMATION

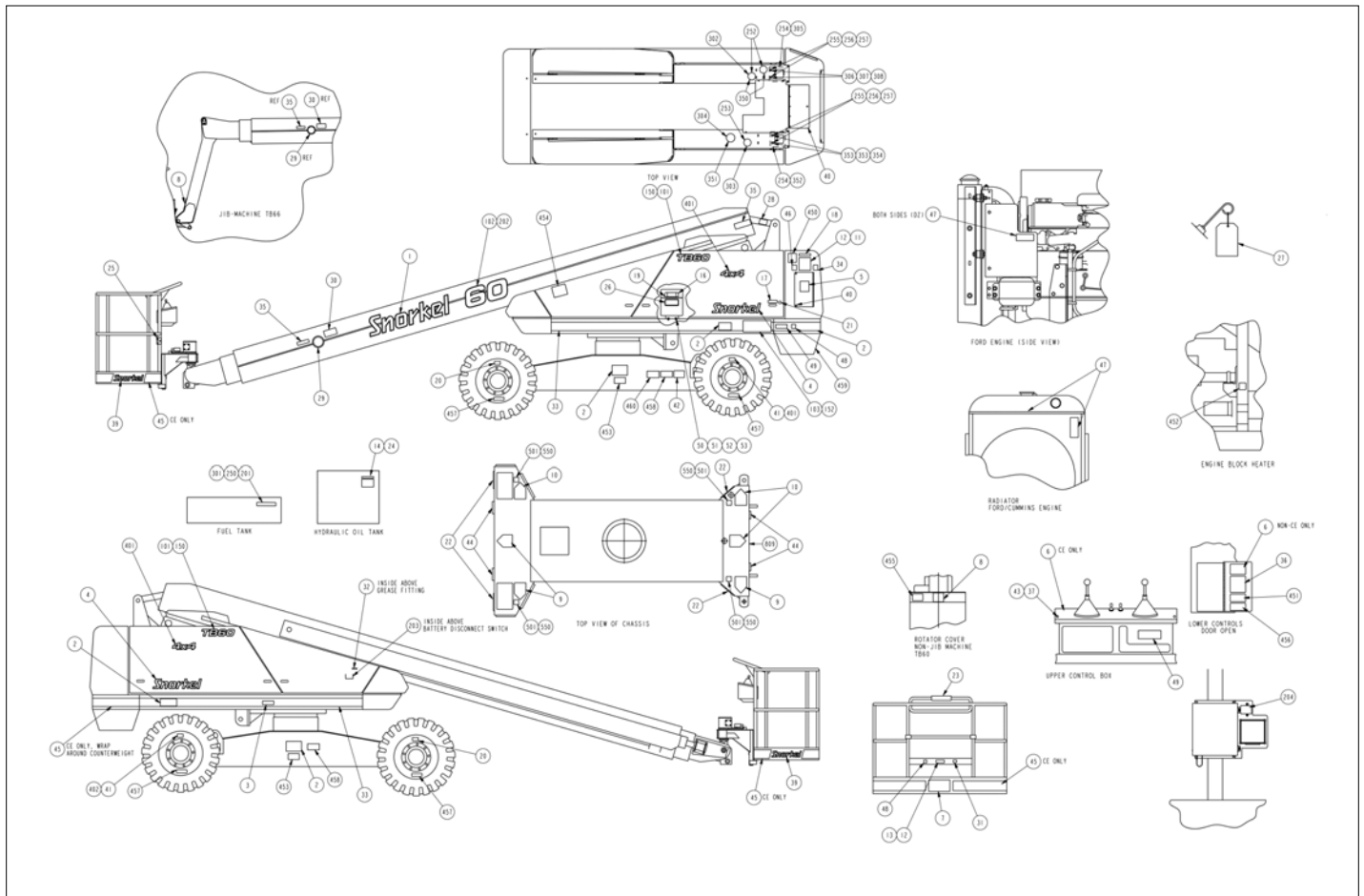
MACHINE	DECAL/PLACARD BOX NUMBER	DECAL/PLACARD TB60/TA COMMON	DECAL/PLACARD TB60 LOGO	DECAL/PLACARD TB60 LOGO	DECAL/PLACARD TB60/TA HARDWARE	DECAL/PLACARD TB60/TA CI COMMON	DECAL/PLACARD TB60/TA CI PLATFORM
TB60		008719	008719B	008312A	008700	008311B	008312C
TB60 CI 402	008067	X	X				
TB60 CI 404	008063	X	X				
TB60 FI 402	008064	X	X				
TB60 FI 404	008069	X	X				
TB60 CI 403	008061	X	X				
TB60 CI 404	008063	X	X				
TB60 CI 402 CI	008061	X	X		X	X	
TB60 CI 404 CI	008019	X	X		X	X	
TB60 J							
TB60 J 302	008018	X	X	X			
TB60 J 404	008018	X	X	X			
TB60 J 304	008018	X	X	X			
TB60 J 402	008018	X	X	X			
TB60 J 404	008018	X	X	X			
TB60 J 302 CI	008031	X	X	X	X	X	
TB60 J 402 CI	008031	X	X	X	X	X	
TB60 J 404 CI	008031	X	X	X	X	X	
TB60 J 304 CI	008031	X	X	X	X	X	

ITEM	QTY	DESCRIPTION	UNIT
1	1	CONSOLE COMPONENT	
2	0.42300	DECAL, DASH, BROWN, 2000	0.42300
3	0.42300	DECAL, DASH, BROWN, 2000	0.42300
4	0.42300	DECAL, DASH, BROWN, 2000	0.42300
5	0.42300	DECAL, DASH, BROWN, 2000	0.42300
6	0.42300	DECAL, DASH, BROWN, 2000	0.42300
7	0.42300	DECAL, DASH, BROWN, 2000	0.42300
8	0.42300	DECAL, DASH, BROWN, 2000	0.42300
9	0.42300	DECAL, DASH, BROWN, 2000	0.42300
10	0.42300	DECAL, DASH, BROWN, 2000	0.42300
11	0.42300	DECAL, DASH, BROWN, 2000	0.42300
12	0.42300	DECAL, DASH, BROWN, 2000	0.42300
13	0.42300	DECAL, DASH, BROWN, 2000	0.42300
14	0.42300	DECAL, DASH, BROWN, 2000	0.42300
15	0.42300	DECAL, DASH, BROWN, 2000	0.42300
16	0.42300	DECAL, DASH, BROWN, 2000	0.42300
17	0.42300	DECAL, DASH, BROWN, 2000	0.42300
18	0.42300	DECAL, DASH, BROWN, 2000	0.42300
19	0.42300	DECAL, DASH, BROWN, 2000	0.42300
20	0.42300	DECAL, DASH, BROWN, 2000	0.42300
21	0.42300	DECAL, DASH, BROWN, 2000	0.42300
22	0.42300	DECAL, DASH, BROWN, 2000	0.42300
23	0.42300	DECAL, DASH, BROWN, 2000	0.42300
24	0.42300	DECAL, DASH, BROWN, 2000	0.42300
25	0.42300	DECAL, DASH, BROWN, 2000	0.42300
26	0.42300	DECAL, DASH, BROWN, 2000	0.42300
27	0.42300	DECAL, DASH, BROWN, 2000	0.42300
28	0.42300	DECAL, DASH, BROWN, 2000	0.42300
29	0.42300	DECAL, DASH, BROWN, 2000	0.42300
30	0.42300	DECAL, DASH, BROWN, 2000	0.42300
31	0.42300	DECAL, DASH, BROWN, 2000	0.42300
32	0.42300	DECAL, DASH, BROWN, 2000	0.42300
33	0.42300	DECAL, DASH, BROWN, 2000	0.42300
34	0.42300	DECAL, DASH, BROWN, 2000	0.42300
35	0.42300	DECAL, DASH, BROWN, 2000	0.42300
36	0.42300	DECAL, DASH, BROWN, 2000	0.42300
37	0.42300	DECAL, DASH, BROWN, 2000	0.42300
38	0.42300	DECAL, DASH, BROWN, 2000	0.42300
39	0.42300	DECAL, DASH, BROWN, 2000	0.42300
40	0.42300	DECAL, DASH, BROWN, 2000	0.42300
41	0.42300	DECAL, DASH, BROWN, 2000	0.42300
42	0.42300	DECAL, DASH, BROWN, 2000	0.42300
43	0.42300	DECAL, DASH, BROWN, 2000	0.42300
44	0.42300	DECAL, DASH, BROWN, 2000	0.42300
45	0.42300	DECAL, DASH, BROWN, 2000	0.42300
46	0.42300	DECAL, DASH, BROWN, 2000	0.42300
47	0.42300	DECAL, DASH, BROWN, 2000	0.42300
48	0.42300	DECAL, DASH, BROWN, 2000	0.42300
49	0.42300	DECAL, DASH, BROWN, 2000	0.42300
50	0.42300	DECAL, DASH, BROWN, 2000	0.42300
51	0.42300	DECAL, DASH, BROWN, 2000	0.42300
52	0.42300	DECAL, DASH, BROWN, 2000	0.42300
53	0.42300	DECAL, DASH, BROWN, 2000	0.42300
54	0.42300	DECAL, DASH, BROWN, 2000	0.42300
55	0.42300	DECAL, DASH, BROWN, 2000	0.42300
56	0.42300	DECAL, DASH, BROWN, 2000	0.42300
57	0.42300	DECAL, DASH, BROWN, 2000	0.42300
58	0.42300	DECAL, DASH, BROWN, 2000	0.42300
59	0.42300	DECAL, DASH, BROWN, 2000	0.42300
60	0.42300	DECAL, DASH, BROWN, 2000	0.42300
61	0.42300	DECAL, DASH, BROWN, 2000	0.42300
62	0.42300	DECAL, DASH, BROWN, 2000	0.42300
63	0.42300	DECAL, DASH, BROWN, 2000	0.42300
64	0.42300	DECAL, DASH, BROWN, 2000	0.42300
65	0.42300	DECAL, DASH, BROWN, 2000	0.42300
66	0.42300	DECAL, DASH, BROWN, 2000	0.42300
67	0.42300	DECAL, DASH, BROWN, 2000	0.42300
68	0.42300	DECAL, DASH, BROWN, 2000	0.42300
69	0.42300	DECAL, DASH, BROWN, 2000	0.42300
70	0.42300	DECAL, DASH, BROWN, 2000	0.42300
71	0.42300	DECAL, DASH, BROWN, 2000	0.42300
72	0.42300	DECAL, DASH, BROWN, 2000	0.42300
73	0.42300	DECAL, DASH, BROWN, 2000	0.42300
74	0.42300	DECAL, DASH, BROWN, 2000	0.42300
75	0.42300	DECAL, DASH, BROWN, 2000	0.42300
76	0.42300	DECAL, DASH, BROWN, 2000	0.42300
77	0.42300	DECAL, DASH, BROWN, 2000	0.42300
78	0.42300	DECAL, DASH, BROWN, 2000	0.42300
79	0.42300	DECAL, DASH, BROWN, 2000	0.42300
80	0.42300	DECAL, DASH, BROWN, 2000	0.42300
81	0.42300	DECAL, DASH, BROWN, 2000	0.42300
82	0.42300	DECAL, DASH, BROWN, 2000	0.42300
83	0.42300	DECAL, DASH, BROWN, 2000	0.42300
84	0.42300	DECAL, DASH, BROWN, 2000	0.42300
85	0.42300	DECAL, DASH, BROWN, 2000	0.42300
86	0.42300	DECAL, DASH, BROWN, 2000	0.42300
87	0.42300	DECAL, DASH, BROWN, 2000	0.42300
88	0.42300	DECAL, DASH, BROWN, 2000	0.42300
89	0.42300	DECAL, DASH, BROWN, 2000	0.42300
90	0.42300	DECAL, DASH, BROWN, 2000	0.42300
91	0.42300	DECAL, DASH, BROWN, 2000	0.42300
92	0.42300	DECAL, DASH, BROWN, 2000	0.42300
93	0.42300	DECAL, DASH, BROWN, 2000	0.42300
94	0.42300	DECAL, DASH, BROWN, 2000	0.42300
95	0.42300	DECAL, DASH, BROWN, 2000	0.42300
96	0.42300	DECAL, DASH, BROWN, 2000	0.42300
97	0.42300	DECAL, DASH, BROWN, 2000	0.42300
98	0.42300	DECAL, DASH, BROWN, 2000	0.42300
99	0.42300	DECAL, DASH, BROWN, 2000	0.42300
100	0.42300	DECAL, DASH, BROWN, 2000	0.42300

アイテム	部品番号	名前	数量	UOM
	A08065K A	DECAL PLACARDS TB60 TB66J INSTALLATION NOVEMBER 2006 AND BEFORE		EA



REPAIR PARTS



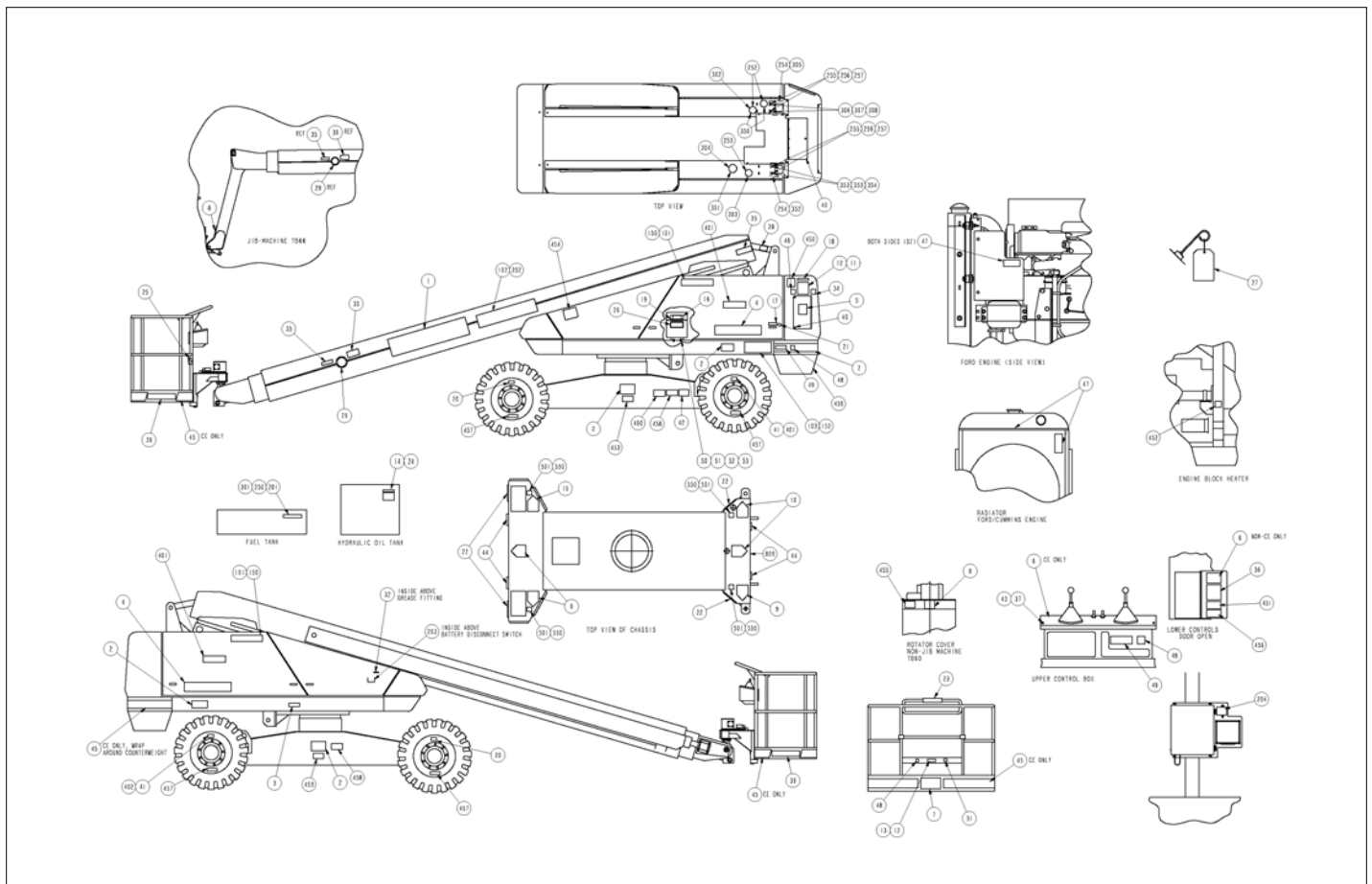
アイテム	部品番号	名前	数量	UOM
	A08065N A	DECAL PLACARDS TB60 TB66J INSTALLATION OCTOBER 2006 AND AFTER		EA

DECAL/PLACARD KIT INFORMATION

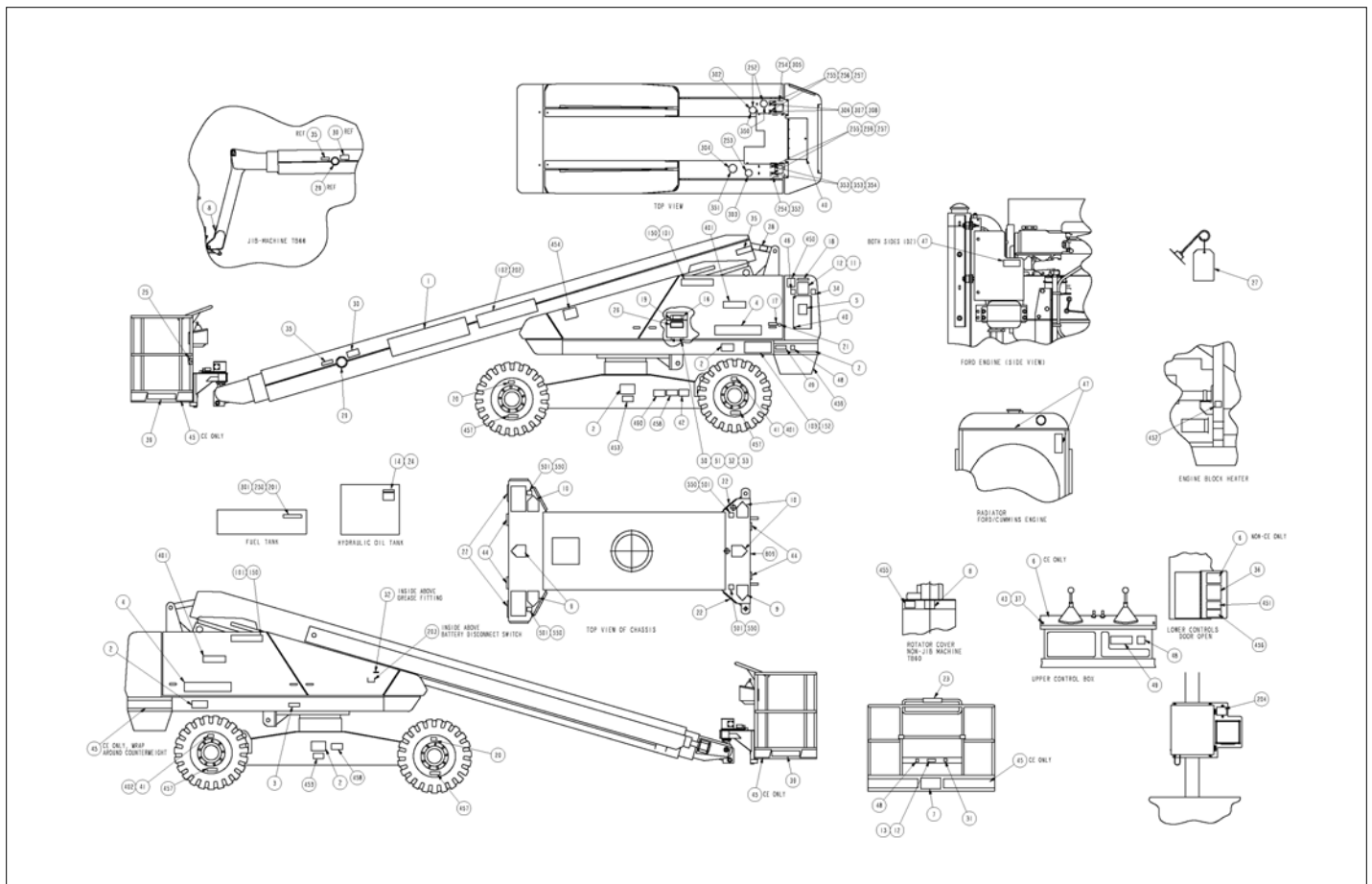
MACHINE	DECAL/PLACARD KIT NUMBER	DECAL/PLACARD TENSURE COMMON	DECAL/PLACARD TENSURE	DECAL/PLACARD TENSURE W/REVERSE	DECAL/PLACARD TENSURE CE COMMON	DECAL/PLACARD TENSURE CE PLATING
TB60	000797	000798	000799	000800	000801	000802
TB60 CE 402	000803	X	X	X		
TB60 CE 404	000804	X	X	X		
TB60 CE 402	000804	X	X	X		
TB60 CE 404	000805	X	X	X		
TB60 CE 402	000807	X	X	X		
TB60 CE 404 CE	000808	X	X	X	X	X
TB60 CE 404 CE	000809	X	X	X	X	X
TB60 J						
TB60 CE 402	000810	X	X	X		
TB60 CE 404	000811	X	X	X		
TB60 CE 402	000812	X	X	X		
TB60 CE 404	000813	X	X	X		
TB60 CE 402 CE	000814	X	X	X	X	X
TB60 CE 404 CE	000815	X	X	X	X	X
TB60 CE 402 CE	000816	X	X	X	X	X
TB60 CE 404 CE	000817	X	X	X	X	X

ITEM	QTY	ITEM	QTY	ITEM	QTY	ITEM	QTY	DESCRIPTION	QTY
1	1	000000	1	000000	1	000000	1	COMMON COMPONENTS	1
2	1	000001	1	000001	1	000001	1	DECAL, MOUNT, BOARD 1000	1
3	1	000002	1	000002	1	000002	1	DECAL, MOUNT, BOARD 1000	1
4	1	000003	1	000003	1	000003	1	PLACARD, MOUNT, BOARD 1000	1
5	1	000004	1	000004	1	000004	1	DECAL, MOUNT, BOARD 1000	1
6	1	000005	1	000005	1	000005	1	PLACARD, MOUNT, BOARD 1000	1
7	1	000006	1	000006	1	000006	1	PLACARD, MOUNT, BOARD 1000	1
8	1	000007	1	000007	1	000007	1	PLACARD, MOUNT, BOARD 1000	1
9	1	000008	1	000008	1	000008	1	PLACARD, MOUNT, BOARD 1000	1
10	1	000009	1	000009	1	000009	1	PLACARD, MOUNT, BOARD 1000	1
11	1	000010	1	000010	1	000010	1	PLACARD, MOUNT, BOARD 1000	1
12	1	000011	1	000011	1	000011	1	PLACARD, MOUNT, BOARD 1000	1
13	1	000012	1	000012	1	000012	1	PLACARD, MOUNT, BOARD 1000	1
14	1	000013	1	000013	1	000013	1	PLACARD, MOUNT, BOARD 1000	1
15	1	000014	1	000014	1	000014	1	PLACARD, MOUNT, BOARD 1000	1
16	1	000015	1	000015	1	000015	1	PLACARD, MOUNT, BOARD 1000	1
17	1	000016	1	000016	1	000016	1	PLACARD, MOUNT, BOARD 1000	1
18	1	000017	1	000017	1	000017	1	PLACARD, MOUNT, BOARD 1000	1
19	1	000018	1	000018	1	000018	1	PLACARD, MOUNT, BOARD 1000	1
20	1	000019	1	000019	1	000019	1	PLACARD, MOUNT, BOARD 1000	1
21	1	000020	1	000020	1	000020	1	PLACARD, MOUNT, BOARD 1000	1
22	1	000021	1	000021	1	000021	1	PLACARD, MOUNT, BOARD 1000	1
23	1	000022	1	000022	1	000022	1	PLACARD, MOUNT, BOARD 1000	1
24	1	000023	1	000023	1	000023	1	PLACARD, MOUNT, BOARD 1000	1
25	1	000024	1	000024	1	000024	1	PLACARD, MOUNT, BOARD 1000	1
26	1	000025	1	000025	1	000025	1	PLACARD, MOUNT, BOARD 1000	1
27	1	000026	1	000026	1	000026	1	PLACARD, MOUNT, BOARD 1000	1
28	1	000027	1	000027	1	000027	1	PLACARD, MOUNT, BOARD 1000	1
29	1	000028	1	000028	1	000028	1	PLACARD, MOUNT, BOARD 1000	1
30	1	000029	1	000029	1	000029	1	PLACARD, MOUNT, BOARD 1000	1
31	1	000030	1	000030	1	000030	1	PLACARD, MOUNT, BOARD 1000	1
32	1	000031	1	000031	1	000031	1	PLACARD, MOUNT, BOARD 1000	1
33	1	000032	1	000032	1	000032	1	PLACARD, MOUNT, BOARD 1000	1
34	1	000033	1	000033	1	000033	1	PLACARD, MOUNT, BOARD 1000	1
35	1	000034	1	000034	1	000034	1	PLACARD, MOUNT, BOARD 1000	1
36	1	000035	1	000035	1	000035	1	PLACARD, MOUNT, BOARD 1000	1
37	1	000036	1	000036	1	000036	1	PLACARD, MOUNT, BOARD 1000	1
38	1	000037	1	000037	1	000037	1	PLACARD, MOUNT, BOARD 1000	1
39	1	000038	1	000038	1	000038	1	PLACARD, MOUNT, BOARD 1000	1
40	1	000039	1	000039	1	000039	1	PLACARD, MOUNT, BOARD 1000	1
41	1	000040	1	000040	1	000040	1	PLACARD, MOUNT, BOARD 1000	1
42	1	000041	1	000041	1	000041	1	PLACARD, MOUNT, BOARD 1000	1
43	1	000042	1	000042	1	000042	1	PLACARD, MOUNT, BOARD 1000	1
44	1	000043	1	000043	1	000043	1	PLACARD, MOUNT, BOARD 1000	1
45	1	000044	1	000044	1	000044	1	PLACARD, MOUNT, BOARD 1000	1
46	1	000045	1	000045	1	000045	1	PLACARD, MOUNT, BOARD 1000	1
47	1	000046	1	000046	1	000046	1	PLACARD, MOUNT, BOARD 1000	1
48	1	000047	1	000047	1	000047	1	PLACARD, MOUNT, BOARD 1000	1
49	1	000048	1	000048	1	000048	1	PLACARD, MOUNT, BOARD 1000	1
50	1	000049	1	000049	1	000049	1	PLACARD, MOUNT, BOARD 1000	1
51	1	000050	1	000050	1	000050	1	PLACARD, MOUNT, BOARD 1000	1
52	1	000051	1	000051	1	000051	1	PLACARD, MOUNT, BOARD 1000	1
53	1	000052	1	000052	1	000052	1	PLACARD, MOUNT, BOARD 1000	1
54	1	000053	1	000053	1	000053	1	PLACARD, MOUNT, BOARD 1000	1
55	1	000054	1	000054	1	000054	1	PLACARD, MOUNT, BOARD 1000	1
56	1	000055	1	000055	1	000055	1	PLACARD, MOUNT, BOARD 1000	1
57	1	000056	1	000056	1	000056	1	PLACARD, MOUNT, BOARD 1000	1
58	1	000057	1	000057	1	000057	1	PLACARD, MOUNT, BOARD 1000	1
59	1	000058	1	000058	1	000058	1	PLACARD, MOUNT, BOARD 1000	1
60	1	000059	1	000059	1	000059	1	PLACARD, MOUNT, BOARD 1000	1
61	1	000060	1	000060	1	000060	1	PLACARD, MOUNT, BOARD 1000	1
62	1	000061	1	000061	1	000061	1	PLACARD, MOUNT, BOARD 1000	1
63	1	000062	1	000062	1	000062	1	PLACARD, MOUNT, BOARD 1000	1
64	1	000063	1	000063	1	000063	1	PLACARD, MOUNT, BOARD 1000	1
65	1	000064	1	000064	1	000064	1	PLACARD, MOUNT, BOARD 1000	1
66	1	000065	1	000065	1	000065	1	PLACARD, MOUNT, BOARD 1000	1
67	1	000066	1	000066	1	000066	1	PLACARD, MOUNT, BOARD 1000	1
68	1	000067	1	000067	1	000067	1	PLACARD, MOUNT, BOARD 1000	1
69	1	000068	1	000068	1	000068	1	PLACARD, MOUNT, BOARD 1000	1
70	1	000069	1	000069	1	000069	1	PLACARD, MOUNT, BOARD 1000	1
71	1	000070	1	000070	1	000070	1	PLACARD, MOUNT, BOARD 1000	1
72	1	000071	1	000071	1	000071	1	PLACARD, MOUNT, BOARD 1000	1
73	1	000072	1	000072	1	000072	1	PLACARD, MOUNT, BOARD 1000	1
74	1	000073	1	000073	1	000073	1	PLACARD, MOUNT, BOARD 1000	1
75	1	000074	1	000074	1	000074	1	PLACARD, MOUNT, BOARD 1000	1
76	1	000075	1	000075	1	000075	1	PLACARD, MOUNT, BOARD 1000	1
77	1	000076	1	000076	1	000076	1	PLACARD, MOUNT, BOARD 1000	1
78	1	000077	1	000077	1	000077	1	PLACARD, MOUNT, BOARD 1000	1
79	1	000078	1	000078	1	000078	1	PLACARD, MOUNT, BOARD 1000	1
80	1	000079	1	000079	1	000079	1	PLACARD, MOUNT, BOARD 1000	1
81	1	000080	1	000080	1	000080	1	PLACARD, MOUNT, BOARD 1000	1
82	1	000081	1	000081	1	000081	1	PLACARD, MOUNT, BOARD 1000	1
83	1	000082	1	000082	1	000082	1	PLACARD, MOUNT, BOARD 1000	1
84	1	000083	1	000083	1	000083	1	PLACARD, MOUNT, BOARD 1000	1
85	1	000084	1	000084	1	000084	1	PLACARD, MOUNT, BOARD 1000	1
86	1	000085	1	000085	1	000085	1	PLACARD, MOUNT, BOARD 1000	1
87	1	000086	1	000086	1	000086	1	PLACARD, MOUNT, BOARD 1000	1
88	1	000087	1	000087	1	000087	1	PLACARD, MOUNT, BOARD 1000	1
89	1	000088	1	000088	1	000088	1	PLACARD, MOUNT, BOARD 1000	1
90	1	000089	1	000089	1	000089	1	PLACARD, MOUNT, BOARD 1000	1
91	1	000090	1	000090	1	000090	1	PLACARD, MOUNT, BOARD 1000	1
92	1	000091	1	000091	1	000091	1	PLACARD, MOUNT, BOARD 1000	1
93	1	000092	1	000092	1	000092	1	PLACARD, MOUNT, BOARD 1000	1
94	1	000093	1	000093	1	000093	1	PLACARD, MOUNT, BOARD 1000	1
95	1	000094	1	000094	1	000094	1	PLACARD, MOUNT, BOARD 1000	1
96	1	000095	1	000095	1	000095	1	PLACARD, MOUNT, BOARD 1000	1
97	1	000096	1	000096	1	000096	1	PLACARD, MOUNT, BOARD 1000	1
98	1	000097	1	000097	1	000097	1	PLACARD, MOUNT, BOARD 1000	1
99	1	000098	1	000098	1	000098	1	PLACARD, MOUNT, BOARD 1000	1
100	1	000099	1	000099	1	000099	1	PLACARD, MOUNT, BOARD 1000	1
101	1	000100	1	000100	1	000100	1	PLACARD, MOUNT, BOARD 1000	1
102	1	000101	1	000101	1	000101	1	PLACARD, MOUNT, BOARD 1000	1
103	1	000102	1	000102	1	000102	1	PLACARD, MOUNT, BOARD 1000	1
104	1	000103	1	000103	1	0			

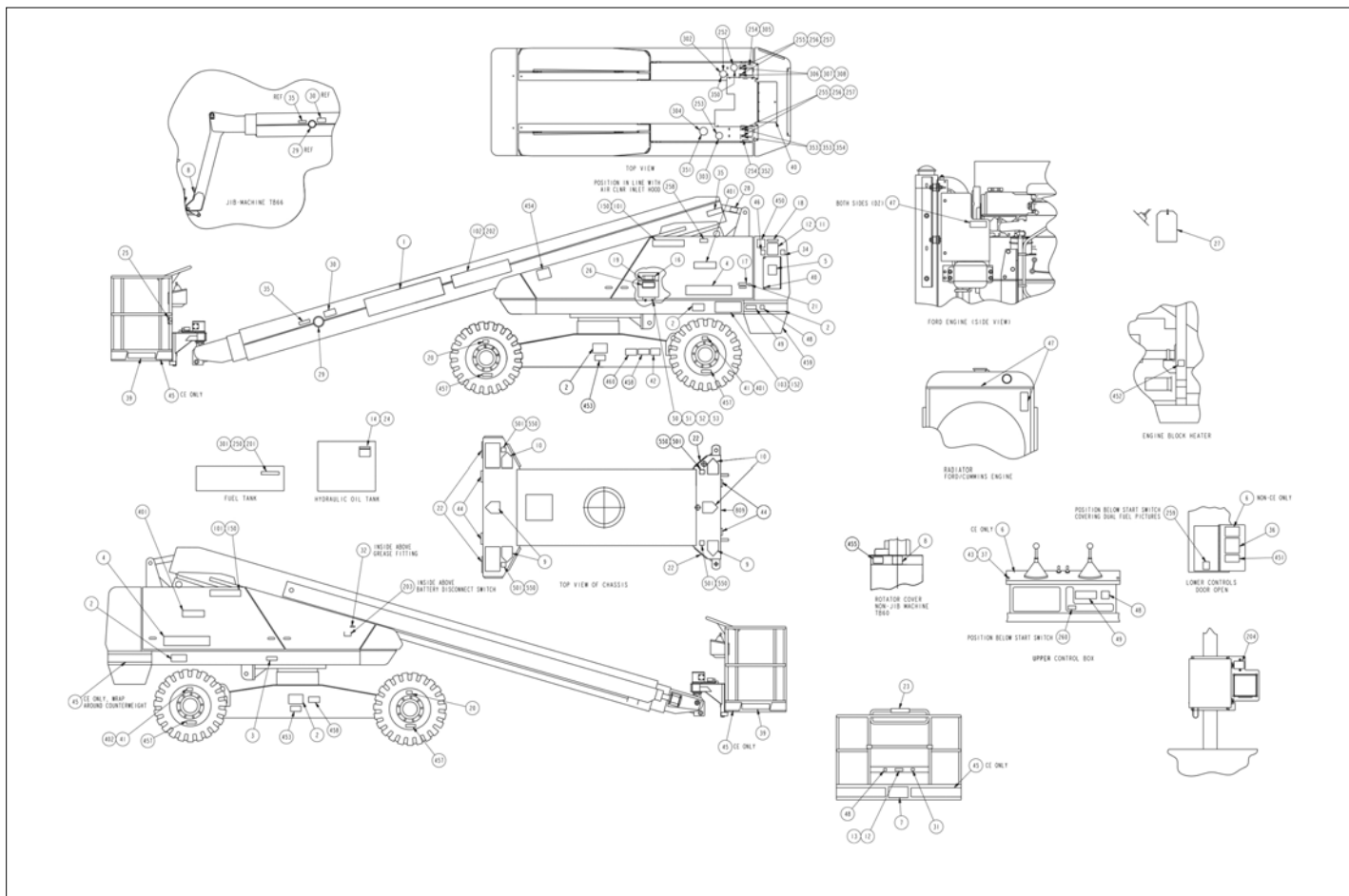
アイテム	部品番号	名前	数量	UOM
	A08065PA	DECAL PLACARDS TB60 TB66J INSTALLATION OCTOBER 2007 AND AFTER		EA



アイテム	部品番号	名前	数量	UOM
	A08065RA	DECAL PLACARD TB60 TB66J INSTALLATION DECEMBER 2007 AND AFTER		EA

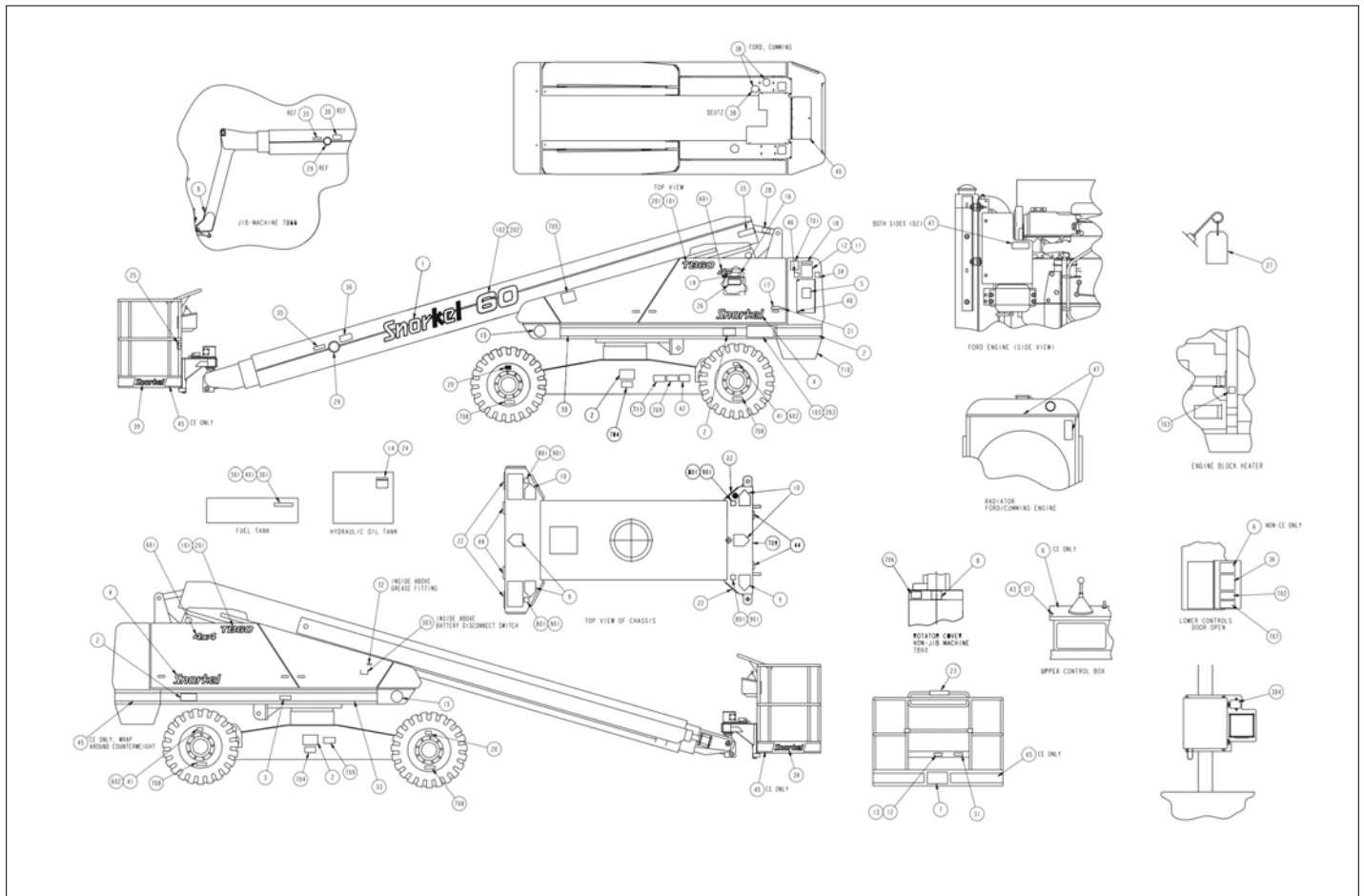


REPAIR PARTS



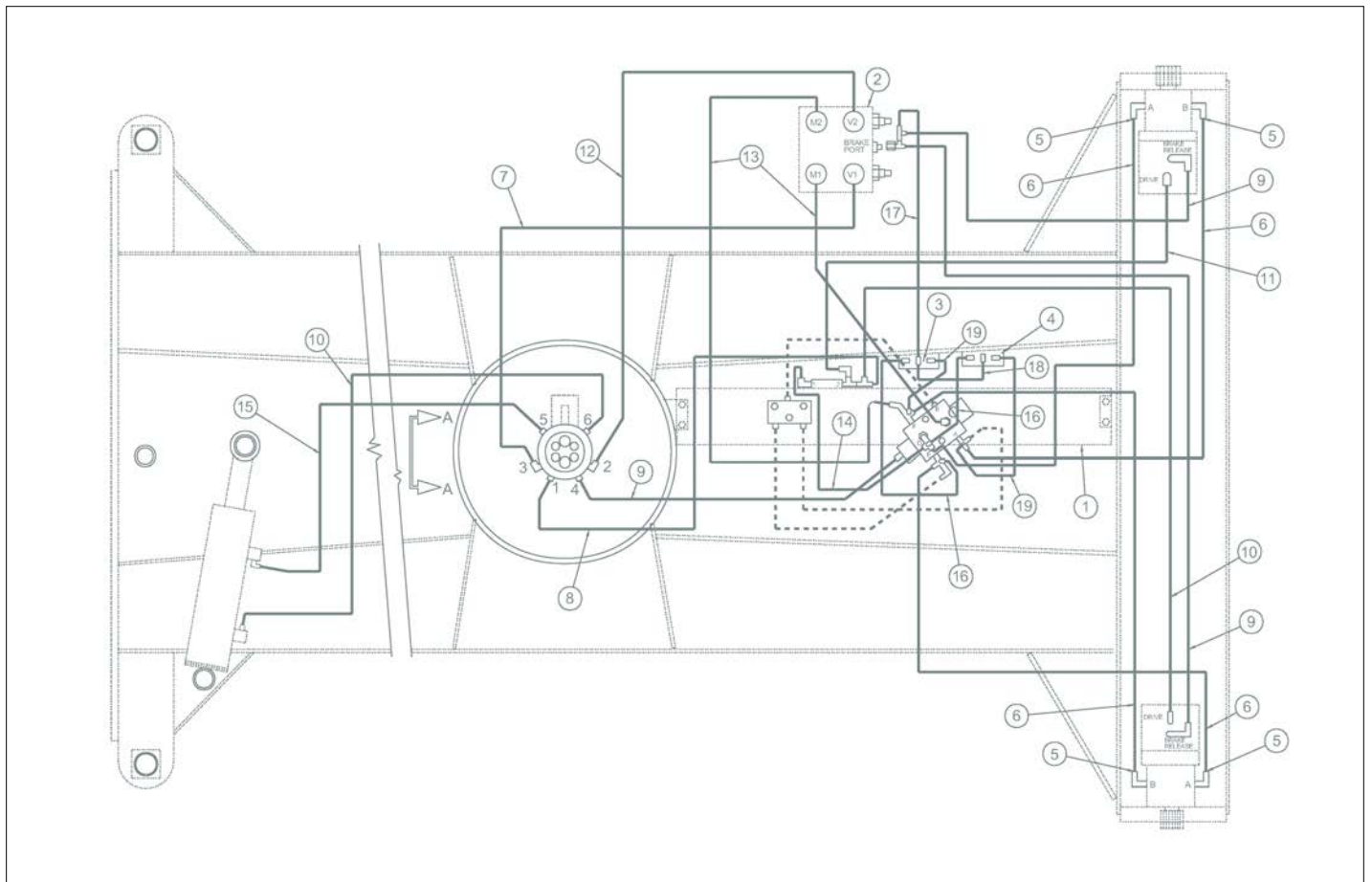
アイテム	部品番号	名前	数量	UOM
	A08065S A	DECAL PLACARDS TB60 TB66J INSTALLATION FEBURARY 2008 AND AFTER		EA

REPAIR PARTS



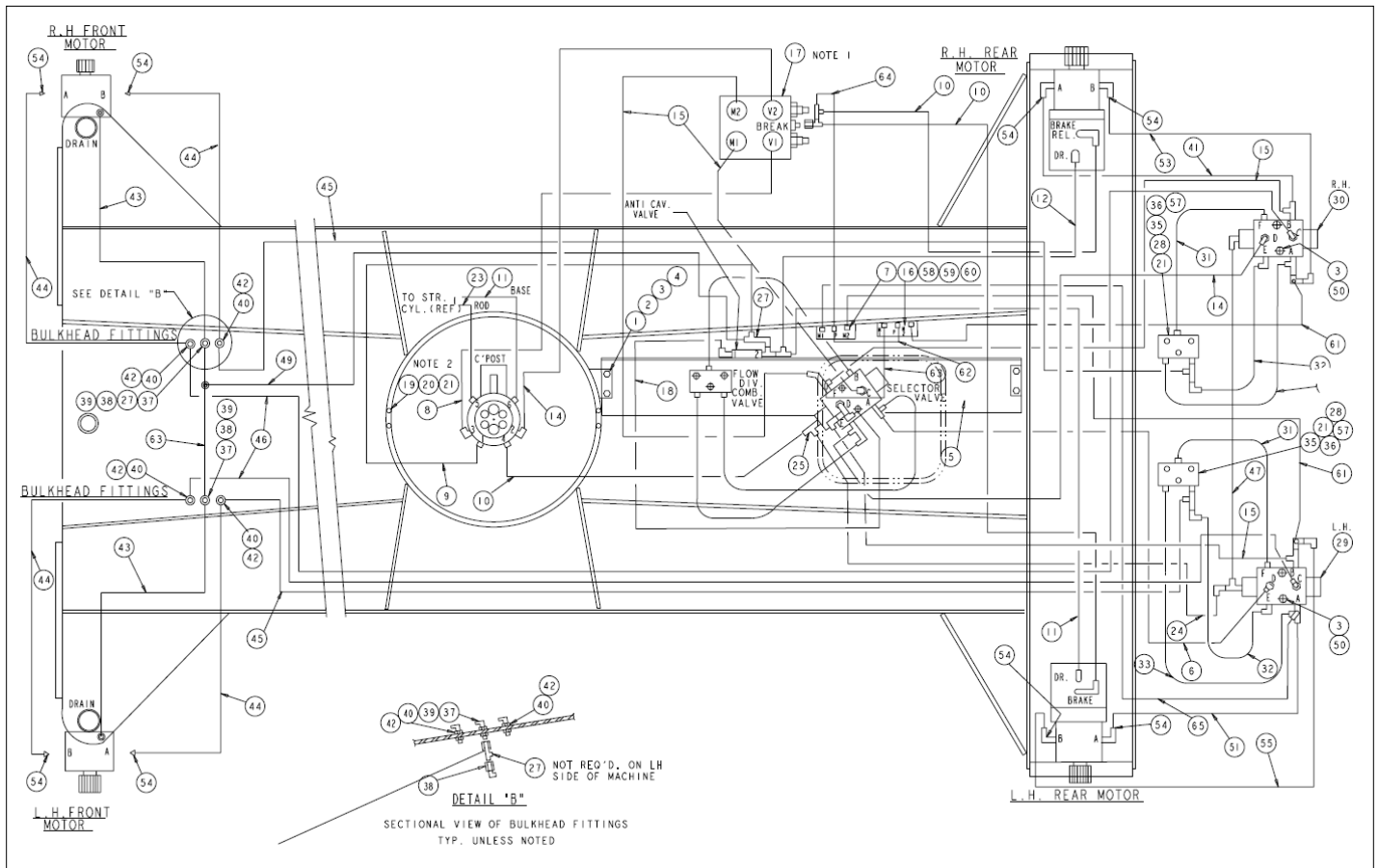
アイテム	部品番号	名前	数量	UOM
	A08065S C	DECAL PLACARDS TB60 TB66J INSTALLATION MAY 2015 AND AFTER		EA

HYDRAULICS



アイテム	部品番号	名前	数量	UOM
	0080551J	CHASSIS HYDRAULIC EQUIPMENT 4X2 JANUARY 2001 AND BEFORE		EA
1	0081423	DRIVE VALVE, HIGH TORQUE	1	EA
2	0081042	MOTION CONTROL VALVE, DRIVE	1	EA
3	0081600	DRIVE SEQUENCE VALVE, RIGHT HAND	1	EA
4	0081604	DRIVE SEQUENCE VALVE, LEFT HAND	1	EA
5	5080015	LAST CHANCE FILTER	4	EA
6	0080543	HOSE 12 12S 12S90 56 SP	4	EA
7	0400483	3/4 INCH HYDRAULIC HOSE	1	EA
8	0080522	HOSE 8 8S 8S 42 100R2	1	EA
9	0070772	3/8 I.D. HOSE ASSEMBLY	3	EA
10	0070783	HOSE 4 6S 6S 76.5 100R1	2	EA
11	0070781	HOSE 4 6S 6S 52 100R1	1	EA
12	0110490	3/4 INCH HYDRAULIC HOSE	2	EA
13	0080524	HOSE 12 12S 12S 30 100R2 30	4	EA
14	0070792	HOSE 8 8S 8S 32 100R2	1	EA
15	0070782	HOSE 4 6S 6S 66 100R1	1	EA
16	0020267	HOSE 6 6S 6S 31.75 100R2	2	EA
17	0040276	HOSE 4 4S 4S 20.5 100R1	1	EA
18	0070768	1/4 I.D. HOSE ASSY	1	EA
19	0020275	HOSE 6 6S 6S 16 100R2	1	EA

HYDRAULICS

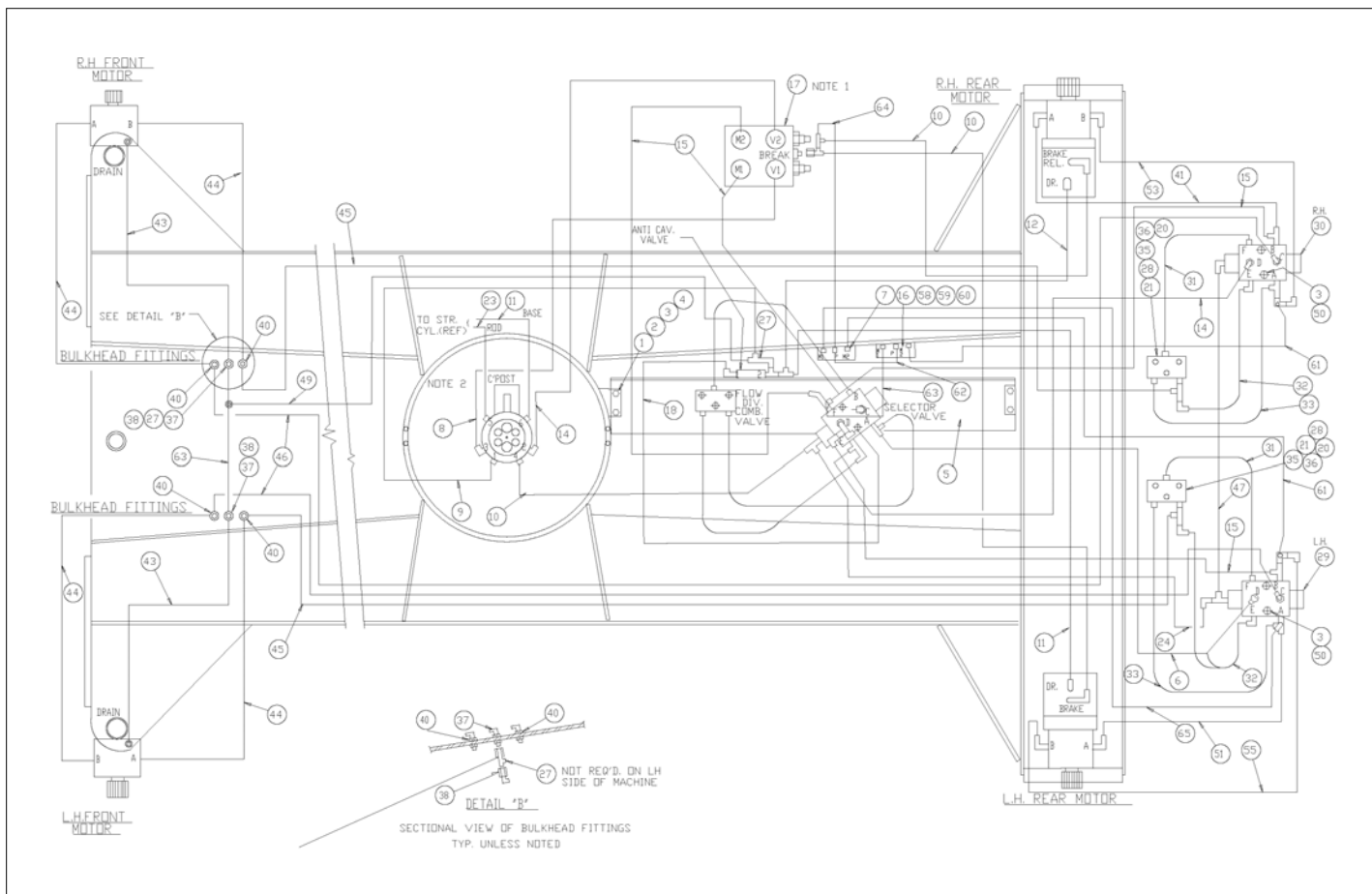


アイテム	部品番号	名前	数量	UOM
	0080886 S	CHASSIS HYDRAULIC EQUIPMENT 4X4 FEBRUARY 2001 AND AFTER	1	EA
1	PNNA	BOLT, HEXHD 3/8 16 X 1 1/4 LG GR5	4	EA
2	PNNA	NUT, 3/8 16 HEX	8	EA
3	PNNA	WASHER, 3/8 MED LOCK	6	EA
4	PNNA	WASHER, 3/8 FLAT	8	EA
5	0081601	DRIVE VALVE SUB ASSEMBLY	1	EA
6	0080543	HOSE 12 12S 12S90 56 SP	1	EA
7	0081604	DRIVE SEQUENCE VALVE, LEFT HAND	1	EA
8	0400483	3/4 INCH HYDRAULIC HOSE	1	EA
9	0080522	HOSE 8 8S 8S 42 100R2	1	EA
10	0070772	3/8 I.D. HOSE ASSEMBLY	3	EA
11	0070783	HOSE 4 6S 6S 76.5 100R1	2	EA
12	0070781	HOSE 4 6S 6S 52 100R1	1	EA
13	PNNA	CAPSCREW, 3/8 16 X 5" LG HEXHD GR5	2	EA
14	0110490	3/4 INCH HYDRAULIC HOSE	2	EA
15	0080524	HOSE 12 12S 12S 30 100R2 30	4	EA
16	0081600	DRIVE SEQUENCE VALVE, RIGHT HAND	1	EA
17	0081042	MOTION CONTROL VALVE, DRIVE	1	EA
18	0070792	HOSE 8 8S 8S 32 100R2	1	EA
19	PNNA	CAPSCREW, 1/4 20 X 1" LG HEXHD GR5	1	EA
20	5560004	NUT LKG .250 20	1	EA
21	PNNA	WASHER 1/4 FLAT PLATED	1	EA
22	5093027	CLAMP	1	EA
23	0070782	HOSE 4 6S 6S 66 100R1	1	EA
24	0020655	HOSE 4 4S 4S 29.5 100R1	1	EA

アイテム	部品番号	名前	数量	UOM
25	5036703	FTG TEE SWVL RUN 4S 4S STL (SEE PAGE 2)	1	EA
27	5036705	FTG TEE SWVL RUN 6S 6S STL	2	EA
28	0080958	FLOW DIVIDER/COMBINER VALVE	2	EA
29	0080929	SELECTOR VALVE, LEFT HAND	1	EA
30	0080928	SELECTOR VALVE, RIGHT HAND	1	EA
31	0080936	3/4 INCH HYDRAULIC TUBE	2	EA
32	0080934	3/4 INCH HYDRAULIC TUBE	2	EA
33	0080937	3/4 INCH HYDRAULIC TUBE	2	EA
35	0081547	SPCR .375 1.75 5.00 3H STL – FLUIDTECH VALVE ONLY – ITEM NOT SHOWN	2	EA
36	PNNA	CAPSCREW, 1/4 20 HEXHD GR5	6	EA
37	5034502	ADAPTER 90 DEG ELBOW BULKHEAD 6 JIC TO 6 JIC	2	EA
38	5037005	TERM FEM F.I. .250 16/14	2	EA
39	5074403	ADAPTER, NUT, BULKHEAD 6	2	EA
40	5034505	FTG ELB90BHD 12S 12S STL PH 12	4	EA
41	0080940	3/4 INCH HYDRAULIC HOSE	1	EA
42	5074406	BULKHEAD LOCKNUT (12)	4	EA
43	0072570	1/4 INCH HYDRAULIC HOSE	2	EA
44	0080945	3/4 INCH HYDRAULIC HOSE	4	EA
45	0080931	3/4 INCH HYDRAULIC HOSE	2	EA
46	0080932	3/4 INCH HYDRAULIC HOSE	2	EA
47	0020283	HOSE 4 4S 4S 15.25 100R1 SAE:100R1 4 BAND IN	1	EA
49	0080362	HOSE 6 6S 6S 93.5 100R2	1	EA
50	PNNA	CAPSCREW, 3/8 16 X 3" LG HEXHD GR5	4	EA
51	0080930	HOSE 12 12S45 12S 20 100R2 SP	1	EA

アイテム	部品番号	名前	数量	UOM
52	0080941	3/4 INCH HYDRAULIC HOSE		EA
53	5080015	LAST CHANCE FILTER	1	EA
54	0080939	HOSE 12 12S45 12S 31.5 100R2	8	EA
55	PNNA	3/4 ID HOSE ASSY (12)	1	EA
57	PNNA	WASHER, 1/4 MED LOCK	6	EA
58	PNNA	CAPSCREW, 5/16 18 X 3" LG HEXHD GR5	4	EA
59	PNNA	WASHER, 5/16 MED LOCK	4	EA
60	PNNA	WASHER, 5/16 FLAT	4	EA
61	0020273	HOSE 6 6S 6S 35.5 100R2	2	EA
62	0070768	1/4 I.D. HOSE ASSY	1	EA
63	0070786	HOSE 6 6S 6S 19 100R2	2	EA
64	0040276	HOSE 4 4S 4S 20.5 100R1	1	EA
65	0070764	3/8 INCH HYDRAULIC HOSE	1	EA
66	5560082	HOSE GUIDE .250 RUBBER EDGE	4	EA

HYDRAULICS

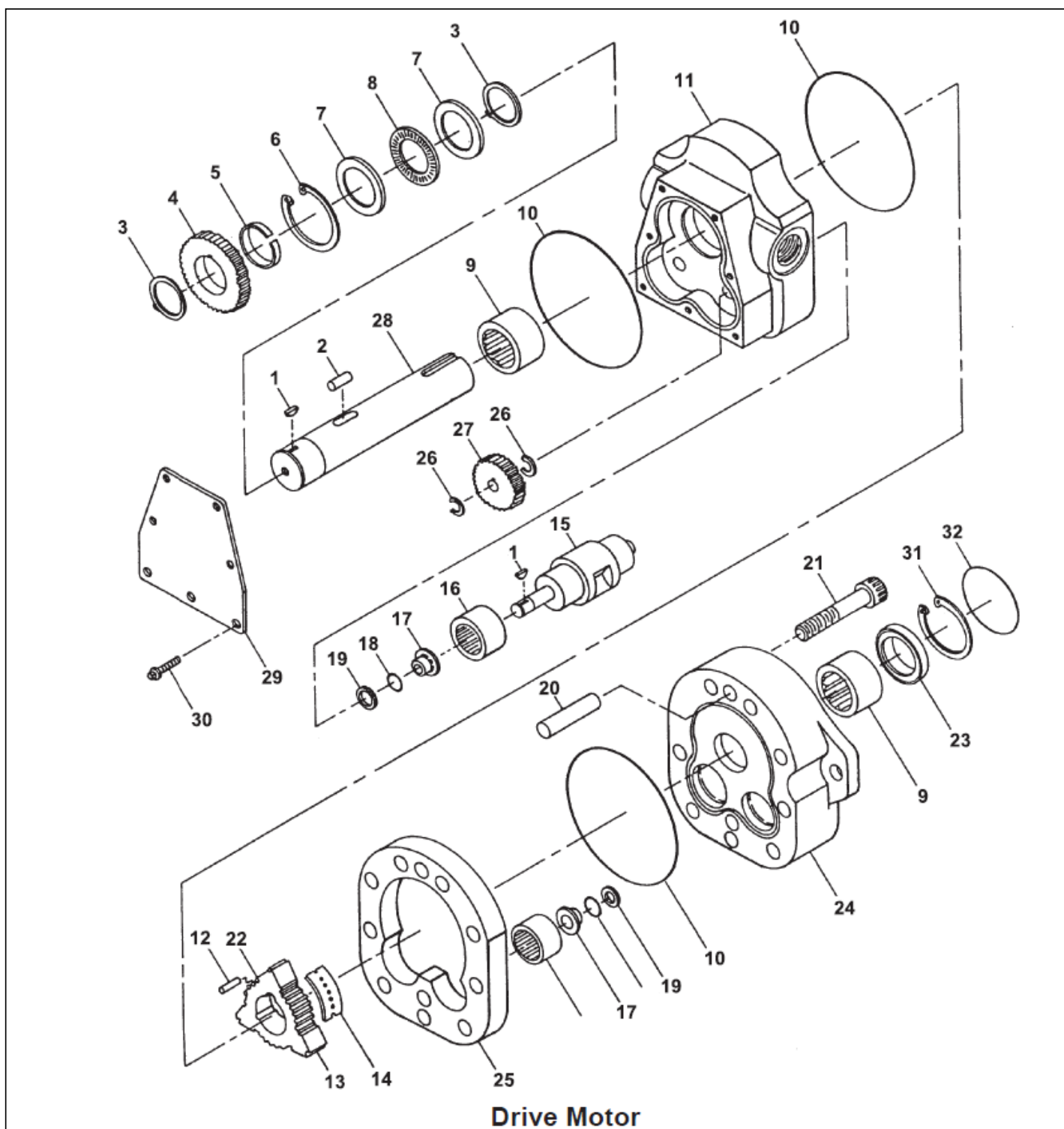


アイテム	部品番号	名前	数量	UOM
	0082060H	CHASSIS HYDRAULIC EQUIPMENT 4X4 NOVEMBER 2006 AND AFTER		EA
1	970419	CAPSCREW 3/8 16 X 1 1/4 LG HH GR5	8	EA
2	987109	WSHR LOCK .313	4	EA
3	987119	WSHR LOCK .375	16	EA
4	986299	WASHER, FLAT, .375 STANDARD, PLATED	12	EA
5	0081601	DRIVE VALVE SUB ASSEMBLY	1	EA
6	0080543	HOSE 12 12S 12S90 56 SP	1	EA
7	0081604	DRIVE SEQUENCE VALVE, LEFT HAND	1	EA
8	0400483	3/4 INCH HYDRAULIC HOSE	1	EA
9	0080522	HOSE 8 8S 8S 42 100R2	1	EA
10	0070772	3/8 I.D. HOSE ASSEMBLY	3	EA
11	0070783	HOSE 4 6S 6S 76.5 100R1	2	EA
12	0070781	HOSE 4 6S 6S 52 100R1	1	EA
14	0110490	3/4 INCH HYDRAULIC HOSE	2	EA
15	0080524	HOSE 12 12S 12S 30 100R2 30	4	EA
16	0081600	DRIVE SEQUENCE VALVE, RIGHT HAND	1	EA
17	0081042	MOTION CONTROL VALVE, DRIVE	1	EA
18	0070792	HOSE 8 8S 8S 32 100R2	1	EA
20	5560004	NUT LKG .250 20	6	EA
21	986019	WSHR FLAT .250	6	EA
23	0070782	HOSE 4 6S 6S 66 100R1	1	EA
24	0020655	HOSE 4 4S 4S 29.5 100R1	1	EA
27	5036705	FTG TEE SWVL RUN 6S 6S STL	1	EA
28	0080958	FLOW DIVIDER/COMBINER VALVE	2	EA
29	0080929	SELECTOR VALVE, LEFT HAND	1	EA

アイテム	部品番号	名前	数量	UOM
30	0080928	SELECTOR VALVE, RIGHT HAND	1	EA
31	0080936	3/4 INCH HYDRAULIC TUBE	2	EA
32	0080934	3/4 INCH HYDRAULIC TUBE	2	EA
33	0080937	3/4 INCH HYDRAULIC TUBE	2	EA
35	0081547 3	SPCR .375 1.75 5.00 3H STL	2	EA
36	970109	CAPSCREW, 1/4 20 X 2 3/4 LG HEXHD GR5	6	EA
37	5034502	ADAPTER 90 DEG ELBOW BULKHEAD 6 JIC TO 6 JIC	2	EA
38	5037005	TERM FEM F.I. .250 16/14	2	EA
40	5034505	FTG ELB90BHD 12S 12S STL PH 12	4	EA
41	0080940	3/4 INCH HYDRAULIC HOSE	1	EA
43	0072570	1/4 INCH HYDRAULIC HOSE	2	EA
44	0080945	3/4 INCH HYDRAULIC HOSE	4	EA
45	0080931	3/4 INCH HYDRAULIC HOSE	2	EA
46	0080932	3/4 INCH HYDRAULIC HOSE	2	EA
47	0020283	HOSE 4 4S 4S 15.25 100R1 SAE:100R1 4 BAND IN	1	EA
49	0080362	HOSE 6 6S 6S 93.5 100R2	1	EA
50	970369	BLT HEXHD .313 18 X 1.00 GR5	4	EA
51	0080930	HOSE 12 12S45 12S 20 100R2 SP	1	EA
53	0080941	3/4 INCH HYDRAULIC HOSE	1	EA
55	0080939	HOSE 12 12S45 12S 31.5 100R2	1	EA
58	970119	BLT HEXHD .313 18 3.00 GR5	4	EA
59	984109	NUT HEX .375 16	4	EA
60	986269	WSHR FLAT .313	4	EA
61	0020273	HOSE 6 6S 6S 35.5 100R2	4	EA
62	0070768	1/4 I.D. HOSE ASSY	1	EA
63	0070786	HOSE 6 6S 6S 19 100R2	2	EA
64	0040276	HOSE 4 4S 4S 20.5 100R1	1	EA

アイテム	部品番号	名前	数量	UOM
65	0070764	3/8 INCH HYDRAULIC HOSE	1	EA
66	5560277	HOSE GUIDE .375 RUBBER EDGE	4	EA
	5550030	CLP WORM DRV 1.50 2.50 SAE#32	4	EA

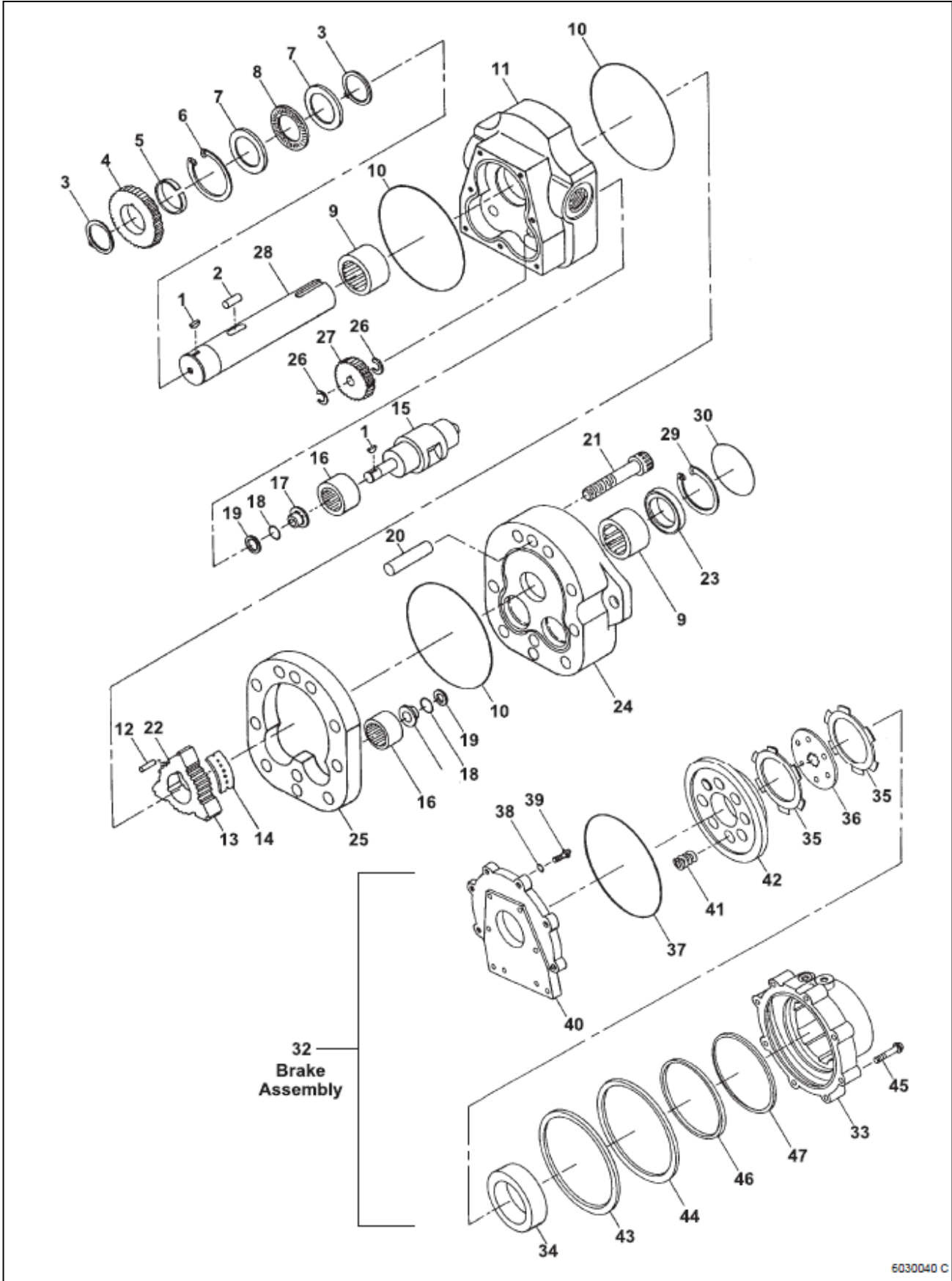
HYDRAULICS



アイテム	部品番号	名前	数量	UOM
Not Shown	6030018	VR FRONT DRIVE MTR 4X4 – VON RUD	1	EA
1	8220126	WOODRUFF KEY	3	EA
2	8220127	DRIVE PIN	1	EA
3	8220005	RETAINING RING	2	EA
4	8220128	GEAR DRIVE	1	EA
5	8220129	SPACER WASHER	1	EA
6	8220130	RETAINING RING	1	EA
7	8220006	THRUST BEARING RACE	2	EA
8	8220007	THRUST BEARING	1	EA
9	8220027	NEEDLE BEARING	2	EA
10	8220131	OIL SEAL	3	EA
11	8220132	REAR END CAP	1	EA
12	8220133	TIP SEAL ROLLER	3	EA
13	8220134	ROTOR	1	EA
14	8220020	SEAL PLATE	3	EA
15	8220135	ABUTMENT VALVE	2	EA
16	8220028	NEEDLE BEARING	4	EA
17	28220030	STEP BEARING	4	EA
18	8220136	O RING	4	EA
19	8220137	BACK UP RING	4	EA
20	8220138	DOWEL PIN	4	EA
21	8220139	CAP SCREW	9	EA
22	8220140	BODY SEAL ROLLER	18	EA
23	8220146	SHAFT SEAL	1	EA
24	8220031	FRONT END CAP	1	EA
25	8220141	DISPLACEMENT HOUSING	1	EA
26	8220142	RETAINING RING	4	EA
27	8220143	GEAR PINION	2	EA
28	8220156	S SHAFT	1	EA

アイテム	部品番号	名前	数量	UOM
29	8220147	GEAR COVER	1	EA
30	8220148	CAP SCREW	7	EA
31	8220144	RETAINING RING	1	EA
32	8220145	O RING	1	EA
33	8220117	FRONT SEALING CAP	1	EA

HYDRAULICS

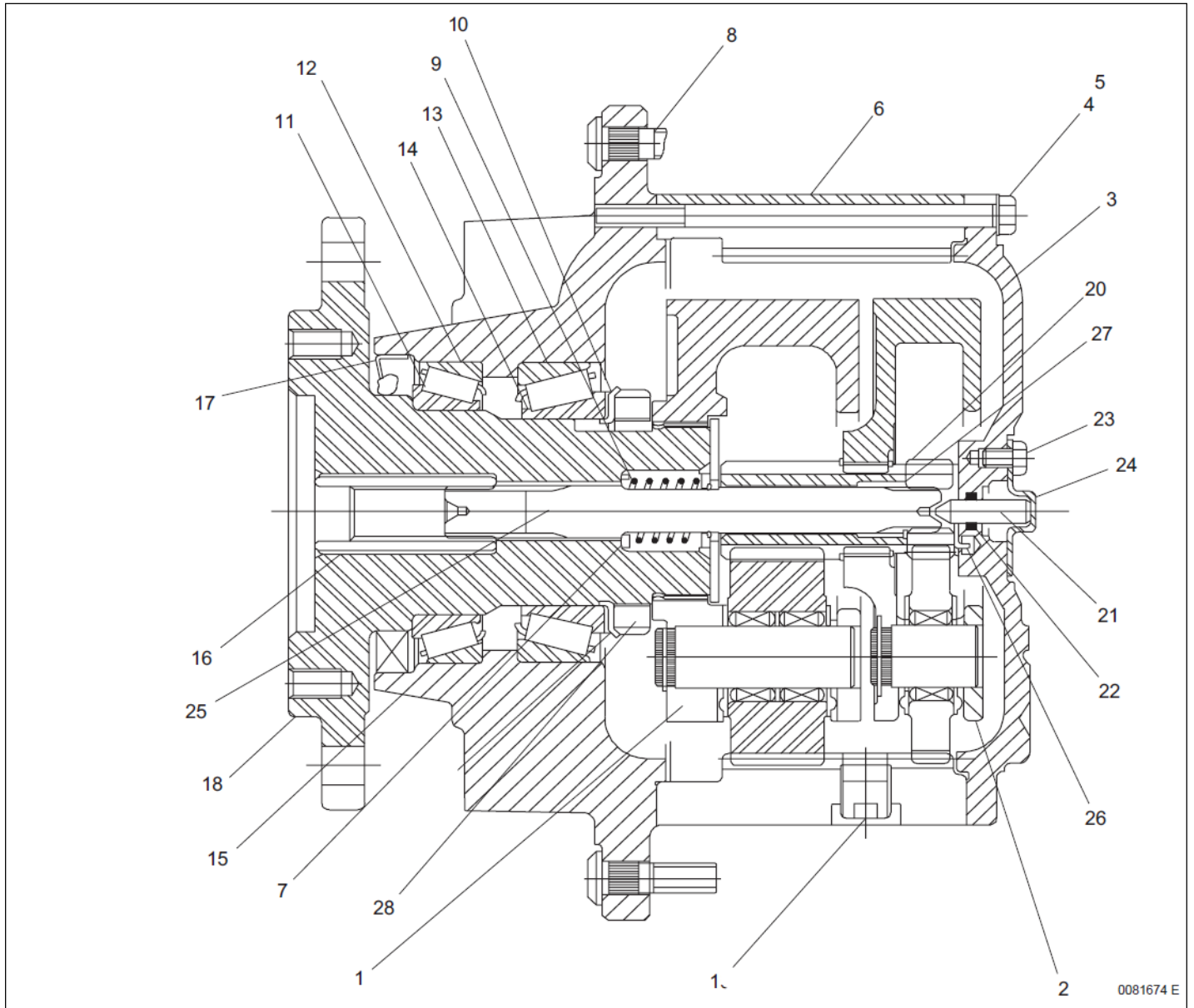


6030040 C

アイテム	部品番号	名前	数量	UOM
Not Shown	6030040	MTR W/BRAKE VON RUDEN	1	EA
1	8220126	WOODRUFF KEY	3	EA
2	8220127	DRIVE PIN	1	EA
3	8220005	RETAINING RING	2	EA
4	8220128	GEAR DRIVE	1	EA
5	8220129	SPACER WASHER	1	EA
6	8220130	RETAINING RING	1	EA
7	8220006	THRUST BEARING RACE	2	EA
8	8220007	THRUST BEARING	1	EA
9	8220027	NEEDLE BEARING	2	EA
10	8220131	OIL SEAL	3	EA
11	8220132	REAR END CAP	1	EA
12	8220133	TIP SEAL ROLLER	3	EA
13	8220134	ROTOR	1	EA
14	8220020	SEAL PLATE	3	EA
15	8220135	ABUTMENT VALVE	2	EA
16	8220028	NEEDLE BEARING	4	EA
17	28220030	STEP BEARING	4	EA
18	8220136	O RING	4	EA
19	8220137	BACK UP RING	4	EA
20	8220138	DOWEL PIN	4	EA
21	8220139	CAP SCREW	9	EA
22	8220140	BODY SEAL ROLLER	18	EA
23	8220146	SHAFT SEAL	1	EA
24	8220031	FRONT END CAP	1	EA
25	8220141	DISPLACEMENT HOUSING	1	EA
26	8220142	RETAINING RING	4	EA
27	8220143	GEAR PINION	2	EA
28	8220017	S SHAFT FOR BRAKE	1	EA

アイテム	部品番号	名前	数量	UOM
29	8220144	RETAINING RING	1	EA
30	8220145	O RING	1	EA
31	8220117	FRONT SEALING CAP	1	EA
32	8220155	DRIVE MOTOR BRAKE, 4 CUBIC INCH	1	EA
Not Shown	8220038	BRAKE REPLACEMENT KIT	1	EA
33	KIT ITEM	HOUSING – NOT SOLD SEPARATELY	1	EA
34	8220150	SPACER RING	1	EA
35	8220014	FRICTION DISC	5	EA
36	8220015	DRIVER PLATE	4	EA
37	8220010	O RING	1	EA
38	8220011	BRASS WASHER	7	EA
39	8220148	CAP SCREW	7	EA
40	PNNA	ADAPTER PLATE – KIT ITEM	1	EA
41	8220025	DIE SPRING	8	EA
42	8220153	PRESSURE PLATE	1	EA
43	8220009	BACK UP RING	1	EA
44	28220008	O RING	1	EA
45	8220154	CAP SCREW	8	EA
46	8220003	O RING	1	EA
47	8220004	BACK UP RING	2	EA
Not Shown	0071092	Seal Kit Drive Motor Includes Items 10,18,19,23, & 31	1	EA
Not Shown	8220149	Seal Kit Drive Motor Brake Includes Items 39,40,43,44,46,&47	1	EA

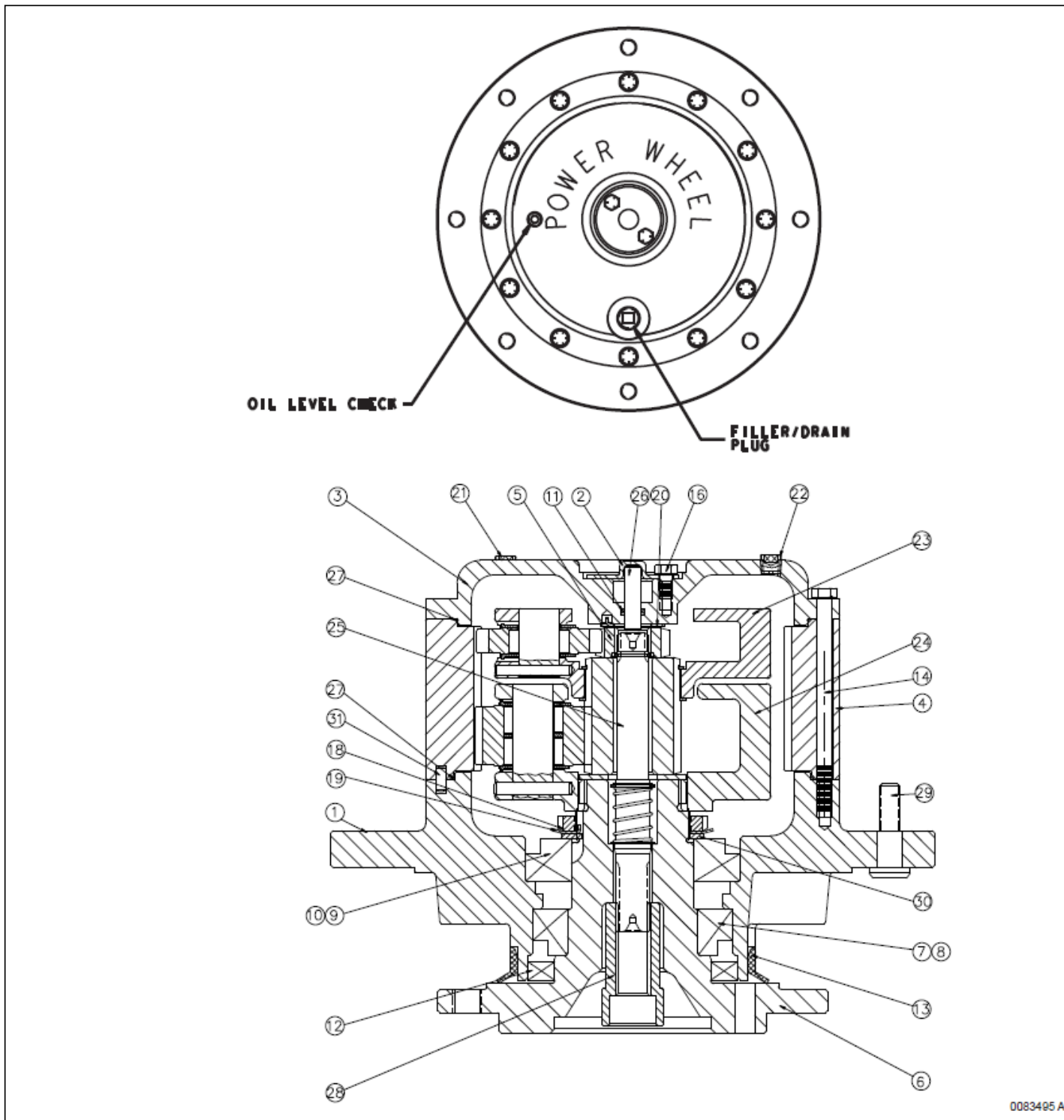
HYDRAULICS



アイテム	部品番号	名前	数量	UOM
	0081674 E	GEAR HUB HIGH TORQUE AUBURN GEAR TB60 04 000114 AND BEFORE	1	EA
1	8010106	SECONDARY CARRIER	1	EA
2	8010107	PRIMARY CARRIER	1	EA
3	8010097	COVER	1	EA
4	986299	WASHER, FLAT, .375 STANDARD, PLATED	12	EA
5	8010069	CAPSCREW HEX HEAD	12	EA
6	8010157	RING GEAR	1	EA
7	8010175	THRUST WASHER	2	EA
8	7280022	WHEEL BOLT	8	EA
9	8010151	SPRING	1	EA
10	8010173	THRUST WASHER	1	EA
11	8010031	BEARING CUP	1	EA
12	8010032	BEARING CONE	1	EA
13	8010029	BEARING CUP	1	EA
14	8010030	BEARING CONE	1	EA
15	8010186	HUB	1	EA
16	8010013	COUPLING	1	EA
17	8010027	SEAL OIL	1	EA
18	8010109	SPINDLE	1	EA
19	8010028	PLUG PIPE	1	EA
20	8010108	SUN GEAR	1	EA
21	8010143	PLUNGER	1	EA
22	8010149	O RING	1	EA
23	8010168	BOLT HEX HEAD	2	EA
24	8010080	COVER DISENGAGE	1	EA
25	8010169	INPUT SHAFT	1	EA
26	8010075	WASHER THRUST	1	EA
27	8010145	RING RETAINING	2	EA

アイテム	部品番号	名前	数量	UOM
28	8010150	RETAINER NUT	1	EA

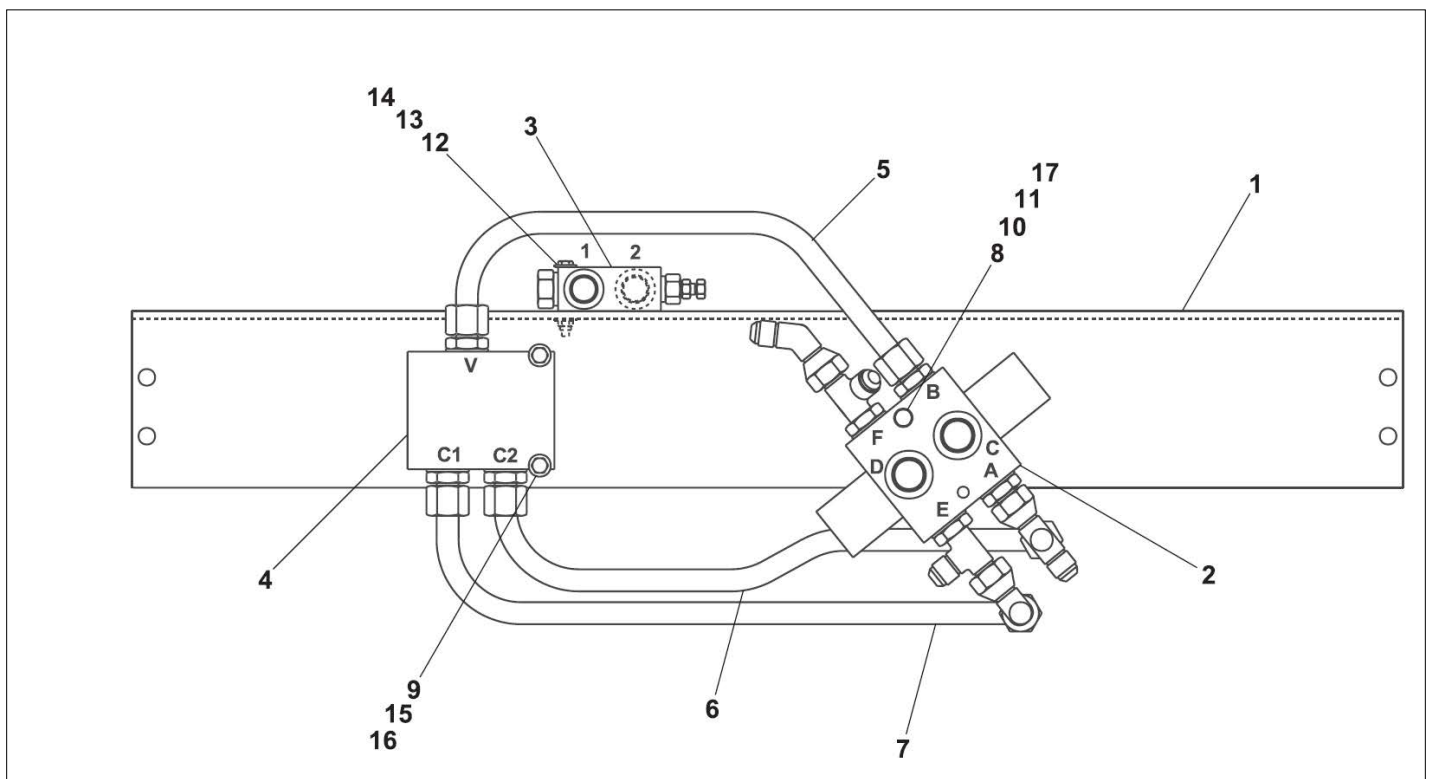
HYDRAULICS



アイテム	部品番号	名前	数量	UOM
	0083495 C	GEAR HUB HIGH TORQUE OMNI GEAR TB60 04 000114 AND AFTER	1	EA
1	6091721	HOUSING, STANDARD	1	EA
2	6091723	CAP, LOCKOUT	1	EA
3	6091722	CAP, END	1	EA
4	6091724	GEAR, RING 85T	1	EA
5	6091725	GEAR, 14T	1	EA
6	6091726	SPINDLE, SAE 'B1'	1	EA
7	6091730	BEARING, CUP	1	EA
8	6091731	BEARING CONE	1	EA
9	6091732	BEARING , CUP	1	EA
10	6091733	BEARING CONE	1	EA
11	6091734	O RING	1	EA
12	6091735	OIL SEAL	1	EA
13	6091736	PROTECTOR SEAL	1	EA
14	6091740	HEX HEAD BOLT, M10 X 1.5 GR10.9	12	EA
16	6091741	HEX HEAD BOLT, M8 X 1.25 GR10.9	2	EA
18	6091742	LOCK NUT M75 X 2	1	EA
19	6091744	LOCK NUT WASHER M75	1	EA
20	6091743	RETAINING WASHER, SUN	1	EA
21	6091745	PIPE PLUG, 1/4" 18NPT SCCKET HD	1	EA
22	6091746	PIPE PLUG, 1/2" 14NPT MAGNETIC	1	EA
23	6091747	PRIMARY CARRIER SUB ASSEMBLY	1	EA
24	6091748	SECONDARY CARRIER SUB ASSEMBLY	1	EA
25	6091749	DRIVE SHAFT SUB ASSEMBLY	1	EA
26	6091751	PLUNGER	1	EA

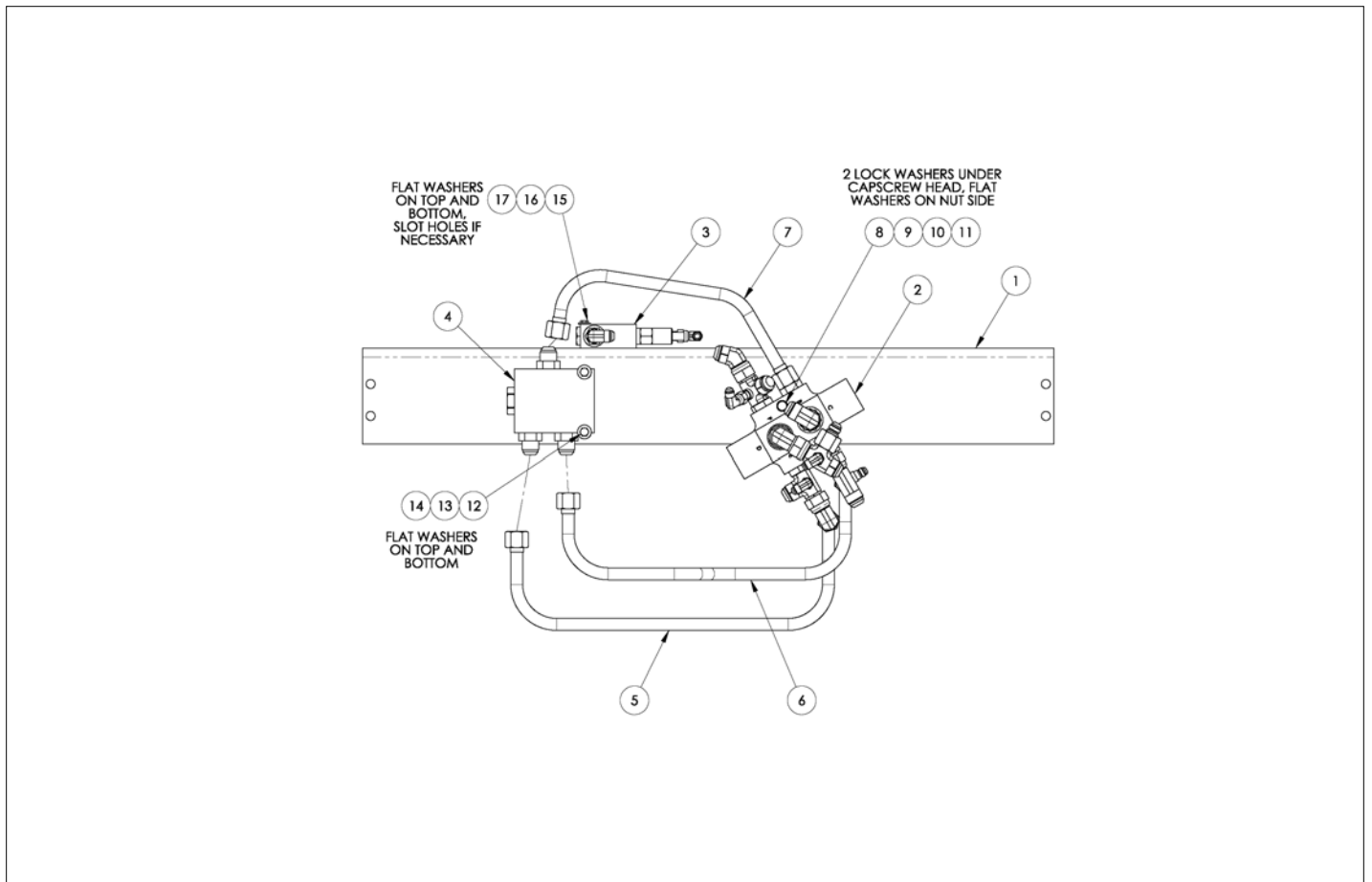
アイテム	部品番号	名前	数量	UOM
27	6091737	O RING	2	EA
28	6091750	MOTOR COUPLER 13T	1	EA
29	6091739	WHEEL STUD, 9/16" 18UNF 2A	8	EA
30	6091738	WHEEL STUD, 3/4" 16UNF 2A	1	EA
31	6091729	PIN	4	EA

HYDRAULICS



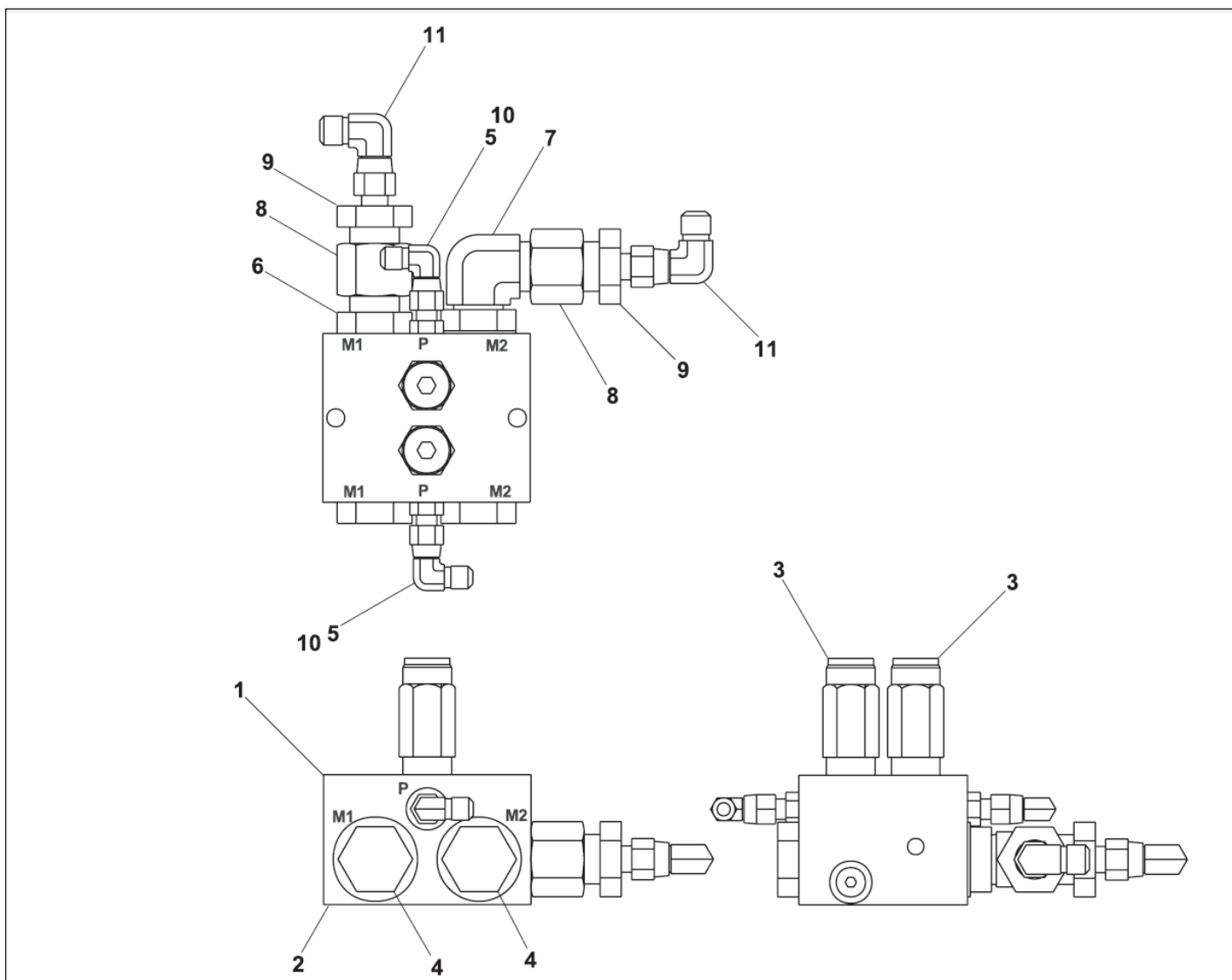
アイテム	部品番号	名前	数量	UOM
	0081601 A	DRIVE VALVE SUB ASSEMBLY		EA
1	0080514	BRACKET	1	EA
2	0081598	SELECTOR VALVE SUB ASSEMBLY	1	EA
3	0081181	ANTI CAVITATION VALVE SUB ASSEMBLY	1	EA
4	0081424	FLOW DIVIDER VALVE SUB ASSEMBLY	1	EA
5	0080511	3/4 OD TUBE ASSEMBLY	1	EA
6	0080512	3/4 OD TUBE ASSEMBLY	1	EA
7	0080813	3/4 OD TUBE ASSY	1	EA
8	970549	BLT HEXHD .375 16 3.00 GR5	1	EA
9	987119	WSHR LOCK .375	2	EA
10	986299	WASHER, FLAT, .375 STANDARD, PLATED	1	EA
11	5560033	.375 16UNC HEX LOCK NUT	1	EA
12	970349	BLT HEXHD .313 18 2.75 GR5	2	EA
13	986269	WSHR FLAT .313	4	EA
14	5560031	NUT HEX LKG .313 18	2	EA
15	969999	BLT HEXHD .250 20 2.25 GR5	2	EA
16	986019	WSHR FLAT .250	4	EA
17	5560004	NUT LKG .250 20	2	EA

HYDRAULICS



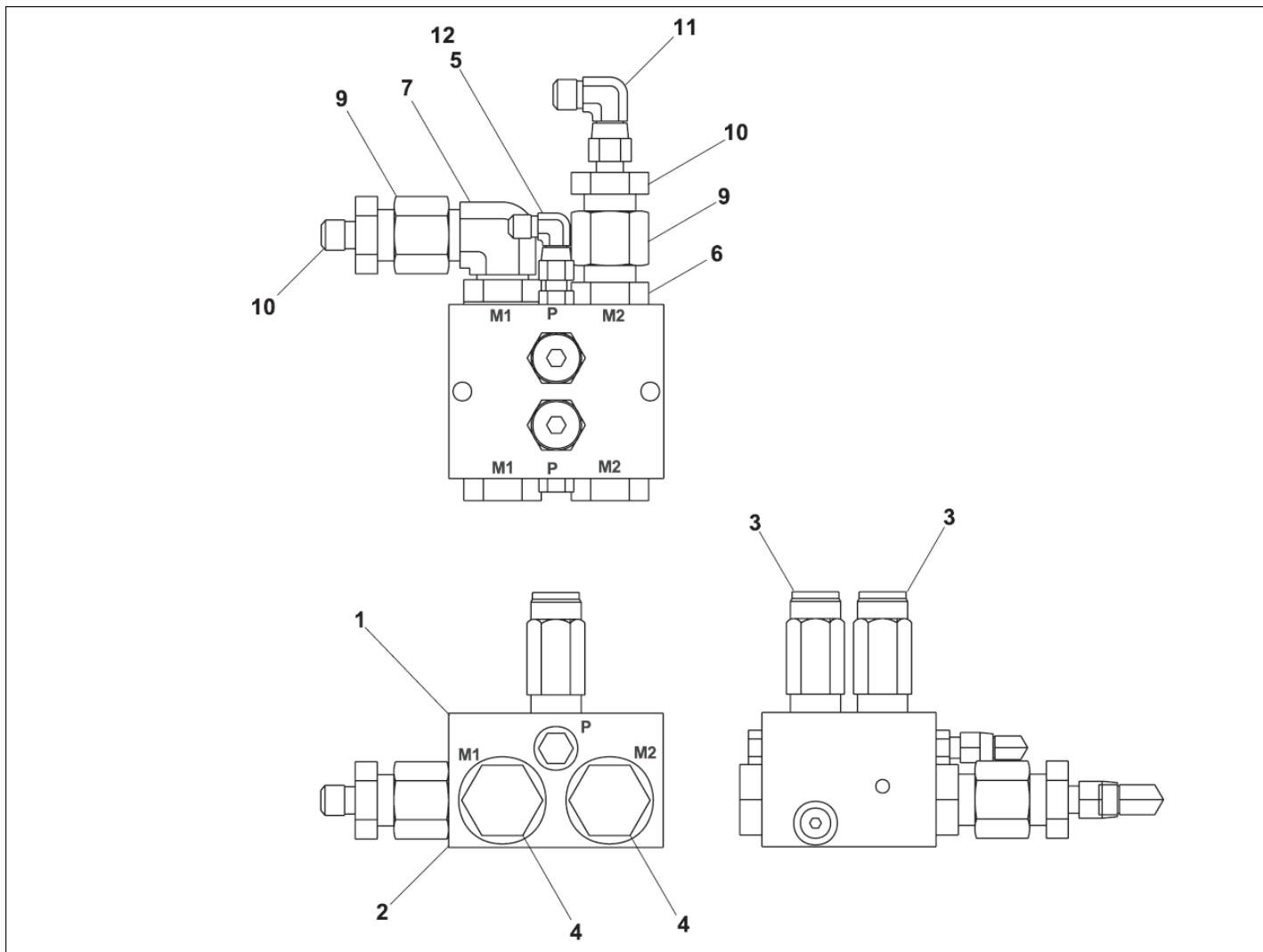
アイテム	部品番号	名前	数量	UOM
	0081423 D	DRIVE VALVE SUBASSY		EA
1	0080514	BRACKET	1	EA
2	0081425	SELECTOR VALVE SUB ASSEMBLY	1	EA
3	0081181	ANTI CAVITATION VALVE SUB ASSEMBLY	1	EA
4	0081424	FLOW DIVIDER VALVE SUB ASSEMBLY	1	EA
5	0080511	3/4 OD TUBE ASSEMBLY	1	EA
6	0080512	3/4 OD TUBE ASSEMBLY	1	EA
7	0080813	3/4 OD TUBE ASSY	1	EA
8	970549	BLT HEXHD .375 16 3.00 GR5	1	EA
9	987119	WSHR LOCK .375	2	EA
10	986299	WASHER, FLAT, .375 STANDARD, PLATED	1	EA
11	5560033	.375 16UNC HEX LOCK NUT	1	EA
12	970349	BLT HEXHD .313 18 2.75 GR5	2	EA
13	986269	WSHR FLAT .313	4	EA
14	5560031	NUT HEX LKG .313 18	2	EA
15	969999	BLT HEXHD .250 20 2.25 GR5	2	EA
16	986019	WSHR FLAT .250	4	EA
17	5560004	NUT LKG .250 20	2	EA

HYDRAULICS



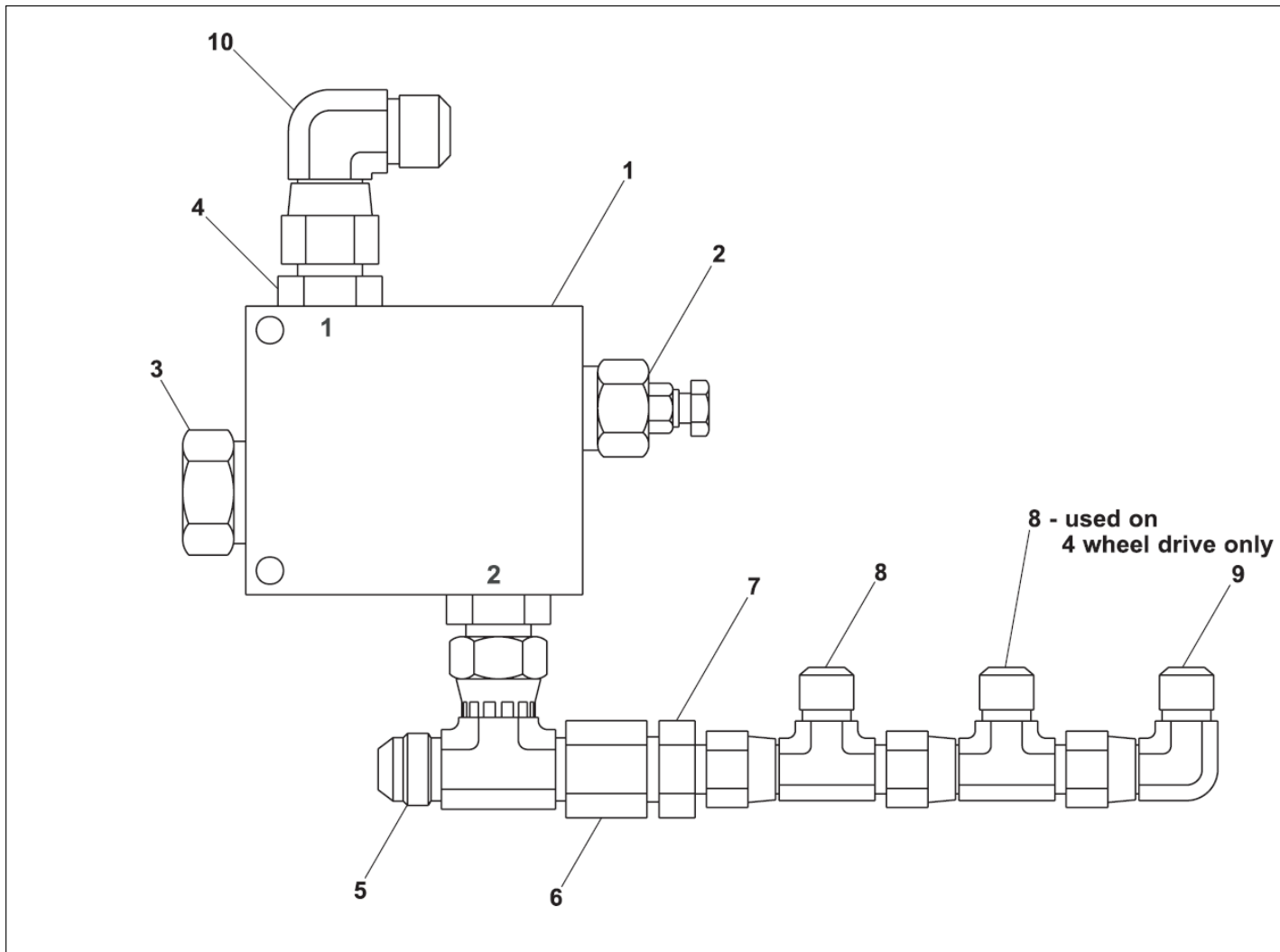
アイテム	部品番号	名前	数量	UOM
	0081604 C	DRIVE SEQUENCE VALVE LEFT HAND	1	EA
1	6010613	VALVE PACKAGE	1	EA
2	6010614	VALVE BODY, FLUIDTECH	1	EA
Not Shown	6010624	VALVE BODY, WECO	1	EA
3	6019168	SEQUENCE VALVE	2	EA
Not Shown	6010269	CARTRIDGE SEQUENCE VALVE, WECO	2	EA
4	5075208	FTG PL HEX HD 12B STL	2	EA
5	5065703	FTG ADPTR STRTHD 4B 4S STL	2	EA
6	5065714	FTG HYD 12 MB TO 12 MJC	1	EA
7	5035308	ADAPTER 90 ° ELBOW 12 SAE TO 12 JIC	1	EA
8	5063908	FTG NUT 12S STL	2	EA
9	5064007	TUBE END REDUCER	2	EA
10	5037003	FTG ELB90SWVL 4S 4S STL	2	EA
11	5037005	TERM FEM F.I. .250 16/14	2	EA

HYDRAULICS



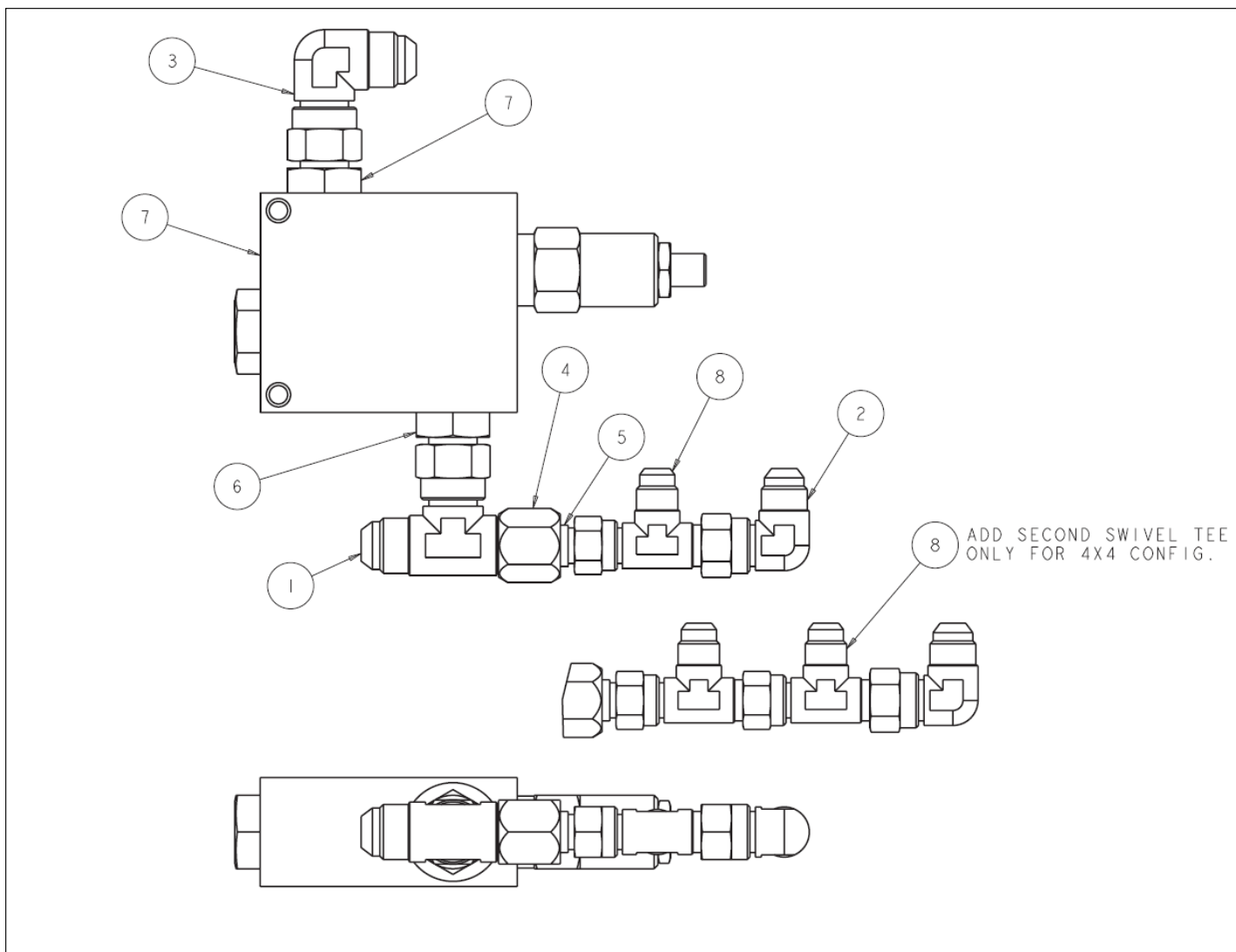
アイテム	部品番号	名前	数量	UOM
*	0081600 B	DRIVE SEQUENCE VALVE RIGHT HAND		EA
1	6010613	VALVE PACKAGE	1	EA
2	6010614	VALVE BODY, FLUIDTECH	1	EA
*	6010624	VALVE BODY, WECO	1	EA
3	6019168	SEQUENCE VALVE	2	EA
*	6010269	CARTRIDGE SEQUENCE VALVE, WECO	2	EA
4	5075208	FTG PL HEX HD 12B STL	2	EA
5	5065703	FTG ADPTR STRTHD 4B 4S STL	1	EA
6	5065714	FTG HYD 12 MB TO 12 MJC	1	EA
7	5035308	ADAPTER 90 ° ELBOW 12 SAE TO 12 JIC	1	EA
8	5075203	FTG PL HEX HD 4B STL	1	EA
9	5063908	FTG NUT 12S STL	2	EA
10	5064007	TUBE END REDUCER	2	EA
11	5037005	TERM FEM F.I. .250 16/14	1	EA
12	5037003	FTG ELB90SWVL 4S 4S STL	1	EA

HYDRAULICS



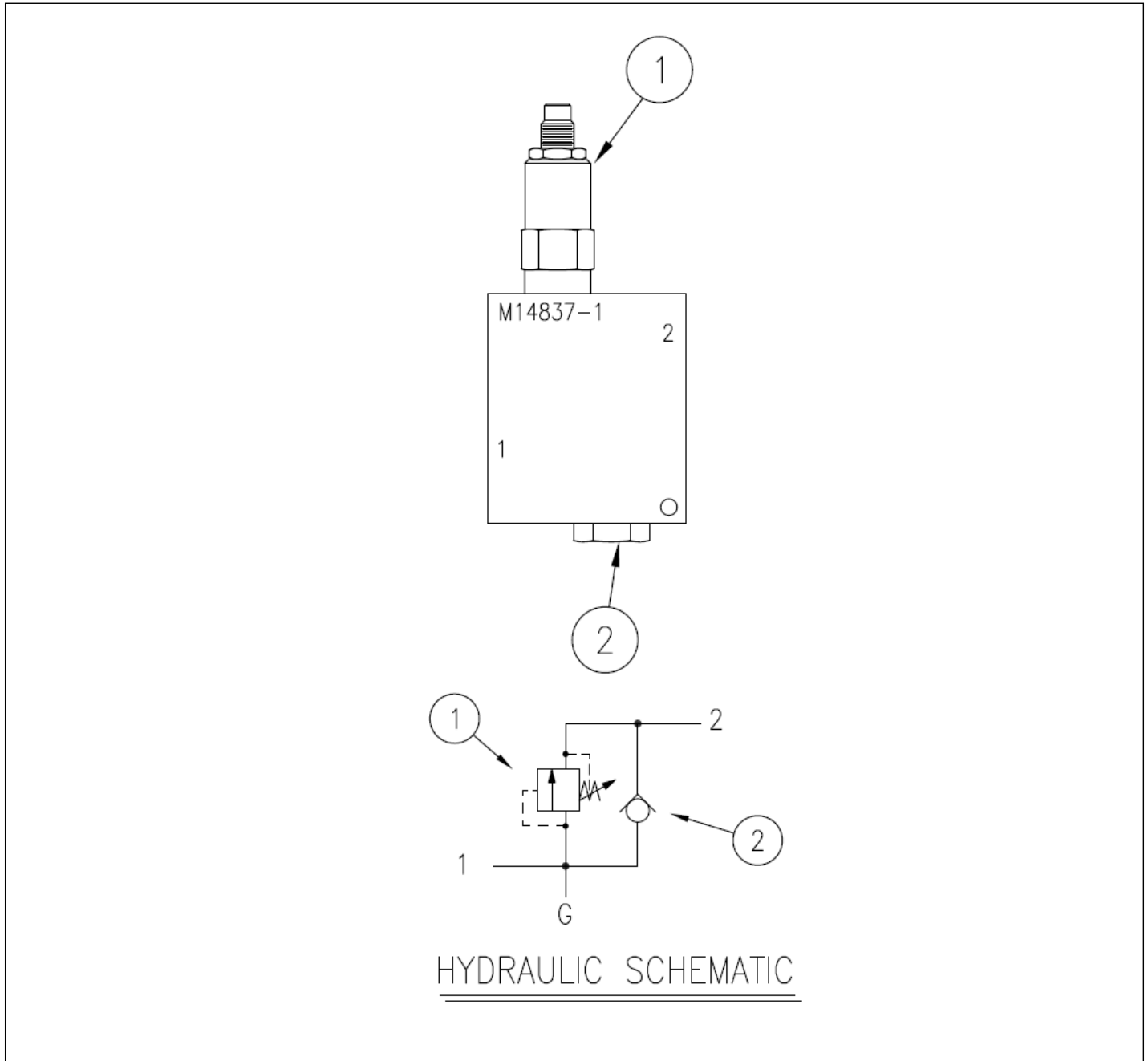
アイテム	部品番号	名前	数量	UOM
	0081181 D	ANTI CAVITATION VALVE MARCH 2005 AND BEFORE	1	EA
1	6010229	ANTI CAVITATION VALVE – INCLUDES ITEMS 2 AND 3	1	EA
	0110683	SEAL REPAIR KIT	1	EA
2	6091913	RELIEF VALVE	1	EA
3	561956	VALVE CART CHECK	1	EA
	8190291	SEAL REPAIR KIT	1	EA
4	5065710	FTG HYD 10 MB TO 8 MJIC	2	EA
5	5036806	SWIVEL NUT BRANCH TEE	1	EA
6	5063906	FTG NUT 8S STL	1	EA
7	5064003	FTG RDCR 8S 6S W/O NUT STL (SEE PAGE 2)	1	EA
8	5036705	FTG TEE SWVL RUN 6S 6S STL	2	EA
9	5037005	TERM FEM F.I. .250 16/14	1	EA
10	5037006	ADAPTER 90 ° ELBOW SWIVEL 8 JIC	1	EA

HYDRAULICS



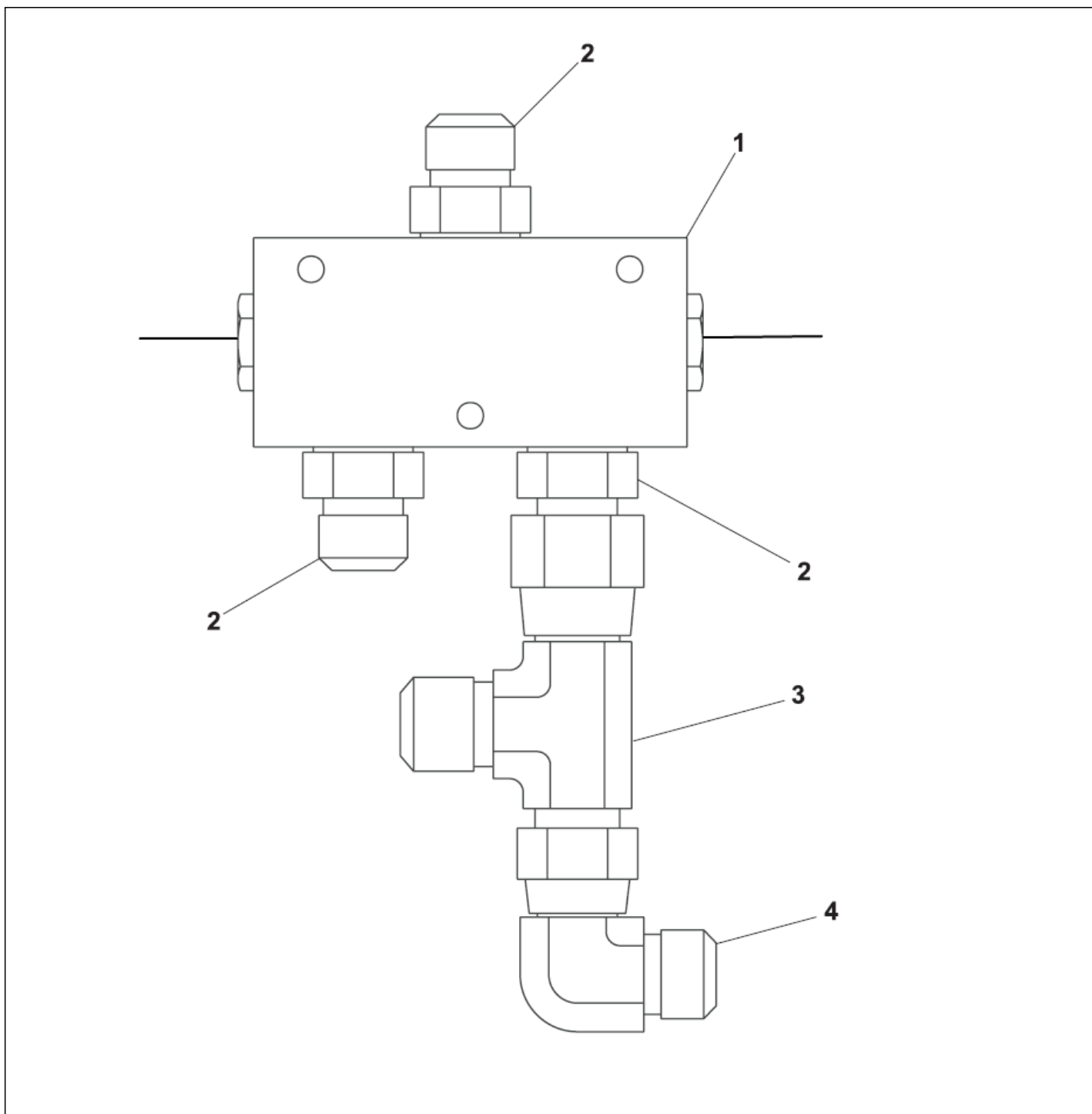
アイテム	部品番号	名前	数量	UOM
	0081181 E	ANTI CAVITATION VALVE ASSEMBLY JULY 2005 AND AFTER	1	EA
1	5036806	SWIVEL NUT BRANCH TEE	1	EA
2	5037005	TERM FEM F.I. .250 16/14	1	EA
3	5037006	ADAPTER 90 ° ELBOW SWIVEL 8 JIC	1	EA
4	5063906	FTG NUT 8S STL	1	EA
5	5064003	FTG RDCR 8S 6S W/O NUT STL (SEE PAGE 2)	1	EA
6	5065710	FTG HYD 10 MB TO 8 MJIC	2	EA
7	6019054	VALVE ANTI CAVITATION	1	EA
8	5036705	FTG TEE SWVL RUN 6S 6S STL	2	EA

HYDRAULICS



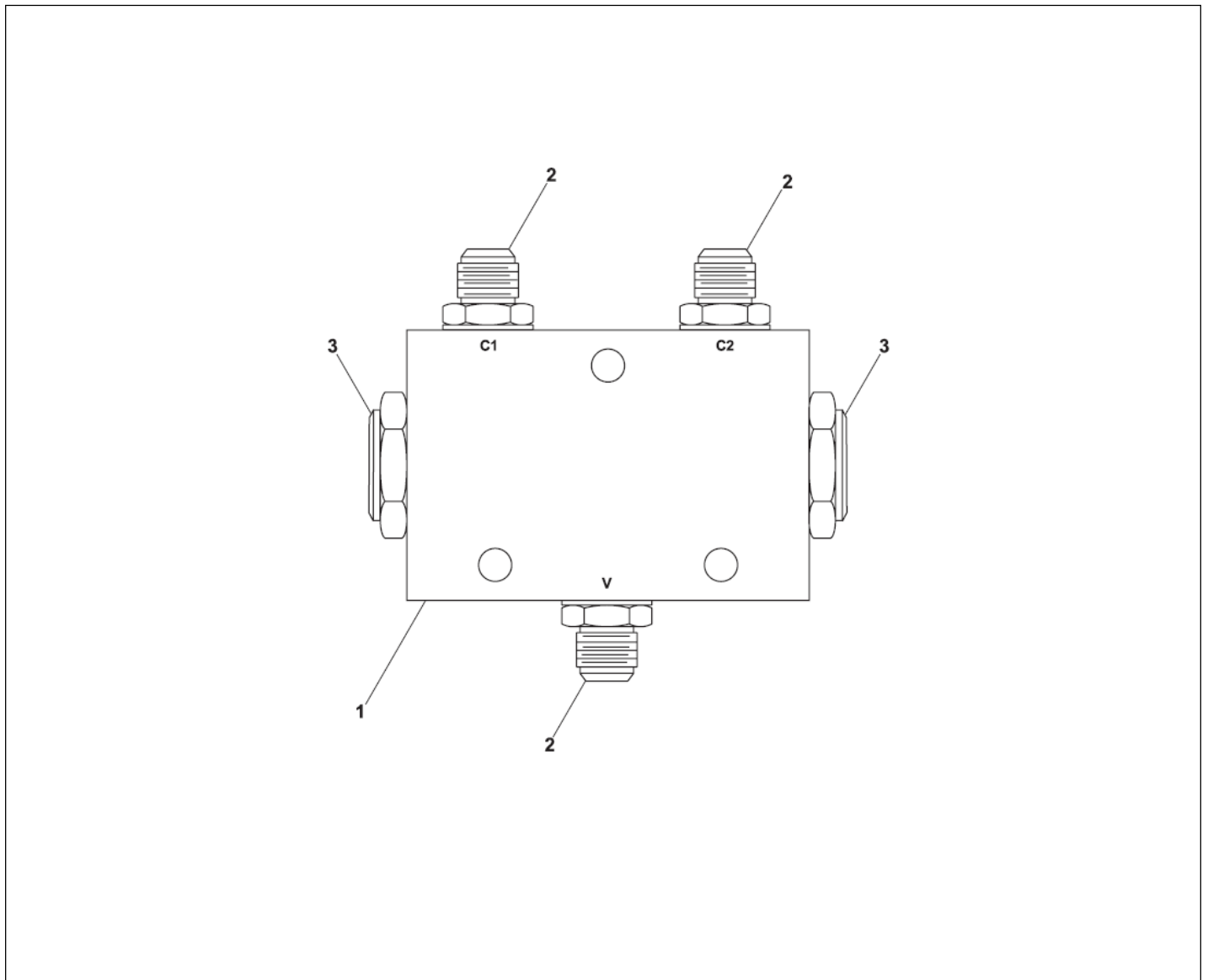
アイテム	部品番号	名前	数量	UOM
	6019054 A	VALVE ANTI CAVITATION	1	EA
1	6019343	RELIEF VALVE	1	EA
2	561956	VALVE CART CHECK	1	EA

HYDRAULICS



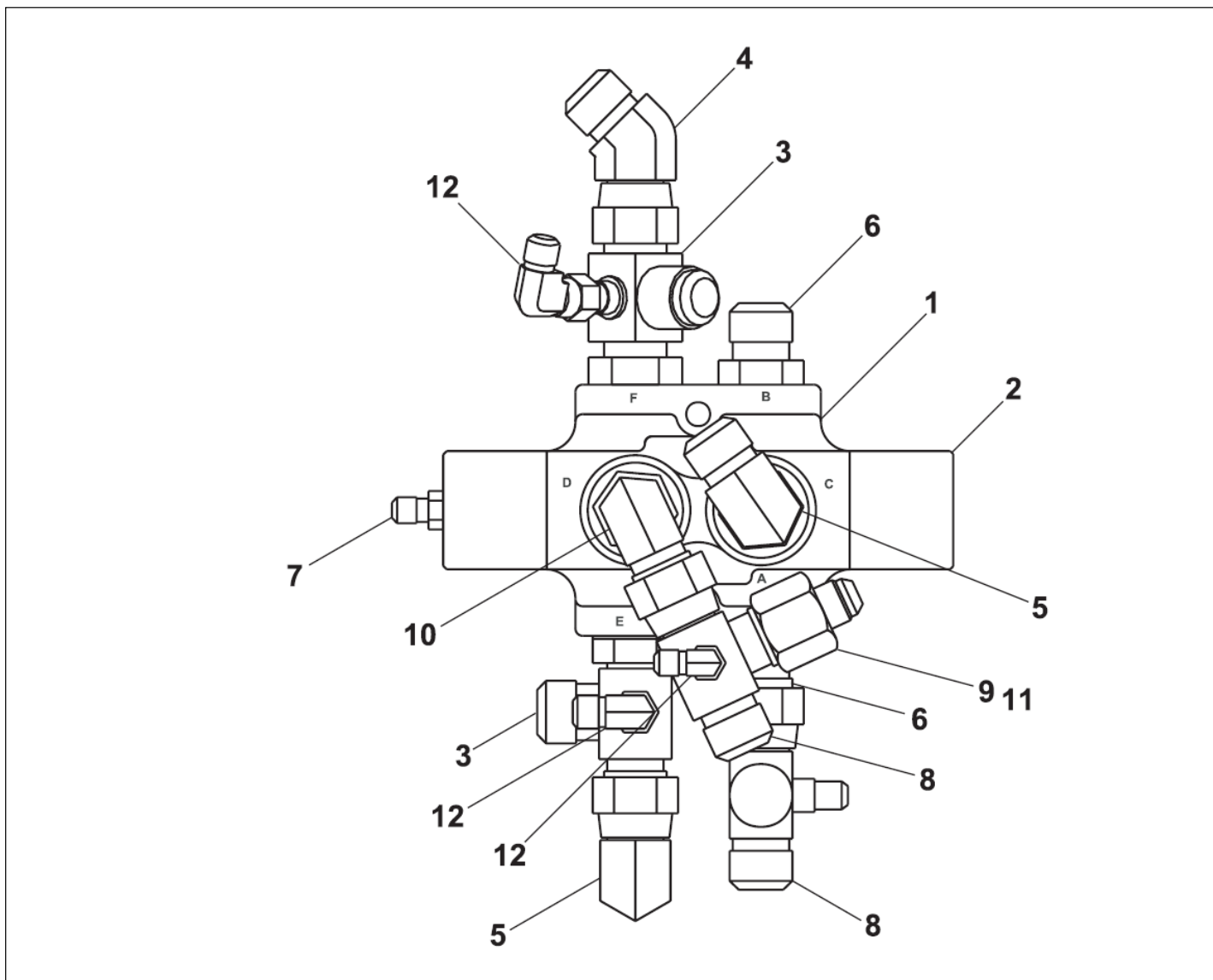
アイテム	部品番号	名前	数量	UOM
	0080958 B	FLOW DIVIDER VALVE ASSEMBLY	1	EA
1	6010231	FLOW DIVIDER/COMBINER	1	EA
2	5065731	FTG, HYD 8 MB TO 12 MJIC	3	EA
3	5036708	FTG TEE SWVL RUN 12S 12S STL	1	EA
4	5037008	ADAPTER 90 ° ELBOW SWIVEL 12 JIC	1	EA
5	6010604	CARTRIDGE	2	EA
6	0081547	SPCR .375 1.75 5.00 3H STL – FLUIDTECH VALVE ONLY – ITEM NOT SHOWN	2	EA

HYDRAULICS



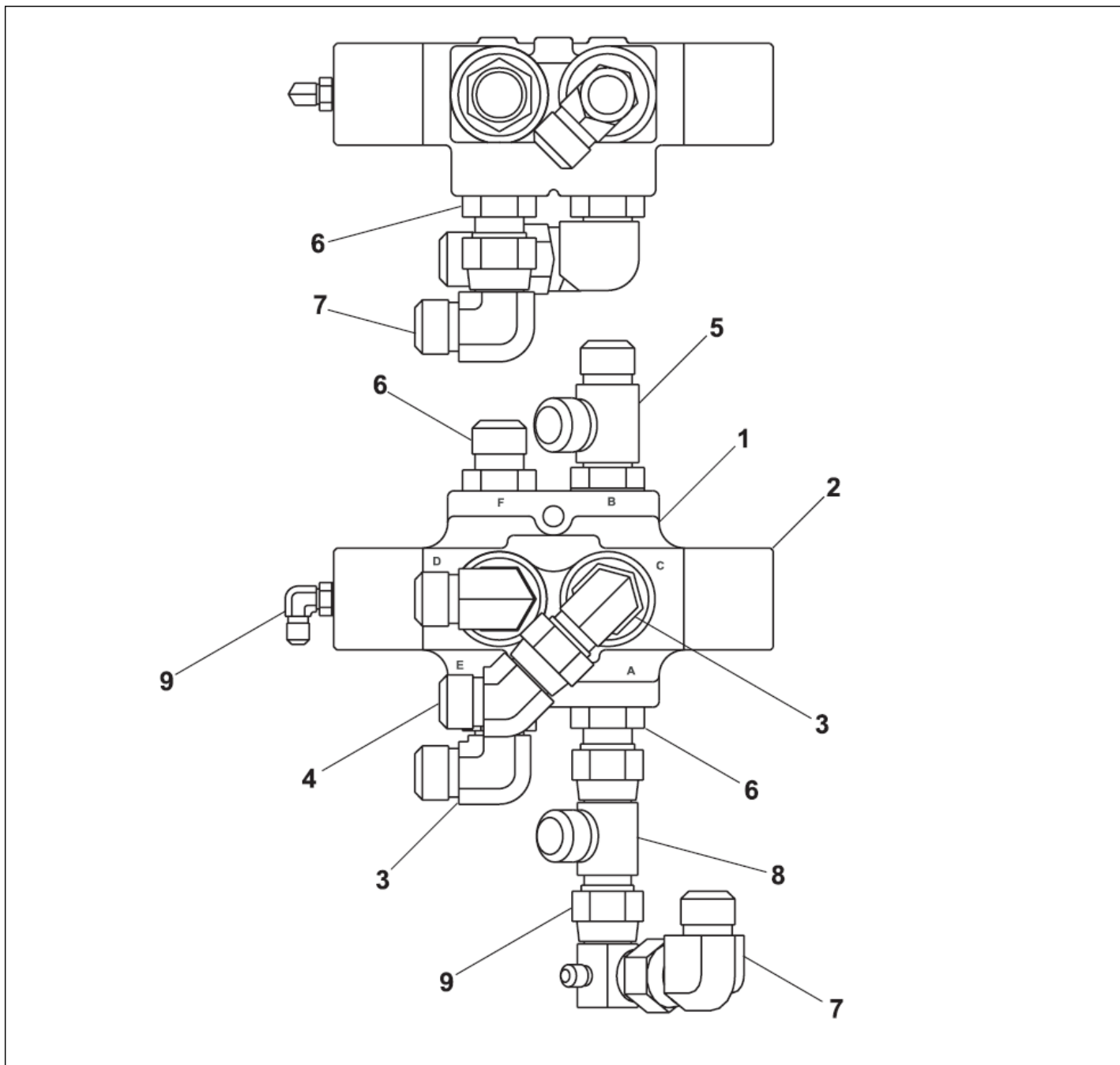
アイテム	部品番号	名前	数量	UOM
	0081424 A	FLOW DIVIDER VALVE SUB ASSEMBLY	1	EA
1	6010231	FLOW DIVIDER/COMBINER	1	EA
2	5065714	FTG HYD 12 MB TO 12 MJC	3	EA
3	6010604	CARTRIDGE	2	EA

HYDRAULICS



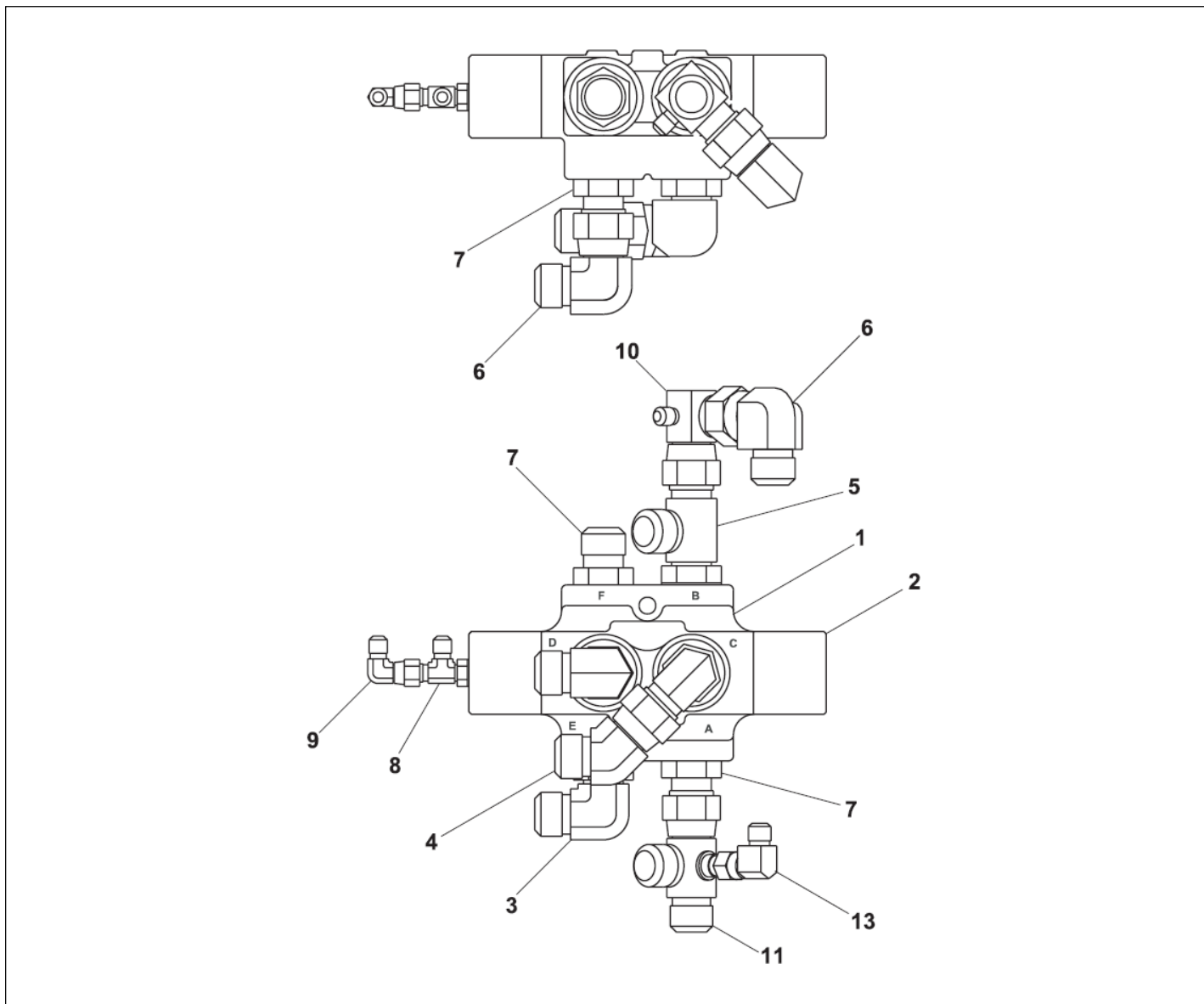
アイテム	部品番号	名前	数量	UOM
	0081425 E	SELECTOR VALVE 4X2 ASSEMBLY	1	EA
1	0080529	SELECTOR VALVE	1	EA
	0081127	SEAL KIT	1	EA
2	0080528	END CAP	1	EA
3	0081596	SPECIAL SWIVEL NUT RUN TEE WITH SIDE PORT	2	EA
4	5036908	SWIVEL NUT 45 ° ELBOW	1	EA
5	5037008	ADAPTER 90 ° ELBOW SWIVEL 12 JIC	2	EA
6	5065714	FTG HYD 12 MB TO 12 MJC	3	EA
7	5065703	FTG ADPTR STRTHD 4B 4S STL	1	EA
8	0081597	SPECIAL SWIVEL NUT RUN TEE WITH SIDE PORT	2	EA
9	5064008	FTG RDCR TUBE END 12S 8S STL	1	EA
10	5035308	ADAPTER 90 ° ELBOW 12 SAE TO 12 JIC	1	EA
11	5063908	FTG NUT 12S STL	1	EA
12	5037005	TERM FEM F.I. .250 16/14	3	EA

HYDRAULICS



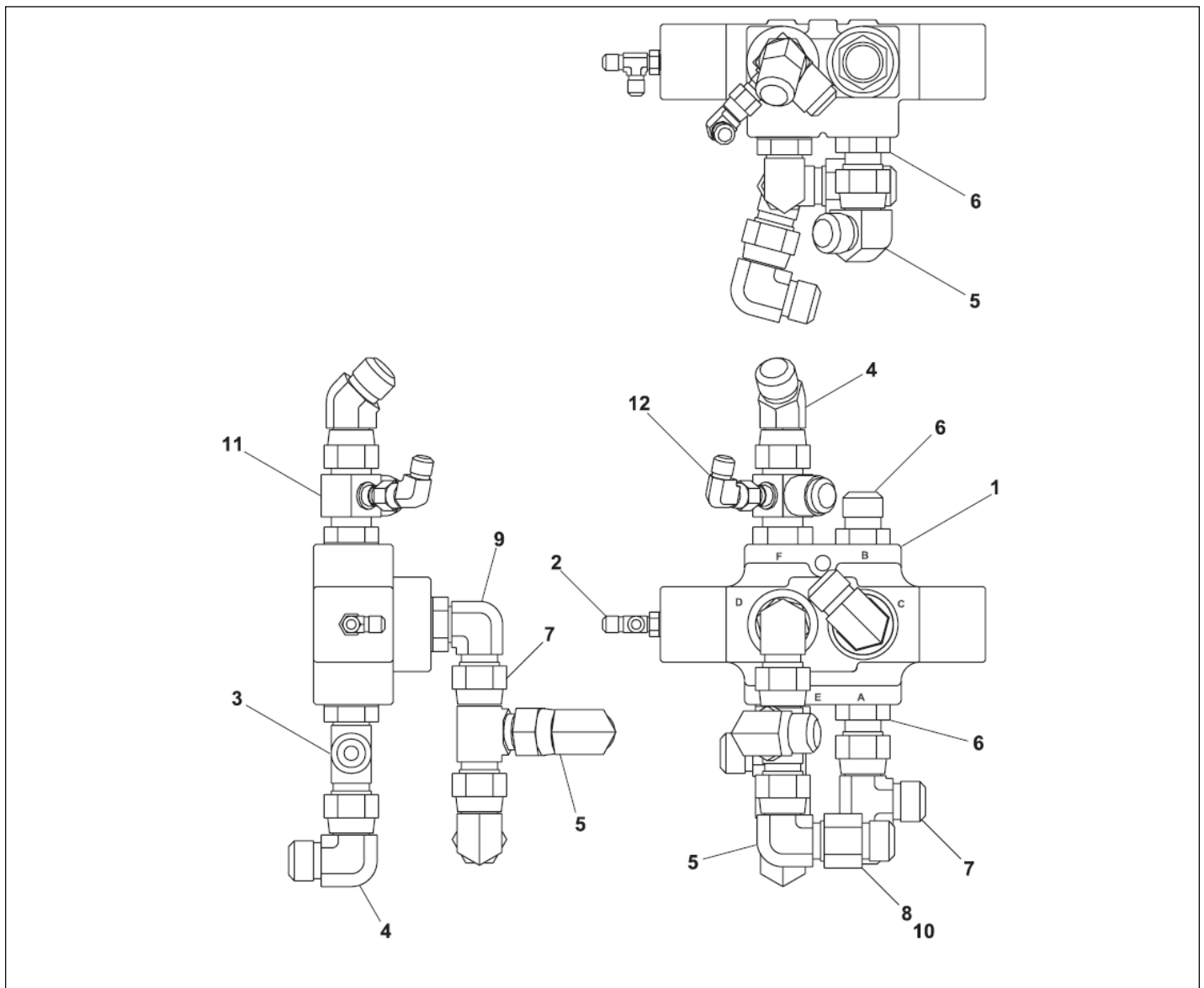
アイテム	部品番号	名前	数量	UOM
	0080928 E	SELECTOR VALVE RIGHT HAND ASSEMBLY	1	EA
1	0080529	SELECTOR VALVE	1	EA
	0081127	SEAL KIT	1	EA
2	0080528	END CAP	1	EA
3	5035308	ADAPTER 90 ° ELBOW 12 SAE TO 12 JIC	2	EA
4	5036908	SWIVEL NUT 45 ° ELBOW	1	EA
5	5036108	STRAIGHT THREAD RUN TEE	1	EA
6	5065714	FTG HYD 12 MB TO 12 MJC	3	EA
7	5037008	ADAPTER 90 ° ELBOW SWIVEL 12 JIC	2	EA
8	5036708	FTG TEE SWVL RUN 12S 12S STL	1	EA
9	5035303	FTG ELB90STRTHD 4B 4S STL	1	EA
10	0140500	SPECIAL SWIVEL NUT 90 ° ELBOW WITH SIDE PORT	1	EA

HYDRAULICS



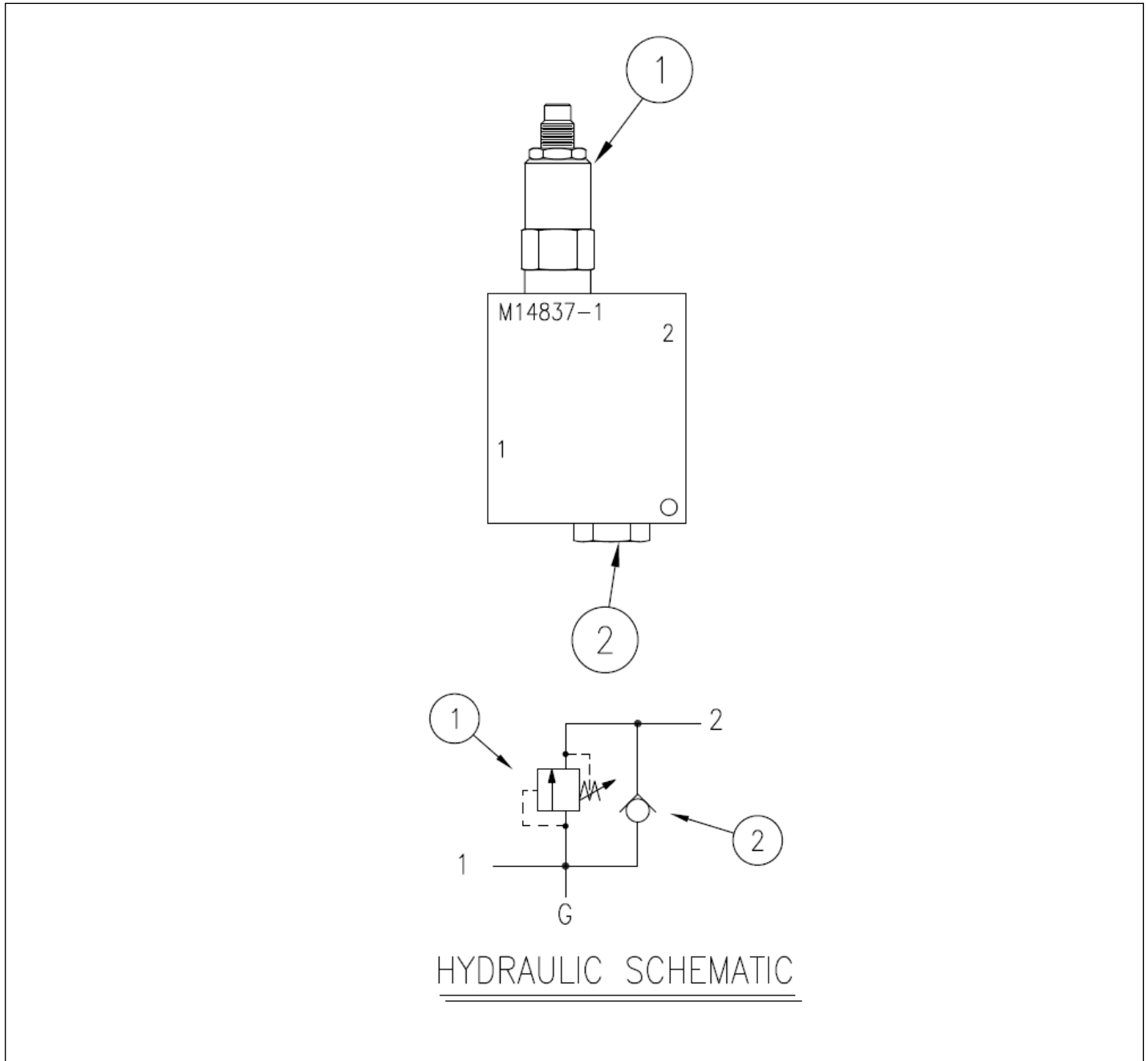
アイテム	部品番号	名前	数量	UOM
	0080929 D	SELECTOR VALVE LEFT HAND ASSEMBLY	1	EA
1	0080529	SELECTOR VALVE	1	EA
	0081127	SEAL KIT	1	EA
2	0080528	END CAP	1	EA
3	5035308	ADAPTER 90 ° ELBOW 12 SAE TO 12 JIC	2	EA
4	5036908	SWIVEL NUT 45 ° ELBOW	1	EA
5	5036108	STRAIGHT THREAD RUN TEE	1	EA
6	5037008	ADAPTER 90 ° ELBOW SWIVEL 12 JIC	2	EA
7	5065714	FTG HYD 12 MB TO 12 MJC	3	EA
8	5036103	ADAPTER TEE 4 SAE 4 JIC 4 JIC	1	EA
9	5037003	FTG ELB90SWVL 4S 4S STL	1	EA
10	0140288	SPECIAL SWIVEL NUT 90 ° ELBOW WITH SIDE PORT	1	EA
11	0081595	SPECIAL SWIVEL NUT RUN TEE WITH SIDE PORT	1	EA
12	5037005	TERM FEM F.I. .250 16/14	1	EA

HYDRAULICS



アイテム	部品番号	名前	数量	UOM
	0081598 C	SELECTOR VALVE 4X4 ASSEMBLY	1	EA
1	0080529	SELECTOR VALVE	1	EA
	0081127	SEAL KIT	1	EA
2	5036103	ADAPTER TEE 4 SAE 4 JIC 4 JIC	1	EA
3	5036108	STRAIGHT THREAD RUN TEE	1	EA
4	5036908	SWIVEL NUT 45 ° ELBOW	1	EA
5	5037008	ADAPTER 90 ° ELBOW SWIVEL 12 JIC	4	EA
6	5065714	FTG HYD 12 MB TO 12 MJC	3	EA
7	5036708	FTG TEE SWVL RUN 12S 12S STL	2	EA
8	5064008	FTG RDCR TUBE END 12S 8S STL	1	EA
9	5035308	ADAPTER 90 ° ELBOW 12 SAE TO 12 JIC	1	EA
10	5063908	FTG NUT 12S STL	1	EA
11	0081596	SPECIAL SWIVEL NUT RUN TEE WITH SIDE PORT	1	EA
12	5037005	TERM FEM F.I. .250 16/14	1	EA

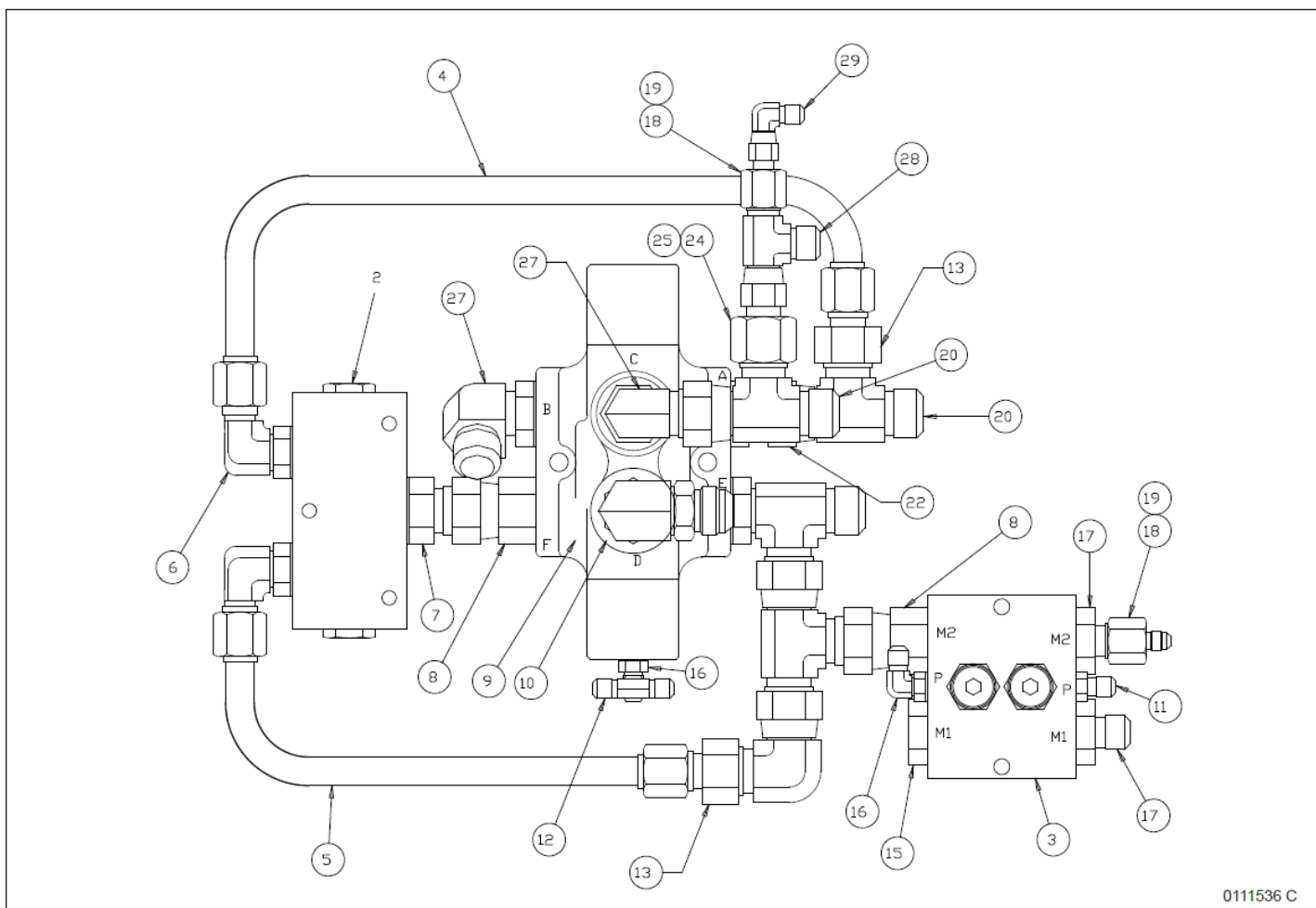
HYDRAULICS



アイテム	部品番号	名前	数量	UOM
	6019054 A	VALVE ANTI CAVITATION		EA
1	0080529	SELECTOR VALVE	1	EA
2	6010437	FLOW DIVIDER/COMBINER VALVE	1	EA
3	6010613	VALVE PACKAGE	1	EA
4	0111340	5/8 OD TUBE ASSEMBLY	1	EA
5	0111338	5/8 OD TUBE ASSEMBLY	1	EA
6	5025001	FTG ADPTR SWVL 12B 12S STL	2	EA
7	5037008	ADAPTER 90 ° ELBOW SWIVEL 12 JIC	2	EA
8	5035322	STR THD 90 DEGREE ELBOW	2	EA
9	5064011	FTG RDCR TUBE END 12S 10S STL	2	EA
10	5065731	FTG, HYD 8 MB TO 12 MJIC	1	EA
11	5035308	ADAPTER 90 ° ELBOW 12 SAE TO 12 JIC	2	EA
12	5033618	FTG ELB90STRTHD 12N 12S STL	1	EA
13	5076206	FTG ELB90STRTHD 12N 12S STL	1	EA
14	5065703	FTG ADPTR STRTHD 4B 4S STL	1	EA
15	5036803	FTG TEE SWVL 8R 4S 4S STL	1	EA
16	5036108	STRAIGHT THREAD RUN TEE	1	EA
17	5065711	FTG ADPTR STRTHD 12B 8S STL	2	EA
18	5036708	FTG TEE SWVL RUN 12S 12S STL	3	EA
19	5065714	FTG HYD 12 MB TO 12 MJC	1	EA
20	5063906	FTG NUT 8S STL	1	EA
21	5064002	ADAPTER STREIGHT TUBE REDUCER 8 JIC TO 4 JIC	1	EA
22	5035303	FTG ELB90STRTHD 4B 4S STL	2	EA
23	5075208	FTG PL HEX HD 12B STL	1	EA
24	5036906	COVER	1	EA
25	5063908	FTG NUT 12S STL	1	EA

アイテム	部品番号	名前	数量	UOM
26	5064008	FTG RDCR TUBE END 12S 8S STL	1	EA

HYDRAULICS

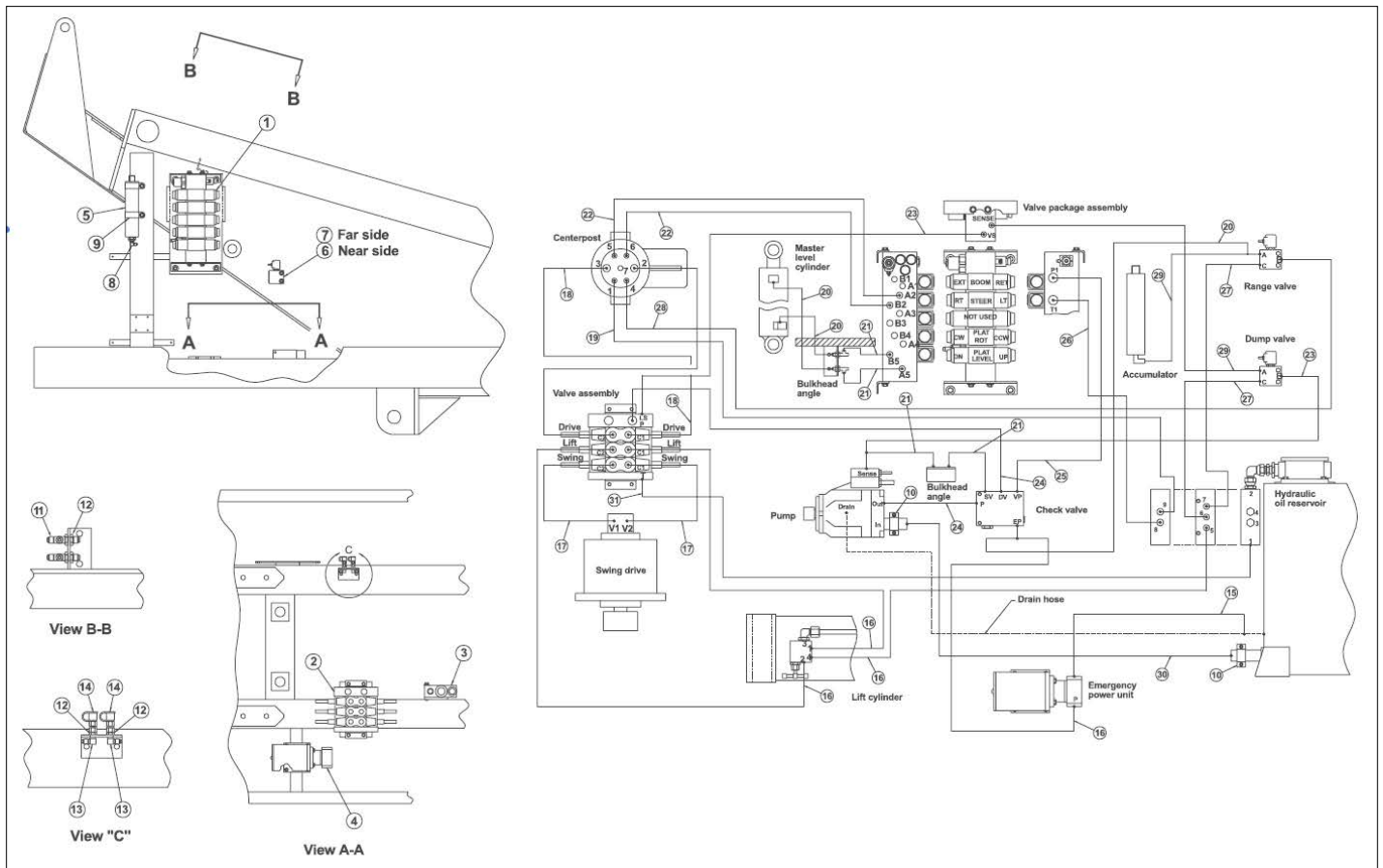


0111536 C

アイテム	部品番号	名前	数量	UOM
	0111536 C	SERIES PARALLEL PACKAGE 4X4 LEFT HAND	1	EA
1	0080529	SELECTOR VALVE	1	EA
2	6010437	FLOW DIVIDER/COMBINER VALVE	1	EA
3	6010613	VALVE PACKAGE	1	EA
4	0111341	5/8 OD TUBE ASSEMBLY	1	EA
5	0111339	5/8 OD TUBE ASSEMBLY	1	EA
6	5035322	STR THD 90 DEGREE ELBOW	2	EA
7	5065731	FTG, HYD 8 MB TO 12 MJIC	1	EA
8	5025001	FTG ADPTR SWVL 12B 12S STL	2	EA
9	5033618	FTG ELB90STRTHD 12N 12S STL	1	EA
10	5076206	FTG ELB90STRTHD 12N 12S STL	1	EA
11	5065703	FTG ADPTR STRTHD 4B 4S STL	1	EA
12	5036803	FTG TEE SWVL 8R 4S 4S STL	1	EA
13	5064011	FTG RDCR TUBE END 12S 10S STL	2	EA
14	5037008	ADAPTER 90 ° ELBOW SWIVEL 12 JIC	1	EA
15	5075208	FTG PL HEX HD 12B STL	1	EA
16	5035303	FTG ELB90STRTHD 4B 4S STL	2	EA
17	5065711	FTG ADPTR STRTHD 12B 8S STL	2	EA
18	5063906	FTG NUT 8S STL	2	EA
19	5064002	ADAPTER STREIGHT TUBE REDUCER 8 JIC TO 4 JIC	2	EA
20	5036708	FTG TEE SWVL RUN 12S 12S STL	3	EA
21	5036108	STRAIGHT THREAD RUN TEE	1	EA
22	5065714	FTG HYD 12 MB TO 12 MJC	1	EA
24	5063908	FTG NUT 12S STL	1	EA
25	5064008	FTG RDCR TUBE END 12S 8S STL	1	EA

アイテム	部品番号	名前	数量	UOM
27	5035308	ADAPTER 90 ° ELBOW 12 SAE TO 12 JIC	2	EA
28	5036706	FTG TEE SWVL RUN 8S 8S STL (SEE PAGE 2)	1	EA
29	5037003	FTG ELB90SWVL 4S 4S STL	1	EA

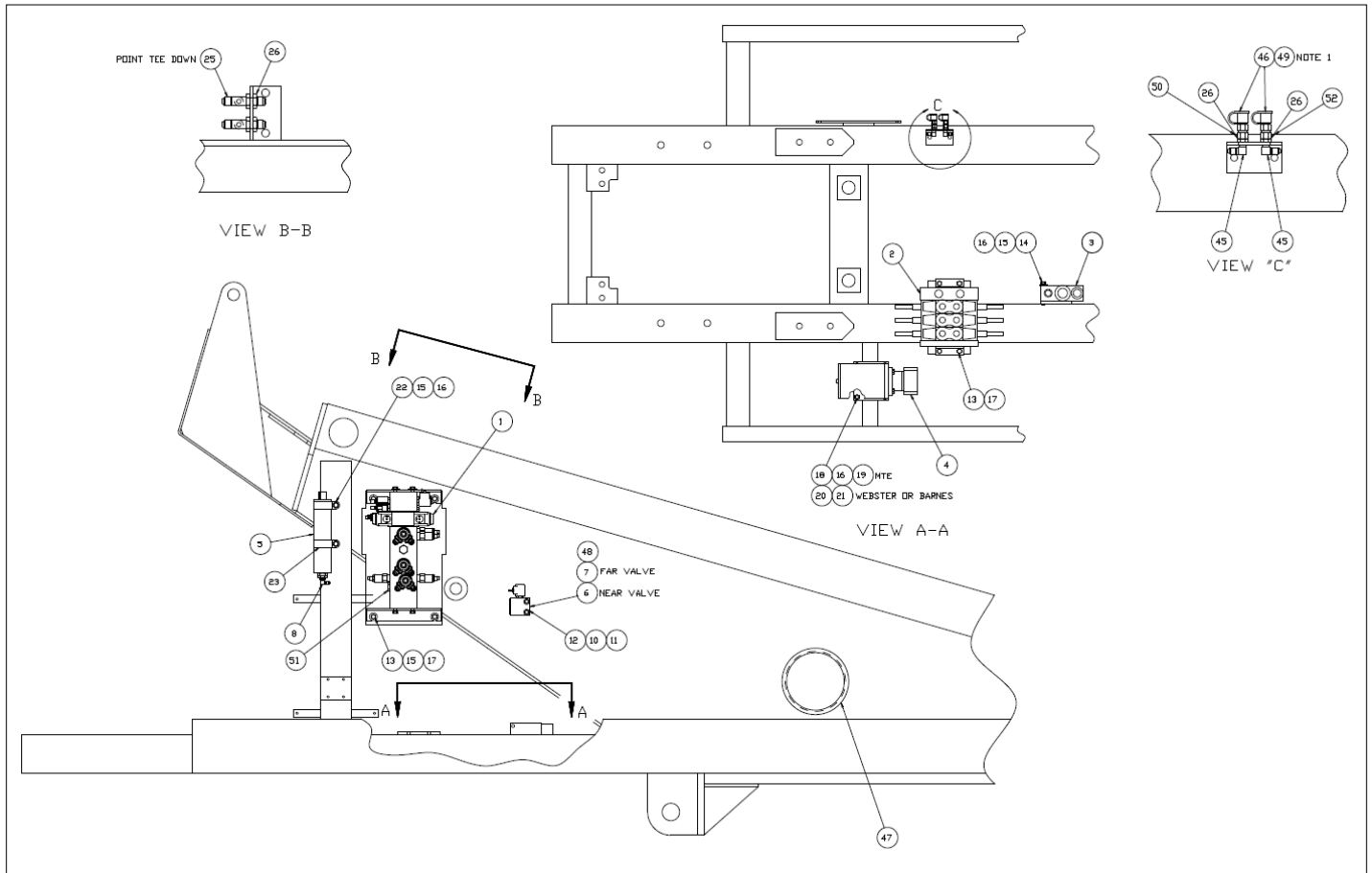
HYDRAULICS



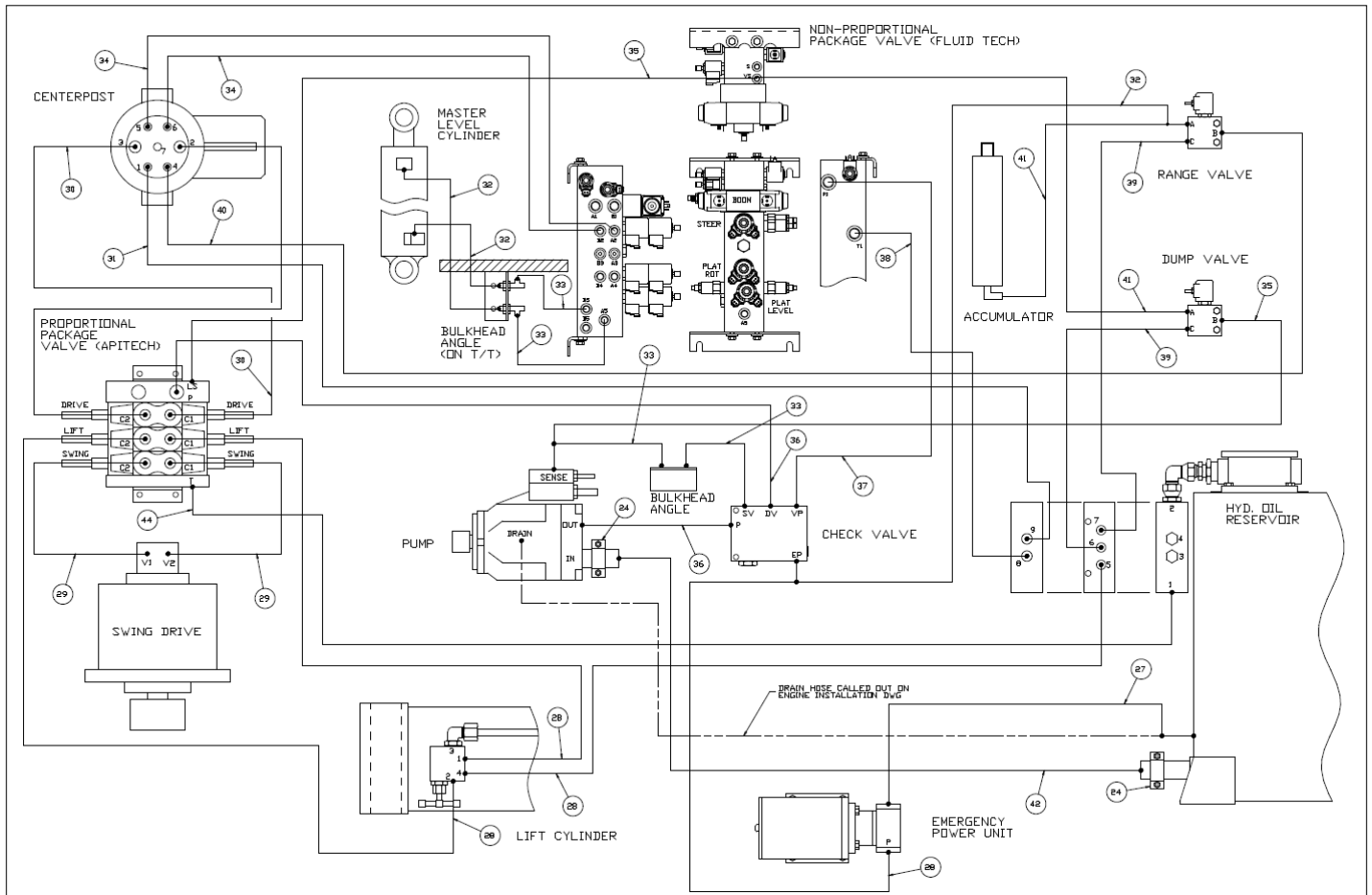
アイテム	部品番号	名前	数量	UOM
	0081872 L	TURNABLE HYDRAULIC EQUIPMENT VICKERS APRIL 2007 AND BEFORE	1	EA
1	0081874	PACKAGE VALVE, NON PROPORTIONAL	1	EA
2	0081873	VALVE, DRIVE/LIFT/SWING	1	EA
3	0081980	CHECK VALVE	1	EA
4	0072940	EM. POWER UNIT S/A SRV USE 007294028	1	EA
5	0082055	ASSY ACCUMULATOR 300 PSI	1	EA
6	0081982	DUMP VALVE	1	EA
7	0081981	RANGE VALVE	1	EA
8	5037003	FTG ELB90SWVL 4S 4S STL	1	EA
9	5093014	CLP CUSH 2.25 VINYL COATED	2	EA
10	5058824	CLP WORM DRV	2	EA
11	5035403	FTG TEE BHD RUN 4S 4S STL	2	EA
12	5074401	FTG LKNT BHD 4 STL	4	EA
13	5034501	FTG ELB90BHD 4S 4S STL	2	EA
14	5070005	FTG NIP DIGN 4S FEM PD345 6 W/DUST CAP	2	EA
15	0070927	HOSE 8 8S 8S 23.5 100R2	1	EA
16	0020273	HOSE 6 6S 6S 35.5 100R2	4	EA
17	0070789	HOSE 6 6S 6S 75.5 100R2	2	EA
18	0400497	3/4 INCH HYDRAULIC HOSE	2	EA
19	0100277	1/2 INCH HYDRAULIC HOSE	1	EA
20	0080359	HOSE 4 4S 6S 23.5 100R1	3	EA
21	0070765	HOSE 4 4S 4S 29 100R1	4	EA
22	0080362	HOSE 6 6S 6S 93.5 100R2	2	EA
23	0050137	HOSE 4 4S 4S 36 100R1	2	EA
24	0110199	HOSE 16 16S 16S 34	2	EA
25	0020372	1/2 INCH HYDRAULIC HOSE	1	EA
26	0070926	HOSE 8 10S 10S 24 100R2	1	EA

アイテム	部品番号	名前	数量	UOM
27	0020283	HOSE 4 4S 4S 15.25 100R1 SAE:100R1 4 BAND IN	2	EA
28	0070911	HOSE 4 4S 4S 62 100R1	1	EA
29	0020280	HOSE 4 4S 4S 23.5 (SEE PAGE 2)	2	EA
30	0080843	HOSE SUCTION 1.5 ID 34 #24	1	EA
31	0081992	1 INCH HYDRAULIC HOSE	1	EA

HYDRAULICS

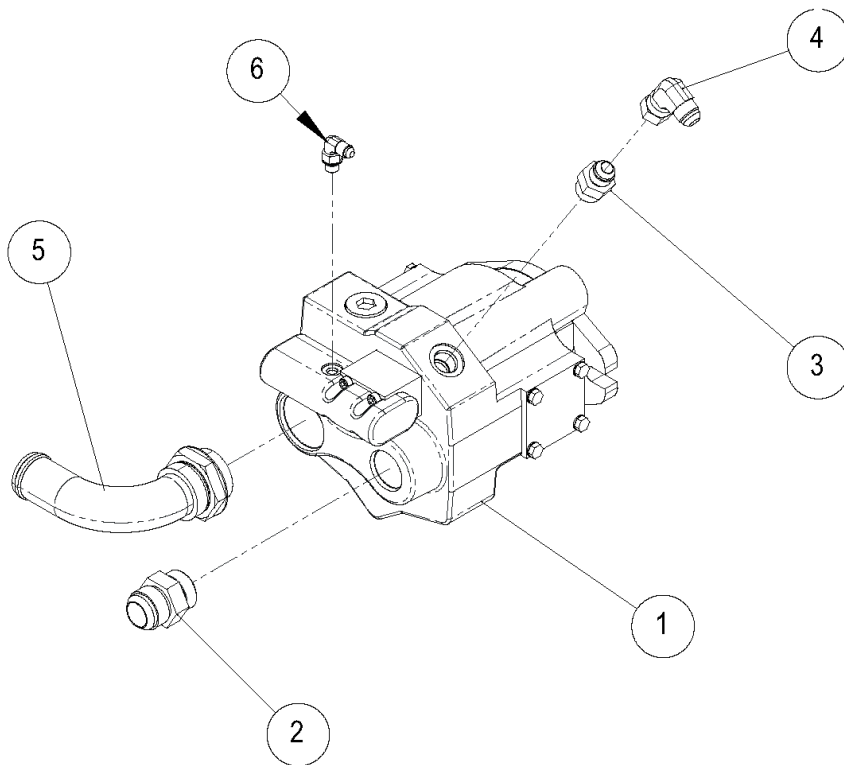


アイテム	部品番号	名前	数量	UOM
	0081872 P	TURNTABLE HYDRAULIC EQUIPMENT FLUIDTECH JANUARY 2008 AND AFTER	1	EA
1	0084137	NON PROP. PACKAGE VALVE SUB ASSEMBLY	1	EA
2	0081873	VALVE, DRIVE/LIFT/SWING	1	EA
3	0081980	CHECK VALVE	1	EA
4	0072940	EM. POWER UNIT S/A SRV USE 007294028	1	EA
5	0082055	ASSY ACCUMULATOR 300 PSI	1	EA
6	0081982	DUMP VALVE	1	EA
7	0081981	RANGE VALVE	1	EA
8	5037003	FTG ELB90SWVL 4S 4S STL	1	EA
10	986019	WSHR FLAT .250	2	EA
11	987099	WSHR LOCK .250	2	EA
12	970129	BLT HEXHD .250 20 3.00	2	EA
13	972479	BLT HEXHD .375 16 1.25 GR5	8	EA
14	970529	BLT HEXHD .375 16 2.50 GR5 PLTD	2	EA
15	986299	WASHER, FLAT, .375 STANDARD, PLATED	8	EA
16	987119	WSHR LOCK .375	6	EA
17	5560033	.375 16UNC HEX LOCK NUT	8	EA
18	970469	HHD BLT .375 16 X 1.00 GR5	2	EA
19	984109	NUT HEX .375 16	2	EA
20	PNNA	CAPSCREW 7/16 14 X 1" LG H.H.	4	EA
21	PNNA	LOCKWASHER 7/16" MED	4	EA
22	970449	HHD BLT .375 16 X .750 GR5	2	EA
23	5093014	CLP CUSH 2.25 VINYL COATED	2	EA
24	5058824	CLP WORM DRV	2	EA
25	5035403	FTG TEE BHD RUN 4S 4S STL	2	EA



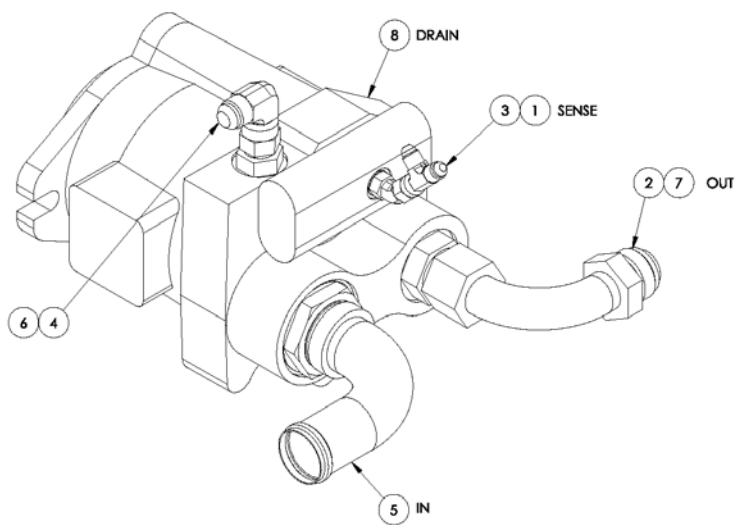
アイテム	部品番号	名前	数量	UOM
26	5074401	FTG LKNT BHD 4 STL	4	EA
27	0070927	HOSE 8 8S 8S 23.5 100R2	1	EA
28	0020273	HOSE 6 6S 6S 35.5 100R2	4	EA
29	0070789	HOSE 6 6S 6S 75.5 100R2	2	EA
30	0400497	3/4 INCH HYDRAULIC HOSE	2	EA
31	0100277	1/2 INCH HYDRAULIC HOSE	1	EA
32	0080359	HOSE 4 4S 6S 23.5 100R1	3	EA
33	0070765	HOSE 4 4S 4S 29 100R1	4	EA
34	0080362	HOSE 6 6S 6S 93.5 100R2	2	EA
35	0050137	HOSE 4 4S 4S 36 100R1	2	EA
36	0110199	HOSE 16 16S 16S 34	2	EA
37	0020372	1/2 INCH HYDRAULIC HOSE	1	EA
38	0070926	HOSE 8 10S 10S 24 100R2	1	EA
39	0020283	HOSE 4 4S 4S 15.25 100R1 SAE:100R1 4 BAND IN	2	EA
40	0070911	HOSE 4 4S 4S 62 100R1	1	EA
41	0020280	HOSE 4 4S 4S 23.5 (SEE PAGE 2)	2	EA
42	0080843	HOSE SUCTION 1.5 ID 34 #24	1	EA
44	0081992	1 INCH HYDRAULIC HOSE	1	EA
45	5034501	FTG ELB90BHD 4S 4S STL	2	EA
46	5070005	FTG NIP DIGN 4S FEM PD345 6 W/DUST CAP	2	EA
47	5560277	HOSE GUIDE .375 RUBBER EDGE	1.63FT	EA
48	0172299	SPCR .125 .750 2.00 2H AL	1	EA
49	5070028	FTG NIP DIGN 4S FEM METRIC CE	REF	EA
50	0075378	DECAL SYSTEM PRESSURE	1	EA
51	0075379	DECAL LEVEL RELIEF PRESSUSRE	1	EA
52	0075380	DECAL SENSE PRESSURE	1	EA

HYDRAULICS



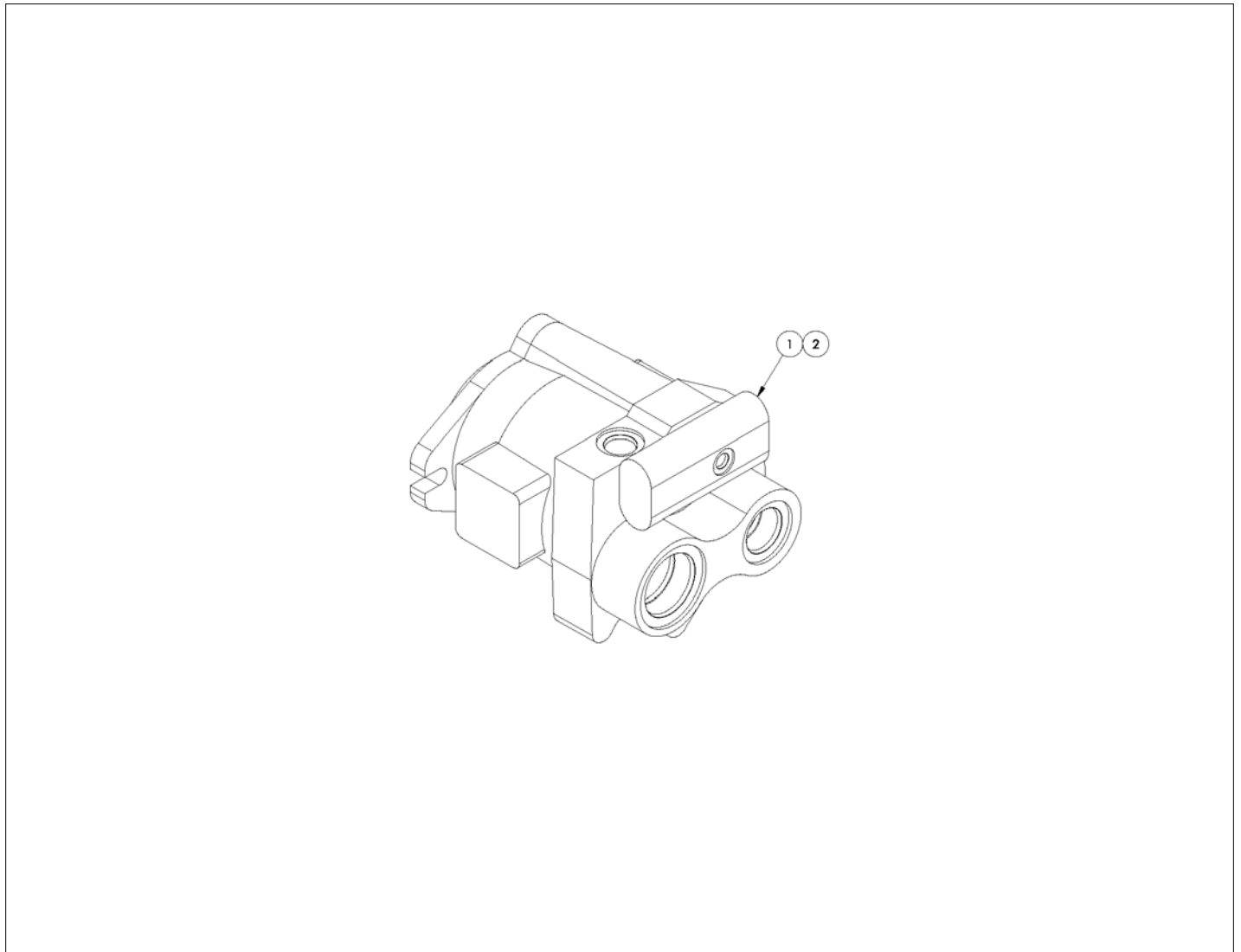
アイテム	部品番号	名前	数量	UOM
	0082138 G	HYDRAULIC PUMP AND FITTINGS DEUTZ CUMMINS		EA
1	6020065	PUMP PISTON 2.7	1	EA
	8220119	SEAL REPAIR KIT VICKERS PUMP	1	EA
	8160100	SEAL KIT – PARKER	1	EA
	8180021	SEAL KIT – REXROTH	1	EA
	8220120	REPLACEMENT COMPENSATOR VICKERS PUMP	1	EA
	6090054	REPLACEMENT COMPENSATOR – PARKER	1	EA
	8180023	REPLACEMENT COMPENSATOR – REXROTH	1	EA
*	6081989	COMPENSATOR, OIL AIR	1	EA
2	5065718	FTG, HYD 16 MB TO 16 MJIC	1	EA
3	5065710	FTG HYD 10 MB TO 8 MJIC	1	EA
4	5037006	ADAPTER 90 ° ELBOW SWIVEL 8 JIC	1	EA
5	5038005	FTG. BEADED 90 ° ELBOW	1	EA
6	5035303	FTG ELB90STRTHD 4B 4S STL	1	EA

HYDRAULICS



アイテム	部品番号	名前	数量	UOM
	0082138 A	HYDRAULIC PUMP ASSEMBLY		EA
1	5035703	ADAPTER 45 DEG ELBOW 4 SAE 4 JIC	1	EA
2	5036604	FTG. ELB90SWVLTUBE 16S 16S STL	1	EA
3	5036703	FTG TEE SWVL RUN 4S 4S STL (SEE PAGE 2)	1	EA
4	5037006	ADAPTER 90 ° ELBOW SWIVEL 8 JIC	1	EA
5	5038005	FTG. BEADED 90 ° ELBOW	1	EA
6	5065710	FTG HYD 10 MB TO 8 MJIC	1	EA
7	5065718	FTG, HYD 16 MB TO 16 MJIC	1	EA
8	6029702 005	PISTON PUMP HP5V45 REAR PORT HEGLI	1	EA
Not Shown	6092078	PUMP SEAL KIT	1	EA
Not Shown	6022077	COMPENSATOR CONTROL VALVE	1	EA

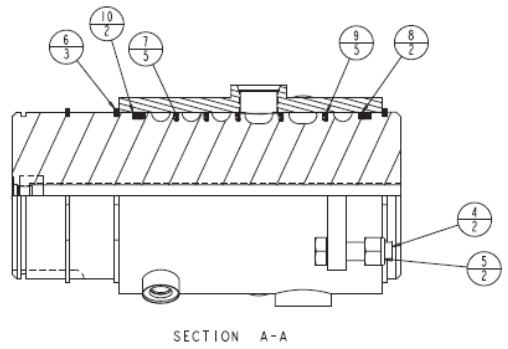
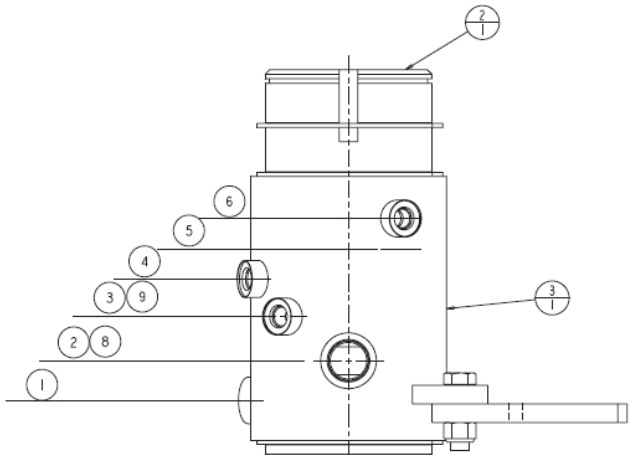
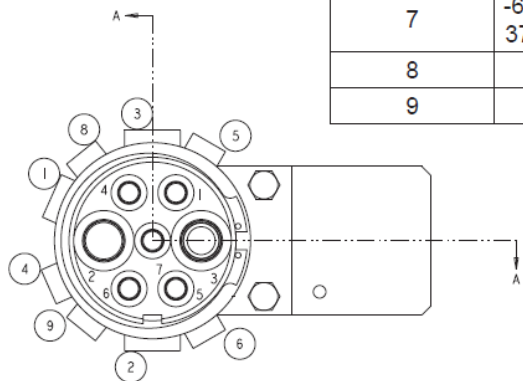
HYDRAULICS



アイテム	部品番号	名前	数量	UOM
*	6029702 005 A	PISTON PUMP HENGLI SEPTEMBER 2019 AND AFTER		EA
1	6092077	COMPENSATOR CONTROL VALVE	1	EA
2	6092078	PUMP SEAL KIT	1	EA

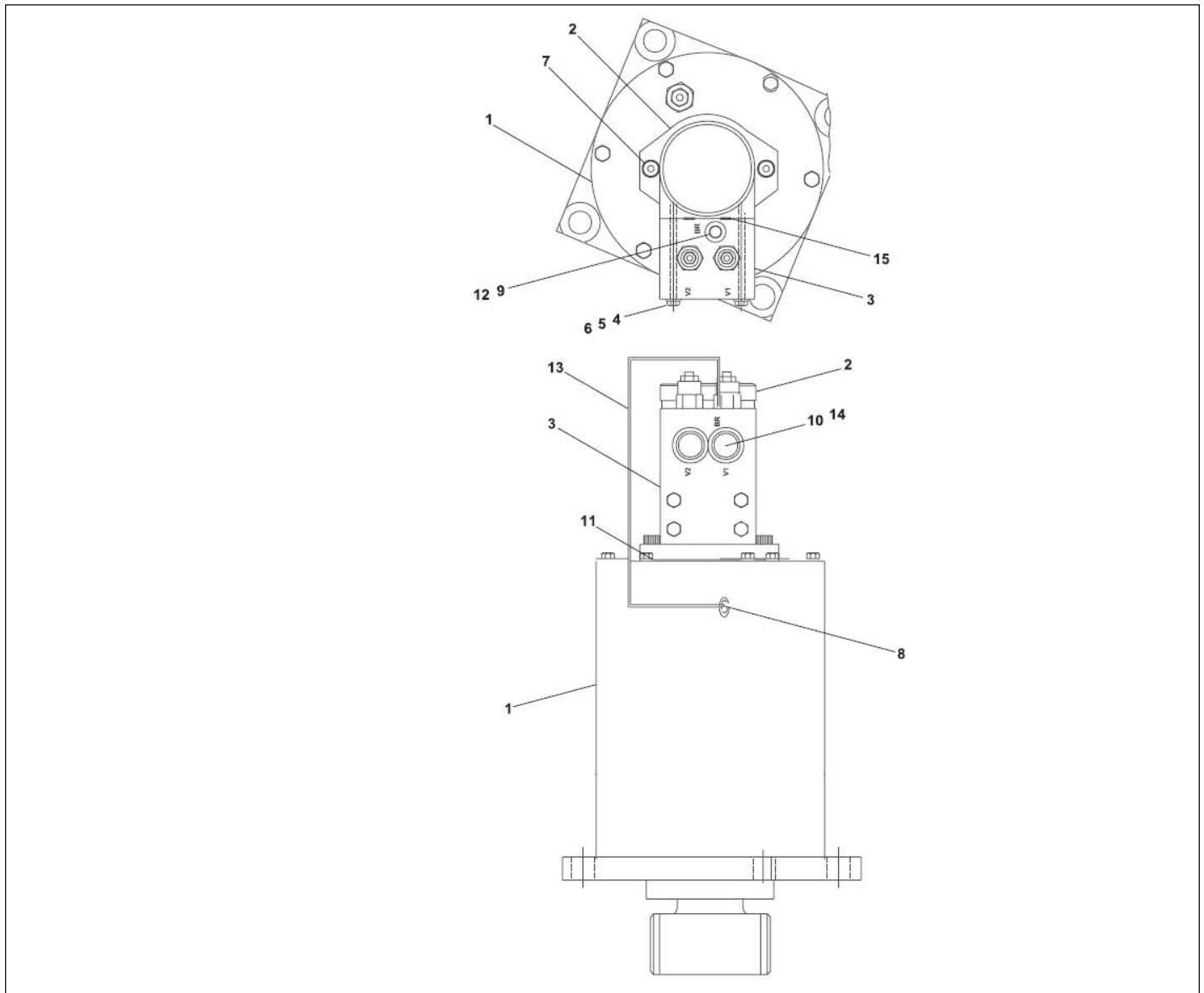
HYDRAULICS

Port Number	Body	Housing	Function
1	-6 SAE	-10 SAE	Drain
2	-12 SAE	-12 SAE	Drive Reverse
3	-12 SAE	-12 SAE	Drive Forward
4	-6 SAE	-6 SAE	Pilot
5	-6 SAE	-6 SAE	Steer Right
6	-6 SAE	-6 SAE	Steer Left
7	-6 SAE & 375 NPT		Interlock Signal
8		-6 SAE	Spare
9		-6 SAE	Spare



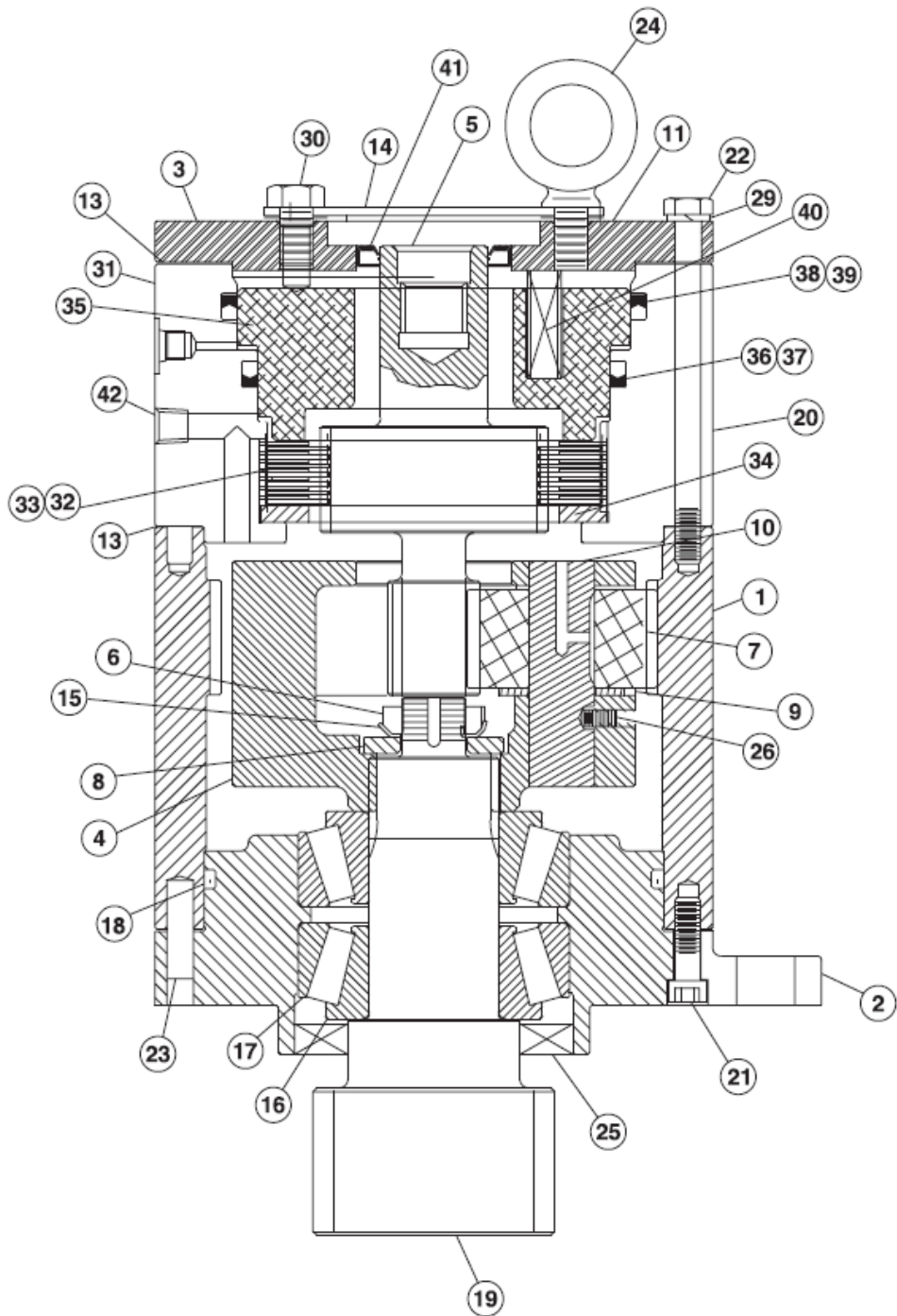
アイテム	部品番号	名前	数量	UOM
	0110465 C	CENTERPOST AND FITTINGS		EA
1	0110465	CENTERPOST	1	EA
	0070991	SEAL REPAIR KIT – ITEM NOT SHOWN	1	EA
2	0110466	CENTERPOST MANIFOLD	1	EA
3	0110467	CENTERPOST HOUSING	1	EA
4	970919	BLT HEXHD .500 13 1.75 GR5	2	EA
5	5560039	NUT HEX LKG .500 13	2	EA
6	5590003	SNAP RING 4.50 EXT TRUARC 5100 450 3100 450 STPA	3	EA
7	PNNA	O RING 4 OD X 4.19 ID X .10 DIA – KIT ITEM	5	EA
8	PNNA	O RING 4.125 ID 4.5 OD .1875 DIA – KIT ITEM	2	EA
9	PNNA	SEAL RING, 4.5 OD X .110 SQ – KIT ITEM	5	EA
10	PNNA	PARBAK SEAL PARKER #8 346 N300 9 – KIT ITEM	2	EA

HYDRAULICS



アイテム	部品番号	名前	数量	UOM
	0073026 M	SWING DRIVE ASSEMBLY APRIL 2006 AND AFTER	1	EA
1	0070047	SWING DRIVE – PERFECTION	1	EA
	0070047	SWING DRIVE – PERFECTION	1	EA
	0070047	SWING DRIVE – PERFECTION	1	EA
2	6030020	MOTOR, SWING DRIVE	1	EA
	8200004	SEAL REPAIR KIT ROSS/TRW MOTOR	1	EA
	0090352	SEAL REPAIR KIT CHAR LYNN/EATON MOTOR	1	EA
	0073359	SEAL REPAIR KIT WHITE/ROLLER STATOR MOTOR	1	EA
3	6010250	MOTION CONTROL VALVE ROSS/CHAR LYNN	1	EA
	6019048	MOTION CONTROL VALVE FLUIDTECH	1	EA
4	5560641	CAPSCREW 5/16 18 X 3 1/2 LG HH GR5	4	EA
5	986269	WSHR FLAT .313	4	EA
6	987109	WSHR LOCK .313	4	EA
7	5560087	CAPSCREW 1/2 13 X 1 1/4 INCH LONG SELF LOCKING	2	EA
8	5035303	FTG ELB90STRTHD 4B 4S STL	1	EA
9	5065703	FTG ADPTR STRTHD 4B 4S STL	1	EA
10	5065726	STRAIGHT THREAD ADAPTER	1	EA
11	7190005	GASKET, SWING DRIVE MOTOR	1	EA
12	5037003	FTG ELB90SWVL 4S 4S STL	1	EA
13	0020283	HOSE 4 4S 4S 15.25 100R1 SAE:100R1 4 BAND IN	1	EA
14	5036905	ADAPTER 45 DEG ELBOW SWIVEL 6 JIC	2	EA
15	7110112	O RING	2	EA

HYDRAULICS

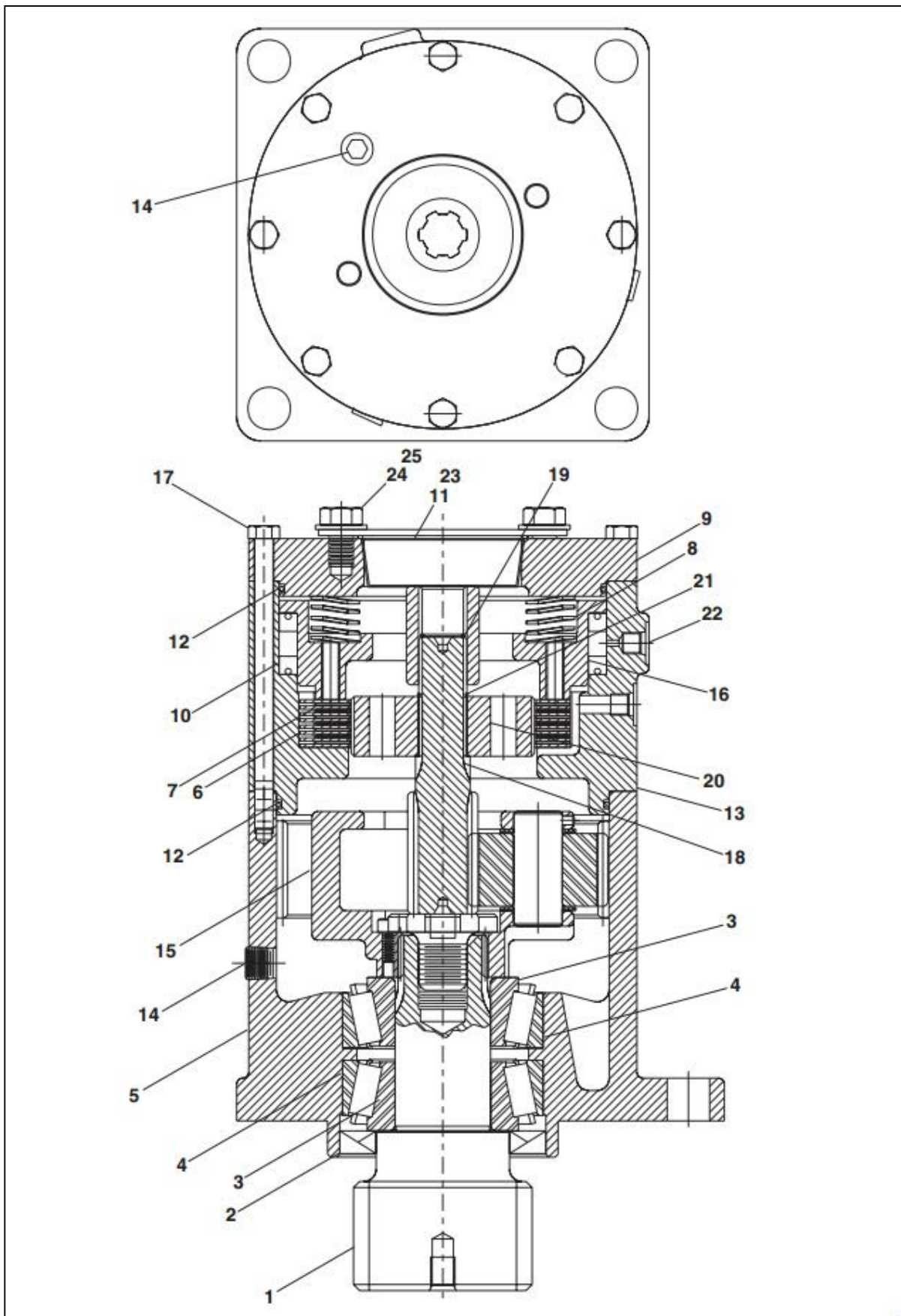


0070047 N

アイテム	部品番号	名前	数量	UOM
	0070047 N	SWING DRIVE – PERFECTION	1	EA
	0074837	Seal and shim repair kit #1 (kit includes items 11, 18, 25 and 41)	1	EA
	0074838	Brake repair kit (kit includes items 32, 33 and 40)	1	EA
	0074839	Seal and shim repair kit #2 (kit includes items 11, 36, 37, 38 and 39)	1	EA
1	0074800	Housing	1	EA
2	0074801	Mounting flange	1	EA
3	0074802	Motor adapter	1	EA
4	0074803	Planetary carrier	1	EA
5	0074804	Input pinion	1	EA
6	0074805	Lock nut	1	EA
7	0074806	Spur gear	3	EA
8	0074807	Washer	1	EA
9	0074808	Washer idler	3	EA
10	0074809	Idler pin	3	EA
11	KIT ITEM	HYDRAULIC MOTOR GASKET – NOT SOLD SEPARATELY	1	EA
12	0172054	Reducer bushing	1	EA
13	0074836	Brake gasket	2	EA
14	0074811	Hydraulic motor cover	1	EA
15	0074812	Lock washer	1	EA
16	0074813	Bearing cup	2	EA
17	0074814	Bearing cone	2	EA
18	KIT ITEM	O RING – not sold separately	1	EA
19	0074816	Output shaft	1	EA
20	0172053	PRESSURE VENT PLUG	1	EA
21	0071817	Bolt 3/8 16 x 1 1/4	8	EA
22	0074818	Bolt 3/8 16 x 5 1/4	6	EA
23	0074819	Dowelpin	3	EA

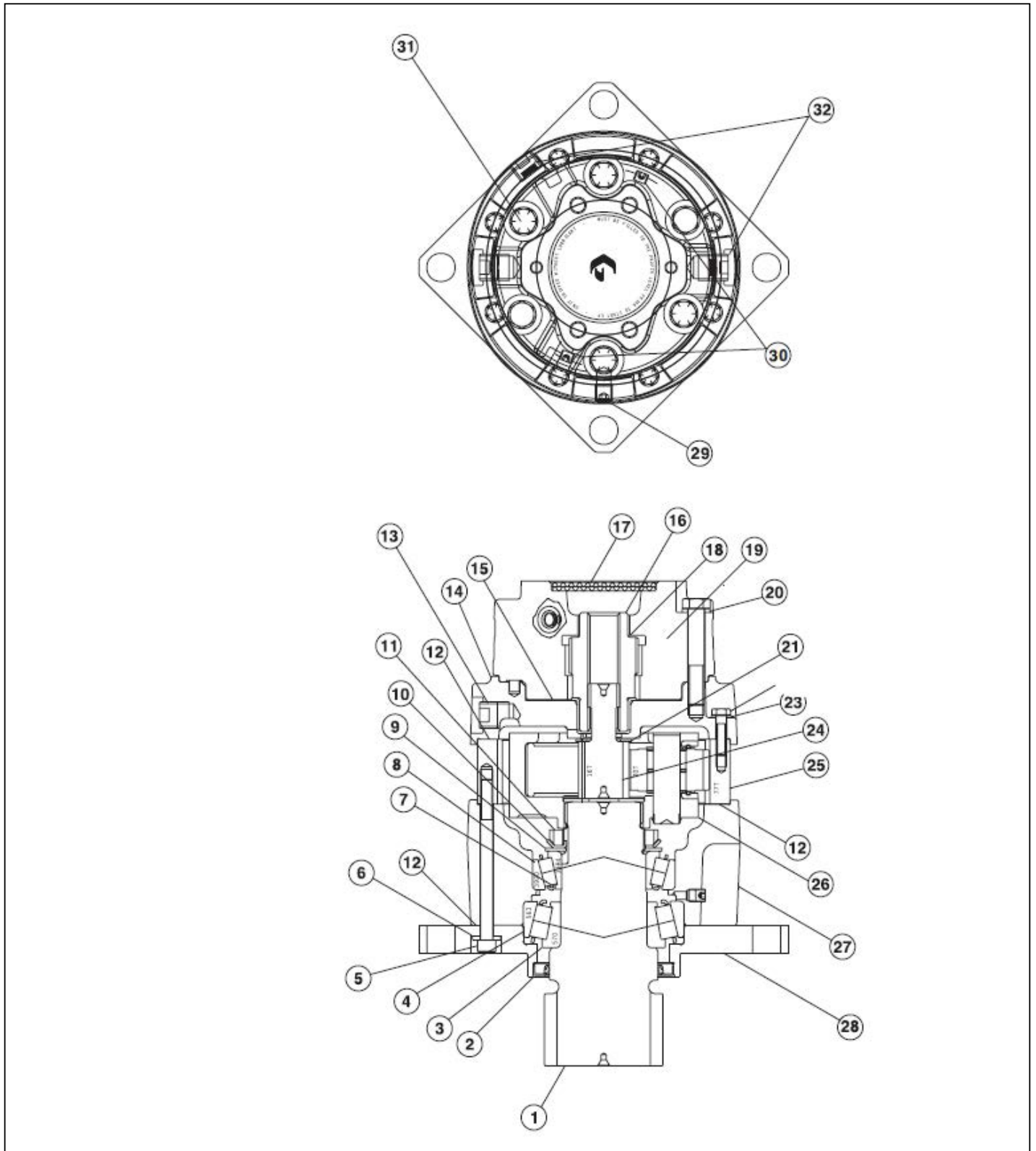
アイテム	部品番号	名前	数量	UOM
24	0074820	Eyebolt	1	EA
25	KIT ITEM	OIL SEAL – NOT SOLD SEPARATELY	1	EA
26	0074822	Screw	3	EA
27	0074823	Bushing	1	EA
28	0074824	Nut, hex 1/2 13	2	EA
29	0074825	Lock washer	6	EA
30	0074826	Bolt	2	EA
31	0074827	Housing brake	1	EA
32	KIT ITEM	PRESSURE DISC THIN – NOT SOLD SEPARATELY	7	EA
33	KIT ITEM	FRICITION DISC – NOT SOLD SEPARATELY	7	EA
34	0074830	Pressure disc (thick)	1	EA
35	0074831	Piston	1	EA
36	KIT ITEM	O RING – not sold separately	1	EA
37	KIT ITEM	O RING PLATE – NOT SOLD SEPARATELY	1	EA
38	KIT ITEM	O RING – not sold separately	1	EA
39	KIT ITEM	O RING PLATE – NOT SOLD SEPARATELY	1	EA
40	KIT ITEM	SPRING – NOT SOLD SEPARATELY	24	EA
41	KIT ITEM	OIL SEAL – NOT SOLD SEPARATELY	1	EA
42	0172050	PIPE PLUG	5	EA

HYDRAULICS



アイテム	部品番号	名前	数量	UOM
	0070047 N 1	SWING DRIVE TULSA WINCH	1	EA
	8200059	SEAL REPAIR KIT	1	EA
1	8200051	OUTPUT PINION SHAFT	1	EA
2	8200052	OIL SEAL	1	EA
3	8200060	BEARING CONE	2	EA
4	8200061	BEARING CUP	2	EA
5	8200062	HOUSING	1	EA
6	8200055	STATOR PLATE	8	EA
7	8200064	FRICTION DISC	7	EA
8	8200057	BRAKE SPRING	12	EA
9	8200066	MOTOR ADAPTER	1	EA
10	8200053	OIL SEAL	2	EA
11	8200039	GASKET	1	EA
12	8200054	O RING	2	EA
13	8200069	BRAKE HOUSING	1	EA
14	8200070	PIPE PLUG	2	EA
15	8200096	GEAR SET	1	EA
16	8200071	BRAKE PISTON	1	EA
17	8200072	CAPSCREW	8	EA
18	8200073	INPUT GEAR	1	EA
19	8200074	RETAINING RING	1	EA
20	8200075	BRAKE DRIVER	1	EA
21	8200076	RETAINING RING	1	EA
22	8200077	CAP PLUG	1	EA
23	8200078	PROTECTOR	1	EA
24	8200079	WASHER	2	EA
25	8200080	CAPSCREW	2	EA
26	8200081	PIPE BUSHING – ITEM NOT SHOWN	1	EA
27	8200082	BREATHER – ITEM NOT SHOWN	1	EA

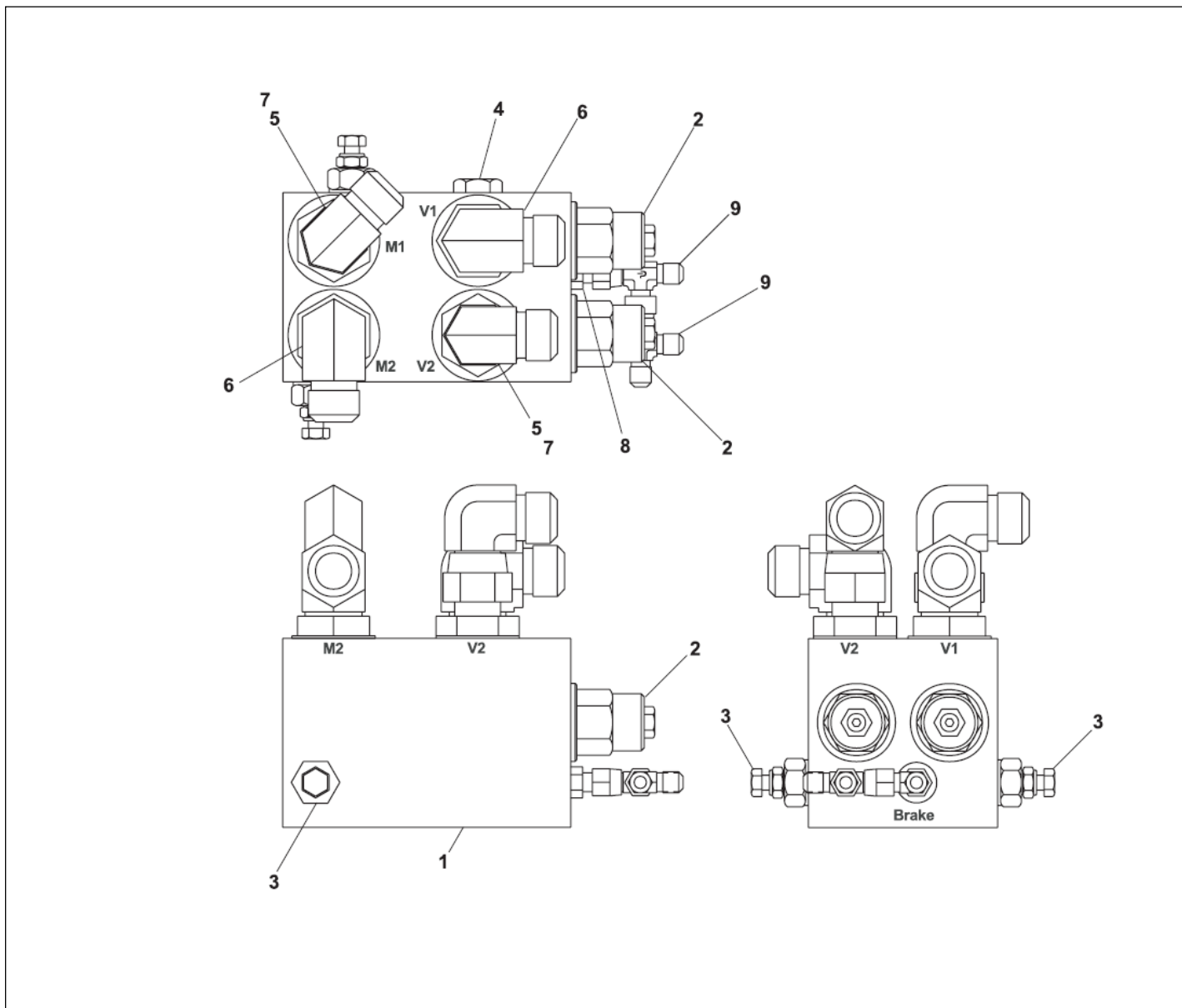
HYDRAULICS



アイテム	部品番号	名前	数量	UOM
	0070047N 2	SWING DRIVE – PERFECTION	1	EA
1	8010232	OUTPUT SHAFT	1	EA
2	8010260	OIL SEAL	1	EA
3	8010227	BEARING CONE	1	EA
4	8010226	BRG ROLLER/CUP	1	EA
5	8010235	BEARING CUP	12	EA
6	8010221	WASHER, FLAT	12	EA
7	8010225	BEARING CONE	1	EA
8	8010224	BEARING CUP	1	EA
9	8010236	THRUST WASHER	1	EA
10	8010222	WASHER, LOCK	1	EA
11	8010229	NUT, LOCK	1	EA
12	8010261	SEALING COMPOUND	3	EA
13	8010262	PIPE PLUG	1	EA
14	8010219	COVER	1	EA
15	8010263	GASKET	1	EA
16	8010238	ADAPTER, SPLINE	1	EA
17	8010264	SHIPPING PLUG	1	EA
18	8010223	BEARING, FLANGE SLEEVE	1	EA
19	8010265	BRAKE	1	EA
	8010247	SEAL REPAIR KIT Q SERIES	1	EA
	8010248	SEAL REPAIR KIT P SERIES	1	EA
20	8010266	WASHERM FLAT	4	EA
21	8010217	THRUST , WASHER	1	EA
22	8010267	BOLT, HEX HEAD	8	EA
23	8010220	WASHER, FLAT	8	EA
24	8010231	GEAR, SUN	1	EA
25	8010230	GEAR, RING	1	EA
26	8010237	CARRIER	1	EA

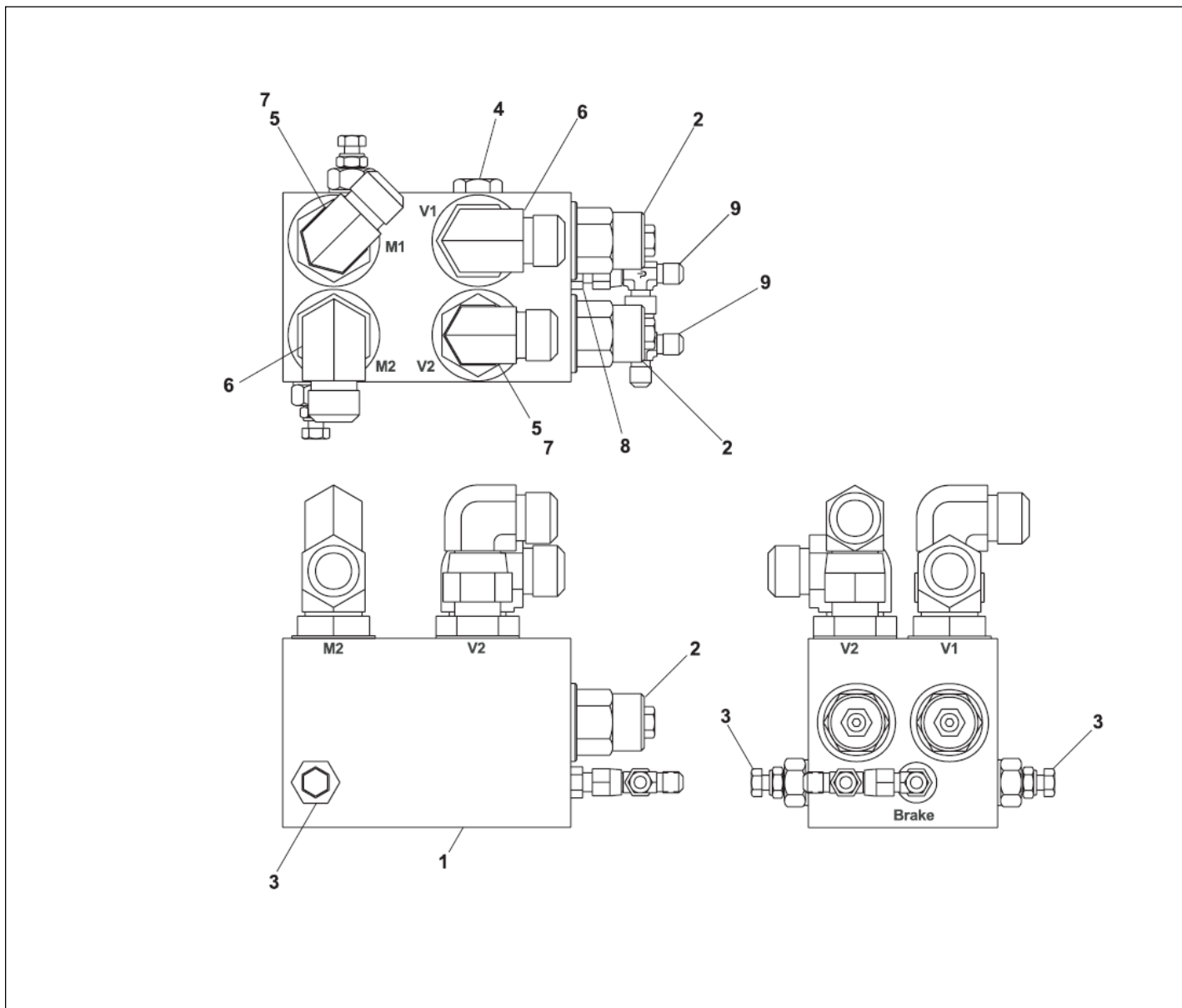
アイテム	部品番号	名前	数量	UOM
27	8010233	HUB	1	EA
28	8010218	HUB FLANGE	1	EA
29	8010268	PIPE PLUG	1	EA
30	8010269	PIPE PLUG	2	EA
31	8010270	BOLT, HEX HEAD	4	EA
32	8010271	PIPE PLUG	2	EA
33	8010239	PISTON KIT – ITEM NOT SHOWN	1	EA
34	8010240	FRICTION DISC KIT – ITEM NOT SHOWN	1	EA

HYDRAULICS



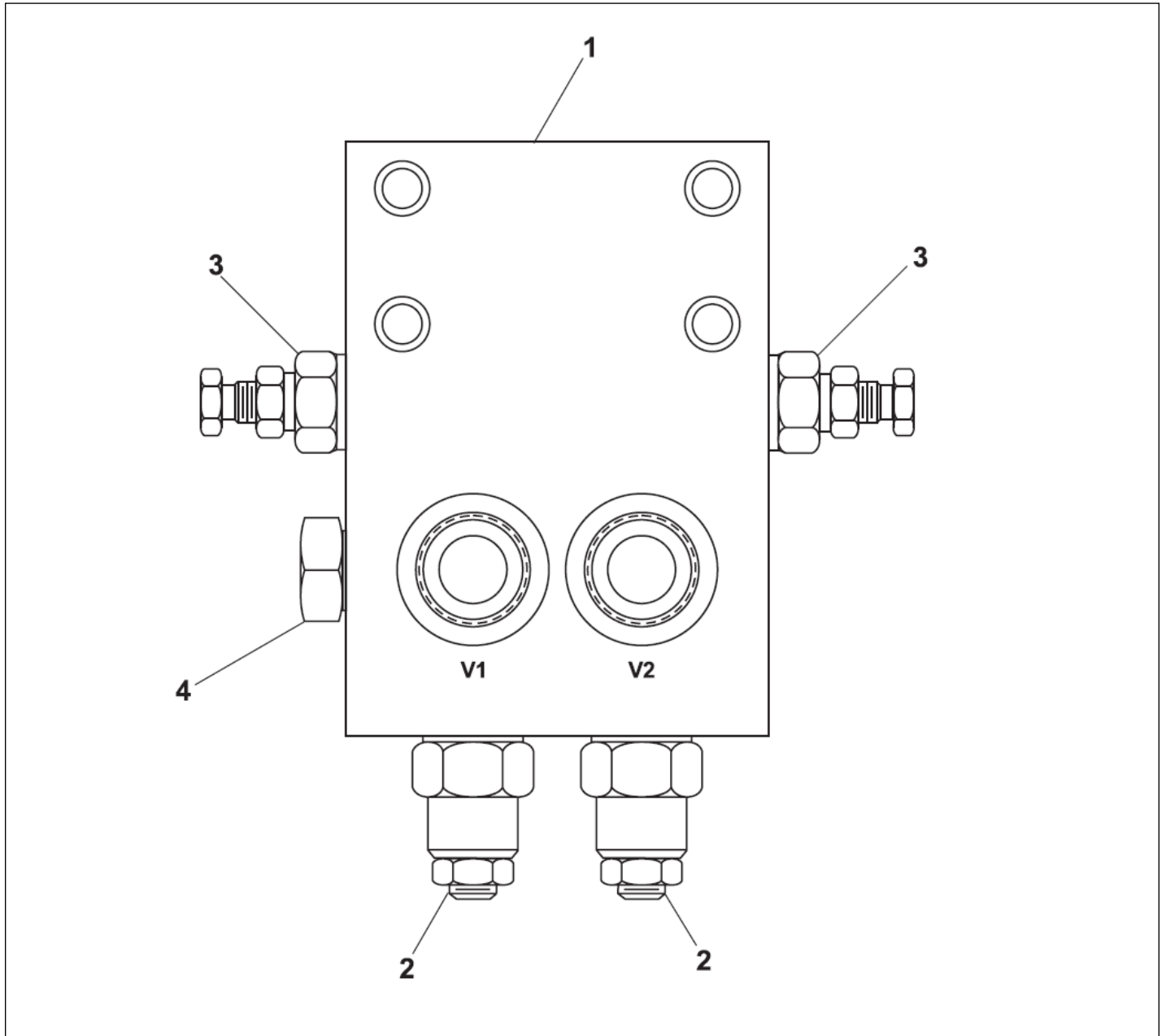
アイテム	部品番号	名前	数量	UOM
	0081042 E	MOTION CONTROL VALVE DRIVE ASSEMBLY	1	EA
1	6010228	MOTION CONTROL VALVE, DRIVE	1	EA
	0110683	SEAL REPAIR KIT	1	EA
2	6010523	COUNTERBALANCE VALVE CARTRIDGE	2	EA
3	6010269	CARTRIDGE SEQUENCE VALVE, WECO	2	EA
4	6010531	SHUTTLE VALVE	1	EA
5	5065715	FTG ADPTR STRTHD 16B 12S STL B	2	EA
6	5035319	FTG ELB90STRTHD 16B 12S STL	2	EA
7	5037008	ADAPTER 90 ° ELBOW SWIVEL 12 JIC	2	EA
8	5065703	FTG ADPTR STRTHD 4B 4S STL	1	EA
9	5036703	FTG TEE SWVL RUN 4S 4S STL (SEE PAGE 2)	2	EA

HYDRAULICS



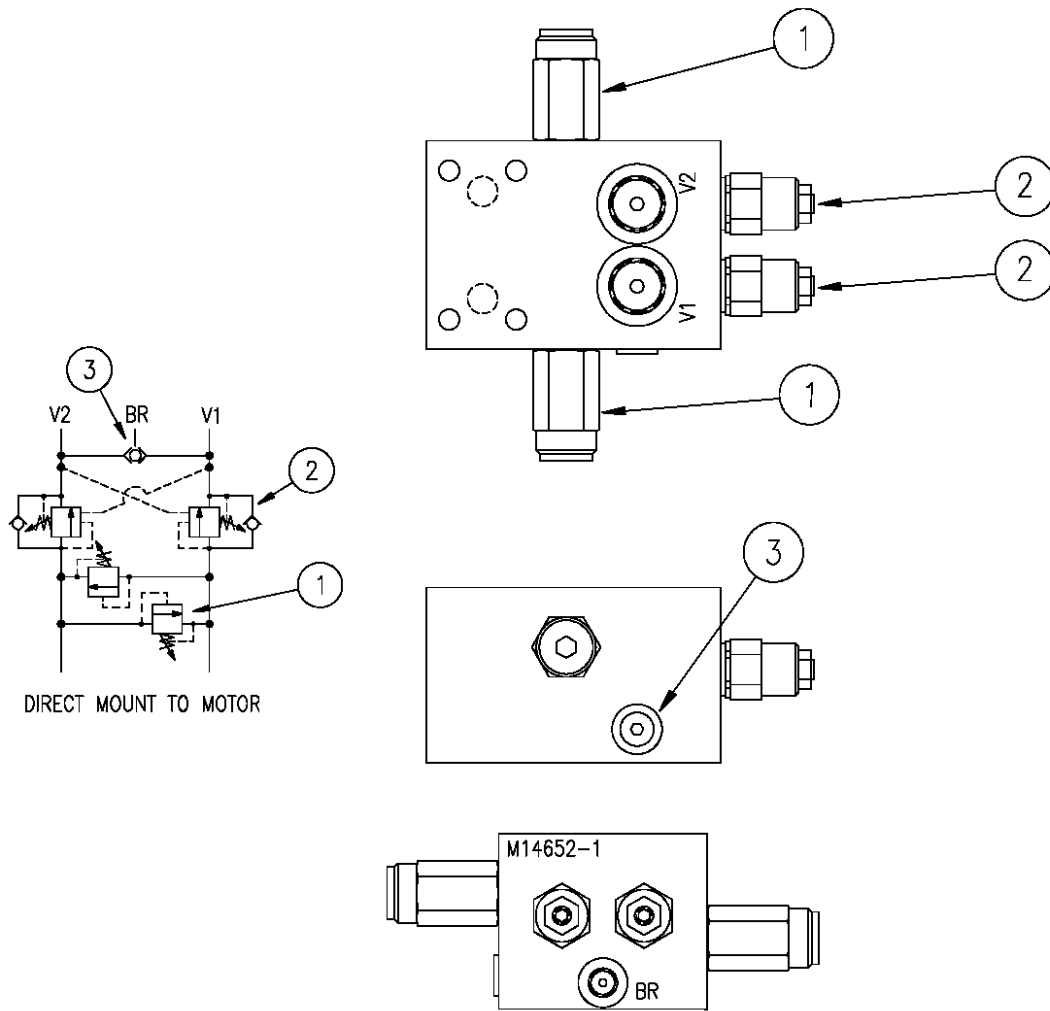
アイテム	部品番号	名前	数量	UOM
	0081042 D	MOTION CONTROL VALVE DRIVE SUB ASSEMBLY	1	EA
1	6010228	MOTION CONTROL VALVE, DRIVE	1	EA
	0110683	SEAL REPAIR KIT	1	EA
2	6010523	COUNTERBALANCE VALVE CARTRIDGE	2	EA
3	6010269	CARTRIDGE SEQUENCE VALVE, WECO	2	EA
4	6010531	SHUTTLE VALVE	1	EA
5	5065715	FTG ADPTR STRTHD 16B 12S STL B	2	EA
6	5035319	FTG ELB90STRTHD 16B 12S STL	2	EA
7	5037008	ADAPTER 90 ° ELBOW SWIVEL 12 JIC	2	EA
8	5065703	FTG ADPTR STRTHD 4B 4S STL	1	EA
9	5036703	FTG TEE SWVL RUN 4S 4S STL (SEE PAGE 2)	2	EA

HYDRAULICS



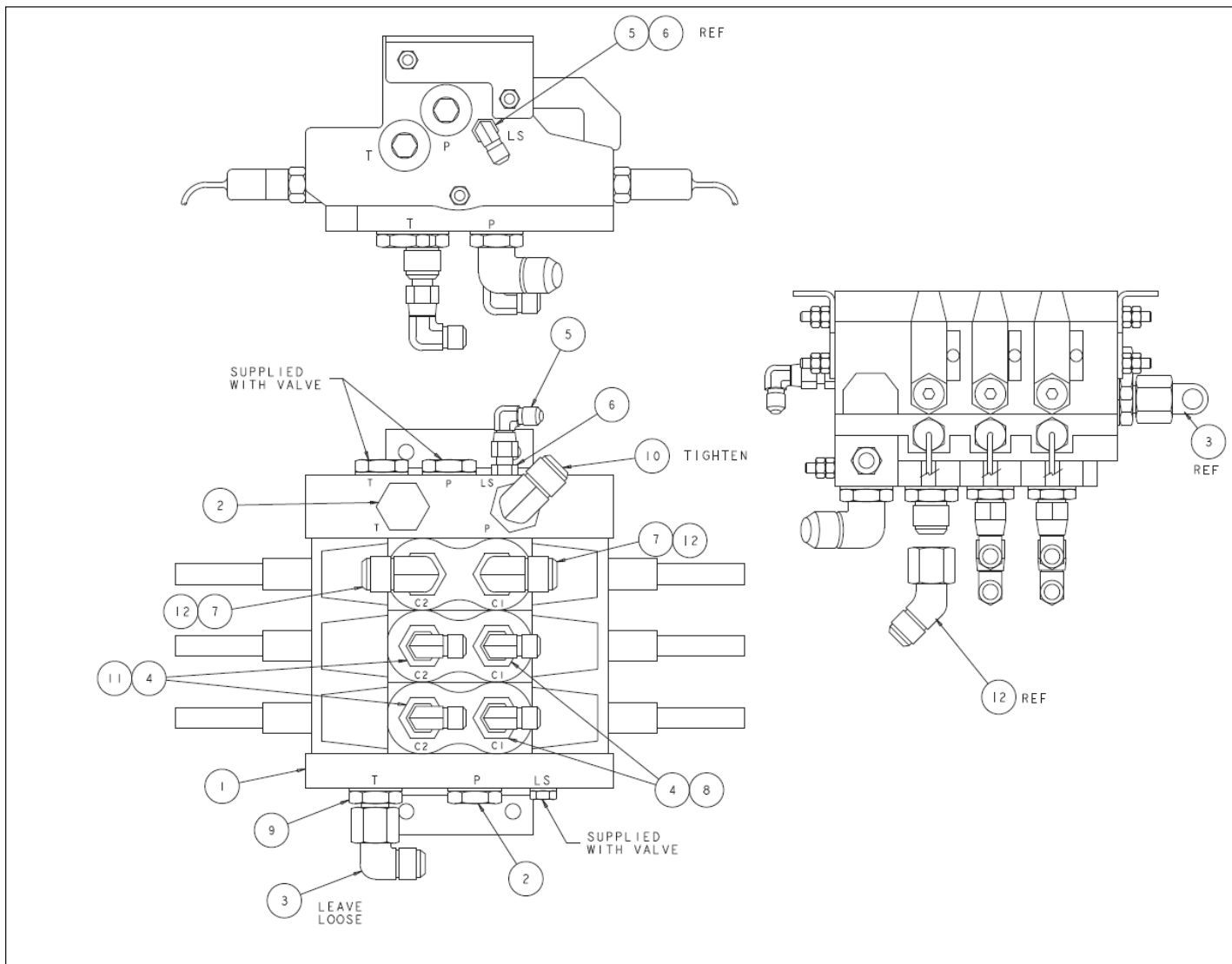
アイテム	部品番号	名前	数量	UOM
	6010250 A	MOTION CONTROL VALVE WILLIAMS	1	EA
2	6010256	COUNTERBALANCE VALVE CARTRIDGE	2	EA
3	6010321	CARTRIDGE RELIEF VALVE	2	EA
Not Shown	0150563	SEAL REPAIR KIT	1	EA
4	6010531	SHUTTLE VALVE	1	EA

HYDRAULICS



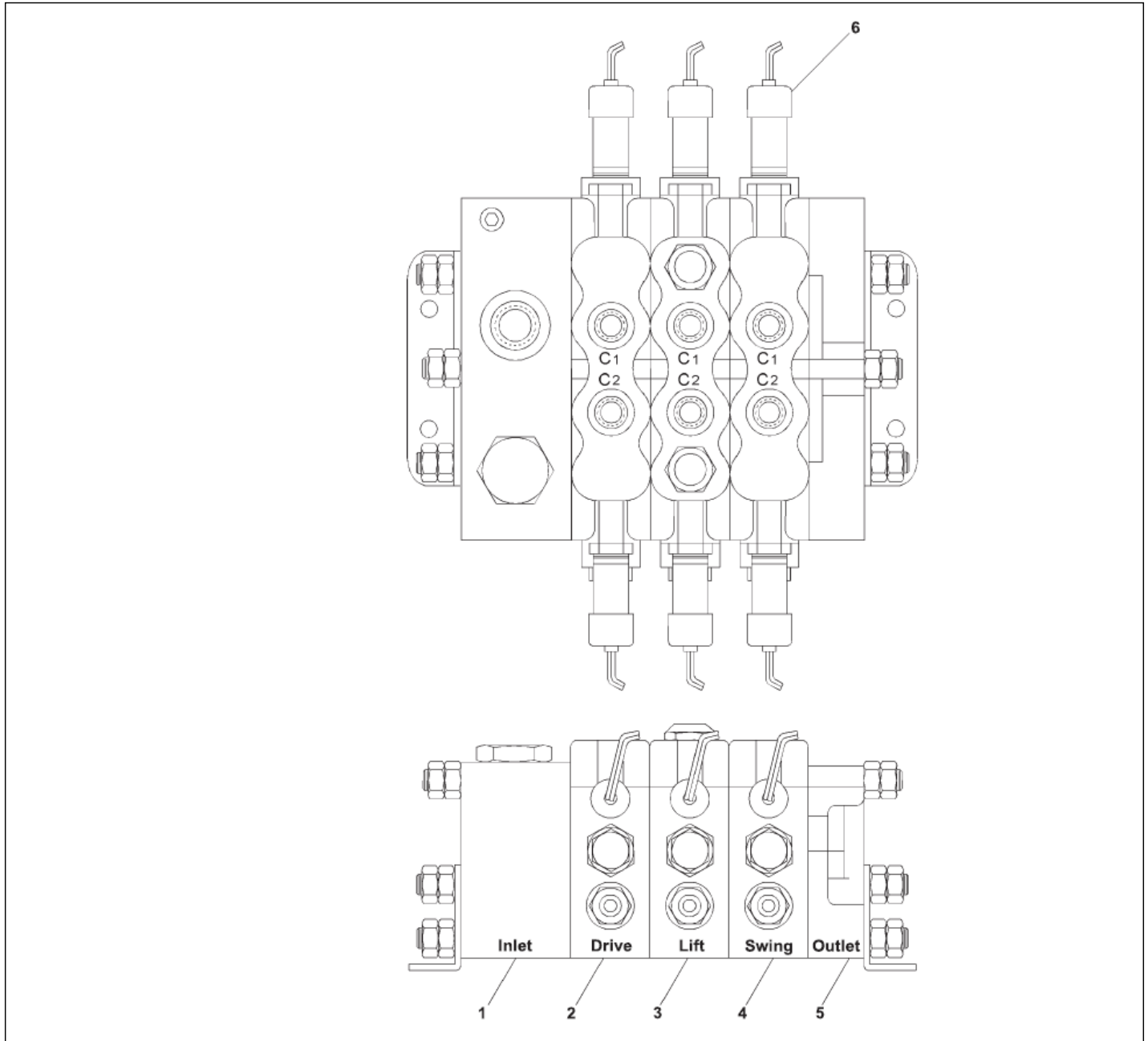
アイテム	部品番号	名前	数量	UOM
	6019048 A	MOTION CONTROL VALVE FLUIDTECH TURNTABLE SWING	1	EA
1	514411 000	RELIEF VALVE	2	EA
500	5656666	SEAL KIT		EA
2	6019341	COUNTERBALANCE VALVE	2	EA
	6091702	SEAL KIT	1	EA
3	6019041	SHUTTLE VALVE	1	EA
	6091701	SEAL KIT	1	EA

HYDRAULICS



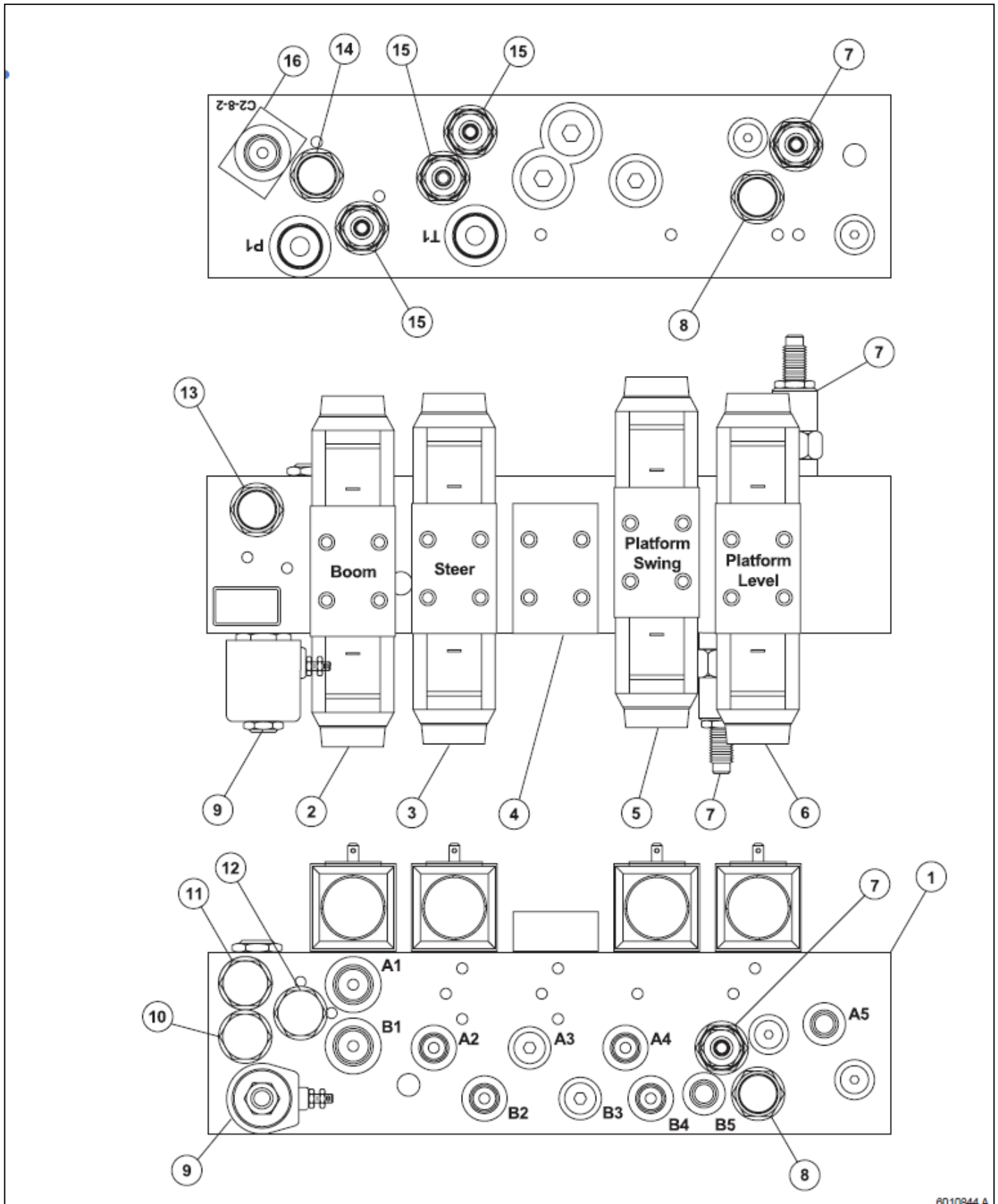
アイテム	部品番号	名前	数量	UOM
	0081873C	PROPORTIONAL VALVE ASSEMBLY		EA
1	6010823	VALVE, PROPORTIONAL	1	EA
2	5075208	FTG PL HEX HD 12B STL	2	EA
3	5037010	ADAPTER 90 DEG ELBOW SWIVEL 16 JIC	1	EA
4	5037005	TERM FEM F.I. .250 16/14	4	EA
5	5037003	FTG ELB90SWVL 4S 4S STL	1	EA
6	5065703	FTG ADPTR STRTHD 4B 4S STL	1	EA
7	5065731	FTG, HYD 8 MB TO 12 MJIC	2	EA
8	5065708	FTG, HYD 8 MB TO 6 MJIC	2	EA
9	5065719	FTG ADPTRSTRTHD 12B 16S STL	1	EA
10	5035311	FTG ADPTRSWVL 16B 16S STL	1	EA
11	5065815	FTG ADPTR STRTHD LG 8B 6S STL	2	EA
12	5036908	SWIVEL NUT 45 ° ELBOW	2	EA

HYDRAULICS



アイテム	部品番号	名前	数量	UOM
	6010823 B	VALVE, PROPORTIONAL	1	EA
1	6010849	INLET SECTION	1	EA
	8010272	SET SCREW	2	EA
	8010273	SEALING NUT WITH WASHER	2	EA
2	6010850	DRIVE CONTROL SECTION	1	EA
	8010272	SET SCREW	2	EA
	8010273	SEALING NUT WITH WASHER	2	EA
3	6010851	BOOM LIFT CONTROL VALVE SECTION	1	EA
	8010272	SET SCREW	2	EA
	8010273	SEALING NUT WITH WASHER	2	EA
4	6010852	SWING CONTROL VALVE SECTION	1	EA
	8010272	SET SCREW	2	EA
	8010273	SEALING NUT WITH WASHER	2	EA
5	6010853	OUTLET SECTION	1	EA
	8010272	SET SCREW	2	EA
	8010273	SEALING NUT WITH WASHER	2	EA
6	6010653	DIGITAL PULSAR SOLENOID CARTRIDGE, 12 VOLT DC – BLACK = 33 HZ FREQUENCY	6	EA
7	8010245	O RING KIT ONE PER SECTION – ITEM NOT SHOWN	AR	EA

HYDRAULICS

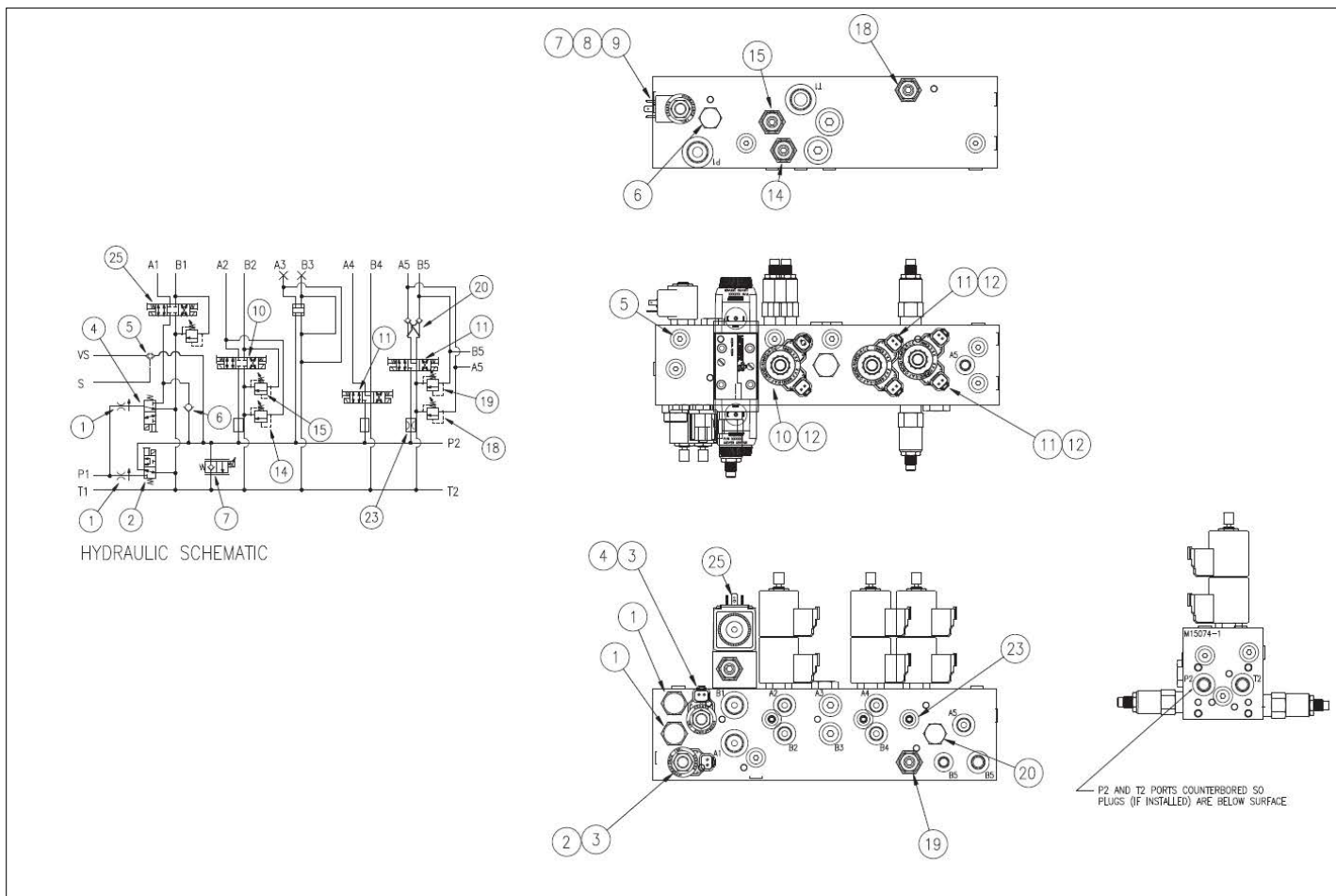


6010844A

アイテム	部品番号	名前	数量	UOM
	6010844 A	NON PROPORTIONAL CONTROL VALVE VICKERS JANUARY 2008 AND BEFORE	1	EA
1	6010694	MANIFOLD BODY	1	EA
2	6010697	STEER CONTROL VALVE	1	EA
	3040551	REPLACEMENT SOLENOID, 12 VOLT DC	2	EA
3	6010697	STEER CONTROL VALVE	1	EA
	3040551	REPLACEMENT SOLENOID, 12 VOLT DC	2	EA
4	PNNA	COVER PLATE (NOT SOLD SEPARATELY)	1	EA
5	6010696	LEVELCONTROL VALVE	1	EA
	3040551	REPLACEMENT SOLENOID, 12 VOLT DC	2	EA
6	6010696	LEVELCONTROL VALVE	1	EA
	3040551	REPLACEMENT SOLENOID, 12 VOLT DC	2	EA
7	6010700	PRESSURE RELIEF CARTRIDGE VALVE	2	EA
	6010553	SEAL REPAIR KIT	1	EA
8	6010699	CHECK VALVE CARTRIDGE	2	EA
	565666	SEAL REPAIR KIT	1	EA
9	6010698	CARTRIDGE VALVE, 3 WAY INLET	1	EA
	6010537	SEAL REPAIR KIT	1	EA
	6010707	REPLACEMENT CARTRIDGE	1	EA
	8220094	REPLACEMENT SOLENOID, 12 VOLT DC	1	EA
10	6010703	FLOW REGULATOR CARTRIDGE VALVE	1	EA
	565666	SEAL REPAIR KIT	1	EA
11	6010702	FLOW CONTROL CARTRIDGE VALVE	1	EA
	565666	SEAL REPAIR KIT	1	EA

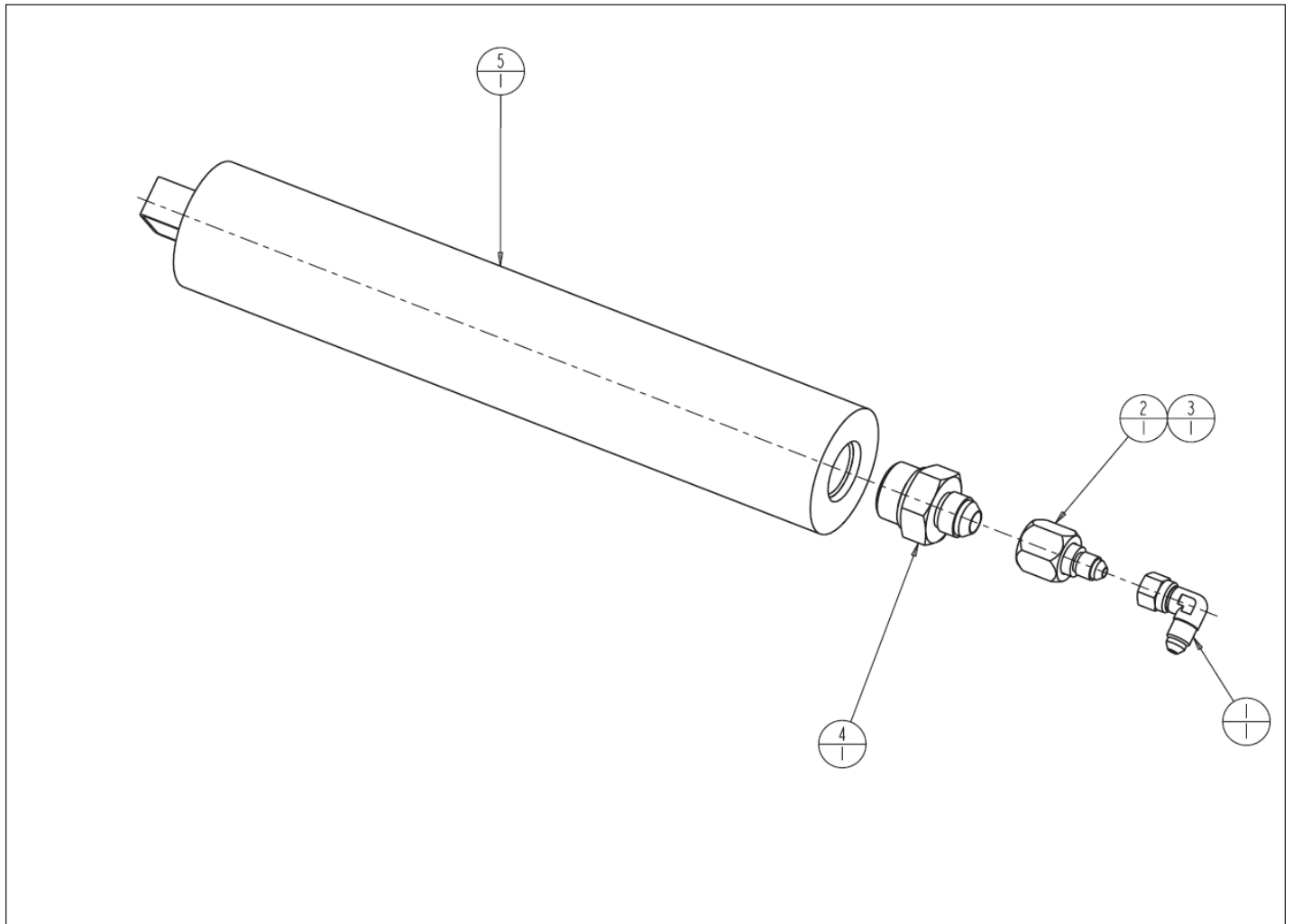
アイテム	部品番号	名前	数量	UOM
12	6010701	3 WAY PILOT OPER CART VALVE	1	EA
	6010551	SEAL REPAIR KIT	1	EA
13	6010704	SHUTTLE VALVE CARTRIDGE	1	EA
	6010537	SEAL REPAIR KIT	1	EA
14	6010705	CHECK VALVE CARTRIDGE	1	EA
	565666	SEAL REPAIR KIT	1	EA
15	6010706	RELIEF VALVE CARTRIDGE	3	EA
	565666	SEAL REPAIR KIT	1	EA
16	6010591	SOLENOID VALVE AND COIL ASSEMBLY	1	EA
	0180802	SEAL REPAIR KIT	1	EA
	6010392	REPLACEMENT CARTRIDGE	1	EA
	3040496	REPLACEMENT COIL, 12 VOLT DC	1	EA

HYDRAULICS



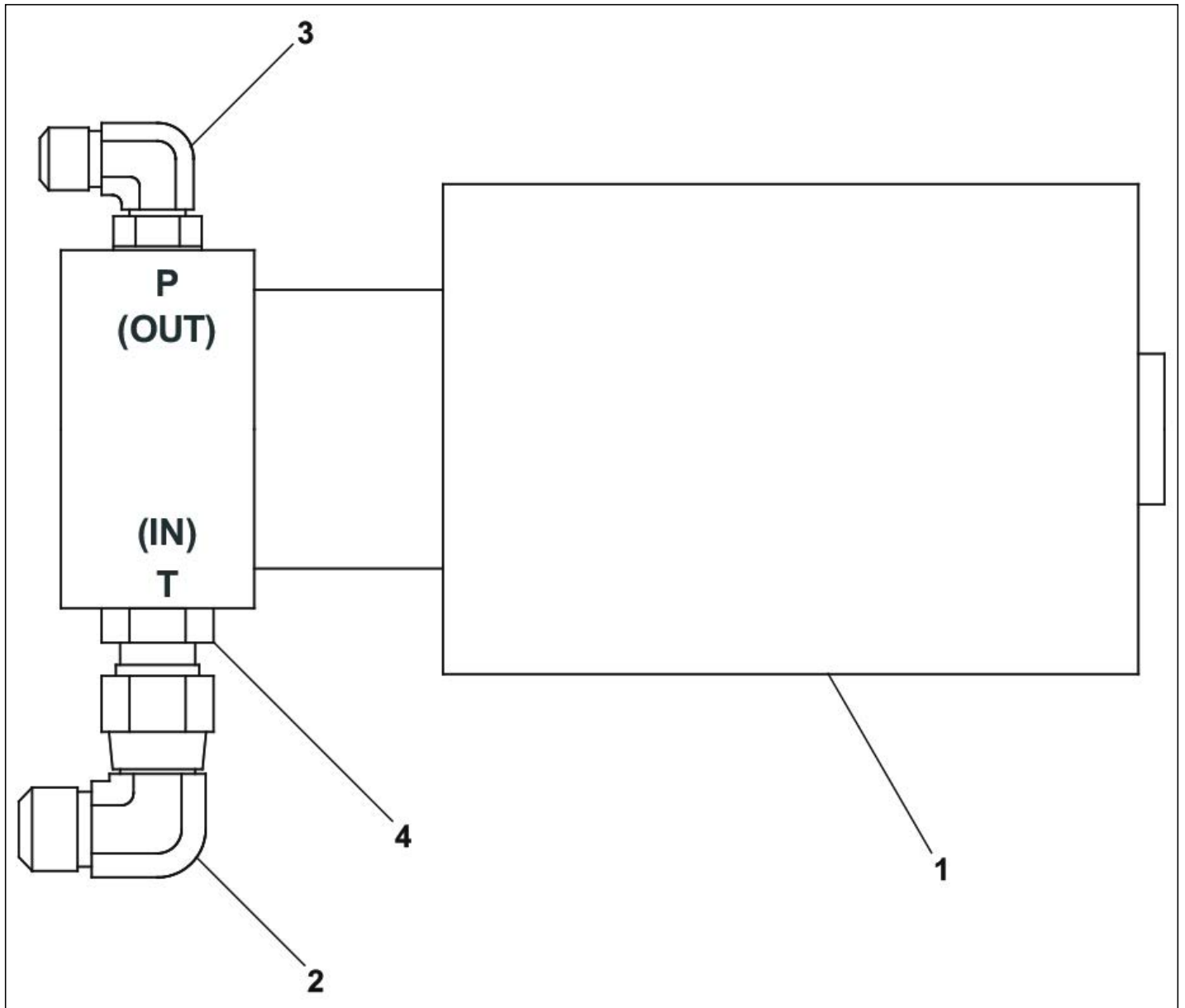
アイテム	部品番号	名前	数量	UOM
	6019059 A	NON PROPORTIONAL CONTROL VALVE FLUIDTECH FEBRUARY 2008 AND AFTER	1	EA
1	6010703	FLOW REGULATOR CARTRIDGE VALVE	2	EA
2	6019190	3 WAY SOL VALVE	1	EA
3	3220126	10VDC DRZ COIL	2	EA
4	6019192	3 WAY SOL VALVE	1	EA
5	6019041	SHUTTLE VALVE	1	EA
6	561176	VALVE CART CHECK	1	EA
7	6019194	ELECTRO PROPORTIONAL VALVE	1	EA
8	6019195	12 VDC DIN COIL	1	EA
9	6019196	DIN CONNECTOR	1	EA
10	6019098	VALVE SOL CART 3 POS 4WAY CC	1	EA
11	6019099	4 WAY SOL VALVE	2	EA
12	3040782	COIL 10V DIODE DEUTSCH CONN	6	EA
14	6019155	REL VLV B2	1	EA
15	6019155	REL VLV B2	1	EA
18	6019205	REL VLV B5	1	EA
19	6019205	REL VLV B5	1	EA
20	6019157	DOUBLE PCV	1	EA
23	6018948	1/16" NPT PLUG DRILLED .035" ORIFICE	1	EA
25	6019210	NONREGEN D03 SOL VALVE	1	EA

HYDRAULICS



アイテム	部品番号	名前	数量	UOM
*	0082055 C	ACCUMULATOR ASSEMBLY 300 PSI		EA
1	5037003	FTG ELB90SWVL 4S 4S STL	1	EA
2	5063906	FTG NUT 8S STL	1	EA
3	5064002	ADAPTER STREIGHT TUBE REDUCER 8 JIC TO 4 JIC	1	EA
4	5065711	FTG ADPTR STRTHD 12B 8S STL	1	EA
5	6070005	ACCUMULATOR	1	EA

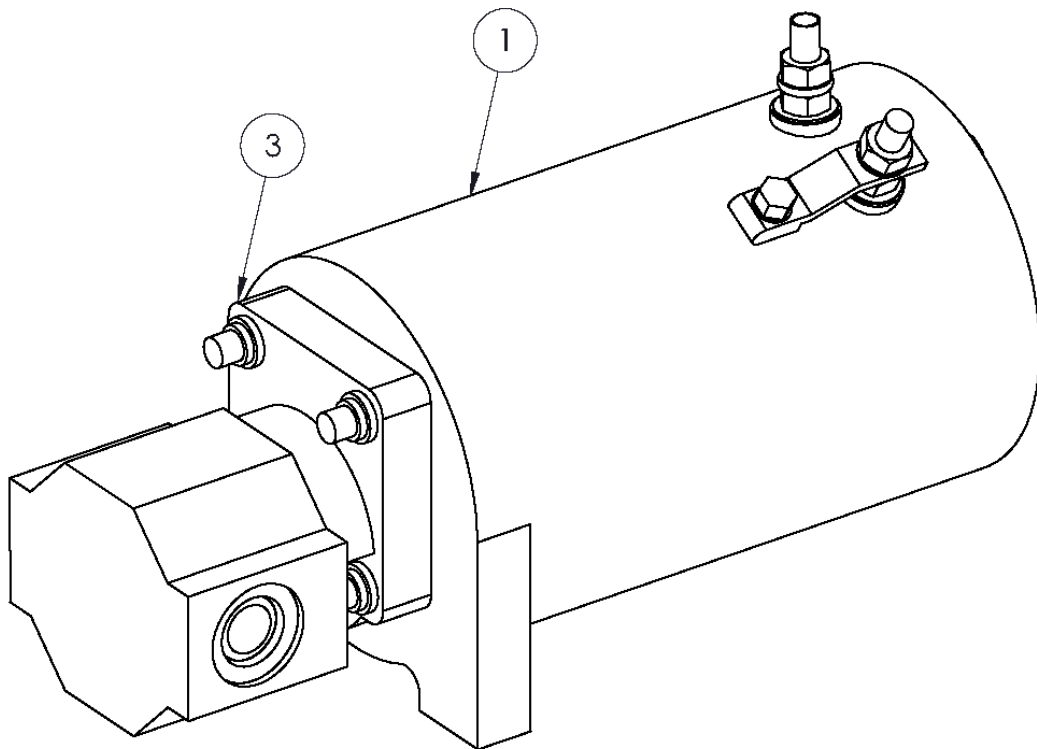
HYDRAULICS



アイテム	部品番号	名前	数量	UOM
*	0072940 B	EMERGENCY POWER UNIT SUB ASSEMBLY (SERVICE USE 007294028)		EA
1	6020058	EMERGENCY PWR UNIT TB/ATB	1	EA
2	5037006	ADAPTER 90 ° ELBOW SWIVEL 8 JIC	1	EA
3	5035305	FTG ELB90STRTHD 6S 6S STL	1	EA
4	5065709	FTG ADPTR STRTHD 8B 8S STL PH	1	EA

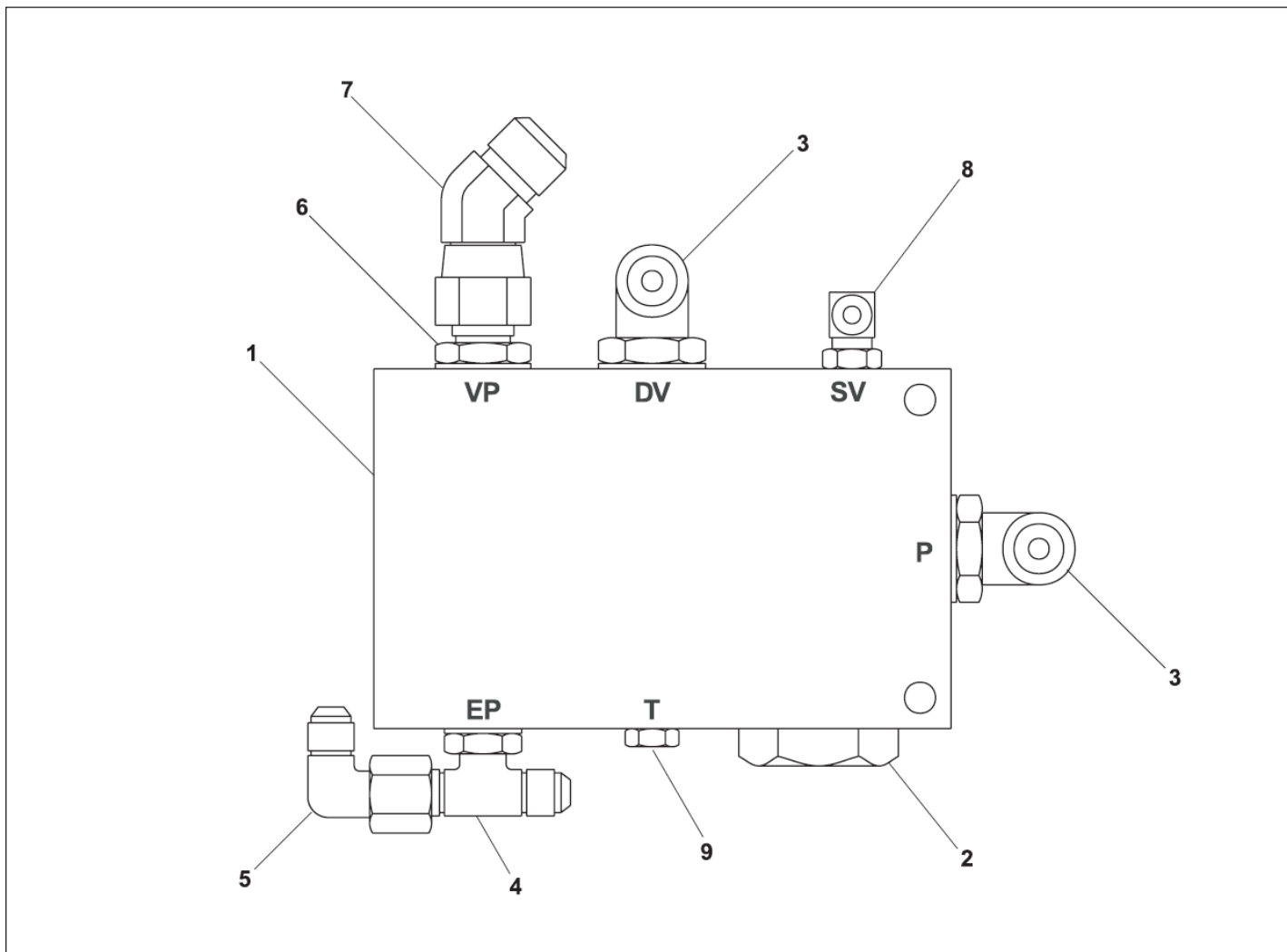
HYDRAULICS

6020058
EMERGENCY POWER UNIT ASSEMBLY



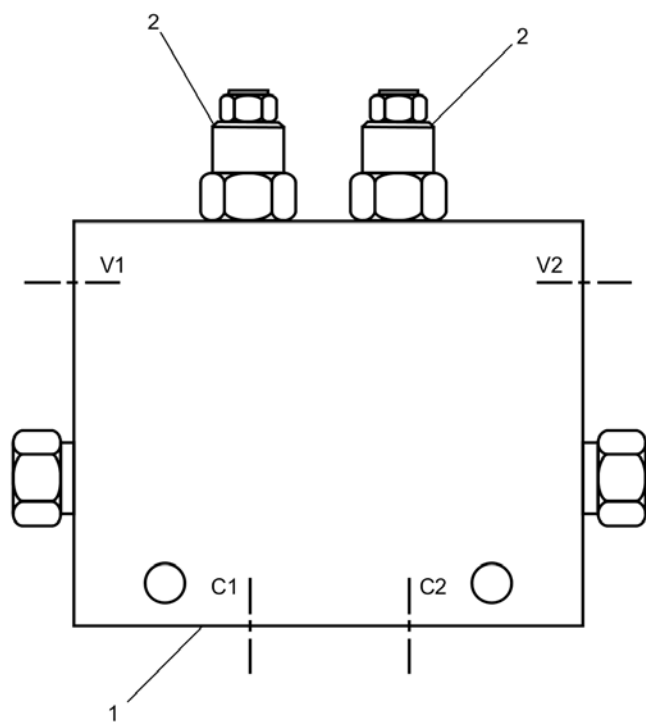
アイテム	部品番号	名前	数量	UOM
	6020058 B	EMERGENCY POWER UNIT WUXI DELI		EA
1	6029699	GEAR PUMP	1	EA
2	6029698	DC MOTOR	1	EA

HYDRAULICS



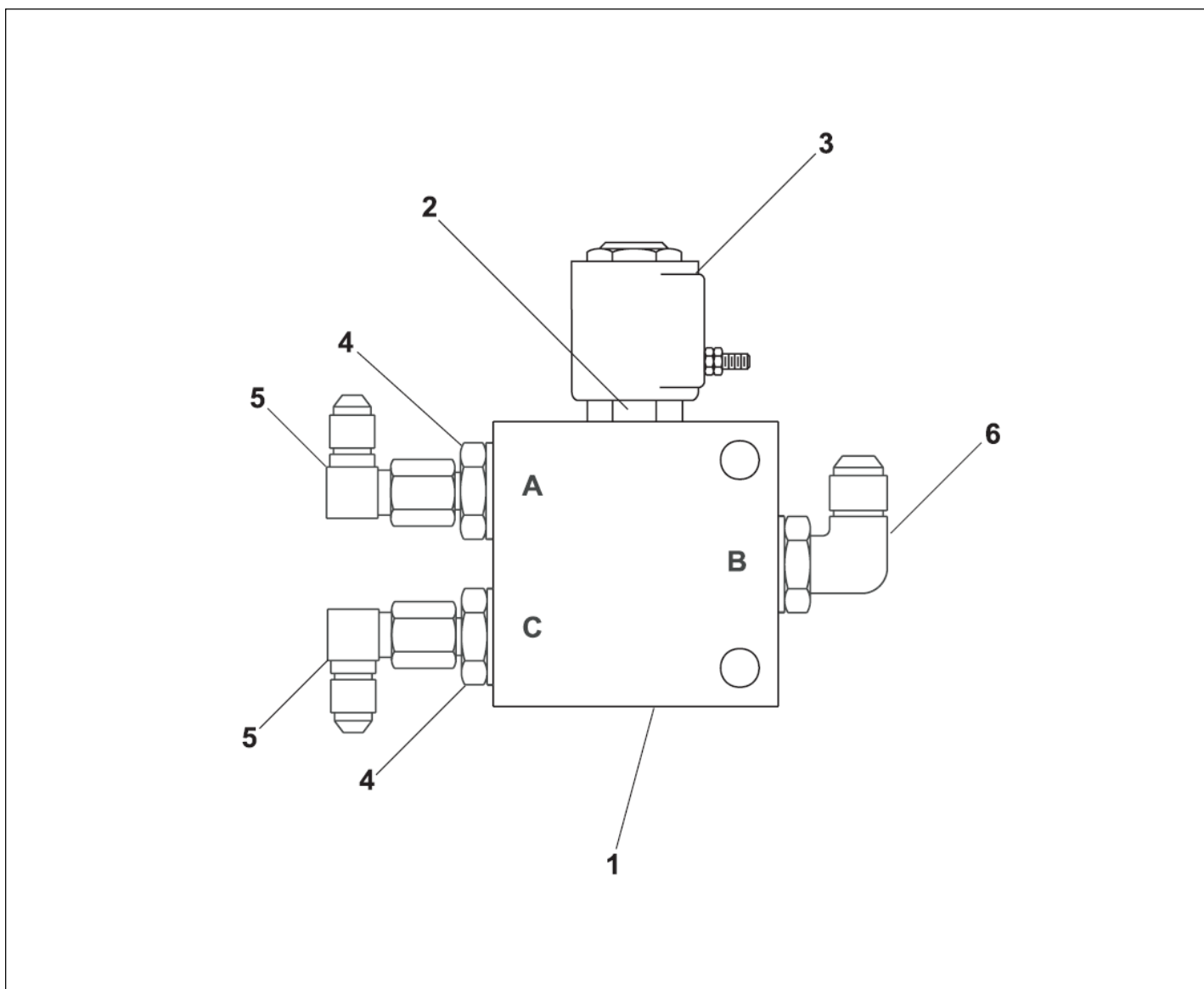
アイテム	部品番号	名前	数量	UOM
*	0081980 C	CHECK VALVE		EA
1	6010579	CHECK VALVE MANIFOLD	1	EA
2	6010565	CHECK VALVE	1	EA
*	6010605	SEAL REPAIR KIT	1	EA
3	5035310	STRAIGHT THREAD 90 ° ELBOW	2	EA
4	5036505	STRAIGHT THREAD BRANCH TEE	1	EA
5	5037005	TERM FEM F.I. .250 16/14	1	EA
6	5065729	FTG APDTRSWVL 16B 16S STL	1	EA
7	5036907	SWIVEL NUT 45 ° ELBOW	1	EA
8	5035318	STRAIGHT THREAD 90 ° ELBOW	1	EA
9	5075203	FTG PL HEX HD 4B STL	1	EA

HYDRAULICS



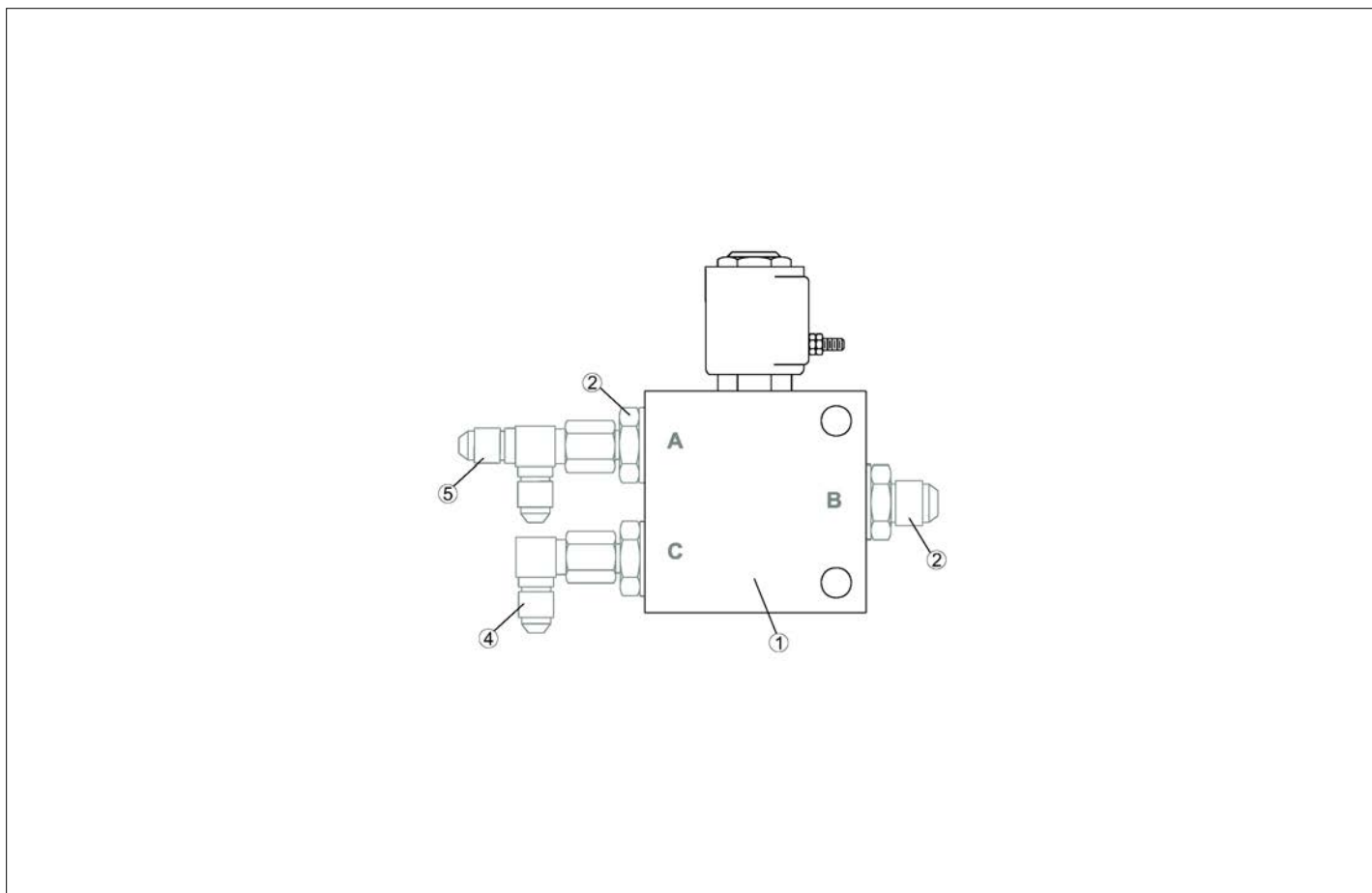
アイテム	部品番号	名前	数量	UOM
*	6010541 A	VALVE DUAL CROSSOVER RELIEF	1	EA
1	6010578	CROSSOVER RELIEF CARTRIDGE	2	EA

HYDRAULICS



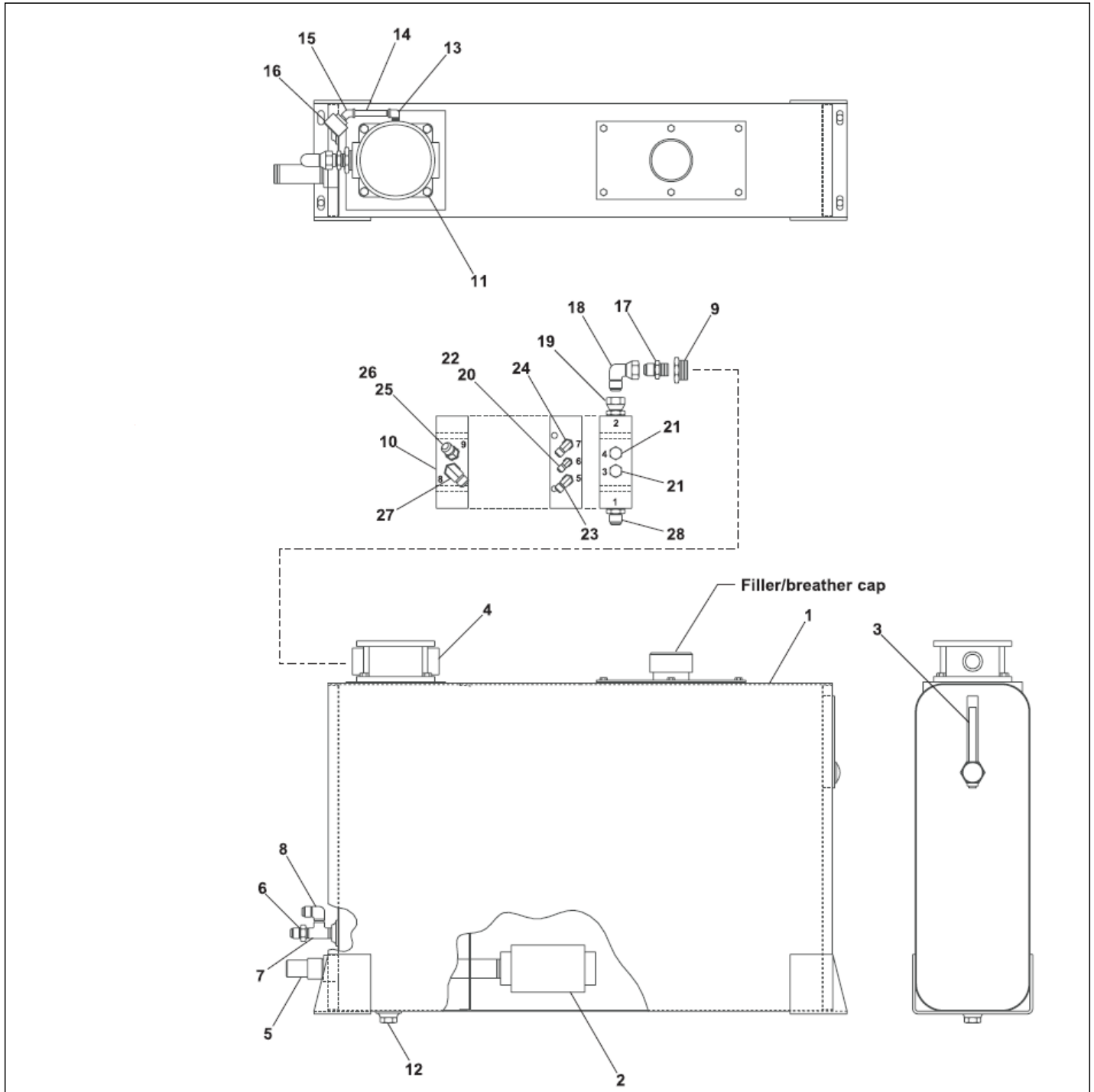
アイテム	部品番号	名前	数量	UOM
*	0081982 A	DUMP VALVE	1	EA
1	6010499	VALVE ASSY 3WAY 10 VOLT SINGLE	1	EA
*	0073620	SEAL REPAIR KIT	1	EA
*	6010500	VALVE 3 WAY CART WITH 10V COIL	1	EA
2	6010472	VALVECART 3 WAY VALVE	1	EA
3	3040473	HARNESS AND COIL 12VDC SIZE 8#8 32 STUD	1	EA
4	5065705	FTG ADPTR STRTHD 6B 4S STL	2	EA
5	5037003	FTG ELB90SWVL 4S 4S STL	2	EA
6	5035318	STRAIGHT THREAD 90 ° ELBOW	1	EA

HYDRAULICS



アイテム	部品番号	名前	数量	UOM
	0081981B	RANGE VALVE SUB ASSEMBLY		EA
1	6010499	VALVE ASSY 3WAY 10 VOLT SINGLE	1	EA
Not Shown	3040473	HARNESS AND COIL 12VDC SIZE 8#8 32 STUD	1	EA
Not Shown	0073620	SEAL REPAIR KIT	1	EA
Not Shown	6010500	VALVE 3 WAY CART WITH 10V COIL	1	EA
Not Shown	6010472	VALVECART 3 WAY VALVE	1	EA
2	5065705	FTG ADPTR STRTHD 6B 4S STL	2	EA
4	5035318	STRAIGHT THREAD 90 ° ELBOW	1	EA
5	5036703	FTG TEE SWVL RUN 4S 4S STL (SEE PAGE 2)	1	EA

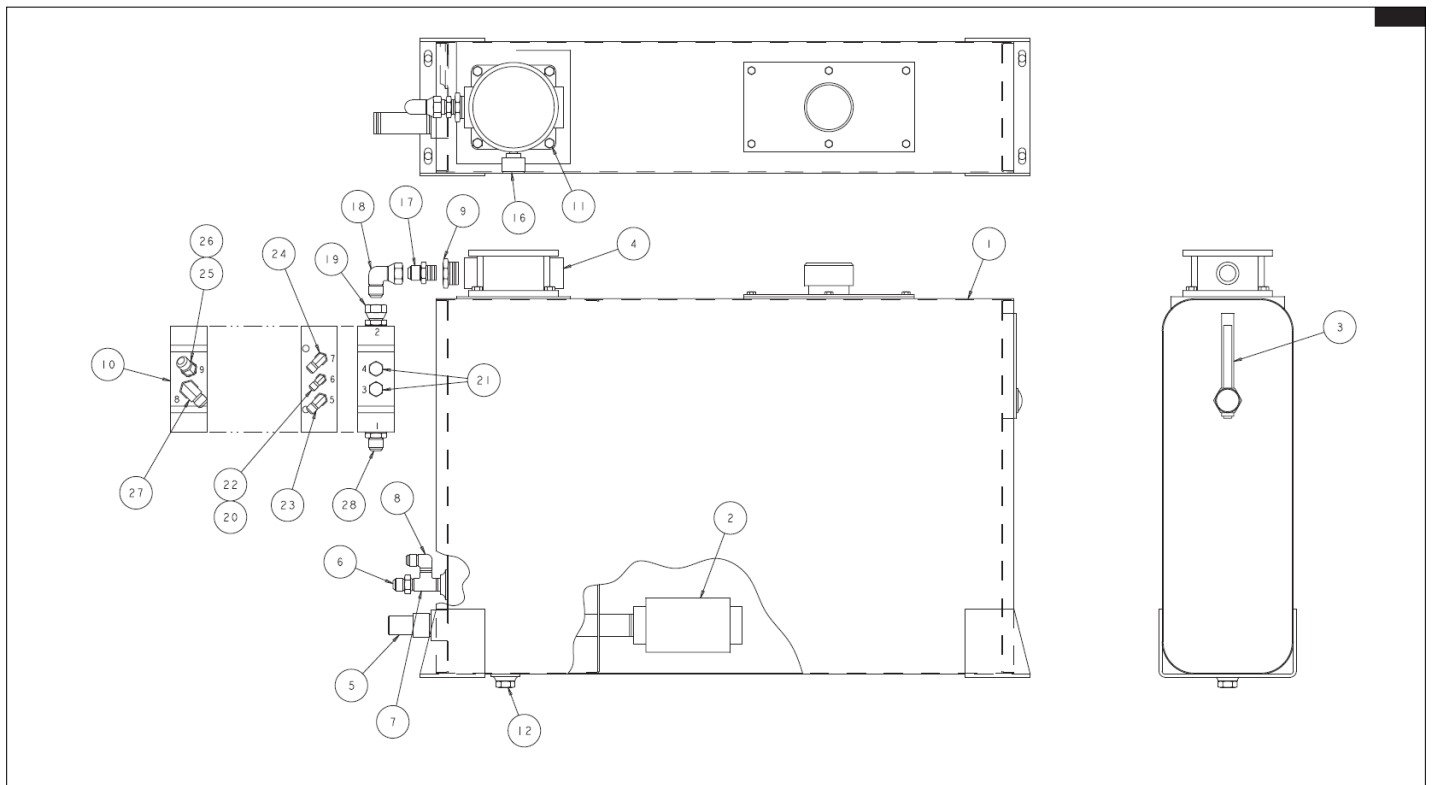
HYDRAULICS



アイテム	部品番号	名前	数量	UOM
	0081875 D	HYDRAULIC OIL RESERVOIR AUGUST 1999 AND BEFORE	1	EA
1	0081562	HYDRAULIC OIL RESERVOIR	1	EA
	5090008	BREATHER CAP	1	EA
2	5080004	FILTER, SUMP STRAINER	1	EA
3	5090007	LIQUID LEVEL GAUGE W/THERMOMETER	1	EA
4	5080003	HYDRAULIC OIL FILTER ASSEMBLY	1	EA
	5080009	FILTER ELEMENT	1	EA
5	0080425	OUTLET ADAPTER, 1 1/4" NPT	1	EA
6	5033614	FTG ADPTR MALE 8N 8S STL 2404	1	EA
7	7734204	STREET TEE 1/2 NPT STREET TEE	1	EA
8	5033713	FTG ELB90 MALE 8N 8S STL PH 21	1	EA
9	7721208	REDUCER BUSHING (1 1/2 1 NPT)	1	EA
10	0110156	PRESSURE MANIFOLD	1	EA
11	5560643	BLT HEXHD .375 16 3.25 GR5	4	EA
12	7714204	PIPE PLUG 1/2 in NPT SQ.HD BLK.	1	EA
13	7734701	STREET 90 ° ELBOW, 1/8 INCH NPT	1	EA
14	7740120	NIPPLE, 1/8 INCH NPT X 2 1/2 INCH LONG	1	EA
15	7734401	PIPE 45 ° ELBOW, 1/8 INCH NPT	1	EA
16	5080011	GAUGE FILTER CONDITION HYDRAULIC	1	EA
17	5033621	MALE ADAPTER (16)	1	EA
18	5037010	ADAPTER 90 DEG ELBOW SWIVEL 16 JIC	1	EA
19	5025202	STRAIGHT THREAD ADAPTER, 37 ° SWIVEL	1	EA

アイテム	部品番号	名前	数量	UOM
20	5037003	FTG ELB90SWVL 4S 4S STL	1	EA
21	5075205	FTG PL HEXHD 6B STL	2	EA
22	5065705	FTG ADPTR STRTHD 6B 4S STL	1	EA
23	5035305	FTG ELB90STRTHD 6S 6S STL	1	EA
24	5035318	STRAIGHT THREAD 90 ° ELBOW	1	EA
25	5065709	FTG ADPTR STRTHD 8B 8S STL PH	1	EA
26	5036906	COVER	1	EA
27	5035322	STR THD 90 DEGREE ELBOW	1	EA
28	5065718	FTG, HYD 16 MB TO 16 MJIC	1	EA

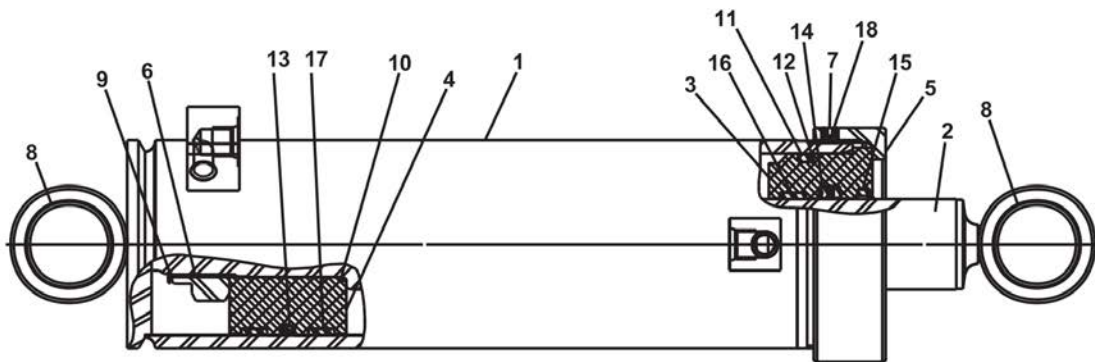
HYDRAULICS



アイテム	部品番号	名前	数量	UOM
	0081875 F	HYDRAULIC OIL RESERVOIR JULY 2006 AND AFTER	1	EA
1	0081562	HYDRAULIC OIL RESERVOIR	1	EA
2	5080004	FILTER, SUMP STRAINER	1	EA
3	5090007	LIQUID LEVEL GAUGE W/THERMOMETER	1	EA
4	5080003	HYDRAULIC OIL FILTER ASSEMBLY	1	EA
	5080007	O RING	1	EA
	5080008	GASKET	1	EA
	5080009	FILTER ELEMENT	1	EA
5	0080425	OUTLET ADAPTER, 1 1/4" NPT	1	EA
6	5033614	FTG ADPTR MALE 8N 8S STL 2404	1	EA
7	7734204	STREET TEE 1/2 NPT STREET TEE	1	EA
8	5033713	FTG ELB90 MALE 8N 8S STL PH 21	1	EA
9	7721208	REDUCER BUSHING (1 1/2 1 NPT)	1	EA
10	0110156	PRESSURE MANIFOLD	1	EA
11	PNNA	CAPSCREW 3/8 16 X 3 1/4" LG H.H.	4	EA
12	7714204	PIPE PLUG 1/2 in NPT SQ.HD BLK.	1	EA
16	5080011	GAUGE FILTER CONDITION HYDRAULIC	1	EA
17	5033621	MALE ADAPTER (16)	1	EA
18	5037010	ADAPTER 90 DEG ELBOW SWIVEL 16 JIC	1	EA
19	5025002	FTG APDTRSWVL 16B 16S STL	1	EA
20	5037003	FTG ELB90SWVL 4S 4S STL	1	EA
21	5075205	FTG PL HEXHD 6B STL	2	EA
22	5065705	FTG ADPTR STRTHD 6B 4S STL	1	EA

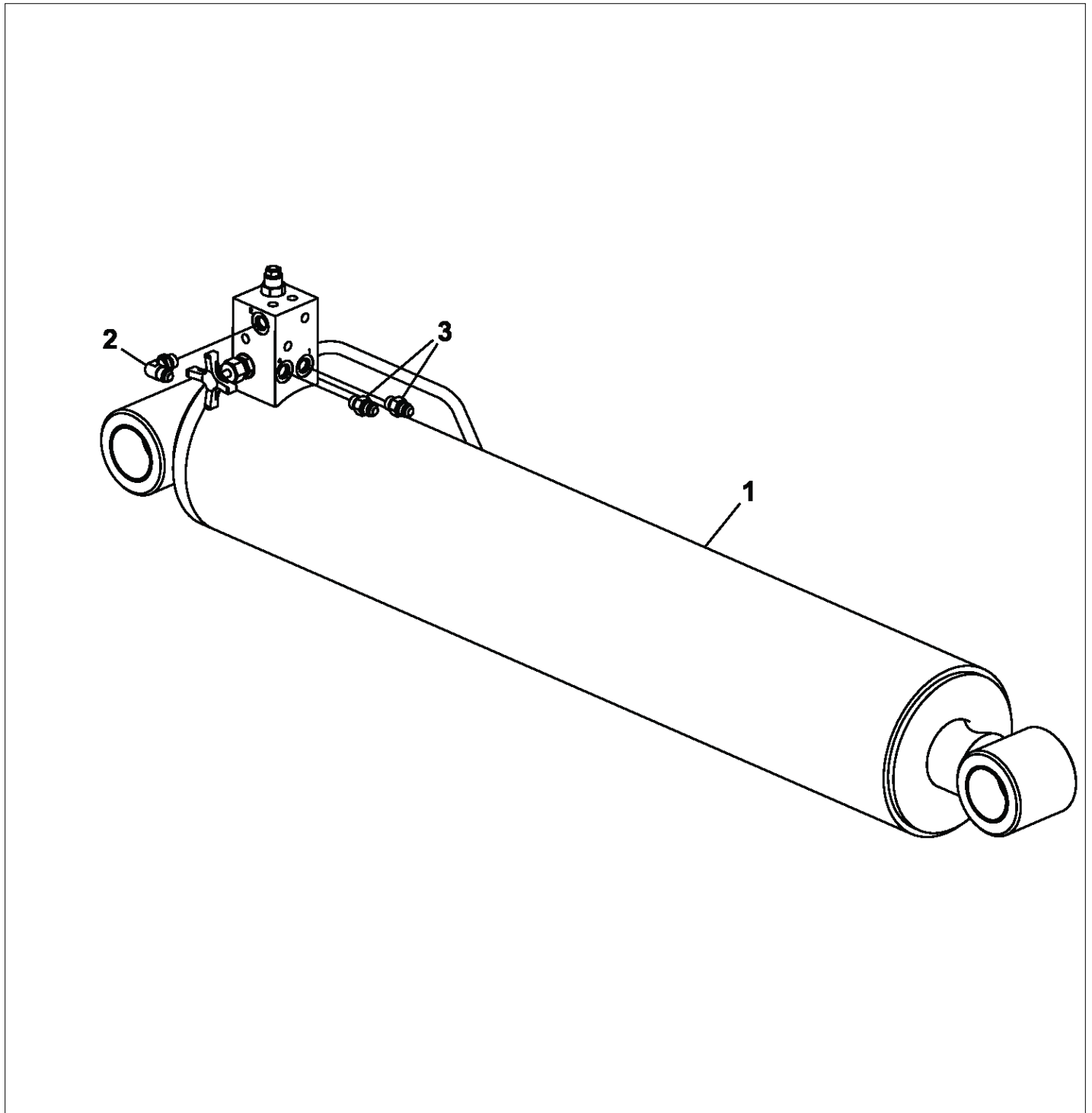
アイテム	部品番号	名前	数量	UOM
23	5035305	FTG ELB90STRTHD 6S 6S STL	1	EA
24	5035318	STRAIGHT THREAD 90 ° ELBOW	1	EA
25	5065709	FTG ADPTR STRTHD 8B 8S STL PH	1	EA
26	5036906	COVER	1	EA
27	5035322	STR THD 90 DEGREE ELBOW	1	EA
28	5065718	FTG, HYD 16 MB TO 16 MJIC	1	EA

HYDRAULICS



アイテム	部品番号	名前	数量	UOM
	0074799 C	STEERING AND LEVELING CYLINDER ROSENBOOM JANUARY 2001 AND AFTER	1	EA
1	PNNA	TUBE	1	EA
2	6091374	ROD	1	EA
3	6091257	HEAD GLAND	1	EA
4	6091256	PISTON	1	EA
5	6091255	HEAD GLAND CAP	1	EA
6	6091259	LOCK NUT	1	EA
7	5569835	SET SCREW 5/16 18 X 1/4 INCH LONG	1	EA
8	2502416	BRG CSB 50 24IB 16	4	EA
	6091260	SEAL KIT	1	EA
9	PNNA	SNAP RING – KIT ITEM	1	EA
10	PNNA	O RING – KIT ITEM	1	EA
11	PNNA	O RING – KIT ITEM	1	EA
12	PNNA	BACK UP – KIT ITEM	1	EA
13	PNNA	CAPPED T SEAL – KIT ITEM	1	EA
14	PNNA	DEEP Z SEAL – KIT ITEM	1	EA
15	PNNA	ROD WIPER – KIT ITEM	1	EA
16	PNNA	WEAR BAND – KIT ITEM	1	EA
17	PNNA	WEAR BAND – KIT ITEM	2	EA
18	PNNA	LOCKING INSERT – KIT ITEM	1	EA

HYDRAULICS



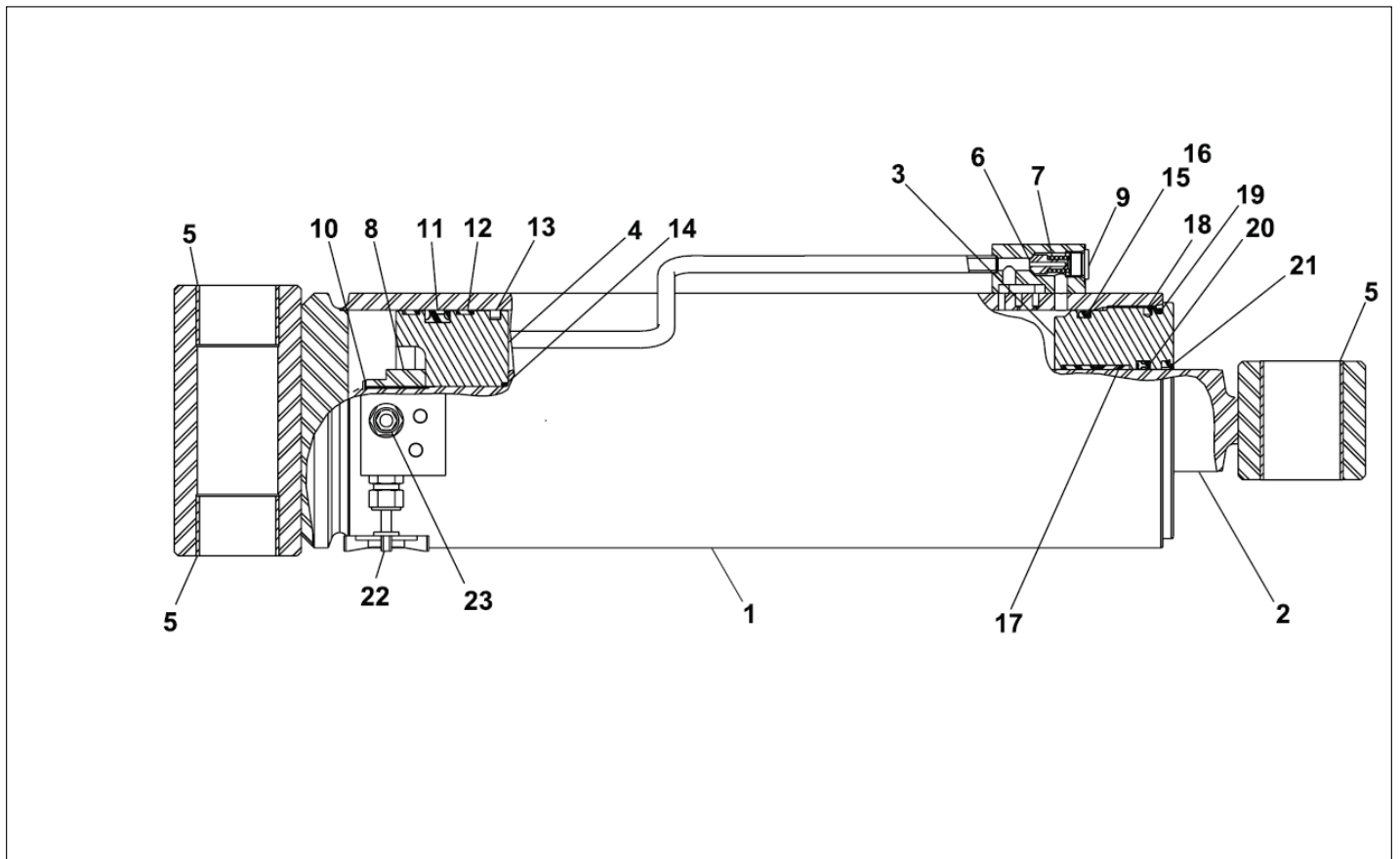
アイテム	部品番号	名前	数量	UOM
*	0080053 B	LIFT CYLINDER ASSEMBLY		EA
1	0080061	CYLINDER, LIFT GBI	1	EA
*	0083473	CYLINDER, LIFT ROSENBOOM	1	EA
2	5035305	FTG ELB90STRTHD 6S 6S STL	1	EA
3	5065707	FTG ADPTR STRTHD 6B 6S STL PH	2	EA

HYDRAULICS

画像が存在しません

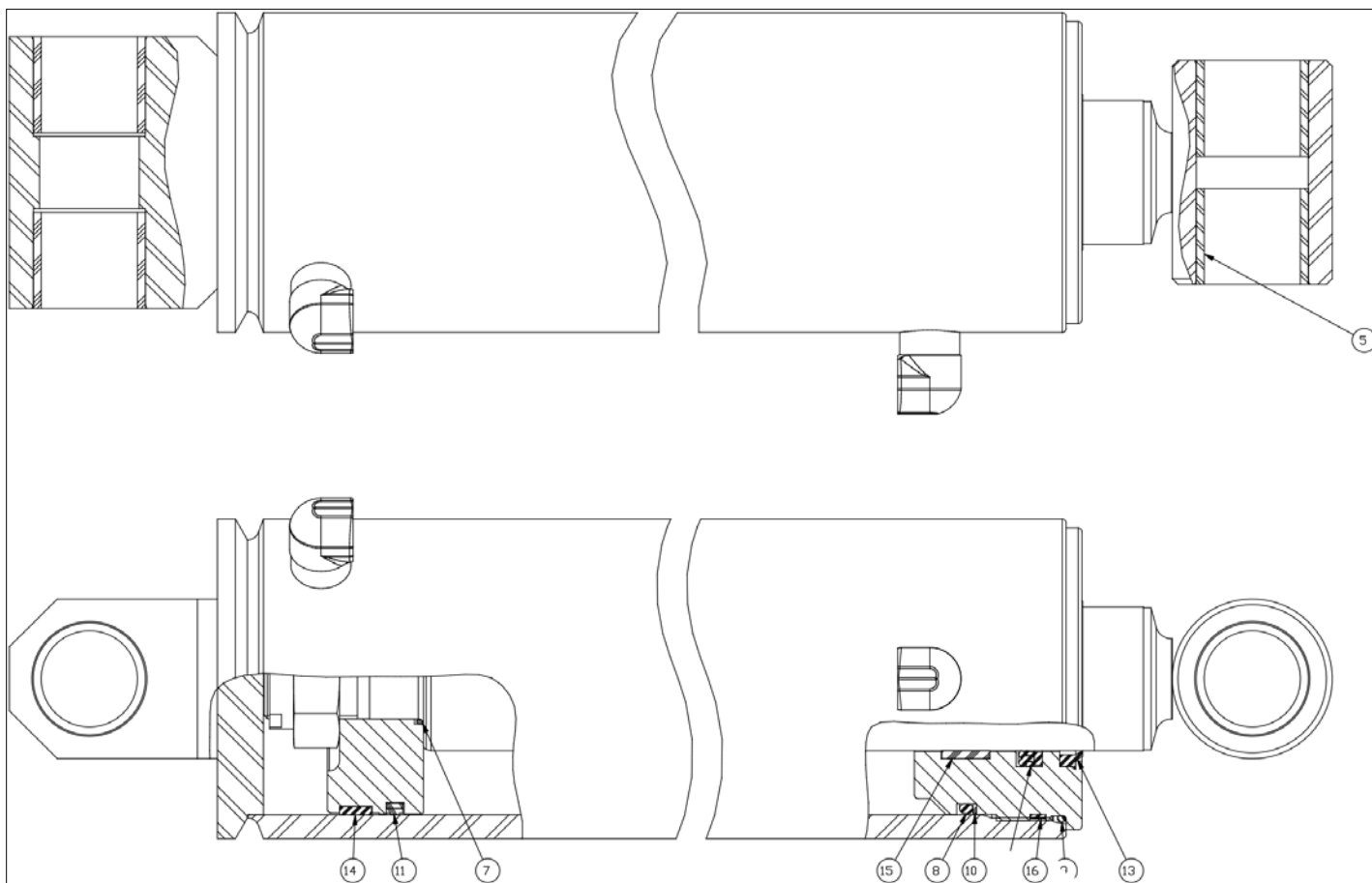
アイテム	部品番号	名前	数量	UOM
	0080061 M	CYLINDER LIFT GBI	1	EA
1	PNNA	TUBE	1	EA
2	8070247	ROD	1	EA
3	8070295	RETAINER	1	EA
4	8070220	BEARING	1	EA
5	8070217	PISTON	1	EA
6	2503628	BEARING	4	EA
7	8070030	BEARING SPACER	1	EA
8	8070012	POPPET	1	EA
9	8070014	PIPE PLUG	1	EA
10	8070218	NUT	1	EA
11	8070017	SPRING	1	EA
12	8070015	PORT PLUG	1	EA
	0080615	SEAL REPAIR KIT	1	EA
13	PNNA	COTTER PIN – KIT ITEM	1	EA
14	PNNA	O RING – KIT ITEM	1	EA
15	PNNA	WIPER – KIT ITEM	1	EA
16	PNNA	NYLON PLUG – KIT ITEM	1	EA
17	PNNA	O RING – KIT ITEM	1	EA
18	PNNA	BACK UP – KIT ITEM	1	EA
19	PNNA	U RING – KIT ITEM	1	EA
20	PNNA	BACK UP – KIT ITEM	1	EA
21	PNNA	O RING – KIT ITEM	1	EA
22	PNNA	CAST IRON PISTON RING – KIT ITEM	1	EA
23	PNNA	QUAD SEAL – KIT ITEM	1	EA
24	6010115	CARTRIDGE NEEDLE VALVE	1	EA
25	6010116	CARTRIDGE HOLDING VALVE	1	EA
Not Shown	0071918	SEAL REPAIR KIT	1	EA

HYDRAULICS



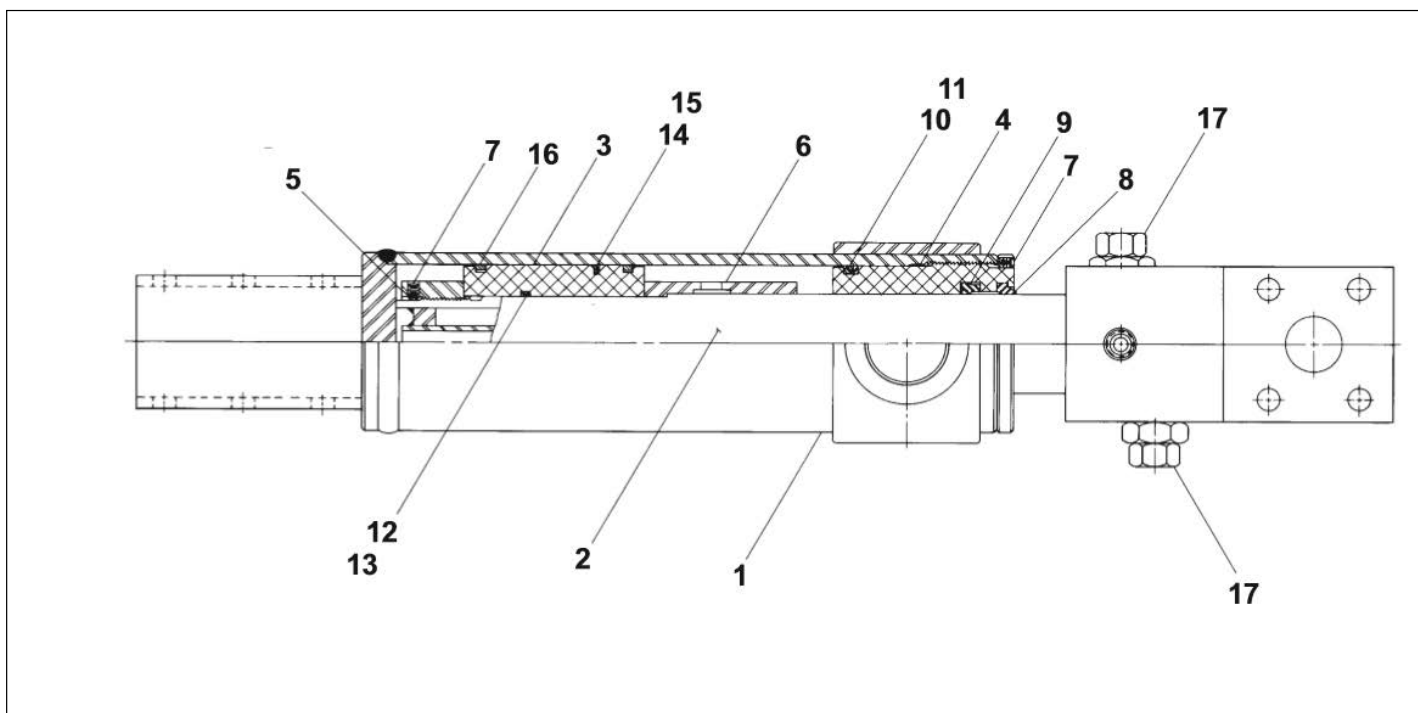
アイテム	部品番号	名前	数量	UOM
	0083473 A	CYLINDER, LIFT ROSENBOOM	1	EA
1	PNNA	TUBE	1	EA
2	6091251	ROD	1	EA
3	6091250	HEAD GLAND CAP	1	EA
4	6091249	PISTON	1	EA
5	2503628	BEARING	4	EA
6	6091241	POPPET	1	EA
7	6091246	SPRING	1	EA
8	6091252	LOCKING NUT	1	EA
9	5075306	HEX PLUG	1	EA
Not Shown	6091253	SEAL REPAIR KIT	1	EA
10	PNNA	SNAP RING – KIT ITEM	1	EA
11	PNNA	CAPPED T SEAL – KIT ITEM	1	EA
12	PNNA	WEAR BAND – KIT ITEM	2	EA
13	PNNA	CAST IRON RING – KIT ITEM	1	EA
14	PNNA	O RING – KIT ITEM	1	EA
15	PNNA	O RING – KIT ITEM	1	EA
16	PNNA	BACK UP – KIT ITEM	1	EA
17	PNNA	WEAR BAND – KIT ITEM	2	EA
18	PNNA	LOCKING INSERT – KIT ITEM	2	EA
19	PNNA	O RING – KIT ITEM	1	EA
20	PNNA	DEEP Z SEAL – KIT ITEM	1	EA
21	PNNA	ROD WIPER – KIT ITEM	1	EA
22	6010115	CARTRIDGE NEEDLE VALVE	1	EA
23	6091314	COUNTER BALANCE VALVE	1	EA

HYDRAULICS



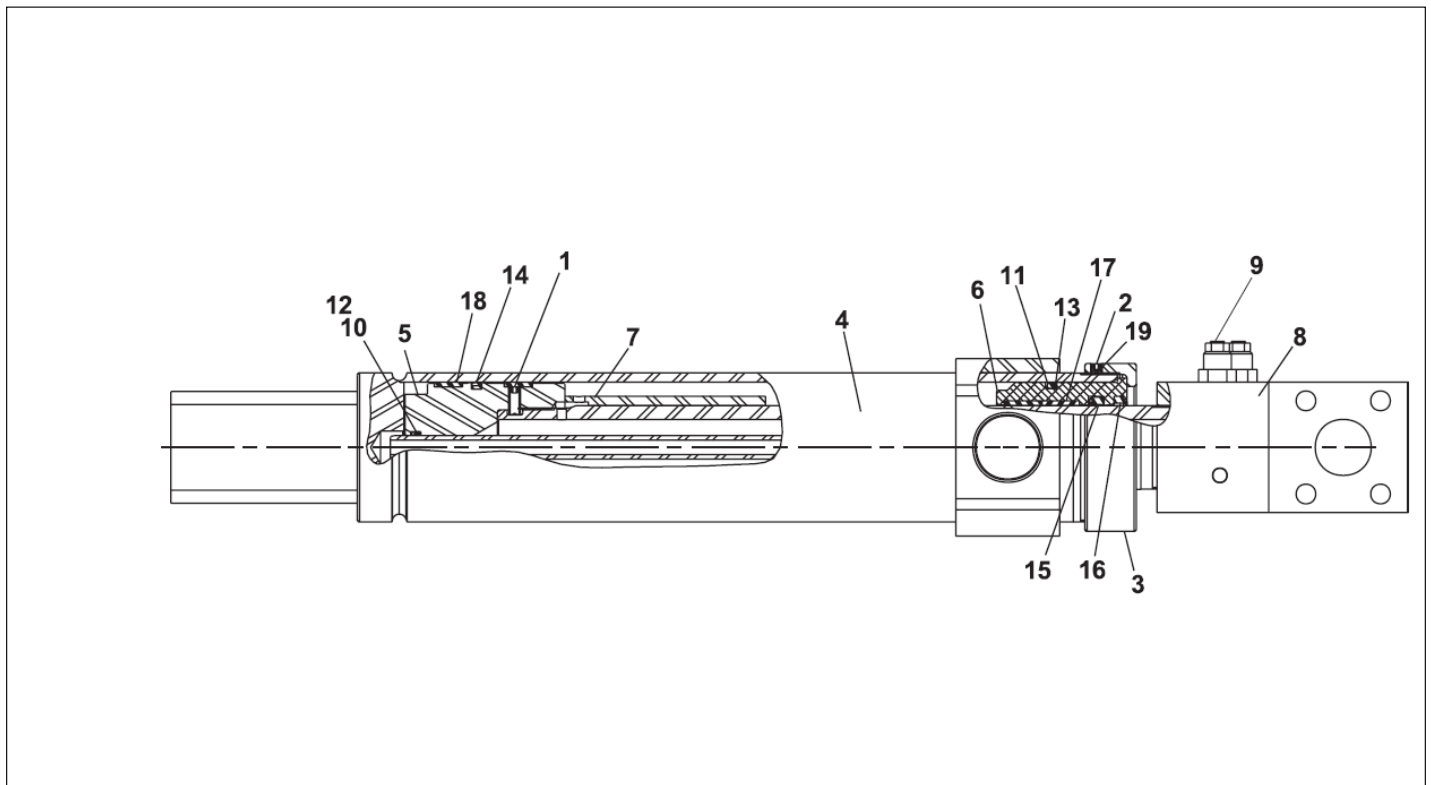
アイテム	部品番号	名前	数量	UOM
	6047152 B	MASTER LEVEL CYLINDER ROSENBOOM SN TB66J 04 000100 AND AFTER	1	EA
1	6047157	TUBE WELDMENT	1	EA
2	6047158	PISTON	1	EA
3	6047159	HEAD GLAND	1	EA
4	6047160	ROD WELDMENT	1	EA
5	6047161	GARMAX JOURNAL BEARING RMT	4	EA
6	6047162	1.250 12 UNF COLLAR LOCKNUT	1	EA
	6047156	SEAL KIT RMT	1	EA
7	PNNA	O RING – KIT ITEM	1	EA
8	PNNA	O RING – KIT ITEM	1	EA
9	PNNA	O RING – KIT ITEM	1	EA
10	PNNA	BACKUP RING – KIT ITEM	1	EA
11	PNNA	DISO PAC – KIT ITEM	1	EA
12	PNNA	DEEP Z SEAL – KIT ITEM	1	EA
13	PNNA	HD ROD WIPER, SEALED OD – KIT ITEM	1	EA
14	PNNA	WEARBAND – KIT ITEM	1	EA
15	PNNA	PRECISION WEARBAND – KIT ITEM	1	EA
16	PNNA	LOCKING INSERT – KIT ITEM	2	EA

HYDRAULICS



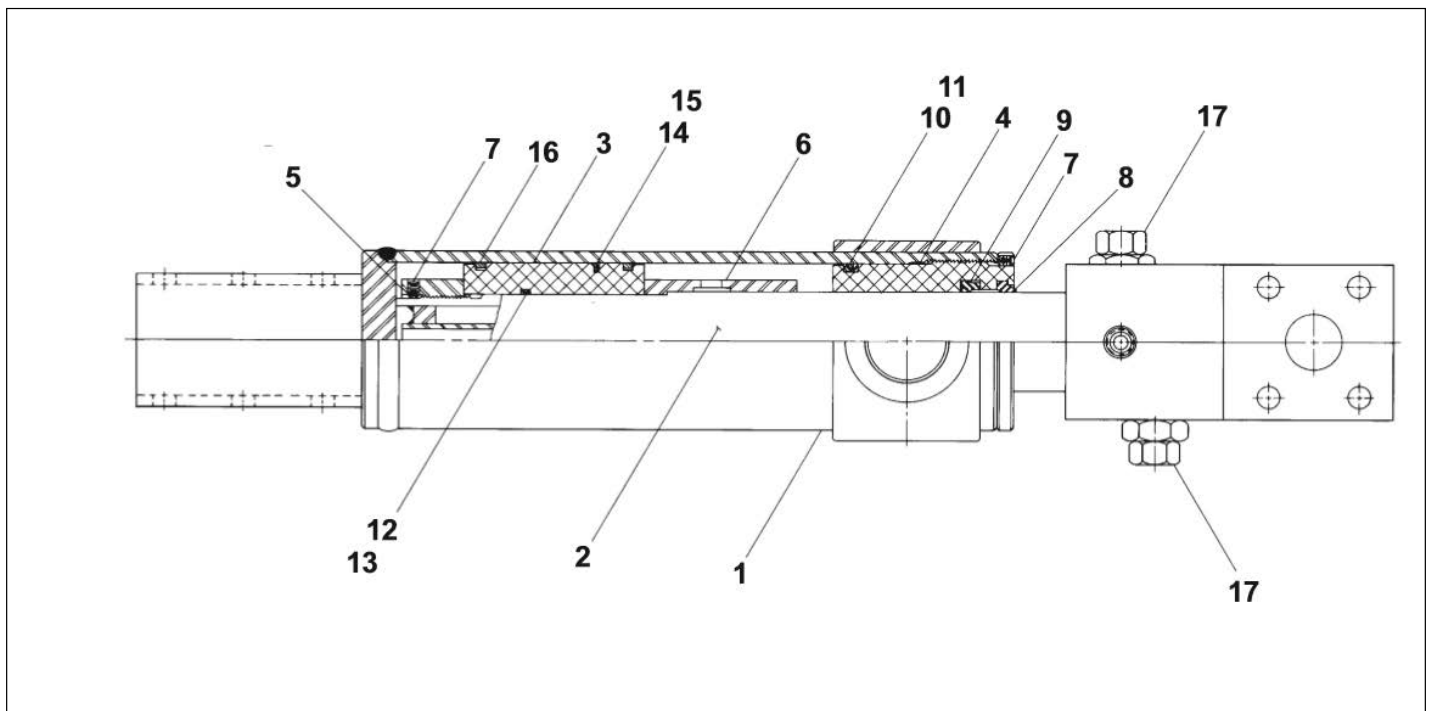
アイテム	部品番号	名前	数量	UOM
	0080975 E	EXTENSION CYLINDER SEABEE	1	EA
1	PNNA	TUBE	1	EA
2	8070296	ROD	1	EA
3	8070297	RETAINER	1	EA
4	8070298	BEARING	1	EA
5	8070299	SPACER	1	EA
6	8070131	PISTON	1	EA
7	8070018	NUT	1	EA
8	8070300	LOCK WASHER	1	EA
9	8070301	CAPSCREW	1	EA
	0080473	SEAL REPAIR KIT	1	EA
10	PNNA	SNAP RING – KIT ITEM	1	EA
11	PNNA	NYLON PLUG – KIT ITEM	1	EA
12	PNNA	O RING – KIT ITEM	1	EA
13	PNNA	BACK UP – KIT ITEM	1	EA
14	PNNA	O RING – KIT ITEM	2	EA
15	PNNA	TEFLON RING – KIT ITEM	2	EA
16	PNNA	O RING – KIT ITEM	1	EA
17	PNNA	U RING – KIT ITEM	1	EA
18	PNNA	WIPER – KIT ITEM	1	EA
19	6010116	CARTRIDGE HOLDING VALVE	2	EA
Not Shown	0071918	SEAL REPAIR KIT	1	EA

HYDRAULICS



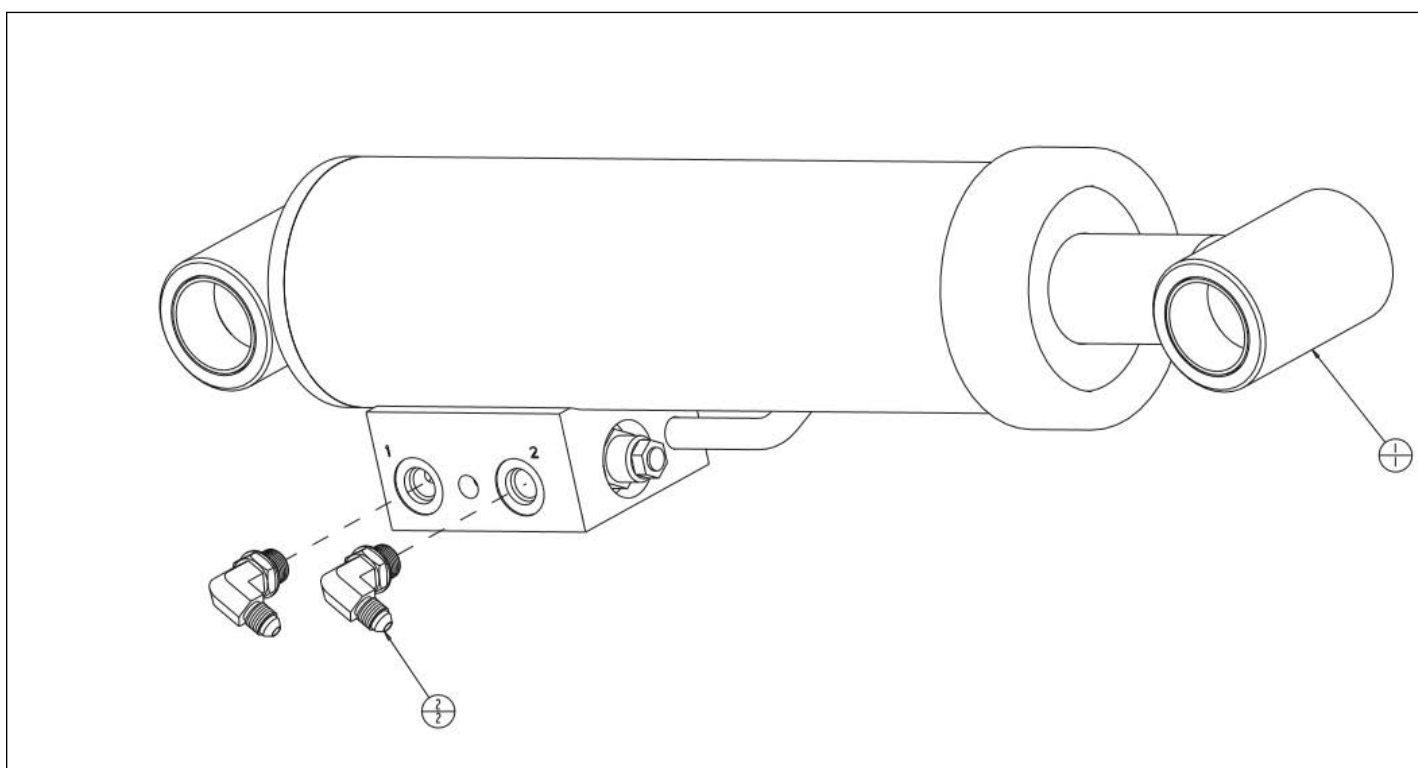
アイテム	部品番号	名前	数量	UOM
	0083472 B	EXTENSION CYLINDER ROSENBOOM	1	EA
1	975729	SET SCREW 5/16 18 X 3/4 INCH LONG	1	EA
2	5569835	SET SCREW 5/16 18 X 1/4 INCH LONG	1	EA
3	6091255	HEAD GLAND CAP	1	EA
4	PNNA	TUBE WELDMENT	1	EA
5	6091262	PISTON	1	EA
6	6091263	HEAD GLAND	1	EA
7	6091264	ROD SPACER	1	EA
8	6091265	ROD	1	EA
9	6091314	COUNTER BALANCE VALVE	2	EA
Not Shown	6091266	SEAL REPAIR KIT includes items 11 through 20	1	EA
10	PNNA	O RING – KIT ITEM	1	EA
11	PNNA	O RING – KIT ITEM	1	EA
12	PNNA	BACK UP – KIT ITEM	2	EA
13	PNNA	BACK UP – KIT ITEM	1	EA
14	PNNA	DISO PAC – KIT ITEM	1	EA
15	PNNA	U CUP – KIT ITEM	1	EA
16	PNNA	ROD WIPER – KIT ITEM	1	EA
17	PNNA	WEAR BAND – KIT ITEM	2	EA
18	PNNA	WEAR BAND – KIT ITEM	2	EA
19	PNNA	LOCKING INSERT – KIT ITEM	1	EA

HYDRAULICS



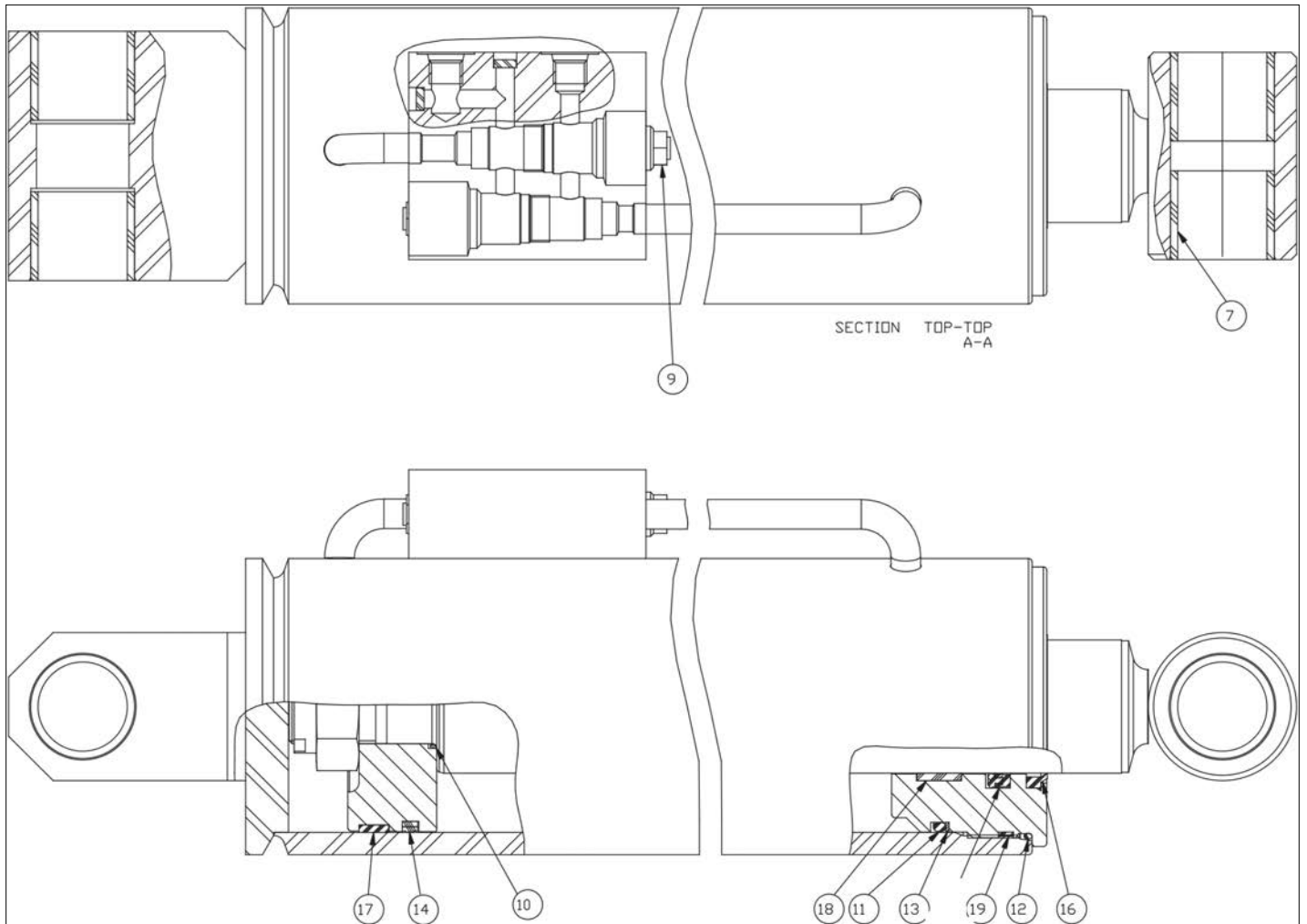
アイテム	部品番号	名前	数量	UOM
	0080975 E	EXTENSION CYLINDER SEABEE		EA
1	PNNA	CASE	1	EA
2	8190126	ROD	1	EA
3	8190103	PISTON	1	EA
4	8190098	HEAD GLAND	1	EA
5	8190127	PISTON RING NUT	1	EA
6	8190128	SPACER	1	EA
7	8190129	SET SCREW	3	EA
	0073286	SEAL REPAIR KIT	1	EA
8	PNNA	WIPER – KIT ITEM	1	EA
9	PNNA	U CUP – KIT ITEM	1	EA
10	PNNA	O RING – KIT ITEM	1	EA
11	PNNA	BACK UP – KIT ITEM	1	EA
12	PNNA	O RING – KIT ITEM	1	EA
13	PNNA	BACK UP – KIT ITEM	2	EA
14	PNNA	PISTON SEAL – KIT ITEM	1	EA
15	PNNA	O RING – KIT ITEM	1	EA
16	6090037	CAST IRON PISTON RING	1	EA
17	6010116	CARTRIDGE HOLDING VALVE	2	EA
Not Shown	0071918	SEAL REPAIR KIT	1	EA

HYDRAULICS



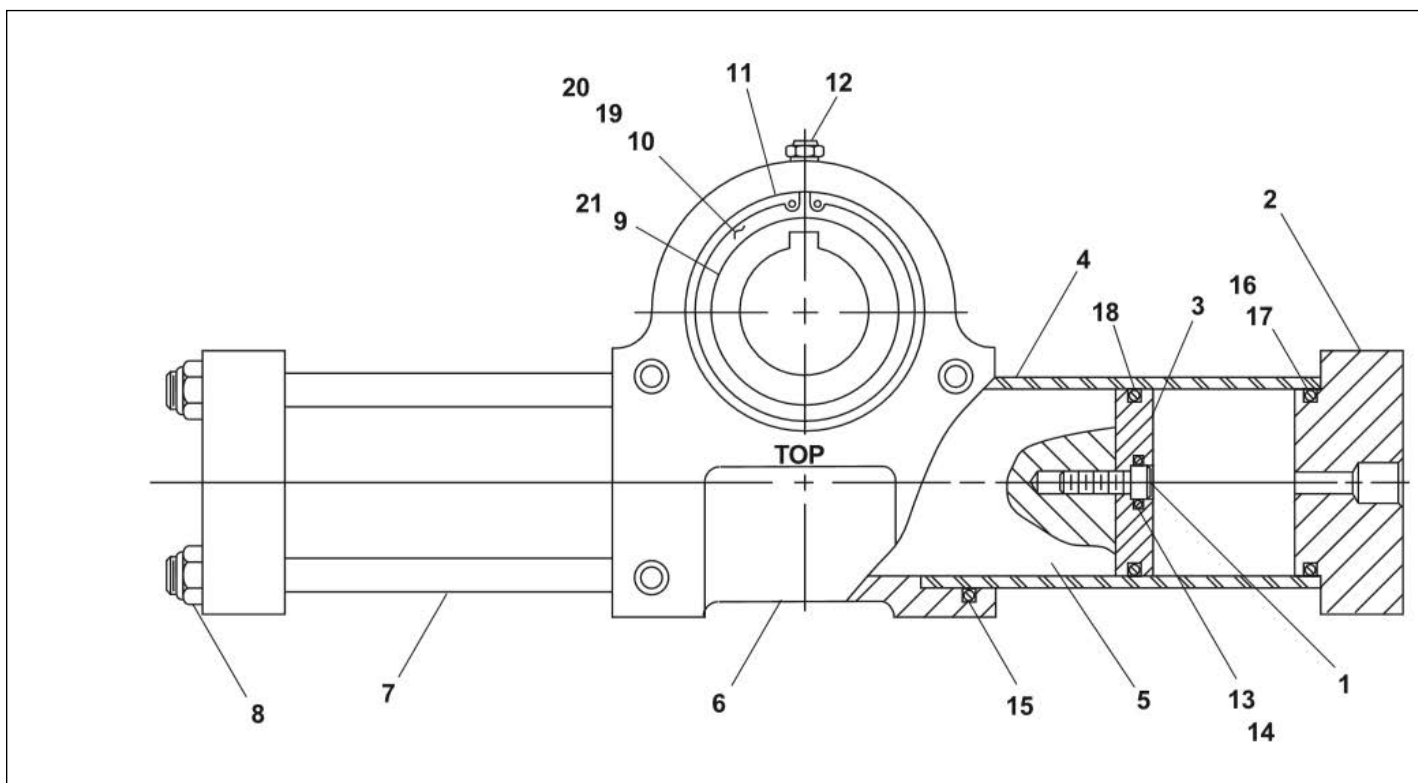
アイテム	部品番号	名前	数量	UOM
	0080399 A	SLAVE LEVEL CYLINDER ASSEMBLY	1	EA
1	6047153	SLAVE CYLINDER RMT	1	EA
2	5035318	STRAIGHT THREAD 90 ° ELBOW	2	EA

HYDRAULICS



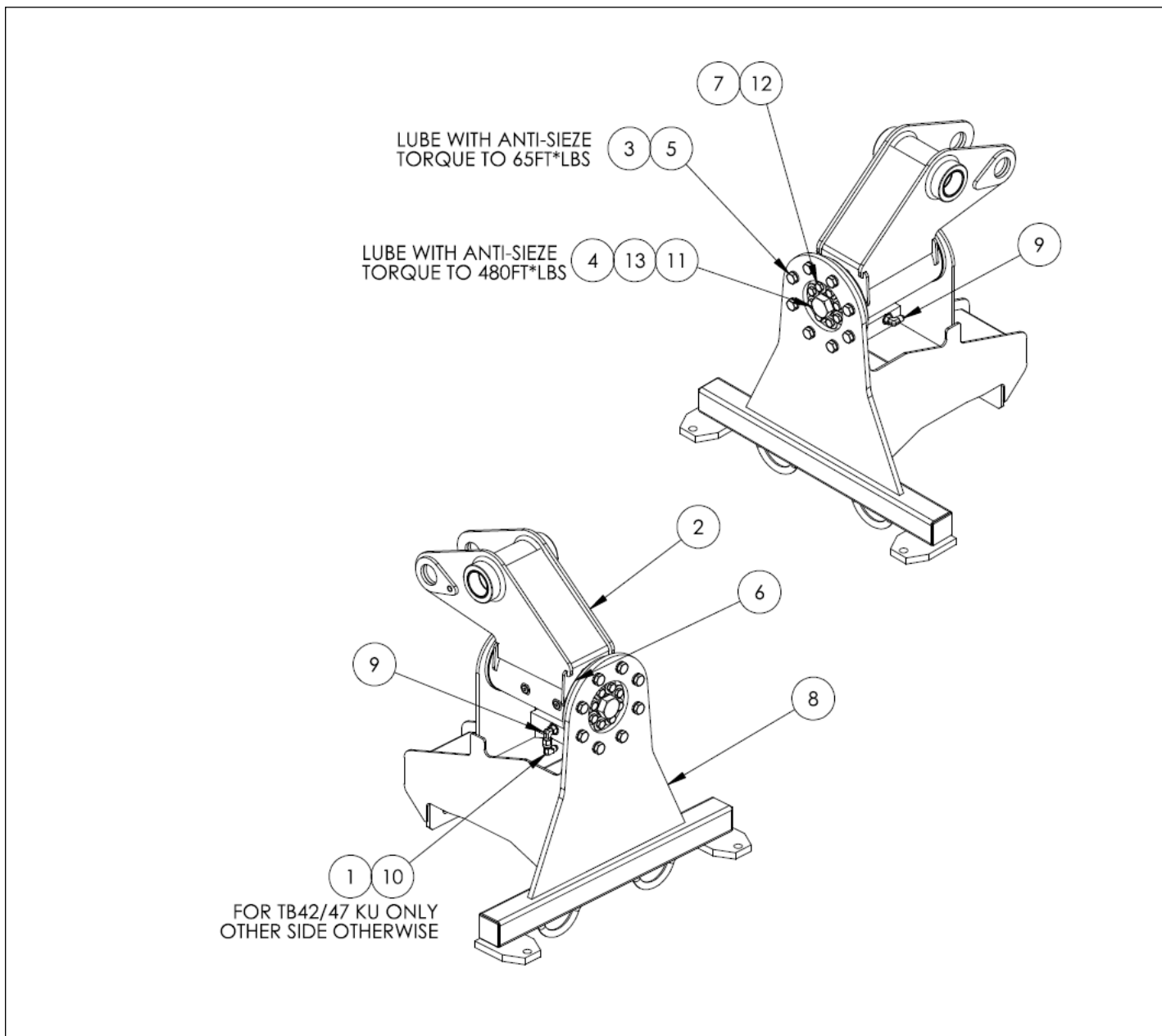
アイテム	部品番号	名前	数量	UOM
	6047153 C	SLAVE LEVEL CYLINDER ROSENBOOM	1	EA
1	6047164	TUBE WELDMENT	1	EA
2	PNNA	.375 DIA. WELD PLUG	2	EA
3	PNNA	EXTERNAL CAVITY BLOCK	1	EA
4	6047158	PISTON	1	EA
5	6047159	HEAD GLAND	1	EA
6	6047166	ROD WELDMENT	1	EA
7	6047161	GARMAX JOURNAL BEARING RMT	4	EA
8	6047162	1.250 12 UNF COLLAR LOCKNUT	1	EA
9	6019068	CB VALVE, CBBC LHN (3400)	2	EA
	6047156	SEAL KIT RMT	1	EA
10	PNNA	O RING – KIT ITEM	1	EA
11	PNNA	O RING – KIT ITEM	1	EA
12	PNNA	O RING – KIT ITEM	1	EA
13	PNNA	BACKUP RING – KIT ITEM	1	EA
14	PNNA	DISO PAC – KIT ITEM	1	EA
15	PNNA	DEEP Z SEAL – KIT ITEM	1	EA
16	PNNA	HD ROD WIPER, SEALED OD – KIT ITEM	1	EA
17	PNNA	WEARBAND – KIT ITEM	1	EA
18	PNNA	PRECISION WEARBAND – KIT ITEM	1	EA
19	PNNA	LOCKING INSERT – KIT ITEM	2	EA

HYDRAULICS



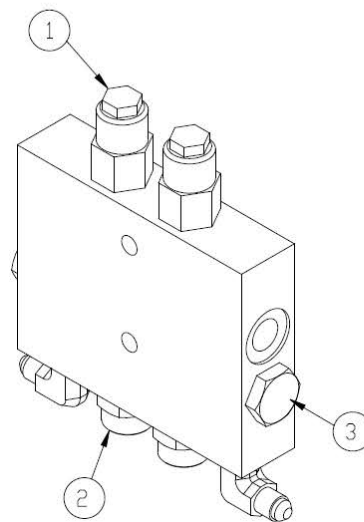
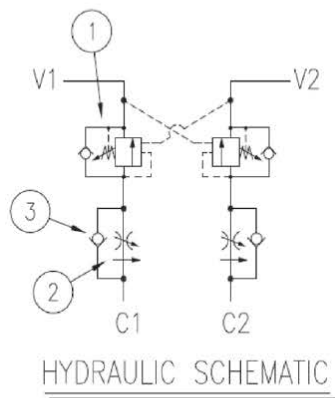
アイテム	部品番号	名前	数量	UOM
	0110771 B	PLATFORM ROTATOR PARKER	1	EA
1	8080018	RACK BOLT	2	EA
2	8080016	END CAP	2	EA
3	8080015	PISTON	2	EA
4	8080040	CYLINDER	2	EA
5	8080060	RACK BOLT	1	EA
6	8080039	HOUSING	1	EA
7	0073281	TIE ROD	8	EA
8	8080041	LOCKNUT	8	EA
9	8080061	PINION	1	EA
10	8080038	PINION BUSHING	2	EA
11	8080062	SNAP RING	2	EA
12	8080064	RELIEF VALVE	1	EA
	0071275	SEAL REPAIR KIT (KIT INCLUDES 13 21)	1	EA
13	PNNA	O RING – KIT ITEM	2	EA
14	PNNA	PARBAT SEAL – KIT ITEM	2	EA
15	PNNA	O RING – KIT ITEM	2	EA
16	PNNA	O RING – KIT ITEM	2	EA
17	PNNA	PARBAT SEAL – KIT ITEM	2	EA
18	PNNA	POLYPAK SEAL – KIT ITEM	2	EA
19	PNNA	O RING – KIT ITEM	2	EA
20	PNNA	PARBAT SEAL – KIT ITEM	2	EA
21	PNNA	O RING – KIT ITEM	1	EA

HYDRAULICS



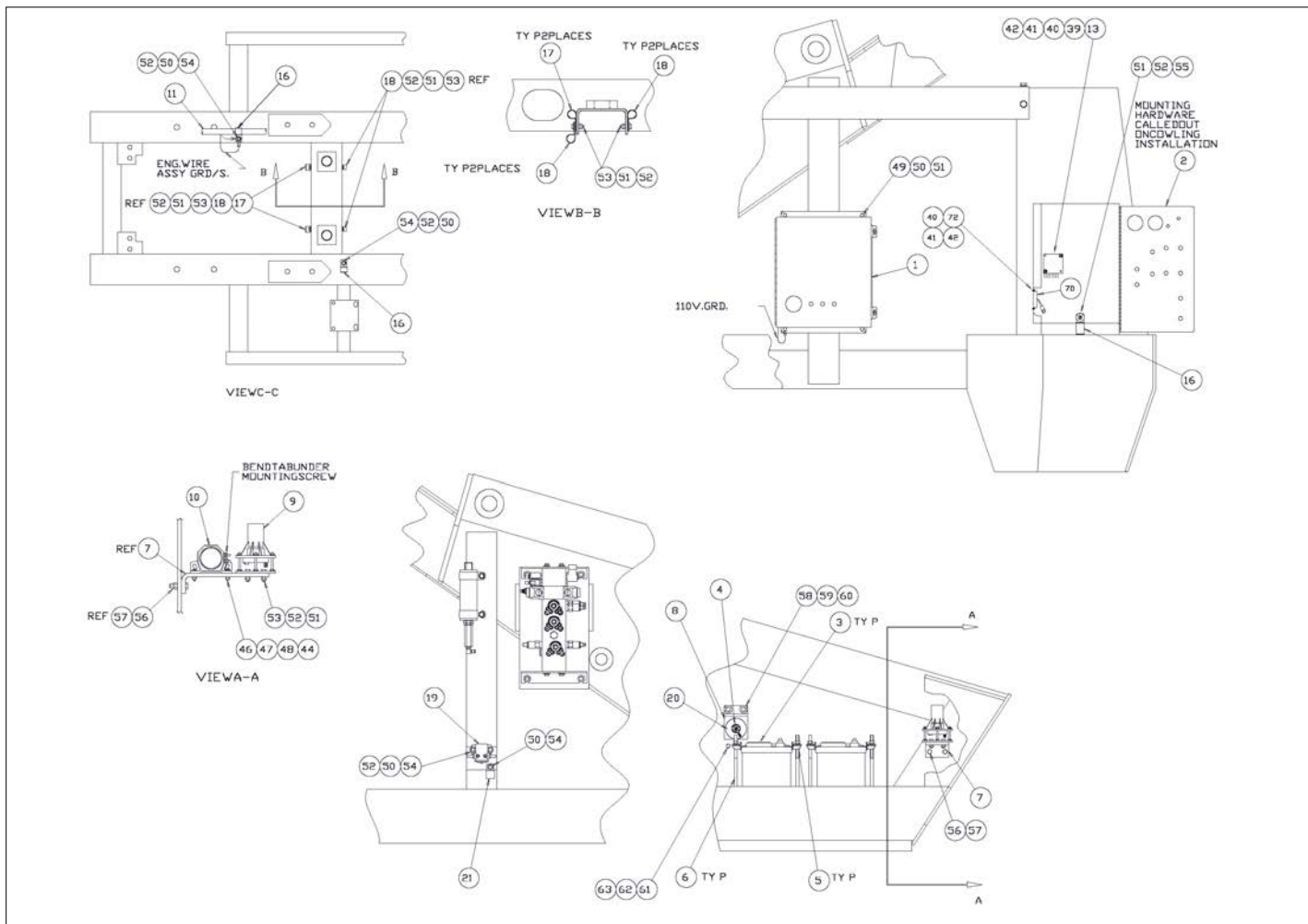
アイテム	部品番号	名前	数量	UOM
	0075770 A	PLATFORM ROTATOR HELAC ASSEMBLY OCTOBER 2014 AND AFTER	1	EA
1	0020356	ORIFICE	1	EA
2	0113508	HELAC HYD ROTATOR ACTUATOR	1	EA
3	056021 012	Washer, SpringWasher DIN127B M	8	EA
4	056064 024	Nut, NylockNut DIN985 M24 10.0	1	EA
5	056494 035	HHCS M12 X 1.75 X 35 G8.8 DIN 933	8	EA
6	106598 000	ROTATOR ADAPTOR PLATE	1	EA
7	986299	WASHER, FLAT, .375 STANDARD, PLATED	8	EA
8	1430312	MOUNT PLATFORM BEFORE SN 01 0004	1	EA
9	5035303	FTG ELB90STRTHD 4B 4S STL	2	EA
10	5037003	FTG ELB90SWVL 4S 4S STL	1	EA
11	512649 280	BOLT,HexBolt,DIN931,M24 x 280m	1	EA
12	5560704	BLT HEXHD .375 16 1.25 GR8	8	EA
13	5563135	WSHR FLAT 1 X 1.5 X .125	2	EA

HYDRAULICS

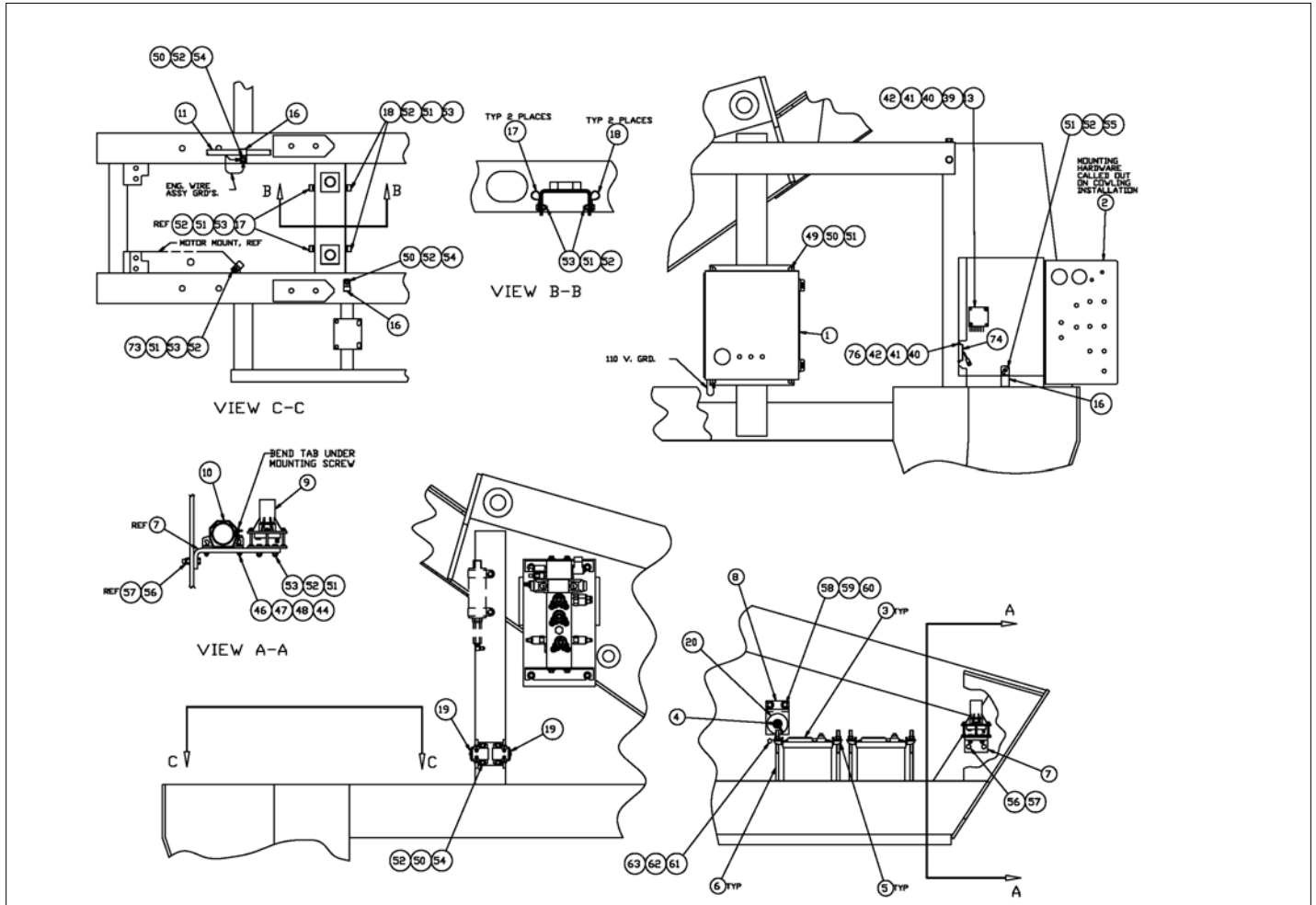


アイテム	部品番号	名前	数量	UOM
Not Shown	6019047	PLATFORM ROTATION VALVE		EA
1	6019122	VALVE COUNTER BALANCE	2	EA
2	6010734	VALVE COUNTER BALANCE	2	EA
3	6010724	CHECK VALVE CARTRIDGE	2	EA

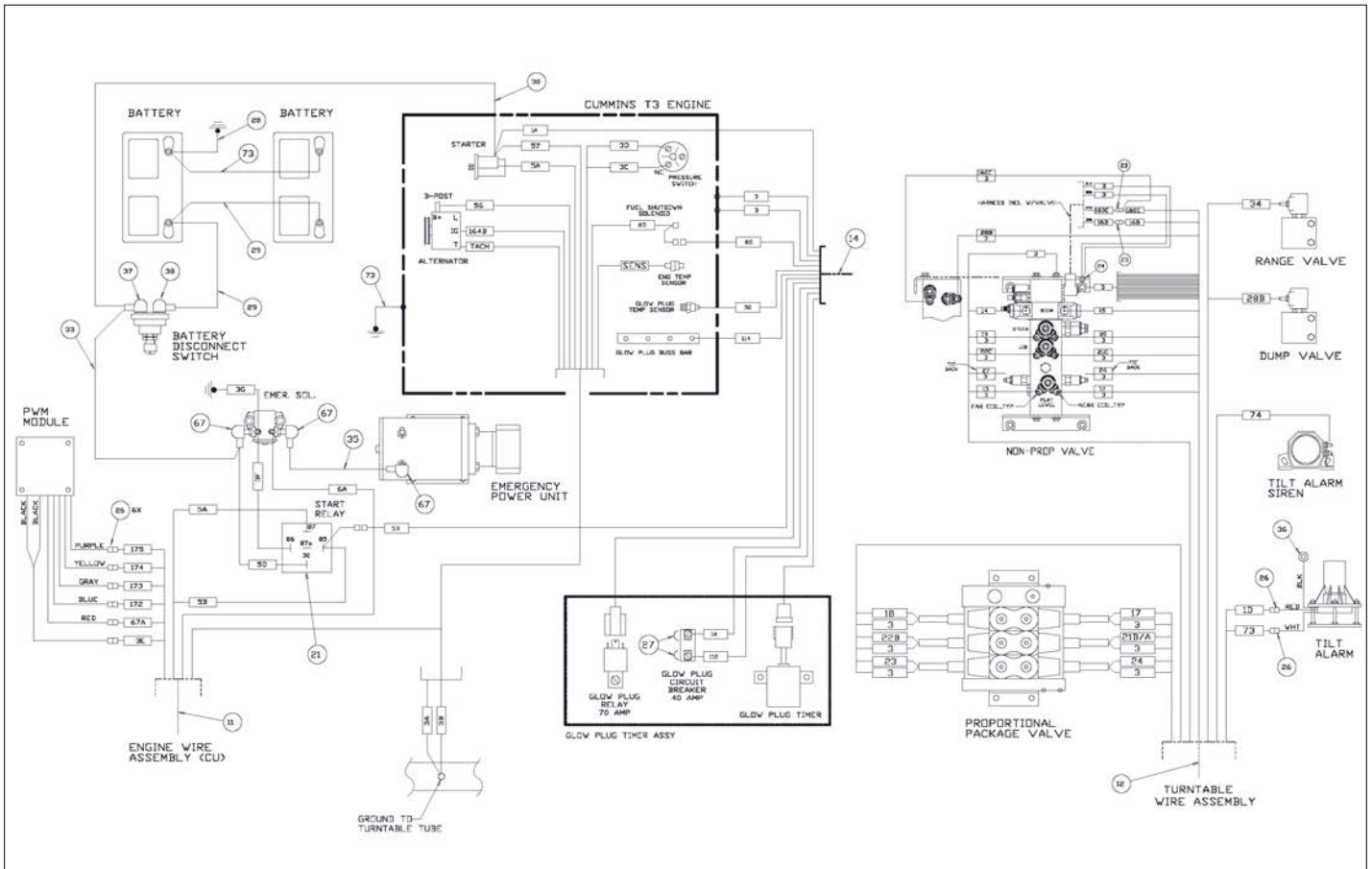
ELECTRICAL



アイテム	部品番号	名前	数量	UOM
*	0084217 B	TURNTABLE ELECTRICAL CUMMINS TIER 3 TB60 TB66J INSTALLATION MAY 2008 AND BEFORE		EA
1	0081998	WIRING BOX ASSEMBLY	1	EA
2	0083531	GROUND CONTROL PANEL ASSEMBLY TB66 CUMMINS	1	EA
3	3050002	BATTERY 12V	2	EA
4	3020049	Switch, Battery Disconnect	1	EA
5	3050008	BATTERY HOLD DOWN	2	EA
6	3050004	BLT BTRY HLDN .313 18 X 10.00 (J BOLT)	4	EA
7	0181503	BRKT TILT ALARM	1	EA
8	0073051	DISCONNECT SWITCH BRKT	1	EA
9	3020040	LEVEL SENSOR 5 DEGREE	1	EA
10	480652	ALARM97DBA DUAL TONE 12/24V	1	EA
11	0083508	ENG WIRE ASSY CU	1	EA
12	0084136	TRNTBL WIRE ASSY – AFTER MAY 2008	1	EA
13	3040534	CONTROLLER PWM MODULE	1	EA
14	0192295	GLOW PLUG TIMER WIRE ASSY TB42/60/80/126/AB80J	1	EA
15	0082046	ASSY ACTUATOR MODULE FOR KIT USE 0084574	1	EA
16	5093008	CLP CUSH 1.06 VINYL COATED	3	EA
17	5093002	CLAMP .562 AEROQUIP HOSE SUPPORT	2	EA
18	5093024	CLAMP	4	EA
19	3040506	SOLENOID 12V 150	1	EA
20	0073089	PLAC BATTERY DISCONNECT SWITCH	1	EA
21	3040469	RELAY SPDT 12V 30AMP SONG	1	EA
22	3049953	TERM FEM250FI 12/10	1	EA

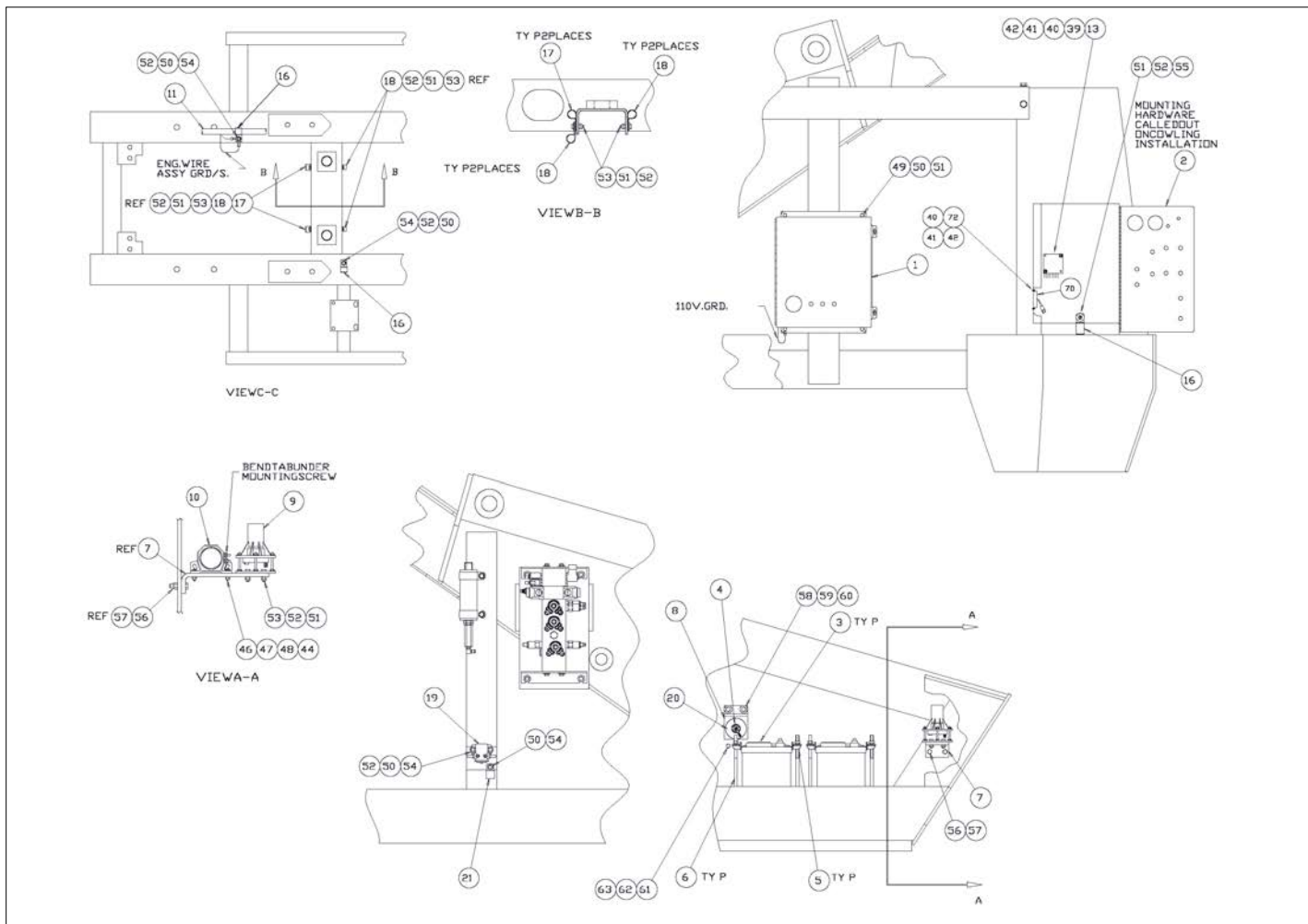


アイテム	部品番号	名前	数量	UOM
23	3040046	TERM MALE250FI 22/18	2	EA
24	961089	TERM R10I 16/14	1	EA
25	3044146	TERM R10I 22/18	4	EA
26	3040082	TERM MALE250FI 16/14	8	EA
27	3040452	BOOT BTRY CABLE UL RED 10GA	2	EA
28	0080483	WIRE 2/0 R375 R375 28 BLACK	1	EA
29	0080484	WIRE 2/0 R375 R375 13 RED	2	EA
30	0080482	WIRE 2/0 R375 R375 108	1	EA
33	0070705	WIRE 4 R313I R375I 81 RED	1	EA
35	0090319	WIRE 4 R375I R313I 8 RED	1	EA
36	3044162	TERM R250I 16/14	1	EA
37	3040270	BOOT BTRY CABLE END Y TYPE	1	EA
38	3040269	Boot Cable Entry Black 1/0 GA	1	EA
39	974289	MACHINE SCREW #6 32 X 1 1/4 INCH LONG ROUND HEAD	2	EA
40	5569997	NUT HEX LKG 6 32	4	EA
41	986159	WSHR FLAT 6	4	EA
42	5560664	WSRH LOCK 6	4	EA
44	5560034	NUT LKG 10 24	2	EA
46	974709	M SCR #10 24 X 1.00 RNDHD PLTD	2	EA
47	986009	WSHR FLAT 10	2	EA
48	5560703	WSHR 10 STAR TOOTH	1	EA
49	970029	BLT .25 20 .750	4	EA
50	987099	WSHR LOCK .250	9	EA
51	5560004	NUT LKG .250 20	12	EA
52	986019	WSHR FLAT .250	12	EA
53	970049	BLT HEXHD .250 20 1.00 GR5 GRADE 5 PLT SAME AS 970189	7	EA
54	970009	Capscrew 1/4 20 x 1/2 inch lon	3	EA

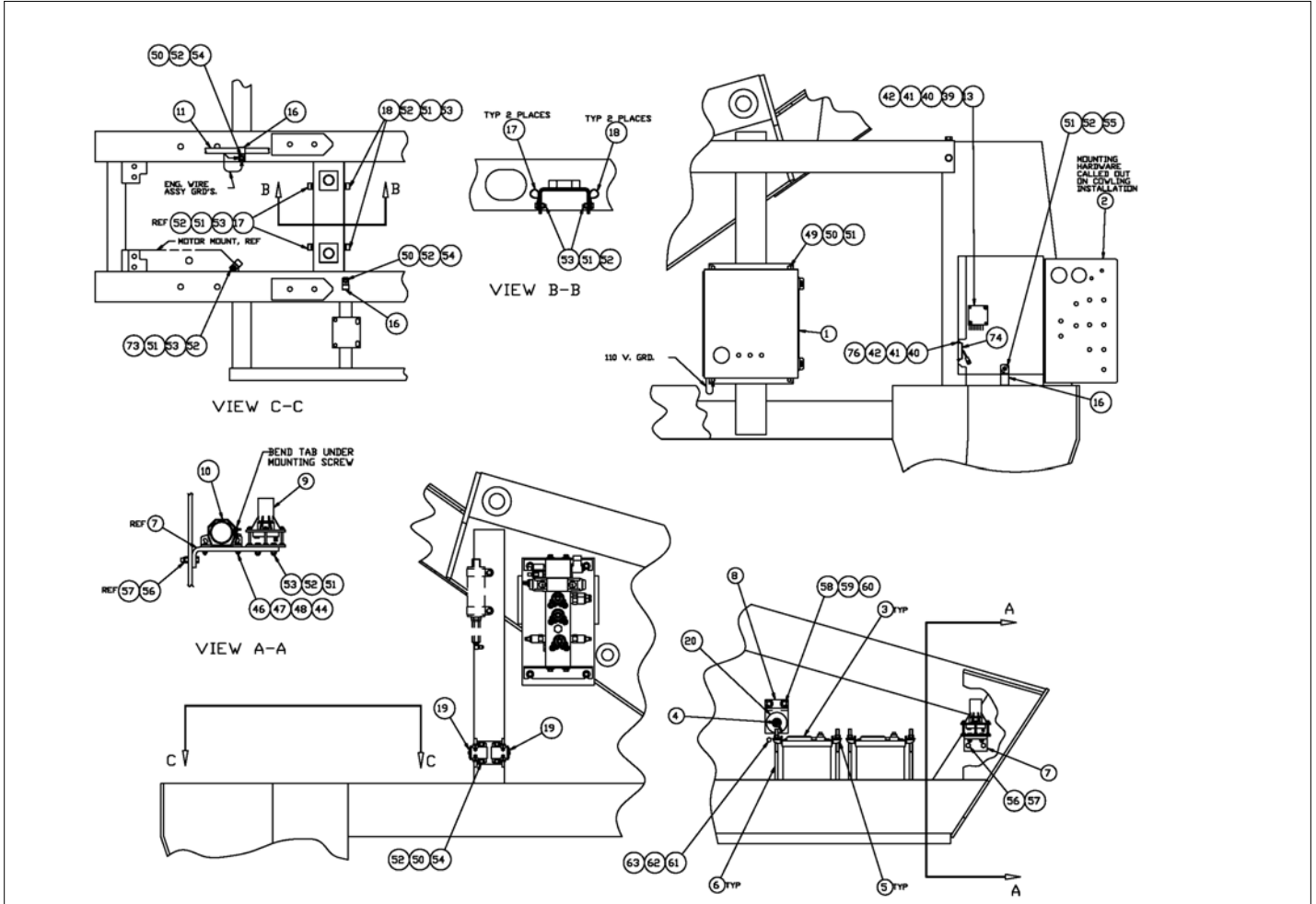


アイテム	部品番号	名前	数量	UOM
55	970029	BLT .25 20 .750	1	EA
56	970489	BLT HEXHD .375 16 1.50 GR5 PL	2	EA
57	5560033	.375 16UNC HEX LOCK NUT	2	EA
58	970469	HHD BLT .375 16 X 1.00 GR5	2	EA
59	987119	WSHR LOCK .375	4	EA
60	986299	WASHER, FLAT, .375 STANDARD, PLATED	4	EA
61	970239	BLT HEXHD .313 18 .750 GR5	1	EA
62	583556	FLATWASHER 5/16	1	EA
63	987109	WSHR LOCK .313	1	EA
64	970429	CAPSCREW .375 16 X .50 HH	2	EA
66	3044161	TERM R10I 16/14	1	EA
67	3040268	BOOT BTRY CABLE END BLK	3	EA
68	3020109	PROXIMITY SWITCH	1	EA
69	0081974	BRACKET PROXIMITY SWITCH	1	EA
70	3030122	ENG PROTECT MODULE 4 PNT HIGH SETPOINTS A	1	EA
71	3046972	TERM FEM188I 22/18	2	EA
72	5560666	SCR TRHD 6 32 .500	2	EA
73	0075268	WIRE 2/0 R375 R375 13 BLK	2	EA

ELECTRICAL



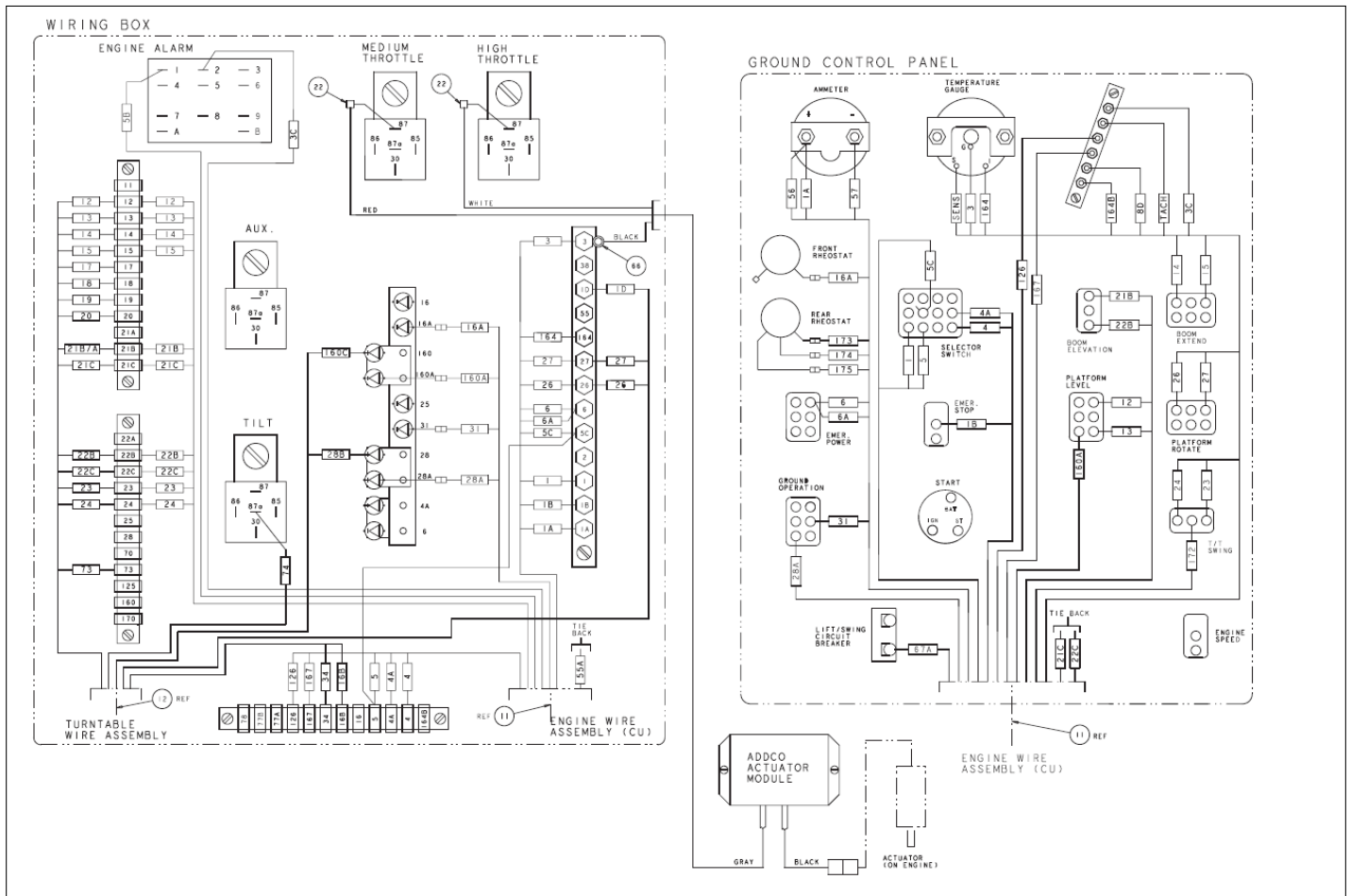
アイテム	部品番号	名前	数量	UOM
*	0084217 E	TURNTABLE ELECTRICAL CUMMINS 3.3 FEBRUARY 2008 AND AFTER		EA
1	0081998	WIRING BOX ASSEMBLY	1	EA
2	0083531	GROUND CONTROL PANEL ASSEMBLY TB66 CUMMINS	1	EA
3	3050002	BATTERY 12V	2	EA
4	3020049	Switch, Battery Disconnect	1	EA
5	3050008	BATTERY HOLD DOWN	2	EA
6	3050004	BLT BTRY HLDN .313 18 X 10.00 (J BOLT)	4	EA
7	0181503	BRKT TILT ALARM	1	EA
8	0073051	DISCONNECT SWITCH BRKT	1	EA
9	3020040	LEVEL SENSOR 5 DEGREE	1	EA
10	480652	ALARM97DBA DUAL TONE 12/24V	1	EA
11	0083508	ENG WIRE ASSY CU	1	EA
12	0084136	TRNTBL WIRE ASSY – AFTER MAY 2008	1	EA
13	3040534	CONTROLLER PWM MODULE	1	EA
14	0192295	GLOW PLUG TIMER WIRE ASSY TB42/60/80/126/AB80J	1	EA
15	3014710	TERM R10I 12/10	5.33FT	EA
16	5093008	CLP CUSH 1.06 VINYL COATED	3	EA
17	5093002	CLAMP .562 AEROQUIP HOSE SUPPORT	2	EA
18	5093024	CLAMP	4	EA
19	3040506	SOLENOID 12V 150	1	EA
20	0073089	PLAC BATTERY DISCONNECT SWITCH	1	EA
21	3040469	RELAY SPDT 12V 30AMP SONG	1	EA
22	3049953	TERM FEM250FI 12/10	1	EA
23	3040046	TERM MALE250FI 22/18	2	EA



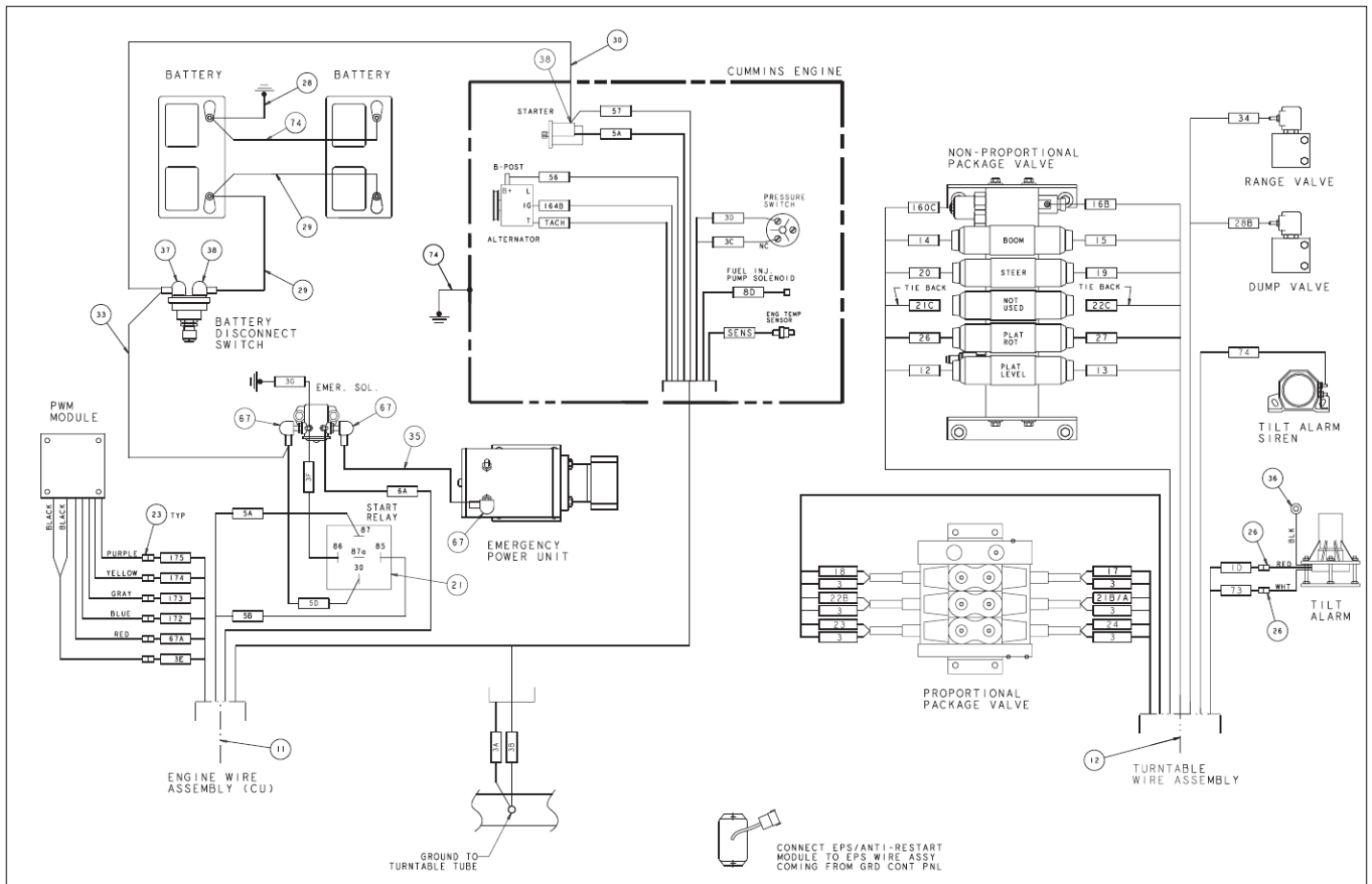
アイテム	部品番号	名前	数量	UOM
24	961089	TERM R101 16/14	1	EA
26	3040082	TERM MALE250FI 16/14	8	EA
27	3040452	BOOT BTRY CABLE UL RED 10GA	2	EA
28	0080483	WIRE 2/0 R375 R375 28 BLACK	1	EA
29	0080484	WIRE 2/0 R375 R375 13 RED	2	EA
30	0080482	WIRE 2/0 R375 R375 108	1	EA
33	0070705	WIRE 4 R313I R375I 81 RED	1	EA
35	0090319	WIRE 4 R375I R313I 8 RED	1	EA
36	3044162	TERM R250I 16/14	1	EA
37	3040270	BOOT BTRY CABLE END Y TYPE	1	EA
38	3040269	Boot Cable Entry Black 1/0 GA	1	EA
39	PNNA	MACHINE SCREW #6 32 X 1.25" LG RD HD	2	EA
40	PNNA	NUT, #6 32 HEX	4	EA
41	PNNA	FLATWASHER #6	4	EA
42	PNNA	LOCKWASHER #6 MED	4	EA
44	PNNA	NUT #10 24 ESNA	6	EA
45	PNNA	SCREW #10 24 X 1/2" LG RD HD	4	EA
46	PNNA	SCREW #10 24 X 1" LG RD HD	2	EA
47	PNNA	FLATWASHER #10	2	EA
48	PNNA	STAR WASHER #10	1	EA
49	PNNA	CAPSCREW 1/4 20 X 3/4" LG H.H.	4	EA
50	PNNA	LOCKWASHER 1/4 MED	9	EA
51	PNNA	NUT, 1/4 20 ESNA	12	EA
52	PNNA	FLATWASHER 1/4	12	EA
53	PNNA	CAPSCREW 1/4 20 X 1" LG H.H.	7	EA
54	PNNA	CAPSCREW 1/4 20 X 1/2" LG H.H.	3	EA
55	PNNA	CAPSCREW 1/4 20 X 3/4" LG H.H.	1	EA

アイテム	部品番号	名前	数量	UOM
56	PNNA	CAPSCREW 3/8 16 X 1.50" LG H.H.	2	EA
57	PNNA	NUT, 3/8 16 ESNA	2	EA
58	PNNA	CAPSCREW 3/8 16 X 1" LG H.H.	2	EA
59	PNNA	LOCKWASHER 3/8 MED	2	EA
60	PNNA	FLATWASHER 3/8	2	EA
61	PNNA	CAPSCREW 5/16 18 X 3/4" LG H.H.	1	EA
62	PNNA	FLATWASHER 5/16	1	EA
63	PNNA	LOCKWASHER 5/16 MED	1	EA
66	3044854	TERM R10I 12/10	1	EA
67	3040268	BOOT BTRY CABLE END BLK	3	EA
70	3030122	ENG PROTECT MODULE 4 PNT HIGH SETPOINTS A	1	EA
72	PNNA	SCR THRD #6 32 .50	2	EA
73	0075268	WIRE 2/0 R375 R375 13 BLK	2	EA

アイテム	部品番号	名前	数量	UOM
	0083509 F	TURNTABLE ELECTRICAL CUMMINS 3.3 MARCH 2008 AND BEFORE	1	EA
1	0081998	WIRING BOX ASSEMBLY	1	EA
2	0083530	GRD CONT PNL ASSY TB60 CU	1	EA
3	3050002	BATTERY 12V	2	EA
4	3020049	Switch, Battery Disconnect	1	EA
5	3050008	BATTERY HOLD DOWN	2	EA
6	3050004	BLT BTRY HLDN .313 18 X 10.00 (J BOLT)	4	EA
7	0181503	BRKT TILT ALARM	1	EA
8	0073051	DISCONNECT SWITCH BRKT	1	EA
9	3020040	LEVEL SENSOR 5 DEGREE	1	EA
10	480652	ALARM97DBA DUAL TONE 12/24V	1	EA
11	0083508	ENG WIRE ASSY CU	1	EA
12	0081846	TURNTABLE WIRE ASSEMBLY SIMP HYD	1	EA
13	3040534	CONTROLLER PWM MODULE	1	EA
15	0082046	ASSY ACTUATOR MODULE FOR KIT USE 0084574	1	EA
16	5093008	CLP CUSH 1.06 VINYL COATED	2	EA
17	5093002	CLAMP .562 AEROQUIP HOSE SUPPORT	2	EA
18	5093024	CLAMP	4	EA
19	3040506	SOLENOID 12V 150	1	EA
20	0073089	PLAC BATTERY DISCONNECT SWITCH	1	EA
21	3040469	RELAY SPDT 12V 30AMP SONG	1	EA
22	3040047	TERM FEM250FI 22/18	2	EA
26	3040082	TERM MALE250FI 16/14	5	EA
28	0080483	WIRE 2/0 R375 R375 28 BLACK	1	EA
29	0080484	WIRE 2/0 R375 R375 13 RED	2	EA

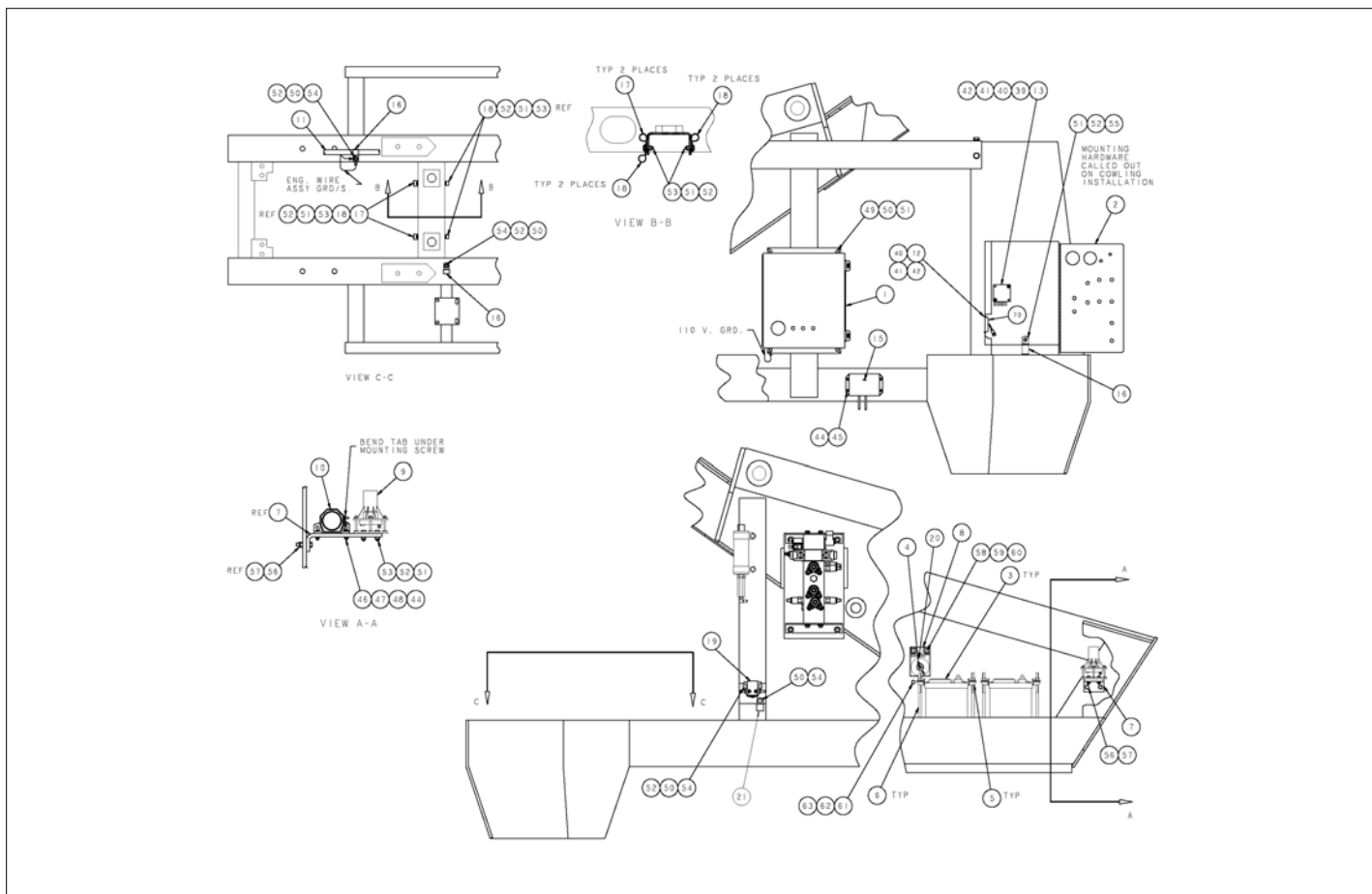


アイテム	部品番号	名前	数量	UOM
30	0080482	WIRE 2/0 R375 R375 108	1	EA
33	0070705	WIRE 4 R313I R375I 81 RED	1	EA
35	0090319	WIRE 4 R375I R313I 8 RED	1	EA
36	3044162	TERM R250I 16/14	1	EA
37	3040270	BOOT BTRY CABLE END Y TYPE	1	EA
38	3040269	Boot Cable Entry Black 1/0 GA	2	EA
39	PNNA	MACHINE SCREW #6 32 X X1.25" LG RD HD	2	EA
40	PNNA	NUT, #6 32 HEX	4	EA
41	PNNA	FLATWASHER #6	4	EA
42	PNNA	LOCKWASHER #6 MED	4	EA
44	PNNA	NUT #10 24 ESNA	6	EA
45	PNNA	SCREW #10 24 X 1/2" LG RD HD	4	EA
46	PNNA	SCREW #10 24 X 1" LG RD HD	2	EA
47	PNNA	FLATWASHER #10	2	EA
48	PNNA	STAR WASHER #10	1	EA
49	PNNA	CAPSCREW 1/4 20 X 3/4" LG H.H.	4	EA
50	PNNA	LOCKWASHER 1/4 MED	9	EA
51	PNNA	NUT, 1/4 20 ESNA	12	EA
52	PNNA	FLATWASHER 1/4	12	EA
53	PNNA	CAPSCREW 1/4 20 X 1" LG H.H.	7	EA
54	PNNA	CAPSCREW 1/4 20 X 1/2" LG H.H.	3	EA
55	PNNA	CAPSCREW 1/4 20 X 3/4" LG H.H.	1	EA
56	PNNA	CAPSCREW 3/8 16 X 1.50" LG H.H.	2	EA
57	PNNA	NUT, 3/8 16 ESNA	2	EA
58	PNNA	CAPSCREW 3/8 16 X 1" LG H.H.	2	EA
59	PNNA	LOCKWASHER 3/8 MED	2	EA
60	PNNA	FLATWASHER 3/8	2	EA

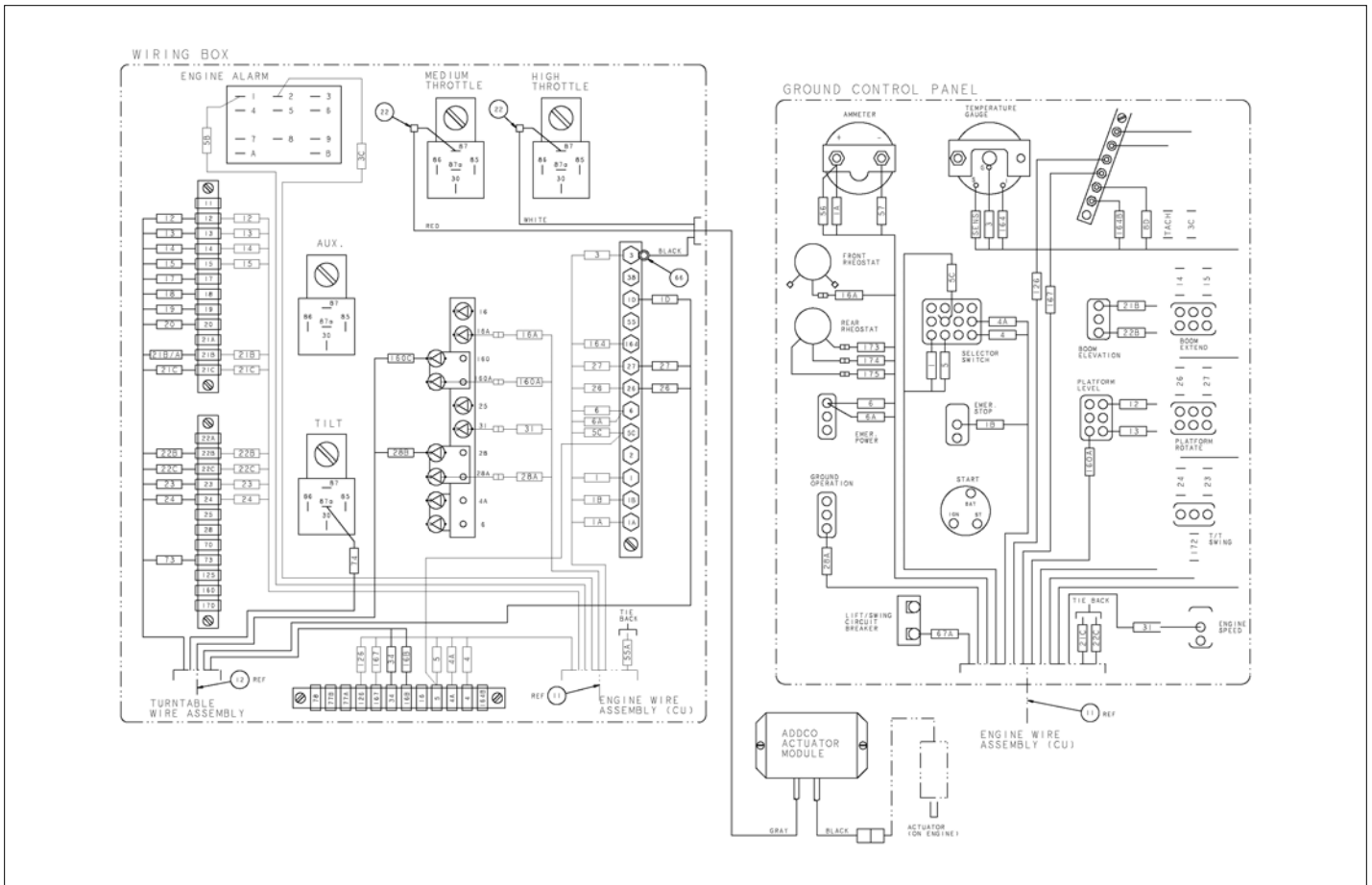


アイテム	部品番号	名前	数量	UOM
61	PNNA	CAPSCREW 5/16 28 X X3/4" LG H.H.	1	EA
62	PNNA	FLATWASHER 5/16	1	EA
63	PNNA	LOCKWASHER 5/16 MED	1	EA
66	3044161	TERM R10I 16/14	1	EA
67	3040268	BOOT BTRY CABLE END BLK	3	EA
70	3030122	ENG PROTECT MODULE 4 PNT HIGH SETPOINTS A	1	EA
72	PNNA	SCR THRD #6 32 .50	2	EA
74	0075268	WIRE 2/0 R375 R375 13 BLK	2	EA

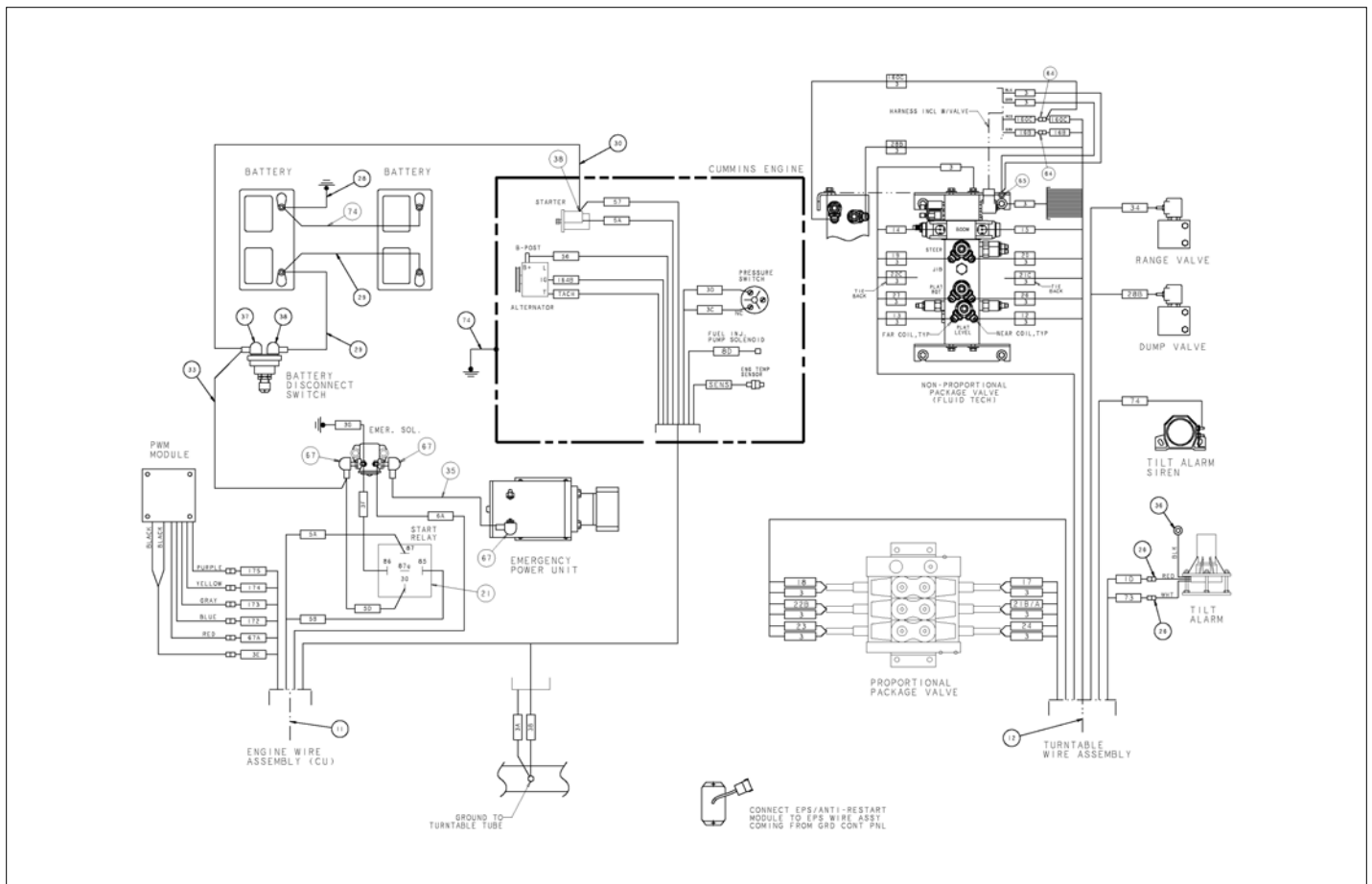
ELECTRICAL



アイテム	部品番号	名前	数量	UOM
	0083509 K	TURNTABLE ELECTRICAL CUMMINS 3.3 APRIL 2008 AND AFTER		EA
1	0081998	WIRING BOX ASSEMBLY	1	EA
2	0083530	GRD CONT PNL ASSY TB60 CU	1	EA
3	3050002	BATTERY 12V	2	EA
4	3020049	Switch, Battery Disconnect	1	EA
5	3050008	BATTERY HOLD DOWN	2	EA
6	3050004	BLT BTRY HLDN .313 18 X 10.00 (J BOLT)	4	EA
7	0181503 3	BRKT TILT ALARM	1	EA
8	0073051 3	DISCONNECT SWITCH BRKT	1	EA
9	3020040	LEVEL SENSOR 5 DEGREE	1	EA
10	480652	ALARM97DBA DUAL TONE 12/24V	1	EA
11	0083508	ENG WIRE ASSY CU	1	EA
12	0084136	TRNTBL WIRE ASSY – AFTER MAY 2008	1	EA
13	3040534	CONTROLLER PWM MODULE	1	EA
15	0082046	ASSY ACTUATOR MODULE FOR KIT USE 0084574	1	EA
16	5093008	CLP CUSH 1.06 VINYL COATED	2	EA
17	5093002	CLAMP .562 AEROQUIP HOSE SUPPORT	2	EA
18	5093024	CLAMP	4	EA
19	3040506	SOLENOID 12V 150	1	EA
20	0073089	PLAC BATTERY DISCONNECT SWITCH	1	EA
21	3040469	RELAY SPDT 12V 30AMP SONG	1	EA
22	3040047	TERM FEM250FI 22/18	2	EA
26	3040082	TERM MALE250FI 16/14	5	EA
28	0080483	WIRE 2/0 R375 R375 28 BLACK	1	EA
29	0080484	WIRE 2/0 R375 R375 13 RED	2	EA

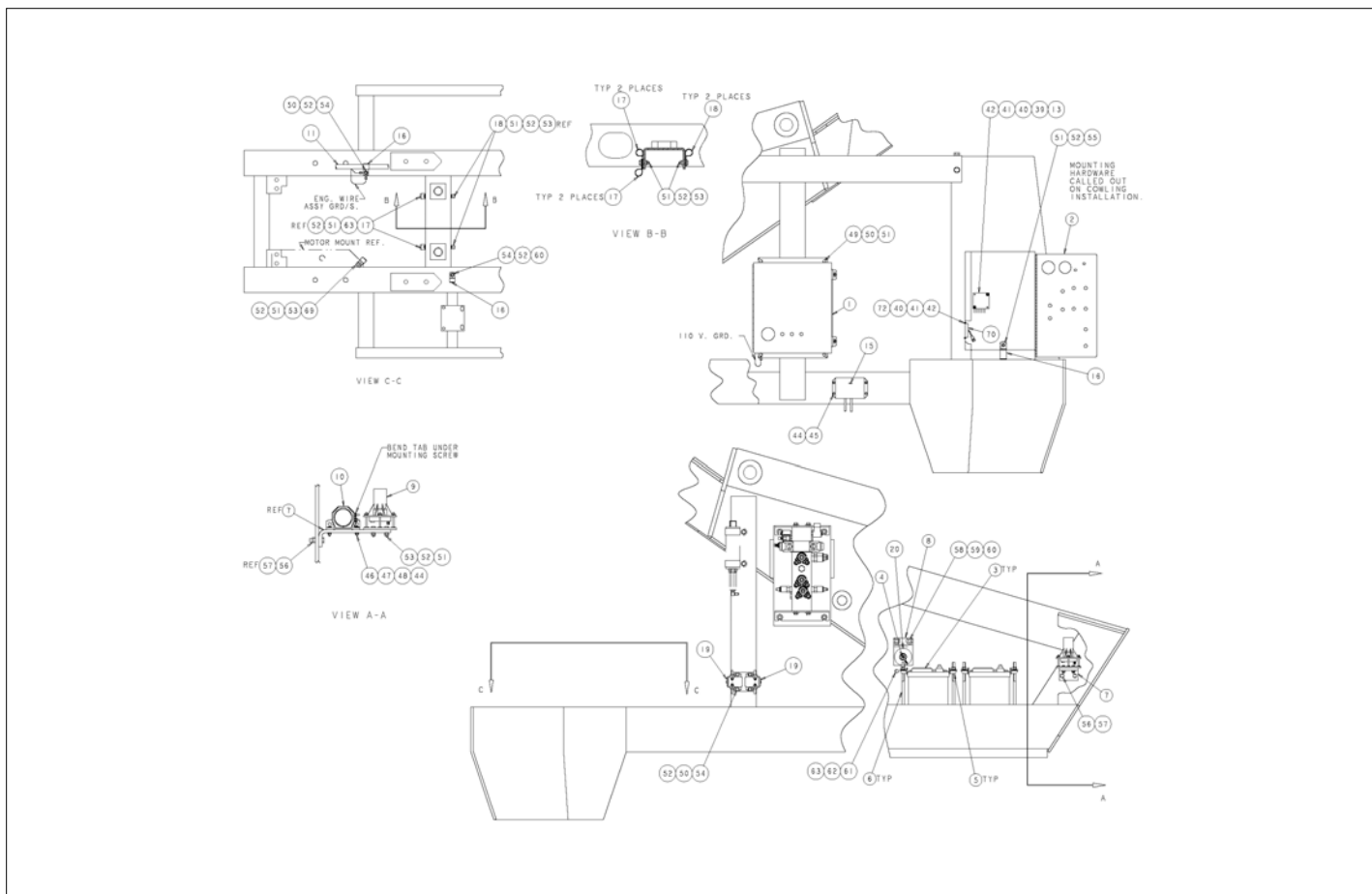


アイテム	部品番号	名前	数量	UOM
30	0080482	WIRE 2/0 R375 R375 108	1	EA
33	0070705	WIRE 4 R313I R375I 81 RED	1	EA
35	0090319	WIRE 4 R375I R313I 8 RED	1	EA
36	3044162	TERM R250I 16/14	1	EA
37	3040270	BOOT BTRY CABLE END Y TYPE	1	EA
38	3040269	Boot Cable Entry Black 1/0 GA	2	EA
39	974289	MACHINE SCREW #6 32 X 1 1/4 INCH LONG ROUND HEAD	2	EA
40	984009	NUT HEX 6 32	4	EA
41	986159	WSHR FLAT 6	4	EA
42	987349	WSHR LOCK 6	4	EA
44	5560034	NUT LKG 10 24	6	EA
45	976459	SCREW #10 24 X .50 LG RD HD	4	EA
46	974709	M SCR #10 24 X 1.00 RNDHD PLTD	2	EA
47	986009	WSHR FLAT 10	2	EA
48	5560586	WSHR STAR .375 EXTERNAL TOOTH	1	EA
49	975089	SCR RDH MACH .25 20 .75	4	EA
50	987099	WSHR LOCK .250	9	EA
51	5563264	SBHCS M10 X 1.50 X 30 GR 10.9 FULL THD BLACK FINISH	12	EA
52	5569927	WSHR FLAT .250 WRT	12	EA
53	970059	BLT HEXHD .25 15 1.25	7	EA
54	970009	Capscrew 1/4 20 x 1/2 inch lon	3	EA
55	970029	BLT .25 20 .750	1	EA
56	970419	CAPSCREW 3/8 16 X 1 1/4 LG HH GR5	2	EA
57	5560003	NUT HEX LKG .375 16 P/N 1NE 108	2	EA
58	970469	HHD BLT .375 16 X 1.00 GR5	2	EA
59	986089	WASHER #10 MED LOCK	2	EA

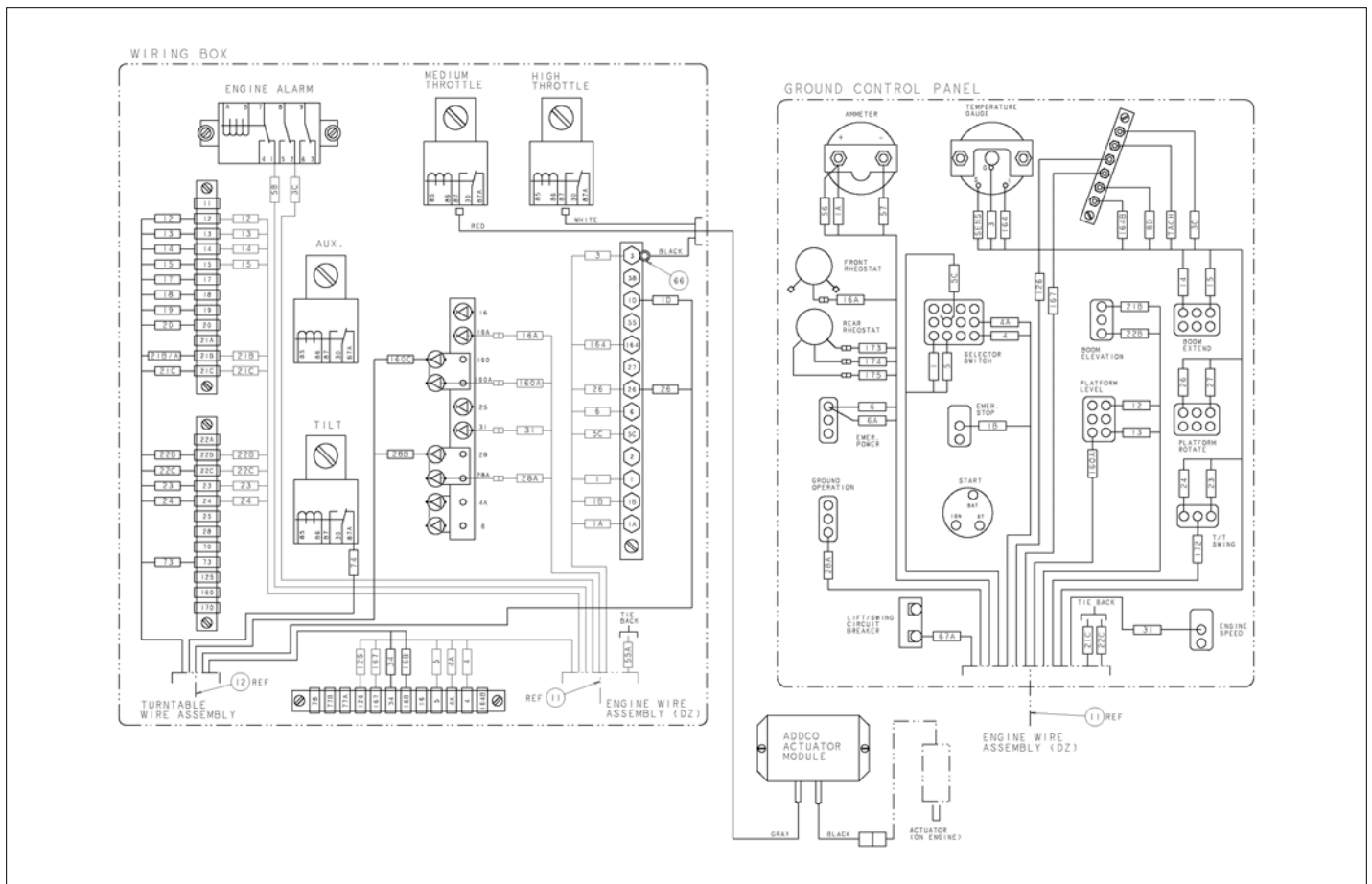


アイテム	部品番号	名前	数量	UOM
60	986299	WASHER, FLAT, .375 STANDARD, PLATED	2	EA
61	970239	BLT HEXHD .313 18 .750 GR5	1	EA
62	986269	WSHR FLAT .313	1	EA
63	987109	WSHR LOCK .313	1	EA
64	3040046	TERM MALE250FI 22/18	2	EA
65	961089	TERM R101 16/14	1	EA
66	3044161	TERM R10I 16/14	1	EA
67	3040268	BOOT BTRY CABLE END BLK	3	EA
70	3030122	ENG PROTECT MODULE 4 PNT HIGH SETPOINTS A	1	EA
72	5560666	SCR TRHD 6 32 .500	2	EA
74	0075268	WIRE 2/0 R375 R375 13 BLK	2	EA

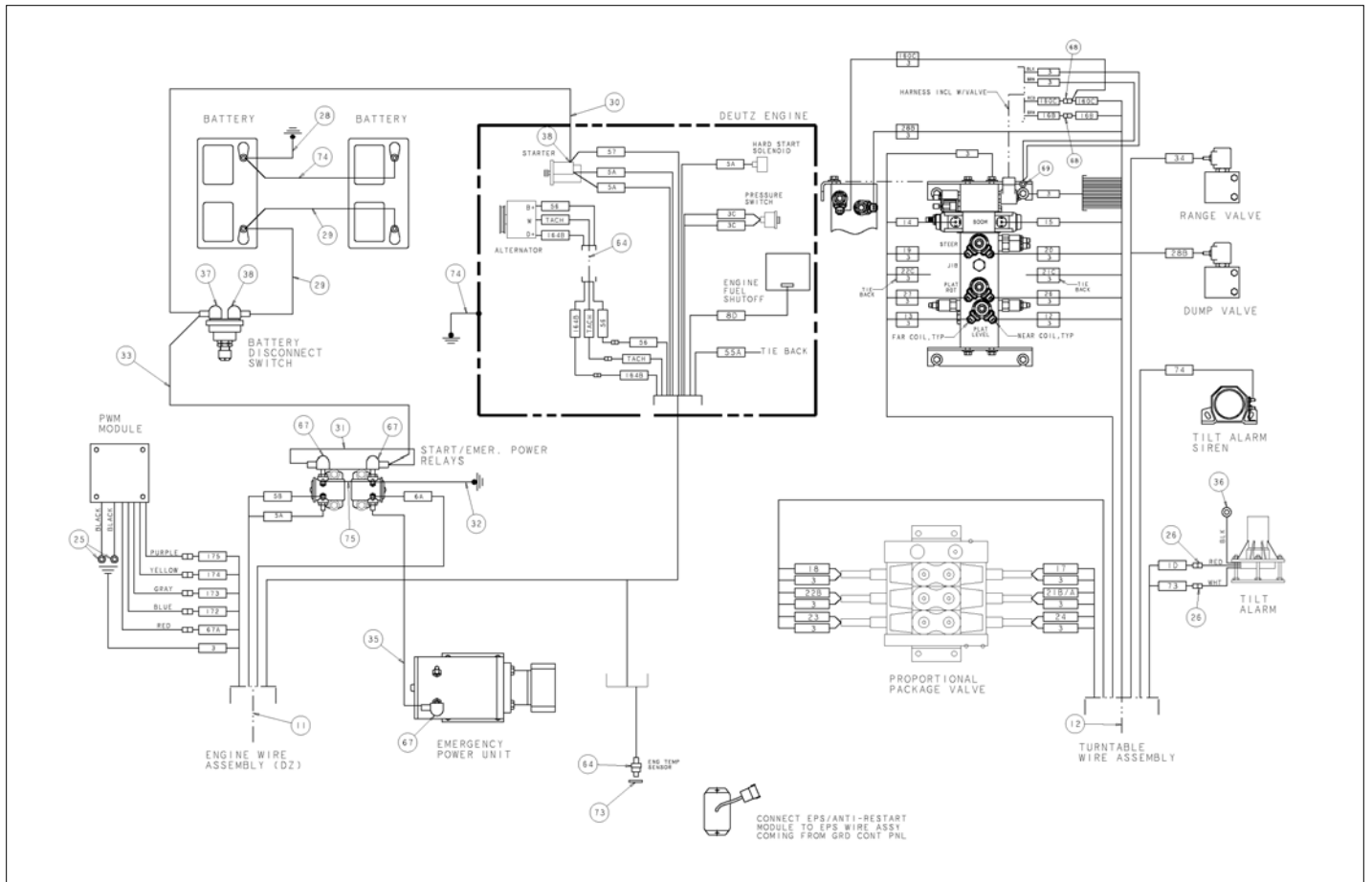
ELECTRICAL



アイテム	部品番号	名前	数量	UOM
Not Shown	0082009 W	TURNTABLE ELECTRICAL DEUTZ TB60 INSTALLATION SEPTEMBER 2008 AND AFTER		EA
1	0081998	WIRING BOX ASSEMBLY	1	EA
2	0083397	GRD CONT PNL ASSY TB60 DZ	1	EA
3	3050002	BATTERY 12V	2	EA
4	3020049	Switch, Battery Disconnect	1	EA
5	3050008	BATTERY HOLD DOWN	2	EA
6	3050004	BLT BTRY HLDN .313 18 X 10.00 (J BOLT)	4	EA
7	0181503 3	BRKT TILT ALARM	1	EA
8	0073051 3	DISCONNECT SWITCH BRKT	1	EA
9	3020040	LEVEL SENSOR 5 DEGREE	1	EA
10	480652	ALARM97DBA DUAL TONE 12/24V	1	EA
11	0083395	WIRE HARNESS, DEUTZ ENGINE	1	EA
12	0084136	TRNTBL WIRE ASSY – AFTER MAY 2008	1	EA
13	3040534	CONTROLLER PWM MODULE	1	EA
15	0082046	ASSY ACTUATOR MODULE FOR KIT USE 0084574	1	EA
16	5093008	CLP CUSH 1.06 VINYL COATED	2	EA
17	5093004	CLP CUSH .750 VINYL COATED	2	EA
18	5093000	CLP CUSH .438 VINYL COATED	3	EA
19	3040506	SOLENOID 12V 150	2	EA
20	0073089	PLAC BATTERY DISCONNECT SWITCH	1	EA
22	3041314	TERM FEM250I 12/10 AMP:	1	EA
23	3014710	TERM R10I 12/10	5.3	EA
25	3044146	TERM R10I 22/18	2	EA
26	3040082	TERM MALE250FI 16/14	4	EA
28	0080483	WIRE 2/0 R375 R375 28 BLACK	1	EA

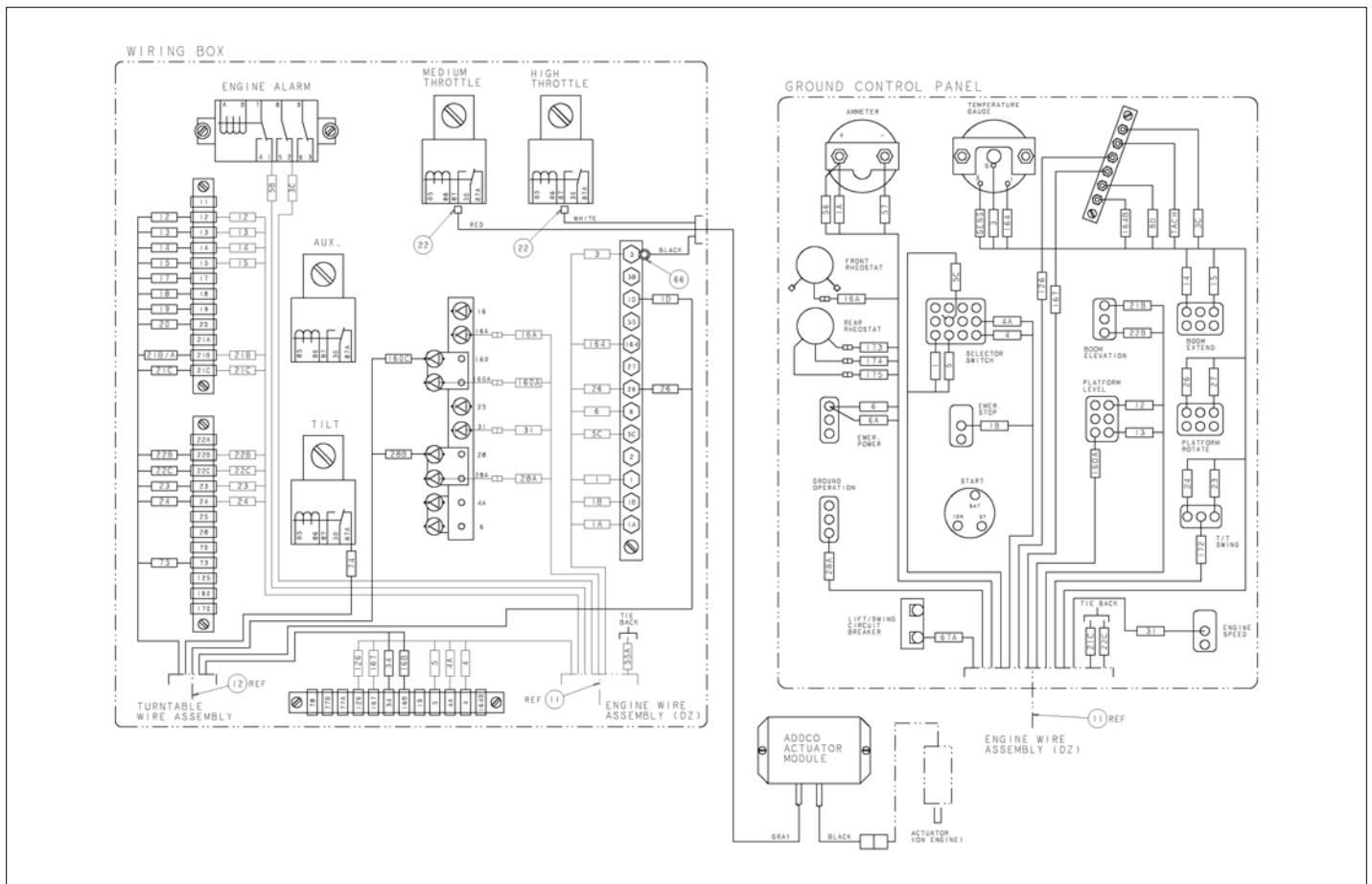


アイテム	部品番号	名前	数量	UOM
29	0080484	WIRE 2/0 R375 R375 13 RED	2	EA
30	0080482	WIRE 2/0 R375 R375 108	1	EA
31	0151372	JUMPER WIRE	1	EA
32	0151370	JUMPER WIRE	1	EA
33	0070705	WIRE 4 R313I R375I 81 RED	1	EA
34	0070724	WIRE 18 R10I R10I 3	1	EA
35	0090319	WIRE 4 R375I R313I 8 RED	1	EA
36	3044162	TERM R250I 16/14	1	EA
37	3040270	BOOT BTRY CABLE END Y TYPE	1	EA
38	3040269	Boot Cable Entry Black 1/0 GA	2	EA
39	974289	MACHINE SCREW #6 32 X 1 1/4 INCH LONG ROUND HEAD	2	EA
40	984009	NUT HEX 6 32	4	EA
41	986159	WSHR FLAT 6	4	EA
42	987349	WSHR LOCK 6	4	EA
44	5560034	NUT LKG 10 24	2	EA
45	975659	SCREW #10 24 X .50LG RDHD	4	EA
46	974709	M SCR #10 24 X 1.00 RNDHD PLTD	2	EA
47	986009	WSHR FLAT 10	2	EA
48	5560703	WSHR 10 STAR TOOTH	1	EA
49	970029	BLT .25 20 .750	4	EA
50	987099	WSHR LOCK .250	10	EA
51	5560004	NUT LKG .250 20	15	EA
52	986019	WSHR FLAT .250	16	EA
53	970049	BLT HEXHD .250 20 1.00 GR5 GRADE 5 PLT SAME AS 970189	9	EA
54	970009	Capscrew 1/4 20 x 1/2 inch lon	6	EA
55	970029	BLT .25 20 .750	1	EA
56	970489	BLT HEXHD .375 16 1.50 GR5 PL	2	EA



アイテム	部品番号	名前	数量	UOM
57	5560033	.375 16UNC HEX LOCK NUT	2	EA
58	970469	HHD BLT .375 16 X 1.00 GR5	2	EA
59	987119	WSHR LOCK .375	2	EA
60	986229	FLAT WASHER .375	2	EA
61	970239	BLT HEXHD .313 18 .750 GR5	1	EA
62	986269	WSHR FLAT .313	1	EA
63	987109	WSHR LOCK .313	1	EA
64	0074579	ALTERNATOR WIRE ASSY	1	EA
66	3044161	TERM R10I 16/14	1	EA
67	3040268	BOOT BTRY CABLE END BLK	3	EA
68	3040046	TERM MALE250FI 22/18	2	EA
69	961089	TERM R10I 16/14	1	EA
70	3030122	ENG PROTECT MODULE 4 PNT HIGH SETPOINTS A	1	EA
71	3070039	TEMP SENSOR M18 X 1.5 HIGH	1	EA
72	5560666	SCR TRHD 6 32 .500	2	EA
73	5569837	WSHR FLAT M18 BR	1	EA
74	0075268	WIRE 2/0 R375 R375 13 BLK	2	EA
75	0151371	WIRE 16 R10 R10 5	1	EA

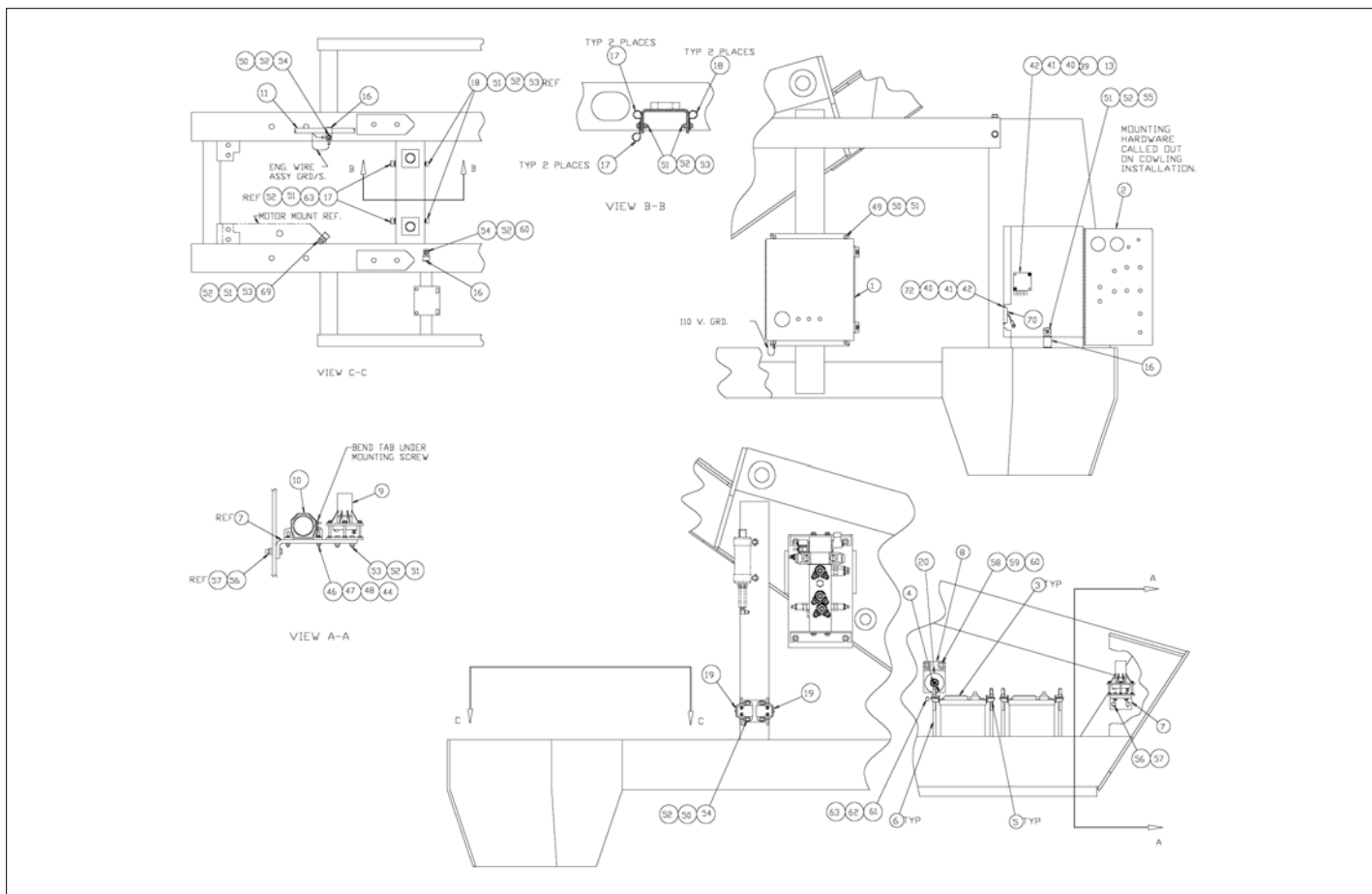
アイテム	部品番号	名前	数量	UOM
	0082009 V	TURNTABLE ELECTRICAL DEUTZ TB60 INSTALLATION AUGUST 2008 AND BEFORE		EA
1	0081998	WIRING BOX ASSEMBLY	1	EA
2	0083397	GRD CONT PNL ASSY TB60 DZ	1	EA
3	3050002	BATTERY 12V	2	EA
4	3020049	Switch, Battery Disconnect	1	EA
5	3050008	BATTERY HOLD DOWN	2	EA
6	3050004	BLT BTRY HLDN .313 18 X 10.00 (J BOLT)	4	EA
7	0181503 3	BRKT TILT ALARM	1	EA
8	0073051 3	DISCONNECT SWITCH BRKT	1	EA
9	3020040	LEVEL SENSOR 5 DEGREE	1	EA
10	480652	ALARM97DBA DUAL TONE 12/24V	1	EA
11	0083395	WIRE HARNESS, DEUTZ ENGINE	1	EA
12	0084136	TRNTBL WIRE ASSY – AFTER MAY 2008	1	EA
13	3040534	CONTROLLER PWM MODULE	1	EA
15	0082046	ASSY ACTUATOR MODULE FOR KIT USE 0084574	1	EA
16	5093008	CLP CUSH 1.06 VINYL COATED	2	EA
17	5093004	CLP CUSH .750 VINYL COATED	2	EA
18	5093000	CLP CUSH .438 VINYL COATED	3	EA
19	3040506	SOLENOID 12V 150	2	EA
20	0073089	PLAC BATTERY DISCONNECT SWITCH	1	EA
25	3044146	TERM R10I 22/18	2	EA
26	3040082	TERM MALE250FI 16/14	4	EA
28	0080483	WIRE 2/0 R375 R375 28 BLACK	1	EA
29	0080484	WIRE 2/0 R375 R375 13 RED	2	EA
30	0080482	WIRE 2/0 R375 R375 108	1	EA



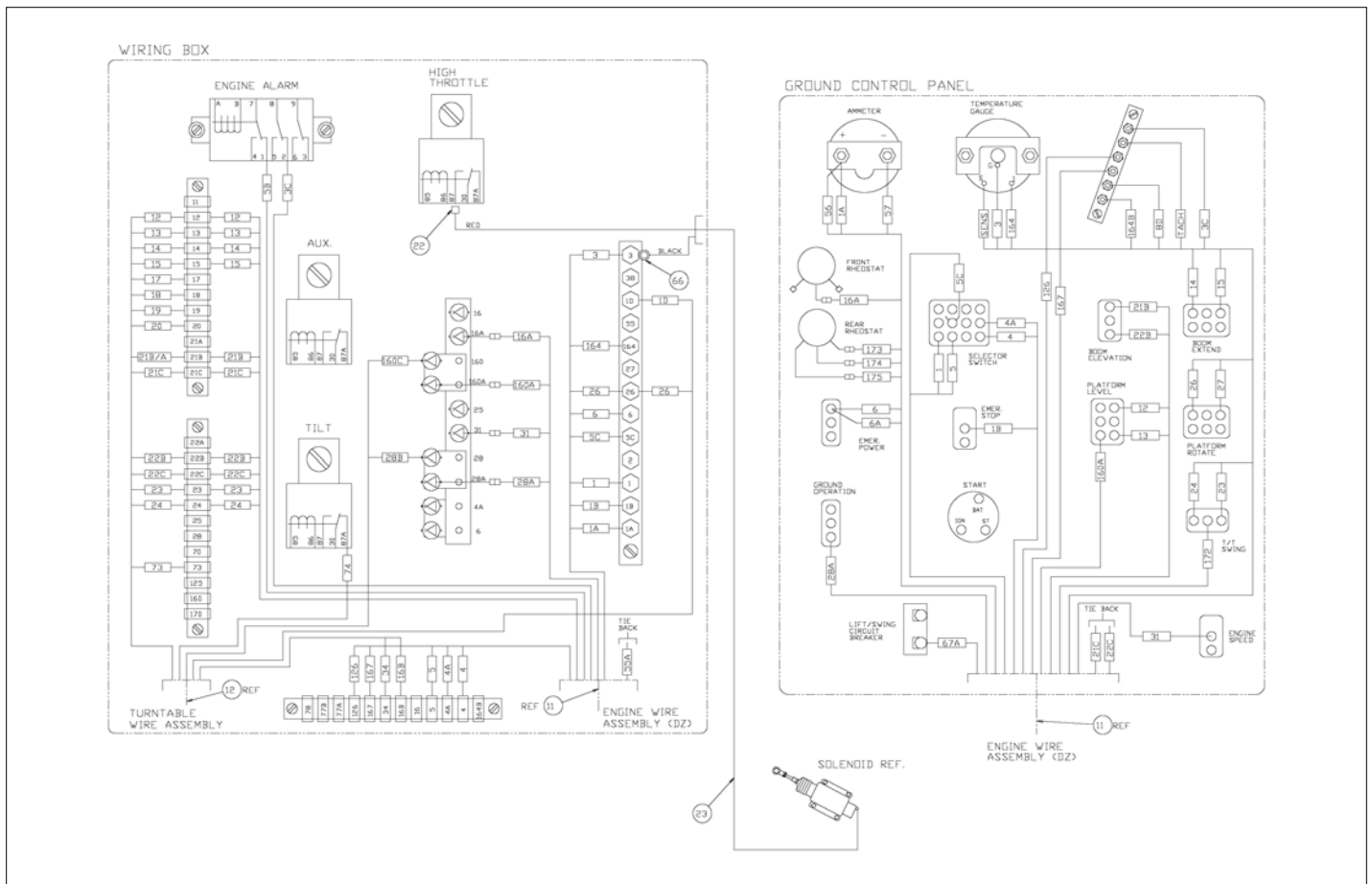
アイテム	部品番号	名前	数量	UOM
31	0151372	JUMPER WIRE	1	EA
32	0151370	JUMPER WIRE	1	EA
33	0070705	WIRE 4 R313I R375I 81 RED	1	EA
34	0070724	WIRE 18 R10I R10I 3	1	EA
35	0090319	WIRE 4 R375I R313I 8 RED	1	EA
36	3044162	TERM R250I 16/14	1	EA
37	3040270	BOOT BTRY CABLE END Y TYPE	1	EA
38	3040269	Boot Cable Entry Black 1/0 GA	2	EA
39	974289	MACHINE SCREW #6 32 X 1 1/4 INCH LONG ROUND HEAD	2	EA
40	984009	NUT HEX 6 32	4	EA
41	986159	WSHR FLAT 6	4	EA
42	987349	WSHR LOCK 6	4	EA
44	5560034	NUT LKG 10 24	2	EA
45	974659	SCR RDH MACH 10 24 .500	4	EA
46	974709	M SCR #10 24 X 1.00 RNDHD PLTD	2	EA
47	986009	WSHR FLAT 10	2	EA
48	5560703	WSHR 10 STAR TOOTH	1	EA
49	970029	BLT .25 20 .750	4	EA
50	987099	WSHR LOCK .250	10	EA
51	5560004	NUT LKG .250 20	15	EA
52	986019	WSHR FLAT .250	16	EA
53	970049	BLT HEXHD .250 20 1.00 GR5 GRADE 5 PLT SAME AS 970189	9	EA
54	970009	Capscrew 1/4 20 x 1/2 inch lon	6	EA
55	970029	BLT .25 20 .750	1	EA
56	970489	BLT HEXHD .375 16 1.50 GR5 PL	2	EA
57	5560033	.375 16UNC HEX LOCK NUT	2	EA
58	970469	HHD BLT .375 16 X 1.00 GR5	2	EA

アイテム	部品番号	名前	数量	UOM
59	987119	WSHR LOCK .375	2	EA
60	986229	FLAT WASHER .375	2	EA
61	970239	BLT HEXHD .313 18 .750 GR5	1	EA
62	986269	WSHR FLAT .313	1	EA
63	987109	WSHR LOCK .313	1	EA
64	0074579	ALTERNATOR WIRE ASSY	1	EA
66	3044161	TERM R10I 16/14	1	EA
67	3040268	BOOT BTRY CABLE END BLK	3	EA
68	3040046	TERM MALE250FI 22/18	2	EA
69	961089	TERM R101 16/14	1	EA
70	3030122	ENG PROTECT MODULE 4 PNT HIGH SETPOINTS A	1	EA
71	3070039	TEMP SENSOR M18 X 1.5 HIGH	1	EA
72	5560666	SCR TRHD 6 32 .500	2	EA
73	5569837	WSHR FLAT M18 BR	1	EA
74	0075268	WIRE 2/0 R375 R375 13 BLK	2	EA
75	0151371	WIRE 16 R10 R10 5	1	EA
Not Shown		Base Assembly		EA

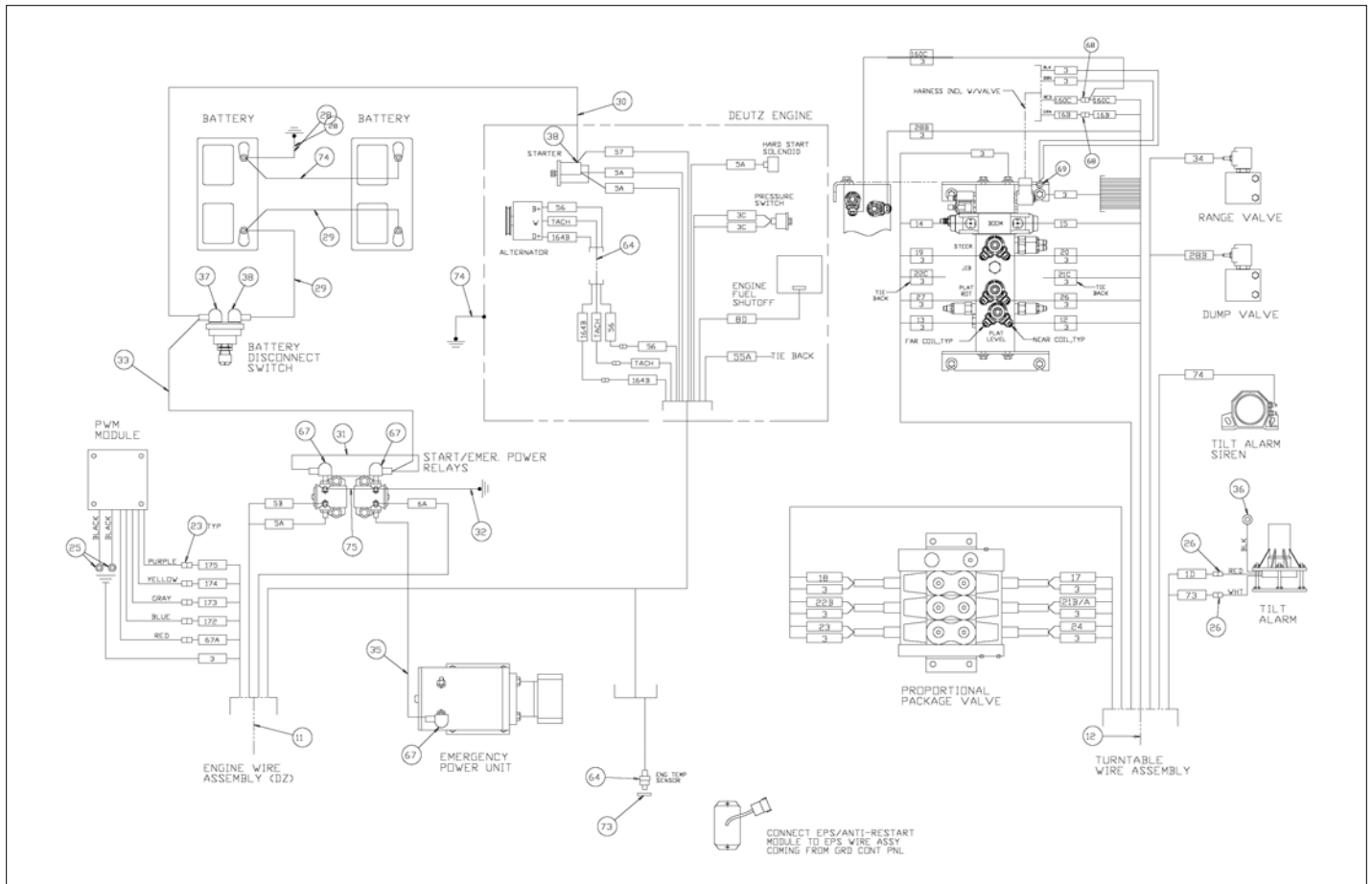
ELECTRICAL



アイテム	部品番号	名前	数量	UOM
	0082009 Y	TURNTABLE ELECTRICAL DEUTZ TB60 INSTALLATION FEBURARY 2009 AND AFTER		EA
1	0081998	WIRING BOX ASSEMBLY	1	EA
2	0083397	GRD CONT PNL ASSY TB60 DZ	1	EA
3	3050002	BATTERY 12V	2	EA
4	3020049	Switch, Battery Disconnect	1	EA
5	3050008	BATTERY HOLD DOWN	2	EA
6	3050004	BLT BTRY HLDN .313 18 X 10.00 (J BOLT)	4	EA
7	0181503 3	BRKT TILT ALARM	1	EA
8	0073051 3	DISCONNECT SWITCH BRKT	1	EA
9	3020040	LEVEL SENSOR 5 DEGREE	1	EA
10	480652	ALARM97DBA DUAL TONE 12/24V	1	EA
11	0083395	WIRE HARNESS, DEUTZ ENGINE	1	EA
12	0084136	TRNTBL WIRE ASSY – AFTER MAY 2008	1	EA
13	3040534	CONTROLLER PWM MODULE	1	EA
16	5093008	CLP CUSH 1.06 VINYL COATED	2	EA
17	5093004	CLP CUSH .750 VINYL COATED	2	EA
18	5093000	CLP CUSH .438 VINYL COATED	3	EA
19	3040506	SOLENOID 12V 150	2	EA
20	0073089	PLAC BATTERY DISCONNECT SWITCH	1	EA
22	3041314	TERM FEM250I 12/10 AMP:	1	EA
23	3014710	TERM R10I 12/10	5.3	EA
25	3044146	TERM R10I 22/18	2	EA
26	3040082	TERM MALE250FI 16/14	4	EA
28	0080483	WIRE 2/0 R375 R375 28 BLACK	1	EA
29	0080484	WIRE 2/0 R375 R375 13 RED	2	EA
30	0080482	WIRE 2/0 R375 R375 108	1	EA

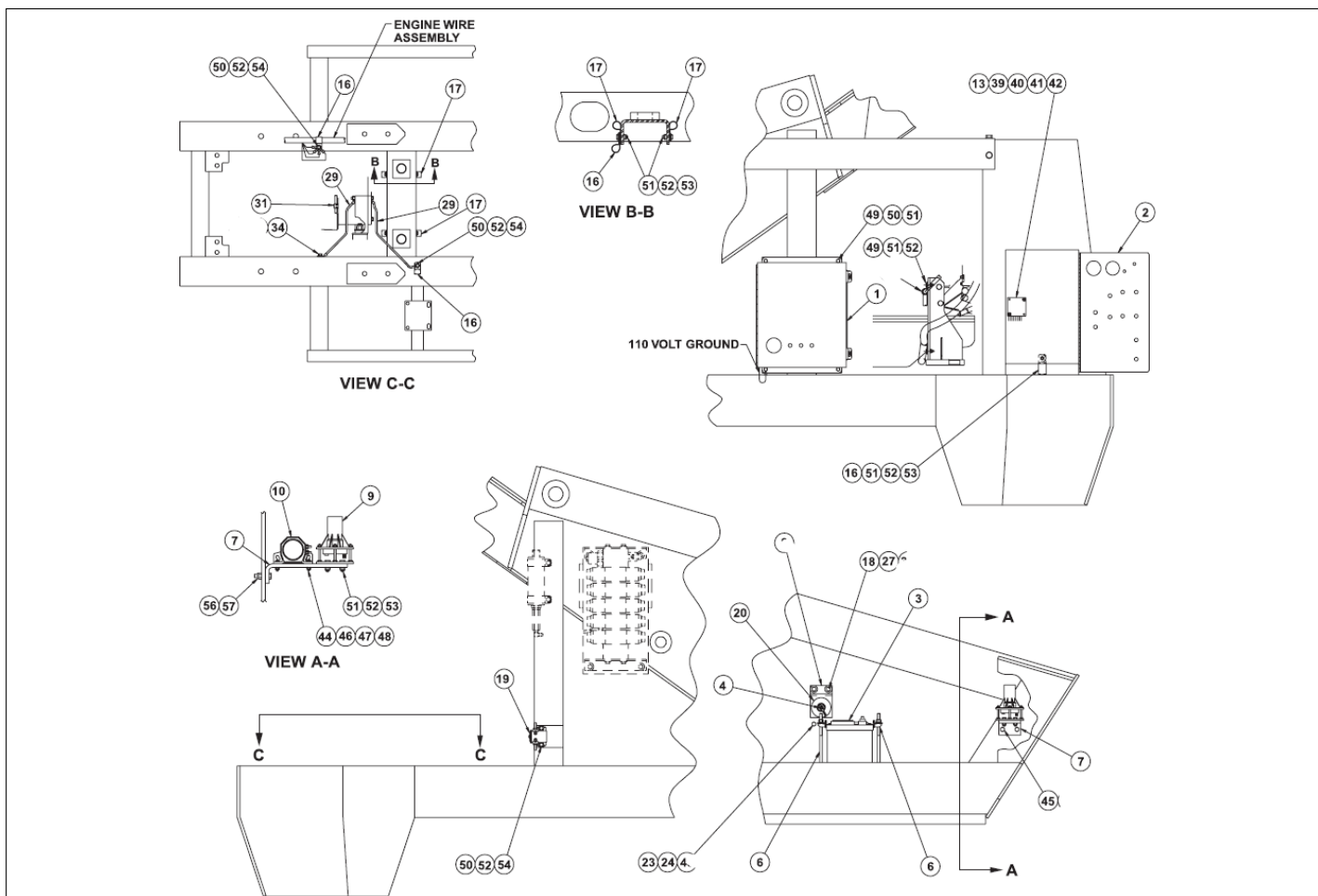


アイテム	部品番号	名前	数量	UOM
31	0151372	JUMPER WIRE	1	EA
32	0151370	JUMPER WIRE	1	EA
33	0070705	WIRE 4 R313I R375I 81 RED	1	EA
34	0070724	WIRE 18 R10I R10I 3	1	EA
35	0090319	WIRE 4 R375I R313I 8 RED	1	EA
36	3044162	TERM R250I 16/14	1	EA
37	3040270	BOOT BTRY CABLE END Y TYPE	1	EA
38	3040269	Boot Cable Entry Black 1/0 GA	2	EA
39	974289	MACHINE SCREW #6 32 X 1 1/4 INCH LONG ROUND HEAD	2	EA
40	984009	NUT HEX 6 32	4	EA
41	986159	WSHR FLAT 6	4	EA
42	987349	WSHR LOCK 6	4	EA
44	5560034	NUT LKG 10 24	2	EA
46	974509	SCREW #10 24 X 1.00LG RDHD	2	EA
47	986009	WSHR FLAT 10	2	EA
48	5560703	WSHR 10 STAR TOOTH	1	EA
49	970029	BLT .25 20 .750	4	EA
50	987099	WSHR LOCK .250	10	EA
51	5560004	NUT LKG .250 20	15	EA
52	986019	WSHR FLAT .250	16	EA
53	970049	BLT HEXHD .250 20 1.00 GR5 GRADE 5 PLT SAME AS 970189	9	EA
54	970009	Capscrew 1/4 20 x 1/2 inch lon	6	EA
55	970029	BLT .25 20 .750	1	EA
56	970489	BLT HEXHD .375 16 1.50 GR5 PL	2	EA
57	5560033	.375 16UNC HEX LOCK NUT	2	EA
58	970469	HHD BLT .375 16 X 1.00 GR5	2	EA
59	987119	WSHR LOCK .375	2	EA
60	986229	FLAT WASHER .375	2	EA

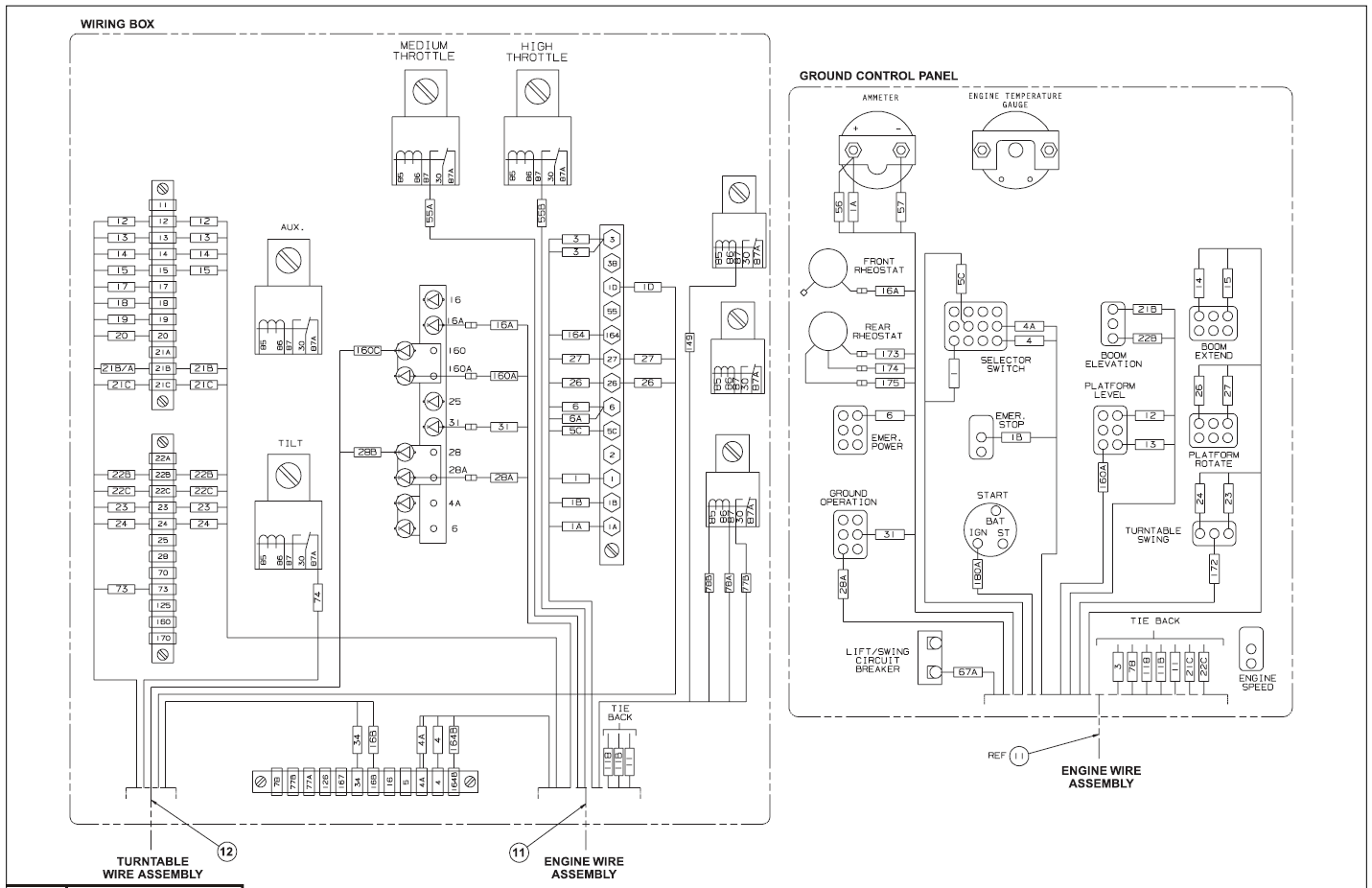


アイテム	部品番号	名前	数量	UOM
61	970239	BLT HEXHD .313 18 .750 GR5	1	EA
62	986269	WSHR FLAT .313	1	EA
63	987109	WSHR LOCK .313	1	EA
64	0074579	ALTERNATOR WIRE ASSY	1	EA
66	3044854	TERM R10I 12/10	1	EA
67	3040268	BOOT BTRY CABLE END BLK	3	EA
68	3040046	TERM MALE250FI 22/18	2	EA
69	961089	TERM R101 16/14	1	EA
70	3030122	ENG PROTECT MODULE 4 PNT HIGH SETPOINTS A	1	EA
71	3070039	TEMP SENSOR M18 X 1.5 HIGH	1	EA
72	5560666	SCR TRHD 6 32 .500	2	EA
73	5569837	WSHR FLAT M18 BR	1	EA
74	0075268	WIRE 2/0 R375 R375 13 BLK	2	EA
75	0151371	WIRE 16 R10 R10 5	1	EA

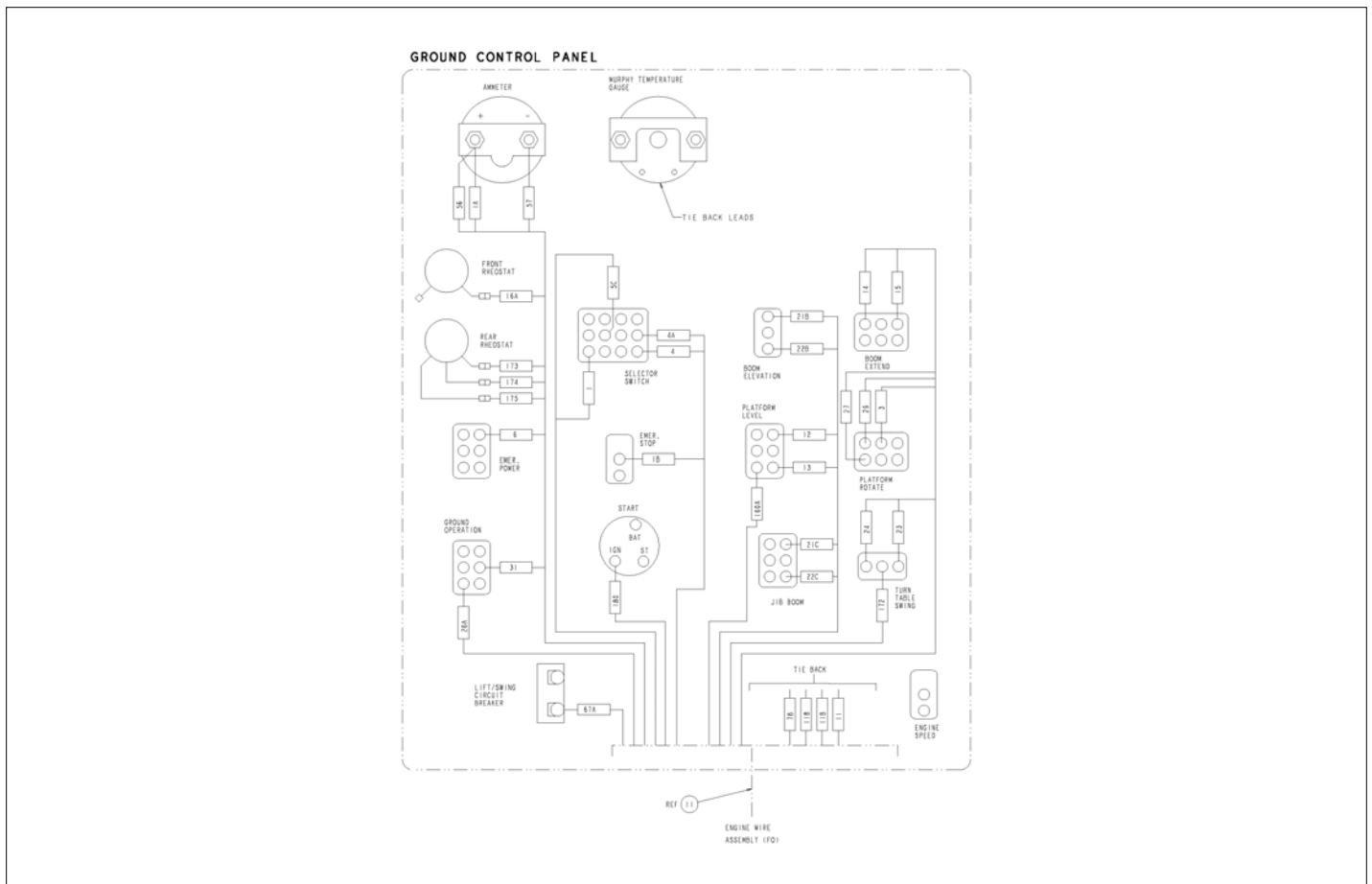
ELECTRICAL



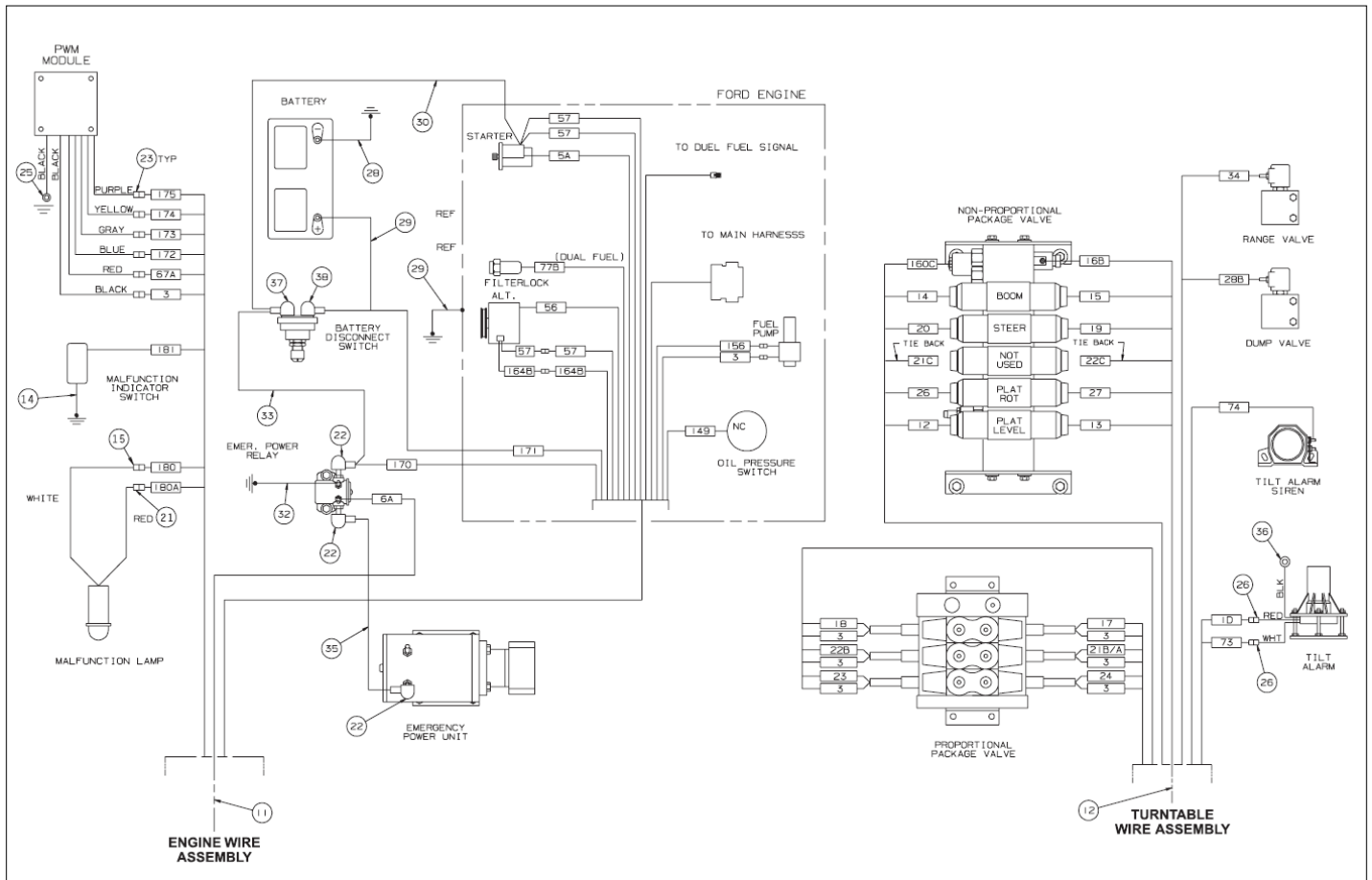
アイテム	部品番号	名前	数量	UOM
*	0082700E	TURNTABLE ELECTRICAL PRO66 FORD INSTALLATION JANUARY 2001 AND AFTER		EA
1	0082689	WIRING BOX SUB ASSEMBLY	1	EA
2	0082981	GROUND CONTROL PANEL SUB ASSEMBLY	1	EA
3	3050002	BATTERY 12V	1	EA
4	3020049	Switch, Battery Disconnect	1	EA
5	3050008	BATTERY HOLD DOWN	1	EA
6	3050004	BLT BTRY HLDN .313 18 X 10.00 (J BOLT)	2	EA
7	0181503	BRKT TILT ALARM	1	EA
8	0073051	DISCONNECT SWITCH BRKT	1	EA
9	3020040	LEVEL SENSOR 5 DEGREE	1	EA
10	480652	ALARM97DBA DUAL TONE 12/24V	1	EA
11	0112097	ENGINE WIRE ASSEMBLY FORD	1	EA
12	0081846	TURNTABLE WIRE ASSEMBLY SIMP HYD	1	EA
13	3040534	CONTROLLER PWM MODULE	1	EA
16	5093008	CLP CUSH 1.06 VINYL COATED	5	EA
17	5093004	CLP CUSH .750 VINYL COATED	4	EA
18	986299	WASHER, FLAT, .375 STANDARD, PLATED	5	EA
19	3040506	SOLENOID 12V 150	1	EA
20	0073089	PLAC BATTERY DISCONNECT SWITCH	1	EA
22	3040268	BOOT BTRY CABLE END BLK	3	EA
23	987109	WSHR LOCK .313	1	EA
24	986269	WSHR FLAT .313	1	EA
25	3044146	TERM R10I 22/18	3	EA
26	3040082	TERM MALE250FI 16/14	8	EA
27	987119	WSHR LOCK .375	5	EA



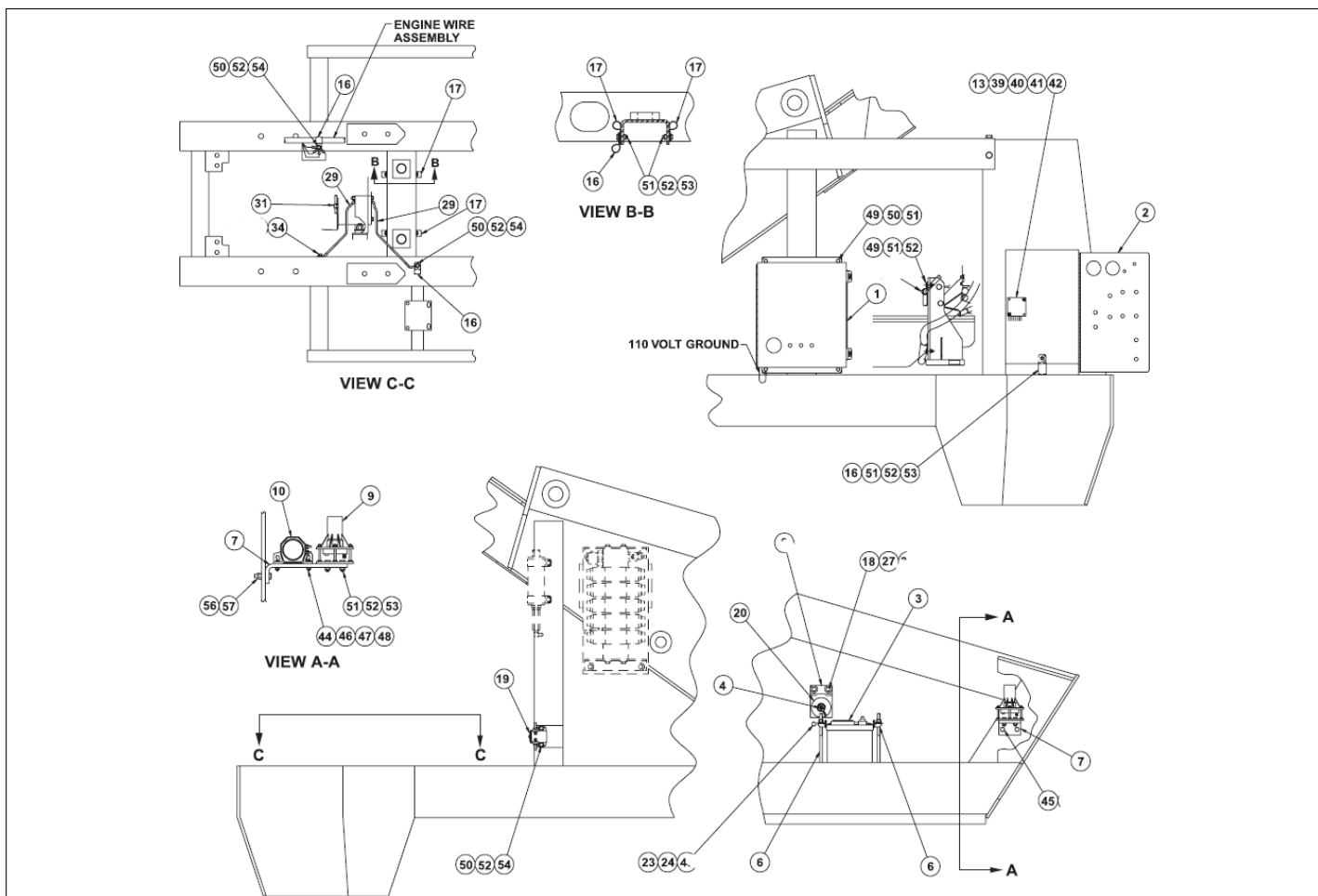
アイテム	部品番号	名前	数量	UOM
28	0080483	WIRE 2/0 R375 R375 28 BLACK	1	EA
29	0080484	WIRE 2/0 R375 R375 13 RED	1	EA
30	0080482	WIRE 2/0 R375 R375 108	1	EA
32	0151370	JUMPER WIRE	1	EA
33	0070705	WIRE 4 R313I R375I 81 RED	1	EA
35	0090319	WIRE 4 R375I R313I 8 RED	1	EA
36	3044162	TERM R250I 16/14	1	EA
37	3040270	BOOT BTRY CABLE END Y TYPE	1	EA
38	3040269	Boot Cable Entry Black 1/0 GA	1	EA
39	974289	MACHINE SCREW #6 32 X 1 1/4 INCH LONG ROUND HEAD	2	EA
40	5569997	NUT HEX LKG 6 32	2	EA
41	986159	WSHR FLAT 6	2	EA
42	987349	WSHR LOCK 6	2	EA
43	970239	BLT HEXHD .313 18 .750 GR5	1	EA
44	5560034	NUT LKG 10 24	4	EA
46	5569845	MACHINE SCREW #10 24 X 1 INCH LONG HEX HEAD GRADE 5	2	EA
47	986009	WSHR FLAT 10	2	EA
48	5560703	WSHR 10 STAR TOOTH	1	EA
49	970009	Capscrew 1/4 20 x 1/2 inch lon	5	EA
50	987099	WSHR LOCK .250	8	EA
51	5560004	NUT LKG .250 20	16	EA
52	986019	WSHR FLAT .250	14	EA
53	970049	BLT HEXHD .250 20 1.00 GR5 GRADE 5 PLT SAME AS 970189	10	EA
54	970009	Capscrew 1/4 20 x 1/2 inch lon	4	EA
55	970027	CAPSCREW 1/4 20 X 3/4 LG H.H.	1	EA
56	970489	BLT HEXHD .375 16 1.50 GR5 PL	2	EA
57	5560033	.375 16UNC HEX LOCK NUT	2	EA



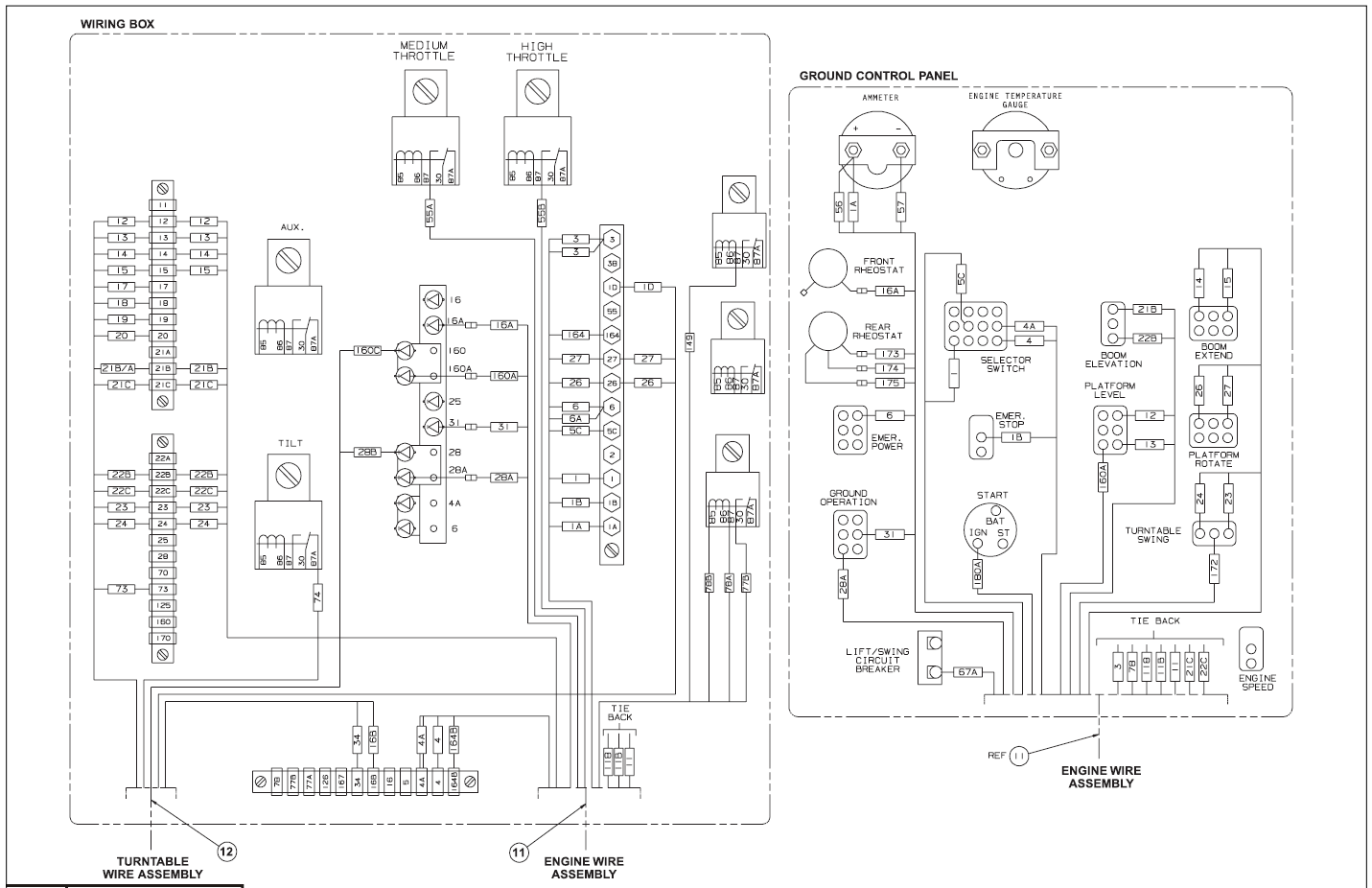
アイテム	部品番号	名前	数量	UOM
58	970469	HHD BLT .375 16 X 1.00 GR5	3	EA
61	5093006	CLP CUSH .937 VINYL COATED	1	EA
62	3040047	TERM FEM250FI 22/18	1	EA
63	3040046	TERM MALE250FI 22/18	1	EA
64	0071563	WIRE 16 R81 R3131 7	1	EA
65	3046972	TERM FEM188I 22/18	2	EA
66	3020109	PROXIMITY SWITCH	1	EA
67	0081974	BRACKET PROXIMITY SWITCH	1	EA
68	3020095	SWITCH PRESSURE 6 PSI	1	EA



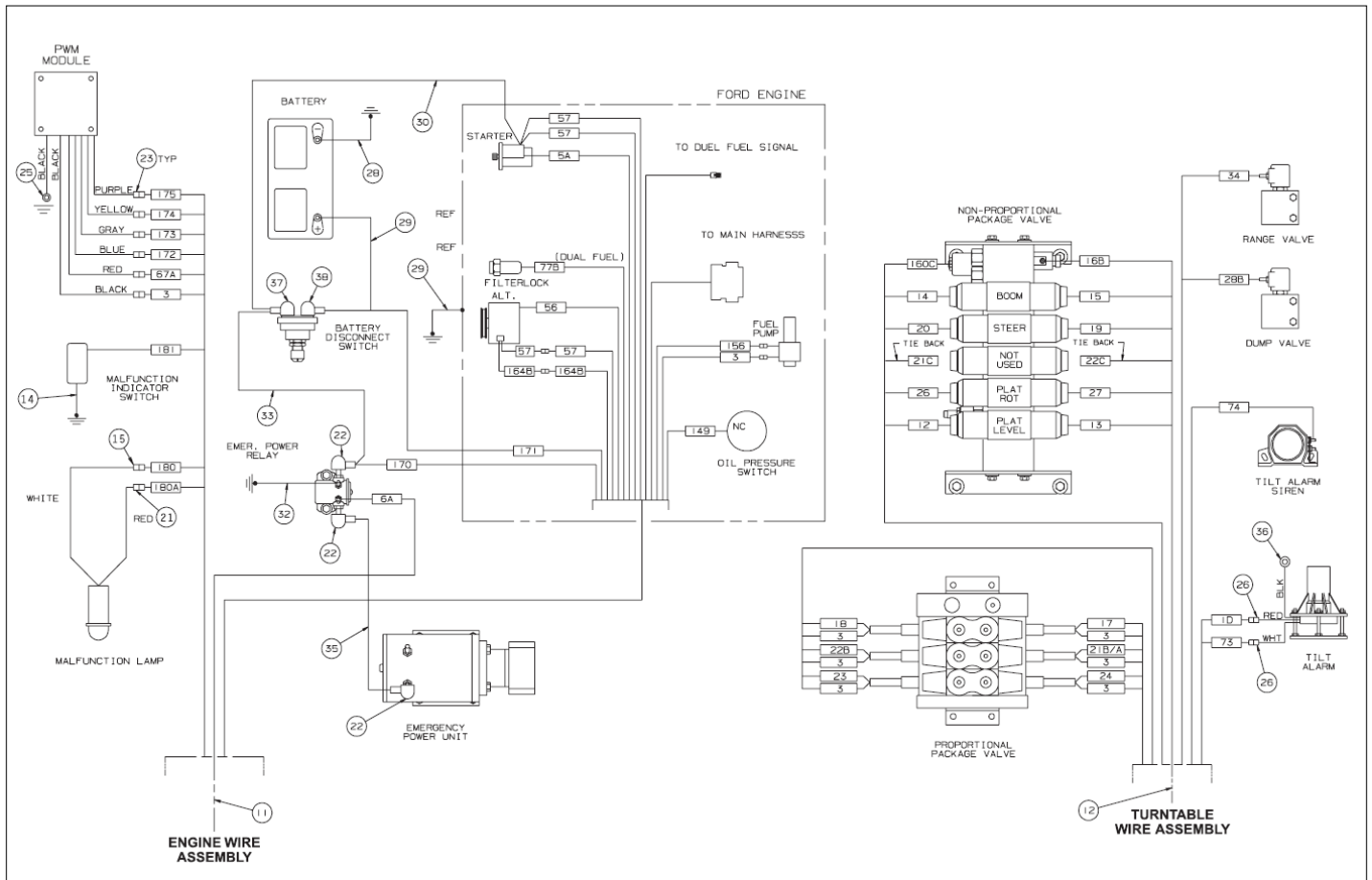
ELECTRICAL



アイテム	部品番号	名前	数量	UOM
	0082690 F	TURNTABLE ELECTRICAL FORD LRG 425	1	EA
1	0082689	WIRING BOX SUB ASSEMBLY	1	EA
2	0082981	GROUND CONTROL PANEL SUB ASSEMBLY	1	EA
3	3050002	BATTERY 12V	1	EA
4	3020049	Switch, Battery Disconnect	1	EA
5	3050008	BATTERY HOLD DOWN	1	EA
6	3050004	BLT BTRY HLDN .313 18 X 10.00 (J BOLT)	2	EA
7	0181503	BRKT TILT ALARM	1	EA
8	0073051	DISCONNECT SWITCH BRKT	1	EA
9	3020040	LEVEL SENSOR 5 DEGREE	1	EA
10	480652	ALARM97DBA DUAL TONE 12/24V	1	EA
11	0083922	ENGINE WIRE ASSEMBLY FORD	1	EA
12	0081846	TURNTABLE WIRE ASSEMBLY SIMP HYD	1	EA
13	322017028	PWM INSTAL KIT TB60 66J IF REPLACING APITECH PWM MODULE WITH KARTECH PWM MODULE	1	EA
	IP3040534	REPLACE 3040534 WITH 3220166	1	EA
	3220164	KARTECH PWM MODULE ONLY	1	EA
	0071812	WIRE 16 R10 FEM250FI 18	1	EA
	3040046	TERM MALE250FI 22/18	5	EA
	974239	SCR RDH 6 32 .500	2	EA
16	5093008	CLP CUSH 1.06 VINYL COATED	5	EA
17	5093004	CLP CUSH .750 VINYL COATED	4	EA
18	986299	WASHER, FLAT, .375 STANDARD, PLATED	5	EA
19	3040506	SOLENOID 12V 150	1	EA

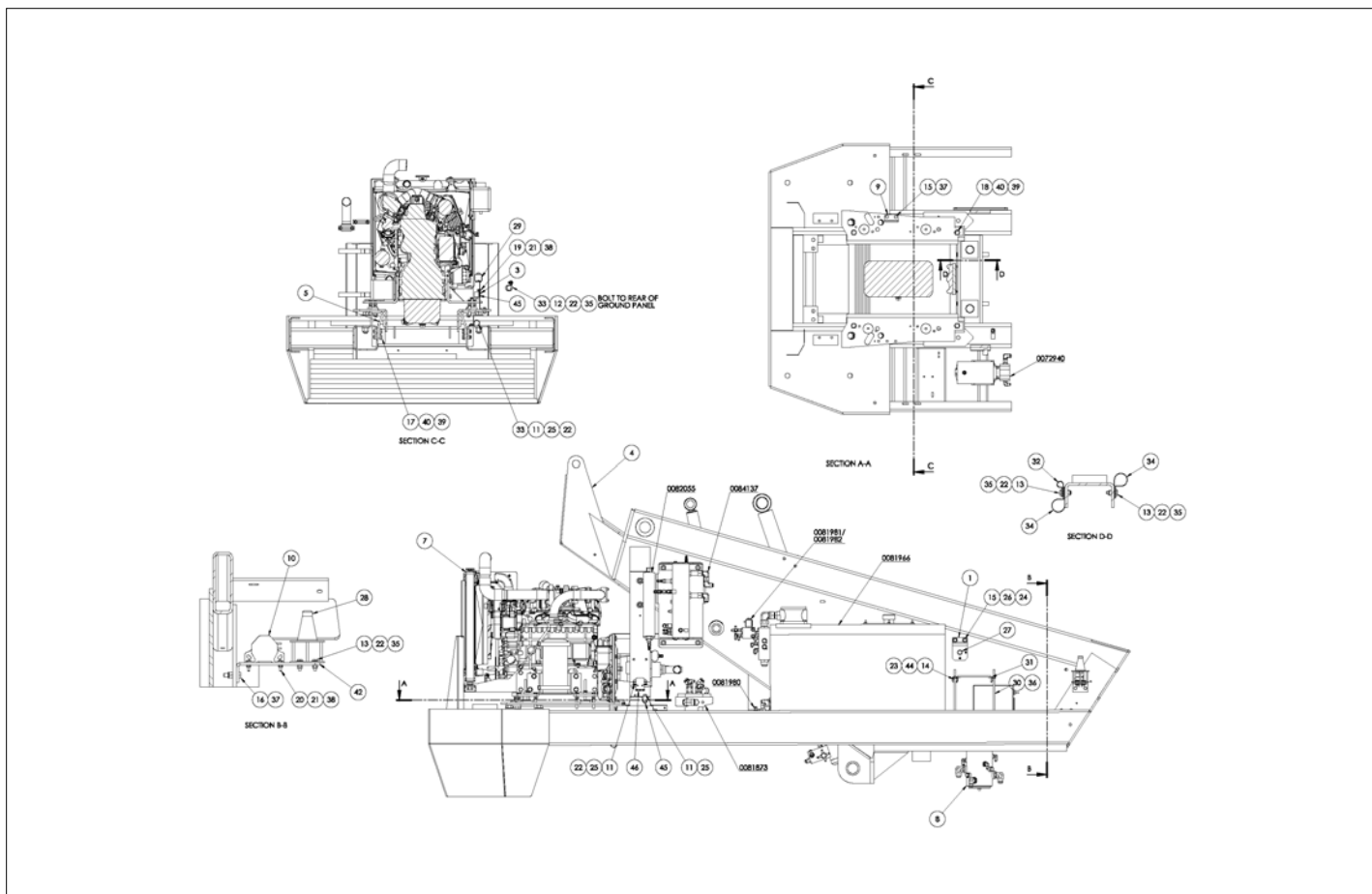


アイテム	部品番号	名前	数量	UOM
20	0073089	PLAC BATTERY DISCONNECT SWITCH	1	EA
22	3040268	BOOT BTRY CABLE END BLK	3	EA
23	987109	WSHR LOCK .313	1	EA
24	986269	WSHR FLAT .313	1	EA
25	3044146	TERM R10I 22/18	3	EA
26	3040082	TERM MALE250FI 16/14	8	EA
27	987119	WSHR LOCK .375	5	EA
28	0080483	WIRE 2/0 R375 R375 28 BLACK	1	EA
29	0080484	WIRE 2/0 R375 R375 13 RED	1	EA
30	0080482	WIRE 2/0 R375 R375 108	1	EA
32	0151370	JUMPER WIRE	1	EA
33	0070705	WIRE 4 R313I R375I 81 RED	1	EA
35	0090319	WIRE 4 R375I R313I 8 RED	1	EA
36	3044162	TERM R250I 16/14	1	EA
37	3040270	BOOT BTRY CABLE END Y TYPE	1	EA
38	3040269	Boot Cable Entry Black 1/0 GA	1	EA
39	974289	MACHINE SCREW #6 32 X 1 1/4 INCH LONG ROUND HEAD	2	EA
40	984009	NUT HEX 6 32	2	EA
41	986159	WSHR FLAT 6	2	EA
42	987349	WSHR LOCK 6	2	EA
43	970239	BLT HEXHD .313 18 .750 GR5	1	EA
44	5560034	NUT LKG 10 24	4	EA
46	974709	M SCR #10 24 X 1.00 RNDHD PLTD	2	EA
47	986009	WSHR FLAT 10	2	EA
48	5560654	WSHR LOCK #10 SPLIT TYPE	1	EA
49	970029	BLT .25 20 .750	5	EA
50	987099	WSHR LOCK .250	8	EA
51	5560004	NUT LKG .250 20	16	EA

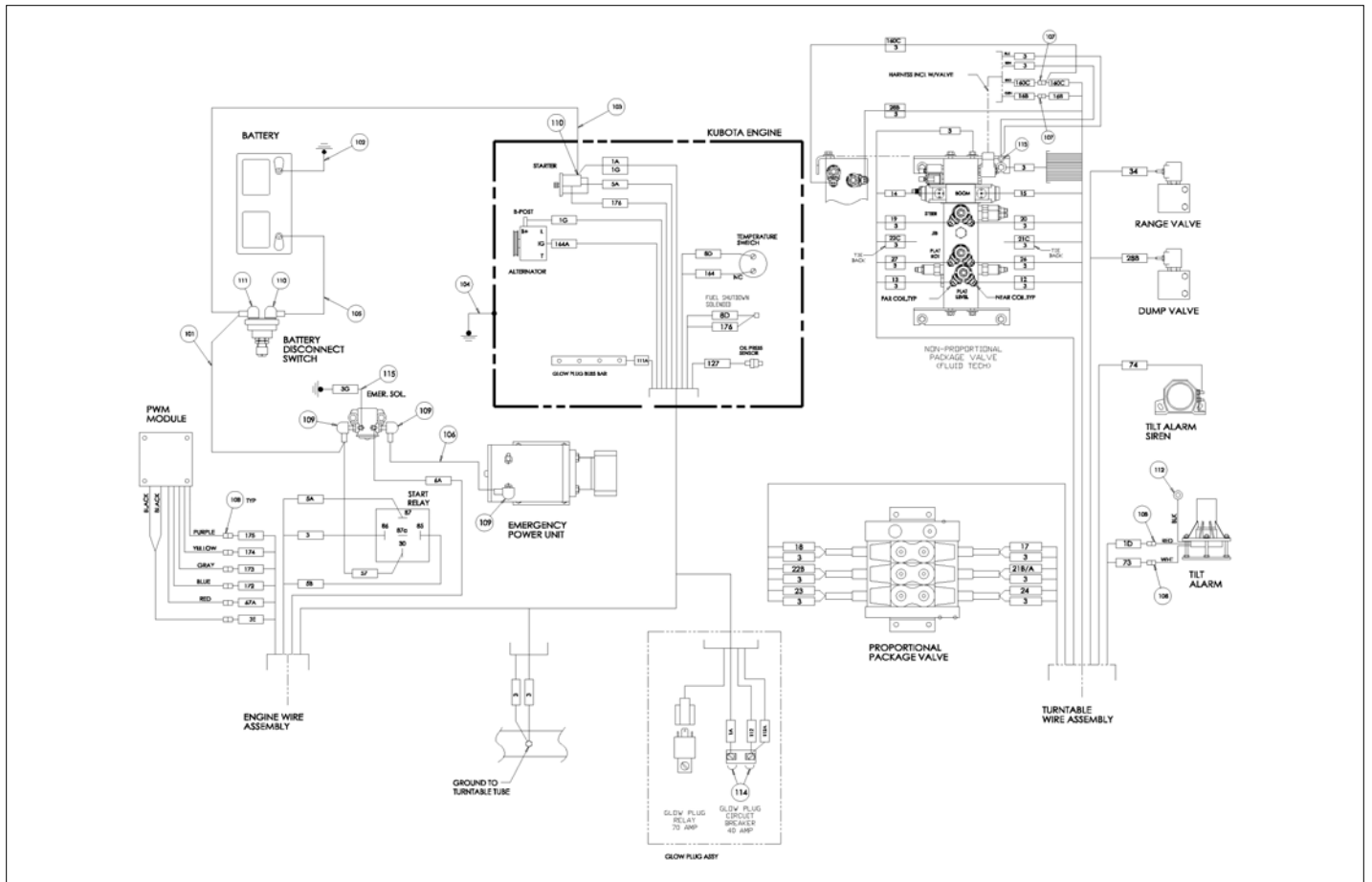


アイテム	部品番号	名前	数量	UOM
52	986019	WSHR FLAT .250	14	EA
53	970049	BLT HEXHD .250 20 1.00 GR5 GRADE 5 PLT SAME AS 970189	10	EA
54	970009	Capscrew 1/4 20 x 1/2 inch lon	4	EA
55	970029	BLT .25 20 .750	1	EA
56	970489	BLT HEXHD .375 16 1.50 GR5 PL	2	EA
57	5560033	.375 16UNC HEX LOCK NUT	2	EA
58	970469	HHD BLT .375 16 X 1.00 GR5	3	EA
61	5093006	CLP CUSH .937 VINYL COATED	1	EA
62	3040047	TERM FEM250FI 22/18	1	EA
63	3040046	TERM MALE250FI 22/18	1	EA
64	0071563	WIRE 16 R81 R3131 7	1	EA
65	3046972	TERM FEM188I 22/18	2	EA
66	3020109	PROXIMITY SWITCH	1	EA
67	0081974	BRACKET PROXIMITY SWITCH	1	EA
68	3020095	SWITCH PRESSURE 6 PSI	1	EA
69	0075268	WIRE 2/0 R375 R375 13 BLK	1	EA

ELECTRICAL



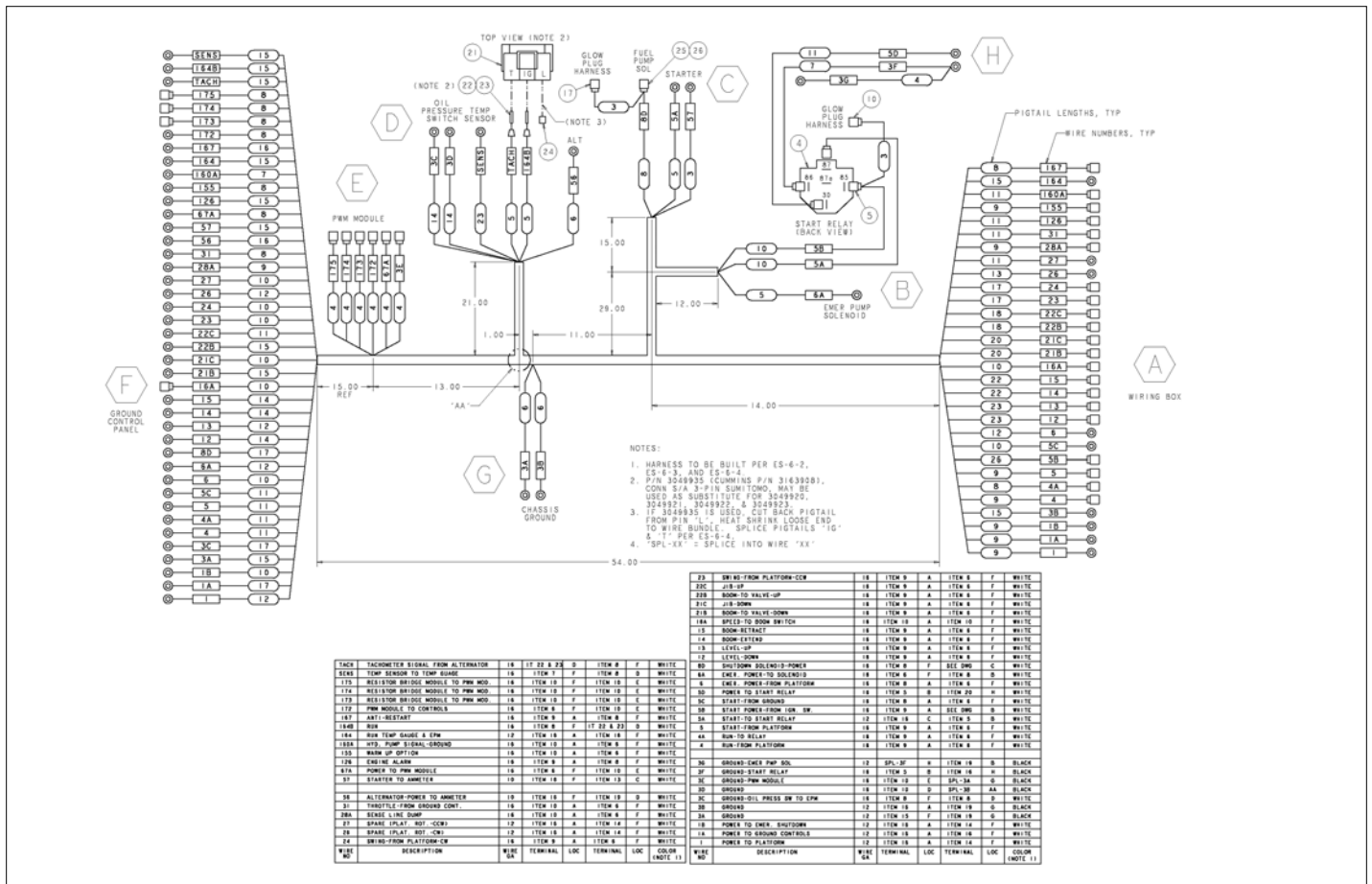
アイテム	部品番号	名前	数量	UOM
Not Shown	0084713 B	TURNTABLE ELECTRICAL TB60 KUBOTA ASSEMBLY		EA
1	0073051 8	DISCONNECT SWITCH BRKT	1	EA
2	0080056	FUEL TANK INSTL	1	EA
3	0080914	PLAC GLOW PLUGS	1	EA
4	0082312 8	WLDMT TRNTBL TB60	1	EA
5	0083438 8	MT ENG CU 3.3	4	EA
6	0080169 5	COUNTERWEIGHT 2550#	1	EA
7	0084708	KU V2403 ENGINE SUB ASSEMBLY	1	EA
8	0080054	LIFT/SWING/CW	1	EA
9	0192289 8	BRKT GLOW PLUG TIMER	1	EA
10	480652	ALARM97DBA DUAL TONE 12/24V	1	EA
11	970009	Capscrew 1/4 20 x 1/2 inch lon	5	EA
12	970029	BLT .25 20 .750	1	EA
13	970049	BLT HEXHD .250 20 1.00 GR5 GRADE 5 PLT SAME AS 970189	6	EA
14	970239	BLT HEXHD .313 18 .750 GR5	1	EA
15	970469	HHD BLT .375 16 X 1.00 GR5	4	EA
16	970489	BLT HEXHD .375 16 1.50 GR5 PL	2	EA
17	970909	BLT HEXHD .500 13 1.50 GR5 PLA	8	EA
18	970919	BLT HEXHD .500 13 1.75 GR5	4	EA
19	974679	SCR RDH MACH 10 24 .625	1	EA
20	5560673	SCR TRHD 10 24 1.00	3	EA
21	986009	WSHR FLAT 10	2	EA
22	986019	WSHR FLAT .250	11	EA
23	986269	WSHR FLAT .313	1	EA
24	986299	WASHER, FLAT, .375 STANDARD, PLATED	2	EA



アイテム	部品番号	名前	数量	UOM
25	987099	WSHR LOCK .250	5	EA
26	987119	WSHR LOCK .375	2	EA
27	3020049	Switch, Battery Disconnect	1	EA
28	3020040	LEVEL SENSOR 5 DEGREE	1	EA
29	3041641	CIRCUIT BREAKER 40 AMP	1	EA
30	3050004	BLT BTRY HLDN .313 18 X 10.00 (J BOLT)	2	EA
31	3050008	BATTERY HOLD DOWN	1	EA
32	5093002	CLAMP .562 AEROQUIP HOSE SUPPORT	2	EA
33	5093008	CLP CUSH 1.06 VINYL COATED	2	EA
34	5093024	CLAMP	4	EA
35	5560004	NUT LKG .250 20	7	EA
36	5560031	NUT HEX LKG .313 18	2	EA
37	5560033	.375 16UNC HEX LOCK NUT	4	EA
38	5560034	NUT LKG 10 24	4	EA
39	5560039	NUT HEX LKG .500 13	12	EA
40	5560168	WSHR FLAT HARD .500 SP	12	EA
41	5560703	WSHR 10 STAR TOOTH	1	EA
42	0181503 8	BRKT TILT ALARM	1	EA
43	3050002	BATTERY 12V	1	EA
44	5563777	WASHER FLAT, .75 1.25OD X .812ID	1	EA
45	3040469	RELAY SPDT 12V 30AMP SONG	2	EA
46	3040506	SOLENOID 12V 150	1	EA
101	0070705	WIRE 4 R313I R375I 81 RED	1	EA
102	0075268	WIRE 2/0 R375 R375 13 BLK	1	EA
103	0080482	WIRE 2/0 R375 R375 108	1	EA
104	0080483	WIRE 2/0 R375 R375 28 BLACK	1	EA
105	0080484	WIRE 2/0 R375 R375 13 RED	1	EA
106	0090319	WIRE 4 R375I R313I 8 RED	1	EA

アイテム	部品番号	名前	数量	UOM
107	3040046	TERM MALE250FI 22/18	5	EA
108	3040082	TERM MALE250FI 16/14	5	EA
109	3040268	BOOT BTRY CABLE END BLK	4	EA
110	3040269	Boot Cable Entry Black 1/0 GA	2	EA
111	3040270	BOOT BTRY CABLE END Y TYPE	1	EA
112	3044162	TERM R250I 16/14	1	EA
113	981089	TERM R375I 16/14	1	EA
114	3040452	BOOT BTRY CABLE UL RED 10GA	2	EA
115	0071568	WIRE 12 R10I R250I 4	1	EA

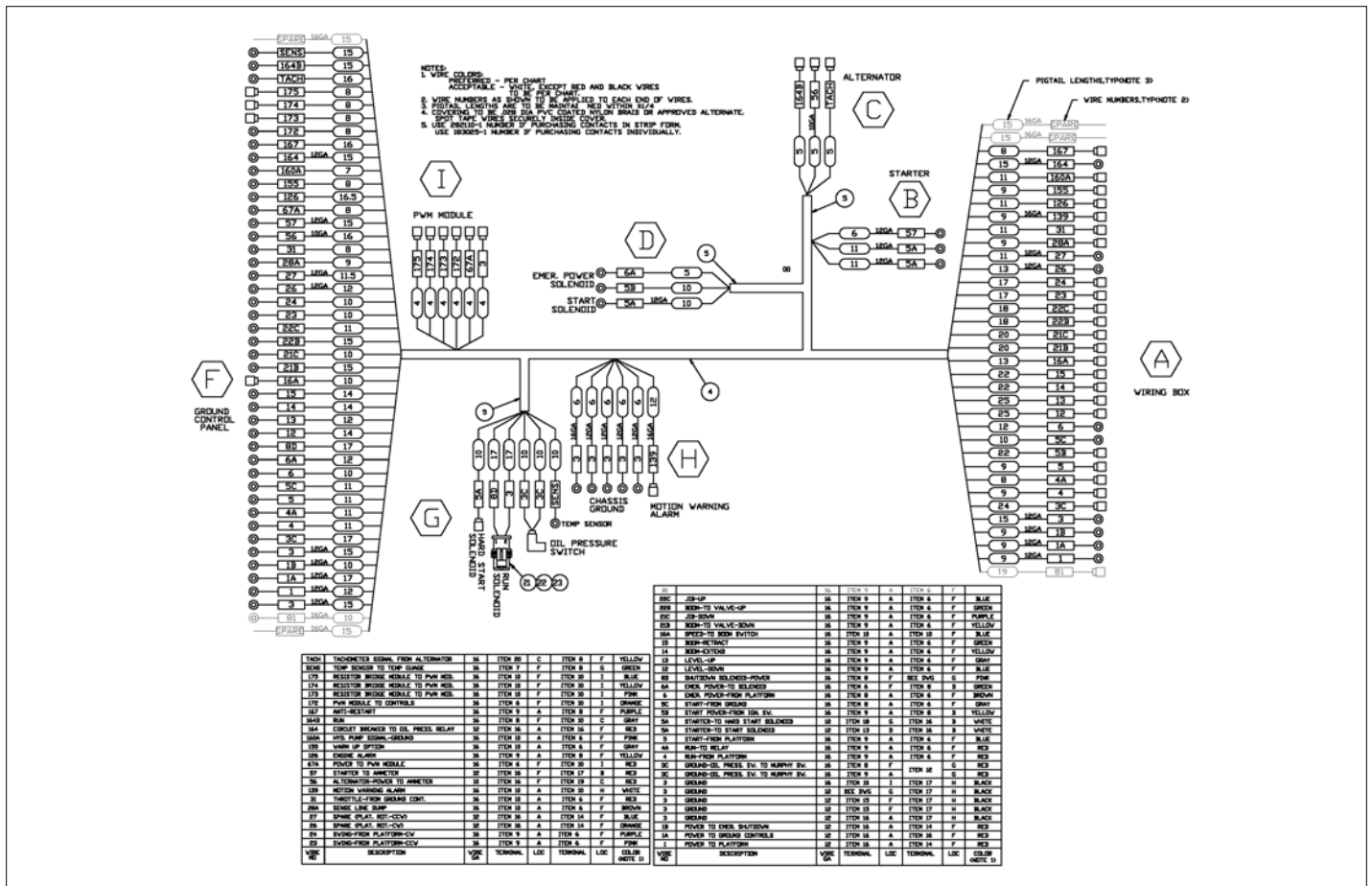
ELECTRICAL



アイテム	部品番号	名前	数量	UOM
*	0083508 E	ENGINE HARNESS CUMMINS ASSEMBLY JANUARY 2001 AND AFTER		EA
1	3011641	WIRE 16GA SINGLE CONDUCTOR WHT	AR	EA
2	3011601	WIRE 16GA SINGLE CONDUCTOR BLK	AR	EA
3	3011251	WIRE 12GA SINGLE CONDUCTOR BLK	AR	EA
4	3049896	VCF CONNECTOR	1	EA
5	3049900	TERM SOCKET CONNECTOR	4	EA
6	3044158	TERM R6I	22	EA
7	3044160	TERM R8I 16/14	1	EA
8	3044161	TERM R10I 16/14	11	EA
9	3046697	TERM FEM188I 16/14GA	16	EA
10	3040083	TERM FEM250FI 16/14	17	EA
11	3011001	WIRE, 10 GAUGE SINGLE CONDUCTOR X 144 INCH LONG	AR	EA
12	3011241	WIRE 12GA SINGLE CONDUCTOR WHT	AR	EA
13	3044856	TERM R312I 12/10	1	EA
14	3044852	TERM R6I 12/10	4	EA
15	3044853	TERM R8I 12/10	1	EA
16	3044854	TERM R10I 12/10	13	EA
17	3040082	TERM MALE250FI 16/14	1	EA
19	3044855	TERM R250I 12/10	3	EA
20	3044163	TERM R312I 16/14	1	EA
21	3049920	CONNECTOR 3 PIN SUMITOMO	1	EA
22	3049921	SOCKET FEM SP 16/20 SUMITOMO	2	EA
23	3049922	SEAL RUBBER	2	EA
24	3049923	PLUG DUMMY SUMITOMO	1	EA
25	3049933	CONN 1 PIN PACKARD ELEC	1	EA

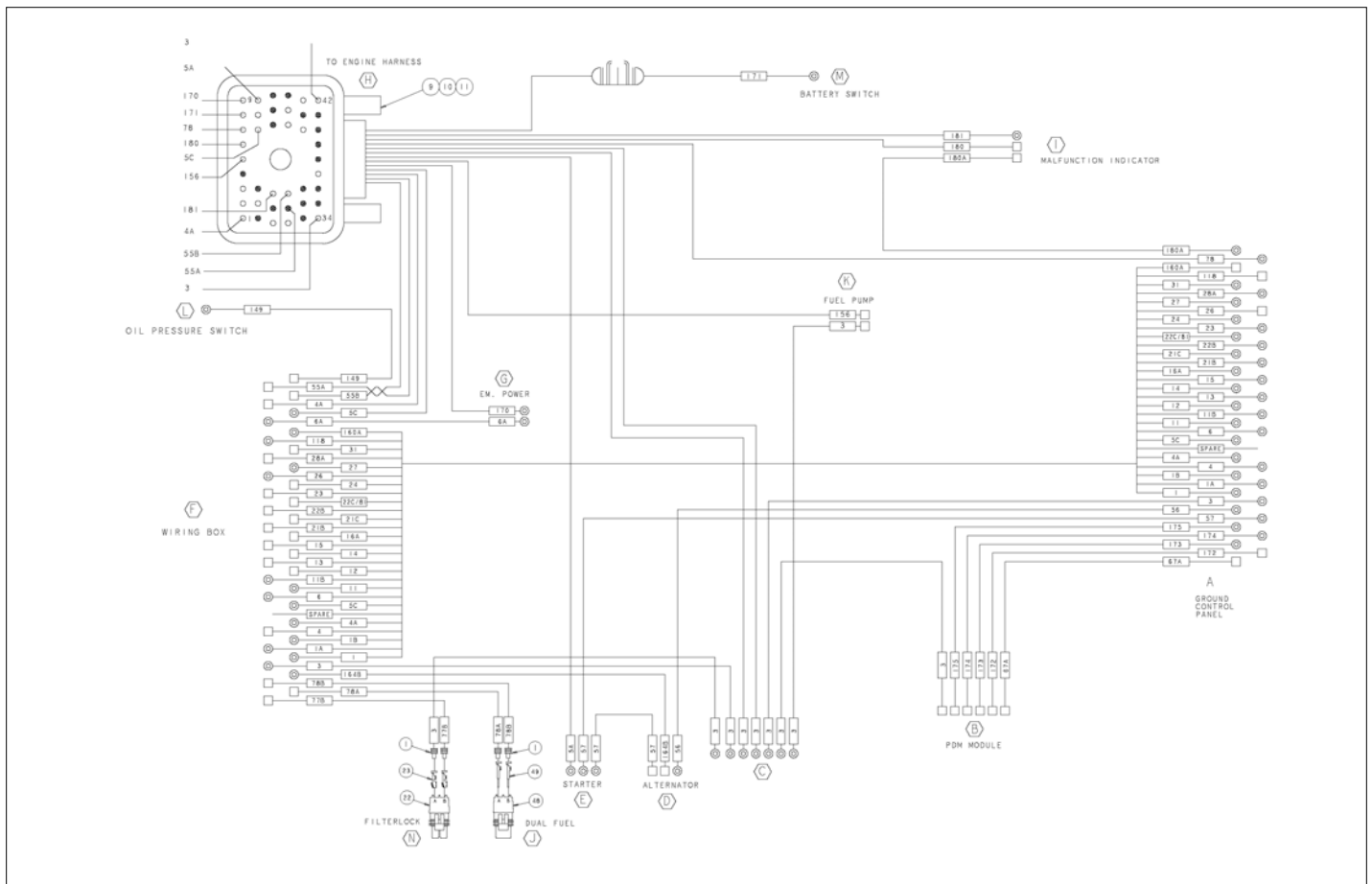
アイテム	部品番号	名前	数量	UOM
26	3049934	TERM 1 PIN PACKARD ELEC	1	EA

ELECTRICAL



アイテム	部品番号	名前	数量	UOM
*	0083395 F	ENGINE HARNESS DEUTZ JANUARY 2001 AND AFTER		EA
1	3011601	WIRE 16GA SINGLE CONDUCTOR BLK	AR	EA
2	3011201	WIRE 12GA RED SINGLE CONDUCTOR	AR	EA
3	3011001	WIRE, 10 GAUGE SINGLE CONDUCTOR X 144 INCH LONG	AR	EA
4	3090020	TUBE FLEXGARD .750 ID	AR	EA
5	3090006	TUBE FLEXGARD .350 ID	AR	EA
6	3044158	TERM R6I	22	EA
7	3044160	TERM R8I 16/14	1	EA
8	3044161	TERM R10I 16/14	11	EA
9	3046697	TERM FEM188I 16/14GA	17	EA
10	3040083	TERM FEM250FI 16/14	17	EA
11	3040082	TERM MALE250FI 16/14	1	EA
12	960129	TERM USE 3040549 (SEE CHART)	1	EA
13	3044856	TERM R312I 12/10	1	EA
14	3044852	TERM R6I 12/10	4	EA
15	3044853	TERM R8I 12/10	2	EA
16	3044854	TERM R10I 12/10	13	EA
17	3044836	TERM R375I 12/10	5	EA
18	3040065	TERM FEM250FI 12/10 FULLY INSU	1	EA
19	3040064	TERM .250 MALE SLIP ON 12/10 WIRE	1	EA
20	3040082	TERM MALE250FI 16/14	1	EA
21	PNNA	HOUSING AMP	1	EA
22	NOTE 5	MALE ELBOW 45 °	2	EA
23	PNNA	SEAL AMP	2	EA

アイテム	部品番号	名前	数量	UOM
*	0083922 C	ENGINE HARNESS FORD EFI 425 APRIL 2004 AND AFTER		EA
1	3040499	SEAL	4	EA
4	3011801	WIRE 18GA SINGLE CONDUCTOR WHT	AR	EA
6	3011601	WIRE 16GA SINGLE CONDUCTOR BLK	AR	EA
7	3011201	WIRE 12GA RED SINGLE CONDUCTOR	AR	EA
9	3049875	CONNECTOR SHELL	1	EA
10	3049876	SPACER, WIRING CONNECTOR (CENTER)	1	EA
11	3049877	SPACER, WIRING CONNECTOR (EDGE)	2	EA
12	3049880	TERM B125 10/12 (MALE)	4	EA
13	3049878	TERM B063 18/20 (MALE)	3	EA
14	3049878	TERM B063 18/20 (MALE)	7	EA
15	0181867	IN LINE WATERPROOF FUSE HOLDER	1	EA
16	3040111	FUSE 3 AMP AGC	1	EA
17	3040371	TERM R375I 22/18	1	EA
18	3040606	PLUG WIRING CONN	19	EA
21	3044163	TERM R312I 16/14	1	EA
22	3040563	WEATHERPACK TOWER BODY	1	EA
23	3040566	SLEEVE	2	EA
24	3044852	TERM R6I 12/10	4	EA
25	3044158	TERM R6I	24	EA
26	3044853	TERM R8I 12/10	1	EA
27	3044146	TERM R10I 22/18	3	EA
28	3044161	TERM R10I 16/14	6	EA
29	3044854	TERM R10I 12/10	6	EA
30	3044162	TERM R250I 16/14	4	EA



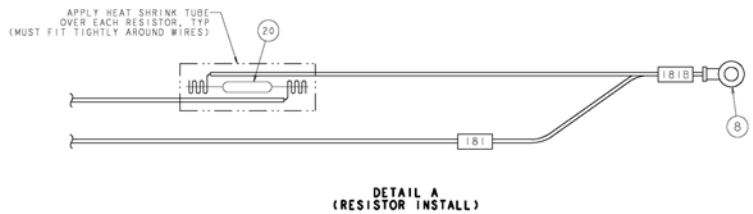
アイテム	部品番号	名前	数量	UOM
31	3044456	TERM R312I 12/10	2	EA
32	3040048	TERM FEM188I 12/10	1	EA
33	3046697	TERM FEM188I 16/14GA	14	EA
34	3040083	TERM FEM250FI 16/14	18	EA
35	3040065	TERM FEM250FI 12/10 FULLY INSU	1	EA
36	3040082	TERM MALE250FI 16/14	3	EA
37	3040047	TERM FEM250FI 22/18	4	EA
38	3044855	TERM R250I 12/10	2	EA
39	3044107	TERM R6 22/18	1	EA
40	3049881	TERM FEM312 16/12	1	EA
42	PNNA	18GA SHIELDED TWISTED PAIR CABLE	AR	EA
43	PNNA	16GA TWISTED PAIR CABLE	AR	EA
44	3042263	TERMINAL #10 STUD INSULATED 8 GAUGE WIRE	2	EA
45	3042041	TERM R250I 8	1	EA
46	3040161	TERMINAL 5/16 STUD INSULATED 8 GAUGE WIRE	1	EA
47	3010801	WIRE 8GA SINGLE CONDUCTOR	AR	EA
48	3040498	SHROUD, FEMALE SOCKET	1	EA
49	3040567	MALE CONNECTOR	2	EA

SPARE	SPARE	16	-	A	-	F	WHITE
181	MALFUNCTION SWITCH	18	#10	I	ITEM 14	H	BLUE
180A	MALFUNCTION LAMP	16	.250FF1	A	#6	A	RED
180	MALFUNCTION LAMP	18	.250FF1	A	ITEM 14	H	WHITE
175	RESISTOR BRIDGE TO PDM MOD.	16	.250FF1	A	.250FF1	B	BLUE
174	RESISTOR BRIDGE TO PDM MOD.	16	.250FF1	A	.250FF1	B	YELLOW
173	RESISTOR BRIDGE TO PDM MOD.	16	.250FF1	A	.250FF1	B	PINK
172	POWER TO PDM MODULE	16	#6	A	.250FF1	B	ORANGE
171	POWER TO ECM	18	3/8	M	ITEM 14	H	BLUE
170	POWER TO ECM	12	5/16	G	ITEM 12	H	ORANGE
164B	RUN PWR TO ALT. FIELD	16	.250FF1	D	.188F	F	GREEN
162A	HYD. PUMP SIGNAL- GROUND	16	#6	A	.250FF1	F	PINK
156	POWER TO FUEL PUMP	16	3125FF1	K	ITEM 13	H	RED
149	PRESSURE SW- RUN RELAY	18	.250FF1	F	#10	L	GREEN
118	SIGNAL TO AXLE DUMP VALVE RELAYS	#6		A	#10	F	GREEN
78B	DUAL FUEL -INDICATOR	16	ITEM 1, 49	J	.250FF1	F	GREEN
78A	DUAL FUEL -INDICATOR	16	ITEM 1, 49	J	.250FF1	F	YELLOW
78	DUAL FUEL - GASOLINE	16	#6	A	ITEM 14	H	RED
77B	DUAL FUEL TO FILTER LOCK	16	ITEMS 1, 23	N	.250FF1	F	RED
67A	POWER TO PDM MODULE	16	#6	A	.250FF1	B	RED
57	STARTER TO ALTERNATOR	12	.250FF1	D	5/16	E	RED
57	STARTER TO AMMETER	8	#10	A	5/16	E	RED
56	ALTERNATOR POWER TO AMMETER	8	#10	A	1/4	D	RED
55B	HIGH THROTTLE	18	.250FF1	F	ITEM 14	H	RED
55A	MED. THROTTLE	18	.250FF1	F	ITEM 14	H	RED
31	THROTTLE- FROM GRD. CONTROLS	16	#6	A	.250FF1	F	RED
28A	SENSE LINE DUMP VALVE	16	#6	A	.250FF1	F	GREEN
27	PLATFORM ROTATE- CCW	12	#6	A	#10	F	BLUE
26	PLATFORM ROTATE- CW	12	#6	A	#10	F	ORANGE
24	SWING- CW	16	#6	A	.188F	F	PURPLE
23	SWING- CCW	16	#6	A	.188F	F	PINK
22C/81	JIB- UP	16	#6	A	.188F	F	GREEN
22B	MAIN BOOM- UP	16	#6	A	.188F	F	GREEN
21C	JIB- DOWN	16	#6	A	.188F	F	YELLOW
21B	MAIN BOOM- DOWN	16	#6	A	.188F	F	YELLOW
18A	SPEED TO BOOM SWITCH	16	.250FF1	A	.250FF1	F	BLUE
15	BOOM-RETRACT	16	#6	A	.188F	F	GREEN
14	BOOM-EXTEND	16	#6	A	.188F	F	YELLOW
13	LEVEL- UP	16	#6	A	.188F	F	GRAY
12	LEVEL- DOWN	16	#6	A	.188F	F	BLUE
11B	RANGE/AXLES- TO BOOM SWITCH	16	#6	A	#10	F	PINK
11	RANGE- FROM PLATFORM	16	#6	A	.188F	F	PINK
6A	EMER. POWER- TO SOLENOID	16	#10	F	#10	G	GREEN
6	EMER. POWER- FROM PLATFORM	16	#6	A	#10	F	BROWN
5C	START - TO ECM	18	#10	F	ITEM 14	H	YELLOW
5C	START- FROM GROUND	16	#6	A	#10	F	YELLOW
5A	ECM TO STARTER	16	.25	E	ITEM 13	H	BLUE
5							
4A	IGNITION- TO ECM	12	.188F	F	ITEM 12	H	RED
4A	IGNITION- TO COIL	16	#6	A	.188F	F	RED
4	IGNITION- FROM PLATFORM	16	#6	A	.188F	F	RED
3	GROUND	16	ITEMS 1, 23	N	1/4	C	BLACK
3	GROUND	16	#10	F	1/4	C	BLACK
3	GROUND	16	.250FF1	K	1/4	C	BLACK
3	GROUND	12	ITEM 12	H	1/4	C	BLACK
3	GROUND	16	.250FF1	B	1/4	C	BLACK
3	GROUND	12	#6	A	1/4	C	BLACK
3	GROUND	12	ITEM 12	H	1/4	C	BLACK
1B	POWER TO EM. SHUTDOWN	12	#6	A	#10	F	RED
1A	POWER TO GROUND CONTROL	12	#10	A	#10	F	RED
1	POWER TO PLATFORM	12	#6	A	#10	F	RED
WIRE NO	DESCRIPTION	WIRE GA	TERMINAL	LOC	TERMINAL	LOC	COLOR

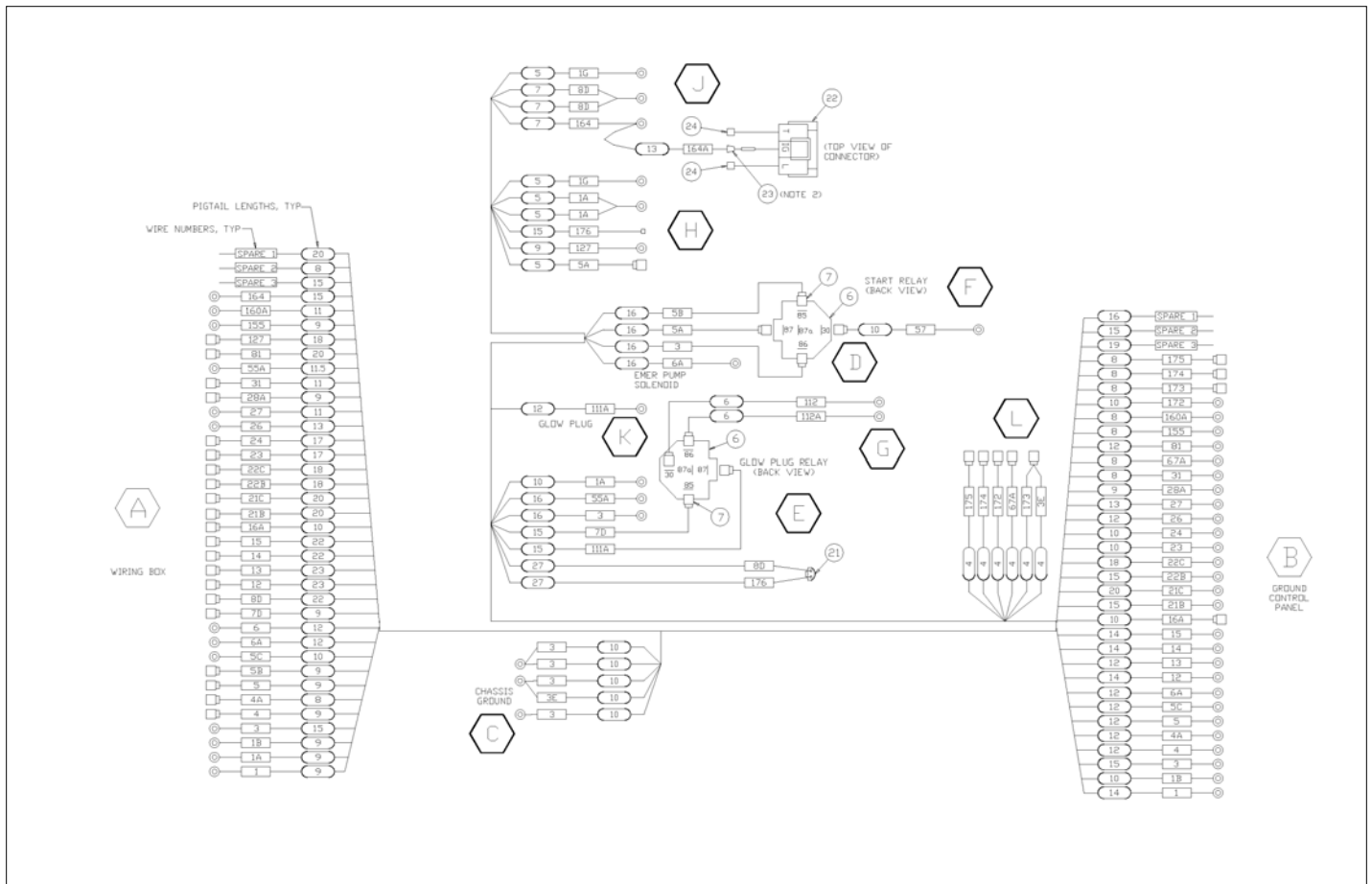
アイテム	部品番号	名前	数量	UOM
*	0084101 A	ENGINE HARNESS GM 2.4L TIER 3		EA
1	3049813	CONNECTOR 12 PIN PLUG	1	EA
2	3049814	LOCK WEDGE 12 PIN DEUTSCH PLUG	1	EA
3	3010801	WIRE 8GA SINGLE CONDUCTOR	AR	EA
4	3011601	WIRE 16GA SINGLE CONDUCTOR BLK	AR	EA
5	3011201	WIRE 12GA RED SINGLE CONDUCTOR	AR	EA
6	3040342	SOCKET CONTACT SIZE 16 16/18GA	12	EA
7	3044146	TERM R10I 22/18	2	EA
8	3044852	TERM R6I 12/10	5	EA
9	6044158	TERM R6I 16/14	22	EA
10	3044853	TERM R8I 12/10	1	EA
11	3044161	TERM R10I 16/14	7	EA
12	3044854	TERM R10I 12/10	6	EA
13	3044162	TERM R250I 16/14	14	EA
14	3046697	TERM FEM188I 16/14GA	15	EA
15	3040083	TERM FEM250FI 16/14	15	EA
17	3044855	TERM R250I 12/10	1	EA
18	3040097	SEALING PLUG, 16 DEUTSCH	6	EA
19	PNNA	16 GA TWISTED PAIR CABLE	AR	EA
20	3220119	RESISTER 100OHM .50 WATT	1	EA
22	3044160	TERM R8I 16/14	2	EA
23	3044145	TERM R8I 22/18	1	EA
24	3011801	WIRE 18GA SINGLE CONDUCTOR WHT	AR	EA
25	3011441	WIRE 14GA SINGLE CONDUCTOR WHT	AR	EA
26	3040047	TERM FEM250FI 22/18	2	EA

アイテム	部品番号	名前	数量	UOM
27	3044142	TERM, .250 TAB 12/10, MALE F.I.	5	EA
28	3041314	TERM FEM250I 12/10 AMP:	2	EA
29	3049859	CONNECTOR 6 PIN PLUG	1	EA
30	3049860	LOCK WEDGE 6 PIN DEUTSCH PLUG	1	EA
31	3044856	TERM R312I 12/10	1	EA

181B	GM MALFUNCTION SWITCH 1-3	18	ITEM 6	J	SEE DWG	H	ORANGE
181A	GM MALFUNCTION SWITCH 1+3	18	ITEM 6	J	ITEM 27	H	BLUE
3W	REF GROUND (1)	18	SEE DWG	A	ITEM 6	C	GREEN
77	GASOLINE	18	ITEM 6	C	ITEM 27	H	PINK
SP2	SPARE 2	18	-	C	-	H	WHITE
SP1	SPARE 1	18	-	C	-	A	WHITE
181	GM MALFUNCTION SWITCH SIGNAL	18	ITEM 6	J	SEE DWG	H	YELLOW
3W	REF GROUND (2)	18	SEE DWG	A	ITEM 27	H	GREEN
5	START FROM PLAT	16	ITEM 14	A	ITEM 9	H	BLUE
164	RUN RELAY (2)	18	SEE DWG	A	ITEM 23	H	WHITE
SP3	SPARE 3	16	-	A	-	H	WHITE
SENS	ENGINE TEMP SENSOR	16	ITEM 11	E	ITEM 22	H	WHITE
180	GM MALFUNCTION LAMP	18	ITEM 6	C	ITEM 15	H	RED
175	RESISTOR BRIDGE TO PWM MOD.	16	ITEM 15	G	ITEM 15	H	BLUE
174	RESISTOR BRIDGE TO PWM MOD.	16	ITEM 15	G	ITEM 15	H	YELLOW
173	RESISTOR BRIDGE TO PWM MOD.	16	ITEM 15	G	ITEM 15	H	PINK
172	POWER TO PWM MODULE	16	ITEM 15	G	ITEM 9	H	ORANGE
160A	HYD. PUMP SIGNAL- GROUND	16	ITEM 15	A	ITEM 9	H	PINK
167	ENGINE ALARM RELAY	16	ITEM 14	A	ITEM 6	C	GREEN
118	SIG TO AXLE DUMP VALVE RELAY	16	ITEM 11	A	ITEM 9	H	GREEN
18	LP	18	ITEM 6	C	ITEM 27	H	RED
47A	POWER TO PWM MODULE	16	ITEM 15	G	ITEM 9	H	RED
35B	HIGH THROTTLE	18	ITEM 26	A	ITEM 6	C	RED
35A	MED THROTTLE	18	ITEM 26	A	ITEM 6	C	RED
31	THROTTLE- FROM CRD. CONTROLS	16	ITEM 15	A	ITEM 9	H	RED
28A	SENSE LINE DUMP VALVE	16	ITEM 15	A	ITEM 9	H	GREEN
27	PLATFORM ROTATE- CCW	12	ITEM 12	A	ITEM 8	H	BLUE
26	PLATFORM ROTATE- CW	12	ITEM 12	A	ITEM 8	H	ORANGE
24	SWING- CW	16	ITEM 14	A	ITEM 9	H	PURPLE
23	SWING- CCW	16	ITEM 14	A	ITEM 9	H	PINK
22C/81	JIB- UP	16	ITEM 14	A	ITEM 9	H	GREEN
22B	MAIN BOOM- UP	16	ITEM 14	A	ITEM 9	H	GREEN
21C	JIB- DOWN	16	ITEM 14	A	ITEM 9	H	YELLOW
21B	MAIN BOOM- DOWN	16	ITEM 14	A	ITEM 9	H	YELLOW
18A	SPEED TO BOOM SWITCH	16	ITEM 15	A	ITEM 15	H	BLUE
15	BOOM-RETRACT	16	ITEM 14	A	ITEM 9	H	GREEN
14	BOOM-EXTEND	16	ITEM 14	A	ITEM 9	H	YELLOW
13	LEVEL- UP	16	ITEM 14	A	ITEM 9	H	GRAY
12	LEVEL- DOWN	16	ITEM 14	A	ITEM 9	H	BLUE
11B	RANGE/AXLES- TO BOOM SWITCH	16	ITEM 11	A	ITEM 9	H	PINK
11	RANGE- FROM PLATFORM	16	ITEM 14	A	ITEM 9	H	PINK
8A	EMER. POWER- TO SOLENOID	16	ITEM 11	A	ITEM 11	B	GREEN
6	EMER. POWER- FROM PLATFORM	16	ITEM 11	A	ITEM 9	H	BROWN
5C	START- FROM GROUND	18	ITEM 6	C	ITEM 27	H	YELLOW
164	RUN RELAY (1)	18	SEE DWG	A	ITEM 6	C	RED
4A	IGNITION- TO COIL	16	ITEM 14	A	ITEM 9	H	RED
4	IGNITION- FROM PLATFORM	16	ITEM 14	A	ITEM 9	H	RED
3	GROUND	16	ITEM 13	F	ITEM 22	H	BLACK
3	GROUND	16	ITEM 13	F	ITEM 15	G	BLACK
3	GROUND	16	ITEM 11	A	ITEM 13	F	BLACK
3	GROUND	12	ITEM 13	F	ITEM 10	H	BLACK
1D	POWER TO VOLTMETER	18	ITEM 7	A	ITEM 7	H	RED
1B	POWER TO EM. SHUTDOWN	12	ITEM 12	A	ITEM 8	H	RED
1A	POWER TO GROUND CONTROL	12	ITEM 12	A	ITEM 31	D	RED
1	POWER TO PLATFORM	12	ITEM 12	A	ITEM 8	H	RED
WIRE NO	DESCRIPTION	WIRE NO	TERMINAL	LOC	TERMINAL	LOC	COLOR



ELECTRICAL

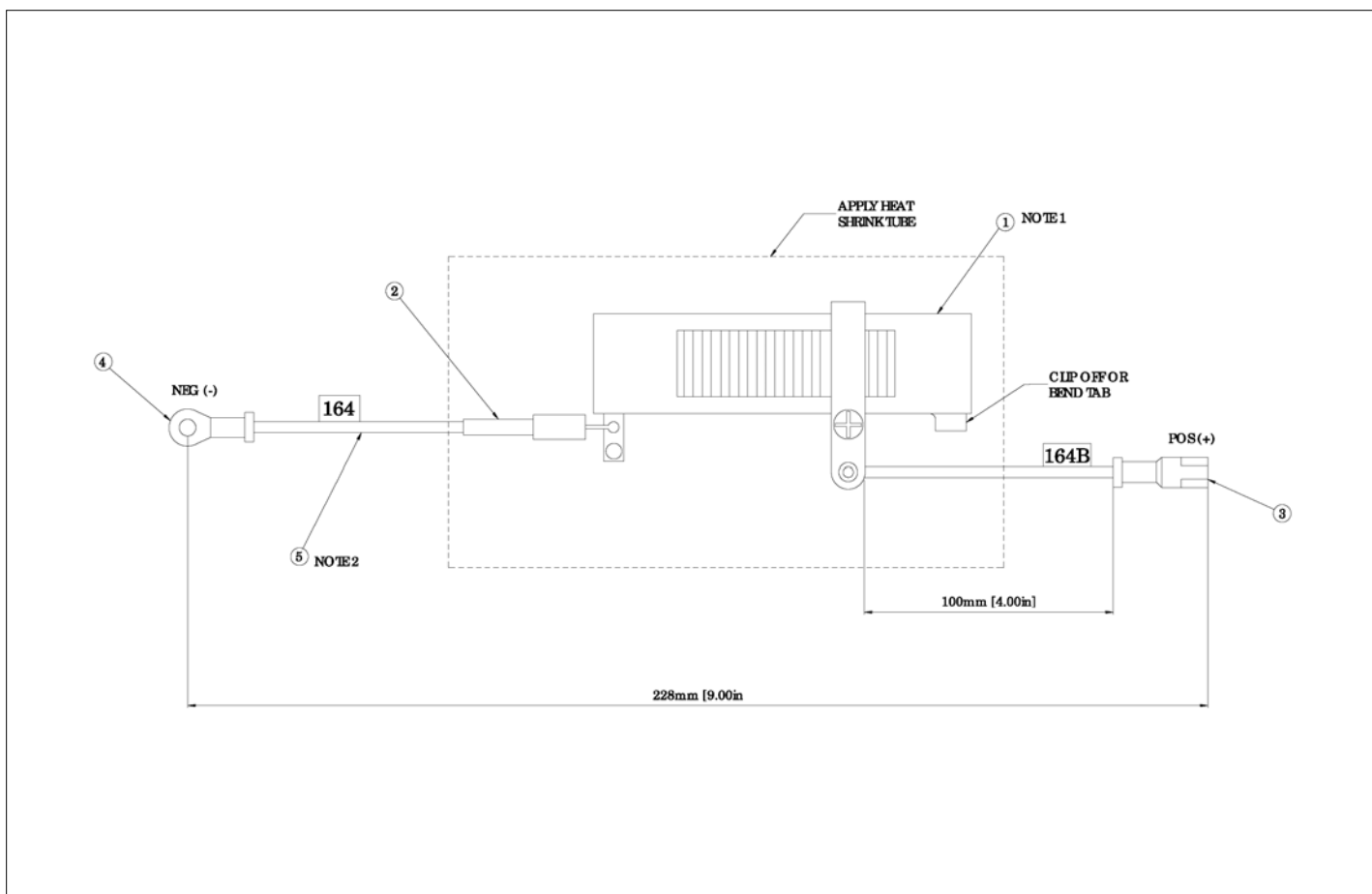


アイテム	部品番号	名前	数量	UOM
	0084706C	ENGINE HARNESS KUBOTA V2403		EA
1	3011641	WIRE 16GA SINGLE CONDUCTOR WHT	AR	EA
2	3011601	WIRE 16GA SINGLE CONDUCTOR BLK	AR	EA
3	3011251	WIRE 12GA SINGLE CONDUCTOR BLK	AR	EA
4	3049896	VCF CONNECTOR	2	EA
5	3049900	TERM SOCKET CONNECTOR	8	EA
6	3044158	TERM R6I	22	EA
7	3040161	TERMINAL 5/16 STUD INSULATED 8 GAUGE WIRE	1	EA
8	3044161	TERM R10I 16/14	4	EA
9	3046697	TERM FEM188I 16/14GA	17	EA
10	3040083	TERM FEM250FI 16/14	16	EA
11	3011001	WIRE, 10 GAUGE SINGLE CONDUCTOR X 144 INCH LONG	AR	EA
12	3011241	WIRE 12GA SINGLE CONDUCTOR WHT	AR	EA
13	3044856	TERM R312I 12/10	2	EA
14	3044852	TERM R6I 12/10	4	EA
15	3044853	TERM R8I 12/10	8	EA
16	3044854	TERM R10I 12/10	10	EA
17	3044855	TERM R250I 12/10	4	EA
19	3049921	SOCKET FEM SP 16/20 SUMITOMO	1	EA
20	0260695	TERM KCCP	2	EA
21	0260696	CONNECTOR KCCP	1	EA
22	3049920	CONNECTOR 3 PIN SUMITOMO	1	EA
23	3049922	SEAL RUBBER	1	EA
24	3049923	PLUG DUMMY SUMITOMO	2	EA

SP 3	SPARE	16	NONE	A	NONE	B	WHITE
SP 2	SPARE	16	NONE	A	NONE	B	WHITE
SP 1	SPARE	16	NONE	A	NONE	B	WHITE
176	SHUTDOWN SOLENOID-CRANKING CIRCUIT	16	ITEM 20	E	ITEM 18	H	WHITE
175	RESISTOR BRIDGE MODULE TO PWM MOD.	16	ITEM 10	B	ITEM 10	L	WHITE
174	RESISTOR BRIDGE MODULE TO PWM MOD.	16	ITEM 10	B	ITEM 10	L	WHITE
173	RESISTOR BRIDGE MODULE TO PWM MOD.	16	ITEM 10	B	ITEM 10	L	WHITE
172	PWM MODULE TO CONTROLS	16	ITEM 6	B	ITEM 10	L	WHITE
164A	RUN TEMP GAUGE & EPM	16	ITEM 16	J	ITEM 19	J	WHITE
164	RUN TEMP GAUGE & EPM	12	ITEM 16	A	ITEM 16	J	WHITE
160A	HYD. PUMP SIGNAL-GROUND	16	ITEM 10	A	ITEM 6	B	WHITE
155	WARM UP OPTION	16	ITEM 10	A	ITEM 6	B	WHITE
127	OIL PRESSURE SIGNAL	16	ITEM 10	A	ITEM 15	H	WHITE
112A	GLOW PLUG CIRCUIT BREAKER	16	ITEM 5	E	ITEM 15	G	WHITE
112	GLOW PLUG CIRCUIT BREAKER	12	ITEM 5	E	ITEM 15	G	WHITE
111A	GLOW PLUG POWER	12	ITEM 5	E	ITEM 16	K	WHITE
81	POWER TO 6-WAY VALVE FROM GROUND	16	ITEM 9	A	ITEM 6	B	WHITE
67A	POWER TO PWM MODULE	16	ITEM 6	B	ITEM 10	L	WHITE
57	STARTER TO START RELAY	10	ITEM 5	D	ITEM 13	F	WHITE
55A	THROTTLE SOLENOID	12	ITEM 16	A	ITEM 15	C	WHITE
31	THROTTLE-FROM PLATFORM	16	ITEM 10	A	ITEM 6	B	WHITE
28A	SENSE LINE BUMP	16	ITEM 10	A	ITEM 6	B	WHITE
27	PLATFORM ROTATOR-CVW	12	ITEM 16	A	ITEM 14	B	WHITE
26	PLATFORM ROTATOR-CV	12	ITEM 16	A	ITEM 14	B	WHITE
24	SWING-FROM PLATFORM-CV	16	ITEM 9	A	ITEM 6	B	WHITE
23	SWING-FROM PLATFORM-CCV	16	ITEM 9	A	ITEM 6	B	WHITE
22C	JIB-UP	16	ITEM 9	A	ITEM 6	B	WHITE
22B	BODM-TO VALVE-UP	16	ITEM 9	A	ITEM 6	B	WHITE
WIRE NO	DESCRIPTION	WIRE GA	TERMINAL	LOC	TERMINAL	LOC	COLOR (NOTE 1)

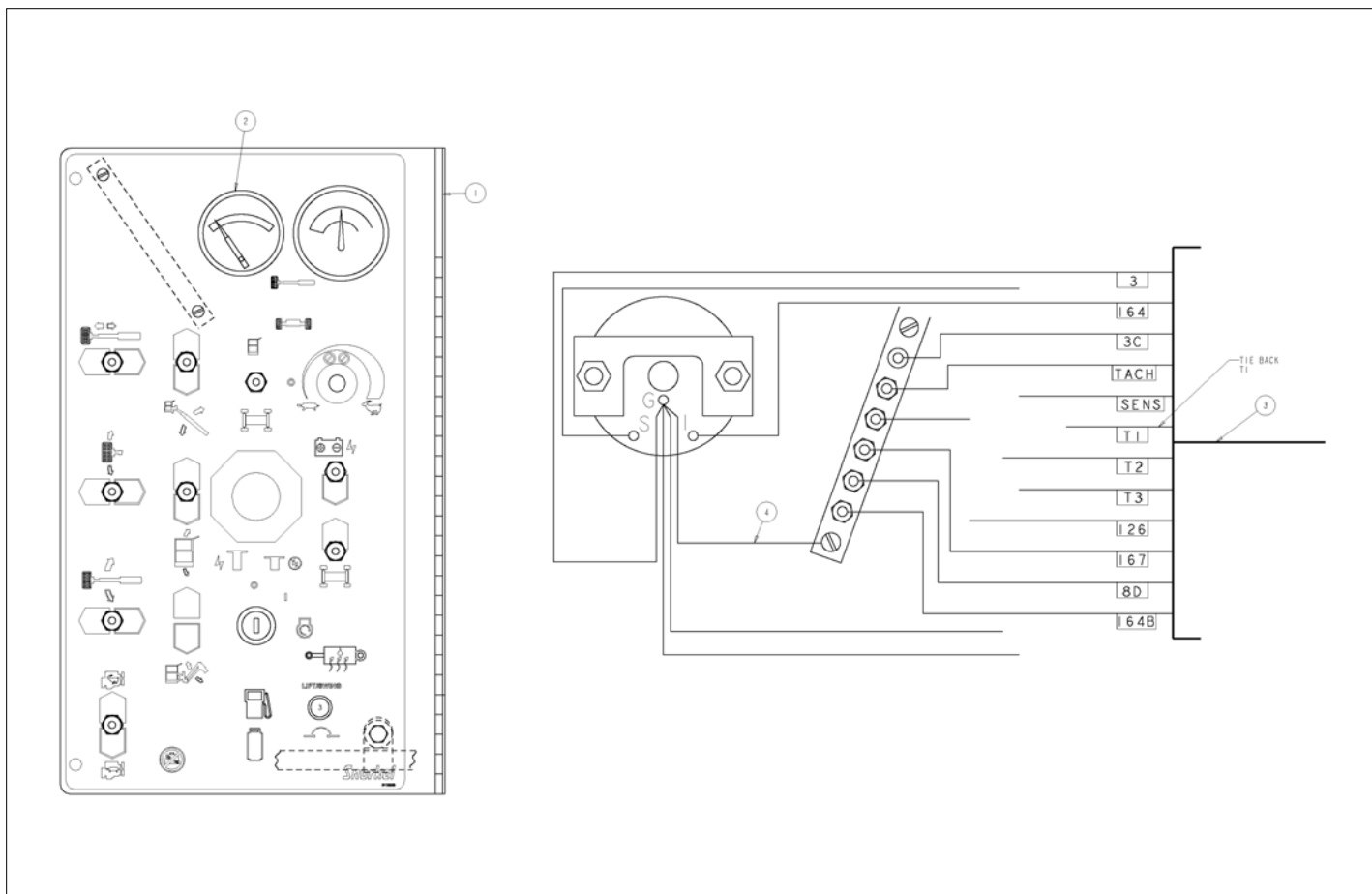
21C	JIB-DOWN	16	ITEM 9	A	ITEM 6	B	WHITE
21B	BODM-TO VALVE-DOWN	16	ITEM 9	A	ITEM 6	B	WHITE
16A	SPEED-TO BODM SWITCH	16	ITEM 10	A	ITEM 10	B	WHITE
15	BODM-RETRACT	16	ITEM 9	A	ITEM 6	B	WHITE
14	BODM-EXTEND	16	ITEM 9	A	ITEM 6	B	WHITE
13	LEVEL-UP	16	ITEM 9	A	ITEM 6	B	WHITE
12	LEVEL-DOWN	16	ITEM 9	A	ITEM 6	B	WHITE
8D	SHUTDOWN SOLENOID-POWER	16	ITEM 20	E	ITEM 15	J	WHITE
8D	SHUTDOWN SOLENOID-POWER	16	ITEM 9	A	ITEM 15	J	WHITE
7D	GLOW PLUG SIGNAL	16	ITEM 9	A	ITEM 5	E	WHITE
6A	EMER. POWER-TO SOLENOID	16	ITEM 8	A	ITEM 8	D	WHITE
6	EMER. POWER-FROM PLATFORM	16	ITEM 8	A	ITEM 6	B	WHITE
5C	START-FROM GROUND	16	ITEM 8	A	ITEM 6	B	WHITE
5B	START POWER-FROM IGN. SW.	16	ITEM 9	A	ITEM 5	D	WHITE
5A	START-TO START RELAY	12	ITEM 5	D	ITEM 10	H	WHITE
5	START-FROM PLATFORM	16	ITEM 9	A	ITEM 6	B	WHITE
4A	RUN-TO RELAY	16	ITEM 9	A	ITEM 6	B	WHITE
4	RUN-FROM PLATFORM	16	ITEM 9	A	ITEM 6	B	WHITE
3C	GROUND-PWM MODULE	16	ITEM 10	L	ITEM 17	C	BLACK
3	GROUND	12	ITEM 15	B	ITEM 17	C	BLACK
3	GROUND	12	ITEM 15	E	ITEM 17	C	BLACK
3	GROUND-START RELAY	16	ITEM 5	D	ITEM 17	C	BLACK
3	GROUND	12	ITEM 16	A	ITEM 17	C	BLACK
1G	CHARGE CIRCUIT	10	ITEM 13	H	ITEM 17	J	RED
1B	POWER TO EMER. SHUTDOWN	12	ITEM 16	A	ITEM 14	B	RED
1A	POWER TO CIRCUIT BREAKERS	12	ITEM 15	E	ITEM 7	H	RED
1A	POWER TO CIRCUIT BREAKERS	12	ITEM 16	A	ITEM 7	H	RED
1	POWER TO PLATFORM	12	ITEM 16	A	ITEM 14	B	RED
WIRE NO	DESCRIPTION	WIRE GA	TERMINAL	LOC	TERMINAL	LOC	COLOR (NOTE 1)

ELECTRICAL



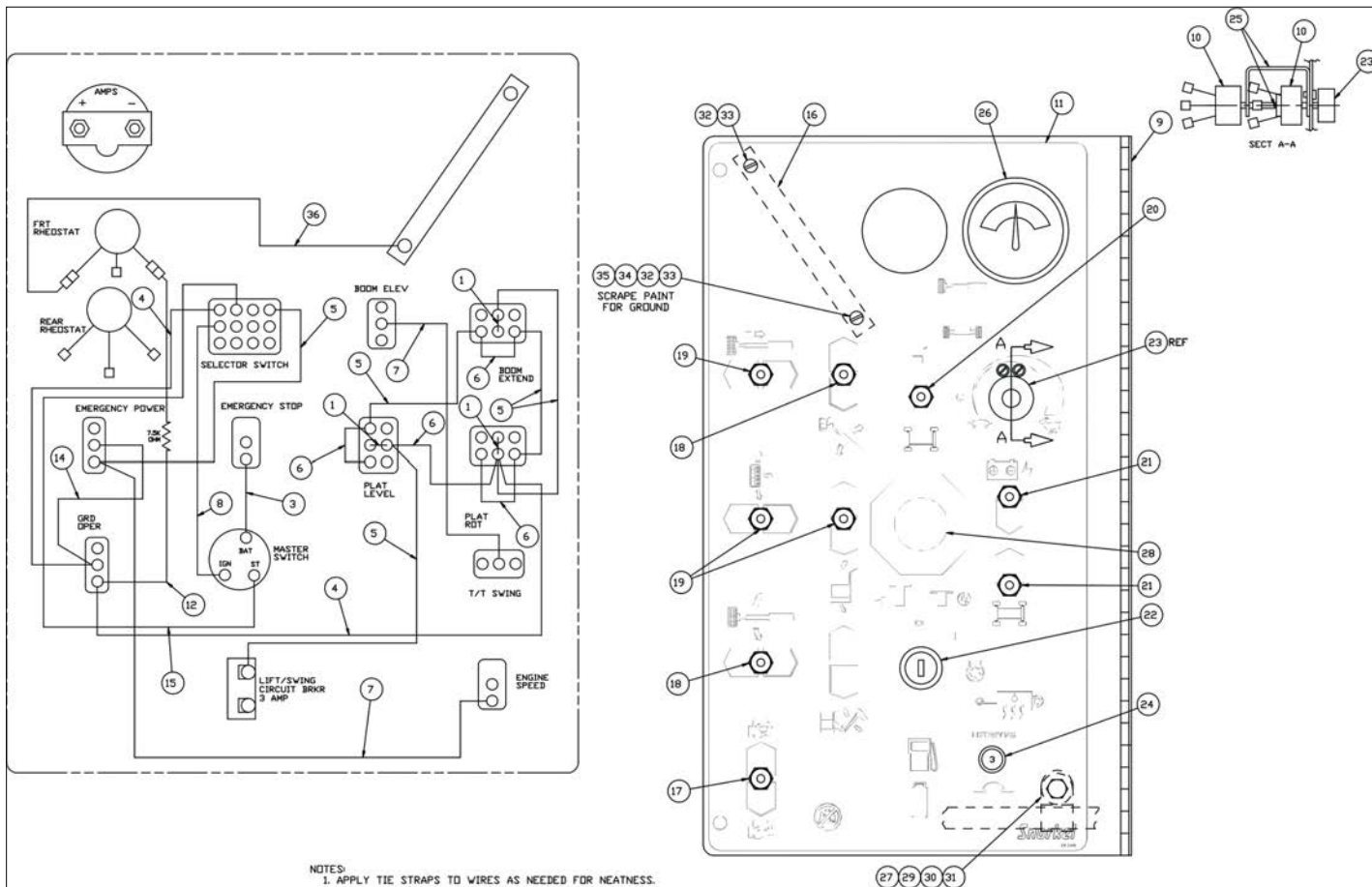
アイテム	部品番号	名前	数量	UOM
	0181434 C	DIODE RESISTOR WIRE ASSEMBLY		EA
1	3040678	VARIABLE RESISTOR 1 TO 150 OHM	1	EA
2	3040293	DIODE	1	EA
3	3046697	TERM FEM188I 16/14GA	1	EA
4	3044161	TERM R10I 16/14	1	EA
5	3011601	WIRE 16GA SINGLE CONDUCTOR BLK	.58 FT	EA

ELECTRICAL



アイテム	部品番号	名前	数量	UOM
	0083397 J	LOWER CONTROL PANEL – CUMMINS AND DEUTZ (3)		EA
1	0084155	GROUND CONTROL ASSY TB60	1	EA
2	3040041	GAUGE TEMP	1	EA
3	0083300	EPS WIRE ASSY	1	EA
4	0151816	WIRE 16 R10I R10I 7.5	1	EA

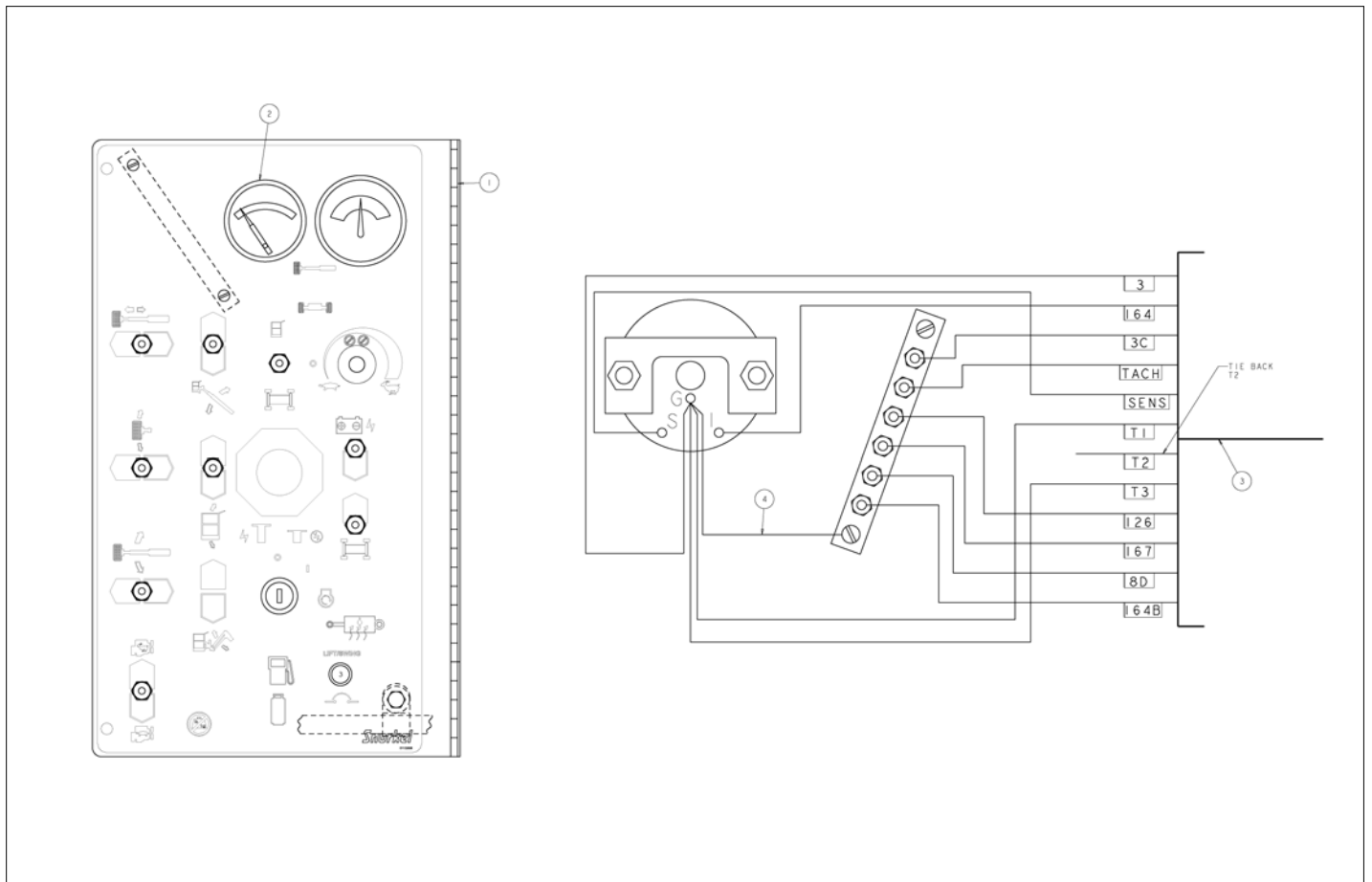
ELECTRICAL



アイテム	部品番号	名前	数量	UOM
	0084155 D	GROUND CONTROL PANEL ASSEMBLY CUMMINS AND DUETZ		EA
1	0060373	JUMPER SWITCH TERMINAL STRAP	3	EA
3	0070735	WIRE 12 R6I R10I 3	1	EA
4	0070742	WIRE 12 R6I R6I 8 REV K	2	EA
5	0070746	WIRE 16 R6I R6I 9	5	EA
6	0070747	WIRE 16 R6I R6I 3	4	EA
7	0070753	WIRE 16 R6I R6I 12	2	EA
8	0071541	WIRE 12 R6I R10I 14	1	EA
9	0074592	WELDMENT GROUND PANEL AND HINGE	1	EA
10	0082002	RHEOSTAT SUB ASSY	2	EA
11	0112559	PLAC GROUND CONT PANEL	1	EA
12	0182202	WIRE 16 R6I F250FI 7 RSTR 7.5	1	EA
14	0181104	WIRE 12 R6 R6 6	1	EA
15	0151910	WIRE 16 R6 R10 14	1	EA
16	300489	TERMINAL STRIP #10 STUD 6 CIR	1	EA
17	3020013	Switch, Toggle Honeywell INTI 2	1	EA
18	3020016	Switch, Toggle Honeywell INTI 7	2	EA
19	3020018	SWITCH TOGGLE DPDT MOM/OFF/MOM	3	EA
20	3020048	SWITCH TOGGLE 4PDT ON/ON	1	EA
21	3020080	TOGGLE SWITCH	2	EA
22	3020087	KEY SWITCH	1	EA
23	3040348	KNOB RHEOSTAT	1	EA
24	3040535	CIRCUIT BREAKER 3 AMP	1	EA
25	3040620	COUPLER KIT	1	EA
26	3070003	AMMETER	1	EA

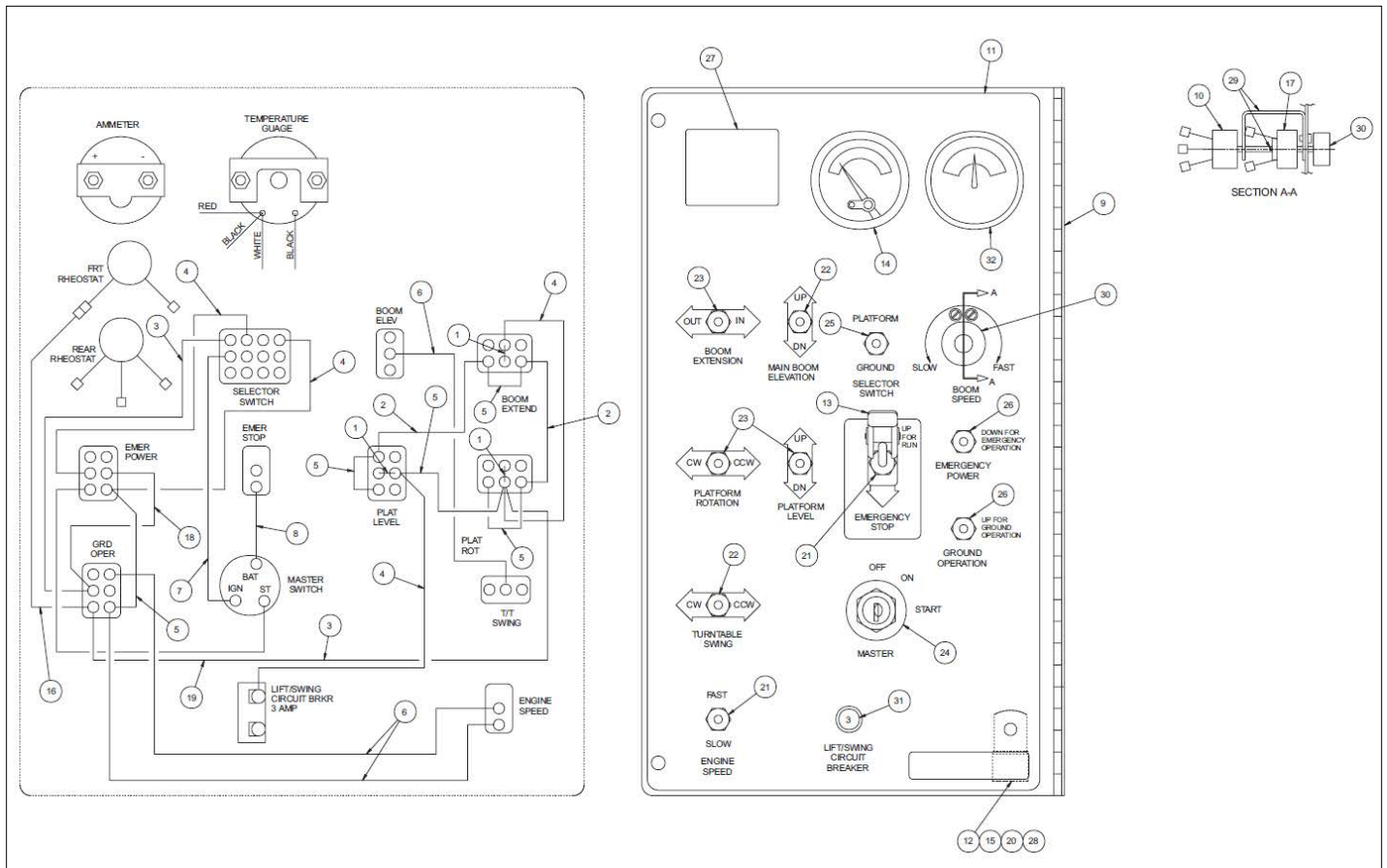
アイテム	部品番号	名前	数量	UOM
27	5093006	CLP CUSH .937 VINYL COATED	1	EA
28	3020020	SW EMER STOP PUSH/PULL	1	EA
29	970029	BLT .25 20 .750	1	EA
30	5560004	NUT LKG .250 20	1	EA
31	986019	WSHR FLAT .250	1	EA
32	5560673	SCR TRHD 10 24 1.00	2	EA
33	5560034	NUT LKG 10 24	2	EA
34	987089	WSHR LOCK #10 SPLIT TYPE	1	EA
35	984049	NUT HEX 10 24	1	EA
36	0071555	WIRE 16 R10I FEM250I 6	1	EA

ELECTRICAL



アイテム	部品番号	名前	数量	UOM
	0083530 F	LOWER CONTROL PANEL CUMMINS AND DEUTZ JANUARY 2001 AND AFTER		EA
1	0084155	GROUND CONTROL ASSY TB60	1	EA
2	3070040	GAUGE TEMP 320	1	EA
3	0083300	EPS WIRE ASSY	1	EA
4	0151816	WIRE 16 R10I R10I 7.5	1	EA

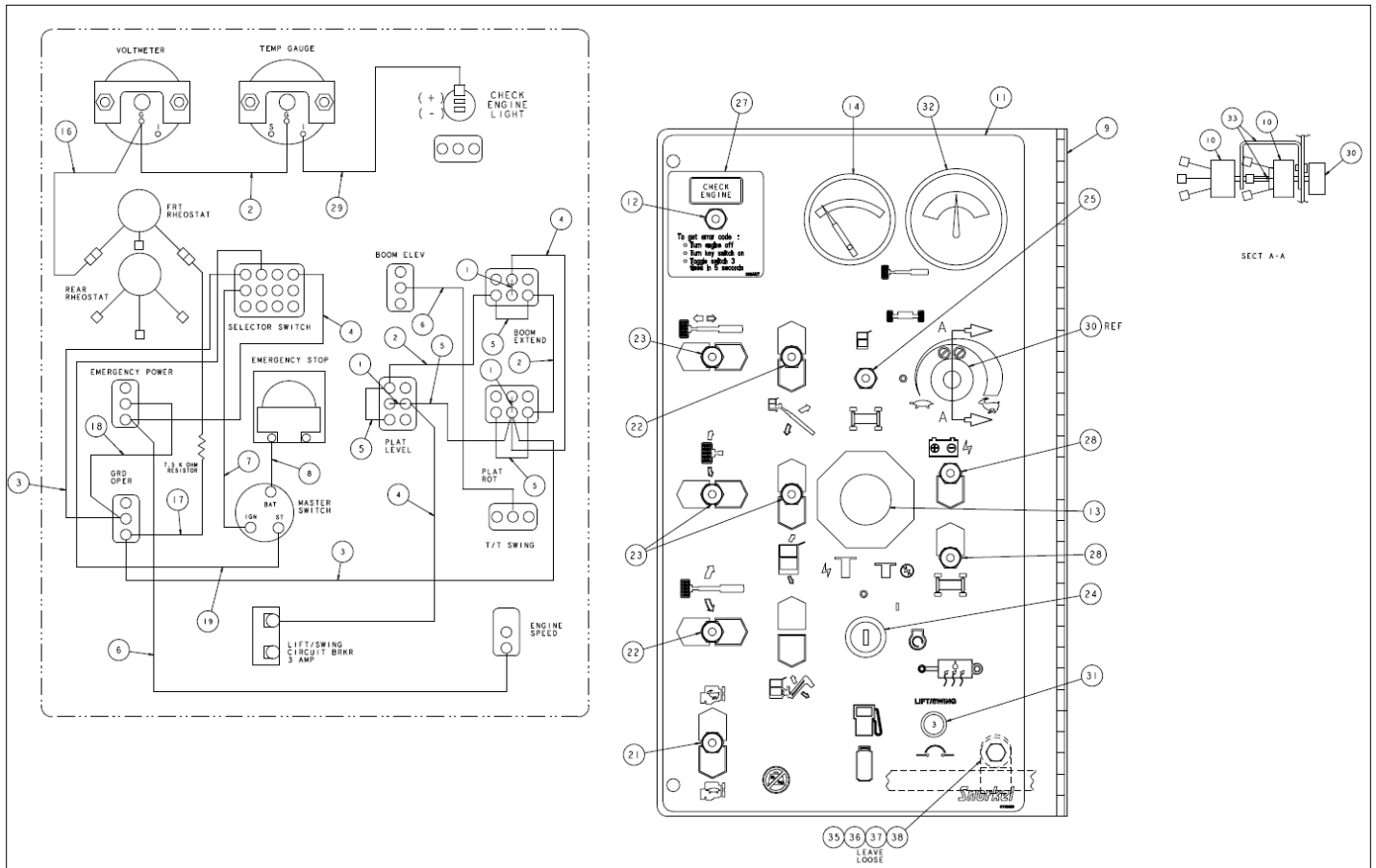
ELECTRICAL



アイテム	部品番号	名前	数量	UOM
Not Shown	0082691 C	GROUND CONTROL PANEL ASSEMBLY FORD	1	EA
1	0060373	JUMPER SWITCH TERMINAL STRAP	3	EA
2	0070730	WIRE 16 R6I R6I 5.5	2	EA
3	0070742	WIRE 12 R6I R6I 8 REV K	2	EA
4	0070746	WIRE 16 R6I R6I 9	4	EA
5	0070747	WIRE 16 R6I R6I 3	5	EA
6	0070753	WIRE 16 R6I R6I 12	3	EA
7	0071541	WIRE 12 R6I R10I 14	1	EA
8	0070735	WIRE 12 R6I R10I 3	1	EA
9	0081819	LOWER CONTROL PANEL AND HINGE	1	EA
10	0082002	RHEOSTAT SUB ASSY	1	EA
Not Shown	3040619	RHEOSTAT 5K OHMS	1	EA
Not Shown	0150647	WIRE 16 MALE250FI NONE 6	1	EA
11	0082003	PLACARD, LOWER CONTROLS	1	EA
12	986019	WSHR FLAT .250	1	EA
13	562236	SWITCH GUARD, NOT REQUIRED FOR CE	1	EA
14	3070021	TEMP GAUGE 250 DEG	1	EA
15	5560004	NUT LKG .250 20	1	EA
16	0090757	JUMPER WIRE	1	EA
17	0180949	RHEOSTAT SUB ASSY	1	EA
Not Shown	3040497	REPLACEMENT SWITCH	1	EA
18	0181104	WIRE 12 R6 R6 6	1	EA
19	0240483	WIRE 16 R6I R10I 8	1	EA
20	970029	BLT .25 20 .750	1	EA
21	3020013	Switch, Toggle Honeywell INTI 2	2	EA

アイテム	部品番号	名前	数量	UOM
22	3020016	Switch, Toggle Honeywell INTI 7	2	EA
23	3020018	SWITCH TOGGLE DPDT MOM/OFF/MOM	3	EA
24	3020087	KEY SWITCH	1	EA
Not Shown	8030044	REPLACEMENT KEY	1	EA
25	3020048	SWITCH TOGGLE 4PDT ON/ON	1	EA
26	3020081	SW TGL DPDT (M/ON) SEALED	2	EA
27	0082727	PLACARD, BLANK	1	EA
28	5093006	CLP CUSH .937 VINYL COATED	1	EA
29	3040620	COUPLER KIT	1	EA
30	3040348	KNOB RHEOSTAT	1	EA
31	3040535	CIRCUIT BREAKER 3 AMP	1	EA
32	3070003	AMMETER	1	EA

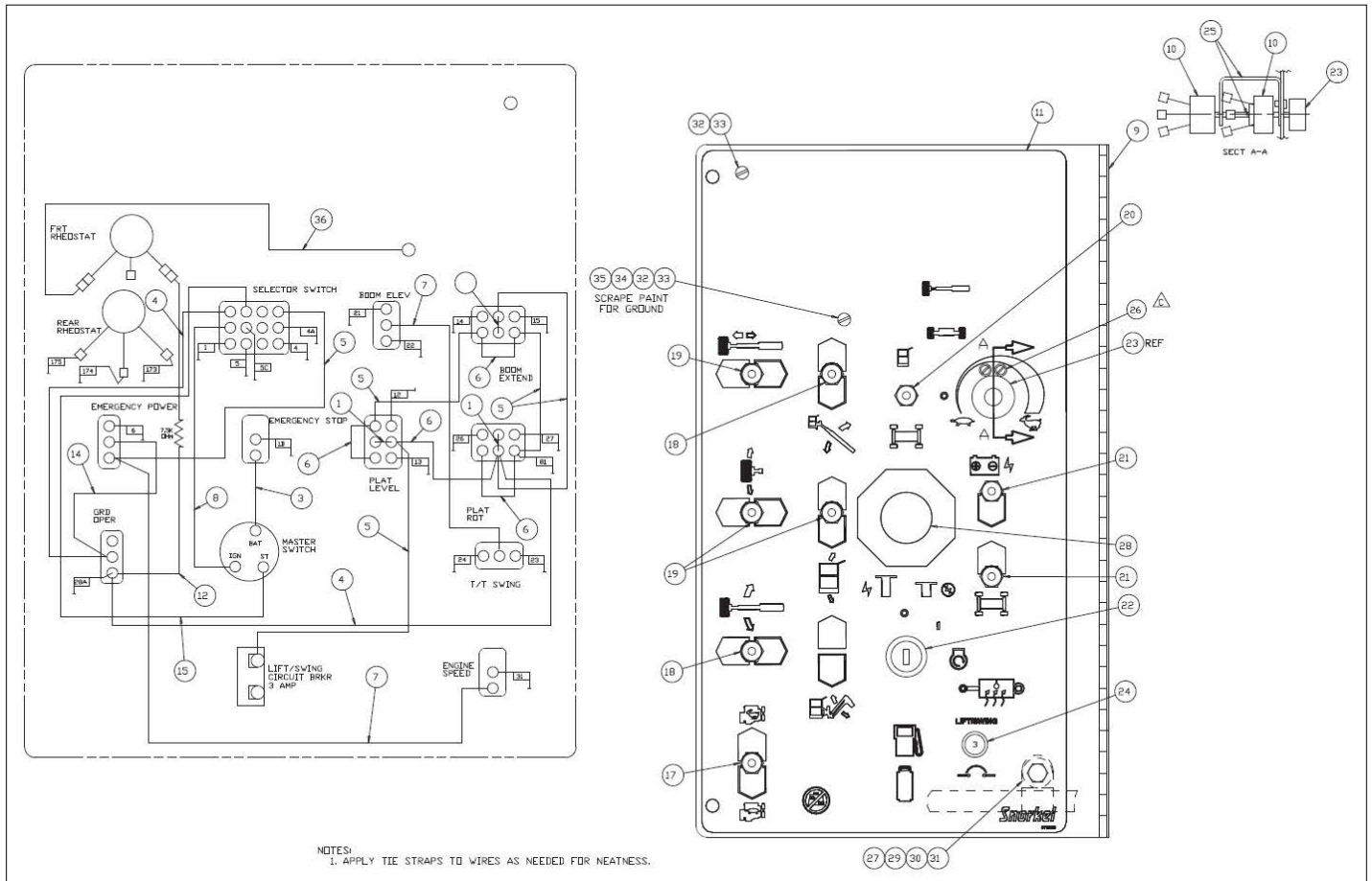
ELECTRICAL



アイテム	部品番号	名前	数量	UOM
Not Shown	0084125 E	GROUND CONTROL PANEL ASSEMBLY GM TIER 3	1	EA
1	0060373	JUMPER SWITCH TERMINAL STRAP	3	EA
2	0070730	WIRE 16 R6I R6I 5.5	3	EA
3	0070742	WIRE 12 R6I R6I 8 REV K	2	EA
4	0070746	WIRE 16 R6I R6I 9	3	EA
5	0070747	WIRE 16 R6I R6I 3	4	EA
6	0070753	WIRE 16 R6I R6I 12	2	EA
7	0071541	WIRE 12 R6I R10I 14	1	EA
8	0070735	WIRE 12 R6I R10I 3	1	EA
9	0074592	WELDMENT GROUND PANEL AND HINGE	1	EA
10	0082002	RHEOSTAT SUB ASSY	2	EA
11	0112559	PLAC GROUND CONT PANEL	1	EA
12	3020015	Switch, Toggle Honeywell INTI 6	1	EA
13	3020020	SW EMER STOP PUSH/PULL	1	EA
14	3070040	GAUGE TEMP 320	1	EA
16	0090757	JUMPER WIRE	1	EA
17	0182202	WIRE 16 R6I F250FI 7 RSTR 7.5	1	EA
18	0181104	WIRE 12 R6 R6 6	1	EA
19	0151910	WIRE 16 R6 R10 14	1	EA
21	3020013	Switch, Toggle Honeywell INTI 2	1	EA
22	3020016	Switch, Toggle Honeywell INTI 7	2	EA
23	3020018	SWITCH TOGGLE DPDT MOM/OFF/MOM	3	EA
24	3020087	KEY SWITCH	1	EA
25	3020048	SWITCH TOGGLE 4PDT ON/ON	1	EA
27	0084127	PLAC CHECK ENGINE LIGHT GM T3	1	EA

アイテム	部品番号	名前	数量	UOM
28	3020080	TOGGLE SWITCH	2	EA
29	300804	WIRE 18 FEM250FI R8 6	1	EA
30	3040348	KNOB RHEOSTAT	1	EA
31	3040535	CIRCUIT BREAKER 3 AMP	1	EA
32	3072126	VOLTMETER 12V	1	EA
33	3040620	COUPLER KIT	1	EA
35	5093006	CLP CUSH .937 VINYL COATED	1	EA
36	PNNA	CAPSCREW 1/4 20 X 3/4 LG	1	EA
37	PNNA	NUT 1/4 20 ESNA	1	EA
38	PNNA	1/4 FLAT WASHER	1	EA

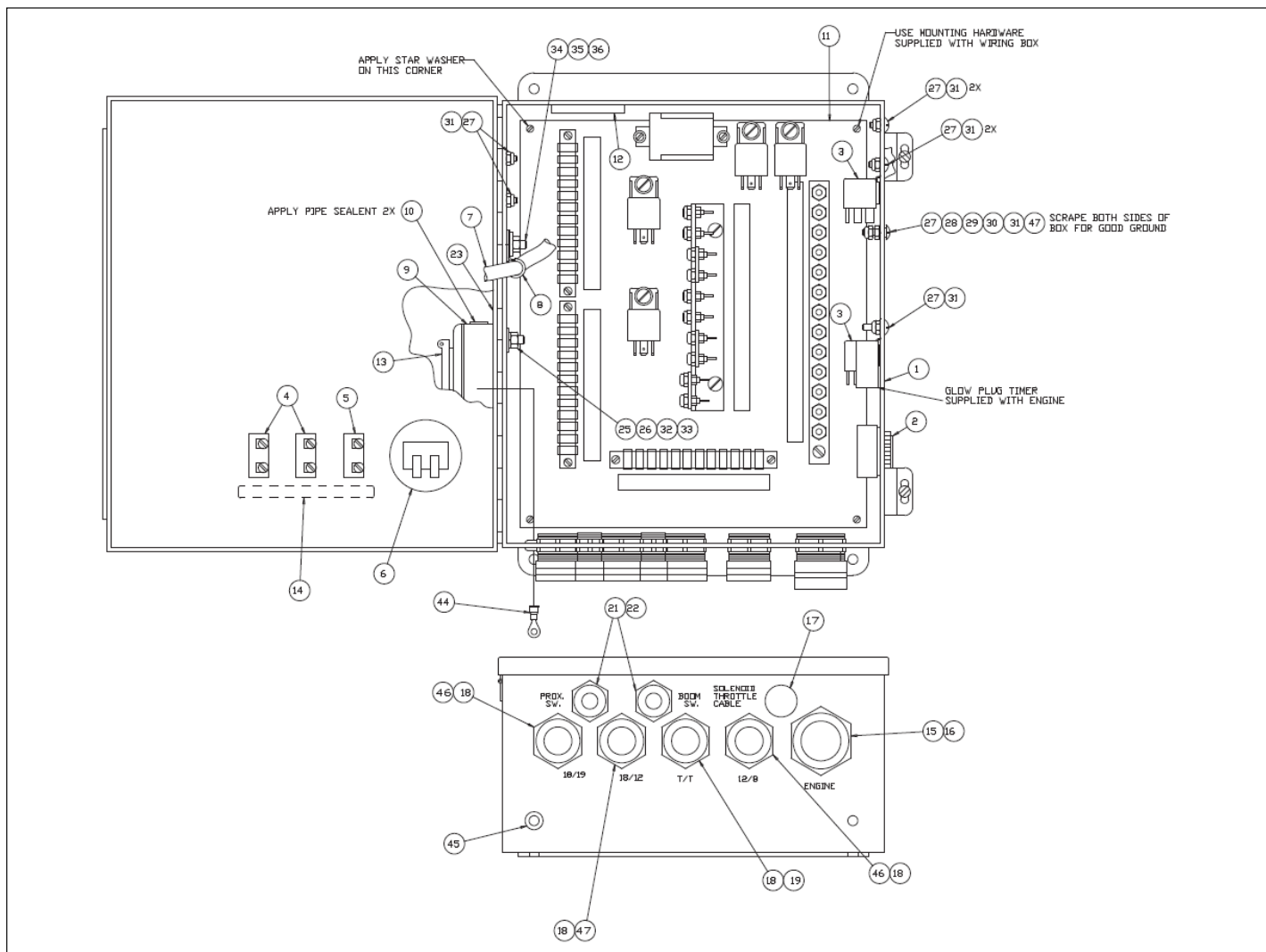
ELECTRICAL



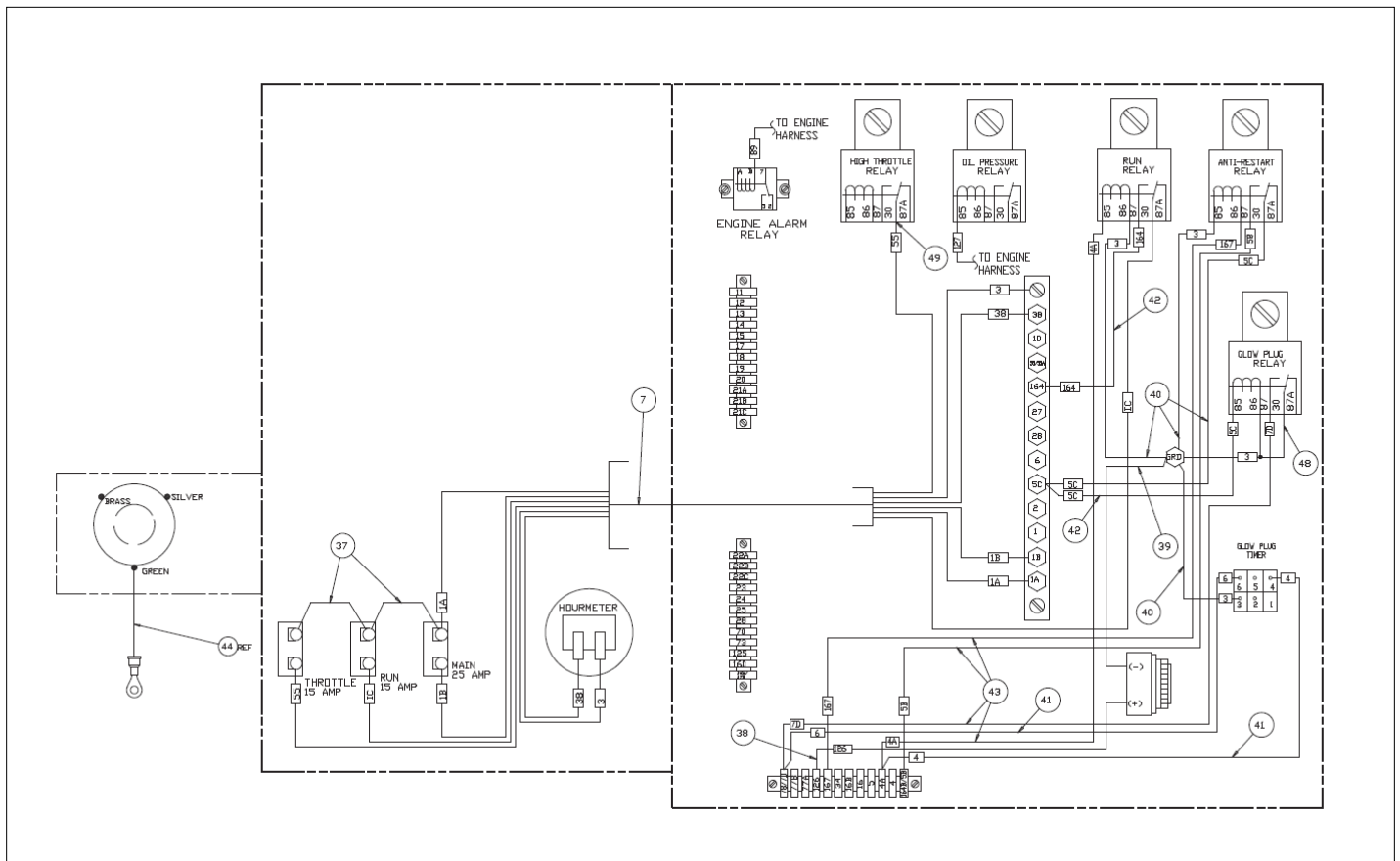
アイテム	部品番号	名前	数量	UOM
Not Shown	0084711 C	GROUND CONTROL PANE, ASSEMBLY KUBOTA	1	EA
1	0060373	JUMPER SWITCH TERMINAL STRAP	3	EA
3	0070735	WIRE 12 R6I R10I 3	1	EA
4	0070742	WIRE 12 R6I R6I 8 REV K	2	EA
5	0070746	WIRE 16 R6I R6I 9	5	EA
6	0070747	WIRE 16 R6I R6I 3	4	EA
7	0070753	WIRE 16 R6I R6I 12	2	EA
8	0071541	WIRE 12 R6I R10I 14	1	EA
9	0074592	WELDMENT GROUND PANEL AND HINGE	1	EA
10	0082002	RHEOSTAT SUB ASSY	2	EA
11	0112559	PLAC GROUND CONT PANEL	1	EA
12	0182202	WIRE 16 R6I F250FI 7 RSTR 7.5	1	EA
14	0181104	WIRE 12 R6 R6 6	1	EA
15	0151910	WIRE 16 R6 R10 14	1	EA
17	3020013	Switch, Toggle Honeywell INTI 2	1	EA
18	3020016	Switch, Toggle Honeywell INTI 7	2	EA
19	3020018	SWITCH TOGGLE DPDT MOM/OFF/MOM	3	EA
20	3020048	SWITCH TOGGLE 4PDT ON/ON	1	EA
21	3020080	TOGGLE SWITCH	2	EA
22	3020087	KEY SWITCH	1	EA
23	3040348	KNOB RHEOSTAT	1	EA
24	3040535	CIRCUIT BREAKER 3 AMP	1	EA
25	3040620	COUPLER KIT	1	EA
27	5093006	CLP CUSH .937 VINYL COATED	1	EA
28	3020020	SW EMER STOP PUSH/PULL	1	EA
29	970029	BLT .25 20 .750	1	EA

アイテム	部品番号	名前	数量	UOM
30	5560004	NUT LKG .250 20	1	EA
31	986019	WSHR FLAT .250	1	EA
32	5560673	SCR TRHD 10 24 1.00	2	EA
33	5560034	NUT LKG 10 24	2	EA
34	987089	WSHR LOCK #10 SPLIT TYPE	1	EA
35	984049	NUT HEX 10 24	1	EA
36	0071555	WIRE 16 R10I FEM250I 6	1	EA

ELECTRICAL

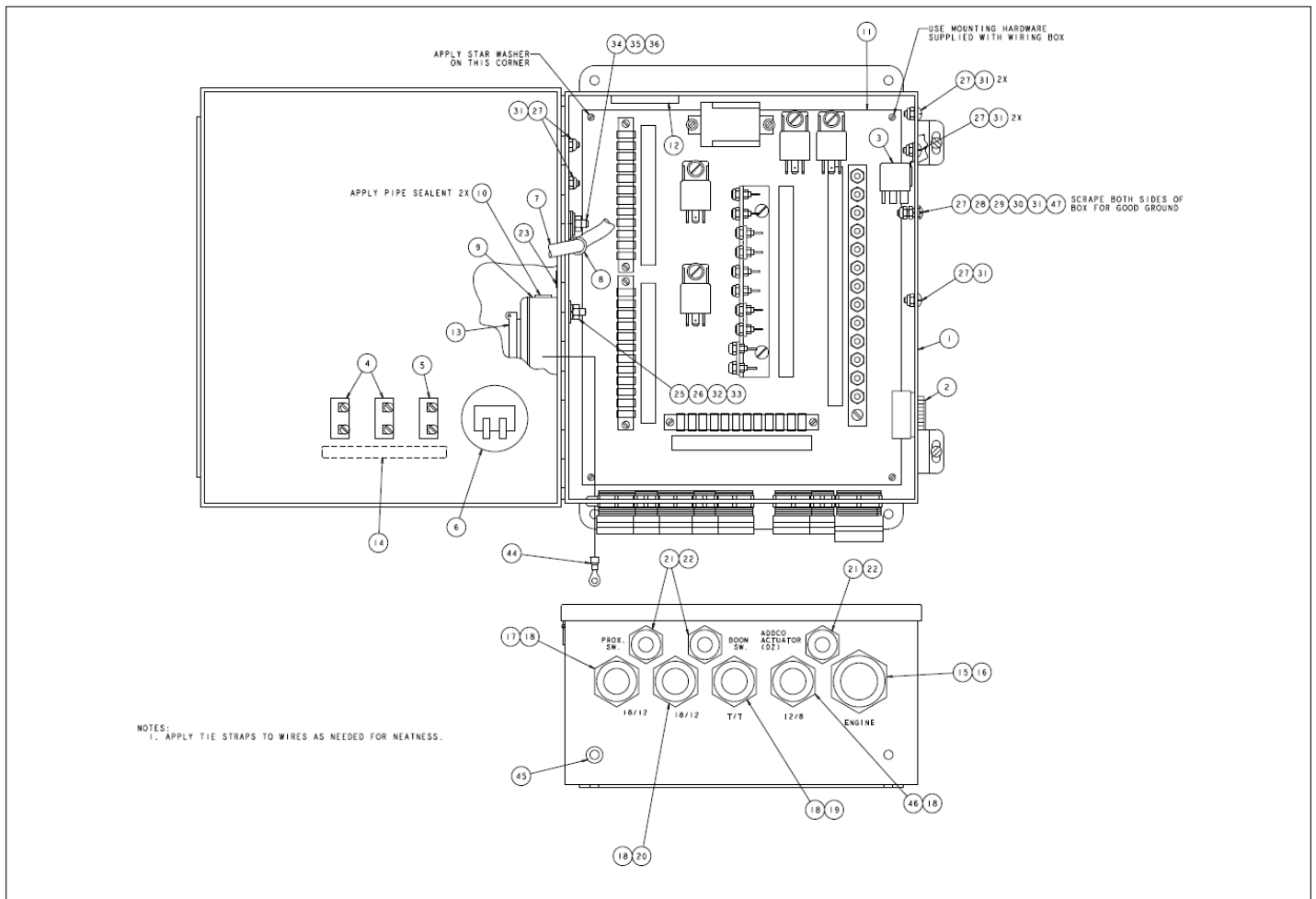


アイテム	部品番号	名前	数量	UOM
	0084702E	WIRING BOX KUBOTA ASSEMBLY JUNE 2014 AND AFTER		EA
1	0081996	WIRING BOX DRILLED	1	EA
2	3040411	Alarm Buzzer	1	EA
3	3040469	RELAY SPDT 12V 30AMP SONG	3	EA
4	3040252	Circuit Breaker 15AMP	2	EA
5	3040069	CIRCUIT BREAKER 25AMP	1	EA
6	3070001	HOURMETER	1	EA
7	0081997	INTERNAL WIRE ASSY	1	EA
8	5093001	CLP CUSH .500 VINYL COATED	1	EA
9	3040118	EXTENSION W/GASKET	1	EA
10	3040121	CLOSE UP PLUG	2	EA
11	0084703	PANEL SUB ASSEMBLY KUBOTA	1	EA
12	0070967	CORROSION INHIBITOR STICK BACK	1	EA
13	3045278	OUTLET 5278C W	1	EA
14	0111735	PLACARD, CIRCUIT BREAKER	1	EA
15	3040386	CONN 1.00 .875 1.00	1	EA
16	3040387	NUT, CONDUIT LOCKNUT 1" HUB	1	EA
17	3040031	PLUG HOLE .750	1	EA
18	3040110	NUT LKG HUB .750 SAMEAS 962129	4	EA
19	3040298	CONN .75 .75 .875	1	EA
21	3040187	CONN .500 .313 .438	2	EA
22	3040070	NUT LKG HUB .500 APPLETON: P/N BL50 REG 801	2	EA
23	0150606	Decal, 125 Volts Power To Platform (USA Only)	1	EA
24	5560655	POP RIVET	2	EA
25	974279	SCR RHD 6 32 .750	2	EA

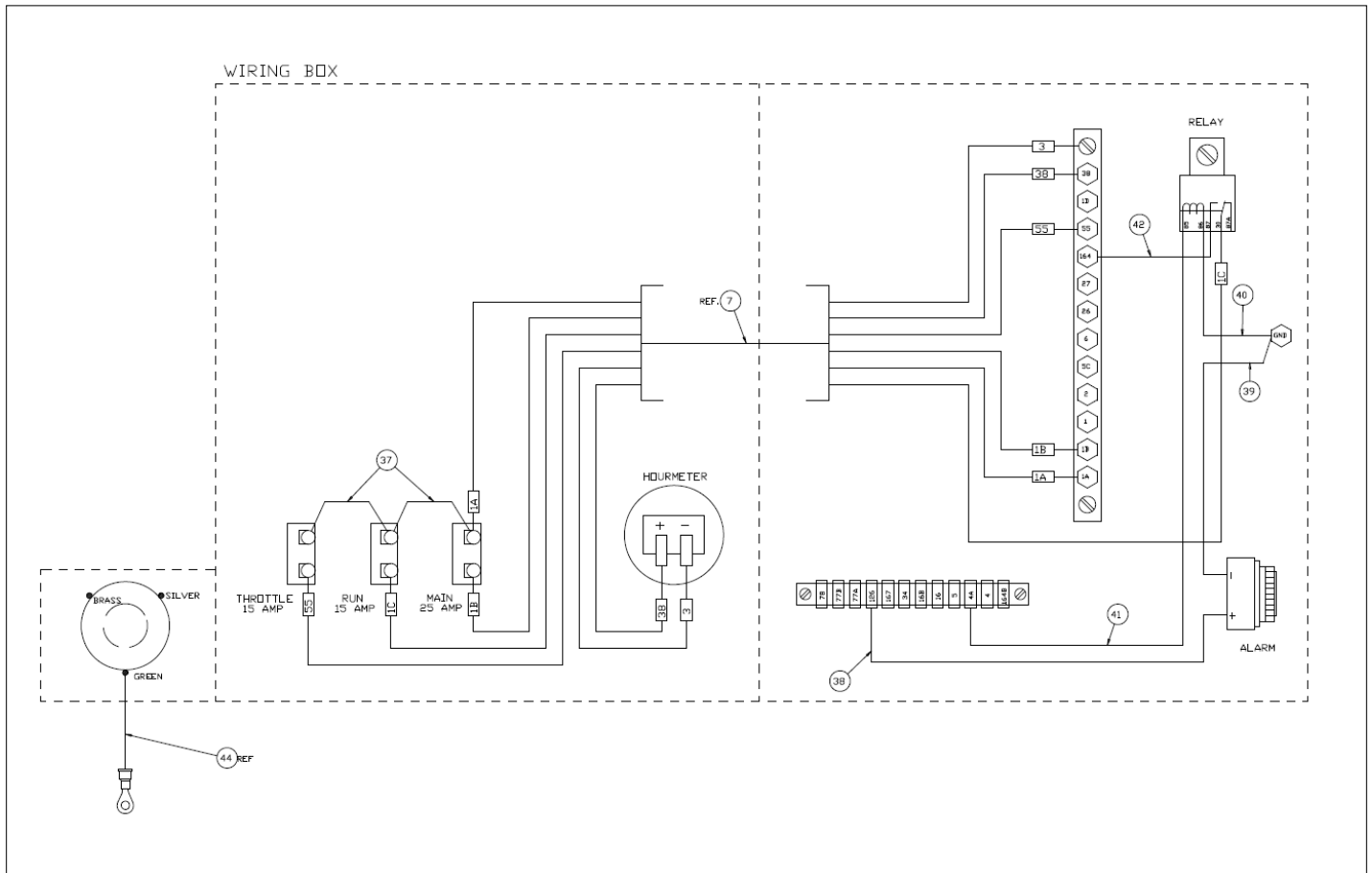


アイテム	部品番号	名前	数量	UOM
26	984009	NUT HEX 6 32	2	EA
27	5563025	SCR TRHD 10 24 .750	8	EA
28	5560703	WSHR 10 STAR TOOTH	1	EA
29	5560654	WSHR LOCK #10 SPLIT TYPE	1	EA
30	984049	NUT HEX 10 24	1	EA
31	5560034	NUT LKG 10 24	8	EA
32	986159	WSHR FLAT 6	2	EA
33	987349	WSHR LOCK 6	2	EA
34	986019	WSHR FLAT .250	1	EA
35	970029	BLT .25 20 .750	1	EA
36	5560004	NUT LKG .250 20	1	EA
37	0070735	WIRE 12 R6I R10I 3	2	EA
38	0181028	WIRE 16 R6 FEM188 10.5	1	EA
39	0240483	WIRE 16 R6I R10I 8	1	EA
40	0081559	WIRE 16 FEM250FI 10 20/20	4	EA
41	0071528	WIRE 18 FEM250FI FEM188I 21	2	EA
42	0073057	WIRE 12R10I FEM250FI 5.5	2	EA
43	0111508	WIRE 16 FEM188I FEM250FI 24	4	EA
44	0071561	JUMPER WIRE	1	EA
45	5569003	GROMMET .188ID .313DIAX.125GRV	1	EA
46	3040295	CONN .75 .625 .75	2	EA
47	3040285	CONN .75 .375 .500	1	EA
48	0152586	WIRE 16 SEE DWG	1	EA
49	3040065	TERM FEM250FI 12/10 FULLY INSU	1	EA

ELECTRICAL

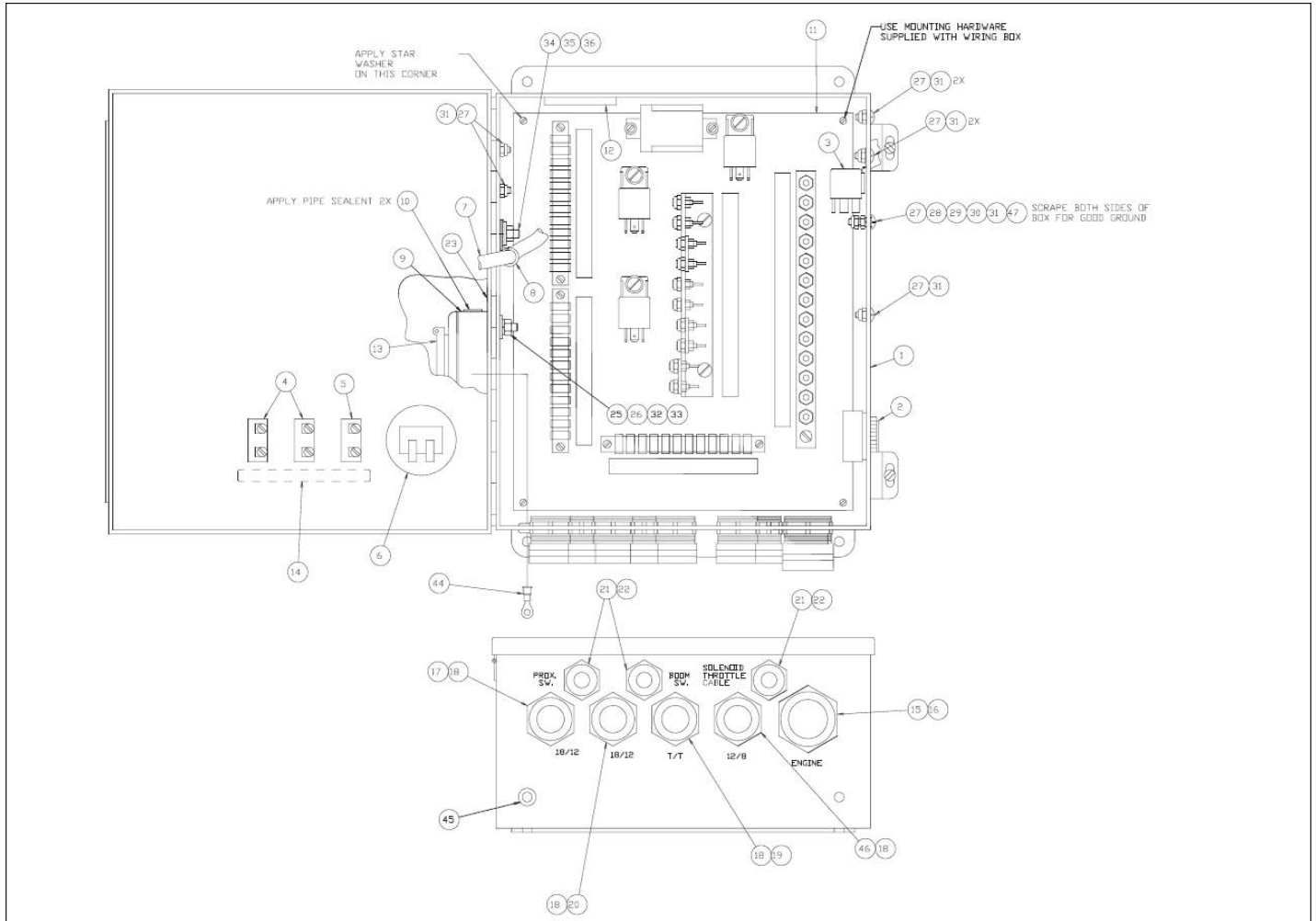


アイテム	部品番号	名前	数量	UOM
	0081998 K	WIRING BOX CUMMINS DEUTZ ADDCO 3 SPEED JANUARY 2009 AND BEFORE	1	EA
1	0081996	WIRING BOX DRILLED	1	EA
2	3040411	Alarm Buzzer	1	EA
3	3040469	RELAY SPDT 12V 30AMP SONG	1	EA
4	3040252	Circuit Breaker 15AMP	2	EA
5	3040069	CIRCUIT BREAKER 25AMP	1	EA
6	3070001	HOURMETER	1	EA
7	0081997	INTERNAL WIRE ASSY	1	EA
8	5093001	CLP CUSH .500 VINYL COATED	1	EA
9	3040118	EXTENSION W/GASKET	1	EA
10	3040121	CLOSE UP PLUG	2	EA
12	0070967	CORROSION INHIBITOR STICK BACK	1	EA
11	0083467	PANEL SUB ASSEMBLY	1	EA
13	3045278	OUTLET 5278C W	1	EA
14	0111735	PLACARD, CIRCUIT BREAKER	1	EA
15	3040386	CONN 1.00 .875 1.00	1	EA
16	3040387	NUT, CONDUIT LOCKNUT 1" HUB	1	EA
17	3040116	CONN .75 .500 .625	2	EA
18	3040110	NUT LKG HUB .750 SAMEAS 962129	5	EA
19	3040298	CONN .75 .75 .875	1	EA
20	3040285	CONN .75 .375 .500	1	EA
21	3040187	CONN .500 .313 .438	2	EA
22	3040070	NUT LKG HUB .500 APPLETON: P/N BL50 REG 801	2	EA
23	0150606	Decal, 125 Volts Power To Platform (USA Only)	1	EA
24	5560655	POP RIVET	2	EA



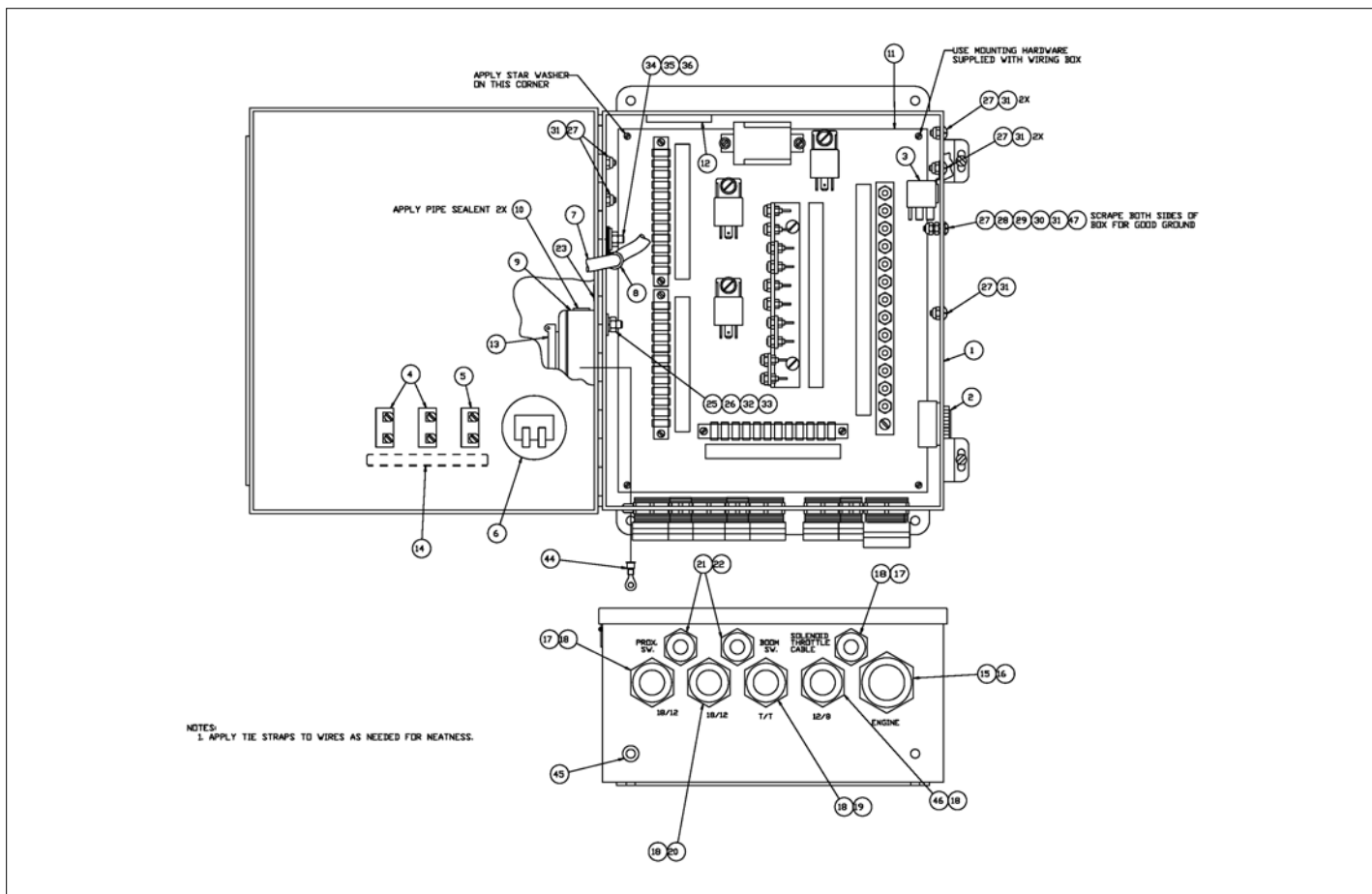
アイテム	部品番号	名前	数量	UOM
25	974239	SCR RDH 6 32 .500	2	EA
26	984009	NUT HEX 6 32	2	EA
27	5560648	SCR RDHD 10 24 .750	8	EA
28	5560654	WSHR LOCK #10 SPLIT TYPE	1	EA
29	987089	WSHR LOCK #10 SPLIT TYPE	1	EA
30	984049	NUT HEX 10 24	1	EA
31	5560034	NUT LKG 10 24	8	EA
32	986159	WSHR FLAT 6	2	EA
33	987349	WSHR LOCK 6	2	EA
34	986019	WSHR FLAT .250	1	EA
35	970029	BLT .25 20 .750	1	EA
36	5560004	NUT LKG .250 20	1	EA
37	0070735	WIRE 12 R6I R10I 3	2	EA
38	0181028	WIRE 16 R6 FEM188 10.5	1	EA
39	0240483	WIRE 16 R6I R10I 8	1	EA
40	0081559	WIRE 16 FEM250FI 10 20/20	1	EA
41	0071528	WIRE 18 FEM250FI FEM188I 21	1	EA
42	0073057	WIRE 12R10I FEM250FI 5.5	1	EA
44	0071561	JUMPER WIRE	1	EA
45	5569003	GROMMET .188ID .313DIAX.125GRV	1	EA
46	3040295	CONN .75 .625 .75	1	EA
47	5560703	WSHR 10 STAR TOOTH	1	EA

アイテム	部品番号	名前	数量	UOM
Not Shown	0081998 L	WIRING BOX CUMMINS DEUTZ ADDCO 3 SPEED JULY 2008 AND BEFORE	1	EA
1	0081996	WIRING BOX DRILLED	1	EA
2	3040411	Alarm Buzzer	1	EA
3	3040469	RELAY SPDT 12V 30AMP SONG	1	EA
4	3040252	Circuit Breaker 15AMP	2	EA
5	3040069	CIRCUIT BREAKER 25AMP	1	EA
6	3070001	HOURMETER	1	EA
7	0081997	INTERNAL WIRE ASSY	1	EA
8	5093001	CLP CUSH .500 VINYL COATED	1	EA
9	3040118	EXTENSION W/GASKET	1	EA
10	3040121	CLOSE UP PLUG	2	EA
11	0083467	PANEL SUB ASSEMBLY	1	EA
12	0070967	CORROSION INHIBITOR STICK BACK	1	EA
13	345278	OUTLET	1	EA
14	0111735	PLACARD, CIRCUIT BREAKER	1	EA
15	3040386	CONN 1.00 .875 1.00	1	EA
16	3040387	NUT, CONDUIT LOCKNUT 1" HUB	1	EA
17	3040116	CONN .75 .500 .625	1	EA
18	3040110	NUT LKG HUB .750 SAMEAS 962129	4	EA
19	3040298	CONN .75 .75 .875	1	EA
20	3040285	CONN .75 .375 .500	1	EA
21	3040187	CONN .500 .313 .438	3	EA
22	3040070	NUT LKG HUB .500 APPLETON: P/N BL50 REG 801	3	EA
23	0150606	Decal, 125 Volts Power To Platform (USA Only)	1	EA
24	PNNA	POP RIVET AD32ABS	2	EA



アイテム	部品番号	名前	数量	UOM
25	PNNA	MACH. SCREW, #6 32	2	EA
26	PNNA	NUT, #6 32 HEX PLTD	2	EA
27	PNNA	#10 24 X 3/4" LG TRUSS HD	8	EA
28	PNNA	#10 STAR WASHER	1	EA
29	PNNA	#10 LOCK WASHER	1	EA
30	PNNA	#10 24 HEX NUT	1	EA
31	PNNA	#10 ESNA	8	EA
32	PNNA	FLAT WASHER #6	2	EA
33	PNNA	WASHER, #6 LOCK	2	EA
34	PNNA	FLAT WASHER 1/4"	1	EA
35	PNNA	BLT HEXHD .25 20 X .75	1	EA
36	PNNA	NUT, 1/4 20 ESNA	1	EA
37	0070735	WIRE 12 R6I R10I 3	2	EA
38	0181028	WIRE 16 R6 FEM188 10.5	1	EA
39	0240483	WIRE 16 R6I R10I 8	1	EA
40	0081559	WIRE 16 FEM250FI 10 20/20	1	EA
41	0071528	WIRE 18 FEM250FI FEM188I 21	1	EA
42	0073057	WIRE 12R10I FEM250FI 5.5	1	EA
44	0071561	JUMPER WIRE	1	EA
45	5569003	GROMMET .188ID .313DIAX.125GRV	1	EA
46	3040295	CONN .75 .625 .75	1	EA
47	PNNA	WASHER #10 STAR TOOTH	1	EA

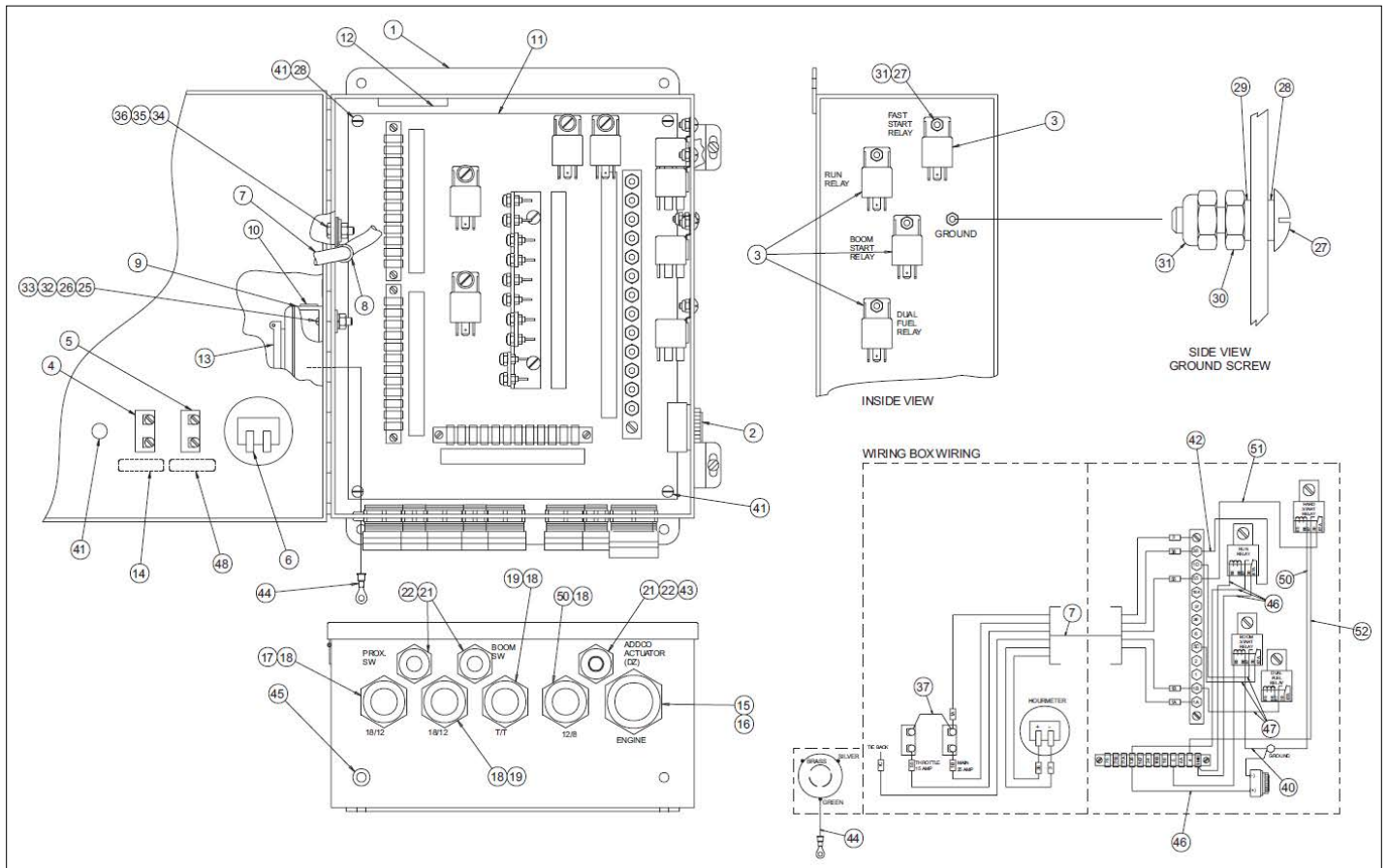
ELECTRICAL



アイテム	部品番号	名前	数量	UOM
	0081998 M	WIRING BOX TB60 TB66J PRO66 CUMMINS DEUTZ ASSEMBLY NOVEMBER 2011 AND AFTER		EA
1	0081996	WIRING BOX DRILLED	1	EA
2	3040411	Alarm Buzzer	1	EA
3	3040469	RELAY SPDT 12V 30AMP SONG	1	EA
4	3040252	Circuit Breaker 15AMP	2	EA
5	3040069	CIRCUIT BREAKER 25AMP	1	EA
6	3070001	HOURMETER	1	EA
7	0081997	INTERNAL WIRE ASSY	1	EA
8	5093001	CLP CUSH .500 VINYL COATED	1	EA
9	3040118	EXTENSION W/GASKET	1	EA
10	3040121	CLOSE UP PLUG	2	EA
11	0083467	PANEL SUB ASSEMBLY	1	EA
12	0070967	CORROSION INHIBITOR STICK BACK	1	EA
13	3045278	OUTLET 5278C W	1	EA
14	0111735	PLACARD, CIRCUIT BREAKER	1	EA
15	3040386	CONN 1.00 .875 1.00	1	EA
16	3040387	NUT, CONDUIT LOCKNUT 1" HUB	1	EA
17	3040116	CONN .75 .500 .625	2	EA
18	3040110	NUT LKG HUB .750 SAMEAS 962129	5	EA
19	3040298	CONN .75 .75 .875	1	EA
20	3040285	CONN .75 .375 .500	1	EA
21	3040187	CONN .500 .313 .438	2	EA
22	3040070	NUT LKG HUB .500 APPLETON: P/N BL50 REG 801	2	EA
23	0150606	Decal, 125 Volts Power To Platform (USA Only)	1	EA
24	5560655	POP RIVET	2	EA

アイテム	部品番号	名前	数量	UOM
25	5560666	SCR TRHD 6 32 .500	2	EA
26	984009	NUT HEX 6 32	2	EA
27	5561552	#10 32 X 3/4 LG TRUSS HD	8	EA
28	5560703	WSHR 10 STAR TOOTH	1	EA
29	987089	WSHR LOCK #10 SPLIT TYPE	1	EA
30	984049	NUT HEX 10 24	1	EA
31	5560034	NUT LKG 10 24	8	EA
32	986159	WSHR FLAT 6	2	EA
33	987349	WSHR LOCK 6	2	EA
34	986019	WSHR FLAT .250	1	EA
35	970029	BLT .25 20 .750	1	EA
36	5560004	NUT LKG .250 20	1	EA
37	0070735	WIRE 12 R6I R10I 3	2	EA
38	0181028	WIRE 16 R6 FEM188 10.5	1	EA
39	0240483	WIRE 16 R6I R10I 8	1	EA
40	0081559	WIRE 16 FEM250FI 10 20/20	1	EA
41	0071528	WIRE 18 FEM250FI FEM188I 21	1	EA
42	0073057	WIRE 12R10I FEM250FI 5.5	1	EA
44	0071561	JUMPER WIRE	1	EA
45	5569003	GROMMET .188ID .313DIAX.125GRV	1	EA
46	3040295	CONN .75 .625 .75	1	EA
47	5560703	WSHR 10 STAR TOOTH	1	EA

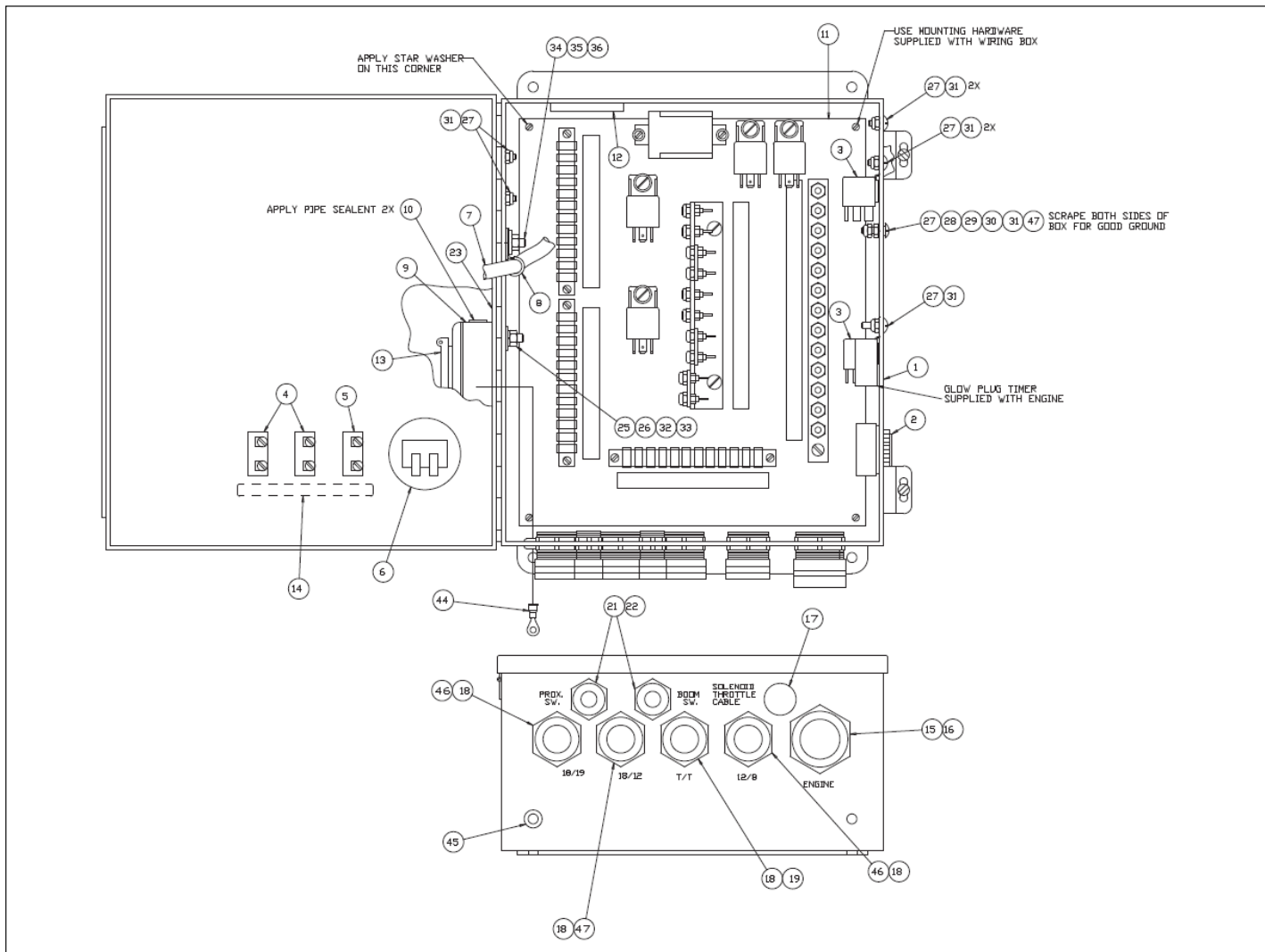
ELECTRICAL



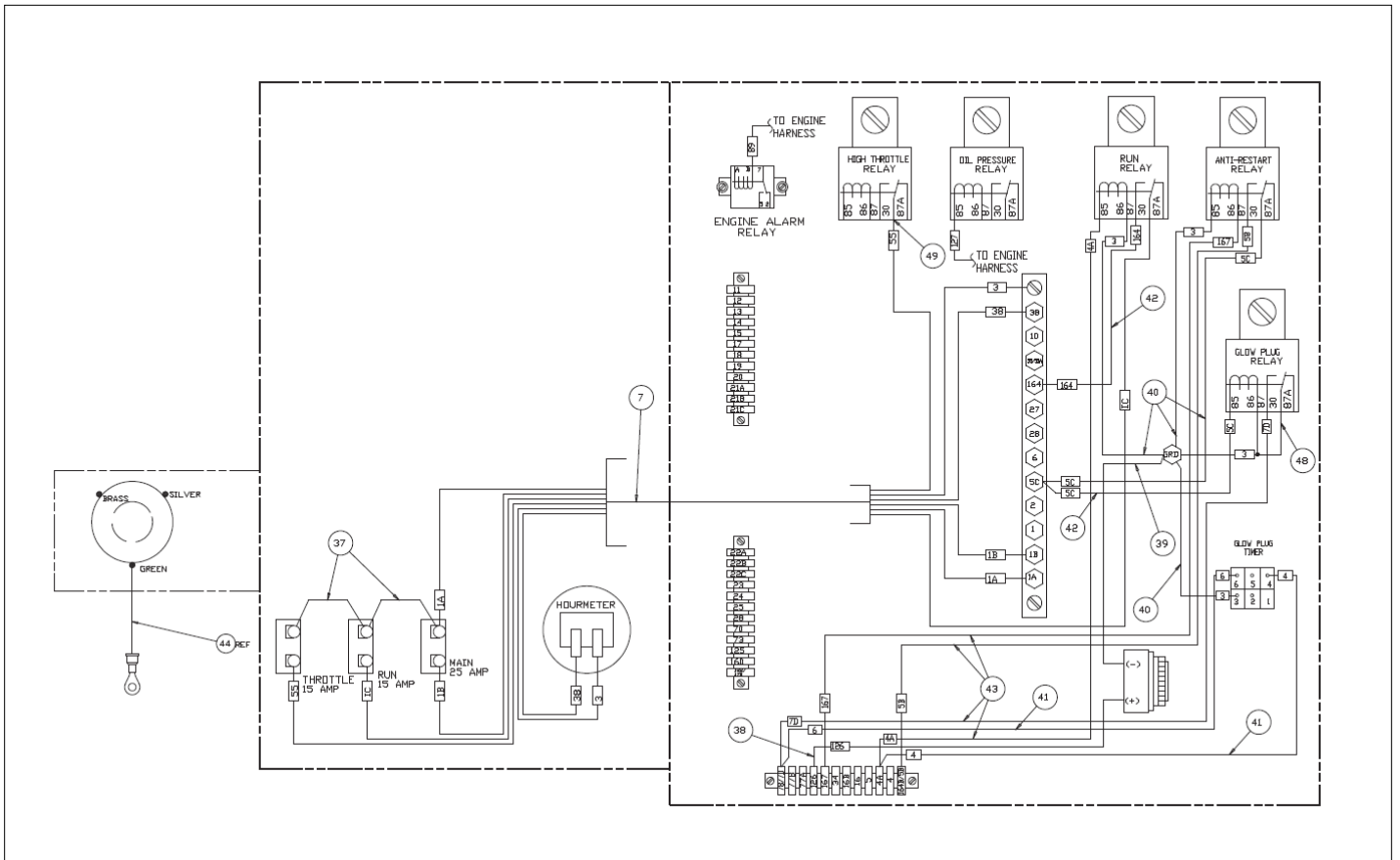
アイテム	部品番号	名前	数量	UOM
	0082689 K	WIRING BOX FORD LRG 425 SEPTEMBER 2006 AND AFTER	1	EA
1	0081996	WIRING BOX DRILLED	1	EA
2	3040411	Alarm Buzzer	1	EA
3	3040469	RELAY SPDT 12V 30AMP SONG	3	EA
4	3040252	Circuit Breaker 15AMP	1	EA
5	3040069	CIRCUIT BREAKER 25AMP	1	EA
6	3070001	HOURMETER	1	EA
7	0081997	INTERNAL WIRE ASSY	1	EA
8	5093000	CLP CUSH .438 VINYL COATED	1	EA
9	3040118	EXTENSION W/GASKET	1	EA
10	3040121	CLOSE UP PLUG	4	EA
11	0082688	WIRING BOX PANEL, FORD LRG 425	1	EA
12	0070967	CORROSION INHIBITOR STICK BACK	1	EA
13	3045278	OUTLET 5278C W	1	EA
14	0170623	DECAL, THROTTLE	1	EA
15	3040386	CONN 1.00 .875 1.00	1	EA
16	3040387	NUT, CONDUIT LOCKNUT 1" HUB	1	EA
17	3040116	CONN .75 .500 .625	1	EA
18	3040110	NUT LKG HUB .750 SAMEAS 962129	4	EA
19	3040298	CONN .75 .75 .875	1	EA
20	3040285	CONN .75 .375 .500	1	EA
21	3040187	CONN .500 .313 .438	3	EA
22	3040070	NUT LKG HUB .500 APPLETON: P/N BL50 REG 801	3	EA
23	0070921	Decal, 125 Volts (USA Only)	1	EA
24	5560655	POP RIVET	2	EA
25	974239	SCR RDH 6 32 .500	2	EA

アイテム	部品番号	名前	数量	UOM
26	984009	NUT HEX 6 32	2	EA
27	5560648	SCR RDHD 10 24 .750	5	EA
28	5560654	WSHR LOCK #10 SPLIT TYPE	2	EA
29	987089	WSHR LOCK #10 SPLIT TYPE	1	EA
30	984049	NUT HEX 10 24	1	EA
31	5560034	NUT LKG 10 24	4	EA
32	986159	WSHR FLAT 6	2	EA
33	987349	WSHR LOCK 6	2	EA
34	986019	WSHR FLAT .250	1	EA
35	970029	BLT .25 20 .750	1	EA
36	5560004	NUT LKG .250 20	1	EA
37	0070735	WIRE 12 R6I R10I 3	2	EA
38	0181028	WIRE 16 R6 FEM188 10.5	1	EA
39	0240483	WIRE 16 R6I R10I 8	1	EA
40	0081559	WIRE 16 FEM250FI 10 20/20	1	EA
41	5560667	SCR PANHD #10 24 X .375	4	EA
42	0073057	WIRE 12R10I FEM250FI 5.5	1	EA
43	970469	HHD BLT .375 16 X 1.00 GR5	1	EA
44	0071561	JUMPER WIRE	1	EA
45	5569003	GROMMET .188ID .313DIAX.125GRV	1	EA
46	0071528	WIRE 18 FEM250FI FEM188I 21	4	EA
47	0071555	WIRE 16 R10I FEM250I 6	3	EA
48	0071778	DECAL, MAIN CIRCUIT BREAKER	1	EA
49	3040115	CONN .500 .375 .500	1	EA
50	3040295	CONN .75 .625 .75	1	EA
51	0181031	WIRE 12 R10 FEM250FI 11	1	EA
52	0112231	JUMPER WIRE	1	EA

ELECTRICAL

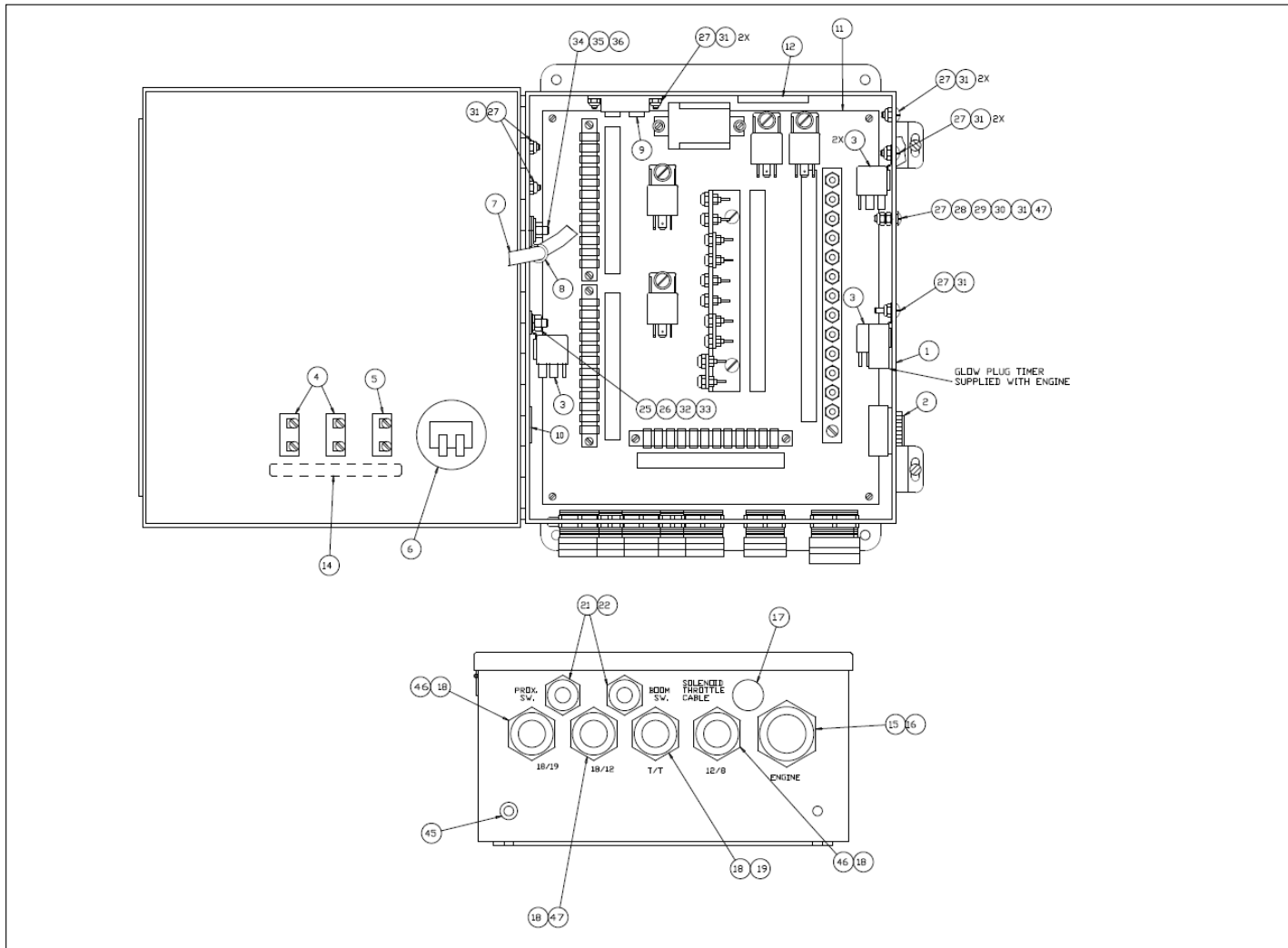


アイテム	部品番号	名前	数量	UOM
*	0084702E	WIRING BOX KUBOTA ASSEMBLY JUNE 2014 AND AFTER		EA
1	0081996	WIRING BOX DRILLED	1	EA
2	3040411	Alarm Buzzer	1	EA
3	3040469	RELAY SPDT 12V 30AMP SONG	3	EA
4	3040252	Circuit Breaker 15AMP	2	EA
5	3040069	CIRCUIT BREAKER 25AMP	1	EA
6	3070001	HOURMETER	1	EA
7	0081997	INTERNAL WIRE ASSY	1	EA
8	5093001	CLP CUSH .500 VINYL COATED	1	EA
9	3040118	EXTENSION W/GASKET	1	EA
10	3040121	CLOSE UP PLUG	2	EA
11	0084703	PANEL SUB ASSEMBLY KUBOTA	1	EA
12	0070967	CORROSION INHIBITOR STICK BACK	1	EA
13	3045278	OUTLET 5278C W	1	EA
14	0111735	PLACARD, CIRCUIT BREAKER	1	EA
15	3040386	CONN 1.00 .875 1.00	1	EA
16	3040387	NUT, CONDUIT LOCKNUT 1" HUB	1	EA
17	3040031	PLUG HOLE .750	1	EA
18	3040110	NUT LKG HUB .750 SAMEAS 962129	4	EA
19	3040298	CONN .75 .75 .875	1	EA
21	3040187	CONN .500 .313 .438	2	EA
22	3040070	NUT LKG HUB .500 APPLETON: P/N BL50 REG 801	2	EA
23	0150606	Decal, 125 Volts Power To Platform (USA Only)	1	EA
24	PNNA	POP RIVET AD32ABS	2	EA
25	974279	SCR RHD 6 32 .750	2	EA

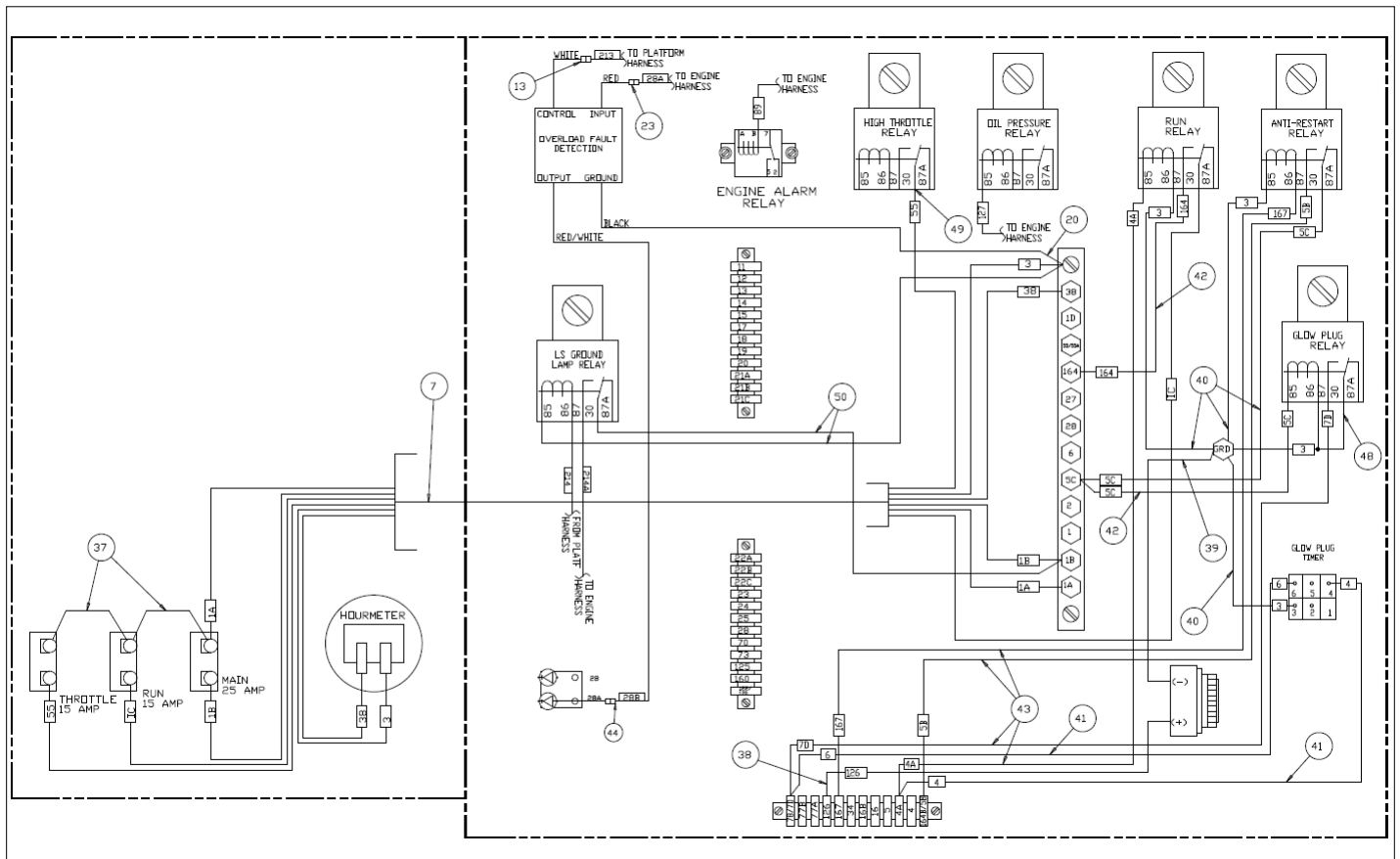


アイテム	部品番号	名前	数量	UOM
26	984009	NUT HEX 6 32	2	EA
27	5563025	SCR TRHD 10 24 .750	8	EA
28	5560703	WSHR 10 STAR TOOTH	1	EA
29	5560654	WSHR LOCK #10 SPLIT TYPE	1	EA
30	984049	NUT HEX 10 24	1	EA
31	5560034	NUT LKG 10 24	8	EA
32	986159	WSHR FLAT 6	2	EA
33	987349	WSHR LOCK 6	2	EA
34	986019	WSHR FLAT .250	1	EA
35	970029	BLT .25 20 .750	1	EA
36	5560004	NUT LKG .250 20	1	EA
37	0070735	WIRE 12 R6I R10I 3	2	EA
38	0181028	WIRE 16 R6 FEM188 10.5	1	EA
39	0240483	WIRE 16 R6I R10I 8	1	EA
40	0081559	WIRE 16 FEM250FI 10 20/20	4	EA
41	0071528	WIRE 18 FEM250FI FEM188I 21	2	EA
42	0073057	WIRE 12R10I FEM250FI 5.5	2	EA
43	0111508	WIRE 16 FEM188I FEM250FI 24	4	EA
44	0071561	JUMPER WIRE	1	EA
45	5569003	GROMMET .188ID .313DIAX.125GRV	1	EA
46	3040295	CONN .75 .625 .75	2	EA
47	3040285	CONN .75 .375 .500	1	EA
48	0152586	WIRE 16 SEE DWG	1	EA
49	3040065	TERM FEM250FI 12/10 FULLY INSU	1	EA

ELECTRICAL

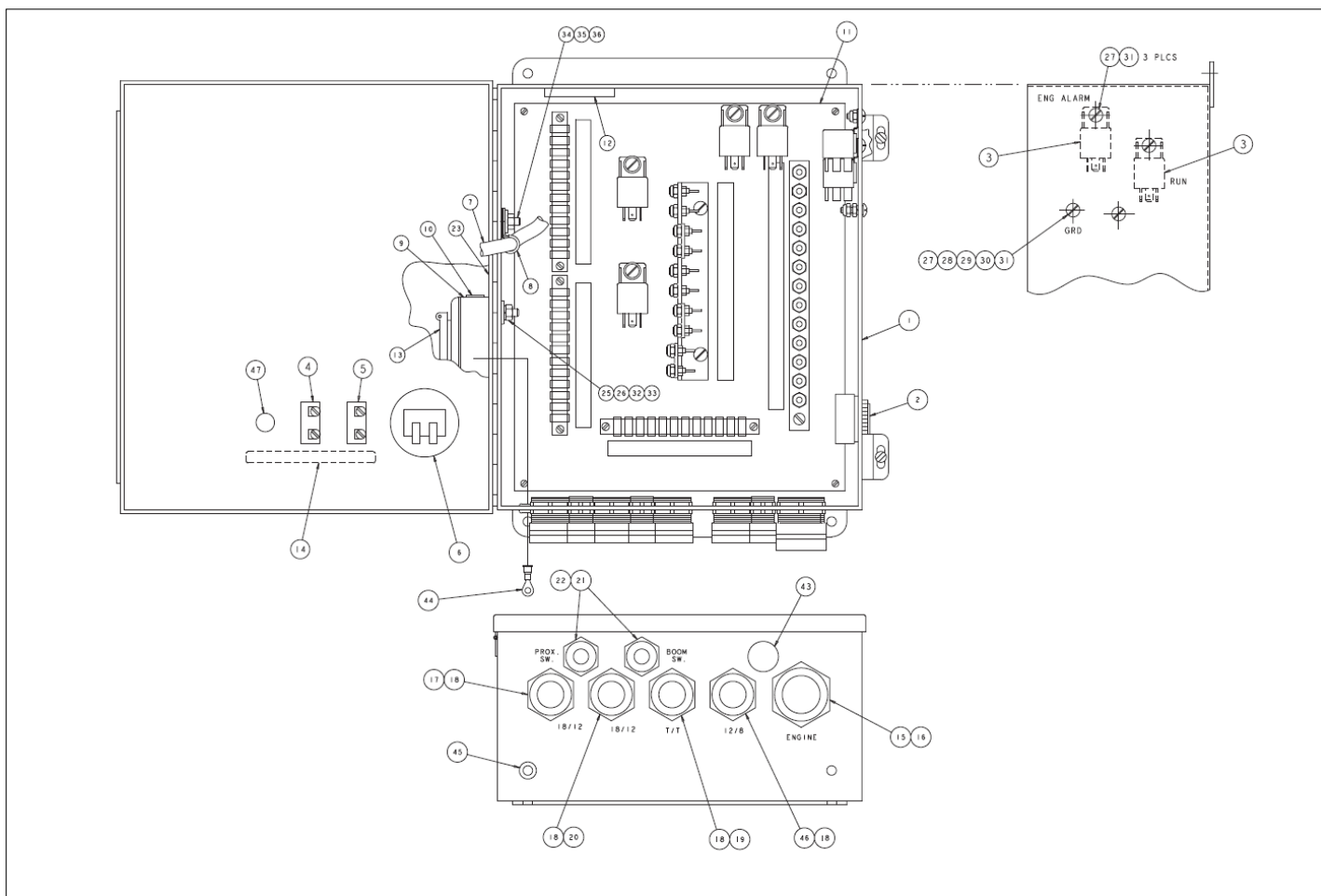


アイテム	部品番号	名前	数量	UOM
	0084773 A	WIRING BOX KUBOTA CE APRIL 2015 AND AFTER	1	EA
1	0081996	WIRING BOX DRILLED	1	EA
2	3040411	Alarm Buzzer	1	EA
3	3040469	RELAY SPDT 12V 30AMP SONG	4	EA
4	3040252	Circuit Breaker 15AMP	2	EA
5	3040069	CIRCUIT BREAKER 25AMP	1	EA
6	3070001	HOURMETER	1	EA
7	0081997	INTERNAL WIRE ASSY	1	EA
8	5093001	CLP CUSH .500 VINYL COATED	1	EA
9	3220096	OVERLOAD FAULT DETECTION	1	EA
10	583406	PLUG HOLE 2.00 DIA PLASTIC	1	EA
11	0084703	PANEL SUB ASSEMBLY KUBOTA	1	EA
12	0070967	CORROSION INHIBITOR STICK BACK	1	EA
13	3040047	TERM FEM250FI 22/18	1	EA
14	0111735	PLACARD, CIRCUIT BREAKER	1	EA
15	3040386	CONN 1.00 .875 1.00	1	EA
16	3040387	NUT, CONDUIT LOCKNUT 1" HUB	1	EA
17	3040031	PLUG HOLE .750	1	EA
18	3040110	NUT LKG HUB .750 SAMEAS 962129	4	EA
19	3040298	CONN .75 .75 .875	1	EA
20	3044146	TERM R10I 22/18	1	EA
21	3040187	CONN .500 .313 .438	2	EA
22	3040070	NUT LKG HUB .500 APPLETON: P/N BL50 REG 801	2	EA
23	3040082	TERM MALE250FI 16/14	1	EA
24	5560655	POP RIVET	2	EA
25	974279	SCR RHD 6 32 .750	2	EA
26	984049	NUT HEX 10 24	1	EA



アイテム	部品番号	名前	数量	UOM
27	5563025	SCR TRHD 10 24 .750	10	EA
28	5560703	WSHR 10 STAR TOOTH	1	EA
29	5560654	WSHR LOCK #10 SPLIT TYPE	1	EA
30	984009	NUT HEX 6 32	2	EA
31	5560034	NUT LKG 10 24	10	EA
32	986159	WSHR FLAT 6	2	EA
33	987349	WSHR LOCK 6	2	EA
34	986019	WSHR FLAT .250	1	EA
35	970029	BLT .25 20 .750	1	EA
36	5560004	NUT LKG .250 20	1	EA
37	0070735	WIRE 12 R6I R10I 3	2	EA
38	0181028	WIRE 16 R6 FEM188 10.5	1	EA
39	0240483	WIRE 16 R6I R10I 8	1	EA
40	0081559	WIRE 16 FEM250FI 10 20/20	4	EA
41	0071528	WIRE 18 FEM250FI FEM188I 21	2	EA
42	0073057	WIRE 12R10I FEM250FI 5.5	2	EA
43	0111508	WIRE 16 FEM188I FEM250FI 24	4	EA
44	3040083	TERM FEM250FI 16/14	1	EA
45	5569003	GROMMET .188ID .313DIAX.125GRV	1	EA
46	3040295	CONN .75 .625 .75	2	EA
47	3040285	CONN .75 .375 .500	1	EA
48	0152586	WIRE 16 SEE DWG	1	EA
49	3040065	TERM FEM250FI 12/10 FULLY INSU	1	EA
50	0071812	WIRE 16 R10 FEM250FI 18	2	EA

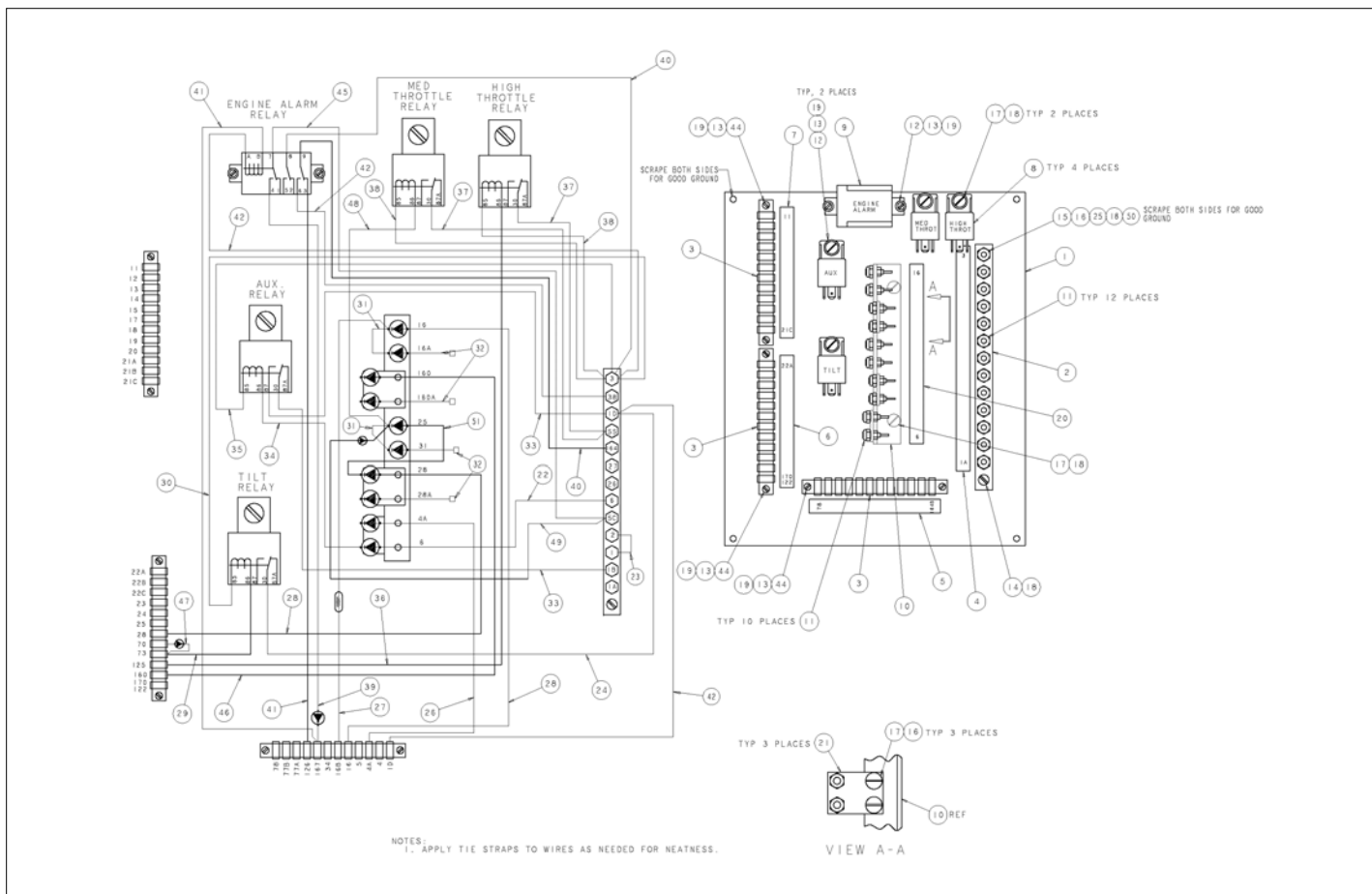
ELECTRICAL



アイテム	部品番号	名前	数量	UOM
	0084113 A	WIRING BOX GM TIER 3 JULY 2007 AND BEFORE	1	EA
1	0081996	WIRING BOX DRILLED	1	EA
2	3040411	Alarm Buzzer	1	EA
3	3040469	RELAY SPDT 12V 30AMP SONG	2	EA
4	582206	CIRCUIT BREAKER 5 AMP	1	EA
5	3040069	CIRCUIT BREAKER 25AMP	1	EA
6	3070001	HOURMETER	1	EA
7	0081997	INTERNAL WIRE ASSY	1	EA
8	5093001	CLP CUSH .500 VINYL COATED	1	EA
9	3040118	EXTENSION W/GASKET	1	EA
10	3040121	CLOSE UP PLUG	4	EA
11	0084114	PANEL SUB ASSEMBLY GM T3	1	EA
12	0070967	CORROSION INHIBITOR STICK BACK	1	EA
13	3045278	OUTLET 5278C W	1	EA
14	0111735	PLACARD, CIRCUIT BREAKER	1	EA
15	3040386	CONN 1.00 .875 1.00	1	EA
16	3040387	NUT, CONDUIT LOCKNUT 1" HUB	1	EA
17	3040116	CONN .75 .500 .625	1	EA
18	3040110	NUT LKG HUB .750 SAMEAS 962129	4	EA
19	3040298	CONN .75 .75 .875	1	EA
20	3040285	CONN .75 .375 .500	1	EA
21	3040187	CONN .500 .313 .438	2	EA
22	3040070	NUT LKG HUB .500 APPLETON: P/N BL50 REG 801	2	EA
23	0150606	Decal, 125 Volts Power To Platform (USA Only)	1	EA
24	PNNA	POP RIVET AD32ABS	2	EA
25	PNNA	MACH. SCREW, #6 32	2	EA

アイテム	部品番号	名前	数量	UOM
26	PNNA	NUT, #6 32 HEX PLTD	2	EA
27	PNNA	#10 24 X 3/4" LG. TRUSS HD	4	EA
28	PNNA	#10 STAR WASHER	1	EA
29	PNNA	#10 LOCK WASHER	1	EA
30	PNNA	#10 24 HEX NUT	1	EA
31	PNNA	#10 ESNA	4	EA
32	PNNA	FLAT WASHER #6	2	EA
33	PNNA	WASHER , #6 LOCK	2	EA
34	PNNA	FLAT WASHER 1/4"	1	EA
35	PNNA	BLT HEXHD .25 20 X .75	1	EA
36	PNNA	NUT, 1/4 20 ESNA	1	EA
37	0070735	WIRE 12 R6I R10I 3	1	EA
38	0181028	WIRE 16 R6 FEM188 10.5	1	EA
39	0240483	WIRE 16 R6I R10I 8	1	EA
40	0081559	WIRE 16 FEM250FI 10 20/20	2	EA
41	0071528	WIRE 18 FEM250FI FEM188I 21	3	EA
42	0073057	WIRE 12R10I FEM250FI 5.5	3	EA
43	3040301	PLUG HOLE .875	1	EA
44	0071561	JUMPER WIRE	1	EA
45	5569003	GROMMET .188ID .313DIA X .125GRV	1	EA
46	3040295	CONN .75 .625 .75	1	EA
47	469396	PLUG HOLE .500 DIA PLASTIC HEY	1	EA

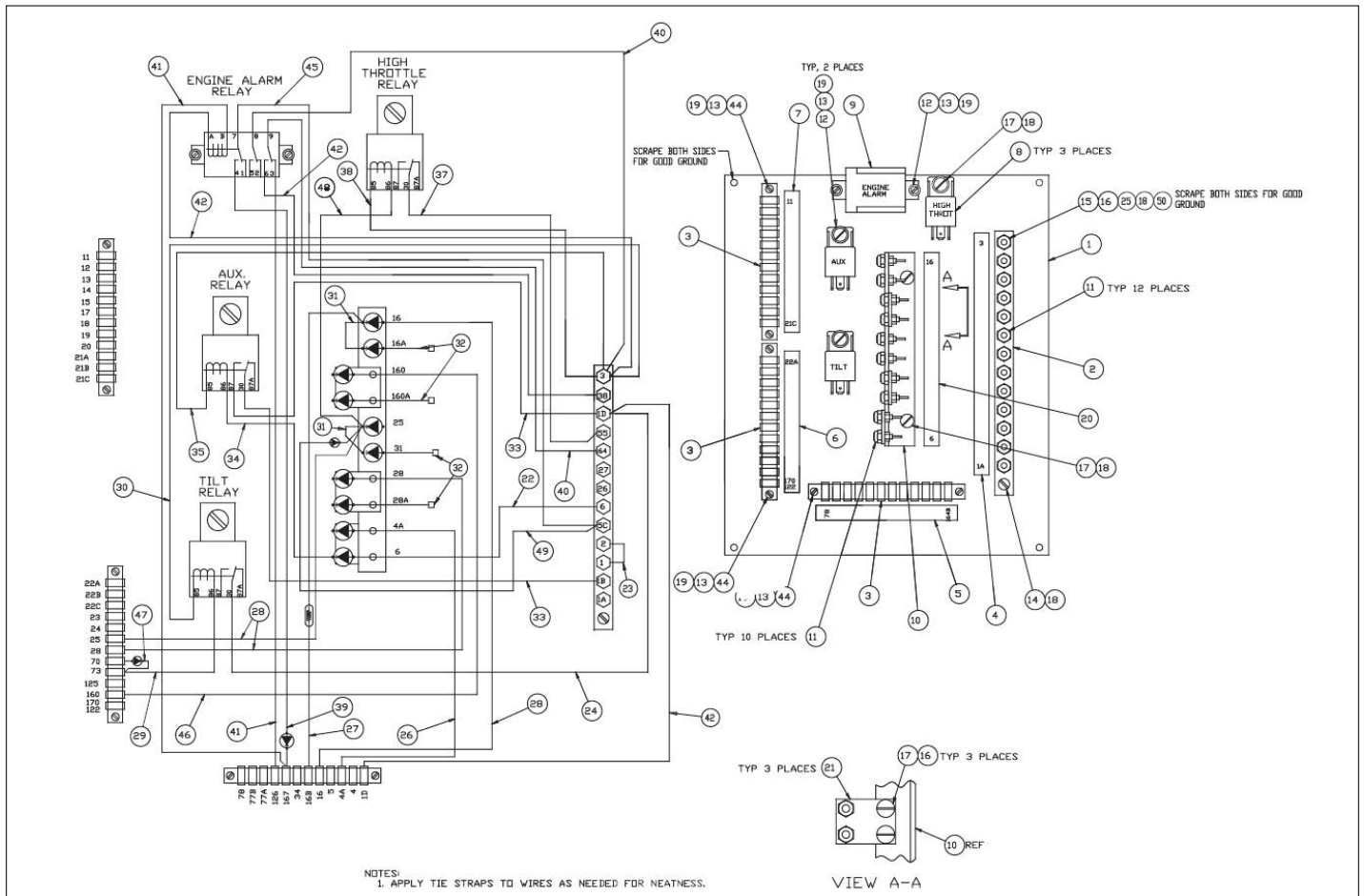
ELECTRICAL



アイテム	部品番号	名前	数量	UOM
	0083467 E	PANEL SUB ASSEMBLY CUMMINS DEUTZ 3 SPEED NOVEMBER 2007 AND AFTER		EA
1	0180796	PANEL DRILLED	1	EA
2	3044712	TERM STRIP (12) #10 STUD	1	EA
3	3040433	TERMINAL STRIP (12) .188 TAB	3	EA
4	0181552	DECAL TERM STRIP VERT 13	1	EA
5	0182187	DECAL, TERMINAL STRIP	1	EA
6	0181107	DECAL TERM STRIP VERT 12TERM	1	EA
7	0181106	DECAL TERM STRIP VERT 12TERM 1	1	EA
8	3040469	RELAY SPDT 12V 30AMP SONG	4	EA
9	3040287	RELAY, MIDTEX	1	EA
10	0150488	DIODE HOLDER 10PLC	1	EA
11	5560034	NUT LKG 10 24	22	EA
12	5560666	SCR TRHD 6 32 .500	4	EA
13	986159	WSHR FLAT 6	6	EA
14	5563025	SCR TRHD 10 24 .750	1	EA
15	974729	SCR RDH MACH 10 24 1.25	1	EA
16	984049	NUT HEX 10 24	7	EA
17	5560609	SCR TRHD 10 24 .500	10	EA
18	987089	WSHR LOCK #10 SPLIT TYPE	6	EA
19	987349	WSHR LOCK 6	10	EA
20	0181554	DECAL TERM STRIP VERT 10	1	EA
21	0073631	DIODE STAND OFF 2 DIODE	3	EA
22	0070681	WIRE 16 R10 DIODE 7	1	EA
23	0070711	WIRE 12 R10I R10I 3	1	EA
24	0071812	WIRE 16 R10 FEM250FI 18	1	EA
25	5560703	WSHR 10 STAR TOOTH	1	EA
26	0070682	WIRE 16 FEM188I DIODE 7	1	EA

アイテム	部品番号	名前	数量	UOM
27	0083778	RESISTOR WIRE ASSY	1	EA
28	0140317	WIRE 16 FEM188I DIO 9	2	EA
29	0151205	WIRE 16 FEM188 FEM250FI 7	1	EA
30	0081560	WIRE 16 R10I FEM250FI 12	1	EA
31	0070724	WIRE 18 R10I R10I 3	2	EA
32	0181110	WIRE 16 FEM250FI DIO 2.25	4	EA
33	0181031	WIRE 12 R10 FEM250FI 11	2	EA
34	0081559	WIRE 16 FEM250FI 10 20/20	1	EA
35	0081515	WIRE 16 R10 FEM250FI 8	1	EA
36	0181030	WIRE 16 FEM188 FEM250FI 15	1	EA
37	0181136	WIRE 12 R10 FEM250FI 5	2	EA
38	0181111	WIRE 16 R10I FEM250FI 5	2	EA
39	0112164	DIODE WIRE	1	EA
40	0070713	WIRE 18 R10I FEM188I 10	2	EA
41	0140323	WIRE JUMPER 13 in	2	EA
42	0140332	WIRE 16 R10I FEM188I 9	3	EA
44	974279	SCR RHD 6 32 .750	6	EA
45	0090621	WIRE 16 R10I FEM188I 13	1	EA
46	0110471	WIRE 16 FEM188I DIODE 11	1	EA
47	0170335	DIODE WIRE	1	EA
48	0181113	WIRE 16 R10I FEM250FI 9 25/25	1	EA
49	0073253	WIRE 18 R10I R10I 11 DIO SP	1	EA
50	5560034	NUT LKG 10 24	1	EA
51	0110918	WIRE 16 R10I DIODE 10	1	EA

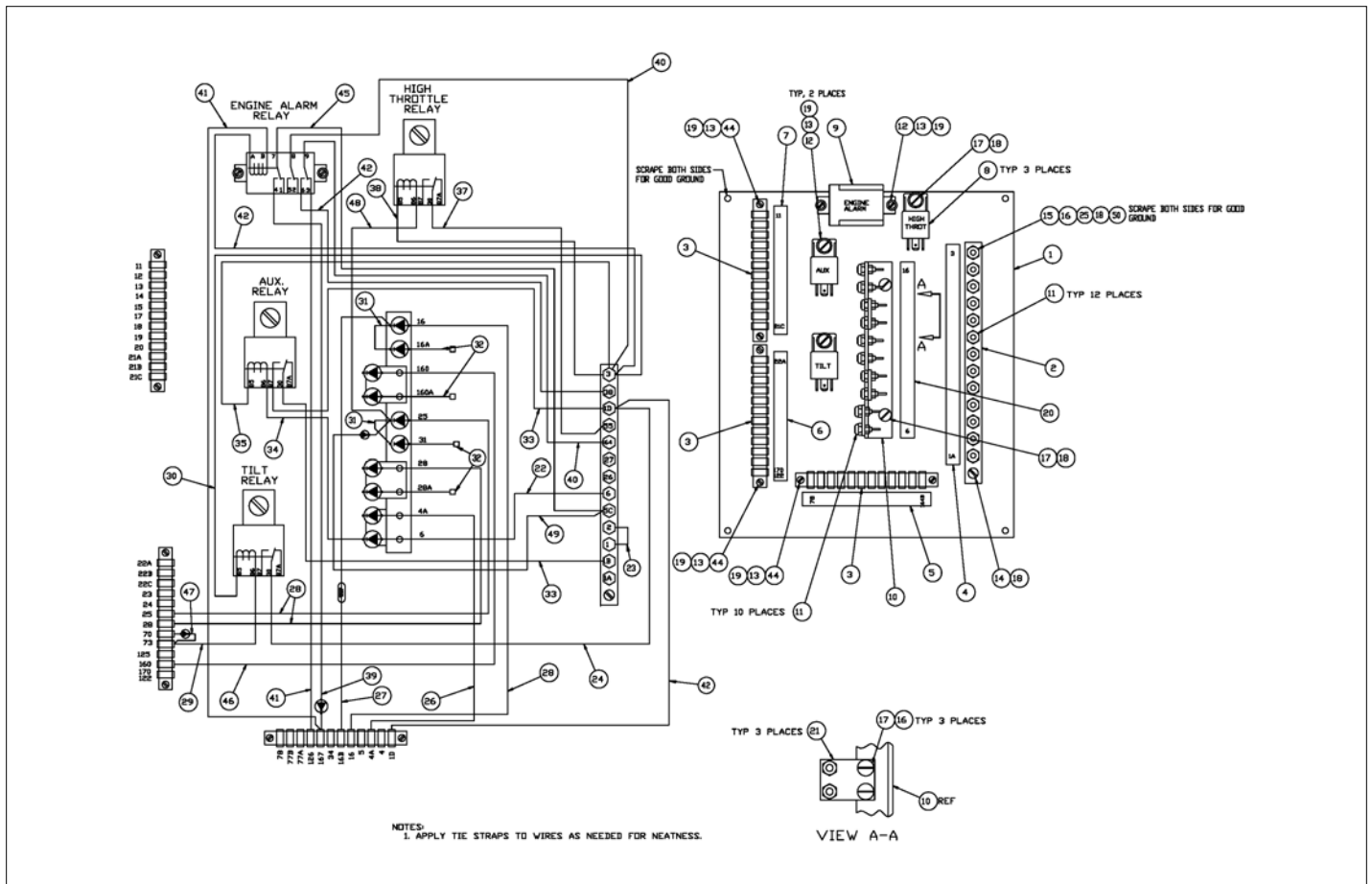
ELECTRICAL



アイテム	部品番号	名前	数量	UOM
	0083467 F	PANEL SUBASSEMBLY CUMMINS DEUTZ AUGUST 2008 AND AFTER		EA
1	0180796	PANEL DRILLED	1	EA
2	3044712	TERM STRIP (12) #10 STUD	1	EA
3	3040433	TERMINAL STRIP (12) .188 TAB	3	EA
4	0181552	DECAL TERM STRIP VERT 13	1	EA
5	0182187	DECAL, TERMINAL STRIP	1	EA
6	0181107	DECAL TERM STRIP VERT 12TERM	1	EA
7	0181106	DECAL TERM STRIP VERT 12TERM 1	1	EA
8	3040469	RELAY SPDT 12V 30AMP SONG	3	EA
9	3040287	RELAY, MIDTEX	1	EA
10	0150488	DIODE HOLDER 10PLC	1	EA
11	5560038	NUT LKG 10 32	22	EA
12	5560666	SCR TRHD 6 32 .500	4	EA
13	986159	WSHR FLAT 6	6	EA
14	974689	SCR RDH MACH 10 24 .75	1	EA
15	974729	SCR RDH MACH 10 24 1.25	1	EA
16	5560034	NUT LKG 10 24	7	EA
17	5560609	SCR TRHD 10 24 .500	9	EA
18	987089	WSHR LOCK #10 SPLIT TYPE	5	EA
19	987349	WSHR LOCK 6	10	EA
20	0181554	DECAL TERM STRIP VERT 10	1	EA
21	0073631	DIODE STAND OFF 2 DIODE	3	EA
22	0070681	WIRE 16 R10 DIODE 7	1	EA
23	0070711	WIRE 12 R10I R10I 3	1	EA
24	0071812	WIRE 16 R10 FEM250FI 18	1	EA
25	5560703	WSHR 10 STAR TOOTH	1	EA
26	0070682	WIRE 16 FEM188I DIODE 7	1	EA

アイテム	部品番号	名前	数量	UOM
27	0083778	RESISTOR WIRE ASSY	1	EA
28	0140317	WIRE 16 FEM188I DIO 9	3	EA
29	0151205	WIRE 16 FEM188 FEM250FI 7	1	EA
30	0081560	WIRE 16 R10I FEM250FI 12	1	EA
31	0070724	WIRE 18 R10I R10I 3	2	EA
32	0181110	WIRE 16 FEM250FI DIO 2.25	4	EA
33	0181031	WIRE 12 R10 FEM250FI 11	2	EA
34	0081559	WIRE 16 FEM250FI 10 20/20	1	EA
35	0081515	WIRE 16 R10 FEM250FI 8	1	EA
37	0181136	WIRE 12 R10 FEM250FI 5	1	EA
38	0181111	WIRE 16 R10I FEM250FI 5	1	EA
39	0112164	DIODE WIRE	1	EA
40	0070713	WIRE 18 R10I FEM188I 10	2	EA
41	0140323	WIRE JUMPER 13 in	2	EA
42	0140332	WIRE 16 R10I FEM188I 9	3	EA
44	974129	SCR RHD #6 32 .75	6	EA
45	0090621	WIRE 16 R10I FEM188I 13	1	EA
46	0110471	WIRE 16 FEM188I DIODE 11	1	EA
47	0170335	DIODE WIRE	1	EA
48	0181113	WIRE 16 R10I FEM250FI 9 25/25	1	EA
49	0073253	WIRE 18 R10I R10I 11 DIO SP	1	EA
50	984049	NUT HEX 10 24	1	EA

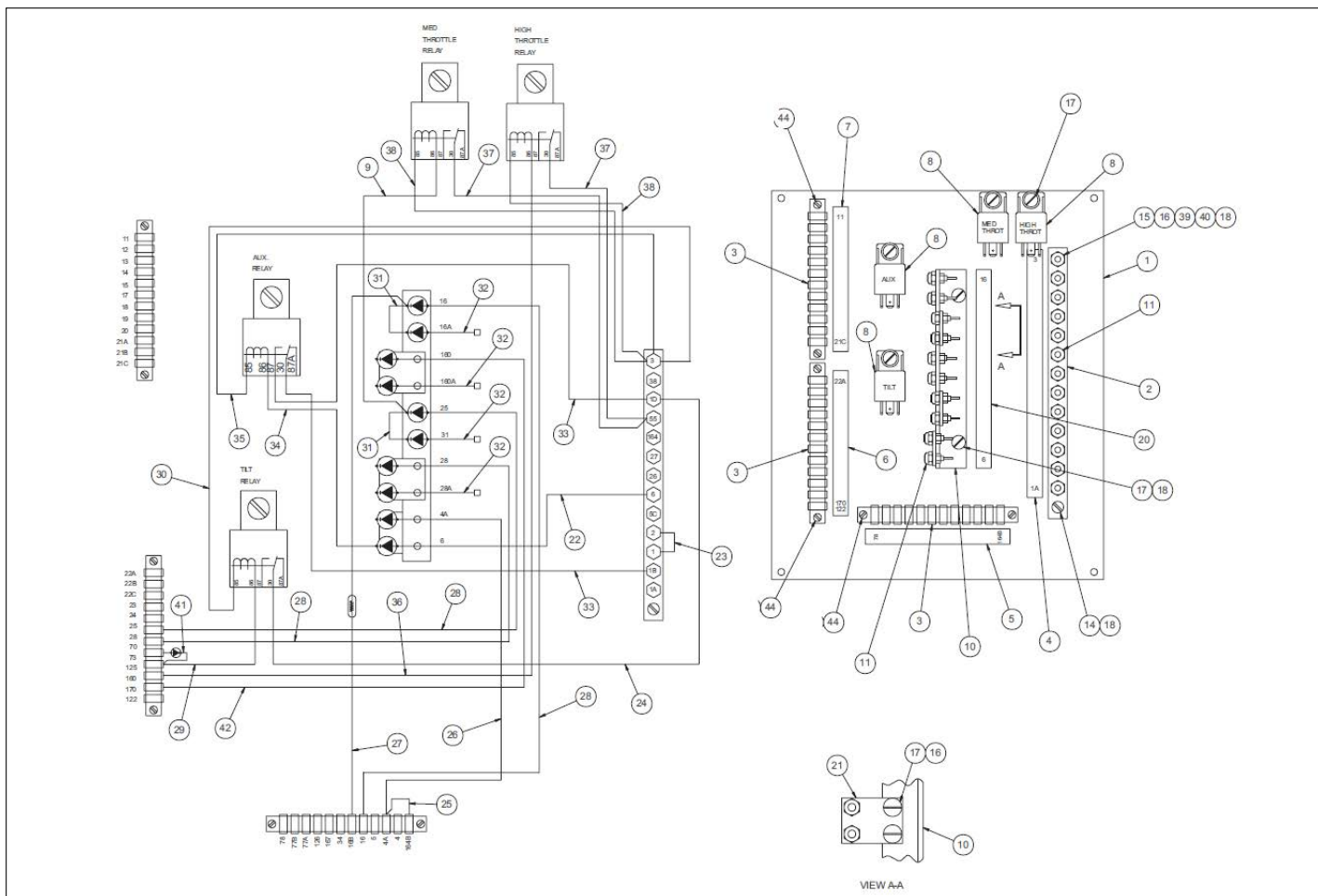
ELECTRICAL



アイテム	部品番号	名前	数量	UOM
	0083467 G	PANEL SUBASSEMBLY CUMMINS DEUTZ 3 SPEED OCTOBER 2010 AND AFTER		EA
1	0180796	PANEL DRILLED	1	EA
2	3044712	TERM STRIP (12) #10 STUD	1	EA
3	3040433	TERMINAL STRIP (12) .188 TAB	3	EA
4	0181552	DECAL TERM STRIP VERT 13	1	EA
5	0182187	DECAL, TERMINAL STRIP	1	EA
6	0181107	DECAL TERM STRIP VERT 12TERM	1	EA
7	0181106	DECAL TERM STRIP VERT 12TERM 1	1	EA
8	3040469	RELAY SPDT 12V 30AMP SONG	4	EA
9	3040287	RELAY, MIDTEX	1	EA
10	0150488	DIODE HOLDER 10PLC	1	EA
11	5560034	NUT LKG 10 24	22	EA
12	5560666	SCR TRHD 6 32 .500	4	EA
13	986159	WSHR FLAT 6	6	EA
14	974689	SCR RDH MACH 10 24 .75	1	EA
15	974729	SCR RDH MACH 10 24 1.25	1	EA
16	5560034	NUT LKG 10 24	7	EA
17	5560609	SCR TRHD 10 24 .500	10	EA
18	987089	WSHR LOCK #10 SPLIT TYPE	6	EA
19	987349	WSHR LOCK 6	10	EA
20	0181554	DECAL TERM STRIP VERT 10	1	EA
21	0073631	DIODE STAND OFF 2 DIODE	3	EA
22	0070681	WIRE 16 R10 DIODE 7	1	EA
23	0070711	WIRE 12 R10I R10I 3	1	EA
24	0071812	WIRE 16 R10 FEM250FI 18	1	EA
25	5560703	WSHR 10 STAR TOOTH	1	EA
26	0070682	WIRE 16 FEM188I DIODE 7	1	EA

アイテム	部品番号	名前	数量	UOM
27	0083778	RESISTOR WIRE ASSY	1	EA
28	0140317	WIRE 16 FEM188I DIO 9	2	EA
29	0151205	WIRE 16 FEM188 FEM250FI 7	1	EA
30	0081560	WIRE 16 R10I FEM250FI 12	1	EA
31	0070724	WIRE 18 R10I R10I 3	2	EA
32	0181110	WIRE 16 FEM250FI DIO 2.25	4	EA
33	0181031	WIRE 12 R10 FEM250FI 11	2	EA
34	0081559	WIRE 16 FEM250FI 10 20/20	1	EA
35	0081515	WIRE 16 R10 FEM250FI 8	1	EA
37	0181136	WIRE 12 R10 FEM250FI 5	2	EA
38	0181111	WIRE 16 R10I FEM250FI 5	2	EA
39	0112164	DIODE WIRE	1	EA
40	0070713	WIRE 18 R10I FEM188I 10	2	EA
41	0140323	WIRE JUMPER 13 in	2	EA
42	0140332	WIRE 16 R10I FEM188I 9	3	EA
44	974129	SCR RHD #6 32 .75	6	EA
45	0090621	WIRE 16 R10I FEM188I 13	1	EA
46	0110471	WIRE 16 FEM188I DIODE 11	1	EA
47	0170335	DIODE WIRE	1	EA
48	0181113	WIRE 16 R10I FEM250FI 9 25/25	1	EA
49	0073253	WIRE 18 R10I R10I 11 DIO SP	1	EA
50	984049	NUT HEX 10 24	7	EA

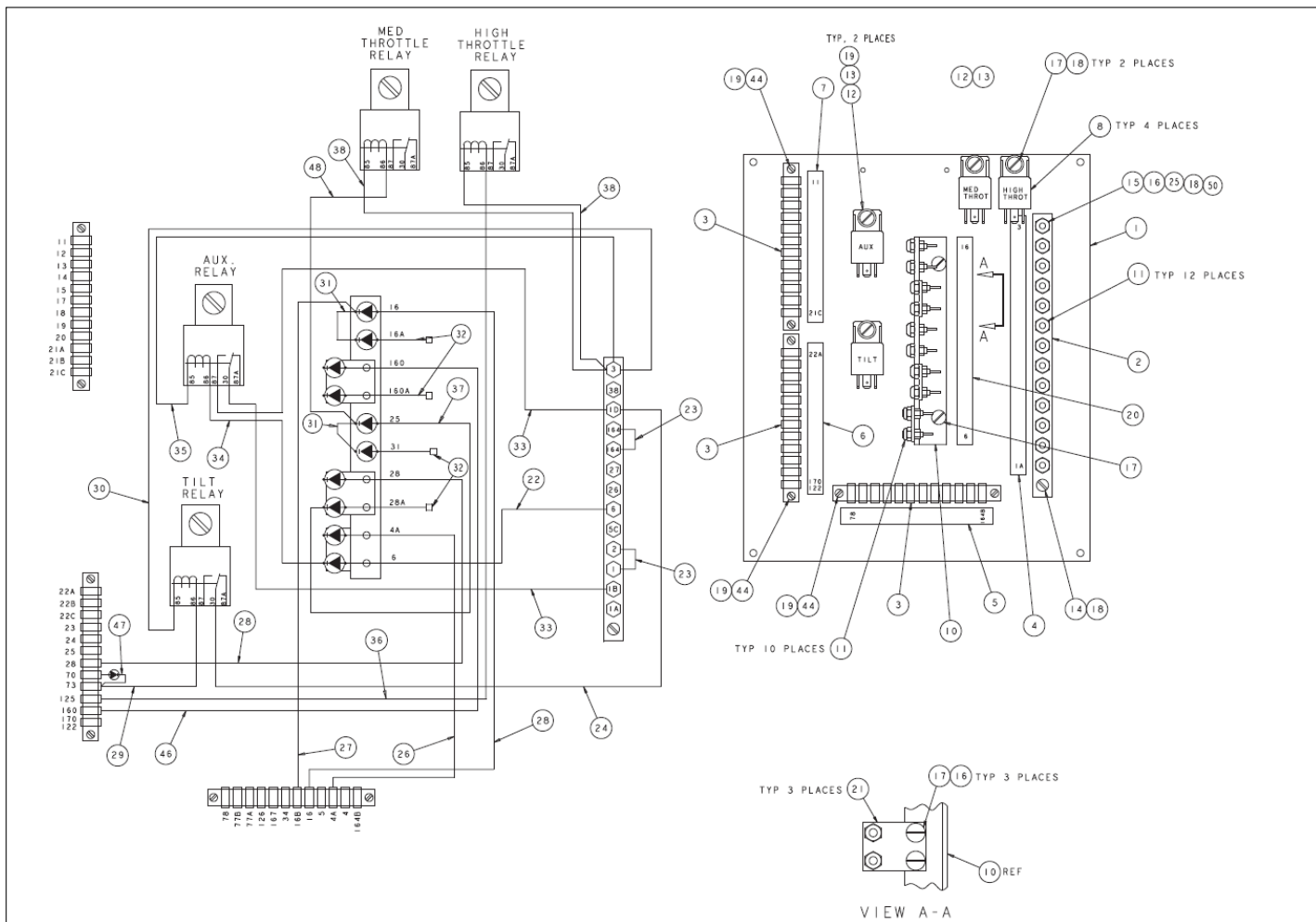
ELECTRICAL



アイテム	部品番号	名前	数量	UOM
	0082688 B	WIRING BOX PANEL FORD LRG 425 SEPTEMBER 2003 AND AFTER	1	EA
1	0180796	PANEL DRILLED	1	EA
2	3044712	TERM STRIP (12) #10 STUD	1	EA
3	3040433	TERMINAL STRIP (12) .188 TAB	3	EA
4	0181552	DECAL TERM STRIP VERT 13	1	EA
5	0181553	DECAL TERM STRIP VERT 12	1	EA
6	0181107	DECAL TERM STRIP VERT 12TERM	1	EA
7	0181106	DECAL TERM STRIP VERT 12TERM 1	1	EA
8	3040469	RELAY SPDT 12V 30AMP SONG	4	EA
9	0181113	WIRE 16 R10I FEM250FI 9 25/25	1	EA
10	0150488	DIODE HOLDER 10PLC	1	EA
Not Shown	3040108	REPLACEMENT DIODE (ORDER QUANTITY REQUIRED)		EA
11	5560038	NUT LKG 10 32	22	EA
12	974239	SCR RDH 6 32 .500	1	EA
13	986159	WSHR FLAT 6	3	EA
14	974689	SCR RDH MACH 10 24 .75	1	EA
15	974729	SCR RDH MACH 10 24 1.25	1	EA
16	5560034	NUT LKG 10 24	7	EA
17	5560609	SCR TRHD 10 24 .500	12	EA
18	987089	WSHR LOCK #10 SPLIT TYPE	3	EA
19	987349	WSHR LOCK 6	10	EA
20	0181554	DECAL TERM STRIP VERT 10	1	EA
21	0073631	DIODE STAND OFF 2 DIODE	3	EA
22	0070681	WIRE 16 R10 DIODE 7	1	EA
23	0070711	WIRE 12 R10I R10I 3	1	EA
24	0071812	WIRE 16 R10 FEM250FI 18	2	EA

アイテム	部品番号	名前	数量	UOM
25	0110458	JUMPER WIRE	1	EA
26	0070682	WIRE 16 FEM188I DIODE 7	1	EA
27	0181073	RESISTER WIRE (5 OHM)	1	EA
28	0140317	WIRE 16 FEM188I DIO 9	3	EA
29	0151205	WIRE 16 FEM188 FEM250FI 7	1	EA
30	0081560	WIRE 16 R10I FEM250FI 12	1	EA
31	0070724	WIRE 18 R10I R10I 3	2	EA
32	0180110	DIODE WIRE – INCLUDES 3040108 DIODE	4	EA
33	0181031	WIRE 12 R10 FEM250FI 11	2	EA
34	0081559	WIRE 16 FEM250FI 10 20/20	1	EA
35	0081515	WIRE 16 R10 FEM250FI 8	1	EA
36	0181030	WIRE 16 FEM188 FEM250FI 15	1	EA
37	0181136	WIRE 12 R10 FEM250FI 5	2	EA
38	0181111	WIRE 16 R10I FEM250FI 5	2	EA
39	984049	NUT HEX 10 24	1	EA
40	5560654	WSHR LOCK #10 SPLIT TYPE	1	EA
41	0170335	DIODE WIRE	1	EA
42	0110471	WIRE 16 FEM188I DIODE 11	1	EA

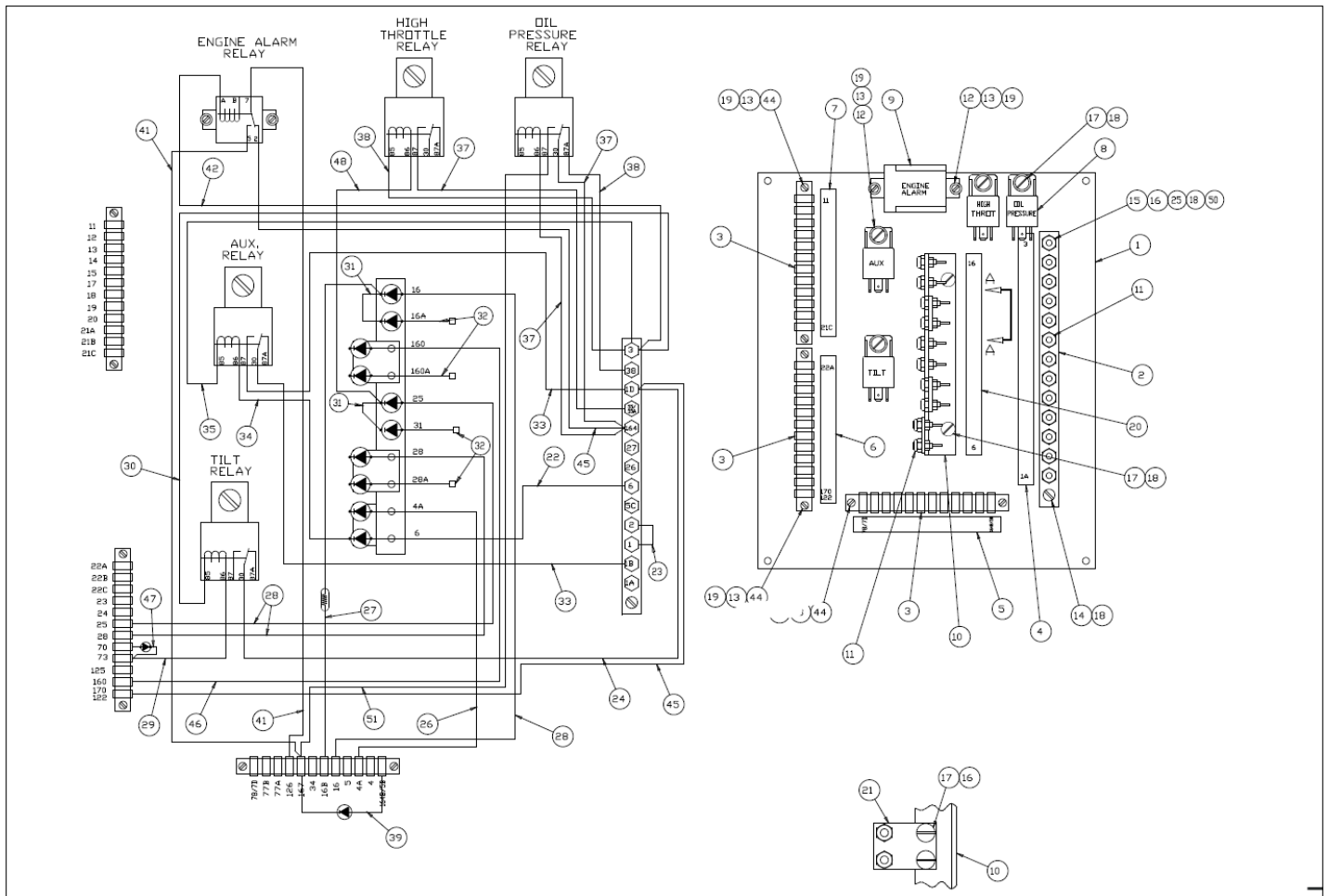
ELECTRICAL



アイテム	部品番号	名前	数量	UOM
	0084114 C	WIRING BOX PANEL GM TIER 3 OCTOBER 2007 AND BEFORE		EA
1	0180796	PANEL DRILLED	1	EA
2	3044712	TERM STRIP (12) #10 STUD	1	EA
3	3040433	TERMINAL STRIP (12) .188 TAB	3	EA
4	0084116	DECAL, POWER	1	EA
5	0181553	DECAL TERM STRIP VERT 12	1	EA
6	0181107	DECAL TERM STRIP VERT 12TERM	1	EA
7	0181106	DECAL TERM STRIP VERT 12TERM 1	1	EA
8	3040469	RELAY SPDT 12V 30AMP SONG	4	EA
10	0150488	DIODE HOLDER 10PLC	1	EA
11	5569997	NUT HEX LKG 6 32	22	EA
12	974239	SCR RDH 6 32 .500	2	EA
13	986159	WSHR FLAT 6	2	EA
14	974689	SCR RDH MACH 10 24 .75	1	EA
15	974729	SCR RDH MACH 10 24 1.25	1	EA
16	5560034	NUT LKG 10 24	7	EA
17	5560609	SCR TRHD 10 24 .500	10	EA
18	987089	WSHR LOCK #10 SPLIT TYPE	4	EA
19	987349	WSHR LOCK 6	10	EA
20	0181554	DECAL TERM STRIP VERT 10	1	EA
21	0073631	DIODE STAND OFF 2 DIODE	3	EA
22	0070681	WIRE 16 R10 DIODE 7	1	EA
23	0070711	WIRE 12 R10I R10I 3	2	EA
24	0071812	WIRE 16 R10 FEM250FI 18	1	EA
25	5560654	WSHR LOCK #10 SPLIT TYPE	1	EA
26	0070682	WIRE 16 FEM188I DIODE 7	1	EA
27	0090621	WIRE 16 R10I FEM188I 13	1	EA
28	0140317	WIRE 16 FEM188I DIO 9	2	EA

アイテム	部品番号	名前	数量	UOM
29	0151205	WIRE 16 FEM188 FEM250FI 7	1	EA
30	0081560	WIRE 16 R10I FEM250FI 12	1	EA
31	0070724	WIRE 18 R10I R10I 3	2	EA
32	0181110	WIRE 16 FEM250FI DIO 2.25	4	EA
33	0181031	WIRE 12 R10 FEM250FI 11	2	EA
34	0081559	WIRE 16 FEM250FI 10 20/20	1	EA
35	0081515	WIRE 16 R10 FEM250FI 8	1	EA
36	0181030	WIRE 16 FEM188 FEM250FI 15	1	EA
37	0110918	WIRE 16 R10I DIODE 10	1	EA
38	0181111	WIRE 16 R10I FEM250FI 5	2	EA
40	0070713	WIRE 18 R10I FEM188I 10	1	EA
44	PNNA	SCR RHD #6 32 .75	6	EA
46	0110471	WIRE 16 FEM188I DIODE 11	1	EA
47	0170335	DIODE WIRE	1	EA
48	0181113	WIRE 16 R10I FEM250FI 9 25/25	1	EA
50	984049	NUT HEX 10 24	1	EA

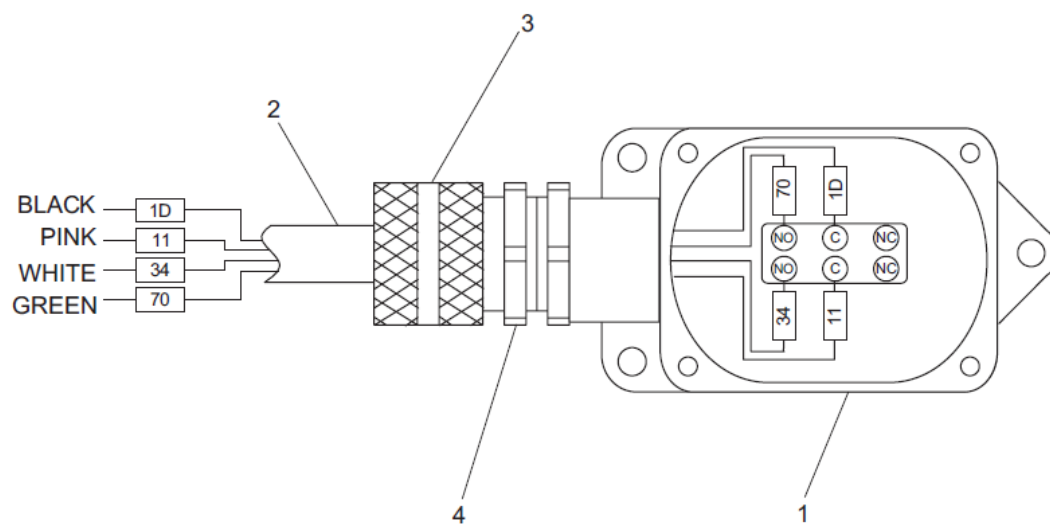
ELECTRICAL



アイテム	部品番号	名前	数量	UOM
	0084703 E	WIRING BOX PANEL KUBOTA JUNE 2015 AND AFTER	1	EA
1	0180796	PANEL DRILLED	1	EA
2	3044712	TERM STRIP (12) #10 STUD	1	EA
3	3040433	TERMINAL STRIP (12) .188 TAB	3	EA
4	0181552	DECAL TERM STRIP VERT 13	1	EA
5	0181553	DECAL TERM STRIP VERT 12	1	EA
6	0181107	DECAL TERM STRIP VERT 12TERM	1	EA
7	0181106	DECAL TERM STRIP VERT 12TERM 1	1	EA
8	3040469	RELAY SPDT 12V 30AMP SONG	4	EA
9	3040188	RELAY SPDT 12DC 10AMP	1	EA
10	0150488	DIODE HOLDER 10PLC	1	EA
11	5560038	NUT LKG 10 32	22	EA
12	5560666	SCR TRHD 6 32 .500	4	EA
13	986159	WSHR FLAT 6	6	EA
14	974689	SCR RDH MACH 10 24 .75	1	EA
15	974729	SCR RDH MACH 10 24 1.25	1	EA
16	5560034	NUT LKG 10 24	7	EA
17	5560609	SCR TRHD 10 24 .500	10	EA
18	5560654	WSHR LOCK #10 SPLIT TYPE	5	EA
19	987349	WSHR LOCK 6	10	EA
20	0181554	DECAL TERM STRIP VERT 10	1	EA
21	0073631	DIODE STAND OFF 2 DIODE	3	EA
22	0070681	WIRE 16 R10 DIODE 7	1	EA
23	0070711	WIRE 12 R10I R10I 3	1	EA
24	0071812	WIRE 16 R10 FEM250FI 18	1	EA
25	5560703	WSHR 10 STAR TOOTH	1	EA
26	0070682	WIRE 16 FEM188I DIODE 7	1	EA
27	0083778	RESISTOR WIRE ASSY	1	EA

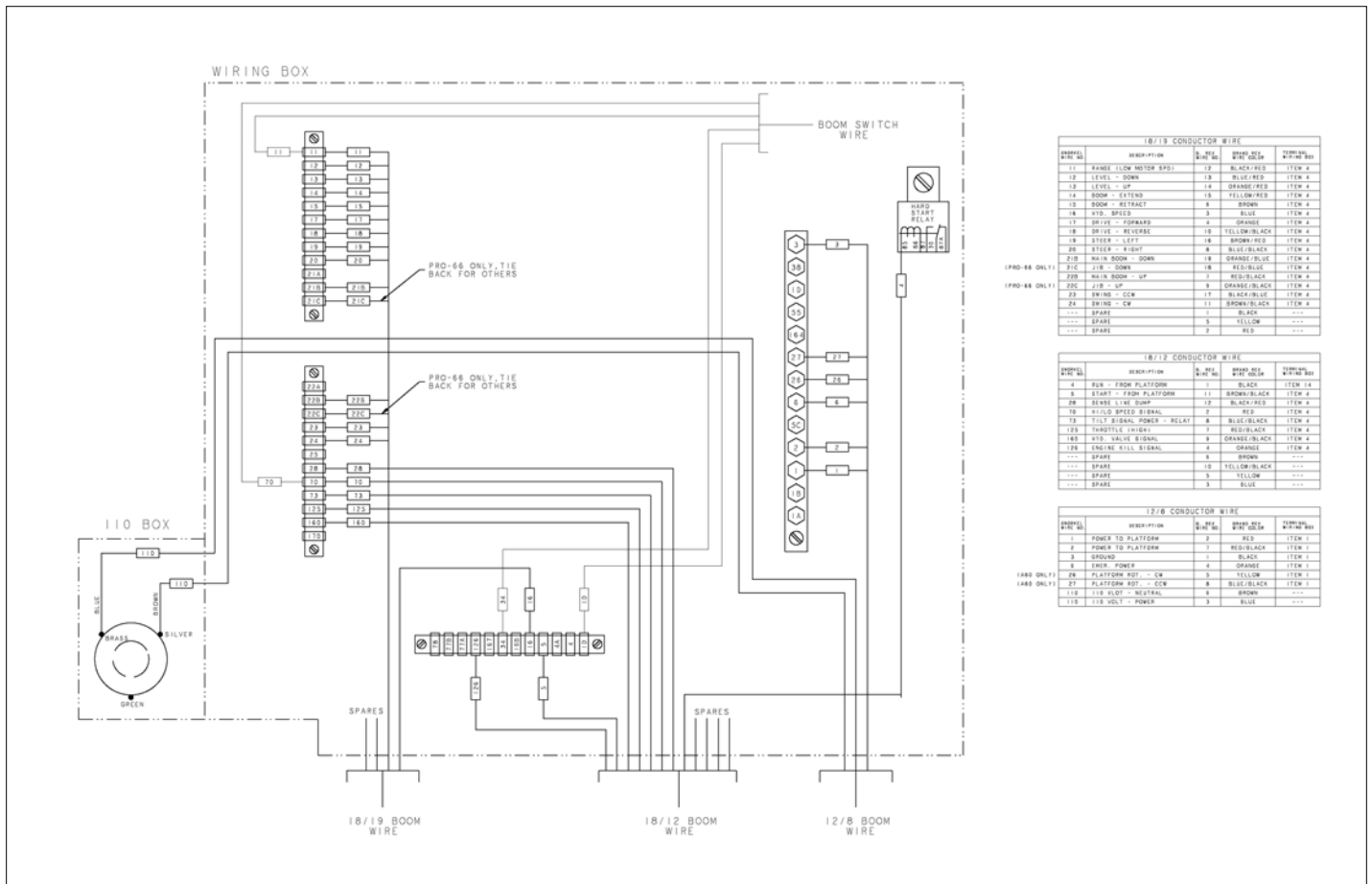
アイテム	部品番号	名前	数量	UOM
28	0140317	WIRE 16 FEM188I DIO 9	3	EA
29	0151205	WIRE 16 FEM188 FEM250FI 7	1	EA
30	0081560	WIRE 16 R10I FEM250FI 12	1	EA
31	0070724	WIRE 18 R10I R10I 3	2	EA
32	0181110	WIRE 16 FEM250FI DIO 2.25	4	EA
33	0181031	WIRE 12 R10 FEM250FI 11	2	EA
34	0081559	WIRE 16 FEM250FI 10 20/20	1	EA
35	0081515	WIRE 16 R10 FEM250FI 8	1	EA
37	0181136	WIRE 12 R10 FEM250FI 5	3	EA
38	0181111	WIRE 16 R10I FEM250FI 5	2	EA
39	0112164	DIODE WIRE	1	EA
41	0140323	WIRE JUMPER 13 in	2	EA
42	0140332	WIRE 16 R10I FEM188I 9	1	EA
44	974129	SCR RHD #6 32 .75	6	EA
45	0090621	WIRE 16 R10I FEM188I 13	2	EA
46	0110471	WIRE 16 FEM188I DIODE 11	1	EA
47	0170335	DIODE WIRE	1	EA
48	0181113	WIRE 16 R10I FEM250FI 9 25/25	1	EA
50	984049	NUT HEX 10 24	1	EA
51	0140366	WIRE 16 FEM250FI FEM188I 13.5	1	EA

ELECTRICAL



アイテム	部品番号	名前	数量	UOM
*	0081975 A	BOOM SWITCH ASSEMBLY		EA
1	3020019	SWITCH ROLLER LEVER	1	EA
Not Shown	3020052	REPLACEMENT SWITCH	1	EA
2	0081976	WIRE HARNESS, BOOM SWITCH	1	EA
3	3040187	CONN .500 .313 .438	1	EA
4	3040070	NUT LKG HUB .500 APPLETON: P/N BL50 REG 801	1	EA

ELECTRICAL

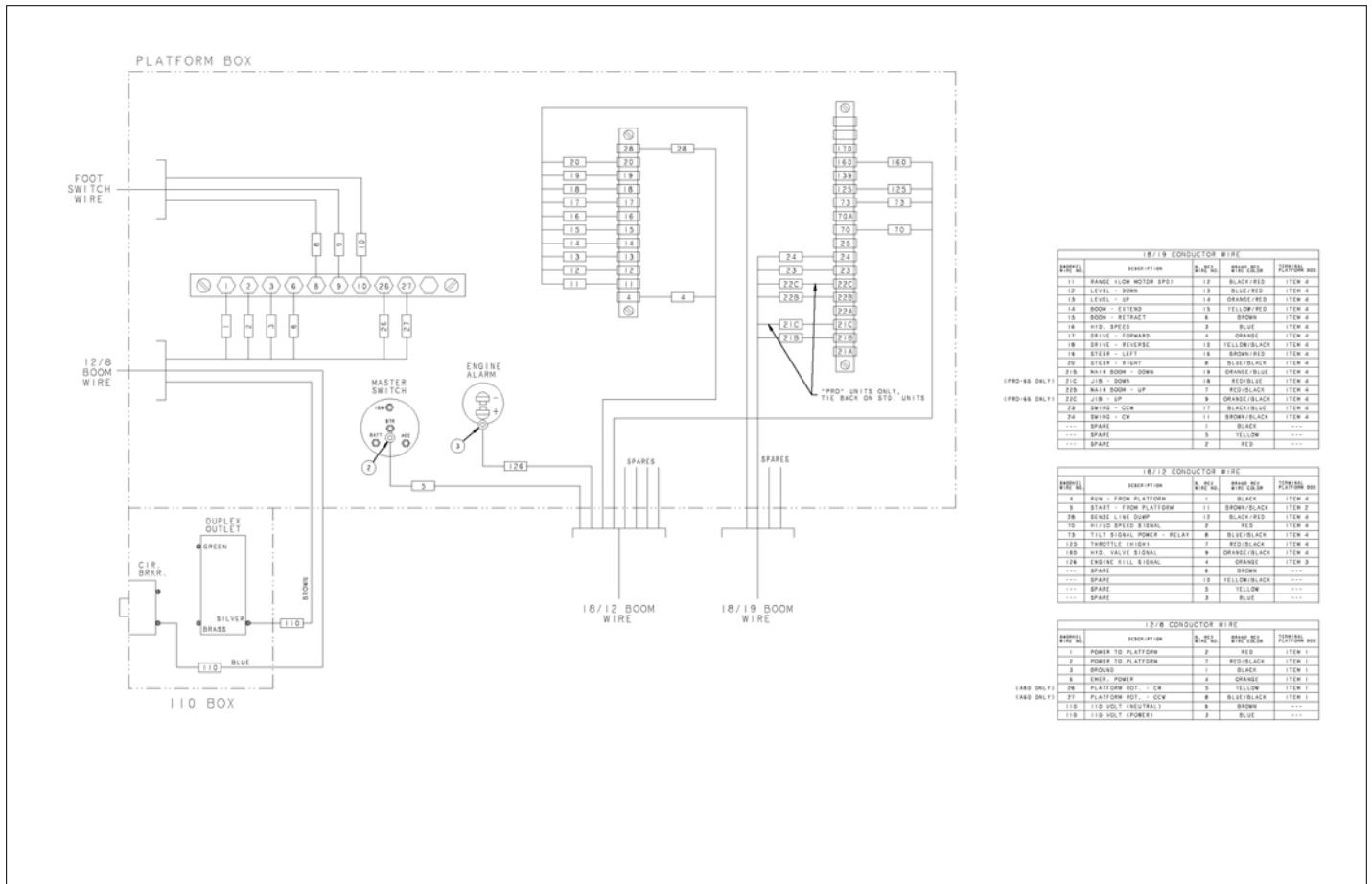


18/19 CONDUCTOR WIRE				
WIRE NO.	DESCRIPTION	WIRE NO.	WIRE COLOR	ITEM NO.
11	FRAME LOW NEIGH SPD.	13	BLACK/RED	ITEM 2
12	LEVEL - DOWN	14	BLUE/RED	ITEM 4
13	LEVEL - UP	15	ORANGE/RED	ITEM 4
14	BOOM - EXTEND	16	YELLOW/RED	ITEM 4
15	BOOM - RETRACT	17	BROWN	ITEM 4
16	HYD. BRICK	18	BLUE	ITEM 4
17	DRIVE - FORWARD	19	ORANGE	ITEM 4
18	DRIVE - REVERSE	20	YELLOW/BLACK	ITEM 4
19	STEER - LEFT	21	BROWN/RED	ITEM 4
20	STEER - RIGHT	22	BLUE/BLACK	ITEM 4
21B	WALK BOOM - DOWN	23	ORANGE/BLUE	ITEM 4
21C	JIB - DOWN	24	RED/BLUE	ITEM 4
22B	WALK BOOM - UP	25	RED/BLACK	ITEM 4
22C	JIB - UP	26	ORANGE/BLACK	ITEM 4
23	SWING - CCW	27	BLACK/BLUE	ITEM 4
24	SWING - CW	28	BROWN/BLACK	ITEM 4
---	SPARE	29	BLACK	---
---	SPARE	30	YELLOW	---
---	SPARE	31	RED	---

18/12 CONDUCTOR WIRE				
WIRE NO.	DESCRIPTION	WIRE NO.	WIRE COLOR	ITEM NO.
4	BUS - FROM PLATFORM	1	BLACK	ITEM 14
5	START - FROM PLATFORM	11	BROWN/BLACK	ITEM 4
20	BEHOLD LINE BUMP	12	BLACK/RED	ITEM 4
10	FIELD SPEED SIGNAL	3	RED	ITEM 4
13	TILT SIGNAL POWER - RELAY	6	BLUE/BLACK	ITEM 4
120	THROTTLE SIGNAL	9	RED/BLACK	ITEM 4
140	HYD. VALVE SIGNAL	4	ORANGE/BLACK	ITEM 4
126	ENGINE KILL SIGNAL	4	ORANGE	ITEM 4
---	SPARE	8	BROWN	---
---	SPARE	10	YELLOW/BLACK	---
---	SPARE	5	YELLOW	---
---	SPARE	3	BLUE	---

12/8 CONDUCTOR WIRE				
WIRE NO.	DESCRIPTION	WIRE NO.	WIRE COLOR	ITEM NO.
1	POWER TO PLATFORM	2	RED	ITEM 1
2	POWER TO PLATFORM	1	RED/BLACK	ITEM 1
3	GROUND	1	BLACK	ITEM 1
4	EMER. STOP	4	ORANGE	ITEM 1
26	PLATFORM ROT. - CW	5	YELLOW	ITEM 1
27	PLATFORM ROT. - CCW	6	BLUE/BLACK	ITEM 1
110	110 VOLT - NEUTRAL	4	BROWN	---
110	110 VOLT - POWER	3	BLUE	---

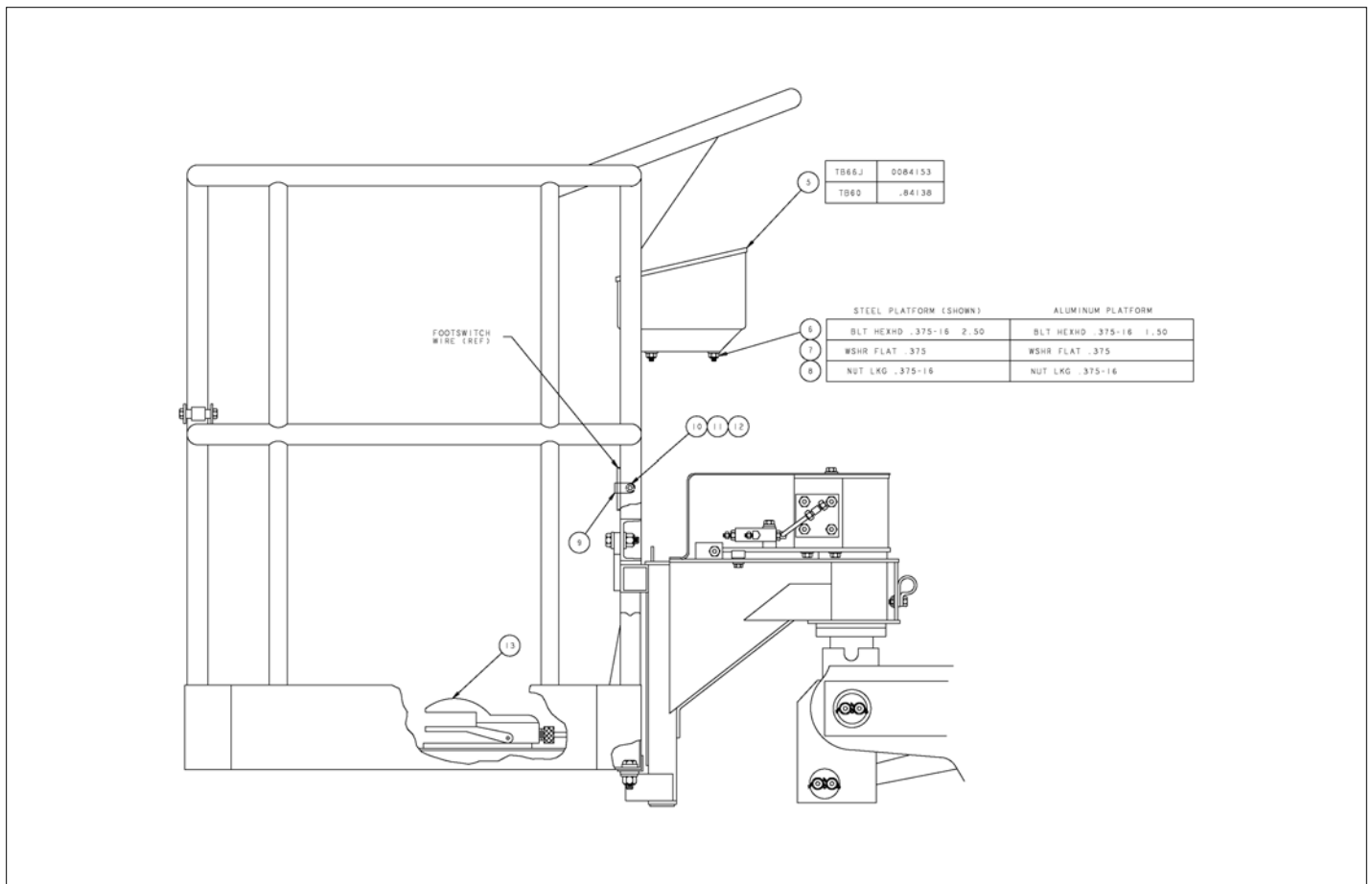
アイテム	部品番号	名前	数量	UOM
*	A08138A A	BOOM ELECTRICAL TB60 TB66 FLUID TECH INSTALLATION OCTOBER 2007 AND AFTER		EA
1	3044854	TERM R10I 12/10	1	EA
2	3044146	TERM R10I 22/18	1	EA
3	3044142	TERM, .250 TAB 12/10, MALE F.I.	1	EA
4	3046972	TERM FEM188I 22/18	45	EA
5	SEE CHART	JIB BOOM ASSEMBLY	1	EA
6	*	TIRE AND WHEEL ASSEMBLY GNM OTR	4	EA
7	*	TIRE AND WHEEL ASSEMBLY GNM OTR	8	EA
8	*	TIRE AND WHEEL ASSEMBLY GNM OTR	4	EA
9	5093004	CLP CUSH .750 VINYL COATED	1	EA
10	970029	BLT .25 20 .750	1	EA
11	986019	WSHR FLAT .250	1	EA
12	987099	WSHR LOCK .250	1	EA
13	0071800	FOOT SWITCH ASSEMBLY	1	EA
14	3040047	TERM FEM250FI 22/18	1	EA



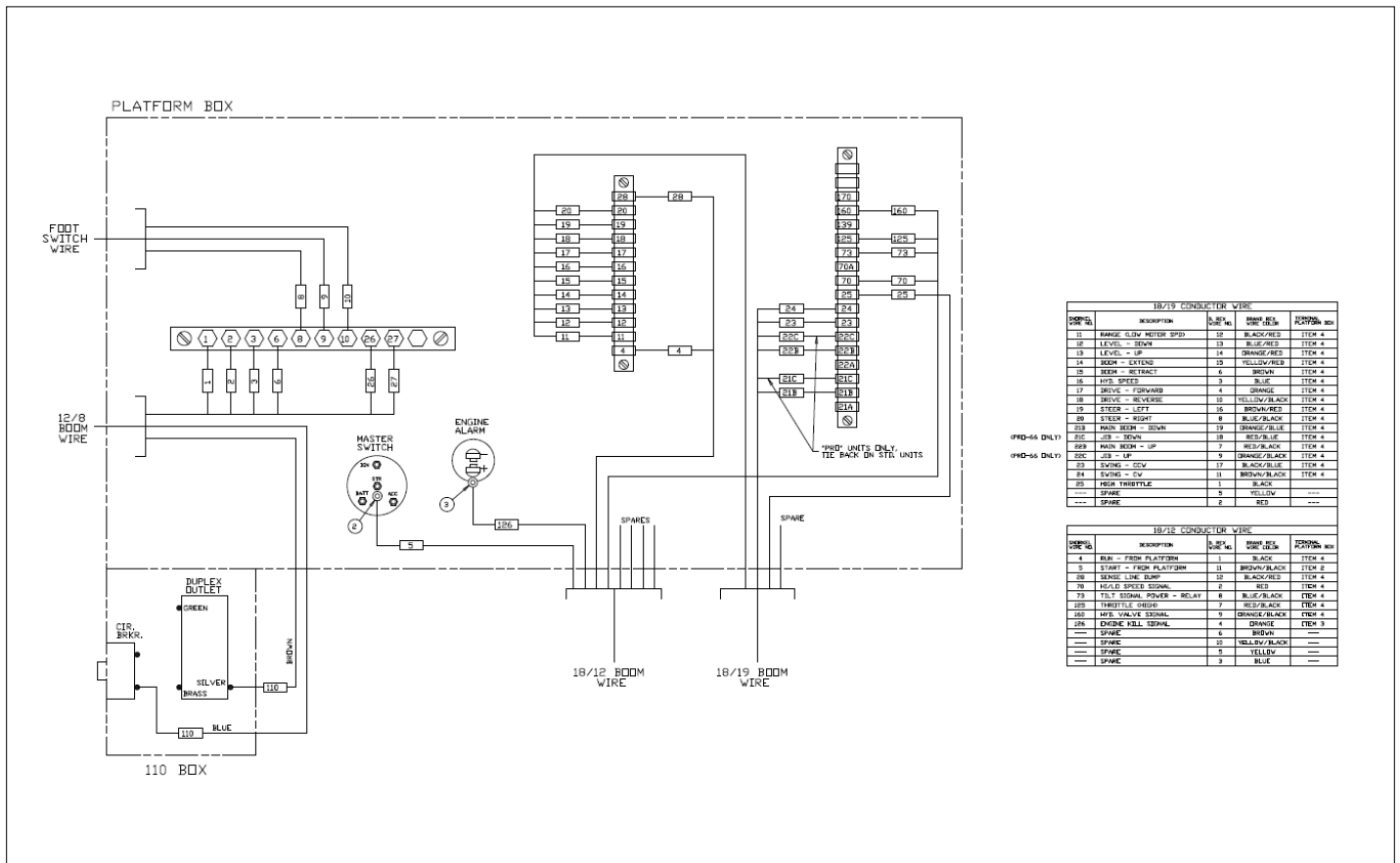
18/19 CONDUCTOR WIRE				
WIRE #	DESCRIPTION	WIRE #	WIRE COLOR	PLATFORM BOX
11	RANGE (LOW MOTOR SPD)	12	BLACK/RED	ITEM 2
12	LEVEL - DOWN	13	BLUE/RED	ITEM 4
13	LEVEL - UP	14	ORANGE/RED	ITEM 4
14	BOOM - EXTEND	15	YELLOW/RED	ITEM 4
15	BOOM - RETRACT	8	BROWN	ITEM 4
16	HYD. SPEED	2	BLUE	ITEM 4
17	DRIVE - FORWARD	4	ORANGE	ITEM 4
18	DRIVE - REVERSE	10	YELLOW/BLACK	ITEM 4
19	STEER - LEFT	12	BROWN/RED	ITEM 4
20	STEER - RIGHT	8	BLUE/BLACK	ITEM 4
21A	WALK-BEHOOD - DOWN	12	ORANGE/BLUE	ITEM 4
21C	JIB - DOWN	18	RED/BLUE	ITEM 4
21B	WALK-BEHOOD - UP	2	RED/BLACK	ITEM 4
22C	JIB - UP	8	ORANGE/BLACK	ITEM 4
23	SWING - CCW	12	BLACK/BLUE	ITEM 4
24	SWING - CW	13	BROWN/BLACK	ITEM 4
---	SPARE	1	BLACK	---
---	SPARE	3	YELLOW	---
---	SPARE	2	RED	---

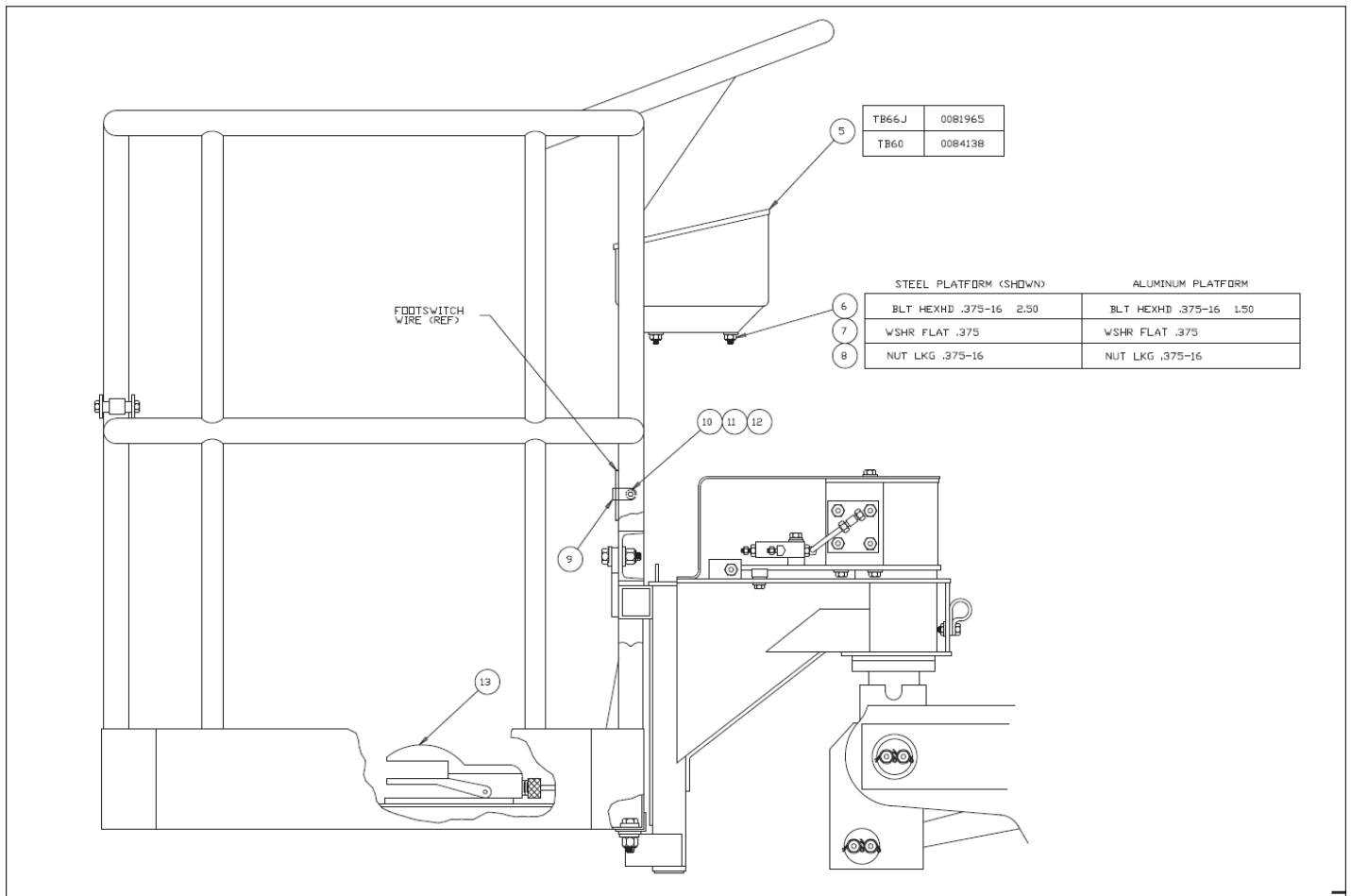
18/12 CONDUCTOR WIRE				
WIRE #	DESCRIPTION	WIRE #	WIRE COLOR	PLATFORM BOX
4	REM - FROM PLATFORM	2	BLACK	ITEM 2
5	START - FROM PLATFORM	12	BROWN/BLACK	ITEM 2
26	SENSE LINE DOWN	12	BLACK/RED	ITEM 4
10	HYD. SPEED SIGNAL	8	RED	ITEM 4
13	TILT SIGNAL POWER - RELAY	8	BLUE/BLACK	ITEM 4
128	THROTTLE LOCKER	2	RED/BLACK	ITEM 4
180	HYD. VALVE SIGNAL	8	ORANGE/BLACK	ITEM 4
126	ENGINE KILL SIGNAL	4	ORANGE	ITEM 3
---	SPARE	6	BROWN	---
---	SPARE	10	YELLOW/BLACK	---
---	SPARE	3	YELLOW	---
---	SPARE	2	BLUE	---

12/8 CONDUCTOR WIRE				
WIRE #	DESCRIPTION	WIRE #	WIRE COLOR	PLATFORM BOX
2	POWER TO PLATFORM	2	RED	ITEM 1
2	POWER TO PLATFORM	2	RED/BLACK	ITEM 1
3	GROUND	1	BLACK	ITEM 1
5	ENGINE POWER	4	ORANGE	ITEM 1
26	PLATFORM ROT - CW	3	YELLOW	ITEM 1
27	PLATFORM ROT - CCW	8	BLUE/BLACK	ITEM 1
110	110 VOLTS (NEUTRAL)	---	BROWN	---
118	110 VOLTS (POWER)	2	BLUE	---

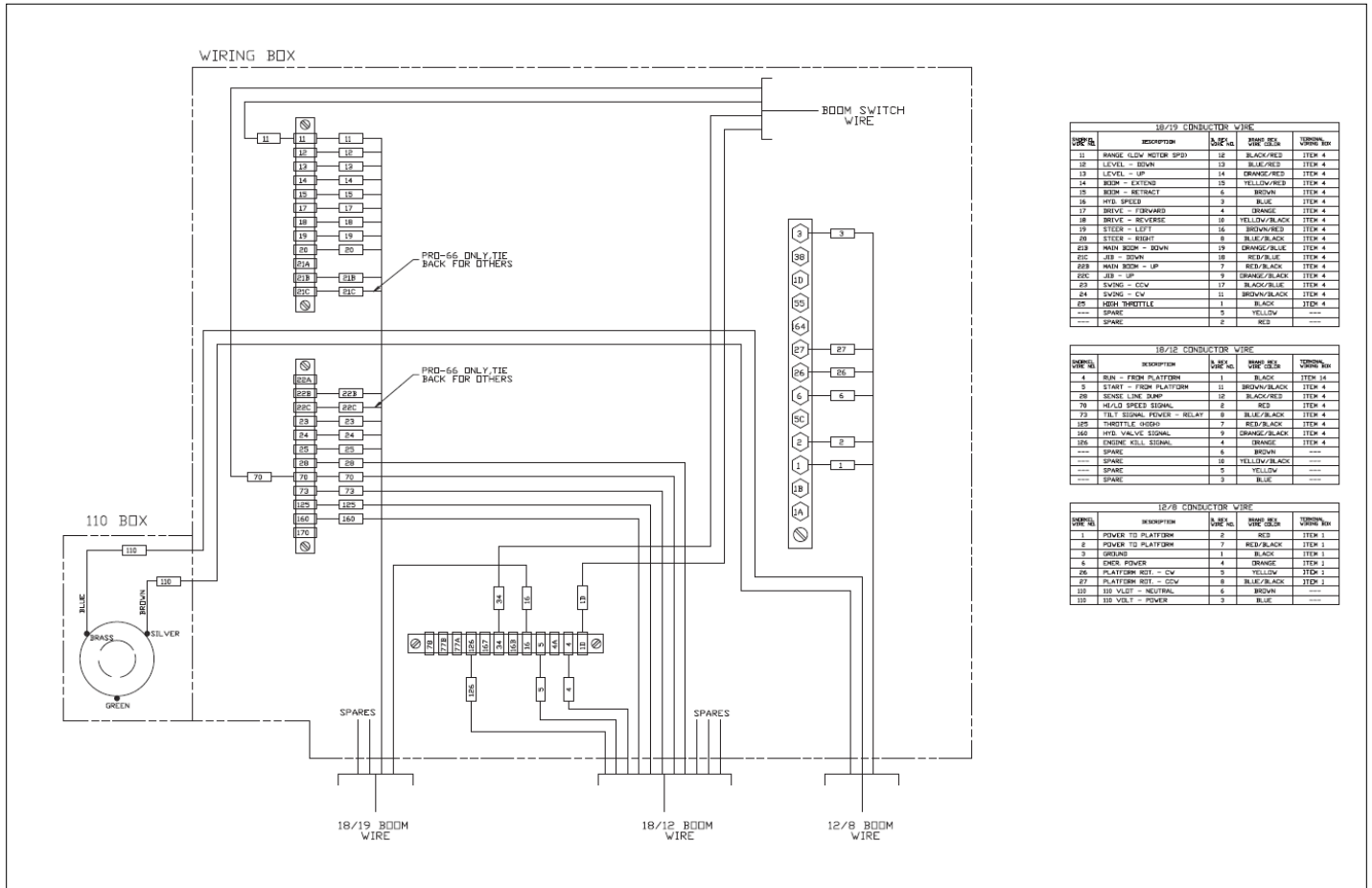


アイテム	部品番号	名前	数量	UOM
	0082275 A	BOOM ELECTRICAL INSTALLATION JANUARY 2009 AND BEFORE	1	EA
1	3044854	TERM R10I 12/10	1	EA
2	3044146	TERM R10I 22/18	1	EA
3	3044142	TERM, .250 TAB 12/10, MALE F.I.	1	EA
4	3046972	TERM FEM188I 22/18	45	EA
5	PNNW	SEE DIAGRAM	1	EA
6	PNNW	SEE DIAGRAM	4	EA
7	PNNW	SEE DIAGRAM	8	EA
8	PNNW	SEE DIAGRAM	4	EA
9	5093004	CLP CUSH .750 VINYL COATED	1	EA
10	970029	BLT .25 20 .750	1	EA
11	986019	WSHR FLAT .250	1	EA
12	987099	WSHR LOCK .250	1	EA
13	0071800	FOOT SWITCH ASSEMBLY	1	EA
14	3040047	TERM FEM250FI 22/18	5	EA
15	A08024F A	BOOM ELECTRICAL TB60 TB66J INSTALLATION JUNE 2008 AND AFTER	REF ONLY	EA





ELECTRICAL

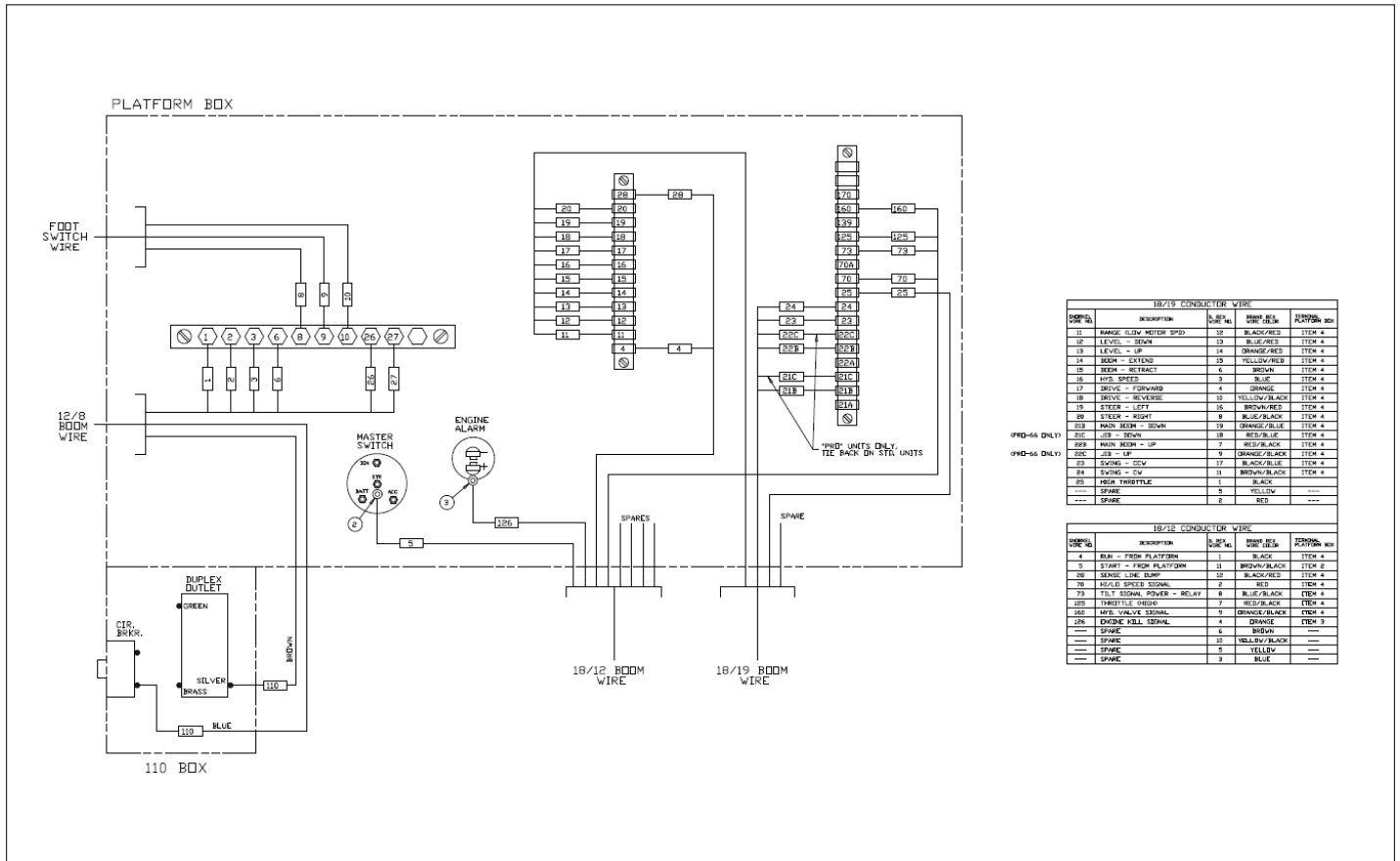


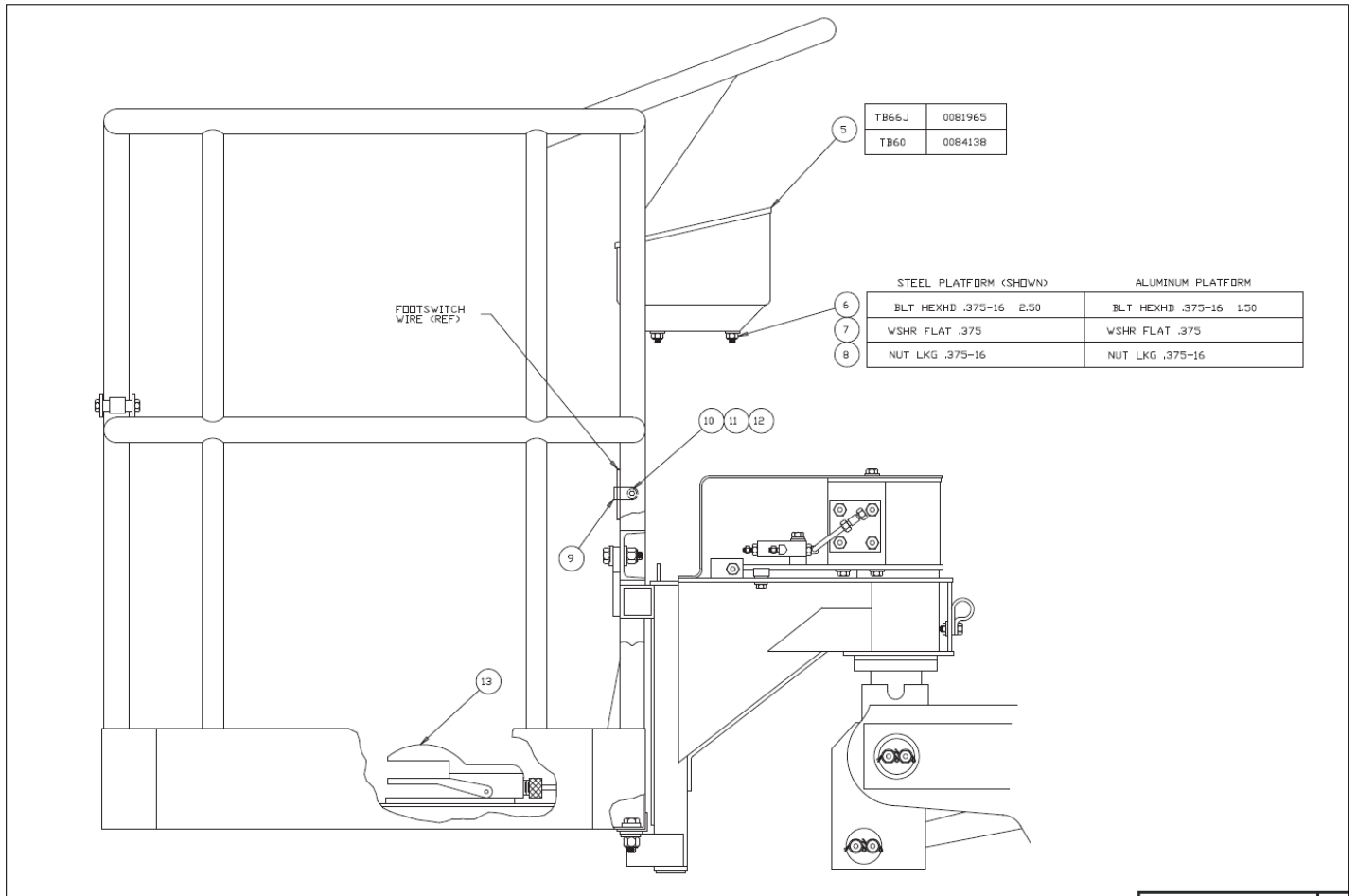
18/19 CONDUCTOR WIRE				
WIRE #	DESCRIPTION	WIRE #	WIRE #	WIRE #
11	RANGE LOW MOTOR SPD	16	BLACK/RED	ITEM 4
12	LEVEL - DOWN	13	BLACK/RED	ITEM 4
13	LEVEL - UP	14	ORANGE/RED	ITEM 4
14	ROOM - EXTEND	15	YELLOW/RED	ITEM 4
15	ROOM - RETRACT	6	BROWN	ITEM 4
16	HYD. SPEED	3	BLUE	ITEM 4
17	DRIVE - FORWARD	4	ORANGE	ITEM 4
18	DRIVE - REVERSE	10	YELLOW/BLACK	ITEM 4
19	STEER - LEFT	10	BROWN/RED	ITEM 4
20	STEER - RIGHT	5	BLUE/BLACK	ITEM 4
21B	MAIN BOOM - DOWN	19	ORANGE/BLUE	ITEM 4
21C	JIB - DOWN	18	RED/BLUE	ITEM 4
22B	MAIN BOOM - UP	7	RED/BLACK	ITEM 4
22C	JIB - UP	9	ORANGE/BLACK	ITEM 4
23	SWING - CCW	17	BLACK/BLUE	ITEM 4
24	SWING - CW	11	BROWN/BLACK	ITEM 4
25	HOIST THRETTLE	1	BLACK	ITEM 4
---	SPARE	5	YELLOW	---
---	SPARE	2	RED	---

18/12 CONDUCTOR WIRE				
WIRE #	DESCRIPTION	WIRE #	WIRE #	WIRE #
4	RUN - FROM PLATFORM	1	BLACK	ITEM 14
5	START - FROM PLATFORM	11	BROWN/BLACK	ITEM 4
6B	SENSE LINE DAMP	10	BLACK/RED	ITEM 4
70	HALD SPEED SIGNAL	2	RED	ITEM 4
75	TILT SIGNAL POWER - RELAY	8	BLUE/BLACK	ITEM 4
102	THRUSTLE SIGNAL	2	RED/BLACK	ITEM 4
160	HYD. VALVE SIGNAL	9	ORANGE/BLACK	ITEM 4
105	ENGINE KILL SIGNAL	4	ORANGE	ITEM 4
---	SPARE	6	BROWN	---
---	SPARE	10	YELLOW/BLACK	---
---	SPARE	5	YELLOW	---
---	SPARE	3	BLUE	---

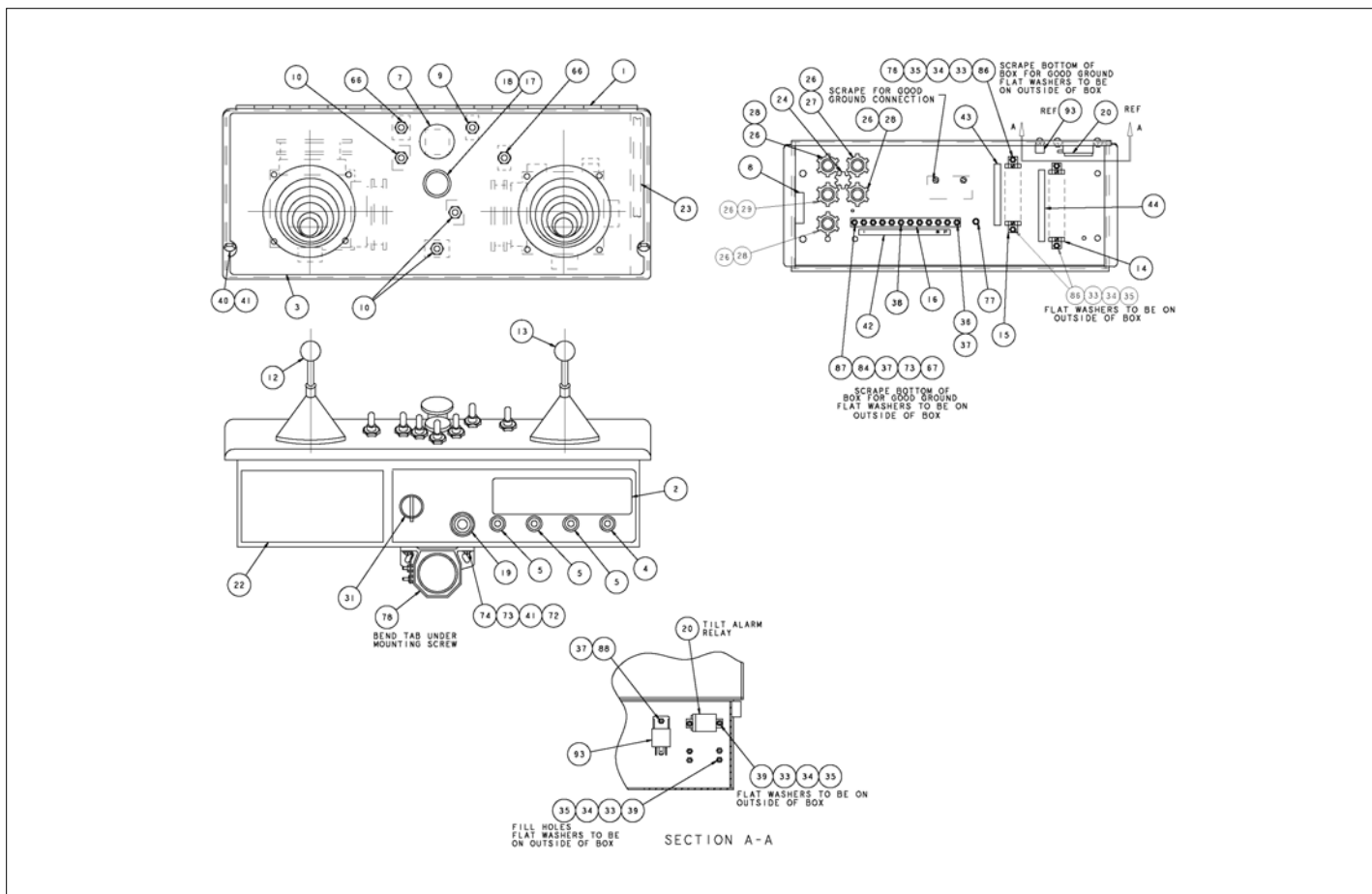
12/8 CONDUCTOR WIRE				
WIRE #	DESCRIPTION	WIRE #	WIRE #	WIRE #
1	POWER TO PLATFORM	2	RED	ITEM 1
2	POWER TO PLATFORM	7	RED/BLACK	ITEM 1
3	GROUND	1	BLACK	ITEM 1
4	ENGINE POWER	4	ORANGE	ITEM 2
20	PLATFORM HOIST - CW	5	YELLOW	ITEM 2
21	PLATFORM HOIST - CCW	8	BLUE/BLACK	ITEM 1
110	110 VOLT - NEUTRAL	6	BROWN	---
115	110 VOLT - POWER	3	BLUE	---

アイテム	部品番号	名前	数量	UOM
	0082275G A	BOOM ELECTRICAL INSTALLATION FEBRUARY 2009 AND AFTER	1	EA
1	3044854	TERM R10I 12/10	1	EA
2	3044146	TERM R10I 22/18	1	EA
3	3044142	TERM, .250 TAB 12/10, MALE F.I.	1	EA
4	3046972	TERM FEM188I 22/18	45	EA
5	PNNA	PLATFORM CONTROL BOX SUBASSY	1	EA
6	PNNA	REFER TO CHART	4	EA
7	PNNA	REFER TO CHART	8	EA
8	PNNA	REFER TO CHART	4	EA
9	5093004	CLP CUSH .750 VINYL COATED	1	EA
10	970029	BLT .25 20 .750	1	EA
11	986019	WSHR FLAT .250	1	EA
12	987099	WSHR LOCK .250	1	EA
13	0071800	FOOT SWITCH ASSEMBLY	1	EA
14	3040047	TERM FEM250FI 22/18	5	EA

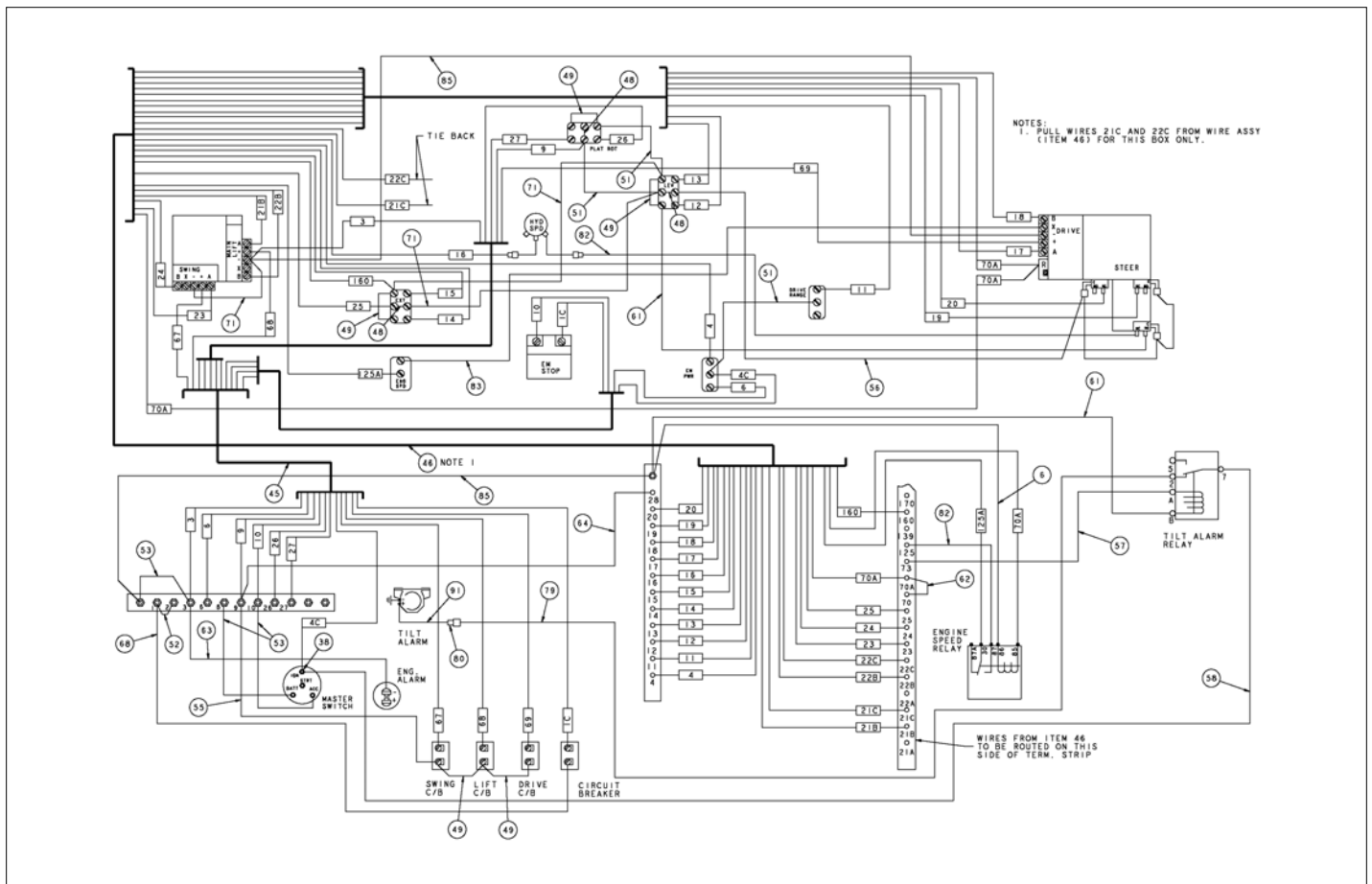




ELECTRICAL



アイテム	部品番号	名前	数量	UOM
	0081986 L	PLATFORM CONTROL BOX TB60 CUMMINS DEUTZ KUBOTA SUB ASSEMBLY JANUARY 2001 AND AFTER		EA
1	0180842	CONTROL BOX	1	EA
2	0180846	PLACARD PLATFORM CONTROL BOX FRONT	1	EA
3	0082014	PLAC PLATF CONT BOX TOP	1	EA
4	3040068	CIRCUIT BREAKER 20 AMP	1	EA
5	3040535	CIRCUIT BREAKER 3 AMP	3	EA
6	0073295	WIRE 16 R6I FEM250FI 8	1	EA
7	3020020	SW EMER STOP PUSH/PULL	1	EA
8	0070967	CORROSION INHIBITOR STICK BACK	1	EA
9	3020080	TOGGLE SWITCH	1	EA
10	3020018	SWITCH TOGGLE DPDT MOM/OFF/MOM	3	EA
12	3040493	CONTROLLER 33HZ LIFT/SWING	1	EA
13	3040492	CONTROLLER 33HZ DRIVE/STEER	1	EA
14	3040057	TERMINAL STRIP 18 CIRCUIT	1	EA
15	3040433	TERMINAL STRIP (12) .188 TAB	1	EA
16	3044710	TERM STRIP (10) #10 STUD	1	EA
17	0180949	RHEOSTAT SUB ASSY	1	EA
18	3040348	KNOB RHEOSTAT	1	EA
19	3040411	Alarm Buzzer	1	EA
20	3040188	RELAY SPDT 12DC 10AMP	1	EA
22	0072530	DECAL DNGR ELEC HAZARD	1	EA
23	7190001	GASKET WEATHERPROOF 6.00LG 1/8 in X 1/2 in (50 FT LG ROLLS)	72IN	EA
24	3040301	PLUG HOLE .875	1	EA
26	3040110	NUT LKG HUB .750 SAMEAS 962129	4	EA



アイテム	部品番号	名前	数量	UOM
27	3040285	CONN .75 .375 .500	1	EA
28	3040116	CONN .75 .500 .625	4	EA
29	3040295	CONN .75 .625 .75	1	EA
31	3020090	SW ANTI RESTART IGNITION	1	EA
33	987349	WSHR LOCK 6	10	EA
34	986159	WSHR FLAT 6	14	EA
35	984009	NUT HEX 6 32	10	EA
36	974689	SCR RDH MACH 10 24 .75	1	EA
37	5560034	NUT LKG 10 24	3	EA
38	5560038	NUT LKG 10 32	14	EA
39	974239	SCR RDH 6 32 .500	6	EA
40	970049	BLT HEXHD .250 20 1.00 GR5 GRADE 5 PLT SAME AS 970189	2	EA
41	5560004	NUT LKG .250 20	4	EA
42	0180886	DECAL TERM STRIP HORIZ 10TERM	1	EA
43	0180887	DECAL TERM STRIP HORIZ 13TERM	1	EA
44	0180888	DECAL TERM STRIP HORIZ 16TERM	1	EA
45	0180850	WIRE ASSY PLAT CONT BOX	1	EA
46	0082007	WIRE ASSEMBLY CONTROL	1	EA
48	0060373	JUMPER SWITCH TERMINAL STRAP	3	EA
49	0070747	WIRE 16 R6I R6I 3	5	EA
51	0070730	WIRE 16 R6I R6I 5.5	3	EA
52	0070711	WIRE 12 R10I R10I 3	1	EA
53	0070712	WIRE 12 R10I R10I 5	3	EA
55	0240483	WIRE 16 R6I R10I 8	1	EA
56	0181074	WIRE 16 SPECIAL (SEE DWG)	1	EA
57	0071511	WIRE 18 FEM188I FEM188I 11	1	EA
58	0071534	WIRE 18 R10I FEM188I 21	1	EA

アイテム	部品番号	名前	数量	UOM
61	0181028	WIRE 16 R6 FEM188 10.5	2	EA
62	0110468	WIRE 16 FEM188I FEM188I 4	1	EA
63	0151816	WIRE 16 R10I R10I 7.5	1	EA
64	0070713	WIRE 18 R10I FEM188I 10	1	EA
66	3020013	Switch, Toggle Honeywell INTI 2	2	EA
68	0181029	WIRE 12 R6 R10 19.5	1	EA
71	0070746	WIRE 16 R6I R6I 9	3	EA
72	986019	WSHR FLAT .250	2	EA
73	5560341	WSHR STAR .250 EXTERNAL TOOTH	1	EA
74	970029	BLT .25 20 .750	2	EA
75	984049	NUT HEX 10 24	1	EA
76	987339	WASHER LOCK, INT TOOTH, #6 STL PLTD	1	EA
77	5569711	GROMMET .438ID .688DIAX.125GRV	1	EA
78	480652	ALARM97DBA DUAL TONE 12/24V	1	EA
79	0181030	WIRE 16 FEM188 FEM250FI 15	1	EA
80	3040046	TERM MALE250FI 22/18	1	EA
81	3044161	TERM R10I 16/14	1	EA
82	0090622	WIRE 18 FEM188I FEM250I 9	2	EA
83	0070753	WIRE 16 R6I R6I 12	1	EA
84	5560703	WSHR 10 STAR TOOTH	1	EA
85	0151910	WIRE 16 R6 R10 14	2	EA
86	974269	SCR RHD 6 32 1.00	4	EA
87	5560673	SCR TRHD 10 24 1.00	2	EA
91	0071557	WIRE 18 R8I MALE250FI 7	1	EA
93	3040469	RELAY SPDT 12V 30AMP SONG	1	EA
Not Shown		Base Assembly		EA

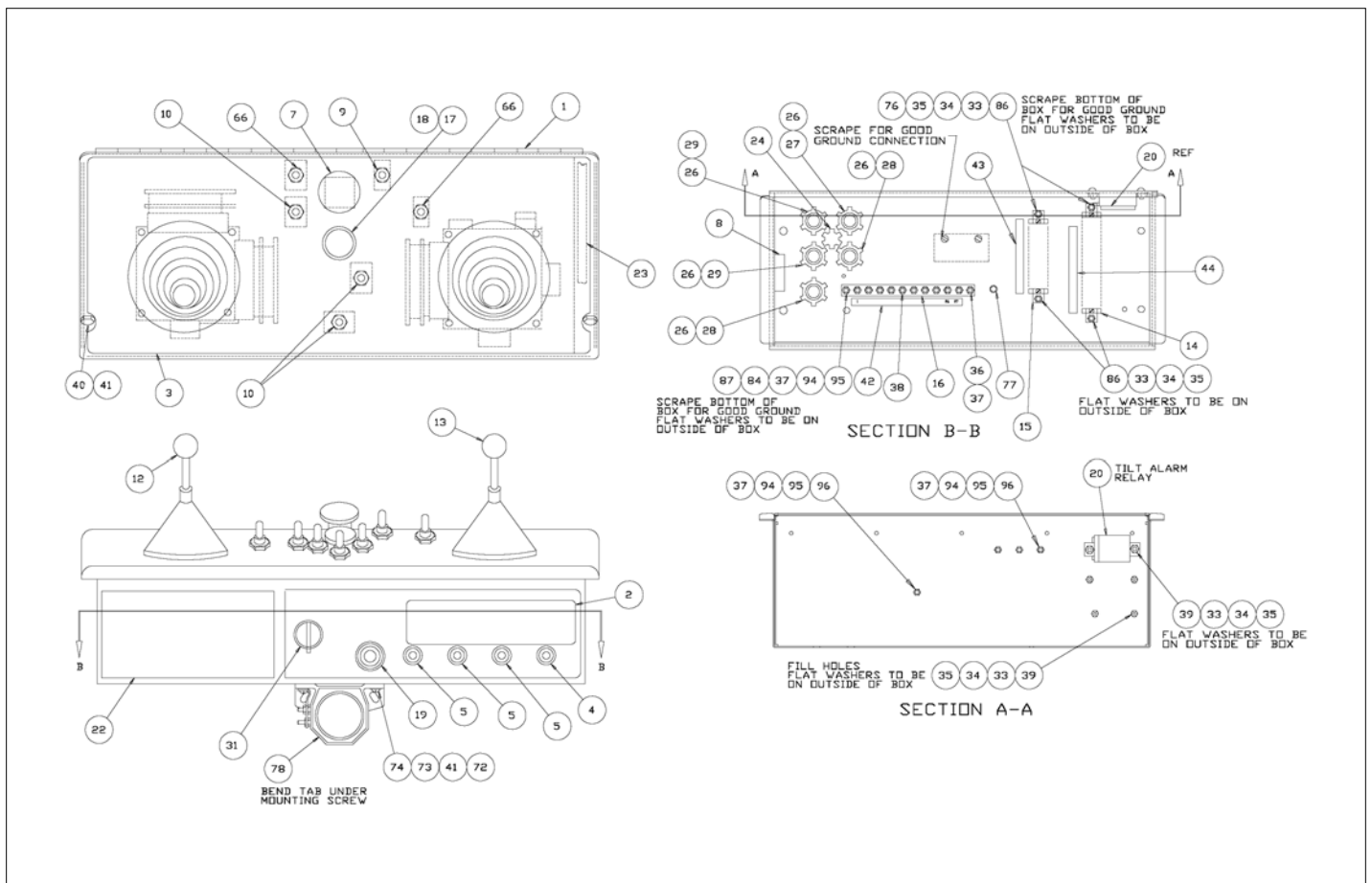
アイテム	部品番号	名前	数量	UOM
	0081986 T	UPPER CONTROL BOX ASSEMBLY		EA
1	0180842	CONTROL BOX	1	EA
2	0180846	PLACARD PLATFORM CONTROL BOX FRONT	1	EA
3	0081979	PLACARD PLATFORM CONTROL BOX TOP	1	EA
4	3040068	CIRCUIT BREAKER 20 AMP	1	EA
5	3040535	CIRCUIT BREAKER 3 AMP	3	EA
6	0073295	WIRE 16 R6I FEM250FI 8	1	EA
7	3020020	SW EMER STOP PUSH/PULL	1	EA
8	0070967	CORROSION INHIBITOR STICK BACK	1	EA
9	3020080	TOGGLE SWITCH	1	EA
10	3020018	SWITCH TOGGLE DPDT MOM/OFF/MOM	3	EA
12	3040493	CONTROLLER 33HZ LIFT/SWING	1	EA
13	3040492	CONTROLLER 33HZ DRIVE/STEER	1	EA
14	3040057	TERMINAL STRIP 18 CIRCUIT	1	EA
15	3040433	TERMINAL STRIP (12) .188 TAB	1	EA
16	3044710	TERM STRIP (10) #10 STUD	1	EA
17	0082002	RHEOSTAT SUB ASSY	1	EA
18	3040348	KNOB RHEOSTAT	1	EA
19	3040411	Alarm Buzzer	1	EA
20	3040188	RELAY SPDT 12DC 10AMP	1	EA
22	0072530	DECAL DNGR ELEC HAZARD	1	EA
23	7190001	GASKET WEATHERPROOF 6.00LG 1/8 in X 1/2 in (50 FT LG ROLLS)	72IN	EA
24	3040301	PLUG HOLE .875	1	EA
26	3040110	NUT LKG HUB .750 SAMEAS 962129	5	EA

アイテム	部品番号	名前	数量	UOM
27	3040285	CONN .75 .375 .500	1	EA
28	3040116	CONN .75 .500 .625	3	EA
29	3040295	CONN .75 .625 .75	1	EA
31	3020090	SW ANTI RESTART IGNITION	1	EA
33	987349	WSHR LOCK 6	1	EA
34	986159	WSHR FLAT 6	9	EA
35	984009	NUT HEX 6 32	1	EA
36	974689	SCR RDH MACH 10 24 .75	1	EA
37	5560034	NUT LKG 10 24	6	EA
38	5560038	NUT LKG 10 32	14	EA
39	974239	SCR RDH 6 32 .500	6	EA
40	970049	BLT HEXHD .250 20 1.00 GR5 GRADE 5 PLT SAME AS 970189	2	EA
41	5560004	NUT LKG .250 20	4	EA
42	0180886	DECAL TERM STRIP HORIZ 10TERM	1	EA
43	0180887	DECAL TERM STRIP HORIZ 13TERM	1	EA
44	0180888	DECAL TERM STRIP HORIZ 16TERM	1	EA
45	0180850	WIRE ASSY PLAT CONT BOX	1	EA
46	0082007	WIRE ASSEMBLY CONTROL	1	EA
48	0060373	JUMPER SWITCH TERMINAL STRAP	3	EA
49	0070747	WIRE 16 R6I R6I 3	5	EA
51	0070730	WIRE 16 R6I R6I 5.5	3	EA
52	0070711	WIRE 12 R10I R10I 3	1	EA
53	0070712	WIRE 12 R10I R10I 5	3	EA
55	0240483	WIRE 16 R6I R10I 8	1	EA
56	0181074	WIRE 16 SPECIAL (SEE DWG)	1	EA
57	0071511	WIRE 18 FEM188I FEM188I 11	1	EA
58	0071534	WIRE 18 R10I FEM188I 21	1	EA

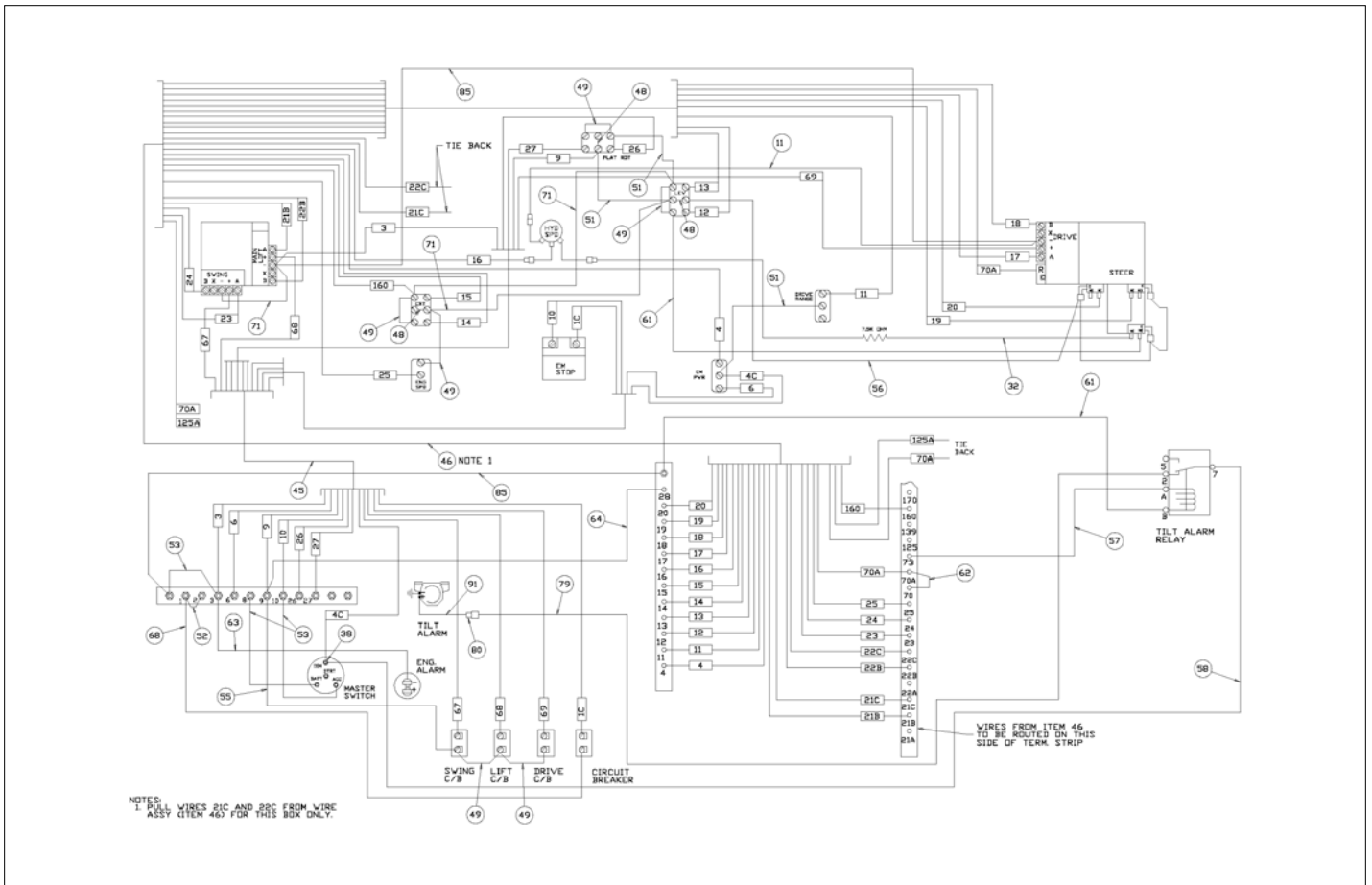
アイテム	部品番号	名前	数量	UOM
59	0084135	WIRE 16 F250FI F188I 9 RSTR7.5	1	EA
60	0073885	WIRE 16 R6I FEM250FI 18	1	EA
61	0181028	WIRE 16 R6 FEM188 10.5	2	EA
62	0110468	WIRE 16 FEM188I FEM188I 4	1	EA
63	0151816	WIRE 16 R10I R10I 7.5	1	EA
64	0070713	WIRE 18 R10I FEM188I 10	1	EA
66	3020013	Switch, Toggle Honeywell INTI 2	2	EA
68	0181029	WIRE 12 R6 R10 19.5	1	EA
71	0070746	WIRE 16 R6I R6I 9	3	EA
72	986019	WSHR FLAT .250	2	EA
73	5560341	WSHR STAR .250 EXTERNAL TOOTH	1	EA
74	970029	BLT .25 20 .750	2	EA
75	984049	NUT HEX 10 24	1	EA
76	5560663	WSHR 6 STAR TOOTH	1	EA
77	5569711	GROMMET .438ID .688DIAX.125GRV	1	EA
78	480652	ALARM97DBA DUAL TONE 12/24V	1	EA
79	0181030	WIRE 16 FEM188 FEM250FI 15	1	EA
80	3040046	TERM MALE250FI 22/18	1	EA
82	0090622	WIRE 18 FEM188I FEM250I 9	2	EA
83	0070753	WIRE 16 R6I R6I 12	1	EA
84	5560703	WSHR 10 STAR TOOTH	1	EA
85	0151910	WIRE 16 R6 R10 14	2	EA
86	974269	SCR RHD 6 32 1.00	4	EA
87	5560673	SCR TRHD 10 24 1.00	1	EA
88	5560609	SCR TRHD 10 24 .500	4	EA
89	5569997	NUT HEX LKG 6 32	10	EA
90	986009	WSHR FLAT 10	2	EA

アイテム	部品番号	名前	数量	UOM
91	0071557	WIRE 18 R8I MALE250FI 7	1	EA
92	5560654	WSHR LOCK #10 SPLIT TYPE	1	EA
93	3040469	RELAY SPDT 12V 30AMP SONG	1	EA

ELECTRICAL



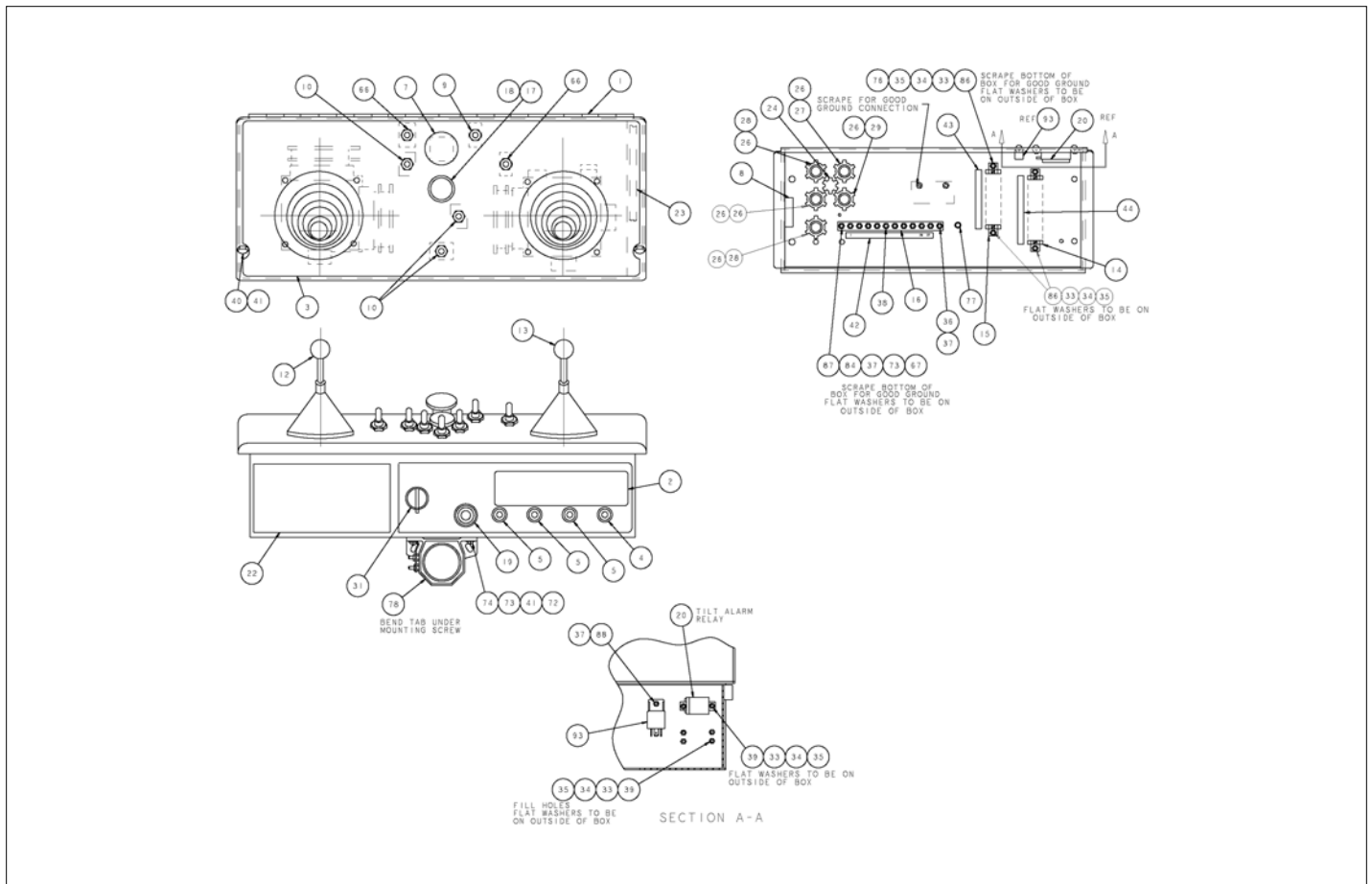
アイテム	部品番号	名前	数量	UOM
Not Shown	0084138 D	UPPER CONTROL BOX		EA
1	0180842 3	CONTROL BOX	1	EA
2	0180846	PLACARD PLATFORM CONTROL BOX FRONT	1	EA
3	0081979	PLACARD PLATFORM CONTROL BOX TOP	1	EA
4	3040068	CIRCUIT BREAKER 20 AMP	1	EA
5	3040535	CIRCUIT BREAKER 3 AMP	3	EA
7	3020020	SW EMER STOP PUSH/PULL	1	EA
8	0070967	CORROSION INHIBITOR STICK BACK	1	EA
9	3020080	TOGGLE SWITCH	1	EA
10	3020018	SWITCH TOGGLE DPDT MOM/OFF/MOM	3	EA
11	0071587	WIRE 16 R6I FEM250FI 12	1	EA
12	3040493	CONTROLLER 33HZ LIFT/SWING	1	EA
13	3040492	CONTROLLER 33HZ DRIVE/STEER	1	EA
14	3040057	TERMINAL STRIP 18 CIRCUIT	1	EA
15	3040433	TERMINAL STRIP (12) .188 TAB	1	EA
16	3044710	TERM STRIP (10) #10 STUD	1	EA
17	0082002	RHEOSTAT SUB ASSY	1	EA
18	3040348	KNOB RHEOSTAT	1	EA
19	3040411	Alarm Buzzer	1	EA
20	3040188	RELAY SPDT 12DC 10AMP	1	EA
22	0072530	DECAL DNGR ELEC HAZARD	1	EA
23	7190001	GASKET WEATHERPROOF 6.00LG 1/8 in X 1/2 in (50 FT LG ROLLS)	72	EA
24	3040301	PLUG HOLE .875	1	EA
26	3040110	NUT LKG HUB .750 SAMEAS 962129	5	EA



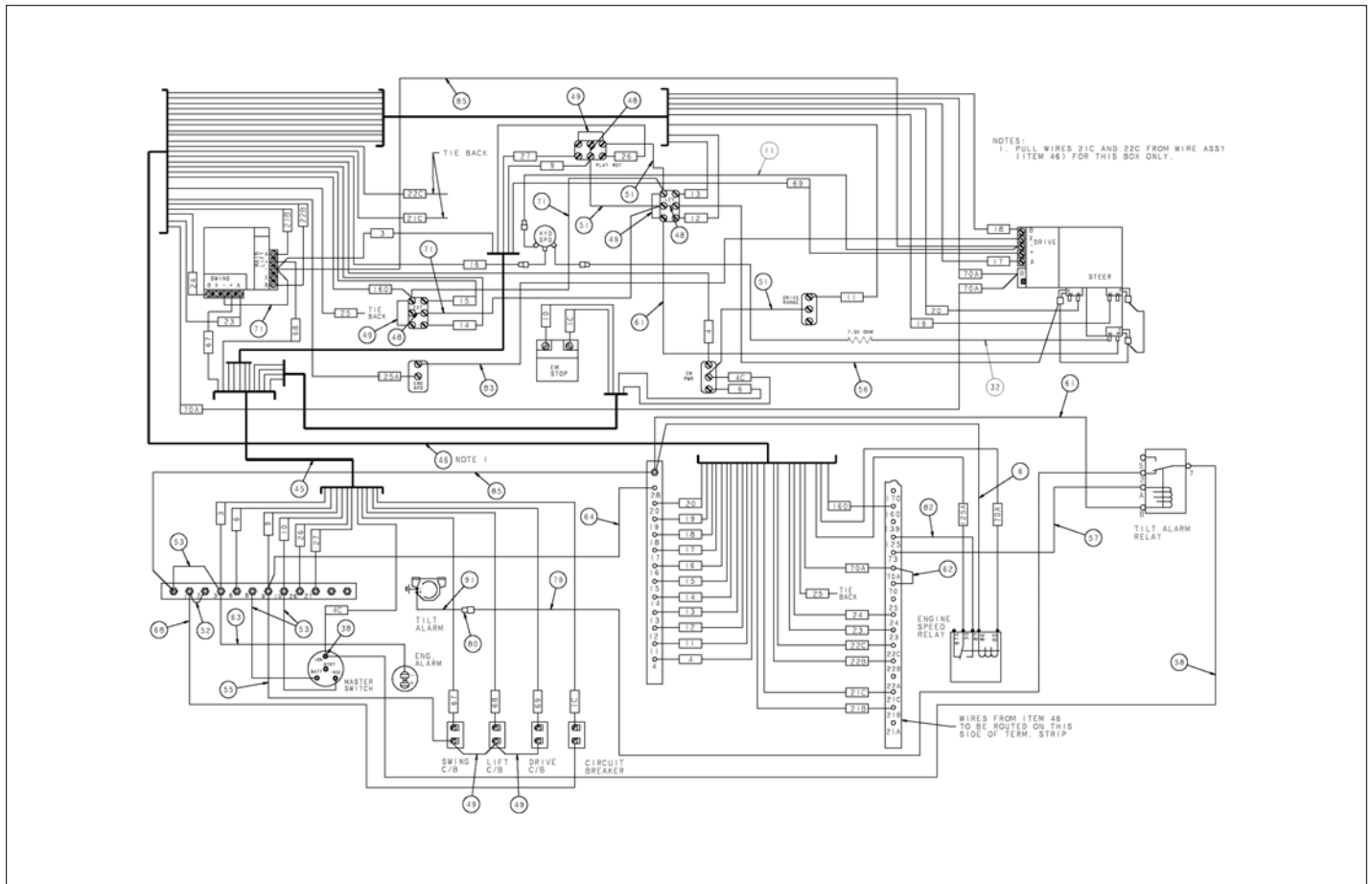
アイテム	部品番号	名前	数量	UOM
27	3040285	CONN .75 .375 .500	1	EA
28	3040116	CONN .75 .500 .625	2	EA
29	3040295	CONN .75 .625 .75	2	EA
30	3020090	SW ANTI RESTART IGNITION	1	EA
31	3040046	TERM MALE250FI 22/18	1	EA
32	0084135	WIRE 16 F250FI F188I 9 RSTR7.5	1	EA
33	987349	WSHR LOCK 6	10	EA
34	986159	WSHR FLAT 6	10	EA
35	984009	NUT HEX 6 32	10	EA
36	974689	SCR RDH MACH 10 24 .75	1	EA
37	5560034	NUT LKG 10 24	6	EA
38	5560038	NUT LKG 10 32	14	EA
39	974239	SCR RDH 6 32 .500	6	EA
40	970049	BLT HEXHD .250 20 1.00 GR5 GRADE 5 PLT SAME AS 970189	2	EA
41	5560004	NUT LKG .250 20	4	EA
42	0180886	DECAL TERM STRIP HORIZ 10TERM	1	EA
43	0180887	DECAL TERM STRIP HORIZ 13TERM	1	EA
44	0180888	DECAL TERM STRIP HORIZ 16TERM	1	EA
45	0180850	WIRE ASSY PLAT CONT BOX	1	EA
46	0082007	WIRE ASSEMBLY CONTROL	1	EA
48	0060373	JUMPER SWITCH TERMINAL STRAP	3	EA
49	0070747	WIRE 16 R6I R6I 3	6	EA
51	0070730	WIRE 16 R6I R6I 5.5	3	EA
52	0070711	WIRE 12 R10I R10I 3	1	EA
53	0070712	WIRE 12 R10I R10I 5	3	EA
55	0240483	WIRE 16 R6I R10I 8	1	EA

アイテム	部品番号	名前	数量	UOM
56	0181074	WIRE 16 SPECIAL (SEE DWG)	1	EA
57	0071511	WIRE 18 FEM188I FEM188I 11	1	EA
58	0071534	WIRE 18 R10I FEM188I 21	1	EA
61	0181028	WIRE 16 R6 FEM188 10.5	2	EA
62	0110468	WIRE 16 FEM188I FEM188I 4	1	EA
63	0151816	WIRE 16 R10I R10I 7.5	1	EA
64	0070713	WIRE 18 R10I FEM188I 10	1	EA
66	3020013	Switch, Toggle Honeywell INTI 2	2	EA
68	0181029	WIRE 12 R6 R10 19.5	1	EA
71	0070746	WIRE 16 R6I R6I 9	3	EA
72	986019	WSHR FLAT .250	2	EA
73	5560341	WSHR STAR .250 EXTERNAL TOOTH	2	EA
74	970029	BLT .25 20 .750	2	EA
75	984049	NUT HEX 10 24	1	EA
76	5560663	WSHR 6 STAR TOOTH	2	EA
77	5569711	GROMMET .438ID .688DIA X.125GRV	1	EA
78	480652	ALARM97DBA DUAL TONE 12/24V	1	EA
79	0181030	WIRE 16 FEM188 FEM250FI 15	1	EA
80	3040046	TERM MALE250FI 22/18	1	EA
84	987359	WSHR STAR 10 INTERNAL TOOTH	1	EA
85	0151910	WIRE 16 R6 R10 14	2	EA
86	974269	SCR RHD 6 32 1.00	4	EA
87	5560673	SCR TRHD 10 24 1.00	1	EA
91	0071557	WIRE 18 R8I MALE250FI 7	1	EA
94	5560654	WSHR LOCK #10 SPLIT TYPE	5	EA
95	986009	WSHR FLAT 10	5	EA
96	5560609	SCR TRHD 10 24 .500	4	EA

ELECTRICAL



アイテム	部品番号	名前	数量	UOM
	0084138 A	PLATFORM CONTROL BOX TB60 CUMMINS DEUTZ KUBOTA SUB ASSEMBLY NOVEMBER 2007 AND AFTER		EA
1	0180842 3	CONTROL BOX	1	EA
2	0180846	PLACARD PLATFORM CONTROL BOX FRONT	1	EA
3	0081979	PLACARD PLATFORM CONTROL BOX TOP	1	EA
4	3040068	CIRCUIT BREAKER 20 AMP	1	EA
5	3040535	CIRCUIT BREAKER 3 AMP	3	EA
6	0073295	WIRE 16 R6I FEM250FI 8	1	EA
7	3020020	SW EMER STOP PUSH/PULL	1	EA
8	0070967	CORROSION INHIBITOR STICK BACK	1	EA
9	3020080	TOGGLE SWITCH	1	EA
10	3020018	SWITCH TOGGLE DPDT MOM/OFF/MOM	3	EA
11	0071587	WIRE 16 R6I FEM250FI 12	1	EA
12	3040493	CONTROLLER 33HZ LIFT/SWING	1	EA
13	3040492	CONTROLLER 33HZ DRIVE/STEER	1	EA
14	3040057	TERMINAL STRIP 18 CIRCUIT	1	EA
15	3040433	TERMINAL STRIP (12) .188 TAB	1	EA
16	3044710	TERM STRIP (10) #10 STUD	1	EA
17	0082002	RHEOSTAT SUB ASSY	1	EA
18	3040348	KNOB RHEOSTAT	1	EA
19	3040411	Alarm Buzzer	1	EA
20	3040188	RELAY SPDT 12DC 10AMP	1	EA
22	0072530	DECAL DNGR ELEC HAZARD	1	EA
23	7190001	GASKET WEATHERPROOF 6.00LG 1/8 in X 1/2 in (50 FT LG ROLLS)	72	EA
24	3040301	PLUG HOLE .875	1	EA



NOTES:
1. PULL WIRES 21C AND 22C FROM WIRE ASSY (ITEM 46) FOR THIS BOX ONLY.

NOTE 1

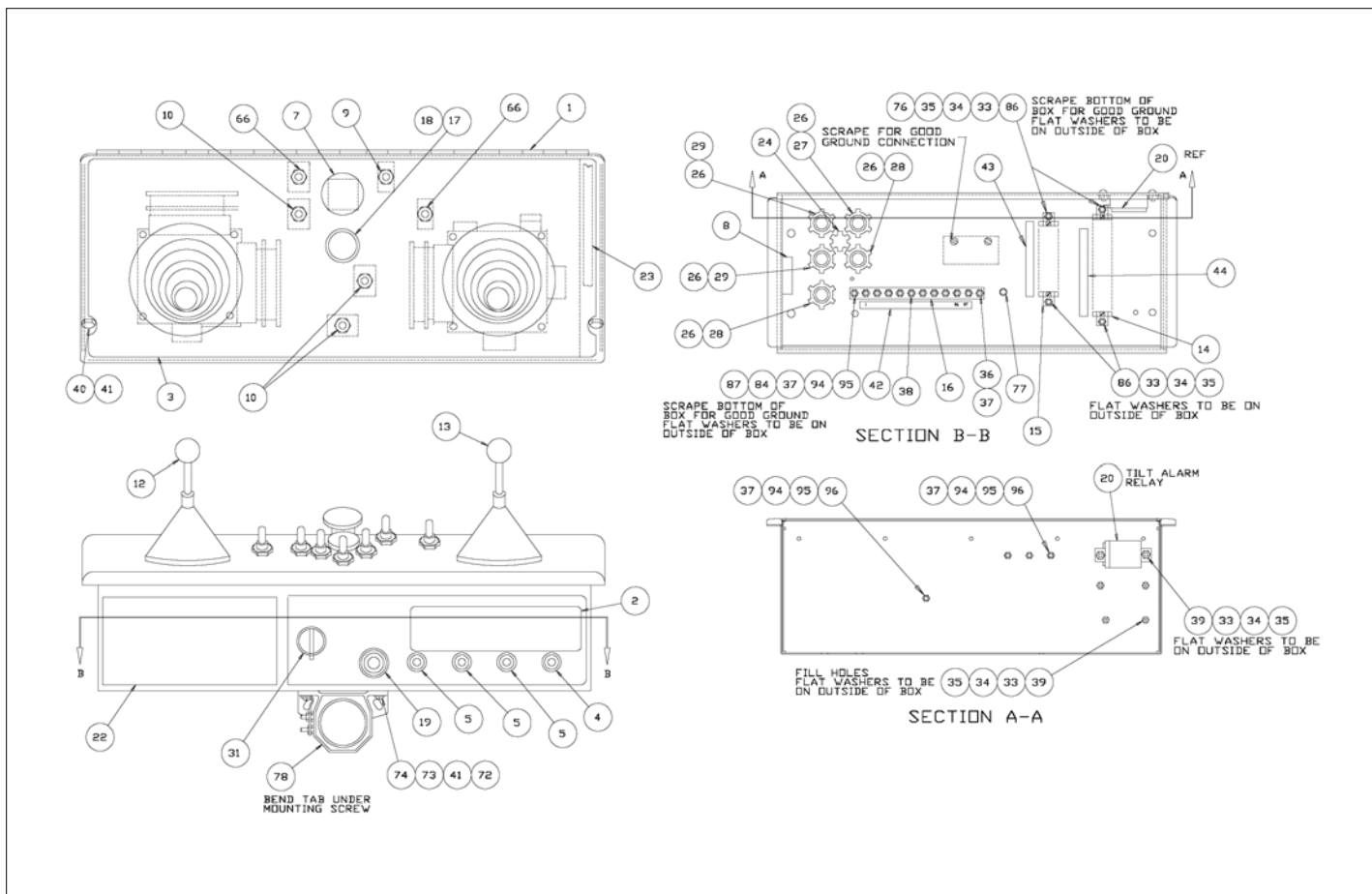
WIRES FROM ITEM 46
—TO BE SPOTTED ON THIS
SIDE OF TERM. STRIP

アイテム	部品番号	名前	数量	UOM
26	3040110	NUT LKG HUB .750 SAMEAS 962129	5	EA
27	3040285	CONN .75 .375 .500	1	EA
28	3040116	CONN .75 .500 .625	2	EA
29	3040295	CONN .75 .625 .75	2	EA
31	3020090	SW ANTI RESTART IGNITION	1	EA
32	0084135	WIRE 16 F250FI F188I 9 RSTR7.5	1	EA
33	987349	WSHR LOCK 6	10	EA
34	986159	WSHR FLAT 6	10	EA
35	984009	NUT HEX 6 32	10	EA
36	974689	SCR RDH MACH 10 24 .75	1	EA
37	5560034	NUT LKG 10 24	6	EA
38	5560038	NUT LKG 10 32	14	EA
39	974239	SCR RDH 6 32 .500	6	EA
40	970049	BLT HEXHD .250 20 1.00 GR5 GRADE 5 PLT SAME AS 970189	2	EA
41	5560004	NUT LKG .250 20	4	EA
42	0180886	DECAL TERM STRIP HORIZ 10TERM	1	EA
43	0180887	DECAL TERM STRIP HORIZ 13TERM	1	EA
44	0180888	DECAL TERM STRIP HORIZ 16TERM	1	EA
45	0180850	WIRE ASSY PLAT CONT BOX	1	EA
46	0082007	WIRE ASSEMBLY CONTROL	1	EA
48	0060373	JUMPER SWITCH TERMINAL STRAP	3	EA
49	0070747	WIRE 16 R6I R6I 3	6	EA
51	0070730	WIRE 16 R6I R6I 5.5	3	EA
52	0070711	WIRE 12 R10I R10I 3	1	EA
53	0070712	WIRE 12 R10I R10I 5	3	EA

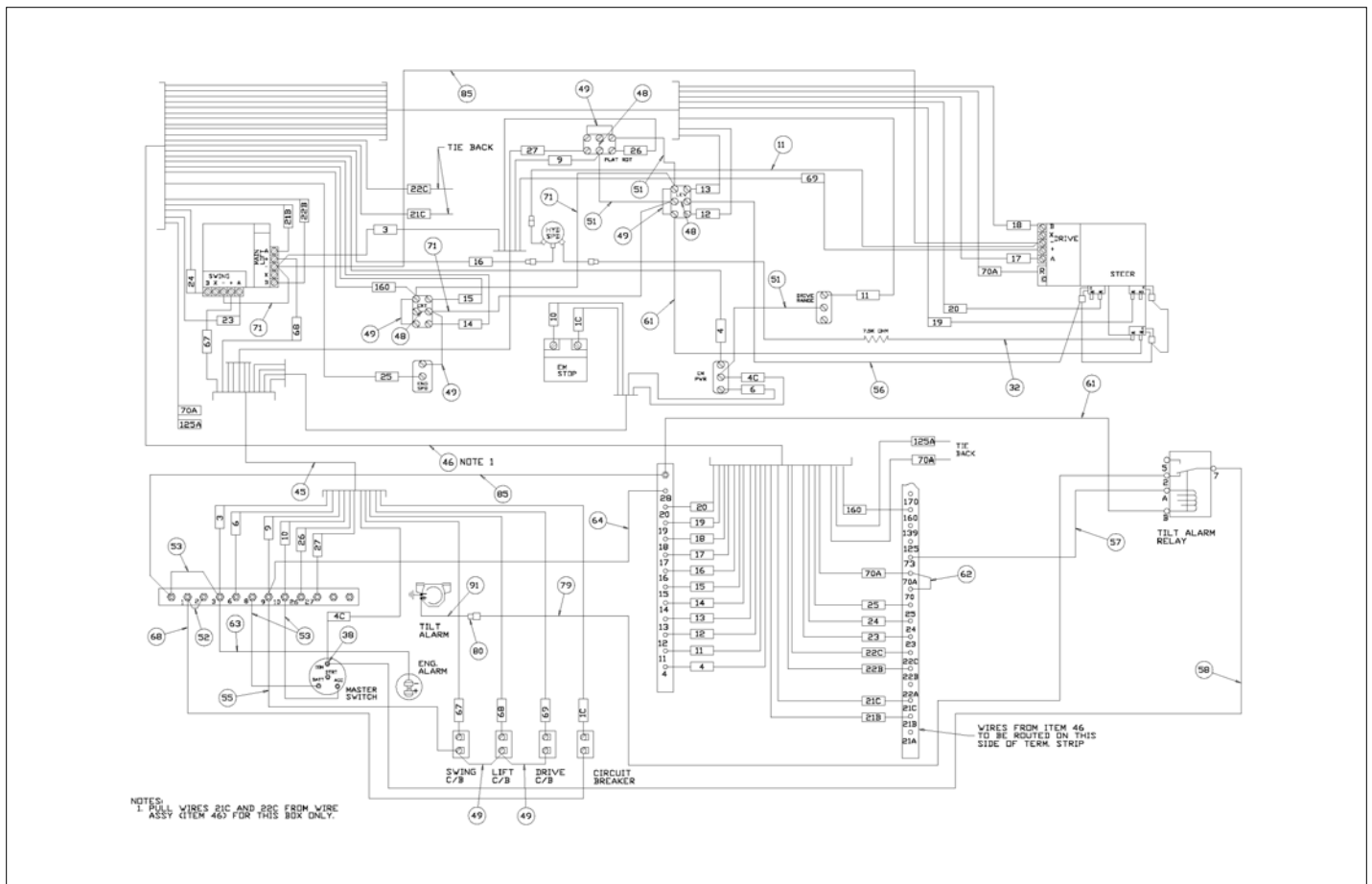
アイテム	部品番号	名前	数量	UOM
55	0240483	WIRE 16 R6I R10I 8	1	EA
56	0181074	WIRE 16 SPECIAL (SEE DWG)	1	EA
57	0071511	WIRE 18 FEM188I FEM188I 11	1	EA
58	0071534	WIRE 18 R10I FEM188I 21	1	EA
61	0181028	WIRE 16 R6 FEM188 10.5	2	EA
62	0110468	WIRE 16 FEM188I FEM188I 4	1	EA
63	0151816	WIRE 16 R10I R10I 7.5	1	EA
64	0070713	WIRE 18 R10I FEM188I 10	1	EA
66	3020013	Switch, Toggle Honeywell INTI 2	2	EA
68	0181029	WIRE 12 R6 R10 19.5	1	EA
71	0070746	WIRE 16 R6I R6I 9	3	EA
72	986019	WSHR FLAT .250	2	EA
73	5560341	WSHR STAR .250 EXTERNAL TOOTH	2	EA
74	970029	BLT .25 20 .750	2	EA
75	984049	NUT HEX 10 24	1	EA
76	5560663	WSHR 6 STAR TOOTH	2	EA
77	5569711	GROMMET .438ID .688DIAX.125GRV	1	EA
78	480652	ALARM97DBA DUAL TONE 12/24V	1	EA
79	0181030	WIRE 16 FEM188 FEM250FI 15	1	EA
80	3040046	TERM MALE250FI 22/18	1	EA
81	3044161	TERM R10I 16/14	1	EA
82	0090622	WIRE 18 FEM188I FEM250I 9	1	EA
83	0070753	WIRE 16 R6I R6I 12	1	EA
84	987359	WSHR STAR 10 INTERNAL TOOTH	1	EA
85	0151910	WIRE 16 R6 R10 14	2	EA
86	974269	SCR RHD 6 32 1.00	4	EA
87	5560673	SCR TRHD 10 24 1.00	1	EA

アイテム	部品番号	名前	数量	UOM
91	0071557	WIRE 18 R8I MALE250FI 7	1	EA
93	3040469	RELAY SPDT 12V 30AMP SONG	1	EA
Not Shown		Base Assembly		EA

ELECTRICAL



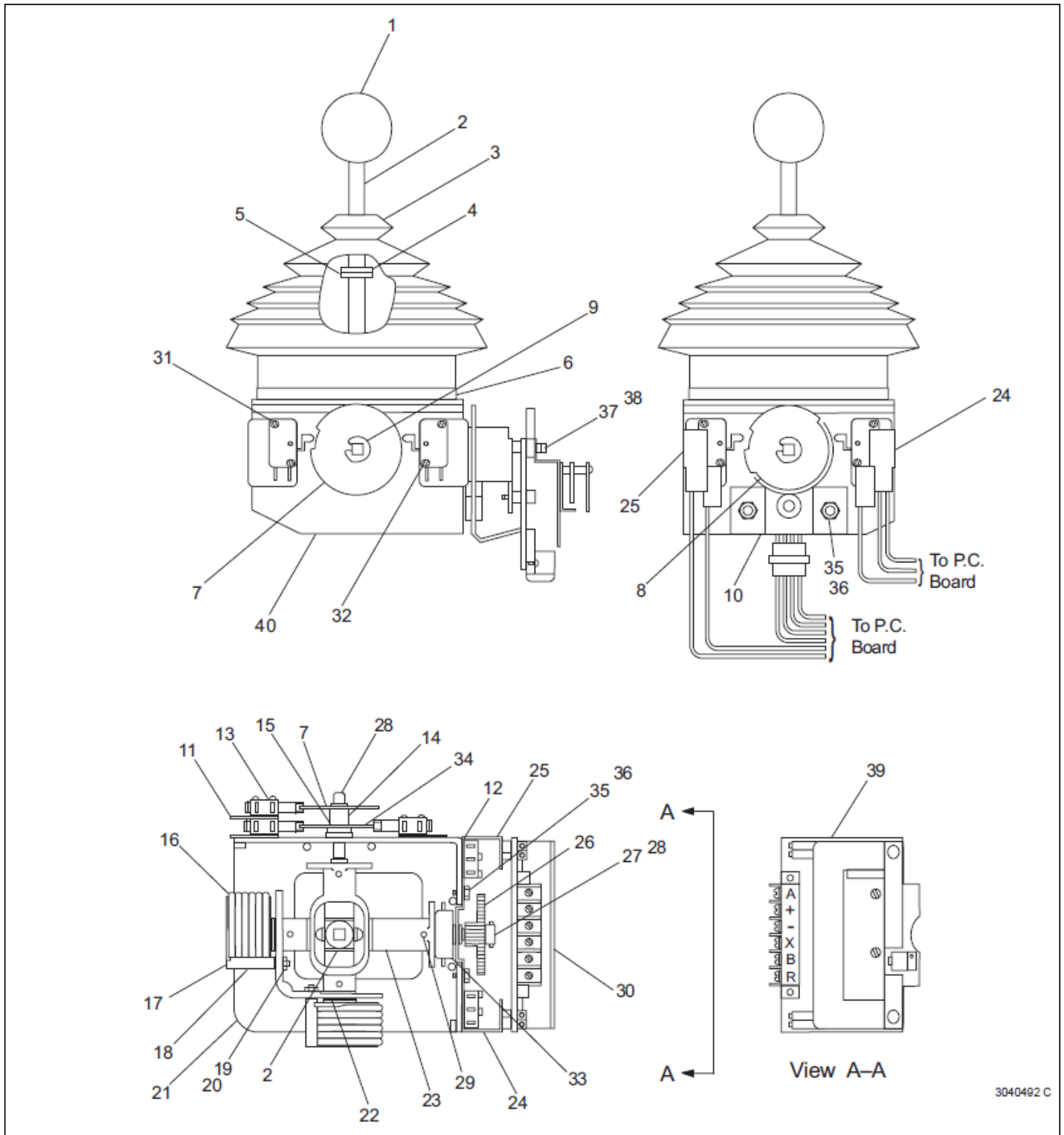
アイテム	部品番号	名前	数量	UOM
	0084138 D	UPPER CONTROL BOX		EA
1	0180842 3	CONTROL BOX	1	EA
2	0180846	PLACARD PLATFORM CONTROL BOX FRONT	1	EA
3	0081979	PLACARD PLATFORM CONTROL BOX TOP	1	EA
4	3040068	CIRCUIT BREAKER 20 AMP	1	EA
5	3040535	CIRCUIT BREAKER 3 AMP	3	EA
7	3020020	SW EMER STOP PUSH/PULL	1	EA
8	0070967	CORROSION INHIBITOR STICK BACK	1	EA
9	3020080	TOGGLE SWITCH	1	EA
10	3020018	SWITCH TOGGLE DPDT MOM/OFF/MOM	3	EA
11	0071587	WIRE 16 R6I FEM250FI 12	1	EA
12	3040493	CONTROLLER 33HZ LIFT/SWING	1	EA
13	3040492	CONTROLLER 33HZ DRIVE/STEER	1	EA
14	3040057	TERMINAL STRIP 18 CIRCUIT	1	EA
15	3040433	TERMINAL STRIP (12) .188 TAB	1	EA
16	3044710	TERM STRIP (10) #10 STUD	1	EA
17	0082002	RHEOSTAT SUB ASSY	1	EA
18	3040348	KNOB RHEOSTAT	1	EA
19	3040411	Alarm Buzzer	1	EA
20	3040188	RELAY SPDT 12DC 10AMP	1	EA
22	0072530	DECAL DNGR ELEC HAZARD	1	EA
23	7190001	GASKET WEATHERPROOF 6.00LG 1/8 in X 1/2 in (50 FT LG ROLLS)	72	EA
24	3040301	PLUG HOLE .875	1	EA
26	3040110	NUT LKG HUB .750 SAMEAS 962129	5	EA
27	3040285	CONN .75 .375 .500	1	EA



アイテム	部品番号	名前	数量	UOM
28	3040116	CONN .75 .500 .625	2	EA
29	3040295	CONN .75 .625 .75	2	EA
31	3020090	SW ANTI RESTART IGNITION	1	EA
32	0084135	WIRE 16 F250FI F188I 9 RSTR7.5	1	EA
33	987349	WSHR LOCK 6	10	EA
34	986159	WSHR FLAT 6	10	EA
35	984009	NUT HEX 6 32	10	EA
36	974689	SCR RDH MACH 10 24 .75	1	EA
37	5560034	NUT LKG 10 24	6	EA
38	5560038	NUT LKG 10 32	14	EA
39	974239	SCR RDH 6 32 .500	6	EA
40	970049	BLT HEXHD .250 20 1.00 GR5 GRADE 5 PLT SAME AS 970189	2	EA
41	5560004	NUT LKG .250 20	4	EA
42	0180886	DECAL TERM STRIP HORIZ 10TERM	1	EA
43	0180887	DECAL TERM STRIP HORIZ 13TERM	1	EA
44	0180888	DECAL TERM STRIP HORIZ 16TERM	1	EA
45	0180850	WIRE ASSY PLAT CONT BOX	1	EA
46	0082007	WIRE ASSEMBLY CONTROL	1	EA
48	0060373	JUMPER SWITCH TERMINAL STRAP	3	EA
49	0070747	WIRE 16 R6I R6I 3	6	EA
51	0070730	WIRE 16 R6I R6I 5.5	3	EA
52	0070711	WIRE 12 R10I R10I 3	1	EA
53	0070712	WIRE 12 R10I R10I 5	3	EA
55	0240483	WIRE 16 R6I R10I 8	1	EA
56	0181074	WIRE 16 SPECIAL (SEE DWG)	1	EA
57	0071511	WIRE 18 FEM188I FEM188I 11	1	EA

アイテム	部品番号	名前	数量	UOM
58	0071534	WIRE 18 R10I FEM188I 21	1	EA
61	0181028	WIRE 16 R6 FEM188 10.5	2	EA
62	0110468	WIRE 16 FEM188I FEM188I 4	1	EA
63	0151816	WIRE 16 R10I R10I 7.5	1	EA
64	0070713	WIRE 18 R10I FEM188I 10	1	EA
66	3020013	Switch, Toggle Honeywell INTI 2	2	EA
68	0181029	WIRE 12 R6 R10 19.5	1	EA
71	0070746	WIRE 16 R6I R6I 9	3	EA
72	986019	WSHR FLAT .250	2	EA
73	5560341	WSHR STAR .250 EXTERNAL TOOTH	2	EA
74	970029	BLT .25 20 .750	2	EA
75	984049	NUT HEX 10 24	1	EA
76	5560663	WSHR 6 STAR TOOTH	2	EA
77	5569711	GROMMET .438ID .688DIA X .125GRV	1	EA
78	480652	ALARM97DBA DUAL TONE 12/24V	1	EA
79	0181030	WIRE 16 FEM188 FEM250FI 15	1	EA
80	3040046	TERM MALE250FI 22/18	1	EA
84	987359	WSHR STAR 10 INTERNAL TOOTH	1	EA
85	0151910	WIRE 16 R6 R10 14	2	EA
86	974269	SCR RHD 6 32 1.00	4	EA
87	5560673	SCR TRHD 10 24 1.00	1	EA
91	0071557	WIRE 18 R8I MALE250FI 7	1	EA
94	5560654	WSHR LOCK #10 SPLIT TYPE	5	EA
95	986009	WSHR FLAT 10	5	EA
96	5560609	SCR TRHD 10 24 .500	4	EA

ELECTRICAL

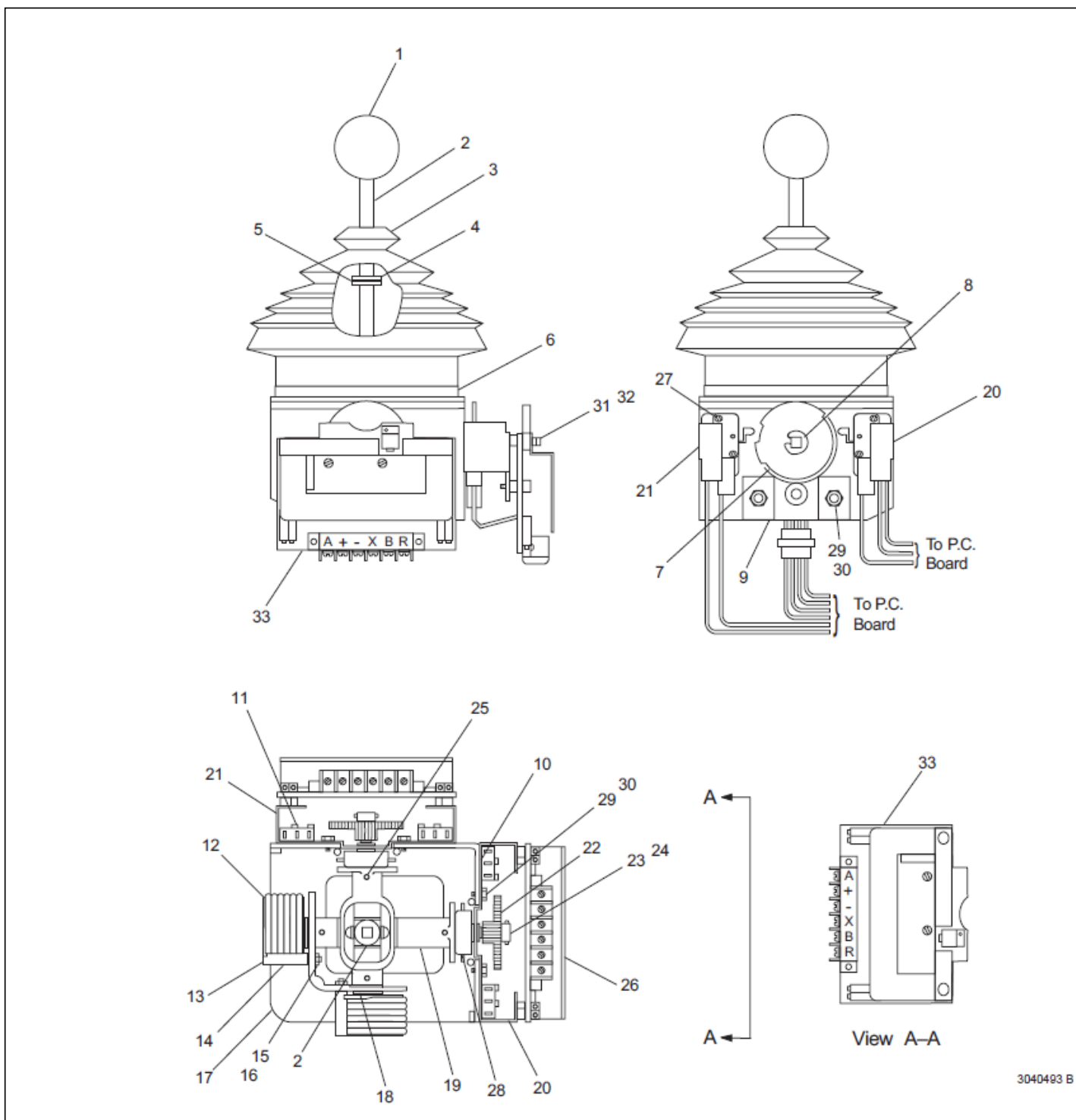


3040482 C

アイテム	部品番号	名前	数量	UOM
	3040492 C	CONTROLLER 33HZ DRIVE STEER	1	EA
1	2660002	KNOB	1	EA
2	3040086	SHAFT	1	EA
3	3040146	BOOT	1	EA
4	8150145	RING	1	EA
5	8150146	TENSION CLIP	1	EA
6	3040169	BOOT CLAMP RING	1	EA
7	8150147	CAM	2	EA
8	8150009	FIXED CAM	1	EA
9	8150135	E CLIP	4	EA
10	8150148	MODIFIED BRACKET	1	EA
11	8150138	INSULATOR	4	EA
12	8150139	INSULATOR	2	EA
13	3020033	MICROSWITCH	6	EA
14	8150136	CAM SPACER	2	EA
15	8150149	BRASS WASHER	1	EA
16	8150005	SPRING RETURN WITH HOUSING	2	EA
17	8150004	SPRING RETURN BOLT	2	EA
18	8150150	WASHER	2	EA
19	8150144	WASHER SPLIT 5M BLACK	2	EA
20	8150143	NUT 5M HEX	2	EA
21	8150003	CASTING, MODIFIED	1	EA
22	3040271	BUSHING	4	EA
23	8150094	SECOND AXIS	1	EA
24	8150151	BRACKET, RIGHT SIDE	1	EA
25	8150152	BRACKET, LEFT SIDE	1	EA
26	3040073	DRIVE GEAR	1	EA
27	3040072	SLAVE GEAR	1	EA
28	8150082	BLANK CAM SHAFT	2	EA

アイテム	部品番号	名前	数量	UOM
29	8150013	TENSION PIN	4	EA
30	8150153	HEAT SINK	1	EA
31	8150140	SCREW #4 40 X 1 1/4 INCH LONG	4	EA
32	8150137	SCREW #4 40 X 3/4 INCH LONG	4	EA
33	3040392	POT WITH BRACKET AND CONNECTOR	1	EA
34	8150084	FIXED CAM	2	EA
35	8150154	SCREW METRIC M4 X 6MM LONG DIN 85	2	EA
36	8150155	WASHER METRIC M4	2	EA
37	8150141	WASHER METRIC M3.5 X 16MM LONG DIN 85	2	EA
38	8150156	WASHER	4	EA
39	8150142	GATE FOR DRIVE/STEER CONTROLLER	1	EA
40	3220073	CIRCUIT BOARD OEM 33HZ	1	EA

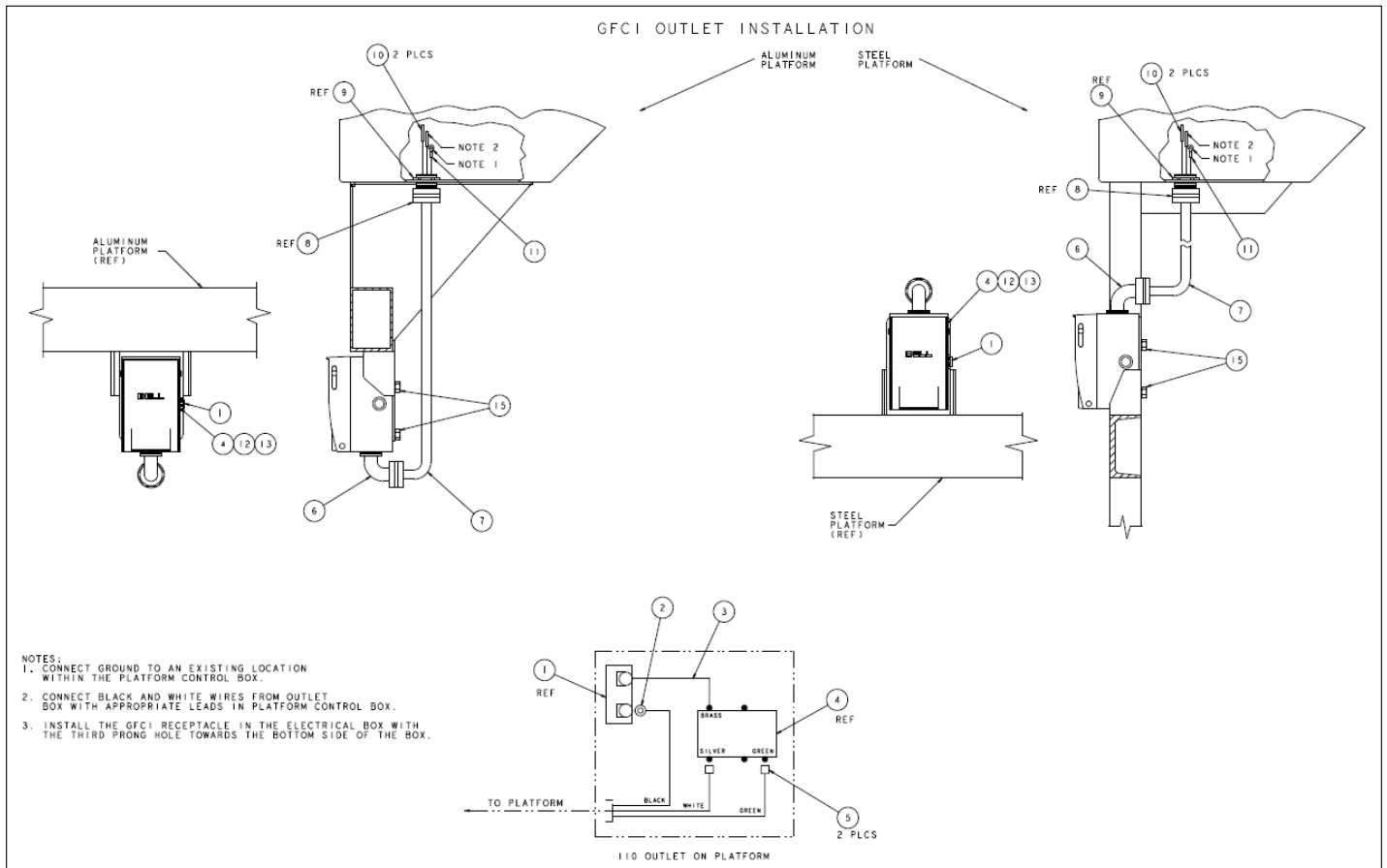
ELECTRICAL



アイテム	部品番号	名前	数量	UOM
	3040493 B	CONTROLLER 33HZ LIFT SWING	1	EA
1	2660002	KNOB	1	EA
2	3040086	SHAFT	1	EA
3	3040146	BOOT	1	EA
4	8150145	RING	1	EA
5	8150146	TENSION CLIP	1	EA
6	3040169	BOOT CLAMP RING	1	EA
7	8150009	FIXED CAM	1	EA
8	8150135	E CLIP	4	EA
9	8150148	MODIFIED BRACKET	2	EA
10	8150138	INSULATOR	4	EA
11	3020033	MICROSWITCH	4	EA
12	8150005	SPRING RETURN WITH HOUSING	2	EA
13	8150004	SPRING RETURN BOLT	2	EA
14	8150150	WASHER	2	EA
15	8150144	WASHER SPLIT 5M BLACK	2	EA
16	8150143	NUT 5M HEX	2	EA
17	8150003	CASTING, MODIFIED	1	EA
18	3040271	BUSHING	4	EA
19	8150094	SECOND AXIS	1	EA
20	8150151	BRACKET, RIGHT SIDE	2	EA
21	8150152	BRACKET, LEFT SIDE	2	EA
22	3040073	DRIVE GEAR	2	EA
23	3040072	SLAVE GEAR	2	EA
24	8150082	BLANK CAM SHAFT	4	EA
25	8150013	TENSION PIN	4	EA
26	8150153	HEAT SINK	2	EA
27	8150140	SCREW #4 40 X 1 1/4 INCH LONG	8	EA

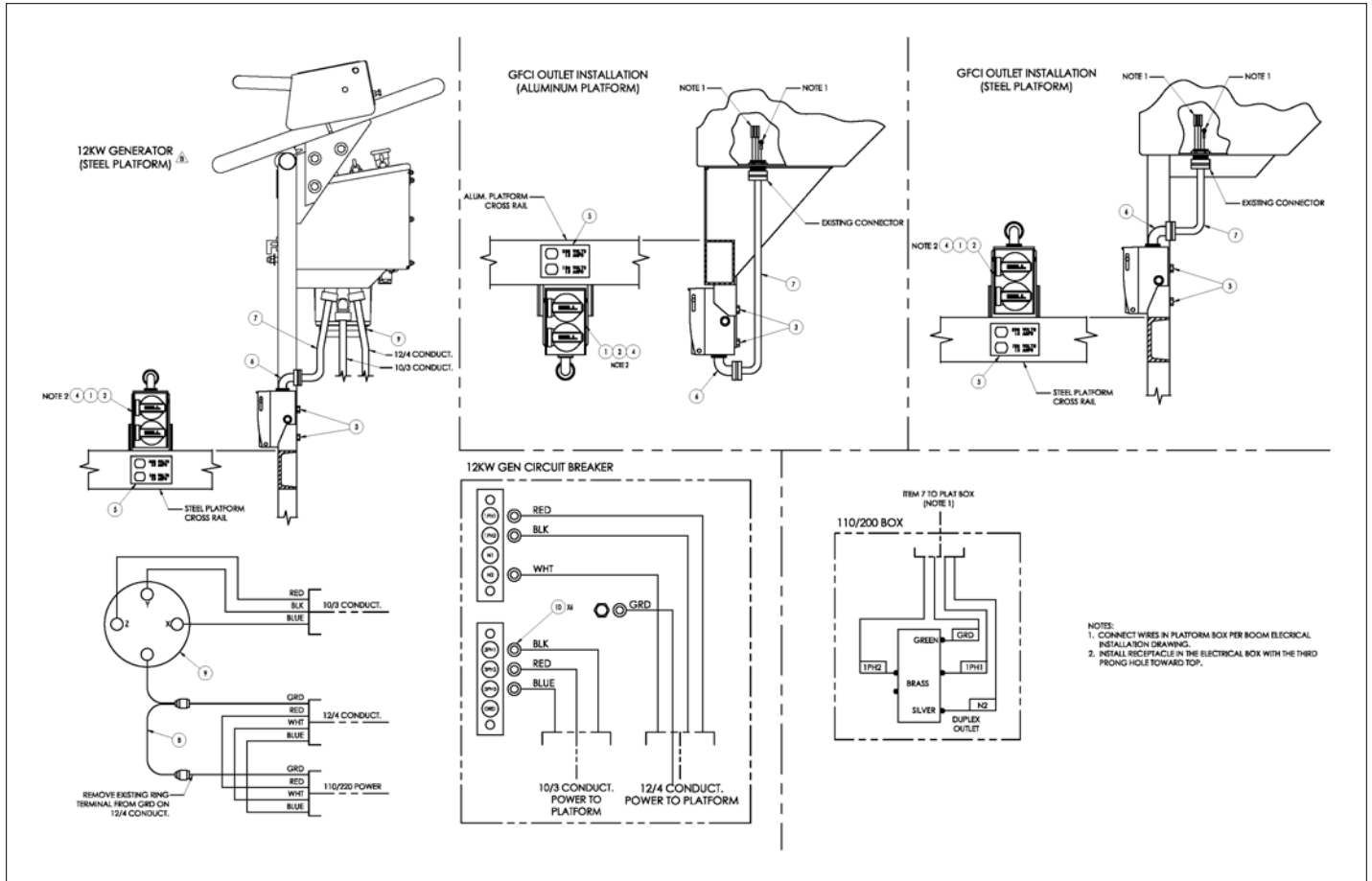
アイテム	部品番号	名前	数量	UOM
28	3040392	POT WITH BRACKET AND CONNECTOR	2	EA
29	8150154	SCREW METRIC M4 X 6MM LONG DIN 85	4	EA
30	8150155	WASHER METRIC M4	4	EA
31	8150141	WASHER METRIC M3.5 X 16MM LONG DIN 85	4	EA
32	8150156	WASHER	8	EA
33	3220073	CIRCUIT BOARD OEM 33HZ	1	EA

ELECTRICAL



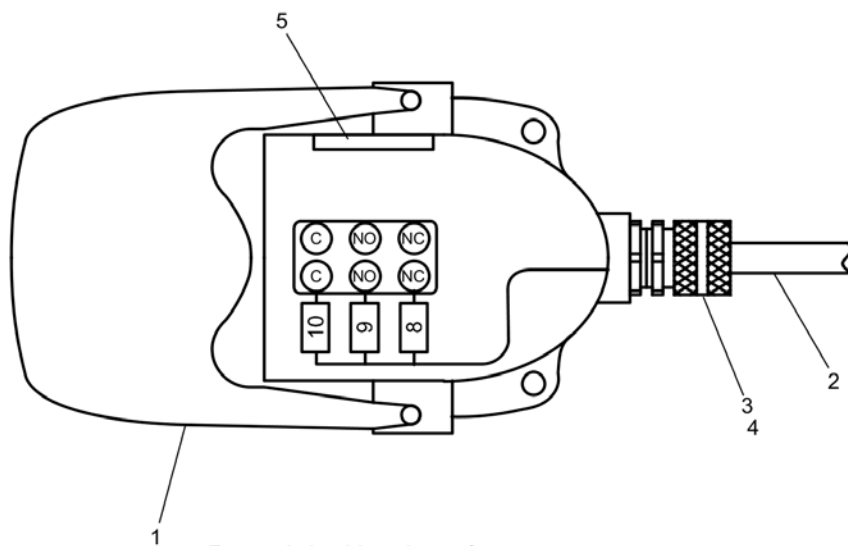
アイテム	部品番号	名前	数量	UOM
	0074365 A	GFCI 110 VOLT INSTALLATION	1	EA
1	3040252	Circuit Breaker 15AMP	1	EA
2	3044854	TERM R10I 12/10	1	EA
3	0071582	JUMPER WIRE	1	EA
4	3040624	Recepticle Outlet 20AMP	1	EA
5	3040397	TERM SPADE 81 12/10	2	EA
6	3040691	CONNECTOR	1	EA
7	0074368	CABLE, 110V POWER TO PLATFORM (USED ON ALUMINUM PLATFORMS ONLY)	1	EA
8	3040116	CONN .75 .500 .625	REF	EA
9	3040110	NUT LKG HUB .750 SAMEAS 962129	REF	EA
10	3044072	TERM BUTT CONN INSUL 12/10	2	EA
11	3044836	TERM R375I 12/10	1	EA
12	0074979	Enclosure	1	EA
13	3040625	Enclosure Face	1	EA
15	5569978	SCR HEXHD 8 32 .375 THD CUTTING	4	EA
16	A07034F	110 POWER TO PLATF INSTL	REF ONLY	EA

ELECTRICAL

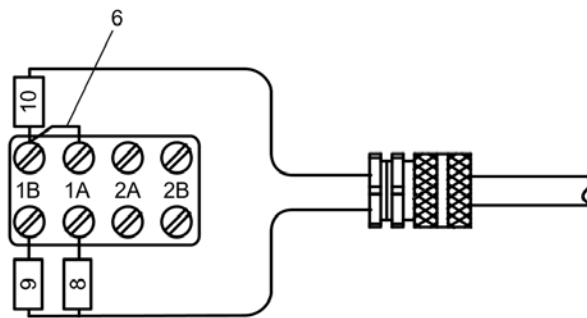


アイテム	部品番号	名前	数量	UOM
*	A08127B B	110 220 POWER TO PLATFORM INSTALLATION		EA
1	3220007	BOX ELECTRICAL OUTLET	1	EA
2	3045211	WEATHERPROOF OUTLET COVER, STANDARD	1	EA
3	5569978	SCR HEXHD 8 32 .375 THD CUTTING	4	EA
4	3045256	RECEPTACLE 120/240 COMB DUPLEX	1	EA
5	0083859	SECAL OUTLET VOLTAGE 120V/208V	1	EA
6	3040691	CONNECTOR	1	EA
7	0083893	CABLE 110/220 POWER TB60 12kw	1	EA
8	0013930	WIRE 12GA GROUND	REF	EA
9	3045254	RECEPTACLE, 3 POLE, 4 COND, 30A	REF	EA
10	3044854	TERM R10I 12/10	7	EA

ELECTRICAL



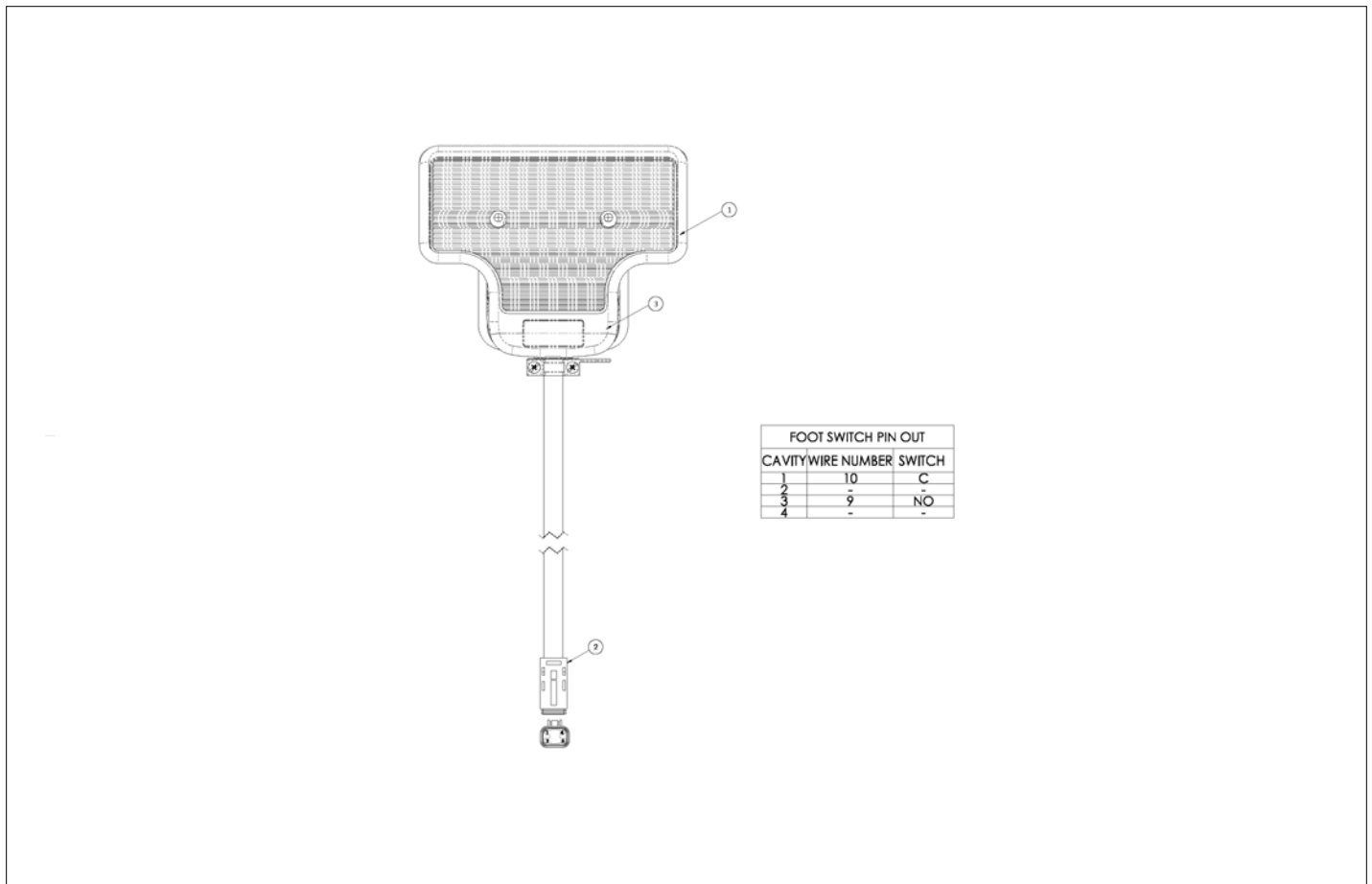
Foot switch wiring shown for Linemaster switch



Foot switch wiring shown for Square D switch

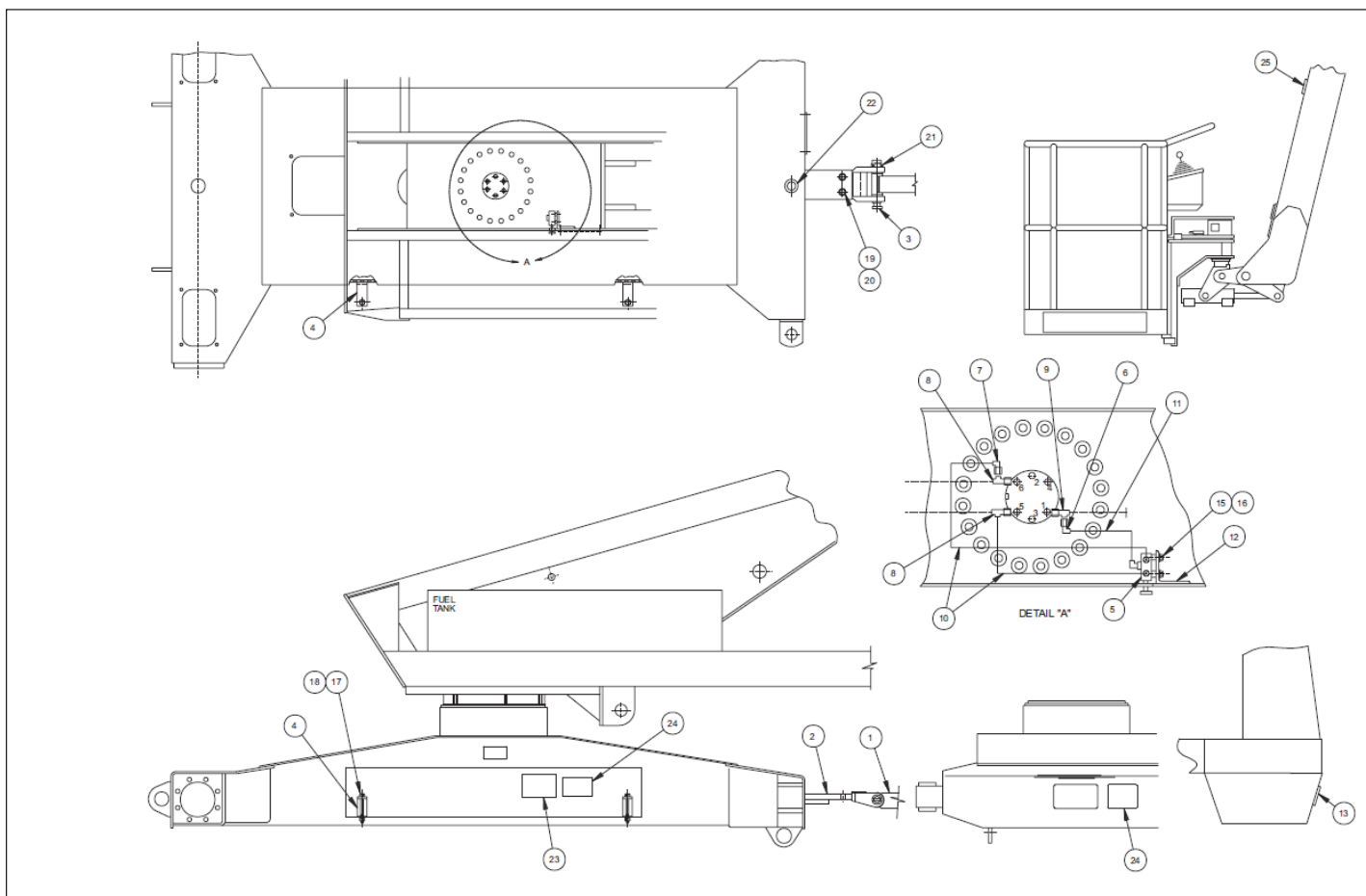
アイテム	部品番号	名前	数量	UOM
	0071800 H	PLATFORM FOOT SWITCH ASSEMBLY		EA
1	3020021	Foot Switch	1	EA
*	3020037	REPLACEMENT SWITCH, SQUARE D SWITCH, 4 POLE	1	EA
*	3020038	REPLACEMENT SWITCH, LINEMASTER SWITCH	1	EA
2	0070596	WIRE ASSY FOOT SWITCH	1	EA
3	3040116	CONN .75 .500 .625	1	EA
4	3040110	NUT LKG HUB .750 SAMEAS 962129	1	EA
5	0070967	CORROSION INHIBITOR STICK BACK	1	EA
6	0060373	JUMPER SWITCH TERMINAL STRAP	1	EA

ELECTRICAL



アイテム	部品番号	名前	数量	UOM
	3028912A	FOOT SWITCH WIDE TREDLE ASSEMBLY		EA
1	3028910	FOOT SWITCH WIDE TREADLE	1	EA
2	3028911	HARNESS FOOT SWITCH, WIDE TREADLE	1	EA
3	3028936	REPLACEMENT FOOT SWITCH (NOT SHOWN)	1	EA

OPTIONS



アイテム	部品番号	名前	数量	UOM
*	0082170 D	TOW PACKAGE		EA
1	0072214	TOW BAR	1	EA
2	0081063	STEERING ARM, TOW PACKAGE	1	EA
3	0072216	TOWING PIN	1	EA
4	0072224	TOW BAR STORAGE CRADLE	2	EA
5	0072225	FLOAT VALVE	1	EA
*	5065708	FTG, HYD 8 MB TO 6 MJIC	2	EA
*	5035306	FTG ELB90STRTHD 8B 8S STL	1	EA
6	5037006	ADAPTER 90 ° ELBOW SWIVEL 8 JIC	1	EA
7	5037005	TERM FEM F.I. .250 16/14	1	EA
8	5036705	FTG TEE SWVL RUN 6S 6S STL	2	EA
9	5036706	FTG TEE SWVL RUN 8S 8S STL (SEE PAGE 2)	1	EA
10	0070766	1/4 INCH HYDRAULIC HOSE	2	EA
11	0070927	HOSE 8 8S 8S 23.5 100R2	1	EA
12	0072226	BRACKET, FLOAT VALVE	1	EA
13	0082203	DECAL, DANGER CRUSHING HAZARD	1	EA
14	5560662	DRIVE SCREW #4 X 1/4 INCH LONG PK TYPE U	12	EA
15	970239	BLT HEXHD .313 18 .750 GR5	2	EA
16	987109	WSHR LOCK .313	2	EA
17	5560647	CAPSCREW 1/2 13 X 5 INCH LONG HEX HEAD GRADE 5	2	EA
18	5560039	NUT HEX LKG .500 13	2	EA
19	2690001	BUSHING, 1 INCH SPHERICAL PLAIN	2	EA
20	5570003	GREASE FTG 1/8 27 NPT 90 DEG	2	EA
21	5580002	PIN SNAPPER	1	EA
22	2502416	BRG CSB 50 24IB 16	2	EA
23	0082160	DECAL, DANGER TOW PACKAGE	1	EA

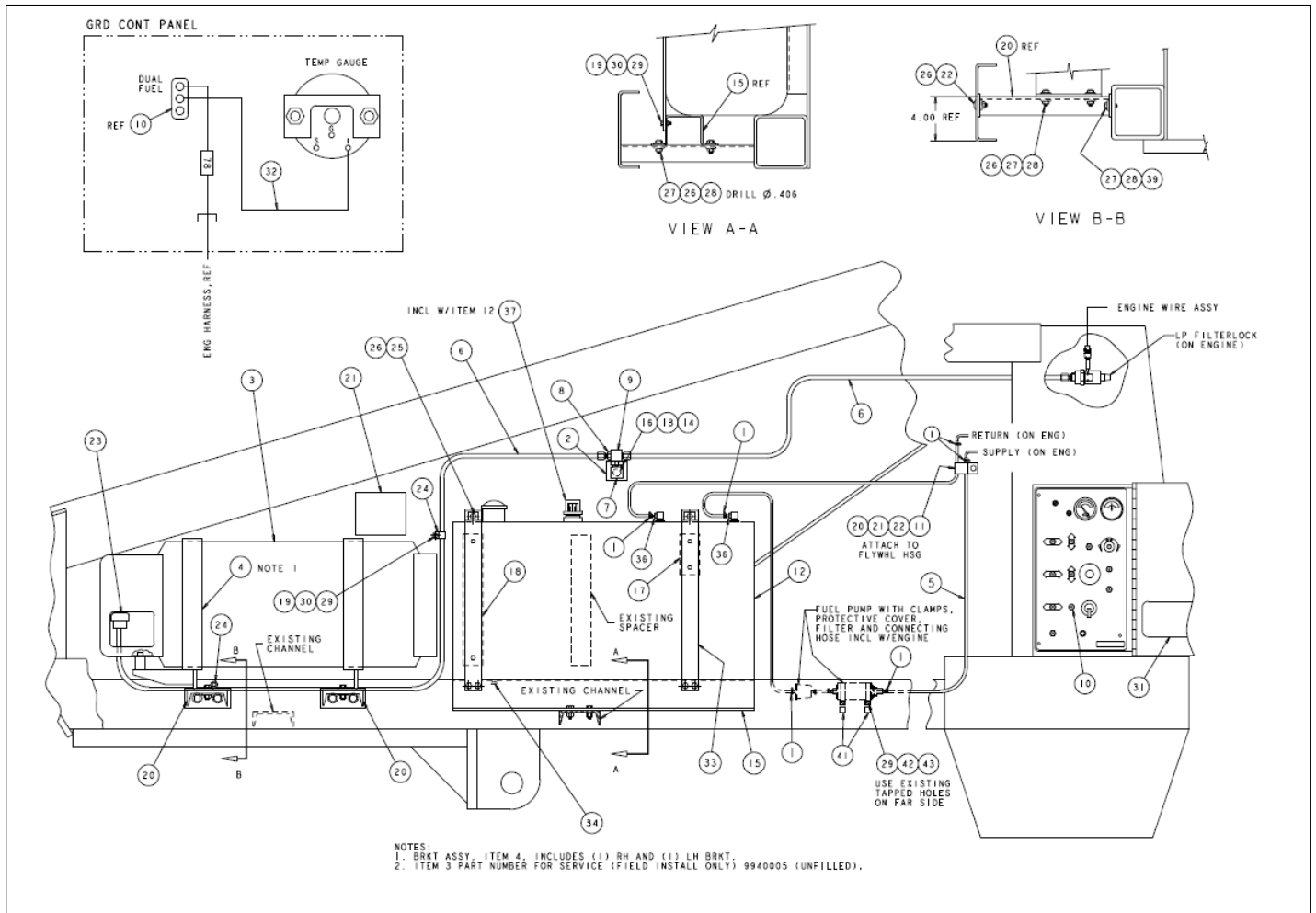
アイテム	部品番号	名前	数量	UOM
24	0072203	DECAL TOWING INSTRUCTIONS	2	EA
25	0082164	DECAL DNGR DO NOT RIDE PLATF	1	EA

OPTIONS

**NO IMAGE AVAILABLE
(BOM FOR REFERENCE ONLY)**

アイテム	部品番号	名前	数量	UOM
	0084578 A	OIL COOLER DEUTZ 12kw TB60/65J/66J INSTALLATION		EA
1	0080931	3/4 INCH HYDRAULIC HOSE	1	EA
2	0084579 8	BRKT OIL COOLER TB60/65 DZ	1	EA
3	3010033	CABLE 14GA/3 CONDUCTOR WIRE TYPE SJ	4.5	EA
4	3011241	WIRE 12GA SINGLE CONDUCTOR WHT	5	EA
5	3011801	WIRE 18GA SINGLE CONDUCTOR WHT	5	EA
6	3040047	TERM FEM250FI 22/18	1	EA
7	3040070	NUT LKG HUB .500 APPLETON: P/N BL50 REG 801	1	EA
8	3040083	TERM FEM250FI 16/14	8	EA
9	3040115	CONN .500 .375 .500	1	EA
10	3040469	RELAY SPDT 12V 30AMP SONG	1	EA
11	3044854	TERM R10I 12/10	2	EA
12	3046972	TERM FEM188I 22/18	2	EA
13	5035319	FTG ELB90STRTHD 16B 12S STL	2	EA
14	5560031	NUT HEX LKG .313 18	4	EA
15	5560034	NUT LKG 10 24	1	EA
16	6050010	OIL COOL W 12V FAN	1	EA
17	970029	BLT .25 20 .750	1	EA
18	970239	BLT HEXHD .313 18 .750 GR5	4	EA
19	984116	NUT HEX LOCK .375	4	EA
20	986019	WSHR FLAT .250	1	EA
21	986269	WSHR FLAT .313	4	EA
22	970279	BLT HEXHD .313 18 1.50 GR5	2	EA
23	974569	MACHINE SCREW, RND HD, SLOTTED, #10 32 UNF X 1.00 MTS 16, 18	1	EA
24	IP0084578	INSTL OIL COOLER TB60/66 DZ	1	EA

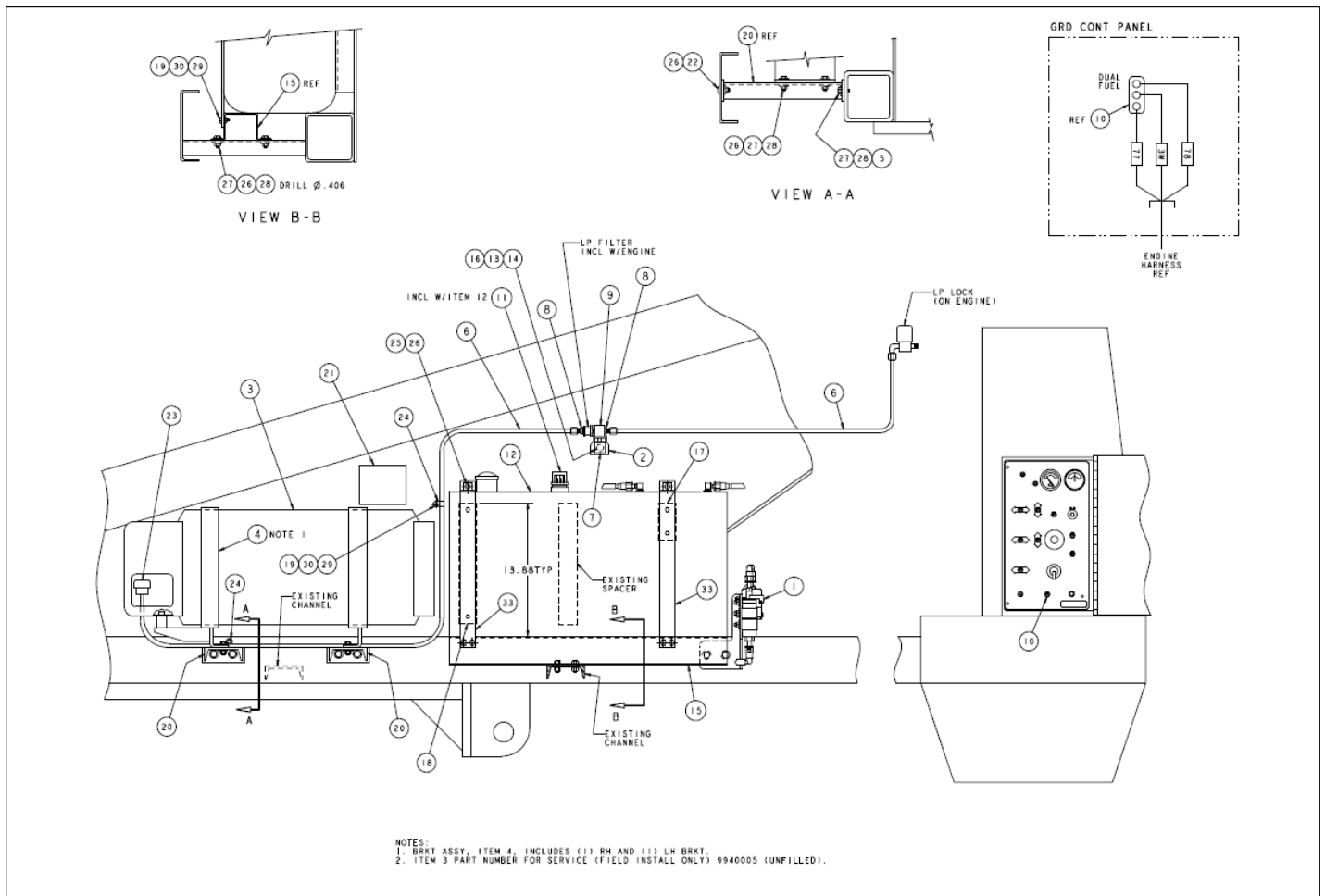
OPTIONS



アイテム	部品番号	名前	数量	UOM
*	0084025 C	DUAL FUEL GM TIER 2 SEPTEMBER 2007 AND BEFORE		EA
1	5550028	CLP WORM DRV .25 .63 .31 BAND	6	EA
2	0080668	BULKHEAD TEE MNTG ANGLE	1	EA
3	9940018	PROPANE CYLINDER 43#	1	EA
4	0070969	BRKT ASSEMBLY LPG CYLINDER	1	EA
5	5018831	HOSE FUEL INJ .313	4 FT	EA
6	0090483	HOSE 5 6S45 4N 72 LPG	2	EA
7	7630703	Relief Valve	1	EA
8	5090049	FTG MALE CONN SAE45 6LPG 4N BR	2	EA
9	7630704	Bulkhead Tee	1	EA
10	3020013	Switch, Toggle Honeywell INTI 2	1	EA
12	0070331	FUEL TANK, GASOLINE 20 GALLON CAPACITY	1	EA
Not Shown	9940001	FUEL TANK CAP – BEFORE SEPTEMBER 2010	1	EA
13	PNNA	WASHER FLAT .313	1	EA
14	PNNA	NUT LKG .313 18	1	EA
15	0080767	FUEL TANK SUPPORT	1	EA
16	PNNA	BOLT HEXHD .313 18 1.00 GR5	1	EA
17	0080766	SPACER TUBE	1	EA
18	0080326	SPACER TUBE	1	EA
19	PNNA	WASHER LOCK .250	12	EA
20	0083507	CHANNEL SUPPORT, LP GAS CYLINDER	2	EA
21	0081441	Decal, Caution Liquid Withdrawl (Dual Fuel Only)	1	EA
22	PNNA	BOLT CRG .375 16 1.25 GR5	8	EA
23	0070974	COUPLING FEMMALE LPG	1	EA
24	5093004	CLP CUSH .750 VINYL COATED	3	EA

アイテム	部品番号	名前	数量	UOM
25	PNNA	BOLT HEXHD .375 16 4.00 GR5	2	EA
26	PNNA	NUT LKG .375 16	14	EA
27	PNNA	BOLT HEXHD .375 16 1.25 GR5	8	EA
28	PNNA	WASHER FLAT .375	13	EA
29	PNNA	BLT HEXHD .250 20 .750 GR5	14	EA
30	PNNA	NUT HEX .250 20	12	EA
31	0090493	DECAL DUAL FUEL INSTRUCTIONS	1	EA
32	0140398	JUMPER WIRE	1	EA
33	0071940	STRAP FUEL TANK	2	EA
34	7714202	PIPE PLUG, 1/4" NPT SQ HD GALV	1	EA
36	5090032	FITTING BARBED 1/4" NPT X 3/16" BRASS	2	EA
37	0070483	Fuel Gauge, 375mm (14.75")	A/R	EA
38	5010011	HOSE SAE30R2 05 .312 FUEL	10 FT	EA
39	PNNA	WASHER LOCK .375	5	EA
41	5093004	CLP CUSH .750 VINYL COATED	2	EA
42	PNNA	WASHER FLAT .250	2	EA
43	PNNA	WASHER LOCK .250	2	EA
44	5093027	CLAMP	1	EA
45	PNNA	BLT HEXHD .375 16 X .50 LG GR5	1	EA

OPTIONS

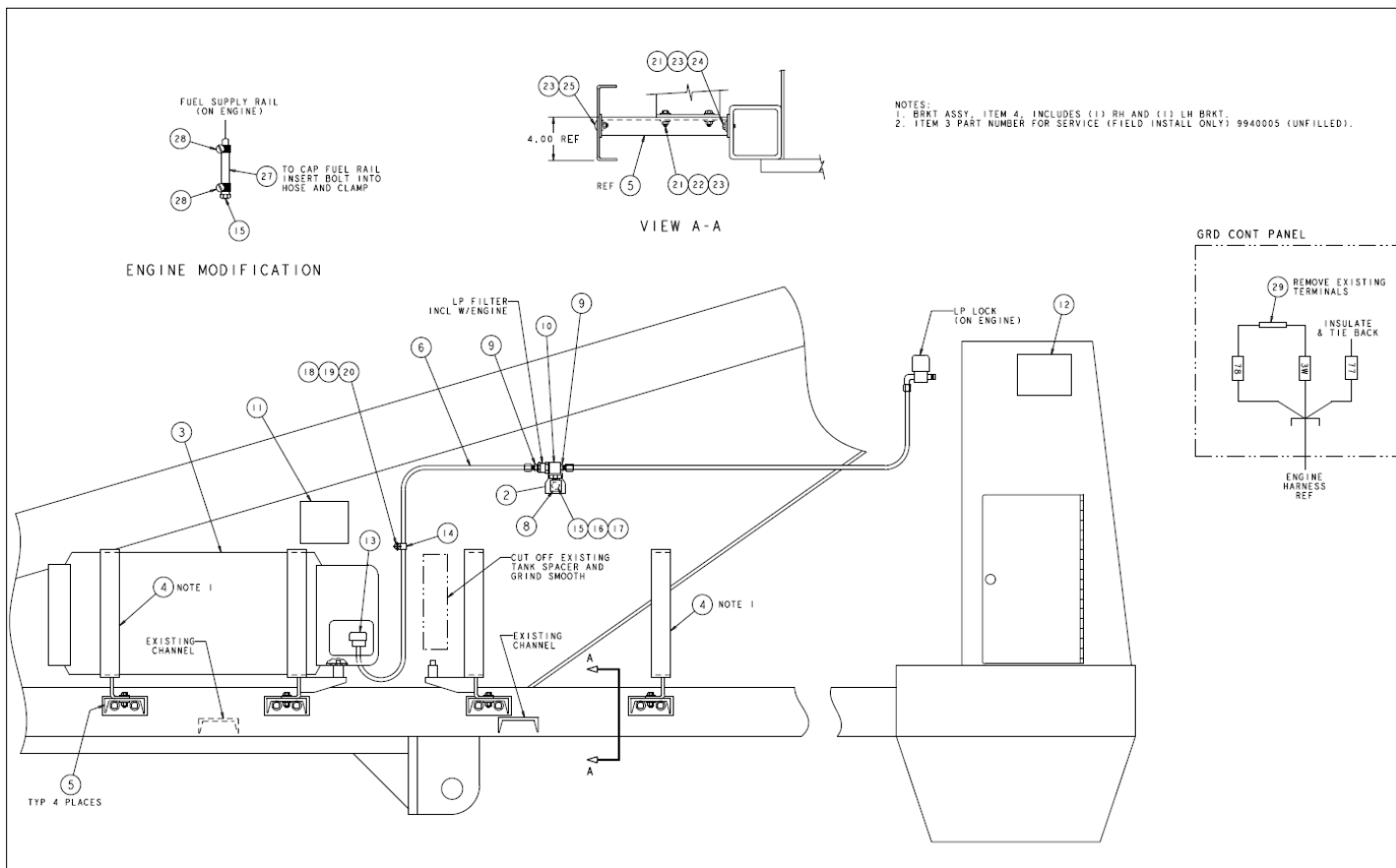


アイテム	部品番号	名前	数量	UOM
	0084117 B	DUAL FUEL GM TIER 3 AUGUST 2007 AND AFTER	1	EA
1	0084118	FUEL SYSTEM, OPT GAS ONLY	1	EA
2	0080668	BULKHEAD TEE MNTG ANGLE	1	EA
3	9940018	PROPANE CYLINDER 43#	1	EA
4	0070969	BRKT ASSEMBLY LPG CYLINDER	1	EA
5	PNNA	WASHER LOCK .375	4	EA
6	0090483	HOSE 5 6S45 4N 72 LPG	2	EA
7	7630703	Relief Valve	1	EA
8	5090049	FTG MALE CONN SAE45 6LPG 4N BR	2	EA
9	7630704	Bulkhead Tee	1	EA
10	3020047	Switch, Toggle Honeywell INTI 3	1	EA
11	0070483	Fuel Gauge, 375mm (14.75")	A/R	EA
12	0084122	FUEL TANK 20 GALLON W/GAGE	1	EA
13	PNNA	WASHER FLAT .313	1	EA
14	PNNA	NUT LKG .313 18	1	EA
15	0080767	FUEL TANK SUPPORT	1	EA
16	PNNA	BLT HEXHD .313 18 1.00 GR5	1	EA
17	0080766	SPACER TUBE	1	EA
18	0080326	SPACER TUBE	1	EA
19	PNNA	WASHER LOCK .250 MDM	12	EA
20	0083507	CHANNEL SUPPORT, LP GAS CYLINDER	2	EA
21	0081441	Decal, Caution Liquid Withdrawl (Dual Fuel Only)	1	EA
22	PNNA	BLT CRG .375 16 1.25 GR5	8	EA
23	0070974	COUPLING FEMALE LPG	1	EA
24	5093004	CLP CUSH .750 VINYL COATED	3	EA
25	PNNA	BLT HEXHD .375 16 4.00 GR5	2	EA
26	PNNA	NUT LKG .375 16	10	EA

アイテム	部品番号	名前	数量	UOM
27	PNNA	BLT HEXHD .375 16 1.25 GR5	12	EA
28	PNNA	WASHER FLAT .375	12	EA
29	PNNA	BLT HEXHD .250 20 .750 GR5	12	EA
30	PNNA	NUT HEX .250 20	12	EA
33	0071940	STRAP FUEL TANK	2	EA

アイテム	部品番号	名前	数量	UOM
	0084118 B	GAS ONLY GM TIER 3 AUGUST 2007 AND AFTER	1	EA
1	0084121	40 GAL FUEL TANK	1	EA
2	0070483	Fuel Gauge, 375mm (14.75")	A/R	EA
3	0084132	HOSE ASSY, FUEL .38 ID X 20.00	1	EA
4	PNNA	BOLT HEXHD .375 16 4.00 GR5	2	EA
5	PNNA	NUT HEXHD .375 16 LKG	2	EA
6	PNNA	BLT HEXHD.250 20 .75 GR5	4	EA
7	PNNA	NUT HEXHD .250 20	4	EA
8	PNNA	WASHER LOCK .250 MDM	4	EA
9	PNNA	BLT HEXHD .375 16 1.25 GR5	8	EA
10	PNNA	NUT HEXHD .375 16 LKG	8	EA
11	PNNA	WASHER LOCK .375 MDM	12	EA
12	0080031	FUEL TANK SUPPORT	1	EA
13	0071940	STRAP FUEL TANK	2	EA
14	5098341	FTG ADPTR BARBED 2H 4N BR	1	EA
15	0084133	HOSE ASSY, FUEL .38 ID X 60.00	1	EA
16	5010007	HOSE VACUUM .156 ID 4.0MM	6 FT	EA
17	PNNA	BLT HEXHD .375 16 X .75 GR5	2	EA
18	0084120	ASSY, FUEL PUMP	1	EA
19	PNNA	BLT HEXHD .375 16 X .50 LG GR5	2	EA
20	5093002	CLAMP .562 AEROQUIP HOSE SUPPORT	2	EA
21	PNNA	WASHER FLAT .38	4	EA
22	0084130	HOSE ASSY, FUEL .38 ID X 53.00	1	EA
23	3044070	TERM BUTT CONN INSUL 22/18	1	EA

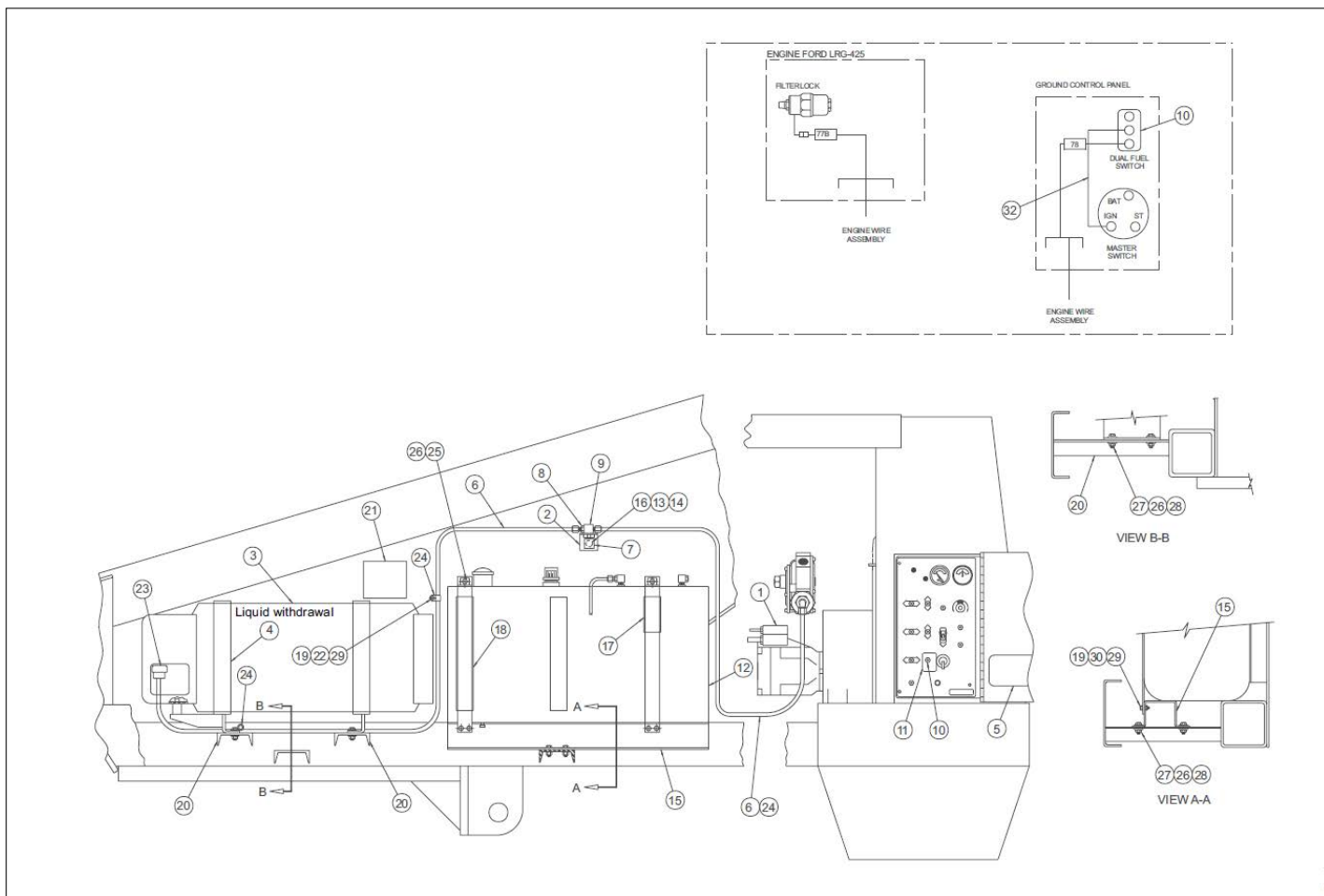
OPTIONS



アイテム	部品番号	名前	数量	UOM
	0084119 A	LP ONLY GM TIER 3 AFTER SEPTEMBER 2007 AND AFTER	1	EA
2	0080668	BULKHEAD TEE MNTG ANGLE	1	EA
3	9940018	PROPANE CYLINDER 43#	1	EA
4	0070969	BRKT ASSEMBLY LPG CYLINDER	2	EA
5	0083507	CHANNEL SUPPORT, LP GAS CYLINDER	4	EA
6	0080676	LP GAS FUELHOSE	1	EA
7	0101724	HOSE 5 6S45 4N 32 LPG	1	EA
8	7630703	Relief Valve	1	EA
9	5090049	FTG MALE CONN SAE45 6LPG 4N BR	2	EA
10	7630704	Bulkhead Tee	1	EA
11	0081441	Decal, Caution Liquid Withdrawl (Dual Fuel Only)	1	EA
12	0081377	DECAL LPS LOGO 4.0 X 4.0	1	EA
13	0070974	COUPLING FEMMALE LPG	1	EA
14	5093004	CLP CUSH .750 VINYL COATED	3	EA
15	PNNA	BLT HEXHD .313 18 1.00 GR5	2	EA
16	PNNA	NUT LKG .313 18	1	EA
17	PNNA	WASHER FLAT .313	1	EA
18	PNNA	BLT HEXHD .250 20 .750 GR5	4	EA
19	PNNA	NUT HEXHD .250 20	4	EA
20	PNNA	WASHER LOCK .250 MDM	4	EA
21	PNNA	BLT HEXHD .375 16 1.25 GR5	8	EA
22	PNNA	NUT LKG .375 16	16	EA
23	PNNA	WASHER FLAT .375	16	EA
24	PNNA	WASHER LKG .375	8	EA
25	PNNA	BLT CRG .375 1.25 GR5	8	EA
26	564266	FTG ELB90 SAE45 6 LPG 4N BR	1	EA
27	5010011	HOSE SAE30R2 05 .312 FUEL	.16 FT	EA

アイテム	部品番号	名前	数量	UOM
28	5550028	CLP WORM DRV .25 .63 .31 BAND	2	EA
29	3044070	TERM BUTT CONN INSUL 22/18	1	EA

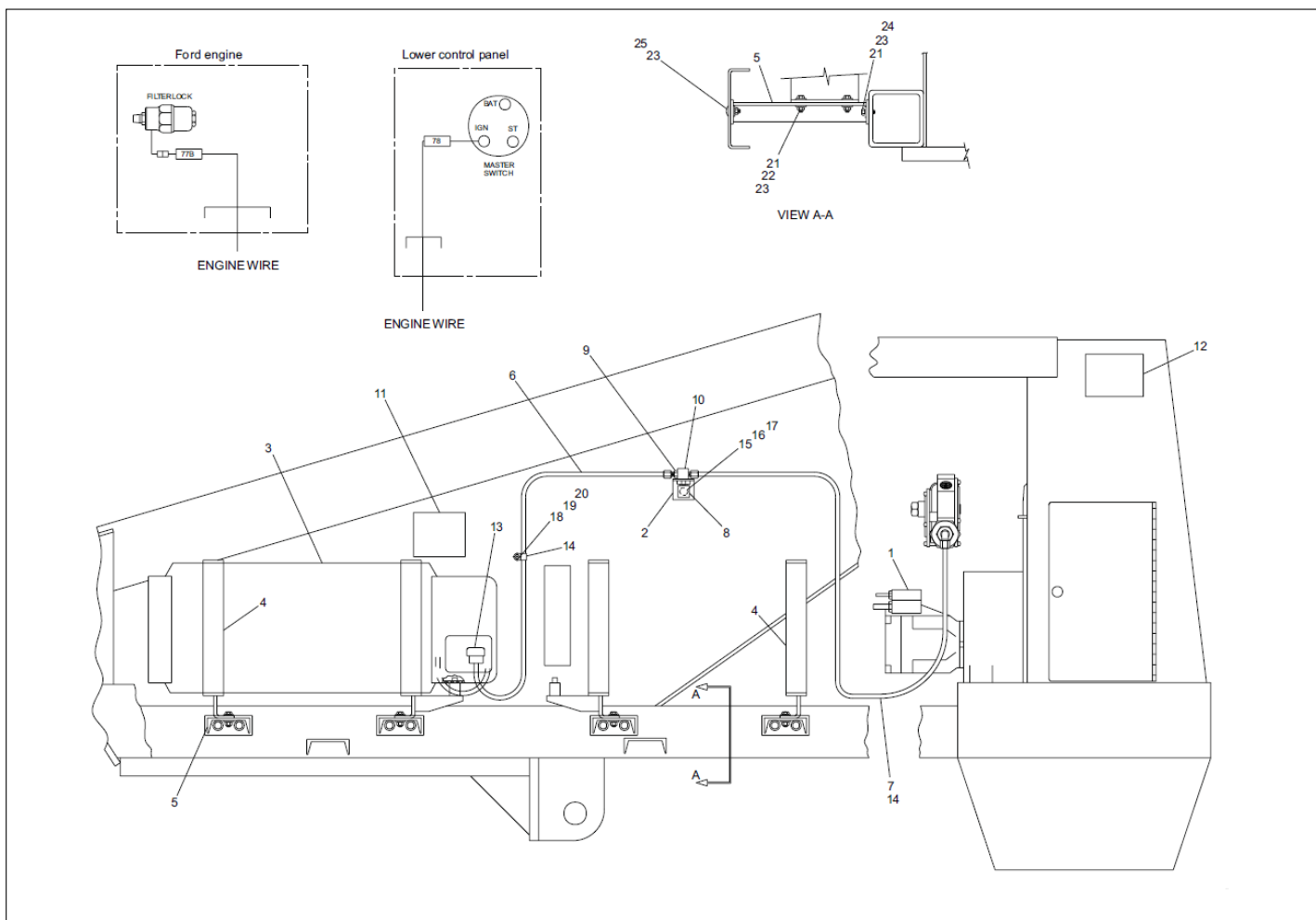
OPTIONS



アイテム	部品番号	名前	数量	UOM
	0082685 B	DUAL FUEL FORD LRG 425	1	EA
1	0112100	DUAL FUEL ENGINE, FORD LRG 425	1	EA
2	0080668	BULKHEAD TEE MNTG ANGLE	1	EA
3	9940005	LP GAS CYLINDER, LIQUID WITHDRAWAL 43.5 LB CAPACITY	1	EA
4	0070969	BRKT ASSEMBLY LPG CYLINDER	1	EA
5	0090493	DECAL DUAL FUEL INSTRUCTIONS	1	EA
6	0090483	HOSE 5 6S45 4N 72 LPG	2	EA
7	KIT ITEM	HYDROSTATIC RELIEF VALVE – INCLUDED IN DUAL FUEL KIT 0073444	1	EA
8	KIT ITEM	STRAIGHT THREAD ADAPTER 1/4 NPT BRASS – INCLUDED IN DUAL FUEL KIT 0073444	1	EA
9	KIT ITEM	BULKHEADTEE – INCLUDED IN DUAL FUEL KIT 0073444	1	EA
10	3020013	Switch, Toggle Honeywell INTI 2	1	EA
11	0090492	PLACARD, DUAL FUEL SWITCH	1	EA
12	0070331	FUEL TANK, GASOLINE 20 GALLON CAPACITY	1	EA
	9940001	FUEL TANK CAP – BEFORE SEPTEMBER 2010	1	EA
13	986269	WSHR FLAT .313	1	EA
14	5560031	NUT HEX LKG .313 18	1	EA
15	0080767	FUEL TANK SUPPORT	1	EA
16	970369	BLT HEXHD .313 18 X 1.00 GR5	1	EA
17	0080766	SPACER TUBE	1	EA
18	0080326	SPACER TUBE	1	EA
19	987099	WSHR LOCK .250	5	EA
20	0072135	CHANNEL SUPPORT	3	EA

アイテム	部品番号	名前	数量	UOM
21	0081441	Decal, Caution Liquid Withdrawl (Dual Fuel Only)	1	EA
22	984069	NUT HEX .250 20	5	EA
23	0070974	COUPLING FEMALE LPG	1	EA
24	5093002	CLAMP .562 AEROQUIP HOSE SUPPORT	4	EA
25	970569	BLT HEXHD .375 16 3.50 GR5	2	EA
26	984109	NUT HEX .375 16	10	EA
27	972489	M.SCR 3/8 16 1 1/2 SOC. CAD	8	EA
28	986299	WASHER, FLAT, .375 STANDARD, PLATED	8	EA
29	970029	BLT .25 20 .750	5	EA
30	0151815	WIRE 16 R10I R10I 12	1	EA

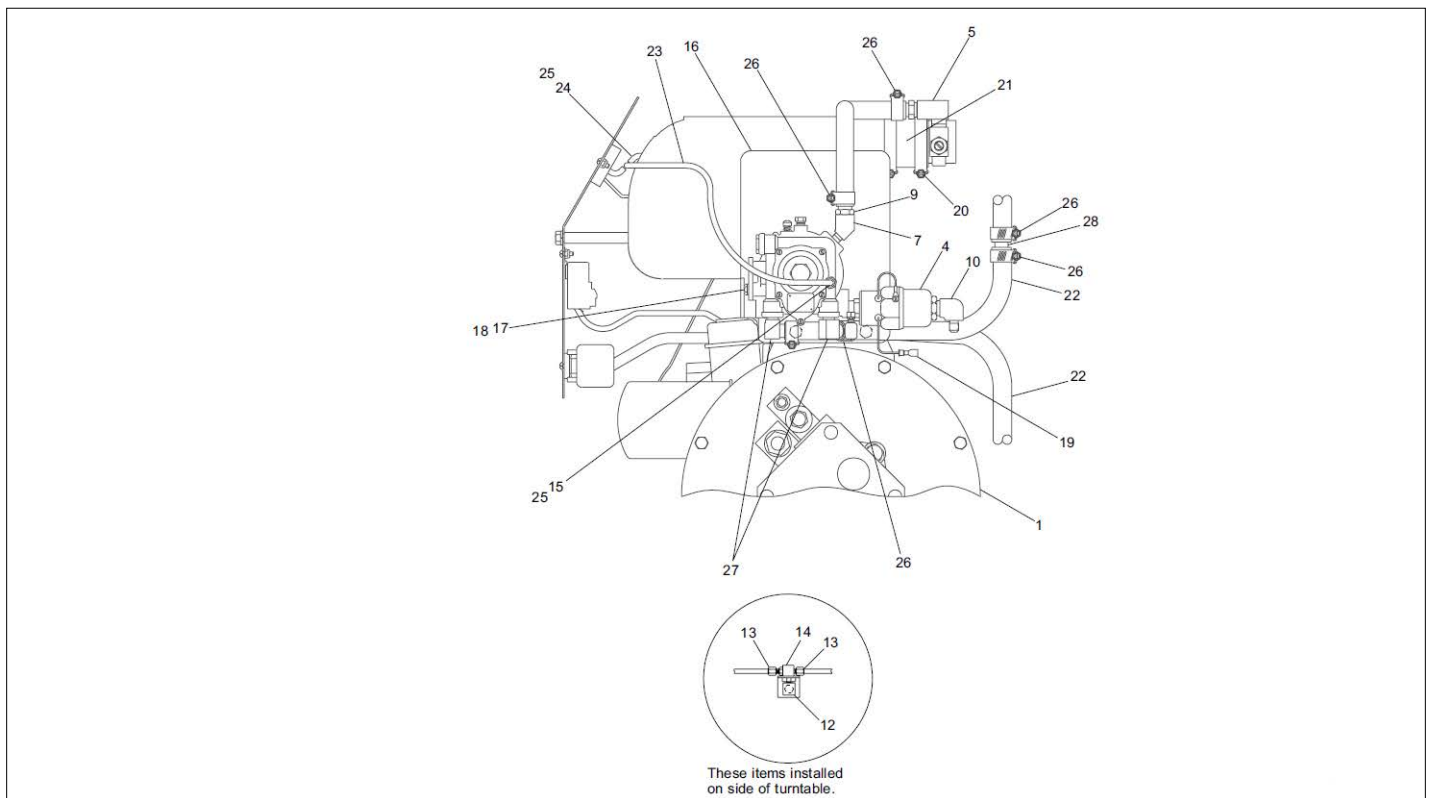
OPTIONS



アイテム	部品番号	名前	数量	UOM
	0075019 A	null	1	EA
1	0112100	DUAL FUEL ENGINE, FORD LRG 425	1	EA
2	0080668	BULKHEAD TEE MNTG ANGLE	1	EA
3	9940005	LP GAS CYLINDER, LIQUID WITHDRAWAL 43.5 LB CAPACITY	1	EA
4	0070969	BRKT ASSEMBLY LPG CYLINDER	1	EA
5	0083507	CHANNEL SUPPORT, LP GAS CYLINDER	4	EA
6	0080676	LP GAS FUELHOSE	1	EA
7	0090483	HOSE 5 6S45 4N 72 LPG	1	EA
8	KIT ITEM	HYDROSTATIC RELIEF VALVE – INCLUDED IN DUAL FUEL KIT 0073444	1	EA
9	KIT ITEM	STRAIGHT THREAD ADAPTER 1/4 NPT BRASS – INCLUDED IN DUAL FUEL KIT 0073444	1	EA
10	KIT ITEM	BULKHEAD TEE – INCLUDED IN DUAL FUEL KIT 0073444	1	EA
11	0081441	Decal, Caution Liquid Withdrawl (Dual Fuel Only)	1	EA
12	0081377	DECAL LPS LOGO 4.0 X 4.0	1	EA
13	0070974	COUPLING FEMMALE LPG	1	EA
14	5093004	CLP CUSH .750 VINYL COATED	4	EA
15	970369	BLT HEXHD .313 18 X 1.00 GR5	1	EA
16	5560031	NUT HEX LKG .313 18	1	EA
17	986269	WSHR FLAT .313	1	EA
18	970029	BLT .25 20 .750	4	EA
19	984069	NUT HEX .250 20	4	EA
20	987099	WSHR LOCK .250	4	EA
21	972479	BLT HEXHD .375 16 1.25 GR5	8	EA
22	5560033	.375 16UNC HEX LOCK NUT	16	EA

アイテム	部品番号	名前	数量	UOM
23	986299	WASHER, FLAT, .375 STANDARD, PLATED	16	EA
24	987119	WSHR LOCK .375	8	EA
25	972439	BLT CRG .375 16 X 1.25 GR 5 ZP	8	EA
26	A08108C A	LP FUEL ONLY FORD LRG 425	REF ONLY	EA

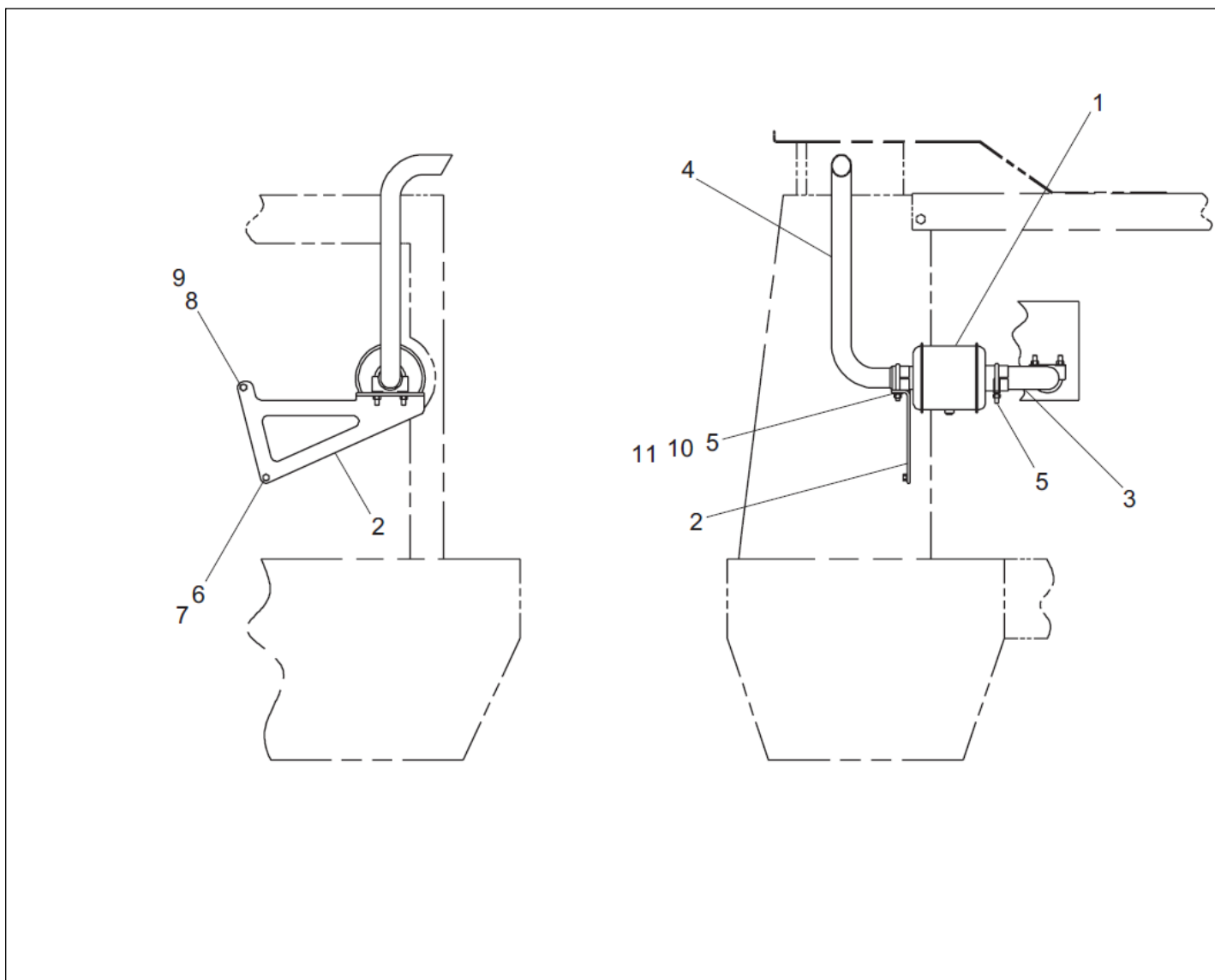
OPTIONS



アイテム	部品番号	名前	数量	UOM
	0112100 A	DUAL FUEL ENGINE SUBASSEMBLY FORD LRG 425	1	EA
1	0112083	ENGINE, FORD LRG 425	1	EA
2	0073444	DUAL FUEL KIT, LIQUID COOLED – INCLUDES ITEMS 5 THROUGH 14	1	EA
3	8020009	REGULATOR	1	EA
4	8020036	GAS REGULATOR	1	EA
5	KIT ITEM	HOSE ADAPTER – ITEM NOT SOLD SEPARATELY	1	EA
6	KIT ITEM	LP HOSE, 5/8 INCH DIAMETER X 24 INCH LONG – NOT SOLD SEPARATELY	1	EA
7	KIT ITEM	STREET 3/8 NPT 90 ° ELBOW, BRASS – NOT SOLD SEPARATELY	2	EA
8	KIT ITEM	STREET 1/4 NPT 90 ° ELBOW, BRASS – NOT SOLD SEPARATELY	2	EA
9	KIT ITEM	CONNECTOR 3/8 NPT TO 5/8 INCH HOSE, BRASS – NOT SOLD SEPARATELY	2	EA
10	KIT ITEM	MALE 1/4 NPT TO 6 SAE 90 ° ELBOW, BRASS – NOT SOLD SEPARATELY	1	EA
11	KIT ITEM	STREET TEE 1/8 NPT BRASS – NOT SOLD SEPARATELY	1	EA
12	KIT ITEM	HYDROSTATIC RELIEF VALVE – NOT SOLD SEPARATELY	1	EA
13	KIT ITEM	STRAIGHT THREAD ADAPTER 1/4 NPT BRASS – NOT SOLD SEPARATELY	2	EA
14	KIT ITEM	BULKHEAD TEE – NOT SOLD SEPARATELY	1	EA
15	5090024	VACUUM FITTING 1/8 NPT BRASS STRAIGHT	1	EA
16	0111862	MOUNT PLATE	1	EA
17	970029	BLT .25 20 .750	2	EA
18	987099	WSHR LOCK .250	2	EA

アイテム	部品番号	名前	数量	UOM
19	3040083	TERM FEM250FI 16/14	1	EA
20	5550030	CLP WORM DRV 1.50 2.50 SAE#32	2	EA
21	7630327	HOSE, 2" ID FLAME RESISTANT	1	EA
22	5010020	HOSE .625ID 16MM	1	EA
23	5010007	HOSE VACUUM .156 ID 4.0MM	1	EA
24	5090044	VACUUM LINE TEE	1	EA
25	5090026	CLP HOSE .187 SPRING (VACUUM)	1	EA
26	5550010	CLP WORM DRV .50 1.06 SAE#10	6	EA
27	5039501	BEADED 90 ° ELBOW	2	EA
28	5039601	SPLICE	1	EA
29	3020054	VACUUM SWITCH – INCLUDED WITH ITEM 1	1	EA
Not Shown	8130005	REPLACEMENT SWITCH	1	EA

OPTIONS



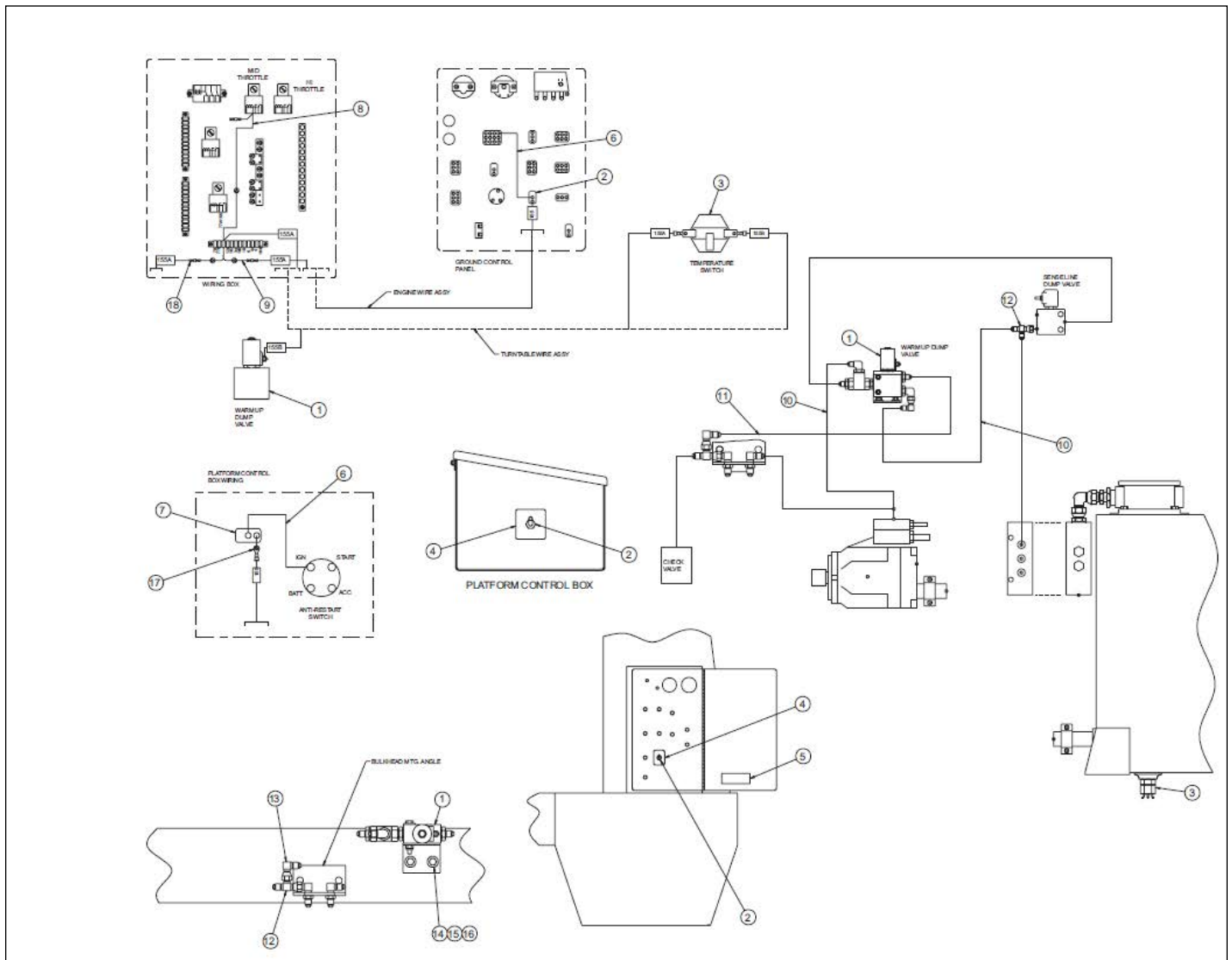
アイテム	部品番号	名前	数量	UOM
	0082095 A	SPARK ARRESTOR MUFFLER DEUTZ	1	EA
1	7630243	MUFFLER, SPARK ARRESTOR	1	EA
2	0082096	TAILPIPE BRACE	1	EA
3	0082097	EXHAUST PIPE	1	EA
4	0082098	TAILPIPE	1	EA
5	5550014	2" EXHAUST CLAMP	2	EA
6	5560625	BOLT 10MM 1.50P 20MM	1	EA
7	5560356	WSHR LOCK 10	1	EA
8	972029	CAPSCREW METRIC M8 1.25 X 20MM LONG HEX HEAD	1	EA
9	5560355	WSHR LOCK M8	1	EA
10	987109	WSHR LOCK .313	2	EA
11	986269	WSHR FLAT .313	2	EA

OPTIONS

**NO IMAGE AVAILABLE
(BOM FOR REFERENCE ONLY)**

アイテム	部品番号	名前	数量	UOM
	0084584 A	DEUTZ DIESEL SCRUBBER		EA
1	0084585	CATALYTIC CONVERTER INLINE CLEAN EMISSIONS DIESEL POWER	1	EA
2	0084586	EXHAUST PIPE LOWER TB65 SCRUBBER	1	EA
3	0084587	EXHAUST PIPE UPPER SCRUBBER TB65	1	EA
4	5550015	CLP MUFFLER 2.25 .375 16 HVY	2	EA

OPTIONS



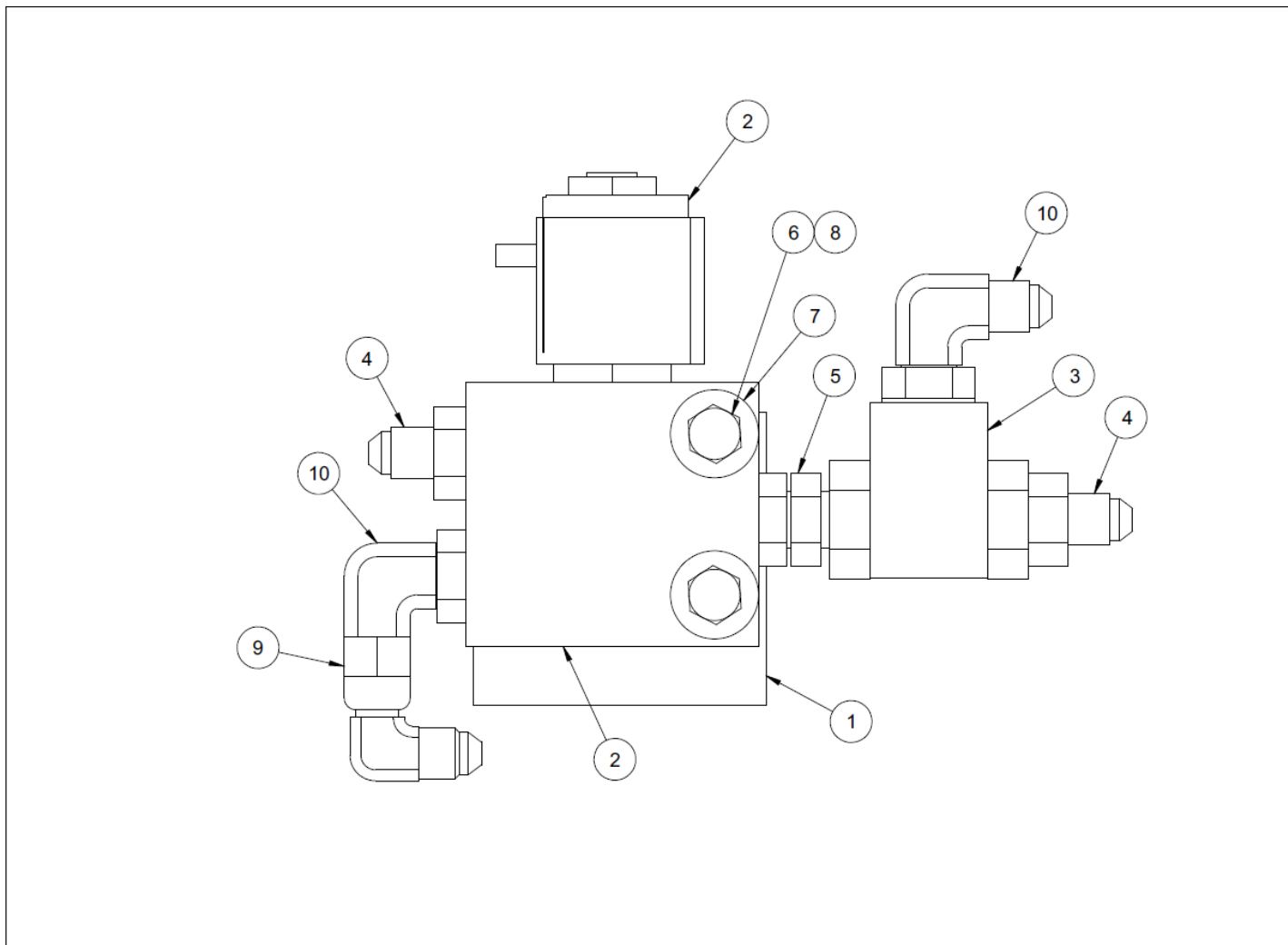
アイテム	部品番号	名前	数量	UOM
	0082043 C	HYDRAULIC WARM UP WITH SYMPLIFIED HYDRAULICS TB60 TB66J	1	EA
1	0082053	HYDRAULIC WARM UP VALVE	1	EA
2	3020013	Switch, Toggle Honeywell INTI 2	1	EA
3	3020078	TEMPERATURE SWITCH	1	EA
4	0071792	PLAC WARM UP SWITCH	1	EA
5	0071793	DECAL, HYDRAULIC WARMUP INSTRUCTIONS – OPTION	1	EA
6	0071844	WIRE 16 R6I R10I 12	2	EA
7	3040047	TERM FEM250FI 22/18	1	EA
8	0181398	DIODE WIRE	1	EA
9	0181285	DIODE	1	EA
10	0050137	HOSE 4 4S 4S 36 100R1	1	EA
11	0020283	HOSE 4 4S 4S 15.25 100R1 SAE:100R1 4 BAND IN	2	EA
12	5036703	FTG TEE SWVL RUN 4S 4S STL (SEE PAGE 2)	2	EA
13	5037003	FTG ELB90SWVL 4S 4S STL	1	EA
14	970029	BLT .25 20 .750	2	EA
15	987099	WSHR LOCK .250	2	EA
16	986019	WSHR FLAT .250	2	EA
17	3044142	TERM, .250 TAB 12/10, MALE F.I.	1	EA
18	3040047	TERM FEM250FI 22/18	1	EA

OPTIONS

**NO IMAGE AVAILABLE
(BOM FOR REFERENCE ONLY)**

アイテム	部品番号	名前	数量	UOM
	0082043 A	EXTREME COLD WEATHER PACKAGE GM	1	EA
Not Shown	0163407	COLD WEATHER START GM	1	EA
1	7630842	HEATER, LOWER RADIATOR HOSE ID 1.75 – 120V, 600W	1	EA
	PNNA	HOSE CLAMPS – PROVIDED WITH HEATER	2	EA

OPTIONS



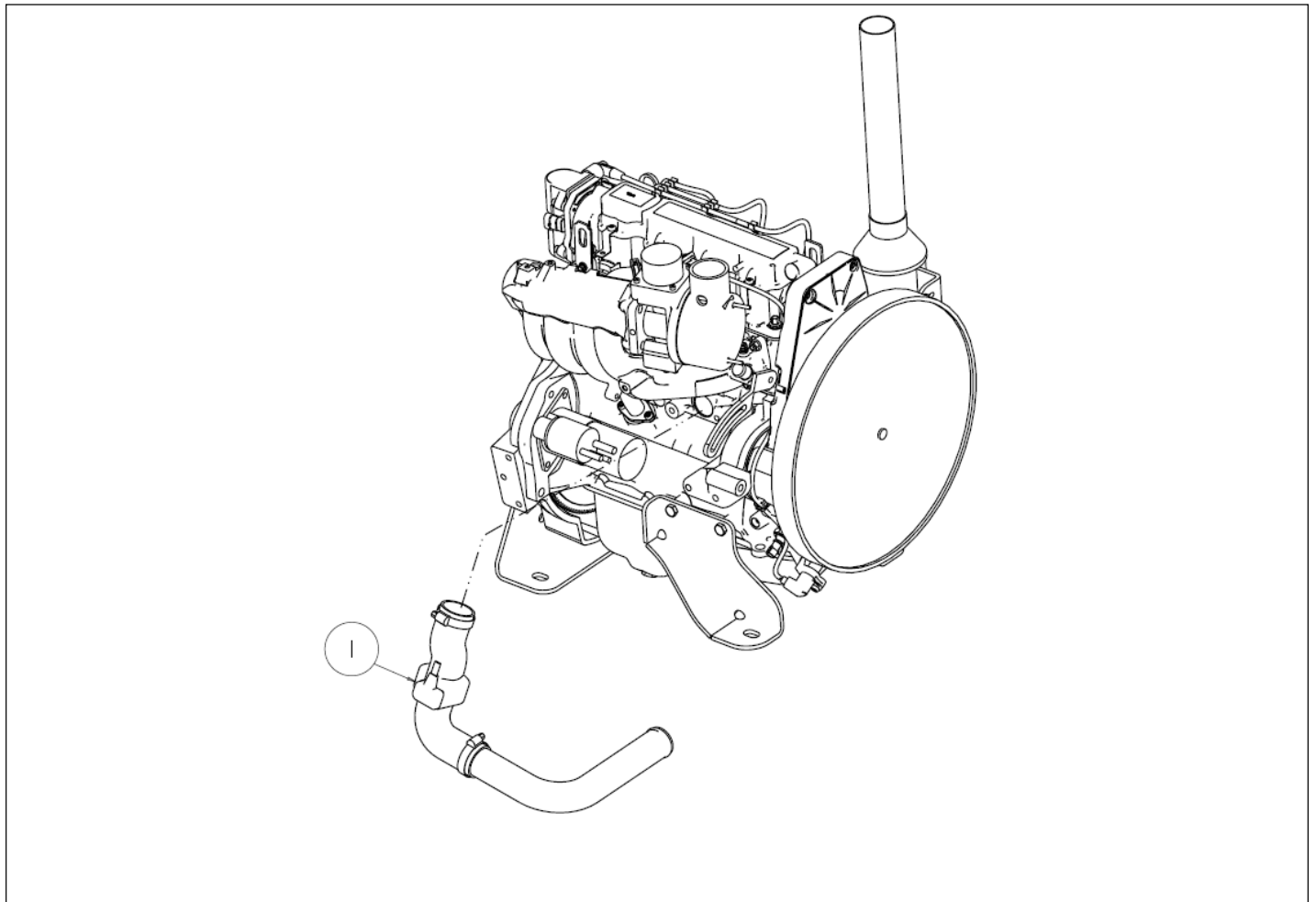
アイテム	部品番号	名前	数量	UOM
	0082053 C	HYDRAULIC WARM UP VALVE	1	EA
1	0071805	BRACKET MOUNTING	1	EA
2	6010499	VALVE ASSY 3WAY 10 VOLT SINGLE	1	EA
3	6010083	SHUTTLE VALVE	1	EA
4	5065705	FTG ADPTR STRTHD 6B 4S STL	2	EA
5	5076301	UNION (6/ 6)	1	EA
6	970169	BOLTHEXHD .250 20 2.00 GR5	2	EA
7	986019	WSHR FLAT .250	2	EA
8	5560004	NUT LKG .250 20	2	EA
9	5037003	FTG ELB90SWVL 4S 4S STL	1	EA
10	5035318	STRAIGHT THREAD 90 ° ELBOW	2	EA

OPTIONS

**NO IMAGE AVAILABLE
(BOM FOR REFERENCE ONLY)**

アイテム	部品番号	名前	数量	UOM
	0182279 B	COLD WEATHER HYDRAULIC OIL		EA
1	0190089	SYNTHETIC F/COLD WTHR	40 GAL	EA

OPTIONS



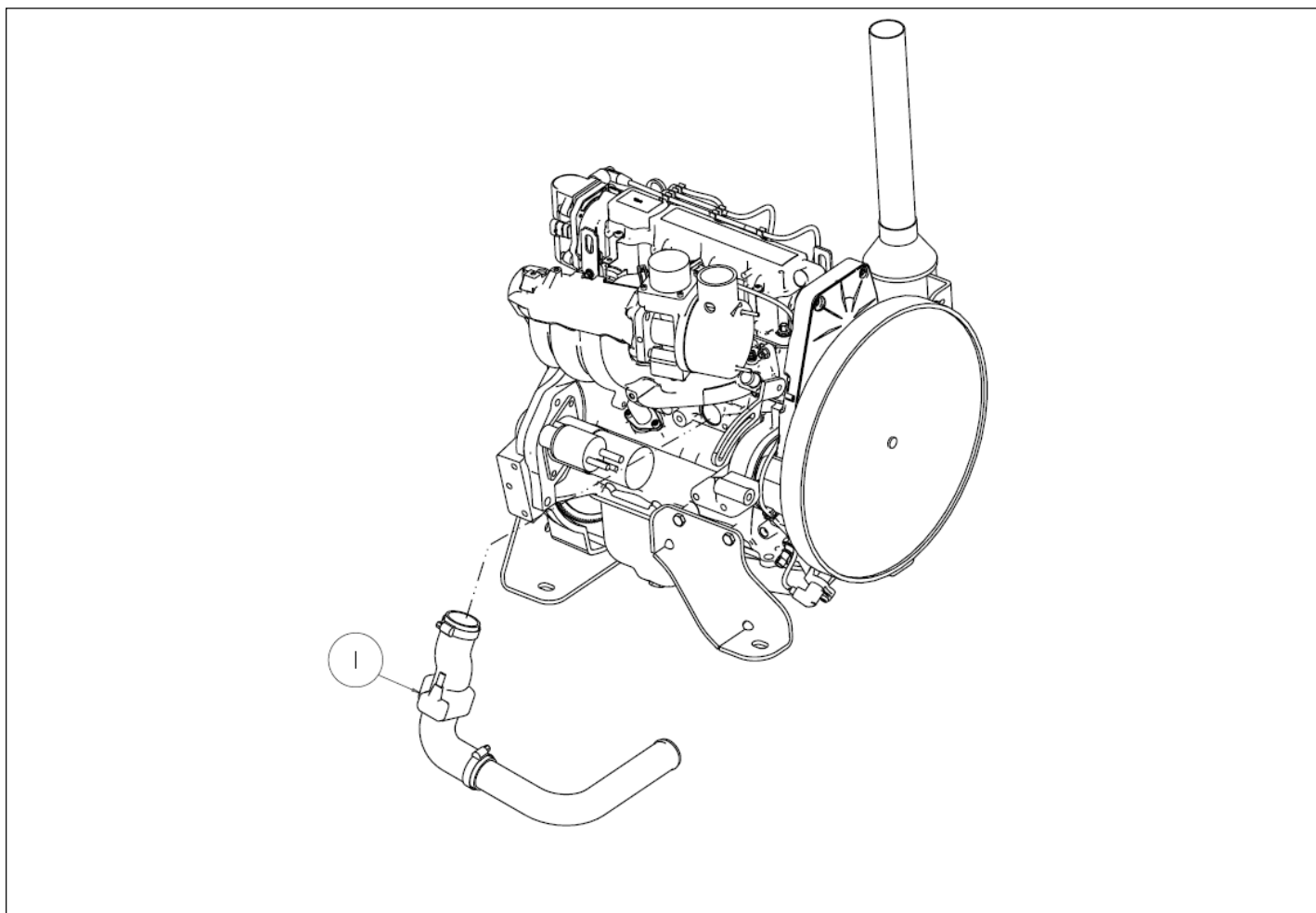
アイテム	部品番号	名前	数量	UOM
	0084317 A	COLD WEATHER PACKAGE TB60/66 CUMMINS		EA
1	0082043	OPT WARM UP WITH SIMPLIFIED HYDRAULICS (PART NOT SHOWN)	1	EA
2	0074761	BLOCK HEATER CU 3.3	1	EA

OPTIONS

**NO IMAGE AVAILABLE
(BOM FOR REFERENCE ONLY)**

アイテム	部品番号	名前	数量	UOM
	0084315 A	COLD WEATHER PACKAGE DEUTZ		EA
1	0082043	OPT WARM UP WITH SIMPLIFIED HYDRAULICS (PART NOT SHOWN)	1	EA
2	0082058	OPT AIR INLET HEATER DZ1011F	1	EA

OPTIONS



アイテム	部品番号	名前	数量	UOM
	0084319 A	GM COLD WEATHER PACKAGE TB60 TB66J		EA
1	0082043	OPT WARM UP WITH SIMPLIFIED HYDRAULICS (PART NOT SHOWN)	1	EA
2	0163407	COLD WEATHER START GM	1	EA

OPTIONS

**NO IMAGE AVAILABLE
(BOM FOR REFERENCE ONLY)**

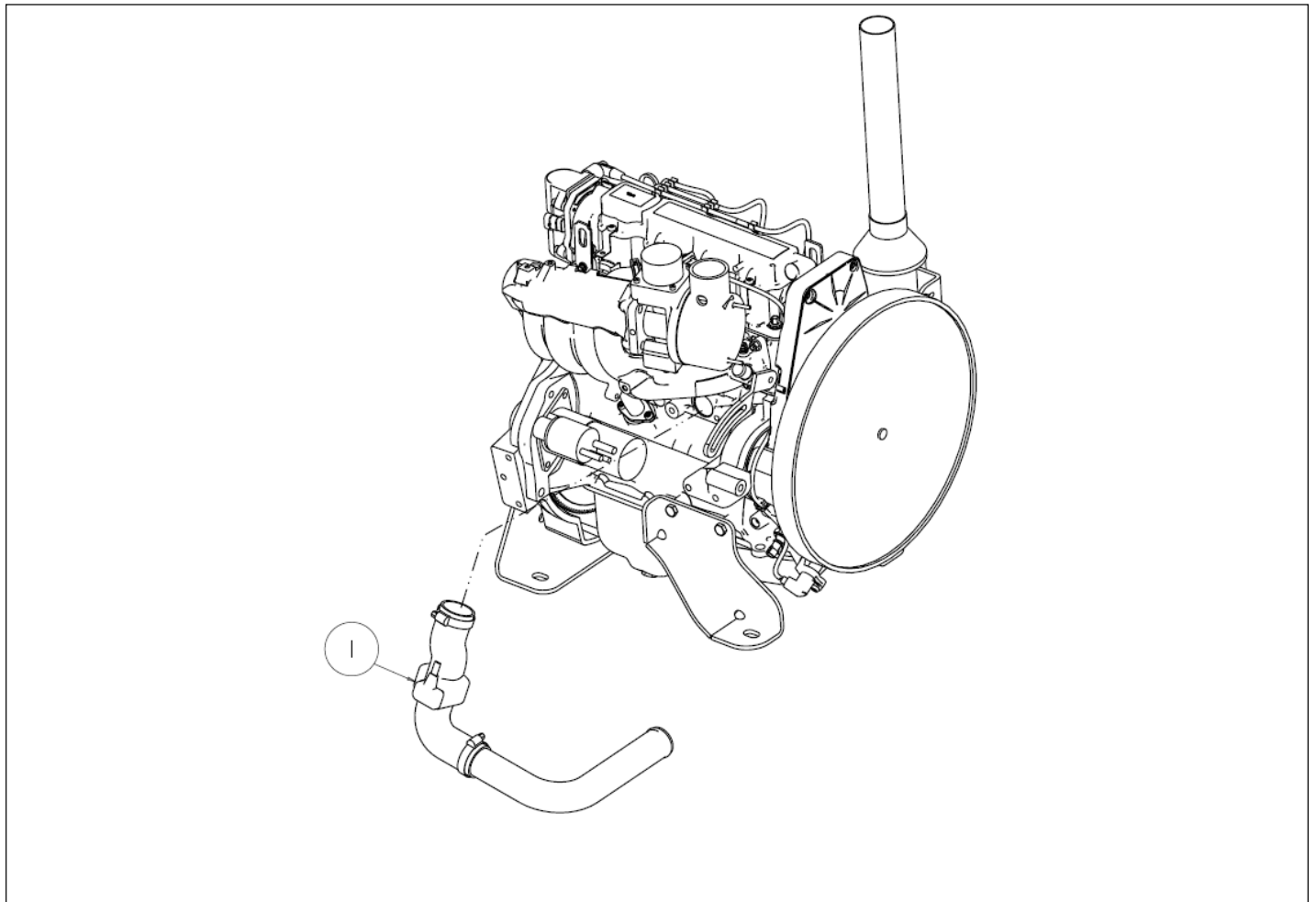
アイテム	部品番号	名前	数量	UOM
	0084316 A	EXTREME COLD WEATHER PACKAGE DEUTZ		EA
1	0082043	OPT WARM UP WITH SIMPLIFIED HYDRAULICS (PART NOT SHOWN)	1	EA
2	0082058	OPT AIR INLET HEATER DZ1011F	1	EA
3	0190086	SYNTHETIC HYDR OIL F/COLD WTHR (PART NOT SHOWN)	35 GAL	EA
4	3050102	BATTERY BLANKET WARMER	2	EA

OPTIONS

**NO IMAGE AVAILABLE
(BOM FOR REFERENCE ONLY)**

アイテム	部品番号	名前	数量	UOM
	0082043 A	EXTREME COLD WEATHER PACKAGE GM	1	EA
	0163407	COLD WEATHER START GM	1	EA
1	7630842	HEATER, LOWER RADIATOR HOSE ID 1.75 – 120V, 600W	1	EA
	PNNA	HOSE CLAMPS – PROVIDED WITH HEATER	2	EA
2	0190086	SYNTHETIC HYDR OIL F/COLD WTHR (PART NOT SHOWN)	35 GAL	EA
3	3050102	BATTERY BLANKET WARMER	2	EA

OPTIONS



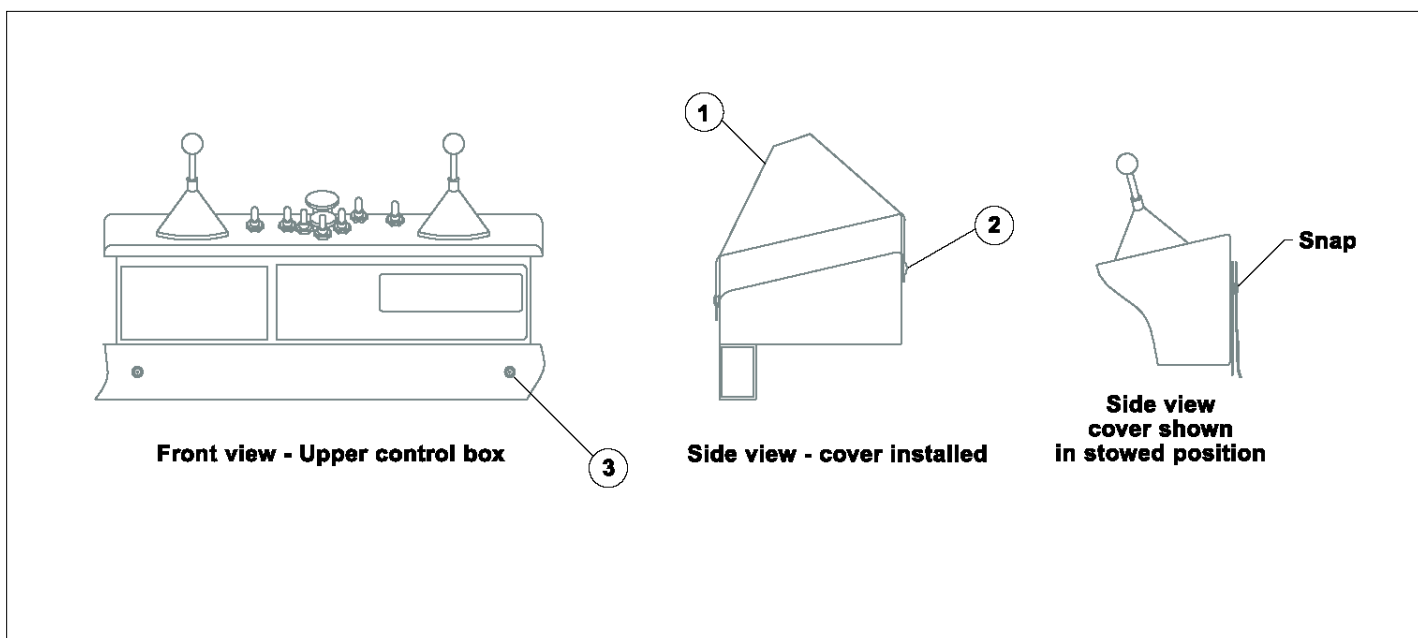
アイテム	部品番号	名前	数量	UOM
	0163407 A	GM COLD WEATHER START		EA
1	7630842	HEATER, LOWER RADIATOR HOSE ID 1.75 - 120V, 600W	1	EA

OPTIONS

**NO IMAGE AVAILABLE
(BOM FOR REFERENCE ONLY)**

アイテム	部品番号	名前	数量	UOM
	0084722 A	EXTREME COLD WEATHER PACKAGE KUBOTA	1	EA
1	0082043	OPT WARM UP WITH SIMPLIFIED HYDRAULICS (PART NOT SHOWN)	1	EA
2	0190086	SYNTHETIC HYDR OIL F/COLD WTHR (PART NOT SHOWN)	35 GAL	EA
3	3050102	BATTERY BLANKET WARMER	1	EA
4	104869 000	BLOCK HEATER	1	EA
5	0181634	DECAL ENGINE BLOCK HEATER	1	EA
6	3050102	BATTERY BLANKET WARMER	1	EA
7	3050002	BATTERY 12V	1	EA
8	3050004	BLT BTRY HLDN .313 18 X 10.00 (J BOLT)	2	EA
9	3050008	BATTERY HOLD DOWN	1	EA
10	0075268	WIRE 2/0 R375 R375 13 BLK	1	EA
11	0080484	WIRE 2/0 R375 R375 13 RED	1	EA
12	5560031	NUT HEX LKG .313 18	2	EA
13	986269	WSHR FLAT .313	2	EA

OPTIONS



アイテム	部品番号	名前	数量	UOM
	0071654 H	UPPER CONTROL BOX COVER		EA
1	0073076	UPPER CONTROL BOX COVER – STANDARD	1	EA
2	5560657	POP RIVET 1/8 INCH ALUMINUM #RVT AD48 ABS	3	EA
3	5560656	RVT POP .125 DIA .375 DMD STL	2	EA

OPTIONS

**NO IMAGE AVAILABLE
(BOM FOR REFERENCE ONLY)**

アイテム	部品番号	名前	数量	UOM
	0084318 A	EXTREME COLD WEATHER PACKAGE CUMMINS		EA
1	0082043	OPT WARM UP WITH SIMPLIFIED HYDRAULICS (PART NOT SHOWN)	1	EA
2	0074761	BLOCK HEATER CU 3.3	1	EA
3	0190086	SYNTHETIC HYDR OIL F/COLD WTHR (PART NOT SHOWN)	35 GAL	EA
4	3050102	BATTERY BLANKET WARMER	2	EA

OPTIONS

**NO IMAGE AVAILABLE
(BOM FOR REFERENCE ONLY)**

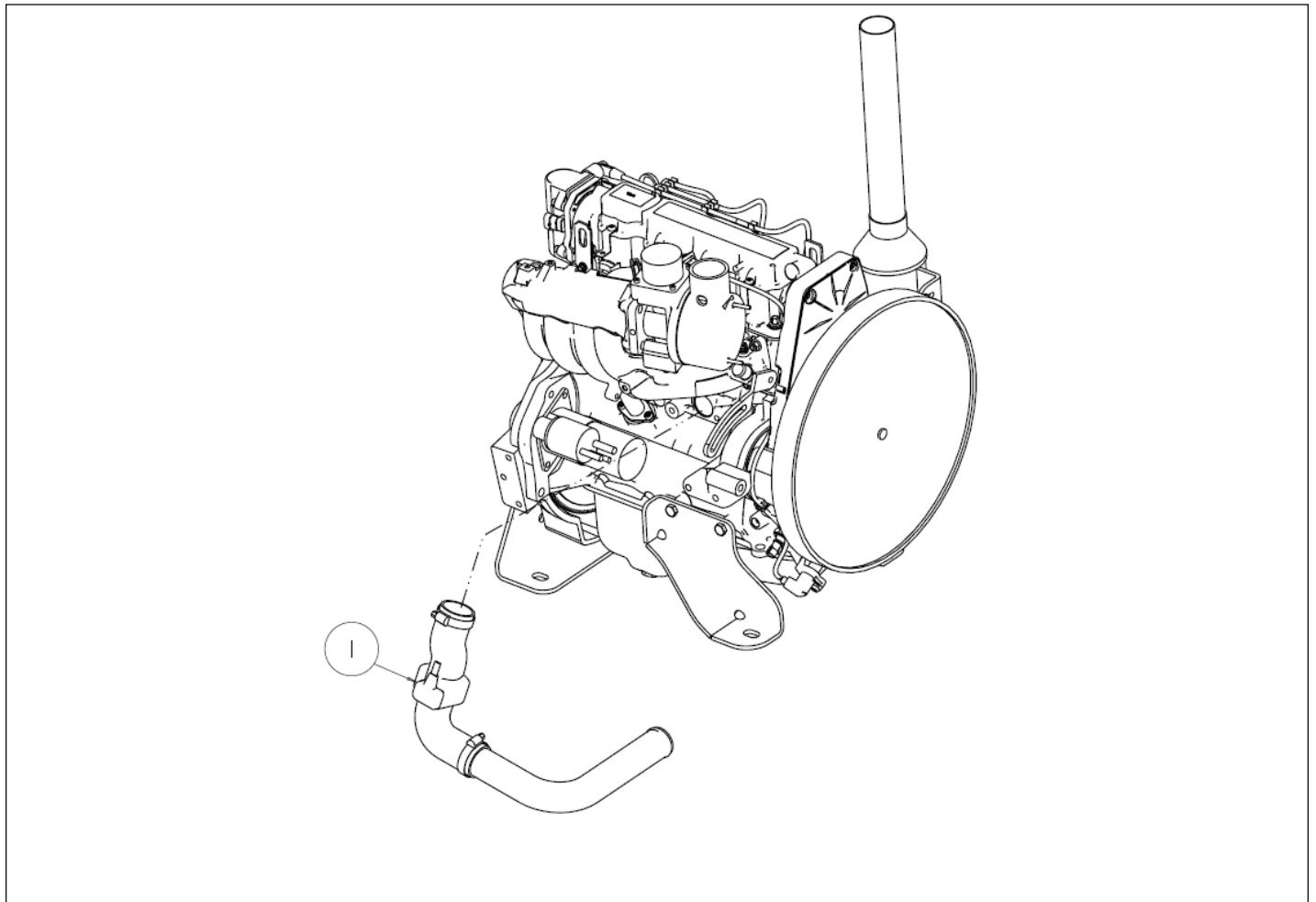
アイテム	部品番号	名前	数量	UOM
	0084321 A	EXTREME ENVIROMENT PACKAGE DEUTZ		EA
1	0071654	PLATFORM CONTROL BOX COVER TB ATB	1	EA
2	0081816 0	OPT SANDBLAST KIT TB60 DZ	1	EA
3	0084471	BOOM WIPER	1	EA

OPTIONS

**NO IMAGE AVAILABLE
(BOM FOR REFERENCE ONLY)**

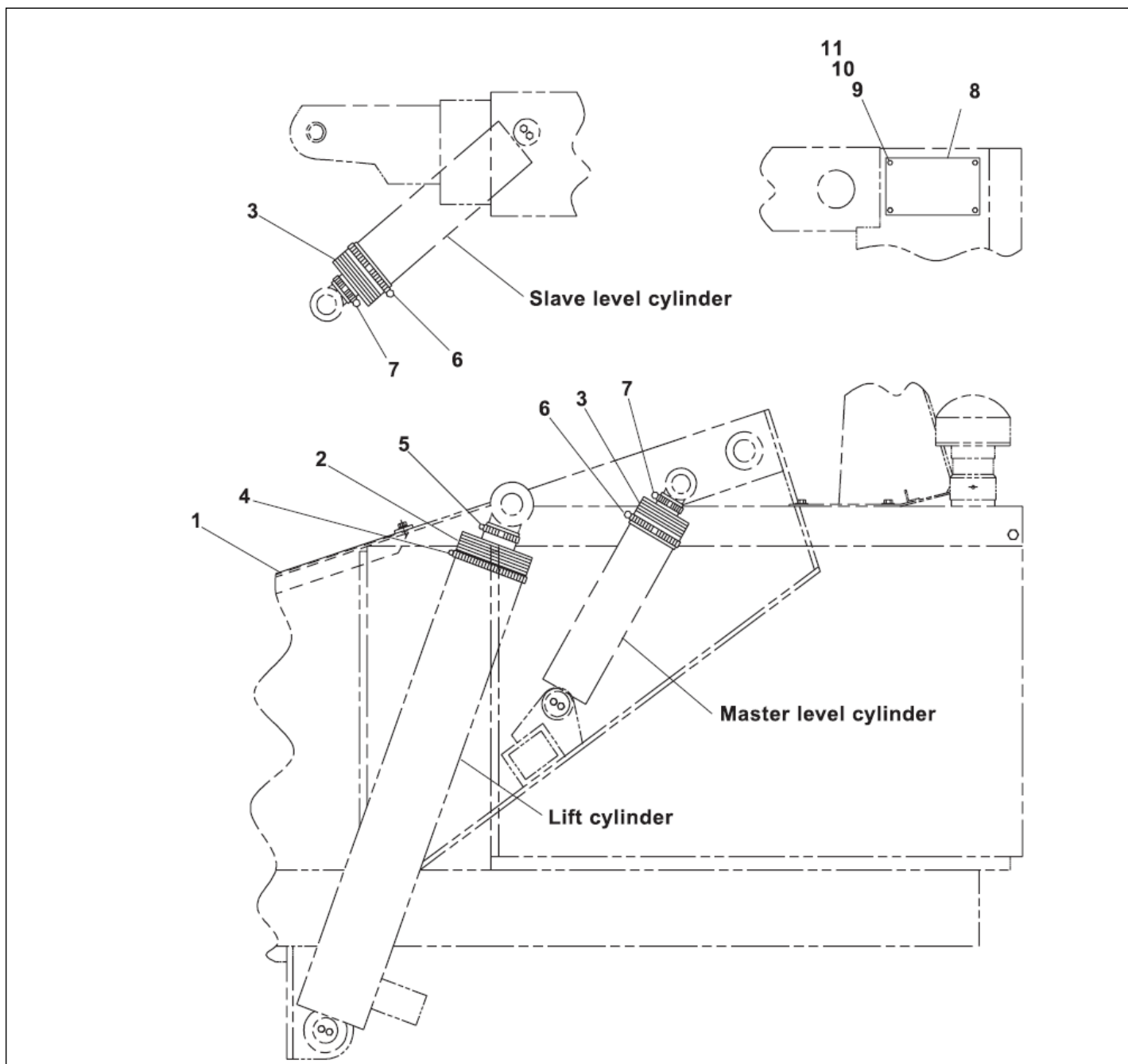
アイテム	部品番号	名前	数量	UOM
	0084322 A	EXTREME ENVIROMENT PACKAGE CUMMINS		EA
1	0071654	PLATFORM CONTROL BOX COVER TB ATB	1	EA
2	0081815 0	OPT SANDBLAST KIT TB60 FO	1	EA
3	0084471	BOOM WIPER	1	EA

OPTIONS



アイテム	部品番号	名前	数量	UOM
	0084320 A	GM EXTREME COLD WEATHER PACKAGE		EA
1	0082043	OPT WARM UP WITH SIMPLIFIED HYDRAULICS (PART NOT SHOWN)	1	EA
2	0163407	COLD WEATHER START GM	1	EA
3	0190086	SYNTHETIC HYDR OIL F/COLD WTHR (PART NOT SHOWN)	35	EA
4	3050102	BATTERY BLANKET WARMER	2	EA

OPTIONS



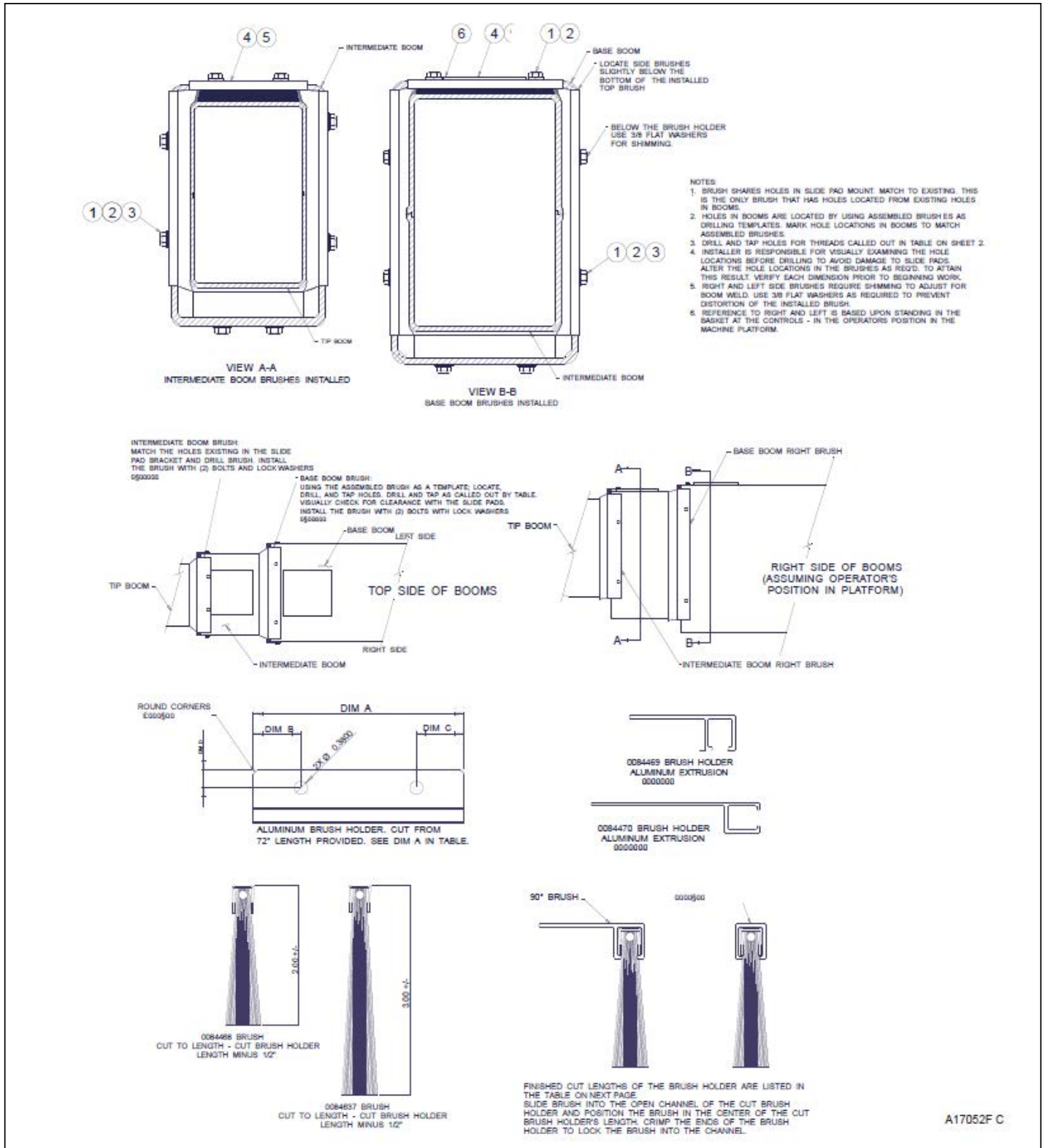
アイテム	部品番号	名前	数量	UOM
	0081815 K	SANDBLAST KIT	1	EA
1	0080642	TURNTABLE COVER	1	EA
2	0080621	BELLOWS LIFT CYLINDER	1	EA
3	0071998	BELLOWS LEVELING CYL CUFF (42/50 ONLY)	2	EA
4	5550050	CLP WORM DRV 2.75 3.75 SAE#52	2	EA
5	5550040	CLP WORM DRV 2.00 3.00 SAE#40	1	EA
6	5550060	CLP WORM DRV 2.50 4.50 SAE#64	2	EA
7	5550037	CLP WORM DRV 1.00 2.00 SAE#24	2	EA
8	0081106	COVER – DIESEL MACHINES ONLY	1	EA
	0083790	COVER SANDBLAST LEFT HAND SIDE DEUTZ ONLY	1	EA
	5550105	CLAMP WORM DRIVE 5.00 7.00 SAE #104D DEUTZ ONLY	1	EA
9	970469	HHD BLT .375 16 X 1.00 GR5	4	EA
10	987119	WSHR LOCK .375	4	EA
11	984109	NUT HEX .375 16	4	EA

OPTIONS

**NO IMAGE AVAILABLE
(BOM FOR REFERENCE ONLY)**

アイテム	部品番号	名前	数量	UOM
	0081816 A	SANDBLAST TB60 DEUTZ INSTALLATION		EA
1	0071998	BELLOWS LEVELING CYL CUFF (42/50 ONLY)	2	EA
2	0080621	BELLOWS LIFT CYLINDER	1	EA
3	0080642 8	TRNTBL COVER	1	EA
4	0083790 3	COVER SANDBLAST LH	1	EA
5	5550037	CLP WORM DRV 1.00 2.00 SAE#24	3	EA
6	5550040	CLP WORM DRV 2.00 3.00 SAE#40	1	EA
7	5550060	CLP WORM DRV 2.50 4.50 SAE#64	2	EA
8	5550105	CLAMP WORM DRIVE 5.00 7.00 SAE #104D DEUTZ ONLY	1	EA

OPTIONS



アイテム	部品番号	名前	数量	UOM
	A17052F C	BOOM WIPER DRAWING ONLY	1	EA
1	986019	WSHR FLAT .250	6	EA
2	987099	WSHR LOCK .250	12	EA
3	970029	BLT .25 20 .750	12	EA
4	0084468	BRUSH	1	EA
5	0084469	BRUSH HOLDER 90 DEG	1	EA
6	0260733	BRUSH HOLDER MTG BRKT	3	EA
	A17052F C	BOOM WIPER DRAWING ONLY		EA

04984 LIST OF MATERIALS AB4984			
ITEM	NUMBER	DESCRIPTION	REQ'D
1	986019	WOPR FLAT 25	8
2	987899	WOPR LOCK 25	8
3	970029	HACS 25-28 1.75	8
4	808468	BRUSH	1
5	8084470	BRUSH HOLDER	1
6			

TABLE OF ASSEMBLED BRUSH LENGTHS FOR AB4984 (NOTE 4)					
DIMENSIONS	DIM A	DIM B	DIM C	DIM D	REQ'D
BASE BOOM RIGHT BRUSH	14 1/2"	1 1/2"	1 1/2"	3/4"	1
BASE BOOM LEFT BRUSH	14 1/2"	1 1/2"	1 1/2"	3/4"	1
INTERMEDIATE BOOM RIGHT BRUSH					
INTERMEDIATE BOOM LEFT BRUSH					
BASE BOOM TOP BRUSH	9 1/2"	1 1/2"	1 1/2"	3/4"	1
INTERMEDIATE BOOM TOP BRUSH	9 1/2"	1 1/2"	1 1/2"	3/4"	1

08828 LIST OF MATERIALS AB8			
ITEM	NUMBER	DESCRIPTION	REQ'D
1	986019	WOPR FLAT 25 (USE AS REQ'D FOR SHIND)	16
2	987899	WOPR LOCK 25	6
3	970029	HACS 25-28 1.75	6
4	808468	BRUSH	1
5	8084469	BRUSH HOLDER (90 DEGREE)	1
6			
7			

TABLE OF ASSEMBLED BRUSH LENGTHS FOR AB8 (NOTE 4)					
DIMENSIONS	DIM A	DIM B	DIM C	DIM D	REQ'D
BASE BOOM RIGHT BRUSH	14 1/4"	2"	2"	1 1/2"	1
BASE BOOM LEFT BRUSH	14 1/4"	2"	2"	1 1/2"	1
INTERMEDIATE BOOM RIGHT BRUSH					
INTERMEDIATE BOOM LEFT BRUSH					
BASE BOOM TOP BRUSH	11"	1 1/2"	1 1/2"	1 1/2"	1
INTERMEDIATE BOOM TOP BRUSH					

09260 LIST OF MATERIALS TB61			
ITEM	NUMBER	DESCRIPTION	REQ'D
1	986019	WOPR FLAT 25 (USE AS REQ'D FOR SHIND)	16
2	987899	WOPR LOCK 25	10
3	970029	HACS 25-28 1.75	10
4	808468	BRUSH - 1"	2
5	8084469	BRUSH HOLDER (90 DEGREE)	2
6	8084657	BRUSH - 2"	1
7			

TABLE OF ASSEMBLED BRUSH LENGTHS FOR TB61 (NOTE 4)					
DIMENSIONS	DIM A	DIM B	DIM C	DIM D	REQ'D
BASE BOOM RIGHT BRUSH	8 3/4"	2"	2"	1 1/2"	1
BASE BOOM LEFT BRUSH	8 3/4"	2"	2"	1 1/2"	1
INTERMEDIATE BOOM RIGHT BRUSH	10 5/8"	2"	2"	1 1/2"	1
INTERMEDIATE BOOM LEFT BRUSH	10 5/8"	2"	2"	1 1/2"	1
INTERMEDIATE BOOM RIGHT BRUSH	16 1/4"	2"	2"	1 1/2"	1
INTERMEDIATE BOOM LEFT BRUSH	16 1/4"	2"	2"	1 1/2"	1
BASE BOOM TOP BRUSH	19 1/2"	1 1/2"	1 1/2"	1 1/2"	1
INTERMEDIATE BOOM TOP BRUSH	17"	1 1/2"	1 1/2"	1 1/2"	1
INTERMEDIATE BOOM TOP BRUSH	11 3/4"	1 1/2"	1 1/2"	1 1/2"	1

09260 LIST OF MATERIALS AB46			
ITEM	NUMBER	DESCRIPTION	REQ'D
1	986019	WOPR FLAT 25 (USE AS REQ'D FOR SHIND)	6
2	987899	WOPR LOCK 25	12
3	970029	HACS 25-28 1.75	12
4	808468	BRUSH	1
5	8084469	BRUSH HOLDER (90DEG)	1
6			
7	8082792	BRUSH HOLDER 4 1/2" 1/4"	3

TABLE OF ASSEMBLED BRUSH LENGTHS FOR AB46 (NOTE 4)					
DIMENSIONS	DIM A	DIM B	DIM C	DIM D	REQ'D
BASE BOOM RIGHT BRUSH	8 1/4"	1 7/8"	1 7/8"	1 1/2"	1
BASE BOOM LEFT BRUSH	8 1/4"	1 7/8"	1 7/8"	1 1/2"	1
BASE BOOM TOP BRUSH	6 3/4"	7/8"	7/8"	1 1/2"	1
INTERMEDIATE BOOM TOP BRUSH					

0128 LIST OF MATERIALS TB85			
ITEM	NUMBER	DESCRIPTION	REQ'D
1	986019	WOPR FLAT 25 (USE AS REQ'D FOR SHIND)	8
2	987899	WOPR LOCK 25	12
3	970029	HACS 25-28 1.75	12
4	808468	BRUSH	1
5	8084469	BRUSH HOLDER (90 DEGREE)	1
6			
7			

TABLE OF ASSEMBLED BRUSH LENGTHS FOR TB85 (NOTE 4)					
DIMENSIONS	DIM A	DIM B	DIM C	DIM D	REQ'D
BASE BOOM RIGHT BRUSH	16 1/2"	4"	4 1/2"	1 1/2"	1
BASE BOOM LEFT BRUSH	16 1/2"	4 1/2"	4"	1 1/2"	1
INTERMEDIATE BOOM RIGHT BRUSH	13"	3 1/2"	4"	1 1/2"	1
INTERMEDIATE BOOM LEFT BRUSH	13"	4"	3 1/2"	1 1/2"	1
BASE BOOM TOP BRUSH	12 1/2"	2"	2"	1 1/2"	1
INTERMEDIATE BOOM TOP BRUSH	10 1/2"	1 1/2"	1 1/2"	1 1/2"	1

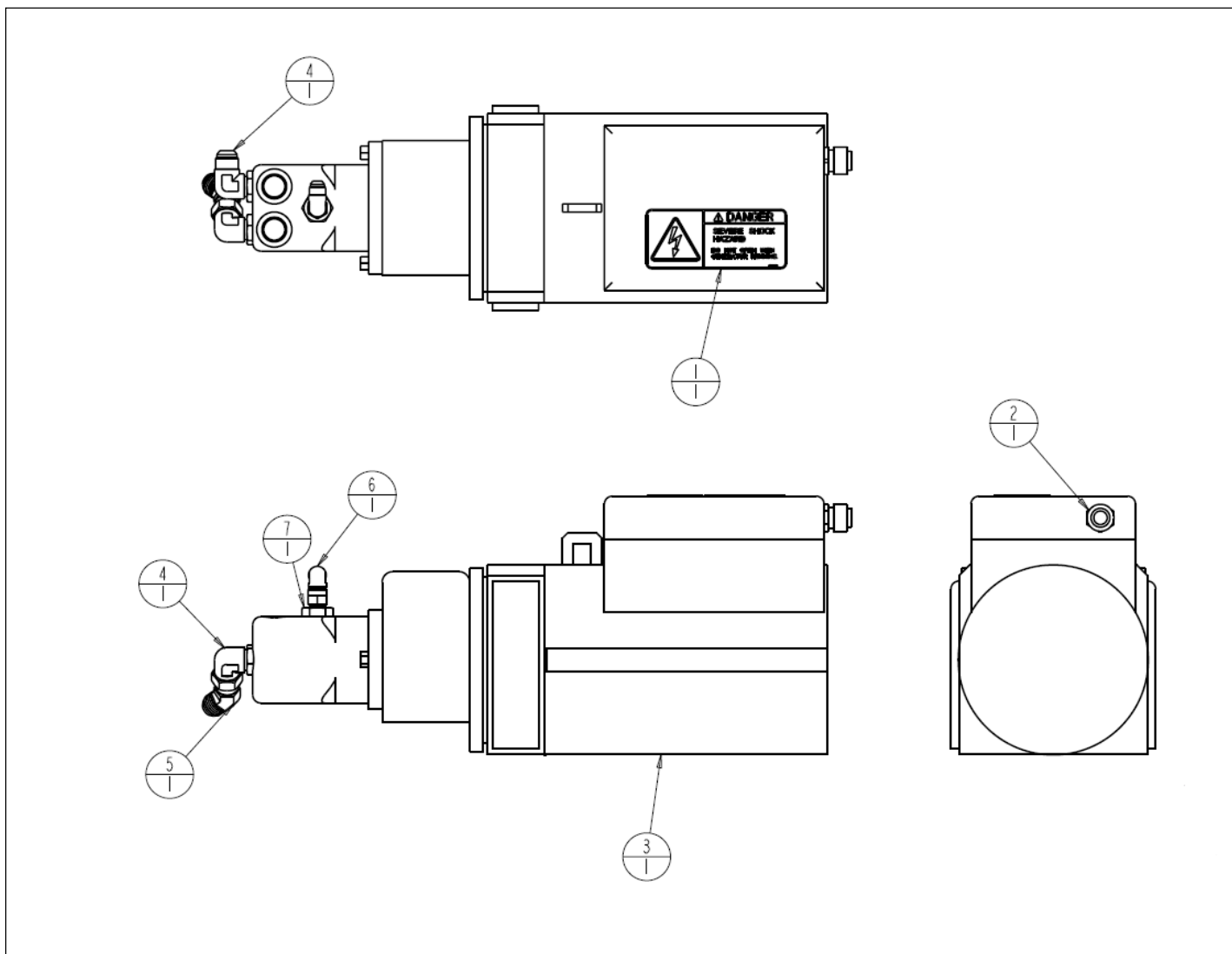
07268 LIST OF MATERIALS TB42/47/50			
ITEM	NUMBER	DESCRIPTION	REQ'D
1	986019	WOPR FLAT 25 (USE AS REQ'D FOR SHIND)	8
2	987899	WOPR LOCK 25	12
3	970029	HACS 25-28 1.75	12
4	808468	BRUSH	1
5	8084469	BRUSH HOLDER (90 DEGREE)	1
6			
7			

TABLE OF ASSEMBLED BRUSH LENGTHS FOR TB42/47/50 (NOTE 4)					
DIMENSIONS	DIM A	DIM B	DIM C	DIM D	REQ'D
BASE BOOM RIGHT BRUSH	9 1/4"	2"	2"	1 1/2"	1
BASE BOOM LEFT BRUSH	9 1/2"	2 1/4"	2 1/4"	1 1/2"	1
INTERMEDIATE BOOM RIGHT BRUSH	12"	2"	1 1/4"	1 1/2"	1
INTERMEDIATE BOOM LEFT BRUSH	10"	3 3/4"	3"	1 1/2"	1
BASE BOOM TOP BRUSH	11"	2"	2"	1 1/2"	1
INTERMEDIATE BOOM TOP BRUSH	9 1/4"	SEE NOTE 1	1 1/2"	1 1/2"	1

14080 LIST OF MATERIALS TB491/146.RT			
ITEM	NUMBER	DESCRIPTION	REQ'D
1	986019	WOPR FLAT 375 (USE AS REQ'D FOR SHIND)	48
2	987899	WOPR LOCK 375	6
3	970479	HACS 375-16 X 1.85	4
4	808468	BRUSH	1
5	8084469	BRUSH HOLDER (90 DEGREE)	1
6			
7			
8	970449	HACS 375-16 X 1.75	2

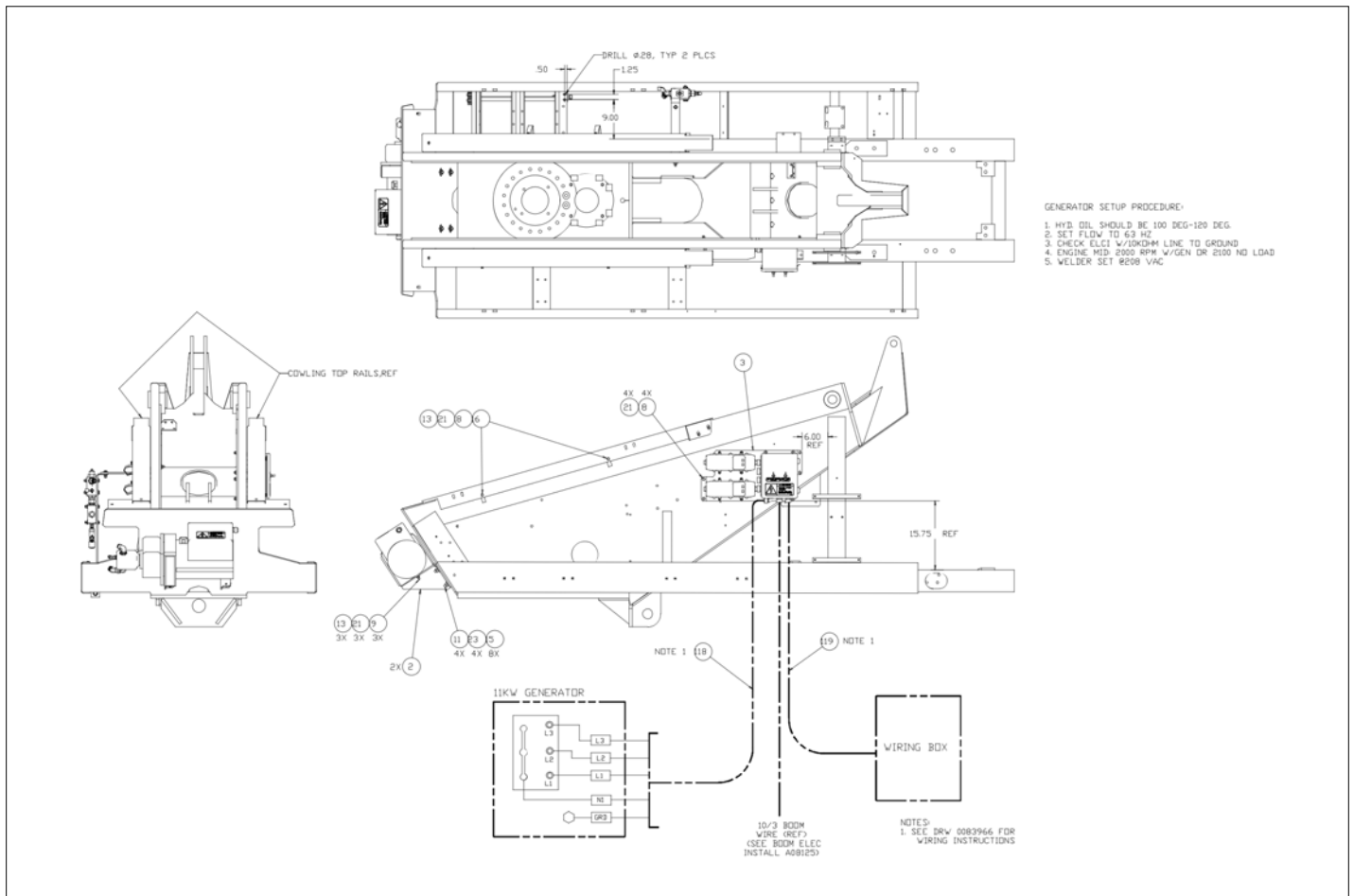
TABLE OF ASSEMBLED BRUSH LENGTHS FOR TB491/146.RT (NOTE 4)					
DIMENSIONS	DIM A	DIM B	DIM C	DIM D	REQ'D
BASE BOOM RIGHT BRUSH	10 25/32"	1"	1"	1 1/2"	1
BASE BOOM LEFT BRUSH	10 25/32"	1"	1"	1 1/2"	1
BASE BOOM TOP BRUSH	8 7/8"	1"	1"	1 1/2"	1

OPTIONS

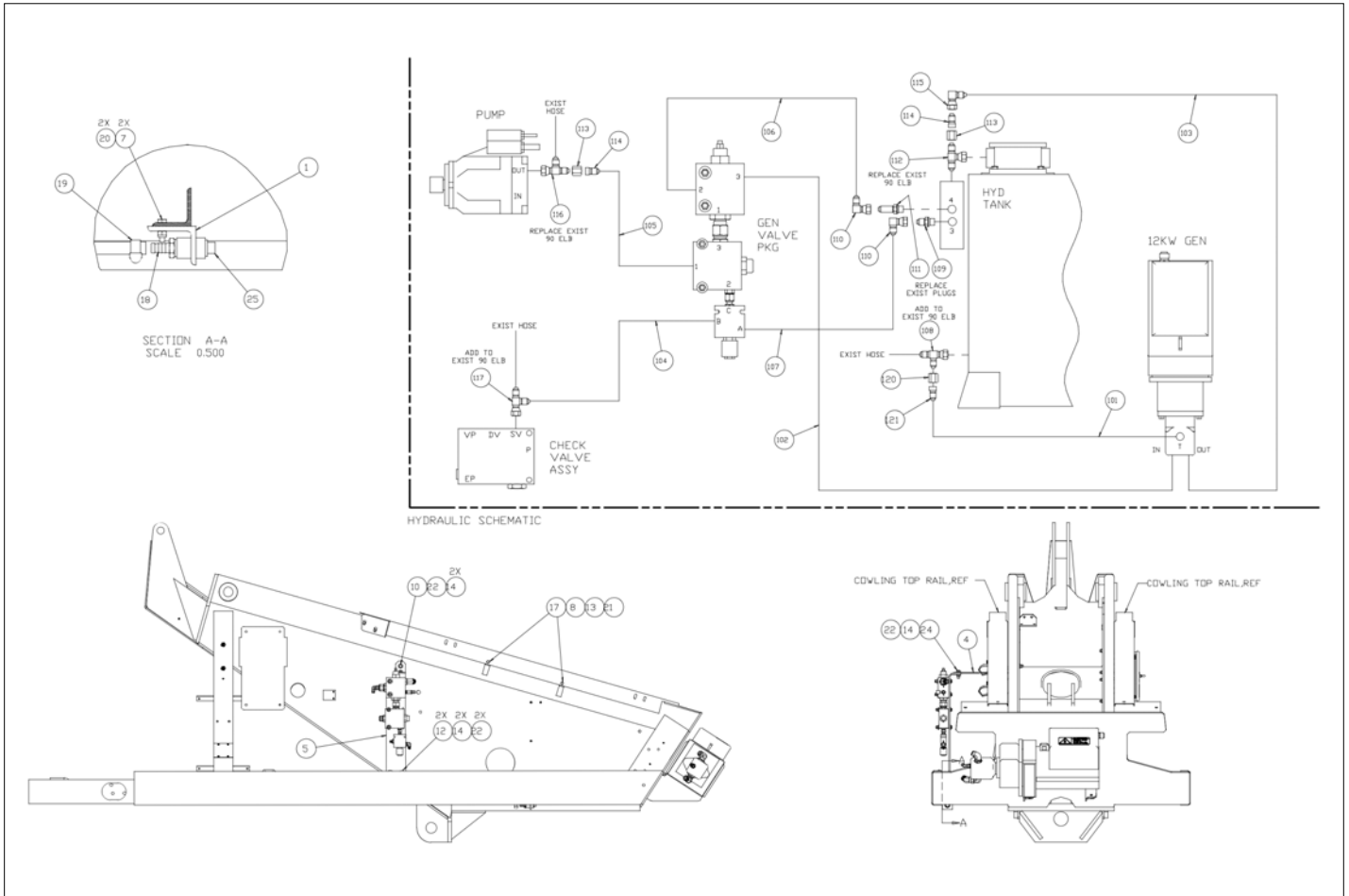


アイテム	部品番号	名前	数量	UOM
	0083989 C	12kw GENERATOR FABCO ASSEMBLY	1	EA
1	0083988	DECAL DANGER SHOCK HAZARD	1	EA
2	962839	CONDUIT FTG1/2IN STR LIQ TIGHT	1	EA
3	3087786	GENERATOR 12KW WITH HYD MTR (FABCO)	1	EA
	6029643	PUMP FABCO 12KW	1	EA
4	5035308	ADAPTER 90 ° ELBOW 12 SAE TO 12 JIC	2	EA
5	5036908	SWIVEL NUT 45 ° ELBOW	1	EA
6	5037006	ADAPTER 90 ° ELBOW SWIVEL 8 JIC	1	EA
7	5065711	FTG ADPTR STRTHD 12B 8S STL	1	EA

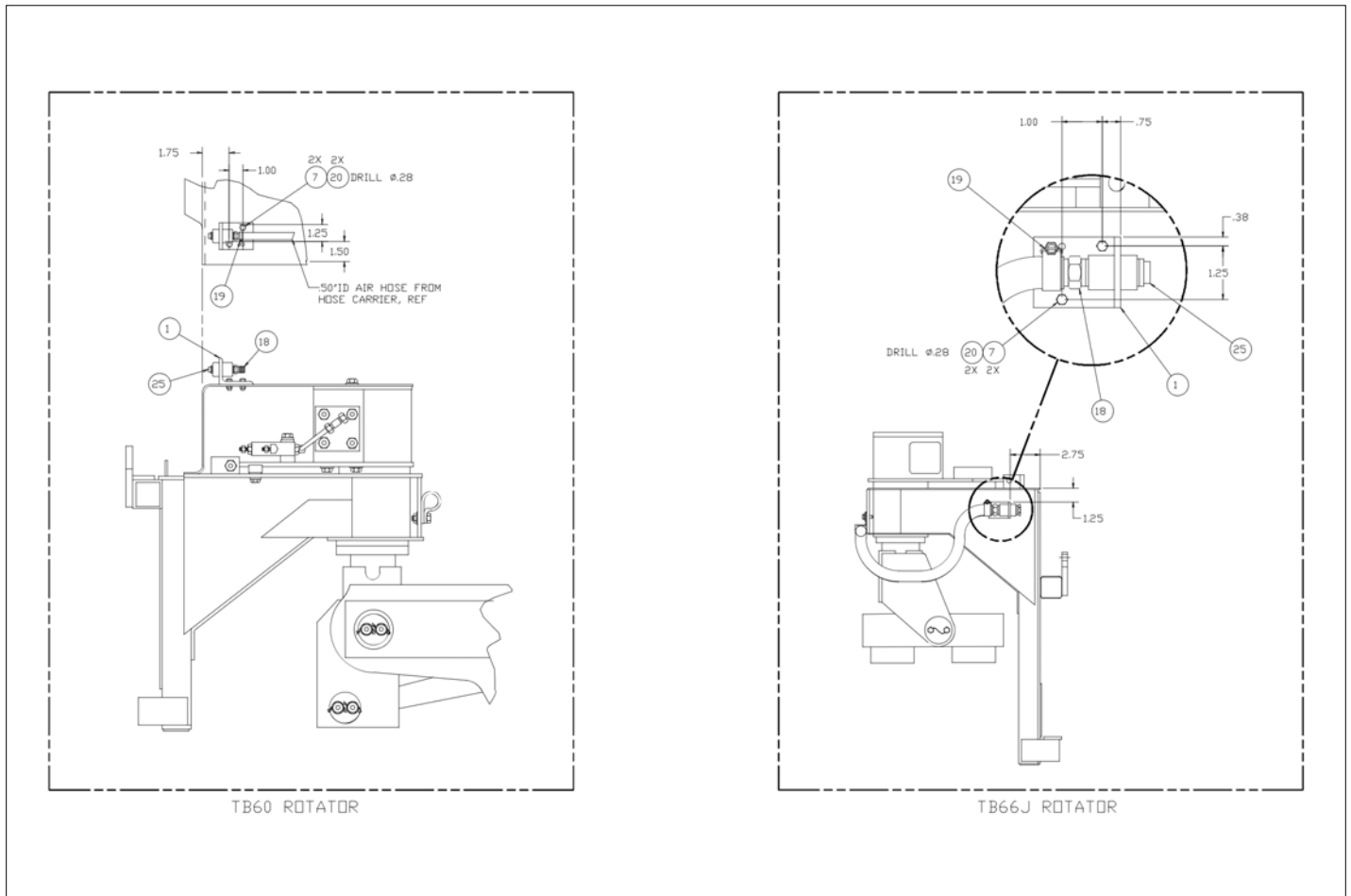
OPTIONS



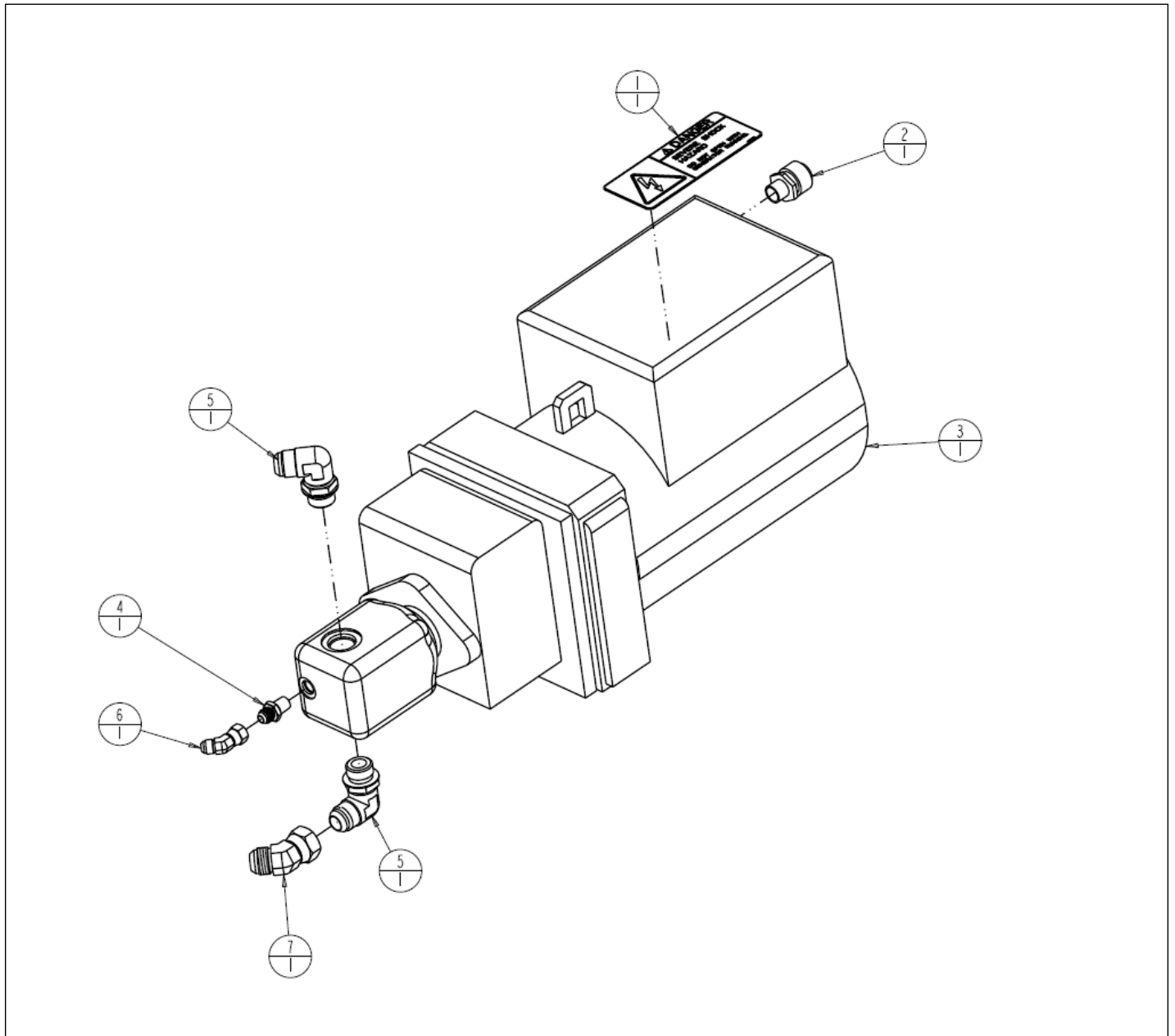
アイテム	部品番号	名前	数量	UOM
	0083879 G	12kw GENERATOR INSTALLATION		EA
1	0080759	ANGLE	2	EA
2	0083954	BRKT 12KW GENERATOR	2	EA
3	0083966	ASSEMBLY, 12KW GENERATOR CIRCUIT BREAKER WIRING	1	EA
4	0083982	BRACE, VALVE BRACKET	1	EA
5	0083984	VALVE ASSEMBLY, 11KW GENERATOR	1	EA
Not Shown	0083989	ASSEMBLY, 12KW GENERATOR	1	EA
7	970049	BLT HEXHD .250 20 1.00 GR5 GRADE 5 PLT SAME AS 970189	4	EA
8	970369	BLT HEXHD .313 18 X 1.00 GR5	8	EA
9	970269	BLT HEXHD .313 18 1.25 GR5 PLA	3	EA
10	970489	BLT HEXHD .375 16 1.50 GR5 PL	1	EA
11	970919	BLT HEXHD .500 13 1.75 GR5	4	EA
12	972439	BLT CRG .375 16 X 1.25 GR 5 ZP	2	EA
13	986269	WSHR FLAT .313	7	EA
14	986299	WASHER, FLAT, .375 STANDARD, PLATED	5	EA
15	986359	FLATWASHER 1/2"	8	EA
16	5093008	CLP CUSH 1.06 VINYL COATED	2	EA
17	5093013	CLP CUSH 2.00 VINYL COATED	2	EA
18	5260013	FTG ADPTR MALE 8N 8 BARBED	2	EA
19	5550010	CLP WORM DRV .50 1.06 SAE#10	2	EA
20	5560004	NUT LKG .250 20	4	EA
21	5560031	NUT HEX LKG .313 18	11	EA
22	5560033	.375 16UNC HEX LOCK NUT	4	EA
23	5560039	NUT HEX LKG .500 13	4	EA



アイテム	部品番号	名前	数量	UOM
24	5560704	BLT HEXHD .375 16 1.25 GR8	1	EA
25	7714204	PIPE PLUG1/2 in NPT SQ.HD BLK.	2	EA
101	0080362	HOSE 6 6S 6S 93.5 100R2	1	EA
102	0083986	HOSE 12 12S 12S 68	1	EA
103	0400497	3/4 INCH HYDRAULIC HOSE	1	EA
104	0100278	HOSE 4 4S 4S 43 100R1	1	EA
105	0110171	HOSE 12 12S 12S 44 100R2	1	EA
106	0020270	HOSE 6 6S 6S 22 100R2	1	EA
107	0050137	HOSE 4 4S 4S 36 100R1	1	EA
108	5036706	FTG TEE SWVL RUN 8S 8S STL (SEE PAGE 2)	1	EA
109	5065705	FTG ADPTR STRTHD 6B 4S STL	1	EA
110	5037003	FTG ELB90SWVL 4S 4S STL	2	EA
111	5065805	FTG ADAPTER STRTHDL 6B 6S STL LONG	1	EA
112	5036810	FTG TEESWVLBR 16S 16S	1	EA
113	5063910	FTG NUT 16S	2	EA
114	5064009	FTG RDCR 16S 12S	2	EA
115	5037008	ADAPTER 90 ° ELBOW SWIVEL 12 JIC	1	EA
116	5036710	FTG TEESWVLRUN 16S 16S	1	EA
117	5036703	FTG TEE SWVL RUN 4S 4S STL (SEE PAGE 2)	1	EA
118	0083970	WIRE ASSEMBLY, 12KW GENERATOR	1	EA
119	0083971	WIRE ASSEMBLY, WIRING BOX	1	EA
120	5063906	FTG NUT 8S STL	1	EA
121	5064003	FTG RDCR 8S 6S W/O NUT STL (SEE PAGE 2)	1	EA

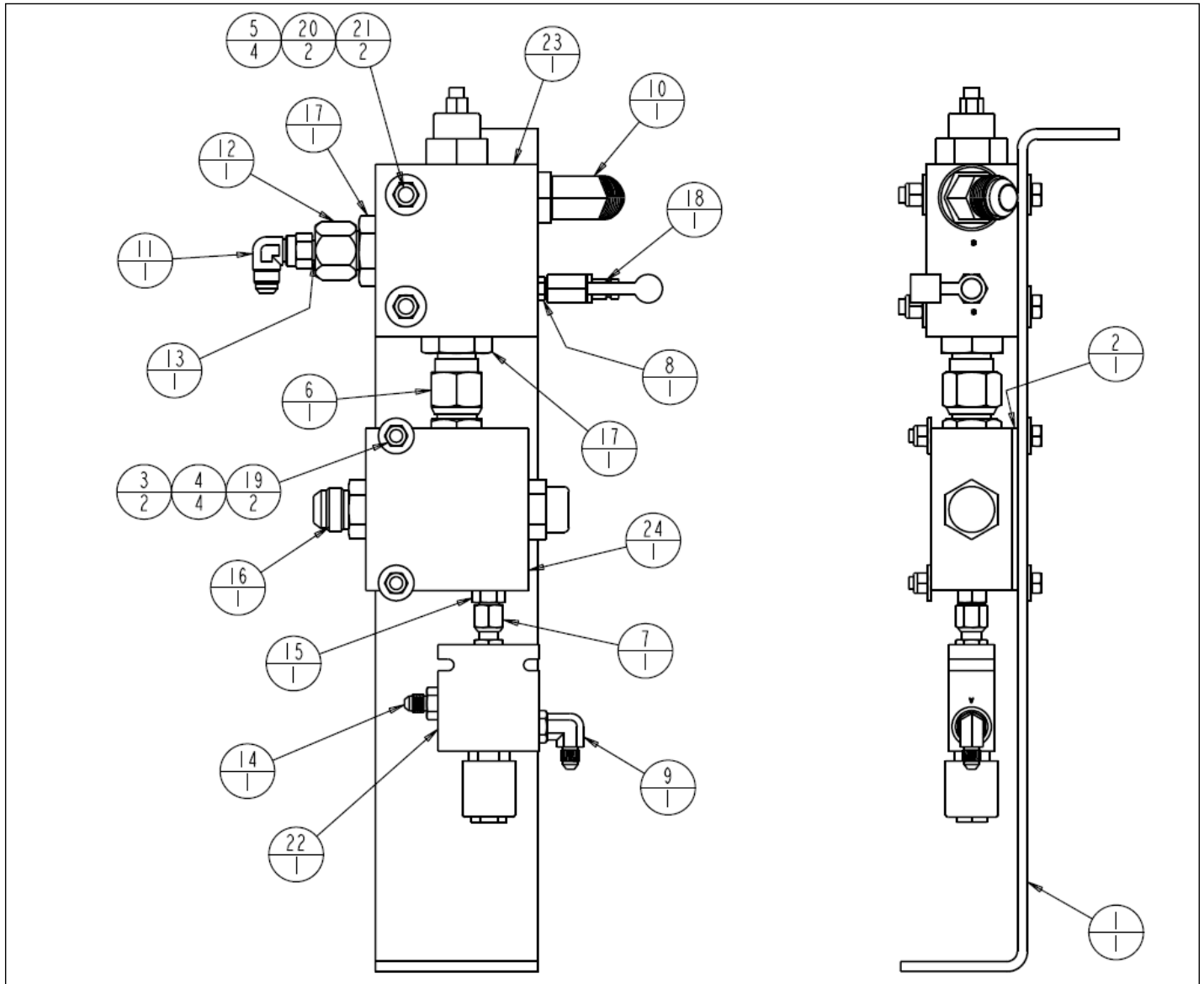


OPTIONS



アイテム	部品番号	名前	数量	UOM
	0083989 D	12kw GENERATOR TENDAIRE ASSEMBLY	1	EA
1	0083988	DECAL DANGER SHOCK HAZARD	1	EA
2	962839	CONDUIT FTG1/2IN STR LIQ TIGHT	1	EA
3	3087797	GENERATOR 12KW WITH HYD MTR (TENDAIRE)	1	EA
	6029642	PUMP TINDAIRE 12KW	1	EA
4	5033608	FTG ADPTR MALE 4N 6S STL	1	EA
5	5035308	ADAPTER 90 ° ELBOW 12 SAE TO 12 JIC	2	EA
6	5036905	ADAPTER 45 DEG ELBOW SWIVEL 6 JIC	1	EA
7	5036908	SWIVEL NUT 45 ° ELBOW	1	EA

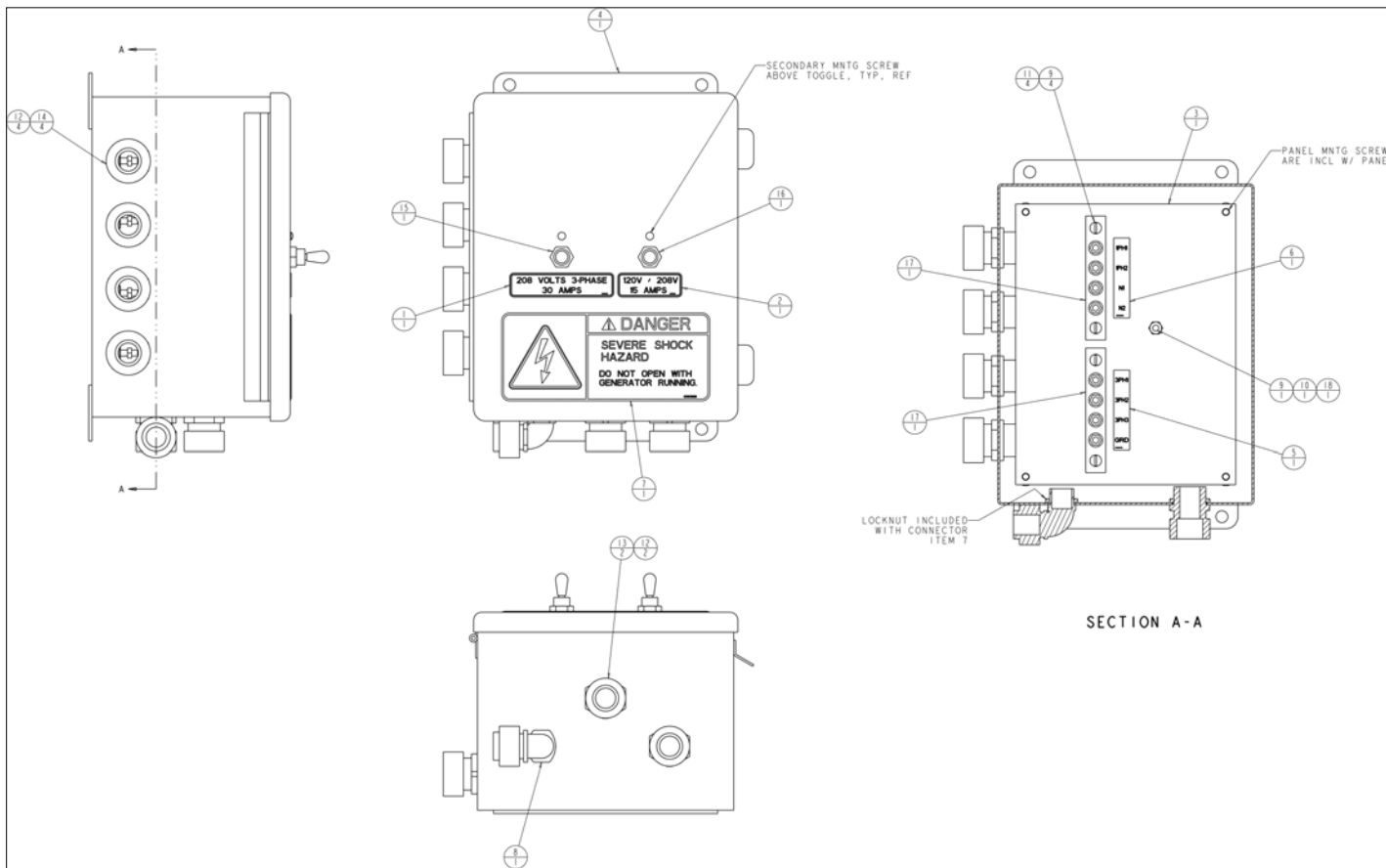
OPTIONS



アイテム	部品番号	名前	数量	UOM
	0083984 A	12kw GENERATOR VALVE ASSEMBLY	1	EA
1	0083981	BRKT VALVE MNTG 11KW GEN	1	EA
2	0083983	SPCR 10GA 4.00 4.00 STL SP VALVE	1	EA
3	970119	BLT HEXHD .313 18 3.00 GR5	2	EA
4	986269	WSHR FLAT .313	4	EA
5	986299	WASHER, FLAT, .375 STANDARD, PLATED	4	EA
6	5025001	FTG ADPTR SWVL 12B 12S STL	1	EA
7	5025003	FTG ADPTR SWVL 6B 6S STL	1	EA
8	5033604	ADAPTER STRAIGHT 1/4 NPTG TO 4 JIC	1	EA
9	5035318	STRAIGHT THREAD 90 ° ELBOW	1	EA
10	5035708	FTG ELB45STRTHD 12B 12S STL	1	EA
11	5037005	TERM FEM F.I. .250 16/14	1	EA
12	5063908	FTG NUT 12S STL	1	EA
13	5064007	TUBE END REDUCER	1	EA
14	5065705	FTG ADPTR STRTHD 6B 4S STL	1	EA
15	5065707	FTG ADPTR STRTHD 6B 6S STL PH	1	EA
16	5065714	FTG HYD 12 MB TO 12 MJC	1	EA
17	5065715	FTG ADPTR STRTHD 16B 12S STL B	2	EA
18	5070005	FTG NIP DIGN 4S FEM PD345 6 W/DUST CAP	1	EA
19	5560031	NUT HEX LKG .313 18	2	EA
20	5560033	.375 16UNC HEX LOCK NUT	2	EA
21	5560643	BLT HEXHD .375 16 3.25 GR5	2	EA
22	6019064	VALVE 2 POS 3 WAY 12VDC	1	EA
23	6019065	FLOW CONTROL VALVE BYPASS	1	EA
24	6019066	LOGIC ELEMENT VALVE	1	EA

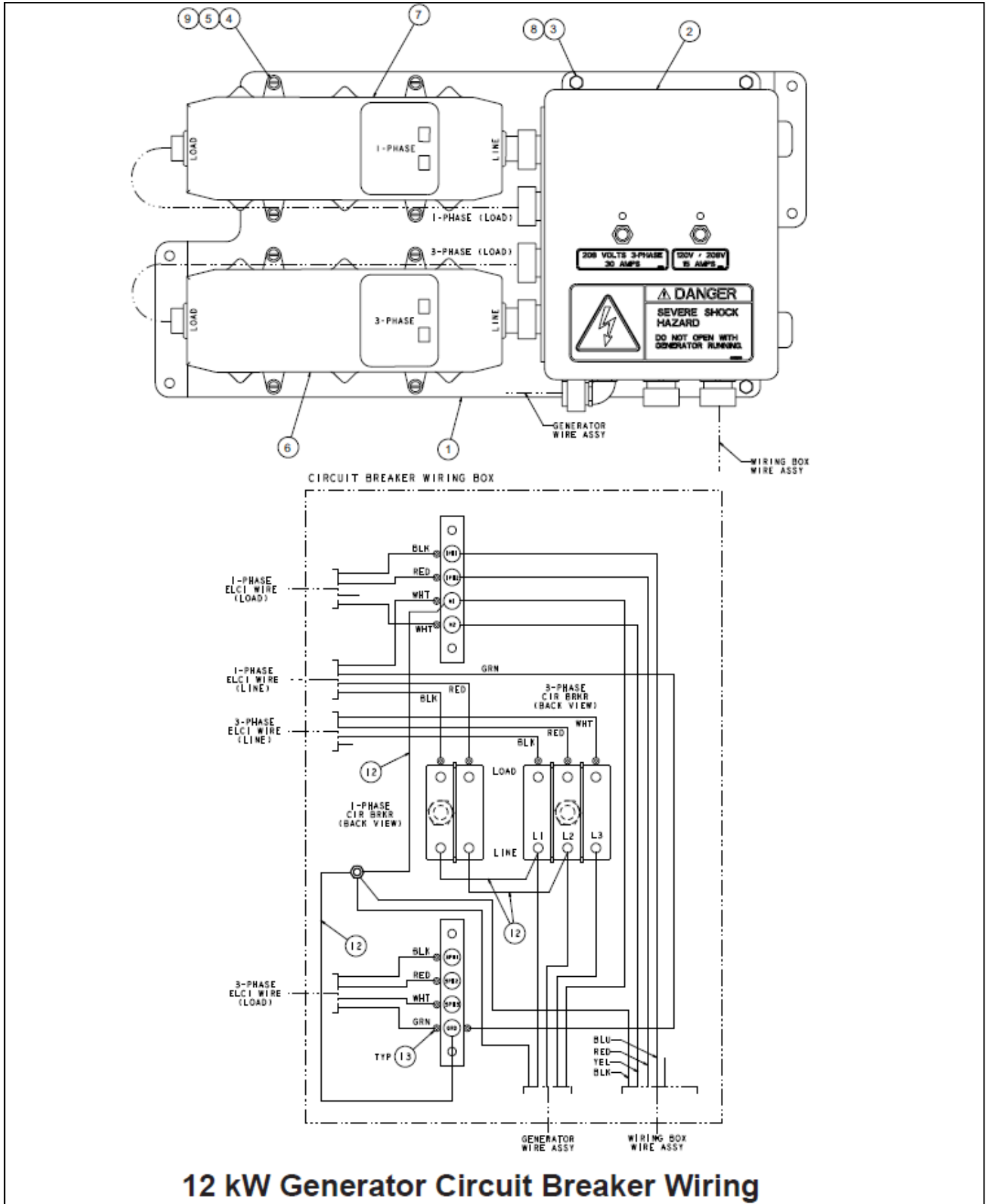
アイテム	部品番号	名前	数量	UOM
Not Shown	8080162	CARTRIDGE HYDRAFORCE	1	EA

OPTIONS



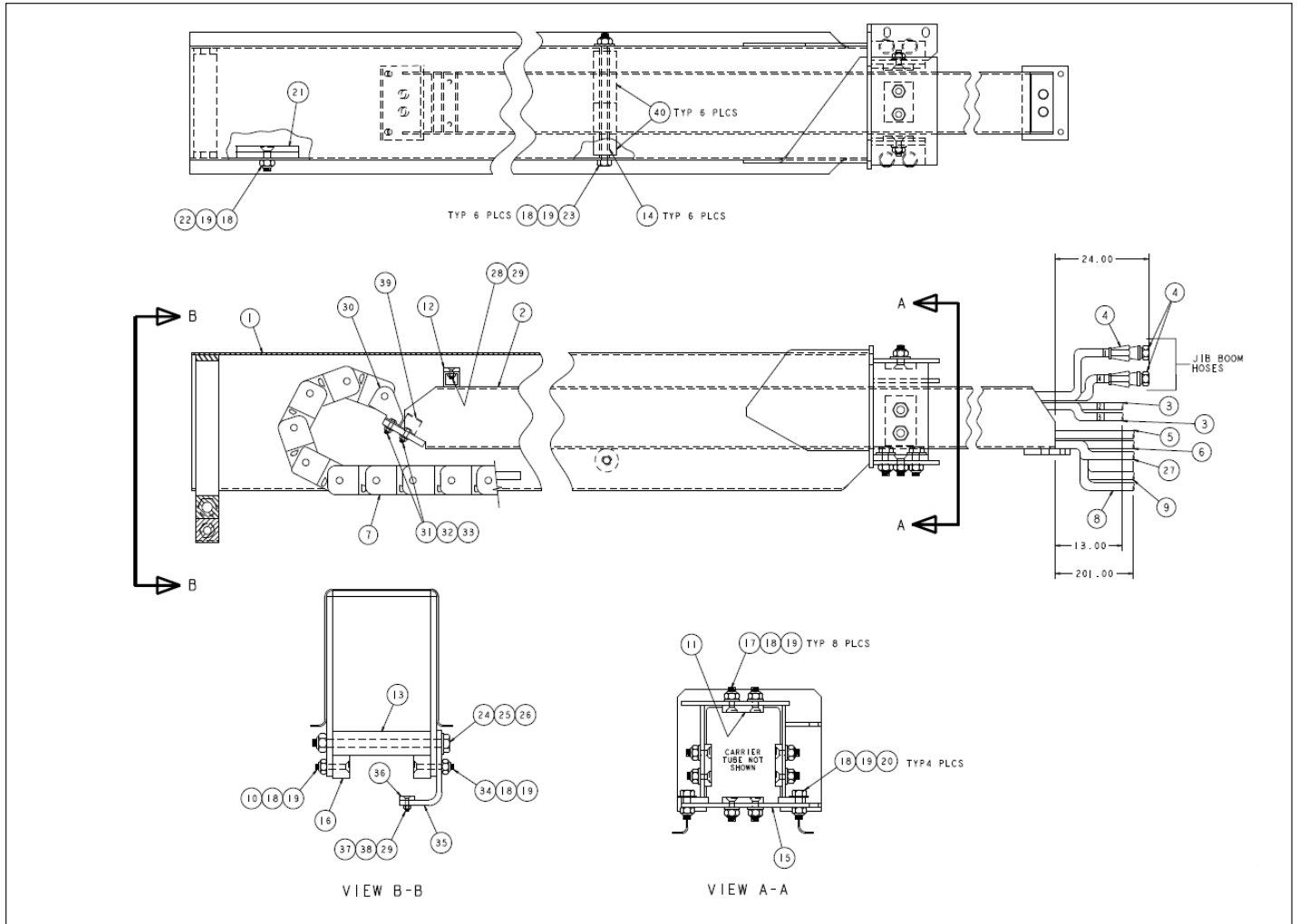
アイテム	部品番号	名前	数量	UOM
	0083967 B	WIRING BOX ASSEMBLY 11KW GENERATOR		EA
1	0083860	DECAL OUTLET 208V 3 PHASE	1	EA
2	0083861	DECAL 120V/208V 15 AMPS	1	EA
3	0083968	PANEL DRILLED	1	EA
4	0083969	WIRING BOX DRILLED 11KW GEN	1	EA
5	0083972	DECAL TERMINAL STRIP	1	EA
6	0083973	DECAL TERMINAL STRIP	1	EA
7	0083988	DECAL DANGER SHOCK HAZARD	1	EA
8	962849	CONDUIT FTG1/2 IN 90D LIQ TIGHT	1	EA
9	974689	SCR RDH MACH 10 24 .75	5	EA
10	984049	NUT HEX 10 24	1	EA
11	987089	WSHR LOCK #10 SPLIT TYPE	4	EA
12	3040110	NUT LKG HUB .750 SAMEAS 962129	6	EA
13	3040116	CONN .75 .500 .625	2	EA
14	3040295	CONN .75 .625 .75	4	EA
15	3040775	CIRCUIT BREAKER 240V 3 PHASE	1	EA
16	3040776	CIRCUIT BREAKER 120/240 VAC	1	EA
17	3044704	TERM STRIP (4) #10 STUD	2	EA
18	5560034	NUT LKG 10 24	1	EA

OPTIONS



アイテム	部品番号	名前	数量	UOM
Not Shown	0083966 C	12kw GENERATOR CIRCUIT BREAKER WIRING	1	EA
1	0083965	BRKT 12KW CIR BRKT MNTG	1	EA
2	0083967	WIRING BOX ASSEMBLY 11KW GEN	1	EA
3	970029	BLT .25 20 .750	4	EA
4	974709	M SCR #10 24 X 1.00 RNDHD PLTD	8	EA
5	986009	WSHR FLAT 10	8	EA
6	3040771	ELCI DEVICE 240V 30A 3PHASE	1	EA
7	3040772	ELCI DEVICE 240V 30A 1PHASE	1	EA
8	5560004	NUT LKG .250 20	4	EA
9	5560034	NUT LKG 10 24	8	EA
12	0070712	WIRE 12 R10I R10I 5	4	EA
13	3044854	TERM R10I 12/10	14	EA

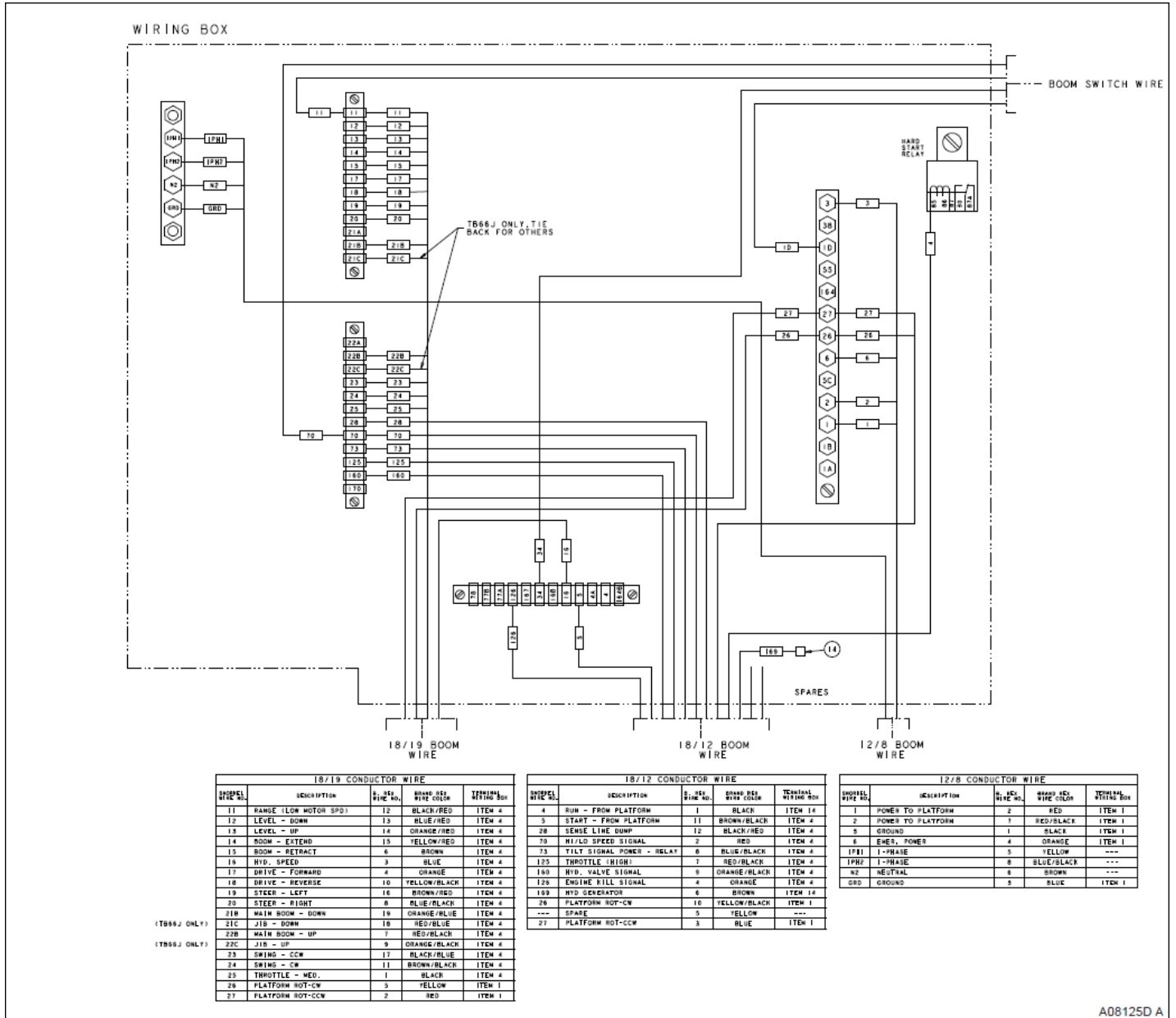
OPTIONS



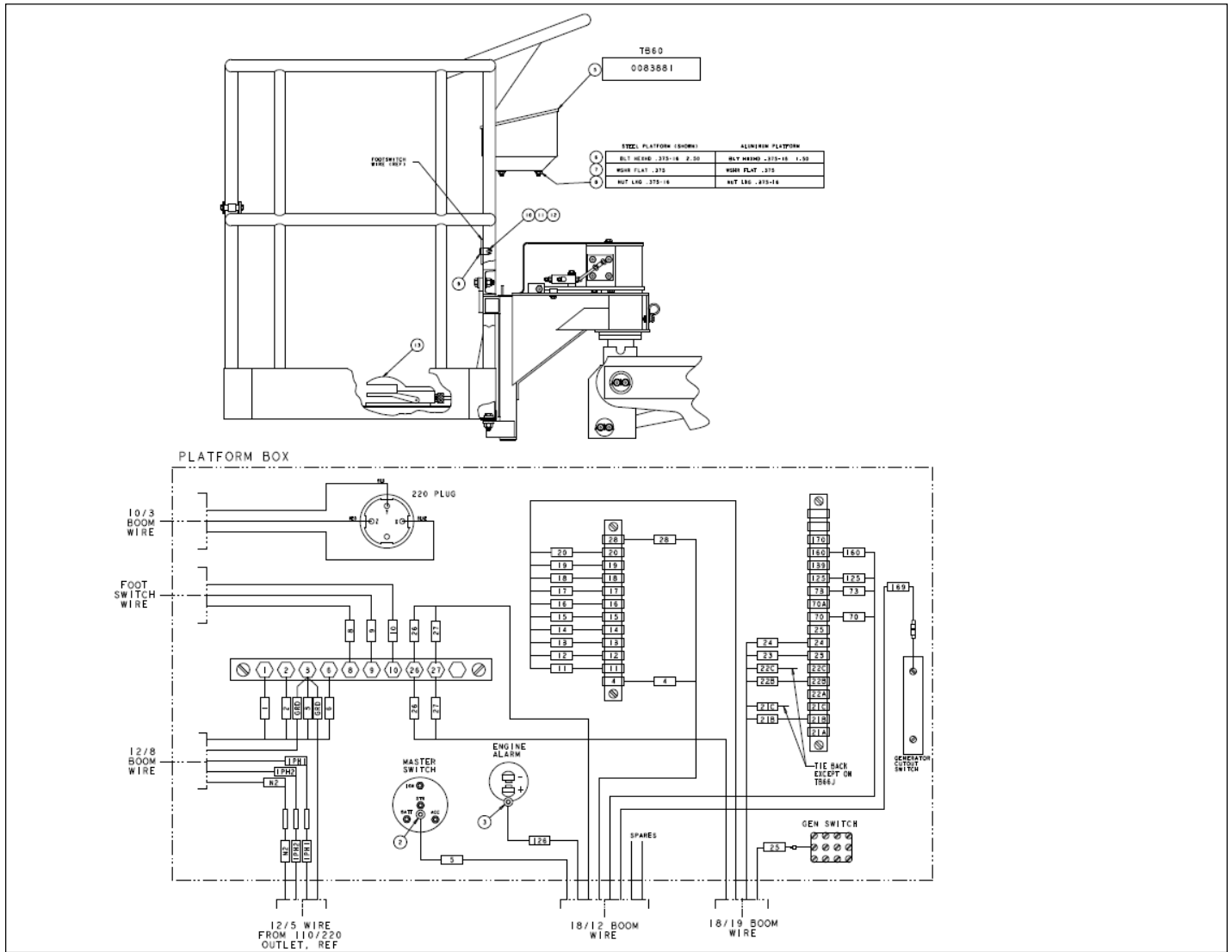
アイテム	部品番号	名前	数量	UOM
Not Shown	0083793 B	12kw GENERATOR HOSE CARRIER ASSEMBLY	1	EA
1	0083802	WELDMT HOSE CARRIER	1	EA
2	0083794	WELDMT TUBE	1	EA
3	0081089	HOSE 3 4S 4S 739	2	EA
4	0081090	HOSE 3 4S 4S 790	2	EA
5	3010006	CABLE 12GA/8 CONDUCTOR	85	EA
6	3010009	CABLE 18GA/12 CONDUCTOR	85	EA
7	9920017	POWER TRACK LINK	81	EA
8	5010024	HOSE .50 ID AIR HOSE	90	EA
9	3011005	CABLE 10GA/3 CONDUCTOR WIRE	90	EA
10	5560681	M.SCR, 3/8 16 2 1/4 F.H. SOC. CAD	1	EA
11	0100105	SL PAD 2.00 2.50 .375 2H	4	EA
12	0101379	SL PAD 1.00 4.00 .25 2H	1	EA
13	0110841	SL PAD 1.50 6.250 1.50 1H	1	EA
14	0110227	SPCR .530ID .625OD 7.13 STL	6	EA
15	0083796	ANCHOR PLATE BOTTOM	1	EA
16	0110842	SL PAD 1.50 1.50 1.10 1H	2	EA
17	5560675	M.SCR 3/8 16 1 1/4 SOC. CAD	8	EA
18	5560033	.375 16UNC HEX LOCK NUT	23	EA
19	986039	WSHR FLAT WIDE .375	23	EA
20	970489	BLT HEXHD .375 16 1.50 GR5 PL	4	EA
21	0110603	SL PAD 4.00 6.00 .75 2H SP	1	EA
22	972489	M.SCR 3/8 16 1 1/2 SOC. CAD	2	EA
23	970639	BLT HEXHD .375 16 8.00 GR5	7	EA
24	5569980	BLT HEXHD .500 13 X 8.50 LG	1	EA
25	986059	WSHR FLAT WIDE .500	2	EA
26	5560039	NUT HEX LKG .500 13	1	EA

アイテム	部品番号	名前	数量	UOM
27	3010005	CABLE 18GA/19 CONDUCTOR	85	EA
28	5560330	BLT FLSKTHD .250 20 .75	2	EA
29	5560004	NUT LKG .250 20	2	EA
30	9920018	END BRKT HOSE CARRIER	1	EA
31	970369	BLT HEXHD .313 18 X 1.00 GR5	3	EA
32	5560031	NUT HEX LKG .313 18	3	EA
33	986269	WSHR FLAT .313	3	EA
34	972539	BLT FLSKTHD .375 16 2.75	1	EA
35	0083807	BRKT MNTG	1	EA
36	0060089	SLIDE PAD	1	EA
37	5560331	M.SCR, 184 20 1.0 F.H. SOC. CAD PL	2	EA
38	986019	WSHR FLAT .250	2	EA
39	5093012	CLP CUSH 1.75 VINYL COATED	1	EA
40	0181270	ROLLER	12	EA

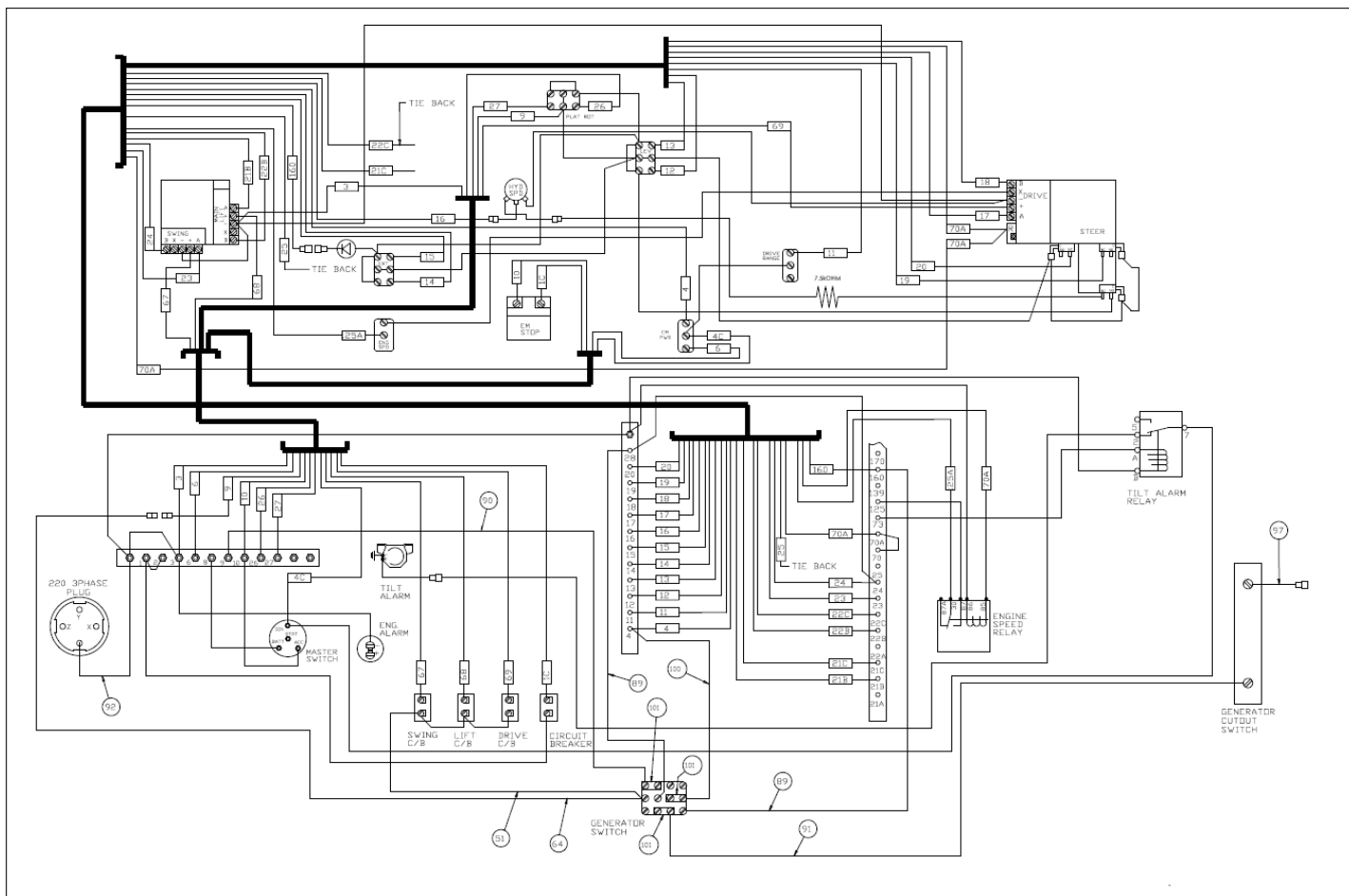
OPTIONS



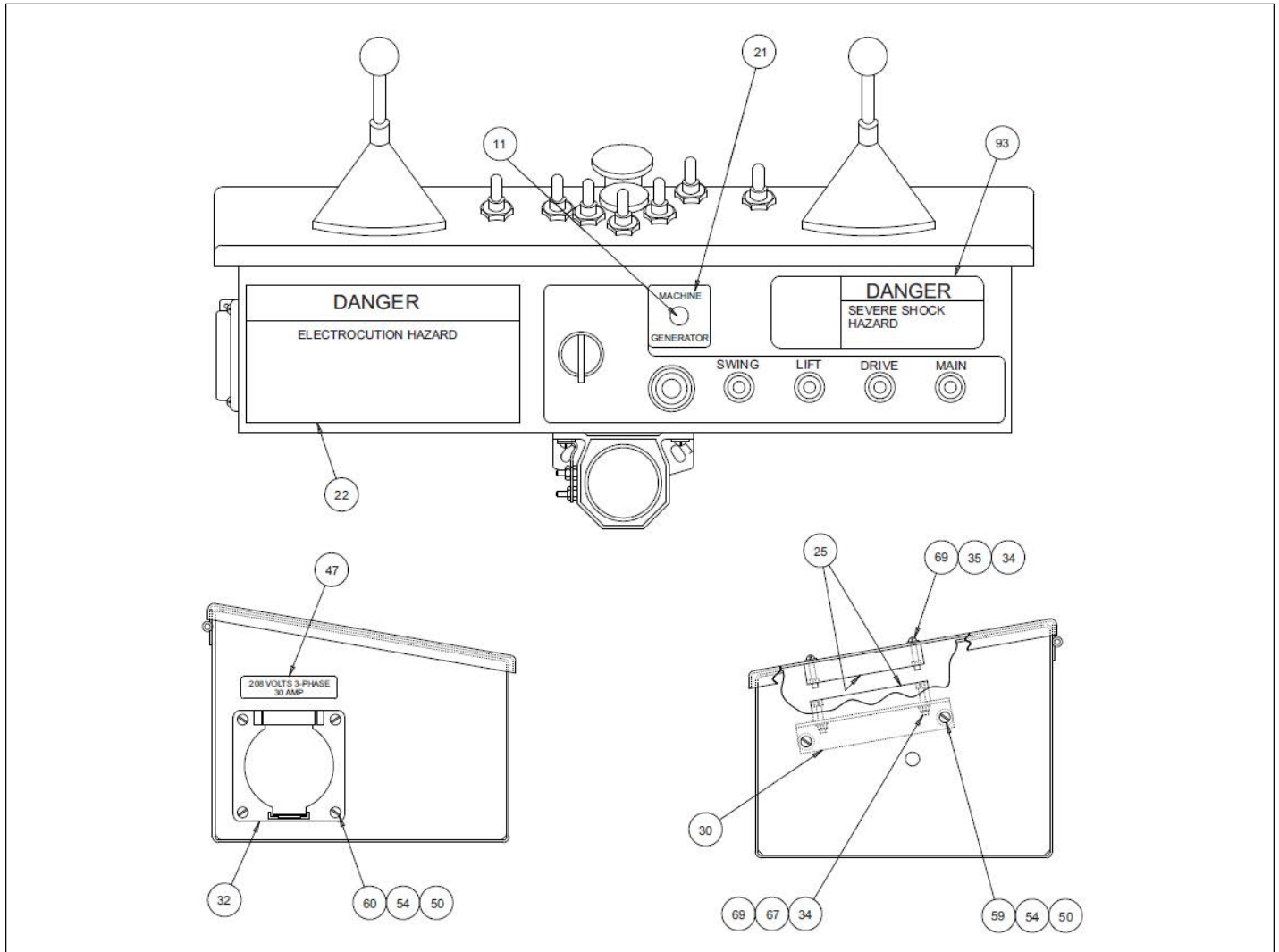
アイテム	部品番号	名前	数量	UOM
	A08125D A	12kw GENERATOR BOOM ELECTRICAL INSTALLATION	1	EA
1	3044854	TERM R10I 12/10	12	EA
2	3044146	TERM R10I 22/18	1	EA
3	3044142	TERM, .250 TAB 12/10, MALE F.I.	1	EA
4	3046972	TERM FEM188I 22/18	47	EA
5	0084174	ASSY PLATF CONT BOX 12KW TB66J	1	EA
9	5093004	CLP CUSH .750 VINYL COATED	1	EA
10	5560383	BLT HEXHD .250 20 .750 GR8	1	EA
11	986019	WSHR FLAT .250	1	EA
12	987099	WSHR LOCK .250	1	EA
13	0071800	FOOT SWITCH ASSEMBLY	1	EA
14	3040047	TERM FEM250FI 22/18	1	EA
15	3040046	TERM MALE250FI 22/18	2	EA



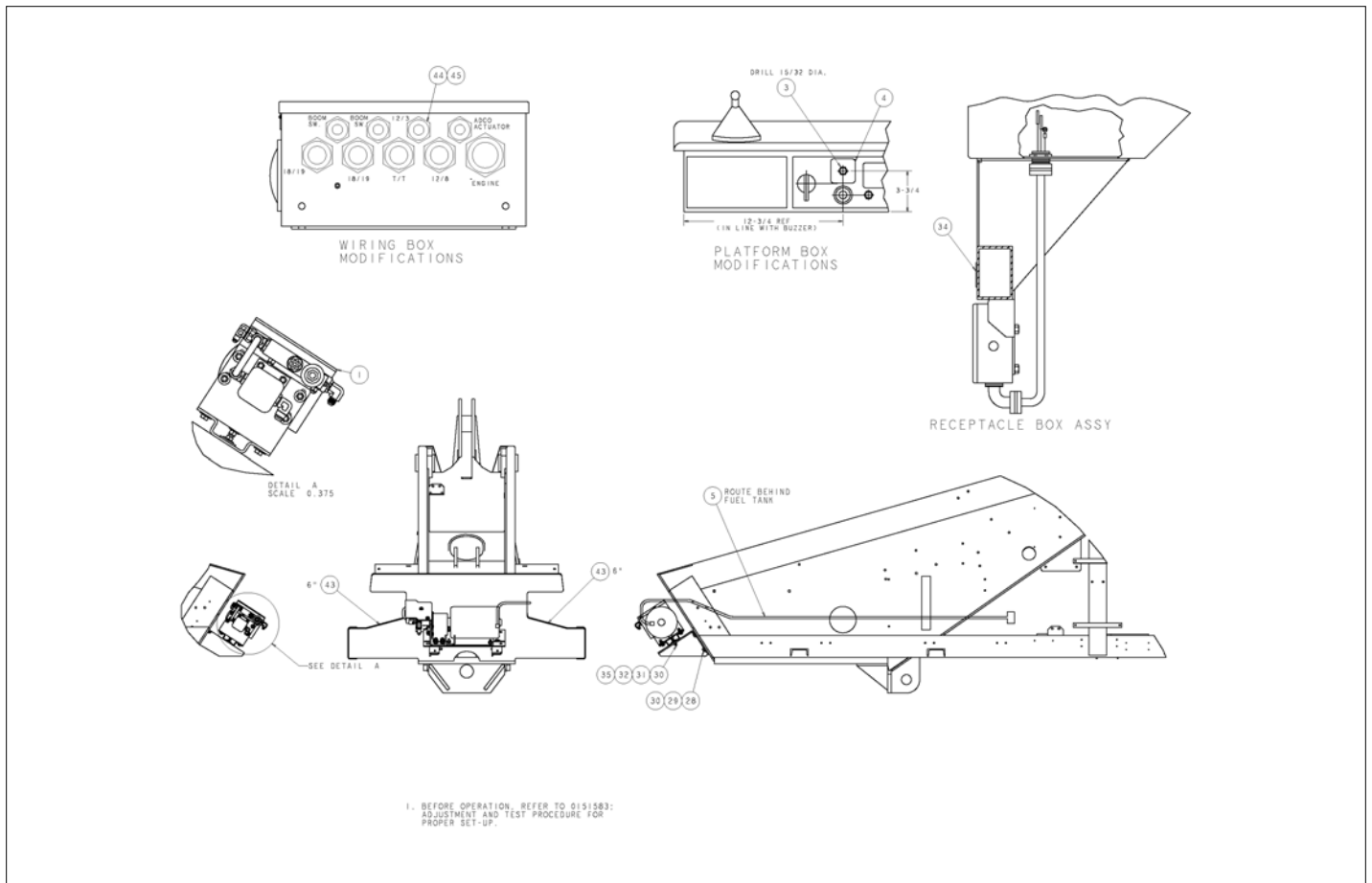
OPTIONS



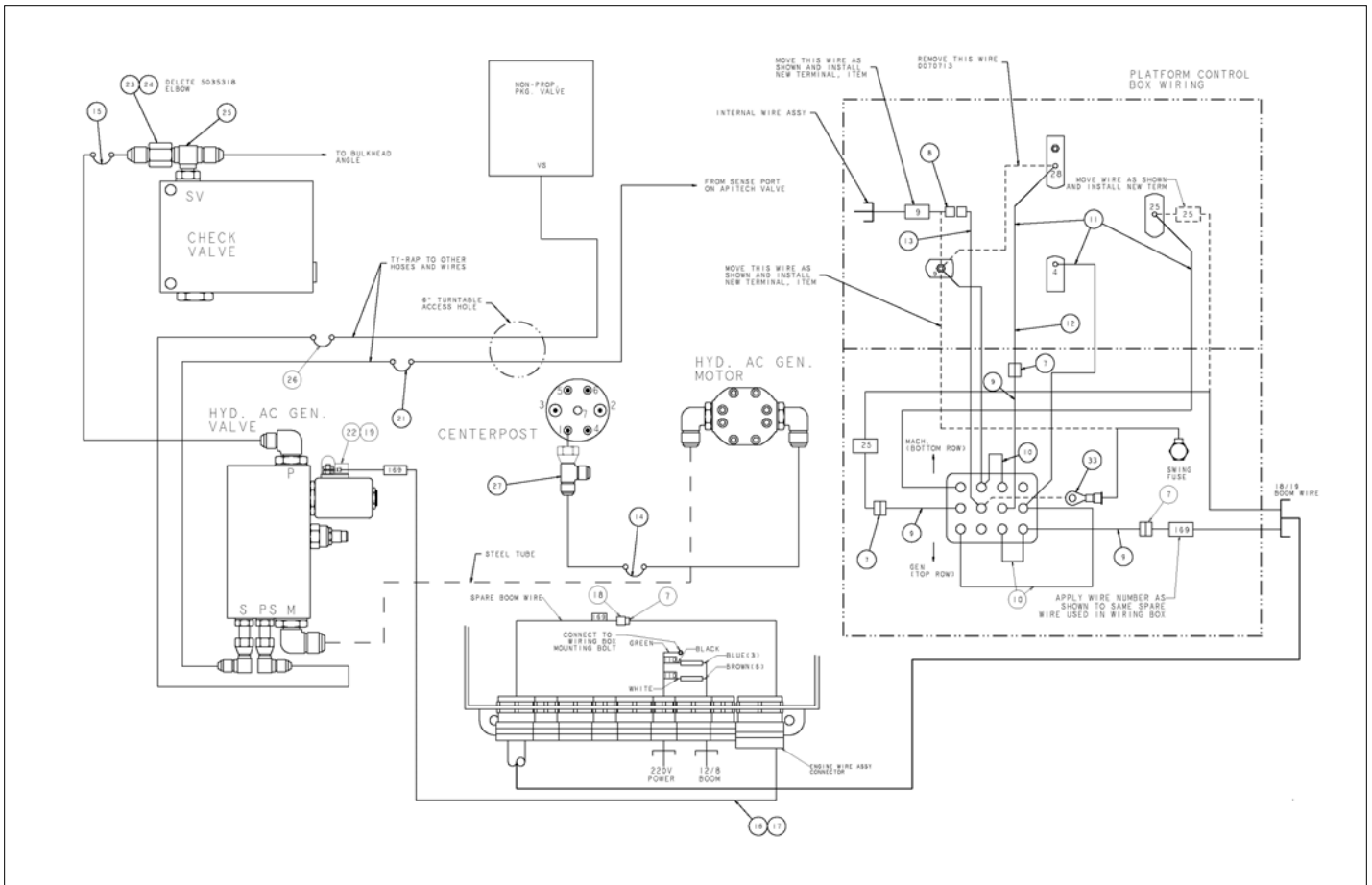
アイテム	部品番号	名前	数量	UOM
Not Shown	0083881 A	12kw GENERATOR PLATFORM CONTROL BOX	1	EA
11	3020048	SWITCH TOGGLE 4PDT ON/ON	1	EA
21	0151459	DECAL AC GEN SW	1	EA
22	0072530	DECAL DNGR ELEC HAZARD	1	EA
25	475986	SW REED 3AMP	1	EA
30	0083956	BRKT, LID SWITCH MNTG	1	EA
32	3045254	RECEPTACLE, 3 POLE, 4 COND, 30A	1	EA
34	986159	WSHR FLAT 6	8	EA
35	984009	NUT HEX 6 32	2	EA
47	0083860	DECAL OUTLET 208V 3 PHASE	1	EA
50	986009	WSHR FLAT 10	6	EA
51	0070730	WIRE 16 R6I R6I 5.5	6	EA
54	984049	NUT HEX 10 24	6	EA
59	5563025	SCR TRHD 10 24 .750	2	EA
60	5560673	SCR TRHD 10 24 1.00	4	EA
64	0181187	JUMPER WIRE	1	EA
67	5569997	NUT HEX LKG 6 32	2	EA
69	974269	SCR RHD 6 32 1.00	4	EA
89	0071517	SWITCH	2	EA
90	0071541	WIRE 12 R6I R10I 14	1	EA
91	0101298	WIRE 18 R6I R6I 23.5	1	EA
92	0072293	WIRE 12 R10I NONE 17	1	EA
94	0083988	DECAL DANGER SHOCK HAZARD	1	EA
97	0090757	JUMPER WIRE	2	EA
100	0151556	WIRE 16 R6 FEM188I 6	1	EA
101	0060373	JUMPER SWITCH TERMINAL STRAP	3	EA



OPTIONS

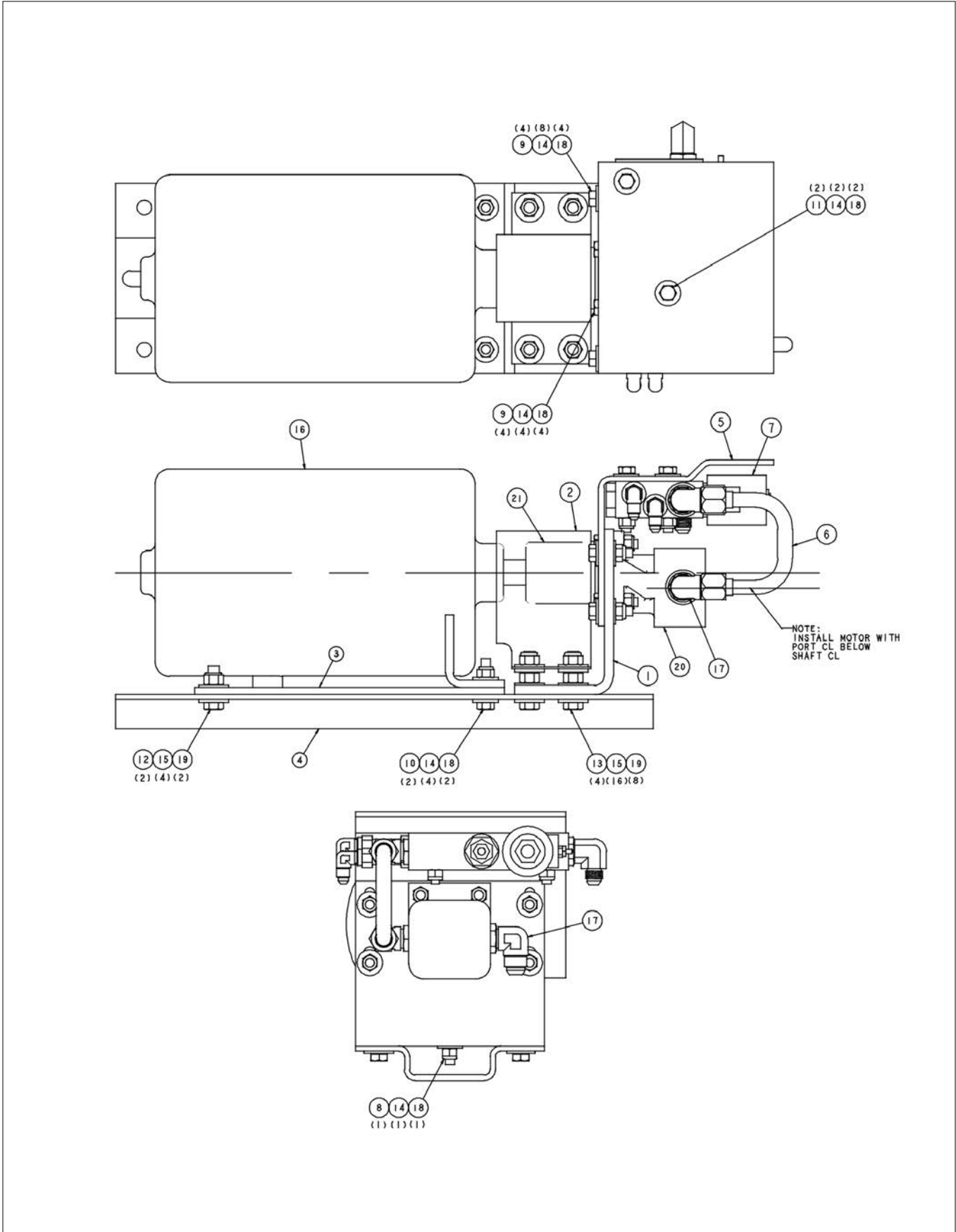


アイテム	部品番号	名前	数量	UOM
	0083995 D	220V AC GENERATOR TB60/TB66J		EA
1	0074981	AC GENERATOR SUB ASSEMBLY	1	EA
2	0083954 8	BRKT 12KW GENERATOR	2	EA
3	3020048	SWITCH TOGGLE 4PDT ON/ON	1	EA
4	0151459	DECAL AC GEN SW	1	EA
5	0075227	CABLE ASSEMBLY, 220V POWER	1	EA
7	3040046	TERM MALE250FI 22/18	4	EA
8	3040064	TERM .250 MALE SLIP ON 12/10 WIRE	1	EA
9	0090757	JUMPER WIRE	3	EA
10	0070747	WIRE 16 R6I R6I 3	3	EA
11	0071517	SWITCH	3	EA
12	0071541	WIRE 12 R6I R10I 14	1	EA
13	0181187	JUMPER WIRE	1	EA
14	0080522	HOSE 8 8S 8S 42 100R2	1	EA
15	0111286	HOSE 6 6S 6S 84 100R2	1	EA
16	3011801	WIRE 18GA SINGLE CONDUCTOR WHT	15	EA
17	3090019	TUBE FLEXGARD .250 ID	15	EA
18	3040047	TERM FEM250FI 22/18	1	EA
19	3044146	TERM R10I 22/18	1	EA
20	0151583	ADJUSTMENT & TEST PROCEDURE DWG	NOTE 1	EA
21	0181163	HOSE 4 4S 4S 103 100R2	1	EA
22	3040452	BOOT BTRY CABLE UL RED 10GA	1	EA
23	5064001	ADAPTER STRAIGHT TUBE REDUCER 6 JIC TO 4 JIC	1	EA
24	5063905	FTG NUT 6S STL	1	EA
25	5036505	STRAIGHT THREAD BRANCH TEE	1	EA
26	0101896	HOSE 4 4S 4S 120 100R2	1	EA



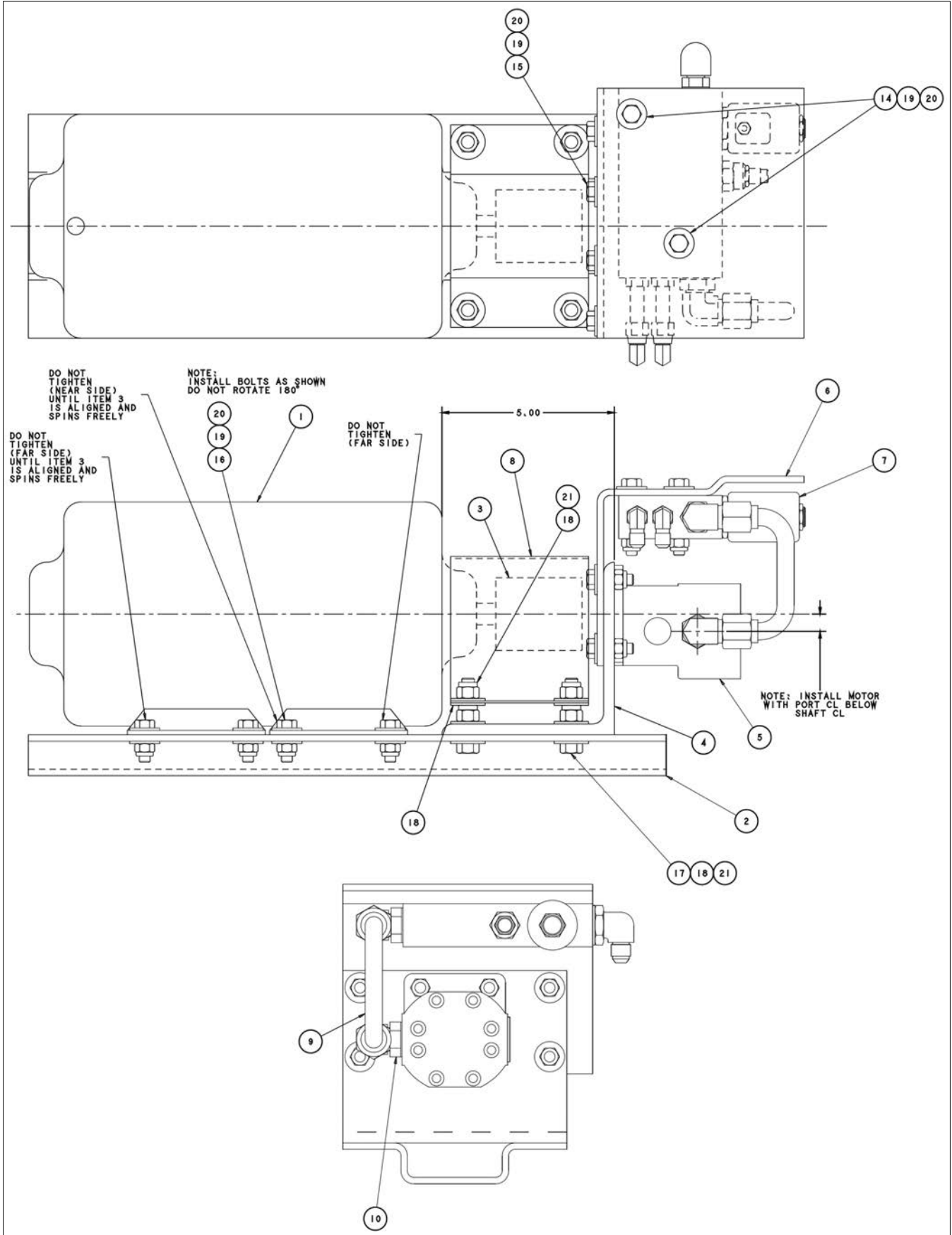
アイテム	部品番号	名前	数量	UOM
27	5036706	FTG TEE SWVL RUN 8S 8S STL (SEE PAGE 2)	1	EA
28	970909	BLT HEXHD .500 13 1.50 GR5 PLA	4	EA
29	5560039	NUT HEX LKG .500 13	4	EA
30	986359	FLATWASHER 1/2"	10	EA
31	5560674	CAPSCREW 5/16 18 X 1 1/2 INCH LONG HEX HEAD GRADE 5	2	EA
32	986269	WSHR FLAT .313	2	EA
33	3044158	TERM R6I	1	EA
34	0182055	DECAL, 220V 50HZ 10A	3	EA
35	5560031	NUT HEX LKG .313 18	2	EA
43	5560277	HOSE GUIDE .375 RUBBER EDGE	1	EA
44	3040110	NUT LKG HUB .750 SAMEAS 962129	1	EA
45	3040295	CONN .75 .625 .75	1	EA

OPTIONS



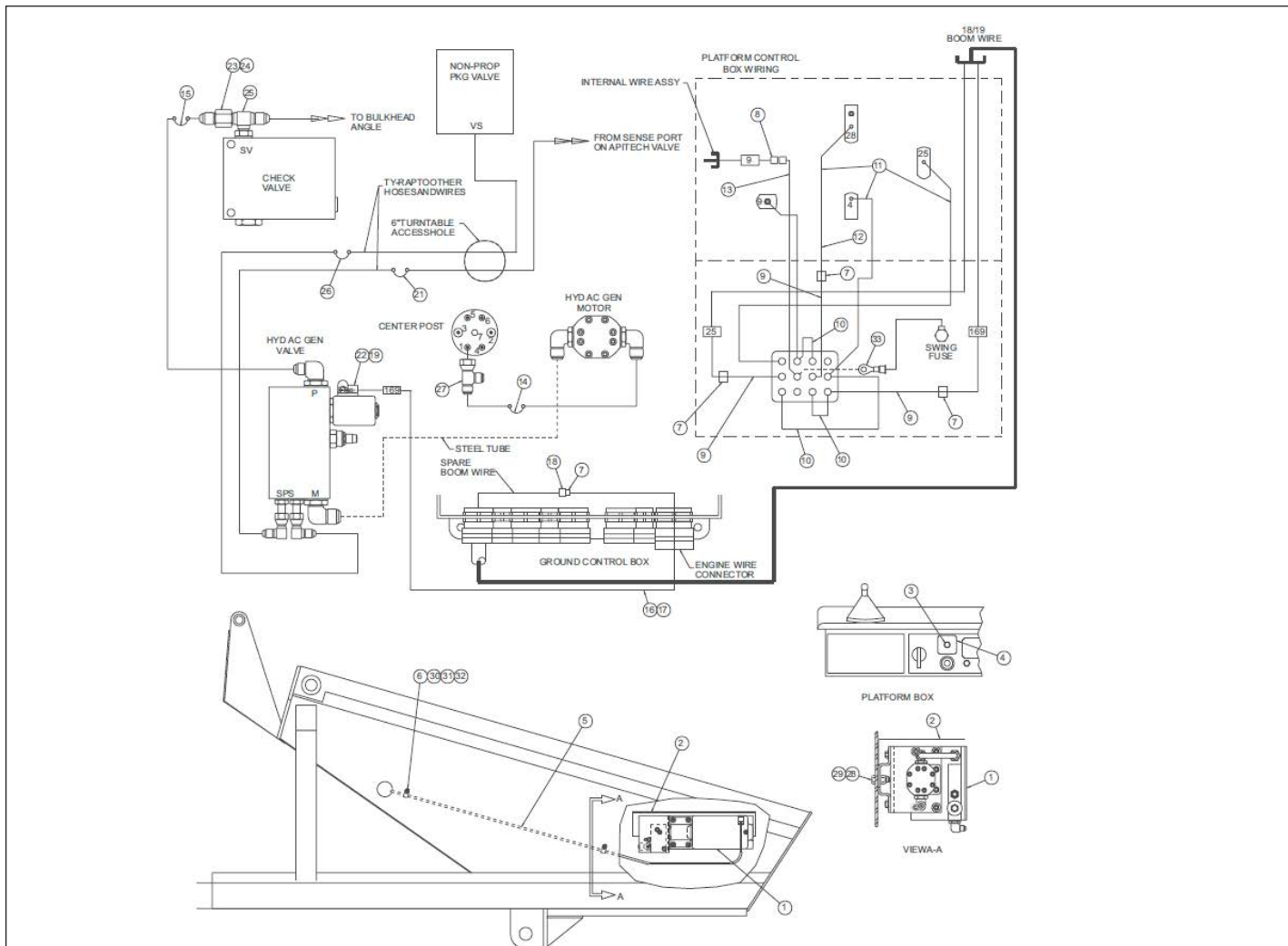
アイテム	部品番号	名前	数量	UOM
	0074981 A	220V AC 50HZ HYDRAULIC GENERATOR SUB ASSEMBLY		EA
1	0074983	MOUNT ANGLE	1	EA
2	0074984	COVER, CPLG	1	EA
3	0074985	SPACER PLATE	1	EA
4	0151457	MOUNT PLATE	1	EA
5	0151469	BRACKET, VALVE MOUNTING	1	EA
6	0151470	1/2 INCH HYDRAULIC TUBE	1	EA
7	0152831	AC GENERATOR VALVE	1	EA
8	970259	C.SCREW, 5/16 18 X 1" LG. HH	1	EA
9	910269	BOLT .313 18 1.25 GR5	8	EA
10	970279	BLT HEXHD .313 18 1.50 GR5	2	EA
11	970299	BOLT HEX HD .313 18 2.00 GR5 PL	2	EA
12	972479	BLT HEXHD .375 16 1.25 GR5	2	EA
13	970499	BLT HEXHD .375 16 1.75 GR5	4	EA
14	986269	WSHR FLAT .313	19	EA
15	986299	WASHER, FLAT, .375 STANDARD, PLATED	20	EA
16	3087785	GENERATOR	1	EA
17	5035306	FTG ELB90STRTHD 8B 8S STL	2	EA
18	5560031	NUT HEX LKG .313 18	13	EA
19	5560333	NUT LKG .375 16	10	EA
20	6030029	HYD PUMP	1	EA
21	7249577	FLEXIBLE COUPLING	1	EA

OPTIONS



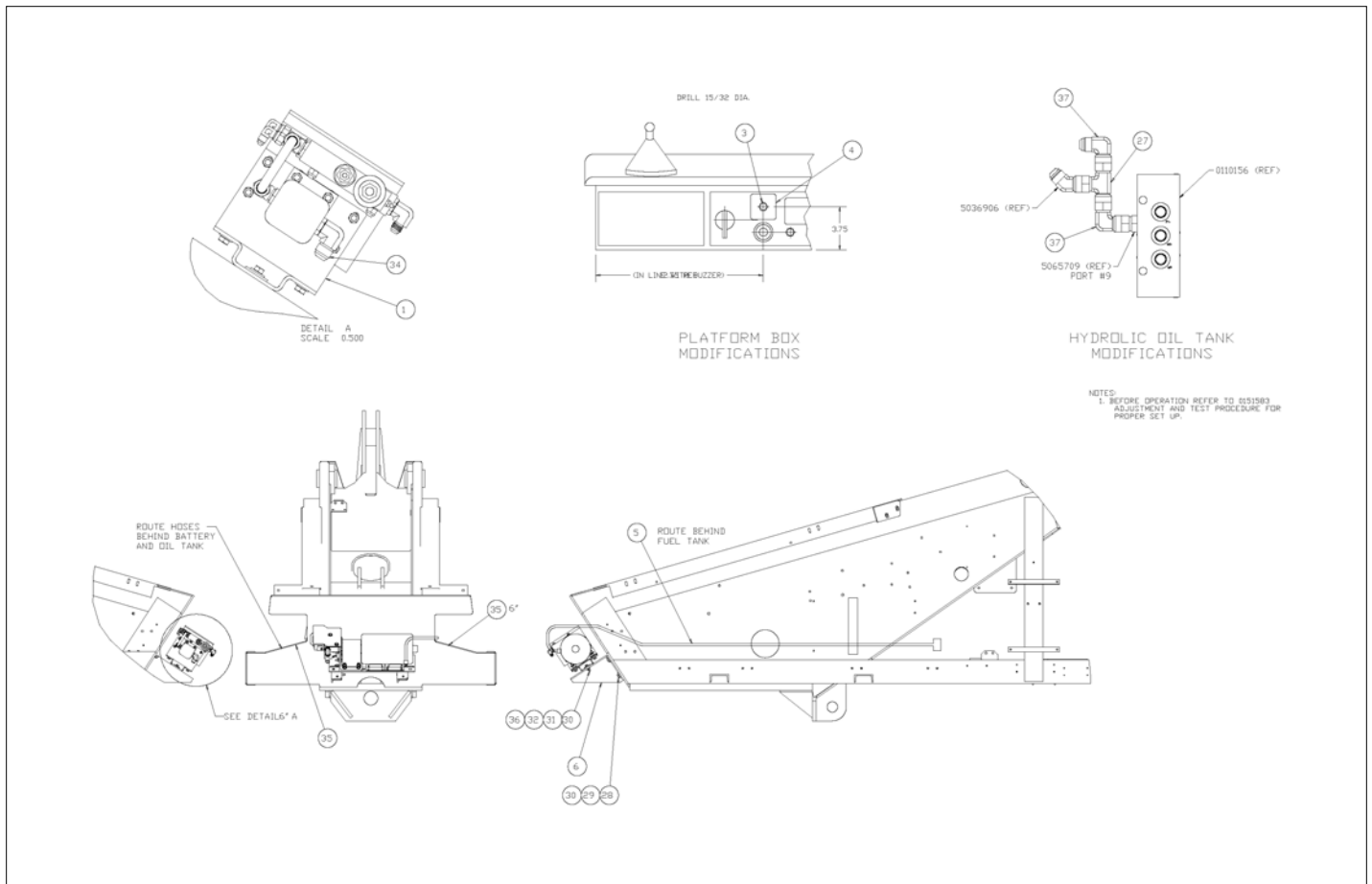
アイテム	部品番号	名前	数量	UOM
*	0082051 L	HYDRAULIC AC GENERATOR 110V TB60 TB66J	1	EA
1	0151457	MOUNT PLATE	1	EA
2	0151458	MOTOR MOUNTING ANGLE	1	EA
3	0151469	BRACKET, VALVE MOUNTING	1	EA
4	0151470	1/2 INCH HYDRAULIC TUBE	1	EA
5	0151484	COUPLING COVER	1	EA
6	0152831	AC GENERATOR VALVE	1	EA
7	970269	BLT HEXHD .313 18 1.25 GR5 PLA	8	EA
8	970299	BOLT HEX HD .313 18 2.00 GR5 PL	2	EA
9	970369	BLT HEXHD .313 18 X 1.00 GR5	8	EA
10	970499	BLT HEXHD .375 16 1.75 GR5	4	EA
11	986269	WSHR FLAT .313	30	EA
12	986299	WASHER, FLAT, .375 STANDARD, PLATED	16	EA
13	3080001	GENERATOR 2000 WATT AC 115	1	EA
14	5035306	FTG ELB90STRTHD 8B 8S STL	1	EA
15	5560031	NUT HEX LKG .313 18	18	EA
16	5560033	.375 16UNC HEX LOCK NUT	8	EA
17	6030029	HYD PUMP	1	EA
Not Shown	8020018	SEAL REPAIR KIT	1	EA
18	7240012	COUPLER	1	EA

OPTIONS



アイテム	部品番号	名前	数量	UOM
Not Shown	0082051 C	HYDRAULIC AC GENERATOR 110V TB60 TB66J OCTOBER 2006 AND BEFORE	1	EA
1	3080001	GENERATOR 2000 WATT AC 115	1	EA
2	0151457	MOUNT PLATE	1	EA
3	7240012	COUPLER	1	EA
4	0151458	MOTOR MOUNTING ANGLE	1	EA
5	6030029	HYD PUMP	1	EA
Not Shown	8020018	SEAL REPAIR KIT	1	EA
6	0151469	BRACKET, VALVE MOUNTING	1	EA
7	0152831	AC GENERATOR VALVE	1	EA
8	0151484	COUPLING COVER	1	EA
9	0151470	1/2 INCH HYDRAULIC TUBE	1	EA
10	5035306	FTG ELB90STRTHD 8B 8S STL	1	EA
11	5560031	NUT HEX LKG .313 18	18	EA
12	5035320	ADAPTER 90 DEG ELBOW 8 SAE TO 6 JIC	1	EA
13	5560033	.375 16UNC HEX LOCK NUT	8	EA
14	970299	BOLT HEX HD .313 18 2.00 GR5 PL	2	EA
15	970269	BLT HEXHD .313 18 1.25 GR5 PLA	8	EA
16	970369	BLT HEXHD .313 18 X 1.00 GR5	8	EA
17	970499	BLT HEXHD .375 16 1.75 GR5	4	EA
18	986299	WASHER, FLAT, .375 STANDARD, PLATED	12	EA
19	986269	WSHR FLAT .313	30	EA

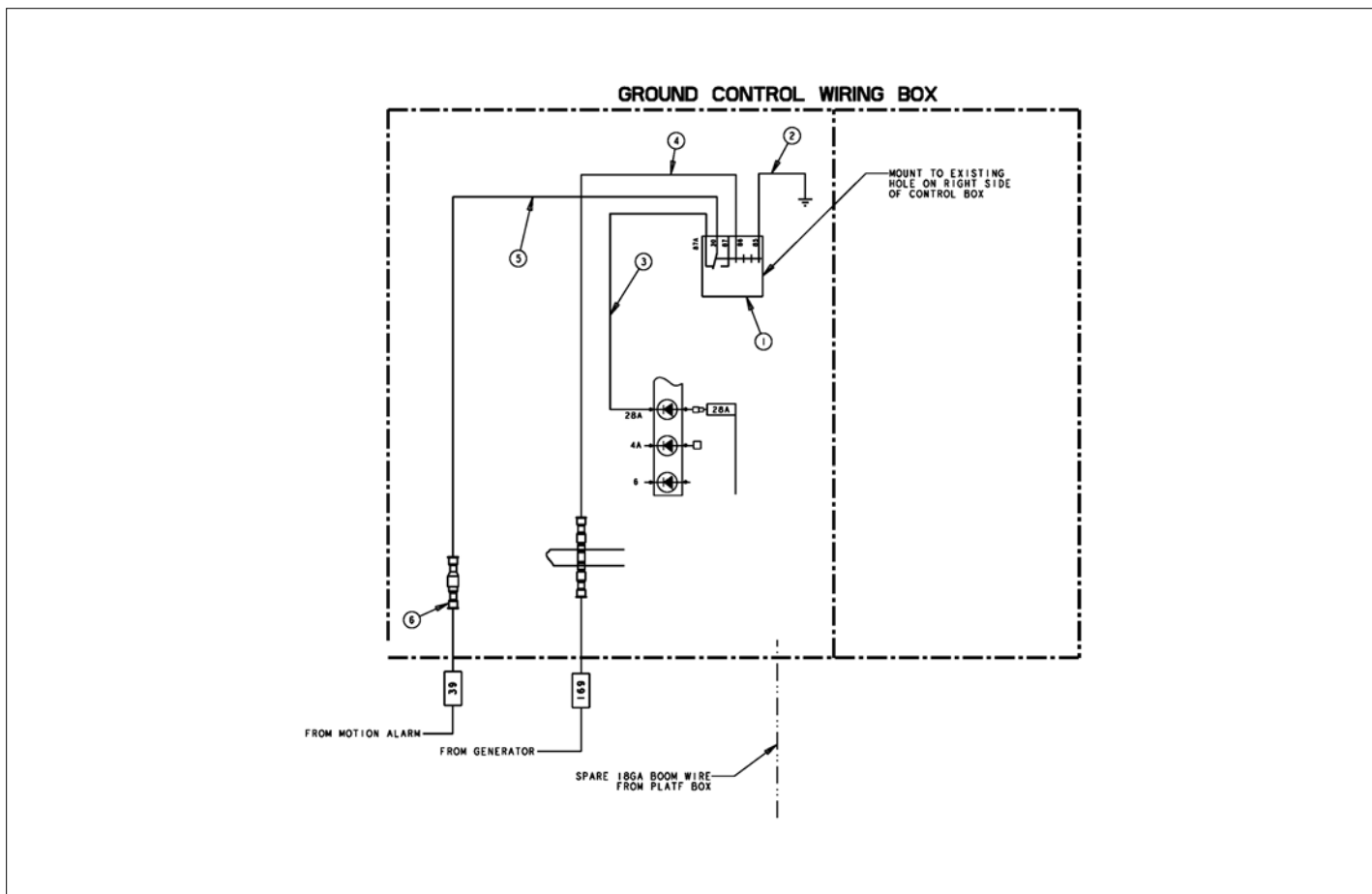
OPTIONS



アイテム	部品番号	名前	数量	UOM
Not Shown	0082051 H	HYDRAULIC AC GENERATOR 110V TB60 TB66J	1	EA
1	0151471	HYDRAULIC POWERED AC GENERATOR	1	EA
3	3020048	SWITCH TOGGLE 4PDT ON/ON	1	EA
4	0151459	DECAL AC GEN SW	1	EA
5	0084085	CABLE ASSEMBLY AC GENERATOR	1	EA
6	0083954	BRKT 12KW GENERATOR	2	EA
8	3040046	TERM MALE250FI 22/18	4	EA
9	0090757	JUMPER WIRE	3	EA
7	3040064	TERM .250 MALE SLIP ON 12/10 WIRE	1	EA
10	0070747	WIRE 16 R6I R6I 3	3	EA
11	0071517	SWITCH	3	EA
12	0071541	WIRE 12 R6I R10I 14	1	EA
13	0181187	JUMPER WIRE	1	EA
14	0110198	HOSE 8 8S 8S 96 100R2	1	EA
15	0111286	HOSE 6 6S 6S 84 100R2	1	EA
16	3011801	WIRE 18GA SINGLE CONDUCTOR WHT	15	EA
17	3090019	TUBE FLEXGARD .250 ID	15	EA
18	3040047	TERM FEM250FI 22/18	1	EA
19	3044146	TERM R10I 22/18	1	EA
20	0151583	ADJUSTMENT & TEST PROCEDURE DWG	1	EA
21	0181163	HOSE 4 4S 4S 103 100R2	1	EA
22	3040452	BOOT BTRY CABLE UL RED 10GA	1	EA
23	5064001	ADAPTER STRAIGHT TUBE REDUCER 6 JIC TO 4 JIC	1	EA
24	5063905	FTG NUT 6S STL	1	EA
25	5036505	STRAIGHT THREAD BRANCH TEE	1	EA

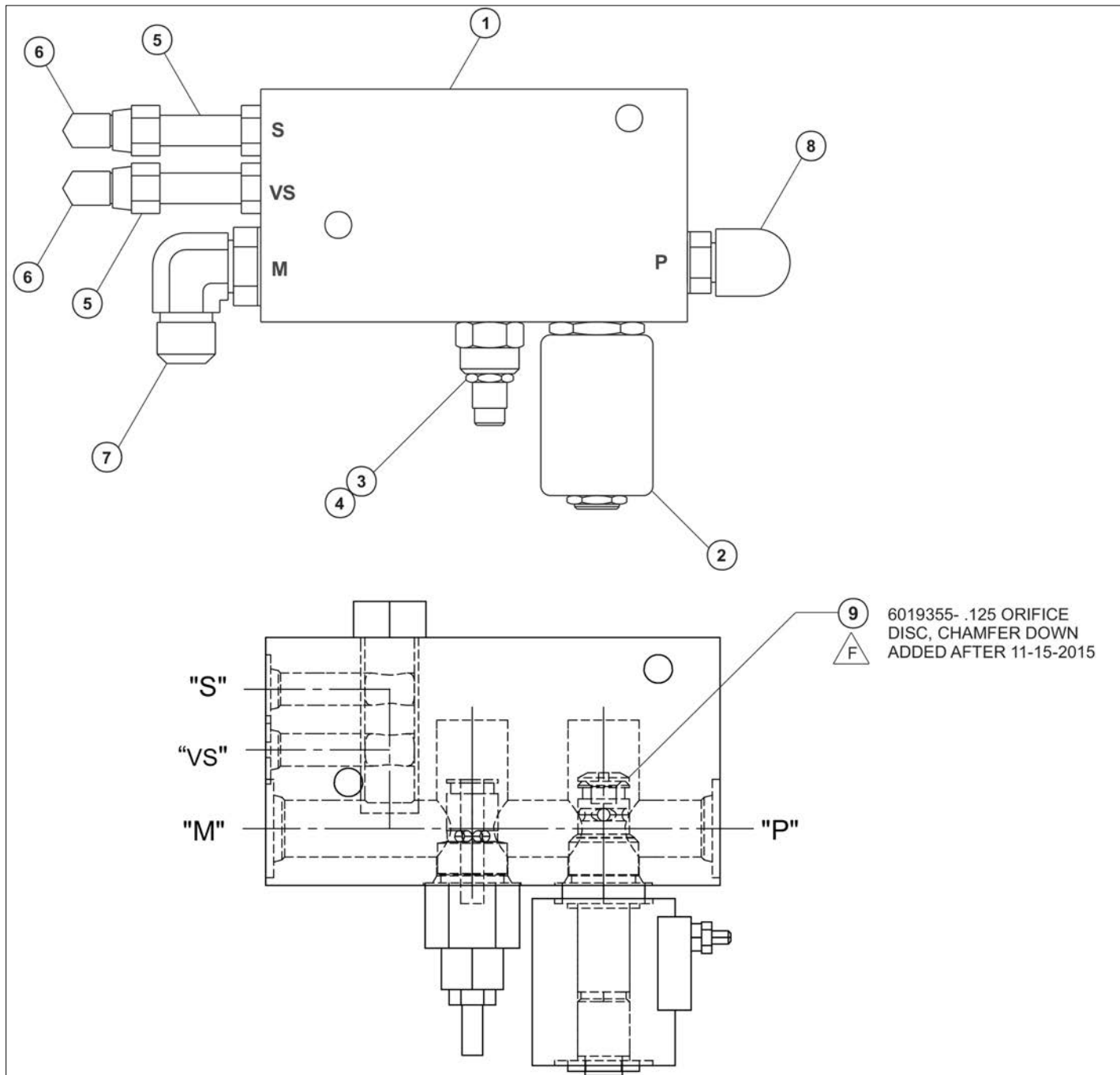
アイテム	部品番号	名前	数量	UOM
26	0101896	HOSE 4 4S 4S 120 100R2	1	EA
27	5036706	FTG TEE SWVL RUN 8S 8S STL (SEE PAGE 2)	1	EA
28	970909	BLT HEXHD .500 13 1.50 GR5 PLA	4	EA
29	5560039	NUT HEX LKG .500 13	4	EA
30	986359	FLATWASHER 1/2"	10	EA
31	970269	BLT HEXHD .313 18 1.25 GR5 PLA	2	EA
32	986269	WSHR FLAT .313	4	EA
33	3044158	TERM R6I	1	EA
34	5035306	FTG ELB90STRTHD 8B 8S STL	1	EA
35	5560277	HOSE GUIDE .375 RUBBER EDGE	1	EA
36	5560031	NUT HEX LKG .313 18	2	EA
37	5037006	ADAPTER 90 ° ELBOW SWIVEL 8 JIC	2	EA

OPTIONS



アイテム	部品番号	名前	数量	UOM
	0182114 B	MODIFICATION HYDRAULIC AC GENERATOR WITH MOTION ALARM		EA
1	3040469	RELAY SPDT 12V 30AMP SONG	1	EA
2	0071555	WIRE 16 R10I FEM250I 6	1	EA
3	0071812	WIRE 16 R10 FEM250FI 18	1	EA
4	0071528	WIRE 18 FEM250FI FEM188I 21	1	EA
5	0163360	WIRE 16 MALE250FI FEM250I 14	1	EA
6	3040083	TERM FEM250FI 16/14	1	EA

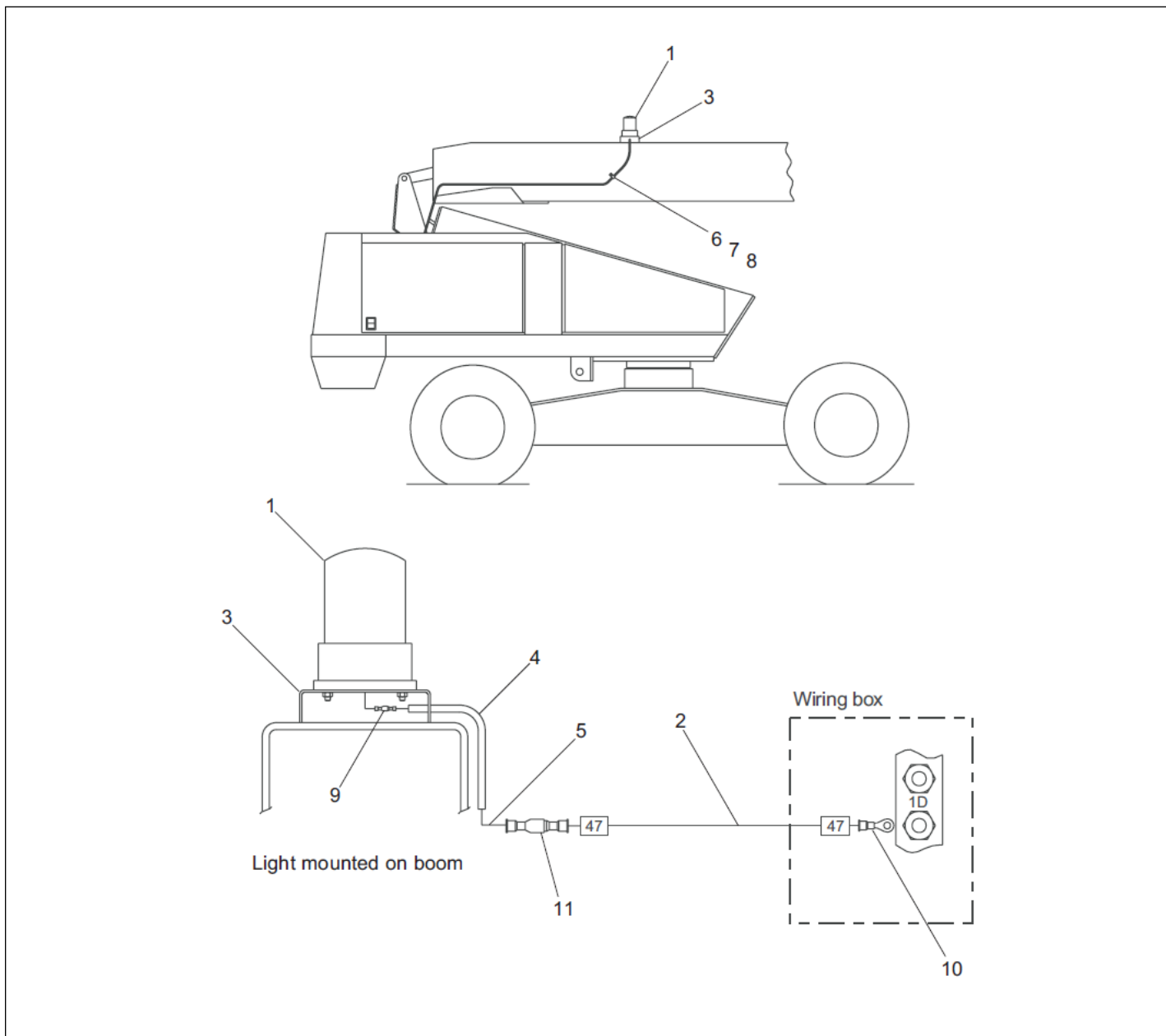
OPTIONS



アイテム	部品番号	名前	数量	UOM
Not Shown	0152831 B	AC GENERATOR VALVE SUB ASSEMBLY	1	EA
1	6010489	AC GENERATOR VALVE	1	EA
2	6010508	HYDRAFORCE CARTRIDGE 12 VOLT	1	EA
Not Shown	6010509	REPLACEMENT CARTRIDGE VALVE	1	EA
Not Shown	3040457	REPLACEMENT COIL, 12 VOLT DC	1	EA
Not Shown	6019355	ORIFICE DISC .125	1	EA
3	6018901	FLOW CONTROL VALVE CARTRIDGE	1	EA
4	6010510	SHUTTLE VALVE CARTRIDGE	1	EA
5	5065803	LONG STRAIGHT THREAD ADAPTER	2	EA
6	5037003	FTG ELB90SWVL 4S 4S STL	2	EA
7	5035306	FTG ELB90STRTHD 8B 8S STL	1	EA
8	5035320	ADAPTER 90 DEG ELBOW 8 SAE TO 6 JIC	1	EA

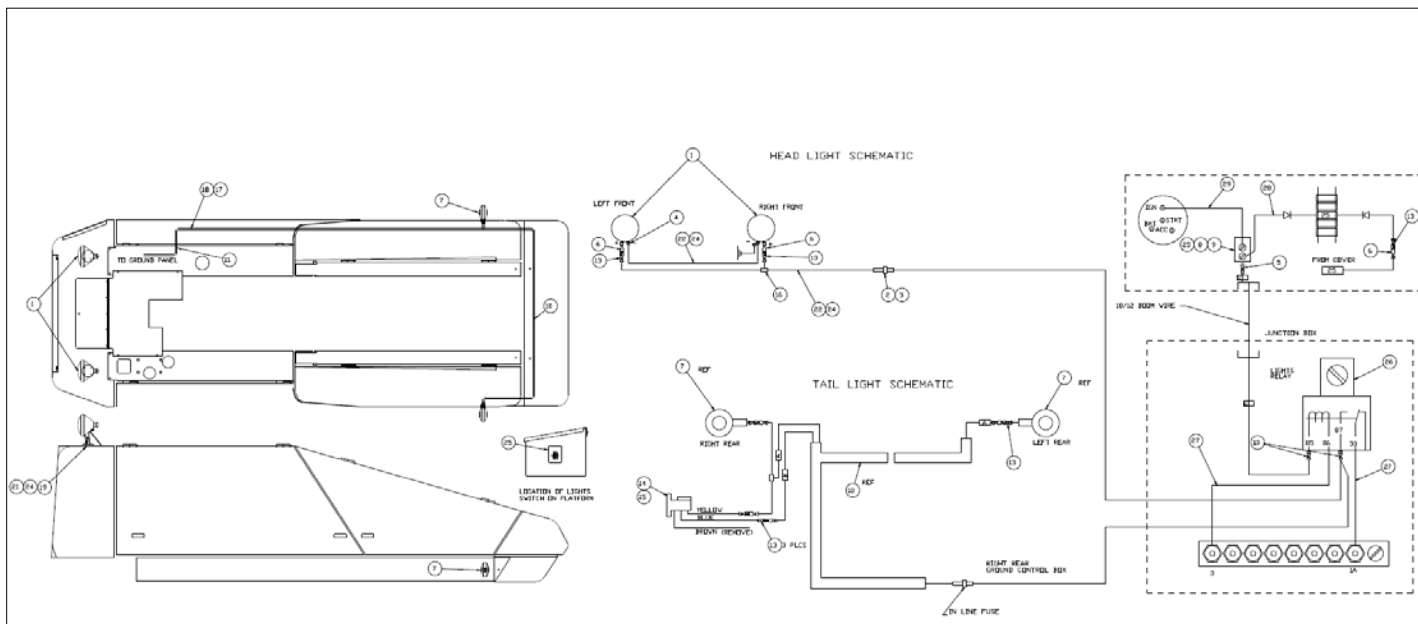
アイテム	部品番号	名前	数量	UOM
*	A08081B A	ISOLATION VALVE INSTALLATION		EA
1	6010495	BALL VALVE	1	EA
2	6010498	BALL VALVE	1	EA
3	7740014	CLOSE NIPPLE 1/2 NPT	1	EA
4	7740110	CLOSE NIPPLE 1 1/4 NPT	1	EA
5	7720604	REDUCER BUSHING 3/4 X 1/2	2	EA
6	7721210	REDUCER BUSHING 1 1/2 X 1 1/4	2	EA
7	0070792	HOSE 8 8S 8S 32 100R2	1	EA

OPTIONS



アイテム	部品番号	名前	数量	UOM
	0082042 A	WARNING LIGHTS AMBER	1	EA
1	3060083	WARNING LIGHT AMBER 12 48VDC	1	EA
Not Shown	3060084	WARNING LIGHT, RED LENS	1	EA
Not Shown	8160047	REPLACEMENT BULB	1	EA
2	3011601	WIRE 16GA SINGLE CONDUCTOR BLK	1	EA
3	0071395	LIGHT MOUNT BRACKET	1	EA
4	3090006	TUBE FLEXGARD .350 ID	1	EA
5	0072209	JUMPER WIRE	1	EA
6	5090305	HOSE CLAMP	1	EA
7	974659	SCR RDH MACH 10 24 .500	1	EA
8	987089	WSHR LOCK #10 SPLIT TYPE	1	EA
9	3040046	TERM MALE250FI 22/18	1	EA
10	3044146	TERM R10I 22/18	1	EA
11	3040083	TERM FEM250FI 16/14	1	EA

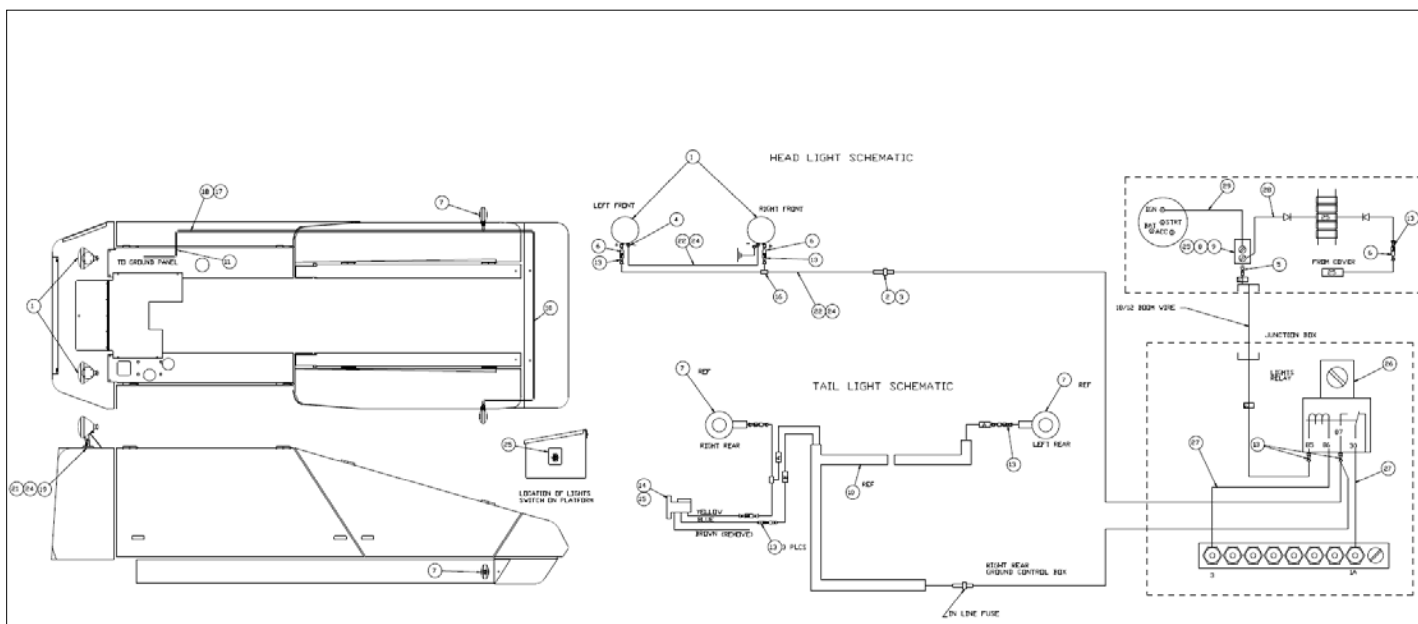
OPTIONS



アイテム	部品番号	名前	数量	UOM
Not Shown	A08067E D	DRIVING AND TAIL LIGHTS MAY 2015 AND BEFORE	1	EA
1	3067619	HALOGEN FLOOD LIGHT	2	EA
2	3040038	FUSE HOLDER	1	EA
3	3040039	FUSE 10 AMP AGC BUSS: 10 AMP AGC	1	EA
4	3044161	TERM R10I 16/14	3	EA
5	3044158	TERM R6I	1	EA
6	3040082	TERM MALE250FI 16/14	3	EA
7	3060017	TURN SIGNAL LIGHT	2	EA
8	3020013	Switch, Toggle Honeywell INTI 2	1	EA
9	3040009	SW BOOT SHORT	1	EA
10	0074779	WIRING HARNESS TAIL LIGHTS	1	EA
11	3040113	MOUNTING BASE	1	EA
12	5093002	CLAMP .562 AEROQUIP HOSE SUPPORT	3	EA
13	3040083	TERM FEM250FI 16/14	9	EA
14	3060019	FLASHER	1	EA
15	3060018	FLASHER BASE	1	EA
16	3044071	TERM BUTT CONN INSUL 16/14	1	EA
17	970029	BLT .25 20 .750	3	EA
18	987099	WSHR LOCK .250	3	EA
19	5560034	NUT LKG 10 24	10	EA
20	974679	SCR RDH MACH 10 24 .625	2	EA
21	974709	M SCR #10 24 X 1.00 RNDHD PLTD	8	EA
22	3090006	TUBE FLEXGARD .350 ID	10 FT	EA
23	3011601	WIRE 16GA SINGLE CONDUCTOR BLK	10 FT	EA
24	986009	WSHR FLAT 10	8	EA
25	0181376	DECAL	1	EA

アイテム	部品番号	名前	数量	UOM
26	3040469	RELAY SPDT 12V 30AMP SONG	1	EA
27	0072418	JUMPER WIRE	2	EA
28	0073250	WIRE 18 R10I FEM 1881 17 DIO	2	EA
29	0070758	WIRE 16 R6I R10I 20	1	EA
30	0112672	TUBE RD AL BOOM LIGHT BRACKET	2	EA

OPTIONS



アイテム	部品番号	名前	数量	UOM
Not Shown	A08067E G	DRIVING AND TAIL LIGHTS JUNE 2015 AND AFTER	1	EA
1	3064414	FLOOD LIGHT, WITH ROUND BASE	2	EA
2	3040038	FUSE HOLDER	1	EA
3	3040039	FUSE 10 AMP AGC BUSS: 10 AMP AGC	1	EA
4	3044161	TERM R10I 16/14	3	EA
5	3044158	TERM R6I	1	EA
6	3040082	TERM MALE250FI 16/14	3	EA
7	3060017	TURN SIGNAL LIGHT	2	EA
8	3020013	Switch, Toggle Honeywell INTI 2	1	EA
9	3040009	SW BOOT SHORT	1	EA
10	0074779	WIRING HARNESS TAIL LIGHTS	1	EA
11	3040113	MOUNTING BASE	1	EA
12	5093002	CLAMP .562 AEROQUIP HOSE SUPPORT	3	EA
13	3040083	TERM FEM250FI 16/14	9	EA
14	3060019	FLASHER	1	EA
15	3060018	FLASHER BASE	1	EA
16	3044071	TERM BUTT CONN INSUL 16/14	1	EA
17	970029	BLT .25 20 .750	3	EA
18	987099	WSHR LOCK .250	3	EA
19	5560034	NUT LKG 10 24	10	EA
20	974679	SCR RDH MACH 10 24 .625	2	EA
21	974709	M SCR #10 24 X 1.00 RNDHD PLTD	8	EA
22	3090006	TUBE FLEXGARD .350 ID	10 FT	EA
23	3011601	WIRE 16GA SINGLE CONDUCTOR BLK	10 FT	EA
24	986009	WSHR FLAT 10	8	EA

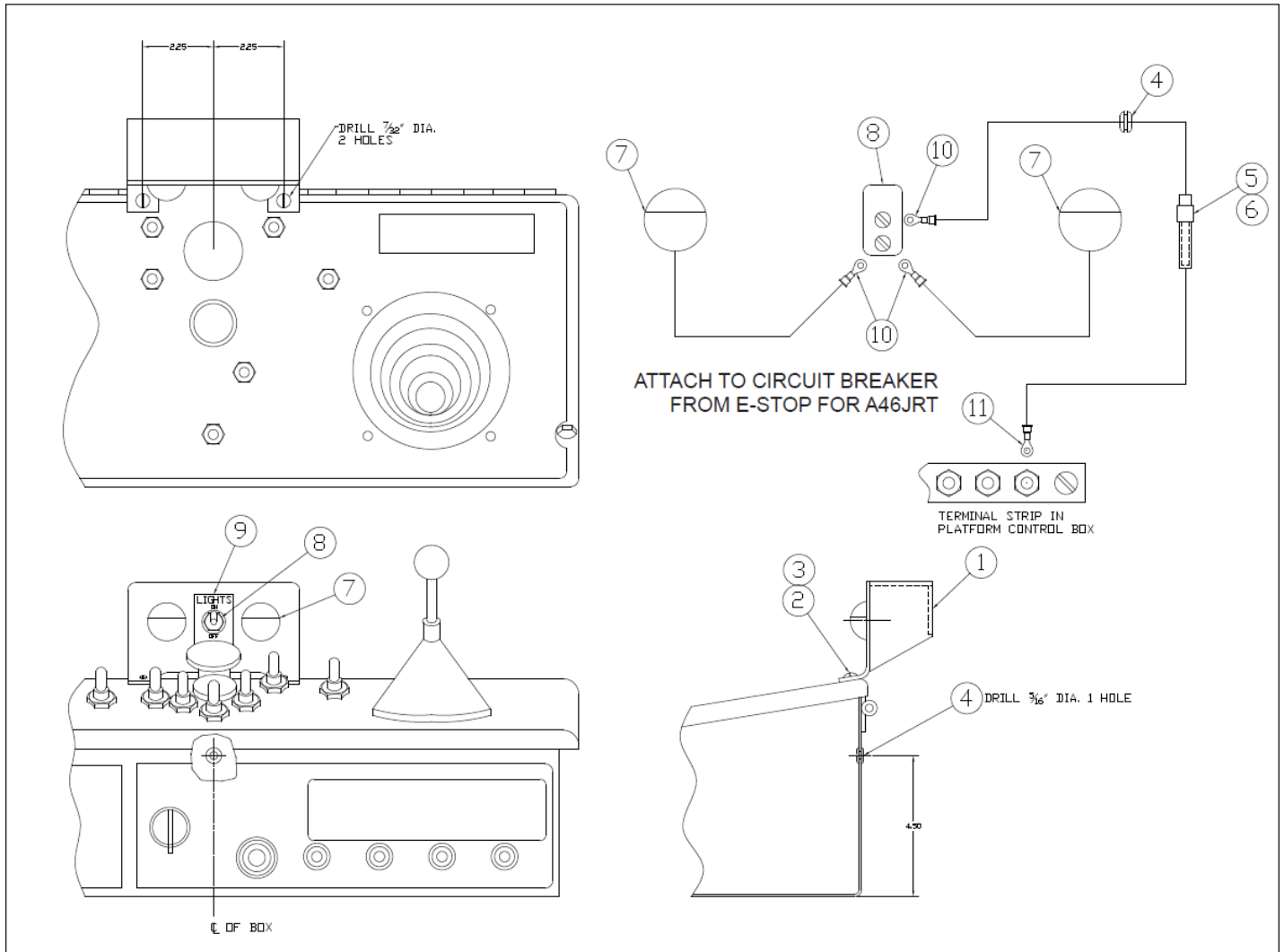
アイテム	部品番号	名前	数量	UOM
25	0181376	DECAL	1	EA
26	3040469	RELAY SPDT 12V 30AMP SONG	1	EA
27	0072418	JUMPER WIRE	2	EA
28	0073250	WIRE 18 R10I FEM 1881 17 DIO	2	EA
29	0070758	WIRE 16 R6I R10I 20	1	EA

OPTIONS

NO IMAGE AVAILABLE
(BOM FOR REFERENCE ONLY)

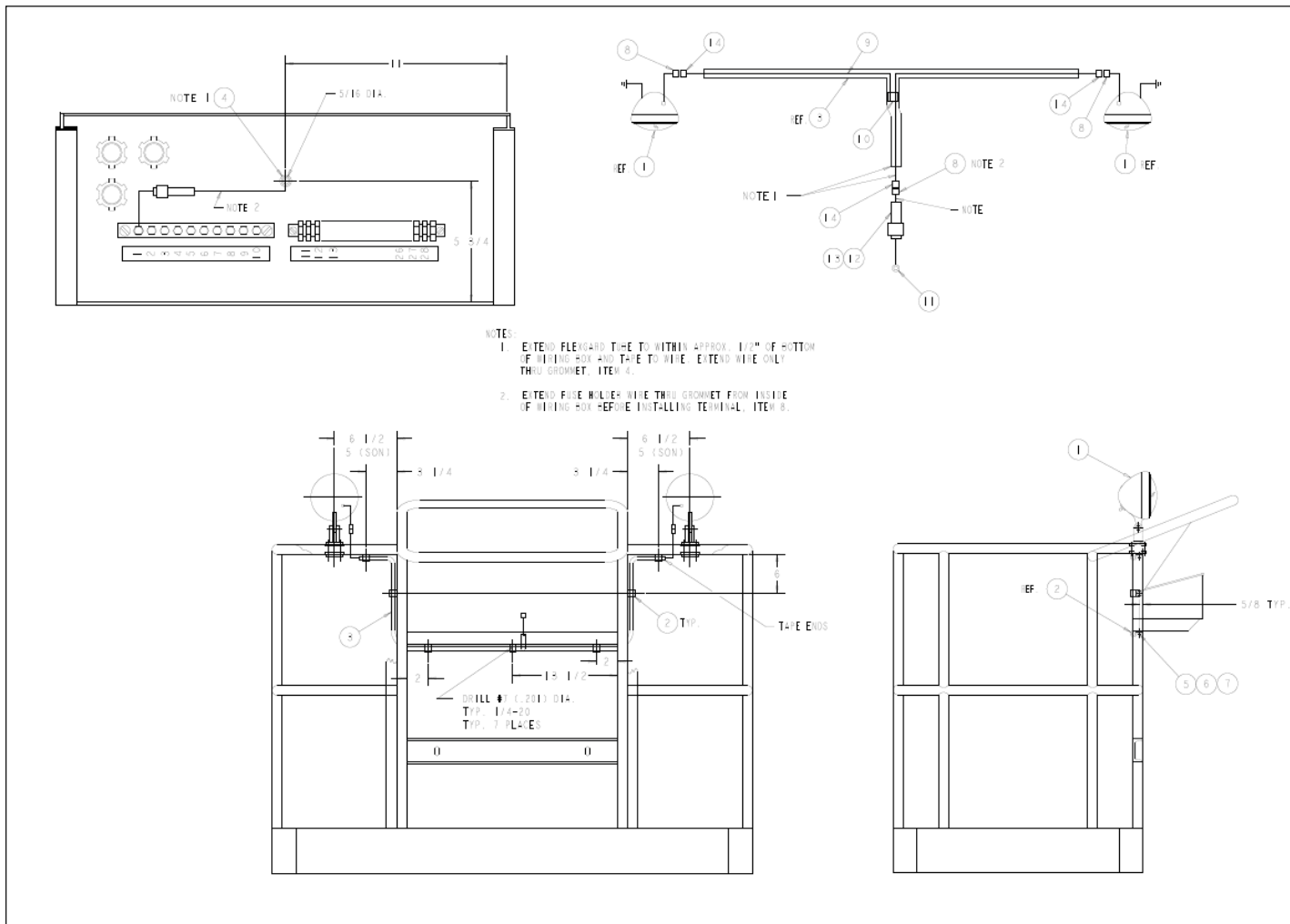
アイテム	部品番号	名前	数量	UOM
	0084323 A	LIGHT PACKAGE TB60		EA
1	0072012	PLATF BOX COURTESY LIGHT	1	EA
2	0080768	OPT PLATF WORK LIGHTS	1	EA
3	0083005	OPT DRIVE LIGHTS HEAD & TAIL	1	EA

OPTIONS



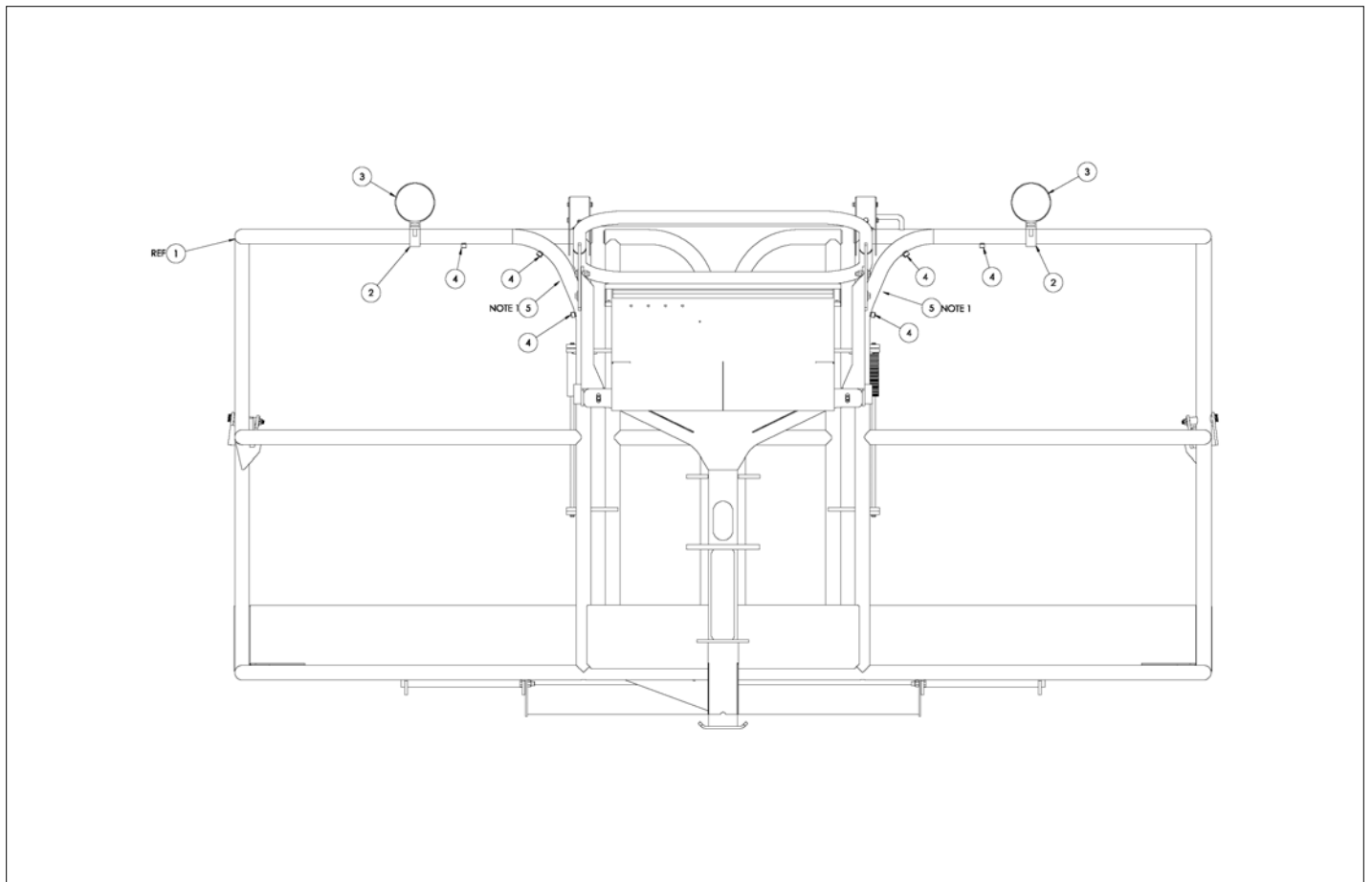
アイテム	部品番号	名前	数量	UOM
	0072012 F	PLATFORM BOX COURTESY LIGHT		EA
1	0072004	LIGHT BRACKET WLDMT	1	EA
2	5560648	SCR RDHD 10 24 .750	2	EA
3	5560034	NUT LKG 10 24	2	EA
4	5569003	GROMMET .188ID .313DIA X.125GRV	1	EA
5	3040038	FUSE HOLDER	1	EA
6	3040039	FUSE 10 AMP AGC BUSS: 10 AMP AGC	1	EA
7	3060008	COURTESY LIGHT	2	EA
8	3020013	Switch, Toggle Honeywell INTI 2	1	EA
9	0181376	DECAL	1	EA
10	3044158	TERM R6I	3	EA
11	3044161	TERM R10I 16/14	1	EA

OPTIONS



アイテム	部品番号	名前	数量	UOM
Not Shown	0080768	OPT PLATF WORK LIGHTS	1	EA
1	3067620	LIGHT FLOOD WITH CLAMP – HALOGEN	2	EA
Not Shown	3064413	LIGHT FLOOD WITH CLAMP – INCANDESCENT	2	EA
Not Shown	3069528	LED WORK LIGHTS	2	EA
2	5093019	CLP CUSH .375 VINYL COATED	7	EA
3	3090019	TUBE FLEXGARD .250 ID	7 FT	EA
4	5569003	GROMMET .188ID .313DIAx.125GRV	1	EA
5	970029	BLT .25 20 .750	7	EA
6	986019	WSHR FLAT .250	7	EA
7	987099	WSHR LOCK .250	7	EA
8	3040082	TERM MALE250FI 16/14	3	EA
9	3011601	WIRE 16GA SINGLE CONDUCTOR BLK	7 FT	EA
10	3040114	CONNECTOR	1	EA
11	3044161	TERM R10I 16/14	1	EA
12	3040038	FUSE HOLDER	1	EA
13	3040039	FUSE 10 AMP AGC BUSS: 10 AMP AGC	1	EA
14	3040083	TERM FEM250FI 16/14	3	EA

OPTIONS



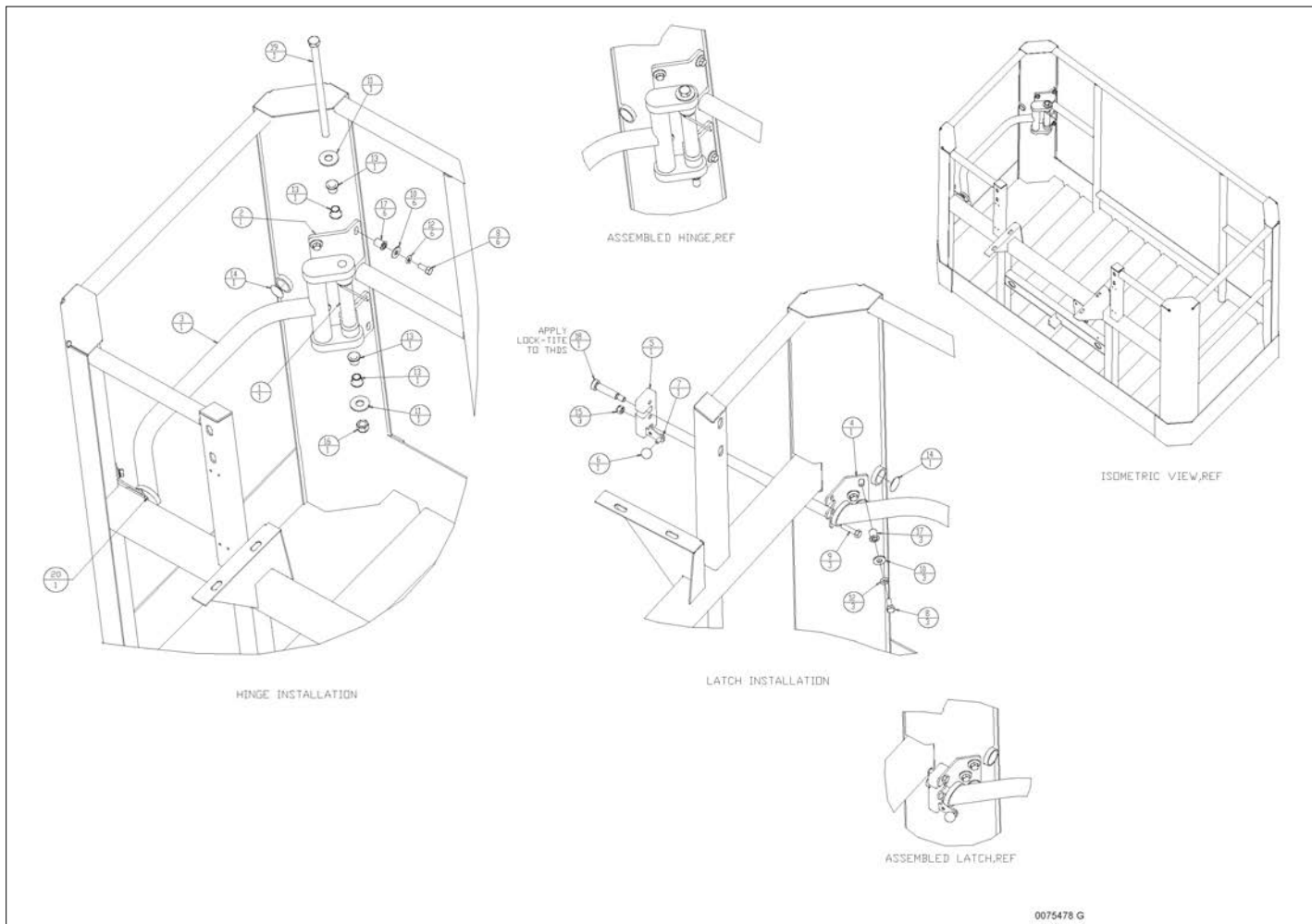
アイテム	部品番号	名前	数量	UOM
	0113624 A	PLATFORM WORK LIGHTS GLOBAL PLATFORM INSTALLATION		EA
1	0113546	PLATFORM	1	EA
2	0113623	CLAMP, CAGE 1.50 TUBE	2	EA
3	3069528	LED WORK LIGHTS	2	EA
4	3220246	CLIP, PUSH MOUNT CORD	6	EA
5	3011802	CABLE 18GA/2 CONDUCTOR WIRE 18/2 TYPE SJOBLACK JACKETCABL	7	EA
6	3044146	TERM R10I 22/18	1	EA
7	3049994	TERM SPADE6I 22/16 GA AMP P/N	1	EA
8	5569059	GROMMET .313ID .536DIA X .125GRV	1	EA
9	3040082	TERM MALE250FI 16/14	7	EA
10	3040083	TERM FEM250FI 16/14	7	EA
11	3040038	FUSE HOLDER	1	EA
*	3040039	FUSE 10 AMP AGC BUSS: 10 AMP AGC	1	EA

OPTIONS

**NO IMAGE AVAILABLE
(BOM FOR REFERENCE ONLY)**

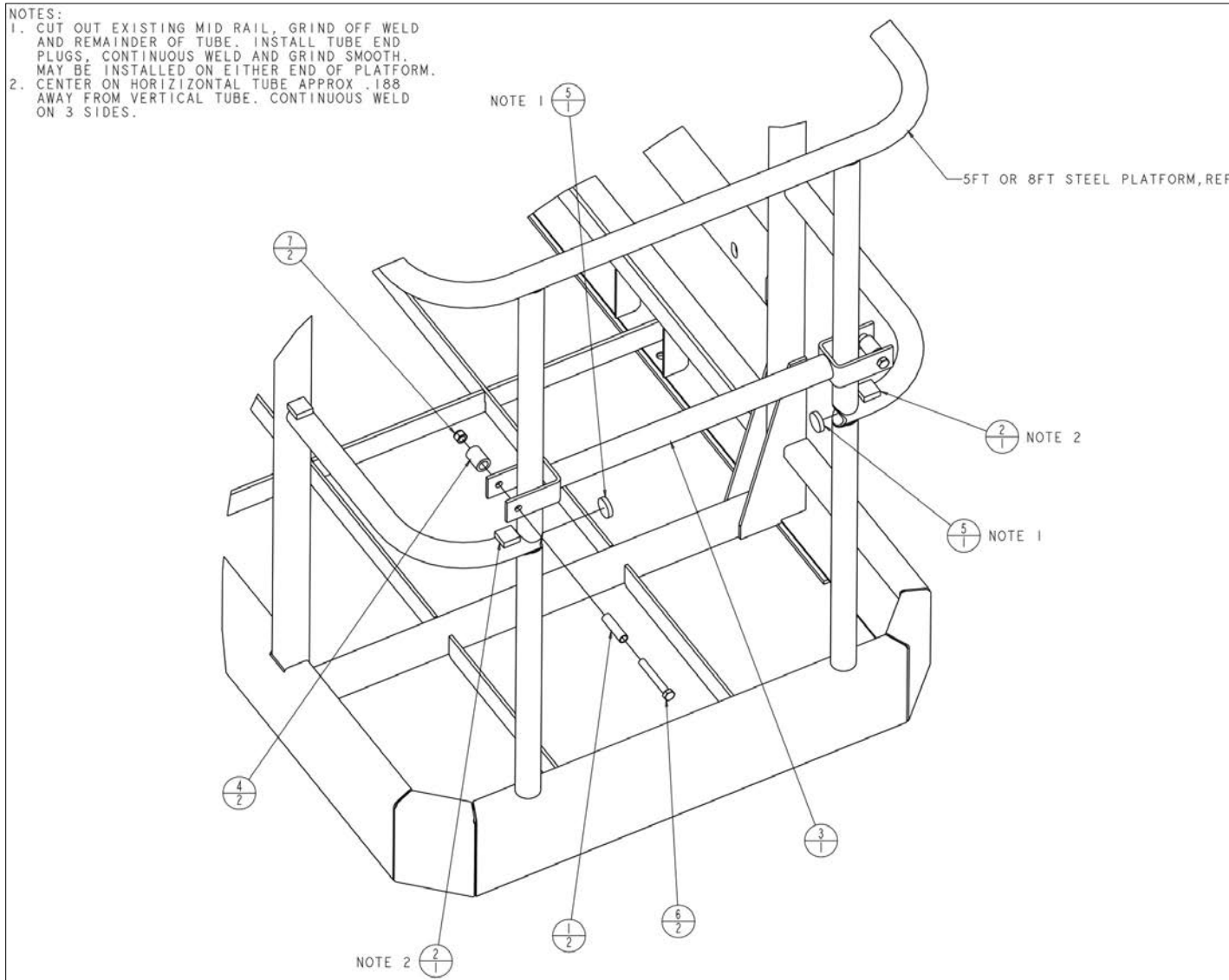
アイテム	部品番号	名前	数量	UOM
	0081680 A	WORK LIGHTS 4 HALOGEN		EA
1	3011601	WIRE 16GA SINGLE CONDUCTOR BLK	19	EA
2	3040038	FUSE HOLDER	1	EA
3	3040039	FUSE 10 AMP AGC BUSS: 10 AMP AGC	1	EA
4	3040082	TERM MALE250FI 16/14	3	EA
5	3040083	TERM FEM250FI 16/14	3	EA
6	3040114	CONNECTOR	1	EA
7	3044161	TERM R10I 16/14	1	EA
8	3067620	LIGHT FLOOD WITH CLAMP – HALOGEN	4	EA
9	3090006	TUBE FLEXGARD .350 ID	14	EA
10	5093002	CLAMP .562 AEROQUIP HOSE SUPPORT	14	EA
11	5569003	GROMMET .188ID .313DIAx.125GRV	1	EA

OPTIONS



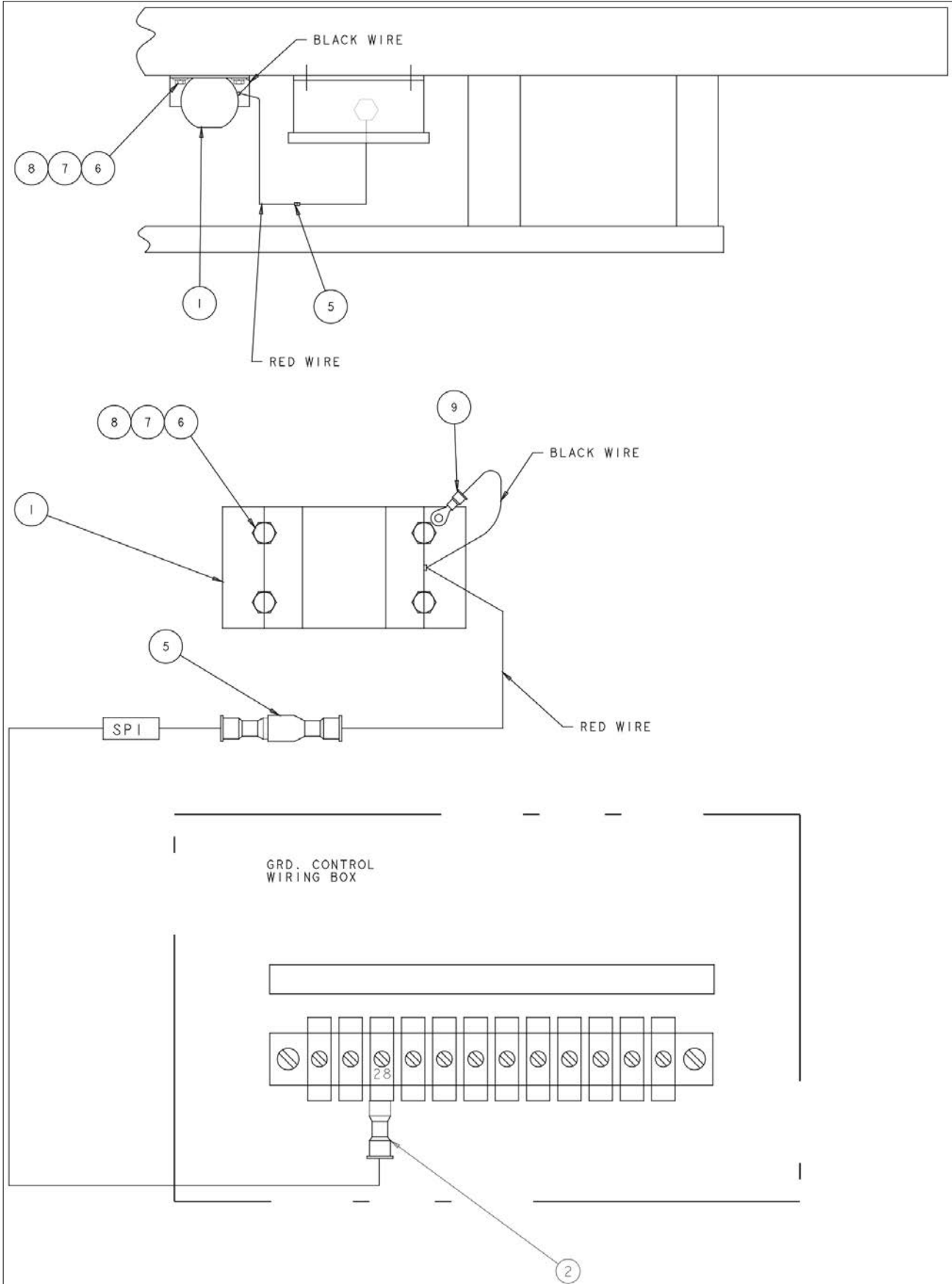
アイテム	部品番号	名前	数量	UOM
	0075478 G	SWING GATE SIDE MIDRAIL OCTOBER 2007 AND AFTER		EA
1	0071837	TORSION SPRING BASKET MODIF.	1	EA
2	0075469	WELDMENT, SWING GATE BRACKET	1	EA
3	0075471	WELDMENT, END SWING GATE	1	EA
4	0075479	BRACKET, LATCH MOUNTING	1	EA
5	300491	LATCH RH TRAY ROTARY LOCK	1	EA
6	302555	KNOB ROUND .25 20NC FEMALE DIM	1	EA
7	970009	Capscrew 1/4 20 x 1/2 inch lon	1	EA
8	970369	BLT HEXHD .313 18 X 1.00 GR5	9	EA
9	970269	BLT HEXHD .313 18 1.25 GR5 PLA	3	EA
10	986269	WSHR FLAT .313	9	EA
11	986359	FLATWASHER 1/2"	2	EA
12	987109	WSHR LOCK .313	9	EA
13	2572007	BRG .500ID .625OD .625	4	EA
14	3040016	PLUG HOLE 1.00	2	EA
15	5560031	NUT HEX LKG .313 18	3	EA
16	5560039	NUT HEX LKG .500 13	1	EA
17	5560337	NUTSERT .313 18 .027 .150	9	EA
18	5563044	BOLT, SKTHD SHLDR .500 1.75	1	EA
19	5563047	BOLT HEXHD .500 13 10.00	1	EA
20	5560126	THREAD INSERT .375 16 .375 LKG	1	EA

OPTIONS



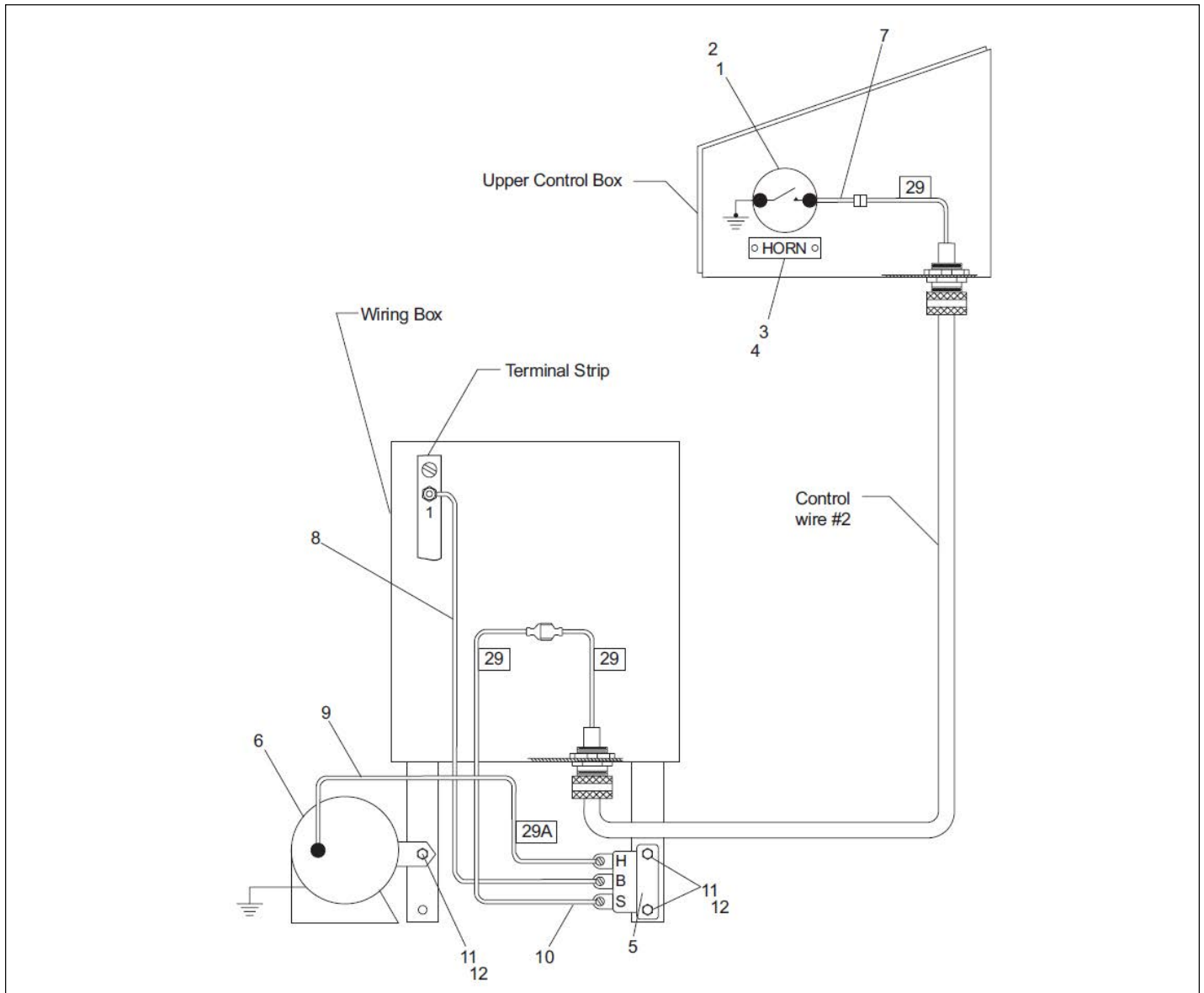
アイテム	部品番号	名前	数量	UOM
	0075500 C	GRAVITY GATE SIDE ENTRY STEEL PLATFORM		EA
1	0071953	SPCR .451ID .500OD 1.88 STL	2	EA
2	0072563	BAR, PLATFORM WELDMENT	2	EA
3	0075502	WELDMENT, GRAVITY GATE SIDE	1	EA
4	0150509	ROLLER	2	EA
5	0181485	END CAP	2	EA
6	5569865	BLT HEXHD .375 16 2.75 GR5	2	EA
7	5560033	.375 16UNC HEX LOCK NUT	2	EA

OPTIONS



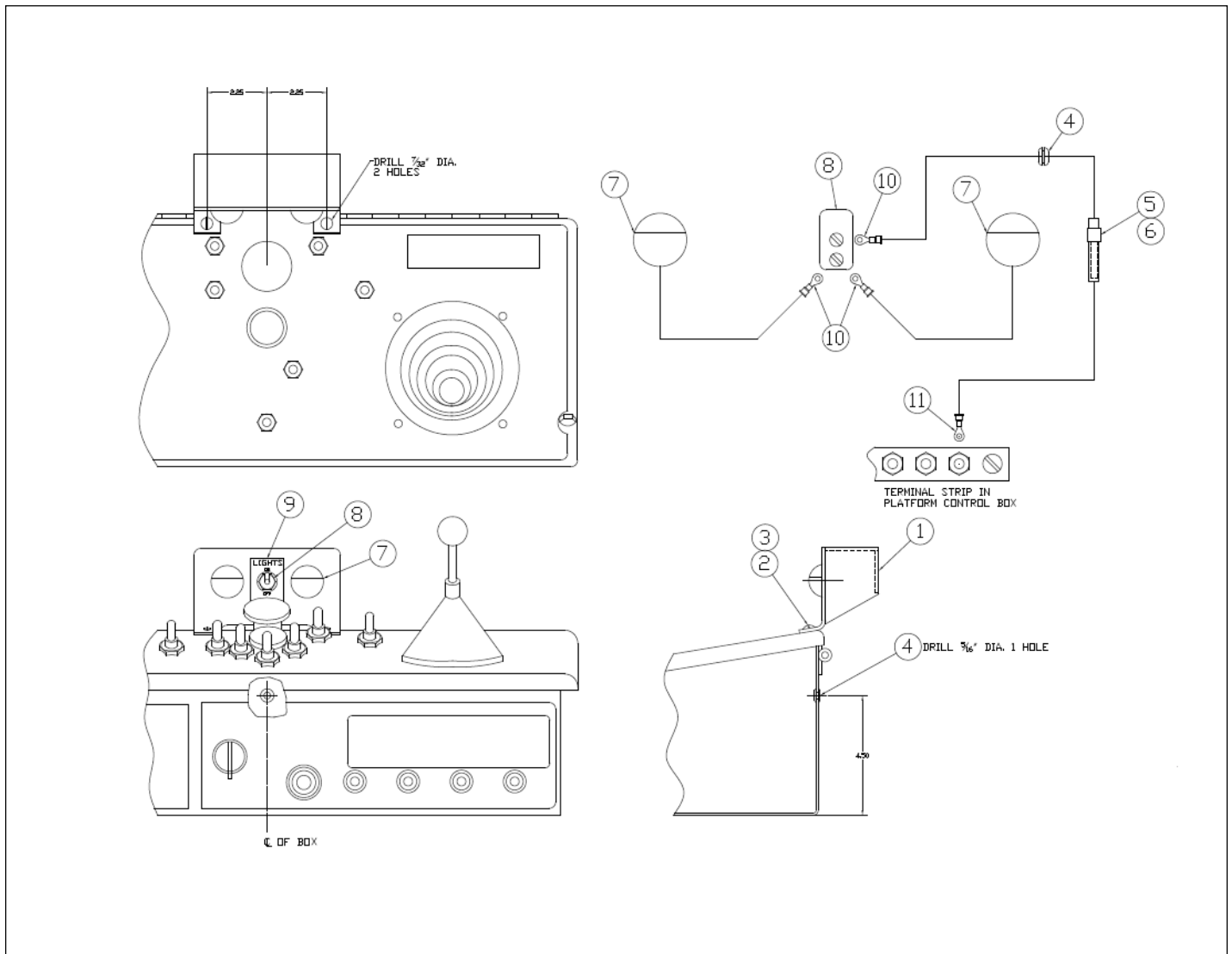
アイテム	部品番号	名前	数量	UOM
*	0074926 D	ALL MOTION ALARM WITH OUT HORN		EA
1	3040129	ALARM107 112DBA 2HZ 9.8 36.4V	1	EA
2	3046697	TERM FEM188I 16/14GA	1	EA
3	3040082	TERM MALE250FI 16/14	1	EA
4	970029	BLT .25 20 .750	4	EA
5	987099	WSHR LOCK .250	4	EA
6	986019	WSHR FLAT .250	4	EA
7	3044162	TERM R250I 16/14	1	EA

OPTIONS



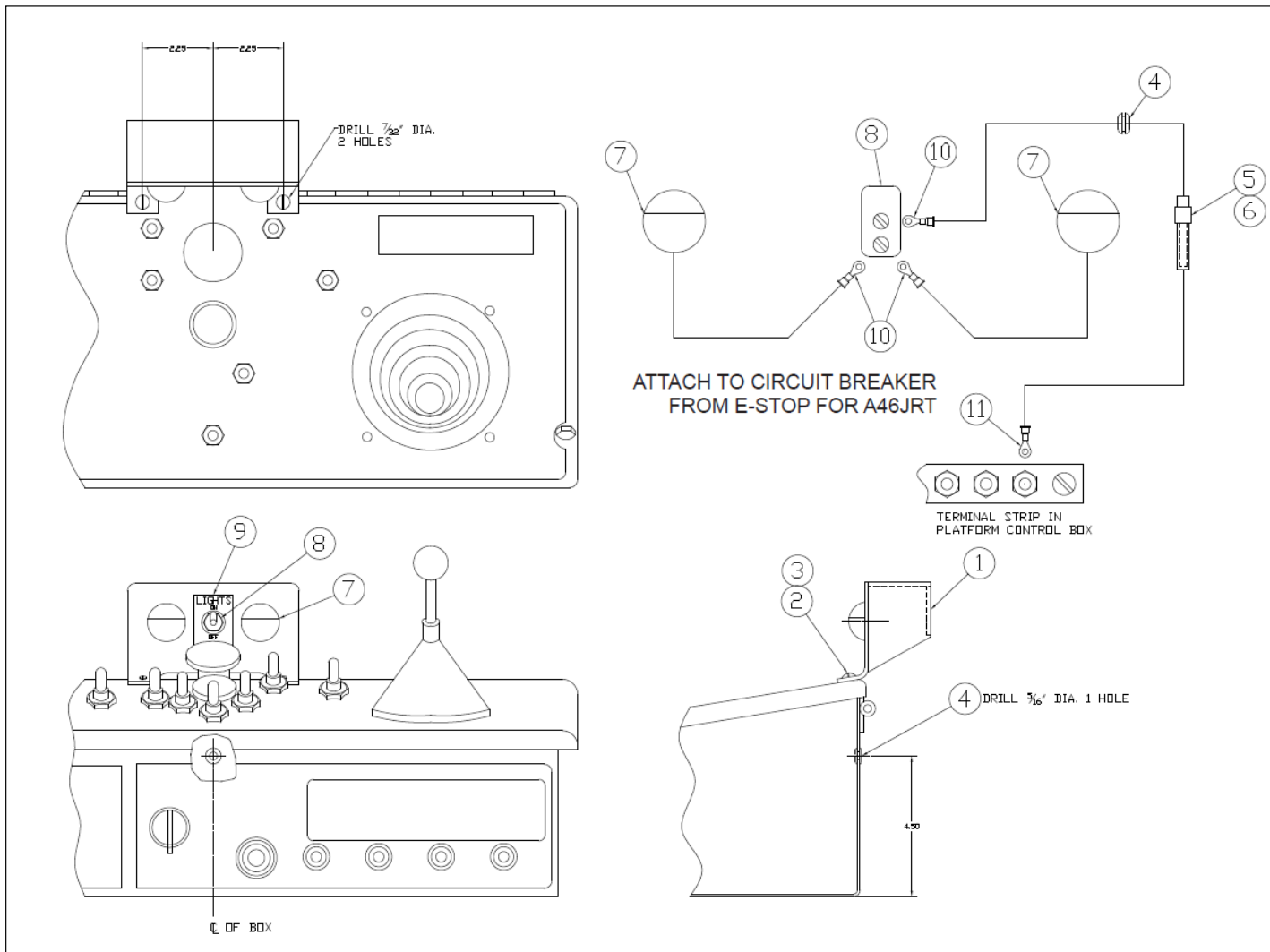
アイテム	部品番号	名前	数量	UOM
*	0071270 J	HORN INSTALLATION		EA
1	3026027	SW PUSH BUTTON	1	EA
2	7140092	SEAL KIT 600 0002 5/8	1	EA
3	0071269	DECAL HORN	1	EA
4	5560655	POP RIVET	2	EA
5	3040128	HORN RELAY	1	EA
6	3040127	HORN 12VDC	1	EA
7	0071557	WIRE 18 R8I MALE250FI 7	1	EA
8	0070733	WIRE 16 R8I R10I 24	2	EA
9	0070759	JUMPER WIRE	1	EA
10	0070760	JUMPER WIRE	1	EA
11	970029	BLT .25 20 .750	3	EA
12	987099	WSHR LOCK .250	3	EA

OPTIONS



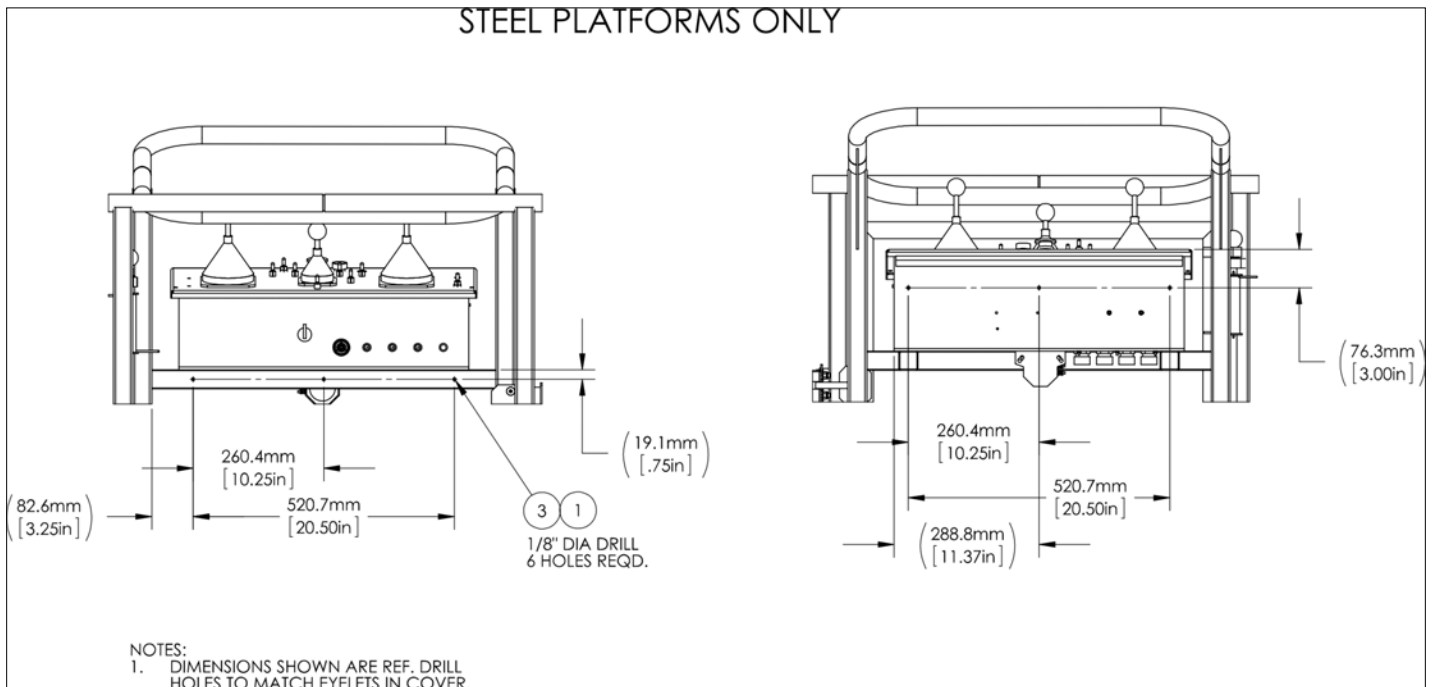
アイテム	部品番号	名前	数量	UOM
	0072012 C	PLATFORM LIGHT INSTALLATION JULY 2014 AND BEFORE	1	EA
1	0072004	LIGHT BRACKET WLDMT	1	EA
2	5560648	SCR RDHD 10 24 .750	2	EA
3	5560034	NUT LKG 10 24	2	EA
4	5569003	GROMMET .188ID .313DIAX.125GRV	1	EA
5	3040038	FUSE HOLDER	1	EA
6	3040039	FUSE 10 AMP AGC BUSS: 10 AMP AGC	1	EA
7	3060008	COURTESY LIGHT	2	EA
8	3020013	Switch, Toggle Honeywell INTI 2	1	EA
9	0181376	DECAL	1	EA
10	3044158	TERM R6I	3	EA
11	3044161	TERM R10I 16/14	1	EA

OPTIONS

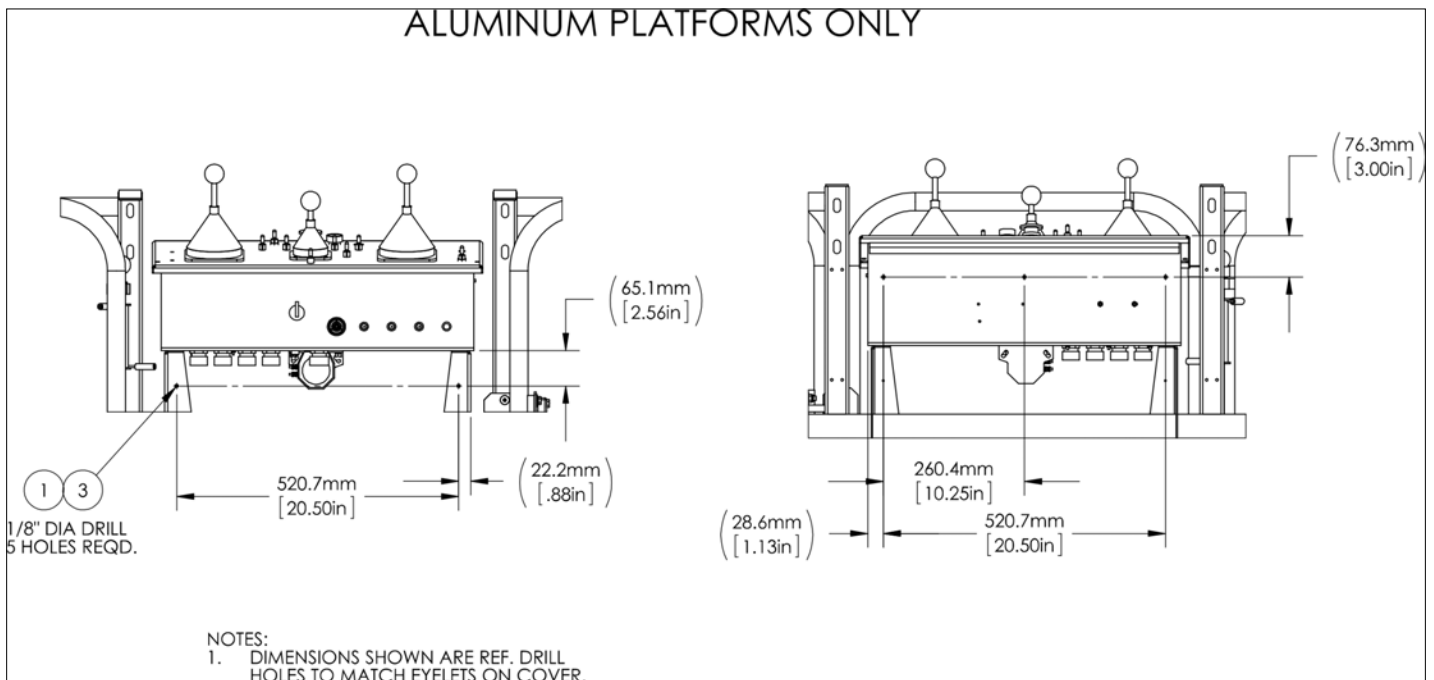


アイテム	部品番号	名前	数量	UOM
	0072012 F	PLATFORM BOX COURTESY LIGHT		EA
1	0072004 3	LIGHT BRACKET WLDMT	1	EA
2	5560648	SCR RDHD 10 24 .750	2	EA
3	5560034	NUT LKG 10 24	2	EA
4	5569003	GROMMET .188ID .313DIAX.125GRV	1	EA
5	3040038	FUSE HOLDER	1	EA
6	3040039	FUSE 10 AMP AGC BUSS: 10 AMP AGC	1	EA
7	3060008	COURTESY LIGHT	2	EA
8	3020013	Switch, Toggle Honeywell INTI 2	1	EA
9	181376	PLAC LIGHTS ON/OFF SW	1	EA
10	3044158	TERM R6I	3	EA
11	3044161	TERM R10I 16/14	1	EA

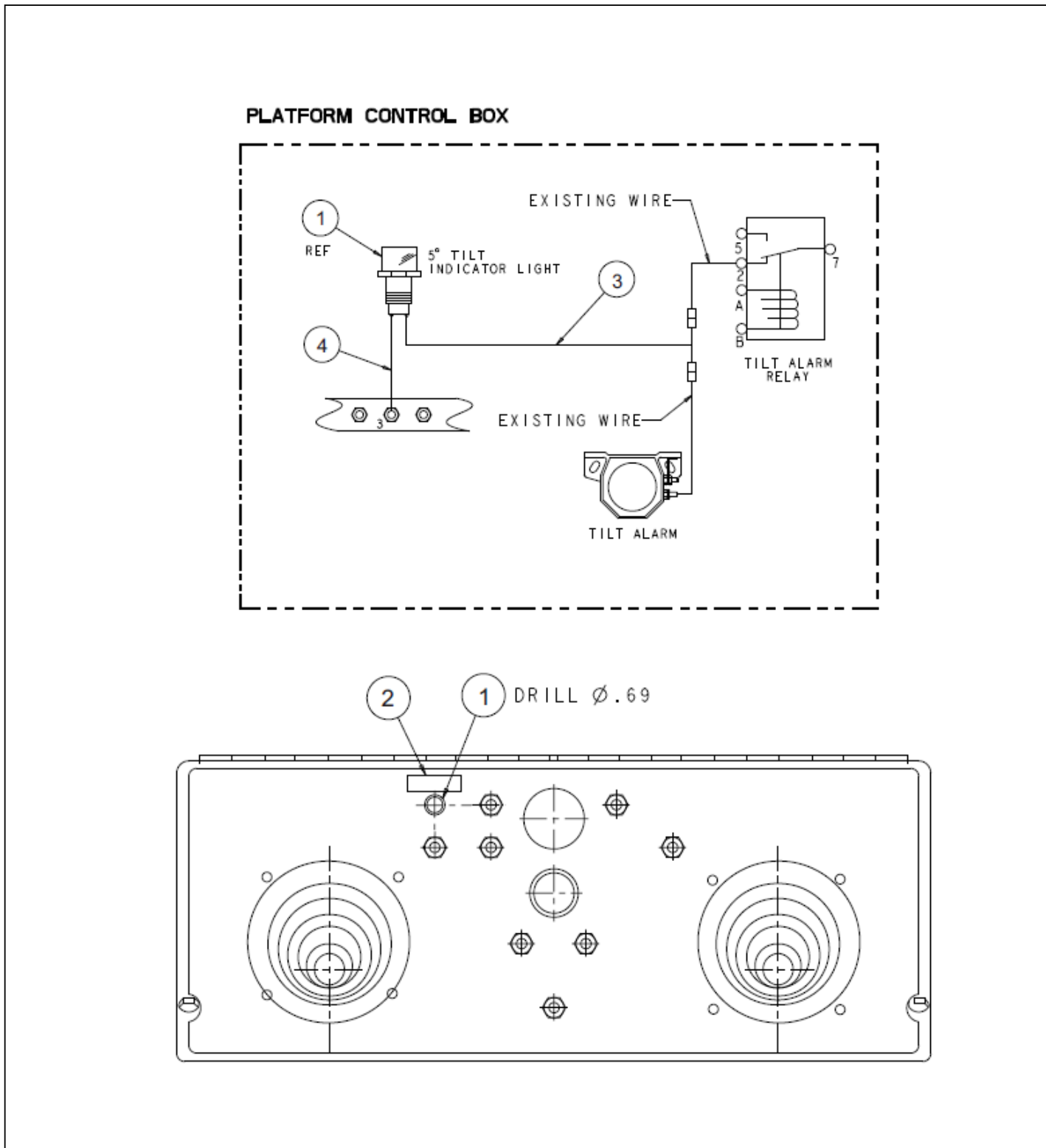
OPTIONS



アイテム	部品番号	名前	数量	UOM
	0071654E	PLATFORM CONTROL COVER VINYL		EA
1	PNNA	SNAP INCLUDED WITH COVER	REF	EA
2	0073076	UPPER CONTROL BOX COVER – STANDARD	1	EA
3	5560656	RVT POP .125 DIA .375 DMD STL	6	EA

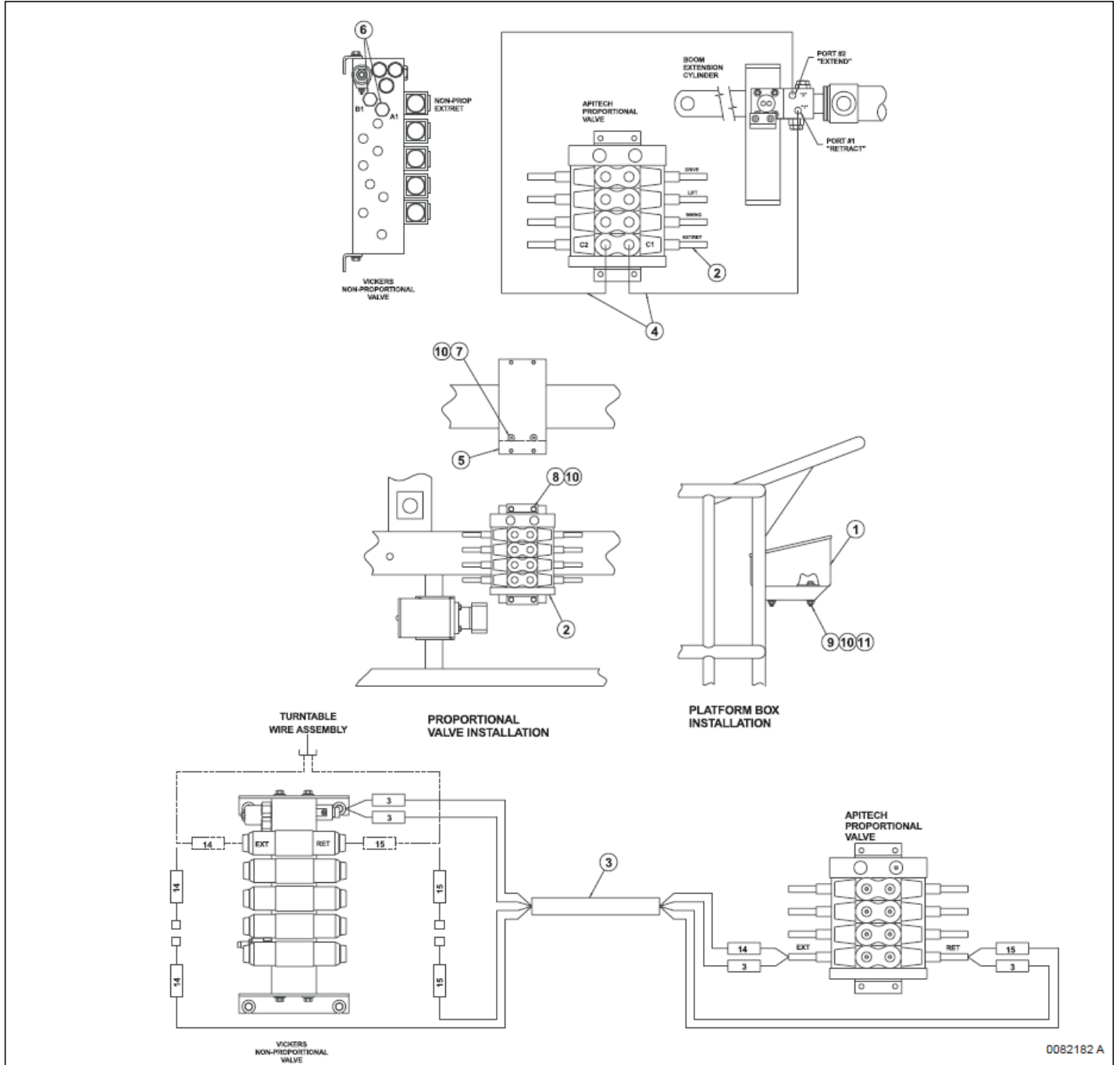


OPTIONS



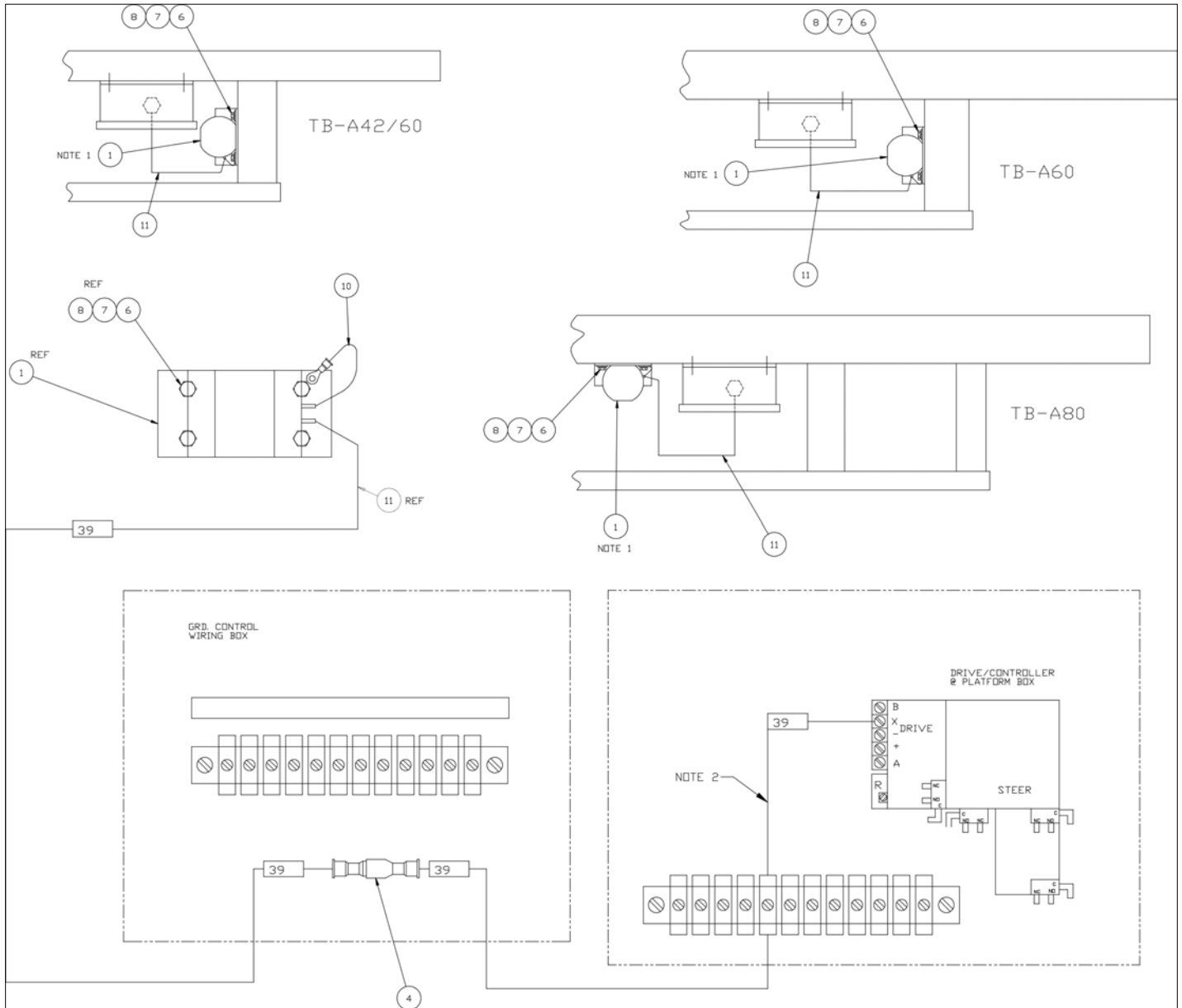
アイテム	部品番号	名前	数量	UOM
*	0180109 C	TILT ALARM LIGHT		EA
1	3069524	LIGHT RED LED 12V	1	EA
2	0081384	DECAL, TILT LAMP (From SN TL37J 01 00291)	1	EA
3	0163234	WIRE 16 SEE DRAWING	1	EA
4	0073727	WIRE 16 R10 FEM188I 16	1	EA

OPTIONS



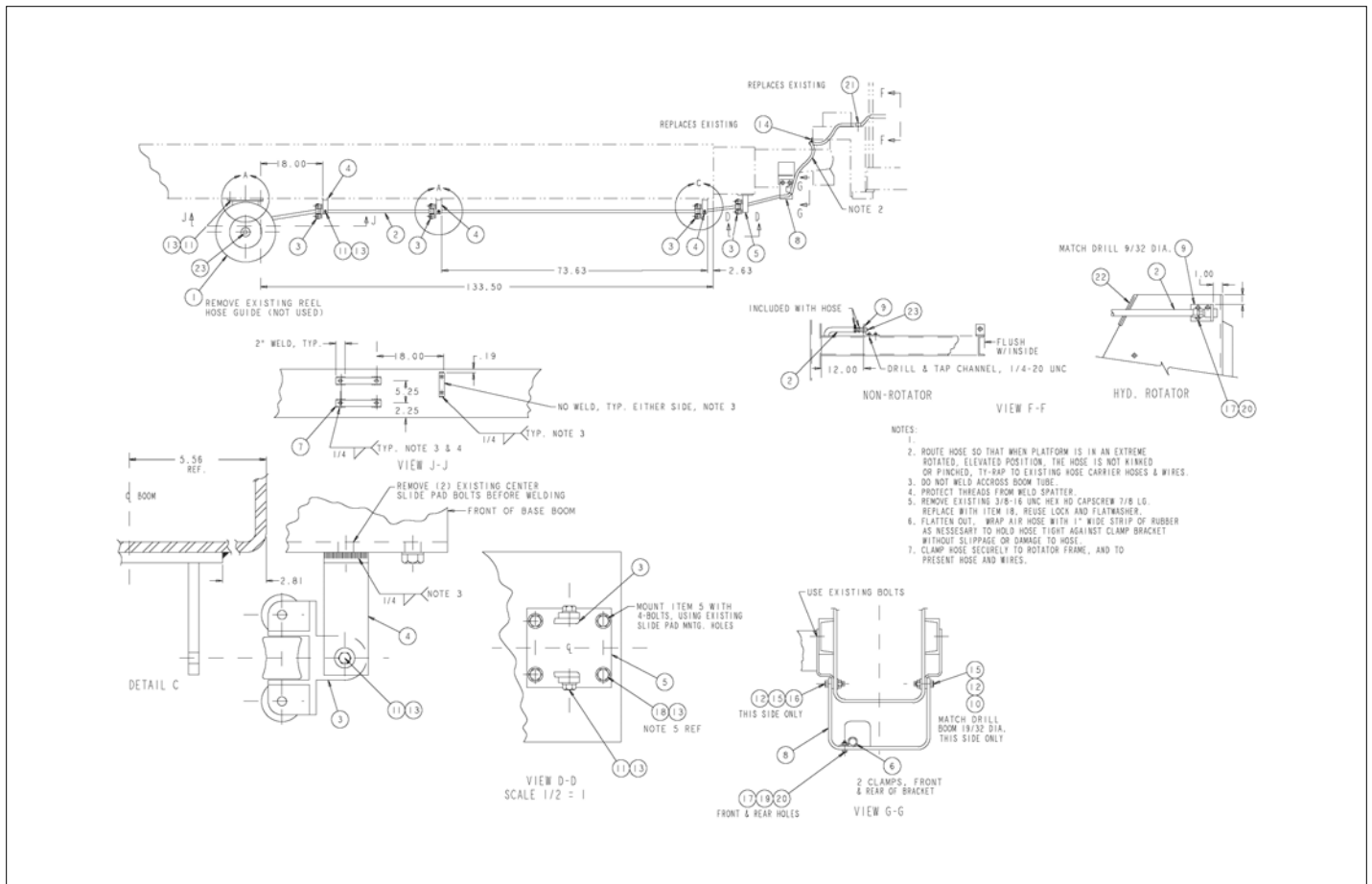
アイテム	部品番号	名前	数量	UOM
Not Shown	0082182 A	PROPORTIONAL EXTEND/RETRACT	1	EA
1	0111893	UPPER CONTROL BOX, PROPORTIONAL	1	EA
2	0082181	PROPORTIONAL CONTROL VALVE, APITECH	1	EA
3	0082179	WIRE HARNESS, PROPORTIONAL EXTEND/RETRACT	1	EA
4	0080362	HOSE 6 6S 6S 93.5 100R2	2	EA
5	0082180	MOUNT PLATE	1	EA
6	5075206	FTG PL HEXHD 8B STL	2	EA
7	978409	CAPSCREW 3/8 16 X 1 1/2 INCH LONG SOCKET FLAT HEAD	2	EA
8	5560680	M.SCR, 3/8 16 1 3/4 F.H. SOC. CAD	4	EA
9	970529	BLT HEXHD .375 16 2.50 GR5 PLTD	4	EA
10	5560033	.375 16UNC HEX LOCK NUT	10	EA
11	986299	WASHER, FLAT, .375 STANDARD, PLATED	8	EA

OPTIONS



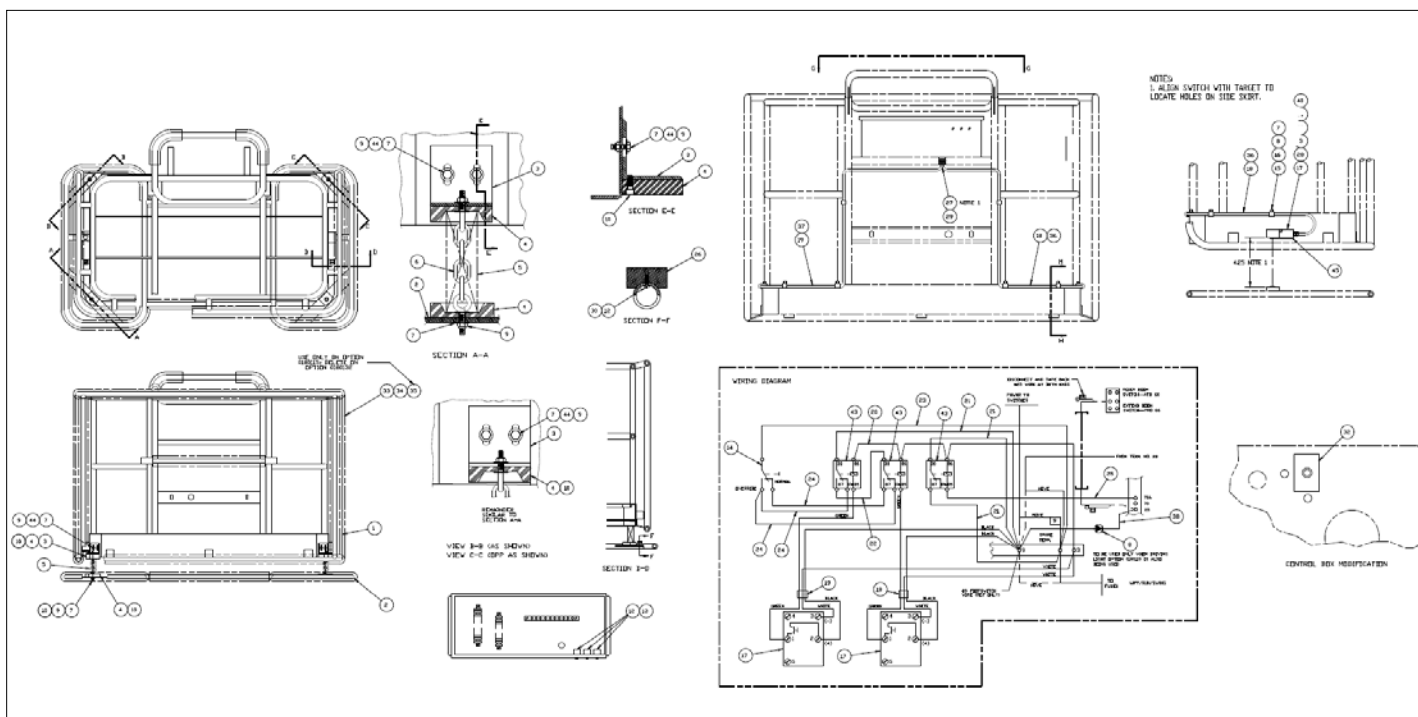
アイテム	部品番号	名前	数量	UOM
	0073066 H	MOTION ALARM DRIVE OPTION		EA
1	3040129	ALARM107 112DBA 2HZ 9.8 36.4V	1	EA
	3040462	MOTION WARNING ALARM, UL APPROVED	1	EA
2	0081422	MOUNT ANGLE – USED WITH UL APPROVED WARNING ALARM ONLY	1	EA
3	0073642	WIRE 16 FEM250FI 10	1	EA
4	0073071	WIRE 18 R6I FEM250FI 28	1	EA
5	3040046	TERM MALE250FI 22/18	2	EA
6	3040082	TERM MALE250FI 16/14	1	EA
7	970029	BLT .25 20 .750	4	EA
8	987099	WSHR LOCK .250	4	EA
9	986019	WSHR FLAT .250	4	EA
10	3044162	TERM R250I 16/14	1	EA

OPTIONS



アイテム	部品番号	名前	数量	UOM
	0080699 L	AIR REEL TB60 INSTALLATION		EA
1	5240002	HOSE REEL	1	EA
2	0081104	HOSE ASSEMBLY	1	EA
3	5550021	CABLE GUIDE 4 ROLLER	4	EA
4	0080749	BASE BOOM CABLE GUIDE BRACKET	3	EA
5	0080752	INTERMEDIATE BOOM CABLE GUIDE BRACKET	1	EA
6	5093005	CLAMP	2	EA
7	0080754	MOUNTING BAR	2	EA
8	0080762	HOSE BRACKET WELDMENT	1	EA
9	0080759	ANGLE	1	EA
10	970849	BLT HEXHD .500 13 1.25 GR5	2	EA
11	970426	BLT HHD .375 16 X .875	10	EA
12	986359	FLATWASHER 1/2"	4	EA
13	987119	WSHR LOCK .375	14	EA
14	5093012	CLP CUSH 1.75 VINYL COATED	1	EA
15	5560039	NUT HEX LKG .500 13	4	EA
16	970909	BLT HEXHD .500 13 1.50 GR5 PLA	2	EA
17	970049	BLT HEXHD .250 20 1.00 GR5 GRADE 5 PLT SAME AS 970189	8	EA
18	970489	BLT HEXHD .375 16 1.50 GR5 PL	4	EA
19	986019	WSHR FLAT .250	3	EA
20	5560004	NUT LKG .250 20	6	EA
21	5093010	CLP CUSH 1.50 VINYL COATED	2	EA
22	5560082	HOSE GUIDE .250 RUBBER EDGE	1	EA
23	7714204	PIPE PLUG 1/2 in NPT SQ.HD BLK.	2	EA

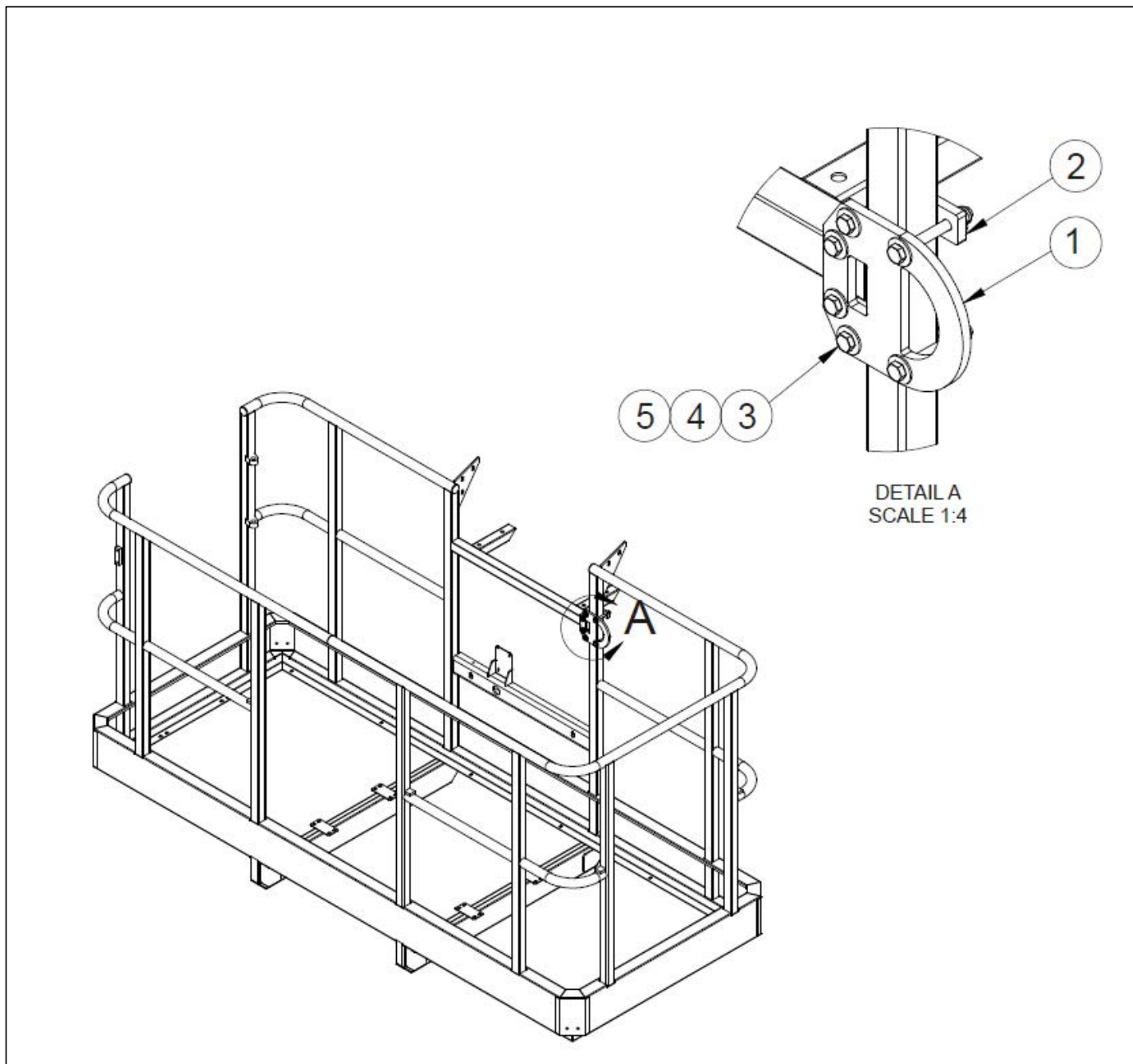
OPTIONS



アイテム	部品番号	名前	数量	UOM
Not Shown	0180115 N	PLATFORM BUMPGUARD MAY 2013 AND AFTER	1	EA
1	0181389	PLATFORM BUMPER FRAME WELDMENT	1	EA
2	0181377	FRAME WELDMENT	1	EA
3	0181382	SPRING KEEPER MOUNT ANGLE	4	EA
4	0181381	SPRING KEEPER	8	EA
5	5530013	SPRING COMPRESSION 1.50 O.D. X	4	EA
6	0181408	CHAIN ASSY	4	EA
7	986019	WSHR FLAT .250	36	EA
8	0073250	WIRE 18 R10I FEM 1881 17 DIO	1	EA
9	5560004	NUT LKG .250 20	18	EA
10	978389	BLT SKTHD .250 20 .75	18	EA
12	974639	SCR RDH MACH 10 24 .375	5	EA
13	5560034	NUT LKG 10 24	3	EA
14	3020080	TOGGLE SWITCH	1	EA
15	5093001	CLP CUSH .500 VINYL COATED	10	EA
16	978099	LOCKWASHER, 1/4"	10	EA
17	3020098	ASSY PHOTOELECTRIC SWITCH	2	EA
18	3011803	CABLE 18GA/3 CONDUCTOR WIRE	8 FT	EA
19	3011803	CABLE 18GA/3 CONDUCTOR WIRE	8.5 FT	EA
20	0181102	JUMPER WIRE MULTIPLE TERMINAL	1	EA
21	0181103	WIRE 16 R10 FEM250FI 15	3	EA
22	0111476	WIRE 16 FEM250FI FEM250FI 4	1	EA
23	0070758	WIRE 16 R6I R10I 20	1	EA
24	0150756	WIRE 16 R8I FEM250FI 36	3	EA
25	0071528	WIRE 18 FEM250FI FEM188I 21	1	EA

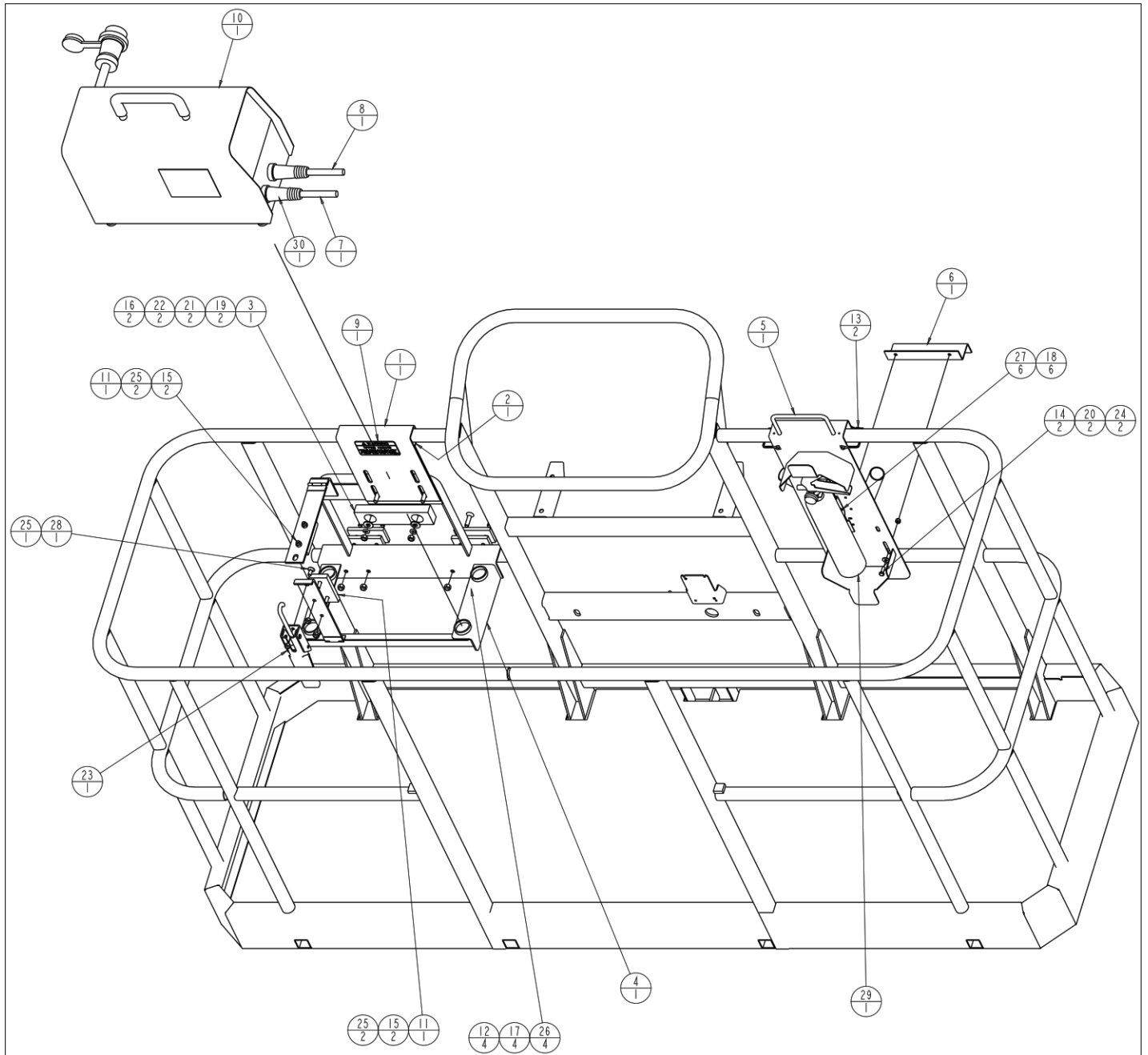
アイテム	部品番号	名前	数量	UOM
26	0181406	TARGET PROXIMITY SWITCH INSTL	2	EA
27	SEE NOTE	PLATFORM WELDMENT	1	EA
28	3040187	CONN .500 .313 .438	2	EA
29	3040110	NUT LKG HUB .750 SAMEAS 962129	1	EA
30	986009	WSHR FLAT 10	2	EA
31	974769	SCR RDH MACH 10 24 2.25	4	EA
32	0181407	PLAC PROXIMITY SW OVERRIDE	1	EA
33	9980004	COVER KIT BUMPER FRAME PLATF H	1	EA
34	9980003	PIPE INSUL CLOSED CELL AP ARMA	73 IN	EA
35	9980005	CABLE TIE UV RESISTANT	500	EA
36	9980006	3/8 ID PLASTIC FLEX WATER PIPE	6.5 FT	EA
37	9980006	3/8 ID PLASTIC FLEX WATER PIPE	7 FT	EA
38	0110835	JUMPER WIRE	1	EA
39	0181480	REF DOCUMENT SPB TB 16	1	EA
40	3040070	NUT LKG HUB .500 APPLETON: P/N BL50 REG 801	2	EA
43	3040469	RELAY SPDT 12V 30AMP SONG	3	EA
44	5560383	BLT HEXHD .250 20 .750 GR8	18	EA
45	0182340	SENSOR BRKT	2	EA

OPTIONS



アイテム	部品番号	名前	数量	UOM
Not Shown	1430690	OPTION LANYARD MOUNT	1	EA
1	1430688	PLATE, LANYARD MOUNT	1	EA
2	1430689	PLATE, LANYARD BACKING	1	EA
3	970349	BLT HEXHD .313 18 2.75 GR5	6	EA
4	986269	WSHR FLAT .313	12	EA
5	5560031	NUT HEX LKG .313 18	6	EA

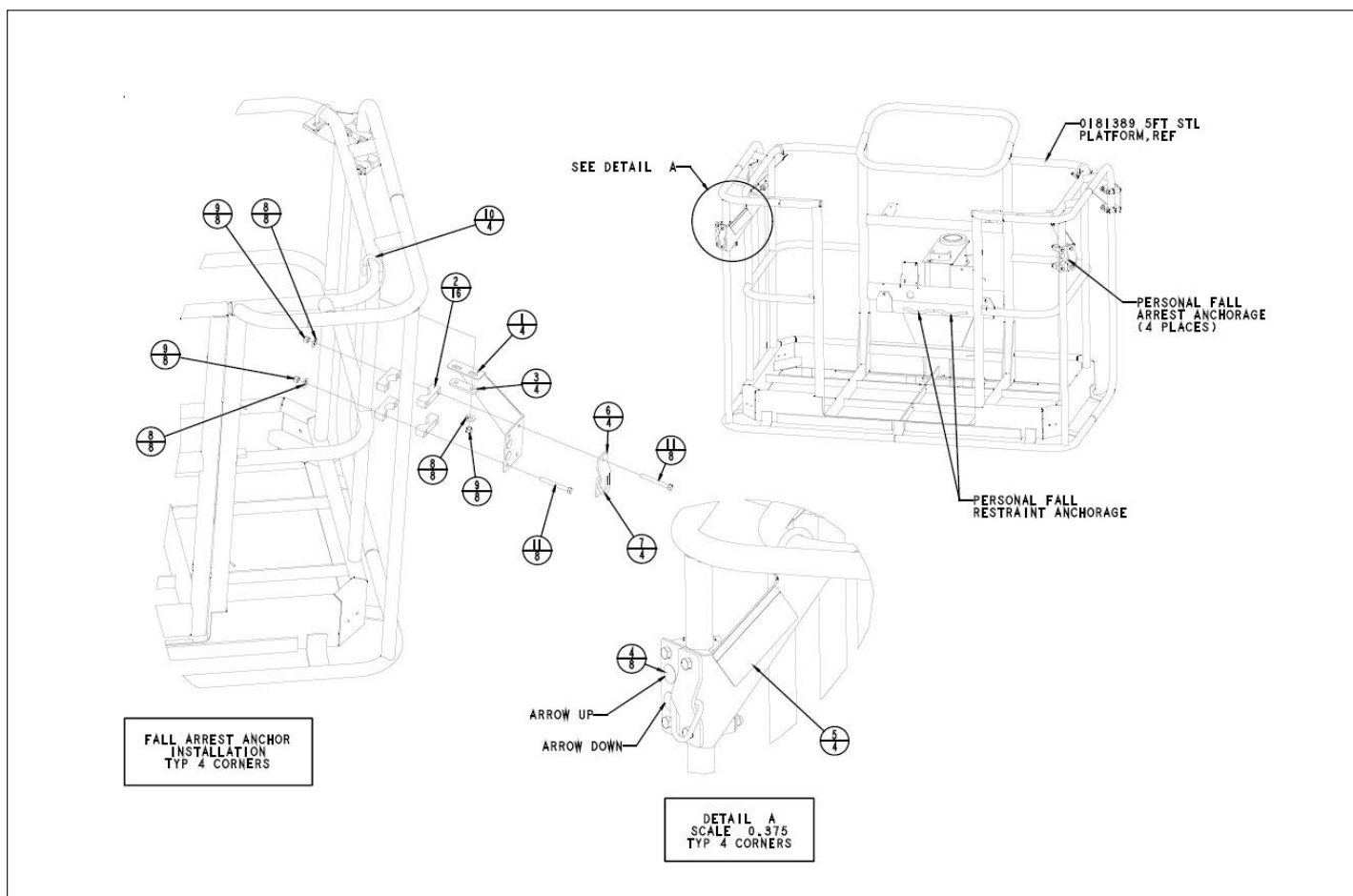
OPTIONS



アイテム	部品番号	名前	数量	UOM
	0083999 C	STEEL PLATFORM WELDER		EA
1	0083823	BRKT TOP	1	EA
2	0083825	BRKT LOWER	1	EA
3	0083826	SL PAD 2.00 8.25 1.00 2H	1	EA
4	0083833	WELDMT WELDER SUPPORT	1	EA
5	0083857	WELDMT CABLE STORAGE BRKT	1	EA
6	0083858	BRKT	1	EA
7	0083862	ASSEMBLY, ELECTRODE HOLDER WIRE	1	EA
8	0083863	ASSEMBLY, GROUND WIRE	1	EA
9	0083985	PLAC WARNING TIPPING HAZARD	1	EA
10	0084084	WELDER ASSEMBLY, LINCOLN V275 S	1	EA
11	0150121	SL PAD 2.00 4.00 .500 2H	2	EA
12	0161766	SL PAD 2.00 4.00 .375 2H	4	EA
13	302544	Pin & Lock	2	EA
14	970029	BLT .25 20 .750	2	EA
15	972259	BLT FLSKTHD .313 18 1.00	4	EA
16	972439	BLT CRG .375 16 X 1.25 GR 5 ZP	2	EA
17	972489	M.SCR 3/8 16 1 1/2 SOC. CAD	4	EA
18	974659	SCR RDH MACH 10 24 .500	6	EA
19	984109	NUT HEX .375 16	2	EA
20	986019	WSHR FLAT .250	2	EA
21	986299	WASHER, FLAT, .375 STANDARD, PLATED	2	EA
22	987119	WSHR LOCK .375	2	EA
23	5516329	LATCH ADJ DRAW	1	EA
24	5560004	NUT LKG .250 20	2	EA
25	5560031	NUT HEX LKG .313 18	5	EA
26	5560033	.375 16UNC HEX LOCK NUT	4	EA

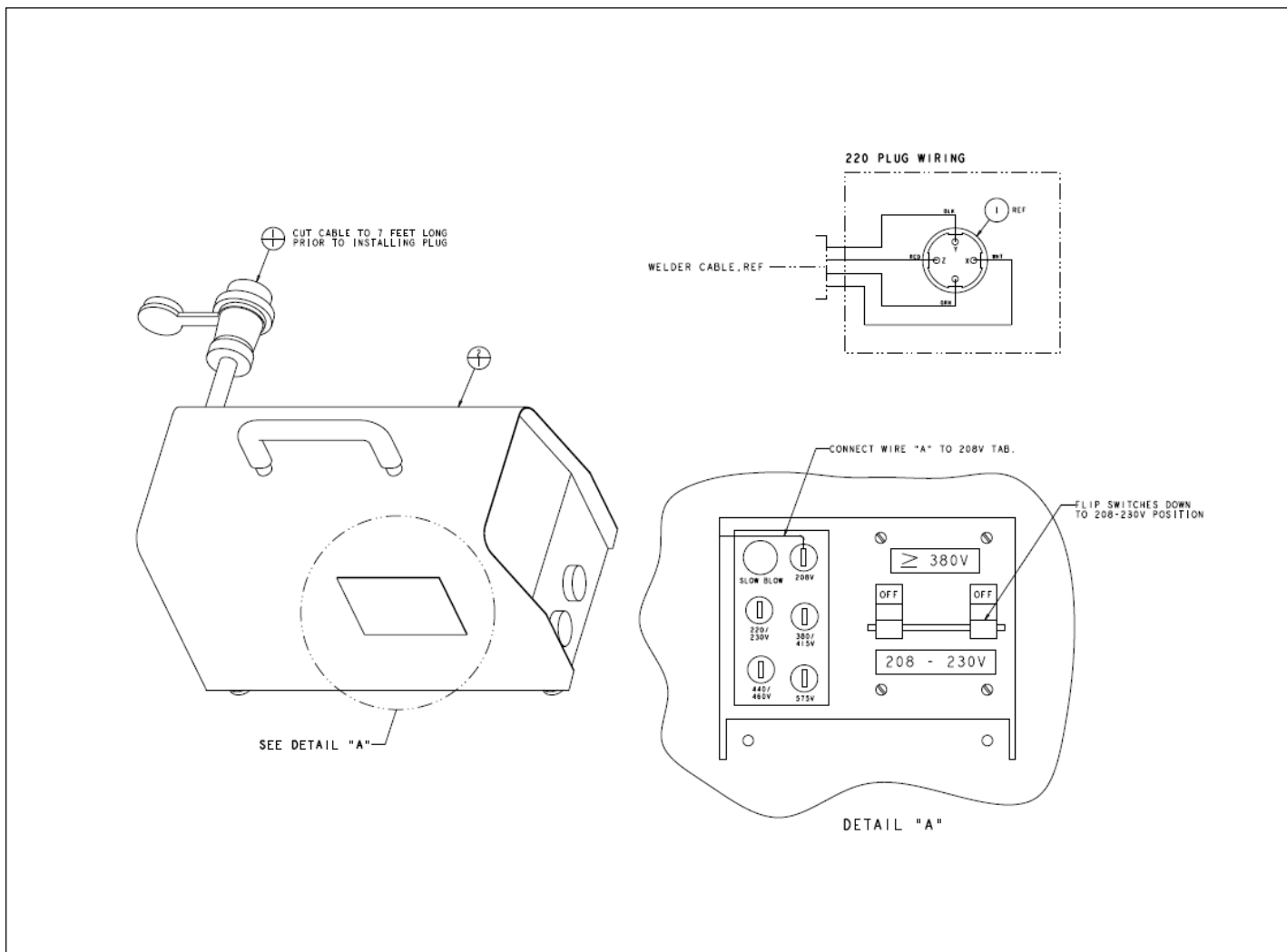
アイテム	部品番号	名前	数量	UOM
27	5560034	NUT LKG 10 24	6	EA
28	5560372	BLT CRG .313 18 .75 GR5	1	EA
29	9939464	FIRE EXTINGUISHER	1	EA
30	3220076	PLUG WELD CABLE END	2	EA

OPTIONS



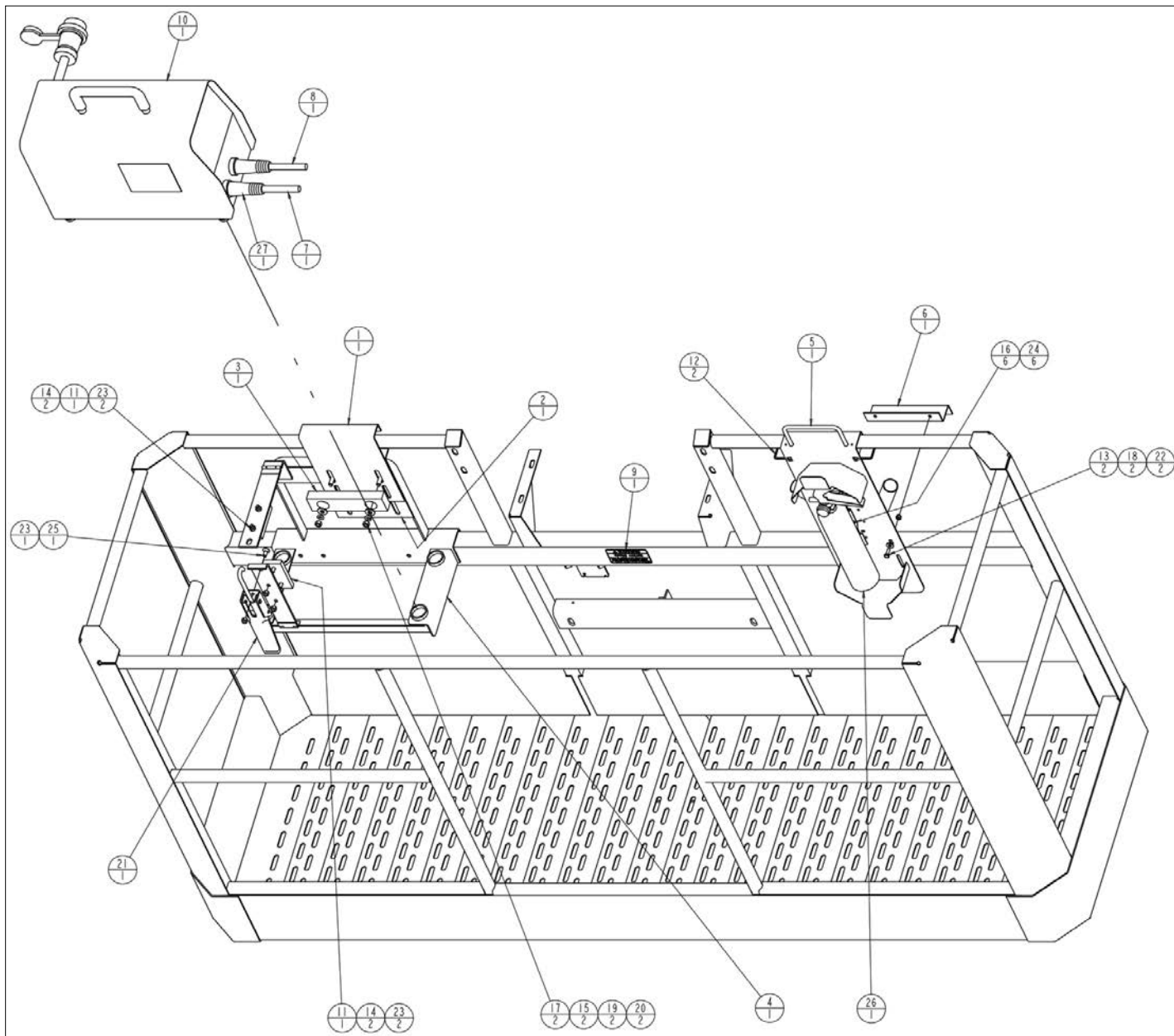
アイテム	部品番号	名前	数量	UOM
Not Shown	0182146 C	PERSONAL FALL ARREST ANCHORAGE	1	EA
1	0182138	BRACKET, PFAS LANYARD MOUNT	4	EA
2	0182139	CLAMP, PFAS LANYARD MOUNT	16	EA
3	0182140	DOUBLER, PFAS LANYARD MOUNT	4	EA
4	0182147	DECAL, DO NOT LIFT	8	EA
5	0182149	DECAL, DANGER PFAS FALLING HAZARD	4	EA
6	0360891	BRACKET, PFAS LANYARD ATTACHMENT	4	EA
7	0360892	D Ring, Fall Restraint	4	EA
8	986299	WASHER, FLAT, .375 STANDARD, PLATED	24	EA
9	5560033	.375 16UNC HEX LOCK NUT	24	EA
10	5563028	U BOLT, .375 16 X 1.5D	4	EA
11	5563029	BLT HEXHD .375 16 3.25 GR8	16	EA
Not Shown	0182150	PFAS USERS MANUAL – ITEM NOT SHOWN	1	EA

OPTIONS



アイテム	部品番号	名前	数量	UOM
*	0084084 A	WELDER ASSEMBLY		EA
1	3045255	PLUG 3 POLE 4 COND 30A	1	EA
2	3220006	WELDER 275 AMP STICK LINCOLN V275 S	1	EA

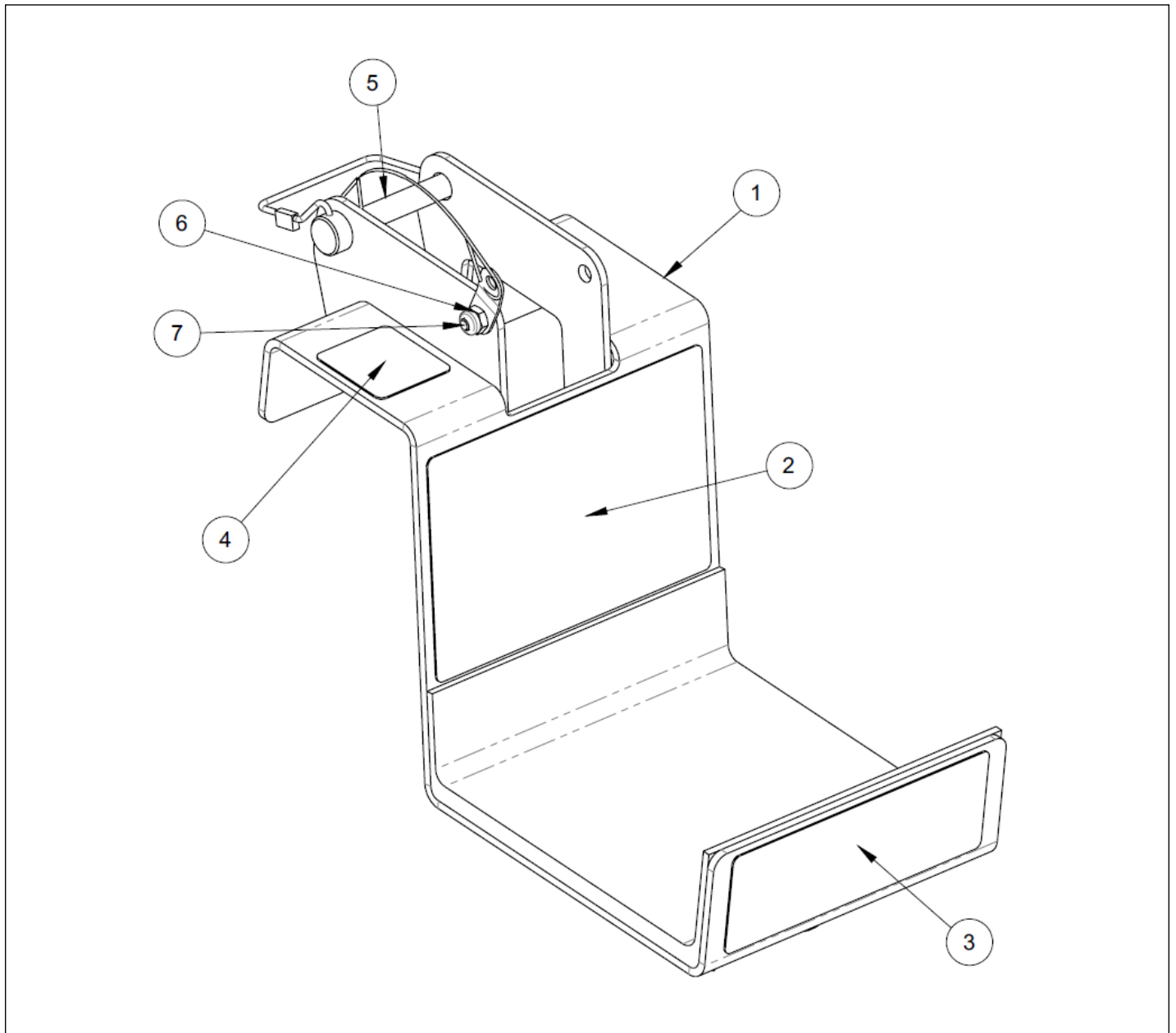
OPTIONS



アイテム	部品番号	名前	数量	UOM
	0083895 E	WELDER 11KW GENERATOR AUMINUM PLATFORM		EA
1	0083823	BRKT TOP	1	EA
2	0083825	BRKT LOWER	1	EA
3	0083826	SL PAD 2.00 8.25 1.00 2H	1	EA
4	0083833	WELDMT WELDER SUPPORT	1	EA
5	0083857	WELDMT CABLE STORAGE BRKT	1	EA
6	0083858	BRKT	1	EA
7	0083862	ASSEMBLY, ELECTRODE HOLDER WIRE	1	EA
8	0083863	ASSEMBLY, GROUND WIRE	1	EA
9	0083985	PLAC WARNING TIPPING HAZARD	1	EA
10	0084084	WELDER ASSEMBLY, LINCOLN V275 S	1	EA
11	0150121	SL PAD 2.00 4.00 .500 2H	2	EA
12	302544	Pin & Lock	2	EA
13	970029	BLT .25 20 .750	2	EA
14	972259	BLT FLSKTHD .313 18 1.00	4	EA
15	972439	BLT CRG .375 16 X 1.25 GR 5 ZP	2	EA
16	974659	SCR RDH MACH 10 24 .500	6	EA
17	984109	NUT HEX .375 16	2	EA
18	986019	WSHR FLAT .250	2	EA
19	986299	WASHER, FLAT, .375 STANDARD, PLATED	2	EA
20	987119	WSHR LOCK .375	2	EA
21	5516329	LATCH ADJ DRAW	1	EA
22	5560004	NUT LKG .250 20	2	EA
23	5560031	NUT HEX LKG .313 18	5	EA
24	5560034	NUT LKG 10 24	6	EA
25	5560372	BLT CRG .313 18 .75 GR5	1	EA
26	9939464	FIRE EXTINGUISHER	1	EA

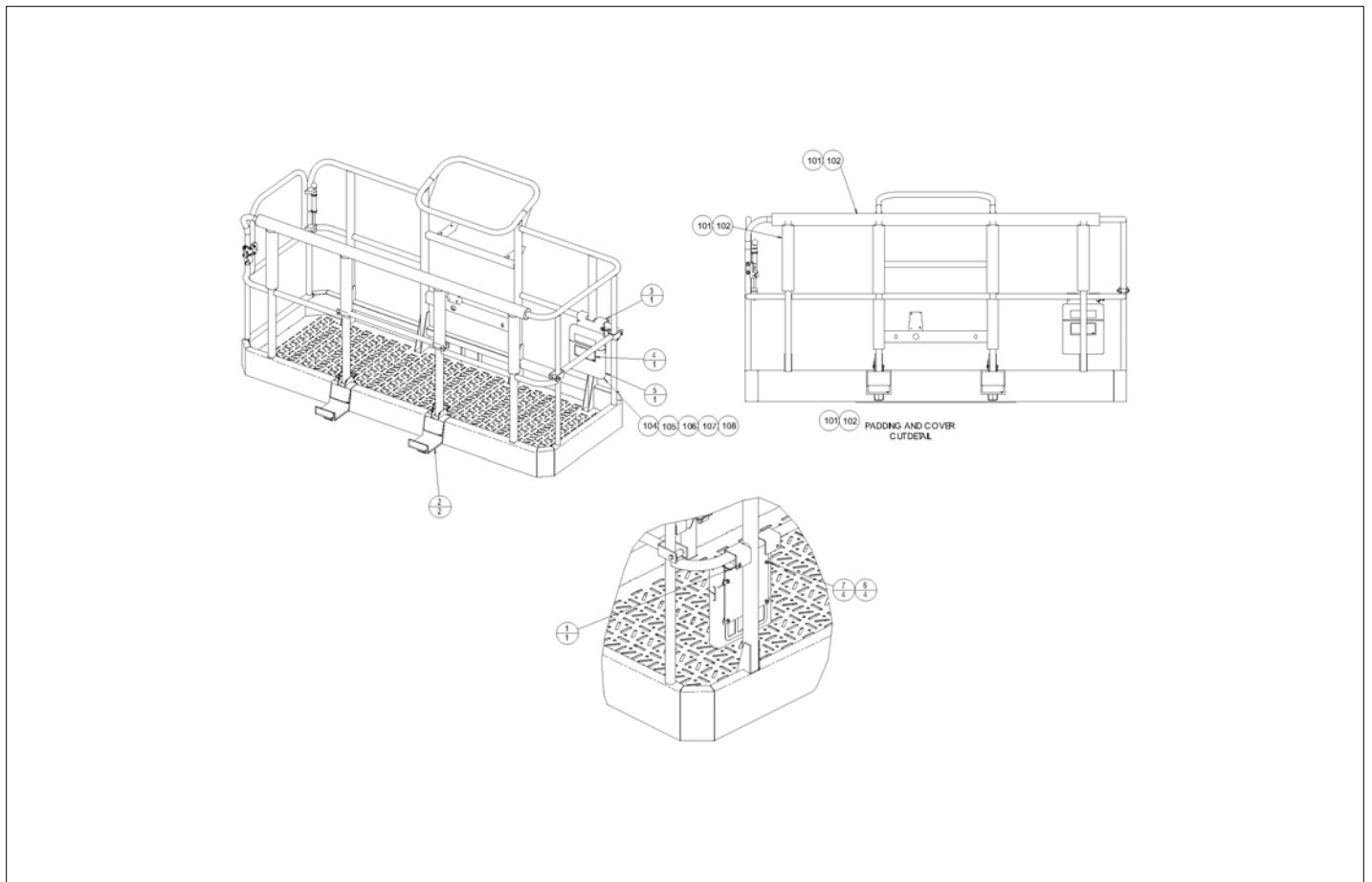
アイテム	部品番号	名前	数量	UOM
27	3220076	PLUG WELD CABLE END	2	EA

OPTIONS



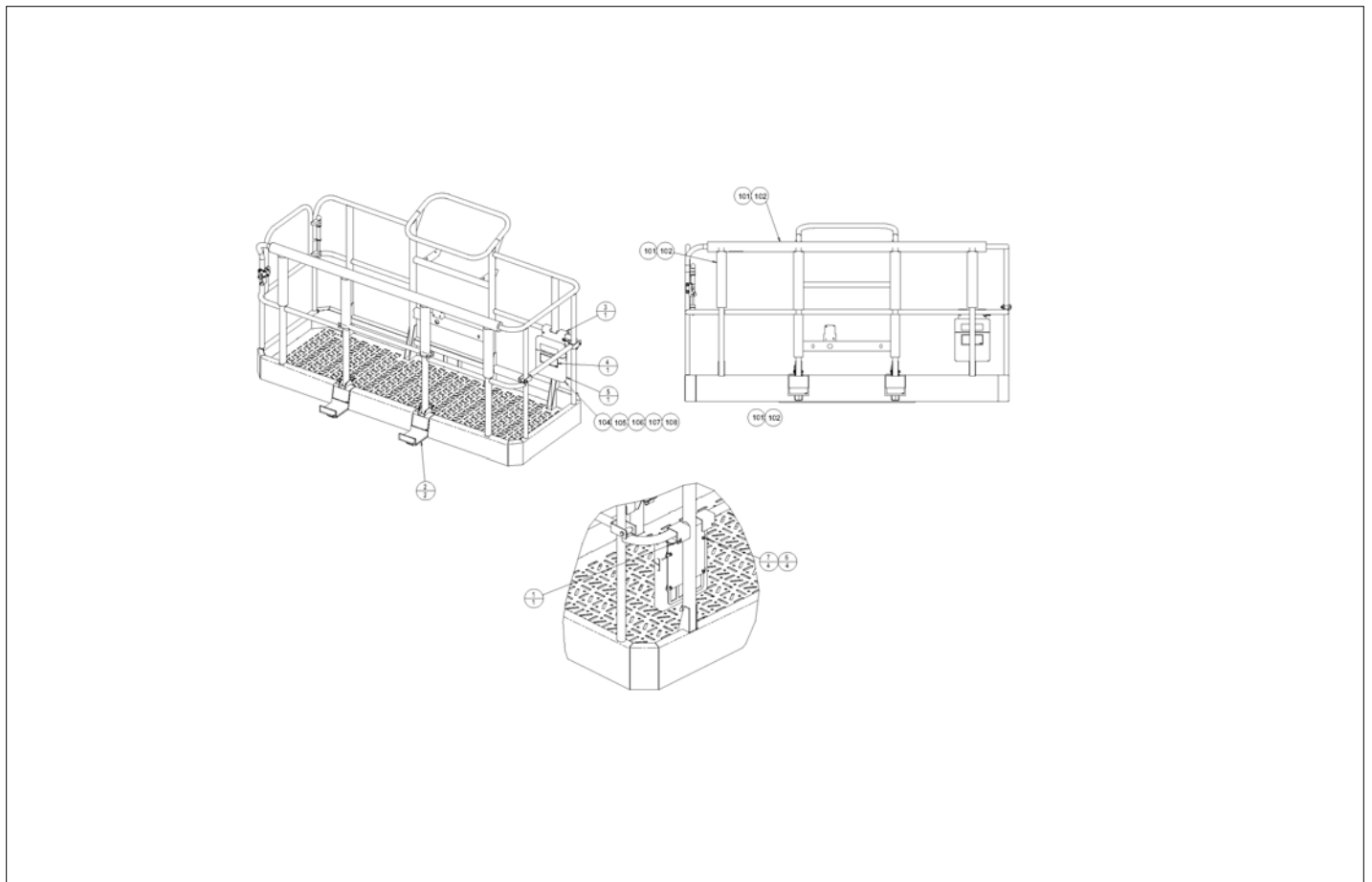
アイテム	部品番号	名前	数量	UOM
*	0421067 A	GLAZIER TRAY ASSEMBLY 2 ENTRY PLATFORM	1	EA
*	0421811 B	GLAZIER TRAY ASSEMBLY TRI ENTRY PLATFORM	1	EA
1	0421066	GLAZIER TRAY LINED AND PAINTED 2 ENTRY PLATFORM	1	EA
*	0421810	GLAZIER TRAY LINED AND PAINTED TRI ENTRY PLATFORM	1	EA
2	0421078	DECAL GLAZIER FALL OBJECT HAZARD	1	EA
3	0421077	DECAL GLAZIER TIP HAZARD	1	EA
4	0421079	PLACARD NO STEP	1	EA
5	302544	Pin & Lock	1	EA
6	5560034	NUT LKG 10 24	1	EA
7	5560104	SBHCS #10 24 X .50 STL GR8 PLTD	1	EA

OPTIONS



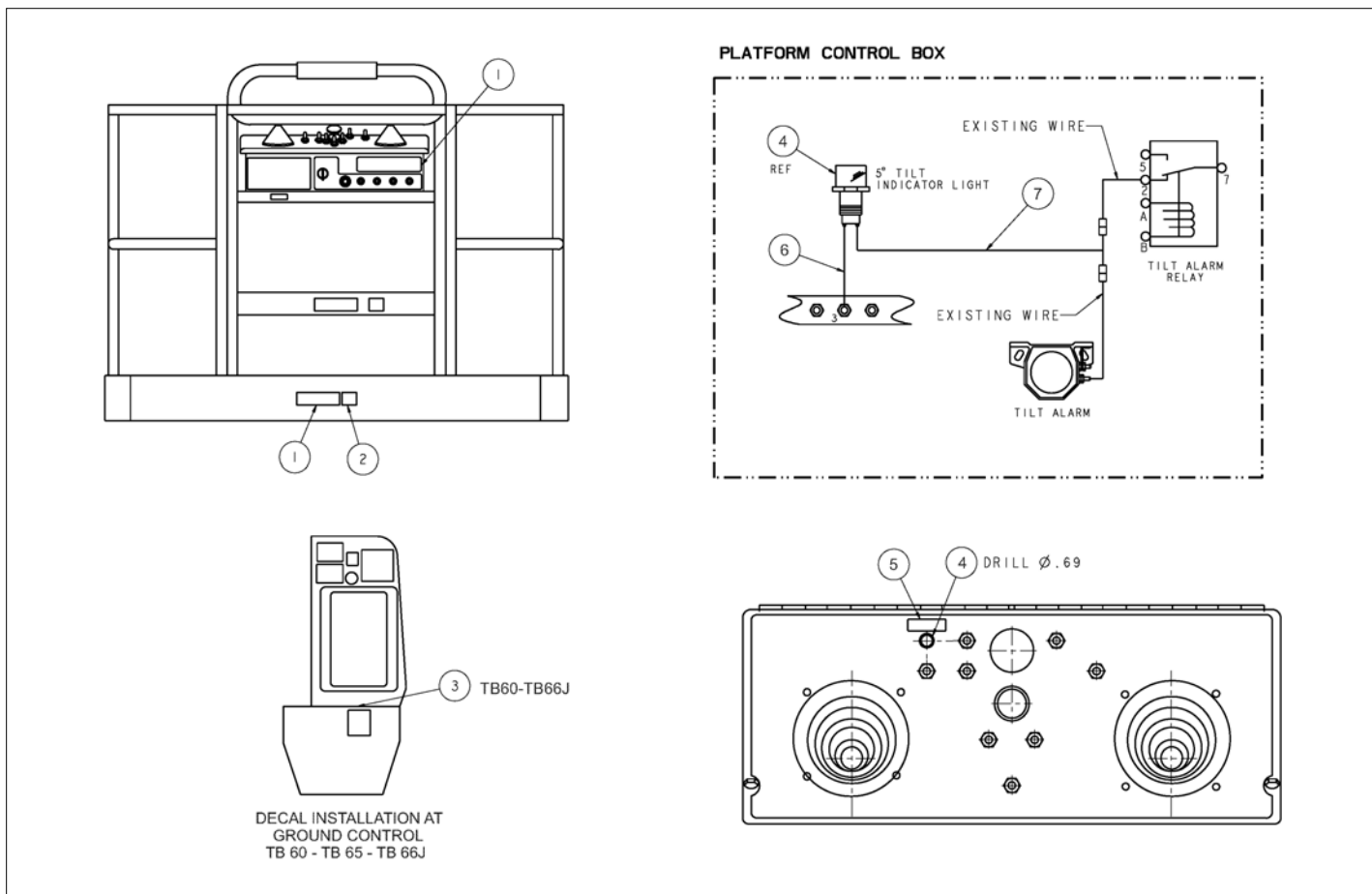
アイテム	部品番号	名前	数量	UOM
	0421068C	GLAZIER PACKAGE PLATFORM WITH 1.7 INCH TOE BOARD INSTALLATION		EA
1	302544	Pin & Lock	1	EA
2	0421067	GLAZIER TRAY ASSEMBLY 2 ENTRY PLATFORM	2	EA
3	0421283 3	BRKT GLAZIER COMP BOX MTG	1	EA
4	0421285	DECAL, GLAZIER PACKAGE BOX	1	EA
5	562386	Literature Compartment	1	EA
6	5560034	NUT LKG 10 24	4	EA
7	5560609	SCR TRHD 10 24 .500	4	EA
101	9980003	PIPE INSUL CLOSED CELL AP ARMA	216	EA
102	9980008	COV STR 18OZ COVERLITE YELLOW	1	EA
104	0421299	GLAZIER CAM STRAP – TIE DOWN STRAP	1	EA
105	9960007	ASSIST STRAP 18 IN LONG	2	EA
106	0421269	GLAZIER PACKAGE OPERATORS MANUAL	1	EA
107	7050006	DOCUMENT POUCH, ADHESIVE BACKED	1	EA
108	7050007	DOCUMENT POUCH, RECLOSABLE	1	EA

OPTIONS



アイテム	部品番号	名前	数量	UOM
	0421812 C	GLAZIER PACKAGE WORLD PLATFORM WITH 2 INCH TOE BOARD INSTALLATION		EA
1	302544	Pin & Lock	1	EA
2	0421811	GLAZIER TRAY ASSEMBLY 3 ENTRY PLATFORM	2	EA
3	0421283 3	BRKT GLAZIER COMP BOX MTG	1	EA
4	0421285	DECAL, GLAZIER PACKAGE BOX	1	EA
5	562386	Literature Compartment	1	EA
6	5560034	NUT LKG 10 24	4	EA
7	5560609	SCR TRHD 10 24 .500	4	EA
101	9980003	PIPE INSUL CLOSED CELL AP ARMA	216	EA
102	9980008	COV STR 18OZ COVERLITE YELLOW	1	EA
104	0421299	GLAZIER CAM STRAP – TIE DOWN STRAP	1	EA
105	9960007	ASSIST STRAP 18 IN LONG	2	EA
106	0421269	GLAZIER PACKAGE OPERATORS MANUAL	1	EA
107	7050006	DOCUMENT POUCH, ADHESIVE BACKED	1	EA
108	7050007	DOCUMENT POUCH, RECLOSABLE	1	EA

OPTIONS



アイテム	部品番号	名前	数量	UOM
	0084037 A	CSA PACKAGE		EA
1	0090589E	PLACARD	2	EA
2	0075235	DECAL SIDE LOAD 150 LB	1	EA
3	0075234	DECAL CSA COMPLIANCE	1	EA
4	3069524	LIGHT RED LED 12V	1	EA
5	0081384	DECAL, TILT LAMP (From SN TL37J 01 00291)	1	EA
6	0163234	WIRE 16 SEE DRAWING	1	EA
7	0073727	WIRE 16 R10 FEM188I 16	1	EA
8	0074926	OPTION ALL MOTION ALARM W/OUT HORN NOT SHOWN	1	EA
9	A17035C	INSTL DECALS CSA OPTION	REF ONLY	EA
10	0180109	OPT TILT ALARM LIGHT	REF ONLY	EA

OPTIONS

**NO IMAGE AVAILABLE
(BOM FOR REFERENCE ONLY)**

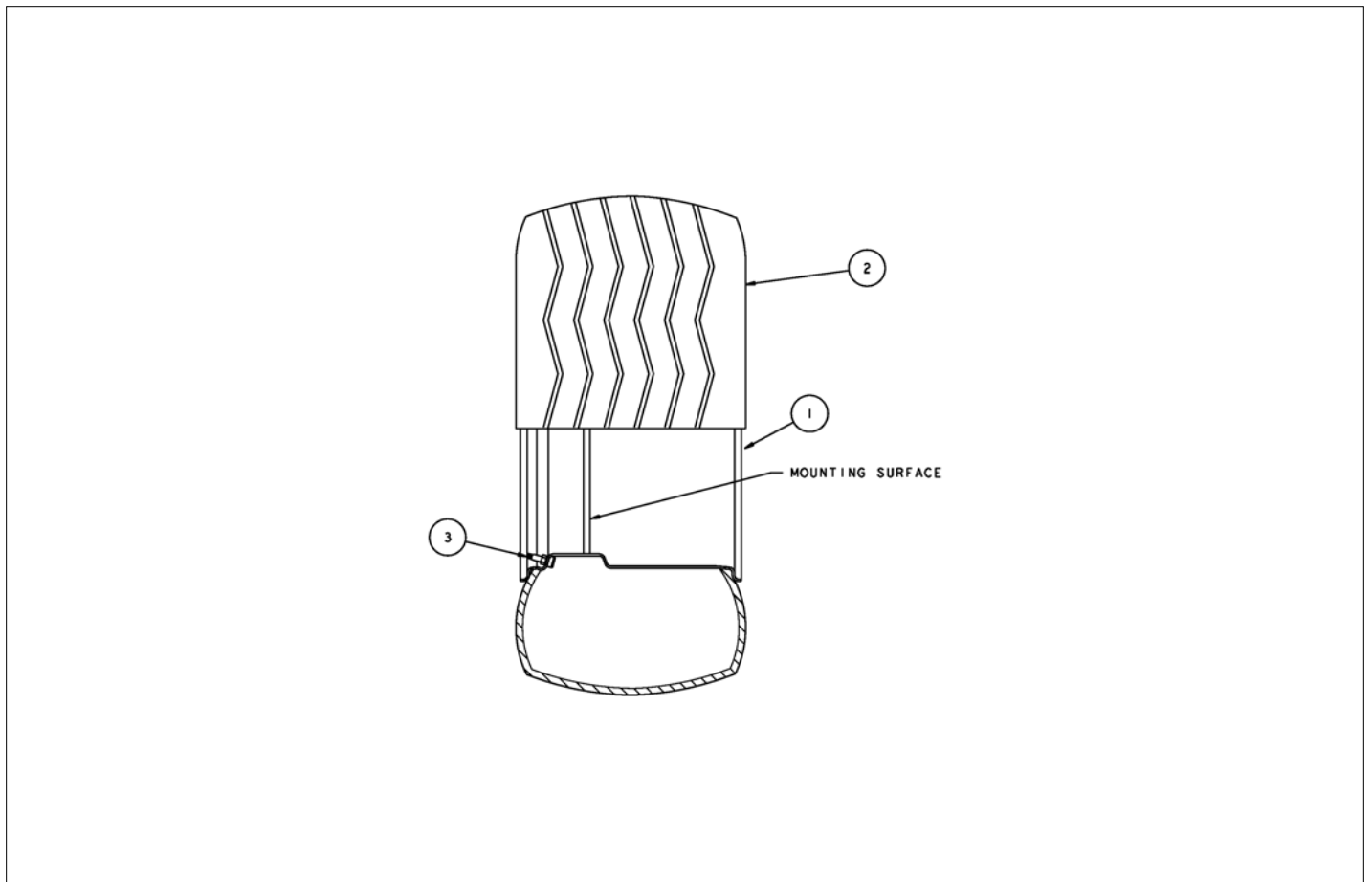
アイテム	部品番号	名前	数量	UOM
*	0084182 A	FOAM FILLED TIRES 4X4 TB60 TB66J		EA
1	0073298	Decal, Foam Tyres	2	EA
2	7280001	LUG NUT	32	EA
3	7280092 1	FOAM FLOT TIRE ASSY 40X19 19.5	4	EA

OPTIONS

**NO IMAGE AVAILABLE
(BOM FOR REFERENCE ONLY)**

アイテム	部品番号	名前	数量	UOM
*	0084104 A	TIRES 4X4 NON MARKING FOAM FILLED		EA
1	0073298	Decal, Foam Tyres	2	EA
2	0084107 1	FOAM TIRE ASSY RH LUG NON MARK	2	EA
3	0084108 1	FOAM TIRE ASSY LH LUG NON MARK	2	EA
4	7280001	LUG NUT	32	EA

OPTIONS



アイテム	部品番号	名前	数量	UOM
*	7280077 A	FLOATION TIRE ASSEMBLY		EA
1	7280078	VALVE STEM	1	EA
2	7280028	TIRE FSTN 40 / 19 X 19.5	1	EA
3	7280078	VALVE STEM	1	EA

OPTIONS

**NO IMAGE AVAILABLE
(BOM FOR REFERENCE ONLY)**

アイテム	部品番号	名前	数量	UOM
*	0083558 A	FLOTATION TIRES 4X4 TB60 TB66J		EA
1	0084225	DECAL TIRE PRESSURE 100 PSI	4	EA
2	7280001	LUG NUT	32	EA
3	7280077 1	FLOTATION TIRE ASSY 40X19 19.5	4	EA

Maintenance

Every person who maintains, inspects, tests or repairs the aerial platform must be qualified to do so. Maintenance functions must be performed by maintenance personnel who are qualified to work on the aerial platform.

Caution

Welding current can be very intense. Damage to electronic components can result. Connect the ground clamp as close as possible to the area being welded. Disconnect the battery cables and any microprocessors and engine control modules before welding on the machine.

If it becomes necessary to weld aerial platform components as a method of repair, take all precautions to prevent damage to electronic circuitry and devices on the machine. This includes, but may not be limited to, disconnecting battery cables and electronic devices.

Do not modify this aerial platform without prior written consent of the Snorkel Engineering Department. Modification may void the warranty, adversely affect stability or affect the operational characteristics of the aerial platform.

Maintenance Schedules

The manufacturer has established a preventative maintenance schedule to detect any defective, damaged or improperly secured parts and provide information regarding lubrication and other minor maintenance items.

This schedule includes the following:

- Daily Prestart Inspection
- Frequent Inspection and Maintenance – Every 90 Days or 150 Hours
- Annual Maintenance – Every 500 Hours

The Daily Prestart Inspection must be performed by a trained operator. All other maintenance and inspection must be performed by a trained service technician only. Retain a copy of these forms for your records.

All placards and decals on the machine must be in place and legible. Use the Placards and Decals parts page in the Repair Parts section of this manual to check these placards and decals.

Snorkel recommends that you make additional copies of the preventative inspection and maintenance checklists for your use in performing these inspections.

Warning

The potential for accident increases when operating an aerial platform that is damaged or malfunctioning.

Death or serious injury can result from such accidents. Do not operate the aerial platform if it is damaged or malfunctioning.

Repair all defects before returning the machine to service.

General Information

The parts drawings located in the Repair Parts section are designed for use as a guide for proper disassembly of the machine and components, as well as, for parts replacement.

Danger

Hydraulic fluid escaping under pressure can have enough force to inject fluid into the flesh. Serious infection or reaction will result if medical treatment is not given immediately. In case of injury by escaping hydraulic fluid, seek medical attention at once.

Always refer to the hydraulic system installation drawings and the electrical wiring diagram before removing or disassembling associated parts.

When disassembling or reassembling components, complete the procedural step in sequence. Do not partially disassemble or assemble one part, then start on another. Always check your work to assure that nothing has been overlooked.

Keep the following in mind when disassembling or assembling the machine.

- Always be conscious of weight.
- Never attempt to lift heavy objects without the aid of a mechanical device.
- Do not allow heavy object to rest in an unstable condition.
- Always make sure the work platform is in the stowed position, blocked or the weight removed by a suitable lifting device before removing any components from the machine.
- When raising a portion of the machine, be sure that adequate blocking is properly positioned. Do not depend solely on the lifting device to hold and secure weight.
- If a part resists removal, check to see if all fasteners, electrical wiring, hydraulic lines, etc., have been removed or that other parts are not interfering.

Parts should be thoroughly inspected before restoring to service at the time of reassembly. Burrs, nicks or scratches may be removed from machines surfaces by honing or polishing with a #600 crocus cloth,

followed by a thorough cleaning with an approved cleaning solvent, and blown dry with compressed air. Do not alter the contour of any part. If this operation does not restore the part to a serviceable condition, replace the part.

Replace all o-rings, seals and gaskets at reassembly. Use new roll pins or cotter pins. Dip all packing rings and seals in hydraulic oil before reassembling in cylinder and manifolds. Replace any part having imperfect threads. In general, machines that have been disassembled can be reassembled by reversing the order of disassembly.

The service life of a machine can be increased by keeping dirt and foreign materials out of the vital components. Shields, covers, seals and filters help to keep air and oil supplies clean. However, these items must be maintained on a scheduled basis in order to function properly.

Clean surrounding areas, as well as the opening and fittings before disconnecting air or oil lines. As soon as a line or component is disconnected, cap or cover all openings to prevent the entry of dirt or foreign materials.

New parts should remain in their container until they are ready to be used.

Clearly mark or tag hydraulic lines and electrical wiring connections when disconnecting or removing them from the machine. This will assure that they are correctly reinstalled.

Proper assembly is critical to the successful rebuilding of any machine. Carefully, inspect any parts which are to be reused. If in doubt, replace.

“Safety First” is a good slogan.

Replace any guards and protective devices that have been removed to carry out maintenance and repair work.

Daily Prestart Inspection

Item	Inspect For	Ok
Operator's Manual	In manual holder	
Engine		
Oil level	Between full and add marks	
Coolant	Liquid cooled engines-proper fluid level	
Radiator	Cap tight, good condition and clean	
Air cooled engines	Air intake and fan free of obstructions Belt in good condition	
Fuel tank and line	Tank full, cap in place and tight/no leaks	
Air filter	Indicator in proper position	
Charging system	Proper operation	
Cold weather start kit	No damage or deformation	
Electrical System		
Emergency power battery	Condition and charged for proper operation	
Battery fluid level and terminals	Proper level/clean, connectors tight	
Cables and wiring harness	No wear or physical damage	
Hydraulic System		
Fluid level	Between full and add marks	
Fluid filter	Verify operation in the green zone	
Hoses, tubes, and fittings	No leaks	
Cold weather warm-up kit	Proper operation	
Tires		
Air filled	Good condition, proper inflation	
Foam filled	Good condition	
Wheels	All wheel lug nuts present and tight	
Lower Control Station		
Operating controls	Proper operation	
Emergency stop	Shuts off lower controls	
Emergency power	Proper operation	
Emergency Lowering	Proper operation	
Level Sensor	Sounds tilt alarm	
Flashing Light	Proper operation	
Sandblast Protection Kit	In place and proper operation	
Structures		
Weldments – Chassis, turntable, booms, platform, etc.	Welds intact, no damage or deformation	
Slide pads	In place, no damage or deformation	
Fasteners	In place and tight	
Whiffles and wire ropes	No deformation or broken strands/even tension	
Upper Control Station		
Guardrail system and lanyard anchors	Welds intact, no damage or deformation All fasteners in place, no loose or missing parts	
Operating controls	Proper operation	
Emergency stop and power system	Shuts off upper controls/proper operation	
Hom	Sounds when activated	
Electrical power outlet	Proper operation of outlet and GFCI	
Drive motion alarm	Sounds when aerial platform moves	
Driving and work lights	Proper operation	
Platform control cover	In place and proper operation	
Air line	Good condition, proper operation	
Tow Kit	In place, no damage or deformation	
Placards and Decals	In place and readable	

Performed by: _____ Date: _____

Maintenance

Frequent Inspection and Maintenance – Every 90 Days or 150 Hours

Item	Procedure	Information	Ok
Chassis			
Structural	Check for damage and cracked welds		
Steering cylinder pin caps and tie wire	Verify that all fasteners are in place and are tight		
Steering linkage	Check for proper operation		
Tires	Check for wear and damage		
	Proper inflation	65 psi to 70 psi – Air filled tires only	
Hydraulic tubes and hoses	Check for leaks, wear, and damage		
Drive motor brake	Check for proper operation		
Torque drive and steer wheel lug nuts per placard on wheel	Torque lug bolts/nuts to proper value on machine placard	Front 4x4: 200 to 225 ft lb Front 4x2: 400 to 450 ft lb Rear: 200 to 225 ft lb	
Right drive motor	Check for leaks		
Left drive motor	Check for leaks		
Tie-down and lifting lugs	Check for damage and cracked welds		
Decals and placards	Check for damage and readability Order replacements as necessary		
Turntable			
Structural	Check for damage and cracked welds		
Torque turntable top bolts	Torque to proper value	180 to 200 ft lbs	
Torque turntable bottom bolts	Torque to proper value	180 to 200 ft lbs	
Hydraulic tubes and hoses	Check for leaks, wear, and damage		
Centerpost	Check for leaks, wear, and damage		
Centerpost mounting bolts	Verify that all fasteners are in place and are tight		
Lift cylinder pin caps and tie wire	Verify that all fasteners are in place and are tight		
Lift cylinder and holding valve	Check for leaks, wear, damage, and for proper operation		
Master level cylinder pin caps and tie wire	Verify that all fasteners are in place and are tight		
Master level cylinder and holding valves	Check for leaks, wear, damage, and for proper operation		
Emergency bleed down valve	Check for proper operation		
Cowling	Check for wear/damage and that fasteners are in place and are tight		
Wire harness	Check for wear/damage and that fasteners are in place and are tight		
Rotation brake	Check for proper operation		
Rotation backlash	Check for wear and damage		
Operator's Manual	Proper manual in document holder		
System pressure	Check maximum system pressure	2,500 psi	
Decals and placards	Check for damage and readability Order replacements as necessary		

Frequent Inspection and Maintenance – Every 90 Days or 150 Hours

Item	Procedure	Information	Ok
Lower Controls			
Control switch in the lower controls position	Check for proper operation	With the selector in the lower controls position, the upper controls do not work	
Station selector switch in the upper controls position	Check for proper operation	With the selector in the upper controls position, the lower controls do not work	
Engine Start – Stop	Check for proper operation		
Throttle High – Low	Check for proper operation		
Turntable CW – CCW	Check for proper operation		
Boom elevation Up – Down	Check for proper operation		
Boom Extend – Retract	Check for proper operation		
Jib Up – Down NA	Check for proper operation		
Platform level Up – Down	Check for proper operation		
Platform rotation CW – CCW	Check for proper operation		
Emergency power, all functions	Check for proper operation		
Emergency stop	Check for proper operation		
Booms			
Structural	Check for damage and cracked welds		
Lift cylinder pin caps and tie wire	Verify that all fasteners are in place and are tight		
Hydraulic tubes and hoses	Check for leaks, wear, and damage		
Extension cylinder pin caps and tie wire	Verify that all fasteners are in place and are tight		
Extension cylinder and holding valve	Check for leaks, wear, damage, and for proper operation		
Jib boom pin caps and tie wire NA	Verify that all fasteners are in place and properly installed		
Jib cylinder pin caps and tie wire NA	Verify that all fasteners are in place and properly installed		
Jib cylinder and holding valve NA	Check for leaks, wear, damage, and for proper operation		
Hose carrier tube and support	Check for residue buildup/proper operation		
Plastic hose track	Check for wear and damage		
Electrical wires	Check for wear and damage		
Extend/retract wire ropes and sheaves	Check for wear/damage and that fasteners are in place and are tight		
Whiffles	Check for wear/damage and that fasteners are in place and are tight		
Decals and placards	Check for damage and readability Order replacements as necessary		

Frequent Inspection and Maintenance – Every 90 Days or 150 Hours

Item	Procedure	Information	Ok
Platform			
Structural	Check for damage and cracked welds		
Entry Gate	Check for proper operation		
Hydraulic tubes and hoses	Check for leaks, wear, and damage		
Slave level cylinder pin caps and tie wire	Verify that all fasteners are in place and are tight		
Slave level cylinder holding valves	Check for leaks, wear, damage, and for proper operation		
Decals and placards	Check for damage and readability Order replacements as necessary		
Upper Control Station			
Foot switch	Check for proper operation	With the foot switch engaged the engine should not start. Functions should be operational when foot switch is engaged	
Engine Start – Stop	Check for proper operation		
Throttle High – Low	Check for proper operation		
Turntable CW – CCW	Check for proper operation		
Boom elevation Up – Down	Check for proper operation		
Boom Extend – Retract	Check for proper operation		
Jib Up – Down NA	Check for proper operation		
Platform level Up – Down	Check for proper operation		
Platform rotation CW – CCW	Check for proper operation		
Drive speed	Boom up and/or extended 4x2 Low – 1.0 mph 4x4 Low – 0.7 mph	1 mph = 100 ft in 65 to 75 sec 0.7 mph = 100 ft in 90 to 120 sec	
	Boom down and retracted High – 3.0 mph	3 mph = 100 ft in 22 to 28 sec	
Drive range – boom stowed	Check for proper operation	Slow speed only with boom raised	
Engine choke – gas engine only	Check for proper operation		
Emergency power, all functions	Check for proper operation		
Emergency stop	Check for proper operation		
Gradual start to stop lift/swing/drive controls	Check for proper operation		
Speed limit switch	Check for proper operation		
5° tilt alarm	Check for proper operation		
110 volt AC power to platform	Check for proper operation		
Hydraulic Oil Reservoir			
Filler/breather cap and tank	Check for wear/securely fasten		
Hydraulic fluid level	Check for proper level	Above 10°F (-13°C) Mobil DTE-13M, ISO VG32 Below 10°F (-13°C) Mobil DTE-11M, ISO VG15	
Hydraulic filter	Replace after the first 50 hours, every 90 days or 150 hours thereafter		
	Inspect filter for foreign matter that could indicate component wear		

Frequent Inspection and Maintenance – Every 90 Days or 150 Hours

Item	Procedure	Information	Ok
Engine			
Charging system	Check for proper operation		
Air filter	Check for wear and damage		
Hour meter	Check for proper operation		
Belts and hoses	Check for wear and damage		
Hydraulic pump	Check for proper operation		
Battery terminals	Clean terminals and check cable condition		
Battery electrolyte	Check electrolyte levels	Add distilled water if necessary	
Indicator gauges	Check for wear/damage and proper operation		
Engine oil	Check for wear and damage/level	Between add and full	
Engine coolant	Check level	Between add and full	
Engine Start – Stop	Check for proper operation		
Electric throttle	Check for proper operation		
Electric choke, if equipped	Check for proper operation		
Engine governor setting	Check for proper operation		
Platform Rotator			
Structural	Check for damage and cracked welds		
Hydraulic rotator actuator	Check for leaks, wear, and damage		
Platform rotation holding valve	Check for proper operation		
Mounting bolts and pin caps	Verify that all fasteners are in place and are tight		
Options			
110 volt AC generator	Check for proper operation		
Dual fuel system	Check condition and for proper operation		
LP gas system and control	Check condition and for proper operation		
Horn	Check for proper operation		
Motion warning alarm	Check for proper operation		
Operation warning light	Check for proper operation		
Key type master switch	Check for proper operation		
Cold weather start kit	Check for proper operation		
Hydraulic system cold weather warm up kit	Check for proper operation		
Extension cylinder bleed down	Check for proper operation		
Driving lights	Check for proper operation		
Platform work lights	Check for proper operation		
Sandblast protection kit	Check for proper operation		
Airline to platform	Check for proper operation		
Tow package	Check for wear and damage/proper operation		
Optional platform	Verify that all fasteners are in place and are tight		
Four wheel drive	Check for proper operation		
Foam filled tires	Check for wear and damage		

Frequent Maintenance – Every 90 Days or 150 Hours

Item	Procedure	Information	Ok
Daily maintenance	Perform maintenance as per schedule	Retain copy of checklist	
Preventive inspection maintenance checklist	Perform inspection, complete form	Retain copy of checklist	
Placards and decals inspection	Inspect using drawing and parts listing in Section 1 – Repair Parts Manual	Replace any missing or unreadable decals/placards	
Door hinges and latches	Lubricate	SAE 10W oil or spray lubricant	
Rotation bearing	Lubricate	Conoco Super Sta #2 Above 32° F Mobilgrease CM-P Below 32° F Mobilgrease CM-L	
Rotation bearing teeth & pinion	Lubricate	Mobil Mobiltac 375NC	
Tie rods	Lubricate	Conoco Super Sta #2 Above 32° F Mobilgrease CM-P Below 32° F Mobilgrease CM-L	
Gear hubs	Check fluid level, fill if low	Mobil Mobilube HD 80W-90	
Swing drive	Check fluid level, fill if low	Mobil Mobilube HD 80W-90	
Platform rotator	Check for proper operation	Repair or replace if not working properly	
Platform controller	Check smooth operation/speeds		
Batteries	Check specific gravity	1.260/1.275 at 80° F	
Hydraulic return filter	Check condition	Replace if dirty	
Engine RPM	Check for proper engine RPM	See engine owner's manual	
Engine oil and filter	Replace per engine owner's manual	See engine owner's manual	
Engine fuel filter	Check condition	Replace every 6 months or if dirty	

Maintenance

Performed by: _____ Date: _____

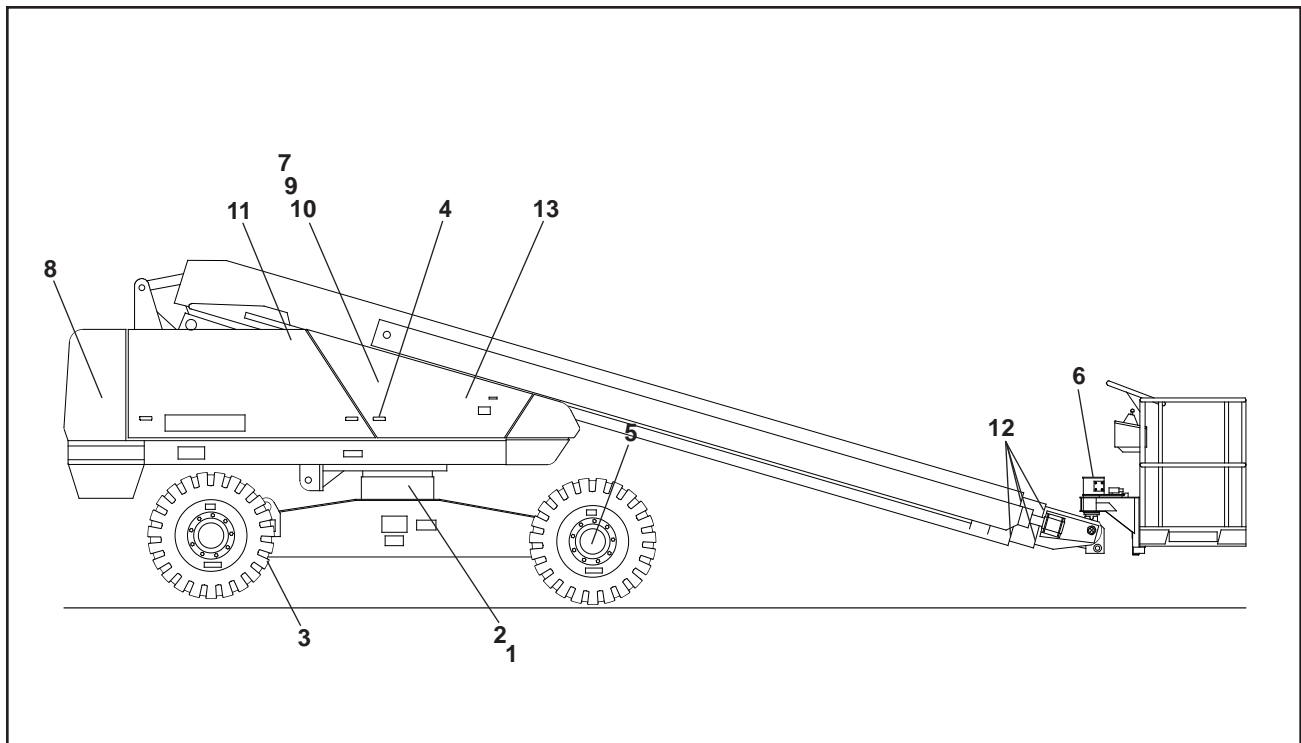
Annual Maintenance – Every 500 Hours

Maintenance

Item	Procedure	Information	Ok
90 day or 150 hour maintenance	Perform maintenance per schedule	Retain copy of checklist	
Hydraulic oil reservoir	Clean and replace fluid	Above 10° F (-13° C) Mobil DTE-13M, ISO VG32 Below 10° F (-13° C) Mobil DTE-11M, ISO VG15	
Hydraulic return filter	Replace	After first 50 hours, then at recommended interval	
Hydraulic reservoir suction filter	Clean and reinstall		
Hydraulic pressures	Pump setting Function pressures	Standby pressure: 375-400 psi	
		Boom up: 2,400-2,500 psi	
		Boom down: 600-2700 psi	
		Steer: 1,900-2,000 psi	
		Level: 1,900-2,000 psi	
		Extend: 1,100-1,200 psi	
		Retract: 2,400-2,500 psi	
		Jib up: 1,900-2,000 psi	NA
		Jib down: 1,300-1,400 psi	NA
	Drive: 2,800-2,850 psi		
Gear hubs	Replace fluid	Mobil Mobilube HD 80W-90	
Swing drive	Replace fluid	Mobil Mobilube HD 80W-90	
Engine coolant	Check condition	See engine owner's manual	
Front wheel bearings	Clean and repack	Conoco Super Sta #2 Above 32° F Mobilgrease CM-P Below 32° F Mobilgrease CM-L	

Performed by: _____ Date: _____

Maintenance



Lubrication Points

Lubrication

Specific lubricants as recommended by Snorkel, should be used in maintaining the unit. If in doubt regarding the use of lubricants other than those listed, contact Snorkel Customer Service Department for evaluation and recommendation.

Refer to the above lubrication illustration to locate component item numbers.

Service all fittings as indicated on the Frequent Maintenance schedule and lubrication illustration. Wipe away all excess lubricant from exposed surfaces. Over lubrication can collect dirt and foreign matter which acts as an abrasive. Lubrication of accessory equipment should be in accordance with the manufacturer's recommendations.

Rotation Bearing

Rotation bearing – Item 1. Pressure gun lubricate bearing at recommended interval using lubricant as outlined in the maintenance schedule. Rotate while lubricating. The lubrication fitting is located on the rear of the turntable.

Rotation Gear Teeth and Pinion

Rotation gear teeth and pinion – Item 2. Gear teeth and gear box pinion should be lubricated with a spray-on type open gear lubricant.

Tie Rods

Tie rods – Item 3. Lubricate at recommended interval using lubricant as outlined in the maintenance schedule.

Swing Drive

Swing drive – Item 4. To check oil level, remove check plug located on the side of the gear box. Unit is full if oil is level with bottom of fill hole or just starts to run out.

Gear Hubs

Gear hubs – Item 5. To check and fill Gear hubs:

1. Rotate wheel until bottom of filler/drain plug is about 1 inch above horizontal centerline.
2. Remove plug with drive ratchet and extension.
3. Fill until lubricant is level with bottom of fill hole.

Note

Do not overfill gear hubs as they are not vented and need air space for expansion of oil to prevent damage to hubs.

Platform Rotator

Platform Rotator – Item 6. Platform rotators will require lubrication only if disassembled for repairs. Consult factory for proper lubricant if replacement of platform rotator is required.

Hydraulic Oil Reservoir

Hydraulic oil reservoir – Item 7. The fluid level should be visible in the bottom of the sight gauge and should be checked with the machine in the stowed position.

The interior of the reservoir should be wiped out and cleaned each time the hydraulic oil is changed. The reservoir filler/breather cap should be removed and the cap strainer cleaned with Kerosene, fuel oil, or other solvent at this time.

It is absolutely necessary that only new, clean hydraulic oil is added.

Note

If it becomes necessary to add or use an oil other than the recommended fluid, it is important that it be compatible and equivalent to the factory fill. Local oil suppliers can generally furnish this information.

If questions still remain, contact Snorkel Customer Service Department for further information.

Engine

Engine – Item 8. Refer to the engine manufacturer's instruction manual or consult your local engine service representative if engine adjustments or repairs are needed. The engine must be operated in accordance with manufacturer's instructions and serviced at recommended intervals.

Hydraulic Oil Return Filter

Return filter – Item 9. The hydraulic oil return filter is located on the control valve behind the door on the right side of the turntable

The filter element is a throw-away type filter and should be changed after the initial break-in period (approximately 50 hours operation time).

The filter is equipped with a hydraulic pressure gauge to indicate the filter element condition. A by-pass relief within the filter base is provided and is set to by-pass at 25 psi. If pressure readings are above 25 psi, the filter should be changed.

The filter condition should be checked at the 90 day or 150 hour Preventive Inspection Maintenance interval or more frequently under extreme working conditions.

The filter condition indicator is accurate only when the engine is running at maximum rpm and pump is discharging maximum flow, which occurs only during full speed driving. This requires that the indicator be observed while the unit is in motion, booms fully retracted and in stowed position, drive range switch in "LO" position, and drive controller fully forward. Oil temperature should be at least 90° F (32° C).

Warning

Use extreme caution while observing the condition indicator because of the motion of the drive wheels. The condition indicator is best observed from outside of the tract of the vehicle wheels to avoid possible personal injury or machine damage.

When changing the filter element, the oil inside of the filter element, should be examined for deposits of metal cuttings, which is present, could indicate excessive wear in some of the system components.

Suction Strainer

Suction strainer – Item 10. Two 100 mesh strainers are located within the hydraulic oil reservoir, one on the inlet and one on the outlet, and filters the pump suction flow.

The strainers should be cleaned at the time interval shown in the maintenance schedule chart, using Kerosene, fuel oil or other solvent and a soft bristled brush.

Inspect the filter wire cloth for damage. Holes in the filter cloth leak dirt into the pump and other vital hydraulic components. If element is damaged, replace.

When the filter has been thoroughly cleaned, reinstall in suction line and tighten securely.

Door Hinges and Latches

Door hinges and latches – Item 11. After lubricating, remove any excess lubricant or over spray so it will not collect dirt or debris.

Slide Pads

Slide pads – Item 12. Check slide pads for excessive wear and replace as required. Slide pads do not require lubrication.

Battery

Battery – Item 13. The battery will have longer life if the water level is maintained and they are kept charged. The engine will have better starting characteristics with a fully charged battery. In cold weather the battery should be maintained at full charge to keep from freezing. An extremely low or dead battery can freeze in cold weather. Make sure connections are clean and tight.

Make sure charging equipment is operating properly.

Danger

Lead-acid batteries produce flammable and explosive gases. Never allow smoking, flames or sparks around batteries. Lead-acid batteries contain sulfuric acid which will damage eyes or skin on contact. When working around batteries, always wear a face shield to avoid acid in eyes.

If acid contacts eyes, flush immediately with clear water and get medical attention. Wear rubber gloves and protective clothing to keep acid off skin, if acid contacts skin, wash off immediately with clear water.

Battery Care and Maintenance





The following information about battery care and maintenance was supplied by Interstate Batteries and is reprinted here with their permission.

1. New batteries need to be cycled several times before reaching full capacity (20-50 cycles, depending on type). Usage should be limited during this period.

2. Always recharge batteries fully, immediately after use. Batteries perform best when they are fully charged. More capacity and longer life will result from this practice.
3. The deeper the discharge, the fewer number of cycles a lead-acid battery will deliver. Deep discharges deteriorate the battery quicker than lighter shallow cycles.
4. Battery cables should be intact and connectors kept tight at all times. Systematic inspection is recommended.
5. Vent caps should be kept in place and tight during vehicle operation and battery charging.
6. Batteries should be kept clean – free of dirt and corrosion – at all times. Always keep the top of batteries clean. A film on top of the battery can cause the current to migrate between the posts, accelerating self discharge.
7. Never let the electrolyte level of a lead-acid battery fall below the plates. Lack of maintaining the electrolyte in a lead-acid battery causes damage to the exposed portion of the plate which reduces capacity.
8. Always check electrolyte level before charging. Do not add water to individual cells unless plates are exposed. Batteries should be watered after charging unless the plates are exposed before charging. If exposed before charging, the plates should be covered by approximately 1/8" of water. Check water level after charging. Water should be kept 1/4" below the bottom of the fill tube in the cell cover.
9. Water used to replenish batteries should be distilled or treated to not exceed 200 T.D.S. (total dissolved solids... parts per million). Particular care should be taken to avoid metallic solids (iron).
10. A fully charged battery will give you the best and longest service. Be sure the batteries are fully charged before testing or using. A fully charged battery, without a drain or load, after the surface charge has dissipated, is 6.35 volts for a 6 volt battery.
11. Batteries should not be discharged below 20% of capacity (approximately 1.8 volts per cell under normal operating load; 1.98 volts open circuit; 1.145 specific gravity). Proper battery sizing will help avoid excessive discharge.
12. Battery chargers should be sized to fully charge batteries in an eight hour period. Chargers should be kept in proper operating condition.
13. Do not use a mismatched charger of any type; i.e., a 12 volt charger on a 24 volt pack or a 24 volt charger on a 12 volt pack. An undersized charger will never get the job done, no matter how long it tries. An oversized charger will cause excess gassing and heat that could possibly result in a battery meltdown and/or explosion.
14. Never charge a lead-acid battery with a sealed (gel cell) battery charger. The lead-acid battery needs higher voltage to finish its charge. Without it the battery will never come back to 100% and sulfation can occur.
15. Always allow batteries to cool off after charging. The cooling time is very important because heat is generated during the recharge and discharge cycles. Without the cooling time the heat grows, accelerating grid corrosion which is one of the major causes of battery failure. Charging practice should enable batteries to cool before use.
16. Deep cycle batteries need to be equalized periodically. Equalizing is an extended, low current charge performed after the normal charge cycle. It helps keep cells in balance. Actively used batteries should be equalized once per week. Manually timed chargers should have the charge time extended approximately 3 hours. Automatically controlled chargers should be unplugged and reconnected after completing a charge cycle.
17. In situations where multiple batteries are connected in series, parallel or series-parallel, a replacement battery's should be of the same size, age and usage level as the companion batteries. Do not put a new battery in a pack that has 50 or more cycles. Either replace all the batteries with new batteries or install a good used battery's in place of the bad. New batteries should be given a full charge before use.
18. Periodic battery testing is an important preventative maintenance procedure. Hydrometer readings of each cell (fully charged) give an indication of balance and true charge level. Imbalance could mean the need for equalizing and is often a sign of improper charging or a bad cell. Voltage checks (open circuit, charged and discharged) can locate a bad cell or weak battery. Load testing will pick out a bad cell when other methods fail. The point is to look for the abnormal. A weak cell or battery will cause premature failure of companion cells or batteries respectively.
19. As batteries age, their maintenance requirements change, Generally their specific gravity is higher and gassing voltage goes up. This means longer charging time and/or higher finish rate (higher amperage at the end of charge). Usually, older batteries need to be watered more often and their capacity decreases.

20. “Opportunity charging”, a short partial charge during an extended duty cycle, is a controversial subject. Generally, the practice is a “crutch” to make up for undersized batteries. The correct approach is to install adequate battery capacity. If this is impossible because of lack of space in the battery compartment or extreme operating conditions (24 hour intermittent use, as an example), “opportunity charging” is better than excessive battery discharging. However, the practice can cause batteries to overheat, require more watering and usually will shorten battery life. “Opportunity charging” is a trade off; something to avoid if possible. One charging cycle per day is preferable.
21. Extreme temperatures can substantially affect battery performance and charging. Cold reduces battery capacity and retards charging. Heat increases water usage and can result in overcharging. Very high temperature can cause “thermal run away” which may lead to an explosion or fire. If extreme temperature is an unavoidable part of an application, consult a battery/charger specialist about ways to deal with the problem.
22. An overly discharged battery might need to be cycled a few times before it can recover fully. If a battery begins to heat before coming up to a full charge, it might be necessary to discharge the battery and recharge it a few times. The charge and discharge cycle might help the current acceptance of the battery and facilitate its recovery to a usable condition.
23. Inactivity can be harmful to deep cycle batteries. If they sit for several months, a “boost” charge should be given – more frequently in warm climate (about once a month) than in cold (every 2-3 months).
24. Never store a battery in a discharged state. The sulfate that forms during discharge can make the battery impossible to recharge fully.

Fastener Torque Chart – Standard System

Bolt Grade	SAE Grade 1 or 2	SAE Grade 5	SAE Grade 6	SAE Grade 8
Marking				
Definition	Indeterminate Quality	Minimum Commercial Quality	Medium Commercial Quality	Best Commercial Quality
Material	Low Carbon Steel	Medium Carbon Steel Tempered	Medium Carbon Steel Quenched and Tempered	Medium Carbon Alloy Steel Quenched and Tempered
Minimum Tensile Strength	64,000 psi.	105,000 psi	133,000 psi.	150,000 psi
Bolt Size	Recommended Torque Value (ft lbs)			
1/4	5	7	10	10.5
5/16	9	14	19	22
3/8	15	25	34	37
7/16	24	40	55	60
1/2	37	60	85	92
9/16	53	88	120	132
5/8	74	120	167	180
3/4	120	200	280	296
7/8	190	302	440	473
1	282	466	660	714

Torque chart information:

- Consult manufacturers' specific recommendations, when available.
- The chart may be used with both coarse and fine thread fasteners lightly lubricated.
- Increase torque by 20% when multiple tapered tooth (shake proof) lock washers are used.
- The torque values are given in foot-pounds.
- Inch/pound equivalent may be obtained by multiplying by 12.

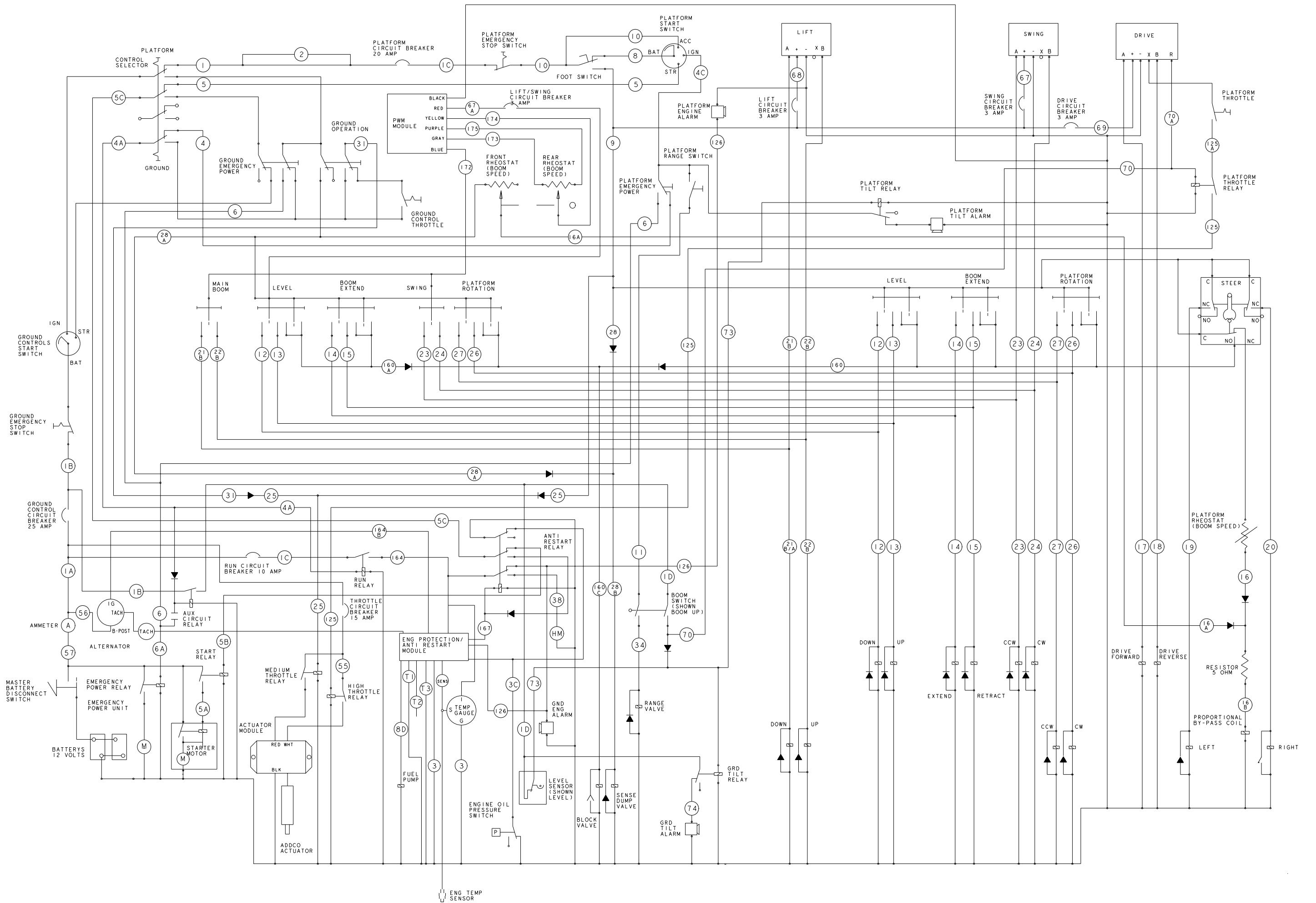
Fastener Torque Chart – Metric System

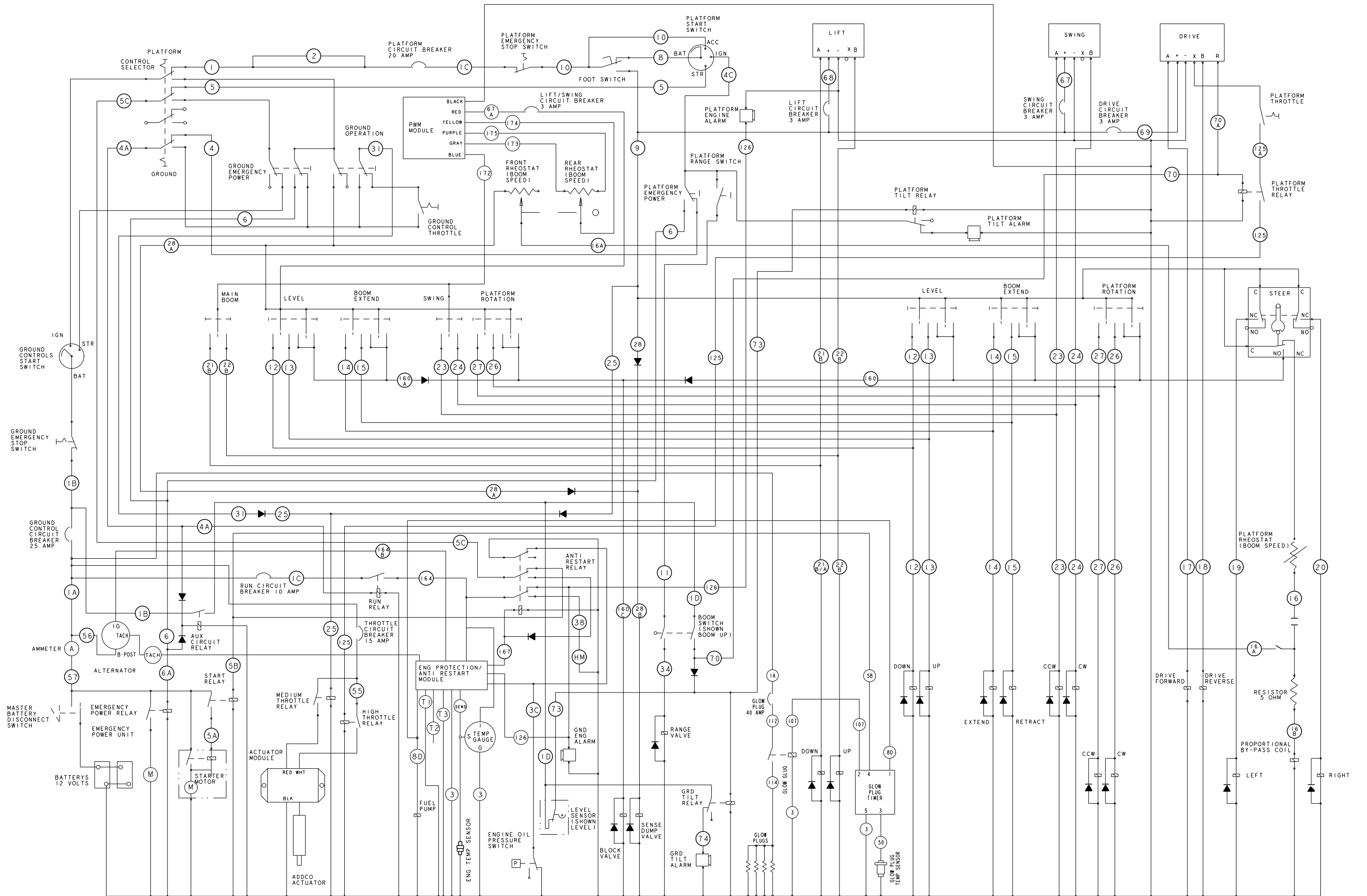
Capscrew Size	Grade 8.8					Grade 10.9				
	In-LBS Dry	In-LBS Lubed	FT-LBS Dry	FT-LBS Lubed	Clamp Load (lb)	In-LBS Dry	In-LBS Lubed	FT-LBS Dry	FT-LBS Lubed	Clamp Load (lb)
M4 - 0.7	27	20			861	36	24			1,173
M5 - 0.8	55	41			1,394	72	60			1,895
M6 - 1.0	93	70			1,971	132	96			2,686
M8 - 1.25	228	168	19	14	3,591	312	228			4,889
M8 - 1.0	240	180	20	15	3,844	336	252			5,232
M10 - 1.5			37	28	5,693			51	38	7,744
M10 - 1.25			39	30	6,008			54	41	8,171
M12 - 1.75			65	49	8,273			89	66	11,257
M12 - 1.25			71	53	9,037			96	72	12,297
M14 - 2.0			103	77	11,285			140	107	15,354
M14 - 1.5			114	85	12,263			155	114	16,691
M16 - 2.0			162	122	15,404			221	166	20,963
M16 - 1.5			173	129	16,388			236	177	22,311
M18 - 2.5			222	167	19,423			235	176	
M18 - 1.5										
M20 - 2.5			317	236	24,042			428	321	32,720
M20 - 1.5			350	262	26,695			479	358	36,316
M22 - 2.5			428	321	30,651			452	339	
M22 - 1.5										
M24 - 3.0			546	409	34,642			745	557	47,141
M24 - 2.0			594	446	37,676			811	605	51,277
M27 - 3.0			796	597	45,039			1,084	811	61,292
M27 - 2.0			863	645	58,785			1,173	848	66,226
M30 - 3.5			1084	811	55,054			1,475	1106	74,915
M30 - 3.0			1121	841	56,908			1,527	1143	77,444
M30 - 2.0			1202	900	60,932			1,630	1224	82,917

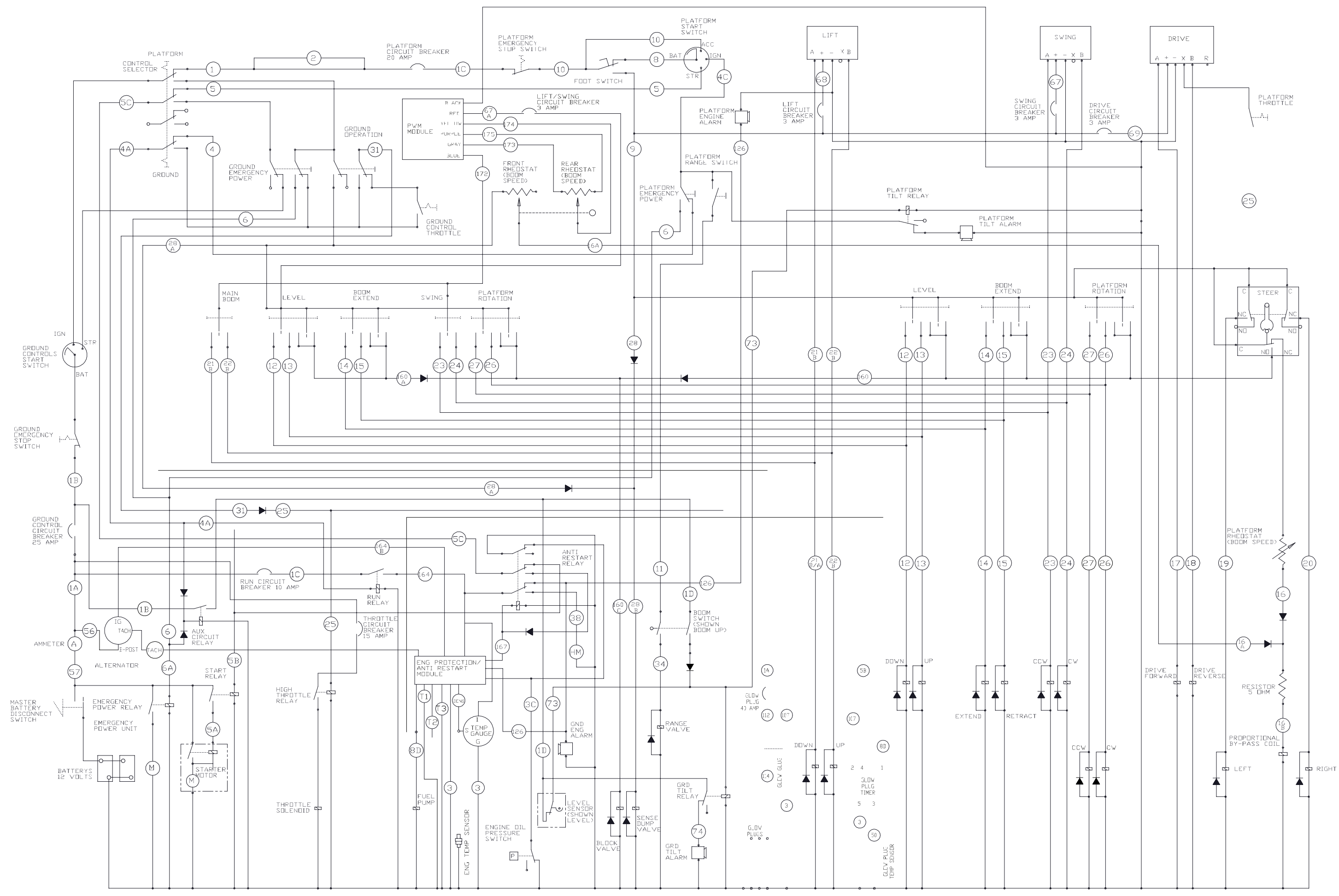
Rev D

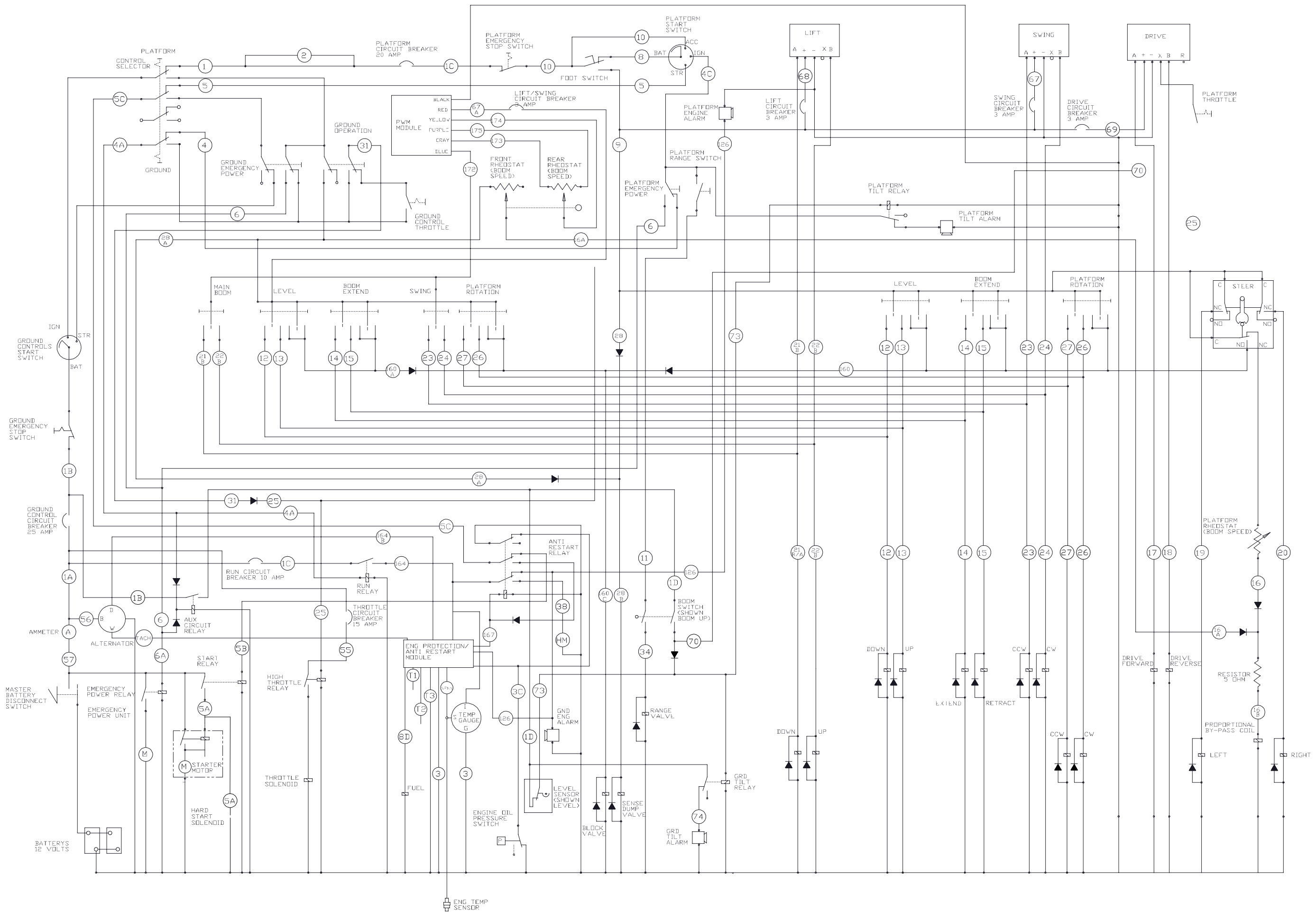
Torque chart information:

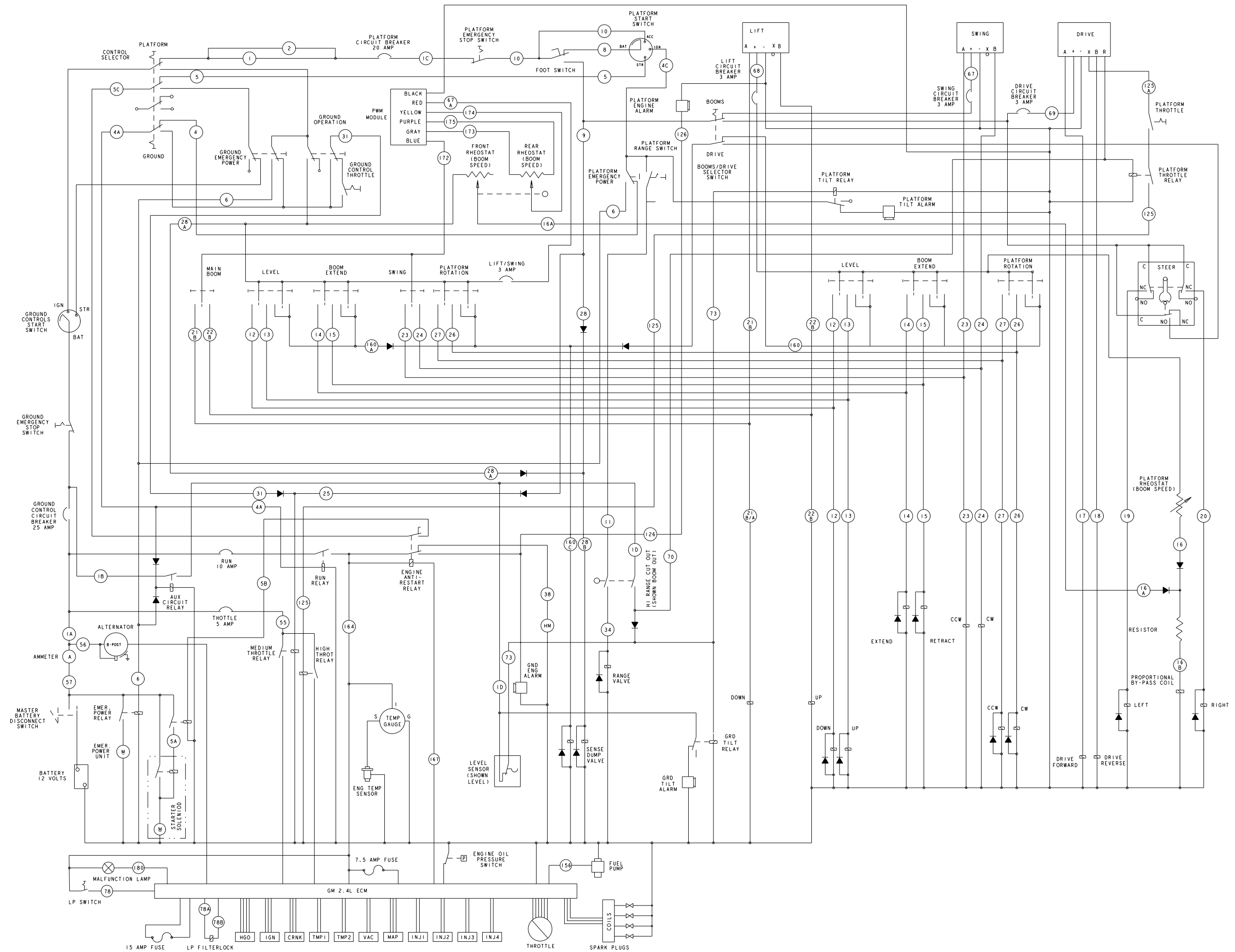
- Consult manufacturers' specific recommendations, when available.
- The chart may be used with both coarse and fine thread fasteners lightly lubricated.
- Increase torque by 20% when multiple tapered tooth (shake proof) lock washers are used.
- Foot/pound equivalent may be obtained by dividing by 12.
- Inch/pound equivalent may be obtained by multiplying by 12.
- Newton/meter equivalent may be obtained by multiplying inch/pound by 0.1130.
- Newton/meter equivalent may be obtained by multiplying foot/pound by 1.3558.

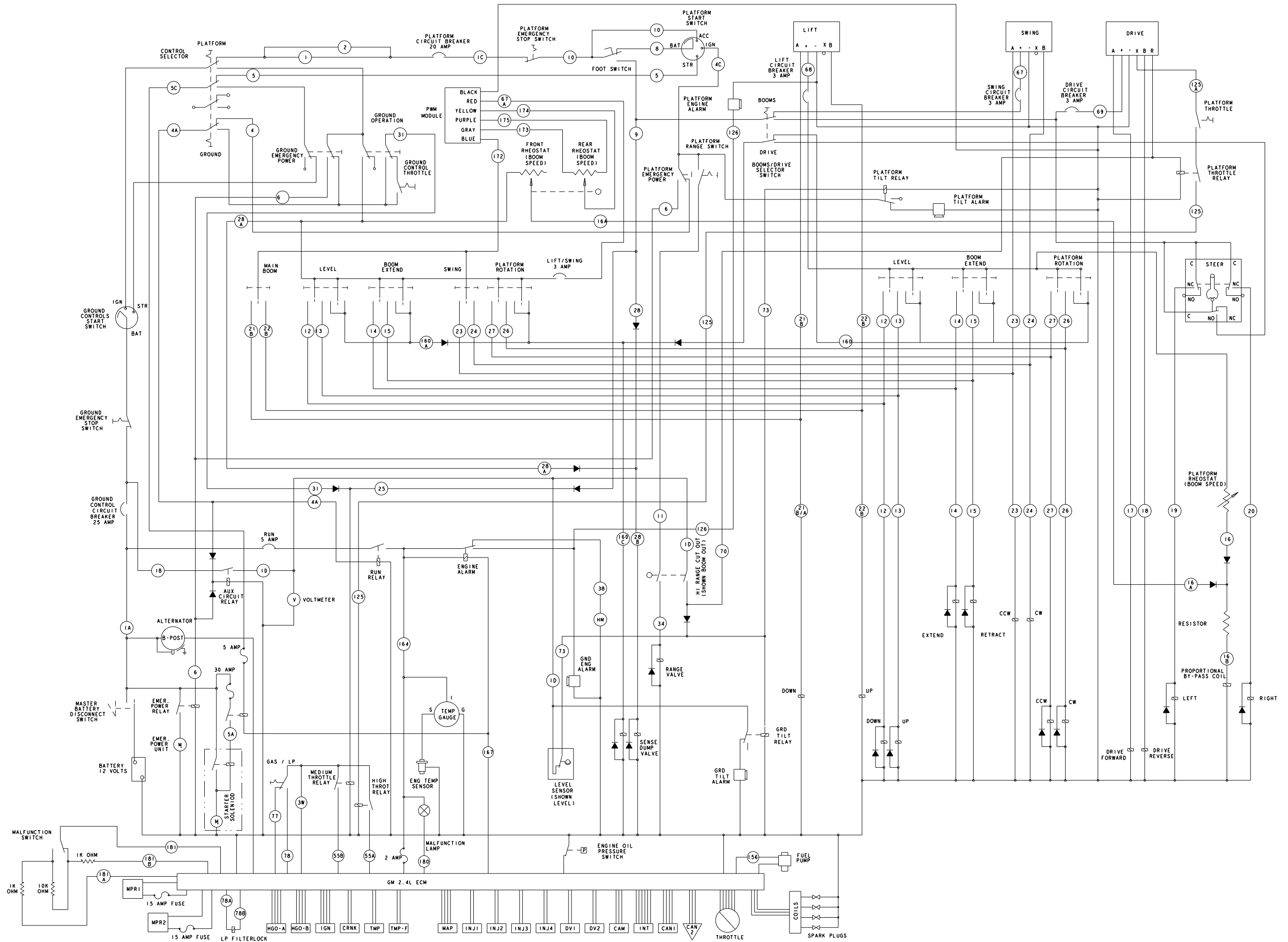


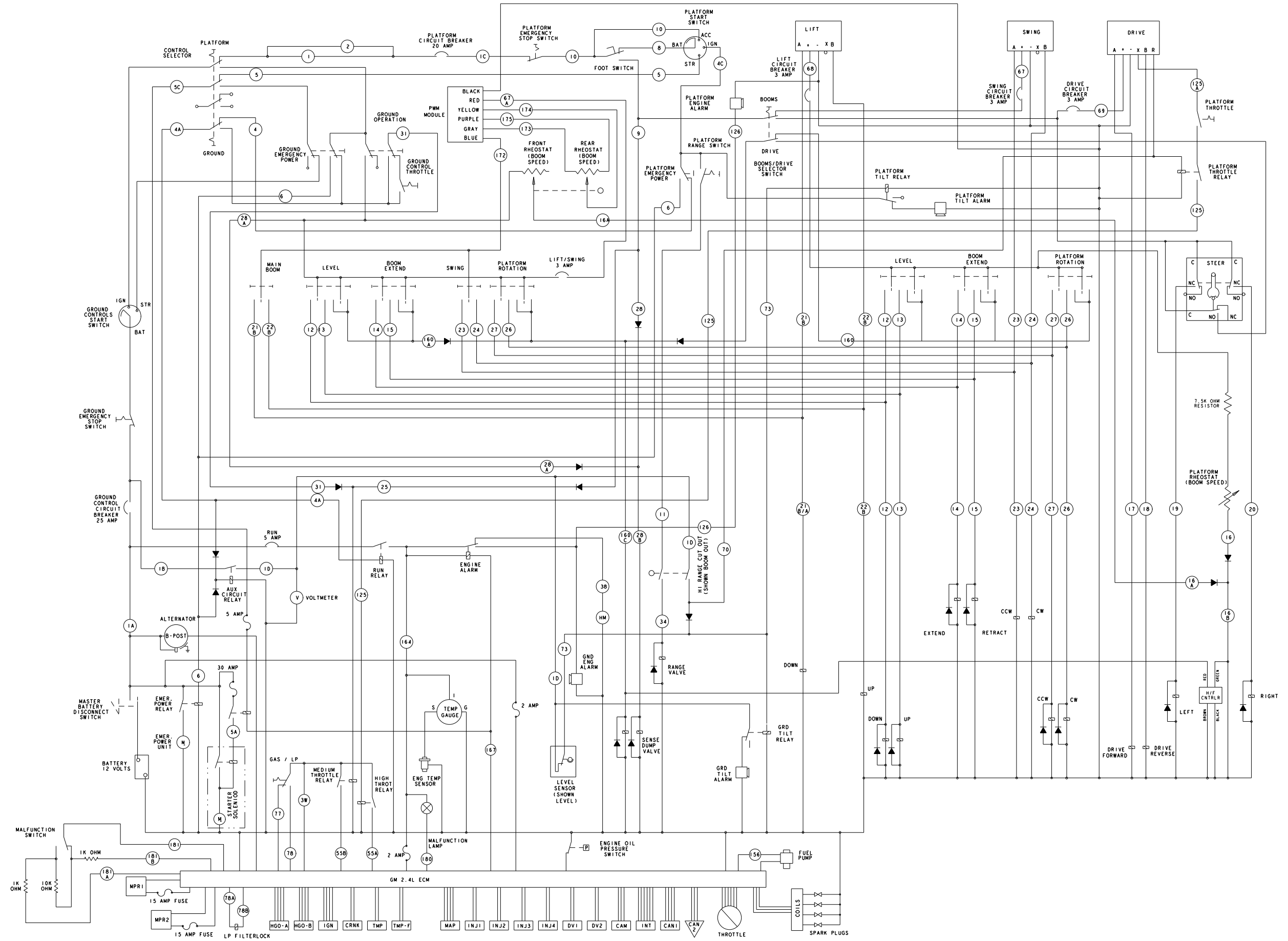


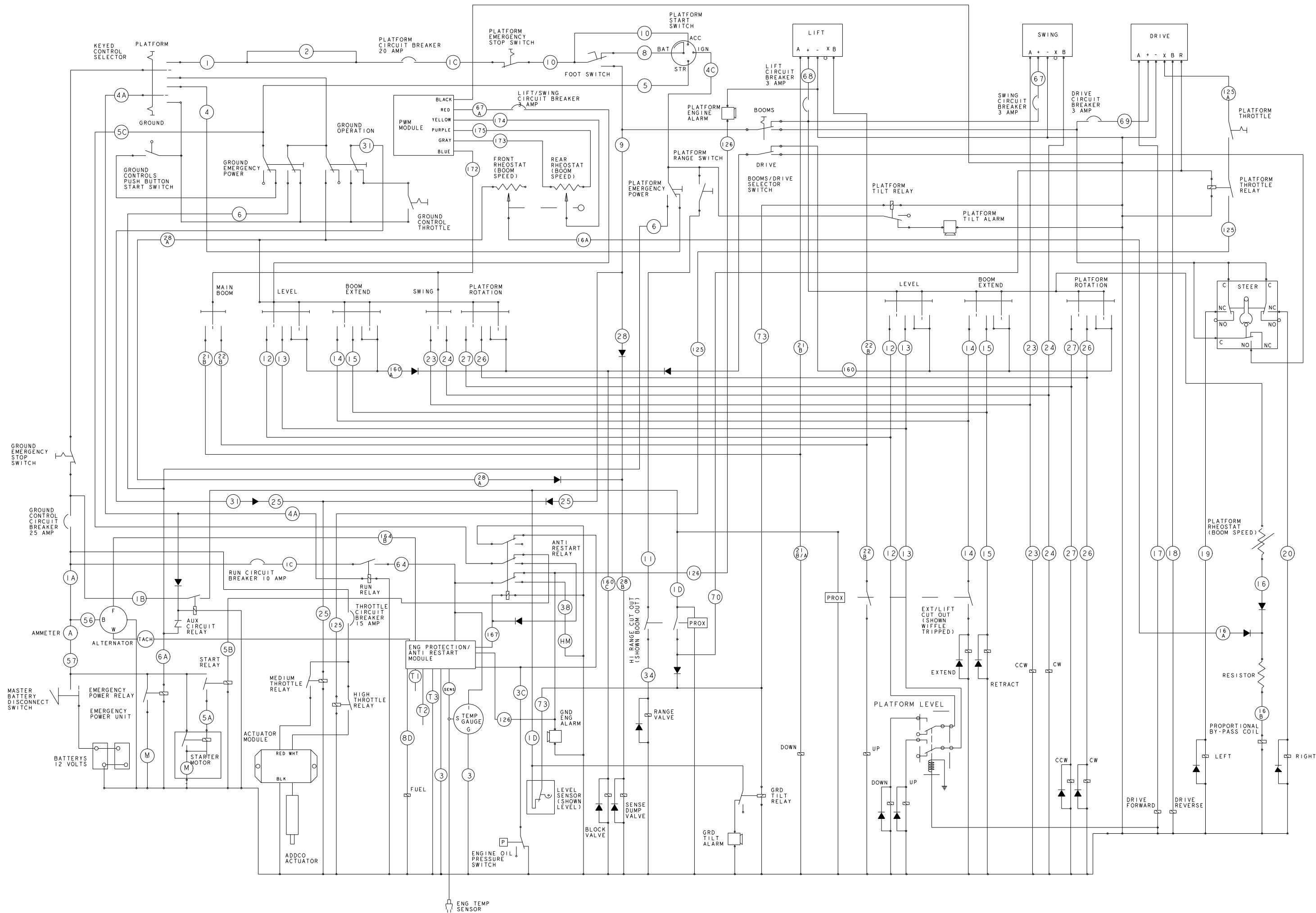


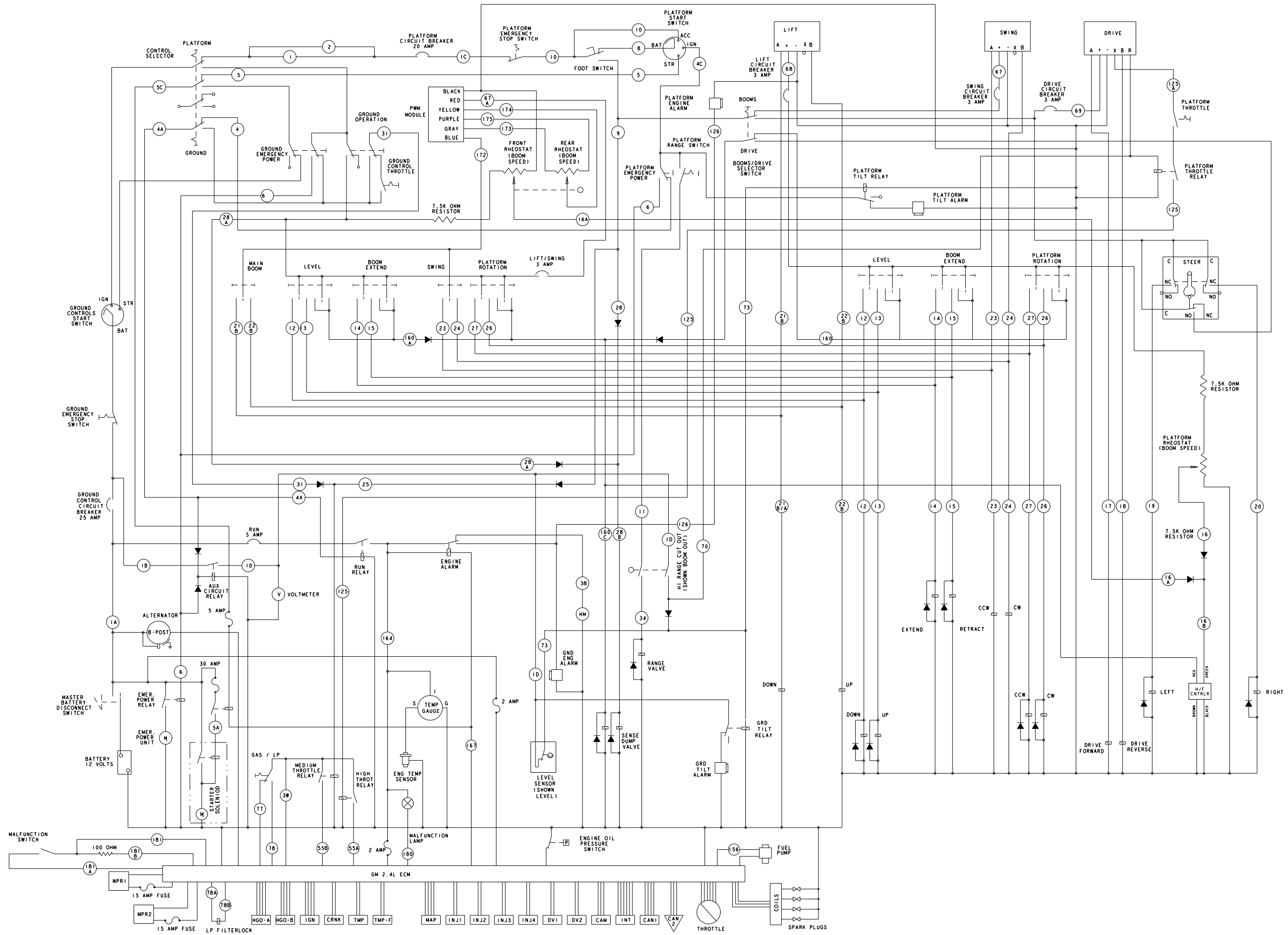


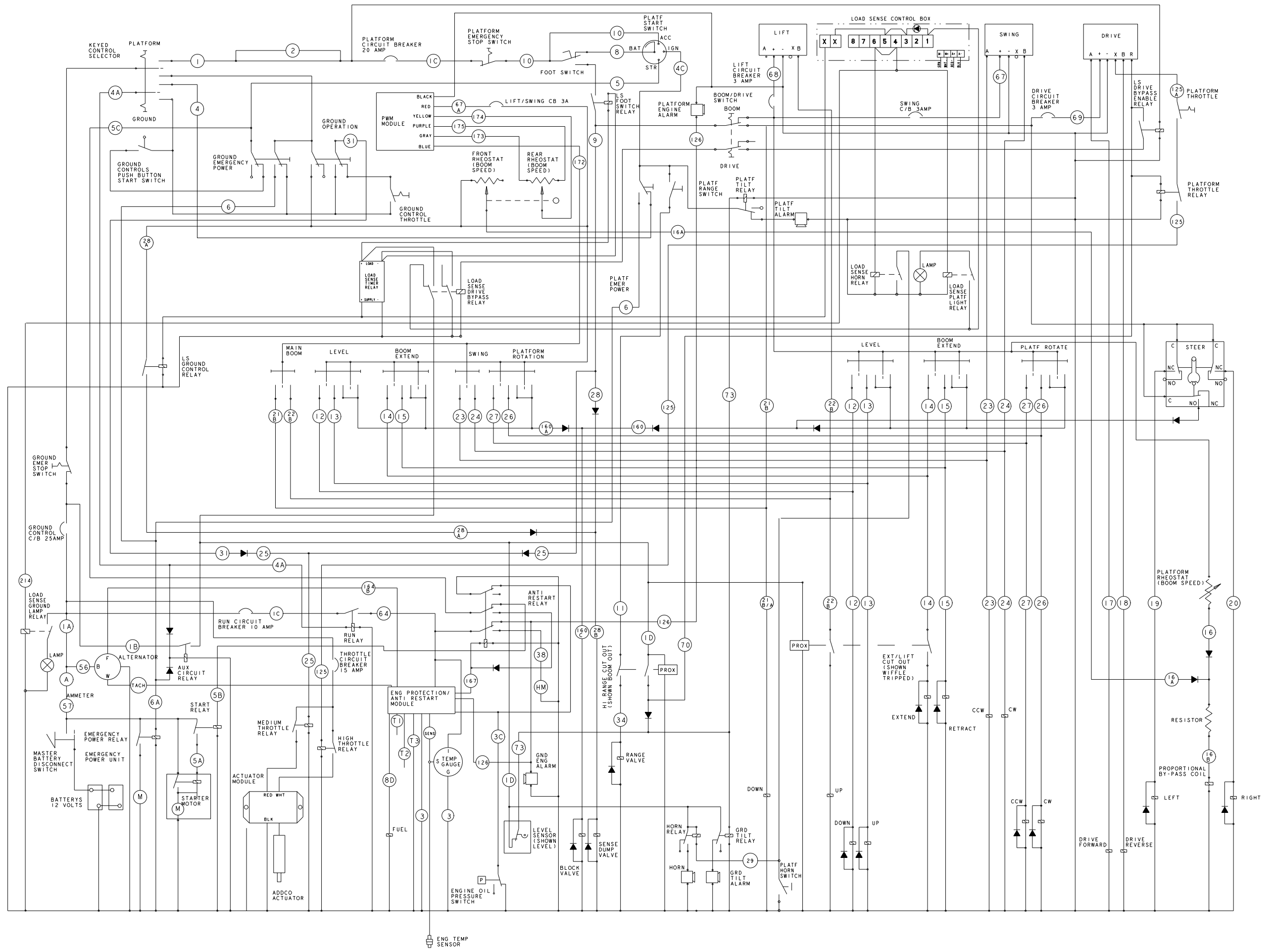


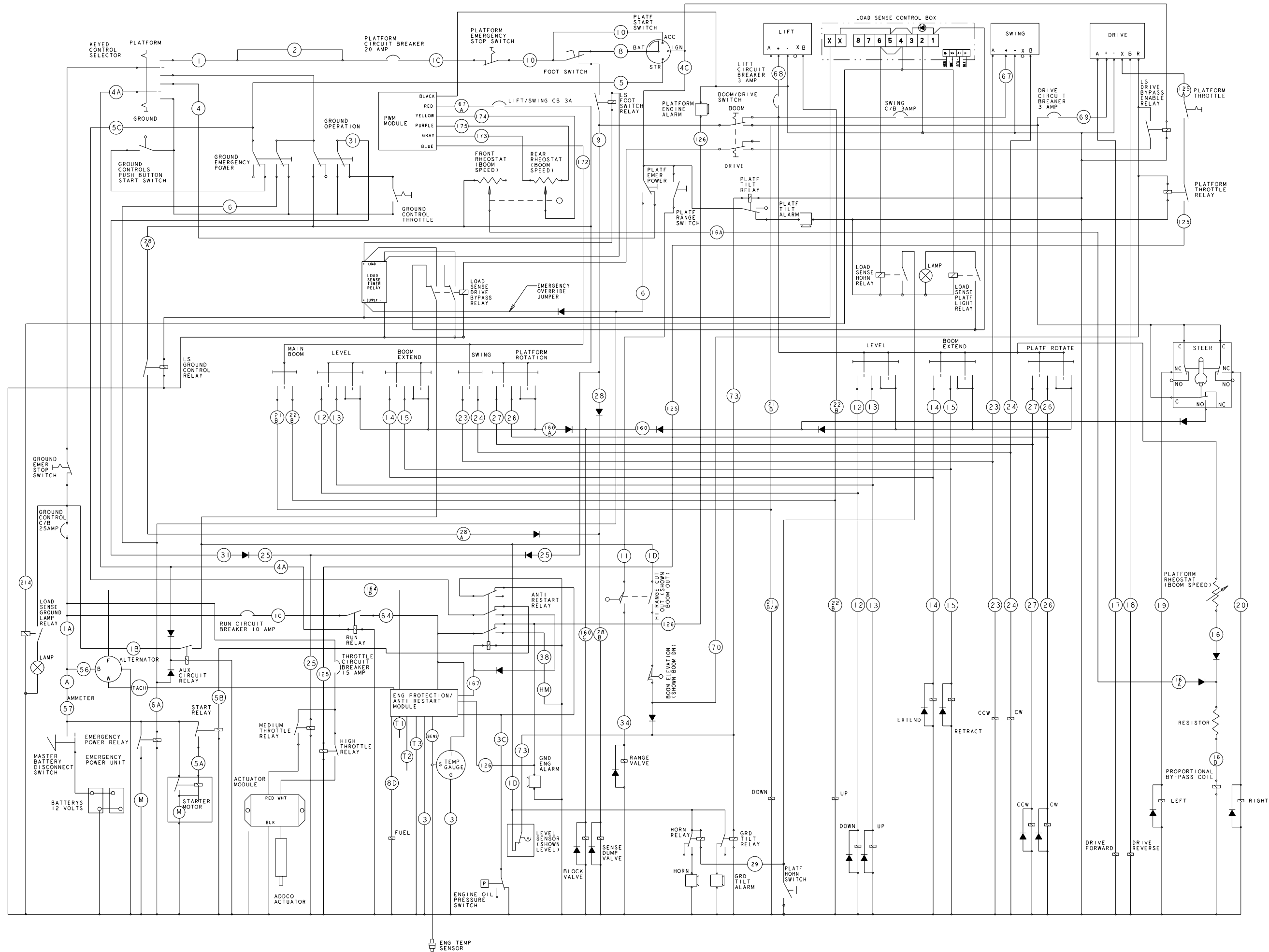


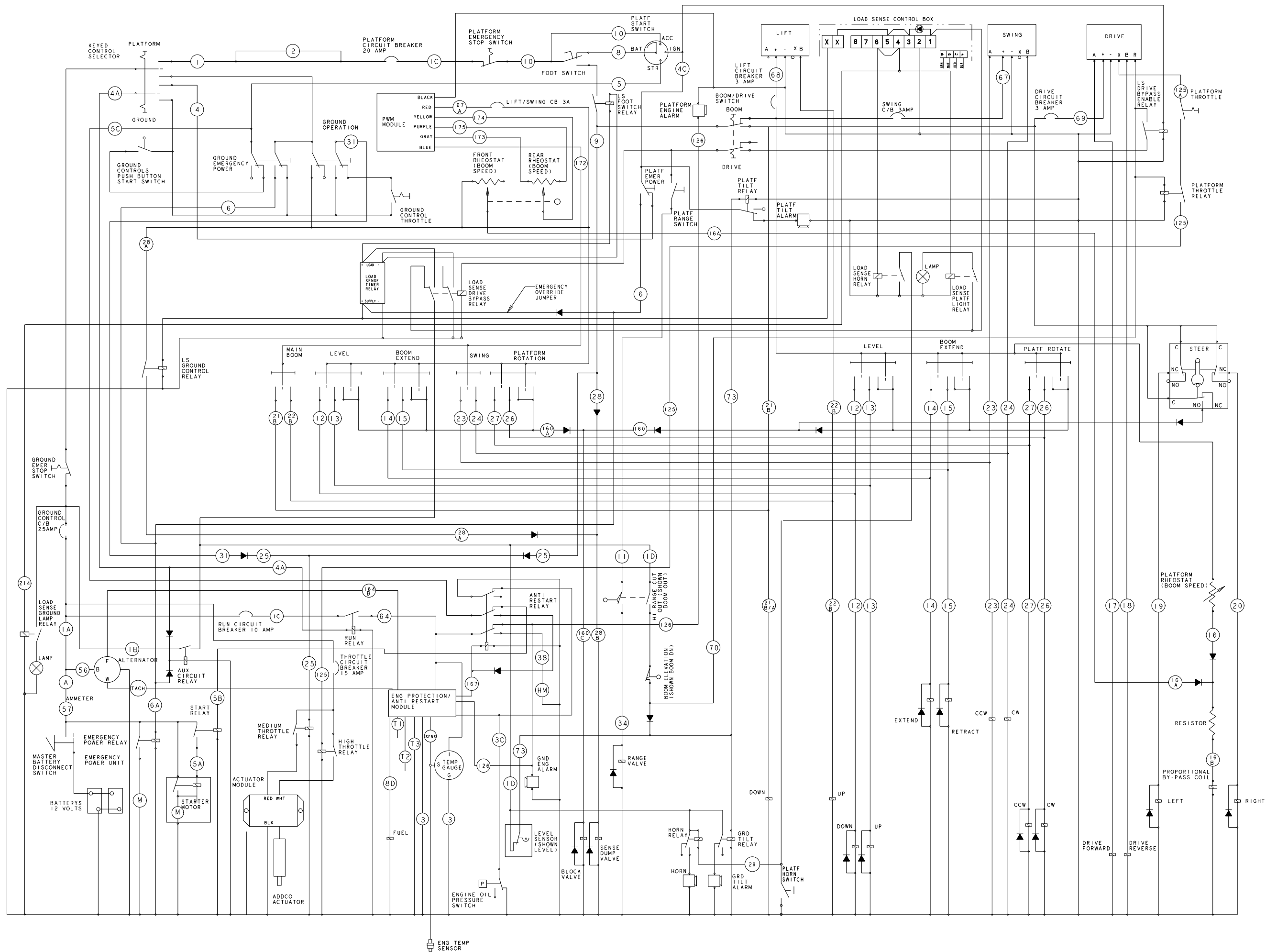


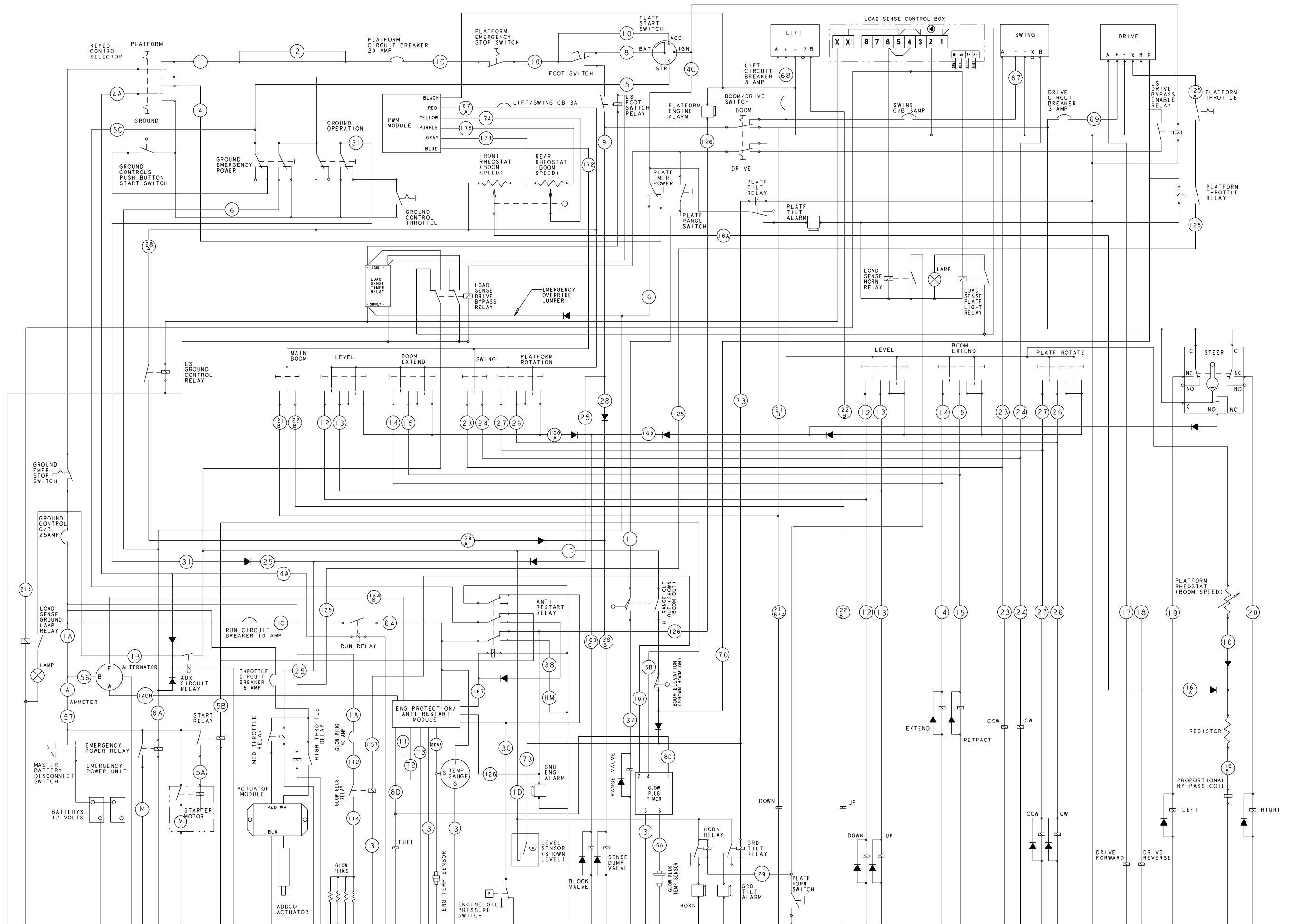




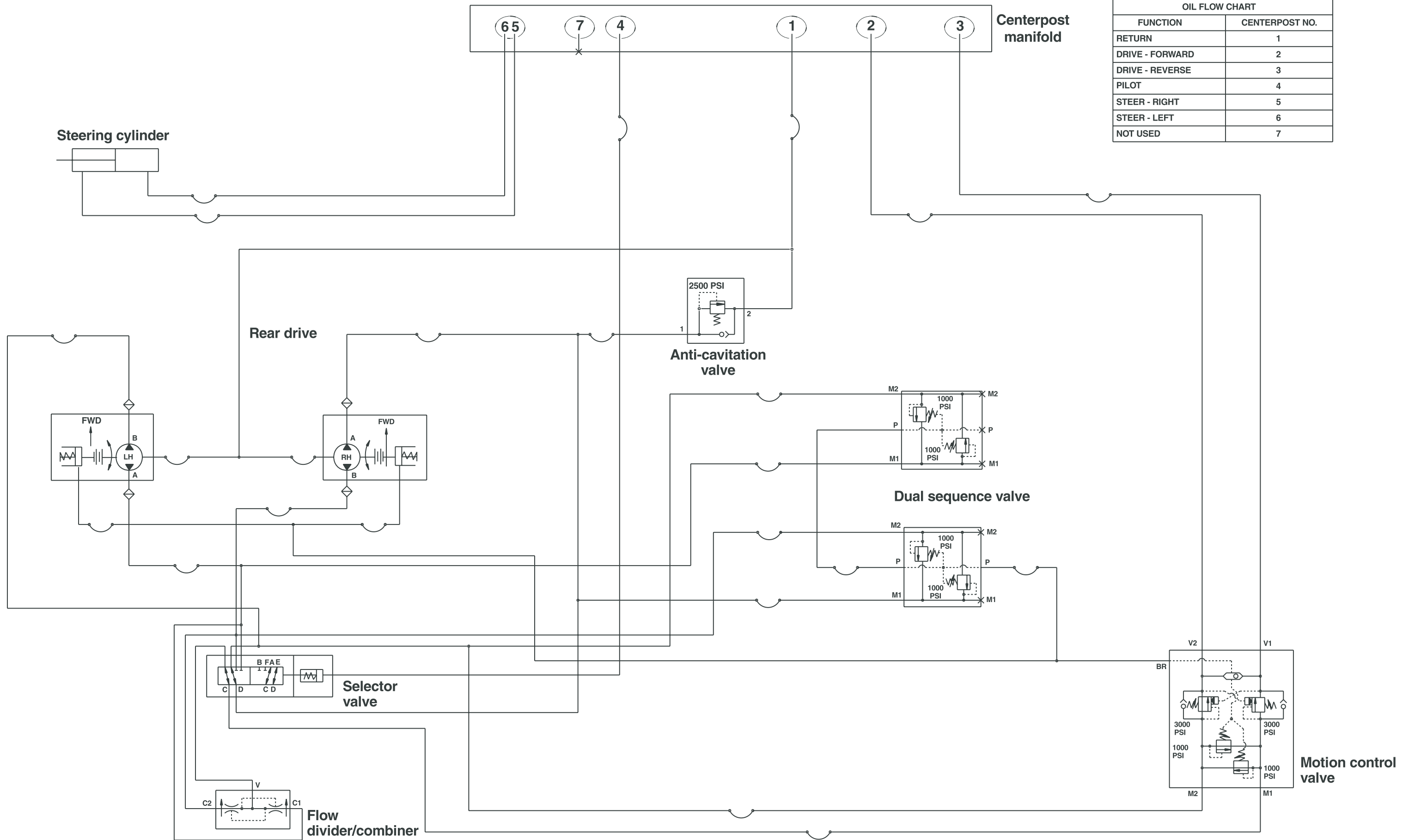


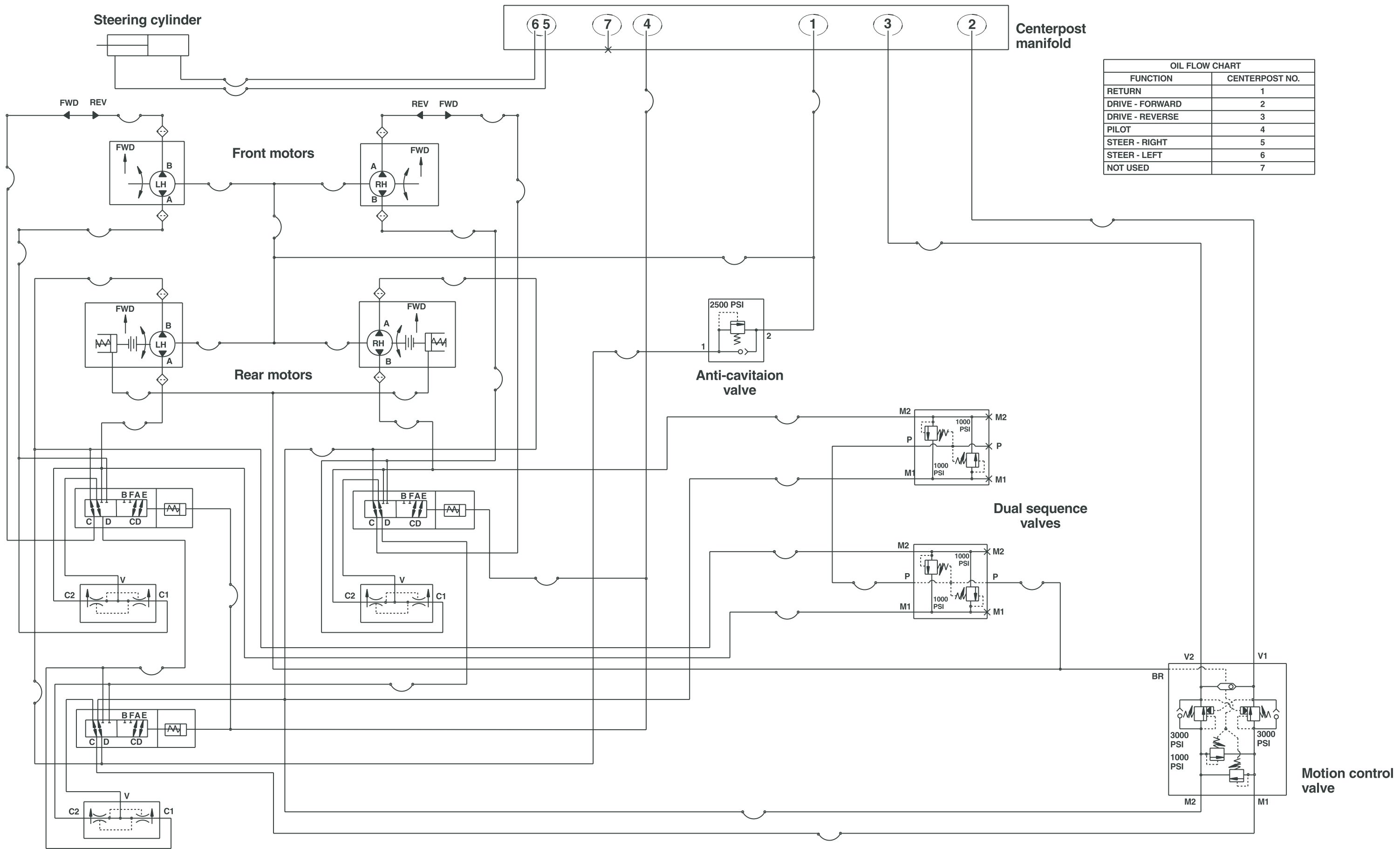




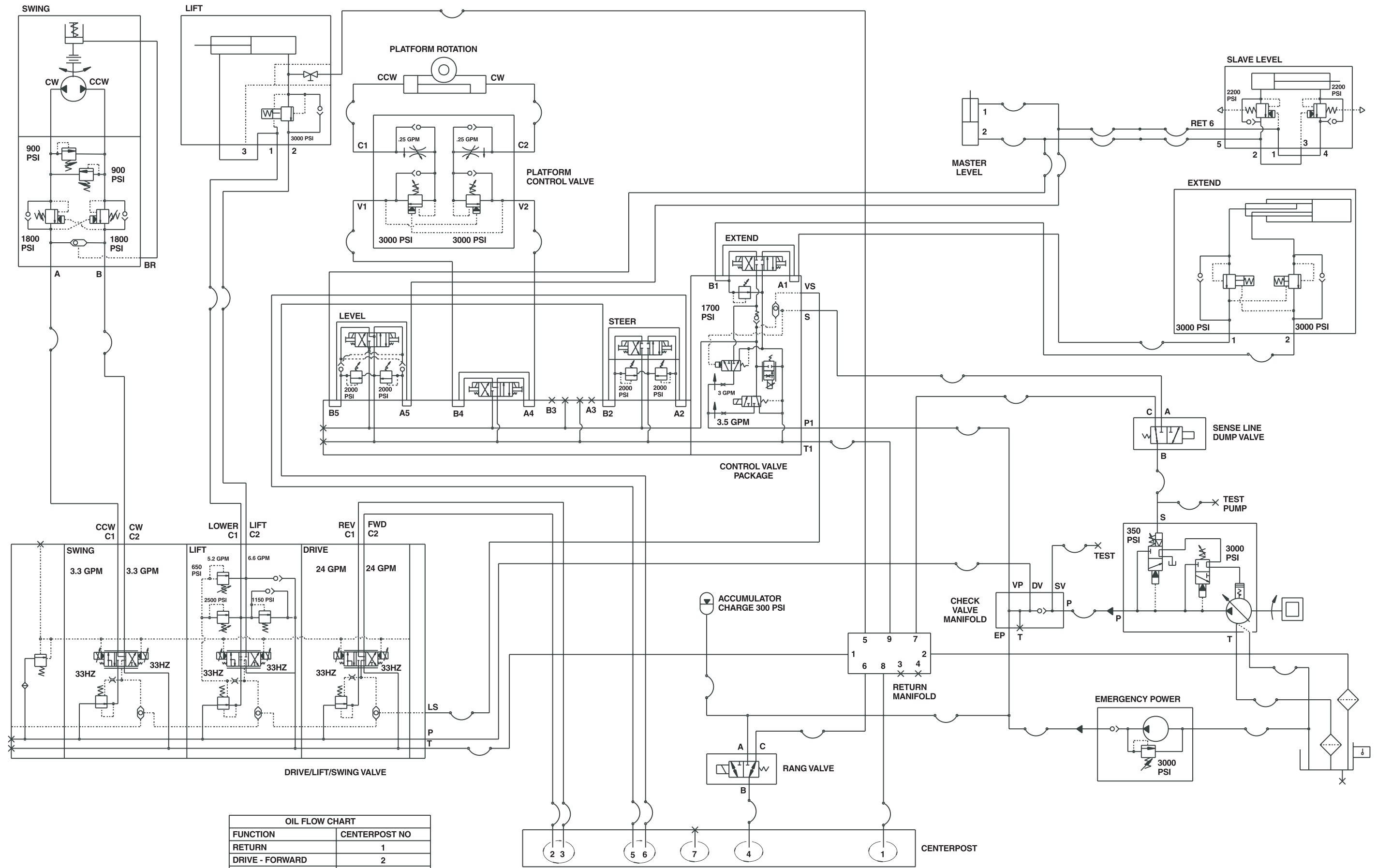


OIL FLOW CHART	
FUNCTION	CENTERPOST NO.
RETURN	1
DRIVE - FORWARD	2
DRIVE - REVERSE	3
PILOT	4
STEER - RIGHT	5
STEER - LEFT	6
NOT USED	7





OIL FLOW CHART	
FUNCTION	CENTERPOST NO.
RETURN	1
DRIVE - FORWARD	2
DRIVE - REVERSE	3
PILOT	4
STEER - RIGHT	5
STEER - LEFT	6
NOT USED	7



OIL FLOW CHART	
FUNCTION	CENTERPOST NO
RETURN	1
DRIVE - FORWARD	2
DRIVE - REVERSE	3
PILOT	4
STEER - RIGHT	5
STEER - LEFT	6
NOT USED	7

A		ALUMINUM PLATFORM WITH WELDER AND	
110 220 POWER TO PLATFORM		11KW GENERATOR	5-72
INSTALLATION	4-49	AMBER BEACON SINGLE	5-48
110V AC GENERATOR INSTALLATION		ANTI CAVITATION VALVE SUB ASSEMBLY	
APRIL 2007 AND AFTER	5-44	MARCH 2005 AND BEFORE	3-12
110V AC GENERATOR INSTALLATION		ANTI-CAVITATION VALVE	3-14
MARCH 2007 AND BEFORE	5-43	ANTI-CAVITATION VALVE SUB ASSEMBLY JULY	
110V POWER OUTLET INSTALLATION	4-48	2005 AND AFTER	3-13
12KW GENERATOR ASSEMBLY TENDAIRE		BOOM BRUSH KIT	5-30
.....	5-33	BOOM ELECTRICAL INSTALLATION JANUARY	
12KW GENERATOR ASSEMBLY FABCO	5-	2009 AND BEFORE	4-39
31		BOOM ELECTRICAL INSTALLATION FEBRUARY	
12KW GENERATOR BOOM ELECTRICAL		2009 AND AFTER	4-40
INSTALLATION	5-38	BOOM ELECTRICAL TB60 TB66 FLUID TECH	
12KW GENERATOR CIRCUIT BREAKER		INSTALLATION OCTOBER 2007 AND AFTER	4-38
WIRING	5-36	BOOM HOSE CARRIER ASSEMBLY MAY 2015 AND	
12KW GENERATOR HOSE CARRIER		AFTER	2-56
ASSEMBLY	5-37	BOOM INSTALLATION	2-53, 2-58
12KW GENERATOR INSTALLATION	5-32	BOOM SWITCH ASSEMBLY	4-37
12KW GENERATOR PLATFORM CONTROL		BOOMS AND HOSE CARRIER ASSEMBLY	
BOX	5-39	JANUARY 2001 AND AFTER	2-50
12KW GENERATOR VALVE ASSEMBLY	5-	BOOMS ASSEMBLY APRIL 2015 AND BEFORE	2-
34		49	
12KW GENERATOR WIRING BOX		BOOMS ASSEMBLY MAY 2015 AND AFTER	2-54
ASSEMBLY	5-35	CENTERPOST AND FITTINGS SUB ASSEMBLY	
220V AC GENERATOR INSTALLATION		OCTOBER 2017 AND BEFORE	3-28
TB60/TB66J	5-40	CHASSIS COVER INSTALLATION 4X4	2-4
3' X 8' PLATFORM STEEL 500#	2-73	CHASSIS HYDRAULIC EQUIPMENT 4X2 JANUARY	
ACCUMULATOR ASSEMBLY 300 PSI	3-41	2001 AND BEFORE	3-1
AIR CLEANER CUMMINS FORD GM	2-28	CHASSIS HYDRAULIC EQUIPMENT 4X4	
AIR CLEANER DEUTZ ONLY	2-22	FEBRUARY 2001 AND AFTER	3-2
AIR CLEANER INSTALLATION GM	2-32	CHASSIS HYDRAULIC EQUIPMENT 4X4	
AIR REEL INSTALLATION TB60	5-66	NOVEMBER 2006 AND AFTER	3-3
ALL MOTION ALARM	5-58	CHASSIS TURNTABLE MOUNTING	2-6

CHECK VALVE	3-44	DIODE RESISTOR WIRE ASSEMBLY	4-16
COLD WEATHER HYDRAULIC OIL	5-15	DRIVE INSTALLATION JANUARY 2001 AND AFTER	2-5
COLD WEATHER PACKAGE CUMMINS .5- 16		DRIVE LIFT SWING CONTROL VALVE	3-38
COLD WEATHER PACKAGE DEUTZ ...	5-17	DRIVE LIFT SWING VALVE ASSEMBLY	3-37
COLD WEATHER PACKAGE GM TB60/66J 5-18		DRIVE MOTOR	3-4
COLD WEATHER START GM	5-21	DRIVE MOTOR WITH INTEGRAL BRAKE	3-5
CONTROLLER 33HZ DRIVE STEER	4-46	DRIVE SEQUENCE VALVE LEFT HAND	3-10
CONTROLLER LIFT/SWING	4-47	DRIVE SEQUENCE VALVE RIGHT HAND	3-11
CSA PACKAGE	5-76	DRIVE VALVE SUB-ASSEMBLY 4X2	3-9
DECAL PLACARD TB60 KUBATA 4X4 .	2-83	DRIVE VALVE SUB-ASSEMBLY 4X4	3-8
DECAL PLACARD TB60 TB66J CUMMINS GM KUBOTA INSTALLATION MAY 2015 .	2- 84	DRIVING AND TAIL LIGHTS MAY 2015 AND BEFORE	5-49
DECAL PLACARDS TB60 TB66J INSTALLATION FEBURARY 2008 AND AFTER	2-89	DRIVING AND TAIL LIGHTS JUNE 2015 AND AFTER	5-50
DECAL PLACARDS TB60 TB66J INSTALLATION MAY 2015 AND AFTER	2- 90	DUAL CROSSOVER RELIEF VALVE	3-45
DECAL PLACARDS TB60 TB66J INSTALLATION NOVEMBER 2006 AND BEFORE	2-85	DUAL FUEL ENGINE SUBASSEMBLY FORD LRG- 425	5-9
DECAL PLACARDS TB60 TB66J INSTALLATION OCTOBER 2006 AND AFTER	2-86	DUAL FUEL FORD LRG-425	5-7
DECAL PLACARDS TB60 TB66J INSTALLATION OCTOBER 2007 AND AFTER	2-87	DUAL FUEL GM TIER 2 APRIL 2006 AND AFTER 5-3	
DECAL PLACARDS TB60 TB66J TNSSTALLATION DECEMBER 2007 AND AFTER	2-88	DUAL FUEL GM TIER 3 AUGUST 2007 AND AFTER	5-4
DEUTZ DIESEL SCRUBBER	5-11	DUMP VALVE	3-46
		EMERGENCY POWER UNIT	3-42
		EMERGENCY POWER UNIT WUXI DELI APRIL 2016 AND AFTER	3-43
		ENGINE ASSEMBLY CUMMINS TIER 3 WITH RADIATOR AUGUST 2008 AND BEFORE	2-12
		ENGINE INSTALLATION CUMMINS	2-14
		ENGINE SUB ASSEMBLY DEUTZ F4L-1011F MARCH 2007 AND BEFORE	2-17
		ENGINE AND RADIATOR ASSEMBLY CUMMINS 3.3 TIER 3 AUGUST 2008 AND AFTER	2-15

ENGINE AND RADIATOR ASSEMBLY CUMMINS 3.3 TIER 3 JULY 2007 AND AFTER	2-13	EXHAUST AND AIR CLEANER INSTALLATION FORD NOVEMBER 2004 AND BEFORE	2-26
ENGINE FORD LRG 425	2-25	EXHAUST AND AIR CLEANER INSTALLATION FORD WITH CATALYTIC CONVERTER DECEMBER 2004 AND AFTER	2-27
ENGINE HARNESS CUMMINS ASSEMBLY JANUARY 2001 AND AFTER	4-11	EXTENSION CYLINDER GBI	3-55
ENGINE HARNESS DEUTZ JANUARY 2001 AND AFTER	4-12	EXTENSION CYLINDER ROSENBOOM	3-56
ENGINE HARNESS FORD EFI 425 APRIL 2004 AND AFTER	4-13	EXTENSION CYLINDER SEABEE	3-57
ENGINE HARNESS GM 2.4L TIER 3	4-14	EXTENSION CYLINDER ASSEMBLY FEBRUARY 2000 AND BEFORE	2-51
ENGINE HARNESS KUBOTA V2403	4-15	EXTENSION CYLINDER ASSEMBLY MARCH 2000 AND AFTER	2-55
ENGINE INSTALLATION DEUTZ T3 F4L1011 JANUARY 2008 AND AFTER	2-20	EXTREME COLD WEATHER PACK GM	5-27
ENGINE INSTALLATION GM TIER 3 ...	2-29	EXTREME COLD WEATHER PACKAGE CUMMINS 5-24	
ENGINE MOUNTING FORD LRG 425 WITH CATALYTIC CONVERTOR AND EPM APRIL 2004 AND AFTER	2-24	EXTREME COLD WEATHER PACKAGE DEUTZ .	5-19
ENGINE MOUNTING FORD LRG 425 WITH ECM MARCH 2004 AND BEFORE	2-23	EXTREME COLD WEATHER PACKAGE GM ...	5-20
ENGINE SUB ASSEMBLY DEUTZ F4L1011F APRIL 2007 AND AFTER	2-19	EXTREME COLD WEATHER PACKAGE KUBOTA .	5-22
ENGINE SUB ASSEMBLY DEUTZ F4L1011F FEBRUARY 2009 AND AFTER	2-18	EXTREME ENVIROMENT PACKAGE CUMMINS	5-26
ENGINE SUB ASSEMBLY KUBOTA V2403 ..	2-34	EXTREME ENVIROMENT PACKAGE DEUTZ ..	5-25
ENGINE SUBASSEMBLY GM TIER 3 ...	2-30	FLOATION TIRE ASSEMBLY	5-79
ENGINE TRAY ASSEMBLY CUMMINS 3.3 TIER 3 SEPTEMBER 2008 AND AFTER ..	2-10	FLOTATION TIRES 4X4 TB60 TB66J	5-80
ENGINE TRAY ASSEMBLY CUMMINS 3.3 T3 FEBRUARY 2009 AND AFTER	2-11	FLOW DIVIDER VALVE	3-15
EXHAUST / AIR CLEANER INSTALLATION KUBOTA	2-36	FLOW DIVIDER VALVE SUB-ASSEMBLY	3-16
EXHAUST AND AIR CLEANER DEUTZ	2-21	FOAM FILLED TIRES 4X4 TB60 TB66J	5-77
		FOOT SWITCH WIDE TREDLE ASSEMBLY	4-51
		FRONT WHEEL DRIVE 4X4 FEBRUARY 2001 AND AFTER	2-3
		FRONT WHEEL DRIVE TB60 4 WHEEL DRIVE INSTALLATION JANUARY 2001 AND BEFORE .	2-2
		FUEL TANK INSTALLATION	2-37

GASOLINE ONLY GM TIER 3 AUGUST 2007 AND AFTER	5-5	HOSE CARRIER ASSEMBLY STEEL TRACK APRIL 2015 AND AFTER	2-57
GEAR HUB HIGH TORQUE AUBURN GEAR TB60-04-000114 AND BEFORE	3-6	HYDRAULIC AC GENERATOR ASSEMBLY 110V TB60 TB66J	5-42
GEAR HUB HIGH TORQUE OMNI GEAR TB60-04-000114 AND AFTER	3-7	HYDRAULIC AC GENERATOR SUB ASSEMBLY 220V AC 50HZ	5-41
GENERAL INFORMATION	1-1	HYDRAULIC AC GENERATOR VALVE SUB ASSEMBLY	5-46
GLAZIER PACKAGE PLATFORM WITH 1.7 INCH TOE BOARD INSTALLATION	5-74	HYDRAULIC AC GENERATOR WITH MOTION ALARM MODIFICATION	5-45
GLAZIER PACKAGE WORLD PLATFORM WITH 2 INCH TOE BOARD INSTALLATION .	5-75	HYDRAULIC OIL RESERVIOR ASSEMBLY INSTALLATION	2-38
GLAZIER TRAY ASSEMBLY	5-73	HYDRAULIC OIL RESERVOIR AUGUST 1999 AND BEFORE	3-48
GRAVITY GATE SIDE ENTRY STEEL PLATFORM	5-57	HYDRAULIC OIL RESERVOIR JULY 2006 AND AFTER	3-49
GROUND BOX ASSEMBLY KUBOTA ...	4-23	HYDRAULIC OIL RESIVIOR ASSEMBLY	2-39
GROUND CONTROL PANEL ASSEMBLY GM TIER 3	4-21	HYDRAULIC PUMP AND FITTINGS DEUTZ CUMMINS	3-25
GROUND CONTROL PANEL ASSEMBLY CUMMINS AND DEUTZ NOVEMBER 2007 AND AFTER	4-18	HYDRAULIC PUMP ASSEMBLY JUNE 2018 AND AFTER	3-26
GROUND CONTROL PANEL ASSEMBLY CUMMINS AND DUETZ JANUARY 2001 AND AFTER TB60	4-19	HYDRAULIC WARM UP	5-12
GROUND CONTROL PANEL ASSEMBLY DEUTZ FEBURARY 2008 AND AFTER TB60	4-17	HYDRAULIC WARM UP VALVE	5-14
GROUND CONTROL PANEL ASSEMBLY FORD	4-20	ISOLATION VALVE INSTALLATION	5-47
GROUND CONTROL PANEL ASSEMBLY KUBOTA	4-22	LANYARD MOUNT	5-68
HORN INSTALLATION	5-59	LEGACY SNORKEL GUARD ASSEMBLY	2-82
HOSE CARRIER ASSEMBLY JANUARY 2001 AND AFTER	2-52	LEGACY SNORKEL GUARD WIRING	2-81
		LIFT CYLINDER GBI	3-52
		LIFT CYLINDER ROSENBOOM	3-53
		LIFT CYLINDER ASSEMBLY	3-51
		LIFT SWING COUNTERWEIGHT INSTALLATION NOVEMBER 2014 AND AFTER	2-9
		LIGHT PACKAGE	5-51
		LP FUEL ONLY FORD LRG-425	5-8

LP ONLY GM TIER 3 SEPTEMBER 2007 AND AFTER	5-6	AND AFTER	3-27
MAINTENANCE, TB60	6-1	PLASTIC COWLING INSTALLATION CUMMINS FORD GM TB60 TB66J	2-40
MASTER LEVEL CYLINDER ROSENBOOM . 3-54		PLASTIC COWLING INSTALLATION DEUTZ SEPTEMBER 2006 AND BEFORE	2-41
MOTION ALARM DRIVE ONLY	5-65	PLASTIC COWLING INSTALLATION DEUTZ NOVEMBER 2006 AND AFTER	2-42
MOTION CONTROL VALVE DRIVE	3-33	PLATFORM 8 FOOT ALUMINUM INSTALLATION WITH SWING GATE	2-78
MOTION CONTROL VALVE DRIVE SUB ASSEMBLY	3-34	PLATFORM ASSEMBLY 8 FOOT ALUMIMUM WITH 600# CAPACITY	2-70
MOTION CONTROL VALVE FLUIDTECH TECH	3-36	PLATFORM ASSEMBLY ALUMINUM WITH SWING GATE AND PARKER ROTATOR	2-68
MOTION CONTROL VALVE TURNTABLE SWING WILLIAMS	3-35	PLATFORM MOUNT HELAC	2-65
NON MARKING FOAM FILLED TIRES 4X4 5-78		PLATFORM 5' STEEL 500# DUAL HANDRAILS WITH SWING GATE TB60 ATB60	2-72
NON PROPORTIONAL CONTROL VALVE VICKERS JANUARY 2001 AND AFTER .	3-39	PLATFORM 8' ALUMINUM WITH SWING GATE TB60	2-71
NON-PROPORTIONAL CONTROL VALVE FLUIDTECH FEBRUARY 2008 AND AFTER .	3-40	PLATFORM ASSEMBLY 8 FOOT ALUMINUM WITH GRAVITY GATE	2-67
OIL COOLER DEUTZ 12KW INSTALLATION TB60 TB65J TB66J	5-2	PLATFORM ASSEMBLY STEEL MARCH 2009 AND AFTER	2-74
PANEL SUB ASSEMBLY CUMMINS DEUTZ ADDCO 3 SPEED AUGUST 2008 AND BEFORE	4-32	PLATFORM ASSEMBLY STEEL TRI ENTRY WITH HELAC ROTATOR	2-69
PANEL SUB ASSEMBLY FORD LRG-425 SEPTEMBER 2003 AND AFTER	4-34	PLATFORM BOX COURTESY LIGHT	5-52
PANEL SUB ASSEMBLY GM TIER 3 OCTOBER 2007 AND BEFORE	4-35	PLATFORM BUMPGUARD	5-67
PANEL SUB ASSEMBLY KUBOTA JUNE 2015 AND AFTER	4-36	PLATFORM CONTROL BOX ASSEMBLY CUMMINS DUETZ AND KUBOTA FEBRUARY 2009 AND AFTER	4-43
PERSONAL FALL ARREST ANCHORAGE INSTALLATION	5-70	PLATFORM CONTROL BOX SUB ASSEMBLY MAY 2007 AND AFTER	4-42
PISTON PUMP HENGLI SEPTEMBER 2019		PLATFORM CONTROL BOX SUB ASSEMBLY JANUARY 2001 AND AFTER	4-41
		PLATFORM CONTROL BOX TB60 CUMMINS	

DEUTZ KUBOTA SUB ASSEMBLY FEBURARY 2009 AND AFTER	4-45	PLATFORM ROTATOR HELAC SUB ASSEMBLY JANUARY 2018 AND BEFORE	2-61
PLATFORM CONTROL BOX TB60 CUMMINS DEUTZ KUBOTA SUB ASSEMBLY NOVEMBER 2007 AND AFTER	4-44	PLATFORM ROTATOR PARKER	3-60
PLATFORM CONTROL COVER VINYL	5-62	PLATFORM ROTATOR PARKER ASSEMBLY JUNE 2013 AND AFTER	2-62
PLATFORM FOOT SWITCH ASSEMBLY	4-50	PLATFORM SUB ASSEMBLY 8' STEEL WITH SWING GATE	2-79
PLATFORM GATE	2-66	PLATFORM WORK LIGHTS	5-53
PLATFORM INSTALLATION ALUMINUM GRAVITY GATE CE PARKER ROTATOR	2-80	PLATFORM WORK LIGHTS 4 HALOGEN	5-55
PLATFORM INSTALLATION STEEL WITH GRAVITY GATE AND PARKER ROTATOR 2-77		PLATFORM WORK LIGHTS GLOBAL PLATFORM INSTALLATION	5-54
PLATFORM INSTALLATION WITH HELAC ROTATOR	2-75	PROPORTIONAL EXTEND/RETRACT	5-64
PLATFORM INSTALLATION WITH PARKER ROTATOR	2-76	RADIATOR ASSEMBLY CUMMINS 3.3	2-16
PLATFORM LIGHT INSTALLATION AUGUST 2014 AND AFTER	5-61	RADIATOR ASSEMBLY GM	2-31
PLATFORM LIGHT INSTALLATION JULY 2014 AND BEFORE	5-60	RANGE VALVE SUB ASSEMBLY	3-47
PLATFORM ROTATION VALVE	3-62	REAR COWLING STEEL ASSEMBLY	2-48
PLATFORM ROTATOR ASSEMBLY MARCH 2006 AND BEFORE	2-59	SANDBLAST INSTALLATION DEUTZ ONLY TB60	5-29
PLATFORM ROTATOR ASSEMBLY HELAC OCTOBER 2014 AND AFTER	3-61	SANDBLAST KIT	5-28
PLATFORM ROTATOR ASSEMBLY MARCH 2006 AND AFTER	2-60	SELECTOR VALVE LEFT HAND	3-19
PLATFORM ROTATOR HELAC ASSEMBLY JANUARY 2015 AND AFTER	2-64	SELECTOR VALVE 4X2	3-17
PLATFORM ROTATOR HELAC ASSEMBLY OCTOBER 2014 AND AFTER	2-63	SELECTOR VALVE 4X4	3-20
		SELECTOR VALVE RIGHT HAND	3-18
		SERIES PARALLEL PACKAGE VALVE 4X4 LEFT HAND	3-22
		SERIES PARALLEL PACKAGE VALVE 4X4 RIGHT HAND	3-21
		SLAVE LEVEL CYLINDER ROSENBOOM	3-59
		SLAVE LEVEL CYLINDER ASSEMBLY	3-58
		SPARK ARRESTOR MUFFLER DEUTZ	5-10
		STEEL COWLING INSTALLATION CUMMINS FORD GM KUBOTA MAY 2015 AND AFTER	2-43
		STEEL COWLING FORD CUMMINS GM KUBOTA AFTER APRIL 2015	2-44

STEEL COWLING INSTALLATION CUMMINGS AND FORD JUNE 2011 AND BEFORE 2-45	TB60 ELECTRICAL SCHEMATIC CE DEUTZ A08094C ADDED LOAD SENSE 7-12
STEEL COWLING SERVICE KIT DEUTZ 2- 47	TB60 ELECTRICAL SCHEMATIC CE DEUTZ A08094D ADDED BOOM ANGLE SWITCH AND UPDATED DRIVE BYPASS RELAY POWER ... 7-13
STEEL COWLING SERVICE KIT GM FORD CUMMINS KUBOTA 2-46	TB60 ELECTRICAL SCHEMATIC CUMMINS A08114B 7-1
STEEL PLATFORM WITH WELDER 5-69	TB60 ELECTRICAL SCHEMATIC CUMMINS TIER 3 ADDED GLOW PLUG TIMER ASSEMBLY WITH RELATED WIRING A08142A 7-2
STEERING INSTALLATION 4X2 TB60 TBA60 2-1	TB60 ELECTRICAL SCHEMATIC CUMMINS TIER 3 REPLACED ADDCO ACTUATOR WITH SOLENOID A08142B 7-3
STEERING AND LEVELING CYLINDER ROSENBOOM JANUARY 2001 AND AFTER . 3-50	TB60 ELECTRICAL SCHEMATIC DEUTZ A08090B ADDED HARD START SOLENOID 7-4
SUPERTRAPP MUFFLER ADAPTER 2-33	TB60 ELECTRICAL SCHEMATIC DEUTZ A08090C REPLACED ADDCO ACTUATOR WITH SOLENOID 7-5
SWING DRIVE AUBURN GEAR 3-32	TB60 ELECTRICAL SCHEMATIC GM 2.4L TIER 3 A08137A 7-7
SWING DRIVE PERFECTION 3-30	TB60 ELECTRICAL SCHEMATIC GM A08136B . 7-6
SWING DRIVE TULSA WINCH 3-31	TB60 ELECTRICAL SCHEMATIC GM TIER 3 ADDED FLUID TECH NON-PROPORTIONAL VALVE A08137B 7-8
SWING DRIVE ASSEMBLY 3-29	TB60 ELECTRICAL SCHEMATIC GM TIER 3 ADDED HYDRAFORCE CONTROLLER WIRING A08137C 7-9
SWING GATE SIDE MIDRAIL ALUMINUM PLATFORM OCTOBER 2007 AND AFTER . 5- 56	TB60 ELECTRICAL SCHEMATIC GM UPDATED WIRING HARNESS A08137D 7-11
TB60 ELECTRICAL SCHEMATIC CE CUMMINS TIER 3 ADDED GLOW PLUG TIMER ASSEMBLY WITH RELATED WIRING 7-15	TB60 HYDRAULIC SCHEMATIC 0082091B 7-18
TB60 ELECTRICAL SCHEMATIC CE DEUTZ A08094B 7-10	TB60 PRO65 TB65J PRO66 TB66J HYDRAULIC SCHEMATIC 2 WHEEL DRIVE 0082089A 7-16
TB60 ELECTRICAL SCHEMATIC CE DEUTZ 1D WIRING CONNECTION IN WIRING BOX UPDATED LOAD SENSE CONTROL BOX MOUNT SCREWS TO SELF TAPPING PLATFORM AC POWER INSTALLATION AND 220V AC GEN OPTION UPDATED POWER TO RANGE SWITCH 7-14	TB60 TB60P PRO65 TB65J PRO66 TB66J HYDRAULIC SCHEMATIC 4 WHEEL DRIVE

0082090A	7-17	TURNTABL ELECTRICAL INSTALLATION	
TILT ALARM LIGHT JULY 2005 AND AFTER		CUMMINS APRIL 2008 AND AFTER	4-4
.....	5-63	UPPER CONTROL BOX COVER JUNE 2014 AND	
TOW PACKAGE	5-1	BEFORE	5-23
TURNTABLE ELECTRICAL ASSEMBLY		V2403-M-T-E3B-KEA-2F KUBOTA ENGINE WITH	
KUBOTA TB60	4-10	RADIATOR REPLACEMENT PARTS	2-35
TURNTABLE ELECTRICAL CUMMINS 3.3		WARM UP WITH SIMPLIFIED HYDRAULICS GM	
MARCH 2008 AND BEFORE	4-3	5-13	
TURNTABLE ELECTRICAL FORD LRG 425 .		WELDER ASSEMBLY	5-71
4-9		WIRING BOX ASSEMBLY CUMMINS DEUTZ	
TURNTABLE ELECTRICAL INSTALL ATION		FORD TB60 B66J NOVEMBER 2011 AND AFTER	4-
FORD JANUARY 2001 AND AFTER	4-8	26	
TURNTABLE ELECTRICAL INSTALLATION		WIRING BOX ASSEMBLY CUMMINS DEUTZ	
CUMMINS 3.3 JUNE 2008 AND AFTER ...	4-2	FORD ADDCO 3 SPEED JANUARY 2009 AND	
TURNTABLE ELECTRICAL INSTALLATION		BEFORE	4-24
CUMMINS TIER 3 TB60 TB66J MAY 2008		WIRING BOX ASSEMBLY CUMMINS DUETZ	
AND BEFORE	4-1	ADDCO 3 SPEED JANUARY 2001 AND AFTER	4-
TURNTABLE ELECTRICAL INSTALLATION		25	
DEUTZ AUGUST 2008 AND BEFORE TB60 ..		WIRING BOX ASSEMBLY FORD LRG-425 AUGUST	
4-6		2006 AND BEFORE	4-27
TURNTABLE ELECTRICAL INSTALLATION		WIRING BOX ASSEMBLY GM TIER 3 JULY 2007	
DEUTZ FEBURARY 2009 AND AFTER TB60		AND BEFORE	4-30
4-7		WIRING BOX ASSEMBLY KUBOTA CE APRIL	
TURNTABLE ELECTRICAL INSTALLATION		2015 AND AFTER	4-29
DEUTZ SEPTEMBER 2008 AND AFTER TB60		WIRING BOX KUBOTA ASSEMBLY JUNE 2014	
.....	4-5	AND AFTER	4-28
TURNTABLE ELECTRICAL TB60 KUBOTA		WIRING BOX PANEL CUMMINS DEUTZ 3 SPEED	
ASSEMBLY	2-7	JANUARY 2001 AND AFTER	4-31
TURNTABLE HYDRAULIC EQUIPMENT		WIRING BOX PANEL CUMMINS DEUTZ 3 SPEED	
FLUIDTECH JANUARY 2008 AND AFTER	3-	OCTOBER 2010 AND AFTER	4-33
24			
TURNTABLE HYDRAULIC EQUIPMENT			
VICKERS APRIL 2007 AND BEFORE ...	3-23		
TURNTABLE KUBOTA ASSEMBLY	2-8		

B	0070148	2-10, 2-11
*	0070224	2-1
4-38, 4-38, 4-38	0070256-8	2-9
-	0070328	2-1
4-6, 4-41, 4-44	0070331	5-3, 5-7
0013930	0070370	2-77
4-49	0070390	2-49, 2-54
0020267	0070438	2-51
3-1	0070439	2-49
0020270	0070440	2-51, 2-53, 2-55, 2-58
5-32	0070441	2-76
0020273	0070442	2-1, 2-9
3-2, 3-3, 3-23, 3-24	0070443	2-49, 2-54
0020275	0070446	2-64, 2-76
3-1	0070448	2-49, 2-54
0020280	0070472	2-9
3-23, 3-24	0070473	2-1, 2-9, 2-49, 2-51, 2-53, 2-54, 2-55, 2-58, 2-59, 2-60, 2-62, 2-64, 2-76
0020283 2-60, 2-62, 3-2, 3-3, 3-23, 3-24, 3-29, 5-12	0070483	2-37, 5-3, 5-4, 5-5
0020356	0070486	2-49, 2-54
2-63, 3-61	0070504	2-50
0020372	0070505	2-50
3-23, 3-24	0070506	2-50
0020655	0070570	2-59, 2-60, 2-62
2-6, 3-2, 3-3	0070596	4-50
0030214	0070639	2-49, 2-54
2-54	0070681	4-31, 4-32, 4-33, 4-34, 4-35, 4-36
0040276	0070682	4-31, 4-32, 4-33, 4-34, 4-35, 4-36
3-1, 3-2, 3-3	0070705	2-7, 2-8, 4-1, 4-2, 4-3, 4-4, 4-5, 4-6, 4-7, 4-8, 4-9, 4-10
0050137	0070711	4-31, 4-32, 4-33, 4-34, 4-35, 4-36, 4-41, 4-42, 4-43, 4-44, 4-45
3-23, 3-24, 5-12, 5-32	0070712	4-41, 4-42, 4-43, 4-44, 4-45, 5-36
0058493-025	0070713	4-31, 4-32, 4-33, 4-35, 4-41, 4-42, 4-43, 4-44,
2-13, 2-15		
0060089		
2-55, 5-37		
0060373 4-18, 4-20, 4-21, 4-22, 4-41, 4-42, 4-43, 4-44, 4-45, 4-50, 5-39		
0070021		
2-6		
0070029		
2-50, 2-51, 2-52, 2-55		
0070030		
2-49, 2-54		
0070031		
2-54		
0070033 2-1, 2-9, 2-49, 2-51, 2-53, 2-54, 2-55, 2-58, 2-64, 2-76		
0070043		
2-49		
0070047		
3-29, 3-29, 3-29		
0070047 N		
3-30		
0070047 N-1		
3-31		
0070047N-2		
3-32		
0070132		
2-59, 2-60, 2-62, 2-64, 2-76		
0070141		
2-51, 2-55		

4-45	0070921	4-27
0070724 . 4-5, 4-6, 4-7, 4-31, 4-32, 4-33, 4-34, 4-35, 4-36	0070926	3-23, 3-24
0070730 4-20, 4-21, 4-41, 4-42, 4-43, 4-44, 4-45, 5-39	0070927	3-23, 3-24, 5-1
0070733	0070967	4-23, 4-24, 4-25, 4-26, 4-27, 4-28, 4-29, 4-30, 4-41, 4-42, 4-43, 4-44, 4-45, 4-50
0070735 4-18, 4-20, 4-21, 4-22, 4-23, 4-24, 4-25, 4-26, 4-27, 4-28, 4-29, 4-30	0070969	5-3, 5-4, 5-6, 5-7, 5-8
0070742	0070974	5-3, 5-4, 5-6, 5-7, 5-8
0070746 4-18, 4-20, 4-21, 4-22, 4-41, 4-42, 4-43, 4-44, 4-45	0070991	3-28
0070747 4-18, 4-20, 4-21, 4-22, 4-41, 4-42, 4-43, 4-44, 4-45, 5-40, 5-44	0071092	3-5
0070753 . 4-18, 4-20, 4-21, 4-22, 4-41, 4-42, 4-44	0071216	2-49, 2-54
0070758	0071269	5-59
0070759	0071270 J	5-59
0070760	0071272	2-51, 2-55
0070764	0071275	3-60
0070765	0071276	2-77
0070766	0071341	2-51, 2-55
0070768	0071342	2-55
0070772	0071395	5-48
0070781	0071425	2-70, 2-71, 2-72, 2-73
0070782	0071510	2-21, 2-32
0070783	0071511	4-41, 4-42, 4-43, 4-44, 4-45
0070786	0071517	5-39, 5-40, 5-44
0070789	0071528	4-23, 4-24, 4-25, 4-26, 4-27, 4-28, 4-29, 4-30, 5-45, 5-67
0070792	0071534	4-41, 4-42, 4-43, 4-44, 4-45
0070838	0071541	4-18, 4-20, 4-21, 4-22, 5-39, 5-40, 5-44
0070874	0071555	4-18, 4-22, 4-27, 5-45
0070901	0071556	2-81
0070908	0071557	4-41, 4-42, 4-43, 4-44, 4-45, 5-59
0070911	0071559	2-29
0070916	0071561	4-23, 4-24, 4-25, 4-26, 4-27, 4-28, 4-30
	0071563	2-25, 4-8, 4-9
	0071568	2-7, 2-8, 4-10
	0071582	4-48

0071587	4-43, 4-44, 4-45	0072012 F	5-52, 5-61
0071599	2-20, 2-23, 2-24	0072105	2-50
0071654	5-25, 5-26	0072135	5-7
0071654 H	5-23	0072203	5-1
0071654E	5-62	0072209	5-48
0071778	4-27	0072214	5-1
0071792	5-12	0072216	5-1
0071793	5-12	0072224	5-1
0071800	2-76, 4-38, 4-39, 4-40, 5-38	0072225	5-1
0071800 H	4-50	0072226	5-1
0071805	5-14	0072277	2-83
0071812	4-9, 4-29, 4-31, 4-32, 4-33, 4-34, 4-35, 4-36, 5-45	0072293	5-39
0071817	3-30	0072418	5-49, 5-50
0071834	2-66	0072438	2-2
0071834-0	2-79	0072508	2-59, 2-60, 2-62
0071837	2-66, 2-66, 2-66, 2-68, 2-69, 2-74, 2-79, 5-56	0072530	4-41, 4-42, 4-43, 4-44, 4-45, 5-39
0071844	5-12	0072552	2-59, 2-76
0071859	2-76	0072552 X	2-60
0071918	3-52, 3-55, 3-57	0072553	2-59, 2-60
0071921	2-49	0072555	2-59
0071922	2-49	0072556	2-59, 2-60
0071926	2-83	0072561	2-59, 2-60, 2-62
0071940	2-37, 5-3, 5-4, 5-5	0072562	2-59, 2-62
0071951	2-66, 2-76, 2-77	0072563	5-57
0071953	2-66, 2-69, 2-76, 2-77, 5-57	0072567	2-49, 2-54
0071953-8	2-74	0072570	3-2, 3-3
0071995	2-26, 2-27	0072681	2-49, 2-54
0071998	5-28, 5-29	0072682	2-49, 2-54
0072004	5-52, 5-60	0072683	2-49, 2-54
0072004-3	5-61	0072727	2-50
0072012	5-51	0072727 S	2-52
0072012 C	5-60	0072737	2-52
		0072743	2-52
		0072751	2-49, 2-54

0072818	2-59, 2-60, 2-62	0073535	2-49
0072910	2-52	0073620	3-46, 3-47
0072934	2-52	0073631	4-31, 4-32, 4-33, 4-34, 4-35, 4-36
0072935	2-52	0073642	5-65
0072936	2-52	0073650	2-51
0072937	2-50	0073727	5-63, 5-76
0072940	3-23, 3-24	0073783	2-59, 2-60
0072940 B	3-42	0073885	4-42
0072951	2-50	0073950 B	2-79
0073026	2-9	0074096	2-69
0073026 M	3-29	0074096-0	2-74
0073051	2-8, 4-1, 4-2, 4-3, 4-8, 4-9	0074321	2-71
0073051-3	4-4, 4-5, 4-6, 4-7	0074321 C	2-68
0073051-8	2-7, 4-10	0074365 A	4-48
0073057	4-23, 4-24, 4-25, 4-26, 4-27, 4-28, 4-29, 4-30	0074368	4-48
0073066 H	5-65	0074372	2-40, 2-44
0073071	5-65	0074468	2-66
0073076	5-23, 5-62	0074579	4-5, 4-6, 4-7
0073089	4-1, 4-2, 4-3, 4-4, 4-5, 4-6, 4-7, 4-8, 4-9	0074592	4-18, 4-21, 4-22
0073111	2-49, 2-54	0074615	2-10, 2-11
0073158	2-41, 2-42	0074622	2-10, 2-11
0073250	5-49, 5-50, 5-67	0074625	2-10, 2-11
0073253	4-31, 4-32, 4-33	0074628	2-10, 2-11
0073281	3-60	0074630	2-16, 2-31
0073286	3-57	0074634	2-12, 2-13, 2-15
0073295	4-41, 4-42, 4-44	0074634 D	2-16
0073298	5-77, 5-78	0074639	2-49, 2-54
0073340	2-49, 2-54	0074641	2-12, 2-13, 2-15
0073342	2-49, 2-54	0074644	2-12, 2-13, 2-15
0073343	2-49, 2-54	0074645	2-12, 2-13, 2-15
0073359	3-29	0074664	2-12, 2-13, 2-15
0073444	5-9	0074684	2-12, 2-13, 2-15
0073481	2-41, 2-43, 2-44, 2-45	0074685	2-12, 2-13, 2-15
		0074687	2-12, 2-13, 2-15

0074688	2-12, 2-13, 2-15	0074837	3-30
0074761	5-16, 5-24	0074838	3-30
0074779	5-49, 5-50	0074839	3-30
0074786	2-12, 2-13, 2-15	0074913	2-83
0074799	2-1	0074926	5-76
0074799 C	3-50	0074926 D	5-58
0074799-3	2-9	0074972	2-10, 2-11
0074800	3-30	0074979	4-48
0074801	3-30	0074981	5-40
0074802	3-30	0074981 A	5-41
0074803	3-30	0074983	5-41
0074804	3-30	0074984	5-41
0074805	3-30	0074985	5-41
0074806	3-30	0075019 A	5-8
0074807	3-30	0075227	5-40
0074808	3-30	0075234	5-76
0074809	3-30	0075235	5-76
0074811	3-30	0075254	2-30
0074812	3-30	0075268	2-7, 2-8, 4-1, 4-2, 4-3, 4-4, 4-5, 4-6, 4-7, 4-9, 4-10, 5-22
0074813	3-30	0075278 A	2-80
0074814	3-30	0075372	2-72, 2-73
0074816	3-30	0075373	2-70, 2-71
0074818	3-30	0075378	3-24
0074819	3-30	0075379	3-24
0074820	3-30	0075380	3-24
0074822	3-30	0075399-0	2-79
0074823	3-30	0075415	2-30
0074824	3-30	0075469	5-56
0074825	3-30	0075471	5-56
0074826	3-30	0075478 G	5-56
0074827	3-30	0075479	5-56
0074830	3-30	0075500 C	5-57
0074831	3-30	0075502	5-57
0074836	3-30		

0075516 2-19	0080055 L 2-6
0075519 2-19	0080056 2-7, 2-8, 4-10
0075560 2-11	0080056 F 2-37
0075563 2-83	0080058 R 2-5
0075564 2-83	0080061 3-51
0075621 2-18	0080061 M 3-52
0075622 2-18	0080063 V 2-1
0075623 2-11	0080098 2-1
0075624 2-11	0080169 2-8
0075737 2-34	0080169-5 2-7, 4-10
0075738 2-34	0080182 2-1
0075743 2-34	0080183 2-1
0075745 2-34	0080185 2-1
0075748 2-34	0080186 2-1
0075751 2-34	0080284 2-52
0075753 2-34	0080293 2-49, 2-54
0075756 2-34	0080294 2-49, 2-54
0075766 2-36	0080326 5-3, 5-4, 5-7
0075767 2-83	0080348 2-1
0075770 2-64	0080359 3-23, 3-24
0075770 A 2-63, 3-61	0080362 3-2, 3-3, 3-23, 3-24, 5-32, 5-64
0075775 B 2-64	0080399 2-49, 2-54
0080019 2-51, 2-55	0080399 A 3-58
0080020 2-9	0080425 2-39, 3-48, 3-49
0080023 2-9, 2-53, 2-58	0080473 3-55
0080024 2-53, 2-58	0080482	2-7, 2-8, 4-1, 4-2, 4-3, 4-4, 4-5, 4-6, 4-7, 4-8, 4-9, 4-10
0080026 2-53, 2-58	0080483	2-7, 2-8, 4-1, 4-2, 4-3, 4-4, 4-5, 4-6, 4-7, 4-8, 4-9, 4-10
0080028 2-53, 2-58	0080484	2-7, 2-8, 4-1, 4-2, 4-3, 4-4, 4-5, 4-6, 4-7, 4-8, 4-9, 4-10, 5-22
0080031 2-37, 5-5	0080511 3-8, 3-9
0080045 2-49	0080512 3-8, 3-9
0080053 2-9	0080514 3-8, 3-9
0080053 B 3-51		
0080054 2-7, 2-8, 4-10		
0080054P 2-9		

0080522	2-20, 3-1, 3-2, 3-3, 5-40	0080929 D	3-19
0080524	3-1, 3-2, 3-3	0080930	3-2, 3-3
0080528	3-17, 3-18, 3-19	0080931	3-2, 3-3, 5-2
0080529	3-17, 3-18, 3-19, 3-20, 3-21, 3-22	0080932	3-2, 3-3
0080543	3-1, 3-2, 3-3	0080933 B	2-4
0080551J	3-1	0080934	2-2, 3-2, 3-3
0080615	3-52	0080935	2-2
0080621	5-28, 5-29	0080936	3-2, 3-3
0080626	2-43, 2-44, 2-45	0080937	3-2, 3-3
0080642	5-28	0080939	3-2, 3-3
0080642-8	5-29	0080940	3-2, 3-3
0080668	5-3, 5-4, 5-6, 5-7, 5-8	0080941	3-2, 3-3
0080676	5-6, 5-8	0080945	3-2, 3-3
0080679	2-21	0080951	2-49
0080699 L	5-66	0080953	2-49
0080749	5-66	0080955	2-49
0080752	5-66	0080958	3-2, 3-3
0080754	5-66	0080958 B	3-15
0080759	5-32, 5-66	0080962	2-50
0080762	5-66	0080963	2-52
0080766	5-3, 5-4, 5-7	0080965	2-2, 2-3
0080767	5-3, 5-4, 5-7	0080966	2-2, 2-3
0080768	5-51, 5-53	0080967	2-49
0080813	3-8, 3-9	0080969	2-50
0080825	2-17, 2-19	0080969 K	2-49
0080843	3-23, 3-24	0080975	2-55
0080885	2-2, 2-3	0080975 E	3-55, 3-57
0080886 S	3-2	0080977	2-58
0080914	2-7, 2-8, 2-11, 4-10	0080977 R	2-50
0080919	2-4	0080978	2-49
0080920	2-4	0080978 R	2-51
0080928	3-2, 3-3	0080979	2-51
0080928 E	3-18	0080980	2-55
0080929	3-2, 3-3	0081023	2-1

0081042	3-1, 3-2, 3-3	0081515	4-31, 4-32, 4-33, 4-34, 4-35, 4-36
0081042 D	3-34	0081547	3-2, 3-15
0081042 E	3-33	0081547-3	3-3
0081047	2-49	0081559	4-23, 4-24, 4-25, 4-26, 4-27, 4-28, 4-29, 4-30, 4-31, 4-32, 4-33, 4-34, 4-35, 4-36
0081048	2-49	0081560	4-31, 4-32, 4-33, 4-34, 4-35, 4-36
0081052	2-21	0081562	3-48, 3-49
0081053	2-21	0081562-8	2-39
0081063	5-1	0081595	3-19
0081089	2-52, 5-37	0081596	3-17, 3-20
0081090	2-52, 5-37	0081597	3-17
0081104	5-66	0081598	3-8
0081106	5-28	0081598 C	3-20
0081117	2-41, 2-42	0081600	3-1, 3-2, 3-3
0081127	3-17, 3-18, 3-19, 3-20	0081600 B	3-11
0081181	3-8, 3-9	0081601	3-2, 3-3
0081181 D	3-12	0081601 A	3-8
0081181 E	3-13	0081604	3-1, 3-2, 3-3
0081214	2-51	0081604 C	3-10
0081215	2-49	0081614	2-17
0081226	2-17, 2-18, 2-19	0081619	2-17
0081357	2-43, 2-44, 2-45	0081624	2-17
0081377	5-6, 5-8	0081630	2-20
0081384	5-63, 5-76	0081631	2-20
0081422	5-65	0081638 E	2-21
0081423	3-1	0081639	2-21
0081423 D	3-9	0081640	2-21
0081424	3-8, 3-9	0081670	2-41
0081424 A	3-16	0081671	2-41, 2-42
0081425	3-9	0081674 E	3-6
0081425 E	3-17	0081675	2-49, 2-51
0081441	5-3, 5-4, 5-6, 5-7, 5-8	0081680 A	5-55
0081450	2-49	0081730	2-54
0081464	2-23, 2-24	0081731	2-55
0081486	2-9		

0081736	2-55	0081980	3-23, 3-24
0081745	2-54, 2-55	0081980 C	3-44
0081749	2-54	0081981	3-23, 3-24
0081752	2-54	0081981B	3-47
0081759	2-54	0081982	3-23, 3-24
0081761	2-55	0081982 A	3-46
0081763	2-55	0081985 A	2-76
0081774	2-54	0081986	2-76
0081776	2-54, 2-55	0081986 L	4-41
0081815 K	5-28	0081986 T	4-42
0081815-0	5-26	0081991 A	2-2
0081816 A	5-29	0081991 J	2-3
0081816-0	5-25	0081992	3-23, 3-24
0081819	4-20	0081996	4-23, 4-24, 4-25, 4-26, 4-27, 4-28, 4-29, 4-30
0081846	4-3, 4-8, 4-9	0081997	4-23, 4-24, 4-25, 4-26, 4-27, 4-28, 4-29, 4-30
0081860	2-23, 2-24	0081998	4-1, 4-2, 4-3, 4-4, 4-5, 4-6, 4-7
0081872 L	3-23	0081998 K	4-24
0081872 P	3-24	0081998 L	4-25
0081873	3-23, 3-24	0081998 M	4-26
0081873C	3-37	0082002	4-18, 4-20, 4-21, 4-22, 4-42, 4-43, 4-44, 4-45
0081874	3-23	0082003	4-20
0081875	2-38	0082007	4-41, 4-42, 4-43, 4-44, 4-45
0081875 D	3-48	0082009 V	4-6
0081875 F	3-49	0082009 W	4-5
0081875F	2-39	0082009 Y	4-7
0081931	2-55	0082013	2-18, 2-20
0081932	2-55	0082013 H	2-17
0081953	2-54	0082013 N	2-19
0081966	2-38	0082013 S	2-18
0081974	4-1, 4-8, 4-9	0082014	4-41
0081975	2-49, 2-54	0082015 H	2-20
0081975 A	4-37	0082023	2-50
0081976	4-37	0082039-1	2-53
0081979	4-42, 4-43, 4-44, 4-45	0082040-1	2-53

0082042 A	5-48	00822311	2-44
0082043	5-16, 5-17, 5-18, 5-19, 5-22, 5-24, 5-27	0082257 A	2-77
0082043 A	5-13, 5-20	0082260 A	2-70
0082043 C	5-12	0082261 A	2-71
0082045	2-10	0082275 A	4-39
0082046	4-1, 4-3, 4-4, 4-5, 4-6	0082275G A	4-40
0082051 C	5-43	0082276	2-67
0082051 H	5-44	0082276-0	2-70
0082051 L	5-42	0082282	2-1
0082053	5-12	0082288	2-41, 2-42, 2-44
0082053 C	5-14	0082290	2-41, 2-42, 2-43, 2-44, 2-45
0082055	3-23, 3-24	0082293	2-41, 2-42, 2-43, 2-44, 2-45
0082055 C	3-41	0082294	2-41, 2-42, 2-43, 2-44, 2-45
0082058	5-17, 5-19	0082298	2-43, 2-45
0082060H	3-3	0082303	2-41, 2-42, 2-43, 2-44, 2-45
0082095 A	5-10	0082304	2-41, 2-42, 2-43, 2-44, 2-45
0082096	5-10	0082307	2-41, 2-42, 2-43, 2-44, 2-45
0082097	5-10	0082310	2-41, 2-42, 2-43, 2-44, 2-45
0082098	5-10	0082311	2-41, 2-42, 2-43, 2-45
0082099	2-54	0082312	2-8
0082138	2-12, 2-13, 2-15, 2-17, 2-18, 2-19, 2-25, 2-30, 2-34	0082312-8	2-7, 4-10
0082138 A	3-26	0082320	2-41, 2-42, 2-43, 2-44, 2-45
0082138 G	3-25	0082321	2-41, 2-42, 2-43, 2-44, 2-45
0082160	5-1	0082341K-2	2-40
0082164	5-1	0082346	2-41, 2-42, 2-43, 2-44, 2-45
0082165	2-49	0082349	2-41, 2-42, 2-43, 2-44, 2-45
0082170 D	5-1	0082368 N	2-41
0082179	5-64	0082368 U	2-42
0082180	5-64	0082546	2-41, 2-42, 2-43, 2-44, 2-45
0082181	5-64	0082547	2-41, 2-42, 2-43, 2-44, 2-45
0082182 A	5-64	0082685 B	5-7
0082184	2-76	0082688	4-27
0082203	5-1	0082688 B	4-34
		0082689	4-8, 4-9

0082689 K	4-27	0083445	2-12, 2-13, 2-15
0082690 F	4-9	0083445 L	2-10
0082691 C	4-20	0083445 P	2-11
0082693 J	2-23	0083467	4-24, 4-25, 4-26
0082700E	4-8	0083467 E	4-31
0082727	4-20	0083467 F	4-32
0082797	2-83	0083467 G	4-33
0082798	2-83	0083472	2-55
0082799	2-70, 2-71	0083472 B	3-56
0082800	2-83	0083473	3-51
0082981	4-8, 4-9	0083473 A	3-53
0083005	5-51	0083495	2-2, 2-3, 2-5
0083153	2-16, 2-31	0083495 C	3-7
0083155	2-10, 2-11	0083501	2-12, 2-13, 2-15, 2-29
0083165	2-12, 2-13, 2-15	0083507	5-3, 5-4, 5-6, 5-8
0083167	2-12, 2-13, 2-15	0083508	4-1, 4-2, 4-3, 4-4
0083175	2-12, 2-13, 2-15	0083508 E	4-11
0083274	2-41, 2-42, 2-43, 2-44, 2-45	0083509 F	4-3
0083300	4-17, 4-19	0083509 K	4-4
0083368	2-23	0083530	4-3, 4-4
0083368 B	2-25	0083530 F	4-19
0083395	4-5, 4-6, 4-7	0083531	4-1, 4-2
0083395 F	4-12	0083543 B	2-14
0083397	4-5, 4-6, 4-7	0083544	2-12, 2-13, 2-15
0083397 J	4-17	0083558 A	5-80
0083416	2-1	0083562	2-1
0083418	2-1	0083570	2-10
0083436	2-14	0083571	2-1
0083436 F	2-12	0083573	2-2, 2-3
0083436 K	2-13, 2-15	0083586	2-10
0083437	2-10, 2-11	0083587	2-10
0083438	2-8	0083739	2-83
0083438-3	2-14	0083778	4-31, 4-32, 4-33, 4-36
0083438-8	2-7, 4-10	0083783	2-24

0083790	5-28	0083954	5-32, 5-44
0083790-3	5-29	0083954-8	5-40
0083793 B	5-37	0083956	5-39
0083794	5-37	0083965	5-36
0083796	5-37	0083966	5-32
0083802	5-37	0083966 C	5-36
0083807	5-37	0083967	5-36
0083823	5-69, 5-72	0083967 B	5-35
0083825	5-69, 5-72	0083968	5-35
0083826	5-69, 5-72	0083969	5-35
0083833	5-69, 5-72	0083970	5-32
0083857	5-69, 5-72	0083971	5-32
0083858	5-69, 5-72	0083972	5-35
0083859	4-49	0083973	5-35
0083860	5-35, 5-39	0083981	5-34
0083861	5-35	0083982	5-32
0083862	5-69, 5-72	0083983	5-34
0083863	5-69, 5-72	0083984	5-32
0083879 G	5-32	0083984 A	5-34
0083881 A	5-39	0083985	5-69, 5-72
0083893	4-49	0083986	5-32
0083895 E	5-72	0083988	5-31, 5-33, 5-35, 5-39
0083909	2-26, 2-27	0083989	5-32
0083911	2-26, 2-27	0083989 C	5-31
0083914	2-26, 2-27	0083989 D	5-33
0083915	2-24	0083995 D	5-40
0083919	2-26, 2-27	0083999 C	5-69
0083921-3	2-83	0084025 C	5-3
0083922	4-9	0084037 A	5-76
0083922 C	4-13	0084043 C	2-32
0083923	2-43, 2-44, 2-45	0084045	2-30
0083937 B	2-24	0084046	2-29
0083938	2-24	0084046 B	2-31
0083946	2-26, 2-27	0084047	2-29

0084048	2-29	0084132	5-5
0084055	2-31	0084133	5-5
0084058	2-29	0084134	2-30
0084061	2-30	0084135	4-42, 4-43, 4-44, 4-45
0084062	2-30	0084136	4-1, 4-2, 4-4, 4-5, 4-6, 4-7
0084063	2-32	0084137	3-24
0084064	2-32	0084138 A	4-44
0084080	2-29	0084138 D	4-43, 4-45
0084081	2-29	0084155	4-17, 4-19
0084084	5-69, 5-72	0084155 D	4-18
0084084 A	5-71	0084174	5-38
0084085	5-44	0084182 A	5-77
0084094	2-42, 2-44	0084213	2-83
0084096	2-29	0084217 B	4-1
0084096 A	2-30	0084217 E	4-2
0084097 A	2-29	0084225	5-80
0084101 A	4-14	0084228	2-18, 2-19
0084104 A	5-78	0084233	2-18, 2-19
0084107-1	5-78	0084235	2-18, 2-19
0084108-1	5-78	0084238	2-42
0084113 A	4-30	0084310 A	2-65
0084114	4-30	0084315 A	5-17
0084114 C	4-35	0084316 A	5-19
0084116	4-35	0084317 A	5-16
0084117 B	5-4	0084318 A	5-24
0084118	5-4	0084319 A	5-18
0084118 B	5-5	0084320 A	5-27
0084119 A	5-6	0084321 A	5-25
0084120	5-5	0084322 A	5-26
0084121	2-37, 5-5	0084323 A	5-51
0084122	5-4	0084342	2-40, 2-44
0084125 E	4-21	0084342-0	2-46, 2-47
0084127	4-21	0084343	2-40, 2-44
0084130	5-5	0084343-0	2-46, 2-47

0084344	2-40, 2-44	0084708	2-7, 2-8, 4-10
0084344-0	2-46, 2-47	0084708 J	2-34
0084345-0	2-47	0084709 F	2-36
0084346	2-40, 2-44	0084711 C	4-22
0084346-0	2-46, 2-47	0084713 B	2-8, 4-10
0084347	2-40, 2-44	0084713 C	2-7
0084347-0	2-46, 2-47	0084714	2-36
0084466	2-69	0084715	2-36
0084468	5-30	0084716	2-36
0084469	5-30	0084717	2-34
0084471	5-25, 5-26	0084722 A	5-22
0084524	2-40, 2-44	0084724 D	2-83
0084524-3	2-46, 2-47	0084773 A	4-29
0084525	2-40, 2-44	0084778 B	2-44
0084525-3	2-46, 2-47	0084781	2-56
0084527	2-44, 2-45, 2-46	0084786	2-56
0084528	2-41, 2-47	0084787	2-54
0084529	2-40, 2-44	0084788	2-54
0084529-0	2-46	0084792	2-56
0084536	2-54	0084796 A	2-56
0084537	2-54	0084797	2-56
0084538 C	2-69	0084797A	2-57
0084570	2-37	0084798	2-54, 2-56
0084578 A	5-2	0084821 B	2-48
0084579-8	5-2	0084822	2-48
0084584 A	5-11	0084823	2-48
0084585	5-11	0084824	2-48
0084586	5-11	0090141	2-49, 2-54
0084587	5-11	0090319	2-7, 2-8, 4-1, 4-2, 4-3, 4-4, 4-5, 4-6, 4-7, 4-8, 4-9, 4-10
0084599A	2-58	0090352	3-29
0084702E	4-23, 4-28	0090483	5-3, 5-4, 5-7, 5-8
0084703	4-23, 4-28, 4-29	0090492	5-7
0084703 E	4-36	0090493	5-3, 5-7
0084706C	4-15		

0090589E	2-72, 2-73, 5-76	0110835	5-67
0090621	4-31, 4-32, 4-33, 4-35, 4-36	0110841	5-37
0090622	4-41, 4-42, 4-44	0110842	5-37
0090757	4-20, 4-21, 5-39, 5-40, 5-44	0110918	4-31, 4-35
0100105	2-52, 5-37	0111286	5-40, 5-44
0100277	3-23, 3-24	0111338	3-21
0100278	5-32	0111339	3-22
0100422	2-49, 2-54	0111340	3-21
0101298	5-39	0111341	3-22
0101379	5-37	0111476	5-67
0101724	5-6	0111508	4-23, 4-28, 4-29
0101896	5-40, 5-44	0111536 C	3-22
0110156	2-39, 3-48, 3-49	0111735	4-23, 4-24, 4-25, 4-26, 4-28, 4-29, 4-30
0110171	5-32	0111838	2-25
0110198	5-44	0111839	2-25
0110199	3-23, 3-24	0111862	5-9
0110219	2-57	0111869	2-25
0110227	5-37	0111893	5-64
0110320	2-1	0111957	2-57
0110458	4-34	0112083	5-9
0110465	3-28	0112084	2-25
0110465 C	3-28	0112085	2-25
0110466	3-28	0112086	2-25
0110467	3-28	0112087	2-25
0110468	4-41, 4-42, 4-43, 4-44, 4-45	0112088	2-25
0110471	4-31, 4-32, 4-33, 4-34, 4-35, 4-36	0112092	2-23
0110483	2-41, 2-43, 2-44, 2-45	0112093	2-23
0110490	3-1, 3-2, 3-3	0112097	4-8
0110581	2-50, 2-56	0112100	5-7, 5-8
0110590	2-56	0112100 A	5-9
0110603	5-37	0112132	2-73
0110610	2-52	0112164	4-31, 4-32, 4-33, 4-36
0110683	3-12, 3-33, 3-34	0112231	4-27
0110771 B	3-60	0112239	2-41, 2-43, 2-44, 2-45

0112559	4-18, 4-21, 4-22	0150563	3-35
0112565 B	2-26, 2-27	0150606	4-23, 4-24, 4-25, 4-26, 4-28, 4-30
0112577	2-26, 2-27	0150647	4-20
0112672	5-49	0150756	5-67
0113490	2-57	0151205	4-31, 4-32, 4-33, 4-34, 4-35, 4-36
0113508	2-63, 3-61	0151370	4-5, 4-6, 4-7, 4-8, 4-9
0113519	2-82	0151371	4-5, 4-6, 4-7
0113528	2-82	0151372	4-5, 4-6, 4-7
0113529	2-82	0151457	5-41, 5-42, 5-43
0113530	2-82	0151458	5-42, 5-43
0113531 E	2-82	0151459	5-39, 5-40, 5-44
0113536 G	2-81	0151469	5-41, 5-42, 5-43
0113538	2-82	0151470	5-41, 5-42, 5-43
0113540	2-81	0151471	5-44
0113541	2-81	0151484	5-42, 5-43
0113542	2-81	0151556	5-39
0113546	5-54	0151583	5-40, 5-44
0113592	2-56	0151815	5-7
0113598	2-57	0151816	4-17, 4-19, 4-41, 4-42, 4-43, 4-44, 4-45
0113607	2-56	0151910	4-18, 4-21, 4-22, 4-41, 4-42, 4-43, 4-44, 4-45
0113623	5-54	0152586	4-23, 4-28, 4-29
0113624 A	5-54	0152831	5-41, 5-42, 5-43
0113641	2-57	0152831 B	5-46
012039-000	2-7	0160970	2-66, 2-68
0140288	3-19	0161177	2-66, 2-67
0140317	4-31, 4-32, 4-33, 4-34, 4-35, 4-36	0161177-0	2-70
0140323	4-31, 4-32, 4-33, 4-36	016117728	2-66, 2-80
0140332	4-31, 4-32, 4-33, 4-36	0161182	2-66, 2-67, 2-70, 2-80
0140366	4-36	0161184	2-66, 2-67, 2-70, 2-80
0140398	5-3	0161472	2-66
0140500	3-18	0161487	2-67, 2-78, 2-80
0150121	2-51, 5-69, 5-72	0161487-0	2-70, 2-71
0150488	4-31, 4-32, 4-33, 4-34, 4-35, 4-36	0161665	2-68, 2-78
0150509	2-66, 2-69, 2-74, 2-76, 2-77, 5-57	0161766	2-56, 5-69

0162698 2-17, 2-19	0180873 J 2-62
0162758 2-41, 2-42, 2-43, 2-44, 2-45	0180886 4-41, 4-42, 4-43, 4-44, 4-45
0163234 5-63, 5-76	0180887 4-41, 4-42, 4-43, 4-44, 4-45
0163360 5-45	0180888 4-41, 4-42, 4-43, 4-44, 4-45
0163367 2-29	0180949 4-20, 4-41
0163407 5-13, 5-18, 5-20, 5-27	0181028	.. 4-23, 4-24, 4-25, 4-26, 4-27, 4-28, 4-29, 4-30, 4-41, 4-42, 4-43, 4-44, 4-45
0163407 A 5-21	0181029 4-41, 4-42, 4-43, 4-44, 4-45
0170045 2-56	0181030	.. 4-31, 4-34, 4-35, 4-41, 4-42, 4-43, 4-44, 4-45
0170335 4-31, 4-32, 4-33, 4-34, 4-35, 4-36	0181031 4-27, 4-31, 4-32, 4-33, 4-34, 4-35, 4-36
0170623 4-27	0181073 4-34
0172050 3-30	0181074 4-41, 4-42, 4-43, 4-44, 4-45
0172053 3-30	0181102 5-67
0172054 3-30	0181103 5-67
0172228 2-64	0181104 4-18, 4-20, 4-21, 4-22
0172299 3-24	0181106 4-31, 4-32, 4-33, 4-34, 4-35, 4-36
0172373 2-30	0181107 4-31, 4-32, 4-33, 4-34, 4-35, 4-36
0172374 2-30	0181110 4-31, 4-32, 4-33, 4-35, 4-36
0172395 2-29	0181111 4-31, 4-32, 4-33, 4-34, 4-35, 4-36
0172453 2-70, 2-71	0181113 4-31, 4-32, 4-33, 4-34, 4-35, 4-36
01800768 2-62	0181136 4-31, 4-32, 4-33, 4-34, 4-36
0180109 5-76	0181154 2-23
0180109 C 5-63	0181163 5-40, 5-44
0180110 4-34	0181187 5-39, 5-40, 5-44
0180115 N 5-67	0181270 5-37
0180441 2-23, 2-24	0181285 5-12
0180509 2-62	0181376 5-49, 5-50, 5-52, 5-60
0180516 2-62	0181377 5-67
0180796 4-31, 4-32, 4-33, 4-34, 4-35, 4-36	0181381 5-67
0180802 3-39	0181382 5-67
0180832 2-16, 2-23, 2-24	0181389 5-67
0180842 4-41, 4-42	0181398 5-12
0180842-3 4-43, 4-44, 4-45	0181406 5-67
0180846 4-41, 4-42, 4-43, 4-44, 4-45	0181407 5-67
0180850 4-41, 4-42, 4-43, 4-44, 4-45		

0181408	5-67	0190086	5-19, 5-20, 5-22, 5-24, 5-27
0181434 C	4-16	0190089	5-15
0181453	2-25	0191070	2-51
0181480	5-67	0191071	2-51
0181481-0	2-72	0191245	2-73
0181485	5-57	0192170	2-29
0181503	2-8, 4-1, 4-2, 4-3, 4-8, 4-9	0192172	2-29
0181503-3	4-4, 4-5, 4-6, 4-7	0192173	2-29
0181503-8	2-7, 4-10	0192182	2-29
0181534	2-25	0192192	2-29
0181535	2-25	0192289	2-8
0181552	4-31, 4-32, 4-33, 4-34, 4-36	0192289-8	2-7, 4-10
0181553	4-34, 4-35, 4-36	0192295	4-1, 4-2
0181554	4-31, 4-32, 4-33, 4-34, 4-35, 4-36	020451-013	2-34
0181562	2-40, 2-44	0240483	4-20, 4-23, 4-24, 4-25, 4-26, 4-27, 4-28, 4-29, 4-30, 4-41, 4-42, 4-43, 4-44, 4-45
0181574	2-66	0260466	2-34, 2-35
0181634	5-22	0260695	4-15
0181867	4-13	0260696	4-15
0181884	2-72	0260733	5-30
0181917 A	2-72	0260856	2-34
0182043	2-32, 2-36	0322724	2-66, 2-66, 2-66, 2-68, 2-79
0182055	5-40	0360891	5-70
0182114 B	5-45	0360892	5-70
0182138	5-70	0361367	2-83
0182139	5-70	0400483	3-1, 3-2, 3-3
0182140	5-70	0400497	3-23, 3-24, 5-32
0182146 C	5-70	0420113	2-61
0182147	5-70	0420114 D	2-61
0182149	5-70	0420198	2-69
0182150	5-70	0420199	2-69
0182187	4-31, 4-32, 4-33	0420199-0	2-74
0182202	4-18, 4-21, 4-22	0420240	2-73
0182279 B	5-15	0420632	2-69, 2-74
0182340	5-67		

0421066	5-73	056065-030	2-11
0421067	5-74	056066-006	2-34, 2-82
0421067 A	5-73	056066-008	2-34
0421068C	5-74	056066-010	2-34
0421071 A	2-73	056069-006	2-34
0421077	5-73	056069-008	2-18
0421078	5-73	056069-010	2-12, 2-13, 2-15, 2-18
0421079	5-73	056069-012	2-34
0421269	5-74, 5-75	056494-035	2-63, 3-61
0421283-3	5-74, 5-75	058491-020	2-18
0421285	5-74, 5-75	058492-020	2-18
0421299	5-74, 5-75	058492-025	2-34
0421321	2-69	058493-020	2-12, 2-13, 2-15
0421321-0	2-74	058493-025	2-12
0421519-0	2-74	058493-030	2-18
0421519-5	2-68, 2-69	067614-023	2-34, 2-35
0421529-0	2-74	068903-009	2-28
0421529-5	2-68, 2-69	100180-041	2-34
0421796	2-34	100209-000	2-34
0421810	5-73	104673-105	2-34, 2-35
0421811	5-75	104673-107	2-34
0421811 B	5-73	104673-108	2-34
0421812 C	5-75	104673-109	2-34
056021-006	2-18, 2-34	104673-111	2-34
056021-008	2-18, 2-34	104673-113	2-34
056021-010	2-12, 2-13, 2-15, 2-18, 2-34	104673-116	2-34
056021-012	2-34, 2-63, 3-61	104701-000	2-34
056021-014	2-18	104703-000	2-34
056058-018	2-12, 2-13, 2-15, 2-18, 2-34	104737-000	2-34
056058-070	2-82	104744-000	2-34
056059-016	2-18, 2-19, 2-20	104754-000	2-34, 2-36
056060-030	2-11, 2-34	104803-000	2-34
056060-065	2-34	104869-000	5-22
056064-024	2-63, 3-61	104883-000	2-34

106598-000	2-63, 3-61	2650001	2-18, 2-34
106960-001	2-34	2660002	4-46, 4-47
1430080-0	2-74	2667500	2-66, 2-66, 2-66, 2-68, 2-69, 2-74, 2-79
1430099-0	2-74	2690001	2-1, 5-1
1430100 L	2-74	2690004	2-11, 2-18, 2-34
1430100-0	2-74	28220008	3-5
1430100-5	2-74	28220030	3-4, 3-5
1430312	2-63, 3-61	300489	4-18
1430527	2-34	300491	5-56
1430688	5-68	300492	2-68, 2-69, 2-74
1430689	5-68	300804	4-21
1430690	5-68	300891	2-66, 2-66
181376	5-61	3010005	2-52, 2-57, 5-37
2500035	2-49	3010006	2-52, 2-57, 5-37
2500038	2-62	3010009	2-52, 5-37
2500046	2-54	3010033	5-2
2500047	2-54, 2-55	3010801	4-13, 4-14
2500051	2-61	3011001	4-11, 4-12, 4-15
2502028	2-49, 2-51	3011005	5-37
2502032	2-62	3011201	4-12, 4-13, 4-14
2502416	3-50, 5-1	3011241	4-11, 4-15, 5-2
2502432	2-1, 2-51, 2-55	3011251	4-11, 4-15
2503220	2-2, 2-3	3011441	4-14
2503224	2-1	3011601	4-11, 4-12, 4-13, 4-14, 4-15, 4-16, 5-48, 5-49, 5-50, 5-53, 5-55
2503628	3-52, 3-53	3011641	4-11, 4-15
2503644	2-49	3011801	4-13, 4-14, 5-2, 5-40, 5-44
2504856	2-59, 2-62	3011802	5-54
2509677	2-61	3011803	5-67, 5-67
2560005	2-1	3014710	4-2, 4-5, 4-7
2560006	2-1	3014753	2-82
2570002	2-66, 2-66	3020013	4-18, 4-20, 4-21, 4-22, 4-41, 4-42, 4-43, 4-44, 4-45, 5-3, 5-7, 5-12, 5-49, 5-50, 5-52, 5-60, 5-61
2572002	2-66	3020015	4-21
2572007	2-68, 2-69, 2-74, 2-79, 5-56		
2580001	2-1, 2-2, 2-3		

3020016	4-18, 4-20, 4-21, 4-22	3028911	4-51
3020018	4-18, 4-20, 4-21, 4-22, 4-41, 4-42, 4-43, 4-44, 4-45	3028912A	4-51
3020019	4-37	3028936	4-51
3020020	4-18, 4-21, 4-22, 4-41, 4-42, 4-43, 4-44, 4-45	3030122	4-1, 4-2, 4-3, 4-4, 4-5, 4-6, 4-7
3020021	4-50	3040009	5-49, 5-50
3020033	4-46, 4-47	3040016	5-56
3020037	4-50	3040031	4-23, 4-28, 4-29
3020038	4-50	3040038	5-49, 5-50, 5-52, 5-53, 5-54, 5-55, 5-60, 5-61
3020040	2-7, 2-8, 4-1, 4-2, 4-3, 4-4, 4-5, 4-6, 4-7, 4-8, 4-9, 4-10	3040039	5-49, 5-50, 5-52, 5-53, 5-54, 5-55, 5-60, 5-61
3020047	5-4	3040041	4-17
3020048	4-18, 4-20, 4-21, 4-22, 5-39, 5-40, 5-44	3040046	2-7, 2-8, 4-1, 4-2, 4-4, 4-5, 4-6, 4-7, 4-8, 4-9, 4-9, 4-10, 4-41, 4-42, 4-43, 4-43, 4-44, 4-45, 5-38, 5-40, 5-44, 5-48, 5-65
3020049	2-7, 2-8, 4-1, 4-2, 4-3, 4-4, 4-5, 4-6, 4-7, 4-8, 4-9, 4-10	3040047	4-3, 4-4, 4-8, 4-9, 4-13, 4-14, 4-29, 4-38, 4-39, 4-40, 5-2, 5-12, 5-12, 5-38, 5-40, 5-44
3020052	4-37	3040048	4-13
3020054	5-9	3040057	4-41, 4-42, 4-43, 4-44, 4-45
3020078	5-12	3040064	4-12, 5-40, 5-44
3020080	2-81, 4-18, 4-21, 4-22, 4-41, 4-42, 4-43, 4-44, 4-45, 5-67	3040065	4-12, 4-13, 4-23, 4-28, 4-29
3020081	2-23, 4-20	3040068	4-41, 4-42, 4-43, 4-44, 4-45
3020087	4-18, 4-20, 4-21, 4-22	3040069	4-23, 4-24, 4-25, 4-26, 4-27, 4-28, 4-29, 4-30
3020090	4-41, 4-42, 4-43, 4-44, 4-45	3040070	4-23, 4-24, 4-25, 4-26, 4-27, 4-28, 4-29, 4-30, 4-37, 5-2, 5-67
3020095	2-10, 2-11, 2-25, 4-8, 4-9	3040072	4-46, 4-47
3020098	5-67	3040073	4-46, 4-47
3020109	4-1, 4-8, 4-9	3040082	2-7, 2-8, 4-1, 4-2, 4-3, 4-4, 4-5, 4-6, 4-7, 4-8, 4-9, 4-10, 4-11, 4-12, 4-12, 4-13, 4-29, 5-49, 5-50, 5-53, 5-54, 5-55, 5-58, 5-65
302363	2-54	3040083	2-81, 4-11, 4-12, 4-13, 4-14, 4-15, 4-29, 5-2, 5-9, 5-45, 5-48, 5-49, 5-50, 5-53, 5-54, 5-55
302544	5-69, 5-72, 5-73, 5-74, 5-75	3040086	4-46, 4-47
302555	2-68, 2-69, 2-74, 5-56	3040097	4-14
3026027	5-59	3040108	4-34
3028812	2-34	3040110	4-23, 4-24, 4-25, 4-26, 4-27, 4-28, 4-29, 4-30,
3028844	2-82		
3028910	4-51		

4-41, 4-42, 4-43, 4-44, 4-45, 4-48, 4-50, 5-35, 5-40, 5-67	4-30, 4-41, 4-42, 4-43, 4-44, 4-45, 5-35, 5-40
3040111 4-13	3040298 .. 4-23, 4-24, 4-25, 4-26, 4-27, 4-28, 4-29, 4-30
3040113 5-49, 5-50	3040301 4-30, 4-41, 4-42, 4-43, 4-44, 4-45
3040114 5-53, 5-55	3040342 4-14
3040115 4-27, 5-2	3040348 .. 4-18, 4-20, 4-21, 4-22, 4-41, 4-42, 4-43, 4-44, 4-45
3040116 4-24, 4-25, 4-26, 4-27, 4-30, 4-41, 4-42, 4-43, 4-44, 4-45, 4-48, 4-50, 5-35	3040371 4-13
3040118 . 4-23, 4-24, 4-25, 4-26, 4-27, 4-28, 4-30	3040386 .. 4-23, 4-24, 4-25, 4-26, 4-27, 4-28, 4-29, 4-30
3040121 . 4-23, 4-24, 4-25, 4-26, 4-27, 4-28, 4-30	3040387 .. 4-23, 4-24, 4-25, 4-26, 4-27, 4-28, 4-29, 4-30
3040127 5-59	3040392 4-46, 4-47
3040128 5-59	3040397 4-48
3040129 5-58, 5-65	3040411 .. 4-23, 4-24, 4-25, 4-26, 4-27, 4-28, 4-29, 4-30, 4-41, 4-42, 4-43, 4-44, 4-45
3040146 4-46, 4-47	3040433 .. 4-31, 4-32, 4-33, 4-34, 4-35, 4-36, 4-41, 4-42, 4-43, 4-44, 4-45
3040161 4-13, 4-15	3040452 2-7, 2-8, 4-1, 4-2, 4-10, 5-40, 5-44
3040169 4-46, 4-47	3040457 5-46
3040174 2-11, 2-18, 2-34	3040462 5-65
3040187 4-23, 4-24, 4-25, 4-26, 4-27, 4-28, 4-29, 4-30, 4-37, 5-67	3040469 . 2-7, 2-8, 2-81, 4-1, 4-2, 4-3, 4-4, 4-10, 4-23, 4-24, 4-25, 4-26, 4-27, 4-28, 4-29, 4-30, 4-31, 4-32, 4-33, 4-34, 4-35, 4-36, 4-41, 4-42, 4-44, 5-2, 5-45, 5-49, 5-50, 5-67
3040188 4-36, 4-41, 4-42, 4-43, 4-44, 4-45	3040473 3-46, 3-47
3040252 4-23, 4-24, 4-25, 4-26, 4-27, 4-28, 4-29, 4-48	3040492 4-41, 4-42, 4-43, 4-44, 4-45
3040268 2-7, 2-8, 4-1, 4-2, 4-3, 4-4, 4-5, 4-6, 4-7, 4-8, 4-9, 4-10	3040492 C 4-46
3040269 2-7, 2-8, 4-1, 4-2, 4-3, 4-4, 4-5, 4-6, 4-7, 4-8, 4-9, 4-10	3040493 4-41, 4-42, 4-43, 4-44, 4-45
3040270 2-7, 2-8, 4-1, 4-2, 4-3, 4-4, 4-5, 4-6, 4-7, 4-8, 4-9, 4-10	3040493 B 4-47
3040271 4-46, 4-47	3040496 3-39
3040285 4-23, 4-24, 4-25, 4-26, 4-27, 4-28, 4-29, 4-30, 4-41, 4-42, 4-43, 4-44, 4-45	3040497 4-20
3040287 4-31, 4-32, 4-33	3040498 4-13
3040293 4-16	3040499 4-13
3040295 4-23, 4-24, 4-25, 4-26, 4-27, 4-28, 4-29,	3040502 2-11
	3040506 2-7, 2-8, 4-1, 4-2, 4-3, 4-4, 4-5, 4-6, 4-7, 4-8, 4-9, 4-10

3040534	4-1, 4-2, 4-3, 4-4, 4-5, 4-6, 4-7, 4-8	3044160	4-11, 4-12, 4-14
3040535	4-18, 4-20, 4-21, 4-22, 4-41, 4-42, 4-43, 4-44, 4-45	3044161	2-81, 4-1, 4-3, 4-4, 4-5, 4-6, 4-11, 4-12, 4-13, 4-14, 4-15, 4-16, 4-41, 4-44, 5-49, 5-50, 5-52, 5-53, 5-55, 5-60, 5-61
3040551	3-39, 3-39, 3-39, 3-39	3044162	2-7, 2-8, 4-1, 4-2, 4-3, 4-4, 4-5, 4-6, 4-7, 4-8, 4-9, 4-10, 4-13, 4-14, 5-58, 5-65
3040563	4-13	3044163	4-11, 4-13
3040566	4-13	3044456	4-13
3040567	4-13	3044704	5-35
3040606	4-13	3044710	4-41, 4-42, 4-43, 4-44, 4-45
3040619	4-20	3044712	4-31, 4-32, 4-33, 4-34, 4-35, 4-36
3040620	4-18, 4-20, 4-21, 4-22	3044836	4-12, 4-48
3040624	4-48	3044852	4-11, 4-12, 4-13, 4-14, 4-15
3040625	4-48	3044853	4-11, 4-12, 4-13, 4-14, 4-15
3040678	4-16	3044854	2-52, 4-2, 4-7, 4-11, 4-12, 4-13, 4-14, 4-15, 4-38, 4-39, 4-40, 4-48, 4-49, 5-2, 5-36, 5-38
3040691	4-48, 4-49	3044855	4-11, 4-13, 4-14, 4-15
3040771	5-36	3044856	4-11, 4-12, 4-14, 4-15
3040772	5-36	3045211	4-49
3040775	5-35	3045254	4-49, 5-39
3040776	5-35	3045255	5-71
3040782	3-40	3045256	4-49
3041314	4-5, 4-7, 4-14	3045278	4-23, 4-24, 4-26, 4-27, 4-28, 4-30
3041641	2-7, 2-8, 2-11, 4-10	3046697	4-11, 4-12, 4-13, 4-14, 4-15, 4-16, 5-58
3042041	4-13	3046972	2-52, 2-52, 2-58, 4-1, 4-8, 4-9, 4-38, 4-39, 4-40, 5-2, 5-38
3042263	4-13	3049813	4-14
3044070	5-5, 5-6	3049814	4-14
3044071	5-49, 5-50	3049859	4-14
3044072	4-48	3049860	4-14
3044107	4-13	3049875	4-13
3044142	4-14, 4-38, 4-39, 4-40, 5-12, 5-38	3049876	4-13
3044145	2-25, 4-14	3049877	4-13
3044146	4-1, 4-5, 4-6, 4-7, 4-8, 4-9, 4-13, 4-14, 4-29, 4-38, 4-39, 4-40, 5-38, 5-40, 5-44, 5-48, 5-54	3049878	4-13, 4-13
3044158	4-11, 4-12, 4-13, 4-15, 5-40, 5-44, 5-49, 5-50, 5-52, 5-60, 5-61		

30498804-13	30700214-20
30498814-13	30700372-10, 2-11
30498964-11, 4-15	30700394-5, 4-6, 4-7
30499004-11, 4-15	30700404-19, 4-21
30499204-11, 4-15	30721264-21
30499214-11, 4-15	30800015-42, 5-43
30499224-11, 4-15	30877855-41
30499234-11, 4-15	30877865-31
30499334-11	30877975-33
30499344-11	30900064-12, 5-48, 5-49, 5-50, 5-55
30499534-1, 4-2	30900195-40, 5-44, 5-53
30499945-54	30900204-12
3050002	2-7, 2-8, 4-1, 4-2, 4-3, 4-4, 4-5, 4-6, 4-7, 4-8, 4-9, 4-10, 5-22	32200065-71
3050004	2-8, 4-1, 4-2, 4-3, 4-4, 4-5, 4-6, 4-7, 4-8, 4-9, 4-10, 5-22	32200074-49
3050008	2-7, 2-8, 4-1, 4-2, 4-3, 4-4, 4-5, 4-6, 4-7, 4-8, 4-9, 4-10, 5-22	32200734-46, 4-47
30501025-19, 5-20, 5-22, 5-22, 5-24, 5-27	32200765-69, 5-72
30600085-52, 5-60, 5-61	32200964-29
30600175-49, 5-50	32201194-14
30600185-49, 5-50	32201263-40
30600195-49, 5-50	32201642-8, 4-9
30600835-48	3220170282-8, 4-9
30600845-48	32202465-54
30644135-53	3452784-25
30644145-50	4693964-30
30676195-49	4759865-39
30676205-53, 5-55	480652	2-7, 2-8, 4-1, 4-2, 4-3, 4-4, 4-5, 4-6, 4-7, 4-8, 4-9, 4-10, 4-41, 4-42, 4-43, 4-44, 4-45
30695245-63, 5-76	50100052-12, 2-12, 2-13, 2-14, 2-14, 2-15
30695285-53, 5-54	50100062-24
3070001	4-23, 4-24, 4-25, 4-26, 4-27, 4-28, 4-29, 4-30	50100072-69, 2-74, 5-5, 5-9
30700034-18, 4-20	5010011	2-16, 2-20, 2-23, 2-24, 2-31, 2-34, 2-37, 5-3, 5-6
		50100122-23, 2-24
		50100202-24, 2-26, 2-27, 5-9

50100245-37	50357033-26
50100272-12	50357085-34
50188292-24	50361032-62, 3-19, 3-20
50188315-3	50361083-18, 3-19, 3-20, 3-21, 3-22
50250013-21, 3-22, 5-34	50365053-44, 5-40, 5-44
50250022-39, 3-49	50366043-26
50250035-34	50367033-2, 3-26, 3-33, 3-34, 3-47, 5-12, 5-32
50252023-48	50367053-2, 3-3, 3-12, 3-13, 5-1
50336042-6, 5-34	50367063-22, 5-1, 5-32, 5-40, 5-44
50336085-33	50367083-15, 3-18, 3-20, 3-21, 3-22
50336142-39, 3-48, 3-49	50367105-32
50336183-21, 3-22	50368033-21, 3-22
50336212-39, 3-48, 3-49	50368063-12, 3-13
50337032-6	50368105-32
50337042-6	50369032-6
50337132-39, 3-48, 3-49	50369053-29, 5-33
50345012-49, 2-54, 3-23, 3-24	50369062-39, 3-21, 3-48, 3-49
50345023-2, 3-3	50369073-44
50345053-2, 3-3	50369083-17, 3-18, 3-19, 3-20, 3-37, 5-31, 5-33
5035303	.. 2-5, 2-60, 2-61, 2-61, 2-62, 2-63, 3-18, 3-21, 3-22, 3-25, 3-29, 3-61	5037003	2-5, 2-39, 2-60, 2-63, 3-10, 3-11, 3-19, 3-22, 3- 23, 3-24, 3-29, 3-37, 3-41, 3-46, 3-48, 3-49, 3-61, 5-12, 5- 14, 5-32, 5-46
5035305	... 2-2, 2-3, 2-39, 3-42, 3-48, 3-49, 3-51	5037005	.. 2-1, 2-5, 3-2, 3-3, 3-10, 3-11, 3-12, 3-13, 3-17, 3-19, 3-20, 3-37, 3-44, 5-1, 5-34
5035306	.. 2-51, 5-1, 5-41, 5-42, 5-43, 5-44, 5-46	5037006	... 3-12, 3-13, 3-25, 3-26, 3-42, 5-1, 5-31, 5-44
5035308	.. 2-2, 2-3, 2-5, 3-10, 3-11, 3-17, 3-18, 3- 19, 3-20, 3-21, 3-22, 5-31, 5-33	5037008	.. 3-15, 3-17, 3-18, 3-19, 3-20, 3-21, 3-22, 3-33, 3-34, 5-32
50353103-44	50370102-39, 3-37, 3-48, 3-49
50353113-37	50371022-6
50353152-55	50380053-25, 3-26
5035318	2-39, 2-60, 2-62, 3-44, 3-46, 3-47, 3-48, 3-49, 3-58, 5-14, 5-34	50395015-9
50353193-33, 3-34, 5-2	50396015-9
50353205-43, 5-46	50588243-23, 3-24
50353222-39, 3-21, 3-22, 3-48, 3-49	50637012-62
50354033-23, 3-24		

5063905 5-40, 5-44	5074401 2-6, 2-49, 2-54, 3-23, 3-24
5063906 3-12, 3-13, 3-21, 3-22, 3-41, 5-32	5074403 3-2
5063908	3-10, 3-11, 3-17, 3-20, 3-21, 3-22, 5-34	5074406 3-2
5063910 5-32	5075203 3-11, 3-44
5064001 5-40, 5-44	5075205 2-39, 3-48, 3-49
5064002 3-21, 3-22, 3-41	5075206 5-64
5064003 3-12, 3-13, 5-32	5075208 3-10, 3-11, 3-21, 3-22, 3-37
5064007 3-10, 3-11, 5-34	5075306 3-53
5064008 3-17, 3-20, 3-21, 3-22	5076206 3-21, 3-22
5064009 5-32	5076301 5-14
5064011 3-21, 3-22	5080003 2-39, 3-48, 3-49
5065703	3-10, 3-11, 3-17, 3-21, 3-22, 3-29, 3-33, 3-34, 3-37	5080004 2-39, 3-48, 3-49
5065705	2-39, 2-60, 3-46, 3-47, 3-48, 3-49, 5-14, 5-32, 5-34	5080007 3-49
5065707 2-1, 2-5, 2-9, 3-51, 5-34	5080008 3-49
5065708 3-37, 5-1	5080009 3-48, 3-49
5065709 2-39, 3-42, 3-48, 3-49	5080011 2-39, 3-48, 3-49
5065710 3-12, 3-13, 3-25, 3-26	5080015 3-1, 3-2
5065711 3-21, 3-22, 3-41, 5-31	5089682 2-34
5065714	2-2, 2-3, 3-10, 3-11, 3-16, 3-17, 3-18, 3-19, 3-20, 3-21, 3-22, 5-34	5090007 2-39, 3-48, 3-49
5065715 3-33, 3-34, 5-34	5090008 2-38, 3-48
5065718 2-39, 3-25, 3-26, 3-48, 3-49	5090024 5-9
5065719 3-37	5090026 2-24, 5-9
5065726 3-29	5090032 2-20, 2-23, 2-24, 2-37, 5-3
5065729 3-44	5090034 2-64
5065731 3-15, 3-21, 3-22, 3-37	5090044 5-9
5065803 5-46	5090048 2-64
5065805 5-32	5090049 5-3, 5-4, 5-6
5065815 3-37	5090305 5-48
5070005 3-23, 3-24, 5-34	5093000 2-10, 2-11, 2-26, 2-27, 4-5, 4-6, 4-7, 4-27
5070026 2-1, 2-2, 2-3	5093001	2-16, 2-31, 4-23, 4-24, 4-25, 4-26, 4-28, 4-29, 4-30, 5-67
5070028 3-24	5093002	2-7, 2-8, 2-10, 2-11, 4-1, 4-2, 4-3, 4-4, 4-10, 5- 5, 5-7, 5-49, 5-50, 5-55
		5093004	2-23, 2-24, 2-76, 4-5, 4-6, 4-7, 4-8, 4-9, 4-38,

4-39, 4-40, 5-3, 5-3, 5-4, 5-6, 5-8, 5-38	5550006	2-12, 2-13, 2-14, 2-15
5093005	5550007	2-21, 2-34
5093006 2-20, 2-25, 4-8, 4-9, 4-18, 4-20, 4-21, 4-22	5550010	2-24, 5-9, 5-32
5093008 2-7, 2-8, 2-23, 2-24, 4-1, 4-2, 4-3, 4-4, 4-5, 4-6, 4-7, 4-8, 4-9, 4-10, 5-32	5550014	2-25, 5-10
5093009	5550015	5-11
5093010	5550020	2-24
5093012	5550021	5-66
5093013	5550026	2-12, 2-13, 2-15, 2-30
5093014	5550028	2-12, 2-20, 2-23, 2-24, 2-34, 5-3, 5-6
5093019	5550030	2-24, 2-29, 3-3, 5-9
5093021	5550037	5-28, 5-29
5093024 2-7, 2-8, 2-10, 2-11, 2-14, 4-1, 4-2, 4-3, 4-4, 4-10	5550038	2-12, 2-13, 2-15, 2-29
5093027	5550040	2-12, 2-13, 2-15, 2-26, 2-27, 2-36, 5-28, 5-29
5093037	5550050	2-21, 2-32, 5-28
5093044	5550060	5-28, 5-29
5093045	5550105	5-28, 5-29
5098335	5554373	2-30
5098336	5560003	4-4
5098341	5560004	2-7, 2-8, 2-10, 2-11, 2-16, 2-18, 2-23, 2-24, 2- 26, 2-27, 2-29, 2-31, 2-44, 2-50, 2-64, 2-74, 2-76, 3-2, 3- 3, 3-8, 3-9, 4-1, 4-5, 4-6, 4-7, 4-8, 4-9, 4-10, 4-18, 4-20, 4-22, 4-23, 4-24, 4-26, 4-27, 4-28, 4-29, 4-41, 4-42, 4-43, 4-44, 4-45, 5-14, 5-32, 5-36, 5-37, 5-66, 5-67, 5-69, 5-72
510587-025	5560005	2-49, 2-51, 2-54, 2-55
512649-280	5560014	2-50
513133-040	5560015	2-49
514411-000	5560018	2-2, 2-3
5240002	5560022	2-9
5260013	5560025	2-1
5510022	5560026	2-1
5516329	5560031	2-7, 2-8, 2-19, 2-26, 2-27, 2-30, 2-32, 2-36, 2- 42, 2-44, 2-49, 2-54, 2-56, 2-68, 2-69, 2-73, 2-74, 3-8, 3- 9, 4-10, 5-2, 5-7, 5-8, 5-22, 5-32, 5-34, 5-37, 5-40, 5-41, 5-42, 5-43, 5-44, 5-56, 5-68, 5-69, 5-72
5530013		
5530017		
55500030		
5550005		

5560033	2-7, 2-8, 2-10, 2-11, 2-12, 2-13, 2-15, 2-16, 2-21, 2-23, 2-24, 2-26, 2-27, 2-29, 2-31, 2-37, 2-41, 2-42, 2-43, 2-44, 2-45, 2-49, 2-50, 2-51, 2-52, 2-54, 2-55, 2-56, 2-66, 2-69, 2-74, 2-76, 3-8, 3-9, 3-24, 4-1, 4-5, 4-6, 4-7, 4-8, 4-9, 4-10, 5-8, 5-32, 5-34, 5-37, 5-42, 5-43, 5-57, 5-64, 5-69, 5-70	5560126	2-54, 2-57, 5-56
5560034	2-7, 2-8, 2-26, 2-27, 2-41, 2-43, 2-44, 2-45, 2-54, 2-81, 4-1, 4-4, 4-5, 4-6, 4-7, 4-8, 4-9, 4-10, 4-18, 4-22, 4-23, 4-24, 4-26, 4-27, 4-28, 4-29, 4-31, 4-31, 4-32, 4-33, 4-33, 4-34, 4-35, 4-36, 4-41, 4-42, 4-43, 4-44, 4-45, 5-2, 5-35, 5-36, 5-49, 5-50, 5-52, 5-60, 5-61, 5-67, 5-69, 5-72, 5-73, 5-74, 5-75	5560131	2-2, 2-3, 2-5, 2-20
5560036	2-9, 2-23, 2-24, 2-29	5560136	2-12, 2-13, 2-15, 2-17, 2-18, 2-19, 2-25, 2-30
5560038	2-11, 4-32, 4-34, 4-36, 4-41, 4-42, 4-43, 4-44, 4-45	5560138	2-29, 2-30
5560039	2-1, 2-7, 2-8, 2-12, 2-13, 2-14, 2-15, 2-20, 2-23, 2-24, 2-29, 2-50, 2-52, 2-55, 2-56, 2-65, 2-66, 2-67, 2-73, 2-75, 2-76, 2-77, 2-80, 3-28, 4-10, 5-1, 5-32, 5-37, 5-40, 5-44, 5-56, 5-66	5560168	2-7, 2-8, 2-14, 2-17, 2-18, 2-19, 2-25, 2-30, 2-55, 4-10
5560051	2-9	5560169	2-2, 2-3, 2-5, 2-6, 2-9, 2-23, 2-24, 2-29
5560053	2-49, 2-54	5560170	2-49
5560056	2-66, 2-68	5560179	2-16, 2-23, 2-24, 2-31
5560063	2-6	5560202	2-1
5560078	2-2, 2-3, 2-5	5560204	2-6
5560080	2-41, 2-42, 2-43, 2-44, 2-45	5560207	2-17, 2-18, 2-19
5560082	3-2, 5-66	5560215	2-1, 2-4
5560083	2-41, 2-42, 2-43, 2-44, 2-45	5560217	2-60
5560086	2-24, 2-41, 2-43, 2-44, 2-45	5560228	2-17, 2-18, 2-19
5560087	3-29	5560244	2-54
5560089	2-2	5560252	2-3
5560091	2-2, 2-3	5560254	2-51
5560094	2-11	5560256	2-55
5560104	5-73	5560257	2-54
		5560264	2-17
		5560277	3-3, 3-24, 5-40, 5-44
		5560311	2-42
		5560329	2-60
		5560330	5-37
		5560331	2-44, 2-55, 5-37
		5560333	5-41
		5560337	5-56
		5560341	4-41, 4-42, 4-43, 4-44, 4-45
		5560355	2-20, 5-10
		5560356	2-10, 2-11, 2-17, 2-19, 2-26, 2-27, 2-30, 5-10
		5560357	2-30
		5560364	2-10, 2-11, 2-17, 2-19, 2-26, 2-27, 2-30
		5560372	5-69, 5-72

5560377	2-17, 2-19	5560663	4-42, 4-43, 4-44, 4-45
5560383	5-38, 5-67	5560664	2-19, 4-1
5560400	2-30	5560666	4-1, 4-4, 4-5, 4-6, 4-7, 4-26, 4-31, 4-32, 4-33,
5560531	2-24, 2-42, 2-44	4-36	
5560586	4-4	5560667	4-27
5560598	2-10, 2-11	5560673	2-7, 2-8, 2-26, 2-27, 2-44, 4-10, 4-18, 4-22, 4-
5560605	2-52	41, 4-42, 4-43, 4-44, 4-45, 5-39	
5560606	2-52	5560674	5-40
5560609	2-11, 2-38, 2-81, 4-31, 4-32, 4-33, 4-34,	5560675	2-55, 2-56, 5-37
4-35, 4-36, 4-42, 4-43, 4-45, 5-74, 5-75		5560678	2-20
556061	2-1	5560679	2-54
5560614	2-10, 2-11	5560680	5-64
5560615	2-10, 2-11	5560681	5-37
5560618	2-10	5560686	2-42
5560625	2-26, 2-27, 2-30, 5-10	5560688	2-1
5560626	2-10, 2-17, 2-19	5560698	2-24
5560628	2-19	5560703	2-7, 2-8, 4-1, 4-5, 4-6, 4-7, 4-8, 4-10, 4-23, 4-
5560631	2-10	24, 4-26, 4-26, 4-28, 4-29, 4-31, 4-32, 4-33, 4-36, 4-41, 4-	
5560639	2-20, 2-23, 2-24, 2-29	42	
5560640	2-2, 2-3	5560704	2-63, 3-61, 5-32
5560641	3-29	5560714	2-2, 2-3
5560642	2-5	5560718	2-55
5560643	2-39, 3-48, 5-34	5560719	2-10, 2-11
5560644	2-49, 2-51, 2-52	5561552	4-26
5560647	5-1	5561559	2-41, 2-42, 2-43, 2-44, 2-45
5560648	4-24, 4-27, 5-52, 5-60, 5-61	5563017	2-34
5560649	2-49	5563025	4-23, 4-28, 4-29, 4-31, 5-39
5560654	4-9, 4-23, 4-24, 4-27, 4-28, 4-29, 4-34,	5563028	5-70
4-35, 4-36, 4-42, 4-43, 4-45		5563029	5-70
5560655	2-40, 2-44, 4-23, 4-24, 4-26, 4-27, 4-29,	5563044	5-56
5-59		5563047	5-56
5560656	5-23, 5-62	5563051	2-24
5560657	5-23	5563062	2-6
5560662	5-1	5563103	2-17

5563135 2-63, 3-61	562386 5-74, 5-75
5563141 2-40, 2-44, 2-46, 2-47, 2-48	564266 5-6
5563142 2-40, 2-44, 2-46, 2-47, 2-48	565666 3-39, 3-39, 3-39, 3-39, 3-39
5563264 4-4	5656666 3-36
5563310 2-74	582206 4-30
5563393 2-74	583406 4-29
5563777 2-7, 2-8, 4-10	583556 4-1
5566033 2-78	6010083 5-14
5569003	4-23, 4-24, 4-25, 4-26, 4-27, 4-28, 4-29, 4-30, 5-52, 5-53, 5-55, 5-60, 5-61	6010115 3-52, 3-53
5569012 2-83	6010116 3-52, 3-55, 3-57
5569059 2-81, 5-54	6010228 3-33, 3-34
5569711 4-41, 4-42, 4-43, 4-44, 4-45	6010229 3-12
5569833 2-41, 2-42, 2-43, 2-44, 2-45	6010231 3-15, 3-16
5569835 3-50, 3-56	6010250 3-29
5569836 2-1	6010250 A 3-35
5569837 4-5, 4-6, 4-7	6010256 3-35
5569845 4-8	6010269 3-10, 3-11, 3-33, 3-34
5569865 2-69, 2-74, 5-57	6010321 3-35
5569900 2-56	6010392 3-39
5569927 4-4	6010437 3-21, 3-22
5569952 2-3	6010472 3-46, 3-47
5569974 2-2, 2-3	6010489 5-46
5569978 4-48, 4-49	6010495 5-47
5569980 5-37	6010498 5-47
5569997 4-1, 4-8, 4-35, 4-42, 5-39	6010499 3-46, 3-47, 5-14
5570001 2-1, 2-6	6010500 3-46, 3-47
5570003 5-1	6010508 5-46
5580002 5-1	6010509 5-46
5590003 2-9, 3-28	6010510 5-46
5592018 2-82	6010523 3-33, 3-34
561176 3-40	6010531 3-33, 3-34, 3-35
561956 3-12, 3-14	6010537 3-39, 3-39
562236 4-20	6010541 2-62
		6010541 A 3-45

6010551	3-39	6010852	3-38
6010553	3-39	6010853	3-38
6010565	3-44	6018901	5-46
6010578	3-45	6018948	3-40
6010579	3-44	6019041	3-36, 3-40
6010591	3-39	6019047	2-60, 3-62
6010604	3-15, 3-16	6019048	3-29
6010605	3-44	6019048 A	3-36
6010613	3-10, 3-11, 3-21, 3-22	6019054	3-13
6010614	3-10, 3-11	6019054 A	3-14, 3-21
6010624	3-10, 3-11	6019059 A	3-40
6010628	2-59	6019064	5-34
6010653	3-38	6019065	5-34
6010694	3-39	6019066	5-34
6010696	3-39, 3-39	6019068	3-59
6010697	3-39, 3-39	6019089	2-61
6010698	3-39	6019098	3-40
6010699	3-39	6019099	3-40
6010700	3-39	6019122	3-62
6010701	3-39	6019155	3-40, 3-40
6010702	3-39	6019157	3-40
6010703	3-39, 3-40	6019168	3-10, 3-11
6010704	3-39	6019190	3-40
6010705	3-39	6019192	3-40
6010706	3-39	6019194	3-40
6010707	3-39	6019195	3-40
6010724	3-62	6019196	3-40
6010734	3-62	6019205	3-40, 3-40
6010823	3-37	6019210	3-40
6010823 B	3-38	6019341	3-36
6010844 A	3-39	6019343	3-14
6010849	3-38	6019355	5-46
6010850	3-38	6020058	3-42
6010851	3-38	6020058 B	3-43

6020065	3-25	6091249	3-53
6022077	3-26	6091250	3-53
6029631	2-62	6091251	3-53
6029642	5-33	6091252	3-53
6029643	5-31	6091253	3-53
6029698	3-43	6091255	3-50, 3-56
6029699	3-43	6091256	3-50
6029702-005	3-26	6091257	3-50
6029702-005 A	3-27	6091259	3-50
6030018	2-3, 3-4	6091260	3-50
6030018-3	2-2	6091262	3-56
6030020	3-29	6091263	3-56
6030029	5-41, 5-42, 5-43	6091264	3-56
6030040	2-5, 3-5	6091265	3-56
6044158	4-14	6091266	3-56
6047152 B	3-54	6091314	3-53, 3-56
6047153	3-58	6091374	3-50
6047153 C	3-59	6091701	3-36
6047156	3-54, 3-59	6091702	3-36
6047157	3-54	6091708	2-57
6047158	3-54, 3-59	6091709	2-57
6047159	3-54, 3-59	6091721	3-7
6047160	3-54	6091722	3-7
6047161	3-54, 3-59	6091723	3-7
6047162	3-54, 3-59	6091724	3-7
6047164	3-59	6091725	3-7
6047166	3-59	6091726	3-7
6050010	5-2	6091729	3-7
6070005	3-41	6091730	3-7
6081989	3-25	6091731	3-7
6090037	3-57	6091732	3-7
6090054	3-25	6091733	3-7
6091241	3-53	6091734	3-7
6091246	3-53	6091735	3-7

6091736	3-7	7240012	5-42, 5-43
6091737	3-7	7249577	5-41
6091738	3-7	7280001	2-2, 2-3, 5-77, 5-78, 5-80
6091739	3-7	7280010	2-1
6091740	3-7	7280022	3-6
6091741	3-7	7280028	5-79
6091742	3-7	7280077 A	5-79
6091743	3-7	7280077-1	5-80
6091744	3-7	7280078	5-79, 5-79
6091745	3-7	7280092-1	5-77
6091746	3-7	7620055	2-25
6091747	3-7	7624750	2-17, 2-19
6091748	3-7	7624764	2-30
6091749	3-7	7624766	2-10, 2-11
6091750	3-7	7624794	2-34, 2-35
6091751	3-7	7630003	2-21, 2-22
6091913	3-12	7630004	2-21
6092077	3-27	7630005	2-21
6092078	3-26, 3-27	7630015	2-12, 2-13, 2-15, 2-26, 2-27
7030003	2-83	7630016	2-21
7030161	2-81	7630024	2-32, 2-36
7030162	2-81	7630117	2-23, 2-24, 2-29
7030163	2-82	7630129	2-21
7050006	5-74, 5-75	7630130	2-20
7050007	5-74, 5-75	7630140	2-14, 2-21, 2-26, 2-27, 2-32, 2-36
70916	2-59	7630158	2-32, 2-36
7110112	3-29	7630180	2-16, 2-23, 2-24, 2-31
7110157	2-62	7630196	2-26, 2-27
7110242	2-2, 2-3, 2-5	7630197	2-26, 2-27
7110348	2-59, 2-59, 2-62	7630227	2-16, 2-23, 2-24, 2-31
7140092	5-59	7630239	2-16, 2-23, 2-24, 2-31
7150003	2-1	7630243	5-10
7190001	4-41, 4-42, 4-43, 4-44, 4-45	7630255	2-25
7190005	3-29	7630286	2-20

76303112-17	76308382-32
76303232-10	76308425-13, 5-20, 5-21
76303275-9	76308742-30
76303322-23, 2-24	76309482-34, 2-35
76306772-23, 2-24	76310842-33
76306782-23, 2-24	76310862-33
76306792-23, 2-24	76310872-33
76306802-23, 2-24	76312922-35
76306812-23, 2-24	76312952-35
76306822-23	76313072-35
76306832-23, 2-24	76313182-35
763068422-24	76313272-35
76306852-23, 2-24	76313292-35
76306862-23, 2-24	763133.92-35
76306872-23	76313312-35
76306882-23	76313332-35
76306912-23, 2-24	76313342-35
76307035-3, 5-4, 5-6	76313352-35
76307045-3, 5-4, 5-6	76313362-35
76307072-10, 2-11	76313382-35
76307492-23, 2-24	76313422-35
7630755	2-12, 2-13, 2-15, 2-26, 2-27, 2-28, 2-32, 2-36	76313442-35
7630756-0012-16, 2-31	76313492-35
76307592-12, 2-13, 2-15, 2-26, 2-27, 2-32	76313502-35
76307772-25	76313522-35
76307792-17, 2-18, 2-19, 2-25	76313622-35
76307962-26, 2-27, 2-30	76313642-35
76307972-26, 2-27, 2-30	76313652-35
7630797 D2-33	77142022-37, 5-3
76308202-29	77142042-39, 3-48, 3-49, 5-32, 5-66
76308212-29	77202012-25
76308332-29	77206045-47
76308352-29	77212082-39, 3-48, 3-49
		77212105-47

7734204 2-39, 3-48, 3-49	8010219 3-32
7734401 3-48	8010220 3-32
7734701 3-48	8010221 3-32
7740014 5-47	8010222 3-32
7740110 5-47	8010223 3-32
7740120 3-48	8010224 3-32
8010013 3-6	8010225 3-32
8010027 3-6	8010226 3-32
8010028 3-6	8010227 3-32
8010029 3-6	8010229 3-32
8010030 3-6	8010230 3-32
8010031 3-6	8010231 3-32
8010032 3-6	8010232 3-32
8010069 3-6	8010233 3-32
8010075 3-6	8010235 3-32
8010080 3-6	8010236 3-32
8010097 3-6	8010237 3-32
8010106 3-6	8010238 3-32
8010107 3-6	8010239 3-32
8010108 3-6	8010240 3-32
8010109 3-6	8010245 3-38
8010143 3-6	8010247 3-32
8010145 3-6	8010248 3-32
8010149 3-6	8010249 2-38
8010150 3-6	8010250 2-38
8010151 3-6	8010260 3-32
8010157 3-6	8010261 3-32
8010168 3-6	8010262 3-32
8010169 3-6	8010263 3-32
8010173 3-6	8010264 3-32
8010175 3-6	8010265 3-32
8010186 3-6	8010266 3-32
8010217 3-32	8010267 3-32
8010218 3-32	8010268 3-32

8010269 3-32	8070220 3-52
8010270 3-32	8070247 3-52
8010271 3-32	8070295 3-52
8010272 3-38, 3-38, 3-38, 3-38, 3-38	8070296 3-55
8010273 3-38, 3-38, 3-38, 3-38, 3-38	8070297 3-55
8020009 5-9	8070298 3-55
8020018 5-42, 5-43	8070299 3-55
8020036 5-9	8070300 3-55
8030044 4-20	8070301 3-55
8040106 2-22	8080015 3-60
8040107 2-22	8080016 3-60
8040111 2-22	8080018 3-60
8040112 2-22	8080038 3-60
8040114 2-22	8080039 3-60
8040115 2-22	8080040 3-60
8040198 2-17, 2-18	8080041 3-60
8040201 2-17, 2-18	8080060 3-60
8040207 2-17, 2-18	8080061 3-60
8050097 2-28	8080062 3-60
8050098 2-28	8080064 3-60
8050099 2-28	8080152 2-61
8050100 2-28	8080162 5-34
8056021-006 2-12, 2-13, 2-15	8113462 2-30
8060277 2-16	8113642 2-30
8060311 2-74	8113643 2-30
8070012 3-52	8113645 2-30
8070014 3-52	8113646 2-30
8070015 3-52	8113647 2-30, 2-30
8070017 3-52	8113648 2-30
8070018 3-55	8113649 2-30
8070030 3-52	8113650 2-30
8070131 3-55	8113651 2-30
8070217 3-52	8113653 2-30
8070218 3-52	8113655 2-30

81136572-30	8150155 4-46, 4-47
81136612-30	8150156 4-46, 4-47
8130005 5-9	8160047 5-48
81400112-28	8160100 3-25
81400132-28	8180014 2-37
81400142-28	8180021 3-25
8150003 4-46, 4-47	8180023 3-25
8150004 4-46, 4-47	8190098 3-57
8150005 4-46, 4-47	8190103 3-57
8150009 4-46, 4-47	8190126 3-57
8150013 4-46, 4-47	8190127 3-57
8150082 4-46, 4-47	8190128 3-57
8150084 4-46	8190129 3-57
8150094 4-46, 4-47	8190291 3-12
8150135 4-46, 4-47	8200004 3-29
8150136 4-46	8200039 3-31
8150137 4-46	8200051 3-31
8150138 4-46, 4-47	8200052 3-31
8150139 4-46	8200053 3-31
8150140 4-46, 4-47	8200054 3-31
8150141 4-46, 4-47	8200055 3-31
8150142 4-46	8200057 3-31
8150143 4-46, 4-47	8200059 3-31
8150144 4-46, 4-47	8200060 3-31
8150145 4-46, 4-47	8200061 3-31
8150146 4-46, 4-47	8200062 3-31
8150147 4-46	8200064 3-31
8150148 4-46, 4-47	8200066 3-31
8150149 4-46	8200069 3-31
8150150 4-46, 4-47	8200070 3-31
8150151 4-46, 4-47	8200071 3-31
8150152 4-46, 4-47	8200072 3-31
8150153 4-46, 4-47	8200073 3-31
8150154 4-46, 4-47	8200074 3-31

8200075 3-31	8220130 3-4, 3-5
8200076 3-31	8220131 3-4, 3-5
8200077 3-31	8220132 3-4, 3-5
8200078 3-31	8220133 3-4, 3-5
8200079 3-31	8220134 3-4, 3-5
8200080 3-31	8220135 3-4, 3-5
8200081 3-31	8220136 3-4, 3-5
8200082 3-31	8220137 3-4, 3-5
8200096 3-31	8220138 3-4, 3-5
8220003 3-5	8220139 3-4, 3-5
8220004 3-5	8220140 3-4, 3-5
8220005 3-4, 3-5	8220141 3-4, 3-5
8220006 3-4, 3-5	8220142 3-4, 3-5
8220007 3-4, 3-5	8220143 3-4, 3-5
8220009 3-5	8220144 3-4, 3-5
8220010 3-5	8220145 3-4, 3-5
8220011 3-5	8220146 3-4, 3-5
8220014 3-5	8220147 3-4
8220015 3-5	8220148 3-4, 3-5
8220017 3-5	8220149 3-5
8220020 3-4, 3-5	8220150 3-5
8220025 3-5	8220153 3-5
8220027 3-4, 3-5	8220154 3-5
8220028 3-4, 3-5	8220155 3-5
8220031 3-4, 3-5	8220156 3-4
8220038 3-5	9070909 2-24
8220094 3-39	910269 5-41
8220117 3-4, 3-5	960129 4-12
8220119 3-25	961089 2-8, 4-1, 4-2, 4-4, 4-5, 4-6, 4-7
8220120 3-25	962839 5-31, 5-33
8220126 3-4, 3-5	962849 5-35
8220127 3-4, 3-5	967299 2-20, 2-68
8220128 3-4, 3-5	969989 2-24
8220129 3-4, 3-5	969999 3-8, 3-9

9700029 2-23	970369	. 2-19, 2-38, 2-42, 2-49, 2-50, 3-3, 5-7, 5-8, 5-32, 5-37, 5-42, 5-43, 5-56
970009	. 2-7, 2-8, 2-20, 2-68, 2-69, 2-73, 2-74, 4-1, 4-4, 4-5, 4-6, 4-7, 4-8, 4-8, 4-9, 4-10, 5-56	970419 2-11, 3-3, 4-4
970019 2-10, 2-11	970426 2-50, 5-66
970027 4-8	970429 2-49, 4-1
970029	. 2-7, 2-8, 2-24, 2-26, 2-27, 2-29, 2-37, 2-50, 2-58, 2-74, 2-82, 4-1, 4-1, 4-4, 4-5, 4-5, 4-6, 4-6, 4-7, 4-7, 4-9, 4-9, 4-10, 4-18, 4-20, 4-22, 4-23, 4-24, 4-26, 4-27, 4-28, 4-29, 4-38, 4-39, 4-40, 4-41, 4-42, 4-43, 4-44, 4-45, 5-2, 5-7, 5-8, 5-9, 5-12, 5-30, 5-36, 5-49, 5-50, 5-53, 5-58, 5-59, 5-65, 5-69, 5-72	970439 2-49
970039 2-16, 2-31	970449	2-12, 2-13, 2-15, 2-49, 2-54, 2-57, 2-58, 2-62, 3-24
970049	2-7, 2-8, 2-10, 2-11, 2-23, 2-29, 4-1, 4-5, 4-6, 4-7, 4-8, 4-9, 4-10, 4-41, 4-42, 4-43, 4-44, 4-45, 5-32, 5-66	970469	2-7, 2-8, 2-12, 2-13, 2-15, 2-26, 2-27, 2-29, 2-37, 2-42, 2-44, 2-49, 2-64, 3-24, 4-1, 4-4, 4-5, 4-6, 4-7, 4-8, 4-9, 4-10, 4-27, 5-28
970059 2-1, 2-24, 4-4	970489	2-7, 2-8, 2-21, 2-42, 2-44, 2-54, 2-56, 4-1, 4-5, 4-6, 4-7, 4-8, 4-9, 4-10, 5-32, 5-37, 5-66
970069 2-18, 2-64	970499 5-41, 5-42, 5-43
970099 2-14, 2-66, 2-66	970519 2-16, 2-23, 2-24, 2-31
970109 3-3	970529 2-66, 2-67, 2-77, 2-78, 2-80, 3-24, 5-64
970119 3-3, 5-34	970549 3-8, 3-9
970129 3-24	970569 5-7
970169 5-14	970599 2-37
970229 2-68	970629 2-50
970239	2-1, 2-7, 2-8, 2-12, 2-13, 2-15, 2-23, 2-24, 2-26, 2-27, 2-56, 2-69, 2-74, 4-1, 4-4, 4-5, 4-6, 4-7, 4-8, 4-9, 4-10, 5-1, 5-2	970639 5-37
970249 2-16, 2-31	970849 2-44, 2-50, 2-59, 5-66
970259 2-44, 5-41	970889	2-1, 2-23, 2-24, 2-60, 2-62, 2-66, 2-67, 2-78, 2-80
970269	. 2-30, 2-49, 2-54, 5-32, 5-42, 5-43, 5-44, 5-56	970909	2-7, 2-8, 2-14, 2-23, 2-29, 2-42, 2-56, 2-60, 2-67, 2-77, 2-78, 2-80, 4-10, 5-40, 5-44, 5-66
970279 2-68, 2-69, 2-73, 2-74, 5-2, 5-41	970919	2-7, 2-8, 2-12, 2-13, 2-14, 2-15, 2-59, 2-62, 2-65, 2-73, 2-75, 3-28, 4-10, 5-32
970299 2-32, 2-62, 5-41, 5-42, 5-43	970949 2-44
970349 2-36, 2-59, 2-60, 3-8, 3-9, 5-68	970979 2-1
		970989 2-42
		971009 2-55
		971069 2-10, 2-11
		971379 2-9

972019	2-10, 2-11	976459	4-4
972029	5-10	978099	5-67
972049	2-10, 2-11	97819	2-54
972259	2-68, 2-69, 2-73, 2-74, 5-69, 5-72	978389	5-67
972439	5-8, 5-32, 5-69, 5-72	978409	2-49, 2-52, 5-64
972449	2-51, 2-52, 2-55	978419	2-61
972469	2-50, 2-54	978559	2-20
972479	2-10, 2-26, 2-27, 2-38, 2-56, 2-69, 2-74, 3-24, 5-8, 5-41	978629	2-29
972489	2-52, 2-54, 2-56, 5-7, 5-37, 5-69	980049	2-17
972509	2-49, 2-50, 2-54	980909	2-20
972539	2-49, 2-54, 5-37	98099	2-10
972559	2-49	981089	2-7, 4-10
974129	4-32, 4-33, 4-36	982129	2-17, 2-18
974239	4-9, 4-24, 4-27, 4-34, 4-35, 4-41, 4-42, 4-43, 4-44, 4-45	984009	4-4, 4-5, 4-6, 4-7, 4-9, 4-23, 4-24, 4-26, 4-27, 4-28, 4-29, 4-41, 4-42, 4-43, 4-44, 4-45, 5-39
974269	4-41, 4-42, 4-43, 4-44, 4-45, 5-39	984049	2-49, 4-18, 4-22, 4-23, 4-24, 4-26, 4-27, 4-28, 4-29, 4-31, 4-32, 4-33, 4-34, 4-35, 4-36, 4-41, 4-42, 4-43, 4-44, 4-45, 5-35, 5-39
974279	4-23, 4-28, 4-29, 4-31	984069	2-10, 2-37, 2-82, 5-7, 5-8
974289	4-1, 4-4, 4-5, 4-6, 4-7, 4-8, 4-9	984079	2-19
974509	4-7	984089	2-12, 2-13, 2-15
974569	5-2	984109	2-37, 2-38, 2-67, 2-77, 2-80, 3-3, 3-24, 5-7, 5-28, 5-69, 5-72
974639	5-67	984116	5-2
974659	2-44, 4-6, 5-48, 5-69, 5-72	984149	2-1, 2-44
974679	2-7, 2-8, 4-10, 5-49, 5-50	984169	2-19
974689	4-32, 4-33, 4-34, 4-35, 4-36, 4-41, 4-42, 4-43, 4-44, 4-45, 5-35	984329	2-10
974709	2-54, 4-1, 4-4, 4-5, 4-6, 4-9, 5-36, 5-49, 5-50	984339	2-11, 2-34
974729	4-31, 4-32, 4-33, 4-34, 4-35, 4-36	984409	2-59, 2-60, 2-62
974769	5-67	984449	2-9
975089	2-44, 4-4	984469	2-1, 2-49, 2-54
975209	2-17, 2-19	984529	2-66, 2-66
975659	4-5	984799	2-78
975729	3-56	986009	2-7, 2-8, 2-26, 2-27, 2-49, 2-54, 4-1, 4-4, 4-5, 4-

6, 4-7, 4-8, 4-9, 4-10, 4-42, 4-43, 4-45, 5-36, 5-39, 5-49, 5-50, 5-67	44, 5-56, 5-66
986019 . 2-7, 2-8, 2-10, 2-11, 2-14, 2-16, 2-17, 2-18, 2-20, 2-23, 2-24, 2-26, 2-27, 2-29, 2-31, 2-44, 2-50, 2-58, 2-64, 2-66, 2-66, 2-74, 3-3, 3-8, 3-9, 3-24, 4-1, 4-5, 4-6, 4-7, 4-8, 4-9, 4-10, 4-18, 4-20, 4-22, 4-23, 4-24, 4-26, 4-27, 4-28, 4-29, 4-38, 4-39, 4-40, 4-41, 4-42, 4-43, 4-44, 4-45, 5-2, 5-12, 5-14, 5-30, 5-37, 5-38, 5-53, 5-58, 5-65, 5-66, 5-67, 5-69, 5-72	9870099 2-1
986039 5-37	987089 2-38, 4-18, 4-22, 4-24, 4-26, 4-27, 4-31, 4-32, 4-33, 4-34, 4-35, 5-35, 5-48
986059 5-37	987099 2-7, 2-8, 2-11, 2-14, 2-16, 2-20, 2-23, 2-24, 2-37, 2-58, 2-66, 2-66, 3-24, 4-1, 4-4, 4-5, 4-6, 4-7, 4-8, 4-9, 4-10, 4-38, 4-39, 4-40, 5-7, 5-8, 5-9, 5-12, 5-30, 5-38, 5-49, 5-50, 5-53, 5-58, 5-59, 5-65
986089 4-4	987109 2-9, 2-12, 2-13, 2-15, 2-16, 2-24, 2-31, 2-38, 2-49, 2-50, 2-58, 2-59, 2-60, 2-62, 2-64, 2-68, 2-69, 3-3, 3-29, 4-1, 4-4, 4-5, 4-6, 4-7, 4-8, 4-9, 5-1, 5-10, 5-56
986159 4-1, 4-4, 4-5, 4-6, 4-7, 4-8, 4-9, 4-23, 4-24, 4-26, 4-27, 4-28, 4-29, 4-31, 4-32, 4-33, 4-34, 4-35, 4-36, 4-41, 4-42, 4-43, 4-44, 4-45, 5-39	987119 . 2-4, 2-7, 2-8, 2-23, 2-23, 2-26, 2-27, 2-37, 2-38, 2-49, 2-50, 2-56, 2-57, 2-58, 2-62, 2-64, 3-3, 3-8, 3-9, 3-24, 4-1, 4-5, 4-6, 4-7, 4-8, 4-9, 4-10, 5-8, 5-28, 5-66, 5-69, 5-72
986229 4-5, 4-6, 4-7	987139 2-1, 2-2, 2-3, 2-5, 2-10, 2-11, 2-12, 2-13, 2-15, 2-17, 2-18, 2-19, 2-24, 2-29, 2-30, 2-34, 2-42, 2-44, 2-59, 2-60, 2-62
986269 2-1, 2-7, 2-8, 2-10, 2-16, 2-23, 2-24, 2-26, 2-27, 2-30, 2-31, 2-32, 2-36, 2-42, 2-44, 2-49, 2-54, 2-56, 2-59, 2-60, 2-62, 2-68, 2-69, 2-74, 3-3, 3-8, 3-9, 3-29, 4-4, 4-5, 4-6, 4-7, 4-8, 4-9, 4-10, 5-2, 5-7, 5-8, 5-10, 5-22, 5-32, 5-34, 5-37, 5-40, 5-41, 5-42, 5-43, 5-44, 5-56, 5-68	987299 2-23
986299 2-4, 2-7, 2-8, 2-10, 2-11, 2-12, 2-13, 2-15, 2-16, 2-17, 2-18, 2-19, 2-21, 2-24, 2-26, 2-27, 2-29, 2-31, 2-38, 2-42, 2-44, 2-49, 2-50, 2-52, 2-54, 2-56, 2-57, 2-58, 2-63, 2-64, 2-67, 2-69, 2-74, 2-78, 2-80, 3-3, 3-6, 3-8, 3-9, 3-24, 3-61, 4-1, 4-4, 4-8, 4-9, 4-10, 5-7, 5-8, 5-32, 5-34, 5-41, 5-42, 5-43, 5-64, 5-69, 5-70, 5-72	987339 4-41
986359 2-1, 2-12, 2-13, 2-15, 2-20, 2-23, 2-24, 2-29, 2-42, 2-44, 2-49, 2-50, 2-52, 2-54, 2-56, 2-60, 2-65, 2-66, 2-66, 2-67, 2-68, 2-69, 2-73, 2-73, 2-74, 2-75, 2-77, 2-78, 2-79, 2-80, 5-32, 5-40, 5-	987349 . 4-4, 4-5, 4-6, 4-7, 4-8, 4-9, 4-23, 4-24, 4-26, 4-27, 4-28, 4-29, 4-31, 4-32, 4-33, 4-34, 4-35, 4-36, 4-41, 4-42, 4-43, 4-44, 4-45
	987359 4-43, 4-44, 4-45
	9877109 2-1
	988179 2-49, 2-54, 2-66, 2-66, 2-69, 2-74, 2-79
	9920014 2-52
	9920016 2-50
	9920017 5-37
	9920018 5-37
	9939464 5-69, 5-72
	9940001 5-3, 5-7
	9940005 5-7, 5-8
	9940018 5-3, 5-4, 5-6

9960007	5-74, 5-75	A17035C	5-76
9980003	5-67, 5-74, 5-75	A17052F C	5-30, 5-30
9980004	5-67	A18028A	2-80
9980005	5-67	A42013A	2-73
9980006	5-67, 5-67	A42013A A	2-75
9980008	5-74, 5-75	IP0084578	5-2
9980012	2-1, 2-9, 2-17, 2-18, 2-19, 2-25, 2-49, 2-51, 2-54, 2-55, 2-58, 2-59, 2-60, 2-62, 2-76	IP3040534	4-9
9980021	2-83	M00207	2-66
9980251	2-83	NOTE 5	4-12
A07032A	2-77	NS00151	2-19
A07033B	2-72	PNNW	4-39, 4-39, 4-39, 4-39
A07034F	4-48	SEE NOTE	5-67
A08021A	2-70		
A08021B	2-67		
A08023A	2-71, 2-78		
A08024F A	4-39		
A08065K A	2-85		
A08065N A	2-86		
A08065PA	2-87		
A08065RA	2-88		
A08065S A	2-89		
A08065S C	2-90		
A08067E D	5-49		
A08067E G	5-50		
A08081B A	5-47		
A08108C A	5-8		
A08125D A	5-38		
A08127B B	4-49		
A08129E K	2-43		
A08129EH	2-45		
A08138A A	4-38		
A08149C	2-83		
A08149CE	2-84		