



TB86J



CE

REPAIR PARTS
MANUAL

Part Number 0113772
August 2016

Serial number 000200 and after

GENERAL INFORMATION

GENERAL INFORMATION, TB86	1-1
---------------------------------	-----

REPAIR PARTS

CHASSIS ASSEMBLY PG TB80 TB86J OCTOBER 2019 AND BEFORE	2-1
CHASSIS ASSEMBLY TB80 TB86J NOVEMBER 2019 AND AFTER	2-2
BRAKE UNIT	2-3
GEAR HUB	2-4
GEAR HUB (OMNI)	2-5
CHASSIS COVER INSTALLATION FIXED AXEL	2-6
TIRES AND WHEELS	2-7
CHASSIS AND TURNTABLE ASSEMBLY	2-8
TURNTABLE ASSEMBLY TB86J KUBOTA	2-9
TURNTABLE ASSEMBLY TB86J PG	2-10
TURNTABLE ASSEMBLY DUAL FUEL	2-11
TURNTABLE ASSEMBLY DUAL FUEL	2-12
TURNTABLE ASSEMBLY TB86J KUBOTA V2403 TIER 4F	2-13
TURNTABLE ASSEMBLY TB86J KUBOTA V2403 TIER 4F	2-14
TURNTABLE ASSEMBLY 12K KUBOTA V2403 T4F	2-15
SWING DRIVE PERFECTION	2-16
SWING DRIVE ASSEMBLY OMNI GEAR	2-17
CENTER POST SUB-ASSEMBLY AUGUST 2019 AND BEFORE	2-18
CENTER POST SUB-ASSEMBLY SEPTEMBER 2019 AND AFTER	2-19
ENGINE SUB ASSEMBLY KUBOTA V2403 T4F WITH THROTTLR SOLENOID SN TB86J-04-170800304 AND BEFORE	2-20
ENGINE SUB ASSEMBLY PG KUBOTA V2403 T4F WITH ACTUATOR SN TB86J-04-170800305 AND AFTER	2-21
ENGINE KUBOTA V2403T WITH RADIATOR REPLACEMT PARTS	2-22
FUEL SYSTEM ASSEMBLY KUBOTA V2403T4F	2-23
DIESEL OXIDATION CATALYST MUFFLER KUBOTA V2403 CR T4B	2-24
COOLING SYSTEM KUBOTA V2403 CR T1 SEPTEMBER 2017 AND AFTER	2-25
COOLING SYSTEM KUBOTA V2403 T4F	2-26
OIL COOLER INSTALLATION	2-27
V2403-CR TIER 4B KUBOTA ENGINE REPLACEMENT PARTS	2-28
RADIATOR KIT KUBOTA V2403	2-29
WG2503 ENGINE SUB ASSEMBLY SN TB86J-04-170400250 AND AFTER	2-30
ENGINE KU WG2503 DUAL FUEL ASSEMBLY SN TB86J-04-170400250 AND AFTER	2-31
ENGINE KUBOTA WG2503 DUAL FUEL WITH RADIATOR REPLACEMENT PARTS	2-32
WG2503 KUBOTA DUAL FUEL ENGINE WITH RADIATOR REPLACEMENT PARTS	2-33
EXHAUST/AIR CLEANER INSTALLATION KUBOTA	2-34
SUPERTRAPP MUFFLER ADAPTER	2-35
AIR CLEANER EXHAUST TB86J KUBOTA T4F JANUARY 2020 AND AFTER	2-36
AIR CLEANER AND EXHAUST ASSEMBLY DUAL FUEL	2-37
AIR CLEANER AND EXHAUST KUBOTA V2403 T4F	2-38
AIR CLEANER	2-39

FUEL TANK INSTALLATION	2-40
HYDRAULIC OIL RESERVOIR ASSEMBLY JULY 2017 AND BEFORE	2-41
HYDRAULIC OIL TANK	2-42
HYDRAULIC OIL RESERVOIR INSTALLATION	2-43
HYDRAULIC OIL RETURN FILTER	2-44
COWLING INSTALLATION PAGE 1 OF 4	2-45
COWLING INSTALLATION PAGE 2 OF 4	2-46
COWLING INSTALLATION PAGE 3 OF 4	2-47
COWLING INSTALLATION PAGE 4 OF 4	2-48
TB86J PG KUBOTA STEEL COWLING INSTLLATION 1 OF 4	2-49
TB86J PG KUBOTA STEEL COWLING INSTALLATION 2 OF 4	2-50
TB86J PG KUBOTA STEEL COWLING INSTALLATION 3 OF 4	2-51
TB86J PG KUBOTA STEEL COWLING INSTALLATION 4 OF 4	2-52
STEEL COWLING KUBOTA T4F PAGE 1 OF 2	2-53
STEEL COWLING KUBOTA T4F PAGE 2 OF 2	2-54
STEEL COWLING KUBOTA T4F PAGE 2 OF 2	2-55
STEEL REAR COWLING ASSEMBLY	2-56
FRONT STEEL COWLING SERVICE KIT DEUTZ	2-57
BOOM ASSEMBLY PG TB80 TB85J TB86J	2-58
EXTEND CYLINDER SUB-ASSEMBLY	2-59
BOOM ASSEMBLY HOSE CARRIER AND JIB PG	2-60
BOOM ASSEMBLY HOSE CARIER AND JIB PG CE	2-61
HOSE CARRIER ASSEMBLY TB86J	2-62
HOSE CARRIER ASSEMBLY PG WITH 12K	2-63
HOSE CARRIER ASSEMBLY SUPPORT	2-64
BOOM HOSE CARRIER AND JIB ASSEMBLY PG	2-65
SIX FOOT JIB ASSEMBLY PG	2-66
6 FOOT JIB ASSEMBLY CE FEBRUARY 2019 AND AFTER	2-67
JIB INNER QUADRANT	2-68
PLATFORM ASSEMBLY STEEL MARCH 2009 AND AFTER	2-69
PLATFORM ROTATOR ASSEMBLY WITH OVERLOAD SEPTEMBER 2019 AND BEFORE	2-70
PLATFORM ROTATOR ASSEMBLY HELIC WITH OVERLOAD OCTOBER 2019 AND AFTER ..	2-71
PLATFORM ROTATOR ASSEMBLY FEBRUARY 2018 AND AFTER	2-72
PLATFORM INSTALLATION	2-73
SNORKEL GUARD ASSEMBLY	2-74
LEGACY SNORKEL GUARD KIT	2-75
LANGUAGE KIT TB86J	2-76
DECAL PLACARD KUBOTA GAS DUAL FUEL TB86J INSTALLATION	2-77
LANGUAGE KIT SPANISH TB86J	2-78
DECAL PLACARD INSTALLATION KUBOTA TB86J	2-79
DECALS AND PLACARDS	2-80
DECAL PLACARDS INSTALLATION TB80 TB85J TB86J	2-81
DECAL INSTALLATION KUBOTA T4F TB86J	2-82
DECALS AND PLACARDS INSTALLATION KUBOTA CE	2-83
SPANISH LANGUAGE KIT	2-84

FRENCH LANGUAGE KIT	2-85
---------------------------	------

HYDRAULICS

FRONT TRANSMISSION VALVE ASSEMBLY FLUID TECH APRIL 2006 AND AFTER	3-1
REAR TRANSMISSION VALVE SUB-ASSEMBLY	3-2
TRANSMISSION VALVE PACKAGE	3-3
CHASSIS ACCUMULATOR	3-4
ACCUMULATOR SUB-ASSEMBLY 300PSI	3-5
FLOW DIVIDER SUB-ASSEMBLY	3-6
FOUR WHEEL STEER VALVE	3-7
CHASSIS ASSEMBLY HOISING	3-8
SWING MOTION CONTROL VALVE ASSEMBLY MAY 2007 AND AFTER	3-9
HYDRAULIC PUMP AND FITTINGS	3-10
HYDRAULIC PUMP SUB ASSEMBLY SEPTEMBER 2019 AND AFTER	3-11
HYDRAULIC PUMP JUNE 2018 AND AFTER	3-12
PRESSURE MANIFOLD	3-13
PROPORTIONAL CONTROL VALVE PG SUB ASSEMBLY JUNE 2017 AND AFTER	3-14
PROPORTIONAL CONTROL VALVE	3-15
NON PROPORTIONAL CONTROL VALVE ASSEMBLY T3	3-16
NON-PROPORTIONAL CONTROL VALVE	3-17
SENSE LINE DUMP VALVE	3-18
EMERGENCY POWER UNIT ASSEMBLY	3-19
EMERGENCY POWER UNIT WUXI DELI APRIL 2016 AND AFTER	3-20
PISTON PUMP HENGLI SEPTEMBER 2019 AND AFTER	3-21
SPEED SHIFT VALVE ASSEMBLY	3-22
PLATFORM AND JIB SELECTOR VALVE ASSEMBLY	3-23
STEER CYLINDER HENGLI	3-24
STEER CYLINDER ROSENBOOM AUGUST 2015 AND AFTER	3-25
MASTER LEVEL CYLINDER	3-26
LIFT CYLINDER ASSEMBLY	3-27
LIFT CYLINDER ROSENBOOM TB86J-04-000066 AND BEFORE	3-28
LIFT CYLINDER HENGLI TB86J-04-000067 AND AFTER	3-29
EXTEND CYLINDER SUB-ASSEMBLY	3-30
EXTEND CYLINDER GBI TB86J-04-000054 AND BEFORE	3-31
EXTEND CYLINDER HENGLI AFTER TB86J-04-000054	3-32
SLAVE LEVEL CYLINDER ASSEMBLY	3-33
SLAVE LEVEL CYLINDER	3-34
JIB CYLINDER ROSENBOOM TB86J-04-000067 AND BEFORE	3-35
JIB CYLINDER HENGLI TB86J-04-000068 AND AFTER	3-36
ROTARY ACTUATOR TB86J TB126J SUNJI SEPTEMBER 2019 AND AFTER	3-37
ROTARY ACTUATOR TB86J TB126J SUNJI SEPTEMBER 2019 AND AFTER	3-38

ELECTRICAL

GROUND CONTROL BOX ASSEMBLY DUAL FUEL	4-1
GROUND CONTROL PANEL ASSEMBLY DEUTZ DECEMBER 2007 AND AFTER	4-2
LOWER CONTROL PANEL ASSEMBLY PG	4-3

LOWER CONTROL BOX ASSEMBLY KUBOTA T4F	4-4
LOWER CONTROL BOX HARNESS KUBOTA T4F	4-5
TURNTABLE WIRE ASSEMBLY PG	4-6
ENGINE HARNESS KUBOTA PG	4-7
ENGINE HARNESS KUBOTA T4F	4-8
HARNESS ENGINE KUBOTA TIER 4 FEBURARY 2019 AND AFTER	4-9
ELECTRICAL SYSTEM ASSEMBLY T4F	4-10
115V AC 2000 WATT HYDRAULIC GENERATOR SUB ASSEMBLY	4-11
110V POWER TO PLATFORM PG	4-12
HARNESS POWER TO PLATFORM	4-13
CABLE 12GA/3 CONDUCTOR 110 FOOT LONG	4-14
WIRE ASSEMBLY LIFT SWING SPEED VALVE	4-15
BOOM SWITCH ASSEMBLY	4-16
BOOM SWITCH ASSEMBLY LIFT SWING	4-17
WIRE ASSEMBLY BOOM SWITCH	4-18
PLATFORM JIB SELECTOR HARNESS	4-19
PLATFORM JIB SELECTOR HARNESS OCTOBER 2019 AND AFTER	4-20
PLATFORM CONTROL BOX ASSEMBLY PG	4-21
PLATFORM CONTROL BOX ASSEMBLY DUAL FUEL	4-22
FOOT SWITCH ASSEMBLY PG	4-23
HARNESS OVERLOAD CABLE	4-24
PLATFORM JIB SELECTOR WIRE ASSEMBLY OCTOBER 2019 AND AFTER	4-25

OPTIONS

TOW KIT	5-1
TOW KIT	5-2
KUBOTA V2403 SCRUBBER	5-3
ISOLATOR VALVE INSTALLATION	5-4
BELT GENERATOR 2.4KW KUBOTA V2403 OR WG2503 MAY 2019 AND AFTER	5-5
BELT GENERATOR 2.4KW KUBOTA V2403 OR WG2503 MAY 2019 AND AFTER	5-6
BELT GENERATOR 2.4KW KUBOTA V2403 OR WG2503 APRIL 2019 AND BEFORE	5-7
HYDRAULIC AC GEN 110V INSTALLATION PG	5-8
HYDRAULIC GENERATOR INSTALLATION JANUARY 2015 AND AFTER	5-9
HYDRAULIC AC GENERATOR 220V INSTALLATION PG	5-10
12KW GENERATOR INSTALLATION	5-11
12KW GENERATOR ASSEMBLY	5-12
12KW GENERATOR VALVE ASSEMBLY	5-13
12KW GENERATOR WIRING BOX ASSEMBLY	5-14
12KW GENERATOR CIRCUIT BREAKER ASSEMBLY WIRING	5-15
12KW GENERATOR JUNCTION BOX ASSEMBLY	5-16
12KW GENERATOR WIRE ASSEMBLY	5-17
AIRLINE TO PLATFORM	5-18
HYDRAULIC WARM UP INSTALLATION PG	5-19
HYDRAULIC WARM-UP INSTALLATION	5-20
EXTREME COLD WEATHER PACKAGE PG	5-21

EXTREME ENVIRONMENT PACKAGE	5-22
EXTREME COLD WEATHER PACKAGE PG	5-23
SANDBLAST KIT 6 FOOT JIB	5-24
PLATFORM WORK LIGHTS GLOBAL PLATFORM INSTALLATION	5-25
AMBER BEACON SINGLE	5-26
HARNES AMBER BEACON	5-27
DUAL WARNING LIGHT	5-28
LIGHT PACKAGE INSTALLATION	5-29
LIGHT PACKAGE	5-30
WIRE HARNES PLATFORM WORK LIGHTS	5-31
HARNES DRIVING TAIL LIGHTS	5-32
PLATFORM CONTROL BOX ASSEMBLY PG WITH 12KW	5-33
PLATFORM BUMP GUARD WITH PADDING ASSEMBLY	5-34
36 X 96 PLATFORM ASSEMBLY WITH BUMP GUARD AND PADDING MARCH 2009 AND AFTER 5-35	
36 X 96 PLATFORM ASSEMBLY BUMPGUARD WITH PADDING MARCH 2009 AND AFTER ..	5-36
PLATFORM ASSEMBLY WITH MESH ENCLOSURE PG APRIL 2018 AND AFTER	5-37
PLATFORM ASSEMBLY WITH MESH ENCLOSURE APRIL 2018 AND AFTER	5-38
PLATFORM ASSEMBLY 8 FOOT ALUMINUM WITH GRAVITY GATE	5-39
PLATFORM ASSEMBLY STEEL WITH WELDER	5-40
PLATFORM ASSEMBLY ALUMINUM WITH WELDER	5-41
GLOBAL PLATFORM STANDARD ASSEMBLY WITH SNORKEL GUARD APRIL 2016 ABD AFTER	5-42
CSA CERTIFICATION	5-43
GLAZIER KIT	5-44
GLAZIER PACKAGE INSTALLATION	5-45
AB46 TOOL TRAY	5-46
OVERLOAD ADD ON OPTION	5-47
 MAINTENANCE	
MAINTENANCE, TB86J-PG	6-1
 SCHEMATICS	
TB85J TB86J ELECTRICAL SCHEMATIC DEUTZ AND CUMMINS A11060AA	7-1
TB86J ELECTRICAL SCHEMATIC KUBOTA TIER 4 FINAL A11104AB ADDED RELAY INTO UPPER CONTROL BOX TO USE PG BOARD SIGNAL TO PROVIDE POSITIVE SIGNAL TO ENGINE . 7-2	
TB86J ELECTRICAL SCHEMATIC KUBOTA TIER 4 FINAL PG	7-3
TB80FA TB85JFA TB86JFA HYDRAULIC SCHEMATIC A11062CA SWITCHED HOSES ON CENTERPOST AND ADDED FM STAMP	7-4
A	A
B	B

DANGER

The aerial platform is not electrically insulated. Death or serious injury will result from contact with, or inadequate clearance from, an energized conductor.

Do not go closer than the Minimum Safe Approach Distance as defined by ANSI standards.

Regard all conductors as energized.

Allow for electrical wire sag and aerial platform sway.

If the platform, boom structure, or any part of the aerial platform contacts a high-voltage electrical conductor, the entire machine can become electrically charged.

If that happens, remain on the machine and do not contact any other structure or object. This includes the ground, adjacent buildings, poles, and any other objects that are not part of the aerial platform.

Such contact could make your body a conductor to the other object, creating an electrical shock hazard resulting in death or serious injury.

If an aerial platform is in contact with an energized conductor the platform operator must warn ground personnel in the vicinity to stay away. Their bodies can conduct electricity creating an electrical shock hazard resulting in death or serious injury.

Do not approach or leave the aerial platform until the electricity has been turned off.

Do not attempt to operate the lower controls when the platform, scissors structure, or any part of the aerial platform is in contact with a high-voltage electrical conductor or if there is an immediate danger of such contact.

Personnel on or near an aerial platform must be continuously aware of electrical hazards, recognizing that death or serious injury can result from contact with an energized conductor.

California

Proposition 65 Warning

Battery posts, terminals and related accessories contain lead and lead components, chemicals known to the State of California to cause cancer and birth defects or other reproductive harm. Wash hands after handling.

California

Proposition 65 Warning

Diesel and gasoline engine exhaust and some of its constituents are known by the State of California to cause cancer, birth defects or other reproductive harm.

General Information

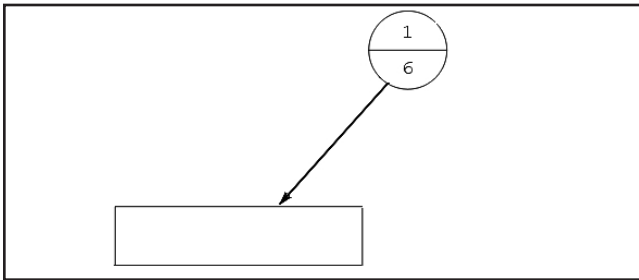
About This Manual

This manual covers TB86J aerial platforms. Information is included for machines that have been manufactured to conform to all applicable requirements of the following organizations:

- American National Standards Institute (ANSI)
- Canadian Standards Association (CSA)
- European Committee for Standardization (CE)

Part pages include a drawing and a bill of material. The bill of material lists the item number that is on the drawing, the Snorkel part number, quantity used and a description of the item.

Some callouts in the drawings may have a balloon with two numbers. The top number is the item number and the bottom number is the quantity of the item at that location.



While Snorkel has attempted in every way to confirm that all information in this manual is correct, improvements are being constantly made to the machine that may not be reflected in this manual.

If you find information in this manual that is not correct or is confusing, you are urged to report your findings to Snorkel for our evaluation. Your input is important to us and will be used in future printings of this manual.

This machine is covered by a limited warranty that specifically identifies items warrantied by Snorkel and those items covered by original manufacturer's warranty. A copy of the Snorkel Limited Warranty is located on the inside of the back cover of this manual.

Repairs and Maintenance

Every person who maintains, inspects, tests or repairs the machine must be qualified and authorized to do so.

Caution

Do not modify this aerial platform without prior written consent of Snorkel Engineering Department. Modification may void the warranty, adversely affect stability or affect the operational characteristics of the aerial platform.

Abbreviations

The following abbreviations may be used in this manual.

AC	alternating current
ANSI	American National Standards Institute
AR	as required
CCA	cold cranking amps
cm	centimeter
DC	direct current
ft	feet
GFCI	ground fault circuit interruptor
in	inch
lbs	pounds
mm	millimeter
no	number
NPT	national pipe thread
psi	pounds per square inch
qty	quantity
rpm	revolutions per minute
UL	Underwriters Laboratories Inc.

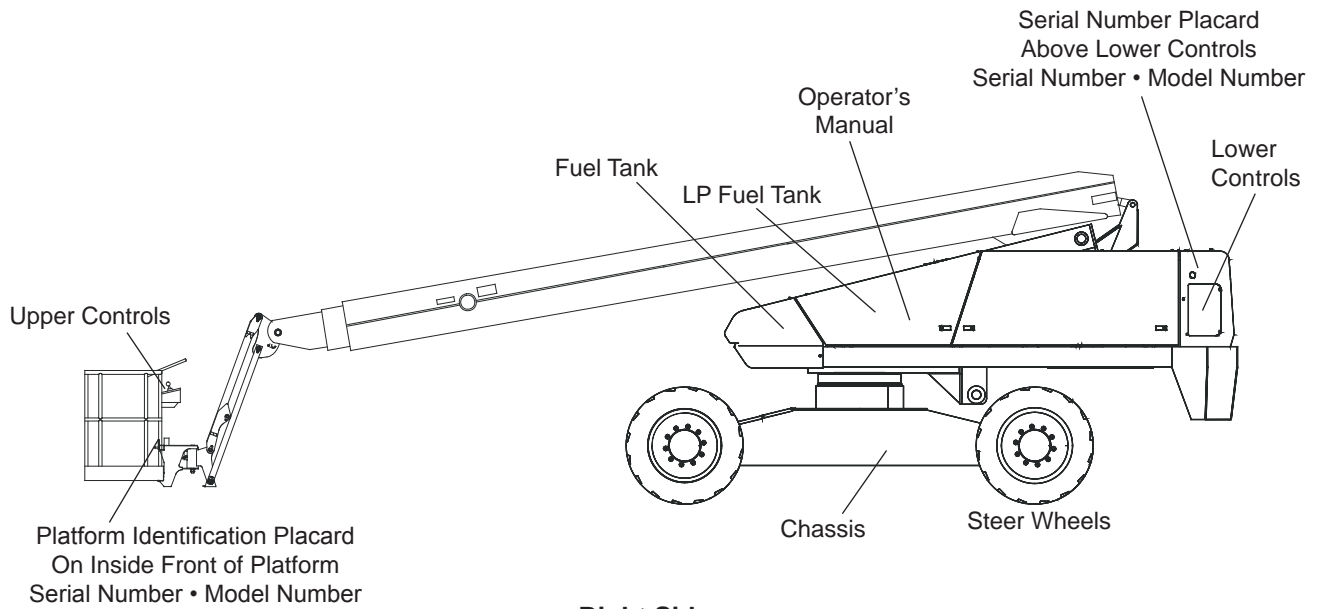
Additional Information

All correspondence relative to this machine, such as field reports, discrepancy reports, requests for information, etc., should be directed to:

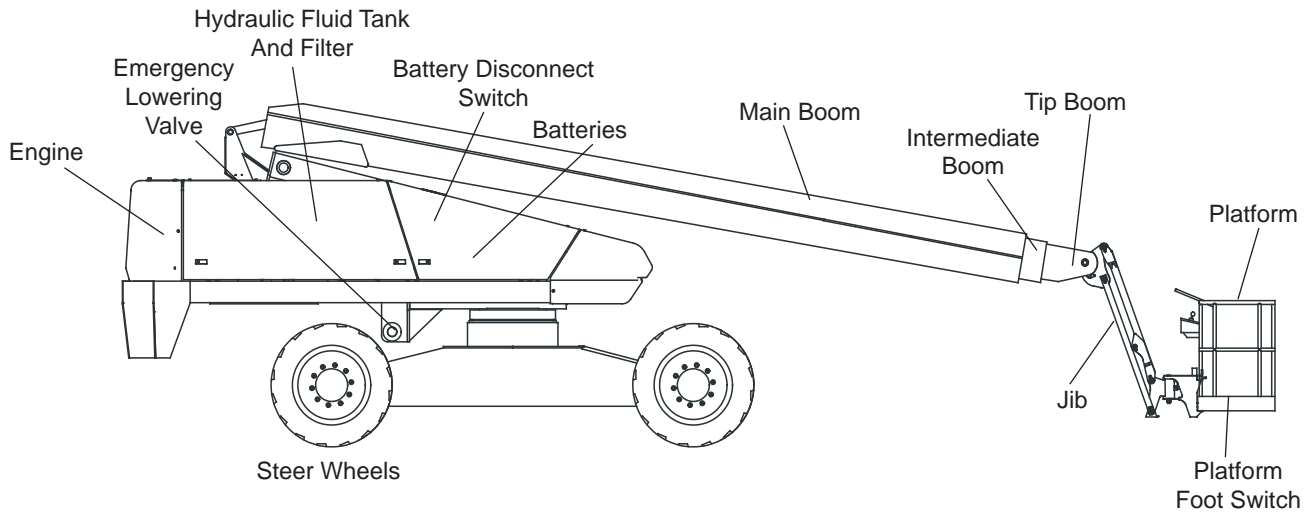
Snorkel International, Inc.
P.O. Box 1160
St. Joseph, MO 64502-1160 USA
Phone: 1-800-255-0317

<http://www.snorkellifts.com>

Component Identification



Right Side



Left Side

Service and Parts Information

Ordering Parts

When placing an order for service or repair parts, please have the following machine information readily available.

- Model number
- Serial number
- Snorkel part number
- Description of part
- Quantity of parts required
- Your purchase order number
- Address for order to ship to
- The desired shipment method

If ordering parts off-line, the parts order form on the following page may be mailed or faxed to the attention of the Parts Department at the following location:

Snorkel North America
P.O. Box 1160
St. Joseph, MO 64502-1160 USA
Phone: 1-800-255-0317
Parts Fax: 1-785-989-3077

Snorkel Europe
Vigo Centre
Birtley Road
Washington
Tyne & Wear
NE38 9DA
Phone: +44 (0) 845 1550 058
Parts Fax: +44 (0) 1952 607 678

Attention: Parts Department

For your convenience, our electronic on-line ordering system is accessible from the following Internet location:

<http://www.snorkellifts.com>

ANSI and OSHA Compliance

All owners and users of the aerial platform must read, understand and comply with all applicable regulations. Ultimate compliance to OSHA regulations is the responsibility of the user and their employer.

ANSI publications clearly identify the responsibilities of all personnel who may be involved with the aerial platform. A reprint of the "Manual of Responsibilities for Dealers, Owners, Users, Operators, Lessors and Lessees of ANSI/SIA A92.5-2006 Boom-Supported Elevating Work Platforms" is available from Snorkel dealers or from the factory upon request.

Copies are also available from:

Scaffold Industry Association, Inc.
P.O. Box 20574
Phoenix, AZ 85036-0574 USA

Manuals

Manuals are available from Snorkel to support any of the machines that we produce.

The specific manuals for TB86J aerial platforms are as follows:

TB86J – Operator’s Manual ANSI
Snorkel part number – 0113787

TB86J – Operator’s Manual CE
Snorkel part number – 0113763

TB86J – Repair Parts Manual
Snorkel part number – 0113772

ANSI Manual of Responsibilities
ANSI/SIA A92.5-2006
Snorkel part number – 0084053

Machine Information

Model Number: _____

Serial Number: _____

Date of Purchase: _____

Purchased From: _____

Snorkel Dealer or Distributor: _____

Parts Order Form

Fill out completely and fax attention Parts Department to:
 Snorkel USA 1-785-989-3077
 Snorkel Europe +44 (0) 1952 607 678

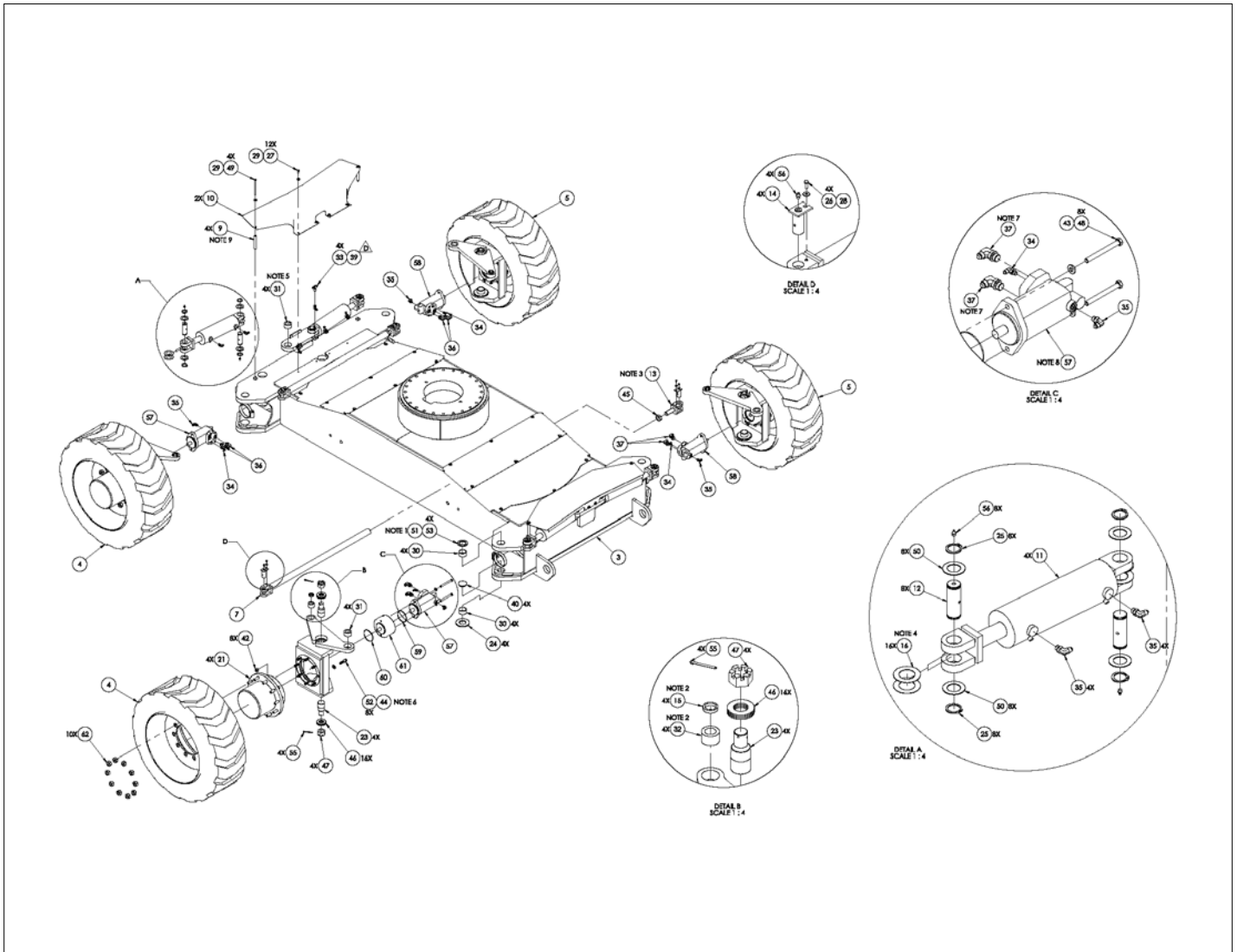
Date: _____	Account Number: _____
Company: _____	Purchase Order Number: _____
Address: _____ _____ _____	Model Number: _____
	Serial Number: _____
	Ship To: _____
Contact Name: _____	_____
Phone Number: _____	_____
Fax Number: _____	_____
	Shipping Method: _____

Part Number	Description	Quantity

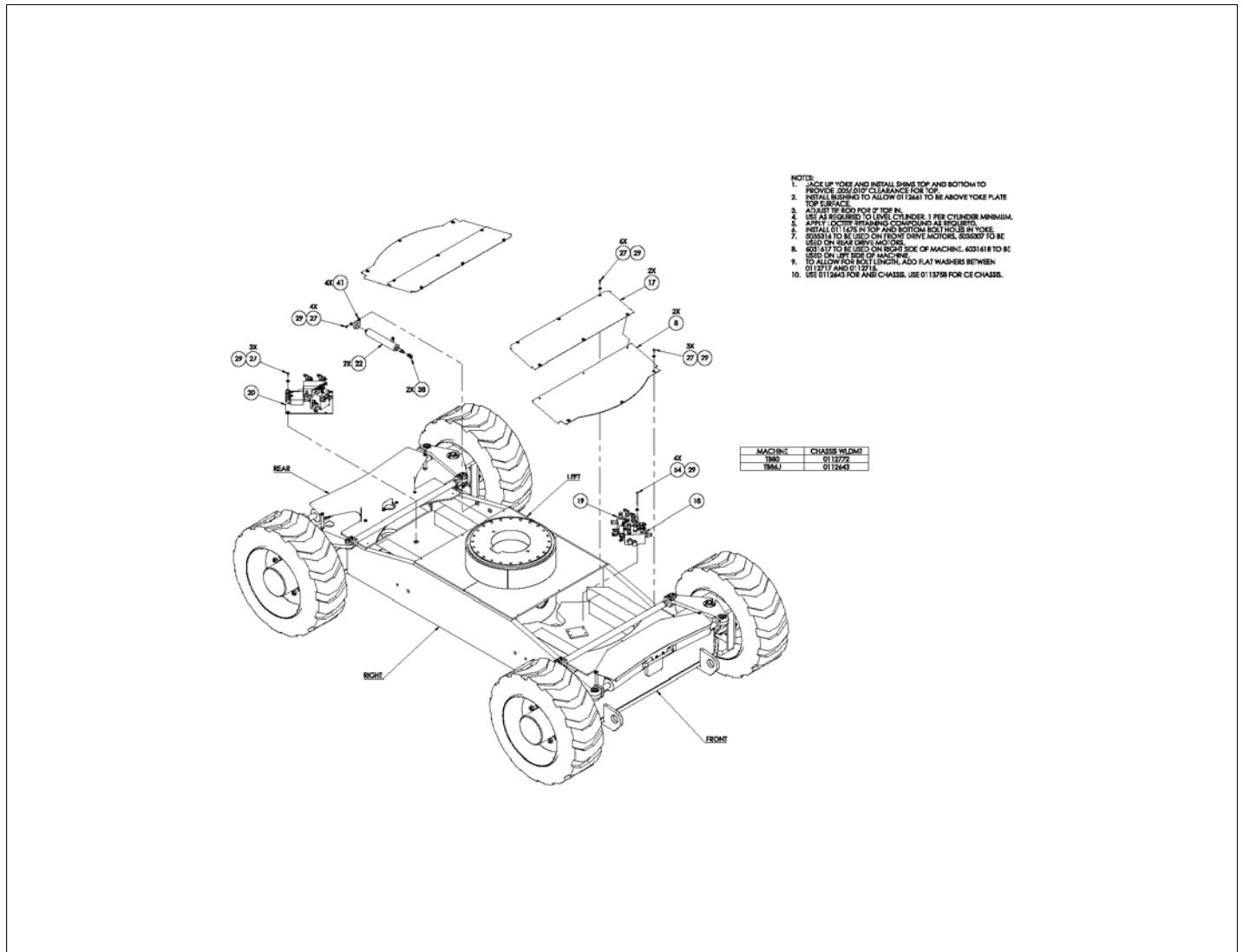
Note: Backordered parts will be shipped as soon as available using the same shipping method as the original order unless otherwise indicated below.

- Ship complete order only. Do not backorder parts.
- Ship all available parts and disposition of backordered parts.
- Other instructions as specified: _____

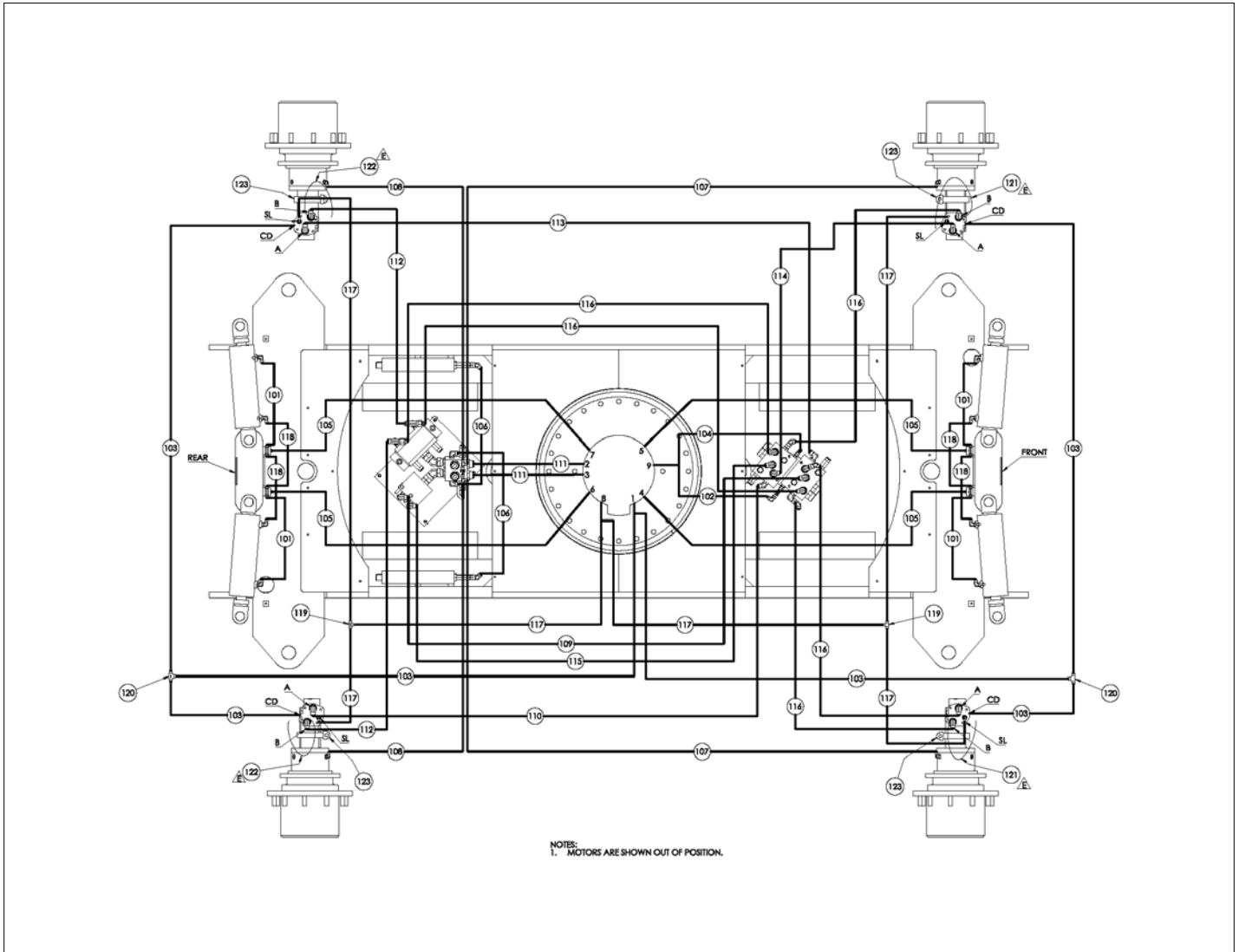
REPAIR PARTS



アイテム	部品番号	名前	数量	UOM
	A11103A E	CHASSIS ASSEMBLY PG TB80 TB86J OCTOBER 2019 AND BEFORE		EA
Not Shown	0111675	WEDGE STUD(WEDGE DRIVE FLANGE)	8	EA
Not Shown	0112642	WLDMT YOKE STEERING RT	2	EA
3	0112643	WLDMT CHASSIS	1	EA
4	0112657	TIRE AND WHEEL, FOAM FILLED RIGHT HAND DRIVE	2	EA
5	0112658	TIRE AND WHEEL, FOAM FILLED LEFT HAND DRIVE	2	EA
6	0112660	WLDMT YOKE STEERING LF	2	EA
7	0112661	WLDMT TIE ROD 53.50	2	EA
8	0112699	COVER, CHASSIS BOTTOM	2	EA
9	0112715	TUBE STEER CYL COVER SUPPORT	4	EA
10	0112717	WLDMT STEER CYLINDER COVER	2	EA
11	0112777	CYL 4.00 X 8.75	4	EA
12	0112780	PIN 1.50 X 3.778 GRIP	8	EA
13	0112787	WLDMT TIE ROD ADJUSTABLE END	2	EA
14	0112789	WLDMT TIE ROD PIN	4	EA
15	0112791	SPCR 1.28ID 1.66OD .36	4	EA
16	0112793	SPCR 1.78ID 3.00OD 20GA	16	EA
17	0112804	WLDMT CHASSIS TOP COVER	2	EA
18	0112805	FRONT TRANS. VALVE SUBASSY	1	EA
19	0112806	REAR TRANS. VALVE SUBASSY	1	EA
20	0112807	FLOW DIVIDER SUBASSY	1	EA
21	0180961	POWER WHEEL	4	EA
22	0181083	ASSY ACCUMULATOR	2	EA
23	0190715	PIN KING FR WHL DR	8	EA



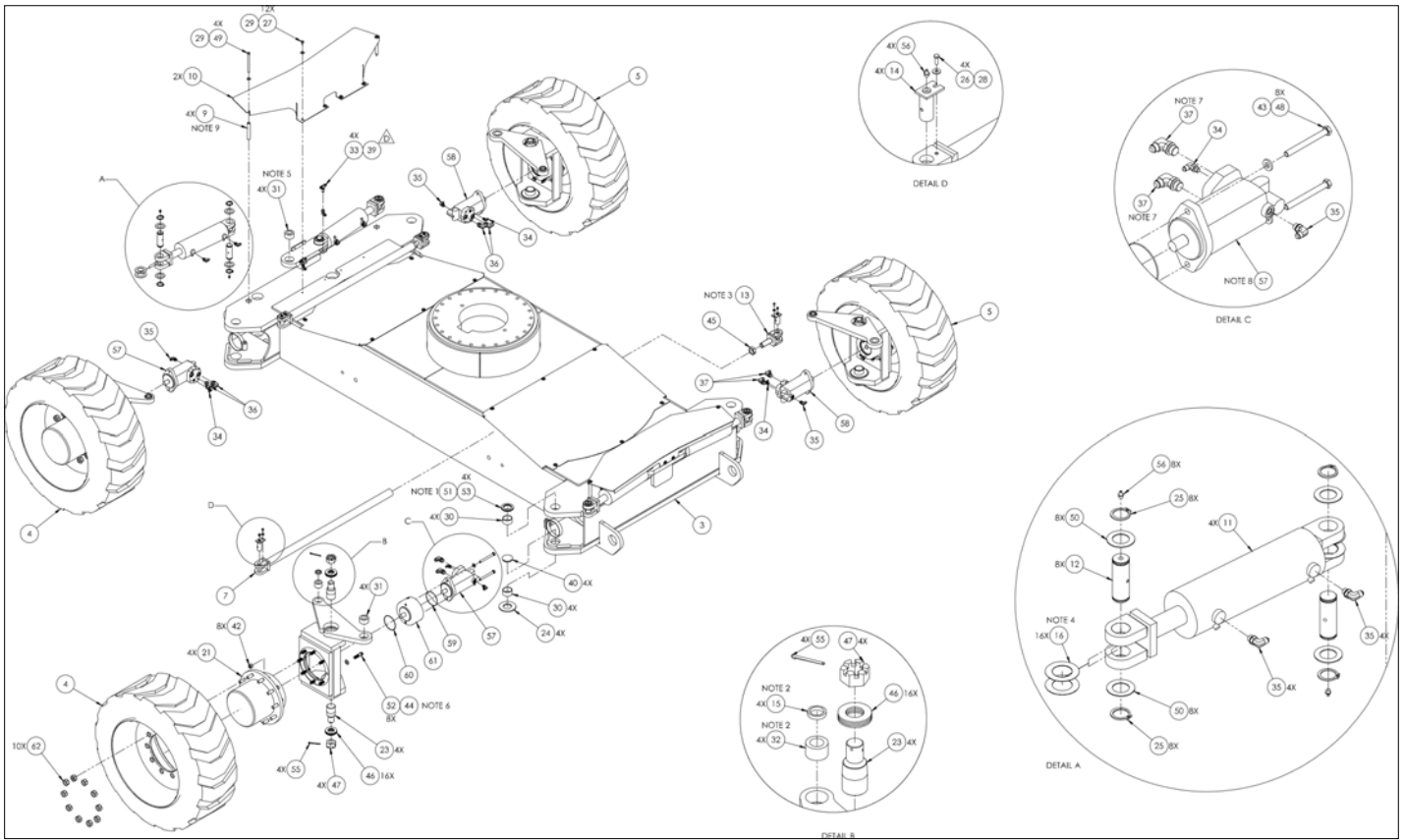
アイテム	部品番号	名前	数量	UOM
24	0190788	BRG THR 2.255ID X 4.50OD X .25	4	EA
25	302323	SNAP RING 1.50 EXT HD	16	EA
26	970029	BLT .25 20 .750	4	EA
27	970449	HHD BLT .375 16 X .750 GR5	37	EA
28	986019	WSHR FLAT .250	4	EA
29	986299	WASHER, FLAT, .375 STANDARD, PLATED	45	EA
30	2503620	BRG 2.25ID 2.50OD 1.25	8	EA
31	2690008	BRG SPHER 1.50ID	8	EA
32	2691526	BRG SPHER 1.25ID	4	EA
33	5035005	FTG TEE BHD BR 6S 6S STL	4	EA
34	5035303	FTG ELB90STRTHD 4B 4S STL	8	EA
35	5035305	FTG ELB90STRTHD 6S 6S STL	12	EA
36	5035307	STRAIGHT THREAD 90 ° ELBOW	4	EA
37	5035316	ADAPTER 90 ° ELBOW 10 SAE 8 JIC	4	EA
38	5036906	COVER	2	EA
39	5037005	TERM FEM F.I. .250 16/14	4	EA
40	5070026	CAP WHEEL SERVICE	4	EA
41	5093014	CLP CUSH 2.25 VINYL COATED	4	EA
42	5560131	NUT HEX LKG .625 11 GR8	32	EA
43	5560168	WSHR FLAT HARD .500 SP	8	EA
44	5560169	WSHR FLAT HARD .625 SP	32	EA
45	5560202	NUT HEX JAM 1.250 12 GR8	2	EA
46	5560232	WSHR FLAT HARD 1.63 SP	32	EA
47	5560241	NUT HEX SLTD 1.50 12 Z/Y	8	EA
48	5560343	BLT HEXHD .500 13 5.00 GR8	8	EA
49	5560686	BLT HEXHD .375 16 6.00 GR5	4	EA
50	5560688	BSHG MCHRY 1.50ID 2.25OD 14GA	16	EA



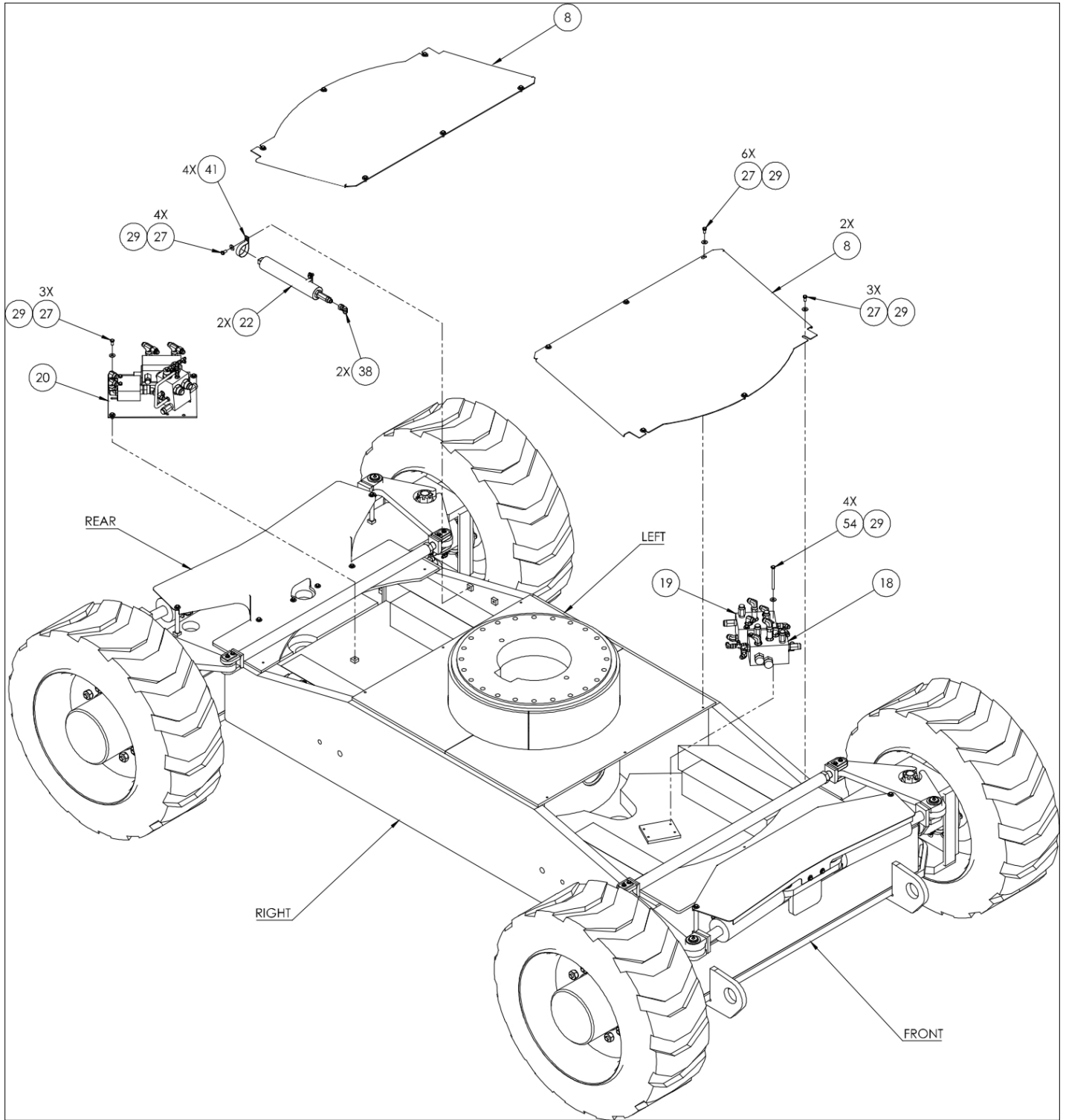
アイテム	部品番号	名前	数量	UOM
51	5560717	BSHG MCHRY 2.25ID 3.25OD .13	8	EA
52	5560204	BLT FLGHD .625 11 1.25 HEX SP	32	EA
53	5569854	BSHG MCHRY 2.25ID 3.25OD 14GA	4	EA
54	970589	BLT HEXHD .375 16 4.50 GR5	4	EA
55	5569975	PIN COTTER .250 DIA 2.250 ITEM NOT SHOWN	8	EA
56	5570001	GREASE FITTING, 1/8 NPT STRAIGHT	12	EA
57	6031617	MOTOR HYD 8.0 CID	2	EA
58	6031618	MOTORHYD 8.0 CID REV ROTATION	2	EA
59	7110155	O RING 4 OD X 4.19 ID X .10 DIA	4	EA
60	7110242	O RING, APR# DASH 242 70	4	EA
61	7200024	BRAKE UNIT	4	EA
Not Shown	7280010	NUT HEX LUG .750 16 RH	40	EA
Not Shown	5090034	SLEEVEHOSE ABRASION GRD 1.81 in	2	EA
Not Shown	5098339	SLEEVE, HOSE ABRASION GRD	2	EA
Not Shown	5550070	CLP WORM DRV 3.00 5.00 SAE#72	4	EA
101	0020275	HOSE 6 6S 6S 16 100R2	4	EA
102	0050400	HOSE 6 6S 6S 41 100R2	1	EA
103	0060305	HOSE 6 6S 6S 60 100R2	6	EA
104	0070786	HOSE 6 6S 6S 19 100R2	1	EA
105	0070789	HOSE 6 6S 6S 75.5 100R2	4	EA
106	0070792	HOSE 8 8S 8S 32 100R2	2	EA
107	0100491	HOSE 4 4S 4S 150 100R1	2	EA
108	0111287	HOSE 4 4S 4S 84 100R2	2	EA
109	0112705	HOSE 10 10S 10S 78 100R2	1	EA

アイテム	部品番号	名前	数量	UOM
110	0112706	HOSE 10 10S 10S 132 SP MEGAFLEX	1	EA
111	0112827	HOSE 16 16S45 16S 264 100R12	2	EA
112	0112828	HOSE 10 10S 10S 70 100R16 SP	2	EA
113	0112830	HOSE 10 10S 10S 146.50 SP	1	EA
114	0151860	1/2" I.D. HOSE ASSEMBLY	1	EA
115	0180779	HOSE 10 10S 10S 70	1	EA
116	0180784	HOSE 8 8S 8S 72 SP	5	EA
117	0180945	HOSE 4 4S 4S 62 100R2	6	EA
118	463374	HOSE 6 6S 6S 13 100R2	4	EA
119	5034102	FTG TEE UN 4S 4S STL	2	EA
120	5034104	FTG TEE UN 6S 6S STL	2	EA
121	5090034	SLEEVEHOSE ABRASION GRD 1.81 in	6ft	EA
122	5098339	SLEEVE, HOSE ABRASION GRD	6ft	EA
123	5550070	CLP WORM DRV 3.00 5.00 SAE#72	4	EA

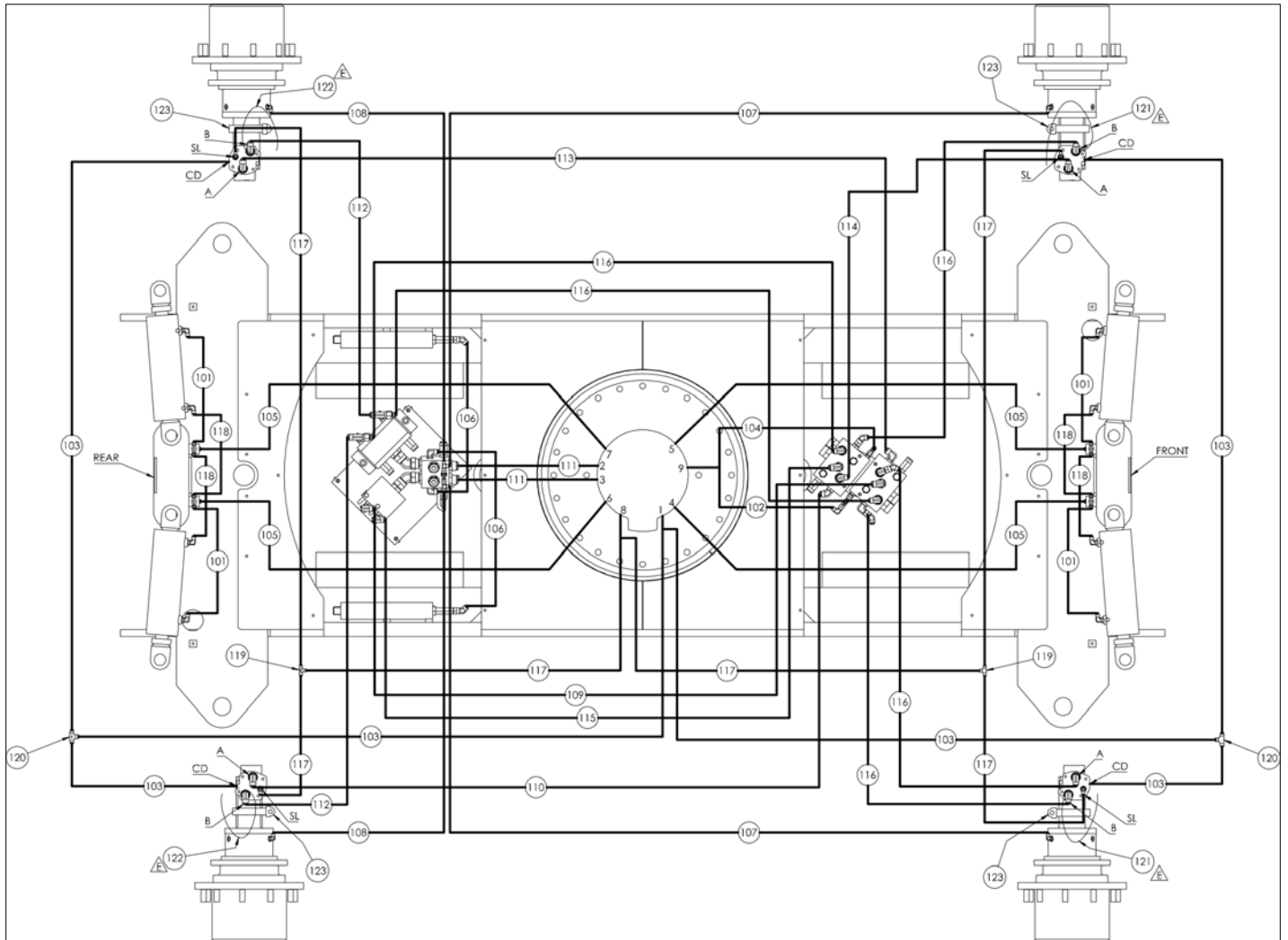
REPAIR PARTS



アイテム	部品番号	名前	数量	UOM
	A11103A F	CHASSIS ASSEMBLY TB80 TB86J NOVEMBER 2019 AND AFTER		EA
1	0111675	WEDGE STUD(WEDGE DRIVE FLANGE)	8	EA
2	0112642	WLDMT YOKE STEERING RT	2	EA
3	0112643	WLDMT CHASSIS	1	EA
4	0112657	TIRE AND WHEEL, FOAM FILLED RIGHT HAND DRIVE	2	EA
5	0112658	TIRE AND WHEEL, FOAM FILLED LEFT HAND DRIVE	2	EA
6	0112660	WLDMT YOKE STEERING LF	2	EA
7	0112661	WLDMT TIE ROD 53.50	2	EA
8	0114018 8	COVER CHASSIS TB80/86J	2	EA
9	0112715	TUBE STEER CYL COVER SUPPORT	4	EA
10	0112717	WLDMT STEER CYLINDER COVER	2	EA
11	0112777	CYL 4.00 X 8.75	4	EA
12	0112780	PIN 1.50 X 3.778 GRIP	8	EA
13	0112787	WLDMT TIE ROD ADJUSTABLE END	2	EA
14	0112789	WLDMT TIE ROD PIN	4	EA
15	0112791	SPCR 1.28ID 1.66OD .36	4	EA
16	0112793	SPCR 1.78ID 3.00OD 20GA	16	EA
18	0112805	FRONT TRANS. VALVE SUBASSY	1	EA
19	0112806	REAR TRANS. VALVE SUBASSY	1	EA
20	0112807	FLOW DIVIDER SUBASSY	1	EA
21	0180961	POWER WHEEL	4	EA
22	0181083	ASSY ACCUMULATOR	2	EA
23	0190715	PIN KING FR WHL DR	8	EA
24	0190788	BRG THR 2.255ID X 4.50OD X .25	4	EA
25	302323	SNAP RING 1.50 EXT HD	16	EA



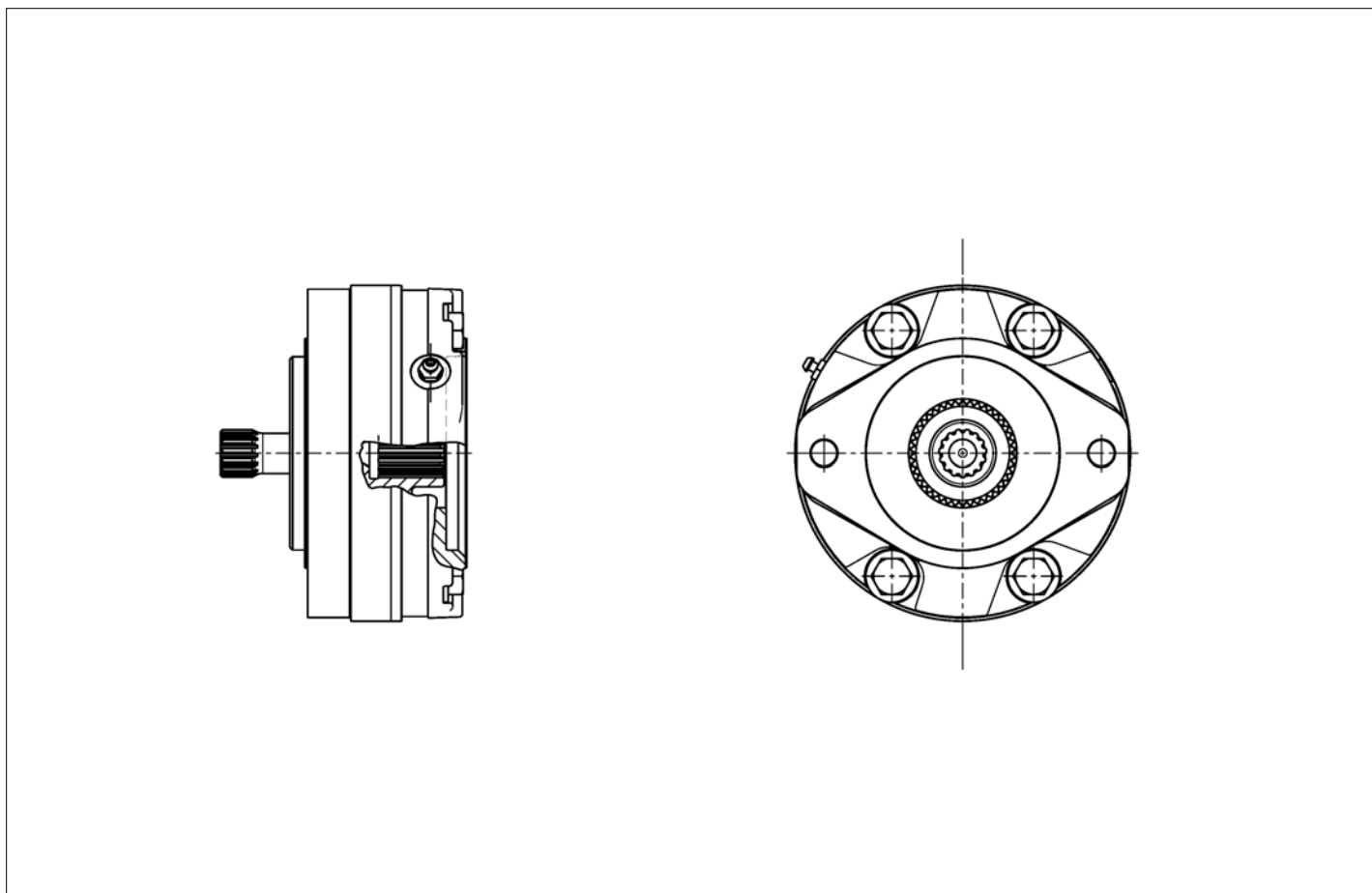
アイテム	部品番号	名前	数量	UOM
26	970029	BLT .25 20 .750	4	EA
27	970449	HHD BLT .375 16 X .750 GR5	37	EA
28	986019	WSHR FLAT .250	4	EA
29	986299	WASHER, FLAT, .375 STANDARD, PLATED	45	EA
30	2503620	BRG 2.25ID 2.50OD 1.25	8	EA
31	2690008	BRG SPHER 1.50ID	8	EA
32	2691526	BRG SPHER 1.25ID	4	EA
33	5035005	FTG TEE BHD BR 6S 6S STL	4	EA
34	5035303	FTG ELB90STRTHD 4B 4S STL	8	EA
35	5035305	FTG ELB90STRTHD 6S 6S STL	12	EA
36	5035307	STRAIGHT THREAD 90 ° ELBOW	4	EA
37	5035316	ADAPTER 90 ° ELBOW 10 SAE 8 JIC	4	EA
38	5036906	COVER	2	EA
39	5037005	TERM FEM F.I. .250 16/14	4	EA
40	5070026	CAP WHEEL SERVICE	4	EA
41	5093014	CLP CUSH 2.25 VINYL COATED	4	EA
42	5560131	NUT HEX LKG .625 11 GR8	32	EA
43	5560168	WSHR FLAT HARD .500 SP	8	EA
44	5560169	WSHR FLAT HARD .625 SP	32	EA
45	5560202	NUT HEX JAM 1.250 12 GR8	2	EA
46	5560232	WSHR FLAT HARD 1.63 SP	32	EA
47	5560241	NUT HEX SLTD 1.50 12 Z/Y	8	EA
48	5560343	BLT HEXHD .500 13 5.00 GR8	8	EA
49	5560686	BLT HEXHD .375 16 6.00 GR5	4	EA
50	5560688	BSHG MCHRY 1.50ID 2.25OD 14GA	16	EA
51	5560717	BSHG MCHRY 2.25ID 3.25OD .13	8	EA
52	5560204	BLT FLGHD .625 11 1.25 HEX SP	32	EA



アイテム	部品番号	名前	数量	UOM
53	5569854	BSHG MCHRY 2.25ID 3.25OD 14GA	4	EA
54	970589	BLT HEXHD .375 16 4.50 GR5	4	EA
55	5569975	PIN COTTER .250 DIA 2.250 ITEM NOT SHOWN	8	EA
56	5570001	GREASE FITTING, 1/8 NPT STRAIGHT	12	EA
57	6031617	MOTOR HYD 8.0 CID	2	EA
58	6031618	MOTORHYD 8.0 CID REV ROTATION	2	EA
59	7110155	O RING 4 OD X 4.19 ID X .10 DIA	4	EA
60	7110242	O RING, APR# DASH 242 70	4	EA
61	7200024	BRAKE UNIT	4	EA
62	7280010	NUT HEX LUG .750 16 RH	40	EA
63	5090034	SLEEVEHOSE ABRASION GRD 1.81 in	2	EA
64	5098339	SLEEVE, HOSE ABRASION GRD	2	EA
65	5550070	CLP WORM DRV 3.00 5.00 SAE#72	4	EA
101	0020275	HOSE 6 6S 6S 16 100R2	4	EA
102	0050400	HOSE 6 6S 6S 41 100R2	1	EA
103	0060305	HOSE 6 6S 6S 60 100R2	6	EA
104	0070786	HOSE 6 6S 6S 19 100R2	1	EA
105	0070789	HOSE 6 6S 6S 75.5 100R2	4	EA
106	0070792	HOSE 8 8S 8S 32 100R2	2	EA
107	0100491	HOSE 4 4S 4S 150 100R1	2	EA
108	0111287	HOSE 4 4S 4S 84 100R2	2	EA
109	0112705	HOSE 10 10S 10S 78 100R2	1	EA
110	0112706	HOSE 10 10S 10S 132 SP MEGAFLEX	1	EA
111	0112827	HOSE 16 16S45 16S 264 100R12	2	EA
112	0112828	HOSE 10 10S 10S 70 100R16 SP	2	EA

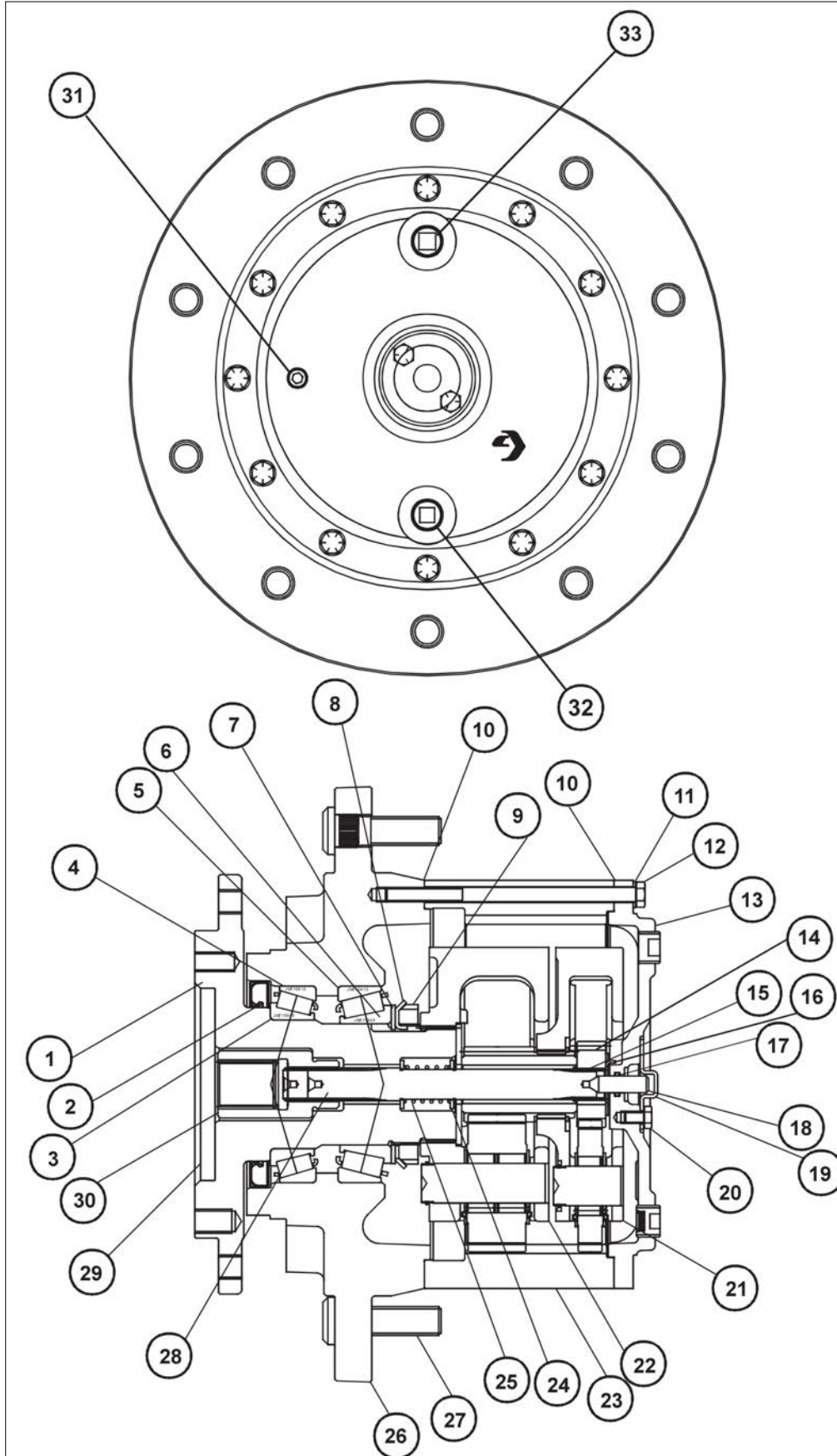
アイテム	部品番号	名前	数量	UOM
113	0112830	HOSE 10 10S 10S 146.50 SP	1	EA
114	0151860	1/2" I.D. HOSE ASSEMBLY	1	EA
115	0180779	HOSE 10 10S 10S 70	1	EA
116	0180784	HOSE 8 8S 8S 72 SP	5	EA
117	0180945	HOSE 4 4S 4S 62 100R2	6	EA
118	463374	HOSE 6 6S 6S 13 100R2	4	EA
119	5034102	FTG TEE UN 4S 4S STL	2	EA
120	5034104	FTG TEE UN 6S 6S STL	2	EA
121	5090034	SLEEVEHOSE ABRASION GRD 1.81 in	6ft	EA
122	5098339	SLEEVE, HOSE ABRASION GRD	6ft	EA
123	5550070	CLP WORM DRV 3.00 5.00 SAE#72	4	EA

REPAIR PARTS



アイテム	部品番号	名前	数量	UOM
	7200024 C	BRAKE UNIT		EA
1	7200029	BEARING KIT	1	EA
2	7200030	STACK KIT	1	EA
3	7200031	O RING KIT	1	EA
4	7200032	GASKET KIT	1	EA

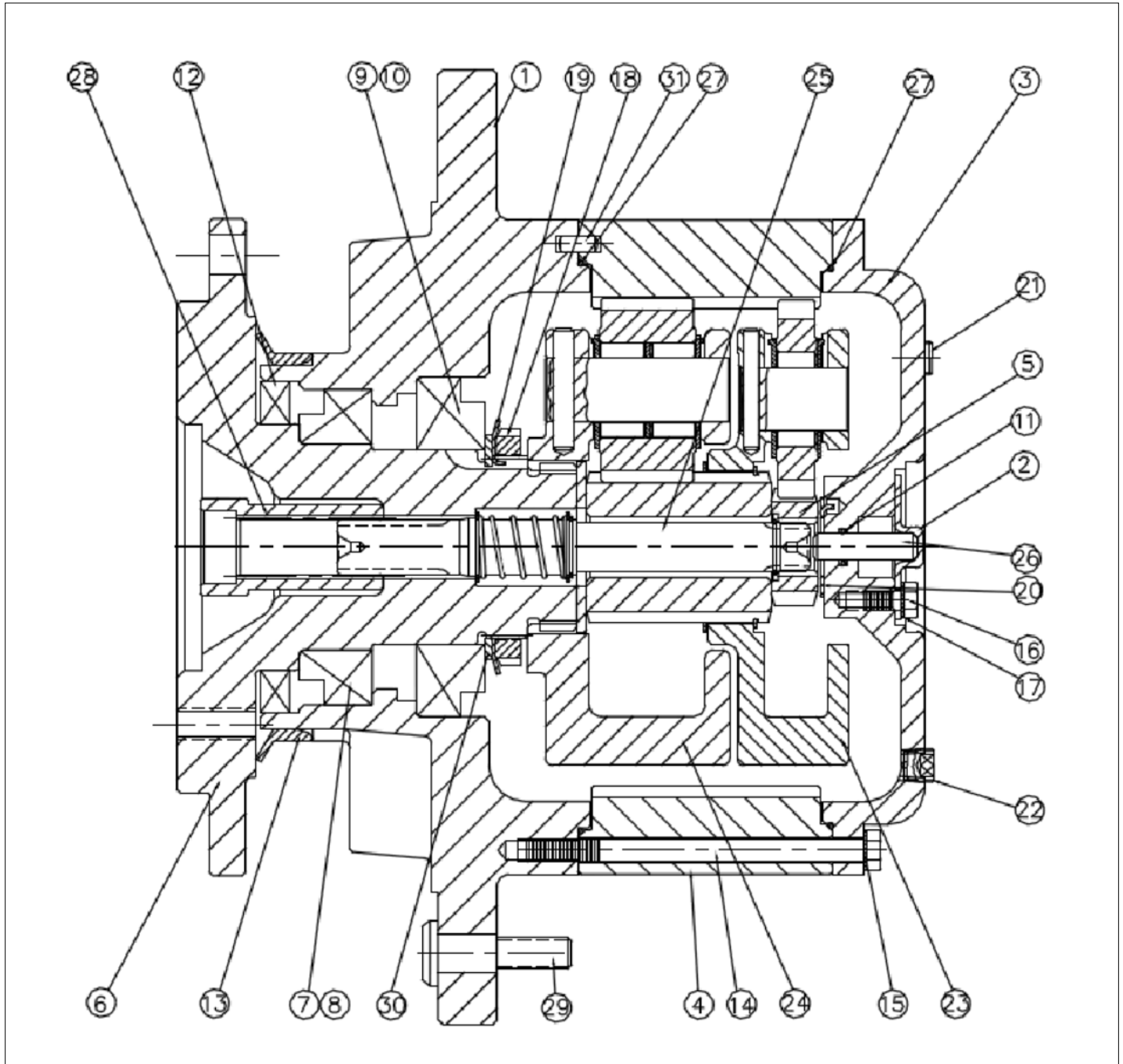
REPAIR PARTS



アイテム	部品番号	名前	数量	UOM
Not Shown	0180961 F	GEAR HUB		EA
1	0181890	SPINDLE	1	EA
2	8010027	SEAL OIL	1	EA
3	8010030	BEARING CONE	1	EA
4	8010029	BEARING CUP	1	EA
5	0112217	BEARING CUP	1	EA
6	0112218	BEARING CONE	1	EA
7	8010275	WASHER THRUST	1	EA
8	8010276	WASHER LOCK	1	EA
9	8010277	NUT LOCK	1	EA
10	8010021	PLUG PIPE	1	EA
11	6091151	SEALING COMPOUND, 2 PLACES	2 PLCS	EA
12	8010105	WASHER FLAT	12	EA
13	8010278	BOLT HEX HEAD	12	EA
14	0112219	COVER	1	EA
15	0112220	GEAR PRI SUN	1	EA
16	8010145	RING RETAINING	2	EA
17	8010075	WASHER THRUST	1	EA
18	8070149	O RING	1	EA
19	8010143	PLUNGER	1	EA
20	8010080	COVER DISENGAGE	1	EA
21	8010168	BOLT HEX HEAD	2	EA
22	0112221	ASSEMBLY PRI CARRIER	1	EA
23	0112222	ASSEMBLY SEC CARRIER	1	EA
24	0112223	GEAR RING	1	EA
25	180160	DRIVE SHAFT SUB ASSY	1	EA
26	0112224	SPRING DISENGAGE	1	EA
27	0112225	HUB	1	EA
28	0112226	SHAFT INPUT	1	EA

アイテム	部品番号	名前	数量	UOM
29	110175	WHEEL STUD. 3/4" 16UNF 2A	10	EA
30	8011891	COUPLING	1	EA
31	0112227	PLUG PIPE	1	EA
32	8010028	PLUG PIPE	1	EA
33	8010021	PLUG PIPE	1	EA

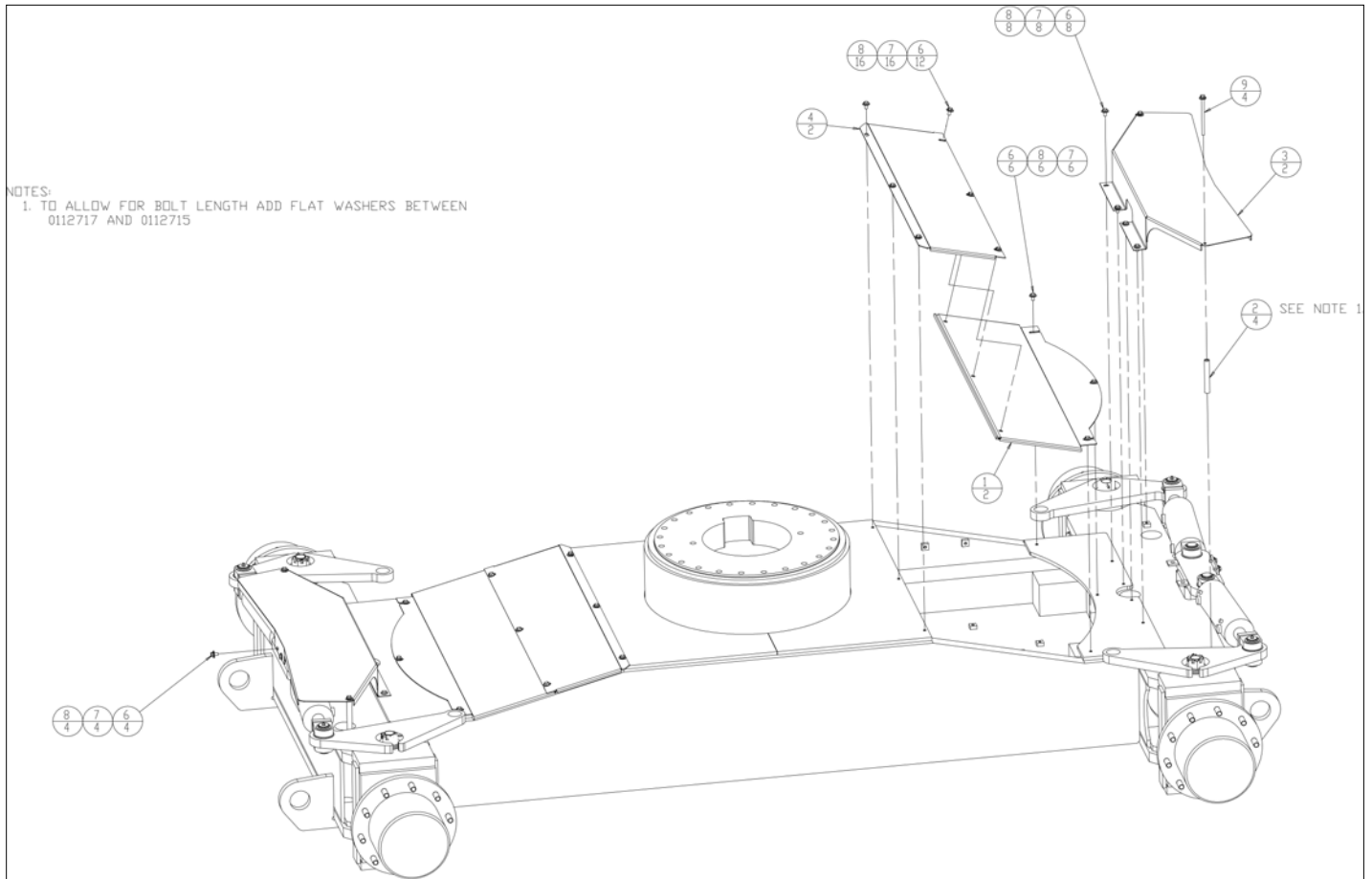
REPAIR PARTS



アイテム	部品番号	名前	数量	UOM
	0180961 OMNI	GEAR HUB OMNI		EA
1	6091716	HOUSING	1	EA
2	6091723	CAP, LOCKOUT	1	EA
3	6091722	CAP, END	1	EA
4	6091717	GEAR, RING 79T	1	EA
5	6091718	GEAR, SUN 17T	1	EA
6	6091728	SPINDLE, SAE 'B2'	1	EA
7	6091730	BEARING, CUP	1	EA
8	6091731	BEARING CONE	1	EA
9	6091732	BEARING , CUP	1	EA
10	6091733	BEARING CONE	1	EA
11	6091734	O RING	1	EA
12	6091735	OIL SEAL	1	EA
13	6091736	PROTECTOR SEAL	1	EA
14	6091740	HEX HEAD BOLT, M10 X 1.5 GR10.9	12	EA
15	PNNA	LOCK WASHER, M10	12	EA
16	6091741	HEX HEAD BOLT, M8 X 1.25 GR10.9	2	EA
17	PNNA	LOCK WASHER, M8	2	EA
18	6091742	LOCK NUT M75 X 2	1	EA
19	6091744	LOCK NUT WASHER M75	1	EA
20	6091743	RETAINING WASHER, SUN	1	EA
21	6091745	PIPE PLUG, 1/4" 18NPT SCCKET HD	1	EA
22	6091746	PIPE PLUG, 1/2" 14NPT MAGNETIC	1	EA
23	6091719	PRIMARY CARRIER SUB ASSEMBLY	1	EA
24	6091720	SECONDARY CARRIER SUB ASSEMBLY	1	EA
25	6091712	DRIVE SHAFT SUB ASSEMBLY	1	EA

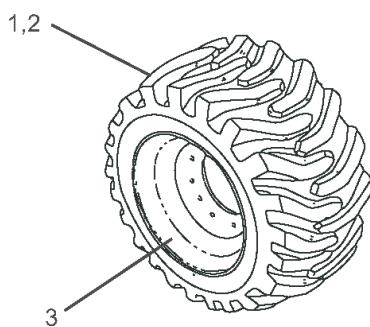
アイテム	部品番号	名前	数量	UOM
26	6091751	PLUNGER	1	EA
27	6091737	O RING	2	EA
28	6091714	MOTOR COUPLER 15T	1	EA
29	6091752	SPACER, FLAT TONGUED	10	EA
30	6091738	WHEEL STUD, 3/4" 16UNF 2A	1	EA
31	6091729	PIN	4	EA

REPAIR PARTS



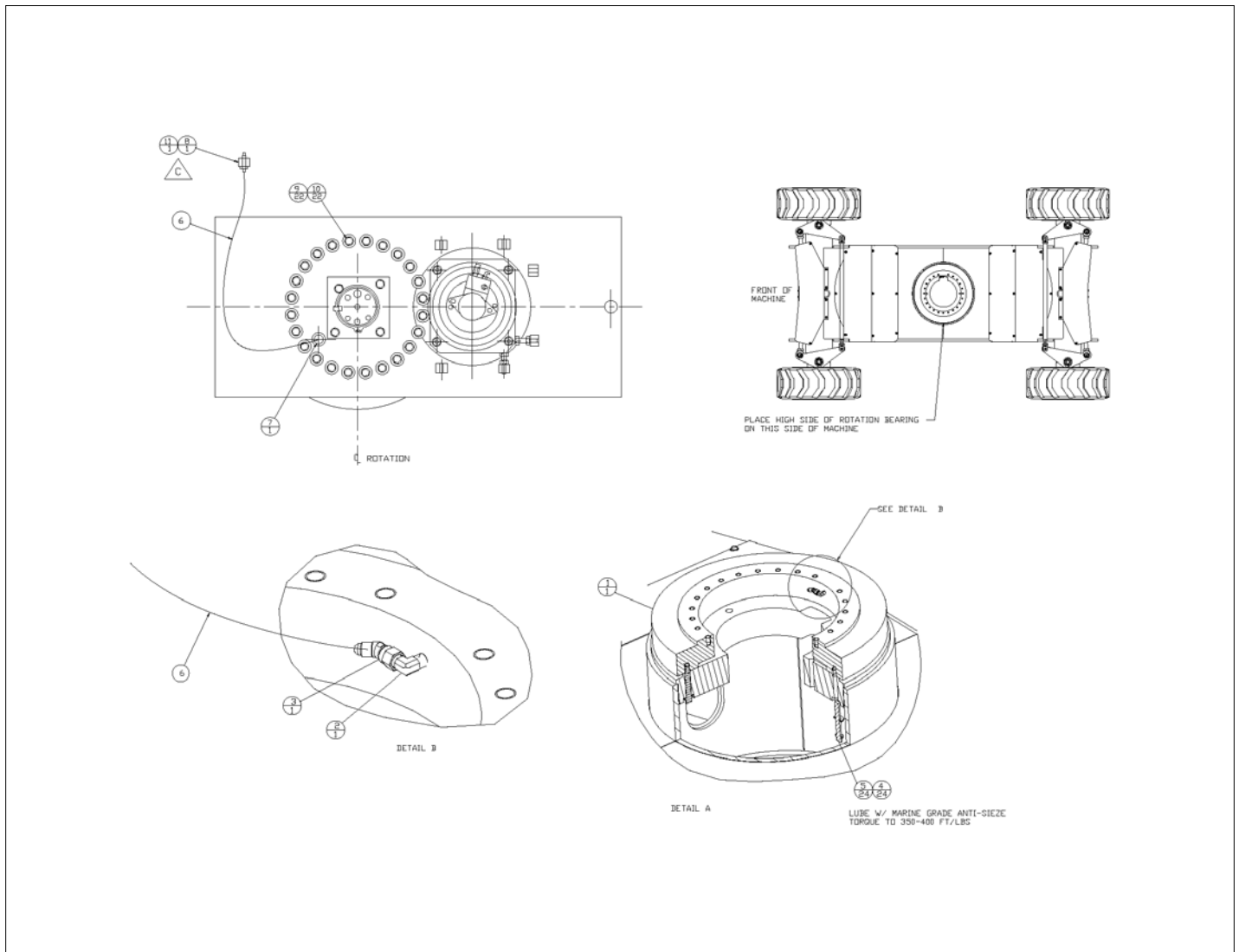
アイテム	部品番号	名前	数量	UOM
Not Shown	A11074 B	CHASSIS COVER INSTALLATION FIXED AXEL		EA
1	0112699	COVER, CHASSIS BOTTOM	2	EA
2	0112715	TUBE STEER CYL COVER SUPPORT	4	EA
3	0112717	WLDMT STEER CYLINDER COVER	2	EA
4	0112804	WLDMT CHASSIS TOP COVER	2	EA
6	970449	HHD BLT .375 16 X .750 GR5	30	EA
7	986299	WASHER, FLAT, .375 STANDARD, PLATED	34	EA
8	987119	WSHR LOCK .375	34	EA
9	5560686	BLT HEXHD .375 16 6.00 GR5	4	EA

REPAIR PARTS



アイテム	部品番号	名前	数量	UOM
	0112754	TIRES AND WHEELS		EA
1	0112657	TIRE AND WHEEL, FOAM FILLED RIGHT HAND DRIVE	2	EA
2	0112658	TIRE AND WHEEL, FOAM FILLED LEFT HAND DRIVE	2	EA
3	0073298	Decal, Foam Tyres	4	EA
Not Shown	0072276	Placard, lug nut torque	4	EA

REPAIR PARTS



アイテム	部品番号	名前	数量	UOM
	0112587 C	CHASSIS & TURNTABLE ASSEMBLY		EA
1	0110756	SLEWING RING	1	EA
2	5033703	FTG ELB90 MALE 2N 4S	1	EA
3	5036903	FTG ELB45SWVL 4S 4S STL	1	EA
4	5560170	WSHR FLAT HARD .750 SP	24	EA
5	5560236	BLT FLGHD .750 10 4.75 12PT SP	24	EA
6	0070772	3/8 I.D. HOSE ASSEMBLY	1	EA
7	3040295	CONN .75 .625 .75	1	EA
8	5037102	FTG CONN FEM BHD 2N 4S STL	1	EA
9	5560143	BLT HEXHD .875 9 3.25 GR8 SP	22	EA
10	5560171	WASHER, 7/8 HARD FLAT ASTM F 436	22	EA
11	5570001	GREASE FITTING, 1/8 NPT STRAIGHT	1	EA

REPAIR PARTS

**NO IMAGE AVAILABLE
(BOM FOR REFERENCE ONLY)**

アイテム	部品番号	名前	数量	UOM
*	0113574 C	TURNTABLE ASSEMBLY TB86J KUBOTA		EA
1	0020273	HOSE 6 6S 6S 35.5 100R2	1	EA
2	0020276	HOSE 6 6S 6S 27.625 100R2	1	EA
3	0020280	HOSE 4 4S 4S 23.5 (SEE PAGE 2)	3	EA
4	0020281	HOSE 4 4S 4S 27.63 100R2	1	EA
5	0020283	HOSE 4 4S 4S 15.25 100R1 SAE:100R1 4 BAND IN	1	EA
6	0050137	HOSE 4 4S 4S 36 100R1	4	EA
7	0050400	HOSE 6 6S 6S 41 100R2	1	EA
8	0060297	HOSE 4 6S 6S 28 100R2	1	EA
9	0060315	HOSE 8 8S 8S 48 100R2	2	EA
10	0070705	WIRE 4 R313I R375I 81 RED	1	EA
11	0070765	HOSE 4 4S 4S 29 100R1	2	EA
12	0070771	HOSE 4 4S 4S 77 100R1	1	EA
13	0070776	HOSE 4 6S 6S 19.5 100R1	1	EA
14	0070786	HOSE 6 6S 6S 19 100R2	1	EA
15	0070792	HOSE 8 8S 8S 32 100R2	2	EA
16	0072323	WIRE 4 R313I R375I 28 RED	1	EA
17	0073089	PLAC BATTERY DISCONNECT SWITCH	1	EA
18	0075268	WIRE 2/0 R375 R375 13 BLK	1	EA
19	0075378	DECAL SYSTEM PRESSURE	1	EA
20	0075379	DECAL LEVEL RELIEF PRESSUSRE	1	EA
21	0075380	DECAL SENSE PRESSURE	41	EA
22	0080359	HOSE 4 4S 6S 23.5 100R1	2	EA
23	0080362	HOSE 6 6S 6S 93.5 100R2	3	EA
24	0080483	WIRE 2/0 R375 R375 28 BLACK	1	EA
25	0080484	WIRE 2/0 R375 R375 13 RED	1	EA
26	0080522	HOSE 8 8S 8S 42 100R2	2	EA

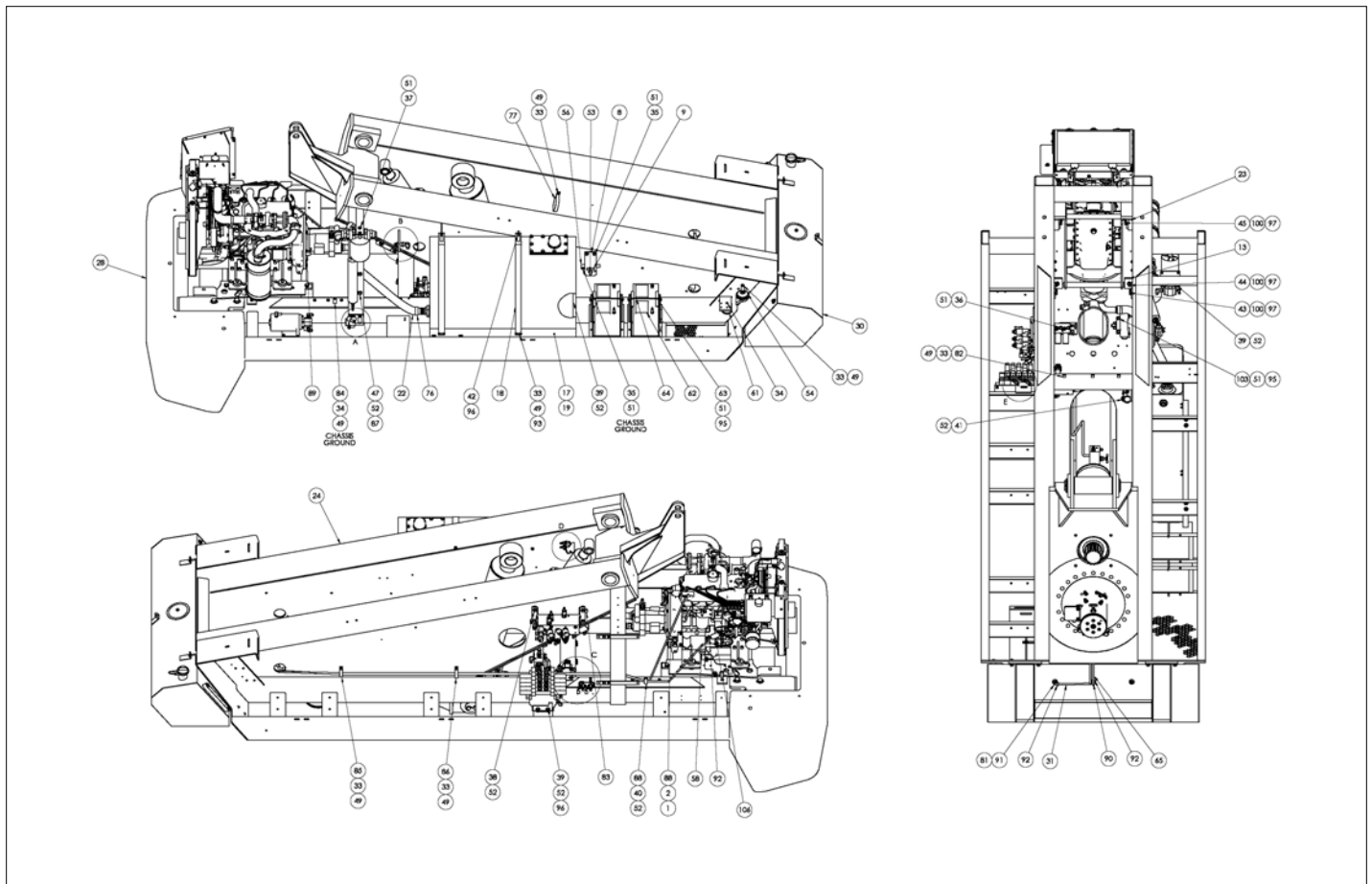
アイテム	部品番号	名前	数量	UOM
27	0100271	HOSE 4 4S 4S 103 100R1	2	EA
28	0110198	HOSE 8 8S 8S 96 100R2	1	EA
29	0110362	STRAP, HYD. OIL RESERVOIR	2	EA
30	0110529	WIRE 2/0 R375 R375 106 RED	1	EA
31	0111286	HOSE 6 6S 6S 84 100R2	1	EA
32	0111843	HOSE 16 16S 16S 24.5	1	EA
33	0111844	HOSE 10 10S 10S 86 SP SP	4	EA
34	0111882	HOSE 20 20S 20S 64.5 SP	1	EA
35	0180784	HOSE 8 8S 8S 72 SP	2	EA
36	0180943	HOSE 20 20S 20S 25.5 SP	1	EA
37	0191830	FUEL TANK INSTALL	1	EA
38	3020040	LEVEL SENSOR 5 DEGREE	1	EA
39	3020049	Switch, Battery Disconnect	1	EA
40	3040046	TERM MALE250FI 22/18	5	EA
41	3040082	TERM MALE250FI 16/14	2	EA
42	3040127	HORN 12VDC	1	EA
43	3040268	BOOT BTRY CABLE END BLK	4	EA
44	3040269	Boot Cable Entry Black 1/0 GA	2	EA
45	3040270	BOOT BTRY CABLE END Y TYPE	1	EA
46	3040452	BOOT BTRY CABLE UL RED 10GA	2	EA
47	3040469	RELAY SPDT 12V 30AMP SONG	2	EA
48	3040506	SOLENOID 12V 150	1	EA
49	3044162	TERM R250I 16/14	1	EA
50	3050002	BATTERY 12V	1	EA
51	3050008	BATTERY HOLD DOWN	1	EA
52	5034401	FTG UN BHD STR 4S 4S STL 4 WTX	1	EA
53	5034404	FTG UN BHD STR 8S 8S STL 0353	2	EA
54	5034501	FTG ELB90BHD 4S 4S STL	1	EA

アイテム	部品番号	名前	数量	UOM
55	5034601	FTG ELB45BHD 4S 4S STL	2	EA
56	5035403	FTG TEE BHD RUN 4S 4S STL	2	EA
57	5036703	FTG TEE SWVL RUN 4S 4S STL (SEE PAGE 2)	1	EA
58	5036903	FTG ELB45SWVL 4S 4S STL	3	EA
59	5037006	ADAPTER 90 ° ELBOW SWIVEL 8 JIC	2	EA
60	5065705	FTG ADPTR STRTHD 6B 4S STL	1	EA
61	5070005	FTG NIP DIGN 4S FEM PD345 6 W/DUST CAP	4	EA
62	5093000	CLP CUSH .438 VINYL COATED	3	EA
63	5093002	CLAMP .562 AEROQUIP HOSE SUPPORT	5	EA
64	5093006	CLP CUSH .937 VINYL COATED	4	EA
65	5093008	CLP CUSH 1.06 VINYL COATED	3	EA
66	5093014	CLP CUSH 2.25 VINYL COATED	2	EA
67	5093027	CLAMP	1	EA
68	5560277	HOSE GUIDE .375 RUBBER EDGE	2	EA
69	0073051 8	DISCONNECT SWITCH BRKT	1	EA
70	0110361 8	HYDR OIL RSVR SUPPORT	1	EA
71	0110363 8	HYDR OIL RSVR SPACER	1	EA
72	0112323 8	WLDMT TRNTBL TB80	1	EA
73	0040276	HOSE 4 4S 4S 20.5 100R1	1	EA
74	3220165	CONTROLLER PWM MODULE 80 85	1	EA
75	3040064	TERM .250 MALE SLIP ON 12/10 WIRE	1	EA
76	970029	BLT .25 20 .750	17	EA
77	970049	BLT HEXHD .250 20 1.00 GR5 GRADE 5 PLT SAME AS 970189	4	EA
78	970239	BLT HEXHD .313 18 .750 GR5	2	EA
79	970249	BLT HEXHD .313 18 .875 GR5	2	EA

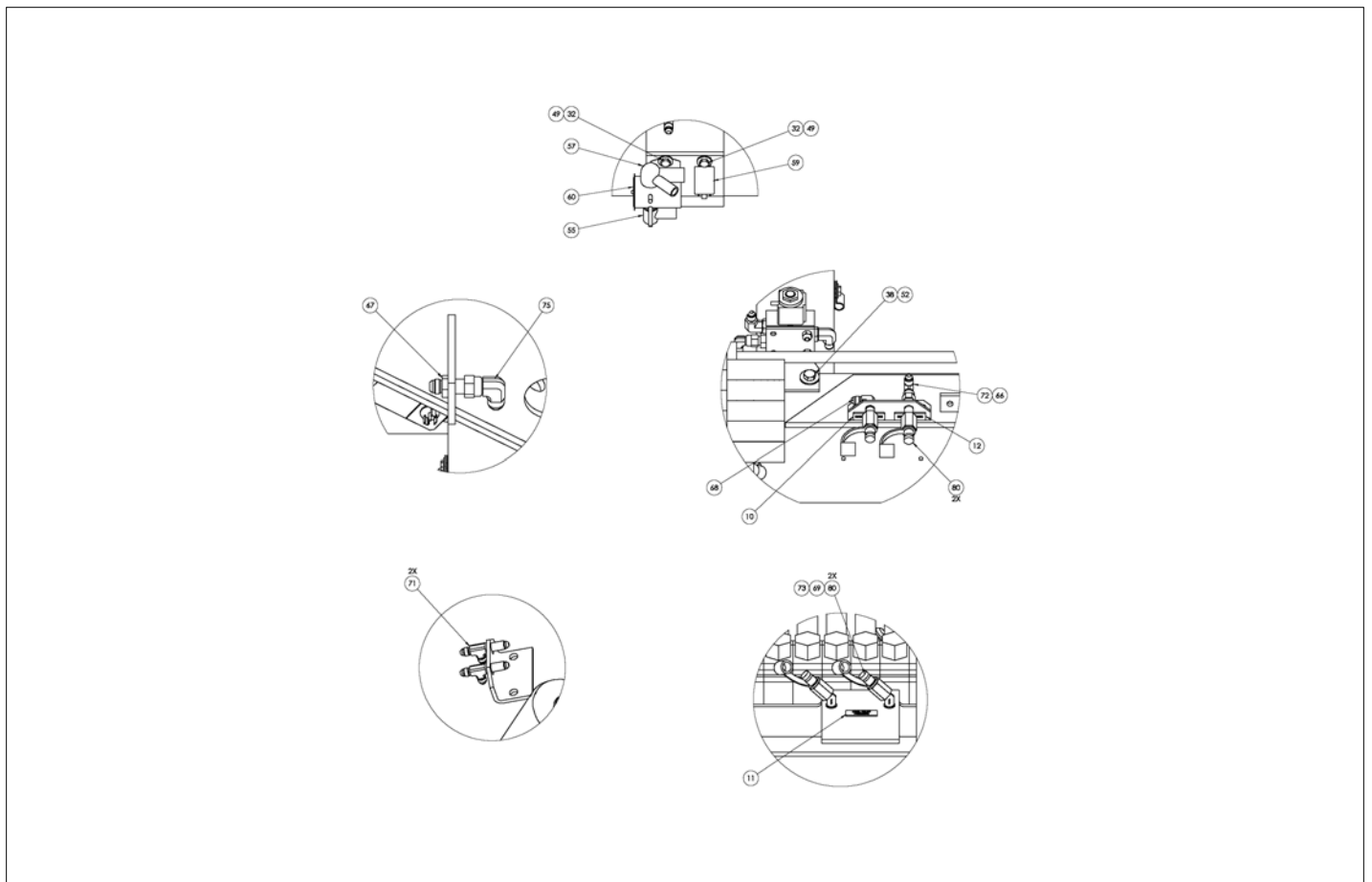
アイテム	部品番号	名前	数量	UOM
80	974239	SCR RDH 6 32 .500	2	EA
81	984009	NUT HEX 6 32	2	EA
82	986019	WSHR FLAT .250	12	EA
83	987099	WSHR LOCK .250	14	EA
84	987109	WSHR LOCK .313	4	EA
85	5560004	NUT LKG .250 20	9	EA
86	5560654	WSHR LOCK #10 SPLIT TYPE	3	EA
87	5560700	MACH SCRW #6 32 X 1.00 RDHD GR5	2	EA
88	986159	WSHR FLAT 6	2	EA
89	056021 006	WASHER SPRING WASHER M6 DIN 127B GR8.8 ZP	2	EA
90	0083438 8	MT ENG CU 3.3	4	EA
91	0110199	HOSE 16 16S 16S 34	1	EA
92	0112241 8	SPCR 1.25 3.00 3.38 2H STL	2	EA
93	970969	BLT HEXHD .500 13 3.00 GR5	4	EA
94	970919	BLT HEXHD .500 13 1.75 GR5	4	EA
95	5560039	NUT HEX LKG .500 13	12	EA
96	5560168	WSHR FLAT HARD .500 SP	20	EA
97	970929	BLT HEXHD .500 13 2.00 GR5 PLA	4	EA
98	7630286	FILTER N LINE FUEL	1	EA
99	5010011	HOSE SAE30R2 05 .312 FUEL	14	EA
100	5550028	CLP WORM DRV .25 .63 .31 BAND	6	EA
101	0080914	PLAC GLOW PLUGS	1	EA
102	0192289 8	BRKT GLOW PLUG TIMER	1	EA
103	974679	SCR RDH MACH 10 24 .625	1	EA
104	986009	WSHR FLAT 10	1	EA
105	3041641	CIRCUIT BREAKER 40 AMP	1	EA
106	5560038	NUT LKG 10 32	1	EA

アイテム	部品番号	名前	数量	UOM
107	0111821	HOSE SUCTION 1.50 ID 26	1	EA
108	5059705	CLP T BOLT 2.00	2	EA
109	967359	HOESAE30R2 03 TYPE 3 3/16 in	168	EA
110	5036906	COVER	1	EA
111	5093021	CLP CUSH .625 VINYL COATED	1	EA
112	5093040	FTG ELB90 MALE 4N 4H BR	1	EA
113	5093039	FTG ELB90 MALE 6N 5H BR	1	EA
114	5076407	FTG BSHG RDCR 6N 4N STL	1	EA
115	3090006	TUBE FLEXGARD .350 ID	1	EA
116	3090019	TUBE FLEXGARD .250 ID	2	EA
117	0071568	WIRE 12 R10I R250I 4	1	EA
118	3040129	ALARM107 112DBA 2HZ 9.8 36.4V	1	EA
119	0072104	WIRE 12 R250I R8I 4	1	EA
120	3044853	TERM R8I 12/10	1	EA
121	3040046	TERM MALE250FI 22/18	1	EA
122	3040047	TERM FEM250FI 22/18	1	EA
123	970029	BLT .25 20 .750	2	EA
124	987099	WSHR LOCK .250	2	EA
125	986019	WSHR FLAT .250	2	EA
126	0113575	LIFT/SWING/CTWT TB86J	1	EA
127	10001008	ASSEMBLY, TB86J COUNTERWEIGHT	1	EA
128	012039 000	ROD BAT HOLD DOWN	1	EA

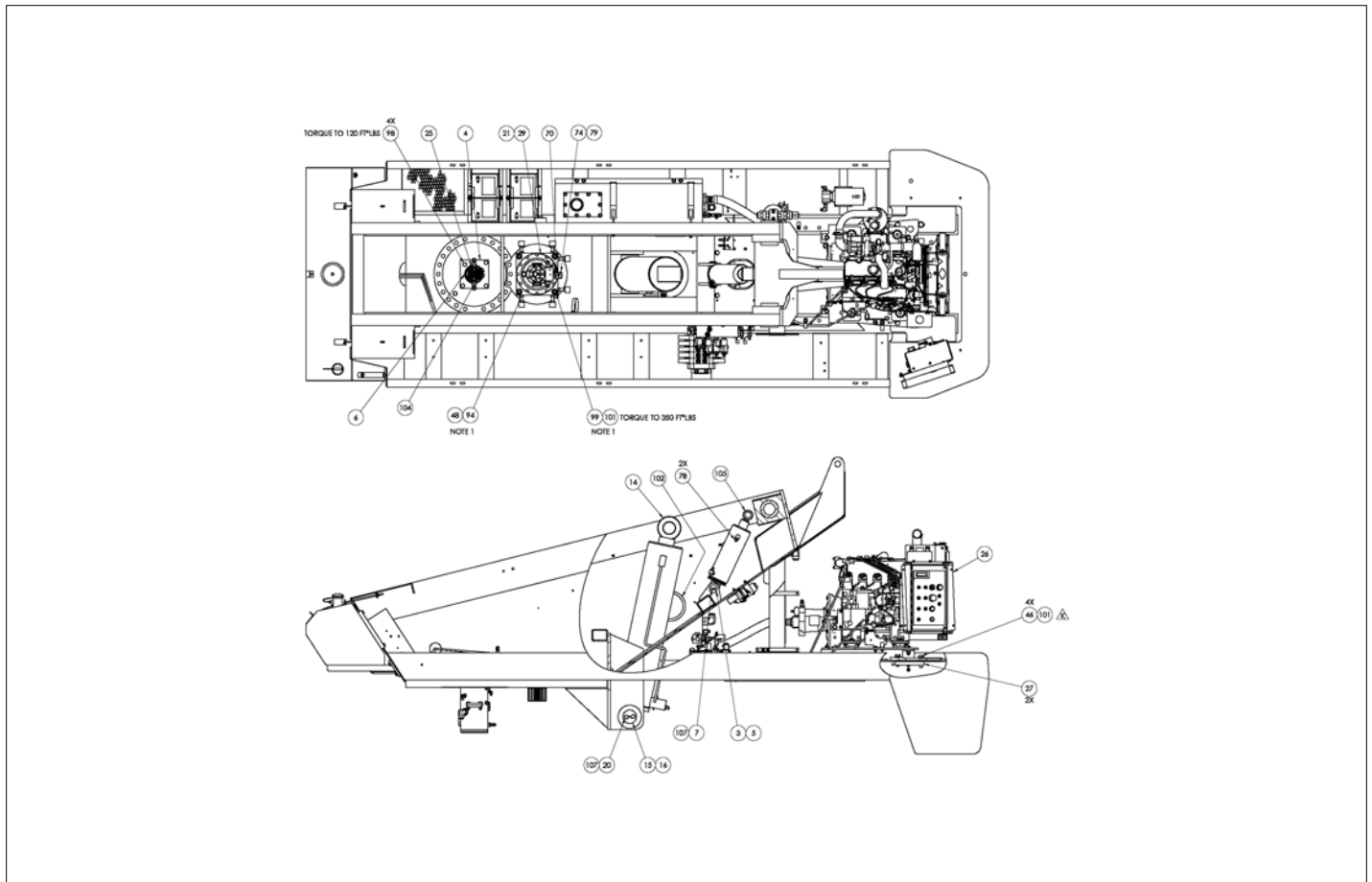
REPAIR PARTS



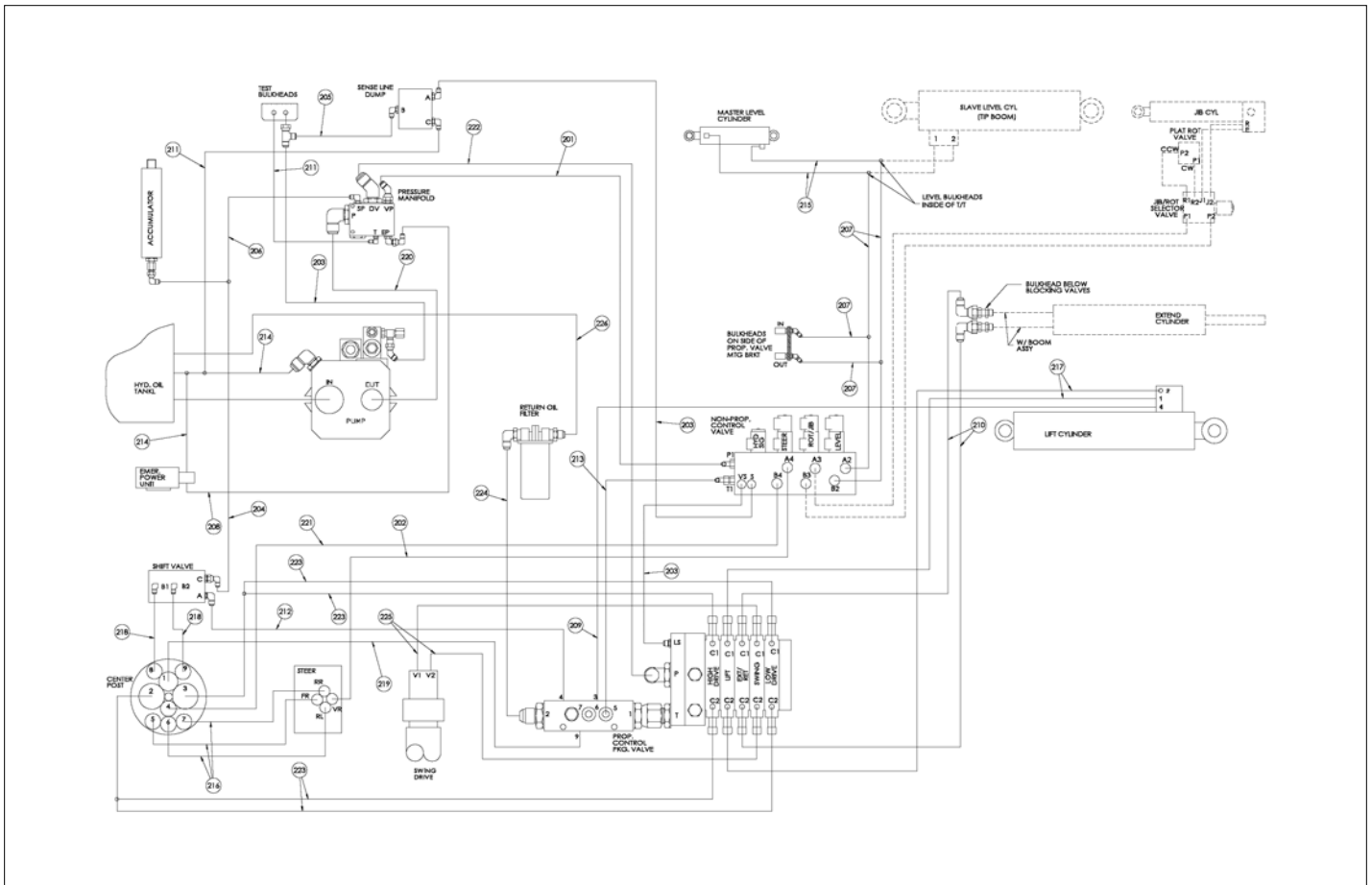
アイテム	部品番号	名前	数量	UOM
	0113706K	TURNTABLE ASSEMBLY, TB86J PG		EA
1	056069 008	WASHER, STEELFLATWASHER DIN12M8 FLAT WASHER DIN 125	1	EA
2	058492 020	Bolt HexSetScrew DIN933 M8 x 2	1	EA
3	0070033	PIN LOCK 2.00 DIA 2H	1	EA
4	0070256	ADAPTER PLATE CENTER POST	1	EA
5	0070442	WLDMT PIN 1.50 5.875 GRIP	1	EA
6	0070472	KEY CENTERPOST ASSY	1	EA
7	0070473	BLT HEXHD .313 18 .75 DR	2	EA
8	0073051	DISCONNECT SWITCH BRKT	1	EA
9	0073089	PLAC BATTERY DISCONNECT SWITCH	1	EA
10	0075378	DECAL SYSTEM PRESSURE	1	EA
11	0075379	DECAL LEVEL RELIEF PRESSUSRE	1	EA
12	0075380	DECAL SENSE PRESSURE	1	EA
13	0083438	MT ENG CU 3.3	4	EA
14	0110168	CYL/TUBE ASSY	1	EA
15	0110235	PIN LOCK 3.50DIA 2H	1	EA
16	0110341	WLDMT PIN 3.00 13.50 GRIP	1	EA
17	0110361	HYDR OIL RSVR SUPPORT	1	EA
18	0110362	STRAP, HYD. OIL RESERVOIR	2	EA
19	0110363	SPACER HYD OIL	1	EA
20	0110681	BLT HEXHD .625 11 1.25 DR	2	EA
21	0110942	ADJUSTMENT RING 7.50 ID	1	EA
22	0111821	HOSE SUCTION 1.50 ID 26	1	EA
23	0112241	SPCR 1.25 3.00 3.38 2H STL	2	EA
24	0112323	WLDMT TRNTBL TB80	1	EA
25	0112747	ASSY CENTERPOST TB85JFA	1	EA



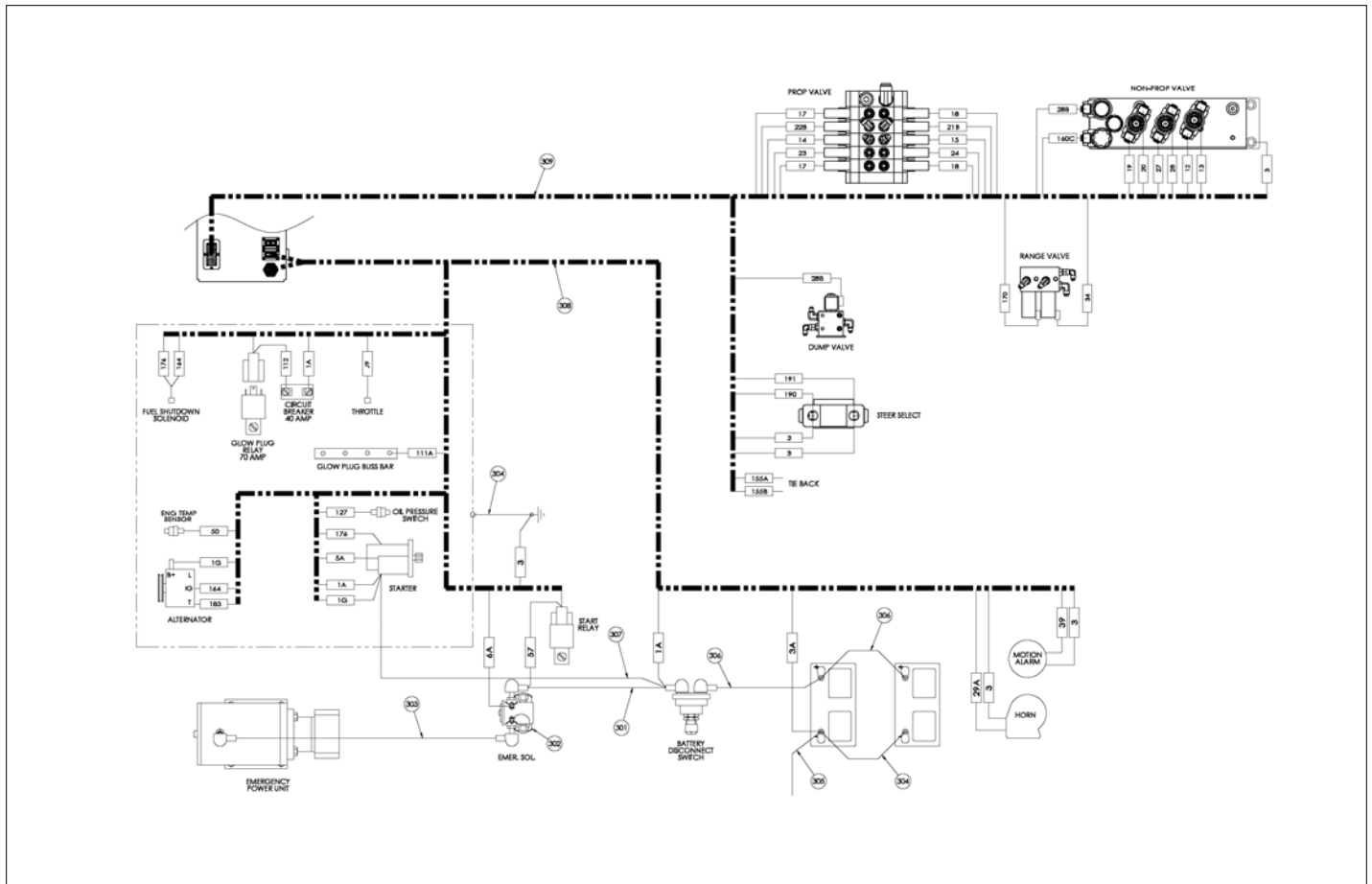
アイテム	部品番号	名前	数量	UOM
26	0113712	ASSY GRD CONT PANEL TB86JFA PG	1	EA
27	0113760	PLT COUNTERWEIGHT MOUNT	2	EA
28	0113837	ASSY COUNTERWEIGHT CAST TB86J	1	EA
29	0113904	SWING DRIVE ASSY OMNI	1	EA
30	0191830	FUEL TANK INSTALL	1	EA
31	967359	HOESAE30R2 03 TYPE 3 3/16 in	168	EA
32	970009	Capscrew 1/4 20 x 1/2 inch lon	3	EA
33	970029	BLT .25 20 .750	12	EA
34	970049	BLT HEXHD .250 20 1.00 GR5 GRADE 5 PLT SAME AS 970189	2	EA
35	970239	BLT HEXHD .313 18 .750 GR5	3	EA
36	970319	BLT HEXHD .313 18 2.50 GR5	2	EA
37	970369	BLT HEXHD .313 18 X 1.00 GR5	2	EA
38	970449	HHD BLT .375 16 X .750 GR5	5	EA
39	970469	HHD BLT .375 16 X 1.00 GR5	14	EA
40	970489	BLT HEXHD .375 16 1.50 GR5 PL	1	EA
41	970529	BLT HEXHD .375 16 2.50 GR5 PLTD	2	EA
42	970599	BLT HEXHD .375 16 4.00 GR5	2	EA
43	970919	BLT HEXHD .500 13 1.75 GR5	4	EA
44	970929	BLT HEXHD .500 13 2.00 GR5 PLA	4	EA
45	970969	BLT HEXHD .500 13 3.00 GR5	4	EA
46	971339	BLT HEXHD .750 10 X 2.50 GR5	4	EA
47	972479	BLT HEXHD .375 16 1.25 GR5	2	EA
48	984449	NUT HEX JAM .625 11	6	EA
49	986019	WSHR FLAT .250	16	EA
50	986169	WASHER, FLAT, #8, NARROW, PLTD (SAE)	2	EA



アイテム	部品番号	名前	数量	UOM
51	986269	WSHR FLAT .313	13	EA
52	986299	WASHER, FLAT, .375 STANDARD, PLATED	31	EA
53	3020049	Switch, Battery Disconnect	1	EA
54	3040127	HORN 12VDC	1	EA
55	3040268	BOOT BTRY CABLE END BLK	4	EA
56	3040269	Boot Cable Entry Black 1/0 GA	2	EA
57	3040270	BOOT BTRY CABLE END Y TYPE	1	EA
58	3040452	BOOT BTRY CABLE UL RED 10GA	2	EA
59	3040469	RELAY SPDT 12V 30AMP SONG	1	EA
60	3040506	SOLENOID 12V 150	1	EA
61	3040593	ALARM 97 DECIBEL	1	EA
62	3050002	BATTERY 12V	2	EA
63	3050004	BLT BTRY HLDN .313 18 X 10.00 (J BOLT)	4	EA
64	3050008	BATTERY HOLD DOWN	2	EA
65	5010011	HOSE SAE30R2 05 .312 FUEL	14	EA
66	5034401	FTG UN BHD STR 4S 4S STL 4 WTX	1	EA
67	5034404	FTG UN BHD STR 8S 8S STL 0353	2	EA
68	5034501	FTG ELB90BHD 4S 4S STL	1	EA
69	5034601	FTG ELB45BHD 4S 4S STL	2	EA
70	5035315	FTG ELB90STRTHD 6B 8S STL	1	EA
71	5035403	FTG TEE BHD RUN 4S 4S STL	2	EA
72	5036703	FTG TEE SWVL RUN 4S 4S STL (SEE PAGE 2)	1	EA
73	5036903	FTG ELB45SWVL 4S 4S STL	2	EA
74	5037006	ADAPTER 90 ° ELBOW SWIVEL 8 JIC	1	EA
75	5037007	ADAPTER 90 DEG ELBOW SWIVEL 10 JIC	2	EA



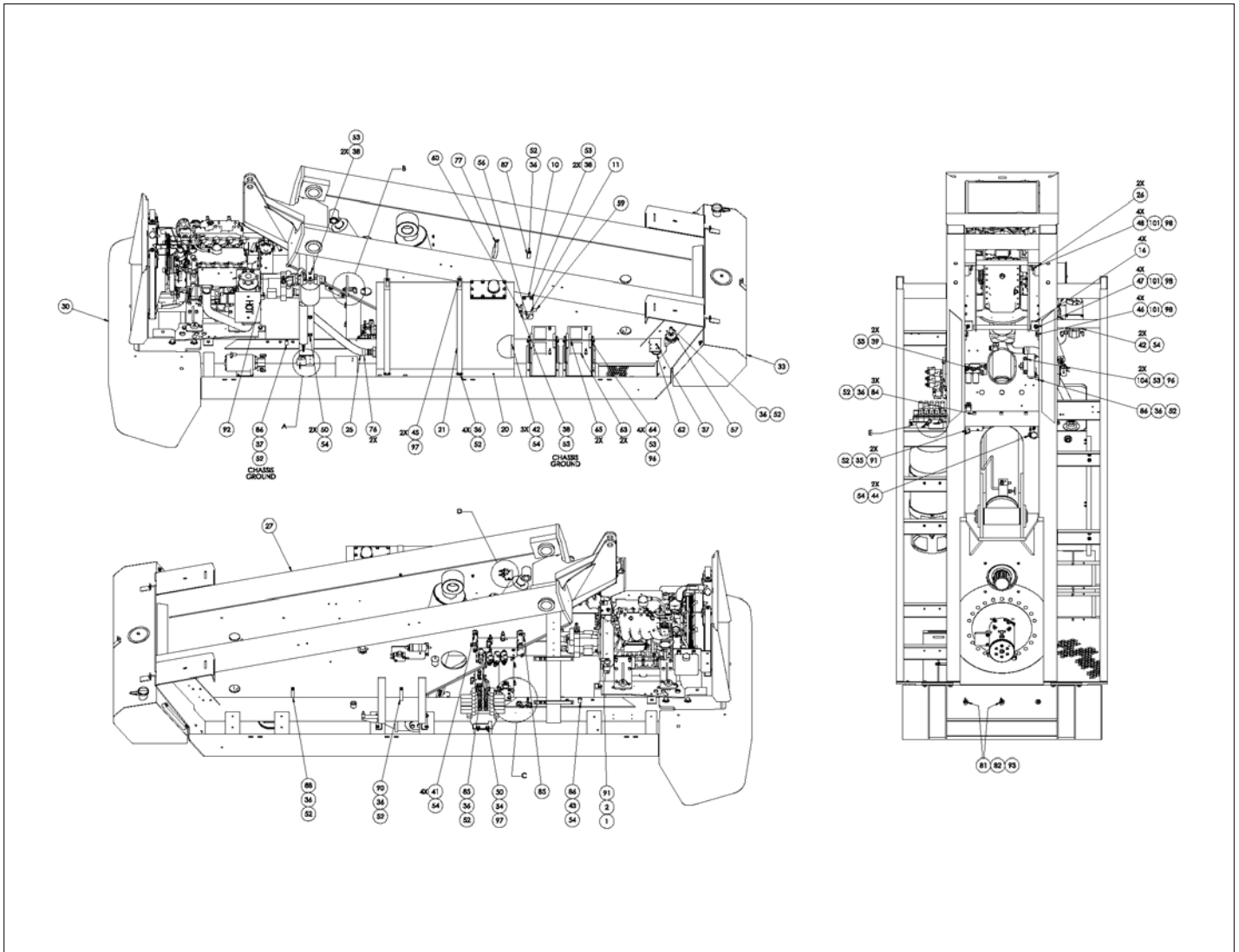
アイテム	部品番号	名前	数量	UOM
76	5059705	CLP T BOLT 2.00	2	EA
77	5059706	CLAMP 3.56 I.D.	1	EA
78	5065707	FTG ADPTR STRTHD 6B 6S STL PH	2	EA
79	5065728	1/2 I.D. HOSE ASSEMBLY	1	EA
80	5070028	FTG NIP DIGN 4S FEM METRIC CE	4	EA
81	5076407	FTG BSHG RDCR 6N 4N STL	1	EA
82	5093000	CLP CUSH .438 VINYL COATED	3	EA
83	5093002	CLAMP .562 AEROQUIP HOSE SUPPORT	2	EA
84	5093006	CLP CUSH .937 VINYL COATED	4	EA
85	5093010	CLP CUSH 1.50 VINYL COATED	1	EA
86	5093012	CLP CUSH 1.75 VINYL COATED	1	EA
87	5093014	CLP CUSH 2.25 VINYL COATED	2	EA
88	5093024	CLAMP	3	EA
89	5093027	CLAMP	1	EA
90	5093039	FTG ELB90 MALE 6N 5H BR	1	EA
91	5093040	FTG ELB90 MALE 4N 4H BR	1	EA
92	5550028	CLP WORM DRV .25 .63 .31 BAND	6	EA
93	5560004	NUT LKG .250 20	4	EA
94	5560022	BLT ADJ .625 11 2.25 GR5 TAP B	6	EA
95	5560031	NUT HEX LKG .313 18	7	EA
96	5560033	.375 16UNC HEX LOCK NUT	13	EA
97	5560039	NUT HEX LKG .500 13	12	EA
98	5560051	BLT HEXHD .625 11 2.00 GR8 SP	4	EA
99	5560100	BLT SKTHD .750 10 2.50 HEX SP	4	EA
100	5560168	WSHR FLAT HARD .500 SP	16	EA
101	5560170	WSHR FLAT HARD .750 SP	8	EA



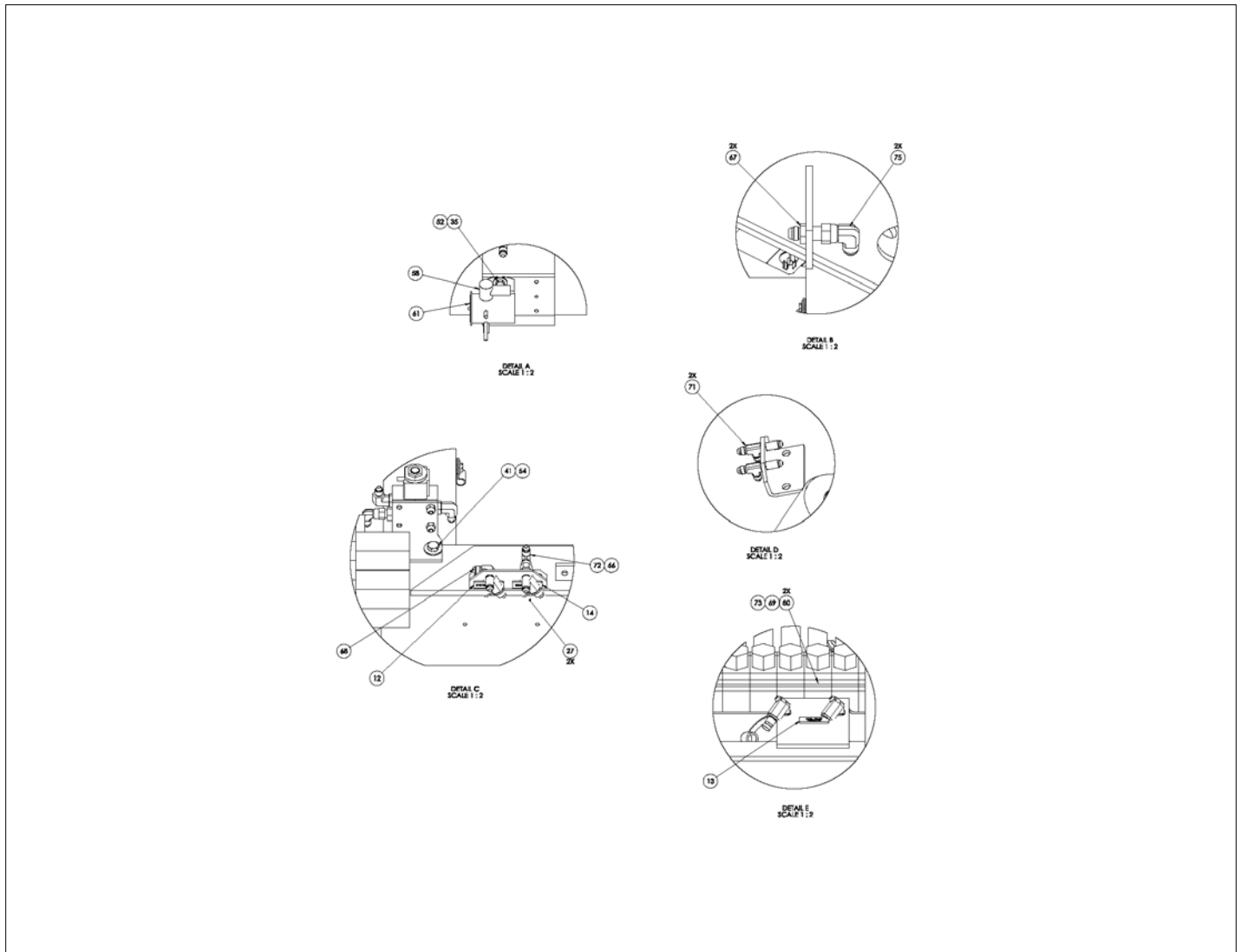
アイテム	部品番号	名前	数量	UOM
102	5560277	HOSE GUIDE .375 RUBBER EDGE	2	EA
103	5569892	BLT HEXHD .313 18 4.00 GR5	2	EA
104	5590003	SNAP RING 4.50 EXT TRUARC 5100 450 3100 450 STPA	1	EA
105	6047152	CYLINDER MASTER LEVEL	1	EA
106	7630286	FILTER N LINE FUEL	1	EA
107	9980012	.040 S. S. SAFETY LOCKWIRE	AR	EA
108	0082055	ASSY ACCUMULATOR 300 PSI		EA
201	0020273	HOSE 6 6S 6S 35.5 100R2	1	EA
202	0020276	HOSE 6 6S 6S 27.625 100R2	1	EA
203	0020280	HOSE 4 4S 4S 23.5 (SEE PAGE 2)	3	EA
204	0020281	HOSE 4 4S 4S 27.63 100R2	1	EA
205	0020283	HOSE 4 4S 4S 15.25 100R1 SAE:100R1 4 BAND IN	1	EA
206	0040276	HOSE 4 4S 4S 20.5 100R1	1	EA
207	0050137	HOSE 4 4S 4S 36 100R1	4	EA
208	0050400	HOSE 6 6S 6S 41 100R2	1	EA
209	0060297	HOSE 4 6S 6S 28 100R2	1	EA
210	0060315	HOSE 8 8S 8S 48 100R2	2	EA
211	0070765	HOSE 4 4S 4S 29 100R1	2	EA
212	0070776	HOSE 4 6S 6S 19.5 100R1	1	EA
213	0070786	HOSE 6 6S 6S 19 100R2	1	EA
214	0070792	HOSE 8 8S 8S 32 100R2	2	EA
215	0080359	HOSE 4 4S 6S 23.5 100R1	2	EA
216	0080362	HOSE 6 6S 6S 93.5 100R2	3	EA
217	0080522	HOSE 8 8S 8S 42 100R2	2	EA
218	0100271	HOSE 4 4S 4S 103 100R1	2	EA
219	0110198	HOSE 8 8S 8S 96 100R2	1	EA
220	0110199	HOSE 16 16S 16S 34	1	EA
221	0111286	HOSE 6 6S 6S 84 100R2	1	EA

アイテム	部品番号	名前	数量	UOM
222	0111843	HOSE 16 16S 16S 24.5	1	EA
223	0111844	HOSE 10 10S 10S 86 SP SP	4	EA
224	0111882	HOSE 20 20S 20S 64.5 SP	1	EA
225	0180784	HOSE 8 8S 8S 72 SP	2	EA
226	0180943	HOSE 20 20S 20S 25.5 SP	1	EA
301	0070705	WIRE 4 R313I R375I 81 RED	1	EA
302	0071568	WIRE 12 R10I R250I 4	1	EA
303	0072323	WIRE 4 R313I R375I 28 RED	1	EA
304	0075268	WIRE 2/0 R375 R375 13 BLK	2	EA
305	0080483	WIRE 2/0 R375 R375 28 BLACK	1	EA
306	0080484	WIRE 2/0 R375 R375 13 RED	2	EA
307	0110529	WIRE 2/0 R375 R375 106 RED	1	EA
308	0113713	HARNESS ENGINE PG	1	EA
309	0113715	TURNTABLE WIRE ASSEMBLY TB80FA/86JFA PG	1	EA

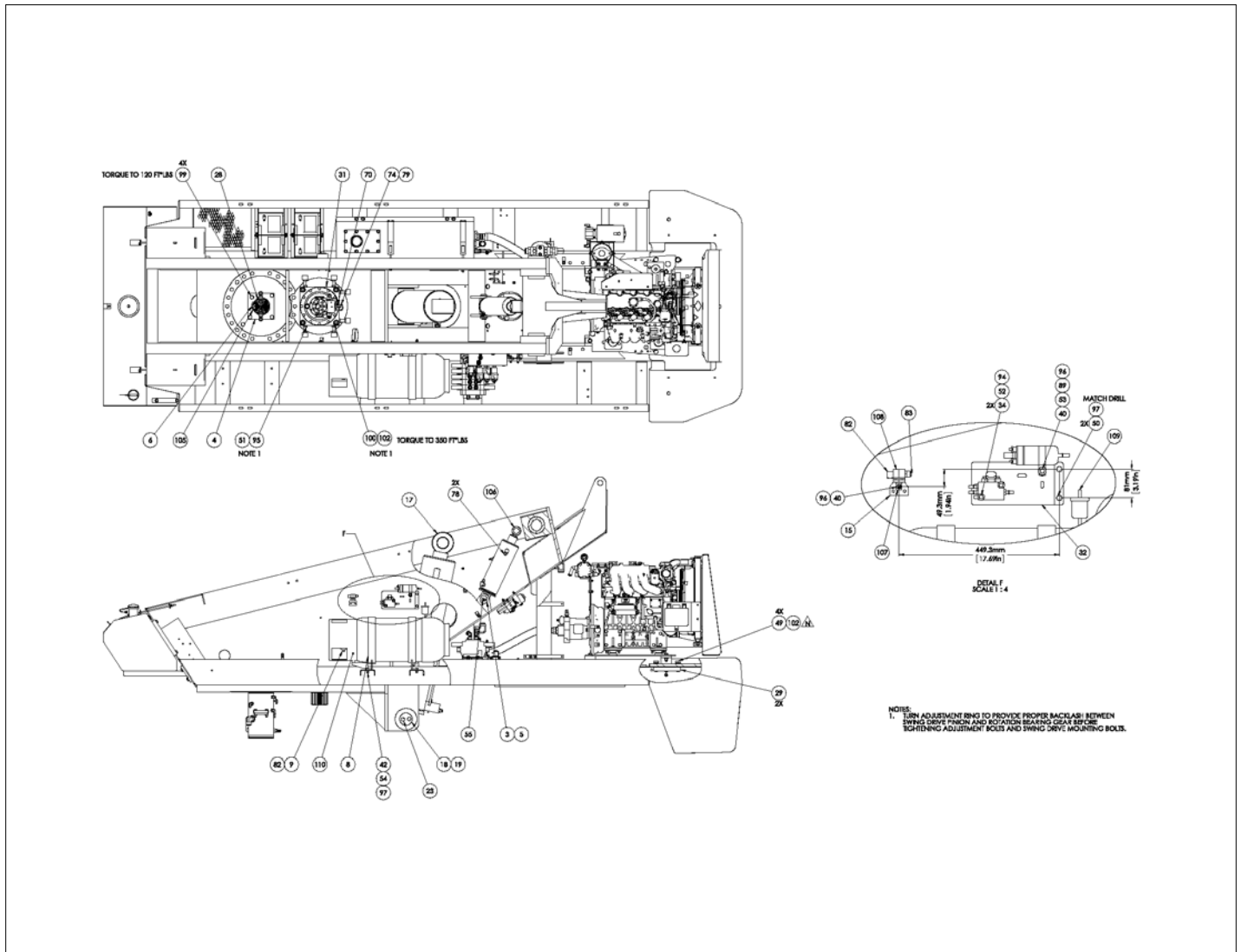
REPAIR PARTS



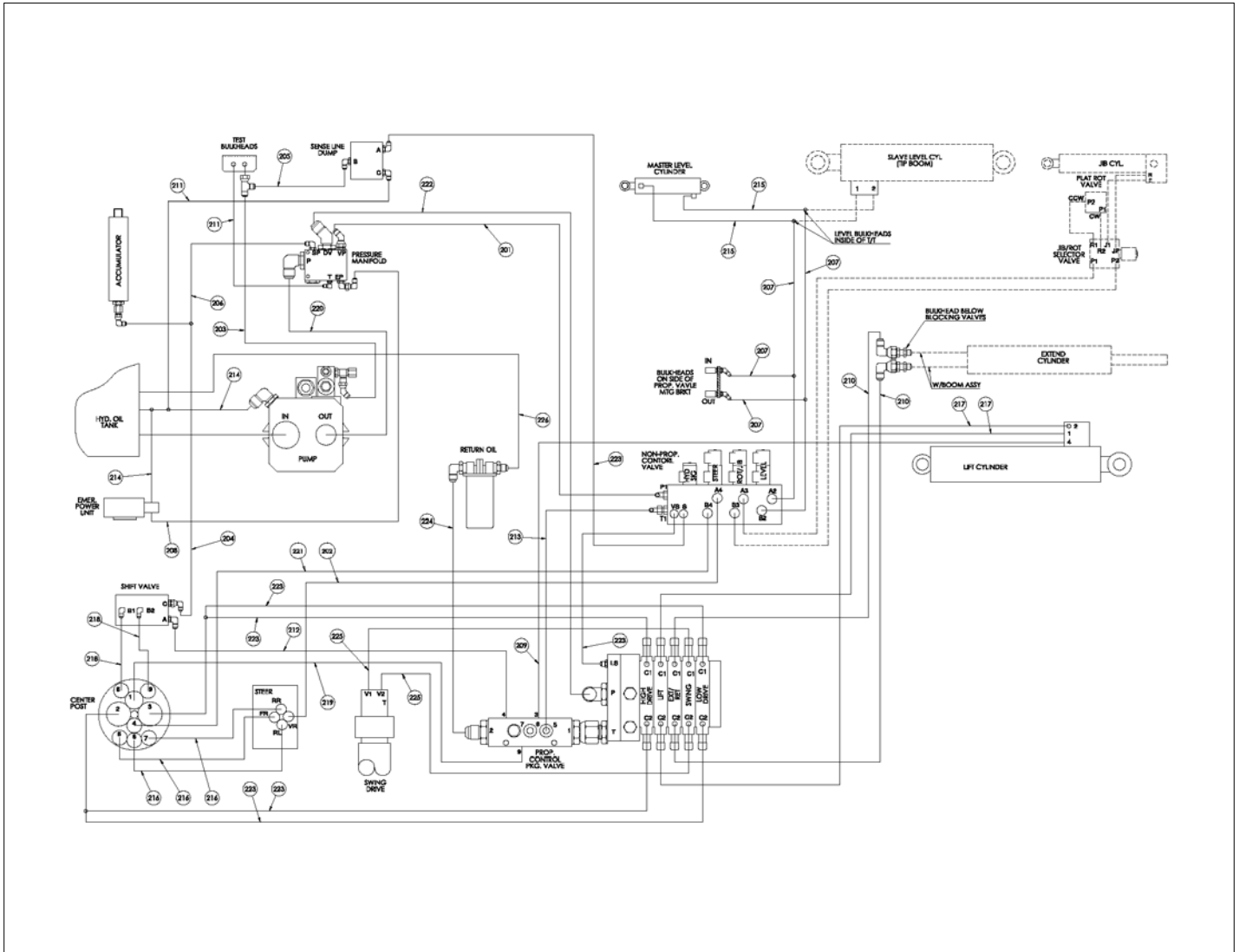
アイテム	部品番号	名前	数量	UOM
	0113878 P	TURNTABLE ASSEMBLY DUAL FUEL		EA
1	056069 008	WASHER, STEELFLATWASHER DIN12M8 FLAT WASHER DIN 125	1	EA
2	058492 020	Bolt HexSetScrew DIN933 M8 x 2	1	EA
3	0070033	PIN LOCK 2.00 DIA 2H	1	EA
4	0070256	ADAPTER PLATE CENTER POST	1	EA
5	0070442	WLDMT PIN 1.50 5.875 GRIP	1	EA
6	0070472	KEY CENTERPOST ASSY	1	EA
Not Shown	0070473	BLT HEXHD .313 18 .75 DR	2	EA
8	0070969	BRKT ASSEMBLY LPG CYLINDER	1	EA
9	0070974	COUPLING FEMMALE LPG	1	EA
10	0073051	DISCONNECT SWITCH BRKT	1	EA
11	0073089	PLAC BATTERY DISCONNECT SWITCH	1	EA
12	0075378	DECAL SYSTEM PRESSURE	1	EA
13	0075379	DECAL LEVEL RELIEF PRESSUSRE	1	EA
14	0075380	DECAL SENSE PRESSURE	1	EA
15	0080668	BULKHEAD TEE MNTG ANGLE	1	EA
16	0083438	MT ENG CU 3.3	4	EA
17	0110168	CYL/TUBE ASSY	1	EA
18	0110235	PIN LOCK 3.50DIA 2H	1	EA
19	0110341	WLDMT PIN 3.00 13.50 GRIP	1	EA
20	0110361	HYDR OIL RSVR SUPPORT	1	EA
21	0110362	STRAP, HYD. OIL RESERVOIR	2	EA
Not Shown	0110363	SPACER HYD OIL	1	EA
23	0110681	BLT HEXHD .625 11 1.25 DR	2	EA



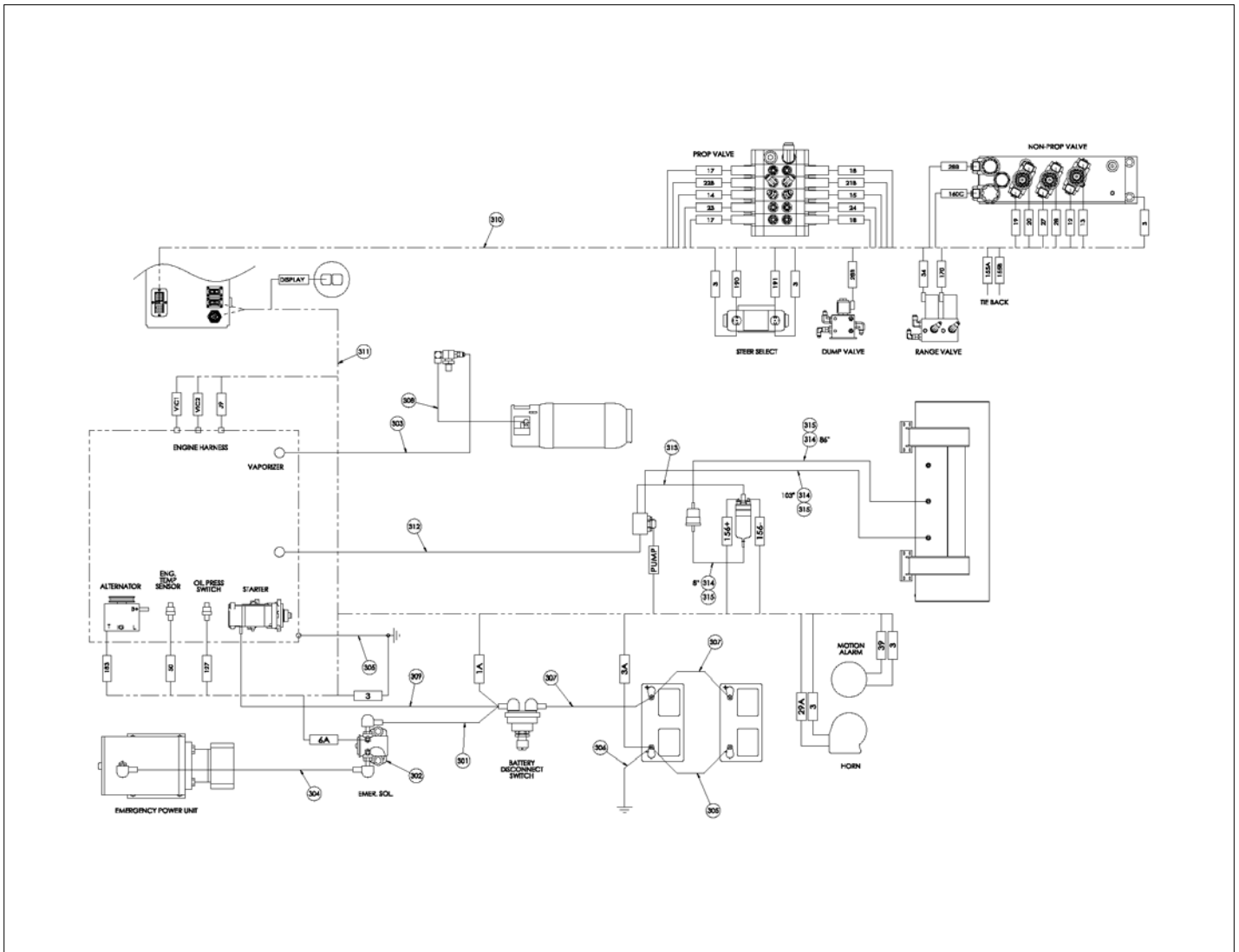
アイテム	部品番号	名前	数量	UOM
Not Shown	0110942	ADJUSTMENT RING 7.50 ID	1	EA
25	0111821	HOSE SUCTION 1.50 ID 26	1	EA
26	0112241	SPCR 1.25 3.00 3.38 2H STL	2	EA
27	0112323	WLDMT TRNTBL TB80	1	EA
28	0112747	ASSY CENTERPOST TB85JFA	1	EA
29	0113760	PLT COUNTERWEIGHT MOUNT	2	EA
30	0113837	ASSY COUNTERWEIGHT CAST TB86J	1	EA
31	0113904	SWING DRIVE ASSY OMNI	1	EA
32	0182275	BRKT FUEL PUMP GMT3 AB60J	1	EA
33	0191830	FUEL TANK INSTALL	1	EA
34	969999	BLT HEXHD .250 20 2.25 GR5	2	EA
35	970009	Capscrew 1/4 20 x 1/2 inch lon	4	EA
36	970029	BLT .25 20 .750	13	EA
37	970049	BLT HEXHD .250 20 1.00 GR5 GRADE 5 PLT SAME AS 970189	2	EA
38	970239	BLT HEXHD .313 18 .750 GR5	5	EA
39	970319	BLT HEXHD .313 18 2.50 GR5	2	EA
40	970369	BLT HEXHD .313 18 X 1.00 GR5	2	EA
41	970449	HHD BLT .375 16 X .750 GR5	6	EA
42	970469	HHD BLT .375 16 X 1.00 GR5	13	EA
43	970489	BLT HEXHD .375 16 1.50 GR5 PL	1	EA
44	970529	BLT HEXHD .375 16 2.50 GR5 PLTD	2	EA
45	970599	BLT HEXHD .375 16 4.00 GR5	2	EA
46	970919	BLT HEXHD .500 13 1.75 GR5	4	EA
47	970929	BLT HEXHD .500 13 2.00 GR5 PLA	4	EA
48	970969	BLT HEXHD .500 13 3.00 GR5	4	EA
49	971339	BLT HEXHD .750 10 X 2.50 GR5	4	EA



アイテム	部品番号	名前	数量	UOM
50	972479	BLT HEXHD .375 16 1.25 GR5	8	EA
51	984449	NUT HEX JAM .625 11	6	EA
52	986019	WSHR FLAT .250	22	EA
53	986269	WSHR FLAT .313	11	EA
54	986299	WASHER, FLAT, .375 STANDARD, PLATED	35	EA
55	987109	WSHR LOCK .313	2	EA
56	3020049	Switch, Battery Disconnect	1	EA
57	3040127	HORN 12VDC	1	EA
58	3040268	BOOT BTRY CABLE END BLK	4	EA
59	3040269	Boot Cable Entry Black 1/0 GA	1	EA
60	3040270	BOOT BTRY CABLE END Y TYPE	1	EA
61	3040506	SOLENOID 12V 150	1	EA
62	3040593	ALARM 97 DECIBEL	1	EA
63	3050002	BATTERY 12V	2	EA
64	012039 000	ROD BAT HOLD DOWN	2	EA
65	3050008	BATTERY HOLD DOWN	2	EA
66	5034401	FTG UN BHD STR 4S 4S STL 4 WTX	1	EA
67	5034404	FTG UN BHD STR 8S 8S STL 0353	2	EA
68	5034501	FTG ELB90BHD 4S 4S STL	1	EA
69	5034601	FTG ELB45BHD 4S 4S STL	2	EA
70	5035315	FTG ELB90STRTHD 6B 8S STL	1	EA
71	5035403	FTG TEE BHD RUN 4S 4S STL	2	EA
72	5036703	FTG TEE SWVL RUN 4S 4S STL (SEE PAGE 2)	1	EA
73	5036903	FTG ELB45SWVL 4S 4S STL	2	EA
74	5037006	ADAPTER 90 ° ELBOW SWIVEL 8 JIC	1	EA
75	5037007	ADAPTER 90 DEG ELBOW SWIVEL 10 JIC	2	EA



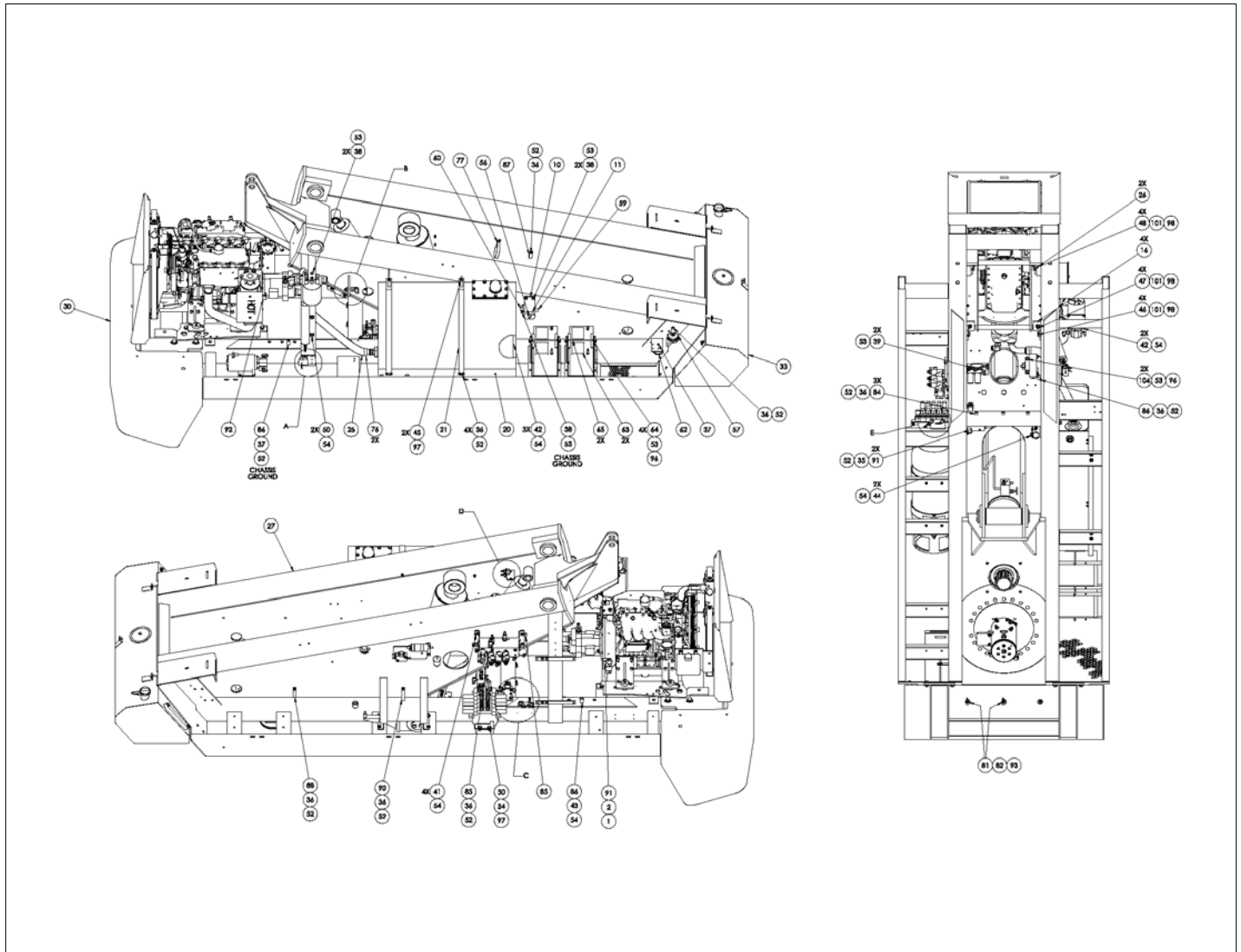
アイテム	部品番号	名前	数量	UOM
76	5059705	CLP T BOLT 2.00	2	EA
77	5059706	CLAMP 3.56 I.D.	1	EA
78	5065707	FTG ADPTR STRTHD 6B 6S STL PH	2	EA
79	5065728	1/2 I.D. HOSE ASSEMBLY	1	EA
80	5070028	FTG NIP DIGN 4S FEM METRIC CE	4	EA
81	5076407	FTG BSHG RDCR 6N 4N STL	2	EA
82	5090033	ADAPTER 90 ° ELBOW 1/4 NPT TO 1/4 ENPT	3	EA
83	5090049	FTG MALE CONN SAE45 6LPG 4N BR	1	EA
84	5093000	CLP CUSH .438 VINYL COATED	3	EA
85	5093002	CLAMP .562 AEROQUIP HOSE SUPPORT	2	EA
86	5093006	CLP CUSH .937 VINYL COATED	3	EA
87	5093008	CLP CUSH 1.06 VINYL COATED	1	EA
88	5093010	CLP CUSH 1.50 VINYL COATED	1	EA
89	5093013	CLP CUSH 2.00 VINYL COATED	1	EA
90	5093014	CLP CUSH 2.25 VINYL COATED	3	EA
91	5093024	CLAMP	3	EA
92	5093027	CLAMP	1	EA
93	5260033	FTG BARB 3/8 1/4 NPT	2	EA
94	5560004	NUT LKG .250 20	6	EA
95	5560022	BLT ADJ .625 11 2.25 GR5 TAP B	6	EA
96	5560031	NUT HEX LKG .313 18	4	EA
97	5560033	.375 16UNC HEX LOCK NUT	19	EA
98	5560039	NUT HEX LKG .500 13	12	EA
99	5560051	BLT HEXHD .625 11 2.00 GR8 SP	4	EA
100	5560100	BLT SKTHD .750 10 2.50 HEX SP	4	EA



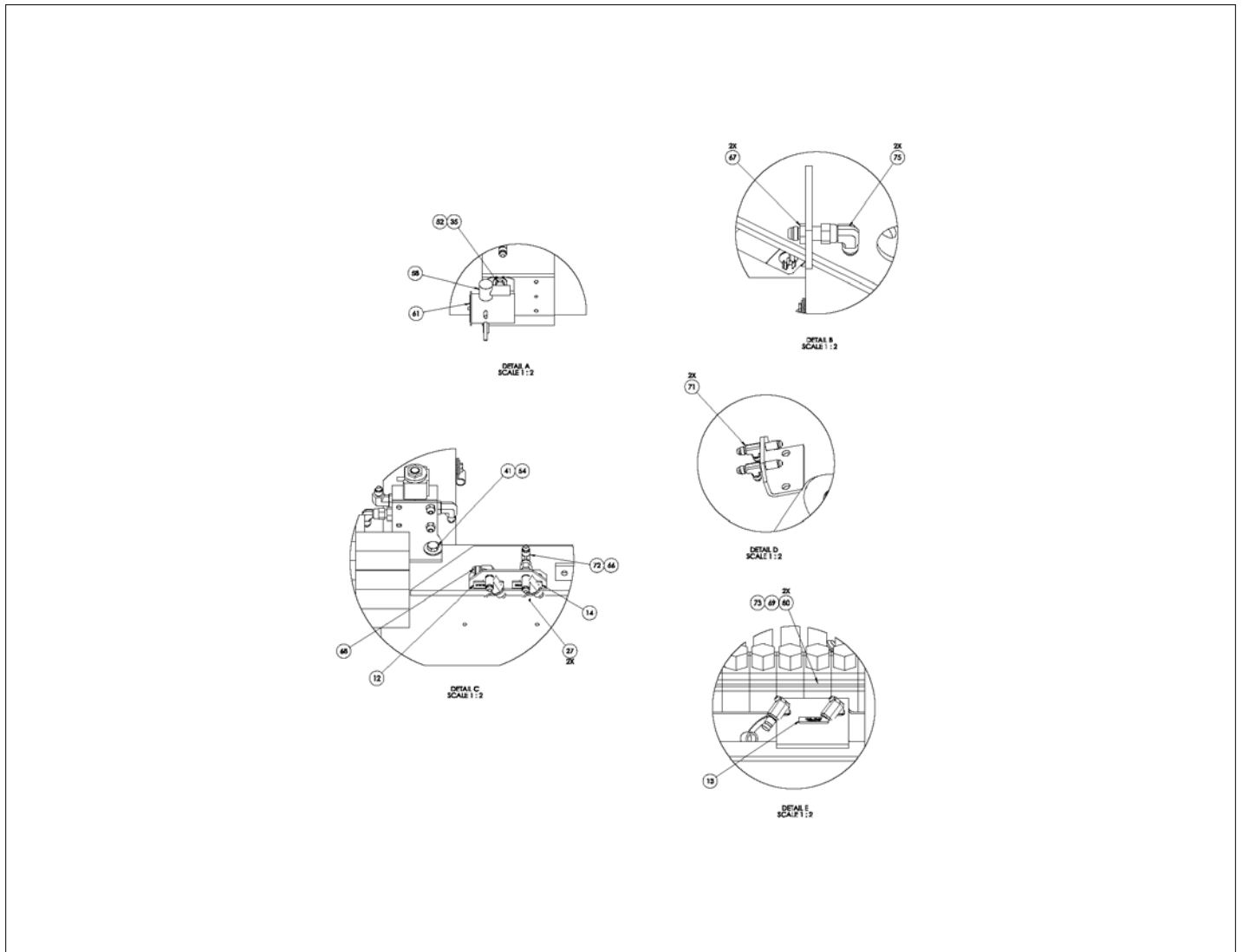
アイテム	部品番号	名前	数量	UOM
101	5560168	WSHR FLAT HARD .500 SP	16	EA
102	5560170	WSHR FLAT HARD .750 SP	8	EA
Not Shown	5560277	HOSE GUIDE .375 RUBBER EDGE	1	EA
104	5569892	BLT HEXHD .313 18 4.00 GR5	2	EA
105	5590003	SNAP RING 4.50 EXT TRUARC 5100 450 3100 450 STPA	1	EA
106	6047152	CYLINDER MASTER LEVEL	1	EA
107	7630703	Relief Valve	1	EA
108	7630704	Bulkhead Tee	1	EA
109	7630953	PRE FUEL FILTER	1	EA
110	9940018	PROPANE CYLINDER 43#	1	EA
111	0082055	ASSY ACCUMULATOR 300 PSI		EA
201	0020273	HOSE 6 6S 6S 35.5 100R2	1	EA
202	0020276	HOSE 6 6S 6S 27.625 100R2	1	EA
203	0020280	HOSE 4 4S 4S 23.5 (SEE PAGE 2)	3	EA
204	0020281	HOSE 4 4S 4S 27.63 100R2	1	EA
205	0020283	HOSE 4 4S 4S 15.25 100R1 SAE:100R1 4 BAND IN	1	EA
206	0040276	HOSE 4 4S 4S 20.5 100R1	1	EA
207	0050137	HOSE 4 4S 4S 36 100R1	4	EA
208	0050400	HOSE 6 6S 6S 41 100R2	1	EA
209	0060297	HOSE 4 6S 6S 28 100R2	1	EA
210	0060315	HOSE 8 8S 8S 48 100R2	2	EA
211	0070765	HOSE 4 4S 4S 29 100R1	2	EA
212	0070776	HOSE 4 6S 6S 19.5 100R1	1	EA
213	0070786	HOSE 6 6S 6S 19 100R2	1	EA
214	0070792	HOSE 8 8S 8S 32 100R2	2	EA
215	0080359	HOSE 4 4S 6S 23.5 100R1	2	EA
216	0080362	HOSE 6 6S 6S 93.5 100R2	3	EA

アイテム	部品番号	名前	数量	UOM
217	0080522	HOSE 8 8S 8S 42 100R2	2	EA
218	0100271	HOSE 4 4S 4S 103 100R1	2	EA
219	0110198	HOSE 8 8S 8S 96 100R2	1	EA
220	0110199	HOSE 16 16S 16S 34	1	EA
221	0111286	HOSE 6 6S 6S 84 100R2	1	EA
222	0111843	HOSE 16 16S 16S 24.5	1	EA
223	0111844	HOSE 10 10S 10S 86 SP SP	4	EA
224	0111882	HOSE 20 20S 20S 64.5 SP	1	EA
225	0180784	HOSE 8 8S 8S 72 SP	2	EA
226	0180943	HOSE 20 20S 20S 25.5 SP	1	EA
301	0070705	WIRE 4 R313I R375I 81 RED	1	EA
302	0071568	WIRE 12 R10I R250I 4	1	EA
303	0072177	HOSE 5 6S45 4N 108 LPG	1	EA
304	0072323	WIRE 4 R313I R375I 28 RED	1	EA
305	0075268	WIRE 2/0 R375 R375 13 BLK	2	EA
306	0080483	WIRE 2/0 R375 R375 28 BLACK	1	EA
307	0080484	WIRE 2/0 R375 R375 13 RED	2	EA
308	0101724	HOSE 5 6S45 4N 32 LPG	1	EA
309	0110529	WIRE 2/0 R375 R375 106 RED	1	EA
310	0113715	TURNTABLE WIRE ASSEMBLY TB80FA/86JFA PG	A/R	EA
311	0113896	HARNESS, ENGINE WG2503	A/R	EA
312	0113900	FUEL LINE ENGINE 8'	1	EA
313	0261007	FUEL LINE PUMP	1	EA
314	5018832	HOSE FUEL .38ID T3	16'5"	EA
315	5550028	CLP WORM DRV .25 .63 .31 BAND	6	EA
316	0110238	PIN 3.00 X 27.75 GRIP	1	EA

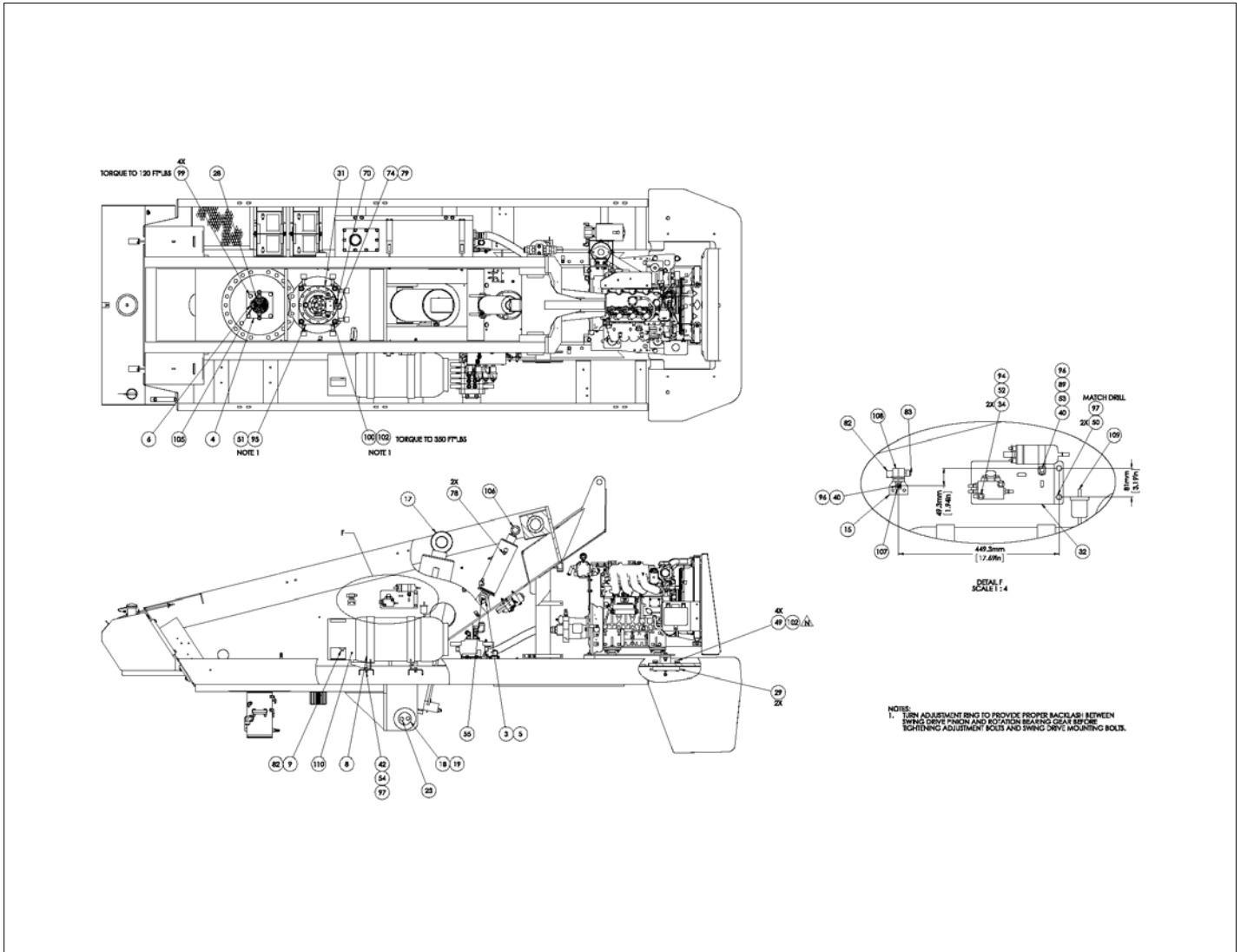
REPAIR PARTS



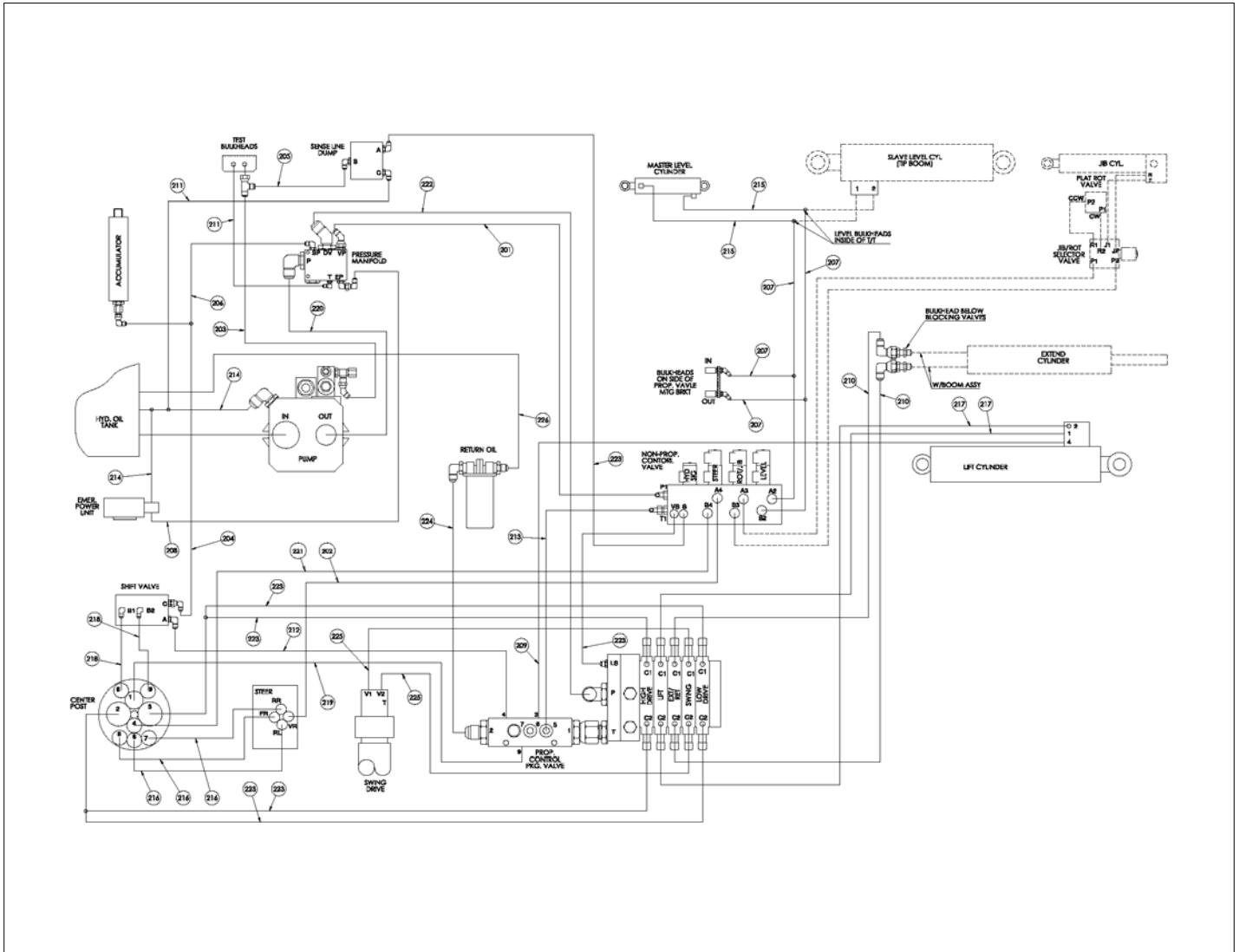
アイテム	部品番号	名前	数量	UOM
	0113878 N	TURNTABLE ASSEMBLY DF		EA
1	056069 008	WASHER, STEELFLATWASHER DIN12M8 FLAT WASHER DIN 125	1	EA
2	058492 020	Bolt HexSetScrew DIN933 M8 x 2	1	EA
3	0070033	PIN LOCK 2.00 DIA 2H	1	EA
4	0070256	ADAPTER PLATE CENTER POST	1	EA
5	0070442	WLDMT PIN 1.50 5.875 GRIP	1	EA
6	0070472	KEY CENTERPOST ASSY	1	EA
Not Shown	0070473	BLT HEXHD .313 18 .75 DR	2	EA
8	0070969	BRKT ASSEMBLY LPG CYLINDER	1	EA
9	0070974	COUPLING FEMMALE LPG	1	EA
10	0073051	DISCONNECT SWITCH BRKT	1	EA
11	0073089	PLAC BATTERY DISCONNECT SWITCH	1	EA
12	0075378	DECAL SYSTEM PRESSURE	1	EA
13	0075379	DECAL LEVEL RELIEF PRESSUSRE	1	EA
14	0075380	DECAL SENSE PRESSURE	1	EA
15	0080668	BULKHEAD TEE MNTG ANGLE	1	EA
16	0083438	MT ENG CU 3.3	4	EA
17	0110168	CYL/TUBE ASSY	1	EA
18	0110235	PIN LOCK 3.50DIA 2H	1	EA
19	0110341	WLDMT PIN 3.00 13.50 GRIP	1	EA
20	0110361	HYDR OIL RSVR SUPPORT	1	EA
21	0110362	STRAP, HYD. OIL RESERVOIR	2	EA
Not Shown	0110363	SPACER HYD OIL	1	EA
23	0110681	BLT HEXHD .625 11 1.25 DR	2	EA
Not Shown	0110942	ADJUSTMENT RING 7.50 ID	1	EA



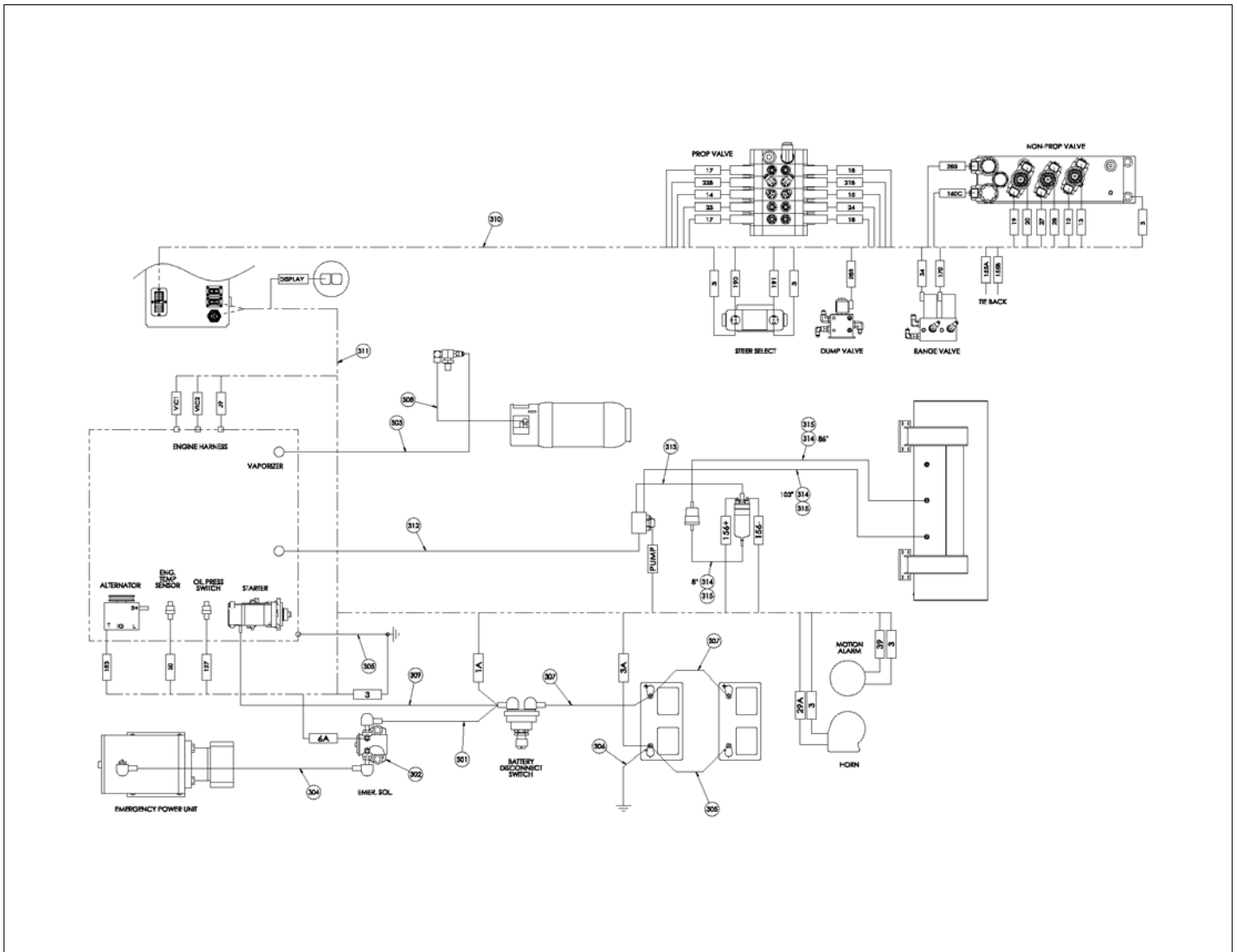
アイテム	部品番号	名前	数量	UOM
25	0111821	HOSE SUCTION 1.50 ID 26	1	EA
26	0112241	SPCR 1.25 3.00 3.38 2H STL	2	EA
27	0112323	WLDMT TRNTBL TB80	1	EA
28	0112747	ASSY CENTERPOST TB85JFA	1	EA
29	0113760	PLT COUNTERWEIGHT MOUNT	2	EA
30	0113837	ASSY COUNTERWEIGHT CAST TB86J	1	EA
31	0113904	SWING DRIVE ASSY OMNI	1	EA
32	0182275	BRKT FUEL PUMP GMT3 AB60J	1	EA
33	0191830	FUEL TANK INSTALL	1	EA
34	969999	BLT HEXHD .250 20 2.25 GR5	2	EA
35	970009	Capscrew 1/4 20 x 1/2 inch lon	4	EA
36	970029	BLT .25 20 .750	13	EA
37	970049	BLT HEXHD .250 20 1.00 GR5 GRADE 5 PLT SAME AS 970189	2	EA
38	970239	BLT HEXHD .313 18 .750 GR5	5	EA
39	970319	BLT HEXHD .313 18 2.50 GR5	2	EA
40	970369	BLT HEXHD .313 18 X 1.00 GR5	2	EA
41	970449	HHD BLT .375 16 X .750 GR5	6	EA
42	970469	HHD BLT .375 16 X 1.00 GR5	13	EA
43	970489	BLT HEXHD .375 16 1.50 GR5 PL	1	EA
44	970529	BLT HEXHD .375 16 2.50 GR5 PLTD	2	EA
45	970599	BLT HEXHD .375 16 4.00 GR5	2	EA
46	970919	BLT HEXHD .500 13 1.75 GR5	4	EA
47	970929	BLT HEXHD .500 13 2.00 GR5 PLA	4	EA
48	970969	BLT HEXHD .500 13 3.00 GR5	4	EA
49	971339	BLT HEXHD .750 10 X 2.50 GR5	4	EA
50	972479	BLT HEXHD .375 16 1.25 GR5	8	EA
51	984449	NUT HEX JAM .625 11	6	EA



アイテム	部品番号	名前	数量	UOM
52	986019	WSHR FLAT .250	22	EA
53	986269	WSHR FLAT .313	15	EA
54	986299	WASHER, FLAT, .375 STANDARD, PLATED	35	EA
55	987109	WSHR LOCK .313	2	EA
56	3020049	Switch, Battery Disconnect	1	EA
57	3040127	HORN 12VDC	1	EA
58	3040268	BOOT BTRY CABLE END BLK	4	EA
59	3040269	Boot Cable Entry Black 1/0 GA	1	EA
60	3040270	BOOT BTRY CABLE END Y TYPE	1	EA
61	3040506	SOLENOID 12V 150	1	EA
62	3040593	ALARM 97 DECIBEL	1	EA
63	3050002	BATTERY 12V	2	EA
64	3050004	BLT BTRY HLDN .313 18 X 10.00 (J BOLT)	4	EA
65	3050008	BATTERY HOLD DOWN	2	EA
66	5034401	FTG UN BHD STR 4S 4S STL 4 WTX	1	EA
67	5034404	FTG UN BHD STR 8S 8S STL 0353	2	EA
68	5034501	FTG ELB90BHD 4S 4S STL	1	EA
69	5034601	FTG ELB45BHD 4S 4S STL	2	EA
70	5035315	FTG ELB90STRTHD 6B 8S STL	1	EA
71	5035403	FTG TEE BHD RUN 4S 4S STL	2	EA
72	5036703	FTG TEE SWVL RUN 4S 4S STL (SEE PAGE 2)	1	EA
73	5036903	FTG ELB45SWVL 4S 4S STL	2	EA
74	5037006	ADAPTER 90 ° ELBOW SWIVEL 8 JIC	1	EA
75	5037007	ADAPTER 90 DEG ELBOW SWIVEL 10 JIC	2	EA
76	5059705	CLP T BOLT 2.00	2	EA



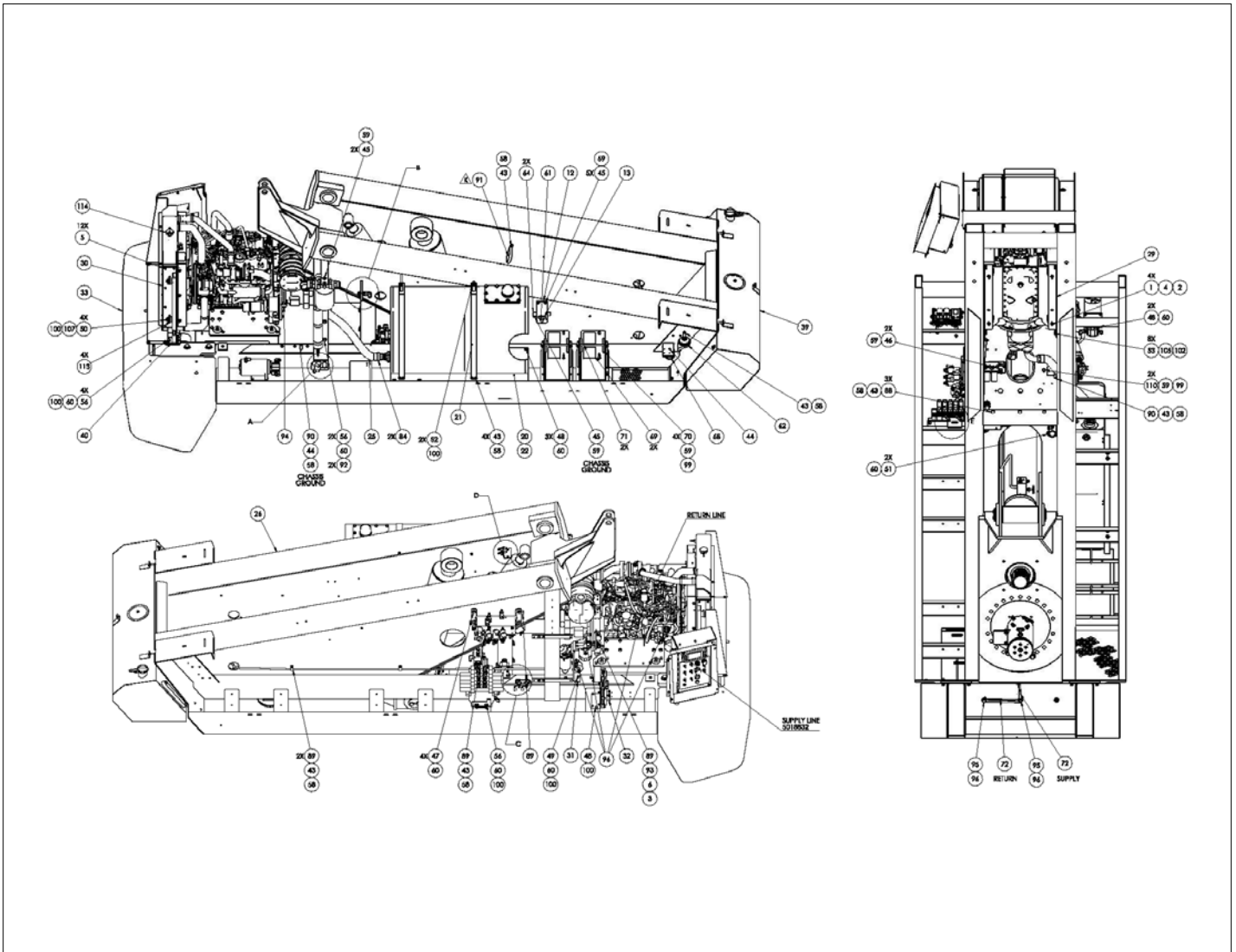
アイテム	部品番号	名前	数量	UOM
77	5059706	CLAMP 3.56 I.D.	1	EA
78	5065707	FTG ADPTR STRTHD 6B 6S STL PH	2	EA
79	5065728	1/2 I.D. HOSE ASSEMBLY	1	EA
80	5070028	FTG NIP DIGN 4S FEM METRIC CE	4	EA
81	5076407	FTG BSHG RDCR 6N 4N STL	2	EA
82	5090033	ADAPTER 90 ° ELBOW 1/4 NPT TO 1/4 ENPT	3	EA
83	5090049	FTG MALE CONN SAE45 6LPG 4N BR	1	EA
84	5093000	CLP CUSH .438 VINYL COATED	3	EA
85	5093002	CLAMP .562 AEROQUIP HOSE SUPPORT	2	EA
86	5093006	CLP CUSH .937 VINYL COATED	3	EA
87	5093008	CLP CUSH 1.06 VINYL COATED	1	EA
88	5093010	CLP CUSH 1.50 VINYL COATED	1	EA
89	5093013	CLP CUSH 2.00 VINYL COATED	1	EA
90	5093014	CLP CUSH 2.25 VINYL COATED	3	EA
91	5093024	CLAMP	3	EA
92	5093027	CLAMP	1	EA
93	5260033	FTG BARB 3/8 1/4 NPT	2	EA
94	5560004	NUT LKG .250 20	6	EA
95	5560022	BLT ADJ .625 11 2.25 GR5 TAP B	6	EA
96	5560031	NUT HEX LKG .313 18	8	EA
97	5560033	.375 16UNC HEX LOCK NUT	19	EA
98	5560039	NUT HEX LKG .500 13	12	EA
99	5560051	BLT HEXHD .625 11 2.00 GR8 SP	4	EA
100	5560100	BLT SKTHD .750 10 2.50 HEX SP	4	EA
101	5560168	WSHR FLAT HARD .500 SP	16	EA



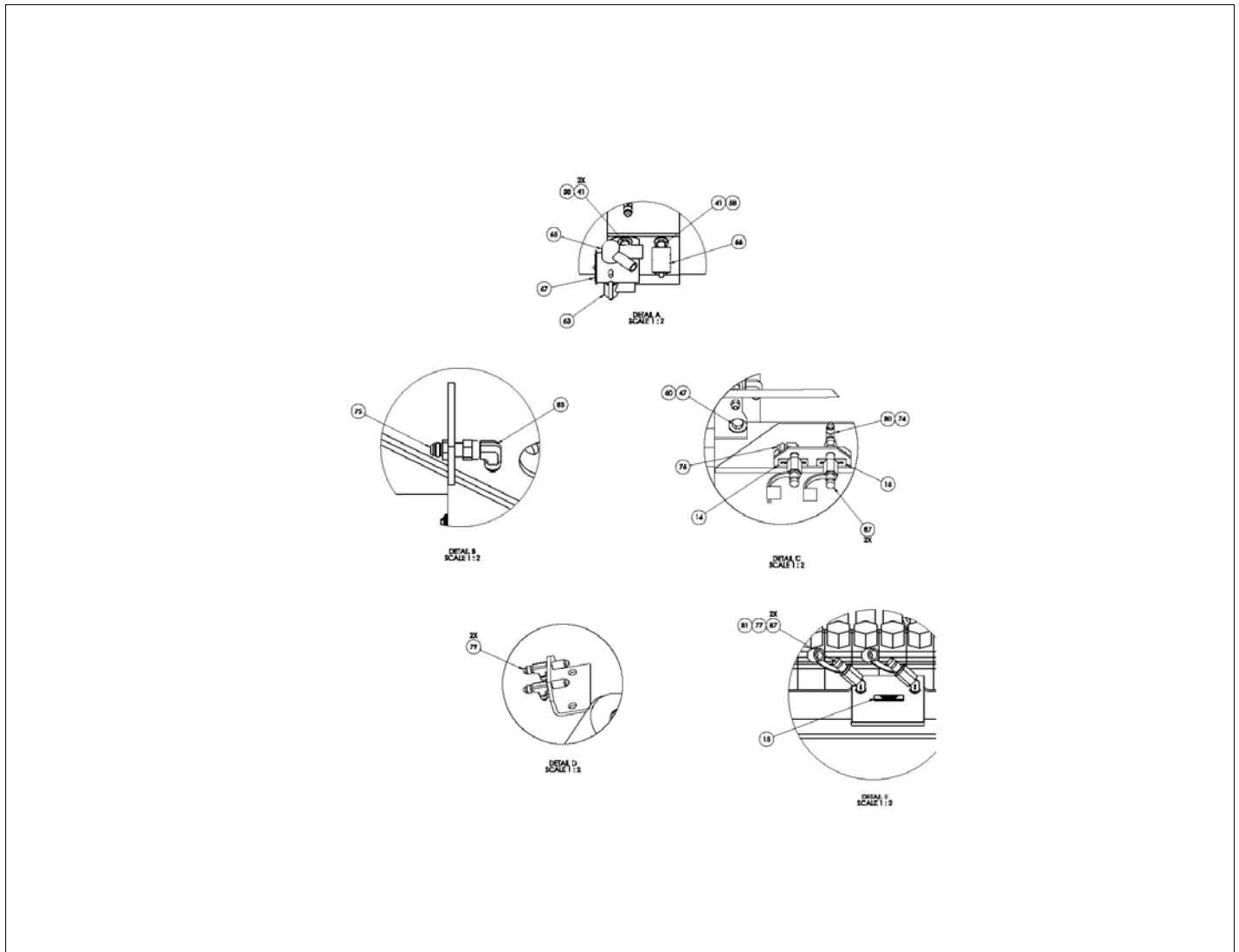
アイテム	部品番号	名前	数量	UOM
102	5560170	WSHR FLAT HARD .750 SP	8	EA
Not Shown	5560277	HOSE GUIDE .375 RUBBER EDGE	1	EA
104	5569892	BLT HEXHD .313 18 4.00 GR5	2	EA
105	5590003	SNAP RING 4.50 EXT TRUARC 5100 450 3100 450 STPA	1	EA
106	6047152	CYLINDER MASTER LEVEL	1	EA
107	7630703	Relief Valve	1	EA
108	7630704	Bulkhead Tee	1	EA
109	7630953	PRE FUEL FILTER	1	EA
110	9940018	PROPANE CYLINDER 43#	1	EA
111	0082055	ASSY ACCUMULATOR 300 PSI		EA
201	0020273	HOSE 6 6S 6S 35.5 100R2	1	EA
202	0020276	HOSE 6 6S 6S 27.625 100R2	1	EA
203	0020280	HOSE 4 4S 4S 23.5 (SEE PAGE 2)	3	EA
204	0020281	HOSE 4 4S 4S 27.63 100R2	1	EA
205	0020283	HOSE 4 4S 4S 15.25 100R1 SAE:100R1 4 BAND IN	1	EA
206	0040276	HOSE 4 4S 4S 20.5 100R1	1	EA
207	0050137	HOSE 4 4S 4S 36 100R1	4	EA
208	0050400	HOSE 6 6S 6S 41 100R2	1	EA
209	0060297	HOSE 4 6S 6S 28 100R2	1	EA
210	0060315	HOSE 8 8S 8S 48 100R2	2	EA
211	0070765	HOSE 4 4S 4S 29 100R1	2	EA
212	0070776	HOSE 4 6S 6S 19.5 100R1	1	EA
213	0070786	HOSE 6 6S 6S 19 100R2	1	EA
214	0070792	HOSE 8 8S 8S 32 100R2	2	EA
215	0080359	HOSE 4 4S 6S 23.5 100R1	2	EA
216	0080362	HOSE 6 6S 6S 93.5 100R2	3	EA
217	0080522	HOSE 8 8S 8S 42 100R2	2	EA

アイテム	部品番号	名前	数量	UOM
218	0100271	HOSE 4 4S 4S 103 100R1	2	EA
219	0110198	HOSE 8 8S 8S 96 100R2	1	EA
220	0110199	HOSE 16 16S 16S 34	1	EA
221	0111286	HOSE 6 6S 6S 84 100R2	1	EA
222	0111843	HOSE 16 16S 16S 24.5	1	EA
223	0111844	HOSE 10 10S 10S 86 SP SP	4	EA
224	0111882	HOSE 20 20S 20S 64.5 SP	1	EA
225	0180784	HOSE 8 8S 8S 72 SP	2	EA
226	0180943	HOSE 20 20S 20S 25.5 SP	1	EA
301	0070705	WIRE 4 R313I R375I 81 RED	1	EA
302	0071568	WIRE 12 R10I R250I 4	1	EA
303	0072177	HOSE 5 6S45 4N 108 LPG	1	EA
304	0072323	WIRE 4 R313I R375I 28 RED	1	EA
305	0075268	WIRE 2/0 R375 R375 13 BLK	2	EA
306	0080483	WIRE 2/0 R375 R375 28 BLACK	1	EA
307	0080484	WIRE 2/0 R375 R375 13 RED	2	EA
308	0101724	HOSE 5 6S45 4N 32 LPG	1	EA
309	0110529	WIRE 2/0 R375 R375 106 RED	1	EA
310	0113715	TURNTABLE WIRE ASSEMBLY TB80FA/86JFA PG	A/R	EA
311	0113896	HARNESS, ENGINE WG2503	A/R	EA
312	0113900	FUEL LINE ENGINE 8'	1	EA
313	0261007	FUEL LINE PUMP	1	EA
314	5018832	HOSE FUEL .38ID T3	16'5"	EA
315	5550028	CLP WORM DRV .25 .63 .31 BAND	6	EA

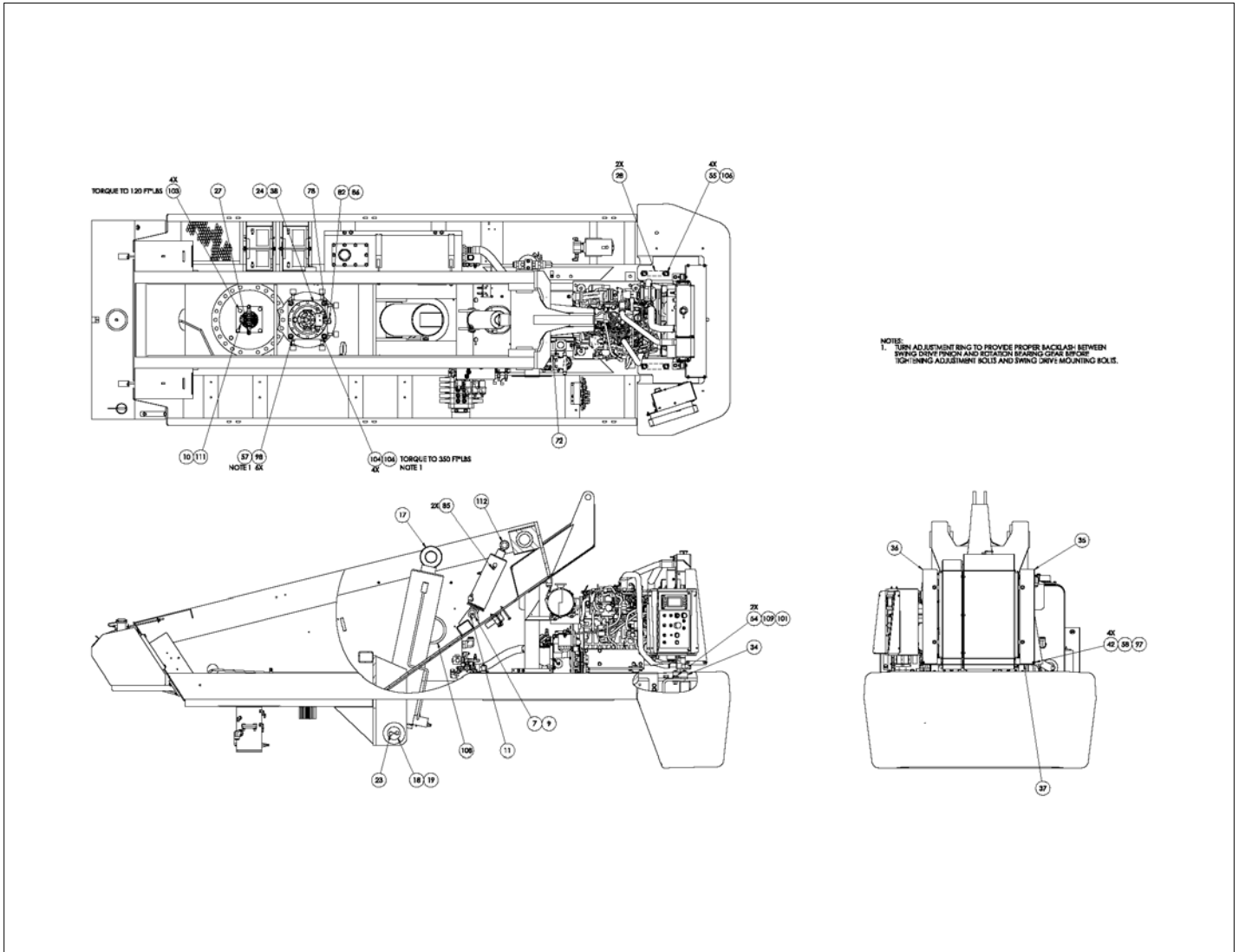
REPAIR PARTS



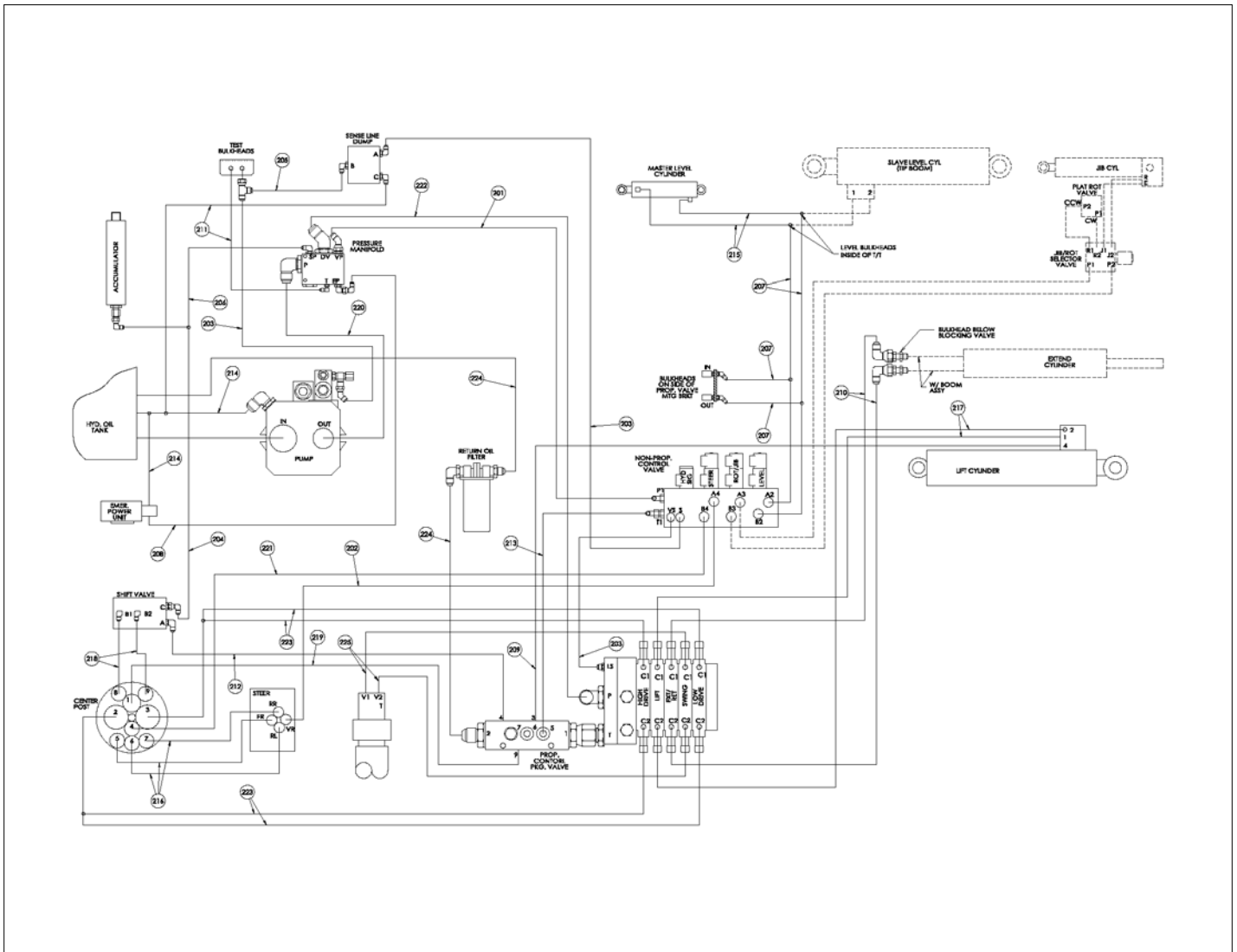
アイテム	部品番号	名前	数量	UOM
*	0113783 L	TURNTABLE ASSEMBLY TB86J KUBOTA V2403 TIER 4F		EA
1	056060 080	Bolt, HexBolt DIN931 M10 x 80m	4	EA
2	056066 010	Nut, NylockNut DIN985 M10 8.0ZincPlated	4	EA
3	056069 008	WASHER, STEELFLATWASHER DIN12M8 FLAT WASHER DIN 125	1	EA
4	056069 010	Washer, SteelFlatWasher DIN125A M10 ZincPlated	8	EA
5	058491 020	HHCS M6 X 1 X 20 G8.8 DIN 933	12	EA
6	058492 020	Bolt HexSetScrew DIN933 M8 x 2	1	EA
7	0070033	PIN LOCK 2.00 DIA 2H	1	EA
Not Shown	0070256	ADAPTER PLATE CENTER POST	1	EA
9	0070442	WLDMT PIN 1.50 5.875 GRIP	1	EA
10	0070472	KEY CENTERPOST ASSY	1	EA
11	0070473	BLT HEXHD .313 18 .75 DR	2	EA
12	0073051	DISCONNECT SWITCH BRKT	1	EA
13	0073089	PLAC BATTERY DISCONNECT SWITCH	1	EA
14	0075378	DECAL SYSTEM PRESSURE	1	EA
15	0075379	DECAL LEVEL RELIEF PRESSUSRE	1	EA
16	0075380	DECAL SENSE PRESSURE	1	EA
17	0110168	CYL/TUBE ASSY	1	EA
18	0110235	PIN LOCK 3.50DIA 2H	1	EA
19	0110341	WLDMT PIN 3.00 13.50 GRIP	1	EA
20	0110361	HYDR OIL RSVR SUPPORT	1	EA
21	0110362	STRAP, HYD. OIL RESERVOIR	2	EA
22	0110363	SPACER HYD OIL	1	EA



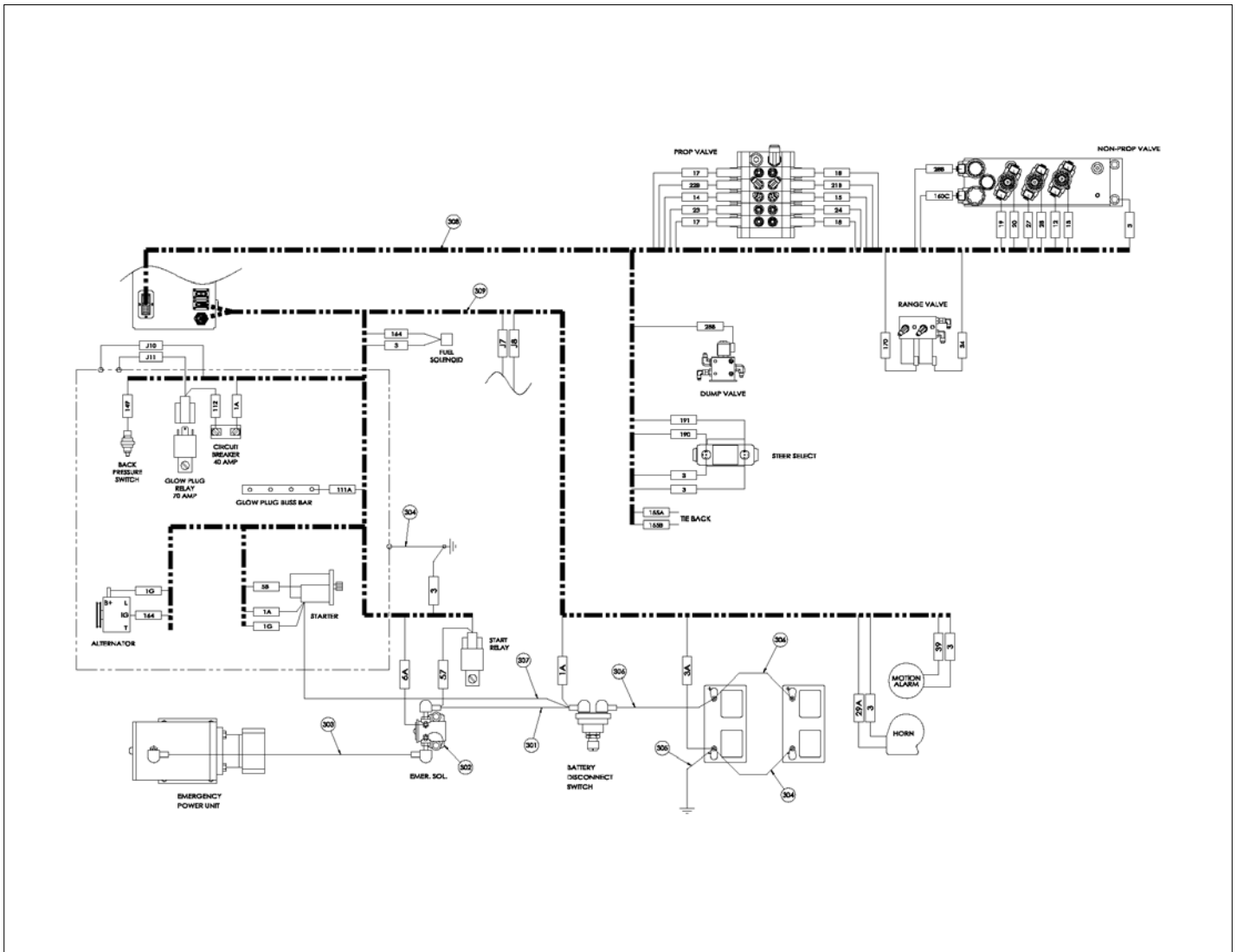
アイテム	部品番号	名前	数量	UOM
23	0110681	BLT HEXHD .625 11 1.25 DR	2	EA
24	0110942	ADJUSTMENT RING 7.50 ID	1	EA
25	0111821	HOSE SUCTION 1.50 ID 26	1	EA
26	0112323	WLDMT TRNTBL TB80	1	EA
27	0112747	ASSY CENTERPOST TB85JFA	1	EA
28	0113760	PLT COUNTERWEIGHT MOUNT	2	EA
29	0113785	BRKT ENGINE TRAY KU T4F	2	EA
30	0113792	WLDMT RADIATOR MOUNT	2	EA
31	0113824	ASSY FUEL SYSTEM T4F	1	EA
32	0113832	ASSY ELEC SYSTEM T4F	1	EA
33	0113837	ASSY COUNTERWEIGHT CAST TB86J	1	EA
34	0113845	PLT RADIATOR SUPPORT MNT	1	EA
35	0113875	PLT SHROUD RH T4F	1	EA
36	0113876	PLT SHROUD LH T4F	1	EA
37	0113877	PLT SHROUD BTM T4F	1	EA
38	0113904	SWING DRIVE ASSY OMNI	1	EA
39	0191830	FUEL TANK INSTALL	1	EA
40	0192658	WLDMT RADIATOR SUPPORT	2	EA
41	970009	Capscrew 1/4 20 x 1/2 inch lon	3	EA
42	970019	BLT HEX .250 20 .625 GR5	4	EA
43	970029	BLT .25 20 .750	13	EA
44	970049	BLT HEXHD .250 20 1.00 GR5 GRADE 5 PLT SAME AS 970189	2	EA
45	970239	BLT HEXHD .313 18 .750 GR5	5	EA
46	970319	BLT HEXHD .313 18 2.50 GR5	2	EA
47	970449	HHD BLT .375 16 X .750 GR5	6	EA
48	970469	HHD BLT .375 16 X 1.00 GR5	11	EA
49	970489	BLT HEXHD .375 16 1.50 GR5 PL	1	EA



アイテム	部品番号	名前	数量	UOM
50	970519	CAPSCREW 3/8 16 X 2 1/4" LG H.H.	4	EA
51	970529	BLT HEXHD .375 16 2.50 GR5 PLTD	2	EA
52	970599	BLT HEXHD .375 16 4.00 GR5	2	EA
53	970919	BLT HEXHD .500 13 1.75 GR5	8	EA
54	971309	BLT HEXHD .625 11 X 2.00 GR5 ZP	2	EA
55	971339	BLT HEXHD .750 10 X 2.50 GR5	4	EA
56	972479	BLT HEXHD .375 16 1.25 GR5	10	EA
57	984449	NUT HEX JAM .625 11	6	EA
58	986019	WSHR FLAT .250	21	EA
59	986269	WSHR FLAT .313	9	EA
60	986299	WASHER, FLAT, .375 STANDARD, PLATED	47	EA
61	3020049	Switch, Battery Disconnect	1	EA
62	3040127	HORN 12VDC	1	EA
63	3040268	BOOT BTRY CABLE END BLK	4	EA
64	3040269	Boot Cable Entry Black 1/0 GA	2	EA
65	3040270	BOOT BTRY CABLE END Y TYPE	1	EA
66	3040469	RELAY SPDT 12V 30AMP SONG	1	EA
67	3040506	SOLENOID 12V 150	1	EA
68	3040593	ALARM 97 DECIBEL	1	EA
69	3050002	BATTERY 12V	2	EA
70	012039 000	ROD BAT HOLD DOWN	2	EA
71	3050008	BATTERY HOLD DOWN	2	EA
72	5010011	HOSE SAE30R2 05 .312 FUEL	1	EA
Not Shown	5018832	HOSE FUEL .38ID T3	1	EA
74	5034401	FTG UN BHD STR 4S 4S STL 4 WTX	1	EA



アイテム	部品番号	名前	数量	UOM
75	5034404	FTG UN BHD STR 8S 8S STL 0353	2	EA
76	5034501	FTG ELB90BHD 4S 4S STL	1	EA
77	5034601	FTG ELB45BHD 4S 4S STL	2	EA
78	5035315	FTG ELB90STRTHD 6B 8S STL	1	EA
79	5035403	FTG TEE BHD RUN 4S 4S STL	2	EA
80	5036703	FTG TEE SWVL RUN 4S 4S STL (SEE PAGE 2)	1	EA
81	5036903	FTG ELB45SWVL 4S 4S STL	2	EA
82	5037006	ADAPTER 90 ° ELBOW SWIVEL 8 JIC	1	EA
83	5037007	ADAPTER 90 DEG ELBOW SWIVEL 10 JIC	2	EA
84	5059705	CLP T BOLT 2.00	2	EA
85	5065707	FTG ADPTR STRTHD 6B 6S STL PH	2	EA
86	5065728	1/2 I.D. HOSE ASSEMBLY	1	EA
87	5070028	FTG NIP DIGN 4S FEM METRIC CE	4	EA
88	5093000	CLP CUSH .438 VINYL COATED	3	EA
89	5093002	CLAMP .562 AEROQUIP HOSE SUPPORT	5	EA
90	5093006	CLP CUSH .937 VINYL COATED	2	EA
91	5059706	CLAMP 3.56 I.D.	1	EA
92	5093014	CLP CUSH 2.25 VINYL COATED	2	EA
93	5093021	CLP CUSH .625 VINYL COATED	1	EA
94	5093027	CLAMP	1	EA
95	5093039	FTG ELB90 MALE 6N 5H BR	2	EA
96	5550028	CLP WORM DRV .25 .63 .31 BAND	6	EA
97	5560004	NUT LKG .250 20	8	EA
98	5560022	BLT ADJ .625 11 2.25 GR5 TAP B	6	EA

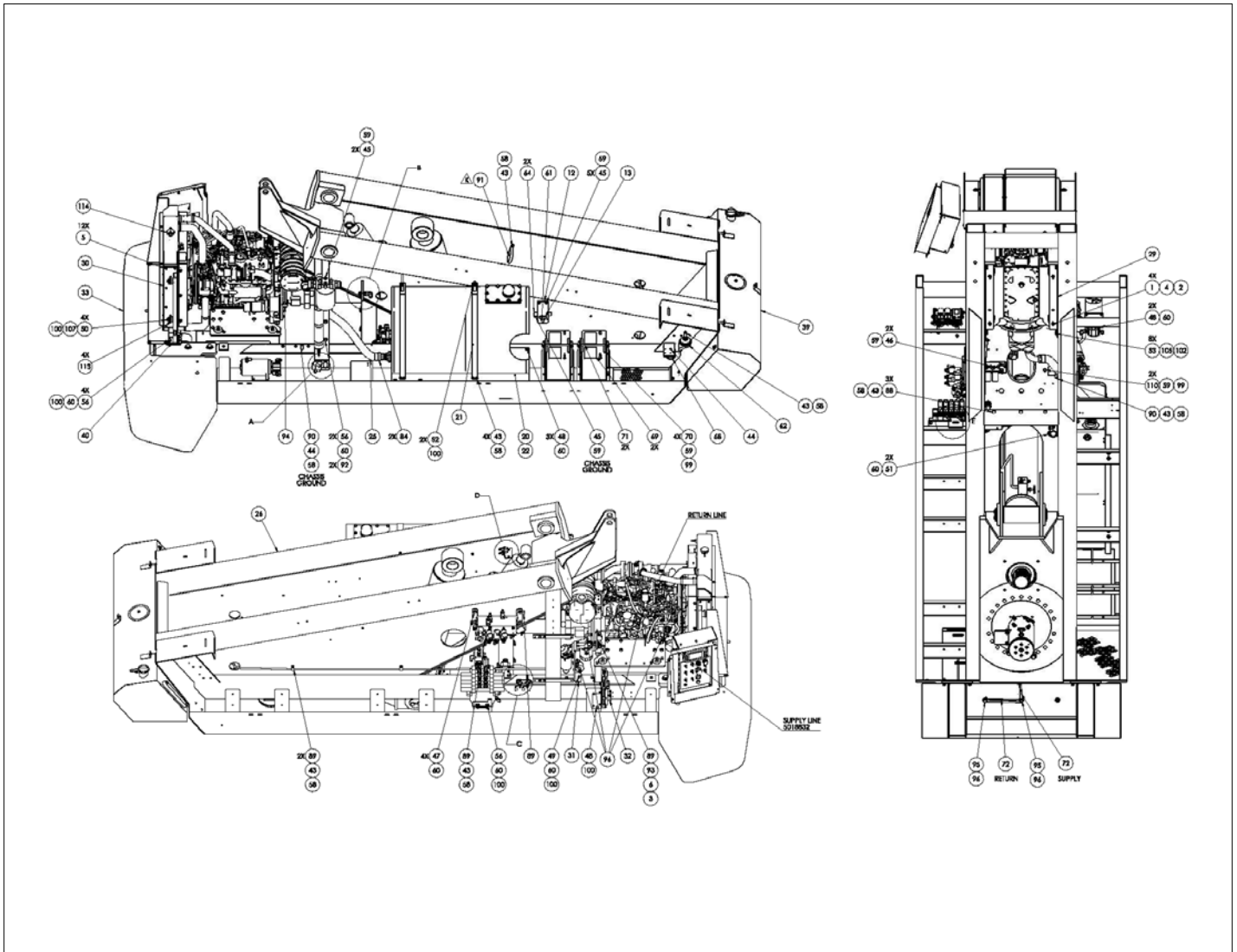


アイテム	部品番号	名前	数量	UOM
99	5560031	NUT HEX LKG .313 18	2	EA
100	5560033	.375 16UNC HEX LOCK NUT	23	EA
101	5560036	NUT HEX LKG .625 11	2	EA
102	5560039	NUT HEX LKG .500 13	8	EA
103	5560051	BLT HEXHD .625 11 2.00 GR8 SP	4	EA
104	5560100	BLT SKTHD .750 10 2.50 HEX SP	4	EA
105	5560168	WSHR FLAT HARD .500 SP	8	EA
106	5560170	WSHR FLAT HARD .750 SP	8	EA
107	5560179	Flat Washer Special	8	EA
108	5560277	HOSE GUIDE .375 RUBBER EDGE	2	EA
109	5560678	WSHR FLAT .625	4	EA
110	5569892	BLT HEXHD .313 18 4.00 GR5	2	EA
111	5590003	SNAP RING 4.50 EXT TRUARC 5100 450 3100 450 STPA	1	EA
112	6047152	CYLINDER MASTER LEVEL	1	EA
113	7630180	RADIATOR CUSHION	4	EA
114	7631088	V2403 CR TI COOLING SYSTEM	1	EA
115	0082055	ASSY ACCUMULATOR 300 PSI		EA
201	0020273	HOSE 6 6S 6S 35.5 100R2	1	EA
202	0020276	HOSE 6 6S 6S 27.625 100R2	1	EA
203	0020280	HOSE 4 4S 4S 23.5 (SEE PAGE 2)	3	EA
204	0020281	HOSE 4 4S 4S 27.63 100R2	1	EA
205	0020283	HOSE 4 4S 4S 15.25 100R1 SAE:100R1 4 BAND IN	1	EA
206	0040276	HOSE 4 4S 4S 20.5 100R1	1	EA
207	0050137	HOSE 4 4S 4S 36 100R1	5	EA
208	0050400	HOSE 6 6S 6S 41 100R2	1	EA
209	0060297	HOSE 4 6S 6S 28 100R2	1	EA
210	0060315	HOSE 8 8S 8S 48 100R2	2	EA

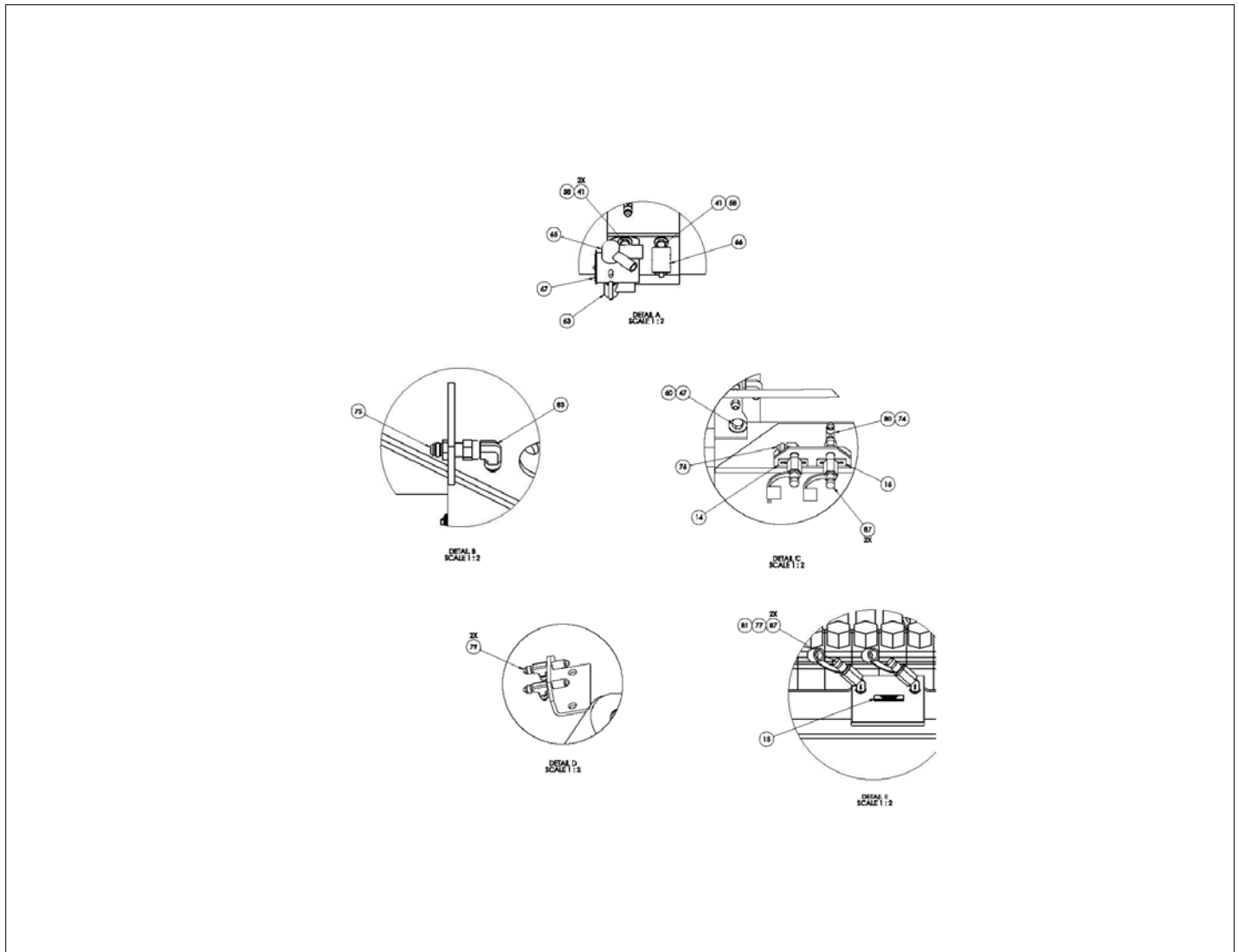
アイテム	部品番号	名前	数量	UOM
211	0070765	HOSE 4 4S 4S 29 100R1	2	EA
212	0070776	HOSE 4 6S 6S 19.5 100R1	1	EA
213	0070786	HOSE 6 6S 6S 19 100R2	1	EA
214	0070792	HOSE 8 8S 8S 32 100R2	2	EA
215	0080359	HOSE 4 4S 6S 23.5 100R1	2	EA
216	0080362	HOSE 6 6S 6S 93.5 100R2	3	EA
217	0080522	HOSE 8 8S 8S 42 100R2	2	EA
218	0100271	HOSE 4 4S 4S 103 100R1	2	EA
219	0110198	HOSE 8 8S 8S 96 100R2	1	EA
220	0110199	HOSE 16 16S 16S 34	1	EA
221	0111286	HOSE 6 6S 6S 84 100R2	1	EA
222	0111843	HOSE 16 16S 16S 24.5	1	EA
223	0111844	HOSE 10 10S 10S 86 SP SP	4	EA
224	0111882	HOSE 20 20S 20S 64.5 SP	2	EA
225	0180784	HOSE 8 8S 8S 72 SP	2	EA
Not Shown	0110173	HOSE 12 12S 12S 41 100R2	1	EA
Not Shown	0110171	HOSE 12 12S 12S 44 100R2	2	EA
Not Shown	0100278	HOSE 4 4S 4S 43 100R1	1	EA
Not Shown	0070789	HOSE 6 6S 6S 75.5 100R2	1	EA
Not Shown	0020271	HOSE 6 6S 6S 29 100R2	1	EA
Not Shown	3090006	TUBE FLEXGARD .350 ID	1	EA
301	0070705	WIRE 4 R313I R375I 81 RED	1	EA
302	0071568	WIRE 12 R10I R250I 4	1	EA
303	0072323	WIRE 4 R313I R375I 28 RED	1	EA
304	0075268	WIRE 2/0 R375 R375 13 BLK	2	EA
305	0080483	WIRE 2/0 R375 R375 28 BLACK	1	EA

アイテム	部品番号	名前	数量	UOM
306	0080484	WIRE 2/0 R375 R375 13 RED	2	EA
307	0110529	WIRE 2/0 R375 R375 106 RED	1	EA
308	0113715	TURNTABLE WIRE ASSEMBLY TB80FA/86JFA PG	A/R	EA
309	0113852	HARNESS ENGINE KU T4F	A/R	EA

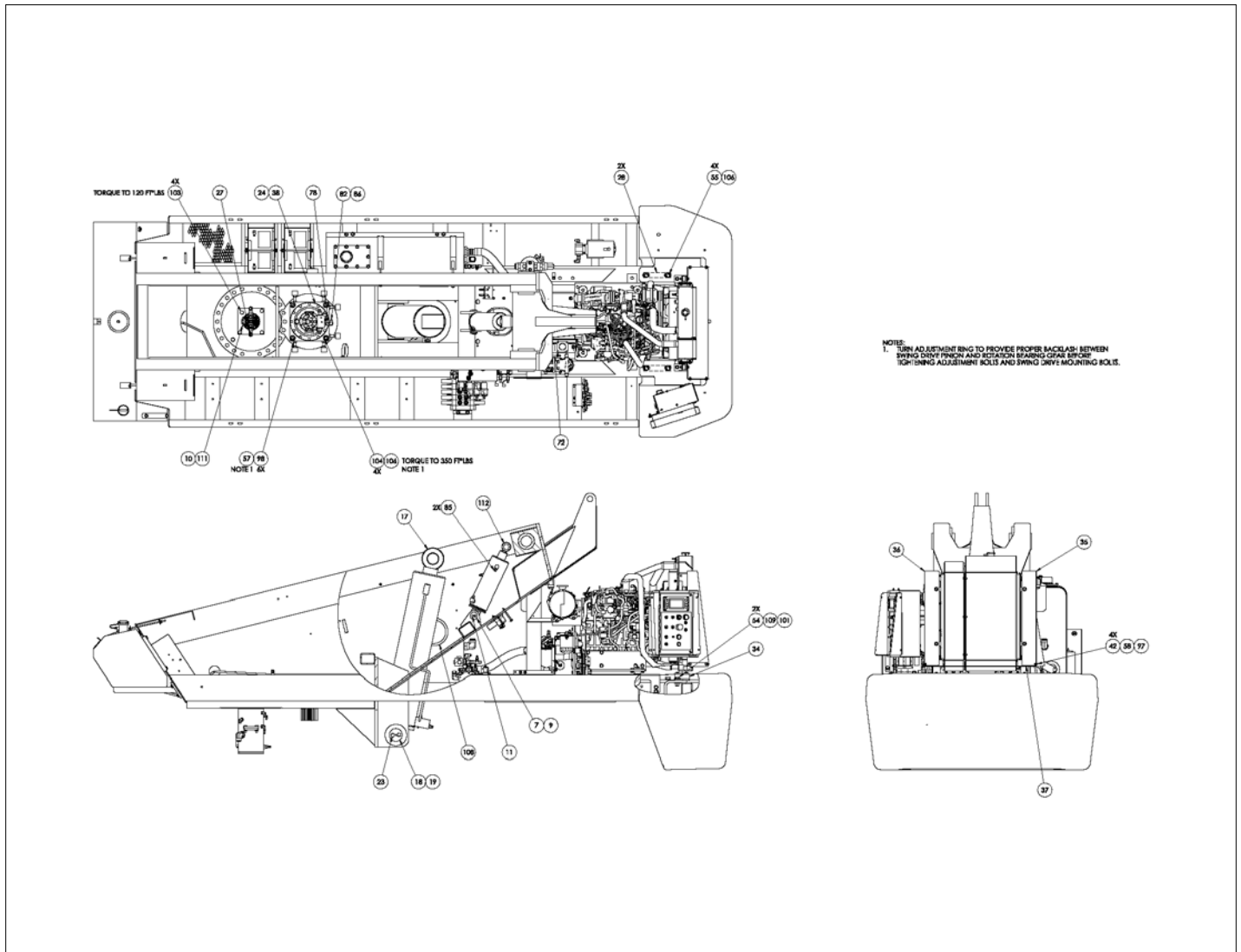
REPAIR PARTS



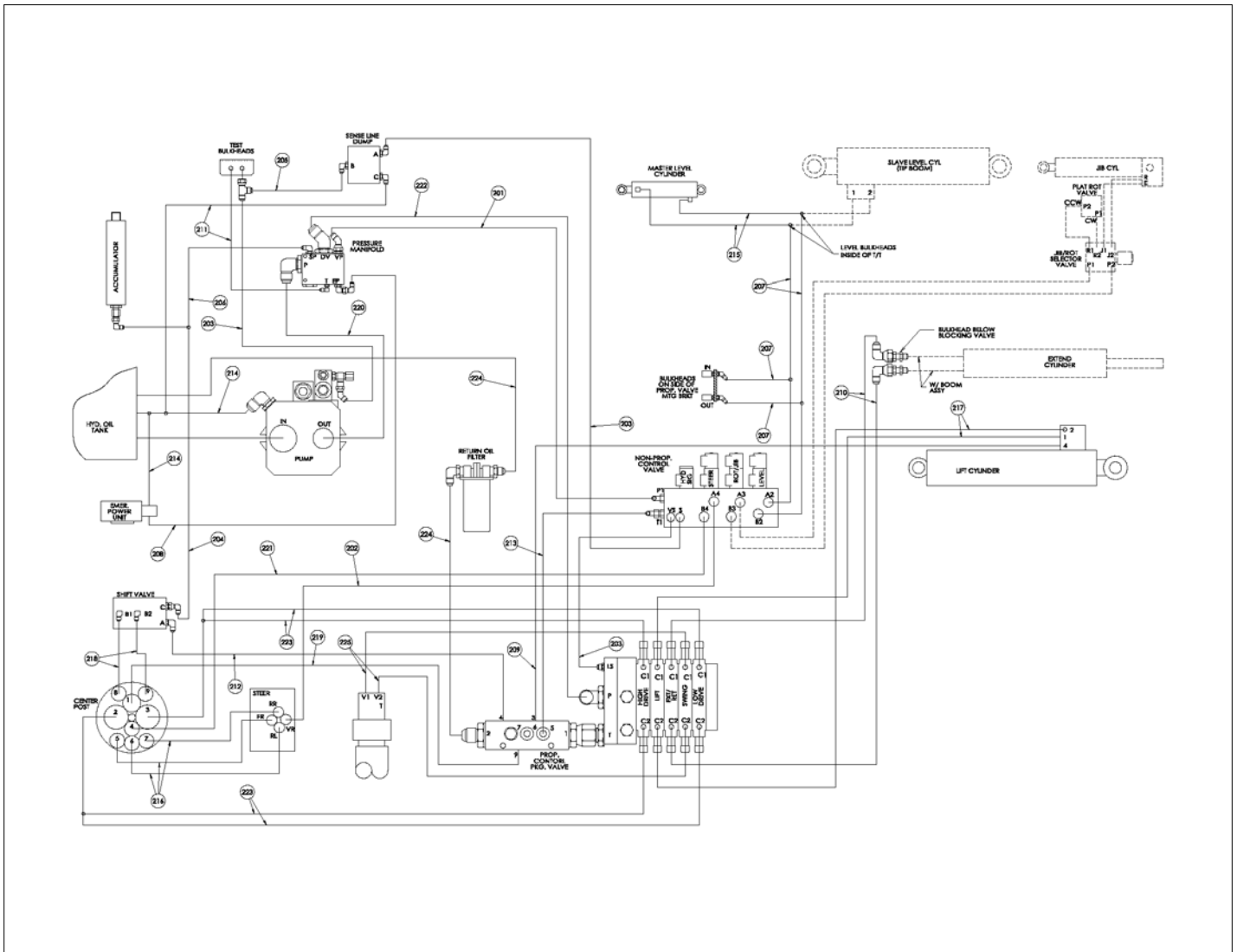
アイテム	部品番号	名前	数量	UOM
	0113783 K	TURNTABLE ASSEMBLY TB86J KUBOTA V2403 TIER 4F		EA
1	056060 080	Bolt, HexBolt DIN931 M10 x 80m	4	EA
2	056066 010	Nut, NylockNut DIN985 M10 8.0ZincPlated	4	EA
3	056069 008	WASHER, STEELFLATWASHER DIN12M8 FLAT WASHER DIN 125	1	EA
4	056069 010	Washer, SteelFlatWasher DIN125A M10 ZincPlated	8	EA
5	058491 020	HHCS M6 X 1 X 20 G8.8 DIN 933	12	EA
6	058492 020	Bolt HexSetScrew DIN933 M8 x 2	1	EA
7	0070033	PIN LOCK 2.00 DIA 2H	1	EA
Not Shown	0070256	ADAPTER PLATE CENTER POST	1	EA
9	0070442	WLDMT PIN 1.50 5.875 GRIP	1	EA
10	0070472	KEY CENTERPOST ASSY	1	EA
11	0070473	BLT HEXHD .313 18 .75 DR	2	EA
12	0073051	DISCONNECT SWITCH BRKT	1	EA
13	0073089	PLAC BATTERY DISCONNECT SWITCH	1	EA
14	0075378	DECAL SYSTEM PRESSURE	1	EA
15	0075379	DECAL LEVEL RELIEF PRESSUSRE	1	EA
16	0075380	DECAL SENSE PRESSURE	1	EA
17	0110168	CYL/TUBE ASSY	1	EA
18	0110235	PIN LOCK 3.50DIA 2H	1	EA
19	0110341	WLDMT PIN 3.00 13.50 GRIP	1	EA
20	0110361	HYDR OIL RSVR SUPPORT	1	EA
21	0110362	STRAP, HYD. OIL RESERVOIR	2	EA
22	0110363	SPACER HYD OIL	1	EA



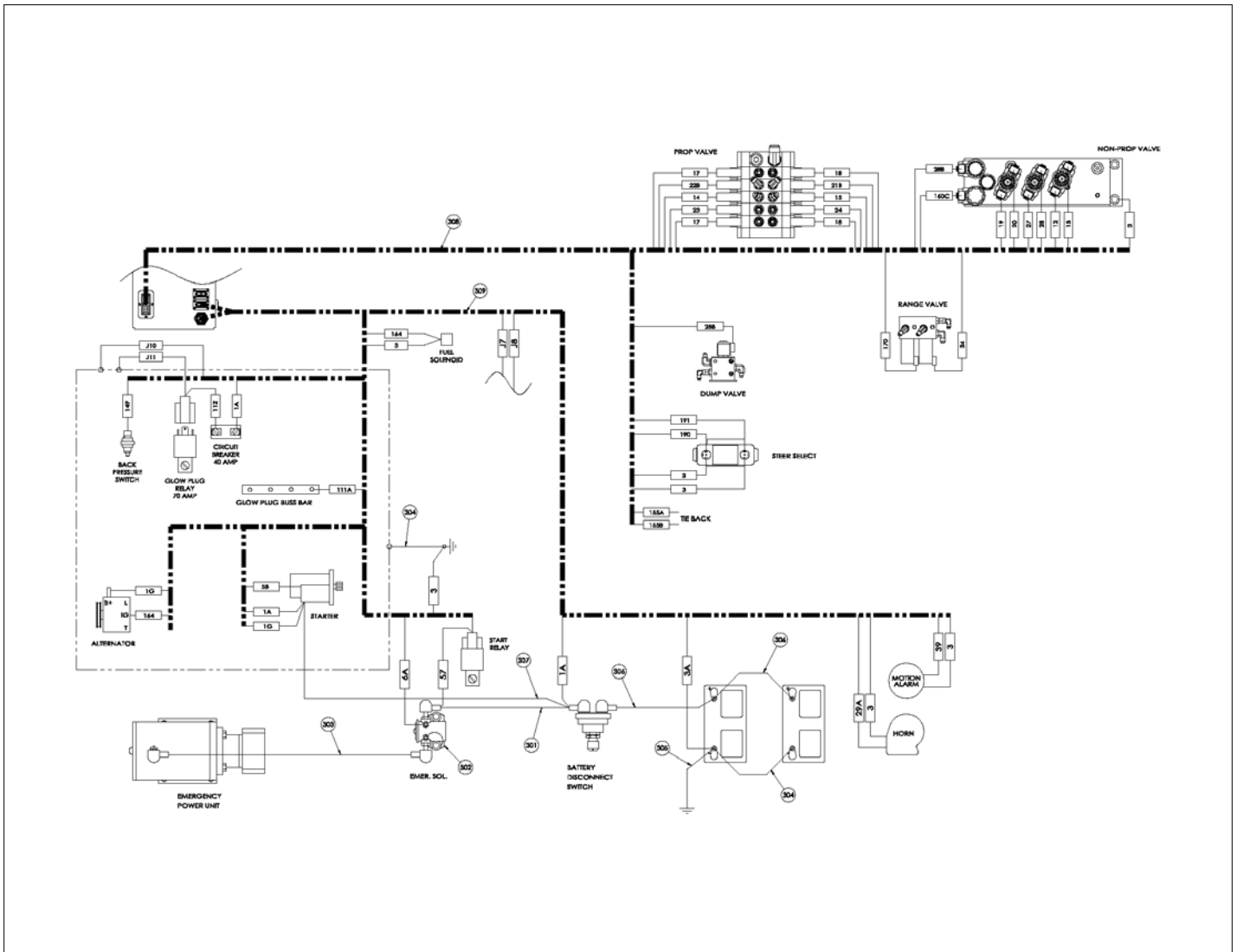
アイテム	部品番号	名前	数量	UOM
23	0110681	BLT HEXHD .625 11 1.25 DR	2	EA
24	0110942	ADJUSTMENT RING 7.50 ID	1	EA
25	0111821	HOSE SUCTION 1.50 ID 26	1	EA
26	0112323	WLDMT TRNTBL TB80	1	EA
27	0112747	ASSY CENTERPOST TB85JFA	1	EA
28	0113760	PLT COUNTERWEIGHT MOUNT	2	EA
29	0113785	BRKT ENGINE TRAY KU T4F	2	EA
30	0113792	WLDMT RADIATOR MOUNT	2	EA
31	0113824	ASSY FUEL SYSTEM T4F	1	EA
32	0113832	ASSY ELEC SYSTEM T4F	1	EA
33	0113837	ASSY COUNTERWEIGHT CAST TB86J	1	EA
34	0113845	PLT RADIATOR SUPPORT MNT	1	EA
35	0113875	PLT SHROUD RH T4F	1	EA
36	0113876	PLT SHROUD LH T4F	1	EA
37	0113877	PLT SHROUD BTM T4F	1	EA
38	0113904	SWING DRIVE ASSY OMNI	1	EA
39	0191830	FUEL TANK INSTALL	1	EA
40	0192658	WLDMT RADIATOR SUPPORT	2	EA
41	970009	Capscrew 1/4 20 x 1/2 inch lon	3	EA
42	970019	BLT HEX .250 20 .625 GR5	4	EA
43	970029	BLT .25 20 .750	13	EA
44	970049	BLT HEXHD .250 20 1.00 GR5 GRADE 5 PLT SAME AS 970189	2	EA
45	970239	BLT HEXHD .313 18 .750 GR5	5	EA
46	970319	BLT HEXHD .313 18 2.50 GR5	2	EA
47	970449	HHD BLT .375 16 X .750 GR5	6	EA
48	970469	HHD BLT .375 16 X 1.00 GR5	11	EA
49	970489	BLT HEXHD .375 16 1.50 GR5 PL	1	EA



アイテム	部品番号	名前	数量	UOM
50	970519	CAPSCREW 3/8 16 X 2 1/4" LG H.H.	4	EA
51	970529	BLT HEXHD .375 16 2.50 GR5 PLTD	2	EA
52	970599	BLT HEXHD .375 16 4.00 GR5	2	EA
53	970919	BLT HEXHD .500 13 1.75 GR5	8	EA
54	971309	BLT HEXHD .625 11 X 2.00 GR5 ZP	2	EA
55	971339	BLT HEXHD .750 10 X 2.50 GR5	4	EA
56	972479	BLT HEXHD .375 16 1.25 GR5	10	EA
57	984449	NUT HEX JAM .625 11	6	EA
58	986019	WSHR FLAT .250	21	EA
59	986269	WSHR FLAT .313	13	EA
60	986299	WASHER, FLAT, .375 STANDARD, PLATED	47	EA
61	3020049	Switch, Battery Disconnect	1	EA
62	3040127	HORN 12VDC	1	EA
63	3040268	BOOT BTRY CABLE END BLK	4	EA
64	3040269	Boot Cable Entry Black 1/0 GA	2	EA
65	3040270	BOOT BTRY CABLE END Y TYPE	1	EA
66	3040469	RELAY SPDT 12V 30AMP SONG	1	EA
67	3040506	SOLENOID 12V 150	1	EA
68	3040593	ALARM 97 DECIBEL	1	EA
69	3050002	BATTERY 12V	2	EA
70	3050004	BLT BTRY HLDN .313 18 X 10.00 (J BOLT)	4	EA
71	3050008	BATTERY HOLD DOWN	2	EA
72	5010011	HOSE SAE30R2 05 .312 FUEL	1	EA
Not Shown	5018832	HOSE FUEL .38ID T3	1	EA
74	5034401	FTG UN BHD STR 4S 4S STL 4 WTX	1	EA



アイテム	部品番号	名前	数量	UOM
75	5034404	FTG UN BHD STR 8S 8S STL 0353	2	EA
76	5034501	FTG ELB90BHD 4S 4S STL	1	EA
77	5034601	FTG ELB45BHD 4S 4S STL	2	EA
78	5035315	FTG ELB90STRTHD 6B 8S STL	1	EA
79	5035403	FTG TEE BHD RUN 4S 4S STL	2	EA
80	5036703	FTG TEE SWVL RUN 4S 4S STL (SEE PAGE 2)	1	EA
81	5036903	FTG ELB45SWVL 4S 4S STL	2	EA
82	5037006	ADAPTER 90 ° ELBOW SWIVEL 8 JIC	1	EA
83	5037007	ADAPTER 90 DEG ELBOW SWIVEL 10 JIC	2	EA
84	5059705	CLP T BOLT 2.00	2	EA
85	5065707	FTG ADPTR STRTHD 6B 6S STL PH	2	EA
86	5065728	1/2 I.D. HOSE ASSEMBLY	1	EA
87	5070028	FTG NIP DIGN 4S FEM METRIC CE	4	EA
88	5093000	CLP CUSH .438 VINYL COATED	3	EA
89	5093002	CLAMP .562 AEROQUIP HOSE SUPPORT	5	EA
90	5093006	CLP CUSH .937 VINYL COATED	2	EA
91	5059706	CLAMP 3.56 I.D.	1	EA
92	5093014	CLP CUSH 2.25 VINYL COATED	2	EA
93	5093021	CLP CUSH .625 VINYL COATED	1	EA
94	5093027	CLAMP	1	EA
95	5093039	FTG ELB90 MALE 6N 5H BR	2	EA
96	5550028	CLP WORM DRV .25 .63 .31 BAND	6	EA
97	5560004	NUT LKG .250 20	8	EA
98	5560022	BLT ADJ .625 11 2.25 GR5 TAP B	6	EA

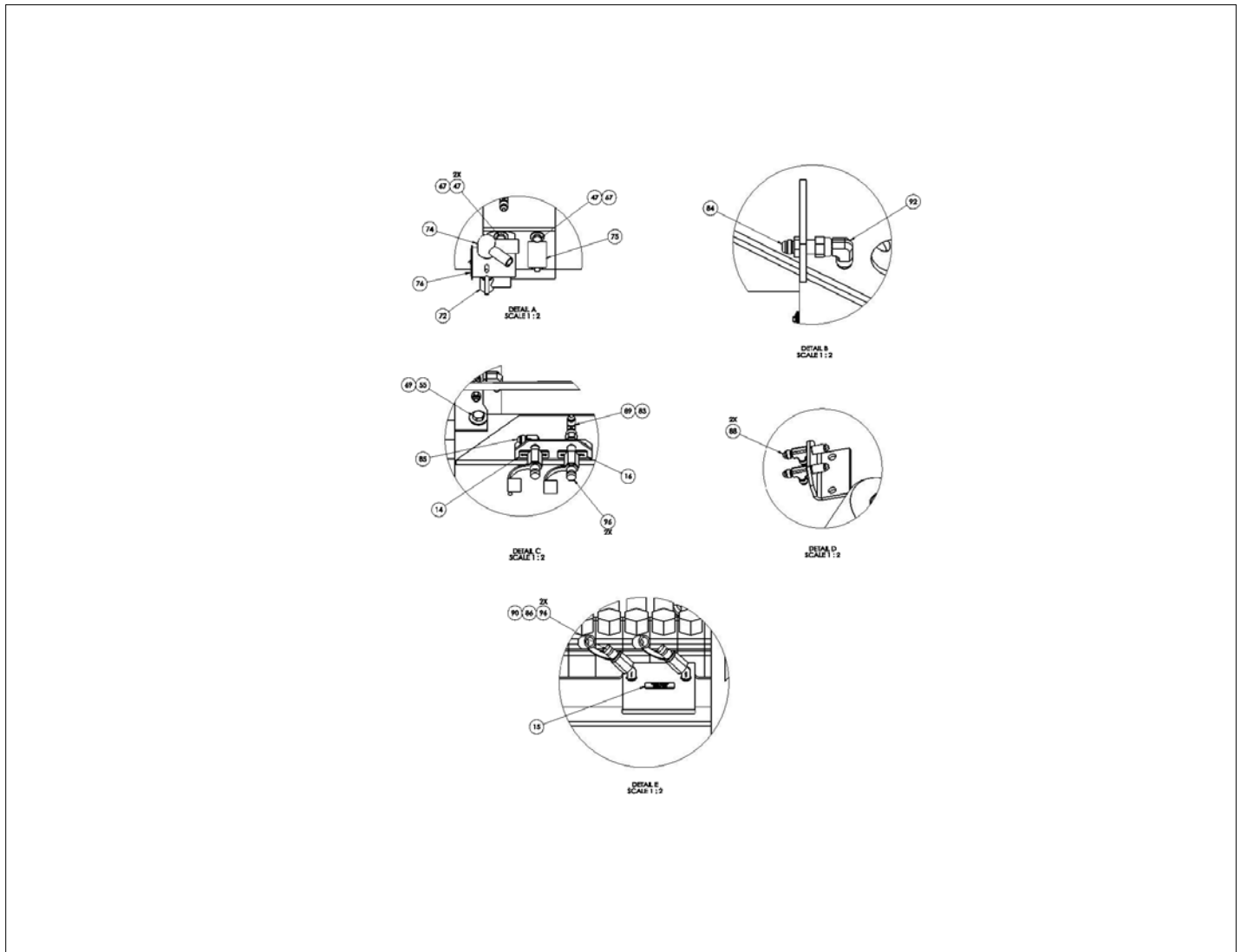


アイテム	部品番号	名前	数量	UOM
99	5560031	NUT HEX LKG .313 18	6	EA
100	5560033	.375 16UNC HEX LOCK NUT	23	EA
101	5560036	NUT HEX LKG .625 11	2	EA
102	5560039	NUT HEX LKG .500 13	8	EA
103	5560051	BLT HEXHD .625 11 2.00 GR8 SP	4	EA
104	5560100	BLT SKTHD .750 10 2.50 HEX SP	4	EA
105	5560168	WSHR FLAT HARD .500 SP	8	EA
106	5560170	WSHR FLAT HARD .750 SP	8	EA
107	5560179	Flat Washer Special	8	EA
108	5560277	HOSE GUIDE .375 RUBBER EDGE	2	EA
109	5560678	WSHR FLAT .625	4	EA
110	5569892	BLT HEXHD .313 18 4.00 GR5	2	EA
111	5590003	SNAP RING 4.50 EXT TRUARC 5100 450 3100 450 STPA	1	EA
112	6047152	CYLINDER MASTER LEVEL	1	EA
113	7630180	RADIATOR CUSHION	4	EA
114	7631088	V2403 CR TI COOLING SYSTEM	1	EA
115	0082055	ASSY ACCUMULATOR 300 PSI		EA
201	0020273	HOSE 6 6S 6S 35.5 100R2	1	EA
202	0020276	HOSE 6 6S 6S 27.625 100R2	1	EA
203	0020280	HOSE 4 4S 4S 23.5 (SEE PAGE 2)	3	EA
204	0020281	HOSE 4 4S 4S 27.63 100R2	1	EA
205	0020283	HOSE 4 4S 4S 15.25 100R1 SAE:100R1 4 BAND IN	1	EA
206	0040276	HOSE 4 4S 4S 20.5 100R1	1	EA
207	0050137	HOSE 4 4S 4S 36 100R1	5	EA
208	0050400	HOSE 6 6S 6S 41 100R2	1	EA
209	0060297	HOSE 4 6S 6S 28 100R2	1	EA
210	0060315	HOSE 8 8S 8S 48 100R2	2	EA

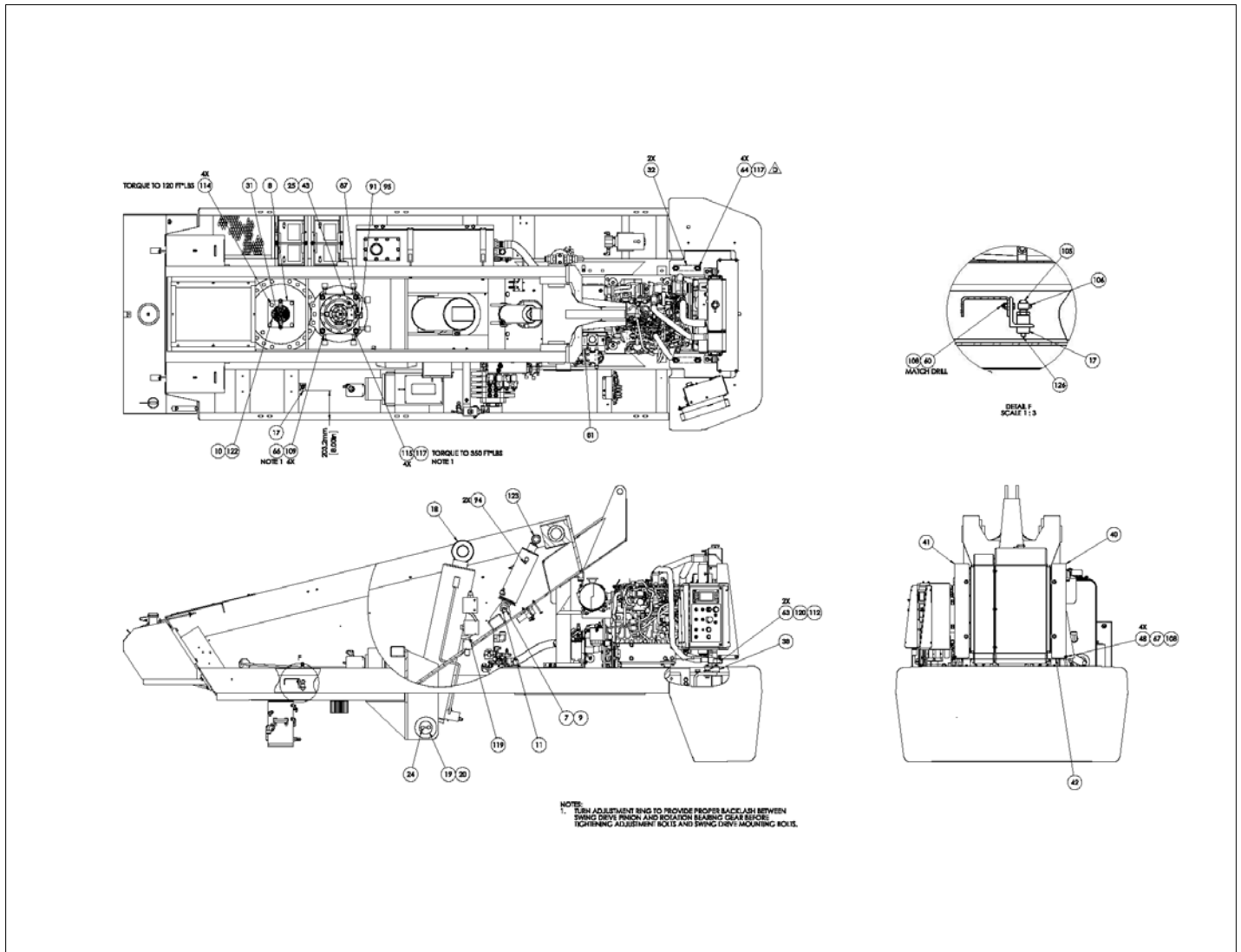
アイテム	部品番号	名前	数量	UOM
211	0070765	HOSE 4 4S 4S 29 100R1	2	EA
212	0070776	HOSE 4 6S 6S 19.5 100R1	1	EA
213	0070786	HOSE 6 6S 6S 19 100R2	1	EA
214	0070792	HOSE 8 8S 8S 32 100R2	2	EA
215	0080359	HOSE 4 4S 6S 23.5 100R1	2	EA
216	0080362	HOSE 6 6S 6S 93.5 100R2	3	EA
217	0080522	HOSE 8 8S 8S 42 100R2	2	EA
218	0100271	HOSE 4 4S 4S 103 100R1	2	EA
219	0110198	HOSE 8 8S 8S 96 100R2	1	EA
220	0110199	HOSE 16 16S 16S 34	1	EA
221	0111286	HOSE 6 6S 6S 84 100R2	1	EA
222	0111843	HOSE 16 16S 16S 24.5	1	EA
223	0111844	HOSE 10 10S 10S 86 SP SP	4	EA
224	0111882	HOSE 20 20S 20S 64.5 SP	2	EA
225	0180784	HOSE 8 8S 8S 72 SP	2	EA
Not Shown	0110173	HOSE 12 12S 12S 41 100R2	1	EA
Not Shown	0110171	HOSE 12 12S 12S 44 100R2	2	EA
Not Shown	0100278	HOSE 4 4S 4S 43 100R1	1	EA
Not Shown	0070789	HOSE 6 6S 6S 75.5 100R2	1	EA
Not Shown	0020271	HOSE 6 6S 6S 29 100R2	1	EA
Not Shown	3090006	TUBE FLEXGARD .350 ID	1	EA
301	0070705	WIRE 4 R313I R375I 81 RED	1	EA
302	0071568	WIRE 12 R10I R250I 4	1	EA
303	0072323	WIRE 4 R313I R375I 28 RED	1	EA
304	0075268	WIRE 2/0 R375 R375 13 BLK	2	EA
305	0080483	WIRE 2/0 R375 R375 28 BLACK	1	EA

アイテム	部品番号	名前	数量	UOM
306	0080484	WIRE 2/0 R375 R375 13 RED	2	EA
307	0110529	WIRE 2/0 R375 R375 106 RED	1	EA
308	0113715	TURNTABLE WIRE ASSEMBLY TB80FA/86JFA PG	A/R	EA
309	0113852	HARNESS ENGINE KU T4F	A/R	EA

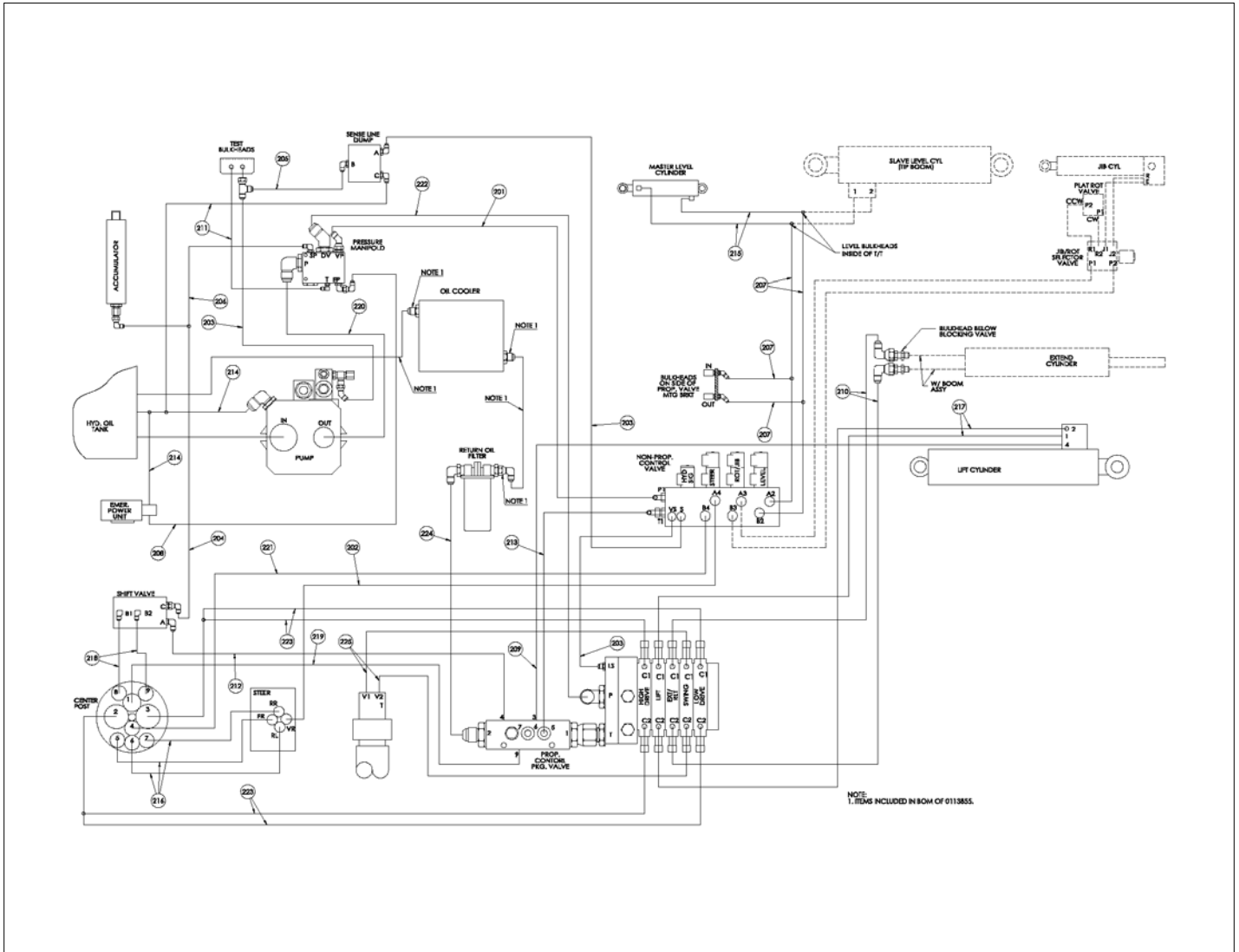
アイテム	部品番号	名前	数量	UOM
	0113948 D	TURNTABLE ASSEMBLY 12K KU T4F		EA
1	056060 080	Bolt, HexBolt DIN931 M10 x 80m	4	EA
2	056066 010	Nut, NylockNut DIN985 M10 8.0ZincPlated	4	EA
3	056069 008	WASHER, STEELFLATWASHER DIN12M8 FLAT WASHER DIN 125	1	EA
4	056069 010	Washer, SteelFlatWasher DIN125A M10 ZincPlated	8	EA
5	058491 020	HHCS M6 X 1 X 20 G8.8 DIN 933	12	EA
6	058492 020	Bolt HexSetScrew DIN933 M8 x 2	1	EA
7	0070033	PIN LOCK 2.00 DIA 2H	1	EA
8	0070256	ADAPTER PLATE CENTER POST	1	EA
9	0070442	WLDMT PIN 1.50 5.875 GRIP	1	EA
10	0070472	KEY CENTERPOST ASSY	1	EA
11	0070473	BLT HEXHD .313 18 .75 DR	2	EA
12	0073051	DISCONNECT SWITCH BRKT	1	EA
13	0073089	PLAC BATTERY DISCONNECT SWITCH	1	EA
14	0075378	DECAL SYSTEM PRESSURE	1	EA
15	0075379	DECAL LEVEL RELIEF PRESSUSRE	1	EA
16	0075380	DECAL SENSE PRESSURE	1	EA
17	0080759	ANGLE	1	EA
18	0110168	CYL/TUBE ASSY	1	EA
19	0110235	PIN LOCK 3.50DIA 2H	1	EA
20	0110341	WLDMT PIN 3.00 13.50 GRIP	1	EA
21	0110361	HYDR OIL RSVR SUPPORT	1	EA
22	0110362	STRAP, HYD. OIL RESERVOIR	2	EA
23	0110363	SPACER HYD OIL	1	EA



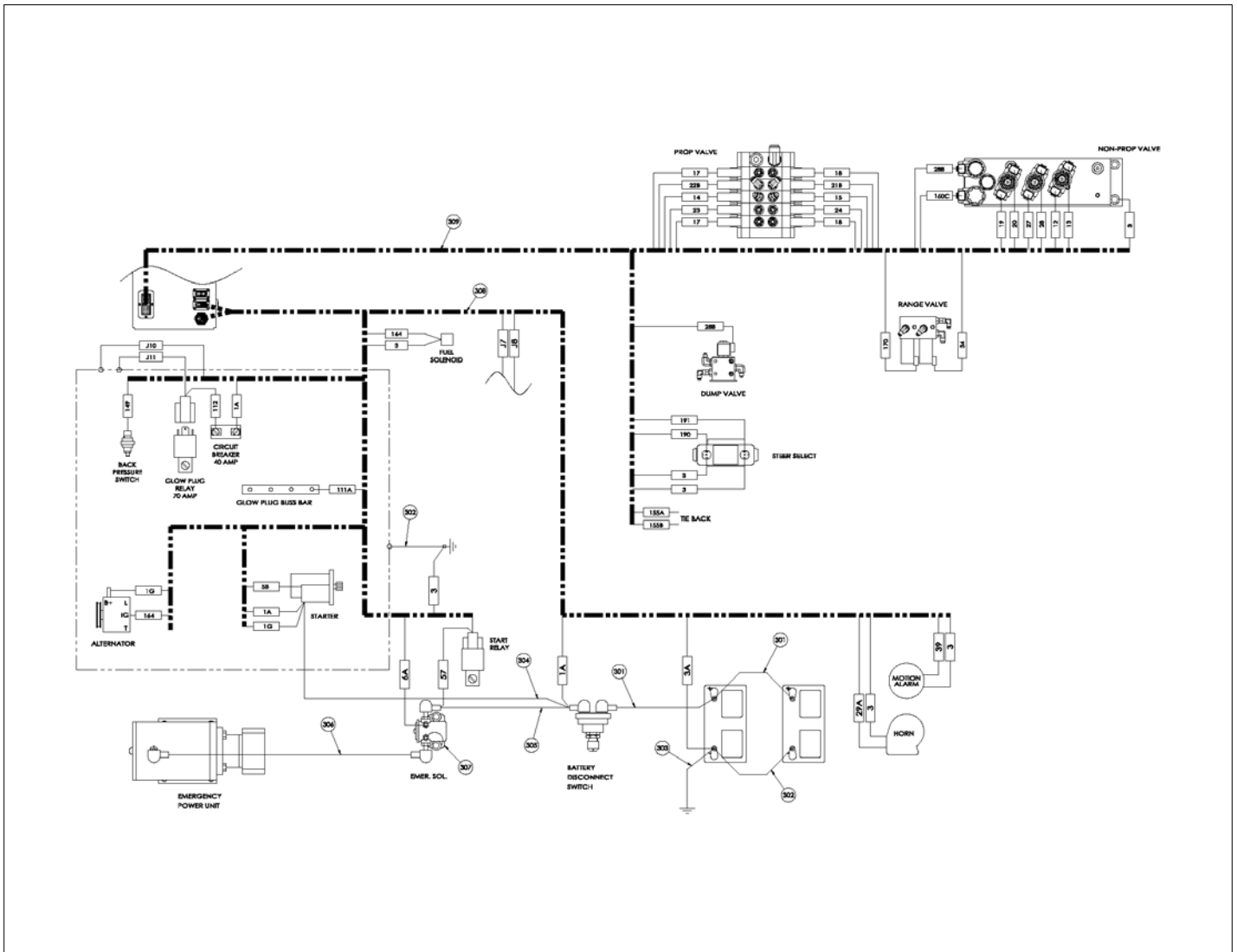
アイテム	部品番号	名前	数量	UOM
24	0110681	BLT HEXHD .625 11 1.25 DR	2	EA
25	0110942	ADJUSTMENT RING 7.50 ID	1	EA
26	0111821	HOSE SUCTION 1.50 ID 26	1	EA
27	0112323	WLDMT TRNTBL TB80	1	EA
28	0112579	BRACE, VALVE BRACKET12KW GENERATOR	1	EA
29	0112580	ASSEMBLY,12 KW GENERATOR	A/R	EA
30	0112581	ASSEMBLY, VALVE12 KW GENERATOR	A/R	EA
31	0112747	ASSY CENTERPOST TB85JFA	1	EA
32	0113760	PLT COUNTERWEIGHT MOUNT	2	EA
33	0113785	BRKT ENGINE TRAY KU T4F	2	EA
34	0113792	WLDMT RADIATOR MOUNT	2	EA
35	0113824	ASSY FUEL SYSTEM T4F	1	EA
36	0113832	ASSY ELEC SYSTEM T4F	1	EA
37	0113837	ASSY COUNTERWEIGHT CAST TB86J	1	EA
38	0113845	PLT RADIATOR SUPPORT MNT	1	EA
39	0113855	OIL COOLER INSTALLATION	1	EA
40	0113875	PLT SHROUD RH T4F	1	EA
41	0113876	PLT SHROUD LH T4F	1	EA
42	0113877	PLT SHROUD BTM T4F	1	EA
43	0113904	SWING DRIVE ASSY OMNI	1	EA
44	0113920	ASSY 12WK GEN CIR BRKR WIRING	A/R	EA
45	0191830	FUEL TANK INSTALL	1	EA
46	0192658	WLDMT RADIATOR SUPPORT	2	EA
47	970009	Capscrew 1/4 20 x 1/2 inch lon	3	EA
48	970019	BLT HEX .250 20 .625 GR5	4	EA
49	970029	BLT .25 20 .750	13	EA
50	970049	BLT HEXHD .250 20 1.00 GR5 GRADE 5 PLT SAME AS 970189	2	EA



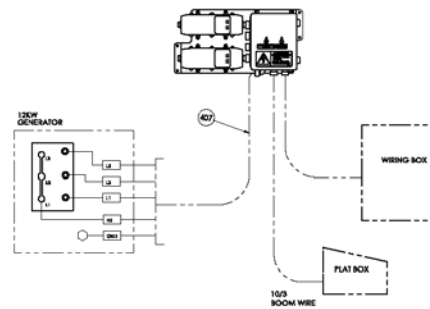
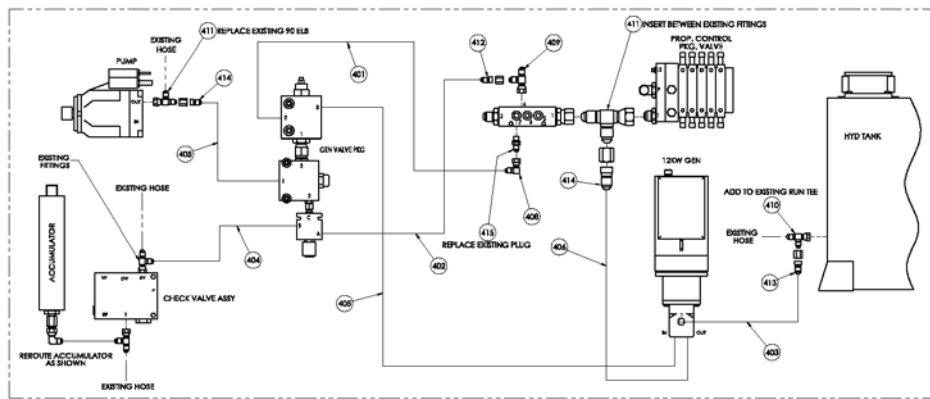
アイテム	部品番号	名前	数量	UOM
51	970239	BLT HEXHD .313 18 .750 GR5	5	EA
52	970269	BLT HEXHD .313 18 1.25 GR5 PLA	4	EA
53	970319	BLT HEXHD .313 18 2.50 GR5	2	EA
54	970369	BLT HEXHD .313 18 X 1.00 GR5	7	EA
55	970449	HHD BLT .375 16 X .750 GR5	6	EA
56	970469	HHD BLT .375 16 X 1.00 GR5	11	EA
57	970489	BLT HEXHD .375 16 1.50 GR5 PL	1	EA
58	970519	CAPSCREW 3/8 16 X 2 1/4" LG H.H.	4	EA
59	970529	BLT HEXHD .375 16 2.50 GR5 PLTD	2	EA
60	970559	BLT HEXHD .250 20 .875 GR5	2	EA
61	970599	BLT HEXHD .375 16 4.00 GR5	2	EA
62	970919	BLT HEXHD .500 13 1.75 GR5	8	EA
63	971309	BLT HEXHD .625 11 X 2.00 GR5 ZP	2	EA
64	971339	BLT HEXHD .750 10 X 2.50 GR5	4	EA
65	972479	BLT HEXHD .375 16 1.25 GR5	10	EA
66	984449	NUT HEX JAM .625 11	6	EA
67	986019	WSHR FLAT .250	21	EA
68	986269	WSHR FLAT .313	20	EA
69	986299	WASHER, FLAT, .375 STANDARD, PLATED	47	EA
70	3020049	Switch, Battery Disconnect	1	EA
71	3040127	HORN 12VDC	1	EA
72	3040268	BOOT BTRY CABLE END BLK	4	EA
73	3040269	Boot Cable Entry Black 1/0 GA	2	EA
74	3040270	BOOT BTRY CABLE END Y TYPE	1	EA
75	3040469	RELAY SPDT 12V 30AMP SONG	1	EA
76	3040506	SOLENOID 12V 150	1	EA



アイテム	部品番号	名前	数量	UOM
77	3040593	ALARM 97 DECIBEL	1	EA
78	3050002	BATTERY 12V	2	EA
79	3050004	BLT BTRY HLDN .313 18 X 10.00 (J BOLT)	4	EA
80	3050008	BATTERY HOLD DOWN	2	EA
81	5010011	HOSE SAE30R2 05 .312 FUEL	1	EA
82	5018832	HOSE FUEL .38ID T3	1	EA
83	5034401	FTG UN BHD STR 4S 4S STL 4 WTX	1	EA
84	5034404	FTG UN BHD STR 8S 8S STL 0353	2	EA
85	5034501	FTG ELB90BHD 4S 4S STL	1	EA
86	5034601	FTG ELB45BHD 4S 4S STL	2	EA
87	5035315	FTG ELB90STRTHD 6B 8S STL	1	EA
88	5035403	FTG TEE BHD RUN 4S 4S STL	2	EA
89	5036703	FTG TEE SWVL RUN 4S 4S STL (SEE PAGE 2)	1	EA
90	5036903	FTG ELB45SWVL 4S 4S STL	2	EA
91	5037006	ADAPTER 90 ° ELBOW SWIVEL 8 JIC	1	EA
92	5037007	ADAPTER 90 DEG ELBOW SWIVEL 10 JIC	2	EA
93	5059705	CLP T BOLT 2.00	2	EA
94	5065707	FTG ADPTR STRTHD 6B 6S STL PH	2	EA
95	5065728	1/2 I.D. HOSE ASSEMBLY	1	EA
96	5070028	FTG NIP DIGN 4S FEM METRIC CE	4	EA
97	5093000	CLP CUSH .438 VINYL COATED	3	EA
98	5093002	CLAMP .562 AEROQUIP HOSE SUPPORT	5	EA
99	5093006	CLP CUSH .937 VINYL COATED	2	EA
100	5093008	CLP CUSH 1.06 VINYL COATED	1	EA



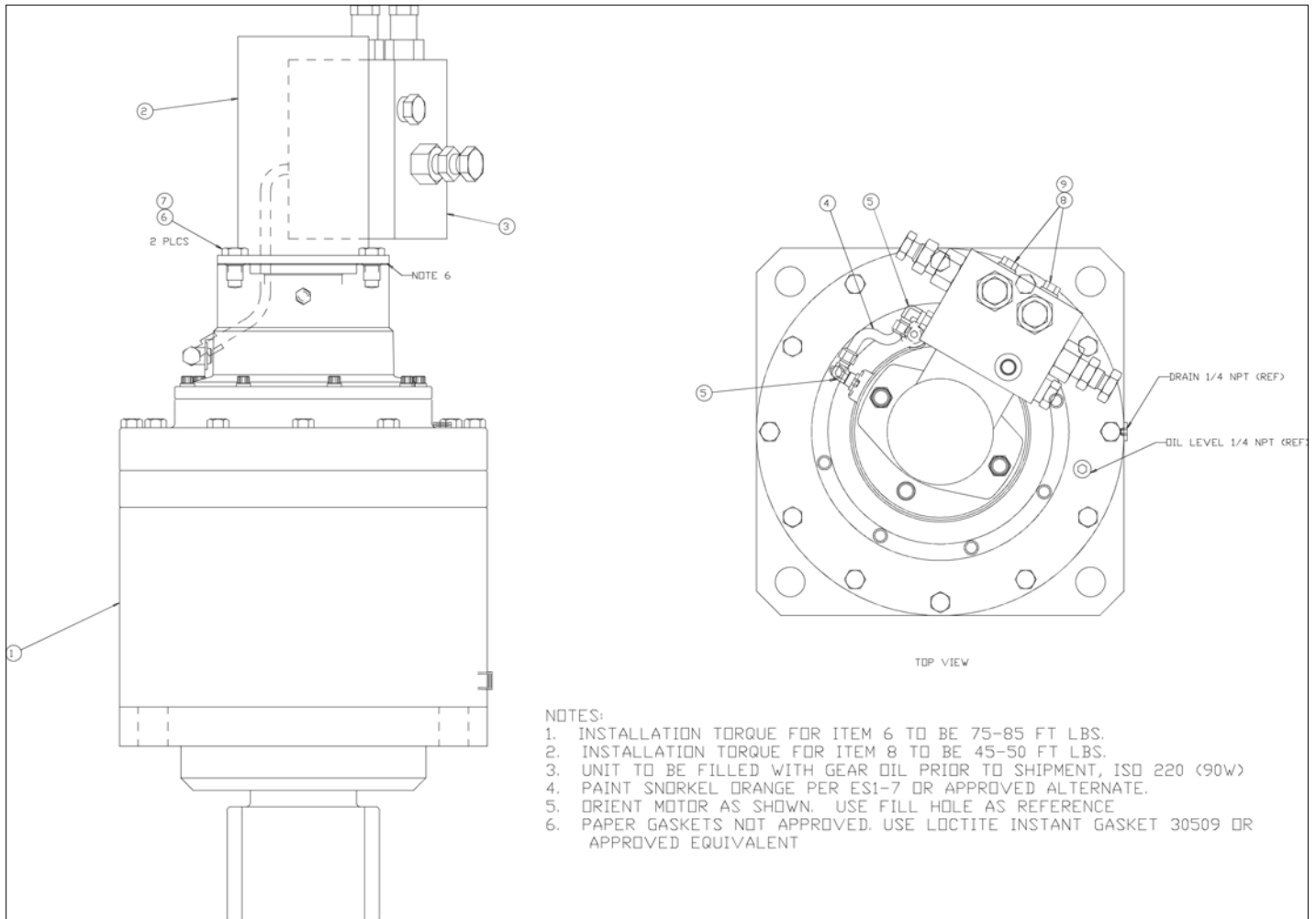
アイテム	部品番号	名前	数量	UOM
101	5093014	CLP CUSH 2.25 VINYL COATED	2	EA
102	5093021	CLP CUSH .625 VINYL COATED	1	EA
103	5093027	CLAMP	1	EA
104	5093039	FTG ELB90 MALE 6N 5H BR	2	EA
105	5260013	FTG ADPTR MALE 8N 8 BARBED	1	EA
106	5550010	CLP WORM DRV .50 1.06 SAE#10	1	EA
107	5550028	CLP WORM DRV .25 .63 .31 BAND	6	EA
108	5560004	NUT LKG .250 20	10	EA
109	5560022	BLT ADJ .625 11 2.25 GR5 TAP B	6	EA
110	5560031	NUT HEX LKG .313 18	14	EA
111	5560033	.375 16UNC HEX LOCK NUT	23	EA
112	5560036	NUT HEX LKG .625 11	2	EA
113	5560039	NUT HEX LKG .500 13	8	EA
114	5560051	BLT HEXHD .625 11 2.00 GR8 SP	4	EA
115	5560100	BLT SKTHD .750 10 2.50 HEX SP	4	EA
116	5560168	WSHR FLAT HARD .500 SP	8	EA
117	5560170	WSHR FLAT HARD .750 SP	8	EA
118	5560179	Flat Washer Special	8	EA
119	5560277	HOSE GUIDE .375 RUBBER EDGE	1	EA
120	5560678	WSHR FLAT .625	4	EA
121	5569892	BLT HEXHD .313 18 4.00 GR5	2	EA
122	5590003	SNAP RING 4.50 EXT TRUARC 5100 450 3100 450 STPA	1	EA
123	6047152	CYLINDER MASTER LEVEL	1	EA
124	7630180	RADIATOR CUSHION	4	EA
125	7631088	V2403 CR TI COOLING SYSTEM	1	EA



アイテム	部品番号	名前	数量	UOM
126	7714202	PIPE PLUG, 1/4" NPT SQ HD GALV	1	EA
127	0082055	ASSY ACCUMULATOR 300 PSI	1	EA
201	0020273	HOSE 6 6S 6S 35.5 100R2	1	EA
202	0020276	HOSE 6 6S 6S 27.625 100R2	1	EA
203	0020280	HOSE 4 4S 4S 23.5 (SEE PAGE 2)	3	EA
204	0020281	HOSE 4 4S 4S 27.63 100R2	1	EA
205	0020283	HOSE 4 4S 4S 15.25 100R1 SAE:100R1 4 BAND IN	1	EA
206	0040276	HOSE 4 4S 4S 20.5 100R1	1	EA
207	0050137	HOSE 4 4S 4S 36 100R1	5	EA
208	0050400	HOSE 6 6S 6S 41 100R2	1	EA
209	0060297	HOSE 4 6S 6S 28 100R2	1	EA
210	0060315	HOSE 8 8S 8S 48 100R2	2	EA
304	0110529	WIRE 2/0 R375 R375 106 RED	1	EA
211	0070765	HOSE 4 4S 4S 29 100R1	2	EA
212	0070776	HOSE 4 6S 6S 19.5 100R1	1	EA
213	0070786	HOSE 6 6S 6S 19 100R2	1	EA
214	0070792	HOSE 8 8S 8S 32 100R2	2	EA
215	0080359	HOSE 4 4S 6S 23.5 100R1	2	EA
216	0080362	HOSE 6 6S 6S 93.5 100R2	3	EA
217	0080522	HOSE 8 8S 8S 42 100R2	2	EA
218	0100271	HOSE 4 4S 4S 103 100R1	2	EA
219	0110198	HOSE 8 8S 8S 96 100R2	1	EA
220	0110199	HOSE 16 16S 16S 34	1	EA
221	0111286	HOSE 6 6S 6S 84 100R2	1	EA
222	0111843	HOSE 16 16S 16S 24.5	1	EA
223	0111844	HOSE 10 10S 10S 86 SP SP	4	EA
224	0111882	HOSE 20 20S 20S 64.5 SP	1	EA
225	0180784	HOSE 8 8S 8S 72 SP	2	EA

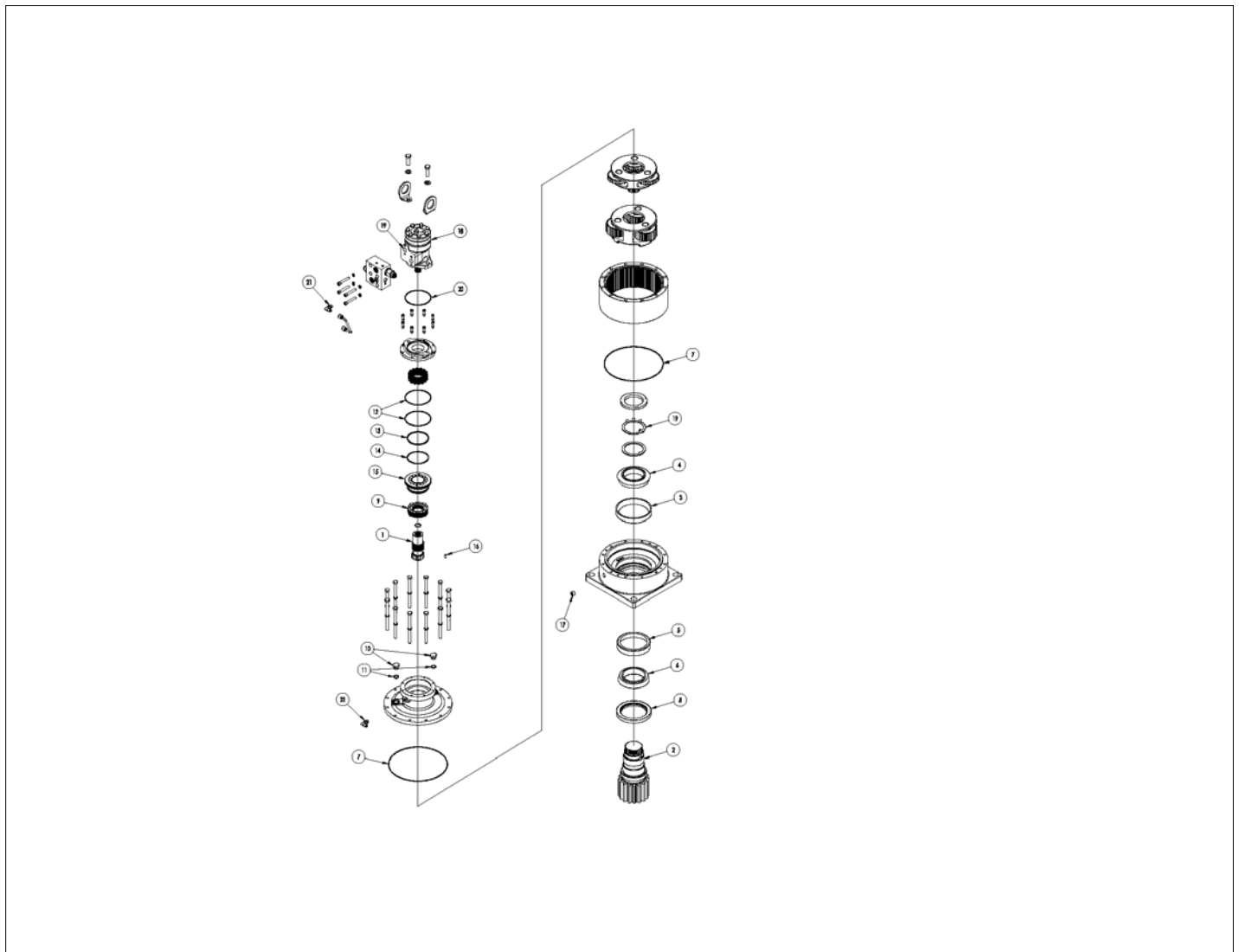
アイテム	部品番号	名前	数量	UOM
Not Shown	3090006	TUBE FLEXGARD .350 ID	1	EA
301	0080484	WIRE 2/0 R375 R375 13 RED	2	EA
302	0075268	WIRE 2/0 R375 R375 13 BLK	2	EA
303	0080483	WIRE 2/0 R375 R375 28 BLACK	1	EA
305	0070705	WIRE 4 R313I R375I 81 RED	1	EA
306	0072323	WIRE 4 R313I R375I 28 RED	1	EA
307	0071568	WIRE 12 R10I R250I 4	1	EA
308	0113852	HARNESS ENGINE KU T4F	1	EA
309	0113715	TURNTABLE WIRE ASSEMBLY TB80FA/86JFA PG	1	EA
401	0020271	HOSE 6 6S 6S 29 100R2	1	EA
402	0050137	HOSE 4 4S 4S 36 100R1	1	EA
403	0070789	HOSE 6 6S 6S 75.5 100R2	1	EA
404	0100278	HOSE 4 4S 4S 43 100R1	1	EA
405	0110171	HOSE 12 12S 12S 44 100R2	2	EA
406	0110173	HOSE 12 12S 12S 41 100R2	1	EA
407	0192078	WIRING ASSEMBLY,12KW GENERATOR	1	EA
408	5035305	FTG ELB90STRTHD 6S 6S STL	1	EA
409	5036105	SWIVEL NUT 90 DEG ELBOW	1	EA
410	5036706	FTG TEE SWVL RUN 8S 8S STL (SEE PAGE 2)	1	EA
411	5036710	FTG TEESWVLRUN 16S 16S	2	EA
412	5064001	ADAPTER STRAIGHT TUBE REDUCER 6 JIC TO 4 JIC	1	EA
413	5064003	FTG RDCR 8S 6S W/O NUT STL (SEE PAGE 2)	1	EA
414	5064009	FTG RDCR 16S 12S	1	EA
415	5065705	FTG ADPTR STRTHD 6B 4S STL	1	EA

REPAIR PARTS



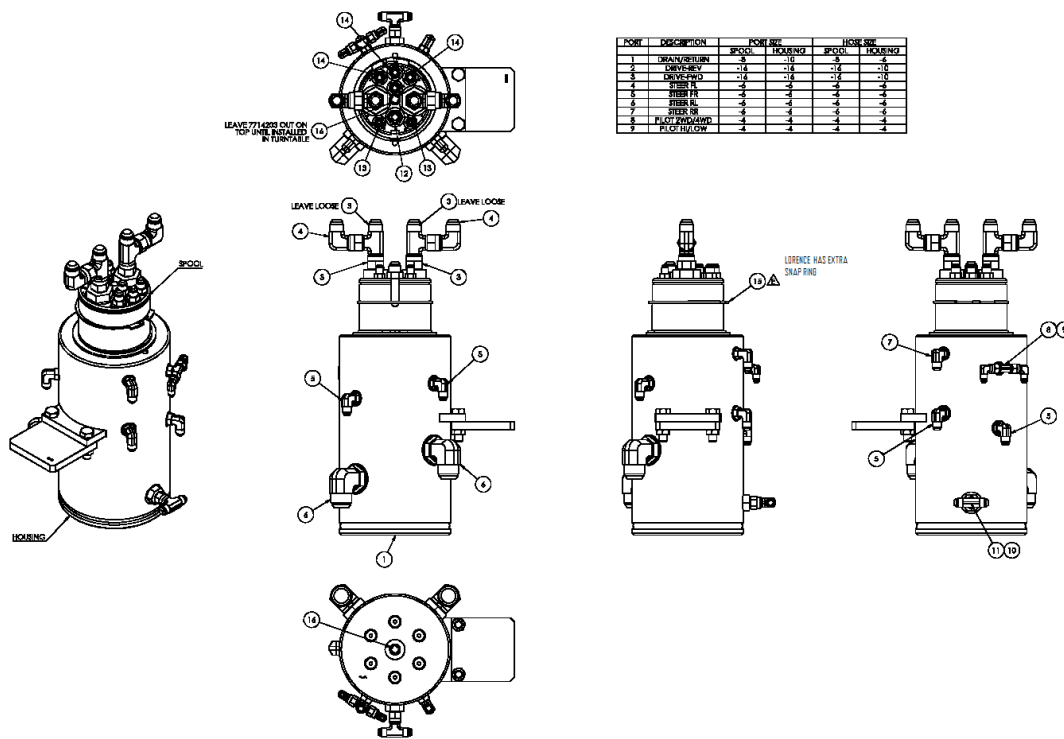
アイテム	部品番号	名前	数量	UOM
Not Shown	0110837	SWING DRIVE ASSEMBLY		EA
1	0112233	SWING DRIVE	1	EA
2	6030017	MTRTRW ROSS MOTOR SWING DRIVE	1	EA
Not Shown	0071089	SEAL REPAIR KIT, TRW MOTOR	1	EA
Not Shown	8230073	SEAL REPAIR KIT, WHITE MOTOR	1	EA
3	6010216	MOTION CONTROL VALVE, TURNTABLE SWING (VALVE INCLUDES ITEMS 2,3 AND 4)	1	EA
4	0112272	TUBE AND FITTINGS	1	EA
5	0112418	ELBOW 90 °	2	EA
6	0112421	CAPSCREW 1/2 13 X 3 1/2 INCH LONG SOCKET HEAD	2	EA
7	0112422	WASHER 1/2 SPLIT RING LOCK	2	EA
8	0112423	CAPSCREW 5/16 18 X 3 1/2 INCH LONG HEX HEAD GR5	4	EA
9	0112424	WASHER 5/16 MEDIUM LOCK PLATED	4	EA

REPAIR PARTS



アイテム	部品番号	名前	数量	UOM
	0113904 A	SWING DRIVE ASSEMBLY OMNI		EA
1	6091967	SHAFT DRIVE SUN 15T SL 12	1	EA
2	6091968	OUTPUT PINION 17T SL 12	1	EA
3	6091961	BEARING CUP	1	EA
4	6091962	BEARING CONE	1	EA
5	6091959	BEARING CUP	1	EA
6	6091960	BEARING CONE	1	EA
7	7119932	O RING 174 (221.92X2.62)	2	EA
8	7150020	LIP SEAL 476130	1	EA
9	6091965	BRAKE DISC ASSY VB07	1	EA
10	6091964	FLANGE PLUG MAGNETIC	2	EA
11	7119934	O RING (15.3X2.2) VITON	2	EA
12	7119933	O RING 154 (95.25X2.62)	2	EA
13	7119935	O RING 235 (78.97X3.53)	1	EA
14	7119936	BACKUP RING FOR O RING 237	1	EA
15	6091966	HYD PISTON	1	EA
16	6091958	BEARING NEEDLE	1	EA
17	6091963	PIPE PLUG SOC HD	1	EA
18	6031636	HYD MTR	1	EA
19	7119930	O RING 119 (23.47X2.62)	2	EA
20	7119931	O RING 042 (82.27X1.78)	1	EA
21	7119929	O RING 904 VITON	2	EA

REPAIR PARTS



アイテム	部品番号	名前	数量	UOM
Not Shown	0112747 E	CENTERPOST AND FITTINGS SUB ASSEMBLY		EA
1	0112718	CENTERPOST 9 PORT AUGUST 2019 AND BEFORE	1	EA
Not Shown	5067012	FTG ADPTR STRTHD 16B 10S STL	2	EA
3	5036707	FTG TEE SWVL RUN 10S 10S STL	2	EA
4	5037007	ADAPTER 90 DEG ELBOW SWIVEL 10 JIC	2	EA
5	5035305	FTG ELB90STRTHD 6S 6S STL	4	EA
6	5035310	STRAIGHT THREAD 90 ° ELBOW	2	EA
7	5035321	FTG ELB90STRTHD 4B 6S STL	1	EA
8	5036503	ADAPTER TEE SWIVEL 4JIC TO 4 JIC TO 4 JIC FEMALE	1	EA
9	5037003	FTG ELB90SWVL 4S 4S STL	2	EA
10	5065726	STRAIGHT THREAD ADAPTER	1	EA
11	5036805	ADAPTER TEE SWIVEL 6 JIC TO 6 JIC FEMALE	1	EA
12	5065709	FTG ADPTR STRTHD 8B 8S STL PH	1	EA
13	5065703	FTG ADPTR STRTHD 4B 4S STL	2	EA
14	5065707	FTG ADPTR STRTHD 6B 6S STL PH	4	EA
15	5590003	SNAP RING 4.50 EXT TRUARC 5100 450 3100 450 STPA	1	EA
16	7714203	FTG PLUG .375 NPT SQ HD BLK	2	EA
Not Shown	0112978	SEAL KIT LOWRENCE CENTERPOST 9 PORT AUGUST 2019 AND BEFORE	1	EA
Not Shown	0113515	SEAL KIT HYDROMOTION CENTERPOST 9 PORT AUGUST 2019 AND BEFORE	1	EA

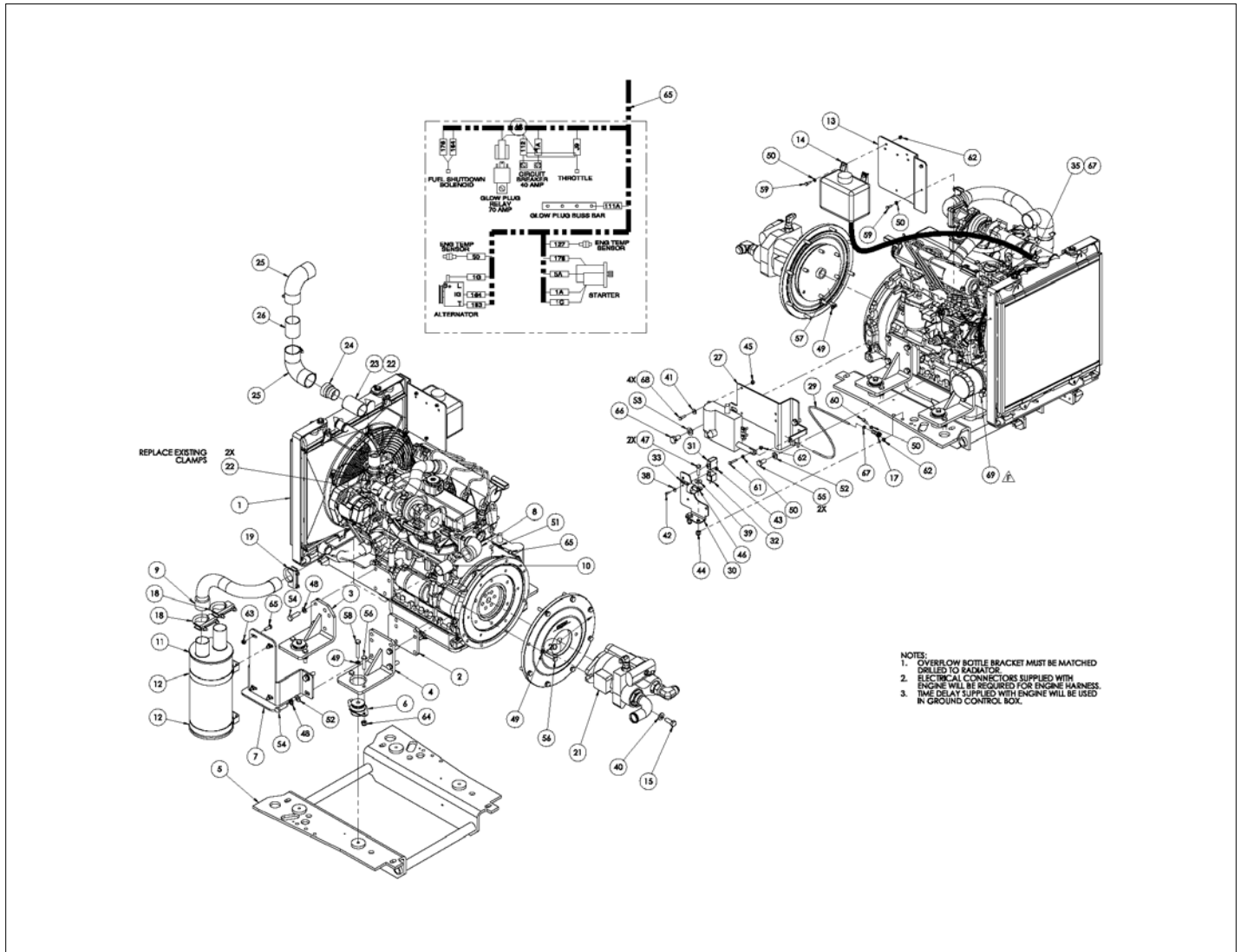
アイテム	部品番号	名前	数量	UOM
	0112747 G	CENTERPOST AND FITTINGS SUB ASSEMBLY		EA
1	0112718	CENTERPOST 9 PORT AUGUST 2019 AND BEFORE	1	EA
Not Shown	0113515	SEAL KIT HYDROMOTION CENTERPOST 9 PORT AUGUST 2019 AND BEFORE	1	EA
Not Shown	0112978	SEAL KIT LOWRENCE CENTERPOST 9 PORT AUGUST 2019 AND BEFORE	1	EA
*	0112718 001	CENTERPOST 9 PORT SEPTEMBER 2019 AND AFTER	1	EA
2	5067012	FTG ADPTR STRTHD 16B 10S STL	2	EA
3	5036707	FTG TEE SWVL RUN 10S 10S STL	2	EA
4	5037007	ADAPTER 90 DEG ELBOW SWIVEL 10 JIC	2	EA
5	5035305	FTG ELB90STRTHD 6S 6S STL	4	EA
6	5035310	STRAIGHT THREAD 90 ° ELBOW	2	EA
7	5035321	FTG ELB90STRTHD 4B 6S STL	1	EA
8	5036503	ADAPTER TEE SWIVEL 4JIC TO 4 JIC TO 4 JIC FEMALE	1	EA
9	5037003	FTG ELB90SWVL 4S 4S STL	2	EA
10	5065726	STRAIGHT THREAD ADAPTER	1	EA
11	5036805	ADAPTER TEE SWIVEL 6 JIC TO 6 JIC FEMALE	1	EA
12	5065709	FTG ADPTR STRTHD 8B 8S STL PH	1	EA
13	5065703	FTG ADPTR STRTHD 4B 4S STL	2	EA
14	5065707	FTG ADPTR STRTHD 6B 6S STL PH	4	EA
15	5590003	SNAP RING 4.50 EXT TRUARC 5100 450 3100 450 STPA	1	EA
16	5036805	ADAPTER TEE SWIVEL 6 JIC TO 6 JIC FEMALE	1	EA

アイテム	部品番号	名前	数量	UOM
	0113501 K	ENGINE SUB ASSEMBLY KUBOTA V2403 T4F WITH THROTTLR SOLENOID SN TB86J 04 170800304 AND BEFORE		EA
1	7624794	V2403 M T E3B KEA 2F KUBOTA ENGINE WITH RADIATOR REPLACEMENT PARTS	1	EA
2	0421796	REAR MOTOR MOUNT ENGINE PAD	2	EA
3	0075737	WLDMT, ENGINE BRACKET FRONT	2	EA
4	0075738	WLDMT, ENGINE MOUNT REAR	2	EA
5	0075745	WLDMT, KU ENGINE MOUNT	1	EA
6	100209 000	ISOLATOR ENGINE	4	EA
7	0075748	WLDMT, MUFFLER MOUNT	1	EA
8	0075753	WLDMT, EXHAUST FLANGE	1	EA
Not Shown	7631221	GASKET, MUFFLER	1	EA
9	0075751	PIPE, KU EXHAUST	1	EA
10	0075756	PIPE, EXHAUST OUTLET	1	EA
11	0260856	WLDMT WALKER MUFFLER	1	EA
12	100180 041	CLAMP, MUFFLER #P00235 1	2	EA
13	104737 000	THROTTLE BRACKET	1	EA
14	3040174	SOLENOID, THROTTLE	1	EA
15	104883 000	OVER FLOW BOTTLE BRKT	1	EA
16	1430527	FLUID RESERVOIR	1	EA
17	056021 012	Washer, SpringWasher DIN127B M	15	EA
18	513133 040	BOLT HEXHD M12X1.25X40MM DIN 960	15	EA
19	056021 010	Washer, SpringWasher DIN127B M	18	EA
20	056060 030	BOLT HEXBOLT DIN931 M10 X 30MM 8.8 ZP	16	EA

アイテム	部品番号	名前	数量	UOM
21	510587 025	BLT HEXSETSCREW DIN961 M10 X 1.25X	6	EA
22	5560168	WSHR FLAT HARD .500 SP	2	EA
23	5560136	HEX HEAD CAP SCREW, DRILLED, .500 13 UNIFIED NATIONAL COURSE, STEEL, GR 5, 1.25 LG.	2	EA
Not Shown	3028812	TEMP SWITCH .375 NPT M SPST NC	1	EA
25	2690004	Rod End	1	EA
26	104744 000	THROTTLE LINKAGE WELDMENT	1	EA
27	056058 018	BOLT, HEXBOLT DIN 931 M6 X 16MM 8.8 ZP	14	EA
28	056069 006	WSHR STEELFLATWSHE M6 DIN125A	12	EA
29	056066 006	Nut NylockNut DIN985 M6 8.0 Zi	10	EA
30	056021 006	WASHER SPRING WASHER M6 DIN 127B GR8.8 ZP	5	EA
31	058492 025	BOLT HEXSETSCREW DIN933 M8 X 25MM 8.8 ZP	8	EA
32	056066 008	NUT NYLOCKNUT DIN985 M8 8.0 ZP	4	EA
33	5550007	CLP MUFFLER 1.88 .375 16 HVY	2	EA
34	5550005	CLP EXH 1.75	1	EA
35	056021 008	Washer SpringWasher DIN127B M8	4	EA
36	056069 012	WASHER DIN125A M12 ZP	4	EA
37	056066 010	Nut, NylockNut DIN985 M10 8.0ZincPlated	8	EA
38	056060 065	Bolt, HexBolt DIN931 M10 x 65mm 8.8 ZincPlated	4	EA
39	2650001	Swivel Inline	1	EA
40	984339	NUT HEX JAM .250 28	1	EA
41	104703 000	HOUSING ADAPTER KIT AB62 POLARIS HAYES	1	EA

アイテム	部品番号	名前	数量	UOM
42	0111578	PUMP SUB ASSEMBLY TB80/85J	1	EA
43	020541 013	HOSE CLAMP 1".313 2".25	2	EA
44	0113905	INTAKE HOSE 1.75 ID X 3" LONG	1	EA
45	106960 001	REDUCER METAL INTAKE 1.625" OD X 2" OD	1	EA
46	104754 000	90 ° ELBOW 2INCH ID	2	EA
47	0075743	AIR INLET PIPE, 2"OD X 2.5"LG	1	EA

REPAIR PARTS



アイテム	部品番号	名前	数量	UOM
	0113707 F	ENGINE SUB ASSEMBLY PG KUBOTA V2403 T4F WITH ACTUATOR SN TB86J 04 170800305 AND AFTER		EA
1	7624794	V2403 M T E3B KEA 2F KUBOTA ENGINE WITH RADIATOR REPLACEMENT PARTS	1	EA
	7624823	ENGINE V2403T, (ONLY)		EA
2	0421796	REAR MOTOR MOUNT ENGINE PAD	2	EA
3	0075737	WLDMT, ENGINE BRACKET FRONT	2	EA
4	0075738	WLDMT, ENGINE MOUNT REAR	2	EA
5	0075745	WLDMT, KU ENGINE MOUNT	1	EA
6	100209 000	ISOLATOR ENGINE	4	EA
7	0075748	WLDMT, MUFFLER MOUNT	1	EA
8	0075753	WLDMT, EXHAUST FLANGE	1	EA
Not Shown	7631221	GASKET, MUFFLER	1	EA
9	0075751	PIPE, KU EXHAUST	1	EA
10	0075756	PIPE, EXHAUST OUTLET	1	EA
11	0260856	WLDMT WALKER MUFFLER	1	EA
12	100180 041	CLAMP, MUFFLER #P00235 1	2	EA
13	104883 000	OVER FLOW BOTTLE BRKT	1	EA
14	1430527	FLUID RESERVOIR	1	EA
15	5560136	HEX HEAD CAP SCREW, DRILLED, .500 13 UNIFIED NATIONAL COURSE, STEEL, GR 5, 1.25 LG.	2	EA
17	2690004	Rod End	1	EA
18	5550007	CLP MUFFLER 1.88 .375 16 HVY	2	EA
19	5550005	CLP EXH 1.75	1	EA
Not Shown	104703 000	HOUSING ADAPTER KIT AB62 POLARIS HAYES	1	EA
21	0111578	PUMP SUB ASSEMBLY TB80/85J	1	EA

アイテム	部品番号	名前	数量	UOM
22	020541 013	HOSE CLAMP 1".313 2".25	2	EA
23	0113905	INTAKE HOSE 1.75 ID X 3" LONG	1	EA
24	106960 001	REDUCER METAL INTAKE 1.625" OD X 2" OD	1	EA
25	104754 000	90 ° ELBOW 2INCH ID	2	EA
26	0075743	AIR INLET PIPE, 2"OD X 2.5"LG	1	EA
27	0075836	PLT ACTUATOR MOUNT	1	EA
Not Shown	7630989	ACTUATOR ET12 174 RSCN2S	1	EA
Not Shown	7631006	CONTROLLER HARNESS	1	EA
Not Shown	7631005	THROTTLE CONTROLLER	1	EA
Not Shown	560395	TEMP SENSOR	1	EA
29	0075837	CABLE THROTTLE PULL	1	EA
30	0192289	BRKT, GLOW PLUG TIMER	1	EA
31	3041641	CIRCUIT BREAKER 40 AMP	1	EA
32	3040469	RELAY SPDT 12V 30AMP SONG	1	EA
33	0080914	PLAC GLOW PLUGS	1	EA
Not Shown	0113713	HARNESS ENGINE PG	1	EA
35	5550028	CLP WORM DRV .25 .63 .31 BAND	2	EA
Not Shown	5010011	HOSE SAE30R2 05 .312 FUEL	1	EA
Not Shown	3090019	TUBE FLEXGARD .250 ID	2	EA
38	986009	WSHR FLAT 10	1	EA
39	986299	WASHER, FLAT, .375 STANDARD, PLATED	2	EA
40	5560168	WSHR FLAT HARD .500 SP	2	EA
41	986019	WSHR FLAT .250	4	EA
42	974679	SCR RDH MACH 10 24 .625	1	EA

アイテム	部品番号	名前	数量	UOM
43	5560034	NUT LKG 10 24	1	EA
44	5560033	.375 16UNC HEX LOCK NUT	2	EA
45	5560004	NUT LKG .250 20	4	EA
46	5093024	CLAMP	1	EA
47	972479	BLT HEXHD .375 16 1.25 GR5	2	EA
48	056021 012	Washer, SpringWasher DIN127B M	15	EA
49	056021 010	Washer, SpringWasher DIN127B M	18	EA
50	056069 006	WSHR STEELFLATWSHE M6 DIN125A	7	EA
51	056021 008	Washer SpringWasher DIN127B M8	4	EA
52	056069 012	WASHER DIN125A M12 ZP	6	EA
53	5563112	WSHR FLAT M14	1	EA
54	513133 040	BOLT HEXHD M12X1.25X40MM DIN 960	15	EA
55	514281 020	BOLT, HEXSETSCREW, DIN961 M12 X 1.25 X 20MM 10.9 ZINCPLATED	2	EA
56	056060 045	Bolt, HexBolt DIN931 M10 x 45mm 8.8 ZincPlated	16	EA
57	510587 025	BLT HEXSETSCREW DIN961 M10 X 1.25X	6	EA
58	056060 065	Bolt, HexBolt DIN931 M10 x 65mm 8.8 ZincPlated	4	EA
59	056058 018	BOLT, HEXBOLT DIN 931 M6 X 16MM 8.8 ZP	5	EA
60	058491 025	Bolt HexSetScrew DIN933 M6 x 2	1	EA
61	056058 030	Bolt, HexBolt DIN931 M6 x 30mm	1	EA
62	056066 006	Nut NylockNut DIN985 M6 8.0 Zi	7	EA
63	056066 008	NUT NYLOCKNUT DIN985 M8 8.0 ZP	4	EA

アイテム	部品番号	名前	数量	UOM
64	056066 010	Nut, NylockNut DIN985 M10 8.0ZincPlated	8	EA
65	058492 025	BOLT HEXSETSCREW DIN933 M8 X 25MM 8.8 ZP	8	EA
66	501248 025	BOLT, HEXSETSCREW DIN961 M14 X 1.5 X 25MM 8.8 ZINCPLATED	1	EA
67	984339	NUT HEX JAM .250 28	1	EA
68	970559	BLT HEXHD .250 20 .875 GR5	4	EA
69	5550010	CLP WORM DRV .50 1.06 SAE#10	1	EA

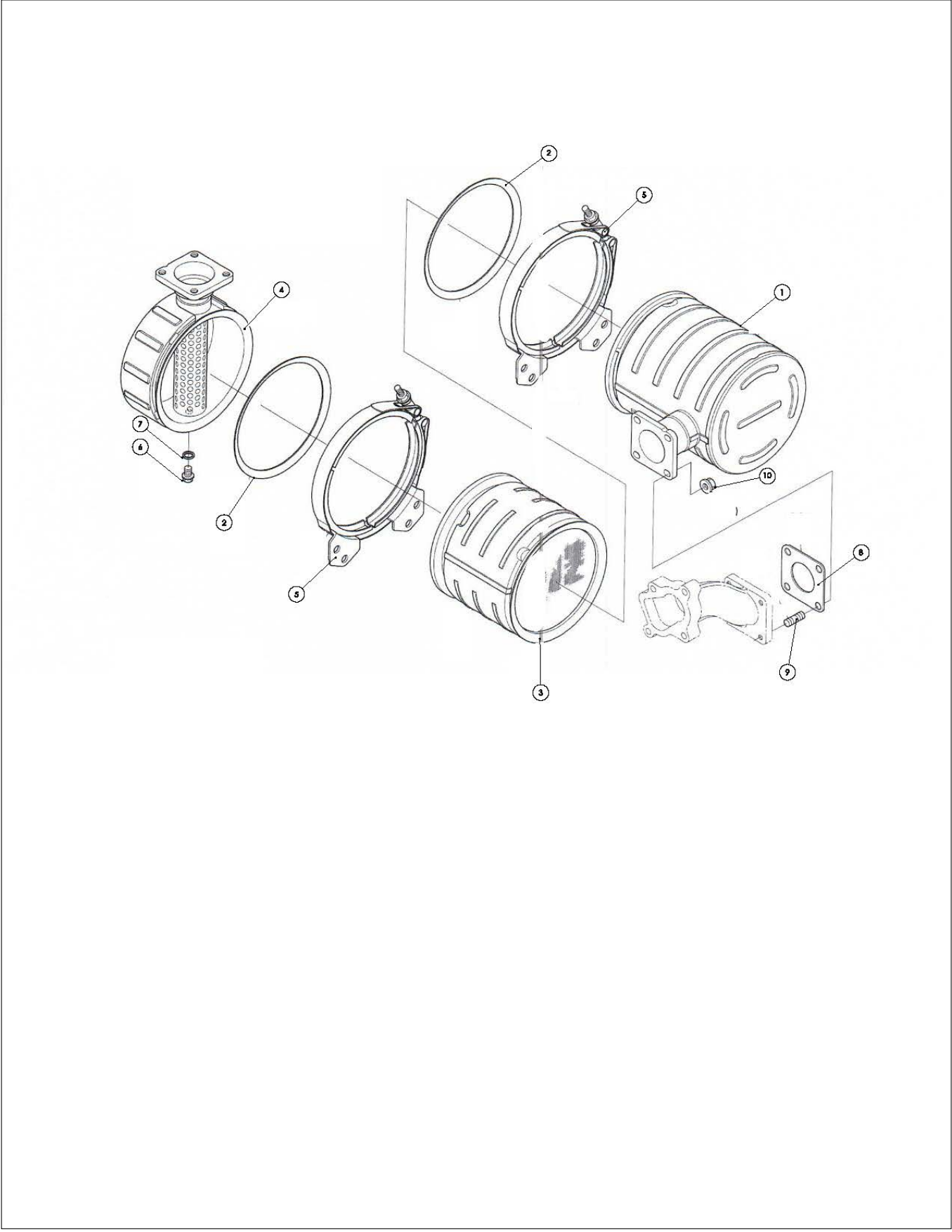
REPAIR PARTS

**NO IMAGE AVAILABLE
(BOM FOR REFERENCE ONLY)**

アイテム	部品番号	名前	数量	UOM
	7624794A	ENGINE KU V2403T W/RADIATOR REPLACEMT PARTS		EA
1	7630948	OIL DRAIN PLUG	1	EA
2	104673 105	FAN BELT	1	EA
3	0260466	THERMOSTAT GASKET	1	EA
4	067614 023	OIL PRESSURE SWITCH	1	EA
5	104673 113	OIL FILTER	1	EA
6	5089682	FUEL FILTER FOR V2403T	1	EA
7	104701 000	RADIATOR KIT	1	EA
Not Shown	104673 107	STARTER ASSY		EA
Not Shown	104673 108	ALTERNATOR ASSY		EA
Not Shown	104673 109	GLOW PLUG		EA
Not Shown	104673 111	FUEL STOP SOLENOID		EA
Not Shown	104673 116	FAN		EA

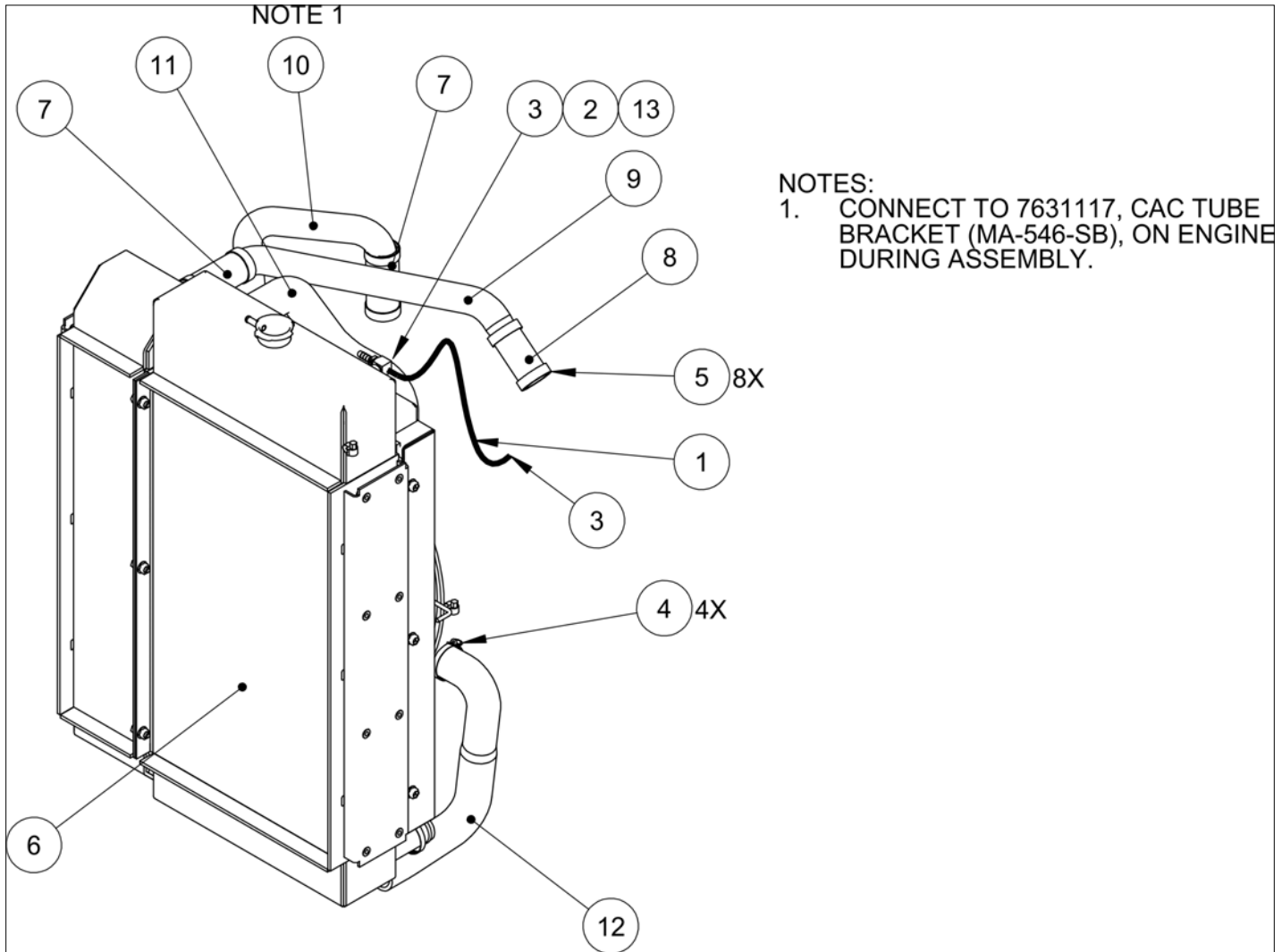
アイテム	部品番号	名前	数量	UOM
	0113824 D	FUEL SYSTEM KUBOTA V2403T4F ASSEMBLY		EA
1	0113823	BRKT, FUEL SYSTEM	1	EA
2	970029	BLT .25 20 .750	2	EA
3	970489	BLT HEXHD .375 16 1.50 GR5 PL	2	EA
4	972479	BLT HEXHD .375 16 1.25 GR5	2	EA
5	986299	WASHER, FLAT, .375 STANDARD, PLATED	4	EA
6	5018832	HOSE FUEL .38ID T3	52"	EA
7	5033026	.375 POLY T FITTING	2	EA
8	5550028	CLP WORM DRV .25 .63 .31 BAND	10	EA
9	5560004	NUT LKG .250 20	2	EA
10	5560033	.375 16UNC HEX LOCK NUT	4	EA
11	7630286	FILTER N LINE FUEL	1	EA
12	7631149	FUEL FILTER ASSY FOR V2403 T4	1	EA
13	7631152	WATER SEPARATOR ELEMENT FOR V2	1	EA

REPAIR PARTS



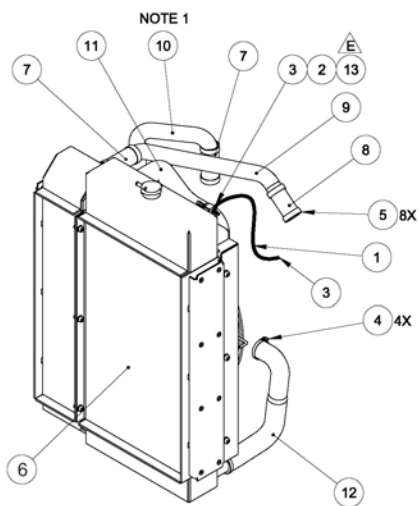
アイテム	部品番号	名前	数量	UOM
	MUFFLER FOR 7624796 ENGINE	DIESEL OXIDATION CATALYST MUFFLER KUBOTA V2403 CR T4B		EA
1	7631213	CATALYST KIT	1	EA
2	7631214	GASKET	2	EA
3	7631215	CATALYST, KIT	1	EA
4	7631216	BODY, KIT	1	EA
5	7631218	BRACKET (V BAND DPF)	1	EA
6	7631207	BOLT FLANGE	2	EA
7	7631208	PACKING	1	EA
8	7631221	GASKET, MUFFLER	1	EA
9	7631222	BOLT, STUD	1	EA
10	7631223	NUT, FLANGE	1	EA

REPAIR PARTS



アイテム	部品番号	名前	数量	UOM
	7631088 G	COOLING SYSTEM KUBOTA V2403 CR T1 SEPTEMBER 2017 AND AFTER		EA
1	5010011	HOSE SAE30R2 05 .312 FUEL	2	EA
2	5090032	FITTING BARBED 1/4" NPT X 3/16" BRASS	1	EA
3	5560028	CLP WORM DRV .25 .63 .31 BAND	2	EA
4	5550030	CLP WORM DRV 1.50 2.50 SAE#32	4	EA
5	5554379	CLAMP CHARGE AIR PIPES	8	EA
6	7631077	RADIATOR W/CAC	1	EA
7	7631078	RUBBER SLEEVE 1.5" X 4"	3	EA
8	7631079	RUBBER SLEEVE 1.375" X 4"	1	EA
9	7631080	TUBE TURBO TO CAC	1	EA
10	7631081	TUBE CAC TO INTAKE	1	EA
11	7631082	HOSE UPPER RAD	1	EA
12	7631083	HOSE LOWER RAD	1	EA
13	5090033	ADAPTER 90 ° ELBOW 1/4 NPT TO 1/4 ENPT	1	EA

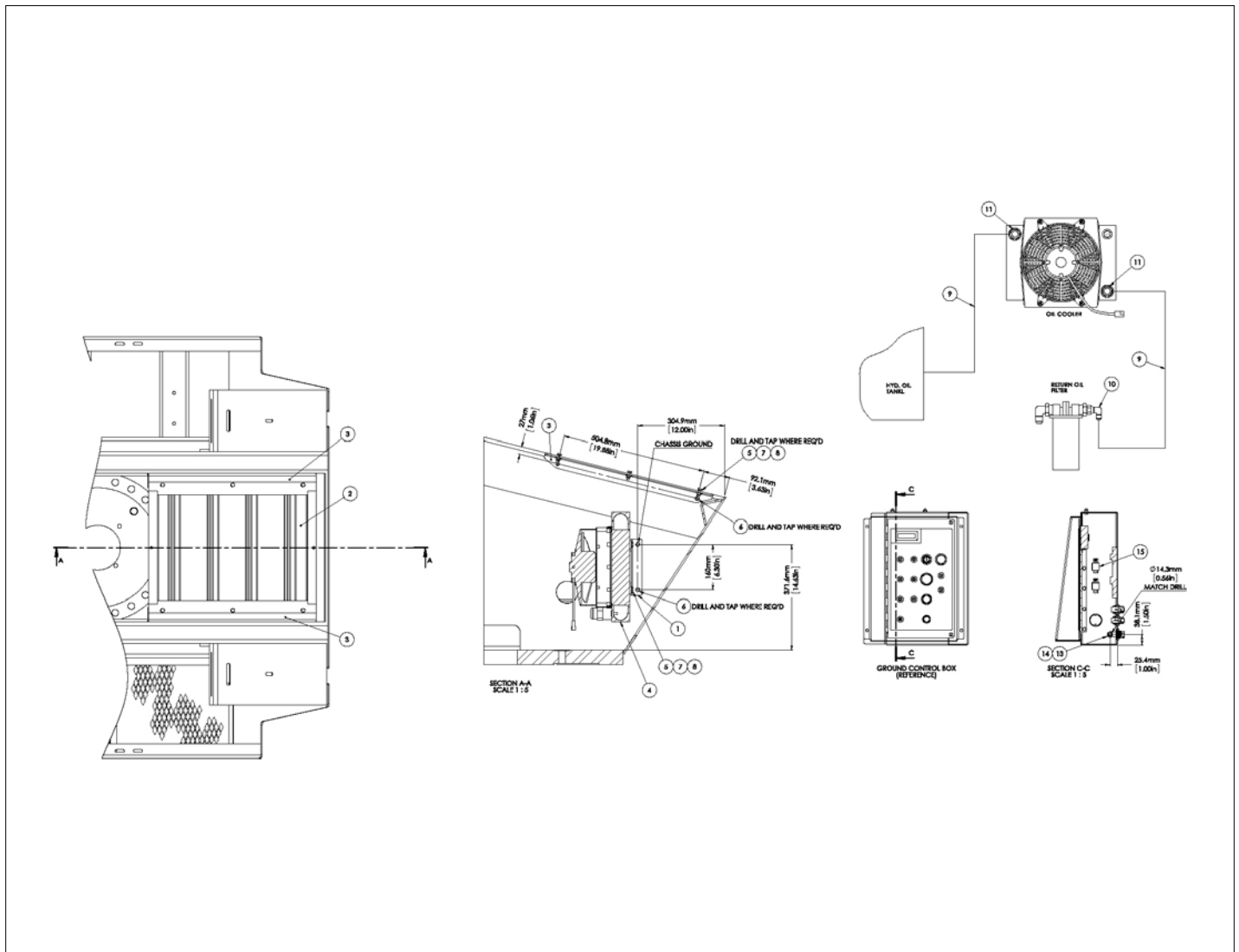
REPAIR PARTS



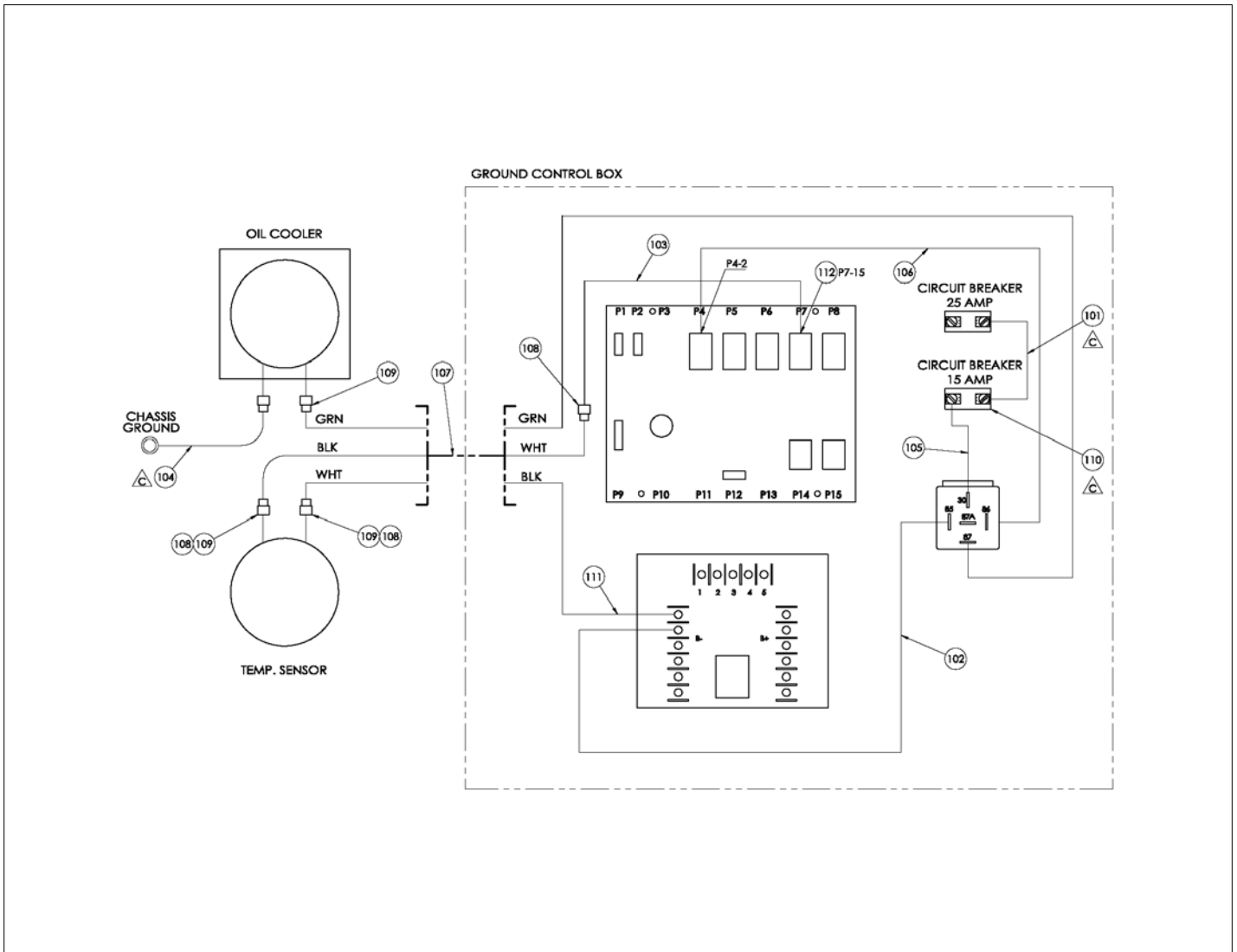
NOTES:
1. CONNECT TO 7631117, CAC TUBE BRACKET (MA-546-SB), ON ENGINE DURING ASSEMBLY.

アイテム	部品番号	名前	数量	UOM
	7631088 D	COOLING SYSTEM KUBOTA V2403 T4F		EA
1	5010011	HOSE SAE30R2 05 .312 FUEL	2	EA
2	5090032	FITTING BARBED 1/4" NPT X 3/16" BRASS	1	EA
3	5550006	CLP WORM DRV .38 .88 SAE#6	2	EA
4	5550030	CLP WORM DRV 1.50 2.50 SAE#32	4	EA
5	5554379	CLAMP CHARGE AIR PIPES	8	EA
6	7631077	RADIATOR W/CAC	1	EA
7	7631078	RUBBER SLEEVE 1.5" X 4"	3	EA
8	7631079	RUBBER SLEEVE 1.375" X 4"	1	EA
9	7631080	TUBE TURBO TO CAC	1	EA
10	7631081	TUBE CAC TO INTAKE	1	EA
11	7631082	HOSE UPPER RAD	1	EA
12	7631083	HOSE LOWER RAD	1	EA
13	5090033	ADAPTER 90 ° ELBOW 1/4 NPT TO 1/4 ENPT	1	EA

REPAIR PARTS



アイテム	部品番号	名前	数量	UOM
	0113855 C	OIL COOLER INSTALLATION		EA
1	5516372	BRKT, HYD COOLER MNT	2	EA
2	0190549	SHROUD WELDMENT	1	EA
3	5516373	BRKT, SHROUD MOUNT	2	EA
4	6050010	OIL COOL W 12V FAN	1	EA
5	970369	BLT HEXHD .313 18 X 1.00 GR5	10	EA
6	970239	BLT HEXHD .313 18 .750 GR5	8	EA
7	986269	WSHR FLAT .313	14	EA
8	5560031	NUT HEX LKG .313 18	10	EA
9	0190916	HOSE 20 20S 20S 106	2	EA
10	5037011	FTG ELB90SWVL 20S 20S STL PH 2	1	EA
11	5065737	FTG, HYD 16 MB TO 20 MJIC	2	EA
Not Shown	0113961	PLACARD OIL COOLER 15 AMP	1	EA
13	3040187	CONN .500 .313 .438	1	EA
14	3040070	NUT LKG HUB .500 APPLETON: P/N BL50 REG 801	1	EA
15	3040469	RELAY SPDT 12V 30AMP SONG	1	EA
101	0071583	WIRE 12 R8I R8I 5	1	EA
102	0073885	WIRE 16 R6I FEM250FI 18	1	EA
103	0101800	WIRE 16 FEM250I NONE 12	1	EA
104	0113962	WIRE 12 F250I R.313I 14 BLK	1	EA
105	0152564	WIRE 12 R61 REM250FI 19	1	EA
106	0260976	WIRE 16GA FEM250FI AMP SOCKET 16	1	EA
107	3010033	CABLE 14GA/3 CONDUCTOR WIRE TYPE SJ	16FT	EA
108	3040082	TERM MALE250FI 16/14	3	EA
109	3040083	TERM FEM250FI 16/14	4	EA
110	3040252	Circuit Breaker 15AMP	1	EA
111	3044160	TERM R8I 16/14	1	EA



アイテム	部品番号	名前	数量	UOM
112	3049986	AMP SOCKET CONTACT	1	EA

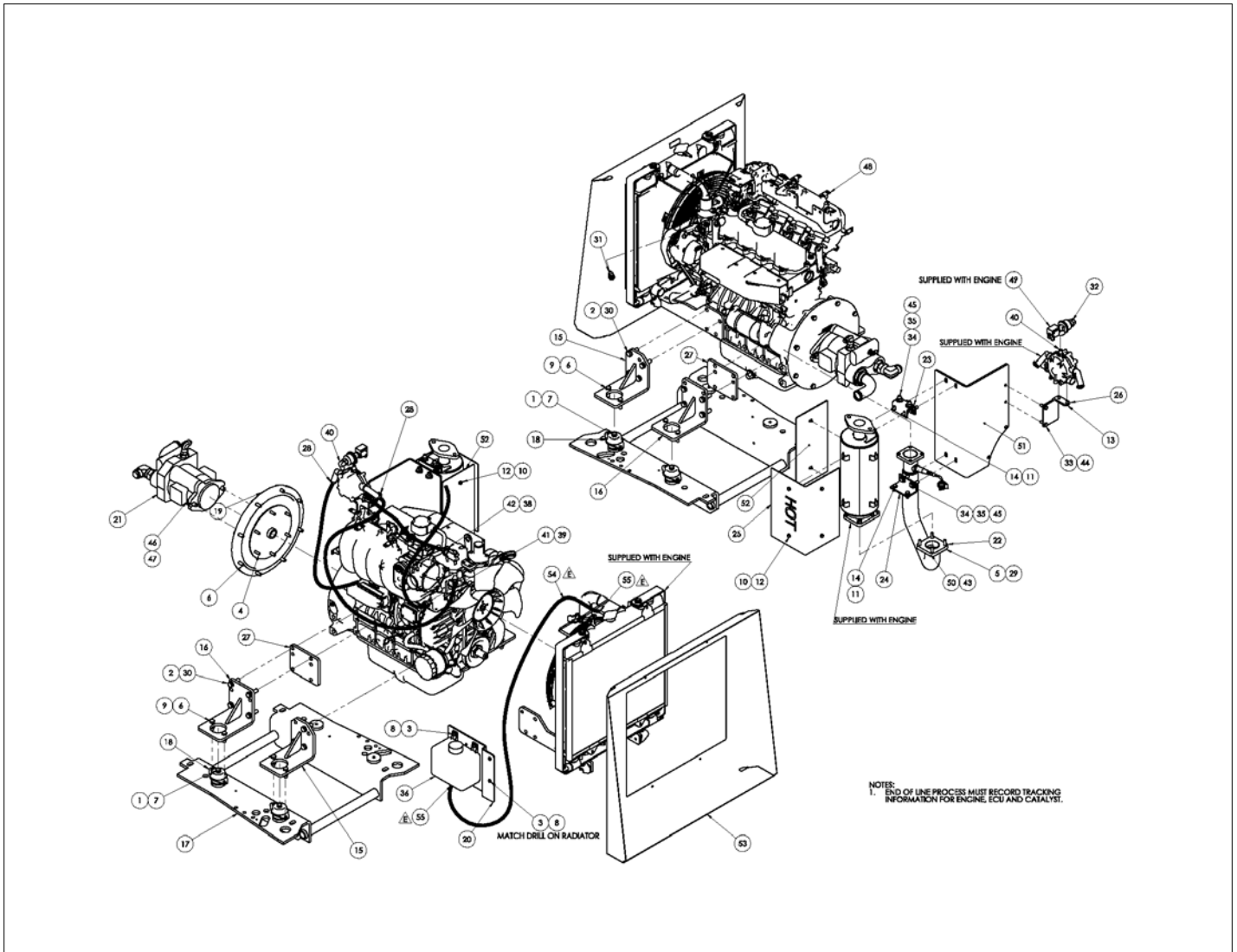
REPAIR PARTS



アイテム	部品番号	名前	数量	UOM
	7624796	V2403 CR TIER 4B KUBOTA ENGINE REPLACEMENT PARTS		EA
1	7631293	CLAMP HOSE	1	EA
2	7631294	BAND HOSE	1	EA
3	7631295	BAND CLAMP	1	EA
4	7631297	UPPER HOUSING COVER	1	EA
5	7631319	TURBO GASKET	1	EA
6	7631332	GAUGE ENG OIL	1	EA
7	7631337	COMP FLANGE WATER	1	EA
8	7631344	ASSY PUMP WATER	1	EA
9	7631345	ASSY PUMP FUEL	1	EA
10	7631351	ASSY THERMOSTAT	1	EA
11	7631353	COLLOR FAN	1	EA
12	7631354	TURBO GASKET	1	EA
13	7631355	MANIFOLD EXHAUST	1	EA
14	7631356	TUBE	1	EA
15	7631357	HOSE	1	EA
16	7631358	HOSE	1	EA
17	7631359	TURBO CHARGER ASSY	1	EA
18	7631360	PIPE ASSY	1	EA
19	7631361	PIPE COMP	1	EA
20	7631362	GASKET ENG OIL	1	EA
21	7631369	AIR FILTER BRACKET	1	EA

アイテム	部品番号	名前	数量	UOM
	104701 000 b	RADIATOR KUBOTA V2403		EA
1	1431994	RADIATOR CAP	1	EA
2	1430538	HOSE, WATER	1	EA
3	1430539	HOSE, WATER	1	EA
4	1430541	CUSHION	4	EA
5	1430542	CUSHION	2	EA
6	1430543	CUSHION	1	EA
7	1430544	SUPPORT 1, RADIATOR	1	EA
8	1430545	SUPPORT 2, RADIATOR	1	EA
9	1430546	STAY	1	EA
10	1430547	STAY 1, RADIATOR	2	EA
11	1430548	STAY 2, RADIATOR	1	EA
12	1430549	STAY 3, RADIATOR	2	EA
13	1430550	SUPPORT IN, RADIATOR	1	EA
14	1430551	SUPPORT EX, RADIATOR	1	EA
15	1430552	NET, RADIATOR	1	EA
16	1430553	COVER, FAN	1	EA

REPAIR PARTS

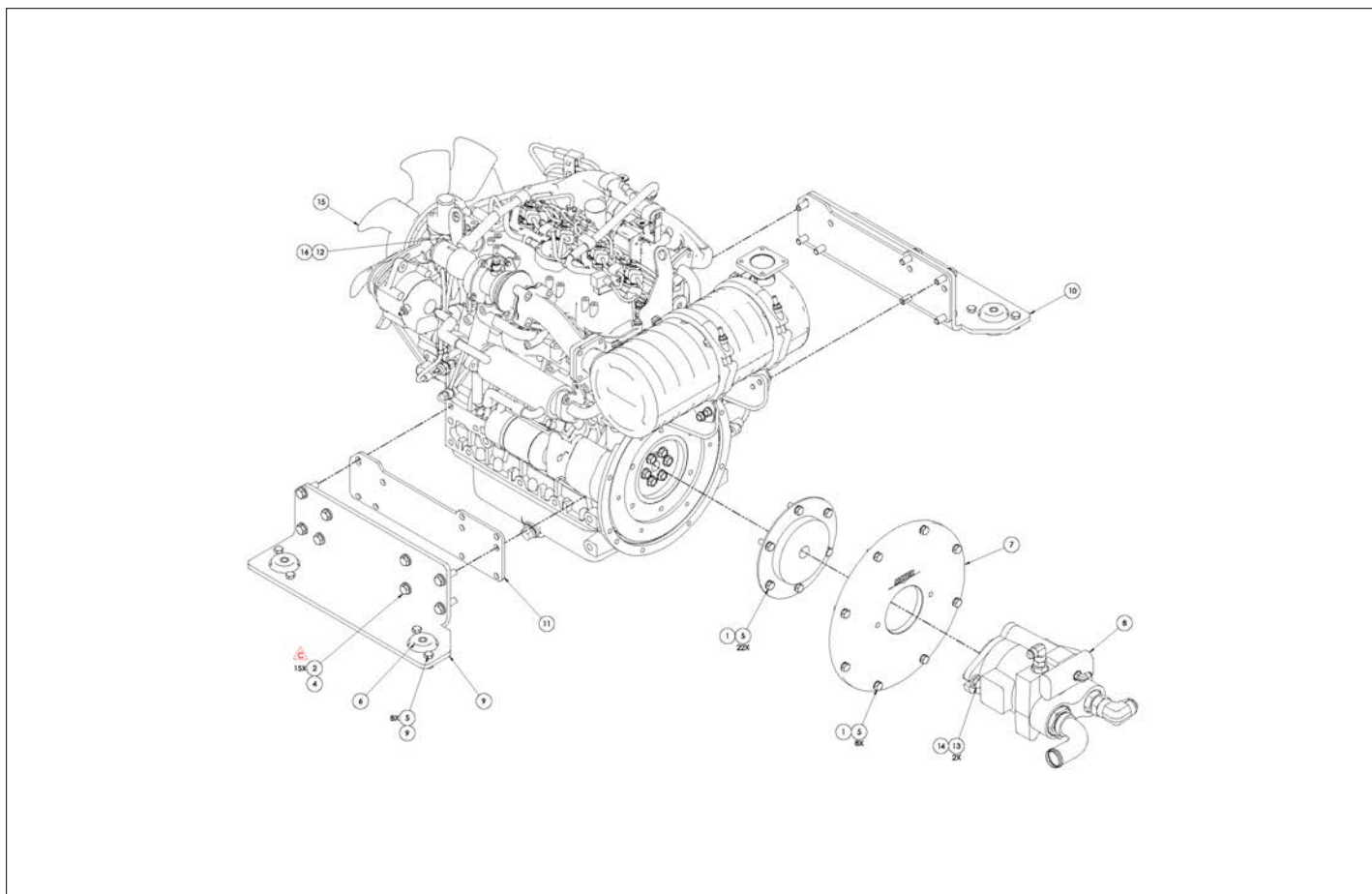


アイテム	部品番号	名前	数量	UOM
	0113872 E	WG2503 ENGINE SUB ASSEMBLY SN TB86J 04 170400250 AND AFTER		EA
1	056021 010	Washer, SpringWasher DIN127B M	4	EA
2	056021 012	Washer, SpringWasher DIN127B M	15	EA
3	056058 018	BOLT, HEXBOLT DIN 931 M6 X 16MM 8.8 ZP	5	EA
4	058492 025	BOLT HEXSETSCREW DIN933 M8 X 25MM 8.8 ZP	6	EA
5	056059 035	BOLT HEXSETSCREW DIN933 M8 X 35MM 8.8 ZP	4	EA
6	5563898	HHCS M10 X 35 G10.9 DIN 931	16	EA
7	056060 065	Bolt, HexBolt DIN931 M10 x 65mm 8.8 ZincPlated	4	EA
8	056066 006	Nut NylockNut DIN985 M6 8.0 Zi	5	EA
9	056066 010	Nut, NylockNut DIN985 M10 8.0ZincPlated	8	EA
10	056069 006	WSHR STEELFLATWSHE M6 DIN125A	6	EA
11	056069 008	WASHER, STEELFLATWASHER DIN12M8 FLAT WASHER DIN 125	4	EA
12	058491 012	BLT HEXHD M6 1.0 X 12MM DIN933 GR8.8 ZP	6	EA
13	058491 016	BOLT HEXSETSCREW DIN933 M6 X 16MM 8.8 ZP	2	EA
14	058492 020	Bolt HexSetScrew DIN933 M8 x 2	4	EA
15	0075737	WLDMT, ENGINE BRACKET FRONT	2	EA
16	0075738	WLDMT, ENGINE MOUNT REAR	2	EA
17	0075745	WLDMT, KU ENGINE MOUNT	1	EA
18	100209 000	ISOLATOR ENGINE	4	EA
19	104703 000	HOUSING ADAPTER KIT AB62 POLARIS HAYES	1	EA

アイテム	部品番号	名前	数量	UOM
20	104883 000	OVER FLOW BOTTLE BRKT	1	EA
21	0111578	PUMP SUB ASSEMBLY TB80/85J	1	EA
22	0113887	WLDMT PIPE CAT MUF	1	EA
23	0182505	BRKT MOUNT CAT/MUF UPPER	2	EA
24	0182506	BRKT MOUNT CAT/MUF LOWER	1	EA
25	0182507	PLT SHROUD CAT/MUF	1	EA
26	0182508	BRKT REGULATOR MOUNT	1	EA
27	0421796	REAR MOTOR MOUNT ENGINE PAD	2	EA
28	457406	CLP WORM DRV .50 1.25 SAE#12	4	EA
29	510589 008	NUT, HEX, SELF LOCK, M8 X 1.25 DIN 980	4	EA
30	513133 040	BOLT HEXHD M12X1.25X40MM DIN 960	15	EA
31	560395	TEMP SENSOR	1	EA
32	564266	FTG ELB90 SAE45 6 LPG 4N BR	1	EA
33	970369	BLT HEXHD .313 18 X 1.00 GR5	2	EA
34	972479	BLT HEXHD .375 16 1.25 GR5	6	EA
35	986299	WASHER, FLAT, .375 STANDARD, PLATED	12	EA
36	1430527	FLUID RESERVOIR	1	EA
Not Shown	5010002	HOSE 15/32 id EMISSION CONTROL 24 in	1	EA
38	5018829	HOSE .75 ID LPG	1.75'	EA
39	5018877	HOSE 5/8 HEATER	5.33'	EA
40	5067021	FTG NIP MALE 4N 4N BRASS	1	EA
41	5550010	CLP WORM DRV .50 1.06 SAE#10	2	EA
42	5550020	CLP WORM DRV .75 1.75 SAE#20	2	EA
43	5550030	CLP WORM DRV 1.50 2.50 SAE#32	2	EA

アイテム	部品番号	名前	数量	UOM
44	5560031	NUT HEX LKG .313 18	2	EA
45	5560033	.375 16UNC HEX LOCK NUT	6	EA
46	5560136	HEX HEAD CAP SCREW, DRILLED, .500 13 UNITIFIED NATIONAL COURSE, STEEL, GR 5, 1.25 LG.	2	EA
47	5560168	WSHR FLAT HARD .500 SP	2	EA
48	7624795	WG2503 KUBOTA DUAL FUEL ENGINE WITH RADIATOR REPLACEMENT PARTS	1	EA
49	7630705	Filter Lock	REF	EA
50	7631066	EXHAUST WRAP 2"	0.5	EA
51	0113889	BRKT MOUNT CAT MUF	1	EA
52	0113906	PLATE HEAT SHIELD	1	EA
53	0084717	SHROUD KU	1	EA
54	5010011	HOSE SAE30R2 05 .312 FUEL	2FT	EA
55	5550028	CLP WORM DRV .25 .63 .31 BAND	2	EA

REPAIR PARTS



アイテム	部品番号	名前	数量	UOM
	0113780C	ENGINE KU WG2503 DUAL FUEL ASSEMBLY SN TB86J 04 170400250 AND AFTER		EA
1	056021 010	Washer, SpringWasher DIN127B M	14	EA
2	513133 040	BOLT HEXHD M12X1.25X40MM DIN 960	15	EA
3	056066 010	Nut, NylockNut DIN985 M10 8.0ZincPlated	8	EA
4	056069 012	WASHER DIN125A M12 ZP	15	EA
5	058493 025	HHCS M10 X 25MM GR10.9 DIN933	6	EA
6	100209 000	ISOLATOR ENGINE	4	EA
7	104703 000	HOUSING ADAPTER KIT AB62 POLARIS HAYES	1	EA
8	0111578	PUMP SUB ASSEMBLY TB80/85J	1	EA
9	0113802	BRKT LEFT ENGINE MOUNT KU T4F	1	EA
10	0113803	BRKT RIGHT ENGINE MOUNT KU T4F	1	EA
11	0113805	PLT ENGINE SPACER KU T4F	2	EA
12	5090032	FITTING BARBED 1/4" NPT X 3/16" BRASS	1	EA
13	5560136	HEX HEAD CAP SCREW, DRILLED, .500 13 UNIFIED NATIONAL COURSE, STEEL, GR 5, 1.25 LG.	2	EA
14	5560168	WSHR FLAT HARD .500 SP	2	EA
15	7624796	V2403 CR TIER 4B KUBOTA ENGINE REPLACEMENT PARTS	1	EA
16	7714535	FTG REDUCER BSHG 6N 4N BR	1	EA

REPAIR PARTS

NO IMAGE AVAILABLE
(BOM FOR REFERENCE ONLY)

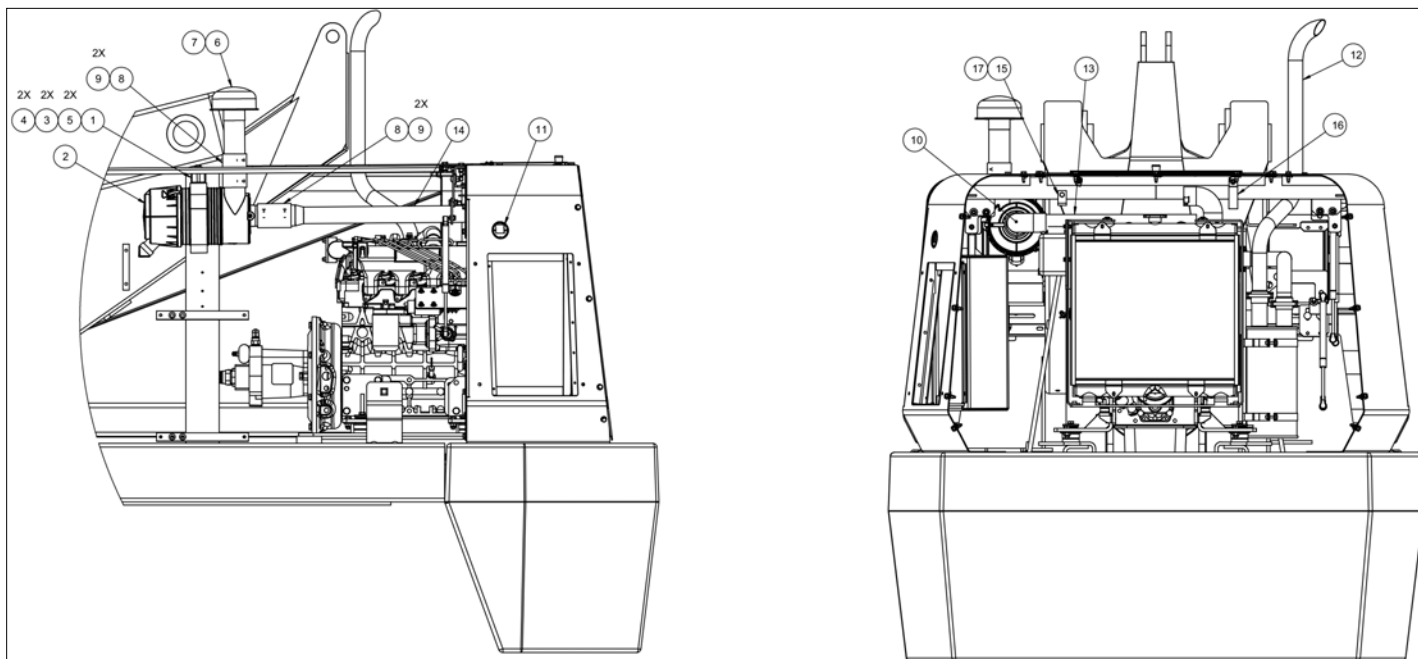
アイテム	部品番号	名前	数量	UOM
	7624795B	KUBOTA ENGINE DUAL FUEL WITH RADIATOR WG2503 REPLACEMENT PARTS		EA
1	7631056	SPARK PLUG	4	EA
2	7631170	FUEL INJECTOR	1	EA
3	7631171	CRANKSHAFT POSITION SENSOR	1	EA
4	7631174	CAMSHAFT POSITION SENSOR	1	EA
5	7631172	TMAP SENSOR	1	EA
6	7631053	MANIFOLD FUEL PRESSURE	1	EA
7	7631034	TEMPERATURE SENSOR	1	EA
8	7631049	LOCKOFF VALVE LP	1	EA
9	7631175	THERMOSTAT	1	EA
10	7631176	ALTERNATOR ASSY	1	EA
11	7631177	ECU WG2503	1	EA
12	7631179	WATER PUMP ASSY	1	EA
13	7630953	PRE FUEL FILTER	1	EA
14	7631033	IGNITION COIL	4	EA
15	7631037	OXYGEN SENSOR	2	EA
16	7631038	FUEL PUMP	1	EA
17	7631035	OIL PRESSURE SWITCH	1	EA
18	7631041	REGULATOR	1	EA
19	0260466	THERMOSTAT GASKET	1	EA
20	104673 107	STARTER ASSY	1	EA
21	7631178	WIRING HARNESS WG2503	1	EA
22	7631036	EXH MANIFOLD GASKET	1	EA
23	7631039	GASKET CAT INLET	1	EA
24	7631040	GASKET CAT OUTLET	1	EA
25	7631042	CAT MUFFLER	1	EA

REPAIR PARTS

NO IMAGE AVAILABLE
(BOM FOR REFERENCE ONLY)

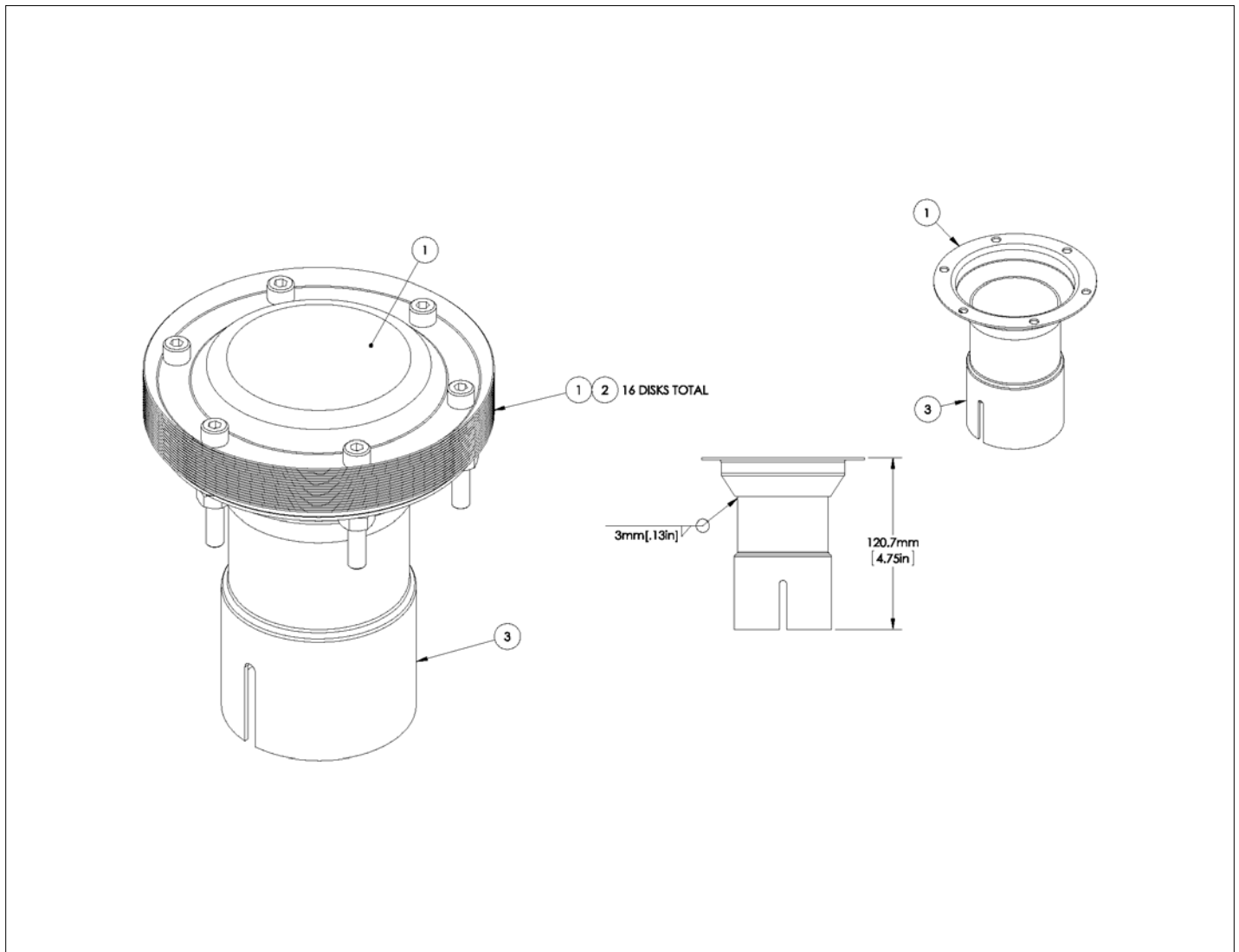
アイテム	部品番号	名前	数量	UOM
	7624795	WG2503 KUBOTA DUAL FUEL ENGINE WITH RADIATOR REPLACEMENT PARTS		EA
1	7631297	UPPER HOUSING COVER	1	EA
2	7631334	THERMOSTAT ASSY	1	EA
3	7631337	COMP FLANGE WATER	1	EA
4	7631340	HOSE	2	EA
5	7631346	CLAMP HOSE	1	EA
6	7631332	GAUGE ENG OIL	1	EA
7	7631363	ASSY ALTERNATOR	1	EA
8	7631365	RADIATOR SHROUD	1	EA
9	7631367	REGULATOR ASSY (DEPR)	1	EA
10	7631368	MANIFOLD EXHAUST	1	EA

REPAIR PARTS



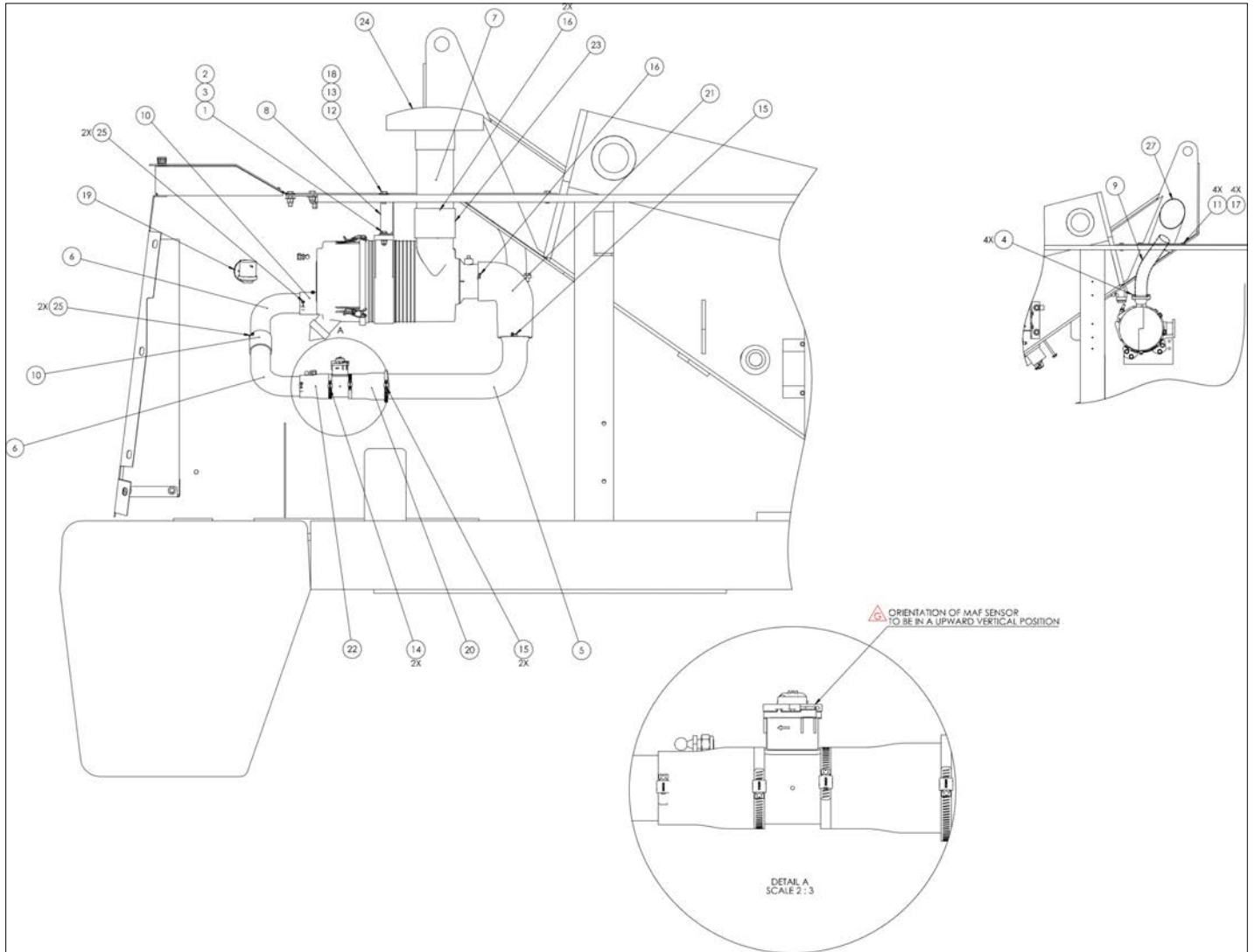
アイテム	部品番号	名前	数量	UOM
Not Shown	0113492 D	EXHAUST AIR CLEANER INSTALLATION KUBOTA		EA
1	0075766	SPACER, KU AIR CLEANER	1	EA
2	7630755	AIR CLEANER CUMMINS 3.3 KUBOTA WG2403 TIER 3 AND TIER 4 ASSEMBLY	1	EA
3	970349	BLT HEXHD .313 18 2.75 GR5	2	EA
4	986269	WSHR FLAT .313	2	EA
5	5560031	NUT HEX LKG .313 18	3	EA
6	7630024	HOODAIR INLET FOR AIR CLEANER	1	EA
7	0182043	TUBE, AIR INLET AB60J FO	1	EA
8	7630158	HOSE RADIATOR 2.5 ID BULK	8IN	EA
9	5550040	CLP WORM DRV 2.00 3.00 SAE#40	4	EA
10	104754 000	90 ° ELBOW 2INCH ID	1	EA
11	7630140	FILTER MINDER GAUGE AIR CLNR	1	EA
12	0113493	PIPE, EXHAUST KU	1	EA
13	0113494	AIR INLET PIPE, 2"OD X 19LG	1	EA
14	0113495	AIR INLET PIPE, 2.5"/2"OD X 24LG	1	EA
15	0074632	ANGLE BRACE	1	EA
16	5093030	CLP CUSH 2.50 VINYL COATED	1	EA
17	970239	BLT HEXHD .313 18 .750 GR5	1	EA

REPAIR PARTS



アイテム	部品番号	名前	数量	UOM
*	7630797 D	SUPERTRAPP MUFFLER ADAPTER		EA
1	7631086	SUPERTRAPP, 2.5" OD	1	EA
2	7631087	SUPERTRAPP, 6 DISK	2.67	EA
3	7631084	MUFFLER ADAPTOR PIPE	1	EA

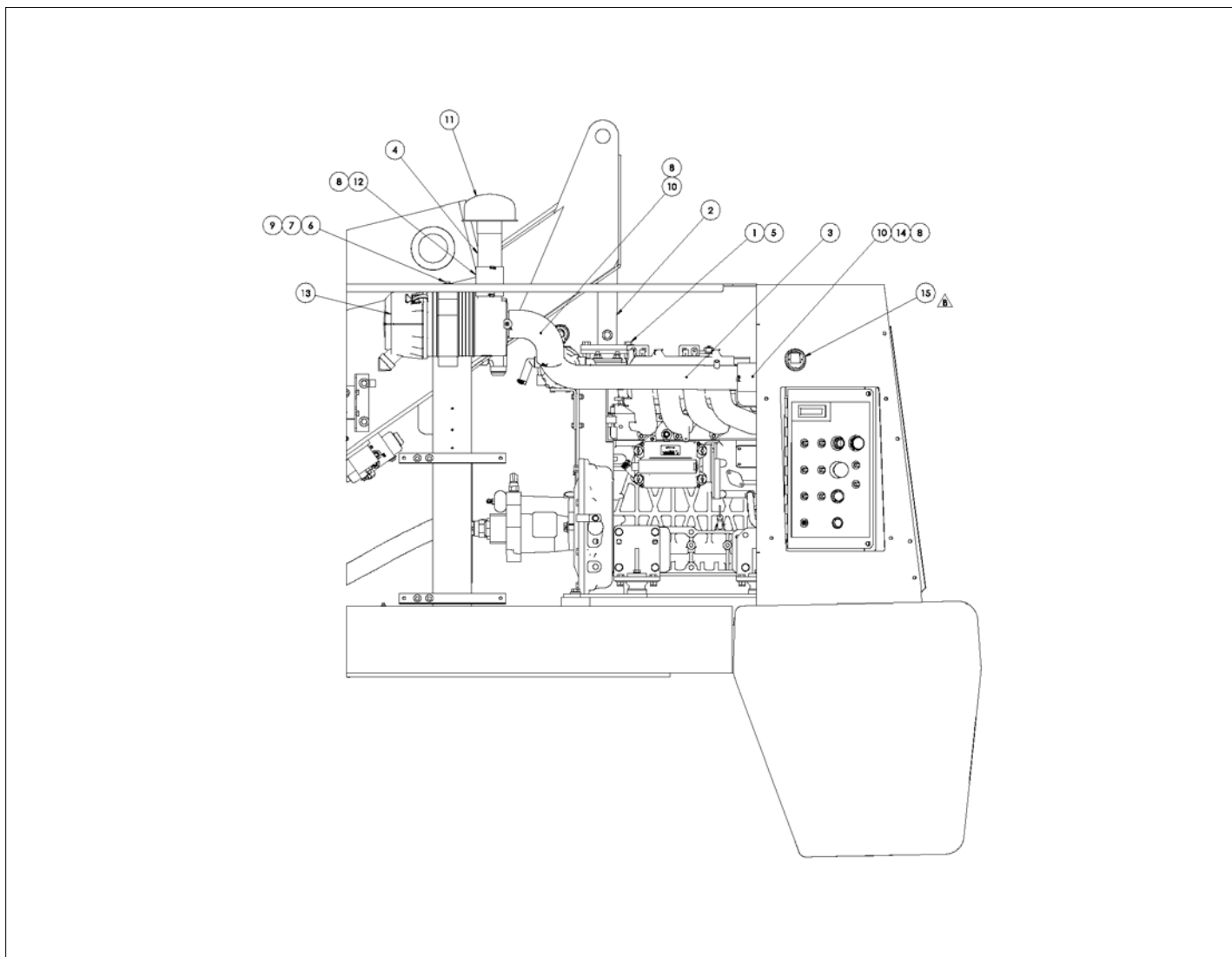
REPAIR PARTS



アイテム	部品番号	名前	数量	UOM
	0113784 H	AIR CLEANER EXHAUST TB86J KUBOTA T4F JANUARY 2020 AND AFTER		EA
1	056059 030	Bolt, HexBolt DIN931 M8 x 30mm	2	EA
2	056066 008	NUT NYLOCKNUT DIN985 M8 8.0 ZP	2	EA
3	056069 008	WASHER, STEELFLATWASHER DIN12M8 FLAT WASHER DIN 125	2	EA
4	058492 016	HHCS M8 x 1.25 X 16GR 8.8 DIN933	4	EA
5	0113838	PIPE INTAKE LONG T4F	1	EA
6	0113839	PIPE INTAKE SHORT T4F	2	EA
7	0113879 8	PIPE 3.75 OD .065 WALL 8 LG	1	EA
8	0113881 8	WLDMT, AIR CLEANER MOUNT T4F	1	EA
9	0113984	WLDMT TAIL PIPE T4F	1	EA
10	0192667	HOSE FLEX 2.00 I.D. 2IN LG	2	EA
11	970239	BLT HEXHD .313 18 .750 GR5	4	EA
12	970469	HHD BLT .375 16 X 1.00 GR5	2	EA
13	986299	WASHER, FLAT, .375 STANDARD, PLATED	4	EA
14	5550040	CLP WORM DRV 2.00 3.00 SAE#40	2	EA
15	5550050	CLP WORM DRV 2.75 3.75 SAE#52	2	EA
16	5550060	CLP WORM DRV 2.50 4.50 SAE#64	3	EA
17	5560031	NUT HEX LKG .313 18	1	EA
18	5560033	.375 16UNC HEX LOCK NUT	2	EA
19	7630140	FILTER MINDER GAUGE AIR CLNR	1	EA
20	7630838	RDCR 2.50/2.25 ID	1	EA
21	7630914	90 <MOD DEG>ELBOW REDUCER	1	EA

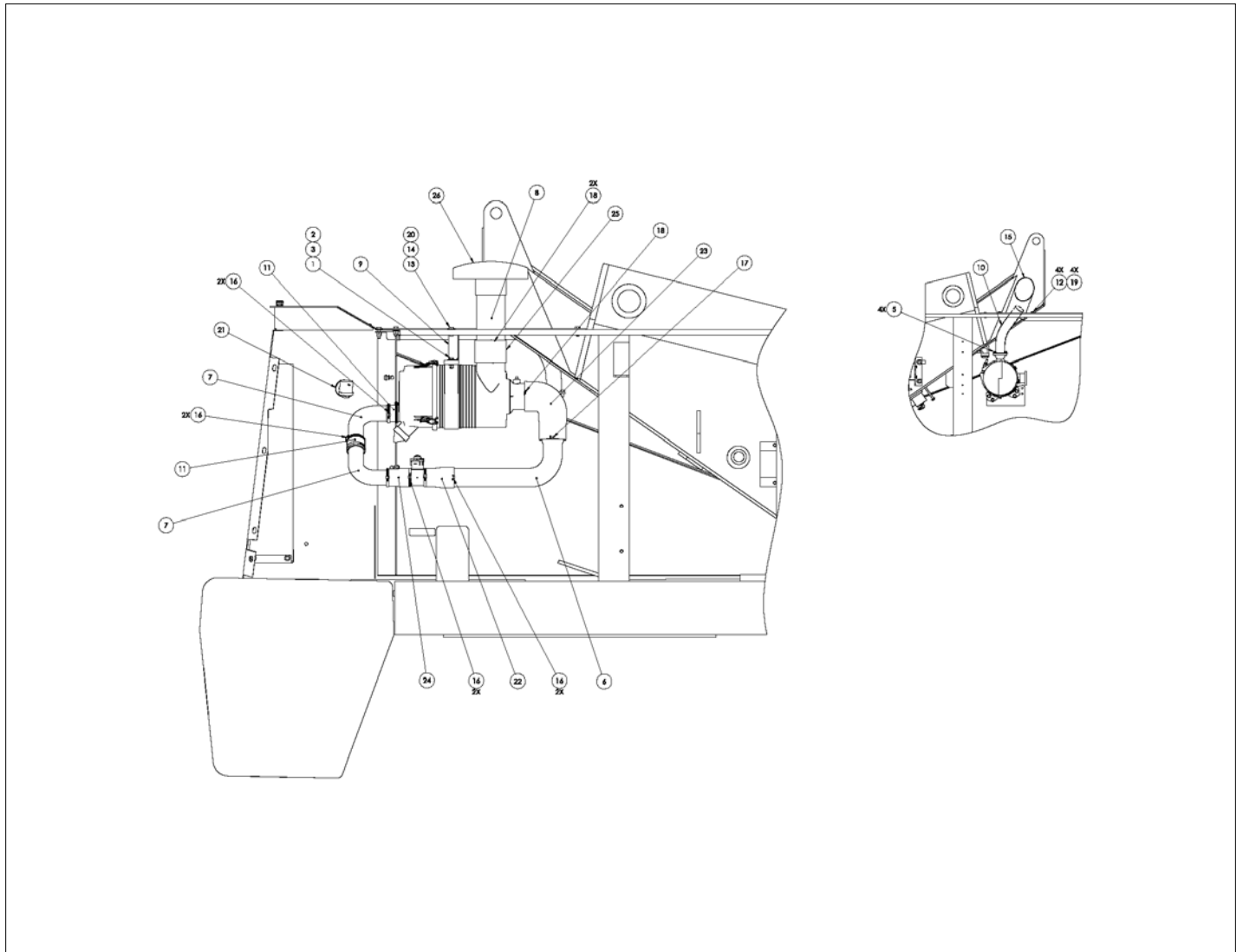
アイテム	部品番号	名前	数量	UOM
22	7631098	RDCR 2.25 X 2.00 ID	1	EA
23	7631099	HOSE INTAKE 3.75 ID	1	EA
24	7631102	RAIN CAP 3.75OD	REF	EA
25	5550030	CLP WORM DRV 1.50 2.50 SAE#32	5	EA
26	056069 010	Washer, SteelFlatWasher DIN125A M10 ZincPlated	2	EA
27	1431073 3	MUFFLER WA BLK	1	EA

REPAIR PARTS



アイテム	部品番号	名前	数量	UOM
	0113901 B	AIR CLEANER/EXHAUST ASSEMBLY DF		EA
1	058494 045	BOLT, HEXSETSCREW DIN933 M12 X 45 8.8 ZINCPLATED	2	EA
2	0113890	WLDMT EXHAUST PIPE DF	1	EA
3	0113892	WLDMT PIPE AIR INTAKE	1	EA
4	0182043	TUBE, AIR INLET AB60J FO	1	EA
5	510589 012	NUT, ALLMETLOCKNUT DIN980 M12 10.0 ZINCPLATED	2	EA
6	970239	BLT HEXHD .313 18 .750 GR5	2	EA
7	986269	WSHR FLAT .313	2	EA
8	5550040	CLP WORM DRV 2.00 3.00 SAE#40	6	EA
9	5560031	NUT HEX LKG .313 18	2	EA
10	7630015	ELBOW 90' 2.5	2	EA
11	7630024	HOODAIR INLET FOR AIR CLEANER	1	EA
12	7630158	HOSE RADIATOR 2.5 ID BULK	3	EA
13	7630755	AIR CLEANER CUMMINS 3.3 KUBOTA WG2403 TIER 3 AND TIER 4 ASSEMBLY	1	EA
14	7631131	INSERT RUBBER 2.5/2.25	1	EA
15	7630140	FILTER MINDER GAUGE AIR CLNR	1	EA

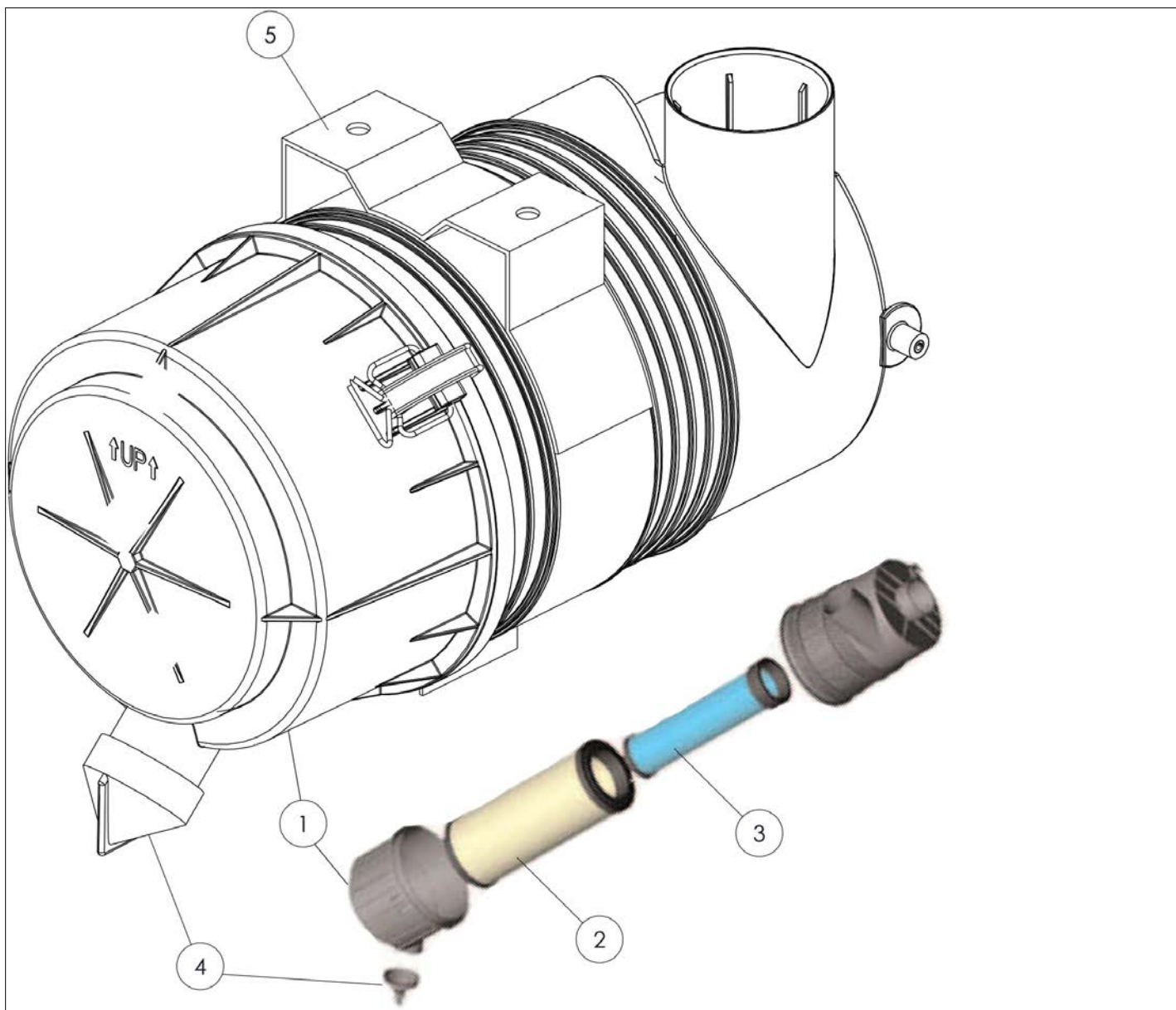
REPAIR PARTS



アイテム	部品番号	名前	数量	UOM
	0113784 F	AIR CLEANER/EXHAUST KU T4F		EA
1	056059 030	Bolt, HexBolt DIN931 M8 x 30mm	2	EA
2	056066 008	NUT NYLOCKNUT DIN985 M8 8.0 ZP	2	EA
3	056069 008	WASHER, STEELFLATWASHER DIN12M8 FLAT WASHER DIN 125	2	EA
Not Shown	056069 010	Washer, SteelFlatWasher DIN125A M10 ZincPlated	2	EA
5	058492 016	HHCS M8 x 1.25 X 16GR 8.8 DIN933	4	EA
6	0113838	PIPE INTAKE LONG T4F	1	EA
7	0113839	PIPE INTAKE SHORT T4F	2	EA
8	0113879	PIPE 3.75OD .065 WALL 8 LG	1	EA
9	0113881	WLDMT, AIR CLEANER MOUNT T4F	1	EA
10	0113984	WLDMT TAIL PIPE T4F	1	EA
11	0192667	HOSE FLEX 2.00 I.D. 2IN LG	2	EA
12	970239	BLT HEXHD .313 18 .750 GR5	4	EA
13	970469	HHD BLT .375 16 X 1.00 GR5	2	EA
14	986299	WASHER, FLAT, .375 STANDARD, PLATED	4	EA
15	1431073	MUFFLER WA	1	EA
16	5550040	CLP WORM DRV 2.00 3.00 SAE#40	8	EA
17	5550050	CLP WORM DRV 2.75 3.75 SAE#52	1	EA
18	5550060	CLP WORM DRV 2.50 4.50 SAE#64	3	EA
19	5560031	NUT HEX LKG .313 18	4	EA
20	5560033	.375 16UNC HEX LOCK NUT	2	EA
21	7630140	FILTER MINDER GAUGE AIR CLNR	1	EA
22	7630838	RDCR 2.50/2.25 ID	1	EA

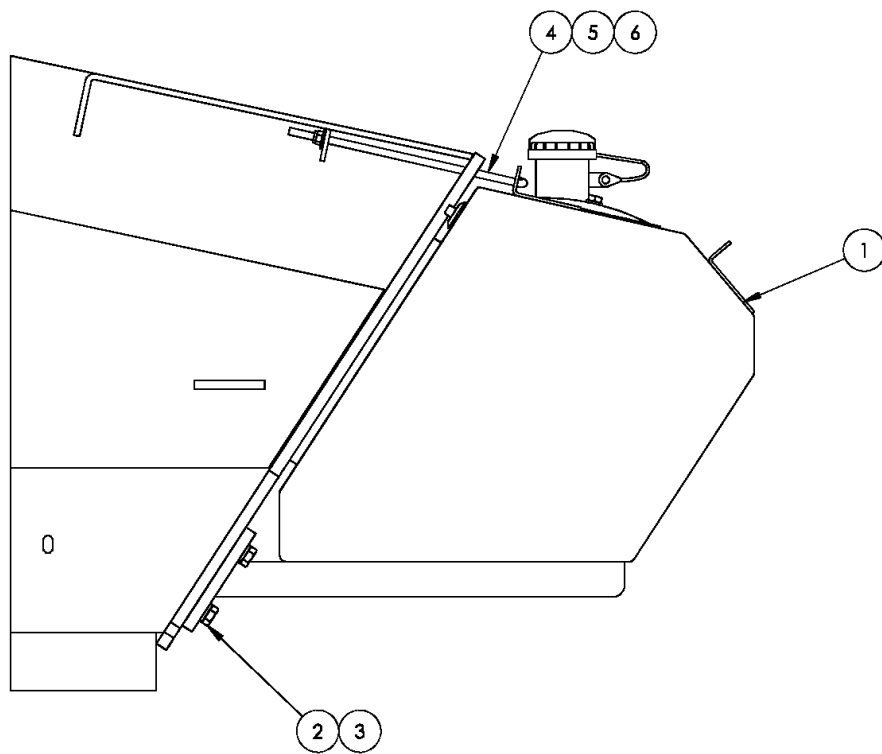
アイテム	部品番号	名前	数量	UOM
23	7630914	90 <MOD DEG>ELBOW REDUCER	1	EA
24	7631098	RDCR 2.25 X 2.00 ID	1	EA
25	7631099	HOSE INTAKE 3.75 ID	1	EA
26	7631102	RAIN CAP 3.75OD	REF	EA

REPAIR PARTS



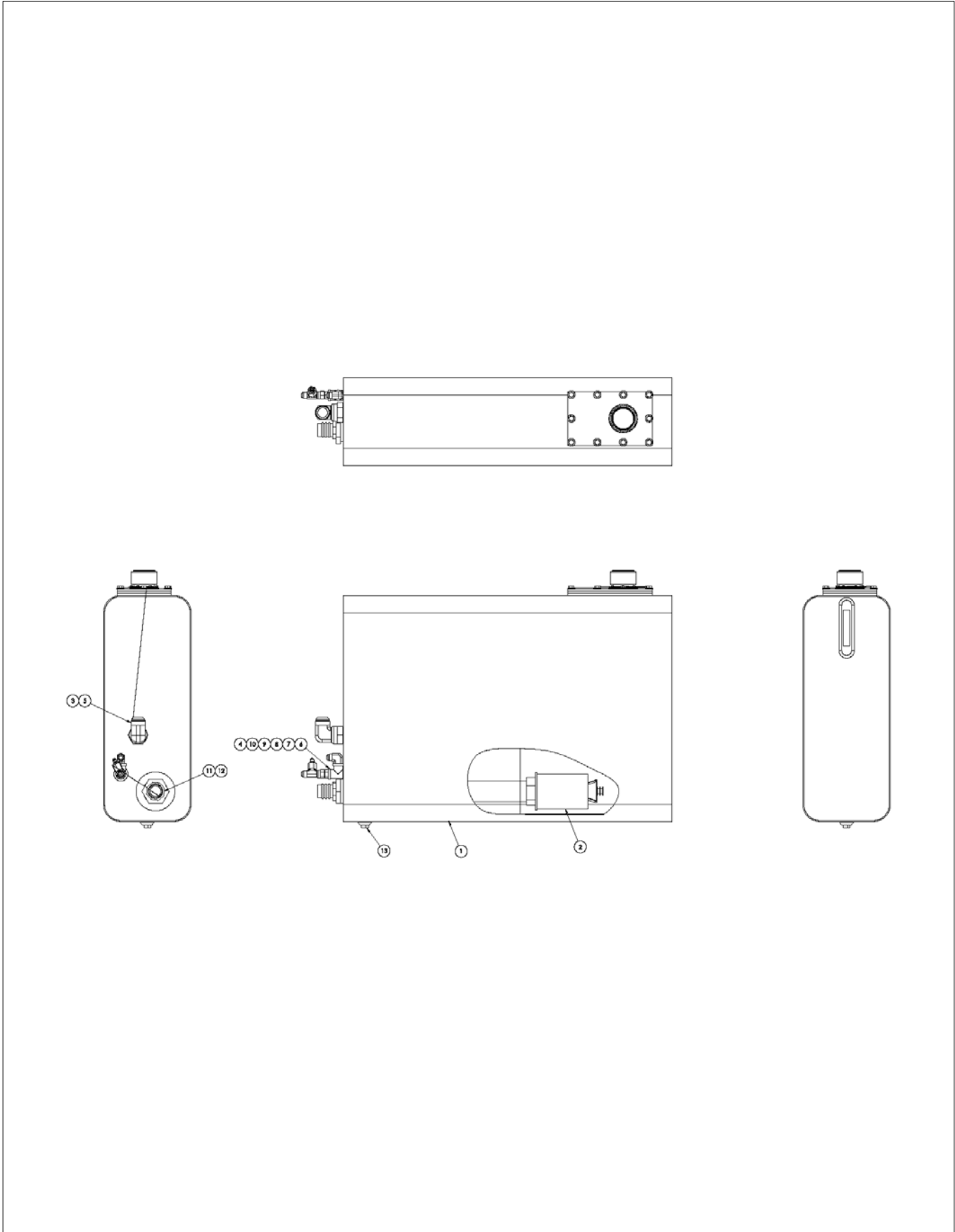
アイテム	部品番号	名前	数量	UOM
Not Shown	7630755 B	AIR CLEANER ASSEMBLY CUMMINS 45 HP CUMMINS 65 HP FORD LRG 425 GM T3 2.4L KUBOTA V1505T TIER 3 V2403		EA
Not Shown	8140014	cap retainer clip	3	EA
1	8140013	cover	1	EA
2	8050097	PRIMARY ELEMENT	1	EA
Not Shown	8140011	element	1	EA
3	8050098	SAFETY ELEMENT	1	EA
4	8050099	EXTERNAL EJECTOR	1	EA
Not Shown	068903 009	DUST EJECTOR	1	EA
5	8050100	METAL BRACKET	1	EA

REPAIR PARTS



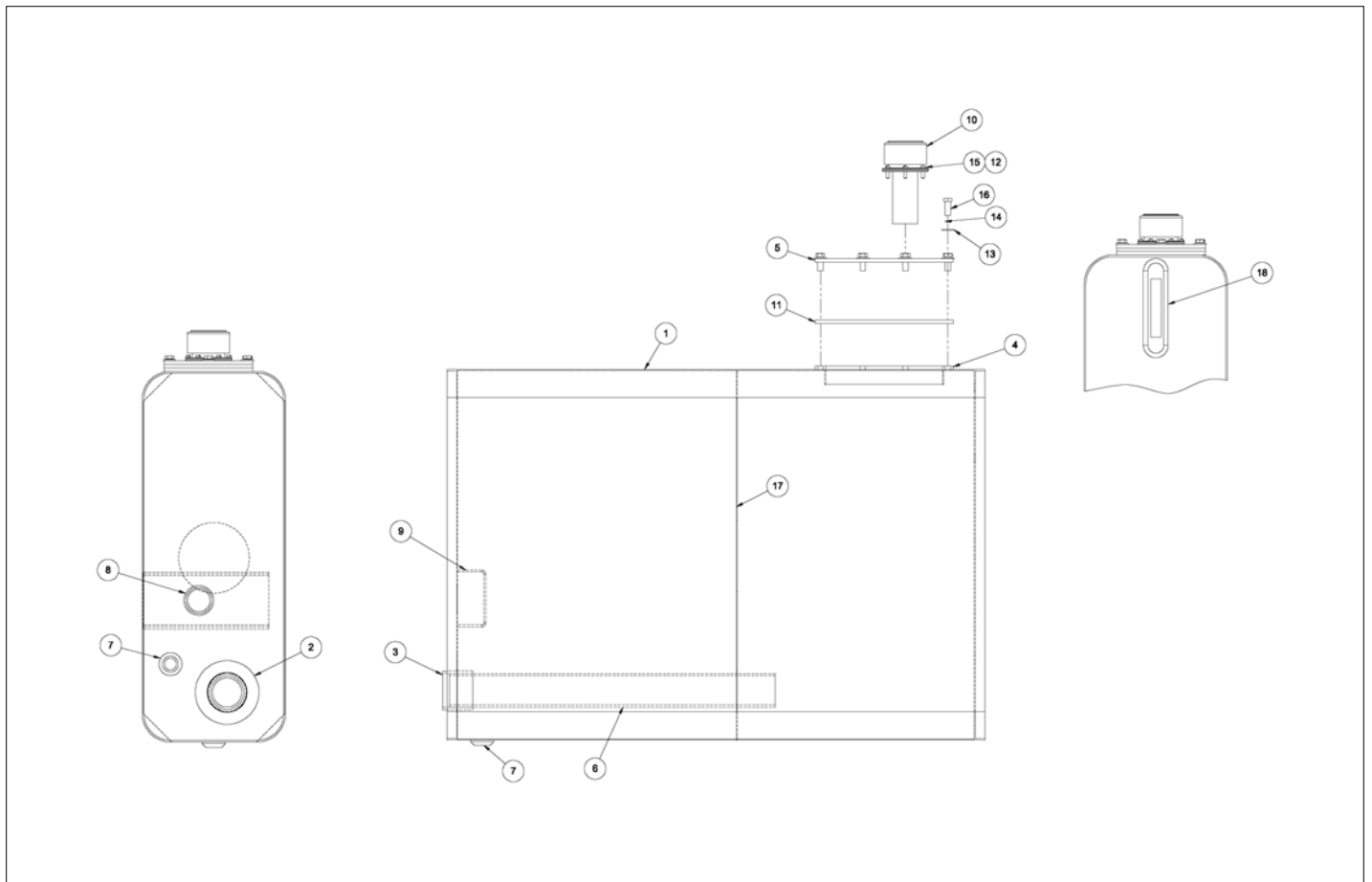
アイテム	部品番号	名前	数量	UOM
	A19021B B	FUEL TANK INSTALLATION T3 JANUARY 2017 AND AFTER		EA
1	0192661	TANK FUEL STEEL 45 GAL	1	EA
2	970849	BLT HEXHD .500 13 1.25 GR5	8	EA
3	987139	WSHR LOCK .500	8	EA
4	3050004	BLT BTRY HLDN .313 18 X 10.00 (J BOLT)	2	EA
5	986269	WSHR FLAT .313	2	EA
6	5560031	NUT HEX LKG .313 18	2	EA
7	0084570	Filler Cap	1	EA
8	9940241	GAUGE SIGHT FUEL 10 INCH	1	EA
9	7714203	FTG PLUG .375 NPT SQ HD BLK	2	EA

REPAIR PARTS



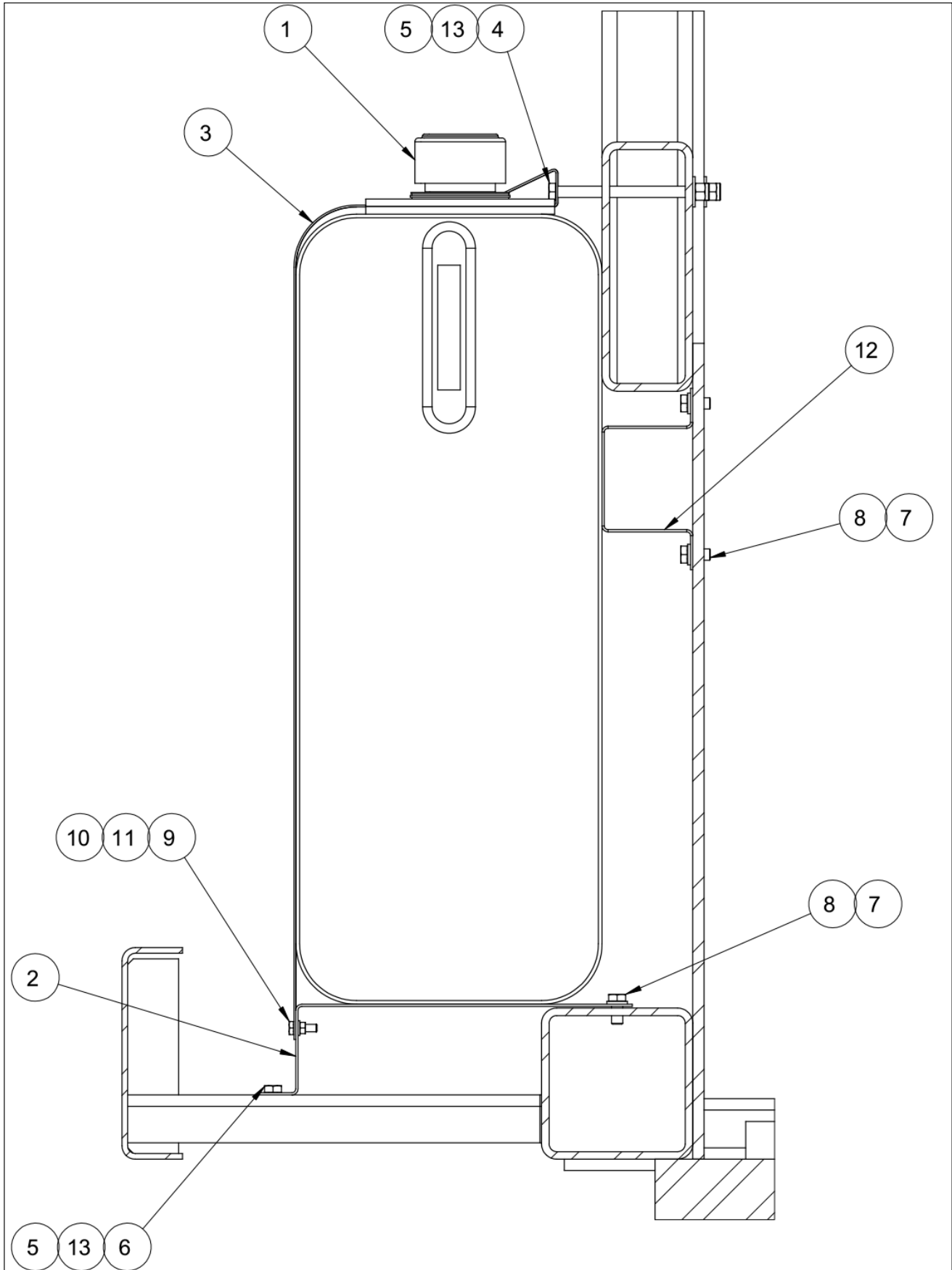
アイテム	部品番号	名前	数量	UOM
	0110360 M	HYDRAULIC OIL RESERVOIR ASSEMBLY JULY 2017 AND BEFORE		EA
1	0110364	HYDR OIL RSVR	1	EA
	5090008	BREATHER CAP	1	EA
2	5080018	STRAINER SUCTION	1	EA
3	5033623	FTG ADPTR MALE 20N 20S STL	1	EA
4	5033614	FTG ADPTR MALE 8N 8S STL 2404	1	EA
5	5037011	FTG ELB90SWVL 20S 20S STL PH 2	1	EA
6	7734204	STREET TEE 1/2 NPT STREET TEE	1	EA
7	5033713	FTG ELB90 MALE 8N 8S STL PH 21	1	EA
8	5036706	FTG TEE SWVL RUN 8S 8S STL (SEE PAGE 2)	1	EA
9	5064002	ADAPTER STREIGHT TUBE REDUCER 8 JIC TO 4 JIC	1	EA
10	5063906	FTG NUT 8S STL	1	EA
11	5037305	FTG ADPTR MALE 24N 24H STL 018	1	EA
12	7721612	REDUCER BUSHING 2X1 1/2 HEX HD	1	EA
13	7714204	PIPE PLUG1/2 in NPT SQ.HD BLK.	1	EA

REPAIR PARTS



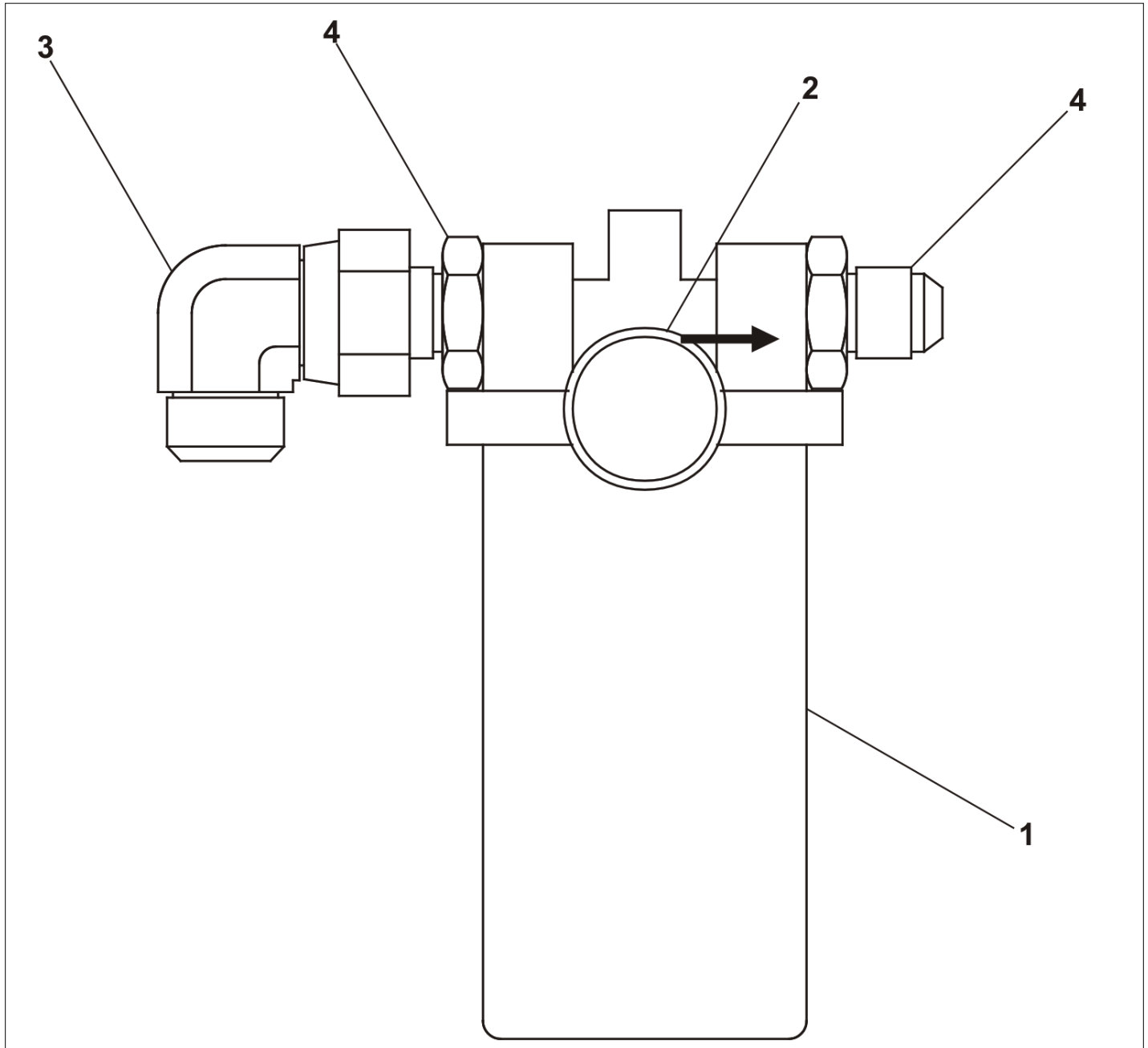
アイテム	部品番号	名前	数量	UOM
	0110364 L	HYDRAULIC OIL TANK MARCH 2018 AND AFTER		EA
1	PNNA	HYDR OIL RSVR 16GA W/FO STYLE HEADS	1	EA
2	0110371	REINFORCING RING	1	EA
3	7754016	PIPE COUPLING 2" NPT 2"NPT PIPE	1	EA
4	0110368	COVER PLATE GASKET	1	EA
5	0110367	COVER PLATE	1	EA
6	0110370	NIPPLE 2" NPT	1	EA
7	7754607	WELD FLNG 1/2 NPT STD HVY FLAT	2	EA
8	PNNA	WELD FLGN 1 1/4 NPT STD HVY FLAT	1	EA
9	0110369	RETURN BAFFLE	1	EA
10	5090008	BREATHER CAP	1	EA
11	0110368	COVER PLATE GASKET	1	EA
12	5560654	WSHR LOCK #10 SPLIT TYPE	6	EA
13	986269	WSHR FLAT .313	10	EA
14	986169	WASHER, FLAT, #8, NARROW, PLTD (SAE)	10	EA
15	974689	SCR RDH MACH 10 24 .75	6	EA
16	970469	HHD BLT .375 16 X 1.00 GR5	10	EA
17	PNNA	BAFFEL 18GA ALUM STEEL	1	EA
18	5098381	FLUID LEVEL TEMP GAUGE	1	EA

REPAIR PARTS



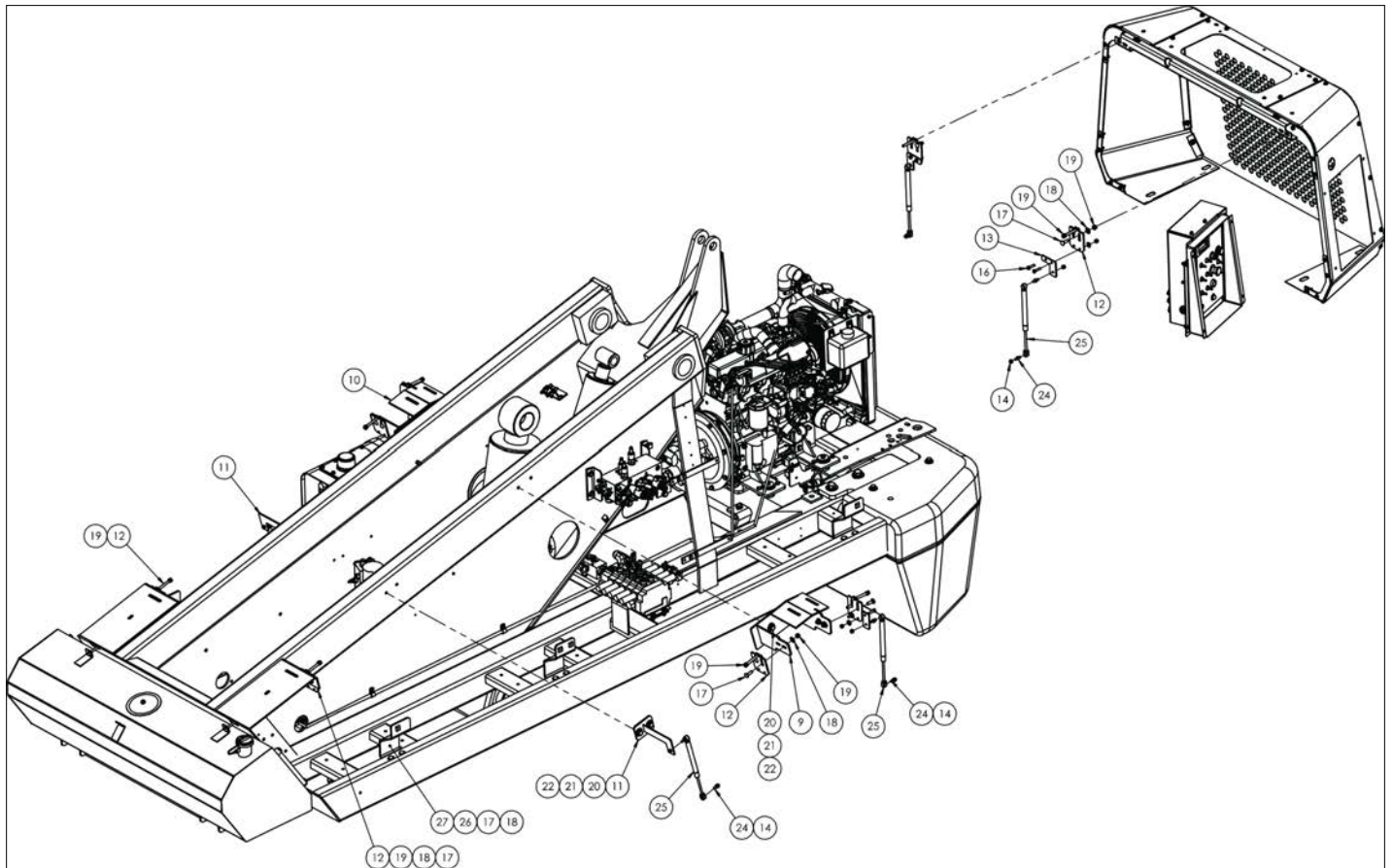
アイテム	部品番号	名前	数量	UOM
Not Shown	0110253 A	HYDRAULIC OIL RESERVOIR		EA
1	0110360	80 TANKS	1	EA
2	0110361	HYDR OIL RSVR SUPPORT	1	EA
3	0110362	STRAP, HYD. OIL RESERVOIR	2	EA
4	970629	BLT HHD .375 16 X 5 GR5	2	EA
5	5560033	.375 16UNC HEX LOCK NUT	6	EA
6	970469	HHD BLT .375 16 X 1.00 GR5	4	EA
7	987119	WSHR LOCK .375	5	EA
8	970449	HHD BLT .375 16 X .750 GR5	5	EA
9	970029	BLT .25 20 .750	4	EA
10	984069	NUT HEX .250 20	4	EA
11	987099	WSHR LOCK .250	4	EA
12	0110363	SPACER HYD OIL	1	EA
13	986299	WASHER, FLAT, .375 STANDARD, PLATED	6	EA

REPAIR PARTS



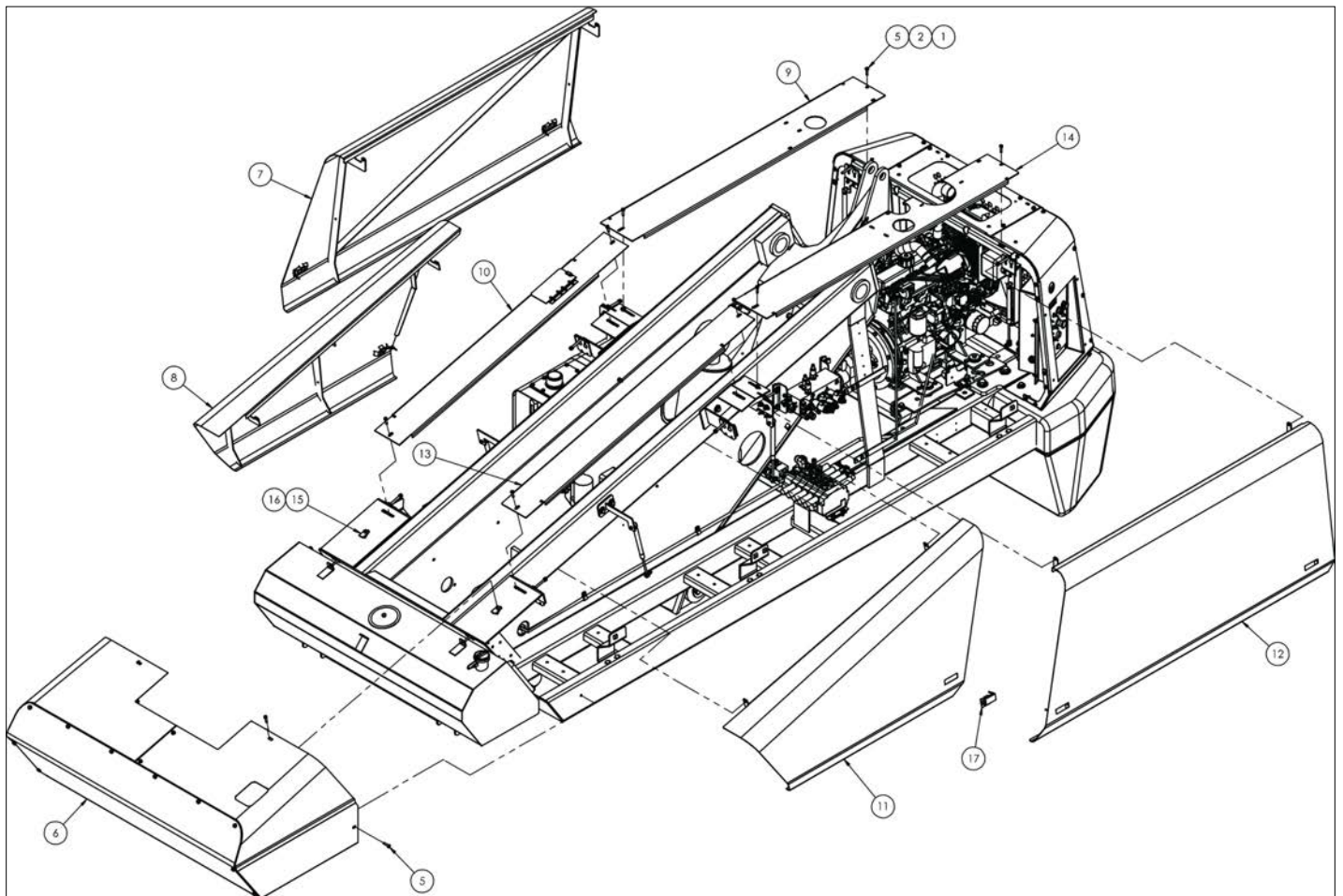
アイテム	部品番号	名前	数量	UOM
Not Shown	0112029 A	HYDRAULIC OIL RETURN FILTER		EA
1	5080044	FILTER RETURN LINE W/GAUGE	1	EA
Not Shown	5080017	FILTER ELEMENT	1	EA
2	5080011	GAUGE FILTER CONDITION HYDRAULIC	1	EA
3	5037011	FTG ELB90SWVL 20S 20S STL PH 2	1	EA
4	5065721	FTG ADPTR STRTHD 20B 20S STL P	1	EA

REPAIR PARTS



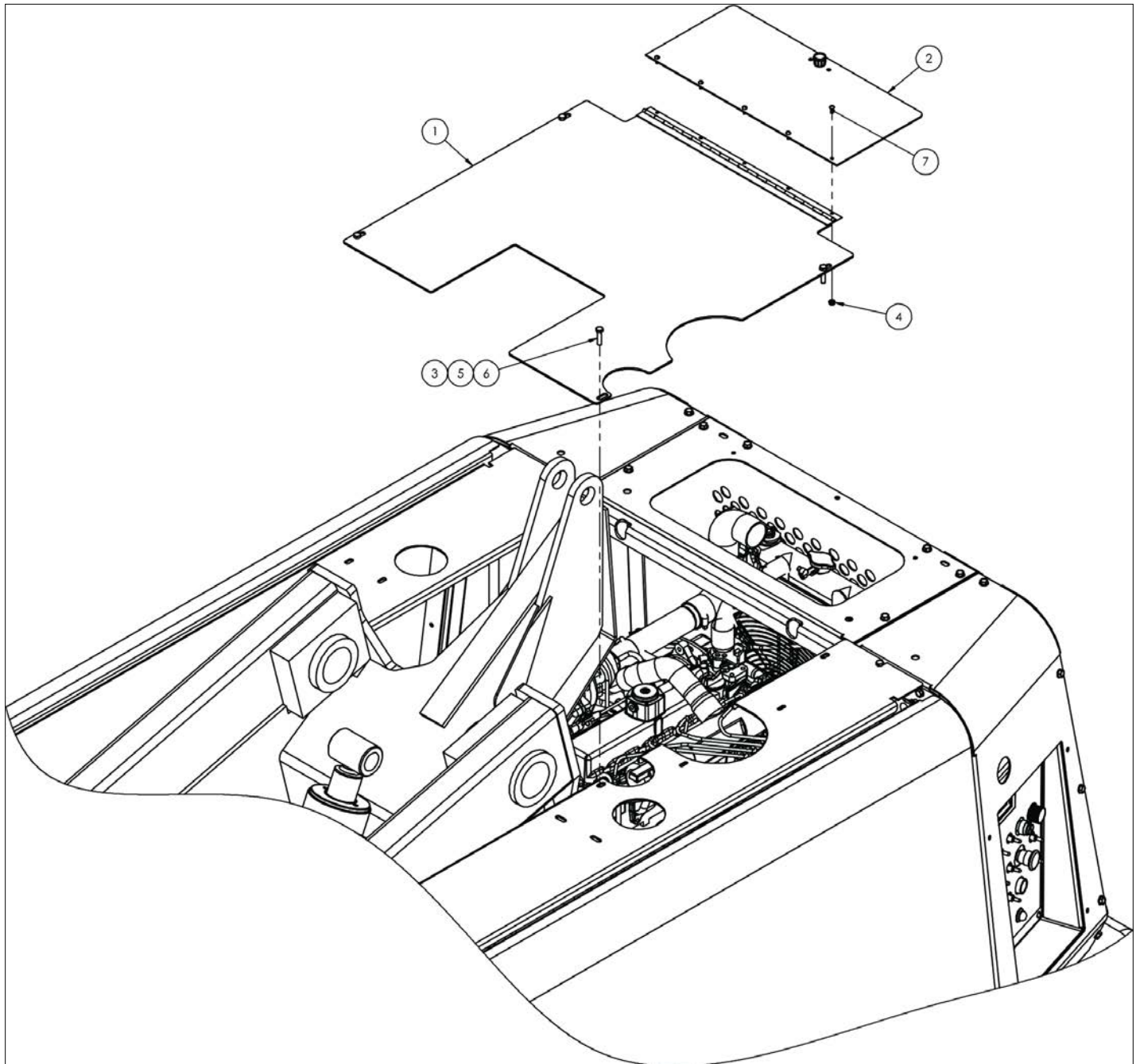
アイテム	部品番号	名前	数量	UOM
	A11034B E	COWLING INSTALLATION PAGE 1		EA
9	0112253	WELDMENT, BRACKET	1	EA
10	0112252	BRACKET WELDMENT	1	EA
11	0191780	WLDMT, GAS SPRING MOUNT	2	EA
12	0074408	HINGE, DOOR	8	EA
13	0112261	MOUNT, GAS SPRING	4	EA
14	5560031	NUT HEX LKG .313 18	22	EA
16	970269	BLT HEXHD .313 18 1.25 GR5 PLA	10	EA
17	972439	BLT CRG .375 16 X 1.25 GR 5 ZP	28	EA
18	986299	WASHER, FLAT, .375 STANDARD, PLATED	28	EA
19	5560033	.375 16UNC HEX LOCK NUT	35	EA
20	5563017	BLT HEX HD .500 13X1.25 GR5	8	EA
21	987139	WSHR LOCK .500	12	EA
22	986359	FLATWASHER 1/2"	12	EA
Not Shown	0350924	HHCS .500 13 UNC STL GR8 1.50LG	4	EA
24	5560311	BALLSTUD GAS SPRING	12	EA
25	0082321	GAS SPRING	6	EA
26	5560080	BUMPER ADHESIVE BACK	8	EA
27	0082303	DOOR STOP	6	EA

REPAIR PARTS



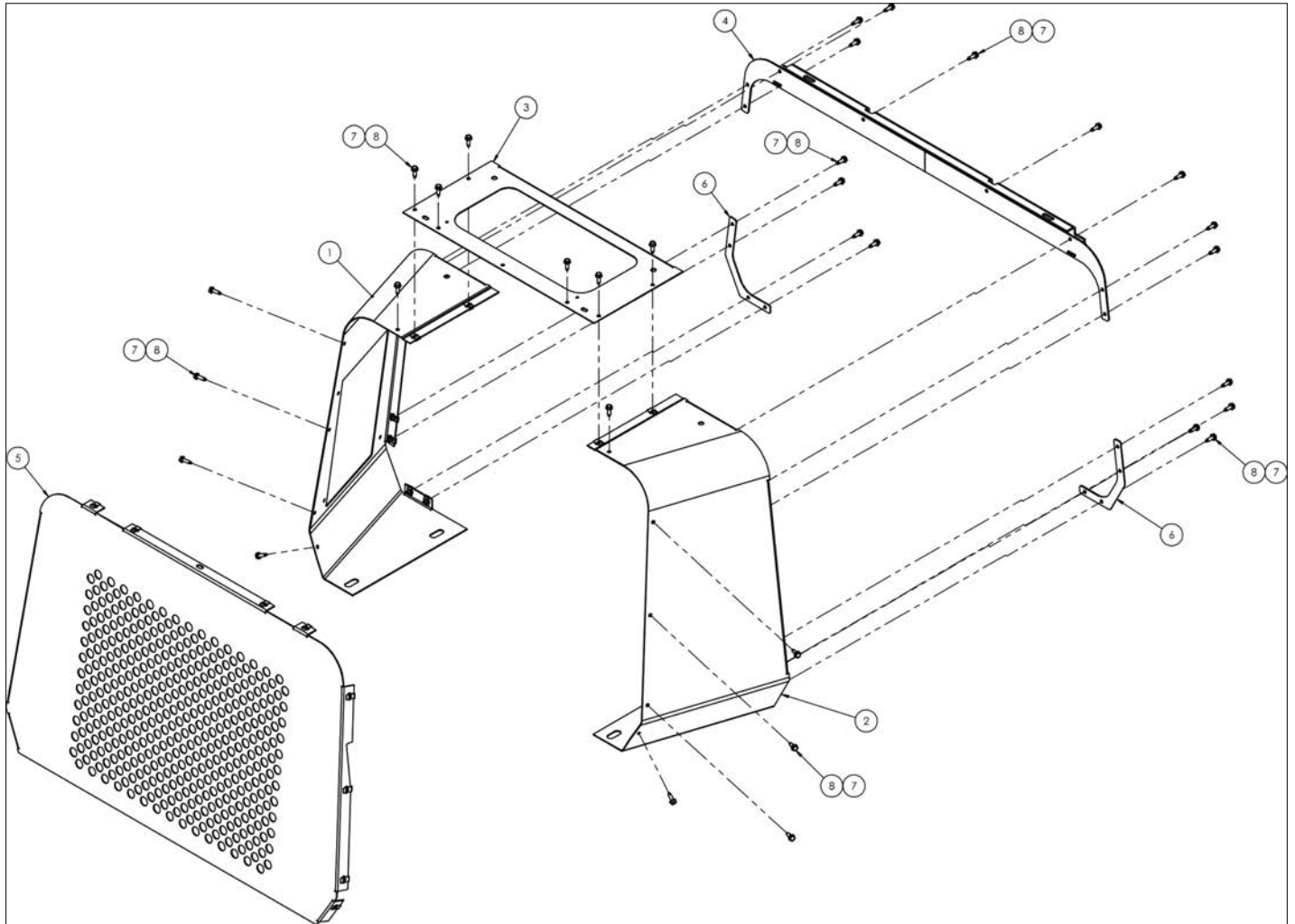
アイテム	部品番号	名前	数量	UOM
	A11034B E	COWLING INSTALLATION PAGE 1		EA
1	5560031	NUT HEX LKG .313 18	12	EA
2	986269	WSHR FLAT .313	12	EA
Not Shown	987139	WSHR LOCK .500	6	EA
5	970269	BLT HEXHD .313 18 1.25 GR5 PLA	12	EA
6	0113809	ASSY REAR COWLING STEEL	1	EA
7	0112242	DOOR WELDMENT, LHF TB 80	1	EA
8	0112193	WELDMENT DOOR LHR	1	EA
9	0112250	COVER, FRONT LH	1	EA
10	0112248	ASSEMBLY, LH REAR COVER	1	EA
11	0112195	WELDMENT DOOR RHR	1	EA
12	0112244	DOOR WELDMENT, RHF TB 80	1	EA
13	0112249	ASSEMBLY, RH REAR COVER	1	EA
14	0112413	WELDMENT, COVER	1	EA
15	0082546	SHIM	2	EA
16	0082547	SHIM	2	EA
17	5510022	ADJUSTABLE LEVER LATCH	6	EA
Not Shown	5563017	BLT HEX HD .500 13X1.25 GR5	2	EA
Not Shown	0260924	HARNESS A46JRT CONTROLS	4	EA

REPAIR PARTS



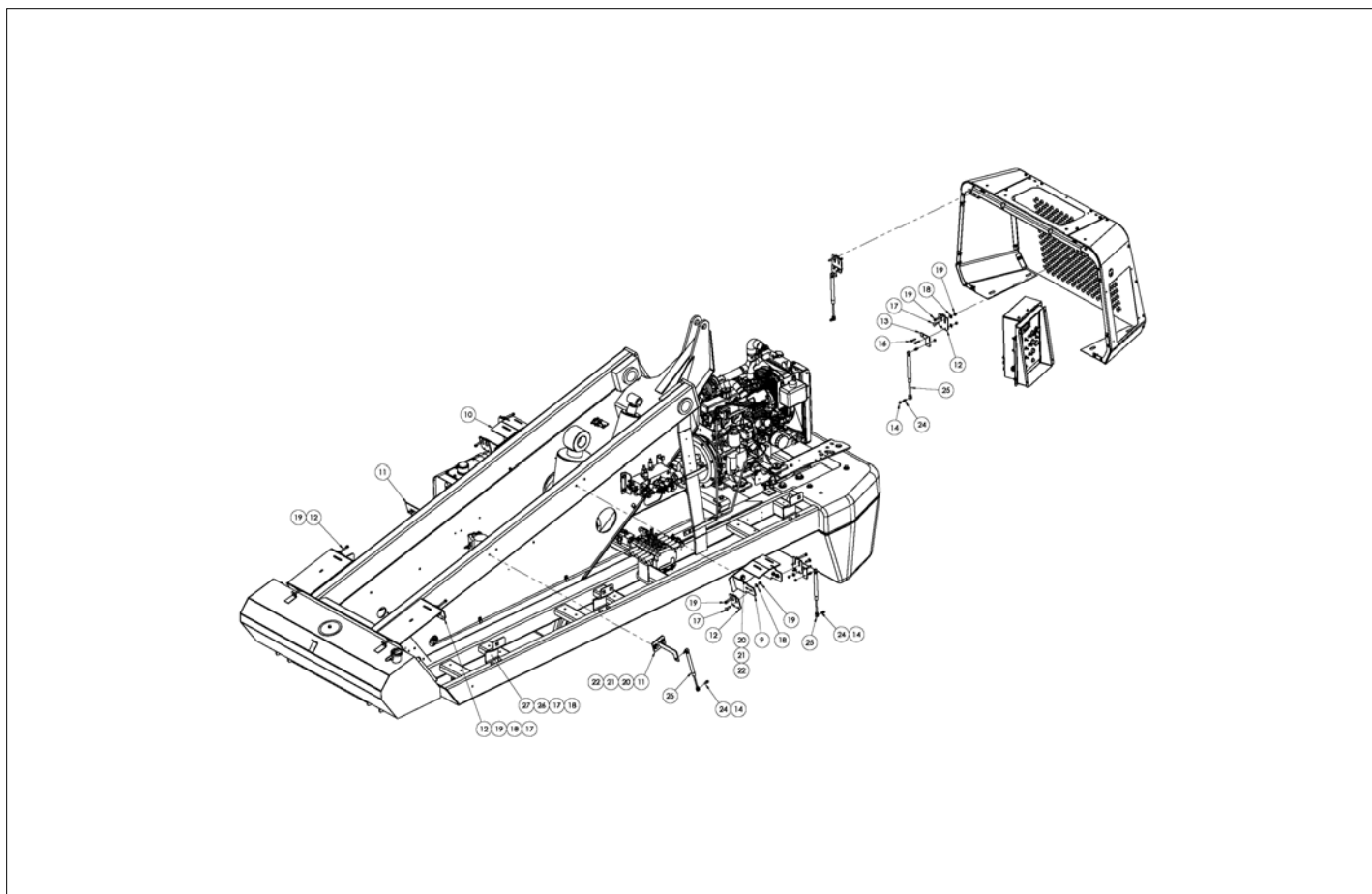
アイテム	部品番号	名前	数量	UOM
	A11034B E	COWLING INSTALLATION PAGE 1		EA
1	0112268	COVER ASSEMBLY	1	EA
	0113986 5	PLT, TOP COWLING COVER	1	EA
	970469	HHD BLT .375 16 X 1.00 GR5	4	EA
	986299	WASHER, FLAT, .375 STANDARD, PLATED	4	EA
	5560033	.375 16UNC HEX LOCK NUT		EA
2	0073481	COVER ASSEMBLY	1	EA
3	5560031	NUT HEX LKG .313 18	4	EA
4	5560034	NUT LKG 10 24	5	EA
5	986269	WSHR FLAT .313	4	EA
6	970269	BLT HEXHD .313 18 1.25 GR5 PLA	4	EA
7	974659	SCR RDH MACH 10 24 .500	5	EA

REPAIR PARTS



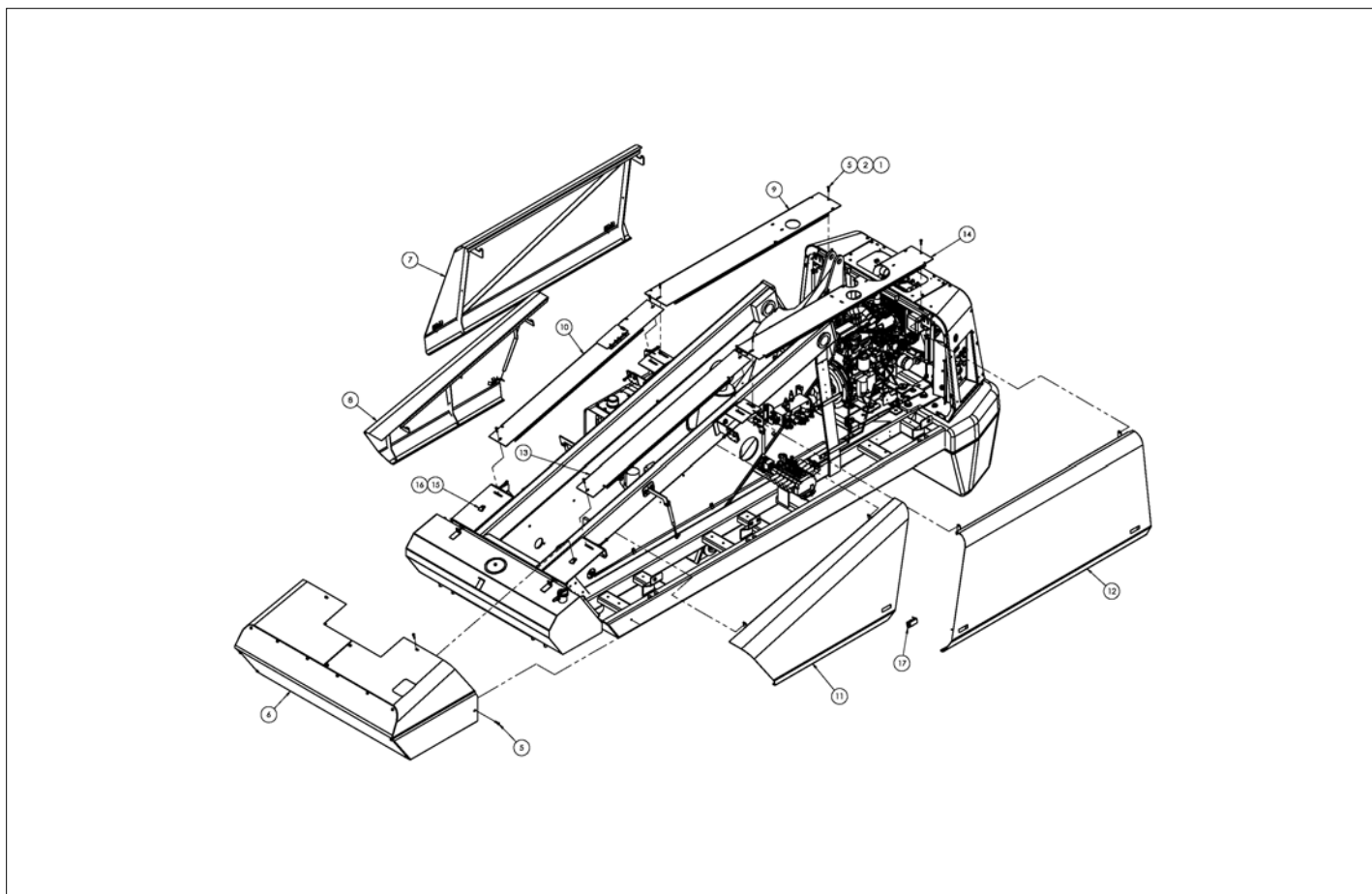
アイテム	部品番号	名前	数量	UOM
	A11034B E	COWLING INSTALLATION PAGE 1		EA
1	0113199	FRONT COWLING RH	1	EA
2	0113200	FRONT COWLING LH	1	EA
3	0084342	FRONT COWLING CENTER	1	EA
4	0113231	UPPPER CORNER BRACE	1	EA
5	0113198	FRONT COVER	1	EA
6	0113201	LOWER CORNER BRACE	2	EA
7	5563142	TAPPED BARREL U MAX M8X1.25	32	EA
8	5563142	TAPPED BARREL U MAX M8X1.25	32	EA

REPAIR PARTS



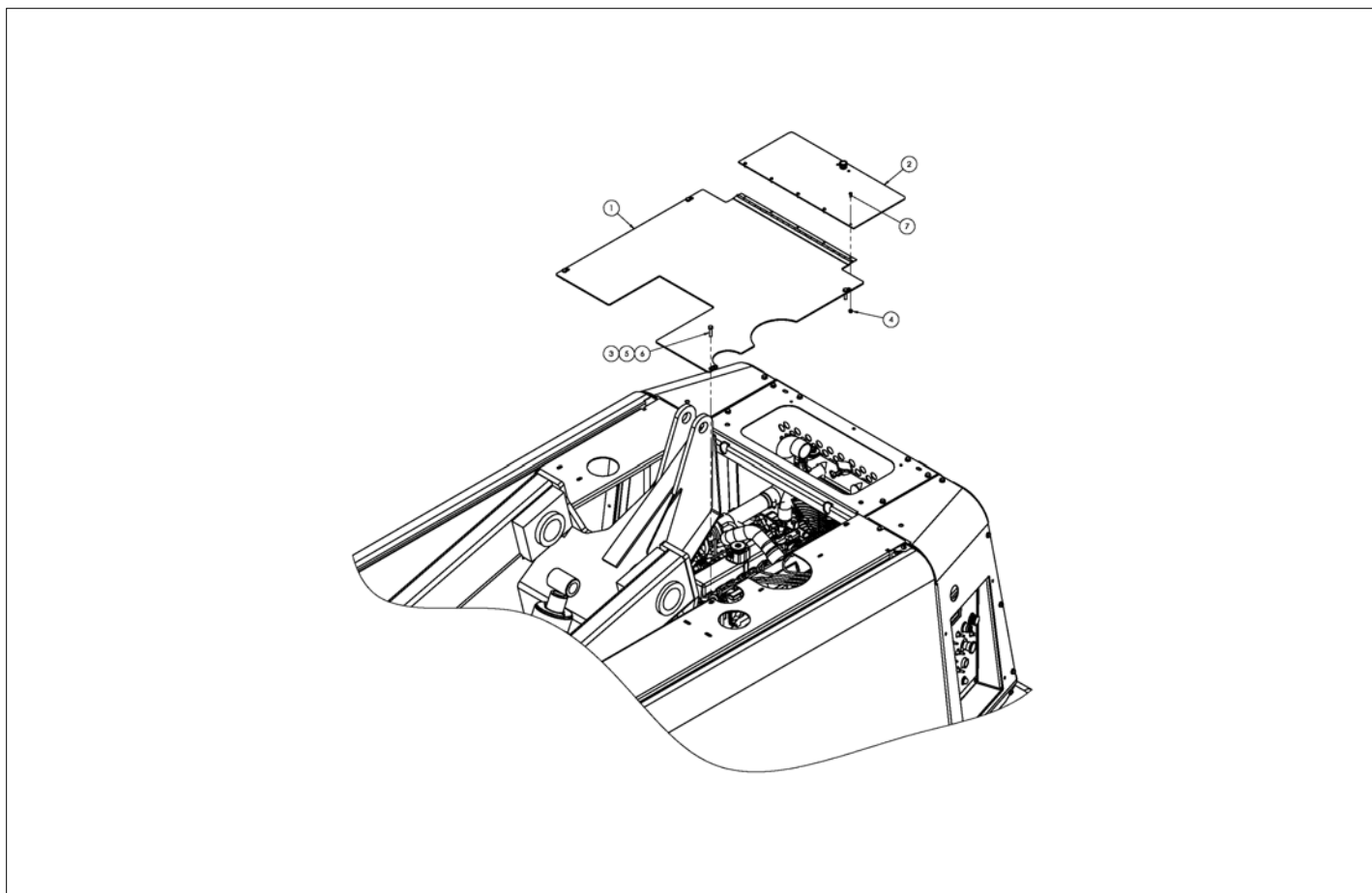
アイテム	部品番号	名前	数量	UOM
	0113746A	TB86J PG KU STEEL COWLING INSTAL		EA
9	0112253	WELDMENT, BRACKET	1	EA
10	0112252	BRACKET WELDMENT	1	EA
11	0191780	WLDMT, GAS SPRING MOUNT	2	EA
12	0074408	HINGE, DOOR	8	EA
13	0112261	MOUNT, GAS SPRING	4	EA
14	5560031	NUT HEX LKG .313 18	22	EA
15	986269	WSHR FLAT .313	10	EA
16	970269	BLT HEXHD .313 18 1.25 GR5 PLA	10	EA
17	972439	BLT CRG .375 16 X 1.25 GR 5 ZP	28	EA
18	986299	WASHER, FLAT, .375 STANDARD, PLATED	28	EA
19	5560033	.375 16UNC HEX LOCK NUT	35	EA
20	5563017	BLT HEX HD .500 13X1.25 GR5	8	EA
21	987139	WSHR LOCK .500	12	EA
22	986359	FLATWASHER 1/2"	12	EA
23	0350924	HHCS .500 13 UNC STL GR8 1.50LG	4	EA
24	5560311	BALLSTUD GAS SPRING	12	EA
25	0082321	GAS SPRING	6	EA
26	5560080	BUMPER ADHESIVE BACK	8	EA
27	0082303	DOOR STOP	6	EA
	A11034B	INSTALLATION COWLING TB80 / 85		EA

REPAIR PARTS



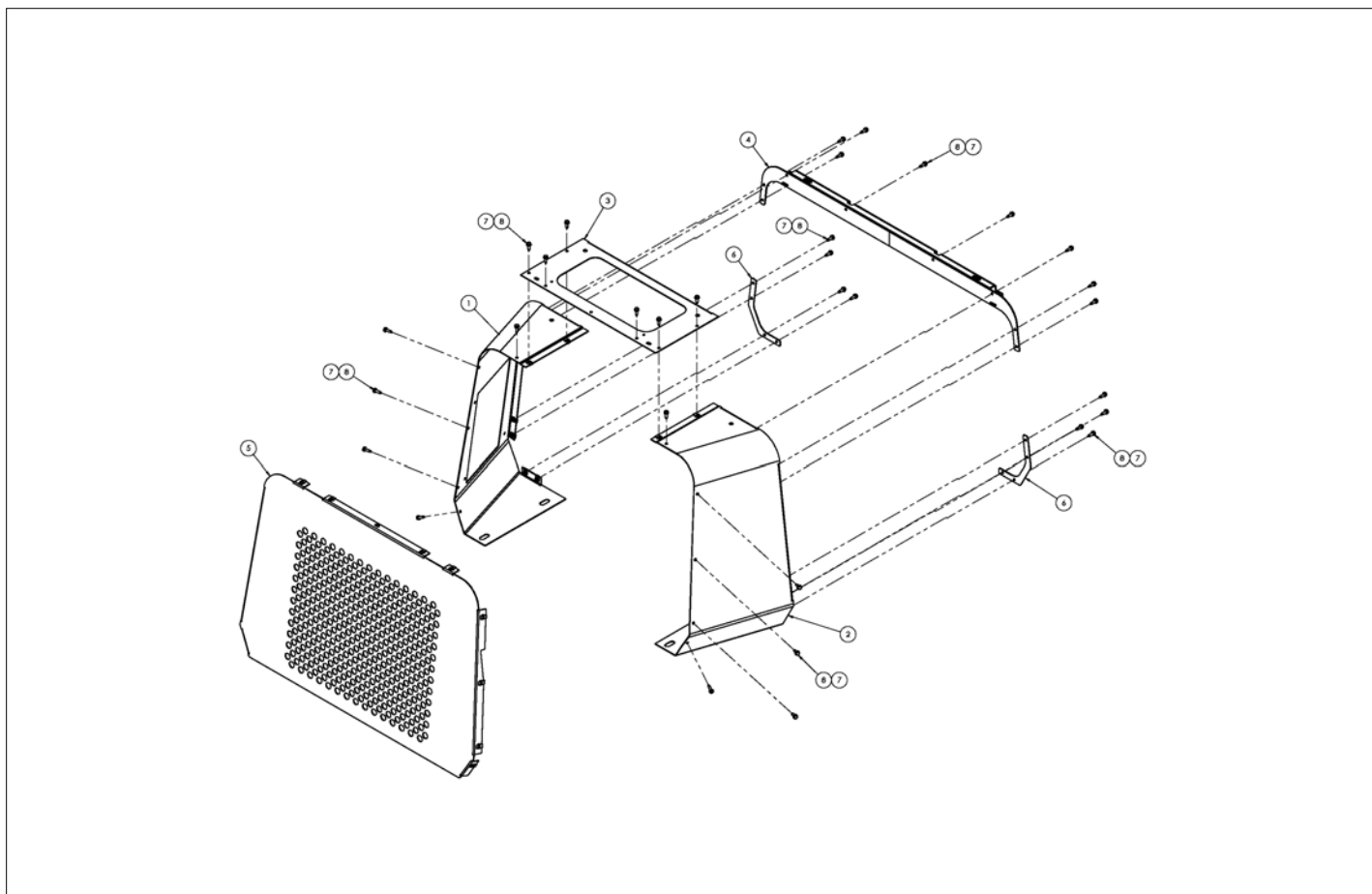
アイテム	部品番号	名前	数量	UOM
	0113746A	TB86J PG KU STEEL COWLING INSTAL		EA
1	5560031	NUT HEX LKG .313 18	12	EA
2	986269	WSHR FLAT .313	12	EA
3	986359	FLATWASHER 1/2"	6	EA
4	987139	WSHR LOCK .500	6	EA
5	970269	BLT HEXHD .313 18 1.25 GR5 PLA	12	EA
6	0113809	ASSY REAR COWLING STEEL	1	EA
7	0112242	DOOR WELDMENT, LHF TB 80	1	EA
8	0112193	WELDMENT DOOR LHR	1	EA
9	0112250	COVER, FRONT LH	1	EA
10	0112248	ASSEMBLY, LH REAR COVER	1	EA
11	0112195	WELDMENT DOOR RHR	1	EA
12	0112244	DOOR WELDMENT, RHF TB 80	1	EA
13	0112249	ASSEMBLY, RH REAR COVER	1	EA
14	0112413	WELDMENT, COVER	1	EA
15	0082546	SHIM	2	EA
16	0082547	SHIM	2	EA
17	5510022	ADJUSTABLE LEVER LATCH	6	EA
18	5563017	BLT HEX HD .500 13X1.25 GR5	2	EA
19	0350924	HHCS .500 13 UNC STL GR8 1.50LG	4	EA
	A11034B	INSTALLATION COWLING TB80 / 85		EA

REPAIR PARTS



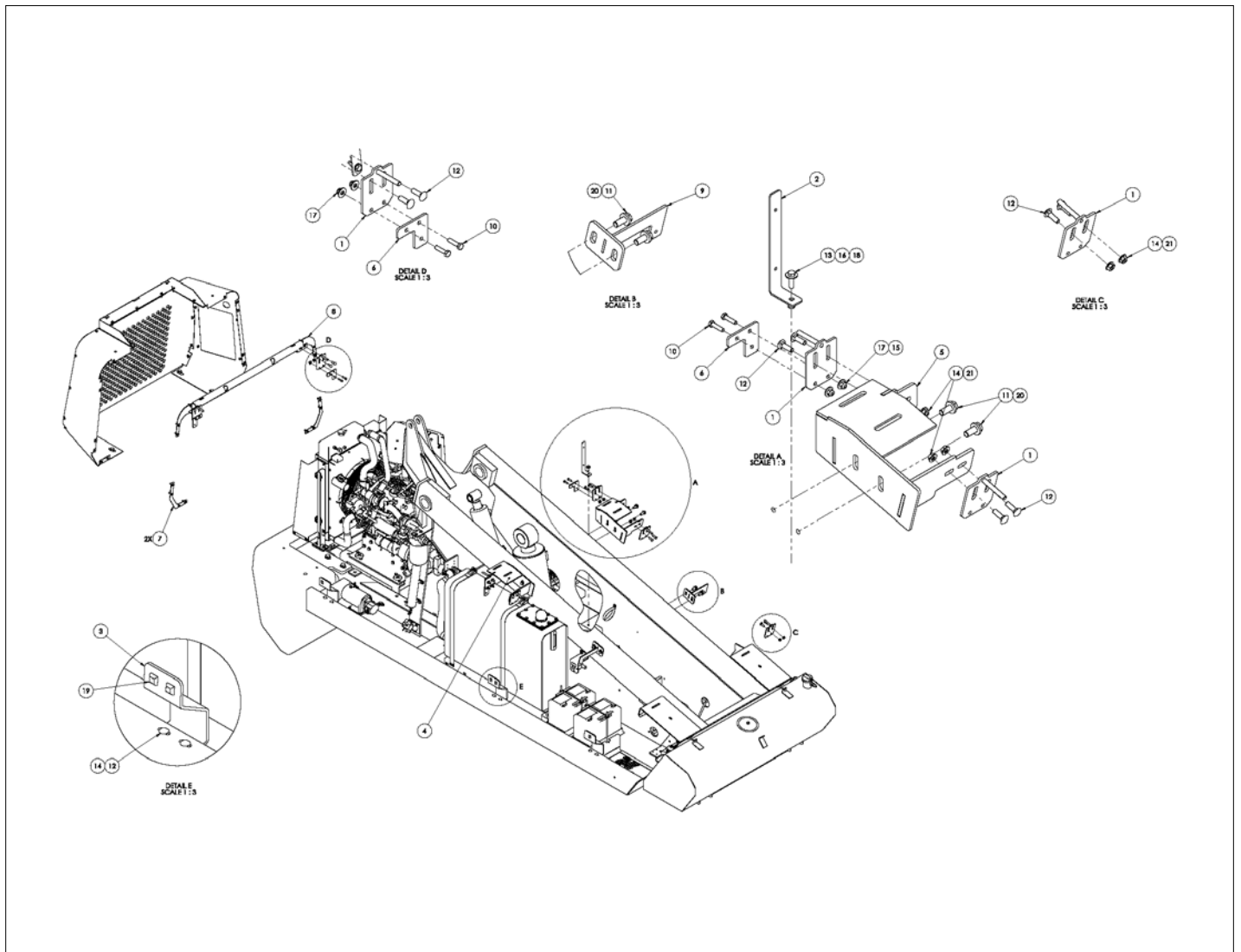
アイテム	部品番号	名前	数量	UOM
	0113746A	TB86J PG KU STEEL COWLING INSTAL		EA
1	0112268	COVER ASSEMBLY	1	EA
2	0073481	COVER ASSEMBLY	1	EA
3	5560031	NUT HEX LKG .313 18	4	EA
4	5560034	NUT LKG 10 24	5	EA
5	986269	WSHR FLAT .313	4	EA
6	970269	BLT HEXHD .313 18 1.25 GR5 PLA	4	EA
7	974659	SCR RDH MACH 10 24 .500	5	EA
	A11034B	INSTALLATION COWLING TB80 / 85		EA

REPAIR PARTS



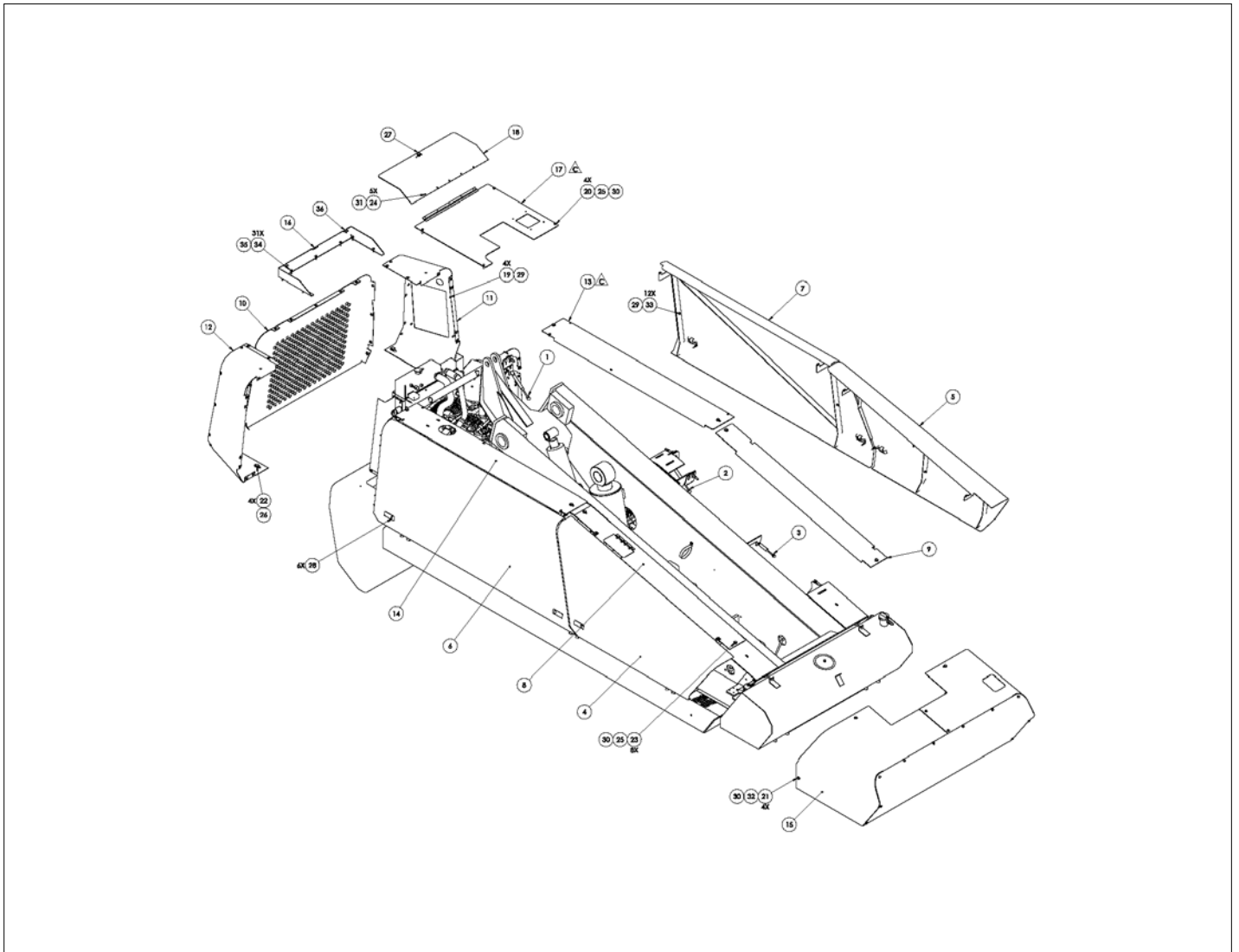
アイテム	部品番号	名前	数量	UOM
	0113746A	TB86J PG KU STEEL COWLING INSTAL		EA
1	0113199	FRONT COWLING RH	1	EA
2	0113200	FRONT COWLING LH	1	EA
3	0084342	FRONT COWLING CENTER	1	EA
4	0113231	UPPPER CORNER BRACE	1	EA
5	0113198	FRONT COVER	1	EA
6	0113201	LOWER CORNER BRACE	2	EA
7	5563142	TAPPED BARREL U MAX M8X1.25	39	EA
8	5563141	BLT HX WSHR HD M8 1.25X25 DOG PT	39	EA
	A11034B	INSTALLATION COWLING TB80 / 85		EA

REPAIR PARTS



アイテム	部品番号	名前	数量	UOM
	0113781 C1	STEEL COWLING KU T4F PAGE 1		EA
1	0074408	HINGE, DOOR	8	EA
2	0074602	MOUNT RECORDS BOX	1	EA
3	0082303	DOOR STOP	6	EA
4	0112252	BRACKET WELDMENT	1	EA
5	0112253	WELDMENT, BRACKET	1	EA
6	0112261	MOUNT, GAS SPRING	4	EA
7	0113201	LOWER CORNER BRACE	2	EA
8	0113231	UPPPER CORNER BRACE	1	EA
9	0191780	WLDMT, GAS SPRING MOUNT	2	EA
10	970269	BLT HEXHD .313 18 1.25 GR5 PLA	8	EA
11	970849	BLT HEXHD .500 13 1.25 GR5	8	EA
12	972439	BLT CRG .375 16 X 1.25 GR 5 ZP	28	EA
13	972479	BLT HEXHD .375 16 1.25 GR5	1	EA
14	984109	NUT HEX .375 16	28	EA
15	986269	WSHR FLAT .313	8	EA
16	986299	WASHER, FLAT, .375 STANDARD, PLATED	1	EA
17	5560031	NUT HEX LKG .313 18	8	EA
18	5560033	.375 16UNC HEX LOCK NUT	1	EA
19	5560080	BUMPER ADHESIVE BACK	8	EA
20	5560168	WSHR FLAT HARD .500 SP	8	EA
21	5560222	WSHR FLAT HARD .375 SP	28	EA

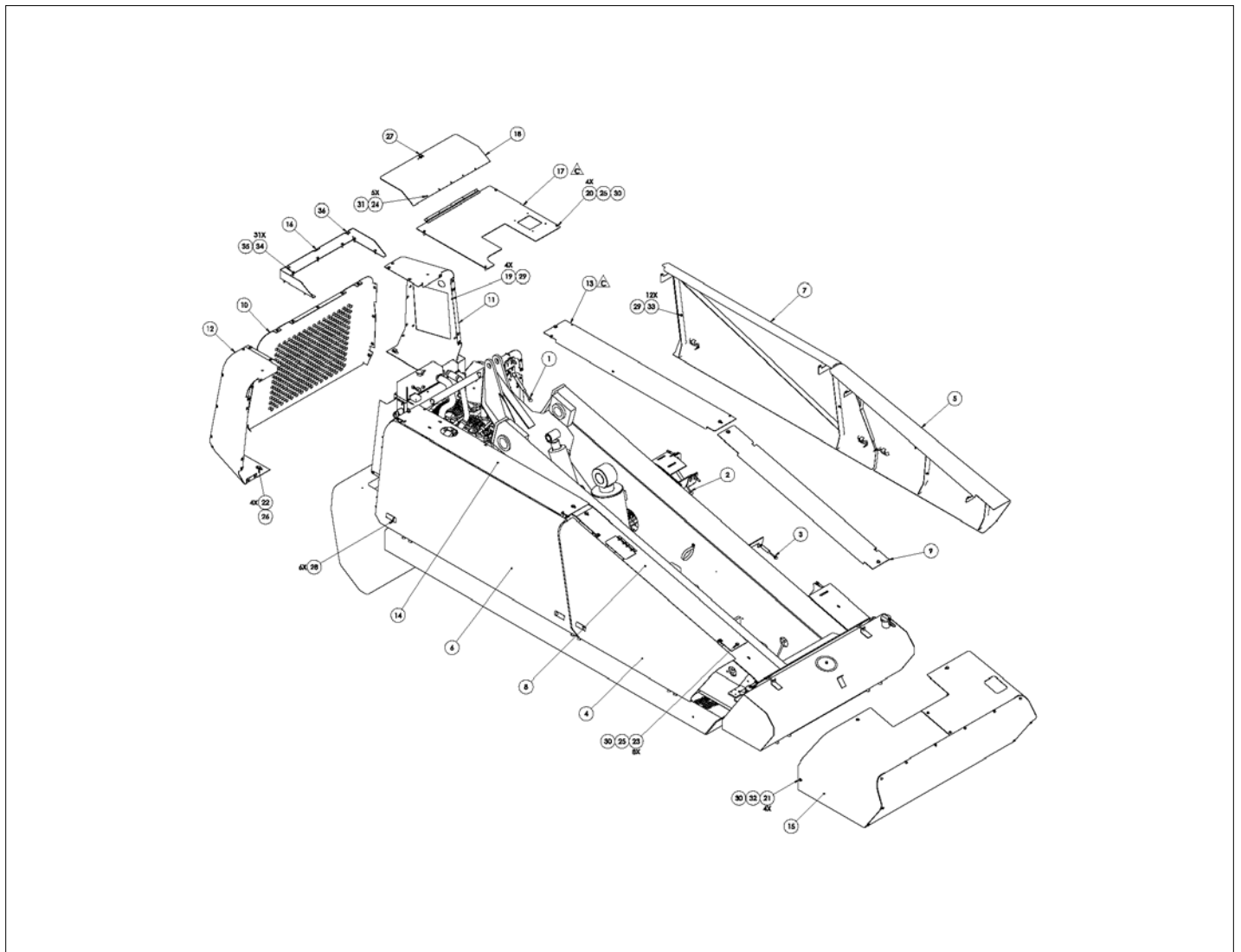
REPAIR PARTS



アイテム	部品番号	名前	数量	UOM
	0113781 D	STEEL COWLING KU T4F PAGE 2		EA
1	0082321	GAS SPRING	2	EA
2	0082321	GAS SPRING	2	EA
3	0082321	GAS SPRING	2	EA
4	0112193	WELDMENT DOOR LHR	1	EA
5	0112195	WELDMENT DOOR RHR	1	EA
6	0112242	DOOR WELDMENT, LHF TB 80	1	EA
7	0112244	DOOR WELDMENT, RHF TB 80	1	EA
8	0112248	ASSEMBLY, LH REAR COVER	1	EA
9	0112249	ASSEMBLY, RH REAR COVER	1	EA
10	0113198	FRONT COVER	1	EA
11	0113199	FRONT COWLING RH	1	EA
12	0113200	FRONT COWLING LH	1	EA
13	0113777	COVER RHF KU T4F	1	EA
14	0113778	COVER LHF KU T4F	1	EA
15	0113809	ASSY REAR COWLING STEEL	1	EA
16	0113841	PLATE SIDE COVER COWLING	1	EA
17	0113842	WLDMT TOP COWLING COVER	1	EA
18	0113851	PLATE COWLING LID	1	EA
19	970239	BLT HEXHD .313 18 .750 GR5	4	EA
20	970469	HHD BLT .375 16 X 1.00 GR5	4	EA
21	970489	BLT HEXHD .375 16 1.50 GR5 PL	4	EA
22	970889	CAPSCREW 1/2 13 X 1" LG H.H.	4	EA
23	972479	BLT HEXHD .375 16 1.25 GR5	8	EA
24	974659	SCR RDH MACH 10 24 .500	5	EA
25	986299	WASHER, FLAT, .375 STANDARD, PLATED	20	EA
26	986359	FLATWASHER 1/2"	4	EA
27	5510003	SPRING DOOR LATCH	1	EA

アイテム	部品番号	名前	数量	UOM
28	5510022	ADJUSTABLE LEVER LATCH	6	EA
29	5560031	NUT HEX LKG .313 18	16	EA
30	5560033	.375 16UNC HEX LOCK NUT	24	EA
31	5560034	NUT LKG 10 24	5	EA
32	5560222	WSHR FLAT HARD .375 SP	6	EA
33	5560311	BALLSTUD GAS SPRING	12	EA
34	5563141	BLT HX WSHR HD M8 1.25X25 DOG PT	31	EA
35	5563142	TAPPED BARREL U MAX M8X1.25	31	EA
36	5569012	BUMPER RUBBER	2	EA
37	5560083	HOSE GUIDE .125 RUBBER EDGE TR	24	EA

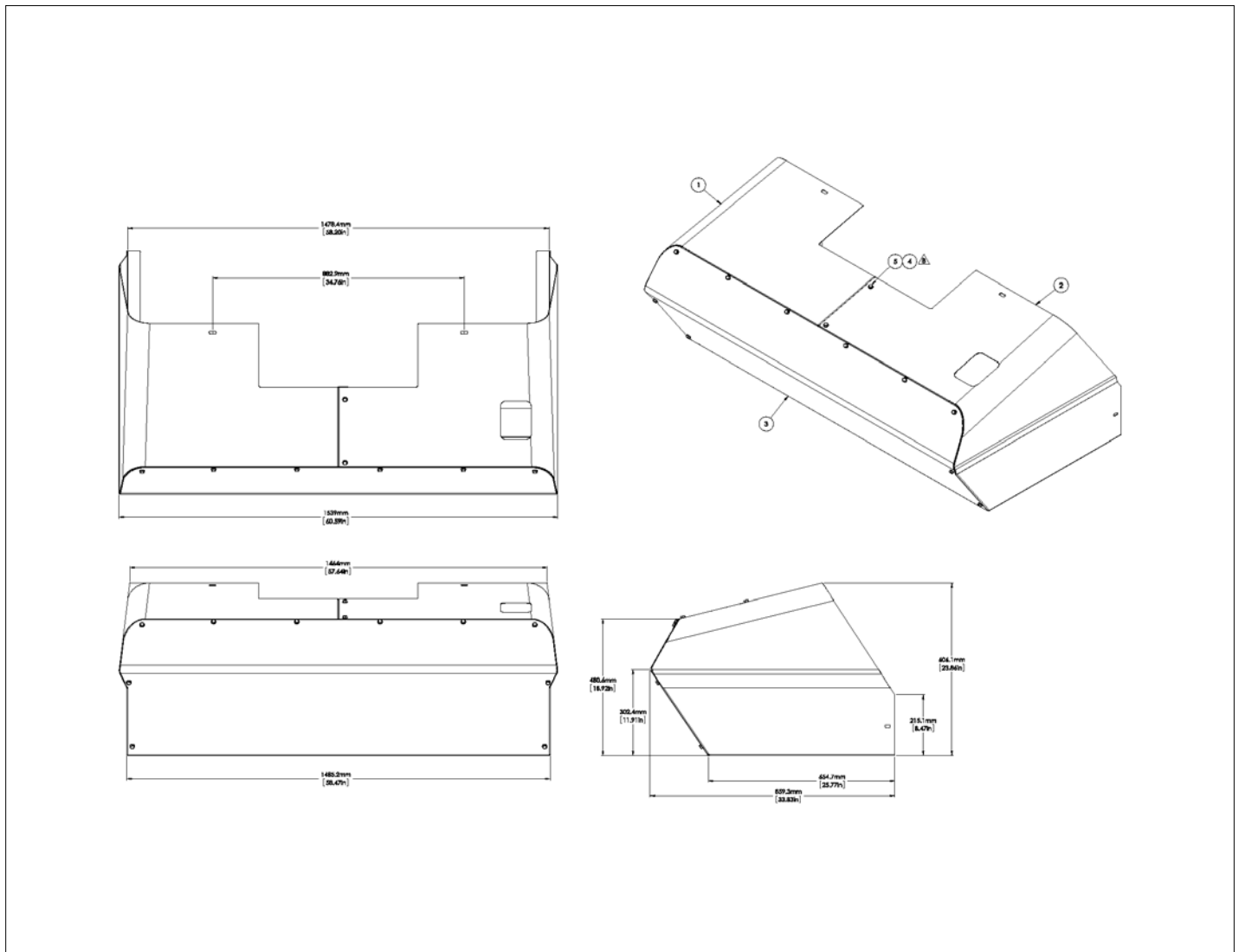
REPAIR PARTS



アイテム	部品番号	名前	数量	UOM
	0113781 C	STEEL COWLING KU T4F PAGE 2		EA
1	0082321	GAS SPRING	2	EA
2	0082321	GAS SPRING	2	EA
3	0082321	GAS SPRING	2	EA
4	0112193	WELDMENT DOOR LHR	1	EA
5	0112195	WELDMENT DOOR RHR	1	EA
6	0112242	DOOR WELDMENT, LHF TB 80	1	EA
7	0112244	DOOR WELDMENT, RHF TB 80	1	EA
8	0112248	ASSEMBLY, LH REAR COVER	1	EA
9	0112249	ASSEMBLY, RH REAR COVER	1	EA
10	0113198	FRONT COVER	1	EA
11	0113199	FRONT COWLING RH	1	EA
12	0113200	FRONT COWLING LH	1	EA
13	0113777	COVER RHF KU T4F	1	EA
14	0113778	COVER LHF KU T4F	1	EA
15	0113809	ASSY REAR COWLING STEEL	1	EA
16	0113841	PLATE SIDE COVER COWLING	1	EA
17	0113842	WLDMT TOP COWLING COVER	1	EA
18	0113851	PLATE COWLING LID	1	EA
19	970239	BLT HEXHD .313 18 .750 GR5	4	EA
20	970469	HHD BLT .375 16 X 1.00 GR5	4	EA
21	970489	BLT HEXHD .375 16 1.50 GR5 PL	4	EA
22	970889	CAPSCREW 1/2 13 X 1" LG H.H.	4	EA
23	972479	BLT HEXHD .375 16 1.25 GR5	8	EA
24	974659	SCR RDH MACH 10 24 .500	5	EA
25	986299	WASHER, FLAT, .375 STANDARD, PLATED	20	EA
26	986359	FLATWASHER 1/2"	4	EA
27	5510003	SPRING DOOR LATCH	1	EA

アイテム	部品番号	名前	数量	UOM
28	5510022	ADJUSTABLE LEVER LATCH	6	EA
29	5560031	NUT HEX LKG .313 18	16	EA
30	5560033	.375 16UNC HEX LOCK NUT	24	EA
31	5560034	NUT LKG 10 24	5	EA
32	5560222	WSHR FLAT HARD .375 SP	6	EA
33	5560311	BALLSTUD GAS SPRING	12	EA
34	5563141	BLT HX WSHR HD M8 1.25X25 DOG PT	31	EA
35	5563142	TAPPED BARREL U MAX M8X1.25	31	EA
36	5569012	BUMPER RUBBER	2	EA

REPAIR PARTS



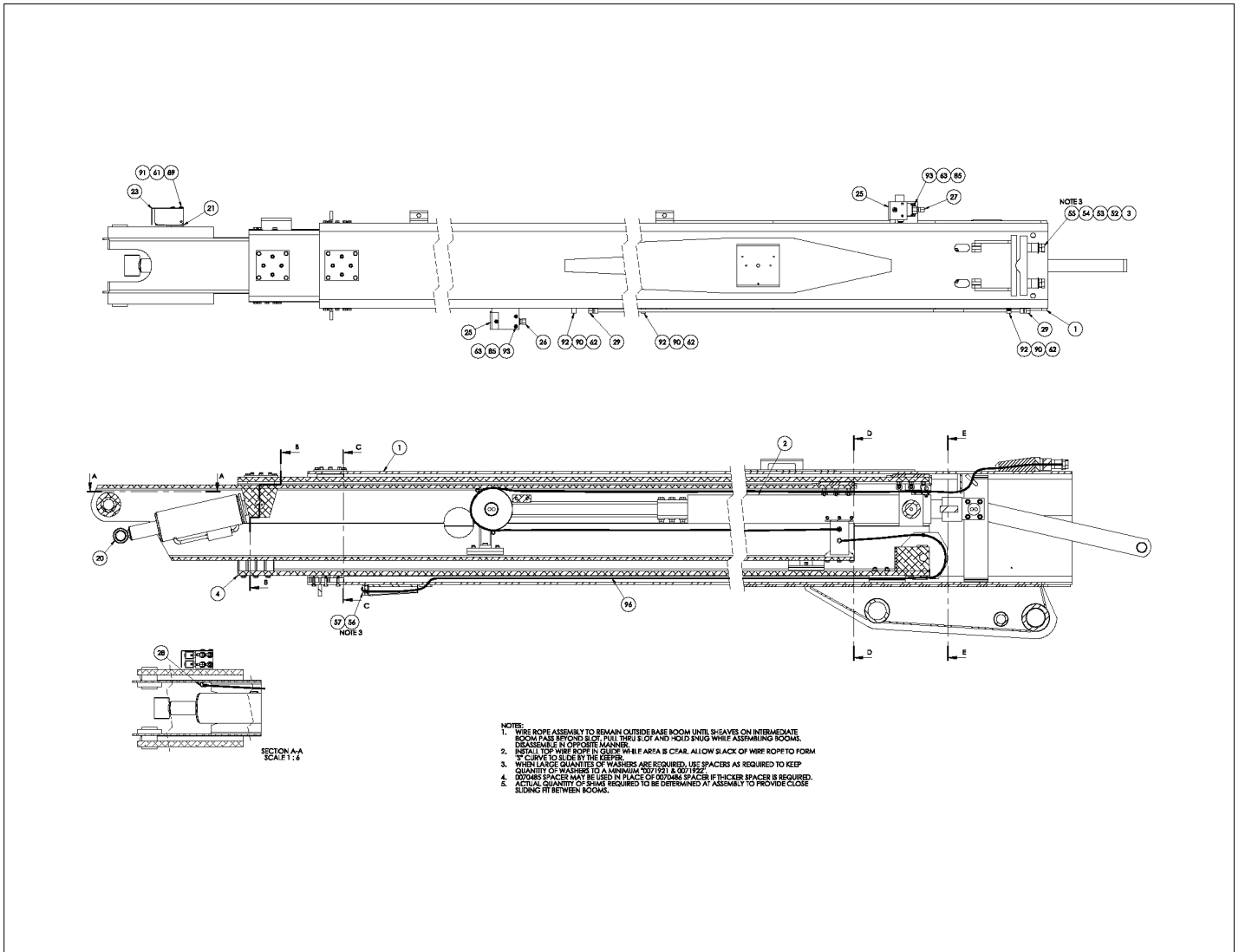
アイテム	部品番号	名前	数量	UOM
	0113809 B	STEEL REAR COWLING ASSEMBLY		EA
1	0113811	WLDMT, REAR COWLING, LH	1	EA
2	0113812	WLDMT, REAR COWLING, RH	1	EA
3	0113810	PLT, REAR COWLING, REAR	1	EA
4	5563142	TAPPED BARREL U MAX M8X1.25	12	EA
5	5563141	BLT HX WSHR HD M8 1.25X25 DOG PT	12	EA

REPAIR PARTS

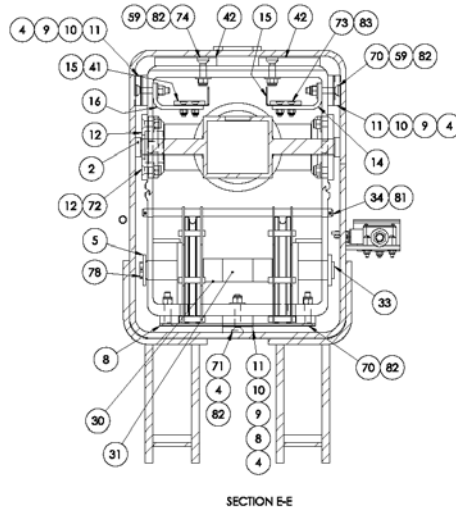
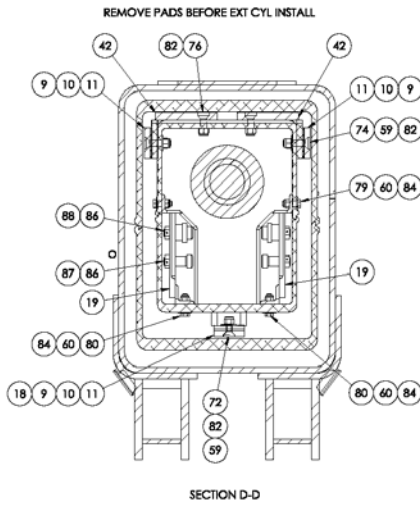
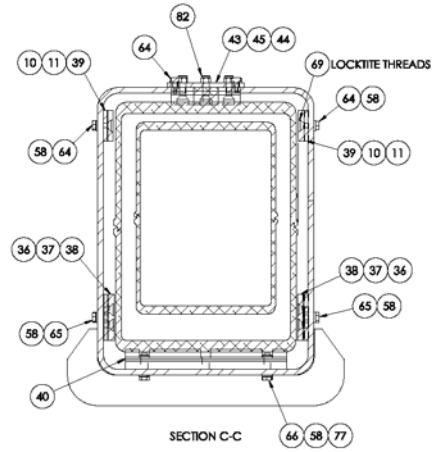
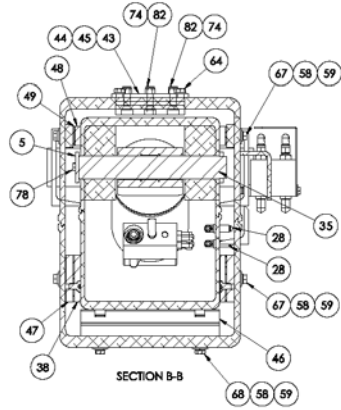
NO IMAGE AVAILABLE
(BOM FOR REFERENCE ONLY)

アイテム	部品番号	名前	数量	UOM
	0113216	FRONT COWLING SERVICE KIT DEUTZ		EA
1	5563141	BLT HX WSHR HD M8 1.25X25 DOG PT	39	EA
2	5563142	TAPPED BARREL U MAX M8X1.25	39	EA
3	0084342 0	FRONT COWL CENTER ORANGE	1	EA
4	0084524 3	BAR BOX MNT BLACK	1	EA
5	0084525 3	Z BRACKET BLACK	1	EA
6	0113197 0	FRONT COVER DZ ORANGE	1	EA
7	0113199 0	FRONT COWL RH ORA	1	EA
8	0113200 0	FRONT COWL LH ORA	1	EA
9	0113201 0	LOWER CORNER BRACE ORA	2	EA
10	0113231 0	FRONT COWLING SUPPORT ORA	1	EA

REPAIR PARTS



アイテム	部品番号	名前	数量	UOM
	0113740N	BOOM ASSEMBLY PG TB80 TB85J TB86J		EA
1	0113734	WLDMT BASE BOOM (SWIVEL)	1	EA
2	0111100	EXTEND CYL S/A	1	EA
3	0111104	SWIVEL ANCHOR	1	EA
4	0113609	WLDMT INT BOOM	1	EA
5	0070033	PIN LOCK 2.00 DIA 2H	2	EA
6	0111322	SHEAVE CAGE	2	EA
Not Shown	0111700	CABLE SHEAVE	2	EA
8	0111317	CABLE RETAINER	1	EA
9	0090141	SHIM (.090)	6	EA
10	0070030	SHIM (NOTE 5) (.030)	8	EA
11	0080293	SLIDE PAD	8	EA
12	0110191	CYLINDER ANCHOR	2	EA
13	0110190	PIN, CYLINDER ANCHOR	2	EA
14	0110705	CABLE SUPPORT L.H.	1	EA
15	0111324	CABLE GUIDE	2	EA
16	0110704	CABLE SUPPORT R.H.	1	EA
17	0110706	SHIM (.030)	4	EA
18	0110631	TIP BOOM WELDMENT	1	EA
19	0110665	WIRE ROPE ANCHOR WELDMENT	2	EA
20	0113577	SLAVE LEVEL CYLINDER ASSEMBLY	1	EA
21	0112796	PLATFORM/JIB SELECTOR VALVE ASSEMBLY	1	EA
22	0172299	SPCR .125 .750 2.00 2H AL	1	EA
23	0112795	COVER PLAT/JIB SELECTOR VALVE	1	EA
24	0110547	CONDUIT	1	EA
25	0071216	GUARD	2	EA

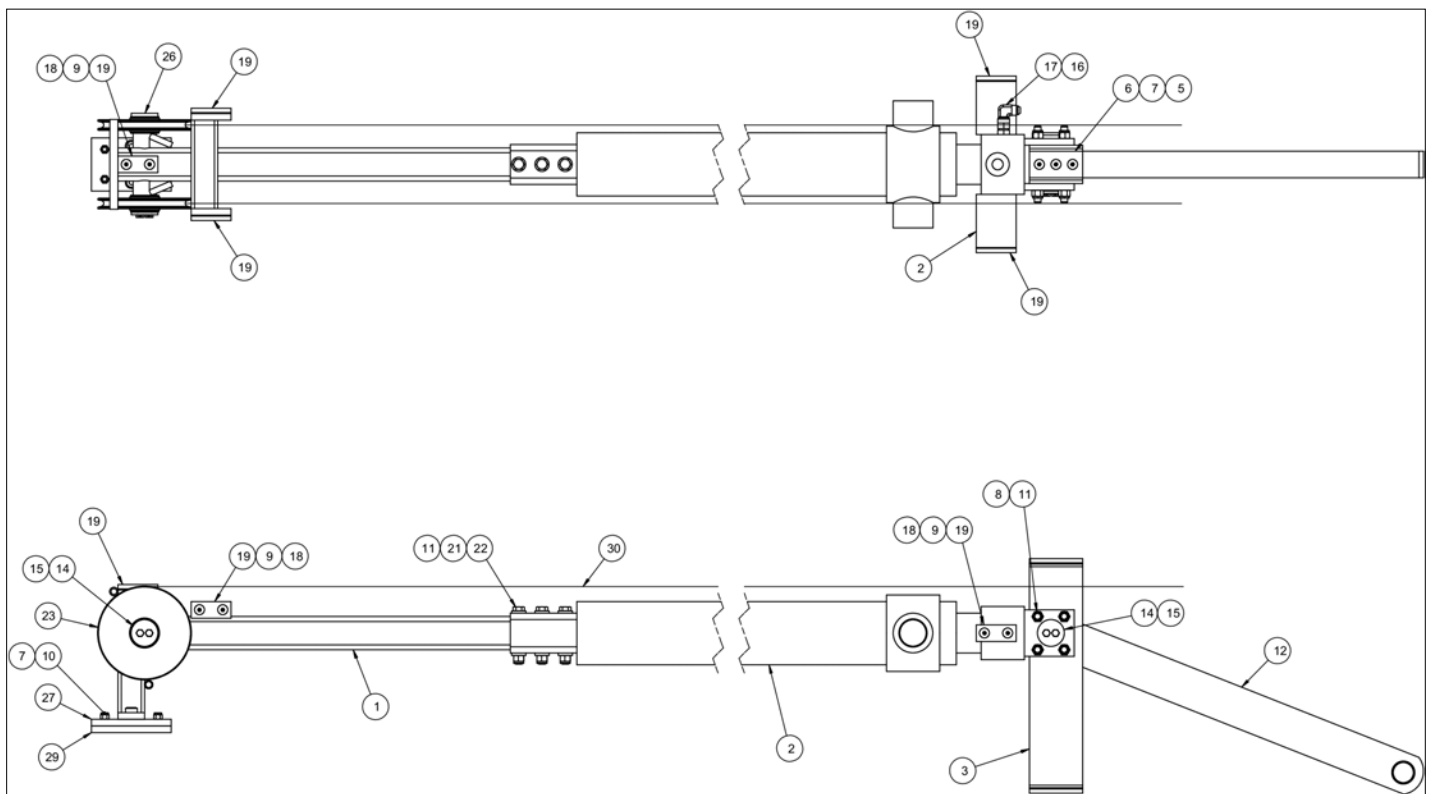


アイテム	部品番号	名前	数量	UOM
26	0113735	BOOM SWITCH ASSEMBLY	1	EA
27	0113737	BOOM SWITCH ASSEMBLY	1	EA
28	5034501	FTG ELB90BHD 4S 4S STL	2	EA
29	3040187	CONN .500 .313 .438	2	EA
30	2500035	BEARING	2	EA
31	2502032	BEARING	1	EA
32	2502028	BEARING, 1 4/4 BORE X 1" LG GARMAX	2	EA
33	0110671	PIN RETRACT SHEAVE	1	EA
34	0110670	PIN CABLE RETAINER	1	EA
35	0110661	PIN, LEVEL CYLINDER	1	EA
36	0110702	SPACER	2	EA
37	0110707	SHIM (.090)	4	EA
38	0070639	SLIDE PAD	4	EA
39	0070486	SPACER (NOTE 4)	2	EA
40	0113187	SLIDE PAD BASE LR	1	EA
41	0060089	SLIDE PAD	2	EA
42	0110703	SLIDE PAD	4	EA
43	0072681	SLIDE PAD MOUNT	2	EA
44	0072682	SLIDE PAD	2	EA
45	0072683	SPACER	4	EA
46	0113186	SLIDE PAD (INTER. BOOM OUTER)	1	EA
47	0110701	SPACER	2	EA
48	0080294	SLIDE PAD	2	EA
49	0073343	SHIM (.090)	2	EA
50	0070043	SHIM (.030)	2	EA
51	0090444	SPACER (1/2")	2	EA
52	0110976	SPACER	2	EA
53	0110977	SPACER	2	EA

アイテム	部品番号	名前	数量	UOM
54	5560171	WASHER, 7/8 HARD FLAT ASTM F 436	2	EA
55	5560685	NUT, 7/8 9 HEX JAM	4	EA
56	984469	NUT, 3/4 10 HEX JAM	4	EA
57	5560170	WSHR FLAT HARD .750 SP	2	EA
58	987119	WSHR LOCK .375	40	EA
59	986299	WASHER, FLAT, .375 STANDARD, PLATED	48	EA
60	986269	WSHR FLAT .313	12	EA
61	986019	WSHR FLAT .250	2	EA
62	987099	WSHR LOCK .250	4	EA
63	986009	WSHR FLAT 10	6	EA
64	970439	BLTHHD .375 16 X .625 GR5	11	EA
65	970469	HHD BLT .375 16 X 1.00 GR5	5	EA
66	970489	BLT HEXHD .375 16 1.50 GR5 PL	6	EA
67	970449	HHD BLT .375 16 X .750 GR5	12	EA
68	970519	CAPSCREW 3/8 16 X 2 1/4" LG H.H.	6	EA
69	5560679	M.SCR 3/8 16 5/8 SOC. CAD	16	EA
70	5560681	M.SCR, 3/8 16 2 1/4 F.H. SOC. CAD	8	EA
71	5560682	M.SCR, 3/8 16 2 1/2 F.H. SOC. CAD	3	EA
72	5560675	M.SCR 3/8 16 1 1/4 SOC. CAD	11	EA
73	5560331	M.SCR, 184 20 1.0 F.H. SOC. CAD PL	4	EA
74	5560680	M.SCR, 3/8 16 1 3/4 F.H. SOC. CAD	20	EA
75	972449	M.SCR 3/8 16 3/4 SOC. CAD	16	EA
76	972489	M.SCR 3/8 16 1 1/2 SOC. CAD	6	EA
77	5560244	NUT WELD TAB .375 16	12	EA
78	0070473	BLT HEXHD .313 18 .75 DR	4	EA

アイテム	部品番号	名前	数量	UOM
79	970369	BLT HEXHD .313 18 X 1.00 GR5	6	EA
80	970269	BLT HEXHD .313 18 1.25 GR5 PLA	6	EA
81	988179	COTTER PIN, 1/8 DIA. X 1" LG.	2	EA
82	5560033	.375 16UNC HEX LOCK NUT	48	EA
83	5560004	NUT LKG .250 20	4	EA
84	5560031	NUT HEX LKG .313 18	12	EA
85	5560034	NUT LKG 10 24	6	EA
86	5560005	ANCHOR BOLT	4	EA
87	5560053	HEX JAM NUT, DRILLED	4	EA
88	0111005	SPACER	2	EA
89	5560369	BLT HEXHD .250 20 4.00 GR5	2	EA
90	970009	Capscrew 1/4 20 x 1/2 inch lon	4	EA
91	5560603	NUTSERT .250 20 GRIP .260 .390	2	EA
92	5093004	CLP CUSH .750 VINYL COATED	4	EA
93	974729	SCR RDH MACH 10 24 1.25	6	EA
94	0151860	1/2" I.D. HOSE ASSEMBLY	2	EA
95	0070768	1/4 I.D. HOSE ASSY	2	EA
96	0110186	WIRE ROPE ASSEMBLY RETRACT	2	EA
97	PNNA	.040 DIA SS SAFETY LOCKWIRE	A/R	EA

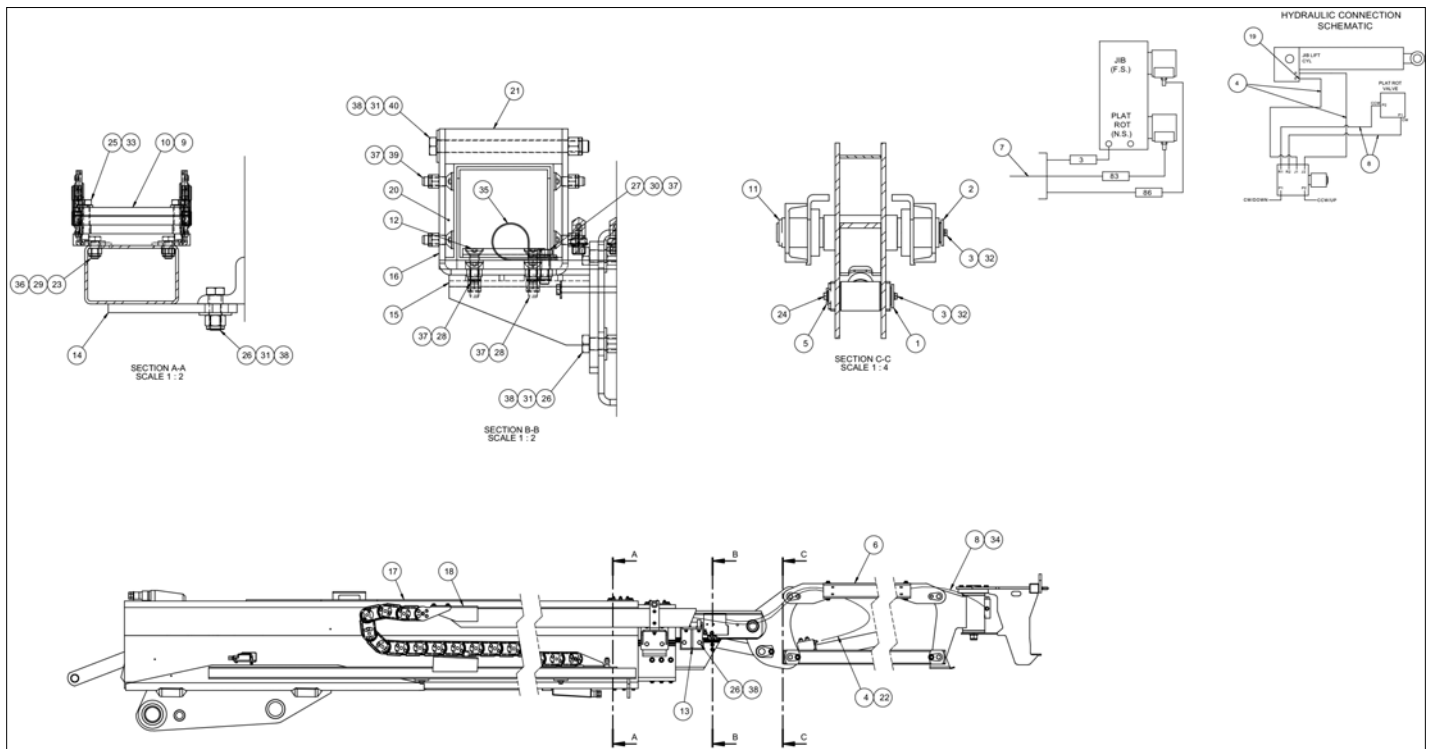
REPAIR PARTS



アイテム	部品番号	名前	数量	UOM
Not Shown	0111100 C	EXTEND CYLINDER SUB ASSEMBLY		EA
1	0111822	SUPPORT BRACKET	1	EA
2	0113730	EXTENSION SNORKELIFT	1	EA
3	0110647	SUPPORT BRACKET, EXTEND CYLINDER ROD END	1	EA
4	0071272	SHIM .063 2.00 4.00 3H AL	2	EA
5	0070838	SHIM .030 2.00 4.00 3H AL	2	EA
6	0070029	SLIDE PAD	2	EA
7	5560675	M.SCR 3/8 16 1 1/4 SOC. CAD	10	EA
8	5560718	BLT FLSKTHD .500 13 X 1.75	8	EA
9	972449	M.SCR 3/8 16 3/4 SOC. CAD	10	EA
10	5560033	.375 16UNC HEX LOCK NUT	10	EA
11	5560039	NUT HEX LKG .500 13	11	EA
12	0110166	LINK	1	EA
13	0070440	WLDMT PIN 1.50 3.940 GRIP	1	EA
14	0070033	PIN LOCK 2.00 DIA 2H	2	EA
15	0070473	BLT HEXHD .313 18 .75 DR	4	EA
16	5065709	FTG ADPTR STRTHD 8B 8S STL PH	2	EA
17	5037006	ADAPTER 90 ° ELBOW SWIVEL 8 JIC	2	EA
18	0071341	SHIM .063 1.25 3.00 2H AL	5	EA
19	0070141	SL PAD 1.25 3.00 .330 2H	5	EA
20	2502432	BRG 1.50ID 1.66OD 2.00	1	EA
21	5560168	WSHR FLAT HARD .500 SP	6	EA
22	971009	CAP SCREW 1/2 13 X 4 INCH LONG HEX HEAD GRADE 5	3	EA
23	0111701	SHEAVE WIRE ROPE 7/16 DIA A80	2	EA
24	2502028	BEARING, 1 4/4 BORE X 1" LG GARMAX	2	EA

アイテム	部品番号	名前	数量	UOM
25	5560254	BRG THR 1.25ID 2.25OD .059	8	EA
26	0110645	PIN, EXTEND SHEAVE	1	EA
27	0191070	SLIDE PAD PLATE	1	EA
28	5560005	ANCHOR BOLT	2	EA
29	0191071	SLIDE PAD	1	EA
30	0111101	WIRE ROPE ASSEMBLY (EXTEND)	2	EA

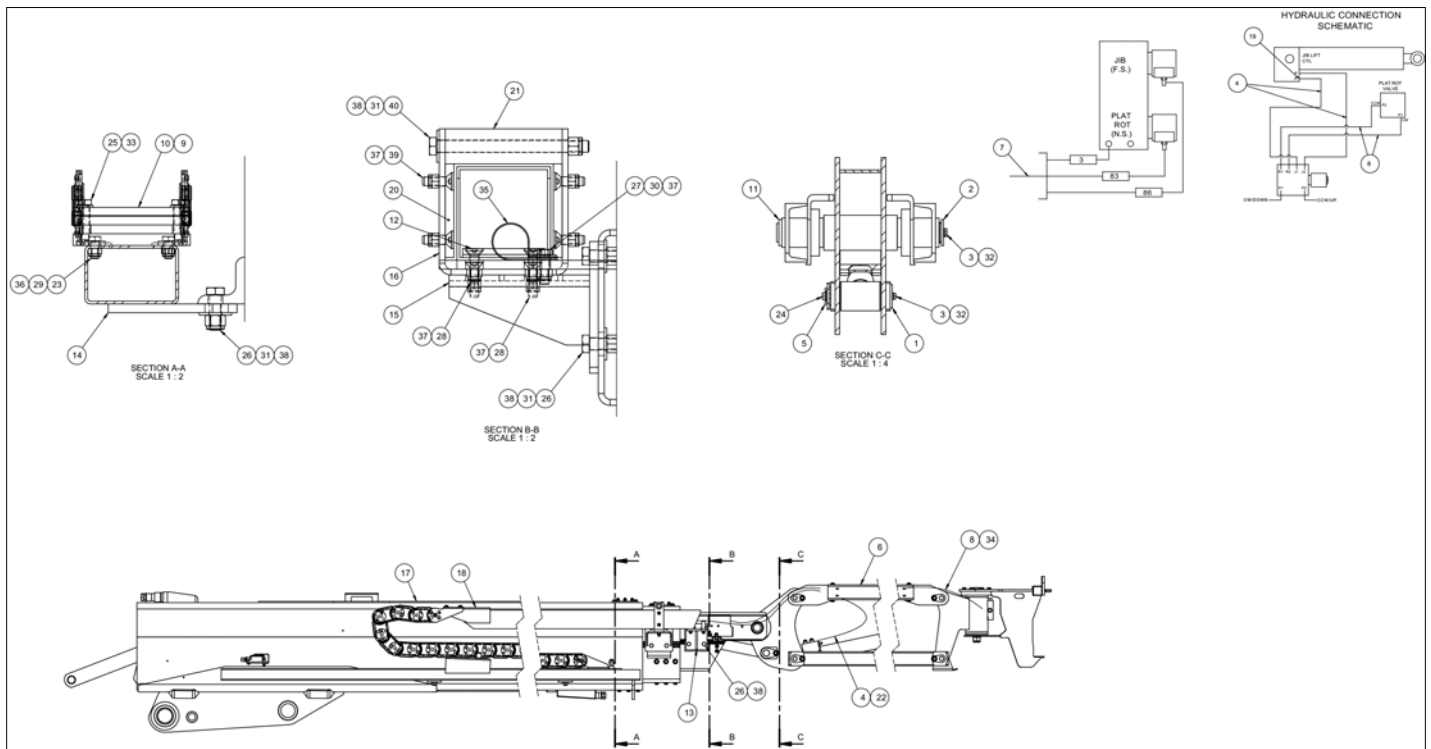
REPAIR PARTS



アイテム	部品番号	名前	数量	UOM
Not Shown	0113708 A	BOOM ASSEMBLY (PG)		EA
1	0070033	PIN LOCK 2.00 DIA 2H	1	EA
2	0070132	PIN LOCK 2.25 DIA 2H	1	EA
3	0070473	BLT HEXHD .313 18 .75 DR	4	EA
4	0070772	3/8 I.D. HOSE ASSEMBLY	2	EA
5	0084741	WELDMENT PIN 1.50 DIA X 5.19 GRIP	1	EA
6	0084752	ASSY 6FT JIB	1	EA
7	0113739	HARNESS PLAT/JIB SELECTOR	1	EA
8	0084765	HOSE 4 4S 4S 115 100R2	2	EA
9	0110581	SPCR .465ID .500OD .375 STL	2	EA
10	0110590	TUBE CLAMP BAR W/BONDED RUBBER	1	EA
11	0110678	WLDMT PIN 1.75 13.63 GRIP	1	EA
12	0113592	SL PAD 2.00 3.50 .375 2H	1	EA
13	0113596	WLDMT CABLE SUPPORT	1	EA
14	0113597	SUPPORT TUBE WELDMENT	1	EA
15	0113606	WLDMT SUPPORT PLT	1	EA
16	0113607	PLT TUBE GUIDE	1	EA
17	0113740	BOOM ASSEMBLY TB86J PG	1	EA
18	0113741	HOSE CARRIER ASSEMBLY	1	EA
19	0151918	ORIFICE, .035	1	EA
20	0161766	SL PAD 2.00 4.00 .375 2H	3	EA
21	0170045	SL PAD 1.50 5.00 1.50 1H	1	EA
22	563536	HOSE GUARD SPRIAL 3/4in ID	36	EA
23	970239	BLT HEXHD .313 18 .750 GR5	4	EA
24	970449	HHD BLT .375 16 X .750 GR5	1	EA
25	970489	BLT HEXHD .375 16 1.50 GR5 PL	2	EA
26	970909	BLT HEXHD .500 13 1.50 GR5 PLA	14	EA

アイテム	部品番号	名前	数量	UOM
27	972479	BLT HEXHD .375 16 1.25 GR5	1	EA
28	972489	M.SCR 3/8 16 1 1/2 SOC. CAD	4	EA
29	986269	WSHR FLAT .313	4	EA
30	986299	WASHER, FLAT, .375 STANDARD, PLATED	2	EA
31	986359	FLATWASHER 1/2"	11	EA
32	987109	WSHR LOCK .313	4	EA
33	987119	WSHR LOCK .375	3	EA
34	5090034	SLEEVEHOSE ABRASION GRD 1.81 in	9.5	EA
35	5093010	CLP CUSH 1.50 VINYL COATED	1	EA
36	5560031	NUT HEX LKG .313 18	4	EA
37	5560033	.375 16UNC HEX LOCK NUT	9	EA
38	5560039	NUT HEX LKG .500 13	15	EA
39	5560675	M.SCR 3/8 16 1 1/4 SOC. CAD	4	EA
40	5569900	HHCS, .500 13 UNC, STL, GR 5, 6.50 LG.	1	EA

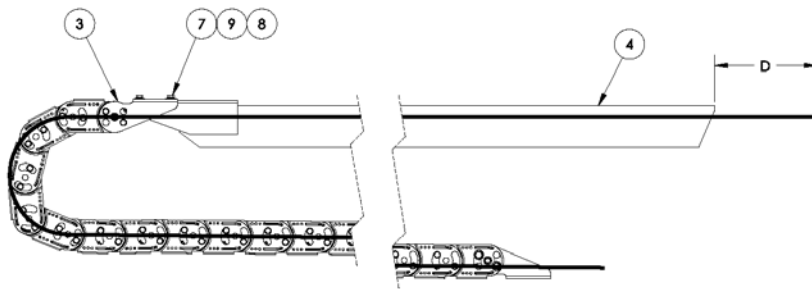
REPAIR PARTS



アイテム	部品番号	名前	数量	UOM
Not Shown	0113743 A	BOOM ASSEMBLY (PG CE)		EA
1	0070033	PIN LOCK 2.00 DIA 2H	1	EA
2	0070132	PIN LOCK 2.25 DIA 2H	1	EA
3	0070473	BLT HEXHD .313 18 .75 DR	4	EA
4	0070772	3/8 I.D. HOSE ASSEMBLY	2	EA
5	0084741	WELDMENT PIN 1.50 DIA X 5.19 GRIP	1	EA
6	0084752	ASSY 6FT JIB	1	EA
7	0113739	HARNESS PLAT/JIB SELECTOR	1	EA
8	0084765	HOSE 4 4S 4S 115 100R2	2	EA
9	0110581	SPCR .465ID .500OD .375 STL	2	EA
10	0110590	TUBE CLAMP BAR W/BONDED RUBBER	1	EA
11	0110678	WLDMT PIN 1.75 13.63 GRIP	1	EA
12	0113592	SL PAD 2.00 3.50 .375 2H	1	EA
13	0113596	WLDMT CABLE SUPPORT	1	EA
14	0113597	SUPPORT TUBE WELDMENT	1	EA
15	0113606	WLDMT SUPPORT PLT	1	EA
16	0113607	PLT TUBE GUIDE	1	EA
17	0113740	BOOM ASSEMBLY TB86J PG	1	EA
18	0113741	HOSE CARRIER ASSEMBLY	1	EA
19	0151918	ORIFICE, .035	1	EA
20	0161766	SL PAD 2.00 4.00 .375 2H	3	EA
21	0170045	SL PAD 1.50 5.00 1.50 1H	1	EA
22	563536	HOSE GUARD SPRIAL 3/4in ID	36	EA
23	970239	BLT HEXHD .313 18 .750 GR5	4	EA
24	970449	HHD BLT .375 16 X .750 GR5	1	EA
25	970489	BLT HEXHD .375 16 1.50 GR5 PL	2	EA
26	970909	BLT HEXHD .500 13 1.50 GR5 PLA	14	EA

アイテム	部品番号	名前	数量	UOM
27	972479	BLT HEXHD .375 16 1.25 GR5	1	EA
28	972489	M.SCR 3/8 16 1 1/2 SOC. CAD	4	EA
29	986269	WSHR FLAT .313	4	EA
30	986299	WASHER, FLAT, .375 STANDARD, PLATED	2	EA
31	986359	FLATWASHER 1/2"	11	EA
32	987109	WSHR LOCK .313	4	EA
33	987119	WSHR LOCK .375	3	EA
34	5090034	SLEEVEHOSE ABRASION GRD 1.81 in	9.5	EA
35	5093010	CLP CUSH 1.50 VINYL COATED	1	EA
36	5560031	NUT HEX LKG .313 18	4	EA
37	5560033	.375 16UNC HEX LOCK NUT	9	EA
38	5560039	NUT HEX LKG .500 13	15	EA
39	5560675	M.SCR 3/8 16 1 1/4 SOC. CAD	4	EA
40	5569900	HHCS, .500 13 UNC, STL, GR 5, 6.50 LG.	1	EA

REPAIR PARTS

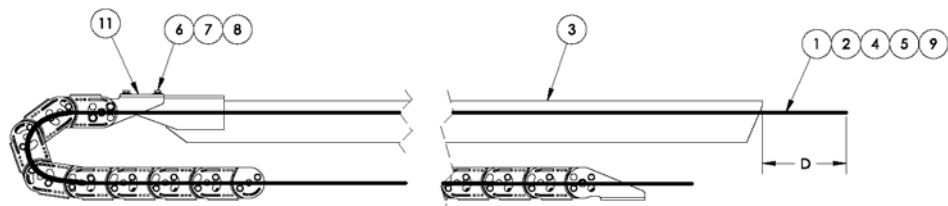


ITEM NO.	LENGTH (FT)	"D" (IN)
1	84.5	15
1	84.5	15
2	87.5	21
2	87.5	21
5	110	174
6	105	182

NOTES:
 1. REFER TO CHART FOR ITEMS 1, 2, 5 AND 6

アイテム	部品番号	名前	数量	UOM
	0113741 C	HOSE CARRIER ASSEMBLY TB86J		EA
1	0110219	HOSE 3 4S 4S 1014 (LEVELING)	2	EA
2	0112549	1/4 ID HOSE ASSEMBLY X 1050" (PLAT. ROTATOR)	2	EA
3	0113490	CAT TRACK STEEL	1	EA
4	0113598	WLDMT SUPPORT TUBE	1	EA
5	0113761	CABLE 12GA/3 CONDUCTOR 110FT LG	1	EA
6	0113742	HARNESS POWER TO PLATFORM ASSEMBLY	1	EA
7	970449	HHD BLT .375 16 X .750 GR5	4	EA
8	986299	WASHER, FLAT, .375 STANDARD, PLATED	4	EA
9	987119	WSHR LOCK .375	4	EA
Not Shown	5560126	THREAD INSERT .375 16 .375 LKG	4	EA

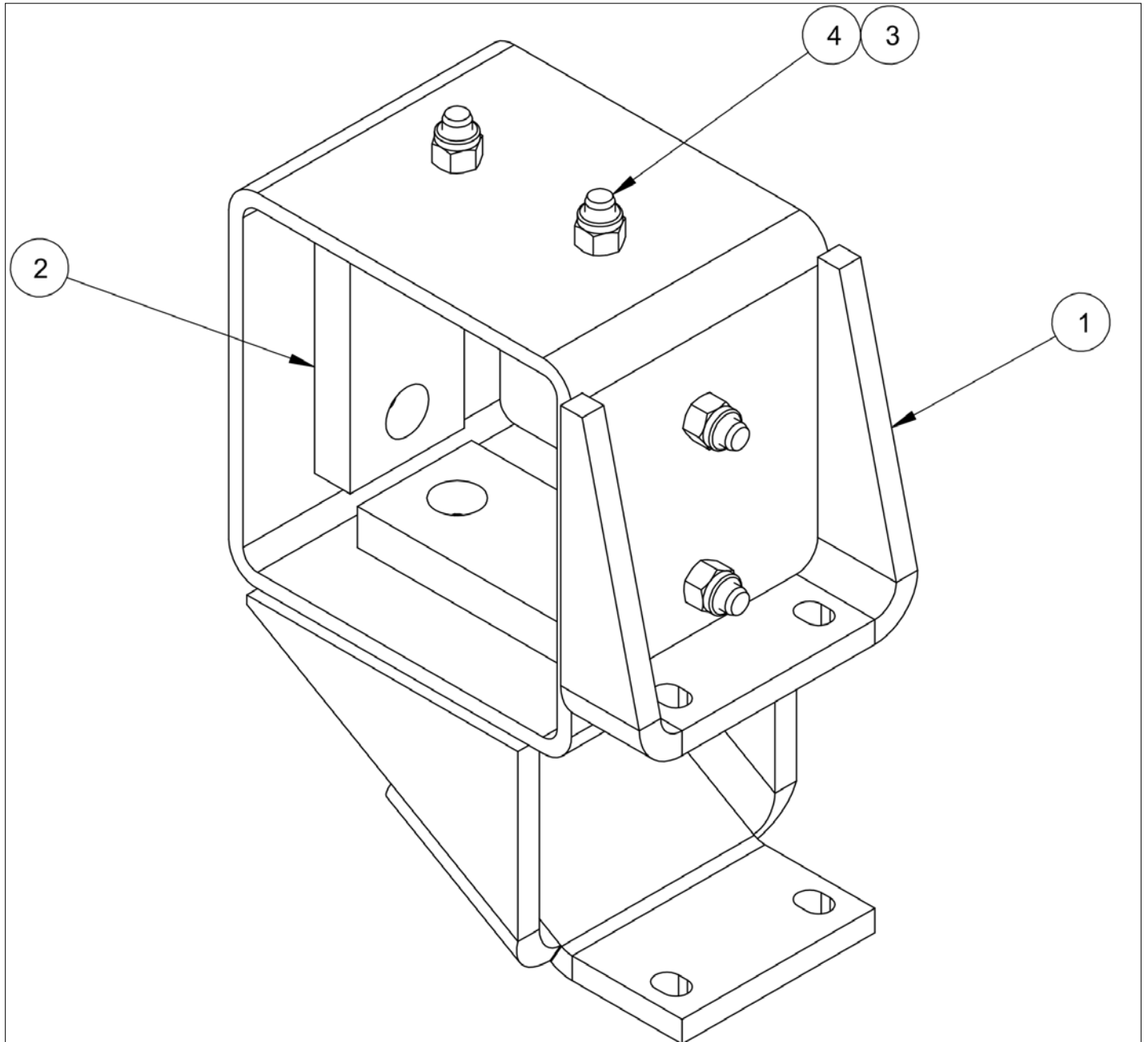
REPAIR PARTS



ITEM NO.	LENGTH (FT)	"D" (IN)
1	84.5	15
1	84.5	15
2	87.5	21
2	87.5	21
5	105	182
6	110	TBD
9	110	TBD

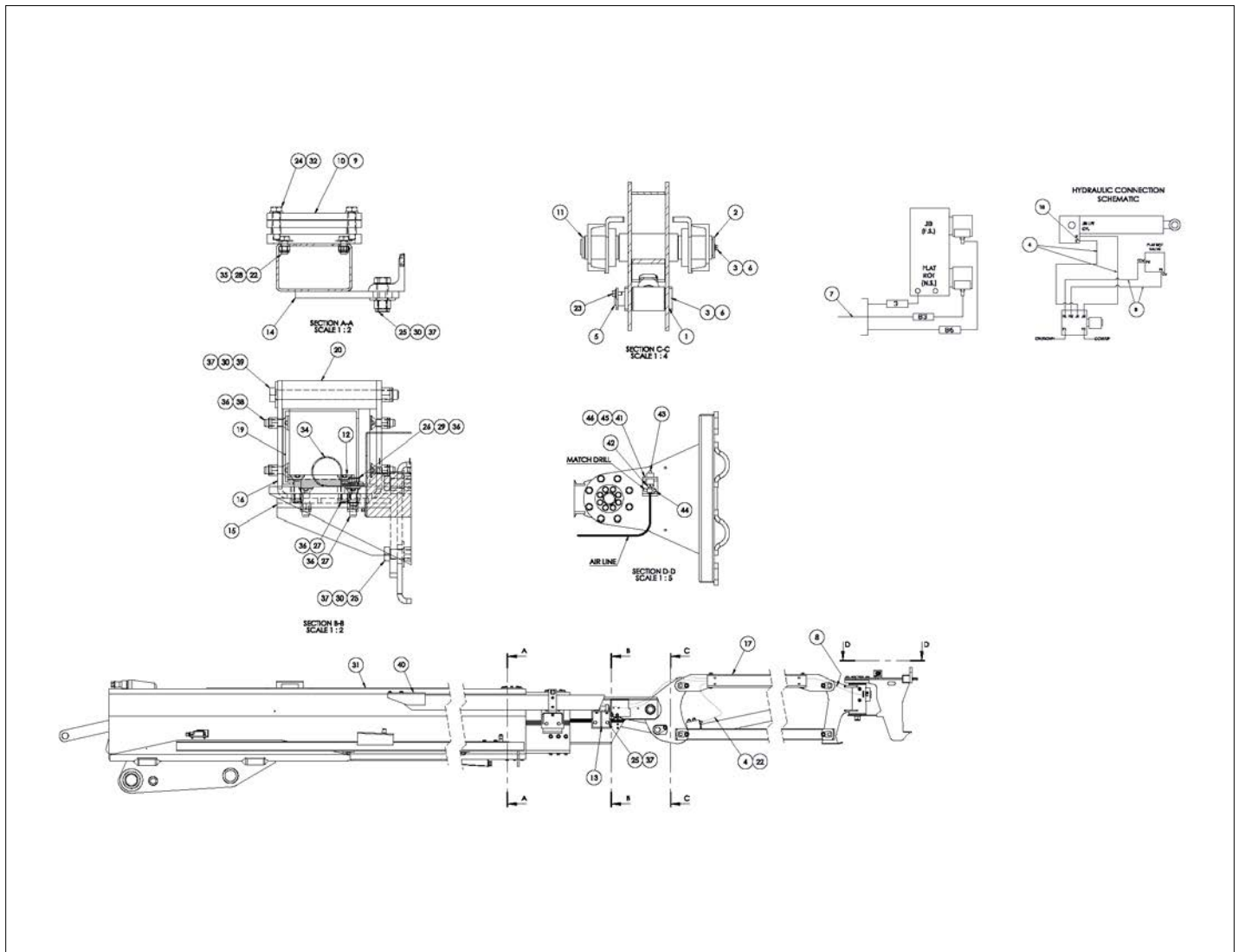
アイテム	部品番号	名前	数量	UOM
	0113950 B	HOSE CARRIER ASSEMBLY PG WITH 12K		EA
1	0110219	HOSE 3 4S 4S 1014 (LEVELING)	2	EA
2	0112549	1/4 ID HOSE ASSEMBLY X 1050" (PLAT. ROTATOR)	2	EA
3	0113598	WLDMT SUPPORT TUBE	1	EA
4	0113742	HARNESS POWER TO PLATFORM ASSEMBLY	1	EA
5	0113952	CABLE 12GA/4 CONDUCTOR 110FT	1	EA
6	970449	HHD BLT .375 16 X .750 GR5	4	EA
7	986299	WASHER, FLAT, .375 STANDARD, PLATED	4	EA
8	987119	WSHR LOCK .375	4	EA
9	5010024	HOSE .50 ID AIR HOSE	110	EA
Not Shown	5560126	THREAD INSERT .375 16 .375 LKG	4	EA
11	0113490	CAT TRACK STEEL	1	EA
12	3011005	CABLE 10GA/3 CONDUCTOR WIRE	111FT	EA

REPAIR PARTS



アイテム	部品番号	名前	数量	UOM
Not Shown	0113586 A	HOSE CARRIER SUPPORT ASSEMBLY		EA
1	0113587	WLDMT HOSE CARRIER SUPPORT		EA
2	0150122	SL PAD 2.00 4.00 .625 2H		EA
3	5560033	.375 16UNC HEX LOCK NUT		EA
4	5560675	M.SCR 3/8 16 1 1/4 SOC. CAD		EA

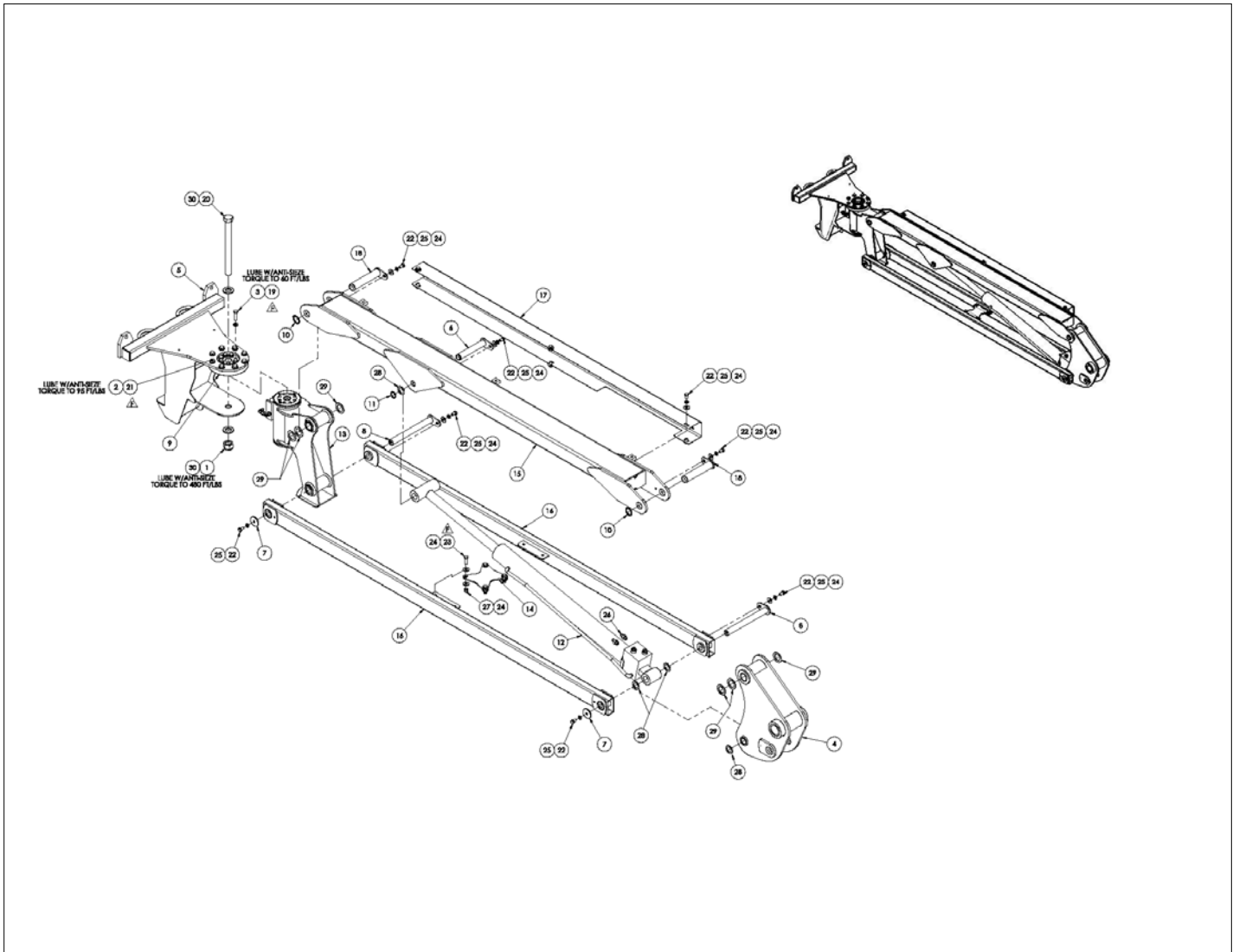
REPAIR PARTS



アイテム	部品番号	名前	数量	UOM
	0113949 B	BOOM / HOSE CARRIER / JIB ASSEMBLY PG		EA
1	0070033	PIN LOCK 2.00 DIA 2H	1	EA
2	0070132	PIN LOCK 2.25 DIA 2H	1	EA
3	0070473	BLT HEXHD .313 18 .75 DR	4	EA
4	0070772	3/8 I.D. HOSE ASSEMBLY	2	EA
5	0084741	WELDMENT PIN 1.50 DIA X 5.19 GRIP	1	EA
6	986019	WSHR FLAT .250	4	EA
7	0113739	HARNESS PLAT/JIB SELECTOR	1	EA
8	0084765	HOSE 4 4S 4S 115 100R2	2	EA
9	0110581	SPCR .465ID .500OD .375 STL	2	EA
10	0110590	TUBE CLAMP BAR W/BONDED RUBBER	1	EA
11	0110678	WLDMT PIN 1.75 13.63 GRIP	1	EA
12	0113592	SL PAD 2.00 3.50 .375 2H	1	EA
13	0113596	WLDMT CABLE SUPPORT	1	EA
14	0113597	SUPPORT TUBE WELDMENT	1	EA
15	0113606	WLDMT SUPPORT PLT	1	EA
16	0113607	PLT TUBE GUIDE	1	EA
17	0084752	ASSY 6FT JIB	1	EA
18	0151918	ORIFICE, .035	1	EA
19	0161766	SL PAD 2.00 4.00 .375 2H	3	EA
20	0170045	SL PAD 1.50 5.00 1.50 1H	1	EA
Not Shown	563536	HOSE GUARD SPRIAL 3/4in ID	36	EA
22	970239	BLT HEXHD .313 18 .750 GR5	4	EA
23	970449	HHD BLT .375 16 X .750 GR5	1	EA
24	970489	BLT HEXHD .375 16 1.50 GR5 PL	2	EA
25	970909	BLT HEXHD .500 13 1.50 GR5 PLA	14	EA

アイテム	部品番号	名前	数量	UOM
26	972479	BLT HEXHD .375 16 1.25 GR5	1	EA
27	972489	M.SCR 3/8 16 1 1/2 SOC. CAD	4	EA
28	986269	WSHR FLAT .313	4	EA
29	986299	WASHER, FLAT, .375 STANDARD, PLATED	2	EA
30	986359	FLATWASHER 1/2"	11	EA
31	0113740	BOOM ASSEMBLY TB86J PG	1	EA
32	987119	WSHR LOCK .375	3	EA
33	5090034	SLEEVEHOSE ABRASION GRD 1.81 in	9.5	EA
34	5093010	CLP CUSH 1.50 VINYL COATED	1	EA
35	5560031	NUT HEX LKG .313 18	4	EA
36	5560033	.375 16UNC HEX LOCK NUT	9	EA
37	5560039	NUT HEX LKG .500 13	15	EA
38	5560675	M.SCR 3/8 16 1 1/4 SOC. CAD	4	EA
39	5569900	HHCS, .500 13 UNC, STL, GR 5, 6.50 LG.	1	EA
40	0113950	ASSY HOSE CARRIER TB86J PG 12K	1	EA
41	0080759	ANGLE	1	EA
42	5260013	FTG ADPTR MALE 8N 8 BARBED	1	EA
43	7714202	PIPE PLUG, 1/4" NPT SQ HD GALV	1	EA
44	5550010	CLP WORM DRV .50 1.06 SAE#10	1	EA
45	970049	BLT HEXHD .250 20 1.00 GR5 GRADE 5 PLT SAME AS 970189	2	EA
46	5560004	NUT LKG .250 20	2	EA

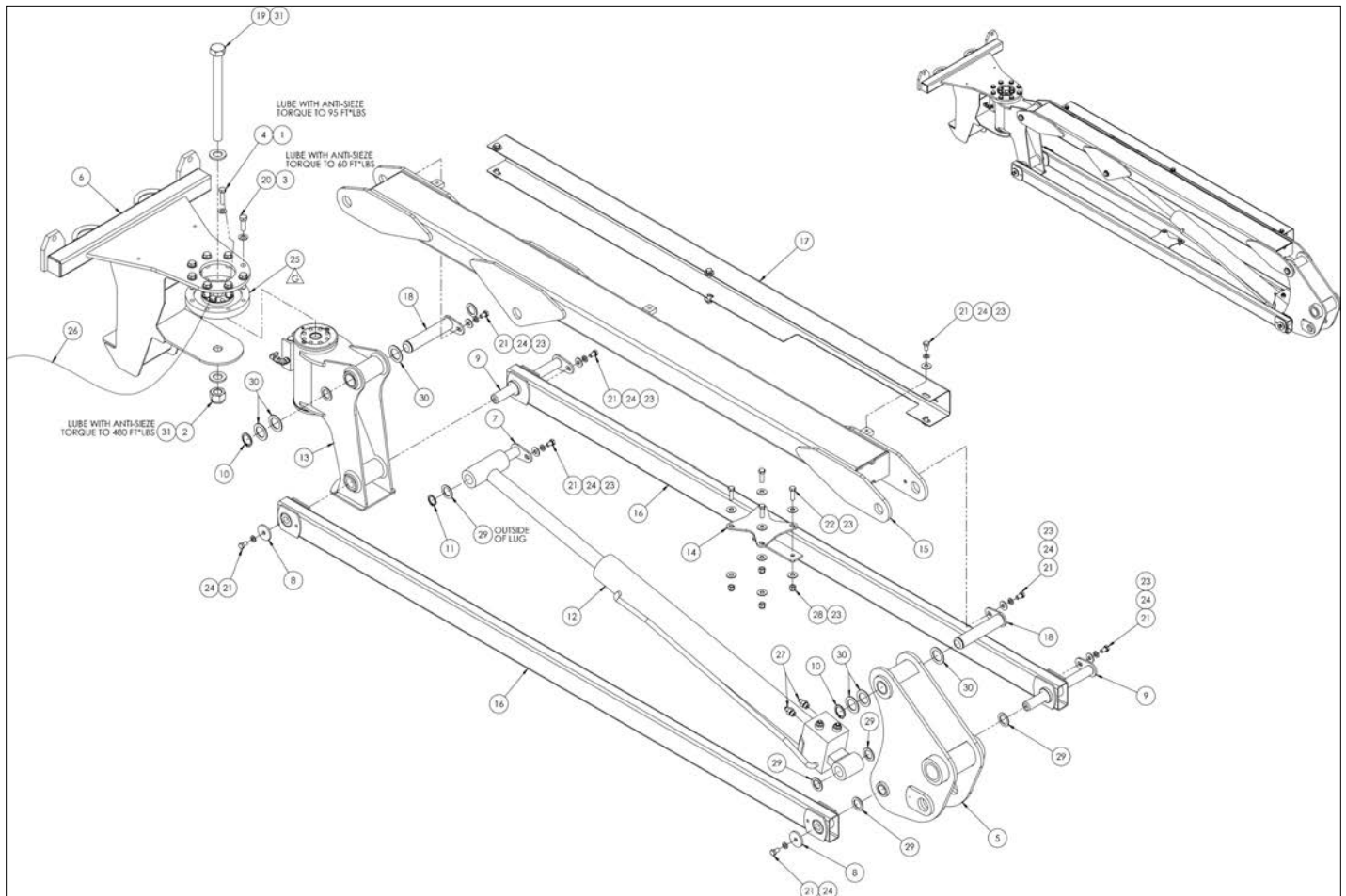
REPAIR PARTS



アイテム	部品番号	名前	数量	UOM
	0084752 F	6' JIB ASSEMBLY PG		EA
1	056064 024	Nut, NylockNut DIN985 M24 10.0	1	EA
2	056069 012	WASHER DIN125A M12 ZP	8	EA
3	058509 040	BOLT HEXBOLT DIN931 M12 X 40MM 10.9 DACROMET	8	EA
4	0084735	WLDMT, JIB INNER QUADRANT	1	EA
5	0113719	WLDMT MOUNT FRAME	1	EA
6	0172213	WELDMENT 1.0 5.79 GRIP	1	EA
7	0172214	END CAP	2	EA
8	0172216	PIN TEARDROP 1.0 X 9.43	2	EA
9	0261027	ROTATOR ADAPTER PLATE	1	EA
10	300541	1.25 SNAPRING	2	EA
11	300542	1.00 SNAPRING	1	EA
12	0420111	CYLINDER JIB	1	EA
13	0420114	ASSEMBLY, ROTATOR PLATF	1	EA
14	0420132	PLT TIE 7' JIB	1	EA
15	0420731	WLDMT ARM JIB UPPER 7'	1	EA
16	0420732	WLDMT JIB ARM LOWER 7' JIB	2	EA
17	0420878	COVER HOSE 7' JIB	1	EA
18	0421711	WLDMT PIN 1.25 5.915 GRIP	2	EA
19	505087 010	WASHER HARDENED M10	8	EA
20	512649 280	BOLT,HexBolt,DIN931,M24 x 280m	1	EA
21	514160 035	Bolt, HexSetScrew DIN933 M12 x 35MM	8	EA
22	970439	BLTHHD .375 16 X .625 GR5	13	EA
23	972479	BLT HEXHD .375 16 1.25 GR5	4	EA
24	986299	WASHER, FLAT, .375 STANDARD, PLATED	19	EA
25	987119	WSHR LOCK .375	13	EA
26	5065705	FTG ADPTR STRTHD 6B 4S STL	2	EA

アイテム	部品番号	名前	数量	UOM
27	5560033	.375 16UNC HEX LOCK NUT	4	EA
28	5560689	BUSHING MCHRY	7	EA
29	5560712	MACH BSHG 1.25 ID X 1.88 OD X	6	EA
30	5569991	WSHR FLAT HARD M24	2	EA

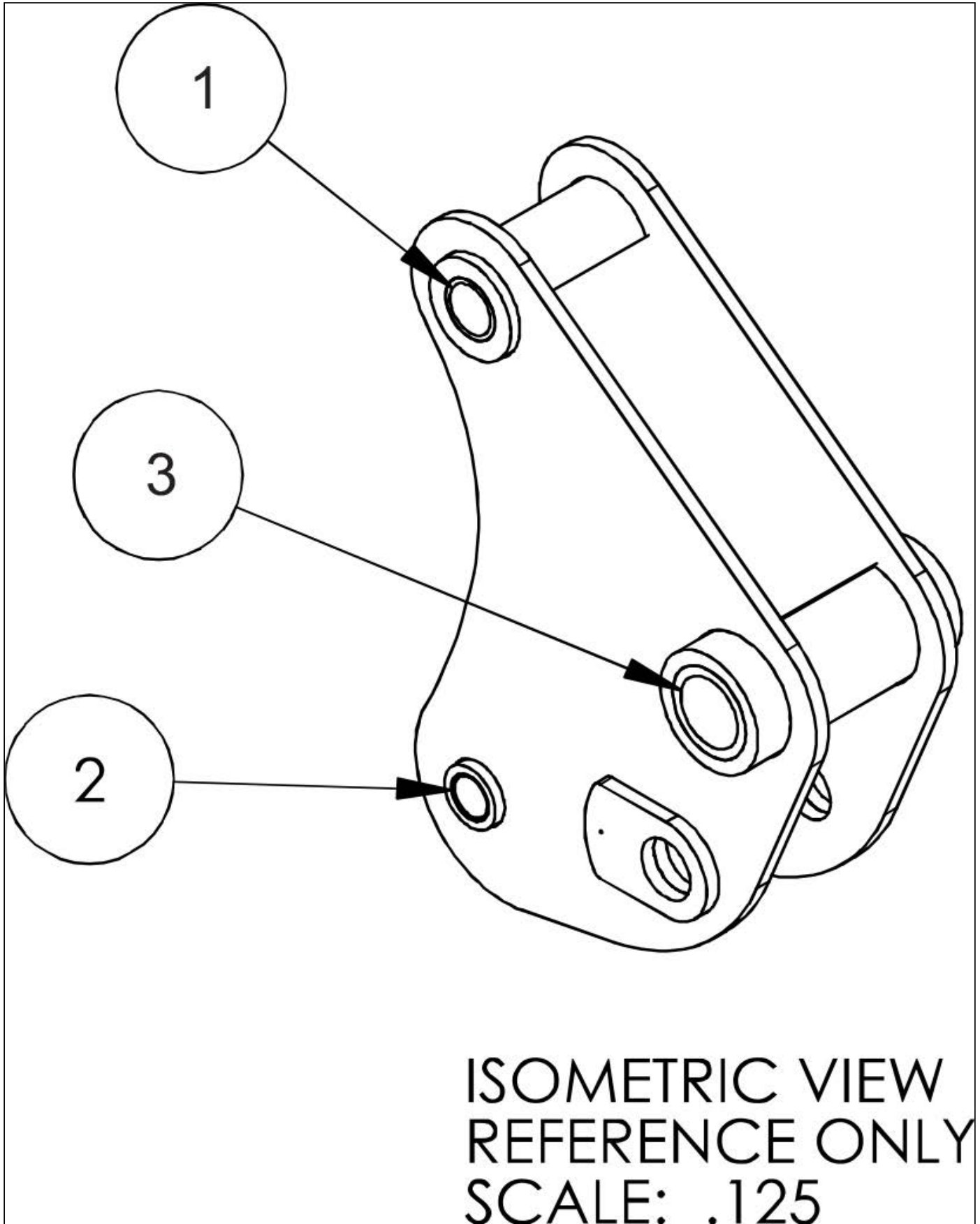
REPAIR PARTS



アイテム	部品番号	名前	数量	UOM
	0084771 G	6' JIB ASSEMBLY CE 660SJ		EA
1	056069 010	Washer, SteelFlatWasher DIN125A M10 ZincPlated	8	EA
2	056064 024	Nut, NylockNut DIN985 M24 10.0	1	EA
3	056069 012	WASHER DIN125A M12 ZP	8	EA
4	058509 040	BOLT HEXBOLT DIN931 M12 X 40MM 10.9 DACROMET	8	EA
5	0084735	WLDMT, JIB INNER QUADRANT	1	EA
6	0113719	WLDMT MOUNT FRAME	1	EA
7	0172213	WELDMENT 1.0 5.79 GRIP	1	EA
8	0172214	END CAP	2	EA
9	0172216	PIN TEARDROP 1.0 X 9.43	2	EA
10	300541	1.25 SNAPRING	2	EA
11	300542	1.00 SNAPRING	1	EA
12	0420111	CYLINDER JIB	1	EA
13	0420114	ASSEMBLY, ROTATOR PLATF	1	EA
14	0420132	PLT TIE 7' JIB	1	EA
15	0420731	WLDMT ARM JIB UPPER 7'	1	EA
16	0420732	WLDMT JIB ARM LOWER 7' JIB	2	EA
17	0420878	COVER HOSE 7' JIB	1	EA
18	0421711	WLDMT PIN 1.25 5.915 GRIP	2	EA
19	512649 280	BOLT,HexBolt,DIN931,M24 x 280m	1	EA
20	514160 035	Bolt, HexSetScrew DIN933 M12 x 35MM	8	EA
21	970439	BLTHHD .375 16 X .625 GR5	13	EA
22	972479	BLT HEXHD .375 16 1.25 GR5	4	EA
23	986299	WASHER, FLAT, .375 STANDARD, PLATED	19	EA
24	987119	WSHR LOCK .375	13	EA
25	3030188	OVERLOAD SENSOR PLATE	1	EA

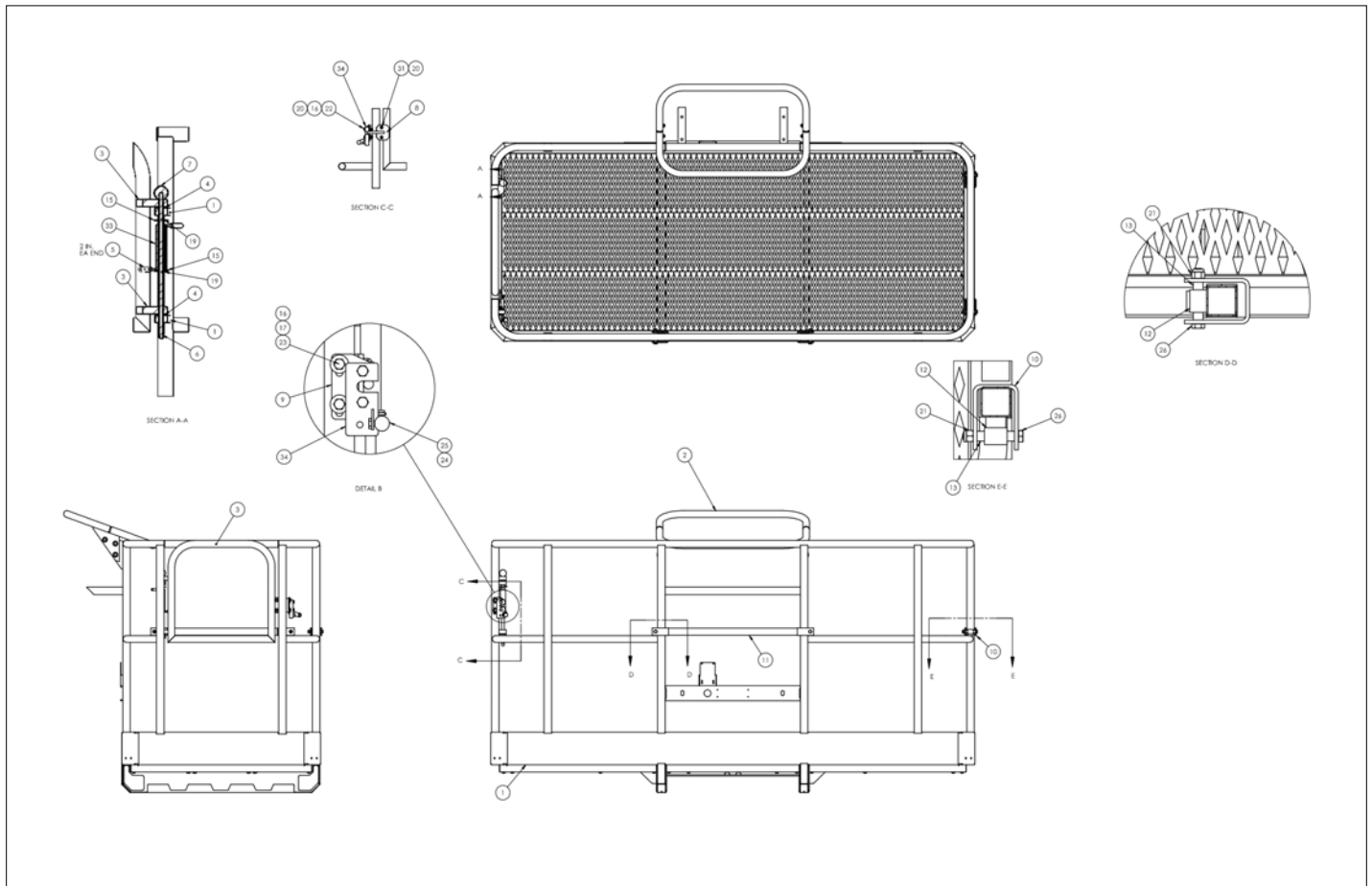
アイテム	部品番号	名前	数量	UOM
26	3030179	HARNESS OVERLOAS CABLE	1	EA
27	5065705	FTG ADPTR STRTHD 6B 4S STL	2	EA
28	5560033	.375 16UNC HEX LOCK NUT	4	EA
29	5560689	BUSHING MCHRY	7	EA
30	5560712	MACH BSHG 1.25 ID X 1.88 OD X	6	EA
31	5569991	WSHR FLAT HARD M24	2	EA

REPAIR PARTS



アイテム	部品番号	名前	数量	UOM
Not Shown	0084735 A	JIB INNER QUADRANT WELDMENT		EA
1	2500035	BEARING	2	EA
2	2500060	BEARING 1.0ID X 1.125OD X 1.00LG	2	EA
3	2502836	BEARING	2	EA

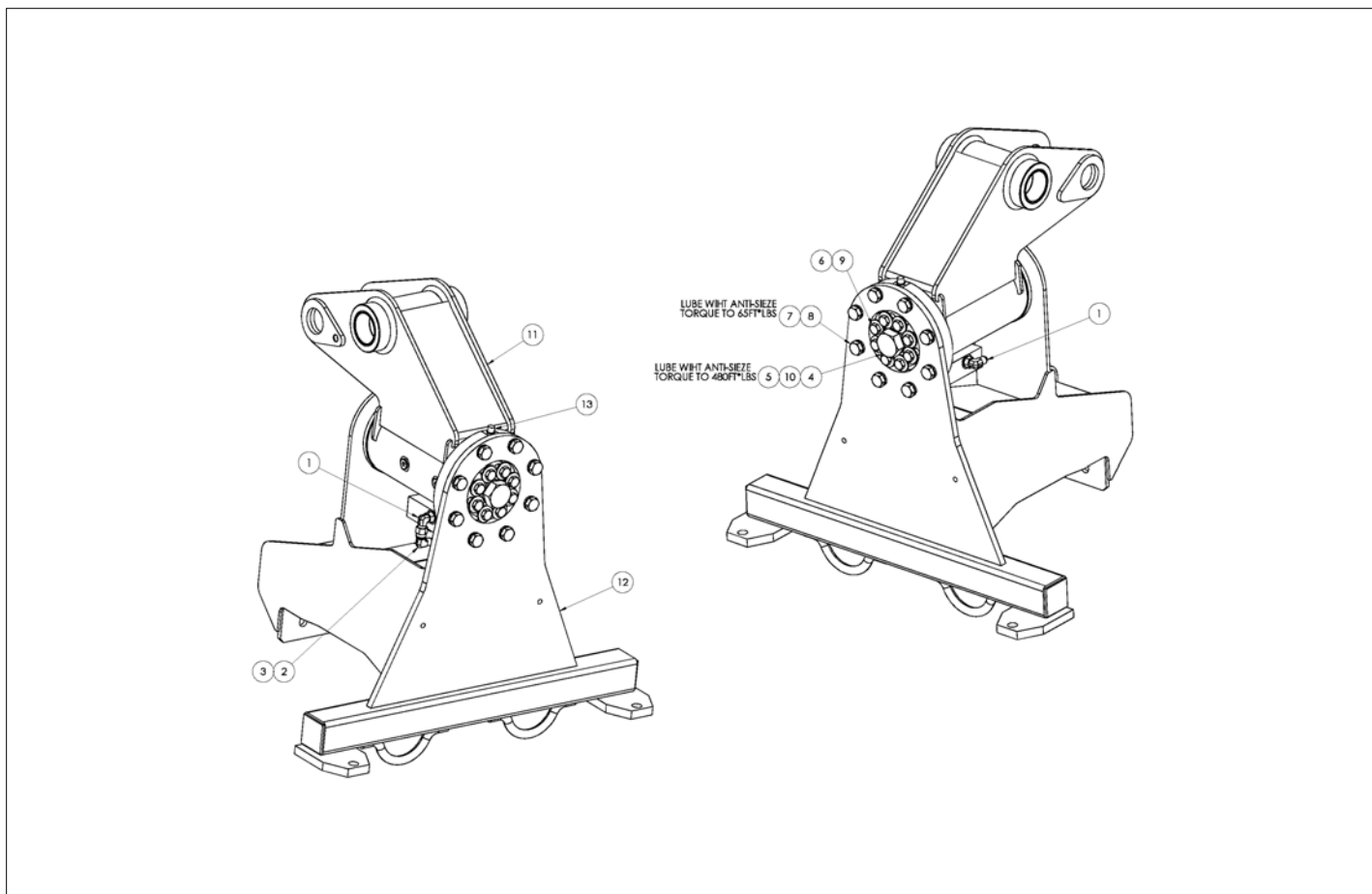
REPAIR PARTS



アイテム	部品番号	名前	数量	UOM
	1430100 L	GLOBAL PLATFORM ASSEMBLY STEEL MARCH 2009 AND AFTER		EA
*	1430100 0	PLATFORM ASSEMBLY STEEL	1	EA
*	1430100 5	PLATFORM ASSEMBLY STEEL	1	EA
1	1430080 0	GLOBAL STD PLATFORM WELDMENT	1	EA
2	0074096 0	GUARD WLDMT PLATF BOX	1	EA
3	1430099 0	WLDMT GATE SWING	1	EA
4	2572007	BRG .500ID .625OD .625	4	EA
5	5010007	HOSE VACUUM .156 ID 4.0MM	0.33	EA
6	0420632	PIN 0.50 4.859 GRIP	1	EA
7	2667500	95 BALL KNOB 1 3/8 X 1/2 13	1	EA
8	0421529 0	WLDMT STRIKER SWING GATE	1	EA
9	0421519 0	PLT LATCH MNT SWING GATE	1	EA
10	0420199 0	WLDMT GATE GRAVITY SIDE 36X96	1	EA
11	0421321 0	WLDMT GG FRONT 36X96 STL PLAT	1	EA
12	0150509	ROLLER	4	EA
13	0071953 8	SPCR .451ID .500OD 1.88 STL	4	EA
14	8060311	PLATE GRIPSTRUT 8FT	3	EA
15	986359	FLATWASHER 1/2"	2	EA
16	986269	WSHR FLAT .313	4	EA
17	5563393	WASHER FLAT .438 HARDENED	2	EA
18	986299	WASHER, FLAT, .375 STANDARD, PLATED	12	EA
19	988179	COTTER PIN, 1/8 DIA. X 1" LG.	2	EA
20	5560031	NUT HEX LKG .313 18	4	EA
21	5560033	.375 16UNC HEX LOCK NUT	10	EA
22	970279	BLT HEXHD .313 18 1.50 GR5	2	EA
23	970239	BLT HEXHD .313 18 .750 GR5	2	EA
24	970009	Capscrew 1/4 20 x 1/2 inch lon	1	EA

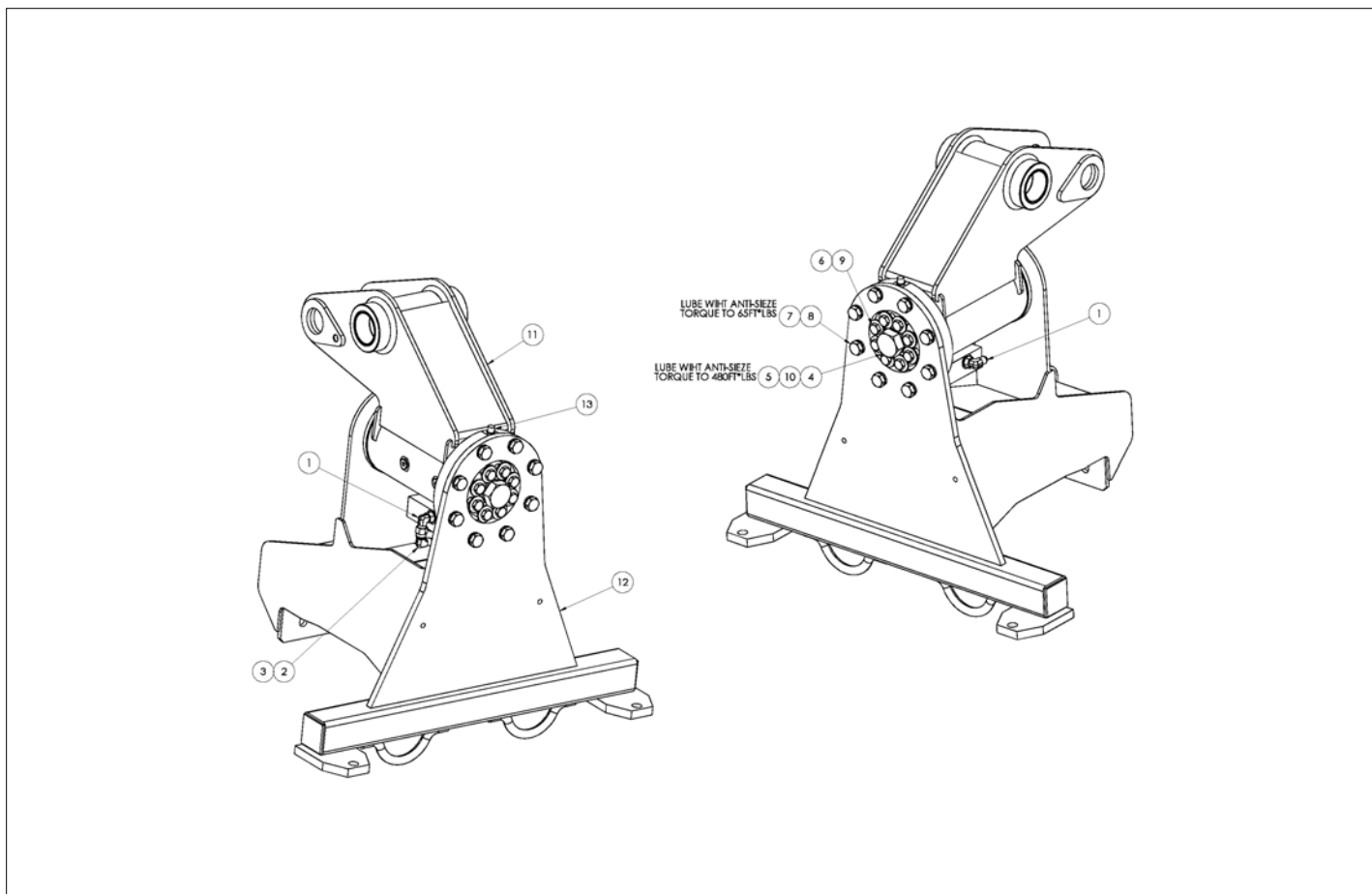
アイテム	部品番号	名前	数量	UOM
25	302555	KNOB ROUND .25 20NC FEMALE DIM	1	EA
26	5569865	BLT HEXHD .375 16 2.75 GR5	4	EA
27	972479	BLT HEXHD .375 16 1.25 GR5	6	EA
28	5563310	HWH .25 14 SELF DRILLING X .75	16	EA
29	972259	BLT FLSKTHD .313 18 1.00	2	EA
30	970029	BLT .25 20 .750	20	EA
31	986019	WSHR FLAT .250	20	EA
32	5560004	NUT LKG .250 20	20	EA
33	0071837	TORSION SPRING BASKET MODIF.	1	EA
34	300492	LATCH LH TRAY ROTARY LOCK	1	EA

REPAIR PARTS



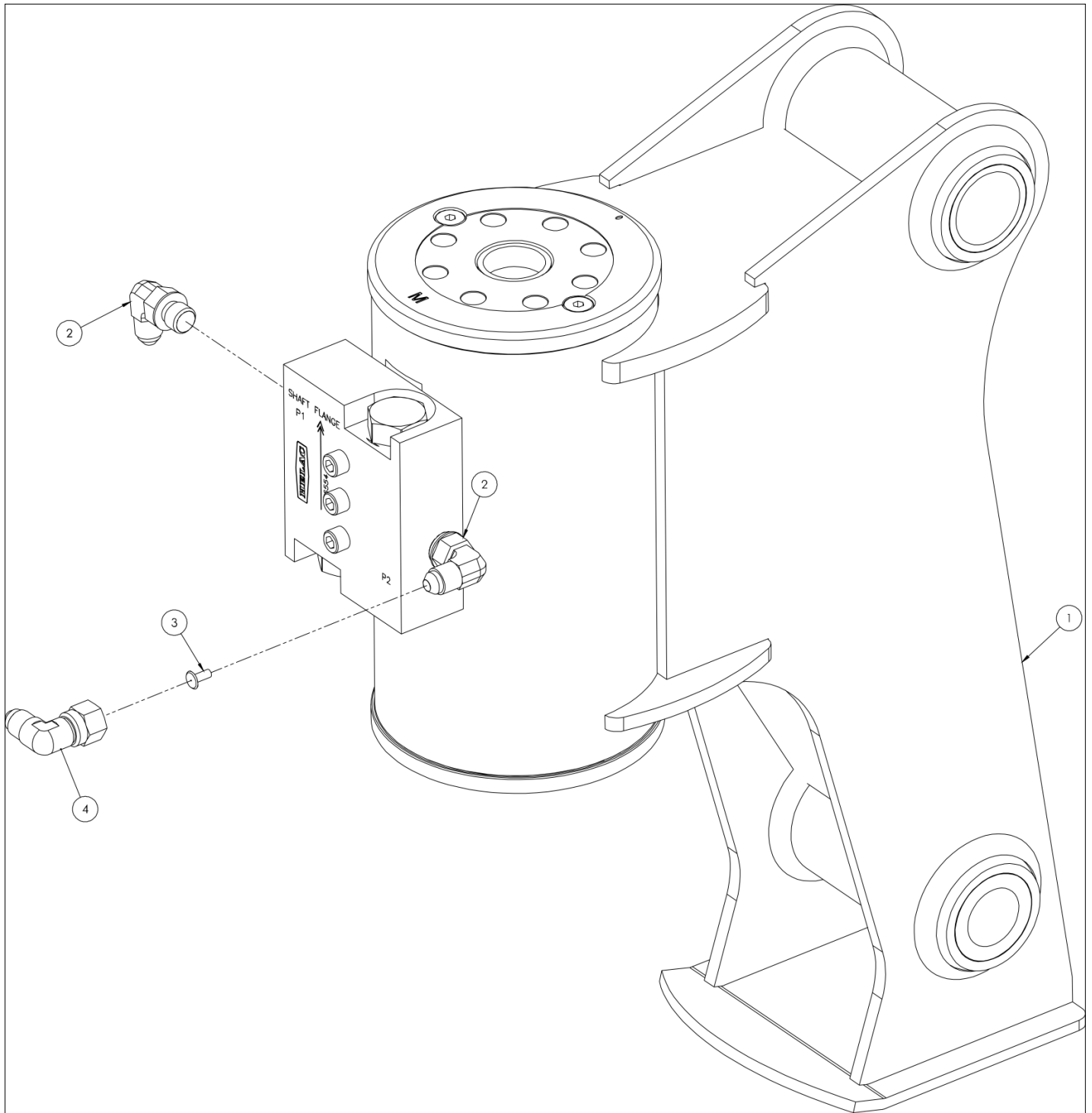
アイテム	部品番号	名前	数量	UOM
	0113955A	PLATFORM ROTATOR ASSEMBLY HELIC W/OVERLOAD SEPTEMBER 2019 AND BEFORE		EA
1	5035303	FTG ELB90STRTHD 4B 4S STL	2	EA
2	5037003	FTG ELB90SWVL 4S 4S STL	1	EA
3	0020356	ORIFICE	1	EA
4	512649 280	BOLT,HexBolt,DIN931,M24 x 280m	1	EA
5	056064 024	Nut, NylockNut DIN985 M24 10.0	1	EA
6	986299	WASHER, FLAT, .375 STANDARD, PLATED	8	EA
7	056021 012	Washer, SpringWasher DIN127B M	8	EA
8	514160 035	Bolt, HexSetScrew DIN933 M12 x 35MM	8	EA
9	5563422	BLT HEXHD .375 16x1.50 GR8 ZP	8	EA
10	5563135	WSHR FLAT 1 X 1.5 X .125	2	EA
11	0113508 1	HELAC HYD ROTATOR ACTUATOR	1	EA
12	0113719 5	WLDMT MOUNT FRAME W/OVERLOAD	1	EA
13	3030188	OVERLOAD SENSOR PLATE	1	EA
14	3030179	HARNESS OVERLOAS CABLE	1	EA

REPAIR PARTS



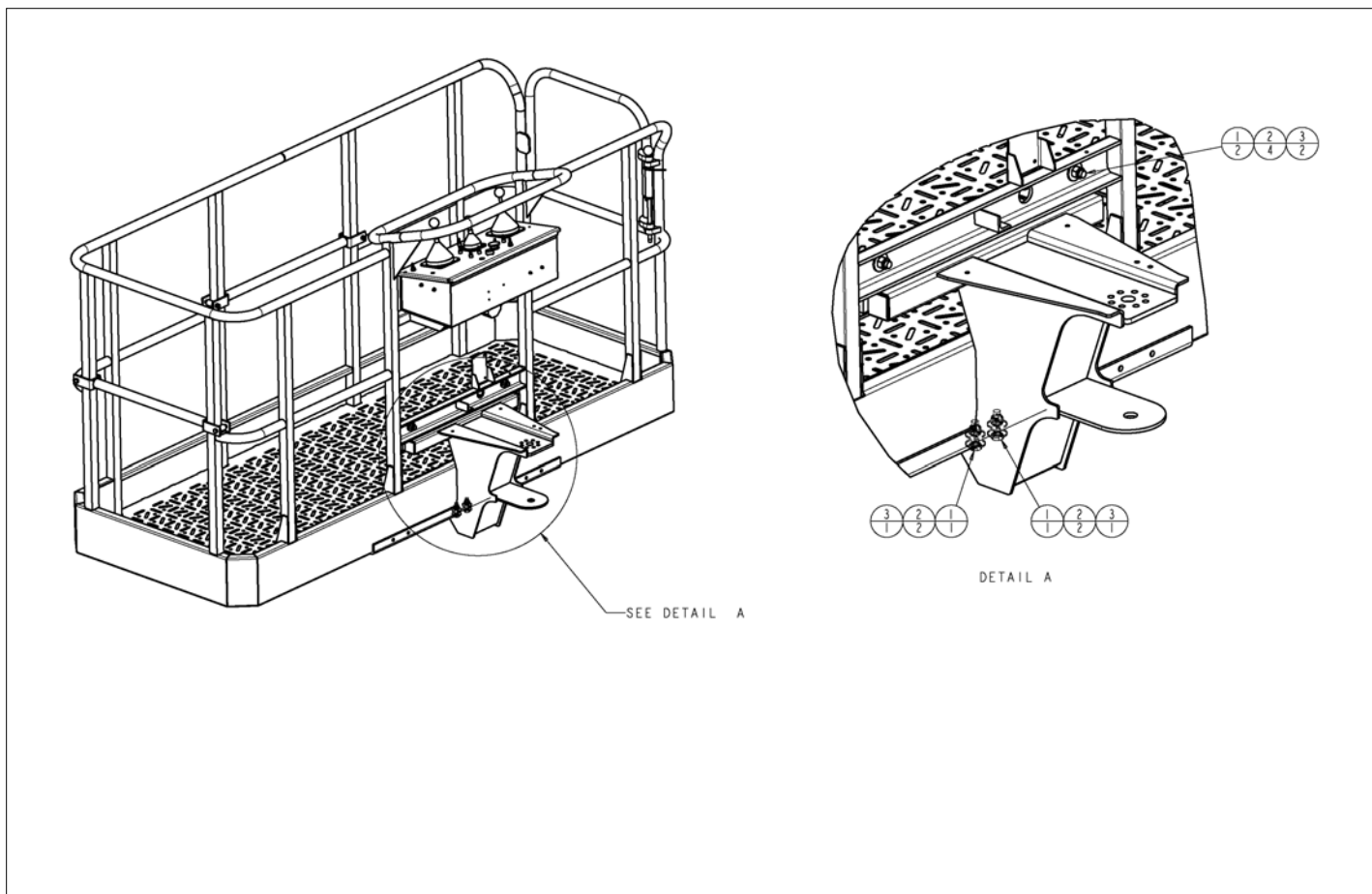
アイテム	部品番号	名前	数量	UOM
	0113955 C	PLATFORM ROTATOR ASSEMBLY HELIC WITH OVERLOAD OCTOBER 2019 AND AFTER		EA
1	5035303	FTG ELB90STRTHD 4B 4S STL	2	EA
2	5037003	FTG ELB90SWVL 4S 4S STL	1	EA
3	0020356	ORIFICE	1	EA
4	512649 280	BOLT,HexBolt,DIN931,M24 x 280m	1	EA
5	056064 024	Nut, NylockNut DIN985 M24 10.0	1	EA
6	986299	WASHER, FLAT, .375 STANDARD, PLATED	8	EA
7	056021 012	Washer, SpringWasher DIN127B M	8	EA
8	058494 035	BOLT HEXSETSCREW DIN933 M12 X 35MM 8.8 ZP	8	EA
9	5563422	BLT HEXHD .375 16x1.50 GR8 ZP	8	EA
10	5563135	WSHR FLAT 1 X 1.5 X .125	2	EA
11	0113508 1	HELAC HYD ROTATOR ACTUATOR	1	EA
12	0113719 5	WLDMT MOUNT FRAME W/OVERLOAD	1	EA
13	3030188	OVERLOAD SENSOR PLATE	1	EA
14	3030179	HARNESS OVERLOAS CABLE	1	EA

REPAIR PARTS



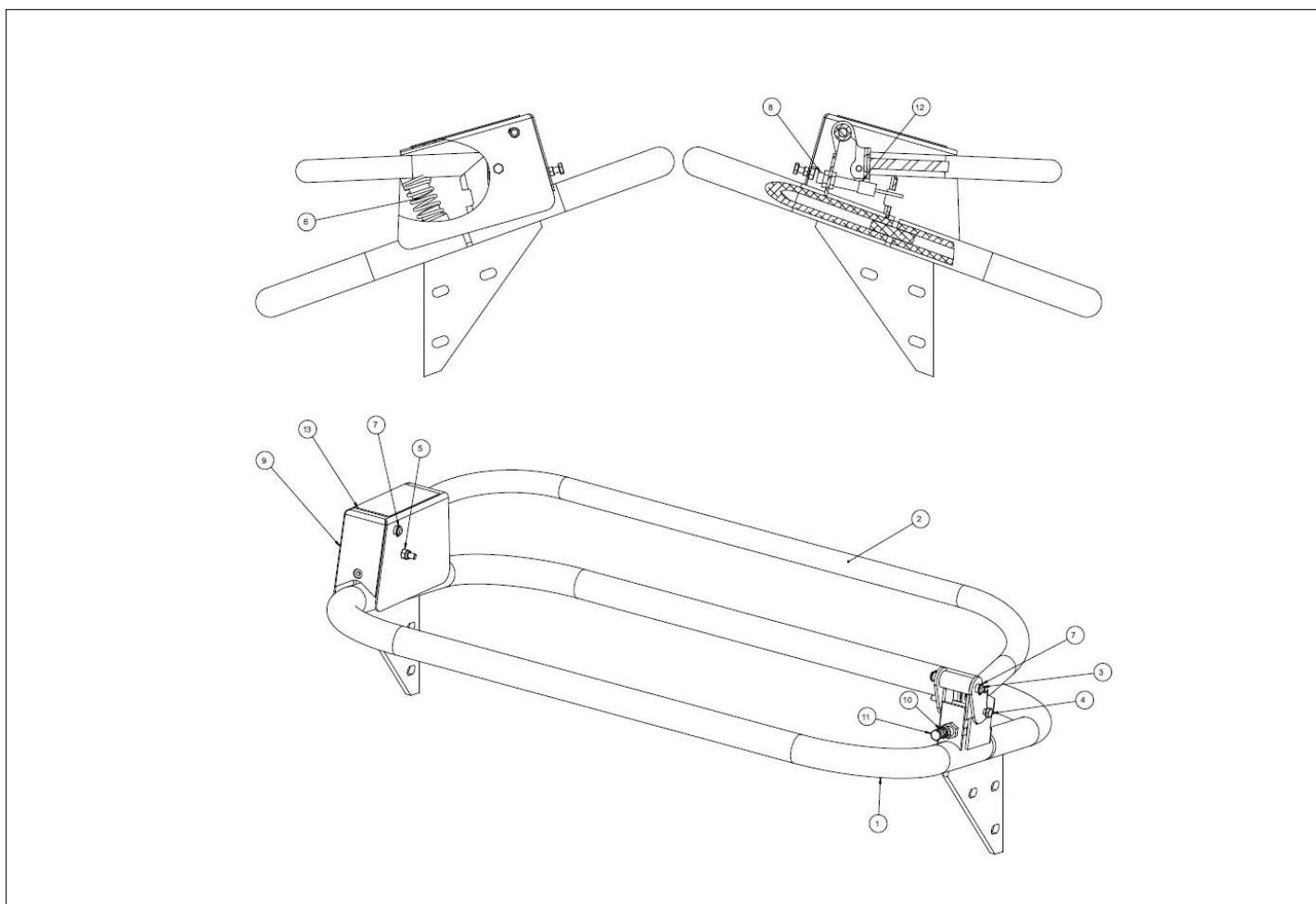
アイテム	部品番号	名前	数量	UOM
	0420114 E	PLATFORM ROTATOR ASSEMBLY		EA
*	8080152	SEAL KIT	1	EA
1	1432689	ACULATOR HELAC ROTATOR	1	EA
2	5035303	FTG ELB90STRTHD 4B 4S STL	2	EA
3	0020356	ORIFICE	1	EA
4	5037003	FTG ELB90SWVL 4S 4S STL	1	EA
*	2509677	BUSHING BOTTOM		EA
*	2500051	BASE END BRG 1.25ID X 1.50OD (10001174 FISHER CYL)		EA

REPAIR PARTS



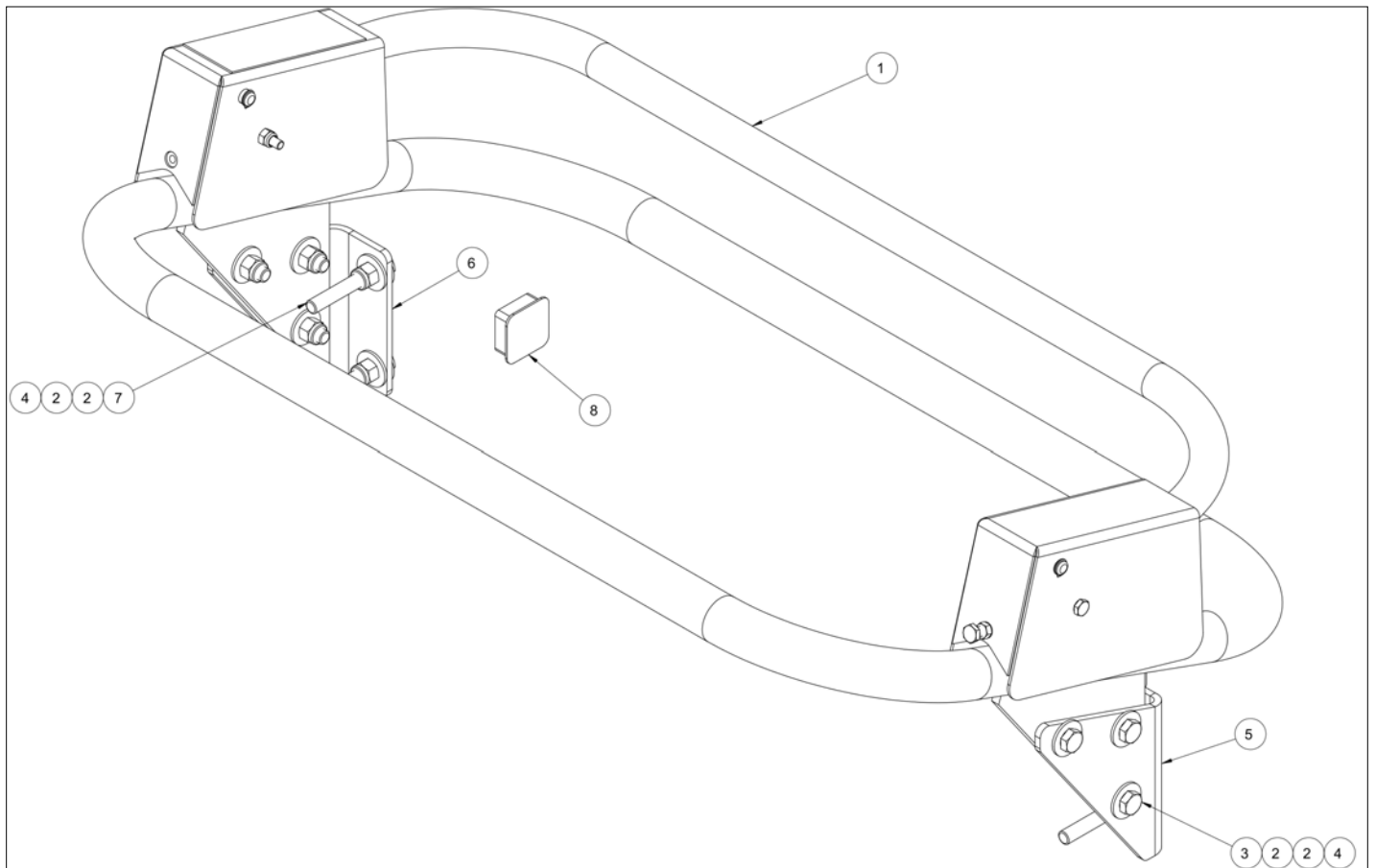
アイテム	部品番号	名前	数量	UOM
Not Shown	A42013A A	PLATFORM INSTALLATION – HELAC ROTATOR		EA
1	970919	BLT HEXHD .500 13 1.75 GR5	4	EA
2	986359	FLATWASHER 1/2"	8	EA
3	5560039	NUT HEX LKG .500 13	4	EA

REPAIR PARTS



アイテム	部品番号	名前	数量	UOM
	0113531 F	SNORKEL GUARD ASSEMBLY	1	EA
1	0113519	WLDMT, SNORKEL GUARD	1	EA
2	0113529	WLDMT ACTIVATION BAR	1	EA
3	0113528	PIN .375 X 2.31 GRIP	2	EA
4	056058 070	Bolt, HexBolt DIN931 M6 x 70mm	2	EA
5	056066 006	Nut NylockNut DIN985 M6 8.0 Zi	2	EA
6	0113530	SPRING ANTI ENTRAPMENT	1	EA
7	5592018	SNAP RING .375 DIA EXT	4	EA
8	3028844	IFS241 (IFM PROXY)	1	EA
9	0113538	WLDMT SHEILD	2	EA
10	984069	NUT HEX .250 20	1	EA
11	970029	BLT .25 20 .750	1	EA
12	3014753	SNORKEL GUARD SENSOR (CABLE, M12 X 2M L)	1	M
13	7030163	DECAL SNORKEL GUARD OVERRIDE OPERATION	1	EA
Not Shown	7030161	DECAL, SNORKEL GUARD OVERRIDE	1	EA

REPAIR PARTS



アイテム	部品番号	名前	数量	UOM
Not Shown	0113536 G 1	SNORKEL GUARD ASSEMBLY		EA
1	0113531	ASSY, SNORKEL GUARD	1	EA
2	986299	WASHER, FLAT, .375 STANDARD, PLATED	20	EA
3	972479	BLT HEXHD .375 16 1.25 GR5	6	EA
4	5560033	.375 16UNC HEX LOCK NUT	10	EA
5	0113560	HALO ADAPTER, LH	1	EA
6	0113561	HALO ADAPTER, RH	1	EA
7	970529	BLT HEXHD .375 16 2.50 GR5 PLTD	4	EA
8	2540014	END CAP 1.25 ID SQ PLASTIC BLACK	2	EA
9	IP 0113536	IP LEGACY SNORKEL GUARD	1	EA

REPAIR PARTS

NO IMAGE AVAILABLE
(BOM FOR REFERENCE ONLY)

アイテム	部品番号	名前	数量	UOM
	0113938 B	LANGUAGE KIT TB86J		EA
1	5569012	BUMPER RUBBER	4	EA
2	0070420P	PLACARD EMERGENCY BLEED DOWN V	1	EA
3	0070540	DECAL, YELLOW ARROW	3	EA
4	0070541	DECAL, BLUE ARROW	3.0000	EA
5	0070901P	PLAC CAUTN SERIAL NUMBER SPANI	1	EA
6	0070921P	DECAL 125 VOLTS 15 AMPS PACKAG	1	EA
7	0071425P	PLAC PLATF IDENTIFICATION SPAN	1	EA
8	0071926	DECAL, DIESEL FUEL	1	EA
9	0071927P	DECAL HYDRAULIC OIL SPANISH	2	EA
10	0072276	Placard, lug nut torque	4	EA
11	0072531P	DECAL DANGER ELECTRICAL HAZARD	1	EA
12	0073043P	DECAL RECORD BOX SPANISH	1	EA
13	0073139P	TAG CRANKCASE OIL TAG SPANISH	1	EA
14	0073224P	DECAL MANUAL REORDER SPANISH	1	EA
15	0073491P	DECAL SAFE OPERATION INFO SPAN	1	EA
16	0073492P	DECAL ROTATE WHILE GREASING SP	1	EA
17	0073667P	DECAL INSPECT WIRE ROPES	2	EA
18	0074209P	DECAL PRE START INST BOOMS SPA	1	EA
19	0074210P	DECAL DANGER ELEC/TIPPING HAZA	1	EA
20	0074311P	DECAL DANGER CYLINDER FAILURE	7	EA
21	0074372P	PLAC ENGINE RPM SPANISH	1	EA
22	0074908	Decal, Snorkel Brand Logo	2	EA

アイテム	部品番号	名前	数量	UOM
23	0074913	DECAL 4X4 LOGO	2	EA
24	0075235	DECAL SIDE LOAD 150 LB	2	EA
25	0075372	PLAC PLAT CAP 500LBS 2 PERSONS	1	EA
26	0075563P	DECAL DO NOT USE ETHER CU T3 S	1	EA
27	0075564P	PLAC COLDSTART GLOW PLUG (GROU	1	EA
28	0083427	Decal, Lifting/Tie Down	4	EA
29	0083733	DECAL, SNORKEL BRAND LOGO 10.0	1	EA
30	0361367	MANUAL RSPNSBLTY A92.6	1	EA
31	0084213P	PLAC COLDSTART GLOW PLUGS (PLA	1	EA
32	0090589E	PLACARD	3	EA
33	0112188P	DECAL HOISTING TB85 SPANISH	1	EA
34	0113580	DECAL TB86J LOGO 6.00 NEW STYL	2	EA
35	0113581	DECAL TB86J LOGO 9.00 NEW STYL	1	EA
36	0113787	TB86J PG ANSI OPERATOR'S MANUA	1	EA
37	0151410P	DECAL DNGR ROTATING PARTS SPA	2	EA
38	0172451	DECAL ATTACH MAX 2 LANYARDS	1	EA
39	0181562ES	DECAL MACH COMPLIES WITH ANSI	1	EA
40	019098905	DECAL DO NOT REACH SYM ONLY CE	1	EA
41	0323896P	DECAL DNAGER ELEC HAZARD SPANI	5	EA
42	0323897P	DECAL DANGER YOU MUST NOT OPER	1	EA
43	0323899P	DECAL DANGER ELECTRICAL HAZARD	1	EA

アイテム	部品番号	名前	数量	UOM
44	5560080	BUMPER ADHESIVE BACK	8	EA

REPAIR PARTS

**NO IMAGE AVAILABLE
(BOM FOR REFERENCE ONLY)**

アイテム	部品番号	名前	数量	UOM
	0113911 F	DECAL PLACARD KUBOTA GAS DUAL FUEL TB86J INSTALLATION		EA
1	A11044K	INSTALLATION DECAL & PLACARD T	1	EA
2	5569012	BUMPER RUBBER	4	EA
3	0151410	DECAL, DANGER ROTATING PARTS	2	EA
4	0112855	DECAL/PLAC TB80FA/85JFA COMMON	1	EA
5	0113582	DECAL/PLAC TB86J LOGO/SYMBOLS	1	EA
6	0112139	MISC TB80 DECAL/PLAC HARDWARE	1	EA
7	0361367	MANUAL RSPNSBLTY A92.6	1	EA
8	0075563	DECAL DO NOT USE ETHER CU T3	1	EA
9	0074913	DECAL 4X4 LOGO	2	EA
10	0071925	DECAL GASOLINE	1	EA
11	0081441	Decal, Caution Liquid Withdrawl (Dual Fuel Only)	1	EA
12	0113787	TB86J PG ANSI OPERATOR'S MANUA	1	EA
13	0072530	DECAL DNGR ELEC HAZARD	1	EA
14	7030003	DECAL, LUBE RECOMMENDATIONS	1	EA

REPAIR PARTS

**NO IMAGE AVAILABLE
(BOM FOR REFERENCE ONLY)**

アイテム	部品番号	名前	数量	UOM
	0113318 H	LANGUAGE KIT SPANISH TB86		EA
1	0113239	DECAL PKG. TB85JFA NON ANSI	1	EA
2	0113240	MANUAL DEL OPERADOR TB85J OPERATORS MANUAL SPANISH	1	EA
3	0071926	DECAL, DIESEL FUEL	1	EA
4	0071913	DECAL 4X4 LOGO	2	EA
5	0361367	MANUAL RSPNSBLTY A92.6	1	EA
6	0073139p	TAG CRANKCASE OIL TAG SPANISH	1	EA
7	5560080	BUMPER ADHESIVE BACK	8	EA
8	562386	Literature Compartment	1	EA
9	7050004	RECORD POUCH, 12 X 15 RECLOSABLE BAG	1	EA
10	9980013	Cap	2	EA
11	0070540	DECAL, YELLOW ARROW	3	EA
12	0070541	DECAL, BLUE ARROW	3	EA
13	0072276	Placard, lug nut torque	4	EA
14	0083427	Decal, Lifting/Tie Down	4	EA
15	0083733	DECAL, SNORKEL BRAND LOGO 10.0	1	EA
16	0113488	DECAL TB80 LOGO 9.00 NEW STY	1	EA
17	0074908	Decal, Snorkel Brand Logo	2	EA
18	0113489	DECAL TB80 LOGO 5.00 NEW STY	2	EA
19	0070420p	PLACARD EMERGENCY BLEED DOWN VALVE	1	EA
20	0071927p	DECAL HYDRAULIC OIL SPANISH	2	EA
21	0073043p	DECAL RECORD BOX SPANISH	1	EA
22	0073224p	DECAL MANUAL REORDER SPANISH	1	EA
23	0073491p	DECAL SAFE OPERATION INFO SPANISH	1	EA

アイテム	部品番号	名前	数量	UOM
24	0073667p	DECAL INSPECT WIRE ROPES	2	EA
25	0074209p	DECAL PRE START INST BOOMS SPANISH	1	EA
26	0074210p	DECAL DANGER ELEC/TIPPING HAZARD SPANISH	1	EA
27	0074311p	DECAL DANGER CYLINDER FAILURE SPANISH	7	EA
28	0181562es	DECAL MACH COMPLIES WITH ANSI SPANISH	1	EA
29	019098905	DECAL DO NOT REACH SYM ONLY CE	1	EA
30	0323896p	DECAL DANGER ELEC HAZARD SPANISH	5	EA
31	0323897p	DECAL DANGER YOU MUST NOT OPERATE SPANISH	1	EA
32	7030003	DECAL, LUBE RECOMMENDATIONS	1	EA
33	7030067	SPANISH SHIPPING INFO	1	EA
34	A11044K	INSTALLATION DECAL & PLACARD T	1	EA

REPAIR PARTS

**NO IMAGE AVAILABLE
(BOM FOR REFERENCE ONLY)**

アイテム	部品番号	名前	数量	UOM
	0113583 D	DECAL PLACARD KUBOTA TB86JKU INSTALLATION		EA
1	0071926	DECAL, DIESEL FUEL	1	EA
2	0074913	DECAL 4X4 LOGO	2	EA
3	0075564	PLAC COLDSTART GLOW PLUG (GROU	1	EA
4	0361367	MANUAL RSPNSBLTY A92.6	1	EA
5	0084213	PLAC COLDSTART GLOW PLUGS (PLATFORM)	1	EA
6	0112139	MISC TB80 DECAL/PLAC HARDWARE	1	EA
7	0113582	DECAL/PLAC TB86J LOGO/SYMBOLS	1	EA
8	0112855	DECAL/PLAC TB80FA/85JFA COMMON	1	EA
9	0151410	DECAL, DANGER ROTATING PARTS	2	EA
10	5569012	BUMPER RUBBER	4	EA
11	A11044K	INSTALLATION DECAL & PLACARD T	1	EA
12	0075767	Placard, Carb Compliant	1	EA
13	0113787	TB86J PG ANSI OPERATOR'S MANUA	1	EA

REPAIR PARTS

GERMAN	ITALY	DUTCH	SPANISH	FRENCH	AUSTRALIA	UK	ITEM	PART NUMBER	DESCRIPTION	QTY
COMMON COMPONENTS										
							1	888733	DECAL, SERIAL BRND LING	1
882336, 882364	882336, 882364	882336, 882364	882336, 882364	882336, 882364	882336, 882364	882336, 882364	2	882336	DECAL, DANGER ELECTRICAL HAZARD	2
							3	882428	PLACARD, DISCONNECT BLEED DOWN VALVE	1
							4	882480	DECAL, DANGER WINDM LING	2
							5	882887	DECAL, DANGER FUEL AND HOT OPERATE	1
							6	882986	DECAL, DANGER FUEL	1
							7		PLACARD, PLATFORM CAPACITY - CONSULT FACTORY	1
882336, 882364	882336, 882364	882336, 882364	882336, 882364	882336, 882364	882336, 882364	882336, 882364	8	882999	DECAL, DANGER ELECTRICAL HAZARD	1
							9	882986	DECAL, YELLOW ARROW	2
							10	882941	DECAL, BLUE ARROW	2
					703041	882986	11	882986	PLACARD, CAUTION SERIAL NUMBER	1
							12	882625	POP BULLET RESISTANCE	26
							13	882425	PLACARD, PLATFORM IDENTIFICATION	1
							14	882987	DECAL, HYDRAULIC OIL	2
							15	882824	DECAL, NOTICE MANUAL REORDER	1
							16	882986	LITERATURE, COMPANION	1
							17	882480	DECAL, SAFE OPERATION INFORMATION	1
							18	882625	PLACARD, AMBI STANDARD	1
							19	882480	DECAL, ONE SHOT INSTRUCTIONS	1
							20	882428	DECAL, DANGER ELECTRIFYING HAZARD	1
							21	882625	DANGER	8
							22	882625	RECORD, PUNCH	1
							23	882336	DECAL, DANGER ELECTRICAL HAZARD	1
							24	882625	DECAL, LINK RECOMMENDATION	1
							25	882625	PLACARD, 175 VOLTS IS AMP	1
							26	882625	DECAL, OPERATING MANUAL ENCLOSED	1
							27	882336	CHANGE CASE OIL TAG - USED FOR SHIPPING ONLY	1
							28	882428	DECAL, DANGER CYLINDER FAILURE - O PWR CYLINDR	2
							29	882625	FORM	2
					882625	882625	30	882625	DECAL, DANGER DO NOT REACH	1
882480	882480	882480	882480	882480	882480	882480	31	882480	DECAL, ATTACH FUEL RESTRAINT	1
882480	882480	882480	882480	882480	882480	882480	32	882480	DECAL, BEVEL VALVE LEAKAGE	1
							33	882480	DECAL, AREA LOSS	2
							34	882428	PLACARD, ENGINE RPM	1
882428	882428	882428	882428	882428	882428	882428	35	882428	DECAL, INSPECT WIRE BEPIS	2
							36	882986	DECAL, DO NOT USE EYES	1
							37	882625	PLAC, ELECTRIC START (LW PLUGS SERD)	1
							38	882428	PLAC, ELECTRIC START (LW PLUGS SERD)	1
							39	882428	DECAL, DANGER, BRNDE LING	4
							40	882428	REORDER BUMPER	2
							41	882625	PLACARD, USE NET TORSION	4
882625	882625	882625	882625	882625	882625	882625	42	882625	DECAL, EL LING	1
							43	882625	DECAL, LIST THE DOWN LOCATION	1
							44	882428	DECAL, USE DOWN TOWER	4
							45	882625	WARNING, STEEP GRD ONLY	2
							46	882625	DECAL, USE LANDING	2
							47	NOTE 1	PLACARD, PLATFORM CAP	1
882625	882625	882625	882625	882625	882625	882625	48	882625	DECAL, ADDITIONAL OPERATING INSTRUCTIONS	1
882625	882625	882625	882625	882625	882625	882625	49	882625	DECAL, ADDITIONAL OPERATING INSTRUCTIONS	1
882480	882480	882480	882480	882480	882480	882480	50	882480	DECAL, DANGER ROTATING PARTS	2
							51	882625	DECAL, OIL WEDGE LEVEL	1
882625	882625	882625	882625	882625	882625	882625	52	882625	PLACARD, DANGER TANK FILLED TIER	2
1880 COMPONENTS										
							181	882625	DECAL, 1880 LOAD 500	2
							182	882625	DECAL, 1880 LOAD 500	1
							183	882625	DECAL, WHEEL LANDING FIXED AXLE	4
1885 COMPONENTS										
							185	882625	DECAL, 1885 LOAD 400	2
							186	882625	DECAL, 1885 LOAD 500	1
							187	882625	DECAL, WHEEL LANDING FIXED AXLE	4
OPTIONAL COMPONENTS										
							200	882336	DECAL, USE LING - O P FUEL ONLY	1
							201	882743	DECAL, HYDRAULIC WIND-UP INSTRUCTIONS	1
							202	882625	DECAL, WINDM BLOCK HEATER	1
							203	882625	DECAL, DANGER TOW PACKAGE	1
							204	882625	DECAL, DANGER TOW PACKAGE	1
							205	882480	DECAL, CAUTION LIQUID METHANOL	1
							206	882625	DECAL, DANGER DO NOT RISE	1
							207	882625	DECAL, DUAL FUEL INSTRUCTIONS	1
							208	882625	DECAL, TOWING INSTRUCTIONS	2
							209	882625	DECAL, DANGER CAUTION HAZARD	1

アイテム	部品番号	名前	数量	UOM
	A11102A B	PLACARDS AND DECALS		EA

アイテム	部品番号	名前	数量	UOM
	A11044L	DECAL PLACARD INSTALLATION TB 80 TB85J TB86J		EA

REPAIR PARTS

**NO IMAGE AVAILABLE
(BOM FOR REFERENCE ONLY)**

アイテム	部品番号	名前	数量	UOM
	0113886 F	DECAL INSTALLATION KUBOTA T4F TB86J		EA
1	0074913	DECAL 4X4 LOGO	2	EA
2	0075563	DECAL DO NOT USE ETHER CU T3	1	EA
3	0075564	PLAC COLDSTART GLOW PLUG (GROU	1	EA
4	0361367	MANUAL RSPNSBLTY A92.6	1	EA
5	0084213	PLAC COLDSTART GLOW PLUGS (PLATFORM)	1	EA
6	0112112	DECAL/PLAC TB80 LOGO/SYMBOLS	1	EA
7	0112139	MISC TB80 DECAL/PLAC HARDWARE	1	EA
8	0112792	MANUAL OPERATOR TB80FA/85J/86J	1	EA
9	0112855	DECAL/PLAC TB80FA/85JFA COMMON	1	EA
10	0151410	DECAL, DANGER ROTATING PARTS	2	EA
11	5569012	BUMPER RUBBER	4	EA
12	9980022	Plug 4 inch diameter	2	EA
13	A11044K	INSTALLATION DECAL & PLACARD T	1	EA
14	7030003	DECAL, LUBE RECOMMENDATIONS	1	EA
15	0113885	DECAL DIESEL ULTRA LOW SULFER	1	EA
16	0113974	DECAL FUEL IDLE WARNING	1	EA

REPAIR PARTS

**NO IMAGE AVAILABLE
(BOM FOR REFERENCE ONLY)**

アイテム	部品番号	名前	数量	UOM
	0113756 D	PLACARDS AND DECALS INSTALLATION KU CE		EA
1	0074913	DECAL 4X4 LOGO	2	EA
2	0075564	PLAC COLDSTART GLOW PLUG (GROU	1	EA
3	0084213	PLAC COLDSTART GLOW PLUGS (PLATFORM)	1	EA
4	0090589E	PLACARD	1	EA
5	0112139	MISC TB80 DECAL/PLAC HARDWARE	1	EA
6	0073139	Crankcase oiltag (used for s	1	EA
7	5560080	BUMPER ADHESIVE BACK	8	EA
8	562386	Literature Compartment	1	EA
9	7050004	RECORD POUCH, 12 X 15 RECLOSABLE BAG	1	EA
10	9980013	Cap	2	EA
11	0075563	DECAL DO NOT USE ETHER CU T3	1	EA
12	0074209	PLACARD, PRE START INSTRUCTION	1	EA
13	0074210	DECAL, DANGER ELEC/TIP HAZARD	1	EA
14	0075235	DECAL SIDE LOAD 150 LB	2	EA
15	0323897	Decal, Must Not Operate	1	EA
16	0112180	DECAL/PLAC TB80 CE COMMON	1	EA
17	0073492	Decal, rotate while greasing	1	EA
18	0073667	DECAL INSPECT WIRE ROPES	1	EA
19	0074372	PLACARD, ENGINE RPM	1	EA
20	0162311	DECAL CE LOGO 3.25 X 2.50 BLAC	1	EA
21	0162336E	Decal, DNGR ELECtrical HAZARD - english	6	EA
22	0162366	Decal,Electric Shock	6	EA
23	0182077E	DECAL, NoISE LEvEL	1	EA

アイテム	部品番号	名前	数量	UOM
24	7030001	DECAL STRIPE RED /WHT 2 in	35.000	EA
25	0071927	DECAL, HYDRAULIC OIL	2	EA
26	019098905	DECAL DO NOT REACH SYM ONLY CE	1	EA
27	0073491	Decal, safe operation information	1	EA
28	0113582	DECAL/PLAC TB86J LOGO/SYMBOLS	1	EA
29	0070540	DECAL, YELLOW ARROW	3	EA
30	0070541	DECAL, BLUE ARROW	3.0000	EA
31	0072276	Placard, lug nut torque	4	EA
32	0083427	Decal, Lifting/Tie Down	4	EA
33	0083733	DECAL, SNORKEL BRAND LOGO 10.0	1	EA
34	0112188	DECAL LIFT/TIE DOWN LCTN TB80	1	EA
35	0113581	DECAL TB86J LOGO 9.00 NEW STYL	1	EA
36	0074908	Decal, Snorkel Brand Logo	2	EA
37	0113580	DECAL TB86J LOGO 6.00 NEW STYL	2	EA
38	0112894E	DCL WHEL LDING TB85JFA/TB86JFA	4	EA
39	015141005	DECAL KEEP CLEAR	2	EA
40	7030003	DECAL, LUBE RECOMMENDATIONS	1	EA
41	A11102A	DECAL/PLCRD INSTALL TB80/86J	1	EA
42	016181905	DECAL CE EMER LOWERING PROC	1	EA
43	0074311	DECAL DANGER CYLINDER FAILURE	9	EA
44	5569836	SET SC 3/4 10 HSKT 1 3/4 LG	2	EA
45	987179	WSHR LOCK .750	2	EA
46	986459	WSHR FLAT .75	2	EA

アイテム	部品番号	名前	数量	UOM
47	984469	NUT, 3/4 10 HEX JAM	2	EA
48	0111373 8	WLDMT PINION GUARD	1	EA
49	0070420	DECAL EMER BLEED DOWN VALVE	1	EA
50	0072531	DECAL, ELECTROCUTION HAZ	1	EA
51	0113763	TB86J PG CE OPERATORS MANUAL	1	EA
52	0113885	DECAL DIESEL ULTRA LOW SULFER	1	EA
53	0072530	DECAL DNGR ELEC HAZARD	1	EA

REPAIR PARTS

**NO IMAGE AVAILABLE
(BOM FOR REFERENCE ONLY)**

アイテム	部品番号	名前	数量	UOM
	0113318 H	LANGUAGE KIT SPANISH TB86		EA
1	0070420P	PLACARD EMERGENCY BLEED DOWN V	1	EA
2	0070540	DECAL, YELLOW ARROW	3	EA
3	0070541	DECAL, BLUE ARROW	3.0000	EA
4	0071926P	DECAL DIESEL FUEL SPANISH	1	EA
5	0071927P	DECAL HYDRAULIC OIL SPANISH	2	EA
6	0072276	Placard, lug nut torque	4	EA
7	0073043P	DECAL RECORD BOX SPANISH	1	EA
8	0073139P	TAG CRANKCASE OIL TAG SPANISH	1	EA
9	0073224P	DECAL MANUAL REORDER SPANISH	1	EA
10	0073491P	DECAL SAFE OPERATION INFO SPAN	1	EA
11	0073667P	DECAL INSPECT WIRE ROPES	2	EA
12	0074209P	DECAL PRE START INST BOOMS SPA	1	EA
13	0074210P	DECAL DANGER ELEC/TIPPING HAZA	1	EA
14	0074311P	DECAL DANGER CYLINDER FAILURE	7	EA
15	0074908	Decal, Snorkel Brand Logo	2	EA
16	0074913	DECAL 4X4 LOGO	2	EA
17	0083427	Decal, Lifting/Tie Down	4	EA
18	0083733	DECAL, SNORKEL BRAND LOGO 10.0	1	EA
19	0361367	MANUAL RSPNSBLTY A92.6	1	EA
20	0113239	DECAL PKG. TB85JFA NON ANSI	1	EA
21	0181562ES	DECAL MACH COMPLIES WITH ANSI	1	EA
22	019098905	DECAL DO NOT REACH SYM ONLY CE	1	EA

アイテム	部品番号	名前	数量	UOM
23	0323896P	DECAL DNAGER ELEC HAZARD SPANI	5	EA
24	0323897P	DECAL DANGER YOU MUST NOT OPER	1	EA
25	5560080	BUMPER ADHESIVE BACK	8	EA
26	7030067	SPANISH SHIPPING INFO	1	EA
27	7050004	RECORD POUCH, 12 X 15 RECLOSABLE BAG	1	EA
28	9980013	Cap	2	EA
29	A11044K	INSTALLATION DECAL & PLACARD T	1	EA
30	562386	Literature Compartment	1	EA
31	0075564P	PLAC COLDSTART GLOW PLUG (GROU	1	EA
32	0084213P	PLAC COLDSTART GLOW PLUGS (PLA	1	EA
33	0075563P	DECAL DO NOT USE ETHER CU T3 S	1	EA
34	0075235	DECAL SIDE LOAD 150 LB	2	EA
35	0112188P	DECAL HOISTING TB85 SPANISH	1	EA
36	0113581	DECAL TB86J LOGO 9.00 NEW STYL	1	EA
37	0113580	DECAL TB86J LOGO 6.00 NEW STYL	1	EA
38	0073492P	DECAL ROTATE WHILE GREASING SP	1	EA
39	0074372P	PLAC ENGINE RPM SPANISH	1	EA
40	0323899P	DECAL DANGER ELECTRICAL HAZARD	1	EA
41	0151410P	DECAL DNGR ROTATING PARTS SPA	2	EA
42	0070901P	PLAC CAUTN SERIAL NUMBER SPANI	1	EA
43	5569012	BUMPER RUBBER	4	EA
44	9980022	Plug 4 inch diameter	2	EA

アイテム	部品番号	名前	数量	UOM
45	0071425P	PLAC PLATF IDENTIFICATION SPAN	1	EA
46	0075372	PLAC PLAT CAP 500LBS 2 PERSONS	1	EA
47	0090589E	PLACARD	3	EA
48	0070921P	DECAL 125 VOLTS 15 AMPS PACKAG	1	EA
49	0172451	DECAL ATTACH MAX 2 LANYARDS	1	EA
50	0072531P	DECAL DANGER ELECTRICAL HAZARD	1	EA
51	569295	DECAL, SNORKEL BRAND LOGO 3.00	2	EA
52	0072530P	DECAL DANGER ELECTRICAL HAZARD	1	EA
53	0113787ES	TB86J PG SPANISH OPERATORS MAN	1	EA
54	0113963ES	PLACARD PLATFORM CONTROLS PG	1	EA

REPAIR PARTS

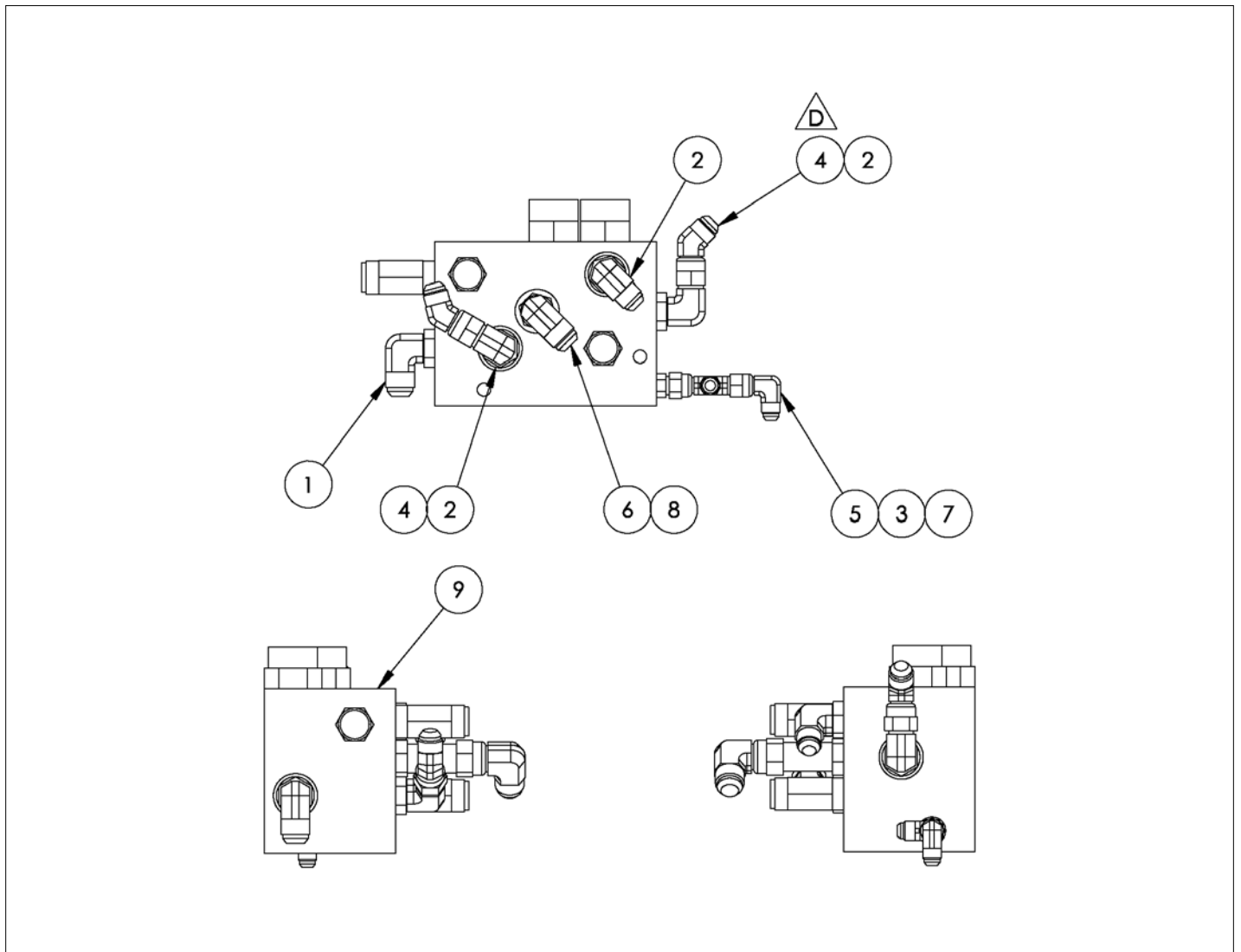
**NO IMAGE AVAILABLE
(BOM FOR REFERENCE ONLY)**

アイテム	部品番号	名前	数量	UOM
	0113703 E	LANGUAGE KIT FRENCH TB86J		EA
1	0071926FR	DECAL DIESEL FUEL	1	EA
2	0074913	DECAL 4X4 LOGO	2	EA
3	0075563FR	DECAL DO NOT USE EITHER CU T3	1	EA
4	0075564FR	PLAC COLDSTART GLOW PLUG (GROU	1	EA
5	0361367	MANUAL RSPNSBLTY A92.6	1	EA
6	0084213FR	PLAC COLDSTART GLOW PLUGS (PLA	1	EA
7	0112139FR	MISC TB80 DECAL/PLAC HARDWARE	1	EA
8	0073139FR	TAG CRANKCASE OIL TAG	1	EA
9	5560080	BUMPER ADHESIVE BACK	8	EA
10	562386	Literature Compartment	1	EA
11	7050004	RECORD POUCH, 12 X 15 RECLOSABLE BAG	1	EA
12	9980013	Cap	2	EA
13	0075563FR	DECAL DO NOT USE EITHER CU T3	1	EA
14	0075235	DECAL SIDE LOAD 150 LB	2	EA
15	0113582FR	DECAL/PLAC TB86J LOGO/SYMBOLS	1	EA
16	0070540	DECAL, YELLOW ARROW	3	EA
17	0070541	DECAL, BLUE ARROW	3.0000	EA
18	0072276FR	PLAC LUG NUT TRQ 450 500FT LB	4	EA
19	0083427	Decal, Lifting/Tie Down	4	EA
20	0083733	DECAL, SNORKEL BRAND LOGO 10.0	1	EA
21	0112188FR	DECAL LIFT/TIE DOWN LCTN TB80	1	EA
22	0113581	DECAL TB86J LOGO 9.00 NEW STYL	1	EA

アイテム	部品番号	名前	数量	UOM
23	0074908	Decal, Snorkel Brand Logo	2	EA
24	0113580	DECAL TB86J LOGO 6.00 NEW STYL	2	EA
25	0112792FR	MANUAL OPERATOR TB80FA/85J/86J	1	EA
26	0112855FR	DECAL/PLAC TB80FA/85JFA COMMON	1	EA
27	0070420FR	DECAL EMER BLEED DOWN VALVE	1	EA
28	0071927FR	DECAL HYDRAULIC OIL	2	EA
29	0073043FR	DECAL MANUAL HOLDER	1	EA
30	0073224FR	DECAL NOTICE MANUAL RE ORDER	1	EA
31	0073491FR	DECAL SAFE OPERATION INFO	1	EA
32	0073492FR	DECAL ROTATE WHILE GREASING	1	EA
33	0073667FR	DECAL INSPECT WIRE ROPES	2	EA
34	0074209FR	DECAL PRE START INSTR BOOMS	1	EA
35	0074210FR	DECAL DNGR ELEC/TIPPING HAZARD	1	EA
36	0074311FR	DECAL DNGR CYLINDER FAILURE	7	EA
37	0074372FR	PLAC ENGINE RPM	1	EA
38	0181562FR	DECAL MACH COMPLIES WITH ANSI	1	EA
39	0190989E	DECAL DNGR DO NOT REACH	1	EA
40	0323896FR	DECAL DNGR ELEC HAZARD	5	EA
41	0323897FR	DECAL DNGR YOU MUST NOT OPR	1	EA
42	0323899FR	DECAL DNGR ELEC HAZARD	1	EA
43	0151410FR	DECAL DNGR ROTATING PARTS	1	EA
44	5569012	BUMPER RUBBER	4	EA
45	9980022	Plug 4 inch diameter	2	EA

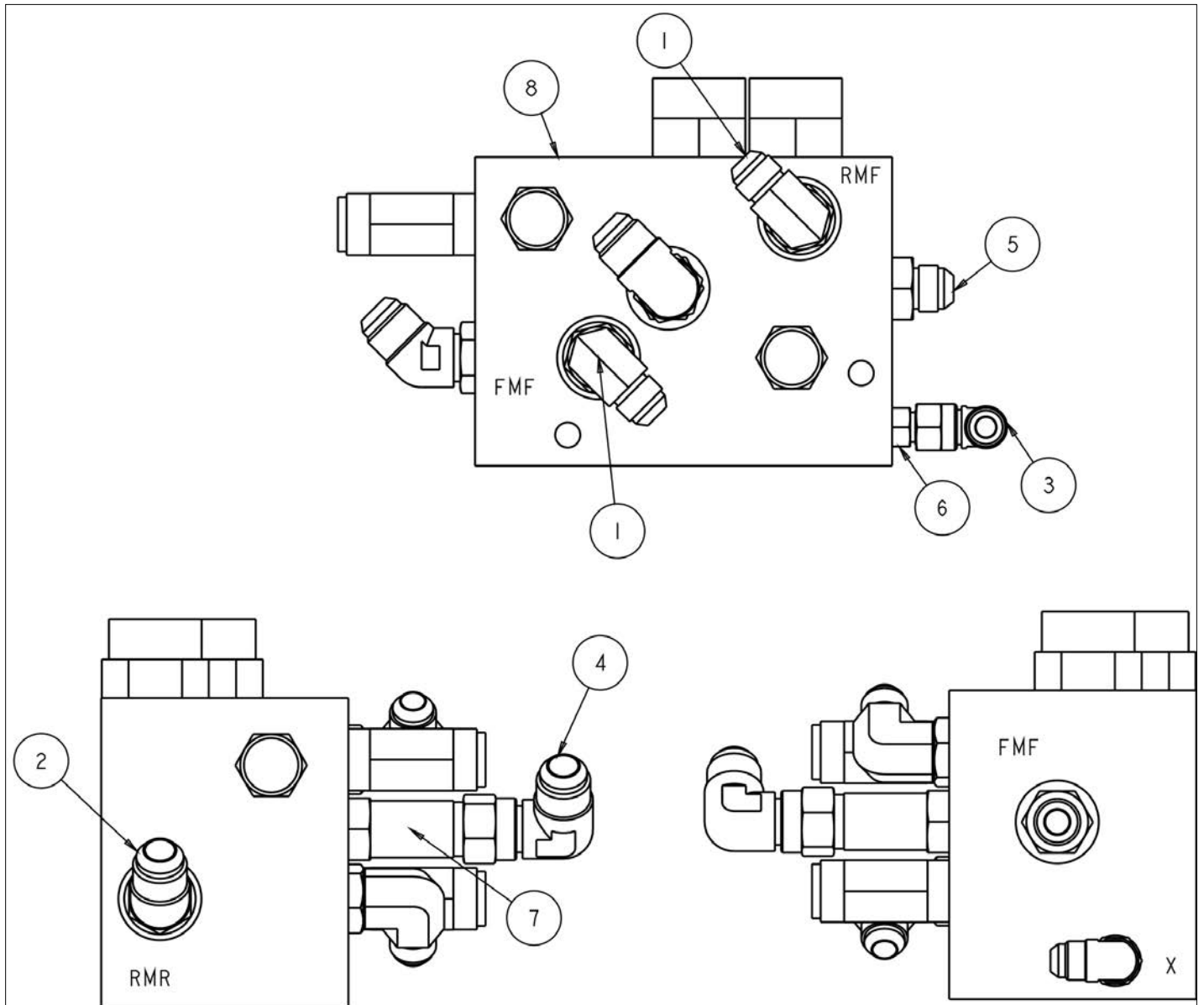
アイテム	部品番号	名前	数量	UOM
46	7030161FR	DECAL, SNORKEL GUARD OVERRIDE	1	EA
47	7030162FR	DECAL WARNING SNORKEL GUARD	1	EA
48	7030163FR	DECAL, SNORKEL GUARD OVERRIDE OPER	1	EA
49	0070901FR	PLAC CAUTN SERIAL NUMBER	1	EA
50	0071425FR	PLAC PLATF IDENTIFACTION	1	EA
51	0070921FR	DECAL 125 VOLTS 15 AMPS PACKAG	1	EA
52	0072531FR	DECAL DNGR ELEC HAZARD	1	EA
53	A11044K	INSTALLATION DECAL & PLACARD T	1	EA
54	0075234FR	CSA DECAL FRENCH	1	EA
55	0075372	PLAC PLAT CAP 500LBS 2 PERSONS	1	EA
56	0090589E	PLACARD	3	EA
57	0172451	DECAL ATTACH MAX 2 LANYARDS	1	EA
58	569295	DECAL, SNORKEL BRAND LOGO 3.00	2	EA

HYDRAULICS



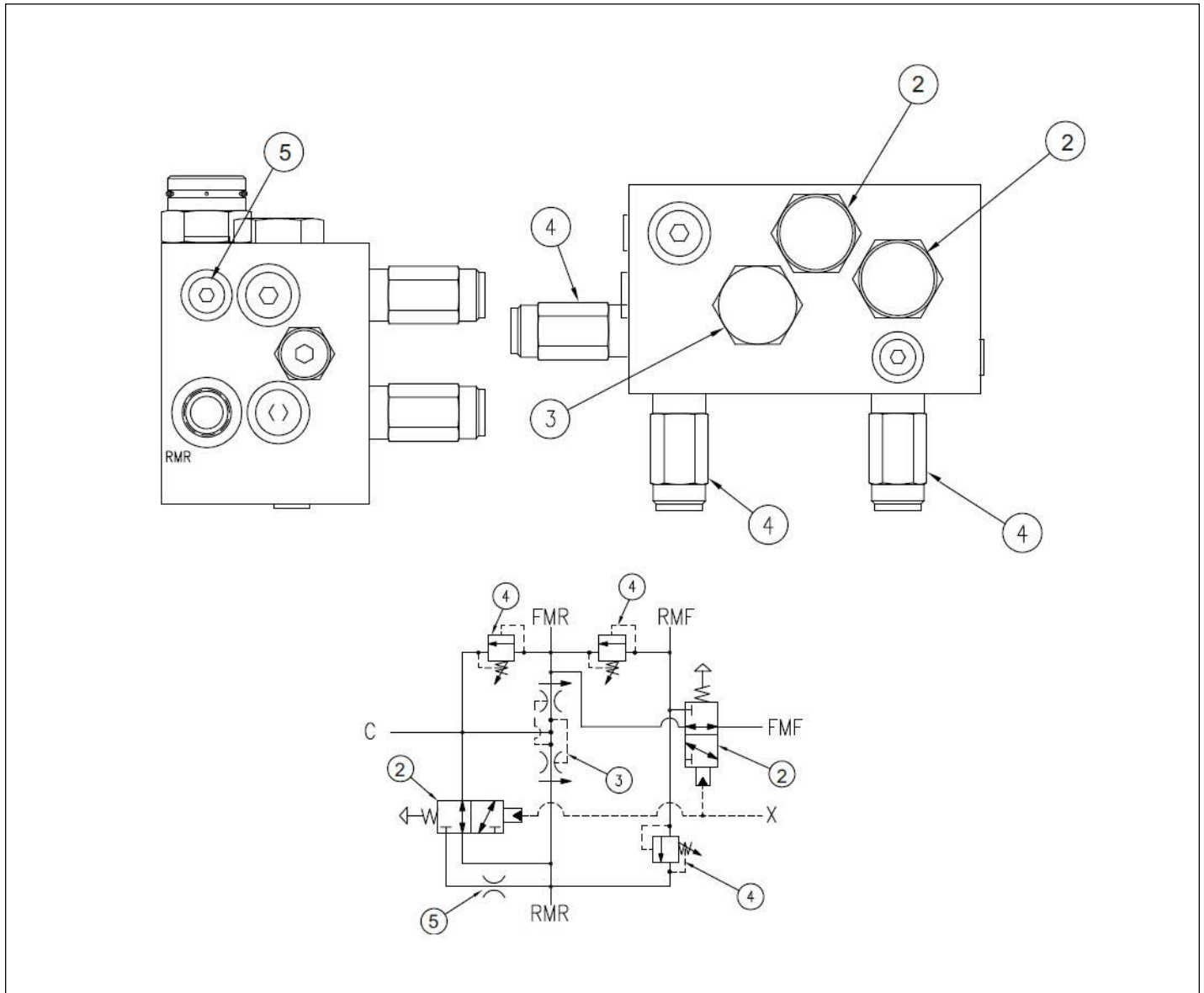
アイテム	部品番号	名前	数量	UOM
	0112805 D	FRONT TRANSMISSION VALVE ASSEMBLY FLUID TECH APRIL 2006 AND AFTER		EA
1	5035307	STRAIGHT THREAD 90 ° ELBOW	1	EA
2	5035316	ADAPTER 90 ° ELBOW 10 SAE 8 JIC	3	EA
3	5036705	FTG TEE SWVL RUN 6S 6S STL	1	EA
4	5036906	COVER	2	EA
5	5037005	TERM FEM F.I. .250 16/14	1	EA
6	5037007	ADAPTER 90 DEG ELBOW SWIVEL 10 JIC	1	EA
7	5065734	FTG ADPTR STRTHD 4B 6S STL PH	1	EA
8	5065807	FTG, HYD 10 MB TO 10 MJIC LONG	1	EA
9	6010569	TRANSMISSION VALVE PACKAGE	1	EA

HYDRAULICS

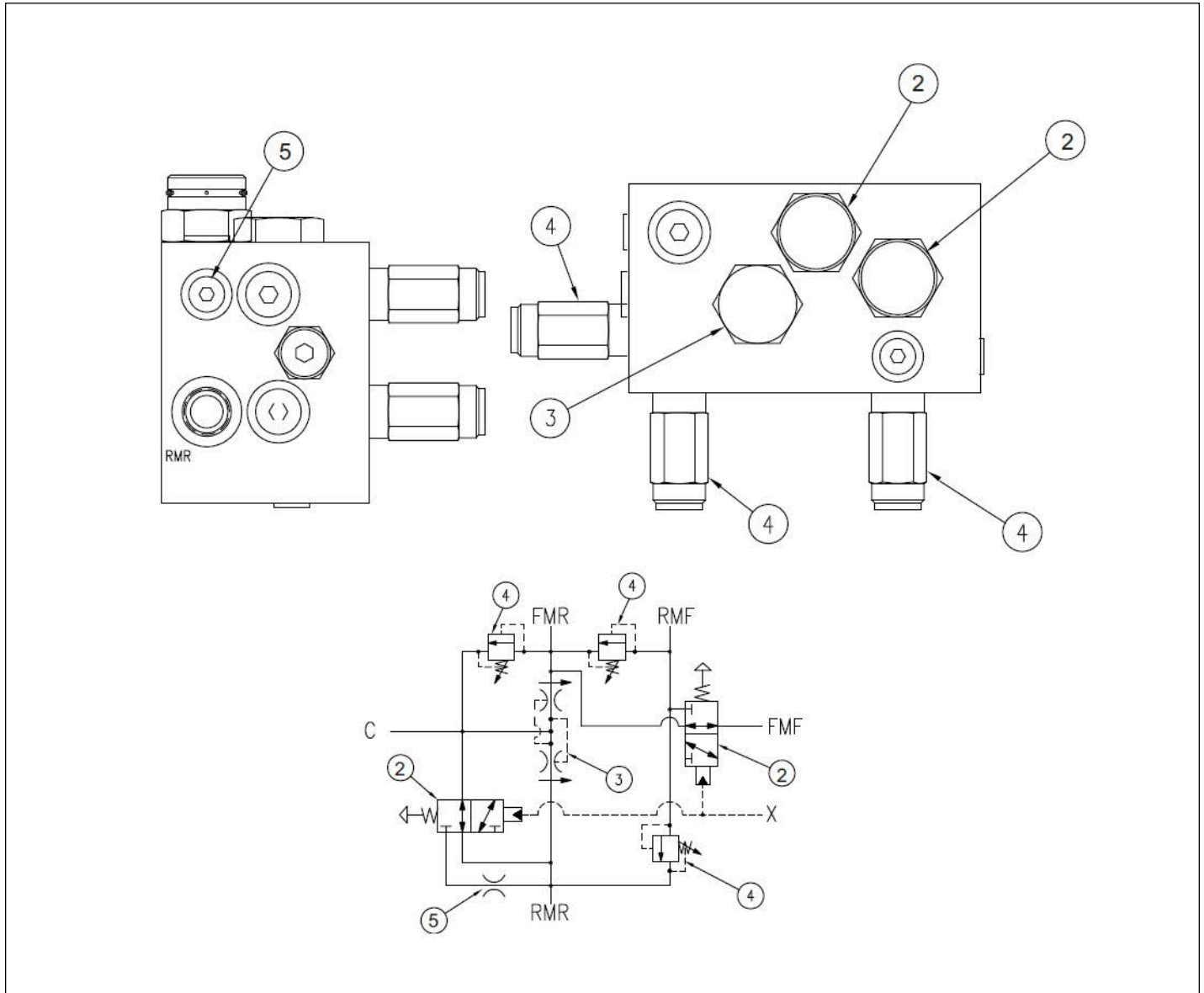


アイテム	部品番号	名前	数量	UOM
Not Shown	0112806 C	REAR TRANSMISSION VALVE FLUID TECH SUB ASSEMBLY		EA
1	5035316	ADAPTER 90 ° ELBOW 10 SAE 8 JIC	2	EA
2	5035707	FTG ELB45STRTHD 10B 10S STL	1	EA
3	5037005	TERM FEM F.I. .250 16/14	1	EA
4	5037007	ADAPTER 90 DEG ELBOW SWIVEL 10 JIC	1	EA
5	5065710	FTG HYD 10 MB TO 8 MJIC	1	EA
6	5065734	FTG ADPTR STRTHD 4B 6S STL PH	1	EA
7	5065807	FTG, HYD 10 MB TO 10 MJIC LONG	1	EA
8	6010569	TRANSMISSION VALVE PACKAGE	1	EA

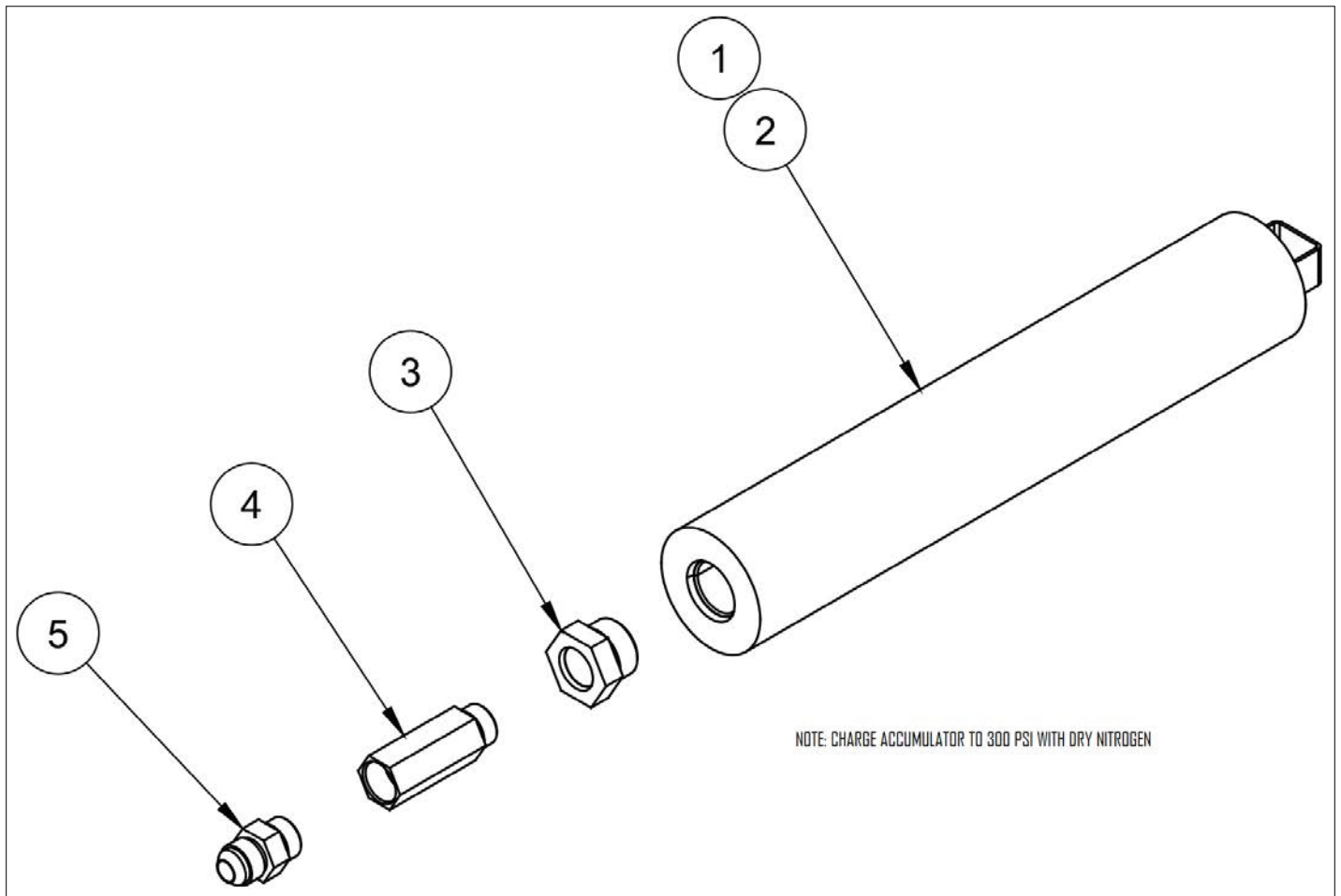
HYDRAULICS



アイテム	部品番号	名前	数量	UOM
	6010569	TRANSMISSION VALVE PACKAGE	1	EA
2	6010595	VALVE 3 WAY CARTRIDGE (HYDRAFORCE)	2	EA
Not Shown	6010561	SEAL KIT	1	EA
3	6010797	VALVE CARTRIDGE DIVIDER/COMBINER (HYDRAFORCE)	1	EA
Not Shown	6010561	SEAL KIT	1	EA
4	6010596	RELIEF VALVE (HYDRAFORCE)	3	EA
Not Shown	6010602	SEAL KIT	1	EA
5	6090055	PASSAGE PLUG (FLUID TECH)	1	EA

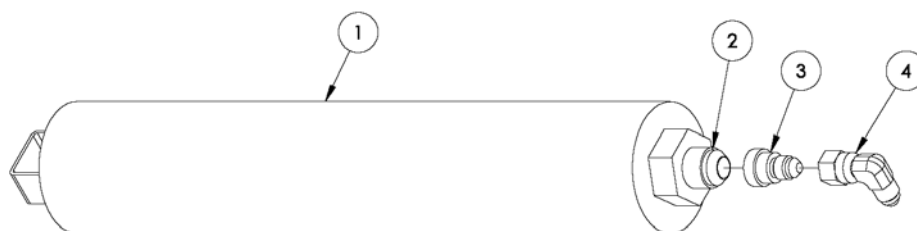


HYDRAULICS



アイテム	部品番号	名前	数量	UOM
1	0181083 A	CHASSIS ACCUMULATOR SUB ASSEMBLY		EA
2	6070005	ACCUMULATOR	1	EA
Not Shown	6070010	ACCUMULATOR EUROPE	A/R	EA
3	5076003	ADAPTER STRAIGHT 12SAE TO 8SAE FEMALE	1	EA
4	6010635	CHECK VALVE, ORIFICED	1	EA
5	5065709	FTG ADPTR STRTHD 8B 8S STL PH	1	EA

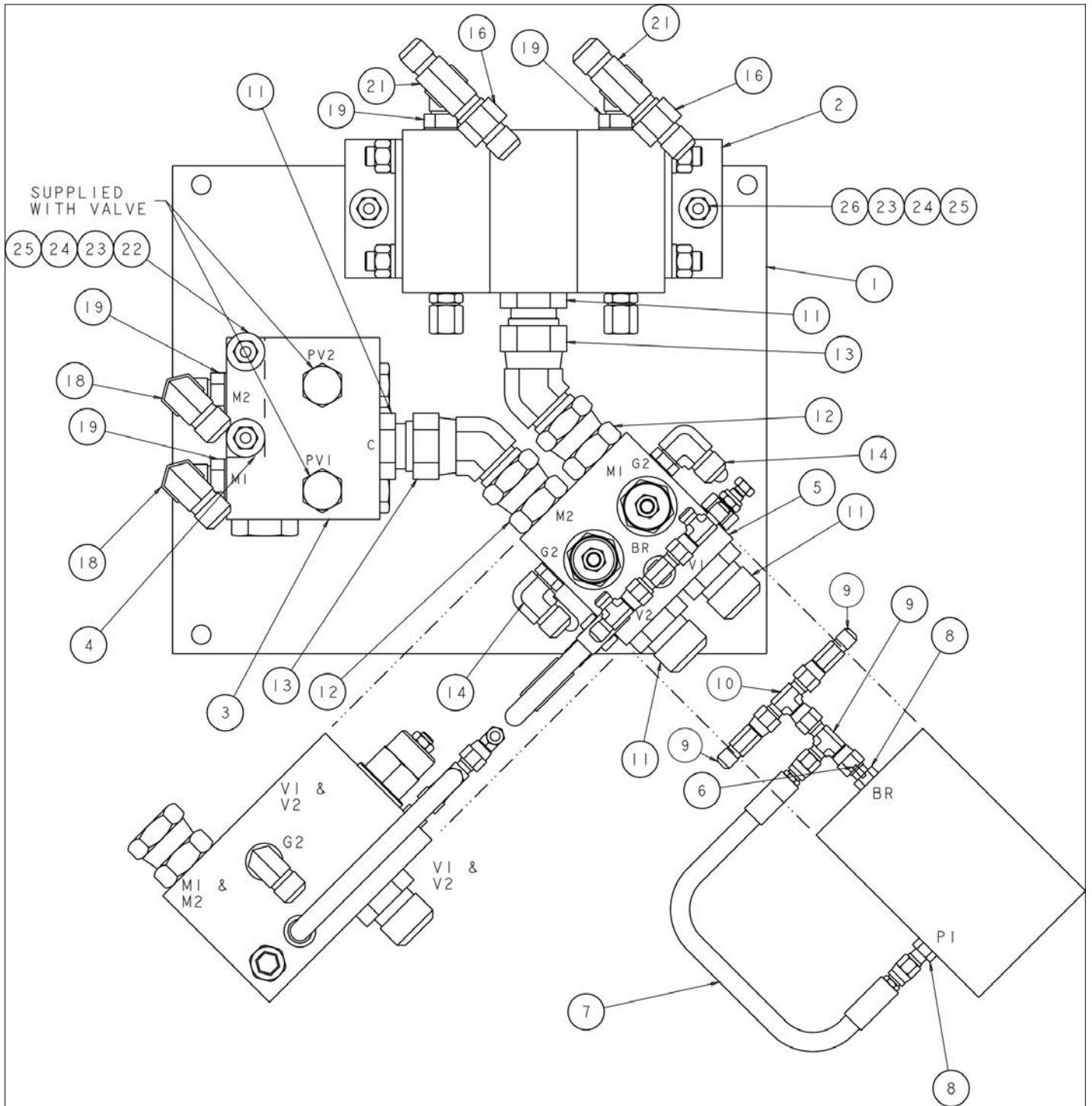
HYDRAULICS



NOTES:
1. CHARGE ACCUMULATOR TO 300 PSI WITH DRY NITROGEN.

アイテム	部品番号	名前	数量	UOM
	0082055 D	ACCUMULATOR SUB ASSEMBLY 300 PSI CHARGED TURNTABLE		EA
1	6070005	ACCUMULATOR	1	EA
Not Shown	6070010	ACCUMULATOR EUROPE	A/R	EA
2	5065711	FTG ADPTR STRTHD 12B 8S STL	1	EA
3	5064002	ADAPTER STREIGHT TUBE REDUCER 8 JIC TO 4 JIC	1	EA
4	5037003	FTG ELB90SWVL 4S 4S STL	1	EA

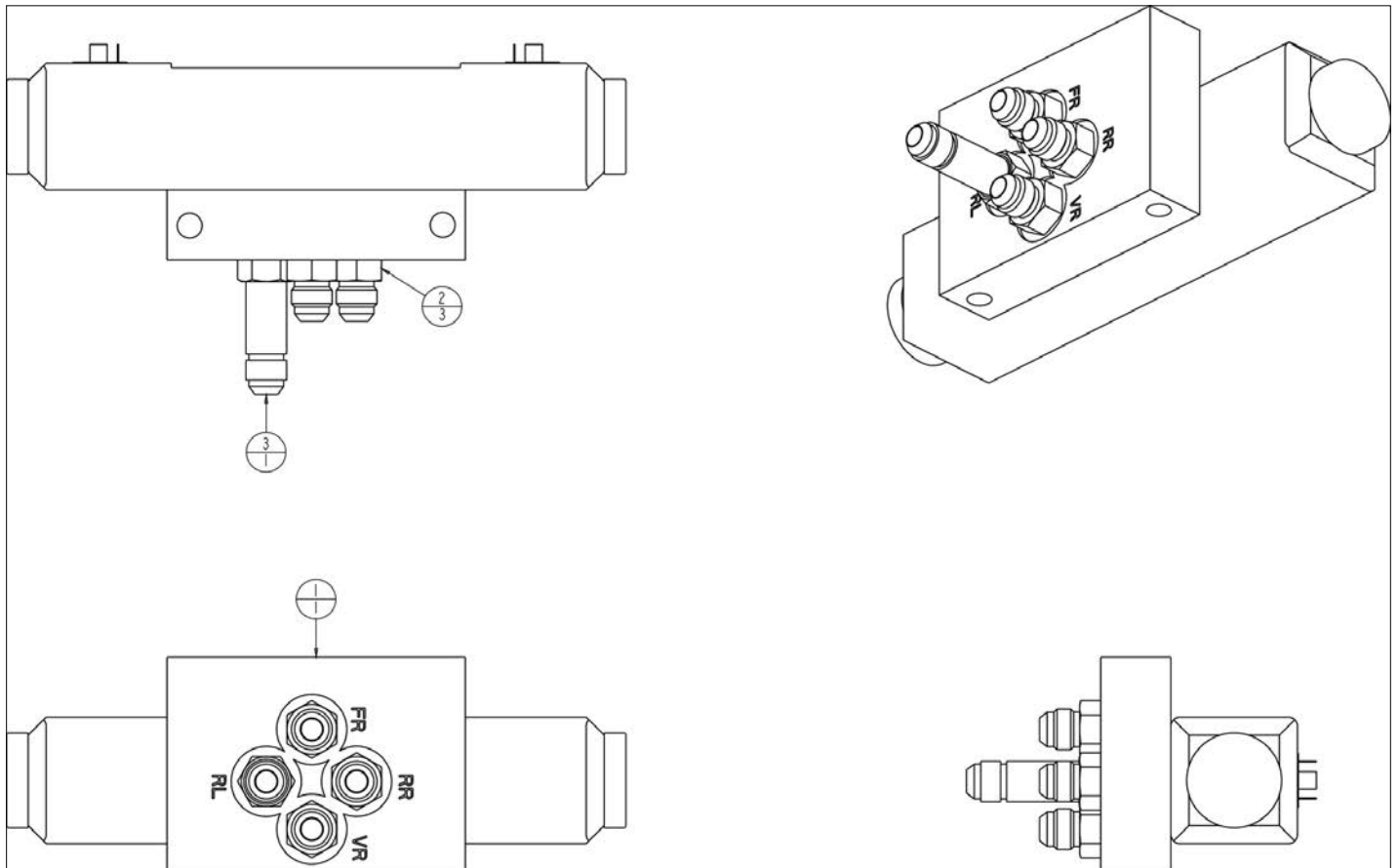
HYDRAULICS



アイテム	部品番号	名前	数量	UOM
	0112807 B	FLOW DIVIDER SUB ASSEMBLY		EA
1	0151728	PLT TRANSMISSION VALVE MTG	1	EA
2	6030036	FLOW DIVIDER	1	EA
3	6010570	FLOW DIVIDER FOUR WHEEL DRIVE	1	EA
	6010575	CART CHECK VALVE	2	EA
	6010601	FLOW DIVIDER/COMBINER	1	EA
4	0180809	BAR	1	EA
5	6019052	DRIVE MOTION CONTROL VALVE	1	EA
	6019168	SEQUENCE VALVE	2	EA
	6019321	COUNTER BALANCE VALVE (CBGA LHN 3000)	2	EA
	6019041	SHUTTLE VALVE	1	EA
6	0181077	ORIFICE	1	EA
7	0181161	HOSE 4 4S 4S 15.25 100R2	1	EA
8	5065703	FTG ADPTR STRTHD 4B 4S STL	2	EA
9	5036703	FTG TEE SWVL RUN 4S 4S STL (SEE PAGE 2)	3	EA
10	5036803	FTG TEE SWVL 8R 4S 4S STL	1	EA
11	5065718	FTG, HYD 16 MB TO 16 MJIC	4	EA
12	5025002	FTG APDTRSWVL 16B 16S STL	2	EA
13	5036910	ADAPTER 45 DEG ELBOW SWIVEL 16 JIC	2	EA
14	5035315	FTG ELB90STRTHD 6B 8S STL	2	EA
16	5064005	TUBE END REDUCER	2	EA
17	0181092	SPCR .250 1.00 3.25 2H	1	EA
18	5037007	ADAPTER 90 DEG ELBOW SWIVEL 10 JIC	2	EA
19	5035307	STRAIGHT THREAD 90 ° ELBOW	4	EA
21	5036807	FTG TEE SWVL BR 10S 10S STL	2	EA
22	PNNA	BLT CARR .375 16 4.5 RDSQNK	2	EA

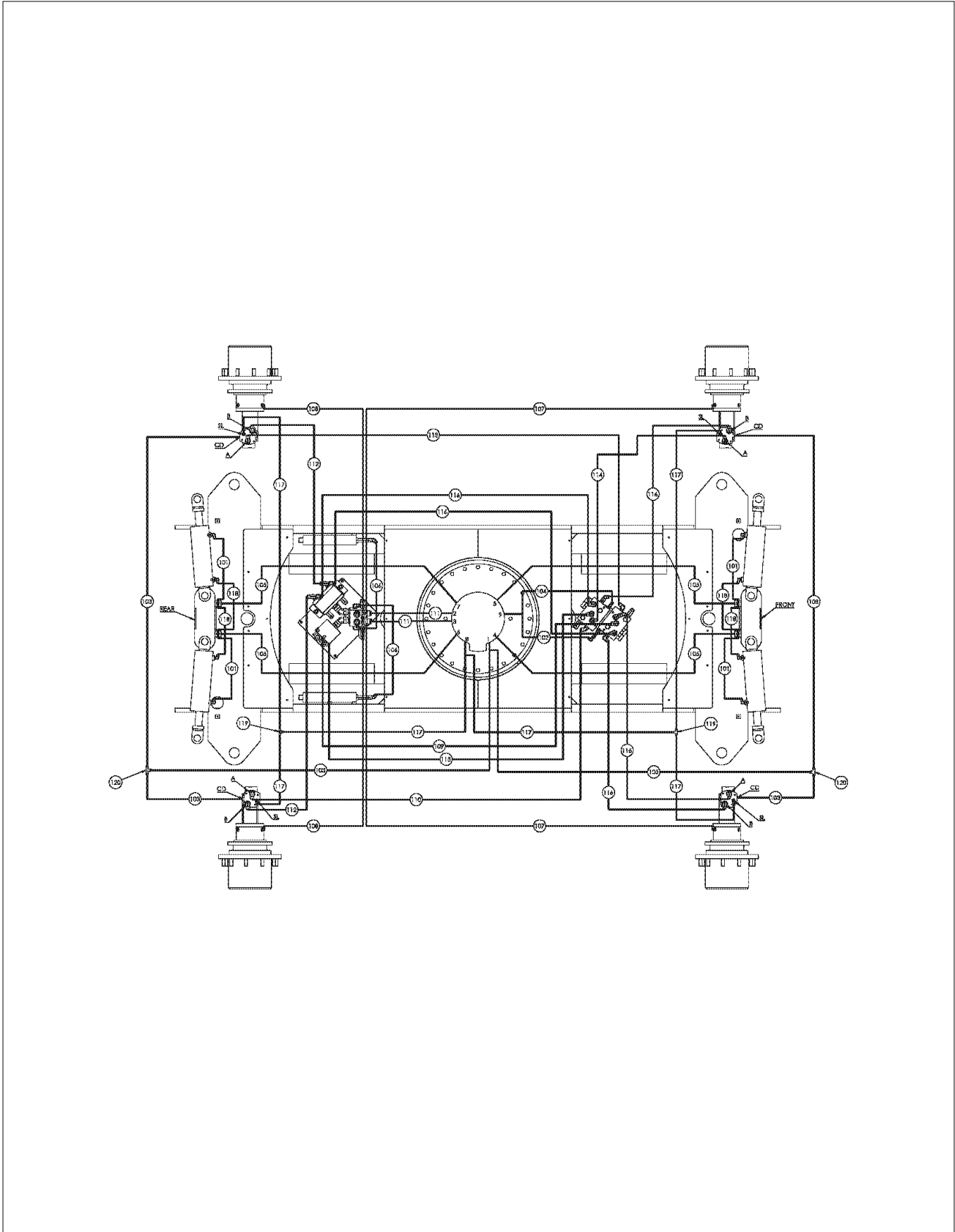
アイテム	部品番号	名前	数量	UOM
23	987119	WSHR LOCK .375	4	EA
24	986299	WASHER, FLAT, .375 STANDARD, PLATED	4	EA
25	984109	NUT HEX .375 16	4	EA
26	PNNA	BLT CARR .375 16 1.25 RDSQNK	2	EA

HYDRAULICS



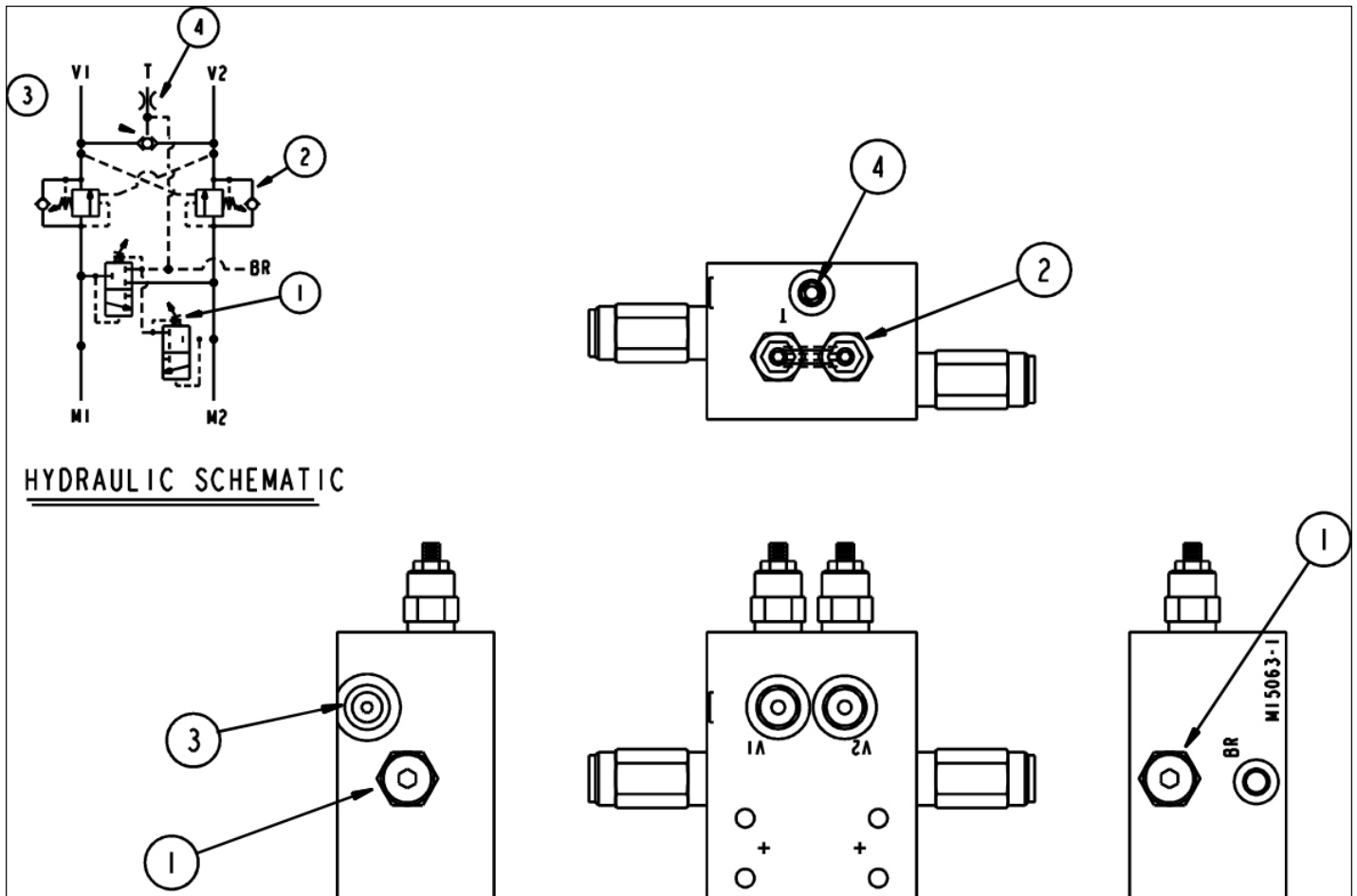
アイテム	部品番号	名前	数量	UOM
Not Shown	0112826 B	FOUR WHEEL STEER VALVE		EA
1	0112821	FOUR WHEEL STEER VALVE	1	EA
Not Shown	6091144	SEAL KIT	1	EA
Not Shown	6091558	COIL	1	EA
2	5065707	FTG ADPTR STRTHD 6B 6S STL PH	3	EA
3	5065805	FTG ADAPTER STRTHDL 6B 6S STL LONG	1	EA

HYDRAULICS



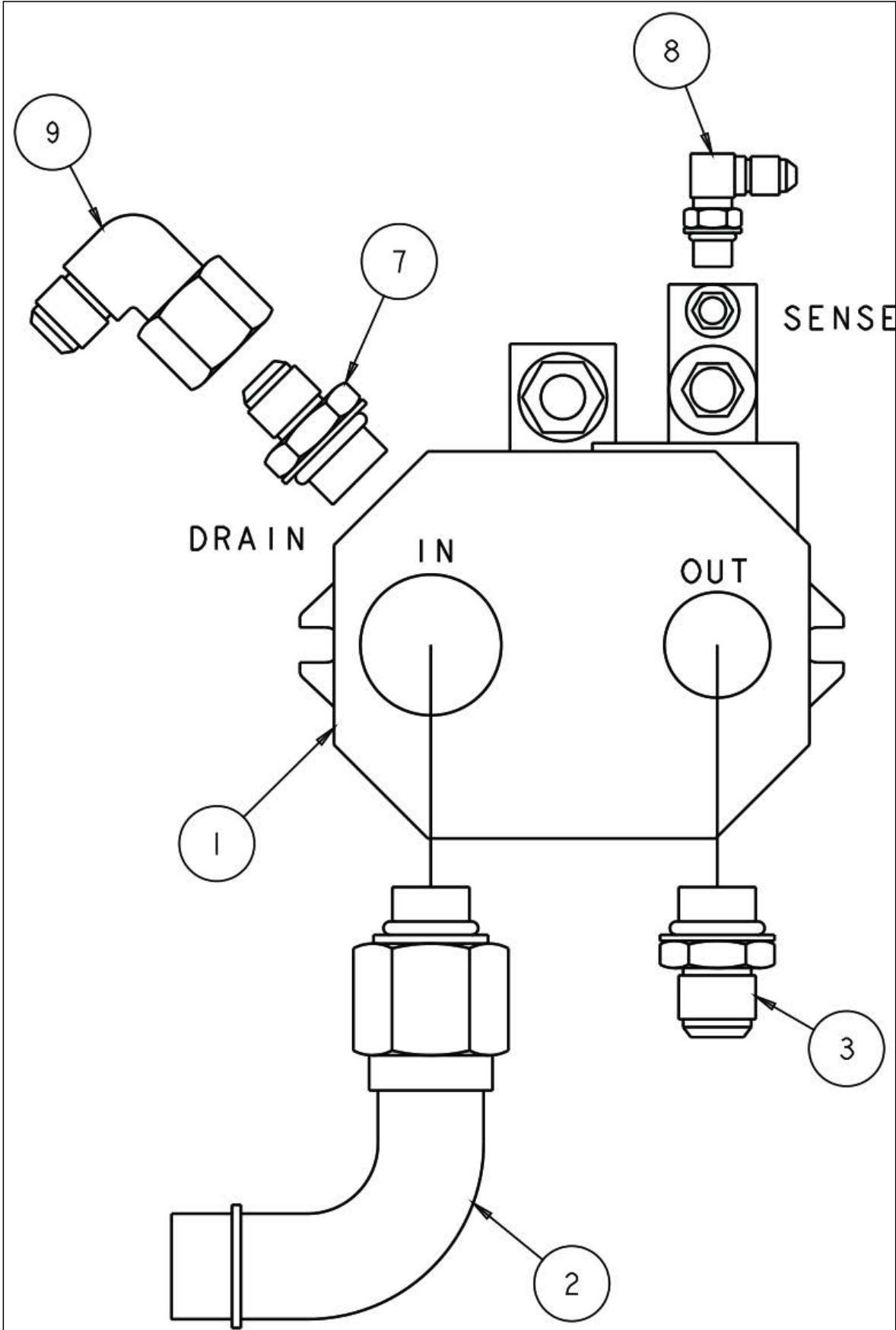
アイテム	部品番号	名前	数量	UOM
Not Shown	A11103A HOSES	CHASSIS ASSEMBLY HOSING		EA
101	0020275	HOSE 6 6S 6S 16 100R2	4	EA
102	0050400	HOSE 6 6S 6S 41 100R2	1	EA
103	0060305	HOSE 6 6S 6S 60 100R2	6	EA
104	0070786	HOSE 6 6S 6S 19 100R2	1	EA
105	0070789	HOSE 6 6S 6S 75.5 100R2	4	EA
106	0070792	HOSE 8 8S 8S 32 100R2	2	EA
107	0100491	HOSE 4 4S 4S 150 100R1	2	EA
108	0111287	HOSE 4 4S 4S 84 100R2	2	EA
109	0112705	HOSE 10 10S 10S 78 100R2	1	EA
110	0112706	HOSE 10 10S 10S 132 SP MEGAFLEX	1	EA
111	0112827	HOSE 16 16S45 16S 264 100R12	2	EA
112	0112828	HOSE 10 10S 10S 70 100R16 SP	2	EA
113	0112830	HOSE 10 10S 10S 146.50 SP	1	EA
114	0151860	1/2" I.D. HOSE ASSEMBLY	1	EA
115	0180779	HOSE 10 10S 10S 70	1	EA
116	0180784	HOSE 8 8S 8S 72 SP	5	EA
117	0180945	HOSE 4 4S 4S 62 100R2	6	EA
118	463374	HOSE 6 6S 6S 13 100R2	4	EA
119	5034102	FTG TEE UN 4S 4S STL	2	EA
120	5034104	FTG TEE UN 6S 6S STL	2	EA

HYDRAULICS



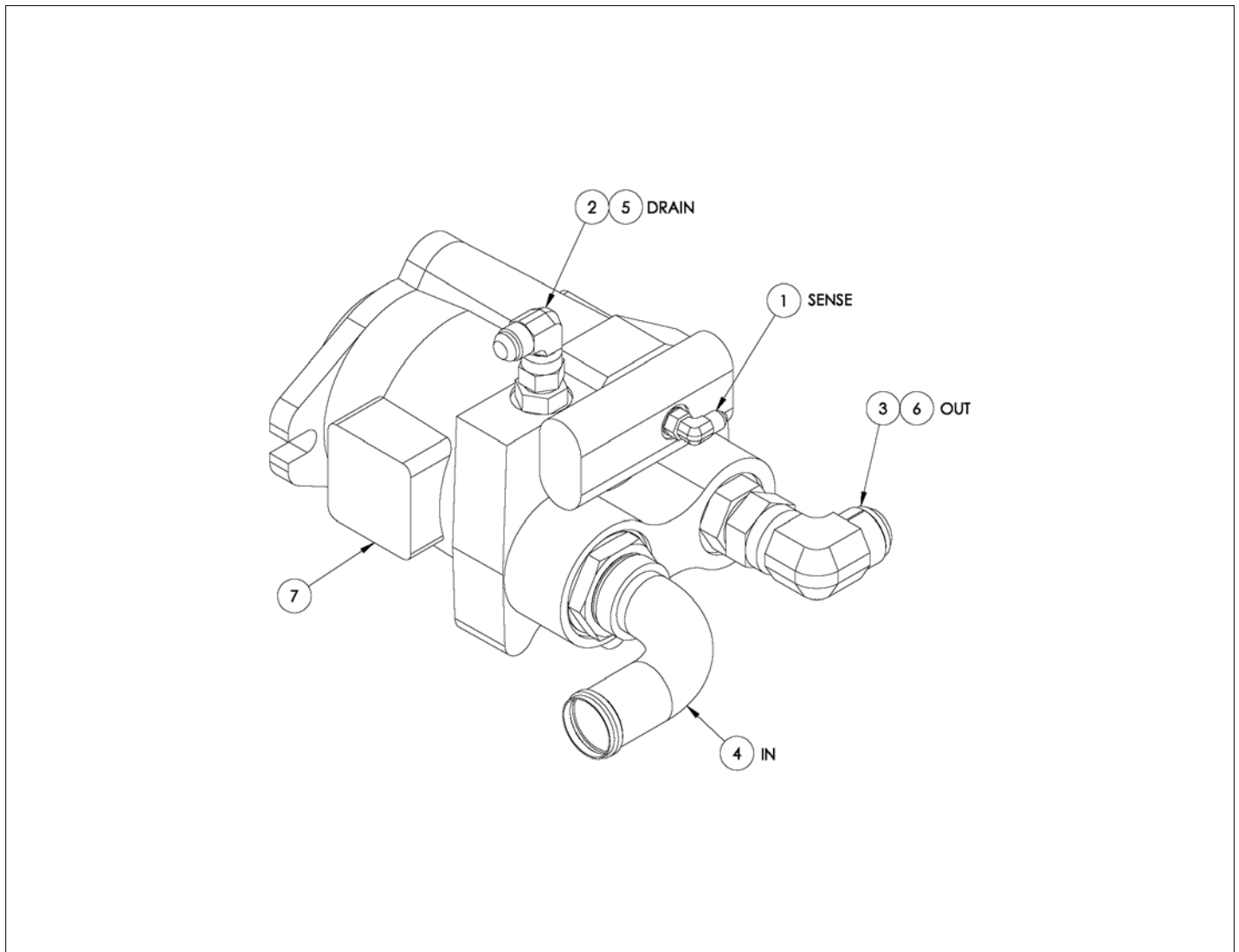
アイテム	部品番号	名前	数量	UOM
Not Shown	6019114 A	MOTION CONTROL VALVE ASSEMBLY AFTER MAY 2007		EA
1	6019121	SEQUENCE VALVE (HYDRA FORCE) HYD FRC: PS10 36H 0 N 04/2.0	2	EA
2	6019122	VALVE COUNTER BALANCE	2	EA
3	6019041	SHUTTLE VALVE	1	EA
4	6019123	1/16 in NPT PLUG W/.040 ORIFICE FLUIDTECH P/N:	1	EA

HYDRAULICS



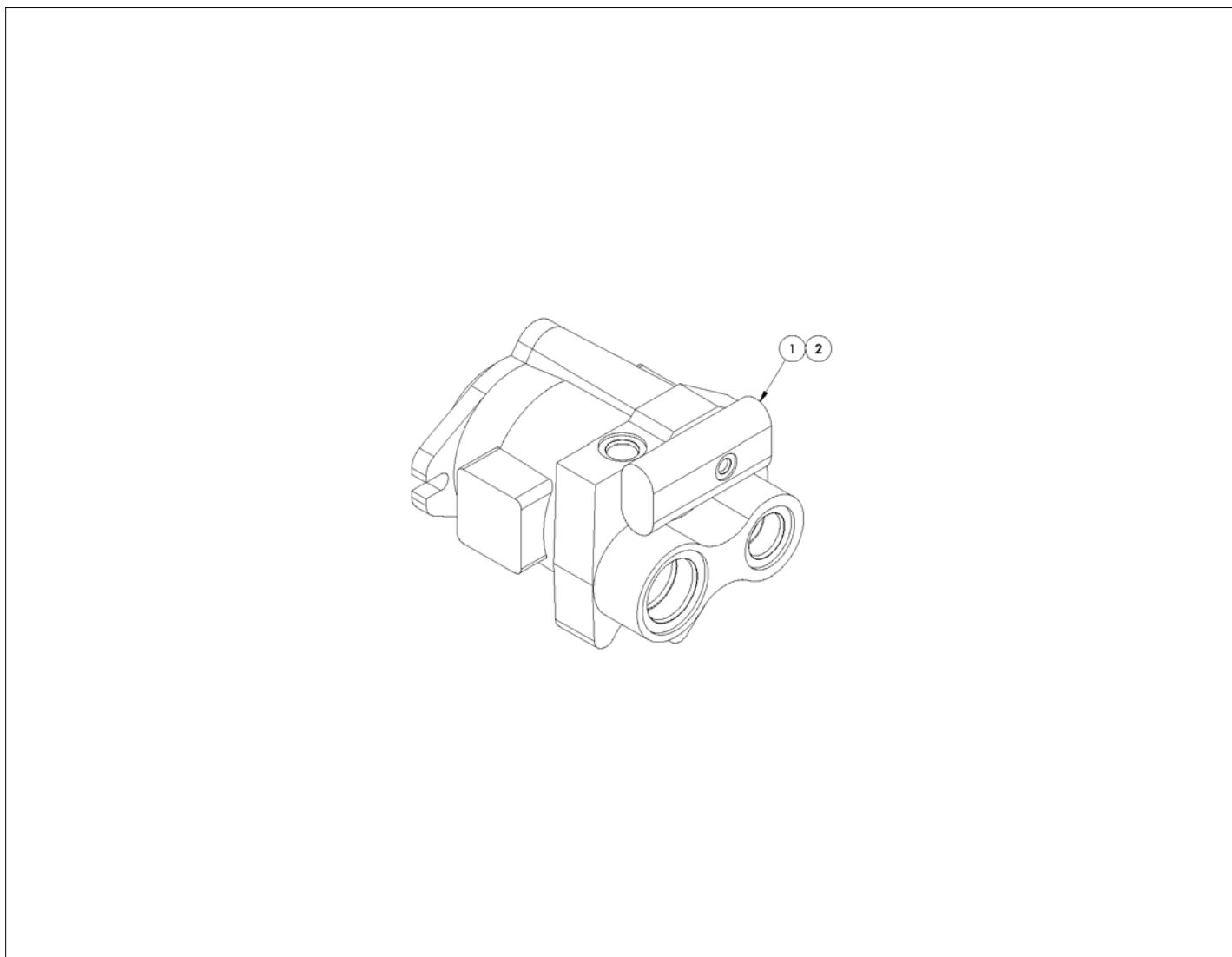
アイテム	部品番号	名前	数量	UOM
*	0111578 G	HYDRAULIC PUMP AND FITTINGS		EA
1	6020065	PUMP PISTON 2.7	1	EA
Not Shown	8220119	SEAL REPAIR KIT VICKERS PUMP	1	EA
Not Shown	8220120	REPLACEMENT COMPENSATOR VICKERS PUMP	1	EA
2	5038005	FTG. BEADED 90 ° ELBOW	1	EA
3	5065718	FTG, HYD 16 MB TO 16 MJIC	1	EA
7	5065710	FTG HYD 10 MB TO 8 MJIC	1	EA
8	5035303	FTG ELB90STRTHD 4B 4S STL	1	EA
9	5037006	ADAPTER 90 ° ELBOW SWIVEL 8 JIC	1	EA

HYDRAULICS



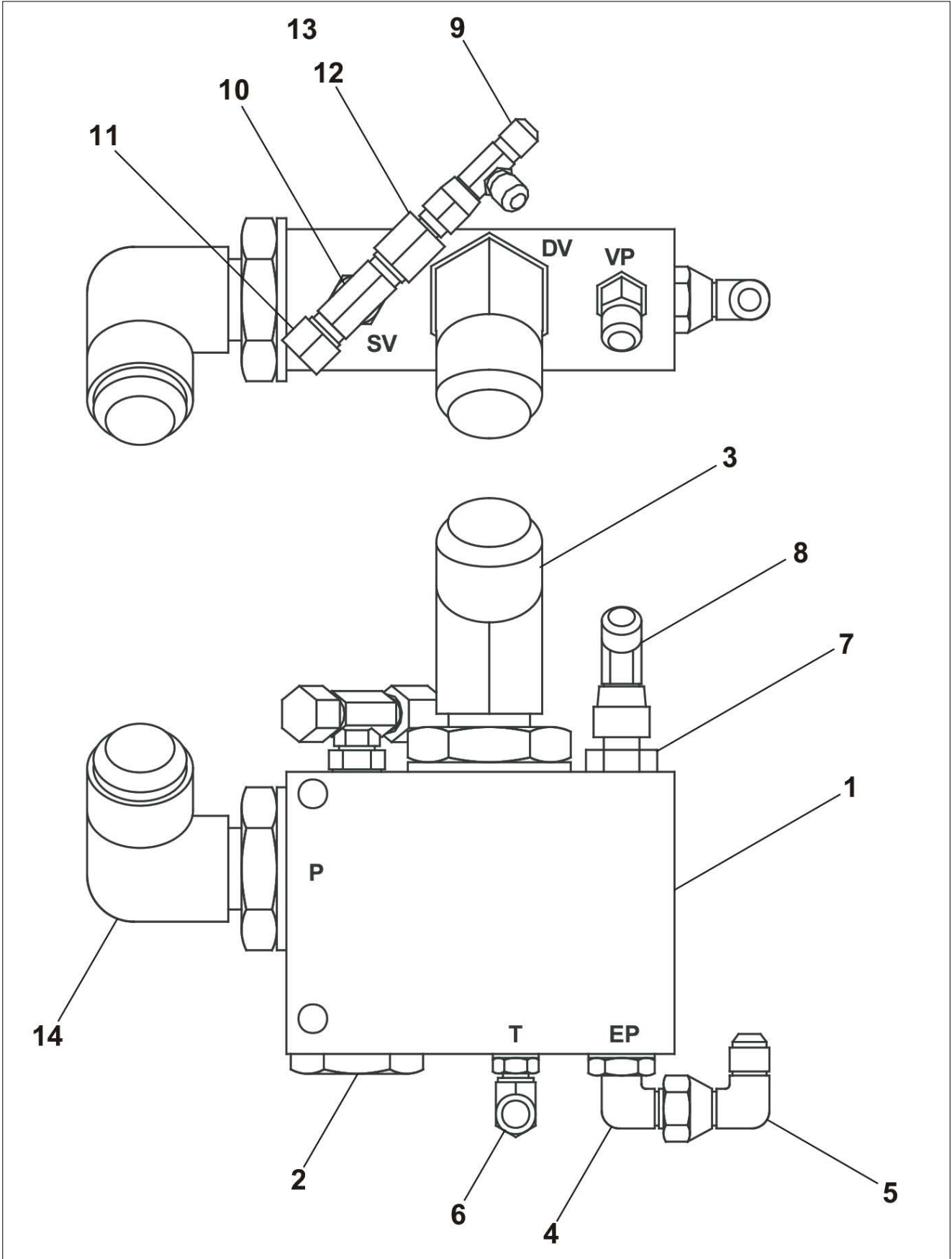
アイテム	部品番号	名前	数量	UOM
	0111578 J	HYDRAULIC PUMP SUB ASSEMBLY SEPTEMBER 2019 AND AFTER		EA
1	5035303	FTG ELB90STRTHD 4B 4S STL	1	EA
2	5037006	ADAPTER 90 ° ELBOW SWIVEL 8 JIC	1	EA
3	5037010	ADAPTER 90 DEG ELBOW SWIVEL 16 JIC	1	EA
4	5038005	FTG. BEADED 90 ° ELBOW	1	EA
5	5065710	FTG HYD 10 MB TO 8 MJIC	1	EA
6	5065718	FTG, HYD 16 MB TO 16 MJIC	1	EA
7	6029702 005	PISTON PUMP HP5V45 REAR PORT HEGLI	1	EA
Not Shown	6022078	SEAL KIT	1	EA
Not Shown	6092077	COMPENSATOR CONTROL VALVE		EA

HYDRAULICS



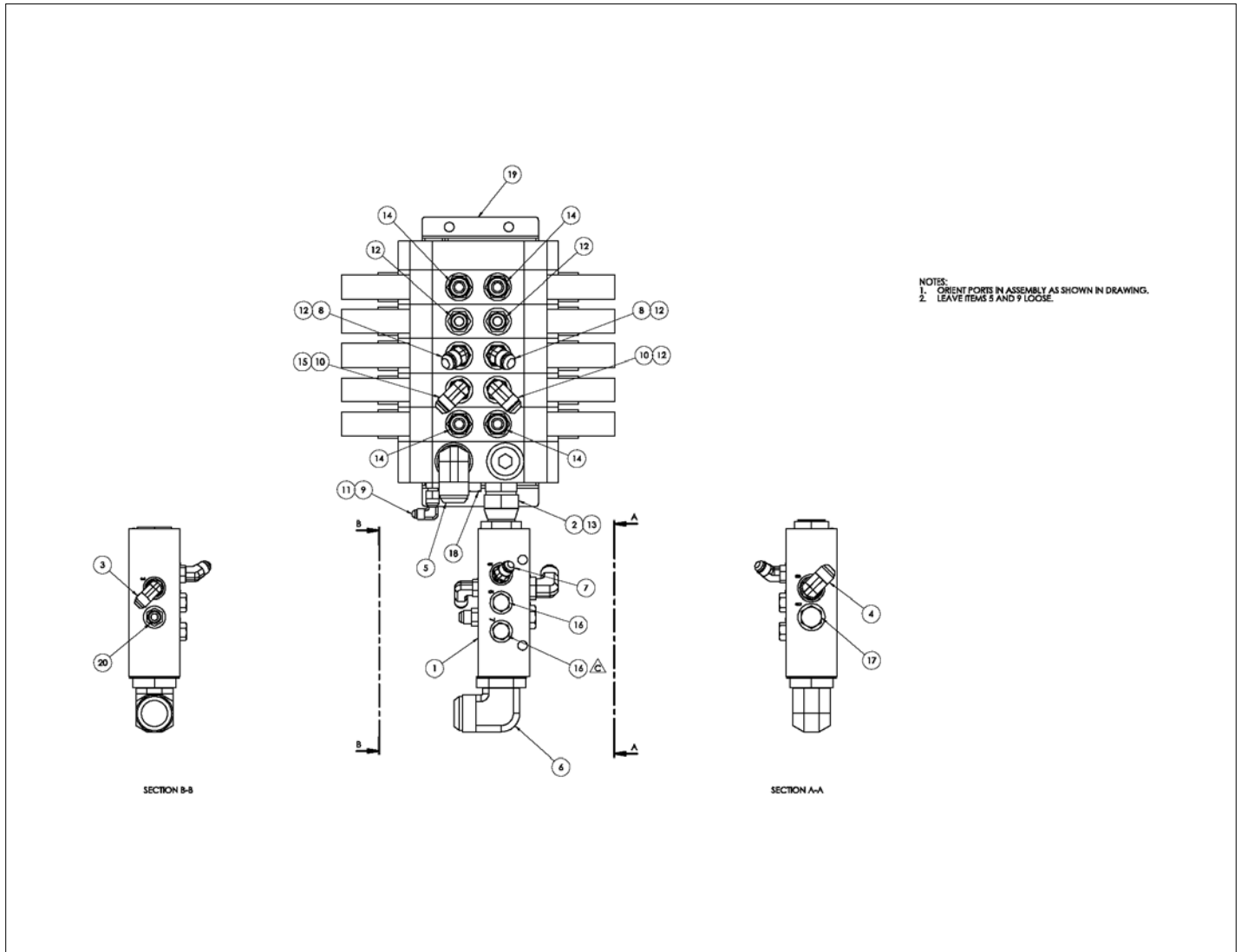
アイテム	部品番号	名前	数量	UOM
*	6029702 A	HYDRAULIC PUMP JULY AND AFTER 2018		EA
1	6020065	PUMP PISTON 2.7	1	EA
2	6092078	PUMP SEAL KIT	1	EA

HYDRAULICS



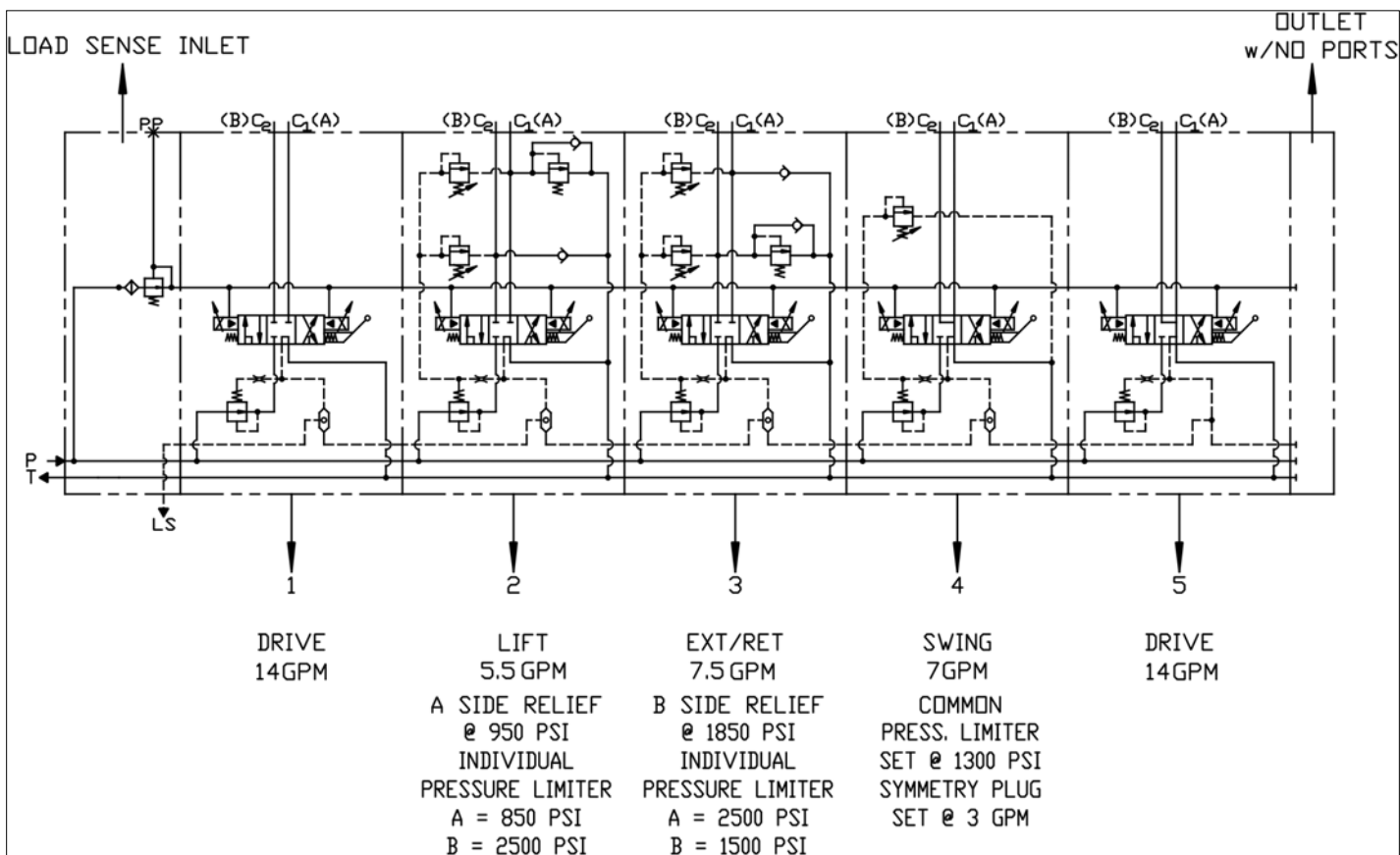
アイテム	部品番号	名前	数量	UOM
Not Shown	0111879 D	PRESSURE MANIFOLD FLUID TECH		EA
1	6010579	CHECK VALVE MANIFOLD	1	EA
2	6010565	CHECK VALVE	1	EA
Not Shown	6010605	SEAL REPAIR KIT	1	EA
3	5035710	STRAIGHT THREAD 45 ° ELBOW	1	EA
4	5035305	FTG ELB90STRTHD 6S 6S STL	1	EA
5	5037005	TERM FEM F.I. .250 16/14	1	EA
6	5035303	FTG ELB90STRTHD 4B 4S STL	1	EA
7	5065708	FTG, HYD 8 MB TO 6 MJIC	1	EA
8	5036905	ADAPTER 45 DEG ELBOW SWIVEL 6 JIC	1	EA
9	5036703	FTG TEE SWVL RUN 4S 4S STL (SEE PAGE 2)	1	EA
10	5036505	STRAIGHT THREAD BRANCH TEE	1	EA
11	5063703	CAP	1	EA
12	5064002	ADAPTER STREIGHT TUBE REDUCER 8 JIC TO 4 JIC	1	EA
13	5063905	FTG NUT 6S STL	1	EA
14	5035310	STRAIGHT THREAD 90 ° ELBOW	1	EA

HYDRAULICS

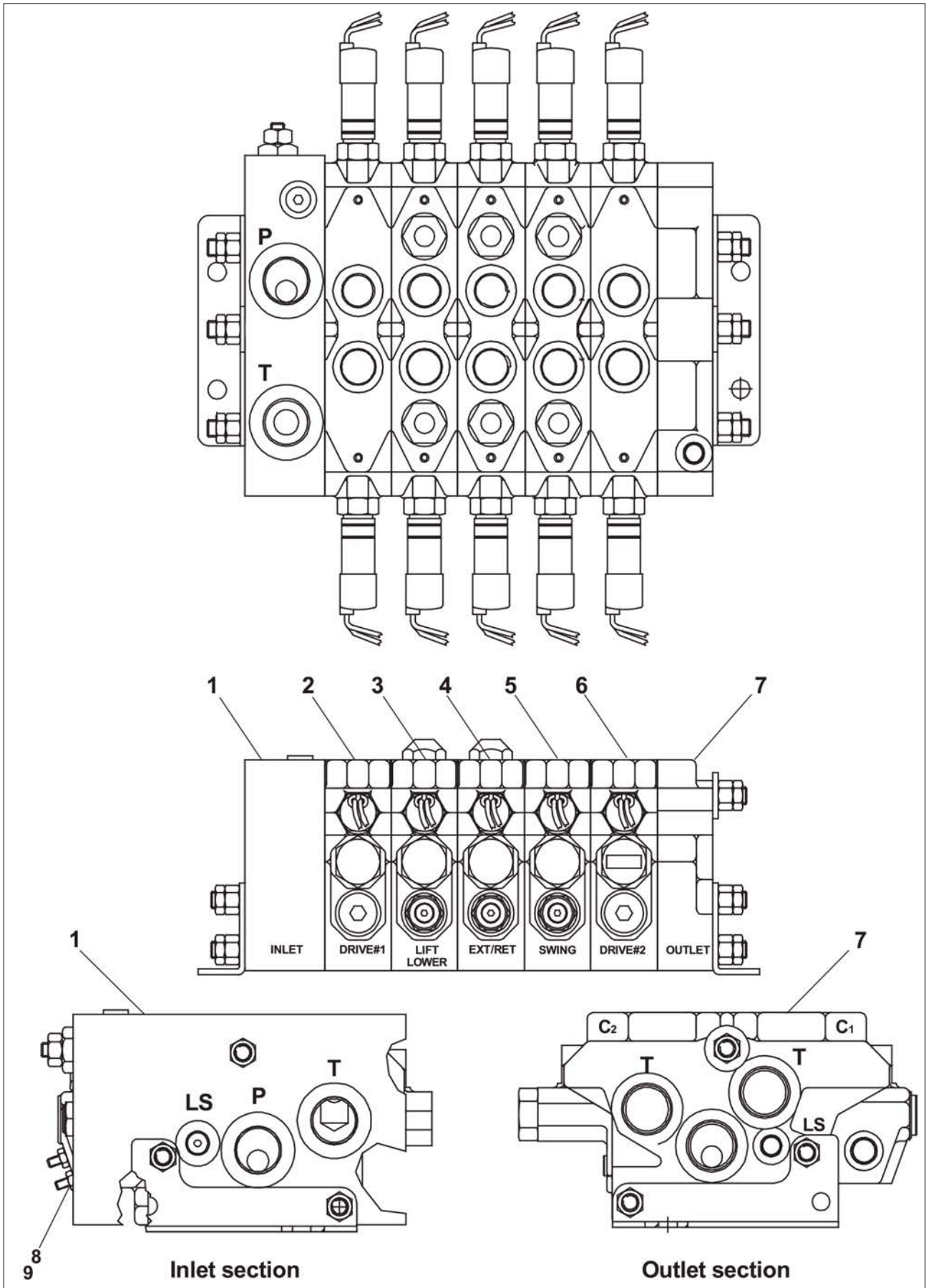


アイテム	部品番号	名前	数量	UOM
	0113709 C	PROPORTIONAL CONTROL VALVE PG SUB ASSEMBLY JUNE 2017 AND AFTER		EA
1	0110156	PRESSURE MANIFOLD	1	EA
2	5025002	FTG APDTRSWVL 16B 16S STL	1	EA
3	5035305	FTG ELB90STRTHD 6S 6S STL	1	EA
4	5035306	FTG ELB90STRTHD 8B 8S STL	1	EA
5	5035311	FTG ADPTRSWVL 16B 16S STL	1	EA
6	5035324	ADAPTER 90 DEG ELBOW 16 SAE TO 20 JIC	1	EA
7	5035705	FTG ELB45STRTHD 6B 6S STL	1	EA
8	5036906	COVER	2	EA
9	5037003	FTG ELB90SWVL 4S 4S STL	1	EA
10	5037006	ADAPTER 90 ° ELBOW SWIVEL 8 JIC	2	EA
11	5065703	FTG ADPTR STRTHD 4B 4S STL	1	EA
12	5065709	FTG ADPTR STRTHD 8B 8S STL PH	5	EA
13	5065719	FTG ADPTRSTRTHD 12B 16S STL	1	EA
14	5065729	FTG APDTRSWVL 16B 16S STL	4	EA
15	5065806	FTG ADPTRSTRTHD L 8B 8S STL	1	EA
16	5075205	FTG PL HEXHD 6B STL	2	EA
17	5075206	FTG PL HEXHD 8B STL	1	EA
18	5075208	FTG PL HEX HD 12B STL	1	EA
19	6019363	PROP CONTROL VALVE TB80/86J PG	1	EA
20	5065707	FTG ADPTR STRTHD 6B 6S STL PH	1	EA

HYDRAULICS

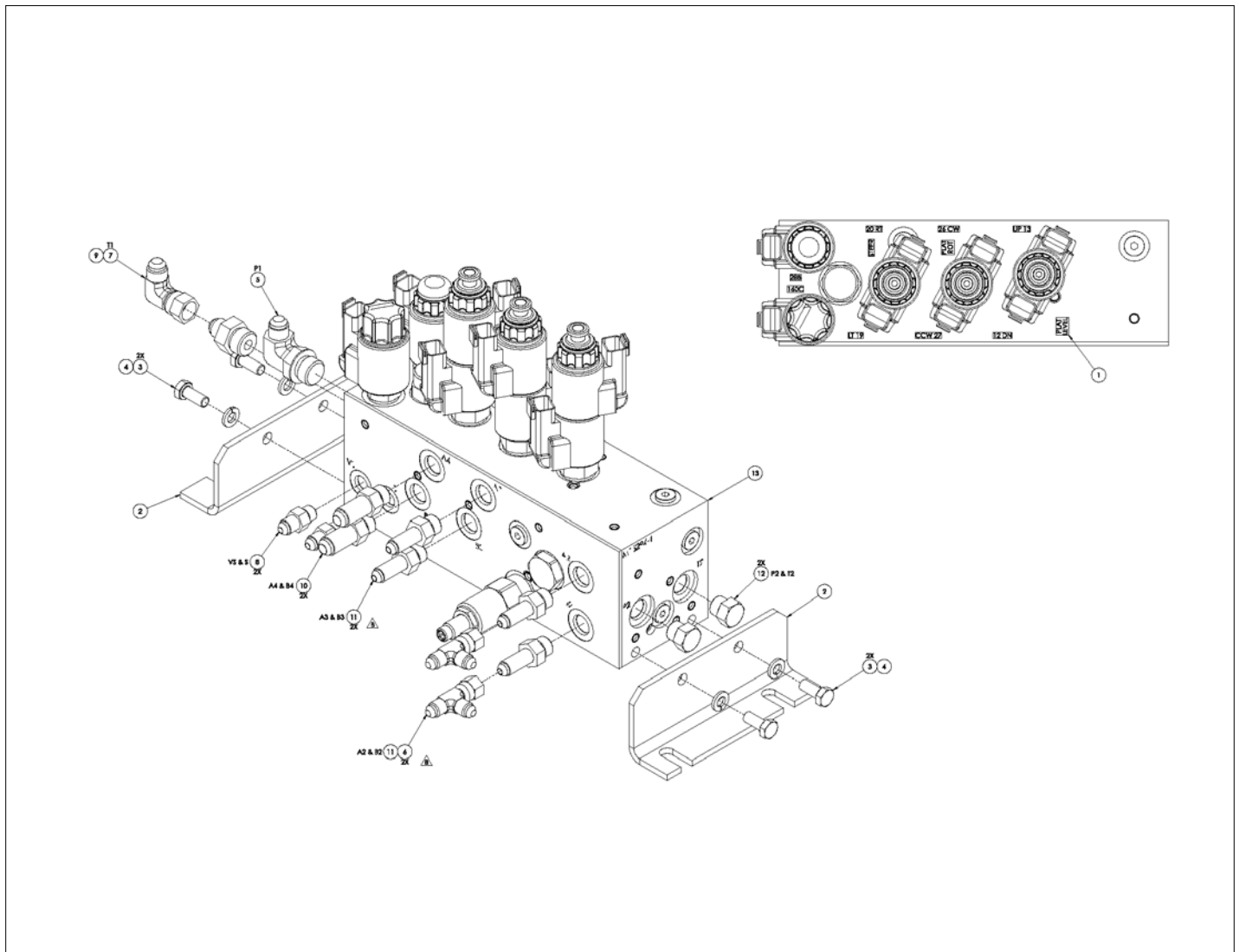


アイテム	部品番号	名前	数量	UOM
	6019363	PROP CONTROL VALVE TB80/86J PG		EA
1	6010860	MANIFOLD INLET FOR CONTROL VLV	1	EA
	6019364	PF PULSAR 2PIN DEUTSCH	2	EA
	8010245	O RING KIT ONE PER SECTION – ITEM NOT SHOWN	1	EA
2	6010890	DRIVE CONTROL VALVE SECTION #1	1	EA
	6019364	PF PULSAR 2PIN DEUTSCH	2	EA
3	6010891	LIFT/LOWER CONTROL VALVE SECTION	1	EA
	8010245	O RING KIT ONE PER SECTION – ITEM NOT SHOWN	1	EA
	6019364	PF PULSAR 2PIN DEUTSCH	2	EA
4	6010892	EXTEND/RETRACT CONTROL VALVE SECTION	1	EA
	8010245	O RING KIT ONE PER SECTION – ITEM NOT SHOWN	1	EA
	6019364	PF PULSAR 2PIN DEUTSCH	2	EA
5	6010893	SWING CONTROL VALVE SECTION	1	EA
	8010245	O RING KIT ONE PER SECTION – ITEM NOT SHOWN	1	EA
	6019364	PF PULSAR 2PIN DEUTSCH	2	EA
6	6010894	DRIVE CONTROL VALVE SECTION #2	1	EA
	8010245	O RING KIT ONE PER SECTION – ITEM NOT SHOWN	1	EA
	6019364	PF PULSAR 2PIN DEUTSCH	2	EA
7	6010871	OUTLET SECTION APITECH	1	EA
	8010245	O RING KIT ONE PER SECTION – ITEM NOT SHOWN	1	EA
8	8010273	SEALING NUT WITH WASHER	2	EA
	8010274	SET SCREW	2	EA



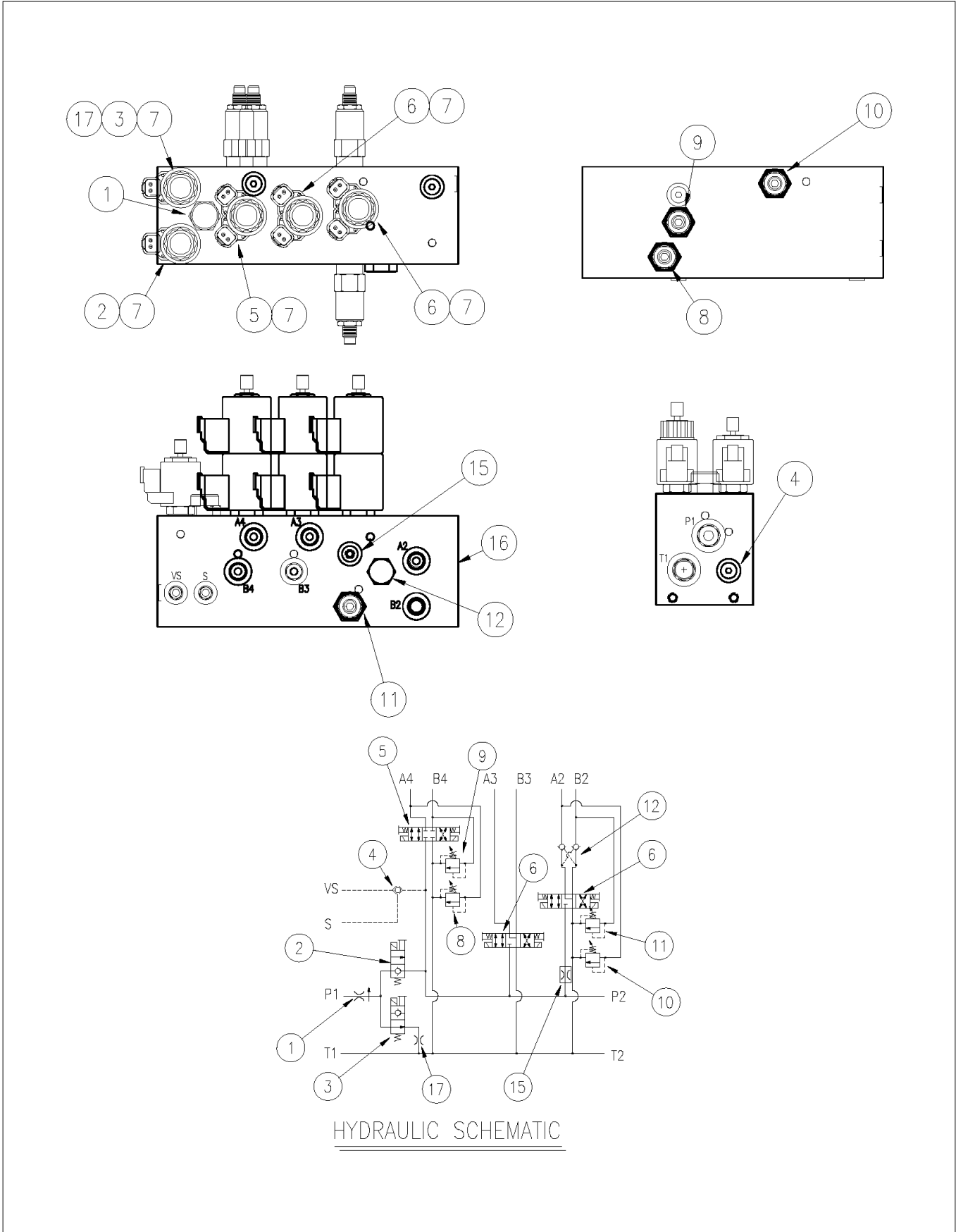
アイテム	部品番号	名前	数量	UOM
9	8160491	SHUTTLE BALL	4	EA

HYDRAULICS



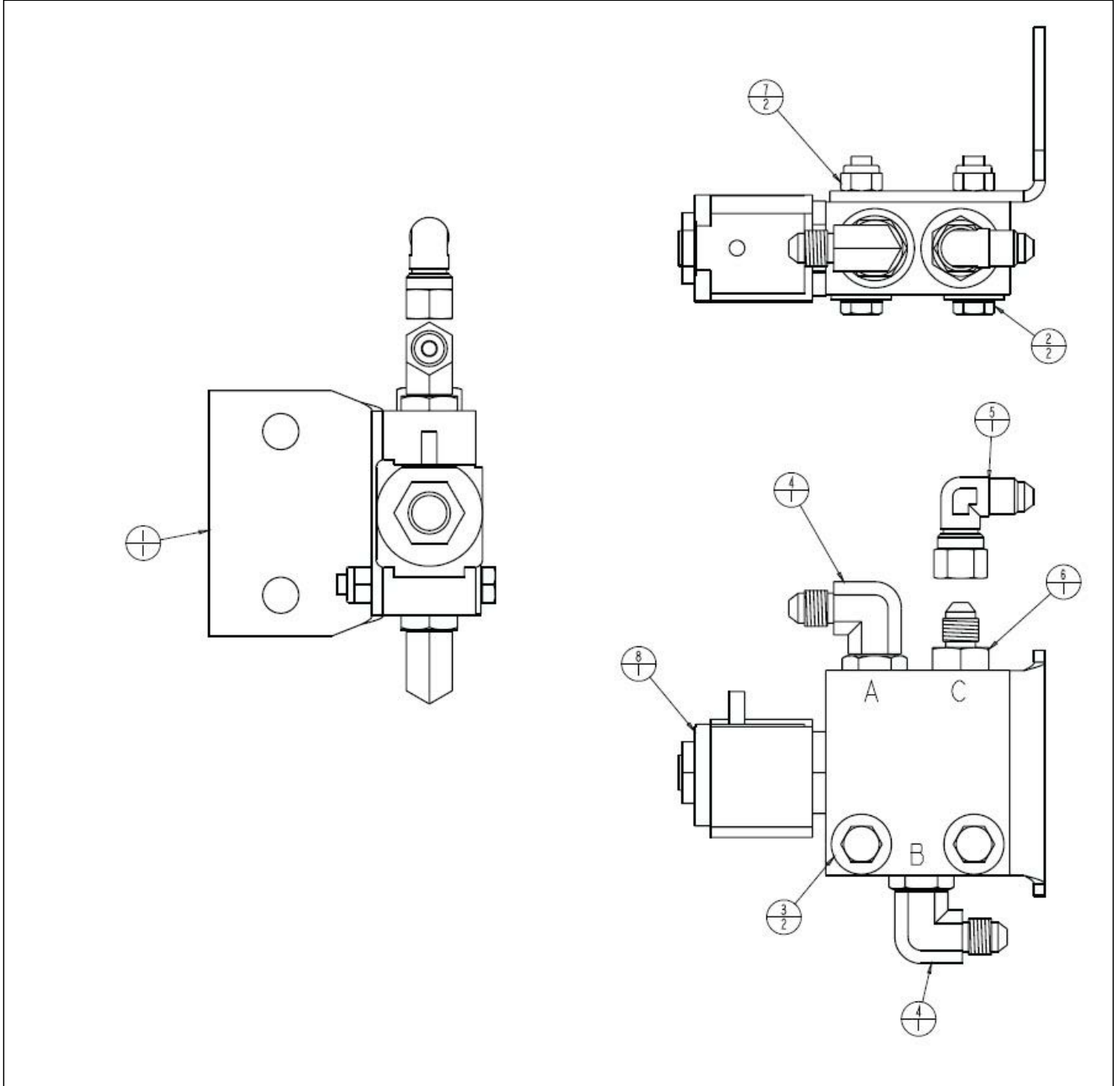
アイテム	部品番号	名前	数量	UOM
	0112962 B	NON PROPORTIONAL VALVE ASSEMBLY T3 FLUID TECH		EA
1	0082010	DECAL SET	1	EA
2	0191640	ANGLE	2	EA
3	970239	BLT HEXHD .313 18 .750 GR5	4	EA
4	987109	WSHR LOCK .313	4	EA
5	5035320	ADAPTER 90 DEG ELBOW 8 SAE TO 6 JIC	1	EA
6	5036703	FTG TEE SWVL RUN 4S 4S STL (SEE PAGE 2)	2	EA
7	5037005	TERM FEM F.I. .250 16/14	1	EA
8	5065703	FTG ADPTR STRTHD 4B 4S STL	2	EA
9	5065708	FTG, HYD 8 MB TO 6 MJIC	1	EA
10	5065805	FTG ADAPTER STRTHDL 6B 6S STL LONG	2	EA
11	5067020	FTG, HYD 6 MB TO 4 MJIC LONG	4	EA
12	5075205	FTG PL HEXHD 6B STL	2	EA
13	6019141	NON PROP VALVE T3 (FLUID TECH)	1	EA

HYDRAULICS



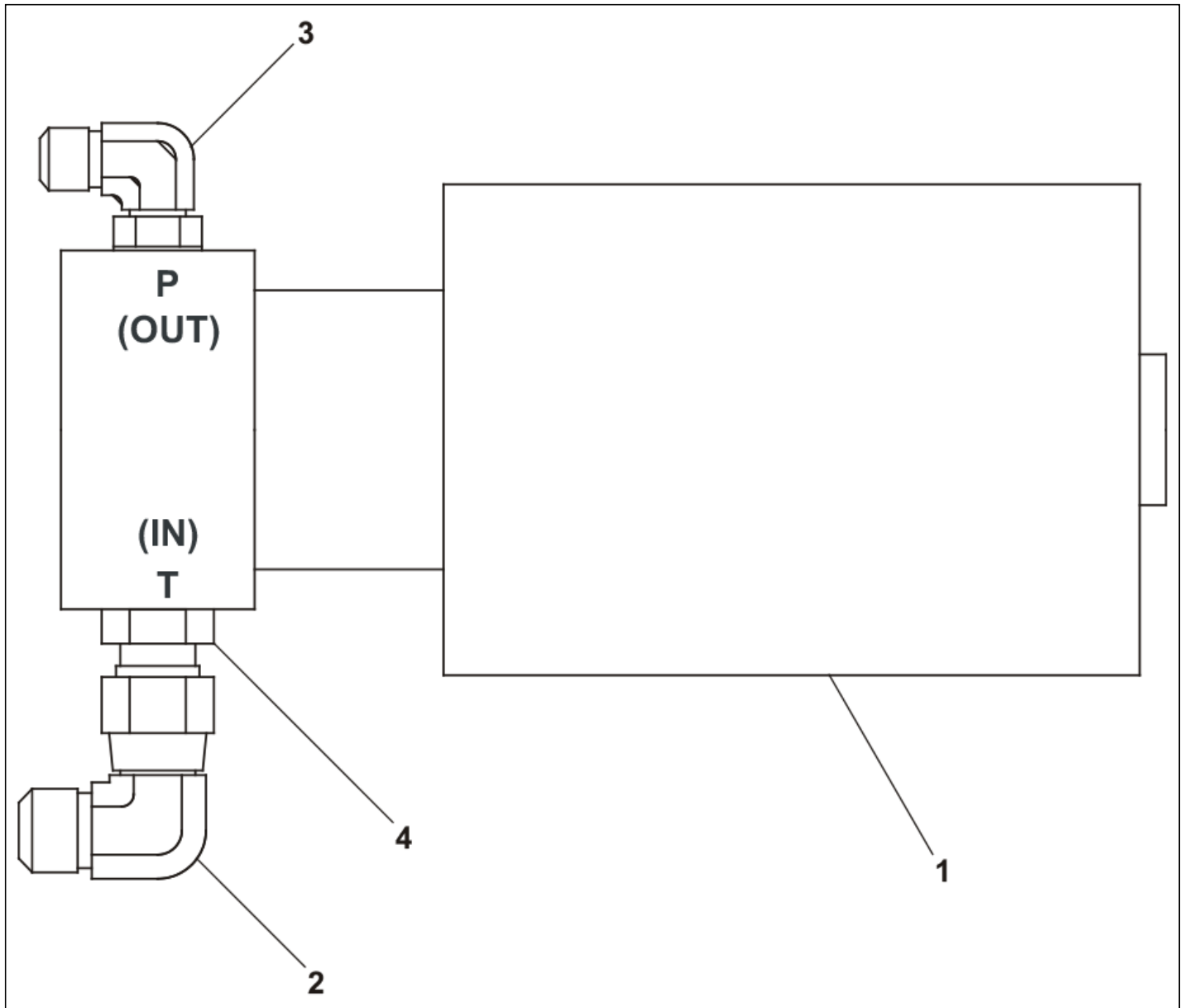
アイテム	部品番号	名前	数量	UOM
Not Shown	6019141 C	NON PROPORTIONAL CONTROL VALVE FLUID TECH		EA
1	487086	#10 FLOW CONTROL PRESS COMP 5.0 GPM	1	EA
2	6019153	SOLENOID VALVE	1	EA
3	6019154	SOLENOID VALVE	1	EA
4	6019041	SHUTTLE VALVE	1	EA
5	6019096	4 WAY SOL VALVE	1	EA
6	6019097	4 WAY SOL VALVE	2	EA
7	3040781	10 VDC DN01 COIL	8	EA
8	6019155	REL VLV B2	1	EA
9	6019155	REL VLV B2	1	EA
10	6019156	RELIEF VALVE	1	EA
11	6019156	RELIEF VALVE	1	EA
12	6019157	DOUBLE PCV	1	EA
15	6018948	1/16" NPT PLUG DRILLED .035" ORIFICE	1	EA
16	6091703	MANIFOLD FOR 6019141 VALVE	1	EA
17	6019158	ORIFICE .070	1	EA

HYDRAULICS



アイテム	部品番号	名前	数量	UOM
Not Shown	0112703 A	SENSE LINE DUMP VALVE		EA
1	0074765	BRKT SENSE LINE DUMP VLV	1	EA
2	969989	BLT HEXHD .250 20 1.75 GR5	2	EA
3	986019	WSHR FLAT .250	2	EA
4	5035318	STRAIGHT THREAD 90 ° ELBOW	2	EA
6	5065705	FTG ADPTR STRTHD 6B 4S STL	1	EA
7	5560004	NUT LKG .250 20	2	EA
8	6010499	VALVE ASSY 3WAY 10 VOLT SINGLE	1	EA
Not Shown	6010472	VALVECART 3 WAY VALVE	1	EA
Not Shown	3040473	HARNESS AND COIL 12VDC SIZE 8#8 32 STUD	1	EA
5	5037003	FTG ELB90SWVL 4S 4S STL		EA

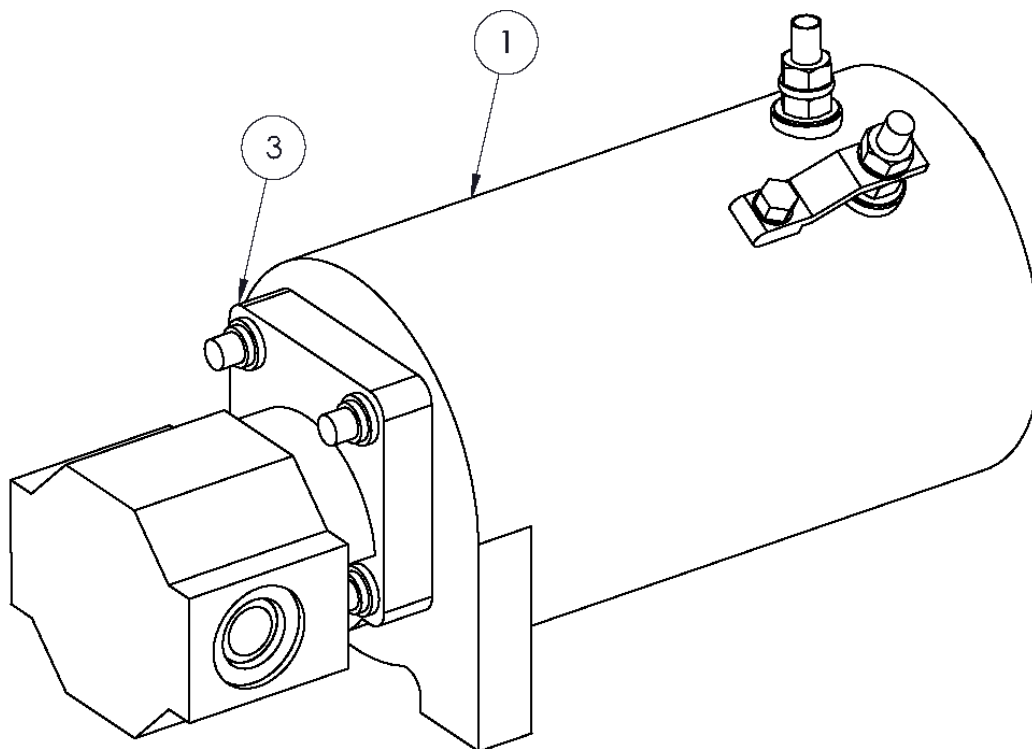
HYDRAULICS



アイテム	部品番号	名前	数量	UOM
	0072940 A	EMERGENCY POWER UNIT ASSEMBLY		EA
1	6020058	EMERGENCY PWR UNIT TB/ATB	1	EA
2	5037006	ADAPTER 90 ° ELBOW SWIVEL 8 JIC	1	EA
3	5035305	FTG ELB90STRTHD 6S 6S STL	1	EA
4	5065709	FTG ADPTR STRTHD 8B 8S STL PH	1	EA

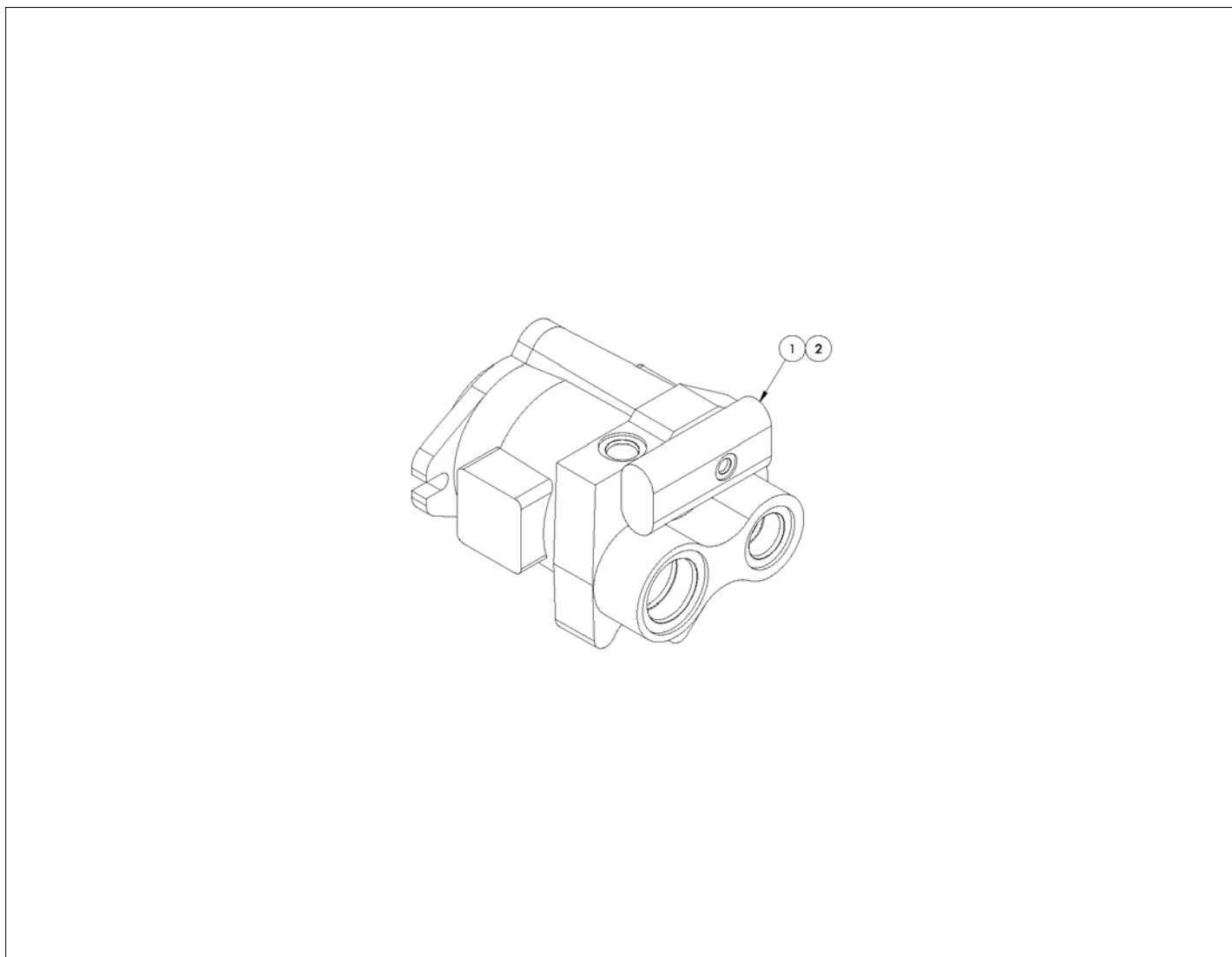
HYDRAULICS

6020058
EMERGENCY POWER UNIT ASSEMBLY



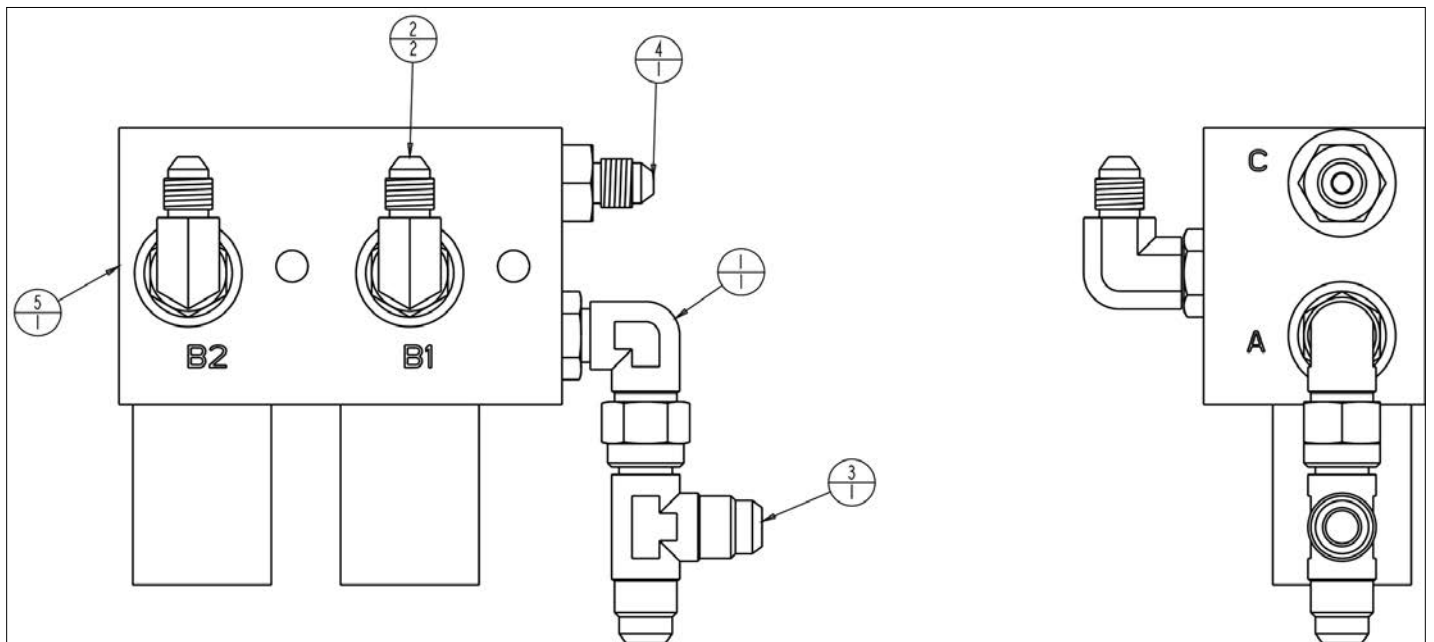
アイテム	部品番号	名前	数量	UOM
	6020058 B	EMERGENCY POWER UNIT WUXI DELI		EA
1	6029699	GEAR PUMP	1	EA
2	6029698	DC MOTOR	1	EA

HYDRAULICS



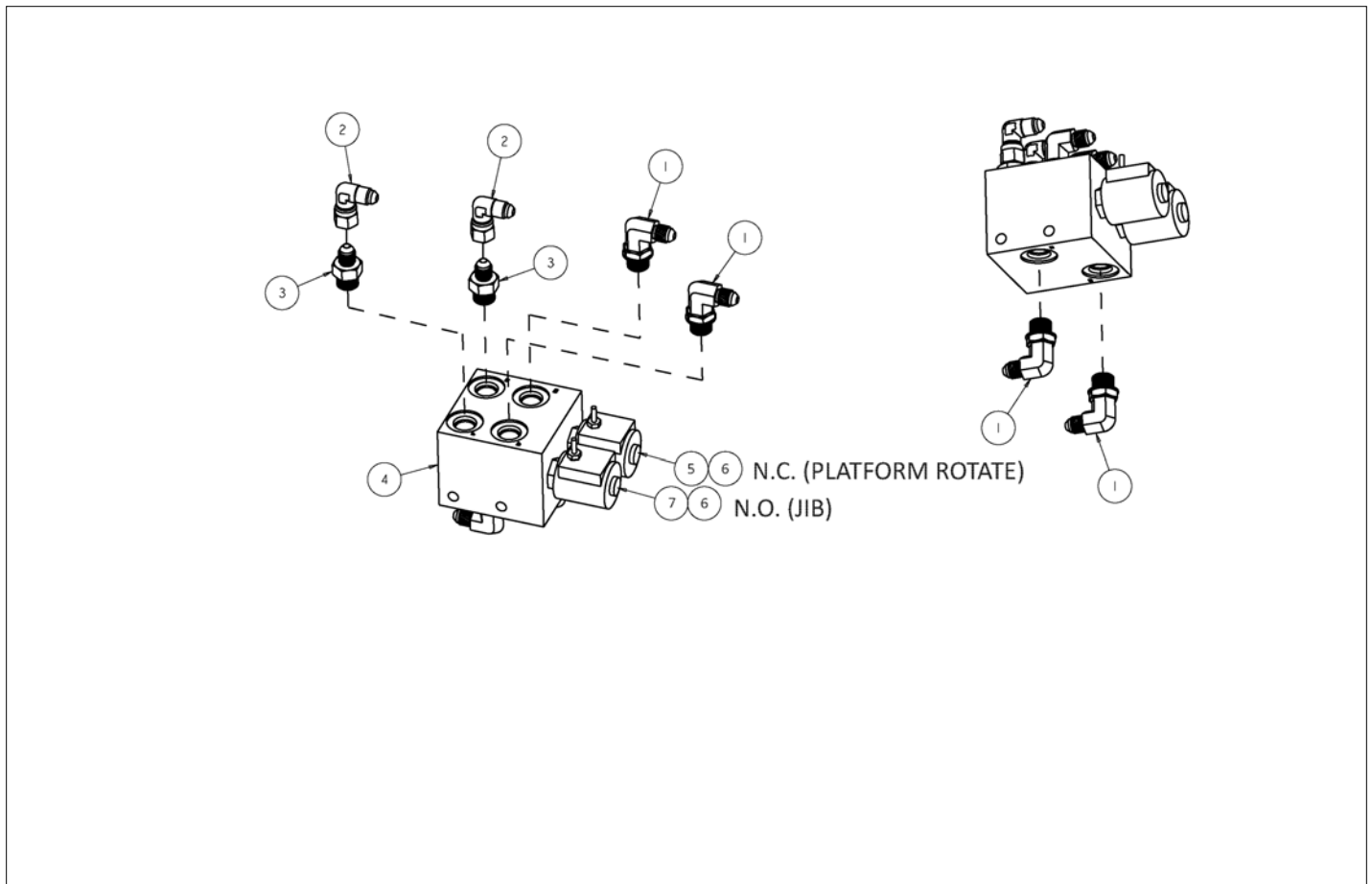
アイテム	部品番号	名前	数量	UOM
*	6029702 005 A	PISTON PUMP HENGLI SEPTEMBER 2019 AND AFTER		EA
1	6092077	COMPENSATOR CONTROL VALVE	1	EA
2	6092078	PUMP SEAL KIT	1	EA

HYDRAULICS



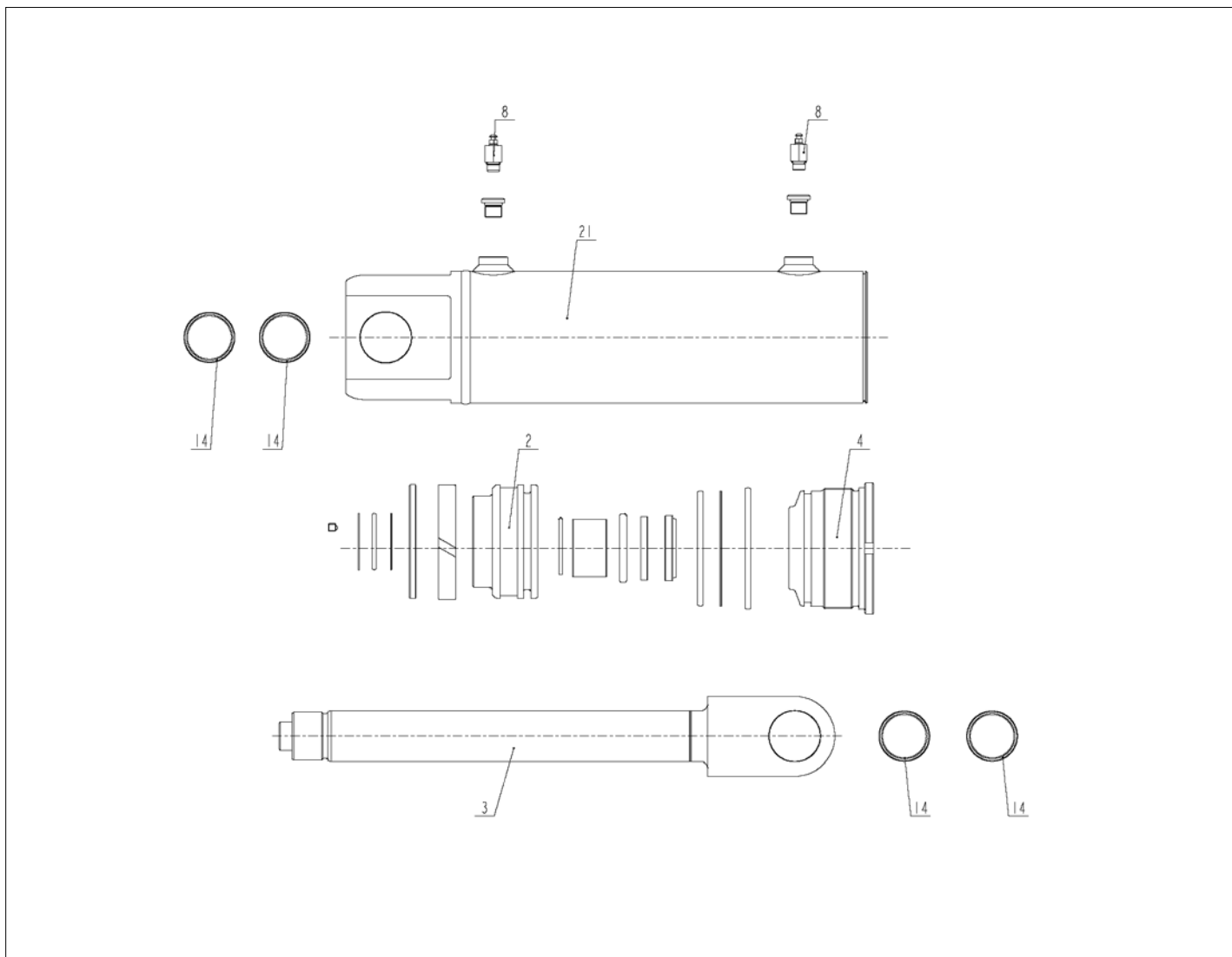
アイテム	部品番号	名前	数量	UOM
Not Shown	0112829 A	SPEED SHIFT VALVE ASSEMBLY		EA
1	5035305	FTG ELB90STRTHD 6S 6S STL	1	EA
2	5035318	STRAIGHT THREAD 90 ° ELBOW	2	EA
3	5066705	FTG TEE SWVL RUN 6S 6S STL	1	EA
4	5065705	FTG ADPTR STRTHD 6B 4S STL	1	EA
5	6010610	VALVE ASSY 3 WAY 10V DOUBLE	1	EA
Not Shown	6019113	CARTRIDGE WITH COIL	1	EA
Not Shown	6019221	CARTRIDGE 3 WAY	2	EA
Not Shown	3040781	10 VDC DN01 COIL	2	EA

HYDRAULICS



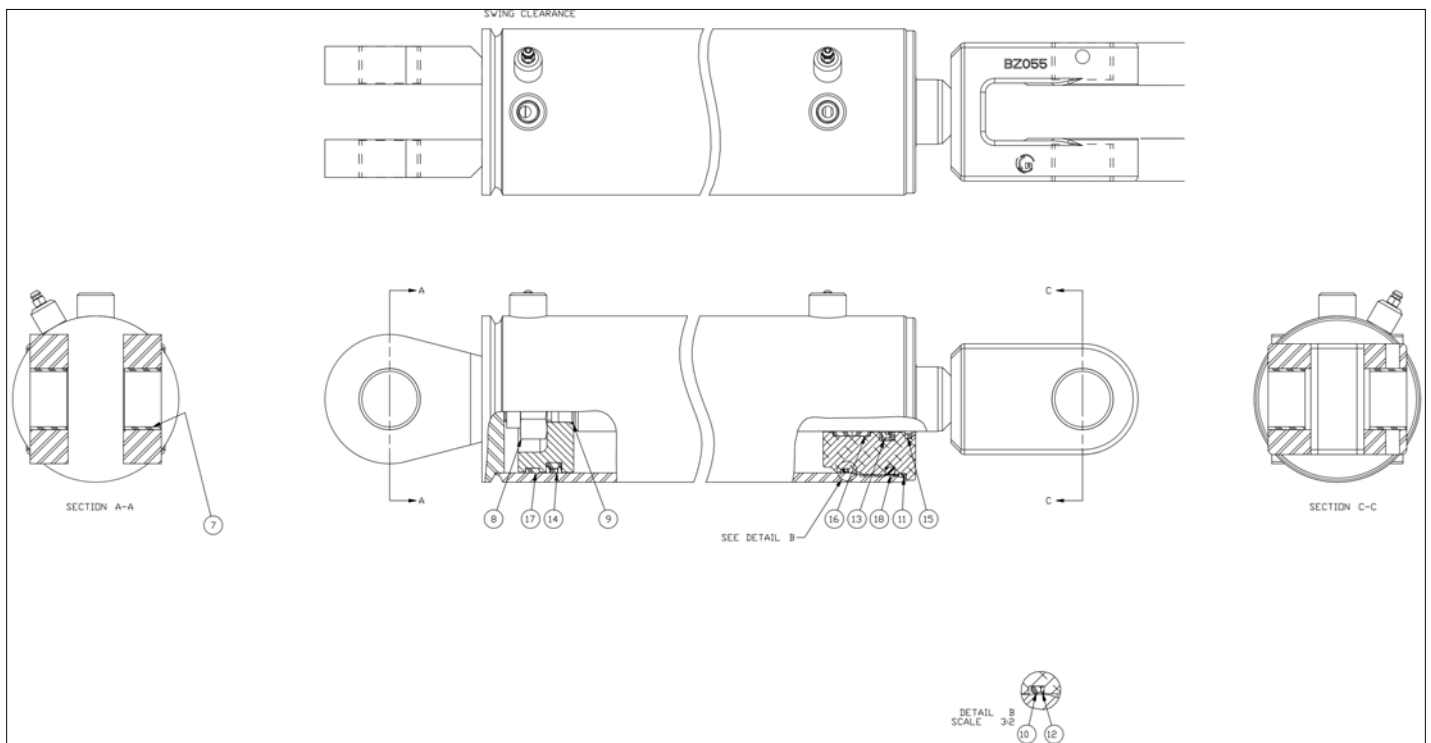
アイテム	部品番号	名前	数量	UOM
	0112796 A	JIB PLATFORM SELECTOR VALVE ASSEMBLY		EA
1	5035318	STRAIGHT THREAD 90 ° ELBOW	4	EA
2	5037003	FTG ELB90SWVL 4S 4S STL	2	EA
3	5065705	FTG ADPTR STRTHD 6B 4S STL	2	EA
4	6019093	VALVE, PLATFORM/JIB SELECTOR	1	EA
5	6091591	SOL VLV	1	EA
6	3040473	HARNES AND COIL 12VDC SIZE 8#8 32 STUD	2	EA
7	6091592	SOL VLV	1	EA

HYDRAULICS



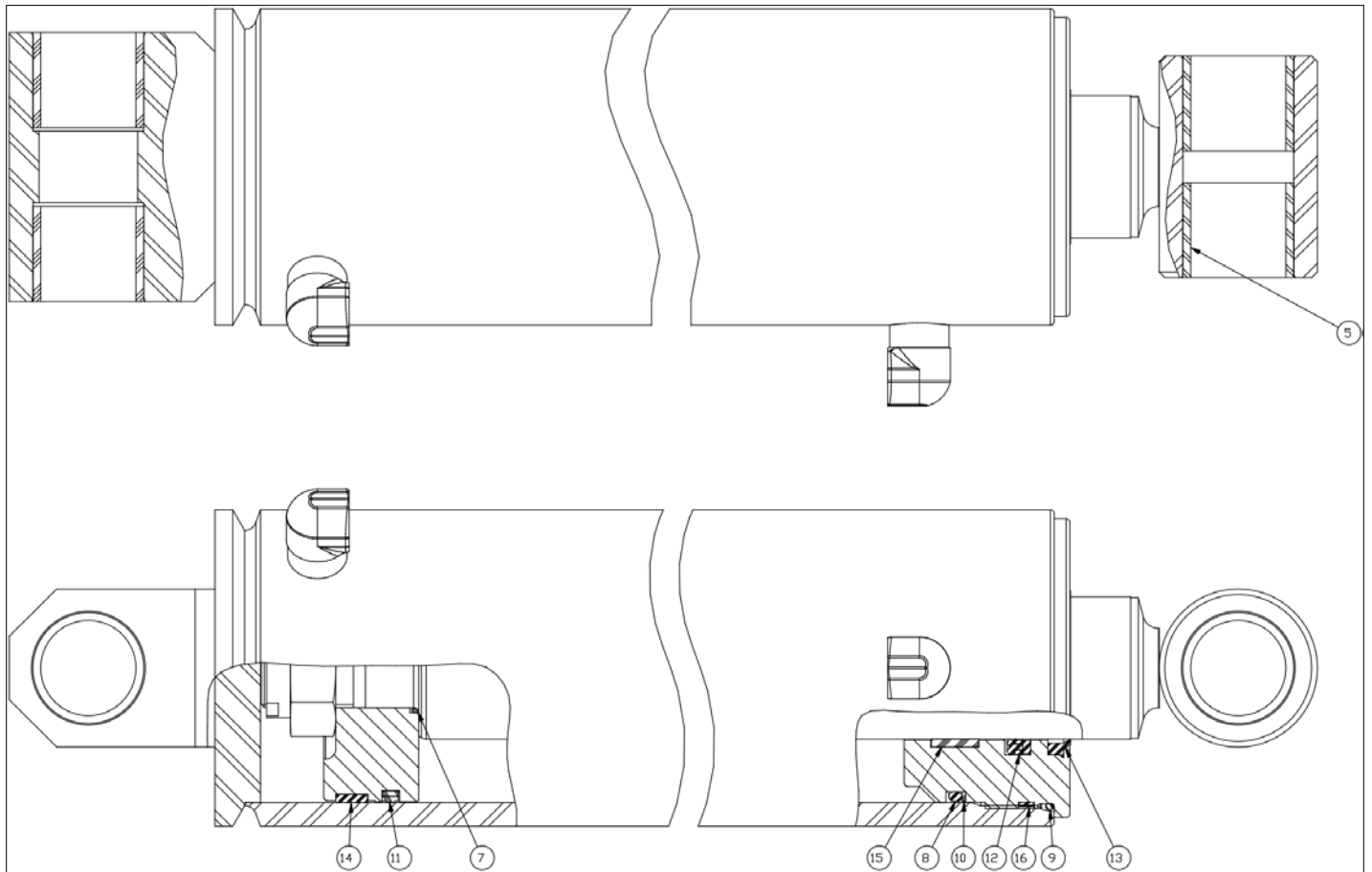
アイテム	部品番号	名前	数量	UOM
	0112777 D	steer cylinder 4.00 x 8.75		EA
2	0113835	piston	1	EA
3	0113834	rod weldment	1	EA
4	0113936	bushing	1	EA
8	0113937	bleeder valve	2	EA
14	6047187	bearing	4	EA
21	7150021	seal kit	1	EA

HYDRAULICS



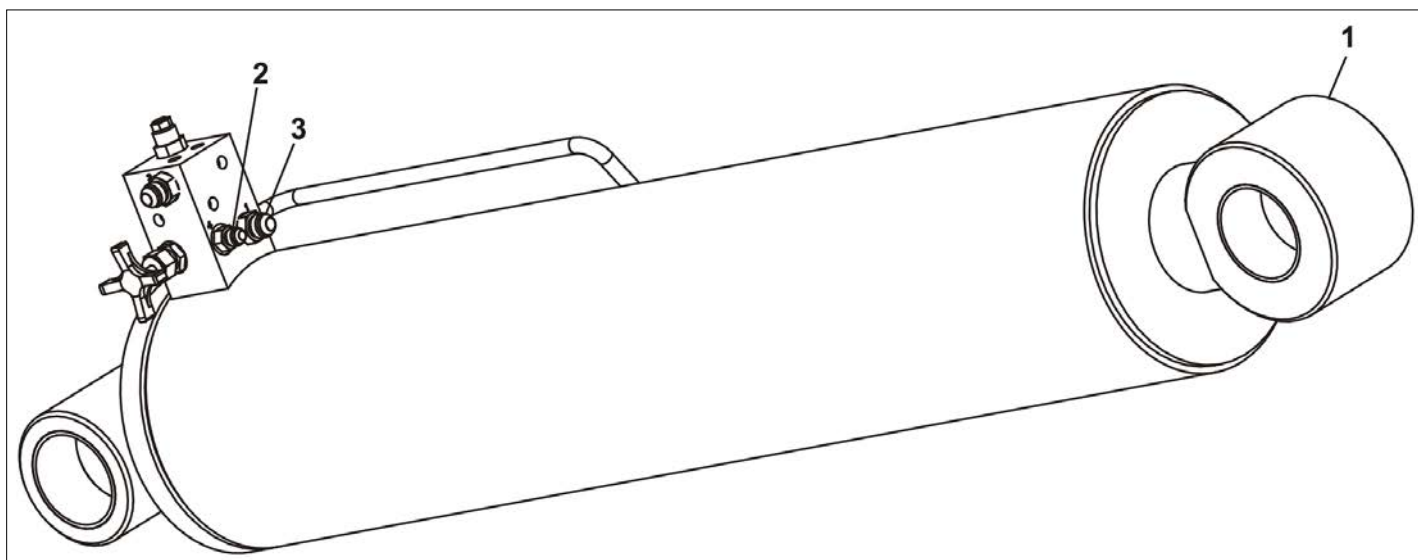
アイテム	部品番号	名前	数量	UOM
	0112777 C	STEER CYLINDER ROSENBOOM SEPTEMBER 2015 AND AFTER		EA
7	6047187	bearing	4	EA
	6047186	SEAL KIT (KIT INCLUDES ITEMS 8 18)	1	EA
8	KIT ITEM	1.250 12 UNF COLLAR LOCKNUT	1	EA
9	KIT ITEM	O RING	1	EA
10	KIT ITEM	O RING	1	EA
11	KIT ITEM	O RING	1	EA
12	KIT ITEM	BACK UP RING	1	EA
13	KIT ITEM	DEEP Z SEAL	1	EA
14	KIT ITEM	JD CAPPED T SEAL	1	EA
15	KIT ITEM	HD ROD WIPER, SEALED OD	1	EA
16	KIT ITEM	PRECISION WEARBAND	2	EA
17	KIT ITEM	PRECISION WEARBAND	1	EA
18	KIT ITEM	LOCKING INSERT	2	EA

HYDRAULICS



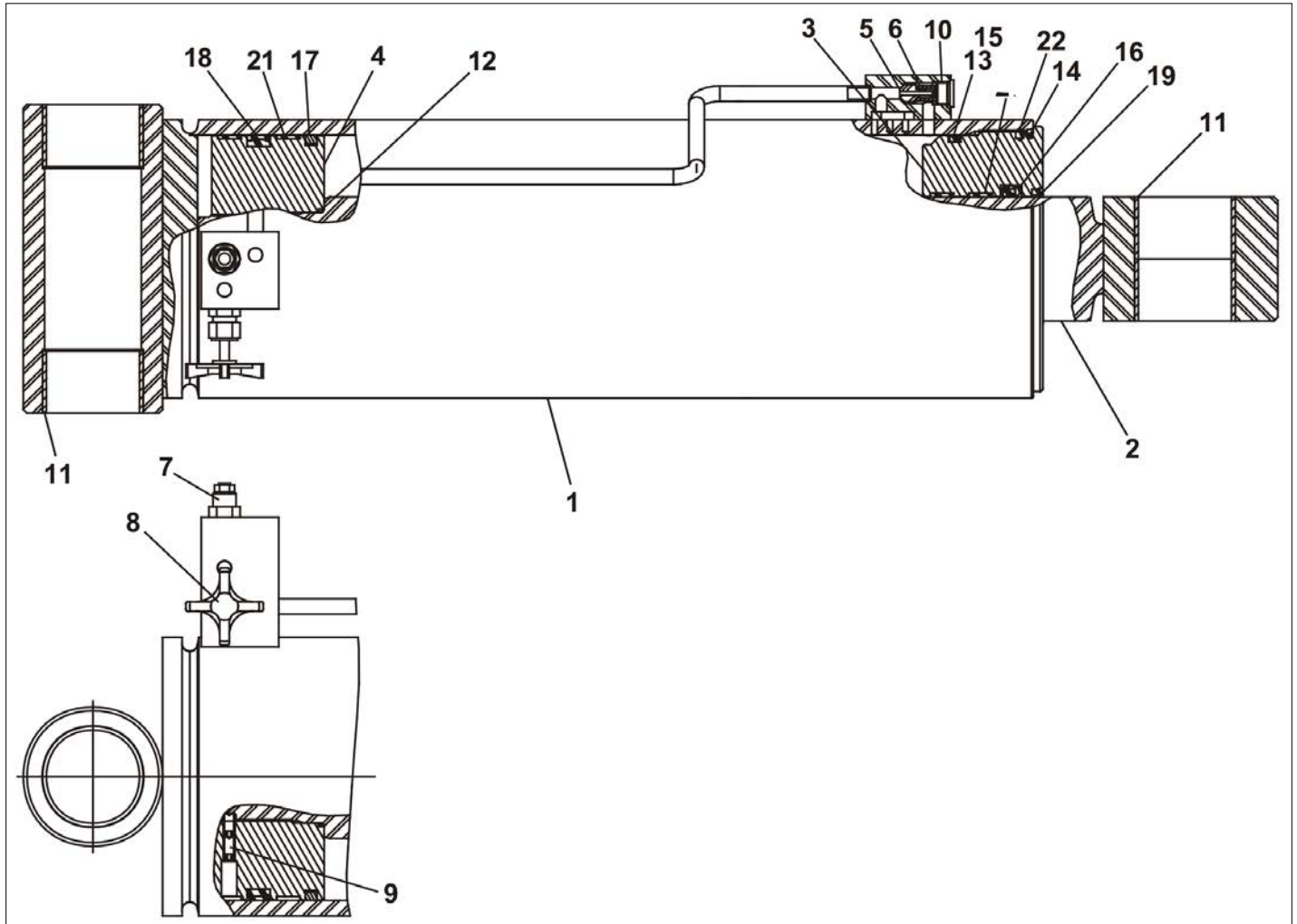
アイテム	部品番号	名前	数量	UOM
Not Shown	6047152 B	MASTER LEVEL CYLINDER ROSENBOOM SN TB66J 04 000100 AND AFTER		EA
5	6047161	GARMAX JOURNAL BEARING RMT	4	EA
7	KIT ITEM	O RING	1	EA
8	KIT ITEM	O RING	1	EA
9	KIT ITEM	O RING	1	EA
10	KIT ITEM	BACKUP RING	1	EA
11	KIT ITEM	DISO PAC	1	EA
12	KIT ITEM	DEEP Z SEAL	1	EA
13	KIT ITEM	HD ROD WIPER, SEALED OD	1	EA
14	KIT ITEM	WEARBAND	1	EA
15	KIT ITEM	PRECISION WEARBAND	1	EA
16	KIT ITEM	LOCKING INSERT	2	EA
Not Shown	6047156	SEAL KIT RMT	1	EA

HYDRAULICS



アイテム	部品番号	名前	数量	UOM
Not Shown	0110168 B	LIFT CYLINDER ASSEMBLY		EA
1	0112380	CYLINDER, LIFT	1	EA
2	5065707	FTG ADPTR STRTHD 6B 6S STL PH	1	EA
3	5065709	FTG ADPTR STRTHD 8B 8S STL PH	2	EA

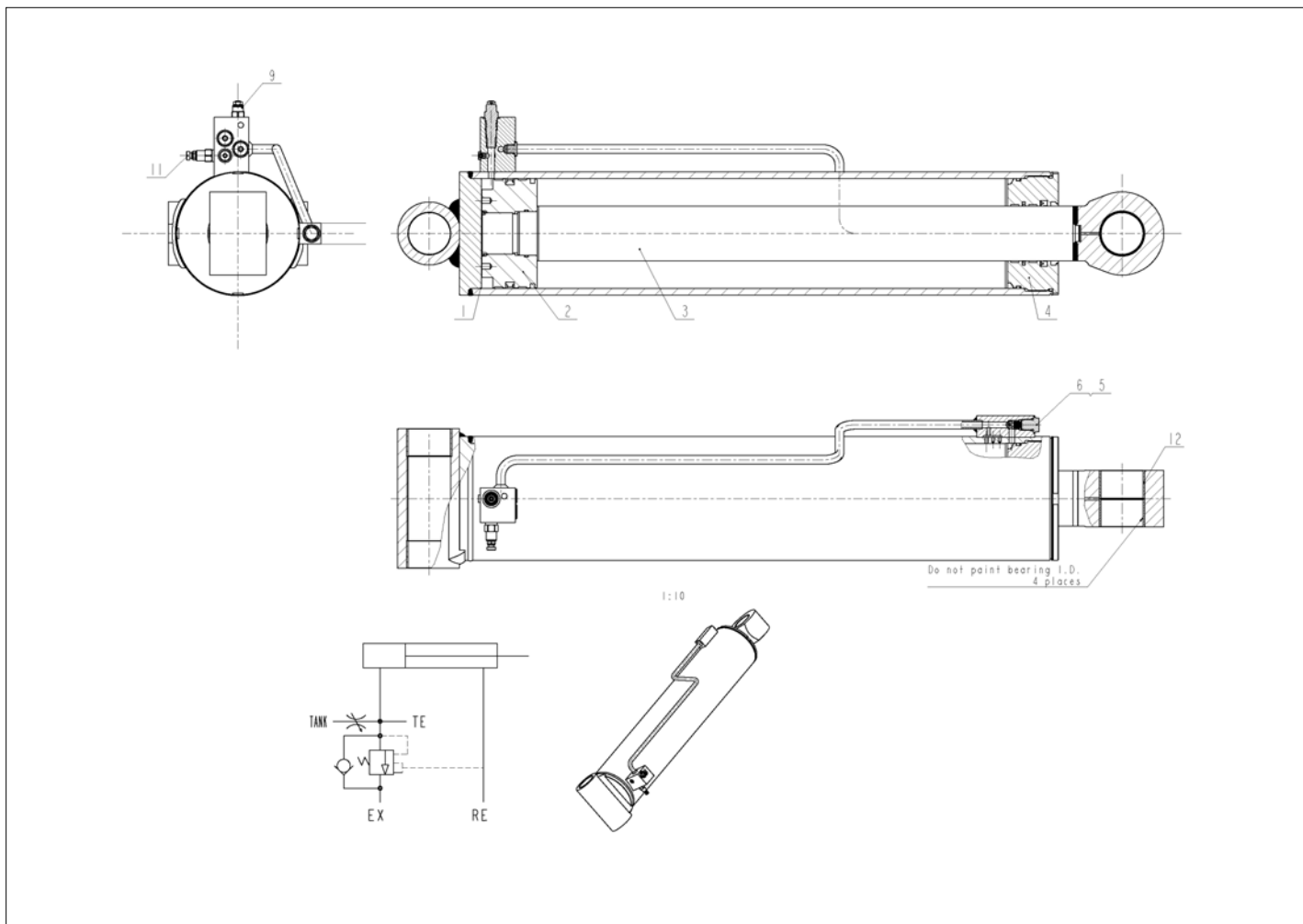
HYDRAULICS



アイテム	部品番号	名前	数量	UOM
Not Shown	0112380 A	LIFT CYLINDER ROSENBOOM		EA
Not Shown	6091362	SEAL KIT	1	EA
1	PNNA	TUBE (NOT SOLD SEPARATELY)	1	EA
2	6091361	ROD	1	EA
3	6091359	HEAD GLAND	1	EA
4	6091358	PISTON	1	EA
5	6091241	POPPET	1	EA
6	6091246	SPRING	1	EA
7	6091314	COUNTER BALANCE VALVE	1	EA
8	6010115	CARTRIDGE NEEDLE VALVE	1	EA
Not Shown	0071845	SEAL REPAIR KIT	1	EA
9	975839	SET SCREW 3/8 16 X 3/4 INCH LONG HEX SOCKET HEAD	4	EA
10	5075306	HEX PLUG	1	EA
11	2500063	BEARING	4	EA
12	KIT ITEM	O RING (NOT SOLD SEPARATELY)	1	EA
13	KIT ITEM	O RING (NOT SOLD SEPARATELY)	1	EA
14	KIT ITEM	O RING (NOT SOLD SEPARATELY)	1	EA
15	KIT ITEM	BACK UP (NOT SOLD SEPARATELY)	1	EA
16	KIT ITEM	DEEP Z SEAL (NOT SOLD SEPARATELY)	1	EA
17	KIT ITEM	CAST IRON RING (NOT SOLD SEPARATELY)	1	EA
18	KIT ITEM	CAPPED T SEAL (NOT SOLD SEPARATELY)	1	EA
19	KIT ITEM	ROD WIPER (NOT SOLD SEPARATELY)	1	EA

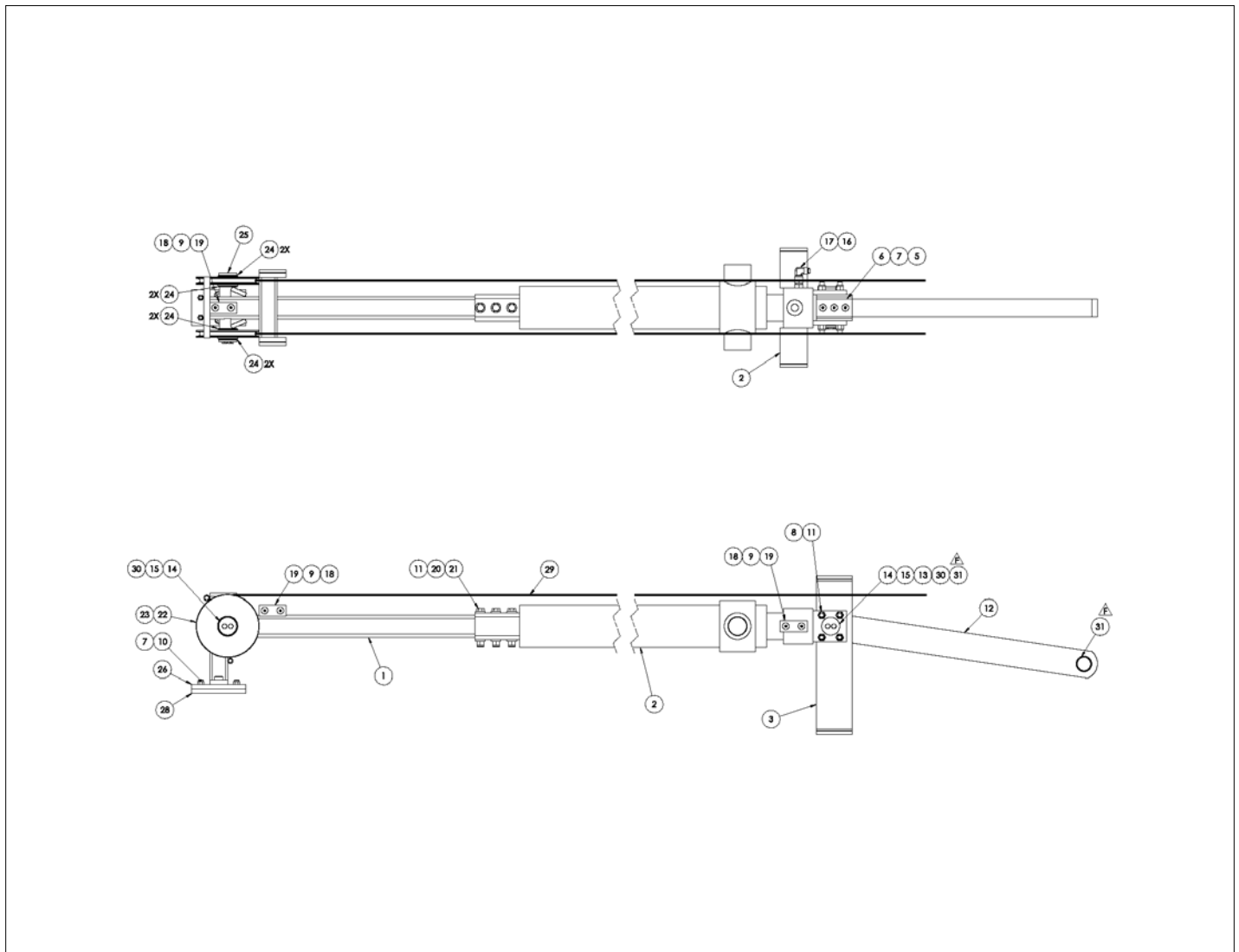
アイテム	部品番号	名前	数量	UOM
20	KIT ITEM	WEARBAND (NOT SOLD SEPARATELY)	2	EA
21	KIT ITEM	WEARBAND (NOT SOLD SEPARATELY)	2	EA
22	KIT ITEM	LOCKING INSERT (NOT SOLD SEPARATELY)	2	EA

HYDRAULICS



アイテム	部品番号	名前	数量	UOM
	0112380 F	LIFT CYLINDER HENGLI		EA
1	6091902	SEAL KIT	1	EA
2	6091904	PISTON	1	EA
3	6091903	ROD	1	EA
4	6091905	HEAD GLAND	1	EA
5	6091907	SPOOL VALVE	1	EA
6	6091906	SPRING	1	EA
9	6091314	COUNTER BALANCE VALVE	1	EA
11	6019425	VALVE EMER. BLEED DOWN	1	EA
12	8190087	BEARING LIFT CYL A80 80P (PWR48M52 32)	4	EA

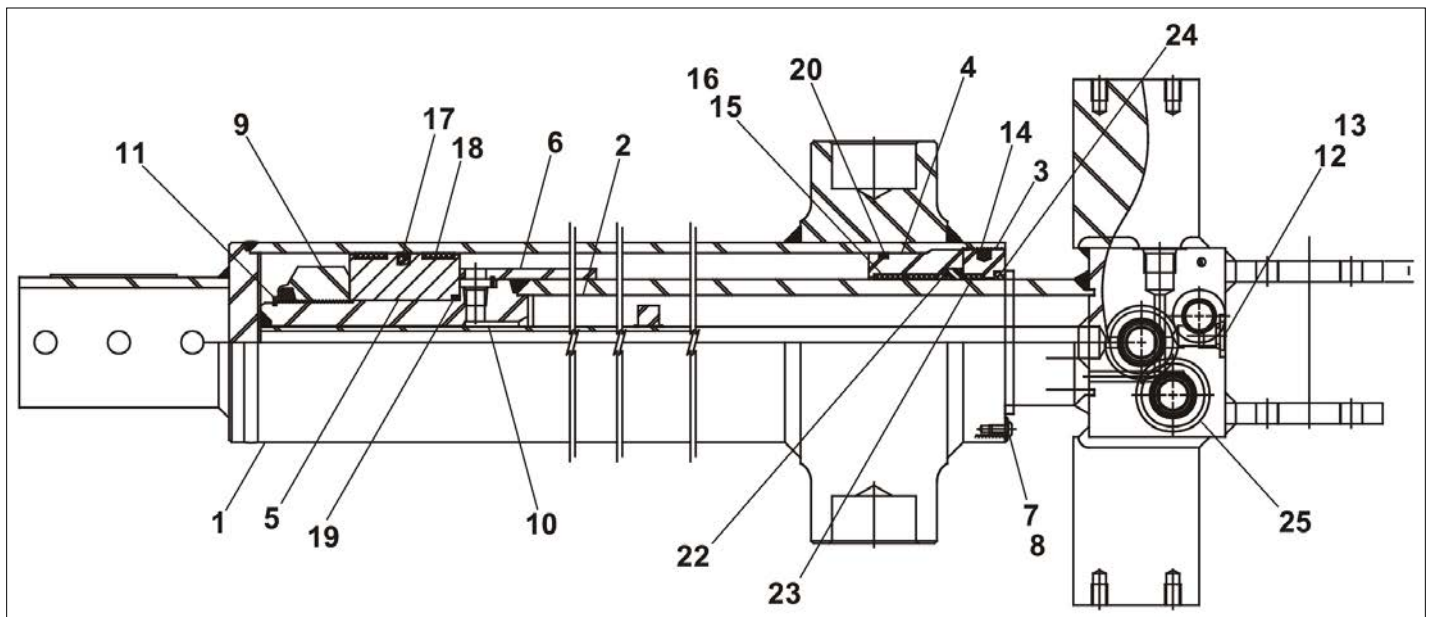
HYDRAULICS



アイテム	部品番号	名前	数量	UOM
	0111100 F	EXTEND CYLINDER SUB ASSEMBLY		EA
1	0111822	SUPPORT BRACKET	1	EA
2	0113730	EXTENSION SNORKELIFT	1	EA
3	0110647	SUPPORT BRACKET, EXTEND CYLINDER ROD END	1	EA
Not Shown	0071272	SHIM .063 2.00 4.00 3H AL	2	EA
5	0070838	SHIM .030 2.00 4.00 3H AL	2	EA
6	0070029	SLIDE PAD	2	EA
7	5560675	M.SCR 3/8 16 1 1/4 SOC. CAD	10	EA
8	5560718	BLT FLSKTHD .500 13 X 1.75	8	EA
9	972449	M.SCR 3/8 16 3/4 SOC. CAD	10	EA
10	5560033	.375 16UNC HEX LOCK NUT	10	EA
11	5560039	NUT HEX LKG .500 13	11	EA
12	0110166	LINK	1	EA
13	0070440	WLDMT PIN 1.50 3.940 GRIP	1	EA
14	0070033	PIN LOCK 2.00 DIA 2H	2	EA
15	0070473	BLT HEXHD .313 18 .75 DR	4	EA
16	5065709	FTG ADPTR STRTHD 8B 8S STL PH	2	EA
17	5037006	ADAPTER 90 ° ELBOW SWIVEL 8 JIC	2	EA
18	0071341	SHIM .063 1.25 3.00 2H AL	5	EA
19	0070141	SL PAD 1.25 3.00 .330 2H	5	EA
20	5560168	WSHR FLAT HARD .500 SP	6	EA
21	971009	CAP SCREW 1/2 13 X 4 INCH LONG HEX HEAD GRADE 5	3	EA
22	0111701	SHEAVE WIRE ROPE 7/16 DIA A80	2	EA
23	2502028	BEARING, 1 4/4 BORE X 1" LG GARMAX	2	EA
24	5560254	BRG THR 1.25ID 2.25OD .059	8	EA

アイテム	部品番号	名前	数量	UOM
25	0110645	PIN, EXTEND SHEAVE	1	EA
26	0191070	SLIDE PAD PLATE	1	EA
Not Shown	5560005	ANCHOR BOLT	2	EA
28	0191071	SLIDE PAD	1	EA
29	0111101	WIRE ROPE ASSEMBLY (EXTEND)	2	EA
30	PNNA	.040 S.S. SAFETY LOCKWIRE	A/R	EA
31	2502432	BRG 1.50ID 1.66OD 2.00	2	EA

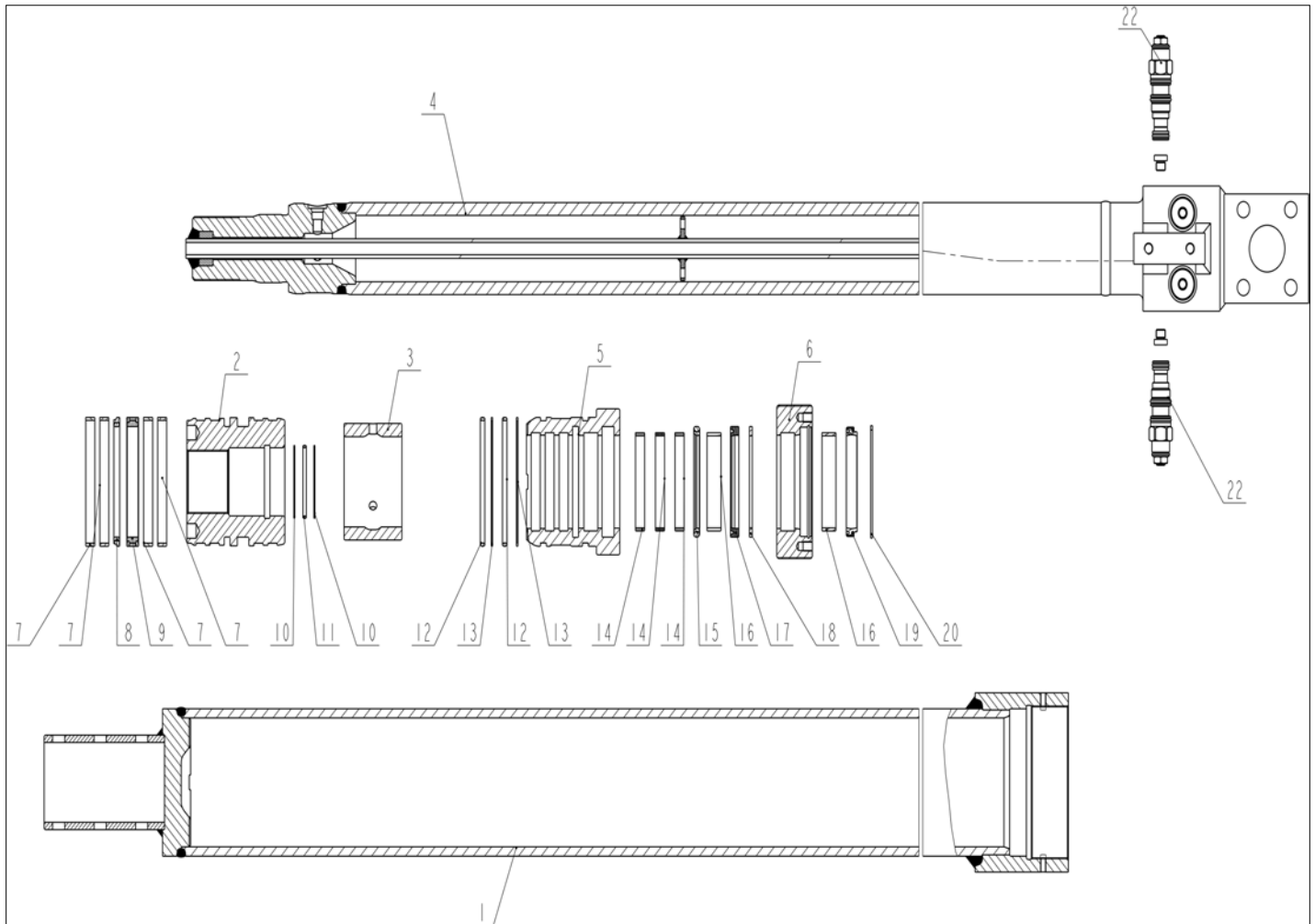
HYDRAULICS



アイテム	部品番号	名前	数量	UOM
Not Shown	0110623 F	EXTENSION CYLINDER GBI		EA
8070380	8070229	SEAL REPAIR KIT (KIT INCLUDES ITEMS 13 THROUGH 24)	1	EA
1	PNNA	TUBE (NOT SOLD SEPARATELY)	1	EA
2	8070373	ROD	1	EA
3	8070231	THREAD RING	1	EA
4	8070374	HEAD GLAND	1	EA
5	8070375	PISTON	1	EA
6	8070376	SPACER	1	EA
7	8070363	CAPSCREW	1	EA
8	8070362	LOCK WASHER	1	EA
9	8070377	NUT	1	EA
10	8070378	RETAINING RING	1	EA
11	8070379	RETAINING RING	1	EA
12	8070368	PORT PLUG	1	EA
13	KIT ITEM	O RING (NOT SOLD SEPARATELY)	1	EA
14	KIT ITEM	NYLON PLUG (NOT SOLD SEPARATELY)	1	EA
15	KIT ITEM	BACK UP (NOT SOLD SEPARATELY)	1	EA
16	KIT ITEM	O RING (NOT SOLD SEPARATELY)	1	EA
17	KIT ITEM	TEFLON SEAL (NOT SOLD SEPARATELY)	1	EA
18	KIT ITEM	WEAR RING (NOT SOLD SEPARATELY)	2	EA
19	KIT ITEM	O RING (NOT SOLD SEPARATELY)	1	EA
20	KIT ITEM	WEAR RING (NOT SOLD SEPARATELY)	2	EA
21	KIT ITEM	U CUP (NOT SOLD SEPARATELY)	1	EA

アイテム	部品番号	名前	数量	UOM
22	KIT ITEM	BACK UP (NOT SOLD SEPARATELY)	1	EA
23	KIT ITEM	WEAR RING (NOT SOLD SEPARATELY)	1	EA
24	KIT ITEM	WIPER, AN (NOT SOLD SEPARATELY)	1	EA
25	6010116	CARTRIDGE HOLDING VALVE	1	EA
Not Shown	0071918	SEAL REPAIR KIT	1	EA

HYDRAULICS



アイテム	部品番号	名前	数量	UOM
Not Shown	0113730A	EXTENSION CYLINDER HENGLI – AFTER S/N TB86J 04 0000055		EA
6091891	0113730A	EXTENSION CYLINDER HENGLI – AFTER S/N TB86J 04 0000055	1	EA
Not Shown	6091891	SEAL KIT	1	EA
1	KIT ITEM	BARREL ASSEMBLY	1	EA
2	KIT ITEM	PISTON	1	EA
3	KIT ITEM	STOP TUBE	1	EA
4	KIT ITEM	ROD	1	EA
5	KIT ITEM	GUIDE BRUSH	1	EA
6	KIT ITEM	COVER	1	EA
7	KIT ITEM	WEAR RING	4	EA
8	KIT ITEM	PISTON SEAL	1	EA
9	KIT ITEM	PISTON SEAL	1	EA
10	KIT ITEM	BACK UP RING	2	EA
11	KIT ITEM	O RING	1	EA
12	KIT ITEM	O RING	2	EA
13	KIT ITEM	BACK UP RING	2	EA
14	KIT ITEM	WEAR RING	3	EA
15	KIT ITEM	BUFFER RING	1	EA
16	KIT ITEM	WEAR RING	2	EA
17	KIT ITEM	ROD SEAL	1	EA
18	KIT ITEM	BACK UP RING	1	EA
19	KIT ITEM	WIPER RING	1	EA
20	KIT ITEM	RETAINER RING	1	EA
22	6091314	COUNTER BALANCE VALVE	2	EA

本图册/文件版权归江苏恒立高压油缸股份有限公司所有, 未经本公司许可, 任何单位和个人不得以任何方式复制、传播、或本图册/文件或按本图册/文件加工和生产制造产品的行为。

Snorkel-F23779

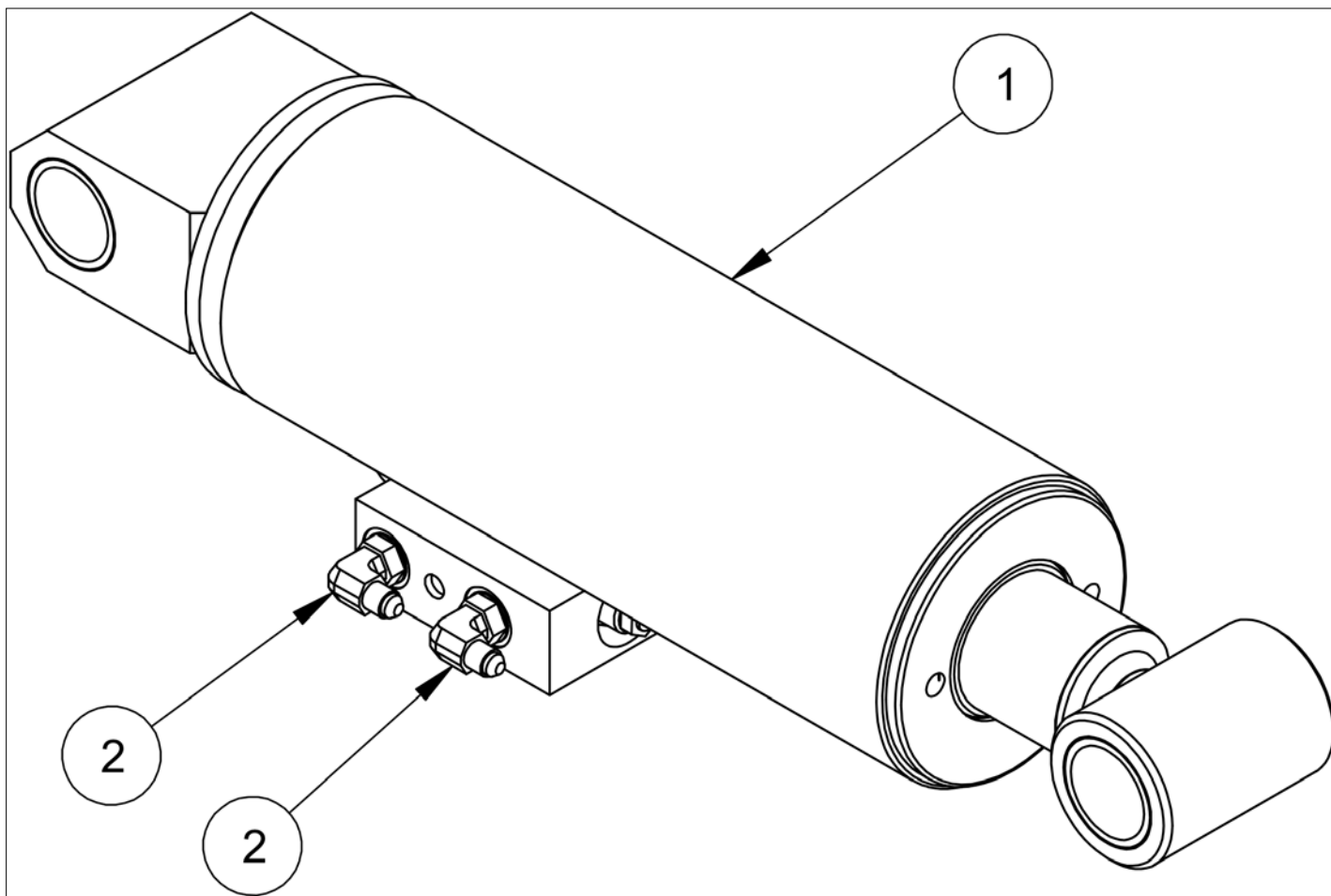
订正 REVISION	年月日 DATE	记事 DESCRIPTION	订正编号 DRAWING NO.	设计 DESIGN	批准 APPRO

序号 ITEM	代号 SUB NO.	版本 REV.	名称 DESIGNATION	规格 TYPE	数量 QTY	材料 MATERIAL	重量 WEIGHT	品牌 BRAND	备注 REMARK
25	GB/T 78			M6x10	2	45H			
24	GB/T 79			M6x12	2	45H			
23	Q/HL 102205-2010			3/4-16UNF (H7H/D7H)	2				
22	CBCH-LJN			60L/min (H7H+3000PSI)	2			SUN	
21	4BN-02WD			G1/8 (H7H/D7H)	2			德仕	
20	Q/HL 102106-2010			d75*49x2	1	65Mn			
19	DNB2-3 75			*75*89*8/11.5	1	U801+SPCC		NOR	
18	Q/HL 102204-2010			*90*75x3	1	PTFE+Cu			
17	T605 4613100			*75*90x10	1	Hythane181		Hallite	
16	GR300750-C480			*80*75x15	2	C480		Trelleborg	
15	00 0750 052 001730			*75*90.1x6.3	1	PTFE+Cu+NBR-70L			
14	GR690750-C480			*80*75x9.7	3	C480		Trelleborg	
13	Q/HL 102204-2010			*105*99.5x1.5	2	PTFE+Cu			
12	2-241			*98.02x3.53	2	NBR-70L		Trelleborg	
11	2-139			*55.25x2.62	1	NBR-90		Trelleborg	
10	Q/HL 102204-2010			*59.5x*55.5x1	2	PTFE+Cu			
9	PK2F000044-T46NP			*105*90x12.5	1	T46NP		Trelleborg	
8	PSV301050-T46T			*105*89.9x6.3	1	T46T		Trelleborg	
7	GP6901050-C380			*105*100x9.7	4	C380		Trelleborg	
6	F23779.006	C			1	45	2.0		
5	F23779.005	C			1	QT500-7	3.1		
4	F23779.400	B			1		133.3		
3	F23779.003	A			1	45	1.3		
2	F23779.002	A			1	45	4.5		
1	F23779.100	B			1		149.8		

设计 Drawn by 校对 Checked by 审核 Approved by 日期 DATE	EXTENSION CYLINDER 0110623-3	江苏恒立高压油缸股份有限公司 JIANGSU HENGLI HIGHPRESSURE OIL CYLINDER CO., LTD. φ105/φ75*6395-263 Snorkel-F23779 D
---	---------------------------------	---

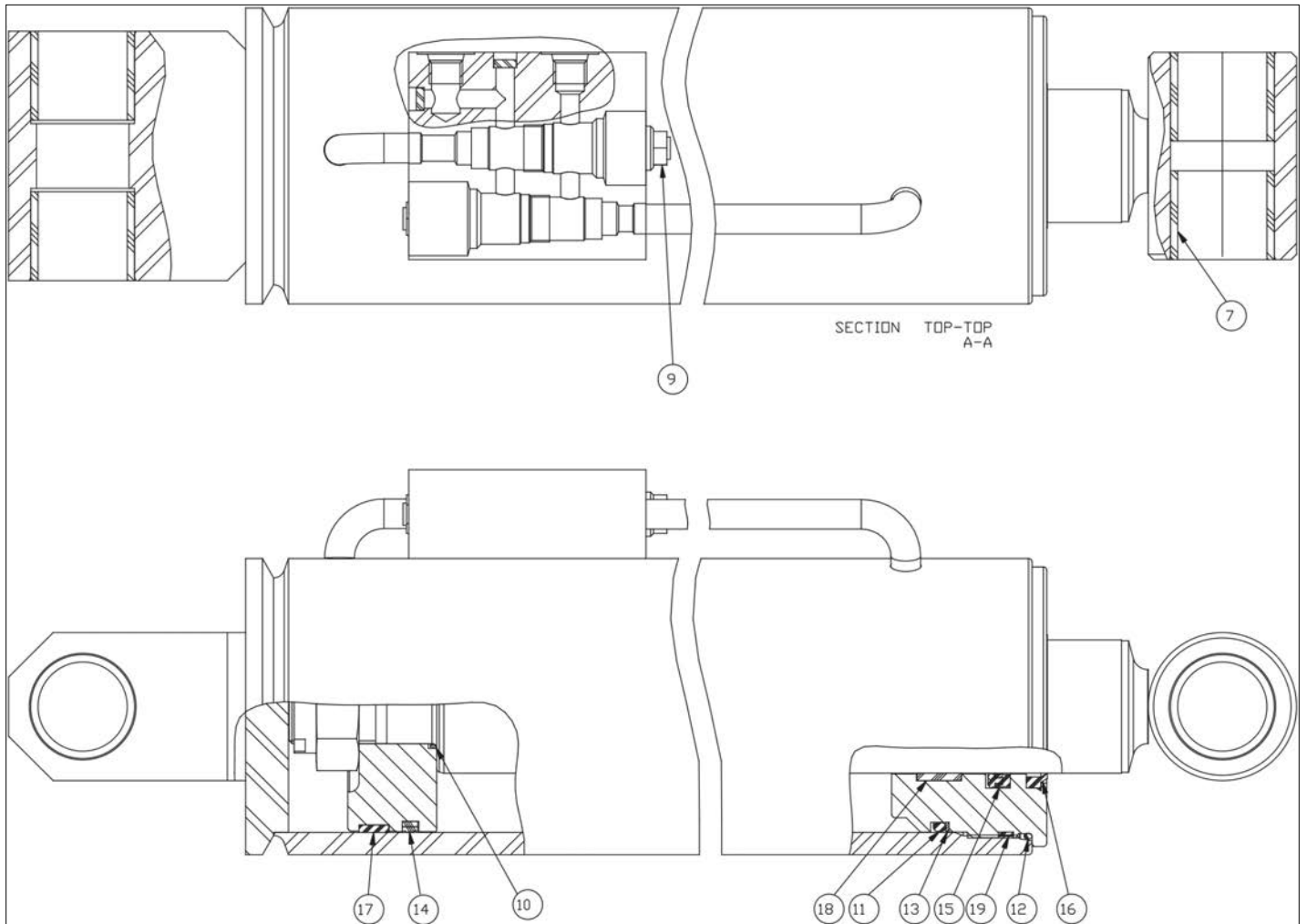
公差等级	公差	公差等级	公差
尺寸段	公差	尺寸段	公差
0-54x46	±0.1	125-1400	±0.5
64x30	±0.2	400-1400	±0.8
35-14129	±0.3	1000-14000	±1.2
125-1400	±0.5	2000-14000	±2
400-1400	±0.8	L>4000	±2
1000-14000	±1.2		
2000-14000	±2		
L>4000	±2		

HYDRAULICS



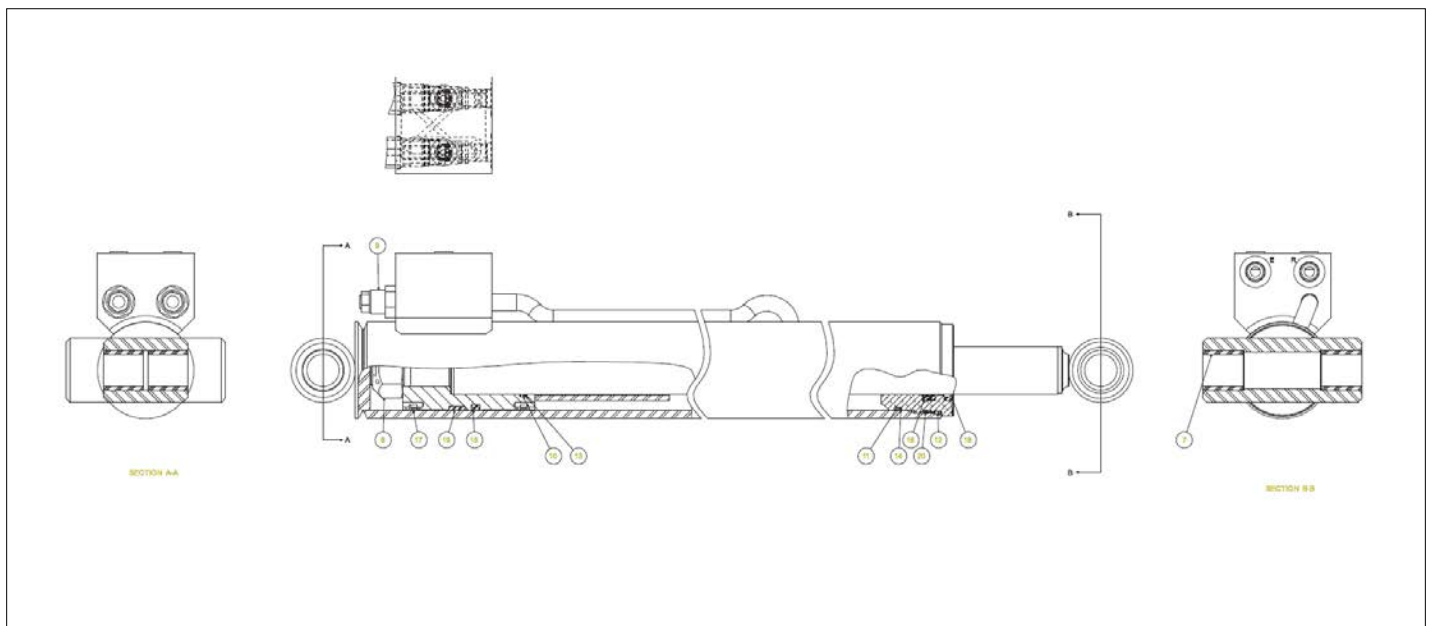
アイテム	部品番号	名前	数量	UOM
Not Shown	0113577 A	SLAVE LEVEL CYLINDER ASSEMBLY		EA
1	6047153	SLAVE CYLINDER RMT	1	EA
2	5035318	STRAIGHT THREAD 90 ° ELBOW	2	EA

HYDRAULICS



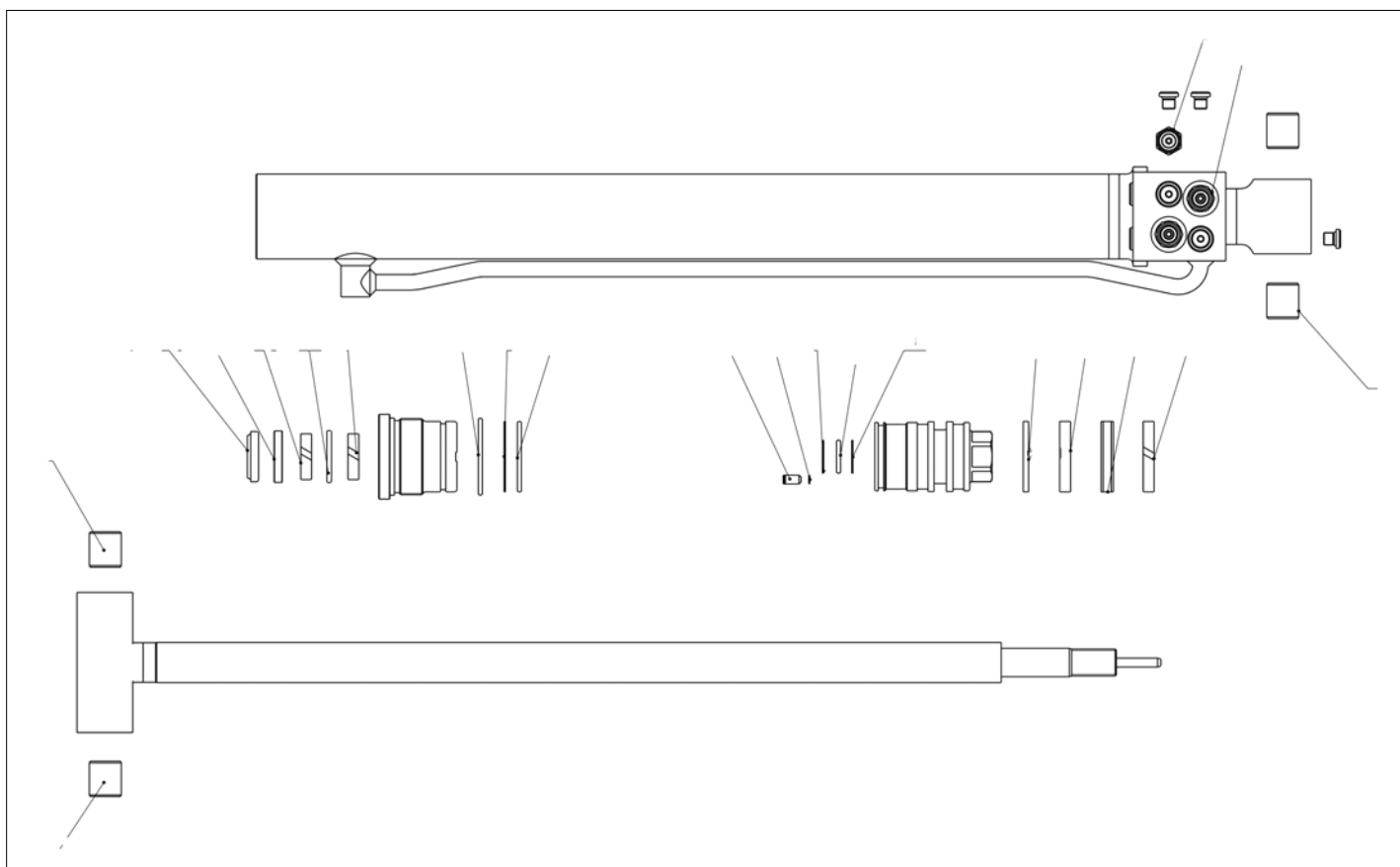
アイテム	部品番号	名前	数量	UOM
Not Shown	6047153 C	SLAVE LEVEL CYLINDER ROSENBOOM		EA
7	6047161	GARMAX JOURNAL BEARING RMT	4	EA
9	6019068	CB VALVE, CBBC LHN (3400)	2	EA
Not Shown	6047156	SEAL KIT RMT	1	EA
10	KIT ITEM	O RING	1	EA
11	KIT ITEM	O RING	1	EA
12	KIT ITEM	O RING	1	EA
13	KIT ITEM	BACK UP RING	1	EA
14	KIT ITEM	DISO PAC	1	EA
15	KIT ITEM	DEEP Z SEAL	1	EA
16	KIT ITEM	HD ROD WIPER, SEALED OD	1	EA
17	KIT ITEM	WEARBAND	1	EA
18	KIT ITEM	PRECISION WEARBAND	1	EA
19	KIT ITEM	LOCKING INSERT	2	EA

HYDRAULICS



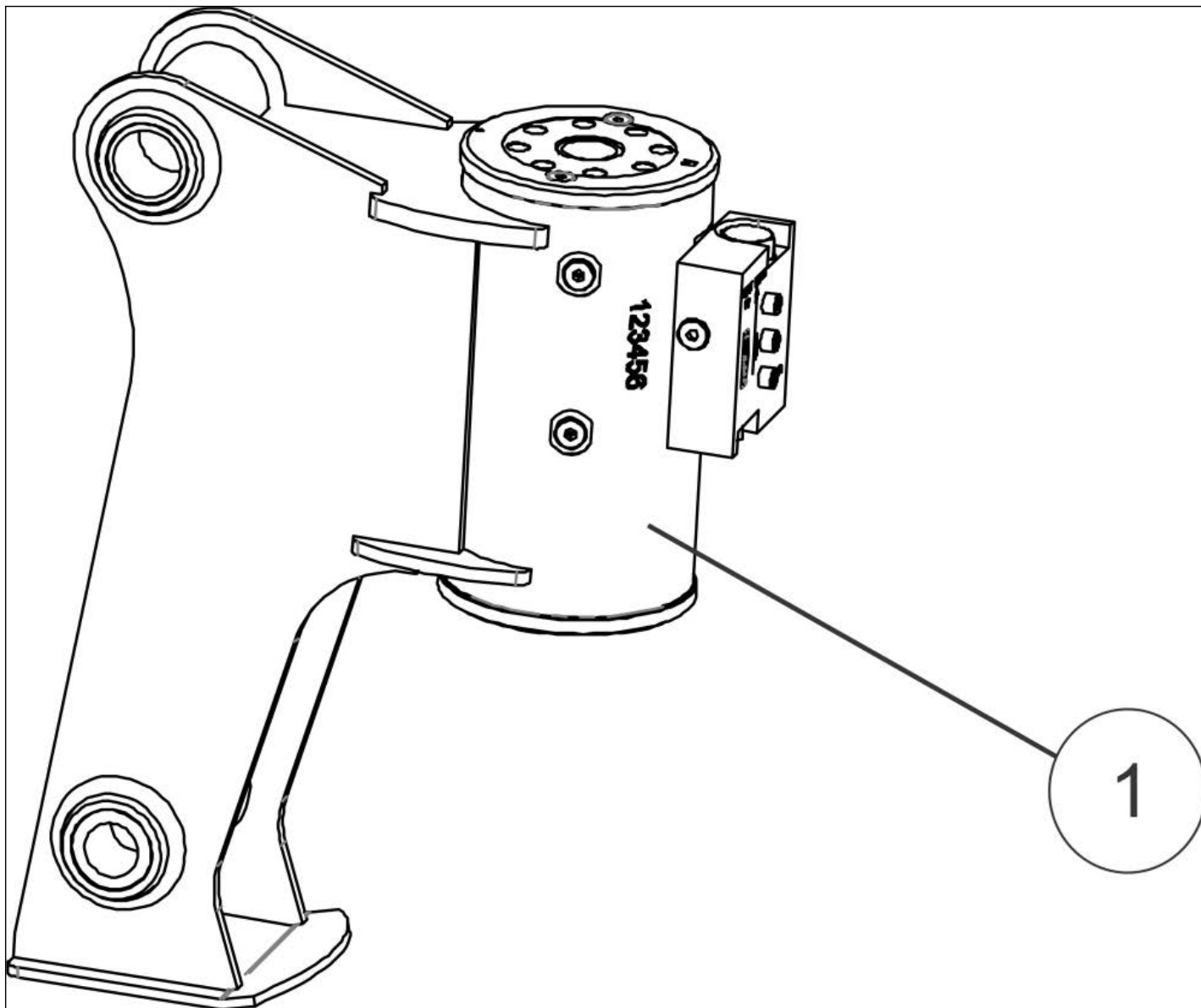
アイテム	部品番号	名前	数量	UOM
	0420111 – RMT	JIB CYLINDER		EA
7	6047190	BEARING	4	EA
8	6091901	CHECK VALVE 0420111 CYLINDER	1	EA
9	6047189	COUNTER BALANCE VALVE	2	EA
	6047188	SEAL KIT	1	EA
10	KIT ITEM	O RING	1	EA
11	KIT ITEM	O RING	1	EA
12	KIT ITEM	O RING	1	EA
13	KIT ITEM	BACKUP RING, DYNAMIC	2	EA
14	KIT ITEM	BACKUP RING	1	EA
15	KIT ITEM	DISO PAC	1	EA
16	KIT ITEM	DEEP Z SEAL	1	EA
17	KIT ITEM	CAST IRON PISTON RING	2	EA
18	KIT ITEM	HD ROD WIPER, SEALED OD	1	EA
19	KIT ITEM	WEAR BAND	1	EA
20	KIT ITEM	LOCKING INSERT	2	EA

HYDRAULICS



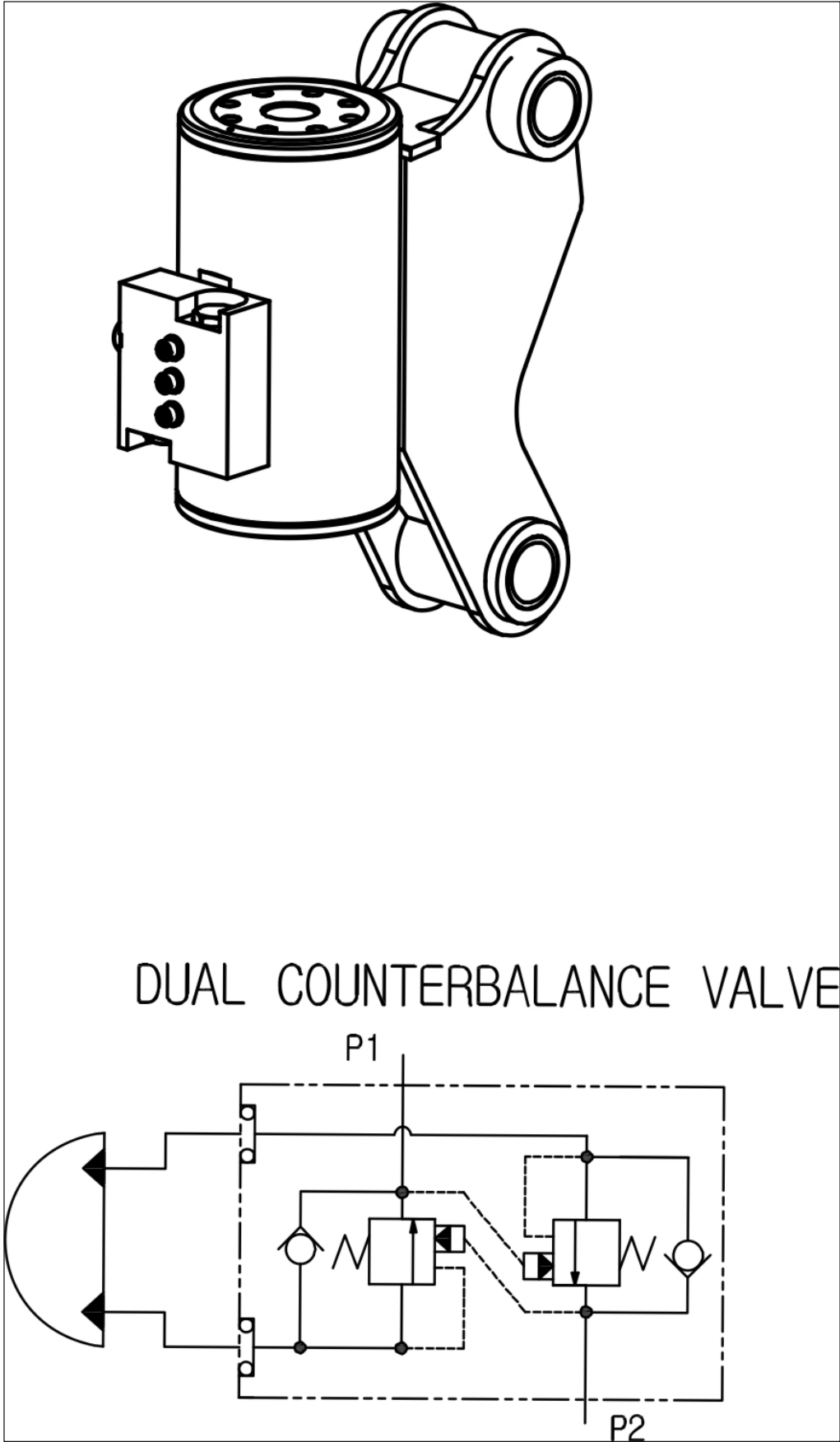
アイテム	部品番号	名前	数量	UOM
	0420111 H	JIB CYLINDER HENGLI		EA
6	6047189	COUNTER BALANCE VALVE	2	EA
8	6091901	CHECK VALVE 0420111 CYLINDER	1	EA
9	561196	BRG 1.00ID X 1.125OD X 1.25LG	4	EA
	6091897	SEAL KIT 0420111 CYLINDER	1	EA
10	KIT ITEM	WIPER RING	1	EA
11	KIT ITEM	ROD SEAL	1	EA
12	KIT ITEM	WEAR RING	1	EA
13	KIT ITEM	BUFFER RING	1	EA
14	KIT ITEM	O RING	1	EA
15	KIT ITEM	BACK UP RING	1	EA
16	KIT ITEM	O RING	1	EA
17	KIT ITEM	CHECK VALVE	1	EA
18	KIT ITEM	O RING	1	EA
19	KIT ITEM	BACK UP RING	1	EA
20	KIT ITEM	O RING	1	EA
21	KIT ITEM	PISTON RING	1	EA
22	KIT ITEM	WEAR RING	1	EA
23	KIT ITEM	PISTON SEAL	1	EA

HYDRAULICS



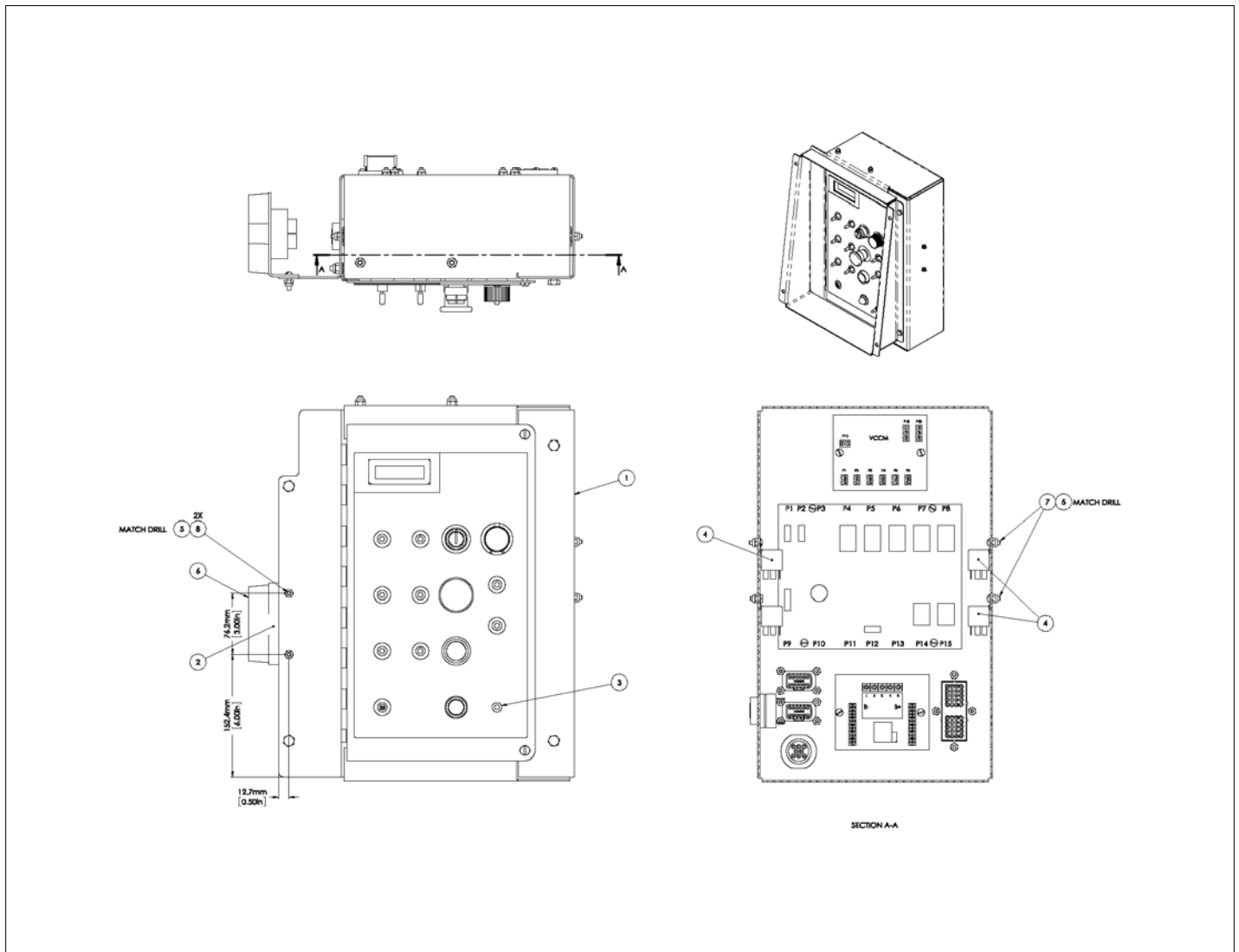
アイテム	部品番号	名前	数量	UOM
	1432689 001	ROTARY ACTUATOR SUNJI		EA
	116572 101	ROTARY ACTUATOR TB86J TB126J SEPTEMBER 2019 AND AFTER		EA
1	7148152	SEAL KIT(1432689 001 116572 101)	1	EA

HYDRAULICS

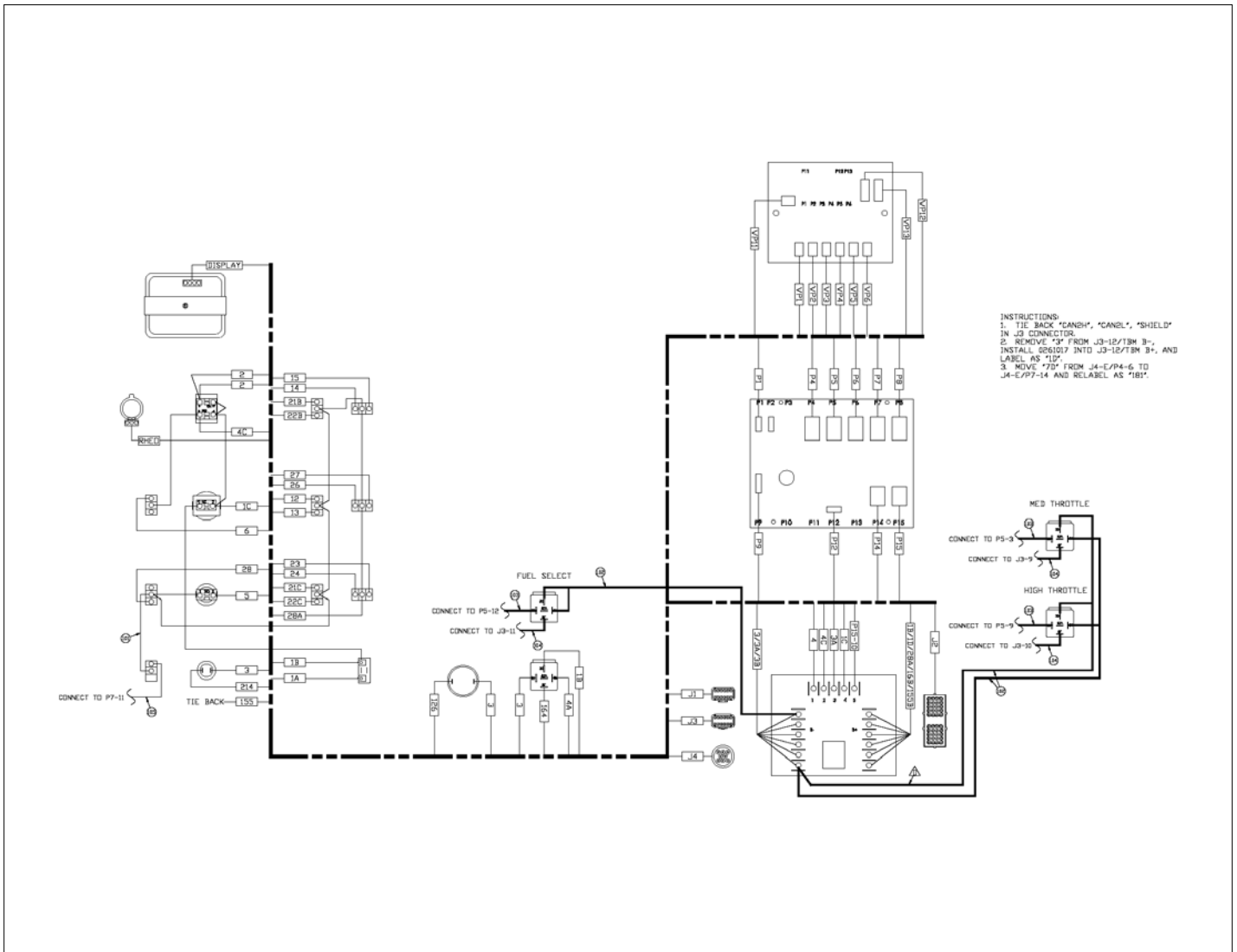


アイテム	部品番号	名前	数量	UOM
*	116320 001	ROTARY ACTUATOR TB86J TB126J SUNJI SEPTEMBER 2019 AND AFTER		EA
Not Shown	7140153	SEAL KIT		EA

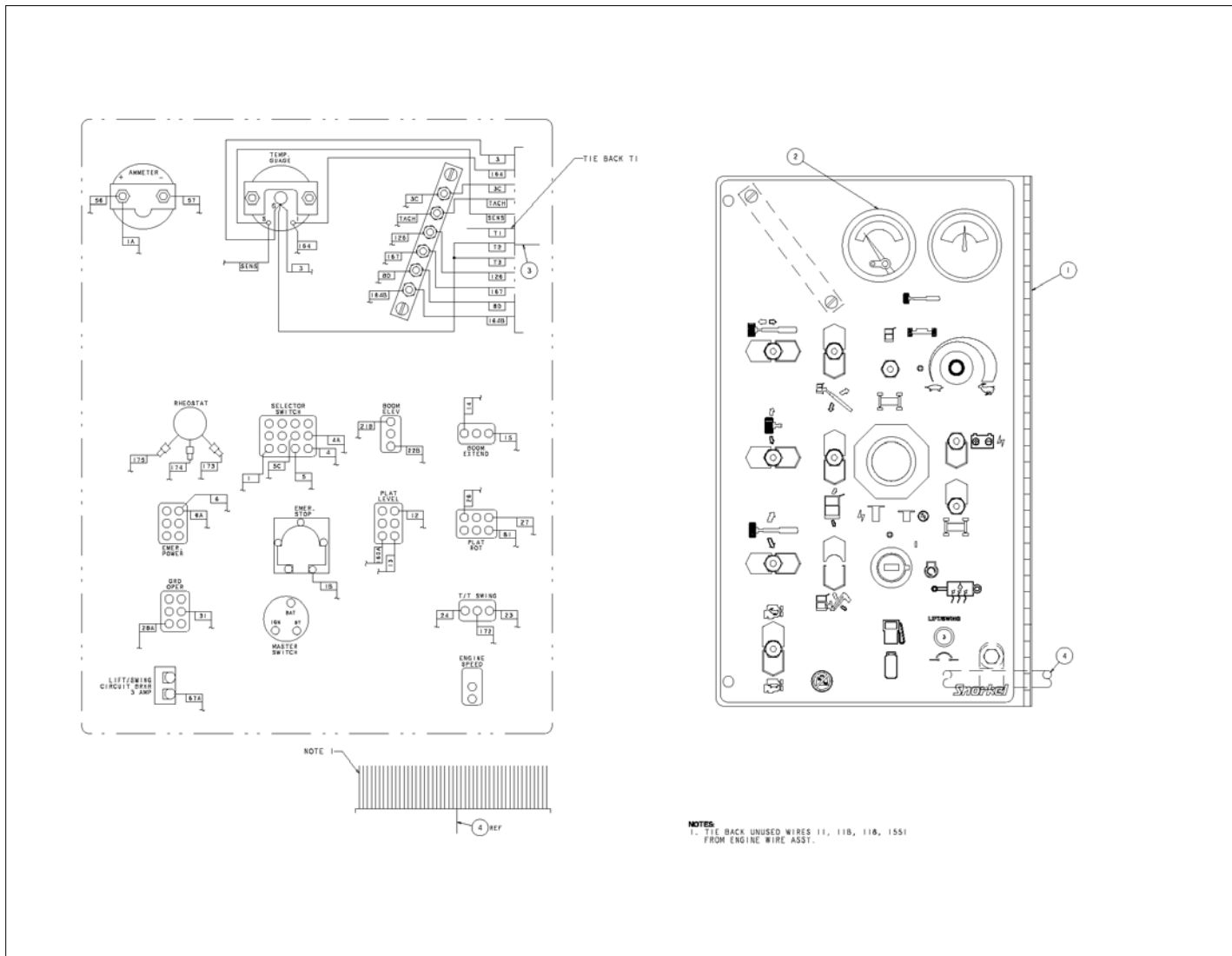
ELECTRICAL



アイテム	部品番号	名前	数量	UOM
	0113897 D	LOWER CONTROL BOX ASSEMBLY DF		EA
1	0113712	ASSY GRD CONT PANEL TB86JFA PG	1	EA
2	0260974	BRKT ENGINE DISPLAY	1	EA
3	3020013	Switch, Toggle Honeywell INTI 2	1	EA
4	3040469	RELAY SPDT 12V 30AMP SONG	3	EA
5	5560034	NUT LKG 10 24	4	EA
6	7631045	ENGINE DISPLAY AND CONTROL	1	EA
7	974659	SCR RDH MACH 10 24 .500	2	EA
8	974689	SCR RDH MACH 10 24 .75	2	EA
101	0070730	WIRE 16 R6I R6I 5.5	1	EA
102	0113902	WIRE 16 SPADE 8I FEM250I	3	EA
103	0260976	WIRE 16GA FEM250FI AMP SOCKET 16	3	EA
104	0113903	WIRE 16 FEM250I IN CONTACT 24	3	EA
105	0260973	WIRE 16GA R6I AMP SOCKET 28	1	EA
Not Shown	0261017	WIRE 16GA SPADE 6I PIN 16/18 16	1	EA



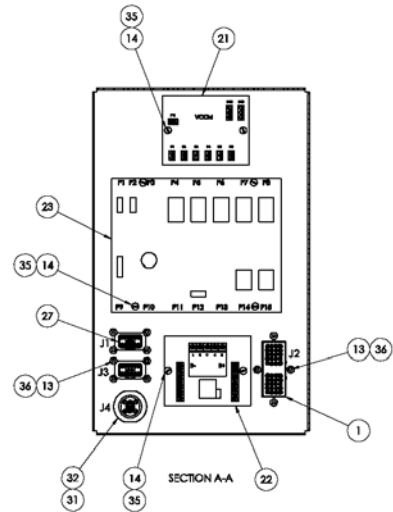
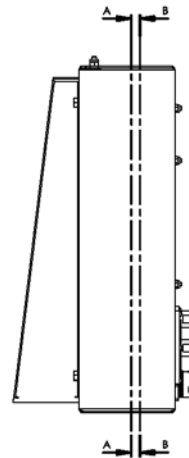
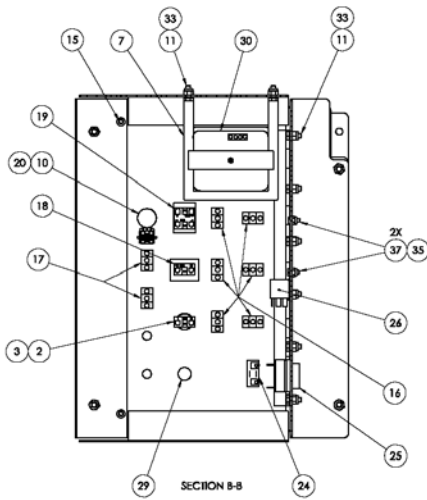
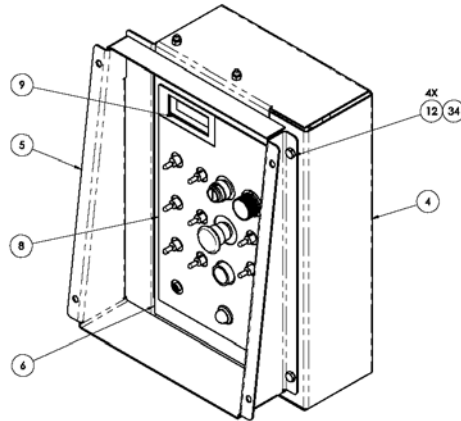
ELECTRICAL



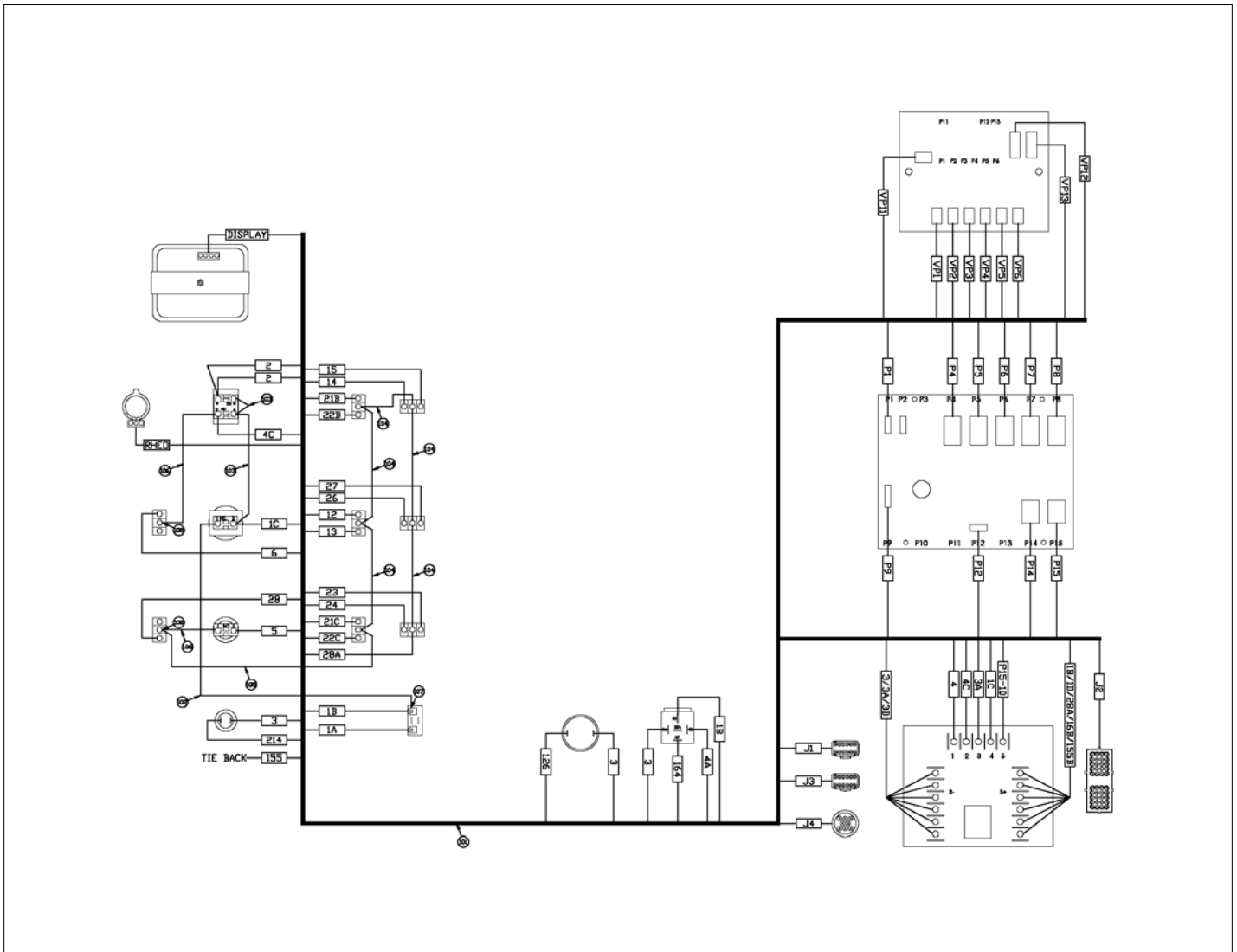
アイテム	部品番号	名前	数量	UOM
	0112857 A	GROUND CONTROL PANEL ASSEMBLY DEUTZ DECEMBER 2007 AND AFTER		EA
1	0112976	LOWER CONTROL PANEL	1	EA
2	3070041	GAUGE TEMP	1	EA
3	0083300	EPS WIRE ASSY	1	EA
4	0112167	ENGINE WIRE ASSEMBLY	1	EA

ELECTRICAL

- NOTES:
 1. SLOTTED SCREWS MAY BE REPLACED BY PHILIP HEAD SCREWS
 2. INSTALL WATERPROOF GASKET AROUND INSIDE OF DOOR.



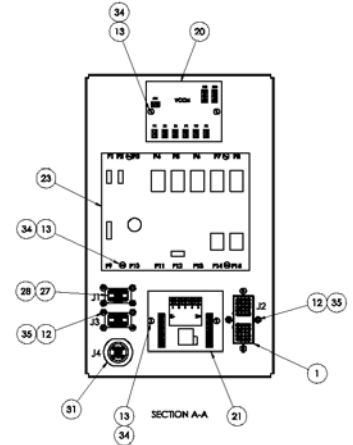
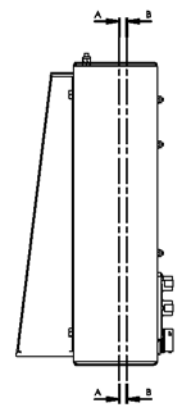
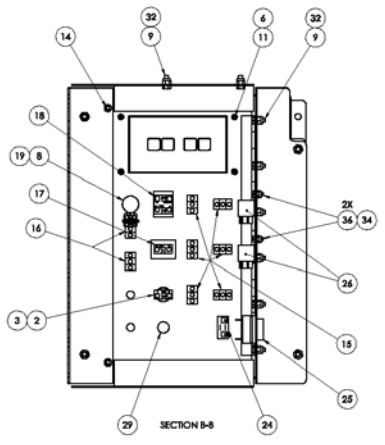
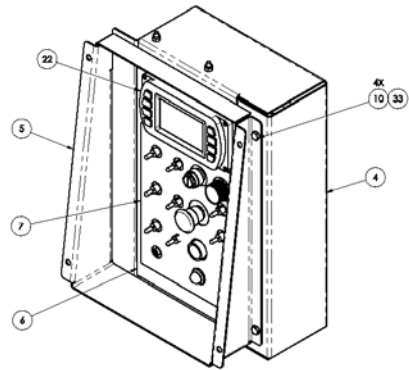
アイテム	部品番号	名前	数量	UOM
	0113712 H	LOWER CONTROL PANEL ASSEMBLY PG		EA
1	015790 006	40 PIN DEUTSCH CONN	A/R	EA
2	64443 001	SWITCH CONTACT BLOCK N/O & MOUNT	1	EA
3	67654 000	PUSH BUTTON MOMENTARY BLK	1	EA
4	0113716	WLDMT GROUND CONT BOX PG	1	EA
5	0113718	SPACER GROUND CONT BOX PG	1	EA
6	0113724	WLDMT PANEL CONT BOX PG	1	EA
7	0113725	BRKT E Z CAL	1	EA
8	0113726	PLACARD GROUND CONTROLS PG	1	EA
9	0260844	PLACARD PG DISPLAY LOWER CONTROL PANEL	1	EA
10	0260860	RHEOSTAT ASSY PG	1	EA
11	970019	BLT HEX .250 20 .625 GR5	8	EA
12	970239	BLT HEXHD .313 18 .750 GR5	4	EA
13	974449	SCR RDH 8 32 .750	12	EA
14	974569	MACHINE SCREW, RND HD, SLOTTED, #10 32 UNF X 1.00 MTS 16, 18	8	EA
15	975089	SCR RDH MACH .25 20 .75	2	EA
16	3020016	Switch, Toggle Honeywell INTI 7	6	EA
17	3020080	TOGGLE SWITCH	2	EA
18	3028810	PUSH/PULL EMERGENCY STOP	1	EA
19	3028832	SELECTOR SWITCH IDEC (APRIL 2014 AND AFTER)	1	EA
20	3028843	RHEOSTAT KNOB	1	EA
21	3030174	VALVE CURRENT CONTROL MODULE	1	EA
22	3030181	Trionics TBM	1	EA
23	3030186	TB80/86J GP400C	1	EA



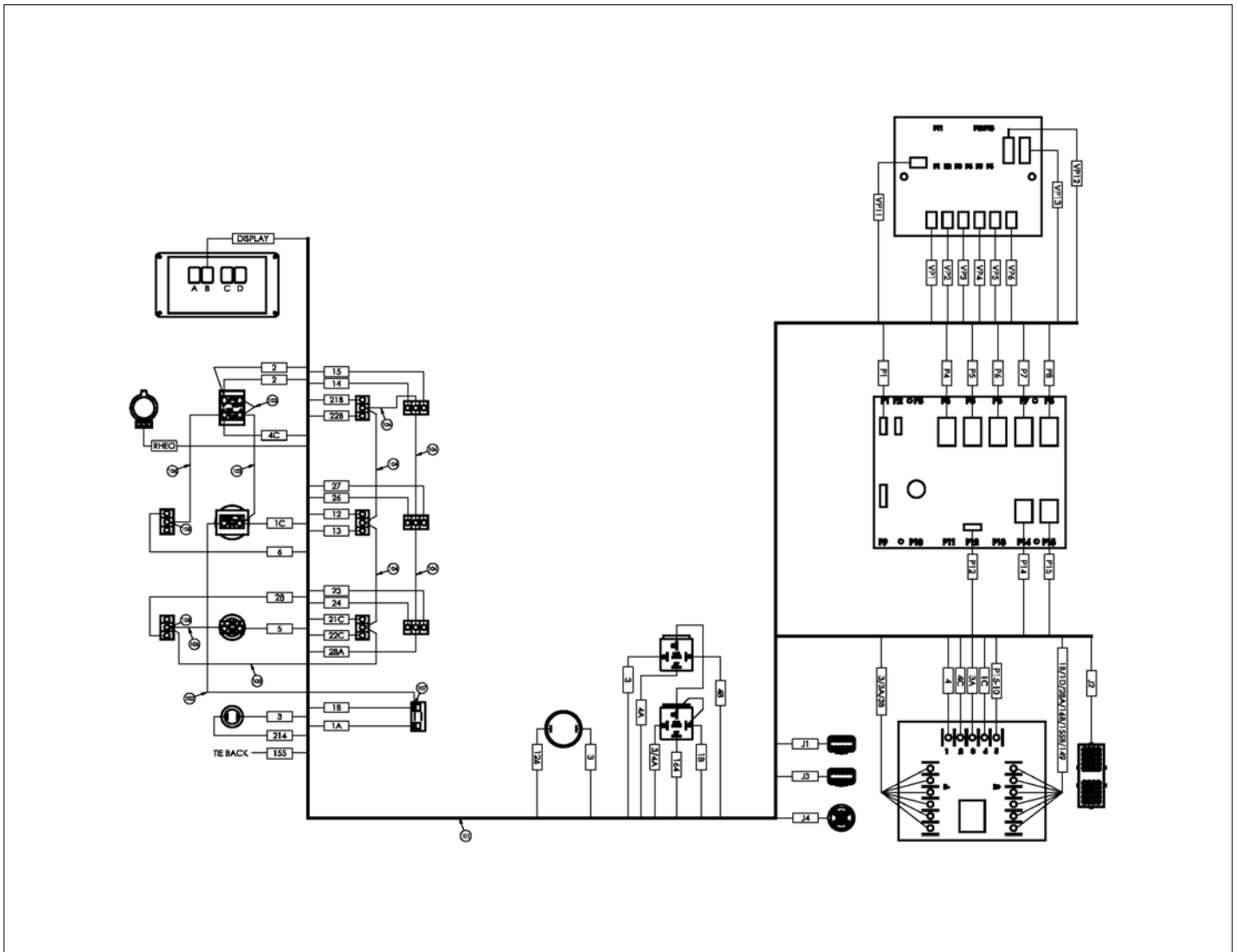
アイテム	部品番号	名前	数量	UOM
24	3040069	CIRCUIT BREAKER 25AMP	1	EA
25	3040411	Alarm Buzzer	1	EA
26	3040469	RELAY SPDT 12V 30AMP SONG	1	EA
27	3049837	CONNECTOR 12 PIN BHD	2	EA
Not Shown	3049849	LOCK WEDGE 12 PIN DEUTSCH REC	2	EA
29	3069524	LIGHT RED LED 12V	1	EA
30	3087803	EZCal Panel Trionics	1	EA
31	3220118	PANEL NUT, RECEPTACLE	1	EA
32	3220128	CONN DEUTSCH 8 SCKT 12GA RECEPT	1	EA
33	5560004	NUT LKG .250 20	8	EA
34	5560031	NUT HEX LKG .313 18	4	EA
35	5560038	NUT LKG 10 32	10	EA
36	5560198	NUT HEX LKG 8 32	12	EA
37	5560585	MACHINE SCREW, PAN HD, SLOTTED, #10 32 UNF X .50 MTS 16, 18	2	EA
101	0113714	GROUND CONTROL PANEL	1	EA
102	3011201	WIRE 12GA RED SINGLE CONDUCTOR	A/R	EA
103	3011241	WIRE 12GA SINGLE CONDUCTOR WHT	A/R	EA
104	0070747	WIRE 16 R6I R6I 3	5	EA
105	0070730	WIRE 16 R6I R6I 5.5	1	EA
106	3011641	WIRE 16GA SINGLE CONDUCTOR WHT	A/R	EA
107	3044853	TERM R8I 12/10	1	EA
108	3044158	TERM R6I	2	EA

ELECTRICAL

NOTES:
 1. SLOTTED SCREWS MAY BE REPLACED BY PHILLIP HEAD SCREWS.
 2. INSTALL WATERPROOF GASKET AROUND INSIDE OF DOOR.



アイテム	部品番号	名前	数量	UOM
	0113856 G	LOWER CONTROL BOX ASSEMBLY KU T4F		EA
1	015790 006	40 PIN DEUTSCH CONN	1	EA
2	64443 001	SWITCH CONTACT BLOCK N/O & MOUNT	1	EA
3	67654 000	PUSH BUTTON MOMENTARY BLK	1	EA
4	0113716	WLDMT GROUND CONT BOX PG	1	EA
5	0113718	SPACER GROUND CONT BOX PG	1	EA
6	0113857	WLDMT GROUND PANEL KU T4F	1	EA
7	0113859	PLACARD GROUND CONTROLS PG	1	EA
8	0260860	RHEOSTAT ASSY PG	1	EA
9	970019	BLT HEX .250 20 .625 GR5	8	EA
10	970239	BLT HEXHD .313 18 .750 GR5	4	EA
11	974279	SCR RHD 6 32 .750	4	EA
12	974449	SCR RDH 8 32 .750	12	EA
13	974569	MACHINE SCREW, RND HD, SLOTTED, #10 32 UNF X 1.00 MTS 16, 18	8	EA
14	975089	SCR RDH MACH .25 20 .75	2	EA
15	3020016	Switch, Toggle Honeywell INTI 7	6	EA
16	3020080	TOGGLE SWITCH	2	EA
17	3028810	PUSH/PULL EMERGENCY STOP	1	EA
18	3028832	SELECTOR SWITCH IDEC (APRIL 2014 AND AFTER)	1	EA
19	3028843	RHEOSTAT KNOB	1	EA
20	3030174	VALVE CURRENT CONTROL MODULE	1	EA
21	3030181	Trionics TBM	1	EA
22	3030182	DISPLAY MURPHY T4F	1	EA
23	3030186	TB80/86J GP400C	1	EA



アイテム	部品番号	名前	数量	UOM
24	3040069	CIRCUIT BREAKER 25AMP	1	EA
25	3040411	Alarm Buzzer	1	EA
26	3040469	RELAY SPDT 12V 30AMP SONG	2	EA
27	3049837	CONNECTOR 12 PIN BHD	2	EA
28	3049849	LOCK WEDGE 12 PIN DEUTSCH REC	2	EA
29	3069524	LIGHT RED LED 12V	1	EA
Not Shown	3220118	PANEL NUT, RECEPTACLE	1	EA
31	3220128	CONN DEUTSCH 8 SCKT 12GA RECEPT	1	EA
32	5560004	NUT LKG .250 20	8	EA
33	5560031	NUT HEX LKG .313 18	4	EA
34	5560038	NUT LKG 10 32	10	EA
35	5560198	NUT HEX LKG 8 32	12	EA
36	5560585	MACHINE SCREW, PAN HD, SLOTTED, #10 32 UNF X .50 MTS 16, 18	2	EA
Not Shown	5569997	NUT HEX LKG 6 32	4	EA
101	0113853	HARNESS GROUND BOX KU T4F	1	EA
102	3011201	WIRE 12GA RED SINGLE CONDUCTOR	A/R	EA
103	3011241	WIRE 12GA SINGLE CONDUCTOR WHT	A/R	EA
104	0070747	WIRE 16 R6I R6I 3	5	EA
105	0070730	WIRE 16 R6I R6I 5.5	1	EA
106	3011641	WIRE 16GA SINGLE CONDUCTOR WHT	A/R	EA
107	3044853	TERM R8I 12/10	1	EA
108	3044158	TERM R6I	2	EA

アイテム	部品番号	名前	数量	UOM
	0113853 E	LOWER CONTROL BOX HARNESS KU T4F		EA
1	3011251	WIRE 12GA SINGLE CONDUCTOR BLK	A/R	EA
2	3011201	WIRE 12GA RED SINGLE CONDUCTOR	A/R	EA
3	3011241	WIRE 12GA SINGLE CONDUCTOR WHT	A/R	EA
4	3011661	WIRE 16GA SINGLE CONDUCTOR RED	A/R	EA
5	3011601	WIRE 16GA SINGLE CONDUCTOR BLK	A/R	EA
6	3011641	WIRE 16GA SINGLE CONDUCTOR WHT	A/R	EA
7	3220181	CONN AMP 2PIN P/N:1 4806980	7	EA
8	3220199	CONNECTOR AMP 3 PIN	5	EA
9	3049859	CONNECTOR 6 PIN PLUG	1	EA
10	3220133	CONNECTOR AMP 12PIN	2	EA
11	3220142	CONNECTOR AMP 15 PIN PLUG	5	EA
12	3049986	AMP SOCKET CONTACT	83	EA
13	3040341	PIN CONTACT SIZE 16 16/18 GA	59	EA
14	3040650	SOCKET CONTACT 12 DEUTSCH DEU	6	EA
15	3044155	TERM SPADE8I 16/14 3M:B06503	23	EA
16	3040397	TERM SPADE 8I 12/10	8	EA
17	3040083	TERM FEM250FI 16/14	7	EA
18	3041314	TERM FEM250I 12/10 AMP:	1	EA
19	3044158	TERM R6I	18	EA
20	3044853	TERM R8I 12/10	2	EA
21	3046697	TERM FEM188I 16/14GA	2	EA
22	015790 006	40 PIN DEUTSCH CONN	1	EA

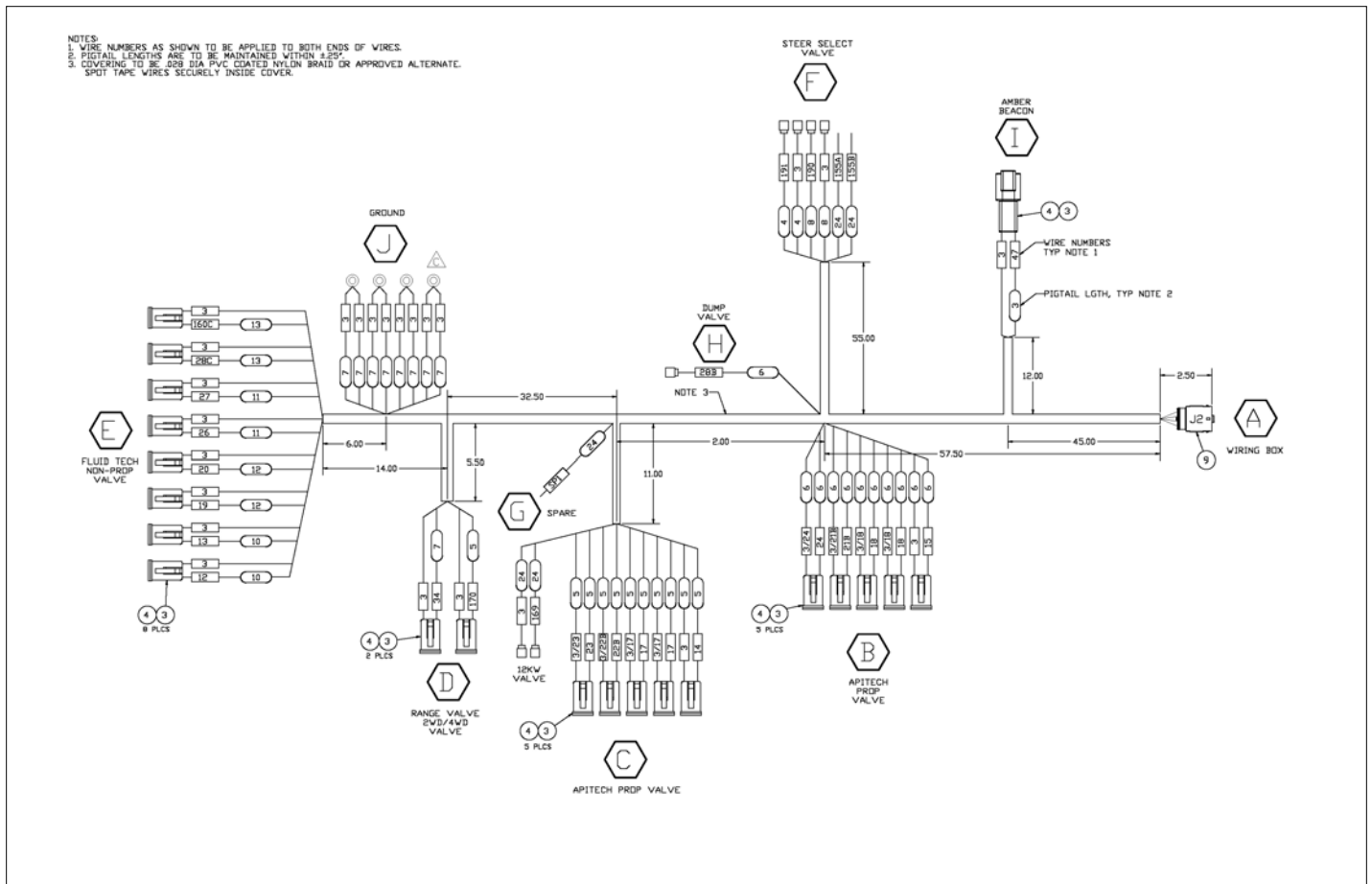
CIRCUIT	AWD	COLOR	LOCATION	CAVITY	TERM	LOCATION	CAVITY	TERM
CANSL	16	WHITE	GN40	P1-1	ITEM 13	VOICM	VP1-1	ITEM 13
CANSL	16	WHITE	GN40	P1-2	ITEM 12	VOICM	VP1-2	ITEM 12
SHIELD	16	WHITE	GN40	P1-3	ITEM 11	VOICM	VP1-3	NOTE 1
11	16	WHITE	GN40	P4-1	ITEM 12	J1	19	ITEM 13
12	16	WHITE	GN40	P4-4	ITEM 12	J1	11	ITEM 13
20	16	WHITE	GN40	P4-5	ITEM 12	J1	7	ITEM 13
19	16	WHITE	GN40	P4-9	ITEM 12	J1	8	ITEM 13
214	16	WHITE	GN40	P4-10	ITEM 12	LIGHT	-	ITEM 21
1A	16	WHITE	GN40	P4-11	ITEM 13	J4	15	ITEM 14
228	16	WHITE	GN40	P4-14	ITEM 12	J1	24	ITEM 13
23C	16	WHITE	GN40	P4-15	ITEM 12	J1	3	ITEM 13
6A	16	WHITE	GN40	P5-2	ITEM 12	J1	1	ITEM 13
158	16	WHITE	GN40	P5-1	ITEM 12	ALARM	-	ITEM 19
46	16	WHITE	GN40	P5-5	ITEM 12	R-RELAY	86	ITEM 17
189	16	WHITE	GN40	P5-6	ITEM 12	J1	16	ITEM 13
157	16	WHITE	GN40	P5-7	ITEM 12	J1	31	ITEM 13
14	16	WHITE	GN40	P5-8	ITEM 12	J1	10	ITEM 13
2421C	16	WHITE	GN40	P5-11	ITEM 12	J1	6	ITEM 13
2122C	16	WHITE	GN40	P5-13	ITEM 12	J1	4	ITEM 13
180C	16	WHITE	GN40	P6-4	ITEM 12	J1	2	ITEM 13
179	16	WHITE	GN40	P6-5	ITEM 12	J1	14	ITEM 13
186	16	WHITE	GN40	P6-7	ITEM 12	J1	24	ITEM 13
191	16	WHITE	GN40	P6-8	ITEM 12	J1	10	ITEM 13
28A	16	WHITE	GN40	P6-12	ITEM 12	J1	2	ITEM 13
33	16	WHITE	GN40	P6-13	ITEM 12	J1	3	ITEM 13
47	16	WHITE	GN40	P6-14	ITEM 12	J1	10	ITEM 13
34	16	WHITE	GN40	P6-15	ITEM 12	J1	12	ITEM 13
18	12	RED	GN40	P7-1	ITEM 13	TERM	8+	ITEM 16
4C	16	WHITE	GN40	P7-2	ITEM 12	TERM	2	ITEM 15
155A	16	WHITE	GN40	P7-3	ITEM 12	J1	10	ITEM 13
4	16	WHITE	GN40	P7-4	ITEM 12	TERM	1	ITEM 15
28	16	WHITE	GN40	P7-5	ITEM 12	ENRAGE	-	ITEM 19
6	16	WHITE	GN40	P7-6	ITEM 12	R-POWER	-	ITEM 19
18A	16	WHITE	GN40	P7-7	ITEM 12	J1	12	ITEM 13
5	16	WHITE	GN40	P7-8	ITEM 12	CRANK	-	NOTE 1
11	16	WHITE	GN40	P7-9	ITEM 12	LEVEL UP	-	ITEM 19
12	16	WHITE	GN40	P7-10	ITEM 12	LEVEL DN	-	ITEM 19
153	16	WHITE	GN40	P7-12	ITEM 12	WARM UP	-	ITEM 19
151C	16	WHITE	GN40	P7-14	ITEM 12	DISPLAY	4	ITEM 15
174	16	WHITE	GN40	P8-4	ITEM 12	RESORSTAT	1	ITEM 13
1A	12	BLACK	GN40	P8-9	ITEM 12	TERM	3	ITEM 16
175	16	WHITE	GN40	P8-11	ITEM 12	RESORSTAT	2	ITEM 13
38	12	BLACK	GN40	P8-14	ITEM 12	TERM	6	ITEM 16
173	16	WHITE	GN40	P8-15	ITEM 12	RESORSTAT	3	ITEM 13
CANSL	16	WHITE	GN40	P12-1	ITEM 12	DISPLAY	3	ITEM 25
CANSL	16	WHITE	GN40	P12-2	ITEM 12	DISPLAY	3	ITEM 25
SHIELD	16	WHITE	GN40	P12-3	ITEM 12	DISPLAY	-	-
27	16	WHITE	GN40	P14-1	ITEM 12	PLATE CW	-	ITEM 13
26	16	WHITE	GN40	P14-2	ITEM 12	PLATE CW	-	ITEM 19
788	16	WHITE	GN40	P14-6	ITEM 12	J1	3	ITEM 13
123B	16	WHITE	GN40	P14-9	ITEM 12	J1	7	ITEM 13
123	16	WHITE	GN40	P14-10	ITEM 12	J1	4	ITEM 13
14	16	WHITE	GN40	P15-1	ITEM 12	ROOM INT	-	ITEM 19
157	16	WHITE	GN40	P15-2	ITEM 12	ROOM INT	-	ITEM 19
24	16	WHITE	GN40	P15-3	ITEM 12	SWING CW	-	ITEM 19
23	16	WHITE	GN40	P15-4	ITEM 12	SWING CCW	-	ITEM 19
228	16	WHITE	GN40	P15-5	ITEM 12	ROOM UP	-	ITEM 19
218	16	WHITE	GN40	P15-6	ITEM 12	ROOM DN	-	ITEM 19
23C	16	WHITE	GN40	P15-7	ITEM 12	JOB UP	-	ITEM 19
23C	16	WHITE	GN40	P15-8	ITEM 12	JOB DN	-	ITEM 19
79	16	WHITE	GN40	P15-9	ITEM 12	J1	4	ITEM 13
P15-10	16	WHITE	GN40	P15-10	ITEM 12	TERM	3	ITEM 13

CIRCUIT	AWD	COLOR	LOCATION	CAVITY	TERM	LOCATION	CAVITY	TERM
27	16	WHITE	VOICM	VP1-1	ITEM 13	J1	21	ITEM 13
317	16	BLACK	VOICM	VP1-2	ITEM 12	J1	23	ITEM 13
318	16	WHITE	VOICM	VP1-3	ITEM 12	J1	28	ITEM 13
318	16	BLACK	VOICM	VP1-3	ITEM 13	J1	29	ITEM 13
24	16	WHITE	VOICM	VP1-1	ITEM 12	J1	24	ITEM 13
324	16	BLACK	VOICM	VP1-2	ITEM 12	J1	23	ITEM 13
23	16	WHITE	VOICM	VP1-2	ITEM 12	J1	17	ITEM 13
323	16	BLACK	VOICM	VP1-2	ITEM 12	J1	18	ITEM 13
228	16	WHITE	VOICM	VP1-1	ITEM 12	J1	19	ITEM 13
323B	16	BLACK	VOICM	VP1-1	ITEM 13	J1	20	ITEM 13
218	16	WHITE	VOICM	VP1-1	ITEM 12	J1	26	ITEM 13
160	12	RED	VOICM	VP1-1	ITEM 13	TERM	8+	ITEM 16
3	12	BLACK	VOICM	VP1-2	ITEM 12	TERM	6	ITEM 16
CANSL	16	WHITE	VOICM	VP1-1	ITEM 12	J1	1	ITEM 13
CANSL	16	WHITE	VOICM	VP1-2	ITEM 12	J1	2	ITEM 13
SHIELD	16	WHITE	VOICM	VP1-2	ITEM 12	J1	3	ITEM 13
38	16	BLACK	J1	4	ITEM 13	TERM	8+	ITEM 13
18	16	RED	J1	4	ITEM 13	TERM	8+	ITEM 13
2	16	WHITE	J1	7	ITEM 13	SELECT	-	NOTE 1
4	16	WHITE	J1	8	ITEM 13	TERM	1	ITEM 13
2	16	WHITE	J1	9	ITEM 13	SELECT	-	NOTE 1
18	16	RED	J1	10	ITEM 13	TERM	8+	ITEM 13
38	16	BLACK	J1	11	ITEM 13	TERM	8+	ITEM 13
3	16	BLACK	J1	1	ITEM 13	TERM	8+	ITEM 13
3	16	BLACK	J1	5	ITEM 13	TERM	8+	ITEM 13
3	16	BLACK	J1	9	ITEM 13	TERM	8+	ITEM 13
3	16	BLACK	J1	13	ITEM 13	TERM	8+	ITEM 13
3	16	BLACK	J1	30	ITEM 13	TERM	8+	ITEM 13
3	16	BLACK	J1	38	ITEM 13	TERM	8+	ITEM 13
1A	12	RED	J4	A	ITEM 14	CR	-	ITEM 20
1D	12	RED	J4	B	ITEM 14	TERM	8+	ITEM 16
3A	12	BLACK	J4	C	ITEM 14	TERM	8+	ITEM 16
3A	16	BLACK	J4	E	ITEM 14	R-RELAY	85	ITEM 17
3A	12	WHITE	J4	F	ITEM 14	R-RELAY	87	ITEM 18
6A	12	WHITE	J4	G	ITEM 14	R-RELAY	87	ITEM 18
4C	16	WHITE	TERM	2	ITEM 15	SELECT	-	NOTE 1
1C	16	RED	TERM	4	ITEM 15	R-STOP	-	NOTE 1
3	16	BLACK	TERM	6	ITEM 15	LIGHT	-	ITEM 21
3	16	BLACK	TERM	6	ITEM 15	ALARM	-	ITEM 19
3	16	BLACK	TERM	6	ITEM 15	R-RELAY	-	ITEM 17
3A	16	RED	TERM	8+	ITEM 15	COMMON	-	ITEM 19
1B	16	RED	CR	-	ITEM 20	R-RELAY	30	ITEM 17
1B	16	RED	R-RELAY	30	ITEM 20	R-RELAY	86	ITEM 17
1B	16	RED	R-RELAY	86	ITEM 20	R-RELAY	30	ITEM 17
CANSL	16	WHITE	J1	9	ITEM 13	DISPLAY	1	ITEM 25
CANSL	16	WHITE	J1	10	ITEM 13	DISPLAY	3	ITEM 25
SHIELD	16	WHITE	J1	11	ITEM 13	DISPLAY	-	-
1D	16	WHITE	TERM	8+	ITEM 15	DISPLAY	1	ITEM 25
1D	16	WHITE	DISPLAY	1	ITEM 25	DISPLAY	1	ITEM 25
3	16	BLACK	TERM	8+	ITEM 15	DISPLAY	4	ITEM 25

- NOTE:
1. ALL WIRES SHALL BE MARKED WITH THE CIRCUIT NUMBER AND CONNECTION (i.e. CAN/P1-1). WITHOUT ANY SUPPLIERS DEFINED IN THE WIRE CHART, USING PERMANENT INK. MARKINGS SHALL BE MADE WITHOUT SHOWING FROM THE END OF THE CUT LEAD. NOTE THAT THE REQUIREMENT DOES NOT APPLY TO WIRE ENDS AT SPLICES.
 2. CIRC. CPT. OR DL. WIRE MAY BE SUBSTITUTED PROVIDED THE SAME CORE SIZE AND INSULATION COLOR ARE USED. THIS SUBSTITUTION DOES NOT REQUIRE PRIOR AUTHORIZATION.
 3. AT A MINIMUM THE HARNESS ID LABEL SHALL CLEARLY SHOW: HARNESS PART NUMBER, REVISION LEVEL, MANUFACTURE DATE. THE LABEL MAY BE FLAGGED OR BOLDED.
 4. HARNESS TO BE MADE PER IS 6-2, 6-3, 6-4.

アイテム	部品番号	名前	数量	UOM
23	3040293	DIODE	1	EA
24	3049860	LOCK WEDGE 6 PIN DEUTSCH PLUG	1	EA
25	3040342	SOCKET CONTACT SIZE 16 16/18GA	5	EA
26	3049837	CONNECTOR 12 PIN BHD	2	EA
27	3220128	CONN DEUTSCH 8 SCKT 12GA RECEPT	1	EA

ELECTRICAL



アイテム	部品番号	名前	数量	UOM
Not Shown	0113715 C	TURNTABLE WIRE PG TB80FA TB86JFA ASSEMBLY APRIL 2019 AND BEFORE		EA
1	3011641	WIRE 16GA SINGLE CONDUCTOR WHT	A/R	EA
2	3011601	WIRE 16GA SINGLE CONDUCTOR BLK	A/R	EA
3	3049807	LOCK WEDGE 2 PIN DEUTSCH PLUG	20	EA
4	3049803	CONNECTOR 2 PIN DEUTSCH PLUG	20	EA
5	3040342	SOCKET CONTACT SIZE 16 16/18GA	78	EA
6	3049808	LOCK WEDGE 2 PIN DEUTSCH RECEP	1	EA
7	3049804	CONNECTOR 2 PIN DEUTSCH RECEP	1	EA
8	3040341	PIN CONTACT SIZE 16 16/18 GA	2	EA
9	015790 005	CONN DEUTSCH PLUG DRC16 40S	1	EA
10	3040083	TERM FEM250FI 16/14	7	EA
11	3044836	TERM R375I 12/10	4	EA

ELECTRICAL

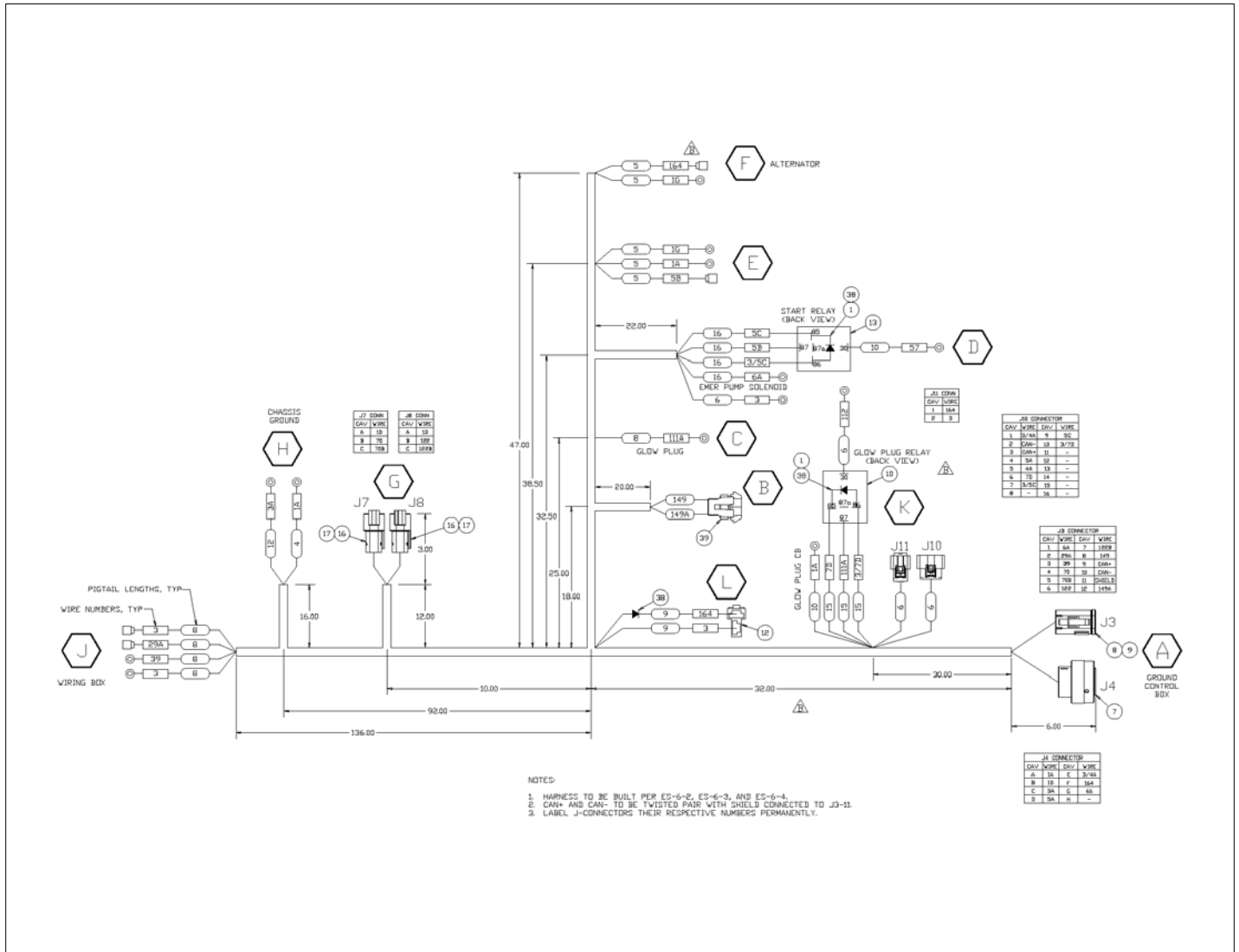
画像が存在しません

アイテム	部品番号	名前	数量	UOM
	0113713 B	ENGINE HARNESS PG		EA
1	3011641	WIRE 16GA SINGLE CONDUCTOR WHT	A/R	EA
2	3011601	WIRE 16GA SINGLE CONDUCTOR BLK	A/R	EA
3	6011241	WIRE 12GA SINGLE COND WHITE	A/R	EA
4	6011251	WIRE 12GA SINGLE COND BLACK	A/R	EA
5	3011201	WIRE 12GA RED SINGLE CONDUCTOR	A/R	EA
6	3011001	WIRE, 10 GAUGE SINGLE CONDUCTOR X 144 INCH LONG	A/R	EA
7	3220129	CONN DEUTSCH 8 PIN 12GA RECPT	1	EA
8	3049813	CONNECTOR 12 PIN PLUG	1	EA
9	3049814	LOCK WEDGE 12 PIN DEUTSCH PLUG	1	EA
10	3220277	CONNECTOR 6 PIN PLUG	1	EA
11	3220278	WEDGE LOCK WM 6S	1	EA
12	0260696	CONNECTOR KCCP	1	EA
13	3049896	VCF CONNECTOR	2	EA
14	3049920	CONNECTOR 3 PIN SUMITOMO	1	EA
15	3049923	PLUG DUMMY SUMITOMO	1	EA
16	3049821	CONNECTOR 3 PIN RECEP	1	EA
17	3049823	LOCK WEDGE. 3 PIN	1	EA
18	3040342	SOCKET CONTACT SIZE 16 16/18GA	12	EA
19	3028827	PIN 12GA DEUTSCH	8	EA
20	3044161	TERM R10I 16/14	1	EA
21	3044855	TERM R250I 12/10	1	EA
22	3044158	TERM R6I	2	EA
23	3040341	PIN CONTACT SIZE 16 16/18 GA	6	EA

55	CHARGE CIRCUIT	10	ITEM 34	E	--	ITEM 01	F	--	RED
56	START CIRCUIT	10	ITEM 28	D	87	ITEM 06	E	--	WHITE
57	STARTER TO START CIRCUIT	10	ITEM 09	D	30	ITEM 04	F	--	WHITE
58	POWER TO CIRCUIT BREAKER	10	ITEM 26	C	--	ITEM 04	E	--	RED
101	SLUW PLUG CR	10	ITEM 09	K	30	ITEM 01	E	--	WHITE
104	SLUW PLUG POWER	10	ITEM 09	K	87	ITEM 01	E	--	WHITE
116	CHARGING CIRCUIT	10	ITEM 10	B	--	ITEM 03	E	--	WHITE
						ITEM 02	F	--	BLACK
						ITEM 02	F	--	BLACK
3	GROUND	16	ITEM 20	D	--	ITEM 02	F	--	BLACK
						ITEM 02	F	--	BLACK
						ITEM 02	F	--	BLACK
107	OIL PRESSURE SWITCH	10	ITEM 19	A	14-1	ITEM 01	E	--	WHITE
50	TEMPERATURE SWITCH	10	ITEM 19	A	14-5	ITEM 01	F	--	WHITE
						ITEM 01	F	--	WHITE
164	FUEL SOLENOID SIGNAL	10	ITEM 19	A	14-4	ITEM 09	B	1	WHITE
						ITEM 09	B	1	WHITE
73	SLUW PLUG SIGNAL	10	ITEM 19	A	14-6	ITEM 09	K	80	WHITE
50	START SIGNAL	10	ITEM 19	A	14-3	ITEM 09	B	80	WHITE
36	GROUND TO BATTERY	10	ITEM 19	A	14-2	ITEM 03	A	--	BLACK
13	POWER-LIMIT SWITCHES	10	ITEM 19	A	14-8	ITEM 03	G	A	RED
						ITEM 03	G	A	RED
1A	POWER-FROM BATTERY	10	ITEM 19	A	14-0	ITEM 03	H	--	RED
3	THROTTLE-GROUND	10	ITEM 10	A	10-101	ITEM 04	B	3	BLACK
1010	THROTTLE-SHAFT	10	ITEM 10	A	10-10	ITEM 04	B	--	WHITE
1040	THROTTLE-CAN HIGH	10	ITEM 10	A	10-10	ITEM 04	B	8	WHITE
1040	THROTTLE-CAN LOW	10	ITEM 10	A	10-10	ITEM 04	B	4	WHITE
103	TACH	10	ITEM 10	A	10-8	ITEM 07	F	1	WHITE
1009	EXTENDED SIGNAL-NC	10	ITEM 10	A	10-1	ITEM 03	G	2	WHITE
102	EXTENDED SIGNAL-NC	10	ITEM 10	A	10-6	ITEM 03	G	9	WHITE
708	ELEVATION SIGNAL-NC	10	ITEM 10	A	10-1	ITEM 03	G	2	WHITE
73	ELEVATION SIGNAL-NC	10	ITEM 10	A	10-4	ITEM 03	G	9	WHITE
70	NOTION ALARM	10	ITEM 10	A	10-2	ITEM 02	F	--	WHITE
85A	HEAT	10	ITEM 10	A	10-3	ITEM 02	F	--	WHITE
6A	CH-POWER SIGNAL	10	ITEM 10	A	10-5	ITEM 03	B	--	WHITE
W01		W01	TERMINAL	LOC	ENV	TERMINAL	LOC	ENV	COLOR
W02	DESCRIPTION								NOTE: D

アイテム	部品番号	名前	数量	UOM
24	3220178	SOCKET CONTACT 12 DEUTSCH	4	EA
25	3044836	TERM R375I 12/10	2	EA
26	3041314	TERM FEM250I 12/10 AMP:	1	EA
27	3049922	SEAL RUBBER	3	EA
28	3049900	TERM SOCKET CONNECTOR	8	EA
29	3040650	SOCKET CONTACT 12 DEUTSCH DEU	1	EA
30	3044854	TERM R10I 12/10	1	EA
31	3044853	TERM R8I 12/10	4	EA
32	3040083	TERM FEM250FI 16/14	2	EA
33	PNNA	YAZAKI P/N:7114 2020	1	EA
34	3044856	TERM R312I 12/10	3	EA
35	3044162	TERM R250I 16/14	1	EA

ELECTRICAL

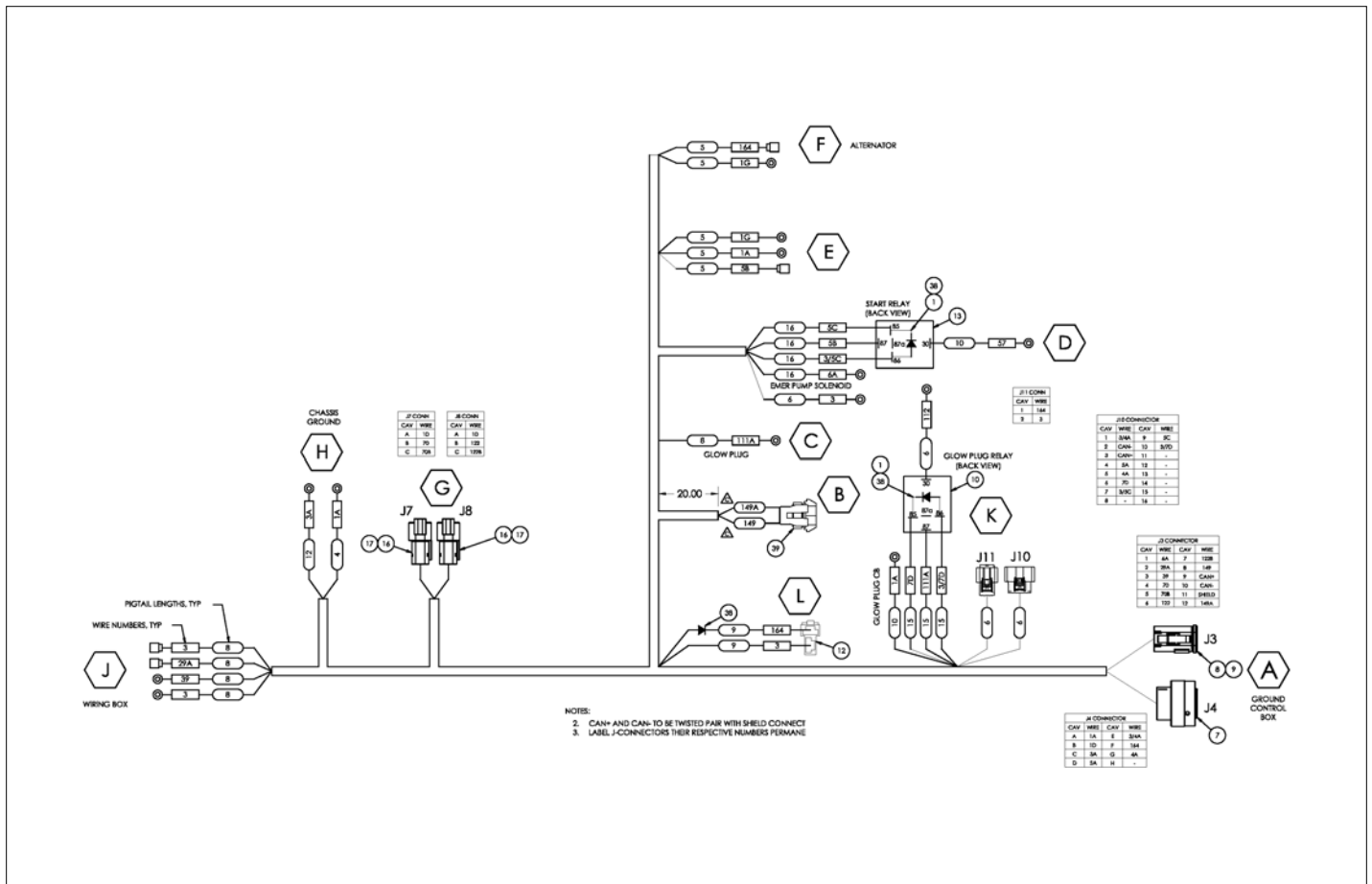


アイテム	部品番号	名前	数量	UOM
	0113852 B	ENGINE HARNESS KU T4F		EA
1	3011641	WIRE 16GA SINGLE CONDUCTOR WHT	A/R	EA
2	3011601	WIRE 16GA SINGLE CONDUCTOR BLK	A/R	EA
3	3011241	WIRE 12GA SINGLE CONDUCTOR WHT	A/R	EA
4	3011251	WIRE 12GA SINGLE CONDUCTOR BLK	A/R	EA
5	3011201	WIRE 12GA RED SINGLE CONDUCTOR	A/R	EA
6	3011001	WIRE, 10 GAUGE SINGLE CONDUCTOR X 144 INCH LONG	A/R	EA
7	3220129	CONN DEUTSCH 8 PIN 12GA RECPT	1	EA
8	3049813	CONNECTOR 12 PIN PLUG	1	EA
9	3049814	LOCK WEDGE 12 PIN DEUTSCH PLUG	1	EA
10	3040503	CONNECTOR RELAY 70AMP SPST	1	EA
11	PNNA	CONNECTOR	2	EA
12	PNNA	CONNECTOR	1	EA
13	3049896	VCF CONNECTOR	1	EA
16	3049821	CONNECTOR 3 PIN RECEP	2	EA
17	3049823	LOCK WEDGE. 3 PIN	2	EA
18	3040342	SOCKET CONTACT SIZE 16 16/18GA	10	EA
19	3028827	PIN 12GA DEUTSCH	7	EA
20	3044161	TERM R10I 16/14	1	EA
21	3044855	TERM R250I 12/10	1	EA
22	3044158	TERM R6I	2	EA
23	3040341	PIN CONTACT SIZE 16 16/18 GA	6	EA
24	3044162	TERM R250I 16/14	1	EA

	5B	START CIRCUIT	12	ITEM 28	D	87	ITEM 26	E	--	WHITE
	3/7D	GROUND-GLOW PLUG SIGNAL	16	ITEM 33	K	J10-10	ITEM 28	K	86	BLACK
	7D	GLOW PLUG SIGNAL	16	ITEM 33	K	J10-6	ITEM 28	K	85	WHITE
	1G	CHARGE CIRCUIT	10	ITEM 29	E	--	ITEM 21	F	--	RED
	5C	START CIRCUIT	16	ITEM 28	D	87	ITEM 33	K	J10-9	WHITE
	S7	STARTER TO START CIRCUIT	10	ITEM 28	D	30	ITEM 29	D	--	WHITE
	1A	POWER TO CIRCUIT BREAKER	12	ITEM 31	K	--	ITEM 29	E	--	RED
	112	GLOW PLUG CB	12	ITEM 37	K	30	ITEM 31	K	--	WHITE
	111A	GLOW PLUG POWER	12	ITEM 37	K	87	ITEM 31	C	--	WHITE
	3/5C	GROUND-START CIRCUIT	16	ITEM 28	D	--	ITEM 33	K	J10-7	BLACK
B	3	GROUND	16	ITEM 24	D	--	ITEM 36	K	J11-2	BLACK
							ITEM 22	J	--	BLACK
							ITEM 30	J	--	BLACK
							ITEM 11	L	2	BLACK
	4A	IGNITION SIGNAL	12	ITEM 19	A	J4-G	ITEM 33	K	J10-5	WHITE
B	164	FUEL SOLENOID SIGNAL	12	ITEM 19	A	J4-F	ITEM 26	F	-	WHITE
							ITEM 36	K	J11-1	WHITE
							ITEM 11	L	1	WHITE
	3/4A	GROUND-MAIN RELAY	12	ITEM 19	A	J4-E	ITEM 33	K	J10-1	BLACK
	5A	START SIGNAL	12	ITEM 19	A	J4-D	ITEM 33	K	J10-4	WHITE
	3A	GROUND-TO BATTERY	12	ITEM 19	A	J4-C	ITEM 25	H	--	BLACK
	1D	POWER-LIMIT SWITCHES	12	ITEM 19	A	J4-B	ITEM 29	G	A	RED
							ITEM 23	G	A	RED
	1A	POWER-FRDM BATTERY	12	ITEM 19	A	J4-A	ITEM 25	H	--	RED
	149A	GROUND-PRESSURE SIGNAL	16	ITEM 18	A	J3-12	ITEM 40	B	2	WHITE
	SHIELD	ENGINE-SHIELD	16	ITEM 18	A	J3-11	-	K	--	WHITE
	CAN-	ENGINE-CAN LOW	16	ITEM 18	A	J3-10	ITEM 33	K	J10-2	WHITE
	CAN+	ENGINE-CAN HIGH	16	ITEM 18	A	J3-9	ITEM 33	K	J10-3	WHITE
	149	PRESSURE SIGNAL	16	ITEM 18	A	J3-8	ITEM 40	B	1	WHITE
	122B	EXTENDED SIGNAL-NO	16	ITEM 18	A	J3-7	ITEM 23	G	C	WHITE
	122	EXTENDED SIGNAL-NC	16	ITEM 18	A	J3-6	ITEM 23	G	B	WHITE
	70B	ELEVATION SIGNAL-NO	16	ITEM 18	A	J3-5	ITEM 23	G	C	WHITE
	70	ELEVATION SIGNAL-NC	16	ITEM 18	A	J3-4	ITEM 23	G	B	WHITE
	39	MOTION ALARM	16	ITEM 18	A	J3-3	ITEM 22	J	--	WHITE
	29A	HORN	16	ITEM 18	A	J3-2	ITEM 30	J	--	WHITE
	6A	E-POWER SIGNAL	16	ITEM 18	A	J3-1	ITEM 20	D	--	WHITE
	WIRE NO	DESCRIPTION	WIRE GA	TERMINAL	LOC	CAV	TERMINAL	LOC	CAV	COLOR (NOTE 1)

アイテム	部品番号	名前	数量	UOM
25	3044836	TERM R375I 12/10	2	EA
26	3041314	TERM FEM250I 12/10 AMP:	2	EA
28	3049900	TERM SOCKET CONNECTOR	6	EA
29	3044856	TERM R312I 12/10	3	EA
30	3040083	TERM FEM250FI 16/14	2	EA
31	3044853	TERM R8I 12/10	3	EA
32	3220300	CONNECTOR 16 PIN MOLEX	1	EA
33	3220301	TERM FEM MOLEX	9	EA
34	3220302	PLUG MOLEX	7	EA
35	3220303	CONNECTOR 2 PIN MOLEX	3	EA
36	3220304	TERM FEM MOLEX	2	EA
37	3040505	TERM FEM375FI LKG 10/14 {POSITIVE LOCK}	2	EA
38	3040293	DIODE	3	EA
39	3220314	CONN 2 PIN FEM PACKARD	1	EA
40	3220315	TERM FEM PACKARD	2	EA

ELECTRICAL

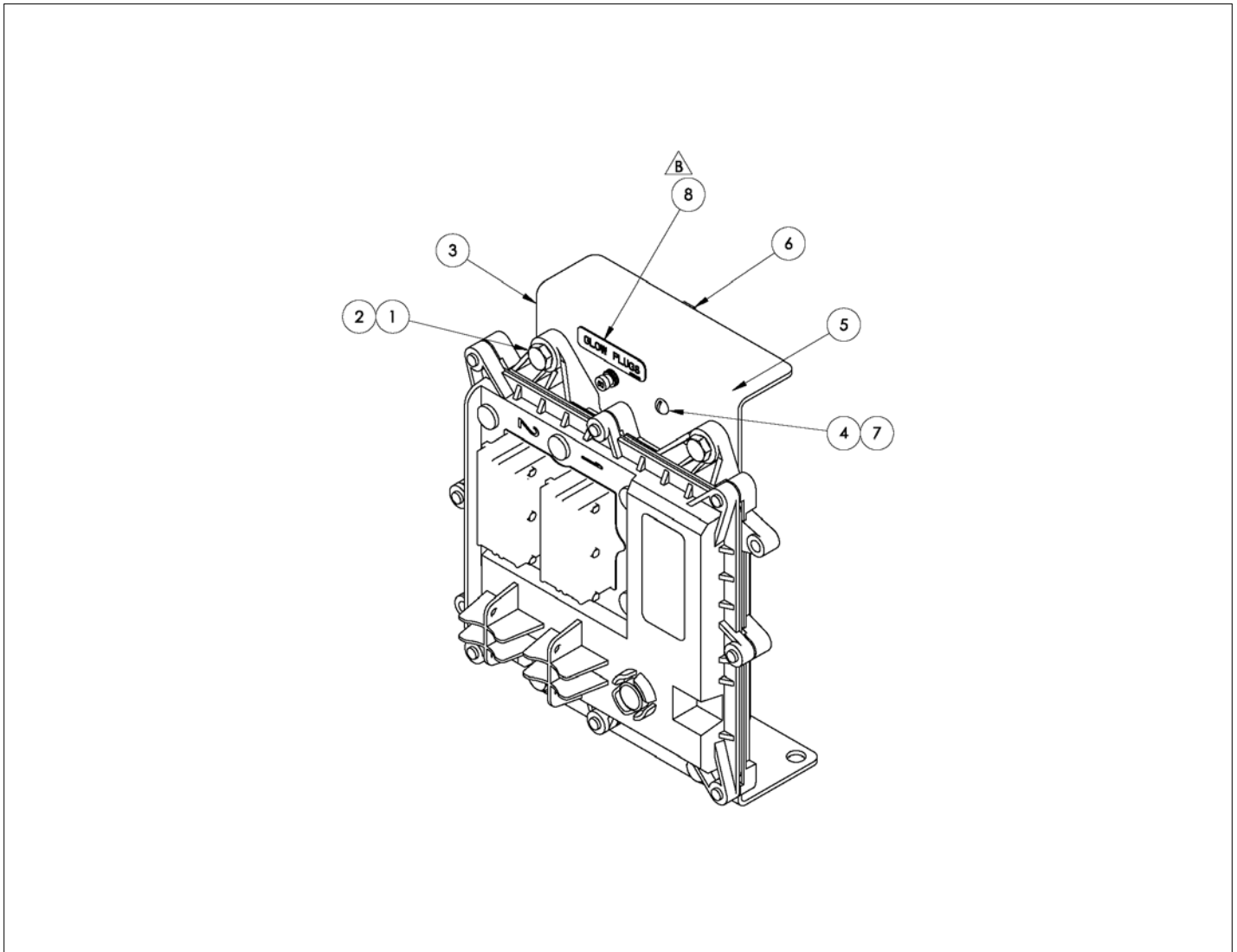


アイテム	部品番号	名前	数量	UOM
Not Shown	0113852 C	HARNESS ENGINE KUBOTA TIER 4 FEBURARY 2019 AND AFTER		EA
1	3011641	WIRE 16GA SINGLE CONDUCTOR WHT	AR	EA
2	3011601	WIRE 16GA SINGLE CONDUCTOR BLK	AR	EA
3	3011241	WIRE 12GA SINGLE CONDUCTOR WHT	AR	EA
4	3011251	WIRE 12GA SINGLE CONDUCTOR BLK	AR	EA
5	3011201	WIRE 12GA RED SINGLE CONDUCTOR	AR	EA
6	3011001	WIRE, 10 GAUGE SINGLE CONDUCTOR X 144 INCH LONG	AR	EA
7	3220129	CONN DEUTSCH 8 PIN 12GA RECPT	1	EA
8	3049813	CONNECTOR 12 PIN PLUG	1	EA
9	3049814	LOCK WEDGE 12 PIN DEUTSCH PLUG	1	EA
10	3040503	CONNECTOR RELAY 70AMP SPST	1	EA
11	PNNA	CONNECTOR YAZAKI	1	EA
12	PNNA	CONNECTOR YAZAKI	2	EA
13	3049868	VFC CONN	1	EA
16	3049821	CONNECTOR 3 PIN RECEP	2	EA
17	3049823	LOCK WEDGE. 3 PIN	2	EA
18	3040342	SOCKET CONTACT SIZE 16 16/18GA	10	EA
19	3028827	PIN 12GA DEUTSCH	7	EA
20	3044161	TERM R10I 16/14	1	EA
21	3044855	TERM R250I 12/10	1	EA
22	3044158	TERM R6I	2	EA
23	3040341	PIN CONTACT SIZE 16 16/18 GA	6	EA
24	3044162	TERM R250I 16/14	1	EA

5B	START CIRCUIT	12	ITEM 28	D	87	ITEM 26	E	-	WHITE
3/7D	GROUND-GLOW PLUG SIGNAL	16	ITEM 33	K	J10-10	ITEM 28	K	86	BLACK
7D	GLOW PLUG SIGNAL	16	ITEM 33	K	J10-6	ITEM 28	K	85	WHITE
1G	CHARGE CIRCUIT	10	ITEM 29	E	-	ITEM 21	F	-	RED
5C	START CIRCUIT	16	ITEM 28	D	87	ITEM 33	K	J10-9	WHITE
57	STARTER TO START CIRCUIT	10	ITEM 28	D	30	ITEM 29	D	-	WHITE
1A	POWER TO CIRCUIT BREAKER	12	ITEM 31	K	-	ITEM 29	E	-	RED
112	GLOW PLUG CB	12	ITEM 37	K	30	ITEM 31	K	-	WHITE
111A	GLOW PLUG POWER	12	ITEM 37	K	87	ITEM 31	C	-	WHITE
3/5C	GROUND-START CIRCUIT	16	ITEM 28	D	-	ITEM 33	K	J10-7	BLACK
3	GROUND	16	ITEM 24	D	-	ITEM 36	K	J11-2	BLACK
						ITEM 22	J	-	BLACK
						ITEM 30	J	-	BLACK
						ITEM 11	L	2	BLACK
4A	IGNITION SIGNAL	12	ITEM 19	A	J4-G	ITEM 33	K	J10-5	WHITE
164	FUEL SOLENOID SIGNAL	12	ITEM 19	A	J4-F	ITEM 26	F	-	WHITE
						ITEM 36	K	J11-1	WHITE
						ITEM 11	L	1	WHITE
3/4A	GROUND-MAIN RELAY	12	ITEM 19	A	J4-E	ITEM 33	K	J10-1	BLACK
5A	START SIGNAL	12	ITEM 19	A	J4-D	ITEM 33	K	J10-4	WHITE
3A	GROUND-TO BATTERY	12	ITEM 19	A	J4-C	ITEM 25	H	-	BLACK
1D	POWER-LIMIT SWITCHES	12	ITEM 19	A	J4-B	ITEM 23	G	A	RED
						ITEM 23	G	A	RED
1A	POWER-FROM BATTERY	12	ITEM 19	A	J4-A	ITEM 25	H	-	RED
149A	GROUND-PRESSURE SIGNAL	16	ITEM 18	A	J3-12	ITEM 40	B	2	WHITE
SHIELD	ENGINE-SHIELD	16	ITEM 18	A	J3-11	-	K	-	WHITE
CAN-	ENGINE-CAN LOW	16	ITEM 18	A	J3-10	ITEM 33	K	J10-2	WHITE
CAN+	ENGINE-CAN HIGH	16	ITEM 18	A	J3-9	ITEM 33	K	J10-3	WHITE
149	PRESSURE SIGNAL	16	ITEM 18	A	J3-8	ITEM 40	B	1	WHITE
122B	EXTENDED SIGNAL-NO	16	ITEM 18	A	J3-7	ITEM 23	G	C	WHITE
122	EXTENDED SIGNAL-NC	16	ITEM 18	A	J3-6	ITEM 23	G	B	WHITE
70B	ELEVATION SIGNAL-NO	16	ITEM 18	A	J3-5	ITEM 23	G	C	WHITE
70	ELEVATION SIGNAL-NC	16	ITEM 18	A	J3-4	ITEM 23	G	B	WHITE
39	MOTION ALARM	16	ITEM 18	A	J3-3	ITEM 22	J	-	WHITE
29A	HORN	16	ITEM 18	A	J3-2	ITEM 30	J	-	WHITE
6A	E-POWER SIGNAL	16	ITEM 18	A	J3-1	ITEM 20	D	-	WHITE
WIRE NO	DESCRIPTION	WIRE GA	TERMINAL	LOC	CAV	TERMINAL	LOC	CAV	COLOR (NOTE 1)

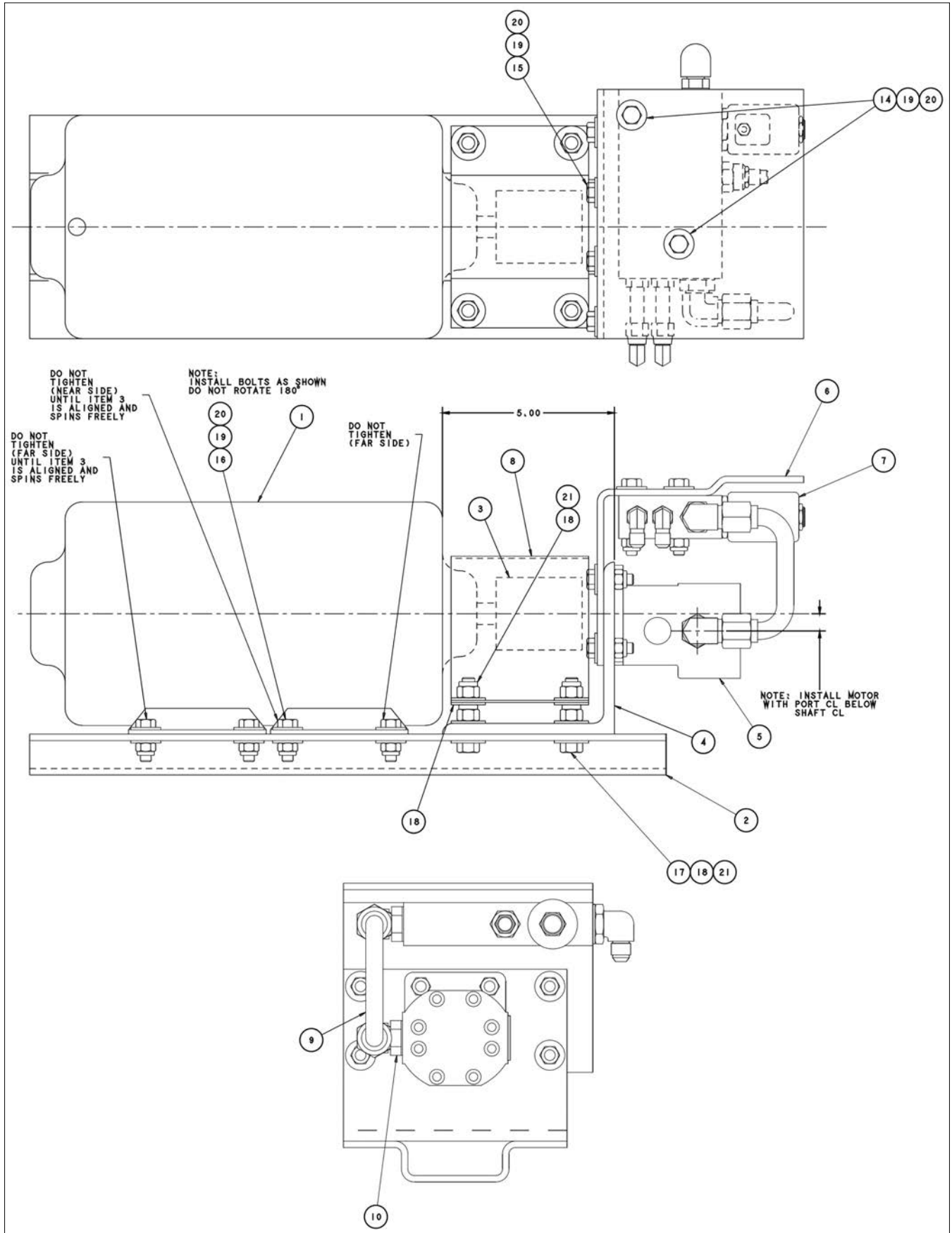
アイテム	部品番号	名前	数量	UOM
25	3044836	TERM R375I 12/10	2	EA
26	3041314	TERM FEM250I 12/10 AMP:	2	EA
28	3049900	TERM SOCKET CONNECTOR	6	EA
29	3044856	TERM R312I 12/10	3	EA
30	3040083	TERM FEM250FI 16/14	2	EA
31	3044853	TERM R8I 12/10	3	EA
32	3220300	CONNECTOR 16 PIN MOLEX	1	EA
33	3220301	TERM FEM MOLEX	9	EA
34	3220302	PLUG MOLEX	7	EA
35	3220303	CONNECTOR 2 PIN MOLEX	3	EA
36	3220304	TERM FEM MOLEX	2	EA
37	3040505	TERM FEM375FI LKG 10/14 {POSITIVE LOCK}	2	EA
38	3040292	DIODE	3	EA
39	3220314	CONN 2 PIN FEM PACKARD	1	EA
40	3220315	TERM FEM PACKARD	2	EA

ELECTRICAL



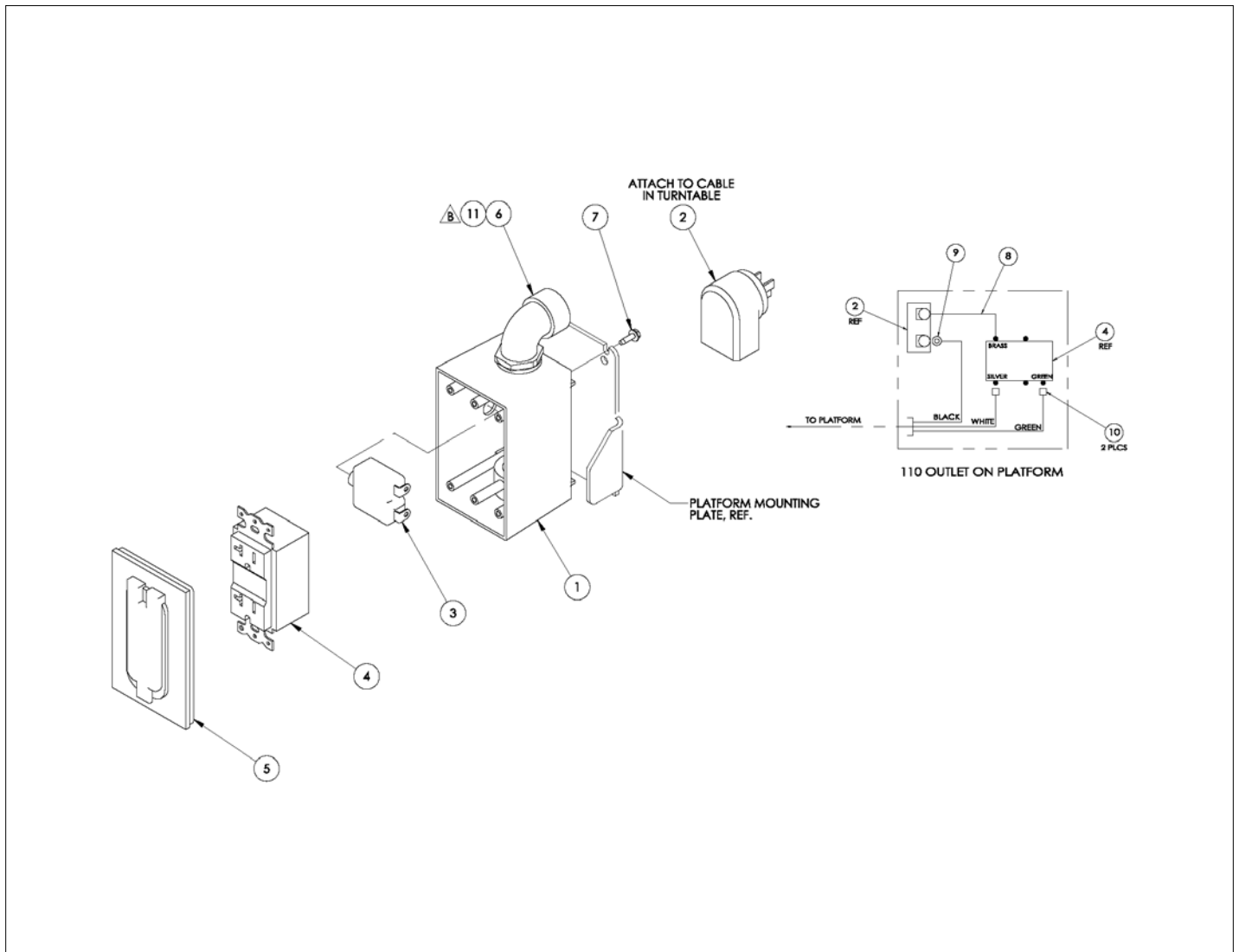
アイテム	部品番号	名前	数量	UOM
	0113832 B	ELECTRICAL SYSTEM ASSEMBLY T4F		EA
1	058492 025	BOLT HEXSETSCREW DIN933 M8 X 25MM 8.8 ZP	4	EA
2	056066 008	NUT NYLOCKNUT DIN985 M8 8.0 ZP	4	EA
3	0113831	BRKT ELEC SYSTEM	1	EA
4	974659	SCR RDH MACH 10 24 .500	1	EA
5	3040502	RELAY 12VDC 70 AMP SPST	1	EA
6	3220305	CIRCUIT BREAKER 50A	1	EA
7	5560034	NUT LKG 10 24	1	EA
8	0080914	PLAC GLOW PLUGS	1	EA

ELECTRICAL



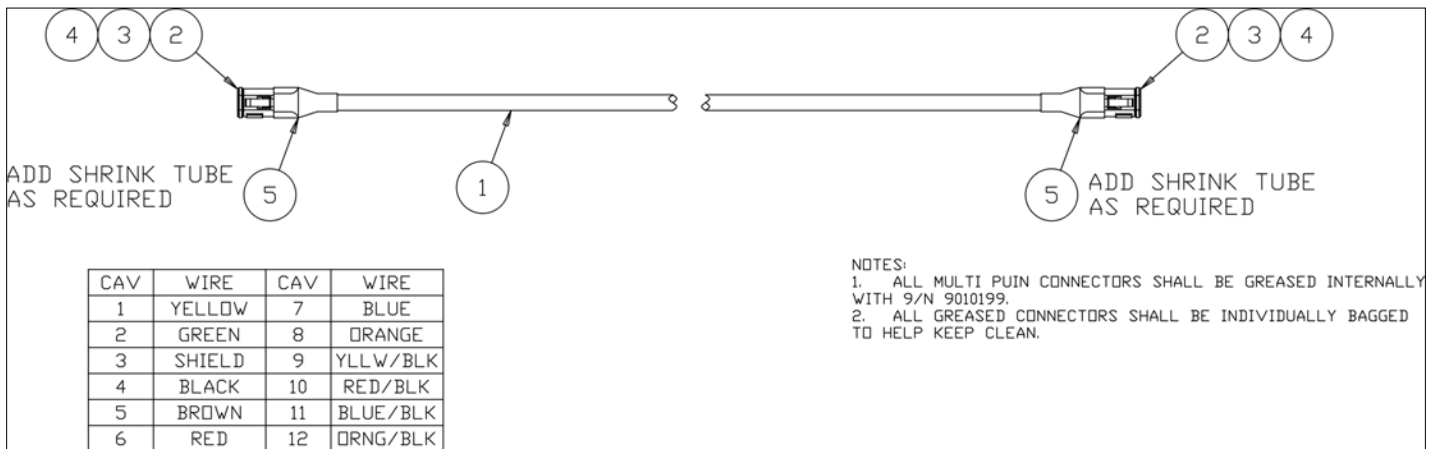
アイテム	部品番号	名前	数量	UOM
	0151471 L	110VAC HYDRAULIC GENERATOR SUB ASSEMBLY		EA
1	3080001	GENERATOR 2000 WATT AC 115	1	EA
2	0151457	MOUNT PLATE	1	EA
3	7240012	COUPLER	1	EA
4	0151458	MOTOR MOUNTING ANGLE	1	EA
5	6030029	HYD PUMP	1	EA
6	0151469	BRACKET, VALVE MOUNTING	1	EA
7	0152831	AC GENERATOR VALVE	1	EA
8	0151484	COUPLING COVER	1	EA
Not Shown	8020018	SEAL REPAIR KIT	1	EA
9	0151470	1/2 INCH HYDRAULIC TUBE	1	EA
10	5035306	FTG ELB90STRTHD 8B 8S STL	1	EA
14	970299	BOLT HEX HD .313 18 2.00 GR5 PL	2	EA
15	970269	BLT HEXHD .313 18 1.25 GR5 PLA	8	EA
16	970369	BLT HEXHD .313 18 X 1.00 GR5	8	EA
17	970469	HHD BLT .375 16 X 1.00 GR5	4	EA
18	986299	WASHER, FLAT, .375 STANDARD, PLATED	12	EA
19	986269	WSHR FLAT .313	30	EA
20	5560031	NUT HEX LKG .313 18	18	EA
21	5560033	.375 16UNC HEX LOCK NUT	8	EA

ELECTRICAL



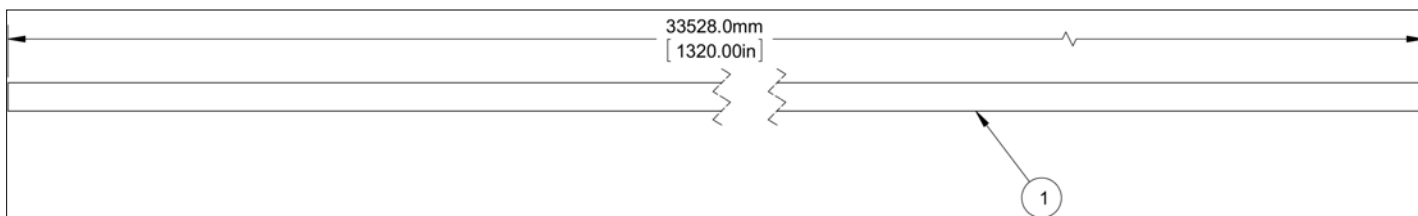
アイテム	部品番号	名前	数量	UOM
	0113751 B	110V POWER TO PLATFORM PG		EA
1	0074979	Enclosure	1	EA
2	3040219	PLUG MALE CONNECTOR 90D 125VAC	1	EA
3	3040252	Circuit Breaker 15AMP	1	EA
4	3040624	Recepticle Outlet 20AMP	1	EA
5	3040625	Enclosure Face	1	EA
6	3040691	CONNECTOR	1	EA
7	5569978	SCR HEXHD 8 32 .375 THD CUTTING	4	EA
8	0071582	JUMPER WIRE	1	EA
9	3044854	TERM R10I 12/10	1	EA
10	3040397	TERM SPADE 81 12/10	2	EA
11	3040110	NUT LKG HUB .750 SAMEAS 962129	1	EA

ELECTRICAL



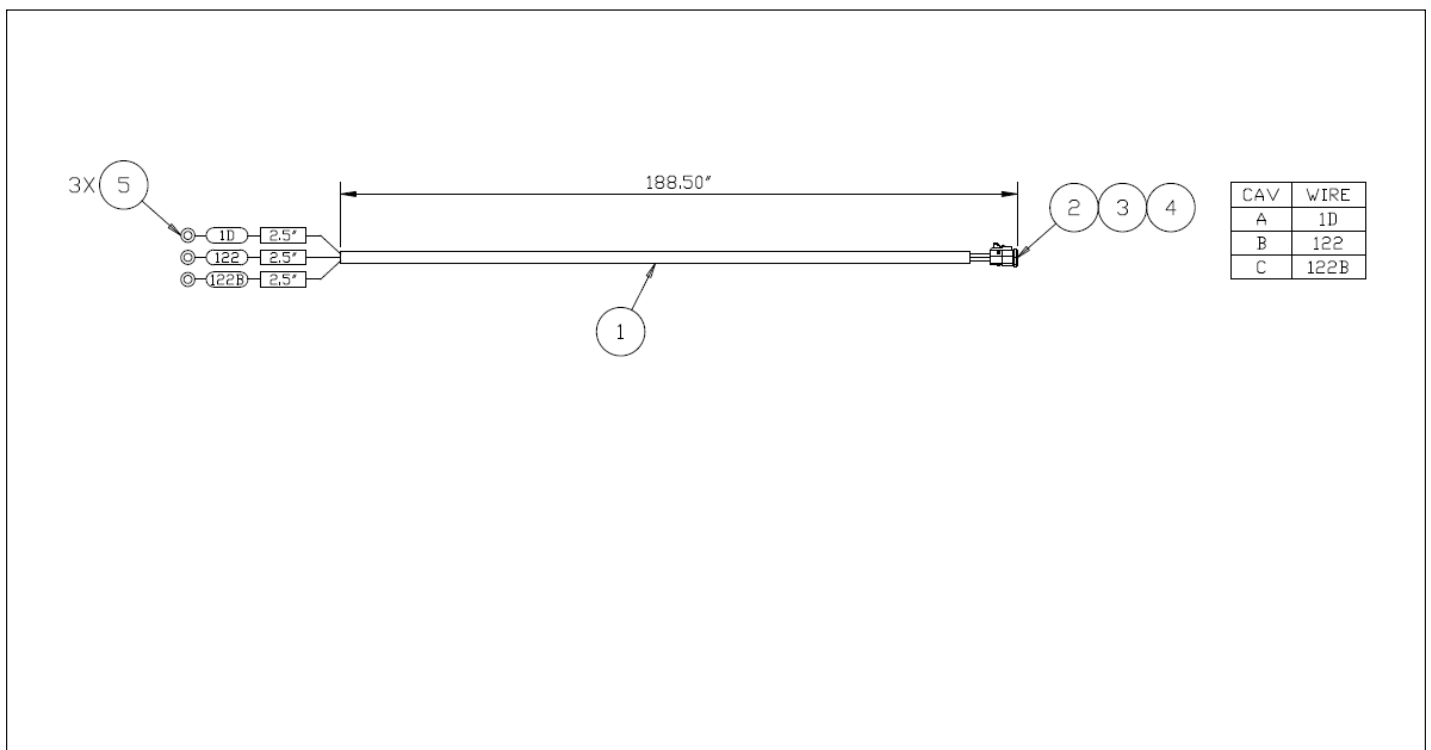
アイテム	部品番号	名前	数量	UOM
Not Shown	0113742 C	HARNESS POWER TO PLATFORM		EA
1	3014761	SHIELDED CABLE 18/9 & 20/2	105'	EA
2	3049813	CONNECTOR 12 PIN PLUG	2	EA
3	3049814	LOCK WEDGE 12 PIN DEUTSCH PLUG	2	EA
4	3040342	SOCKET CONTACT SIZE 16 16/18GA	24	EA
5	3220281	BOOT 12 PIN DEUTSCH	2	EA

ELECTRICAL



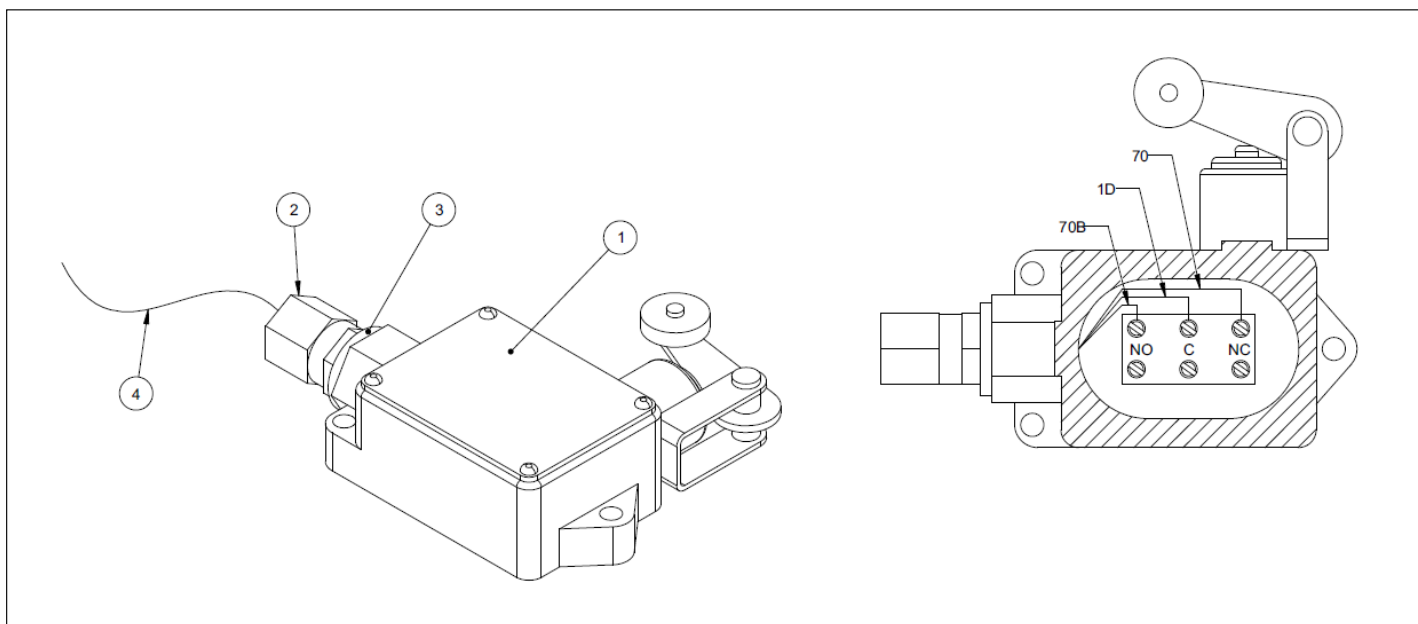
アイテム	部品番号	名前	数量	UOM
Not Shown	0113761 A	CABLE 12GA/3 CONDUCTOR 110FT LONG		EA
1	3011203	CABLE 12GA/3 CONDUCTOR WIRE SO	110'	EA

ELECTRICAL



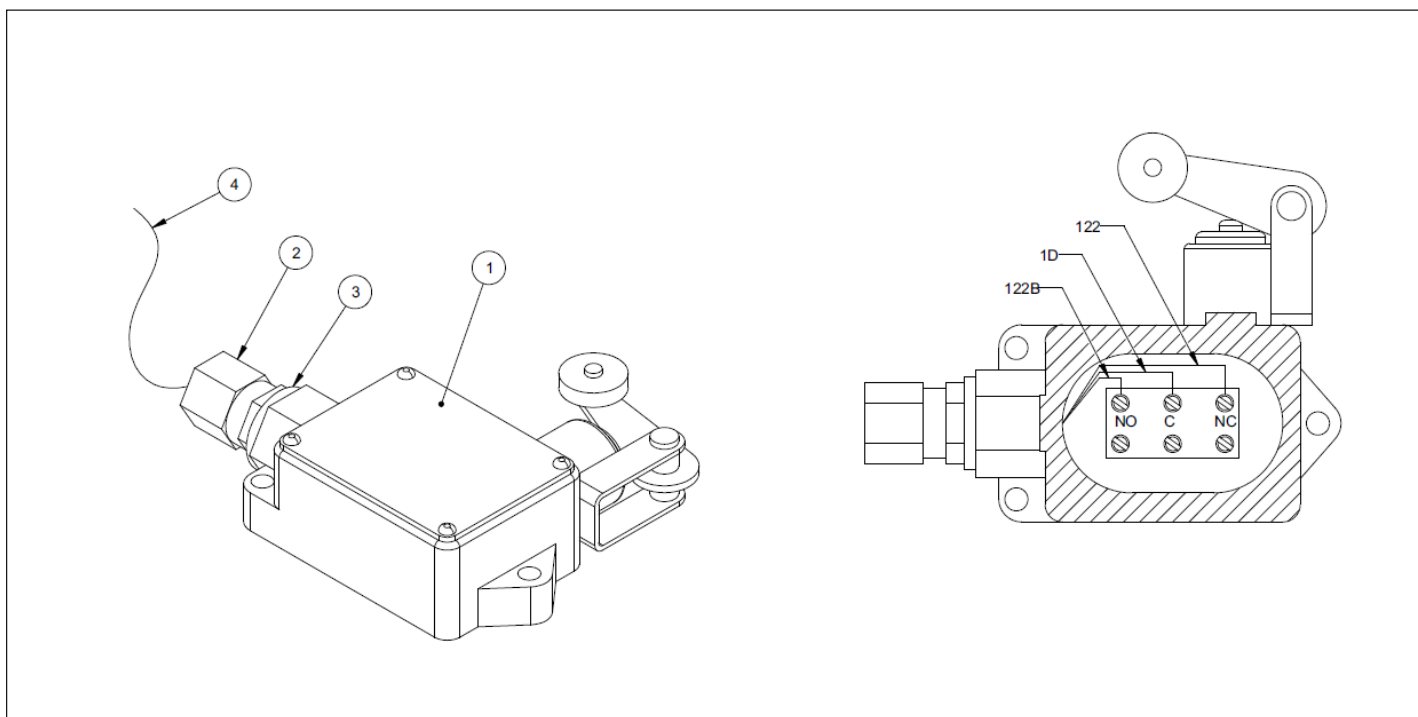
アイテム	部品番号	名前	数量	UOM
Not Shown	0113736 A	LIFT/SWING SPEED WIRE ASSEMBLY		EA
1	3011803	CABLE 18GA/3 CONDUCTOR WIRE	15.9'	EA
2	3040342	SOCKET CONTACT SIZE 16 16/18GA	3	EA
3	3049822	DEUTSCH WEDGE W3S	1	EA
4	3049820	DEUTSCH CONN DT06 3S	1	EA
5	3044142	TERM, .250 TAB 12/10, MALE F.I.	3	EA

ELECTRICAL



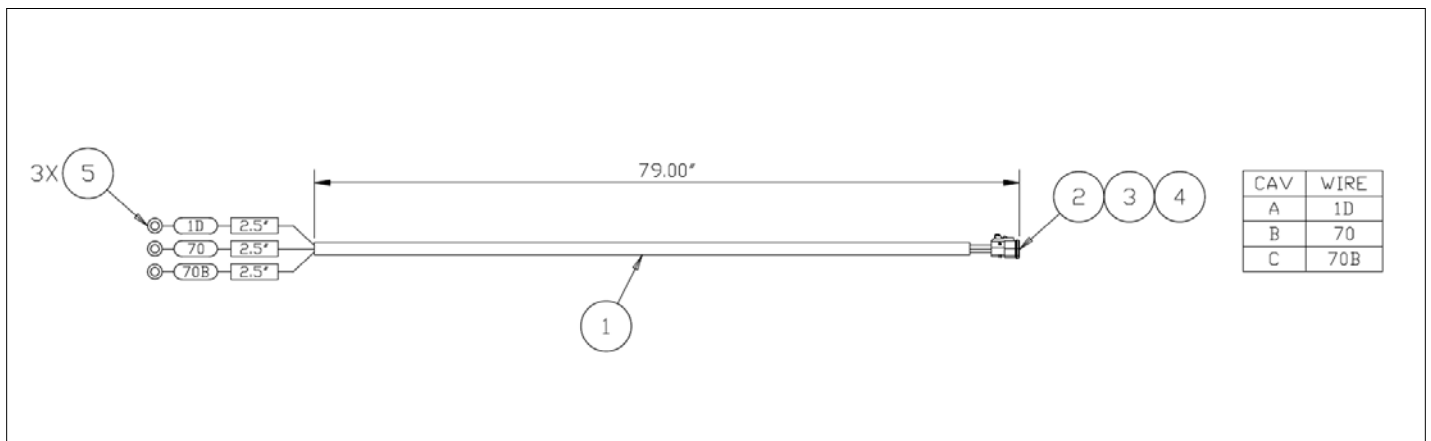
アイテム	部品番号	名前	数量	UOM
Not Shown	0113737 A	BOOM SWITCH ASSEMBLY		EA
1	3020019	SWITCH ROLLER LEVER	1	EA
2	30440187	CONN .500 .313 .438	1	EA
3	3040070	NUT LKG HUB .500 APPLETON: P/N BL50 REG 801	1	EA
4	0113738	WIRE ASSEMBLY BOOM SWITCH	1	EA

ELECTRICAL



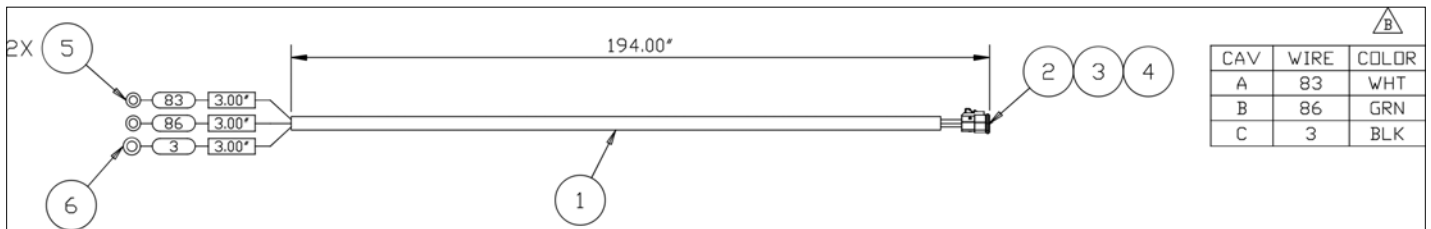
アイテム	部品番号	名前	数量	UOM
	0113735 A	BOOM SWITCH ASSEMBLY		EA
1	3020019	SWITCH ROLLER LEVER	1	EA
Not Shown	3020052	REPLACEMENT SWITCH	1	EA
2	3040187	CONN .500 .313 .438	1	EA
3	3040070	NUT LKG HUB .500 APPLETON: P/N BL50 REG 801	1	EA
4	0113736	WIRE ASSEMBLY LIFT/SWING SPEED	1	EA

ELECTRICAL



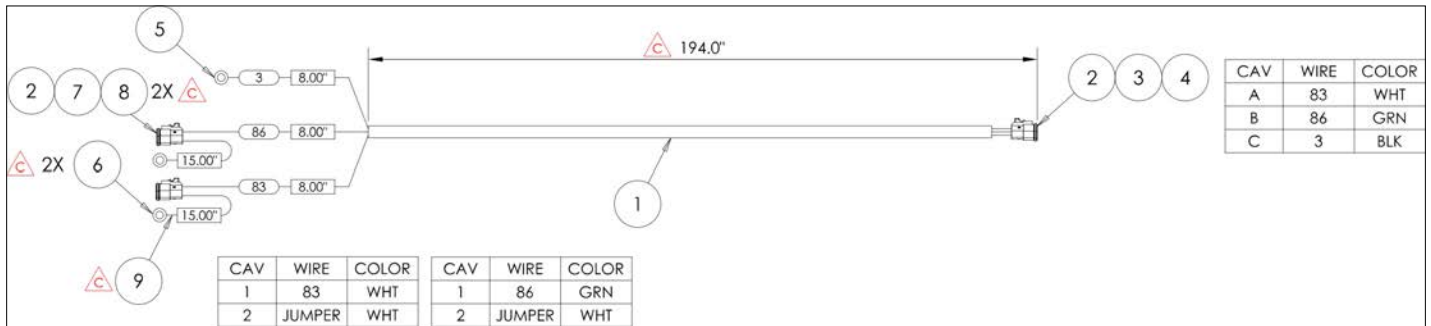
アイテム	部品番号	名前	数量	UOM
Not Shown	0113738 A	BOOM SWITCH WIRE ASSEMBLY		EA
1	3011803	CABLE 18GA/3 CONDUCTOR WIRE	6.8'	EA
2	3040342	SOCKET CONTACT SIZE 16 16/18GA	3	EA
3	3049822	DEUTSCH WEDGE W3S	1	EA
4	3049820	DEUTSCH CONN DT06 3S	1	EA
5	3044142	TERM, .250 TAB 12/10, MALE F.I.	3	EA

ELECTRICAL



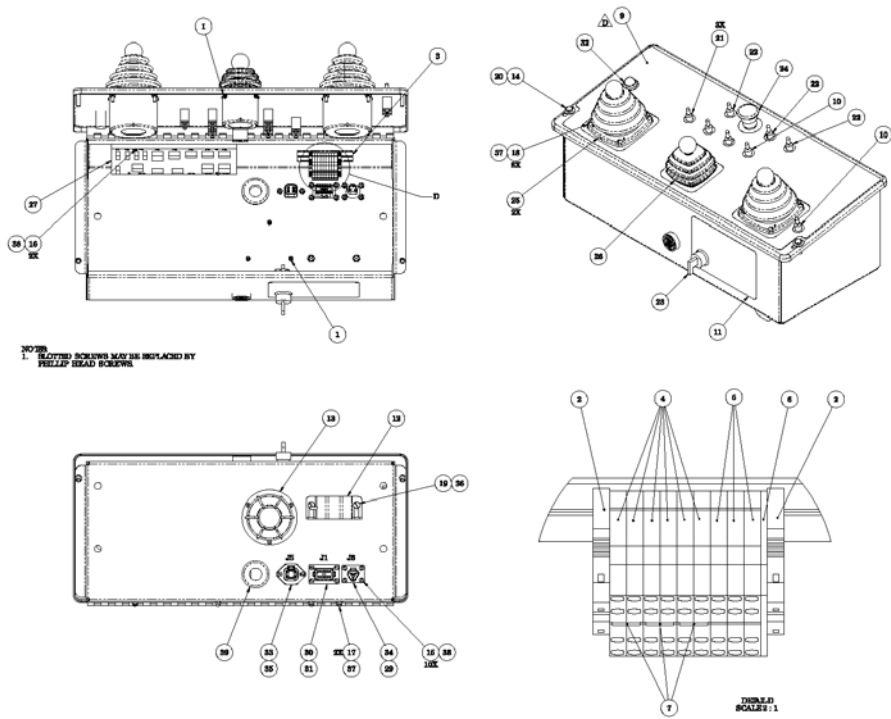
アイテム	部品番号	名前	数量	UOM
Not Shown	0113739 B	PLATFORM/JIB SELECTOR HARNESS		EA
1	3011803	CABLE 18GA/3 CONDUCTOR WIRE	16.4'	EA
2	3040342	SOCKET CONTACT SIZE 16 16/18GA	3	EA
3	3049822	DEUTSCH WEDGE W3S	1	EA
4	3049820	DEUTSCH CONN DT06 3S	1	EA
5	3044146	TERM R10I 22/18	2	EA
6	3049952	TERM R250I 22/18	1	EA

ELECTRICAL

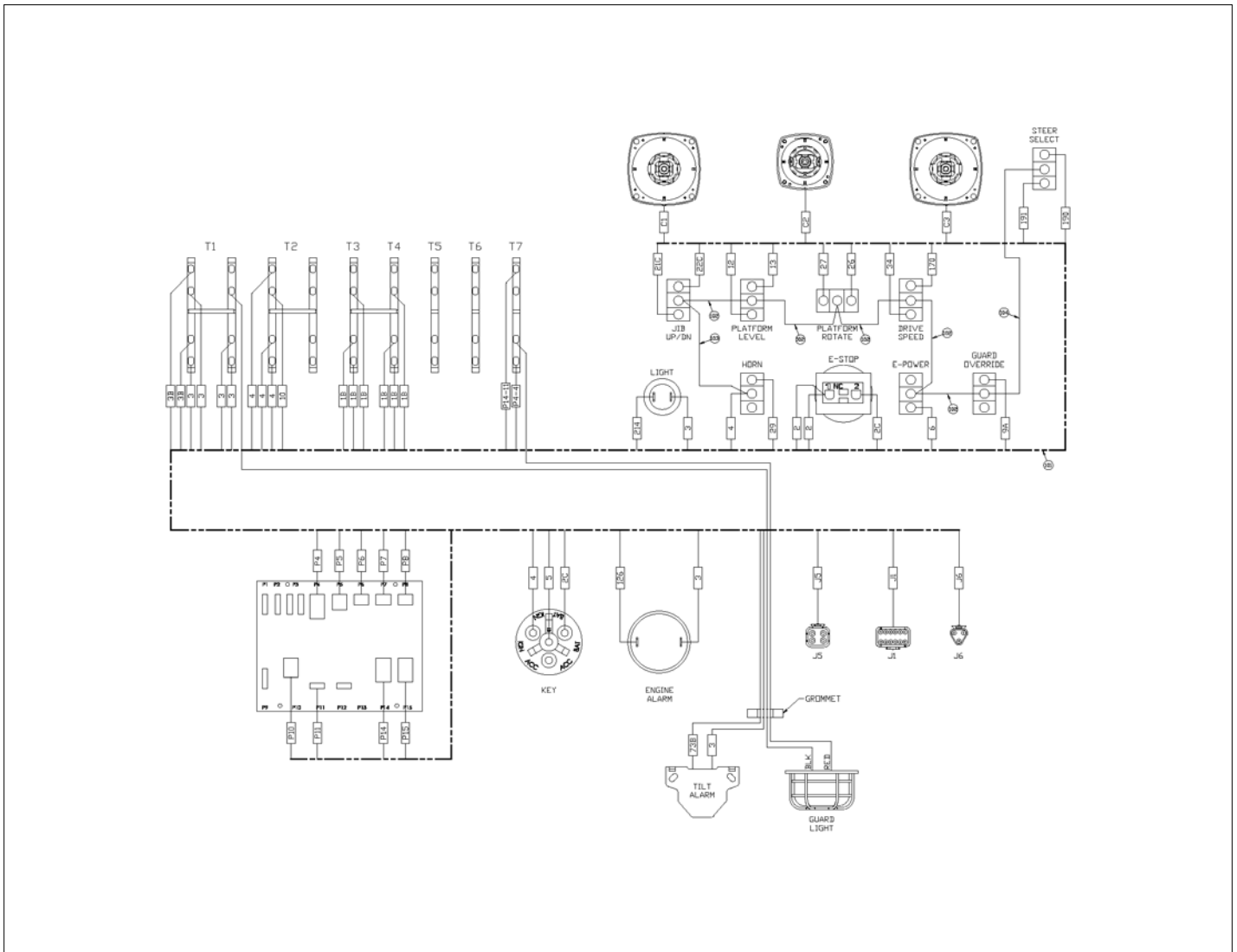


アイテム	部品番号	名前	数量	UOM
	0113739 C	PLATFORM JIB SELECTOR HARNESS OCTOBER 2019 AND AFTER		EA
1	3011803	CABLE 18GA/3 CONDUCTOR WIRE	16.4	EA
2	3040342	SOCKET CONTACT SIZE 16 16/18GA	7	EA
3	3049822	DEUTSCH WEDGE W3S	1	EA
4	3049820	DEUTSCH CONN DT06 3S	1	EA
5	3049952	TERM R250I 22/18	2	EA
6	961089	TERM R101 16/14	2	EA
7	3049803	CONNECTOR 2 PIN DEUTSCH PLUG	2	EA
8	3049807	LOCK WEDGE 2 PIN DEUTSCH PLUG	2	EA
9	3011641	WIRE 16GA SINGLE CONDUCTOR WHT	30	EA

ELECTRICAL

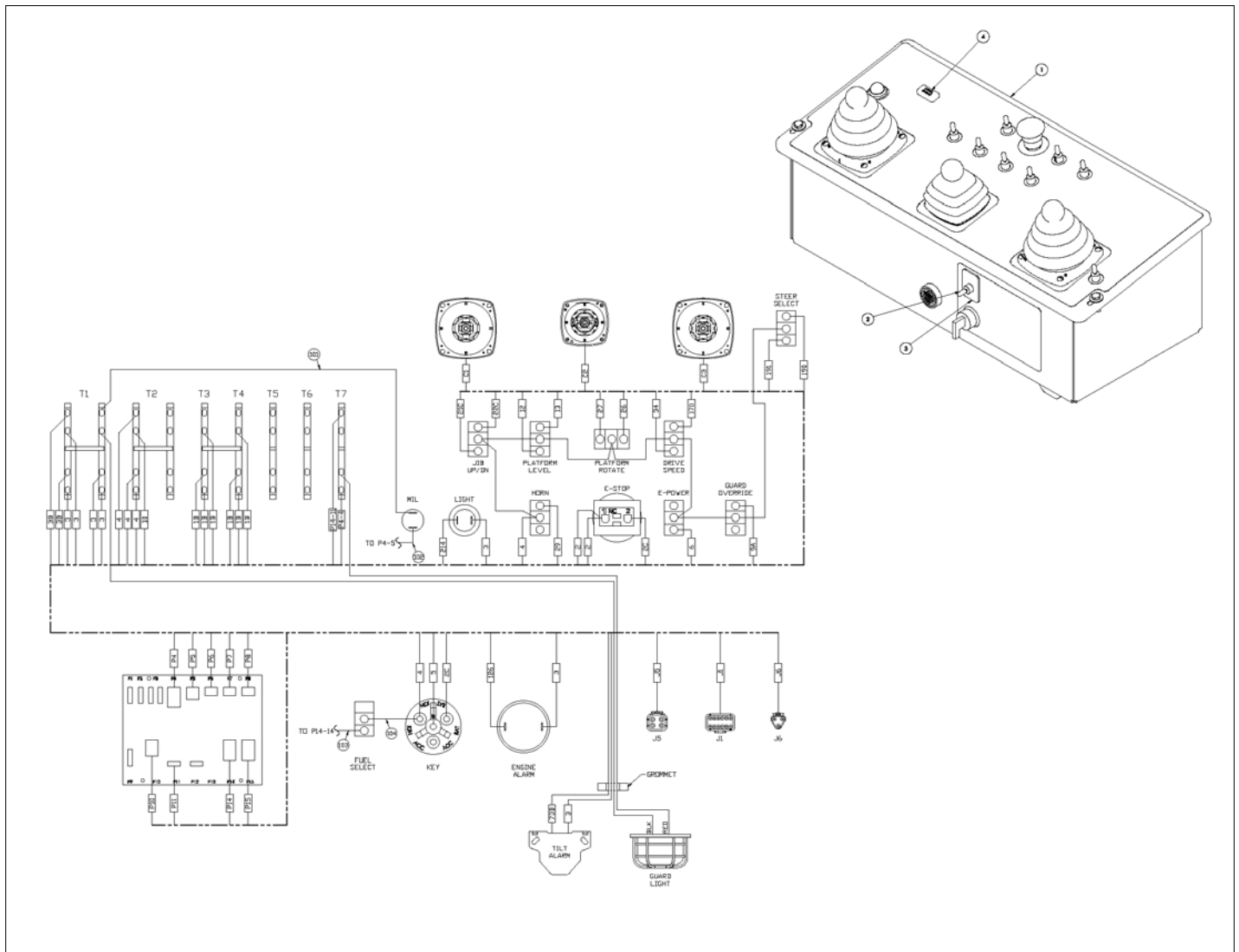


アイテム	部品番号	名前	数量	UOM
	0113710 D	PLATFORM CONTROL BOX ASSEMBLY PG		EA
1	056066 004	NUT NYLOCK DIN985 M4 8.0 ZP	7	EA
2	67660 006	END BLOCK TERMINAL	2	EA
3	67893 001	DIN RAIL 4 in LG	1	EA
4	68698 001	BLOCK TERMINAL TAN	6	EA
5	68698 002	BLOCK TERMINAL BLUE	3	EA
6	68698 004	END CAP TERMINAL BLOCK	1	EA
7	98773 002	JUMPER, 2 PIN	3	EA
Not Shown	0113729	WLDMT PLATF CONT BOX PG	1	EA
9	0113963	PLACARD PLATFORM CONTROLS PG	1	EA
10	239926	SW TGL SPDT(ON/OFF/ON)	2	EA
11	0260923	PLACARD FRONT BLANK PLATF BOX	1	EA
12	480652	ALARM97DBA DUAL TONE 12/24V	1	EA
13	514404 001	FLASHING BEACON BLUE	1	EA
14	970049	BLT HEXHD .250 20 1.00 GR5 GRADE 5 PLT SAME AS 970189	2	EA
15	974439	ROUND HEAD SCREW 8 32 X .50	10	EA
16	974479	SCR RDH 8 32 1.00	2	EA
17	5560585	MACHINE SCREW, PAN HD, SLOTTED, #10 32 UNF X .50 MTS 16, 18	2	EA
18	974569	MACHINE SCREW, RND HD, SLOTTED, #10 32 UNF X 1.00 MTS 16, 18	8	EA
19	975089	SCR RDH MACH .25 20 .75	2	EA
20	986019	WSHR FLAT .250	2	EA
21	3020016	Switch, Toggle Honeywell INTI 7	3	EA
22	3020080	TOGGLE SWITCH	3	EA



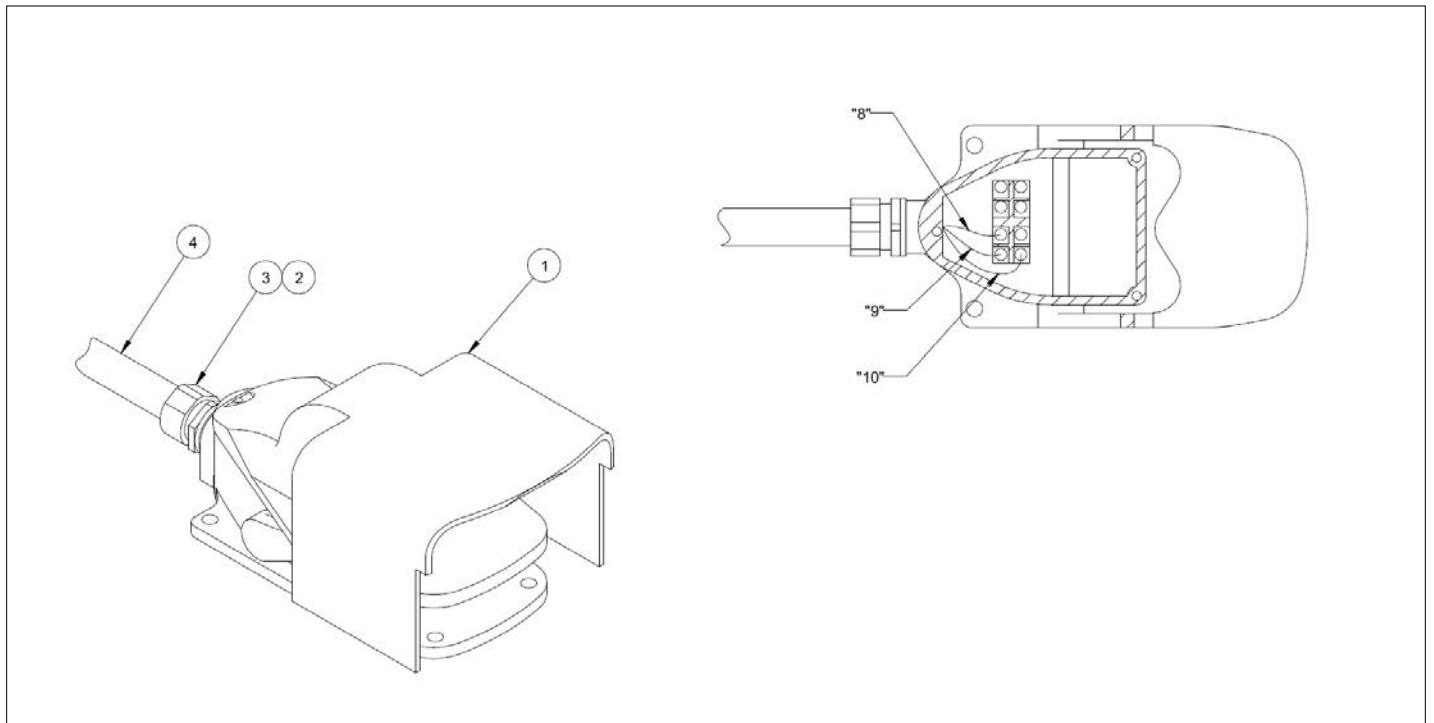
アイテム	部品番号	名前	数量	UOM
23	3020090	SW ANTI RESTART IGNITION	1	EA
24	3028810	PUSH/PULL EMERGENCY STOP	1	EA
25	3028852	BOOM TURRET AND DRIVE STICK CONTROLLER	2	EA
26	3028854	SINGLE AXIS TELESCOPE CONTROLLER 600S/660SJ	1	EA
27	3030173	GP440	1	EA
Not Shown	3040411	Alarm Buzzer	1	EA
29	3049823	LOCK WEDGE. 3 PIN	1	EA
30	3049837	CONNECTOR 12 PIN BHD	1	EA
31	3049849	LOCK WEDGE 12 PIN DEUTSCH REC	1	EA
32	3069524	LIGHT RED LED 12V	1	EA
33	3220089	DEUTSCH 4 PIN BLKHD CON DTP04 4P L012	1	EA
34	3220105	CONNECTOR, 3 PIN BHD	1	EA
35	3220276	LOCK WEDGE 4 PIN WP 4P	1	EA
36	5560004	NUT LKG .250 20	2	EA
37	5560038	NUT LKG 10 32	10	EA
38	5560198	NUT HEX LKG 8 32	12	EA
39	5563370	GROMMET .875ID 1.625DIA	1	EA
101	0113749	HARNESS INTERNAL PLATFORM PG	1	EA
102	0070747	WIRE 16 R6I R6I 3	5	EA
103	0070730	WIRE 16 R6I R6I 5.5	1	EA
104	0070753	WIRE 16 R6I R6I 12	1	EA

ELECTRICAL



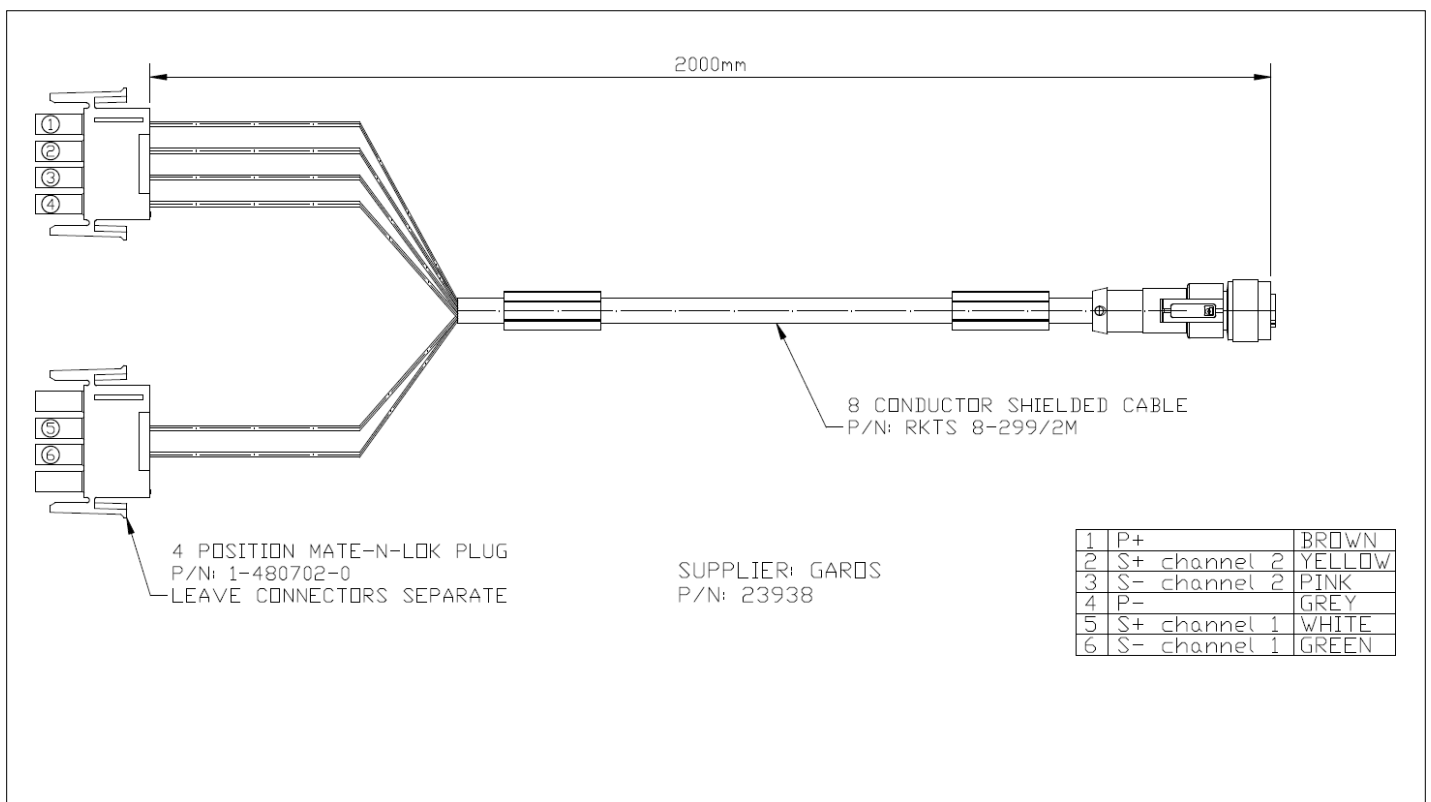
アイテム	部品番号	名前	数量	UOM
	0113898 C	PLATFORM CONTROL BOX ASSEMBLY DUAL FUEL		EA
1	0113710	ASSY PLAT CONT BOX TB86JFA PG	1	EA
2	3020013	Switch, Toggle Honeywell INTI 2	1	EA
3	0113929	PLAC LP GAS/GASOLINE FUEL	1	EA
4	3069527	CHECK ENGINE LIGHT	1	EA
101	0421110	WIRE 16 FEM250FI NONE 19	1	EA
102	0260976	WIRE 16GA FEM250FI AMP SOCKET 16	1	EA
103	0260973	WIRE 16GA R6I AMP SOCKET 28	1	EA
104	0070735	WIRE 12 R6I R10I 3	1	EA

ELECTRICAL

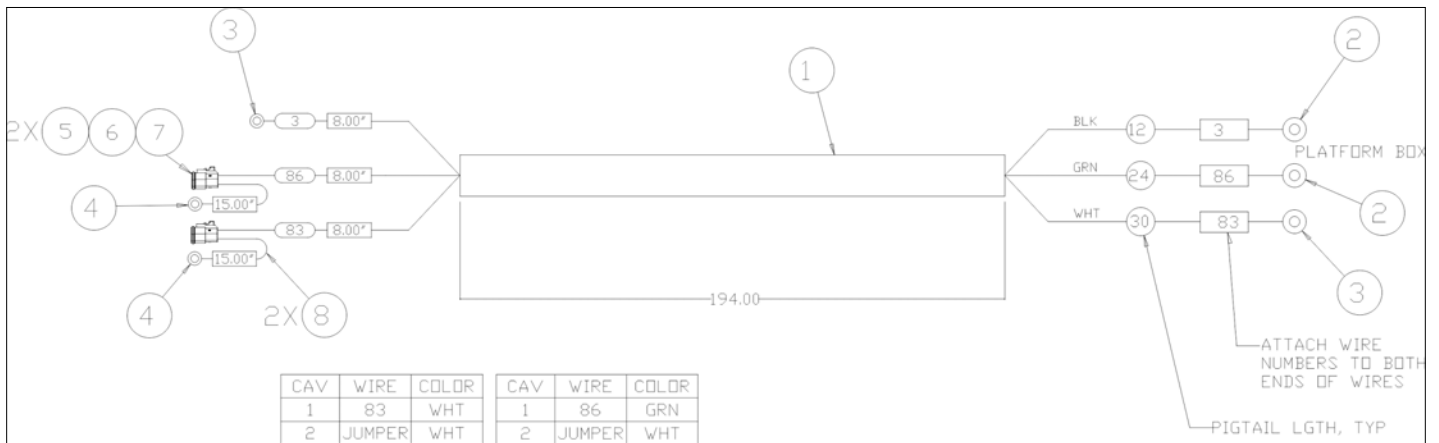


アイテム	部品番号	名前	数量	UOM
	0113750 B	FOOT SWITCH ASSEMBLY PG		EA
1	3020021	Foot Switch	1	EA
2	3040110	NUT LKG HUB .750 SAMEAS 962129	1	EA
3	3040285	CONN .75 .375 .500	1	EA
4	511633 000	FOOT SWITCH HARNESS	1	EA

ELECTRICAL

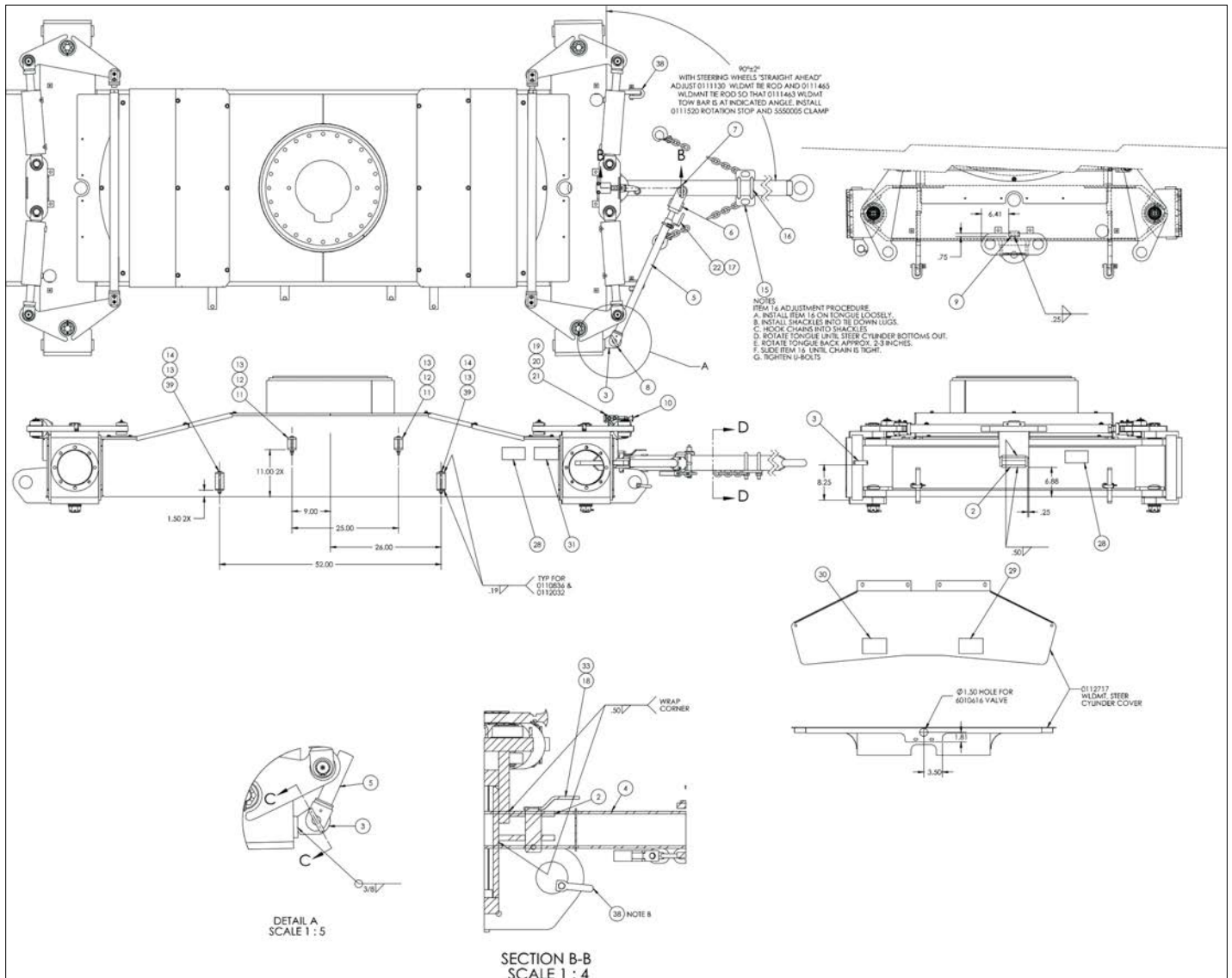


ELECTRICAL

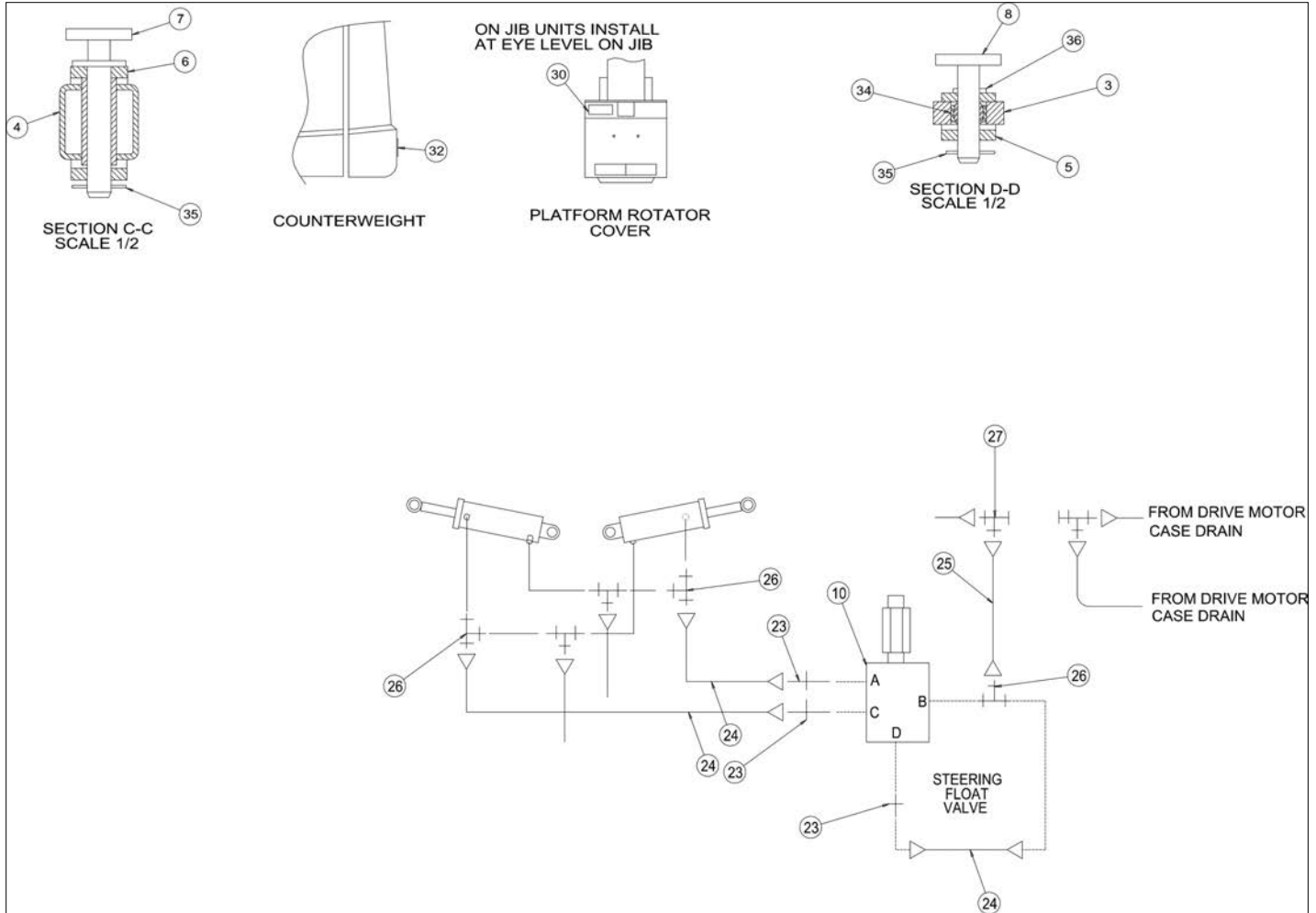


アイテム	部品番号	名前	数量	UOM
	0084754 C	PLATFORM JIB SELECTOR WIRE ASSEMBLY OCTOBER 2019 AND AFTER		EA
1	3011803	CABLE 18GA/3 CONDUCTOR WIRE	19FT	EA
2	3044146	TERM R10I 22/18	2	EA
3	3049952	TERM R250I 22/18	2	EA
4	961089	TERM R101 16/14	2	EA
5	3020342	SOCKET CONTACT SIZE 16 16/18GA	4	EA
6	3049803	CONNECTOR 2 PIN DEUTSCH PLUG	2	EA
7	3049807	LOCK WEDGE 2 PIN DEUTSCH PLUG	2	EA
8	3011641	WIRE 16GA SINGLE CONDUCTOR WHT	30	EA

OPTIONS

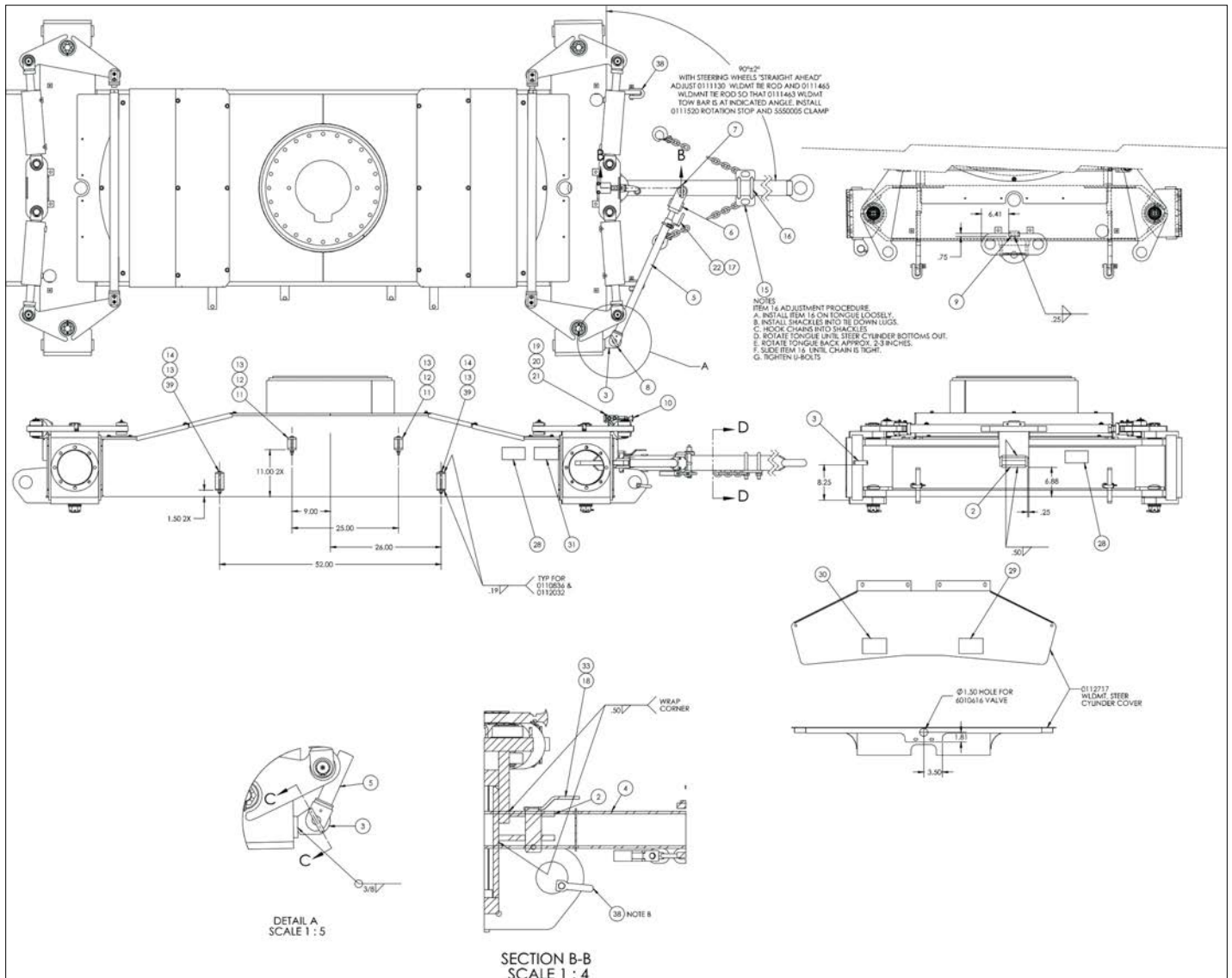


アイテム	部品番号	名前	数量	UOM
*	0113049 C	TOW KIT		EA
Not Shown	PNNA	CHASSIS	1	EA
2	0421603	WLDMT BRKT CHASSIS	1	EA
3	0080884	STEERING LUG	1	EA
4	0421612	TOW BAR WLDMNT LONG	1	EA
5	0111130	TIE ROD	1	EA
6	0111465	WLDMT TIE ROD	1	EA
7	0110833	DRAG LING PIN WLDMT	1	EA
8	0110943	WELDMNT PIN DRAG	1	EA
9	0421602	VALVE MNT	1	EA
10	6010616	FLOAT VALVE	1	EA
11	0110836	CRADLE DRAG LINK	2	EA
12	971009	CAP SCREW 1/2 13 X 4 INCH LONG HEX HEAD GRADE 5	2	EA
13	5560039	NUT HEX LKG .500 13	4	EA
14	0112032	TOW BAR STORAGE CRADLE	2	EA
15	0181676	WLDMT CHAIN/PLATE	1	EA
16	0181675	BLT SQU .75 16 5.50 GR5 INCL NUTS AND WASHERS PART #U	2	EA
17	5550005	CLP EXH 1.75	1	EA
18	0421606	TOW BAR PIN	1	EA
19	986019	WSHR FLAT .250	2	EA
20	987099	WSHR LOCK .250	2	EA
21	969989	BLT HEXHD .250 20 1.75 GR5	2	EA
22	0111520	ROTATION STOP	1	EA
23	5065707	FTG ADPTR STRTHD 6B 6S STL PH	3	EA
24	0060297	HOSE 4 6S 6S 28 100R2	3	EA
25	0070780	HOSE 4 6S 6S 36 100R1	1	EA
26	5036105	SWIVEL NUT 90 DEG ELBOW	3	EA

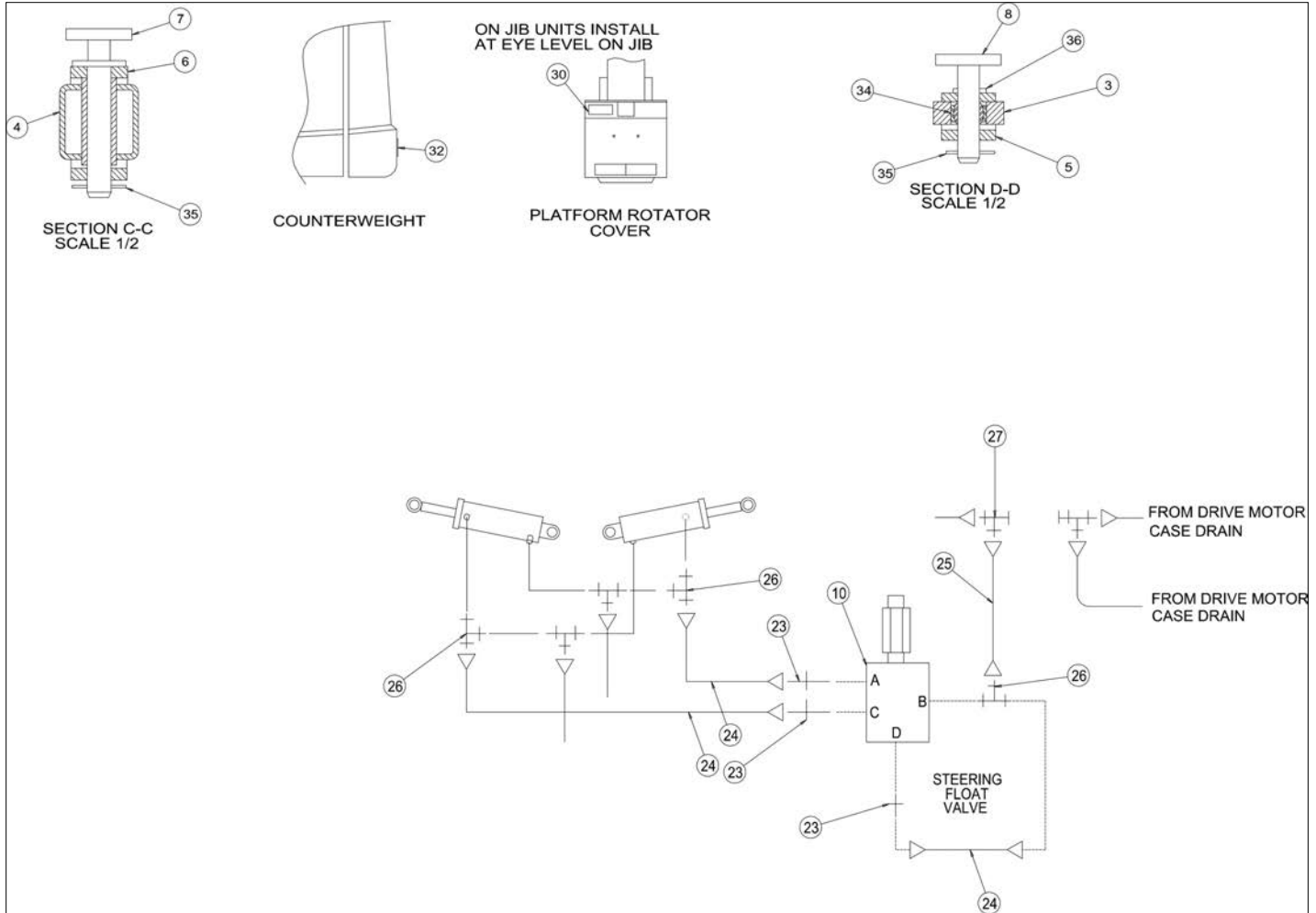


アイテム	部品番号	名前	数量	UOM
27	5036705	FTG TEE SWVL RUN 6S 6S STL	1	EA
28	0421613	DECAL TOWING INSTRUCTIONS	2	EA
29	0090760	DECAL STEERING FLOAT VALVE TOW PACKAGE	1	EA
30	0082164	DECAL DNGR DO NOT RIDE PLATF	1	EA
31	0082160	DECAL, DANGER TOW PACKAGE	1	EA
32	0082203	DECAL, DANGER CRUSHING HAZARD	1	EA
33	5580002	PIN SNAPPER	1	EA
34	2690001	BUSHING, 1 INCH SPHERICAL PLAIN	1	EA
35	5561550	HAIRPIN COTTER, LEITZKE #2108	2	EA
36	5560189	PIN ROLL .188DIA 1.25LG	1	EA
37	0181466	DECAL TOP/BOTTOM	1	EA
38	5563994	FORGED ANCHORSHACKEL 1.47 DIA	2	EA
39	5560343	BLT HEXHD .500 13 5.00 GR8	2	EA

OPTIONS



アイテム	部品番号	名前	数量	UOM
	0113049 B	TOW KIT		EA
Not Shown	PNNA	CHASSIS	1	EA
2	0421603	WLDMT BRKT CHASSIS	1	EA
3	0080884	STEERING LUG	1	EA
4	0421612	TOW BAR WLDMNT LONG	1	EA
5	0111130	TIE ROD	1	EA
6	0111465	WLDMT TIE ROD	1	EA
7	0110833	DRAG LING PIN WLDMT	1	EA
8	0110943	WELDMNT PIN DRAG	1	EA
9	0421602	VALVE MNT	1	EA
10	6010616	FLOAT VALVE	1	EA
11	0110836	CRADLE DRAG LINK	2	EA
12	971009	CAP SCREW 1/2 13 X 4 INCH LONG HEX HEAD GRADE 5	2	EA
13	5560039	NUT HEX LKG .500 13	4	EA
14	0112032	TOW BAR STORAGE CRADLE	2	EA
15	0181676	WLDMT CHAIN/PLATE	1	EA
16	0181675	BLT SQU .75 16 5.50 GR5 INCL NUTS AND WASHERS PART #U	2	EA
17	5550005	CLP EXH 1.75	1	EA
18	0421606	TOW BAR PIN	1	EA
19	986019	WSHR FLAT .250	2	EA
20	987099	WSHR LOCK .250	2	EA
21	969989	BLT HEXHD .250 20 1.75 GR5	2	EA
22	0111520	ROTATION STOP	1	EA
23	5065707	FTG ADPTR STRTHD 6B 6S STL PH	3	EA
24	0060297	HOSE 4 6S 6S 28 100R2	3	EA
25	0070780	HOSE 4 6S 6S 36 100R1	1	EA
26	5036105	SWIVEL NUT 90 DEG ELBOW	3	EA



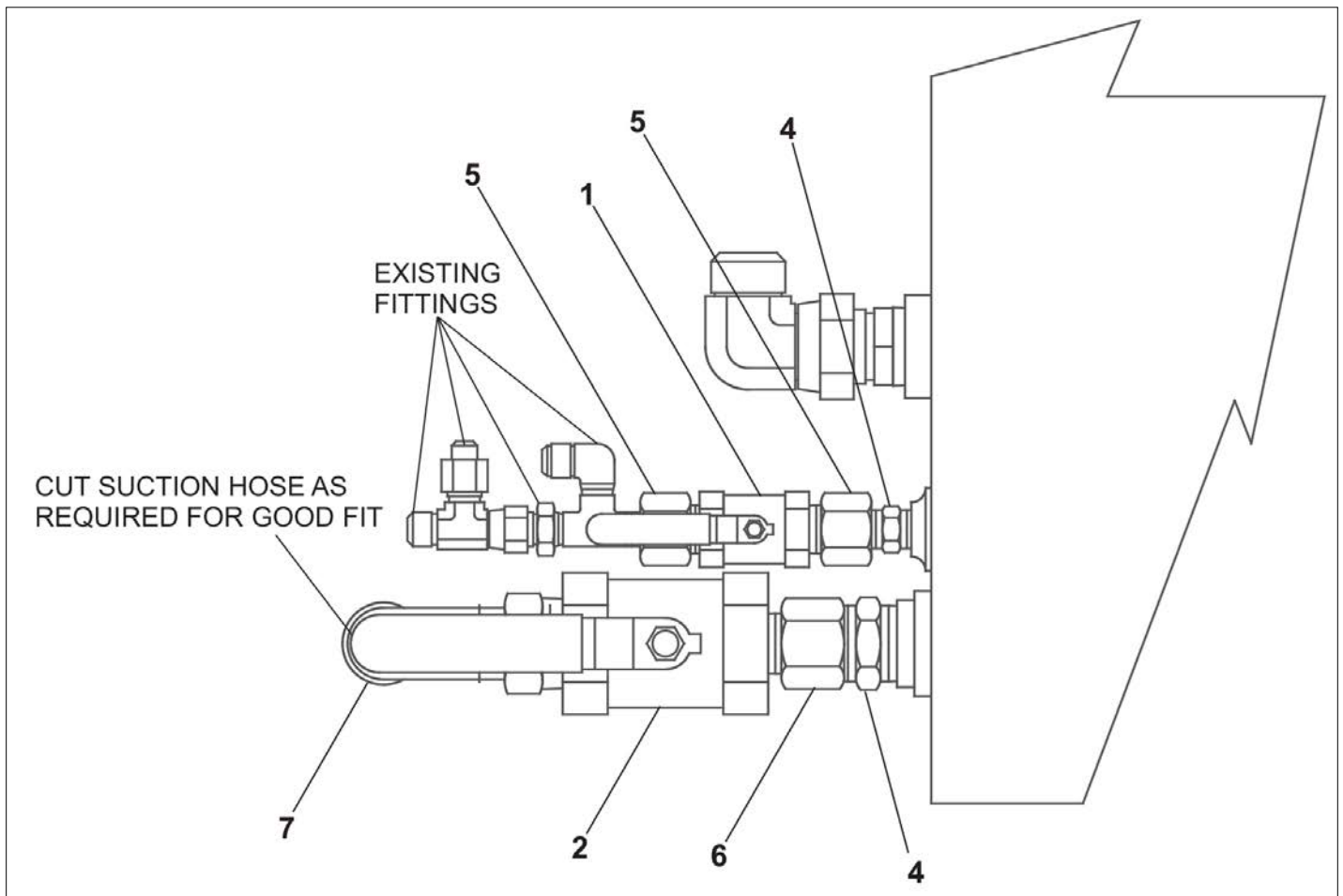
アイテム	部品番号	名前	数量	UOM
27	5036705	FTG TEE SWVL RUN 6S 6S STL	1	EA
28	0421613	DECAL TOWING INSTRUCTIONS	2	EA
29	0090760	DECAL STEERING FLOAT VALVE TOW PACKAGE	1	EA
30	0082164	DECAL DNGR DO NOT RIDE PLATF	1	EA
31	0082160	DECAL, DANGER TOW PACKAGE	1	EA
32	0082203	DECAL, DANGER CRUSHING HAZARD	1	EA
33	5580002	PIN SNAPPER	1	EA
34	2690001	BUSHING, 1 INCH SPHERICAL PLAIN	1	EA
35	5561550	HAIRPIN COTTER, LEITZKE #2108	2	EA
36	5560189	PIN ROLL .188DIA 1.25LG	1	EA
37	0181466	DECAL TOP/BOTTOM	1	EA
38	5563102	FORGED ANCHOR SHACKLE 1.00 DIA	2	EA
39	5560343	BLT HEXHD .500 13 5.00 GR8	2	EA

OPTIONS

**NO IMAGE AVAILABLE
(BOM FOR REFERENCE ONLY)**

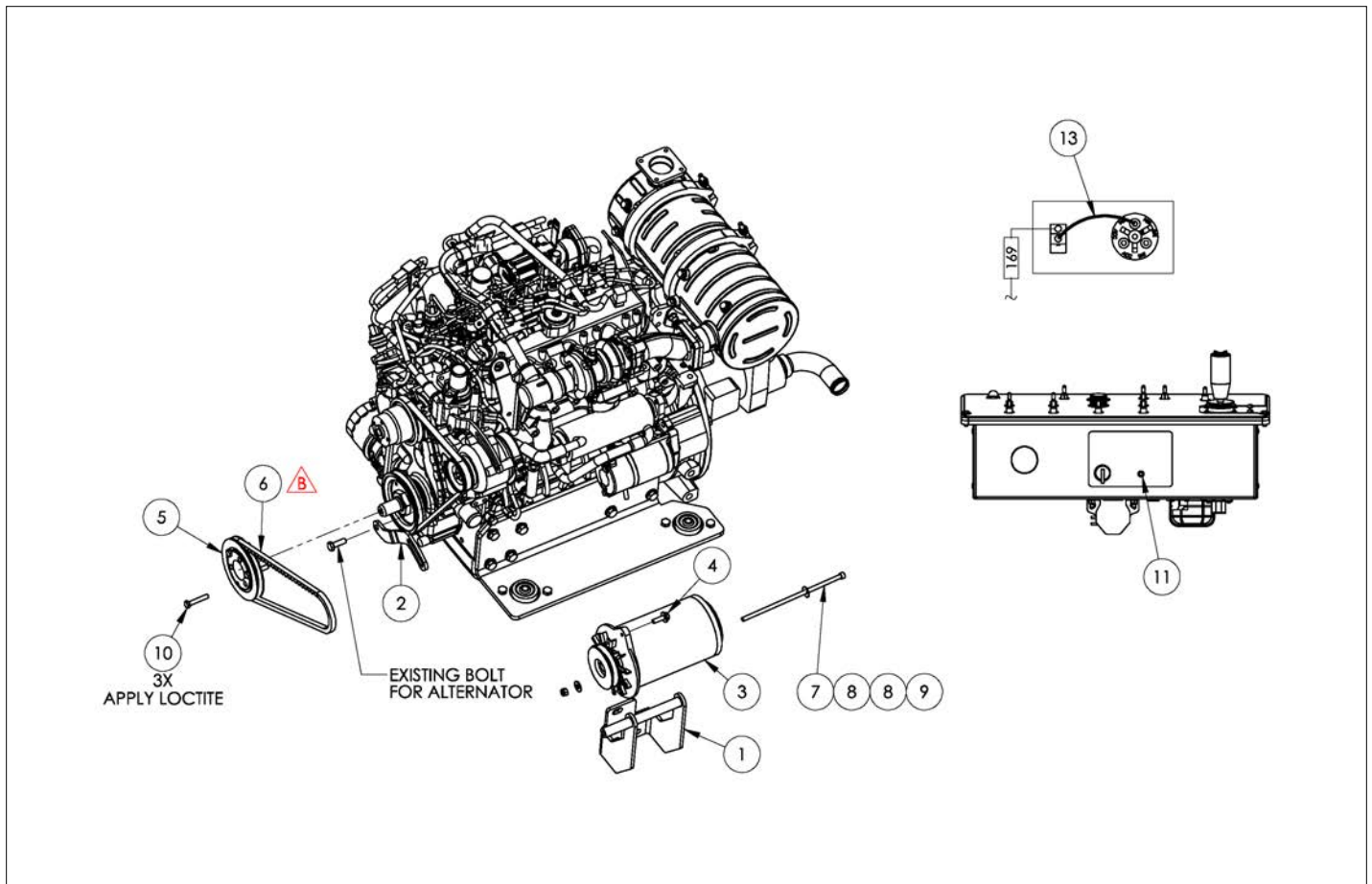
アイテム	部品番号	名前	数量	UOM
	0113671A	V2403 SCRUBBER OPTION		EA
1	0113670	DECAL CATALYTIC CONVERTER	1	EA
2	0260042S	MODIFIED MUFFLER V2403 SCRUBBER	1	EA

OPTIONS



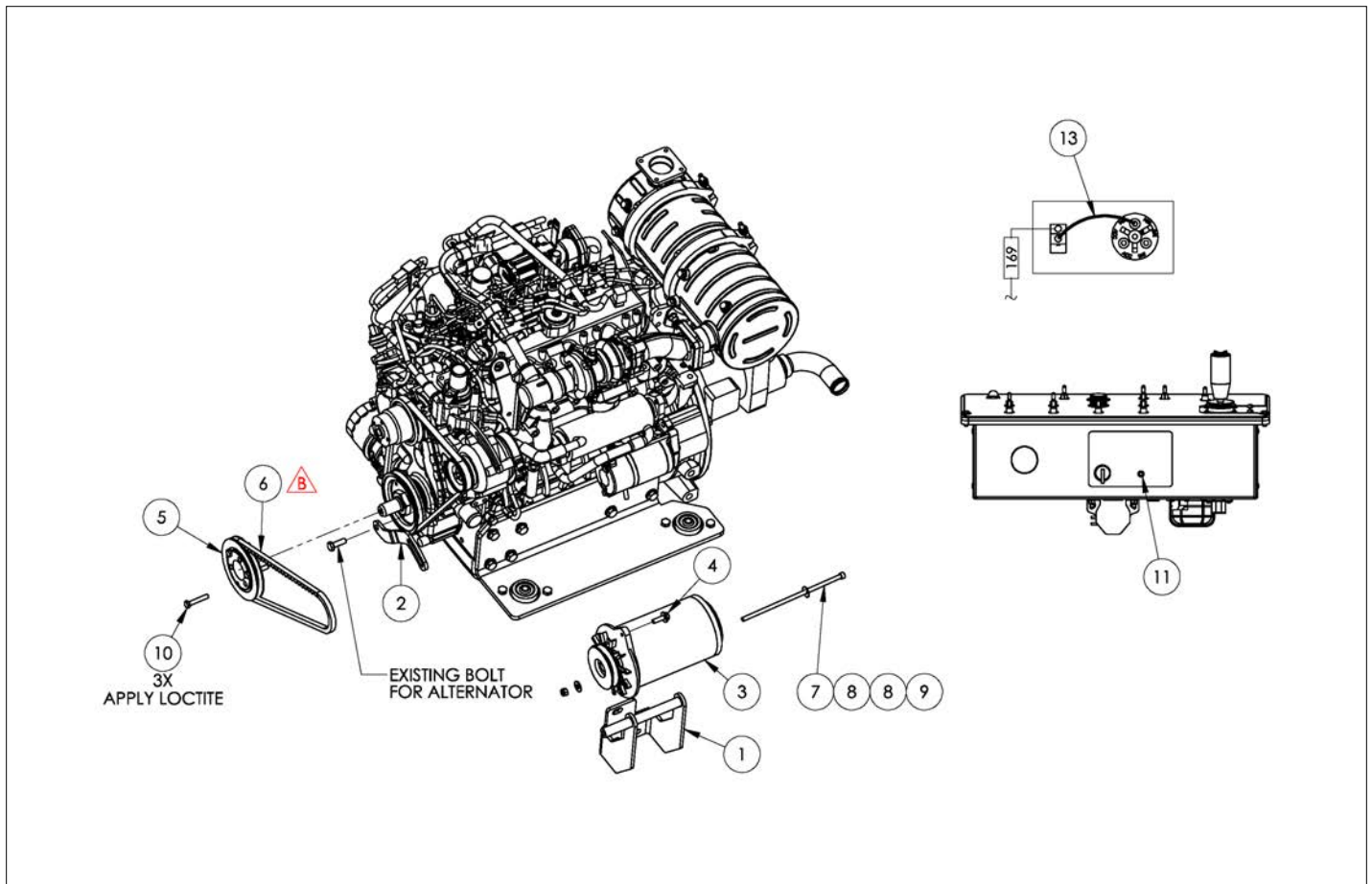
アイテム	部品番号	名前	数量	UOM
Not Shown	0112151	ISOLATOR VALVE INSTALLATION		EA
1	6010495	BALL VALVE	1	EA
2	6010498	BALL VALVE	1	EA
3	7740014	CLOSE NIPPLE 1/2 NPT	1	EA
4	7740110	CLOSE NIPPLE 1 1/4 NPT	1	EA
5	7720604	REDUCER BUSHING 3/4 X 1/2	1	EA
6	7721210	REDUCER BUSHING 1 1/2 X 1 1/4	2	EA
7	5031008	STREET ELBOW 90 ° 1 1/2 NPT	1	EA
8	A11022B	ISOLATOR VALVE INSTALLATION OPTION -NOT SHOWN		EA

OPTIONS



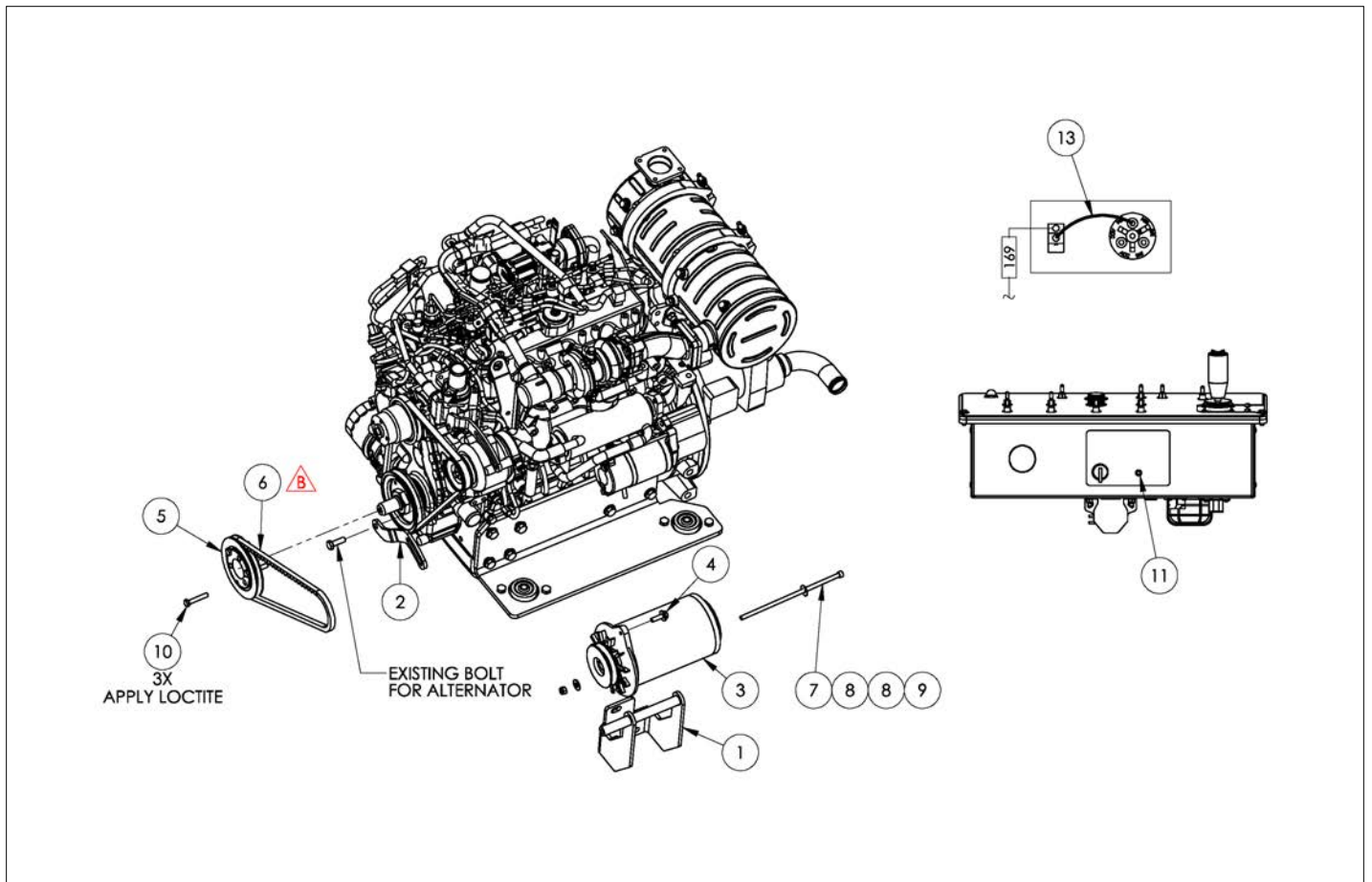
アイテム	部品番号	名前	数量	UOM
	0114009 B	BELT GENERATOR 2.4KW KUBOTA V2403 OR WG2503 MAY 2019 AND AFTER		EA
1	0114007 8	WLDMNT, GEN MNT	1	EA
2	0114008 8	BRKT, GEN TENSIONER	1	EA
3	3087845	GENERATOR, 2.5KW, SINGLE "V"	1	EA
4	5563810	FLGHCS 5/16 18 X 1IN YZ GR8	1	EA
5	7631243	PULLEY, 130MM V BELT	1	EA
6	7631245	BELT, COGGED V BELT 10MMX955MM	1	EA
7	5563809	BLT SHCS 5/16 18 X 9IN YZ GR8	1	EA
8	986269	WSHR FLAT .313	2	EA
9	5560031	NUT HEX LKG .313 18	1	EA
10	056059 045	Bolt, HexBolt DIN931 M8 x 45mm	3	EA
11	3020013	Switch, Toggle Honeywell INTI 2	1	EA
12	0261227	HARNESS, 2KW GENERATOR	1	EA
13	0073781	WIRE 16 R10I R6I 6	1	EA

OPTIONS



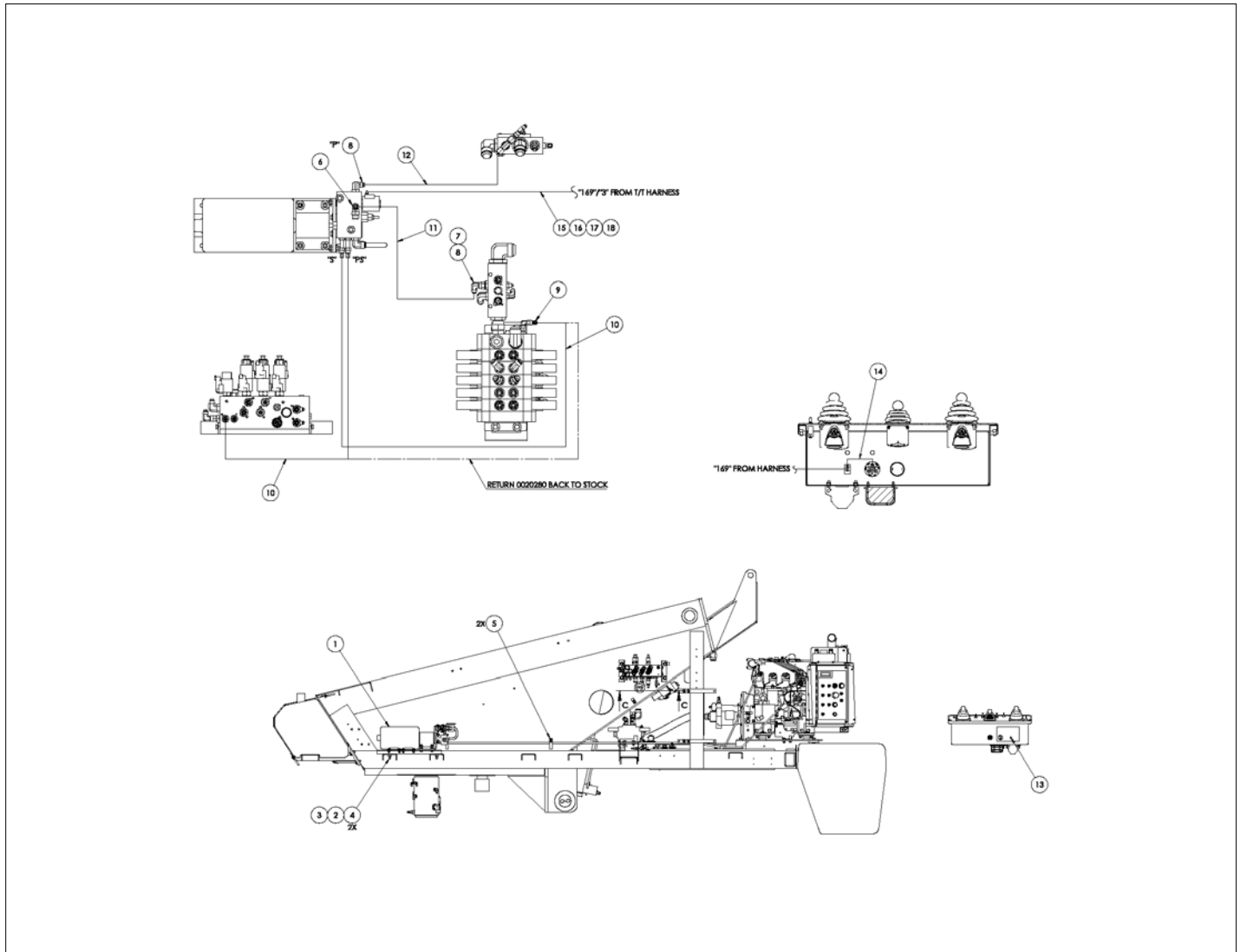
アイテム	部品番号	名前	数量	UOM
*	0114009 C	BELT GENERATOR 2.4KW KUBOTA V2403 OR WG2503 MAY 2019 AND AFTER		EA
1	0114007 8	WLDMNT, GEN MNT	1	EA
2	0114008 8	BRKT, GEN TENSIONER	1	EA
3	3087845	GENERATOR, 2.5KW, SINGLE "V"	1	EA
4	5563810	FLGHCS 5/16 18 X 1IN YZ GR8	1	EA
5	7631243	PULLEY, 130MM V BELT	1	EA
6	7631245	BELT, COGGED V BELT 10MMX955MM	1	EA
7	5563809	BLT SHCS 5/16 18 X 9IN YZ GR8	1	EA
8	986269	WSHR FLAT .313	2	EA
9	5560031	NUT HEX LKG .313 18	1	EA
10	056059 045	Bolt, HexBolt DIN931 M8 x 45mm	3	EA
11	3020013	Switch, Toggle Honeywell INTI 2	1	EA
12	0261227	HARNESS, 2KW GENERATOR	1	EA
13	0073781	WIRE 16 R10I R6I 6	1	EA
14	0151459	DECAL AC GEN SW	1	EA

OPTIONS



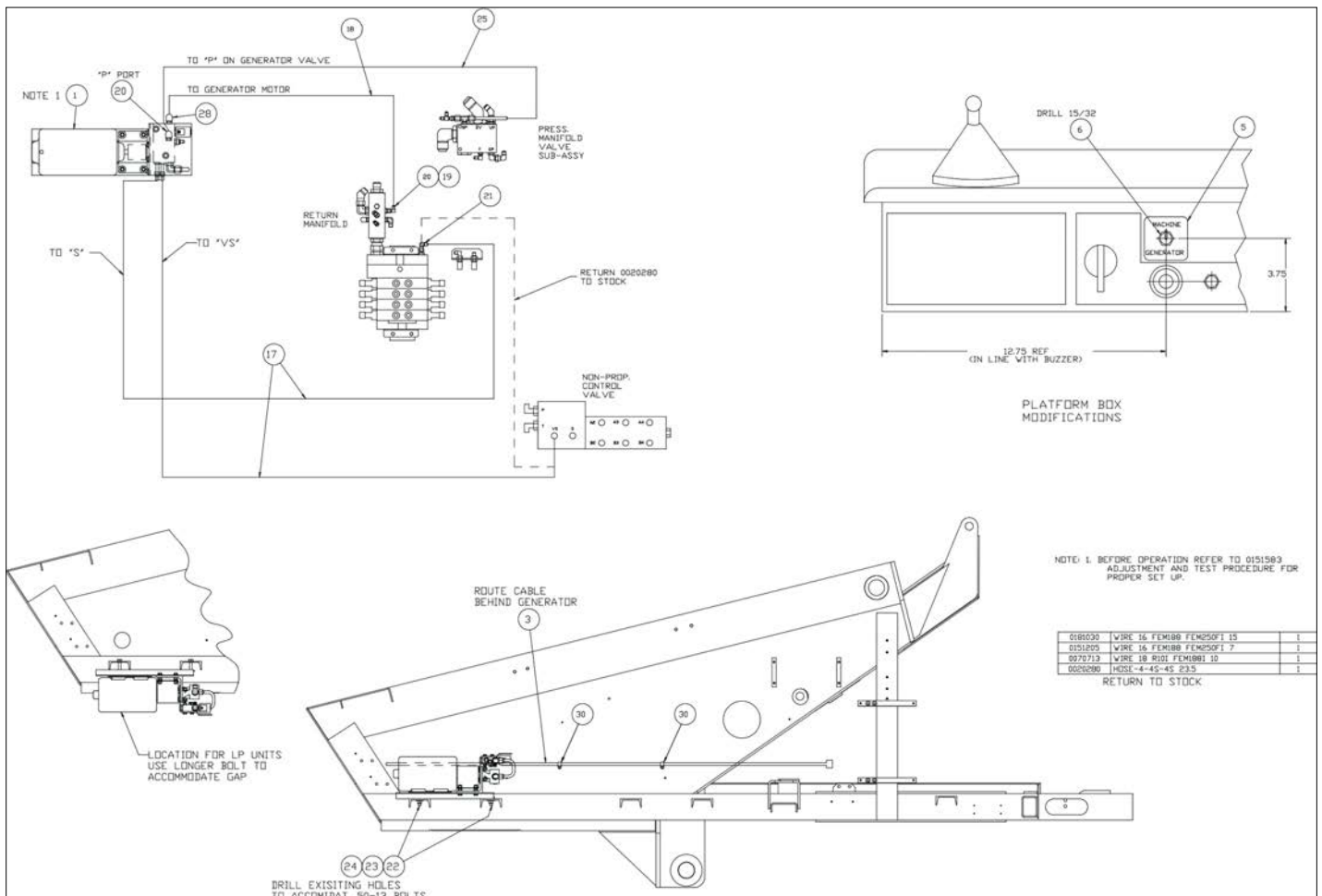
アイテム	部品番号	名前	数量	UOM
*	0114009 A	V2403 KUBOTA WG2503 2.4KW BELT GENERATOR		EA
1	0114007 8	WLDMNT, GEN MNT	1	EA
2	0114008 8	BRKT, GEN TENSIONER	1	EA
3	3087845	GENERATOR, 2.5KW, SINGLE "V"	1	EA
4	5563810	FLGHCS 5/16 18 X 1IN YZ GR8	1	EA
5	7631243	PULLEY, 130MM V BELT	1	EA
6	7631245	BELT, COGGED V BELT 10MMX955MM	1	EA
7	5563809	BLT SHCS 5/16 18 X 9IN YZ GR8	1	EA
8	986269	WSHR FLAT .313	2	EA
9	5560031	NUT HEX LKG .313 18	1	EA
10	056059 045	Bolt, HexBolt DIN931 M8 x 45mm	3	EA
11	3020013	Switch, Toggle Honeywell INTI 2	1	EA
12	0261227	HARNESS, 2KW GENERATOR	1	EA
13	0073781	WIRE 16 R10I R6I 6	1	EA

OPTIONS

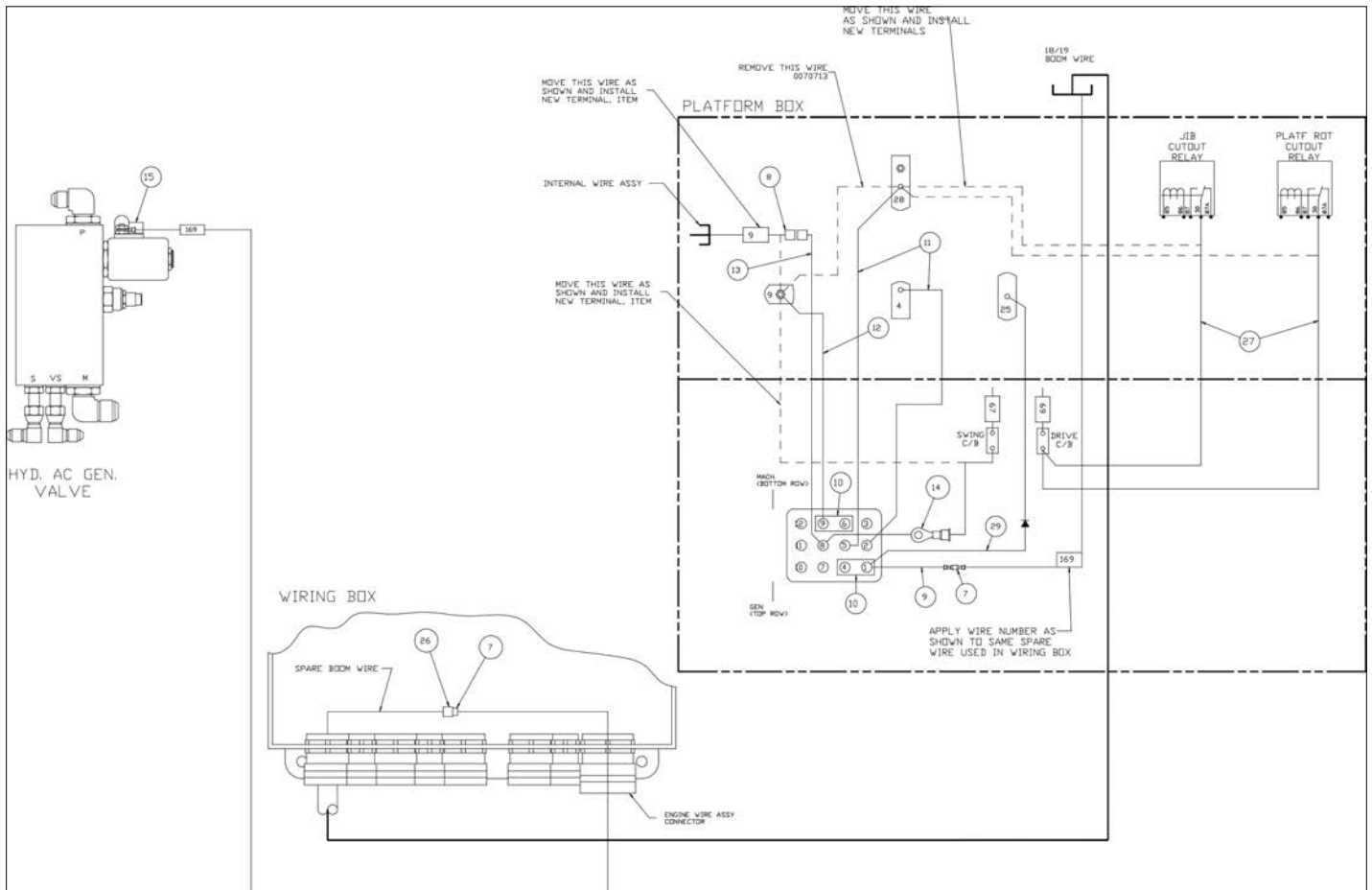


アイテム	部品番号	名前	数量	UOM
	0113764 A	HYDRAULIC AC GEN 110V INSTALLATION PG		EA
1	0151471	HYDRAULIC POWERED AC GENERATOR	1	EA
2	986359	FLATWASHER 1/2"	2	EA
3	5560039	NUT HEX LKG .500 13	2	EA
4	970909	BLT HEXHD .500 13 1.50 GR5 PLA	2	EA
5	5093012	CLP CUSH 1.75 VINYL COATED	2	EA
6	5035320	ADAPTER 90 DEG ELBOW 8 SAE TO 6 JIC	1	EA
7	5065708	FTG, HYD 8 MB TO 6 MJIC	1	EA
8	5037005	TERM FEM F.I. .250 16/14	2	EA
9	5037003	FTG ELB90SWVL 4S 4S STL	1	EA
10	0070771	HOSE 4 4S 4S 77 100R1	2	EA
11	0073128	HOSE 6 6S 6S 57	1	EA
12	0111286	HOSE 6 6S 6S 84 100R2	1	EA
13	3020013	Switch, Toggle Honeywell INTI 2	1	EA
14	0073781	WIRE 16 R10I R6I 6	1	EA
15	3011641	WIRE 16GA SINGLE CONDUCTOR WHT	3'	EA
16	3090019	TUBE FLEXGARD .250 ID	3'	EA
17	3040046	TERM MALE250FI 22/18	1	EA
18	3040047	TERM FEM250FI 22/18	1	EA

OPTIONS

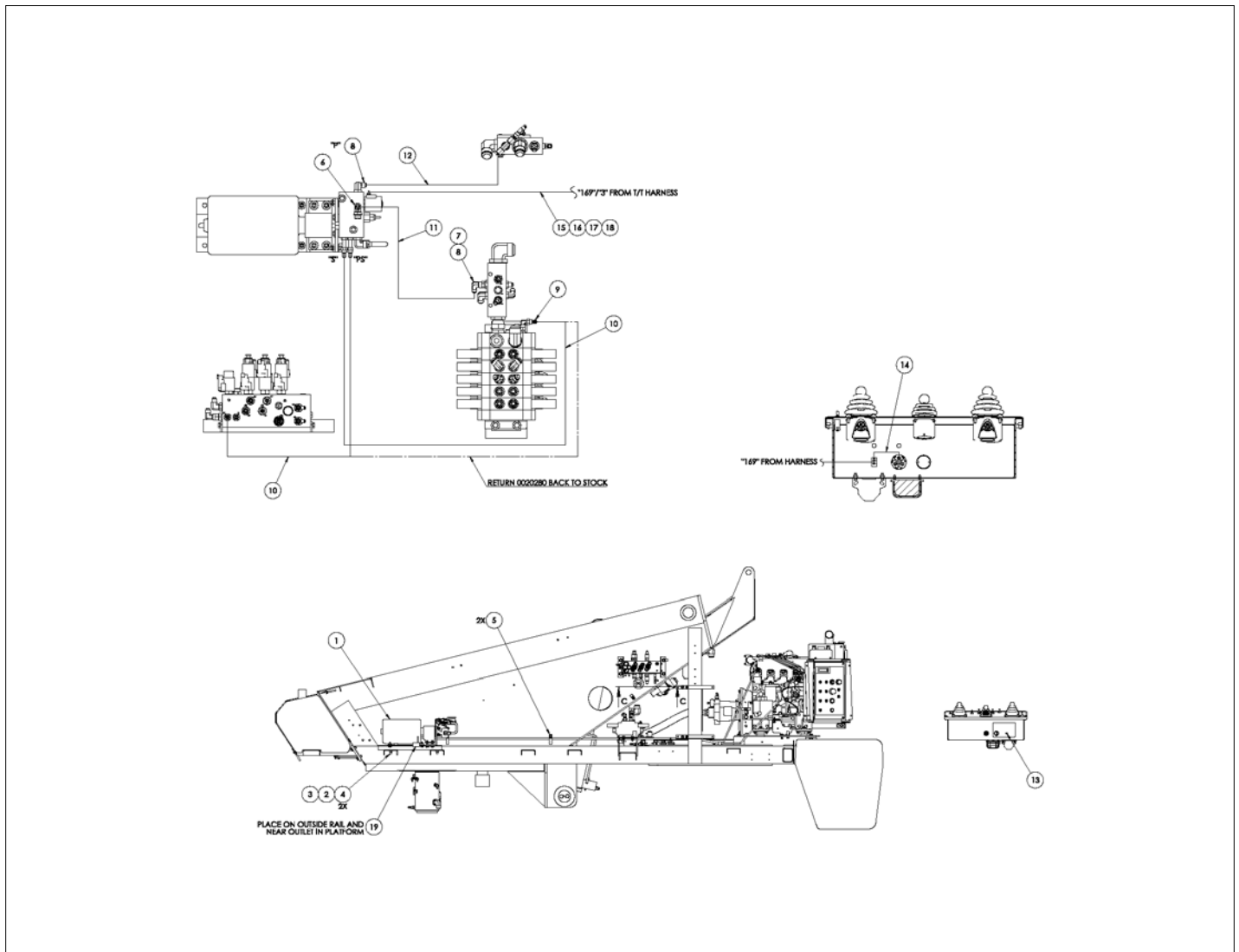


アイテム	部品番号	名前	数量	UOM
	0112958 C	HYDRAULIC GENERATOR INSTALLATION		EA
1	0151471	HYDRAULIC POWERED AC GENERATOR	1	EA
3	0112047	110 V. POWER CABLE ASSY X 138 in	1	EA
4	0151583	ADJUSTMENT & TEST PROCEDURE DWG	NOTE 1	EA
5	0151459	DECAL AC GEN SW	1	EA
6	3020048	SWITCH TOGGLE 4PDT ON/ON	1	EA
7	3040046	TERM MALE250FI 22/18	2	EA
8	3040064	TERM .250 MALE SLIP ON 12/10 WIRE	1	EA
9	0090757	JUMPER WIRE	1	EA
10	0060373	JUMPER SWITCH TERMINAL STRAP	2	EA
11	0071517	SWITCH	2	EA
12	0071541	WIRE 12 R6I R10I 14	1	EA
13	0181187	JUMPER WIRE	1	EA
14	3044158	TERM R6I	1	EA
15	3044146	TERM R10I 22/18	1	EA
17	0070771	HOSE 4 4S 4S 77 100R1	2	EA
18	0073128	HOSE 6 6S 6S 57	1	EA
19	5065708	FTG, HYD 8 MB TO 6 MJIC	1	EA
20	5037005	TERM FEM F.I. .250 16/14	2	EA
21	5037003	FTG ELB90SWVL 4S 4S STL	1	EA
22	970909	BLT HEXHD .500 13 1.50 GR5 PLA	2	EA
23	986359	FLATWASHER 1/2"	2	EA
24	5560039	NUT HEX LKG .500 13	2	EA
25	0111268	3/4 INCH HYDRAULIC TUBE	1	EA
26	3040047	TERM FEM250FI 22/18	1	EA



アイテム	部品番号	名前	数量	UOM
27	0073884	WIRE 16 R6I FEM250FI 24	2	EA
28	5035320	ADAPTER 90 DEG ELBOW 8 SAE TO 6 JIC	1	EA
29	0073618	WIRE 18 DIODE R10IFEM188I 15	1	EA
30	5093012	CLP CUSH 1.75 VINYL COATED	2	EA

OPTIONS

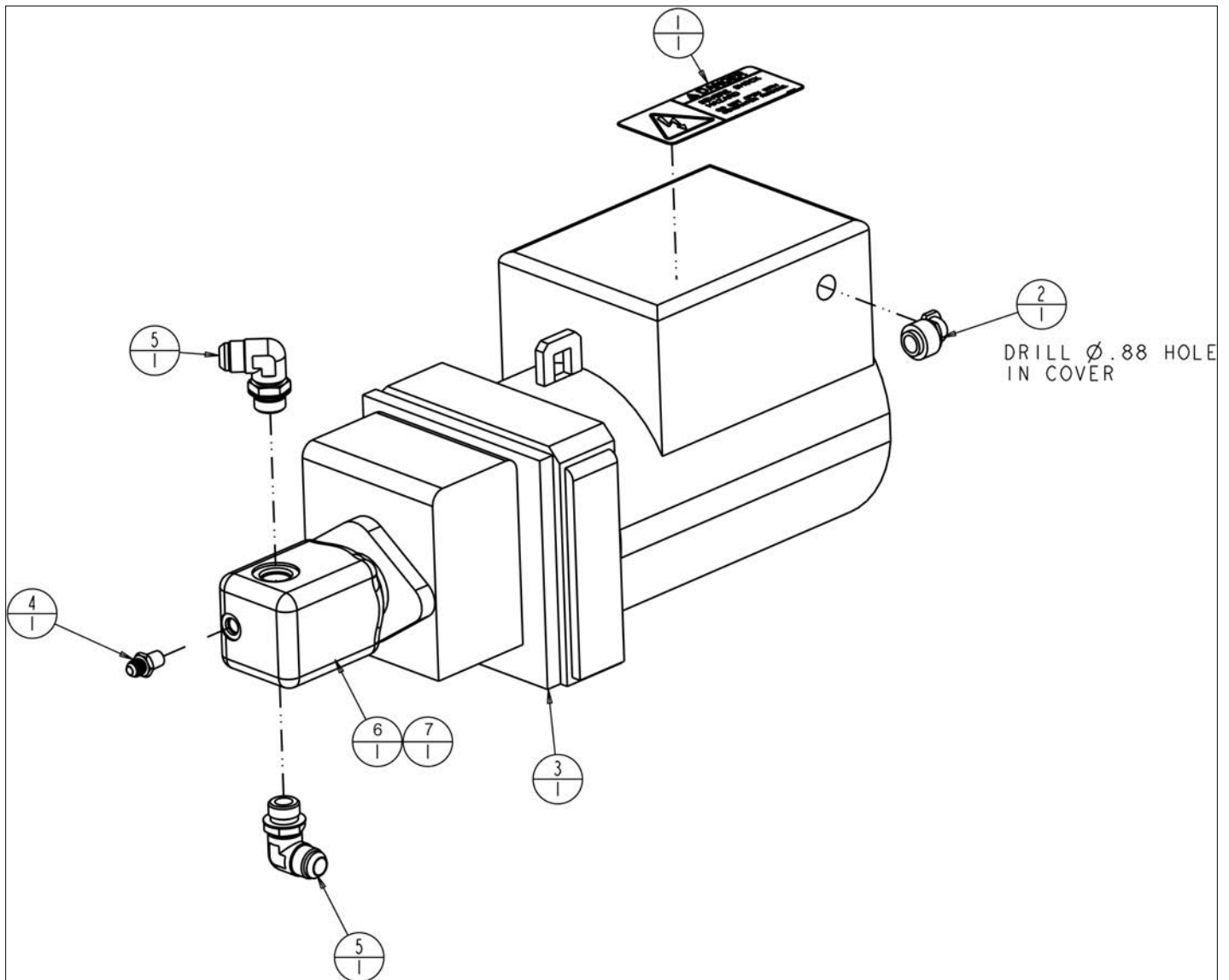


アイテム	部品番号	名前	数量	UOM
	0113765 A	HYDRAULIC AC GEN 220V INSTALLATION PG		EA
1	0074981	AC GENERATOR SUB ASSEMBLY	1	EA
2	986359	FLATWASHER 1/2"	2	EA
3	5560039	NUT HEX LKG .500 13	2	EA
4	970909	BLT HEXHD .500 13 1.50 GR5 PLA	2	EA
5	5093012	CLP CUSH 1.75 VINYL COATED	2	EA
6	5035320	ADAPTER 90 DEG ELBOW 8 SAE TO 6 JIC	1	EA
7	5065708	FTG, HYD 8 MB TO 6 MJIC	1	EA
8	5037005	TERM FEM F.I. .250 16/14	2	EA
9	5037003	FTG ELB90SWVL 4S 4S STL	1	EA
10	0070771	HOSE 4 4S 4S 77 100R1	2	EA
11	0073128	HOSE 6 6S 6S 57	1	EA
12	0111289	HOSE 6 6S 6S 84 100R2	1	EA
13	3020013	Switch, Toggle Honeywell INTI 2	1	EA
14	0073781	WIRE 16 R10I R6I 6	1	EA
15	3011641	WIRE 16GA SINGLE CONDUCTOR WHT	3'	EA
16	3090019	TUBE FLEXGARD .250 ID	3'	EA
17	3040046	TERM MALE250FI 22/18	1	EA
18	3040047	TERM FEM250FI 22/18	1	EA
19	0182055	DECAL, 220V 50HZ 10A	2	EA

アイテム	部品番号	名前	数量	UOM
Not Shown	0112596 F	12KW GENERATOR INSTALLATION		EA
1	0083966	ASSEMBLY, 12KW GENERATOR CIRCUIT BREAKER WIRING	1	EA
2	0112579	BRACE, VALVE BRACKET12KW GENERATOR	1	EA
3	0112580	ASSEMBLY, 12 KW GENERATOR	1	EA
4	0112581	ASSEMBLY, VALVE12 KW GENERATOR	1	EA
5	970259	C.SCREW, 5/16 18 X 1" LG. HH	4	EA
6	970269	BLT HEXHD .313 18 1.25 GR5 PLA	3	EA
7	972479	BLT HEXHD .375 16 1.25 GR5	1	EA
8	970489	BLT HEXHD .375 16 1.50 GR5 PL	3	EA
9	986269	WSHR FLAT .313	3	EA
10	986299	WASHER, FLAT, .375 STANDARD, PLATED	4	EA
11	5560031	NUT HEX LKG .313 18	7	EA
12	5560033	.375 16UNC HEX LOCK NUT	4	EA
101	0110732	HOSE 8 8S 8S 72 100R2	1	EA
103	0110173	HOSE 12 12S 12S 41 100R2	1	EA
104	0100278	HOSE 4 4S 4S 43 100R1	1	EA
105	0110171	HOSE 12 12S 12S 44 100R2	1	EA
106	0020270	HOSE 6 6S 6S 22 100R2	1	EA
107	0050137	HOSE 4 4S 4S 36 100R1	1	EA
108	5036706	FTG TEE SWVL RUN 8S 8S STL (SEE PAGE 2)	1	EA
109	5065705	FTG ADPTR STRTHD 6B 4S STL	1	EA
110	5037003	FTG ELB90SWVL 4S 4S STL	1	EA
111	5035305	FTG ELB90STRTHD 6S 6S STL	1	EA
112	5036710	FTG TEESWVL RUN 16S 16S	2	EA
113	5063910	FTG NUT 16S	2	EA

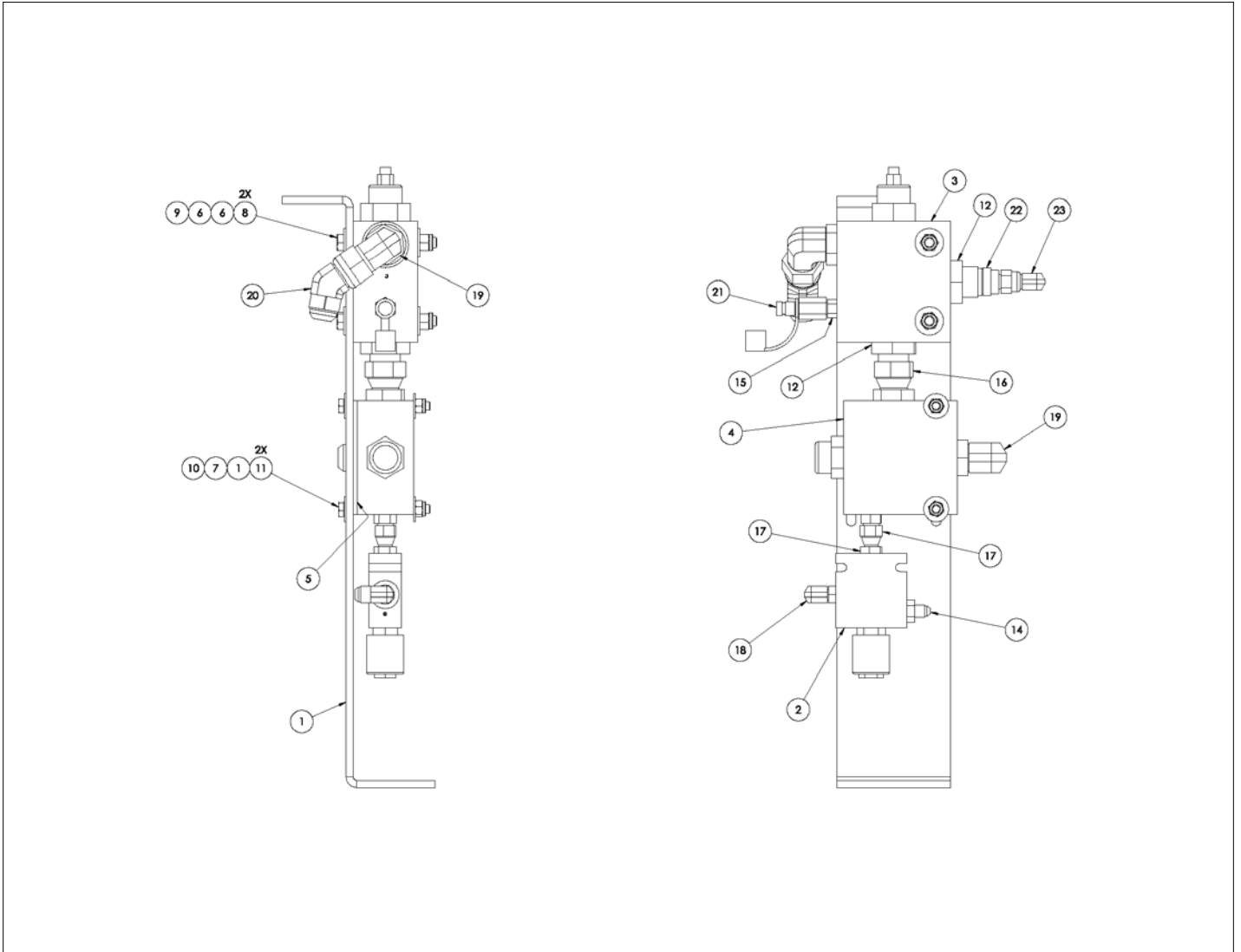
アイテム	部品番号	名前	数量	UOM
114	5064009	FTG RDCR 16S 12S	2	EA
115	5036103	ADAPTER TEE 4 SAE 4 JIC 4 JIC	1	EA
117	0112956	WIRE ASSEMBLY WIRING BOX	1	EA
118	0192078	WIRING ASSEMBLY,12KW GENERATOR	1	EA
201	0112631	AIRLINE TO PLATFORM	1	EA
202	3011005	CABLE 10GA/3 CONDUCTOR WIRE	106FT	EA

OPTIONS



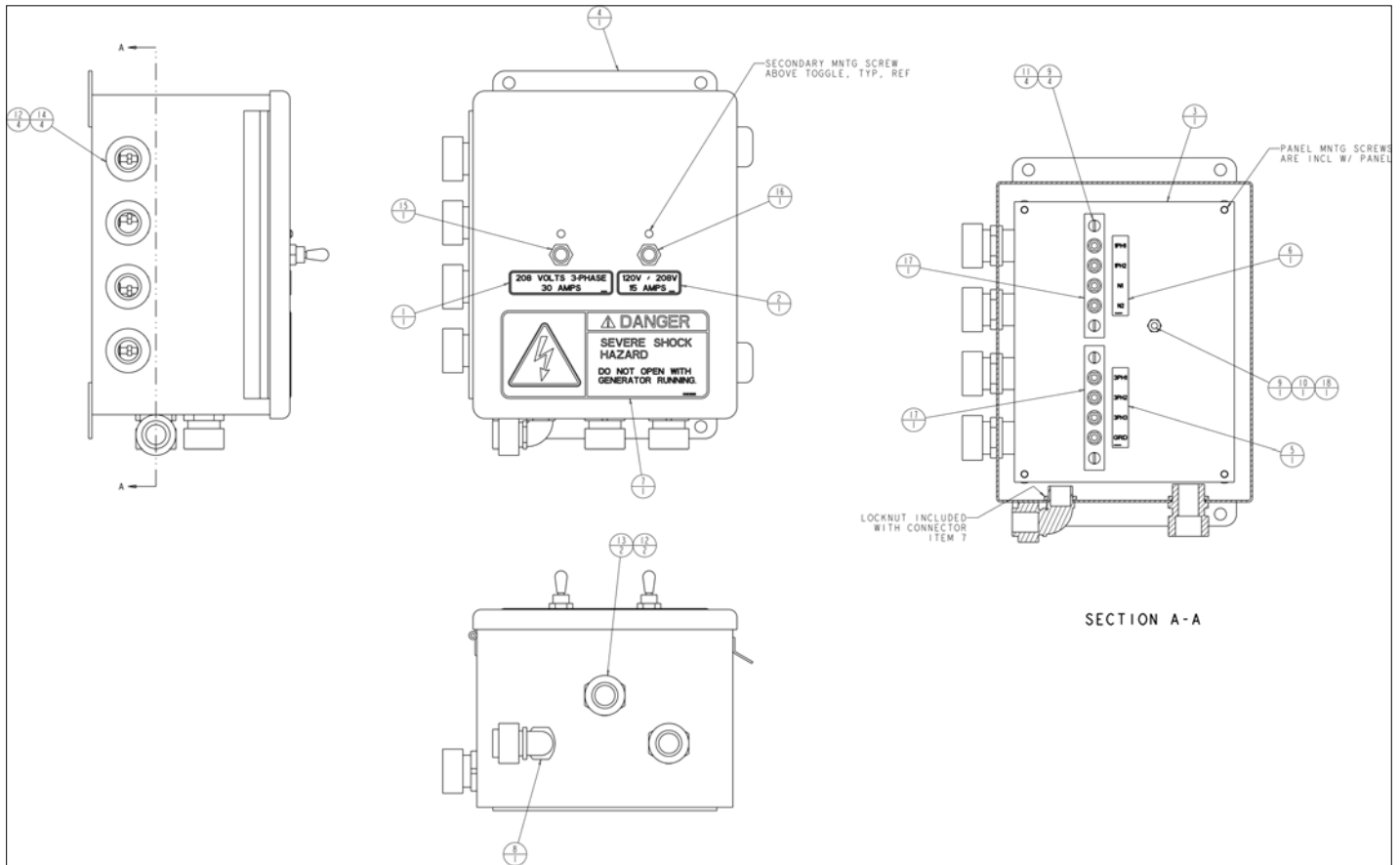
アイテム	部品番号	名前	数量	UOM
	0112580 D	12KW GENERATOR ASSEMBLY TENDAIRE		EA
1	0083988	DECAL DANGER SHOCK HAZARD	1	EA
2	962849	CONDUIT FTG1/2 IN 90D LIQ TIGHT	1	EA
3	3087797	GENERATOR 12KW WITH HYD MTR (TENDAIRE)	1	EA
4	5033608	FTG ADPTR MALE 4N 6S STL	1	EA
5	5035308	ADAPTER 90 ° ELBOW 12 SAE TO 12 JIC	2	EA

OPTIONS



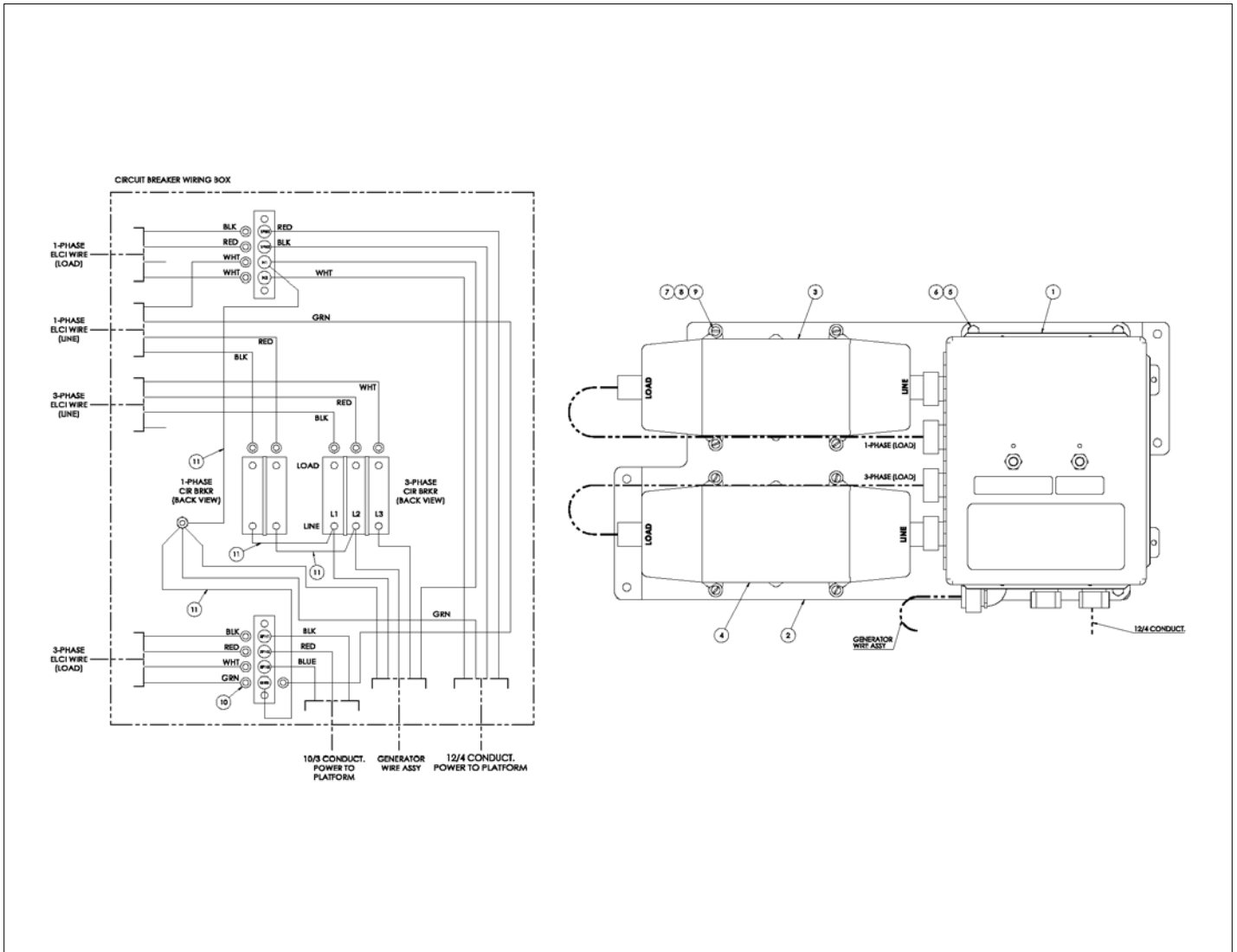
アイテム	部品番号	名前	数量	UOM
	0112581 D	VALVE ASSEMBLY 12KW GEN		EA
1	0083981	BRKT VALVE MNTG 11KW GEN	1	EA
2	6019064	VALVE 2 POS 3 WAY 12VDC	1	EA
3	6019065	FLOW CONTROL VALVE BYPASS	1	EA
4	6019066	LOGIC ELEMENT VALVE	1	EA
5	0083983	SPCR 10GA 4.00 4.00 STL SP VALVE	1	EA
6	986299	WASHER, FLAT, .375 STANDARD, PLATED	4	EA
7	986269	WSHR FLAT .313	4	EA
8	5560643	BLT HEXHD .375 16 3.25 GR5	2	EA
9	5560033	.375 16UNC HEX LOCK NUT	2	EA
10	5560031	NUT HEX LKG .313 18	2	EA
11	970119	BLT HEXHD .313 18 3.00 GR5	2	EA
12	5065715	FTG ADPTR STRTHD 16B 12S STL B	2	EA
Not Shown	5065707	FTG ADPTR STRTHD 6B 6S STL PH	1	EA
14	5065705	FTG ADPTR STRTHD 6B 4S STL	1	EA
15	5065703	FTG ADPTR STRTHD 4B 4S STL	1	EA
16	5025001	FTG ADPTR SWVL 12B 12S STL	1	EA
17	5025003	FTG ADPTR SWVL 6B 6S STL	1	EA
18	5035321	FTG ELB90STRTHD 4B 6S STL	1	EA
19	5035308	ADAPTER 90 ° ELBOW 12 SAE TO 12 JIC	2	EA
20	5036908	SWIVEL NUT 45 ° ELBOW	1	EA
21	5070005	FTG NIP DIGN 4S FEM PD345 6 W/DUST CAP	1	EA
22	5064007	TUBE END REDUCER	1	EA
23	5037005	TERM FEM F.I. .250 16/14	1	EA

OPTIONS



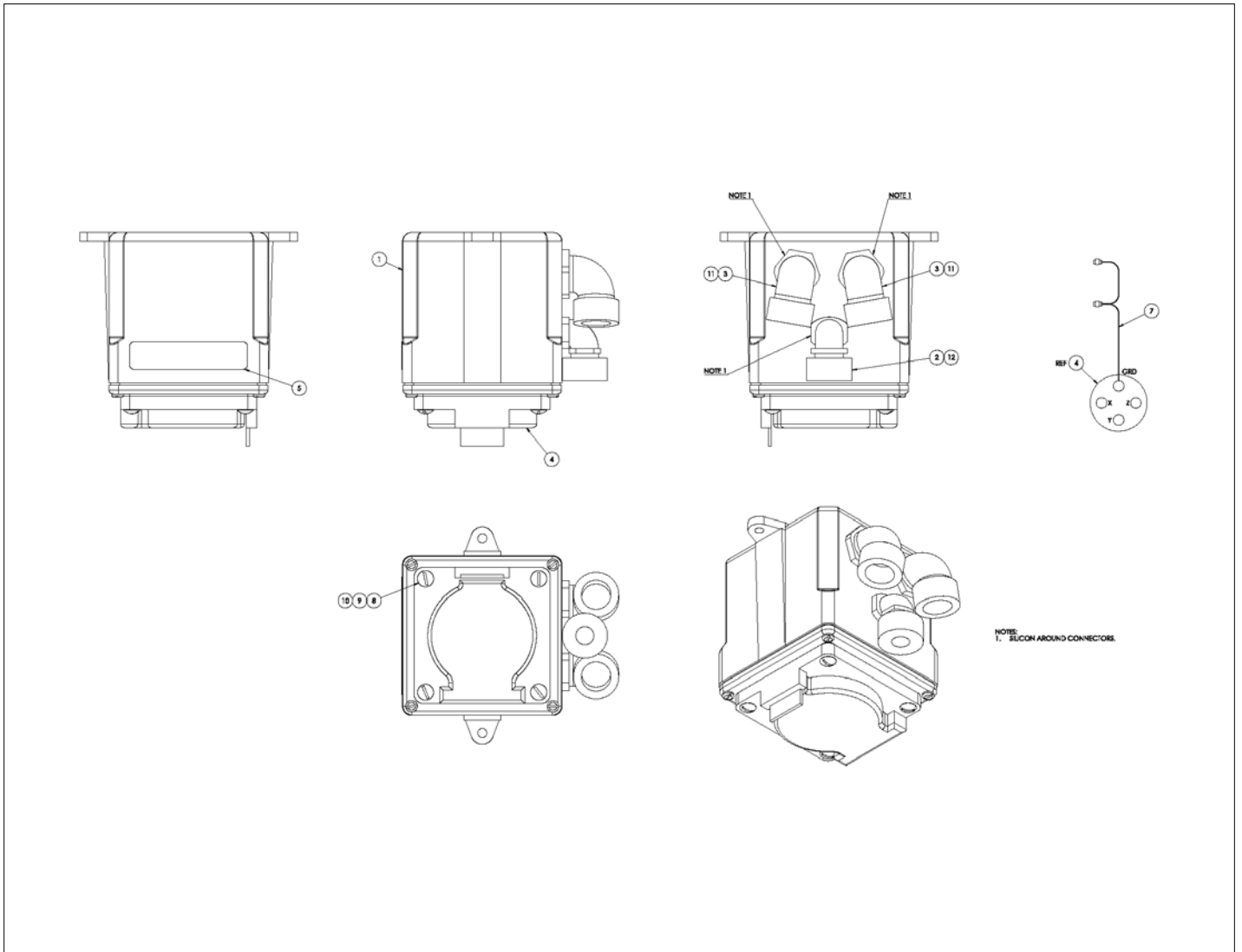
アイテム	部品番号	名前	数量	UOM
	0083967 B	WIRING BOX ASSEMBLY 11KW GENERATOR		EA
1	0083860	DECAL OUTLET 208V 3 PHASE	1	EA
2	0083861	DECAL 120V/208V 15 AMPS	1	EA
3	0083968	PANEL DRILLED	1	EA
4	0083969	WIRING BOX DRILLED 11KW GEN	1	EA
5	0083972	DECAL TERMINAL STRIP	1	EA
6	0083973	DECAL TERMINAL STRIP	1	EA
7	0083988	DECAL DANGER SHOCK HAZARD	1	EA
8	962849	CONDUIT FTG1/2 IN 90D LIQ TIGHT	1	EA
9	974689	SCR RDH MACH 10 24 .75	5	EA
10	984049	NUT HEX 10 24	1	EA
11	987089	WSHR LOCK #10 SPLIT TYPE	4	EA
12	3040110	NUT LKG HUB .750 SAMEAS 962129	6	EA
13	3040116	CONN .75 .500 .625	2	EA
14	3040295	CONN .75 .625 .75	4	EA
15	3040775	CIRCUIT BREAKER 240V 3 PHASE	1	EA
16	3040776	CIRCUIT BREAKER 120/240 VAC	1	EA
17	3044704	TERM STRIP (4) #10 STUD	2	EA
18	5560034	NUT LKG 10 24	1	EA

OPTIONS



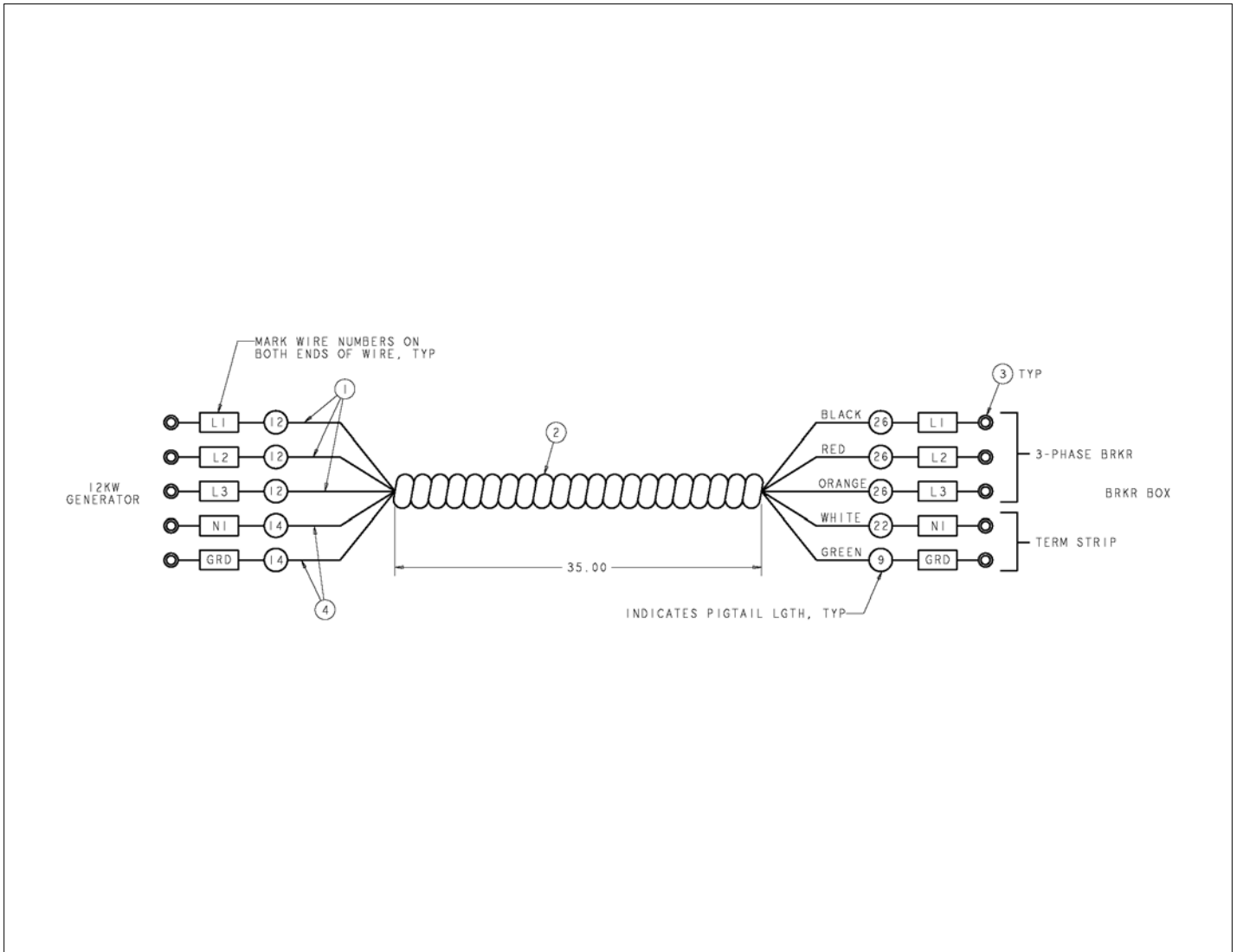
アイテム	部品番号	名前	数量	UOM
	0113920 A	ASSY 12KW GEN CIR BRKR WIRING		EA
1	0083967	WIRING BOX ASSEMBLY 11KW GEN	1	EA
2	0083965	BRKT 12KW CIR BRKT MNTG	1	EA
3	3040772	ELCI DEVICE 240V 30A 1PHASE	1	EA
4	3040771	ELCI DEVICE 240V 30A 3PHASE	1	EA
5	970029	BLT .25 20 .750	4	EA
6	5560004	NUT LKG .250 20	4	EA
7	5560034	NUT LKG 10 24	8	EA
8	986009	WSHR FLAT 10	8	EA
9	974709	M SCR #10 24 X 1.00 RNDHD PLTD	8	EA
10	3044854	TERM R10I 12/10	14	EA
11	0070712	WIRE 12 R10I R10I 5	1	EA

OPTIONS



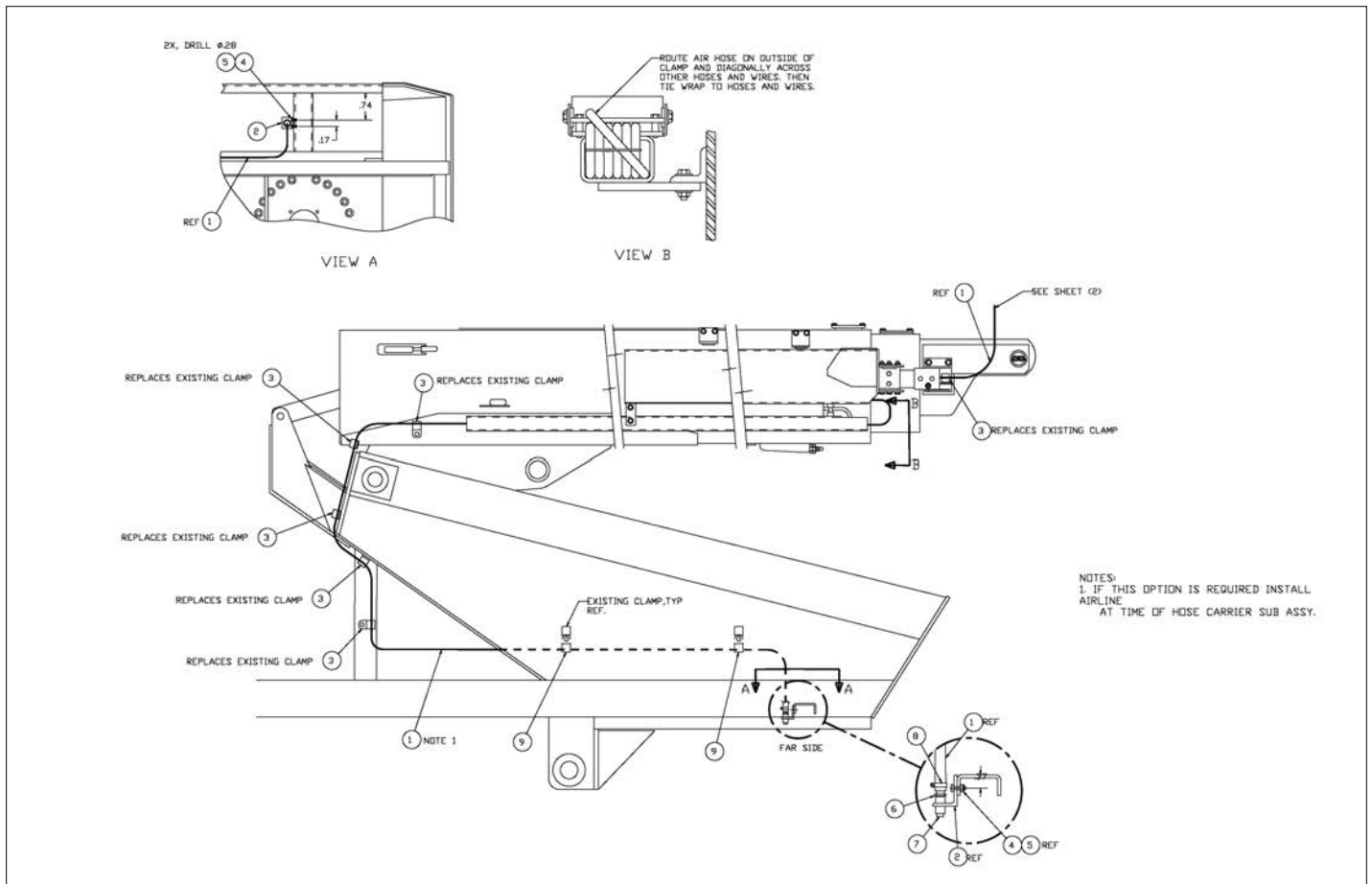
アイテム	部品番号	名前	数量	UOM
	0113927 A	JUNCTION BOX ASSEMBLY 12KW GEN		EA
1	0113928	DRILLED 12K GEN JUNCTION BOX	1	EA
2	3040711	CONN 90 .500 .375 .500	1	EA
3	3040691	CONNECTOR	2	EA
4	3045254	RECEPTACLE, 3 POLE, 4 COND, 30A	1	EA
5	0083860	DECAL OUTLET 208V 3 PHASE	1	EA
Not Shown	3045255	PLUG 3 POLE 4 COND 30A	1	EA
7	0113930	WIRE 12GA GROUND	1	EA
8	5560673	SCR TRHD 10 24 1.00	4	EA
9	986009	WSHR FLAT 10	4	EA
10	5560034	NUT LKG 10 24	4	EA
11	3040110	NUT LKG HUB .750 SAMEAS 962129	2	EA
12	3040070	NUT LKG HUB .500 APPLETON: P/N BL50 REG 801	1	EA

OPTIONS

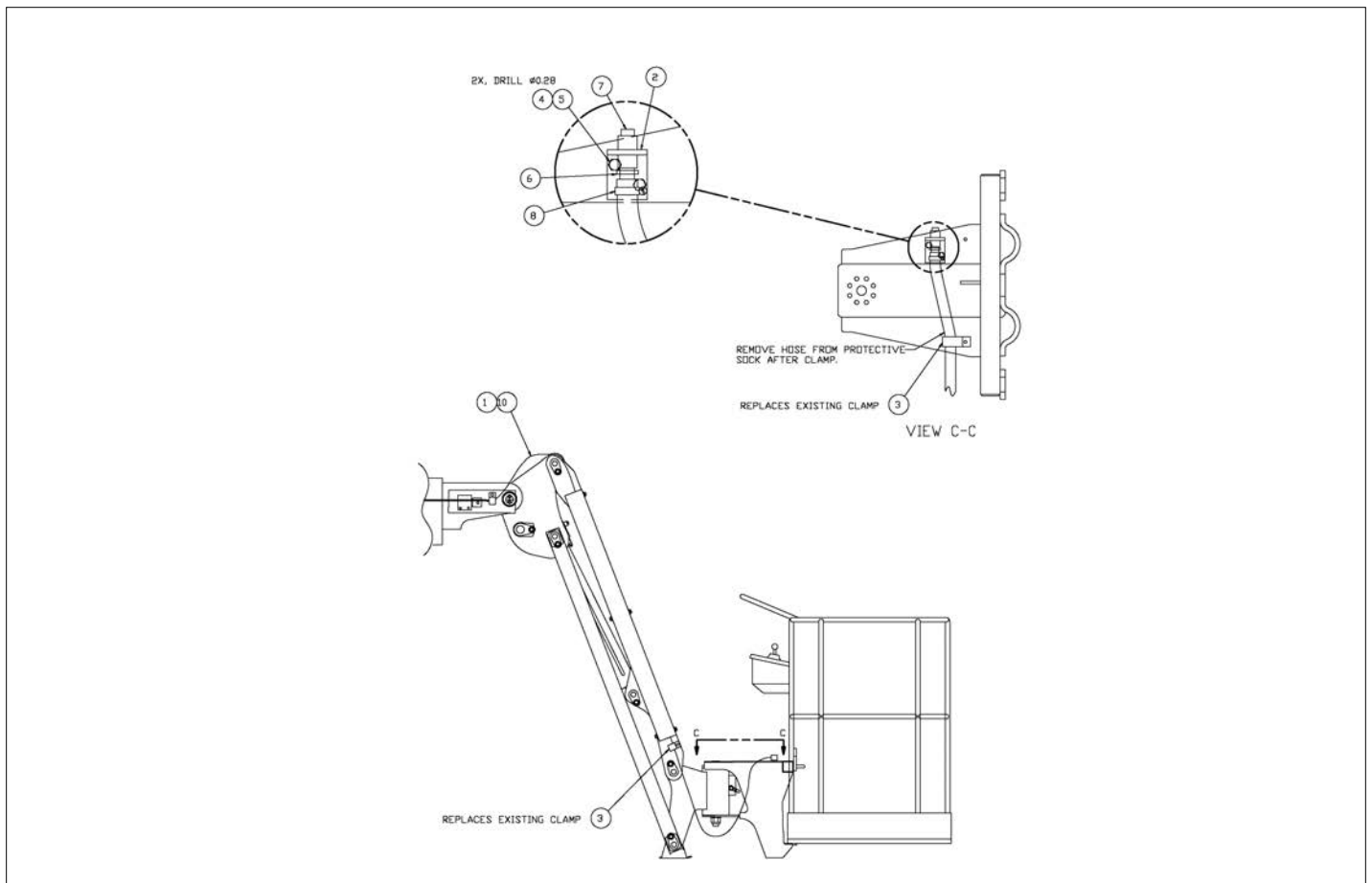


アイテム	部品番号	名前	数量	UOM
	0192078 B	WIRE ASSEMBLY 12KW GEN		EA
1	3011001	WIRE, 10 GAUGE SINGLE CONDUCTOR X 144 INCH LONG	18.25FT	EA
2	962919	FLEX CONDUIT 1/2 in LIQ TIGHT	35IN	EA
3	3044854	TERM R10I 12/10	10	EA
4	3011201	WIRE 12GA RED SINGLE CONDUCTOR	10.75FT	EA

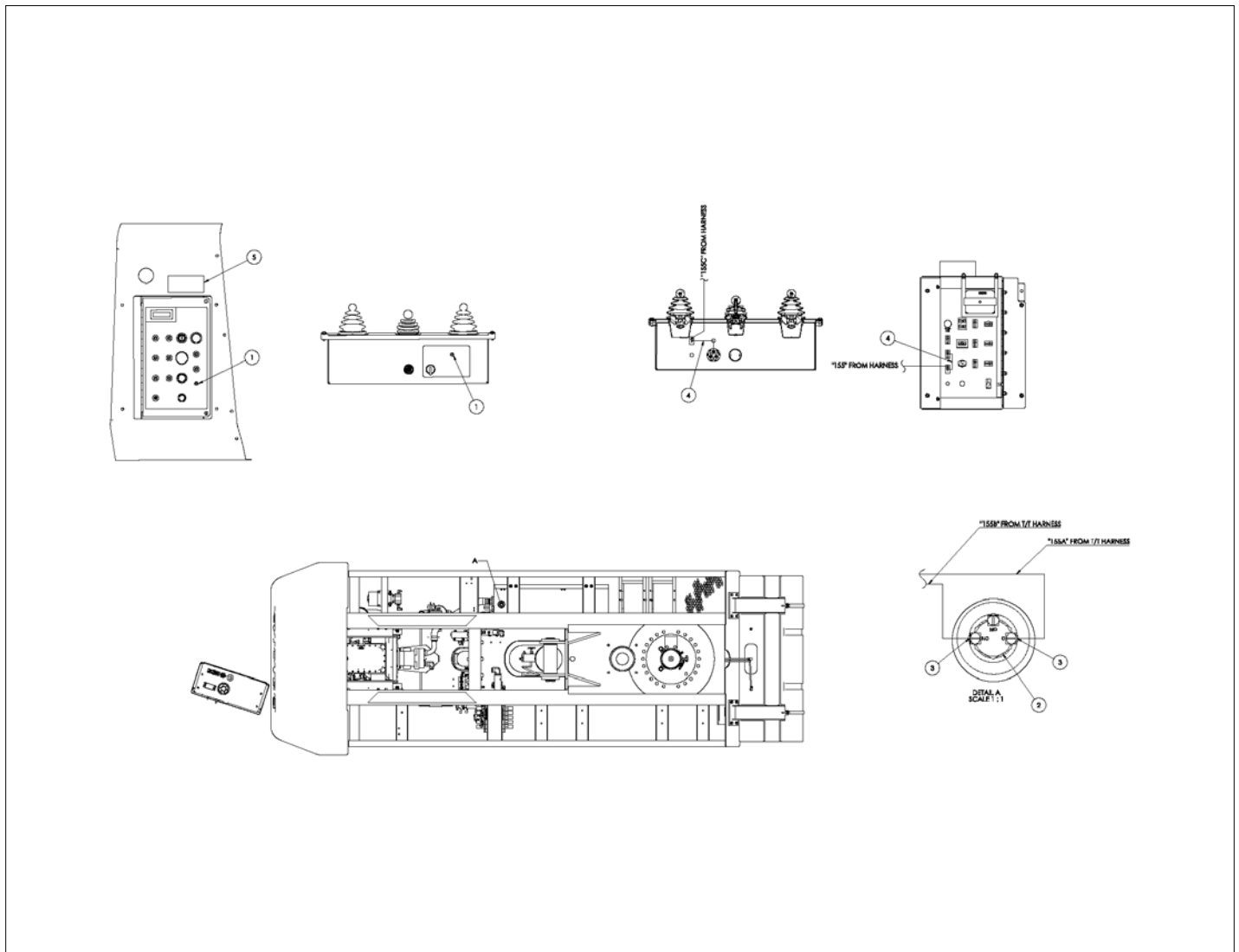
OPTIONS



アイテム	部品番号	名前	数量	UOM
Not Shown	0112631 C	AIRLINE TO PLATFORM		EA
1	5010024	HOSE .50 ID AIR HOSE	108'	EA
2	0080759	ANGLE	2	EA
3	5093012	CLP CUSH 1.75 VINYL COATED	8	EA
4	970049	BLT HEXHD .250 20 1.00 GR5 GRADE 5 PLT SAME AS 970189	4	EA
5	5560004	NUT LKG .250 20	4	EA
6	5260013	FTG ADPTR MALE 8N 8 BARBED	2	EA
7	7714204	PIPE PLUG 1/2 in NPT SQ.HD BLK.	2	EA
8	5550010	CLP WORM DRV .50 1.06 SAE#10	2	EA
9	5093006	CLP CUSH .937 VINYL COATED	2	EA
10	5098339	SLEEVE, HOSE ABRASION GRD	8.5'	EA

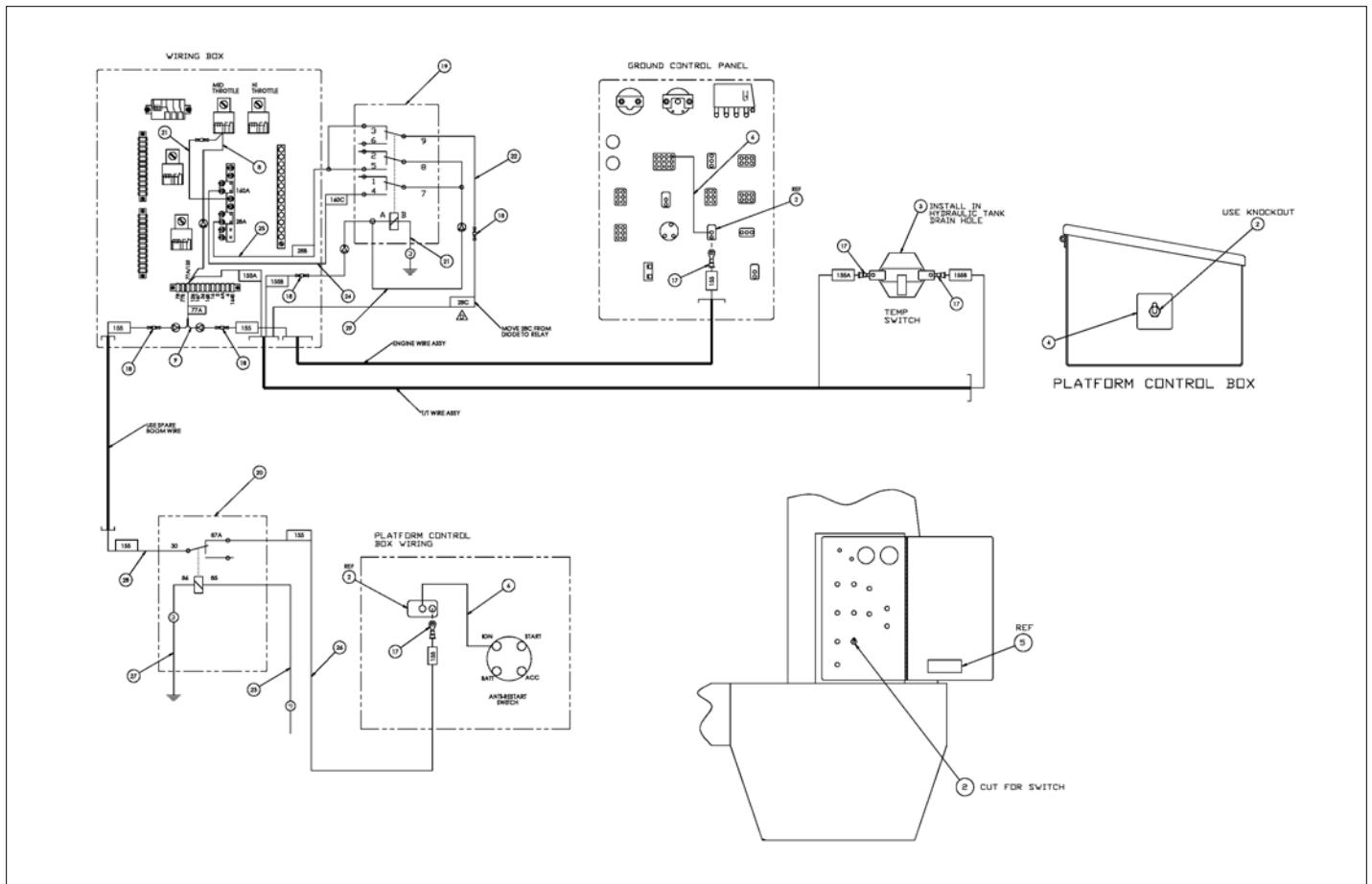


OPTIONS



アイテム	部品番号	名前	数量	UOM
	0113768 A	HYDRAULIC WARM UP INSTALLATION PG		EA
1	3020013	Switch, Toggle Honeywell INTI 2	2	EA
2	3020078	TEMPERATURE SWITCH	1	EA
3	3044142	TERM, .250 TAB 12/10, MALE F.I.	2	EA
4	0071844	WIRE 16 R6I R10I 12	2	EA
5	0071793	DECAL, HYDRAULIC WARMUP INSTRUCTIONS – OPTION	1	EA

OPTIONS



アイテム	部品番号	名前	数量	UOM
Not Shown	A11021B D	HYDRAULIC WARM UP INSTALLATION		EA
2	3020013	Switch, Toggle Honeywell INTI 2	2	EA
3	3020078	TEMPERATURE SWITCH	1	EA
4	0071792	PLAC WARM UP SWITCH	1	EA
5	0071793	DECAL, HYDRAULIC WARMUP INSTRUCTIONS - OPTION	1	EA
6	0071844	WIRE 16 R6I R10I 12	2	EA
8	0181398	DIODE WIRE	1	EA
9	0181285	DIODE	1	EA
Not Shown	0181074	WIRE 16 SPECIAL (SEE DWG)	1	EA
17	3044142	TERM, .250 TAB 12/10, MALE F.I.	4	EA
18	3040047	TERM FEM250FI 22/18	4	EA
19	3040287	RELAY, MIDTEX	1	EA
20	3040469	RELAY SPDT 12V 30AMP SONG	1	EA
21	0071555	WIRE 16 R10I FEM250I 6	1	EA
22	0163363	WIRE 16 MALE250I FEM188I 11	1	EA
23	0081559	WIRE 16 FEM250FI 10 20/20	1	EA
24	0090621	WIRE 16 R10I FEM188I 13	1	EA
25	0192013	WIRE 16 SEE DWG	1	EA
26	0073727	WIRE 16 R10 FEM188I 16	1	EA
27	0081560	WIRE 16 R10I FEM250FI 12	1	EA
28	0163360	WIRE 16 MALE250FI FEM250I 14	1	EA
29	0113051	DIODE WIRE ASSEMBLY	1	EA
Not Shown	0113052	WIRE 16 R10I MALE250FI 6	1	EA

OPTIONS

**NO IMAGE AVAILABLE
(BOM FOR REFERENCE ONLY)**

アイテム	部品番号	名前	数量	UOM
	0113767 A	EXTREME COLD WEATHER PACKAGE PG		EA
1	0182443	OPT BLOCK HEATER KU V2403T	1	EA
2	104869 000	BLOCK HEATER	1	EA
3	0181634	DECAL ENGINE BLOCK HEATER	1	EA
4	0073077	CABLE ASSEMBLY EXTENSION	1	EA
5	0190086	SYNTHETIC HYDR OIL F/COLD WTHR (PART NOT SHOWN)	65.000	EA
6	3050102	BATTERY BLANKET WARMER	2	EA
7	0113768	OPT HYDR WARM UP INSTL PG	1	EA
8	0071793	DECAL, HYDRAULIC WARMUP INSTRUCTIONS – OPTION	1	EA
9	0071844	WIRE 16 R6I R10I 12	2	EA
10	3020013	Switch, Toggle Honeywell INTI 2	2	EA
11	3020078	TEMPERATURE SWITCH	1	EA
12	3044142	TERM, .250 TAB 12/10, MALE F.I.	2	EA

OPTIONS

**NO IMAGE AVAILABLE
(BOM FOR REFERENCE ONLY)**

アイテム	部品番号	名前	数量	UOM
	0113960 A	EXTREME ENVIRONMENT PACKAGE		EA
1	0071654	PLATFORM CONTROL BOX COVER TB ATB	1	EA
2	0073076	UPPER CONTROL BOX COVER – STANDARD	1	EA
3	5560656	RVT POP .125 DIA .375 DMD STL	6	EA
4	A0071654	INSTALLATION PROCEDURE FOR PLA	1	EA
5	0113959	SANDBLAST KIT 6' JIB	1	EA
6	0110762	BELLOWS, LIFT CYLINDER	1	EA
7	0112619	BELLOWS 5' JIB MASTER LEV CYL – ITEM NOT SHOWN	4	EA
8	0110786 8	WLDMT TRNTBL COVER	1	EA
9	0110786	TURNTABLE COVER WELDMENT	1	EA
10	0113958	BELLOWS 6' JIB LEVEL CYL	2	EA
11	0421599	BELLOWS 7' JIB CYL	1	EA
12	5550020	CLP WORM DRV .75 1.75 SAE#20	5	EA
13	5550030	CLP WORM DRV 1.50 2.50 SAE#32	2	EA
14	5550060	CLP WORM DRV 2.50 4.50 SAE#64	6	EA
15	5550105	CLAMP WORM DRIVE 5.00 7.00 SAE #104D DEUTZ ONLY	2	EA
16	5550152	CLAMP	1	EA
17	970449	HHD BLT .375 16 X .750 GR5	4	EA
18	987119	WSHR LOCK .375	4	EA
19	0113317	OPTIONAL BOOM BRUSH KIT	1	EA
20	0084468	BRUSH	83.000	EA
21	0084469	BRUSH HOLDER 90 DEG	91.000	EA
22	970029	BLT .25 20 .750	12	EA
23	986019	WSHR FLAT .250	8	EA

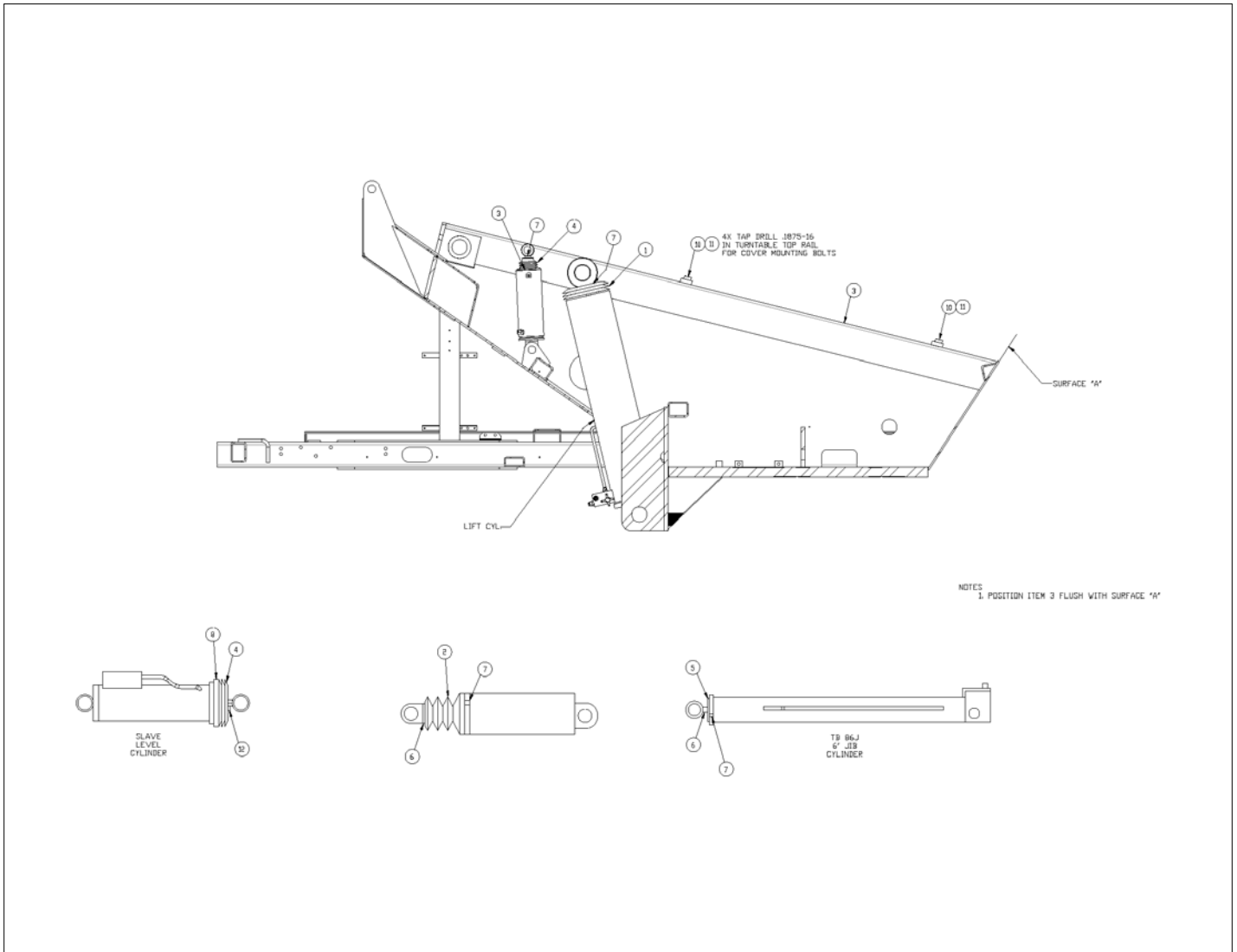
アイテム	部品番号	名前	数量	UOM
24	987099	WSHR LOCK .250	12	EA
25	A17052F	BOOM BRUSH ASSEMBLY DRAWING	1	EA

OPTIONS

**NO IMAGE AVAILABLE
(BOM FOR REFERENCE ONLY)**

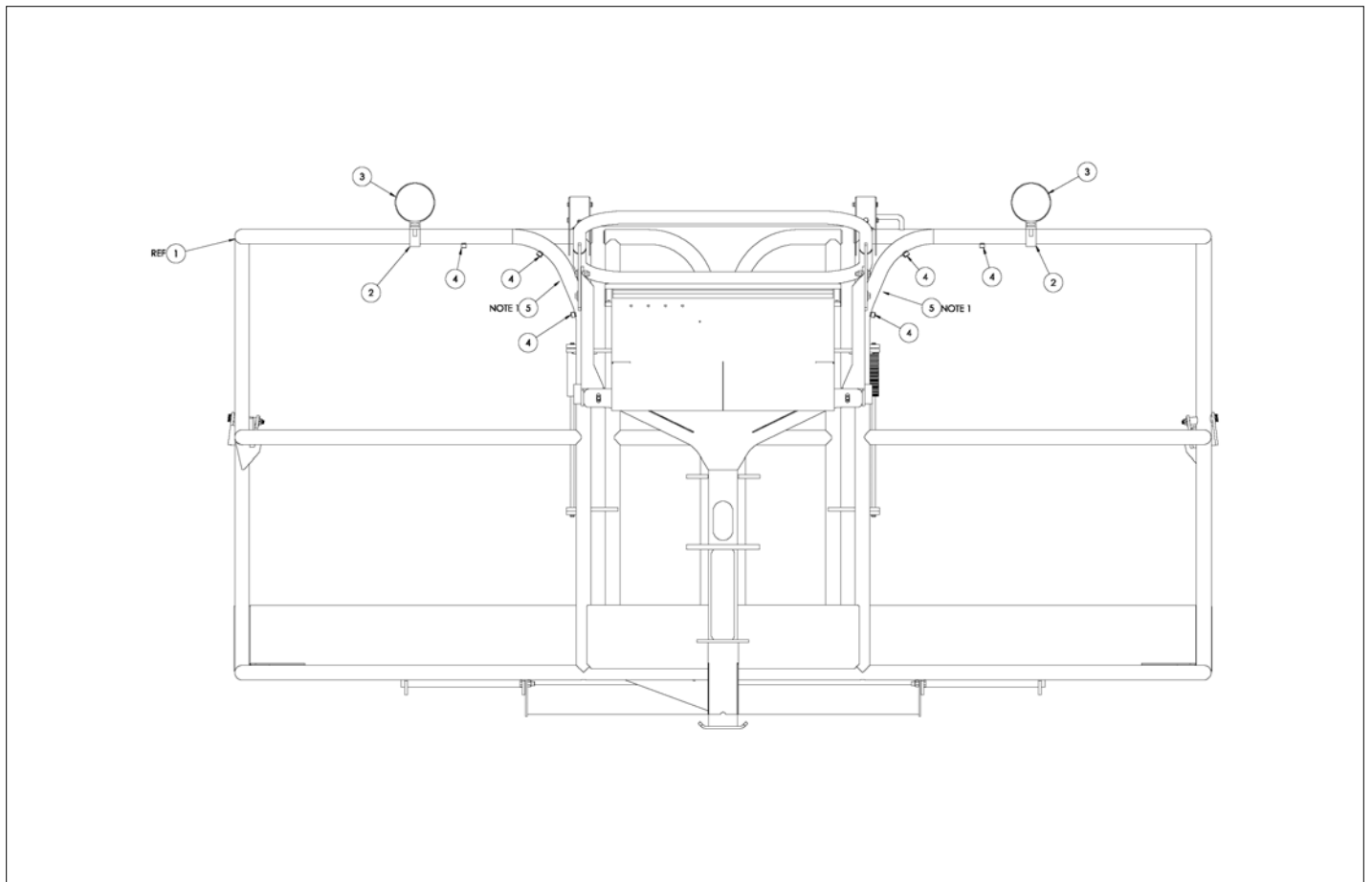
アイテム	部品番号	名前	数量	UOM
	0113767 B	EXTREME COLD WEATHER PACKAGE PG		EA
1	0192579	OPT BLOCK HEATER KU V2403T	1	EA
2	104869 000	BLOCK HEATER	1	EA
3	0181634	DECAL ENGINE BLOCK HEATER	1	EA
4	0073077	CABLE ASSEMBLY EXTENSION	1	EA
5	0190086	SYNTHETIC HYDR OIL F/COLD WTHR (PART NOT SHOWN)	65.000	EA
6	3050102	BATTERY BLANKET WARMER	2	EA
7	0113768	OPT HYDR WARM UP INSTL PG	1	EA
8	0071793	DECAL, HYDRAULIC WARMUP INSTRUCTIONS – OPTION	1	EA
9	0071844	WIRE 16 R6I R10I 12	2	EA
10	3020013	Switch, Toggle Honeywell INTI 2	2	EA
11	3020078	TEMPERATURE SWITCH	1	EA
12	3044142	TERM, .250 TAB 12/10, MALE F.I.	2	EA

OPTIONS



アイテム	部品番号	名前	数量	UOM
	0113959 A	6' JIB SANDBLAST KIT		EA
1	0110762	BELLOWS, LIFT CYLINDER	1	EA
2	0112619	BELLOWS 5' JIB MASTER LEV CYL – ITEM NOT SHOWN	4	EA
3	0110786	TURNTABLE COVER WELDMENT	1	EA
4	0113958	BELLOWS 6' JIB LEVEL CYL	2	EA
5	0421599	BELLOWS 7' JIB CYL	1	EA
6	5550020	CLP WORM DRV .75 1.75 SAE#20	5	EA
7	5550060	CLP WORM DRV 2.50 4.50 SAE#64	6	EA
8	5550105	CLAMP WORM DRIVE 5.00 7.00 SAE #104D DEUTZ ONLY	2	EA
Not Shown	5550152	CLAMP	1	EA
10	970049	BLT HEXHD .250 20 1.00 GR5 GRADE 5 PLT SAME AS 970189	4	EA
11	987119	WSHR LOCK .375	4	EA
12	5550030	CLP WORM DRV 1.50 2.50 SAE#32	2	EA

OPTIONS



アイテム	部品番号	名前	数量	UOM
	0113624 A	PLATFORM WORK LIGHTS GLOBAL PLATFORM INSTALLATION		EA
1	0113546	PLATFORM	1	EA
2	0113623	CLAMP, CAGE 1.50 TUBE	2	EA
3	3069528	LED WORK LIGHTS	2	EA
4	3220246	CLIP, PUSH MOUNT CORD	6	EA
5	3011802	CABLE 18GA/2 CONDUCTOR WIRE 18/2 TYPE SJOBLACK JACKETCABL	7	EA
6	3044146	TERM R10I 22/18	1	EA
7	3049994	TERM SPADE6I 22/16 GA AMP P/N	1	EA
8	5569059	GROMMET .313ID .536DIA X .125GRV	1	EA
9	3040082	TERM MALE250FI 16/14	7	EA
10	3040083	TERM FEM250FI 16/14	7	EA
11	3040038	FUSE HOLDER	1	EA
*	3040039	FUSE 10 AMP AGC BUSS: 10 AMP AGC	1	EA

OPTIONS

**NO IMAGE AVAILABLE
(BOM FOR REFERENCE ONLY)**

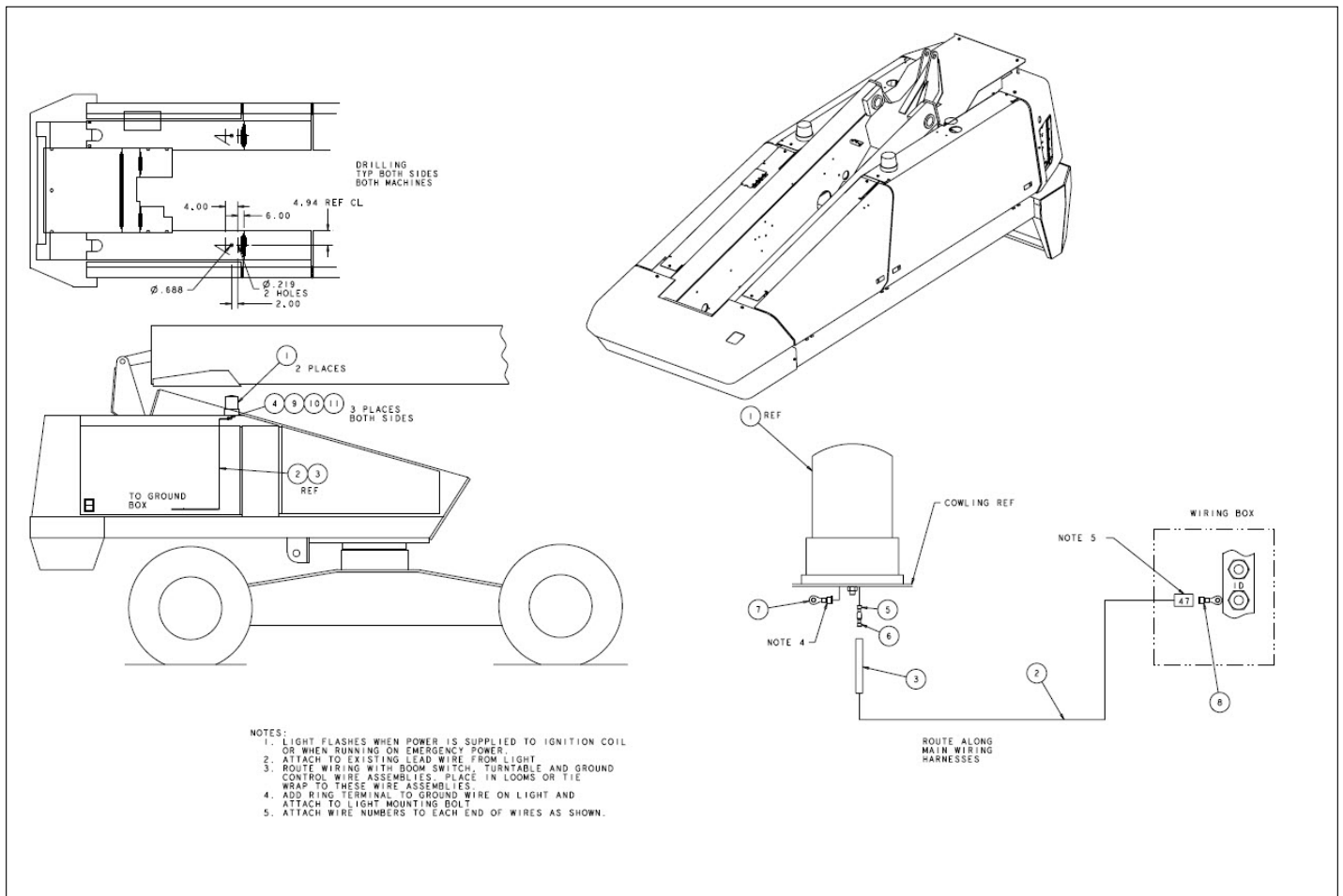
アイテム	部品番号	名前	数量	UOM
	0113747A	OPT AMBER BEACON SINGLE		EA
1	0113748	HARNESS AMBER BEACON	1	EA
2	3040046	TERM MALE250FI 22/18	1	EA
3	3040047	TERM FEM250FI 22/18	1	EA
4	3060083	WARNING LIGHT AMBER 12 48VDC	1	EA
5	5093019	CLP CUSH .375 VINYL COATED	1	EA

OPTIONS

**NO IMAGE AVAILABLE
(BOM FOR REFERENCE ONLY)**

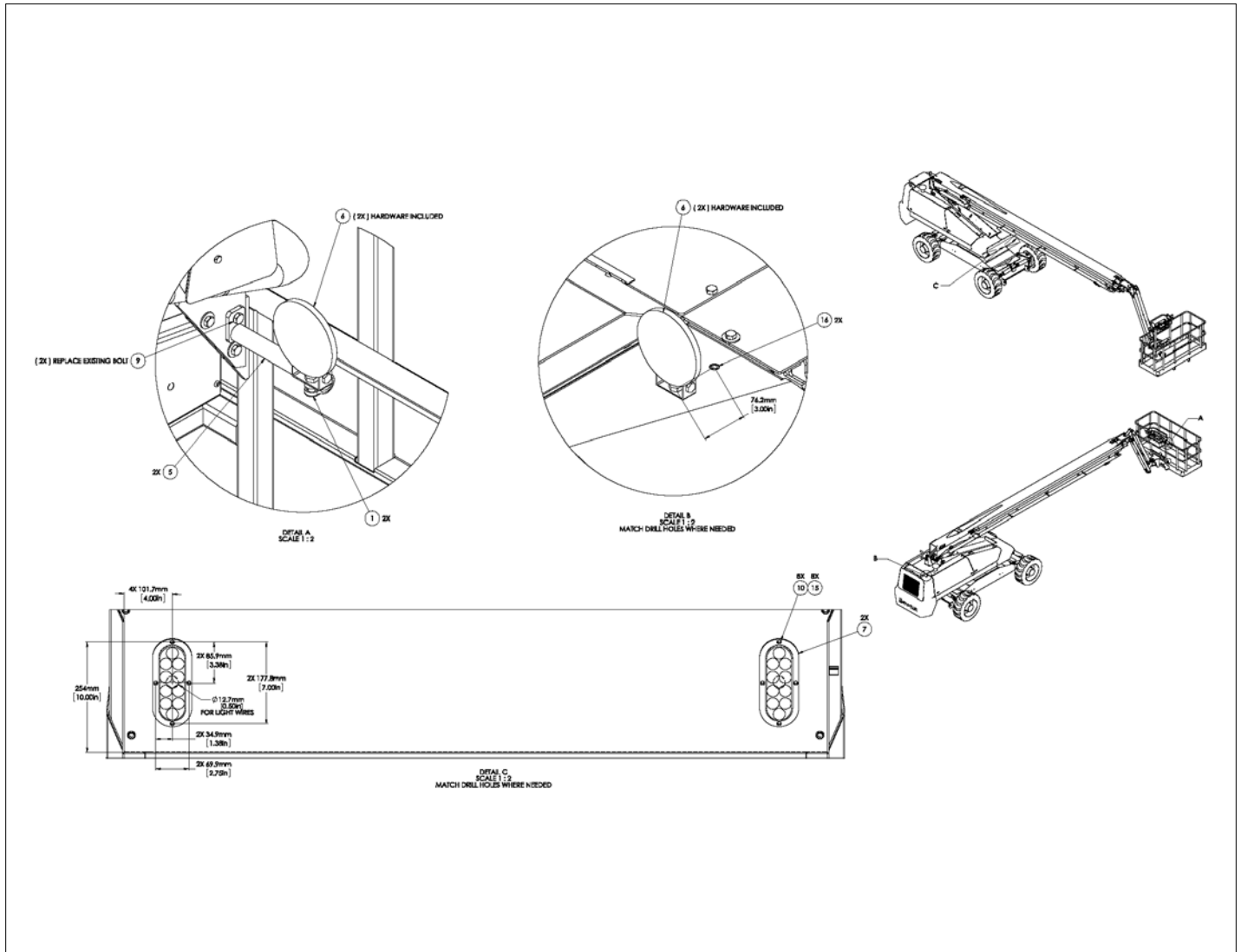
アイテム	部品番号	名前	数量	UOM
	0113748 A	HARNESS AMBER BEACON		EA
1	3011802	CABLE 18GA/2 CONDUCTOR WIRE 18/2 TYPE SJOBLACK JACKETCABL	10	EA
2	3049803	CONNECTOR 2 PIN DEUTSCH PLUG	1	EA
3	3049807	LOCK WEDGE 2 PIN DEUTSCH PLUG	1	EA
4	3040342	SOCKET CONTACT SIZE 16 16/18GA	2	EA
5	3040047	TERM FEM250FI 22/18	1	EA
6	3040046	TERM MALE250FI 22/18	1	EA

OPTIONS

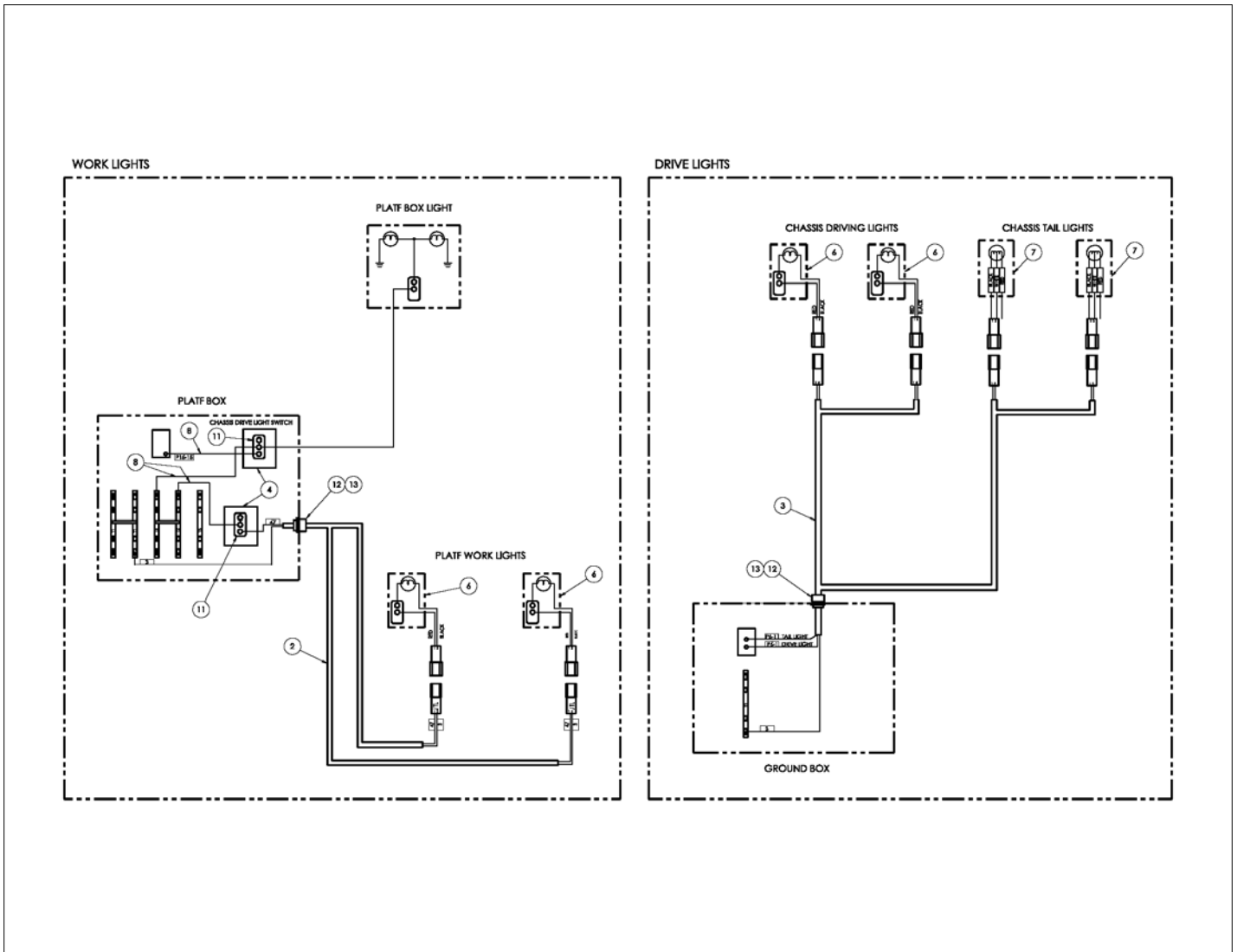


アイテム	部品番号	名前	数量	UOM
Not Shown	0112142 B	DUAL WARNING LIGHT		EA
1	3060083	WARNING LIGHT AMBER 12 48VDC	2	EA
Not Shown	3060084	WARNING LIGHT, RED LENS	2	EA
Not Shown	8160047	REPLACEMENT BULB	1	EA
2	3011601	WIRE 16GA SINGLE CONDUCTOR BLK	1	EA
3	3090019	TUBE FLEXGARD .250 ID	1	EA
4	5093019	CLP CUSH .375 VINYL COATED	6	EA
5	3040046	TERM MALE250FI 22/18	2	EA
6	3040083	TERM FEM250FI 16/14	2	EA
7	3044146	TERM R10I 22/18	2	EA
8	3044161	TERM R10I 16/14	2	EA
9	970029	BLT .25 20 .750	6	EA
10	986019	WSHR FLAT .250	6	EA
11	987099	WSHR LOCK .250	6	EA

OPTIONS



アイテム	部品番号	名前	数量	UOM
	A11107A A	LIGHT PACKAGE INSTALLATION		EA
1	0100555	CLAMP	2	EA
2	0113969	WIRE HARNESS PLATF WORK LIGHTS	1	EA
3	0113971	HARNESS DRIVING/TAIL LIGHTS	1	EA
4	0181376	DECAL	2	EA
5	0260717	LIGHT MNT WLDMT	2	EA
6	0260721	LED OVAL LIGHT ASSY	4	EA
7	0260722	LED TAIL LIGHT ASSY	2	EA
8	0421477	WIRE 16 R6I NONE 14	3	EA
9	970489	BLT HEXHD .375 16 1.50 GR5 PL	2	EA
10	974689	SCR RDH MACH 10 24 .75	8	EA
11	3020013	Switch, Toggle Honeywell INTI 2	1	EA
12	3040070	NUT LKG HUB .500 APPLETON: P/N BL50 REG 801	2	EA
13	3040115	CONN .500 .375 .500	2	EA
Not Shown	3049986	AMP SOCKET CONTACT	3	EA
15	5560034	NUT LKG 10 24	8	EA
16	5569059	GROMMET .313ID .536DIA X .125GRV	2	EA

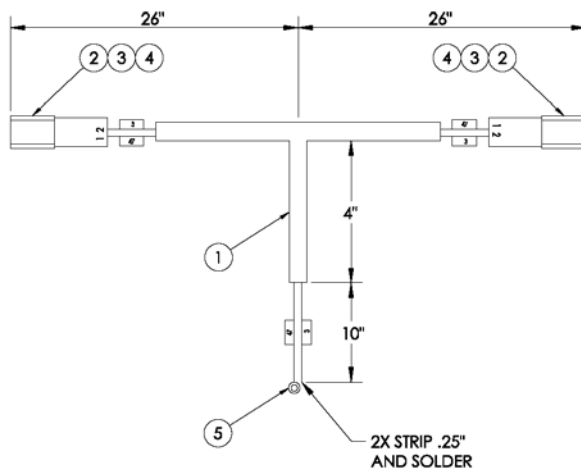


OPTIONS

**NO IMAGE AVAILABLE
(BOM FOR REFERENCE ONLY)**

アイテム	部品番号	名前	数量	UOM
	0113070A	LIGHT PACKAGE TB86JFA		EA
1	0072012	PLATF BOX COURTESY LIGHT	1	EA
2	0080768	OPT PLATF WORK LIGHTS	1	EA
3	0112630	INSTL HEADLIGHT & TAILLIGHT	1	EA

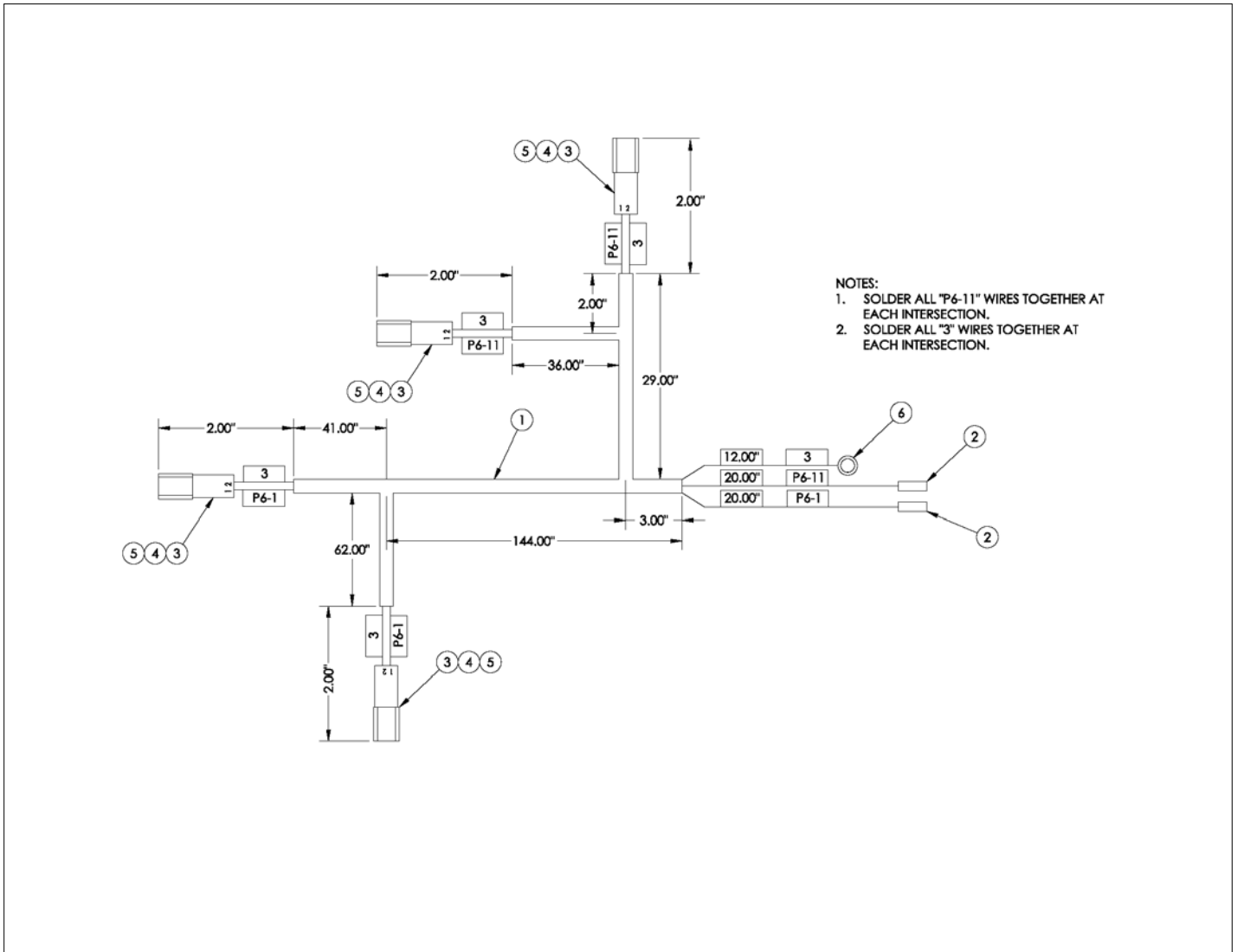
OPTIONS



- NOTES:
1. SOLDER ALL "4" WIRES TOGETHER AT EACH INTERSECTION.
 2. SOLDER ALL "3" WIRES TOGETHER AT EACH INTERSECTION.

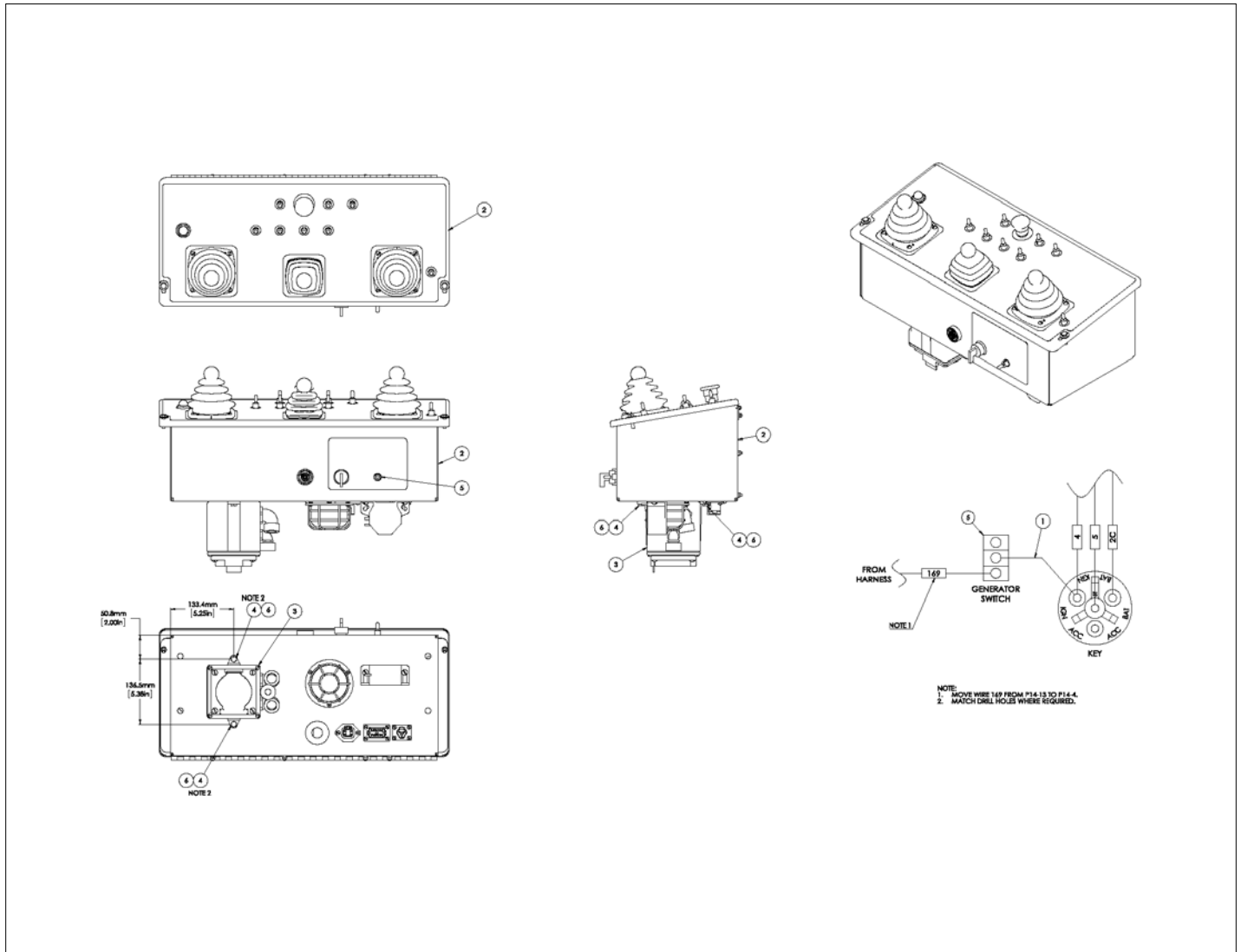
アイテム	部品番号	名前	数量	UOM
	0113969 A	WIRE HARNESS PLATFORM WORK LIGHTS		EA
1	3011802	CABLE 18GA/2 CONDUCTOR WIRE 18/2 TYPE SJOBLACK JACKETCABL	A/R	EA
2	3049803	CONNECTOR 2 PIN DEUTSCH PLUG	4	EA
3	3049807	LOCK WEDGE 2 PIN DEUTSCH PLUG	4	EA
4	3040342	SOCKET CONTACT SIZE 16 16/18GA	8	EA
5	3044158	TERM R6I	1	EA

OPTIONS



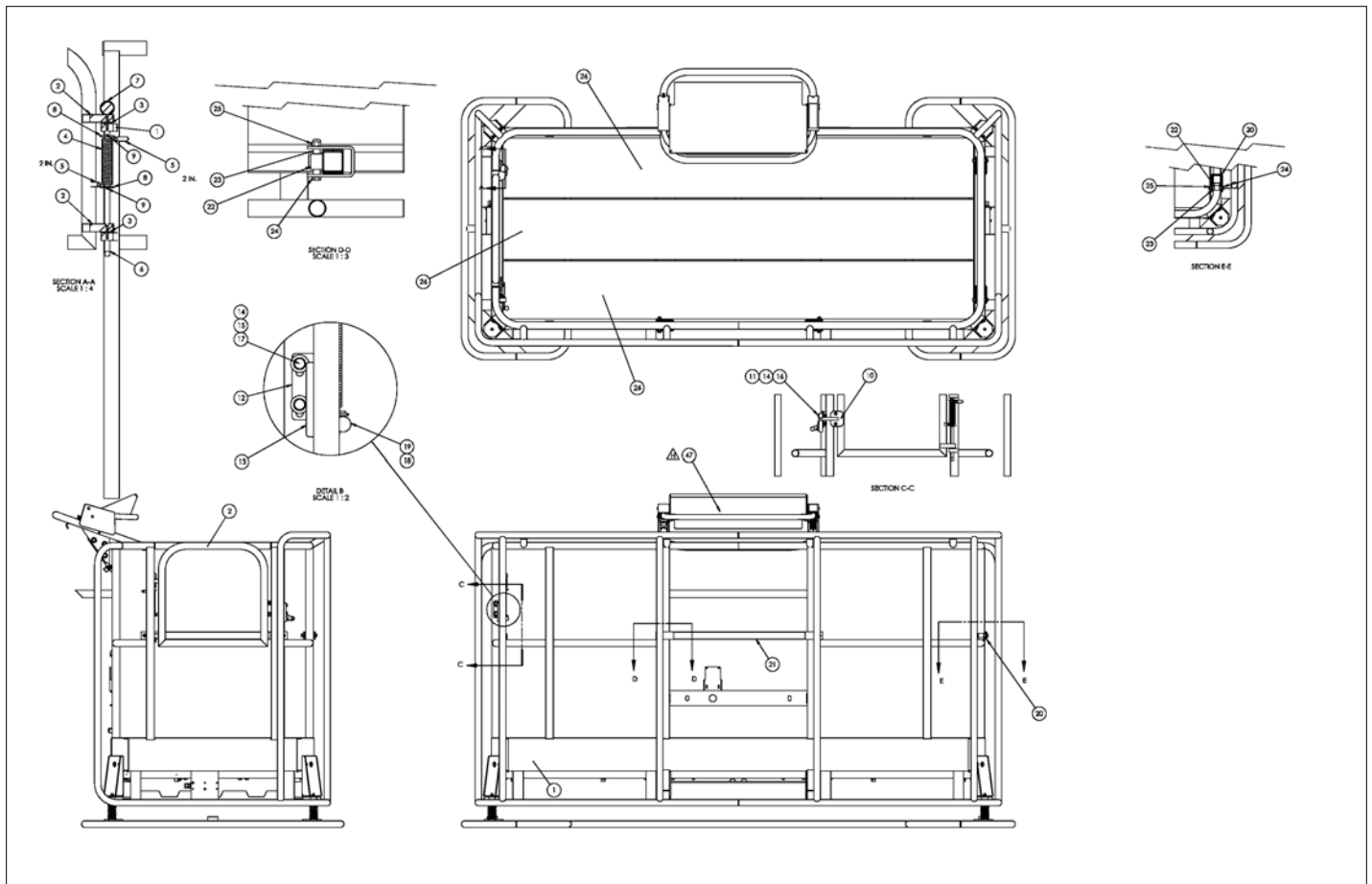
アイテム	部品番号	名前	数量	UOM
	0113971 A	HARNESS DRIVING / TAIL LIGHTS		EA
1	3011802	CABLE 18GA/2 CONDUCTOR WIRE 18/2 TYPE SJOBLACK JACKETCABL	A/R	EA
2	3049986	AMP SOCKET CONTACT	2	EA
3	3049803	CONNECTOR 2 PIN DEUTSCH PLUG	4	EA
4	3049807	LOCK WEDGE 2 PIN DEUTSCH PLUG	4	EA
5	3040342	SOCKET CONTACT SIZE 16 16/18GA	8	EA
6	3044158	TERM R6I	1	EA

OPTIONS



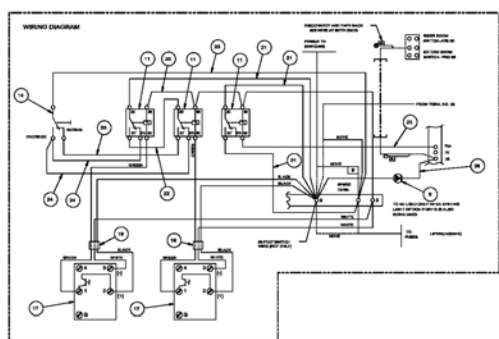
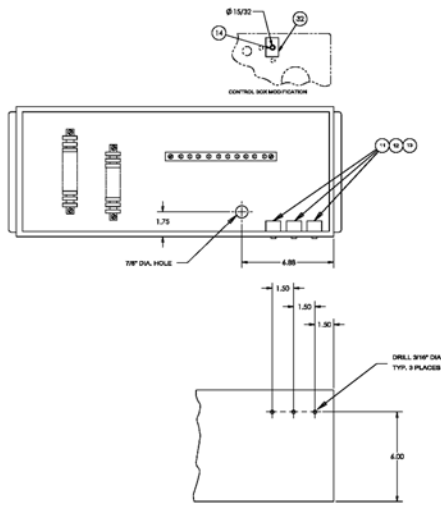
アイテム	部品番号	名前	数量	UOM
	0113951 A	PLATFORM CONTROL BOX ASSEMBLY PG W/12K		EA
1	0073781	WIRE 16 R10I R6I 6	1	EA
2	0113710	ASSY PLAT CONT BOX TB86JFA PG	1	EA
3	0113927	12K GEN JUNCTION BOX ASSY	1	EA
4	970029	BLT .25 20 .750	2	EA
5	3020013	Switch, Toggle Honeywell INTI 2	1	EA
6	5560004	NUT LKG .250 20	2	EA

OPTIONS



アイテム	部品番号	名前	数量	UOM
	1430385 H	PLATFORM BUMP GUARD W/PAD ASSEMBLY		EA
1	1430378	PLATFORM BUMP FRAME	1	EA
2	1430099	WLDMT, GATE SWING SIDE	1	EA
3	2572007	BRG .500ID .625OD .625	4	EA
4	0071837	TORSION SPRING BASKET MODIF.	1	EA
5	5010007	HOSE VACUUM .156 ID 4.0MM	2	EA
6	0420632	PIN 0.50 4.859 GRIP	1	EA
7	2667500	95 BALL KNOB 1 3/8 X 1/2 13	1	EA
8	986359	FLATWASHER 1/2"	2	EA
9	988179	COTTER PIN, 1/8 DIA. X 1" LG.	2	EA
10	0421529 5	WLDMT STRIKER SWING GATE	1	EA
11	5560031	NUT HEX LKG .313 18	4	EA
12	0421519 5	PLT LATCH MNT SWING GATE	1	EA
13	300492	LATCH LH TRAY ROTARY LOCK	1	EA
14	986269	WSHR FLAT .313	4	EA
15	987109	WSHR LOCK .313	2	EA
16	970279	BLT HEXHD .313 18 1.50 GR5	2	EA
17	970239	BLT HEXHD .313 18 .750 GR5	2	EA
18	970009	Capscrew 1/4 20 x 1/2 inch lon	1	EA
19	302555	KNOB ROUND .25 20NC FEMALE DIM	1	EA
20	0420199	WLDMT, GATE GRAVITY SIDE	1	EA
21	0421321	WLDMT, GG FRONT 36x96 STL PLAT	1	EA
22	0150509	ROLLER	4	EA
23	0070953	3/8 INCH HYDRAULIC HOSE	4	EA
24	5569865	BLT HEXHD .375 16 2.75 GR5	4	EA
25	5560033	.375 16UNC HEX LOCK NUT	4	EA
26	8060311	PLATE GRIPSTRUT 8FT	3	EA

アイテム	部品番号	名前	数量	UOM
27	5563310	HWH .25 14 SELF DRILLING X .75	42	EA
28	1430381	WLDMT BUMP GUARD FRAME	1	EA
29	0181381	SPRING KEEPER	8	EA
30	986019	WSHR FLAT .250	16	EA
31	0181408	CHAIN ASSY	4	EA
32	1430371	SPRING KEEPER MNT ANGLE	4	EA
33	0181406	TARGET PROXIMITY SWITCH INSTL	2	EA
34	5560004	NUT LKG .250 20	16	EA
35	978389	BLT SKTHD .250 20 .75	16	EA
36	3020098	ASSY PHOTOELECTRIC SWITCH	2	EA
37	987089	WSHR LOCK #10 SPLIT TYPE	4	EA
38	5560585	MACHINE SCREW, PAN HD, SLOTTED, #10 32 UNF X .50 MTS 16, 18	4	EA
39	5093001	CLP CUSH .500 VINYL COATED	12	EA
40	986009	WSHR FLAT 10	2	EA
41	5563388	MACHINE SCREW, PAN HD, SLOTTED, #10 24 UNC X .50 MTS 16, 18	2	EA
42	970029	BLT .25 20 .750	8	EA
43	3040070	NUT LKG HUB .500 APPLETON: P/N BL50 REG 801	2	EA
44	3040187	CONN .500 .313 .438	2	EA
45	5530013	SPRING COMPRESSION 1.50 O.D. X	4	EA
47	0113584	SNORKEL GUARD TRI ENTRY 8 FOOT STEEL ASSEMBLY	1	EA
Not Shown	PAGE 3 BOM	PAGE 3 BOM		EA
8	0073250	WIRE 18 R10I FEM 1881 17 DIO	1	EA
11	3040502	RELAY 12VDC 70 AMP SPST	3	EA
12	974639	SCR RDH MACH 10 24 .375	5	EA



SUPPLEMENTAL PROCEDURES FOR BUMP GUARD INSTALLATION
REAR CONNECTION OPTION IS ALSO USED (A SEE SIDE 1)

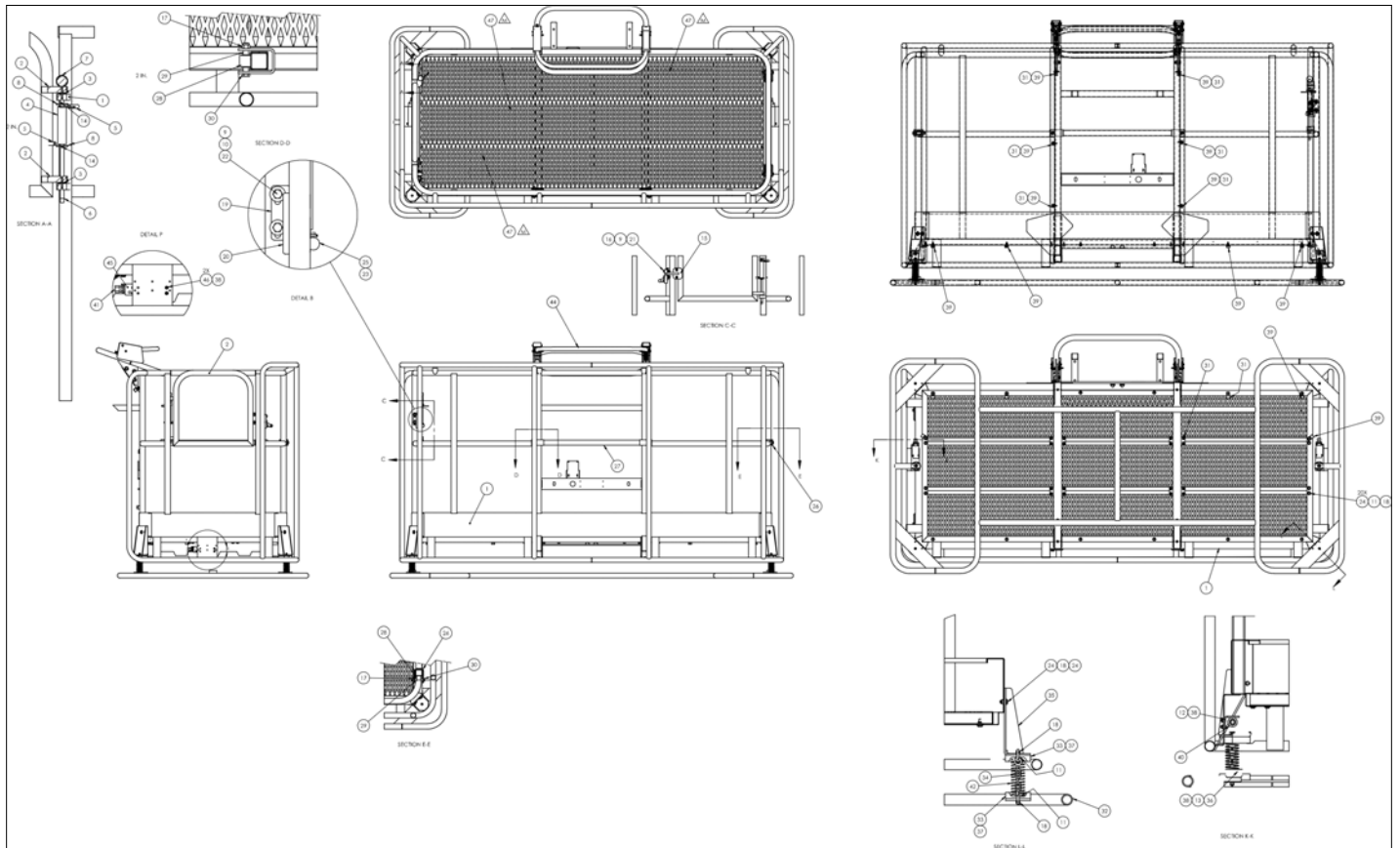
1. INSTALL GENERATOR OPTION WITH WIRING CHANGES AS SHOWN ON SIDE 204.
2. LOCATE SPARE TERMINAL NEAR FOOT SWITCHAL POINT OR DISCONNECT WIRE 0071641 (LEAVE OTHER END ATTACHED TO WAGON-GENERATOR SWITCH)
3. MOVE ONE END OF FOUR POSITIVE WIRE WIRE FROM THE TO A NEARBY SPARE SPARE WIRE SUCH AS OFFICAL USE (A) IN THE NOTES (A)
4. INSTALL BUMP GUARD OPTION WITH WIRING CHANGES AS SHOWN ON SIDE 204 (A) (B) (C) (D) (E) (F) (G) (H) (I) (J) (K) (L) (M) (N) (O) (P) (Q) (R) (S) (T) (U) (V) (W) (X) (Y) (Z) (AA) (AB) (AC) (AD) (AE) (AF) (AG) (AH) (AI) (AJ) (AK) (AL) (AM) (AN) (AO) (AP) (AQ) (AR) (AS) (AT) (AU) (AV) (AW) (AX) (AY) (AZ) (BA) (BB) (BC) (BD) (BE) (BF) (BG) (BH) (BI) (BJ) (BK) (BL) (BM) (BN) (BO) (BP) (BQ) (BR) (BS) (BT) (BU) (BV) (BW) (BX) (BY) (BZ) (CA) (CB) (CC) (CD) (CE) (CF) (CG) (CH) (CI) (CJ) (CK) (CL) (CM) (CN) (CO) (CP) (CQ) (CR) (CS) (CT) (CU) (CV) (CW) (CX) (CY) (CZ) (DA) (DB) (DC) (DD) (DE) (DF) (DG) (DH) (DI) (DJ) (DK) (DL) (DM) (DN) (DO) (DP) (DQ) (DR) (DS) (DT) (DU) (DV) (DW) (DX) (DY) (DZ) (EA) (EB) (EC) (ED) (EE) (EF) (EG) (EH) (EI) (EJ) (EK) (EL) (EM) (EN) (EO) (EP) (EQ) (ER) (ES) (ET) (EU) (EV) (EW) (EX) (EY) (EZ) (FA) (FB) (FC) (FD) (FE) (FF) (FG) (FH) (FI) (FJ) (FK) (FL) (FM) (FN) (FO) (FP) (FQ) (FR) (FS) (FT) (FU) (FV) (FW) (FX) (FY) (FZ) (GA) (GB) (GC) (GD) (GE) (GF) (GG) (GH) (GI) (GJ) (GK) (GL) (GM) (GN) (GO) (GP) (GQ) (GR) (GS) (GT) (GU) (GV) (GW) (GX) (GY) (GZ) (HA) (HB) (HC) (HD) (HE) (HF) (HG) (HH) (HI) (HJ) (HK) (HL) (HM) (HN) (HO) (HP) (HQ) (HR) (HS) (HT) (HU) (HV) (HW) (HX) (HY) (HZ) (IA) (IB) (IC) (ID) (IE) (IF) (IG) (IH) (II) (IJ) (IK) (IL) (IM) (IN) (IO) (IP) (IQ) (IR) (IS) (IT) (IU) (IV) (IW) (IX) (IY) (IZ) (JA) (JB) (JC) (JD) (JE) (JF) (JG) (JH) (JI) (JJ) (JK) (JL) (JM) (JN) (JO) (JP) (JQ) (JR) (JS) (JT) (JU) (JV) (JW) (JX) (JY) (JZ) (KA) (KB) (KC) (KD) (KE) (KF) (KG) (KH) (KI) (KJ) (KK) (KL) (KM) (KN) (KO) (KP) (KQ) (KR) (KS) (KT) (KU) (KV) (KW) (KX) (KY) (KZ) (LA) (LB) (LC) (LD) (LE) (LF) (LG) (LH) (LI) (LJ) (LK) (LL) (LM) (LN) (LO) (LP) (LQ) (LR) (LS) (LT) (LU) (LV) (LW) (LX) (LY) (LZ) (MA) (MB) (MC) (MD) (ME) (MF) (MG) (MH) (MI) (MJ) (MK) (ML) (MN) (MO) (MP) (MQ) (MR) (MS) (MT) (MU) (MV) (MW) (MX) (MY) (MZ) (NA) (NB) (NC) (ND) (NE) (NF) (NG) (NH) (NI) (NJ) (NK) (NL) (NM) (NO) (NP) (NQ) (NR) (NS) (NT) (NU) (NV) (NW) (NX) (NY) (NZ) (OA) (OB) (OC) (OD) (OE) (OF) (OG) (OH) (OI) (OJ) (OK) (OL) (OM) (ON) (OO) (OP) (OQ) (OR) (OS) (OT) (OU) (OV) (OW) (OX) (OY) (OZ) (PA) (PB) (PC) (PD) (PE) (PF) (PG) (PH) (PI) (PJ) (PK) (PL) (PM) (PN) (PO) (PP) (PQ) (PR) (PS) (PT) (PU) (PV) (PW) (PX) (PY) (PZ) (QA) (QB) (QC) (QD) (QE) (QF) (QG) (QH) (QI) (QJ) (QK) (QL) (QM) (QN) (QO) (QP) (QQ) (QR) (QS) (QT) (QU) (QV) (QW) (QX) (QY) (QZ) (RA) (RB) (RC) (RD) (RE) (RF) (RG) (RH) (RI) (RJ) (RK) (RL) (RM) (RN) (RO) (RP) (RQ) (RR) (RS) (RT) (RU) (RV) (RW) (RX) (RY) (RZ) (SA) (SB) (SC) (SD) (SE) (SF) (SG) (SH) (SI) (SJ) (SK) (SL) (SM) (SN) (SO) (SP) (SQ) (SR) (SS) (ST) (SU) (SV) (SW) (SX) (SY) (SZ) (TA) (TB) (TC) (TD) (TE) (TF) (TG) (TH) (TI) (TJ) (TK) (TL) (TM) (TN) (TO) (TP) (TQ) (TR) (TS) (TT) (TU) (TV) (TW) (TX) (TY) (TZ) (UA) (UB) (UC) (UD) (UE) (UF) (UG) (UH) (UI) (UJ) (UK) (UL) (UM) (UN) (UO) (UP) (UQ) (UR) (US) (UT) (UU) (UV) (UW) (UX) (UY) (UZ) (VA) (VB) (VC) (VD) (VE) (VF) (VG) (VH) (VI) (VJ) (VK) (VL) (VM) (VN) (VO) (VP) (VQ) (VR) (VS) (VT) (VU) (VV) (VW) (VX) (VY) (VZ) (WA) (WB) (WC) (WD) (WE) (WF) (WG) (WH) (WI) (WJ) (WK) (WL) (WM) (WN) (WO) (WP) (WQ) (WR) (WS) (WT) (WU) (WV) (WW) (WX) (WY) (WZ) (XA) (XB) (XC) (XD) (XE) (XF) (XG) (XH) (XI) (XJ) (XK) (XL) (XM) (XN) (XO) (XP) (XQ) (XR) (XS) (XT) (XU) (XV) (XW) (XX) (XY) (XZ) (YA) (YB) (YC) (YD) (YE) (YF) (YG) (YH) (YI) (YJ) (YK) (YL) (YM) (YN) (YO) (YP) (YQ) (YR) (YS) (YT) (YU) (YV) (YW) (YX) (YZ) (ZA) (ZB) (ZC) (ZD) (ZE) (ZF) (ZG) (ZH) (ZI) (ZJ) (ZK) (ZL) (ZM) (ZN) (ZO) (ZP) (ZQ) (ZR) (ZS) (ZT) (ZU) (ZV) (ZW) (ZX) (ZY) (ZZ)

NOTES:

1. SPARE TERMINAL POINT ON CIRCUIT BOARD HAVE 3 WIRES:
- (A) WIRE FROM GENERATOR SWITCH
- (B) WIRE FROM GENERATOR SWITCH ON DISCONNECT WIRE 0071641 SWITCH
- (C) WIRE FROM GENERATOR SWITCH ON DISCONNECT WIRE 0071641 SWITCH
2. WIRE FROM GENERATOR SWITCH ON DISCONNECT WIRE 0071641 SWITCH
3. WIRE FROM GENERATOR SWITCH ON DISCONNECT WIRE 0071641 SWITCH
4. WIRE FROM GENERATOR SWITCH ON DISCONNECT WIRE 0071641 SWITCH
5. WIRE FROM GENERATOR SWITCH ON DISCONNECT WIRE 0071641 SWITCH
6. WIRE FROM GENERATOR SWITCH ON DISCONNECT WIRE 0071641 SWITCH
7. WIRE FROM GENERATOR SWITCH ON DISCONNECT WIRE 0071641 SWITCH
8. WIRE FROM GENERATOR SWITCH ON DISCONNECT WIRE 0071641 SWITCH
9. WIRE FROM GENERATOR SWITCH ON DISCONNECT WIRE 0071641 SWITCH
10. WIRE FROM GENERATOR SWITCH ON DISCONNECT WIRE 0071641 SWITCH
11. WIRE FROM GENERATOR SWITCH ON DISCONNECT WIRE 0071641 SWITCH
12. WIRE FROM GENERATOR SWITCH ON DISCONNECT WIRE 0071641 SWITCH
13. WIRE FROM GENERATOR SWITCH ON DISCONNECT WIRE 0071641 SWITCH
14. WIRE FROM GENERATOR SWITCH ON DISCONNECT WIRE 0071641 SWITCH

アイテム	部品番号	名前	数量	UOM
13	5560034	NUT LKG 10 24	3	EA
14	3020080	TOGGLE SWITCH	1	EA
17	3020098	ASSY PHOTOELECTRIC SWITCH	REF	EA
18	3011803	CABLE 18GA/3 CONDUCTOR WIRE	8'	EA
19	3011803	CABLE 18GA/3 CONDUCTOR WIRE	8.5'	EA
20	0181102	JUMPER WIRE MULTIPLE TERMINAL	1	EA
21	0181103	WIRE 16 R10 FEM250FI 15	3	EA
22	0111476	WIRE 16 FEM250FI FEM250FI 4	1	EA
23	0070758	WIRE 16 R6I R10I 20	1	EA
24	0150756	WIRE 16 R8I FEM250FI 36	3	EA
25	0071528	WIRE 18 FEM250FI FEM188I 21	1	EA
32	0181407	PLAC PROXIMITY SW OVERRIDE	1	EA
38	0110835	JUMPER WIRE	1	EA

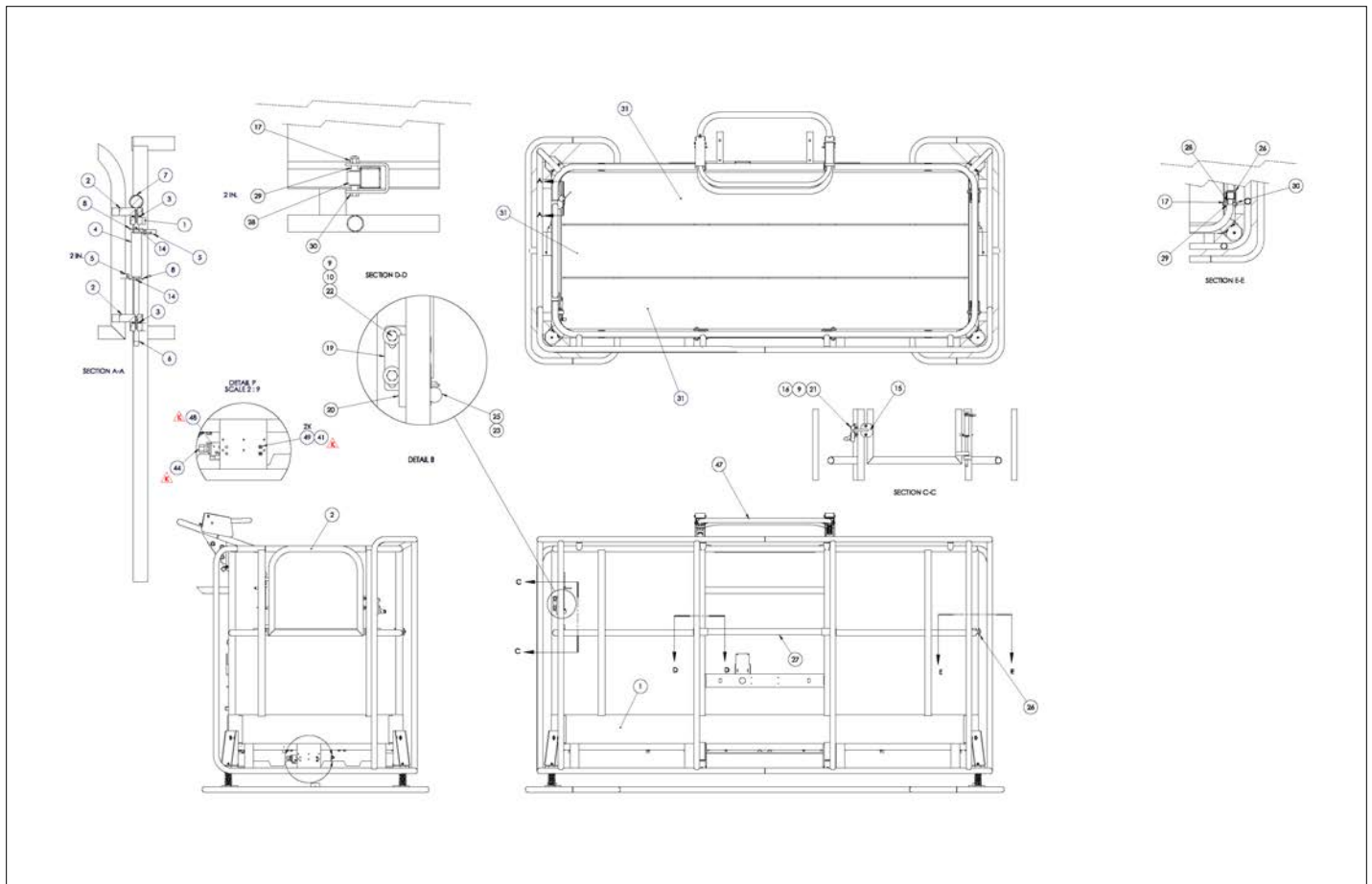
OPTIONS



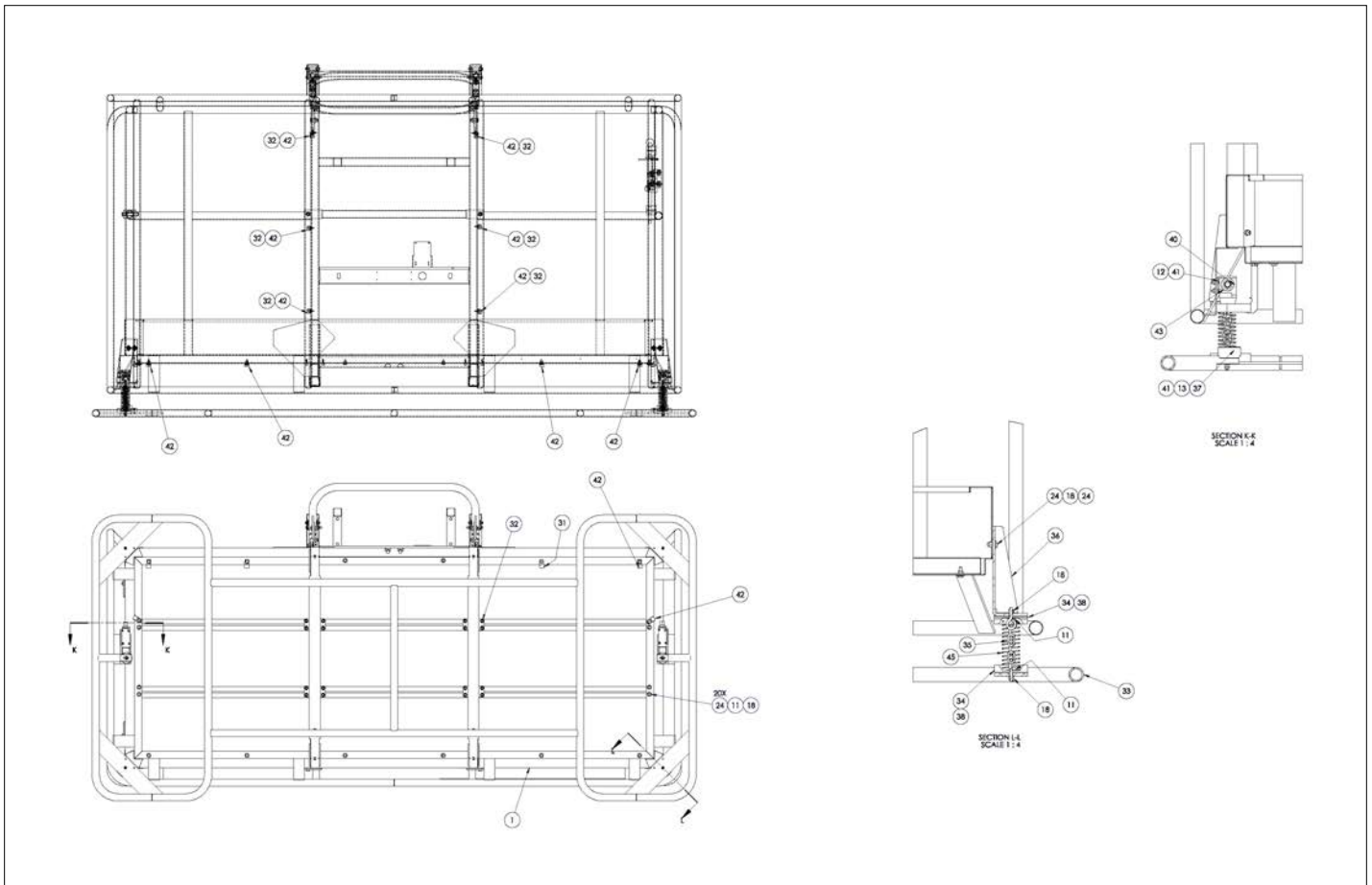
アイテム	部品番号	名前	数量	UOM
	1430385 M	36 X 96 PLATFORM ASSEMBLY WITH BUMP GUARD AND PADDING MARCH 2009 AND AFTER		EA
1	1430378 5	WLDMT PLATF BUMP FRAME MOD	1	EA
2	1430099 5	WLDMT STRIKE GATE SWING	1	EA
3	2572007	BRG .500ID .625OD .625	4	EA
4	0071837	TORSION SPRING BASKET MODIF.	1	EA
5	5010007	HOSE VACUUM .156 ID 4.0MM	0.33	EA
6	0420632	PIN 0.50 4.859 GRIP	1	EA
7	2667500	95 BALL KNOB 1 3/8 X 1/2 13	1	EA
8	986359	FLATWASHER 1/2"	2	EA
9	986269	WSHR FLAT .313	4	EA
10	5563393	WASHER FLAT .438 HARDENED	2	EA
11	986019	WSHR FLAT .250	36	EA
12	5560654	WSHR LOCK #10 SPLIT TYPE	4	EA
13	986009	WSHR FLAT 10	2	EA
14	988179	COTTER PIN, 1/8 DIA. X 1" LG.	2	EA
15	0421529 5	WLDMT STRIKER SWING GATE	1	EA
16	5560031	NUT HEX LKG .313 18	4	EA
17	5560033	.375 16UNC HEX LOCK NUT	4	EA
18	5560004	NUT LKG .250 20	36	EA
19	0421519 5	PLT LATCH MNT SWING GATE	1	EA
20	300492	LATCH LH TRAY ROTARY LOCK	1	EA
21	970279	BLT HEXHD .313 18 1.50 GR5	2	EA
22	970239	BLT HEXHD .313 18 .750 GR5	2	EA
23	970009	Capscrew 1/4 20 x 1/2 inch lon	1	EA
24	970029	BLT .25 20 .750	28	EA
25	302555	KNOB ROUND .25 20NC FEMALE DIM	1	EA

アイテム	部品番号	名前	数量	UOM
26	0420199 5	WLDMT GATE GRAVITY SIDE 36X96	1	EA
27	0421321 5	WLDMT GG FRONT 36X96 STL PLAT	1	EA
28	0150509	ROLLER	4	EA
29	0071953 8	SPCR .451ID .500OD 1.88 STL	4	EA
30	5569865	BLT HEXHD .375 16 2.75 GR5	4	EA
31	5563310	HWH .25 14 SELF DRILLING X .75	22	EA
32	1430381 5	WLDMT BUMP GUARD FRAME	1	EA
33	0181381	SPRING KEEPER	8	EA
34	0181408	CHAIN ASSY	4	EA
35	1430371 5	ANGLE SPRING KEEPER MNT	4	EA
36	0181407	PLAC PROXIMITY SW OVERRIDE	1	EA
37	978389	BLT SKTHD .250 20 .75	16	EA
38	5563388	MACHINE SCREW, PAN HD, SLOTTED, #10 24 UNC X .50 MTS 16, 18	2	EA
39	5093001	CLP CUSH .500 VINYL COATED	12	EA
40	3040070	NUT LKG HUB .500 APPLETON: P/N BL50 REG 801	2	EA
41	3040187	CONN .500 .313 .438	2	EA
42	5530013	SPRING COMPRESSION 1.50 O.D. X	4	EA
43	972259	BLT FLSKTHD .313 18 1.00	2	EA
44	0113584	SNORKEL GUARD TRI ENTRY 8 FOOT STEEL ASSEMBLY	1	EA
45	182340	SENSOR BRKT	2	EA
46	5560034	NUT LKG 10 24	3	EA
47	8060311	PLATE GRIPSTRUT 8FT	3	EA

OPTIONS

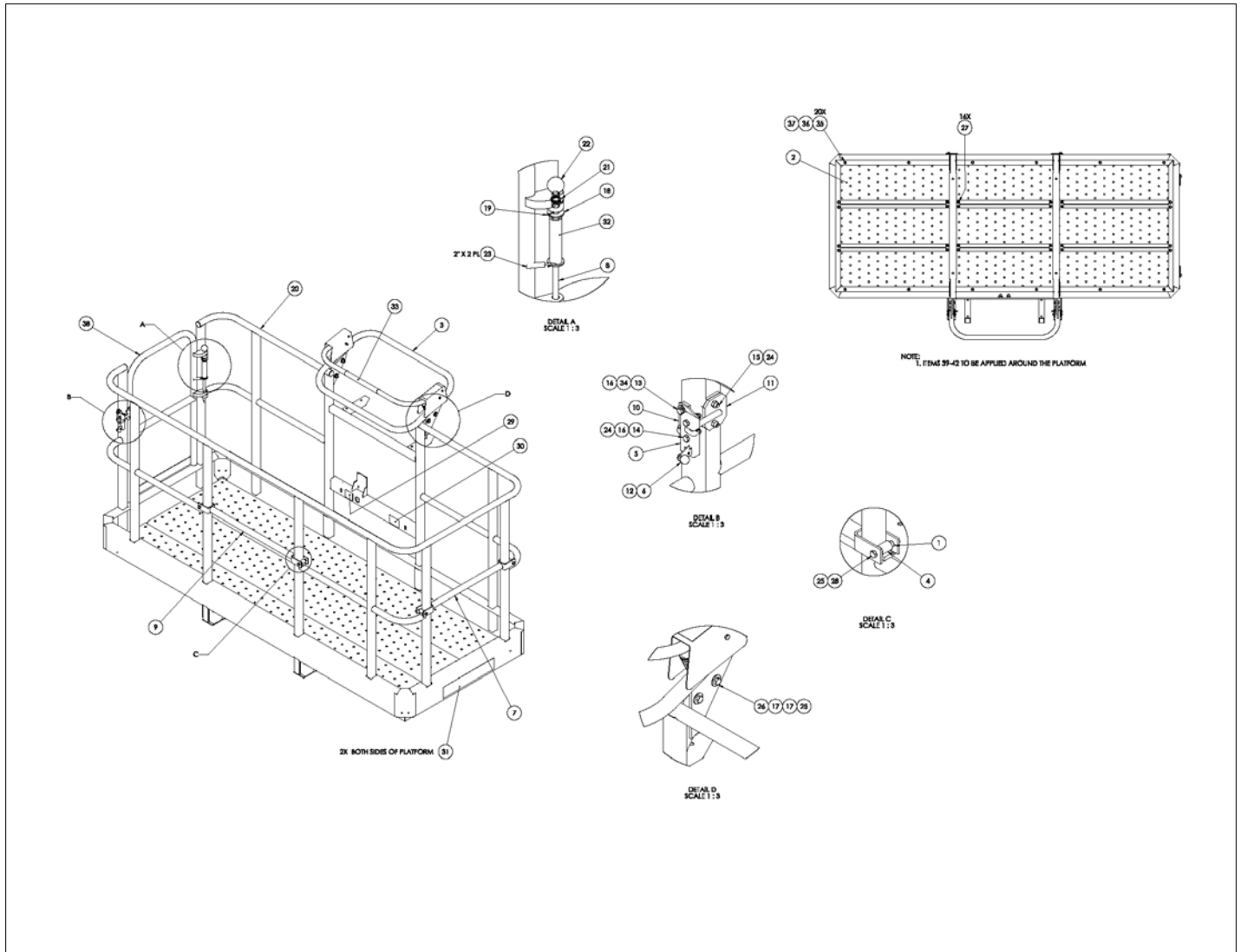


アイテム	部品番号	名前	数量	UOM
	1430385 K 1	null		EA
1	1430378	PLATFORM BUMP FRAME	1	EA
2	1430099	WLDMT, GATE SWING SIDE	1	EA
3	2572007	BRG .500ID .625OD .625	4	EA
4	0071837	TORSION SPRING BASKET MODIF.	1	EA
5	5010007	HOSE VACUUM .156 ID 4.0MM	2	EA
6	0420632	PIN 0.50 4.859 GRIP	1	EA
7	2667500	95 BALL KNOB 1 3/8 X 1/2 13	1	EA
8	986359	FLATWASHER 1/2"	2	EA
9	986269	WSHR FLAT .313	4	EA
10	5563393	WASHER FLAT .438 HARDENED	2	EA
11	986019	WSHR FLAT .250	36	EA
12	5560654	WSHR LOCK #10 SPLIT TYPE	4	EA
13	986009	WSHR FLAT 10	2	EA
14	988179	COTTER PIN, 1/8 DIA. X 1" LG.	2	EA
15	0421529 5	WLDMT STRIKER SWING GATE	1	EA
16	5560031	NUT HEX LKG .313 18	4	EA
17	5560033	.375 16UNC HEX LOCK NUT	4	EA
18	5560004	NUT LKG .250 20	36	EA
19	0421519 5	PLT LATCH MNT SWING GATE	1	EA
20	300492	LATCH LH TRAY ROTARY LOCK	1	EA
21	970279	BLT HEXHD .313 18 1.50 GR5	2	EA
22	970239	BLT HEXHD .313 18 .750 GR5	2	EA
23	970009	Capscrew 1/4 20 x 1/2 inch lon	1	EA
24	970029	BLT .25 20 .750	28	EA
25	302555	KNOB ROUND .25 20NC FEMALE DIM	1	EA
26	0420199	WLDMT, GATE GRAVITY SIDE	1	EA
27	0421321	WLDMT, GG FRONT 36x96 STL PLAT	1	EA



アイテム	部品番号	名前	数量	UOM
28	0150509	ROLLER	4	EA
29	0071953	SPCR .451ID .500OD 1.88 STL	4	EA
30	5569865	BLT HEXHD .375 16 2.75 GR5	4	EA
31	8060311	PLATE GRIPSTRUT 8FT	3	EA
32	5563310	HWH .25 14 SELF DRILLING X .75	22	EA
33	1430381	WLDMT BUMP GUARD FRAME	1	EA
34	0181381	SPRING KEEPER	8	EA
35	0181408	CHAIN ASSY	4	EA
36	1430371	SPRING KEEPER MNT ANGLE	4	EA
37	0181406	TARGET PROXIMITY SWITCH INSTL	2	EA
38	978389	BLT SKTHD .250 20 .75	16	EA
39	3028937	ASSY PHOTOELECTRIC SWITCH	1	EA
40	3028937	ASSY PHOTOELECTRIC SWITCH	1	EA
41	5563388	MACHINE SCREW, PAN HD, SLOTTED, #10 24 UNC X .50 MTS 16, 18	2	EA
42	5093001	CLP CUSH .500 VINYL COATED	12	EA
43	3040070	NUT LKG HUB .500 APPLETON: P/N BL50 REG 801	2	EA
44	3040187	CONN .500 .313 .438	2	EA
45	5530013	SPRING COMPRESSION 1.50 O.D. X	4	EA
46	972259	BLT FLSKTHD .313 18 1.00	2	EA
47	0113584	SNORKEL GUARD TRI ENTRY 8 FOOT STEEL ASSEMBLY	1	EA
48	0182340	SENSOR BRKT	2	EA
49	5560034	NUT LKG 10 24	4	EA

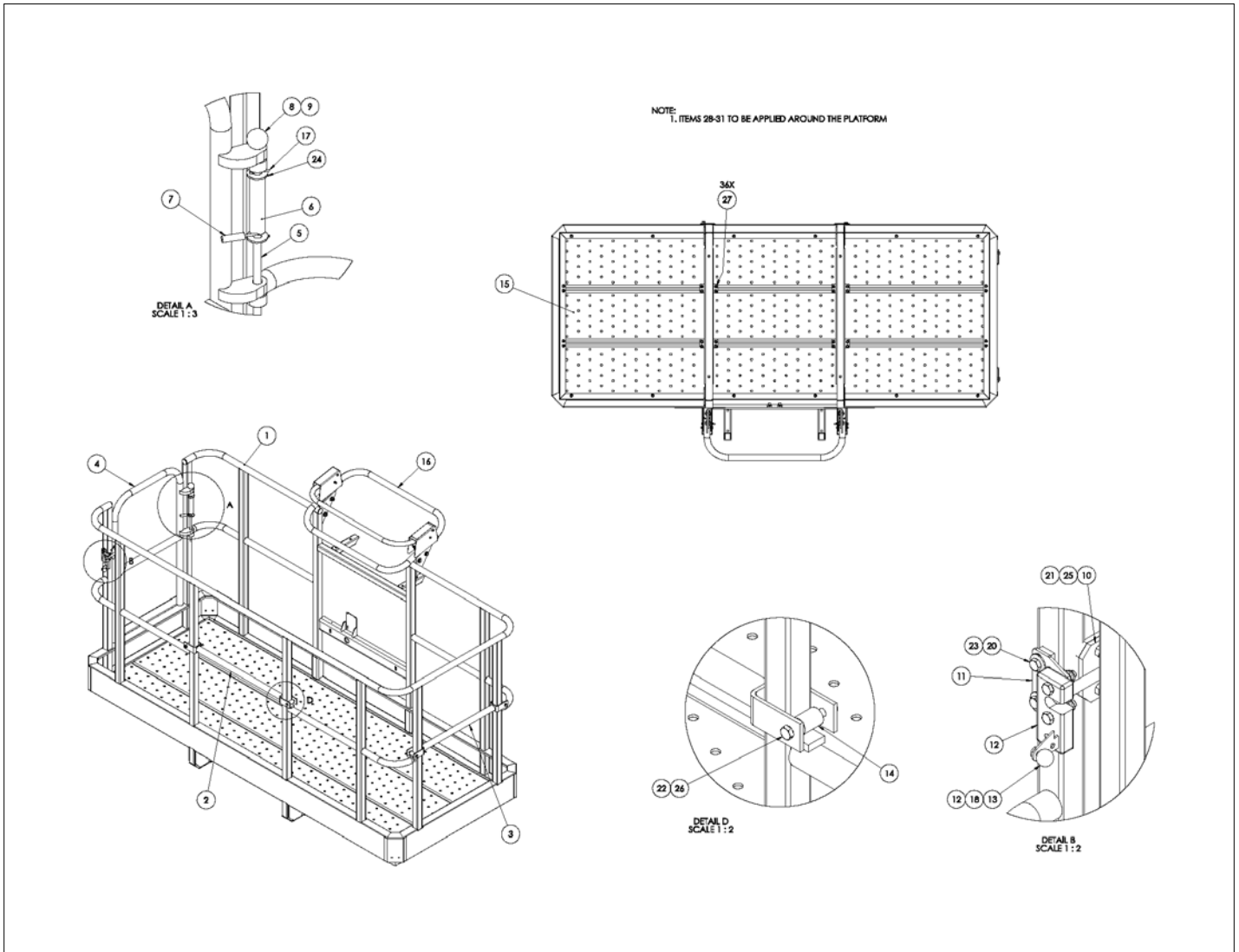
OPTIONS



アイテム	部品番号	名前	数量	UOM
	1433602 C	PLATFORM ASSEMBLY WITH MESH ENCLOSURE PG APRIL 2018 AND AFTER		EA
1	0071953	SPCR .451ID .500OD 1.88 STL	4	EA
2	8060311	PLATE GRIPSTRUT 8FT	3	EA
3	0113531	ASSY, SNORKEL GUARD	1	EA
4	0150509	ROLLER	4	EA
5	300492	LATCH LH TRAY ROTARY LOCK	1	EA
6	302555	KNOB ROUND .25 20NC FEMALE DIM	1	EA
7	0420199	WLDMT, GATE GRAVITY SIDE	1	EA
8	0420632	PIN 0.50 4.859 GRIP	1	EA
9	0421321	WLDMT, GG FRONT 36x96 STL PLAT	1	EA
10	0421519 5	PLT LATCH MNT SWING GATE	1	EA
11	0421529 5	WLDMT STRIKER SWING GATE	1	EA
12	970009	Capscrew 1/4 20 x 1/2 inch lon	1	EA
13	970239	BLT HEXHD .313 18 .750 GR5	2	EA
14	970279	BLT HEXHD .313 18 1.50 GR5	2	EA
15	972259	BLT FLSKTHD .313 18 1.00	2	EA
16	986269	WSHR FLAT .313	4	EA
17	986299	WASHER, FLAT, .375 STANDARD, PLATED	12	EA
18	986359	FLATWASHER 1/2"	2	EA
19	988179	COTTER PIN, 1/8 DIA. X 1" LG.	2	EA
20	1430080	PLATFORM ASSEMBLY STEEL	1	EA
21	2572007	BRG .500ID .625OD .625	4	EA
22	2667500	95 BALL KNOB 1 3/8 X 1/2 13	1	EA
23	5010007	HOSE VACUUM .156 ID 4.0MM	4"	EA
24	5560031	NUT HEX LKG .313 18	4	EA
25	5560033	.375 16UNC HEX LOCK NUT	10	EA
26	972479	BLT HEXHD .375 16 1.25 GR5	6	EA

アイテム	部品番号	名前	数量	UOM
27	5563310	HWH .25 14 SELF DRILLING X .75	16	EA
28	5569865	BLT HEXHD .375 16 2.75 GR5	4	EA
29	0075235	DECAL SIDE LOAD 150 LB	1	EA
30	0172451	DECAL ATTACH MAX 2 LANYARDS	1	EA
31	569295	DECAL, SNORKEL BRAND LOGO 3.00	2	EA
32	0071837	TORSION SPRING BASKET MODIF.	1	EA
33	0072531	DECAL, ELECTROCUTION HAZ	1	EA
34	986009	WSHR FLAT 10	2	EA
35	970029	BLT .25 20 .750	20	EA
36	986019	WSHR FLAT .250	20	EA
37	5560004	NUT LKG .250 20	20	EA
38	1433588	WLDMT, EXTENDED SWING GATE SID	1	EA
39	1433598	GATE ENCLOSURE, MESH	1	EA
40	1433599	PLATFORM ENCLOSURE, MESH	1	EA
41	1433600	2IN, VELCRO TAPE	22ft	EA
42	1433601	1IN, VELCRO TAPE	6ft	EA

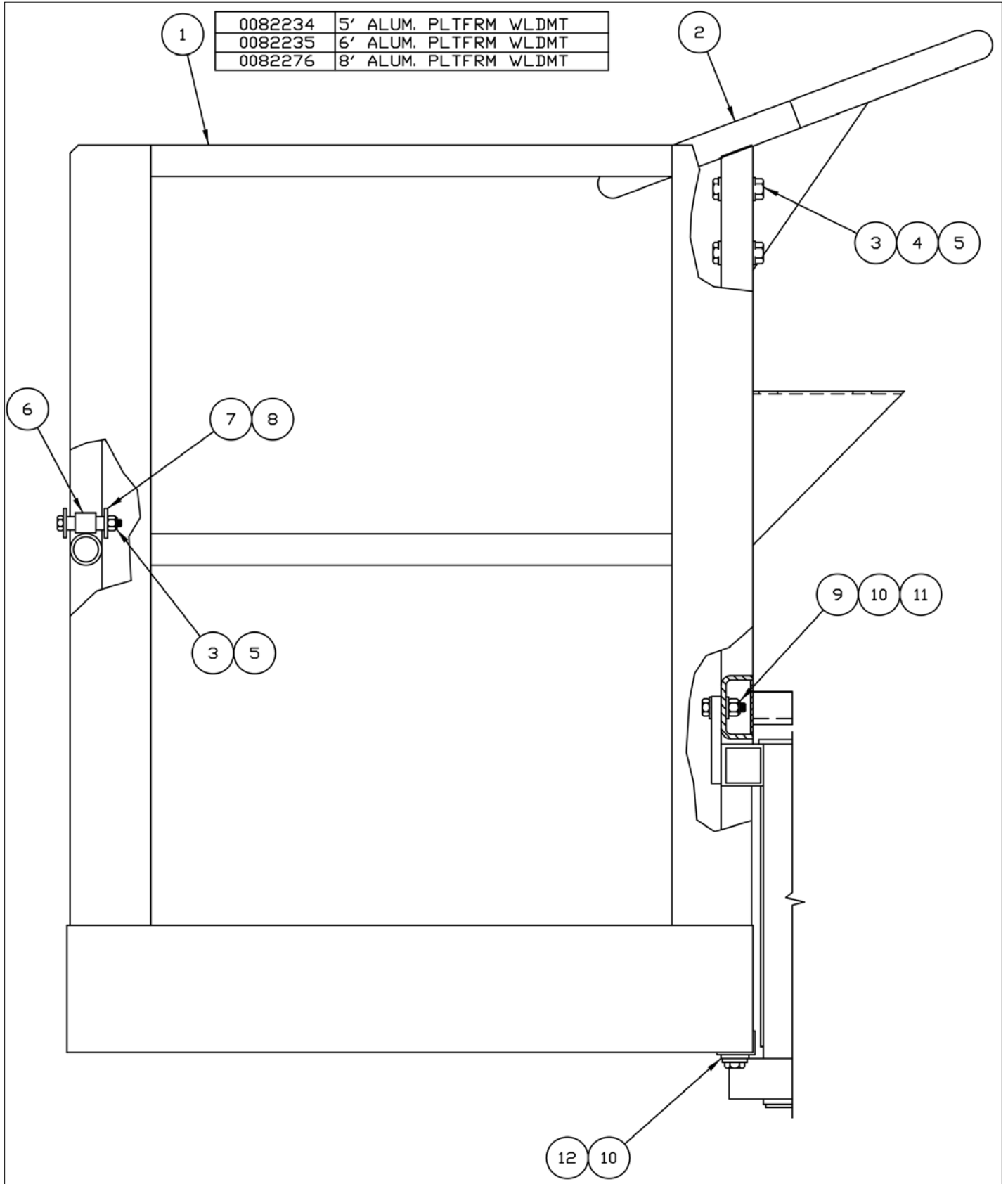
OPTIONS



アイテム	部品番号	名前	数量	UOM
	1433604 C	PLATFORM ASSEMBLY WITH MESH ENCLOSURE APRIL 2018 AND AFTER		EA
1	1430080	PLATFORM ASSEMBLY STEEL	1	EA
2	0421321	WLDMT, GG FRONT 36x96 STL PLAT	1	EA
3	0420199	WLDMT, GATE GRAVITY SIDE	1	EA
4	1433588	WLDMT, EXTENDED SWING GATE SID	1	EA
5	0420632	PIN 0.50 4.859 GRIP	1	EA
6	0071837	TORSION SPRING BASKET MODIF.	1	EA
7	5010007	HOSE VACUUM .156 ID 4.0MM	2	EA
8	2667500	95 BALL KNOB 1 3/8 X 1/2 13	1	EA
9	2572007	BRG .500ID .625OD .625	4	EA
10	0421529 5	WLDMT STRIKER SWING GATE	1	EA
11	0421519 5	PLT LATCH MNT SWING GATE	1	EA
12	300492	LATCH LH TRAY ROTARY LOCK	1	EA
13	302555	KNOB ROUND .25 20NC FEMALE DIM	1	EA
14	0150509	ROLLER	4	EA
15	8060311	PLATE GRIPSTRUT 8FT	3	EA
16	0113584	SNORKEL GUARD TRI ENTRY 8 FOOT STEEL ASSEMBLY	1	EA
17	988179	COTTER PIN, 1/8 DIA. X 1" LG.	2	EA
18	970009	Capscrew 1/4 20 x 1/2 inch lon	1	EA
Not Shown	970279	BLT HEXHD .313 18 1.50 GR5	2	EA
20	970239	BLT HEXHD .313 18 .750 GR5	2	EA
21	5560031	NUT HEX LKG .313 18	4	EA
22	5560033	.375 16UNC HEX LOCK NUT	4	EA
23	986269	WSHR FLAT .313	4	EA
24	986359	FLATWASHER 1/2"	2	EA

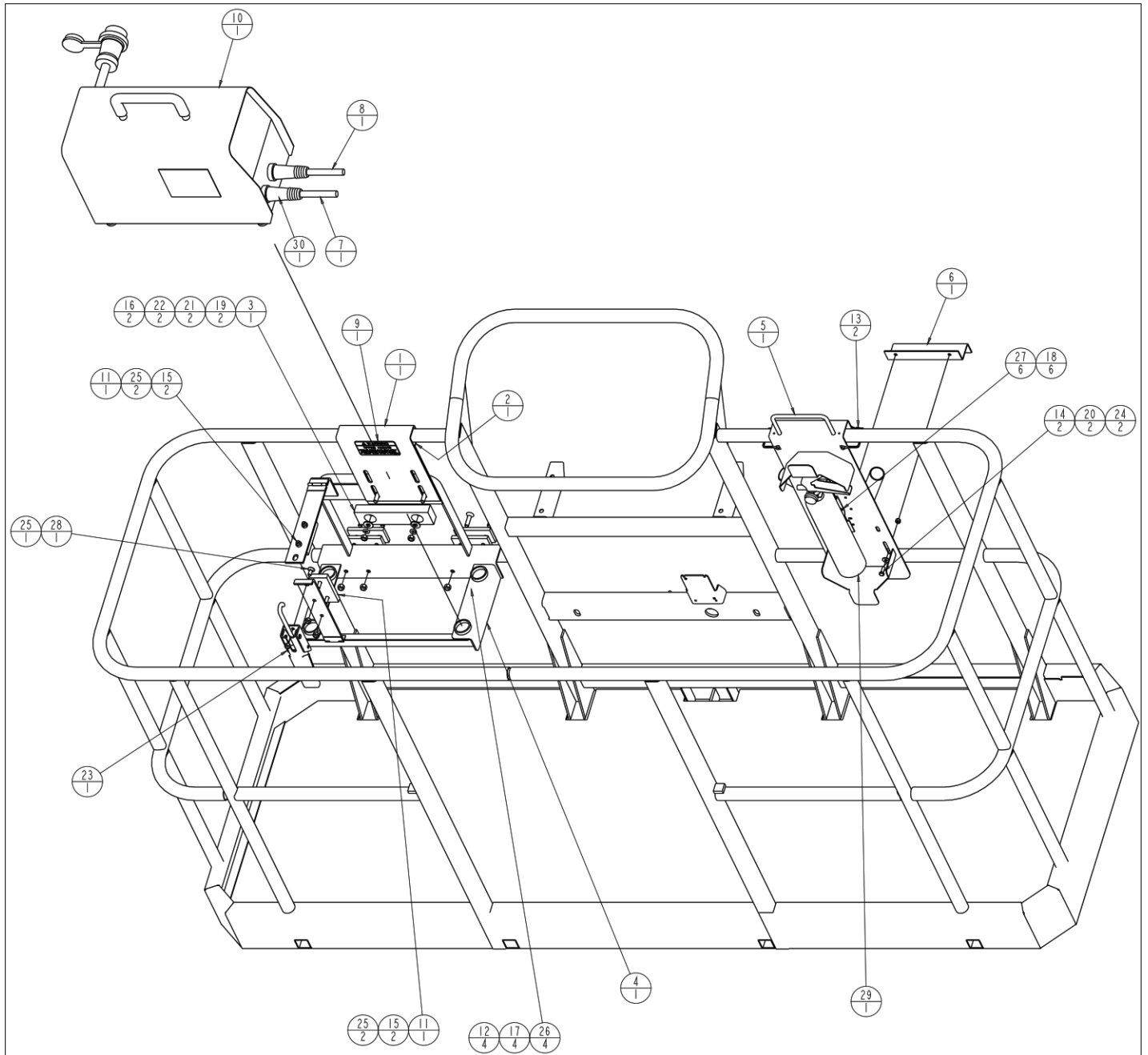
アイテム	部品番号	名前	数量	UOM
25	972259	BLT FLSKTHD .313 18 1.00	2	EA
26	5569865	BLT HEXHD .375 16 2.75 GR5	4	EA
27	5563310	HWH .25 14 SELF DRILLING X .75	36	EA
28	1433598	GATE ENCLOSURE, MESH	1	EA
29	1433599	PLATFORM ENCLOSURE, MESH	1	EA
30	1433600	2IN, VELCRO TAPE	22FT	EA
31	1433601	1IN, VELCRO TAPE	6FT	EA

OPTIONS



アイテム	部品番号	名前	数量	UOM
	A08021B	PLATFORM ASSEMBLY 8FT ALUMINUM GG		EA
1	0082276	8' AL PLATFORM WLDMNT	A/R	EA
2	0161487	WELDMNT, CONTROL BOX HANDRAIL	A/R	EA
3	970529	BLT HEXHD .375 16 2.50 GR5 PLTD	6	EA
4	986299	WASHER, FLAT, .375 STANDARD, PLATED	8	EA
5	984109	NUT HEX .375 16	6	EA
6	0161182	ROLLER, ALUMINUM GRAVITY GATE	A/R	EA
7	0161177	GRAVITY GATE SERVICE KIT (KIT INCLUDES ITEMS 6 THROUGH 10)	A/R	EA
8	0161184	ROLLER SPACER, ALUMINUM GRAVITY GATE	A/R	EA
9	970909	BLT HEXHD .500 13 1.50 GR5 PLA	2	EA
10	986359	FLATWASHER 1/2"	4	EA
11	5560039	NUT HEX LKG .500 13	2	EA
12	970889	CAPSCREW 1/2 13 X 1" LG H.H.	2	EA

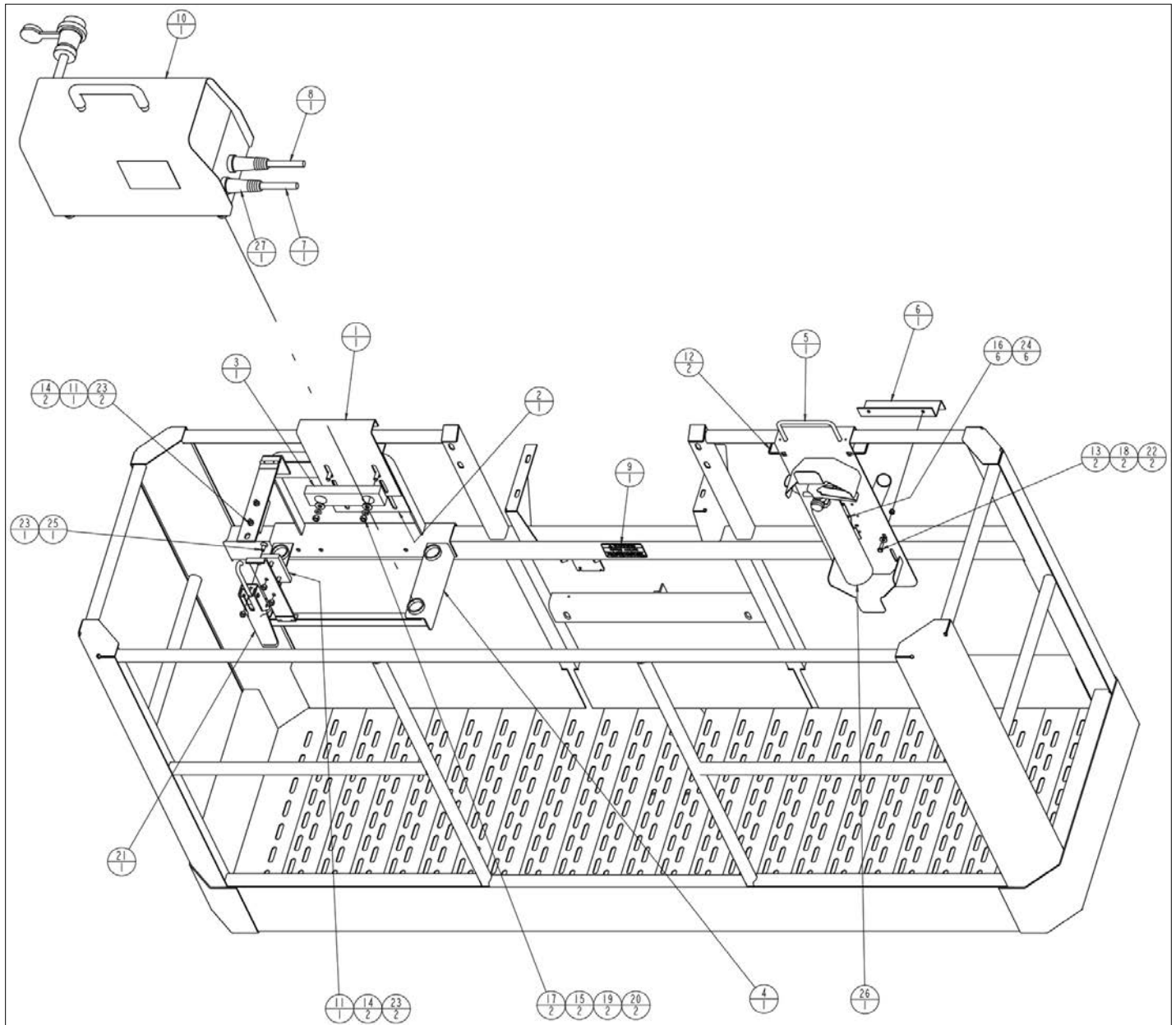
OPTIONS



アイテム	部品番号	名前	数量	UOM
Not Shown	0083999 C	STEEL PLATFORM WELDER		EA
1	0083823	BRKT TOP	1	EA
2	0083825	BRKT LOWER	1	EA
3	0083826	SL PAD 2.00 8.25 1.00 2H	1	EA
4	0083833	WELDMT WELDER SUPPORT	1	EA
5	0083857	WELDMT CABLE STORAGE BRKT	1	EA
6	0083858	BRKT	1	EA
7	0083862	ASSEMBLY, ELECTRODE HOLDER WIRE	1	EA
8	0083863	ASSEMBLY, GROUND WIRE	1	EA
9	0083985	PLAC WARNING TIPPING HAZARD	1	EA
10	0084084	WELDER ASSEMBLY, LINCOLN V275 S	1	EA
11	0150121	SL PAD 2.00 4.00 .500 2H	2	EA
12	0161766	SL PAD 2.00 4.00 .375 2H	4	EA
13	302544	Pin & Lock	2	EA
14	970029	BLT .25 20 .750	2	EA
15	972259	BLT FLSKTHD .313 18 1.00	4	EA
16	972439	BLT CRG .375 16 X 1.25 GR 5 ZP	2	EA
17	972489	M.SCR 3/8 16 1 1/2 SOC. CAD	4	EA
18	974659	SCR RDH MACH 10 24 .500	6	EA
19	984109	NUT HEX .375 16	2	EA
20	986019	WSHR FLAT .250	2	EA
21	986299	WASHER, FLAT, .375 STANDARD, PLATED	2	EA
22	987119	WSHR LOCK .375	2	EA
23	5516329	LATCH ADJ DRAW	1	EA
24	5560004	NUT LKG .250 20	2	EA
25	5560031	NUT HEX LKG .313 18	5	EA
26	5560033	.375 16UNC HEX LOCK NUT	4	EA

アイテム	部品番号	名前	数量	UOM
27	5560034	NUT LKG 10 24	6	EA
28	5560372	BLT CRG .313 18 .75 GR5	1	EA
29	9939464	FIRE EXTINGUISHER	1	EA
30	3220076	PLUG WELD CABLE END	2	EA
31	3045256	RECEPTACLE 120/240 COMB DUPLEX	1	EA

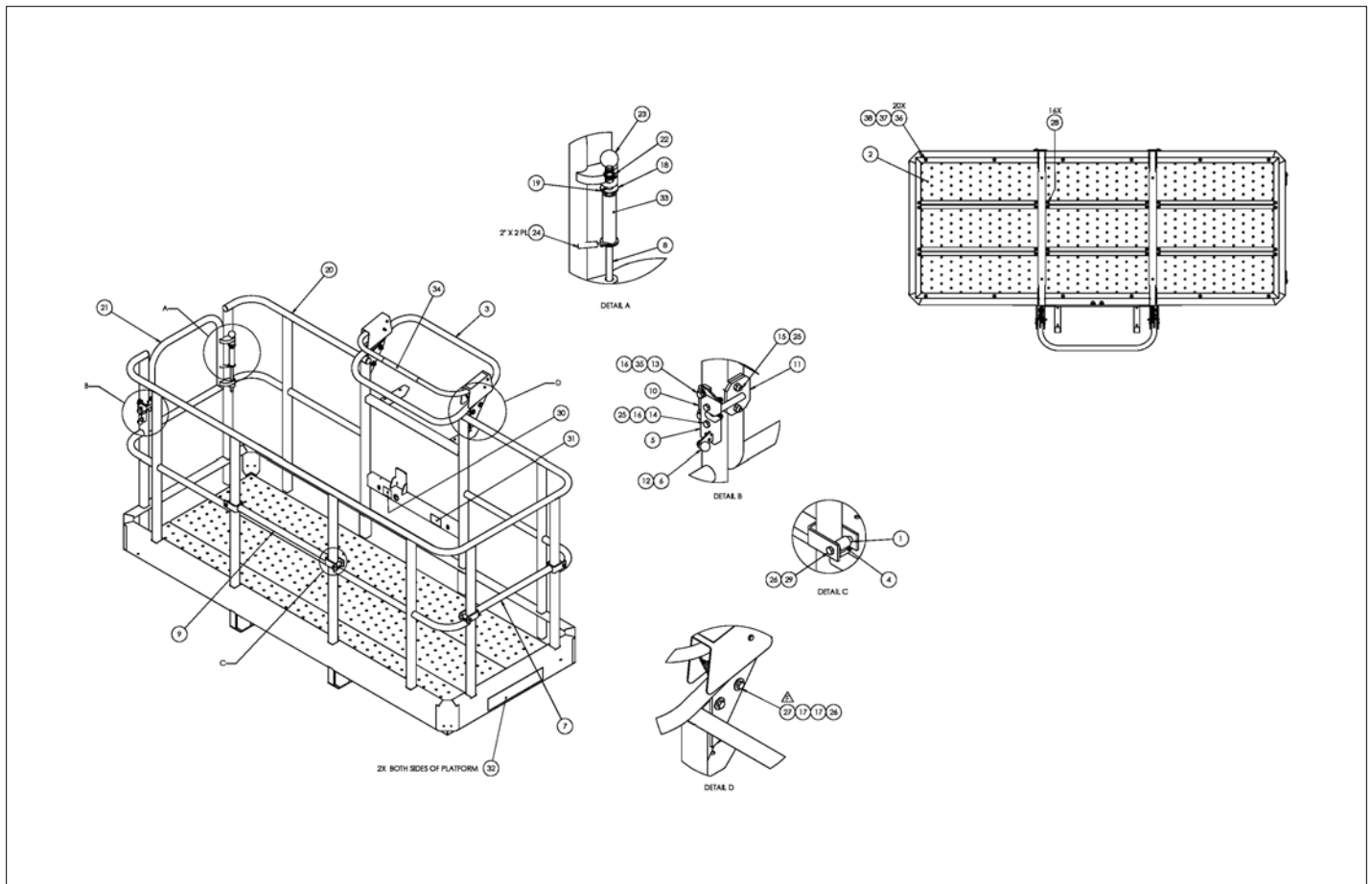
OPTIONS



アイテム	部品番号	名前	数量	UOM
Not Shown	0083895 E	WELDER 11KW GENERATOR AUMINUM PLATFORM		EA
1	0083823	BRKT TOP	1	EA
2	0083825	BRKT LOWER	1	EA
3	0083826	SL PAD 2.00 8.25 1.00 2H	1	EA
4	0083833	WELDMT WELDER SUPPORT	1	EA
5	0083857	WELDMT CABLE STORAGE BRKT	1	EA
6	0083858	BRKT	1	EA
7	0083862	ASSEMBLY, ELECTRODE HOLDER WIRE	1	EA
8	0083863	ASSEMBLY, GROUND WIRE	1	EA
9	0083985	PLAC WARNING TIPPING HAZARD	1	EA
10	0084084	WELDER ASSEMBLY, LINCOLN V275 S	1	EA
11	0150121	SL PAD 2.00 4.00 .500 2H	2	EA
12	302544	Pin & Lock	2	EA
13	970029	BLT .25 20 .750	2	EA
14	972259	BLT FLSKTHD .313 18 1.00	4	EA
15	972439	BLT CRG .375 16 X 1.25 GR 5 ZP	2	EA
16	974659	SCR RDH MACH 10 24 .500	6	EA
17	984109	NUT HEX .375 16	2	EA
18	986019	WSHR FLAT .250	2	EA
19	986299	WASHER, FLAT, .375 STANDARD, PLATED	2	EA
20	987119	WSHR LOCK .375	2	EA
21	5516329	LATCH ADJ DRAW	1	EA
22	5560004	NUT LKG .250 20	2	EA
23	5560031	NUT HEX LKG .313 18	5	EA
24	5560034	NUT LKG 10 24	6	EA
25	5560372	BLT CRG .313 18 .75 GR5	1	EA
26	9939464	FIRE EXTINGUISHER	1	EA

アイテム	部品番号	名前	数量	UOM
27	3220076	PLUG WELD CABLE END	2	EA
28	3045256	RECEPTACLE 120/240 COMB DUPLEX	1	EA

OPTIONS



アイテム	部品番号	名前	数量	UOM
	1431573 H	GLOBAL STANDARD PLATFORM ASSEMBLY WITH SNORKEL GUARD APRIL 2016 AND AFTER		EA
*	1431573 0	GLOBAL STANDARD PLATFORM ASSEMBLY WITH SNORKEL GUARD		EA
1	0071953 8	SPCR .451ID .500OD 1.88 STL	4	EA
2	8060311	PLATE GRIPSTRUT 8FT	3	EA
3	0113531 5	ASSY SNORKEL GUARD	1	EA
4	0150509	ROLLER	4	EA
5	300492	LATCH LH TRAY ROTARY LOCK	1	EA
6	302555	KNOB ROUND .25 20NC FEMALE DIM	1	EA
7	0420199 5	WLDMT GATE GRAVITY SIDE 36X96	1	EA
8	0420632	PIN 0.50 4.859 GRIP	1	EA
9	0421321 5	WLDMT GG FRONT 36X96 STL PLAT	1	EA
10	0421519 5	PLT LATCH MNT SWING GATE	1	EA
11	0421529 5	WLDMT STRIKER SWING GATE	1	EA
12	970009	Capscrew 1/4 20 x 1/2 inch lon	1	EA
13	970239	BLT HEXHD .313 18 .750 GR5	2	EA
14	970279	BLT HEXHD .313 18 1.50 GR5	2	EA
15	972259	BLT FLSKTHD .313 18 1.00	2	EA
16	986269	WSHR FLAT .313	4	EA
17	986299	WASHER, FLAT, .375 STANDARD, PLATED	12	EA
18	986359	FLATWASHER 1/2"	2	EA
19	988179	COTTER PIN, 1/8 DIA. X 1" LG.	2	EA
20	1430080 5	GLOBAL STD PLATFORM WELDMENT	1	EA
21	1430099 5	WLDMT STRIKE GATE SWING	1	EA
22	2572007	BRG .500ID .625OD .625	4	EA

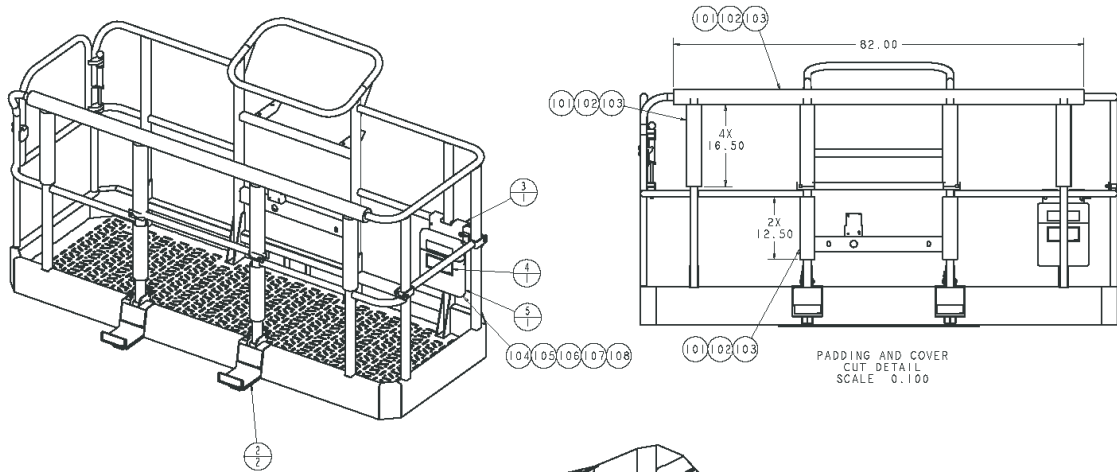
アイテム	部品番号	名前	数量	UOM
23	2667500	95 BALL KNOB 1 3/8 X 1/2 13	1	EA
24	5010007	HOSE VACUUM .156 ID 4.0MM	0.33	EA
25	5560031	NUT HEX LKG .313 18	4	EA
26	5560033	.375 16UNC HEX LOCK NUT	10	EA
27	972479	BLT HEXHD .375 16 1.25 GR5	6	EA
28	5563310	HWH .25 14 SELF DRILLING X .75	16	EA
29	5569865	BLT HEXHD .375 16 2.75 GR5	4	EA
30	0075235	DECAL SIDE LOAD 150 LB	1	EA
31	0172451	DECAL ATTACH MAX 2 LANYARDS	1	EA
32	569295	DECAL, SNORKEL BRAND LOGO 3.00	2	EA
33	0071837	TORSION SPRING BASKET MODIF.	1	EA
34	0072531	DECAL, ELECTROCUTION HAZ	1	EA
35	986009	WSHR FLAT 10	2	EA
36	970029	BLT .25 20 .750	20	EA
37	986019	WSHR FLAT .250	20	EA
38	5560004	NUT LKG .250 20	20	EA

OPTIONS

**NO IMAGE AVAILABLE
(BOM FOR REFERENCE ONLY)**

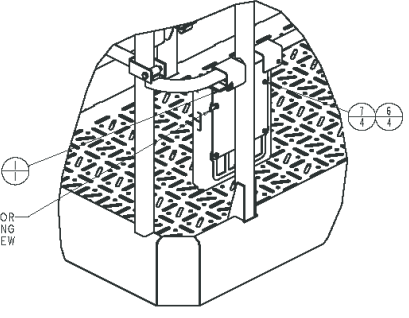
アイテム	部品番号	名前	数量	UOM
	0112952	CSA CERTIFICATION TB85FA		EA
1	0074926	OPTION ALL MOTION ALARM W/OUT HORN NOT SHOWN	1	EA
2	0071534	WIRE 18 R10I FEM188I 21	1	EA
3	3046697	TERM FEM188I 16/14GA	1	EA
4	3044162	TERM R250I 16/14	1	EA
5	0075234	DECAL CSA COMPLIANCE	1	EA
6	0075235	DECAL SIDE LOAD 150 LB	1	EA
7	0090589E	PLACARD	2	EA
8	0112950	MANUAL RPR&PARTS TB80FA /85FA	1	EA
9	0112951	MANUAL INSP & MAINT CHECKLISTT	1	EA
10	0180109	OPT TILT ALARM LIGHT	1	EA
11	0081384	DECAL, TILT LAMP (From SN TL37J 01 00291)	1	EA
12	3069524	LIGHT RED LED 12V	1	EA
13	0073727	WIRE 16 R10 FEM188I 16	1	EA
14	0163234	WIRE 16 SEE DRAWING	1	EA
15	A17035C	INSTL DECALS CSA OPTION	1	EA

OPTIONS



- NOTES:
1. ATTACH 7050006 TO INSIDE BACK OF 562386.
2. INSERT 0421269 INTO 7050007.
3. INSERT 7050007 AND 0421269 INTO 7050006.
4. PLACE 0421269 AND 9960007 INTO 562386.

ATTACH LANYARD FOR 302544 TO MOUNTING SCREW

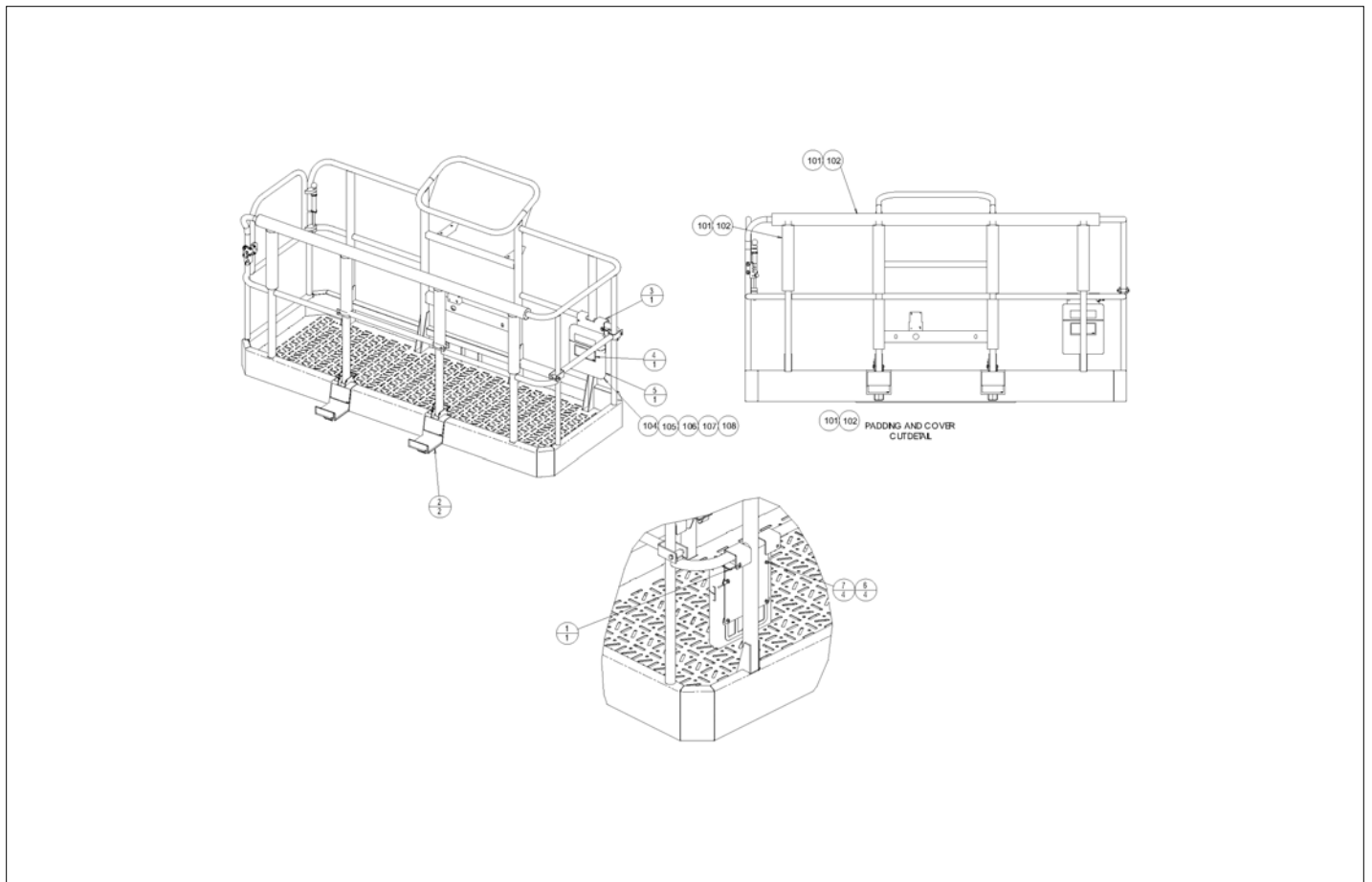


STRAPS AND MANUAL HOLDER MOUNTING
SCALE 0.150

PADDING AND COVER
CUT DETAIL
SCALE 0.100

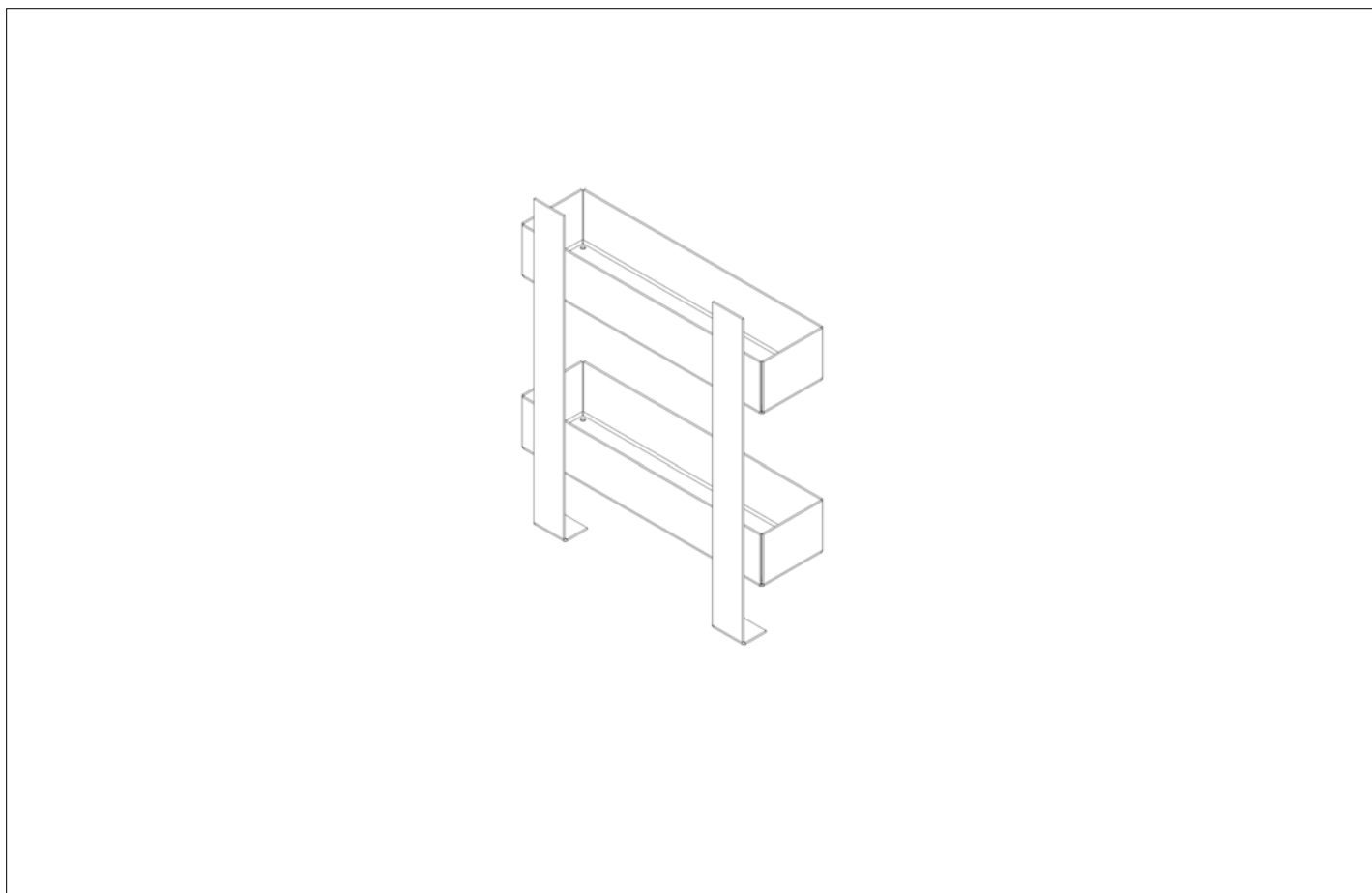
アイテム	部品番号	名前	数量	UOM
	0421068 B	GLAZIER KIT		EA
1	302544	Pin & Lock	1	EA
2	0421067	GLAZIER TRAY ASSEMBLY 2 ENTRY PLATFORM	2	EA
3	0421283	BRACKET, GLAZIER PACKAGE	1	EA
4	0421285	DECAL, GLAZIER PACKAGE BOX	1	EA
5	562386	Literature Compartment	1	EA
6	5560034	NUT LKG 10 24	4	EA
7	5560609	SCR TRHD 10 24 .500	4	EA
101	9980003	PIPE INSUL CLOSED CELL AP ARMA	216IN	EA
102	9980008	COV STR 18OZ COVERLITE YELLOW	1	EA
103	9980005	CABLE TIE UV RESISTANT	70	EA
104	0421299	GLAZIER CAM STRAP – TIE DOWN STRAP	1	EA
105	9960007	ASSIST STRAP 18 IN LONG	2	EA
106	0421269	GLAZIER PACKAGE OPERATORS MANUAL	1	EA
107	7050006	DOCUMENT POUCH, ADHESIVE BACKED	1	EA
108	7050007	DOCUMENT POUCH, RECLOSEABLE	1	EA

OPTIONS



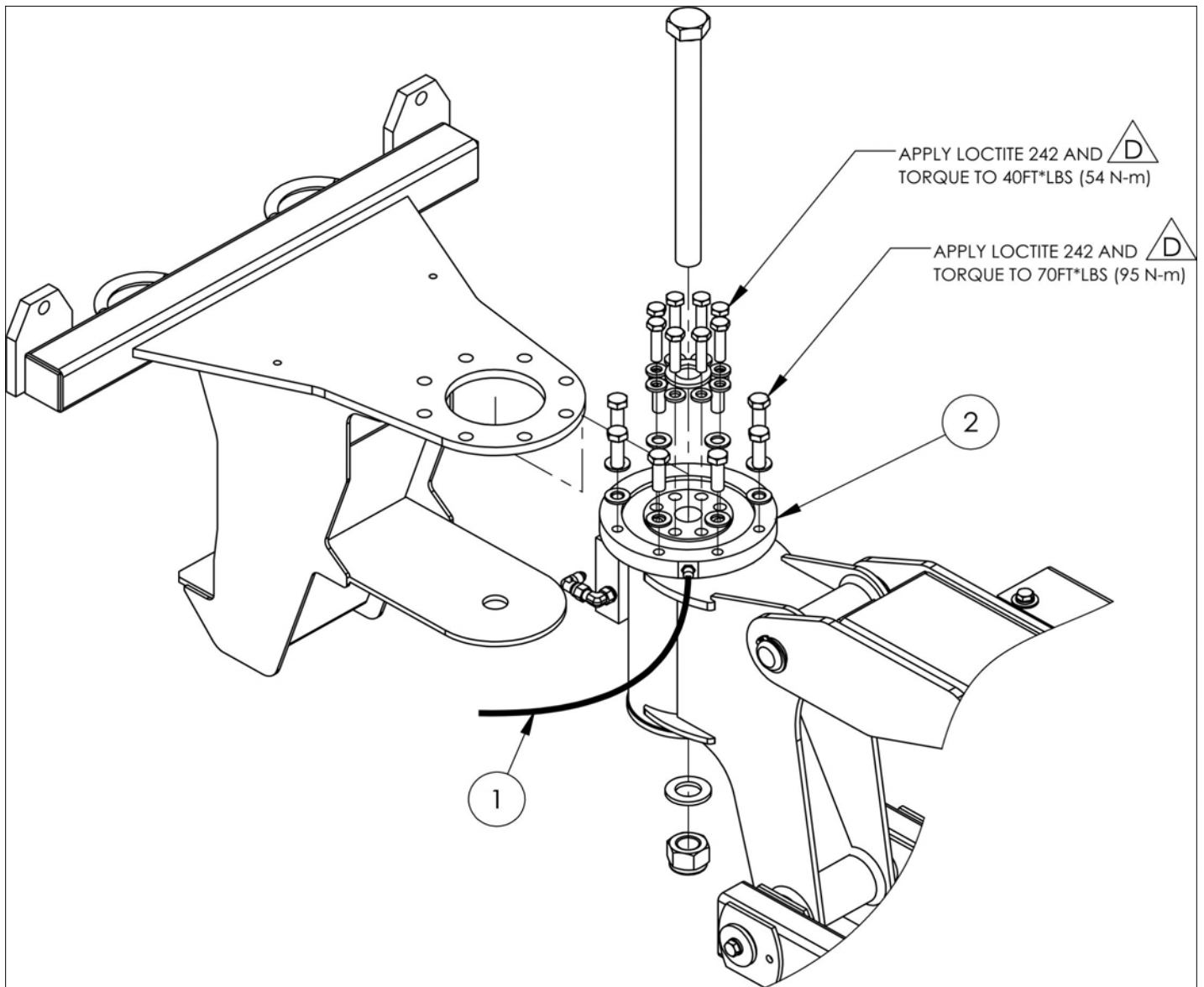
アイテム	部品番号	名前	数量	UOM
	0421068C	GLAZIER PACKAGE PLATFORM WITH 1.7 INCH TOE BOARD INSTALLATION		EA
1	302544	Pin & Lock	1	EA
2	0421067	GLAZIER TRAY ASSEMBLY 2 ENTRY PLATFORM	2	EA
3	0421283 3	BRKT GLAZIER COMP BOX MTG	1	EA
4	0421285	DECAL, GLAZIER PACKAGE BOX	1	EA
5	562386	Literature Compartment	1	EA
6	5560034	NUT LKG 10 24	4	EA
7	5560609	SCR TRHD 10 24 .500	4	EA
101	9980003	PIPE INSUL CLOSED CELL AP ARMA	216	EA
102	9980008	COV STR 18OZ COVERLITE YELLOW	1	EA
104	0421299	GLAZIER CAM STRAP – TIE DOWN STRAP	1	EA
105	9960007	ASSIST STRAP 18 IN LONG	2	EA
106	0421269	GLAZIER PACKAGE OPERATORS MANUAL	1	EA
107	7050006	DOCUMENT POUCH, ADHESIVE BACKED	1	EA
108	7050007	DOCUMENT POUCH, RECLOSABLE	1	EA

OPTIONS



アイテム	部品番号	名前	数量	UOM
	0260595 C	A46 TOOL TRAY		EA
1	5560004	NUT LKG .250 20	2	EA
2	5560291	SCR SLFTPG .313 .75 TYPE B	2	EA
3	970029	BLT .25 20 .750	2	EA
4	0260596	AB46 TOOL TRAY WLDMT	1	EA

OPTIONS



アイテム	部品番号	名前	数量	UOM
	0114003 E	OVERLOAD ADD ON OPTION		EA
1	3030179	HARNESS OVERLOAS CABLE	1	EA
2	3030188	OVERLOAD SENSOR PLATE	1	EA

Maintenance

TB80

TB85J

TB86J



snorkel

Maintenance

Every person who maintains, inspects, tests or repairs the aerial platform must be qualified to do so. Maintenance functions must be performed by maintenance personnel who are qualified to work on the aerial platform.

Caution

Welding current can be very intense. Damage to electronic components can result. Connect the ground clamp as close as possible to the area being welded. Disconnect the battery cables and any microprocessors and engine control modules before welding on the machine.

If it becomes necessary to weld aerial platform components as a method of repair, take all precautions to prevent damage to electronic circuitry and devices on the machine. This includes, but may not be limited to, disconnecting battery cables and electronic devices.

Do not modify this aerial platform without prior written consent of the Snorkel Engineering Department. Modification may void the warranty, adversely affect stability or affect the operational characteristics of the aerial platform.

Maintenance Schedules

Snorkel has established a preventative maintenance schedule to detect any defective, damaged or improperly secured parts and provide information regarding lubrication and other minor maintenance items.

This schedule includes the following:

- Daily Prestart Inspection
- Frequent Inspection and Maintenance – Every 90 Days or 150 Hours
- Annual Maintenance – Every 500 Hours

The Daily Prestart Inspection must be performed by a trained operation. All other maintenance and inspection must be performed by a trained service technician only. Retain a copy of these forms for your records.

All placards and decals on the machine must be in place and legible. Use the Placards and Decals parts page in the Repair Parts section of this manual to check these placards and decals.

Snorkel recommends that you make additional copies of the preventative inspection and maintenance checklists for your use in performing these inspections.

Warning

The potential for accident increases when operating an aerial platform that is damaged or malfunctioning. Death or serious injury can result from such accidents. Do not operate the aerial platform if it is damaged or malfunctioning.

Repair all defects before returning the machine to service.

General Information

The parts drawings located in the Repair Parts section are designed for use as a guide for proper disassembly of the machine and components, as well as, for parts replacement.

Danger

Hydraulic fluid escaping under pressure can have enough force to inject fluid into the flesh. Serious infection or reaction will result if medical treatment is not given immediately. In case of injury by escaping hydraulic fluid, seek medical attention at once.

Always refer to the hydraulic system installation drawings and the electrical wiring diagram before removing or disassembling associated parts.

When disassembling or reassembling components, complete the procedural step in sequence. Do not partially disassemble or assemble one part, then start on another. Always check your work to assure that nothing has been overlooked.

Keep the following in mind when disassembling or assembling the machine.

- Always be conscious of weight.
- Never attempt to lift heavy objects without the aid of a mechanical device.
- Do not allow heavy object to rest in an unstable condition.
- Always make sure the work platform is in the stowed position, blocked or the weight removed by a suitable lifting device before removing any components from the machine.
- When raising a portion of the machine, be sure that adequate blocking is properly positioned. Do not depend solely on the lifting device to hold and secure weight.
- If a part resists removal, check to see if all fasteners, electrical wiring, hydraulic lines, etc., have been removed or that other parts are not interfering.

Parts should be thoroughly inspected before restoring to service at the time of reassembly. Burrs, nicks or scratches may be removed from machines surfaces by honing or polishing with a #600 crocus cloth, followed by a thorough cleaning with an approved cleaning solvent, and blown dry with compressed air. Do not alter the contour of any part. If this operation does not restore the part to a serviceable condition, replace the part.

Replace all o-rings, seals and gaskets at reassembly. Use new roll pins or cotter pins. Dip all packing rings and seals in hydraulic oil before reassembling in cylinder and manifolds. Replace any part having imperfect threads. In general, machines that have been disassembled can be reassembled by reversing the order of disassembly.

The service life of a machine can be increased by keeping dirt and foreign materials out of the vital components. Shields, covers, seals and filters help to keep air and oil supplies clean. However, these items must be maintained on a scheduled basis in order to function properly.

Clean surrounding areas, as well as the opening and fittings before disconnecting air or oil lines. As soon as a line or component is disconnected, cap or cover all openings to prevent the entry of dirt or foreign materials.

New parts should remain in their container until they are ready to be used.

Clearly mark or tag hydraulic lines and electrical wiring connections when disconnecting or removing them from the machine. This will assure that they are correctly reinstalled.

Proper assembly is critical to the successful rebuilding of any machine. Carefully, inspect any parts which are to be reused. If in doubt, replace.

“Safety First” is a good slogan.

Replace any guards and protective devices that have been removed to carry out maintenance and repair work.

Daily Prestart Inspection

Item	Inspect For	Ok
Operator's Manual	In manual holder	
Engine		
Oil level	Between full and add marks	
Coolant	Proper fluid level	
Radiator	Cap tight, good condition and clean	
Air cooled engines	Air intake and fan free of obstructions Belt in good condition	
Fuel tank and line	Tank full, cap in place and tight/no leaks	
Air filter	Green indicator	
Charging system	Proper operation	
Cold weather start kit	No damage or deformation	
Electrical System		
Emergency power battery	Condition and charged for proper operation	
Battery fluid level and terminals	Proper level/clean, connectors tight	
Cables and wiring harness	No wear or physical damage	
Hydraulic System		
Fluid level	Between full and add marks	
Fluid filter	Verify operation in the green zone	
Hoses, tubes and fittings	No leaks	
Cold weather warm-up kit	Proper operation	
Tires and Wheels	Good condition, all wheel lug nuts present and tight	
Lower Control System		
Operation controls	Proper operation	
Emergency stop and emergency power	Shuts off lower controls/proper operation	
Emergency Lowering	Proper operation	
Level Sensor	Sounds tilt alarm	
Flashing Light	Proper operation	
Sandblast Protection Kit	In place and proper operation	
Structures		
Weldments – Chassis, turntable, booms, platform, etc.	Welds intact, no damage or deformation	
Slide Pads	In place, no damage or deformation	
Fasteners	In place and tight	
Upper Control System		
Guardrail system and lanyard anchors	Welds intact, no damage or deformation All fasteners in place, no loose or missing parts	
Operating controls	Proper operation	
Emergency stop and emergency power	Shuts off upper controls/proper operation	
Horn	Sounds when activated	
Electrical power outlet	Proper operation	
Drive motion alarm	Sounds when aerial platform moves	
Driving and work lights	Proper operation	
Platform control cover	In place and proper operation	
Air Line	Good condition, proper operation	
Placards and Decals	In place and readable	

Performed by: _____ Date: _____

Frequent Inspection and Maintenance – Every 90 Days or 150 Hours

Item	Procedure	Information	OK
Chassis			
Structural	Check for damage and cracked welds		
Steering cylinder snap rings	Verify that all fasteners are in place and are tight		
Steering linkage	Check for proper operation		
Tires	Check for wear and damage		
Hydraulic tubes and hoses	Check for leaks, wear, and damage		
Drive motor brake	Check for proper operation		
Torque drive and steer wheel lug nuts per placard on wheel	Torque lug bolts/nuts to proper value on machine placard	Front: 450 to 500 ft lb Rear: 450 to 500 ft lb	
Right drive motors	Check for leaks		
Left drive motors	Check for leaks		
Tie-down and lifting lugs	Check for damage and cracked welds		
Decals and placards	Check for damage and readability Order replacements as necessary		
Turntable			
Structural	Check for damage and cracked welds		
Torque turntable top bolts	Torque to proper value	475 to 525 ft lbs	
Torque turntable bottom bolts	Torque to proper value	350 to 400 ft lbs	
Hydraulic tubes and hoses	Check for leaks, wear, and damage		
Centerpost	Check for leaks, wear, and damage		
Centerpost mounting bolts	Verify that all fasteners are in place and are tight		
Lift cylinder pin caps and tie wire	Verify that all fasteners are in place and are tight		
Lift cylinder and holding valve	Check for leaks, wear, damage, and for proper operation		
Master level cylinder pin caps and tie wire	Verify that all fasteners are in place and are tight		
Master level cylinder and holding valves	Check for leaks, wear, damage, and for proper operation		
Emergency bleed down valve	Check for proper operation		
Cowling	Check for wear/damage and that fasteners are in place and are tight		
Wire harness	Check for wear/damage and that fasteners are in place and are tight		
Rotation brake	Check for proper operation		
Rotation backlash	Check for wear and damage		
Operator's Manual	Proper manual in document holder		
System pressure	Check maximum system pressure	2,750 – 2,850 psi	
Decals and placards	Check for damage and readability Order replacements as necessary		

Frequent Inspection and Maintenance – Every 90 Days or 150 Hours

Item	Procedure	Information	OK
Lower Controls			
Control switch in the lower controls position	Check for proper operation	With selector in the lower controls position, upper controls do not work	
Station selector switch in the upper controls position	Check for proper operation	With selector in the upper controls position, lower controls do not work	
Engine Start – Stop	Check for proper operation		
Throttle High – Low	Check for proper operation		
Turntable CW – CCW	Check for proper operation		
Boom elevation Up – Down	Check for proper operation		
Boom Extend – Retract	Check for proper operation		
Jib Up – Down	Check for proper operation		
Jib rotation CW – CCW	Check for proper operation		
Platform level Up – Down	Check for proper operation		
Platform rotation CW – CCW	Check for proper operation		
Emergency power, all functions	Check for proper operation		
Emergency stop	Check for proper operation		
Booms			
Structural	Check for damage and cracked welds		
Lift cylinder pin caps and tie wire	Verify that all fasteners are in place and are tight		
Hydraulic tubes and hoses	Check for leaks, wear, and damage		
Extension cylinder pin caps and tie wire	Verify that all fasteners are in place and are tight		
Extension cylinder and holding valve	Check for leaks, wear, damage, and for proper operation		
Jib boom pin caps and snap rings	Verify that all fasteners are in place and properly installed		
Jib cylinder pin caps and snap rings	Verify that all fasteners are in place and properly installed		
Jib cylinder and holding valve	Check for leaks, wear, damage, and for proper operation		
Slave level cylinder pin caps and tie wire	Verify that all fasteners are in place and are tight		
Slave level cylinder and holding valves	Check for leaks, wear, damage, and for proper operation		
Hose carrier tube and support	Check for residue buildup/proper operation		
Plastic hose track	Check for wear and damage		
Electrical wires	Check for wear and damage		
Decals and placards	Check for damage and readability Order replacements as necessary		

Frequent Inspection and Maintenance – Every 90 Days or 150 Hours

Item	Procedure	Information	OK
Platform			
Structural	Check for damage and cracked welds		
Entry Gate	Check for proper operation		
Hydraulic tubes and hoses	Check for leaks, wear, and damage		
Slave level cylinder pin caps and tie wire	Verify that all fasteners are in place and are tight		
Slave level cylinder holding valves	Check for leaks, wear, damage, and for proper operation		
Decals and placards	Check for damage and readability Order replacements as necessary		
Upper Control Station			
Foot switch	Check for proper operation	With the foot switch engaged the engine should not start. Functions should be operational when foot switch is engaged	
Engine Start – Stop	Check for proper operation		
Throttle High – Low	Check for proper operation		
Turntable CW – CCW	Check for proper operation		
Boom elevation Up – Down	Check for proper operation		
Boom Extend – Retract	Check for proper operation		
Jib Up – Down	Check for proper operation		
Platform level Up – Down	Check for proper operation		
Platform rotation CW – CCW	Check for proper operation		
Drive speed	Boom up and/or extended Low – 1.0 mph	1 mph = 100 ft in 65 to 75 sec	
	Boom down and retracted High – 3.0 mph	3 mph = 100 ft in 22 to 28 sec	
Drive range – boom stowed	Check for proper operation	Slow speed only with boom raised	
Engine choke – gas engine only	Check for proper operation		
Emergency power, all functions	Check for proper operation		
Emergency stop	Check for proper operation		
Horn	Check for proper operation		
Gradual start to stop lift/swing/ drive controls	Check for proper operation		
Speed limit switch	Check for proper operation		
Tilt alarm	Check for proper operation	5° NonCE/3.5° CE	
110 volt AC power to platform	Check for proper operation		
Hydraulic Oil Reservoir			
Filler/breather cap and tank	Check for wear/securely fasten		
Hydraulic fluid level	Check for proper level	Above 10°F (-13°C) ISO VG32 Below 10°F (-13°C) ISO VG15	
Hydraulic filter	Replace after the first 50 hours, every 90 days or 150 hours thereafter Inspect filter for foreign matter that could indicate component wear		

Frequent Inspection and Maintenance – Every 90 Days or 150 Hours

Item	Procedure	Information	OK
Engine			
Charging system	Check for proper operation		
Air filter	Check for wear and damage		
Hour meter	Check for proper operation		
Belts and hoses	Check for wear and damage		
Hydraulic pump	Check for proper operation		
Battery terminals	Clean terminals and check cable condition		
Battery electrolyte	Check electrolyte levels	Add distilled water if necessary	
Indicator gauges	Check for wear/damage and proper operation		
Engine oil	Check for wear and damage/level	Between add and full	
Engine coolant	Check level	Between add and full	
Engine Start – Stop	Check for proper operation		
Electric throttle	Check for proper operation		
Electric choke, if equipped	Check for proper operation		
Engine governor setting	Check for proper operation		
Platform Rotator			
Structural	Check for damage and cracked welds		
Hydraulic rotator actuator	Check for leaks, wear, and damage		
Platform rotation holding valve	Check for proper operation		
Mounting bolts and pin caps	Verify that all fasteners are in place and are tight		
Options			
110 volt AC generator	Check for proper operation		
220 volt AC generator	Check for proper operation		
Dual fuel system	Check condition and for proper operation		
LP gas system and control	Check condition and for proper operation		
Drive motion alarm	Check for proper operation		
Flashing light	Check for proper operation		
Cold weather start kit – diesel only	Check for proper operation		
Hydraulic system cold weather warm up kit	Check for proper operation		
Driving lights	Check for proper operation		
Platform work lights	Check for proper operation		
Platform control cover	Check condition and for proper operation		
Sandblast protection kit	Check for proper operation		
Airline to platform	Check for proper operation		
Spark arrestor muffler – Deutz only	Check for wear and damage		
Platform welder	Check condition and for proper operation		
Platform glazier package	Check condition and for proper operation		
Optional platform	Verify that all fasteners are in place and are tight		

Frequent Maintenance – Every 90 Days or 150 Hours

Item	Procedure	Information	OK
Daily maintenance	Perform maintenance as per schedule	Retain copy of checklist	
Preventive inspection maintenance checklist	Perform inspection, complete form	Retain copy of checklist	
Placards and decals inspection	Inspect using drawing and parts listing in Section 1 – Repair Parts Manual	Replace any missing or unreadable decals/placards	
Door hinges and latches	Lubricate	SAE 10W oil or spray lubricant	
Rotation bearing	Lubricate	Conoco Super Sta #2 Above 32° F Mobilgrease CM-P Below 32° F Mobilgrease CM-L	
Rotation bearing teeth and pinion	Lubricate	Mobil Mobiltac 375NC	
Tie rods	Lubricate	Conoco Super Sta #2 Above 32° F Mobilgrease CM-P Below 32° F Mobilgrease CM-L	
Gear hubs	Check fluid level, fill if low	Mobil Mobilube HD 80W-90	
Swing drive	Check fluid level, fill if low	Mobil Mobilube HD 80W-90	
Platform rotator	Refill if disassembled for repairs	Consult factory	
Platform controller	Check smooth operation/speeds		
Batteries	Check specific gravity	1.260/1.275 at 80° F (26° C)	
Hydraulic return filter	Check condition	Replace if dirty	
Engine rpm	Check for proper engine rpm	See engine owner's manual	
Engine oil and filter	Replace per engine owner's manual	See engine owner's manual	
Engine fuel filter	Check condition	Replace every 6 months or if dirty	

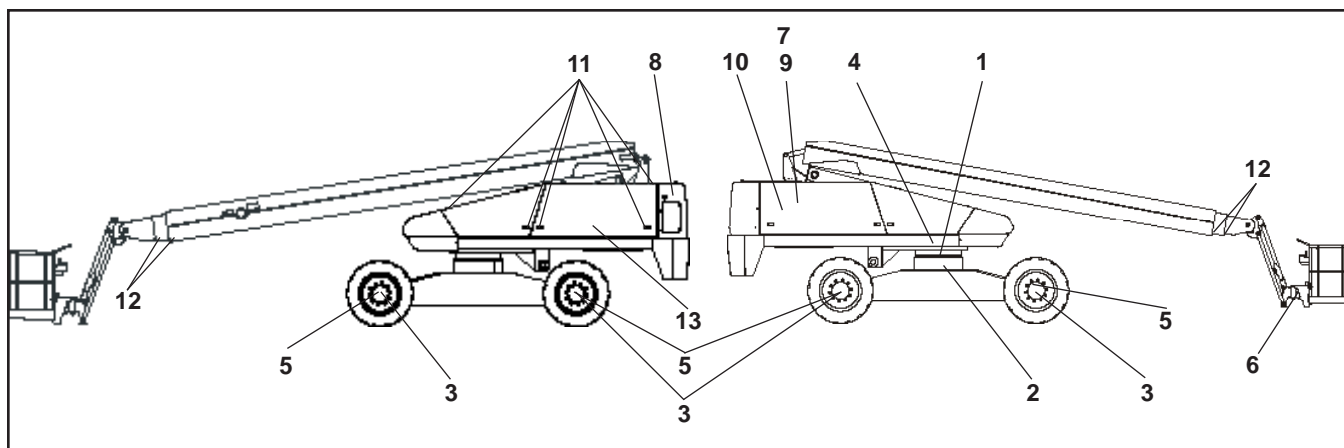
Performed by: _____ Date: _____

Annual Maintenance – Every 500 Hours

Item	Procedure	Information	OK
90 day or 150 hour maintenance	Perform maintenance per schedule	Retain copy of checklist	
Hydraulic oil reservoir	Clean and replace fluid	Above 10° F (-13° C) ISO VG32 Below 10° F (-13° C) ISO VG15	
Hydraulic return filter	Replace	After first 50 hours, then at recommended interval	
Hydraulic reservoir suction filter	Clean and reinstall		
Hydraulic pressures	Pump setting	Standby pressure: 350-375 psi	
	Function pressures	Boom up: 2,450-2,550 psi	
		Boom down: 800-900 psi	
		Steer: 2,800-3,000 psi	
		Level: 3,000 psi	
		Extend: 1,450-1,550 psi	
		Retract: 2,450-2,550 psi	
Swing: 1,250-1,350 psi			
Gear hubs	Replace fluid	Mobil Mobilube HD 80W-90	
Swing drive	Replace fluid	Mobil Mobilube HD 80W-90	
Engine coolant	Check condition	See engine owner's manual	

Performed by: _____ Date: _____

Lubrication Points



Lubrication

Specific lubricants as recommended by Snorkel, should be used in maintaining the unit. If in doubt regarding the use of lubricants other than those listed, contact Snorkel Customer Service Department for evaluation and recommendation.

Refer to the above lubrication illustration to locate component item numbers.

Service all fittings as indicated on the Frequent Maintenance schedule and lubrication illustration. Wipe away all excess lubricant from exposed surfaces. Over lubrication can collect dirt and foreign matter which acts as an abrasive. Lubrication of accessory equipment should be in accordance with the manufacturer's recommendations.

Rotation Bearing

Rotation bearing – Item 1. Pressure gun lubricate bearing at recommended interval using lubricant as outlined in the maintenance schedule. Rotate while lubricating. The lubrication fitting is located on the turntable below the lower controls.

Rotation Gear Teeth and Pinion

Rotation gear teeth and pinion – Item 2. Gear teeth and gear box pinion should be lubricated with a spray-on type open gear lubricant.

Tie Rods

Tie rods – Item 3. Lubricate at recommended interval using lubricant as outlined in the maintenance schedule.

Swing Drive

Swing drive – Item 4. To check oil level, remove check plug located on the side of the gear box. Unit is full if oil is level with bottom of fill hole or just starts to run out.

Gear Hubs

Gear hubs – Item 5. To check and fill Gear hubs:

1. Rotate wheel until bottom of filler/drain plug is about 1 inch above horizontal centerline.
2. Remove plug with drive ratchet and extension.
3. Fill until lubricant is level with bottom of fill hole.

Note

Do not overfill gear hubs as they are not vented and need air space for expansion of oil to prevent damage to hubs.

Platform Rotator

Platform Rotator – Item 6. Platform rotators will require lubrication only if disassembled for repairs. Consult factory for proper lubricant if replacement of platform rotator is required.

Hydraulic Oil Reservoir

Hydraulic oil reservoir – Item 7. The fluid level should be kept between the full and add marks on the sight gauge and should be checked with the machine in the stowed position.

The interior of the reservoir should be wiped out and cleaned each time the hydraulic oil is changed. The reservoir filler/breather cap should be removed and the cap strainer cleaned with Kerosene, fuel oil, or other solvent at this time.

It is absolutely necessary that only new, clean hydraulic oil is added.

Note

If it becomes necessary to add or use an oil other than the recommended fluid, it is important that it be compatible and equivalent to the factory fill. Local oil suppliers can generally furnish this information.

If questions still remain, contact Snorkel Customer Service Department for further information.

Engine

Engine – Item 8. Refer to the engine manufacturer's instruction manual or consult your local engine service representative if engine adjustments or repairs are needed. The engine must be operated in accordance with manufacturer's instructions and serviced at recommended intervals.

Hydraulic Oil Return Filter

Return filter – Item 9. The hydraulic oil return filter is mounted outside of the hydraulic oil reservoir.

The filter element is a throw-away type filter and should be changed after the initial break-in period (approximately 50 hours operation time).

The filter is equipped with a hydraulic pressure gauge to indicate the filter element condition. A by-pass relief within the filter base is provided and is set to by-pass at 25 psi. If pressure readings are above 25 psi, the filter should be changed.

The filter condition should be checked at the 90 day or 150 hour Preventive Inspection Maintenance interval or more frequently under extreme working conditions.

The filter condition indicator is accurate only when the engine is running at maximum rpm and pump is discharging maximum flow, which occurs only during full speed driving. This requires that the indicator be observed while the unit is in motion, booms fully retracted and in stowed position, drive range switch in "LO" position, and drive controller fully forward. Oil temperature should be at least 90° F (32° C).

Warning

Use extreme caution while observing the condition indicator because of the motion of the drive wheels. The condition indicator is best observed from outside of the tract of the vehicle wheels to avoid possible personal injury or machine damage.

When changing the filter element, the oil inside of the filter element, should be examined for deposits of metal cuttings, which is present, could indicate excessive wear in some of the system components.

Suction Strainer

Suction strainer – Item 10. A 100 mesh strainer is located within the hydraulic oil reservoir and filters the pump suction flow.

The strainer should be cleaned at the time interval shown in the maintenance schedule chart, using Kerosene, fuel oil or other solvent and a soft bristled brush.

Inspect the filter wire cloth for damage. Holes in the filter cloth leak dirt into the pump and other vital hydraulic components. If element is damaged, replace.

When the filter has been thoroughly cleaned, reinstall in suction line and tighten securely.

Door Hinges and Latches

Door hinges and latches – Item 11. After lubricating, remove any excess lubricant or over spray so it will not collect dirt or debris.

Slide Pads

Slide pads – Item 12. Check slide pads for excessive wear and replace as required. Slide pads do not require lubrication.

Batteries

Batteries – Item 13. Batteries will have longer life if the water level is maintained and they are kept charged. The engine will have better starting characteristics with a fully charged battery. In cold weather the battery should be maintained at full charge to keep from freezing. An extremely low or dead battery can freeze in cold weather. Make sure connections are clean and tight.

Make sure charging equipment is operating properly.

Danger

Lead-acid batteries produce flammable and explosive gases. Never allow smoking, flames or sparks around batteries. Lead-acid batteries contain sulfuric acid which will damage eyes or skin on contact. When working around batteries, always wear a face shield to avoid acid in eyes.

If acid contacts eyes, flush immediately with clear water and get medical attention. Wear rubber gloves and protective clothing to keep acid off skin, if acid contacts skin, wash off immediately with clear water.

Battery Care and Maintenance

The following information about battery care and maintenance was supplied by Interstate Batteries and is reprinted here with their permission.

1. New batteries need to be cycled several times before reaching full capacity (20-50 cycles, depending on type). Usage should be limited during this period.
2. Always recharge batteries fully, immediately after use. Batteries perform best when they are fully charged. More capacity and longer life will result from this practice.
3. The deeper the discharge, the fewer number of cycles a lead-acid battery will deliver. Deep discharges deteriorate the battery quicker than lighter shallow cycles.
4. Battery cables should be intact and connectors kept tight at all times. Systematic inspection is recommended.
5. Vent caps should be kept in place and tight during vehicle operation and battery charging.
6. Batteries should be kept clean – free of dirt and corrosion – at all times. Always keep the top of batteries clean. A film on top of the battery can cause the current to migrate between the posts, accelerating self discharge.





-
7. Never let the electrolyte level of a lead-acid battery fall below the plates. Lack of maintaining the electrolyte in a lead-acid battery causes damage to the exposed portion of the plate which reduces capacity.
 8. Always check electrolyte level before charging. Do not add water to individual cells unless plates are exposed. Batteries should be watered after charging unless the plates are exposed before charging. If exposed before charging, the plates should be covered by approximately 1/8" of water. Check water level after charging. Water should be kept 1/4" below the bottom of the fill tube in the cell cover.
 9. Water used to replenish batteries should be distilled or treated to not exceed 200 T.D.S. (total dissolved solids... parts per million). Particular care should be taken to avoid metallic solids (iron).
 10. A fully charged battery will give you the best and longest service. Be sure the batteries are fully charged before testing or using. A fully charged battery, without a drain or load, after the surface charge has dissipated, is 6.35 volts for a 6 volt battery.
 11. Batteries should not be discharged below 20% of capacity (approximately 1.8 volts per cell under normal operating load; 1.98 volts open circuit; 1.145 specific gravity). Proper battery sizing will help avoid excessive discharge.
 12. Battery chargers should be sized to fully charge batteries in an eight hour period. Chargers should be kept in proper operating condition.
 13. Do not use a mismatched charger of any type; i.e., a 12 volt charger on a 24 volt pack or a 24 volt charger on a 12 volt pack. An undersized charger will never get the job done, no matter how long it tries. An oversized charger will cause excess gassing and heat that could possibly result in a battery meltdown and/or explosion.
 14. Never charge a lead-acid battery with a sealed (gel cell) battery charger. The lead-acid battery needs higher voltage to finish its charge. Without it the battery will never come back to 100% and sulfation can occur.
 15. Always allow batteries to cool off after charging. The cooling time is very important because heat is generated during the recharge and discharge cycles. Without the cooling time the heat grows, accelerating grid corrosion which is one of the major causes of battery failure. Charging practice should enable batteries to cool before use.
 16. Deep cycle batteries need to be equalized periodically. Equalizing is an extended, low current charge performed after the normal charge cycle. It helps keep cells in balance. Actively used batteries should be equalized once per week. Manually timed chargers should have the charge time extended approximately 3 hours. Automatically controlled chargers should be unplugged and reconnected after completing a charge cycle.
 17. In situations where multiple batteries are connected in series, parallel or series-parallel, a replacement battery's should be of the same size, age and usage level as the companion batteries. Do not put a new battery in a pack that has 50 or more cycles. Either replace all the batteries with new batteries or install a good used battery's in place of the bad. New batteries should be given a full charge before use.
 18. Periodic battery testing is an important preventative maintenance procedure. Hydrometer readings of each cell (fully charged) give an indication of balance and true charge level. Imbalance could mean the need for equalizing and is often a sign of improper charging or a bad cell. Voltage checks (open circuit, charged and discharged) can locate a bad cell or weak battery. Load testing will pick out a bad cell when other methods fail. The point is to look for the abnormal. A weak cell or battery will cause premature failure of companion cells or batteries respectively.
 19. As batteries age, their maintenance requirements change. Generally their specific gravity is higher and gassing voltage goes up. This means longer charging time and/or higher finish rate (higher amperage at the end of charge). Usually, older batteries need to be watered more often and their capacity decreases.
 20. "Opportunity charging", a short partial charge during an extended duty cycle, is a controversial subject. Generally, the practice is a "crutch" to make up for undersized batteries. The correct approach is to install adequate battery capacity. If this is impossible because of lack of space in the battery compartment or extreme operating conditions (24 hour intermittent use, as an example), "opportunity charging" is better than excessive battery discharging. However, the practice can cause batteries to overheat, require more watering and usually will shorten battery life. "Opportunity charging" is a trade off; something to avoid if possible. One charging cycle per day is preferable.
 21. Extreme temperatures can substantially affect battery performance and charging. Cold reduces battery capacity and retards charging. Heat increases water usage and can result in overcharging. Very high temperature can cause "thermal run away" which may lead to an explosion or fire. If extreme temperature is an unavoidable part of an application, consult a battery/charger specialist about ways to deal with the problem.

22. An overly discharged battery might need to be cycled a few times before it can recover fully. If a battery begins to heat before coming up to a full charge, it might be necessary to discharge the battery and recharge it a few times. The charge and discharge cycle might help the current acceptance of the battery and facilitate its recovery to a usable condition.

23. Inactivity can be harmful to deep cycle batteries. If they sit for several months, a “boost” charge should be given – more frequently in warm climate (about once a month) than in cold (every 2-3 months).

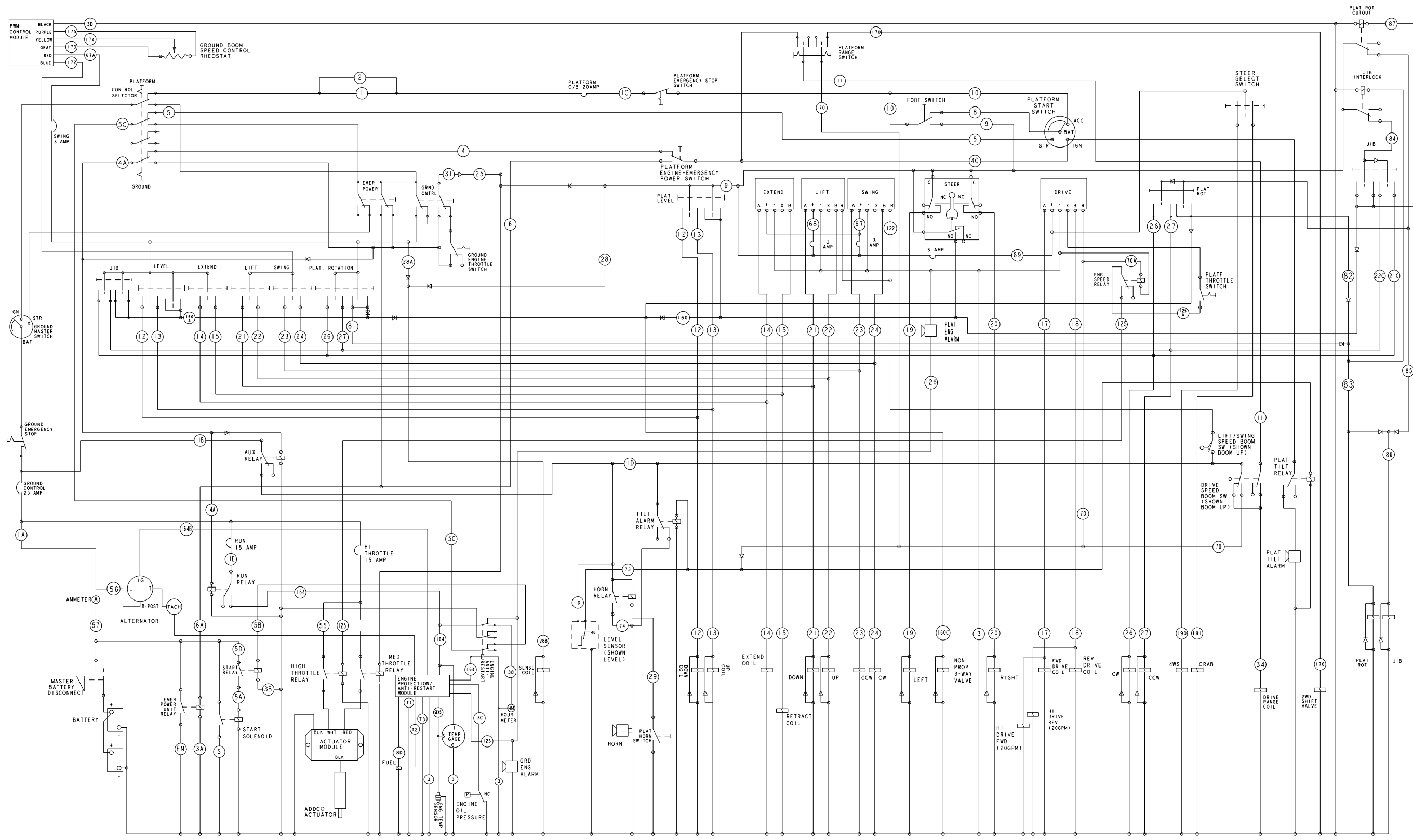
24. Never store a battery in a discharged state. The sulfate that forms during discharge can make the battery impossible to recharge fully.

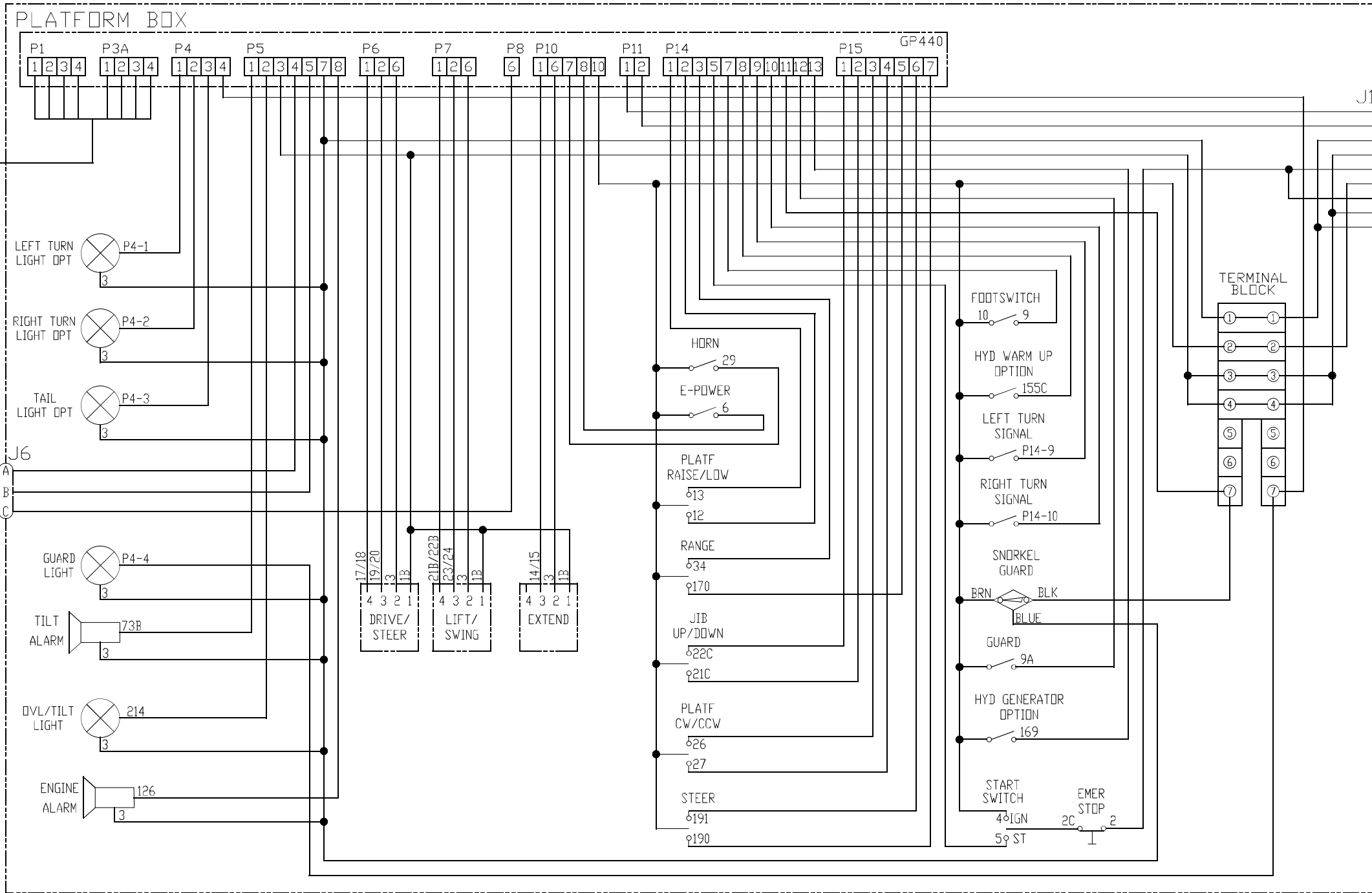
Fastener Torque Chart

Bolt Grade	SAE Grade 1 or 2	SAE Grade 5	SAE Grade 6	SAE Grade 8
Marking				
Definition	Indeterminate Quality	Minimum Commercial Quality	Medium Commercial Quality	Best Commercial Quality
Material	Low Carbon Steel	Medium Carbon Steel Tempered	Medium Carbon Steel Quenched and Tempered	Medium Carbon Alloy Steel Quenched and Tempered
Minimum Tensile Strength	64,000 psi.	105,000 psi	133,000 psi.	150,000 psi
Bolt Size	Recommended Torque Value (ft lbs)			
1/4	5	7	10	10.5
5/16	9	14	19	22
3/8	15	25	34	37
7/16	24	40	55	60
1/2	37	60	85	92
9/16	53	88	120	132
5/8	74	120	167	180
3/4	120	200	280	296
7/8	190	302	440	473
1	282	466	660	714

Torque chart information:

- Consult manufacturers' specific recommendations, when available.
- The chart may be used with both coarse and fine thread fasteners lightly lubricated.
- Increase torque by 20% when multiple tapered tooth (shake proof) lock washers are used.
- The torque values are given in foot-pounds.
- Inch/pound equivalent may be obtained by multiplying by 12.





GP440 I/O LIST

TERM	I/O TYPE	DESTINATION
P1-1	+5V	
P1-2	+ DIFF	
P1-3	- DIFF	
P1-4	GROUND	LOAD CELL
P3A-1	+5V	
P3A-2	+ DIFF	
P3A-3	- DIFF	
P3A-4	GROUND	
P4-1	HIGH SIDE 2A OUT	LEFT TURN SIGNAL LIGHT
P4-2	HIGH SIDE 2A OUT	RIGHT TURN SIGNAL LIGHT
P4-3	HIGH SIDE 2A OUT	TAIL LIGHT
P4-4	HIGH SIDE 2A OUT	GUARD LIGHT
P5-1	HIGH SIDE 2A OUT	TILT ALARM
P5-2	HIGH SIDE 2A OUT	D/L TILT LIGHT
P5-3	SUPPLY	TBM B+
P5-4	HIGH SIDE 2A OUT	PLATFORM ROTATE ENABLE
P5-5	HIGH SIDE 2A OUT	JIB INTERLOCK
P5-7	GROUND	TBM B-
P5-8	HIGH SIDE 2A OUT	ENGINE ALARM
P6-1	ANALOG INPUT	DRIVE
P6-2	ANALOG INPUT	STEER
P6-6	GROUND	GROUND
P7-1	ANALOG INPUT	LIFT
P7-2	ANALOG INPUT	SWING
P7-6	GROUND	GROUND
P8-6	GROUND	GROUND
P10-1	ANALOG INPUT	BOOM EXTEND/RETRACT
P10-6	GROUND	GROUND
P10-7	DIGITAL INPUT	HORN
P10-8	DIGITAL INPUT	EMER POWER
P10-10	DIGITAL INPUT	IGNITION
PP11-1	CAN HIGH	CANBUS TO GP400
PP11-2	CAN LOW	CANBUS TO GP400
P14-1	DIGITAL INPUT	PLATFORM LEVEL UP
P14-2	DIGITAL INPUT	PLATFORM LEVEL DOWN
P14-3	DIGITAL INPUT	DRIVE LOW SPEED
P14-5	DIGITAL INPUT	START
P14-7	DIGITAL INPUT	ENABLE FOOT SWITCH
P14-8	DIGITAL INPUT	HYD WARM UP
P14-9	DIGITAL INPUT	LEFT TURN SIGNAL
P14-10	DIGITAL INPUT	RIGHT TURN SIGNAL
P14-11	DIGITAL INPUT	GUARD PROX SWITCH
P14-12	DIGITAL INPUT	GUARD OVERRIDE SWITCH
P14-13	DIGITAL INPUT	HYD GENERATOR
P15-1	DIGITAL INPUT	JIB UP
P15-2	DIGITAL INPUT	JIB DOWN
P15-3	DIGITAL INPUT	PLATFORM CW
P15-4	DIGITAL INPUT	PLATFORM CCW
P15-5	DIGITAL INPUT	2 WHEEL DRIVE
P15-6	DIGITAL INPUT	CRAB STEER
P15-7	DIGITAL INPUT	COORDINATED STEER

CONNECTOR PAIRINGS

J1:	J2:	J3:
1-CAN3H	1-3	1-6A
2-CAN3L	2-160C	2-29A
3-SHIELD	3-28C	3-39
4-3B	4-27/22C	4-70
5-	5-3	5-70B
6-1B	6-26/21C	6-122
7-2	7-20	7-122B
8-4	8-19	8-149
9-2	9-3	9-CAN2H
10-1B	10-13	10-CAN2L
11-3B	11-12	11-SHIELD
12-	12-34	12-149A
	13-3	31-15
	14-170	32-155A
	15-	33-155B
	16-169	34-190
	17-23	35-191
	18-3/23	36-28B
	19-22B	37-47
	20-3/22B	38-3
		39-
		40-

TWISTED PAIRS

GP440:
P11-1, P11-2

GP400C:
P1-1, P1-2
P12-1, P12-2

VCCM:
P12-1, P12-2
P13-1, P13-2

J4:

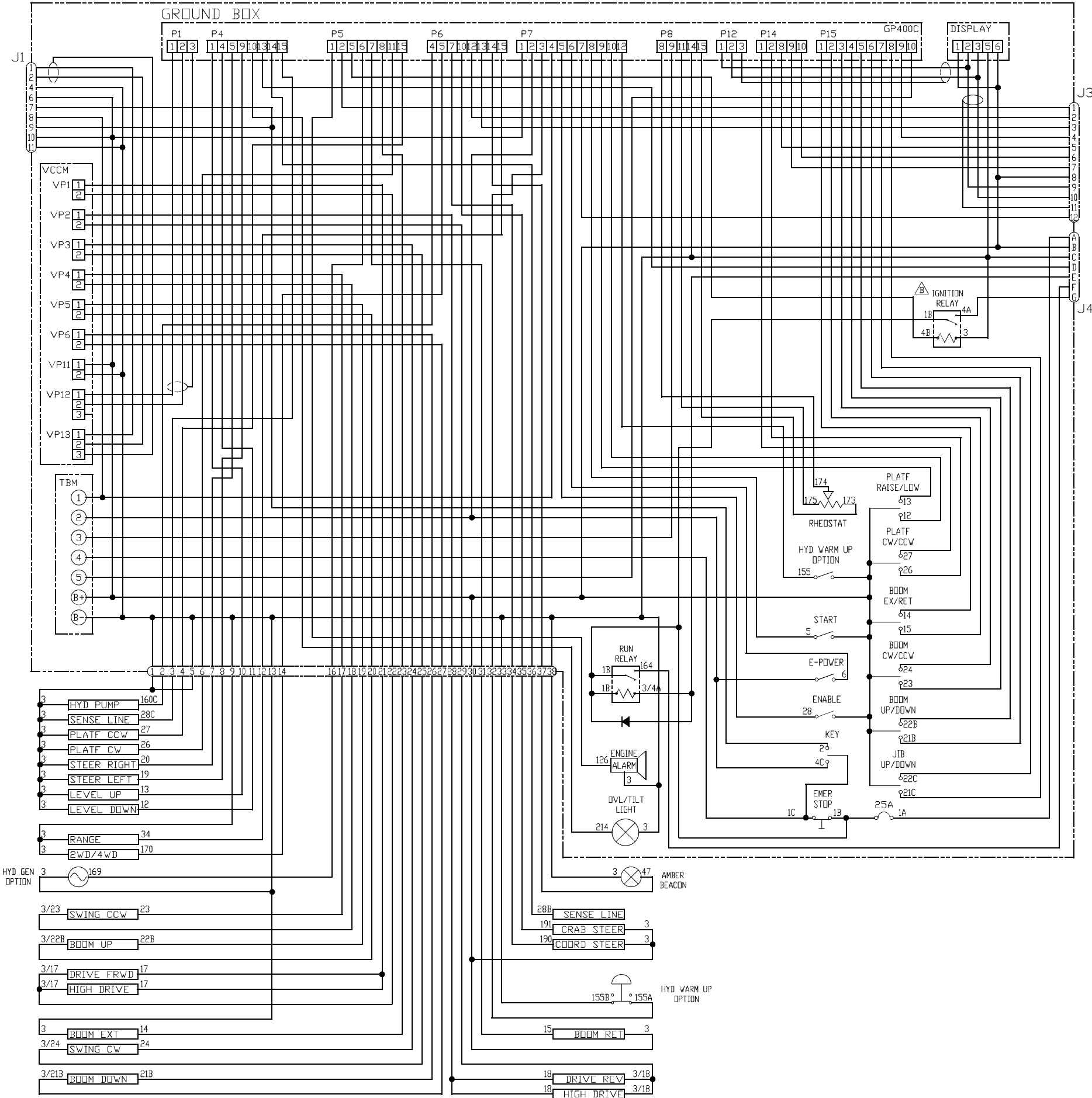
A-1A
B-1D
C-2A
D-5A
E-3/4A
F-164
G-4A
H-

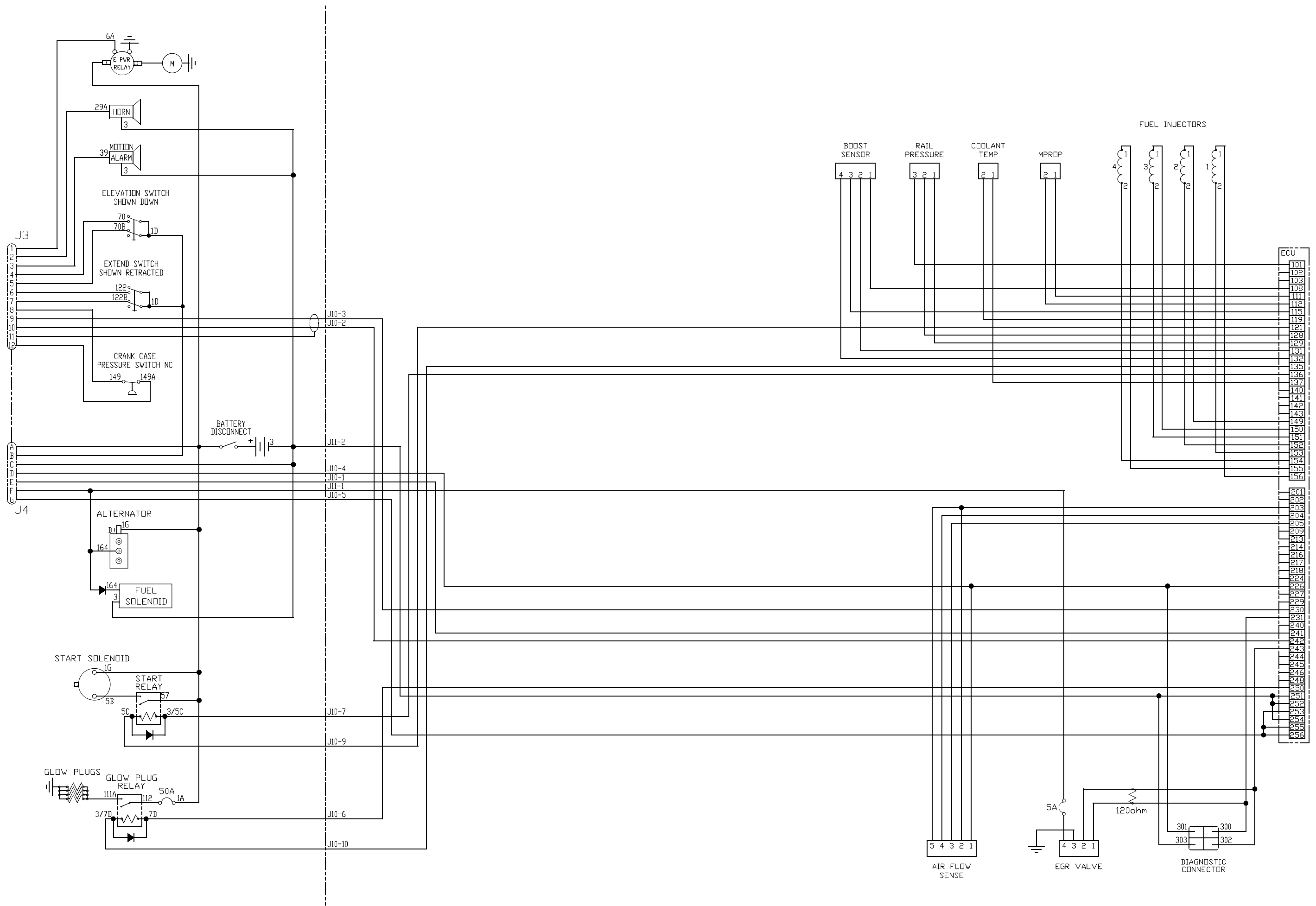
GP400C I/O LIST

TERM	I/O TYPE	DESTINATION
P1-1	CAN HIGH	
P1-2	CAN LOW	CANBUS TO VCCM
P1-3	GROUND	
P4-1	HIGH SIDE PWM	PLATFORM LEVEL UP
P4-4	HIGH SIDE PWM	PLATFORM LEVEL DOWN
P4-5	HIGH SIDE PWM	STEER RIGHT
P4-9	HIGH SIDE PWM	STEER LEFT
P4-10	HIGH SIDE PWM	DVL TILT LIGHT
P4-13	SAFE HIGH SIDE	STARTER RELAY
P4-14	SAFE HIGH SIDE	LOAD SENSE
P4-15	SAFE HIGH SIDE	DUMP VALVE
P5-1	HIGH SIDE PWM	ENGINE ALARM
P5-2	HIGH SIDE 2A	EMERGENCY POWER RELAY
P5-5	HIGH SIDE 2A	IGNITION
P5-6	HIGH SIDE 2A	GENERATOR
P5-7	HIGH SIDE PWM	BOOM RETRACT
P5-8	HIGH SIDE PWM	BOOM EXTEND
P5-11	HIGH SIDE PWM	JIB DOWN/PLATFORM CW
P5-13	HIGH SIDE PWM	JIB UP/PLATFORM CCW
P6-4	HIGH SIDE 2A	JIB/BSKI/STEER ENABLE
P6-5	HIGH SIDE 2A	2 WHEEL DRIVE
P6-7	HIGH SIDE 2A	COORDINATED STEER
P6-10	HIGH SIDE 2A	CRAB STEER
P6-12	HIGH SIDE 2A	HORN
P6-13	HIGH SIDE 2A	MOTION ALARM
P6-14	HIGH SIDE 2A	AMBER BEACON
P6-15	HIGH SIDE 2A	LOW RANGE
P7-1	DIGITAL INPUT	TBM B+
P7-2	DIGITAL INPUT	GROUND SELECT
P7-3	DIGITAL INPUT	HYD TEMP SWITCH
P7-4	DIGITAL INPUT	PLATFORM SELECT
P7-5	DIGITAL INPUT	ENABLE
P7-6	DIGITAL INPUT	EMERGENCY POWER
P7-7	DIGITAL INPUT	CRANK CASE PRESSURE
P7-8	DIGITAL INPUT	ENGINE START
P7-9	DIGITAL INPUT	PLATFORM LEVEL UP
P7-10	DIGITAL INPUT	PLATFORM LEVEL DOWN
P7-12	DIGITAL INPUT	HYD WARM UP
P8-8	ANALOG INPUT	RHEOSTAT
P8-9	ANALOG INPUT	TBM CURRENT
P8-11	15V	RHEOSTAT
P8-14	GND	TBM B-
P8-15	GND	RHEOSTAT
P12-1	CAN HIGH	
P12-2	CAN LOW	DISPLAY
P12-3	GROUND	
P14-1	DIGITAL INPUT	PLATFORM ROTATE CCW
P14-2	DIGITAL INPUT	PLATFORM ROTATE CW
P14-8	DIGITAL INPUT	ELEVATION SWITCH N/D
P14-9	DIGITAL INPUT	BOOM SWITCH N/D
P14-10	DIGITAL INPUT	BOOM SWITCH N/C
P15-1	DIGITAL INPUT	BOOM EXTEND
P15-2	DIGITAL INPUT	BOOM RETRACT
P15-3	DIGITAL INPUT	SWING CW
P15-4	DIGITAL INPUT	SWING CCW
P15-5	DIGITAL INPUT	BOOM UP
P15-6	DIGITAL INPUT	BOOM DOWN
P15-7	DIGITAL INPUT	JIB UP
P15-8	DIGITAL INPUT	JIB DOWN
P15-9	DIGITAL INPUT	ELEVATION SWITCH N/C
P15-10	BATTERY +	BOOST SUPPLY

VCCM I/O LIST

TERM	I/O TYPE	DESTINATION
VP1-1	POSITIVE SUPPLY	DRIVE FORWARD
VP1-2	CURRENT PWM	
VP2-1	POSITIVE SUPPLY	DRIVE REVERSE
VP2-2	CURRENT PWM	
VP3-1	POSITIVE SUPPLY	SWING CW
VP3-2	CURRENT PWM	
VP4-1	POSITIVE SUPPLY	SWING CCW
VP4-2	CURRENT PWM	
VP5-1	POSITIVE SUPPLY	BOOM LIFT
VP5-2	CURRENT PWM	BOOM LOWER
VP6-1	POSITIVE SUPPLY	BOOM LOWER
VP6-2	CURRENT PWM	
VP11-1	SUPPLY	TBM B+
VP11-2	GROUND	TBM B-
VP12-1	CAN HIGH	CANBUS TO GP400
VP12-2	CAN LOW	
VP13-1	CAN HIGH	CANBUS TO GP440
VP13-2	CAN LOW	
VP13-3	GROUND	



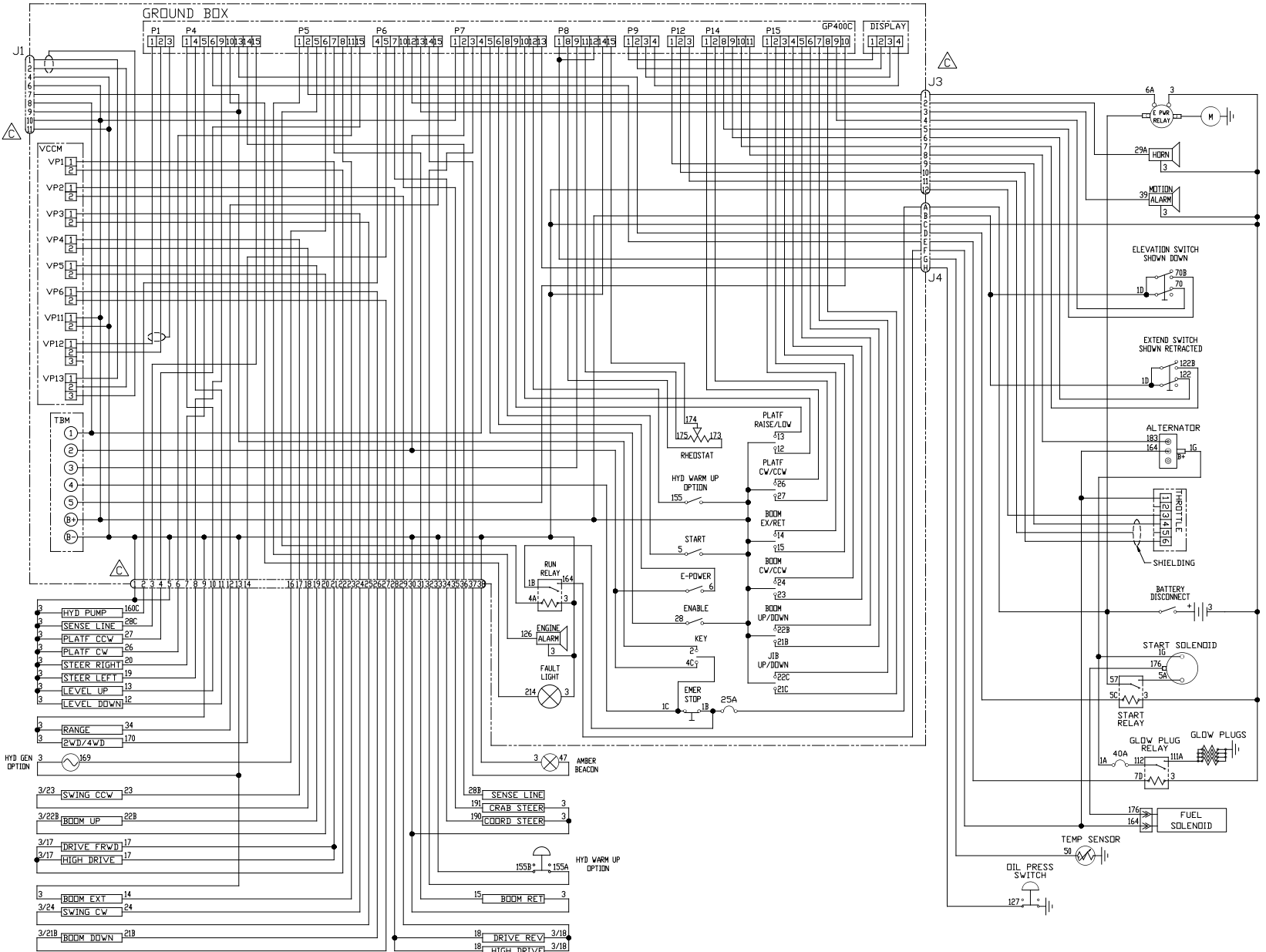


GP400C I/O LIST

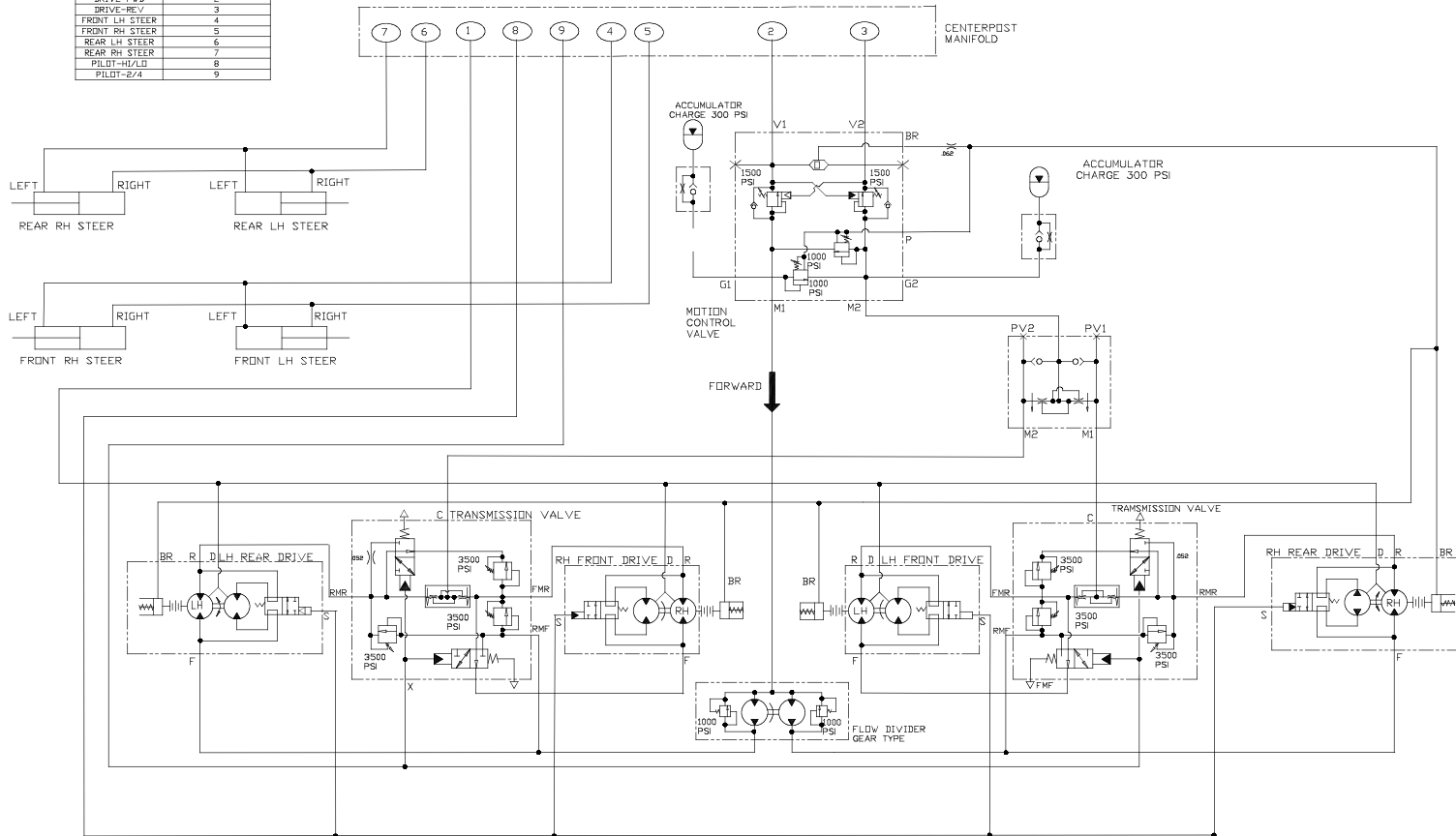
TERM	I/O TYPE	DESTINATION
P1-1	CAN HIGH	CANBUS TO VCCM
P1-2	CAN LOW	
P1-3	GROUND	
P4-1	HIGH SIDE PWM	PLATFORM LEVEL UP
P4-2	HIGH SIDE PWM	PLATFORM LEVEL DOWN
P4-3	HIGH SIDE PWM	STEER RIGHT
P4-4	HIGH SIDE SA	GLDW PLUG RELAY
P4-7	HIGH SIDE PWM	GUARD LIGHT
P4-9	HIGH SIDE PWM	STEER LEFT
P4-10	HIGH SIDE PWM	D/L TILT LIGHT
P4-13	SAFE HIGH SIDE	STARTER RELAY
P4-14	SAFE HIGH SIDE	LOAD SENSE
P4-15	SAFE HIGH SIDE	BUMP VALVE
P5-1	HIGH SIDE PWM	ENGINE ALARM
P5-2	HIGH SIDE SA	EMERGENCY POWER RELAY
P5-3	HIGH SIDE SA	IGNITION
P5-6	HIGH SIDE SA	GENERATOR
P5-7	HIGH SIDE PWM	BOOM RETRACT
P5-8	HIGH SIDE PWM	BOOM EXTEND
P5-11	HIGH SIDE PWM	JIB DOWN/PLATFORM CW
P5-12	HIGH SIDE PWM	JIB UP/PLATFORM CCW
P6-4	HIGH SIDE SA	JIB/ROST/STEER ENABLE
P6-5	HIGH SIDE SA	2 WHEEL DRIVE
P6-7	HIGH SIDE SA	COORDINATED STEER
P6-10	HIGH SIDE SA	CRAB STEER
P6-12	HIGH SIDE SA	HORN
P6-13	HIGH SIDE SA	MOTION ALARM
P6-14	HIGH SIDE SA	AMBER BEACON
P6-15	HIGH SIDE SA	LOW RANGE
P7-1	DIGITAL INPUT	TBM B+
P7-2	DIGITAL INPUT	GROUND SELECT
P7-3	DIGITAL INPUT	HYD TEST SWITCH
P7-4	DIGITAL INPUT	PLATFORM SELECT
P7-5	DIGITAL INPUT	ENABLE
P7-6	DIGITAL INPUT	EMERGENCY POWER
P7-8	DIGITAL INPUT	ENGINE START
P7-9	DIGITAL INPUT	PLATFORM LEVEL UP
P7-10	DIGITAL INPUT	PLATFORM LEVEL DOWN
P7-12	DIGITAL INPUT	HYD WARM UP
P7-13	NEGATIVE INPUT	OIL PRESSURE
P8-1	ANALOG INPUT	ENGINE TEMPERATURE
P8-8	ANALOG INPUT	RHEOSTAT
P8-9	ANALOG INPUT	TBM CURRENT
P8-11	+SV	RHEOSTAT
P8-12	+SV	ENGINE TEMPERATURE
P8-13	0BM	TBM B+
P8-15	0BM	RHEOSTAT
P8-1	RSE-2 B+	
P8-2	RSE-2 Rx	DISPLAY
P8-3	RSE-2 Lx	
P8-4	RSE-2 GND	
P12-1	CAN HIGH	CANBUS TO THROTTLE
P12-2	CAN LOW	
P12-3	GROUND	
P14-1	DIGITAL INPUT	PLATFORM ROTATE CCW
P14-2	DIGITAL INPUT	PLATFORM ROTATE CW
P14-8	DIGITAL INPUT	ELEVATION SWITCH N/D
P14-9	DIGITAL INPUT	BOOM SWITCH N/D
P14-10	DIGITAL INPUT	BOOM SWITCH N/C
P14-12	COUNTABLE INPUT	ENGINE RPM
P15-1	DIGITAL INPUT	BOOM EXTEND
P15-2	DIGITAL INPUT	BOOM RETRACT
P15-3	DIGITAL INPUT	SWING CW
P15-4	DIGITAL INPUT	SWING CCW
P15-5	DIGITAL INPUT	BOOM UP
P15-6	DIGITAL INPUT	BOOM DOWN
P15-7	DIGITAL INPUT	JIB UP
P15-8	DIGITAL INPUT	JIB DOWN
P15-9	DIGITAL INPUT	ELEVATION SWITCH N/C
P15-10	BATTERY 2	BOOST SUPPLY

VCCM I/O LIST

TERM	I/O TYPE	DESTINATION
VP1-1	POSITIVE SUPPLY	DRIVE FORWARD
VP1-2	CURRENT PWM	
VP2-1	POSITIVE SUPPLY	DRIVE REVERSE
VP2-2	CURRENT PWM	
VP3-1	POSITIVE SUPPLY	SWING CW
VP3-2	CURRENT PWM	
VP4-1	POSITIVE SUPPLY	SWING CCW
VP4-2	CURRENT PWM	
VP5-1	POSITIVE SUPPLY	BOOM LIFT
VP5-2	CURRENT PWM	
VP6-1	POSITIVE SUPPLY	BOOM LOWER
VP6-2	CURRENT PWM	
VP11-1	SUPPLY	TBM B+
VP11-2	GROUND	
VP12-1	CAN HIGH	CANBUS TO GP400
VP12-2	CAN LOW	
VP13-1	CAN HIGH	CANBUS TO GP440
VP13-2	CAN LOW	
VP13-3	GROUND	

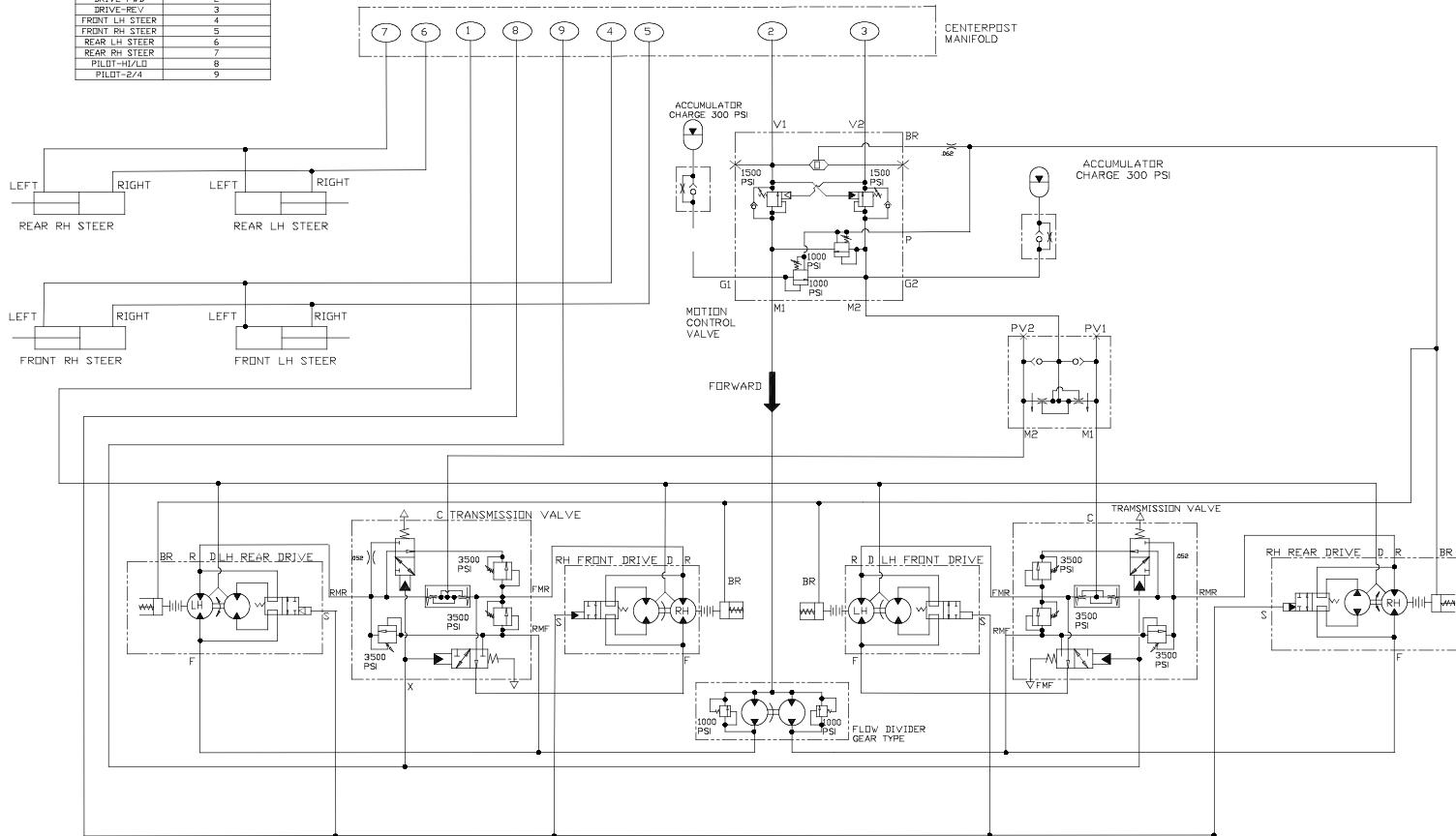


OIL FLOW CHART	
FUNCTION	CENTERPOST NO.
RETURN	1
DRIVE-FWD	2
DRIVE-REV	3
FRONT LH STEER	4
FRONT RH STEER	5
REAR LH STEER	6
REAR RH STEER	7
PILOT-H/L/B	8
PILOT-Z/A	9

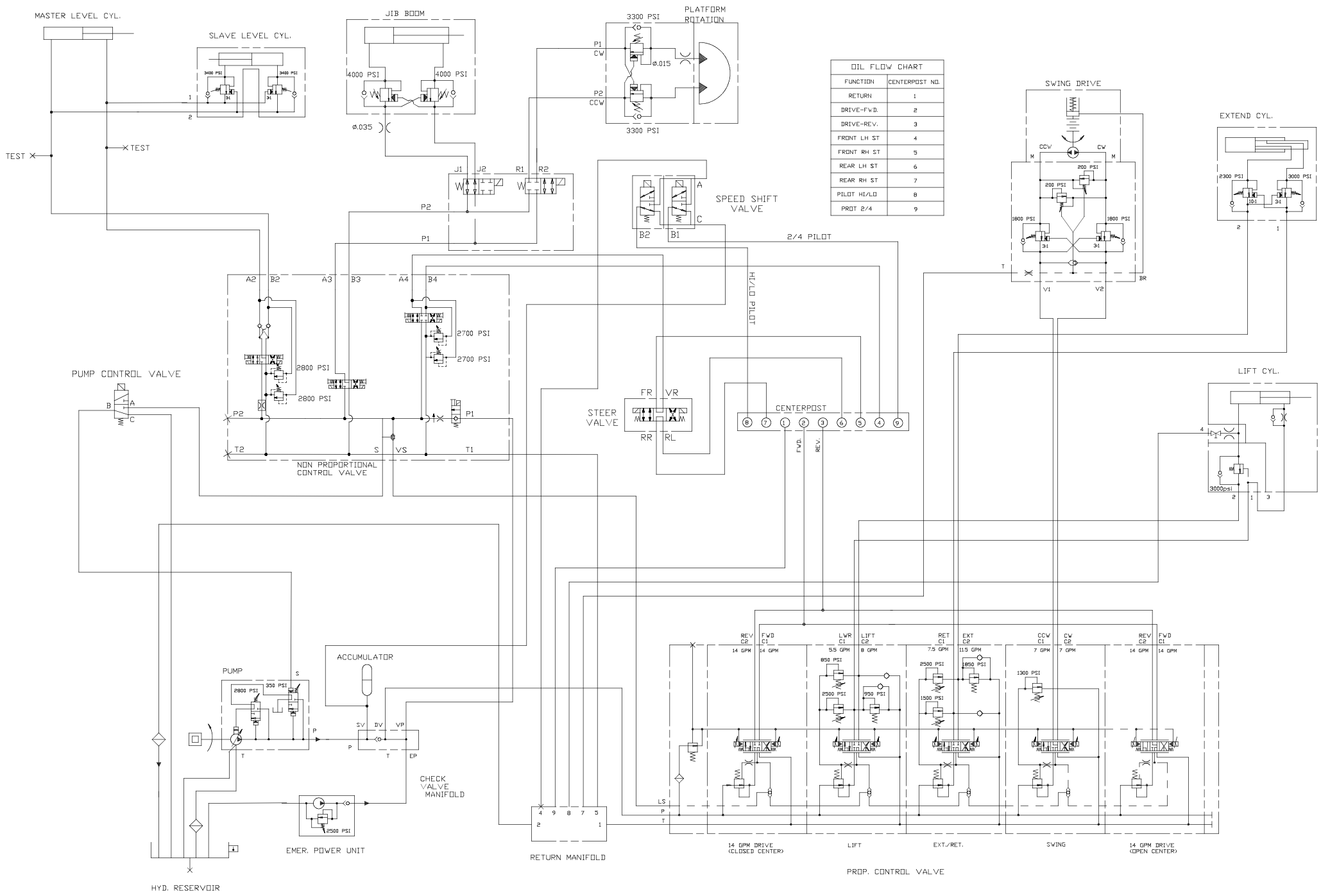


NOTES:
 1. STEERING CONFIGURATION APPLIES TO 2WD AND COORDINATED STEER ONLY.

OIL FLOW CHART	
FUNCTION	CENTERPOST NO.
RETURN	1
DRIVE-FWD	2
DRIVE-REV	3
FRONT LH STEER	4
FRONT RH STEER	5
REAR LH STEER	6
REAR RH STEER	7
PILOT-H/L/LB	8
PILOT-Z/A	9



NOTES:
 1. STEERING CONFIGURATION APPLIE
 2WD AND COORDINATED STEER



FUNCTION	CENTERPOST NO.
RETURN	1
DRIVE-FWD.	2
DRIVE-REV.	3
FRONT LH ST	4
FRONT RH ST	5
REAR LH ST	6
REAR RH ST	7
PILOT HL/LD	8
PROT 2/4	9

SCHEM, HYD T/T
T885JFA

A	AMBER BEACON SINGLE	5-26
110V POWER TO PLATFORM PG	BELT GENERATOR 2.4KW KUBOTA V2403 OR	
115V AC 2000 WATT HYDRAULIC	WG2503 MAY 2019 AND AFTER	5-5, 5-6
GENERATOR SUB ASSEMBLY	BELT GENERATOR 2.4KW KUBOTA V2403 OR	
12KW GENERATOR ASSEMBLY	WG2503 APRIL 2019 AND BEFORE	5-7
12KW GENERATOR CIRCUIT BREAKER	BOOM HOSE CARRIER AND JIB ASSEMBLY PG	
ASSEMBLY WIRING	2-65	
12KW GENERATOR INSTALLATION	BOOM ASSEMBLY HOSE CARRIER AND JIB PG CE	
12KW GENERATOR JUNCTION BOX	2-61	
ASSEMBLY	BOOM ASSEMBLY HOSE CARRIER AND JIB PG	2-60
12KW GENERATOR VALVE ASSEMBLY	60	
13	BOOM ASSEMBLY PG TB80 TB85J TB86J	2-58
12KW GENERATOR WIRE ASSEMBLY	BOOM SWITCH ASSEMBLY	4-16
12KW GENERATOR WIRING BOX	BOOM SWITCH ASSEMBLY LIFT SWING	4-17
ASSEMBLY	BRAKE UNIT	2-3
36 X 96 PLATFORM ASSEMBLY	CABLE 12GA/3 CONDUCTOR 110 FOOT LONG	4-14
BUMPGUARD WITH PADDING MARCH 2009		
AND AFTER	CENTER POST SUB-ASSEMBLY AUGUST 2019	
36 X 96 PLATFORM ASSEMBLY WITH BUMP	AND BEFORE	2-18
GUARD AND PADDING MARCH 2009 AND	CENTER POST SUB-ASSEMBLY SEPTEMBER 2019	
AFTER	AND AFTER	2-19
6 FOOT JIB ASSEMBLY CE FEBRUARY 2019	CHASSIS ACCUMULATOR	3-4
AND AFTER	CHASSIS AND TURNTABLE ASSEMBLY	2-8
AB46 TOOL TRAY	CHASSIS ASSEMBLY HOISING	3-8
ACCUMULATOR SUB-ASSEMBLY 300PSI	CHASSIS ASSEMBLY PG TB80 TB86J OCTOBER	
3-5	2019 AND BEFORE	2-1
AIR CLEANER	CHASSIS ASSEMBLY TB80 TB86J NOVEMBER 2019	
AIR CLEANER AND EXHAUST ASSEMBLY	AND AFTER	2-2
DUAL FUEL	CHASSIS COVER INSTALLATION FIXED AXEL	2-6
AIR CLEANER AND EXHAUST KUBOTA		
V2403 T4F	COOLING SYSTEM KUBOTA V2403 CR T1	
AIR CLEANER EXHAUST TB86J KUBOTA	SEPTEMBER 2017 AND AFTER	2-25
T4F JANUARY 2020 AND AFTER	COOLING SYSTEM KUBOTA V2403 T4F	2-26
AIRLINE TO PLATFORM	COWLING INSTALLATION PAGE 1 OF 4	2-45

COWLING INSTALLATION PAGE 2 OF 4	2-46	ENGINE KUBOTA WG2503 DUAL FUEL WITH RADIATOR REPLACEMENT PARTS	2-32
COWLING INSTALLATION PAGE 3 OF 4	2-47	ENGINE SUB ASSEMBLY KUBOTA V2403 T4F WITH THROTTLR SOLENOID SN TB86J-04-170800304 AND BEFORE	2-20
COWLING INSTALLATION PAGE 4 OF 4	2-48	ENGINE SUB ASSEMBLY PG KUBOTA V2403 T4F WITH ACTUATOR SN TB86J-04-170800305 AND AFTER	2-21
CSA CERTIFICATION	5-43	EXHAUST/AIR CLEANER INSTALLATION KUBOTA	2-34
DECAL INSTALLATION KUBOTA T4F TB86J	2-82	EXTEND CYLINDER GBI TB86J-04-000054 AND BEFORE	3-31
DECAL PLACARD INSTALLATION KUBOTA TB86J	2-79	EXTEND CYLINDER HENGLI AFTER TB86J-04-0000054	3-32
DECAL PLACARD KUBOTA GAS DUAL FUEL TB86J INSTALLATION	2-77	EXTEND CYLINDER SUB-ASSEMBLY	2-59, 3-30
DECAL PLACARDS INSTALLATION TB80 TB85J TB86J	2-81	EXTREME COLD WEATHER PACKAGE PG	5-21, 5-23
DECALS AND PLACARDS	2-80	EXTREME ENVIRONMENT PACKAGE	5-22
DECALS AND PLACARDS INSTALLATION KUBOTA CE	2-83	FLOW DIVIDER SUB-ASSEMBLY	3-6
DIESEL OXIDATION CATALYST MUFFLER KUBOTA V2403 CR T4B	2-24	FOOT SWITCH ASSEMBLY PG	4-23
DUAL WARNING LIGHT	5-28	FOUR WHEEL STEER VALVE	3-7
ELECTRICAL SYSTEM ASSEMBLY T4F	4-10	FRENCH LANGUAGE KIT	2-85
EMERGENCY POWER UNIT ASSEMBLY	3-19	FRONT STEEL COWLING SERVICE KIT DEUTZ	2-57
EMERGENCY POWER UNIT WUXI DELI APRIL 2016 AND AFTER	3-20	FRONT TRANSMISSION VALVE ASSEMBLY FLUID TECH APRIL 2006 AND AFTER	3-1
ENGINE HARNESS KUBOTA PG	4-7	FUEL SYSTEM ASSEMBLY KUBOTA V2403T4F	2-23
ENGINE HARNESS KUBOTA T4F	4-8	FUEL TANK INSTALLATION	2-40
ENGINE KU WG2503 DUAL FUEL ASSEMBLY SN TB86J-04-170400250 AND AFTER	2-31	GEAR HUB	2-4
ENGINE KUBOTA V2403T WITH RADIATOR REPLACEMENT PARTS	2-22	GEAR HUB (OMNI)	2-5
		GENERAL INFORMATION, TB86	1-1
		GLAZIER KIT	5-44
		GLAZIER PACKAGE INSTALLATION	5-45

GLOBAL PLATFORM STANDARD ASSEMBLY WITH SNORKEL GUARD APRIL 2016 ABD AFTER	5-42	HYDRAULIC WARM UP INSTALLATION PG ..	5-19
GROUND CONTROL BOX ASSEMBLY DUAL FUEL	4-1	HYDRAULIC WARM-UP INSTALLATION	5-20
GROUND CONTROL PANEL ASSEMBLY DEUTZ DECEMBER 2007 AND AFTER ...	4-2	ISOLATOR VALVE INSTALLATION	5-4
HARNESS AMBER BEACON	5-27	JIB CYLINDER HENGLI TB86J-04-0000068 AND AFTER	3-36
HARNESS DRIVING TAIL LIGHTS	5-32	JIB CYLINDER ROSENBOOM TB86J-04-0000067 AND BEFORE	3-35
HARNESS ENGINE KUBOTA TIER 4 FEBURARY 2019 AND AFTER	4-9	JIB INNER QUADRANT	2-68
HARNESS OVERLOAD CABLE	4-24	KUBOTA V2403 SCRUBBER	5-3
HARNESS POWER TO PLATFORM	4-13	LANGUAGE KIT SPANISH TB86J	2-78
HOSE CARRIER ASSEMBLY PG WITH 12K .. 2-63		LANGUAGE KIT TB86J	2-76
HOSE CARRIER ASSEMBLY SUPPORT ..	2-64	LEGACY SNORKEL GUARD KIT	2-75
HOSE CARRIER ASSEMBLY TB86J	2-62	LIFT CYLINDER ASSEMBLY	3-27
HYDRAULIC AC GEN 110V INSTALLATION PG	5-8	LIFT CYLINDER HENGLI TB86J-04-0000067 AND AFTER	3-29
HYDRAULIC AC GENERATOR 220V INSTALLATION PG	5-10	LIFT CYLINDER ROSENBOOM TB86J-04-0000066 AND BEFORE	3-28
HYDRAULIC GENERATOR INSTALLATION JANUARY 2015 AND AFTER	5-9	LIGHT PACKAGE	5-30
HYDRAULIC OIL RESERVOIR ASSEMBLY JULY 2017 AND BEFORE	2-41	LIGHT PACKAGE INSTALLATION	5-29
HYDRAULIC OIL RESERVOIR INSTALLATION	2-43	LOWER CONTROL BOX ASSEMBLY KUBOTA T4F	4-4
HYDRAULIC OIL RETURN FILTER	2-44	LOWER CONTROL BOX HARNESS KUBOTA T4F ..	4-5
HYDRAULIC OIL TANK	2-42	LOWER CONTROL PANEL ASSEMBLY PG	4-3
HYDRAULIC PUMP AND FITTINGS	3-10	MAINTENANCE, TB86J-PG	6-1
HYDRAULIC PUMP JUNE 2018 AND AFTER	3-12	MASTER LEVEL CYLINDER	3-26
HYDRAULIC PUMP SUB ASSEMBLY SEPTEMBER 2019 AND AFTER	3-11	NON PROPORTIONAL CONTROL VALVE ASSEMBLY T3	3-16
		NON-PROPORTIONAL CONTROL VALVE	3-17
		OIL COOLER INSTALLATION	2-27
		OVERLOAD ADD ON OPTION	5-47
		PISTON PUMP HENGLI SEPTEMBER 2019 AND AFTER	3-21
		PLATFORM AND JIB SELECTOR VALVE	

ASSEMBLY	3-23	PLATFORM ROTATOR ASSEMBLY WITH	
PLATFORM ASSEMBLY WITH MESH		OVERLOAD SEPTEMBER 2019 AND BEFORE .	2-70
ENCLOSURE PG APRIL 2018 AND AFTER	5-37	PLATFORM WORK LIGHTS GLOBAL PLATFORM	
		INSTALLATION	5-25
PLATFORM ASSEMBLY ALUMINUM WITH		PRESSURE MANIFOLD	3-13
WELDER	5-41	PROPORTIONAL CONTROL VALVE	3-15
PLATFORM ASSEMBLY STEEL WITH		PROPORTIONAL CONTROL VALVE PG SUB	
WELDER	5-40	ASSEMBLY JUNE 2017 AND AFTER	3-14
PLATFORM ASSEMBLY WITH MESH		RADIATOR KIT KUBOTA V2403	2-29
ENCLOSURE APRIL 2018 AND AFTER ..	5-38	REAR TRANSMISSION VALVE SUB-ASSEMBLY	
PLATFORM ASSEMBLY 8 FOOT		3-2	
ALUMINUM WITH GRAVITY GATE	5-39	ROTARY ACTUATOR TB86J TB126J SUNJI	
PLATFORM ASSEMBLY STEEL MARCH 2009		SEPTEMBER 2019 AND AFTER	3-37, 3-38
AND AFTER	2-69	SANDBLAST KIT 6 FOOT JIB	5-24
PLATFORM BUMP GUARD WITH PADDING		SENSE LINE DUMP VALVE	3-18
ASSEMBLY	5-34	SIX FOOT JIB ASSEMBLY PG	2-66
PLATFORM CONTROL BOX ASSEMBLY		SLAVE LEVEL CYLINDER	3-34
DUAL FUEL	4-22	SLAVE LEVEL CYLINDER ASSEMBLY	3-33
PLATFORM CONTROL BOX ASSEMBLY PG		SNORKEL GUARD ASSEMBLY	2-74
4-21		SPANISH LANGUAGE KIT	2-84
PLATFORM CONTROL BOX ASSEMBLY PG		SPEED SHIFT VALVE ASSEMBLY	3-22
WITH 12KW	5-33	STEEL COWLING KUBOTA T4F PAGE 1 OF 2 .	2-53
PLATFORM INSTALLATION	2-73	STEEL COWLING KUBOTA T4F PAGE 2 OF 2	2-54,
PLATFORM JIB SELECTOR HARNESS ..	4-19	2-55	
PLATFORM JIB SELECTOR HARNESS		STEEL REAR COWLING ASSEMBLY	2-56
OCTOBER 2019 AND AFTER	4-20	STEER CYLINDER HENGLI	3-24
PLATFORM JIB SELECTOR WIRE		STEER CYLINDER ROSENBOOM AUGUST 2015	
ASSEMBLY OCTOBER 2019 AND AFTER .	4-25	AND AFTER	3-25
		SUPERTRAPP MUFFLER ADAPTER	2-35
PLATFORM ROTATOR ASSEMBLY		SWING DRIVE ASSEMBLY OMNI GEAR	2-17
FEBRUARY 2018 AND AFTER	2-72	SWING DRIVE PERFECTION	2-16
PLATFORM ROTATOR ASSEMBLY HELIC		SWING MOTION CONTROL VALVE ASSEMBLY	
WITH OVERLOAD OCTOBER 2019 AND		MAY 2007 AND AFTER	3-9
AFTER	2-71	TB80FA TB85JFA TB86JFA HYDRAULIC	

SCHEMATIC A11062CA SWITCHED HOSES ON CENTERPOST AND ADDED FM STAMP 7-4	REPLACEMENT PARTS 2-28
TB85J TB86J ELECTRICAL SCHEMATIC DEUTZ AND CUMMINS A11060AA 7-1	WG2503 ENGINE SUB ASSEMBLY SN TB86J-04-170400250 AND AFTER 2-30
TB86J ELECTRICAL SCHEMATIC KUBOTA TIER 4 FINAL A11104AB ADDED RELAY INTO UPPER CONTROL BOX TO USE PG BOARD SIGNAL TO PROVIDE POSITIVE SIGNAL TO ENGINE 7-2	WG2503 KUBOTA DUAL FUEL ENGINE WITH RADIATOR REPLACEMENT PARTS 2-33
TB86J ELECTRICAL SCHEMATIC KUBOTA TIER 4 FINAL PG 7-3	WIRE ASSEMBLY BOOM SWITCH 4-18
TB86J PG KUBOTA STEEL COWLING INSTALLATION 2 OF 4 2-50	WIRE ASSEMBLY LIFT SWING SPEED VALVE 4-15
TB86J PG KUBOTA STEEL COWLING INSTALLATION 4 OF 4 2-52	WIRE HARNESS PLATFORM WORK LIGHTS . . 5-31
TB86J PG KUBOTA STEEL COWLING INSTALLATION 1 OF 4 2-49	
TB86J PG KUBOTA STEEL COWLING INSTALLATION 3 OF 4 2-51	
TIRES AND WHEELS 2-7	
TOW KIT 5-1, 5-2	
TRANSMISSION VALVE PACKAGE 3-3	
TURNTABLE ASSEMBLY DUAL FUEL 2-11, 2-12	
TURNTABLE ASSEMBLY 12K KUBOTA V2403 T4F 2-15	
TURNTABLE ASSEMBLY TB86J KUBOTA 2-9	
TURNTABLE ASSEMBLY TB86J KUBOTA V2403 TIER 4F 2-13, 2-14	
TURNTABLE ASSEMBLY TB86J PG 2-10	
TURNTABLE WIRE ASSEMBLY PG 4-6	
V2403-CR TIER 4B KUBOTA ENGINE	

B	0070442	2-10, 2-11, 2-12, 2-13, 2-14, 2-15
0020270	0070472	2-10, 2-11, 2-12, 2-13, 2-14, 2-15
0020271	0070473	2-10, 2-11, 2-12, 2-13, 2-14, 2-15, 2-58, 2-59,
0020273		2-60, 2-61, 2-65, 3-30
0020275	0070486	2-58
0020276	0070540	2-76, 2-78, 2-83, 2-84, 2-85
0020280	0070541	2-76, 2-78, 2-83, 2-84, 2-85
0020281	0070639	2-58
0020283	0070705	2-9, 2-10, 2-11, 2-12, 2-13, 2-14, 2-15
0020356	0070712	5-15
0040276	0070730	4-1, 4-3, 4-4, 4-21
0050137	0070735	4-22
2-15, 5-11	0070747	4-3, 4-4, 4-21
0050400	0070753	4-21
2-1, 2-2, 2-9, 2-10, 2-11, 2-12, 2-13, 2-14, 2-15, 3-8	0070758	5-34
0060089	0070765	2-9, 2-10, 2-11, 2-12, 2-13, 2-14, 2-15
0060297	0070768	2-58
2-9, 2-10, 2-11, 2-12, 2-13, 2-14, 2-15, 5-1, 5-2	0070771	2-9, 5-8, 5-9, 5-10
0060305	0070772	2-8, 2-60, 2-61, 2-65
2-1, 2-2, 3-8	0070776	2-9, 2-10, 2-11, 2-12, 2-13, 2-14, 2-15
0060315	0070780	5-1, 5-2
2-9, 2-10, 2-11, 2-12, 2-13, 2-14, 2-15	0070786	2-1, 2-2, 2-9, 2-10, 2-11, 2-12, 2-13, 2-14, 2-15, 3-8
0060373	0070789	2-1, 2-2, 2-13, 2-14, 2-15, 3-8
5-9	0070792	2-1, 2-2, 2-9, 2-10, 2-11, 2-12, 2-13, 2-14, 2-15, 3-8
0070029	0070838	2-59, 3-30
0070030	0070901FR	2-85
0070033	0070901P	2-76, 2-84
2-10, 2-11, 2-12, 2-13, 2-14, 2-15, 2-58, 2-59, 2-60, 2-61, 2-65, 3-30	0070921FR	2-85
0070043	0070921P	2-76, 2-84
0070132	0070953	5-34
0070141	0070969	2-11, 2-12
0070256	0070974	2-11, 2-12
0070420		
0070420FR		
0070420P		
0070420p		
0070440		

00710892-16	0072177 2-11, 2-12
00712162-58	0072276 2-7, 2-76, 2-78, 2-83, 2-84
0071272 2-59, 3-30	0072276FR 2-85
0071341 2-59, 3-30	0072323 2-9, 2-10, 2-11, 2-12, 2-13, 2-14, 2-15
0071425FR 2-85	0072530 2-77, 2-83
0071425P 2-76, 2-84	0072530P 2-84
0071517 5-9	0072531 2-83, 5-37, 5-42
0071528 5-34	0072531FR 2-85
0071534 5-43	0072531P 2-76, 2-84
0071541 5-9	0072681 2-58
0071555 5-20	0072682 2-58
0071568	.. 2-9, 2-10, 2-11, 2-12, 2-13, 2-14, 2-15	0072683 2-58
0071582 4-12	0072940 A 3-19
0071583 2-27	0073043FR 2-85
0071654 5-22	0073043P 2-76, 2-84
0071792 5-20	0073043p 2-78
0071793 5-19, 5-20, 5-21, 5-23	0073051 2-10, 2-11, 2-12, 2-13, 2-14, 2-15
0071837	.. 2-69, 5-34, 5-35, 5-36, 5-37, 5-38, 5-42	0073051-8 2-9
0071844 5-19, 5-20, 5-21, 5-23	0073076 5-22
0071845 3-28	0073077 5-21, 5-23
0071913 2-78	0073089 2-9, 2-10, 2-11, 2-12, 2-13, 2-14, 2-15
0071918 3-31	0073128 5-8, 5-9, 5-10
0071925 2-77	0073139 2-83
0071926 2-76, 2-78, 2-79	0073139FR 2-85
0071926FR 2-85	0073139P 2-76, 2-84
0071926P 2-84	0073139p 2-78
0071927 2-83	0073224FR 2-85
0071927FR 2-85	0073224P 2-76, 2-84
0071927P 2-76, 2-84	0073224p 2-78
0071927p 2-78	0073250 5-34
0071953 5-36, 5-37	0073298 2-7
0071953-8 2-69, 5-35, 5-42	0073343 2-58
0072012 5-30	0073481 2-47, 2-51
0072104 2-9	0073491 2-83

0073491FR	2-85	0074765	3-18
0073491P	2-76, 2-84	0074908	2-76, 2-78, 2-83, 2-84, 2-85
0073491p	2-78	0074913	2-76, 2-77, 2-79, 2-82, 2-83, 2-84, 2-85
0073492	2-83	0074926	5-43
0073492FR	2-85	0074979	4-12
0073492P	2-76, 2-84	0074981	5-10
0073618	5-9	0075234	5-43
0073667	2-83	0075234FR	2-85
0073667FR	2-85	0075235	2-76, 2-83, 2-84, 2-85, 5-37, 5-42, 5-43
0073667P	2-76, 2-84	0075268	2-9, 2-10, 2-11, 2-12, 2-13, 2-14, 2-15
0073667p	2-78	0075372	2-76, 2-84, 2-85
0073727	5-20, 5-43	0075378	2-9, 2-10, 2-11, 2-12, 2-13, 2-14, 2-15
0073781	5-5, 5-6, 5-7, 5-8, 5-10, 5-33	0075379	2-9, 2-10, 2-11, 2-12, 2-13, 2-14, 2-15
0073884	5-9	0075380	2-9, 2-10, 2-11, 2-12, 2-13, 2-14, 2-15
0073885	2-27	0075563	2-77, 2-82, 2-83
0074096-0	2-69	0075563FR	2-85, 2-85
0074209	2-83	0075563P	2-76, 2-84
0074209FR	2-85	0075564	2-79, 2-82, 2-83
0074209P	2-76, 2-84	0075564FR	2-85
0074209p	2-78	0075564P	2-76, 2-84
0074210	2-83	0075737	2-20, 2-21, 2-30
0074210FR	2-85	0075738	2-20, 2-21, 2-30
0074210P	2-76, 2-84	0075743	2-20, 2-21
0074210p	2-78	0075745	2-20, 2-21, 2-30
0074311	2-83	0075748	2-20, 2-21
0074311FR	2-85	0075751	2-20, 2-21
0074311P	2-76, 2-84	0075753	2-20, 2-21
0074311p	2-78	0075756	2-20, 2-21
0074372	2-83	0075766	2-34
0074372FR	2-85	0075767	2-79
0074372P	2-76, 2-84	0075836	2-21
0074408	2-45, 2-49, 2-53	0075837	2-21
0074602	2-53	0080293	2-58
0074632	2-34	0080294	2-58

0080359 .. 2-9, 2-10, 2-11, 2-12, 2-13, 2-14, 2-15	0083833	5-40, 5-41	
0080362 .. 2-9, 2-10, 2-11, 2-12, 2-13, 2-14, 2-15	0083857	5-40, 5-41	
0080483 .. 2-9, 2-10, 2-11, 2-12, 2-13, 2-14, 2-15	0083858	5-40, 5-41	
0080484 .. 2-9, 2-10, 2-11, 2-12, 2-13, 2-14, 2-15	0083860	5-14, 5-16	
0080522 .. 2-9, 2-10, 2-11, 2-12, 2-13, 2-14, 2-15	0083861	5-14	
0080668	2-11, 2-12	0083862	5-40, 5-41
0080759	2-15, 2-65, 5-18	0083863	5-40, 5-41
0080768	5-30	0083895 E	5-41
0080884	5-1, 5-2	0083965	5-15
0080914	2-9, 2-21, 4-10	0083966	5-11
0081384	5-43	0083967	5-15
0081441	2-77	0083967 B	5-14
0081559	5-20	0083968	5-14
0081560	5-20	0083969	5-14
0082010	3-16	0083972	5-14
0082055	2-10, 2-11, 2-12, 2-13, 2-14, 2-15	0083973	5-14
0082055 D	3-5	0083981	5-13
0082160	5-1, 5-2	0083983	5-13
0082164	5-1, 5-2	0083985	5-40, 5-41
0082203	5-1, 5-2	0083988	5-12, 5-14
0082276	5-39	0083999 C	5-40
0082303	2-45, 2-49, 2-53	0084084	5-40, 5-41
0082321 2-45, 2-49, 2-54, 2-54, 2-54, 2-55, 2-55, 2-55		0084213	2-79, 2-82, 2-83
0082546	2-46, 2-50	0084213FR	2-85
0082547	2-46, 2-50	0084213P	2-76, 2-84
0083300	4-2	0084342	2-48, 2-52
0083427	2-76, 2-78, 2-83, 2-84, 2-85	0084342-0	2-57
0083438	2-10, 2-11, 2-12	0084468	5-22
0083438-8	2-9	0084469	5-22
0083733	2-76, 2-78, 2-83, 2-84, 2-85	0084524-3	2-57
0083823	5-40, 5-41	0084525-3	2-57
0083825	5-40, 5-41	0084570	2-40
0083826	5-40, 5-41	0084717	2-30
		0084735	2-66, 2-67

0084735 A	2-68	0110341	2-10, 2-11, 2-12, 2-13, 2-14, 2-15
0084741	2-60, 2-61, 2-65	0110360	2-43
0084752	2-60, 2-61, 2-65	0110360 M	2-41
0084752 F	2-66	0110361	2-10, 2-11, 2-12, 2-13, 2-14, 2-15, 2-43
0084754 C	4-25	0110361-8	2-9
0084765	2-60, 2-61, 2-65	0110362	2-9, 2-10, 2-11, 2-12, 2-13, 2-14, 2-15, 2-43
0084771 G	2-67	0110363	2-10, 2-11, 2-12, 2-13, 2-14, 2-15, 2-43
0090141	2-58	0110363-8	2-9
0090444	2-58	0110364	2-41
0090589E	2-76, 2-83, 2-84, 2-85, 5-43	0110364 L	2-42
0090621	5-20	0110367	2-42
0090757	5-9	0110368	2-42, 2-42
0090760	5-1, 5-2	0110369	2-42
0100271	2-9, 2-10, 2-11, 2-12, 2-13, 2-14, 2-15	0110370	2-42
0100278	2-13, 2-14, 2-15, 5-11	0110371	2-42
0100491	2-1, 2-2, 3-8	0110529	2-9, 2-10, 2-11, 2-12, 2-13, 2-14, 2-15
0100555	5-29	0110547	2-58
0101724	2-11, 2-12	0110581	2-60, 2-61, 2-65
0101800	2-27	0110590	2-60, 2-61, 2-65
0110156	3-14	0110623 F	3-31
0110166	2-59, 3-30	0110631	2-58
0110168	2-10, 2-11, 2-12, 2-13, 2-14, 2-15	0110645	2-59, 3-30
0110168 B	3-27	0110647	2-59, 3-30
0110171	2-13, 2-14, 2-15, 5-11	0110661	2-58
0110173	2-13, 2-14, 2-15, 5-11	0110665	2-58
0110186	2-58	0110670	2-58
0110190	2-58	0110671	2-58
0110191	2-58	0110678	2-60, 2-61, 2-65
0110198	2-9, 2-10, 2-11, 2-12, 2-13, 2-14, 2-15	0110681	2-10, 2-11, 2-12, 2-13, 2-14, 2-15
0110199	2-9, 2-10, 2-11, 2-12, 2-13, 2-14, 2-15	0110701	2-58
0110219	2-62, 2-63	0110702	2-58
0110235	2-10, 2-11, 2-12, 2-13, 2-14, 2-15	0110703	2-58
0110238	2-11	0110704	2-58
0110253 A	2-43	0110705	2-58

01107062-58	0111578 2-20, 2-21, 2-30, 2-31
01107072-58	0111578 G 3-10
01107325-11	0111578 J 3-11
0110756 2-8	0111675 2-1, 2-2
0110762 5-22, 5-24	01117002-58
0110786 5-22, 5-24	0111701 2-59, 3-30
0110786-8 5-22	0111821 2-9, 2-10, 2-11, 2-12, 2-13, 2-14, 2-15
0110833 5-1, 5-2	0111822 2-59, 3-30
01108355-34	0111843 2-9, 2-10, 2-11, 2-12, 2-13, 2-14, 2-15
0110836 5-1, 5-2	0111844 2-9, 2-10, 2-11, 2-12, 2-13, 2-14, 2-15
01108372-16	0111879 D 3-13
0110942 2-10, 2-11, 2-12, 2-13, 2-14, 2-15	0111882 2-9, 2-10, 2-11, 2-12, 2-13, 2-14, 2-15
0110943 5-1, 5-2	0112029 A 2-44
01109762-58	0112032 5-1, 5-2
01109772-58	0112047 5-9
01110052-58	01121122-82
01111002-58	0112139 2-77, 2-79, 2-82, 2-83
0111100 C 2-59	0112139FR 2-85
0111100 F 3-30	0112142 B 5-28
0111101 2-59, 3-30	0112151 5-4
01111042-58	0112167 4-2
0111130 5-1, 5-2	01121802-83
0111268 5-9	01121882-83
0111286 2-9, 2-10, 2-11, 2-12, 2-13, 2-14, 2-15, 5-8	0112188FR 2-85
0111287 2-1, 2-2, 3-8	0112188P 2-76, 2-84
01112895-10	0112193 2-46, 2-50, 2-54, 2-55
01113172-58	0112195 2-46, 2-50, 2-54, 2-55
01113222-58	0112217 2-4
01113242-58	0112218 2-4
0111373-8 2-83	0112219 2-4
0111465 5-1, 5-2	0112220 2-4
01114765-34	0112221 2-4
0111520 5-1, 5-2	0112222 2-4
		0112223 2-4

0112224 2-4	0112587 C 2-8
0112225 2-4	0112596 F 5-11
0112226 2-4	0112619 5-22, 5-24
0112227 2-4	0112630 5-30
0112233 2-16	0112631 5-11
0112241 2-10, 2-11, 2-12	0112631 C 5-18
0112241-8 2-9	0112642 2-1, 2-2
0112242 2-46, 2-50, 2-54, 2-55	0112643 2-1, 2-2
0112244 2-46, 2-50, 2-54, 2-55	0112657 2-1, 2-2, 2-7
0112248 2-46, 2-50, 2-54, 2-55	0112658 2-1, 2-2, 2-7
0112249 2-46, 2-50, 2-54, 2-55	0112660 2-1, 2-2
0112250 2-46, 2-50	0112661 2-1, 2-2
0112252 2-45, 2-49, 2-53	0112699 2-1, 2-6
0112253 2-45, 2-49, 2-53	0112703 A 3-18
0112261 2-45, 2-49, 2-53	0112705 2-1, 2-2, 3-8
0112268 2-47, 2-51	0112706 2-1, 2-2, 3-8
0112272 2-16	0112715 2-1, 2-2, 2-6
0112323 2-10, 2-11, 2-12, 2-13, 2-14, 2-15	0112717 2-1, 2-2, 2-6
0112323-8 2-9	0112718 2-18, 2-19
0112380 3-27	0112718-001 2-19
0112380 A 3-28	0112747 2-10, 2-11, 2-12, 2-13, 2-14, 2-15
0112380 F 3-29	0112747 E 2-18
0112413 2-46, 2-50	0112747 G 2-19
0112418 2-16	0112754 2-7
0112421 2-16	0112777 2-1, 2-2
0112422 2-16	0112777 C 3-25
0112423 2-16	0112777 D 3-24
0112424 2-16	0112780 2-1, 2-2
0112549 2-62, 2-63	0112787 2-1, 2-2
0112579 2-15, 5-11	0112789 2-1, 2-2
0112580 2-15, 5-11	0112791 2-1, 2-2
0112580 D 5-12	0112792 2-82
0112581 2-15, 5-11	0112792FR 2-85
0112581 D 5-13	0112793 2-1, 2-2

0112795	2-58	0113187	2-58
0112796	2-58	0113197-0	2-57
0112796 A	3-23	0113198	2-48, 2-52, 2-54, 2-55
0112804	2-1, 2-6	0113199	2-48, 2-52, 2-54, 2-55
0112805	2-1, 2-2	0113199-0	2-57
0112805 D	3-1	0113200	2-48, 2-52, 2-54, 2-55
0112806	2-1, 2-2	0113200-0	2-57
0112806 C	3-2	0113201	2-48, 2-52, 2-53
0112807	2-1, 2-2	0113201-0	2-57
0112807 B	3-6	0113216	2-57
0112821	3-7	0113231	2-48, 2-52, 2-53
0112826 B	3-7	0113231-0	2-57
0112827	2-1, 2-2, 3-8	0113239	2-78, 2-84
0112828	2-1, 2-2, 3-8	0113240	2-78
0112829 A	3-22	0113317	5-22
0112830	2-1, 2-2, 3-8	0113318 H	2-78, 2-84
0112855	2-77, 2-79, 2-82	0113488	2-78
0112855FR	2-85	0113489	2-78
0112857 A	4-2	0113490	2-62, 2-63
0112894E	2-83	0113492 D	2-34
0112950	5-43	0113493	2-34
0112951	5-43	0113494	2-34
0112952	5-43	0113495	2-34
0112956	5-11	0113501 K	2-20
0112958 C	5-9	0113508-1	2-70, 2-71
0112962 B	3-16	0113515	2-18, 2-19
0112976	4-2	0113519	2-74
0112978	2-18, 2-19	0113528	2-74
0113049 B	5-2	0113529	2-74
0113049 C	5-1	0113530	2-74
0113051	5-20	0113531	2-75, 5-37
0113052	5-20	0113531 F	2-74
0113070A	5-30	0113531-5	5-42
0113186	2-58	0113536 G 1	2-75

01135382-74	0113712 2-10, 4-1
01135465-25	0113712 H 4-3
01135602-75	0113713 2-10, 2-21
01135612-75	0113713 B 4-7
0113574 C2-9	0113714 4-3
01135752-9	0113715 2-10, 2-11, 2-12, 2-13, 2-14, 2-15
01135772-58	0113715 C 4-6
0113577 A 3-33	0113716 4-3, 4-4
0113580 2-76, 2-83, 2-84, 2-85	0113718 4-3, 4-4
0113581 2-76, 2-83, 2-84, 2-85	0113719 2-66, 2-67
0113582 2-77, 2-79, 2-83	0113719-5 2-70, 2-71
0113582FR 2-85	0113724 4-3
0113583 D 2-79	0113725 4-3
0113584 5-34, 5-35, 5-36, 5-38	0113726 4-3
0113586 A 2-64	0113729 4-21
01135872-64	0113730 2-59, 3-30
0113592 2-60, 2-61, 2-65	0113730A 3-32, 3-32
0113596 2-60, 2-61, 2-65	0113734 2-58
0113597 2-60, 2-61, 2-65	0113735 2-58
0113598 2-62, 2-63	0113735 A 4-17
0113606 2-60, 2-61, 2-65	0113736 4-17
0113607 2-60, 2-61, 2-65	0113736 A 4-15
01136092-58	0113737 2-58
01136235-25	0113737 A 4-16
0113624 A 5-25	0113738 4-16
0113670 5-3	0113738 A 4-18
0113671A 5-3	0113739 2-60, 2-61, 2-65
0113703 E 2-85	0113739 B 4-19
0113706K 2-10	0113739 C 4-20
0113707 F2-21	0113740 2-60, 2-61, 2-65
0113708 A 2-60	0113740N 2-58
0113709 C 3-14	0113741 2-60, 2-61
0113710 4-22, 5-33	0113741 C 2-62
0113710 D 4-21	0113742 2-62, 2-63

0113742 C	4-13	0113802	2-31
0113743 A	2-61	0113803	2-31
0113746A	2-49, 2-50, 2-51, 2-52	0113805	2-31
0113747A	5-26	0113809	2-46, 2-50, 2-54, 2-55
0113748	5-26	0113809 B	2-56
0113748 A	5-27	0113810	2-56
0113749	4-21	0113811	2-56
0113750 B	4-23	0113812	2-56
0113751 B	4-12	0113823	2-23
0113756 D	2-83	0113824	2-13, 2-14, 2-15
0113760	2-10, 2-11, 2-12, 2-13, 2-14, 2-15	0113824 D	2-23
0113761	2-62	0113831	4-10
0113761 A	4-14	0113832	2-13, 2-14, 2-15
0113763	2-83	0113832 B	4-10
0113764 A	5-8	0113834	3-24
0113765 A	5-10	0113835	3-24
0113767 A	5-21	0113837	2-10, 2-11, 2-12, 2-13, 2-14, 2-15
0113767 B	5-23	0113838	2-36, 2-38
0113768	5-21, 5-23	0113839	2-36, 2-38
0113768 A	5-19	0113841	2-54, 2-55
0113777	2-54, 2-55	0113842	2-54, 2-55
0113778	2-54, 2-55	0113845	2-13, 2-14, 2-15
0113780C	2-31	0113851	2-54, 2-55
0113781 C1	2-53	0113852	2-13, 2-14, 2-15
0113781 D	2-54	0113852 B	4-8
0113781-C	2-55	0113852 C	4-9
0113783 K	2-14	0113853	4-4
0113783 L	2-13	0113853 E	4-5
0113784 F	2-38	0113855	2-15
0113784 H	2-36	0113855 C	2-27
0113785	2-13, 2-14, 2-15	0113856 G	4-4
0113787	2-76, 2-77, 2-79	0113857	4-4
0113787ES	2-84	0113859	4-4
0113792	2-13, 2-14, 2-15	0113872 E	2-30

0113875	2-13, 2-14, 2-15	0113936	3-24
0113876	2-13, 2-14, 2-15	0113937	3-24
0113877	2-13, 2-14, 2-15	0113938 B	2-76
0113878 N	2-12	0113948 D	2-15
0113878 P	2-11	0113949 B	2-65
0113879	2-38	0113950	2-65
0113879-8	2-36	0113950 B	2-63
0113881	2-38	0113951 A	5-33
0113881-8	2-36	0113952	2-63
0113885	2-82, 2-83	0113955 C	2-71
0113886 F	2-82	0113955A	2-70
0113887	2-30	0113958	5-22, 5-24
0113889	2-30	0113959	5-22
0113890	2-37	0113959 A	5-24
0113892	2-37	0113960 A	5-22
0113896	2-11, 2-12	0113961	2-27
0113897 D	4-1	0113962	2-27
0113898 C	4-22	0113963	4-21
0113900	2-11, 2-12	0113963ES	2-84
0113901 B	2-37	0113969	5-29
0113902	4-1	0113969 A	5-31
0113903	4-1	0113971	5-29
0113904	2-10, 2-11, 2-12, 2-13, 2-14, 2-15	0113971 A	5-32
0113904 A	2-17	0113974	2-82
0113905	2-20, 2-21	0113984	2-36, 2-38
0113906	2-30	0113986-5	2-47
0113911 F	2-77	0114003 E	5-47
0113920	2-15	0114007-8	5-5, 5-6, 5-7
0113920 A	5-15	0114008-8	5-5, 5-6, 5-7
0113927	5-33	0114009 A	5-7
0113927 A	5-16	0114009 B	5-5
0113928	5-16	0114009 C	5-6
0113929	4-22	0114018-8	2-2
0113930	5-16	012039-000	2-9, 2-11, 2-13

0150121	5-40, 5-41	0163360	5-20
0150122	2-64	0163363	5-20
0150509	2-69, 5-34, 5-35, 5-36, 5-37, 5-38, 5-42	0170045	2-60, 2-61, 2-65
0150756	5-34	0172213	2-66, 2-67
0151410	2-77, 2-79, 2-82	0172214	2-66, 2-67
015141005	2-83	0172216	2-66, 2-67
0151410FR	2-85	0172299	2-58
0151410P	2-76, 2-84	0172451	2-76, 2-84, 2-85, 5-37, 5-42
0151457	4-11	0180109	5-43
0151458	4-11	0180779	2-1, 2-2, 3-8
0151459	5-6, 5-9	0180784	2-1, 2-2, 2-9, 2-10, 2-11, 2-12, 2-13, 2-14, 2-15, 3-8
0151469	4-11	0180809	3-6
0151470	4-11	0180943	2-9, 2-10, 2-11, 2-12
0151471	5-8, 5-9	0180945	2-1, 2-2, 3-8
0151471 L	4-11	0180961	2-1, 2-2
0151484	4-11	0180961 F	2-4
0151583	5-9	0180961-OMNI	2-5
0151728	3-6	0181074	5-20
0151860	2-1, 2-2, 2-58, 3-8	0181077	3-6
0151918	2-60, 2-61, 2-65	0181083	2-1, 2-2
0152564	2-27	0181083 A	3-4
0152831	4-11	0181092	3-6
015790-005	4-6	0181102	5-34
015790-006	4-3, 4-4, 4-5	0181103	5-34
0161177	5-39	0181161	3-6
0161182	5-39	0181187	5-9
0161184	5-39	0181285	5-20
0161487	5-39	0181376	5-29
0161766	2-60, 2-61, 2-65, 5-40	0181381	5-34, 5-35, 5-36
016181905	2-83	0181398	5-20
0162311	2-83	0181406	5-34, 5-36
0162336E	2-83	0181407	5-34, 5-35
0162366	2-83	0181408	5-34, 5-35, 5-36
0163234	5-43		

0181466	5-1, 5-2	0192289-8	2-9
0181562ES	2-76, 2-84	0192579	5-23
0181562FR	2-85	0192658	2-13, 2-14, 2-15
0181562es	2-78	0192661	2-40
0181634	5-21, 5-23	0192667	2-36, 2-38
0181675	5-1, 5-2	020541-013	2-20, 2-21
0181676	5-1, 5-2	0260042S	5-3
0181890	2-4	0260466	2-22, 2-32
0182043	2-34, 2-37	0260595 C	5-46
0182055	5-10	0260596	5-46
0182077E	2-83	0260696	4-7
0182275	2-11, 2-12	0260717	5-29
0182340	5-36	0260721	5-29
0182443	5-21	0260722	5-29
0182505	2-30	0260844	4-3
0182506	2-30	0260856	2-20, 2-21
0182507	2-30	0260860	4-3, 4-4
0182508	2-30	0260923	4-21
0190086	5-21, 5-23	0260924	2-46
0190549	2-27	0260973	4-1, 4-22
0190715	2-1, 2-2	0260974	4-1
0190788	2-1, 2-2	0260976	2-27, 4-1, 4-22
0190916	2-27	0261007	2-11, 2-12
019098905	2-76, 2-78, 2-83, 2-84	0261017	4-1
0190989E	2-85	0261027	2-66
0191070	2-59, 3-30	0261227	5-5, 5-6, 5-7
0191071	2-59, 3-30	0323896FR	2-85
0191640	3-16	0323896P	2-76, 2-84
0191780	2-45, 2-49, 2-53	0323896p	2-78
0191830	2-9, 2-10, 2-11, 2-12, 2-13, 2-14, 2-15	0323897	2-83
0192013	5-20	0323897FR	2-85
0192078	2-15, 5-11	0323897P	2-76, 2-84
0192078 B	5-17	0323897p	2-78
0192289	2-21	0323899FR	2-85

0323899P	2-76, 2-84	0421602	5-1, 5-2
0350924	2-45, 2-49, 2-50	0421603	5-1, 5-2
0361367	2-76, 2-77, 2-78, 2-79, 2-82, 2-84, 2-85	0421606	5-1, 5-2
0420111	2-66, 2-67	0421612	5-1, 5-2
0420111 H	3-36	0421613	5-1, 5-2
0420111 – RMT	3-35	0421711	2-66, 2-67
0420114	2-66, 2-67	0421796	2-20, 2-21, 2-30
0420114 E	2-72	056021-006	2-9, 2-20
0420132	2-66, 2-67	056021-008	2-20, 2-21
0420199	5-34, 5-36, 5-37, 5-38	056021-010	2-20, 2-21, 2-30, 2-31
0420199-0	2-69	056021-012	2-20, 2-21, 2-30, 2-70, 2-71
0420199-5	5-35, 5-42	056058-018	2-20, 2-21, 2-30
0420632	2-69, 5-34, 5-35, 5-36, 5-37, 5-38, 5-42	056058-030	2-21
0420731	2-66, 2-67	056058-070	2-74
0420732	2-66, 2-67	056059-030	2-36, 2-38
0420878	2-66, 2-67	056059-035	2-30
0421067	5-44, 5-45	056059-045	5-5, 5-6, 5-7
0421068 B	5-44	056060-030	2-20
0421068C	5-45	056060-045	2-21
0421110	4-22	056060-065	2-20, 2-21, 2-30
0421269	5-44, 5-45	056060-080	2-13, 2-14, 2-15
0421283	5-44	056064-024	2-66, 2-67, 2-70, 2-71
0421283-3	5-45	056066-004	4-21
0421285	5-44, 5-45	056066-006	2-20, 2-21, 2-30, 2-74
0421299	5-44, 5-45	056066-008	2-20, 2-21, 2-36, 2-38, 4-10
0421321	5-34, 5-36, 5-37, 5-38	056066-010	2-13, 2-14, 2-15, 2-20, 2-21, 2-30, 2-31
0421321-0	2-69	056069-006	2-20, 2-21, 2-30
0421321-5	5-35, 5-42	056069-008	2-10, 2-11, 2-12, 2-13, 2-14, 2-15, 2-30, 2-36, 2-38
0421477	5-29	056069-010	2-13, 2-14, 2-15, 2-36, 2-38, 2-67
0421519-0	2-69	056069-012	2-20, 2-21, 2-31, 2-66, 2-67
0421519-5	5-34, 5-35, 5-36, 5-37, 5-38, 5-42	058491-012	2-30
0421529-0	2-69	058491-016	2-30
0421529-5	5-34, 5-35, 5-36, 5-37, 5-38, 5-42	058491-020	2-13, 2-14, 2-15
0421599	5-22, 5-24		

058491-025	2-21	1430080-0	2-69
058492-016	2-36, 2-38	1430080-5	5-42
058492-020	2-10, 2-11, 2-12, 2-13, 2-14, 2-15, 2-30	1430099	5-34, 5-36
058492-025	2-20, 2-21, 2-30, 4-10	1430099-0	2-69
058493-025	2-31	1430099-5	5-35, 5-42
058494-035	2-71	1430100 L	2-69
058494-045	2-37	1430100-0	2-69
058509-040	2-66, 2-67	1430100-5	2-69
067614-023	2-22	1430371	5-34, 5-36
068903-009	2-39	1430371-5	5-35
10001008	2-9	1430378	5-34, 5-36
100180-041	2-20, 2-21	1430378-5	5-35
100209-000	2-20, 2-21, 2-30, 2-31	1430381	5-34, 5-36
104673-105	2-22	1430381-5	5-35
104673-107	2-22, 2-32	1430385 H	5-34
104673-108	2-22	1430385 K-1	5-36
104673-109	2-22	1430385 M	5-35
104673-111	2-22	1430527	2-20, 2-21, 2-30
104673-113	2-22	1430538	2-29
104673-116	2-22	1430539	2-29
104701-000	2-22	1430541	2-29
104701-000 b	2-29	1430542	2-29
104703-000	2-20, 2-21, 2-30, 2-31	1430543	2-29
104737-000	2-20	1430544	2-29
104744-000	2-20	1430545	2-29
104754-000	2-20, 2-21, 2-34	1430546	2-29
104869-000	5-21, 5-23	1430547	2-29
104883-000	2-20, 2-21, 2-30	1430548	2-29
106960-001	2-20, 2-21	1430549	2-29
110175	2-4	1430550	2-29
116320-001	3-38	1430551	2-29
116572-101	3-37	1430552	2-29
1430080	5-37, 5-38	1430553	2-29
		1431073	2-38

1431073-3	2-36	300492	2-69, 5-34, 5-35, 5-36, 5-37, 5-38, 5-42
1431573 H	5-42	300541	2-66, 2-67
1431573-0	5-42	300542	2-66, 2-67
1431994	2-29	3010033	2-27
1432689	2-72	3011001	4-7, 4-8, 4-9, 5-17
1432689-001	3-37	3011005	2-63, 5-11
1433588	5-37, 5-38	3011201	4-3, 4-4, 4-5, 4-7, 4-8, 4-9, 5-17
1433598	5-37, 5-38	3011203	4-14
1433599	5-37, 5-38	3011241	4-3, 4-4, 4-5, 4-8, 4-9
1433600	5-37, 5-38	3011251	4-5, 4-8, 4-9
1433601	5-37, 5-38	3011601	4-5, 4-6, 4-7, 4-8, 4-9, 5-28
1433602 C	5-37	3011641	4-3, 4-4, 4-5, 4-6, 4-7, 4-8, 4-9, 4-20, 4-25, 5-8, 5-10
1433604 C	5-38	3011661	4-5
180160	2-4	3011802	5-25, 5-27, 5-31, 5-32
182340	5-35	3011803	4-15, 4-18, 4-19, 4-20, 4-25, 5-34, 5-34
239926	4-21	3014753	2-74
2500035	2-58, 2-68	3014761	4-13
2500051	2-72	3020013	4-1, 4-22, 5-5, 5-6, 5-7, 5-8, 5-10, 5-19, 5-20, 5-21, 5-23, 5-29, 5-33
2500060	2-68	3020016	4-3, 4-4, 4-21
2500063	3-28	3020019	4-16, 4-17
2502028	2-58, 2-59, 3-30	3020021	4-23
2502032	2-58	3020040	2-9
2502432	2-59, 3-30	3020048	5-9
2502836	2-68	3020049	2-9, 2-10, 2-11, 2-12, 2-13, 2-14, 2-15
2503620	2-1, 2-2	3020052	4-17
2509677	2-72	3020078	5-19, 5-20, 5-21, 5-23
2540014	2-75	3020080	4-3, 4-4, 4-21, 5-34
2572007	2-69, 5-34, 5-35, 5-36, 5-37, 5-38, 5-42	3020090	4-21
2650001	2-20	3020098	5-34, 5-34
2667500	2-69, 5-34, 5-35, 5-36, 5-37, 5-38, 5-42	3020342	4-25
2690001	5-1, 5-2	302323	2-1, 2-2
2690004	2-20, 2-21	302544	5-40, 5-41, 5-44, 5-45
2690008	2-1, 2-2		
2691526	2-1, 2-2		

302555 .. 2-69, 5-34, 5-35, 5-36, 5-37, 5-38, 5-42	3040187 2-27, 2-58, 4-17, 5-34, 5-35, 5-36
3028810 4-3, 4-4, 4-21	3040219 4-12
3028812 2-20	3040252 2-27, 4-12
3028827 4-7, 4-8, 4-9	3040268 2-9, 2-10, 2-11, 2-12, 2-13, 2-14, 2-15
3028832 4-3, 4-4	3040269 2-9, 2-10, 2-11, 2-12, 2-13, 2-14, 2-15
3028843 4-3, 4-4	3040270 2-9, 2-10, 2-11, 2-12, 2-13, 2-14, 2-15
3028844 2-74	3040285 4-23
3028852 4-21	3040287 5-20
3028854 4-21	3040292 4-9
3028937 5-36, 5-36	3040293 4-5, 4-8
3030173 4-21	3040295 2-8, 5-14
3030174 4-3, 4-4	3040341 4-5, 4-6, 4-7, 4-8, 4-9
3030179 2-67, 2-70, 2-71, 5-47	3040342 4-5, 4-6, 4-7, 4-8, 4-9, 4-13, 4-15, 4-18, 4-19,
3030181 4-3, 4-4	4-20, 5-27, 5-31, 5-32
3030182 4-4	3040397 4-5, 4-12
3030186 4-3, 4-4	3040411 4-3, 4-4, 4-21
3030188 2-67, 2-70, 2-71, 5-47	3040452 2-9, 2-10
3040038 5-25	3040469 2-9, 2-10, 2-13, 2-14, 2-15, 2-21, 2-27, 4-1, 4-
3040039 5-25	3, 4-4, 5-20
3040046 2-9, 2-9, 5-8, 5-9, 5-10, 5-26, 5-27, 5-	3040473 3-18, 3-23
28	3040502 4-10, 5-34
3040047 2-9, 5-8, 5-9, 5-10, 5-20, 5-26, 5-27	3040503 4-8, 4-9
3040064 2-9, 5-9	3040505 4-8, 4-9
3040069 4-3, 4-4	3040506 2-9, 2-10, 2-11, 2-12, 2-13, 2-14, 2-15
3040070 2-27, 4-16, 4-17, 5-16, 5-29, 5-34, 5-35,	3040593 2-10, 2-11, 2-12, 2-13, 2-14, 2-15
5-36	3040624 4-12
3040082 2-9, 2-27, 5-25	3040625 4-12
3040083 . 2-27, 4-5, 4-6, 4-7, 4-8, 4-9, 5-25, 5-28	3040650 4-5, 4-7
3040110 4-12, 4-23, 5-14, 5-16	3040691 4-12, 5-16
3040115 5-29	3040711 5-16
3040116 5-14	3040771 5-15
3040127 .. 2-9, 2-10, 2-11, 2-12, 2-13, 2-14, 2-15	3040772 5-15
3040129 2-9	3040775 5-14
3040174 2-20	3040776 5-14

3040781 3-17, 3-22	3049859 4-5
3041314 4-5, 4-7, 4-8, 4-9	3049860 4-5
3041641 2-9, 2-21	3049868 4-9
30440187 4-16	3049896 4-7, 4-8
3044142 4-15, 4-18, 5-19, 5-20, 5-21, 5-23	3049900 4-7, 4-8, 4-9
3044146 4-19, 4-25, 5-9, 5-25, 5-28	3049920 4-7
3044155 4-5	3049922 4-7
3044158	4-3, 4-4, 4-5, 4-7, 4-8, 4-9, 5-9, 5-31, 5-32	3049923 4-7
3044160 2-27	3049952 4-19, 4-20, 4-25
3044161 4-7, 4-8, 4-9, 5-28	3049986 2-27, 4-5, 5-29, 5-32
3044162 2-9, 4-7, 4-8, 4-9, 5-43	3049994 5-25
3044704 5-14	3050002 2-9, 2-10, 2-11, 2-12, 2-13, 2-14, 2-15
3044836 4-6, 4-7, 4-8, 4-9	3050004 2-10, 2-12, 2-14, 2-15, 2-40
3044853 2-9, 4-3, 4-4, 4-5, 4-7, 4-8, 4-9	3050008 2-9, 2-10, 2-11, 2-12, 2-13, 2-14, 2-15
3044854 4-7, 4-12, 5-15, 5-17	3050102 5-21, 5-23
3044855 4-7, 4-8, 4-9	3060083 5-26, 5-28
3044856 4-7, 4-8, 4-9	3060084 5-28
3045254 5-16	3069524 4-3, 4-4, 4-21, 5-43
3045255 5-16	3069527 4-22
3045256 5-40, 5-41	3069528 5-25
3046697 4-5, 5-43	3070041 4-2
3049803 4-6, 4-20, 4-25, 5-27, 5-31, 5-32	3080001 4-11
3049804 4-6	3087797 5-12
3049807 4-6, 4-20, 4-25, 5-27, 5-31, 5-32	3087803 4-3
3049808 4-6	3087845 5-5, 5-6, 5-7
3049813 4-7, 4-8, 4-9, 4-13	3090006 2-9, 2-13, 2-14, 2-15
3049814 4-7, 4-8, 4-9, 4-13	3090019 2-9, 2-21, 5-8, 5-10, 5-28
3049820 4-15, 4-18, 4-19, 4-20	3220076 5-40, 5-41
3049821 4-7, 4-8, 4-9	3220089 4-21
3049822 4-15, 4-18, 4-19, 4-20	3220105 4-21
3049823 4-7, 4-8, 4-9, 4-21	3220118 4-3, 4-4
3049837 4-3, 4-4, 4-5, 4-21	3220128 4-3, 4-4, 4-5
3049849 4-3, 4-4, 4-21	3220129 4-7, 4-8, 4-9
		3220133 4-5

3220142	4-5	5031008	5-4
3220165	2-9	5033026	2-23
3220178	4-7	5033608	5-12
3220181	4-5	5033614	2-41
3220199	4-5	5033623	2-41
3220246	5-25	5033703	2-8
3220276	4-21	5033713	2-41
3220277	4-7	5034102	2-1, 2-2, 3-8
3220278	4-7	5034104	2-1, 2-2, 3-8
3220281	4-13	5034401	2-9, 2-10, 2-11, 2-12, 2-13, 2-14, 2-15
3220300	4-8, 4-9	5034404	2-9, 2-10, 2-11, 2-12, 2-13, 2-14, 2-15
3220301	4-8, 4-9	5034501	2-9, 2-10, 2-11, 2-12, 2-13, 2-14, 2-15, 2-58
3220302	4-8, 4-9	5034601	2-9, 2-10, 2-11, 2-12, 2-13, 2-14, 2-15
3220303	4-8, 4-9	5035005	2-1, 2-2
3220304	4-8, 4-9	5035303	2-1, 2-2, 2-70, 2-71, 2-72, 3-10, 3-11, 3-13
3220305	4-10	5035305	2-1, 2-2, 2-15, 2-18, 2-19, 3-13, 3-14, 3-19, 3-22, 5-11
3220314	4-8, 4-9	5035306	3-14, 4-11
3220315	4-8, 4-9	5035307	2-1, 2-2, 3-1, 3-6
457406	2-30	5035308	5-12, 5-13
463374	2-1, 2-2, 3-8	5035310	2-18, 2-19, 3-13
480652	4-21	5035311	3-14
487086	3-17	5035315	2-10, 2-11, 2-12, 2-13, 2-14, 2-15, 3-6
5010002	2-30	5035316	2-1, 2-2, 3-1, 3-2
5010007	2-69, 5-34, 5-35, 5-36, 5-37, 5-38, 5-42	5035318	3-18, 3-22, 3-23, 3-33
5010011	2-9, 2-10, 2-13, 2-14, 2-15, 2-21, 2-25, 2-26, 2-30	5035320	3-16, 5-8, 5-9, 5-10
5010024	2-63, 5-18	5035321	2-18, 2-19, 5-13
501248-025	2-21	5035324	3-14
5018829	2-30	5035403	2-9, 2-10, 2-11, 2-12, 2-13, 2-14, 2-15
5018832	2-11, 2-12, 2-13, 2-14, 2-15, 2-23	5035705	3-14
5018877	2-30	5035707	3-2
5025001	5-13	5035710	3-13
5025002	3-6, 3-14	5036103	5-11
5025003	5-13	5036105	2-15, 5-1, 5-2

5036503 2-18, 2-19	5063905 3-13
5036505 3-13	5063906 2-41
5036703	. 2-9, 2-10, 2-11, 2-12, 2-13, 2-14, 2-15, 3-6, 3-13, 3-16	5063910 5-11
5036705 3-1, 5-1, 5-2	5064001 2-15
5036706 2-15, 2-41, 5-11	5064002 2-41, 3-5, 3-13
5036707 2-18, 2-19	5064003 2-15
5036710 2-15, 5-11	5064005 3-6
5036803 3-6	5064007 5-13
5036805 2-18, 2-19, 2-19	5064009 2-15, 5-11
5036807 3-6	5065703 2-18, 2-19, 3-6, 3-14, 3-16, 5-13
5036903	2-8, 2-9, 2-10, 2-11, 2-12, 2-13, 2-14, 2-15	5065705	2-9, 2-15, 2-66, 2-67, 3-18, 3-22, 3-23, 5-11, 5- 13
5036905 3-13	5065707	.. 2-10, 2-11, 2-12, 2-13, 2-14, 2-15, 2-18, 2-19, 3-7, 3-14, 3-27, 5-1, 5-2, 5-13
5036906 2-1, 2-2, 2-9, 3-1, 3-14	5065708 3-13, 3-16, 5-8, 5-9, 5-10
5036908 5-13	5065709	... 2-18, 2-19, 2-59, 3-4, 3-14, 3-19, 3-27, 3-30
5036910 3-6	5065710 3-2, 3-10, 3-11
5037003	. 2-18, 2-19, 2-70, 2-71, 2-72, 3-5, 3-14, 3-18, 3-23, 5-8, 5-9, 5-10, 5-11	5065711 3-5
5037005	.. 2-1, 2-2, 3-1, 3-2, 3-13, 3-16, 5-8, 5-9, 5-10, 5-13	5065715 5-13
5037006	. 2-9, 2-10, 2-11, 2-12, 2-13, 2-14, 2-15, 2-59, 3-10, 3-11, 3-14, 3-19, 3-30	5065718 3-6, 3-10, 3-11
5037007	2-10, 2-11, 2-12, 2-13, 2-14, 2-15, 2-18, 2-19, 3-1, 3-2, 3-6	5065719 3-14
5037010 3-11	5065721 2-44
5037011 2-27, 2-41, 2-44	5065726 2-18, 2-19
5037102 2-8	5065728 2-10, 2-11, 2-12, 2-13, 2-14, 2-15
5037305 2-41	5065729 3-14
5038005 3-10, 3-11	5065734 3-1, 3-2
505087-010 2-66	5065737 2-27
5059705	.. 2-9, 2-10, 2-11, 2-12, 2-13, 2-14, 2-15	5065805 3-7, 3-16
5059706 2-10, 2-11, 2-12, 2-13, 2-14	5065806 3-14
5063703 3-13	5065807 3-1, 3-2
		5066705 3-22
		5067012 2-18, 2-19
		5067020 3-16
		5067021 2-30

5070005 2-9, 5-13	5093027 2-9, 2-10, 2-11, 2-12, 2-13, 2-14, 2-15
5070026 2-1, 2-2	5093030 2-34
5070028 2-10, 2-11, 2-12, 2-13, 2-14, 2-15	5093039 2-9, 2-10, 2-13, 2-14, 2-15
5075205 3-14, 3-16	5093040 2-9, 2-10
5075206 3-14	5098339 2-1, 2-1, 2-2, 2-2, 5-18
5075208 3-14	5098381 2-42
5075306 3-28	510587-025 2-20, 2-21
5076003 3-4	510589-008 2-30
5076407 2-9, 2-10, 2-11, 2-12	510589-012 2-37
5080011 2-44	511633-000 4-23
5080017 2-44	512649-280 2-66, 2-67, 2-70, 2-71
5080018 2-41	513133-040 2-20, 2-21, 2-30, 2-31
5080044 2-44	514160-035 2-66, 2-67, 2-70
5089682 2-22	514281-020 2-21
5090008 2-41, 2-42	514404-001 4-21
5090032 2-25, 2-26, 2-31	5260013 2-15, 2-65, 5-18
5090033 2-11, 2-12, 2-25, 2-26	5260033 2-11, 2-12
5090034 2-1, 2-1, 2-2, 2-2, 2-60, 2-61, 2-65	5510003 2-54, 2-55
5090049 2-11, 2-12	5510022 2-46, 2-50, 2-54, 2-55
5093000	.. 2-9, 2-10, 2-11, 2-12, 2-13, 2-14, 2-15	5516329 5-40, 5-41
5093001 5-34, 5-35, 5-36	5516372 2-27
5093002	.. 2-9, 2-10, 2-11, 2-12, 2-13, 2-14, 2-15	5516373 2-27
5093004 2-58	5530013 5-34, 5-35, 5-36
5093006	. 2-9, 2-10, 2-11, 2-12, 2-13, 2-14, 2-15, 5-18	5550005 2-20, 2-21, 5-1, 5-2
5093008 2-9, 2-11, 2-12, 2-15	5550006 2-26
5093010 2-10, 2-11, 2-12, 2-60, 2-61, 2-65	5550007 2-20, 2-21
5093012 2-10, 5-8, 5-9, 5-10, 5-18	5550010 2-15, 2-21, 2-30, 2-65, 5-18
5093013 2-11, 2-12	5550020 2-30, 5-22, 5-24
5093014	. 2-1, 2-2, 2-9, 2-10, 2-11, 2-12, 2-13, 2- 14, 2-15	5550028	2-9, 2-10, 2-11, 2-12, 2-13, 2-14, 2-15, 2-21, 2- 23, 2-30
5093019 5-26, 5-28	5550030 2-25, 2-26, 2-30, 2-36, 5-22, 5-24
5093021 2-9, 2-13, 2-14, 2-15	5550040 2-34, 2-36, 2-37, 2-38
5093024 2-10, 2-11, 2-12, 2-21	5550050 2-36, 2-38
		5550060 2-36, 2-38, 5-22, 5-24

5550070 2-1, 2-1, 2-2, 2-2	5560083 2-54
5550105 5-22, 5-24	5560100 2-10, 2-11, 2-12, 2-13, 2-14, 2-15
5550152 5-22, 5-24	5560126 2-62, 2-63
5554379 2-25, 2-26	5560131 2-1, 2-2
5560004	. 2-9, 2-10, 2-11, 2-12, 2-13, 2-14, 2-15, 2-21, 2-23, 2-58, 2-65, 2-69, 3-18, 4-3, 4-4, 4-21, 5-15, 5-18, 5-33, 5-34, 5-35, 5-36, 5-37, 5-40, 5- 41, 5-42, 5-46	5560136 2-20, 2-21, 2-30, 2-31
5560005 2-58, 2-59, 3-30	5560143 2-8
5560022 2-10, 2-11, 2-12, 2-13, 2-14, 2-15	5560168	2-1, 2-2, 2-9, 2-10, 2-11, 2-12, 2-13, 2-14, 2- 15, 2-20, 2-21, 2-30, 2-31, 2-53, 2-59, 3-30
5560028 2-25	5560169 2-1, 2-2
5560031	2-10, 2-11, 2-12, 2-13, 2-14, 2-15, 2-27, 2-30, 2-34, 2-36, 2-37, 2-38, 2-40, 2-45, 2-46, 2- 47, 2-49, 2-50, 2-51, 2-53, 2-54, 2-55, 2-58, 2-60, 2-61, 2-65, 2-69, 4-3, 4-4, 4-11, 5-5, 5-6, 5-7, 5- 11, 5-13, 5-34, 5-35, 5-36, 5-37, 5-38, 5-40, 5-41, 5-42	5560170	... 2-8, 2-10, 2-11, 2-12, 2-13, 2-14, 2-15, 2-58
5560033	2-10, 2-11, 2-12, 2-13, 2-14, 2-15, 2-21, 2-23, 2-30, 2-36, 2-38, 2-43, 2-45, 2-47, 2-49, 2- 53, 2-54, 2-55, 2-58, 2-59, 2-60, 2-61, 2-64, 2-65, 2-66, 2-67, 2-69, 2-75, 3-30, 4-11, 5-11, 5-13, 5- 34, 5-35, 5-36, 5-37, 5-38, 5-40, 5-42	5560171 2-8, 2-58
5560034	. 2-21, 2-47, 2-51, 2-54, 2-55, 2-58, 4-1, 4-10, 5-14, 5-15, 5-16, 5-29, 5-34, 5-35, 5-36, 5- 40, 5-41, 5-44, 5-45	5560179 2-13, 2-14, 2-15
5560036 2-13, 2-14, 2-15	5560189 5-1, 5-2
5560038 2-9, 4-3, 4-4, 4-21	5560198 4-3, 4-4, 4-21
5560039	. 2-9, 2-10, 2-11, 2-12, 2-13, 2-14, 2-15, 2-59, 2-60, 2-61, 2-65, 2-73, 3-30, 5-1, 5-2, 5-8, 5- 9, 5-10, 5-39	5560202 2-1, 2-2
5560051 2-10, 2-11, 2-12, 2-13, 2-14, 2-15	5560204 2-1, 2-2
5560053 2-58	5560222 2-53, 2-54, 2-55
5560080	2-45, 2-49, 2-53, 2-76, 2-78, 2-83, 2-84, 2-85	5560232 2-1, 2-2
		5560236 2-8
		5560241 2-1, 2-2
		5560244 2-58
		5560254 2-59, 3-30
		5560277 2-9, 2-10, 2-11, 2-12, 2-13, 2-14, 2-15
		5560291 5-46
		5560311 2-45, 2-49, 2-54, 2-55
		5560331 2-58
		5560343 2-1, 2-2, 5-1, 5-2
		5560369 2-58
		5560372 5-40, 5-41
		5560585 4-3, 4-4, 4-21, 5-34
		5560603 2-58
		5560609 5-44, 5-45
		5560643 5-13
		5560654 2-9, 2-42, 5-35, 5-36

55606565-22	5569059 5-25, 5-29
55606735-16	55698362-83
5560675	.2-58, 2-59, 2-60, 2-61, 2-64, 2-65, 3-30	5569854 2-1, 2-2
55606782-13, 2-14, 2-15	55698652-69, 5-34, 5-35, 5-36, 5-37, 5-38, 5-42
55606792-58	5569892 2-10, 2-11, 2-12, 2-13, 2-14, 2-15
55606802-58	55699002-60, 2-61, 2-65
55606812-58	5569975 2-1, 2-2
55606822-58	55699784-12
55606852-58	5569991 2-66, 2-67
5560686 2-1, 2-2, 2-6	55699974-4
5560688 2-1, 2-2	5570001 2-1, 2-2, 2-8
5560689 2-66, 2-67	5580002 5-1, 5-2
55607002-9	5590003	.. 2-10, 2-11, 2-12, 2-13, 2-14, 2-15, 2-18, 2-19
5560712 2-66, 2-67	55920182-74
5560717 2-1, 2-2	560395 2-21, 2-30
5560718 2-59, 3-30	5611963-36
5561550 5-1, 5-2	562386 2-78, 2-83, 2-84, 2-85, 5-44, 5-45
5563017 2-45, 2-46, 2-49, 2-50	563536 2-60, 2-61, 2-65
55631025-2	5642662-30
55631122-21	569295 2-84, 2-85, 5-37, 5-42
5563135 2-70, 2-71	60101153-28
55631412-52, 2-54, 2-55, 2-56, 2-57	60101163-31
5563142	.2-48, 2-48, 2-52, 2-54, 2-55, 2-56, 2-57	60102162-16
5563310	.2-69, 5-34, 5-35, 5-36, 5-37, 5-38, 5-42	60104723-18
55633704-21	60104955-4
55633885-34, 5-35, 5-36	60104985-4
55633932-69, 5-35, 5-36	60104993-18
5563422 2-70, 2-71	6010561 3-3, 3-3
5563809 5-5, 5-6, 5-7	60105653-13
5563810 5-5, 5-6, 5-7	6010569 3-1, 3-2, 3-3
55638982-30	60105703-6
55639945-1	60105753-6
5569012	2-54, 2-55, 2-76, 2-77, 2-79, 2-82, 2-84, 2-85	60105793-13
		60105953-3

6010596	3-3	6019153	3-17
6010601	3-6	6019154	3-17
6010602	3-3	6019155	3-17, 3-17
6010605	3-13	6019156	3-17, 3-17
6010610	3-22	6019157	3-17
6010616	5-1, 5-2	6019158	3-17
6010635	3-4	6019168	3-6
6010797	3-3	6019221	3-22
6010860	3-15	6019321	3-6
6010871	3-15	6019363	3-14, 3-15
6010890	3-15	6019364	3-15, 3-15, 3-15, 3-15, 3-15, 3-15
6010891	3-15	6019425	3-29
6010892	3-15	6020058	3-19
6010893	3-15	6020058 B	3-20
6010894	3-15	6020065	3-10, 3-12
6011241	4-7	6022078	3-11
6011251	4-7	6029698	3-20
6018948	3-17	6029699	3-20
6019041	3-6, 3-9, 3-17	6029702 A	3-12
6019052	3-6	6029702-005	3-11
6019064	5-13	6029702-005 A	3-21
6019065	5-13	6030017	2-16
6019066	5-13	6030029	4-11
6019068	3-34	6030036	3-6
6019093	3-23	6031617	2-1, 2-2
6019096	3-17	6031618	2-1, 2-2
6019097	3-17	6031636	2-17
6019113	3-22	6047152	2-10, 2-11, 2-12, 2-13, 2-14, 2-15
6019114 A	3-9	6047152 B	3-26
6019121	3-9	6047153	3-33
6019122	3-9	6047153 C	3-34
6019123	3-9	6047156	3-26, 3-34
6019141	3-16	6047161	3-26, 3-34
6019141 C	3-17	6047186	3-25

6047187	3-24, 3-25	6091732	2-5
6047188	3-35	6091733	2-5
6047189	3-35, 3-36	6091734	2-5
6047190	3-35	6091735	2-5
6050010	2-27	6091736	2-5
6070005	3-4, 3-5	6091737	2-5
6070010	3-4, 3-5	6091738	2-5
6090055	3-3	6091740	2-5
6091144	3-7	6091741	2-5
6091151	2-4	6091742	2-5
6091241	3-28	6091743	2-5
6091246	3-28	6091744	2-5
6091314	3-28, 3-29, 3-32	6091745	2-5
6091358	3-28	6091746	2-5
6091359	3-28	6091751	2-5
6091361	3-28	6091752	2-5
6091362	3-28	6091891	3-32
6091558	3-7	6091897	3-36
6091591	3-23	6091901	3-35, 3-36
6091592	3-23	6091902	3-29
6091703	3-17	6091903	3-29
6091712	2-5	6091904	3-29
6091714	2-5	6091905	3-29
6091716	2-5	6091906	3-29
6091717	2-5	6091907	3-29
6091718	2-5	6091958	2-17
6091719	2-5	6091959	2-17
6091720	2-5	6091960	2-17
6091722	2-5	6091961	2-17
6091723	2-5	6091962	2-17
6091728	2-5	6091963	2-17
6091729	2-5	6091964	2-17
6091730	2-5	6091965	2-17
6091731	2-5	6091966	2-17

6091967	2-17	7150020	2-17
6091968	2-17	7150021	3-24
6092077	3-11, 3-21	7200024	2-1, 2-2
6092078	3-12, 3-21	7200024 C	2-3
64443-001	4-3, 4-4	7200029	2-3
67654-000	4-3, 4-4	7200030	2-3
67660-006	4-21	7200031	2-3
67893-001	4-21	7200032	2-3
68698-001	4-21	7240012	4-11
68698-002	4-21	7280010	2-1, 2-2
68698-004	4-21	7624794	2-20, 2-21
7030001	2-83	7624794A	2-22
7030003	2-77, 2-78, 2-82, 2-83	7624795	2-30, 2-33
7030067	2-78, 2-84	7624795B	2-32
7030161	2-74	7624796	2-28, 2-31
7030161FR	2-85	7624823	2-21
7030162FR	2-85	7630015	2-37
7030163	2-74	7630024	2-34, 2-37
7030163FR	2-85	7630140	2-34, 2-36, 2-37, 2-38
7050004	2-78, 2-83, 2-84, 2-85	7630158	2-34, 2-37
7050006	5-44, 5-45	7630180	2-13, 2-14, 2-15
7050007	5-44, 5-45	7630286	2-9, 2-10, 2-23
7110155	2-1, 2-2	7630703	2-11, 2-12
7110242	2-1, 2-2	7630704	2-11, 2-12
7119929	2-17	7630705	2-30
7119930	2-17	7630755	2-34, 2-37
7119931	2-17	7630755 B	2-39
7119932	2-17	7630797 D	2-35
7119933	2-17	7630838	2-36, 2-38
7119934	2-17	7630914	2-36, 2-38
7119935	2-17	7630948	2-22
7119936	2-17	7630953	2-11, 2-12, 2-32
7140153	3-38	7630989	2-21
7148152	3-37	7631005	2-21

76310062-21	76311522-23
76310332-32	76311702-32
76310342-32	76311712-32
76310352-32	76311722-32
76310362-32	76311742-32
76310372-32	76311752-32
76310382-32	76311762-32
76310392-32	76311772-32
76310402-32	76311782-32
76310412-32	76311792-32
76310422-32	76312072-24
76310454-1	76312082-24
76310492-32	76312132-24
76310532-32	76312142-24
76310562-32	76312152-24
76310662-30	76312162-24
76310772-25, 2-26	76312182-24
76310782-25, 2-26	76312212-20, 2-21, 2-24
76310792-25, 2-26	76312222-24
76310802-25, 2-26	76312232-24
76310812-25, 2-26	76312435-5, 5-6, 5-7
76310822-25, 2-26	76312455-5, 5-6, 5-7
76310832-25, 2-26	76312932-28
76310842-35	76312942-28
76310862-35	76312952-28
76310872-35	76312972-28, 2-33
76310882-13, 2-14, 2-15	76313192-28
7631088 D2-26	76313322-28, 2-33
7631088 G2-25	76313342-33
76310982-36, 2-38	76313372-28, 2-33
76310992-36, 2-38	76313402-33
76311022-36, 2-38	76313442-28
76311312-37	76313452-28
76311492-23	76313462-33

7631351 2-28	8010080 2-4
7631353 2-28	8010105 2-4
7631354 2-28	8010143 2-4
7631355 2-28	8010145 2-4
7631356 2-28	8010168 2-4
7631357 2-28	8010245 3-15, 3-15, 3-15, 3-15, 3-15, 3-15
7631358 2-28	8010273 3-15
7631359 2-28	8010274 3-15
7631360 2-28	8010275 2-4
7631361 2-28	8010276 2-4
7631362 2-28	8010277 2-4
7631363 2-33	8010278 2-4
7631365 2-33	8011891 2-4
7631367 2-33	8020018 4-11
7631368 2-33	8050097 2-39
7631369 2-28	8050098 2-39
7714202 2-15, 2-65	8050099 2-39
7714203 2-18, 2-40	8050100 2-39
7714204 2-41, 5-18	8060311 2-69, 5-34, 5-35, 5-36, 5-37, 5-38, 5-42
7714535 2-31	8070149 2-4
7720604 5-4	8070229 3-31
7721210 5-4	8070231 3-31
7721612 2-41	8070362 3-31
7734204 2-41	8070363 3-31
7740014 5-4	8070368 3-31
7740110 5-4	8070373 3-31
7754016 2-42	8070374 3-31
7754607 2-42	8070375 3-31
8010021 2-4, 2-4	8070376 3-31
8010027 2-4	8070377 3-31
8010028 2-4	8070378 3-31
8010029 2-4	8070379 3-31
8010030 2-4	8080152 2-72
8010075 2-4	8140011 2-39

81400132-39	970319 2-10, 2-11, 2-12, 2-13, 2-14, 2-15
81400142-39	970349 2-34
81600475-28	970369	... 2-10, 2-11, 2-12, 2-15, 2-27, 2-30, 2-58, 4-11
81604913-15	970439 2-58, 2-66, 2-67
81900873-29	970449	. 2-1, 2-2, 2-6, 2-10, 2-11, 2-12, 2-13, 2-14, 2-15, 2-43, 2-58, 2-60, 2-61, 2-62, 2-63, 2-65, 5-22
82201193-10	970469	2-10, 2-11, 2-12, 2-13, 2-14, 2-15, 2-36, 2-38, 2-42, 2-43, 2-47, 2-54, 2-55, 2-58, 4-11
82201203-10	970489	2-10, 2-11, 2-12, 2-13, 2-14, 2-15, 2-23, 2-54, 2-55, 2-58, 2-60, 2-61, 2-65, 5-11, 5-29
82300732-16	970519 2-13, 2-14, 2-15, 2-58
961089 4-20, 4-25	970529	... 2-10, 2-11, 2-12, 2-13, 2-14, 2-15, 2-75, 5-39
962849 5-12, 5-14	970559 2-15, 2-21
962919 5-17	970589 2-1, 2-2
967359 2-9, 2-10	970599 2-10, 2-11, 2-12, 2-13, 2-14, 2-15
969989 3-18, 5-1, 5-2	970629 2-43
969999 2-11, 2-12	970849 2-40, 2-53
970009	. 2-10, 2-11, 2-12, 2-13, 2-14, 2-15, 2-58, 2-69, 5-34, 5-35, 5-36, 5-37, 5-38, 5-42	970889 2-54, 2-55, 5-39
970019 2-13, 2-14, 2-15, 4-3, 4-4	970909 2-60, 2-61, 2-65, 5-8, 5-9, 5-10, 5-39
970029	2-1, 2-2, 2-9, 2-9, 2-10, 2-11, 2-12, 2-13, 2-14, 2-15, 2-23, 2-43, 2-69, 2-74, 5-15, 5-22, 5-28, 5-33, 5-34, 5-35, 5-36, 5-37, 5-40, 5-41, 5-42, 5-46	970919 2-9, 2-10, 2-11, 2-12, 2-13, 2-14, 2-15, 2-73
970049	2-9, 2-10, 2-11, 2-12, 2-13, 2-14, 2-15, 2-65, 4-21, 5-18, 5-24	970929 2-9, 2-10, 2-11, 2-12
970119 5-13	970969 2-9, 2-10, 2-11, 2-12
970239	2-9, 2-10, 2-11, 2-12, 2-13, 2-14, 2-15, 2-27, 2-34, 2-36, 2-37, 2-38, 2-54, 2-55, 2-60, 2-61, 2-65, 2-69, 3-16, 4-3, 4-4, 5-34, 5-35, 5-36, 5-37, 5-38, 5-42	971009 2-59, 3-30, 5-1, 5-2
970249 2-9	971309 2-13, 2-14, 2-15
970259 5-11	971339 2-10, 2-11, 2-12, 2-13, 2-14, 2-15
970269	. 2-15, 2-45, 2-46, 2-47, 2-49, 2-50, 2-51, 2-53, 2-58, 4-11, 5-11	972259	... 2-69, 5-35, 5-36, 5-37, 5-38, 5-40, 5-41, 5-42
970279	.. 2-69, 5-34, 5-35, 5-36, 5-37, 5-38, 5-42	972439 2-45, 2-49, 2-53, 5-40, 5-41
970299 4-11	972449 2-58, 2-59, 3-30
		972479	2-10, 2-11, 2-12, 2-13, 2-14, 2-15, 2-21, 2-23, 2-30, 2-53, 2-54, 2-55, 2-60, 2-61, 2-65, 2-66, 2-67, 2-69, 2-75, 5-11, 5-37, 5-42
		972489 2-58, 2-60, 2-61, 2-65, 5-40
		974239 2-9
		974279 4-4

974439 4-21	986299	. 2-1, 2-2, 2-6, 2-10, 2-11, 2-12, 2-13, 2-14, 2-15,
974449 4-3, 4-4		2-21, 2-23, 2-30, 2-36, 2-38, 2-43, 2-45, 2-47, 2-49, 2-53,
974479 4-21		2-54, 2-55, 2-58, 2-60, 2-61, 2-62, 2-63, 2-65, 2-66, 2-67,
974569 4-3, 4-4, 4-21		2-69, 2-70, 2-71, 2-75, 3-6, 4-11, 5-11, 5-13, 5-37, 5-39,
974639 5-34		5-40, 5-41, 5-42
974659	2-47, 2-51, 2-54, 2-55, 4-1, 4-10, 5-40,	986359	2-45, 2-49, 2-50, 2-54, 2-55, 2-60, 2-61, 2-65, 2-
5-41			69, 2-73, 5-8, 5-9, 5-10, 5-34, 5-35, 5-36, 5-37, 5-38, 5-
974679 2-9, 2-21		39, 5-42
974689 2-42, 4-1, 5-14, 5-29	986459 2-83
974709 5-15	987089 5-14, 5-34
974729 2-58	987099 2-9, 2-9, 2-43, 2-58, 5-1, 5-2, 5-22, 5-28
975089 4-3, 4-4, 4-21	987109 2-9, 2-11, 2-12, 2-60, 2-61, 3-16, 5-34
975839 3-28	987119	2-6, 2-43, 2-58, 2-60, 2-61, 2-62, 2-63, 2-65, 2-
978389 5-34, 5-35, 5-36		66, 2-67, 3-6, 5-22, 5-24, 5-40, 5-41
984009 2-9	987139 2-40, 2-45, 2-46, 2-49, 2-50
984049 5-14	987179 2-83
984069 2-43, 2-74	98773-002 4-21
984109 2-53, 3-6, 5-39, 5-40, 5-41	988179	... 2-58, 2-69, 5-34, 5-35, 5-36, 5-37, 5-38, 5-42
984339 2-20, 2-21	9939464 5-40, 5-41
984449 2-10, 2-11, 2-12, 2-13, 2-14, 2-15	9940018 2-11, 2-12
984469 2-58, 2-83	9940241 2-40
986009	2-9, 2-21, 2-58, 5-15, 5-16, 5-34, 5-35,	9960007 5-44, 5-45
5-36, 5-37, 5-42		9980003 5-44, 5-45
986019	2-1, 2-2, 2-9, 2-9, 2-10, 2-11, 2-12, 2-13,	9980005 5-44
2-14, 2-15, 2-21, 2-58, 2-65, 2-69, 3-18, 4-21, 5-1,		9980008 5-44, 5-45
5-2, 5-22, 5-28, 5-34, 5-35, 5-36, 5-37, 5-40, 5-41,		9980012 2-10
5-42		9980013 2-78, 2-83, 2-84, 2-85
986159 2-9	9980022 2-82, 2-84, 2-85
986169 2-10, 2-42	A0071654 5-22
986269	. 2-10, 2-11, 2-12, 2-13, 2-14, 2-15, 2-27,	A08021B 5-39
2-34, 2-37, 2-40, 2-42, 2-46, 2-47, 2-49, 2-50, 2-		A11021B D 5-20
51, 2-53, 2-58, 2-60, 2-61, 2-65, 2-69, 4-11, 5-5,		A11022B 5-4
5-6, 5-7, 5-11, 5-13, 5-34, 5-35, 5-36, 5-37, 5-38,		A11034B 2-49, 2-50, 2-51, 2-52
5-42		A11034B E 2-45, 2-46, 2-47, 2-48

A11044K 2-77, 2-78, 2-79, 2-82, 2-84, 2-85
A11044L 2-81
A11074 B 2-6
A11102A 2-83
A11102A B 2-80
A11103A E 2-1
A11103A F 2-2
A11103A HOSES 3-8
A11107A A 5-29
A17035C 5-43
A17052F 5-22
A19021B B 2-40
A42013A A 2-73
IP-0113536 2-75
MUFFLER FOR 7624796 ENGINE 2-24
PAGE 3 BOM 5-34