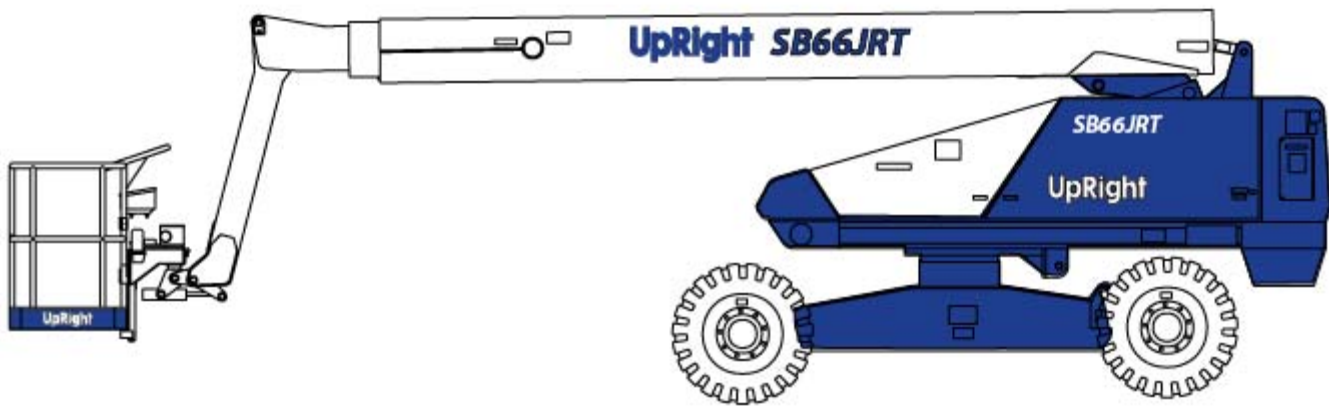


UpRight

POWERED ACCESS



SB66JRT

WORK PLATFORM

Please note:

The Upright SB66JRT is also sold as the Snorkel TB66J in some regions.

Therefore any reference to the Snorkel TB66J also applies to the UpRight SB66JRT.

UpRight Powered Access HQ
Vigo Centre
Birtley Road
Washington
Tyne & Wear
NE38 9DA

Snorkel

Europe

TEL: +44 (0) 845 1550 058
FAX: +44 (0) 195 2299 948

UpRight
POWERED ACCESS

USA

TEL: +1 (785) 989 3000
FAX: +1 (785) 989 3070

www.upright.com

About this manual:

This repair parts manual covers current production machines only.

While Snorkel has attempted in every way to confirm that all information in this manual is correct, improvements are being constantly made to the machine that may not be reflected in this manual.

If you find information in this manual that is not correct, or is confusing, you are urged to report your findings to Snorkel for our evaluation.

Your input is important to us and will be used in future printings of this manual.

Every person who repairs this machine must be qualified and authorized to do so.

▲CAUTION

DO NOT modify this aerial platform without prior written consent of Snorkel Engineering Department. Modification may void the warranty, adversely affect stability, or affect the operational characteristics of the aerial platform.

This machine is covered by a limited warranty that specifically identifies items warranted by Snorkel and those items covered by original manufacturers warranty.

A copy of the Snorkel Limited Warranty is located on the inside of the back cover of this manual.

All correspondence relative to this machine, such as field reports, discrepancy reports, requests for information, etc., should be directed to:

Snorkel International, Inc.
P.O. Box 1160
St. Joseph, MO 64502-1160 USA
Phone: (816)-364-0317

<http://www.snorkelusa.com>

Abbreviations

The following abbreviations may be used in this manual:

AC alternating current
ANSI American National Standards Institute
CCA cold cranking amps
cm centimeter
DC direct current
EMS envelope management system
GFCI ground fault circuit interrupt
LP liquified petroleum
LPG liquified petroleum gas
mm millimeters
ft feet
in inch
lbs pounds
no number

NPT national pipe thread
psi pounds per square inch
qty quantity
UL Underwriters Laboratories Inc.

Electrical Hazard

▲DANGER

The aerial platform is not electrically insulated. Death or serious injury can result from contact with, or inadequate clearance from, an energized conductor.

Do not go closer than the minimum safe approach distance as defined by the minimum Safe Approach Distance as defined by ANSI Standards.

Regard all conductors as energized.

Allow for electrical wire sag and aerial platform sway.

If the work platform, or any part of the aerial platform contacts a high-voltage electrical conductor, the entire machine can become electrically charged.

If that happens, remain on the machine and do not contact any other structure or object. This includes the ground, adjacent buildings, poles, and any other objects that are not part of the aerial platform.

Such contact could make your body a conductor to the other object, creating an electrical shock hazard resulting in death or serious injury.

If an aerial platform is in contact with an energized conductor the platform operator must warn ground personnel in the vicinity to stay away. Their bodies can conduct electricity creating an electrical shock hazard resulting in death or serious injury.

Do not approach or leave the aerial platform until the electricity has been turned off.

Do not attempt to operate the lower controls when the work platform or any part of the aerial platform is in contact with a high-voltage electrical conductor or if there is an immediate danger of such contact.

Personnel on or near an aerial platform must be continuously aware of electrical hazards, recognizing that death or serious injury can result from contact with an energized conductor.

Service and parts information

To order service or repair parts	i
ANSI and OSHA compliance	i
Manuals	i
Parts order form	ii

Section 1. - Repair parts

Chassis/turntable mounting	1-2
Drive	1-4
Steering	1-6
Steer yoke and wheel, 2 wheel drive	1-8
Steer yoke and wheel, 4 wheel drive	1-10
Lift and swing	1-12
Swing drive	1-14
Fuel tank	1-16
Hydraulic oil reservoir mounting	1-17
Booms, base end	1-18
Booms and hose carrier	1-20
Booms	1-23
Jib boom	1-28
Extension cylinder	1-30
Hose carrier	1-33
Platform mounting	1-34
Platform gate	1-36
Platform rotator	1-38
Engine mounting, Cummins 3.3	1-40
Engine tray, Cummins 3.3	1-43
Engine mounting, Deutz F4L-1011F	1-44
Engine, Deutz F4L-1011F	1-47
Engine mounting, Ford LRG-425	1-48
Engine, Ford LRG-425	1-51
Air cleaner	1-52
Exhaust and air cleaner, Deutz	1-53
Exhaust and air cleaner, Ford	1-54
Plastic cowling, Deutz engine	1-57
Plastic cowling, Ford engine	1-58
Placards and decals	1-60
Gear hub, high torque	1-62
Swing drive, Perfection	1-64

Section 2. - Hydraulics

Chassis hydraulic equipment, 2 wheel drive	2-2
Chassis hydraulic equipment, 4 wheel drive	2-5
Turntable hydraulic equipment	2-6
Turntable hydraulic hoses	2-9
Package valve, non-proportional	2-10
Control valve, non-proportional	2-12
Valve, drive/lift/swing	2-14
Control valve, drive/lift /swing	2-16
Drive motor	2-18
Drive motor with integral brake	2-20
Hydraulic oil reservoir	2-22
Drive valve, high torque	2-24
AC generator valve	2-25
Accumulator	2-26
Anti-cavitation valve	2-27
Centerpost and fittings	2-28

Check valve	2-29
Extend cylinder and support bracket	2-30
Cylinder, extension - Rosenboom	2-31
Jib boom lift cylinder	2-32
Cylinder, jib boom lift - Rosenboom	2-33
Lift cylinder	2-34
Cylinder, lift - GBI	2-35
Cylinder, lift - Rosenboom	2-36
Cylinder, master level - Rosenboom	2-37
Cylinder, slave level - Rosenboom	2-38
Cylinder, steering - Rosenboom	2-39
Dual crossover relief valve	2-40
Drive sequence valve, right hand	2-41
Drive sequence valve, left hand	2-42
Dump valve	2-43
Emergency power unit	2-44
Flow divider/combiner valve	2-45
Flow divider valve	2-46
Hydraulic pump	2-47
Hydraulic warm-up valve	2-48
Motion control valve, drive	2-49
Motion control valve, turntable swing	2-50
Platform rotator, Parker	2-51
Range valve	2-52
Selector valve, 2 wheel drive	2-53
Selector valve, 4 wheel drive	2-54
Selector valve, right hand	2-55
Selector valve, left hand	2-56

Section 3. - Electrical

Boom switch	3-2
Turntable electrical, Cummins 3.3	3-3
Turntable electrical, Deutz F4L-1011F	3-9
Turntable electrical, Ford LRG-425	3-15
Lower controls, Cummins 3.3	3-20
Lower controls, Deutz F4L-1011F	3-23
Lower controls, Ford LRG-425	3-24
Wiring box, Cummins and Deutz	3-26
Wiring box panel, Cummins and Deutz	3-29
Wiring box, Ford LRG-425	3-30
Wiring box panel, Ford LRG-425	3-33
Platform foot switch	3-34
Upper control box	3-35
GFCI 110 volt power	3-39
Controller, drive/steer	3-40
Controller, lift/swing	3-42

Section 4. - Factory installed options

AC generator mounting	4-2
AC generator	4-5
Air line to platform	4-6
Dual fuel, Ford LRG-425	4-9
LP fuel only, Ford LRG-425	4-10
Dual fuel engine, Ford LRG-425	4-12
Driving and tail lights	4-14
Bump guard for platform	4-17
Air inlet heater, Deutz	4-18

Table of contents

Horn	4-19
Hydraulic warm-up	4-20
Tow package	4-23
Isolation valve	4-24
Motion alarm, all motion	4-25
Motion alarm, drive	4-26
Platform lights	4-27
Sandblast kit	4-28
Spark arrestor muffler, Deutz	4-29
Upper control box cover	4-30
Warning lights	4-31
Work lights, 2 lights	4-32

To order service or repair parts

When placing an order for service or repair parts, please have the following information available for your machine.

- ✓ Machine model number
- ✓ Machine serial number
- ✓ Snorkel part number
- ✓ Description of part
- ✓ Quantity of parts required
- ✓ Your purchase order number
- ✓ Address for order to "Ship To"
- ✓ Your desired shipment method

The parts order form on the following page may be mailed or faxed to the attention of Parts Worldwide at the following location:

Snorkel International, Inc.
 P.O. Box 1160
 St. Joseph, MO 64502-1160 USA
 Phone: 1-(800)-255-0317
 Parts Worldwide Fax: (816)-364-6312

Attention: Parts Department

For your convenience, our electronic on-line ordering system is available at the following Internet location:

<http://www.omniquip.com>

ANSI and OSHA compliance

All owners and users of the aerial platform must read, understand, and comply with all applicable regulations. Ultimate compliance to OSHA regulations is the responsibility of the user and their employer.

ANSI publications clearly identify the responsibilities of all personnel who may be involved with the aerial platform. A reprint of the "Manual of Responsibilities for Dealers, Owners, Users, Operators, Lessors and Lessees of ANSI/SIA A92.5-1992 Boom-Supported Elevating Work Platforms" is available from Snorkel dealers or from the factory upon request.

Copies are also available from:

Scaffold Industry Association
 20335 Ventura Blvd. Suite 310
 Woodland Hills, CA 91364-2471 USA

Manuals

Manuals are available from Snorkel to support any of the machines that we produce.

The specific manuals for TB66J are as follows:

- ✓ Operator's Manual
Snorkel part number - 0083740
- ✓ Repair Parts Manual
Snorkel part number - 0082204
- ✓ ANSI Manual of Responsibilities
ANSI/SIA A92.5-1992

Record machine information here:

Model number

Serial number

Date of purchase

Purchased from

Snorkel dealer or distributor

Parts order form

Fill out completely and fax to (816)-364-6312 attention: Parts Worldwide

Date _____	Model _____
Company _____	Serial number _____
Address _____ _____	Optional equipment _____
Contact name _____	Purchase order number _____
Phone number _____	Ship to _____ _____
Fax number _____	_____
Account number _____	_____
Purchase order number _____	Ship by _____

Part number	Description	Quantity	Price

Note: Backordered parts will be shipped as soon as available by the same shipping method as the original order unless indicated below:

Ship complete order only - do not backorder parts.

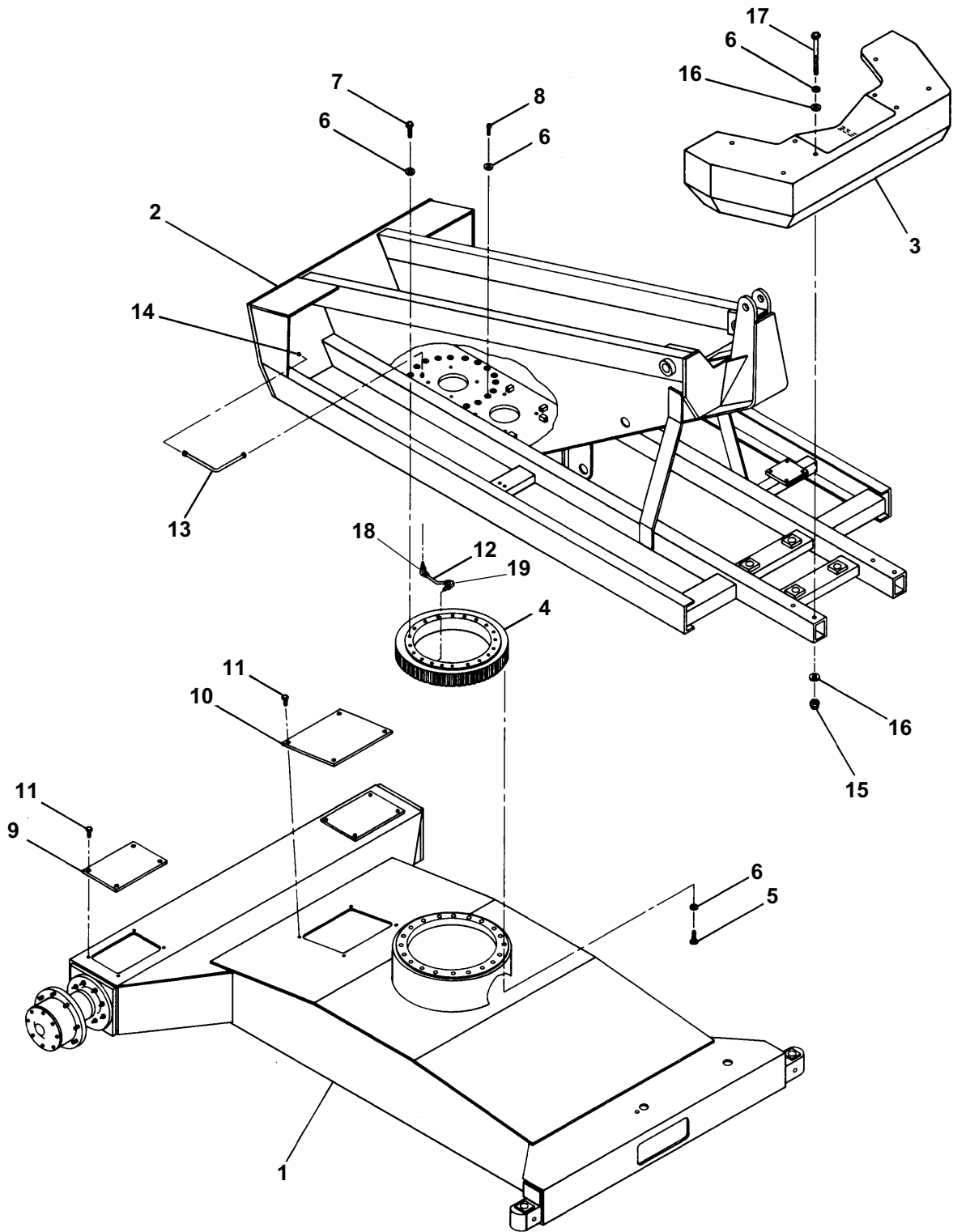
Ship all available parts and supply information of disposition of backordered parts.

Other instructions as specified _____

Chassis/turntable mounting

item	part no	qty	description
1		1	Chassis - (consult factory)
2		1	Turntable - (consult factory)
3		1	Counterweight - (consult factory)
4	0070021	1	Rotation bearing gear
5	5560149	20	Capscrew special 5/8-11 self locking
6	5560169	44	Washer 5/8 hard flat ASTM-F436
7	5560052	18	Capscrew special 5/8-11 self locking
8	5560063	2	Capscrew special 5/8-11 self locking
9	0070024-99	2	Access cover, drive
10	0070328-99	1	Access cover, chassis
11	970449	2	Capscrew 3/8-16 x 3/4 inch long hex head grade 5
12	0070553	1	Lubrication tube, 1/4 inch copper tube
13	0020655	1	Lubrication hose
14	5570001	1	Grease fitting, 1/8 NPT straight
15	5560036	4	Nut 5/8-11 self locking
16	987159	8	Washer 5/8 medium lock
17	971379	4	Capscrew 5/8-11 x 3-3/4 inch long hex head grade 8
18	5033704	1	Male 90° elbow
19	5033703	1	Male 90° elbow

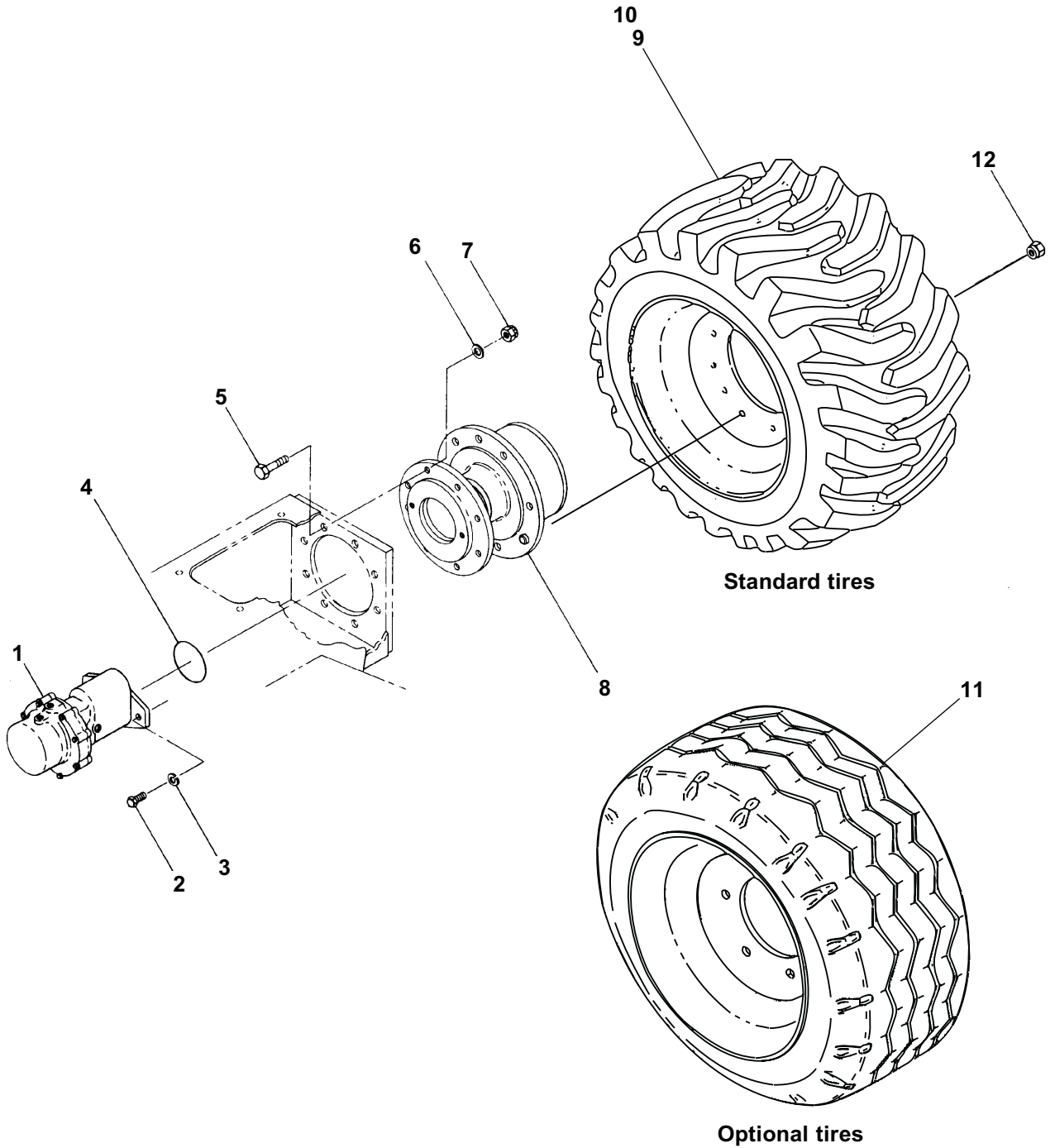
Chassis/turntable mounting



Drive

item	part no	qty	description
1	6030040-79	2	Drive motor with integral brake - (see page 2-20 for parts breakdown)
2	5560078	4	Capscrew 1/2-13 x 1/2 inch long self locking grade 8
3	987139	4	Washer 1/2 medium lock
4	7110242	2	O-ring
5	5560642	16	Capscrew 5/8-11 x 3-1/4 inch long hex head grade 8
6	5560169	16	Washer 5/8 hard flat ASTM-F436
7	5560131	16	Nut 5/8-11 self locking
8	0081674-99	2	Gear hub, high torque - (see page 1-62 for parts breakdown)
9	0080965	1	Tire and wheel, foam filled right hand 15-19.5 12 ply lug
10	0080966	1	Tire and wheel, foam filled left hand 15-19.5 12 ply lug
11	0081462	2	Tire and wheel, foam filled 15-19.5 14 ply highway
12	7280001	16	Lug nut

Drive

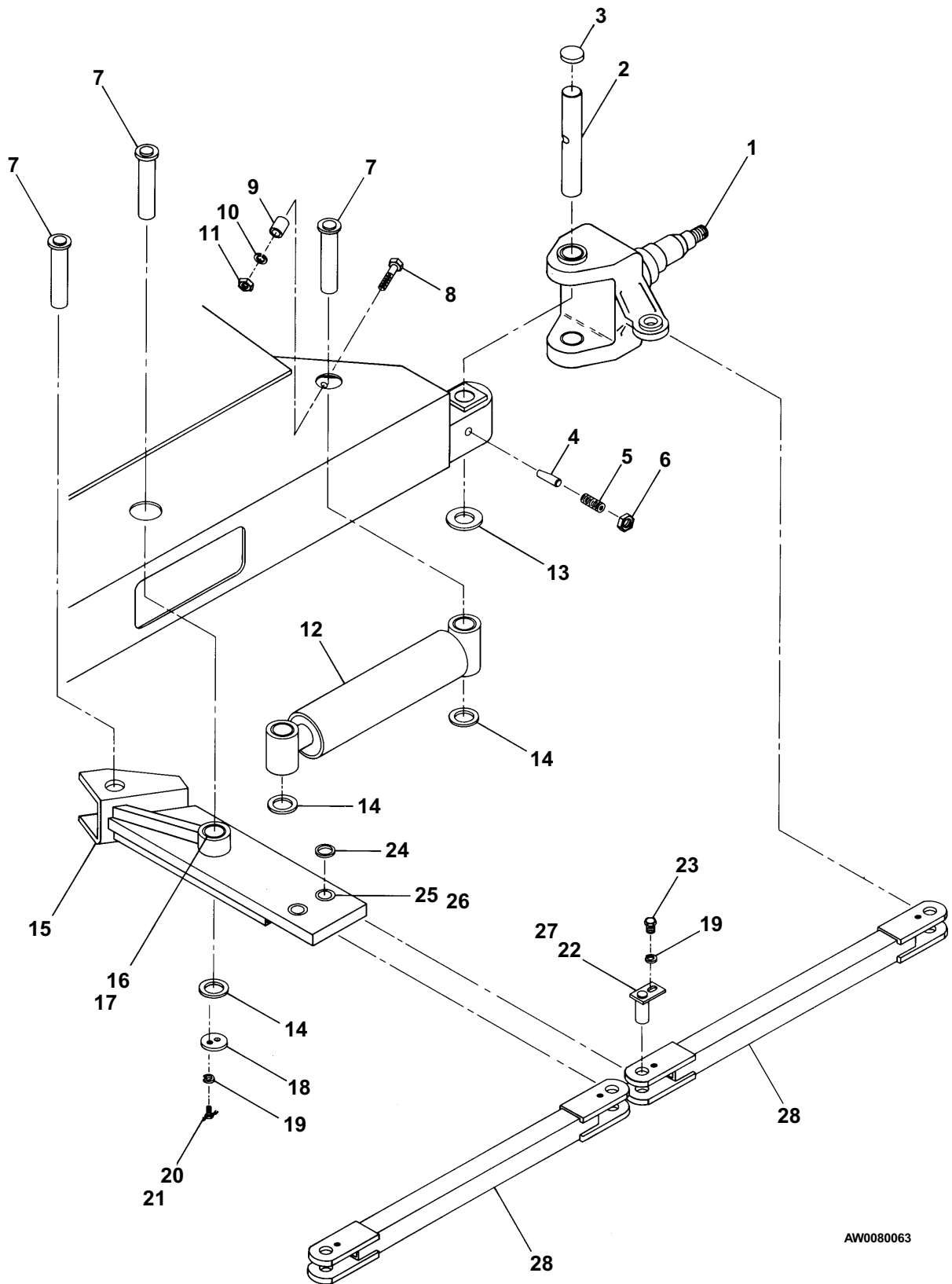


Note: Do not mix tire brands or sizes on any one machine

Steering

item	part no	qty	description
1		1	Steer yoke and wheel - (see page 1-8 for 2 wheel drive, page 1-10 for 4 wheel drive)
2	0080182	2	King pin
3	0080184	2	King pin cap
4	0080183-99	2	Locking pin
5	5569836	2	Set screw 3/4-10 x 1-3/4 inch long hex socket head
6	984469	2	Nut 3/4-10 hex jam
7	0070442	3	Pin
8	970949	1	Capscrew 1/2-13 x 2-1/2 inch long hex head grade 5
9	0080098-99	1	Spacer
10	987139	1	Washer 1/2 medium lock
11	984149	1	Nut 1/2-13 hex
12	0070007-99	1	Cylinder, steering - (see hydraulics section for parts breakdown)
13	2580001	2	Thrust bearing
14	5560252	3	Machine bushing 2-1/4 inch OD x 1-1/4 inch ID x 14 gauge thick
15	0083562-99	1	Steering arm
16	0080187	1	Spacer, steering arm
17	2502416	2	Bearing
18	0070033-99	2	Pin lock
19	987109	8	Washer 5/16 medium lock
20	0070473	4	Capscrew 5/16-18 drilled head
21	9980012	1	.040 inch diameter stainless steel safety lockwire - (sold in one pound can)
22	0071494	4	Pin, steering arm
23	970239	4	Capscrew 5/16-18 x 3/4 inch long hex head grade 5
24	0080348	4	Spacer, tie rod mounting
25	2690001	2	Bearing, self aligning
26	5570002	2	Grease fitting 1/8 NPT 45°
27	5570003	2	Grease fitting 1/8 NPT 90°
28	0083416-99	2	Tie rod, adjustable - (requires items 29 and 30)
29	5560202	2	Tie rod hex jam nut for adjustable tie rod
30	0083418-99	2	Tie rod end for adjustable tie rod

Steering

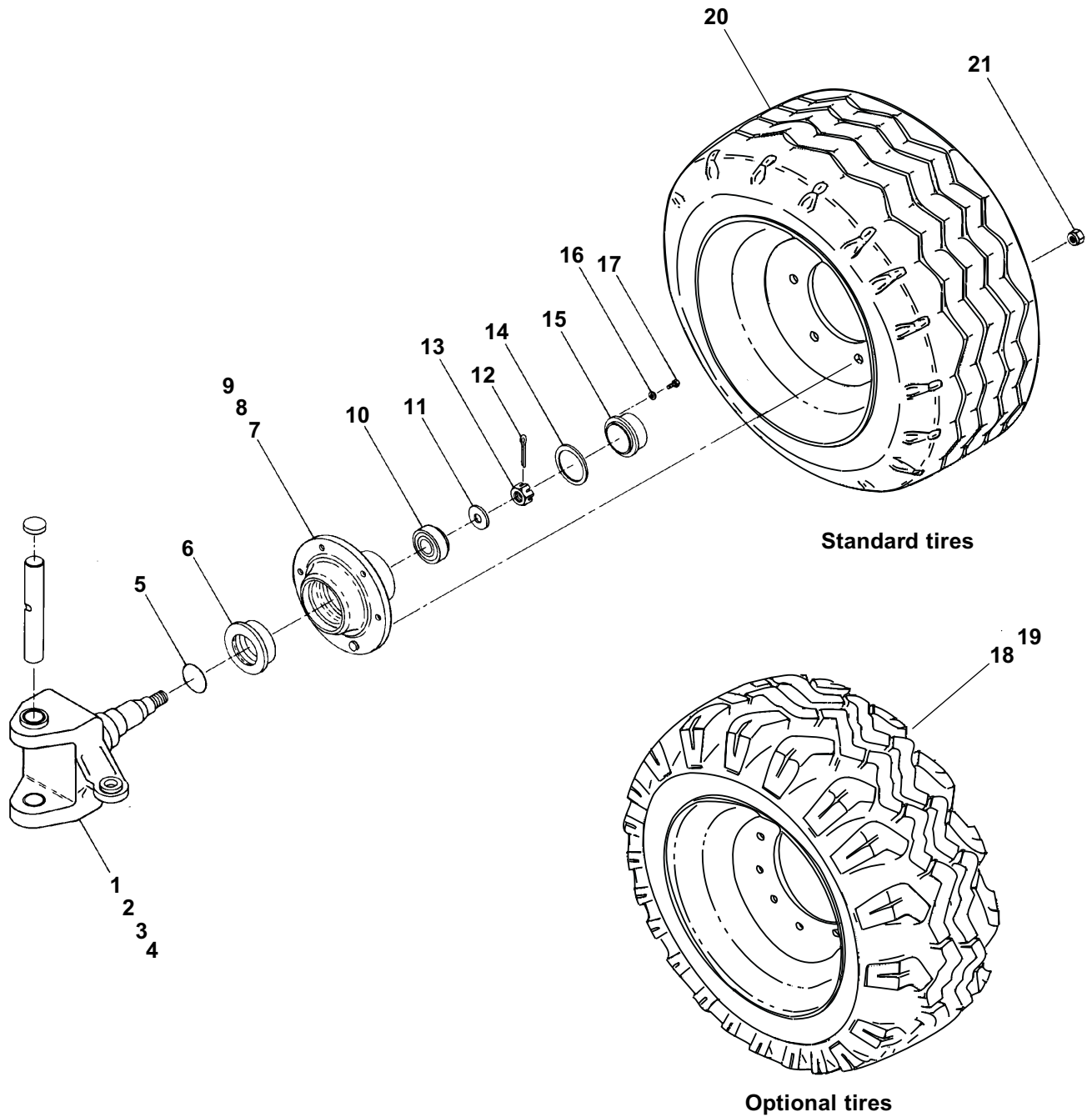


AW0080063

Steer yoke and wheel, 2 wheel drive

item	part no	qty	description
1	0080349-99	1	Steering yoke, 2 wheel drive
2	2690001	2	Bearing, self aligning
3	2503224	4	Bearing
4	5570001	4	Grease fitting, 1/8 NPT straight
5	7150001	2	Grease seal
6	2560006	2	Inner bearing cone
7	0080181-99	2	Hub
	7280024	20	Replacement wheel bolt
8	2540005	2	Inner bearing cup
9	2540006	2	Outer bearing cup
10	2560005	2	Outer bearing cone
11	5560025	2	Key washer
12	5560661	2	Cotter pin 3/8 inch diameter x 2-1/2 inch long
13	5560026	2	Spindle nut
14	0080185	2	Gasket, hub cap
15	0080186	2	Hub cap
16	987099	8	Washer 1/4 medium lock
17	970009	8	Capscrew 1/4-20 x 1/2 inch long hex head grade 5
18	0080365	1	Tire and wheel, foam filled right hand 15-19.5 14 ply steer
19	0082185	1	Tire and wheel, foam filled left hand 15-19.5 14 ply steer
20	0082205	2	Tire and wheel, foam filled 15-19.5 14 ply highway tread
21	7280010	20	Wheel nut

Steer yoke and wheel, 2 wheel drive

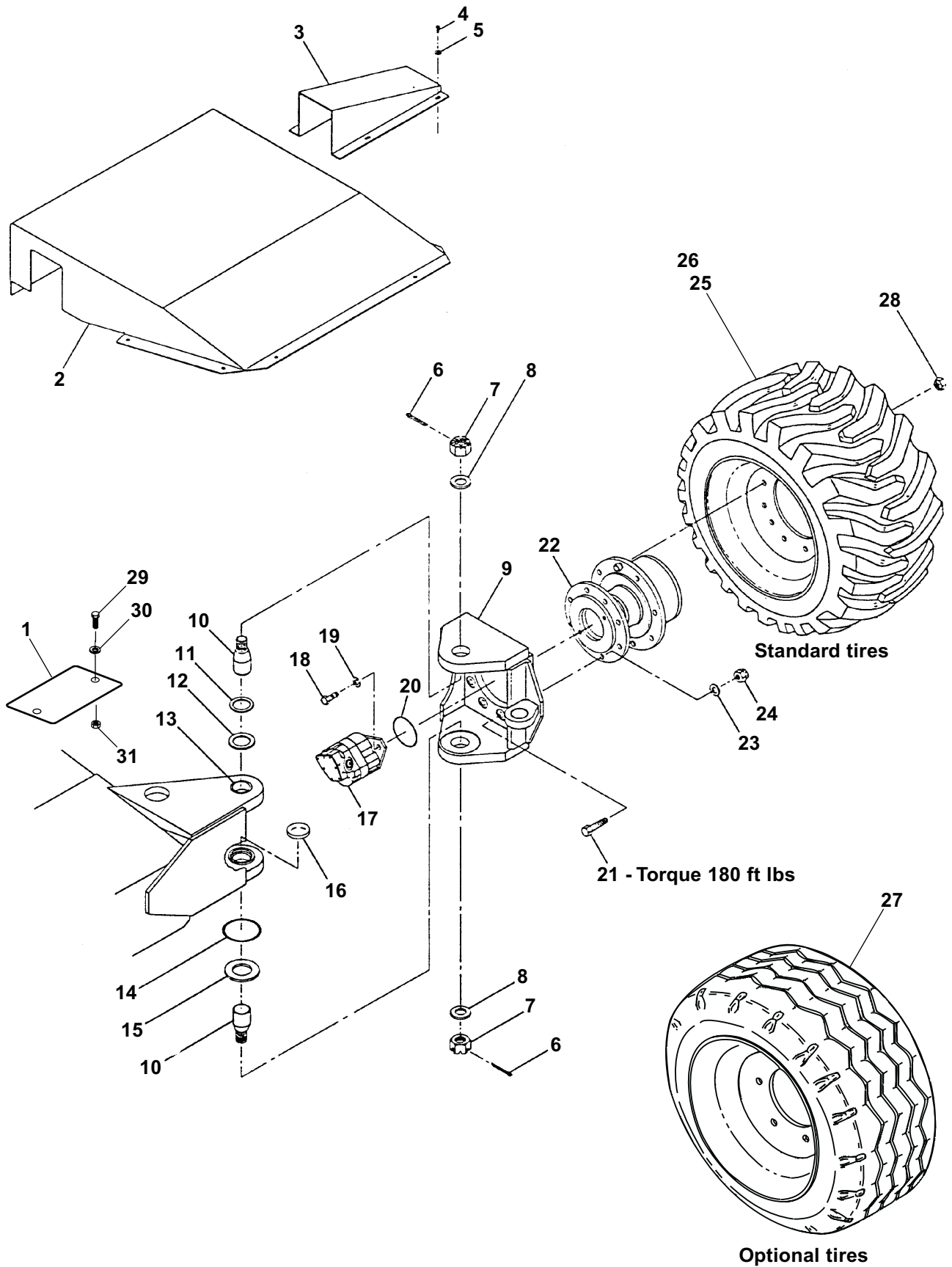


Note: Do not mix tire brands or sizes on any one machine

Steer yoke and wheel, 4 wheel drive

item	part no	qty	description
1	0082282-99	1	Cover, chassis - 4 wheel drive
2	0080920-99	1	Cover, hoses
3	0080919-99	2	Cover, drive motor
4	970449	9	Capscrew 3/8-16 x 3/4 inch long hex head grade 5
5	986299	17	Washer 3/8 medium flat
6	988229	4	Cotter pin 1/4 inch diameter x 2-1/2 inch long
7	5560018	4	Spindle nut
8	0072438	4	Washer
9	0083573-99	2	Steering yoke, 4 wheel drive
10	0080885	2	King pin
11	25560089	2	Shim, .031 inch thick
	5560091	2	Shim, .015 inch thick
12	5560660	6	Machine bushing 3 inch OD x 2 inch ID x 14 gauge thick
13	2503220	4	Bearing
14	0080948	2	O-ring, special
15	2580001	2	Thrust bearing
16	0070026	2	King pin cap
17	6030018-99	2	Drive motor - (see page 2-18 for parts breakdown)
18	5560078	4	Capscrew 1/2-13 x 1/2 inch long self locking grade 8
19	987139	4	Washer 1/2 medium lock
20	7110242	2	O-ring
21	5560640	16	Capscrew 5/8-11 x 3 inch long hex head grade 8
22	0081674-99	2	Gear hub, high torque - (see page 1-62 for parts breakdown)
23	5560169	16	Washer 5/8 hard flat ASTM-F436
24	5560131	16	Nut 5/8-11 self locking
25	0080965	1	Tire and wheel, foam filled right hand 15-19.5 12 ply lug
26	0080966	1	Tire and wheel, foam filled left hand 15-19.5 12 ply lug
27	0081462	2	Tire and wheel, foam filled 15-19.5 14 ply highway
28	7280001	16	Lug nut
29	970889	2	Capscrew 1/2-13 x 1 inch long hex head grade 5
30	986359	2	Washer 1/2 medium flat
31	5560039	2	Nut 1/2-13 self locking

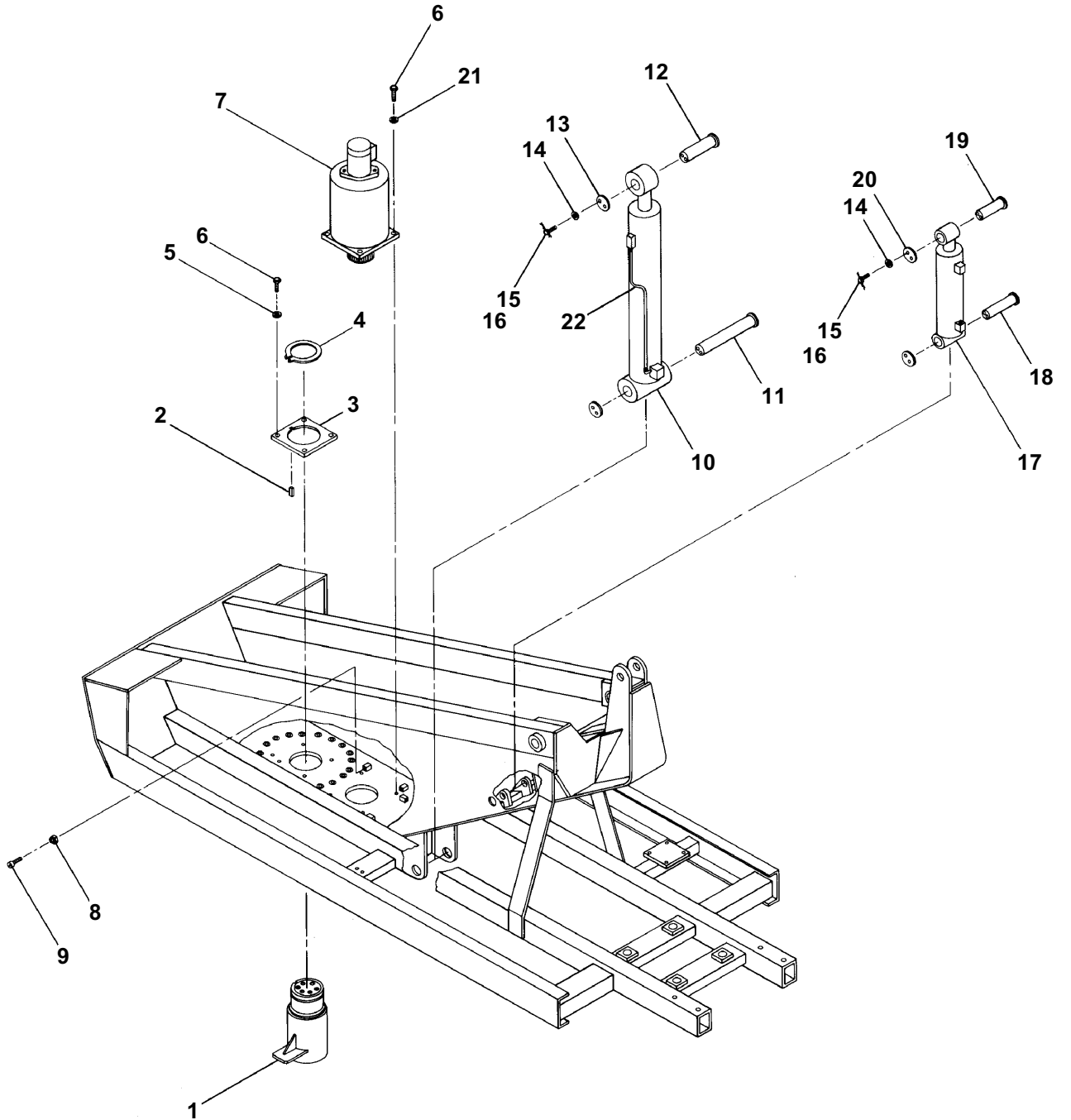
Steer yoke and wheel, 4 wheel drive



Lift and swing

item	part no	qty	description
1	0081486	1	Centerpost and fittings - (see page 2-28 for parts breakdown)
2	0070472	1	Key
3	0070256-99	1	Adapter plate, centerpost
4	5590003	1	Retaining ring
5	987159	5	Washer 5/8 medium lock
6	5560051	8	Capscrew 5/8-11 self locking
7	0073026	1	Swing drive - (see page 1-14 for parts breakdown)
8	984449	6	Nut 5/8-11 hex jam
9	5560022	6	Adjustment bolt
10	0080053-99	1	Cylinder, lift - (see page 2-34 for parts breakdown)
11	0080020	1	Pin, lift cylinder base end
12	0080024	1	Pin, lift cylinder rod end
13	0080023-99	2	Pin lock
14	987109	8	Washer 5/16 medium lock
15	0070473	8	Capscrew 5/16-18 drilled head
16	9980012	1	.040 inch diameter stainless steel safety lockwire - (sold in one pound can)
17	0070007-99	1	Cylinder, master level - (see hydraulics section for parts breakdown)
18	0070442	1	Pin, master level cylinder base end
19	0080028	1	Pin, master level cylinder rod end
20	0070033-99	2	Pin lock
21	5560169	4	Washer 5/8 hard flat ASTM-F436
22	0080018	1	3/8 inch hydraulic tube - (GBI lift cylinder only)

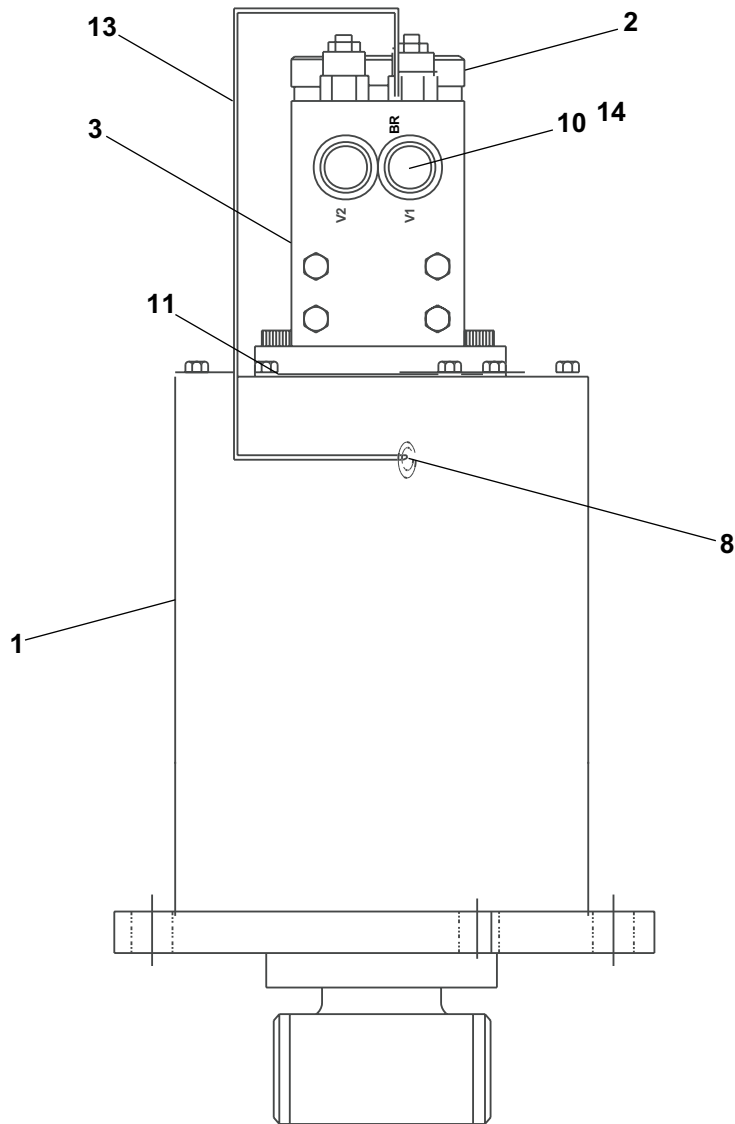
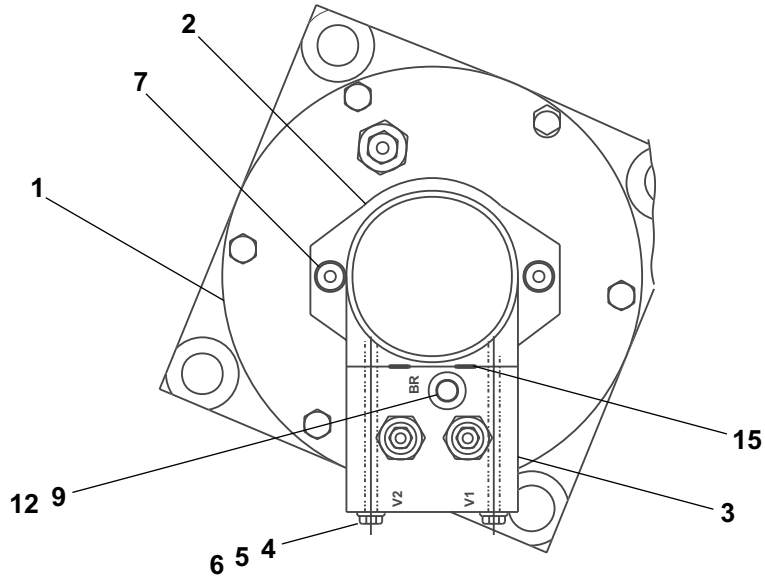
Lift and swing



Swing drive

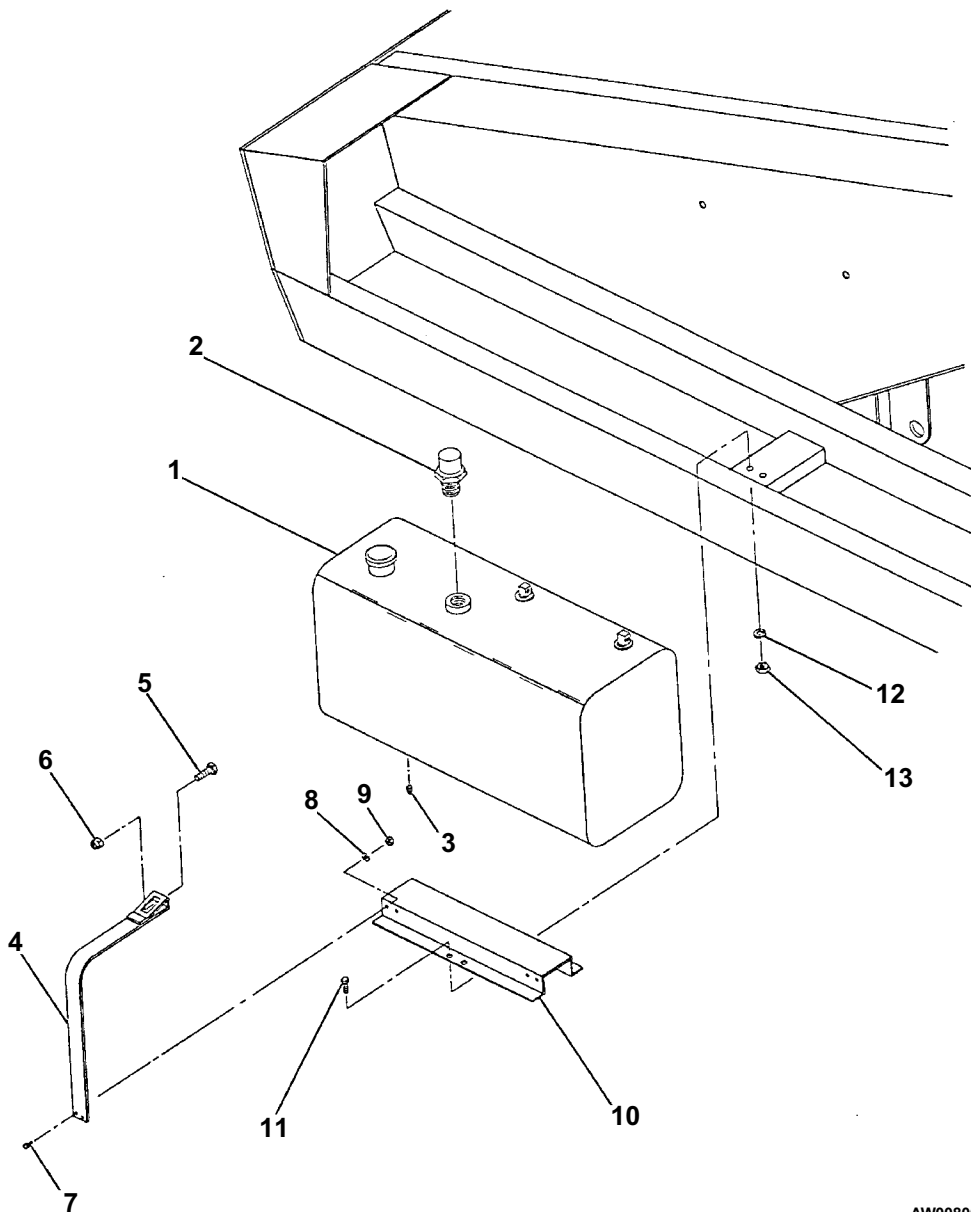
item	part no	qty	description
	0073026	1	Swing drive
1	0070047-99	1	Swing drive - (see page 1-64 for parts breakdown)
2	6030020	1	Motor, swing drive
	8200004	1	Seal repair kit - Ross/TRW motor
	0090352	1	Seal repair kit - Charlynn/Eaton motor
	0073359	1	Seal repair kit - White/Roller Stator motor
3	6010250	1	Motion control valve, turntable swing - (see page 2-50 for parts breakdown)
4	5560641	4	Capscrew 5/16-18 x 3-1/2 inch long hex head grade 5
5	986269	4	Washer 5/16 medium flat
6	987109	4	Washer 5/16 medium lock
7	5560087	2	Capscrew 1/2-13 x 1-1/4 inch long self locking
8	5035303	1	Straight thread 90° elbow
9	5065703	1	Straight thread adapter
10	5065726	1	Straight thread adapter
11	7190005	1	Gasket, swing drive motor
12	5037003	1	Swivel nut 90° elbow
13	0020283	1	1/4 inch hydraulic hose
14	5036905	2	Swivel nut 45° elbow
15	7110112	2	O-ring

Swing drive



Fuel tank

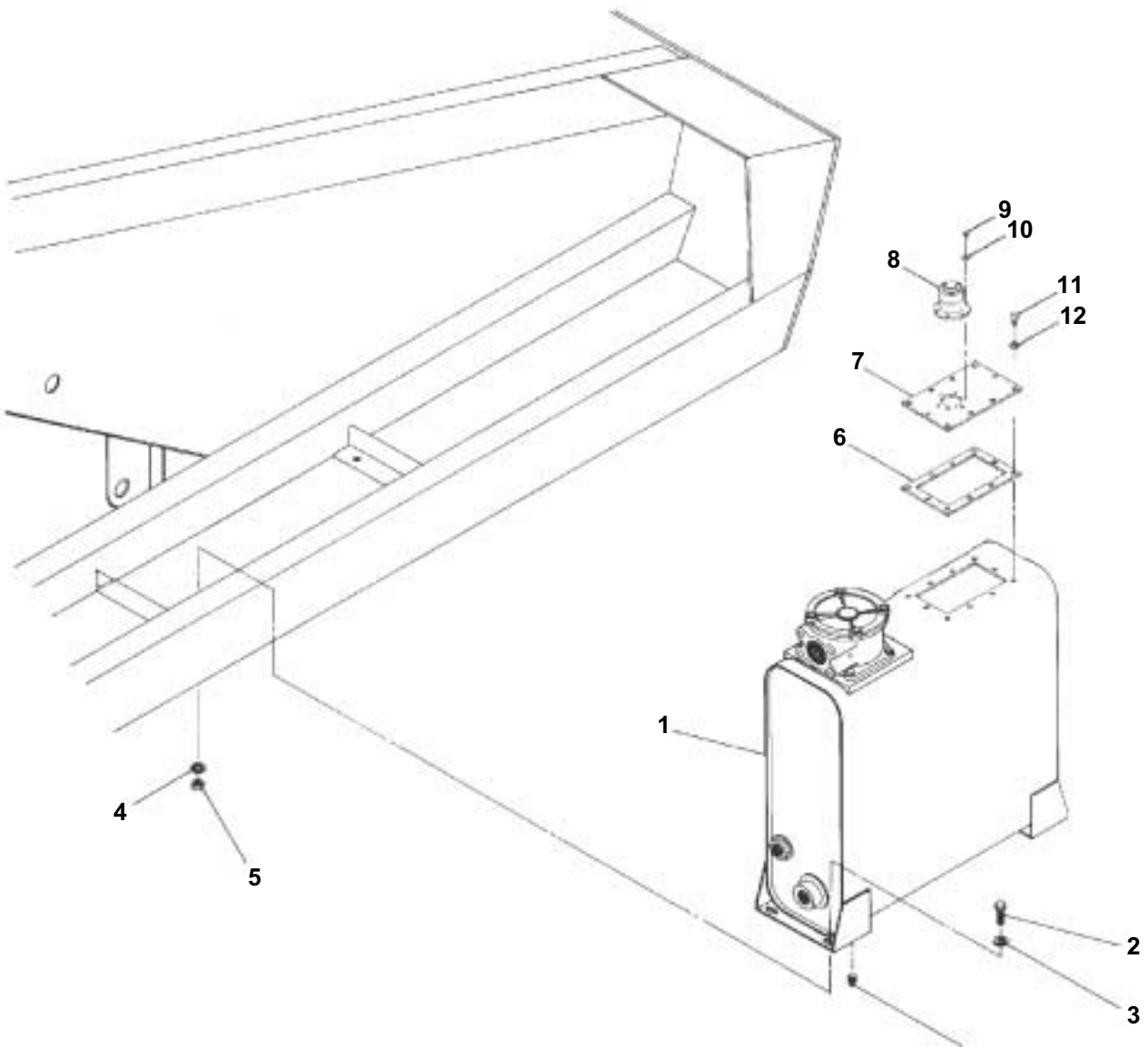
item	part no	qty	description
1	0082906	1	Fuel tank, 40 gallon capacity - (includes cap and fuel gauge, item 2)
	9940001	1	Replacement cap, fuel tank
2	0070483	1	Fuel gauge - (includes gauge lens)
	8180014	1	Replacement gauge lens
3	7714202	1	Pipe plug 1/4 NPT square head
4	0071940-99	2	Fuel tank strap
5	970569	2	Capscrew 3/8-16 x 3-1/2 inch long hex head grade 5
6	5560033	2	Nut 3/8-16 self locking
7	970029	4	Capscrew 1/4-20 x 3/4 inch long hex head grade 5
8	987099	4	Washer 1/4 medium lock
9	984069	4	Nut 1/4-20 hex
10	0080031-99	1	Fuel tank support
11	970469	8	Capscrew 3/8-16 x 1 inch long hex head grade 5
12	987119	8	Washer 3/8 medium lock
13	984109	8	Nut 3/8-16 hex



AW0080056

Hydraulic oil reservoir mounting

item	part no	qty	description
1	0081875	1	Hydraulic oil reservoir - (see page 2-22 for parts breakdown)
2	970479	4	Capscrew 3/8-16 x 1-1/4 inch long hex head grade 5
3	986299	4	Washer 3/8 medium flat
4	987119	4	Washer 3/8 medium lock
5	984109	4	Nut 3/8-16 hex
6	8010249	1	Cover gasket
7	8010250	1	Cover plate
8	5090008	1	Filler/breather cap
9	5560609	6	Machine screw #10-24 x 1/2 inch long hex head
10	987089	6	Washer #10 medium lock
11	970369	6	Capscrew 5/16-18 x 1 inch long hex head grade 5
12	987109	6	Washer 5/16 medium lock

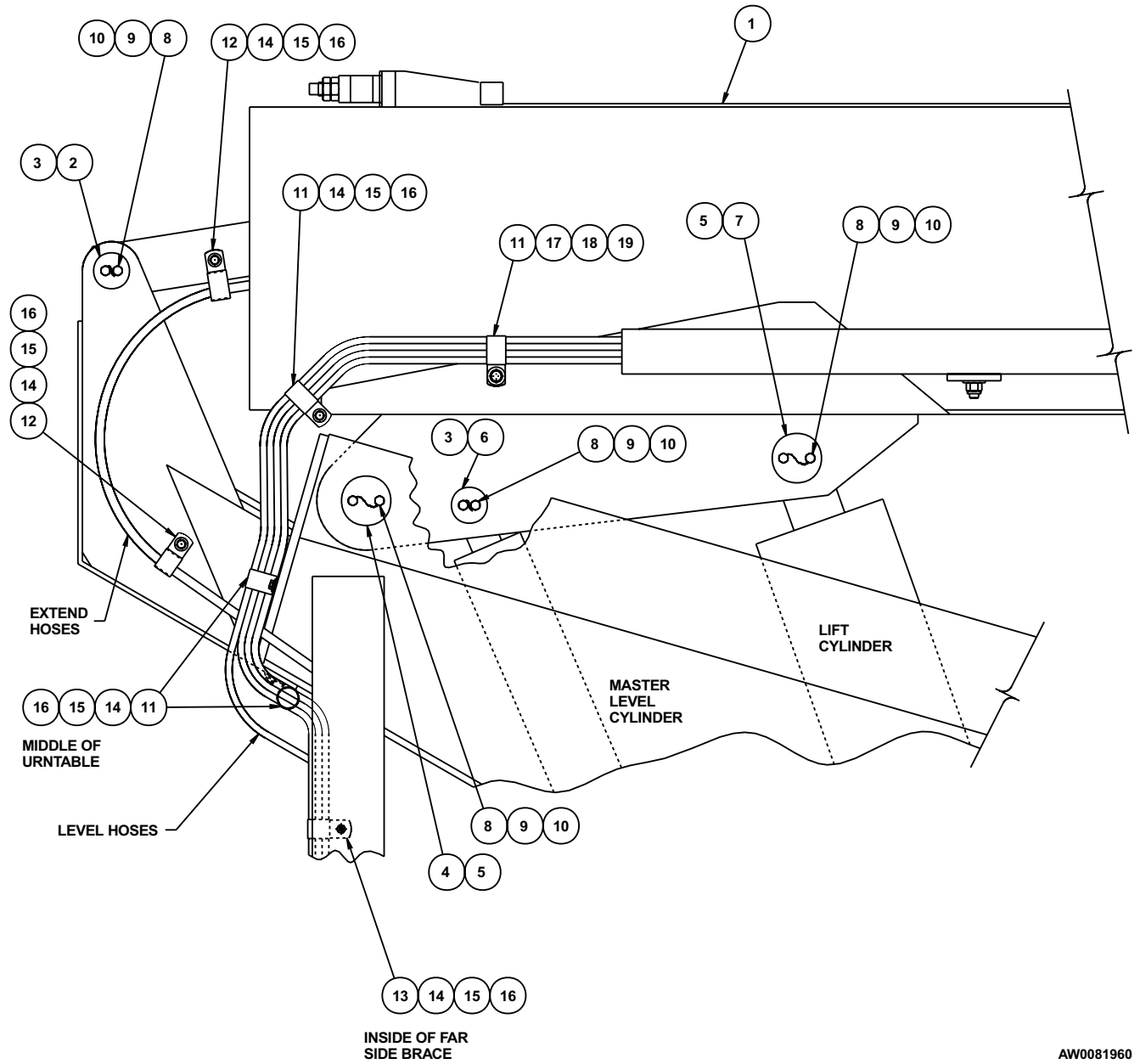


AW0081966

Booms, base end

item	part no	qty	description
1	0081817	1	Booms and hose carrier - (see page 1-20 for parts breakdown)
2	0070440	1	Link pin
3	0070033-99	2	Pin lock
4	0080026	1	Pin, base boom to turntable
5	0080023-99	2	Pin lock
6	0080028	1	Pin, master level cylinder rod end
7	0080024	1	Pin, lift cylinder rod end
8	0070473	8	Capscrew 5/16-18 drilled head
9	987109	8	Washer 5/16 medium lock
10	9980012	1	.040 inch diameter stainless steel safety lockwire - (sold in one pound can)
11	5093010	4	Clamp
12	5093009	2	Clamp
13	5053006	1	Clamp
14	970029	6	Capscrew 1/4-20 x 3/4 inch long hex head grade 5
15	986019	6	Washer 1/4 medium flat
16	987099	6	Washer 1/4 medium lock
17	970449	1	Capscrew 3/8-16 x 3/4 inch long hex head grade 5
18	986299	1	Washer 3/8 medium flat
19	987119	1	Washer 3/8 medium lock

Booms, base end



AW0081960

Booms and hose carrier

item	part no	qty	description
	0081817	1	Booms and hose carrier
1	0081738	1	Booms - (see page 1-23 for parts breakdown)
2	0082016	1	Hose carrier - (see page 1-33 for parts breakdown)
3	0080962-99	1	Hose carrier support tube
4	0072951-99	2	Guide bar
5	0070029	2	Slide pad
6	5560717	2	Machine bushing 3-1/4 inch OD x 2-1/4 inch ID x 10 gauge thick
7	0070504-99	1	Pin joint plate
8	0070506-99	1	Pin lock
9	0072015	1	Clevis pin
10	5560014	1	Hairpin clip pin
11	0081970-99	1	Tube bracket
12	9920016	1	Mounting bracket
13	0072937-99	1	Clamp bar
14	0110581-99	2	Spacer
15	5090034	1	Hose guard x 48 inch long
16	972469	4	Capscrew 3/8-16 x 1 inch long socket flat head
17	5560033	6	Nut 3/8-16 self locking
18	970029	2	Capscrew 1/4-20 x 3/4 inch long hex head grade 5
19	986019	2	Washer 1/4 medium flat
20	5560004	5	Nut 1/4-20 self locking
21	970259	4	Capscrew 5/16-18 x 1 inch long hex head grade 5
22	986269	4	Washer 5/16 medium flat
23	987109	4	Washer 5/16 medium lock
24	970849	9	Capscrew 1/2-13 x 1-1/4 inch long hex head grade 5
25	986359	9	Washer 1/2 medium flat
26	5560039	9	Nut 1/2-13 self locking
27	970426	6	Capscrew 3/8-16 x 7/8 inch long hex head grade 5
28	986299	8	Washer 3/8 medium flat
29	987119	9	Washer 3/8 medium lock
30	970489	3	Capscrew 3/8-16 x 1-1/2 inch long hex head grade 5
31	5093010	4	Clamp
32	5093004	1	Clamp
33	987099	2	Washer 1/4 medium lock
34	970049	3	Capscrew 1/4-20 x 1 inch long hex head grade 5
35	970449	2	Capscrew 3/8-16 x 3/4 inch long hex head grade 5

F

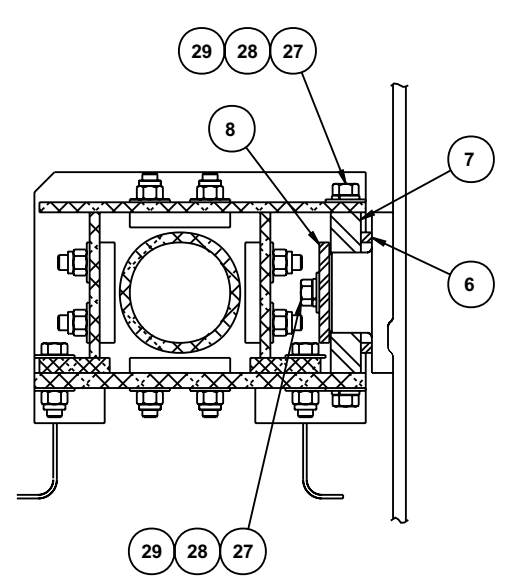
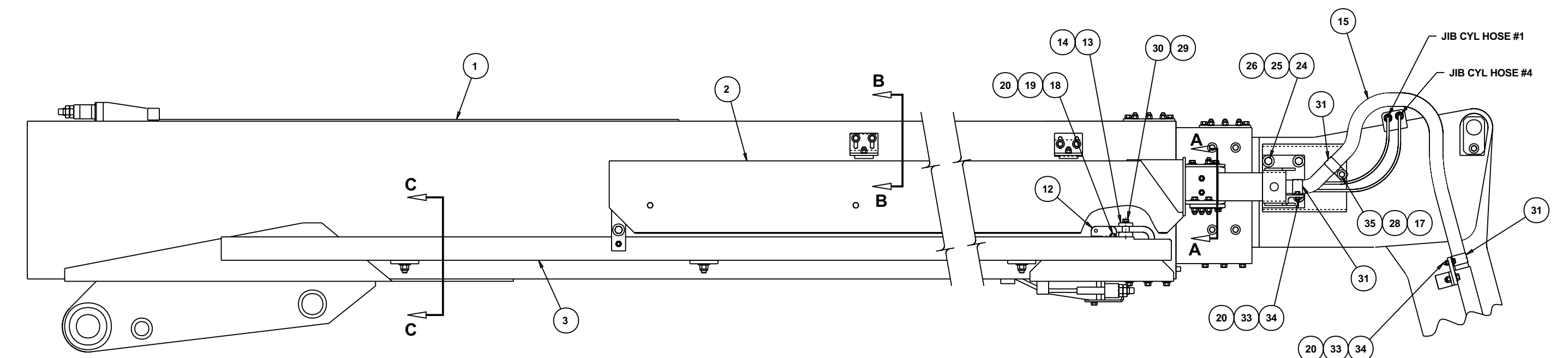
E

D

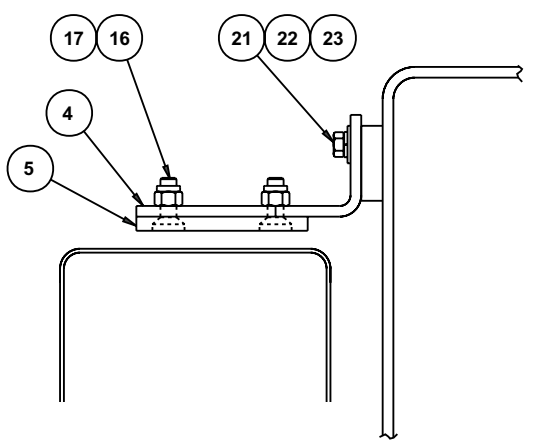
C

B

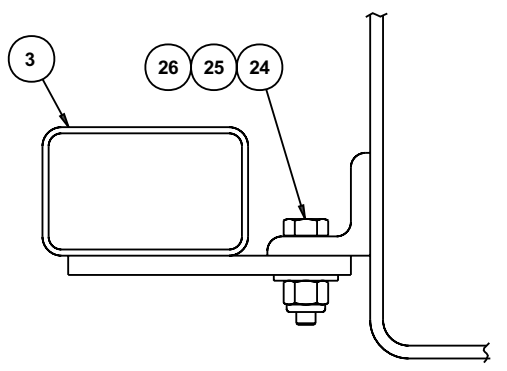
A



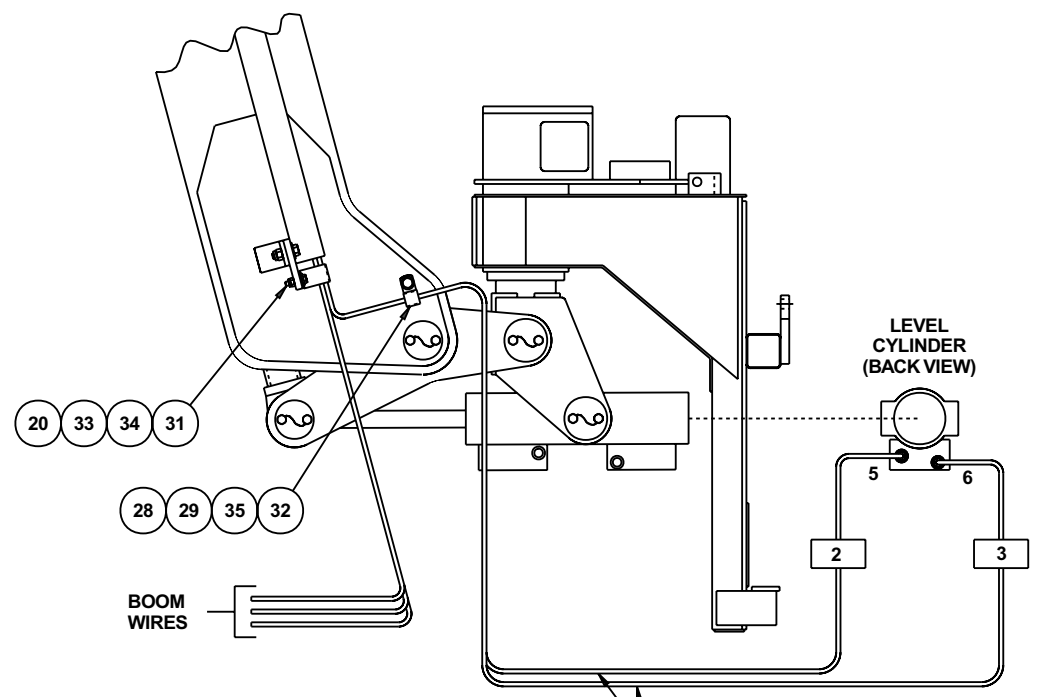
SECTION A-A



SECTION B-B



SECTION C-C



AW0081817

TITLE Boom and hose carrier

Snorkel model TB66J



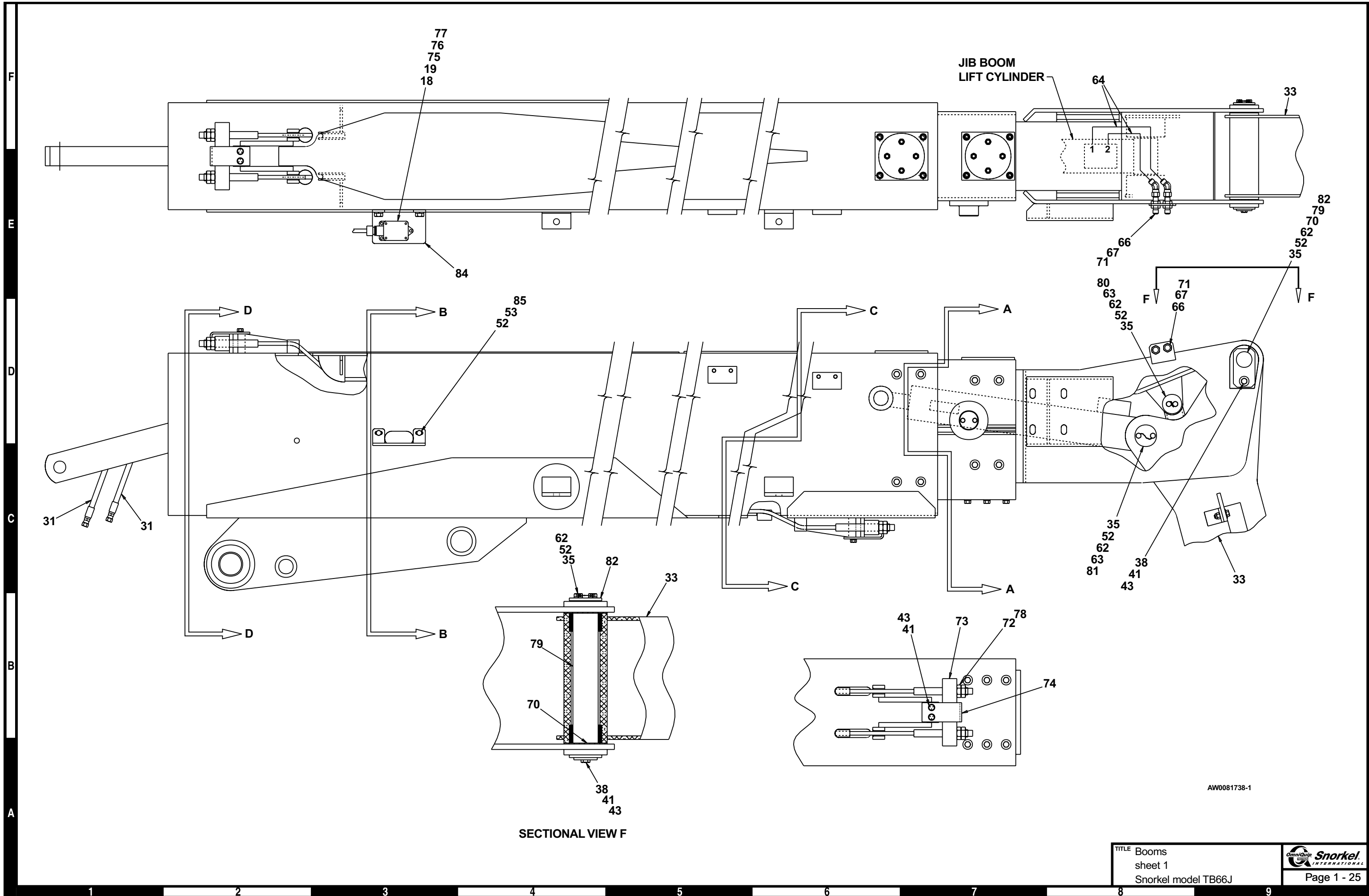
1 2 3 4 5 6 7 8 9

Booms

item	part no	qty	description
	0081738	1	Booms, complete
1	0081782-99	1	Base boom
2	0081720-99	1	Intermediate boom
3	0081719-99	1	Tip boom
4	0081745	1	Extension cylinder - (see page 1-30 for parts breakdown)
5	0081730	2	Wire rope, retract
6	0070442	1	Pin, master level cylinder base end
7	0081776-99	2	Cable sheave
8	0081749-99	2	Sheave cage
9	0081759	1	Pin, retract sheave
10	0082149-99	1	Pad plate, base boom
11	0081940-99	1	Pad plate, intermediate boom
12	0081752-99	2	Cable anchor, tip boom
13	0081942	1	Slide pad
14	0081941	1	Slide pad
15	0072681-99	2	Slide pad mount
16	0072682	1	Slide pad
17	0073111	1	Slide pad spacer, 1/8 inch thick
18	0081975	1	Boom switch - (see page 3-2 for parts breakdown)
19	0071216-99	1	Guard, boom switch
20	0070448-99	1	Pin, cable retainer
21	988179	2	Cotter pin 1/8 inch diameter x 1 inch long
22	0072751-99	2	Cylinder anchor
23	0070390	2	Cylinder anchor pin
24	0070486-99	6	Spacer
25	0080294	2	Slide pad
26	0070030	8	Slide pad shim, .030 inch thick
27	0072567	8	Slide pad shim, .063 inch thick
28	0090141	4	Slide pad shim, .090 inch thick
29	0080293	12	Slide pad
30	2500046	2	Bearing
31	0100422	2	3/8 inch hydraulic hose
32	0070639	2	Slide pad
33	0181221	1	Jib boom - (see page 1-28 for parts breakdown)
34	0070031	4	Slide pad
35	9980012	1	.040 inch diameter stainless steel safety lockwire - (sold in one pound can)
36	0074639	2	Slide pad
37	972509	6	Capscrew 3/8-16 x 2 inch long socket flat head
38	986299	41	Washer 3/8 medium flat
39	5560033	18	Nut 3/8-16 self locking
40	970469	6	Capscrew 3/8-16 x 1 inch long hex head grade 5
41	987119	41	Washer 3/8 medium lock
42	5560015	12	Thread insert 3/8-16
43	970449	21	Capscrew 3/8-16 x 3/4 inch long hex head grade 5
44	5560679	22	Capscrew 3/8-16 x 5/8 inch long socket flat head
45	0073340-99	2	Slide pad spacer, 1/4 inch thick
46	0073342	4	Slide pad shim, .063 inch thick
47	0073343	4	Slide pad shim, .090 inch thick
48	972469	4	Capscrew 3/8-16 x 1 inch long socket flat head
49	5560126	14	Threaded insert 3/8-16 thread
50	5560644	7	Capscrew 3/8-16 x 1-1/4 inch long socket flat head
			Parts list continued on next page

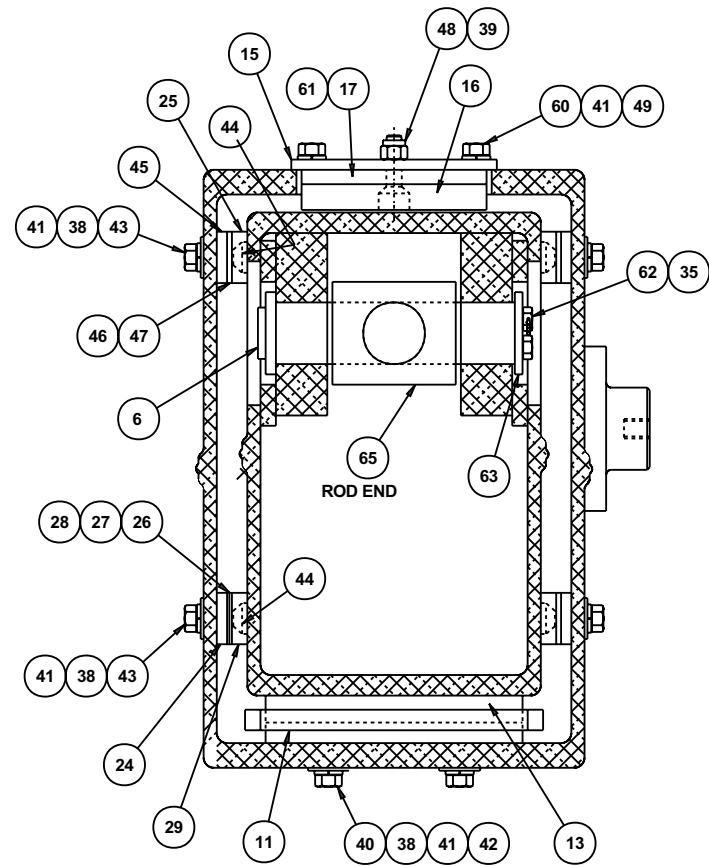
Booms

item	part no	qty	description
51	970259	8	Capscrew 5/16-18 x 1 inch long hex head grade 5
52	987109	22	Washer 5/16 medium lock
53	986269	10	Washer 5/16 medium flat
54	5560031	12	Nut 5/16-18 self locking
55	970269	4	Capscrew 5/16-18 x 1-1/4 inch long hex head grade 5
56	986359	4	Washer 1/2 medium flat
57	5560053	4	Hex jam nut, drilled
58	5560005	4	Anchor bolt
59	978409	22	Capscrew 3/8-16 x 1-1/2 inch long socket flat head
60	972449	12	Capscrew 3/8-16 x 3/4 inch long socket flat head
61	0072683	1	Slide pad spacer, 1/4 inch thick
62	0070473	10	Capscrew 5/16-18 drilled head
63	0070033-99	4	Pin lock
64	0020267	2	3/8 inch hydraulic hose
65	0082019-99	1	Jib boom lift cylinder - (see hydraulics section for parts breakdown)
66	5034403	2	Bulkhead union
67	5074403	2	Bulkhead locknut
68	0081953	2	Slide pad
69	2500047	2	Bearing
70	5569853	1	Machine bushing 3-1/4 inch OD x 1-3/4 inch ID x 14 gauge thick
71	5036905	2	Swivel nut 45° elbow
72	5560257	4	Spherical washer
73	0081774-99	2	Swivel anchor
74	302363-99	2	Bracket
75	5560649	3	Machine screw #10-24 x 1 inch long truss head
76	986009	3	Washer #10 medium flat
77	984049	3	Nut #10-24 hex
78	984469	8	Nut 3/4-10 hex jam
79	0181264	1	Pin
80	0150685	1	Pin
81	0180612	1	Pin
82	0070132	1	Pin lock
83	0030214	1	Slide pad
84	0083744	1	Switch bracket
85	970239	2	Capscrew 5/16-18 x 3/4 inch long hex head grade 5

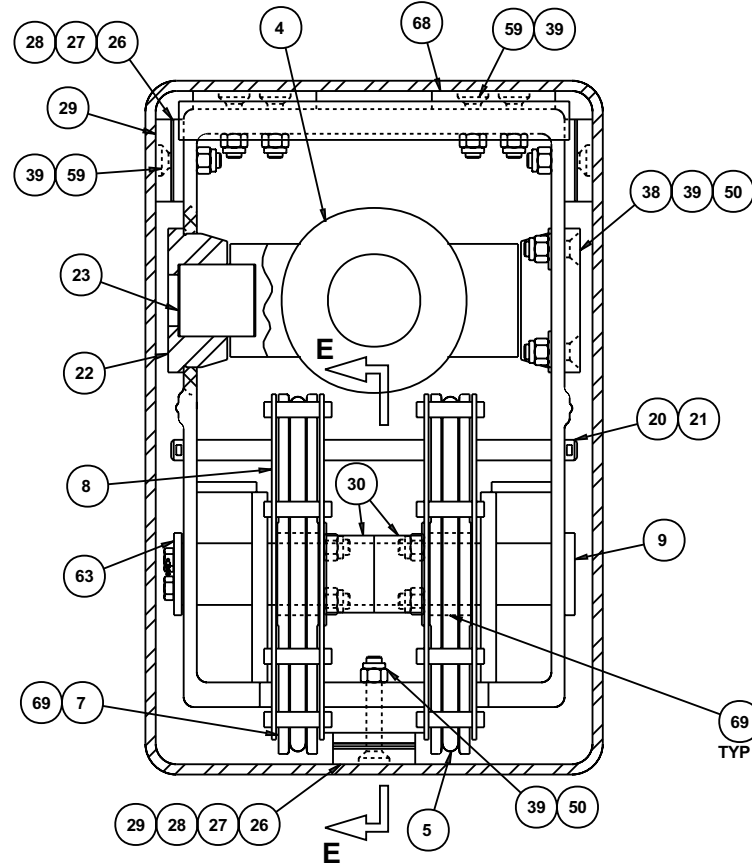


SECTIONAL VIEW F

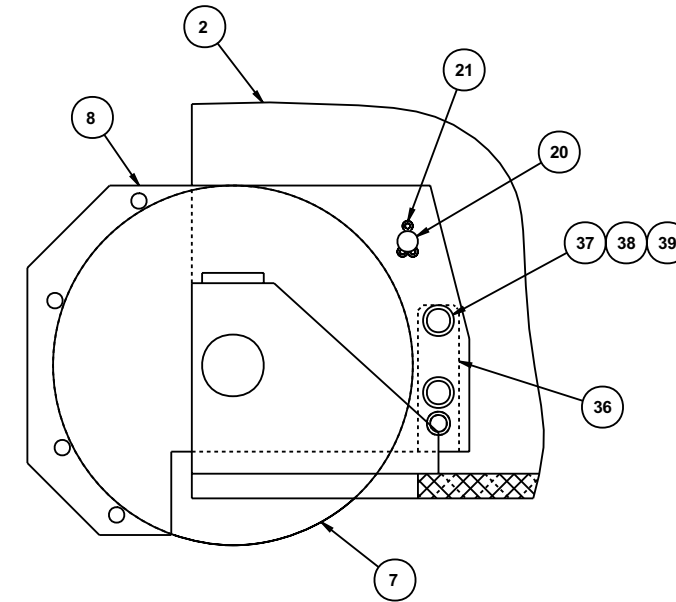
AW0081738-1



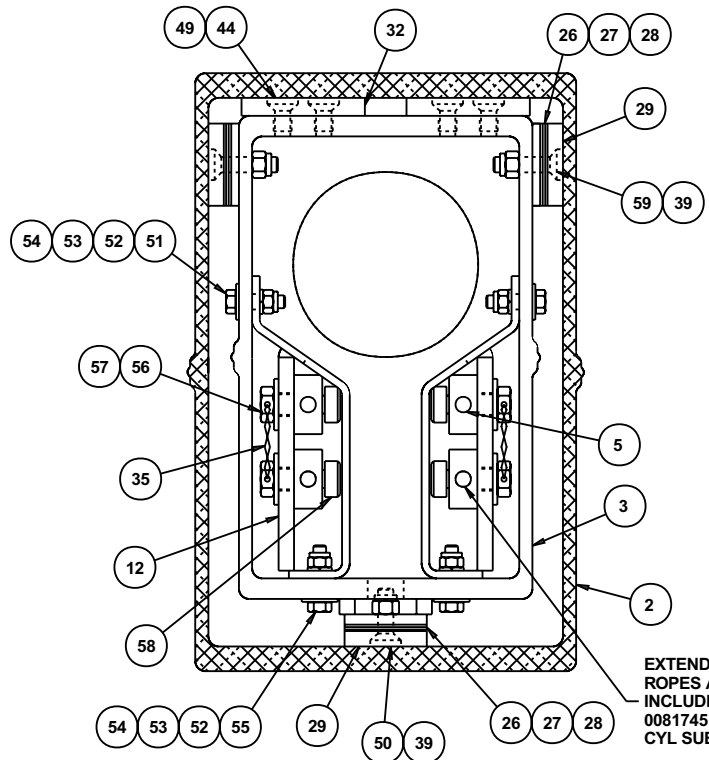
SECTION A-A



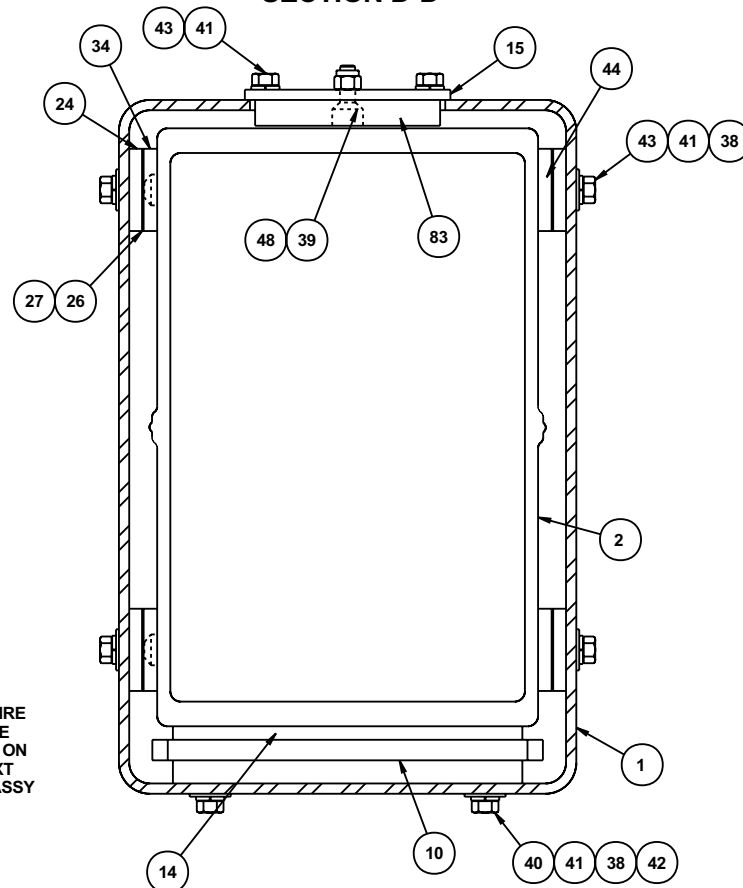
SECTION D-D



SECTION E-E



SECTION B-B



SECTION C-C

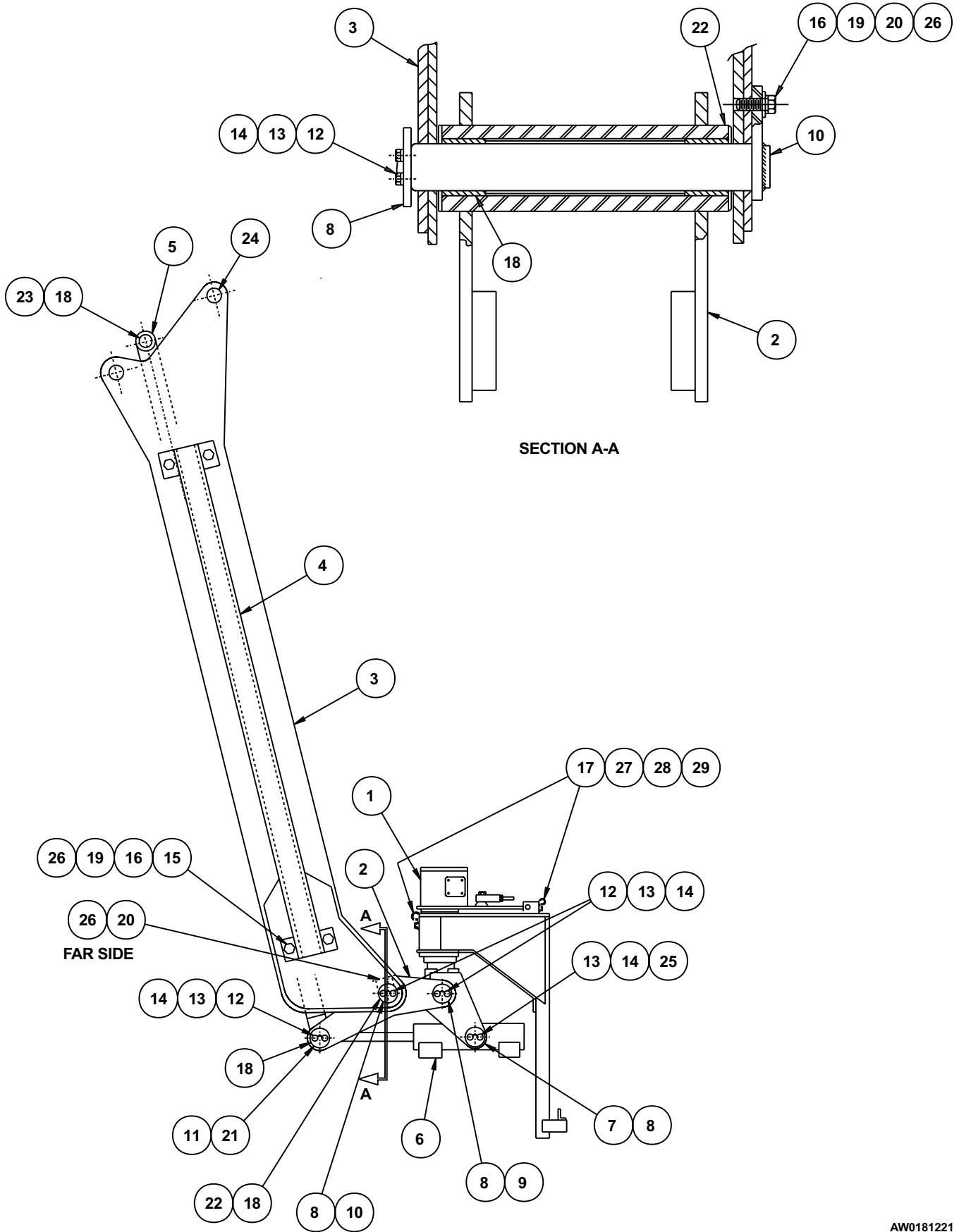
EXTEND WIRE
ROPES ARE
INCLUDED ON
0081745 EXT
CYL SUB ASSY

AW0081738-2

Jib boom

item	part no	qty	description
	0181221	1	Jib boom, complete
1	0180873	1	Platform rotator - (see page 1-38 for parts breakdown)
2	0180596-99	1	Bell crank
3	0181126-99	1	Jib boom
4	0191324-99	1	Hose carrier tube
5	0180640-99	1	Leveling link
6	0181914	1	Cylinder, slave level - (see page 2-38 for parts breakdown)
7	0180521	2	Pin
8	0070033-99	4	Pin lock
9	0180597	1	Pin
10	0181263	1	Pin
11	0180606	1	Pin
12	0070473	6	Capscrew 5/16-18 drilled head
13	987109	10	Washer 5/16 medium lock
14	9980012	1	.040 inch diameter stainless steel safety lockwire - (sold in one pound can)
15	970469	4	Capscrew 3/8-16 x 1 inch long hex head grade 5
16	986299	5	Washer 3/8 medium flat
17	986019	2	Washer 1/4 medium flat
18	2500035	4	Bearing
19	5560015	5	Thread insert 3/8-16
20	970449	1	Capscrew 3/8-16 x 3/4 inch long hex head grade 5
21	0180635	1	Pin lock
22	5560252	1	Machine bushing 2-1/4 inch OD x 1-1/4 inch ID x 14 gauge thick
23	0180941-99	1	Spacer
24	2500039	1	Bushing
25	5560213	4	Capscrew 5/16-18 drilled head
26	987119	5	Washer 3/8 medium lock
27	987099	2	Washer 1/4 medium lock
28	5093027	2	Clamp
29	970029	2	Capscrew 1/4-20 x 3/4 inch long hex head grade 5

Jib boom



AW0181221

Extension cylinder

item	part no	qty	description
	0081745	1	Extension cylinder, complete
1	0080979	1	Extend cylinder and support bracket - (see page 2-30 for parts breakdown)
2	0081731	2	Wire rope, extend
3	0081763	1	Pin lock
4	0070440	1	Link pin
5	0081776-99	2	Cable sheave
6	5560256	7	Thrust washer
7	0081761	1	Pin, extend sheave
8	5560331	4	Capscrew 1/4-20 x 1 inch long socket flat head
9	0060089	2	Slide pad
10	0070033-99	1	Pin lock
11	9980012	1	.040 inch diameter stainless steel safety lockwire - (sold in one pound can)
12	0070473	4	Capscrew 5/16-18 drilled head
13	5035305	2	Straight thread 90° elbow
14	0070141	2	Slide pad
15	0071341	4	Slide pad shim, .063 inch thick
16	972449	10	Capscrew 3/8-16 x 3/4 inch long socket flat head
17	0080019-99	1	Link
18	2502432	2	Bearing
19	0070029	2	Slide pad
20	0070838	3	Slide pad shim, .030 inch thick
21	0071272	8	Slide pad shim, .063 inch thick
22	5560644	6	Capscrew 3/8-16 x 1-1/4 inch long socket flat head
23	5560033	6	Nut 3/8-16 self locking
24	2500047	2	Bearing
25	0071342	3	Shim
26	0150121	1	Slide pad
27	0081931-99	1	Spacer
28	0081932	1	Slide pad
29	5560005	2	Anchor bolt

F

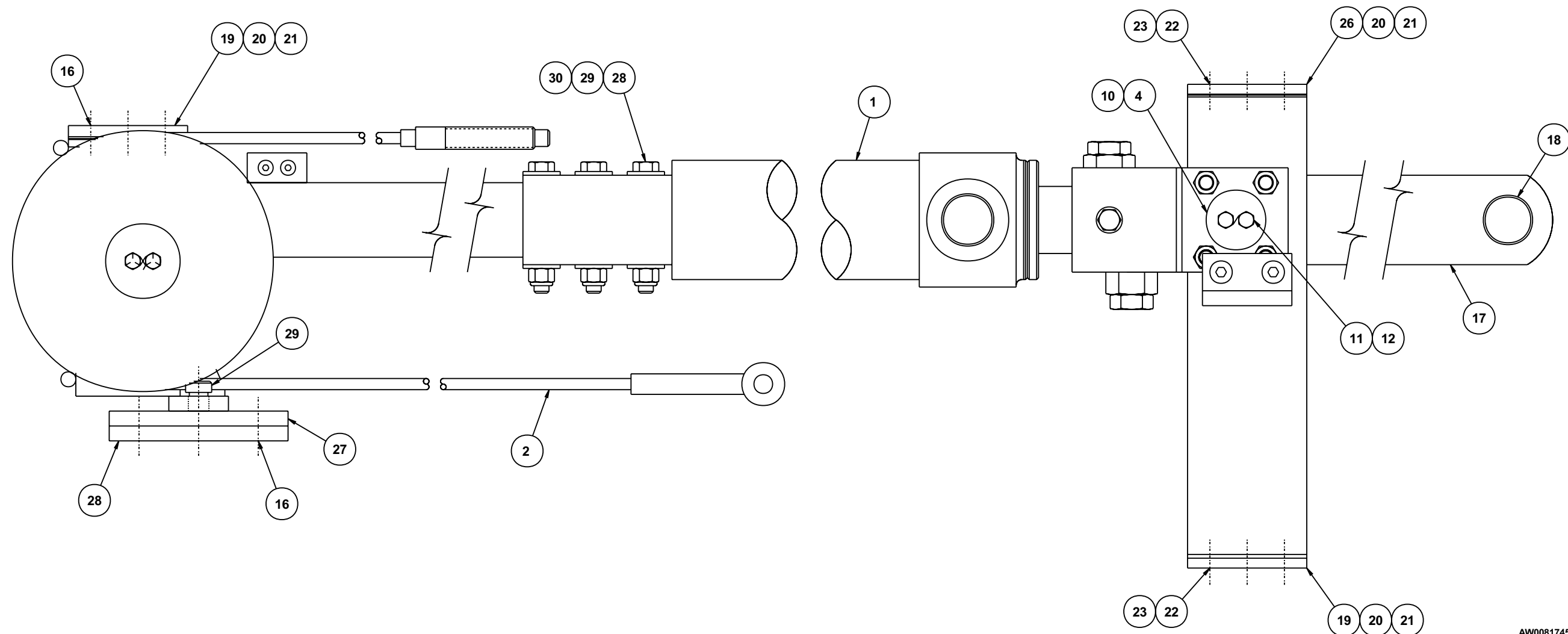
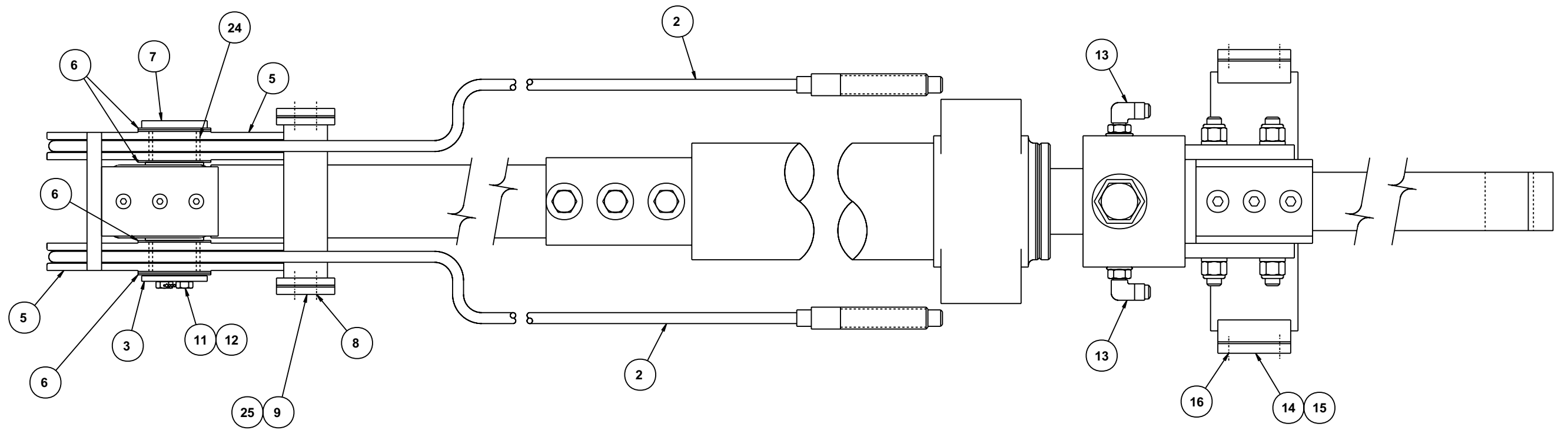
E

D

C

B

A



AW0081745

F

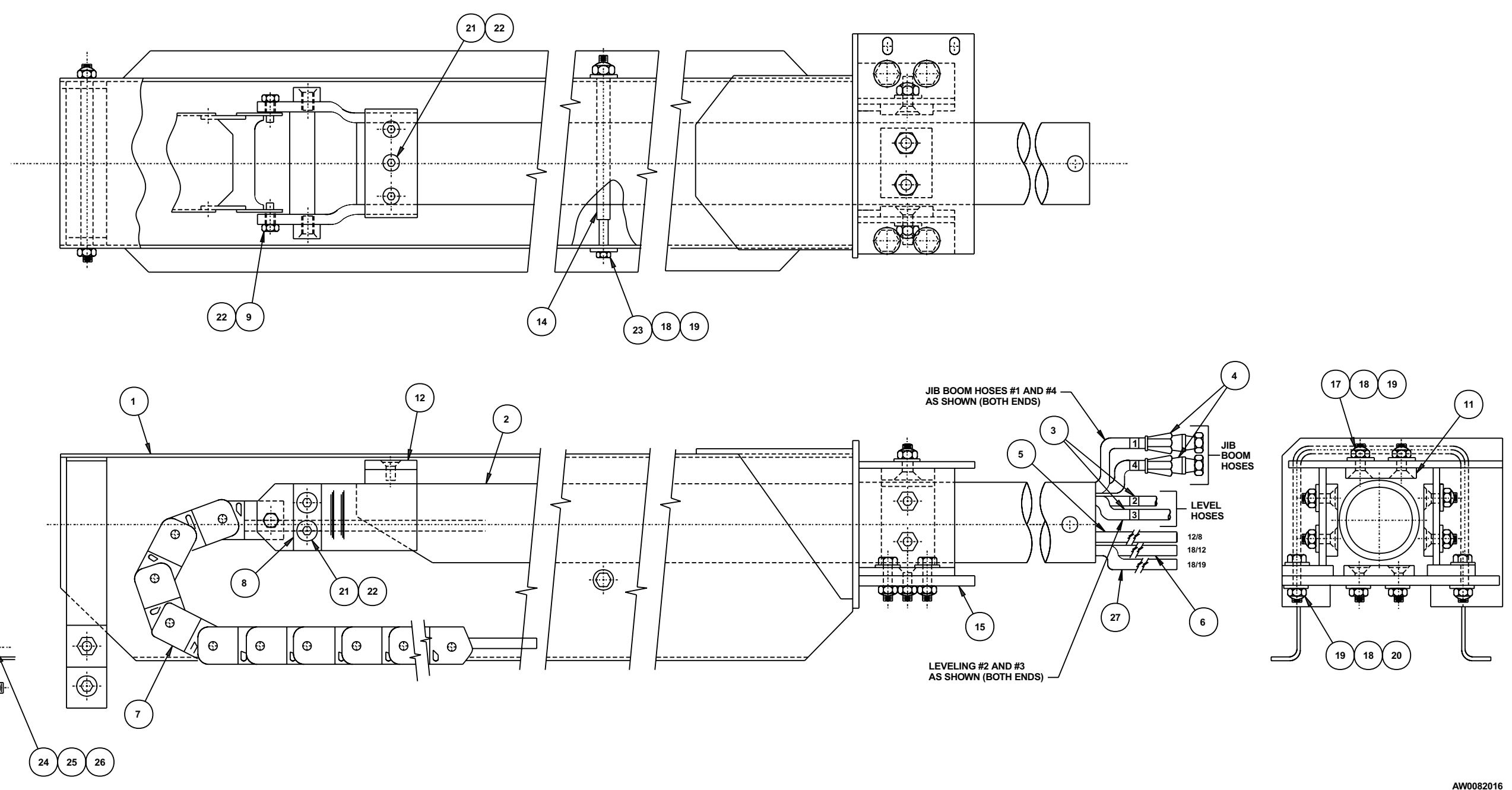
E

D

C

B

A



AW0082016

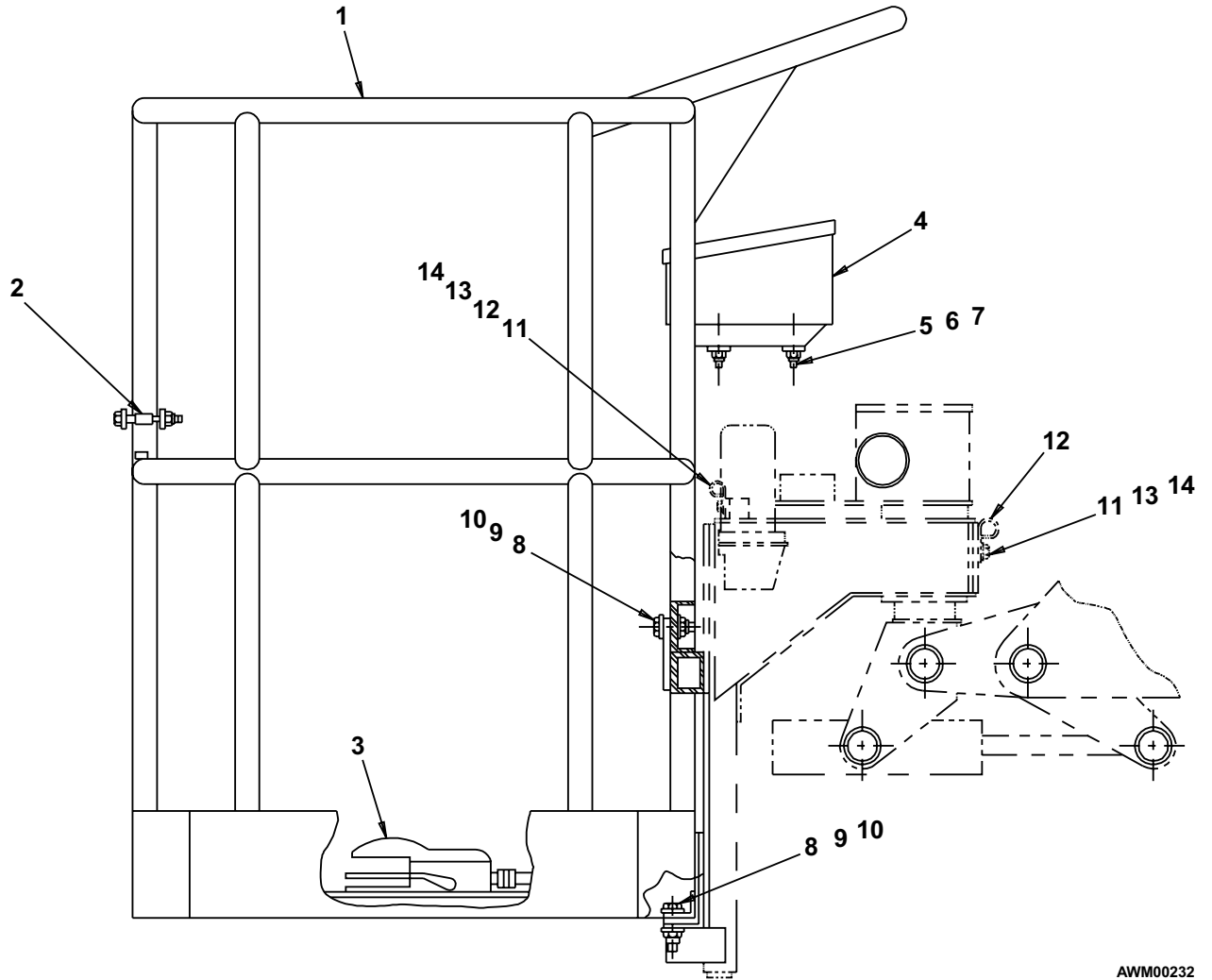
Hose carrier

item	part no	qty	description
	0082016	1	Hose carrier, complete
1	0072743-99	1	Hose carrier
2	0072737-99	1	Carrier tube
3	0082017	2	3/16 inch hydraulic hose - (leveling hoses)
4	0082018	2	3/16 inch hydraulic hose - (jib boom hoses)
5	3010006	1	Power wire, 12 gauge/8 conductor x 85 feet long - (terminals not included)
	3044854		Replacement terminal
6	3010009	1	Control wire #1, 18 gauge/19 conductor x 85 feet long - (terminals not included)
	3046972		Replacement terminal
7	9920014	111	Plastic track link
8	0072934	2	Slide pad
9	0072910	2	Capscrew, special
10	978409	2	Capscrew 3/8-16 x 1-1/2 inch long socket flat head
11	0100105	4	Slide pad
12	0070029	1	Slide pad
13	0072936	1	Slide pad
14	0080284-99	6	Spacer
15	0110610	1	Anchor plate
16	0072935	2	Slide pad
17	5560644	8	Capscrew 3/8-16 x 1-1/4 inch long socket flat head
18	5560033	20	Nut 3/8-16 self locking
19	986299	28	Washer 3/8 medium flat
20	970489	4	Capscrew 3/8-16 x 1-1/2 inch long hex head grade 5
21	972449	7	Capscrew 3/8-16 x 3/4 inch long socket flat head
22	5560126	9	Threaded insert 3/8-16 thread
23	5560605	6	Capscrew 3/8-16 x 7 inch long hex head grade 5
24	5560606	1	Capscrew 1/2-13 x 7 inch long hex head grade 5
25	986359	2	Washer 1/2 medium flat
26	5560039	1	Nut 1/2-13 self locking
27	3010005	1	Control wire #2, 18 gauge/19 conductor x 85 feet long - (terminals not included)
	3046972	1	Replacement terminal

Platform mounting

item	part no	qty	description
1		1	Platform weldment - (consult factory)
2		1	Platform gate - (see page 1-36 for proper platform gate)
3	0071800	1	Platform foot switch - (see page 3-34 for parts breakdown)
4	0081965	1	Upper control box - (see page 3-35 for parts breakdown)
5	970529	4	Capscrew 3/8-16 x 2-1/2 inch long hex head grade 5
6	986299	8	Washer 3/8 medium flat
7	5560033	4	Nut 3/8-16 self locking
8	970909	4	Capscrew 1/2-13 x 1-1/2 inch long hex head grade 5
9	986359	8	Washer 1/2 medium flat
10	5560039	4	Nut 1/2-13 self locking
11	987099	2	Washer 1/4 medium lock
12	5093027	2	Clamp
13	970029	2	Capscrew 1/4-20 x 3/4 inch long hex head grade 5
14	986019	2	Washer 1/4 medium flat

Platform mounting

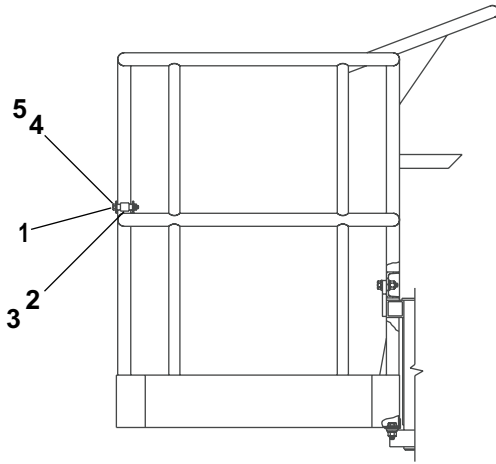


AWM00232

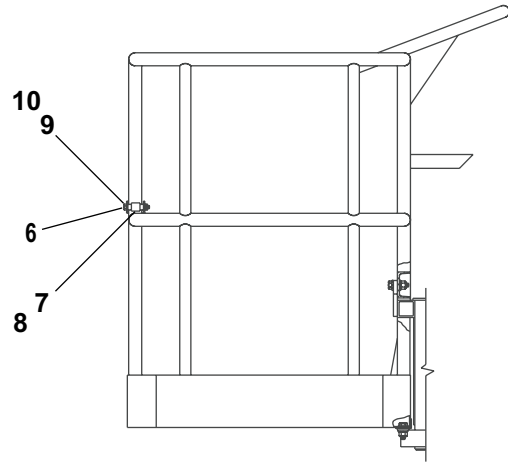
Platform gate

item	part no	qty	description
			Gravity gate for 5 ft and 8 ft steel platforms
1	0071951-89	1	Gravity gate, steel platform
2	0150509-89	2	Roller, steel gravity gate
3	0071953-89	2	Roller spacer, steel gravity gate
4	970529	2	Capscrew 3/8-16 x 2-1/2 inch long hex head grade 5
5	5560033	2	Nut 3/8-16 self locking
			Gravity gate for 5 ft and 8 ft aluminum platforms
	016117728	1	Gravity gate service kit - (kit includes items 6 through 10)
6	0161177-89	1	Gravity gate, aluminum platform
7	0161182-89	2	Roller, aluminum gravity gate
8	0161184-89	2	Roller spacer, aluminum gravity gate
9	970889	2	Capscrew 1/2-13 x 1 inch long hex head grade 5
10	5560039	2	Nut 1/2-13 self locking
			Swinging gate for 5 steel platforms
11	0071834-89	1	Swinging gate, steel platform
12	0322724	1	Pin, gate hinge
13	988179	2	Cotter pin 1/8 inch diameter x 1 inch long
14	986359	2	Washer 1/2 medium flat
15	0071837	1	Spring, torsion
16	2570002	2	Bearing
17	2667500	1	Knob, gate hinge pin
			Swinging gate for 5 ft aluminum platforms
18	0160970-89	1	Swinging gate, aluminum platform
19	0322724	1	Pin, gate hinge
20	5560056	1	Roll pin 1/8 inch diameter x 1 inch long
21	0071837	1	Spring, torsion
22	2570002	2	Bearing
23	2667500	1	Knob, gate hinge pin
24	0161472-89	1	Latch stop
25	970099	3	Capscrew 1/4-20 x 5/8 inch long hex head grade 5
26	984529	3	Nut sert 1/4-20
27	987099	2	Washer 1/4 medium lock
28	986019	1	Washer 1/4 medium flat
29	300891-89	1	Door latch

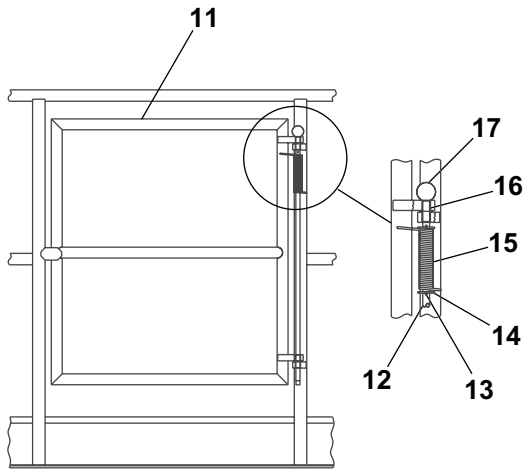
Platform gate



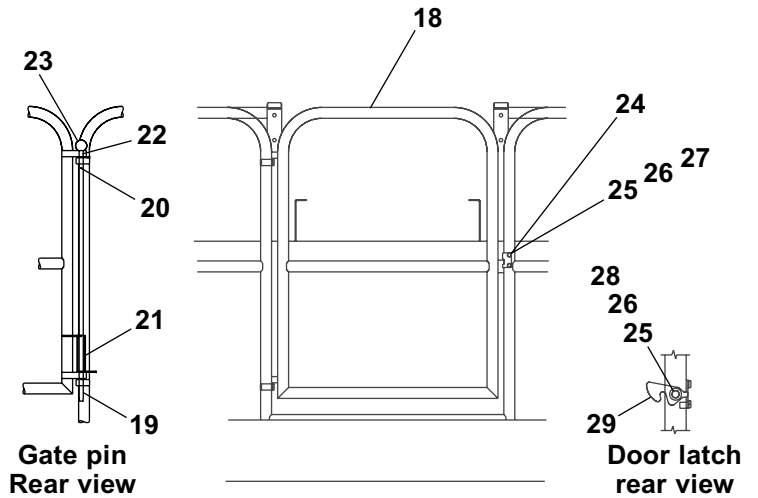
Gravity gate, steel platform



Gravity gate, aluminum platform



Swinging gate, steel platform



Gate pin
Rear view

Door latch
rear view

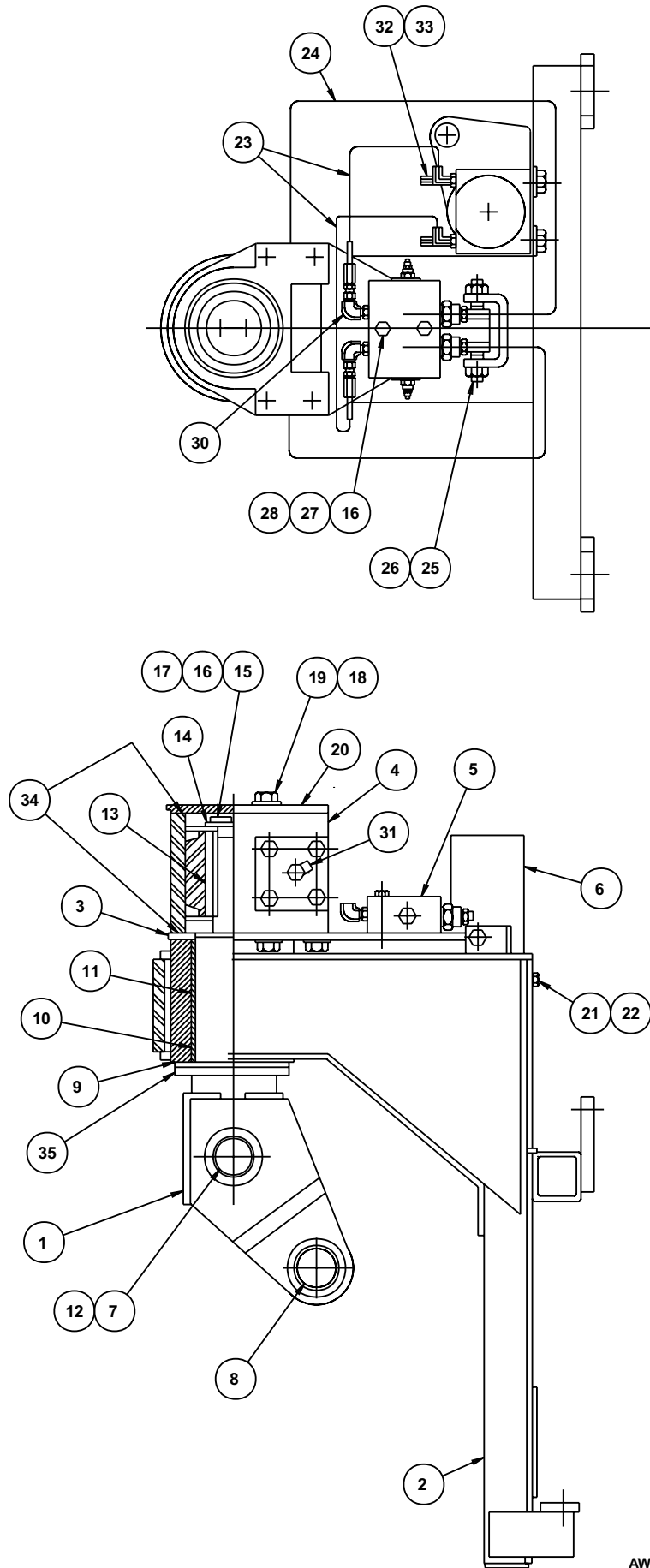
Swinging gate, aluminum platform

AWM00223

Platform rotator

item	part no	qty	description
	0180873	1	Platform rotator
1	0180516-99	1	Pylon
2	0180509-99	1	Rotator frame
3	0170575	1	Torque plate
4	0110771	1	Platform rotator, Parker - (see page 2-51 for parts breakdown)
5	6010541	1	Dual crossover relief valve - (see page 2-40 for parts breakdown)
6	6029631	1	Hydraulic power unit
	6091504	1	Reservoir with cap
	8150066	1	Replacement motor
7	2502032	2	Bearing
8	2500038	2	Bearing
9	0072561	1	Thrust bearing
10	2504856	2	Bearing
11	0072562	1	Bearing spacer
12	0180768	1	Spacer
13	0070916	1	Key
14	0070132	1	Pin lock
15	0070473	2	Capscrew 5/16-18 drilled head
16	987109	4	Washer 5/16 medium lock
17	9980012	1	.040 inch diameter stainless steel safety lockwire - (sold in one pound can)
18	970889	6	Capscrew 1/2-13 x 1 inch long hex head grade 5
19	987139	6	Washer 1/2 medium lock
20	0072508-99	1	Cover plate, platform rotator
21	970449	2	Capscrew 3/8-16 x 3/4 inch long hex head grade 5
22	987119	2	Washer 3/8 medium lock
23	0070908	2	1/4 inch hydraulic hose
24	0020283	2	1/4 inch hydraulic hose
25	5560217	2	Capscrew 1/2-13 x 1-3/4 inch long hex head grade 5 full thread
26	984409	2	Nut 1/2-13 hex jam drilled
27	970509	2	Capscrew 3/8-16 x 2 inch long hex head grade 5
28	986269	2	Washer 5/16 medium flat
29		1	Grease, Conoco Super Sta - (consult factory)
30	5035318	4	Straight thread 90° elbow
31	5035303	2	Straight thread 90° elbow
32	5036103	2	Straight thread run tee
33	5063701	2	Cap
34	7110348	1	O-ring
35	0072555-99	1	Collar

Platform rotator



AW0180873

Engine mounting, Cummins 3.3

item	part no	qty	description
1	0074634	1	Radiator
2	0074641-99	1	Exhaust pipe
3	0074644	1	Muffler, standard
4	0074645	1	Tail pipe
5	0074664-99	1	Muffler clamp
6	0074684	1	Lower radiator hose
7	0074685	1	Upper radiator hose
8	0074687-99	1	Air intake tube clamp
9	0074688	1	Air intake hose adapter
10	0074786-99	1	Muffler support bracket
11	0082138	1	Hydraulic pump - (see page 2-47 for parts breakdown)
12	0083165	2	Clamp, T-bolt
13	0083167-99	1	Air cleaner mount bracket
14	0083175	1	Air cleaner hose coupler
15	0083445	1	Engine tray, Cummins 3.3 - (see page 1-43 for parts breakdown)
16	0083501-99	1	Shroud
17	0083544	2	Clamp
18	970239	2	Capscrew 5/16-18 x 3/4 inch long hex head grade 5
19	970449	2	Capscrew 3/8-16 x 3/4 inch long hex head grade 5
20	970469	4	Capscrew 3/8-16 x 1 inch long hex head grade 5
21	970919	4	Capscrew 1/2-13 x 1-3/4 inch long socket flat head
22	972019	4	Capscrew metric M10-1.5 x 25mm long hex head
23	975209	2	Capscrew metric M6-1.00 x 18mm long hex head
24	984089	4	Nut 5/16-18 hex
25	986299	8	Washer 3/8 medium flat
26	986359	8	Washer 1/2 medium flat
27	987109	4	Washer 5/16 medium lock
28	987139	2	Washer 1/2 medium lock
29	5550026	2	Clamp
30	5550038	2	Clamp
31	5550040	2	Clamp
32	5560033	6	Nut 3/8-16 self locking
33	5560039	4	Nut 1/2-13 self locking
34	5560136	2	Capscrew 1/2-13 self locking drilled head
35	5560356	8	Washer metric M10 lock
36	5560364	4	Washer metric M10 flat
37	5560625	4	Capscrew metric M10-1.5 x 20mm long hex head
38	5560664	2	Washer metric M6 lock
39	7630015	1	Elbow, 90° rubber
40	7630755	1	Air cleaner
	8140011	1	Replacement primary filter element
	8140012	1	Replacement dust ejector
	8140013	1	Replacement cover
	8140014	2	Replacement clip
41	7630759	1	Air cleaner bracket
42	5010005	1	Hose 3/8 inch diameter x 33 inch long
43	5010005	1	Hose 3/8 inch diameter x 9 inch long
44	5010027	1	Fuel hose 3/16 inch diameter x 24 inch long
45	5093044	1	Nylon tee
46	5550006	4	Clamp
47	5550028	2	Clamp

F

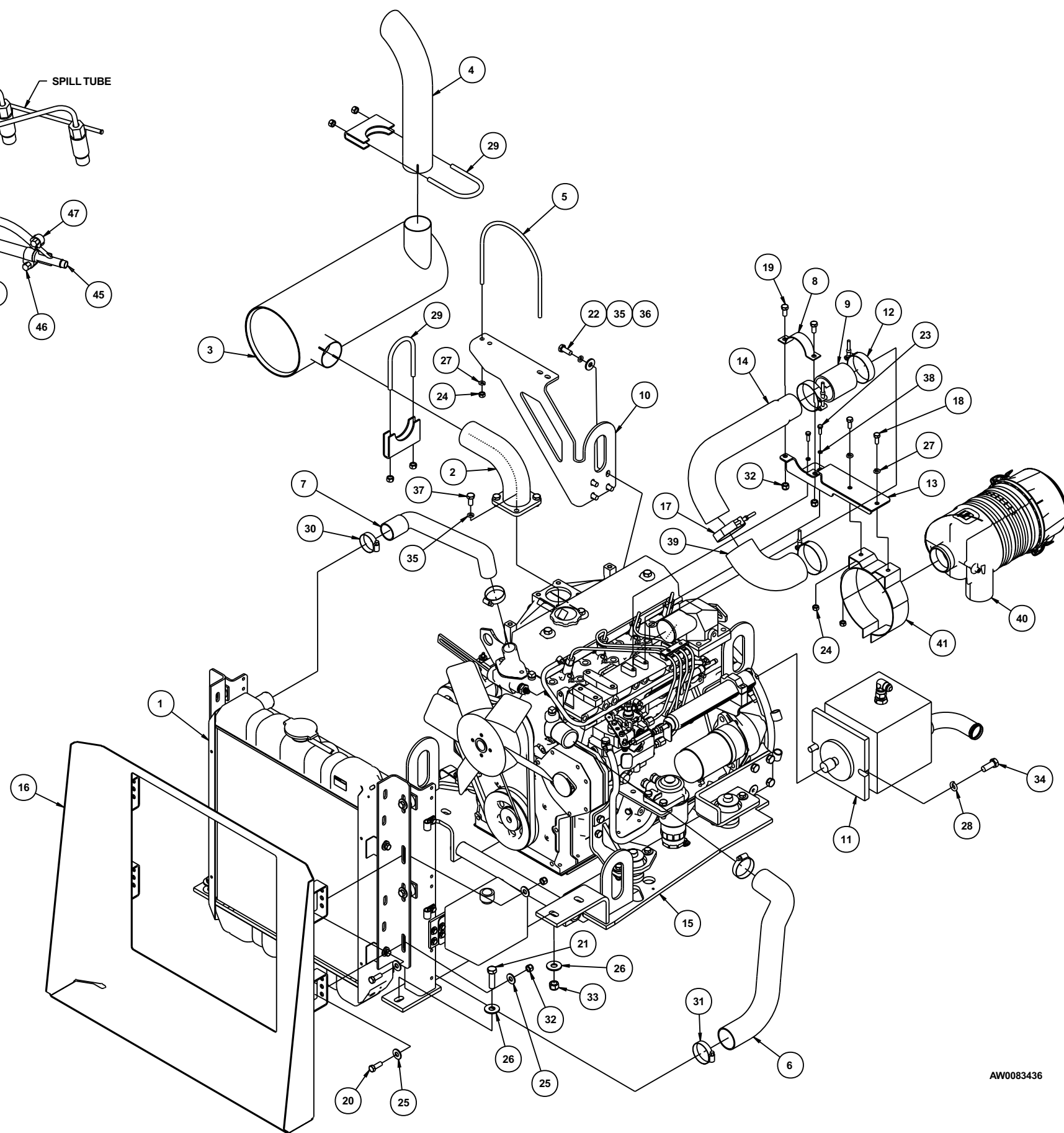
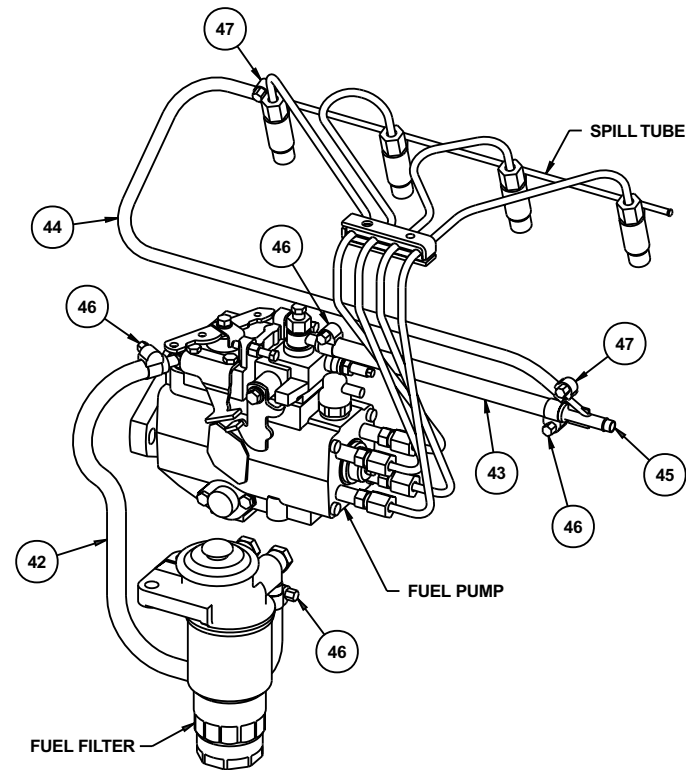
E

D

C

B

A

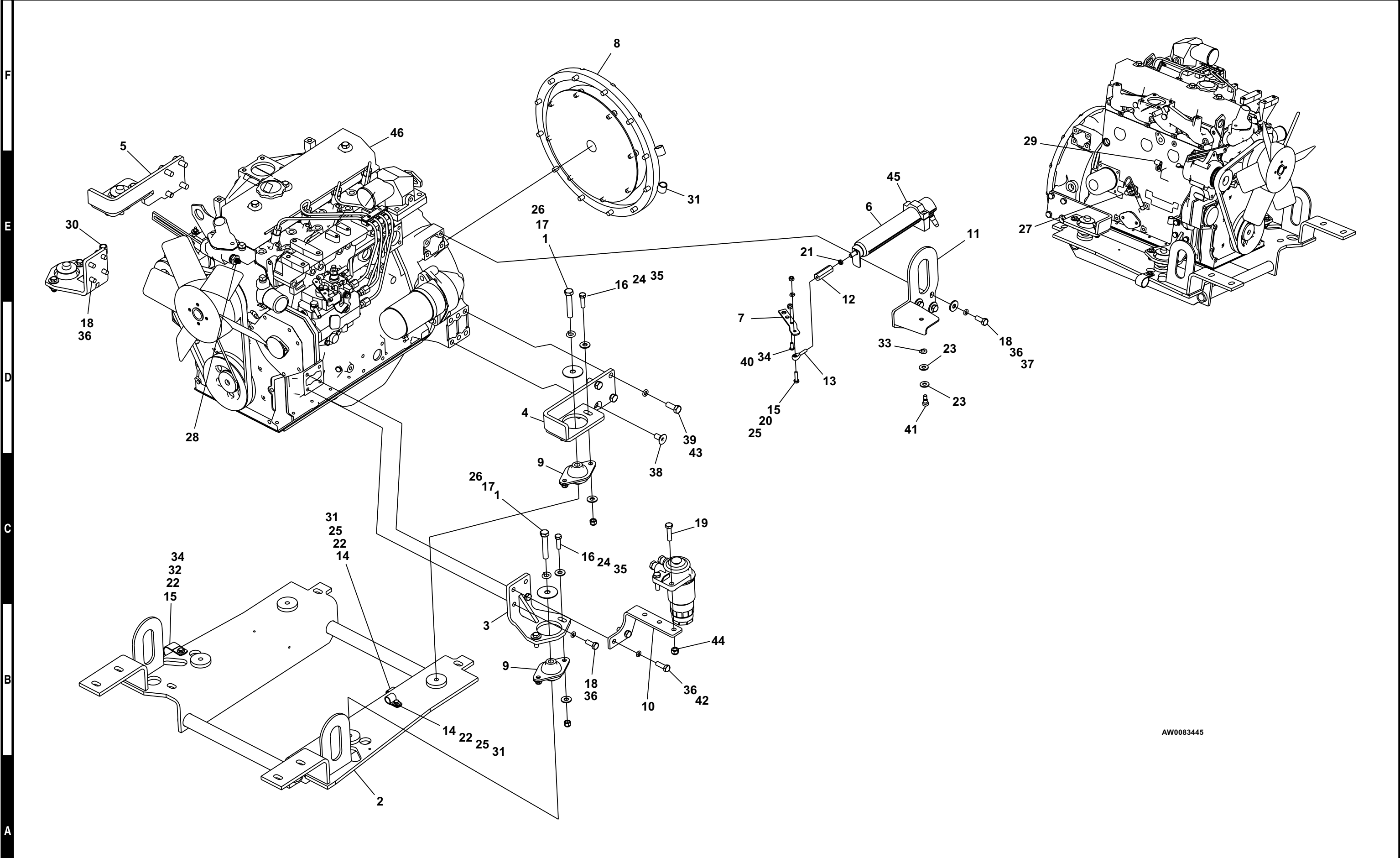


AW0083436

TITLE Engine mounting
 Cummins 3.3
 Snorkel model TB66J



1 2 3 4 5 6 7 8 9



AW0083445

Engine tray, Cummins 3.3

item	part no	qty	description
	0083445	1	Engine tray, Cummins 3.3
1	0070148	4	Engine mount washer
2	0074615-99	1	Engine tray
3	0074622-99	2	Front engine mount bracket
4	0074625-99	1	Rear engine mount bracket, left hand
5	0074628-99	1	Rear engine mount bracket, right hand
6	0162698	1	Throttle actuator
7	0083155-99	1	Throttle lever extension
8	0083437	1	Flywheel coupling
9	7630707	4	Engine isolator
10	0083529-99	1	Fuel filter mount bracket
11	0083570-99	1	Throttle actuator mount bracket
12	0083586	1	Throttle actuator coupler
13	0083587	1	Rod end
14	970019	2	Capscrew 1/4-20 x 5/8 inch long hex head grade 5
15	970049	2	Capscrew 1/4-20 x 1 inch long hex head grade 5
16	970419	8	Capscrew 3/8-16 x 1-1/4 inch long hex head grade 5
17	971069	4	Capscrew 1/2-13 x 2-3/4 inch long hex head grade 5
18	972019	10	Capscrew metric M10-1.5 x 25mm long hex head
19	972049	2	Capscrew metric M10-1.5 x 40mm long hex head
20	984069	1	Nut 1/4-20 hex
21	984329	1	Nut 1/4-20 hex jam
22	986019	3	Washer 1/4 medium flat
23	986269	2	Washer 5/16 medium flat
24	986299	16	Washer 3/8 medium flat
25	987099	3	Washer 1/4 medium lock
26	987139	4	Washer 1/2 medium lock
27	3020095	1	Switch, oil pressure
28	3070037	1	Temperature sensor
29	5093000	1	Clamp
30	5093002	1	Clamp
31	5093021	4	Clamp
32	5093024	1	Clamp
33	5530017	1	Washer 3/8 curved spring
34	5560004	2	Nut 1/4-20 self locking
35	5560033	8	Nut 3/8-16 self locking
36	5560356	12	Washer metric M10 lock
37	5560364	4	Washer metric M10 flat
38	5560598	2	Capscrew metric M12-1.75 x 25mm long socket flat head
39	5560614	6	Washer metric M12 lock
40	5560615	1	Capscrew 1/4-20 x 5/8 inch long button head
41	5560618	1	Shoulder bolt 3/8 x 3/8 inch long
42	5560626	2	Capscrew metric M10-1.5 x 30mm long hex head
43	5560631	6	Capscrew metric M12-1.75 x 20mm long hex head
44	5560719	2	Nut metric M10-1.50 self locking
45	7630323	1	Mounting block
46	7620065	1	Engine, Cummins 3.3
	8036201	1	Replacement fuel filter
	8036204	1	Replacement oil filter

Engine mounting, Deutz F4L-1011F

item	part no	qty	description
1	0082013	1	Engine, Deutz F4L-1011F diesel - (see page 1-47 for parts breakdown)
2	0081630-99	1	Engine mount bracket, right hand front
3	0081631-99	1	Engine mount bracket, left hand front
4	0071599	8	Engine mount washer
5	7630130	1	Engine mount
6	7630286	1	Fuel filter
7	0151786	1	Fuel hose
8	5010011	1	Fuel hose 5/16 inch diameter x 96 inch long
9	5033604	1	Male adapter
10	5090032	1	Fitting, straight barbed
11	5560169	4	Washer 5/8 hard flat ASTM-F436
12	5550028	5	Hose clamp
13	5560131	4	Nut 5/8-11 self locking
14	5560168	16	Washer 1/2 hard flat ASTM-F436
15	5560039	8	Nut 1/2-13 self locking
16	5560639	4	Capscrew 5/8-11 x 4-1/2 inch long hex head grade 5
17	970909	6	Capscrew 1/2-13 x 1-1/2 inch long hex head grade 5
18	970929	2	Capscrew 1/2-13 x 2 inch long hex head grade 5
19	5093002	1	Clamp
20	5093006	4	Clamp
21	5560638	1	Capscrew metric M8-1.25 x 16mm long hex head
22	5560355	1	Washer metric M8 lock
23	0080522	1	1/2 inch hydraulic hose
24	970009	3	Capscrew 1/4-20 x 1/2 inch long hex head grade 5
25	986019	3	Washer 1/4 medium flat
26	987099	3	Washer 1/4 medium lock

F

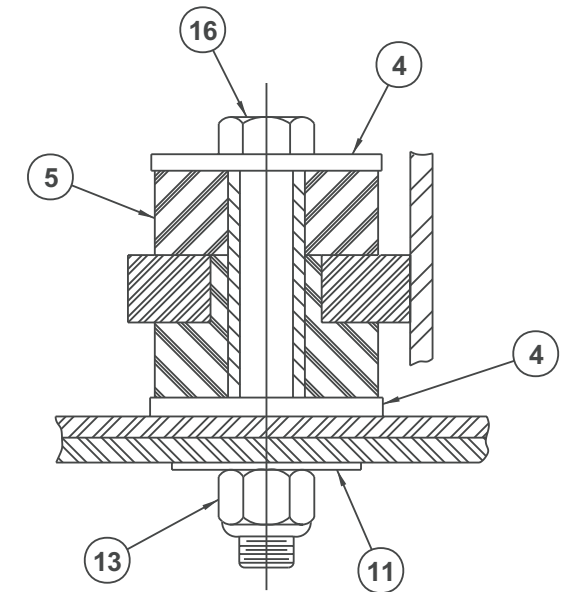
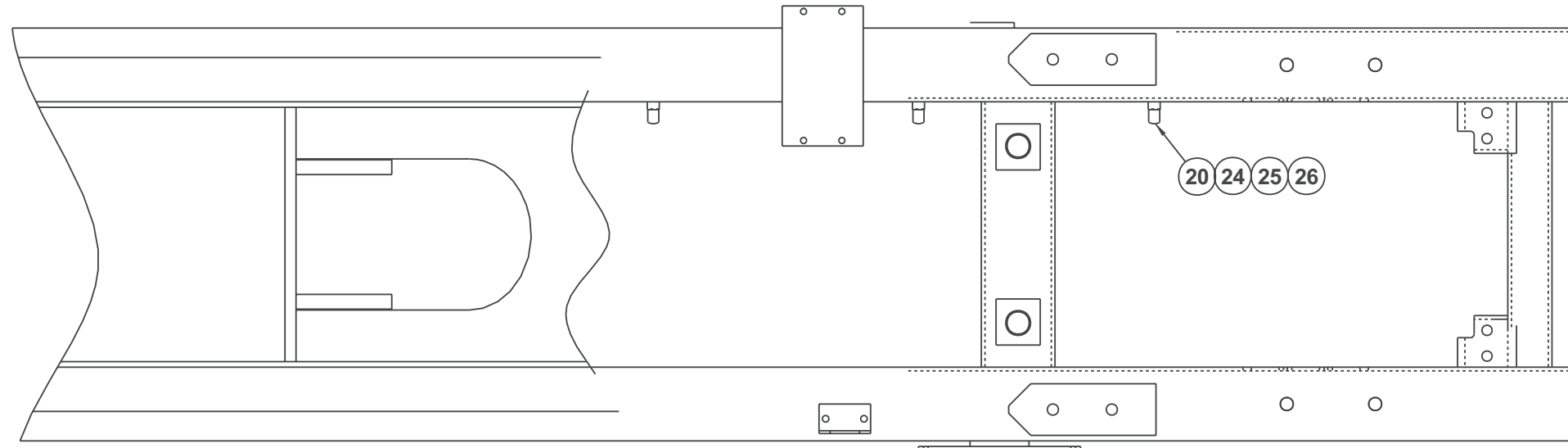
E

D

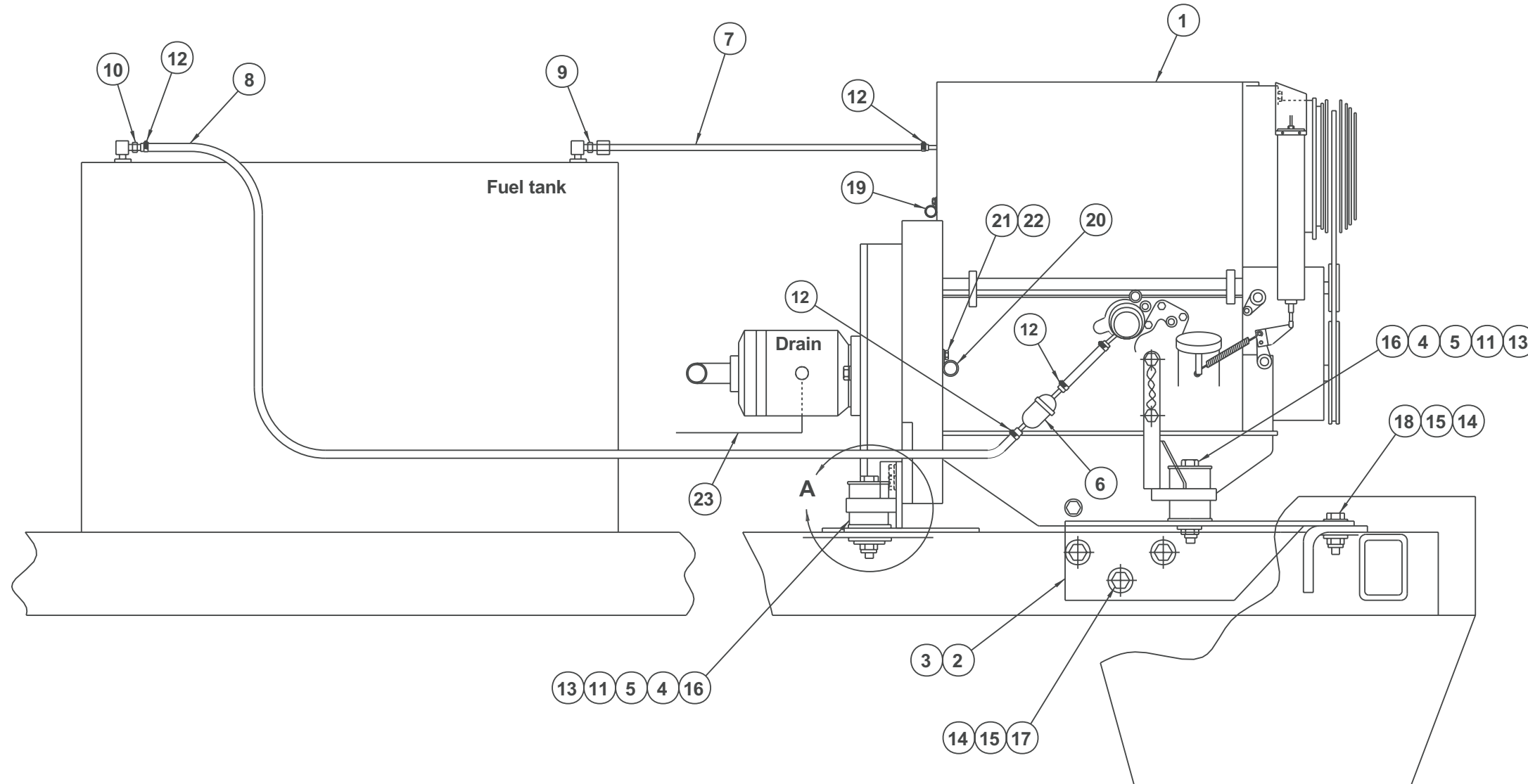
C

B

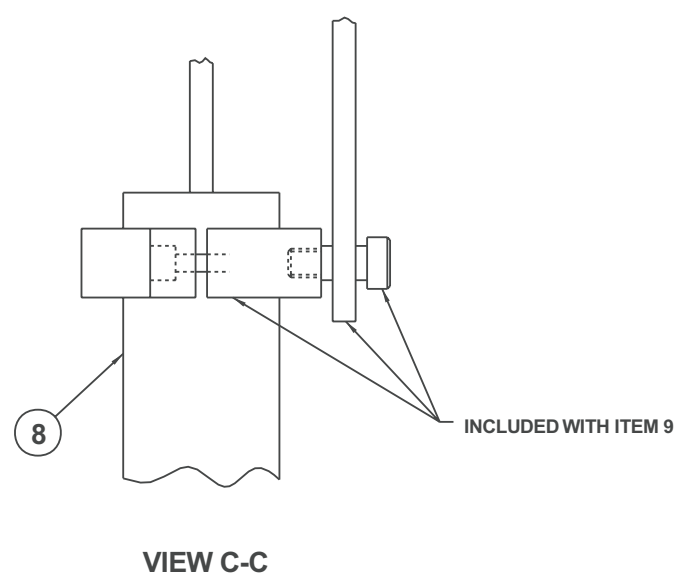
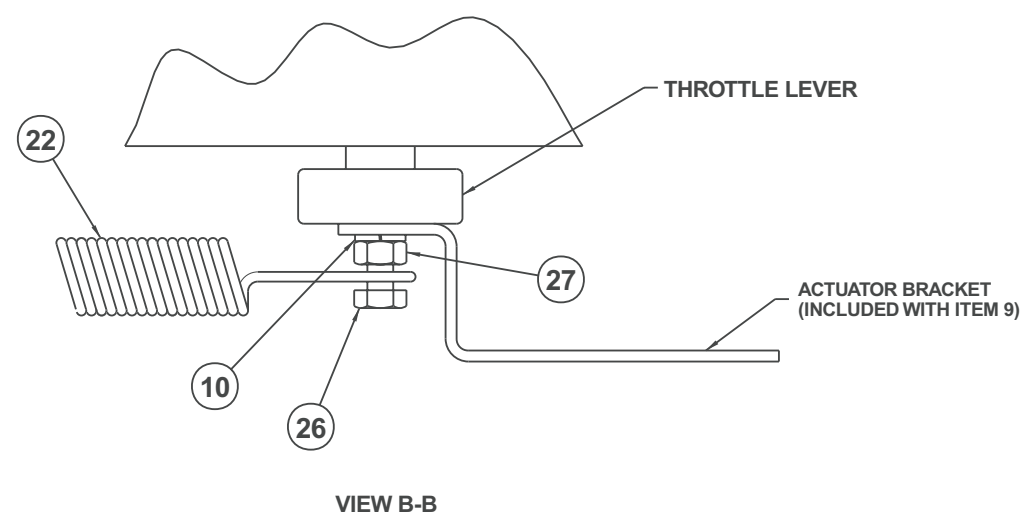
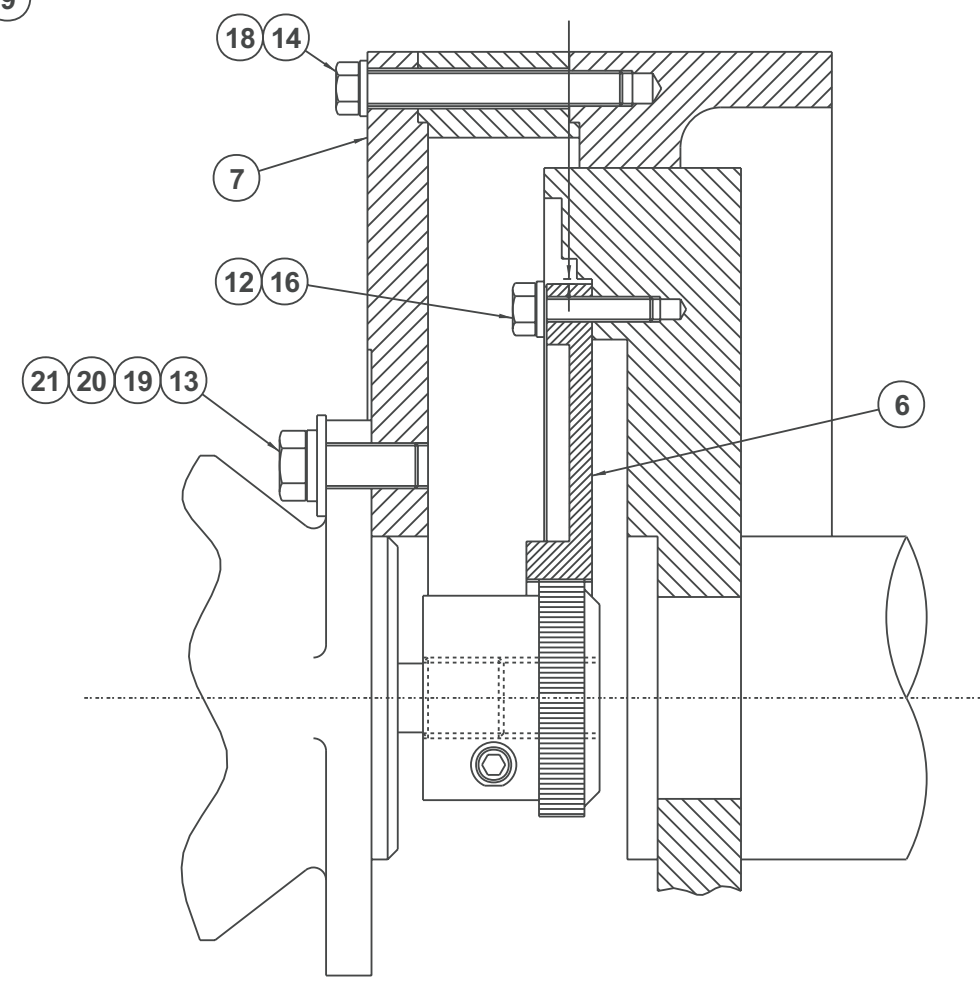
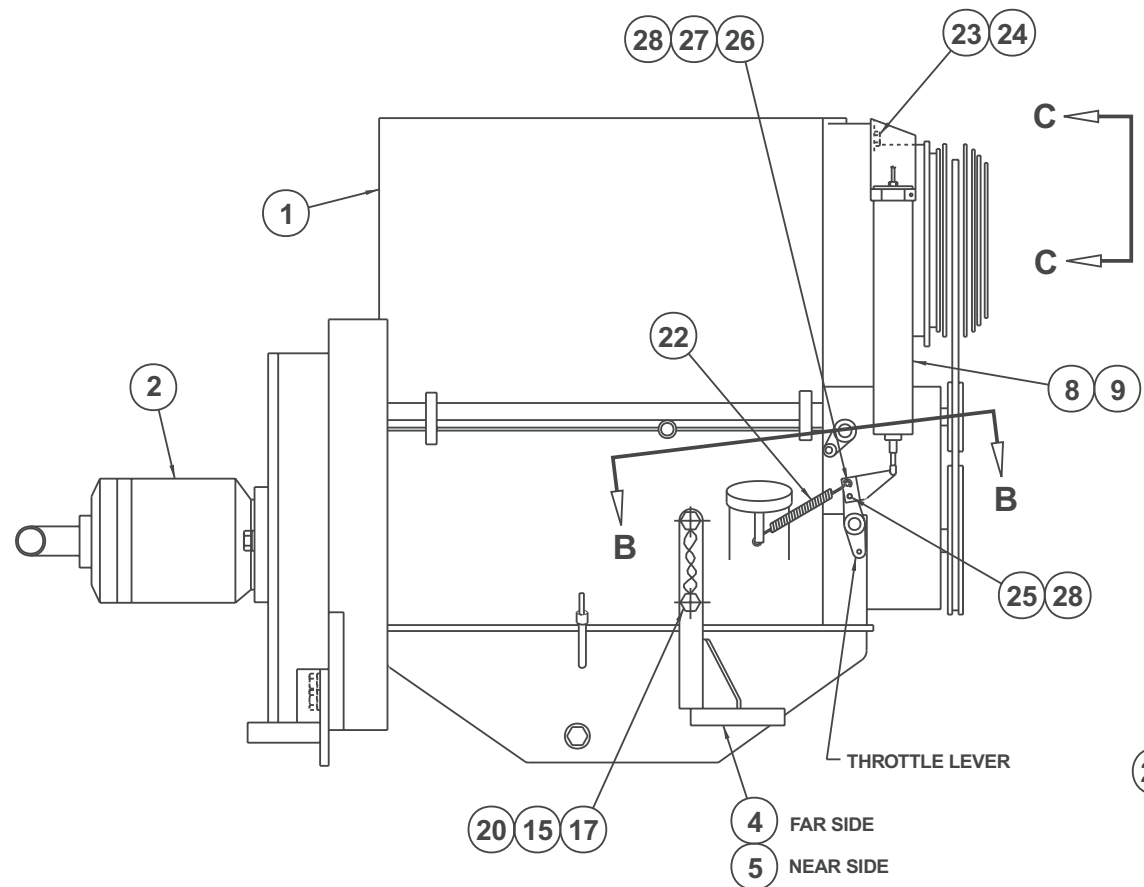
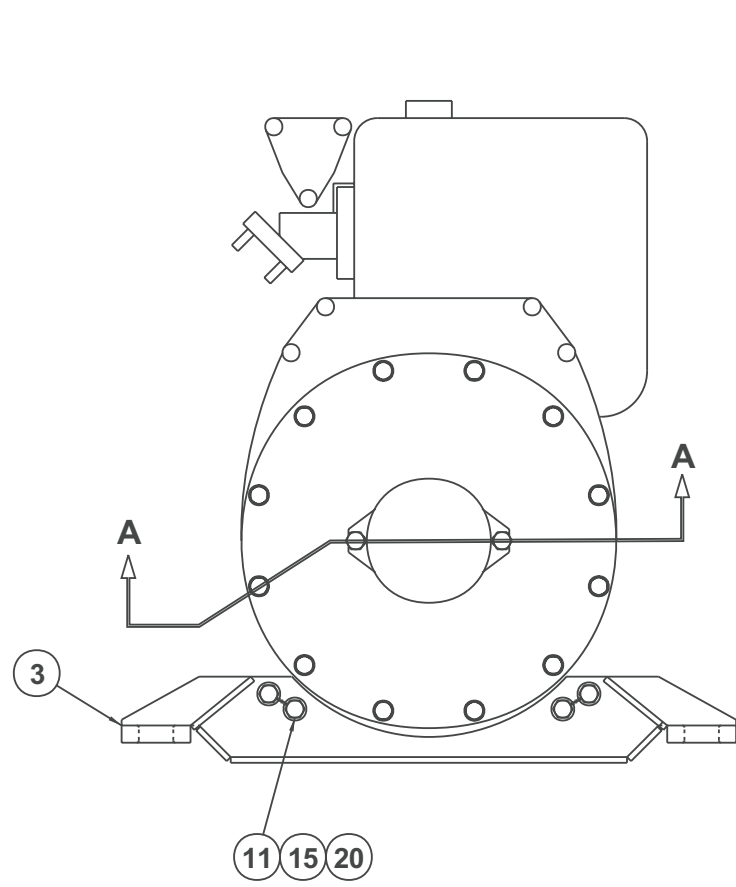
A



Detail "A"
typical installation
4 places



AW0082015



AW0082013

Engine, Deutz F4L-1011F

item	part no	qty	description
	0082013	1	Engine, Deutz F4L-1011F diesel
1	7620041	1	Engine, Deutz F4L-1011F diesel
2	0181525	1	Hydraulic pump - (see page 2-47 for parts breakdown)
3	0081624-99	1	Motor mount, rear
4	0081619-99	1	Motor mount, front right hand
5	0081614-99	1	Motor mount, front left hand
6	7630249	1	Flexible coupling - (before 3-20-01)
	7630776	1	Engine pump mount - (before 3-20-01)
7	0081226-99	1	Plate, engine coupling - (before 3-20-01)
	7630779	1	Coupler kit - (after 3-20-01)
8	20082045	1	Actuator kit - (includes spring - item 22)
9	7630311	1	Mount kit, Addco actuator
10	5560664	1	Washer metric M6 lock
11	5560207	4	Capscrew metric M12-2.00 x 30mm long hex head drilled
12	986299	6	Washer 3/8 medium flat
13	987139	2	Washer 1/2 medium lock
14	5560356	8	Washer metric M10 lock
15	5560377	8	Washer metric M14 lock
16	5560626	6	Capscrew metric M10-1.5 x 30mm long hex head
17	5560028	4	Capscrew metric M14-2.00 x 50mm long hex head drilled
18	5560653	8	Capscrew metric M10-1.5 x 85mm long hex head
19	5560168	2	Washer 1/2 hard flat ASTM-F436
20	9980012	1	.040 inch diameter stainless steel safety lockwire - (sold in one pound can)
21	5560136	2	Capscrew 1/2-13 self locking drilled head
22	810246	1	Spring - (included with actuator kit 20082045)
23	5560638	2	Capscrew metric M8-1.25 x 16mm long hex head
24	5560355	2	Washer metric M8 lock
25	5560628	1	Capscrew metric M6-1.0 x 12mm long hex head
26	984169	2	Nut metric M6-1.0 hex

Engine mounting, Ford LRG-425

item	part no	qty	description
1	0083368	1	Engine, Ford LRG-425 - (see page 1-51 for parts breakdown)
2	7630677	1	Radiator
3	0180441-99	2	Bracket, radiator support
4	0081860-99	2	Angle, radiator
5	7630180	4	Radiator cushion
6	5560179	8	Washer
7	7630332	1	Radiator hose, lower
8	7630749	1	Radiator hose, upper
9	5550030	4	Clamp
10	7630117	4	Engine mount
11	0071599	8	Engine mount washer
12	0180832-99	1	Mount plate, overflow reservoir
13	7630227	1	Overflow reservoir
	8060277	1	Replacement reservoir cap
14	5010012	1	Radiator overflow hose 5/16 inch diameter x 60 inch long
15	970909	6	Capscrew 1/2-13 x 1-1/2 inch long hex head grade 5
16	5560039	6	Nut 1/2-13 self locking
17	5550028	5	Clamp
18	5010011	1	Fuel hose 5/16 inch diameter x 120 inch long
19	5093012	1	Hose clamp
20	5090032	2	Fitting, straight barbed
21		1	Drain cock - (included with engine)
22	970239	4	Capscrew 5/16-18 x 3/4 inch long hex head grade 5
23	987109	4	Washer 5/16 medium lock
24	970889	4	Capscrew 1/2-13 x 1 inch long hex head grade 5
25	986359	4	Washer 1/2 medium flat
26	987139	4	Washer 1/2 medium lock
27	5560639	4	Capscrew 5/8-11 x 4-1/2 inch long hex head grade 5
28	5560169	4	Washer 5/8 hard flat ASTM-F436
29	5560036	4	Nut 5/8-11 self locking
30	5560086	14	Capscrew 1/4-20 x 1 inch long hex head grade 5
31	5560004	16	Nut 1/4-20 self locking
32	986019	11	Washer 1/4 medium flat
33	0081464-99	2	Motor mount, front
34	986269	4	Washer 5/16 medium flat
35	7630239	1	Radiator cap - 13 psi
36	970519	4	Capscrew 3/8-16 x 2-1/4 inch long hex head grade 5
37	986299	4	Washer 3/8 medium flat
38	5560033	4	Nut 3/8-16 self locking
39	0112092	1	Decal, engine control module
40	970029	8	Capscrew 1/4-20 x 3/4 inch long hex head grade 5
41	3020081	1	Switch, toggle
42	5093008	1	Clamp
43	5093004	2	Clamp
44	0181154-99	1	Shield
45	7630688	1	Indicator lamp
46	0112093-99	1	Bracket, ECM mounting
47	987099	4	Washer 1/4 medium lock
48	7630687	1	Engine control module - (included with engine, item 1)
49	7630678	1	Fuel line connector - (included with engine, item 1)
50	7630679	1	Fuel line connector - (included with engine, item 1)
51	7630680	1	Fuel line connector - (included with engine, item 1)
52	7630681	1	Pressure regulator - (included with engine, item 1)
53	7630682	1	Fuel pump - (included with engine, item 1)
54	7630683	1	Fuel filter - (included with engine, item 1)
55	7630686	1	High pressure hose - (included with engine, item 1)
56	7630685	1	Pressure regulator clamp - (included with engine, item 1)
57	7630691	1	High pressure fuel clamp - (included with engine, item 1)

F

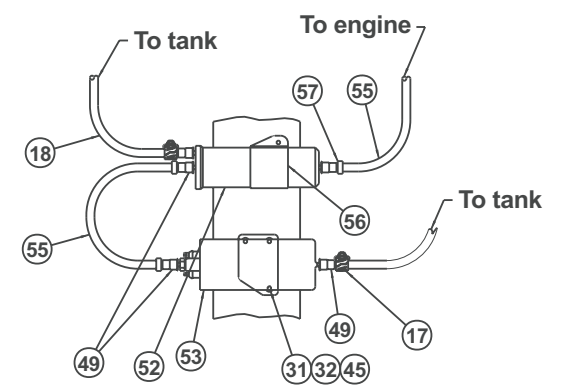
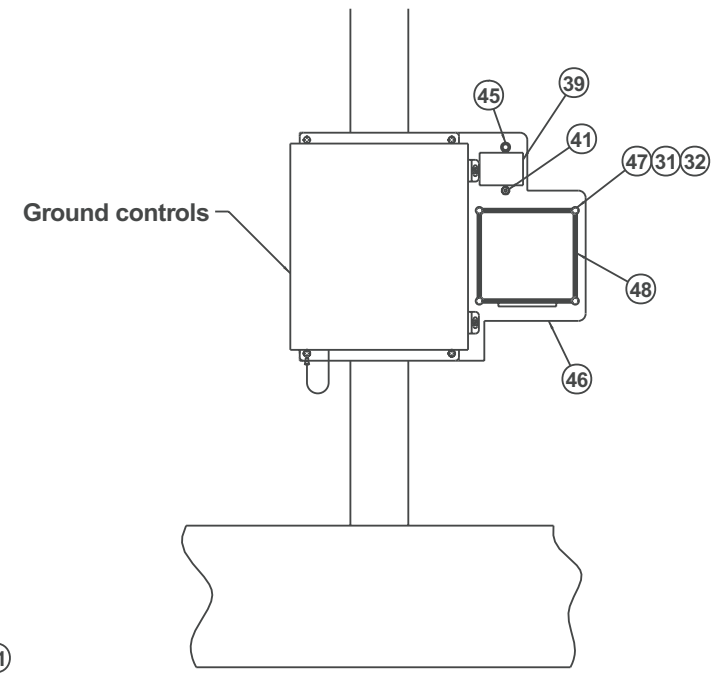
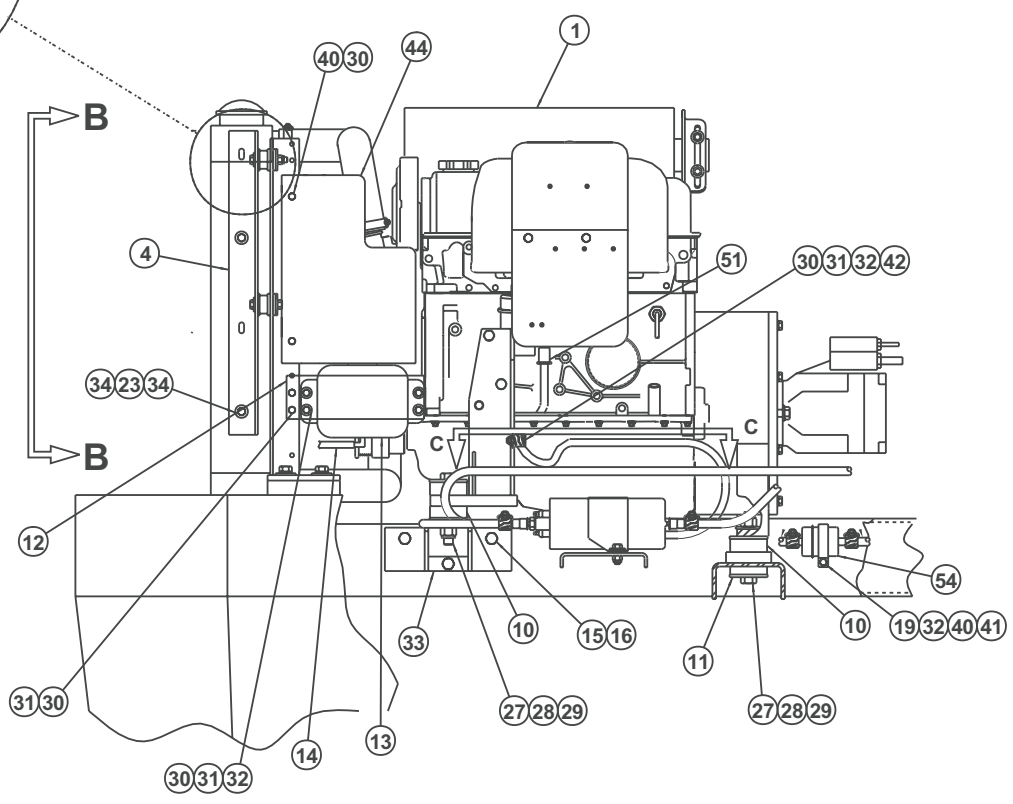
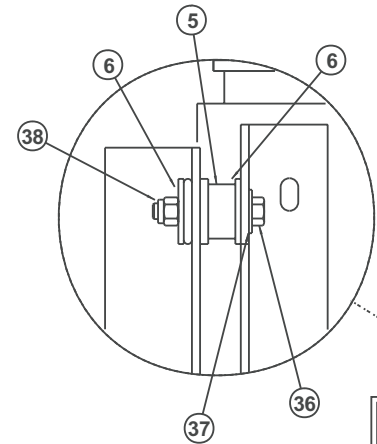
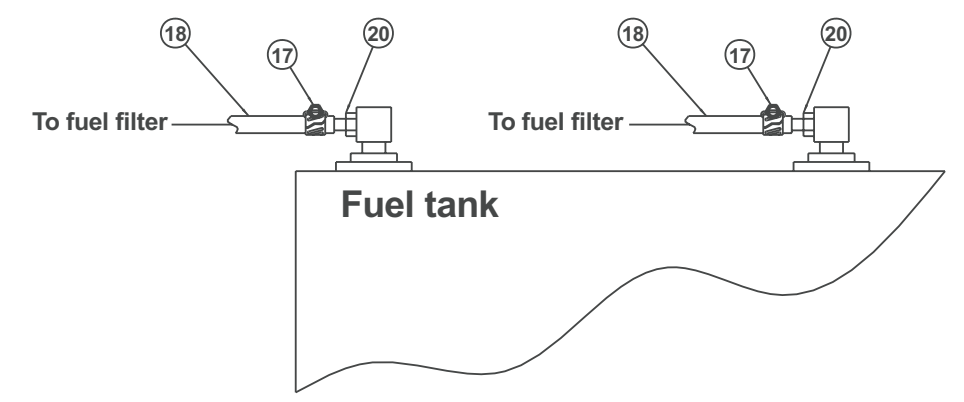
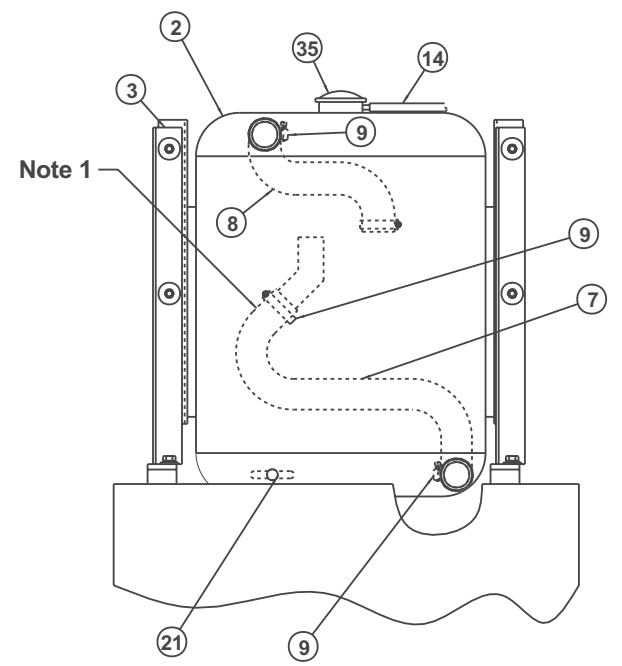
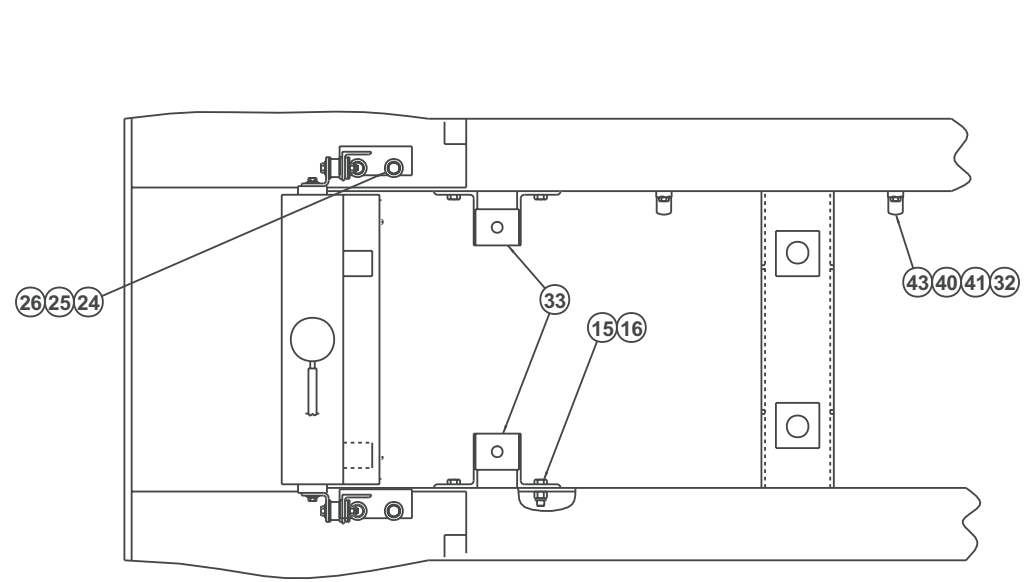
E

D

C

B

A



AW0082693

TITLE Engine mounting
 Ford LRG-425
 Snorkel model TB66J



Page 1 - 49

1 2 3 4 5 6 7 8 9

F

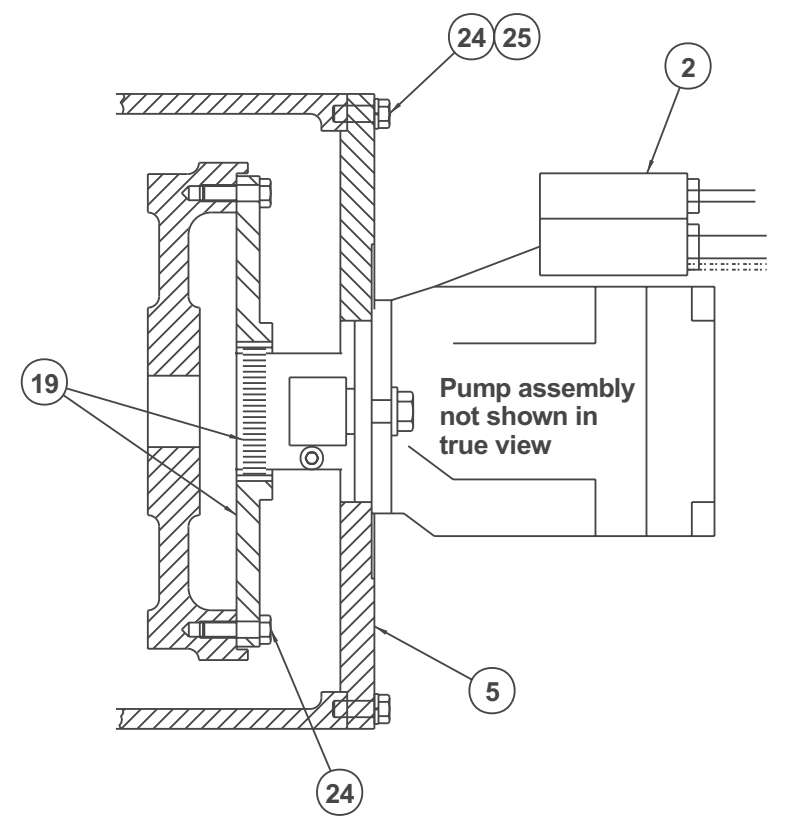
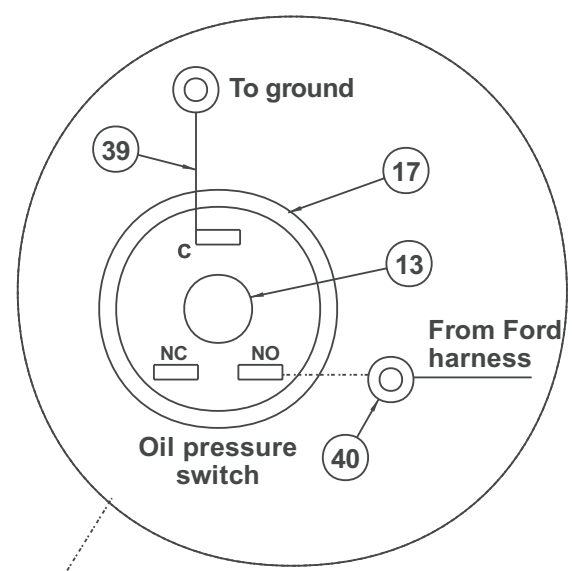
E

D

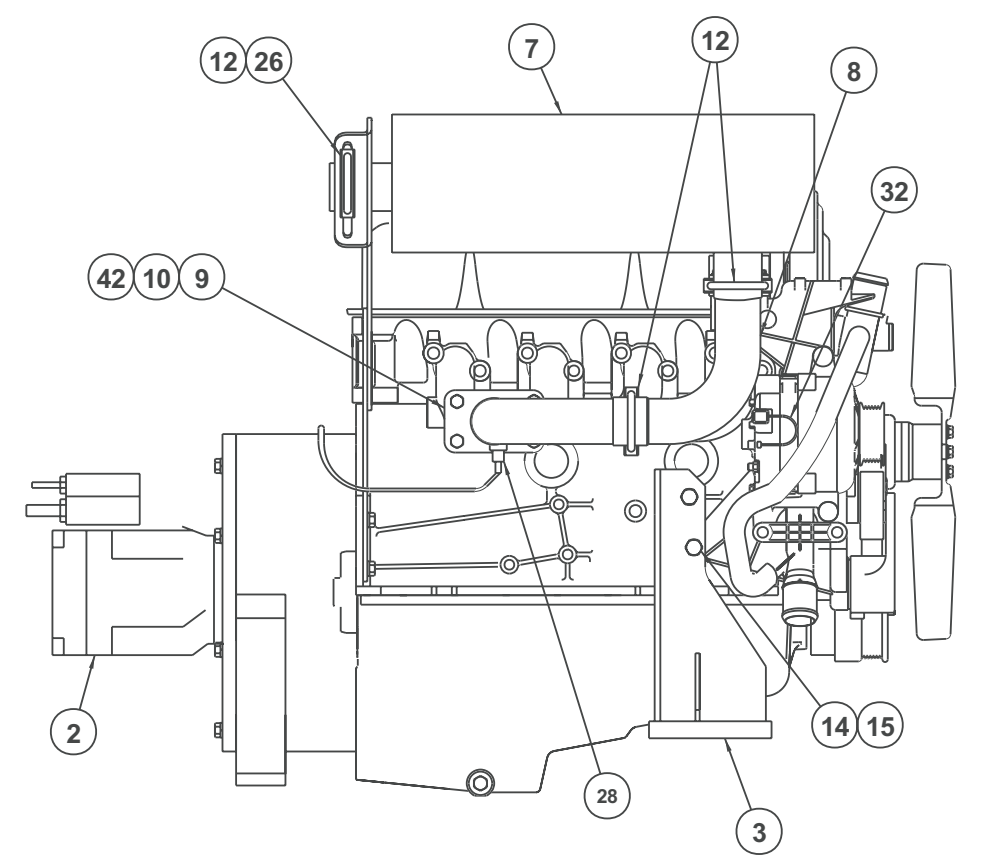
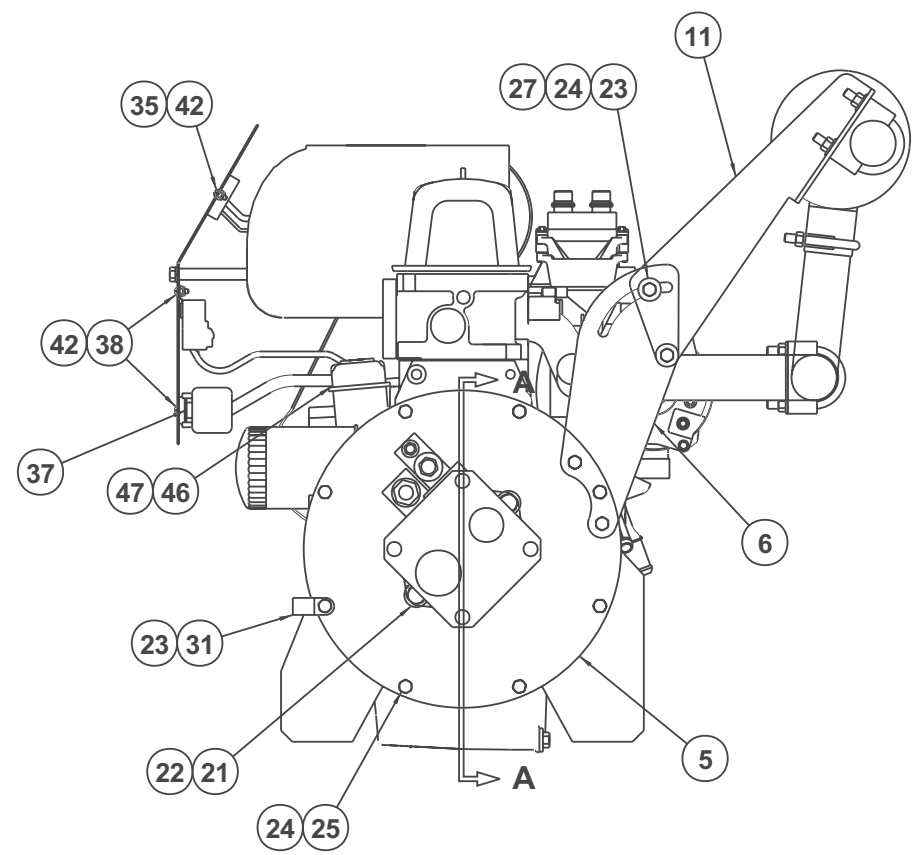
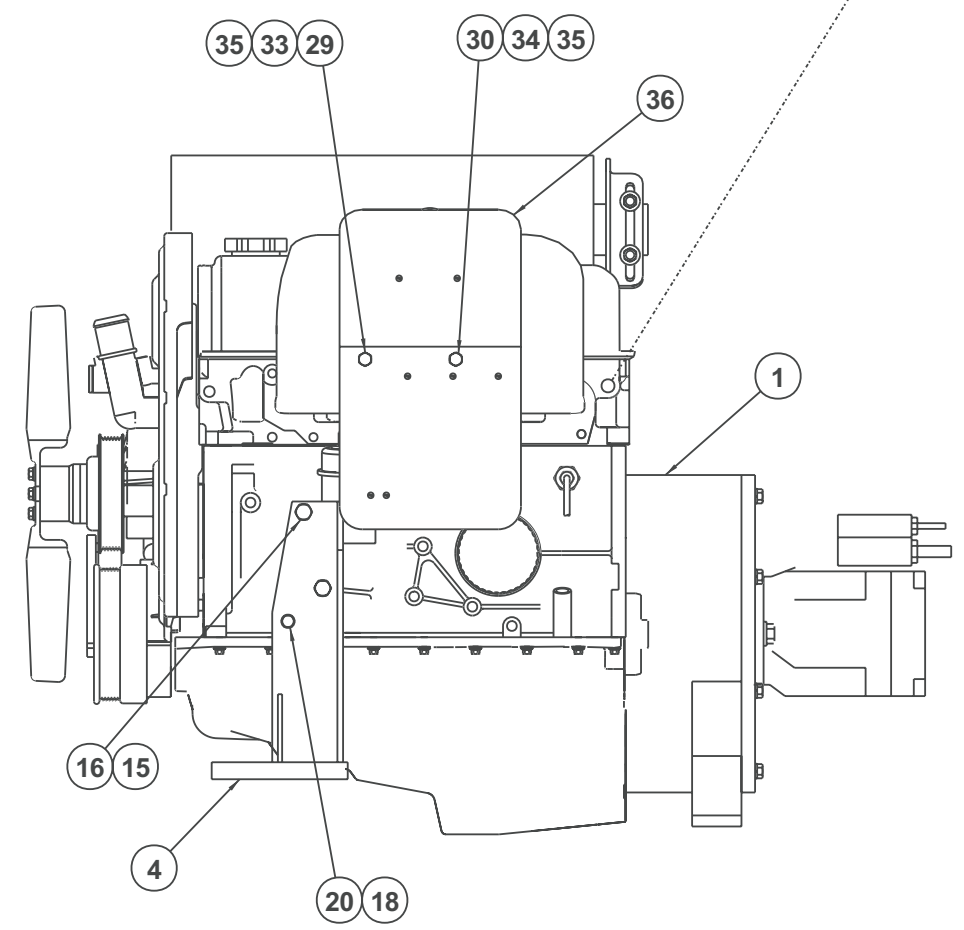
C

B

A



Section A-A



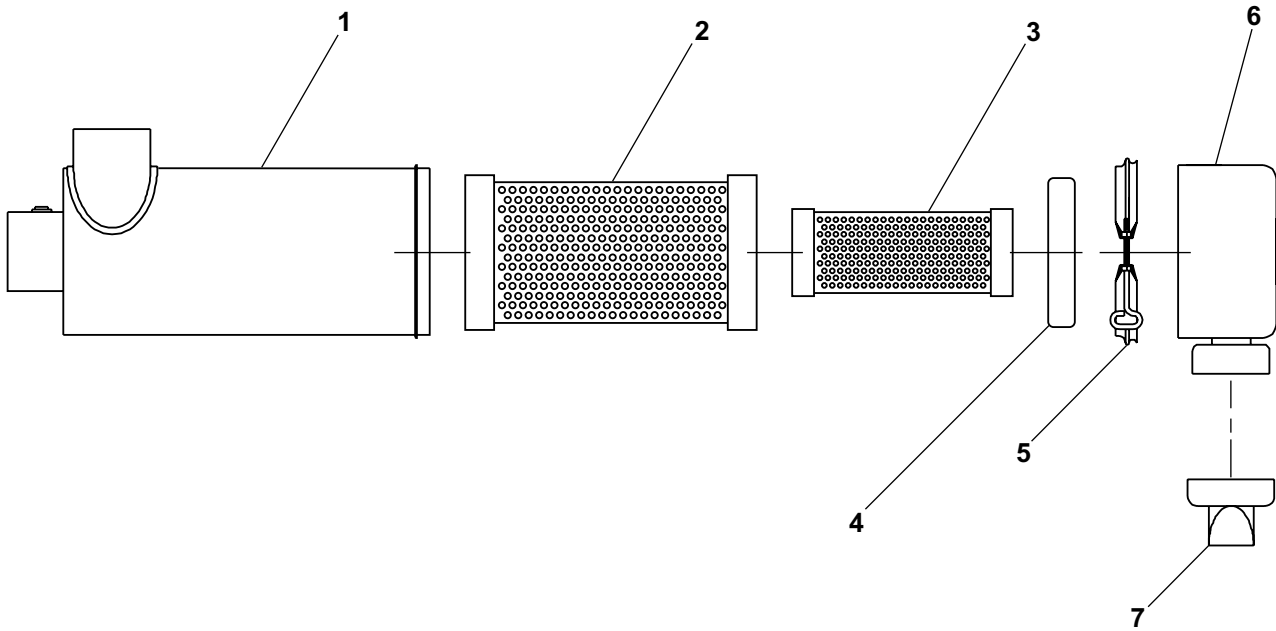
AW0083368

Engine, Ford LRG-425

item	part no	qty	description
	0083368	1	Engine, Ford LRG-425
1	7620055	1	Engine, Ford LRG-425 gasoline
2	0082138	1	Hydraulic pump - (see page 2-47 for parts breakdown)
3	0111838-99	1	Motor mount, right hand
4	0111839-99	1	Motor mount, left hand
5	0080827-99	1	Engine adapter, Ford engine - (before 3-20-01)
	7630777	1	Engine pump mount - (after 3-20-01)
6	0181525	1	Exhaust bracket, lower
7	7630255	1	Muffler
	7630307	1	Muffler, spark arrestor
8	0181453-79	1	Exhaust pipe
9	0112088-79	1	Exhaust flange, LRG Ford
10		1	Exhaust gasket - (included with engine, item 1)
11	0181543	1	Exhaust bracket, upper
12	5550014	3	Exhaust clamp
13	7720201	1	Reducer
14	5560652	2	Capscrew metric M10-1.5 x 70mm long hex head
15	5560356	4	Washer metric M10 lock
16	972019	2	Capscrew metric M10-1.5 x 25mm long hex head
17	3020095	1	Switch, oil pressure
18	5560357	1	Capscrew metric M8-1.25 x 25mm long hex head
19	7630249	1	Flexible coupling - (before 3-20-01)
	7630779	1	Coupler kit - (after 3-20-01)
20	5560355	3	Washer metric M8 lock
21	5560136	2	Capscrew 1/2-13 self locking drilled head
22	5560168	2	Washer 1/2 hard flat ASTM-F436
23	986299	1	Washer 3/8 medium flat
24	970479	14	Capscrew 3/8-16 x 1-1/4 inch long hex head grade 5
25	987119	14	Washer 3/8 medium lock
26	986269	2	Washer 5/16 medium flat
27	5560033	2	Nut 3/8-16 self locking
28		1	Hego sensor - (included with engine)
29	0112084-99	1	Spacer, 3 inch
30	0112085-99	1	Spacer, 4 inch
31	5093006	2	Clamp
32	0111869	1	Wire harness, alternator
33	5569823	1	Capscrew metric M8-1.25 x 105mm long hex head
34	5569824	1	Capscrew metric M8-1.25 x 130mm long hex head
35	5560610	2	Machine screw #10-24 x 1-1/4 inch long truss head
36	0112086-99	1	Engine harness cover plate
37	0112087-99	1	Connector bracket, 42 pin
38	5560609	5	Machine screw #10-24 x 1/2 inch long truss head
39	0071563	1	Jumper wire
40	3044145	1	Terminal #8 stud insulated 22/18 wire
41	5560034	2	Nut #10-24 self locking
42	5560625	1	Capscrew metric M10-1.5 x 20mm long hex head

Air cleaner

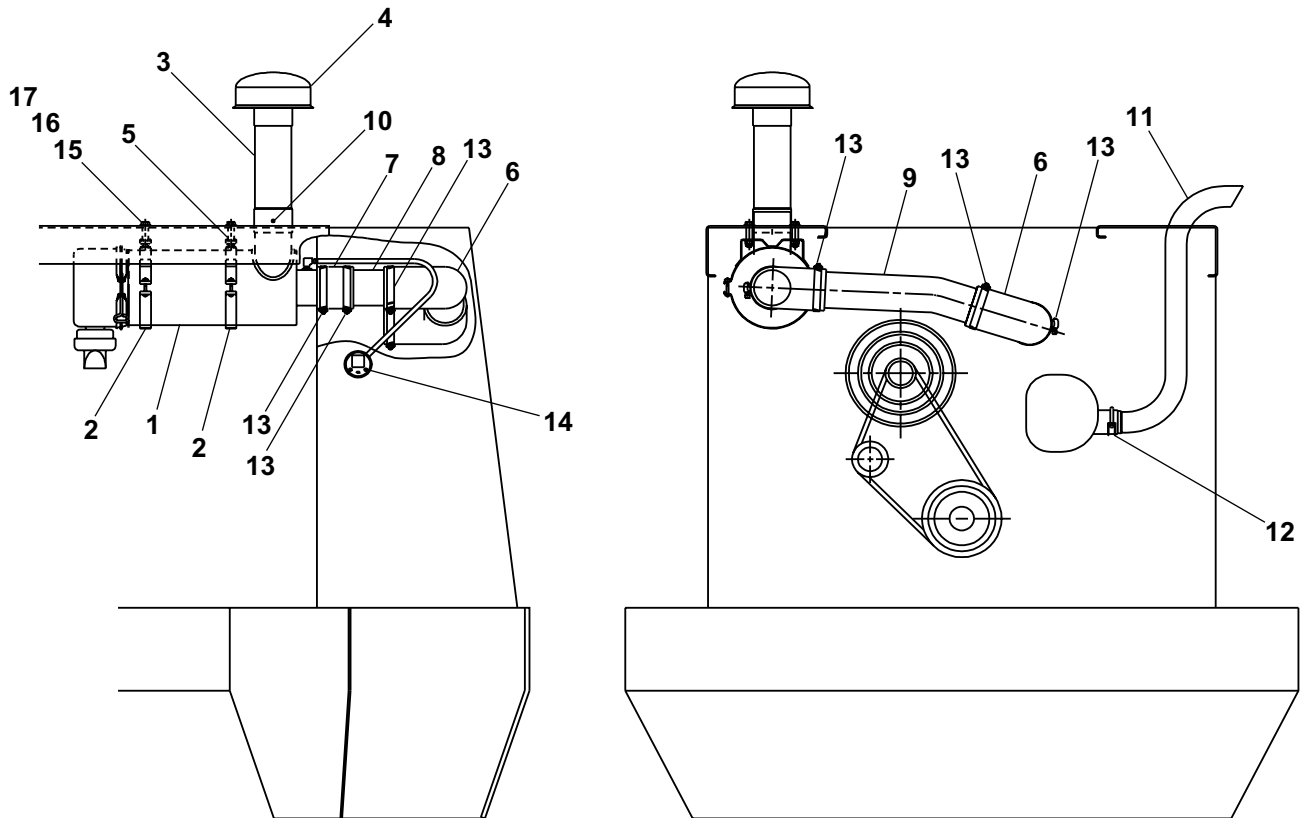
item	part no	qty	description
	7630003	1	Air cleaner
1		1	Housing - (not sold separately)
2	8040106	1	Primary filter element
3	8040107	1	Secondary filter element
4	8040112	1	Cleaner cap baffle
5	8040114	1	Clamp
6	8040111	1	Dust cap
7	8040115	1	Vacuator valve



AW7630003

Exhaust and air cleaner, Deutz

item	part no	qty	description
1	7630003	1	Air cleaner - (see page 1-52 for parts breakdown)
2	7630005	2	Air cleaner mounting band
3	0080879-99	1	Air inlet tube
4	7630004	1	Air inlet hood
5	0071510-99	4	Spacer, air cleaner
6	7630016	2	Elbow, 3 inch 90° rubber
7	0081053	1	Air intake hose
8	0081052-99	1	Air intake tube
9	0081639-99	1	Air intake tube
10	5560659	1	Pop rivet #AD44-ABS
11	0081640-79	1	Exhaust pipe
12	5550007	1	Exhaust clamp
13	5550050	1	Clamp
14	7630140	1	Filter condition indicator
15	970499	4	Capscrew 3/8-16 x 1-3/4 inch long hex head grade 5
16	986299	4	Washer 3/8 medium flat
17	5560033	4	Nut 3/8-16 self locking



AW0081638

Exhaust and air cleaner, Ford

item	part no	qty	description
1	7630689	1	Air cleaner, Ford LRG-425
	8140006	1	Replacement primary filter element
2	7630004	1	Air inlet hood
3	5560658	3	Pop rivet #AD36-ABS
4	0071510-99	2	Spacer, air cleaner
5	0080679-99	1	Air inlet tube
6	0082123-99	1	Air cleaner elbow
7	0111959	1	Tail pipe
8	7630016	1	Elbow, 3 inch 90° rubber
9	7630197	2	Elbow, 2 inch 90° rubber
10	5550050	2	Clamp
11	5550040	4	Clamp
12	0082694-99	1	Tube elbow
13	7630140	1	Filter condition indicator
14	5010020	1	Emission control hose 5/8 inch diameter
15	5090302	1	Tube clamp
16	5560609	4	Machine screw #10-24 x 1/2 inch long truss head
17	5560034	4	Nut #10-24 self locking
18	5560357	2	Capscrew metric 8M-1.25 x 25mm long hex head
19	986299	8	Washer 3/8 medium flat
20	5560033	4	Nut 3/8-16 self locking

F

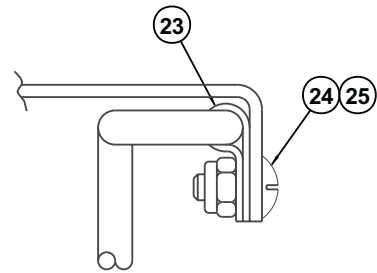
E

D

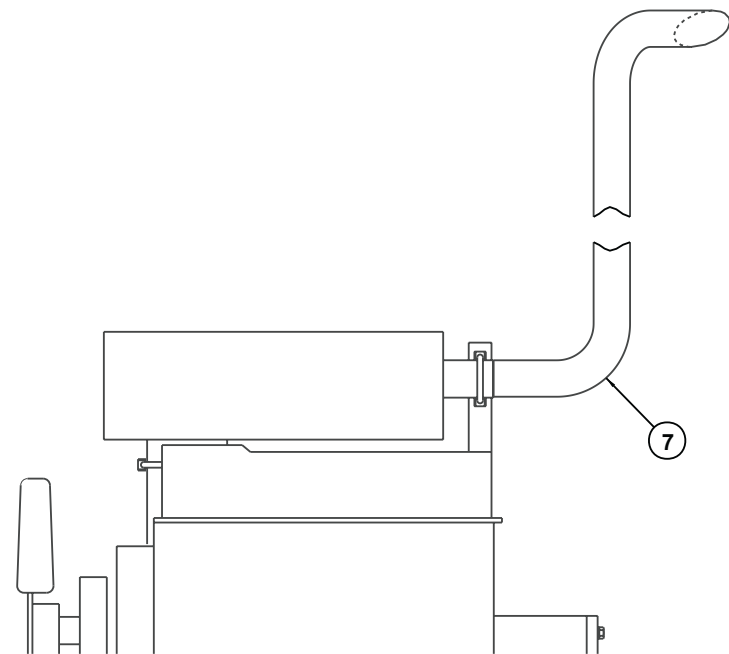
C

B

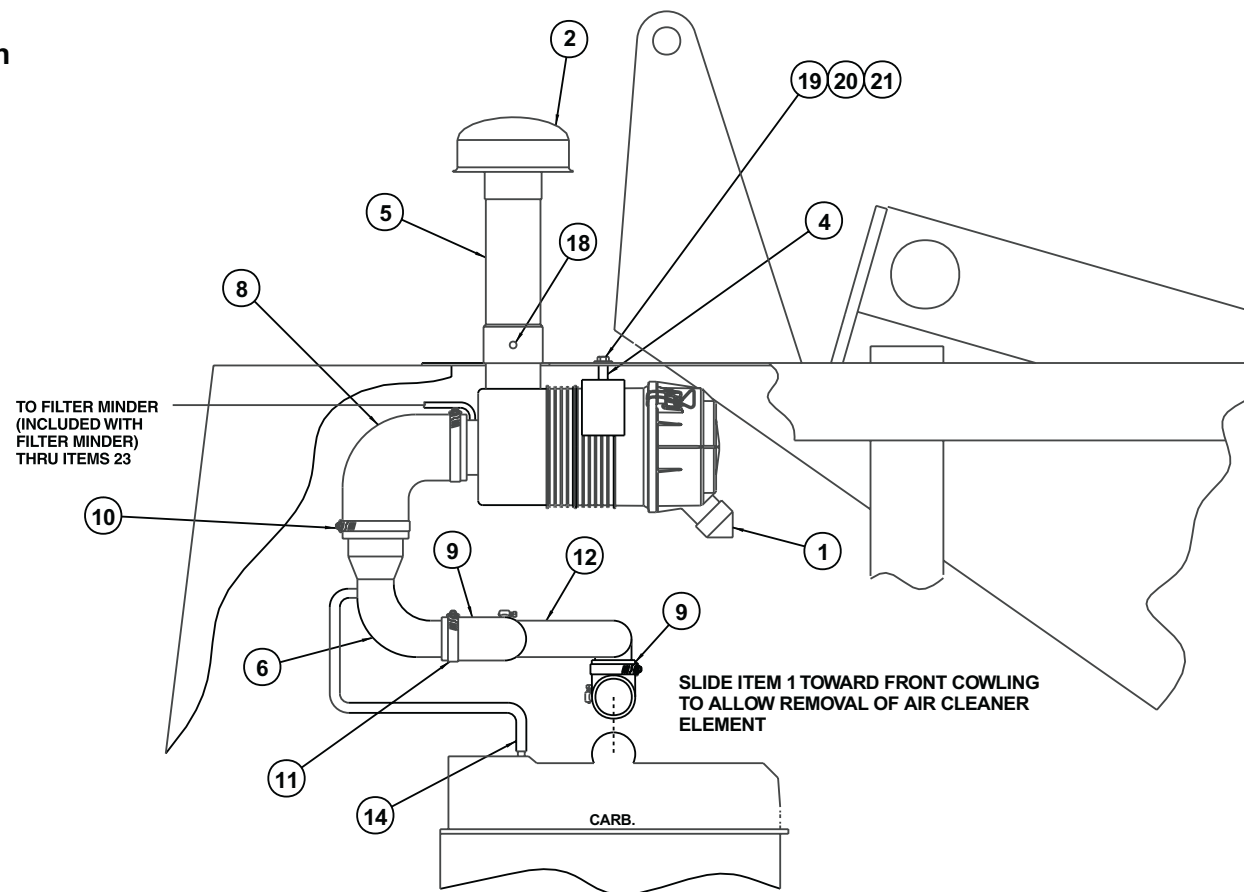
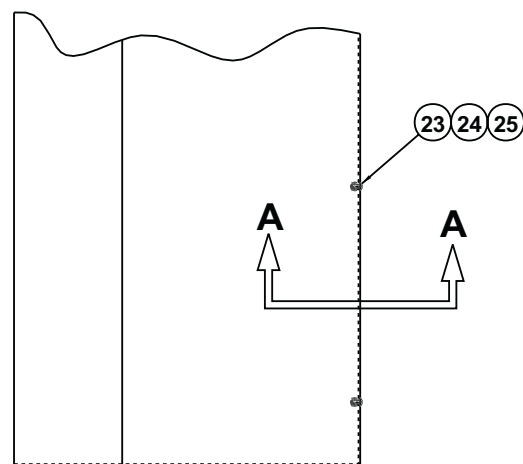
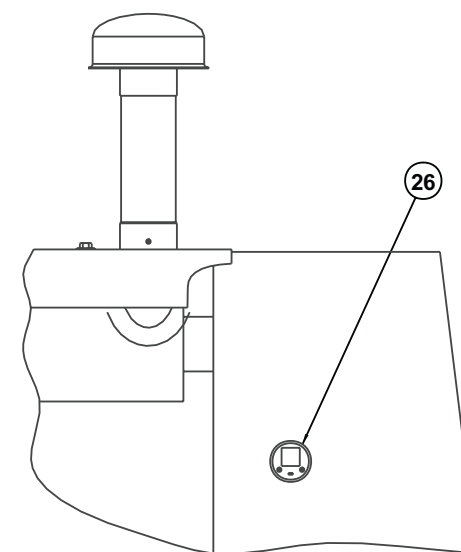
A



Section A-A



Exhaust installation

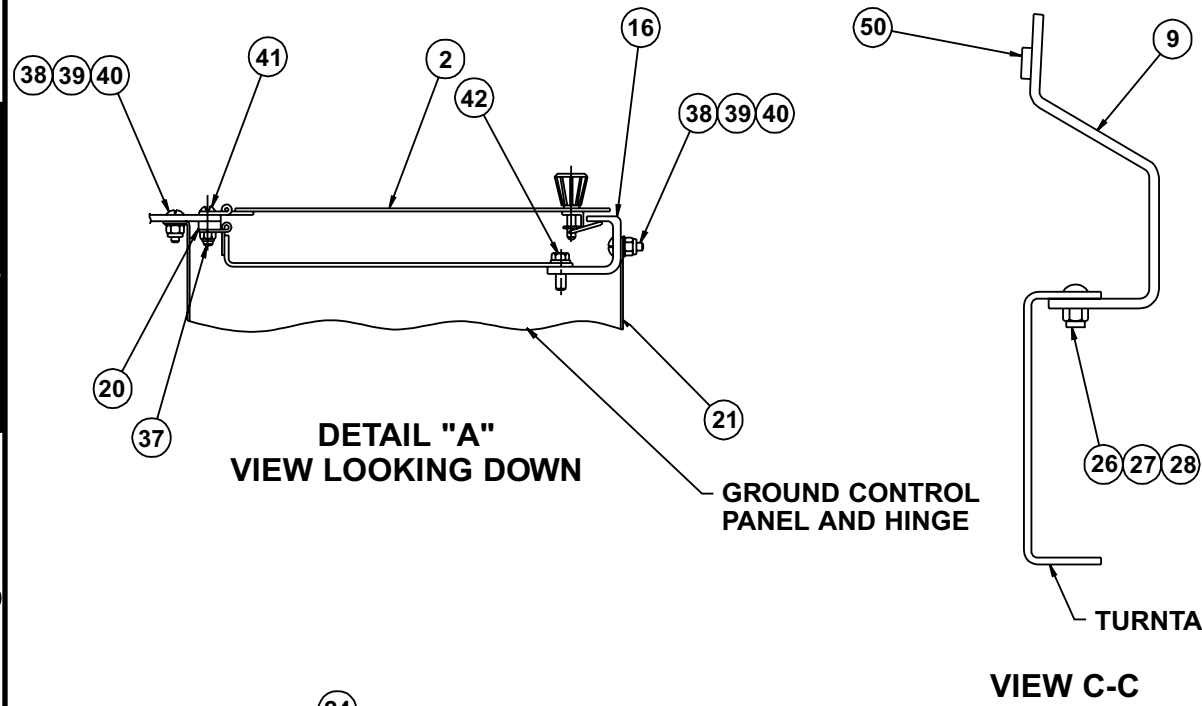


AW0082695

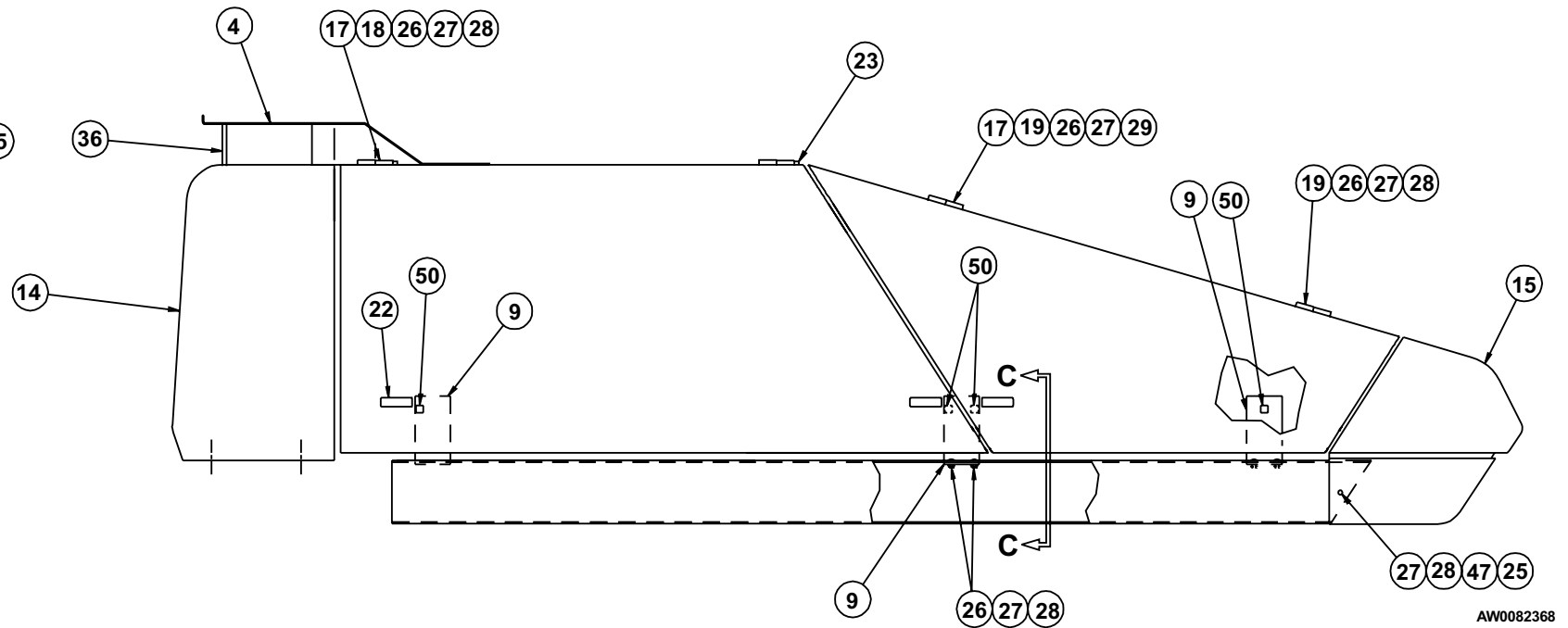
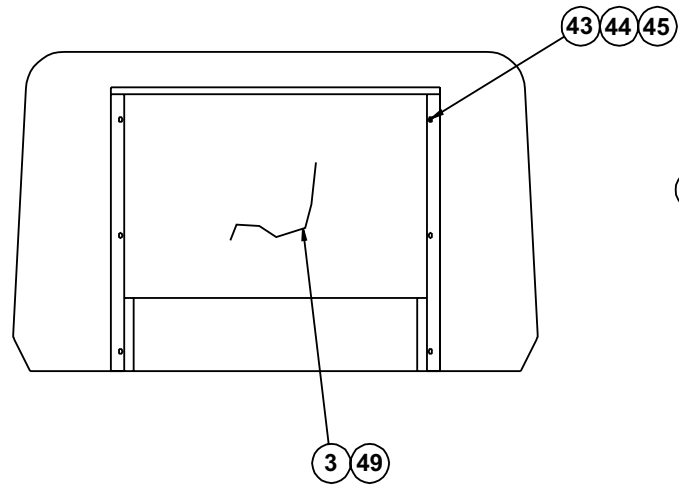
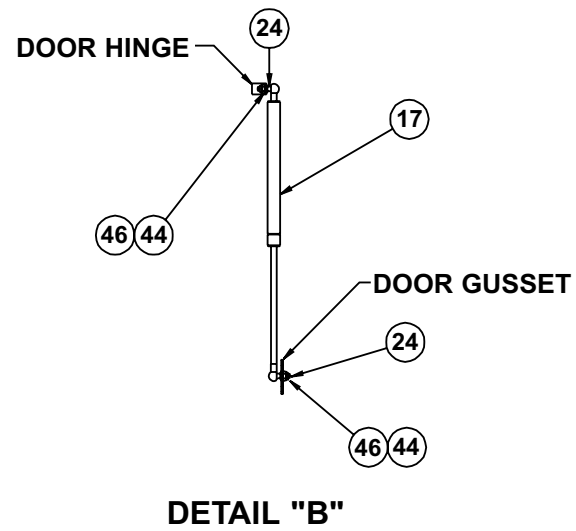
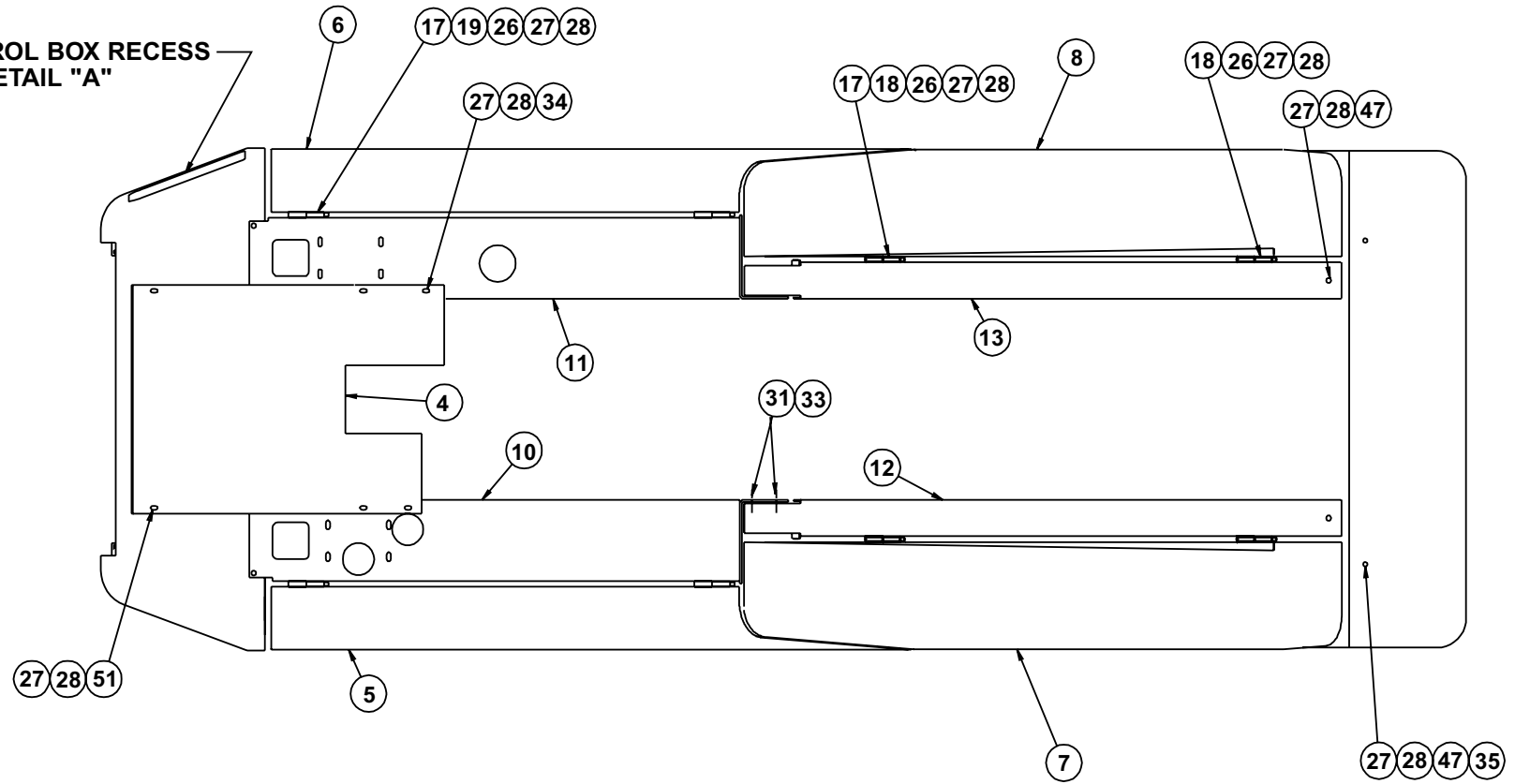
TITLE Exhaust and air cleaner
 Ford
 Snorkel model TB66J



F
E
D
C
B
A



CONTROL BOX RECESS
SEE DETAIL "A"



AW0082368

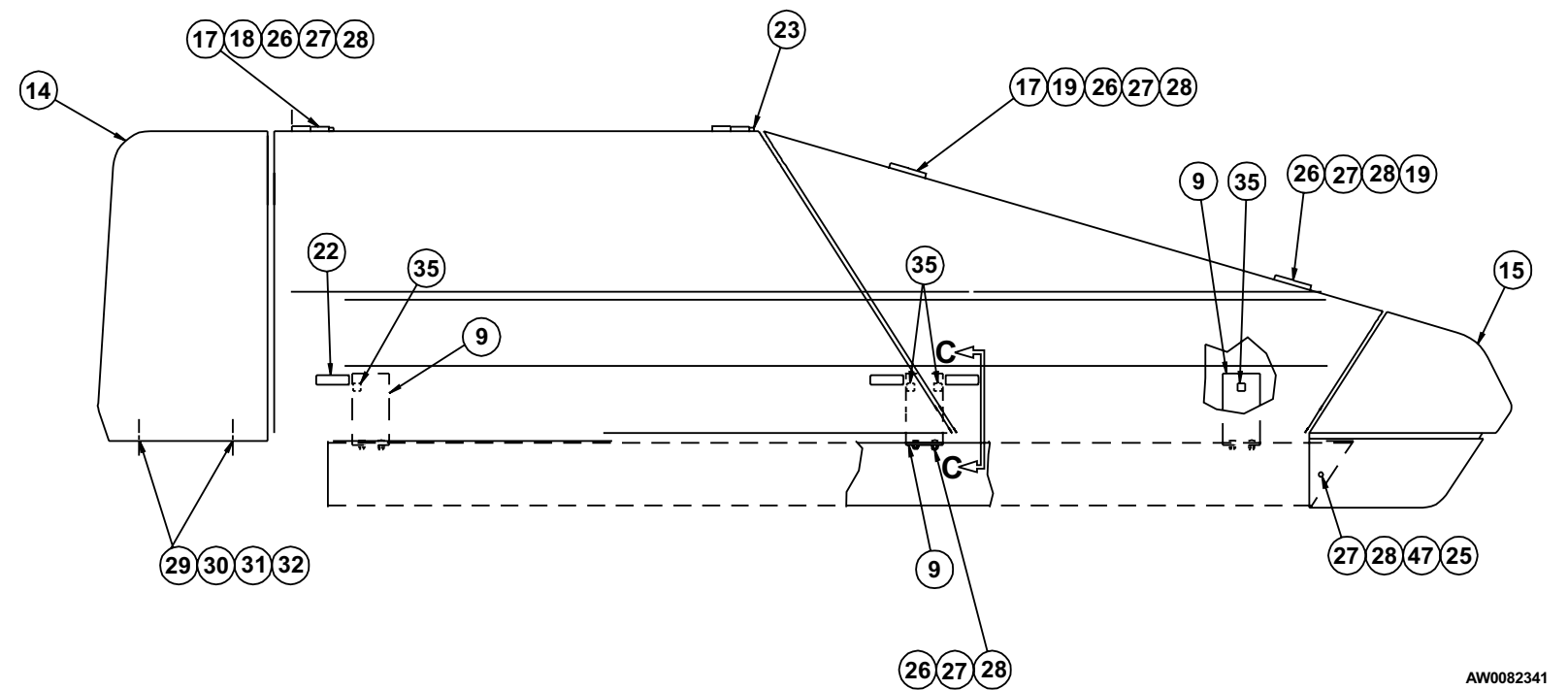
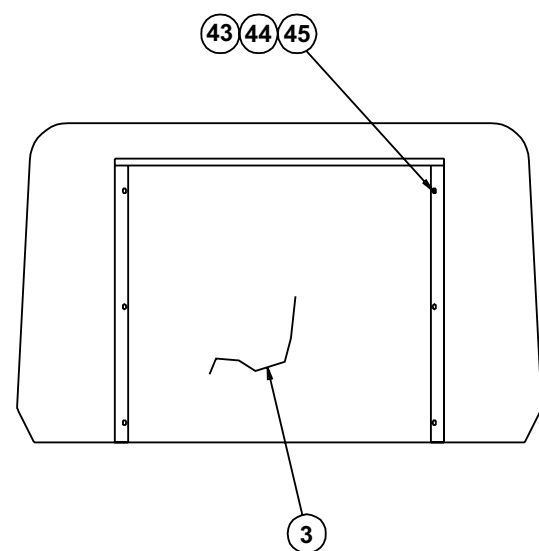
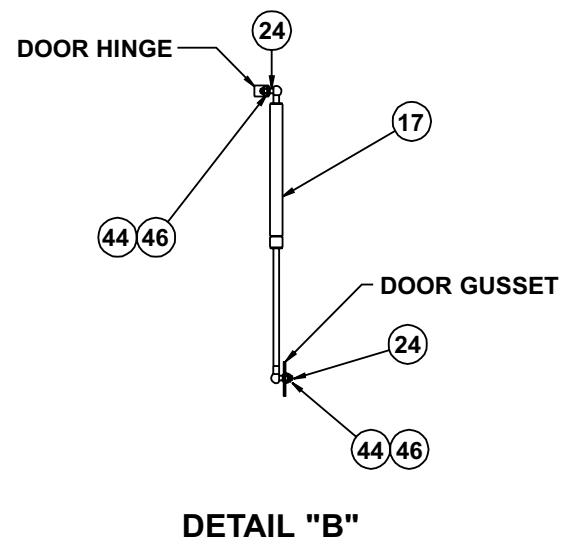
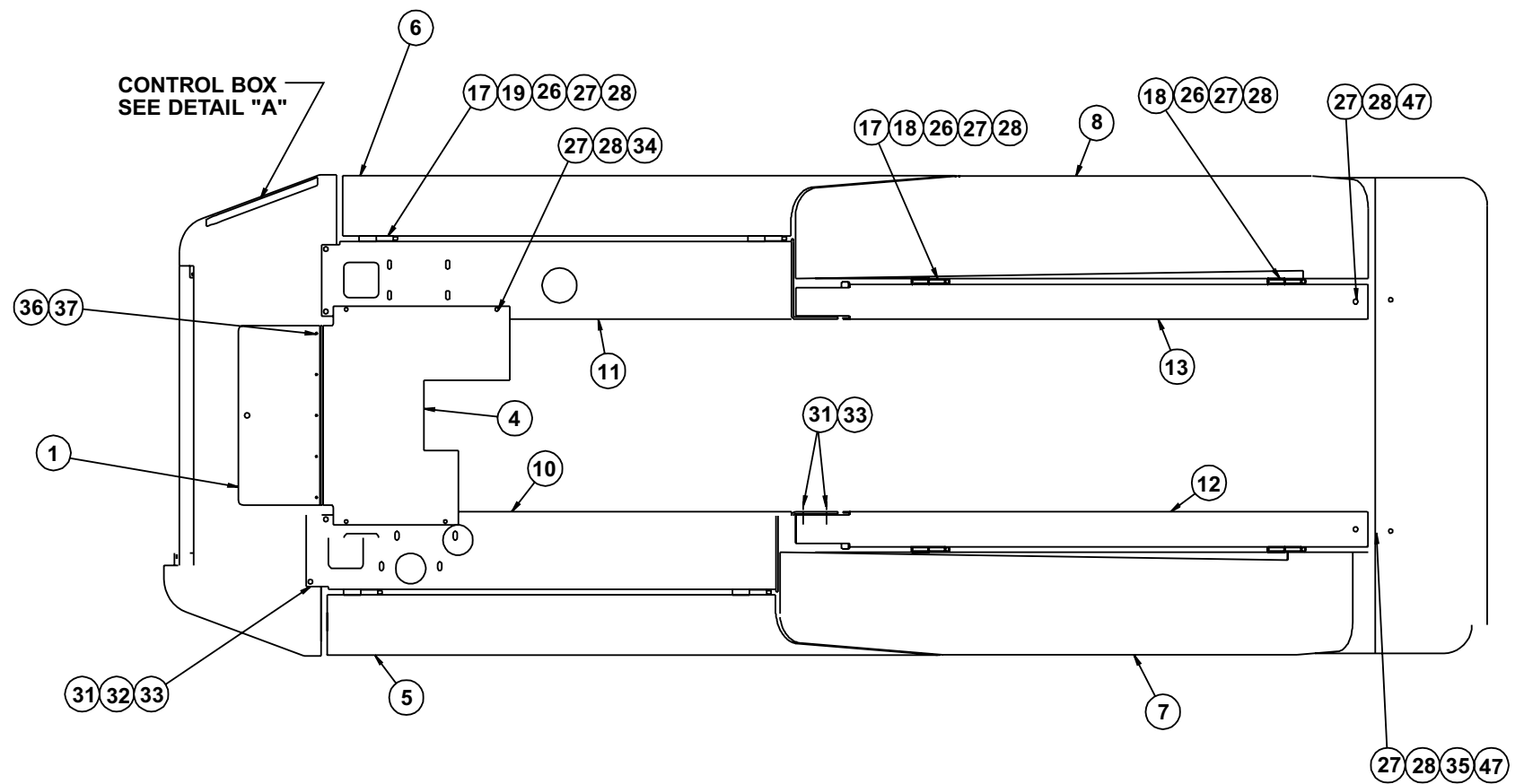
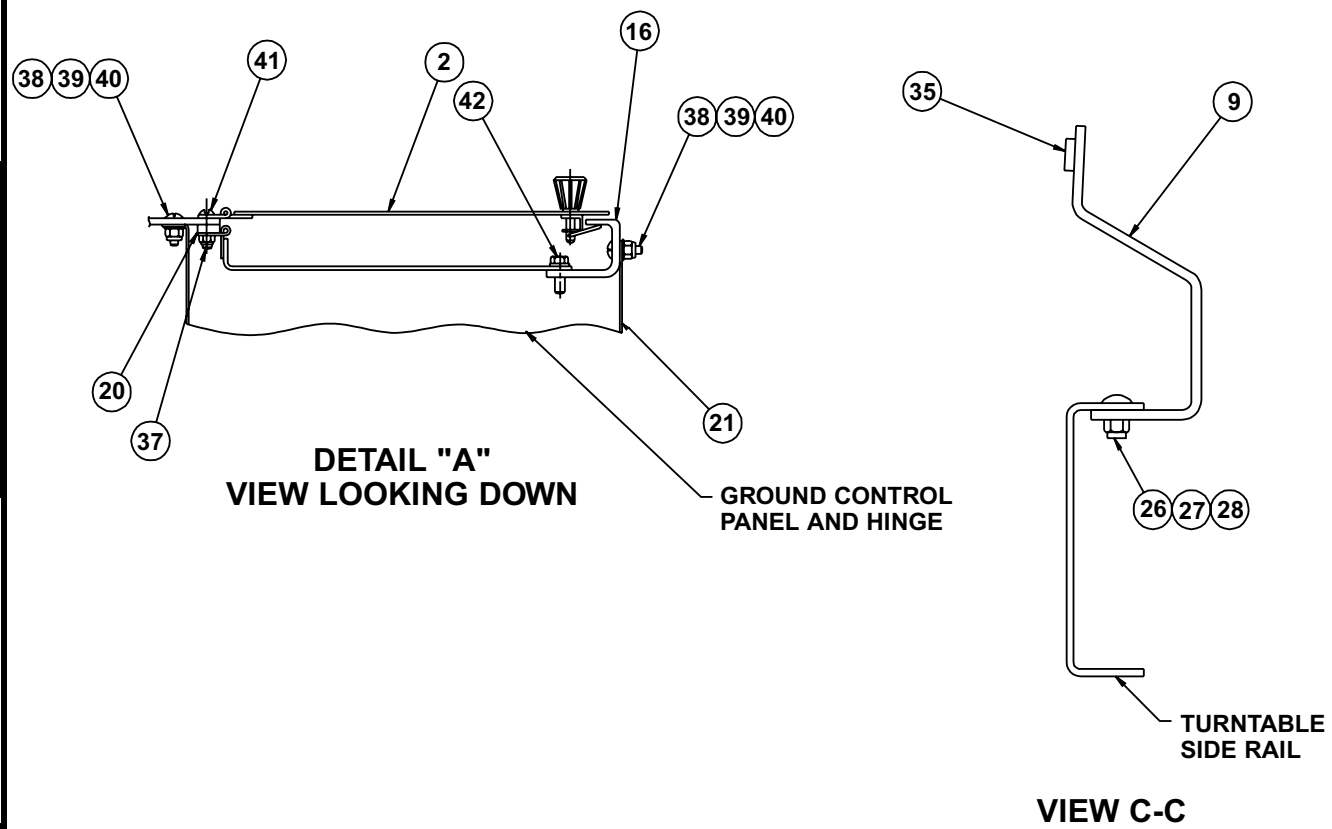
Plastic cowling, Deutz engine

item	part no	qty	description
1	0073481	1	Cover, plastic cowling
2	0074149	1	Lower controls door
3	0081670-99	1	Shroud, cowling
4	0081117-99	1	Access cover, cowling
5	0082288-99	1	Cowling door, front left hand
6	0082290-99	1	Cowling door, front right hand
7	0082293-89	1	Cowling door, rear left hand
8	0082294-89	1	Cowling door, rear right hand
9	0082303-99	4	Door stop
10	0082304-99	1	Cowling side, left front
11	0082307-99	1	Cowling side, right front
12	0082310-99	1	Rail, side left rear
13	0082311-99	1	Rail, side right rear
14	20082319	1	Front cowling - (includes following items)
	300808201	1	Installation drawing for front cowling
	0083274-99	1	Front cowling
	0162758-99	1	Front cowling support
	5569833	6	Speed nut 5/16-18 with captive nut
15	0082320-89	1	Cover, turntable rear
16	0082335-99	1	Mount box
17	0082321	6	Gas spring
18	0082346-99	4	Hinge half, left front
19	0082349-99	4	Hinge half, right front
20	0110482	1	Spacer bar
21	0110483-99	1	Cover, lower controls
22	5510022-99	6	Latch adjust lever
23	5560310	8	Cap nut 3/8 inch shaft
24	5560311	12	Ball stud
25	0082547	12	Shim
26	5560531	28	Carriage bolt 3/8-16 x 1-1/2 inch long
27	986299	47	Washer 3/8 medium flat
28	5560033	40	Nut 3/8-16 self locking
29	970949	4	Capscrew 1/2-13 x 2-1/2 inch long hex head grade 5
30	986359	4	Washer 1/2 medium flat
31	987139	12	Washer 1/2 medium lock
32	984149	8	Nut 1/2-13 hex
33	970849	8	Capscrew 1/2-13 x 1-1/4 inch long hex head grade 5
34	970469	4	Capscrew 3/8-16 x 1 inch long hex head grade 5
35	0082546	20	Shim
36	0073158-99	2	Spacer
37	5560034	5	Nut #10-24 self locking
38	970029	5	Capscrew 1/4-20 x 3/4 inch long hex head grade 5
39	5560004	5	Nut 1/4-20 self locking
40	986019	5	Washer 1/4 medium flat
41	5560649	5	Machine screw #10-24 x 1 inch long truss head
42	5560086	2	Capscrew 1/4-20 x 1 inch long hex head grade 5
43	970259	6	Capscrew 5/16-18 x 1 inch long hex head grade 5
44	986269	18	Washer 5/16 medium lock
45	5560137	6	Speed nut 5/16-18 with captive nut
46	5560031	12	Nut 5/16-18 self locking
47	970489	6	Capscrew 3/8-16 x 1-1/2 inch long hex head grade 5
48	5560313	1	Trim lock, .063 inch rubber edge
49	0081671	1	Shroud, outer air intake
50	5560080	10	Bumper
51	5560645	2	Capscrew 3/8-16 x 5-1/2 inch long hex head grade 5

Plastic cowling, Ford engine

item	part no	qty	description
1	0073481	1	Cover, plastic cowling
2	0074149	1	Lower controls door
3	0080626-99	1	Shroud, cowling
4	0081357-99	1	Access cover, cowling
5	0082288-99	1	Cowling door, front left hand
6	0082290-99	1	Cowling door, front right hand
7	0082293-89	1	Cowling door, rear left hand
8	0082294-89	1	Cowling door, rear right hand
9	0082303-99	4	Door stop
10	0082304-99	1	Cowling side, left front
11	0082307-99	1	Cowling side, right front
12	0082310-99	1	Rail, side left rear
13	0082311-99	1	Rail, side right rear
14	20082319	1	Front cowling - (includes following items)
	300808201	1	Installation drawing for front cowling
	0083274-99	1	Front cowling
	0162758-99	1	Front cowling support
	5569833	6	Speed nut 5/16-18 with captive nut
15	0082320-89	1	Cover, turntable rear
16	0082335-99	1	Mount box
17	0082321	6	Gas spring
18	0082346-99	4	Hinge half, left front
19	0082349-99	4	Hinge half, right front
20	0110482	1	Spacer bar
21	0110483-99	1	Cover, lower controls
22	5510022-99	6	Latch adjust lever
23	5560310	8	Cap nut 3/8 inch shaft
24	5560311	12	Ball stud
25	0082547	12	Shim
26	5560531	28	Carriage bolt 3/8-16 x 1-1/2 inch long
27	986299	44	Washer 3/8 medium flat
28	5560033	38	Nut 3/8-16 self locking
29	970949	4	Capscrew 1/2-13 x 2-1/2 inch long hex head grade 5
30	986359	4	Washer 1/2 medium flat
31	987139	12	Washer 1/2 medium lock
32	984149	8	Nut 1/2-13 hex
33	970849	8	Capscrew 1/2-13 x 1-1/4 inch long hex head grade 5
34	970469	4	Capscrew 3/8-16 x 1 inch long hex head grade 5
35	5560080	10	Bumper
36	5560609	5	Machine screw #10-24 x 1/2 inch long truss head
37	5560034	10	Nut #10-24 self locking
38	970029	5	Capscrew 1/4-20 x 3/4 inch long hex head grade 5
39	5560004	5	Nut 1/4-20 self locking
40	986019	5	Washer 1/4 medium flat
41	5560649	5	Machine screw #10-24 x 1 inch long truss head
42	5560086	2	Capscrew 1/4-20 x 1 inch long hex head grade 5
43	970259	6	Capscrew 5/16-18 x 1 inch long hex head grade 5
44	986269	18	Washer 5/16 medium lock
45	5560137	6	Speed nut 5/16-18 with captive nut
46	5560031	12	Nut 5/16-18 self locking
47	970489	6	Capscrew 3/8-16 x 1-1/2 inch long hex head grade 5
48	5560313	1	Trim lock, .063 inch rubber edge

F
E
D
C
B
A



AW0082341

TITLE Plastic cowling
Ford engine
Snorkel model TB66J

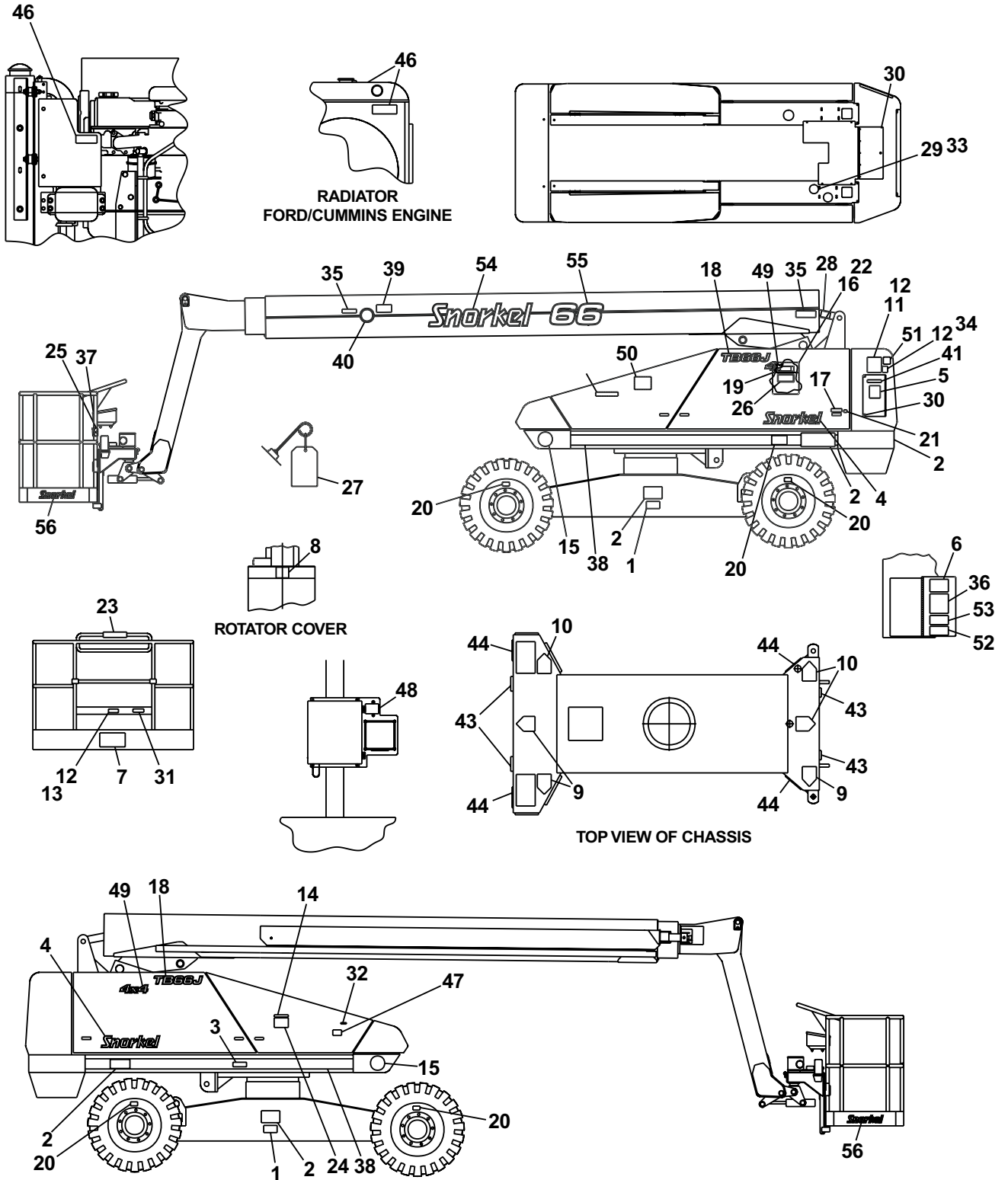
Snorkel
INTERNATIONAL
Page 1 - 59

1 2 3 4 5 6 7 8 9

Placards and decals

item	part no	qty	description
1	0073298	2	Placard, danger foam filled tires
2	0323896	5	Decal, danger electrical hazard
3	0070420	1	Placard, emergency bleed down valve
4	0074908	2	Decal, Snorkel brand logo
5	0323897	1	Decal, danger you must not operate
6	0074209	1	Placard, pre-start instructions
7		1	Placard, platform capacity - (consult factory)
8	0323899	1	Decal, danger electrical hazard
9	0070540	3	Decal, yellow arrow
10	0070541	3	Decal, blue arrow
11	0070901	1	Placard, caution serial number
12	5560655	12	Pop rivet #AD32-ABS
13	0071425	1	Placard, platform identification
14	0071927	1	Decal, hydraulic oil
15	7030004	2	Decal, OmniQuip logo
16	562386	1	Record box
17	0073491	1	Decal, safe operation information
18	0083732	2	Decal, TB66J logo
19	0073224	1	Decal, notice manual reorder
20	0072276	2	Placard, lug nut torque
	0072277	2	Placard, lug nut torque
21	5560080	8	Bumper
22	970009	2	Capscrew 1/4-20 x 1/2 inch long hex head grade 5
23	0072531	1	Decal, danger electrical hazard
24	7030003	1	Decal, lube recommendations
25	0070921	1	Placard, 125 volts 15 amps
26	0073043	1	Decal, operating manual enclosed
27	0073139	1	Crankcase oil tag - (used for shipping only)
28	0074311	5	Decal, danger cylinder failure - (1 per cylinder)
29	9980021	2	Plug 3-1/2 inch diameter
30	5569012	4	Rubber bumper
31	0150448	1	Decal, attach fall restraint
32	0073492	1	Decal, rotate while greasing
33	9980022	1	Plug 4 inch diameter
34	0074372	1	Placard, engine rpm
35	0073667	2	Decal, inspect wire ropes
36	0074210	1	Decal, danger electrical/tipping hazard
37	5560004	2	Nut 1/4-20 self locking
38	0074921	2	Decal, 4 inch stripe
39	0190989	1	Decal, danger do not reach
40	9980013	2	Cap
41	0181562	1	Placard, ANSI standard
42	0083232	1	Decal, lift/tie down
43	0083426	4	Decal, tie down symbol
44	0080650	4	Decal, lift
45	0071925	1	Decal, gasoline fuel
	0071926	1	Decal, diesel fuel
46	0151410	3	Decal, danger rotating engine parts
47	0074316	1	Decal, caution governor damage
48	0112092	1	Decal, engine control module
49	0074913	2	Decal, 4 x 4 logo
50	0081441	1	Placard, caution liquid withdrawal - LP only
51	0081377	1	Decal, LPS logo - (LP fuel only)
52	0090493	1	Decal, dual fuel instructions
53	0071793	1	Decal, hydraulic warm-up instructions
54	0083733	1	Decal, Snorkel brand logo
55	0083729	2	Decal, 66 logo
56	569295	2	Decal, Snorkel brand logo

Placards and decals

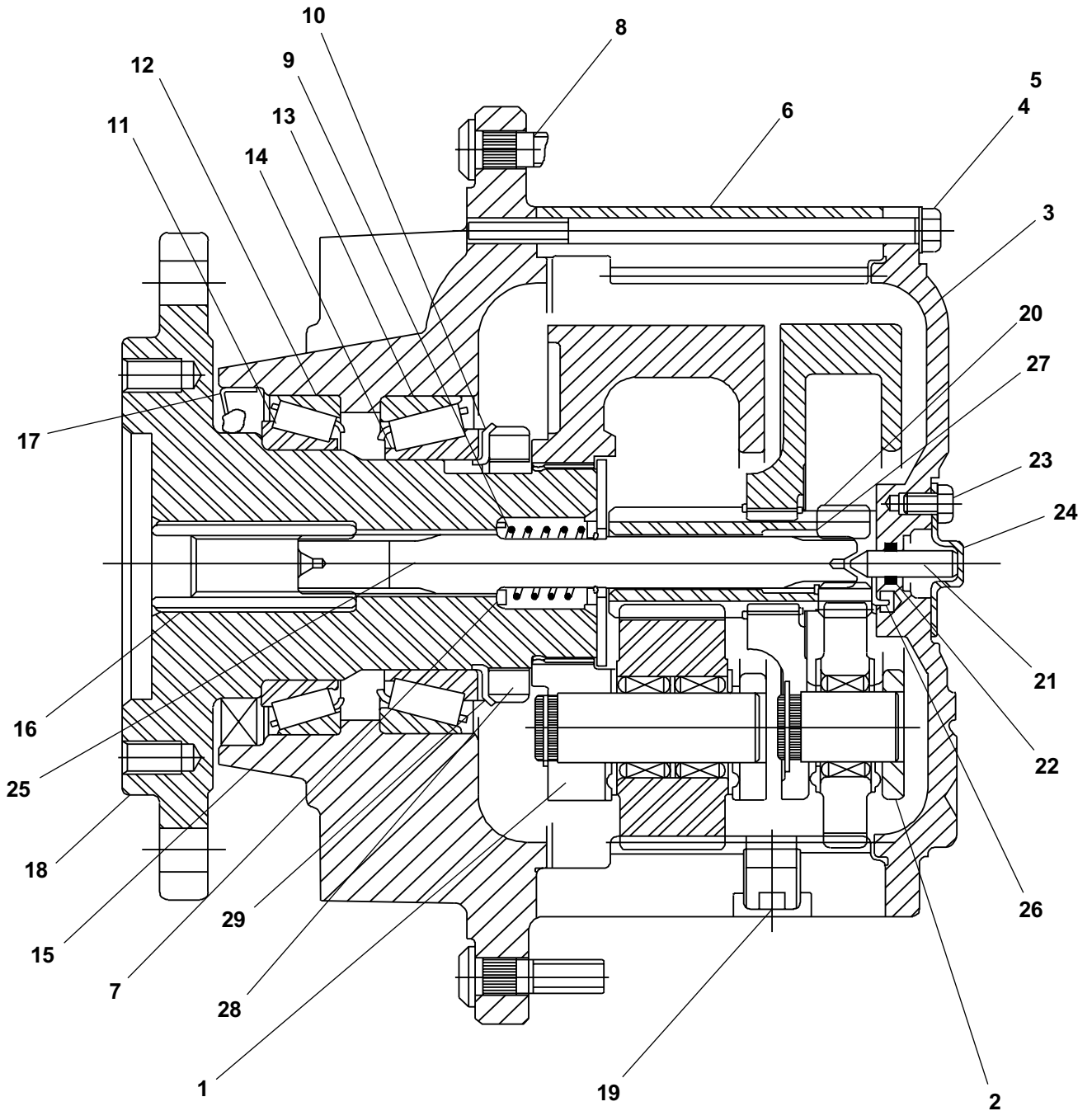


AWA08068D

Gear hub, high torque

item	part no	qty	description
	0081674-99	1	Gear hub, high torque
1	8010106	1	Secondary carrier
2	8010107	1	Primary carrier
3	8010097	1	Cover
4	986299	12	Washer 3/8 medium flat
5	8010069	12	Capscrew hex head
6	8010157	1	Ring gear
7	8010175	2	Thrust washer
8	7280022	8	Wheel bolt
9	8010151	1	Spring
10	8010173	1	Thrust washer
11	8010031	1	Bearing cup
12	8010032	1	Bearing cone
13	8010029	1	Bearing cup
14	8010030	1	Bearing cone
15	8010186	1	Hub
16	8010013	1	Coupling
17	8010027	1	Oil seal
18	8010109	1	Spindle
19	8010028	1	Magnetic plug
20	8010108	1	Sun gear
21	8010143	1	Plunger
22	8010149	1	O-ring
23	8010168	2	Capscrew hex head
24	8010080	1	Disengage cover
25	8010169	1	Input shaft
26	8010075	1	Thrust washer
27	8010145	2	Retaining ring
28	8010150	1	Retainer nut

Gear hub, high torque

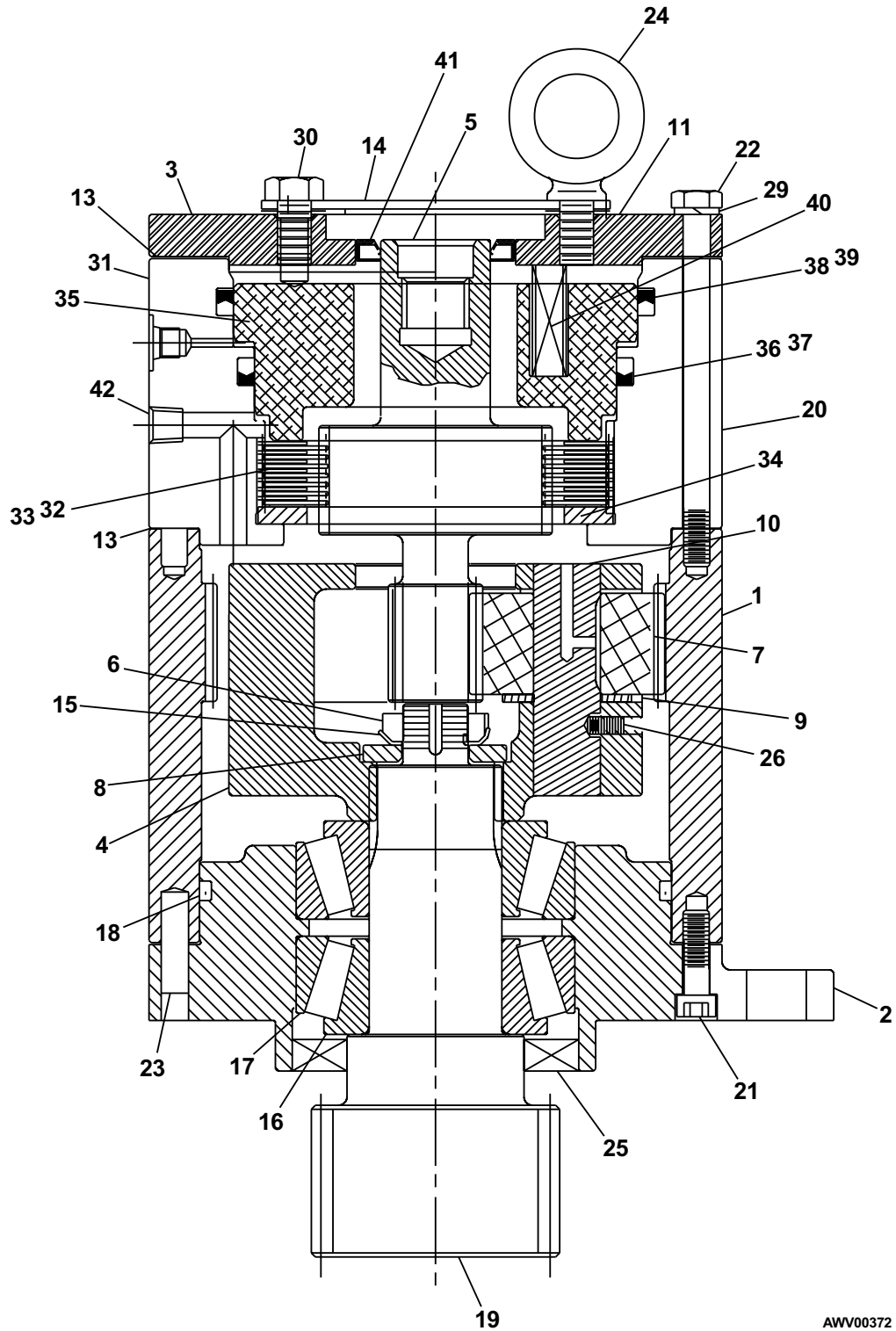


AW0081674

Swing drive, Perfection

item	part no	qty	description
	0070047-99	1	Swing drive, Perfection
	0074837	1	Seal and shim repair kit #1 - (kit includes items 11, 18, 25 and 41)
	0074838	1	Brake repair kit - (kit includes items 32, 33 and 40)
	0074839	1	Seal and shim repair kit #2 - (kit includes items 11, 36, 37, 38 and 39)
1	0074800	1	Housing
2	0074801	1	Mounting flange
3	0074802	1	Motor adapter
4	0074803	1	Planetary carrier
5	0074804	1	Input pinion
6	0074805	1	Lock nut
7	0074806	3	Spur gear
8	0074807	1	Washer
9	0074808	3	Washer idler
10	0074809	3	Idler pin
11	Kit item	1	Hydraulic motor gasket - (not sold separately)
12	0172054	1	Reducer bushing
13	0074836	2	Brake gasket
14	0074811	1	Hydraulic motor cover
15	0074812	1	Lock washer
16	0074813	2	Bearing cup
17	0074814	2	Bearing cone
18	Kit item	1	O-ring - (not sold separately)
19	0074816	1	Output shaft
20	0172053	1	Pressure vent plug
21	0071817	8	Bolt 3/8-16 x 1-1/4
22	0074818	6	Bolt 3/8-16 x 5-1/4
23	0074819	3	Dowel pin
24	0074820	1	Eyebolt
25	Kit item	1	Oil seal - (not sold separately)
26	0074822	3	Screw
27	0074823	1	Bushing
28	0074824	2	Nut, hex 1/2-13
29	0074825	6	Lock washer
30	0074826	2	Bolt
31	0074827	1	Housing brake
32	Kit item	7	Pressure disc (thin) - (not sold separately)
33	Kit item	7	Friction disc
34	0074830	1	Pressure disc (thick)
35	0074831	1	Piston
36	Kit item	1	O-ring - (not sold separately)
37	Kit item	1	O-ring plate - (not sold separately)
38	Kit item	1	O-ring - (not sold separately)
39	Kit item	1	O-ring plate - (not sold separately)
40	Kit item	24	Spring - (not sold separately)
41	Kit item	1	Oil seal - (not sold separately)
42	0172050	5	Pipe plug

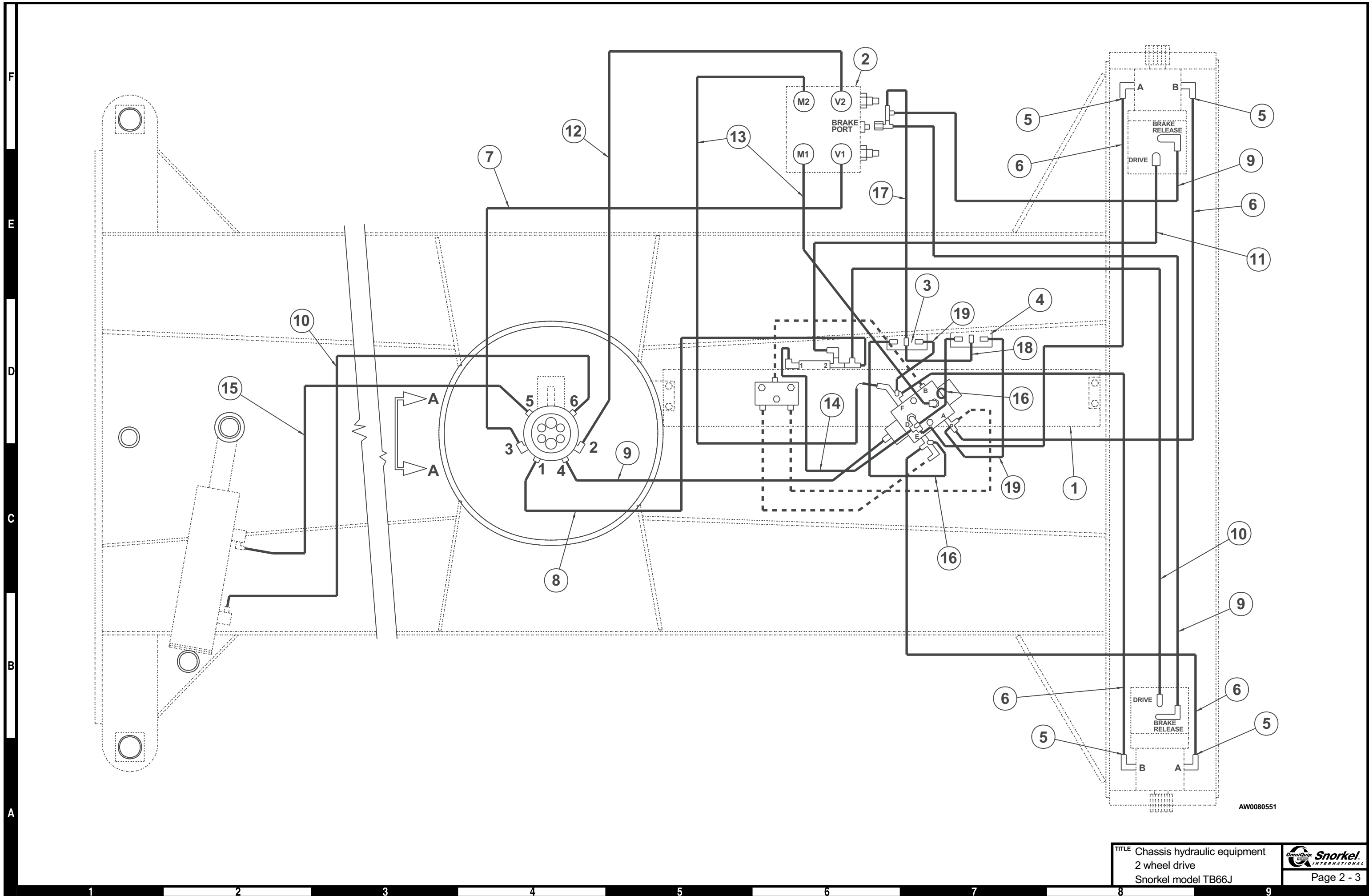
Swing drive, Perfection



AWV00372

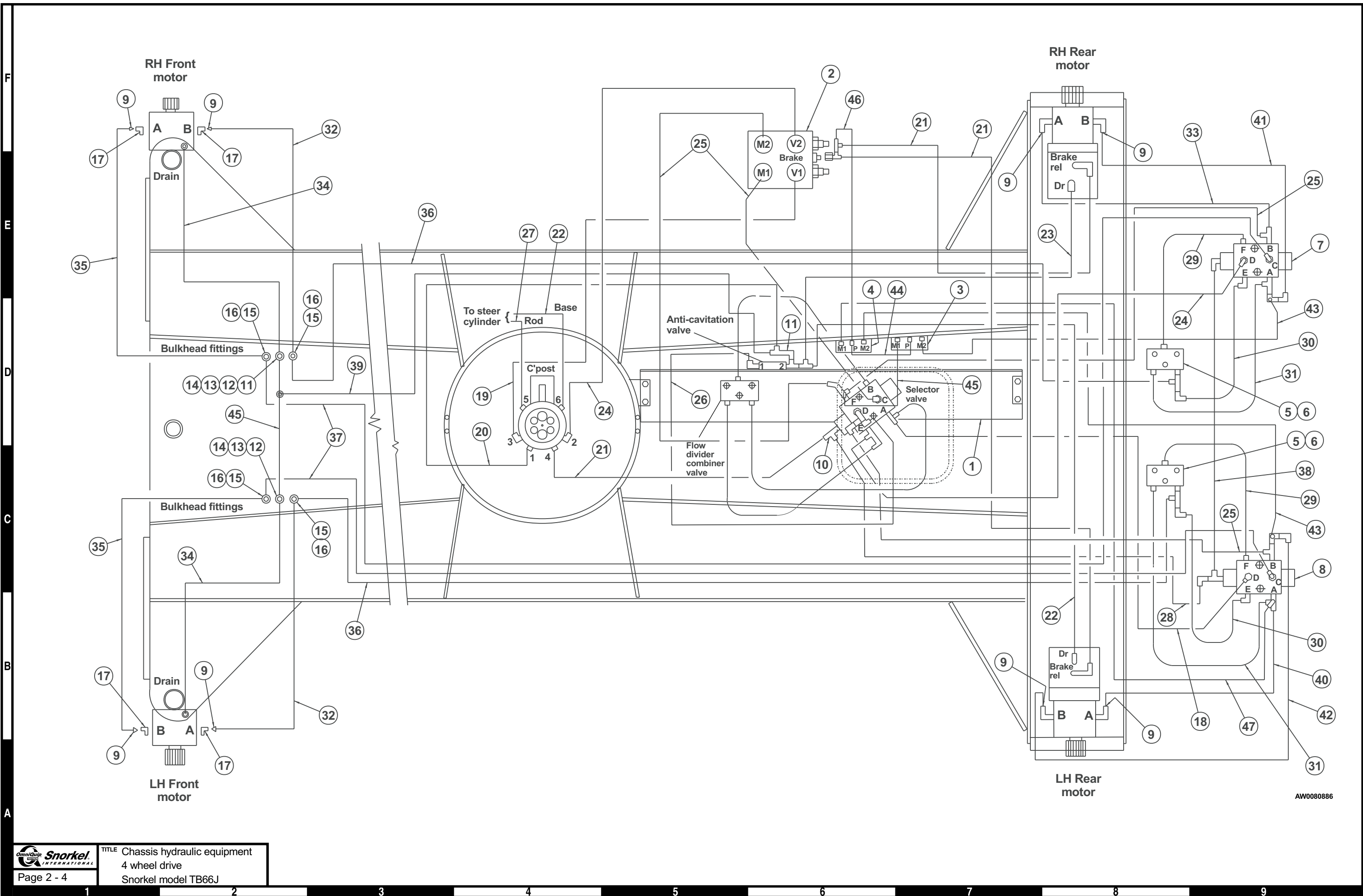
Chassis hydraulic equipment, 2 wheel drive

item	part no	qty	description
1	0081423-99	1	Drive valve, high torque - (see page 2-24 for parts breakdown)
2	0081042	1	Motion control valve, drive - (see page 2-49 for parts breakdown)
3	0081600	1	Drive sequence valve, right hand - (see page 2-41 for parts breakdown)
4	0081604	1	Drive sequence valve, left hand - (see page 2-42 for parts breakdown)
5	5080015	4	Last chance filter
6	0080543	4	3/4 inch hydraulic hose
7	0400483	1	3/4 inch hydraulic hose
8	0080522	1	1/2 inch hydraulic hose
9	0070772	3	1/4 inch hydraulic hose
10	0070783	2	1/4 inch hydraulic hose
11	0070781	1	1/4 inch hydraulic hose
12	0110490	1	3/4 inch hydraulic hose
13	0080524	1	3/4 inch hydraulic hose
14	0070792	1	1/4 inch hydraulic hose
15	0070782	1	1/4 inch hydraulic hose
16	0020267	2	3/8 inch hydraulic hose
17	0040276	1	1/4 inch hydraulic hose
18	0070768	1	1/4 inch hydraulic hose
19	0020275	1	3/8 inch hydraulic hose



AW0080551

TITLE Chassis hydraulic equipment
 2 wheel drive
 Snorkel model TB66J



AW0080886



TITLE Chassis hydraulic equipment
 4 wheel drive
 Snorkel model TB66J

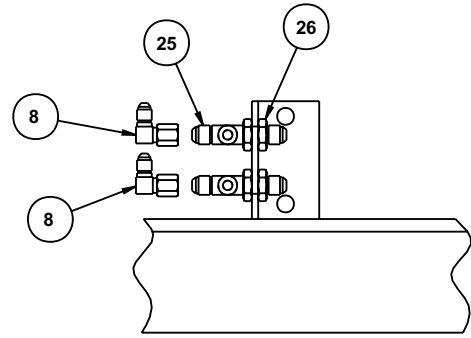
Chassis hydraulic equipment, 4 wheel drive

item	part no	qty	description
1	0081423-99	1	Drive valve, high torque - (see page 2-24 for parts breakdown)
2	0081042	1	Motion control valve, drive - (see page 2-49 for parts breakdown)
3	0081600	1	Drive sequence valve, right hand - (see page 2-41 for parts breakdown)
4	0081604	1	Drive sequence valve, left hand - (see page 2-42 for parts breakdown)
5	0080958	2	Flow divider/combiner valve - (see page 2-45 for parts breakdown)
6	0081547-99	2	Spacer, flow divider/combiner valve
7	0080928-99	1	Selector valve, right hand - (see page 2-55 for parts breakdown)
8	0080929-99	1	Selector valve, left hand - (see page 2-56 for parts breakdown)
9	5080015	8	Last chance filter
10	5036703	1	Swivel nut run tee
11	5036705	2	Swivel nut run tee
12	5034502	2	Bulkhead 90° elbow
13	5037005	2	Swivel nut 90° elbow
14	5074403	2	Bulkhead locknut
15	5034505	4	Bulkhead straight thread 90° elbow
16	5074406	4	Bulkhead locknut
17	5034206	4	Union 90° elbow - (not used after 6-11-01)
18	0080543	1	3/4 inch hydraulic hose
19	0400483	1	3/4 inch hydraulic hose
20	0080522	1	1/2 inch hydraulic hose
21	0070772	3	1/4 inch hydraulic hose
22	0070783	2	1/4 inch hydraulic hose
23	0070781	1	1/4 inch hydraulic hose
24	0110490	2	3/4 inch hydraulic hose
25	0080524	4	3/4 inch hydraulic hose
26	0070792	1	1/2 inch hydraulic hose
27	0070782	1	1/4 inch hydraulic hose
28	0020655	1	1/4 inch hydraulic hose
29	0080936	2	3/4 inch hydraulic tube
30	0080934	2	3/4 inch hydraulic tube
31	0080937	2	3/4 inch hydraulic tube
32	0080946	2	3/4 inch hydraulic hose - (before 6-11-01)
	0080945	2	3/4 inch hydraulic hose - (after 6-11-01)
33	0080940	1	3/4 inch hydraulic hose
34	0072570	2	1/4 inch hydraulic hose
35	0080945	2	3/4 inch hydraulic hose
36	0080931	2	3/4 inch hydraulic hose
37	0080932	2	3/4 inch hydraulic hose
38	0020283	1	1/4 inch hydraulic hose
39	0080362	1	3/8 inch hydraulic hose
40	0080930	1	3/4 inch hydraulic hose
41	0080941	1	3/4 inch hydraulic hose
42	0080939	1	3/4 inch hydraulic hose
43	0020273	2	3/8 inch hydraulic hose
44	0070766	1	1/4 inch hydraulic hose
45	0070786	2	3/8 inch hydraulic hose
46	0040276	1	1/4 inch hydraulic hose
47	0070764	1	3/8 inch hydraulic hose

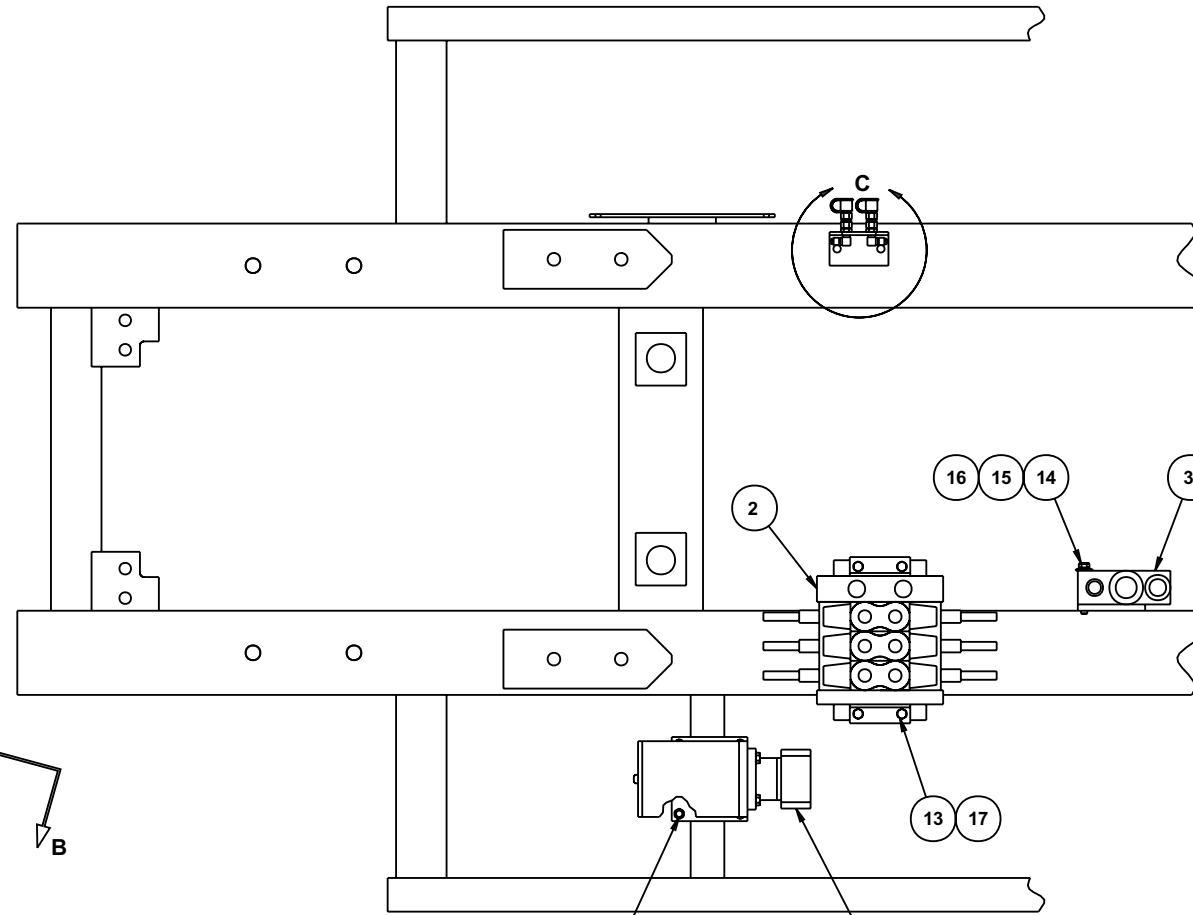
Turntable hydraulic equipment

item	part no	qty	description
1	0082000	1	Package valve, non-proportional - (see page 2-10 for parts breakdown)
2	0081873	1	Valve, drive/lift/swing - (see page 2-14 for parts breakdown)
3	0081980-99	1	Check valve - (see page 2-29 for parts breakdown)
4	0072940	1	Emergency power unit - (see page 2-44 for parts breakdown)
5	0082055	1	Accumulator - (see page 2-26 for parts breakdown)
6	0081982	1	Dump valve - (see page 2-43 for parts breakdown)
7	0081981	1	Range valve - (see page 2-52 for parts breakdown)
8	5037003	3	Swivel nut 90° elbow
9	5034501	2	Bulkhead straight thread 90° elbow
10	986019	2	Washer 1/4 medium flat
11	987099	2	Washer 1/4 medium lock
12	970129	2	Capscrew 1/4-20 x 3 inch long hex head grade 5
13	970479	8	Capscrew 3/8-16 x 1-1/4 inch long hex head grade 5
14	970529	2	Capscrew 3/8-16 x 2-1/2 inch long hex head grade 5
15	986299	8	Washer 3/8 medium flat
16	987119	6	Washer 3/8 medium lock
17	5560033	8	Nut 3/8-16 self locking
18	970469	2	Capscrew 3/8-16 x 1 inch long hex head grade 5
19	984109	2	Nut 3/8-16 hex
20	970709	4	Capscrew 7/16-14 x 1 inch long hex head grade 5
21	987129	4	Washer 7/16 medium lock
22	970449	2	Capscrew 3/8-16 x 3/4 inch long hex head grade 5
23	5093014	2	Clamp
24	5058824	2	Clamp, suction hose
25	5035403	2	Bulkhead run tee
26	5074401	4	Bulkhead locknut

F
E
D
C
B
A

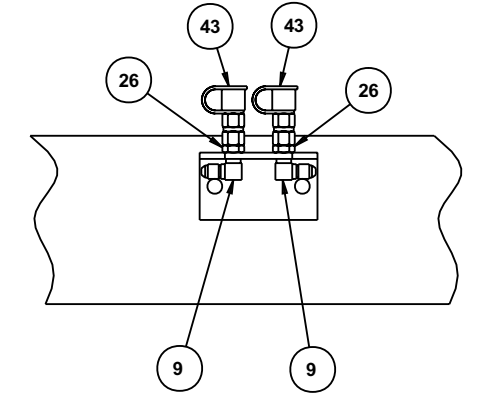


VIEW B-B

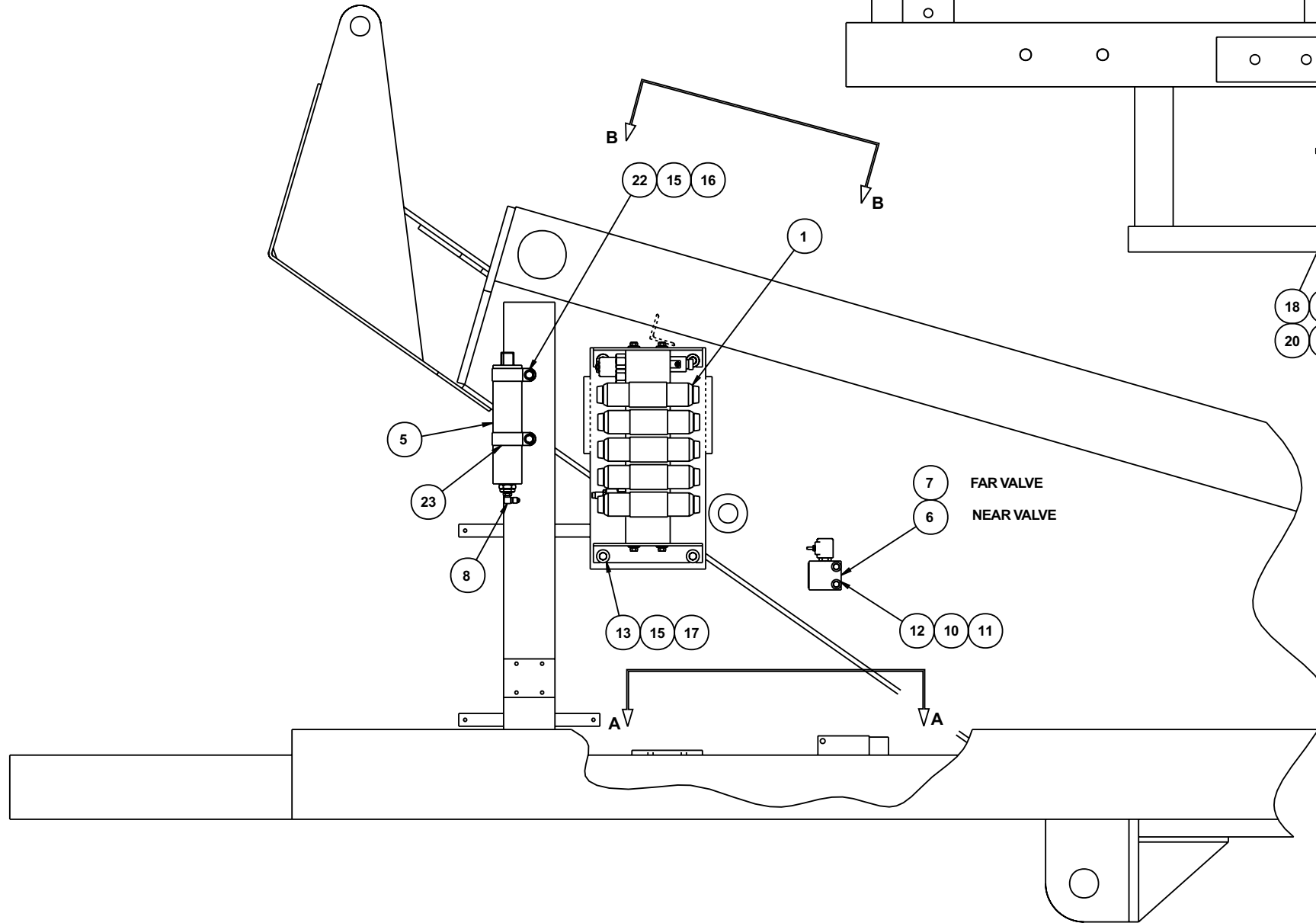


18 16 19 MTE
20 21 WEBSTER OR BARNES

VIEW A-A

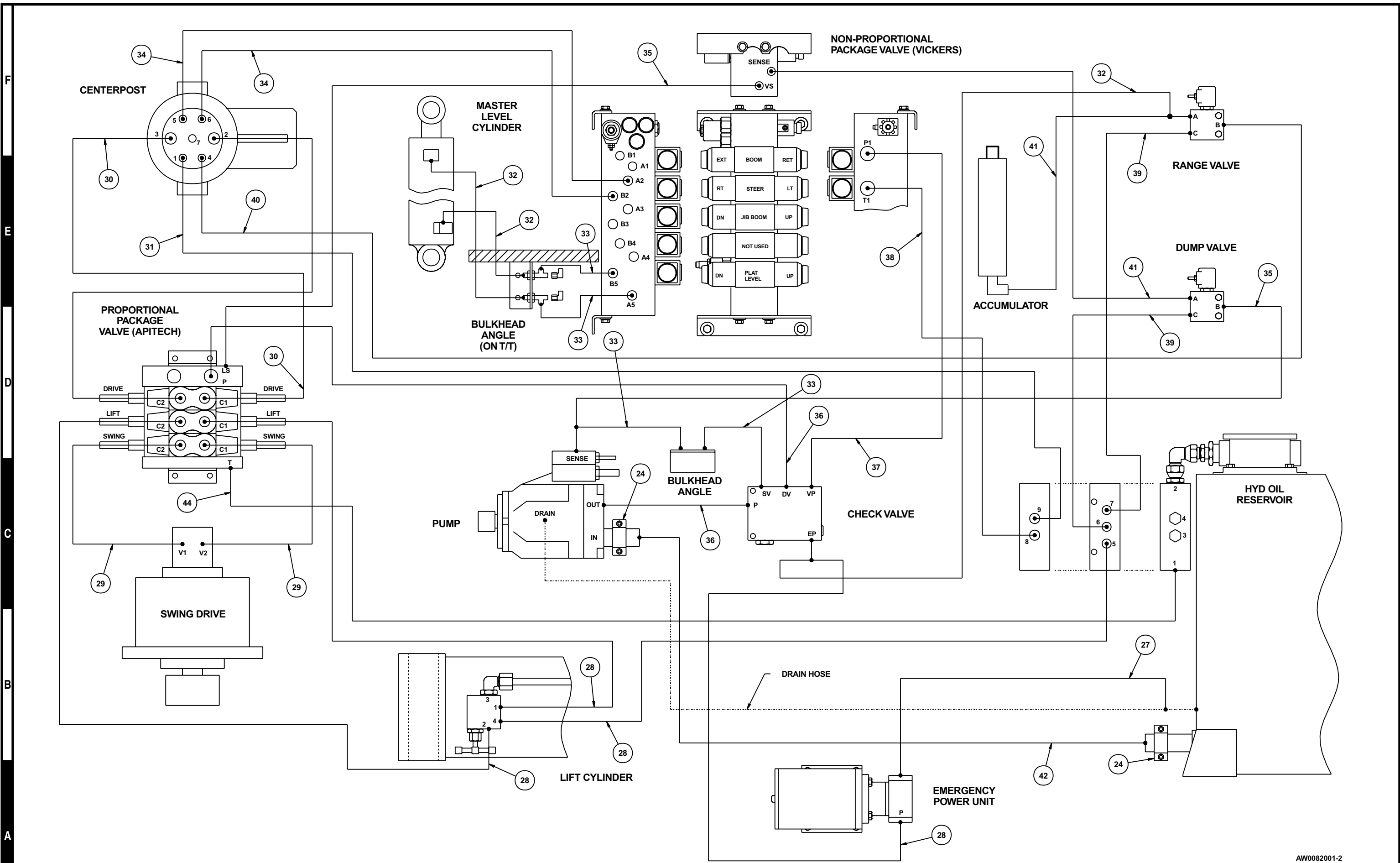


VIEW "C"



7 FAR VALVE
6 NEAR VALVE

AW0082001-1



Turntable hydraulic hoses

item	part no	qty	description
27	0070927	1	1/2 inch hydraulic hose
28	0020273	4	3/8 inch hydraulic hose
29	0070789	2	3/8 inch hydraulic hose
30	0400497	2	3/4 inch hydraulic hose
31	0100277	1	1/2 inch hydraulic hose
32	0080359	3	1/4 inch hydraulic hose
33	0070765	4	1/4 inch hydraulic hose
34	0080362	2	3/8 inch hydraulic hose
35	0050137	2	1/4 inch hydraulic hose
36	0110199	2	1 inch diameter hydraulic hose
37	0020372	1	1/2 inch hydraulic hose
38	0070926	1	1/2 inch hydraulic hose
39	0020283	2	1/4 inch hydraulic hose
40	0070911	1	1/4 inch hydraulic hose
41	0020280	2	1/4 inch hydraulic hose
42	0080843	1	1-1/2 inch suction hose
43	5070005	2	Diagnostic nipple
44	0081992	1	1 inch hydraulic hose

Package valve, non-proportional

item	part no	qty	description
	0082000	1	Package valve, non-proportional
1	6010577	1	Control valve, non-proportional - (see page 2-12 for parts breakdown)
2	0181449-99	2	Valve mount angle
3	6010591	1	Solenoid valve and coil
	0180802	1	Seal repair kit
	6010392	1	Replacement cartridge
	3040496	1	Replacement coil, 12 volt DC
4	5065805	4	Long straight thread adapter
5	5065815	2	Long straight thread adapter
6	5065703	1	Straight thread adapter
7	5065807	2	Long straight thread adapter
8	5075205	4	Hex head plug
9	5036703	2	Swivel nut run tee
10	5037007	3	Swivel nut 90° elbow
11	5037003	1	Swivel nut 90° elbow
12	0082010	1	Decal set, non-proportional control valve
13	987109	4	Washer 5/16 medium lock
14	5065705	2	Straight thread adapter
15	5037005	2	Swivel nut 90° elbow
16	970239	4	Capscrew 5/16-18 x 3/4 inch long hex head grade 5
17	986269	4	Washer 5/16 medium flat
18	5036905	4	Swivel nut 45° elbow
19	5035303	1	Straight thread 90° elbow
20	5036903	2	Swivel nut 45° elbow
21	5063701	2	Cap

F

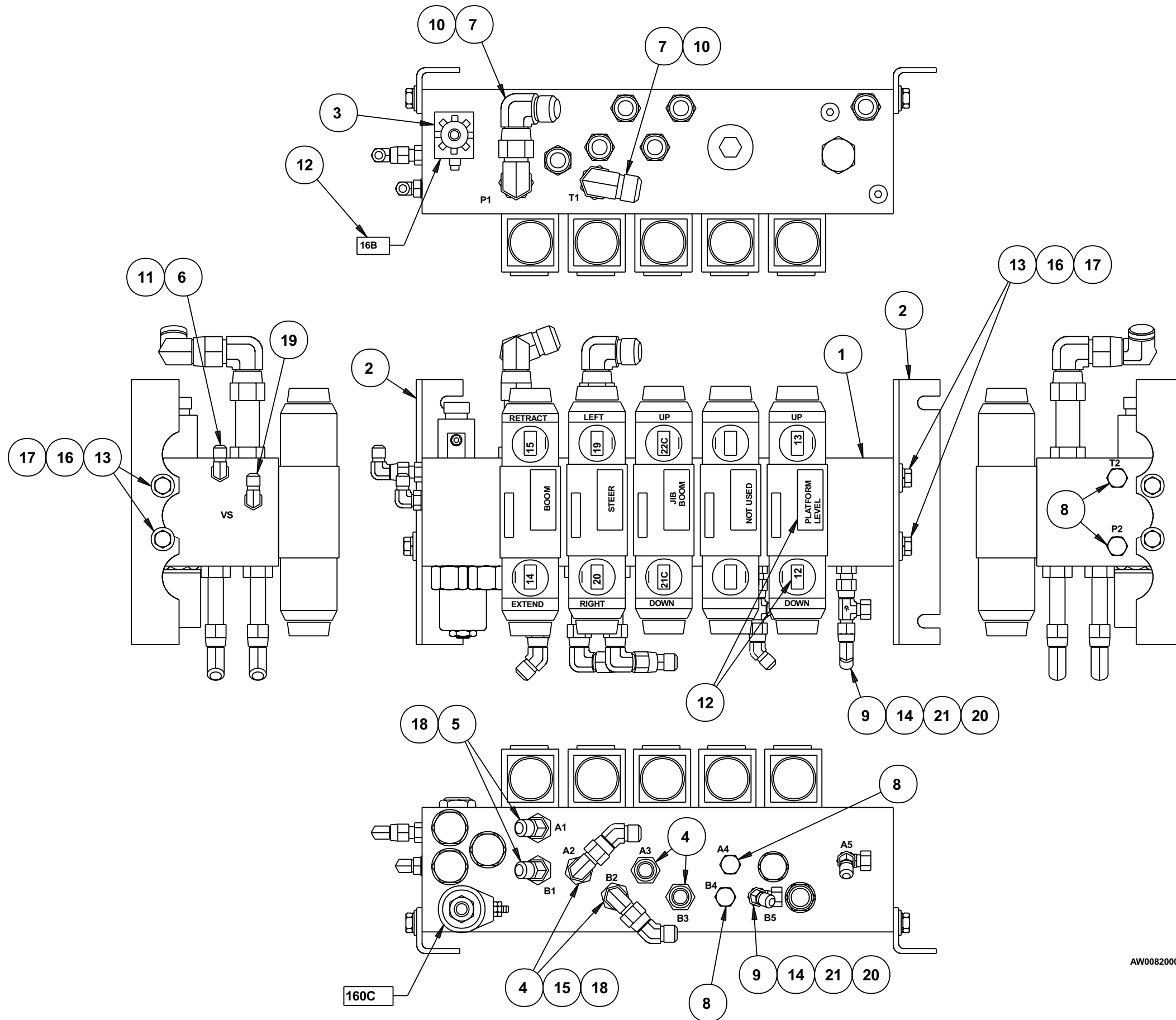
E

D

C

B

A



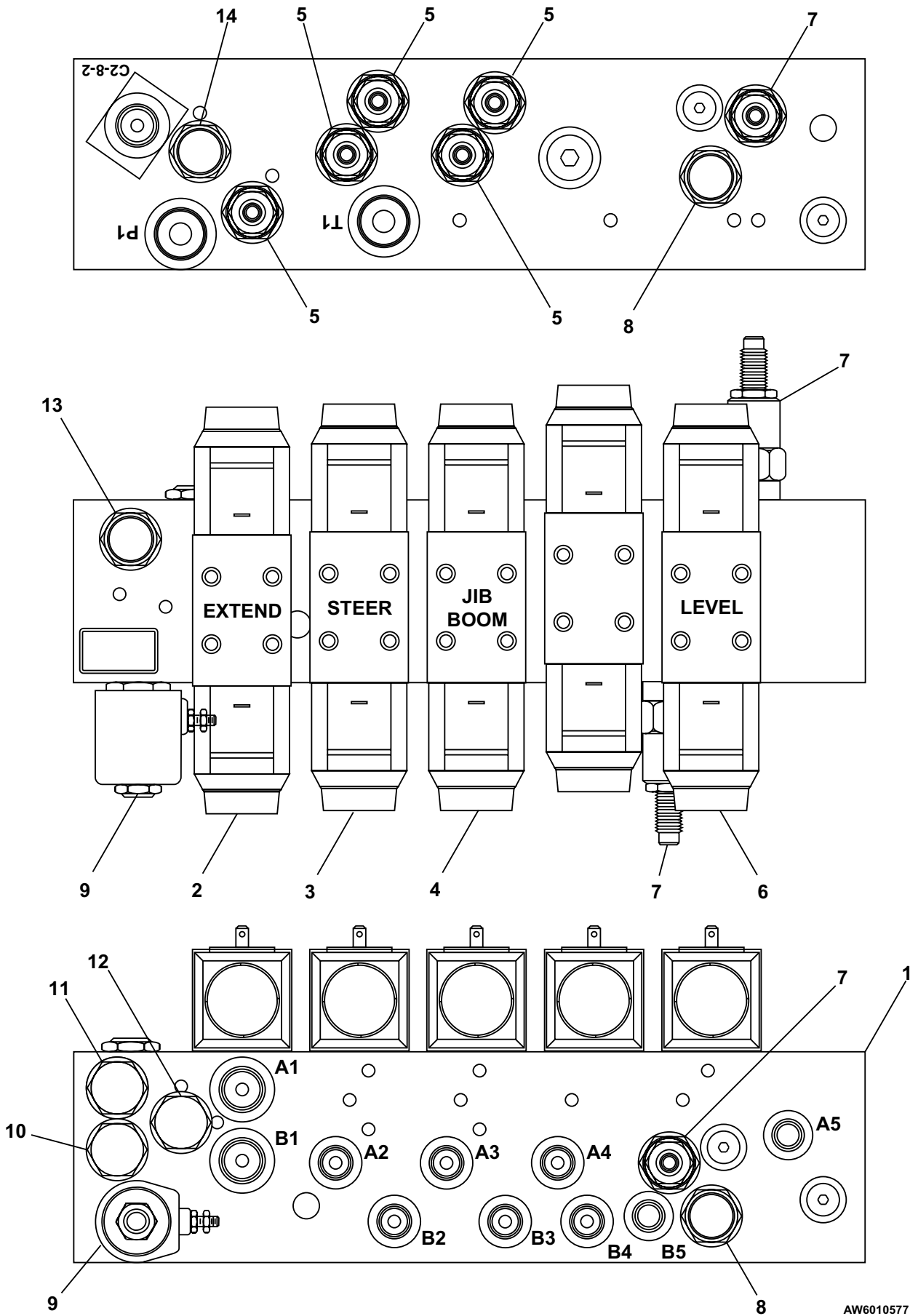
AW0082000

TITLE Package valve
 non-proportional
 Snorkel model TB66J

Control valve, non-proportional

item	part no	qty	description
	6010577	1	Control valve, non-proportional
1	6010694	1	Manifold body
2	6010697	1	Extend control valve
	3040551	2	Replacement solenoid, 12 volt DC
3	6010697	1	Steer control valve
	3040551	2	Replacement solenoid, 12 volt DC
4	6010697	1	Jib boom control valve
	3040551	2	Replacement solenoid, 12 volt DC
5	6010706	5	Relief valve cartridge
	565666	1	Seal repair kit
6	6010696	1	Level control valve
	3040551	2	Replacement solenoid, 12 volt DC
7	6010700	2	Pressure relief cartridge valve
	6010553	1	Seal repair kit
8	6010699	2	Check valve cartridge
9	6010698	1	Cartridge valve, 3-way inlet
	6010537	1	Seal repair kit
	6010707	1	Replacement cartridge
	8220094	1	Replacement solenoid, 12 volt DC
10	6010703	1	Flow regulator cartridge valve
	565666	1	Seal repair kit
11	6010702	1	Flow control cartridge valve
	565666	1	Seal repair kit
12	6010701	1	Cartridge, 3-way pilot operated atmosphere vented
	6010551	1	Seal repair kit
13	6010704	1	Shuttle valve cartridge
	6010537	1	Seal repair kit
14	6010705	1	Check valve cartridge
	565666	1	Seal repair kit

Control valve, non-proportional

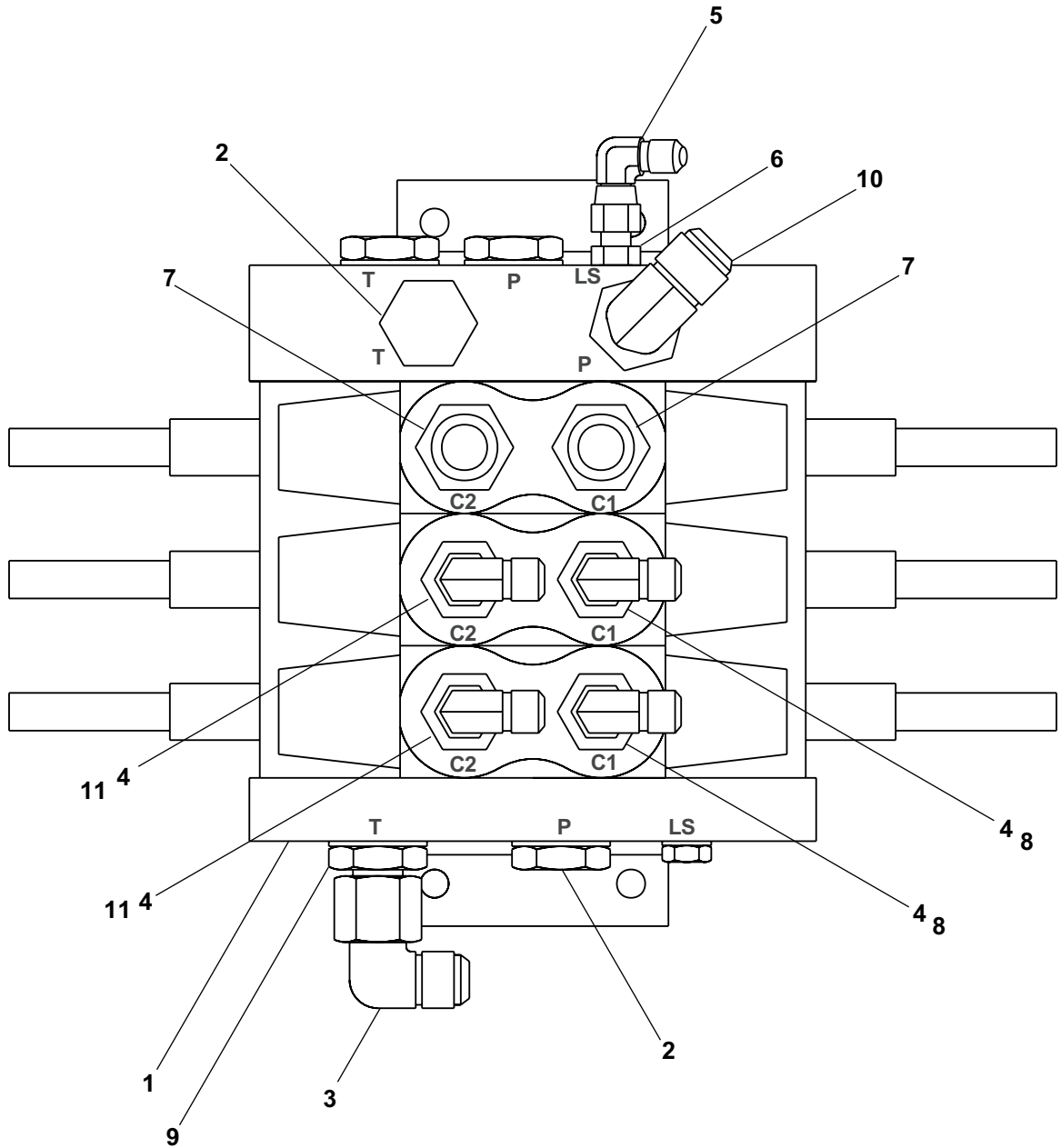


AW6010577

Valve, drive/lift/swing

item	part no	qty	description
	0081873	1	Valve, drive/lift/swing
1	6010823	1	Control valve, drive/lift/swing - (see page 2-16 for parts breakdown)
2	5075208	2	Hex head plug
3	5037010	1	Swivel nut 90° elbow
4	5037005	4	Swivel nut 90° elbow
5	5037003	1	Swivel nut 90° elbow
6	5065703	1	Straight thread adapter
7	5065731	2	Straight thread adapter
8	5065708	2	Straight thread adapter
9	5065719	1	Straight thread adapter
10	5035311	1	Straight thread 90° elbow
11	5065815	2	Long straight thread adapter

Valve, drive/lift/swing

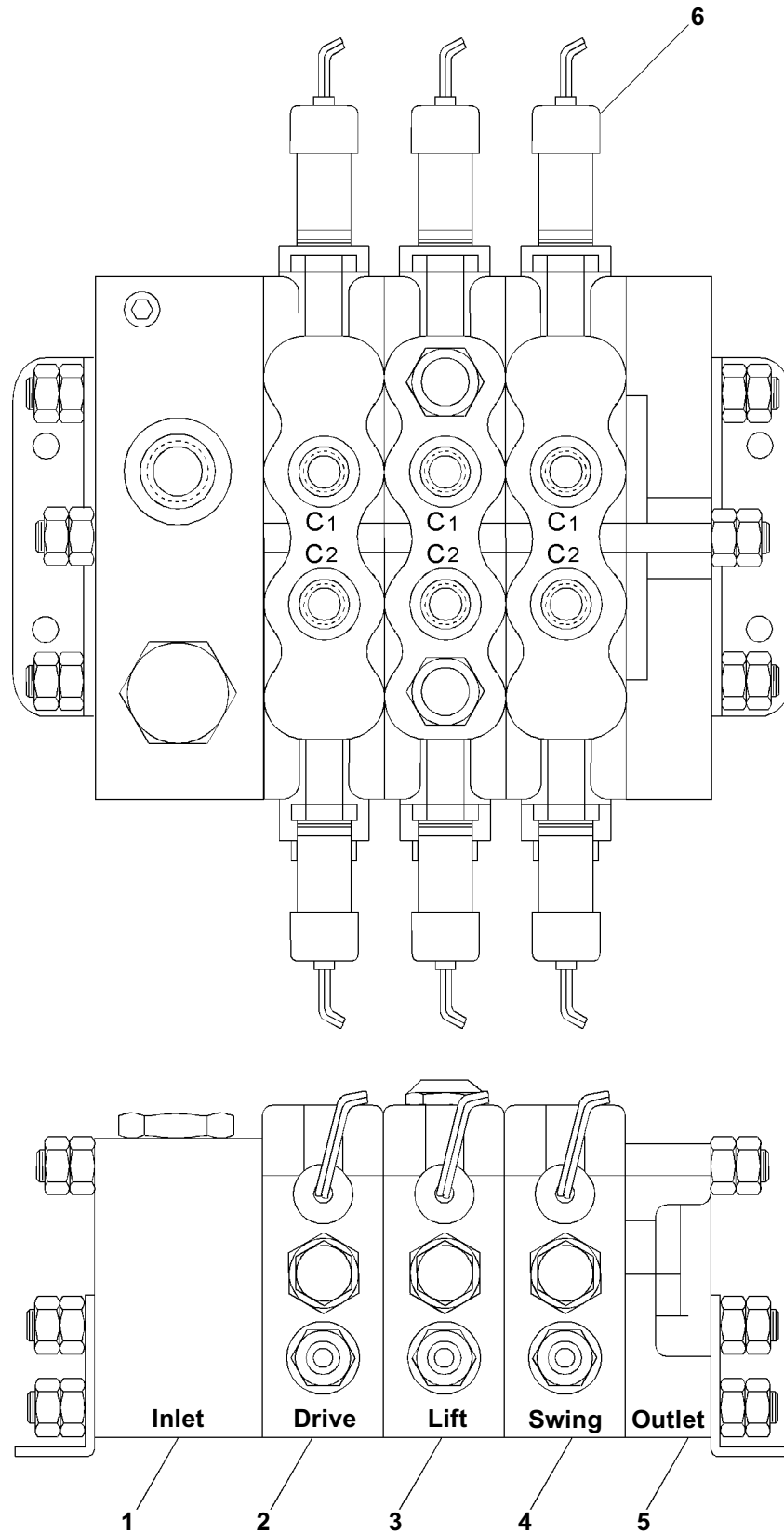


AW0081873

Control valve, drive/lift /swing

item	part no	qty	description
1	6010823	1	Control valve, drive/lift/swing - Apitech
	0082072	1	Seal repair kit, valve section - (total of four (4) kits required to reseal complete valve)
2	6010849	1	Inlet section
	8010272	2	Set screw
3	8010273	2	Sealing nut with washer
	6010850	1	Drive control section
	8010272	2	Set screw
4	8010273	2	Sealing nut with washer
	6010851	1	Boom lift control valve section
	8010272	2	Set screw
5	8010273	2	Sealing nut with washer
	6010852	1	Swing control valve section
	8010272	2	Set screw
6	8010273	2	Sealing nut with washer
	6010853	1	Outlet section
	8010272	2	Set screw
	8010273	2	Sealing nut with washer
	6010653	6	Solenoid cartridge, 12 volt DC - (black = 33 Hz Frequency) (includes solenoid, cartridge, o-ring and orifice disc - must be installed as a complete unit)

Control valve, drive/lift /swing

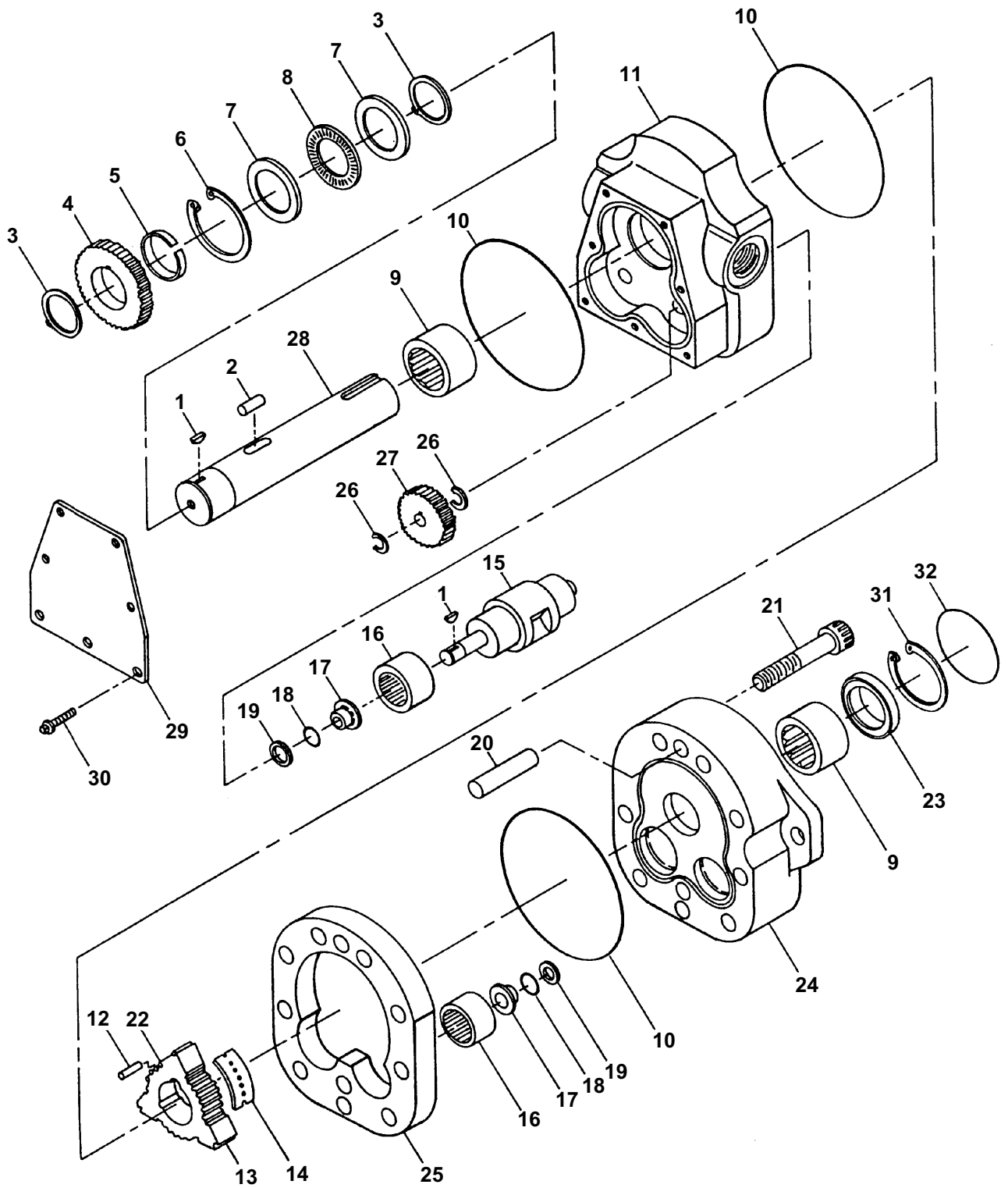


AW6010823

Drive motor

item	part no	qty	description
	6030018-99	1	Drive motor
	0071092	1	Seal repair kit - (kit includes items 10, 18, 19, 23 and 31)
1	8220126	3	Woodruff key
2	8220127	1	Drive pin
3	8220005	2	Retaining ring
4	8220128	1	Gear drive
5	8220129	1	Spacer washer
6	8220130	1	Retaining ring
7	8220006	2	Thrust bearing race
8	8220007	1	Thrust bearing
9	8220027	2	Needle bearing
10	8220131	3	Oil seal
11	8220132	1	Rear end cap
12	8220133	3	Tip seal roller
13	8220134	1	Rotor
14	8220020	3	Seal plate
15	8220135	2	Abutment valve
16	8220028	4	Needle bearing
17	28220030	4	Step bearing
18	8220136	4	O-ring
19	8220137	4	Back-Up ring
20	8220138	4	Dowel pin
21	8220139	9	Capscrew
22	8220140	18	Body seal roller
23	8220146	1	Shaft seal
24	8220031	1	Front end cap
25	8220141	1	Displacement housing
26	8220142	4	Retaining ring
27	8220143	2	Gear pinion
28	8220156	1	S-shaft
29	8220147	1	Gear cover
30	8220148	7	Capscrew
31	8220144	1	Retaining ring
32	8220145	1	O-ring
33	8220117	1	Front sealing cap

Drive motor

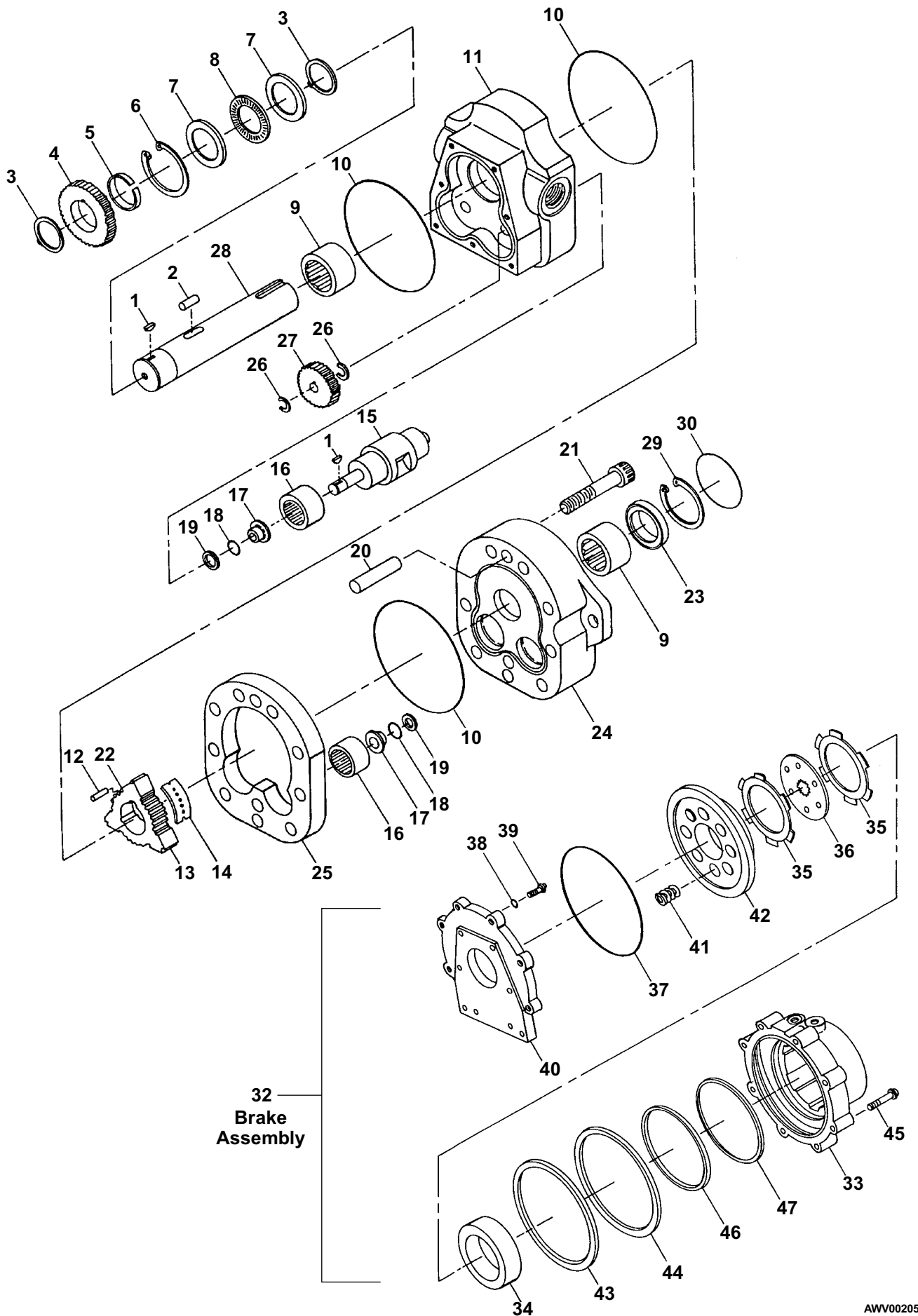


AWV00204

Drive motor with integral brake

item	part no	qty	description
	6030040-79	1	Drive motor with integral brake
	0071092	1	Seal repair kit, drive motor - (kit includes items 10, 18, 19, 23 and 31)
	8220149	1	Seal repair kit, drive motor brake - (kit includes items 39, 40, 45, 46, 48 and 49)
1	8220126	3	Woodruff key
2	8220127	1	Drive pin
3	8220005	2	Retaining ring
4	8220128	1	Gear drive
5	8220129	1	Spacer washer
6	8220130	1	Retaining ring
7	8220006	2	Thrust bearing race
8	8220007	1	Thrust bearing
9	8220027	2	Needle bearing
10	8220131	3	Oil seal
11	8220132	1	Rear end cap
12	8220133	3	Tip seal roller
13	8220134	1	Rotor
14	8220020	3	Seal plate
15	8220135	2	Abutment valve
16	8220028	4	Needle bearing
17	28220030	4	Step bearing
18	8220136	4	O-ring
19	8220137	4	Back-Up ring
20	8220138	4	Dowel pin
21	8220139	9	Capscrew
22	8220140	18	Body seal roller
23	8220146	1	Shaft seal
24	8220031	1	Front end cap
25	8220141	1	Displacement housing
26	8220142	4	Retaining ring
27	8220143	2	Gear pinion
28	8220017	1	S-shaft for brake
29	8220144	1	Retaining ring
30	8220145	1	O-ring
31	8220117	1	Front sealing cap
32	8220155	1	Drive motor brake, 4 cubic inch - (complete brake, includes items 33 through 37)
	8220038	1	Brake replacement kit - (includes items 33 through 40 and 45)
33	Kit item	1	Housing - (not sold separately)
34	8220150	1	Spacer ring
35	8220014	5	Friction disc
36	8220015	4	Driver plate
37	8220010	1	O-ring
38	8220011	7	Brass washer
39	8220148	7	Capscrew
40	Kit item	1	Adapter plate - (not sold separately)
41	8220025	8	Die spring
42	8220153	1	Pressure plate
43	8220009	1	Back-up ring
44	28220008	1	O-ring
45	8220154	8	Capscrew
46	8220003	1	O-ring
47	8220004	2	Back-up ring

Drive motor with integral brake

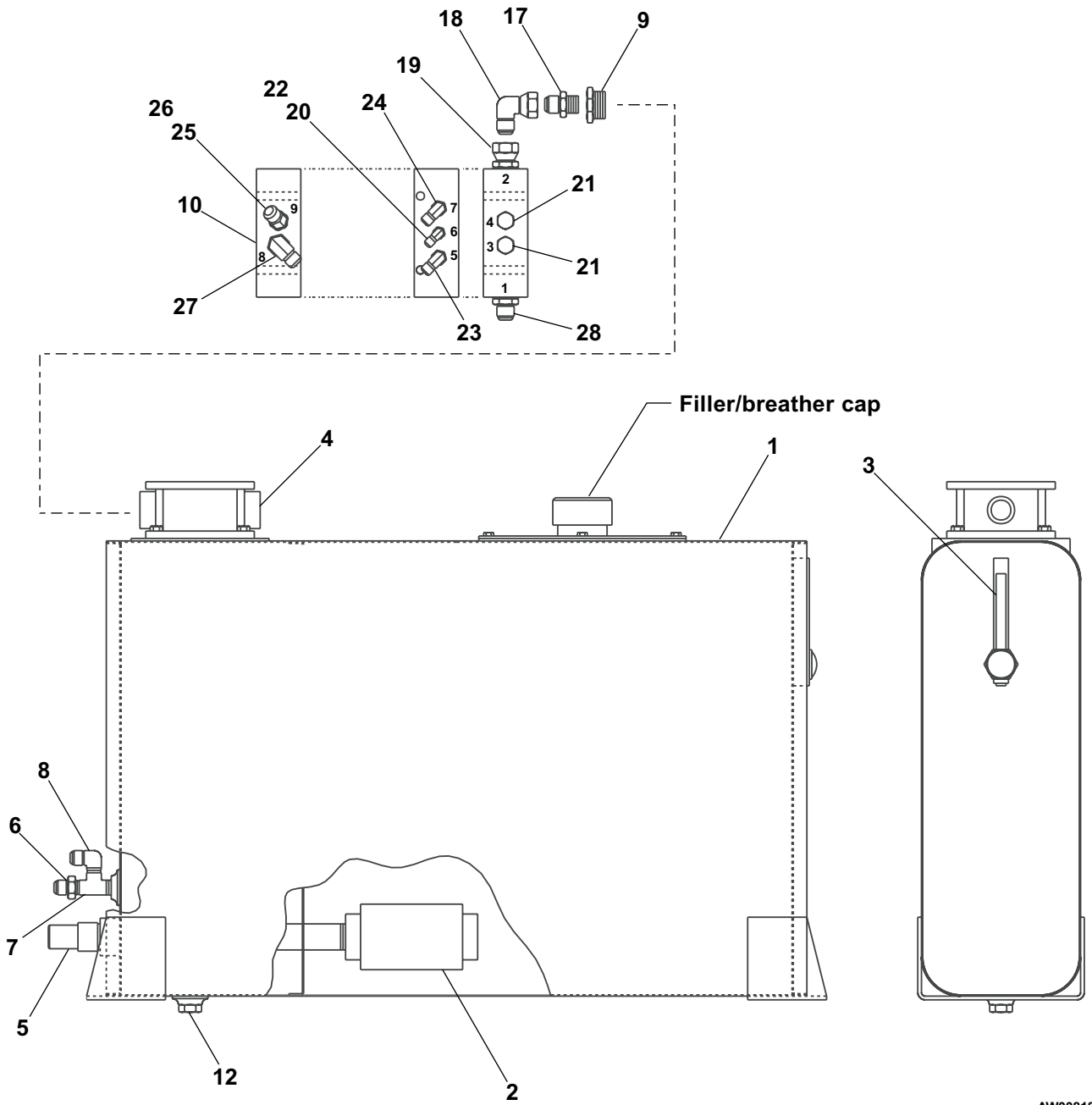
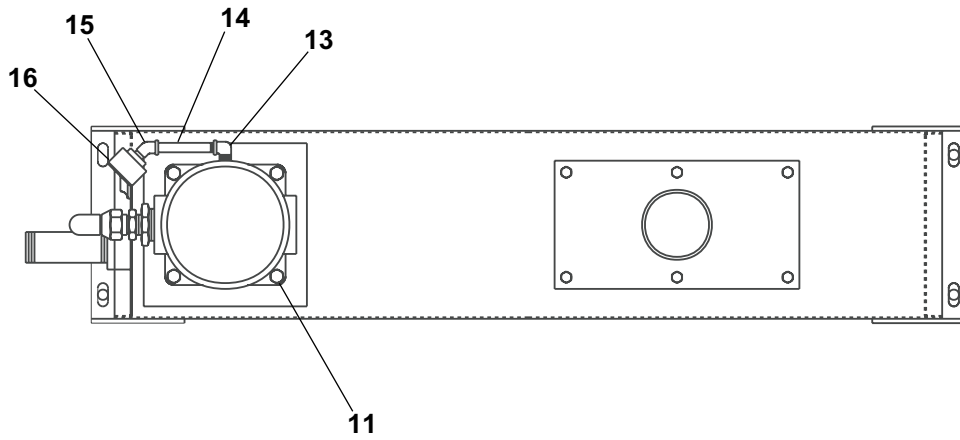


32
Brake
Assembly

Hydraulic oil reservoir

item	part no	qty	description
	0181875	1	Hydraulic oil reservoir
1	0081562-99	1	Hydraulic oil reservoir, 26 gallon capacity
	5090008	1	Replacement filler/breather cap
2	5080004	1	Filter, sump strainer
3	5090007	1	Liquid level gauge with thermometer
4	5080003	1	Hydraulic oil filter - (includes filter gauge, item 16)
	5080009	1	Replacement filter element
5	0080425	1	Outlet adapter
6	5033614	1	Male adapter
7	7734204	1	Street tee, 1/2 inch NPT
8	5033713	1	Male 90° elbow
9	7721208	1	Reducer bushing, 1-1/2 inch NPT to 1 inch NPT
10	0110156	1	Pressure manifold
11	5560643	4	Capscrew 3/8-16 x 3-1/4 inch long hex head grade 5
12	7714204	1	Plug, 1/2 inch NPT square head
13	7734701	1	Street 90° elbow, 1/8 inch NPT
14	7740120	1	Nipple, 1/8 inch NPT x 2-1/2 inch long
15	7734401	1	Pipe 45° elbow, 1/8 inch NPT
16	5080011	1	Filter gauge - (included with filter, item 4)
17	5033621	1	Male adapter
18	5037010	1	Swivel nut 90° elbow
19	5025202	1	Straight thread adapter, 37° swivel
20	5037003	1	Swivel nut 90° elbow
21	5075205	2	Hex head plug
22	5065705	1	Straight thread adapter
23	5035305	1	Straight thread 90° elbow
24	5035318	1	Straight thread 90° elbow
25	5065709	1	Straight thread adapter
26	5036906	1	Swivel nut 45° elbow
27	5035322	1	Straight thread 90° elbow
28	5065718	1	Straight thread adapter

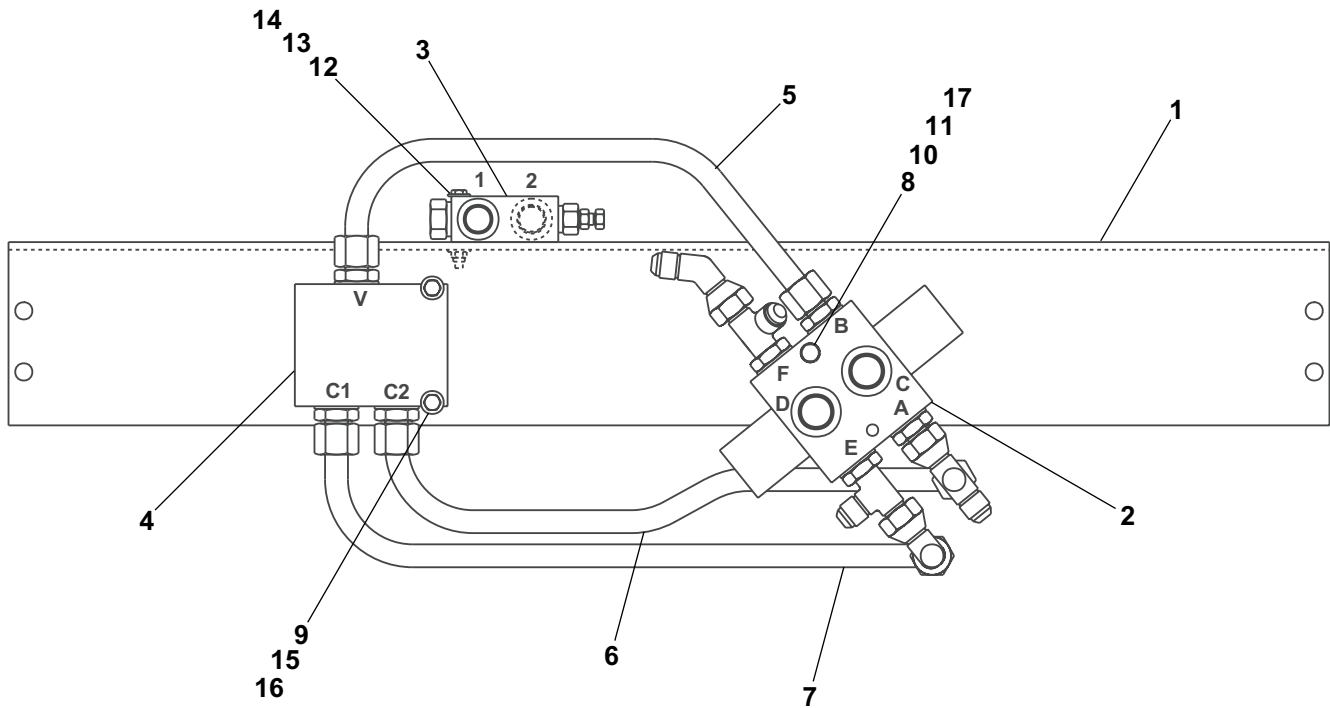
Hydraulic oil reservoir



AW0081875

Drive valve, high torque

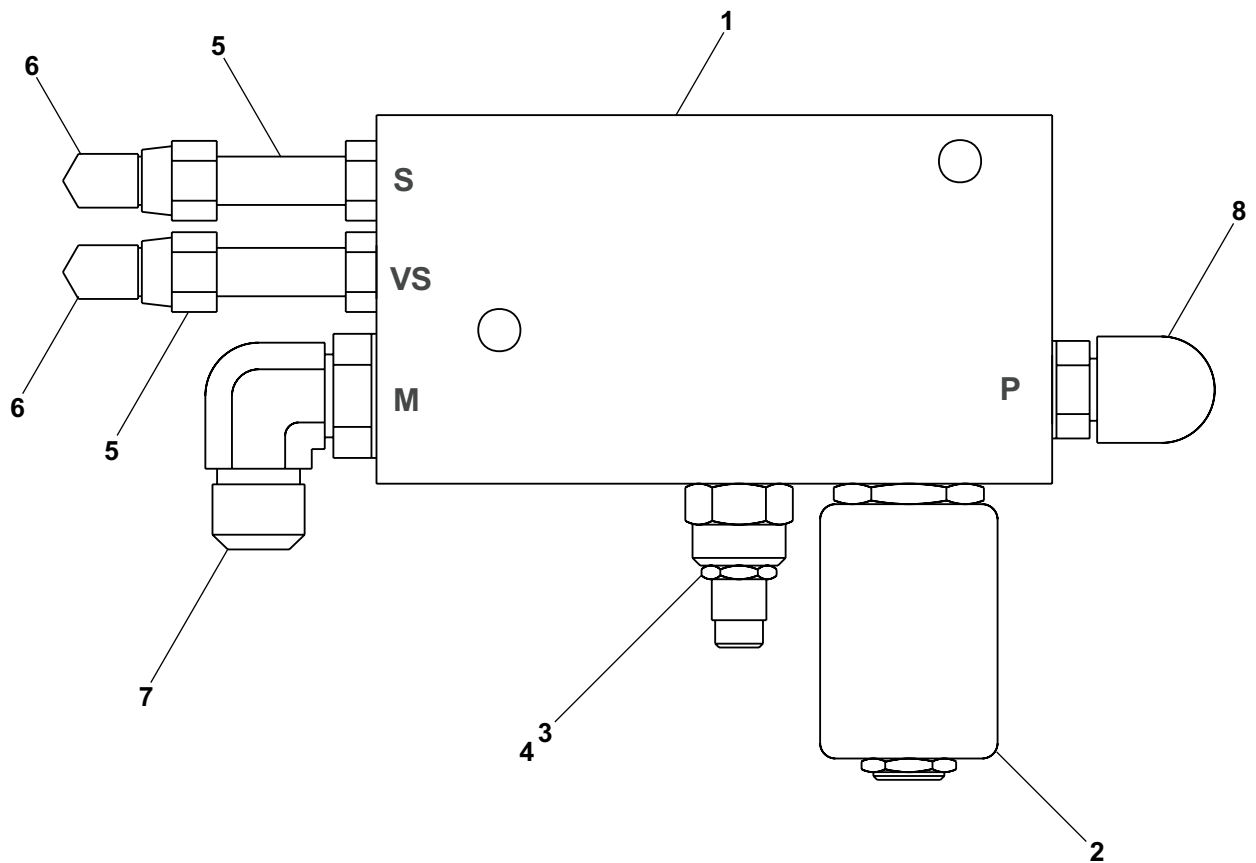
item	part no	qty	description
	0081423-99	1	Drive valve, high torque
1	0080514-99	1	Bracket, drive valve
2	0081425	1	Selector valve, 2 wheel drive - (see page 2-53 for parts breakdown)
	0081598	1	Selector valve, 4 wheel drive - (see page 2-54 for parts breakdown)
3	0081181	1	Anti-cavitation valve - (see page 2-27 for parts breakdown)
4	0081424	1	Flow divider valve - (see page 2-46 for parts breakdown)
5	0080513	1	3/4 inch hydraulic tube
6	0080512	1	3/4 inch hydraulic tube
7	0080511	1	3/4 inch hydraulic tube
8	970549	1	Capscrew 3/8-16 x 3 inch long hex head grade 5
9	5560031	2	Nut 5/16-18 self locking
10	5560033	1	Nut 3/8-16 self locking
11	986299	1	Washer 3/8 medium flat
12	969999	2	Capscrew 1/4-20 x 2-1/4 inch long hex head grade 5
13	5560004	2	Nut 1/4-20 self locking
14	986019	4	Washer 1/4 medium flat
15	970349	2	Capscrew 5/16-18 x 2-3/4 inch long hex head grade 5
16	986269	4	Washer 5/16 medium flat
17	987119	2	Washer 3/8 medium lock



AW0081423

AC generator valve

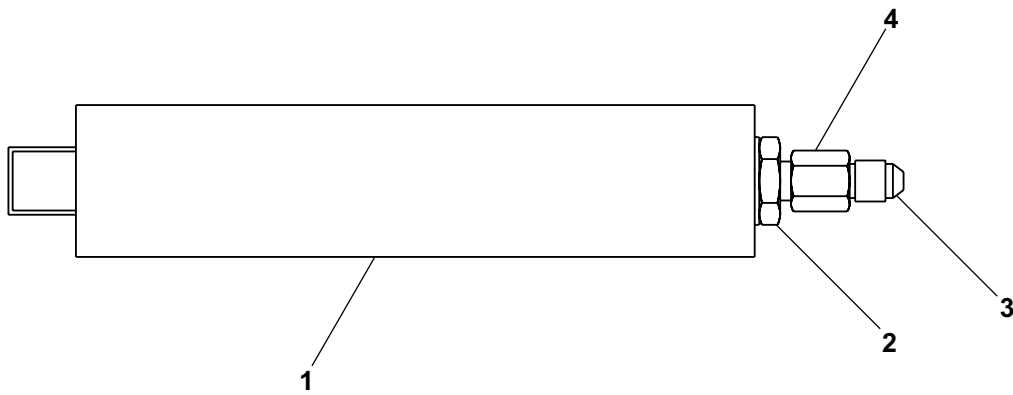
item	part no	qty	description
	0152831	1	AC generator valve
1	6010489	1	AC generator valve - (includes items 2, 3 and 4 — valve is not preset)
2	6010508	1	Cartridge valve with coil
	6010509	1	Replacement cartridge valve
	3040457	1	Replacement coil, 12 volt DC
3	6018901	1	Flow control valve cartridge
4	6010510	1	Shuttle valve cartridge
5	5065803	2	Long straight thread adapter
6	5037003	2	Swivel nut 90° elbow
7	5035306	1	Straight thread 90° elbow
8	5035320	1	Straight thread 90° elbow



AW0152831

Accumulator

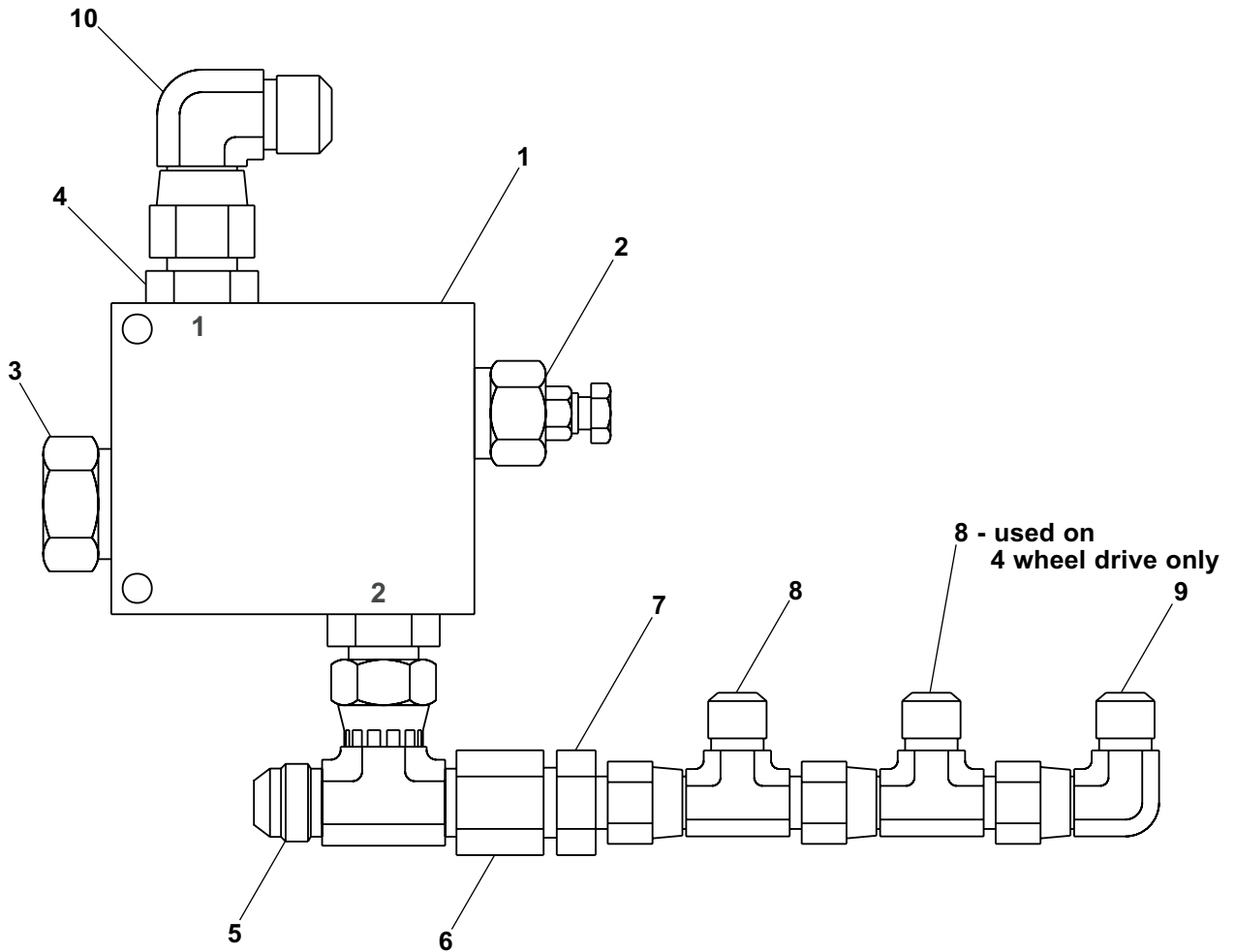
item	part no	qty	description
	0082055	1	Accumulator - (shipped charged)
1	6070005	1	Accumulator - (shipped uncharged, charge to 300 psi with dry nitrogen before use)
2	5065711	1	Straight thread adapter
3	5064002	1	Tube end reducer
4	6063906	1	Fitting nut



AW0082055

Anti-cavitation valve

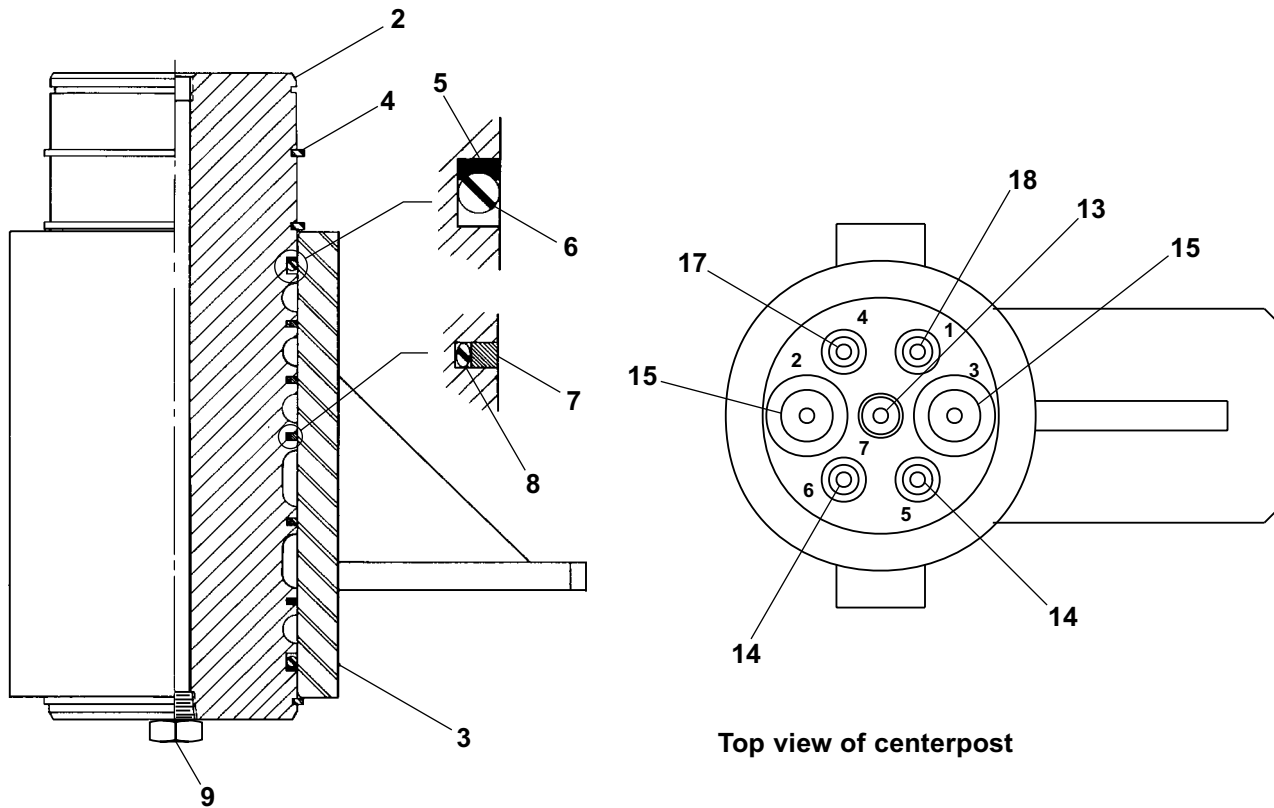
item	part no	qty	description
1	0081181	1	Anti-cavitation valve
	6010229	1	Anti-cavitation valve - (includes items 2 and 3)
	0110683	1	Seal repair kit
2	8230099	1	Relief valve cartridge - (factory preset, do not reset)
3	6010563	1	Check valve cartridge
	8190291	1	Seal repair kit
4	5065710	2	Straight thread adapter
5	5036806	1	Swivel nut branch tee
6	5063906	1	Fitting nut
7	5064003	1	Tube end reducer
8	5036705	2	Swivel nut run tee
9	5037005	1	Swivel nut 90° elbow
10	5037006	1	Swivel nut 90° elbow



AW0081181

Centerpost and fittings

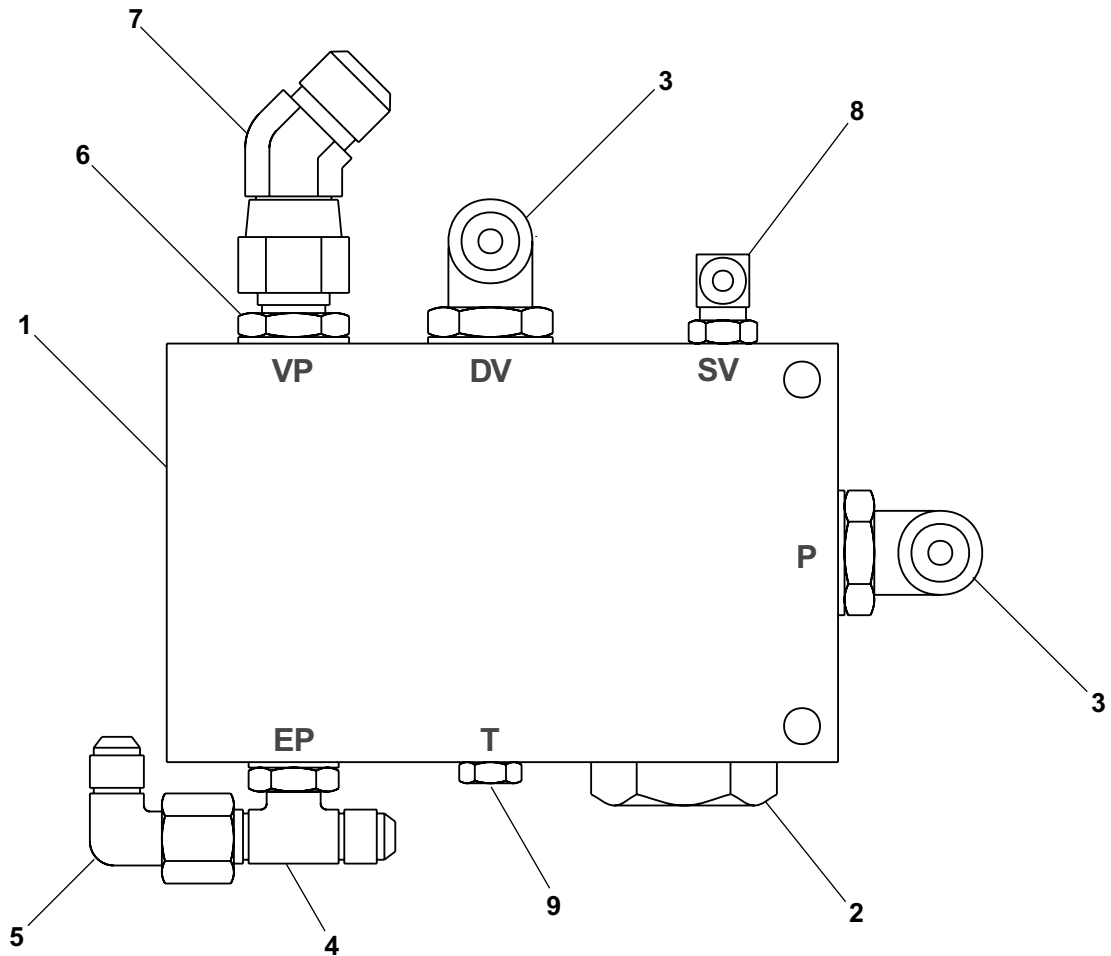
item	part no	qty	description
1	0110465	1	Centerpost - (includes items 2 through 8)
	0070991	1	Seal repair kit - (kit includes items 5, 6, 7 and 8)
2	0110466	1	Centerpost
3	0110467	1	Centerpost manifold
4	5590003	3	Retaining ring
5	Kit item	2	Parbak seal - (not sold separately)
6	Kit item	2	O-ring - (not sold separately)
7	Kit item	5	Seal ring - (not sold separately)
8	Kit item	5	O-ring - (not sold separately)
9	7714203	1	Hex head plug
			Centerpost and manifold port fittings - (fittings not shown, ports marked on parts)
10	5035308	2	Straight thread 90° elbow - (manifold ports no 2 and no 3)
11	5035316	1	Straight thread 90° elbow - (manifold port no 1)
12	5035318	1	Straight thread 90° elbow - (manifold port no 4)
13	5075205	3	Hex head plug - (centerpost port no 7, manifold ports no 8 and no 9)
14	5065707	2	Straight thread adapter - (centerpost ports no 5 and no 6)
15	5065714	2	Straight thread adapter - (centerpost ports no 2 and no 3)
16	5035305	2	Straight thread 90° elbow - (manifold ports no 5 and no 6)
17	5065705	1	Straight thread adapter - (centerpost port no 4)
18	5065728	1	Straight thread adapter - (centerpost port no 1)



AWM00208

Check valve

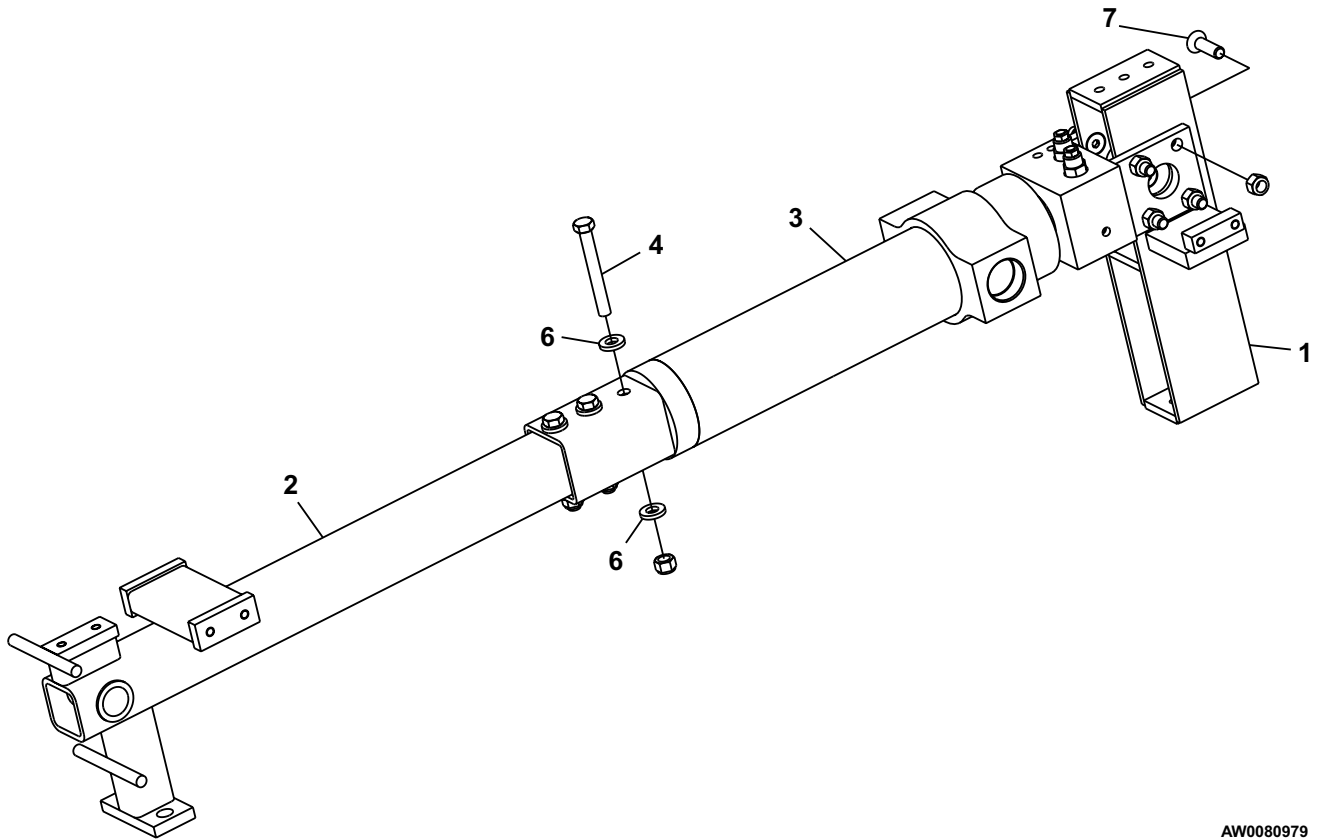
item	part no	qty	description
	0081980-99	1	Check valve
1	6010579	1	Check valve - (includes cartridge, item 2)
2	6010565	1	Check valve cartridge
	6010605	1	Seal repair kit
3	5035310	2	Straight thread 90° elbow
4	5036505	1	Straight thread branch tee
5	5037005	1	Swivel nut 90° elbow
6	5065729	1	Straight thread adapter
7	5036907	1	Swivel nut 45° elbow
8	5035318	1	Straight thread 90° elbow
9	5075203	1	Hex head plug



AW0081980

Extend cylinder and support bracket

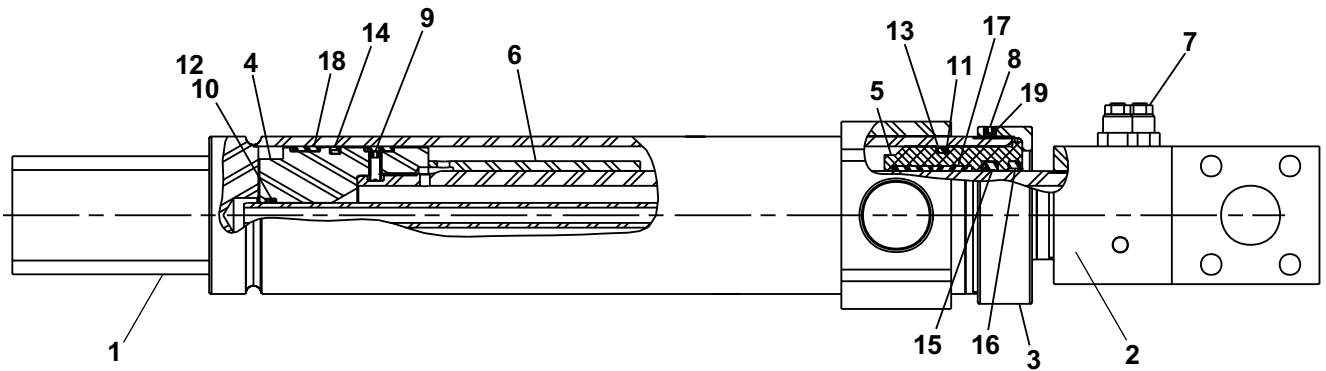
item	part no	qty	description
	0080979	1	Extend cylinder and support bracket
1	0080980-99	1	Support bracket, extend cylinder rod end
2	0082054-99	1	Support bracket, extend cylinder base end
3	0083472-99	1	Cylinder, extension - (see page 2-31 for parts breakdown)
4	971009	3	Capscrew 1/2-13 x 4 inch long hex head grade 5
5	5560039	11	Nut 1/2-13 self locking
6	5560168	6	Washer 1/2 hard flat ASTM-F436
7	5560718	8	Capscrew screw 1/2-13 x 1-3/4 inch long socket flat head



AW0080979

Cylinder, extension - Rosenboom

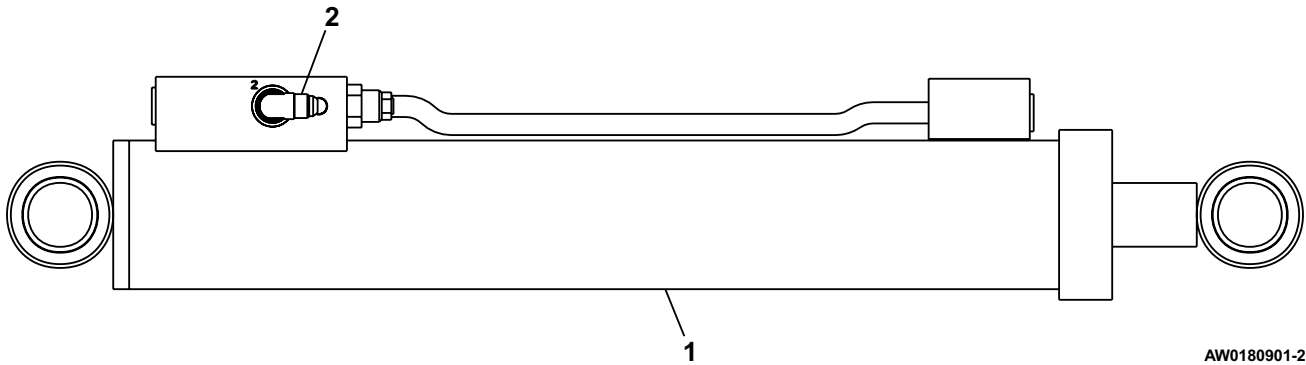
item	part no	qty	description
	0083472-99	1	Cylinder, extension - Rosenboom
	6091266	1	Seal repair kit - (kit includes items 10 through 19)
1		1	Tube - (not sold separately)
2	6091265	1	Rod
3	6091255	1	Head gland cap
4	6091262	1	Piston
5	6091263	1	Head gland
6	6091264	1	Rod spacer
7	6091314	2	Counterbalance holding valve - (preset by factory, do not reset)
8	5569835	1	Set screw 5/16-18 x 1/4 inch long
9	975729	1	Set screw 5/16-18 x 3/4 inch long
10	Kit item	1	O-ring - (not sold separately)
11	Kit item	1	O-ring - (not sold separately)
12	Kit item	2	Back-up - (not sold separately)
13	Kit item	1	Back-up - (not sold separately)
14	Kit item	1	Diso-pac - (not sold separately)
15	Kit item	1	U-cup - (not sold separately)
16	Kit item	1	Rod wiper - (not sold separately)
17	Kit item	2	Wearband - (not sold separately)
18	Kit item	2	Wearband - (not sold separately)
19	Kit item	1	Locking insert - (not sold separately)



AWV00380

Jib boom lift cylinder

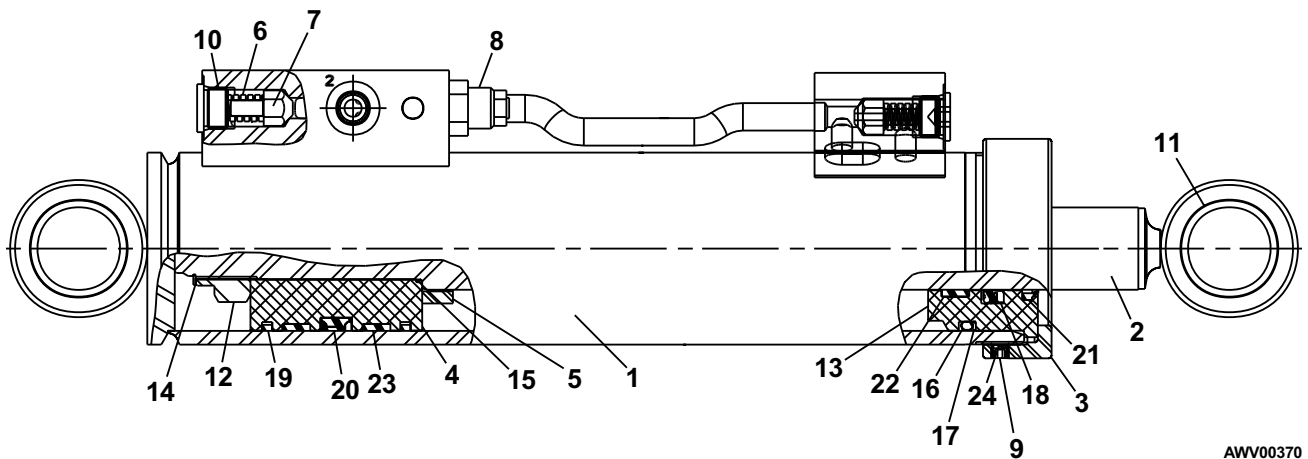
item	part no	qty	description
	0180901	1	Jib boom lift cylinder
1	0191811	1	Cylinder, jib boom lift - (see page 2-33 for parts breakdown)
2	5035305	2	Straight thread 90° elbow



AW0180901-2

Cylinder, jib boom lift - Rosenboom

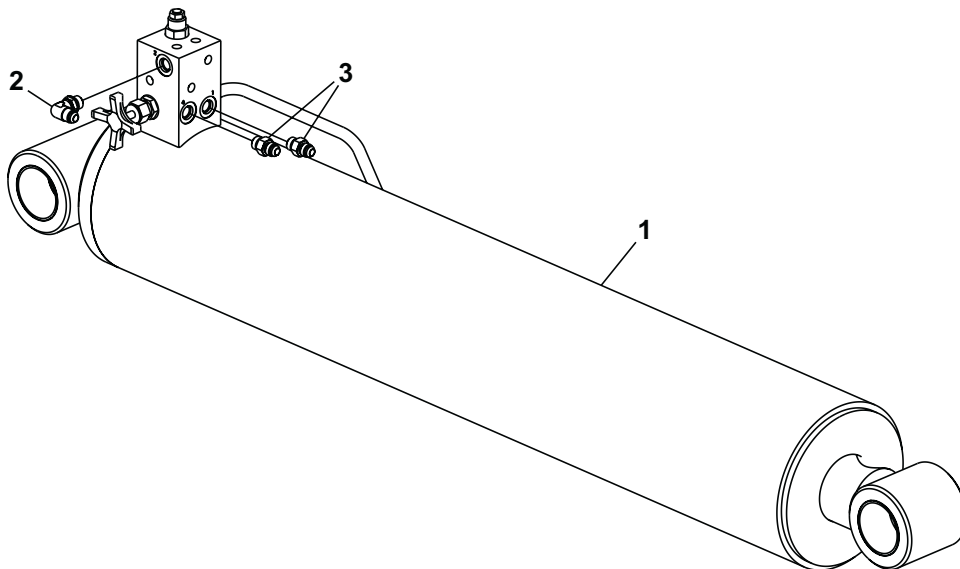
item	part no	qty	description
	0191811	1	Cylinder, jib boom lift - Rosenboom
	6091294	1	Seal repair kit - (kit includes items 14 through 24)
1		1	Tube - (not sold separately)
2	6091292	1	Rod
3	6091288	1	Head gland cap
4	6091289	1	Piston
5	6091291	1	Rod spacer
6	6091246	2	Spring
7	6091241	2	Poppet
8	6010794	1	Cartridge holding valve - (factory preset, do not reset)
	0150563	1	Seal repair kit
9	5569835	1	Set screw 5/16-18 x 1/4 inch long
10	5075306	2	Hex plug
11	2502229	4	Bearing
12	6091293	1	Locking nut 1-1/4-12
13	6091311	1	Head gland
14	Kit item	1	Snap ring - (not sold separately)
15	Kit item	1	O-ring - (not sold separately)
16	Kit item	1	O-ring - (not sold separately)
17	Kit item	1	Back-up - (not sold separately)
18	Kit item	1	Deep Z-seal - (not sold separately)
19	Kit item	2	Cast iron ring - (not sold separately)
20	Kit item	1	Capped T-seal - (not sold separately)
21	Kit item	1	Rod wiper - (not sold separately)
22	Kit item	1	Wearband - (not sold separately)
23	Kit item	2	Wearband - (not sold separately)
24	Kit item	1	Locking insert - (not sold separately)



AWW00370

Lift cylinder

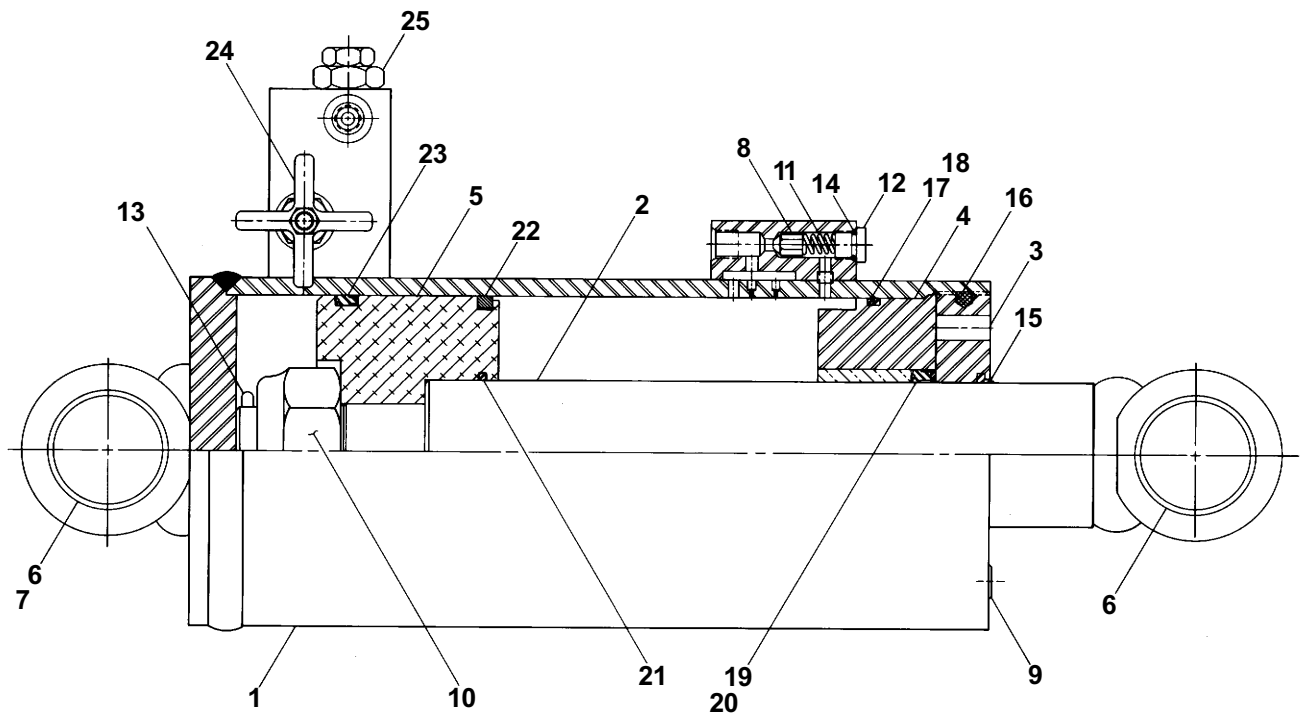
item	part no	qty	description
1	0080053-99	1	Lift cylinder
1	0080061-99	1	Cylinder, lift - (see page 2-35 for GBI cylinder)
	0083473-99	1	Cylinder, lift - (see page 2-36 for Rosenboom cylinder)
2	5035305	1	Straight thread 90° elbow
3	5065707	2	Straight thread adapter



AW0080053

Cylinder, lift - GBI

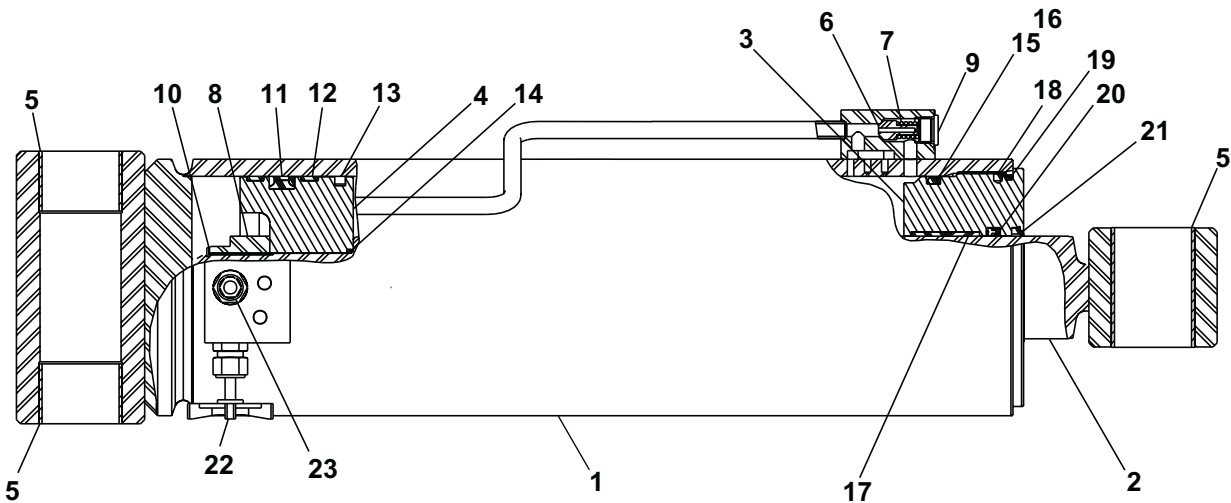
item	part no	qty	description																																																												
	0080061-99	1	Cylinder, lift - GBI																																																												
	0080615	1	Seal repair kit - (kit includes items 13 through 23)																																																												
1		1	Tube - (not sold separately)																																																												
2	8070247	1	Rod																																																												
3	8070295	1	Retainer																																																												
4	8070220	1	Bearing																																																												
5	8070217	1	Piston																																																												
6	2503628	4	Bearing																																																												
7	8070030	1	Bearing spacer																																																												
8	8070012	1	Poppet																																																												
9	8070014	1	Pipe plug																																																												
10	8070218	1	Nut																																																												
11	8070017	1	Spring																																																												
12	8070015	1	Port plug	13	Kit item	1	Cotter pin - (not sold separately)	14	Kit item	1	O-ring - (not sold separately)	15	Kit item	1	Wiper - (not sold separately)	16	Kit item	1	Nylon plug - (not sold separately)	17	Kit item	1	O-ring - (not sold separately)	18	Kit item	1	Back-up - (not sold separately)	19	Kit item	1	U-ring - (not sold separately)	20	Kit item	1	Back-up - (not sold separately)	21	Kit item	1	O-ring - (not sold separately)	22	Kit item	1	Cast iron piston ring - (not sold separately)	23	Kit item	1	Quad seal - (not sold separately)	24	6010115	1	Cartridge needle valve		0071845	1	Seal repair kit	25	6010116	1	Cartridge holding valve - (preset by factory, do not reset)		0071918	1	Seal repair kit
13	Kit item	1	Cotter pin - (not sold separately)																																																												
14	Kit item	1	O-ring - (not sold separately)																																																												
15	Kit item	1	Wiper - (not sold separately)																																																												
16	Kit item	1	Nylon plug - (not sold separately)																																																												
17	Kit item	1	O-ring - (not sold separately)																																																												
18	Kit item	1	Back-up - (not sold separately)																																																												
19	Kit item	1	U-ring - (not sold separately)																																																												
20	Kit item	1	Back-up - (not sold separately)																																																												
21	Kit item	1	O-ring - (not sold separately)																																																												
22	Kit item	1	Cast iron piston ring - (not sold separately)																																																												
23	Kit item	1	Quad seal - (not sold separately)																																																												
24	6010115	1	Cartridge needle valve																																																												
	0071845	1	Seal repair kit																																																												
25	6010116	1	Cartridge holding valve - (preset by factory, do not reset)																																																												
	0071918	1	Seal repair kit																																																												



AWV00217

Cylinder, lift - Rosenboom

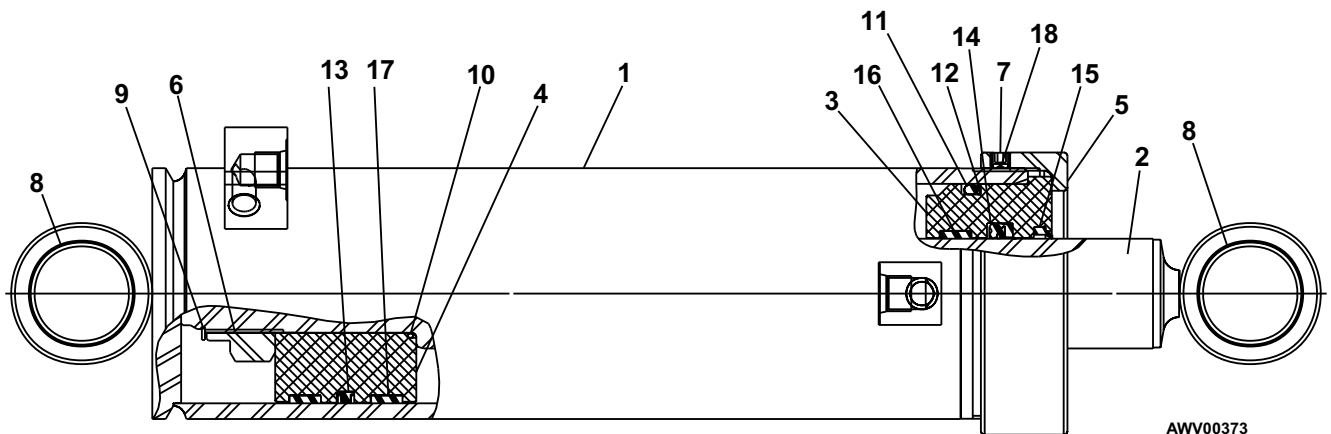
item	part no	qty	description
	0083473-99	1	Cylinder, lift - Rosenboom
	6091253	1	Seal repair kit - (kit includes items 10 through 21)
1		1	Tube - (not sold separately)
2	6091251	1	Rod
3	6091250	1	Head gland cap
4	6091249	1	Piston
5	2503628	4	Bearing
6	6091241	1	Poppet
7	6091246	1	Spring
8	6091252	1	Locking nut
9	5075306	1	Hex plug
10	Kit item	1	Snap ring - (not sold separately)
11	Kit item	1	Capped T-seal - (not sold separately)
12	Kit item	2	Wearband - (not sold separately)
13	Kit item	1	Cast iron ring - (not sold separately)
14	Kit item	1	O-ring - (not sold separately)
15	Kit item	1	O-ring - (not sold separately)
16	Kit item	1	Back-up - (not sold separately)
17	Kit item	2	Wearband - (not sold separately)
18	Kit item	2	Locking insert - (not sold separately)
19	Kit item	1	O-ring - (not sold separately)
20	Kit item	1	Deep Z-seal - (not sold separately)
21	Kit item	1	Rod wiper - (not sold separately)
22	6010115	1	Cartridge needle valve
	0071845	1	Seal repair kit
23	6091314	1	Counterbalance holding valve - (factory preset, do not reset)



AW0083473

Cylinder, master level - Rosenboom

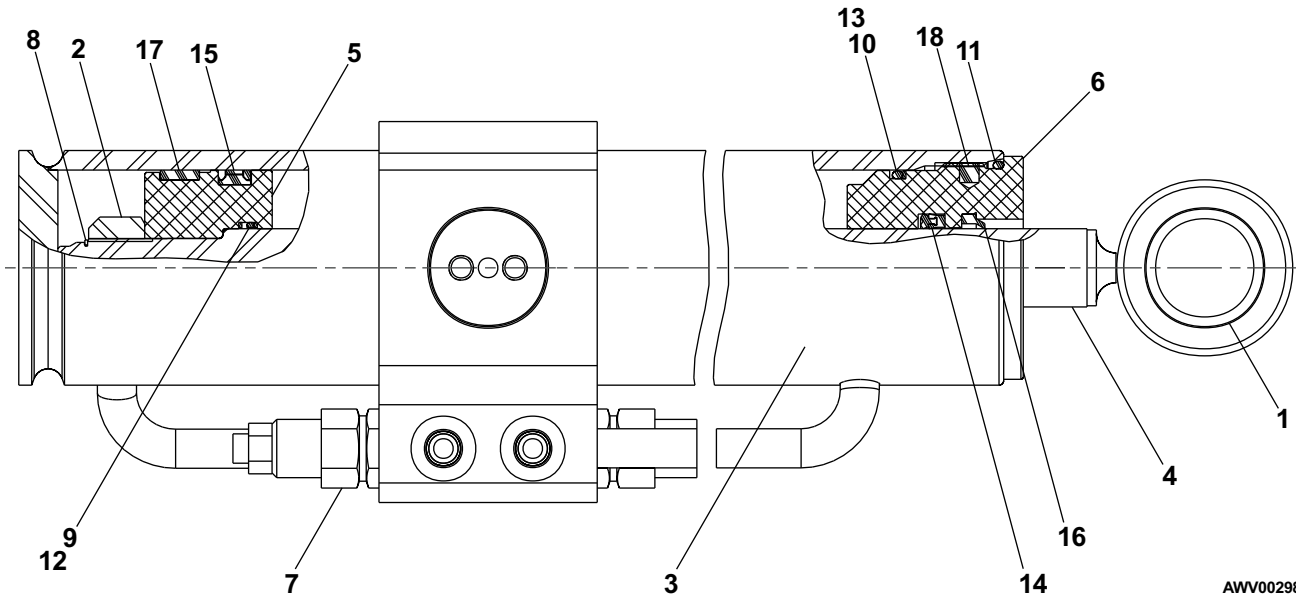
item	part no	qty	description
	0070007-99	1	Cylinder, master level - Rosenboom
	6091260	1	Seal repair kit - (kit includes items 9 through 18)
1		1	Tube - (not sold separately)
2	6091374	1	Rod
3	6091257	1	Head gland
4	6091256	1	Piston
5	6091250	1	Head gland cap
6	6091259	1	Lock nut
7	5569835	1	Set screw 5/16-18 x 1/4 inch long
8	2502416	4	Bearing
9	Kit item	1	Snap ring - (not sold separately)
10	Kit item	1	O-ring - (not sold separately)
11	Kit item	1	O-ring - (not sold separately)
12	Kit item	1	Back-up - (not sold separately)
13	Kit item	1	Capped T-seal - (not sold separately)
14	Kit item	1	Deep Z-seal - (not sold separately)
15	Kit item	1	Rod wiper - (not sold separately)
16	Kit item	1	Wearband - (not sold separately)
17	Kit item	2	Wearband - (not sold separately)
18	Kit item	1	Locking insert - (not sold separately)



AWV00373

Cylinder, slave level - Rosenboom

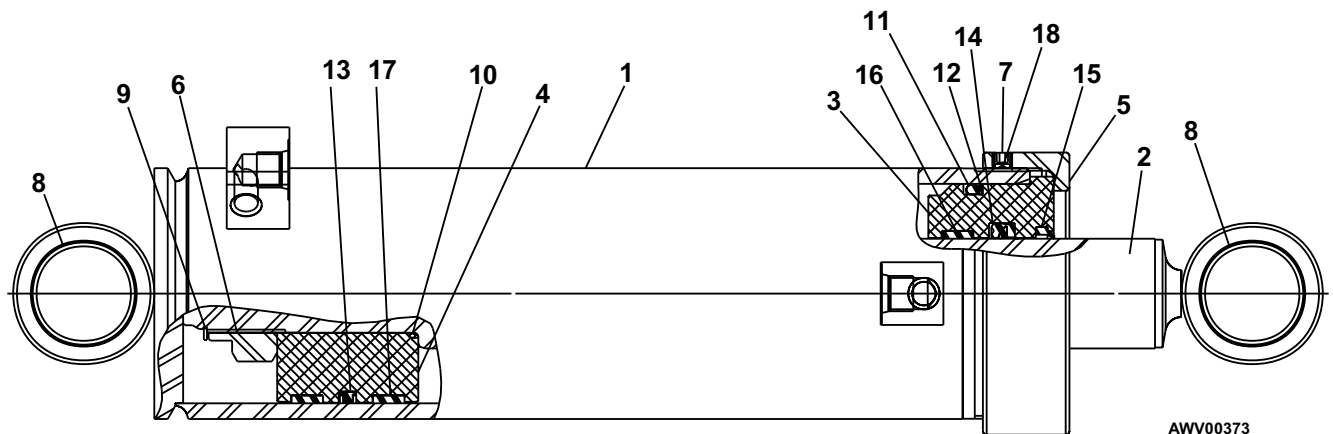
item	part no	qty	description
	0181914	1	Cylinder, slave level - Rosenboom
	6091333	1	Seal repair kit - (kit includes items 8 through 18)
1	2500026	2	Bearing
2	6091282	1	Locknut
3		1	Tube - (not sold separately)
4	6091330	1	Rod
5	6091331	1	Piston
6	6091332	1	Head gland
7	6091335	2	Counterbalance holding valve - (preset by factory, do not reset)
8	Kit item	1	Snap ring - (not sold separately)
9	Kit item	1	O-ring - (not sold separately)
10	Kit item	1	O-ring - (not sold separately)
11	Kit item	1	O-ring - (not sold separately)
12	Kit item	2	Backup ring - (not sold separately)
13	Kit item	1	Backup ring - (not sold separately)
14	Kit item	1	Deep Z-seal - (not sold separately)
15	Kit item	1	Capped T-seal - (not sold separately)
16	Kit item	1	Rod wiper - (not sold separately)
17	Kit item	1	Wearband - (not sold separately)
18	Kit item	1	Locking insert - (not sold separately)



AWV00298

Cylinder, steering - Rosenboom

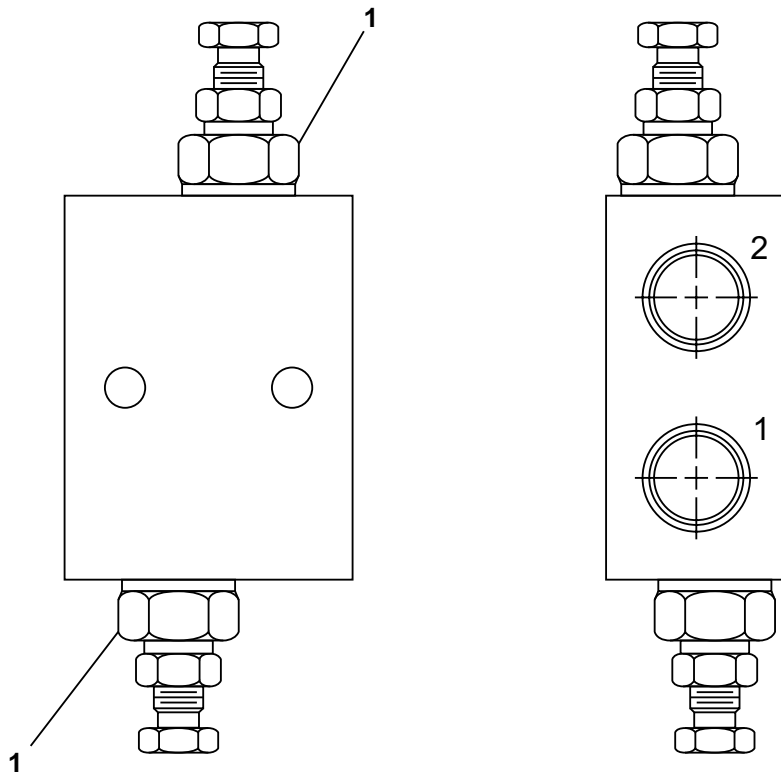
item	part no	qty	description
	0070007-99	1	Cylinder, steering - Rosenboom
	6091260	1	Seal repair kit - (kit includes items 9 through 18)
1		1	Tube - (not sold separately)
2	6091374	1	Rod
3	6091257	1	Head gland
4	6091256	1	Piston
5	6091250	1	Head gland cap
6	6091259	1	Lock nut
7	5569835	1	Set screw 5/16-18 x 1/4 inch long
8	2502416	4	Bearing
9	Kit item	1	Snap ring - (not sold separately)
10	Kit item	1	O-ring - (not sold separately)
11	Kit item	1	O-ring - (not sold separately)
12	Kit item	1	Back-up - (not sold separately)
13	Kit item	1	Capped T-seal - (not sold separately)
14	Kit item	1	Deep Z-seal - (not sold separately)
15	Kit item	1	Rod wiper - (not sold separately)
16	Kit item	1	Wearband - (not sold separately)
17	Kit item	2	Wearband - (not sold separately)
18	Kit item	1	Locking insert - (not sold separately)



AWV00373

Dual crossover relief valve

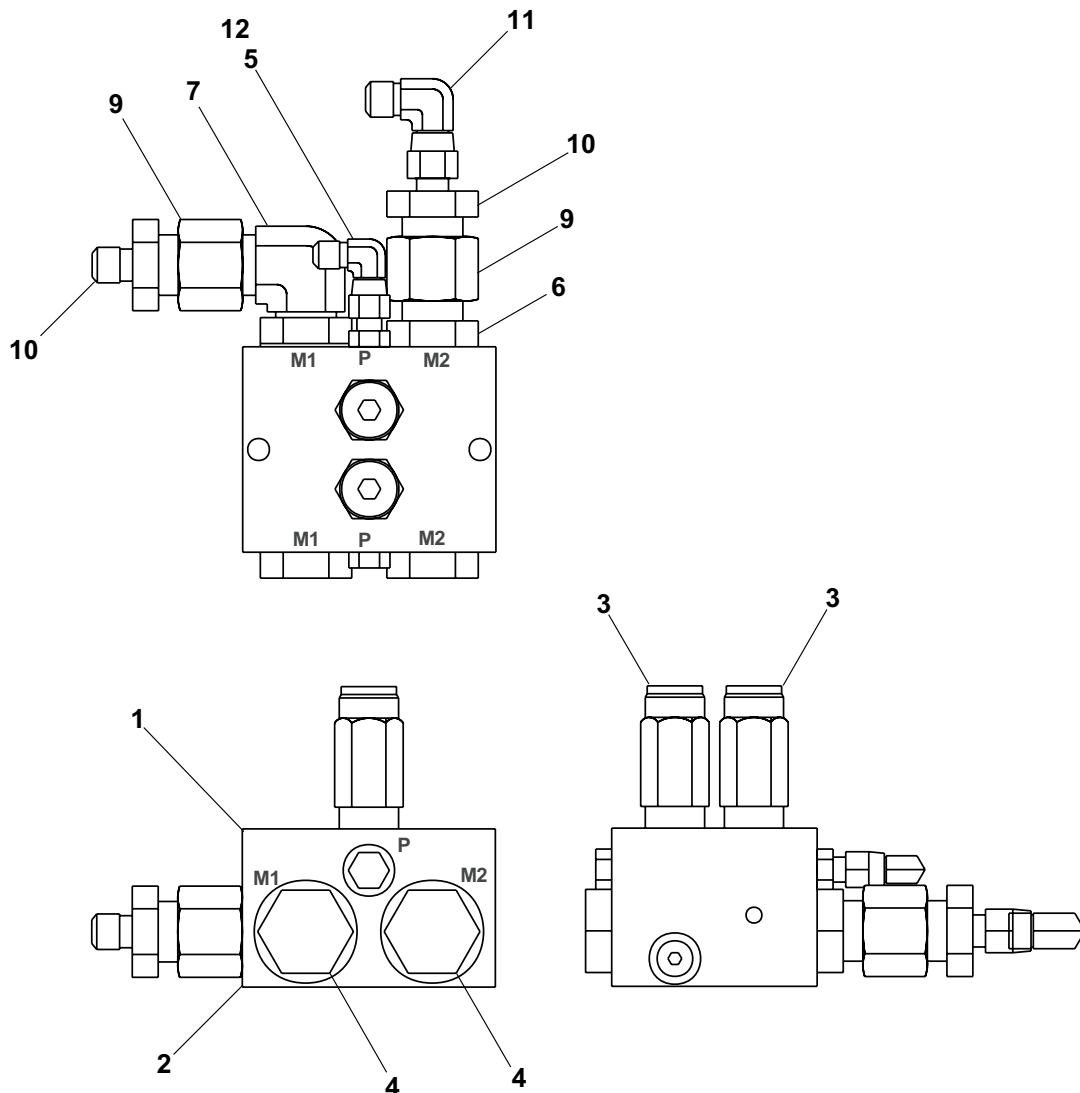
item	part no	qty	description
1	6010541	1	Dual crossover relief valve
	6010578	2	Crossover relief cartridge - (preset by factory, do not reset)



AW6010541

Drive sequence valve, right hand

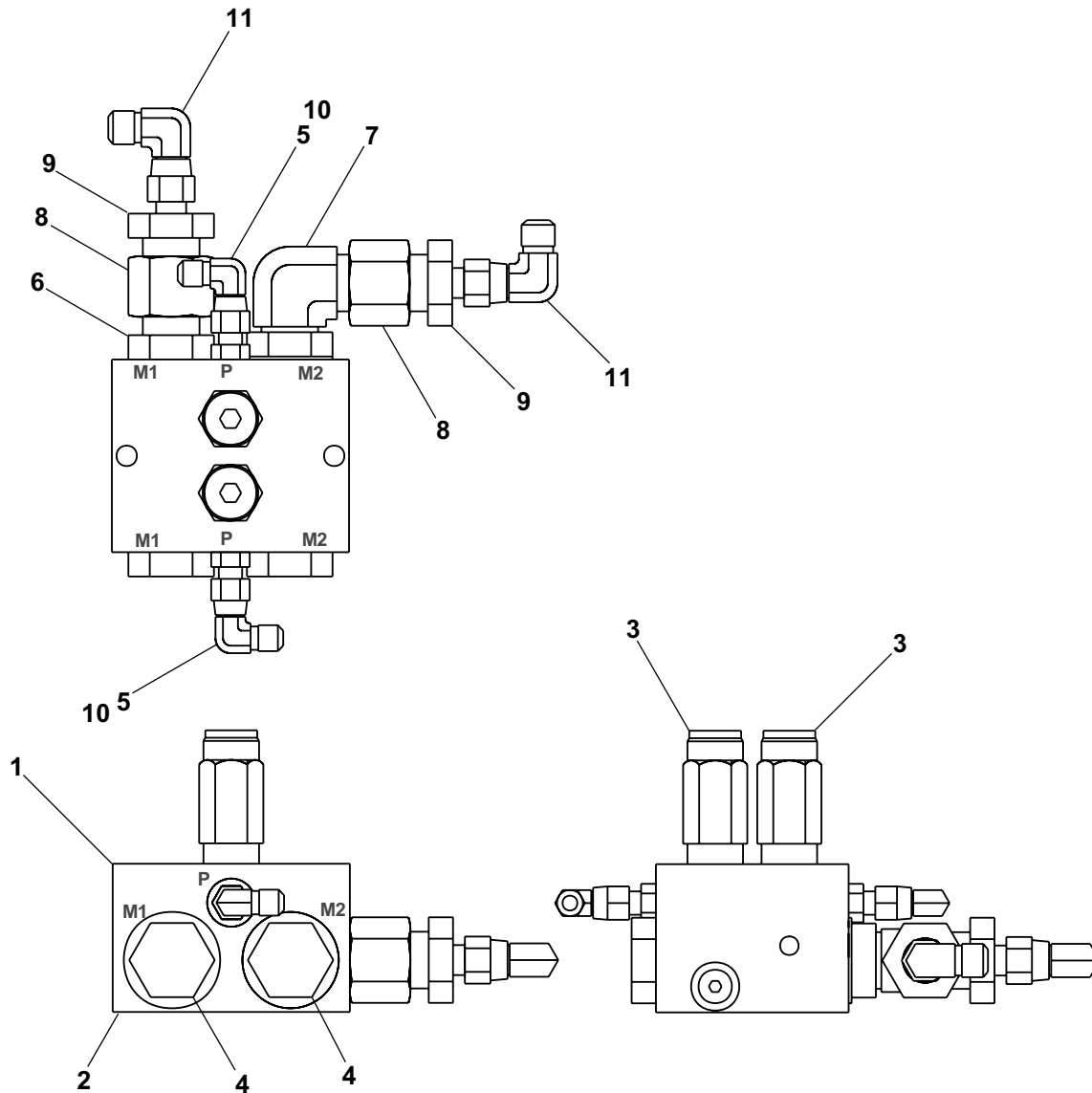
item	part no	qty	description
	0081600	1	Drive sequence valve, right hand
1	6010613	1	Dual sequence valve, Fluid Tech or Weco- (includes items 2 and 3)
2	6010614	1	Valve body, Fluid Tech
	6010624	1	Valve body, Weco
3	6010615	2	Cartridge sequence valve, Fluid Tech - (preset by factory, do not reset)
	6010269	2	Cartridge sequence valve, Weco - (preset by factory, do not reset)
4	5075208	2	Hex head plug
5	5065703	1	Straight thread adapter
6	5065714	1	Straight thread adapter
7	5035308	1	Straight thread 90° elbow
8	5075203	1	Hex head plug
9	5063908	2	Fitting nut
10	5064007	2	Tube end reducer
11	5037005	1	Swivel nut 90° elbow
12	5037003	1	Swivel nut 90° elbow



AW0081600

Drive sequence valve, left hand

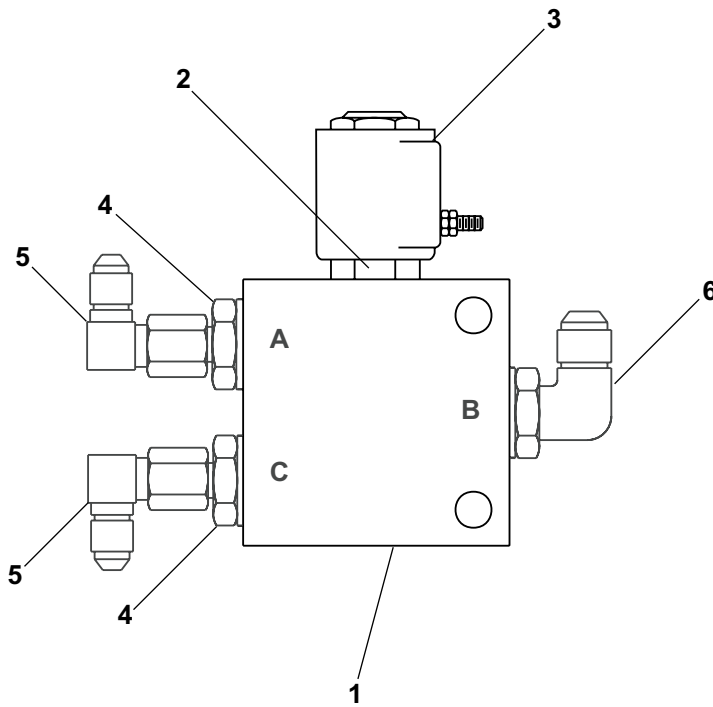
item	part no	qty	description
	0081604	1	Drive sequence valve, left hand
1	6010613	1	Dual sequence valve, Fluid Tech or Weco- (includes items 2 and 3)
2	6010614	1	Valve body, Fluid Tech
	6010624	1	Valve body, Weco
3	6010615	2	Cartridge sequence valve, Fluid Tech - (preset by factory, do not reset)
	6010269	2	Cartridge sequence valve, Weco - (preset by factory, do not reset)
4	5075208	2	Hex head plug
5	5065703	2	Straight thread adapter
6	5065714	1	Straight thread adapter
7	5035308	1	Straight thread 90° elbow
8	5063908	2	Fitting nut
9	5064007	2	Tube end reducer
10	5037003	2	Swivel nut 90° elbow
11	5037005	2	Swivel nut 90° elbow



AW0081604

Dump valve

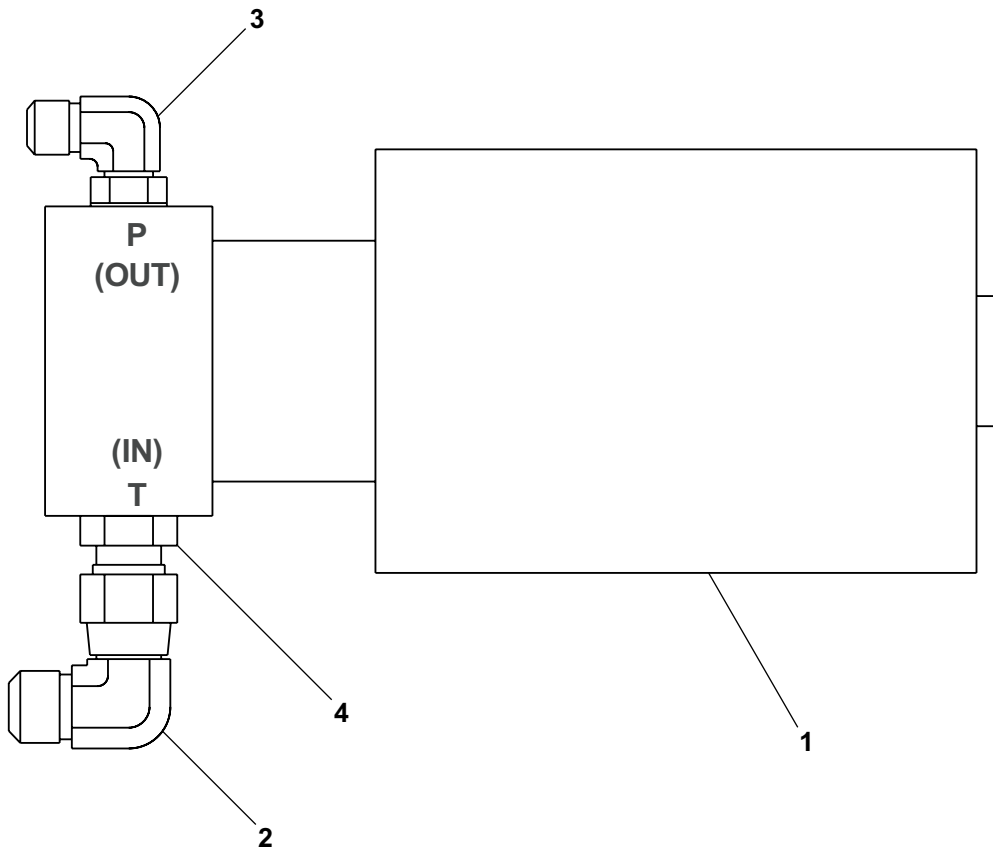
item	part no	qty	description
	0081982	1	Dump valve
1	6010499	1	Dump valve - (includes items 2 and 3)
	0073620	1	Seal repair kit
2	6010472	1	Cartridge - (preset by factory, do not reset)
3	3040473	1	Cartridge solenoid, 10 volt DC
4	5065705	2	Straight thread adapter
5	5037003	2	Swivel nut 90° elbow
6	5035318	1	Straight thread 90° elbow



AW0081982

Emergency power unit

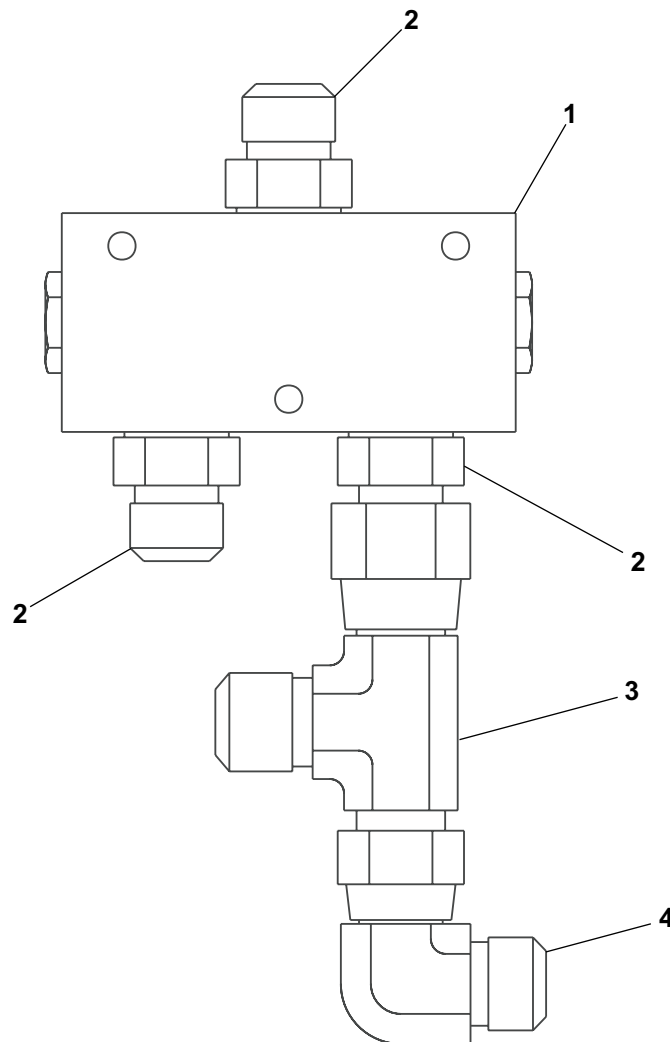
item	part no	qty	description
	0072940	1	Emergency power unit
1	6020058	1	Emergency power motor/pump
2	5037006	1	Swivel nut 90° elbow
3	5035305	1	Straight thread 90° elbow
4	5065709	1	Straight thread adapter



AW0072940

Flow divider/combiner valve

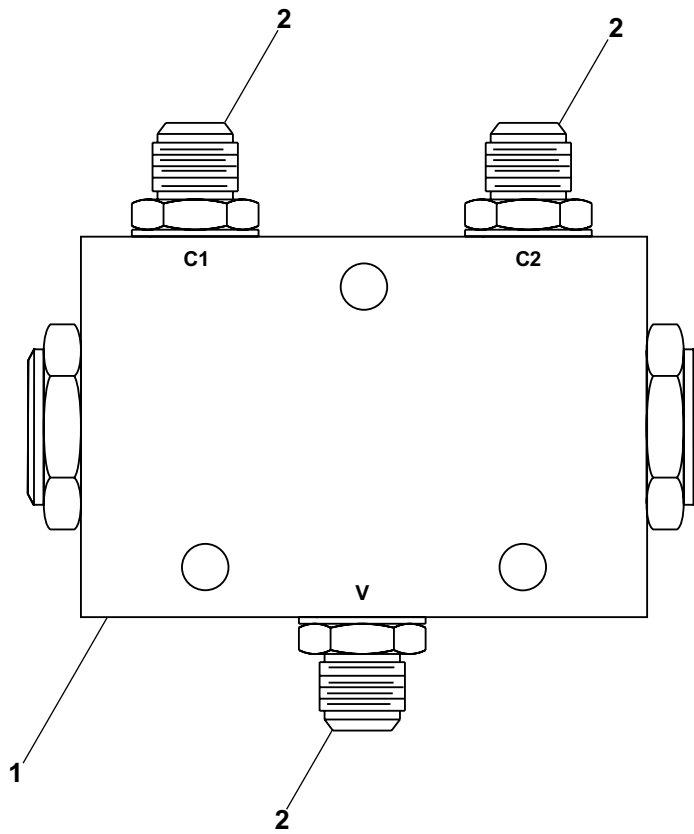
item	part no	qty	description
	0080958	1	Flow divider/combiner valve
1	6010437	1	Flow divider/combiner valve
2	5065731	3	Straight thread adapter
3	5036708	1	Swivel nut run tee
4	5037008	1	Swivel nut 90° elbow



AW0080958

Flow divider valve

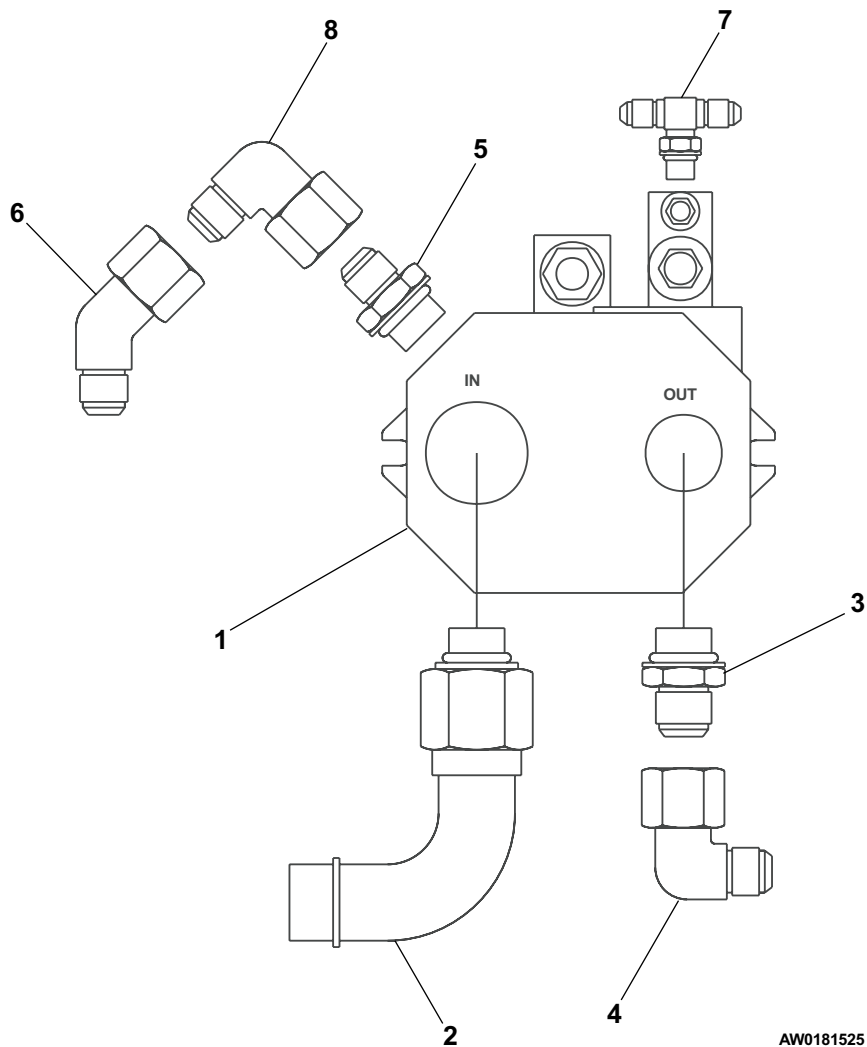
item	part no	qty	description
1	0081424	1	Flow divider valve
1	6010231	1	Flow divider/combiner valve
2	5065714	3	Straight thread adapter



AW6010231

Hydraulic pump

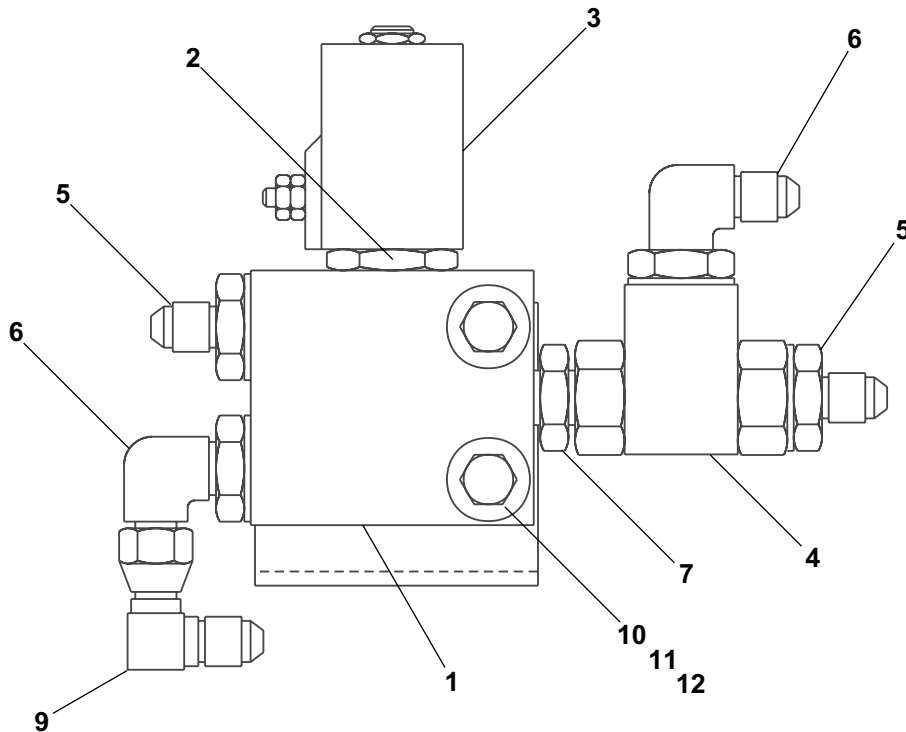
item	part no	qty	description
1	0082138	1	Hydraulic pump, Cummins and Ford - (includes items 1 through 7)
	0181525	1	Hydraulic pump, Deutz - (includes items 1 through 8)
	6020065-99	1	Hydraulic pump - (pump compensator is not preset)
	8220119	1	Seal repair kit - Vickers pump
	8160100	1	Seal repair kit - Parker pump
	8180021	1	Seal repair kit - Rexroth pump
	8220120	1	Replacement compensator - Vickers pump
	6090057	1	Replacement compensator - Parker pump
	8180023	1	Replacement compensator - Rexroth pump
2	5038005	1	Beaded 90° elbow
3	5065718	1	Straight thread adapter
4	5037010	1	Swivel nut 90° elbow
5	5065710	1	Straight thread adapter
6	5037006	1	Swivel nut 90° elbow
7	5036503	1	Straight thread branch tee
8	5036906	1	Swivel nut 45° elbow



AW0181525

Hydraulic warm-up valve

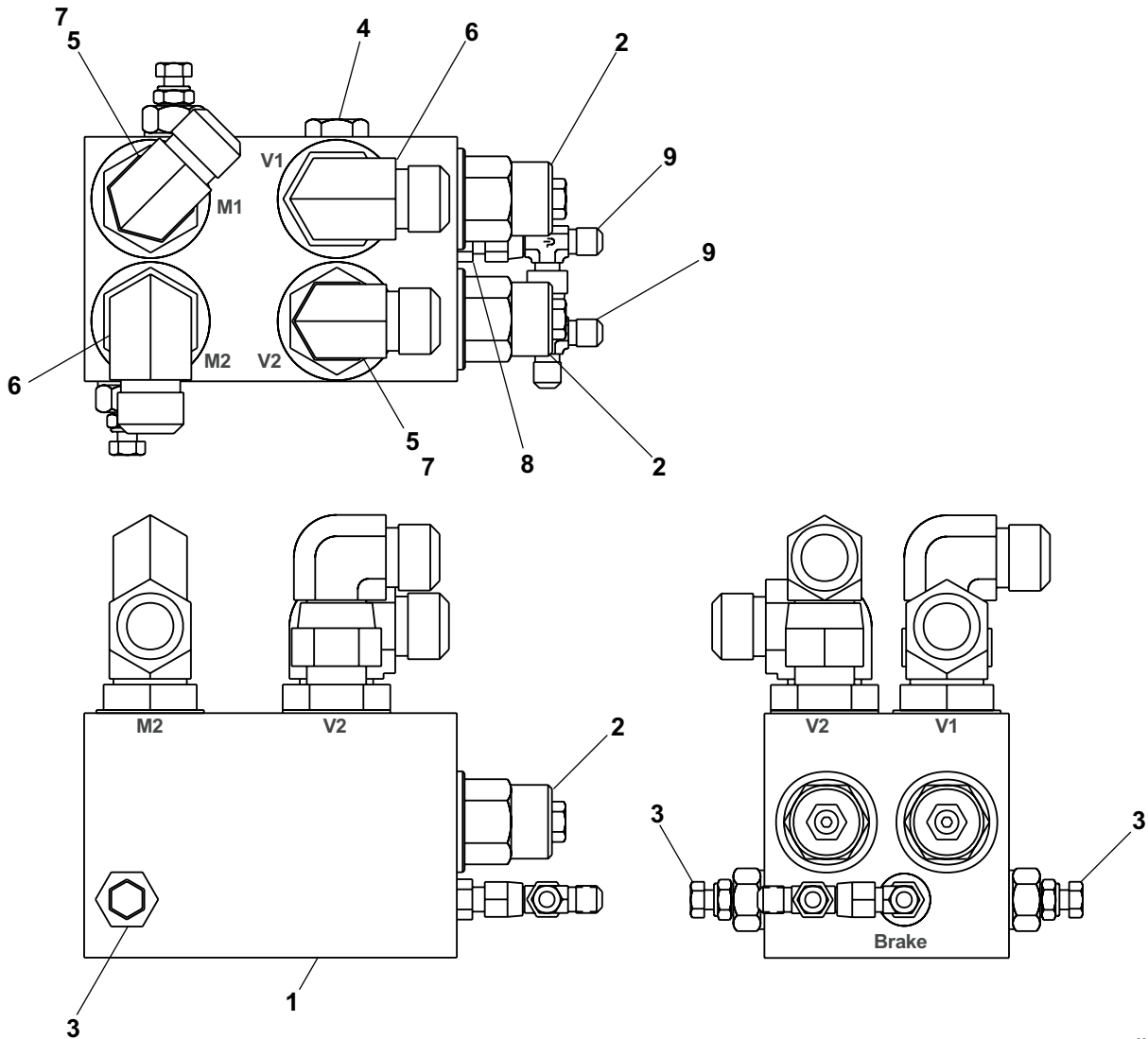
item	part no	qty	description
	0082053	1	Hydraulic warm-up valve
1	6010499	1	Solenoid valve - (includes items 2 and 3)
	0073620	1	Seal repair kit
2	6010472	1	Cartridge - (preset by factory, do not reset)
3	3040473	1	Cartridge solenoid, 10 volt DC
4	6010083	1	Shuttle valve
5	5065705	2	Straight thread adapter
6	5035318	1	Straight thread 90° elbow
7	5076301	1	Union
8	0071805-99	1	Mounting bracket
9	5037003	1	Swivel nut 90° elbow
10	970169	2	Capscrew 1/4-20 x 2 inch long hex head grade 5
11	986019	2	Washer 1/4 medium flat
12	5560004	2	Nut 1/4-20 self locking



AW0082053

Motion control valve, drive

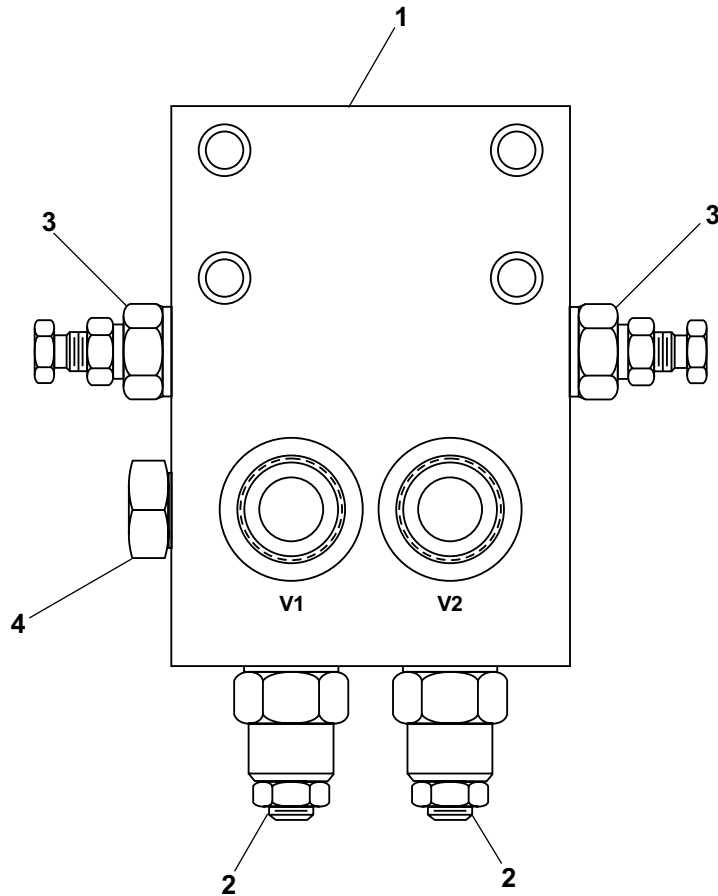
item	part no	qty	description
	0081042	1	Motion control valve, drive
1	6010228	1	Motion control valve, drive - (includes items 2, 3 and 4)
	0110683	1	Seal repair kit
2	6010523	1	Counterbalance valve cartridge - (preset by factory, do not reset)
3	6010269	1	Sequence valve cartridge - (preset by factory, do not reset)
4	6010531	1	Shuttle valve cartridge
5	5065715	2	Straight thread adapter
6	5035319	2	Straight thread 90° elbow
7	5037008	2	Swivel nut 90° elbow
8	5065703	1	Straight thread adapter
9	5036703	2	Swivel nut run tee



AW0081042

Motion control valve, turntable swing

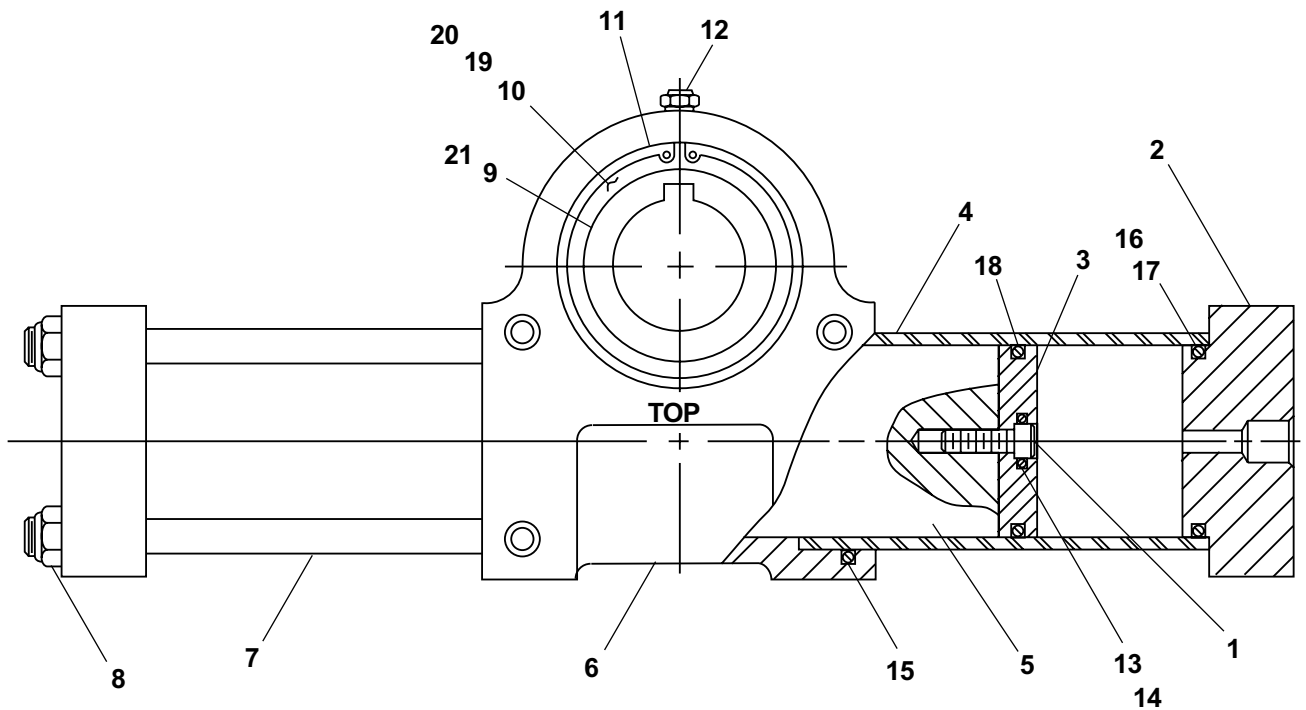
item	part no	qty	description
1	6010250	1	Motion control valve, turntable swing
2	6010256	2	Counterbalance valve cartridge - (preset by factory, do not reset)
3	6010321	2	Cartridge relief valve - (preset by factory, do not reset)
	0150563	1	Seal repair kit
4	6010531	1	Shuttle valve



AW6010250

Platform rotator, Parker

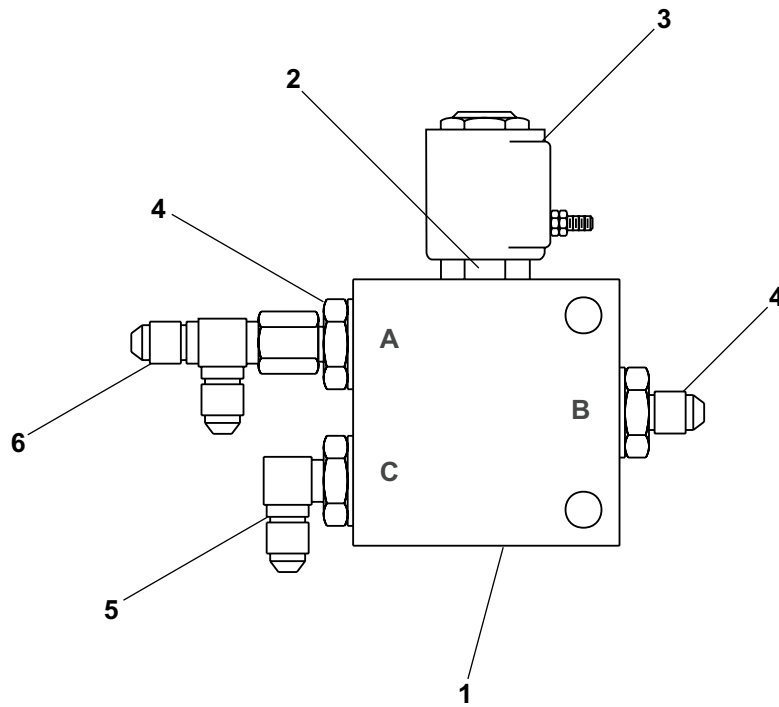
item	part no	qty	description
	0110771	1	Platform rotator, Parker
	0071275	1	Seal repair kit - (kit includes items 13 through 21)
1	8080018	2	Rack bolt
2	8080016	2	End cap
3	8080015	2	Piston
4	8080040	2	Cylinder
5	8080060	1	Rack
6	8080039	1	Housing
7	0073281-99	8	Tie rod
8	8080041	8	Lock nut
9	8080061	1	Pinion
10	8080038	2	Pinion bushing
11	8080062	2	Snap ring
12	8080064	1	Relief valve
13	Kit item	2	O-ring - (not sold separately)
14	Kit item	2	Parbat seal - (not sold separately)
15	Kit item	2	O-ring - (not sold separately)
16	Kit item	2	O-ring - (not sold separately)
17	Kit item	2	Parbat seal - (not sold separately)
18	Kit item	2	Polypak seal - (not sold separately)
19	Kit item	2	O-ring - (not sold separately)
20	Kit item	2	Parbat seal - (not sold separately)
21	Kit item	1	O-ring - (not sold separately)



AWV00214

Range valve

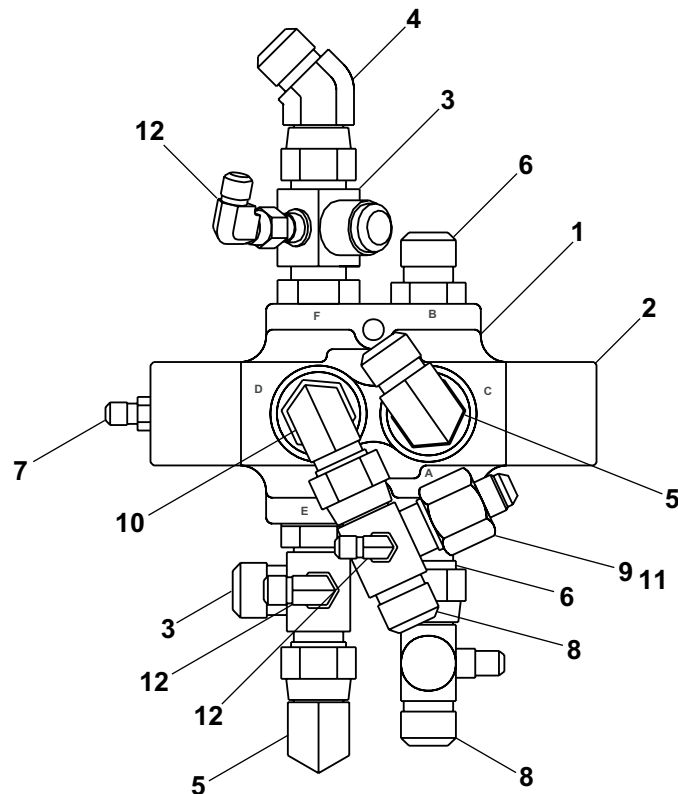
item	part no	qty	description
	0081981	1	Range valve
1	6010499	1	Range valve - (includes items 2 and 3)
	0073620	1	Seal repair kit
2	6010472	1	Cartridge - (preset by factory, do not reset)
3	3040473	1	Cartridge solenoid, 10 volt DC
4	5065705	2	Straight thread adapter
5	5035318	1	Straight thread 90° elbow
6	5036703	1	Swivel nut run tee



AW0081981

Selector valve, 2 wheel drive

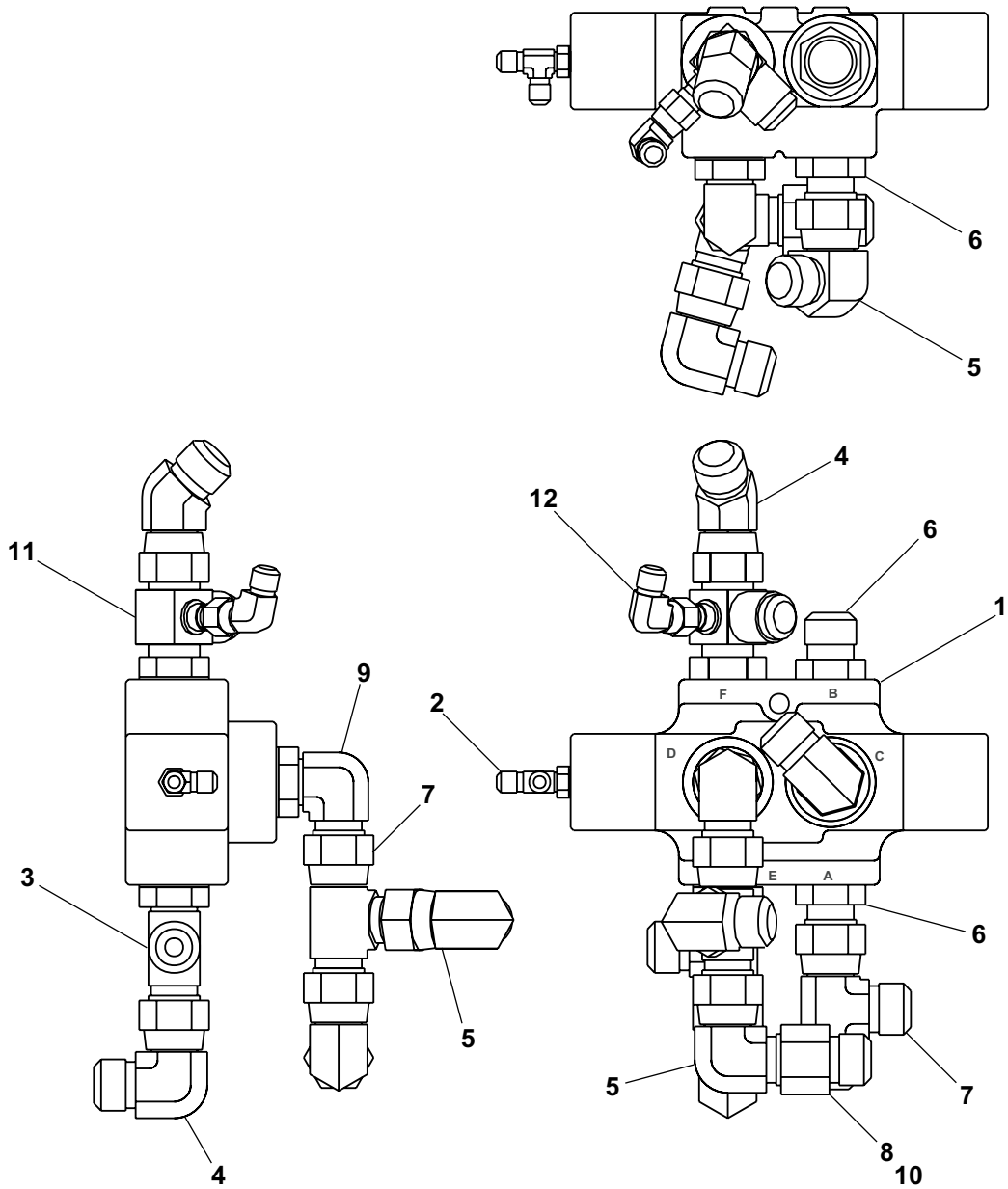
item	part no	qty	description
	0081425	1	Selector valve, 2 wheel drive
1	0080529	1	Selector valve - (includes item 2)
	0081127	1	Seal repair kit
2	0080528	1	Valve end cap
3	0081596	2	Special swivel nut run tee with side port
4	5036908	1	Swivel nut 45° elbow
5	5037008	2	Swivel nut 90° elbow
6	5065714	3	Straight thread adapter
7	5065703	1	Straight thread adapter
8	0081597	2	Special swivel nut run tee with side port
9	5064008	1	Tube end reducer
10	5035308	1	Straight thread 90° elbow
11	5063908	1	Fitting nut
12	5037005	3	Swivel nut 90° elbow



AW0081425

Selector valve, 4 wheel drive

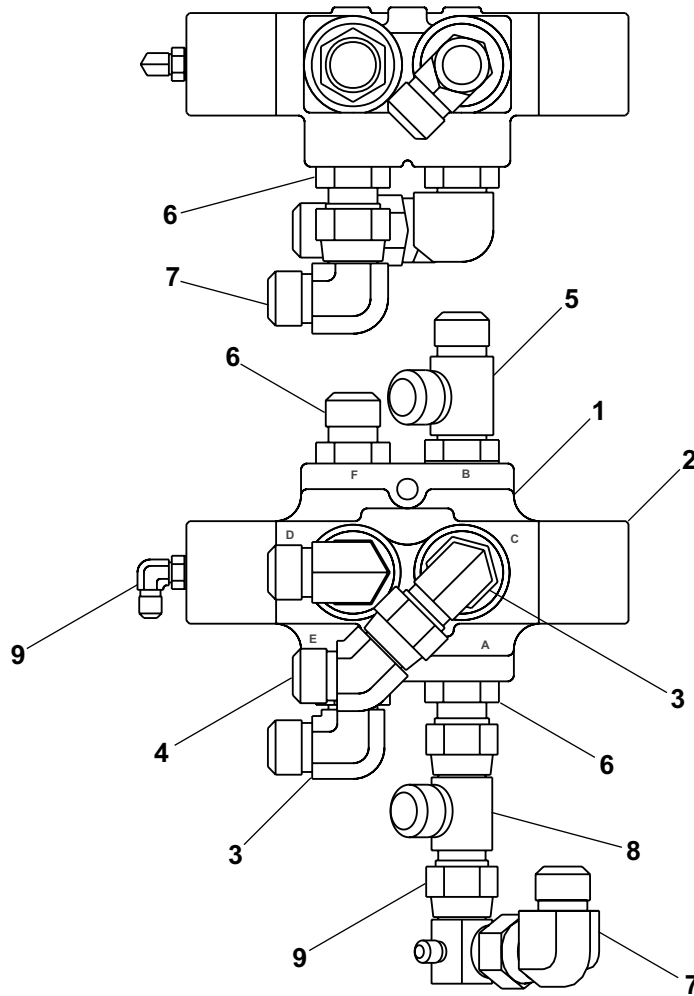
item	part no	qty	description
	0081598	1	Selector valve, 4 wheel drive
1	0080529	1	Selector valve
	0081127	1	Seal repair kit
2	5036103	1	Straight thread run tee
3	5036108	1	Straight thread run tee
4	5036908	1	Swivel nut 45° elbow
5	5037008	4	Swivel nut 90° elbow
6	5065714	3	Straight thread adapter
7	5036708	2	Swivel nut run tee
8	5064008	1	Tube end reducer
9	5035308	1	Straight thread 90° elbow
10	5063908	1	Fitting nut
11	0081596	1	Special swivel nut run tee with side port
12	5037005	1	Swivel nut 90° elbow



AW0081598

Selector valve, right hand

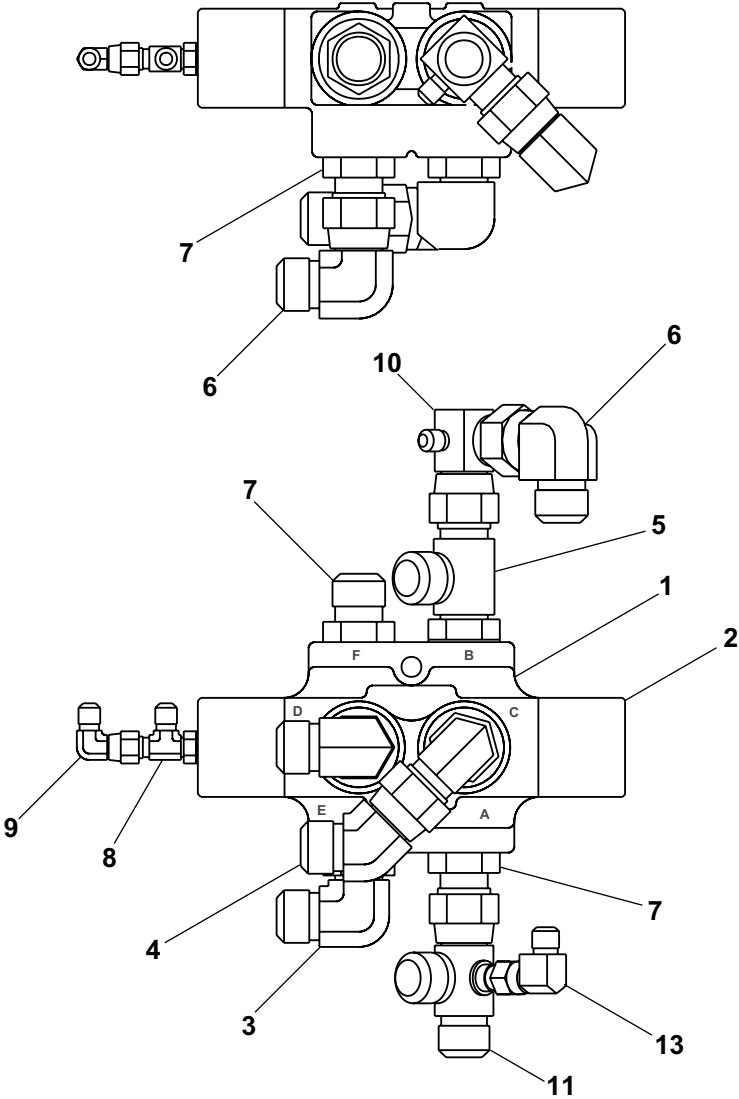
item	part no	qty	description
	0080928-99	1	Selector valve, right hand
1	0080529	1	Selector valve - (includes item 2)
	0081127	1	Seal repair kit
2	0080528	1	Valve end cap
3	5035308	2	Straight thread 90° elbow
4	5036908	1	Swivel nut 45° elbow
5	5036108	1	Straight thread run tee
6	5065714	3	Straight thread adapter
7	5037008	2	Swivel nut 90° elbow
8	5036708	1	Swivel nut run tee
9	5035303	1	Straight thread 90° elbow
10	0140500	1	Special swivel nut 90° elbow with side port



AW0080928

Selector valve, left hand

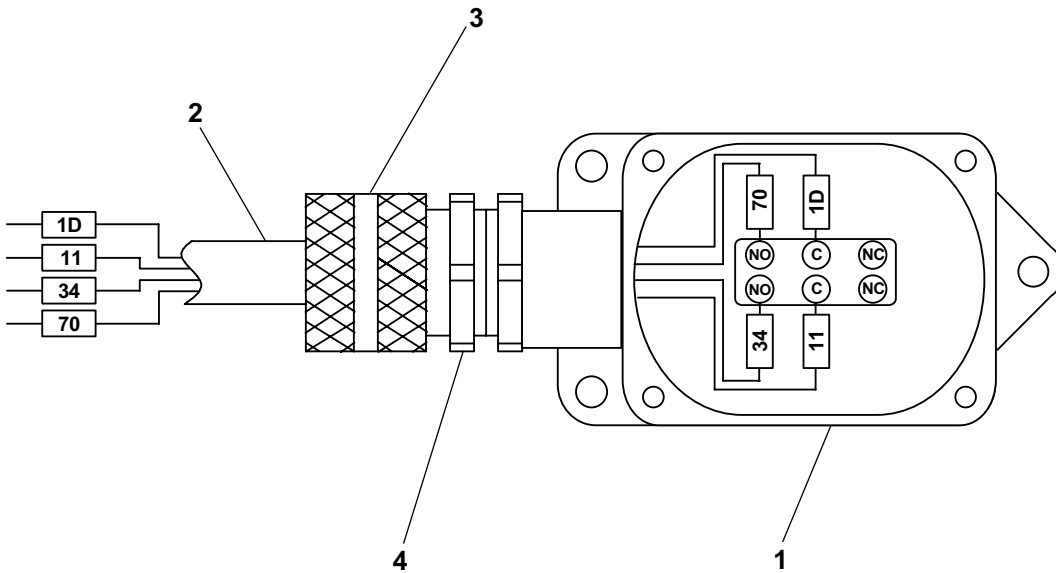
item	part no	qty	description
	0080929-99	1	Selector valve, left hand
1	0080529	1	Selector valve - (includes item 2)
	0081127	1	Seal repair kit
2	0080528	1	Valve end cap
3	5035308	2	Straight thread 90° elbow
4	5036908	1	Swivel nut 45° elbow
5	5036108	1	Straight thread run tee
6	5037008	2	Swivel nut 90° elbow
7	5065714	3	Straight thread adapter
8	5036103	1	Straight thread run tee
9	5037003	1	Swivel nut 90° elbow
10	0140288	1	Special swivel nut 90° elbow with side port
11	0081595	1	Special swivel nut run tee with side port
12	5037005	1	Swivel nut 90° elbow



AW0080929

Boom switch

item	part no	qty	description
	0081975	1	Boom switch
1	3020019	1	Switch
2	0081976	1	Wire harness, boom switch
3	3040187	1	Connector
4	3040070	1	Connector locknut



AW0081975

Turntable electrical, Cummins 3.3

item	part no	qty	description
1	0081998	1	Wiring box, Cummins and Deutz - (see page 3-26 for parts breakdown)
2	0083531	1	Lower controls - (see page 3-20 for parts breakdown)
3	3050002	2	Battery, 12 volt DC - 550 CCA
4	3020049	1	Switch, battery disconnect
5	3050008	2	Battery hold down
6	3050004	4	Battery hold down bolt
7	0181503-99	1	Bracket, tilt alarm
8	0073051-99	1	Bracket, battery disconnect switch
9	3020040	1	Tilt alarm sensor 5°
10	480652	1	Siren, tilt alarm
11	0083508	1	Wire harness, Cummins 3.3 engine
12	0081846	1	Wire harness, turntable
13	3040534	1	PWM module
14	5560666	2	Machine screw #6-32 x 1/2 inch long truss head
15	20082046	1	Actuator module - (included with engine)
16	5093008	2	Clamp
17	5093002	2	Clamp
18	5093024	4	Clamp
19	3040506	1	Solenoid, 12 volt DC
20	0073089	1	Placard, battery disconnect switch
21	3040469	1	Relay, 12 volt DC
22	3040047	2	Terminal .250 tab female slip-on fully insulated 22/18 wire
23	0150545	1	Jumper wire
24	0071568	1	Jumper wire
25	3044146	2	Terminal #10 ring tongue insulated 22/18 wire
26	3040082	4	Terminal .250 tab male slip-on fully insulated 16/14 wire
27	0130115	1	Jumper wire
28	0080483	1	Jumper wire
29	0080484	1	Jumper wire
30	0080482	1	Jumper wire
31	3030122	1	EPS anti-restart module
32	3040268	3	Insulator boot
33	0070705	1	Jumper wire
34	3044161	1	Terminal #10 stud insulated 16/14 wire
35	0090319	1	Jumper wire
36	3044162	1	Terminal 1/4 ring tongue insulated 16/14 wire
37	3040270	1	Insulator boot
38	3040269	1	Insulator boot
39	974289	2	Machine screw #6-32 x 1-1/4 inch long round head
40	984009	4	Nut #6-32 hex
41	986159	4	Washer #6 medium flat
42	987349	4	Washer #6 medium lock
43	987109	1	Washer 5/16 medium lock
44	5560034	6	Nut #10-24 self locking
45	974659	4	Machine screw #10-24 x 1/2 inch long round head
46	974709	2	Machine screw #10-24 x 1 inch long round head
47	986009	2	Washer #10 medium flat
48	5560703	1	Washer #10 star tooth lock
49	970029	4	Capscrew 1/4-20 x 3/4 inch long hex head grade 5
50	987099	9	Washer 1/4 medium lock
51	5560004	12	Nut 1/4-20 self locking
52	986019	12	Washer 1/4 medium flat
53	970049	7	Capscrew 1/4-20 x 1 inch long hex head grade 5
54	970009	3	Capscrew 1/4-20 x 1/2 inch long hex head grade 5
55	970029	1	Capscrew 1/4-20 x 3/4 inch long hex head grade 5

Parts list continued on next page

Turntable electrical, Cummins 3.3

item	part no	qty	description
56	970489	2	Capscrew 3/8-16 x 1-1/2 inch long hex head grade 5
57	5560033	2	Nut 3/8-16 self locking
58	970469	2	Capscrew 3/8-16 x 1 inch long hex head grade 5
59	987119	2	Washer 3/8 medium lock
60	986299	2	Washer 3/8 medium flat
61	970239	1	Capscrew 5/16-18 x 3/4 inch long hex head grade 5
62	987109	1	Washer 5/16 medium lock

F

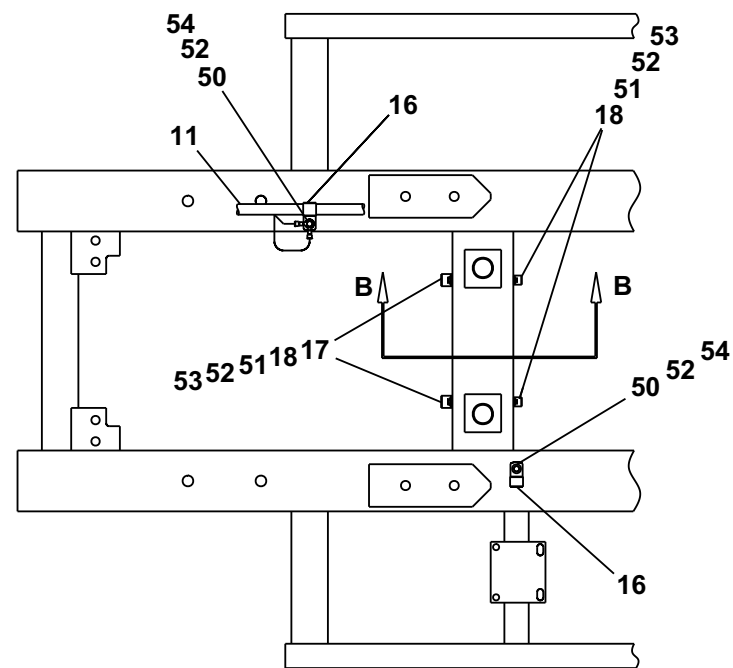
E

D

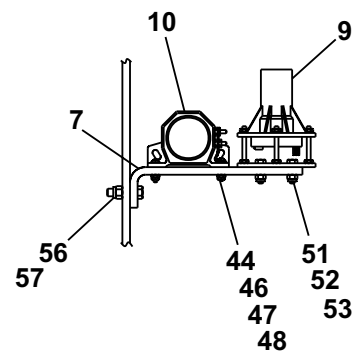
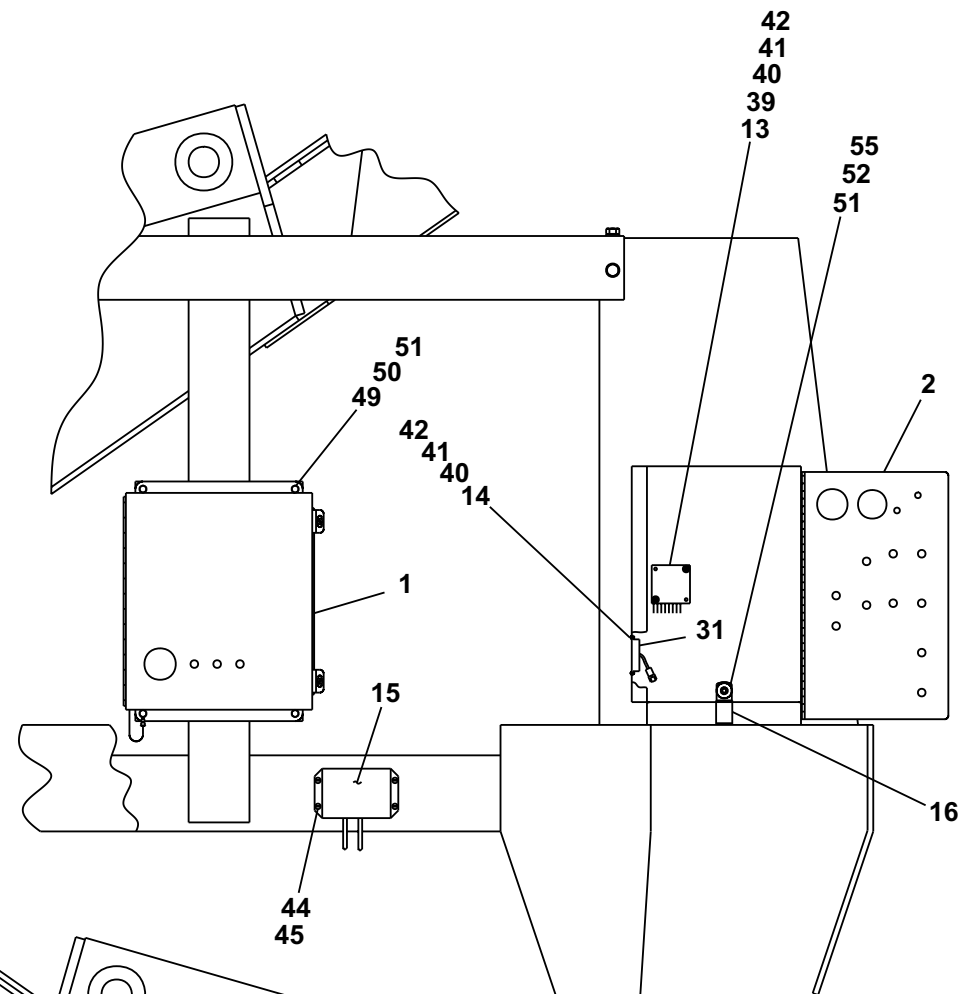
C

B

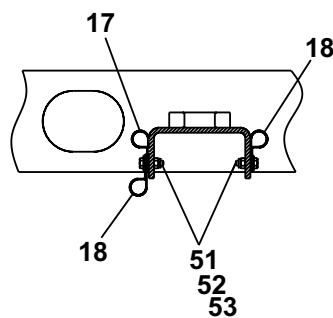
A



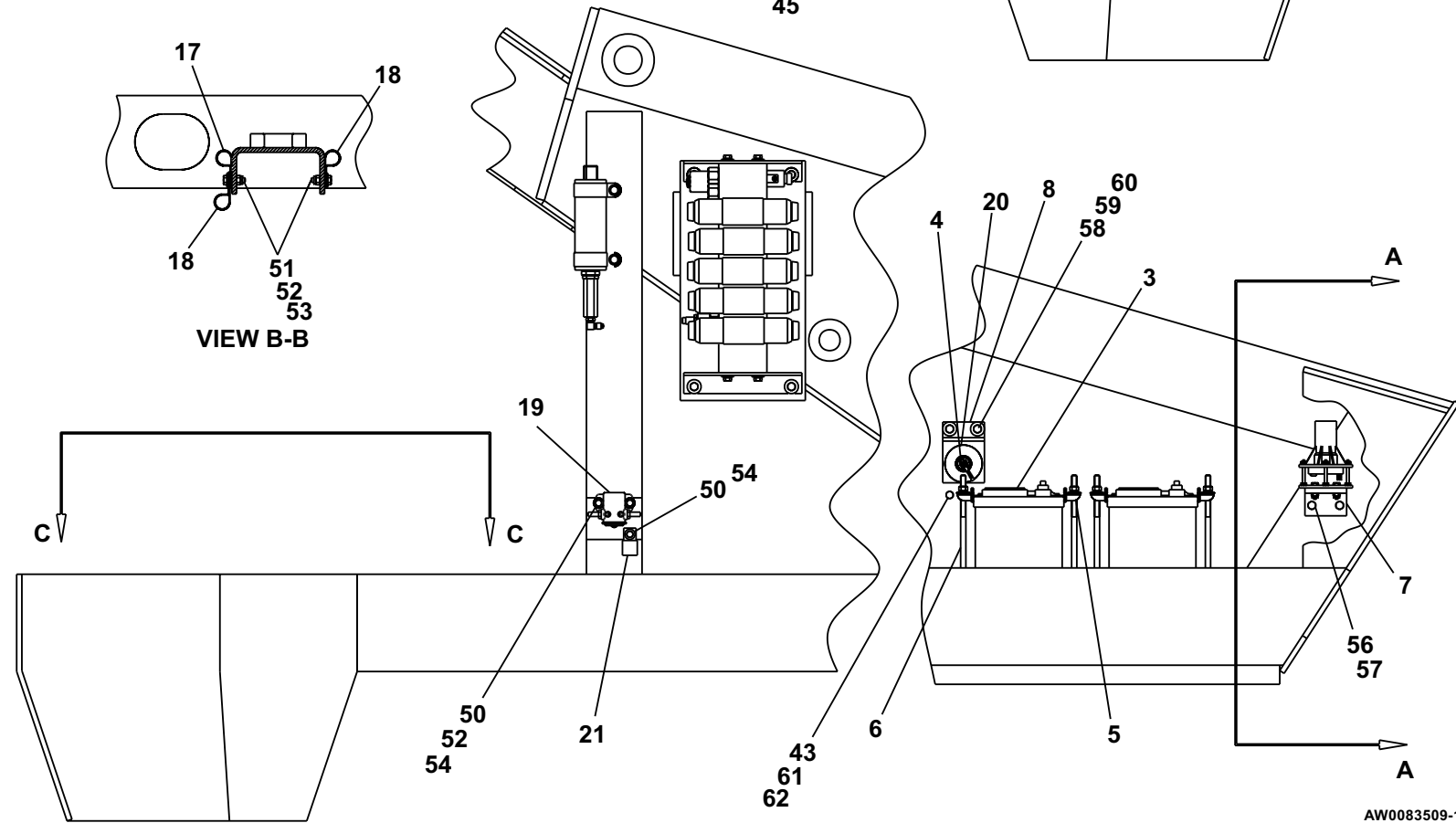
VIEW C-C



VIEW A-A



VIEW B-B



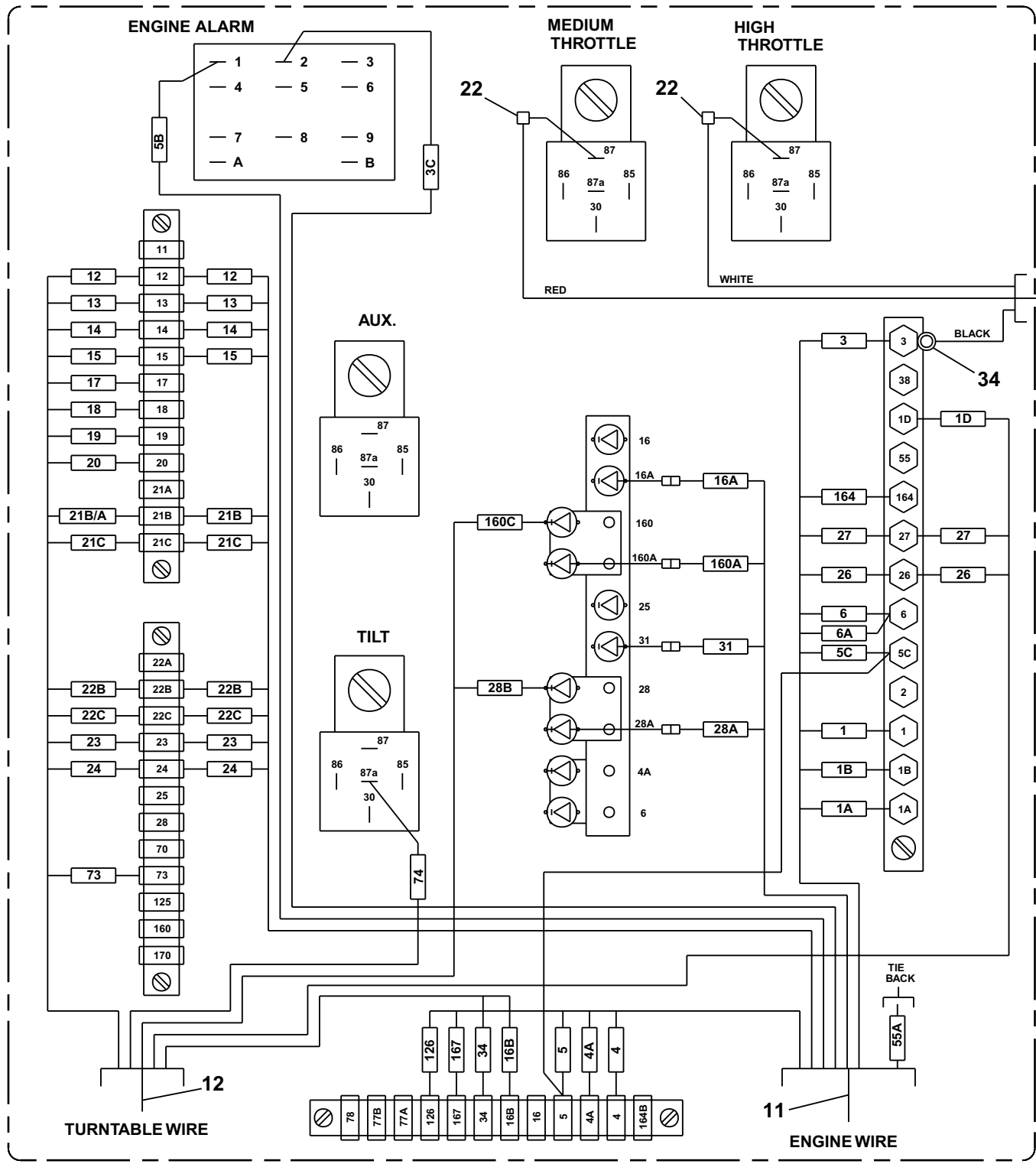
AW0083509-1

TITLE Turntable electrical
 Cummins 3.3, sheet 1
 Snorkel model TB66J

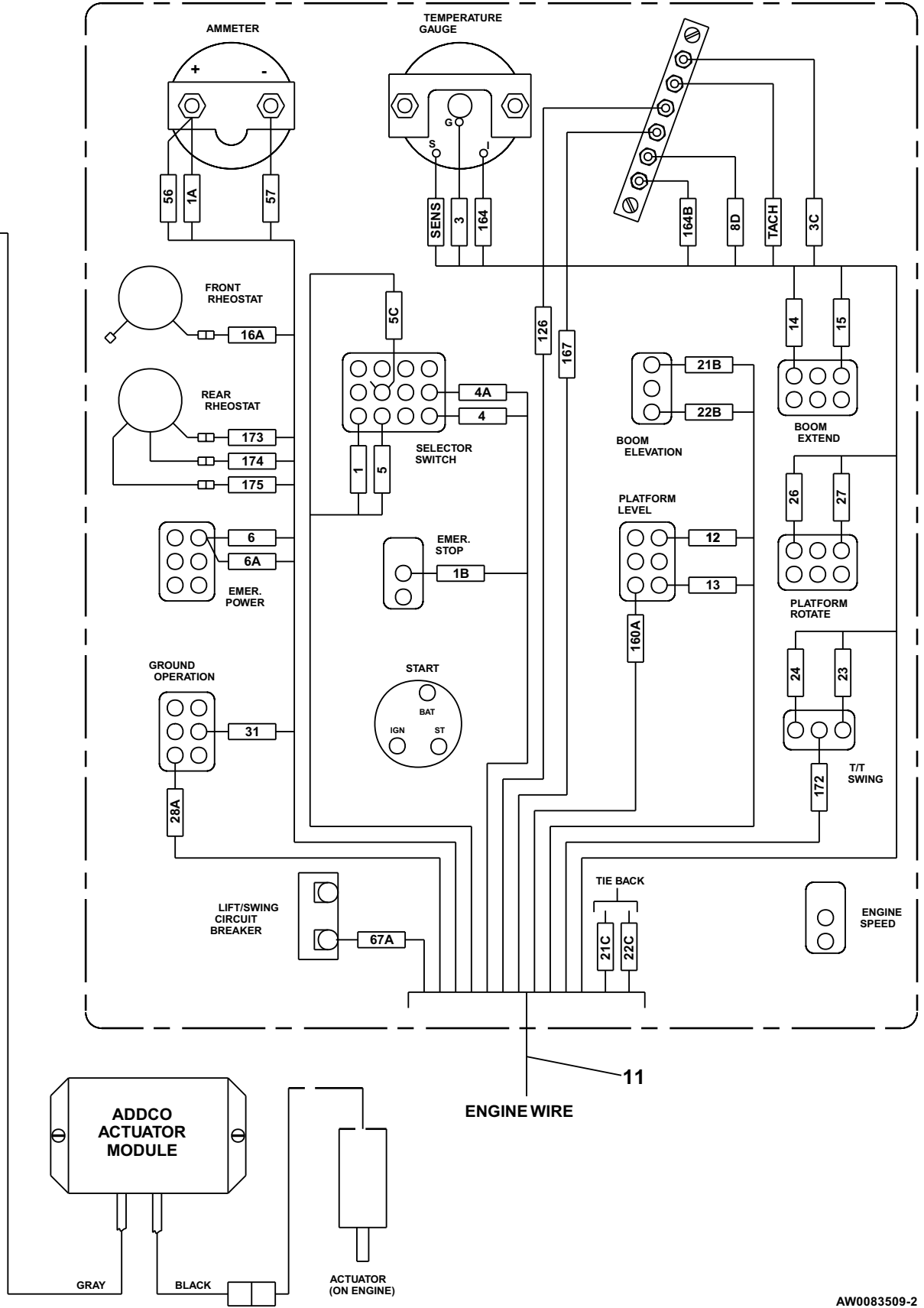


1 2 3 4 5 6 7 8 9

WIRING BOX



GROUND CONTROL PANEL



AW0083509-2

F
E
D
C
B
A

1 2 3 4 5 6 7 8 9

F

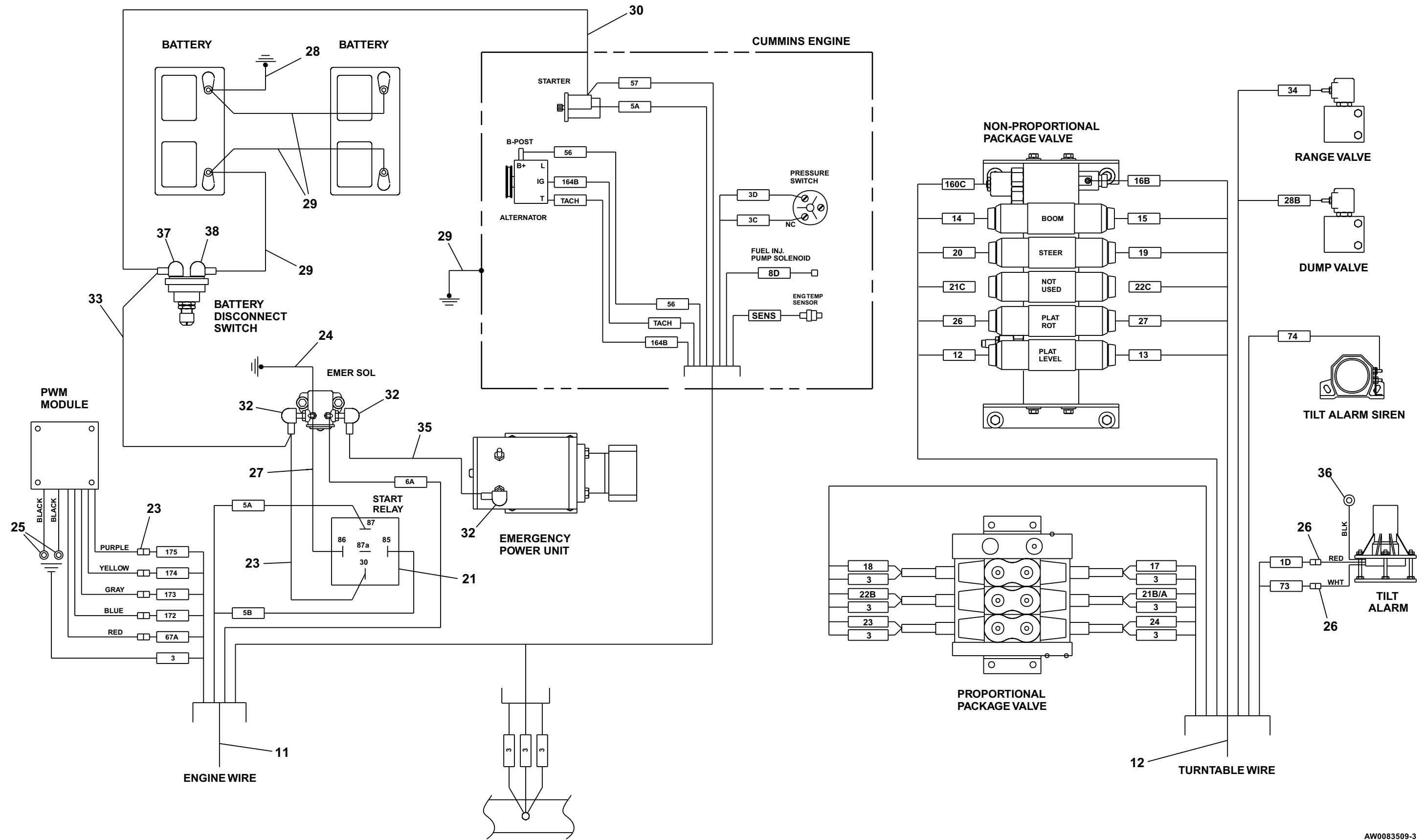
E

D

C

B

A



AW0083509-3

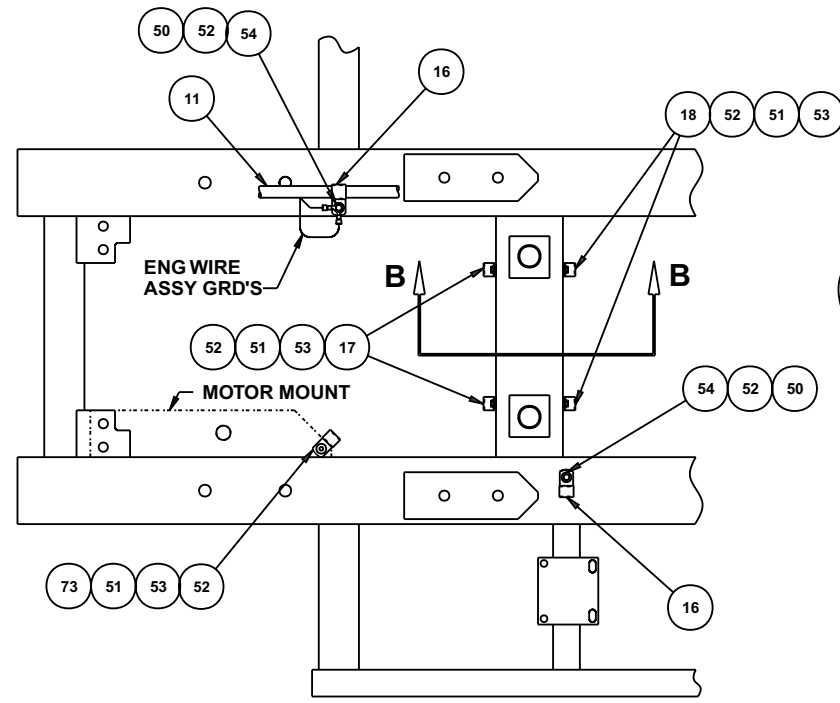
Turntable electrical, Deutz F4L-1011F

item	part no	qty	description
1	0081998	1	Wiring box, Cummins and Deutz - (see page 3-26 for parts breakdown)
2	0083401		Lower controls, Deutz - (see page 3-23 for parts breakdown)
3	3050002	2	Battery, 12 volt DC - 550 CCA
4	3020049	1	Switch, battery disconnect
5	3050008	2	Battery hold down
6	3050004	4	Battery hold down bolt
7	0181503-99	1	Bracket, tilt alarm
8	0073051-99	1	Bracket, battery disconnect switch
9	3020040	1	Tilt alarm sensor 5°
10	480652	1	Siren, tilt alarm
11	0083395	1	Wire harness, Deutz engine
12	0081846	1	Wire harness, turntable
13	3040534	1	PWM module
14	0082029-99	1	Mount plate, actuator module
15	20082046	1	Actuator module - (included with engine)
16	5093008	3	Clamp
17	5093004	2	Clamp
18	5093000	2	Clamp
19	3040506	2	Solenoid, 12 volt DC
20	0073089	1	Placard, battery disconnect switch
21	5569837	1	Washer metric M18 copper
22	5560666	2	Machine screw #6-32 x 1/2 inch long truss head
23	3070039	1	Temperature sensor
24	0111476	1	Jumper wire
25	3044146	4	Terminal #10 stud insulated 22/18 wire
26	3040082	4	Terminal .250 tab male fully insulated 16/14 wire
27	0151920	1	Wire harness, alternator connector
28	0080483	1	Jumper wire
29	0080484	4	Jumper wire
30	0080482	1	Jumper wire
31	0151372	1	Jumper wire
32	0151370	1	Jumper wire
33	0070705	1	Jumper wire
34	0070724	1	Jumper wire
35	0090319	1	Jumper wire
36	3044162	1	Terminal 1/4 ring tongue insulated 16/14 wire
37	3040270	1	Insulator boot
38	3040269	1	Insulator boot
39	974289	2	Machine screw #6-32 x 1-1/4 inch long round head
40	984009	4	Nut #6-32 hex
41	986159	4	Washer #6 medium flat
42	987349	4	Washer #6 medium lock
43	7630230	3	Sandwich mount
44	5560034	4	Nut #10-24 self locking
45	974659	2	Machine screw #10-24 x 1/2 inch long round head
46	974709	2	Machine screw #10-24 x 1 inch long round head
47	986009	2	Washer #10 medium flat
48	5560654	1	Washer #10 star tooth lock
49	970029	4	Capscrew 1/4-20 x 3/4 inch long hex head grade 5
50	987099	10	Washer 1/4 medium lock

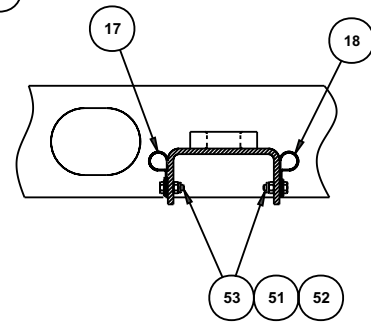
Parts list continued on next page

Turntable electrical, Deutz F4L-1011F

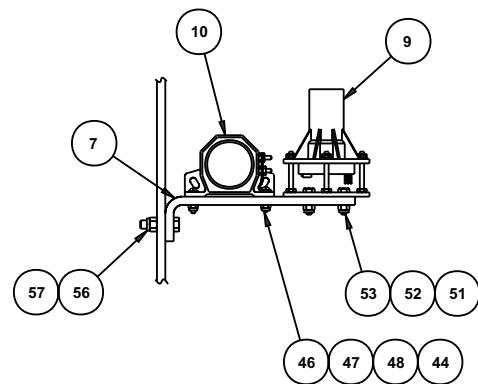
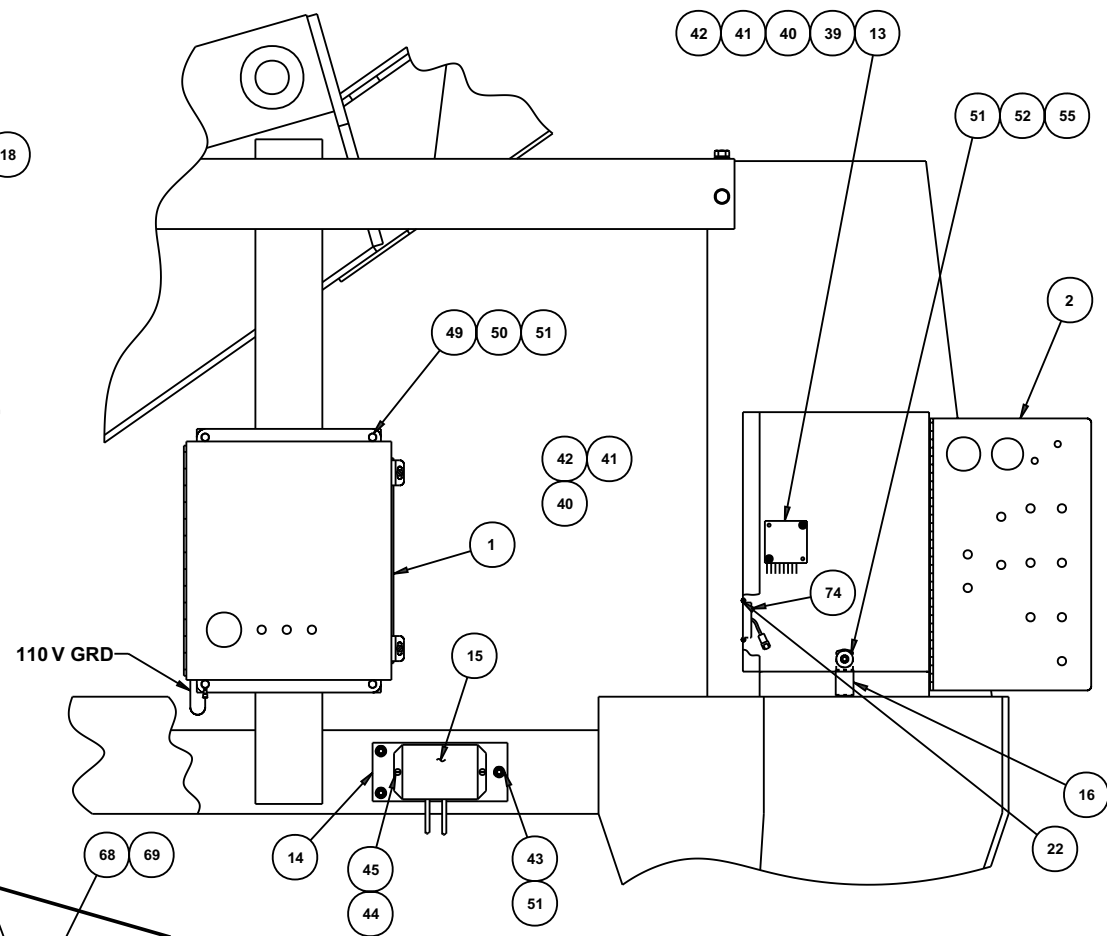
item	part no	qty	description
51	5560004	17	Nut 1/4-20 self locking
52	986019	16	Washer 1/4 medium flat
53	970049	9	Capscrew 1/4-20 x 1 inch long hex head grade 5
54	970009	6	Capscrew 1/4-20 x 1/2 inch long hex head grade 5
55	970029	1	Capscrew 1/4-20 x 3/4 inch long hex head grade 5
56	970489	2	Capscrew 3/8-16 x 1-1/2 inch long hex head grade 5
57	5560033	2	Nut 3/8-16 self locking
58	970469	2	Capscrew 3/8-16 x 1 inch long hex head grade 5
59	987119	4	Washer 3/8 medium lock
60	986299	4	Washer 3/8 medium flat
61	970449	1	Capscrew 3/8-16 x 3/4 inch long hex head grade 5
62	986269	1	Washer 5/16 medium flat
63	987109	1	Washer 5/16 medium lock
64	0074579	1	Wire harness, alternator
65	0181026	1	Diode wire - (includes 3040293 diode)
66	3044161	1	Terminal #10 stud insulated 16/14 wire
67	5569865	2	Capscrew 3/8-18 x 1/2 inch long hex head grade 5
68	3020109	1	Proximity switch
69	0081974-99	1	Bracket, proximity switch
70	3046972	2	Terminal .188 tab female slip-on insulated 22/18 wire
71	3040268	3	Insulator boot
72	3040452	2	Insulator boot
73	5093002	1	Clamp
74	3030122	1	EPS anti-restart module



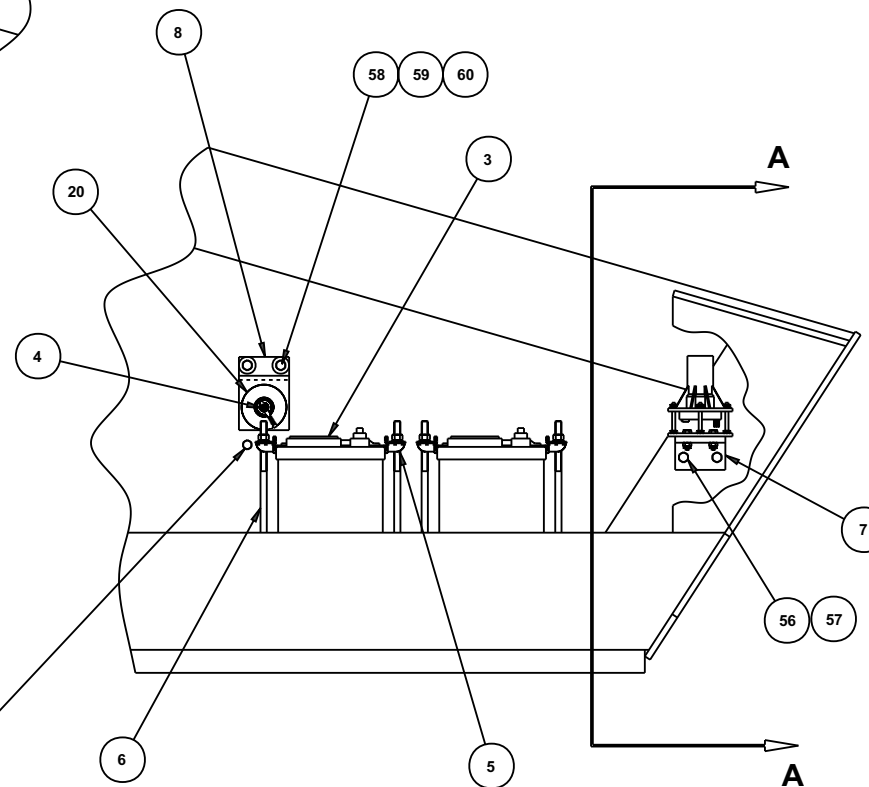
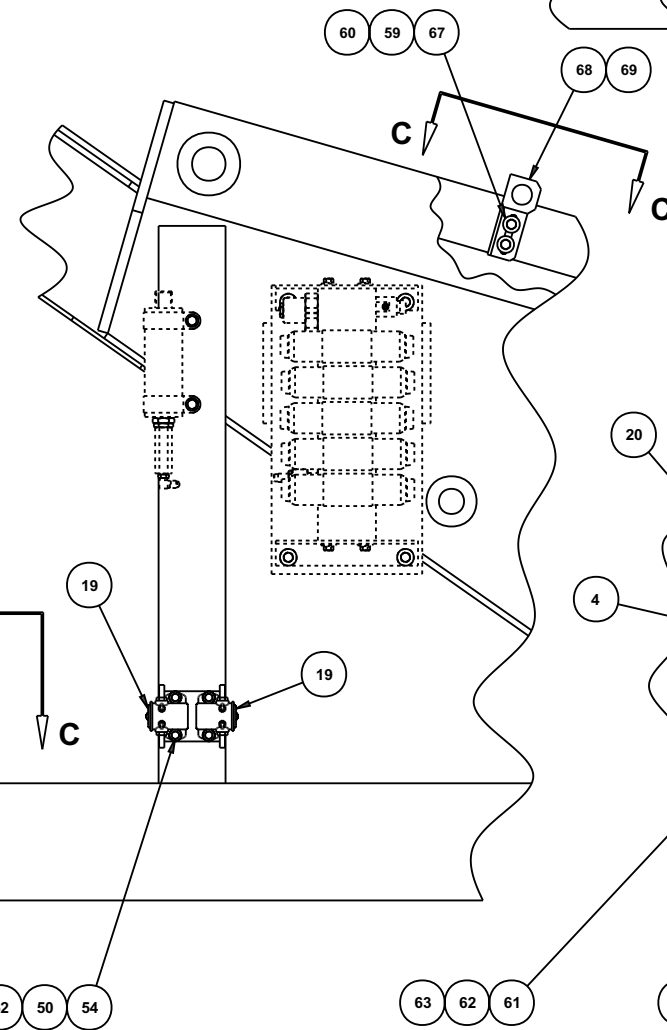
VIEW C-C



VIEW B-B



VIEW A-A



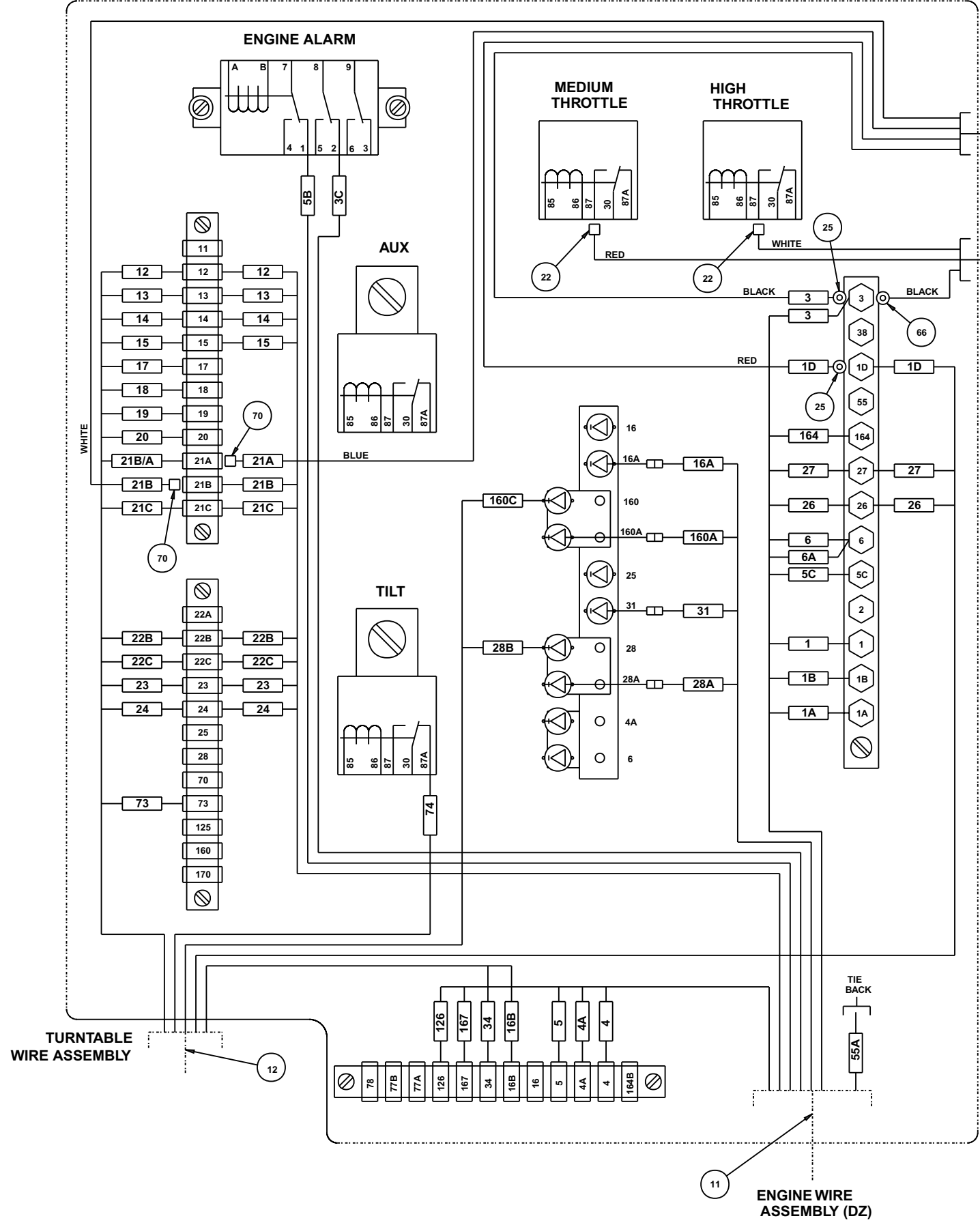
AW0081869-1

TITLE Turntable electrical
Deutz F4L-1011F, sheet 1
Snorkel model TB66J

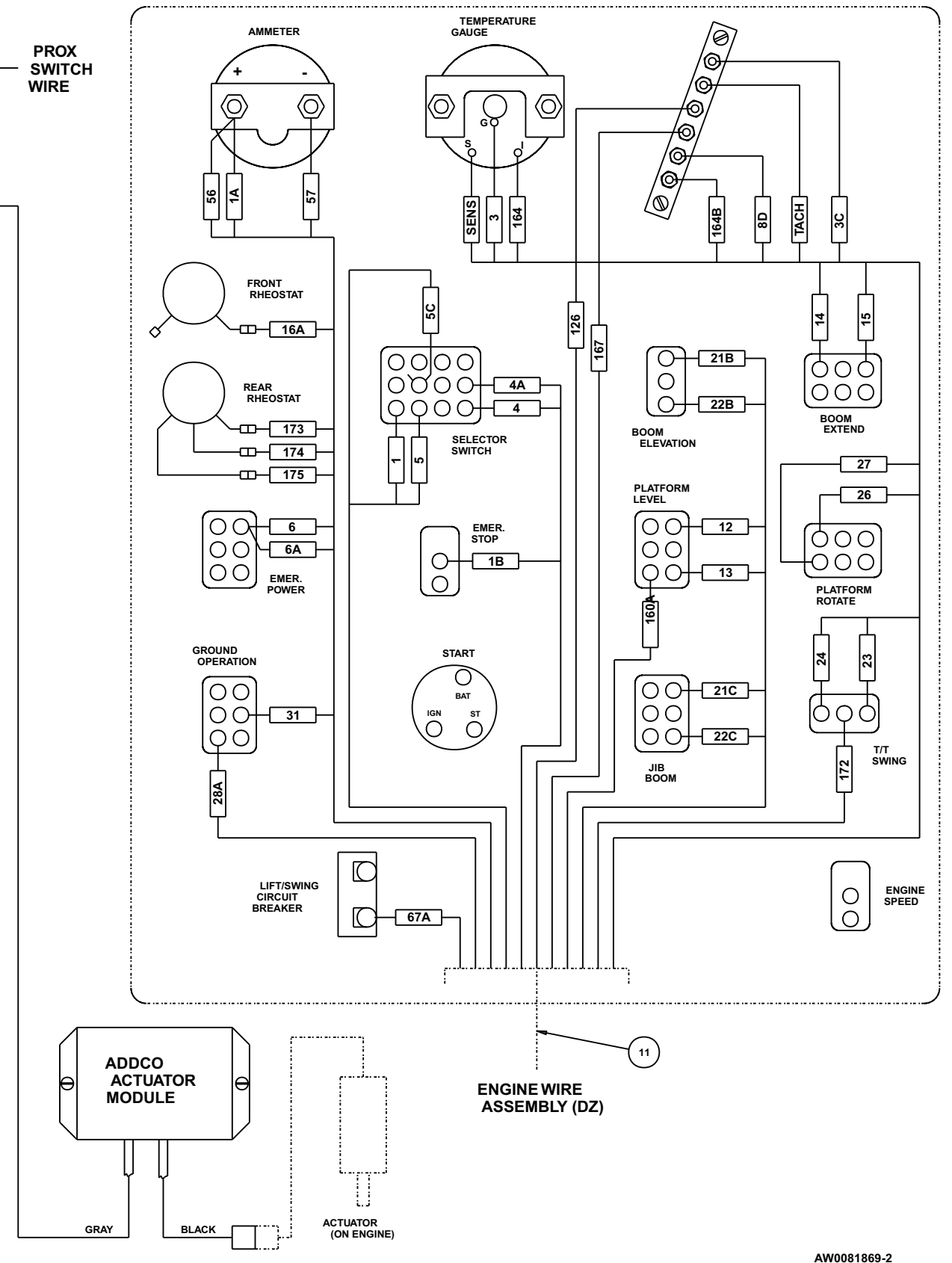
F
E
D
C
B
A

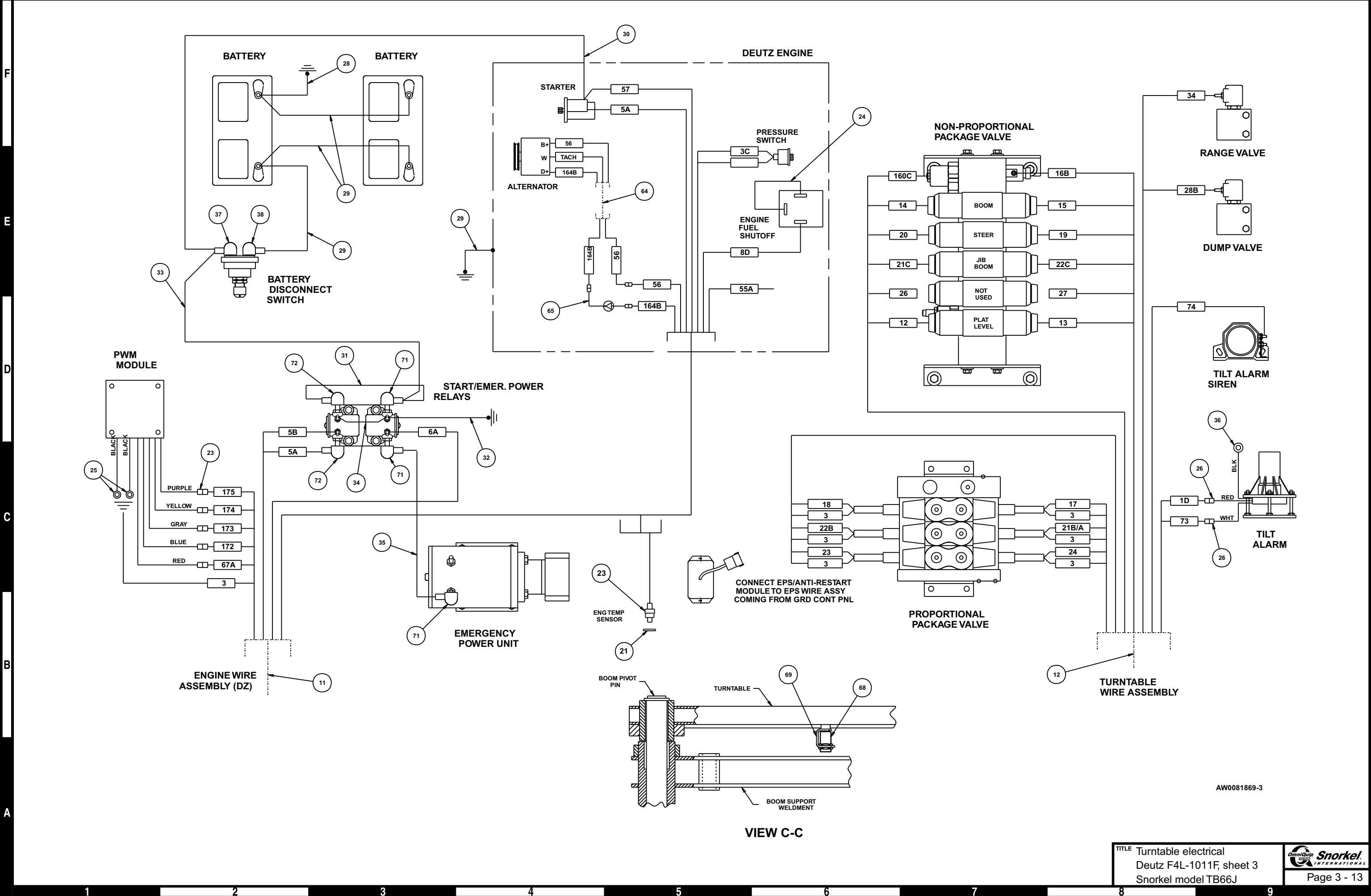
1 2 3 4 5 6 7 8 9

WIRING BOX



GROUND CONTROL PANEL





AW0081869-3

Turntable electrical, Ford LRG-425

item	part no	qty	description
1	0082689	1	Wiring box, Ford LRG-425 - (see page 3-30 for parts breakdown)
2	0081999	1	Lower controls - (see page 3-24 for parts breakdown)
3	3050002	1	Battery, 12 volt DC - 550 CCA
4	3020049	1	Switch, battery disconnect
5	3050008	1	Battery hold down
6	3050004	2	Battery hold down bolt
7	0181503-99	1	Bracket, tilt alarm
8	0073051-99	1	Bracket, battery disconnect switch
9	3020040	1	Tilt alarm sensor 5°
10	480652	1	Siren, tilt alarm
11	0112097	1	Wire harness, engine/lower controls
12	0081846	1	Wire harness, turntable
13	3040534	1	PWM module
14	3020095	1	Switch, oil pressure
15	0081974-99	1	Bracket, proximity switch
16	5093008	4	Clamp
17	5093004	5	Clamp
18	986299	5	Washer 3/8 medium flat
19	3040506	1	Solenoid, 12 volt DC
20	0073089	1	Placard, battery disconnect switch
21	3020109	1	Proximity switch
22	3040268	3	Insulator boot
23	987109	1	Washer 5/16 medium lock
24	986269	1	Washer 5/16 medium flat
25	3044146	1	Terminal #10 stud insulated 22/18 wire
26	3040082	3	Terminal .250 tab male fully insulated 16/14 wire
27	987119	5	Washer 3/8 medium lock
28	0080483	1	Jumper wire
29	0080484	2	Jumper wire
30	0080482	1	Jumper wire
31	3046972	2	Terminal .188 tab female slip-on insulated 22/18 wire
32	0151370	1	Jumper wire
33	0070705	1	Jumper wire
34	0071563	1	Jumper wire
35	0090319	1	Jumper wire
36	3044162	1	Terminal 1/4 ring tongue insulated 16/14 wire
37	3040270	1	Insulator boot
38	3040269	1	Insulator boot
39	974289	2	Machine screw #6-32 x 1-1/4 inch long round head
40	984009	2	Nut #6-32 hex
41	986159	2	Washer #6 medium flat
42	987349	2	Washer #6 medium lock
43	970239	1	Capscrew 5/16-18 x 3/4 inch long hex head grade 5
44	5560034	4	Nut #10-24 self locking
45	970429	2	Capscrew 3/8-16 x 1/2 inch long hex head grade 5
46	974709	2	Machine screw #10-24 x 1 inch long round head
47	986009	2	Washer #10 medium flat
48	5560654	1	Washer #10 star tooth lock
49	970029	5	Capscrew 1/4-20 x 3/4 inch long hex head grade 5
50	987099	8	Washer 1/4 medium lock
			Parts list continued on next page

Turntable electrical, Ford LRG-425

item	part no	qty	description
51	5560004	16	Nut 1/4-20 self locking
52	986019	14	Washer 1/4 medium flat
53	970049	10	Capscrew 1/4-20 x 1 inch long hex head grade 5
54	970009	4	Capscrew 1/4-20 x 1/2 inch long hex head grade 5
55	970029	1	Capscrew 1/4-20 x 3/4 inch long hex head grade 5
56	970489	2	Capscrew 3/8-16 x 1-1/2 inch long hex head grade 5
57	5560033	2	Nut 3/8-16 self locking
58	970469	3	Capscrew 3/8-16 x 1 inch long hex head grade 5
59	0081558	1	Jumper wire
60	5093006	1	Clamp
61	3040047	1	Terminal .250 tab female slip-on fully insulated 22/18 wire
62	3040046	1	Terminal .250 tab male slip-on fully insulated 22/18 wire

F

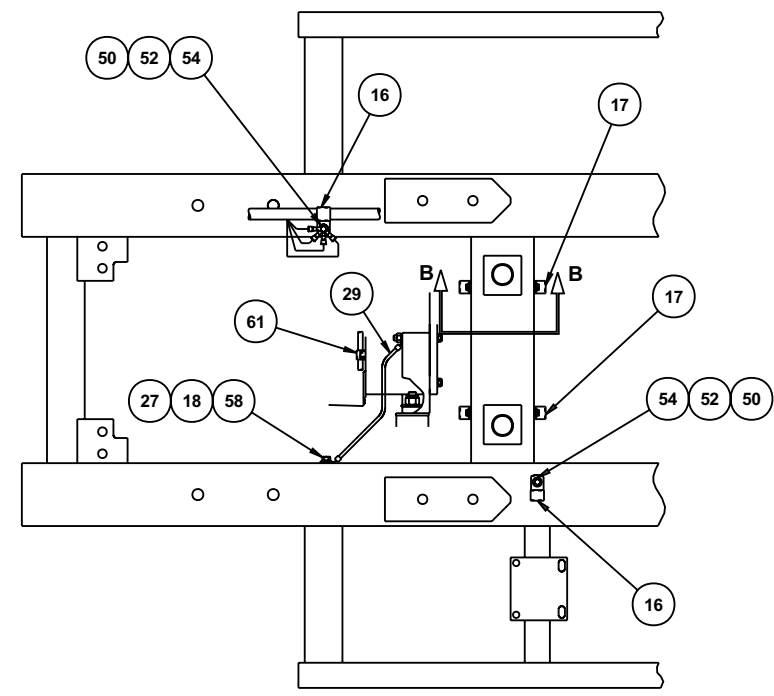
E

D

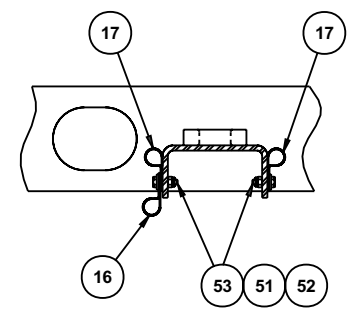
C

B

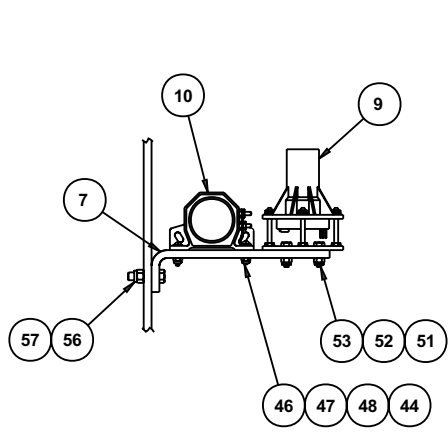
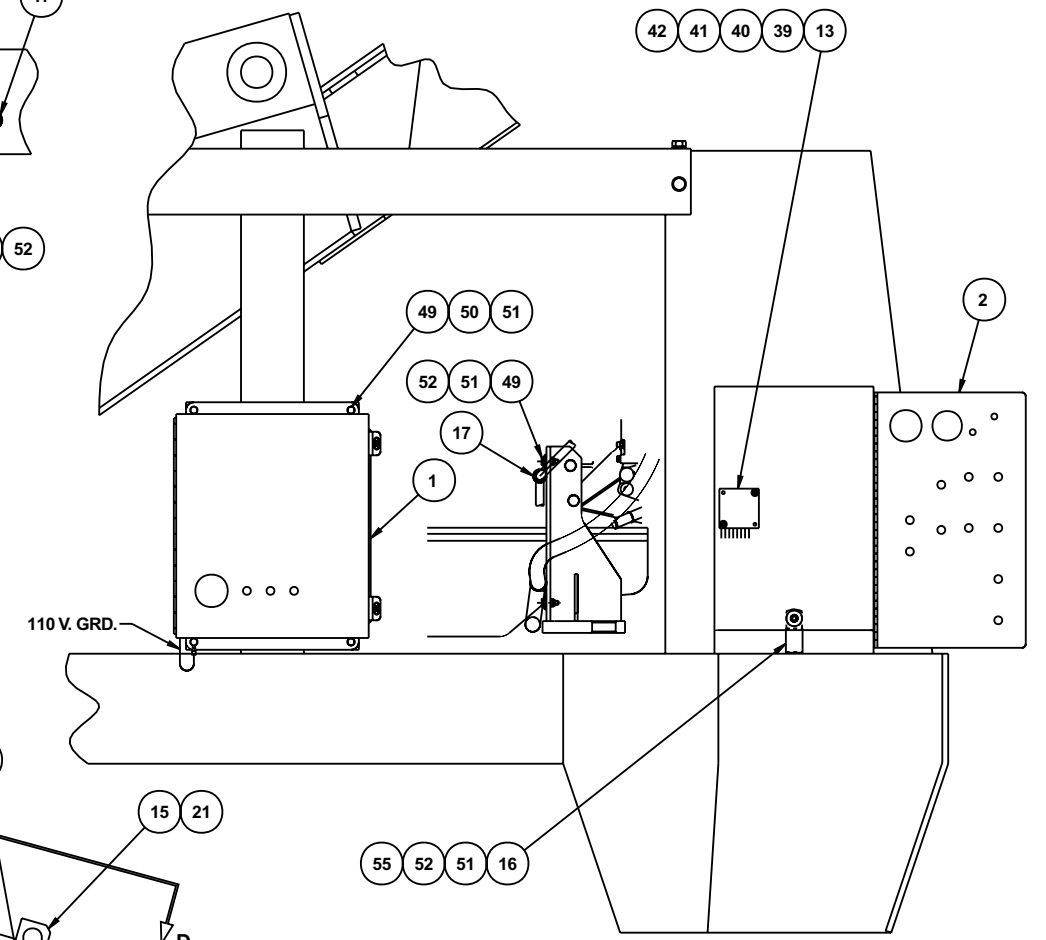
A



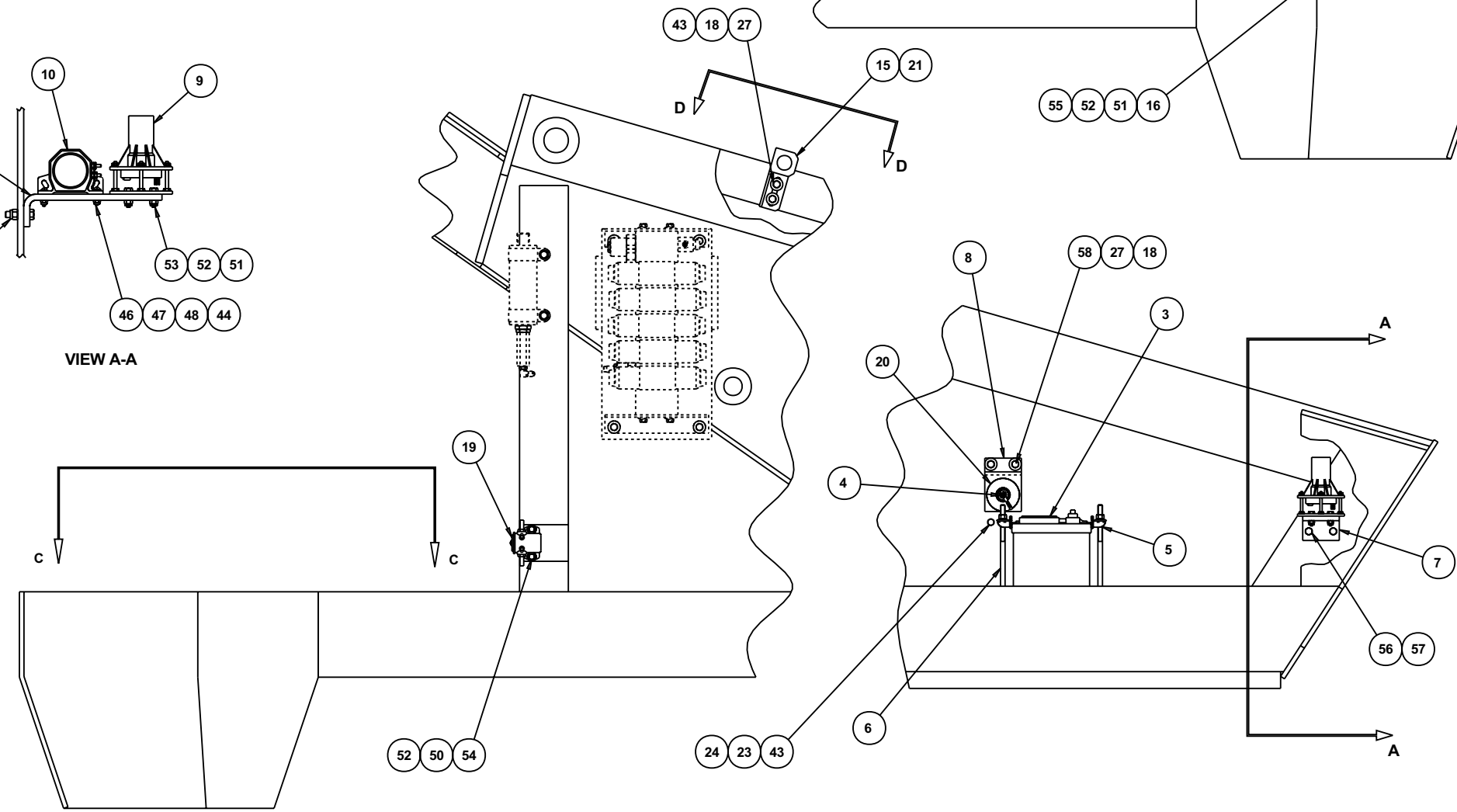
VIEW C-C



VIEW B-B



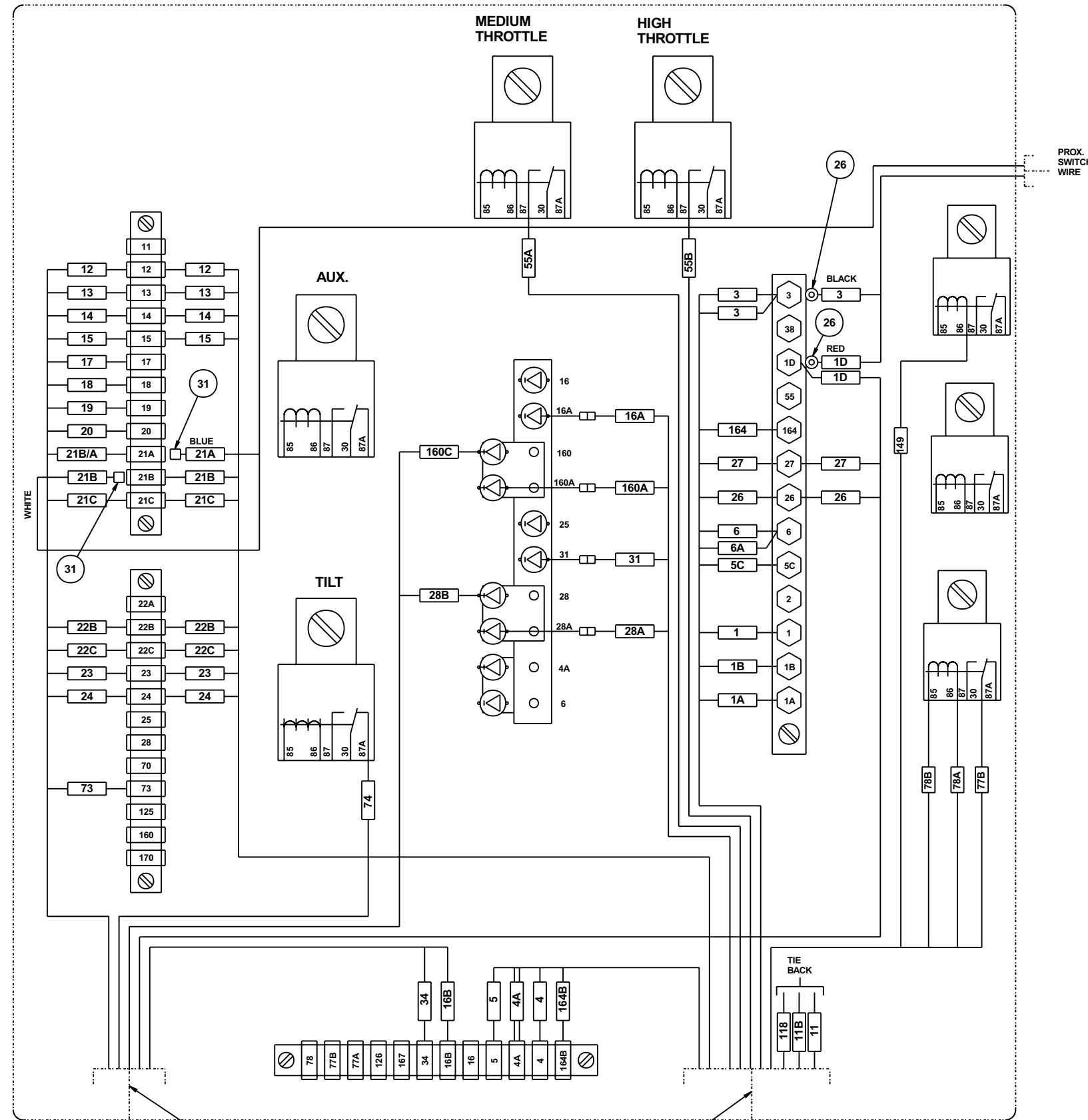
VIEW A-A



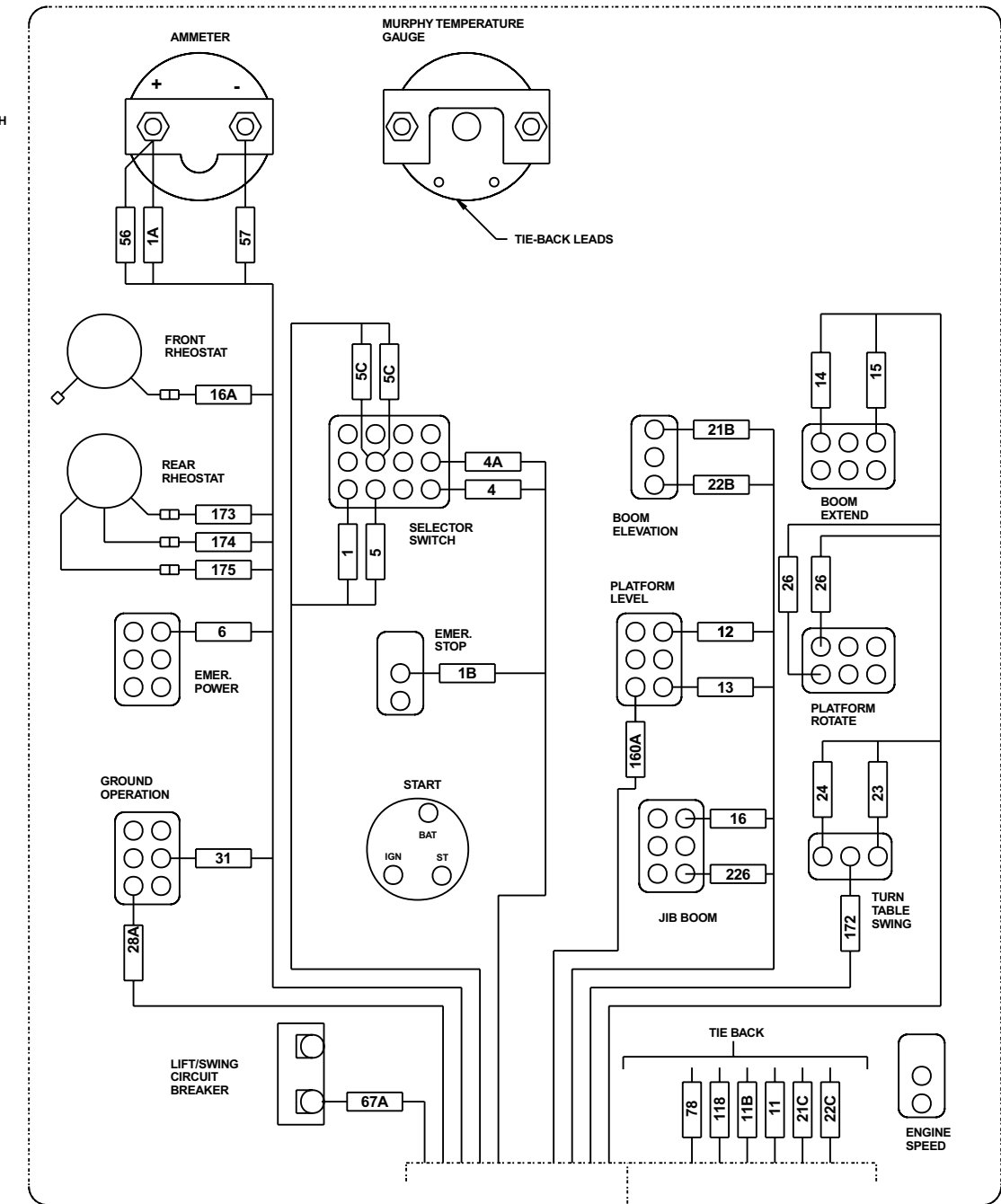
AW0082700-1

TITLE Turntable electrical
 Ford LRG-425, sheet 1
 Snorkel model TB66J

WIRING BOX



GROUND CONTROL PANEL



11 ENGINE WIRE ASSEMBLY (FO)

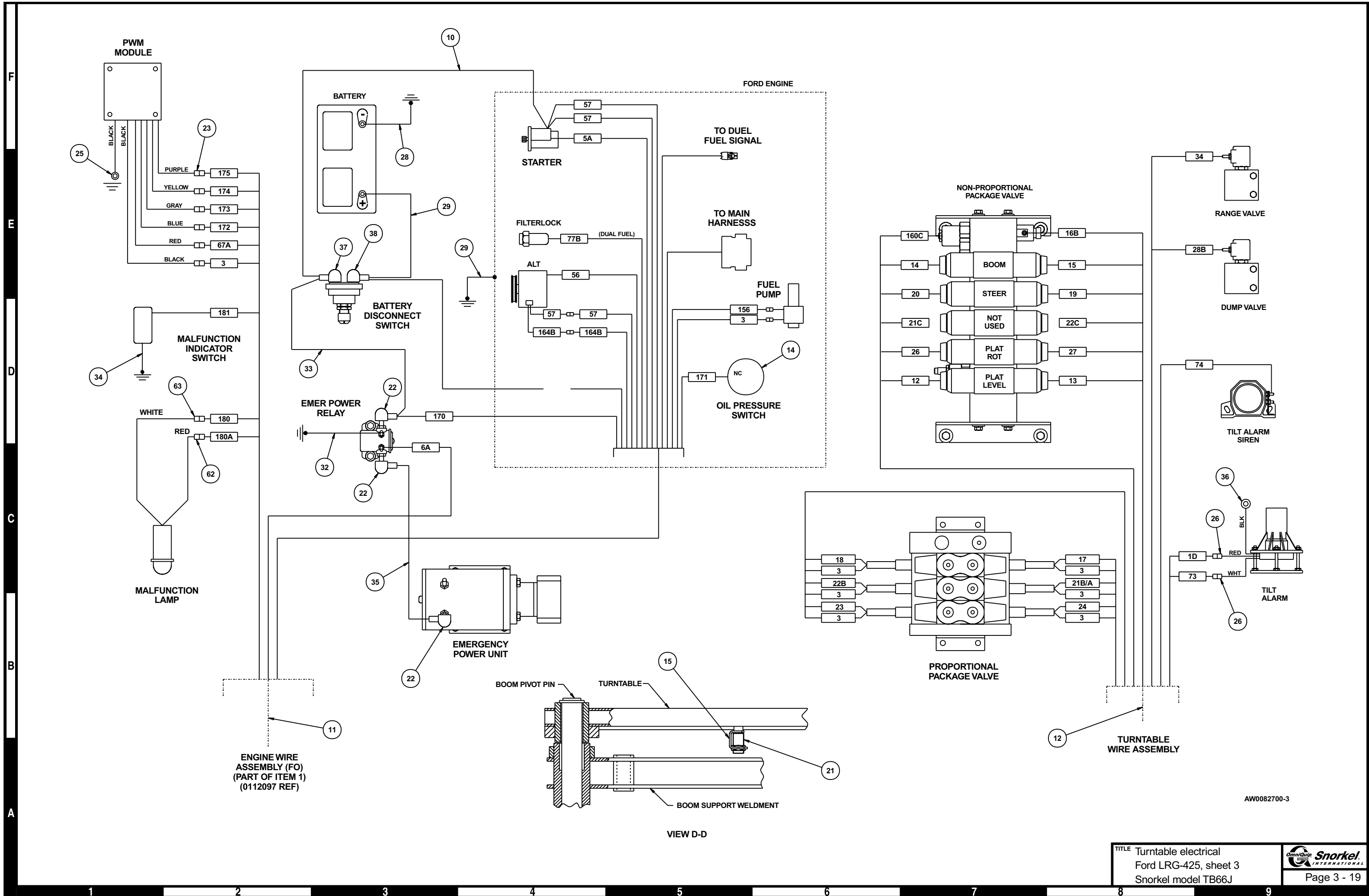
12 TURNTABLE WIRE ASSEMBLY

11 ENGINE WIRE ASSEMBLY (FO)

AW0082700-2

F
E
D
C
B
A

1 2 3 4 5 6 7 8 9



AW0082700-3

TITLE Turntable electrical
 Ford LRG-425, sheet 3
 Snorkel model TB66J

Lower controls, Cummins 3.3

item	part no	qty	description
	0083531	1	Lower controls, Cummins 3.3
1	0060373	3	Jumper strap
2	0070730	4	Jumper wire
3	0070735	1	Jumper wire
4	0070742	2	Jumper wire
5	0070746	4	Jumper wire
6	0070747	5	Jumper wire
7	0070753	3	Jumper wire
8	0071541	1	Jumper wire
9	0074585-99	1	Lower control panel and hinge
10	0082002	1	Rheostat switch
	3040619	1	Replacement switch
	0150647	1	Replacement jumper wire
11	0081845	1	Placard, lower controls
12	0083300	1	Wire harness, EPS
13	0090757	1	Jumper wire
14	0180949	1	Speed control switch
	3040497	1	Replacement switch
15	0181104	1	Jumper wire
16	0240483	1	Jumper wire
17	300489	1	Terminal strip, 6 circuit #10 stud
18	3020013	2	Switch, toggle
19	3020016	2	Switch, toggle
20	3020018	4	Switch, toggle
21	3020048	1	Switch, toggle
22	3020081	2	Switch, toggle
23	3020087	1	Switch, keyed start
	8030044	1	Replacement key
24	3040348	1	Switch knob
25	3040535	1	Circuit breaker, 3 amp capacity
26	3040620	1	Coupler kit
27	3070003	1	Ammeter
28	3070040	1	Temperature gauge
29	5093006	1	Clamp
30	562236	1	Guard, emergency stop switch
31	970029	1	Capscrew 1/4-20 x 3/4 inch long hex head grade 5
32	5560004	1	Nut 1/4-20 self locking
33	986019	1	Washer 1/4 medium flat
34	5569845	2	Machine screw #10-24 x 1 inch long hex head grade 5
35	5560034	2	Nut #10-24 self locking
36	0071589	1	Jumper wire
37	0071583	2	Jumper wire

F

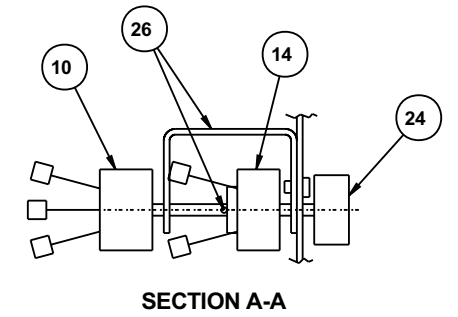
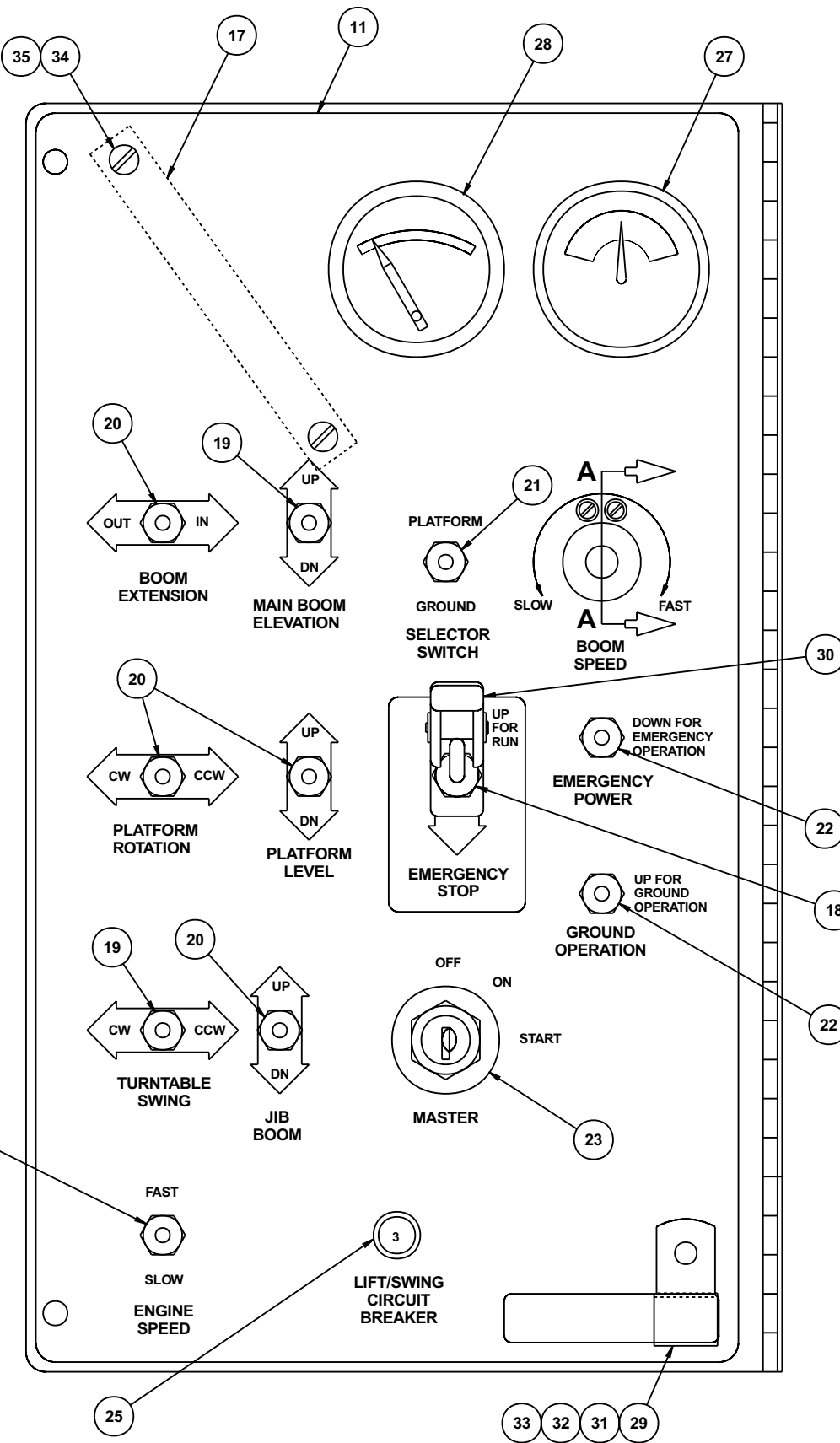
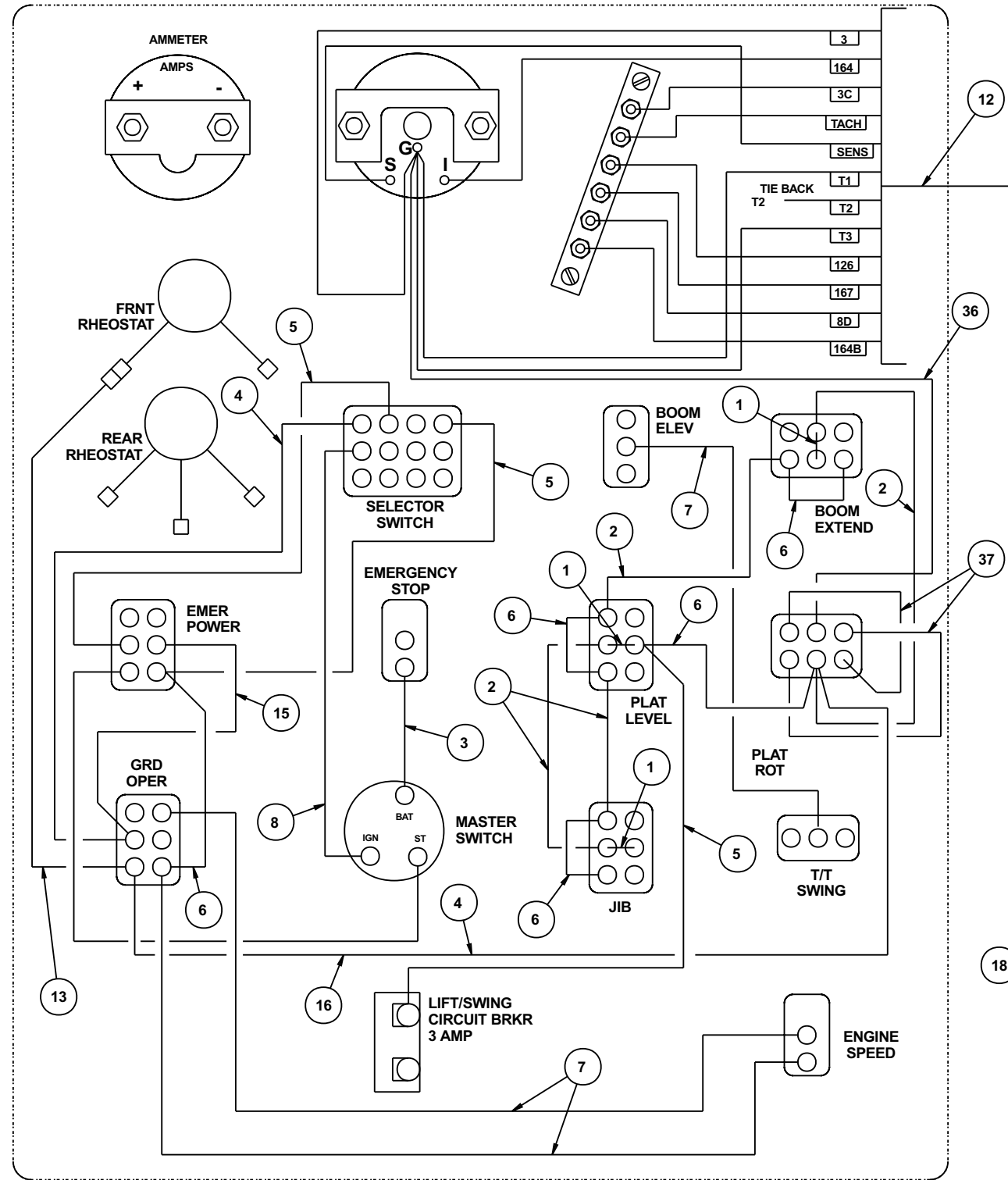
E

D

C

B

A



AW0083531

1 2 3 4 5 6 7 8 9

F

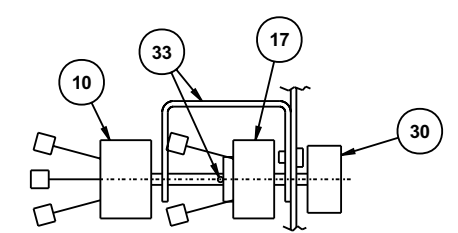
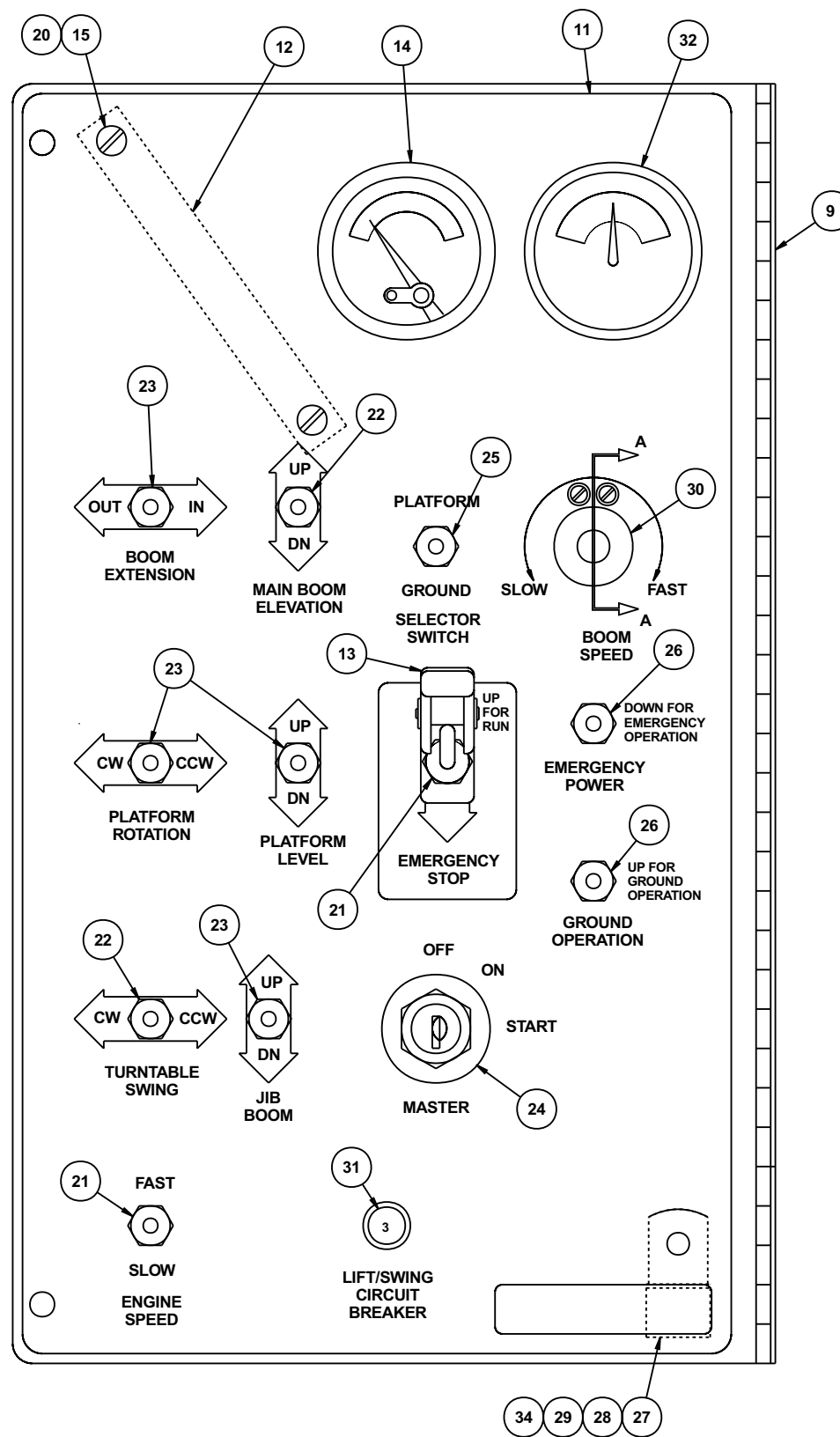
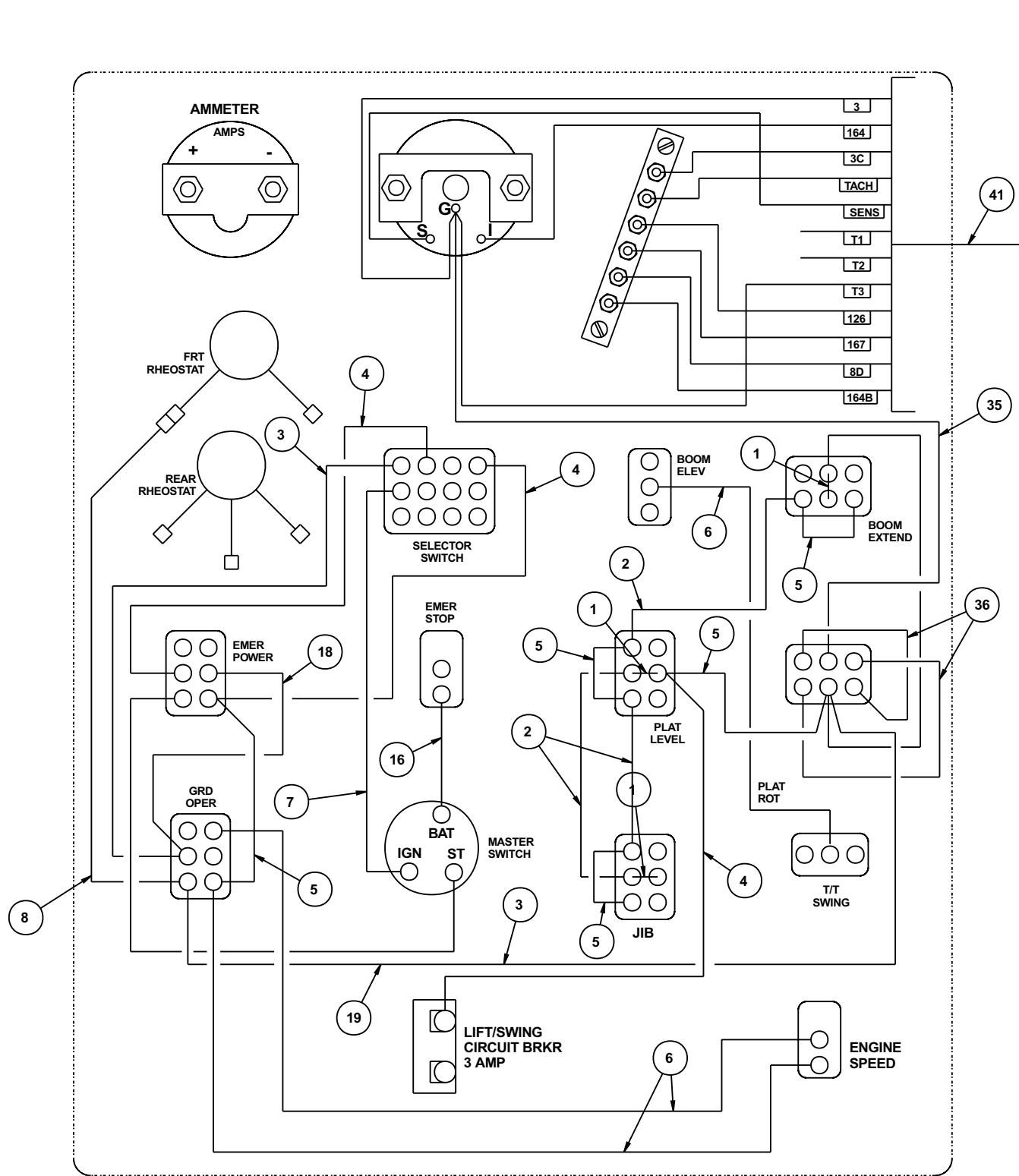
E

D

C

B

A



AW0083401

Lower controls, Deutz F4L-1011F

item	part no	qty	description
	0083401	1	Lower controls, Deutz F4L-1011F
1	0060373	3	Jumper strap
2	0070730	3	Jumper wire
3	0070742	2	Jumper wire
4	0070746	4	Jumper wire
5	0070747	5	Jumper wire
6	0070753	3	Jumper wire
7	0071541	1	Jumper wire
8	0090757	1	Jumper wire
9	0074585-99	1	Lower control panel and hinge
10	0082002	1	Rheostat switch
	3040619	1	Replacement switch
	0150647	1	Replacement jumper wire
11	0081845	1	Placard, lower controls
12	300489	1	Terminal strip, 6 circuit #10 stud
13	562236	1	Guard, emergency stop switch
14	3070041	1	Temperature gauge
15	5560034	2	Nut #10-24 self locking
16	0070735	1	Jumper wire
17	0180949	1	Speed control switch
	3040497	1	Replacement switch
18	0181104	1	Jumper wire
19	0240483	1	Jumper wire
20	5560649	2	Machine screw #10-24 x 1 inch long truss head
21	3020013	2	Switch, toggle
22	3020016	2	Switch, toggle
23	3020018	4	Switch, toggle
24	3020087	1	Switch, keyed start
	8030044	1	Replacement key
25	3020048	1	Switch, toggle
26	3020081	2	Switch, toggle
27	986019	1	Washer 1/4 medium flat
28	5560004	1	Nut 1/4-20 self locking
29	970029	1	Capscrew 1/4-20 x 3/4 inch long hex head grade 5
30	3040348	1	knob
31	3040535	1	Circuit breaker, 3 amp capacity
32	3070003	1	Ammeter
33	3040620	1	Coupler kit
34	5093006	1	Clamp
35	0071589	1	Jumper wire
36	0071583	2	Jumper wire

Lower controls, Ford LRG-425

item	part no	qty	description
	0082691	1	Lower controls, Ford LRG-425
1	0060373	3	Jumper strap
2	0070730	2	Jumper wire
3	0070742	2	Jumper wire
4	0070746	4	Jumper wire
5	0070747	5	Jumper wire
6	0070753	3	Jumper wire
7	0071541	1	Jumper wire
8	0070735	1	Jumper wire
9	0081819-99	1	Lower control panel and hinge
10	0082002	1	Rheostat switch
	3040619	1	Replacement switch
	0150647	1	Replacement jumper wire
11	0082003	1	Placard, lower controls
12	986019	1	Washer 1/4 medium flat
13	562236	1	Guard, emergency stop switch
14	3070021	1	Temperature gauge
15	5560004	1	Nut 1/4-20 self locking
16	0090757	1	Jumper wire
17	0180949	1	Speed control switch
	3040497	1	Replacement switch
18	0181104	1	Jumper wire
19	0240483	1	Jumper wire
20	970029	1	Capscrew 1/4-20 x 3/4 inch long hex head grade 5
21	3020013	2	Switch, toggle
22	3020016	2	Switch, toggle
23	3020018	3	Switch, toggle
24	3020087	1	Switch, keyed start
	8030044	1	Replacement key
25	3020048	1	Switch, toggle
26	3020081	2	Switch, toggle
27	0082727	1	Placard, blank
28	5093006	1	Clamp
29	3040620	1	Coupler kit
30	3040348	1	Switch knob
31	3040535	1	Circuit breaker, 3 amp capacity
32	3070003	1	Ammeter

F

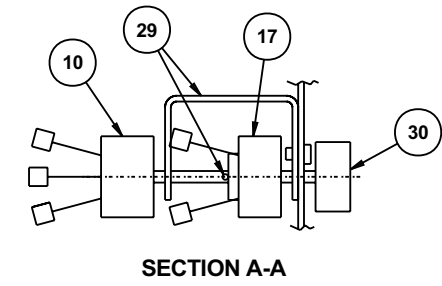
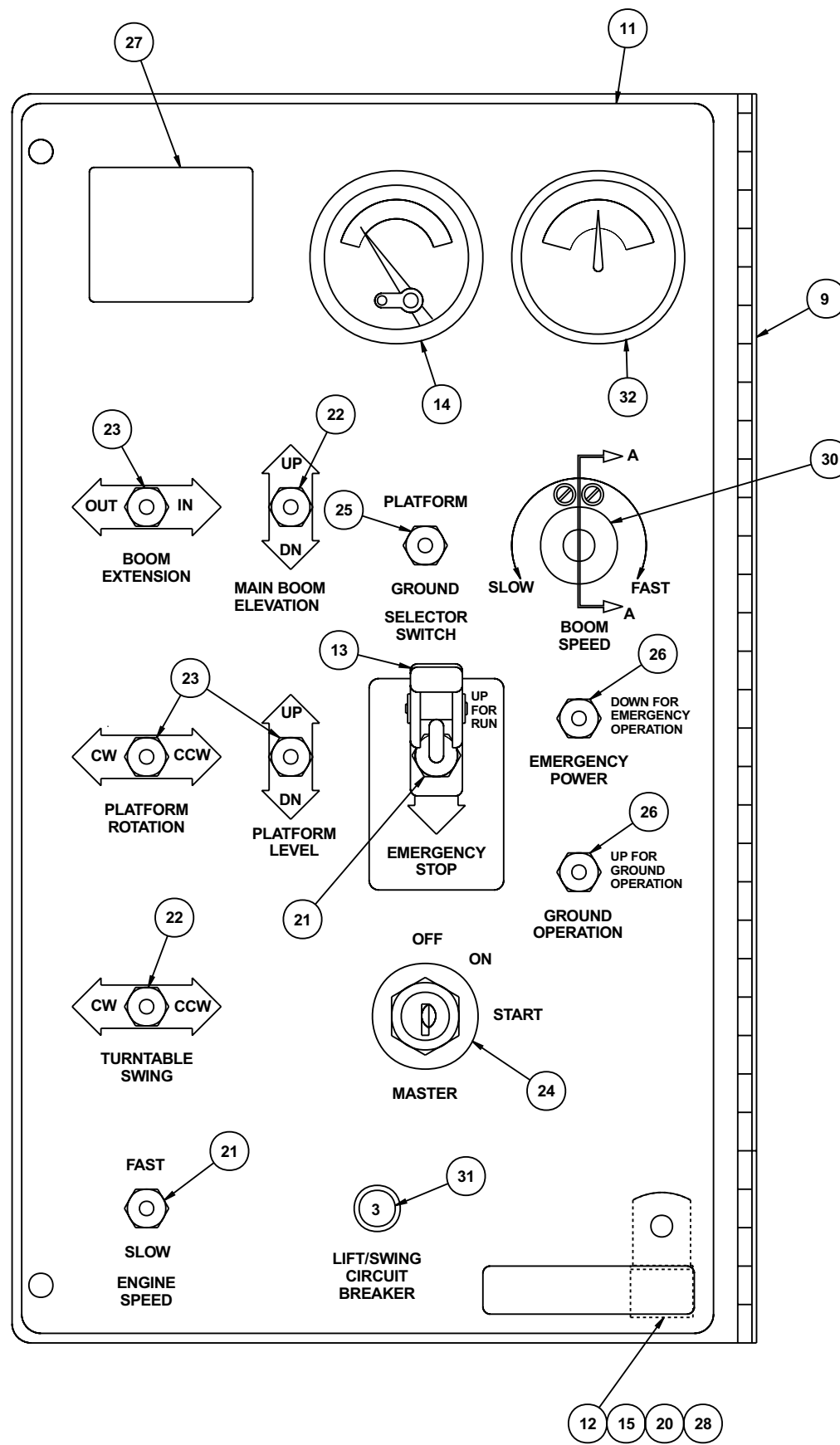
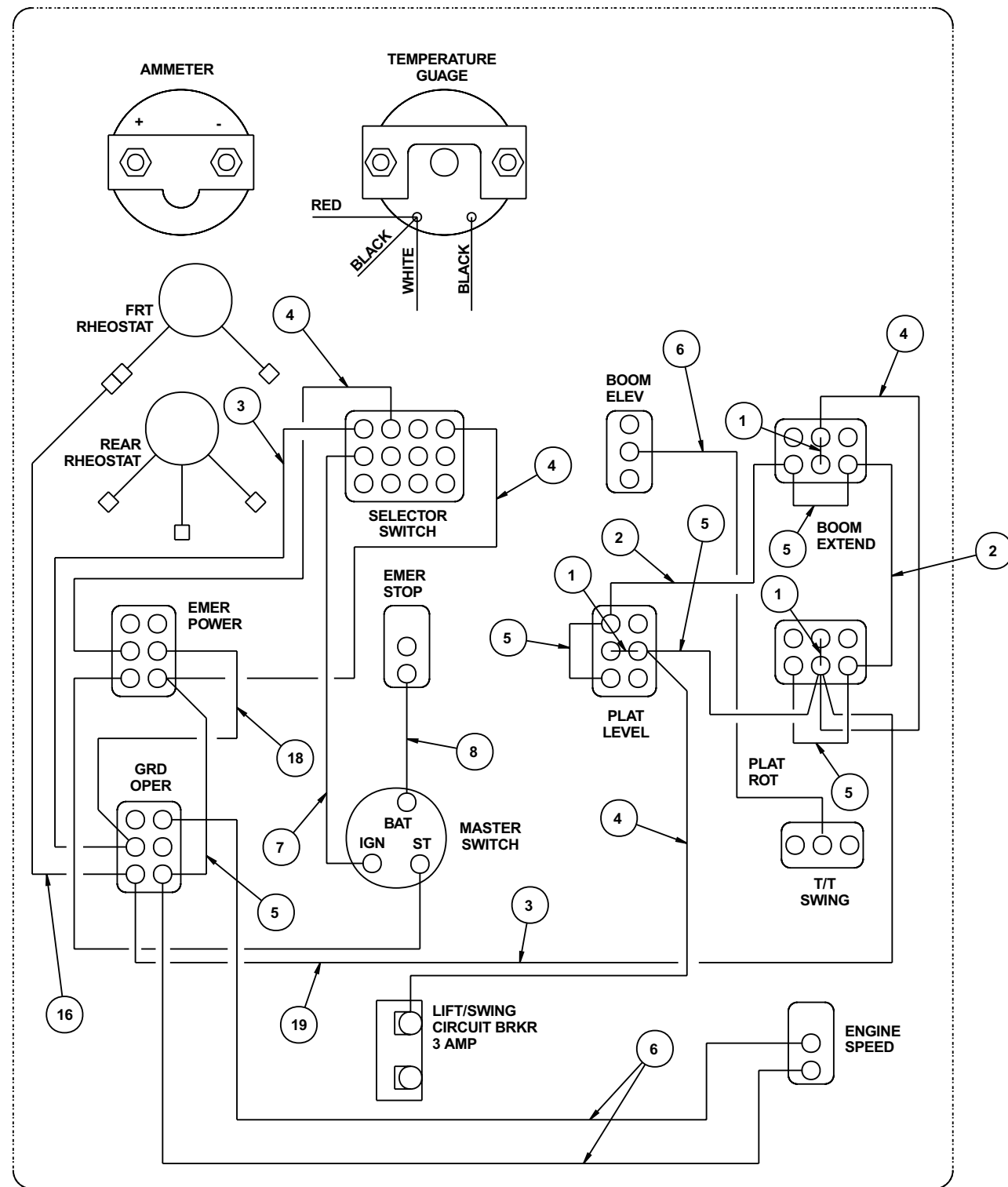
E

D

C

B

A

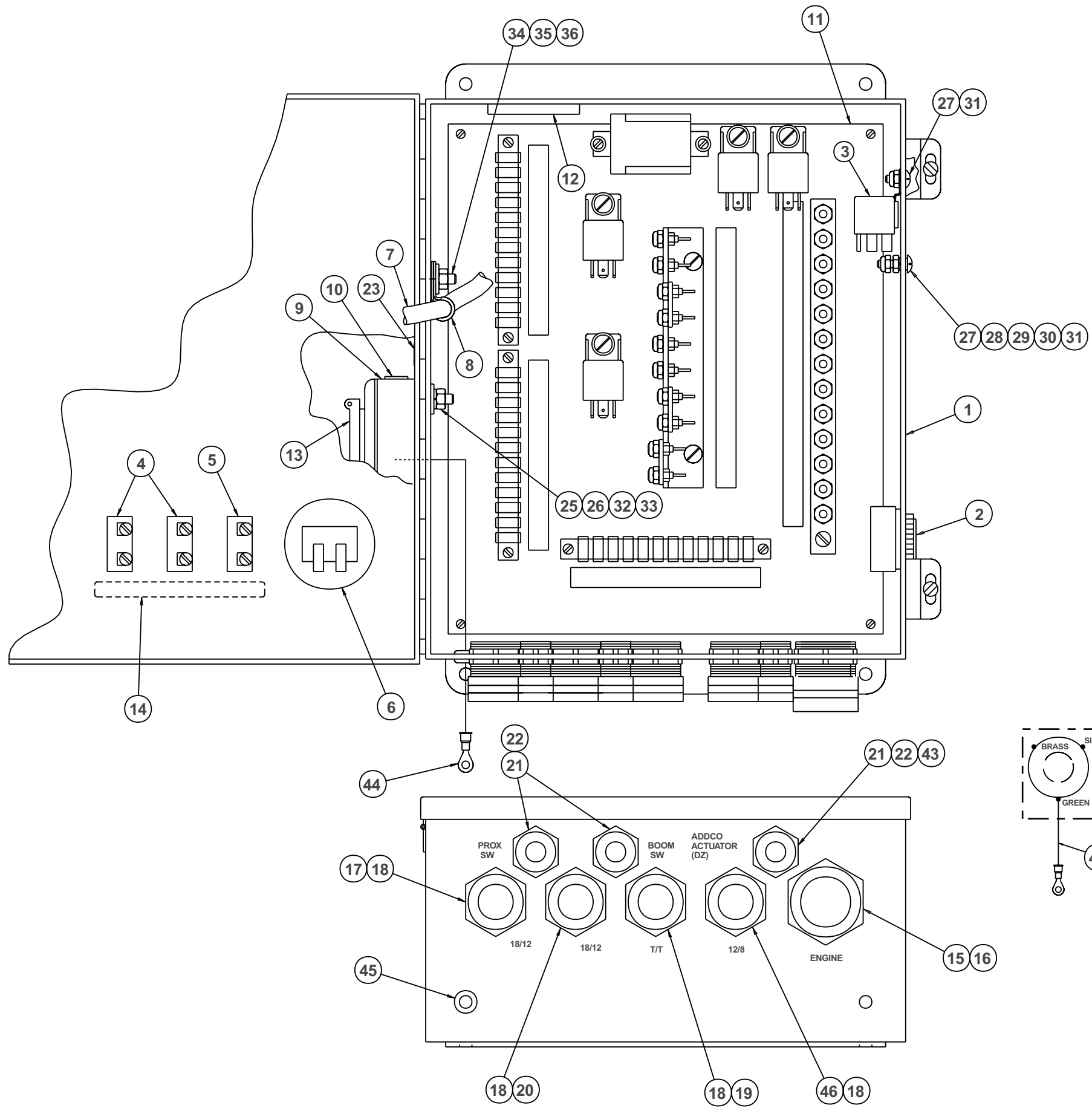


AW0082691

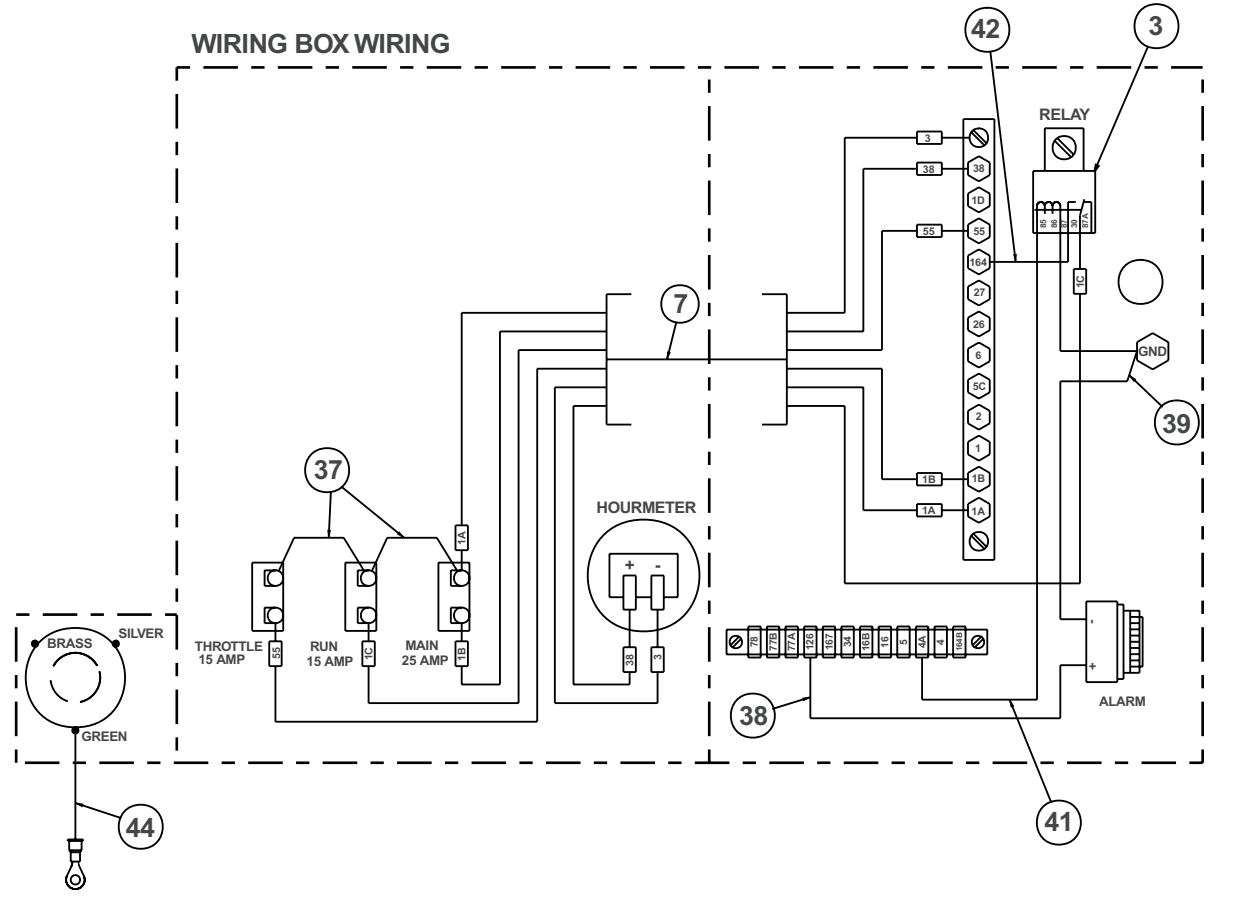
Wiring box, Cummins and Deutz

item	part no	qty	description
	0081998	1	Wiring box, Cummins and Deutz
1	0081996-99	1	Wiring box, drilled
2	3040411	1	Mini siren
3	3040469	1	Relay, 12 volt DC
4	3040252	2	Circuit breaker, 15 amp capacity
5	3040069	1	Circuit breaker, 25 amp capacity
6	3070001	1	Hour meter
7	0081997	1	wire harness, wiring box internal
8	5093001	1	Clamp
9	3040118	1	Extension with gasket
10	3040121	4	Close-up plug
11	0112165	1	Wiring box panel, Cummins and Deutz - (see page 3-29 for parts breakdown)
12	0070967	1	Corrosion inhibitor
13	3045278	1	Flanged electrical outlet with cover
14	0111735	1	Placard, circuit breaker
15	3040386	1	Connector
16	3040387	1	Connector locknut
17	3040116	2	Connector
18	3040110	4	Connector locknut
19	3040298	1	Connector
20	3040285	1	Connector
21	3040187	3	Connector
22	3040070	3	Connector locknut
23	0070921	1	Placard, 110 volt power
24	5560655	2	Pop rivet #AD32-ABS
25	974239	2	Machine screw #6-32 x 1/2 inch long round head
26	984009	2	Nut #6-32 hex
27	5560648	2	Machine screw #10-24 x 3/4 inch long truss head
28	5560654	1	Washer #10 star tooth lock
29	987089	1	Washer #10 medium lock
30	984049	1	Nut #10-24 hex
31	5560034	2	Nut #10-24 self locking
32	986159	2	Washer #6 medium flat
33	987349	2	Washer #6 medium lock
34	986019	1	Washer 1/4 medium flat
35	970029	1	Capscrew 1/4-20 x 3/4 inch long hex head grade 5
36	5560004	1	Nut 1/4-20 self locking
37	0070735	2	Jumper wire
38	0181028	1	Jumper wire
39	0240483	1	Jumper wire
40	0081559	1	Jumper wire
41	0071528	1	Jumper wire
42	0073057	1	Jumper wire
43	970469	1	Capscrew 3/8-16 x 1 inch long hex head grade 5
44	0071561	1	Jumper wire
45	5569003	1	Grommet
46	3040295	1	Connector

F
E
D
C
B
A



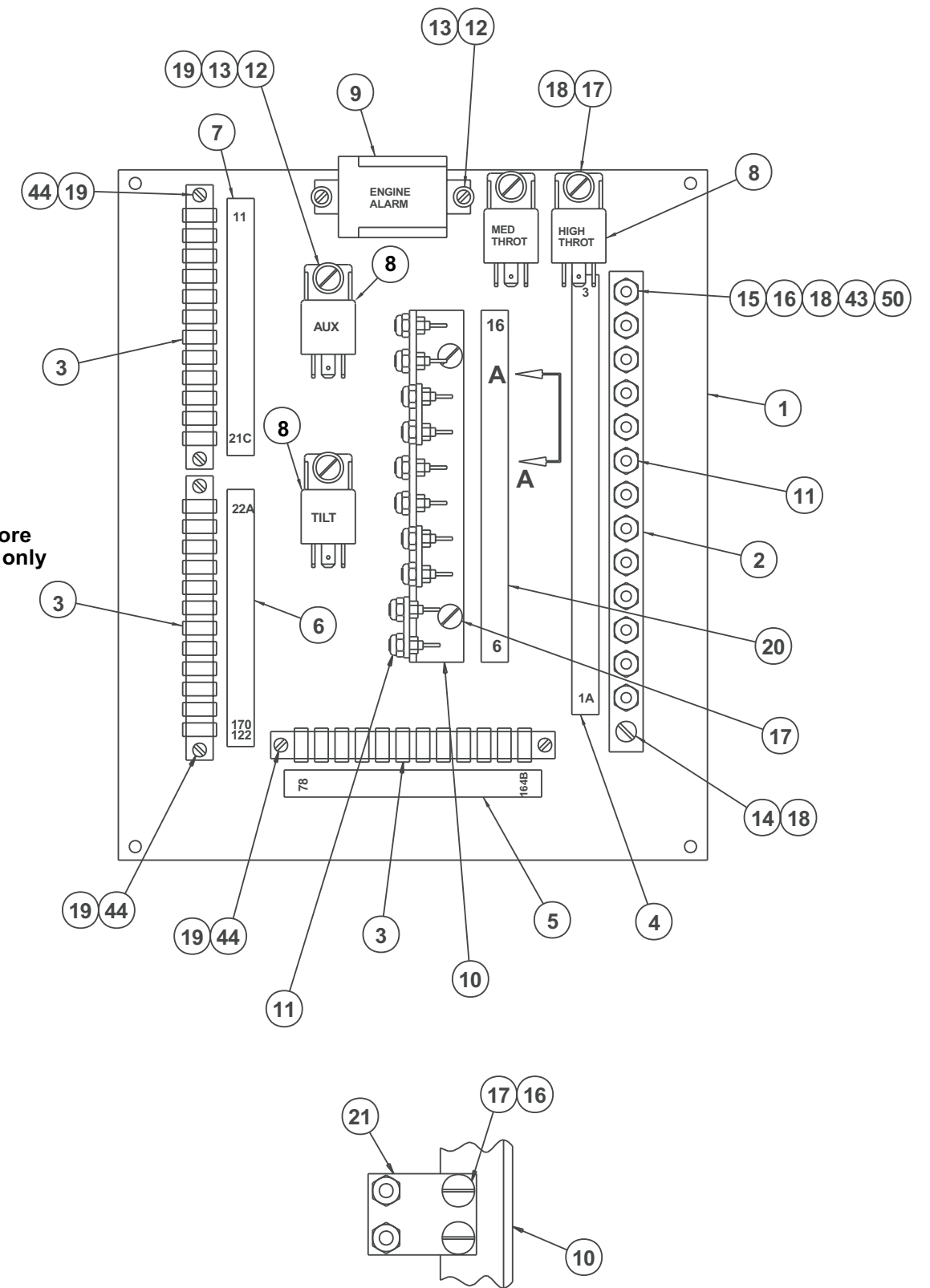
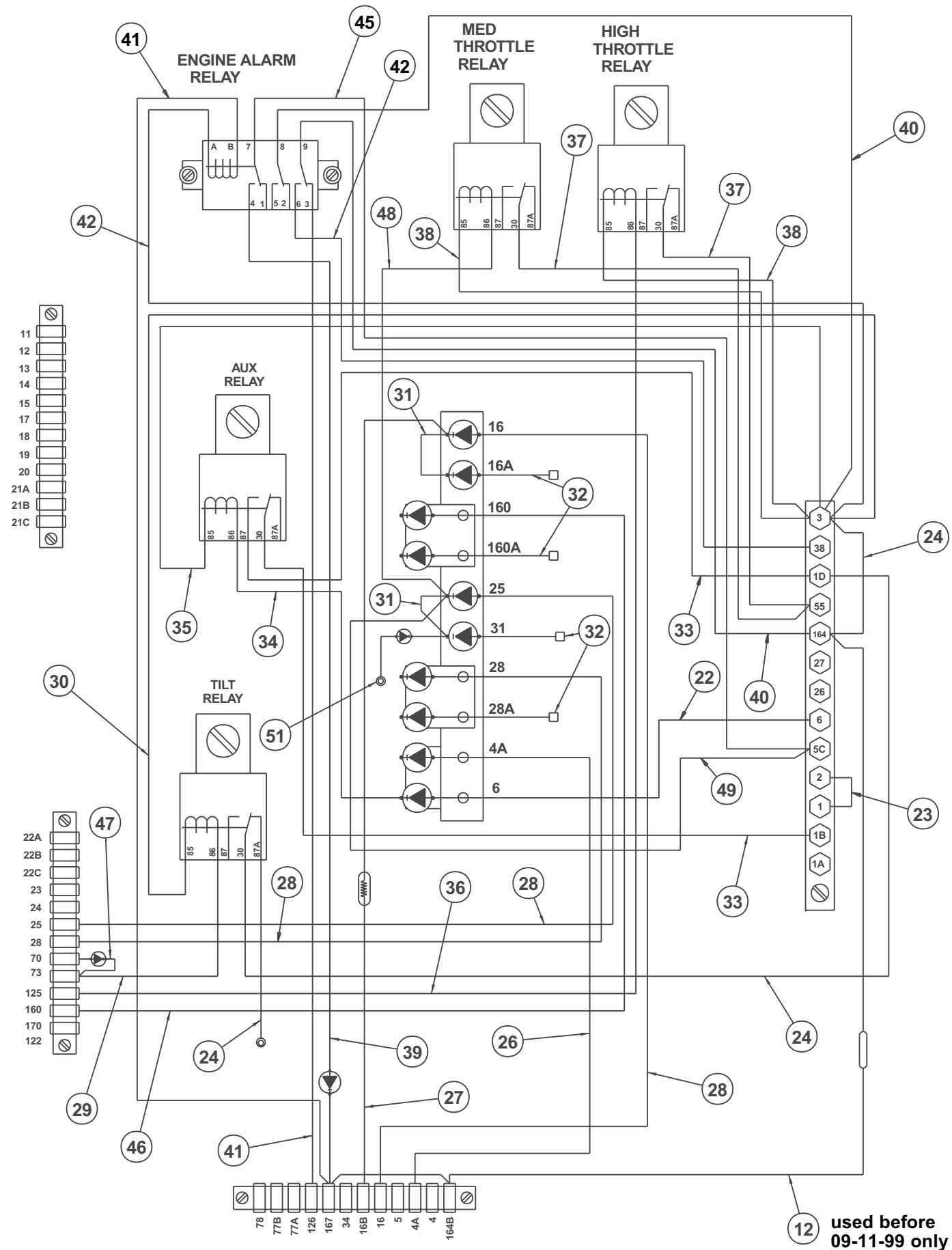
WIRING BOX WIRING



AW0081998

1 2 3 4 5 6 7 8 9

F
E
D
C
B
A



VIEW A-A

AW0081995

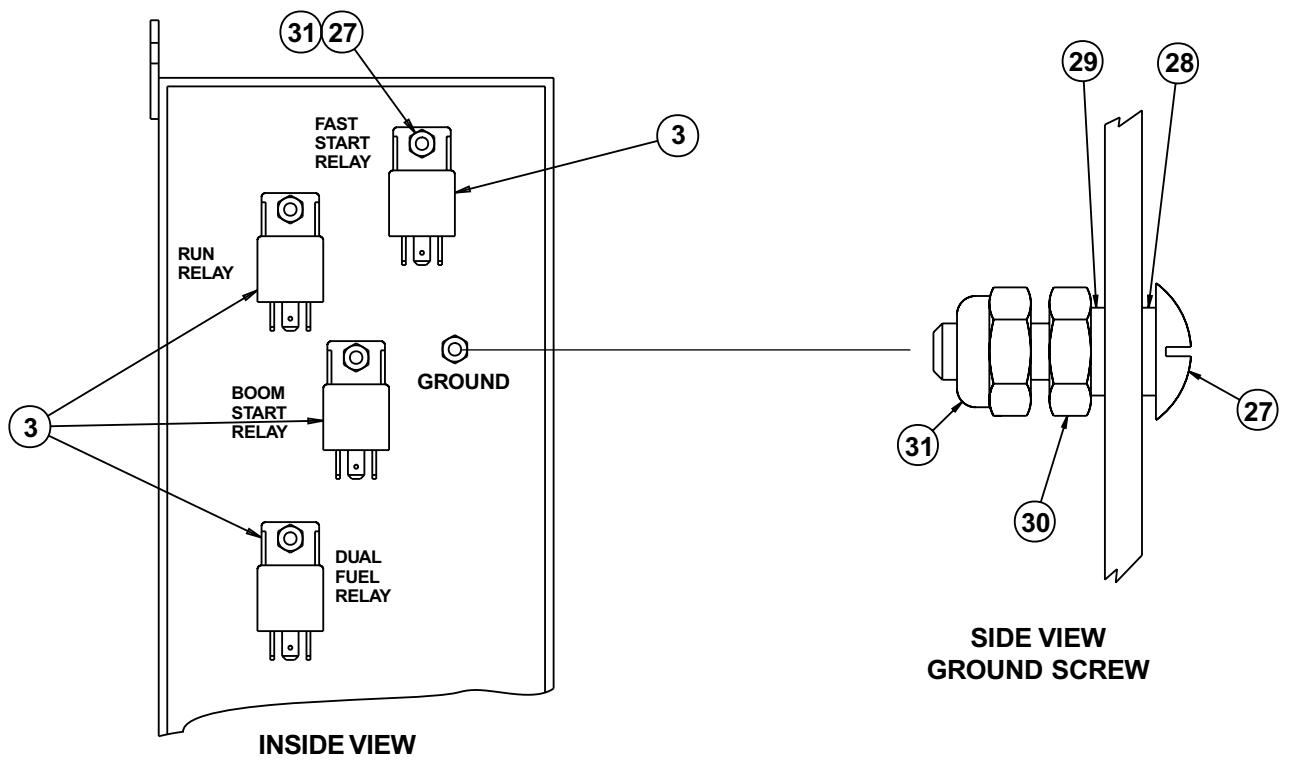
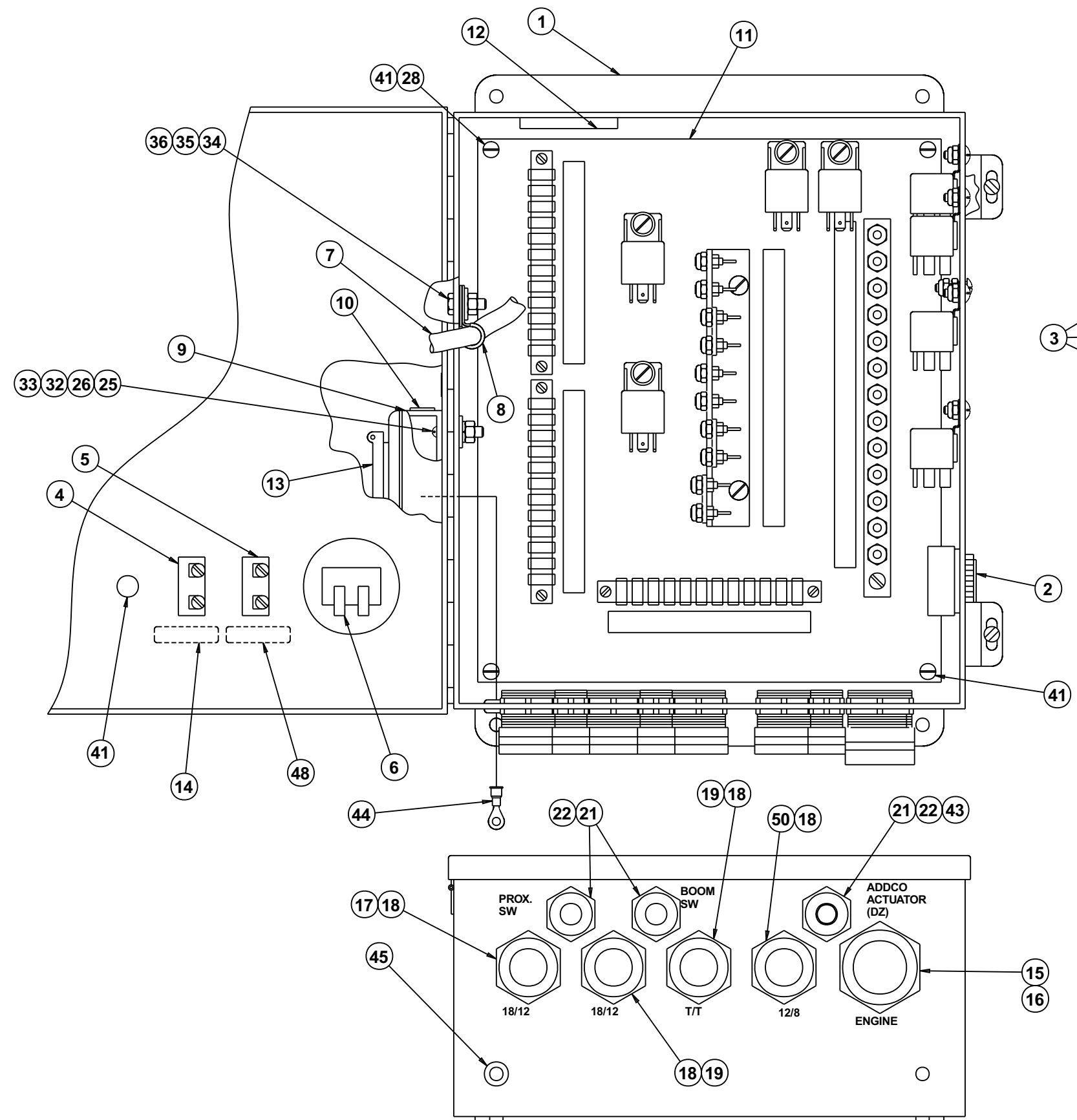
Wiring box panel, Cummins and Deutz

item	part no	qty	description
	0112165	1	Wiring box panel, Cummins and Deutz
1	0180796	1	Panel, drilled
2	3044712	1	Terminal strip, 12 circuit #10 stud
3	3040433	3	Terminal strip, 12 circuit .188 tab slip-on
4	0181552	1	Decal, power wire
5	0181553	1	Decal, terminal strip
6	0181107	1	Decal, control wire #2
7	0181106	1	Decal, control wire #1
8	3040469	4	Relay, 12 volt DC
9	3040287	1	Relay, 12 volt DC
10	0150488	1	Diode holder
11	5560038	22	Nut #10-32 self locking
12	0181434	1	Diode/resister wire
13	986159	4	Washer #6 medium flat
14	974689	1	Machine screw #10-24 x 3/4 inch long round head
15	974729	1	Machine screw #10-24 x 1-1/4 inch long round head
16	5560034	7	Nut #10-24 self locking
17	5560609	10	Machine screw #10-24 x 1/2 inch long truss head
18	987089	4	Washer #10 medium lock
19	987349	10	Washer #6 medium lock
20	0181554	1	Decal, diode
21	0073631	3	Diode stand off
22	0070681	1	Diode wire - (includes 3040108 diode)
23	0070711	1	Jumper wire
24	0071812	2	Jumper wire
25	0181434	1	Diode/resister wire
26	0070682	1	Diode wire - (includes 3040108 diode)
27	0181073	1	Resister wire - (5 ohm)
28	0140317	3	Diode wire - (includes 3040108 diode)
29	0151205	1	Jumper wire
30	0081560	1	Jumper wire
31	0070724	2	Jumper wire
32	0180110	4	Diode wire - (includes 3040108 diode)
33	0181031	2	Jumper wire
34	0081559	1	Jumper wire
35	0081515	1	Jumper wire
36	0181030	1	Diode wire
37	0181136	2	Jumper wire
38	0181111	2	Jumper wire
39	0181432	1	Diode wire - (includes 3040293 diode)
40	0070713	2	Jumper wire
41	0140323	2	Jumper wire
42	0140332	2	Jumper wire
43	5560654	1	Washer #10 star tooth lock
44	974279	6	Machine screw #6-32 x 3/4 inch long round head
45	0090621	1	Jumper wire
46	0110471	1	Diode wire - (includes 3040108 diode)
47	0170335	1	Diode wire - (includes 3040108 diode)
48	0181113	1	Jumper wire
49	0073253	2	Jumper wire
50	984049	1	Nut #10-24 hex

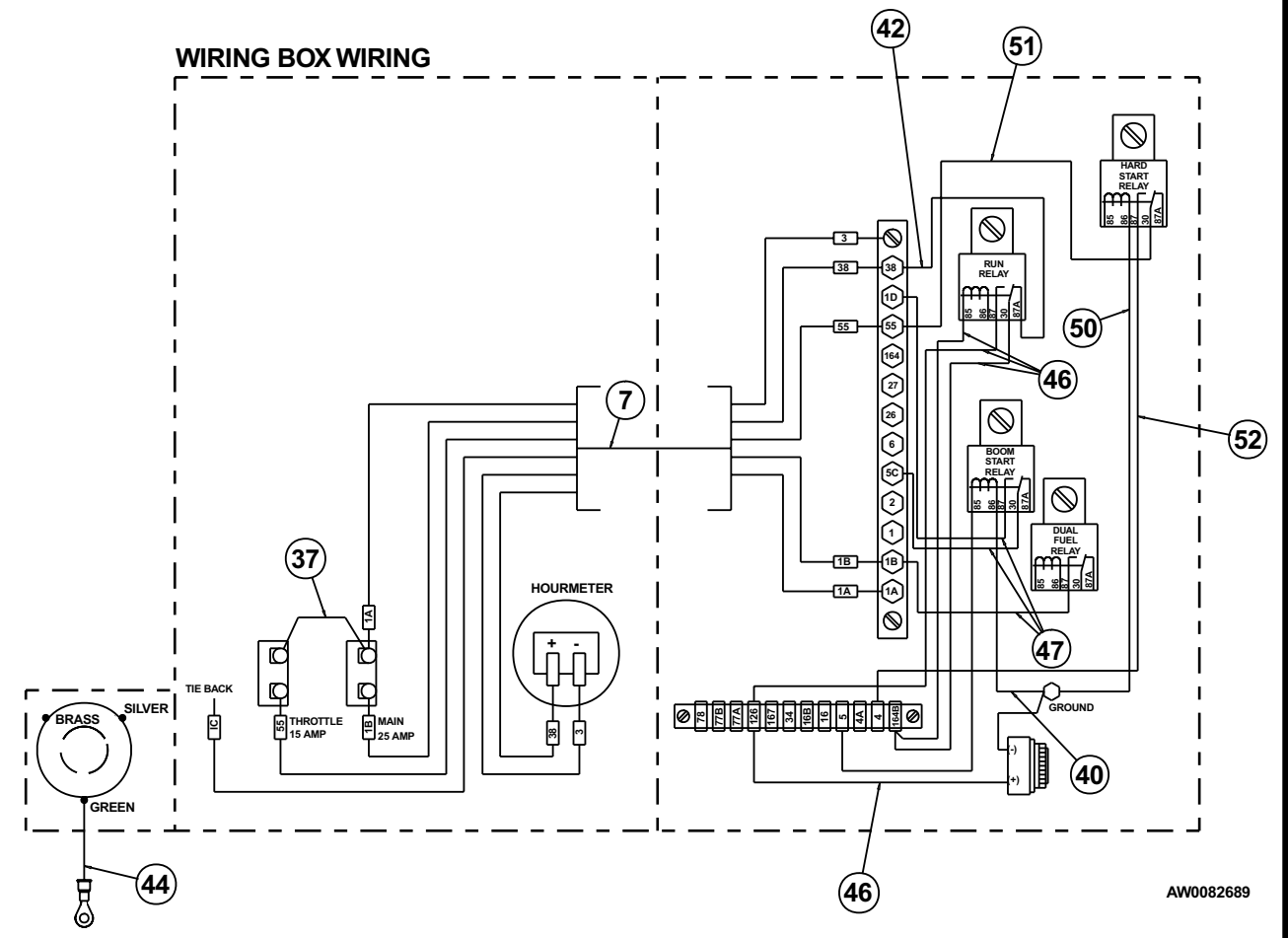
Wiring box, Ford LRG-425

item	part no	qty	description
	0082689	1	Wiring box, Ford LRG-425
1	0081996-99	1	Wiring box, drilled
2	3040411	1	Mini siren
3	3040469	3	Relay, 12 volt DC
4	3040252	1	Circuit breaker, 15 amp capacity
5	3040069	1	Circuit breaker, 25 amp capacity
6	3070001	1	Hour meter
7	0081997	1	wire harness, wiring box internal
8	5093000	1	Clamp
9	3040118	1	Extension with gasket
10	3040121	4	Close-up plug
11	0082688	1	Wiring box panel, Ford LRG-425 - (see page 3-33 for parts breakdown)
12	0070967	1	Corrosion inhibitor
13	3045278	1	Flanged electrical outlet with cover
14	0170623	1	Decal, throttle
15	3040386	1	Connector
16	3040387	1	Connector locknut
17	3040116	1	Connector
18	3040110	4	Connector locknut
19	3040298	1	Connector
20	3040285	1	Connector
21	3040187	3	Connector
22	3040070	3	Connector locknut
23	0070921	1	Placard, 110 volt power
24	5560655	2	Pop rivet #AD32-ABS
25	974239	2	Machine screw #6-32 x 1/2 inch long round head
26	984009	2	Nut #6-32 hex
27	5560648	5	Machine screw #10-24 x 3/4 inch long truss head
28	5560654	2	Washer #10 star tooth lock
29	987089	1	Washer #10 medium lock
30	984049	1	Nut #10-24 hex
31	5560034	4	Nut #10-24 self locking
32	986159	2	Washer #6 medium flat
33	987349	2	Washer #6 medium lock
34	986019	1	Washer 1/4 medium flat
35	970029	1	Capscrew 1/4-20 x 3/4 inch long hex head grade 5
36	5560004	1	Nut 1/4-20 self locking
37	0070735	2	Jumper wire
38	0181028	1	Jumper wire
39	0240483	1	Jumper wire
40	0081559	1	Jumper wire
41	5560667	4	Machine screw #10-24 x 3/8 inch long pan head
42	0073057	1	Jumper wire
43	970469	1	Capscrew 3/8-16 x 1 inch long hex head grade 5
44	0071561	1	Jumper wire
45	5569003	1	Grommet
46	0071528	4	Jumper wire
47	0071555	3	Jumper wire
48	0071778	1	Decal, main circuit breaker
49	3040115	1	Hole plug, 1/2 inch diameter
50	3040295	1	Connector
51	0181031	1	Jumper wire
52	0112231	1	Jumper wire

F
E
D
C
B
A



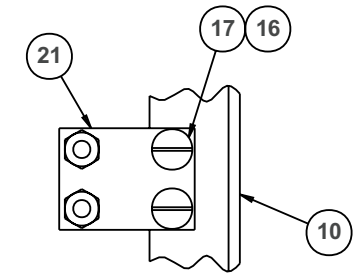
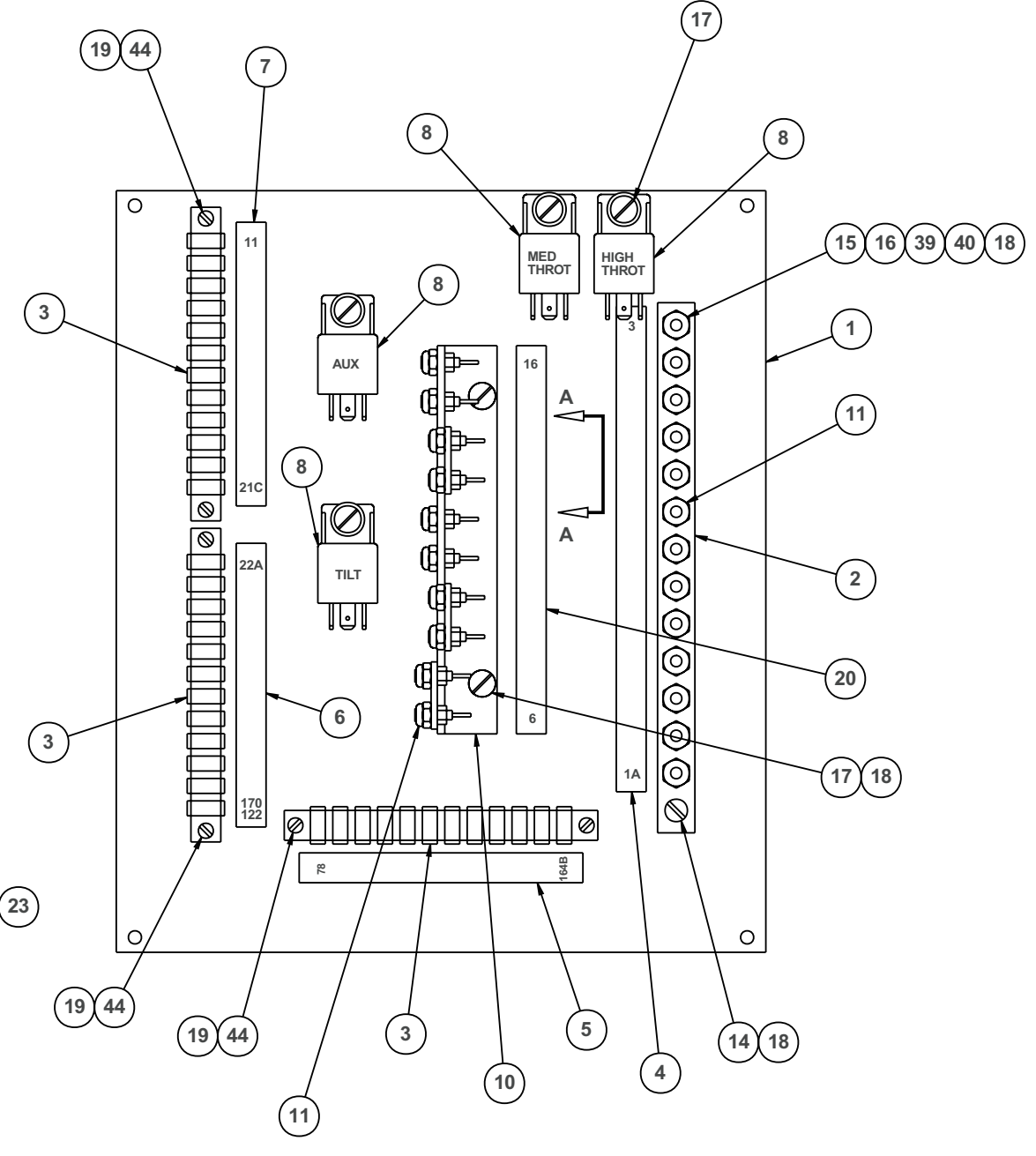
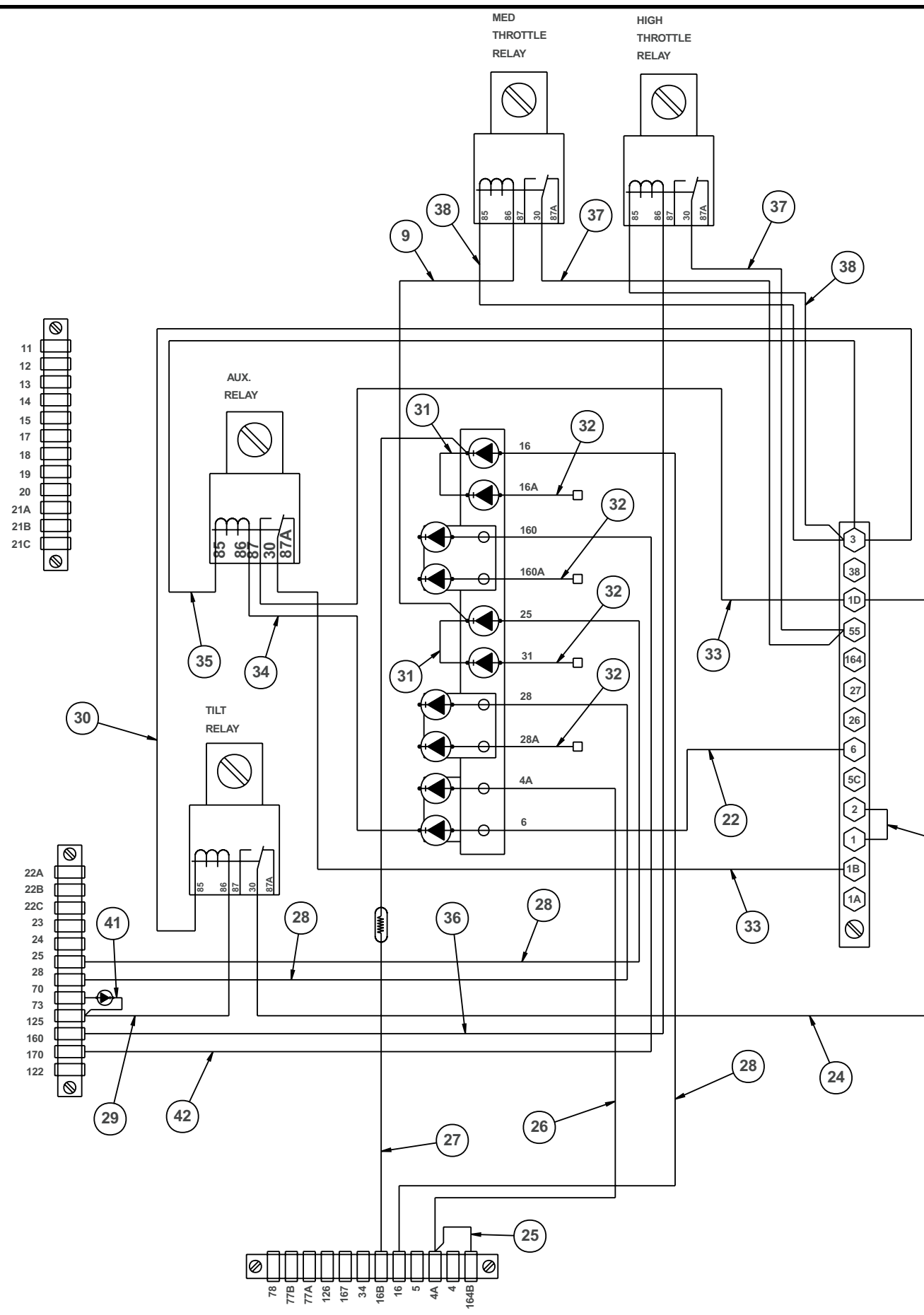
WIRING BOX WIRING



AW0082689

TITLE Wiring box
Ford LRG-425
Snorkel model TB66J

1 2 3 4 5 6 7 8 9



VIEW A-A

AW0082688

F
 E
 D
 C
 B
 A

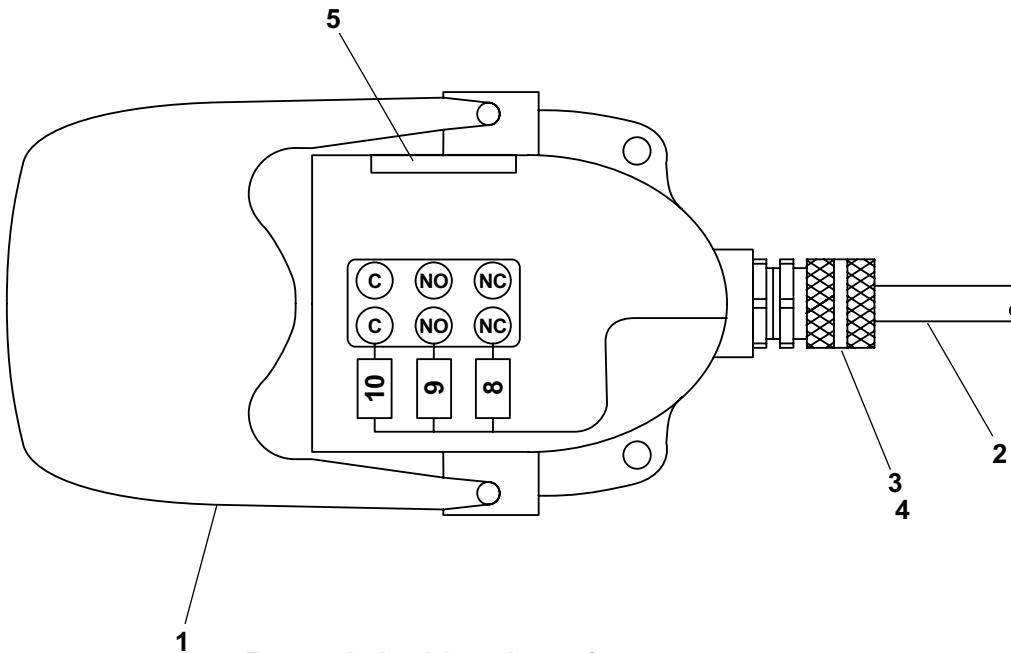
1 2 3 4 5 6 7 8 9

Wiring box panel, Ford LRG-425

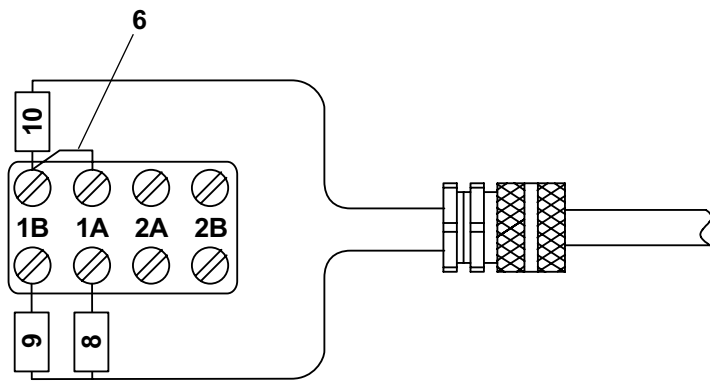
item	part no	qty	description
	0082688	1	Wiring box panel, Ford LRG-425
1	0180796	1	Panel, drilled
2	3044712	1	Terminal strip, 12 circuit #10 stud
3	3040433	3	Terminal strip, 12 circuit .187 tab slip-on
4	0181552	1	Decal, power wire
5	0181553	1	Decal, terminal strip
6	0181107	1	Decal, control wire #2
7	0181106	1	Decal, control wire #1
8	3040469	4	Relay, 12 volt DC
9	0181113	1	Jumper wire
10	0150488	1	Diode holder
	3040108		Replacement diode - (order quantity required)
11	5560038	22	Nut #10-32 self locking
12	974239	1	Machine screw #6-32 x 1/2 inch long round head
13	986159	3	Washer #6 medium flat
14	974689	1	Machine screw #10-24 x 3/4 inch long round head
15	974729	1	Machine screw #10-24 x 1-1/4 inch long round head
16	5560034	7	Nut #10-24 self locking
17	5560609	12	Machine screw #10-24 x 1/2 inch long truss head
18	987089	3	Washer #10 medium lock
19	987349	10	Washer #6 medium lock
20	0181554	1	Decal, diode
21	0073631	3	Diode stand off
22	0070681	1	Diode wire - (includes 3040108 diode)
23	0070711	1	Jumper wire
24	0071812	2	Jumper wire
25	0110458	1	Jumper wire
26	0070682	1	Diode wire - (includes 3040108 diode)
27	0181073	1	Resister wire - (5 ohm)
28	0140317	3	Diode wire - (includes 3040108 diode)
29	0151205	1	Jumper wire
30	0081560	1	Jumper wire
31	0070724	2	Jumper wire
32	0180110	4	Diode wire - (includes 3040108 diode)
33	0181031	2	Jumper wire
34	0081559	1	Jumper wire
35	0081515	1	Jumper wire
36	0181030	1	Diode wire
37	0181136	2	Jumper wire
38	0181111	2	Jumper wire
39	984049	1	Nut #10-24 hex
40	5560654	1	Washer #10 star tooth lock
41	0170335	1	Diode wire - (includes 3040108 diode)
42	0110471	1	Diode wire - (includes 3040108 diode)

Platform foot switch

item	part no	qty	description
	0071800	1	Platform foot switch
1	3020021	1	Foot switch
	3020037	1	Replacement switch, Square D switch
	3020038	1	Replacement switch, Linemaster switch
2	0070596	1	wire harness, platform foot switch
3	3040116	1	Connector
4	3040110	1	Connector locknut
5	0070967	1	Corrosion inhibitor
6	0060373	1	Jumper strap - (used on Square D switch only)



1 Foot switch wiring shown for Linemaster switch



Foot switch wiring shown for Square D switch

AW0071800

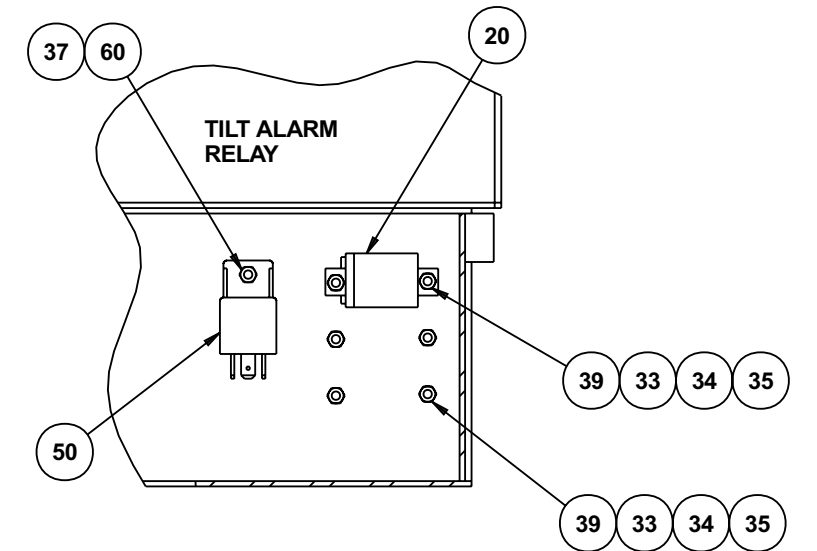
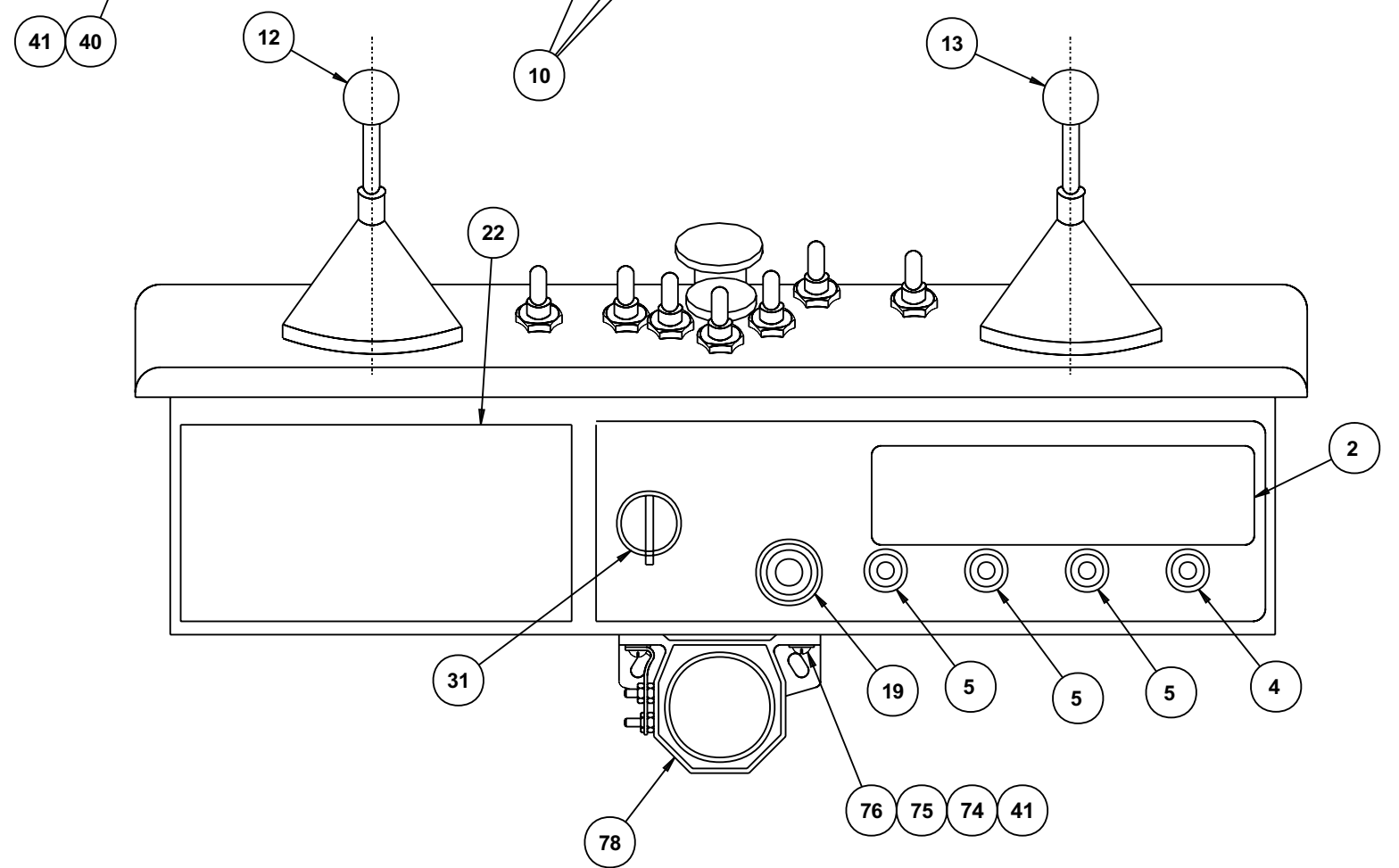
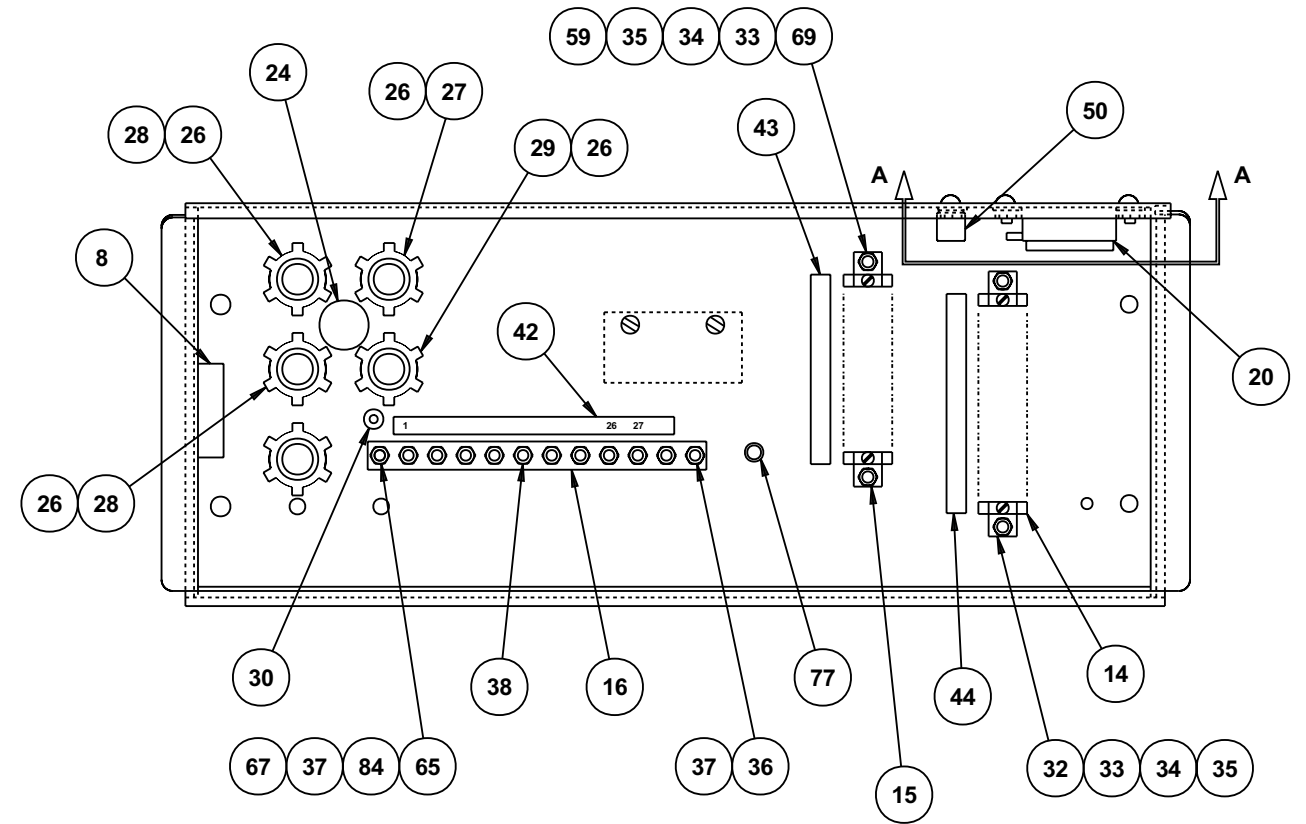
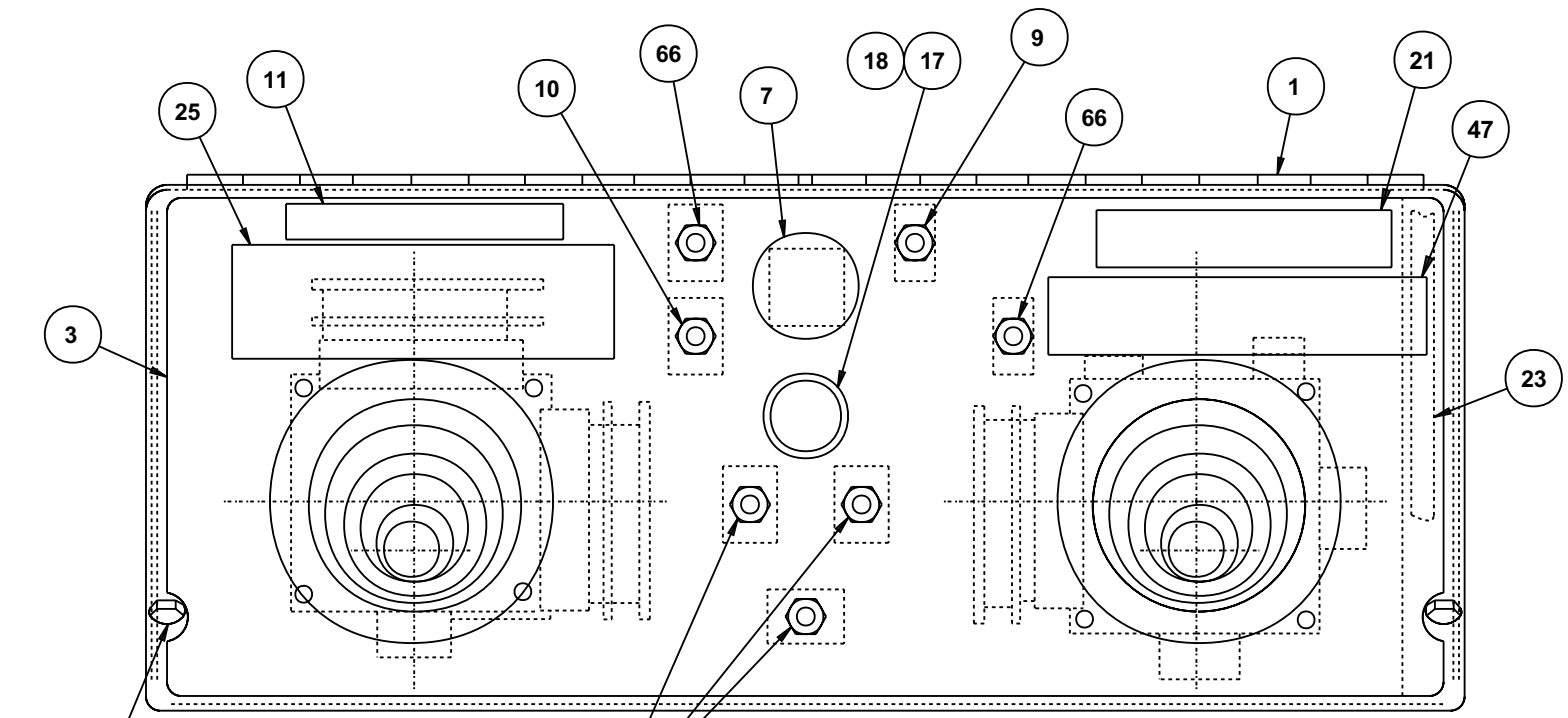
Upper control box

item	part no	qty	description
	0081965	1	Upper control box, complete
1	0180842-89	1	Upper control box
2	0180846	1	Placard, upper control box front
3	0081979	1	Placard, upper control box top
4	3040068	1	Circuit breaker, 20 amp capacity
5	3040535	3	Circuit breaker, 3 amp capacity
6	0073295	1	Jumper wire
7	3020020	1	Switch, emergency stop push/pull
	3040194	1	Replacement switch knob
8	0070967	1	Corrosion inhibitor
9	3020080	1	Switch, toggle
10	3020018	4	Switch, toggle
11	0073668	1	Decal, caution do not use boom
12	3040493	1	Controller, lift/swing - (see page 3-42 for parts breakdown)
13	3040492	1	Controller, drive/steer - (see page 3-40 for parts breakdown)
14	3040057	1	Terminal strip, 18 circuit .188 tab slip-on
15	3040433	1	Terminal strip, 12 circuit .188 tab slip-on
16	3044710	1	Terminal strip, 10 circuit #10 stud
17	0180949	1	Speed control switch
	3040497	1	Replacement switch
18	3040348	1	Switch knob
19	3040411	1	Mini siren, engine alarm
20	3040188	1	Relay, 12 volt DC
21	0181654	1	Decal, danger inspect unit
22	0072530	1	Decal, danger electrical hazard
23	7190001	1	Gasket, weatherproof x 72 inch long
24	3040031	1	Hole plug, 3/4 inch diameter
25	0072541	1	Placard, platform capacity 500 pounds
26	3040110	5	Connector locknut
27	3040285	1	Connector
28	3040116	3	Connector
29	3040295	1	Connector
30	5569003	1	Grommet
31	3020090	1	Switch, anti-restart
32	974279	3	Machine screw #6-32 x 3/4 inch long round head
33	987349	10	Washer #6 medium lock
34	986159	10	Washer #6 medium flat
35	984009	10	Nut #6-32 hex
36	5560648	1	Machine screw #10-24 x 3/4 inch long truss head
37	5560034	3	Nut #10-24 self locking
38	5560038	14	Nut #10-32 self locking
39	974239	6	Machine screw #6-32 x 1/2 inch long round head
40	970049	2	Capscrew 1/4-20 x 1 inch long hex head grade 5
41	5560004	4	Nut 1/4-20 self locking
42	0180886	1	Decal, power wire
43	0180887	1	Decal, control wire #1
44	0180888	1	Decal, control wire #2
45	0180850	1	Wire harness, upper control box power
46	0082007	1	Wire harness, upper box control
47	0181655	1	Decal, caution move control handle slowly
48	0060373	3	Jumper strap
49	0070747	8	Jumper wire
50	3040469	1	Relay, 12 volt DC
			Parts list continued on next page

Upper control box

item	part no	qty	description
51	0070730	7	Jumper wire
52	0070711	1	Jumper wire
53	0070712	3	Jumper wire
54	0071557	1	Jumper wire
55	0240483	1	Jumper wire
56	0181074	1	Jumper wire
57	0071511	1	Jumper wire
58	0071534	1	Jumper wire
59	5560663	1	Washer #6 star tooth lock
60	5560609	1	Machine screw #10-24 x 1/2 inch long truss head
61	0181028	2	Jumper wire
62	0110468	1	Jumper wire
63	0151816	1	Jumper wire
64	0070713	1	Jumper wire
65	5560649	1	Machine screw #10-24 x 1 inch long truss head
66	3020013	2	Switch, toggle
67	986009	2	Washer #10 medium flat
68	0181029	1	Jumper wire
69	974269	1	Machine screw #6-32 x 1 inch long round head
70	0181031	2	Jumper wire
71	0070746	1	Jumper wire
72	0070753	1	Jumper wire
73	0151910	1	Jumper wire
74	5560341	1	Washer 1/4 star tooth lock
75	986019	2	Washer 1/4 medium flat
76	970029	2	Capscrew 1/4-20 x 3/4 inch long hex head grade 5
77	5569711	1	Grommet
78	480652	1	Siren, tilt alarm
79	0181030	1	Diode wire
80	3040046	1	Terminal .250 tab male slip-on fully insulated 22/18 wire
81	3044161	1	Terminal #10 stud insulated 16/14 wire
82	0090622	2	Jumper wire
83	5560654	3	Washer #10 star tooth lock

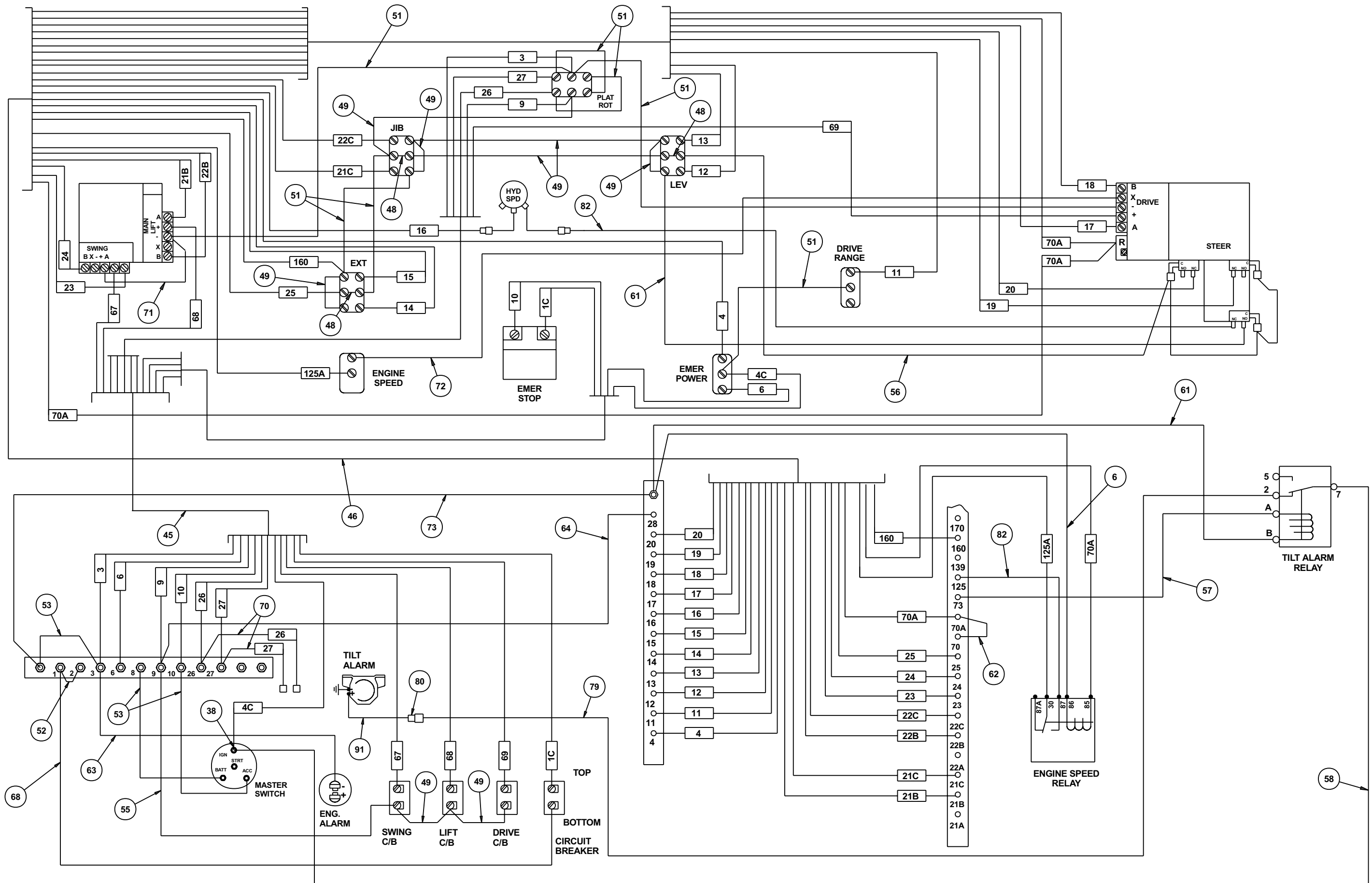
F
E
D
C
B
A



SECTION A-A

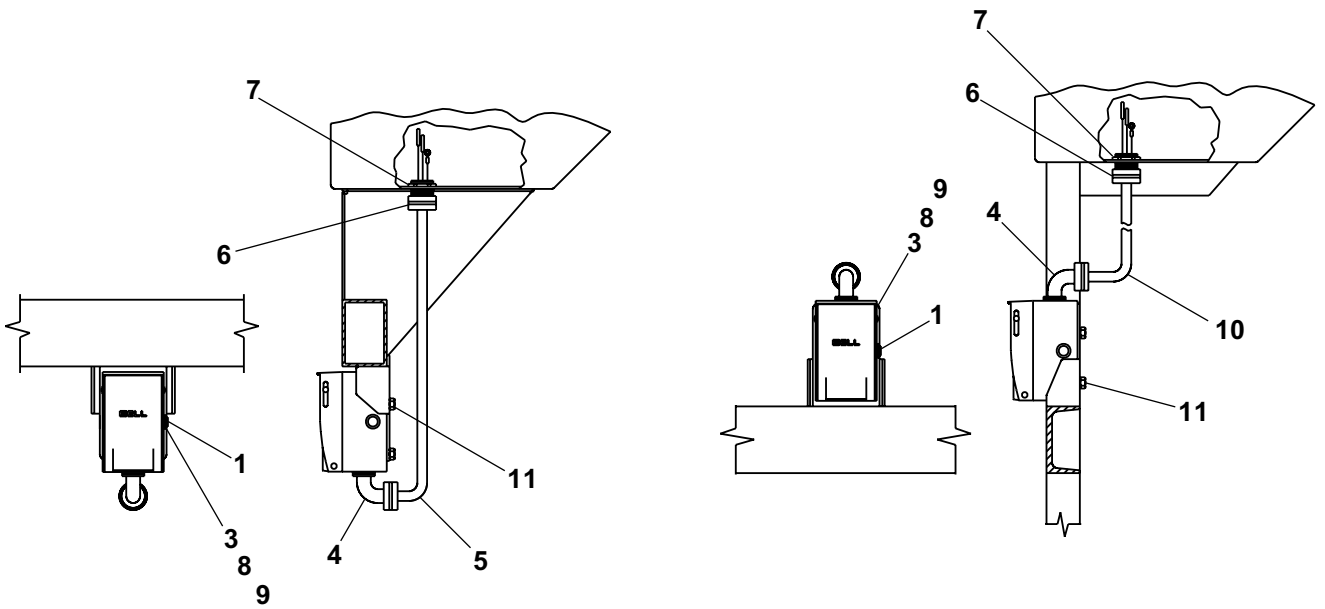
AW0081965-1

1 2 3 4 5 6 7 8 9



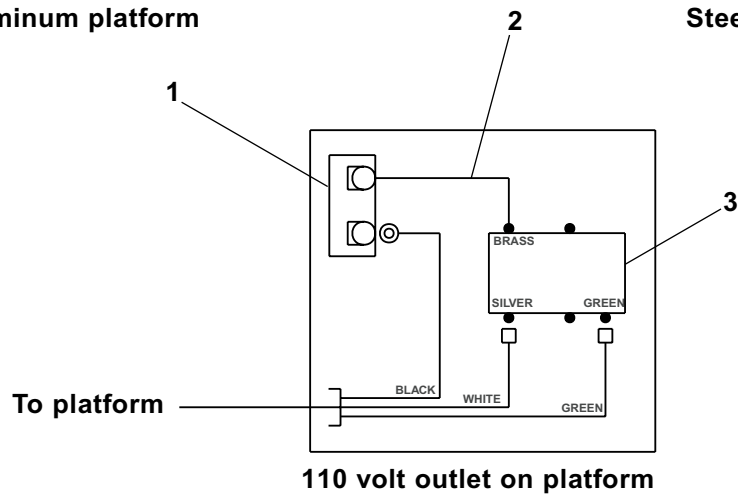
GFCI 110 volt power

item	part no	qty	description
1	3040252	1	Circuit breaker, 15 amp capacity
2	0071582	1	Jumper wire
3	3040624	1	Receptacle, GFCI outlet - 20 amp
4	3040691	1	Connector
5	0074368	1	Cable, 110 volt power to platform - (used on aluminum platforms only)
6	3040116	1	Connector
7	3040110	1	Connector locknut
8	0074379	1	Electrical outlet box
9	3040625	1	Cover, GFCI electrical outlet
10	0074369	1	Cable, 110 volt power to platform - (used on steel platforms only)
11	978629	2	Capscrew 1/4-20 x 1/2 inch long hex head self tapping



Aluminum platform

Steel platform



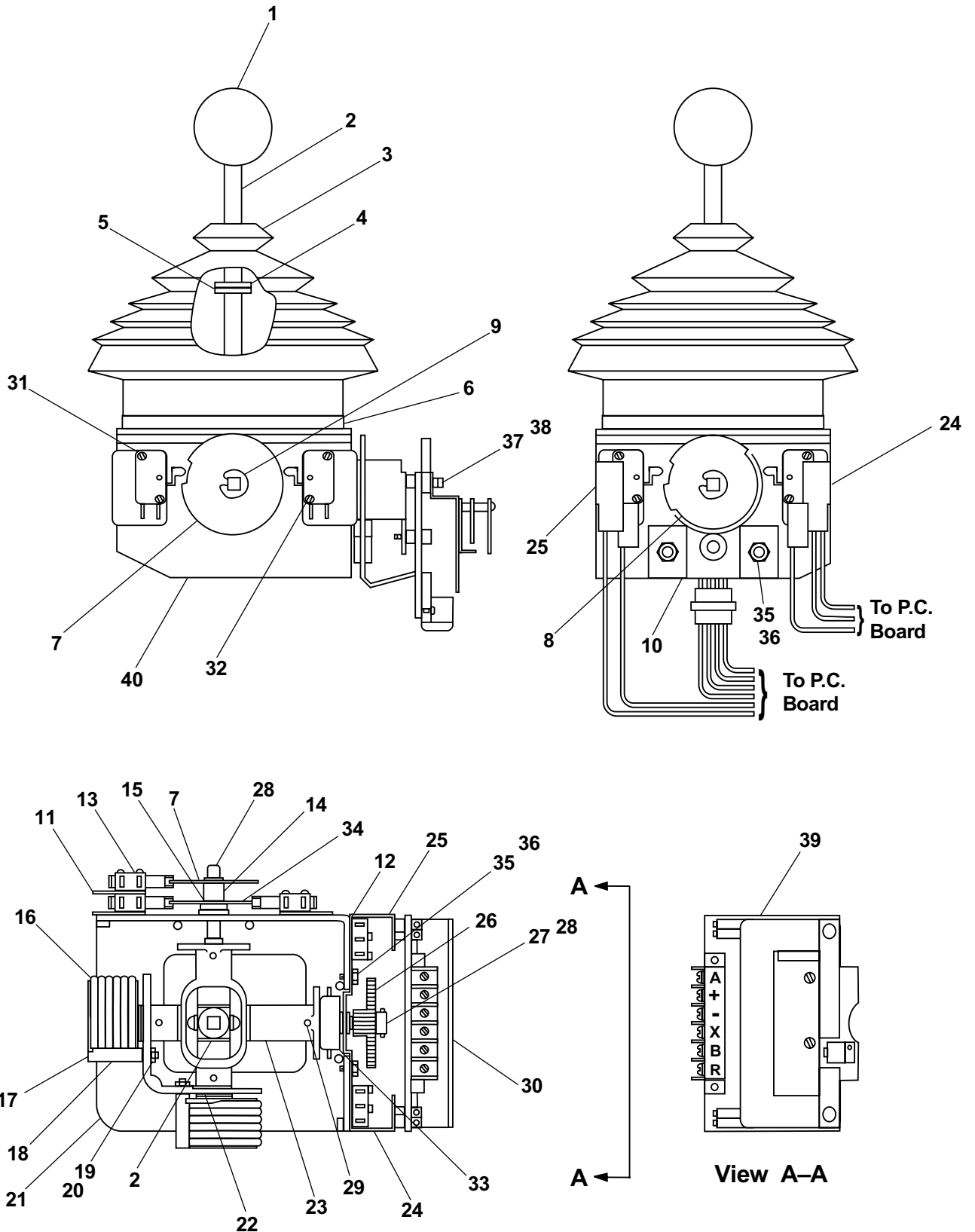
110 volt outlet on platform

AWA07034

Controller, drive/steer

item	part no	qty	description
	3040492	1	Controller, drive/steer
1	2660002	1	Knob
2	3040086	1	Shaft
3	3040146	1	Boot
4	8150145	1	Ring
5	8150146	1	Tension clip
6	3040169	1	Boot clamp ring
7	8150147	2	Cam
8	8150009	1	Fixed cam
9	8150135	4	"E" clip
10	8150148	1	Modified bracket
11	8150138	4	Insulator
12	8150139	2	Insulator
13	3020033	6	Microswitch
14	8150136	2	Cam spacer
15	8150149	1	Brass washer
16	8150005	2	Spring return with housing
17	8150004	2	Spring return bolt
18	8150150	2	Washer
19	8150144	2	Washer split 5M black
20	8150143	2	Nut 5M hex
21	8150003	1	Casting, modified
22	3040271	4	Bushing
23	8150094	1	Second axis
24	8150151	1	Bracket, right side
25	8150152	1	Bracket, left side
26	3040073	1	Drive gear
27	3040072	1	Slave gear
28	8150082	2	Blank cam shaft
29	8150013	4	Tension pin
30	8150153	1	Heat sink
31	8150140	4	Screw #4-40 x 1-1/4 inch long
32	8150137	4	Screw #4-40 x 3/4 inch long
33	3040392	1	Pot with bracket and connector
34	8150084	2	Fixed cam
35	8150154	2	Screw metric M4 x 6mm long din 85
36	8150155	2	Washer metric M4
37	8150141	2	Washer metric M3.5 x 16mm long din 85
38	8150156	4	Washer
39	8150142	1	Gate for drive/steer controller
40	3040518	1	Circuit board, 33 Hertz - (trim pots not preset, controller adjustment required)

Controller, drive/steer

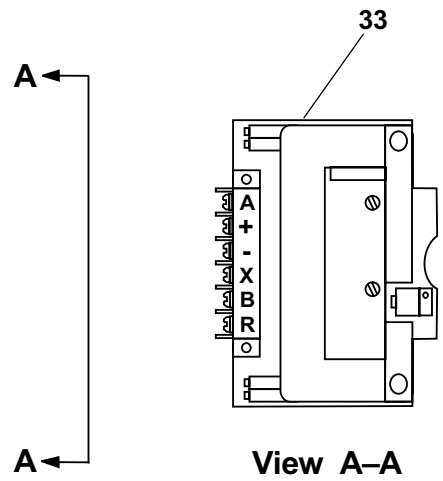
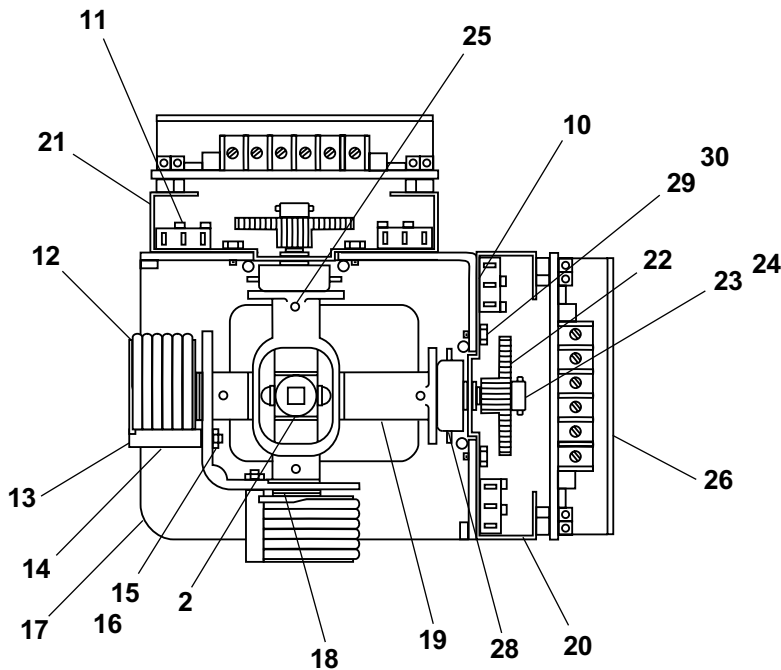
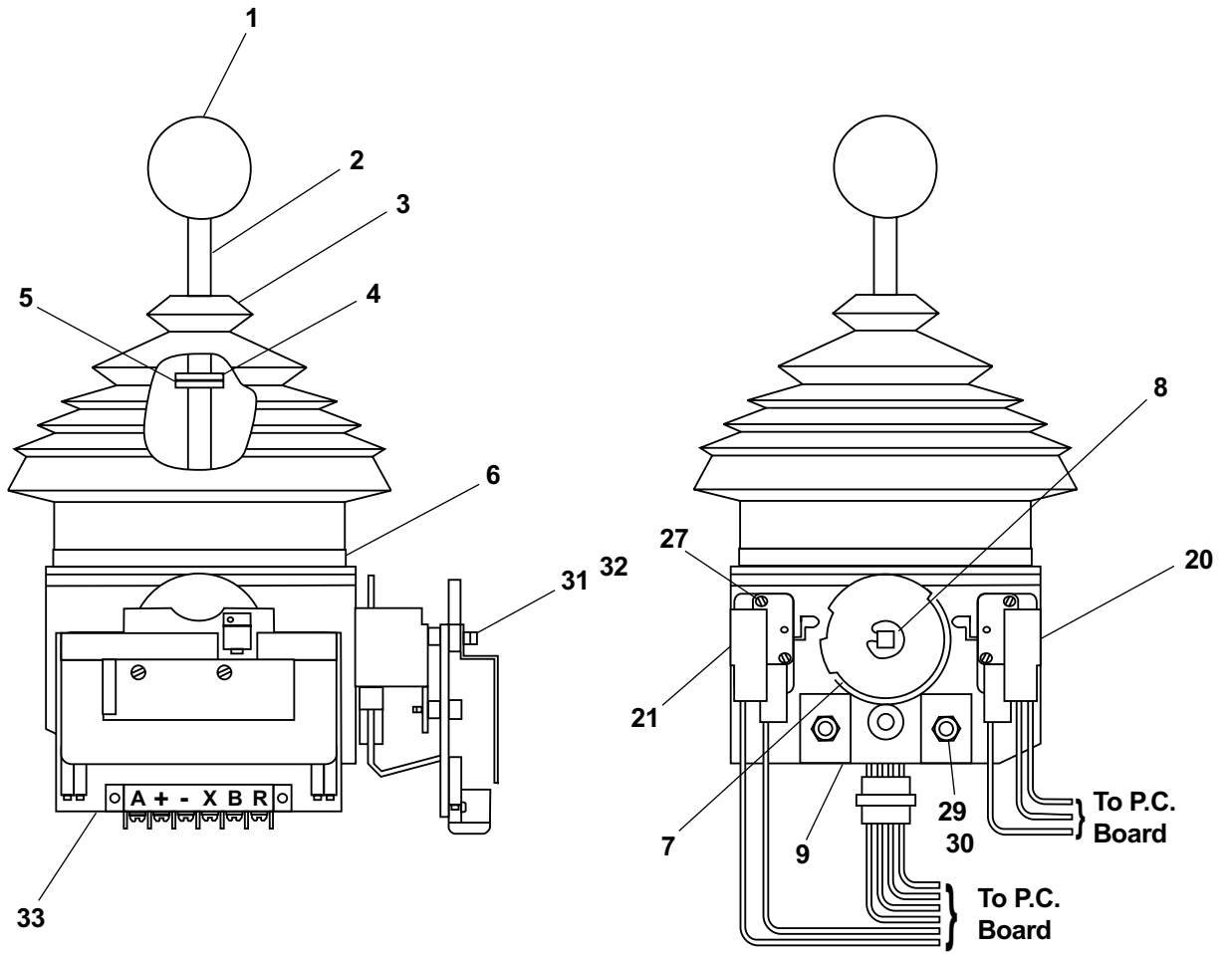


AW3040492

Controller, lift/swing

item	part no	qty	description
	3040493	1	Controller, lift/swing
1	2660002	1	Knob
2	3040086	1	Shaft
3	3040146	1	Boot
4	8150145	1	Ring
5	8150146	1	Tension clip
6	3040169	1	Boot clamp ring
7	8150009	1	Fixed cam
8	8150135	4	"E" clip
9	8150148	2	Modified bracket
10	8150138	4	Insulator
11	3020033	4	Microswitch
12	8150005	2	Spring return with housing
13	8150004	2	Spring return bolt
14	8150150	2	Washer
15	8150144	2	Washer split 5M black
16	8150143	2	Nut 5M hex
17	8150003	1	Casting, modified
18	3040271	4	Bushing
19	8150094	1	Second axis
20	8150151	2	Bracket, right side
21	8150152	2	Bracket, left side
22	3040073	2	Drive gear
23	3040072	2	Slave gear
24	8150082	4	Blank cam shaft
25	8150013	4	Tension pin
26	8150153	2	Heat sink
27	8150140	8	Screw #4-40 x 1-1/4 inch long
28	3040392	2	Pot with bracket and connector
29	8150154	4	Screw metric M4 x 6mm long din 85
30	8150155	4	Washer metric M4
31	8150141	4	Screw metric M3.5 x 16mm long din 85
32	8150156	8	Washer
33	3040518	1	Circuit board, 33 Hertz - (trim pots not preset, controller adjustment required)

Controller, lift/swing



AW3040493

AC generator mounting

item	part no	qty	description
1	0151471	1	AC generator - (see page 4-5 for parts breakdown)
2	0073543-99	1	Shield
3	3020048	1	Switch, toggle
4	0151459	1	Placard, AC generator
5	0073544	1	Cable, 110 volt power AC generator
6	5093008	2	Clamp
7	3040046	1	Terminal .250 tab male slip-on fully insulated 22/18 wire
8	3040064	1	Terminal .250 tab male slip-on fully insulated 12/10 wire
9	0090757	2	Jumper wire
10	0070747	3	Jumper wire
11	0071517	3	Jumper wire
12	0071541	1	Jumper wire
13	0181187	1	Jumper wire
14	0101247	1	1/2 inch hydraulic hose
15	0100422	1	3/8 inch hydraulic hose
16	3011801	1	Wire 18 gauge single conductor x 15 feet long
17	3090019	1	Flexgard tube, 15 feet long
18	3040047	1	Terminal .250 tab female slip-on fully insulated 22/18 wire
19	3044146	1	Terminal #10 stud insulated 22/18 wire
20	0151583	1	Set-up and start procedure drawing
21	0111287	1	1/4 inch hydraulic hose
22	3040452	1	Insulator boot
23	5064001	1	Tube end reducer
24	5063905	1	Fitting nut
25	5036505	1	Straight thread branch tee
26	0100271	1	1/4 inch hydraulic hose
27	5036706	1	Swivel nut run tee
28	970909	2	Capscrew 1/2-13 x 1-1/2 inch long hex head grade 5
29	5560039	2	Nut 1/2-13 self locking
30	970009	2	Capscrew 1/4-20 x 1/2 inch long hex head grade 5
31	986019	2	Washer 1/4 medium flat
32	987099	2	Washer 1/4 medium lock
33	3044158	1	Terminal #6 stud insulated 16/14 wire

F

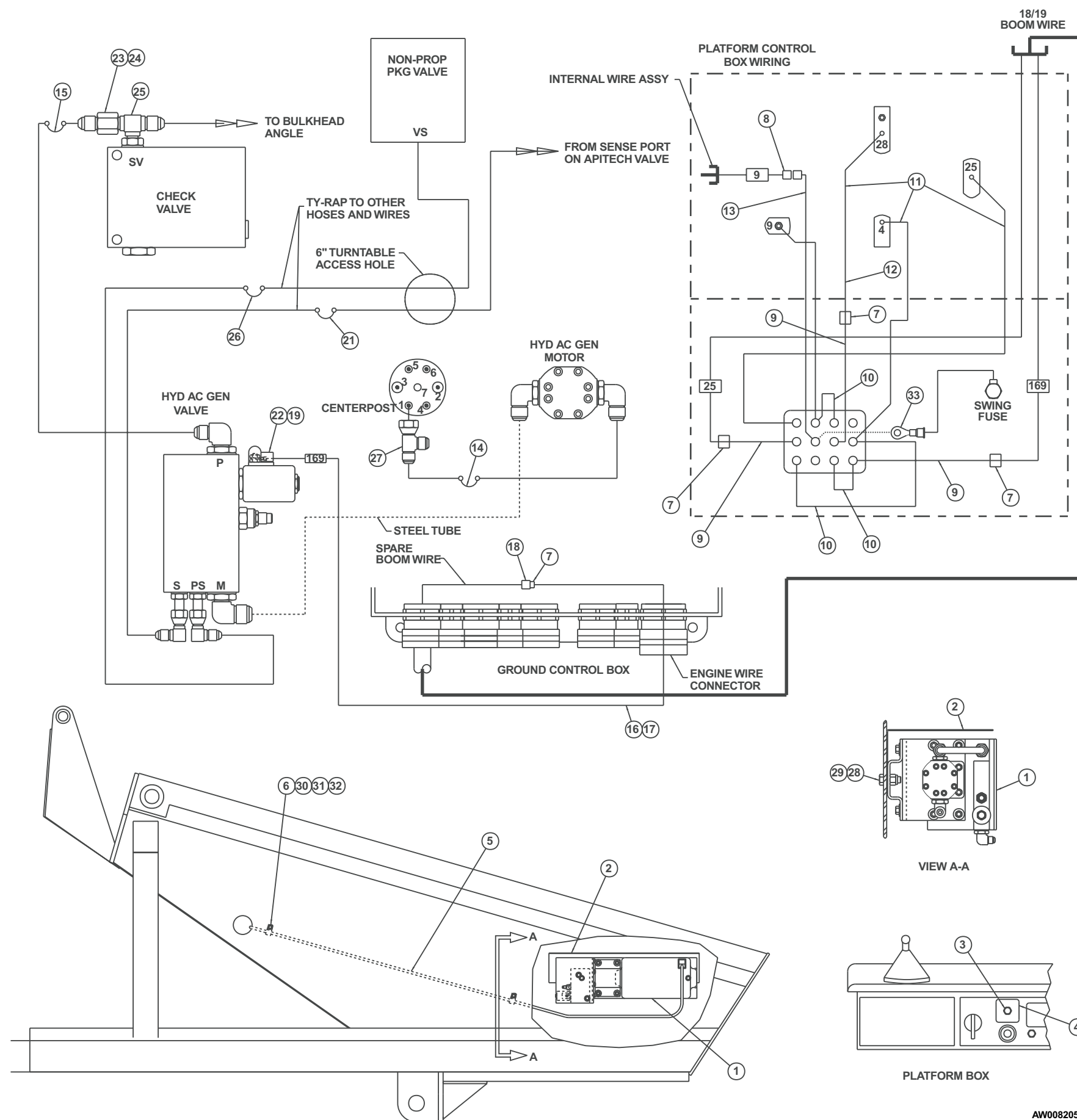
E

D

C

B

A



18/19 BOOM WIRE

AW0082051

TITLE AC generator mounting
 Snorkel model TB66J



1 2 3 4 5 6 7 8 9

F

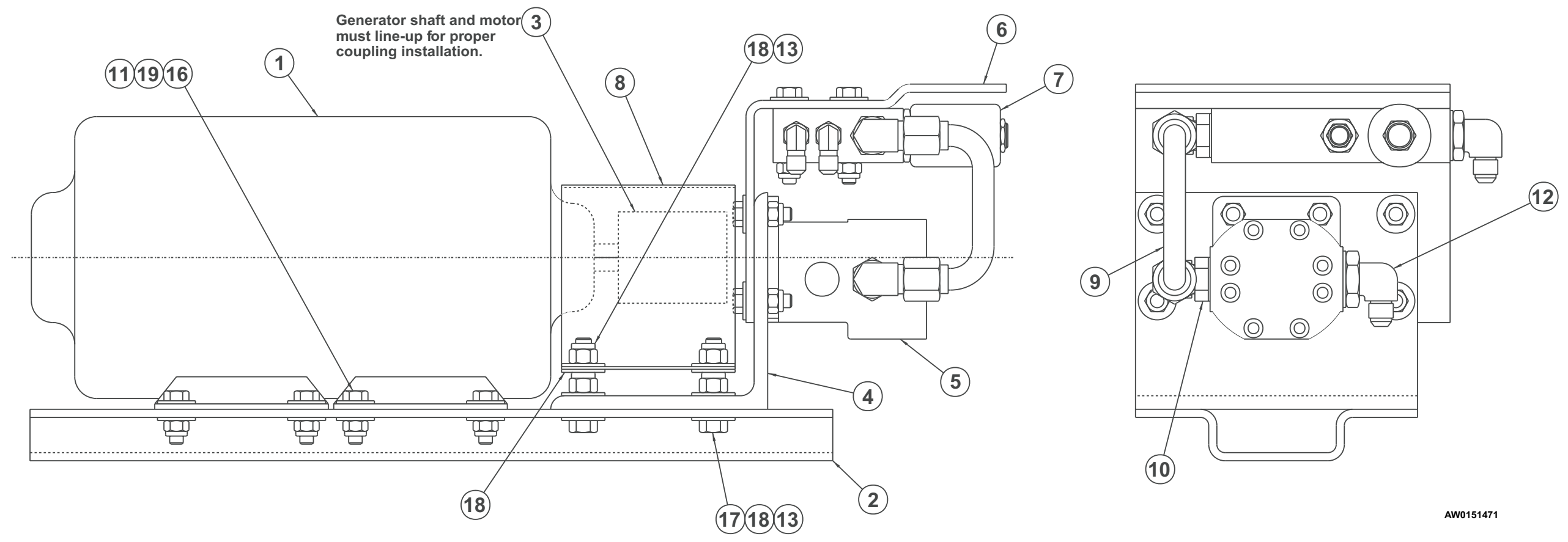
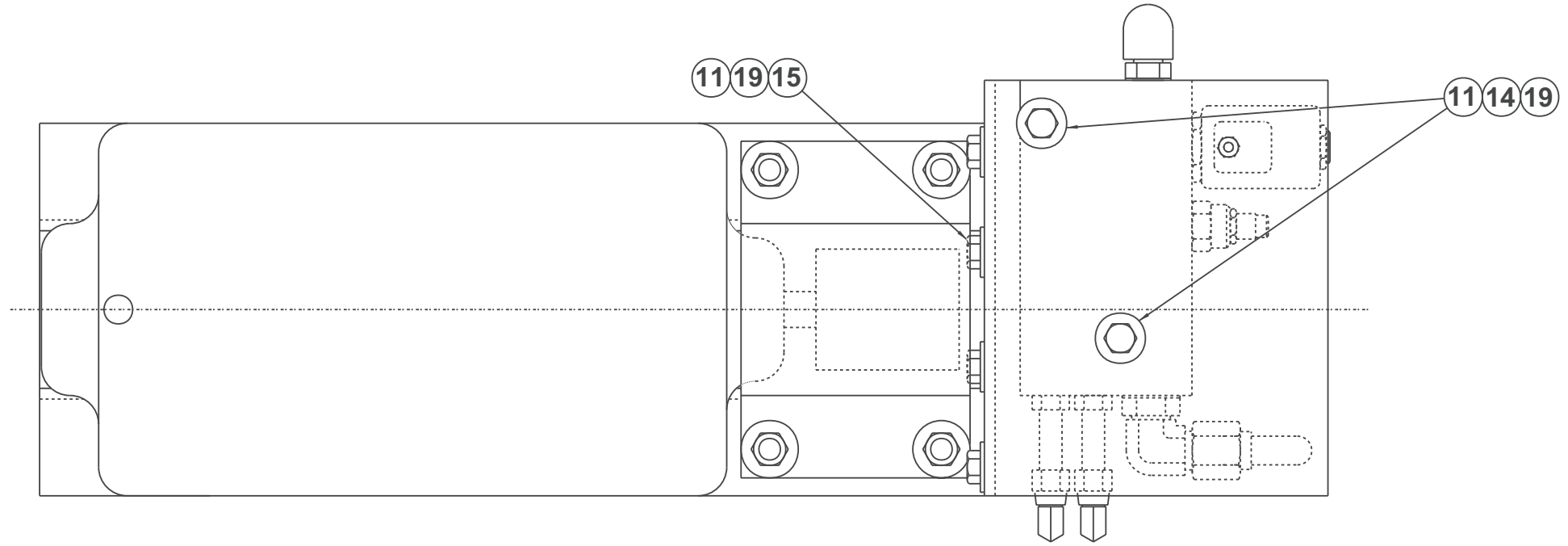
E

D

C

B

A



AW0151471



TITLE AC generator

Page 4 - 4

Snorkel model TB 60

DWG. 0151471



AC generator

item	part no	qty	description
	0151471	1	AC generator
1	3080001	1	Generator, AC hydraulic powered
2	0151457	1	Mount plate
3	7240012	1	Coupling
4	0151458-99	1	Motor mounting angle
5	6030029	1	Hydraulic motor, AC generator
	8020028	1	Seal repair kit
6	0151469-99	1	Bracket, valve mounting
7	0152831	1	AC generator valve - (see page 2-25 for parts breakdown)
8	0151484-99	1	Coupling cover
9	0151470	1	1/2 inch hydraulic tube
10	5035306	1	Straight thread 90° elbow
11	5560031	18	Nut 5/16-18 self locking
12	5035320	1	Straight thread 90° elbow
13	5560033	8	Nut 3/8-16 self locking
14	970299	2	Capscrew 5/16-18 x 2 inch long hex head grade 5
15	970269	8	Capscrew 5/16-18 x 1-1/4 inch long hex head grade 5
16	970369	8	Capscrew 5/16-18 x 1 inch long hex head grade 5
17	970499	4	Capscrew 3/8-16 x 1-3/4 inch long hex head grade 5
18	986299	12	Washer 3/8 medium flat
19	986269	30	Washer 5/16 medium flat

Air line to platform

item	part no	qty	description
1	5240002	1	Hose reel
2	5550021	4	Cable guide, 4 roller
3	0080749-99	3	Cable guide bracket, base boom
4	0080752-99	1	Cable guide bracket, intermediate boom
5	0080754-99	2	Mounting bar
6	0181276-99	1	Angle
7	0082334	1	Air hose
8	5550020	2	Clamp
9	5260013	1	Hose end 1/2 NPT - 1/2 barbed
10	5260012	1	Pipe fitting, 1/2 inch diameter x 3/8 inch NPT
11	5093012	2	Clamp
12	7714204	1	Plug, 1/2 inch NPT square head
13	970426	4	Capscrew 3/8-16 x 7/8 inch long hex head grade 5
14	986299	4	Washer 3/8 medium flat
15	987119	4	Washer 3/8 medium lock
16	970239	1	Capscrew 5/16-18 x 3/4 inch long hex head grade 5
17	986269	1	Washer 5/16 medium flat
18	987109	1	Washer 5/16 medium lock
19	5093006	1	Clamp
20	970489	1	Capscrew 3/8-16 x 1-1/2 inch long hex head grade 5

F

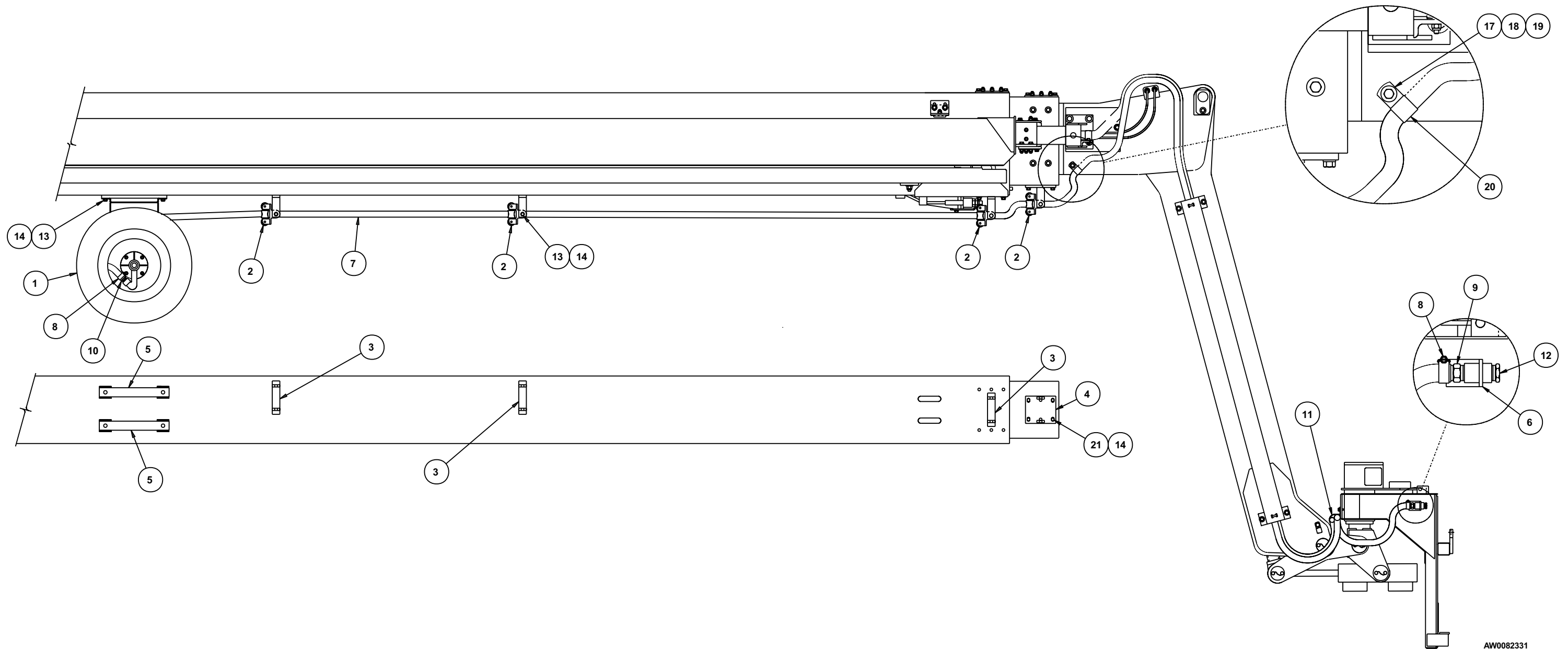
E

D

C

B

A



AW0082331

TITLE Air line to platform

Snorkel model TB66J



1 2 3 4 5 6 7 8 9

F

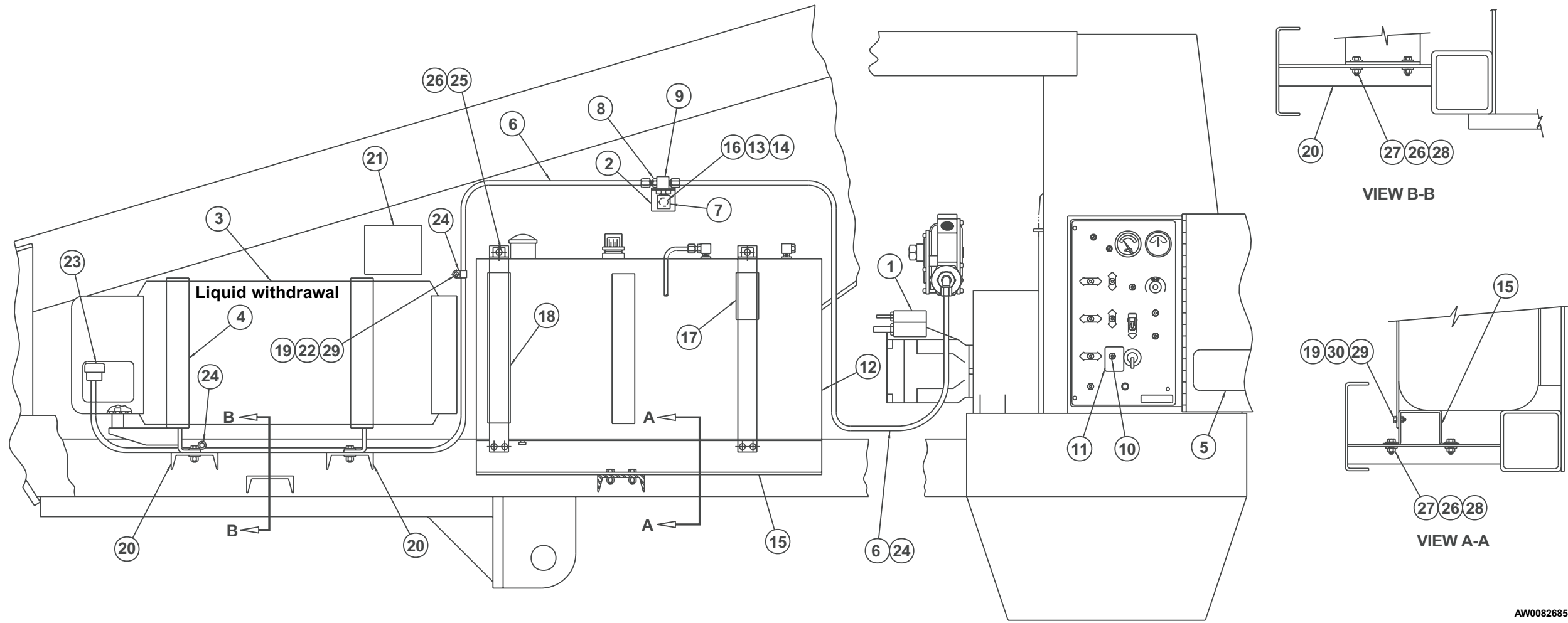
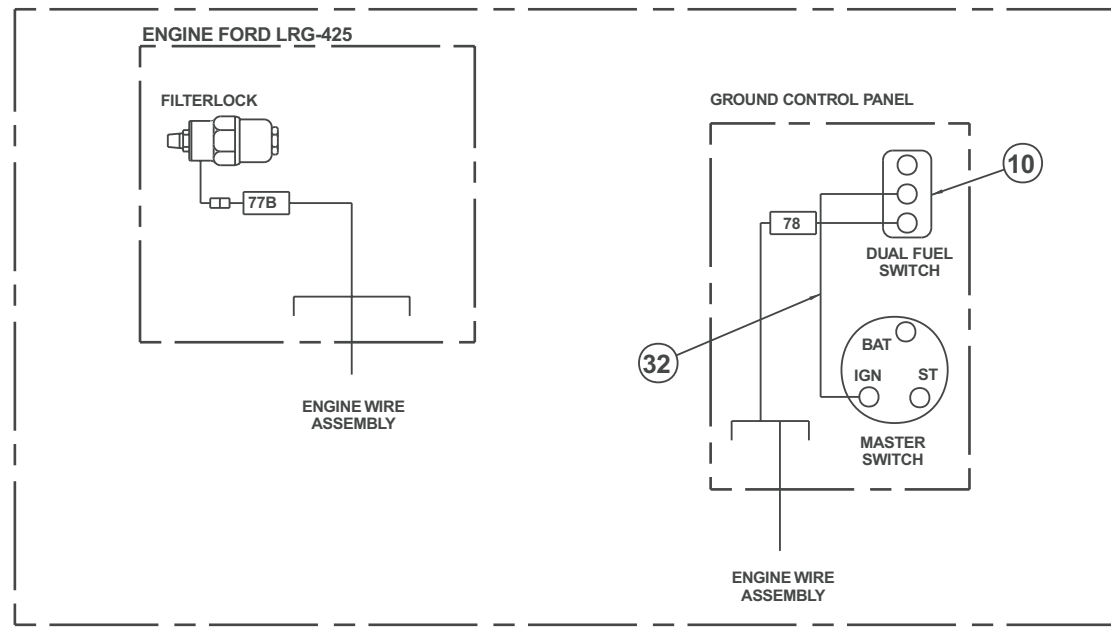
E

D

C

B

A



AW0082685

Dual fuel, Ford LRG-425

item	part no	qty	description
1	0112100	1	Dual fuel engine, Ford LRG-425 - (see page 4-12 for parts breakdown)
2	0080668-99	1	Relief valve mount bracket
3	9940005	1	LP gas cylinder, liquid withdrawal 43.5 lb capacity
4	0070969-99	1	Bracket, LP gas cylinder - (includes left and right hand brackets)
5	0090493	1	Decal, dual fuel instructions
6	0090483	2	LP gas fuel hose
7	Kit item	1	Hydrostatic relief valve - (included in dual fuel kit 0073444)
8	Kit item	1	Straight thread adapter 1/4 NPT brass - (included in dual fuel kit 0073444)
9	Kit item	1	Bulkhead tee - (included in dual fuel kit 0073444)
10	3020013	1	Switch, toggle
11	0090492	1	Placard, dual fuel switch
12	0070331-99	1	Fuel tank, gasoline 20 gallon capacity
	9940001	1	Replacement fuel tank cap
13	986269	1	Washer 5/16 medium flat
14	5560031	1	Nut 5/16-18 self locking
15	0080767-99	1	Fuel tank support
16	970369	1	Capscrew 5/16-18 x 1 inch long hex head grade 5
17	0080766-99	1	Spacer tube
18	0080326-99	1	Spacer tube
19	987099	5	Washer 1/4 medium lock
20	0072135-99	3	Channel support
21	0081441	1	Decal, caution liquid withdrawal
22	984069	5	Nut 1/4-20 hex
23	0070974	1	Coupler, female LPG
24	5093002	4	Hose clamp
25	970569	2	Capscrew 3/8-16 x 3-1/2 inch long hex head grade 5
26	984109	10	Nut 3/8-16 hex
27	972489	8	Capscrew 3/8-16 x 1-1/2 inch long hex head grade 5
28	986299	8	Washer 3/8 medium flat
29	970029	5	Capscrew 1/4-20 x 3/4 inch long hex head grade 5
30	0151815	1	Jumper wire - (used on Ford LRG-425 engine only)

LP fuel only, Ford LRG-425

item	part no	qty	description
1	0112100		Dual fuel engine, Ford LRG-425 - (see page 4-12 for parts breakdown)
2	0080668-99	1	Relief valve mount bracket
3	9940005	1	LP gas cylinder, liquid withdrawal 43.5 lb capacity
4	0070969-99	1	Bracket, LP gas cylinder - (includes left and right hand brackets)
5	0083507-99	4	Channel support, LP gas cylinder
6	0080676	1	LP gas fuel hose
7	0090483	1	LP gas fuel hose
8	Kit item	1	Hydrostatic relief valve - (included in dual fuel kit 0073444)
9	Kit item	1	Straight thread adapter 1/4 NPT brass - (included in dual fuel kit 0073444)
10	Kit item	1	Bulkhead tee - (included in dual fuel kit 0073444)
11	0081441	1	Decal, caution liquid withdrawal
12	0081377	1	Decal, LPS logo - (LP fuel only)
13	0070974	1	Coupler, female LPG
14	5093004	4	Clamp
15	970369	1	Capscrew 5/16-18 x 1 inch long hex head grade 5
16	5560031	1	Nut 5/16-18 self locking
17	986269	1	Washer 5/16 medium flat
18	970029	4	Capscrew 1/4-20 x 3/4 inch long hex head grade 5
19	984069	4	Nut 1/4-20 hex
20	987099	4	Washer 1/4 medium lock
21	970419	8	Capscrew 3/8-16 x 1-1/4 inch long hex head grade 5
22	5560033	16	Nut 3/8-16 self locking
23	986299	16	Washer 3/8 medium flat
24	987119	8	Washer 3/8 medium lock
25	972439	8	Carriage bolt 3/8-16 x 1-1/4 inch long

F

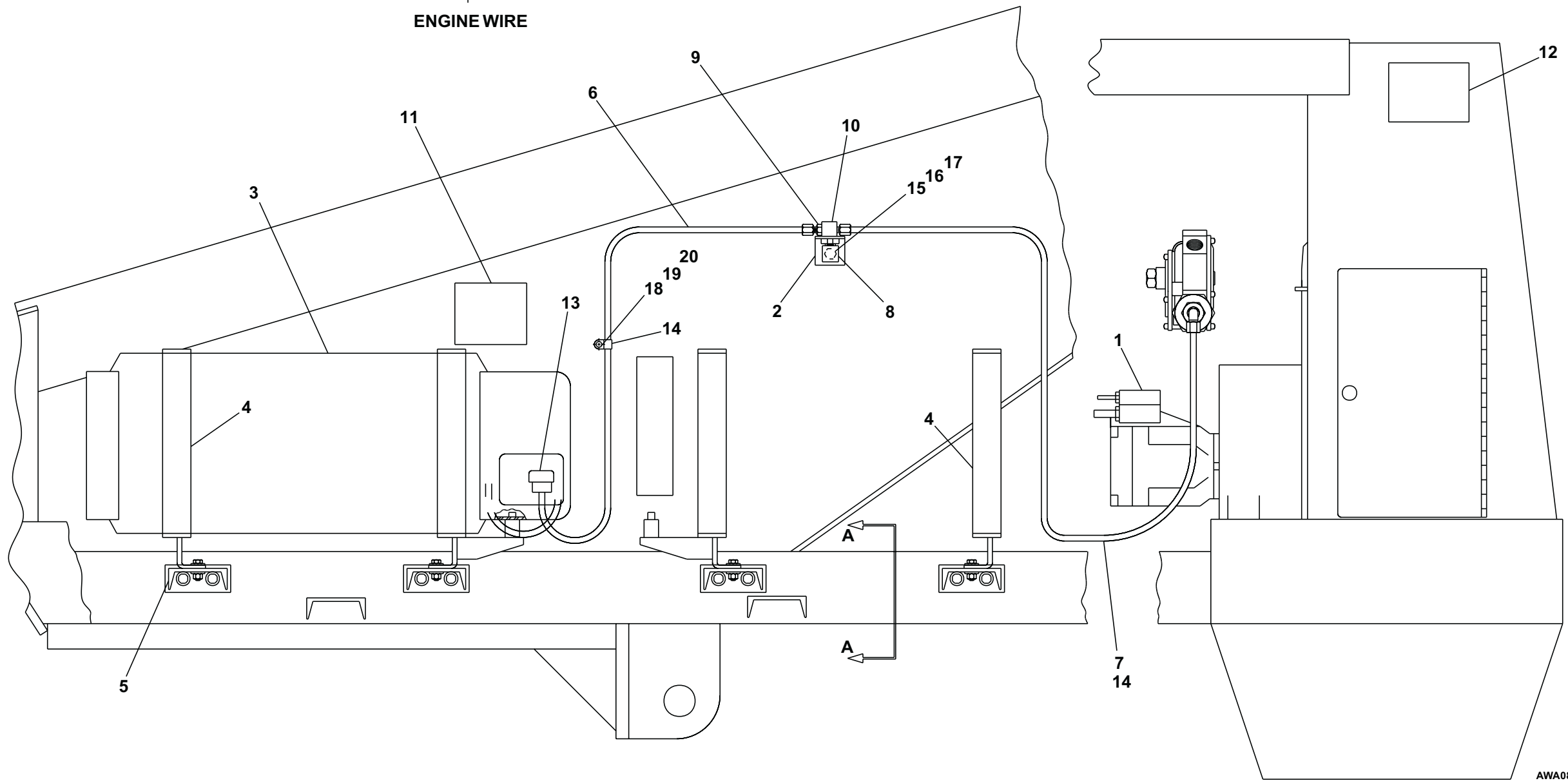
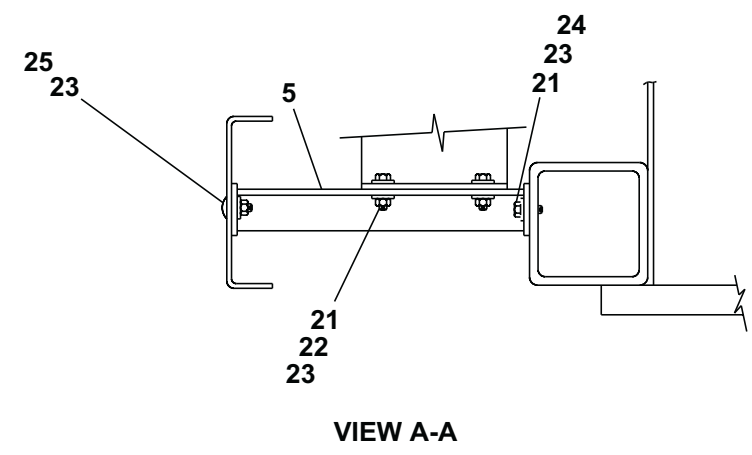
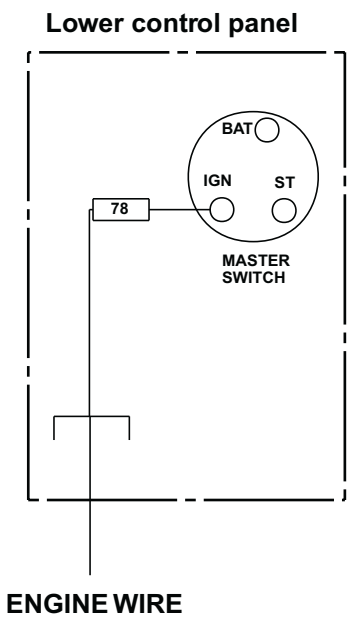
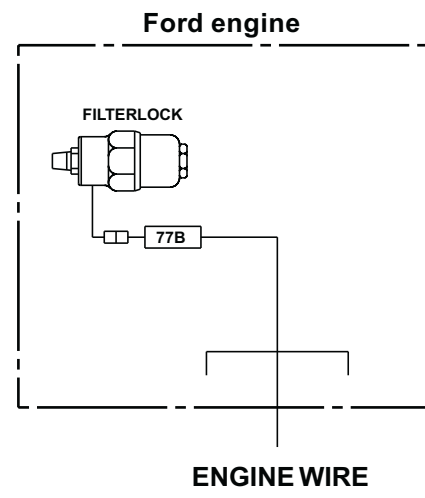
E

D

C

B

A



AWA08108

TITLE LP fuel only
 Ford LRG-425
 Snorkel model TB 66J

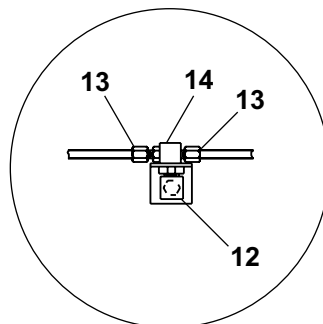
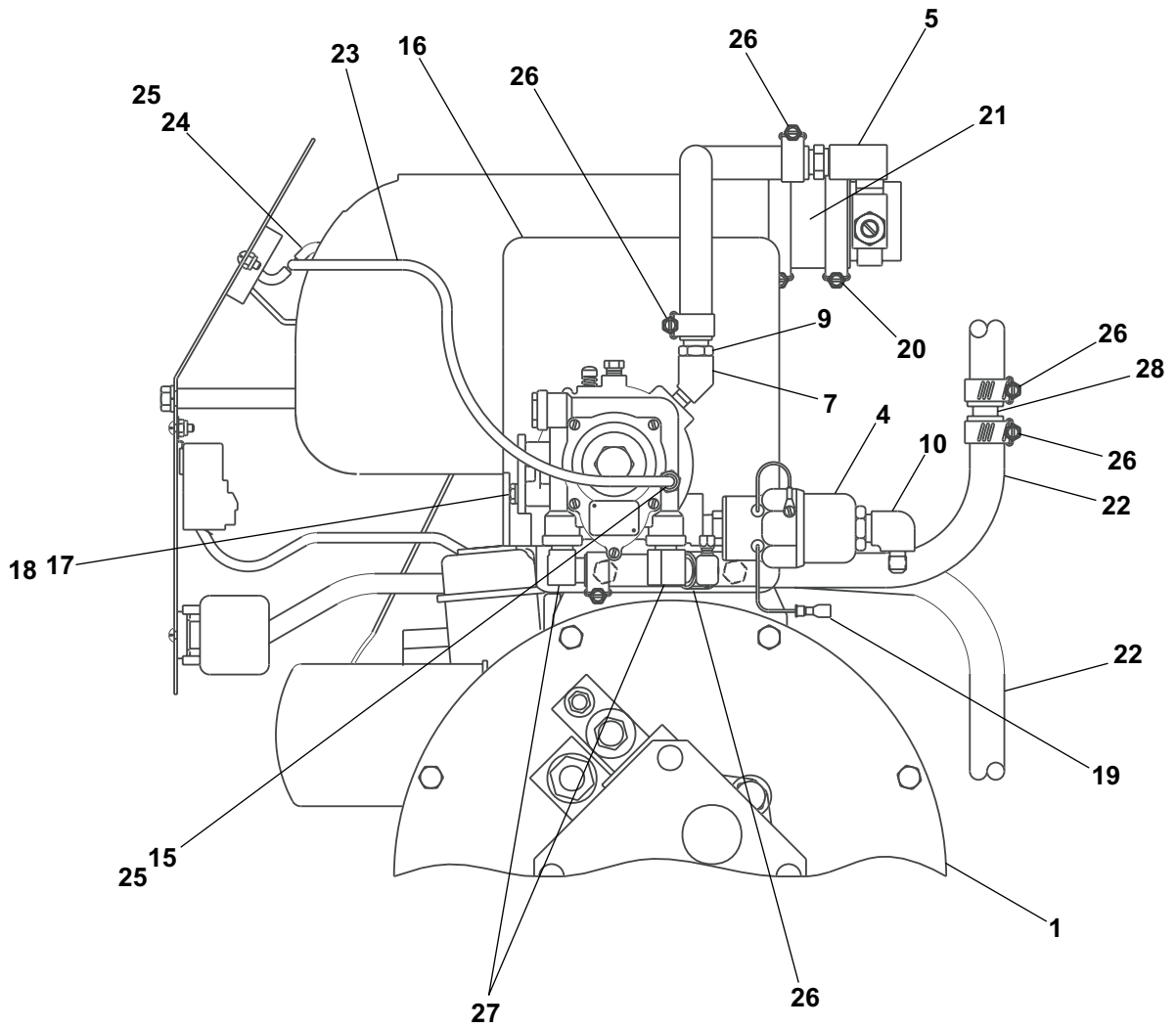


1 2 3 4 5 6 7 8 9

Dual fuel engine, Ford LRG-425

item	part no	qty	description
	0112100	1	Dual fuel engine, Ford LRG-425
1	0112083	1	Engine, Ford LRG-425
2	0073444	1	Dual fuel kit, liquid cooled - (kit includes items 3 through 14)
3	8020009	1	Regulator
4	8020036	1	Filter lock
5	Kit item	1	Hose adapter - (not sold separately)
6	Kit item	1	LP hose, 5/8 inch diameter x 24 inch long - (not sold separately)
7	Kit item	2	Street 3/8 NPT 90° elbow, brass - (not sold separately)
8	Kit item	2	Street 1/4 NPT 90° elbow, brass - (not sold separately)
9	Kit item	2	Connector 3/8 NPT to 5/8 inch hose, brass - (not sold separately)
10	Kit item	1	Male 1/4 NPT to -6 SAE 90° elbow, brass - (not sold separately)
11	Kit item	1	Street tee 1/8 NPT brass - (not sold separately)
12	Kit item	1	Hydrostatic relief valve - (not sold separately)
13	Kit item	2	Straight thread adapter 1/4 NPT brass - (not sold separately)
14	Kit item	1	Bulkhead tee - (not sold separately)
15	5090024	1	Vacuum fitting 1/8 NPT brass straight
16	0111862-99	1	Mount plate
17	970029	2	Capscrew 1/4-20 x 3/4 inch long hex head grade 5
18	987099	2	Washer 1/4 medium lock
19	3040083	1	Terminal .250 tab female fully insulated 16/14 wire
20	5550030	2	Clamp
21	7630327	1	Hose 2 inch flame resistant x 2 inch long
22	5010020	1	Fuel hose, 5/8 inch diameter x 48 inch long
23	5010007	1	Vacuum hose, 3/16 inch diameter x 12 inch long
24	5090044	1	Vacuum line tee
25	5090026	1	Hose clamp
26	5550010	6	Clamp
27	5039501	2	Beaded 90° elbow
28	5039601	1	Splice
29	3020054	1	Vacuum switch - (included with engine, item 1)
	8130005	1	Replacement switch

Dual fuel engine, Ford LRG-425



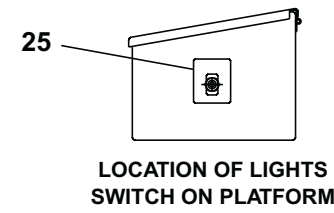
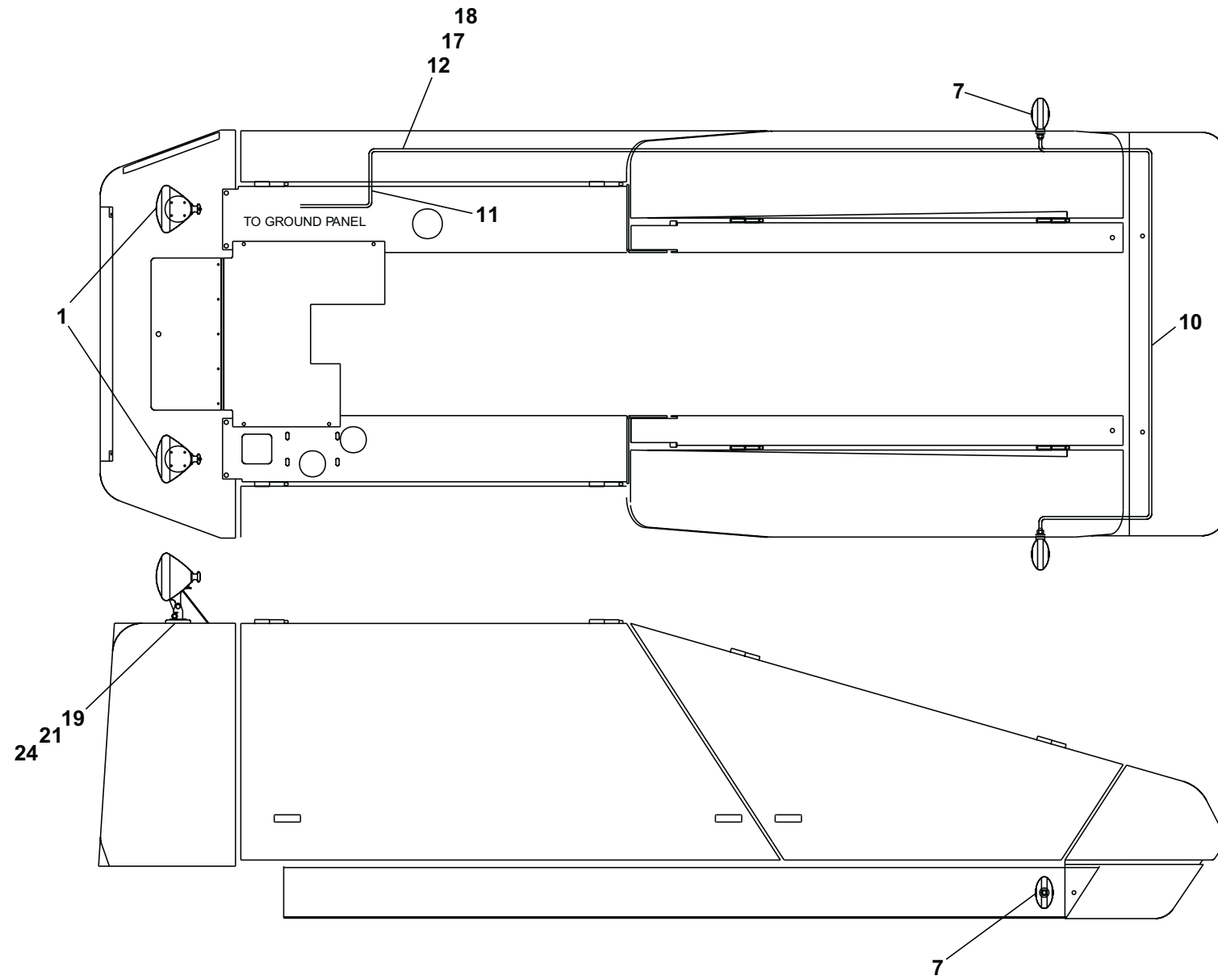
**These items installed
on side of turntable.**

AW0112100

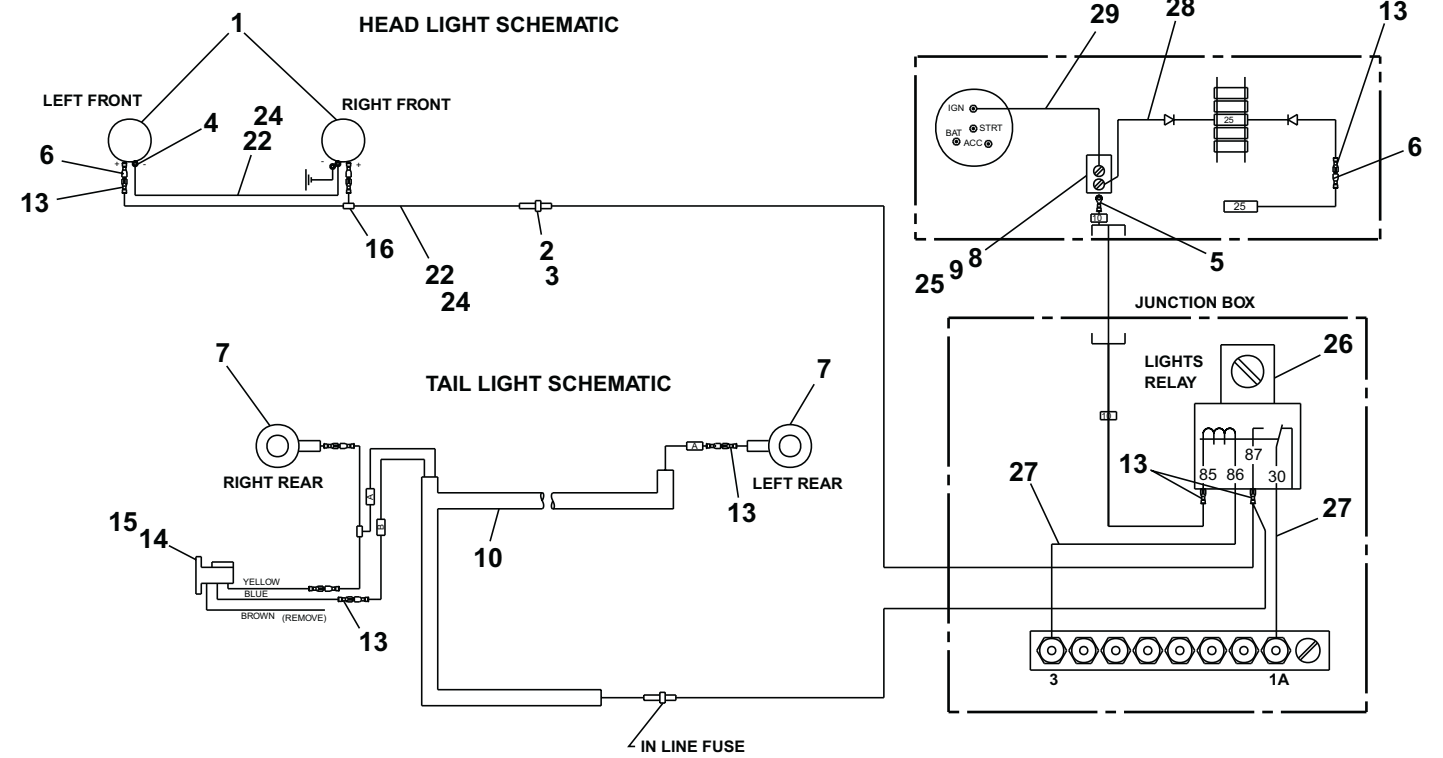
Driving and tail lights

item	part no	qty	description
1	3064414	2	Light, flood with round base
2	3040038	1	Fuse holder, in-line
3	3040039	1	Fuse, 10 amp capacity
4	3044161	3	Terminal #10 stud insulated 16/14 wire
5	3044158	3	Terminal #6 stud insulated 16/14 wire
6	3040082	2	Terminal .250 tab male fully insulated 16/14 wire
7	3060017	2	Light, turn signal
8	3020013	1	Switch, toggle
9	3040009	1	Switch boot, short
10	0074779	1	Wire harness, tail lights
11	3040113	1	Mounting base
12	5093002	3	Hose clamp
13	3040083	3	Terminal .250 tab female fully insulated 16/14 wire
14	3060019	1	Flasher
15	3060018	1	Flasher base
16	3044071	1	Terminal butt connector insulated 16/14 wire
17	970029	3	Capscrew 1/4-20 x 3/4 inch long hex head grade 5
18	987099	3	Washer 1/4 medium lock
19	5560034	10	Nut #10-24 self locking
20	974679	2	Machine screw #10-24 x 5/8 inch long round head
21	974709	8	Machine screw #10-24 x 1 inch long round head
22	3090006	1	Flexgard tube, 120 inch long
23	986009	8	Washer #10 medium flat
24	3011601	1	Wire, 16 gauge single conductor x 120 inch long
25	0181376	1	Placard, light switch
26	3040469	1	Relay, 12 volt DC
27	0072418	2	Jumper wire
28	0073250	2	Jumper wire
29	0070758	1	Jumper wire

F
E
D
C
B
A

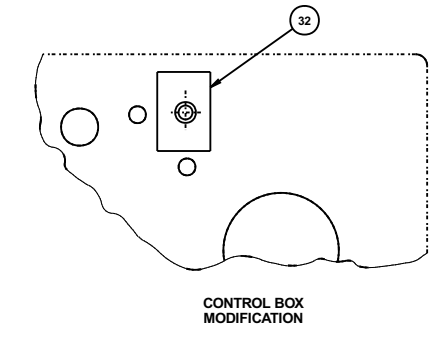
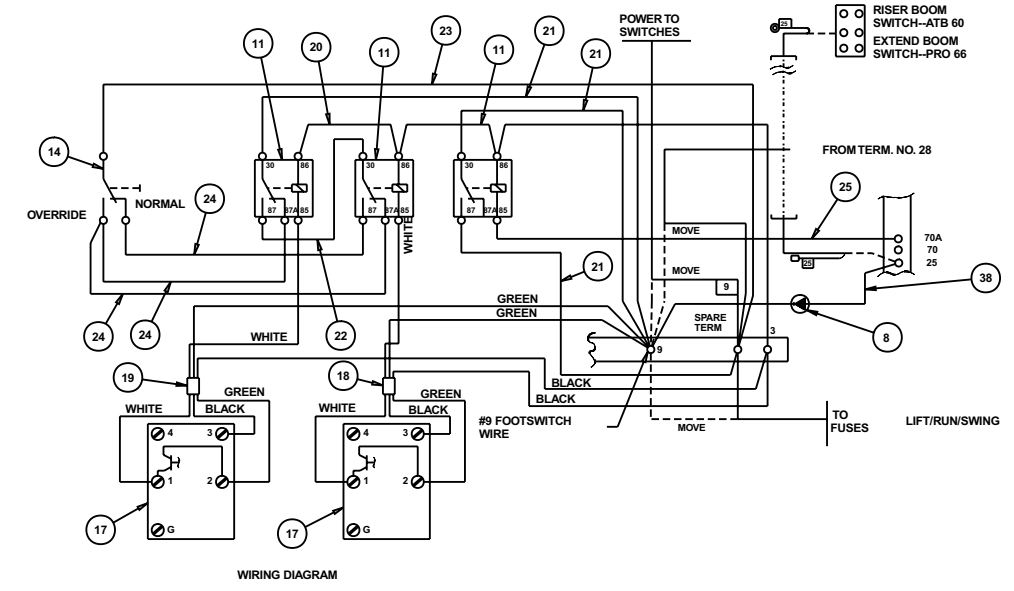
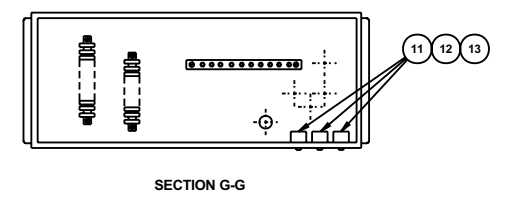
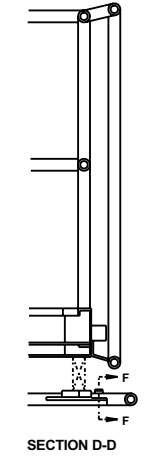
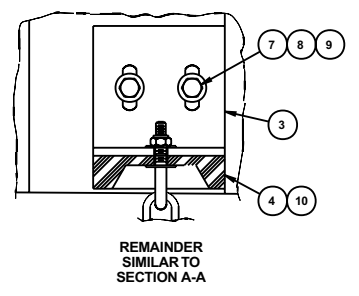
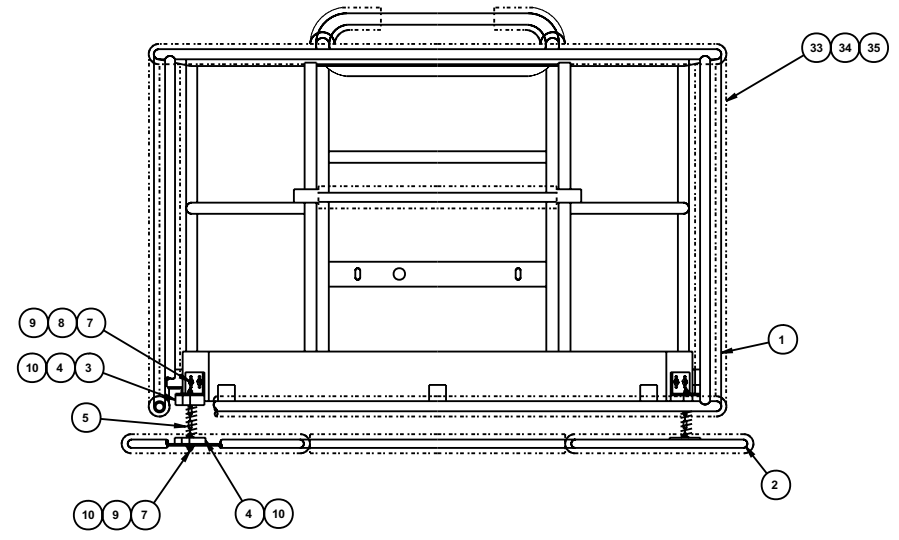
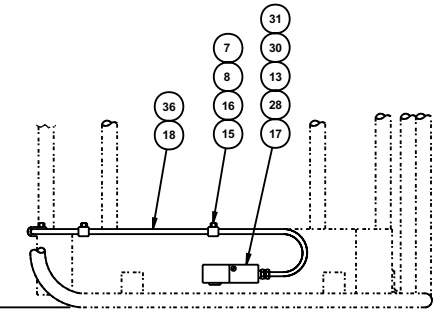
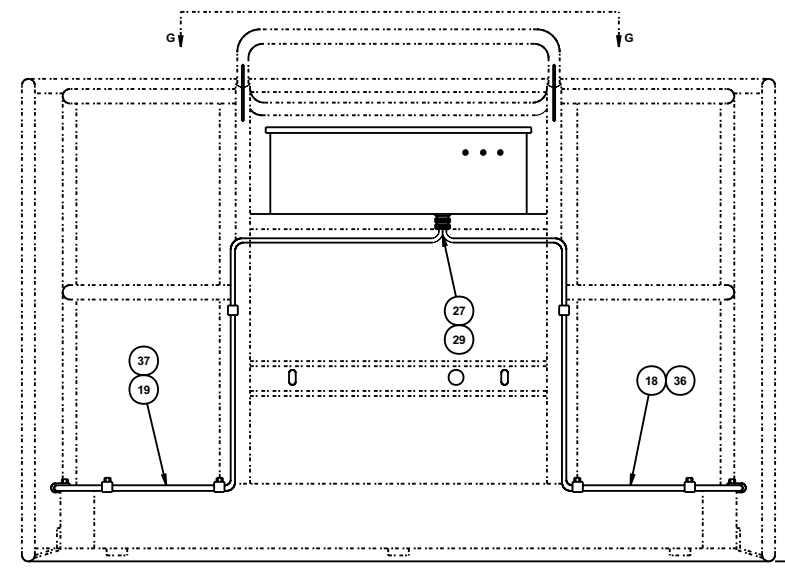
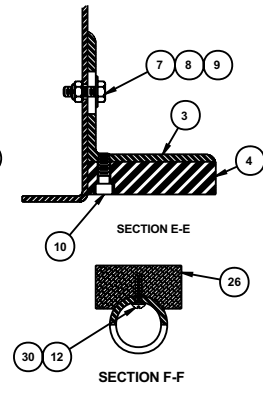
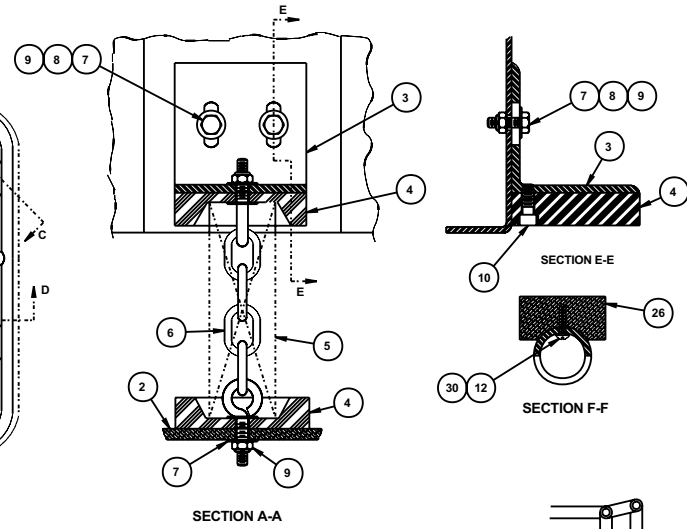
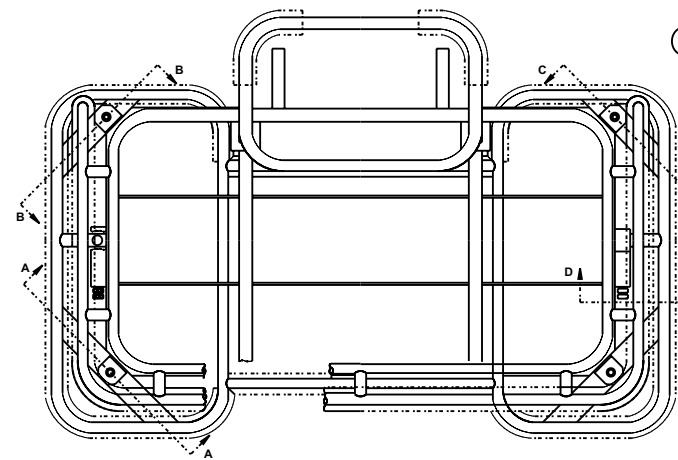


LOCATION OF LIGHTS SWITCH ON PLATFORM



AWA08067

1 2 3 4 5 6 7 8 9



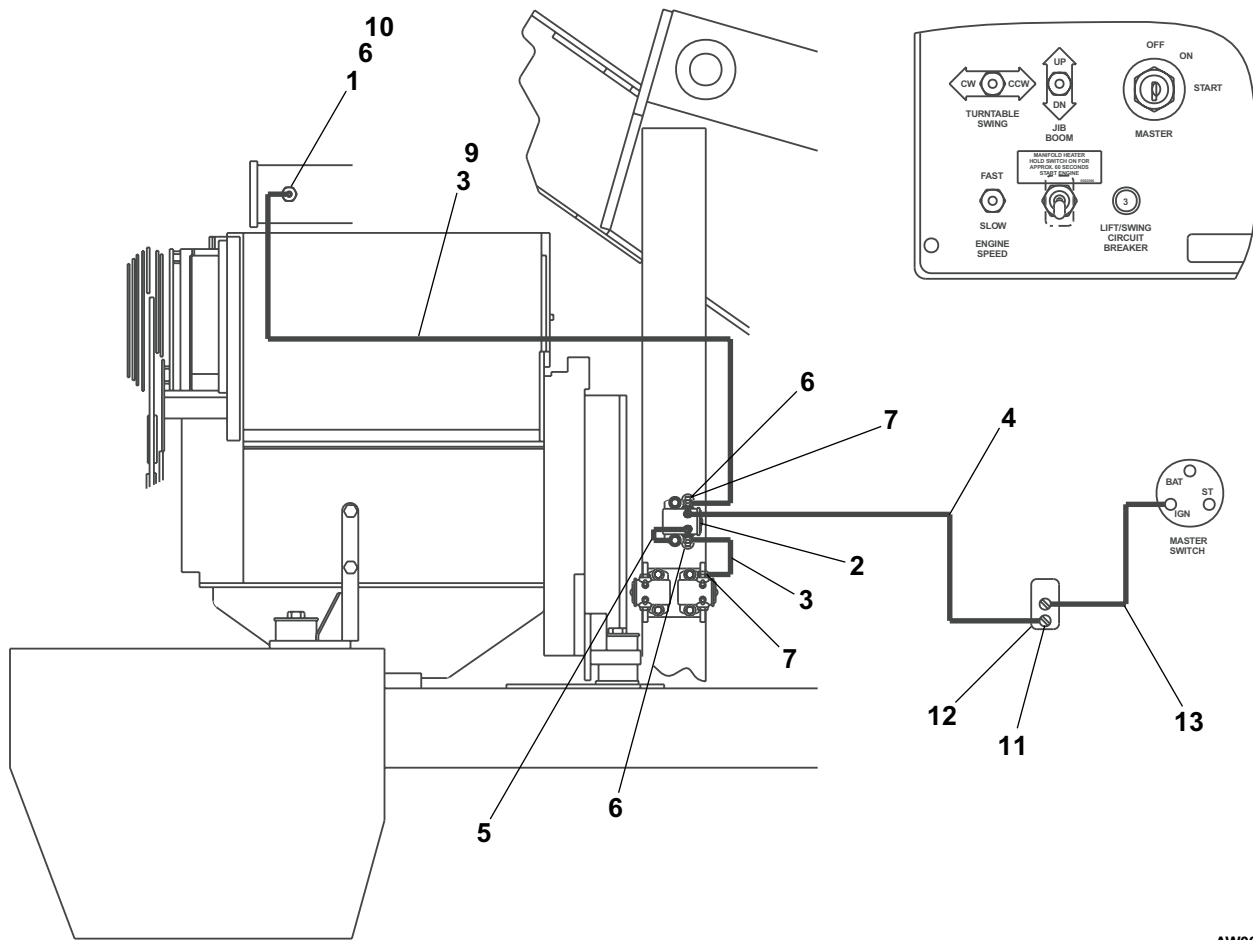
AW0180115

Bump guard for platform

item	part no	qty	description
1	0181389-99	1	Platform bumper frame
2	0181377-99	1	Frame
3	0181382-99	4	Spring keeper mount angle
4	0181381	8	Spring keeper
5	5530013	4	Spring
6	0181408	4	Chain
7	986019	3	Washer 1/4 medium flat
8	0073250	4	Jumper wire
9	5560004	1	Nut 1/4-20 self locking
10	5560330	16	Capscrew 1/4-20 x 3/4 inch long socket flat head
11	3040502	16	Relay, 12 volt DC
12	974639	3	Machine screw #10-24 x 3/8 inch long round head
13	5560034	5	Nut #10-24 self locking
14	3020080	3	Switch, toggle
15	5093001	1	Clamp
16	987099	10	Washer 1/4 medium lock
17	3020098	10	Switch, photoelectric
18	3011803	2	Wire 18 gauge 3 conductor x 96 inch long
19	3011803	1	Wire 18 gauge 3 conductor x 102 inch long
20	0181102	1	Jumper wire
21	0181103	3	Jumper wire
22	0111476	1	Jumper wire
23	0070758	1	Jumper wire
24	0150756	3	Jumper wire
25	0071528	1	Jumper wire
26	0181406	2	Target
27	3040115	1	Connector
28	3040187	2	Connector
29	3040110	1	Connector locknut
30	986009	1	Washer #10 medium flat
31	974769	4	Machine screw #10-24 x 2-1/4 inch long round head
32	0181407	1	Placard, proximity switch override
33	9980004	1	Cover kit
34	9980003	1	Foam pipe wrap
35	9980005	500	Cable tie
36	9980006	1	Plastic flexible pipe, 3/8 inch diameter x 78 inch long
37	9980006	1	Plastic flexible pipe, 3/8 inch diameter x 84 inch long
38	0110835	1	Jumper wire

Air inlet heater, Deutz

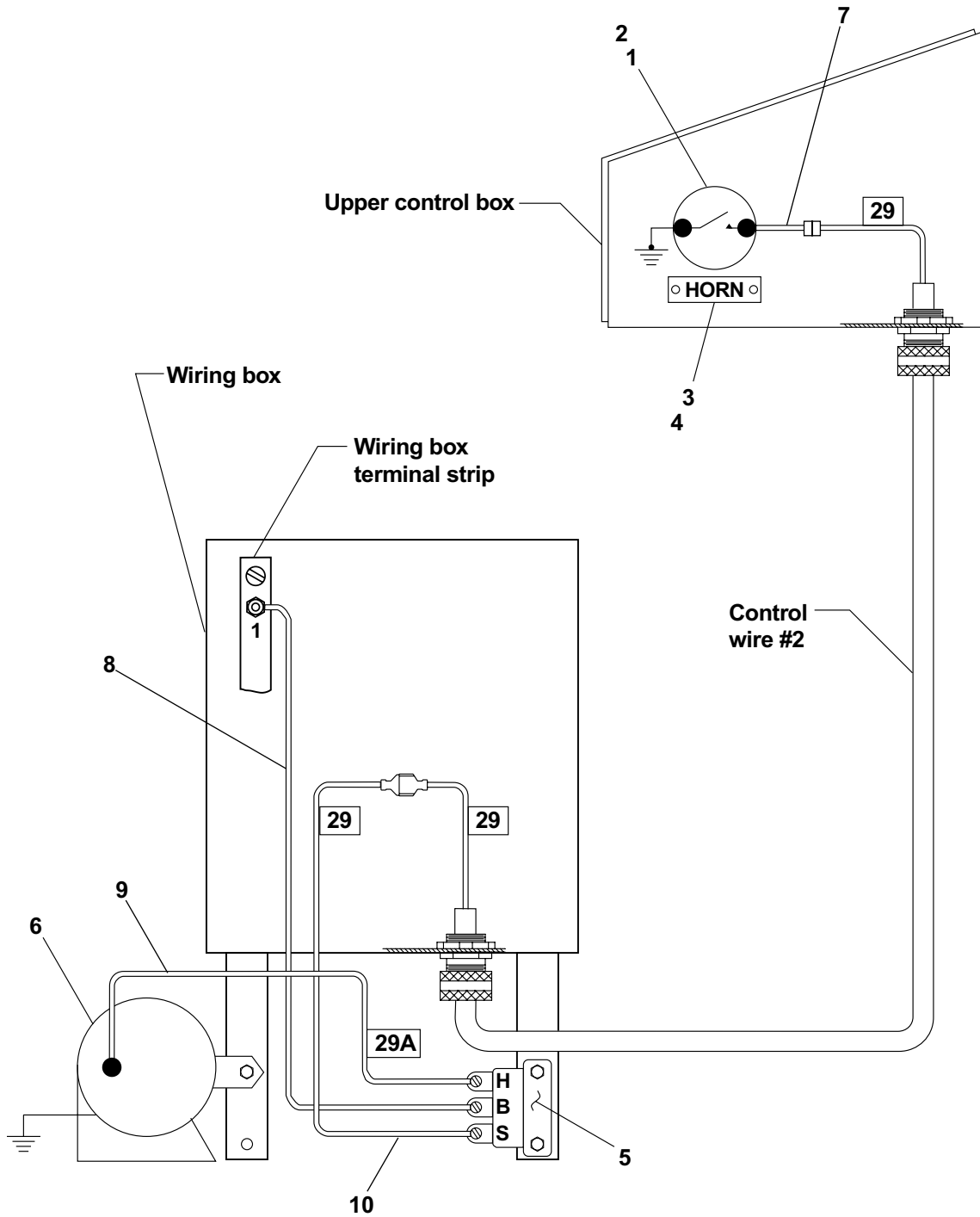
item	part no	qty	description
1	7630215	1	Air inlet heater kit
	8040135	1	Replacement glow plug
2	3040506	1	Solenoid, 12 volt DC
3	3011001	1	Wire, 10 gauge single conductor x 144 inch long
4	3011601	1	Wire, 16 gauge single conductor x 72 inch long
5	0071568	1	Jumper wire
6	3040268	3	Insulator boot
7	3040161	3	Terminal 5/16 stud insulated 8 gauge wire
8	0082064	1	Placard, heater instructions
9	3090006	1	Flexgard tube, 84 inch long
10	3042263	1	Terminal #10 stud insulated 8 gauge wire
11	3044142	1	Terminal #6 stud insulated 22/18 wire
12	3020080	1	Switch, toggle
13	0073781	1	Jumper wire



AW0082058

Horn

item	part no	qty	description
1	3026027	1	Switch, push button
2	7140092	1	Switch seal
3	0071269	1	Placard, horn
4	5560655	2	Pop rivet #AD32-ABS
5	3040128	1	Horn relay, 12 volt DC
6	3040127	1	Horn, 12 volt DC
7	0071557	1	Jumper wire
8	0070733	2	Jumper wire
9	0070759	1	Jumper wire
10	0070760	1	Jumper wire



AW0071270

Hydraulic warm-up

item	part no	qty	description
1	0082053	1	Hydraulic warm-up valve - (see page 2-48 for parts breakdown)
2	3020013	1	Switch, toggle
3	3020078	1	Temperature switch
4	0071792	1	Placard, warm-up switch
5	0071793	1	Decal, hydraulic warm-up instructions
6	0071844	2	Jumper wire
7	3040047	1	Terminal .250 tab female slip-on fully insulated 22/18 wire
8	0181398	1	Diode jumper wire
9	0181285	1	Diode jumper wire
10	0050137	1	1/4 inch hydraulic hose
11	0020283	2	1/4 inch hydraulic hose
12	5036703	2	Swivel nut run tee
13	5037003	1	Swivel nut 90° elbow
14	970029	2	Capscrew 1/4-20 x 3/4 inch long hex head grade 5
15	987099	2	Washer 1/4 medium lock
16	986019	2	Washer 1/4 medium flat
17	3044142	1	Terminal #6 stud insulated 22/18 wire
18	3040047	1	Terminal .250 tab female slip-on fully insulated 22/18 wire

F

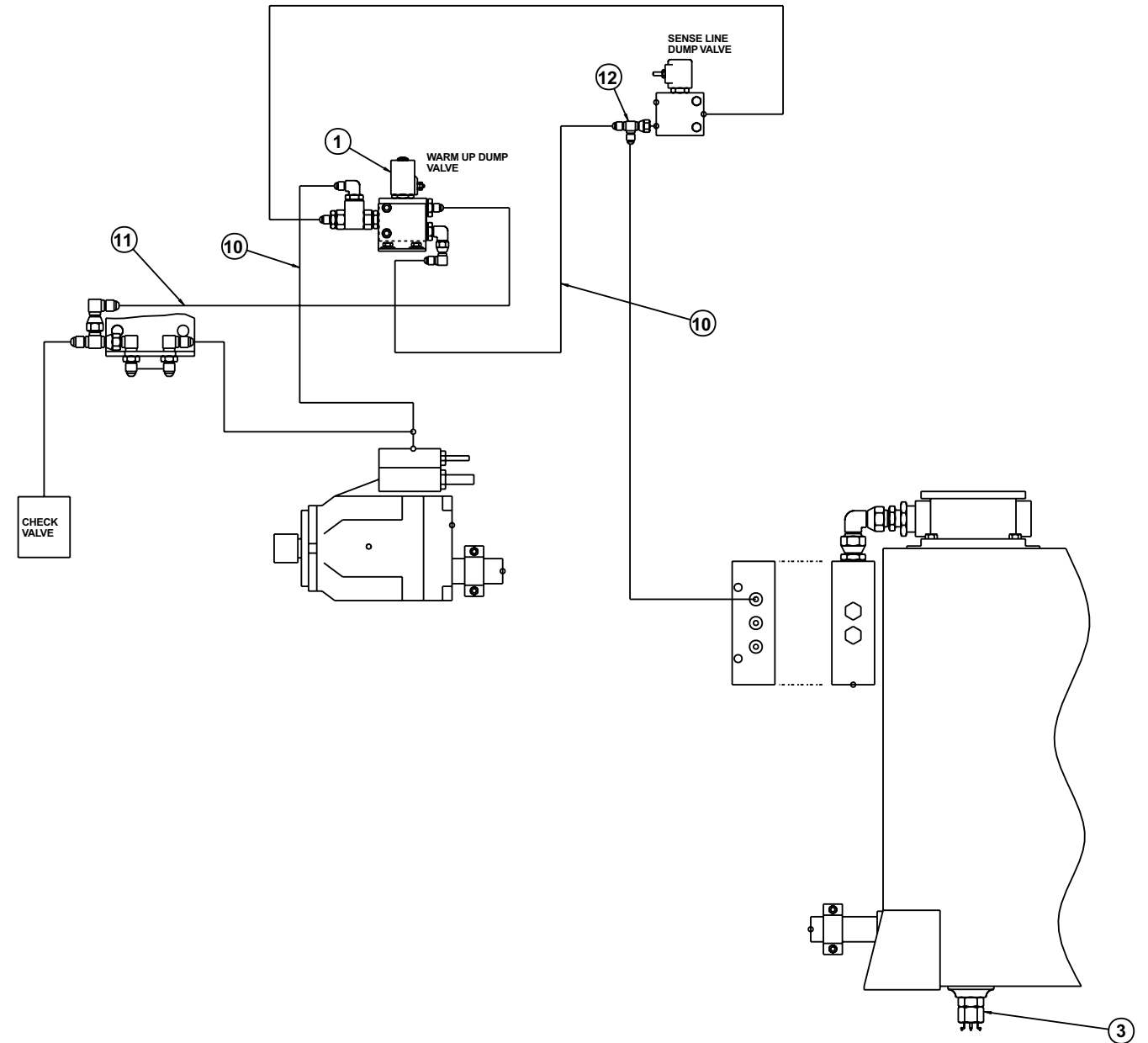
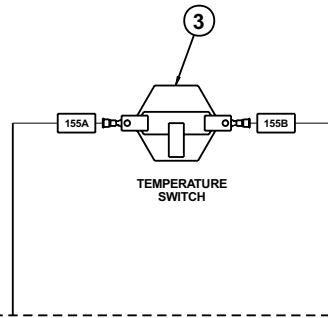
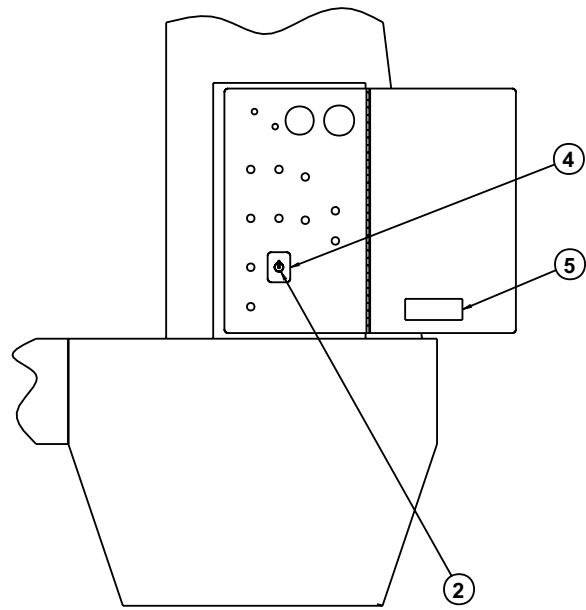
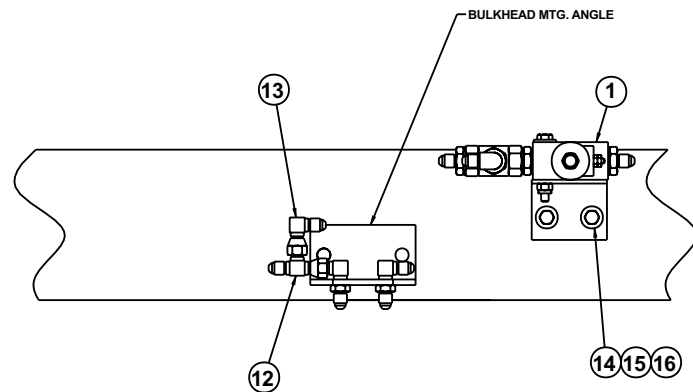
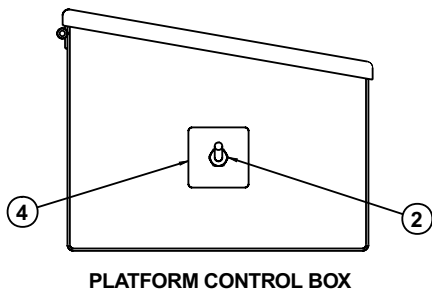
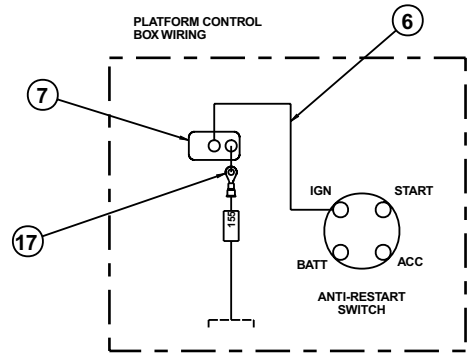
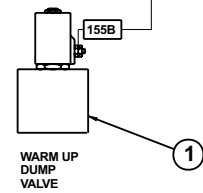
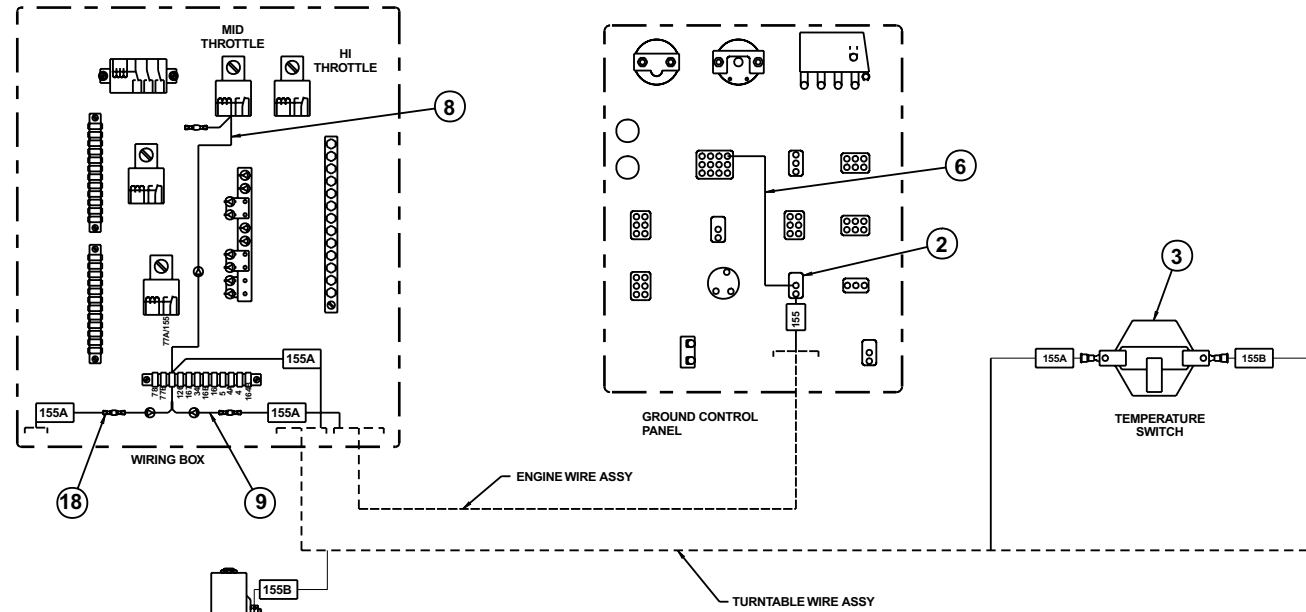
E

D

C

B

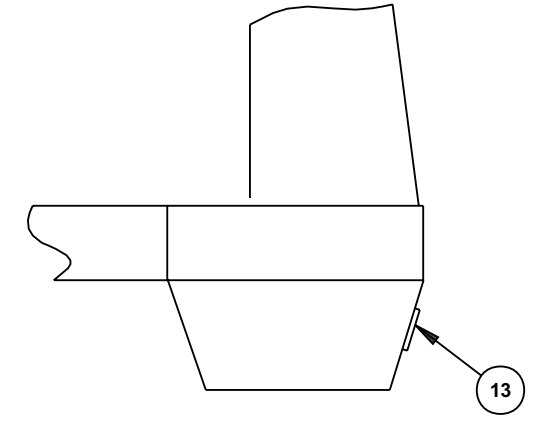
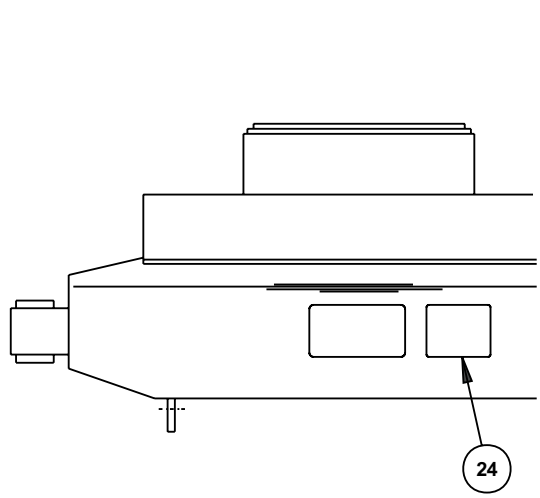
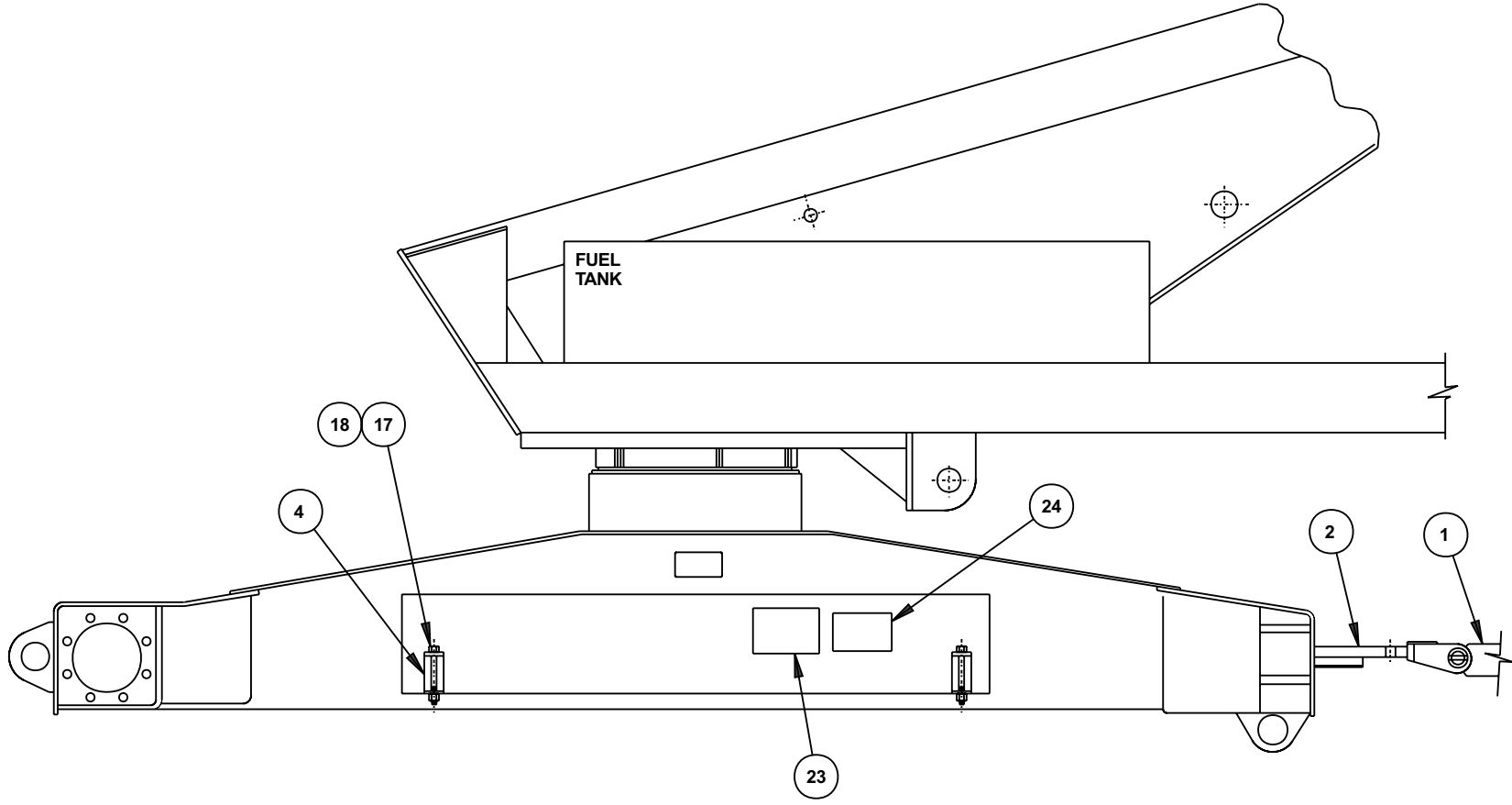
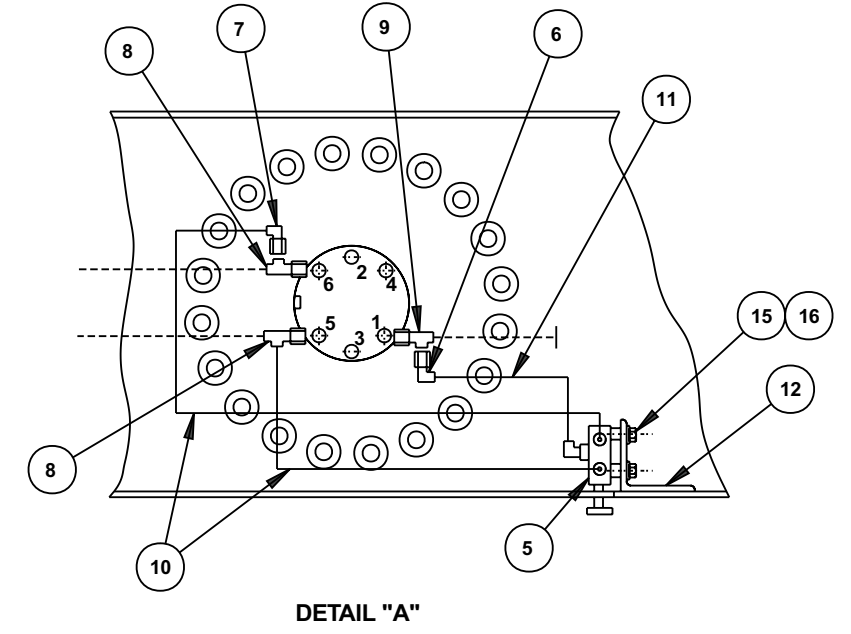
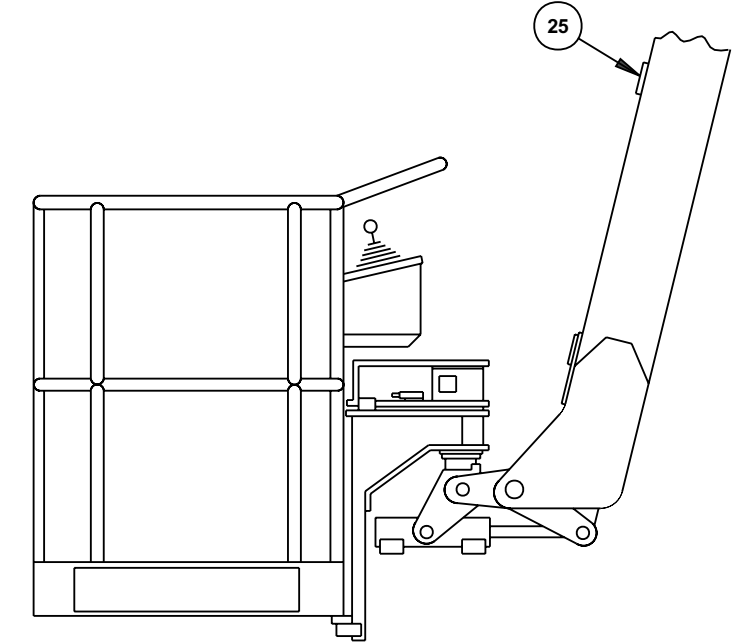
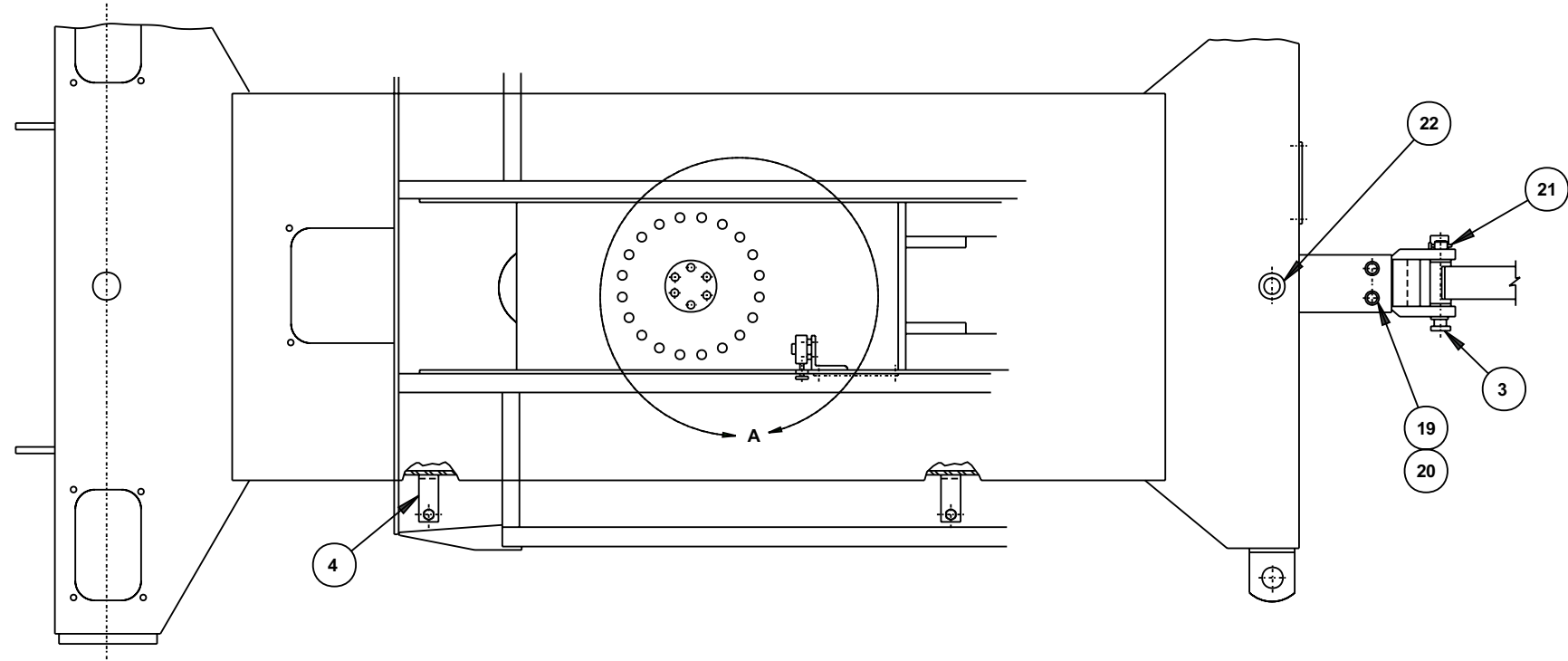
A



AW0082043

1 2 3 4 5 6 7 8 9

F
E
D
C
B
A

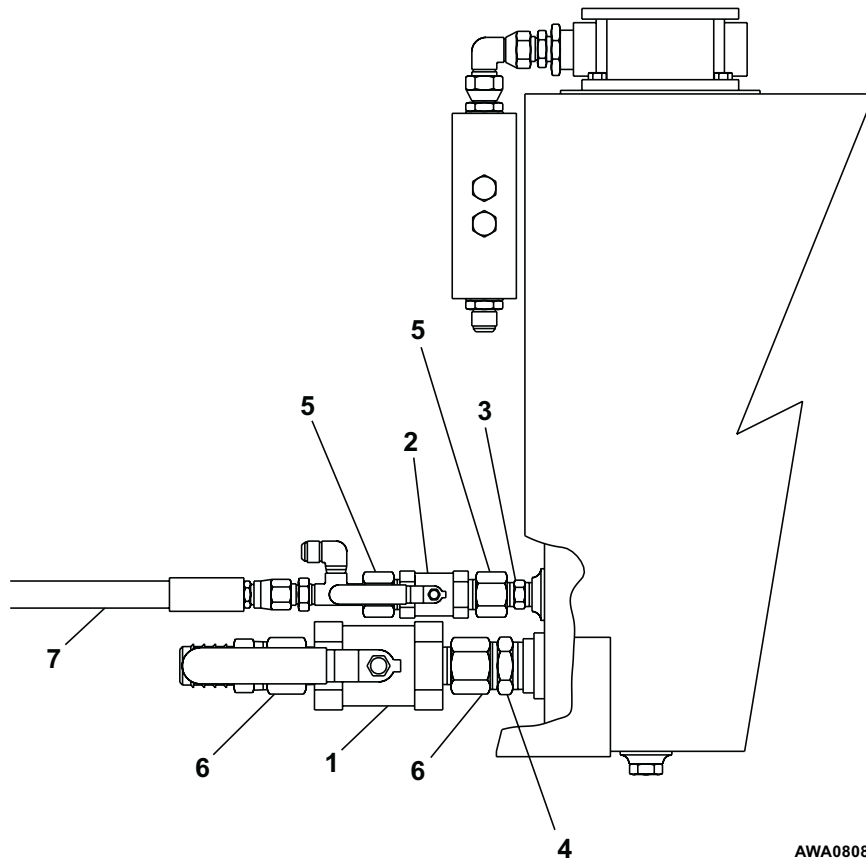


Tow package

item	part no	qty	description
1	0072214-99	1	Tow bar
2	0081063-99	1	Steering arm, tow package
3	0072216	1	Towing pin
4	0072224-99	2	Tow bar storage cradle
5	0072225-99	1	Float valve
6	5037006	1	Swivel nut 90° elbow
7	5037005	1	Swivel nut 90° elbow
8	5036705	2	Swivel nut run tee
9	5036706	1	Swivel nut run tee
10	0070766	2	1/4 inch hydraulic hose
11	0070927	1	1/2 inch hydraulic hose
12	0072226-99	1	Bracket, float valve
13	0082203	1	Decal, danger crushing hazard
14	5560662	12	Drive screw #4 x 1/4 inch long PK type U
15	970239	2	Capscrew 5/16-18 x 3/4 inch long hex head grade 5
16	987109	2	Washer 5/16 medium lock
17	5560647	2	Capscrew 1/2-13 x 5 inch long hex head grade 5
18	5560039	2	Nut 1/2-13 self locking
19	2690001	2	Bearing, self aligning
20	5570003	2	Grease fitting 1/8 NPT 90°
21	5580002	1	Snapper pin
22	2502416	2	Bearing
23	0082160	1	Decal, danger tow package
24	0072203	2	Decal, towing instructions
25	0082164	1	Decal, danger do not ride

Isolation valve

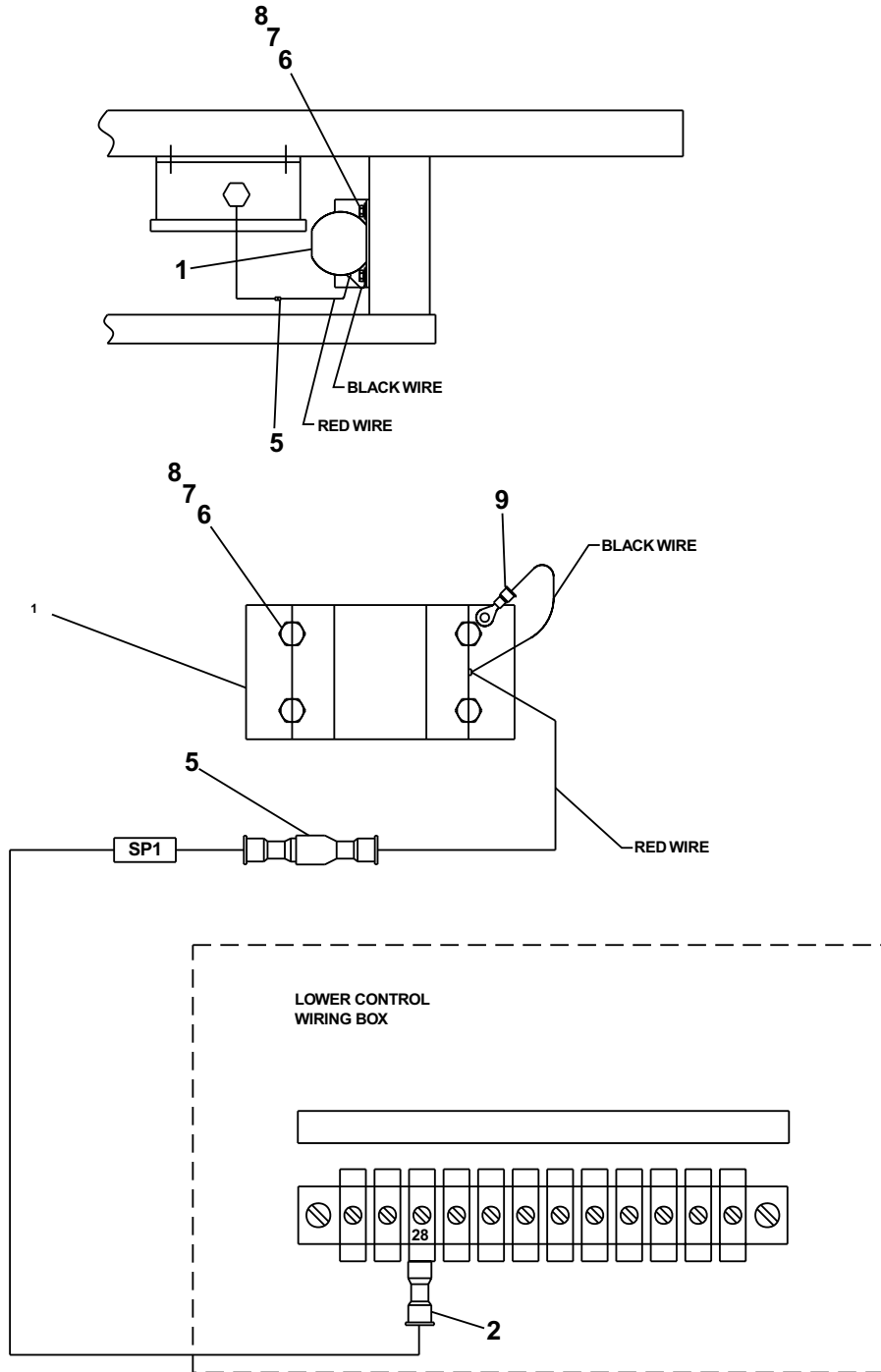
item	part no	qty	description
1	6010495	1	Ball valve
2	6010498	1	Ball valve
3	7740014	1	Close nipple 1/2 NPT
4	7740110	1	Close nipple 1-1/4 NPT
5	7720604	2	Reducer bushing 3/4 x 1/2
6	7721210	2	Reducer bushing 1-1/2 x 1-1/4
7	0070792	1	1/2 inch hydraulic hose - (Deutz machines only)



AWA08081

Motion alarm, all motion

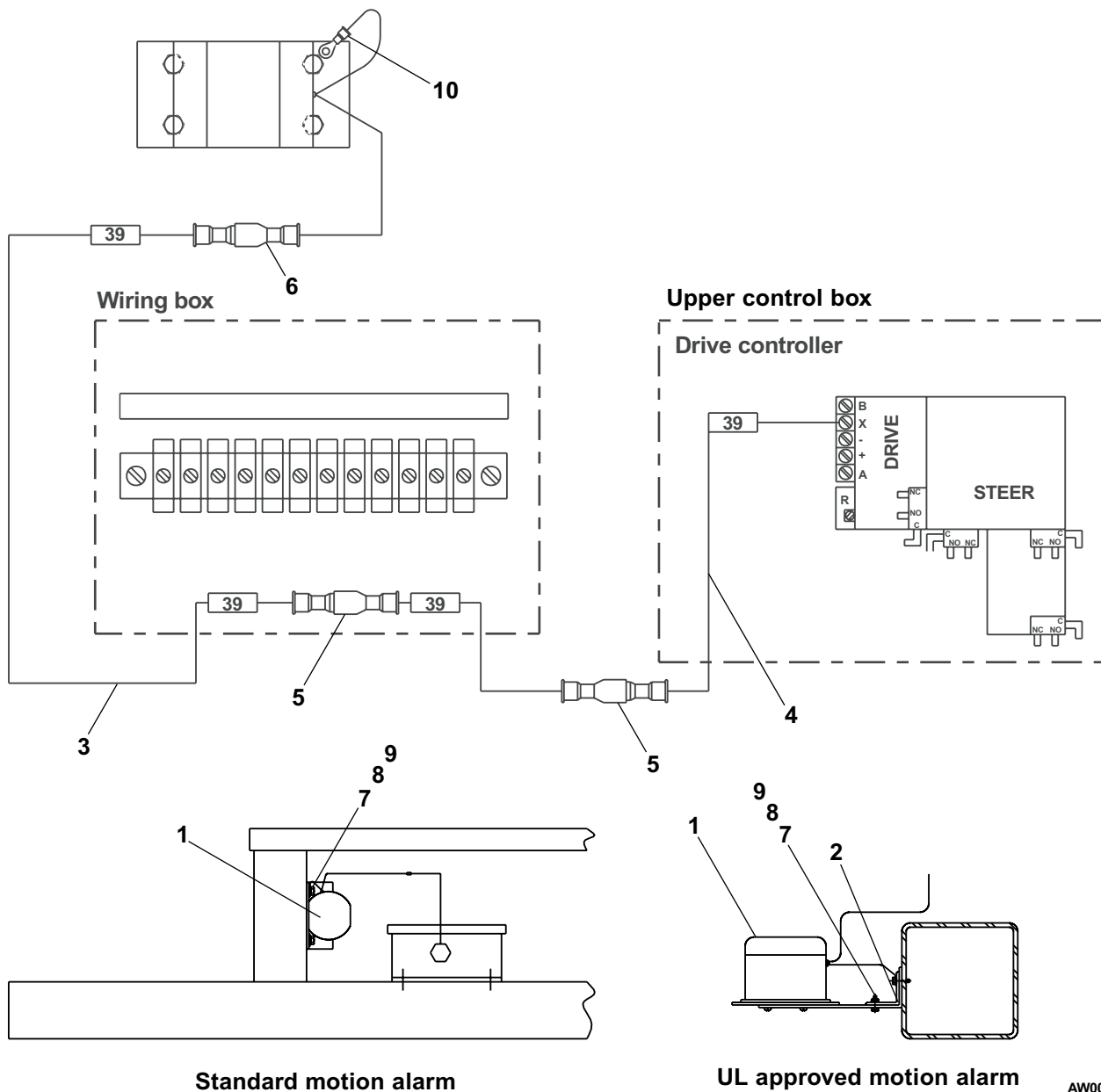
item	part no	qty	description
1	3040129	1	Motion warning alarm, standard
2	3046697	1	Terminal .188 tab female slip-on insulated 16/14 wire
3	3040082	1	Terminal .250 tab male fully insulated 16/14 wire
4	970029	4	Capscrew 1/4-20 x 3/4 inch long hex head grade 5
5	987099	4	Washer 1/4 medium lock
6	986019	4	Washer 1/4 medium flat
7	3044162	1	Terminal 1/4 ring tongue insulated 16/14 wire



AW0074926-2

Motion alarm, drive

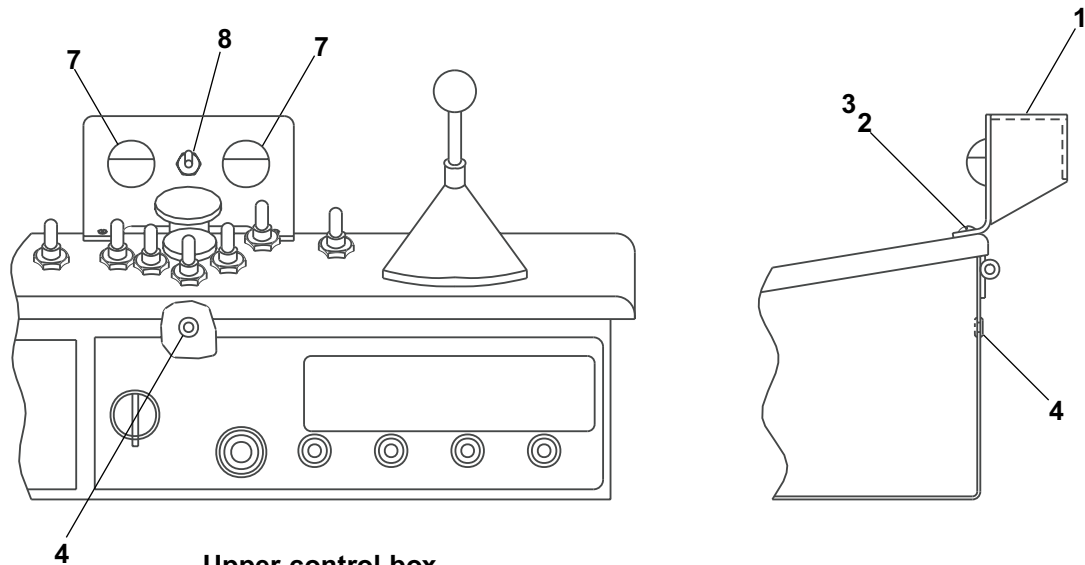
item	part no	qty	description
1	3040129	1	Motion warning alarm, standard
	3040462	1	Motion warning alarm, UL approved
2	0081422	1	Mount angle - (used with UL approved warning alarm only)
3	0073642	1	Jumper wire
4	0073071	1	Jumper wire
5	3040046	2	Terminal .250 tab male slip-on fully insulated 22/18 wire
6	3040082	1	Terminal .250 tab male fully insulated 16/14 wire
7	970029	4	Capscrew 1/4-20 x 3/4 inch long hex head grade 5
8	987099	4	Washer 1/4 medium lock
9	986019	4	Washer 1/4 medium flat
10	3044162	1	Terminal 1/4 ring tongue insulated 16/14 wire



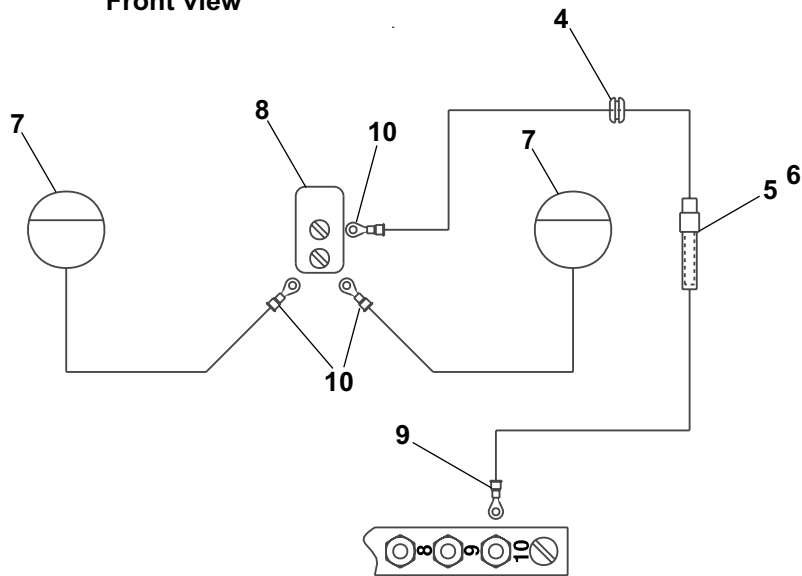
AW0073066

Platform lights

item	part no	qty	description
1	0072004-99	1	Light bracket
2	5560648	2	Machine screw #10-24 x 3/4 inch long truss head
3	5560034	2	Nut #10-24 self locking
4	5569003	1	Grommet
5	3040038	1	Fuse holder, in-line
6	3040039	1	Fuse, 10 amp capacity
7	3060008	2	Light, platform
8	3020013	1	Switch, toggle
9	3044161	1	Terminal #10 stud insulated 16/14 wire
10	3044158	3	Terminal #6 stud insulated 16/14 wire



Upper control box
Front view

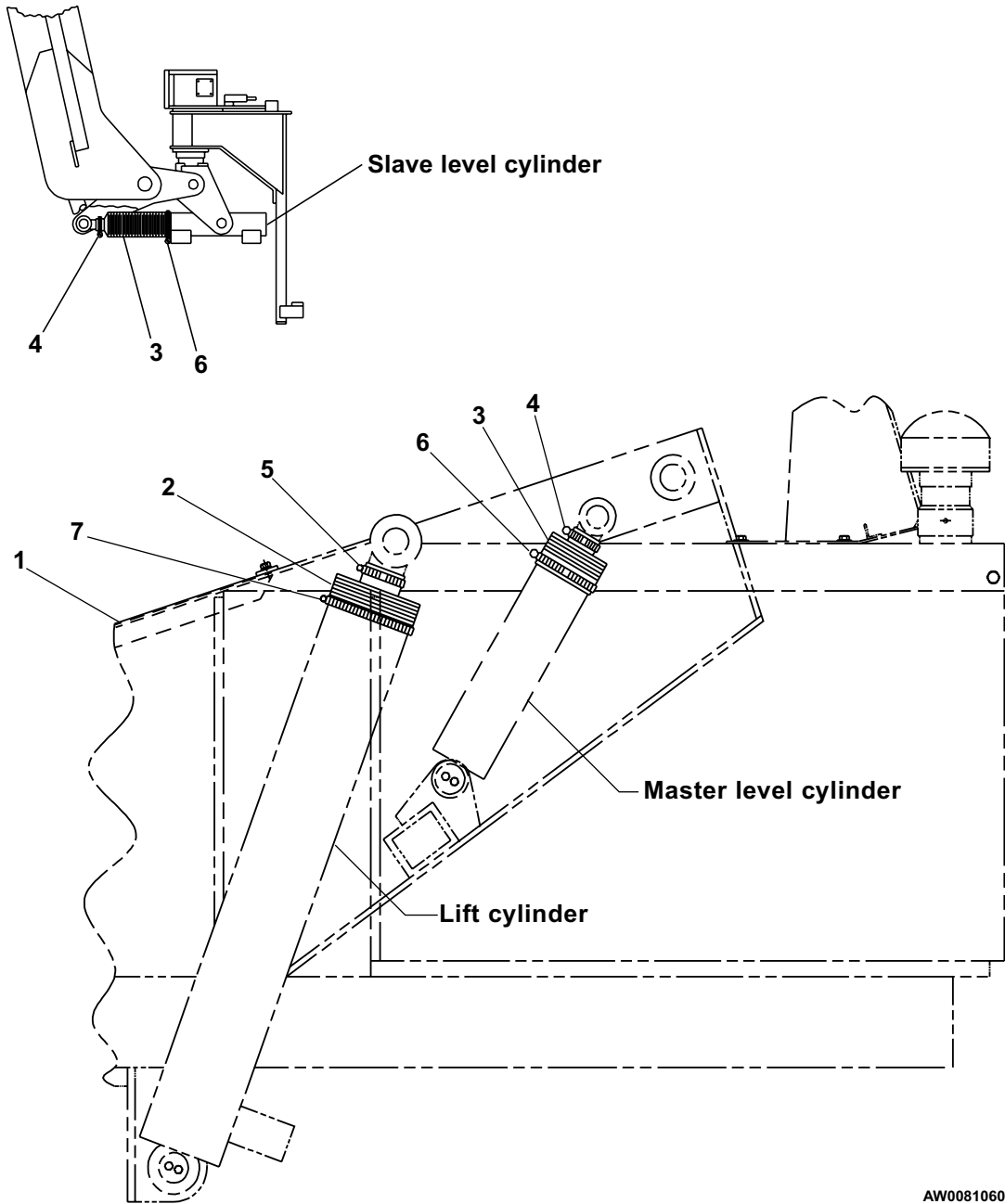


Upper control box
terminal strip

AW0072012

Sandblast kit

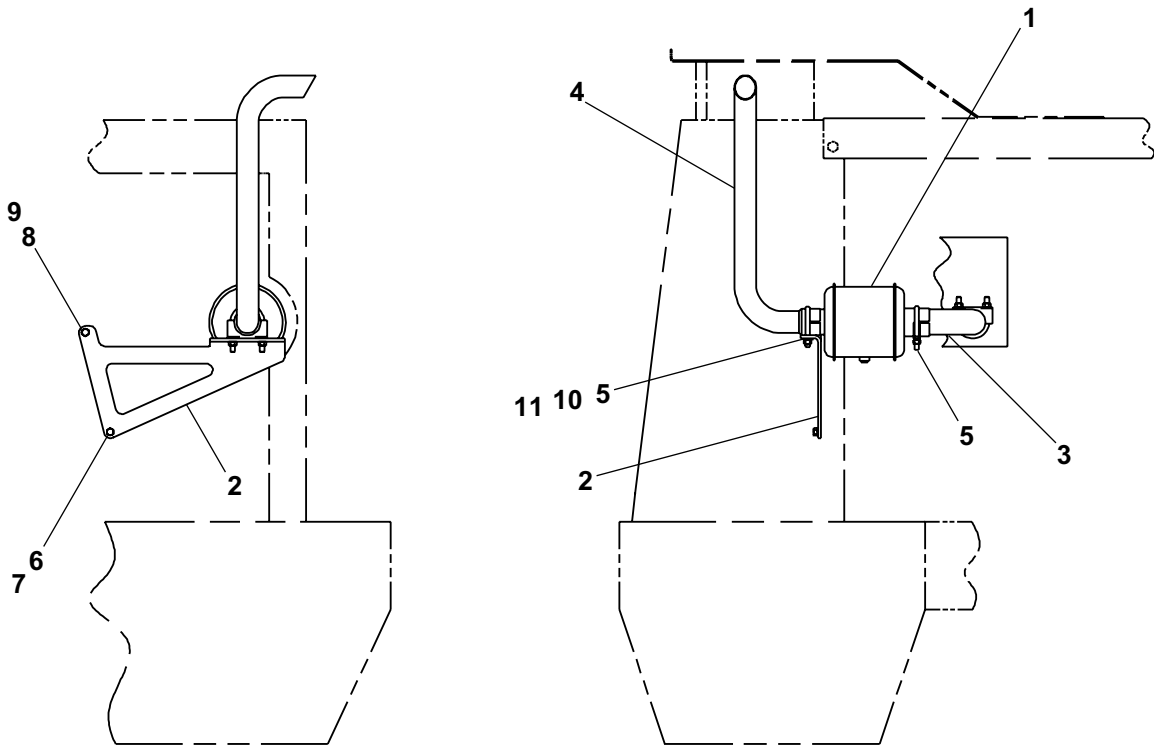
item	part no	qty	description
1	0080642-99	1	Turntable cover
2	0080621	1	Bellows, Lift cylinder
3	0181159	2	Bellows, level cylinders
4	5550020	2	Clamp
5	5550040	1	Clamp
6	5550050	2	Clamp
7	5550105	2	Clamp



AW0081060

Spark arrestor muffler, Deutz

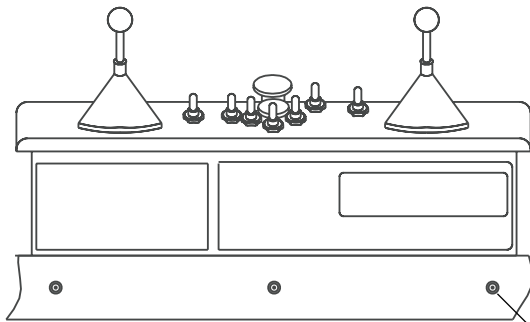
item	part no	qty	description
1	7630243	1	Muffler, spark arrestor
2	0082096-99	1	Tail pipe brace
3	0082097	1	Exhaust pipe
4	0082098	1	Tail pipe
5	5550014	2	Exhaust clamp
6	5560625	1	Capscrew metric M10-1.5 x 20mm long hex head
7	5560356	1	Washer metric M10 lock
8	972029	1	Capscrew metric M8-1.25 x 20mm long hex head
9	5560355	1	Washer metric M8 lock
10	987109	2	Washer 5/16 medium lock
11	986269	2	Washer 5/16 medium flat



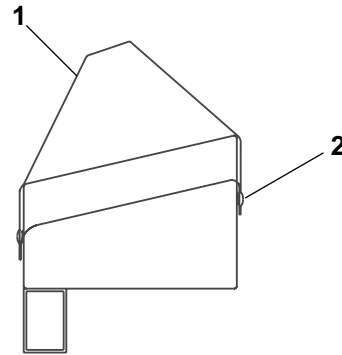
AW0082095

Upper control box cover

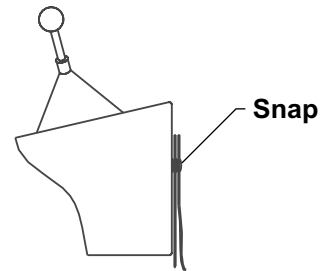
item	part no	qty	description
1	0073076	1	Upper control box cover, standard
	0074782	1	Upper control box cover, fire resistant
2	5560657	3	Pop rivet 1/8 inch aluminum #RVT-AD48 ABS
3	5560656	3	Pop rivet 1/8 inch aluminum #RVT-AD46 ABS



Front view - Upper control box



Side view - cover installed

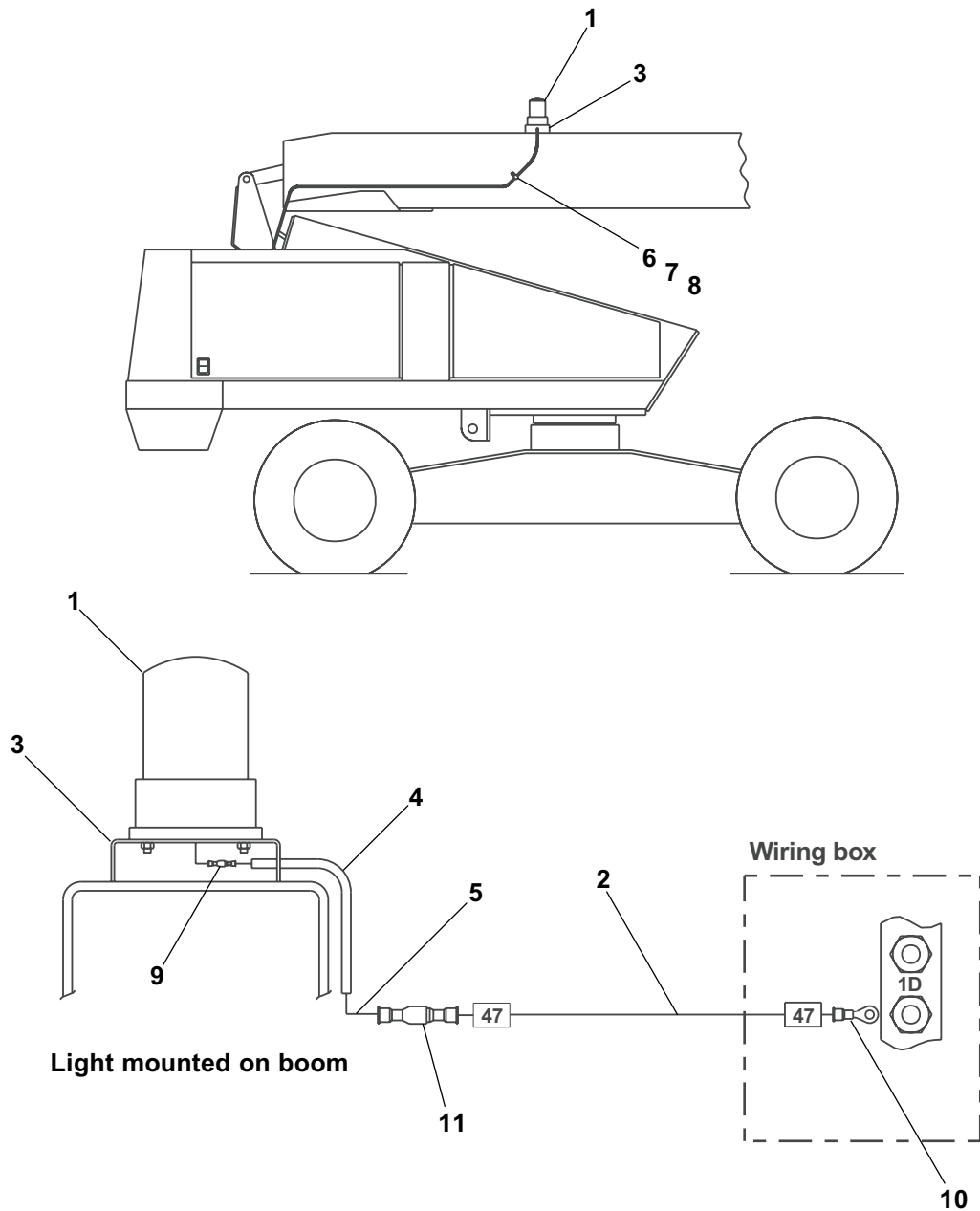


Side view
cover shown
in stowed position

AW0071654

Warning lights

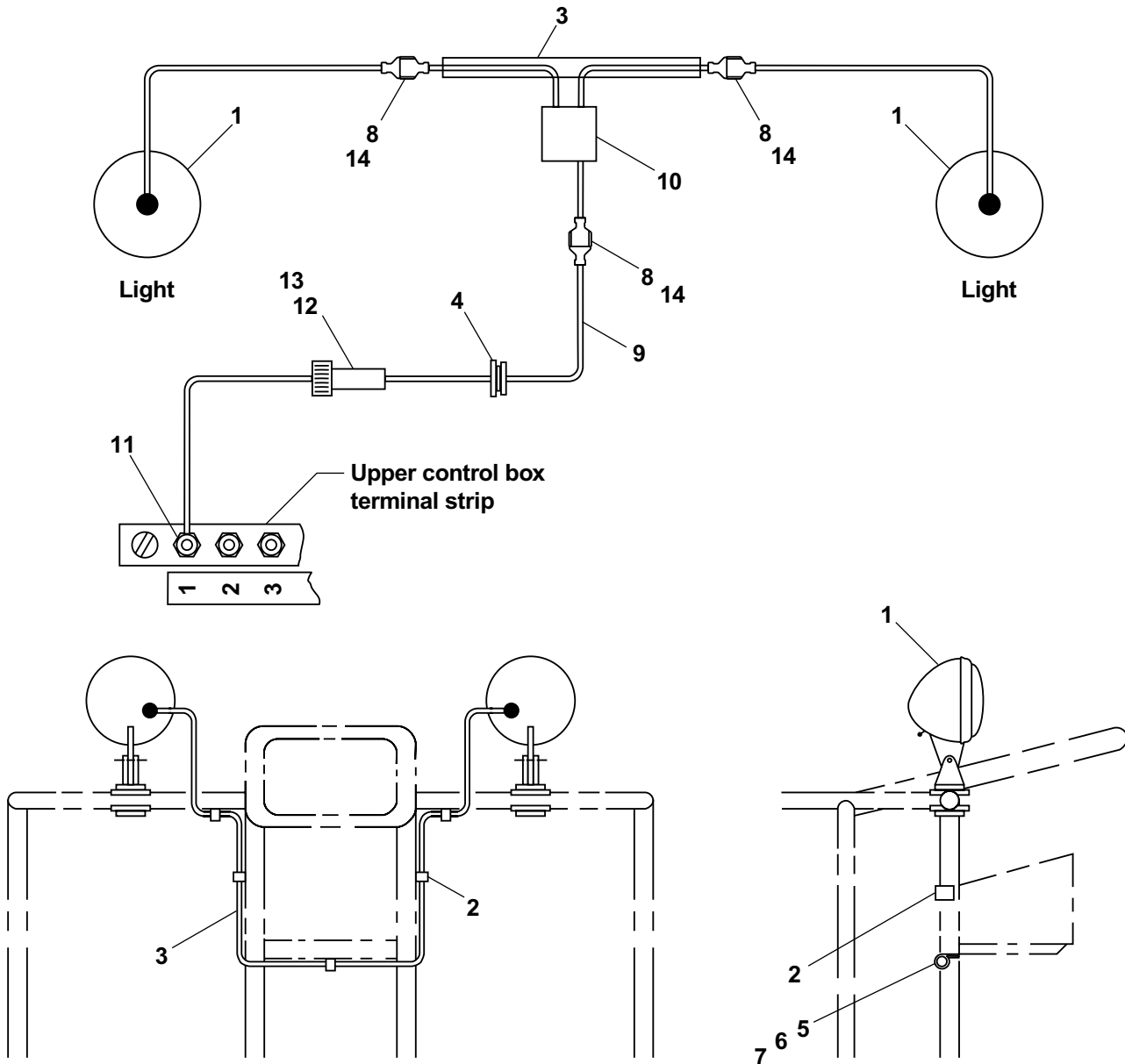
item	part no	qty	description
1	3060083	1	Warning light, amber lens
	3060084	1	Warning light, red lens
	8160047	1	Replacement bulb
2	3011601	1	Wire, 16 gauge single conductor x 84 inch long
3	0071395-99	1	Light mount bracket
4	3090006	1	Flexgard tube, 77 inch long
5	0072209	1	Jumper wire
6	5090305	1	Hose clamp
7	974659	1	Machine screw #10-24 x 1/2 inch long round head
8	987089	1	Washer #10 medium lock
9	3040046	1	Terminal .250 tab male slip-on fully insulated 22/18 wire
10	3044146	1	Terminal #10 stud insulated 22/18 wire
11	3040083	1	Terminal .250 tab female fully insulated 16/14 wire



AW0082042

Work lights, 2 lights

item	part no	qty	description
1	3064413	2	Light, incandescent with clamp bracket
	3067620	2	Light, halogen with clamp bracket
2	5093019	7	Hose clamp
3	3090019	1	Flexgard tube, 80 inch long
4	5569003	1	Grommet
5	970029	7	Capscrew 1/4-20 x 3/4 inch long hex head grade 5
6	986019	7	Washer 1/4 medium flat
7	987099	7	Washer 1/4 medium lock
8	3040082	3	Terminal .250 tab male fully insulated 16/14 wire
9	3011601	1	Wire, 16 gauge single conductor x 80 inch long
10	3040114	1	Connector, in-line 16/14 wire
11	3044161	1	Terminal #10 stud insulated 16/14 wire
12	3040038	1	Fuse holder, in-line
13	3040039	1	Fuse, 10 amp capacity
14	3040083	3	Terminal .250 tab female fully insulated 16/14 wire



AW0080768

A

AC generator, 4-2, 4-5
 AC generator valve, 2-25, 4-5
 Access cover, chassis, 1-2
 Access cover, cowling, 1-57, 1-58
 Access cover, drive, 1-2
 Accumulator, 2-6, 2-26
 Actuator, 1-47
 Adapter plate, centerpost, 1-12
 Adjustment bolt, 1-12
 Air cleaner, 1-40, 1-52, 1-53
 Air cleaner bracket, 1-40
 Air cleaner elbow, 1-54
 Air cleaner hose coupler, 1-40
 Air cleaner mount bracket, 1-40
 Air cleaner mounting band, 1-53
 Air inlet heater kit, 4-18
 Air inlet hood, 1-53, 1-54
 Air inlet tube, 1-53, 1-54
 Air intake hose, 1-53
 Air intake hose adapter, 1-40
 Air intake tube, 1-53
 Air intake tube clamp, 1-40
 Anchor bolt, 1-24, 1-30
 Anchor plate, 1-33
 Angle, radiator, 1-48
 Anti-cavitation valve, 2-24, 2-27

B

Battery hold down, 3-3, 3-9, 3-15
 Battery hold down bolt, 3-3, 3-9, 3-15
 Battery, 12 volt DC - 550 CCA, 3-3, 3-9, 3-15
 Bearing spacer, 1-38
 Bearing, self aligning, 1-8, 4-23
 Bellows, level cylinders, 4-28
 Bellows, leveling cylinders, 4-28
 Boom switch, 1-23, 3-2
 Booms and hose carrier, 1-20
 Bracket, battery disconnect switch, 3-3, 3-9, 3-15
 Bracket, drive valve, 2-24
 Bracket, float valve, 4-23
 Bracket, LP gas cylinder, 4-9
 Bracket, radiator support, 1-48
 Bracket, tilt alarm, 3-3, 3-9, 3-15
 Bumper, 1-57, 1-58

C

Cable anchor, tip boom, 1-23
 Cable guide bracket, base boom, 4-6
 Cable guide bracket, intermediate boom, 4-6
 Cable guide, 4 roller, 4-6
 Cable sheave, 1-23, 1-30
 Cable, 110 volt power AC generator, 4-2
 Cable, 110 volt power to platform, 3-39
 Cap, fuel tank, 1-16
 Carrier tube, 1-33
 Cartridge valve, 3-way inlet, 2-12
 Cartridge, 3-way pilot operated atmosphere vented, 2-12
 Centerpost and fittings, 1-12
 Channel support, LP gas cylinder, 4-10
 Chassis, 1-2
 Check valve, 2-6, 2-29
 Check valve cartridge, 2-12
 Circuit breaker, 15 amp capacity, 3-26, 3-30, 3-39
 Circuit breaker, 20 amp capacity, 3-35
 Circuit breaker, 25 amp capacity, 3-26, 3-30
 Circuit breaker, 3 amp capacity, 3-20, 3-23, 3-24, 3-35
 Clamp bar, 1-20

Clamp, T-bolt, 1-40
 Clevis pin, 1-20
 Close-up plug, 3-26, 3-30
 Control valve, drive/lift/swing, 2-14, 2-16
 Control wire #1, 1-33
 Control wire #2, 1-33
 Controller, drive/steer, 3-35, 3-40
 Controller, lift/swing, 3-35, 3-42
 Corrosion inhibitor, 3-26, 3-30, 3-35
 Counterweight, 1-2
 Coupler kit, 1-51, 3-20, 3-23, 3-24
 Cover gasket, hydraulic oil reservoir, 1-17
 Cover plate, hydraulic oil reservoir, 1-17
 Cover plate, platform rotator, 1-38
 Cover, chassis - 4 wheel drive, 1-10
 Cover, drive motor, 1-10
 Cover, electrical outlet, 3-39
 Cover, hoses, 1-10
 Cover, lower controls, 1-57, 1-58
 Cover, plastic cowling, 1-57, 1-58
 Cover, turntable rear, 1-57, 1-58
 Cowling door, 1-57, 1-58
 Cowling side, 1-57, 1-58
 Crossover relief cartridge, 2-40
 Cylinder anchor, 1-23
 Cylinder anchor pin, 1-23
 Cylinder, extension, 2-31
 Cylinder, jib boom lift, 2-32, 2-33
 Cylinder, lift, 1-12, 2-35
 Cylinder, master level, 1-12, 2-37
 Cylinder, steering, 1-6, 2-39

D

Decal set, non-proportional control valve, 2-10
 Decal, 4 inch stripe, 1-60
 Decal, 4 x 4 logo, 1-60
 Decal, 66 logo, 1-60
 Decal, attach fall restraint, 1-60
 Decal, blue arrow, 1-60
 Decal, caution do not use boom, 3-35
 Decal, caution governor damage, 1-60
 Decal, caution liquid withdrawal, 4-9, 4-10
 Decal, caution move control handle slowly, 3-35
 Decal, control wire #1, 3-29, 3-33, 3-35
 Decal, control wire #2, 3-29, 3-33, 3-35
 Decal, danger crushing hazard, 4-23
 Decal, danger cylinder failure, 1-60
 Decal, danger do not reach, 1-60
 Decal, danger do not ride, 4-23
 Decal, danger electrical hazard, 1-60, 3-35
 Decal, danger electrical/tipping hazard, 1-60
 Decal, danger inspect unit, 3-35
 Decal, danger rotating engine parts, 1-60
 Decal, danger tow package, 4-23
 Decal, danger you must not operate, 1-60
 Decal, diesel fuel, 1-60
 Decal, diode, 3-29
 Decal, dual fuel instructions, 1-60, 4-9
 Decal, engine control module, 1-48, 1-60
 Decal, gasoline fuel, 1-60
 Decal, hydraulic oil, 1-60
 Decal, hydraulic warm-up instructions, 1-60, 4-20
 Decal, inspect wire ropes, 1-60
 Decal, lift, 1-60
 Decal, lift/tie down, 1-60
 Decal, LPS logo, 1-60, 4-10
 Decal, lube recommendations, 1-60
 Decal, main circuit breaker, 3-30
 Decal, notice manual reorder, 1-60

Index

Decal, OmniQuip logo, 1-60
Decal, operating manual enclosed, 1-60
Decal, power wire, 3-29, 3-33, 3-35
Decal, rotate while greasing, 1-60
Decal, safe operation information, 1-60
Decal, Snorkel brand logo, 1-60
Decal, TB66J logo, 1-60
Decal, terminal strip, 3-29
Decal, throttle, 3-30
Decal, tie down symbol, 1-60
Decal, towing instructions, 4-23
Decal, yellow arrow, 1-60
Diagnostic nipple, 2-9
Diode holder, 3-29, 3-33
Diode stand off, 3-29, 3-33
Door latch, 1-36
Drive motor, 1-4, 1-10, 2-18
Drive motor brake, 4 cubic inch, 2-20
Drive motor with integral brake, 2-20
Drive sequence valve, left hand, 2-2, 2-5, 2-42
Drive sequence valve, right hand, 2-2, 2-5, 2-41
Drive valve, high torque, 2-2, 2-5, 2-24
Dual fuel engine, Ford LRG-425, 4-10, 4-12
Dual fuel kit, liquid cooled, 4-12
Dump valve, 2-6, 2-43

E

Elbow, 3 inch 90° rubber, 1-53, 1-54
Electrical hazard
 See inside front cover
Electrical outlet box, 3-39
Emergency power unit, 2-6, 2-44
Engine adapter, Ford engine, 1-51
Engine harness cover plate, 1-51
Engine isolator, 1-43
Engine mount, 1-44, 1-48
Engine mount bracket, front, 1-44
Engine mount washer, 1-43, 1-44, 1-48
Engine pump mount, 1-47, 1-51
Engine tray, 1-43
Engine tray, Cummins 3.3, 1-43
Engine, Deutz F4L-1011F diesel, 1-44, 1-47
Engine, Ford LRG-425, 1-48, 1-51, 4-12
EPS anti-restart module, 3-3, 3-10
Exhaust bracket, 1-51
Exhaust flange, LRG Ford, 1-51
Exhaust gasket, 1-51
Exhaust pipe, 1-40, 1-53, 4-29
Extend cylinder and support bracket, 2-30
Extension cylinder, 1-30
Extension with gasket, 3-26, 3-30

F

Filter condition indicator, 1-53, 1-54
Filter, sump strainer, 2-22
Flanged electrical outlet with cover, 3-26, 3-30
Flasher, 4-14
Flasher base, 4-14
Flexible coupling, 1-47, 1-51
Float valve, 4-23
Flow control cartridge valve, 2-12
Flow divider valve, 2-24, 2-46
Flow divider/combiner valve, 2-5, 2-45
Flow regulator cartridge valve, 2-12
Front cowling, 1-57, 1-58
Front engine mount bracket, 1-43
Fuel filter, 1-44, 1-48
Fuel gauge, 1-16
 Replacement gauge lens, 1-16

Fuel hose, 1-44, 1-48, 4-12
Fuel pump, 1-48
Fuel tank strap, 1-16
Fuel tank support, 1-16, 4-9
Fuel tank, 40 gallon capacity, 1-16
 Replacement cap, 1-16
Fuel tank, gasoline 20 gallon capacity, 4-9
Fuse holder, in-line, 4-14, 4-27, 4-32
Fuse, 10 amp capacity, 4-14, 4-27, 4-32

G

Gas spring, 1-57, 1-58
Gasket, hub cap, 1-8
Gear hub, 1-4, 1-10, 1-62
Gravity gate, platform, 1-36
Grommet, 3-26, 3-30, 3-35, 3-36
Guard, boom switch, 1-23
Guard, emergency stop switch, 3-20, 3-23, 3-24
Guide bar, 1-20

H

Horn relay, 12 volt DC, 4-19
Horn, 12 volt DC, 4-19
Hose carrier, 1-33
Hose carrier support tube, 1-20
Hose reel, 4-6
Hour meter, 3-26, 3-30
Hub, 1-8
Hub cap, 1-8
Hydraulic oil filter, 2-22
Hydraulic oil reservoir, 1-17, 2-22
 Hydraulic oil reservoir, 26 gallon capacity, 2-22
Hydraulic power unit, 1-38
Hydraulic pump, 1-40, 1-47, 1-51, 2-47
Hydraulic warm-up valve, 2-48, 4-20

I

Insulator boot, 3-3, 3-9, 3-10, 3-15, 4-18

J

Jib boom lift cylinder, 1-24, 2-32

K

King pin, 1-6, 1-10
King pin cap, 1-6, 1-10
Knob, gate hinge pin, 1-36

L

Last chance filter, 2-2, 2-5
Latch adjust lever, 1-57, 1-58
Latch stop, 1-36
Light bracket, 4-27
Light mount bracket, 4-31
Light, flood with round base, 4-14
Light, halogen with clamp bracket, 4-32
Light, incandescent with clamp bracket, 4-32
Light, platform, 4-27
Light, turn signal, 4-14
Link pin, 1-18, 1-30
Liquid level gauge with thermometer, 2-22
Locking pin, 1-6
Lower control panel and hinge, 3-20, 3-23, 3-24
Lower controls door, 1-57, 1-58
Lower radiator hose, 1-40
LP gas cylinder, liquid withdrawal, 4-9, 4-10
LP gas fuel hose, 4-9, 4-10
Lubrication hose, 1-2

Index

Lubrication tube, 1/4 inch copper tube, 1-2
Lug nut, 1-4, 1-10

M

Manifold body, 2-12
Mini siren, 3-26, 3-30
Mini siren, engine alarm, 3-35
Motion control valve, drive, 2-2, 2-5, 2-49
Motion control valve, turntable swing, 1-14, 2-50
Motion warning alarm, standard, 4-25, 4-26
Motion warning alarm, UL approved, 4-26
Motor mount, front, 1-47, 1-48
Motor mount, left hand, 1-51
Motor mount, rear, 1-47
Motor mount, right hand, 1-51
Motor, swing drive, 1-14
Mount kit, Addco actuator, 1-47
Mount plate, actuator module, 3-9
Mount plate, overflow reservoir, 1-48
Mounting bar, 4-6
Muffler, 1-51
Muffler clamp, 1-40
Muffler, spark arrestor, 1-51, 4-29
Muffler, standard, 1-40

O

O-ring, special, 1-10
Overflow reservoir, 1-48

P

Panel, drilled, 3-29, 3-33
Pin joint plate, 1-20
Pin lock, 1-12, 1-18, 1-20, 1-24, 1-28, 1-30, 1-38
Pin, cable retainer, 1-23
Pin, extend sheave, 1-30
Pin, gate hinge, 1-36
Pin, lift cylinder base end, 1-12
Pin, lift cylinder rod end, 1-12, 1-18
Pin, master level cylinder base end, 1-12, 1-23
Pin, master level cylinder rod end, 1-12, 1-18
Pin, retract sheave, 1-23
Pin, steering arm, 1-6
Placard, 110 volt power, 3-26, 3-30
Placard, 125 volts 15 amps, 1-60
Placard, AC generator, 4-2
Placard, ANSI standard, 1-60
Placard, battery disconnect switch, 3-3, 3-9, 3-15
Placard, blank, 3-24
Placard, caution liquid withdrawal, 1-60
Placard, caution serial number, 1-60
Placard, circuit breaker, 3-26
Placard, danger foam filled tires, 1-60
Placard, dual fuel switch, 4-9
Placard, emergency bleed down valve, 1-60
Placard, engine rpm, 1-60
Placard, heater instructions, 4-18
Placard, horn, 4-19
Placard, light switch, 4-14
Placard, lower controls, 3-20, 3-23, 3-24
Placard, lug nut torque, 1-60
Placard, platform capacity 500 pounds, 3-35
Placard, platform identification, 1-60
Placard, pre-start instructions, 1-60
Placard, proximity switch override, 4-17
Placard, upper control box front, 3-35
Placard, upper control box top, 3-35
Placard, warm-up switch, 4-20
Plastic track link, 1-33
Plate, engine coupling, 1-47

Platform foot switch, 1-34, 3-34
Platform rotator, 2-51
Power wire, 1-33
Pressure relief cartridge valve, 2-12
Proximity switch, 3-10, 3-15
PWM module, 3-3, 3-9, 3-15

R

Radiator, 1-48
Radiator cap, 1-48
Radiator cushion, 1-48
Radiator hose, 1-48
Radiator overflow hose, 1-48
Range valve, 2-6, 2-52
Rear engine mount bracket, left hand, 1-43
Rear engine mount bracket, right hand, 1-43
Receptacle, GFCI outlet - 20 amp, 3-39
Record box, 1-60
Relay, 12 volt DC, 3-3, 3-26, 3-29, 3-30, 3-33, 3-35, 4-14, 4-17
Retaining ring, 1-12
Rheostat switch, 3-20, 3-23, 3-24
Roller spacer, aluminum gravity gate, 1-36
Roller spacer, steel gravity gate, 1-36
Roller, aluminum gravity gate, 1-36
Roller, steel gravity gate, 1-36
Rotation bearing gear, 1-2
Rubber bumper, 1-60

S

Selector valve, 2 wheel drive, 2-24, 2-53
Selector valve, 4 wheel drive, 2-24, 2-54
Selector valve, left hand, 2-5
Selector valve, right hand, 2-5, 2-55, 2-56
Sheave cage, 1-23
Shroud, cowling, 1-57, 1-58
Shroud, outer air intake, 1-57
Shuttle valve cartridge, 2-12
Siren, tilt alarm, 3-3, 3-9, 3-15, 3-36
Slide pad, 1-20, 1-23, 1-24, 1-30, 1-33
Slide pad mount, 1-23
Slide pad shim, 1-23, 1-30
Slide pad spacer, 1-23, 1-24
Solenoid valve, 2-48
Solenoid valve and coil, 2-10
Spacer, air cleaner, 1-53
Spacer, flow divider/combiner valve, 2-5
Spacer, steering arm, 1-6
Spacer, tie rod mounting, 1-6
Speed control switch assembly, 3-20, 3-23, 3-24, 3-35
Spindle nut, 1-8, 1-10
Spring, torsion, 1-36
Steering arm, 1-6
Steering arm, tow package, 4-23
Steering yoke, 2 wheel drive, 1-8
Steering yoke, 4 wheel drive, 1-10
Support bracket, extend cylinder base end, 2-30
Support bracket, extend cylinder rod end, 2-30
Swing drive, 1-12, 1-14, 1-64
Swinging gate, platform, 1-36
Switch boot, short, 4-14
Switch knob, 3-20, 3-23, 3-24, 3-35
Switch seal, 4-19
Switch, anti-restart, 3-35
Switch, battery disconnect, 3-3, 3-9, 3-15
Switch, keyed start, 3-20, 3-23, 3-24
Switch, oil pressure, 1-43, 1-51, 3-15
Switch, push button, 4-19

Index

Switch, toggle, 3-20, 3-23, 3-24, 3-35, 3-36, 4-2, 4-14, 4-17, 4-18, 4-20, 4-27

T

Tail pipe, 1-40, 4-29
Tail pipe brace, 4-29
Temperature gauge, 3-20, 3-24
Temperature gauge, 3-23
Temperature sensor, 1-43, 3-9
Temperature switch, 4-20
Terminal strip, 12 circuit #10 stud, 3-29, 3-33
Terminal strip, 12 circuit .188 tab slip-on, 3-29, 3-33, 3-35
Terminal strip, 6 circuit #10 stud, 3-20, 3-23
Throttle actuator, 1-43
Throttle lever extension, 1-43
Thrust bearing, 1-38
Tie rod end for adjustable tie rod, 1-6
Tie rod hex jam nut for adjustable tie rod, 1-6
Tilt alarm sensor 5°, 3-3, 3-9, 3-15
Tire and wheel, 1-4, 1-8, 1-10
Tow bar, 4-23
Tow bar storage cradle, 4-23
Towing pin, 4-23
Turntable, 1-2
Turntable cover, 4-28

U

Upper control box, 3-35
Upper control box cover, 4-30
Upper radiator hose, 1-40

V

Vacuum switch, 4-12
Valve mount angle, 2-10
Valve, drive/lift/swing, 2-6, 2-14

W

Warning light, amber or red lens, 4-31
Warranty
 See inside back cover
Wheel nut, 1-8
Wire harness, alternator, 1-51, 3-10
Wire harness, alternator connector, 3-9
Wire harness, boom switch, 3-2
Wire harness, Cummins 3.3 engine, 3-3
Wire harness, Deutz engine, 3-9
Wire harness, engine/lower controls, 3-15
Wire harness, EPS, 3-20
Wire harness, platform foot switch, 3-34
Wire harness, tail lights, 4-14
Wire harness, turntable, 3-3, 3-9, 3-15
Wire harness, upper box control, 3-35
Wire harness, upper control box power, 3-35
Wire harness, wiring box internal, 3-26, 3-30
Wire rope, extend, 1-30
Wire rope, retract, 1-23
Wiring box, 3-9, 3-15
Wiring box panel, 3-33
Wiring box, drilled, 3-26, 3-30
Wiring box, Ford LRG-425, 3-30

LIMITED WARRANTY

Snorkel warrants each new machine manufactured and sold by it to be free from defects in material and workmanship for a period of one (1) year from date of delivery to a Customer or for one year after the machine has been placed in first service in a Dealer rental fleet, whichever comes first. Any part or parts which, upon examination by the Snorkel Service Department, are found to be defective, will be replaced or repaired, at the sole discretion of Snorkel, through its local Authorized Dealer at no charge.

Snorkel further warrants the structural components; specifically, the mainframe chassis, turntable, booms and scissor arms, of each new machine manufactured by it to be free from defects in material and workmanship for an additional period of four (4) years. Any such part or parts which, upon examination by the Snorkel Service Department, are found to be defective will be replaced or repaired by Snorkel through its local Authorized Dealer at no charge; however, any labor charges incurred as a result of such replacement or repair will be the responsibility of the Customer or Dealer.

The Snorkel Service Department must be notified within forty-eight (48) hours of any possible warranty situation during the applicable warranty period. Personnel performing warranty repair or replacement must obtain specific approval by Snorkel Service Department prior to performing any warranty repair or replacement.

Customer and Dealer shall not be entitled to the benefits of this warranty and Snorkel shall have no obligations hereunder unless the "Pre-Delivery and Inspection Report" has been properly completed and returned to the Snorkel Service Department within ten (10) days after delivery of the Snorkel product to Customer or Dealer's rental fleet. Snorkel must be notified, in writing, within ten (10) days, of any machine sold to a Customer from a Dealer's rental fleet during the warranty period.

At the direction of the Snorkel Service Department, any component part(s) of Snorkel products to be replaced or repaired under this warranty program must be returned freight prepaid to the Snorkel Service Department for inspection. All warranty replacement parts will be shipped freight prepaid (standard ground) from the Snorkel Service Department or from Snorkel's Vendor to Dealer or Customer.

REPLACEMENT PARTS WARRANTY

Any replacement or service part made or sold by Snorkel is not subject to the preceding **Limited Warranty** beyond the normal warranty period of the machine upon which the part was installed.

THIS WARRANTY EXCLUDES AND SNORKEL DOES NOT WARRANT:

1. Engines, motors, tires and batteries which are manufactured by suppliers to Snorkel, who furnish their own warranty. Snorkel will, however, to the extent permitted, pass through any such warranty protection to the Customer or Dealer
2. Any Snorkel product which has been modified or altered outside Snorkel's factory without Snorkel's written approval, if such modification or alteration, in the sole judgment of Snorkel's Engineering and/or Service Departments, adversely affects the stability, reliability or service life of the Snorkel product or any component thereof.
3. Any Snorkel product which has been subject to misuse, improper maintenance or accident. "Misuse" includes but is not limited to operation beyond the factory-rated load capacity and speeds. "Improper maintenance" includes but is not limited to failure to follow the recommendations contained in the Snorkel Operation, Maintenance, Repair Parts Manuals. Snorkel is not responsible for normal maintenance, service adjustments and replacements, including but not limited to hydraulic fluid, filters and lubrication.
4. Normal wear of any Snorkel component part(s). Normal wear of component parts may vary with the type application or type of environment in which the machine may be used; such as, but not limited to sandblasting applications.
5. Any Snorkel product that has come in direct contact with any chemical or abrasive material.
6. Incidental or consequential expenses, losses, or damages related to any part or equipment failure, including but not limited to freight cost to transport the machine to a repair facility, downtime of the machine, lost time for workers, lost orders, lost rental revenue, lost profits or increased cost.

This warranty is expressly in lieu of all other warranties, representations or liabilities of Snorkel, either expressed or implied, unless otherwise amended in writing by Snorkel's President, Vice President-Engineering, Vice President-Sales or Vice President-Marketing.

SNORKEL MAKES NO WARRANTIES WHICH EXTEND BEYOND THE DESCRIPTION OF THIS LIMITED WARRANTY. SNORKEL MAKES NO IMPLIED WARRANTY OF MERCHANTABILITY OR FITNESS FOR A PARTICULAR PURPOSE AND DISCLAIMS ALL LIABILITY FOR INCIDENTAL OR CONSEQUENTIAL DAMAGES, INCLUDING BUT NOT LIMITED TO INJURY TO PERSONS OR PROPERTY.

The Customer shall make all warranty claims through its local Authorized Dealer and should contact the Dealer from whom the Snorkel product was purchased for warranty service. Or, if unable to contact the Dealer, contact the Snorkel Service Department for further assistance.

Effective July 1995

Maintenance information

The parts drawings located in the repair parts sections, are designed for use as a guide for proper disassembly of the machine and components as well as for parts replacement. Always refer to the hydraulic system installation drawings and the electrical wiring diagram before removing or disassembling associated parts.

▲CAUTION

Do not attempt to disconnect or remove any hydraulic line before reading and understanding all text concerning the system hydraulics. In most cases, disassembly of the machine will be obvious from the illustration.

When disassembling or reassembling components, complete the procedural steps in sequence. Do not partially disassemble or assemble one part, then start on another. Always check your work to assure that nothing has been overlooked.

The following list is a gentle reminder when disassembling or assembling the machine.

- ✔ Always be conscious of weight.
- ✔ Never attempt to lift heavy objects without the aid of a mechanical device.
- ✔ Do not allow heavy objects to rest in an unstable condition.
- ✔ Always make sure work platform is in stowed position - blocked or the weight removed by a suitable lifting device before disconnecting the hydraulic hose from the motor/pump unit to the lift cylinder.
- ✔ When raising a portion of the machine, be sure that adequate blocking is properly positioned - Do not depend on lifting device to hold and secure weight.
- ✔ If a part resists removal, check to see if all fasteners, electrical wiring, hydraulic lines, etc., have been removed or that other parts are not interfering.

Parts should be thoroughly inspected before restoring to service at the time of reassembly. Burrs, nicks or scratches may be removed from machined surfaces by honing or polishing with #600 crocus cloth, followed by a thorough cleaning in an approved cleaning solvent, and blown dry with compressed air. Do not alter the contour of any part. If this operation does not restore the part to a serviceable condition, replace the part. Replace all O-rings, seals, and gaskets at reassembly. Use new roll pins or cotter pins. Dip all packing rings and seals in hydraulic oil before reassembling in cylinder and manifold installations. Replace any part having imperfect threads. In general, units that have been disassembled can be reassembled by reversing the order of disassembly.

Remember that the service life of a machine can be increased by keeping dirt and foreign materials out of the vital components. Precautions have been taken to safeguard against this; shields, covers, seals and filters are provided to keep air and oil supplies clean; however, these items must be maintained on a scheduled basis in order to function properly.

At any time air or oil lines are disconnected, clean surrounding areas as well as the opening and fittings themselves. As soon as a line or component is disconnected, cap or cover all openings to prevent the entry of dirt or foreign materials.

New parts should remain in their container until they are ready to be used.

Clearly mark or tag hydraulic lines and electrical wiring connections when disconnecting or removing them from unit. This will assure that they are correctly reinstalled.

Proper assembly is critical to the successful rebuilding of any unit. Carefully inspect any parts which are to be reused. If in doubt, replace.

“SAFETY FIRST” is a good slogan.

Replace any guards and protective devices that have been removed to carry out maintenance and repair work.

Maintenance schedules

Snorkel has established a Preventive Maintenance Schedule that includes Daily Maintenance (Operator's Inspection), 90 Day or 150 Hour (frequent) Maintenance and Yearly or 500 Hour (annual) Maintenance, to detect any defective, damaged or improperly secured parts and provide information regarding lubrication and other minor maintenance items.

The Maintenance Schedule following, outlines the requirements of these maintenance checks for each time interval. The Operator's Daily Maintenance and inspection must be performed by a trained operator. All other maintenance and inspections must be performed by a trained service technician only.

Note that the 90 Day or 150 hour (frequent) and yearly or 500 hour (annual) Maintenance, require use of the Preventive Inspection Maintenance Checklist to pinpoint all inspection items. Retain a copy of these forms for your records.

They also require that all placards and decals on the unit are to be inspected.

All placards and decals must be in place and legible. Use the placards installation drawing and parts listing in the repair parts section 1 of this manual to check these placards and decals.

Snorkel recommends that you make additional copies of the Preventive Inspection Maintenance Checklist forms for your use in performing these inspections.

▲ DANGER

Failure to perform the Preventive Maintenance at the intervals outlined in the Maintenance Schedule may result in a unit being operated with a defect that could result in INJURY or DEATH of the unit operator. Do not allow a unit to be operated that has been found to be defective.

Repair all defects before returning the unit to service.

Daily maintenance (operator's inspection)

Components	Service Required
Emergency power motor/pump	Check operation
Air filter	Check condition
Engine oil	Check oil level
Fuel leaks	Visually inspect (hoses, connections, etc.)
Fuel tank cap	Visually inspect (installation)
Engine coolant	Check fluid level
Engine fuel level	Check fuel gauge
Bolts and fasteners	Visually inspect (looseness)
Platform gate	Visually inspect (operation)
Slide pads	Visually inspect (boom wear marks)
Structural damage and welds	Visually inspect (weld cracks, dents)
Tires and wheels	Visually inspect (condition)
Battery fluid level	Check fluid level
Battery terminals	Visually inspect (corrosion)
Charging system	Visually inspect (belt, gauge)
Control switches	Visually inspect (operation)
Wiring harnesses	Visually inspect (installation, condition)
Hydraulic leaks	Visually inspect (hoses, tubes, fittings)
Hydraulic oil	Check fluid level
Placards and decals	Visually inspect (installation, condition)

Maintenance schedules

90 day or 150 hour maintenance (trained service technician)

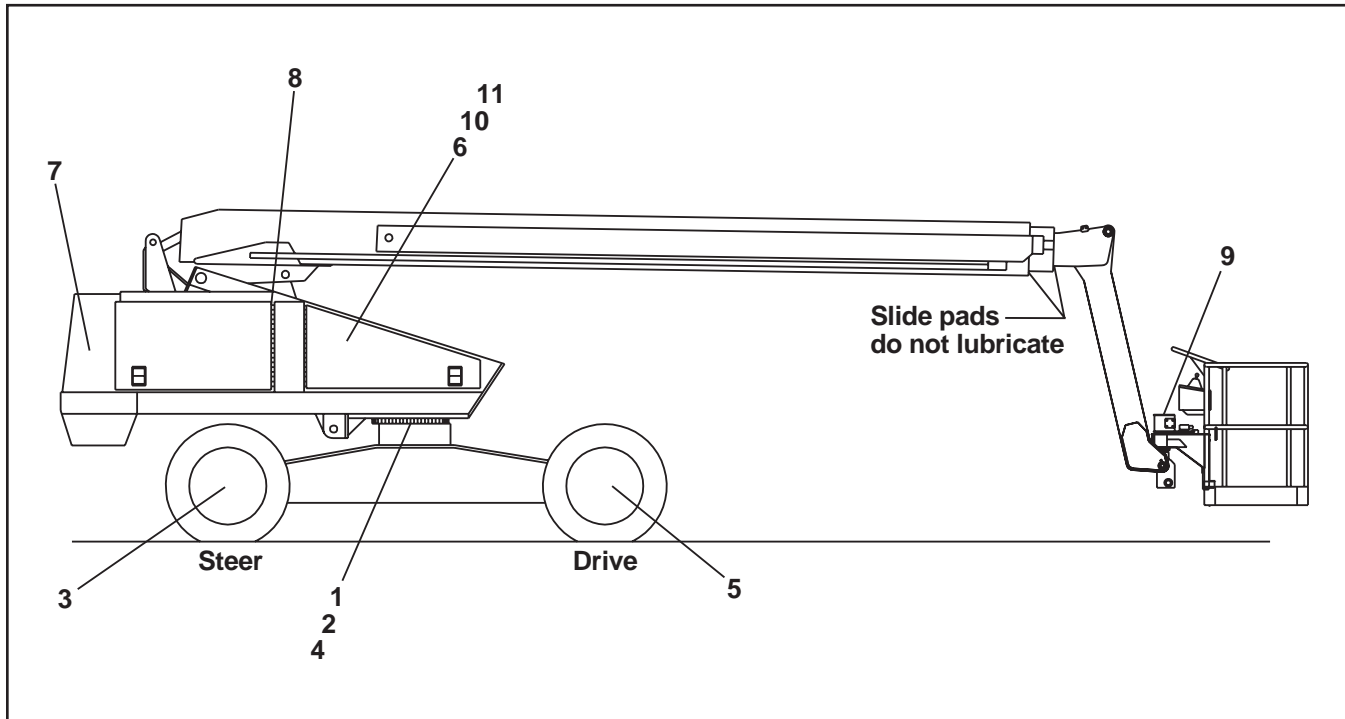
Components	Service Required	Recommended Lubricant or Further Instructions
Daily maintenance	Perform maintenance as per schedule	
Preventive inspection maintenance checklist	Perform inspection, complete form	Retain copy of checklist
Placards and decals inspection	Inspect using drawing and parts listing in section 1 (repair parts)	Replace any missing or unreadable decals/placards
Door hinges and latches	Lubricate	SAE 10W oil or spray lubricant
Rotation bearing	Lubricate	Conoco Super Sta #2 Above 32° Mobilgrease CM-P Below 32° Mobilgrease CM-L
Rotation bearing teeth & pinion	Lubricate	Mobil Mobiltac 375NC
Tie rods	Lubricate	Conoco Super Sta #2 Above 32° Mobilgrease CM-P Below 32° Mobilgrease CM-L
Gear hubs	Check fluid level, fill if low	Mobil Mobilube HD 80W-90
Swing drive	Check fluid level, fill if low	Mobil Mobilube HD 80W-90
Platform rotator	Refill if disassembled for repairs	Consult factory
Platform controller	Check smooth operation & speeds	
Batteries	Check specific gravity	1.260/1.275 at 80° F.
Hydraulic return filter	Check condition	Replace if dirty
Engine RPM	Check for proper engine RPM	See engine manufactures owner's manual
Engine oil and filter	Replace per engine owners manual	
Engine fuel filter	Check condition	Replace every 6 months or if dirty

Yearly or 500 hour maintenance (trained service technician)

Components	Service Required	Recommended Lubricant or Further Instructions
90 day or 150 hour maintenance	Perform maintenance per schedule	
Hydraulic oil reservoir	Clean and replace fluid	Above 10° Mobil DTE-13M Below 10° Mobil DTE-11M
Hydraulic return filter	Replace	After 1st. 50 hours, thereafter at recommended interval
Hydraulic reservoir suction filter	Clean and reinstall	
Hydraulic pressures	Check pressures	
Gear hubs	Replace fluid	Mobil Mobilube HD 80W-90
Swing drive	Replace fluid	Mobil Mobilube HD 80W-90
Engine coolant	Check Condition	See engine manufacturer's owner's manual
Front wheel bearings	Clean and repack	Conoco Super Sta #2 Above 32° Mobilgrease CM-P Below 32° Mobilgrease CM-L

Service information

Lubrication illustration



The illustration locates the lubrication points of the TB66J.

Lubricants

Specific lubricants as recommended by Snorkel, should be used in maintaining your unit. If in doubt regarding the use of lubricants other than those listed, contact Snorkel Customer Service Department, St. Joseph Missouri, for evaluation and recommendation.

Refer to the above lubrication illustration for location of item numbers.

Pressure gun application

Service all fittings as indicated in the Maintenance Schedule and lubrication illustration. Wipe away all excess lubricant from exposed surfaces. Over lubrication can collect dirt and foreign matter which acts as an abrasive. Lubrication of accessory equipment should be in accordance with the manufacturer's recommendations.

Rotation bearing

Rotation bearing (item 1.): Pressure gun lubricate bearing at recommended interval using lubricant as outlined in the maintenance schedule. Rotate while lubricating. Lubrication fitting is located on the front plate of the turntable.

Rotation gear teeth and pinion

Rotation gear teeth and pinion (item 2.): Gear teeth and gear box pinion should be lubricated with a spray-on type open gear lubricant.

Tie rods

Tie rods (item 3.): Lubricate at recommended interval using lubricant as outlined in the maintenance schedule.

Swing drive

Swing drive (item 4.): To check oil level, remove check plug located on the side of the gear box. Unit is full if oil is level with bottom of fill hole or just starts to run out.

Gear hubs

Gear hubs (item 5.): To check and fill Gear hubs:

1. Rotate wheel until bottom of filler/drain plug is about 1 inch above horizontal centerline.
2. Remove plug with drive ratchet and extension.
3. Fill until lubricant is level with bottom of fill hole.

Note:

Do not overfill gear hubs as they are not vented and need air space for expansion of oil to prevent damage to hubs.

Hydraulic oil reservoir

Hydraulic oil reservoir (item 6.): The fluid level should be kept between the low and full marks on the sight gauge indicator and should be checked with all cylinders fully retracted and the platform in stowed position.

The interior of the reservoir should be wiped out and cleaned each time the hydraulic oil is changed.

Service information

The reservoir filler/breather cap should be removed and the cap strainer cleaned with Kerosene, Fuel Oil, or other solvent at this time.

It is absolutely necessary that only new, clean hydraulic oil is added.

Note:

If it becomes necessary to add or use an oil other than the recommended fluid, it is important that it be compatible and equivalent to the factory fill. Local oil suppliers can generally furnish this information.

If questions still remain, contact Snorkel Customer Service Department, St. Joseph, Missouri, for further information.

Engines

Engine (item 7.): Refer to the engine manufacturer's instruction manual or consult your local engine service representative if engine adjustments or repairs are needed. The engine **MUST** be operated in accordance with manufacturer's instructions and serviced at recommended intervals.

Door hinges and latches

Door hinges and latches (item 8.): After lubricating, remove any excess oil or over spray so it will not collect dirt or debris.

Platform rotator

Platform rotator (item 9.): Platform rotators will require lubrication only if disassembled for repairs.

Consult factory for proper lubricant if replacement of platform rotator is required.

Hydraulic oil return filter

Return filter (item 10.): On TB66J models, the hydraulic oil return filter is mounted on top of the hydraulic oil reservoir.

The filter element is a throw-away type filter and should be changed after the initial break-in period (approximately 50 hours operation time).

The filter is equipped with a hydraulic pressure gauge to indicate the filter element condition. A by-pass relief within the filter base is provided and is set to by-pass at 25 PSI. If pressure readings are above 25 PSI, the filter should be changed.

The filter condition should be checked at the 90 day or 150 hour Preventive Inspection Maintenance interval or more frequently under extreme working conditions.

The filter condition indicator is accurate only when the engine is running at maximum RPM and pump is discharging maximum flow, which occurs only during full speed driving. This requires that the indicator be observed while the unit is in motion, booms fully retracted

and in stowed position, drive range switch in "LO" position, and drive controller fully forward. Oil temperature should be at least 90 degrees.

Note:

Use extreme caution while observing the condition indicator because of the motion of the drive wheels. The condition indicator is best observed from outside of the tract of the vehicle wheels to avoid possible personal injury or machine damage.

When changing the filter element, the oil inside of the filter element, should be examined for deposits of metal cuttings, which is present, could indicate excessive wear in some of the system components.

Suction strainer

Suction strainer (item 11.): A 100 mesh strainer is located within the hydraulic oil reservoir and filters the pump suction flow.

The strainer is cleanable and should be cleaned at the time interval shown in the maintenance schedule chart, using Kerosene, Fuel oil or other solvent and a soft bristled brush.

Inspect filter for damage to wire cloth. Holes in the filter cloth leak dirt into the pump and other vital hydraulic components. If element is damaged, replace.

When filter has been thoroughly cleaned, reinstall filter on suction line and tighten securely.

Batteries

Batteries (not shown): Batteries will have longer life if the water level is maintained and they are kept charged. The unit will have better starting characteristics with a fully charged battery.

In cold weather the battery should be maintained at full charge to keep from freezing. An extremely low or dead battery can freeze in cold weather. Make sure connections are clean and tight.

Make sure charging equipment is operating properly.

▲ DANGER

Lead-acid batteries produce flammable and explosive gases. Never allow smoking, flames or sparks around batteries.

Lead-acid batteries contain sulfuric acid which will damage eyes or skin on contact. When working around batteries, always wear a face shield to avoid acid in eyes.

If acid contacts eyes, flush immediately with clear water and get medical attention.

Wear rubber gloves and protective clothing to keep acid off skin, if acid contacts skin, wash off immediately with clear water.

Preventive inspection maintenance

90 day or 150 hour checklist

OK	OK - No Service Required
✓	Corrective Action Required
X	Corrected, (Record description of corrective action).





Serial Number _____

Inspection Procedures Codes
(1) Weld cracks, dents and/or rust
(2) Installation
(3) Leaks
(4) Operation
(5) Condition
(6) Tightness
(7) Residue buildup
(8) See placards and decals inspection chart

Check	OK	✓	X
Chassis			
Structural (1)			
Steering cylinder pin caps (2,6)			
Steering linkage (4)			
Tires (5)			
Hydraulic tubes and hoses (3,5)			
Decals and placards (2,8)			
Drive motor brake (4)			
Torque drive wheel lug nuts per placard on wheel (6)			
Torque steer wheel lug nuts per placard on wheel (6)			
Right drive motor (3)			
Left drive motor (3)			
Lubrication points			
Turntable			
Structural (1)			
Torque turntable top bolts @180 ft. lbs. (6)			
Torque turntable bottom bolts @180 ft. lbs. (6)			
Hydraulic tubes and hoses (3,5)			
Centerpost (3)			
Centerpost securing bolts (6)			
Lift cylinder pin caps and tie wire (2,6)			
Emergency bleed down valve (4)			
Cowling (5,6)			
Wire harness (2,5)			
Lift cylinder and holding valves (3,4)			
Decals and placards (2,8)			
Master level cylinder pin caps and tie wire (2,6)			
Master level cylinder and holding valves (3,4)			
Rotation brake (4)			
Rotation backlash (5)			
Correct operators manual in document holder			
System pressure			
Lubrication points			
Lower control station			
Station selector switch - ground controls platform controls DO NOT work (4)			
Station selector switch - platform controls ground controls DO NOT work (4)			
Ground control switches (4)			
Turntable rotation (4)			
Boom UP - DOWN (4)			
Boom extension IN - OUT (4)			
Platform leveling UP - DOWN (4)			
Emergency power, all functions (4)			
Emergency shutdown control (4)			
Platform rotation (4)			

Check	OK	✓	X
Booms			
Structural (1)			
Lift cylinder pin caps and tie wire (2,6)			
Hydraulic hoses and tubes (3,5)			
Extension cylinder and holding valve (3,4)			
Hose carrier tube (7)			
Hose carrier support (7)			
Plastic hose track (5)			
Electrical wires (5)			
Extend/retract wire ropes (2,5,6)			
Decals and placards (2,8)			
Platform			
Structural (1)			
Decals and placards (2,8)			
Gravity gate (4)			
Hydraulic hoses and tubes (3,5)			
Slave level cylinder pin caps and tie wire (2,6)			
Slave level cylinder and holding valve (3,4)			
Platform mounting bolts (2,6)			
Upper control station			
Foot switch, unit will not start when engaged (4)			
Foot switch, functions operate when engaged (4)			
Engine START-STOP (4)			
Electric throttle, if equipped (4)			
Turntable rotation (4)			
Boom UP - DOWN (4)			
Boom extension IN-OUT (4)			
Platform leveling UP-DOWN (4)			
Platform rotation (4)			
Drive speed HIGH-LOW (4)			
Drive range HIGH-LOW (4)			
Emergency power, all functions (4)			
Emergency shutdown control (4)			
Gradual start to stop, lift/swing/drive controls (4)			
Speed limit switch (4)			
5° tilt alarm (4)			
110 volt AC power to platform (2,4)			
Hydraulic reservoir			
Filler/breather cap and tank (6)			
Hydraulic fluid level (5)			
Hydraulic filter (3,4)			
Engine			
Charging system (4)			
Air filter (5)			
Hour meter (4)			
Belts and hoses (5)			
Hydraulic pump (4)			
Engine oil (2,5)			
Battery terminals (6,7)			
Battery electrolyte level (5)			
Indicator gauges (4,5)			
Engine START-STOP (4)			
Electric throttle (4)			
Electric choke, if equipped (4)			
Engine governor setting (4)			
Coolant level (5)			

Capscrew torque chart

GRADE BOLT	SAE GRADE 1 OR 2	SAE GRADE 5	SAE GRADE 6	SAE GRADE 8
MARKING				
DEFINITION	INDETERMINATE QUALITY	MINIMUM COMMERCIAL QUALITY	MEDIUM COMMERCIAL QUALITY	BEST COMMERCIAL QUALITY
MATERIAL	LOW CARBON STEEL	MEDIUM CARBON STEEL TEMPERED	MEDIUM CARBON STEEL Q & T	MED. CARBON ALLOY STEEL Q & T
MIN. TENSILE STRENGTH	64,000 P.S.I.	105,000 P.S.I.	133,000 P.S.I.	150,000 P.S.I.
BOLT SIZE	RECOMMENDED TORQUE VALUES (FT - LBS)			
1/4	5	7	10	10.5
5/16	9	14	19	22
3/8	15	25	34	37
7/16	24	40	55	60
1/2	37	60	85	92
9/16	53	88	120	132
5/8	74	120	167	180
3/4	120	200	280	296
7/8	190	302	440	473
1	282	466	660	714

The following rules apply to the chart

1. Consult manufacturers' specific recommendations when available.
2. The chart may be used with both course and fine thread fasteners lightly lubricated.
3. Increase torque by 20% when multiple tapered tooth (shake proof) lock washers are used.
4. The torque values are given in foot-pounds.
5. Inch pound equivalent may be obtained by multiplying by 12.

F

E

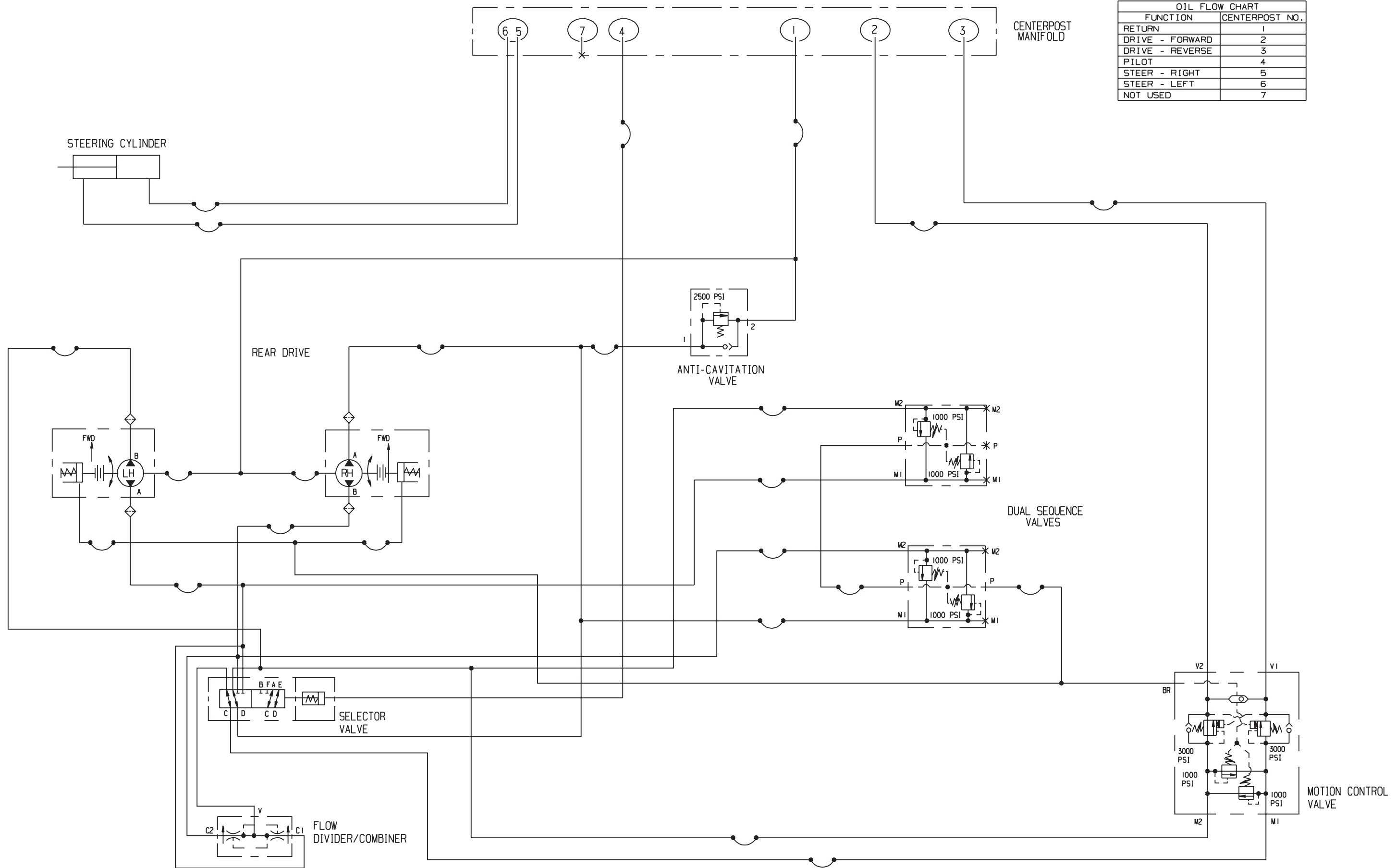
D

C

B

A

OIL FLOW CHART	
FUNCTION	CENTERPOST NO.
RETURN	1
DRIVE - FORWARD	2
DRIVE - REVERSE	3
PILOT	4
STEER - RIGHT	5
STEER - LEFT	6
NOT USED	7



STEERING CYLINDER

CENTERPOST MANIFOLD

REAR DRIVE

2500 PSI
ANTI-CAVITATION VALVE

DUAL SEQUENCE VALVES

SELECTOR VALVE

FLOW DIVIDER/COMBINER

MOTION CONTROL VALVE

TITLE Hydraulic schematic
chassis 4 x 2
Snorkel model TB66J



1 2 3 4 5 6 7 8 9

F

E

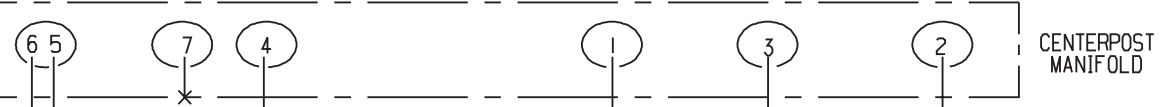
D

C

B

A

STEERING CYLINDER



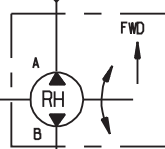
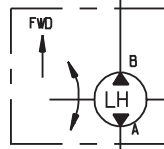
CENTERPOST MANIFOLD

OIL FLOW CHART	
FUNCTION	CENTERPOST NO.
RETURN	1
DRIVE - FORWARD	2
DRIVE - REVERSE	3
PILOT	4
STEER - RIGHT	5
STEER - LEFT	6
NOT USED	7

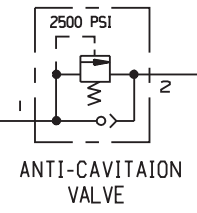
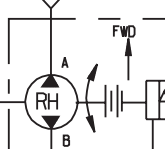
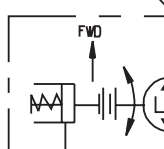
FWD REV

FRONT MOTORS

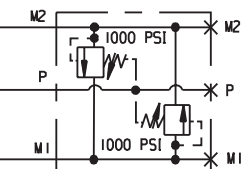
REV FWD



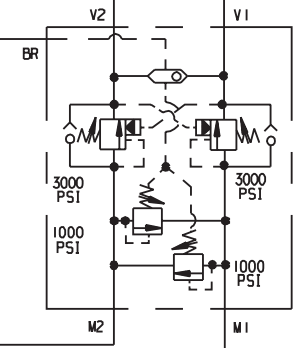
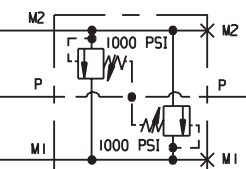
REAR MOTORS



ANTI-CAVITAION VALVE



DUAL SEQUENCE VALVES

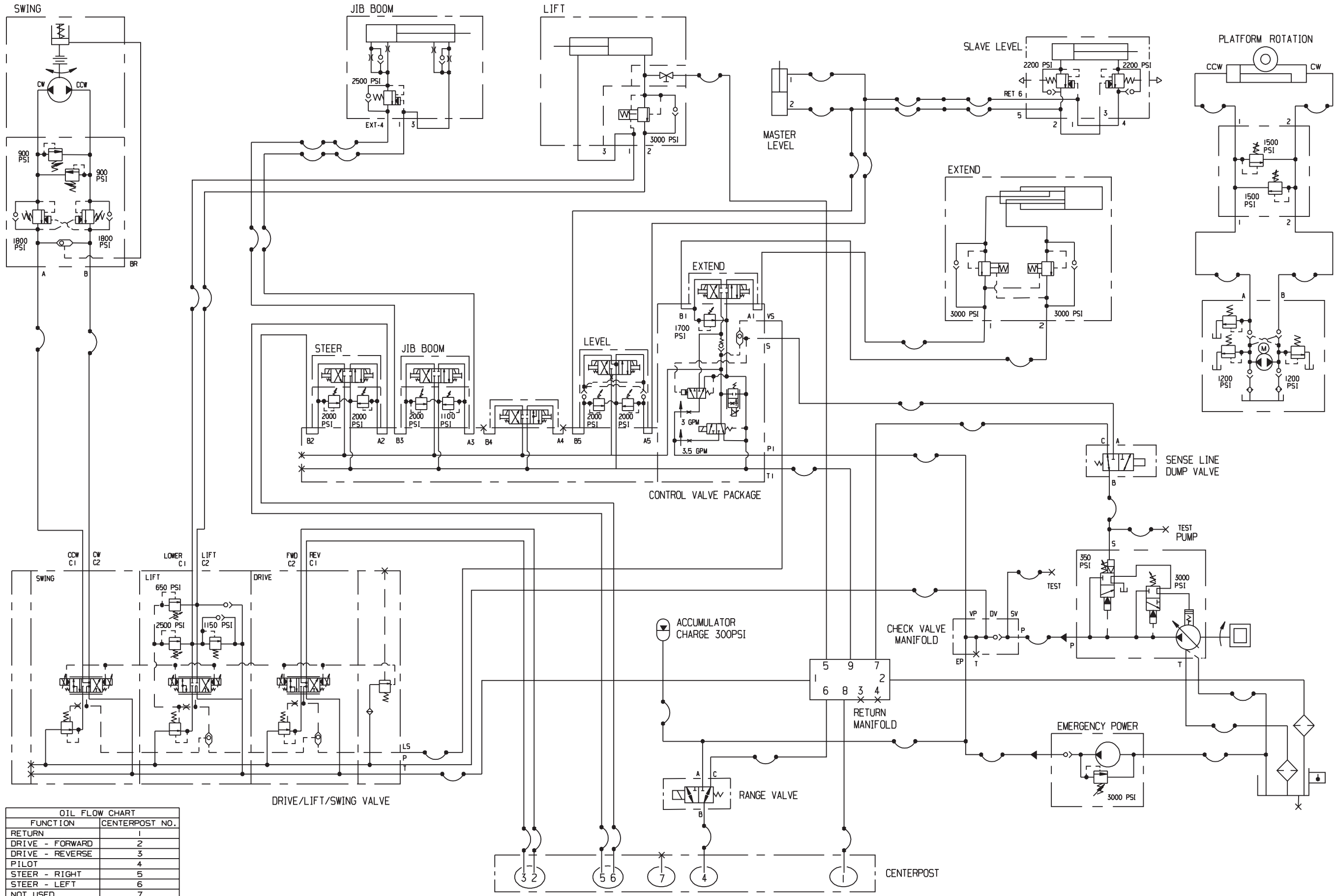


MOTION CONTROL VALVE



TITLE Hydraulic schematic
chassis 4 x 4
Snorkel model TB66J

1 2 3 4 5 6 7 8 9



OIL FLOW CHART

FUNCTION	CENTERPOST NO.
RETURN	1
DRIVE - FORWARD	2
DRIVE - REVERSE	3
PILOT	4
STEER - RIGHT	5
STEER - LEFT	6
NOT USED	7

F

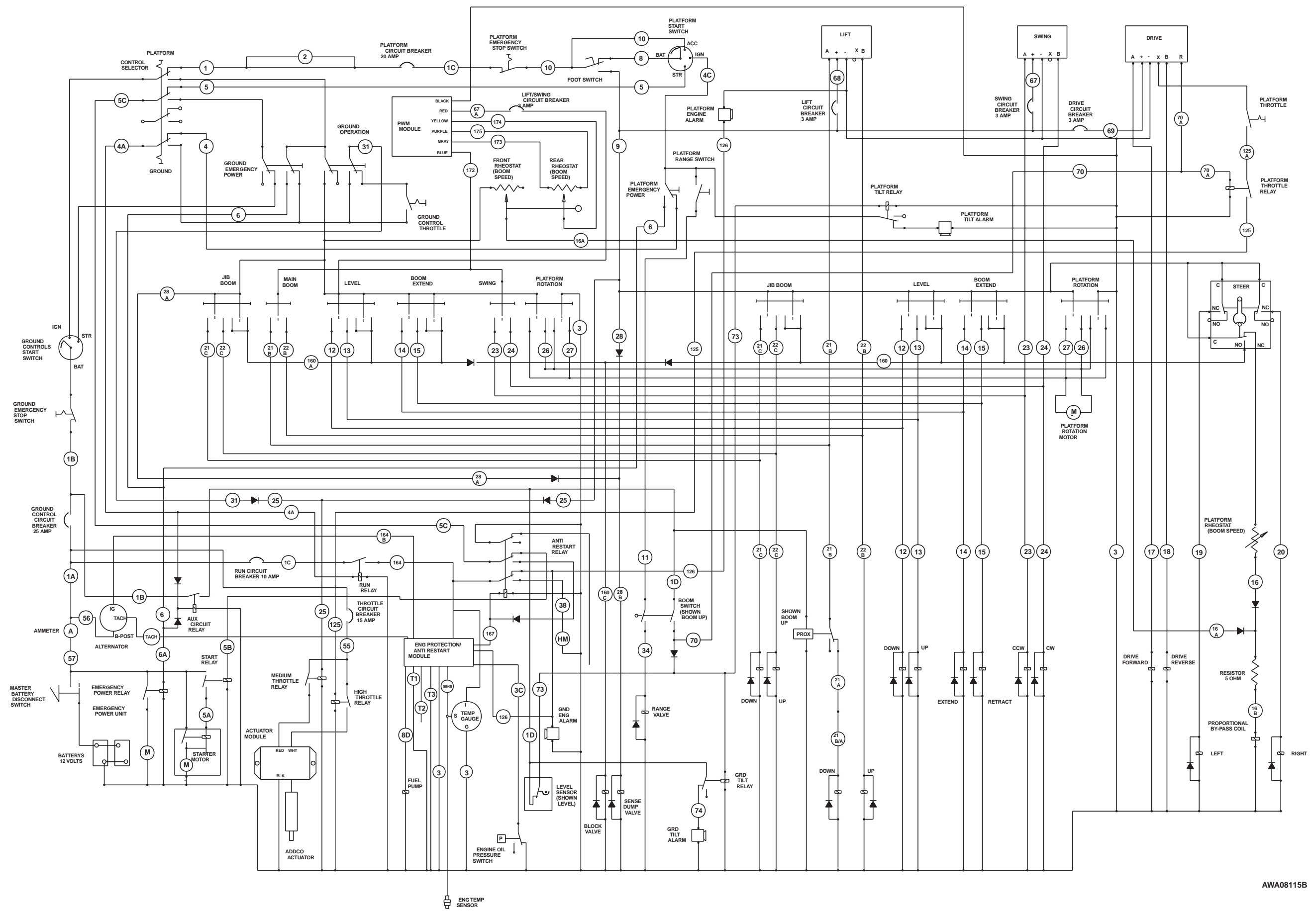
E

D

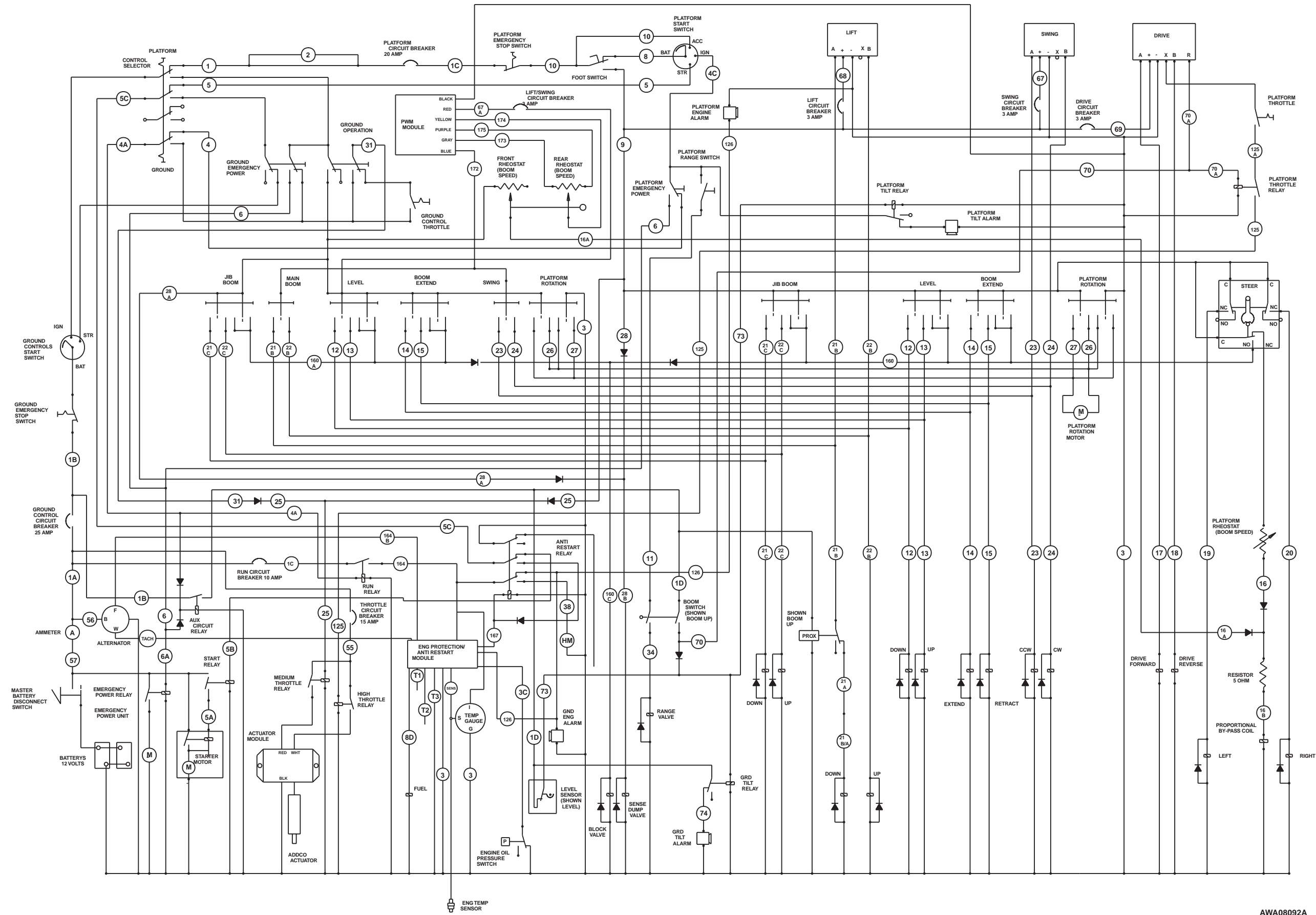
C

B

A

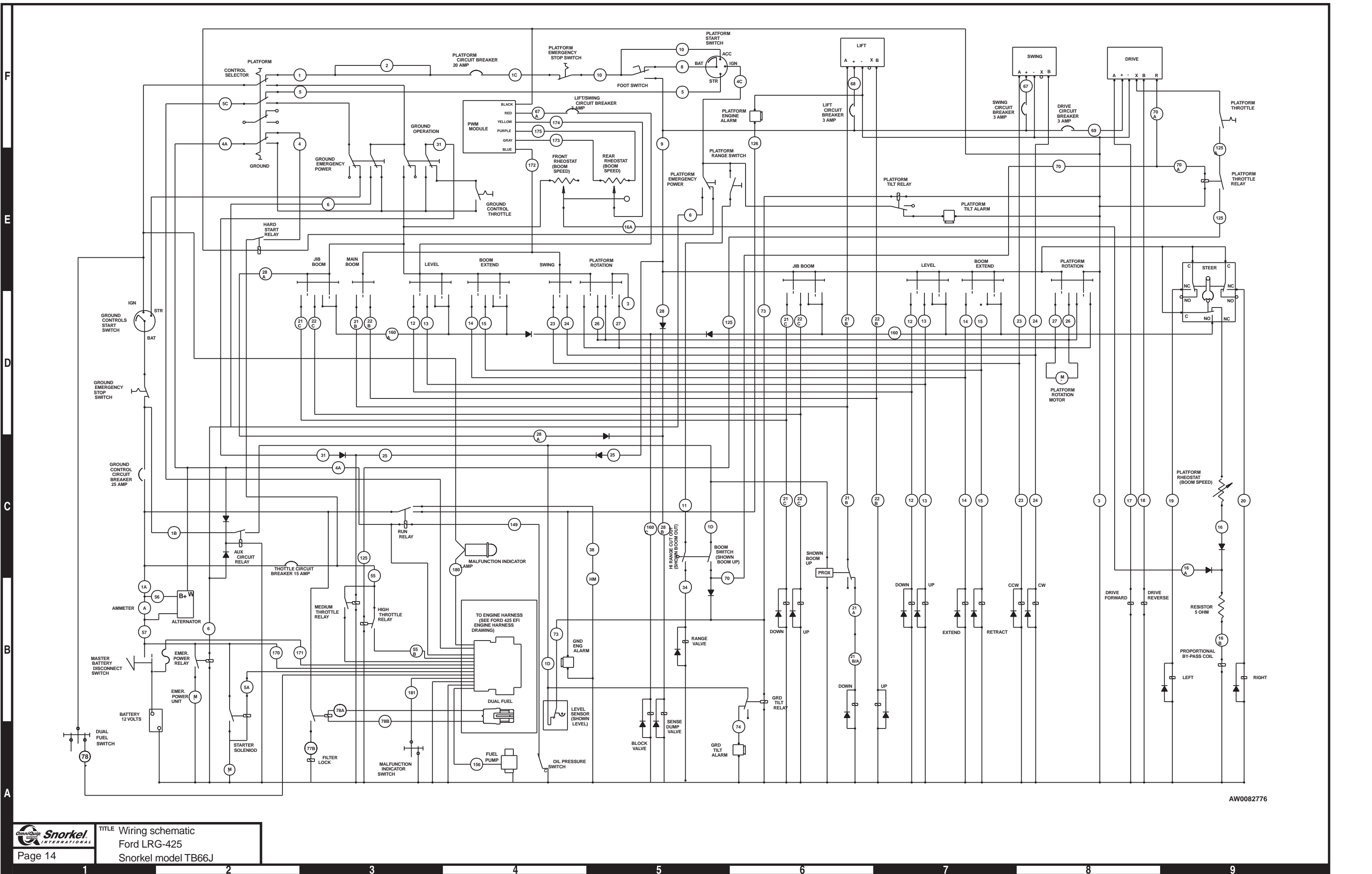


AWA08115B



AWA08092A





AW0082776

Local Distributor:

Lokaler Vertiebshändler:

Distributeur local:

El Distribuidor local:

Il Distributore locale:

USA

TEL: +1 (559) 443 6600
FAX: +1 (559) 268 2433

UpRight
POWERED ACCESS

www.upright.com

Europe

TEL: +44 (0) 845 1550 058
FAX: +44 (0) 195 2299 948

PN-