

Parts Manual

X-Series

Serial Numbers 20000 - Current

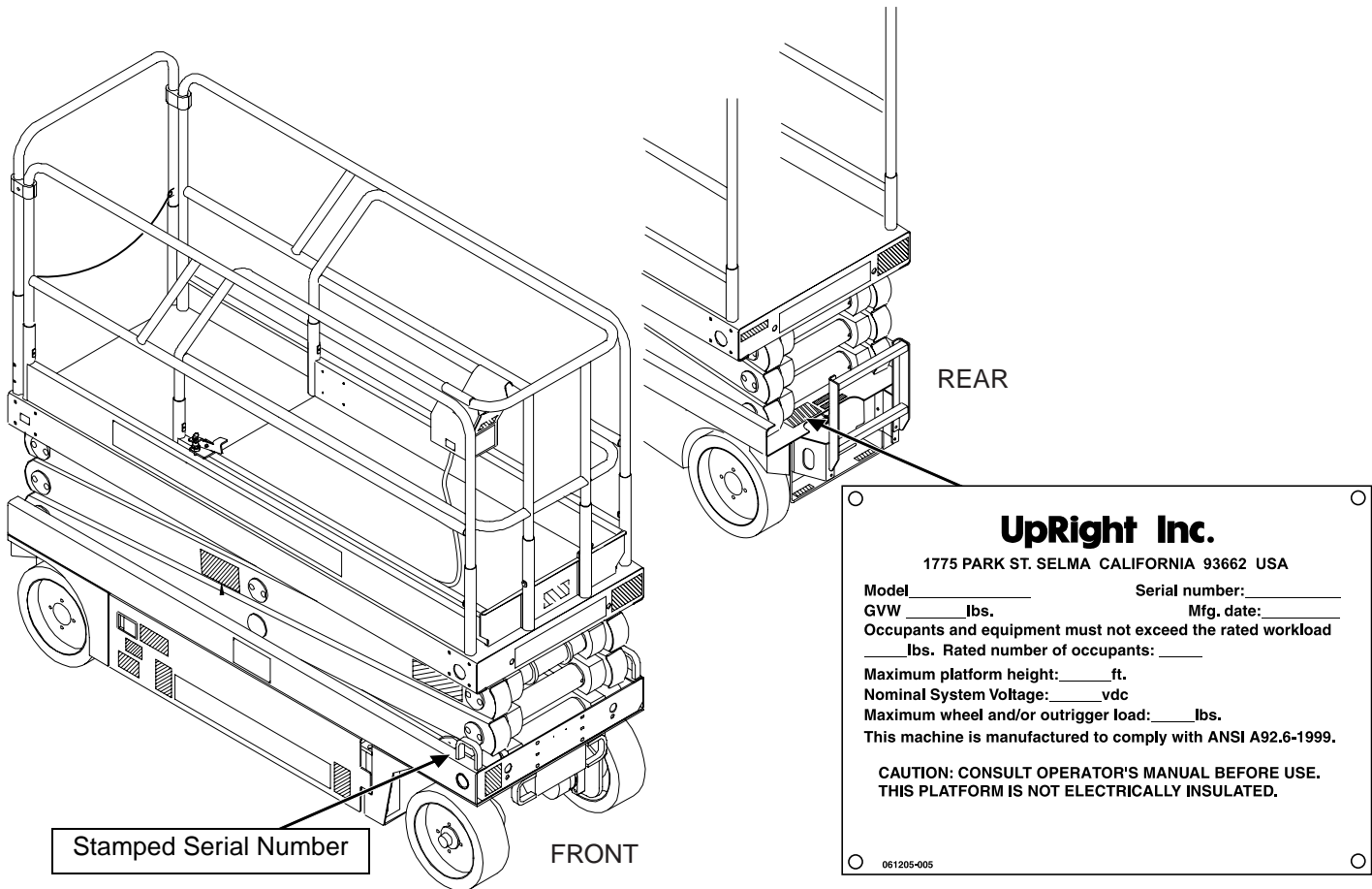
Publication Number: 114112-000

UpRight

X-Series

Serial Number 20000 – Current

When contacting UpRight for service or parts information, be sure to include the MODEL and SERIAL NUMBERS from the equipment nameplate. Should the nameplate be missing, the SERIAL NUMBER is also stamped on top of the chassis above the front axle pivot.



UpRight, Inc.

801 South Pine Street
Madera, California 93637

TEL: 559-662-3900

FAX: 559-673-6184

PARTS: 1-888-UR-PARTS

PARTS FAX: 1-800-669-9884

UpRight

Call Toll Free in U.S.A.

1-800-926-LIFT

UpRight

Unit S1, Park West Industrial Park

Friel Avenue

Nangor Road

Dublin 12, Ireland

TEL: +353 1 620 9300

FAX: +353 1 620 9301

PARTS MANUAL

This document lists and illustrates the replaceable assemblies and parts of this product, as manufactured by UpRight, Inc. Each parts list contains the component parts for that assembly.

TABLE OF CONTENTS

Final Assembly – X20N 114000-000	2	Series Parallel Manifold – X20W, X26N, X26UN & X31N 114059-000	62
Final Assembly – X20W 114010-000	7	Emergency Lowering Installation – X31N 066630-000	63
Final Assembly – X26N 114020-000	12	Lift Cylinder Assembly • X20W, X26N & X26UN Cylinder • X31N Lower Cylinder	65
Final Assembly – X26UN 114030-000	17	Lift Cylinder Assembly • X20N Cylinder • X31N Upper Cylinder	65
Final Assembly – X31N 114040-000	22	Steering Cylinder – X20N & X26UN 066602-000	66
Basic Assembly – X20N 114001-000	27	Steering Cylinder – X20W, X26N & X31N 066793-000	66
Basic Assembly – X20W 114011-000	28	Depression Mechanism Cylinder Assembly 066803-001	67
Basic Assembly – X26N 114021-000	29	Hydraulic Reservoir 066780-021	68
Basic Assembly – X26UN 114031-000	30	Hose Kit - X20N 114006-000	69
Basic Assembly – X31N 114041-000	31	Hose Kit - X20W & X26N 114016-000	70
Chassis Assembly – X20N 114002-000	32	Hose Kit - X26UN 066061-026	71
Chassis Assembly – X20W & X26N 114012-000	34	Hose Kit - X31N 114046-000	72
Chassis Assembly – X26UN 066052-026	36	Control Handle 065512-000	73
Chassis Assembly – X31N 114042-000	38	Platform Controls – X20N 066013-018	74
Hydraulic Motor Assembly 114055-000	40	Platform Controls – X20W, X26N, X26UN & X31N 066013-020	76
Scissor Assembly – X20N 066003-000	42	Horn Option 066614-020	78
Scissor Assembly – X20W 066053-000	43	Chassis Control Box Assembly 066014-020	79
Scissor Assembly – X26N 066103-000	44	Level Sensor 029945-030	80
Scissor Assembly – X26UN 066103-026	46	Power to Platform 066610-010	81
Scissor Assembly – X31N 066853-000	48	Flashing Amber Light Option 066611-030	82
Guardrail Assembly – X20N & X26UN 066005-026	50	Air to Platform Option 066629-000	83
Guardrail Assembly – X20W & X26N 066055-015	51	Hour Meter/Low Voltage Indicator Option 066613-020	84
Guardrail Assembly – X31N 066855-002	52	Generator Option 066615-000	85
Deck Extension Assembly – X20N & X26UN 066006-026	53	Removable Controller Option 061898-001	86
Deck Extension Assembly – X20W & X26N 066056-010	54	Label Kit – X20N 114005-000	88
Deck Extension Assembly – X31N 066856-001	55	Label Kit – X20W 114015-000	90
Deck Lock Assembly 067185-000	56	Label Kit – X26N 114025-000	92
Power Module 066009-026	57	Label Kit – X26UN 114035-000	94
Control Module 066008-026	58	Label Kit – X31N 114045-000	96
Hydraulic Manifold 101120-121	60		

Final Assembly – X20N

114000-000

ITEM	PART	DESCRIPTION	QTY	ITEM	PART	DESCRIPTION	QTY
1	114001-000	BASIC ASSY	1	51	011240-004	WASHER 1/4 STD FLAT	11
2	066008-026	CONTROL MODULE	1	52	011248-004	NUT HEX ESNA 1/4-20UNC	10
3	069199-001	CHARGER	1	53	011254-008	SCREW HHC 3/8-16 X 1	4
4	067193-001	PROXIMITY SWITCH	1	54	011240-006	WASHER 3/8 STD FLAT	4
7	066013-018	CONTROLLER ASSEMBLY	1	56	066179-000	VALVE DELTA	1
9	015796-000	BATTERY 6 V	4	57	065754-001	CABLE	1
-	015796-001	BATTERY 6V, DRY	REF	58	011252-006	SCREW HHC 1/4-20 UNC X 3/4	11
10	066006-026	EXTENSION DECK	1	59	063664-008	ORIFICE HYDRAFORCE #7051070	1
11	066005-026	PLATFORM/GUARDRAIL ASSY	1	62	011941-005	FITTING STR 6MB-6MJ	2
13	066009-026	POWER MODULE	1	64	114063-000	E-DOWN & POWER TO PLATFORM BRKT	1
14	114006-000	HYDRAULIC HOSE KIT / INST.	1	65	029961-000	INLET PLUG	1
15	065615-023	HYDRAULIC SCHEMATIC	REF	66	029961-001	SEAL, INLET PLUG	1
16	065616-024	ELECTRICAL SCHEMATIC	REF	67	011715-004	SCREW RD HD #6-32 x 1/2	2
17	110030-000	SPECIFICATION SHEET	REF	68	011248-047	NUT ESNA #6-32	2
18	114005-000	LABEL KIT / INSTALLATION	1	69	011239-012	WASHER FLAT ASTM A326 3/4 DIA	2
19	066012-020	CONTROL CABLE ASSY	1	70	067336-000	PLUG ASSY MALE	1
20	065943-102	WIRE HARNESS ASSY J3	1	71	011253-008	SCREW HHC GR5 5/16-18 x 1	2
22	066610-010	POWER TO PLATFORM	1	72	011248-005	NUT HEX ESNA 5/16	2
23	101182-007	CABLE ASSY W/ CONNECTOR	1	73	011240-005	WASHER FLAT 5/16	4
24	101182-008	CABLE ASSY W/ CONNECTOR	1	75	066713-002	WELDMENT, DOOR HINGE	1
25	064195-008	CABLE ASSY X 8	3	76	066762-000	SHIM 20GA	A/R
26	062125-005	CABLE ASSY X 14	1	77	066763-000	SHIM 16GA	A/R
27	064195-040	CABLE ASSY X 40	1	78	066764-000	SHIM 12GA	A/R
28	062125-011	CABLE ASSY X 9	1	79	011250-012	NUT 3/4-10 HEX	6
29	064195-005	CABLE ASSY X 5	1	80	014099-020	SCREW HHC GR5 PLTD 3/4-10 X 2 1/2	6
30	010154-001	COVER BATTERY TERMINAL	10	81	011240-012	WASHER 3/4 FLAT	6
31	029601-039	CONN RING 5/16 10-12	2	82	066713-001	WELDMENT, DOOR HINGE	1
32	014252-004	NUTSERT 1/4-20 UNC	2	83	013283-002	CABLE MOUNT	8
33	011252-010	SCREW HHC 1/4-20 UNC X 1 1/4	2	84	060540-001	DOCUMENTATION KIT	1
34	063497-025	PLUG BYPASS WIRE ASSY	1	85	114111-000	SERVICE MANUAL	1
36	065746-002	CONTROLLER GUIDE-WIDE	1	86	114110-000	OPERATOR MANUAL	1
38	065942-102	CABLE ASSY VALVE BLOCK	1	87	114112-000	PARTS MANUAL	1
39	066014-020	LOWER CONTROL ASSY	1	88	060577-004	ANSI MANUAL	1
40	066768-000	TILT ALARM COVER WELDMENT	1	90	010076-000	MANUAL CASE	1
41	029945-030	LEVEL SENSOR WIRE ASSY	1	91	115024-000	PAINT KIT	1
44	029601-021	CONN RING 3/8 10-12	2	92	115029-000	WELDMENT KIT - CHASSIS	1
45	067340-101	WIRE ASSY LOWER CONTROLS	1	93	115030-000	WELDMENT KIT - LINKAGE	1
48	065369-099	HOSE GUARD	4	94	115031-000	WELDMENT KIT - PLATFORM	1
50	011238-004	WASHER, SPLIT LOCK 1/4"	4				

NOTE :

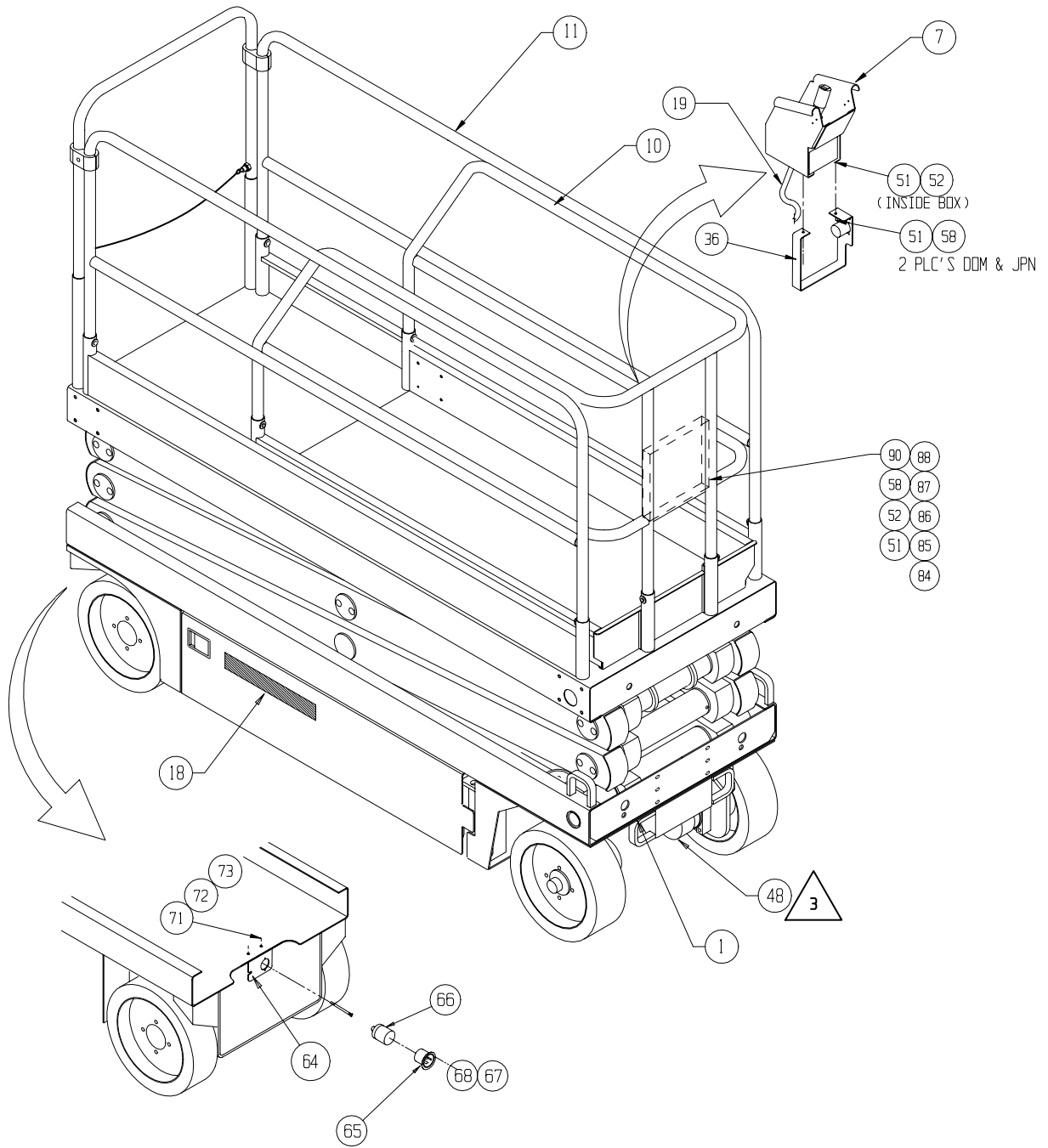


ADJUST HINGE BY USING A 5/8-11 SET SCREW TO LEVEL TOP OF MODULE TO UNDERSIDE OF CHASSIS WHILE MAINTAINING A 1/8" TO 3/16" GAP AND INSERTING THE PROPER SHIM BETWEEN THE HINGE AND BULKHEAD.

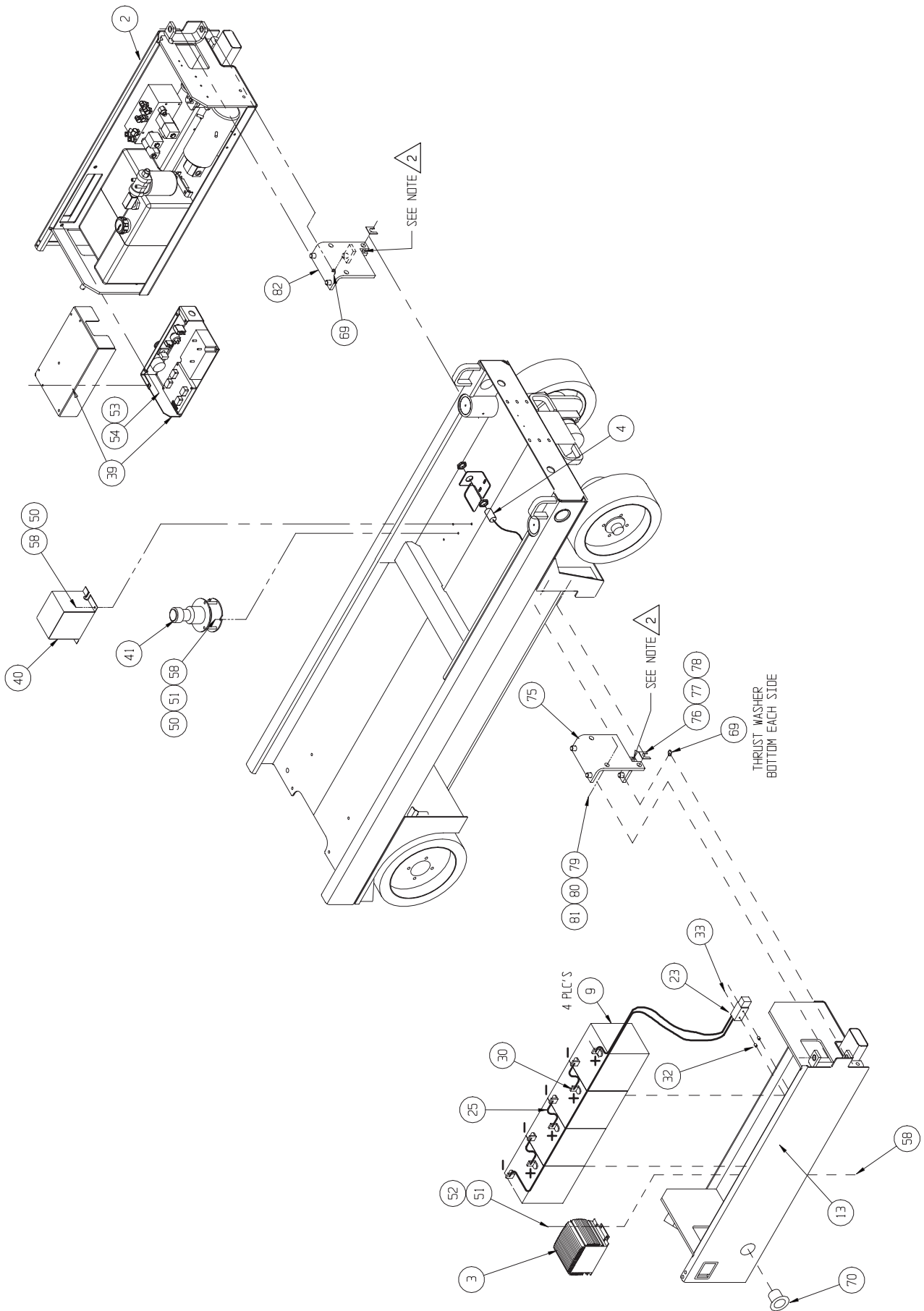


INSURE SLACK IN MOTOR HOSES AT FULL STEERING MOTION.

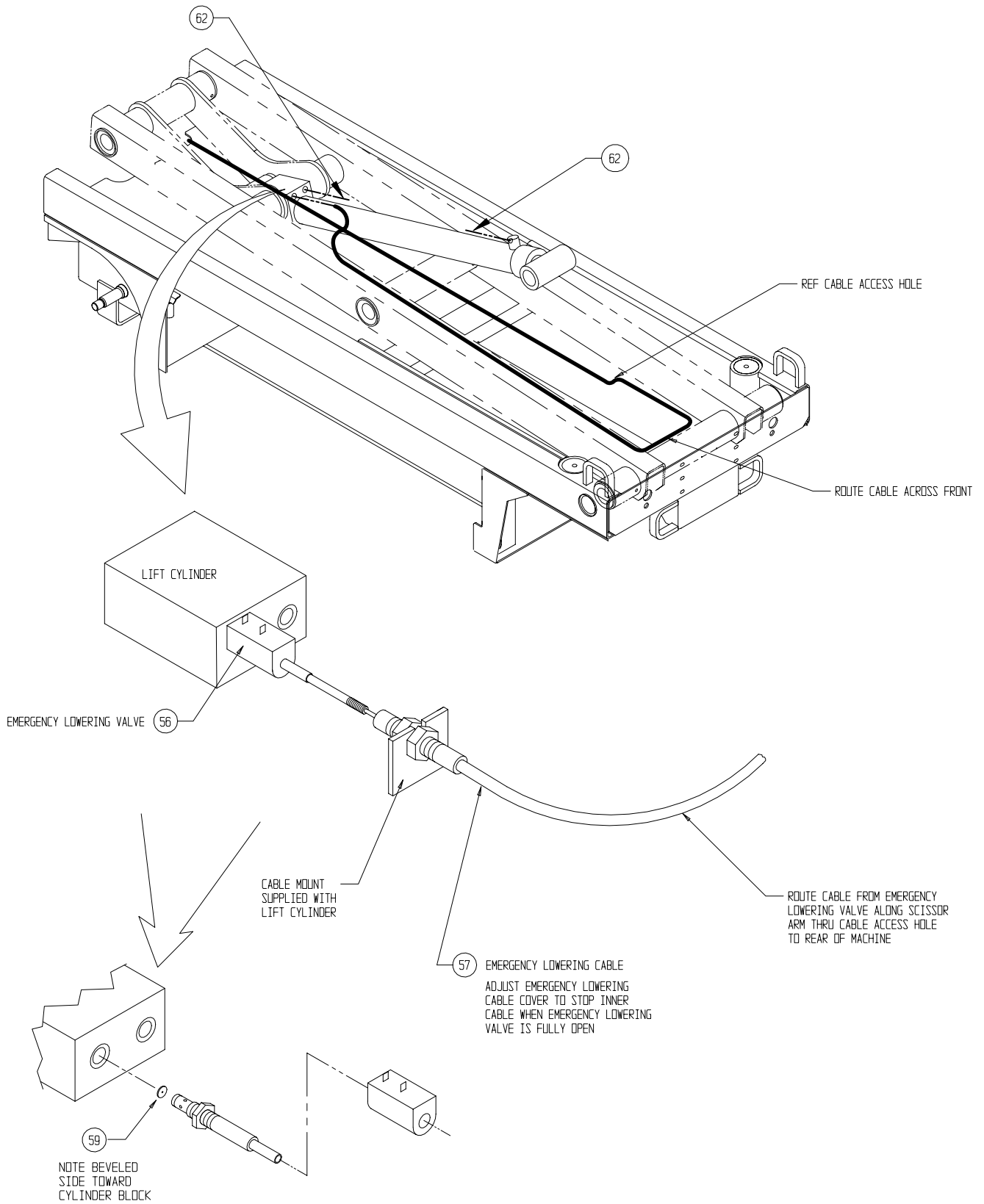
Drawing 1 of 4



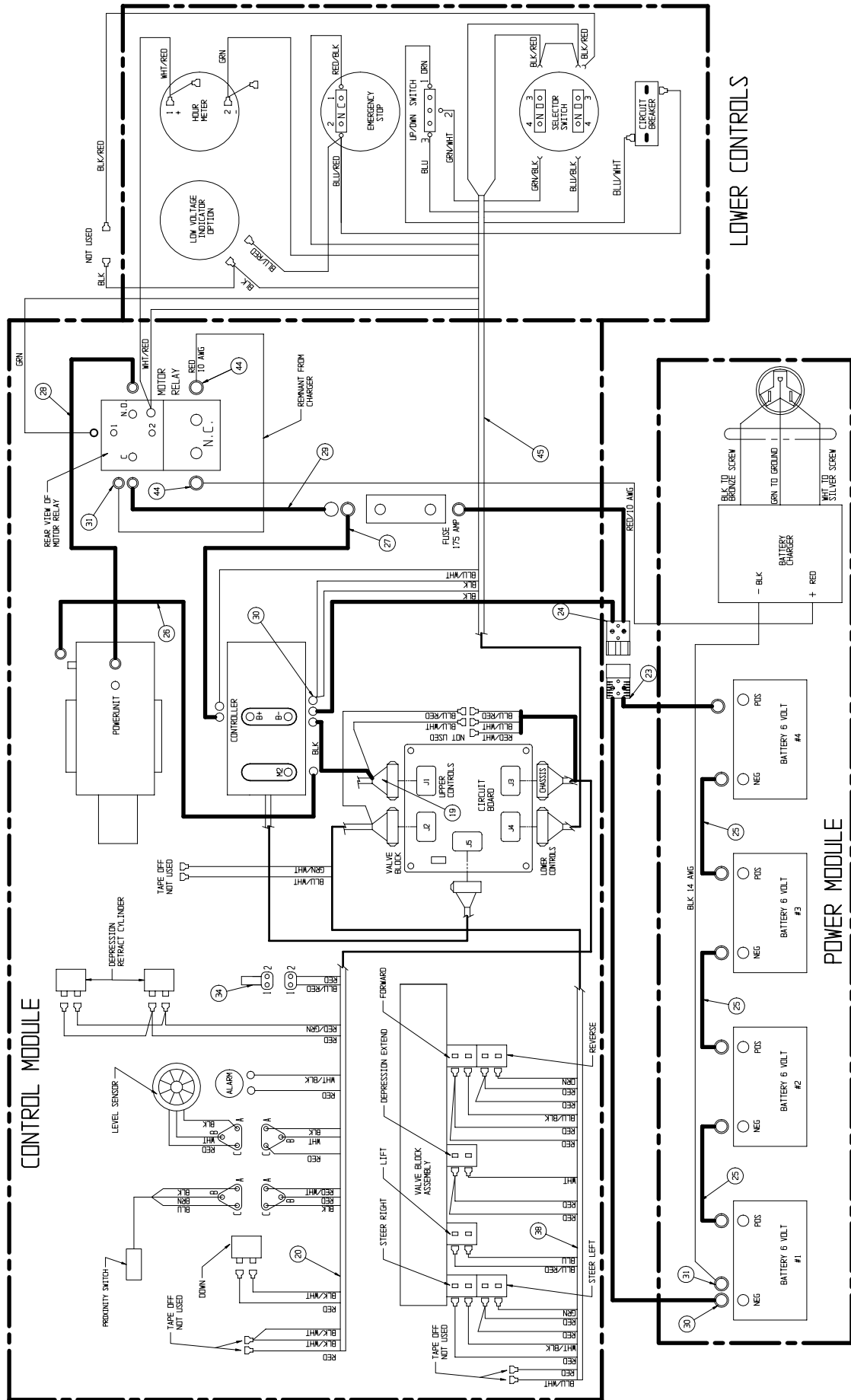
Drawing 2 of 4



Drawing 3 of 4



Drawing 4 of 4



Final Assembly – X20W

114010-000

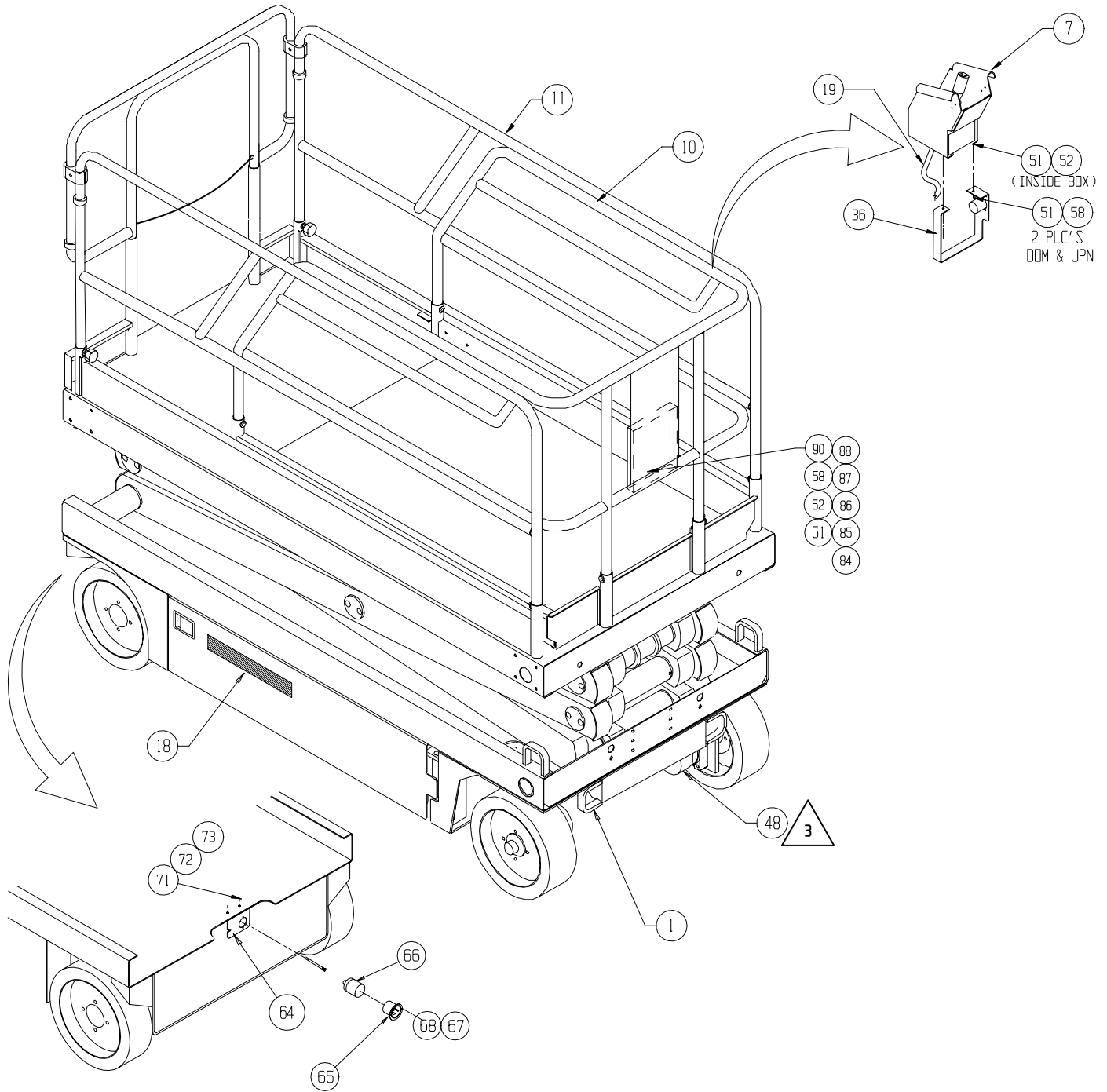
ITEM	PART	DESCRIPTION	QTY	ITEM	PART	DESCRIPTION	QTY
1	114011-000	BASIC ASSY	1	48	065369-099	HOSE GUARD	4
2	066008-026	CONTROL MODULE	1	50	011238-004	LOCKWASHER - 1/4" SPLIT RING	4
3	069199-001	CHARGER	1	51	011240-004	WASHER 1/4 STD FLAT	11
4	067193-001	PROXIMITY SWITCH ASSY	1	52	011248-004	NUT HEX ESNA 1/4-20UNC	10
7	066013-020	CONTROLLER ASSEMBLY	1	53	011254-008	SCREW HHC 3/8-16 X 1	4
9	015796-000	BATTERY 6 V	4	54	011240-006	WASHER 3/8 STD FLAT	4
-	015796-001	BATTERY 6V, DRY	REF	56	066179-000	VALVE DELTA	1
10	066056-010	EXTENSION DECK	1	57	065754-001	CABLE	1
11	066055-015	PLATFORM/GUARDRAIL ASSY	1	58	011252-006	SCREW, 1/4-20 UNC X 3/4	11
13	066009-026	POWER MODULE	1	59	063664-008	ORIFICE HYDRAFORCE #7051070	1
14	114016-000	HYDRAULIC HOSE KIT / INST.	1	62	011941-005	FITTING STR 6MB-6MJ	2
15	066781-020	HYDRAULIC SCHEMATIC	REF	63	066047-002	CABLE ASSY SER/PAR	1
16	066769-020	ELECTRICAL SCHEMATIC	REF	64	114063-000	E-DOWN & POWER TO PLATFORM BRKT	1
17	110030-000	SPECIFICATION SHEET	REF	69	011239-012	WASHER FLAT ASTM A325 3/4 DIA	2
18	114015-000	LABEL KIT / INSTALLATION	1	70	067336-000	PLUG ASSY MALE	1
19	066012-021	CONTROL CABLE ASSY	1	71	011253-008	SCREW HHC GR5 5/16-18 x 1	2
20	065943-102	WIRE HARNESS ASSY J3	1	72	011248-005	NUT HEX ESNA 5/16-18	2
22	066610-010	POWER TO PLATFORM	1	73	011240-005	WASHER FLAT 5/16	4
23	101182-007	CABLE ASSY W/ CONNECTOR	1	75	066713-002	WELDMENT, DOOR HINGE	1
24	101182-008	CABLE ASSY W/ CONNECTOR	1	76	066762-000	SHIM 20GA	A/R
25	064195-008	CABLE ASSY X 8	3	77	066763-000	SHIM 16GA	A/R
26	062125-005	CABLE ASSY X 14	1	78	066764-000	SHIM 12GA	A/R
27	064195-040	CABLE ASSY X 40	1	79	011250-012	NUT 3/4-10 HEX	6
28	062125-011	CABLE ASSY X 9	1	80	014099-020	SCREW HHC GR5 PLTD 3/4-10 X 2 1/2	6
29	064195-005	CABLE ASSY X 5	1	81	011240-012	WASHER 3/4 FLAT	6
30	010154-001	COVER BATTERY TERMINAL	10	82	066713-001	WELDMENT, DOOR HINGE	1
31	029601-039	CONN RING 5/16 10-12	2	83	013283-002	CABLE MOUNT	8
32	014252-004	NUTSERT 1/4-20	2	84	060540-001	DOCUMENTATION KIT	1
33	011252-010	SCREW HHC 1/4-20 X 1 1/4	2	85	114111-000	SERVICE MANUAL	1
34	063497-025	PLUG BYPASS WIRE ASSY	1	86	114110-000	OPERATOR MANUAL	1
36	065746-002	CONTROLLER GUIDE-WIDE	1	87	114112-000	PARTS MANUAL	1
38	065942-102	CABLE ASSY VALVE BLOCK	1	88	060577-004	ANSI MANUAL	1
39	066014-020	LOWER CONTROL ASSY	1	90	010076-000	MANUAL CASE	1
40	066768-000	TILT ALARM COVER WELDMENT	1	91	115025-000	PAINT KIT	1
41	029945-030	LEVEL SENSOR WIRE ASSY	1	92	115029-001	WELDMENT KIT - CHASSIS	1
44	029601-021	CONN RING 3/8 10-12	2	93	115030-001	WELDMENT KIT - LINKAGE	1
45	067340-101	WIRE ASSY LOWER CONTROLS	1	94	115031-001	WELDMENT KIT - PLATFORM	1
47	029620-002	CONNECTOR - BUTT	1				

NOTE :

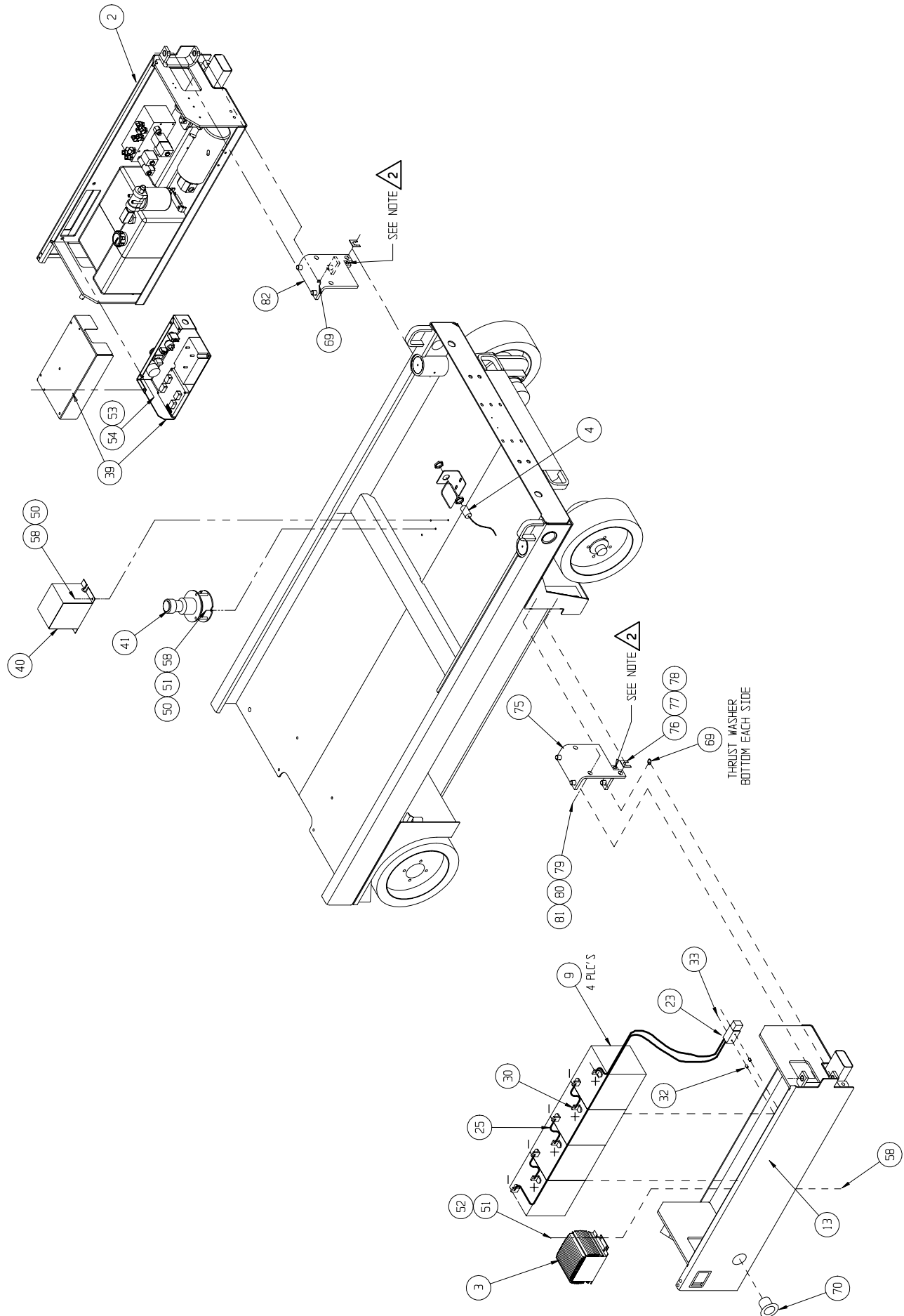
2. ADJUST HINGE BY USING A 5/8-11 SET SCREW TO LEVEL TOP OF MODULE TO UNDERSIDE OF CHASSIS WHILE MAINTAINING A 1/8" TO 3/16" GAP AND INSERTING THE PROPER SHIM BETWEEN THE HINGE AND BULKHEAD.

3. INSURE SLACK IN MOTOR HOSES AT FULL STEERING MOTION.

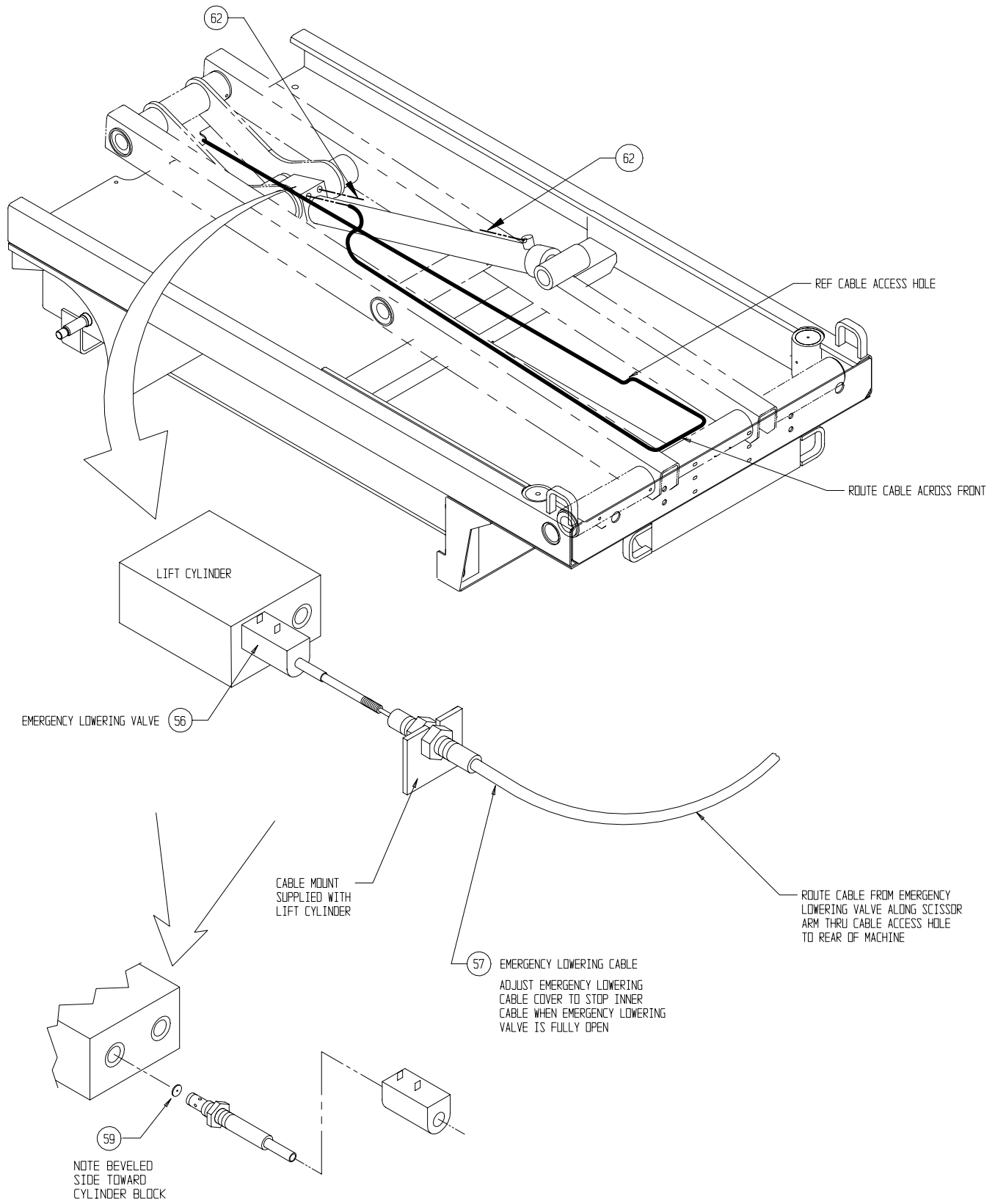
Drawing 1 of 4



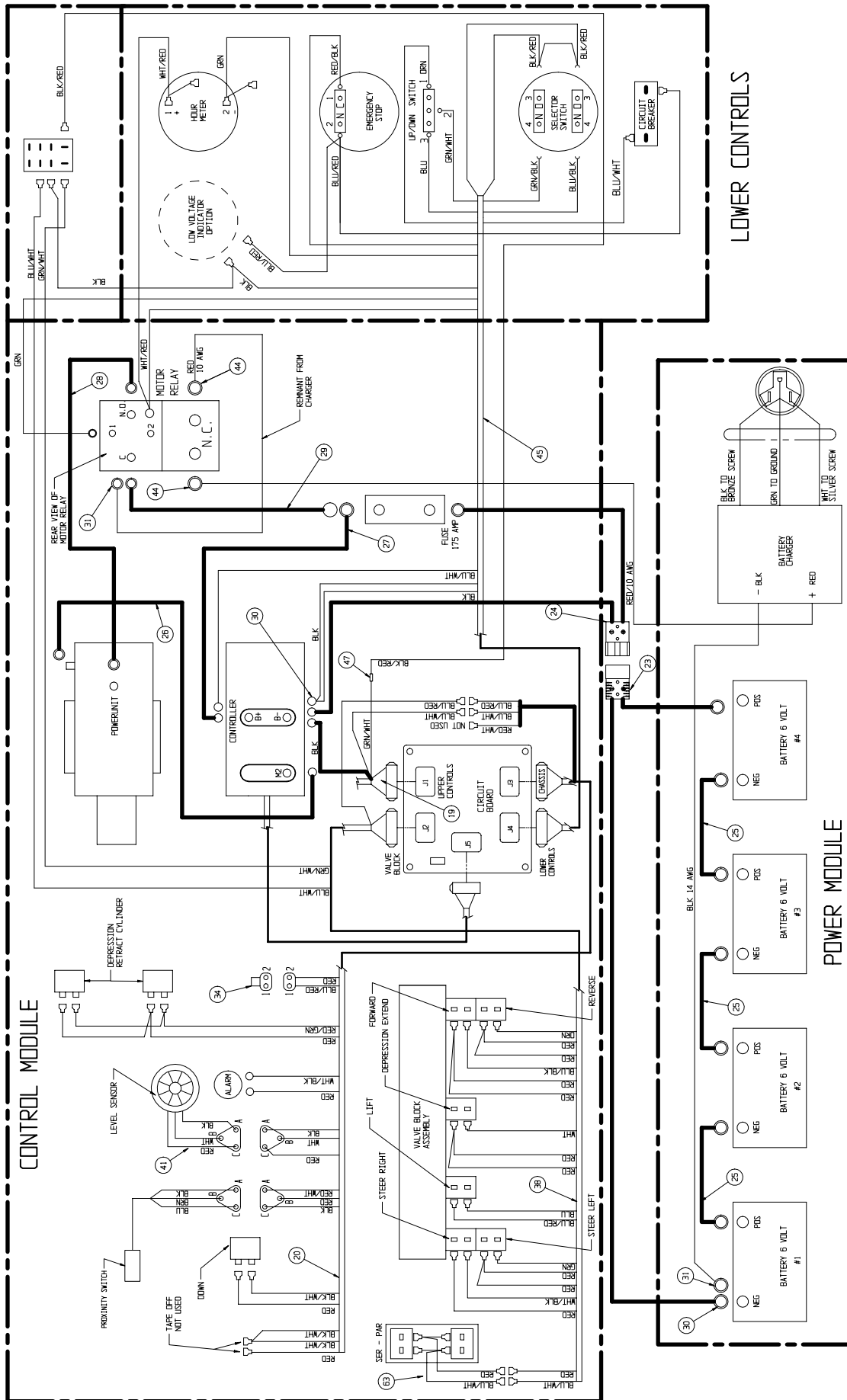
Drawing 2 of 4



Drawing 3 of 4



Drawing 4 of 4



Final Assembly – X26N

114020-000

ITEM	PART	DESCRIPTION	QTY	ITEM	PART	DESCRIPTION	QTY
1	114021-000	BASIC ASSY	1	51	011240-004	WASHER 1/4 STD FLAT	6
2	066008-026	CONTROL MODULE	1	52	011248-004	NUT HEX ESNA 1/4-20UNC	4
3	069199-001	CHARGER	1	53	011254-008	SCREW HHC 3/8-16 X 1	4
4	067193-001	SWITCH - PROXIMITY	1	54	011240-006	WASHER 3/8 STD FLAT	4
7	066013-020	CONTROLLER ASSEMBLY	1	55	011821-006	SCREW BUTTON HD 1/4-20 X 3/4	2
9	015796-000	BATTERY 6 V	4	56	066179-000	VALVE DELTA	1
-	015796-001	BATTERY 6 V	REF	57	065754-001	CABLE	1
10	066056-010	EXTENSION DECK	1	58	011252-006	SCREW HHC 1/4-20 UNC X 3/4	6
11	066055-015	PLATFORM/GUARDRAIL ASSY	1	59	063664-008	ORIFICE HYDRAFORCE #7051070	1
13	066009-026	POWER MODULE	1	62	011941-005	FITTING STR 6MB-6MJ	2
14	114016-000	HYDRAULIC HOSE KIT / INST.	1	63	066047-002	CABLE ASSY SER/PAR	1
15	066781-020	HYDRAULIC SCHEMATIC	REF	64	114063-000	E-DOWN & POWER TO PLATFORM BRKT	1
16	066769-020	ELECTRICAL SCHEMATIC	REF	65	029961-000	INLET PLUG	1
17	110030-000	SPECIFICATION SHEET	REF	66	029961-001	SEAL, INLET PLUG	1
18	114025-000	LABEL KIT / INSTALLATION	1	67	011715-004	SCREW RD HD #6-32	2
19	066012-022	CONTROL CABLE ASSY	1	68	011248-047	NUT ESNA #6-32	2
20	065943-102	WIRE HARNESS ASSY J3	1	69	011239-012	WASHER FLAT ASTM A325 3/4 DIA	2
22	066610-011	POWER TO PLATFORM	1	70	029938-000	PLUG, 3 PRONG MALE	1
23	101182-007	CABLE ASSY W/ CONNECTOR	1	71	011253-008	SCREW HHC GR5 5/16-18 x 1	2
24	101182-008	CABLE ASSY W/ CONNECTOR	1	72	011248-005	NUT HEX ESNA 5/16-18	2
25	064195-008	CABLE ASSY X 8	3	73	011240-005	WASHER FLAT 5/16	4
26	062125-005	CABLE ASSY X 14	1	75	066713-002	WELDMENT, DOOR HINGE	1
27	064195-040	CABLE ASSY X 40	1	76	066762-000	SHIM 20GA	A/R
28	062125-011	CABLE ASSY X 9	1	77	066763-000	SHIM 16GA	A/R
29	064195-005	CABLE ASSY X 5	1	78	066764-000	SHIM 12GA	A/R
30	010154-001	COVER BATTERY TERMINAL	10	79	011250-012	NUT 3/4-10 HEX	6
31	029601-039	CONN RING 5/16 10-12	2	80	014099-020	SCREW HHC GR5 PLTD 3/4-10 X 2 1/2	6
32	014252-004	NUTSERT 1/4-20	2	81	011240-012	WASHER 3/4 FLAT	6
33	011252-010	SCREW HHC 1/4-20 X 1 1/4	2	82	066713-001	WELDMENT, DOOR HINGE	8
34	063497-025	PLUG BYPASS WIRE ASSY	1	83	013283-002	CABLE MOUNT	8
36	065746-002	CONTROLLER GUIDE-WIDE	1	84	060540-001	DOCUMENTATION KIT	1
38	065942-102	CABLE ASSY VALVE BLOCK	1	85	114111-000	SERVICE MANUAL	1
39	066014-020	LOWER CONTROL ASSY	1	86	114110-000	OPERATOR MANUAL	1
40	066768-000	TILT ALARM COVER WELDMENT	1	87	114112-000	PARTS MANUAL	1
41	029945-030	LEVEL SENSOR WIRE ASSY	1	88	060577-004	ANSI MANUAL	1
44	029601-021	CONN RING 3/8 10-12	2	90	010076-000	MANUAL CASE	1
45	067340-101	WIRE ASSY LOWER CONTROLS	1	91	115027-000	PAINT KIT	1
47	029620-002	CONNECTOR - BUTT	1	92	115029-001	WELDMENT KIT - CHASSIS	1
48	065369-099	HOSE GUARD	4	93	115030-003	WELDMENT KIT - LINKAGE	1
50	011238-004	LOCKWASHER - 1/4" SPLIT RING	4	94	115031-001	WELDMENT KIT - PLATFORM	1

NOTE :

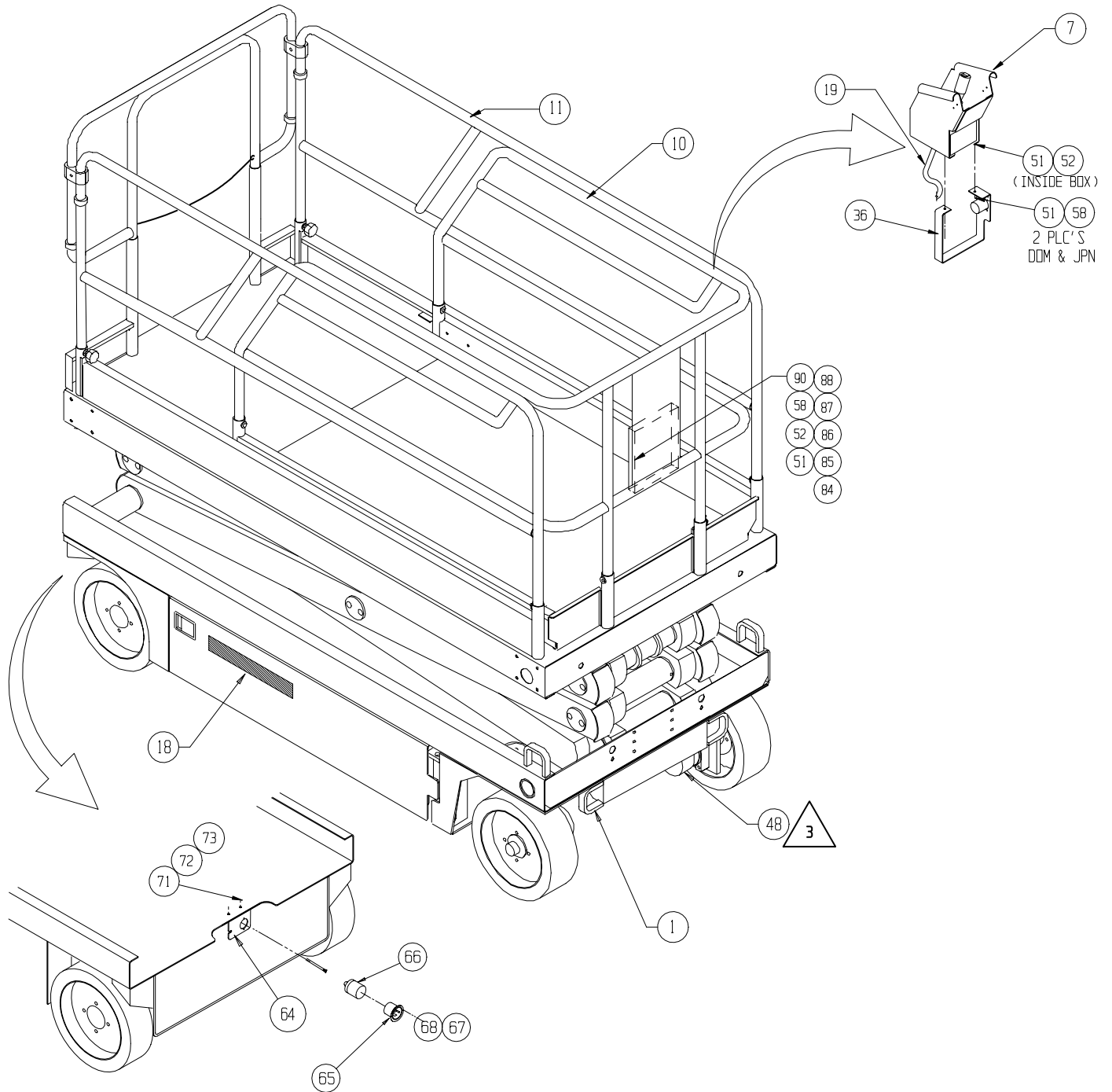


ADJUST HINGE BY USING A 5/8-11 SET SCREW TO LEVEL TOP OF MODULE TO UNDERSIDE OF CHASSIS WHILE MAINTAINING A 1/8" TO 3/16" GAP AND INSERTING THE PROPER SHIM BETWEEN THE HINGE AND BULKHEAD.

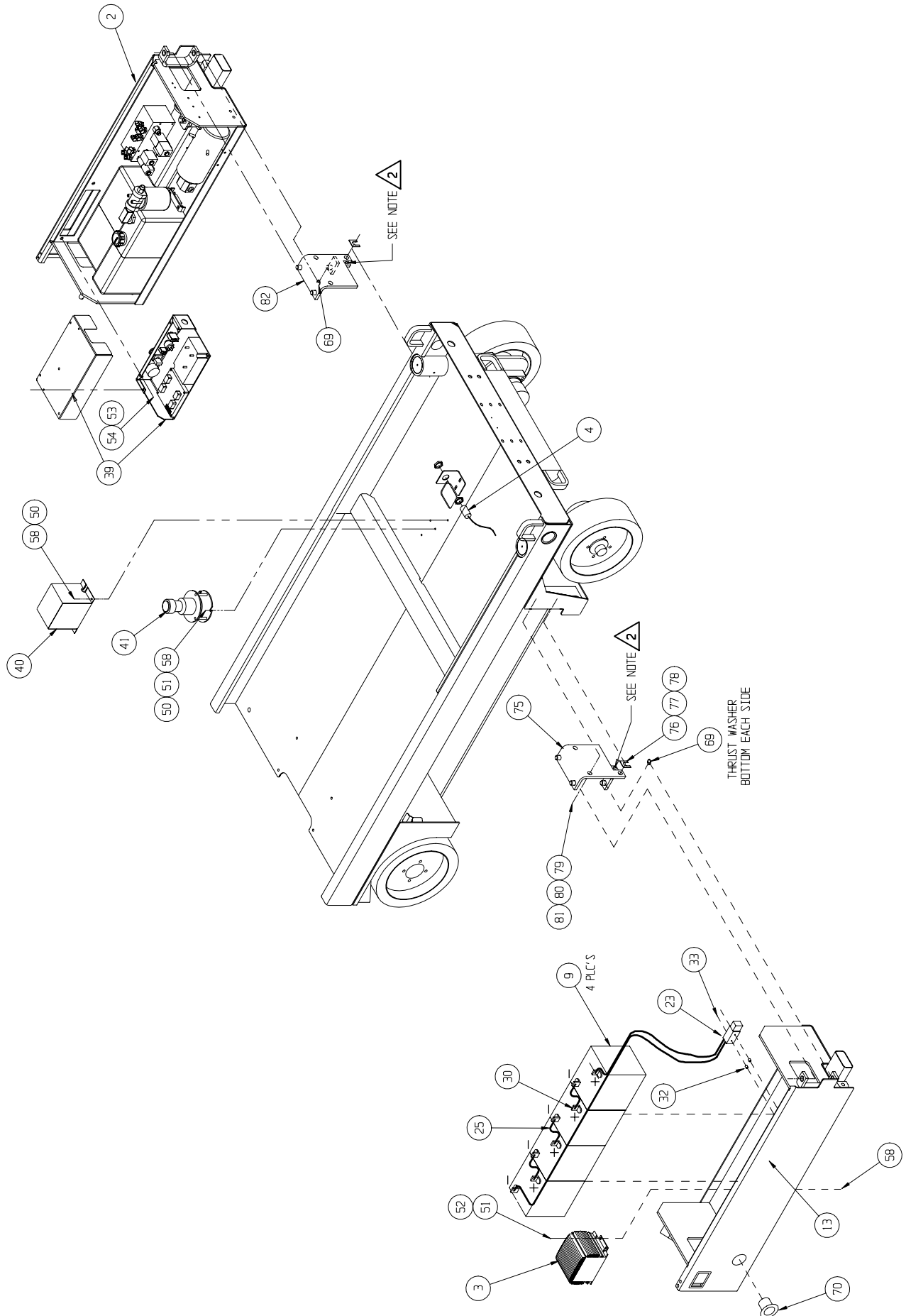


INSURE SLACK IN MOTOR HOSES AT FULL STEERING MOTION.

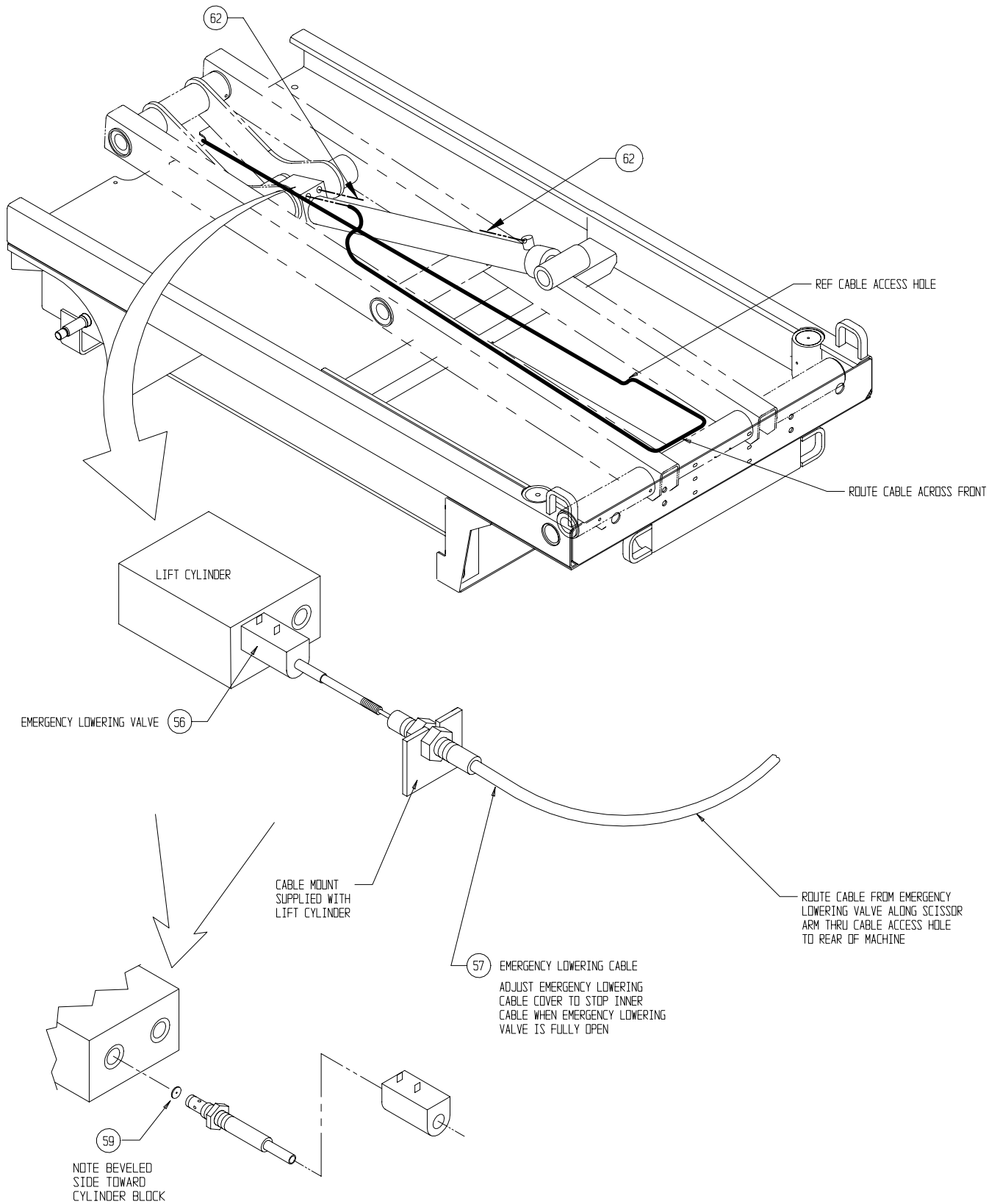
Drawing 1 of 4



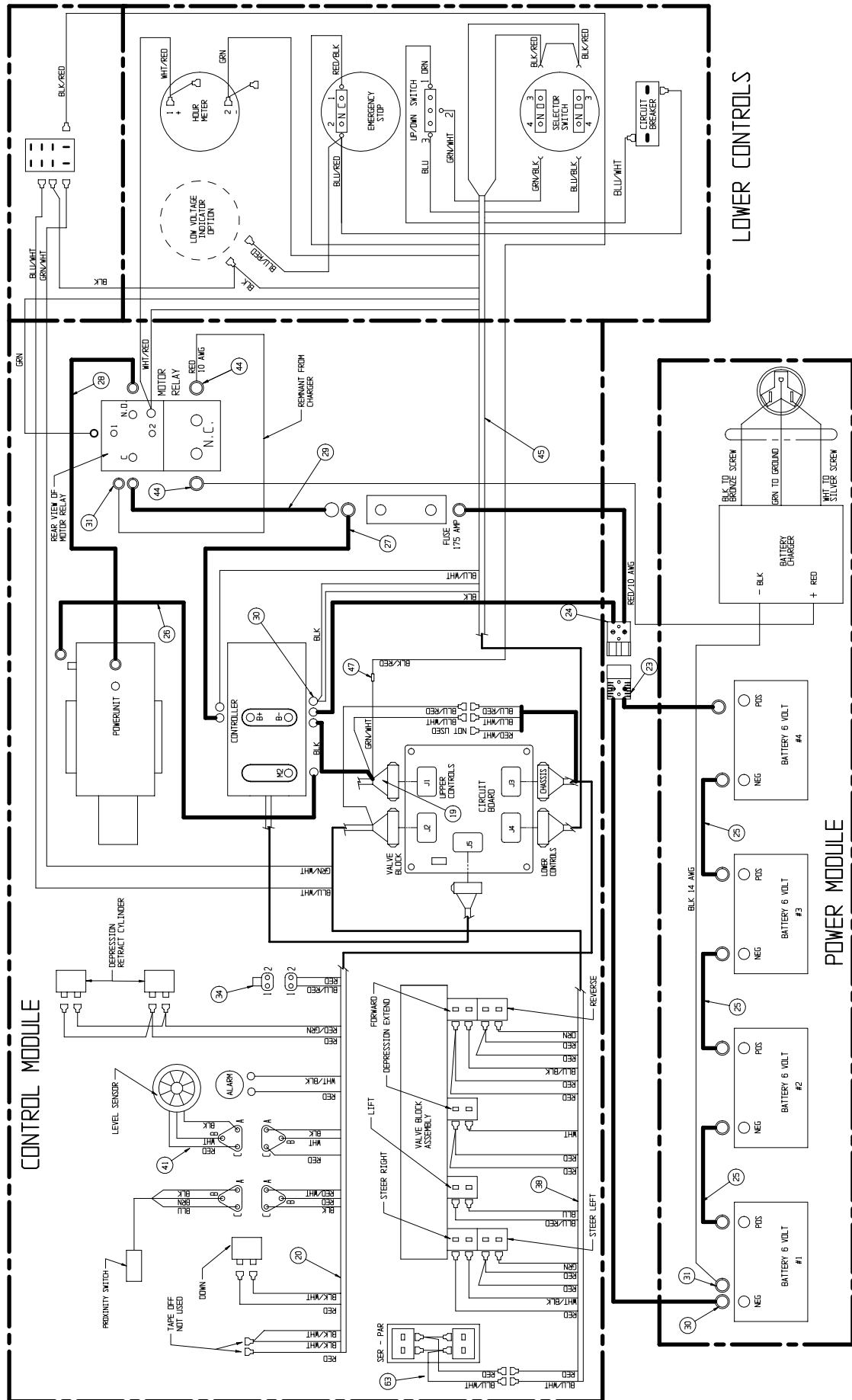
Drawing 2 of 4



Drawing 3 of 4



Drawing 4 of 4



Final Assembly – X26UN

114030-000

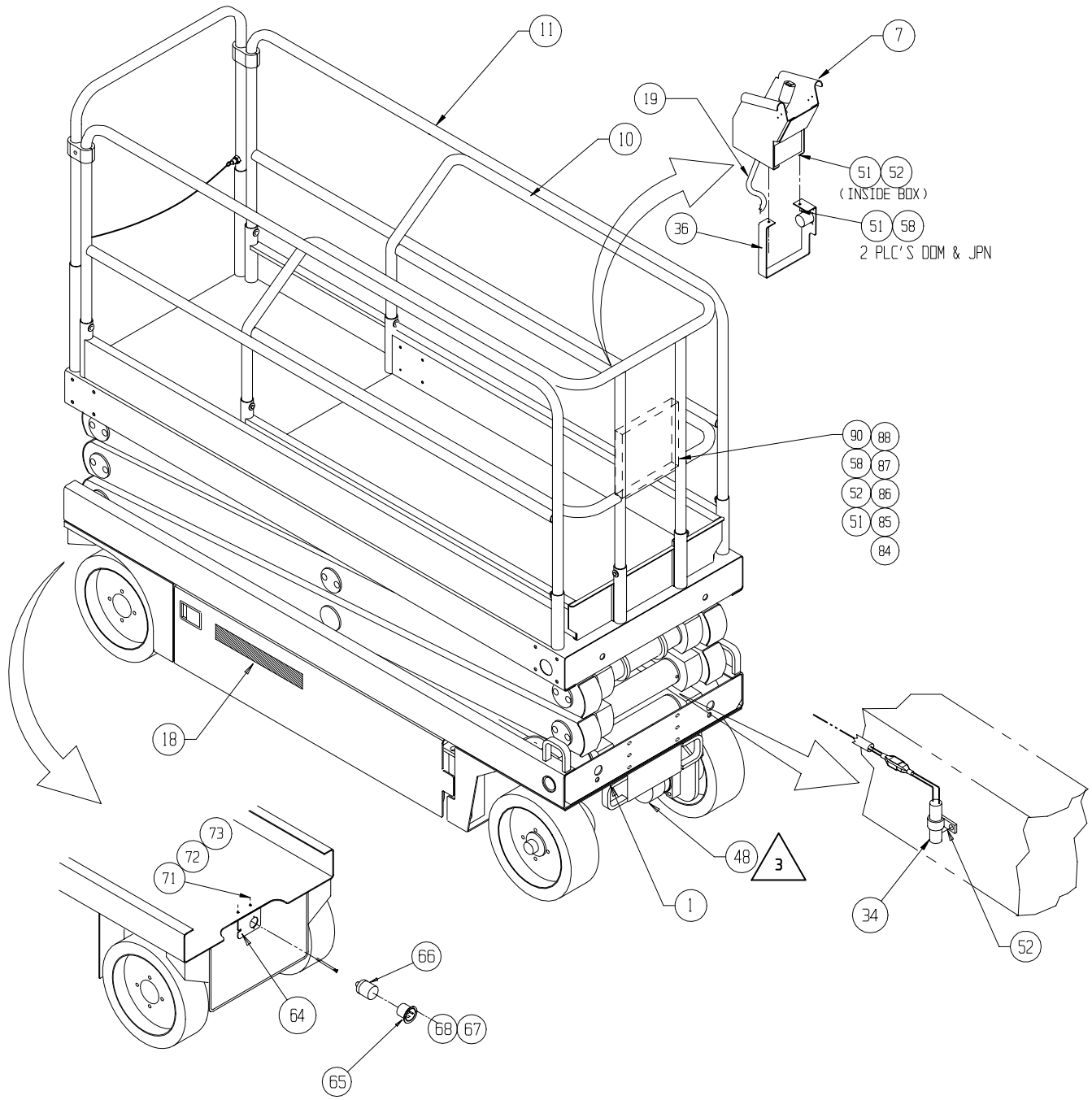
ITEM	PART	DESCRIPTION	QTY	ITEM	PART	DESCRIPTION	QTY
1	114031-000	BASIC ASSY	1	48	065369-099	HOSE GUARD	4
2	066008-026	CONTROL MODULE	1	50	011238-004	LOCKWASHER - 1/4" SPLIT RING	4
3	069199-001	CHARGER	1	51	011240-004	WASHER 1/4 STD FLAT	11
4	067193-001	SWITCH - PROXIMITY	1	52	011248-004	NUT HEX ESNA 1/4-20UNC	10
7	066013-020	CONTROLLER ASSEMBLY	1	53	011254-008	SCREW HHC 3/8-16 X 1	4
9	015796-010	BATTERY 6 V	4	54	011240-006	WASHER 3/8 STD FLAT	4
-	015796-011	BATTERY 6V, DRY	REF	56	066179-000	VALVE DELTA	1
10	066006-026	EXTENSION DECK	1	57	065754-001	CABLE	1
11	066005-026	PLATFORM/GUARDRAIL ASSY	1	58	011252-006	SCREW HHC 1/4-20 UNC X 3/4	11
13	066009-026	POWER MODULE	1	59	063664-008	ORIFICE HYDRAFORCE #7051070	1
14	066061-026	HYDRAULIC HOSE KIT / INST.	1	62	011941-005	FITTING STR 6MB-6MJ	2
15	066781-020	HYDRAULIC SCHEMATIC	REF	63	066047-000	CABLE ASSY SER/PAR	1
16	066769-020	ELECTRICAL SCHEMATIC	REF	64	114036-000	E-DOWN & POWER TO PLATFORM BRKT	1
17	110031-000	SPECIFICATION SHEET	REF	65	029961-000	INLET PLUG	1
18	114035-000	LABEL KIT / INSTALLATION	1	66	029961-001	SEAL, INLET PLUG	1
19	066012-022	CONTROL CABLE ASSY	1	67	011715-004	SCREW RD HD 6-32 X 1/2	2
20	065943-102	WIRE HARNESS ASSY J3	1	68	011248-047	NUT ESNA #6-32	2
22	066610-011	POWER TO PLATFORM	1	69	011239-012	WASHER FLAT ASTM A325 3/4 DIA	2
23	101182-007	CABLE ASSY W/ CONNECTOR	1	70	067336-000	PLUG ASSY M	1
24	101182-008	CABLE ASSY W/ CONNECTOR	1	71	011253-005	SCREW HHC GR5 5/16-18	2
25	064195-008	CABLE ASSY X 8	3	72	011248-005	NUT HEX ESNA 5/16 FLAT	2
26	062125-005	CABLE ASSY X 14	1	73	011240-005	WASHER FLAT 5/16	4
27	064195-040	CABLE ASSY X 40	1	75	066713-002	WELDMENT, DOOR HINGE	1
28	062125-011	CABLE ASSY X 9	1	76	066762-000	SHIM 20GA	A/R
29	064195-005	CABLE ASSY X 5	1	77	066763-000	SHIM 16GA	A/R
30	010154-001	COVER BATTERY TERMINAL	10	78	066764-000	SHIM 12GA	A/R
31	029601-039	CONN RING 5/16 10-12	2	79	011250-012	NUT 3/4-10 HEX	6
32	014252-004	NUTSERT 1/4-20	2	80	014099-020	SCREW HHC GR5 PLTD 3/4-10 X 2 1/2	6
33	011252-010	SCREW HHC 1/4-20 X 1 1/4	2	81	011240-012	WASHER 3/4 FLAT	6
34	063497-020	PLUG MERCURY WIRE ASSY	1	82	066713-001	WELDMENT, DOOR HINGE	1
36	065746-002	CONTROLLER GUIDE-WIDE	1	83	013283-002	CABLE MOUNT	8
38	065942-102	CABLE ASSY VALVE BLOCK	1	84	060540-001	DOCUMENTATION KIT	1
39	066014-020	LOWER CONTROL ASSY	1	85	114101-000	SERVICE MANUAL	1
40	066768-000	TILT ALARM COVER WELDMENT	1	86	114100-000	OPERATOR MANUAL	1
41	029945-030	LEVEL SENSOR WIRE ASSY	1	87	114102-000	PARTS MANUAL	1
44	029601-021	CONN RING 3/8 10-12	2	88	060577-004	ANSI MANUAL	1
45	067340-101	WIRE ASSY LOWER CONTROLS	1	90	010076-000	MANUAL CASE	1
47	029620-002	CONNECTOR - BUTT	1				

NOTE :

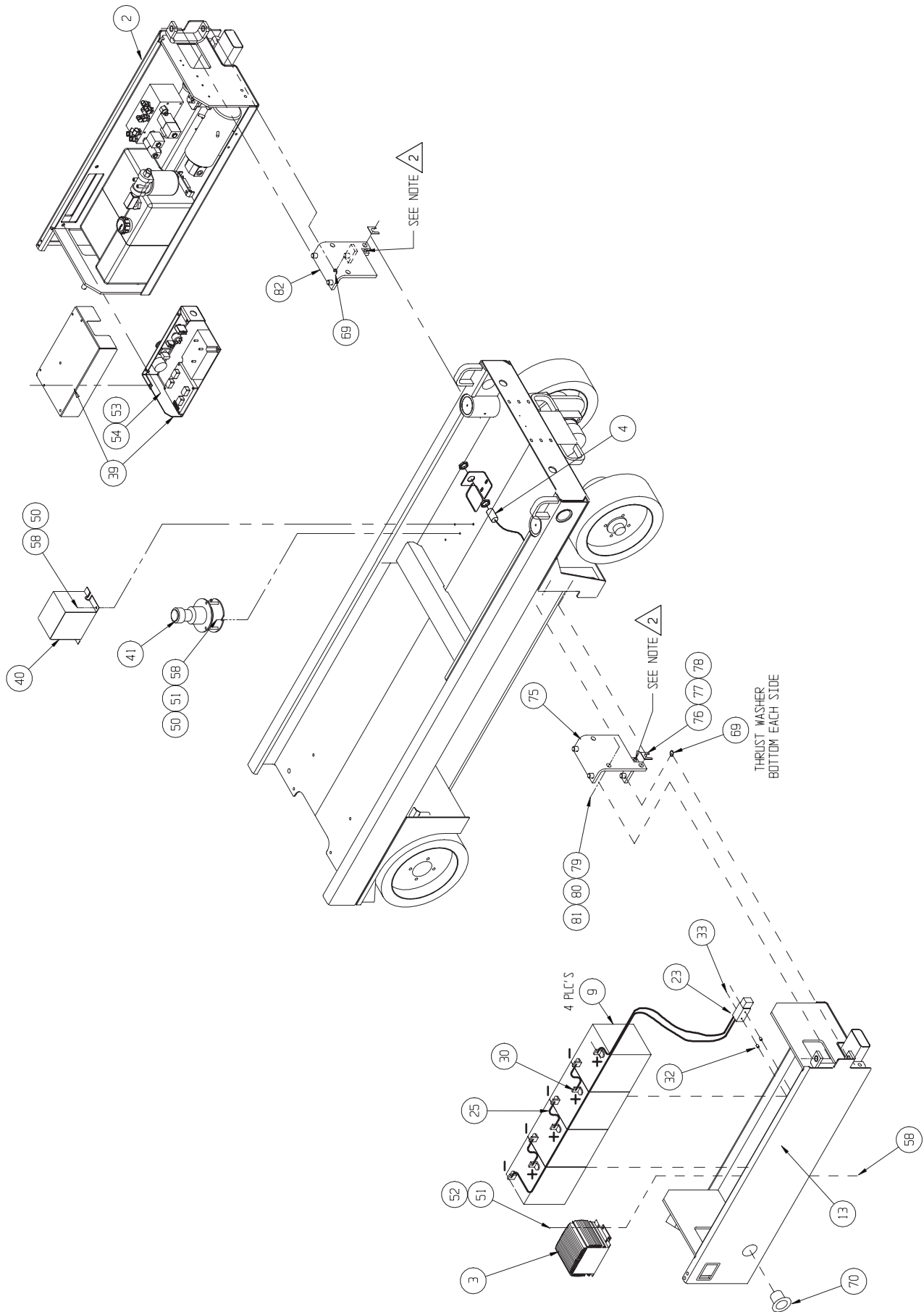
2. ADJUST HINGE BY USING A 5/8-11 SET SCREW TO LEVEL TOP OF MODULE TO UNDERSIDE OF CHASSIS WHILE MAINTAINING A 1/8" TO 3/16" GAP AND INSERTING THE PROPER SHIM BETWEEN THE HINGE AND BULKHEAD.

3. INSURE SLACK IN MOTOR HOSES AT FULL STEERING MOTION.

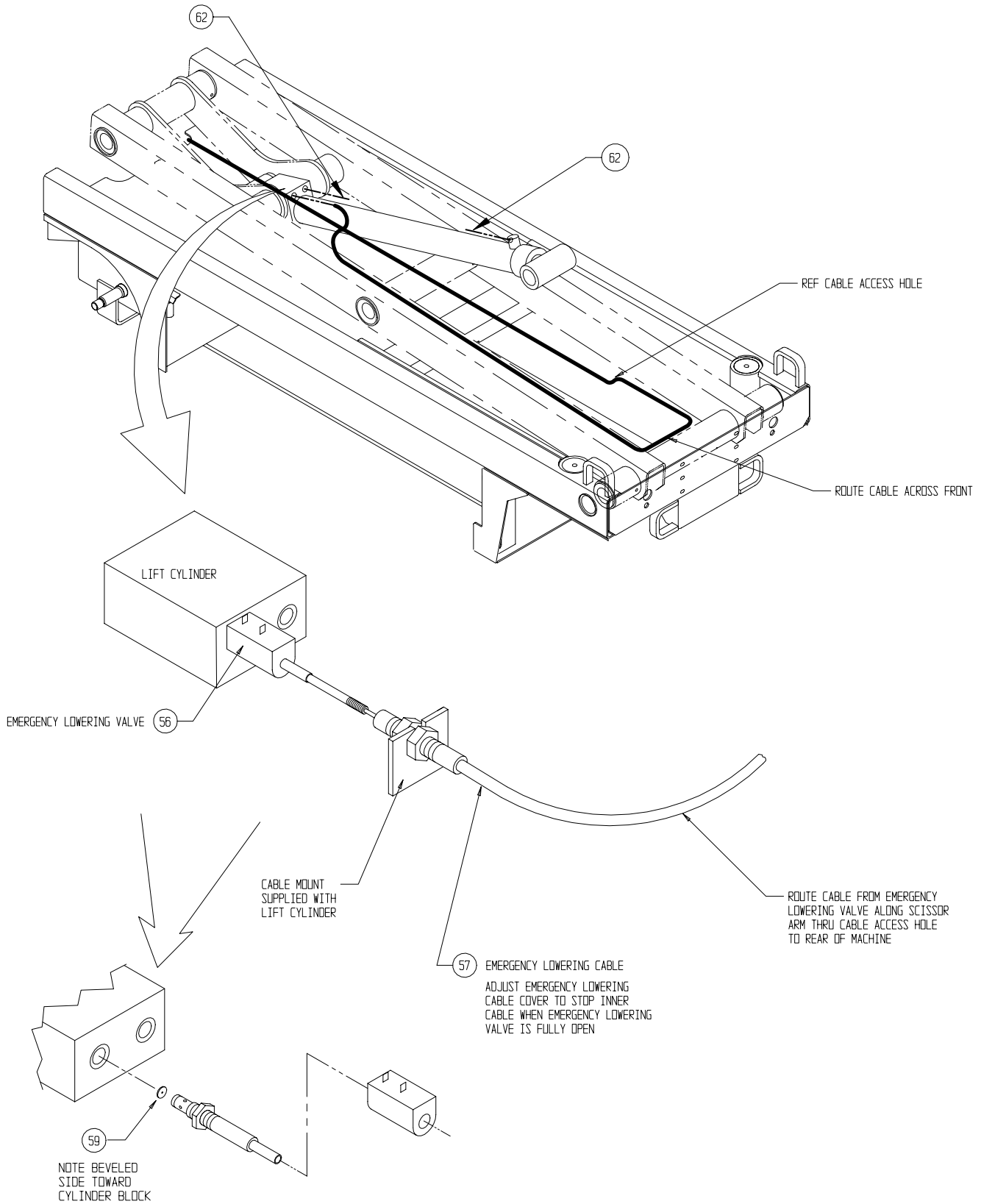
Drawing #1 of 4



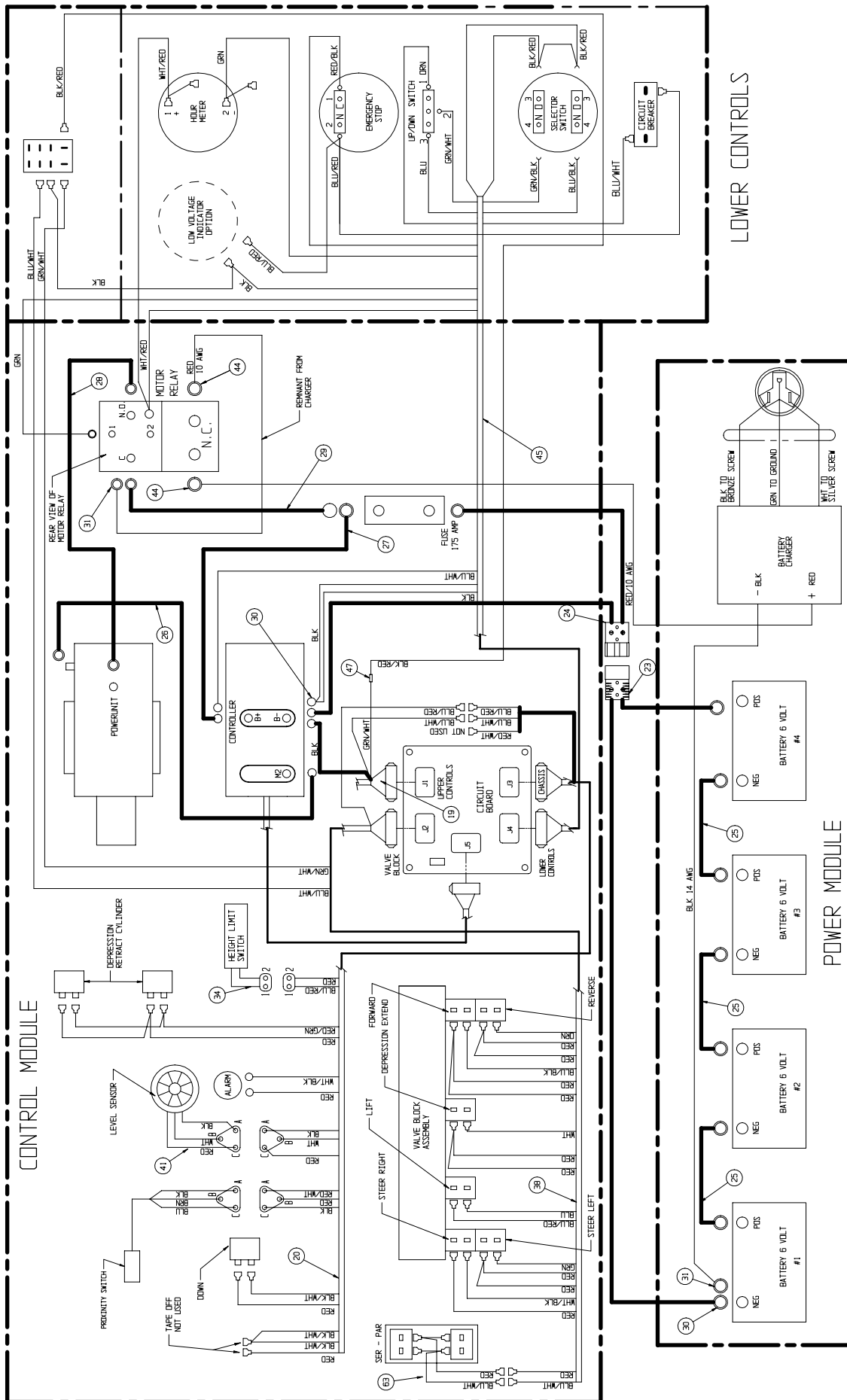
Drawing # 2 of 4



Drawing # 3 of 4



Drawing # 4 of 4



Final Assembly – X31N

114040-000

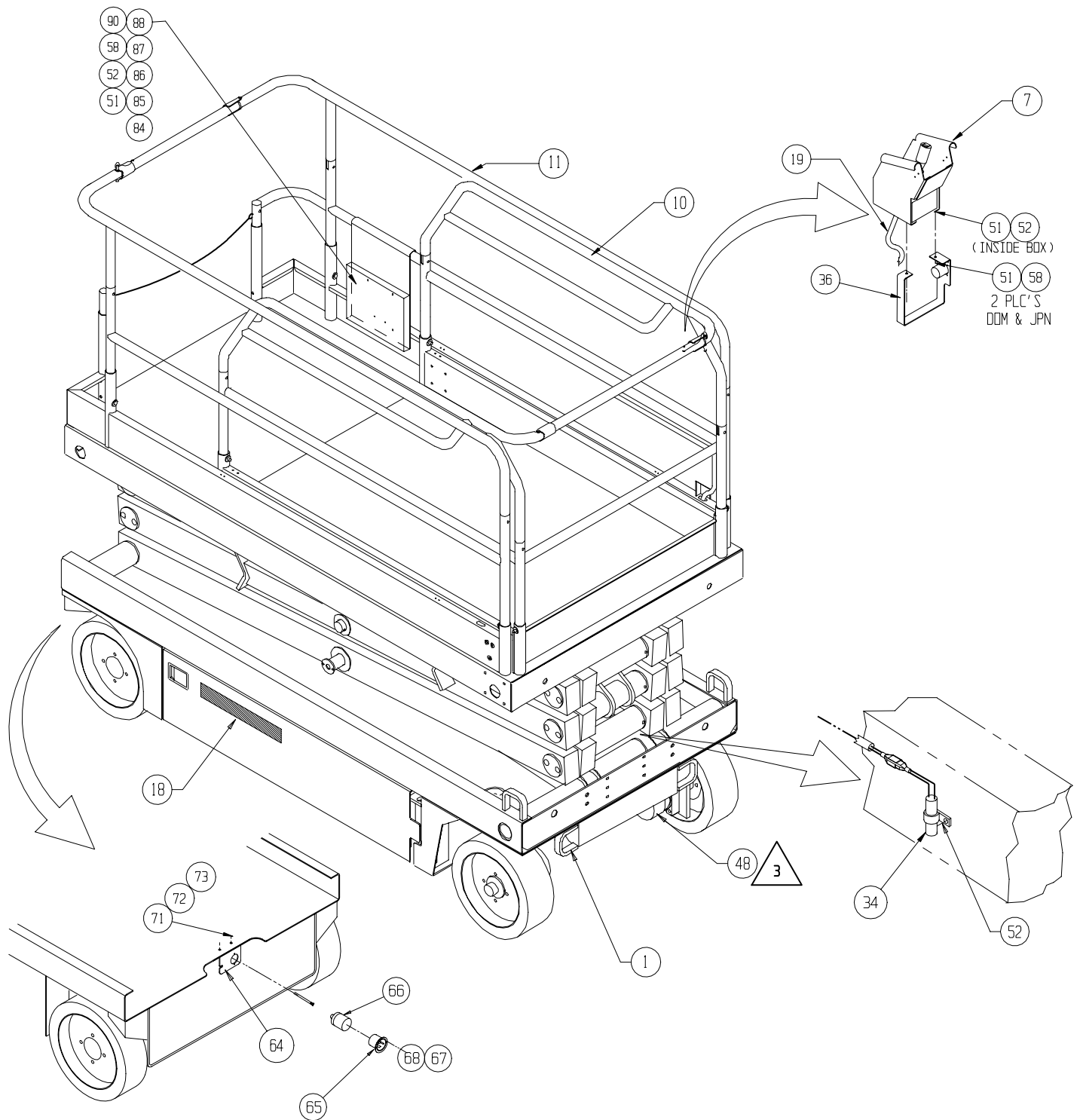
ITEM	PART	DESCRIPTION	QTY	ITEM	PART	DESCRIPTION	QTY
1	114041-000	BASIC ASSY	1	52	011248-004	NUT HEX ESNA 1/4-20UNC	8
2	066008-026	CONTROL MODULE	1	53	011254-008	SCREW HHC 3/8-16 X 1	4
3	069199-001	CHARGER	1	54	011240-006	WASHER 3/8 STD FLAT	6
4	067193-001	PROXIMITY SWITCH	1	55	011254-052	SCREW HHC 3/8-16 X 6 1/2	2
7	066013-020	CONTROLLER ASSEMBLY	1	56	066179-000	VALVE DELTA	1
9	015796-010	BATTERY 6 V	4	57	011238-006	WASHER 3/8 LOCK	2
-	015796-011	BATTERY 6V, DRY	REF	58	011252-006	SCREW, 1/4-20 UNC X 3/4	9
10	066856-001	EXTENSION DECK	1	59	063664-008	ORIFICE HYDRAFORCE #7051070	1
11	066855-002	PLATFORM/GUARDRAIL ASSY	1	61	066047-001	CABLE ASSY X31 ONLY	1
12	065963-002	COUNTERWEIGHT	3	62	011941-005	FITTING STR 6MB-6MJ	2
13	066009-026	POWER MODULE	1	63	066047-002	CABLE ASSY SER/PAR	1
14	114046-000	HYDRAULIC HOSE KIT / INST.	1	64	114063-000	E-DOWN & POWER TO PLATFORM BRKT	1
15	066781-021	HYDRAULIC SCHEMATIC	REF	65	029961-000	INLET PLUG	1
16	066769-020	ELECTRICAL SCHEMATIC	REF	66	029961-001	SEAL, INLET PLUG	1
17	110030-010	SPECIFICATION SHEET	REF	67	011715-004	SCREW RD HD #6-32	2
18	114045-000	LABEL KIT / INSTALLATION	1	68	011248-047	NUT ESNA #6-32	2
19	066012-023	CONTROL CABLE ASSY	1	69	011239-012	WASHER FLAT ASTM A325 3/4 DIA	2
20	065943-102	WIRE HARNESS ASSY J3	1	70	029938-000	PLUG, 3 PRONG MALE	1
22	066610-012	POWER TO PLATFORM	1	71	011253-008	SCREW HHC GR5 5/16-18 X 1	2
23	101182-007	CABLE ASSY W/ CONNECTOR	1	72	011248-005	NUT HEX ESNA 5/16-18	2
24	101182-008	CABLE ASSY W/ CONNECTOR	1	73	011240-005	WASHER FLAT 5/16	4
25	064195-008	CABLE ASSY X 8	3	74	066630-000	EMERGENCY DOWN INSTALLATION	1
26	062125-005	CABLE ASSY X 14	1	75	066713-002	WELDMENT, DOOR HINGE	1
28	064195-040	CABLE ASSY X 40	1	76	066762-000	SHIM 20GA	A/R
28	062125-011	CABLE ASSY X 9	1	77	066763-000	SHIM 16GA	A/R
29	064195-005	CABLE ASSY X 5	1	78	066764-000	SHIM 12GA	A/R
30	010154-001	COVER BATTERY TERMINAL	10	79	011250-012	NUT 3/4-10 HEX	6
31	029601-039	CONN RING 5/16 10-12	1	80	014099-020	SCREW HHC GR5 PLTD 3/4-10 X 2 1/2	6
32	014252-004	NUTSERT 1/4-20	2	81	011240-012	WASHER 3/4 FLAT	6
34	063497-020	MERCURY SW. WIRE ASSY	1	82	066713-001	WELDMENT, DOOR HINGE	1
35	014252-006	NUTSERT 3/8-16	2	83	013283-002	CABLE MOUNT	8
36	011252-010	SCREW HHC 1/4-20 X 1 1/4	2	84	060540-001	DOCUMENTATION KIT	1
38	065942-102	CABLE ASSY VALVE BLOCK	1	85	114111-000	SERVICE MANUAL	1
39	066014-020	LOWER CONTROL ASSY	1	86	114110-000	OPERATOR MANUAL	1
40	066768-000	TILT ALARM COVER WELDMENT	1	87	114112-000	PARTS MANUAL	1
41	029945-030	LEVEL SENSOR WIRE ASSY	1	88	060577-004	ANSI MANUAL	1
43	065746-002	CONTROLLER GUIDE-WIDE	1	90	010076-000	MANUAL CASE	1
44	029601-021	CONN RING 3/8 10-12	3	91	065648-002	MANUAL CASE MOUNT	1
45	067340-101	WIRE ASSY LOWER CONTROLS	1	92	026551-005	RIVET 1/8" SS x .188/250 GRIP	2
47	029620-002	CONNECTOR - BUTT	1	93	115026-000	PAINT KIT	1
48	065369-099	HOSE GUARD	4	94	115029-001	WELDMENT KIT - CHASSIS	1
50	011238-004	WASHER 1/4 LOCK	4	95	115030-004	WELDMENT KIT - LINKAGE	1
51	011240-004	WASHER 1/4 STD FLAT	13	96	115031-002	WELDMENT KIT - PLATFORM	1

NOTE:

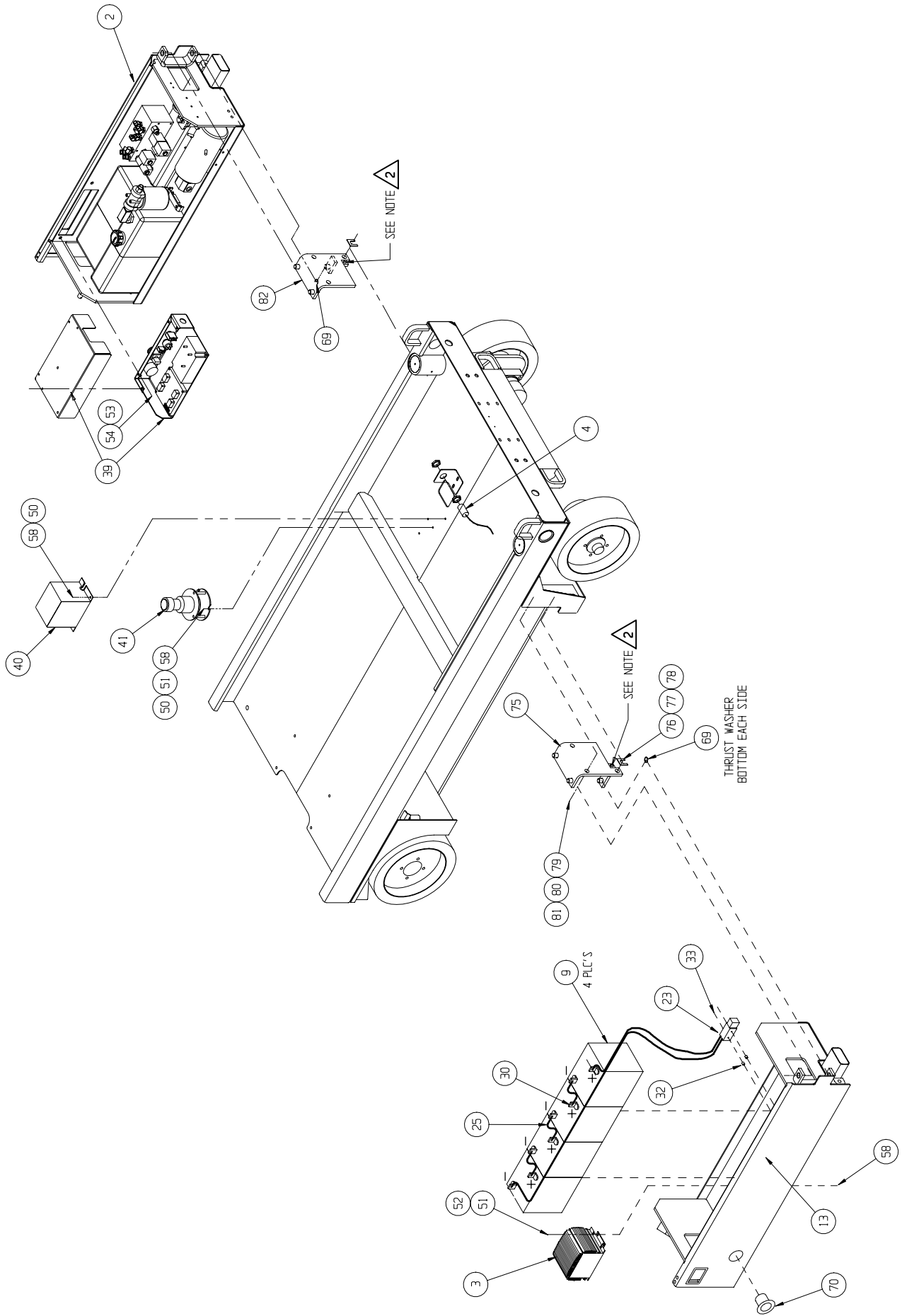
2. ADJUST HINGE BY USING A 5/8-11 SET SCREW TO LEVEL TOP OF MODULE TO UNDERSIDE OF CHASSIS WHILE MAINTAINING A 1/8" TO 3/16" GAP AND INSERTING THE PROPER SHIM BETWEEN THE HINGE AND BULKHEAD.

3. INSURE SLACK IN MOTOR HOSES AT FULL STEERING MOTION.

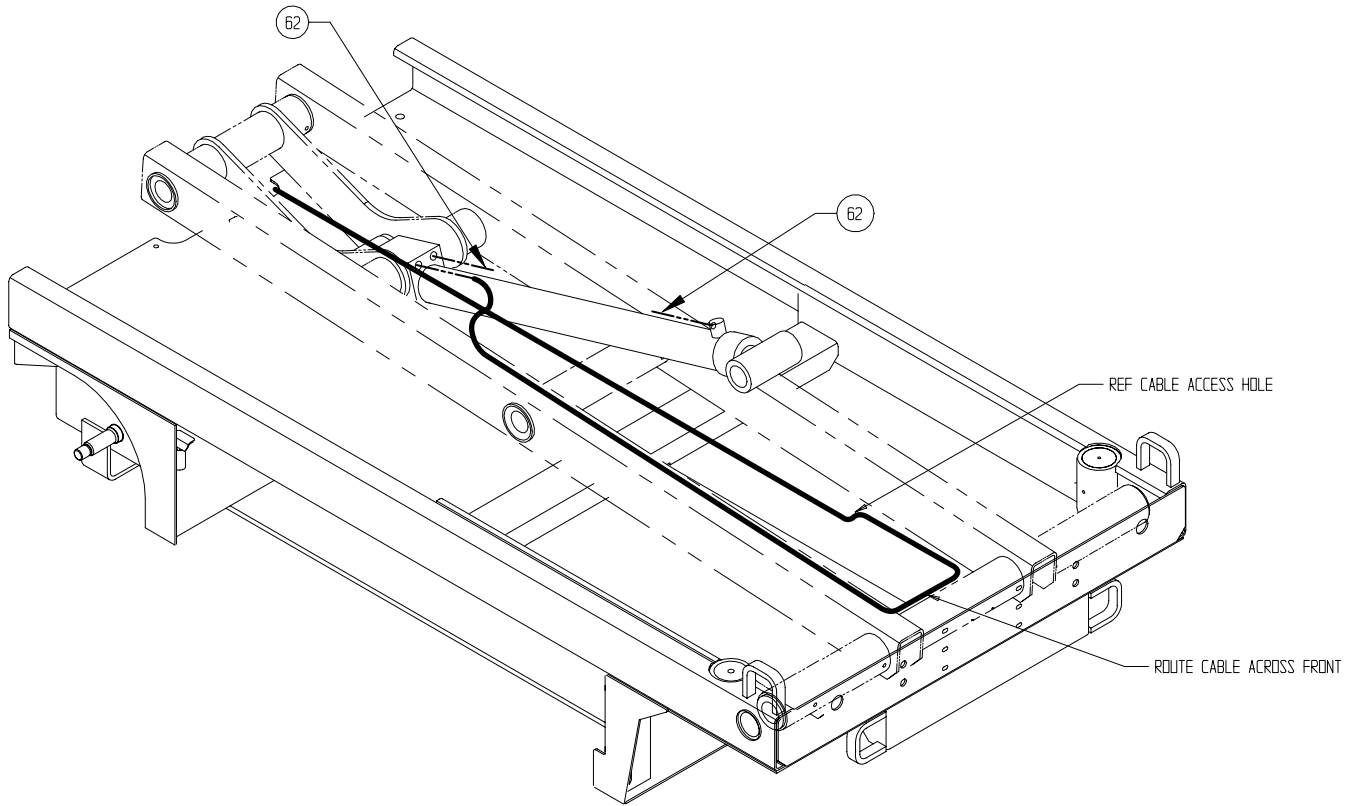
Drawing 1 of 4



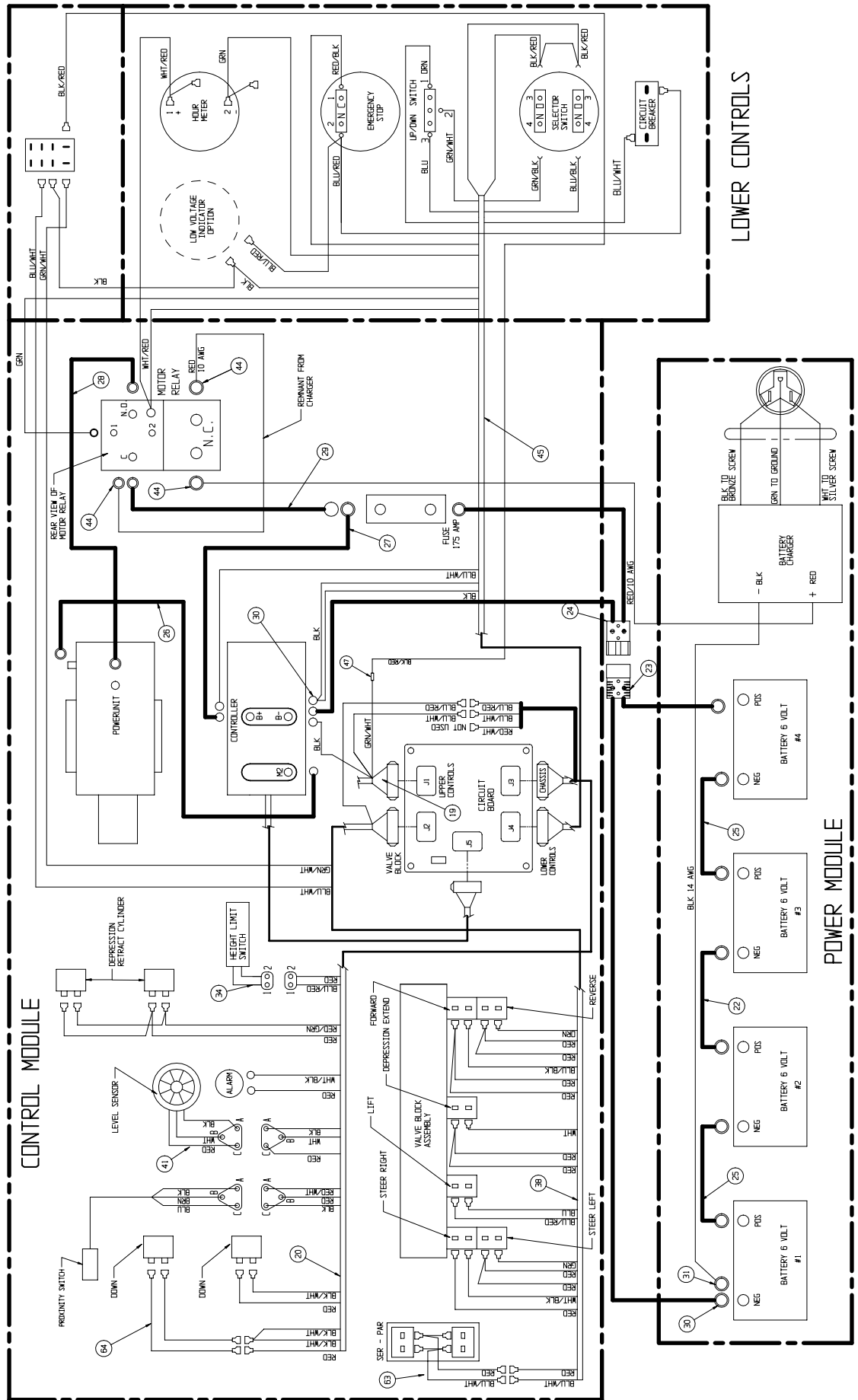
Drawing 2 of 4



Drawing 3 of 4



Drawing 4 of 4

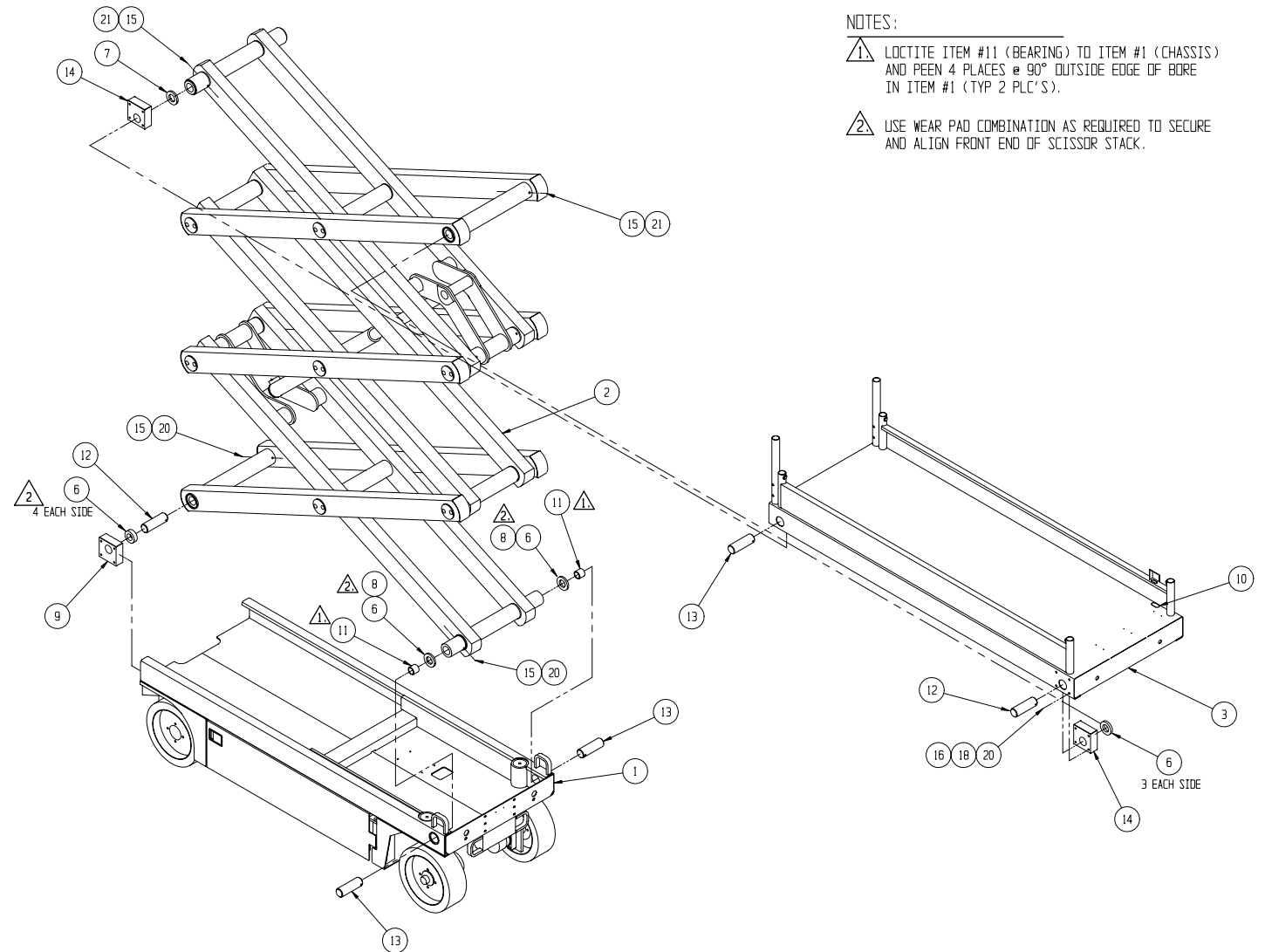


Basic Assembly – X20N

114001-000

ITEM	PART	DESCRIPTION	QTY
1	114002-000	CHASSIS ASSEMBLY	1
2	066003-000	SCISSOR ASSEMBLY	1
3	066250-026	PLATFORM WELDMENT	1
6	066189-000	WEAR PAD 1/4	16
7	066189-001	WEAR PAD 3/8	2
8	066189-004	WEAR PAD 1/8	2
9	066191-001	SLIDE BLOCK (BOTTOM)	2
10	061796-099	GROMMET	FT .63
11	066183-001	BEARING	2

ITEM	PART	DESCRIPTION	QTY
12	066222-001	MOUNTING PIN	4
13	066222-002	MOUNTING PIN	4
14	066191-000	SLIDE BLOCK	4
15	015936-023	SCREW SHOULDER 3/8 X 3 1/2 LG	8
16	011254-024	SCREW HHC 3/8-16 X 3 LG	8
18	011240-006	WASHER 3/8 FLAT	8
20	011248-006	NUT 3/8-16	8
21	011248-005	NUT 5/16-18	8



NOTES:

1. LOCTITE ITEM #11 (BEARING) TO ITEM #1 (CHASSIS) AND PEEN 4 PLACES @ 90° OUTSIDE EDGE OF BORE IN ITEM #1 (TYP 2 PLC'S).

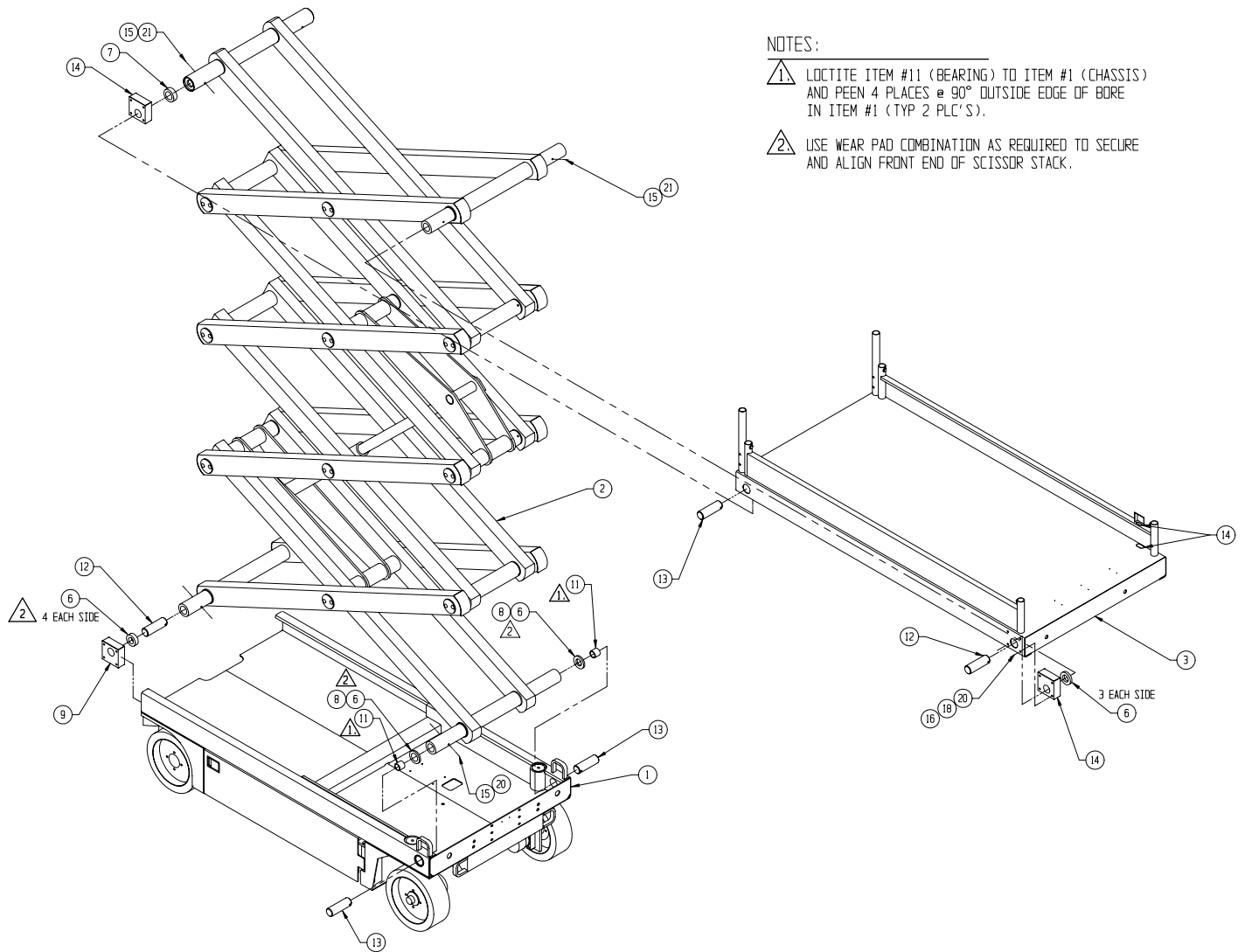
2. USE WEAR PAD COMBINATION AS REQUIRED TO SECURE AND ALIGN FRONT END OF SCISSOR STACK.

Basic Assembly – X26N

114021-000

ITEM	PART	DESCRIPTION	QTY
1	114012-000	CHASSIS ASSEMBLY	1
2	066103-000	SCISSOR ASSEMBLY	1
3	066292-010	PLATFORM WELDMENT	1
6	066189-000	WEAR PAD 1/4	16
7	066189-001	WEAR PAD 3/8	2
8	066189-004	WEAR PAD 1/8	2
9	066191-001	SLIDE BLOCK (BOTTOM)	2
10	061796-099	GROMMET	FT .63
11	066183-001	BEARING	2

ITEM	PART	DESCRIPTION	QTY
12	066222-001	MOUNTING PIN	4
13	066222-002	MOUNTING PIN	4
14	066191-000	SLIDE BLOCK	4
15	015936-023	SCREW SHOULDER 3/8 X 3 1/2 LG	8
16	011254-032	SCREW HHC 3/8-16 X 4 LG	8
18	011240-006	WASHER 3/8 FLAT	8
20	011248-006	NUT 3/8-16	8
21	011248-005	NUT 5/16-18	8



NOTES:

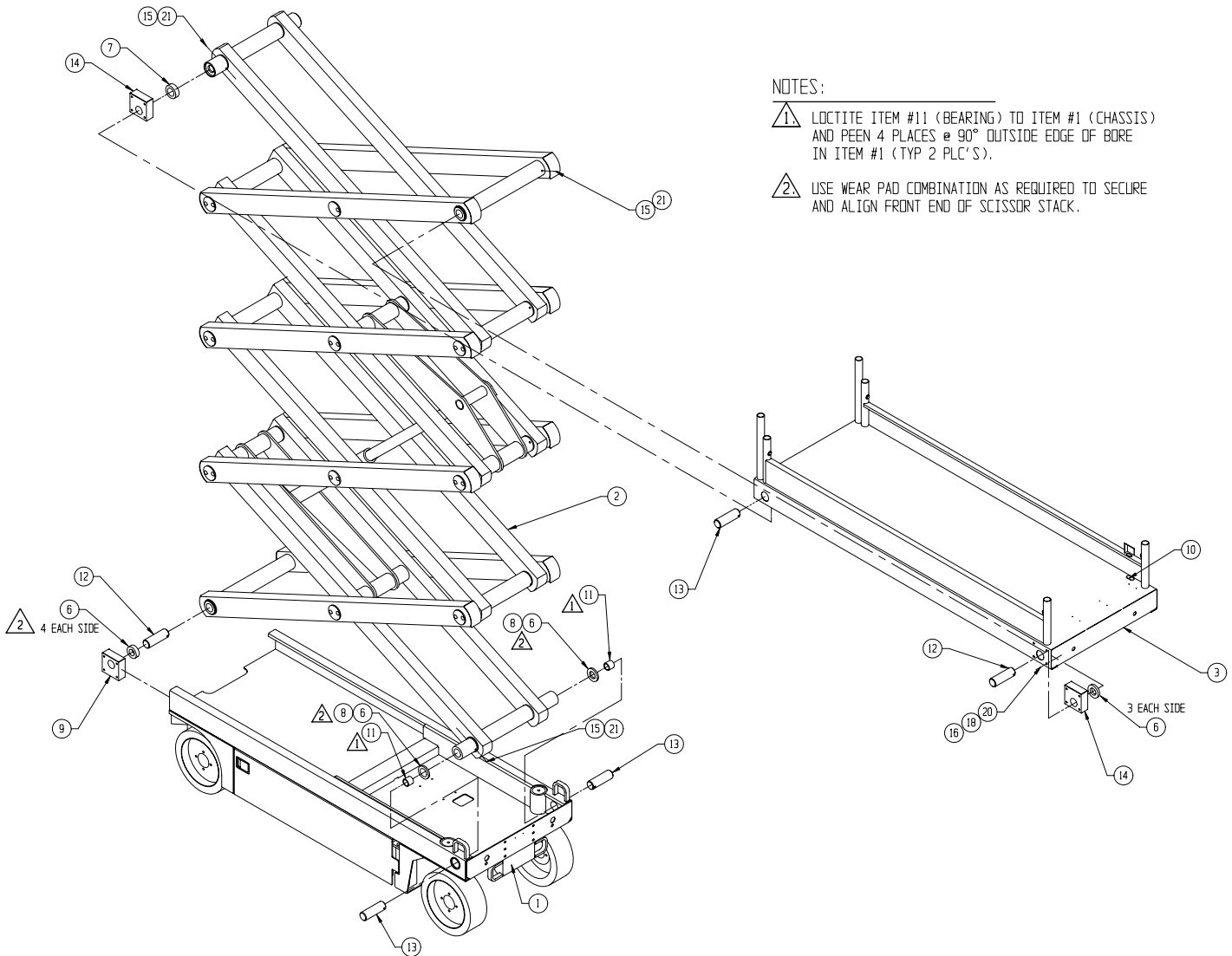
1. LOCTITE ITEM #11 (BEARING) TO ITEM #1 (CHASSIS) AND PEEN 4 PLACES @ 90° OUTSIDE EDGE OF BORE IN ITEM #1 (TYP 2 PLC'S).
2. USE WEAR PAD COMBINATION AS REQUIRED TO SECURE AND ALIGN FRONT END OF SCISSOR STACK.

Basic Assembly – X26UN

114031-000

ITEM	PART	DESCRIPTION	QTY
1	066052-026	CHASSIS ASSEMBLY	1
2	066103-026	SCISSOR ASSEMBLY	1
3	066250-026	PLATFORM WELDMENT	1
6	066189-000	WEAR PAD 1/4	16
7	066189-001	WEAR PAD 3/8	2
8	066189-004	WEAR PAD 1/8	2
9	066191-001	SLIDE BLOCK (BOTTOM)	2
10	061796-099	GROMMET	FT .63
11	066183-001	BEARING	2

ITEM	PART	DESCRIPTION	QTY
12	066222-001	MOUNTING PIN	4
13	066222-002	MOUNTING PIN	4
14	066191-000	SLIDE BLOCK	4
15	015936-023	SCREW SHOULDER 3/8 X 3 1/2 LG	8
16	011254-024	SCREW HHC 3/8-16 X 3 LG	8
18	011240-006	WASHER 3/8 FLAT	8
20	011248-006	NUT 3/8-16	8
21	011248-005	NUT 5/16-18	8



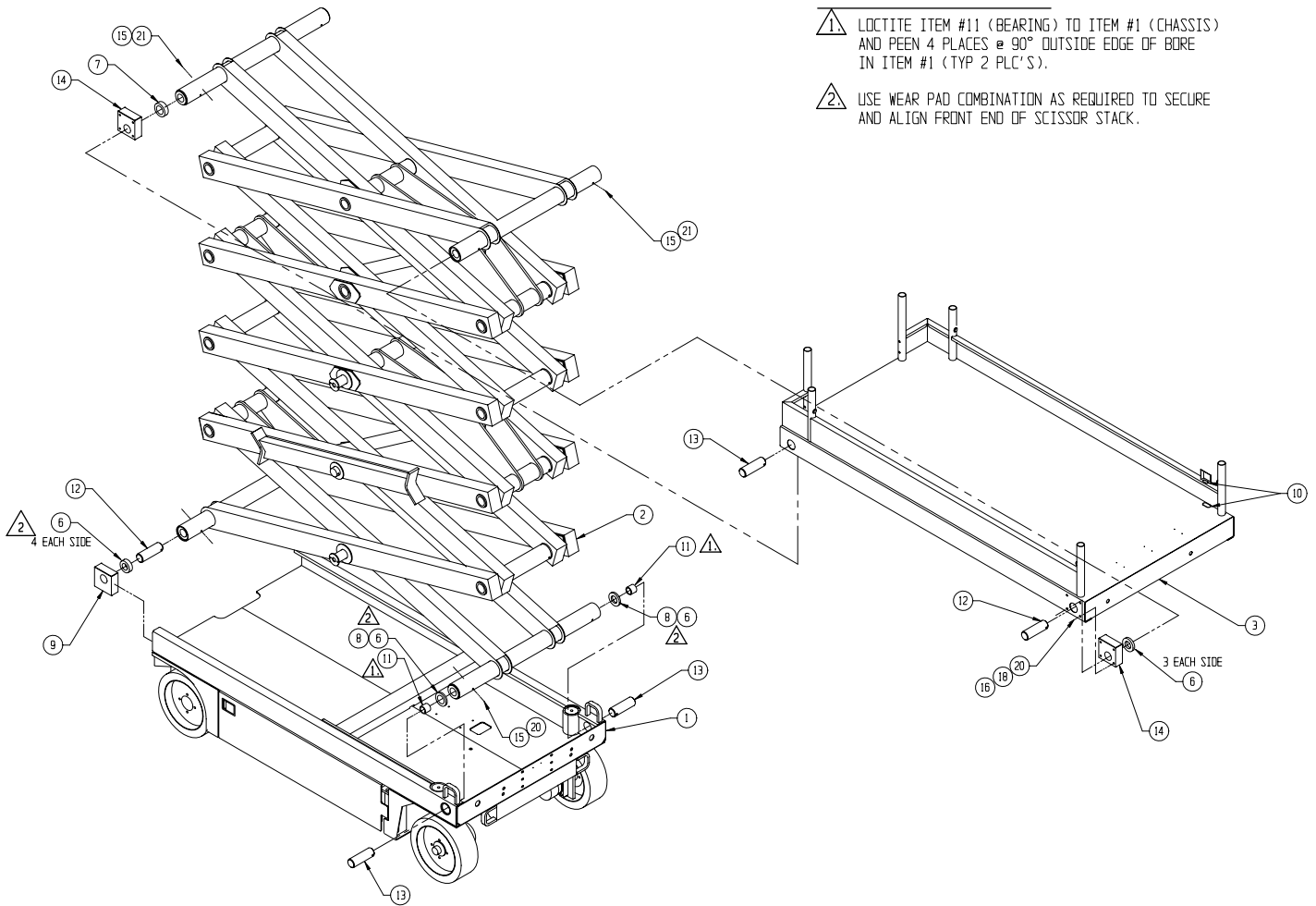
NOTES:

- 1. LOCTITE ITEM #11 (BEARING) TO ITEM #1 (CHASSIS) AND PEEN 4 PLACES @ 90° OUTSIDE EDGE OF BORE IN ITEM #1 (TYP 2 PLC'S).
- 2. USE WEAR PAD COMBINATION AS REQUIRED TO SECURE AND ALIGN FRONT END OF SCISSOR STACK.

Basic Assembly – X31N

114041-000

1	114042-000	CHASSIS ASSEMBLY	1	12	066222-001	MOUNTING PIN	4
2	066853-000	SCISSOR ASSEMBLY	1	13	066222-002	MOUNTING PIN	4
3	066292-002	PLATFORM WELDMENT	1	14	066191-000	SLIDE BLOCK	4
6	066189-000	WEAR PAD 1/4	16	15	015936-023	SCREW SHOULDER 3/8 X 3 1/2	8
7	066189-001	WEAR PAD 3/8	2	16	011254-032	SCREW HHC 3/8-16 X 4 LG	8
8	066189-004	WEAR PAD 1/8	2	18	011240-006	WASHER 3/8 FLAT	8
9	066191-001	SLIDE BLOCK (BOTTOM)	2	19	065369-099	HOSE GUARD, NYLON	FT 1
10	061796-099	GROMMET	FT .63	20	011248-006	NUT 3/8-16	8
11	066183-001	BEARING	2	21	011248-005	NUT 5/16-18	8



NOTES:

- 1. LOCTITE ITEM #11 (BEARING) TO ITEM #1 (CHASSIS) AND PEEN 4 PLACES @ 90° OUTSIDE EDGE OF BORE IN ITEM #1 (TYP 2 PLC'S).
- 2. USE WEAR PAD COMBINATION AS REQUIRED TO SECURE AND ALIGN FRONT END OF SCISSOR STACK.

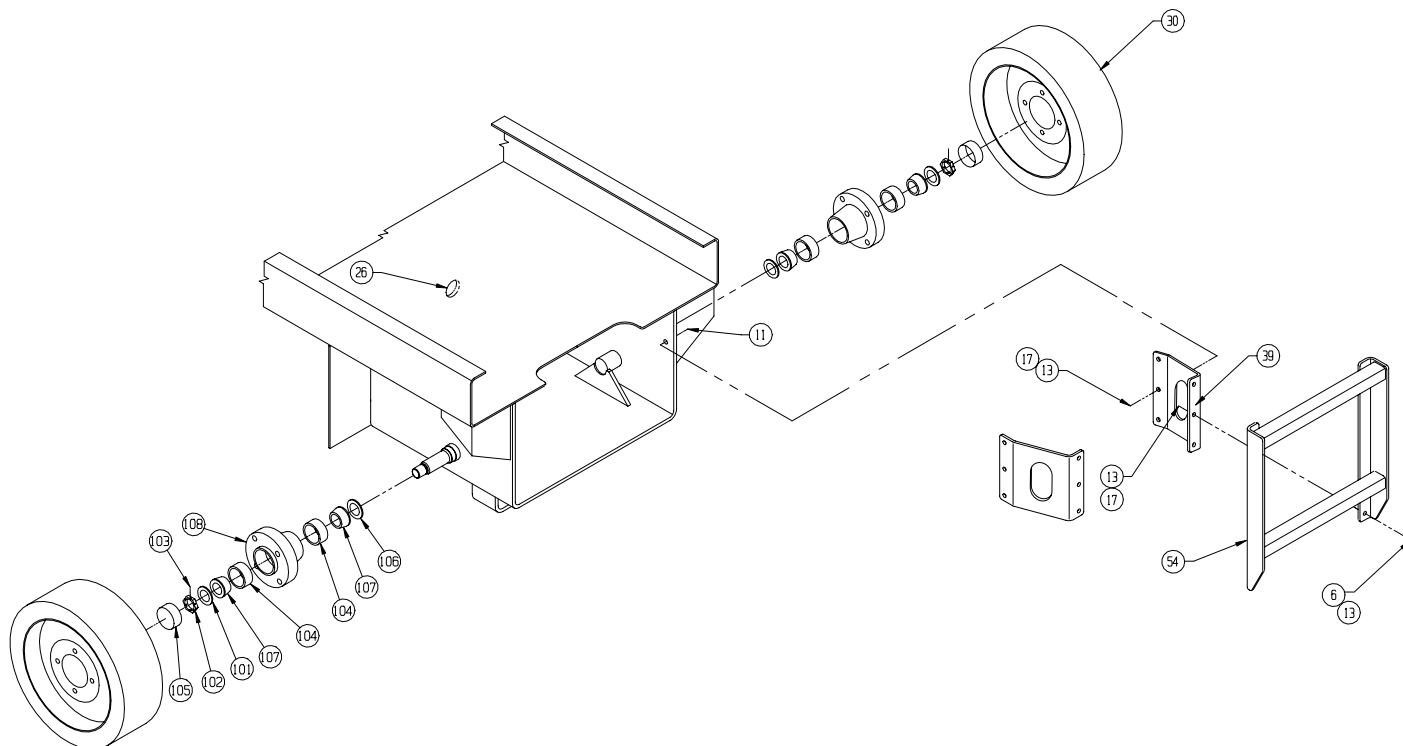
Chassis Assembly – X20N

114002-000

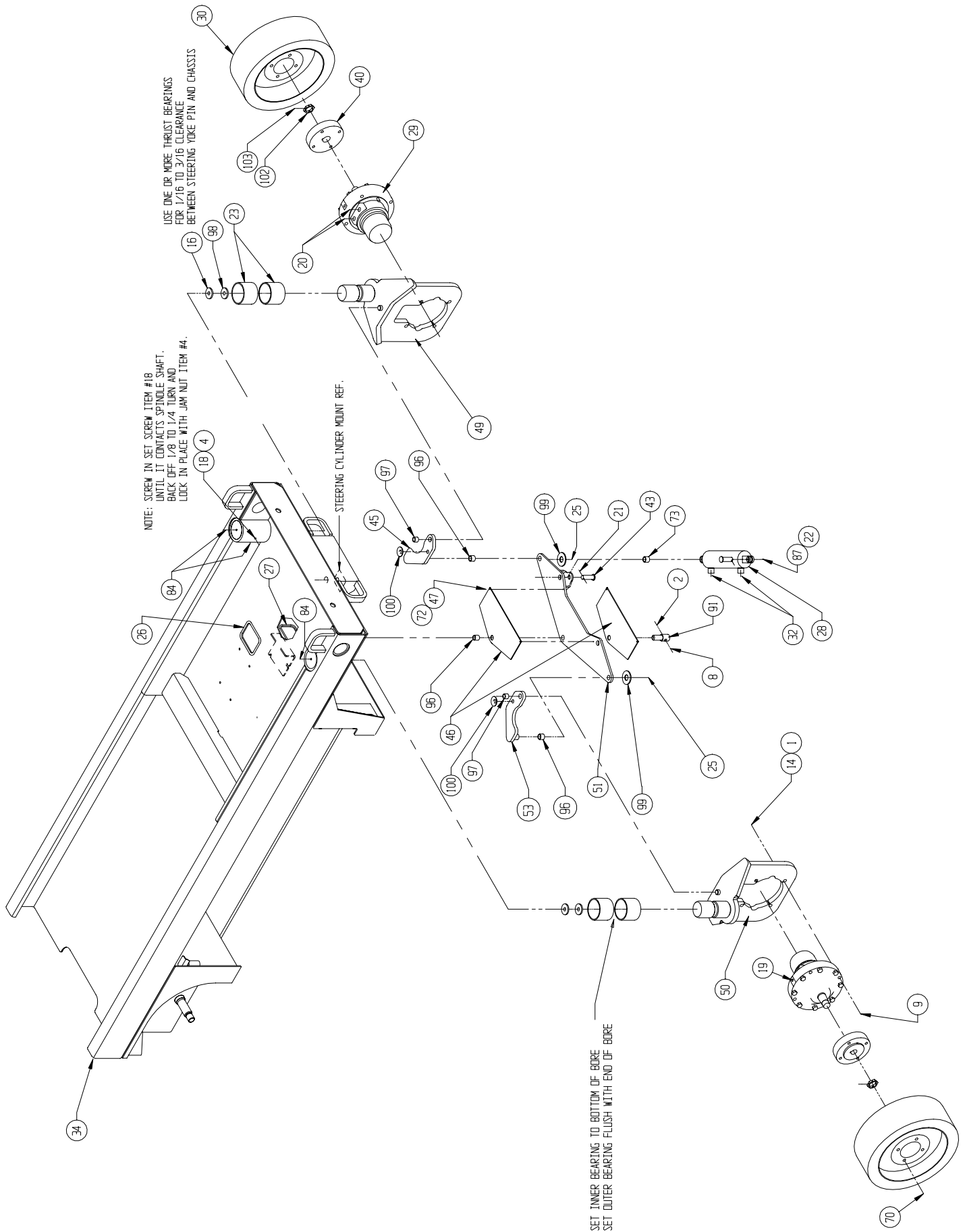
ITEM	PART	DESCRIPTION	QTY
1	011248-007	NUT HEX ESNA 7/16-14 UNC	8
2	011248-006	NUT HEX 3/8-16 UNC	1
4	011273-006	NUT JAM 3/8-16	2
6	011254-008	SCREW HHC GR5 3/8-16 UNC X 1	4
8	011254-016	SCREW HHC GR5 3/8-16 UNC X 2	1
9	011255-028	SCREW HHC GR5 7/16-14 UNC x 3 1/2	8
11	011254-012	SCREW HHC GR5 3/8-16 UNC X 1 1/2	6
13	011240-006	WASHER 3/8 FLAT	14
14	011239-007	WASHER FLAT ASTM A325 7/16 DIA	8
16	011782-008	BEARING #TT 2301-3 (STEER)	2
17	011246-006	NUT HEX ESNA 3/8-16 UNC	10
18	011705-016	SCREW SET 3/8-16 X 1	2
19	011934-001	FITTING 4MB-4MJ90 FS	2
20	015736-003	FITTING 8MB-8MJ90LL FS	4
21	011757-007	PIN COTTER 5/8 RUE RING	1
22	011757-010	PIN COTTER 3/4 RUE RING	1
23	027931-074	BEARING #AA-2803-1 (STEERING)	4
25	011753-010	PIN COTTER 1/8 X 1 1/4	2
26	061796-099	GROMMET	FT 1.75
27	061692-099	GROMMET	FT 1.5
28	066602-000	STEERING CYLINDER	1
-	066602-010	SEAL KIT, STEERING CYLINDER	REF
29	114055-000	MOTOR HYD	2
-	114055-100	BRAKE SERVICE KIT, DRIVE MOTOR	REF
30	061846-001	WHEEL & TIRE	4
32	011934-004	FITTING 90 O RING BOSS 6MB 6MJ	2
34	066869-000	WELDMENT - CHASSIS	1
39	066862-000	LADDER MOUNTING BRACKET	2
40	066325-000	HUB - FRONT	2

ITEM	PART	DESCRIPTION	QTY
43	011848-009	CLEVIS PIN 5/8 X 2	1
45	066159-001	STEERING LINK WELDMENT L.H.	1
46	066190-000	BEARING - STRIP	2
47	026553-012	RIVET 3/16 DIA X 1 1/8 GRIP	2
49	114057-000	WELDMENT - STEERING ANGLE LH	1
50	114058-000	WELDMENT - STEERING ANGLE RH	1
51	066313-001	WELDMENT - BELL CRANK	1
53	066158-001	STEERING LINK WELDMENT R.H.	1
54	066307-001	WELDMENT - LADDER	1
70	014122-003	WHEEL BOLT 1/2-20 X 1	16
72	002186-000	WASHER 3/16 FLAT	2
73	062642-001	BEARING	1
84	013336-011	FITTING GREASE	4
87	011848-041	CLEVIS PIN 3/4 X 2	1
91	066737-026	PIN, BELL CRANK	1
96	062642-008	BUSHING	3
97	062642-006	BUSHING 12 DU 06	2
98	011782-009	BUSHING TT 2301-4	2
99	014996-012	WASHER SAE 3/4 DIA	2
100	066702-000	SLIDE PAD, STEERING LINK	2
101	011239-016	WASHER 1 DIA FLAT ASTM	2
102	011274-016	NUT 1-14UNF SLOTTED HEX	4
103	011753-012	PIN COTTER 1/8 X 1 1/2	4
104	011776-004	CUP BEARING	4
105	005078-000	CAP DUST	2
106	005104-000	SEAL GREASE	2
107	011775-011	CONE BEARING	4
108	066773-000	HUB ASSY	2

Drawing 1 of 2



Drawing 2 of 2



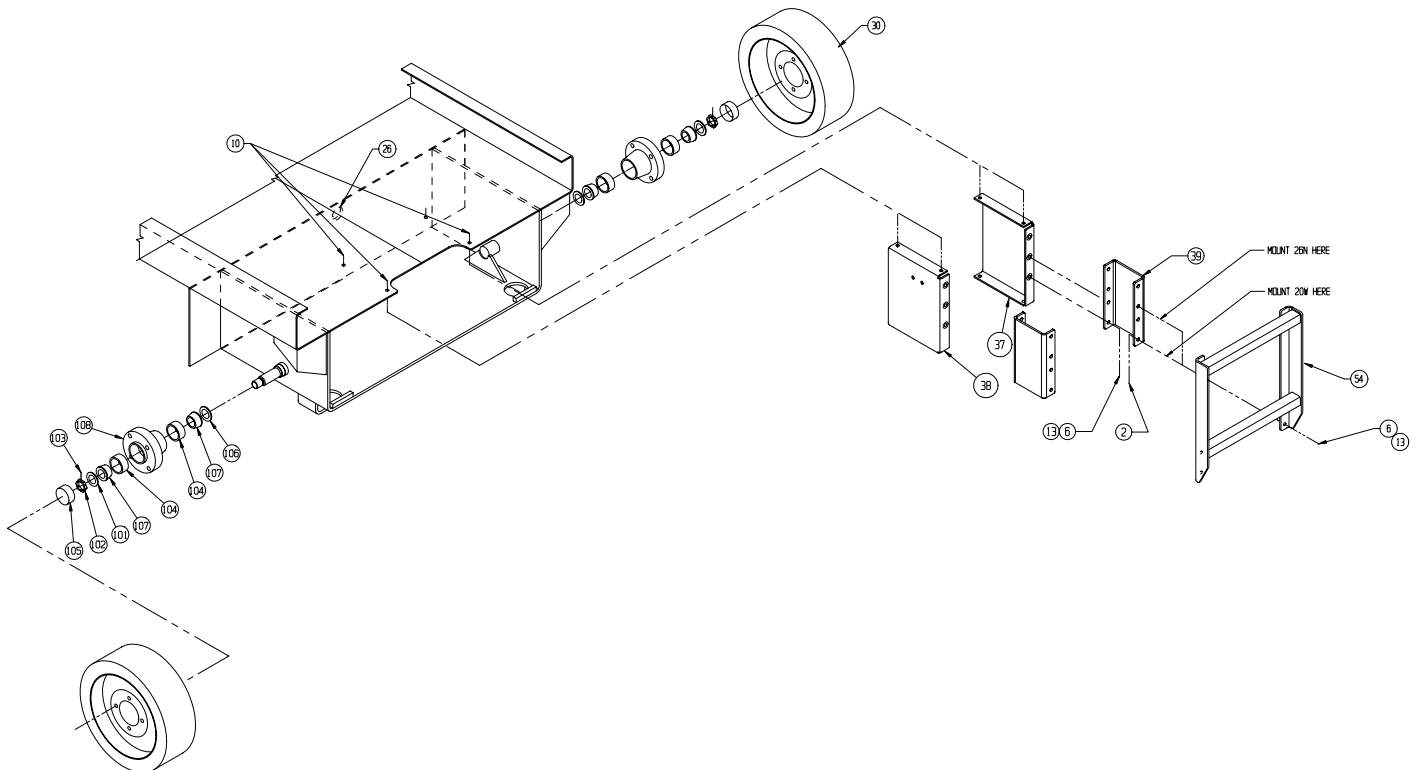
Chassis Assembly – X20W & X26N

114012-000

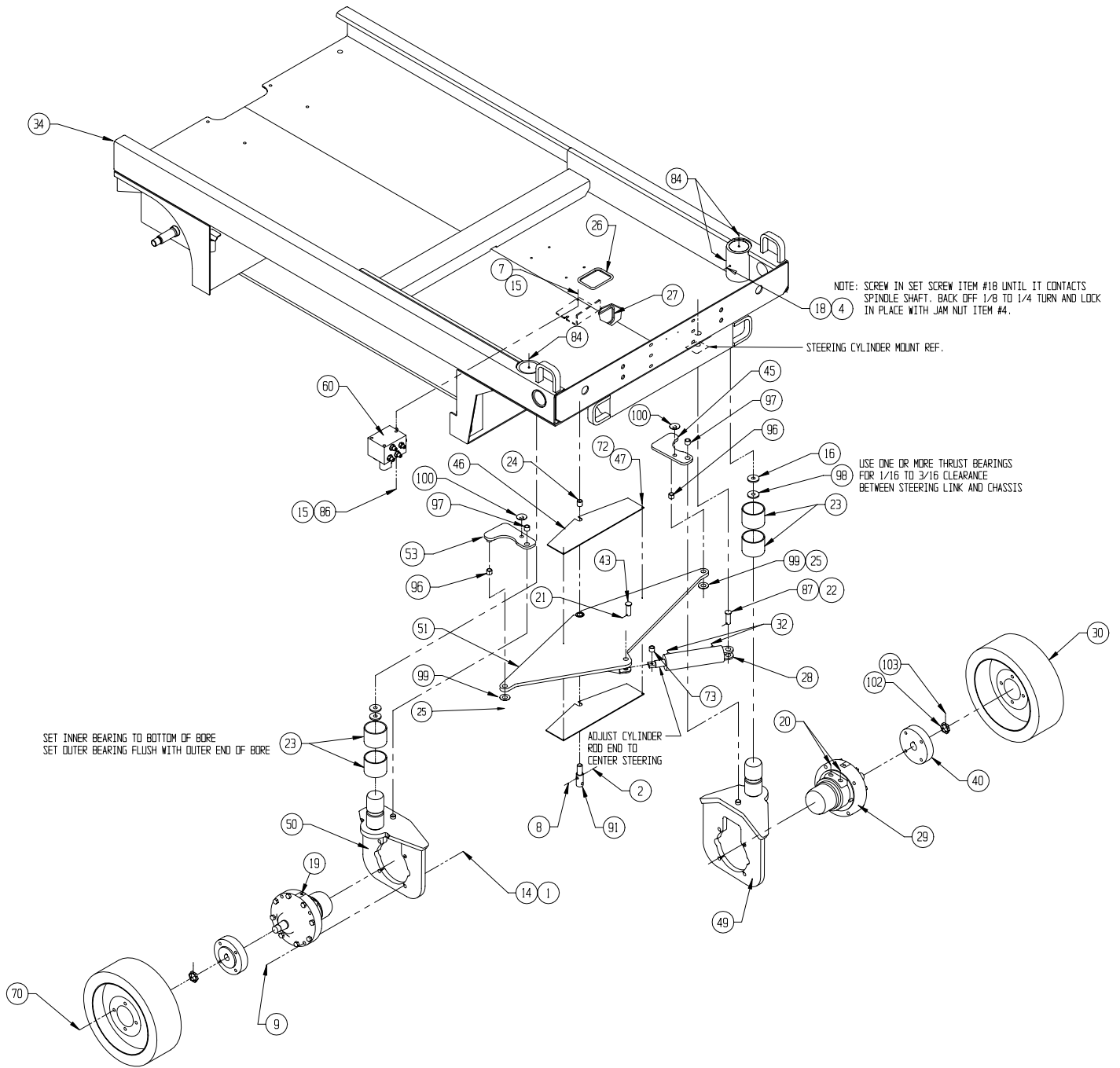
ITEM	PART	DESCRIPTION	QTY
1	011248-007	NUT HEX 7/16-14 UNC	8
2	011248-006	NUT HEX 3/8-16 UNC	5
4	011273-006	NUT JAM 3/8-16	2
6	011254-008	SCREW HHC GR5 3/8-16 UNC X 1	8
7	011253-030	SCREW HHC GR5 5/16-18 UNC X 3 3/4	3
8	011254-016	SCREW HHC GR5 3/8-16 UNC X 2	1
9	011255-028	SCREW HHC GR5 7/16-14 UNC X 3 1/2	8
10	011254-012	SCREW HHC GR5 3/8-16 UNC X 1 1/2	4
13	011240-006	WASHER 3/8 FLAT	8
14	011239-007	WASHER FLAT ASTM A325 7/16 DIA	8
15	011240-005	WASHER 5/16 FLAT	6
16	011782-008	BEARING #TT 2301-3 (STEER)	2
18	011705-016	SCREW SET 3/8-16 X 1	2
19	011934-001	FITTING 4MB-4MJ90 FS	2
20	015736-003	FITTING 8MB-8MJ90LL FS	4
21	011757-007	PIN COTTER 5/8 RUE RING	1
22	011757-010	PIN COTTER 3/4 RUE RING	1
23	027931-074	BEARING #AA-2803-1 (STEERING)	4
24	062642-012	BEARING	1
25	011753-010	PIN COTTER 1/8 X 1 1/4	2
26	061796-099	GROMMET	FT 1.75
27	061692-099	GROMMET	FT 1.5
28	066793-000	STEERING CYLINDER	1
-		SEAL KIT, STEERING CYLINDER	REF
29	114055-000	MOTOR HYD	2
-	114055-100	BRAKE SERVICE KIT, DRIVE MOTOR	REF
30	061846-001	WHEEL & TIRE	4
32	011934-004	FITTING 90 O-RING BOSS 6MB 6MJ	2
34	066750-000	WELDMENT - WIDE CHASSIS	1
37	066774-030	WELDMENT - LADDER BRACKET R.H.	1
38	066774-031	WELDMENT - LADDER BRACKET L.H.	1
39	066731-025	LADDER BRACKET STANDOFF	2

ITEM	PART	DESCRIPTION	QTY
40	066325-000	HUB - FRONT	2
43	011848-009	CLEVIS PIN 5/8 X 2	1
45	066152-001	STEERING LINK WELDMENT L.H.	1
46	066190-011	BEARING - STRIP	2
47	026553-012	RIVET 3/16 DIA X 1 1/8 GRIP	2
49	114057-000	WELDMENT - STEERING ANGLE LH	1
50	114058-000	WELDMENT - STEERING ANGLE RH	1
51	066069-002	WELDMENT - BELL CRANK	1
53	066151-001	STEERING LINK WELDMENT R.H.	1
54	066307-001	WELDMENT - LADDER	1
60	114059-000	VALVE ASSY SERIES PARALLEL	1
70	014122-003	WHEEL BOLT 1/2-20 X 1	16
72	002186-000	WASHER 3/16 FLAT	2
73	062642-001	BEARING	1
84	013336-011	FITTING GREASE	4
86	011246-005	NUT HEX ESNA 5/16-18	3
87	011848-041	CLEVIS PIN 3/4 X 2	1
91	066737-026	PIN, BELL CRANK	1
96	062642-008	BUSHING	2
97	062642-006	BUSHING 12 DU 06	2
98	011782-009	BUSHING TT 2301-4	2
99	014996-012	WASHER SAE 3/4 DIA	2
100	066702-000	SLIDE PAD, STEERING LINK	2
101	011239-016	WASHER 1 DIA FLAT ASTM	2
102	011274-016	NUT 1-14UNF SLOTTED HEX	4
103	011753-012	PIN COTTER 1/8 X 1 1/2	4
104	011776-004	CUP BEARING	4
105	005078-000	CAP DUST	2
106	005104-000	SEAL GREASE	2
107	011775-011	CONE BEARING	4
108	066773-000	HUB ASSY	2

Drawing 1 of 2



Drawing 2 of 2



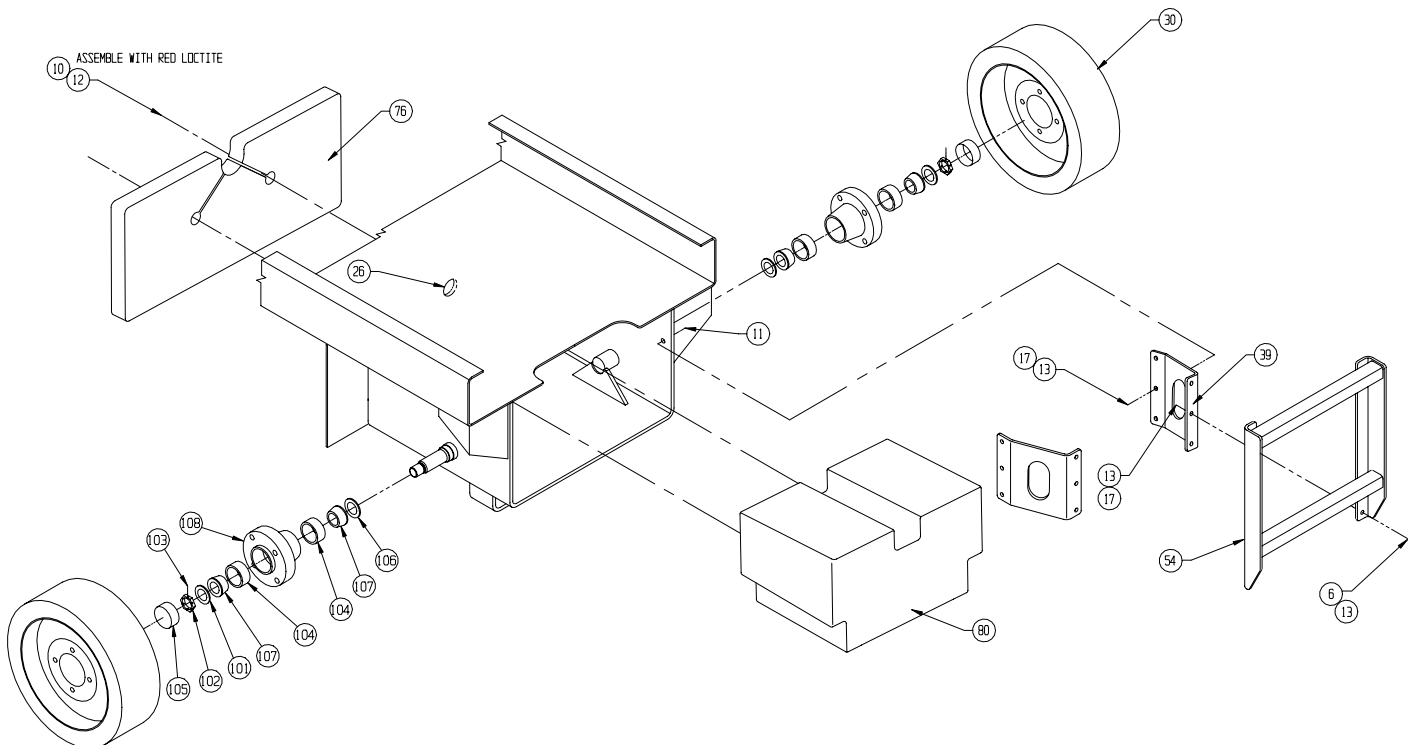
Chassis Assembly – X26UN

066052-026

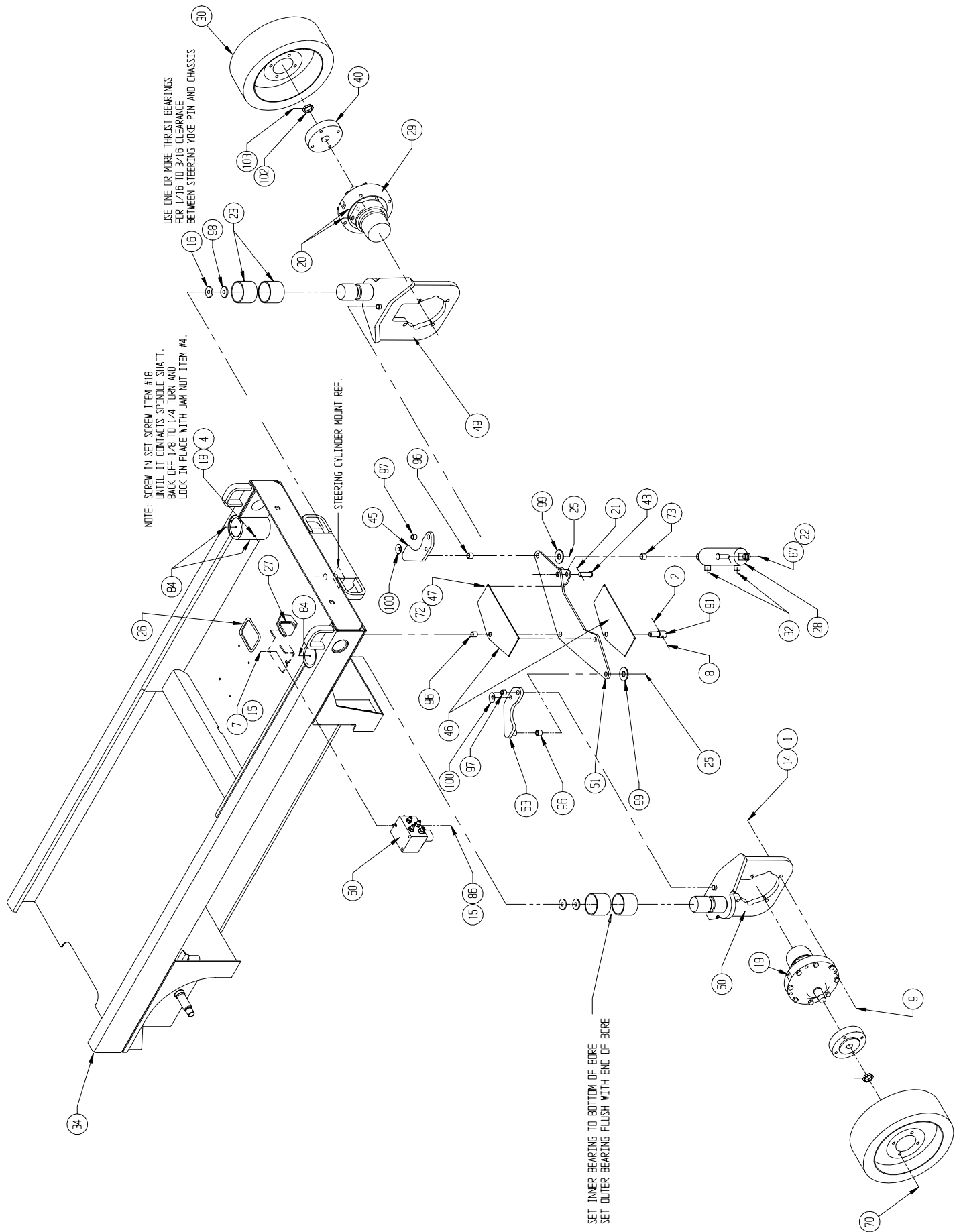
ITEM	PART	DESCRIPTION	QTY
1	011248-007	NUT HEX ESNA 7/16-14 UNC	8
2	011248-006	NUT HEX 3/8-16 UNC	1
4	011273-006	NUT JAM 3/8-16	2
6	011254-008	SCREW HHC GR5 3/8-16 UNC X 1	4
7	011253-030	SCREW HHC GR5 5/16-18 UNC x 3 3/4	3
8	011254-016	SCREW HHC GR5 3/8-16 UNC X 2	1
9	011255-026	SCREW HHC GR5 7/16-14 UNC x 3 1/4	8
10	014918-024	SCREW HHC GR5 1-8 UNC x 3	2
11	011254-012	SCREW HHC GR5 3/8-16 UNC X 1 1/2	4
12	011239-016	WASHER FLAT ASTM A325 1 DIA	2
13	011240-006	WASHER 3/8 FLAT	12
14	011239-007	WASHER FLAT ASTM A325 7/16 DIA	8
15	011240-005	WASHER 5/16 FLAT	6
16	011782-008	BEARING #TT 2301-3 (STEER)	2
17	011246-006	NUT HEX ESNA 3/8-16 UNC	8
18	011705-016	SCREW SET 3/8-16 X 1	2
19	011934-001	FITTING 4MB-4MJ90 FS	2
20	015736-003	FITTING 8MB-8MJ90LL FS	4
21	011757-007	PIN COTTER 5/8 RUE RING	1
22	011757-010	PIN COTTER 3/4 RUE RING	1
23	027931-074	BEARING #AA-2803-1 (STEERING)	4
25	011753-010	PIN COTTER 1/8 X 1 1/4	2
26	061796-099	GROMMET	FT 1.75
27	061692-099	GROMMET	FT 1.5
28	066602-000	STEERING CYLINDER	1
-	066602-010	SEAL KIT, STEERING CYLINDER	REF
29	114055-000	MOTOR HYD	2
-	114055-100	BRAKE SERVICE KIT, DRIVE MOTOR	REF
30	061846-001	WHEEL & TIRE	4
32	011934-004	FITTING 90 O RING BOSS 6MB 6MJ	2
34	066869-000	WELDMENT - CHASSIS	1
39	066862-000	LADDER MOUNTING BRACKET	2
40	066325-000	HUB - FRONT	2

ITEM	PART	DESCRIPTION	QTY
43	011848-009	CLEVIS PIN 5/8 X 2	1
45	066159-001	STEERING LINK WELDMENT L.H.	1
46	066190-000	BEARING - STRIP	2
47	26553-012	RIVET 3/16 DIA X 1 1/8 GRIP	2
49	114057-000	WELDMENT - STEERING ANGLE LH	1
50	114058-000	WELDMENT - STEERING ANGLE RH	1
51	066313-001	WELDMENT - BELL CRANK	1
53	066158-001	STEERING LINK WELDMENT R.H.	1
54	066307-001	WELDMENT - LADDER	1
60	114059-000	VALVE ASSY, SERIES / PARALLEL	1
70	014122-003	WHEEL BOLT 1/2-20 X 1	16
72	02186-000	WASHER 3/16 FLAT	2
73	062642-001	BEARING	1
76	066865-100	COUNTERWEIGHT - REAR BULKHEAD	1
80	066866-000	COUNTERWEIGHT CASTING	1
84	013336-011	FITTING GREASE	4
86	011246-005	NUT HEX ESNA 5/16-18	3
87	011848-041	CLEVIS PIN 3/4 X 2	1
91	066737-026	PIN, BELL CRANK	1
96	062642-008	BUSHING	3
97	062642-006	BUSHING 12 DU 06	2
98	011782-009	BUSHING TT 2301-4	2
99	014996-012	WASHER SAE 3/4 DIA	2
100	066702-000	SLIDE PAD, STEERING LINK	2
101	011239-016	WASHER 1 DIA FLAT ASTM	2
102	011274-016	NUT 1-14UNF SLOTTED HEX	4
103	011753-012	PIN COTTER 1/8 X 1 1/2	4
104	011776-004	CUP BEARING	4
105	05078-000	CAP DUST	2
106	05104-000	SEAL GREASE	2
107	011775-011	CONE BEARING	4
108	066773-000	HUB ASSY	2

Drawing 1 of 2



Drawing 2 of 2



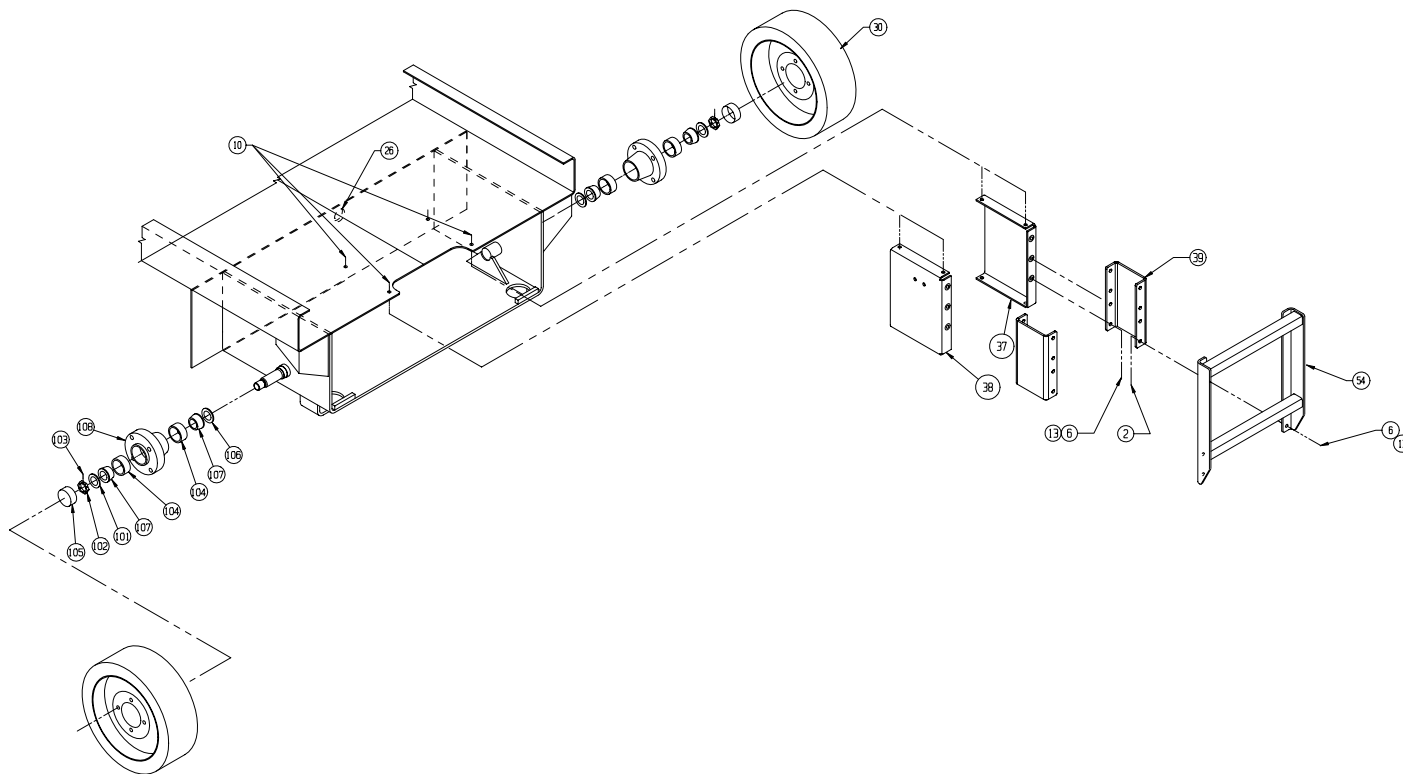
Chassis Assembly – X31N

114042-000

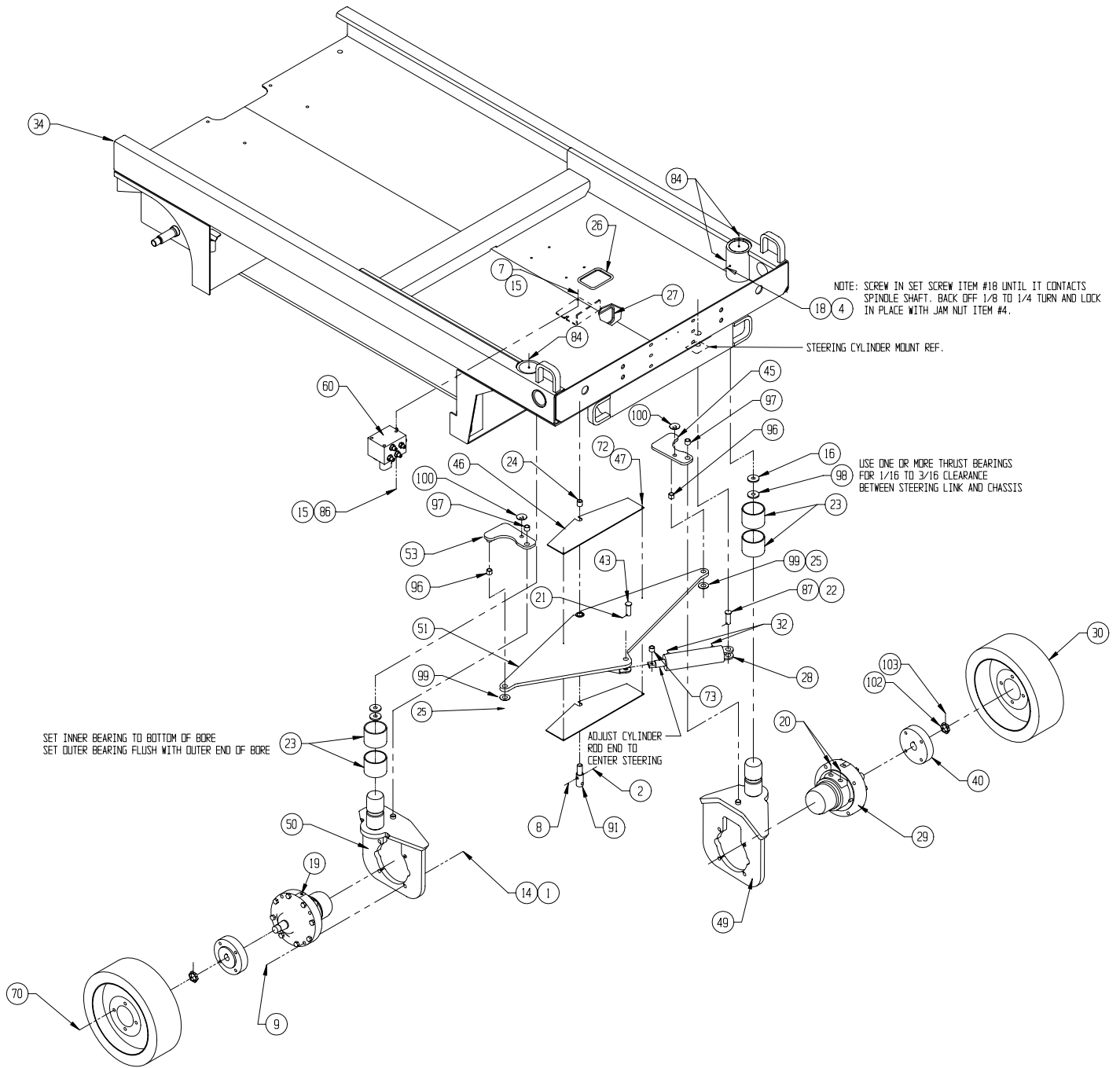
ITEM	PART	DESCRIPTION	QTY
1	011248-007	NUT HEX 7/16-14 UNC	8
2	011248-006	NUT HEX 3/8-16 UNC	5
4	011273-006	NUT JAM 3/8-16	2
6	011254-008	SCREW HHC GR5 3/8-16 UNC X 1	8
7	011253-030	SCREW HHC GR5 5/16-18 UNC X 3 3/4	3
8	011254-016	SCREW HHC GR5 3/8-16 UNC X 2	1
9	011255-028	SCREW HHC GR5 7/16-14 UNC X 3 1/2	8
10	011254-012	SCREW HHC GR5 3/8-16 UNC X 1 1/2	4
13	011240-006	WASHER 3/8 FLAT	8
14	011239-007	WASHER FLAT ASTM A325 7/16 DIA	8
15	011240-005	WASHER 5/16 FLAT	6
16	011782-008	BEARING #TT 2301-3 (STEER)	2
18	011705-016	SCREW SET 3/8-16 X 1	2
19	011934-001	FITTING 4MB-4MJ90 FS	2
20	015736-003	FITTING 8MB-8MJ90LL FS	4
21	011757-007	PIN COTTER 5/8 RUE RING	1
22	011757-010	PIN COTTER 3/4 RUE RING	1
23	027931-074	BEARING #AA-2803-1 (STEERING)	4
24	062642-012	BEARING	1
25	011753-010	PIN COTTER 1/8 X 1 1/4	2
26	061796-099	GROMMET	FT 1.75
27	061692-099	GROMMET	FT 1.5
28	066793-000	STEERING CYLINDER	1
-		SEAL KIT, STEERING CYLINDER	REF
29	114055-000	MOTOR HYD	2
-	114055-100	BRAKE SERVICE KIT, DRIVE MOTOR	REF
30	061846-001	WHEEL & TIRE	4
32	011934-004	FITTING 90 O-RING BOSS 6MB 6MJ	2
34	066750-000	WELDMENT - WIDE CHASSIS	1
37	066774-030	WELDMENT - LADDER BRACKET R.H.	1
38	066774-031	WELDMENT - LADDER BRACKET L.H.	1
39	066731-025	LADDER BRACKET STANDOFF	2

ITEM	PART	DESCRIPTION	QTY
40	066325-000	HUB - FRONT	2
43	011848-009	CLEVIS PIN 5/8 X 2	1
45	066152-001	STEERING LINK WELDMENT L.H.	1
46	066190-011	BEARING - STRIP	2
47	26553-012	RIVET 3/16 DIA X 1 1/8 GRIP	2
49	114057-000	WELDMENT - STEERING ANGLE LH	1
50	114058-000	WELDMENT - STEERING ANGLE RH	1
51	066069-002	WELDMENT - BELL CRANK	1
53	066151-001	STEERING LINK WELDMENT R.H.	1
54	066307-010	WELDMENT - LADDER	1
60	114059-000	VALVE ASSY SERIES PARALLEL	1
70	014122-003	WHEEL BOLT 1/2-20 X 1	16
72	02186-000	WASHER 3/16 FLAT	2
73	062642-001	BEARING	1
84	013336-011	FITTING GREASE	4
86	011246-005	NUT HEX ESNA 5/16-18	3
87	011848-041	CLEVIS PIN 3/4 X 2	1
91	066737-026	PIN, BELL CRANK	1
96	062642-008	BUSHING	2
97	062642-006	BUSHING 12 DU 06	2
98	011782-009	BUSHING TT 2301-4	2
99	014996-012	WASHER SAE 3/4 DIA	2
100	066702-000	SLIDE PAD, STEERING LINK	2
101	011239-016	WASHER 1 DIA FLAT ASTM	2
102	011274-016	NUT 1-14UNF SLOTTED HEX	4
103	011753-012	PIN COTTER 1/8 X 1 1/2	4
104	011776-004	CUP BEARING	4
105	05078-000	CAP DUST	2
106	05104-000	SEAL GREASE	2
107	011775-011	CONE BEARING	4
108	066773-000	HUB ASSY	2

Drawing 1 of 2



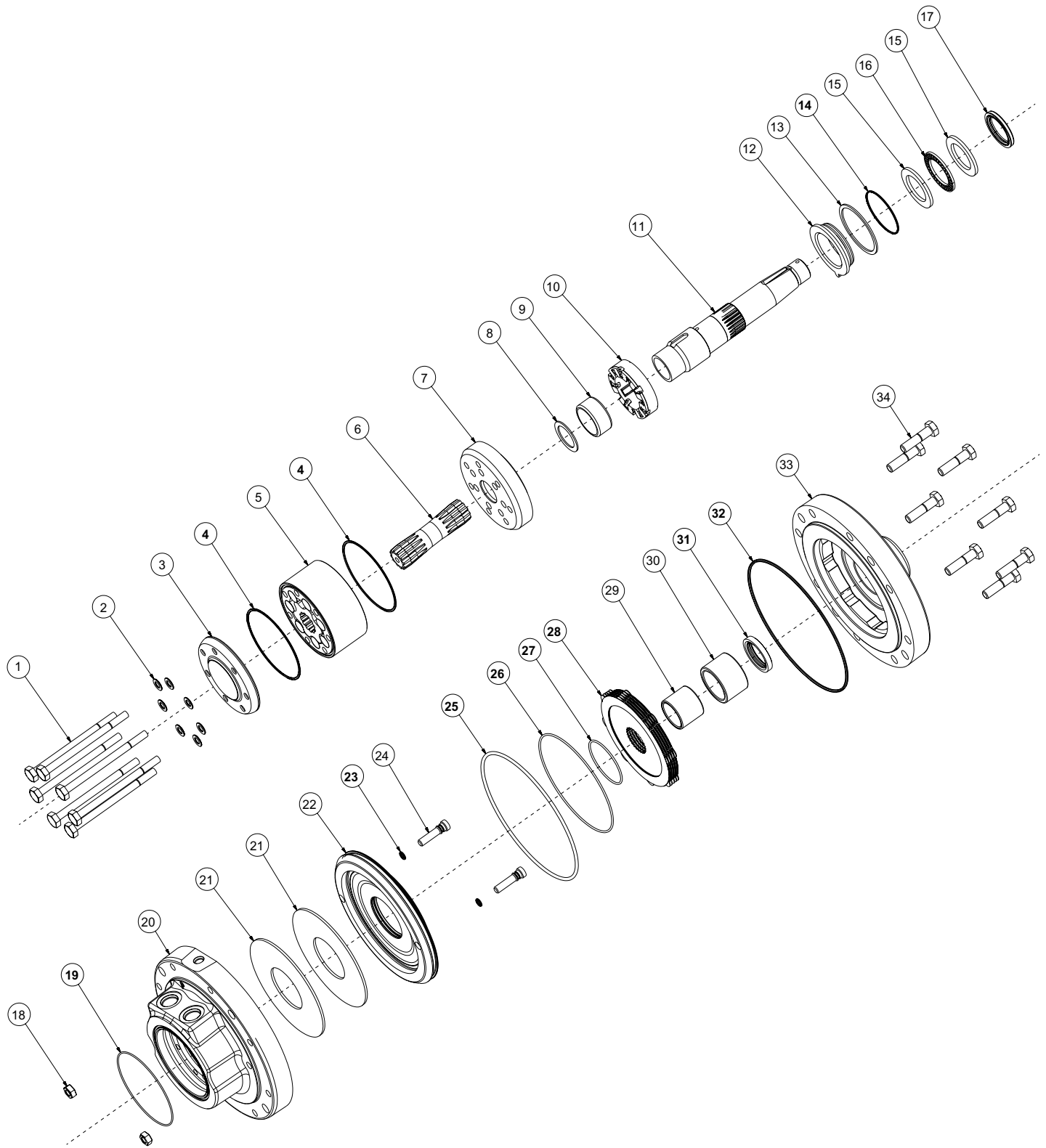
Drawing 2 of 2



Hydraulic Motor Assembly

114055-000

ITEM	PART	DESCRIPTION	QTY	ITEM	PART	DESCRIPTION	QTY
-	114055-100	BRAKE SERVICE KIT		8	NA	BEARING RACE	1
4		O-RING	2	9	NA	NEEDLE BEARING	1
14		BALANCE PLATE P-RING	1	10	NA	COMMUTATION VALVE	1
17		HIGH PRESSURE SHAFT SEAL	1	11	NA	OUTPUT SHAFT	1
19		O-RING	1	12	NA	BALANCE PLATE	1
23		O-RING 06,86X1,78	2	13	NA	SPRING WASHER	1
25		O-RING 155X3 NBR90	1	15	NA	WASHER	2
26		O-RING 126,72X1,78 NBR90	1	16	NA	NEEDLE BEARING	1
27		O-RING 55X2 NBR90	1	18	NA	BRAKE RELEASE NUT	2
28		BRAKE DISC SET	1	20	NA	BEARING HOUSING	1
31		STANDARD SHAFT SEAL	1	21	NA	BRAKE SPRING	2
32		O-RING 171,12X2,62 NBR90	1	22	NA	BRAKE PISTON	1
1	NA	BOLT	7	24	NA	BRAKE RELEASE BOLT	2
2	NA	WASHER	7	29	NA	BUSHING	1
3	NA	ENDCAP	1	30	NA	NEEDLE BEARING	1
5	NA	ROTOR, OMEW 345	1	33	NA	FRONT FLANGE	1
6	NA	CARDAN SHAFT, OMEW 345	1	34	NA	BOLT M10X40	2
7	NA	CHANNEL PLATE	1				

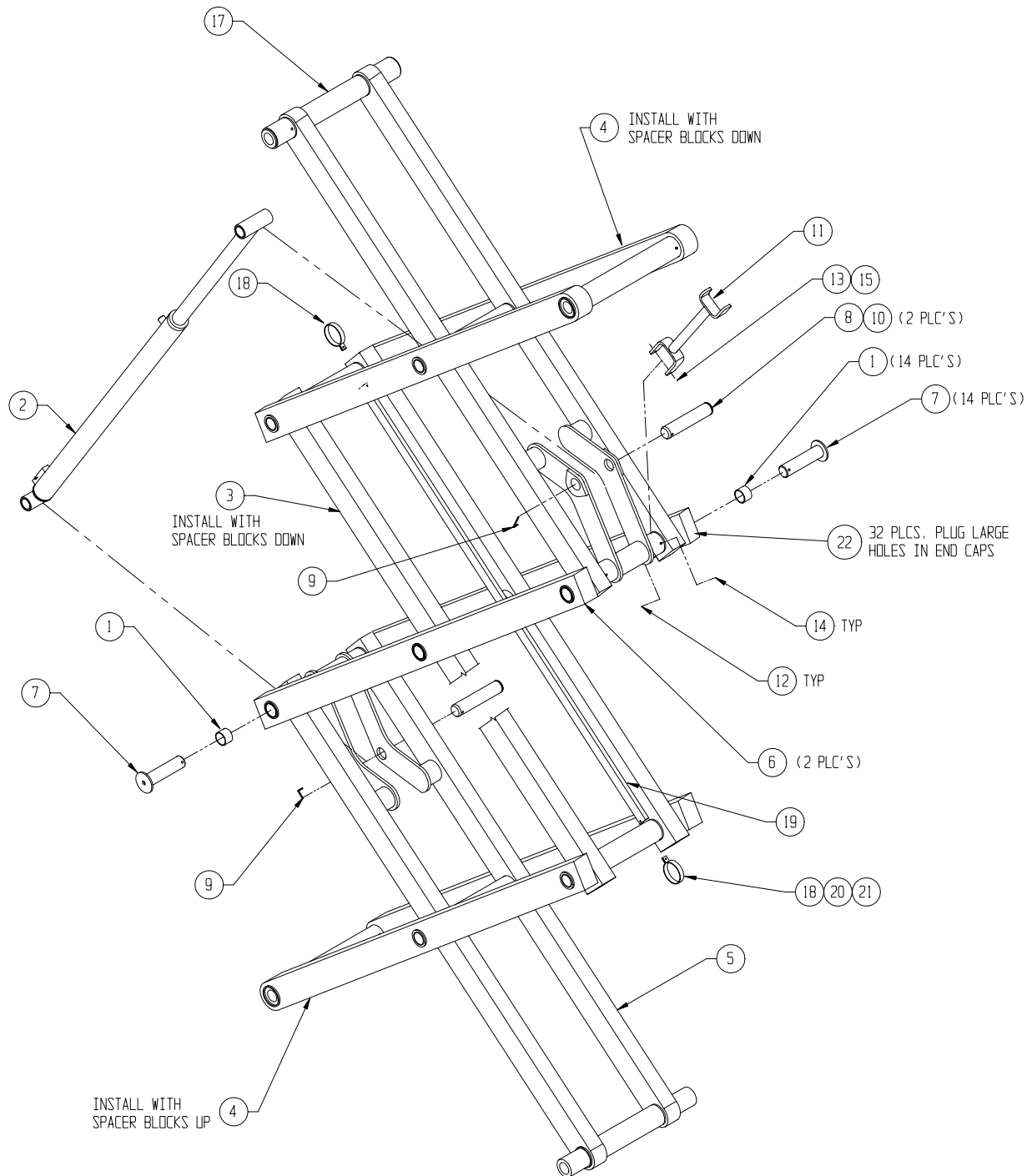


Scissor Assembly – X20N

066003-000

ITEM	PART	DESCRIPTION	QTY
1	066183-000	BEARING, OILITE	14
2	066168-000	LIFT CYLINDER	1
-	066168-010	SEAL KIT, LIFT CYLINDER	REF
3	066201-000	WELDMENT, MID INNER TUBE	1
4	066202-000	WELDMENT, TOP & BOTTOM OUTER	2
5	066200-001	WELDMENT, BOTTOM INNER 1/4	1
6	066211-000	WELDMENT, MID OUTER	2
7	066210-000	WELDMENT, PIVOT PIN	14
8	066224-000	PIN, LIFT CYLINDER	2
9	066225-000	PIN, SHAFT LOCKING	2
10	011764-032	RET RING	2

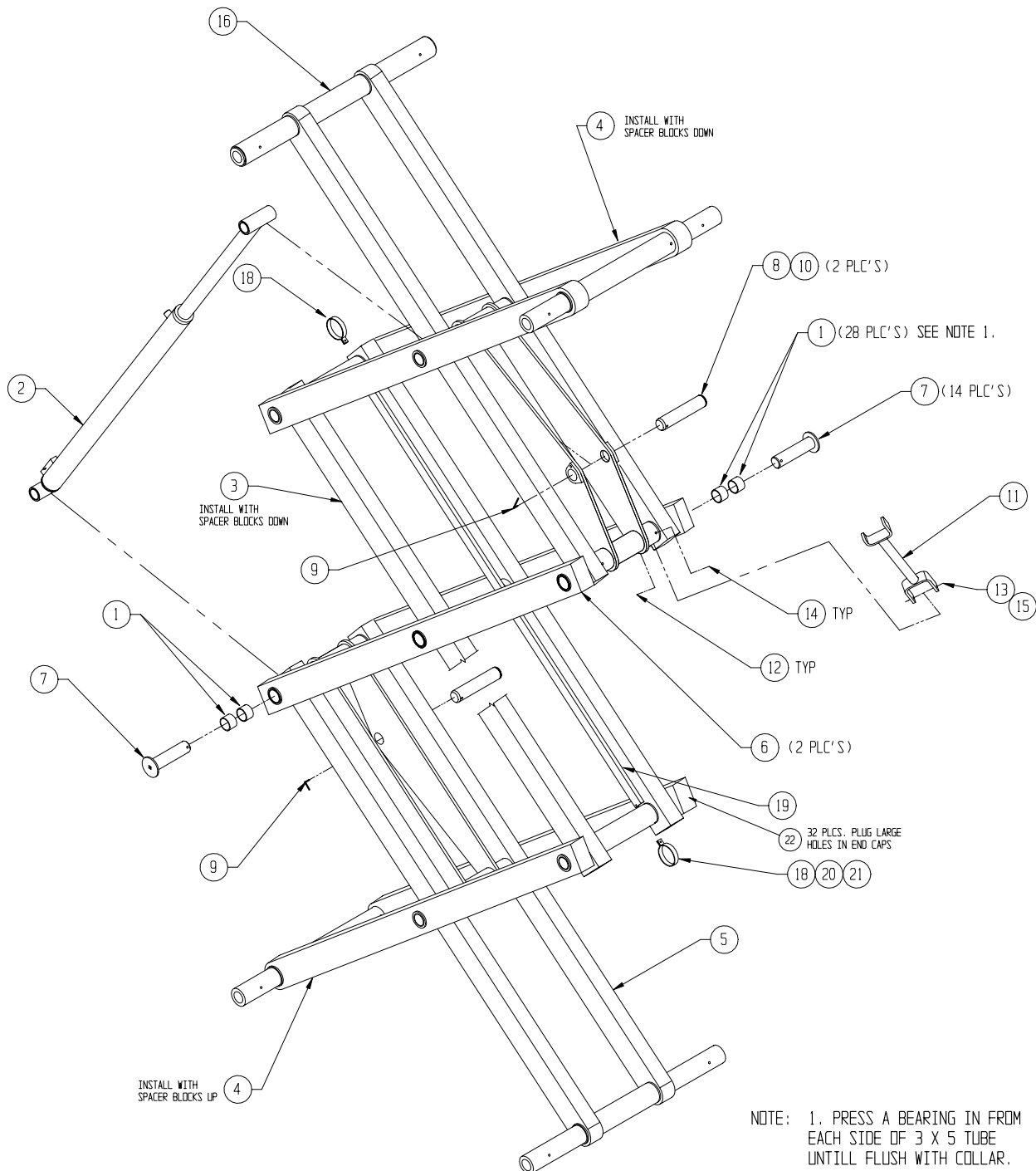
ITEM	PART	DESCRIPTION	QTY
11	066214-000	WELDMENT, SAFETY STAND	1
12	011248-005	NUT HEX 5/16-18	14
13	011248-006	NUT HEX 3/8-16	1
14	015936-023	SCREW SHOULDER 3/8-16 X 3 1/2	14
15	011254-044	SCREW HHC GR5 3/8-16 X 5 1/2	1
17	066203-000	WELDMENT, TOP INNER 3/16	1
18	066199-000	PIPE RING	2
19	066226-002	CHANNEL, CABLE	1
20	011248-004	NUT HEX 1/4-20	2
21	011252-006	SCREW HHC GR5 1/4-20 X 3/4	2
22	064462-035	PLUG, 3/4" DIA CAP PLUG	32



Scissor Assembly – X20W

066053-000

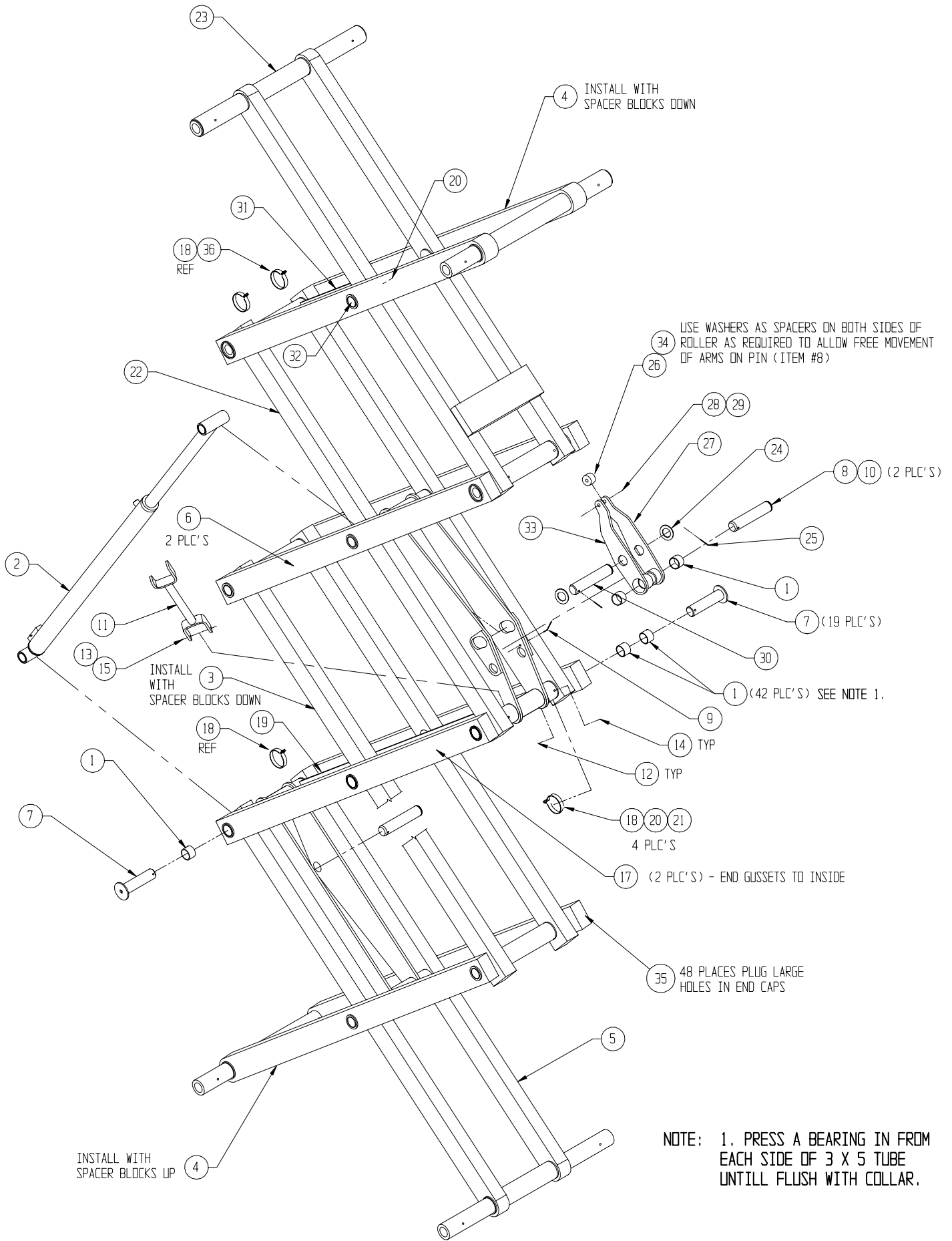
ITEM	PART	DESCRIPTION	QTY	ITEM	PART	DESCRIPTION	QTY
1	066183-000	BEARING, OILITE	28	11	066214-000	WELDMENT, SAFETY STAND	1
2	066601-000	LIFT CYLINDER	1	12	011248-005	NUT HEX 5/16-18	14
-	066601-010	SEAL KIT, LIFT CYLINDER	REF	13	011248-006	NUT HEX 3/8-16	1
3	066201-000	WELDMENT, MID INNER TUBE 1/8	1	14	015936-023	SCREW SHOULDER 3/8-16 X 3 1/2	14
4	066240-000	WELDMENT, TOP & BOTTOM OUTER 1/8	2	15	011254-044	SCREW HHC GR5 3/8-16 X 5-1/2	1
5	066238-013	WELDMENT, BOTTOM INNER 3/16	1	16	066238-003	WELDMENT, TOP ARM	1
6	066211-003	WELDMENT, MID OUTER 1/8	2	18	066199-000	PIPE RING	2
7	066210-000	WELDMENT, PIVOT PIN	14	19	066226-002	CHANNEL, CABLE	1
8	066224-000	PIN, LIFT CYLINDER	2	20	011248-004	NUT HEX 1/4-20	2
9	066225-000	PIN, SHAFT LOCKING	2	21	011252-006	SCREW HHC GR5 1/4-20 X 3/4	2
10	011764-032	RET RING	2	22	064462-035	PLUG, 3/4" DIA. CAP PLUG	32



Scissor Assembly – X26N

066103-000

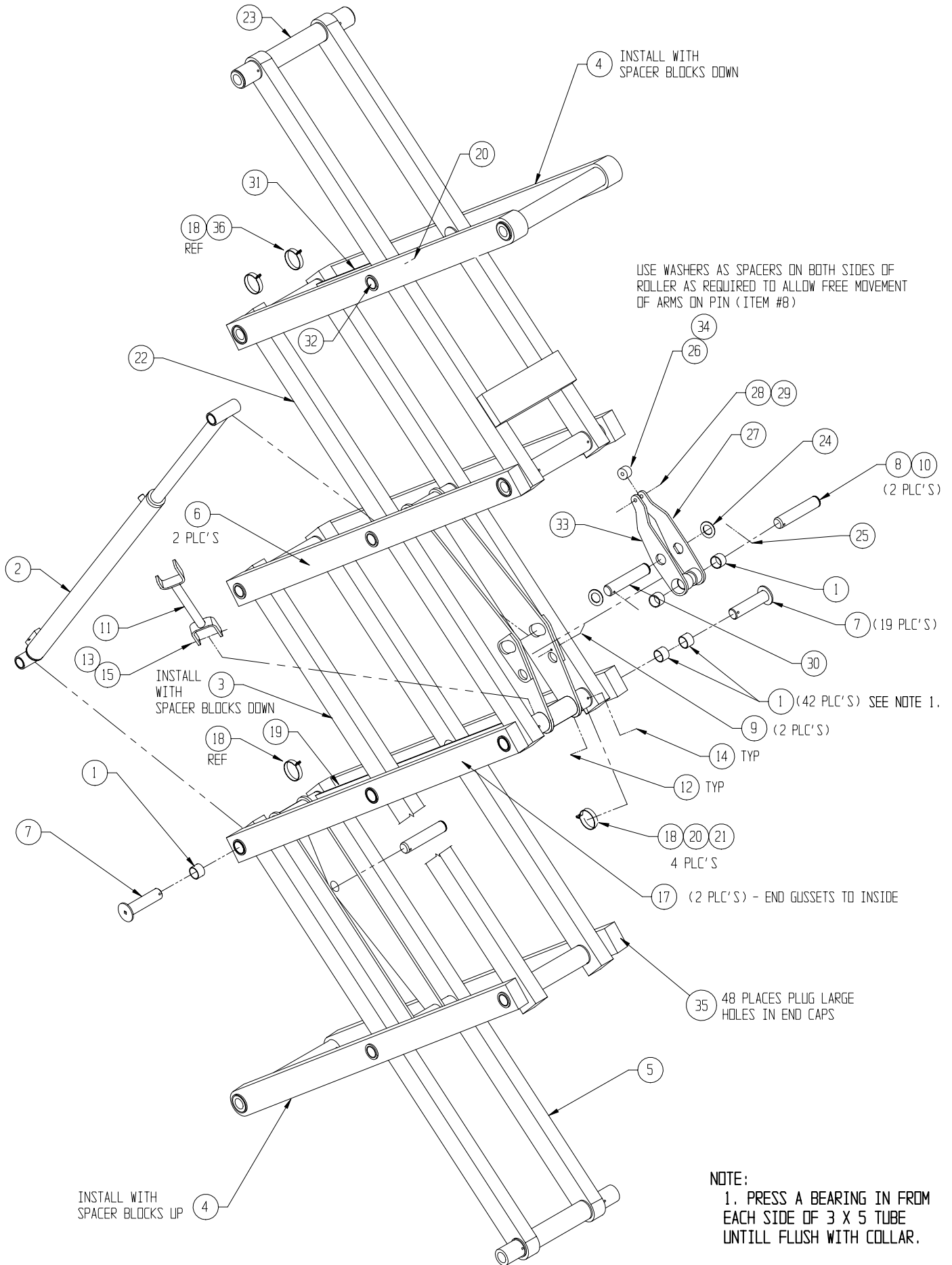
ITEM	PART	DESCRIPTION	QTY	ITEM	PART	DESCRIPTION	QTY
1	066183-000	BEARING, OILITE	42	19	066226-002	CHANNEL, CABLE	1
2	066601-000	LIFT CYLINDER	1	20	011248-004	NUT HEX 1/4-20	4
-	066601-010	SEAL KIT, LIFT CYLINDER	REF	21	011252-008	SCREW HHC GR5 1/4-20 X 1	4
3	066201-001	WELDMENT, MID INNER TUBE 1/8	1	22	066120-000	WELDMENT, MID INNER ARM 3/16	1
4	066240-000	WELDMENT, TOP & BOTTOM OUTER 1/8	2	23	066121-000	WELDMENT, TOP INNER ARM 1/8	1
5	066238-013	WELDMENT, BOTTOM INNER 3/16	1	24	011239-032	WASHER 2 DIA ASTM	2
6	066211-002	WELDMENT, MID OUTER 1/4	2	25	011740-024	ROLL PIN 1/2 X 3	2
7	066210-000	WELDMENT, PIVOT PIN	19	26	065367-001	BEARING TORRINGTON #YCRS32	1
8	066224-000	PIN, LIFT CYLINDER	2	27	066574-001	WELDMENT, TORSION ARM L.H.	1
9	066225-000	PIN, SHAFT LOCKING	2	28	011257-028	SCREW HHC 5/8-11 X 3 1/2	1
10	011764-032	RET RING	2	29	011246-010	NUT 5/8-11 THIN HEX	1
11	066214-000	WELDMENT, SAFETY STAND	1	30	066224-001	PIN, LIFT CYLINDER	1
12	011248-005	NUT HEX 5/16-18	20	31	066226-001	CHANNEL, CABLE	1
13	011248-006	NUT HEX 3/8-16	1	32	066210-002	WELDMENT, PIVOT PIN	1
14	015936-023	SCREW SHOULDER 3/8-16 X 3 1/2	20	33	066574-002	WELDMENT, TORSION ARM R.H.	1
15	011254-044	SCREW HHC GR5 3/8-16 X 5 1/2	1	34	011239-010	WASHER, FLAT 5/8 ASTM	4
17	066211-001	WELDMENT, MID OUTER ARM 1/8	2	35	064462-035	PLUG, 3/4" DIA. CAP PLUG	48
18	066199-000	PIPE RING	4	36	013919-006	HOSE CLAMP	1



Scissor Assembly – X26UN

066103-026

ITEM	PART	DESCRIPTION	QTY	ITEM	PART	DESCRIPTION	QTY
1	066183-000	BEARING, OILITE	42	19	066226-002	CHANNEL, CABLE	1
2	066601-000	LIFT CYLINDER	1	20	011248-004	NUT HEX 1/4-20	4
-	066601-010	SEAL KIT, LIFT CYLINDER	REF	21	011252-008	SCREW HHC GR5 1/4-20 X 1	4
3	066201-001	WELDMENT, MID INNER TUBE 1/8	1	22	066120-000	WELDMENT, MID INNER ARM 3/16	1
4	066202-026	WELDMENT, TOP & BOTTOM OUTER 1/8	2	23	066121-026	WELDMENT, TOP INNER ARM 1/8	1
5	066200-026	WELDMENT, BOTTOM INNER 3/16	1	24	011239-032	WASHER 2 DIA ASTM	2
6	066211-002	WELDMENT, MID OUTER 1/4	2	25	011740-024	ROLL PIN 1/2 X 3	2
7	066210-000	WELDMENT, PIVOT PIN	19	26	065367-001	BEARING TORRINGTON #YCRS32	1
8	066224-000	PIN, LIFT CYLINDER	2	27	066574-001	WELDMENT, TORSION ARM L.H.	1
9	066225-000	PIN, SHAFT LOCKING	2	28	011257-028	SCREW HHC 5/8-11 X 3 1/2	1
10	011764-032	RET RING	2	29	011246-010	NUT 5/8-11 THIN HEX	1
11	066214-000	WELDMENT, SAFETY STAND	1	30	066224-001	PIN, LIFT CYLINDER	1
12	011248-005	NUT HEX 5/16-18	20	31	066226-001	CHANNEL, CABLE	1
13	011248-006	NUT HEX 3/8-16	1	32	066210-002	WELDMENT, PIVOT PIN	1
14	015936-023	SCREW SHOULDER 3/8-16 X 3 1/2	20	33	066574-002	WELDMENT, TORSION ARM R.H.	1
15	011254-044	SCREW HHC GR5 3/8-16 X 5 1/2	1	34	011239-010	WASHER, FLAT 5/8 ASTM	4
17	066211-001	WELDMENT, MID OUTER ARM 1/8	2	35	064462-035	PLUG, 3/4" DIA. CAP PLUG	48
18	066199-000	PIPE RING	4	36	013919-006	HOSE CLAMP	1



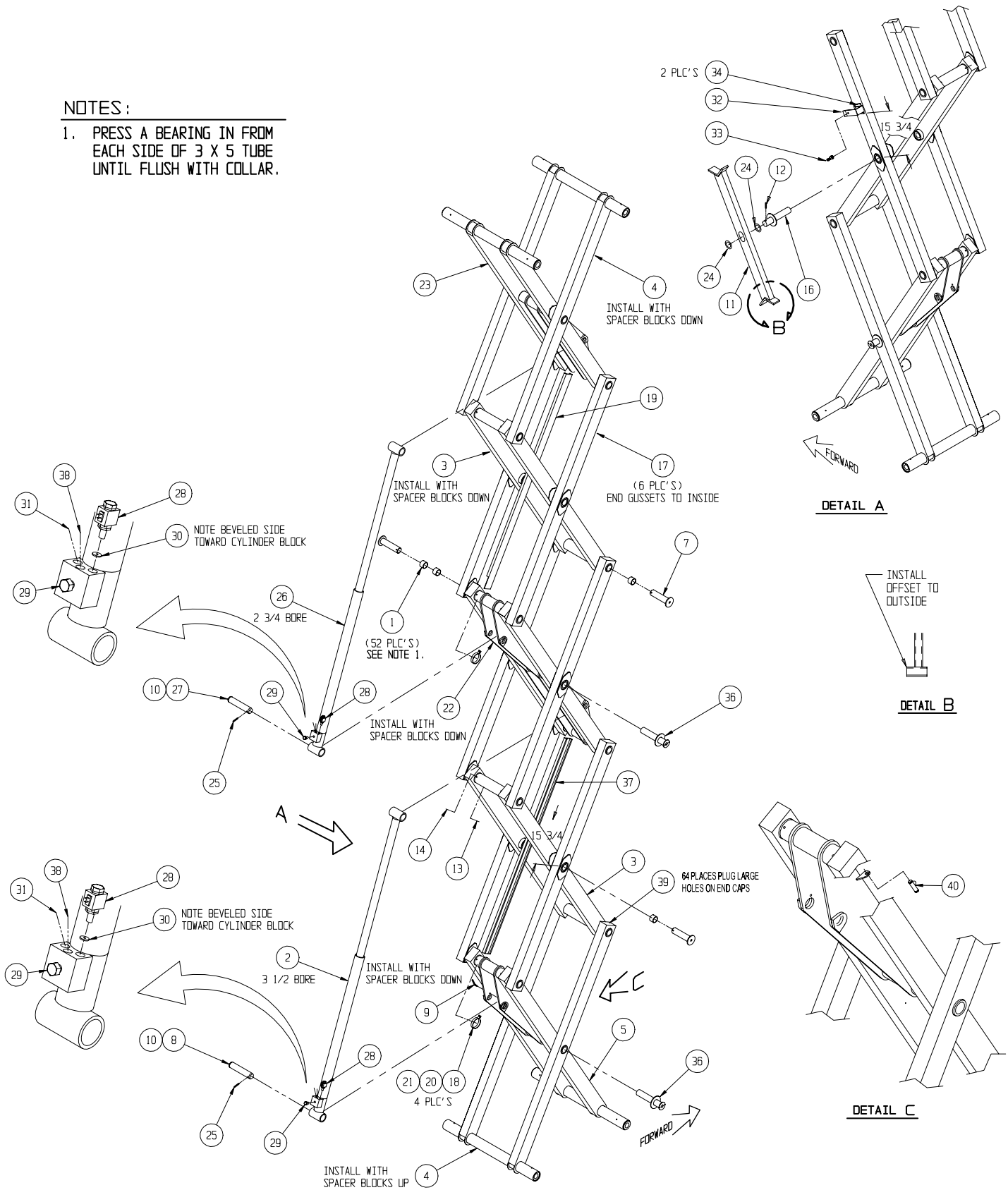
Scissor Assembly – X31N

066853-000

ITEM	PART	DESCRIPTION	QTY	ITEM	PART	DESCRIPTION	QTY
1	066183-000	BEARING, OILITE	52	22	066120-010	WELDMENT, MID INNER ARM 3/16	1
2	066601-000	LIFT CYLINDER	1	23	066121-010	WELDMENT, TOP INNER ARM 1/8	1
-	066601-010	SEAL KIT, LIFT CYLINDER	REF	24	011786-017	MACHINERY BUSHING 2" ID X 14GA	2
3	066201-001	WELDMENT, MID INNER TUBE 1/8	2	25	011740-024	ROLL PIN 1/2 X 3	2
4	066240-000	WELDMENT, TOP & BOTTOM OUTER 1/8	2	26	066168-000	LIFT CYLINDER	1
5	066238-013	WELDMENT, BOTTOM INNER 3/16	1	-	066168-010	SEAL KIT, LIFT CYLINDER	REF
7	066210-000	WELDMENT, PIVOT PIN	23	27	066224-010	PIN LIFT CYLINDER	2
8	066224-000	PIN, LIFT CYLINDER	2	28	063973-001	VALVE SOLENOID	2
9	066225-000	PIN, SHAFT LOCKING	4	29	020021-010	PLUG, #10 MB	2
10	011764-032	RET RING	4	30	063664-008	ORIFICE HYDRFORCE #7051070	2
11	067591-000	WELDMENT, SAFETY STAND	1	31	011941-005	FITTING STR 6MB-6MJ	2
12	011757-028	COTTER PIN 3/8 DIA X 3-1/2	1	32	066814-000	WELDMENT, SCISSOR BRACE	1
13	011248-005	NUT HEX 5/16-18	26	33	03570-001	RETAINING RING	1
14	015936-023	SCREW SHOULDER 3/8 X 3 1/2	26	34	026554-002	RIVET 1/4 POP	2
16	066210-011	WELDMENT, PIVOT PIN	1	36	066210-012	WELDMENT, PIVOT PIN	2
17	066211-001	WELDMENT, MID OUTER ARM 1/8	6	37	066226-002	HOSE CHANNEL	1
18	066199-000	PIPE RING	4	38	020021-006	PLUG, #6 MB	2
19	066226-000	CHANNEL, CABLE	1	39	064462-035	PLUG, 3/4" DIA. CAP PLUG	64
20	011248-004	NUT HEX 1/4-20	4	40	066638-000	TEE, BULKHEAD, 6MJ-6MJ-6MJ	1
21	011252-008	SCREW HHC GR5 1/4-20 X 1	4				

NOTES:

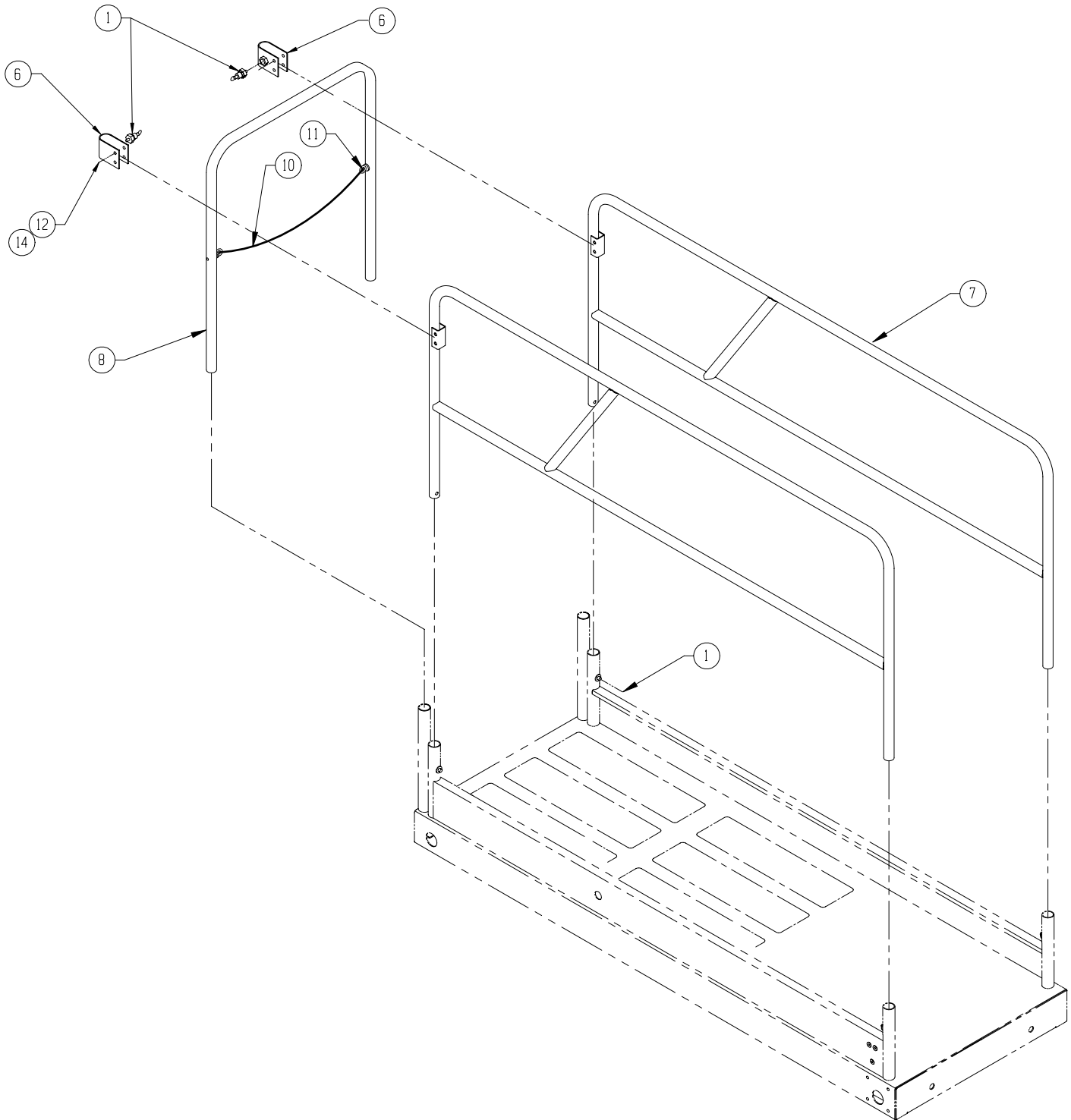
1. PRESS A BEARING IN FROM EACH SIDE OF 3 X 5 TUBE UNTIL FLUSH WITH COLLAR.



Guardrail Assembly – X20N & X26UN

066005-026

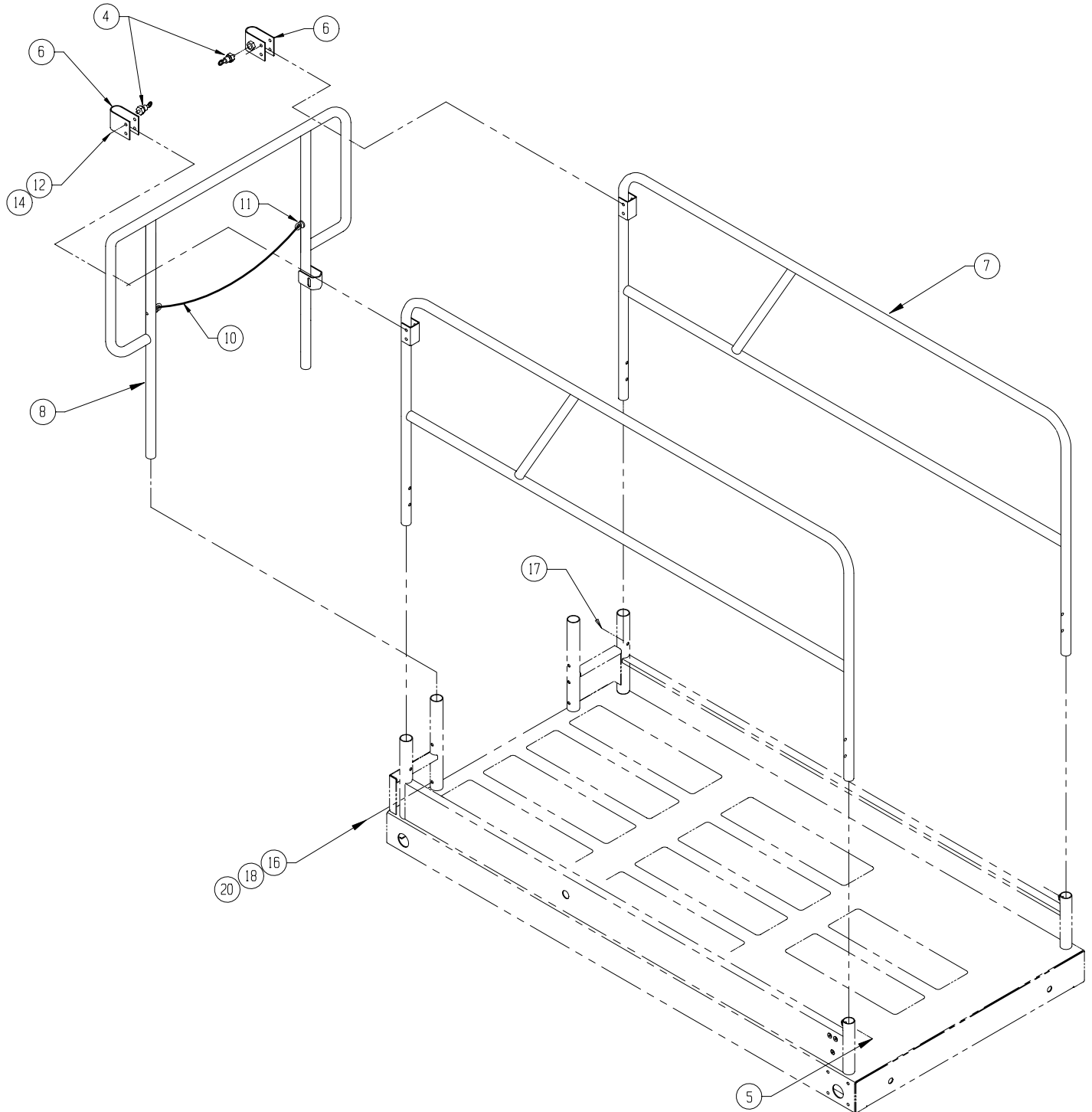
ITEM	PART	DESCRIPTION	QTY	ITEM	PART	DESCRIPTION	QTY
1	003570-005	PULL PIN WITH ROUND KNOB	6	10	063133-000	CHAIN ASS'Y	1
6	066498-000	WELDMENT, GATE LATCH	2	11	015748-002	REPAIR LAPLINK	1
7	066257-026	WELDMENT SIDE RAIL	2	12	011248-005	NUT 5/16-18	4
8	066261-026	WELDMENT, END RAIL	1	14	011253-016	SCREW 5/16-18 HHC X 2	4



Guardrail Assembly – X20W & X26N

066055-015

ITEM	PART	DESCRIPTION	QTY	ITEM	PART	DESCRIPTION	QTY
4	003570-005	PULL PIN WITH ROUND KNOB	2	11	015748-002	REPAIR LAPLINK	1
5	066171-003	SCREW 3/8-16 UNC X 2	4	12	011248-005	NUT 5/16-18	4
6	066498-000	WELDMENT, GATE LATCH	2	14	011253-016	SCREW 5/16-18 HHC X 2	4
7	066126-000	WELDMENT SIDE RAIL	2	16	011254-020	SCREW 3/8-16 HHC X 2 1/2	2
8	066125-003	WELDMENT, END RAIL	1	18	011240-006	WASHER 3/8 FLAT	6
10	063133-000	CHAIN ASS'Y	1	20	011248-006	NUT 3/8-16 HEX	6

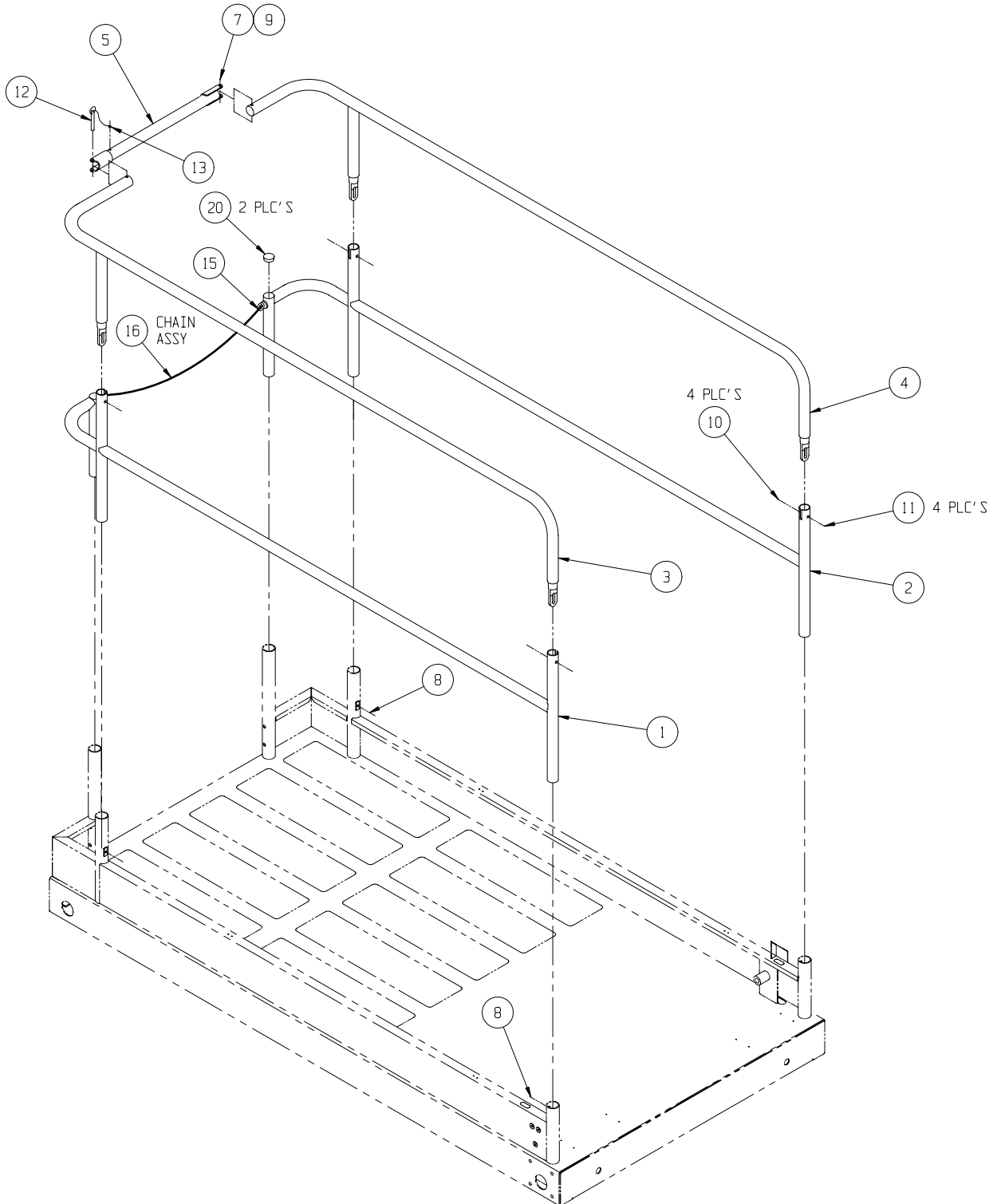


Guardrail Assembly – X31N

066855-002

ITEM	PART	DESCRIPTION	QTY
1	065814-005	WELDMENT, LOWER GUARDRAIL R.H.	1
2	065814-004	WELDMENT, LOWER GUARDRAIL L.H.	1
3	065815-002	WELDMENT, UPPER GUARDRAIL R.H.	1
4	065816-002	WELDMENT, UPPER GUARDRAIL L.H.	1
5	065805-003	WELDMENT, TOP SWING ARM	1
7	011248-006	NUT HEX ESNA 3/8-16UNC	1
8	066171-003	SCREW 3/8-16UNC X 2	4
9	011254-018	SCREW HHC 3/8-16UNC X 2 1/4	1

ITEM	PART	DESCRIPTION	QTY
10	011248-005	NUT HEX ESNA 5/16-18UNC	4
11	011253-014	SCREW HHC 5/16-18UNC X 1 3/4	4
12	010414-003	LOCKING PIN ASSY 10 LG	1
13	026553-004	RIVET 3/16 DIA	1
15	015748-002	REPAIR LINK	1
16	063133-000	ASSEMBLY CHAIN GATE	1
20	066516-001	PLUG 1 3/16 DIA	2

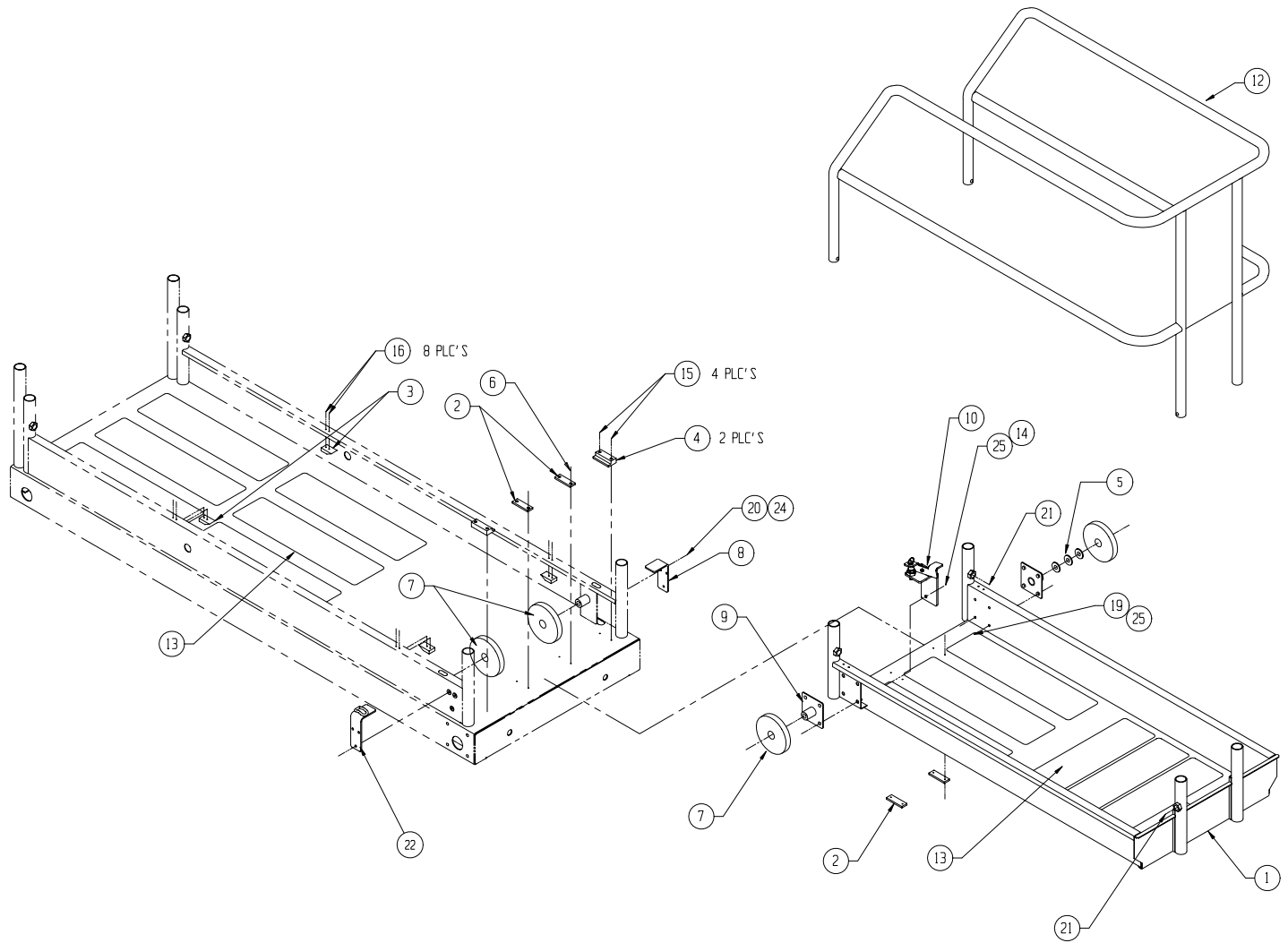


Deck Extension Assembly – X20N & X26UN

066006-026

ITEM	PART	DESCRIPTION	QTY
1	066251-026	WELDMENT DECK EXT.	1
2	066198-000	WEAR PAD	4
3	066193-000	STOP	4
4	066176-000	WEAR PAD	2
5	014996-020	WASHER SAE 1 1/4 PLATED	6
6	026553-004	RIVET 3/16 DIA X 5/16 GRIP	8
7	066195-000	PLATFORM ROLLER	4
8	066407-010	BRACKET	1
9	066256-000	WELDMENT ROLLER MOUNT	2
10	067185-000	DECKLOCK ASSY-SLIDEOUT	1
12	066260-026	WELDMENT EXT. RAIL	1

ITEM	PART	DESCRIPTION	QTY
13	027966-005	SAFETY WALK 6 X 24	12
14	011254-016	SCREW HHC 3/8-16 X 2	2
15	026553-008	RIVET 3/16 DIA X 9/16 GRIP	4
16	026553-010	RIVET 3/16 DIA X .626-750 GRIP	8
19	011254-014	SCREW HHC 3/8-16 X 1 3/4	6
20	011252-006	SCREW HHC 1/4-20 X 3/4	6
21	003570-005	PULL PIN WITH ROUND KNOB	4
22	066407-110	BRACKET WELDMENT	1
24	011240-004	WASHER 1/4 FLAT	6
25	011238-006	WASHER 3/8 LOCK	8

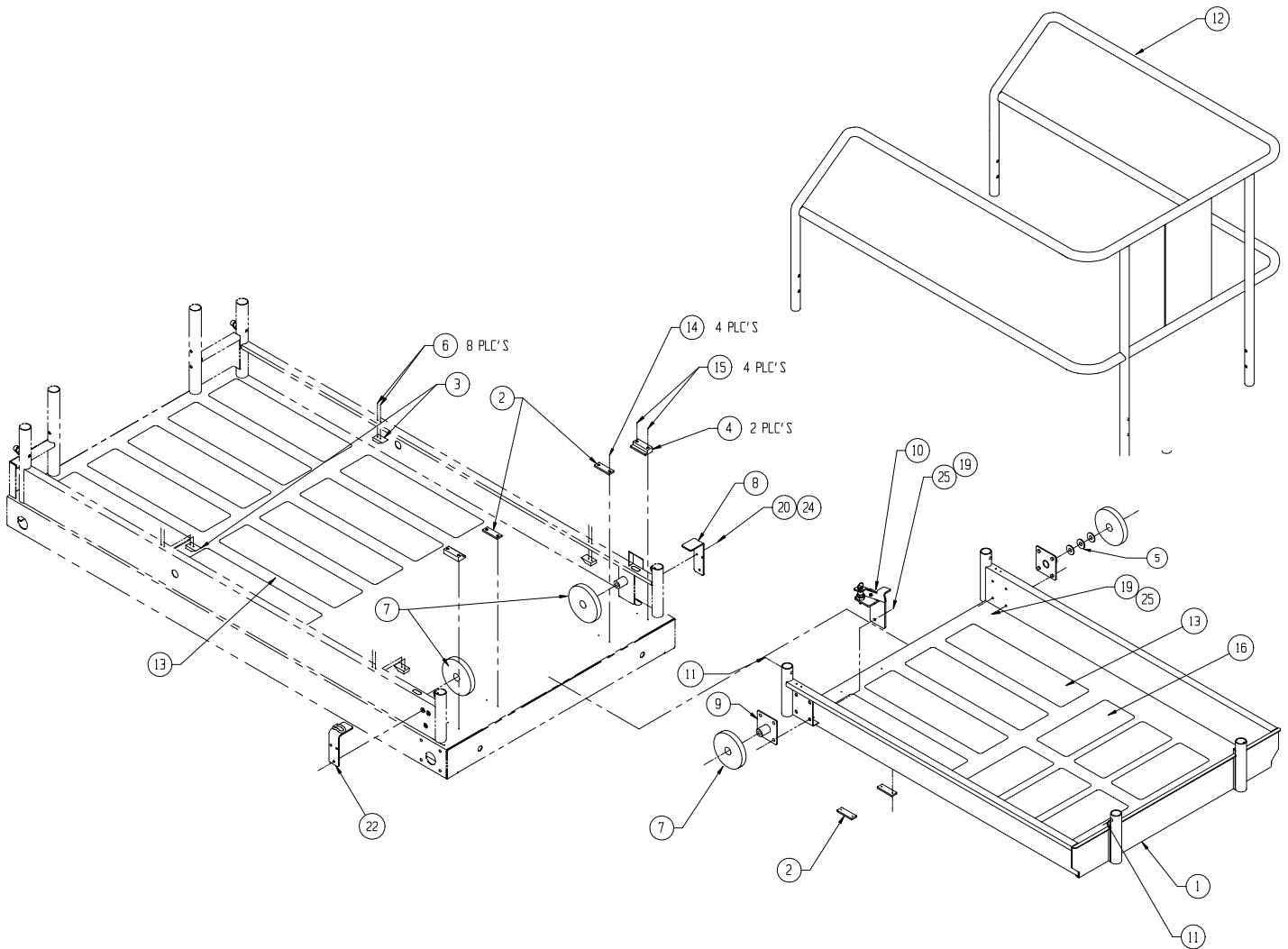


Deck Extension Assembly – X20W & X26N

066056-010

ITEM	PART	DESCRIPTION	QTY
1	066294-001	WELDMENT DECK EXT.	1
2	066198-001	WEAR PAD	4
3	066193-000	STOP	4
4	066176-001	WEAR PAD	2
5	014996-020	WASHER SAE 1 1/4 PLATED	6
6	026553-010	RIVET 3/16 X 11/16 GRIP	8
7	066195-000	PLATFORM ROLLER	4
8	066407-011	BRACKET	1
9	066127-000	WELDMENT ROLLER MOUNT	2
10	067185-000	DECKLOCK ASSY-SLIDEOUT	1
11	066171-003	SCREW, 3/8-16 X 2" FT	4

ITEM	PART	DESCRIPTION	QTY
12	066130-001	WELDMENT EXT. RAIL	1
13	027966-005	SAFETY WALK 6 X 24	14
14	026553-004	RIVET 3/16 X 5/16 GRIP	8
15	026553-008	RIVET 3/16 X 9/16 GRIP	4
16	027966-008	SAFETY WALK 6 X 18	6
19	011254-012	SCREW HHC 3/8-16 X 1 1/2	8
20	011252-006	SCREW HHC 1/4-20 X 3/4	6
22	066407-111	BRACKET WELDMENT	1
24	011240-004	WASHER 1/4 FLAT	6
25	011238-006	WASHER 3/8 LOCK	8

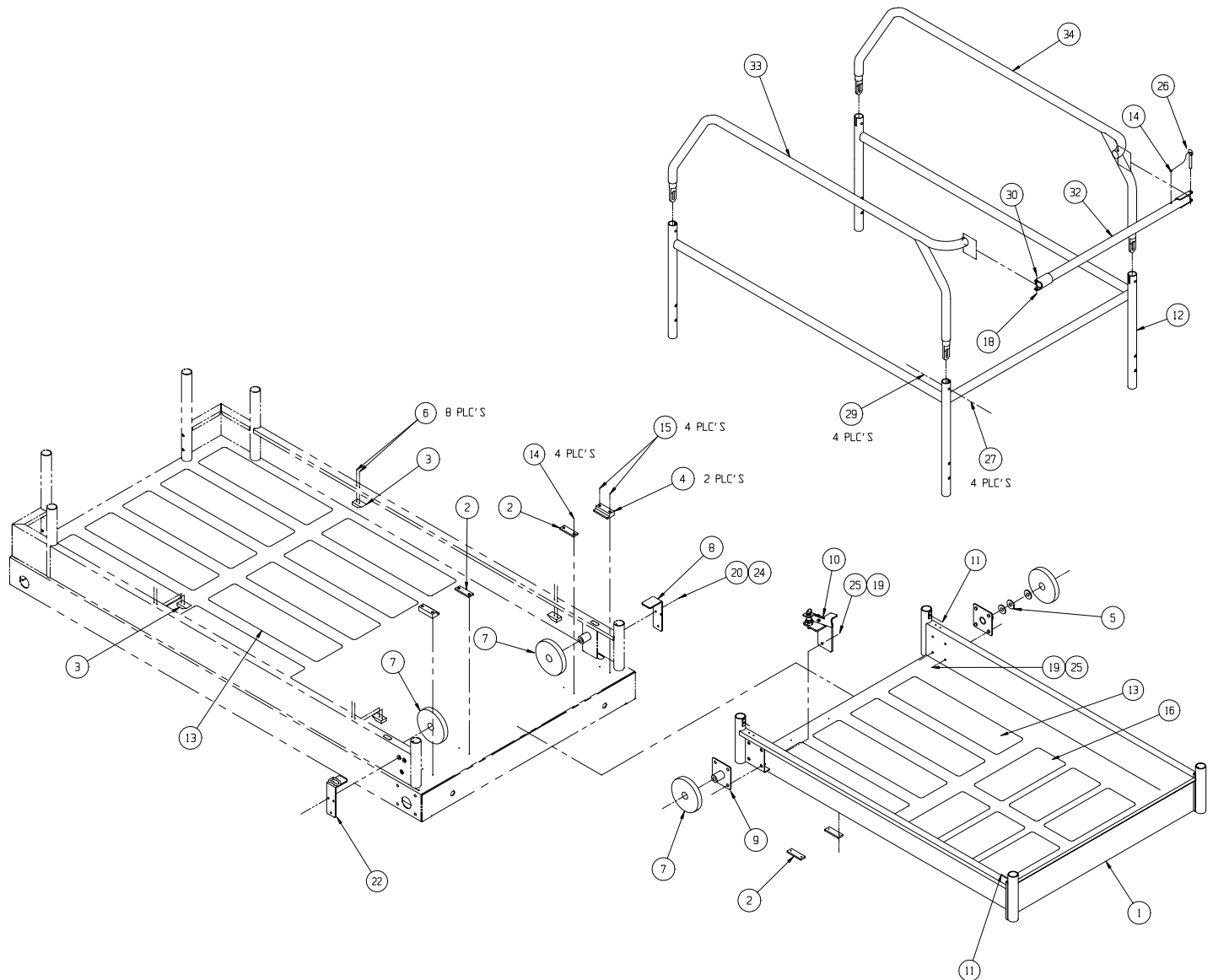


Deck Extension Assembly – X31N

066856-001

ITEM	PART	DESCRIPTION	QTY
1	066294-003	WELDMENT DECK EXT.	1
2	066198-001	WEAR PAD	4
3	066193-000	STOP	4
4	066176-001	WEAR PAD	2
5	014996-020	WASHER SAE 1 1/4 PLATED	6
6	026553-010	RIVET 3/16 X 11/16 GRIP	8
7	066195-000	PLATFORM ROLLER	4
8	066407-011	BRACKET	1
9	066127-000	WELDMENT ROLLER MOUNT	2
10	067185-000	DECKLOCK ASSY-SLIDEOUT	1
11	066171-003	SCREW 3/8-16 UNC X 2	4
12	065802-003	WELDMENT, LOWER EXT.	1
13	027966-005	SAFTY WALK 6 X 24	14
14	026553-004	RIVET 3/16 X 5/16 GRIP	9
15	026553-008	RIVET 3/16 X 9/16 GRIP	4

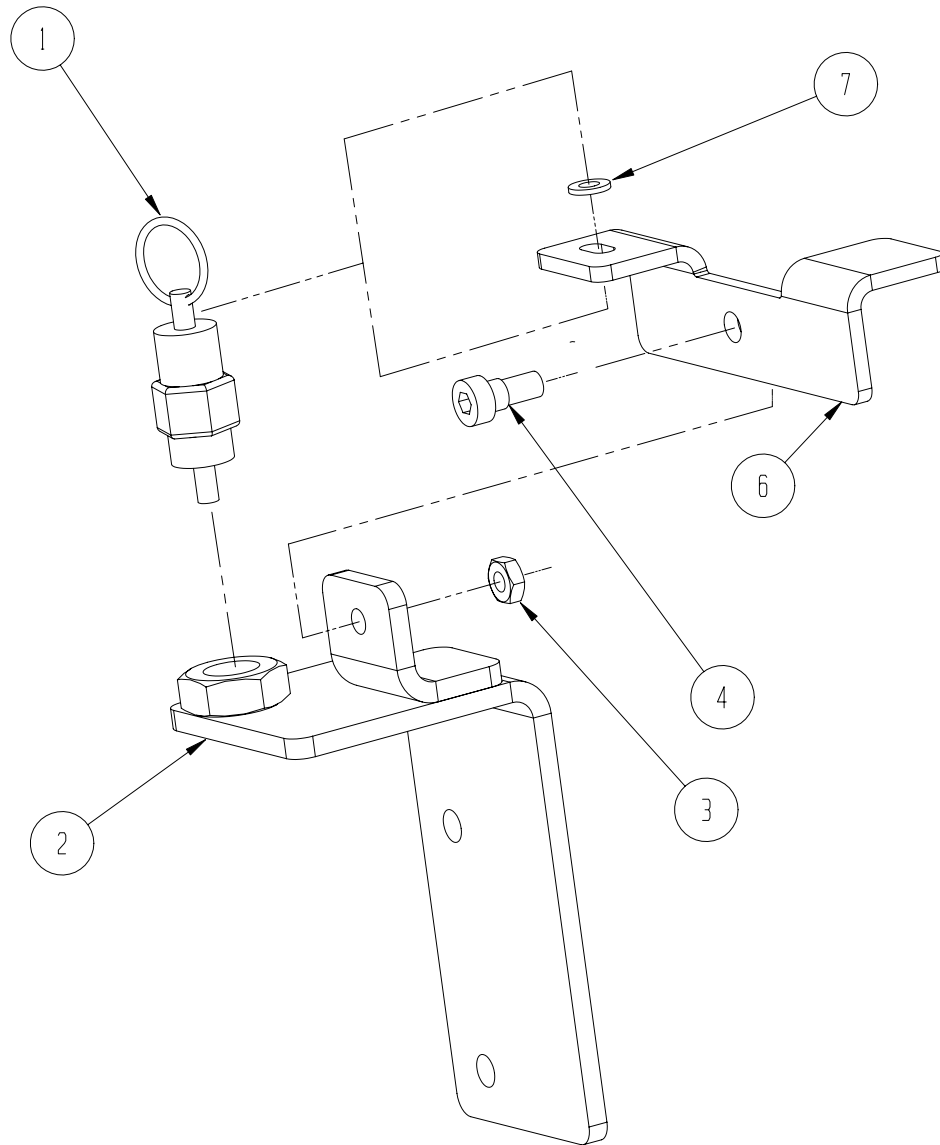
ITEM	PART	DESCRIPTION	QTY
16	027966-008	SATETY WALK 6" X 18"	6
18	011254-018	SCREW HHC 3/8-16 X 2 1/4	1
19	011254-012	SCREW HHC 3/8-16 X 1 1/2	8
20	011252-006	SCREW HHC 1/4-20 X 3/4	6
22	066407-111	BRACKET - WELD	1
24	011240-004	WASHER 1/4 FLAT	6
25	011238-006	WASHER 3/8 LOCK	8
26	010414-003	LOCKING PIN ASS'Y	1
27	011253-014	SCREW HHC 5/16-18 X 1 3/4	4
29	011248-005	NUT 5/16-18 ESNA	4
30	011248-006	NUT 3/8-16 ESNA	2
32	065805-002	WELDMENT, SWING RAIL	1
33	065803-003	WELDMENT, SIDE EXT R.H.	1
34	065804-003	WELDMENT, SIDE EXT L.H.	1



Deck Lock Assembly

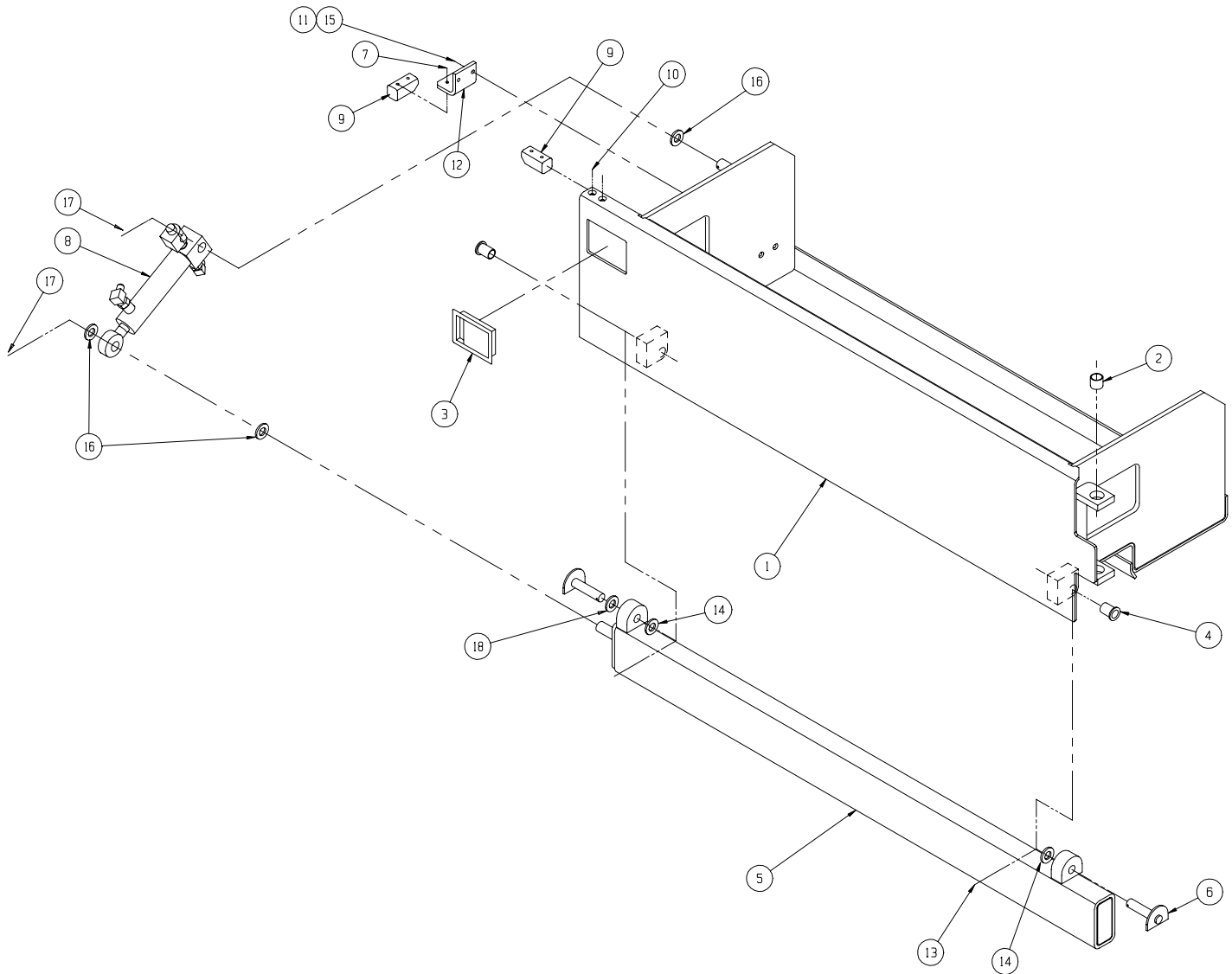
067185-000

ITEM	PART	DESCRIPTION	QTY
1	003570-003	RETAINING PIN ASSEMBLY	1
2	067186-000	BRACKET WELDMENT	1
3	011273-005	JAM NUT 5/16-18	1
4	015936-002	SHOULDER SCREW 3/8 X 1/4	1
6	067189-000	LEVER	1
7	014996-005	WASHER 5/16 FLAT	1



Power Module 066009-026

ITEM	PART	DESCRIPTION	QTY	ITEM	PART	DESCRIPTION	QTY
1	066310-026	POWER MODULE WELDMENT	1	10	011828-008	SCREW FLAT HD SOC 1/4-20 X 1	2
2	027931-016	BUSHING OILITE	2	11	011248-006	NUT ESNA 3/8-16	2
3	062791-002	LATCH COVER	1	12	066342-000	ANGLE	1
4	011781-011	BUSHING OILITE	2	13	011757-007	PIN COTTER #RUE 30	2
5	066735-001	WELDMENT, DEPRESSION TUBE	1	14	064350-010	SHIM 5/8 ID X 1 OD X .031 STL	3
6	066753-000	WELDMENT, PIVOT PIN	2	15	011240-006	WASHER 3/8 STD FLAT	2
7	011252-008	SCREW HHC 1/4-20 X 1	2	16	014996-012	WASHER - 3/4	3
8	066803-001	CYLINDER ASSEMBLY	1	17	011757-010	PIN COTTER 3/4 RUE	2
9	066192-000	BLOCK, COVER	2	18	014996-010	WASHER - 5/8	1



Control Module

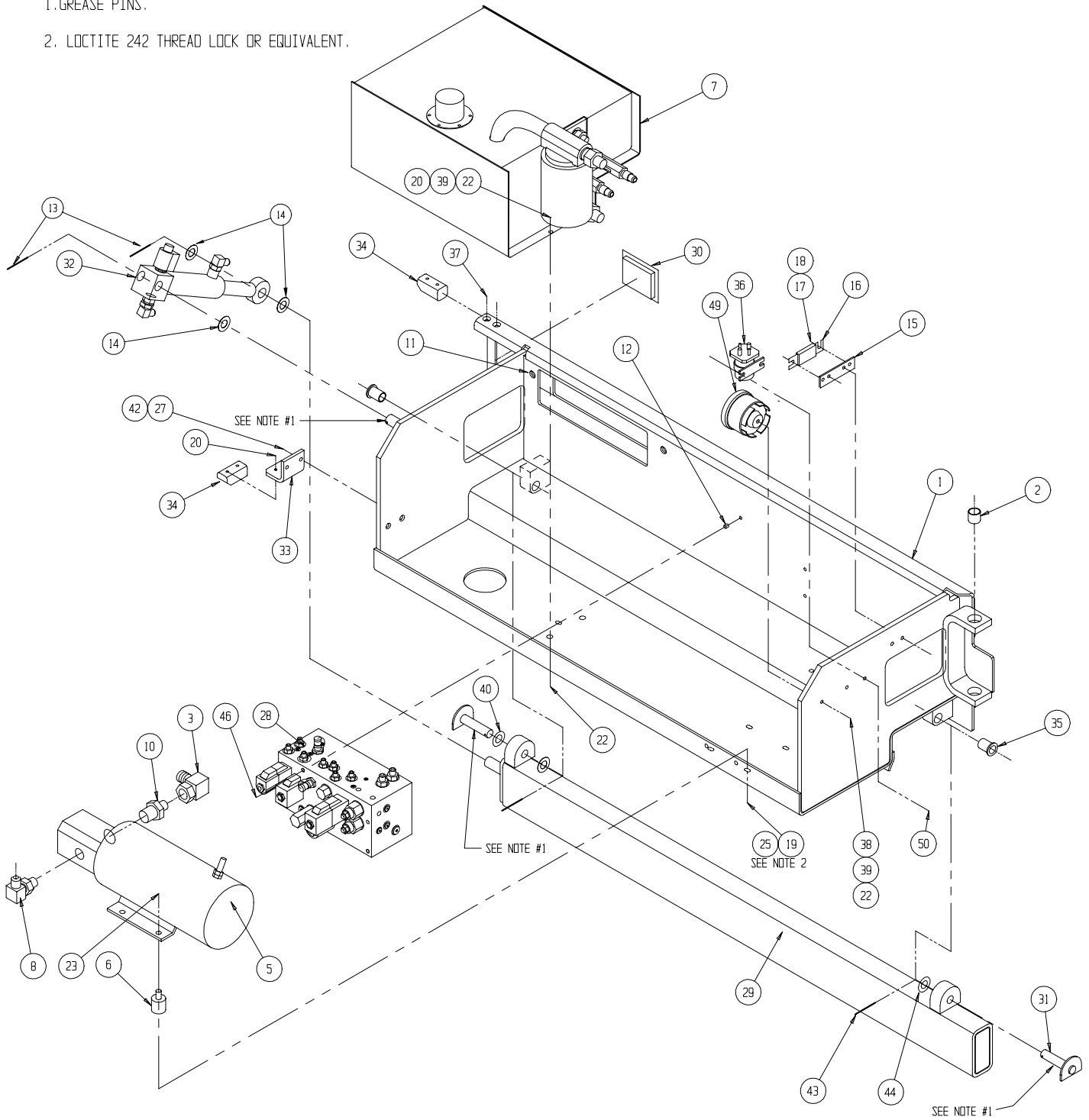
066008-026

ITEM	PART	DESCRIPTION	QTY	ITEM	PART	DESCRIPTION	QTY
1	066309-011	CONTROL MODULE WELDMENT	1	23	011248-005	NUT HEX ESNA 5/16-18	4
2	027931-016	BUSHING OILITE	2	25	011238-005	WASHER 5/16 SPLIT LOCK	4
3	011937-007	90 12FJX-12MJ	1	27	011248-006	NUT ESNA 3/8-16	2
5	101230-000	POWER UNIT	1	28	101120-121	VALVE ASSEMBLY	1
-	101230-010	MOTOR	REF	29	066735-001	WELDMENT, DEPRESSION TUBE	1
-	101230-011	PUMP	REF	30	062791-002	LATCH COVER	1
-	101230-014	BRUSHES	REF	31	066753-000	WELDMENT, PIVOT PIN	2
6	066046-007	MOUNT VIBRATION	4	32	066803-001	CYLINDER ASSEMBLY	1
7	066780-021	HYDRAULIC RESERVOIR ASSY	1	33	066342-000	ANGLE	1
8	011934-004	FITTING ELBOW 6MBH-6MJ	1	34	066192-000	BLOCK, COVER	2
9	020733-002	FITTING TEE 6FJX-6MJ	1	35	011781-011	BUSHING OILITE	2
10	011941-012	FITTING STR 8MB-12MJ	1	36	010122-001	SOLENOID 24V SPDT	1
11	014252-006	NUTSERT 3/8-16	2	37	011828-008	SCREW FLAT HD SOC 1/4-20 X 1	2
12	014252-004	NUTSERT 1/4-20 UNC	3	38	011252-010	SCREW HHC 1/4-20 X 1 1/4	2
13	011757-010	PIN COTTER 3/4 RUE	2	39	011240-004	WASHER 1/4 FLAT	2
14	014996-012	WASHER 3/4	3	40	014996-010	WASHER 5/8	1
15	010149-000	FUSE BLOCK	1	42	011240-006	WASHER 3/8 STD FLAT	2
16	010148-001	FUSE 175 AMP	1	43	011757-007	PIN COTTER #RUE 30	2
17	013965-010	SCREW HEX HD #10-24 X 1 1/4	2	44	064350-010	SHIM 5/8ID X 1 OD X .031 STL	2
18	011248-003	NUT HEX #10-24	2	46	011252-036	SCREW HHC 1/4-20 X 4 1/2	3
19	011253-006	SCREW HHC GR5 5/16-18 X 3/4	4	49	066807-001	HORN DUAL TONE	1
20	011252-008	SCREW HHC GR5 1/4-20 X 1	2	50	011252-006	SCREW RD HD 6-32 X 3/4	1
22	011248-004	NUT, 1/4-20 ESNA	4				

NOTES:

1. GREASE PINS.

2. LOCTITE 242 THREAD LOCK OR EQUIVALENT.



Hydraulic Manifold

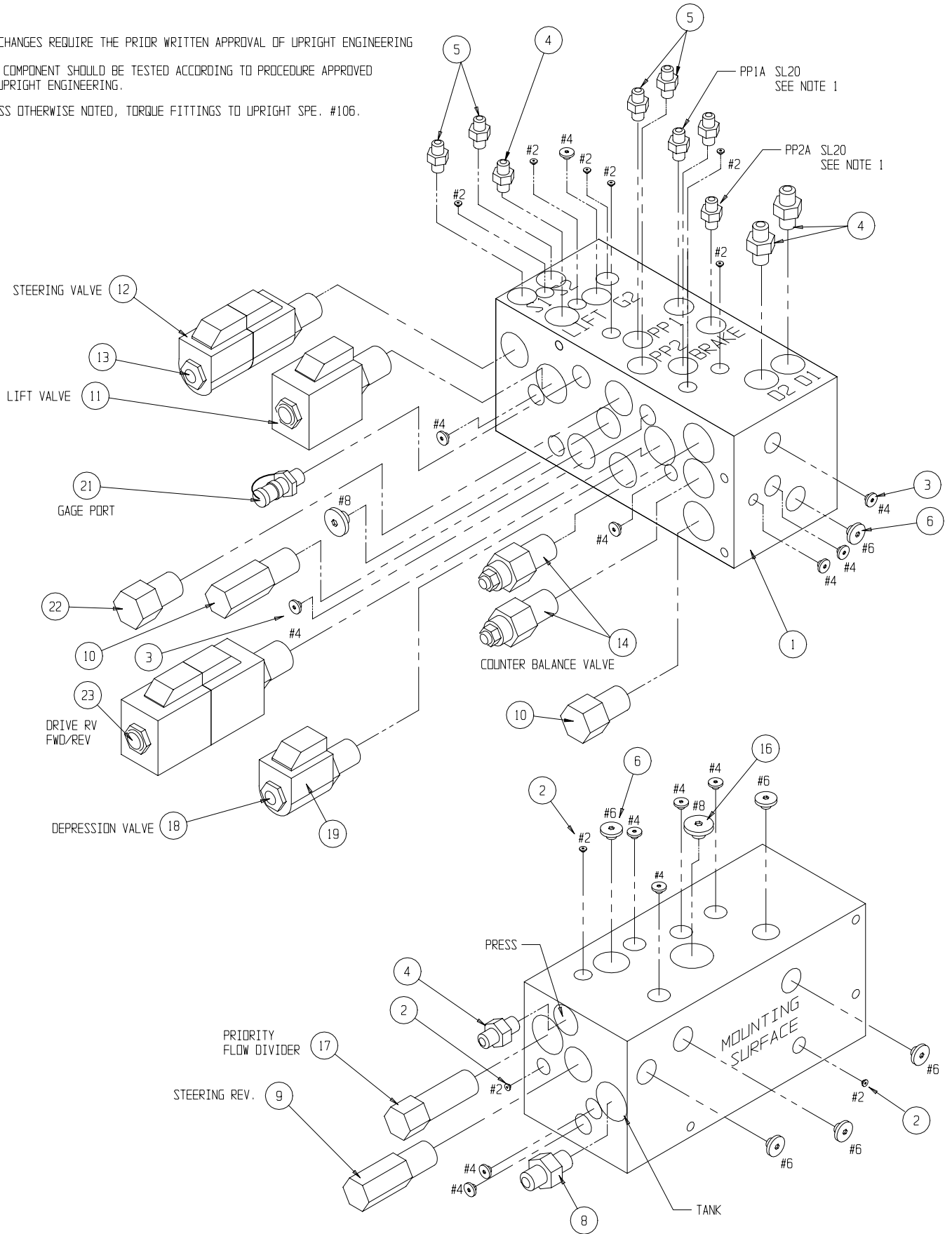
101120-121

ITEM	PART	DESCRIPTION	QTY.
1	100020-040	CONTROL VALVE BLOCK	1
2	012004-002	FITTING #2 PLUG	9
3	012004-004	FITTING #4 PLUG	14
4	011941-005	FITTING STRAIGHT 6MB - 6MJ	4
5	011941-001	FITTING STR 4MBH - 4MJ	5
6	012004-006	FITTING PLUG #6	7
8	011941-009	FITTING 8MB-8MJX	1
9	060390-013	RELIEF VALVE, STEERING (1500 PSI)	1
10	060390-025	RELIEF VALVE, MAIN (3000 PSI)	1
11	063923-006	2 POS - 4 WAY SOLENOID W/ COIL	1
12	-	COIL	REF

ITEM	PART	DESCRIPTION	QTY.
13	064845-000	3 POS - 4 WAY SOLENOID W/ COILS	1
14	101120-035	COUNTERBALANCE VALVE	2
16	020021-008	FITTING PLUG #8	1
17	064843-000	FLOW DIVIDER VALVE (1.0 GPM)	1
18	063973-001	2 POS POPPET VALVE W/ COIL	1
19	-	COIL	REF
21	063965-001	FITTING GAUGE	1
22	064841-000	CHECK VALVE	1
23	063923-021	3 POS - 4 WAY SOLENOID W/ COILS	1

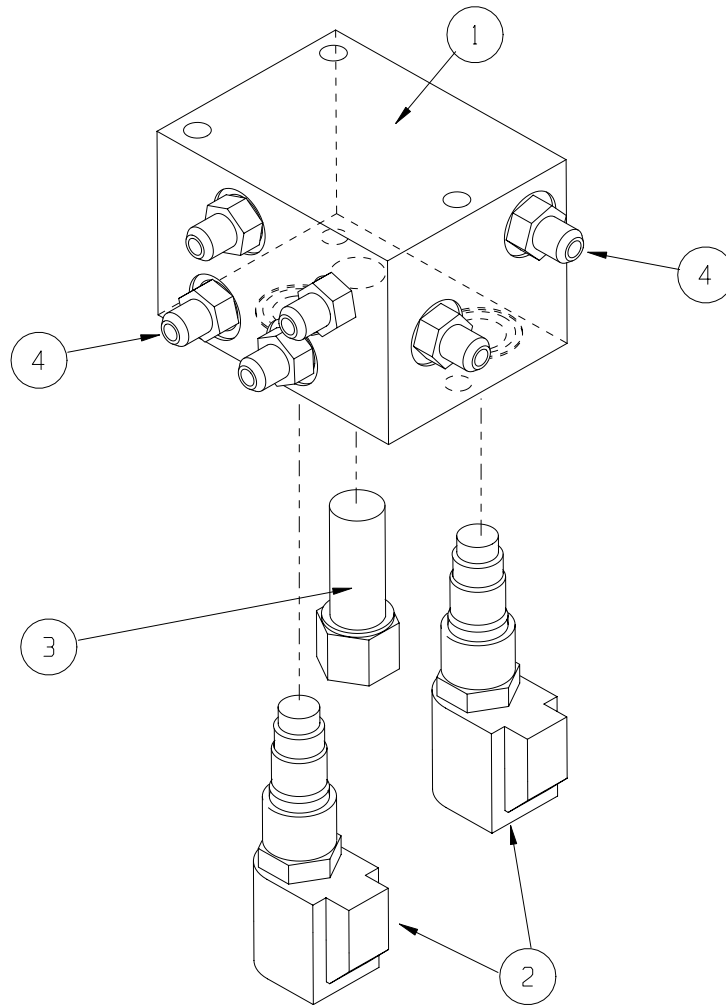
NOTE:

1. ALL CHANGES REQUIRE THE PRIOR WRITTEN APPROVAL OF UPRIGHT ENGINEERING
2. THIS COMPONENT SHOULD BE TESTED ACCORDING TO PROCEDURE APPROVED BY UPRIGHT ENGINEERING.
3. UNLESS OTHERWISE NOTED, TORQUE FITTINGS TO UPRIGHT SPE. #106.



Series Parallel Manifold – X20W, X26N, X26UN & X31N 114059-000

ITEM	PART	DESCRIPTION	QTY
1	-	VALVE BLOCK - SERIES PARALLEL	REF
2	061797-000	VALVE, 3 WAY 2 POSITION	2
3	063924-008	VALVE, FLOW DIVIDER	1
4	011941-010	FITTING, STR 8MB-8MJ	6




Emergency Lowering Installation – X31N

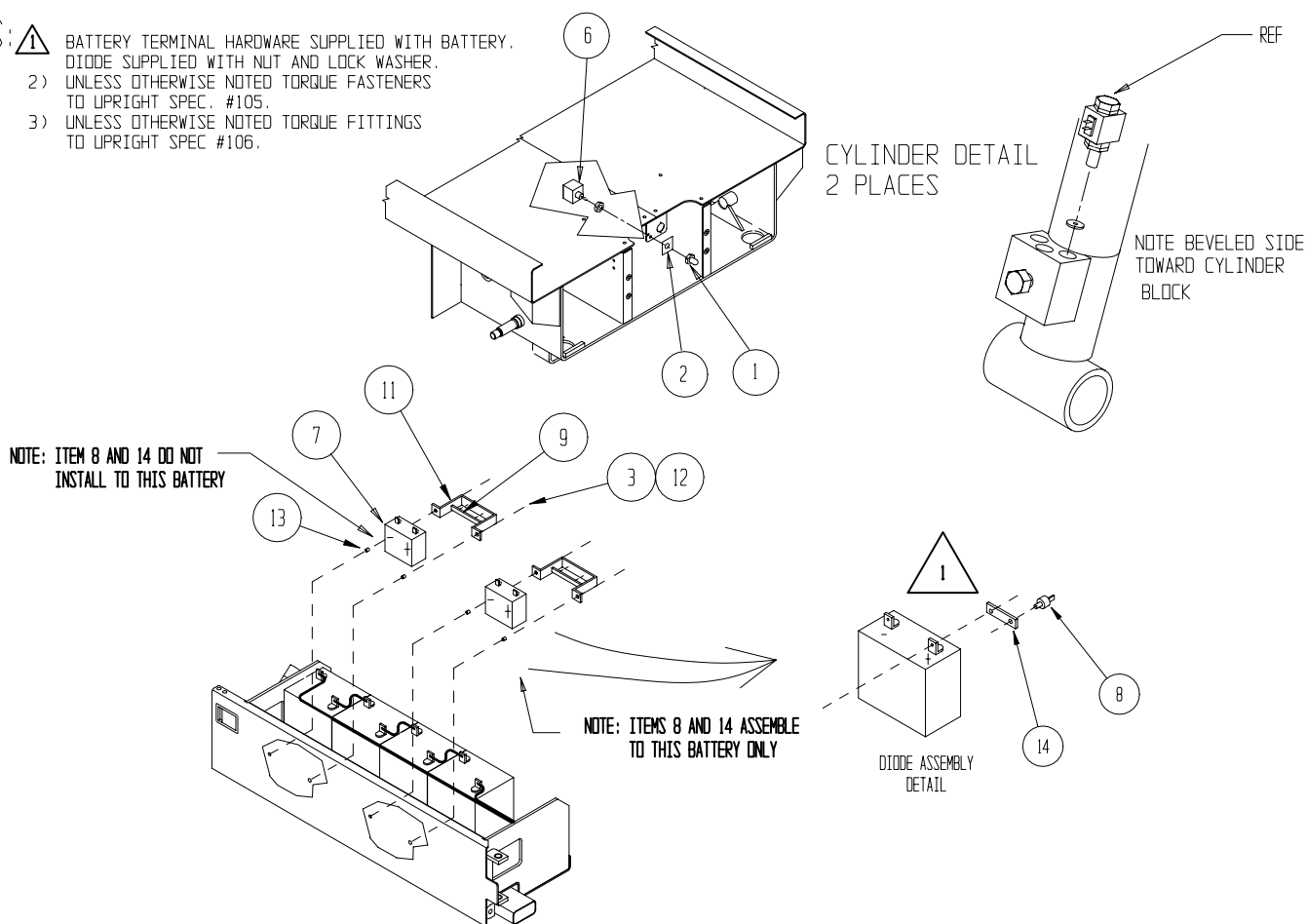
066630-000

ITEM	PART	DESCRIPTION	QTY
1	029872-001	BOOT - RED	1
2	063548-000	DECAL - EMERGENCY	1
3	011252-008	HHC 1/4-20 UNC X 1	4
6	012798-001	SWITCH, TOGGLE MOMENTARY DPDT	1
7	066630-010	BATTERY - AUXILLARY	2
8	066630-013	DIODE - 16 AMP	1
9	068889-099	WEATHERSTRIP - 1/2 X 3/16 FOAM	1 FT.
11	066630-011	BRACKET - BATTERY HOLD DOWN	2
12	011238-004	LOCKWASHER - 1/4"	4
13	014252-004	NUTSERT 1/4-20 UNC	4
14	066630-012	BUSS BAR - COPPER	1

ITEM	PART	DESCRIPTION	QTY
102	029601-013	#10 RING TERM - 16 AWG	5
103	029601-012	#8 RING TERM - 16 AWG	1
104	011708-004	SCREW - MACH #8-32 UNC X 1/2" LG	1
105	011248-002	NUT - ESNA #8-32 UNC	1
106	029601-040	5/16" RING TERM - 16 AWG	2
107	029496-099	WIRE 16 GA 2-COND	45 FT.
108	029702-000	HOLDER, FUSE LITTLE FUSE #155100	1
109	029704-007	FUSE ACG, 7-1/2 AMP	1
110	029601-011	#6 RING TERM - 16 AWG	4
111	029620-002	CONN. BUTT 16-14 AWG INSL	3
112	029454-099	WIRE 16 GA RED	3 FT.
113	029452-099	WIRE 16 GA BLACK	4 FT.
115	029620-003	CONN. BUTT 12-10 GA INSL	2
116	029825-002	DIODE, 6 AMP	3

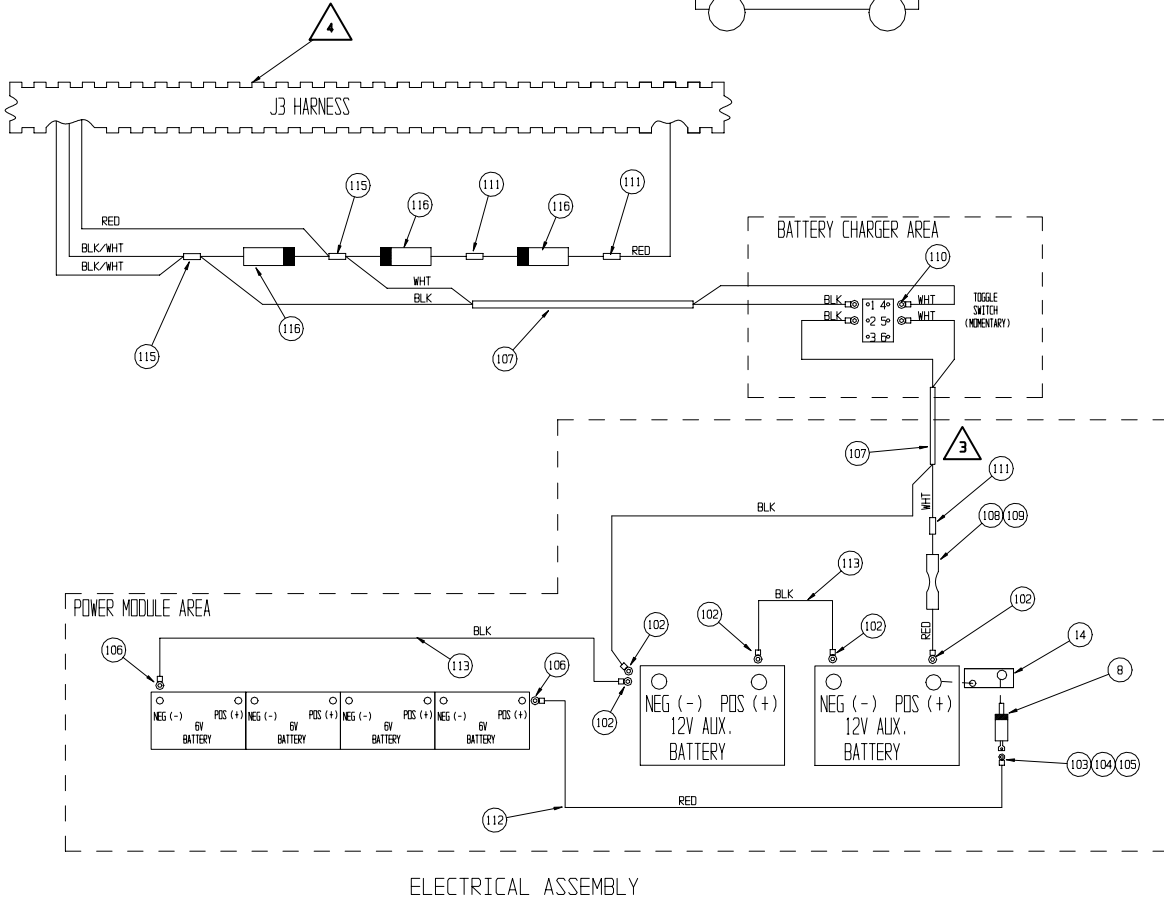
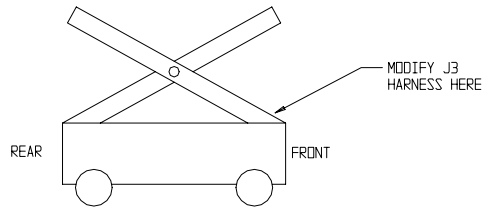
Drawing 1 of 2

- NOTES:  BATTERY TERMINAL HARDWARE SUPPLIED WITH BATTERY. DIODE SUPPLIED WITH NUT AND LOCK WASHER.
- 2) UNLESS OTHERWISE NOTED TORQUE FASTENERS TO UPRIGHT SPEC. #105.
- 3) UNLESS OTHERWISE NOTED TORQUE FITTINGS TO UPRIGHT SPEC #106.

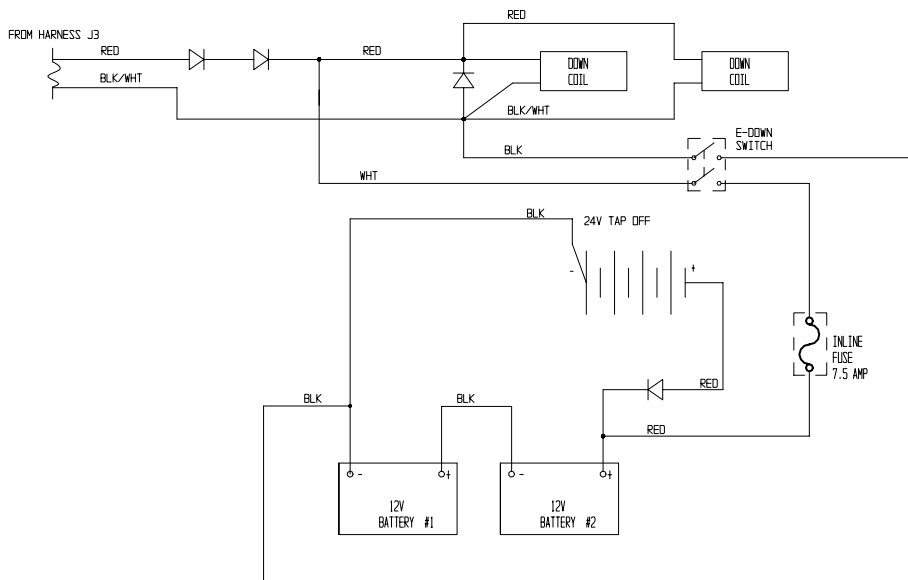


Drawing 2 of 2

- NOTES:
- 1) UNLESS OTHERWISE NOTED TORQUE FASTENERS TO UPRIGHT SPEC. #105.
 - 2) UNLESS OTHERWISE NOTED TORQUE FITTINGS TO UPRIGHT SPEC #106.
 - 3) THE WHITE WIRE MUST BE CONNECTED TO THE (+) TERMINAL. BLACK FASTENS TO THE (-) TERMINAL.
 - 4) PULL RED AND BLACK/WHITE WIRES FROM THE J3 HARNESS AND CONNECT AS SHOWN.



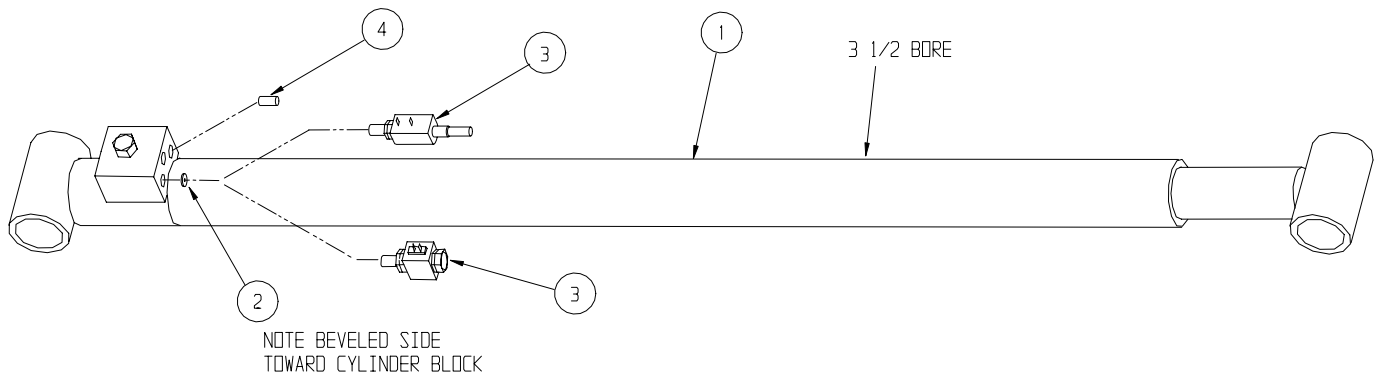
ELECTRICAL ASSEMBLY



Lift Cylinder Assembly

- X20W, X26N & X26UN Cylinder
- X31N Lower Cylinder

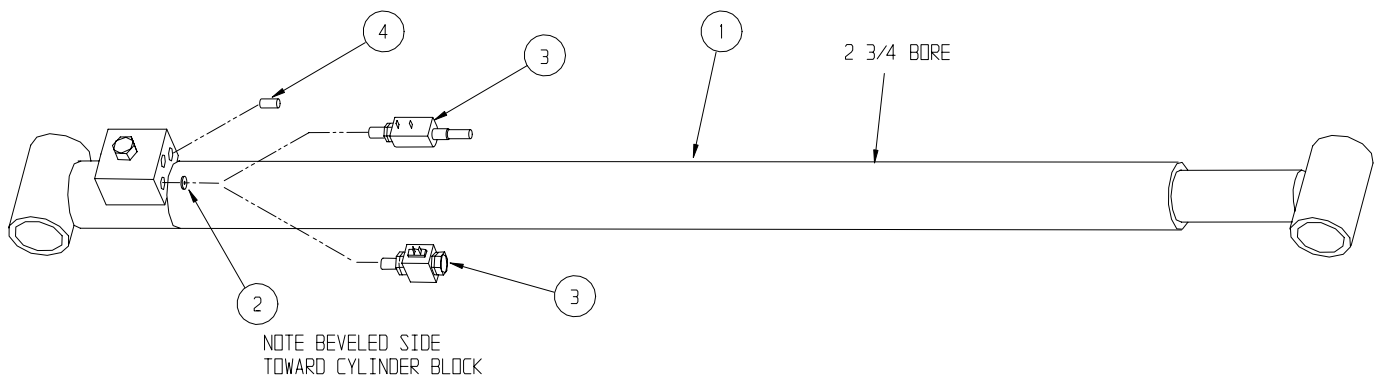
ITEM	PART	DESCRIPTION	QTY
1	066601-000	LIFT CYLINDER	1
2	063664-008	ORIFICE	1
3	066179-000	VALVE, X20N-X20W-X26N-X26UN	1
	063973-001	VALVE SOLENOID, X31N	1
4	011941-005	FITTING, STRAIGHT 6MB-6MJ	1



Lift Cylinder Assembly

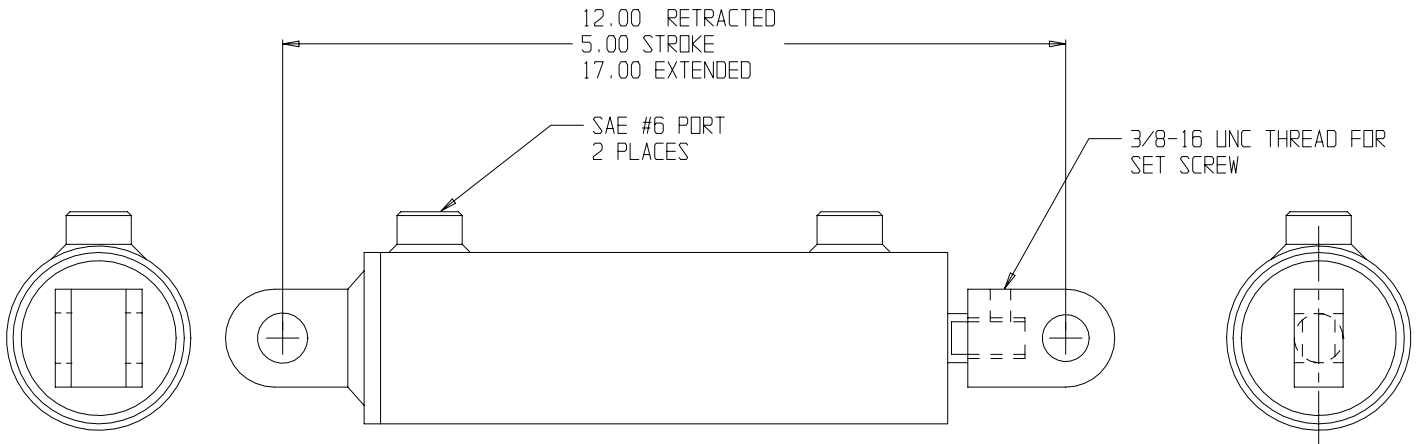
- X20N Cylinder
- X31N Upper Cylinder

ITEM	PART	DESCRIPTION	QTY
1	066168-000	LIFT CYLINDER	
2	063664-008	ORIFICE	1
3	066179-000	VALVE, X20N-X20W-X26N-X26UN	
	063973-001	VALVE SOLENOID, X31N	1
4	011941-005	FITTING, STRAIGHT 6MB-6MJ	1



Steering Cylinder – X20N & X26UN

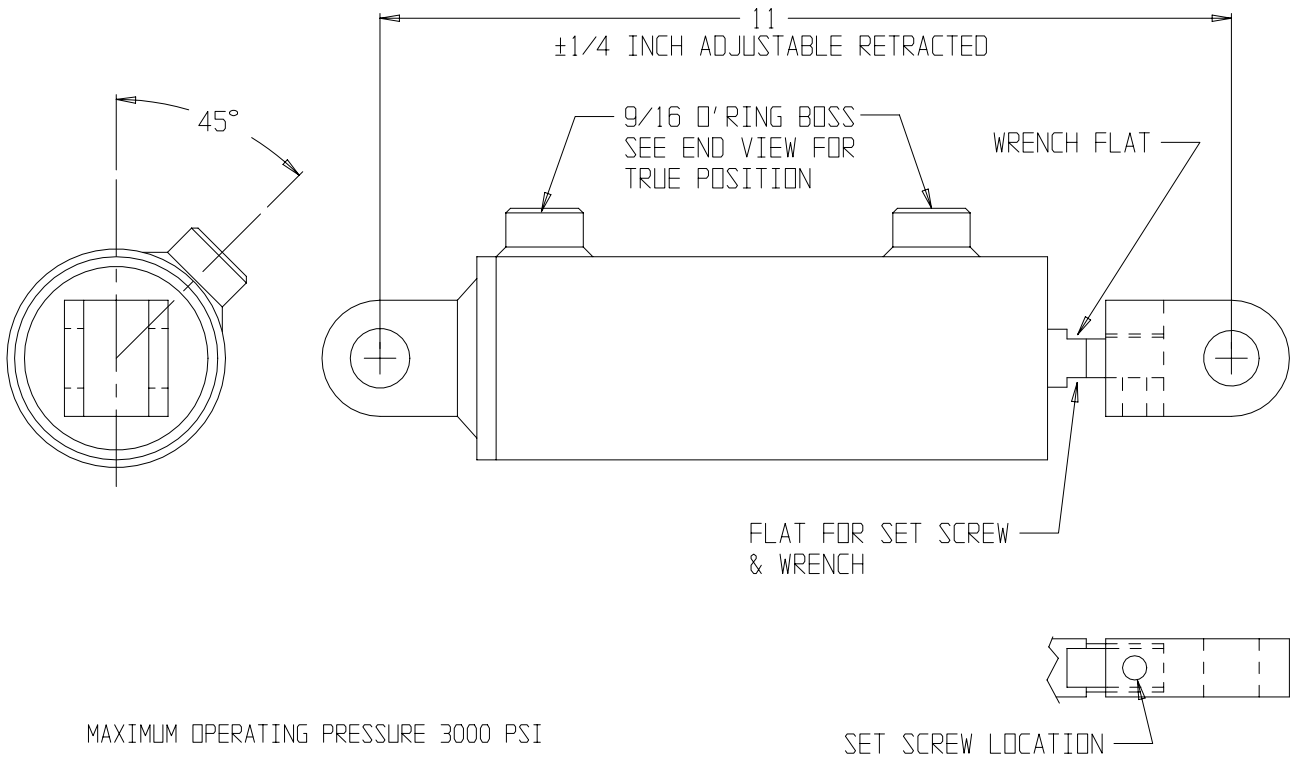
066602-000



MAXIMUM OPERATING PRESSURE 3000 PSI

Steering Cylinder – X20W, X26N & X31N

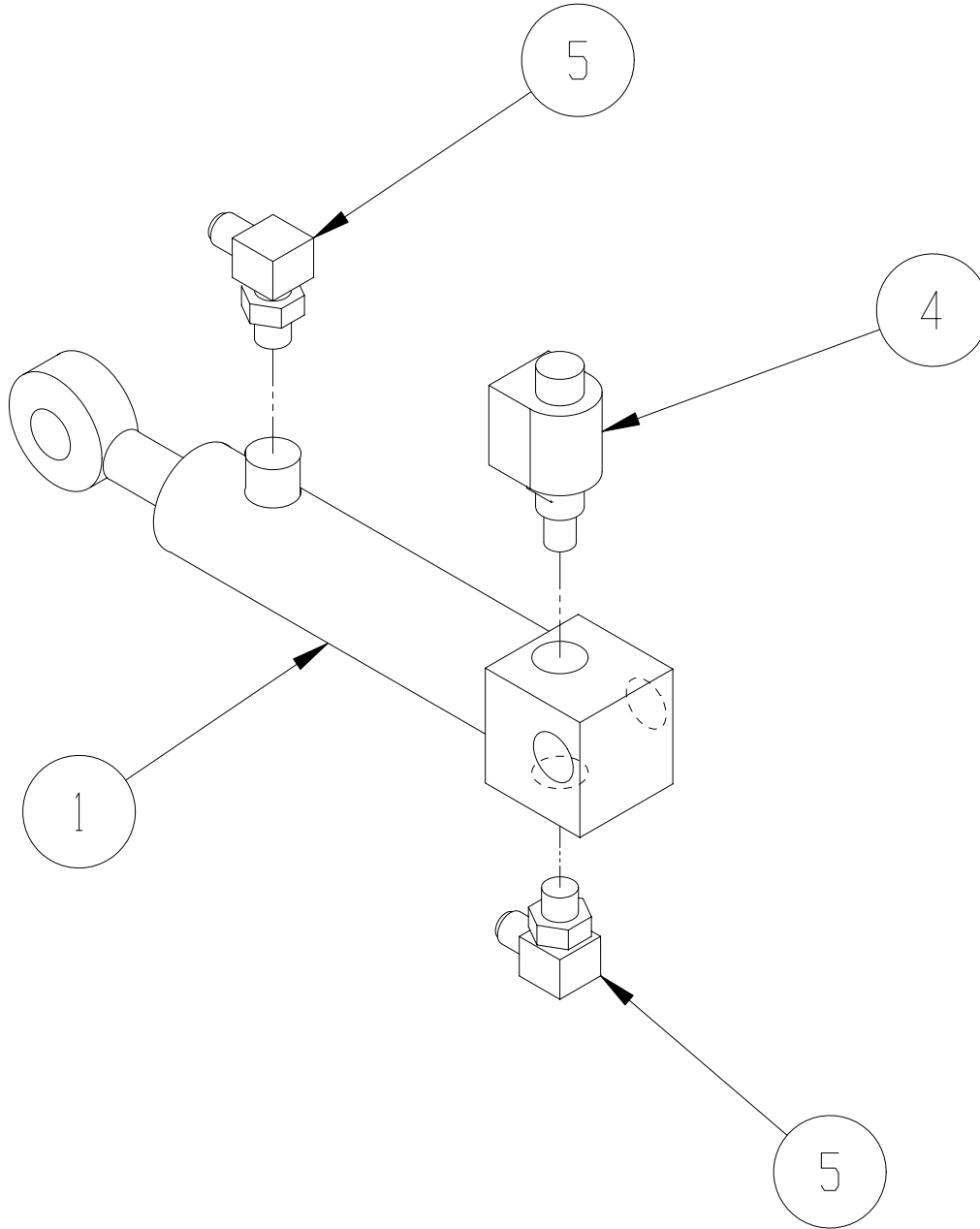
066793-000



MAXIMUM OPERATING PRESSURE 3000 PSI

Depression Mechanism Cylinder Assembly 066803-001

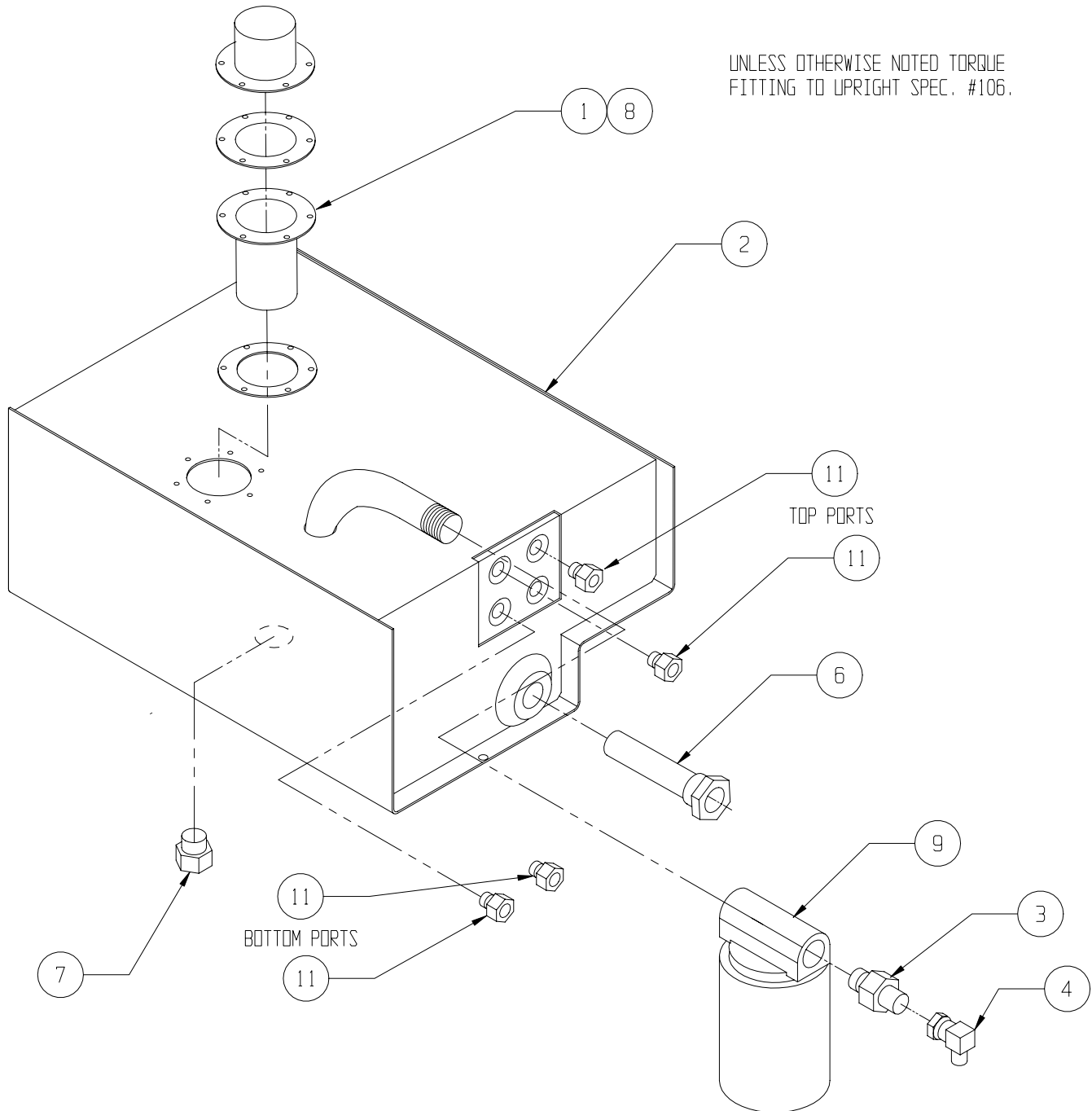
ITEM	PART	DESCRIPTION	QTY
1	066700-002	CYLINDER	1
-	066700-010	SEAL KIT	REF
4	063973-001	VALVE N.C.	1
5	011934-001	FITTING 90° 4MB-4MJ	2



Hydraulic Reservoir

066780-021

ITEM	PART	DESCRIPTION	QTY	ITEM	PART	DESCRIPTION	QTY
1	05963-002	FILLER BREATHER 5PSI	1	7	021305-006	FITTING PLUG MAGNETIC	1
2	066779-010	WELDMENT RESERVOIR	1	8	011811-006	SCREW SELF TAP 10-32 X 1/2	6
3	011939-018	FITTING STR 12MP-6MJ	1	9	005154-001	FILTER	1
4	011937-003	FITTING 90 6FJX-6MJ	1		005154-002	REPLACEMENT FILTER	REF
6	061818-000	FITTING SUCTION SCREEN	1	11	020021-006	FITTING PLUG 6MB	4

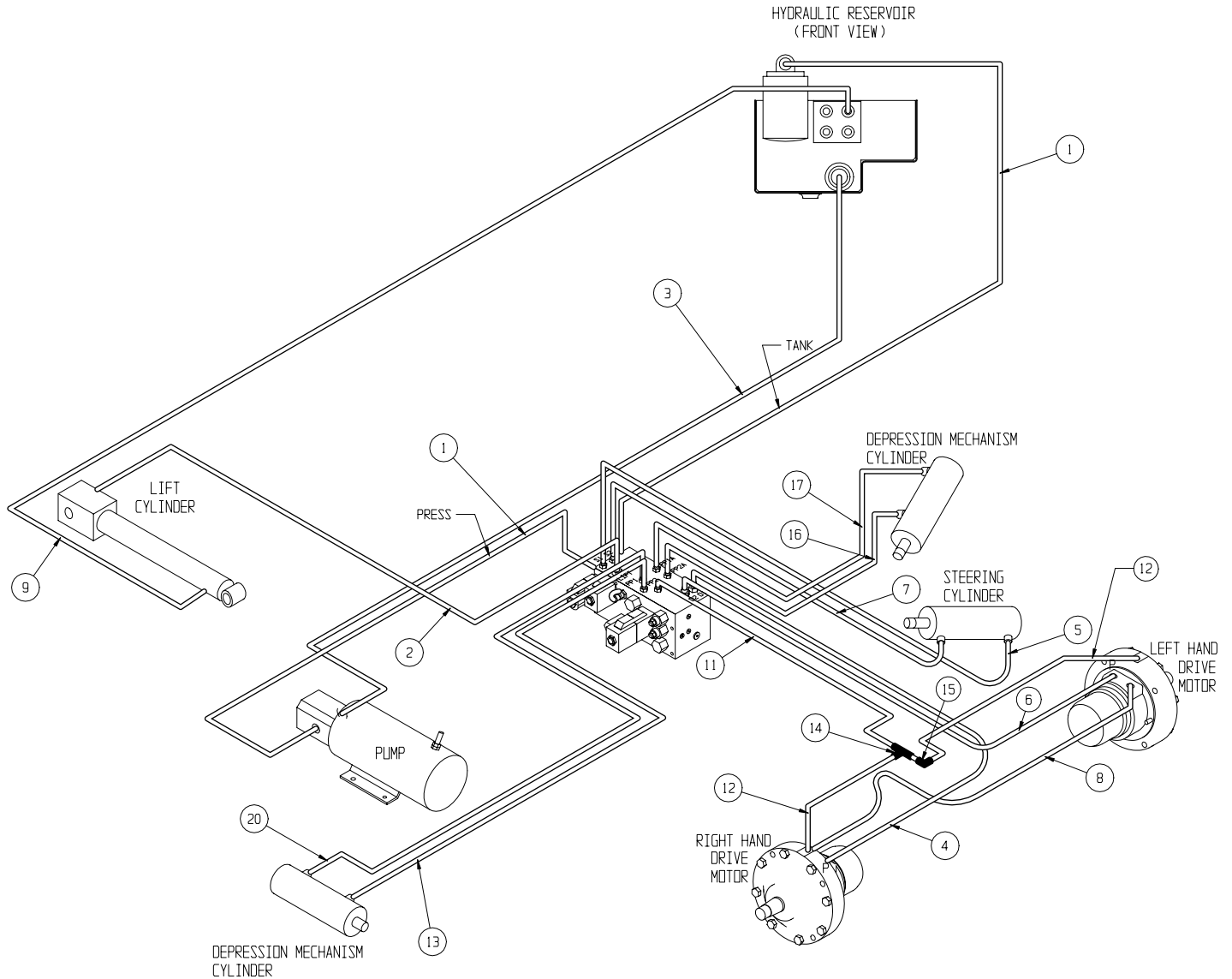


Hose Kit - X20N

114006-000

ITEM	PART	DESCRIPTION	QTY
1	068965-016	HOSE ASS'Y 3/8 X 16 (6FJX-6FJX90)	2
2	068965-150	HOSE ASS'Y 3/8 X 150 (6FJX-6FJX90)	1
3	061789-008	HOSE ASS'Y 3/4 X 8 3/4 (12FJX-12MP)	1
4	114062-055	HOSE ASS'Y 3/8 X 55 (8FJX-6FJX90)	1
5	107093-055	HOSE ASS'Y 1/4 X 55 (6FJX-4FJX 90)	1
6	114062-053	HOSE ASS'Y 3/8 X 53 (8FJX-6FJX90)	2
7	107093-046	HOSE ASS'Y 1/4 X 46 (6FJX-4FJX 90)	1
8	114061-045	HOSE ASS'Y 3/8 X 45 (8FJX-8FJX)	1
9	062192-040	HOSE ASS'Y 1/4 X 191 (6FJX-6FJX)	1

ITEM	PART	DESCRIPTION	QTY
11	107090-028	HOSE ASS'Y 1/4 X 28 (4FJX-4FJX90)	1
12	068737-035	HOSE ASS'Y 1/4 X 35 (4FJX-4FJX)	2
13	107090-045	HOSE ASS'Y 1/4 X 45 (4FJX-4FJX90)	1
14	020032-001	TEE FITTING 4MJ-4MJ-4MJ	1
15	011937-001	FITTING 4MJ-4FJ 90	1
16	107090-105	HOSE ASS'Y 1/4 X 105 (4FJX-4FJX90)	1
17	107090-111	HOSE ASS'Y 1/4 X 111 (4FJX-4FJX90)	1
20	107090-048	HOSE ASS'Y 1/4 X 48 (4FJX-4FJX90)	1

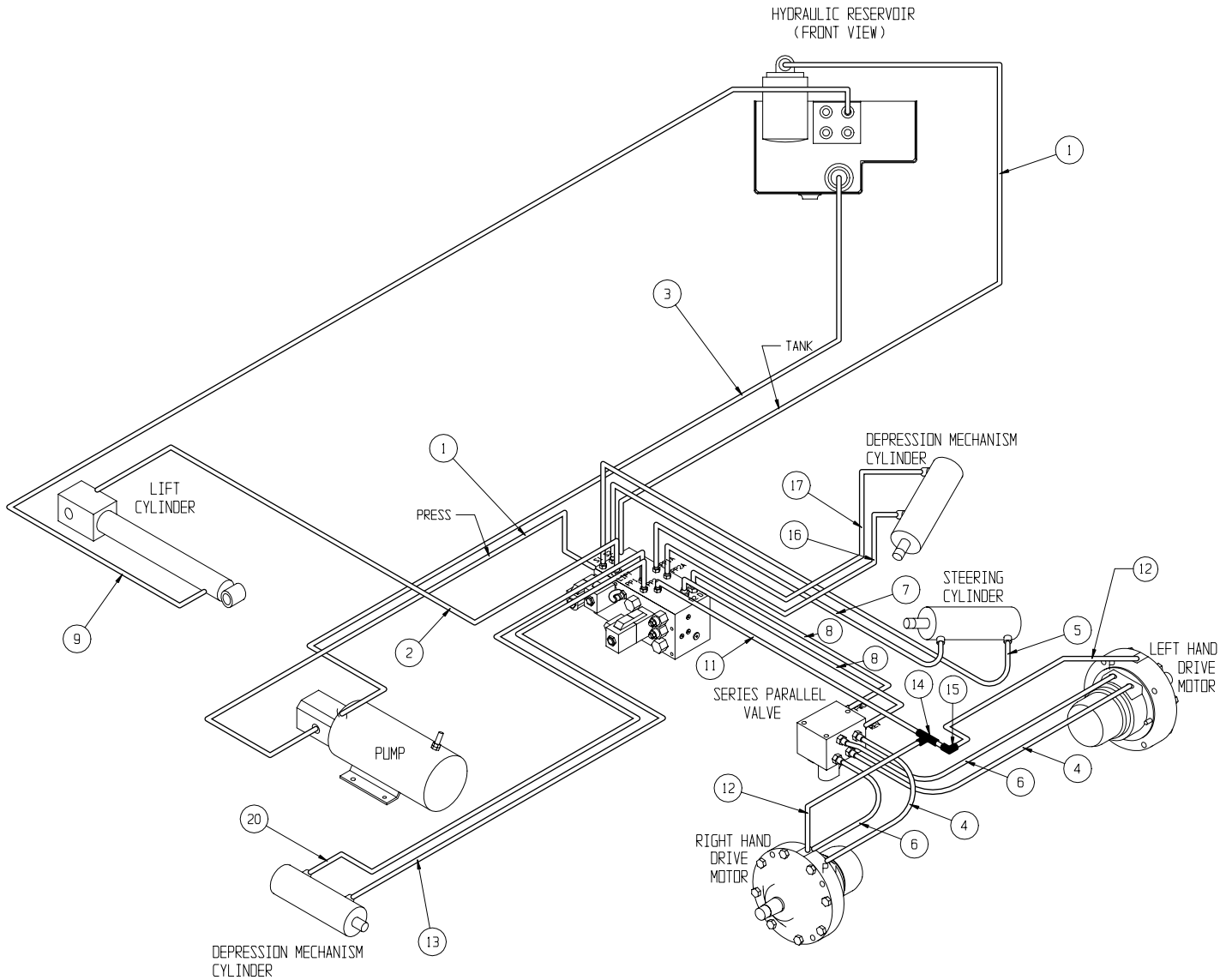


Hose Kit - X20W & X26N

114016-000

ITEM	PART	DESCRIPTION	QTY
1	068965-016	HOSE ASS'Y 3/8 X 16 (6FJX-6FJX90)	2
2	068965-156	HOSE ASS'Y 3/8 X 156 (6FJX-6FJX90)	1
3	061789-008	HOSE ASS'Y 3/4 X 8 3/4 (12FJX-12MP)	1
4	114061-037	HOSE ASS'Y 3/8 X 37 (8FJX-8FJX)	2
5	107093-062	HOSE ASS'Y 1/4 X 62 (6FJX-4FJX 90)	1
6	114061-036	HOSE ASS'Y 3/8 X 36 (8FJX-8FJX)	2
7	107093-059	HOSE ASS'Y 1/4 X 59 (6FJX-4FJX 90)	1
8	114062-035	HOSE ASS'Y 3/8 X 35 (8FJX-6FJX90)	2
9	066825-201	HOSE ASS'Y 1/4 X 201 (6FJX-6FJX)	1

ITEM	PART	DESCRIPTION	QTY
11	107090-036	HOSE ASS'Y 1/4 X 36 (4FJX-4FJX90)	1
12	068737-043	HOSE ASS'Y 1/4 X 43 (4FJX-4FJX)	2
13	107090-045	HOSE ASS'Y 1/4 X 45 (4FJX-4FJX90)	1
14	020032-001	TEE FITTING 4MJ-4MJ-4MJ	1
15	011937-001	FITTING 4MJ-4FJ 90	1
16	107090-113	HOSE ASS'Y 1/4 X 113 (4FJX-4FJX90)	1
17	107090-121	HOSE ASS'Y 1/4 X 121 (4FJX-4FJX90)	1
20	107090-048	HOSE ASS'Y 1/4 X 48 (4FJX-4FJX90)	1

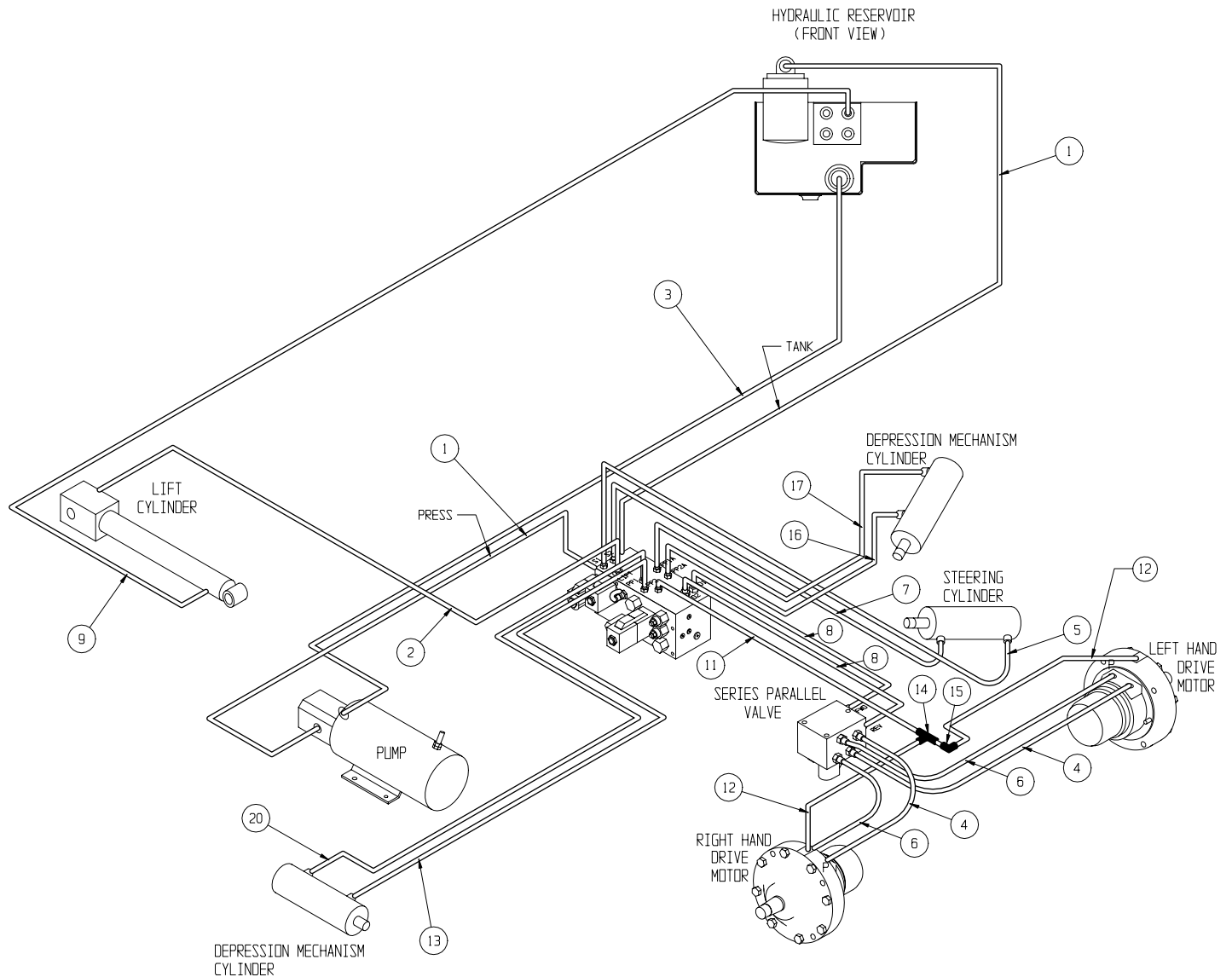


Hose Kit - X26UN

066061-026

ITEM	PART	DESCRIPTION	QTY
1	068965-016	HOSE ASS'Y 3/8 X 16 (6FJX-6FJX90)	2
2	068965-150	HOSE ASS'Y 3/8 X 150 (6FJX-6FJX90)	1
3	061789-008	HOSE ASS'Y 3/4 X 8 3/4 (12FJX-12MP)	1
4	114061-029	HOSE ASS'Y 3/8 X 29 (8FJX-8FJX)	2
5	107093-055	HOSE ASS'Y 1/4 X 55 (6FJX-4FJX 90)	1
6	114061-028	HOSE ASS'Y 3/8 X 28 (8FJX-8FJX)	2
7	107093-046	HOSE ASS'Y 1/4 X 46 (6FJX-4FJX 90)	1
8	114062-027	HOSE ASS'Y 3/8 X 27 (8FJX-6FJX90)	2
9	062192-040	HOSE ASS'Y 1/4 X 191 (6FJX-6FJX)	1

ITEM	PART	DESCRIPTION	QTY
11	107090-028	HOSE ASS'Y 1/4 X 28 (4FJX-4FJX90)	1
12	068737-035	HOSE ASS'Y 1/4 X 35 (4FJX-4FJX)	2
13	107090-045	HOSE ASS'Y 1/4 X 45 (4FJX-4FJX90)	1
14	020032-001	TEE FITTING 4MJ-4MJ-4MJ	1
15	011937-001	FITTING 4MJ-4FJ90	1
16	107090-105	HOSE ASS'Y 1/4 X 105 (4FJX-4FJX90)	1
17	107090-111	HOSE ASS'Y 1/4 X 111 (4FJX-4FJX90)	1
20	107090-048	HOSE ASS'Y 1/4 X 48 (4FJX-4FJX90)	1

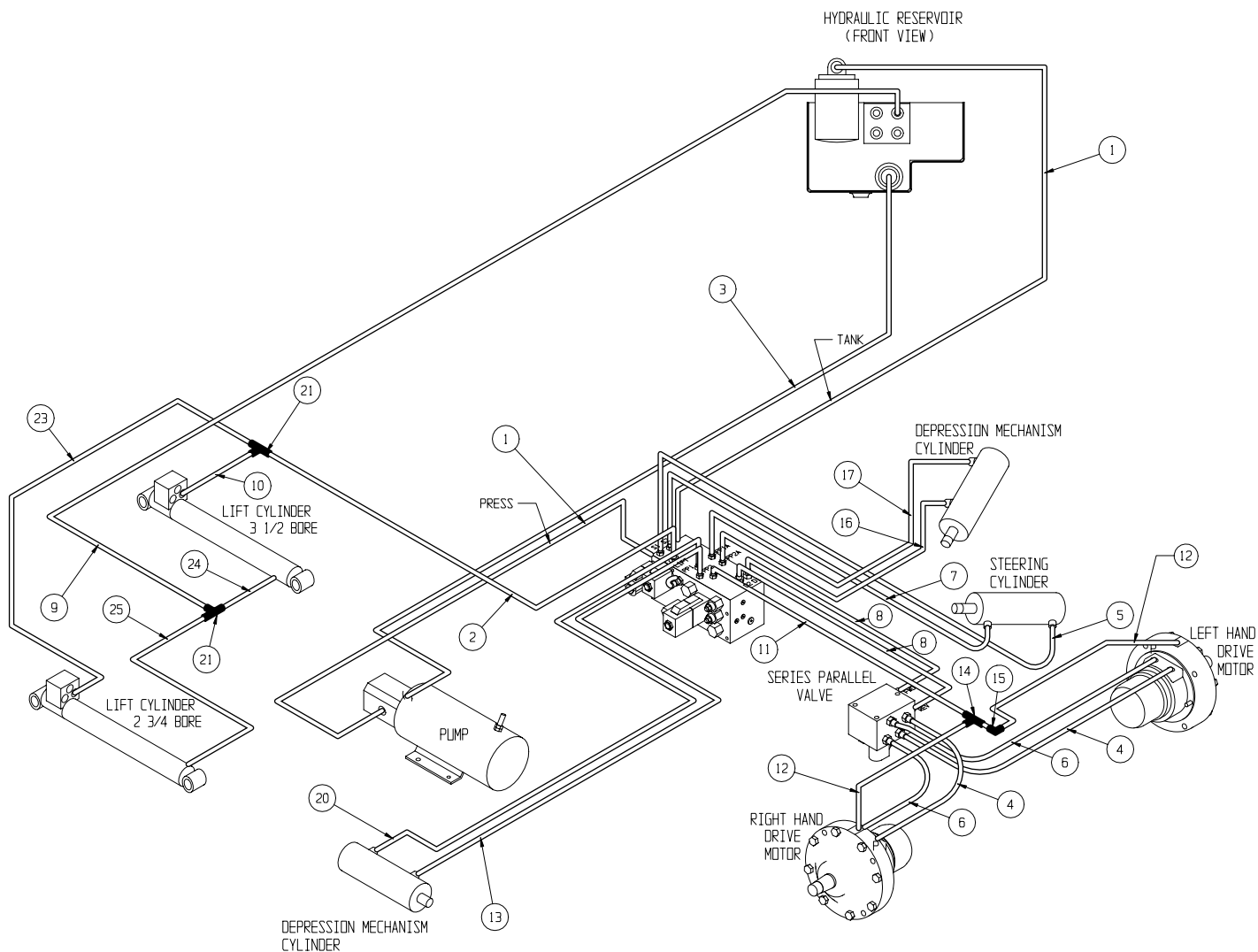


Hose Kit - X31N

114046-000

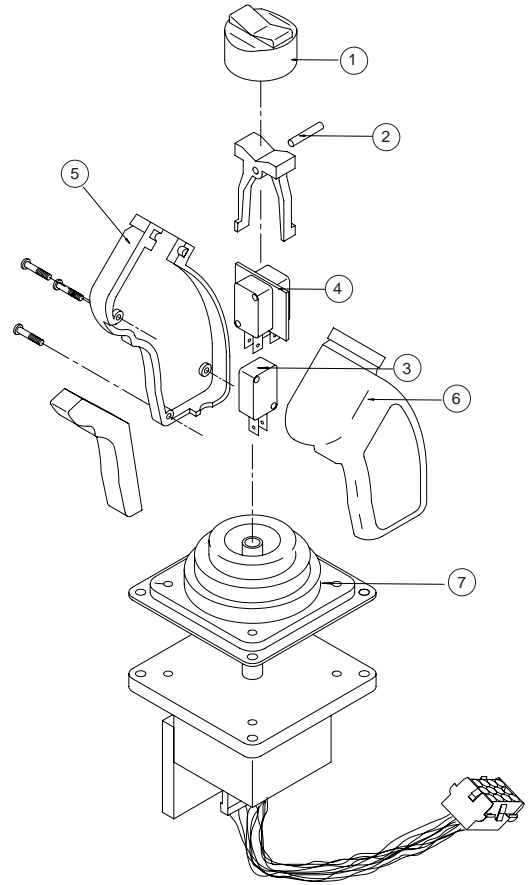
ITEM	PART	DESCRIPTION	QTY
1	068965-016	HOSE ASS'Y 3/8 X 16 (6FJX-6FJX90)	2
2	068965-082	HOSE ASS'Y 3/8 X 82 (6FJX-6FJX90)	1
3	061789-008	HOSE ASS'Y 3/4 X 8 3/4 (12FJX-12MP)	1
4	114061-037	HOSE ASS'Y 3/8 X 37 (8FJX-8FJX)	2
5	107093-062	HOSE ASS'Y 1/4 X 62 (6FJX-4FJX 90)	1
6	114061-036	HOSE ASS'Y 3/8 X 36 (8FJX-8FJX)	2
7	107093-059	HOSE ASS'Y 1/4 X 59 (6FJX-4FJX 90)	1
8	114062-035	HOSE ASS'Y 3/8 X 35 (8FJX-6FJX90)	2
9	066825-008	HOSE ASS'Y 1/4 X 132 (6FJX-6FJX)	1
10	066823-002	HOSE ASSY 3/8 X 60 (6FJX-6FJX90)	1
11	107090-036	HOSE ASS'Y 1/4 X 36 (4FJX-4FJX90)	1

ITEM	PART	DESCRIPTION	QTY
12	068737-043	HOSE ASS'Y 1/4 X 43 (4FJX-4FJX)	2
13	107090-045	HOSE ASS'Y 1/4 X 45 (4FJX-4FJX90)	1
14	020032-001	TEE FITTING 4MJ-4MJ-4MJ	1
15	011937-001	FITTING 4MJ-4FJ 90	1
16	107090-113	HOSE ASS'Y 1/4 X 113 (4FJX-4FJX90)	1
17	107090-121	HOSE ASS'Y 1/4 X 121 (4FJX-4FJX90)	1
20	107090-048	HOSE ASS'Y 1/4 X 48 (4FJX-4FJX90)	1
21	020032-003	TEE 6MJ-6MJ-6MJ	2
23	066824-003	HOSE ASS'Y 3/8 X 245 (6FJX-6FJX)	1
24	066825-007	HOSE ASS'Y 1/4 X 71 (6FJX-6FJX)	1
25	066825-004	HOSE ASS'Y 1/4 X 245 (6FJX-6FJX)	1



Control Handle 065512-000

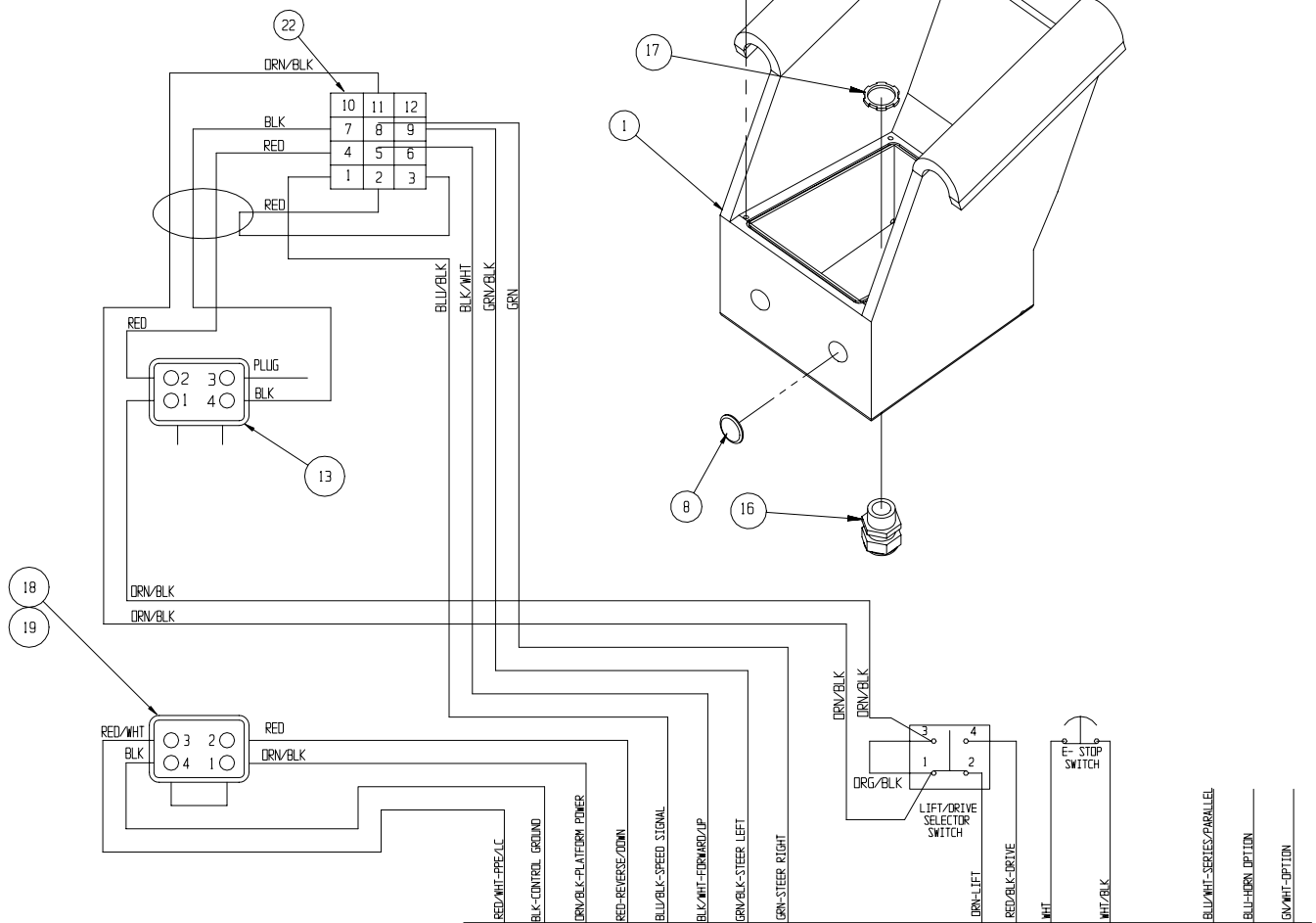
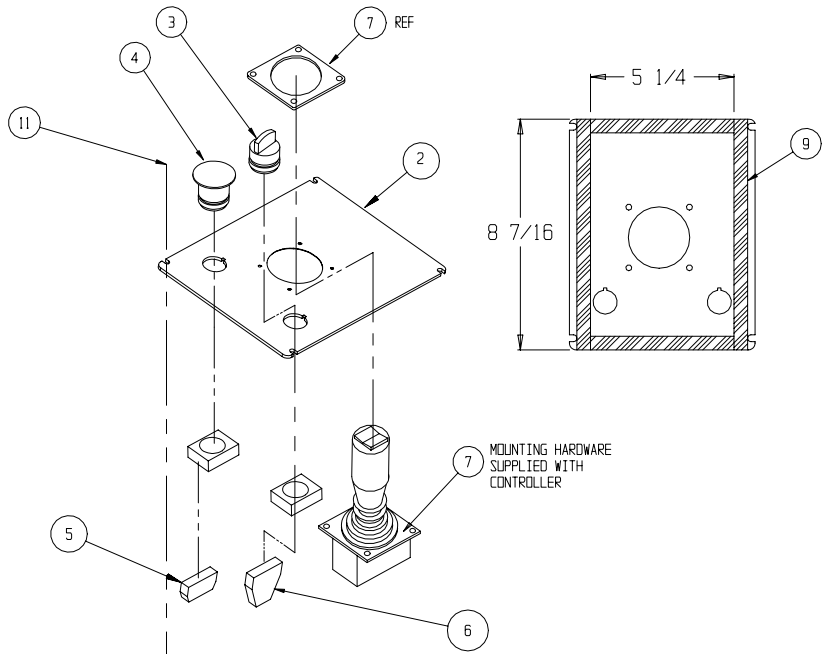
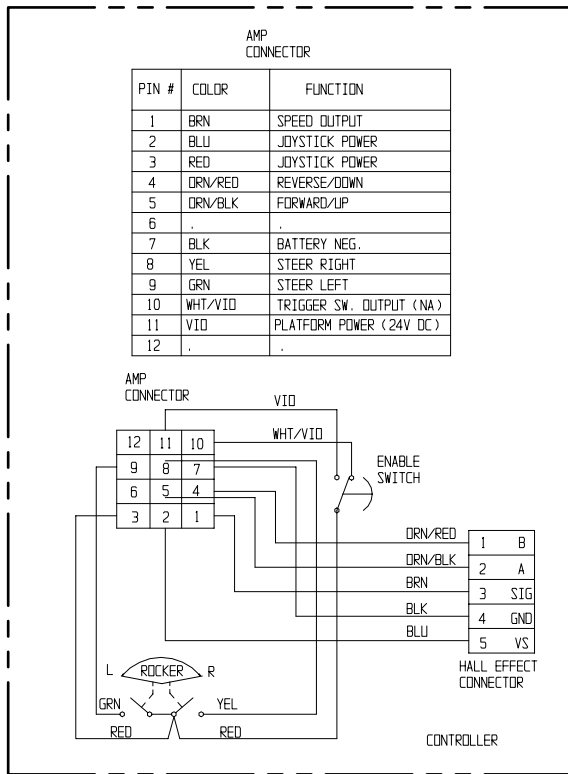
ITEM	PART NO.	DESCRIPTION	QTY
1	063953-001	CAP, RUBBER	1
2	065512-013	ROCKER, PIN	1
3	063953-007	SWITCH, INTERLOCK	1
4	065512-015	SWITCH, STEERING	1
5	065512-016	HANDLE HALF, RIGHT	1
6	065512-017	HANDLE HALF, LEFT	1
7	065512-018	BOOT, HANDLE	1



Platform Controls – X20N

066013-018

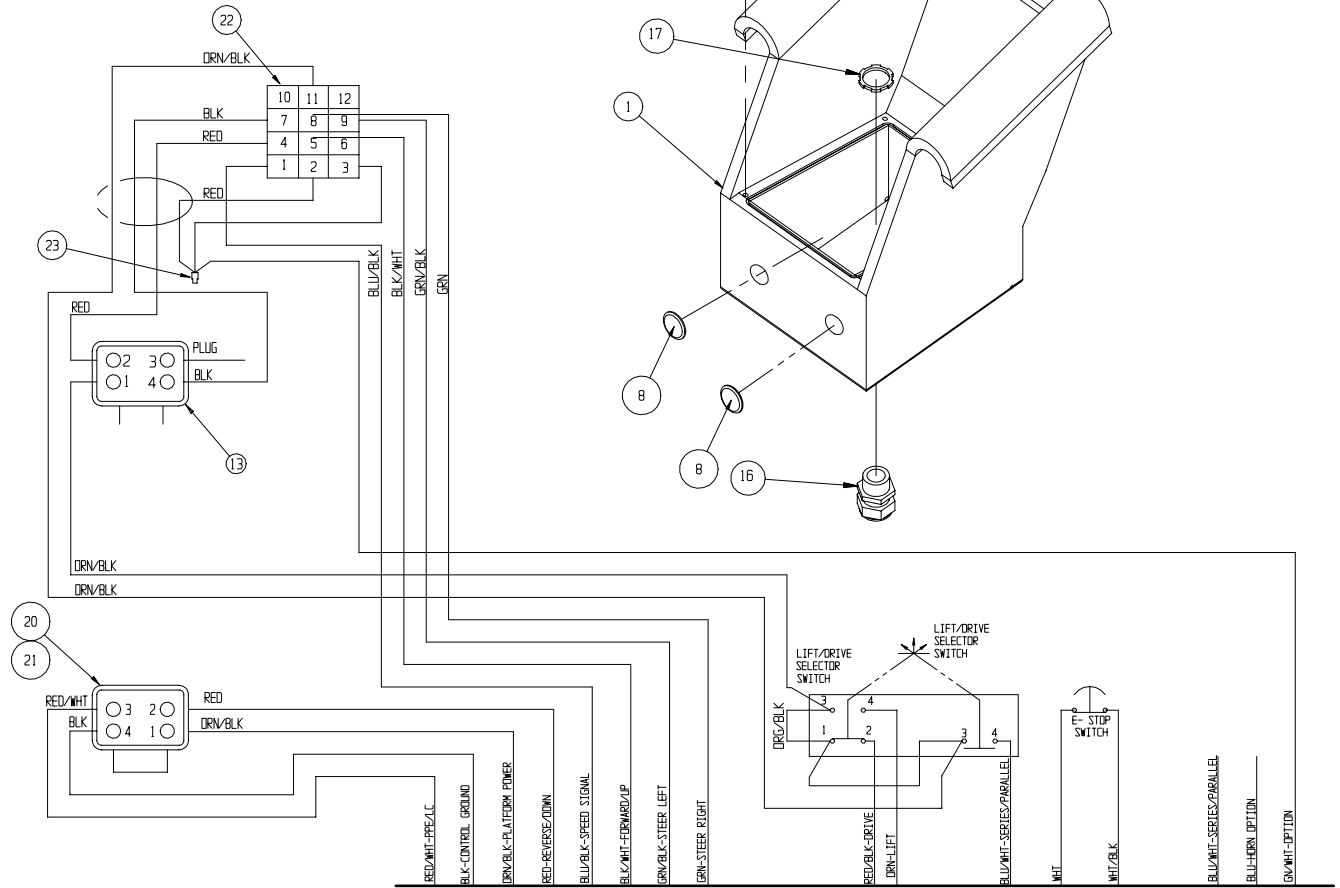
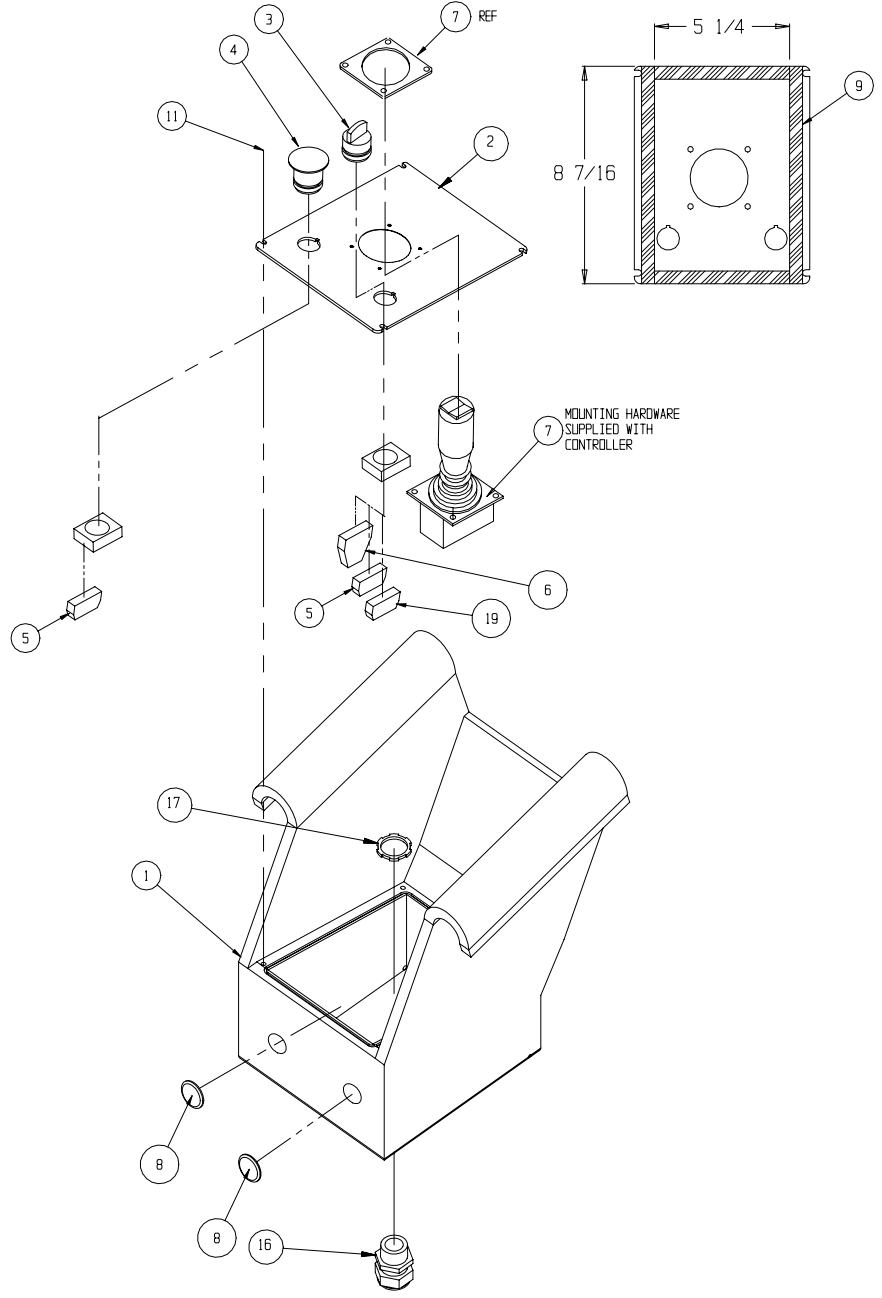
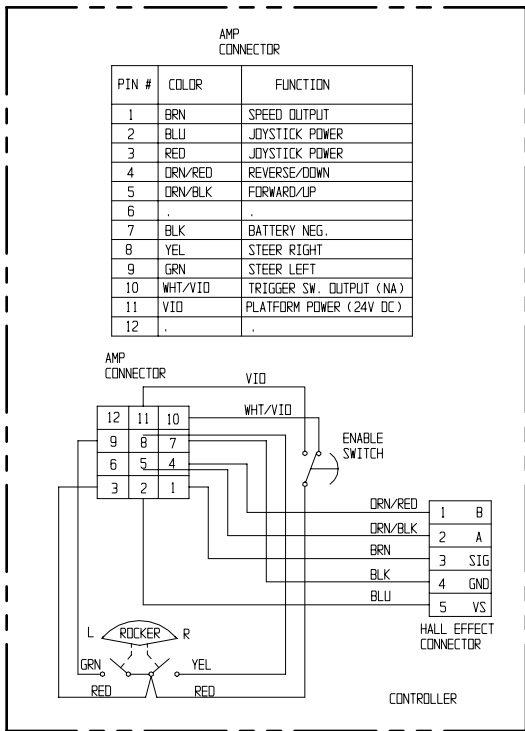
ITEM	PART	DESCRIPTION	QTY	ITEM	PART	DESCRIPTION	QTY
1	101188-010	BOX CONTROLLER	1	9	068889-099	WEATHERSTRIP	FT 2.3
2	101223-003	COVER CONTROLLER	1	11	011761-004	SCREW MACH SLOTTED TRUSS HD #10-24 X 1/2	4
3	066805-002	SWITCH SELECTOR-2 POSITION	1	13	101240-000	CABLE ASSY CONTROLLER	1
4	066805-006	SWITCH PUSH BUTTON	1	16	029925-010	CONN CABLE	1
5	066805-011	CONTACT NC	1	17	029939-003	LOCKNUT 3/4	1
6	066805-012	CONTACT NO - NC	1	18	067990-020	4 PIN RECEPTACLE	1
7	065512-000	CONTROLLER PQ	1	19	067990-023	4 PIN WEDGE	1
8	063926-011	PLUG CAPLUG #CCF 1-14-20	2	22	063956-003	CONN 12 PIN	1



Platform Controls – X20W, X26N, X26UN & X31N

066013-020

ITEM	PART	DESCRIPTION	QTY	ITEM	PART	DESCRIPTION	QTY
1	101188-010	BOX CONTROLLER	1	11	011761-004	SCREW SLOTTED TRUSS HD MACH 10-24 UNC X 1/2	4
2	101223-003	COVER CONTROLLER	1	13	101240-002	CABLE ASSY CONTROLLER DOM	1
3	066805-003	SWITCH SELECTOR-3 POSITION	1	16	029925-010	CONN CABLE	1
4	066805-006	SWITCH RED MUSHROOM	1	17	029939-003	LOCKNUT 3/4	1
5	066805-011	CONTACT NC	1	19	066805-010	CONTACT BLOCK N.O.	1
6	066805-012	CONTACT NO - NC	1	20	067990-020	4 PIN RECEPTACLE DT04-4P	1
7	065512-000	CONTROLLER PQ	1	21	067990-023	4 PIN WEDGE W4P	1
8	063926-011	HOLE PLUG	2	22	063956-003	CONN 12 PIN	1
9	068889-099	WEATHERSTRIP	FT 2.3	23	029630-003	WIRE JOINT (4 X 18GA/ 2 X 12GA)	1

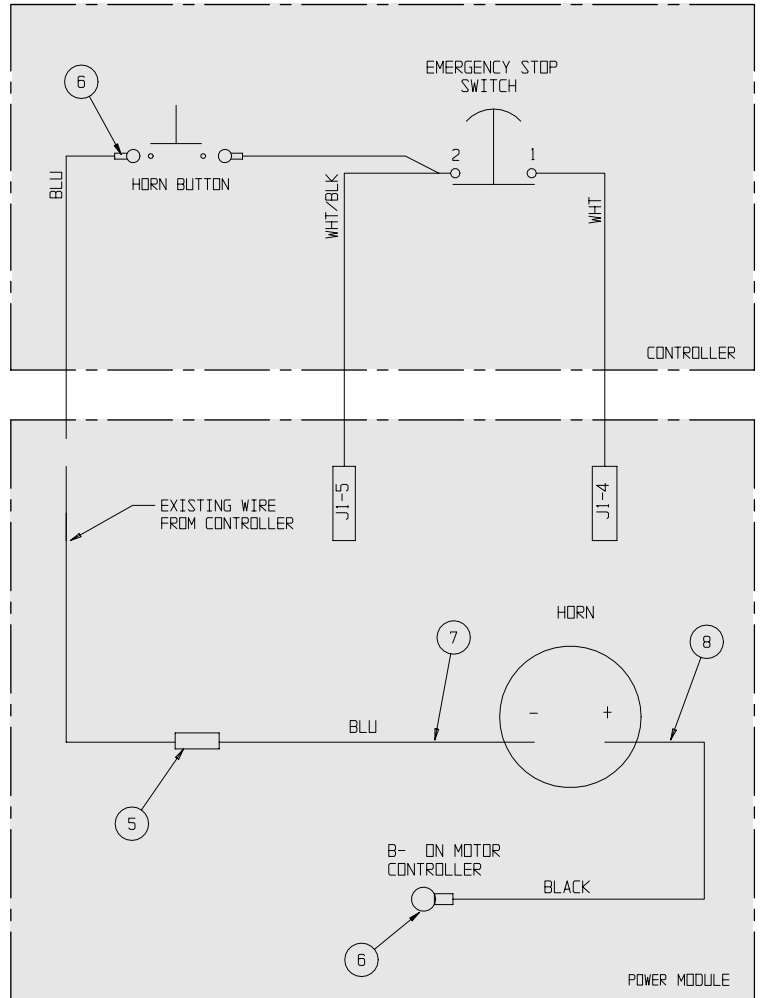
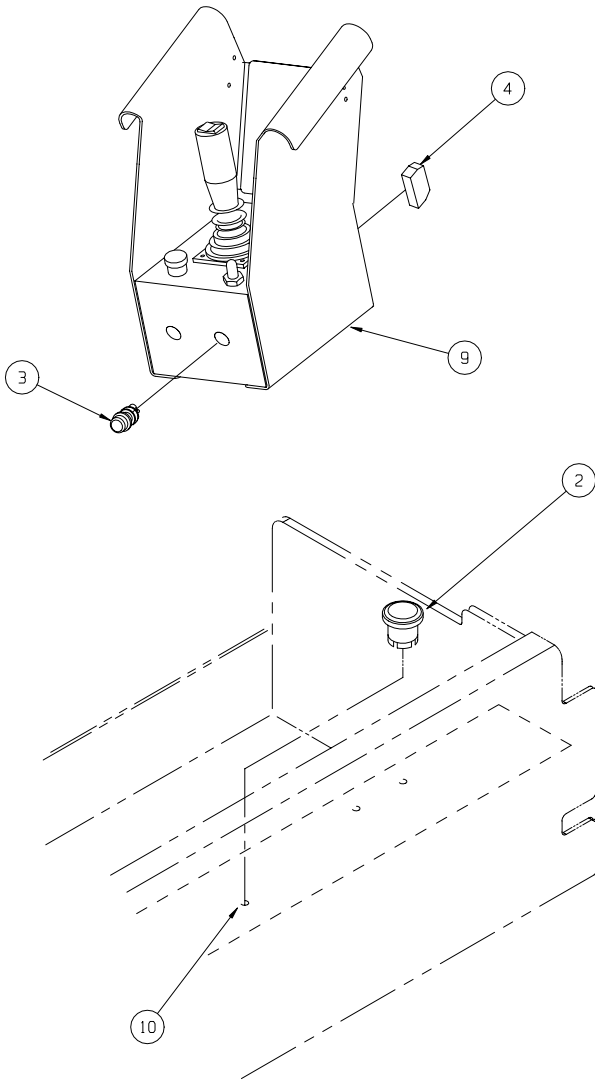


Horn Option

066614-020

ITEM	PART	DESCRIPTION	QTY
1	-	CONTROL MODULE ASSEMBLY	REF
2	066807-003	HORN, 24 VDC	1
3	066805-018	SWITCH, PUSH BUTTON 6E	1
4	066805-010	CONTACT BLOCK NO	1
5	029601-013	CONNECTOR, BUTT 16-14 GA	1

ITEM	PART	DESCRIPTION	QTY
6	029601-013	CONNECTOR, RING TERMINAL	4
7	029453-099	WIRE, 16 AWG BLUE	4 FT
8	029452-099	WIRE, 16 AWG BLACK	4 FT
9	-	CONTROLLER ASSY	REF
10	011252-006	SCREW HHC 1/4-20 X 3/4	1



Chassis Control Box Assembly

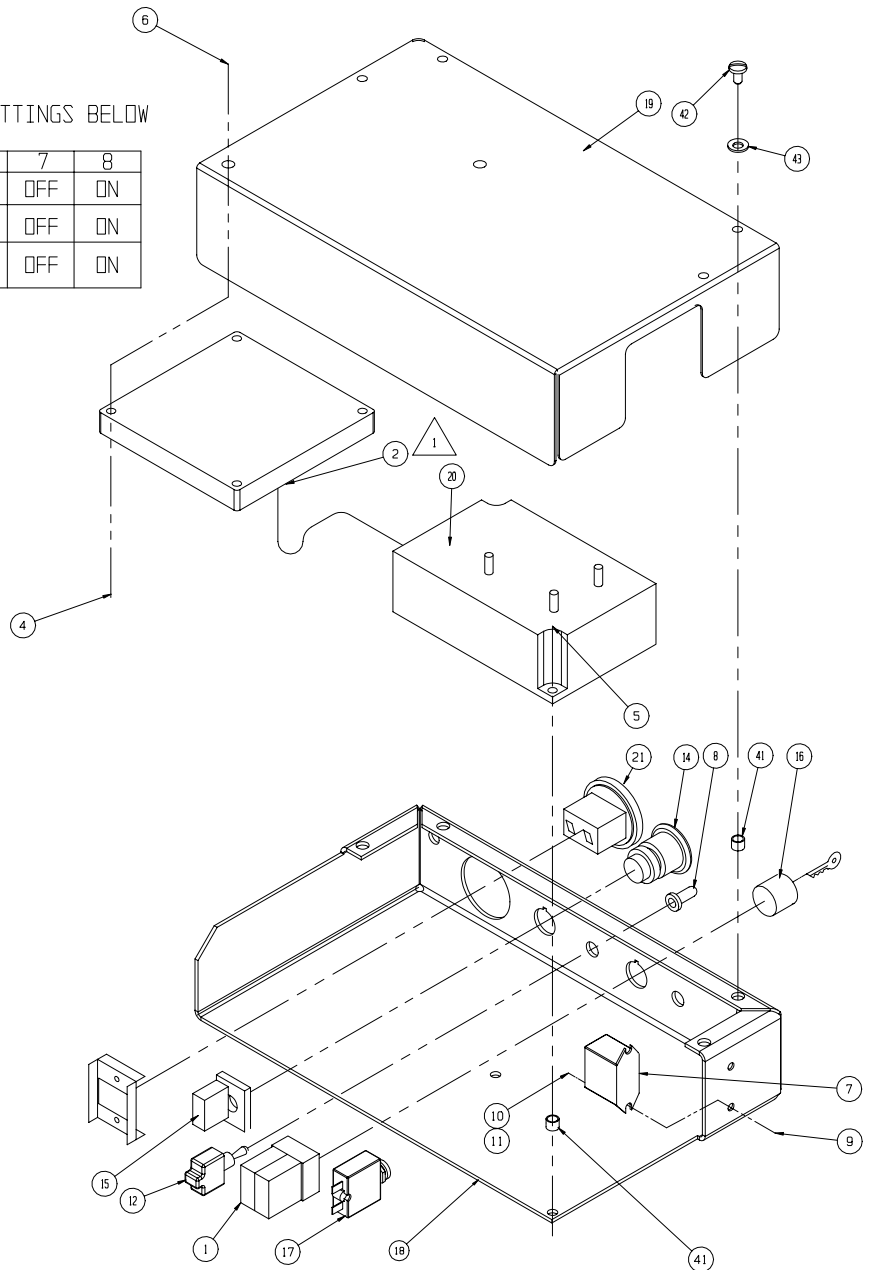
066014-020

ITEM	PART	DESCRIPTION	QTY	ITEM	PART	DESCRIPTION	QTY
1	066805-010	SWITCH CONTACT N.O.	2	14	066805-006	SWITCH PUSH BOTTON	1
2	065709-001	CIRCUIT BOARD	1	15	066805-011	CONTACT BLOCK N.C.	1
4	011248-004	NUT HEX ESNA 1/4-20 UNC	2	16	066805-004	KEYSWITCH	1
5	011252-008	SCREW HHC 1/4-20 UNC X 1	2	17	068582-005	CIRCUIT BRAKER	1
6	011252-012	SCREW HHC 1/4-20 UNC X 1 1/2	2	18	066755-020	LOWER CONTROL BOX	1
7	063951-002	RELAY 24 V	1	19	066756-020	PANEL, COVER	1
8	029872-000	BOOT SWITCH COVER	1	20	065708-001	MOTOR CONTROL	1
9	011288-006	SCREW PAN HD #6-32 X 3/4	2	21	015752-000	HOURLMETER	1
10	011240-001	WASHER FLAT #6 STD	2	41	014252-004	NUTSERT 1/4-20	6
11	011248-047	NUT 6-32	2	42	011252-004	SCREW HHC 1/4-20 X 1/2 LG	4
12	012798-001	TOGGLE SWITCH	1	43	011240-004	MASHER 1/4 FLAT	4

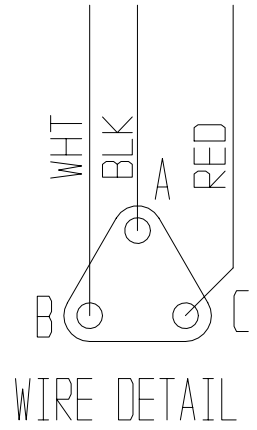
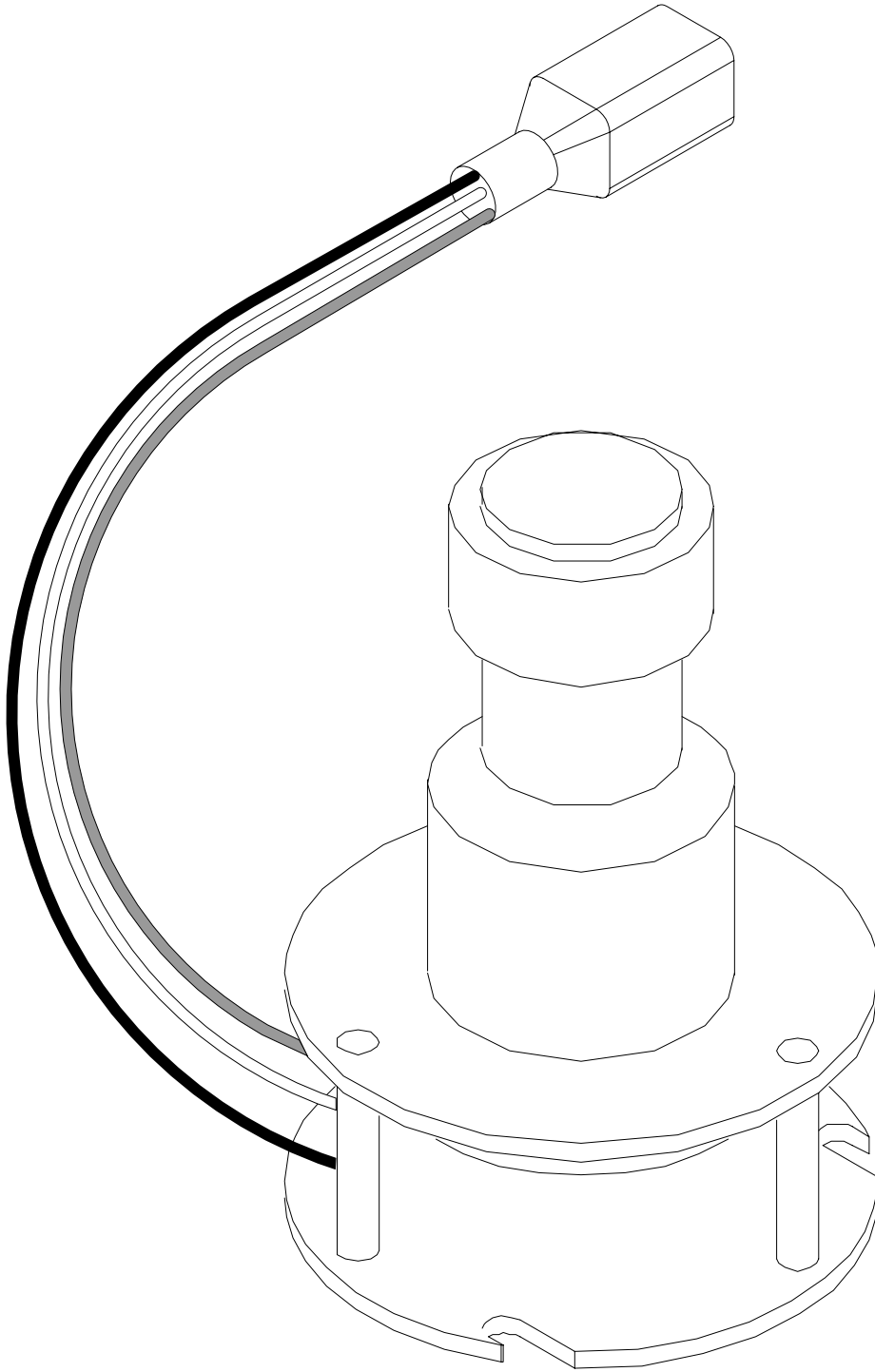
NOTES:  FOLLOW SEVCON DIPP SWITCH SETTINGS BELOW

SWITCH #	1	2	3	4	5	6	7	8
X20	ON	OFF	OFF*	ON*	OFF	ON	OFF	ON
X26/31/32	ON	ON	OFF*	ON*	OFF	OFF	OFF	ON
X26LN	ON	ON	OFF*	OFF*	OFF	ON	OFF	ON

* SWITCHES 3 AND 4 MAY DEVIATE BASED ON SPECIFIC MACHINE PERFORMANCE.



Level Sensor
029945-030

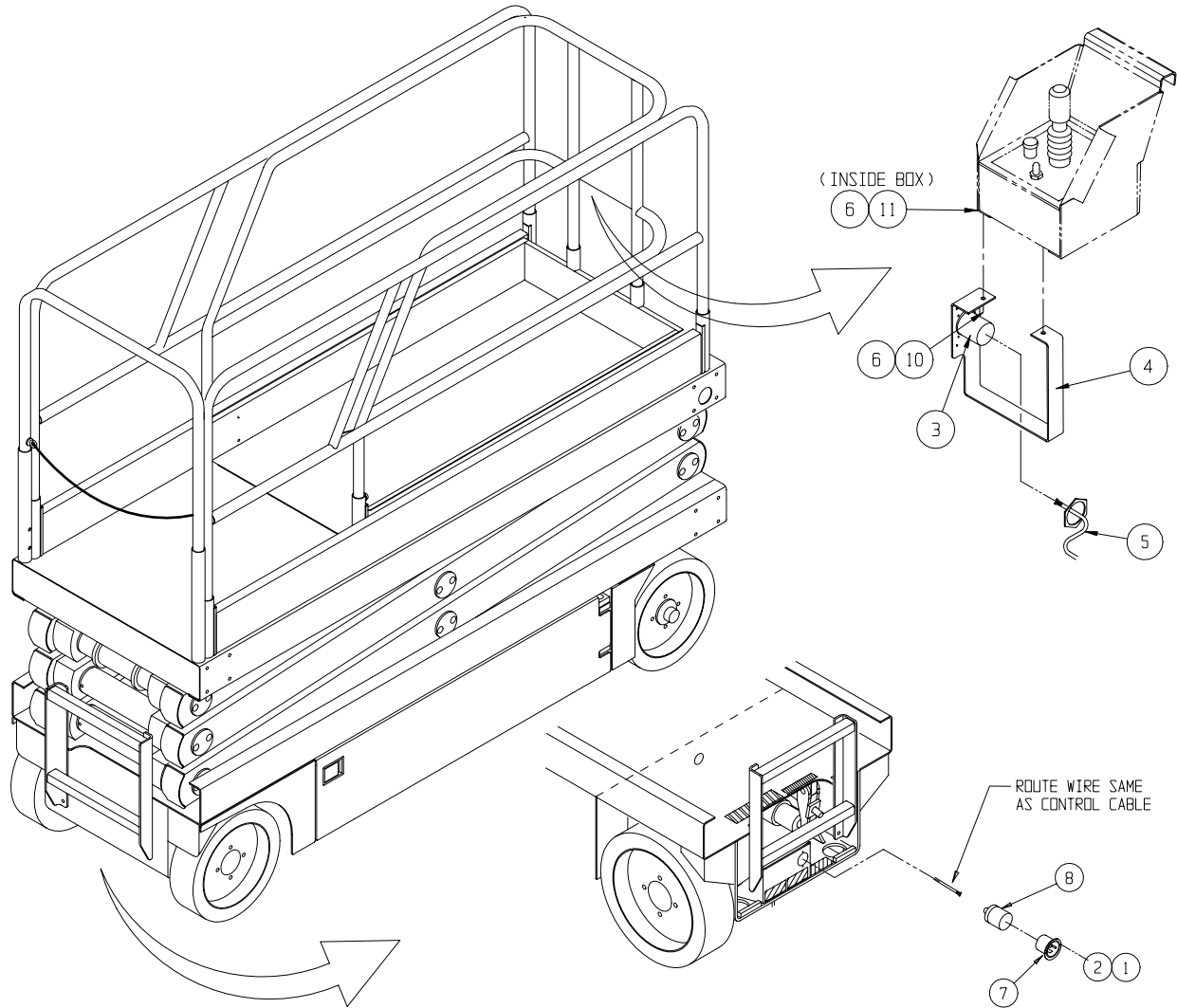


Power to Platform

066610-010

ITEM	PART	DESCRIPTION	QTY
1	011715-004	SCREW, RD. HD 6-32 X 1/2	2
2	011248-047	NUT, ESNA #6-32	2
3	067336-001	PLUG ASSY FM 110VAC	1
4	065746-002	CONTROLLER GUIDE-WIDE	1
5	X20N-X20W 029495-099	WIRE, 14GA 3 COND.	42 FT.
5	X26N-X26UN 029495-099	WIRE, 14GA 3 COND.	48 FT.

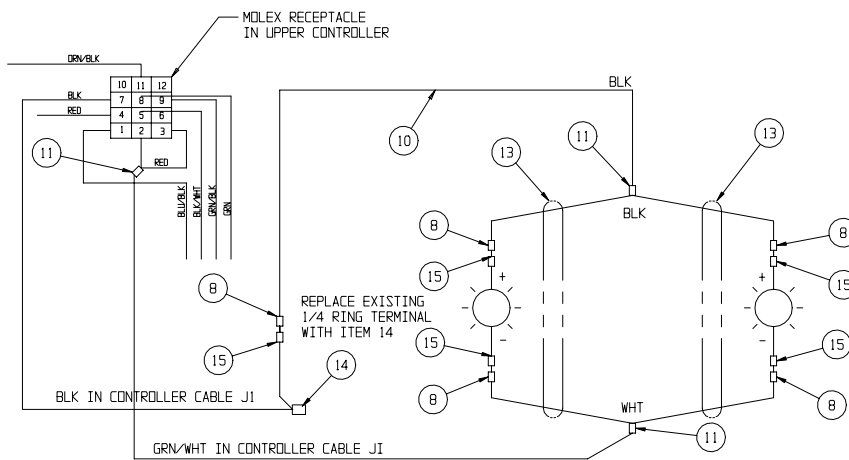
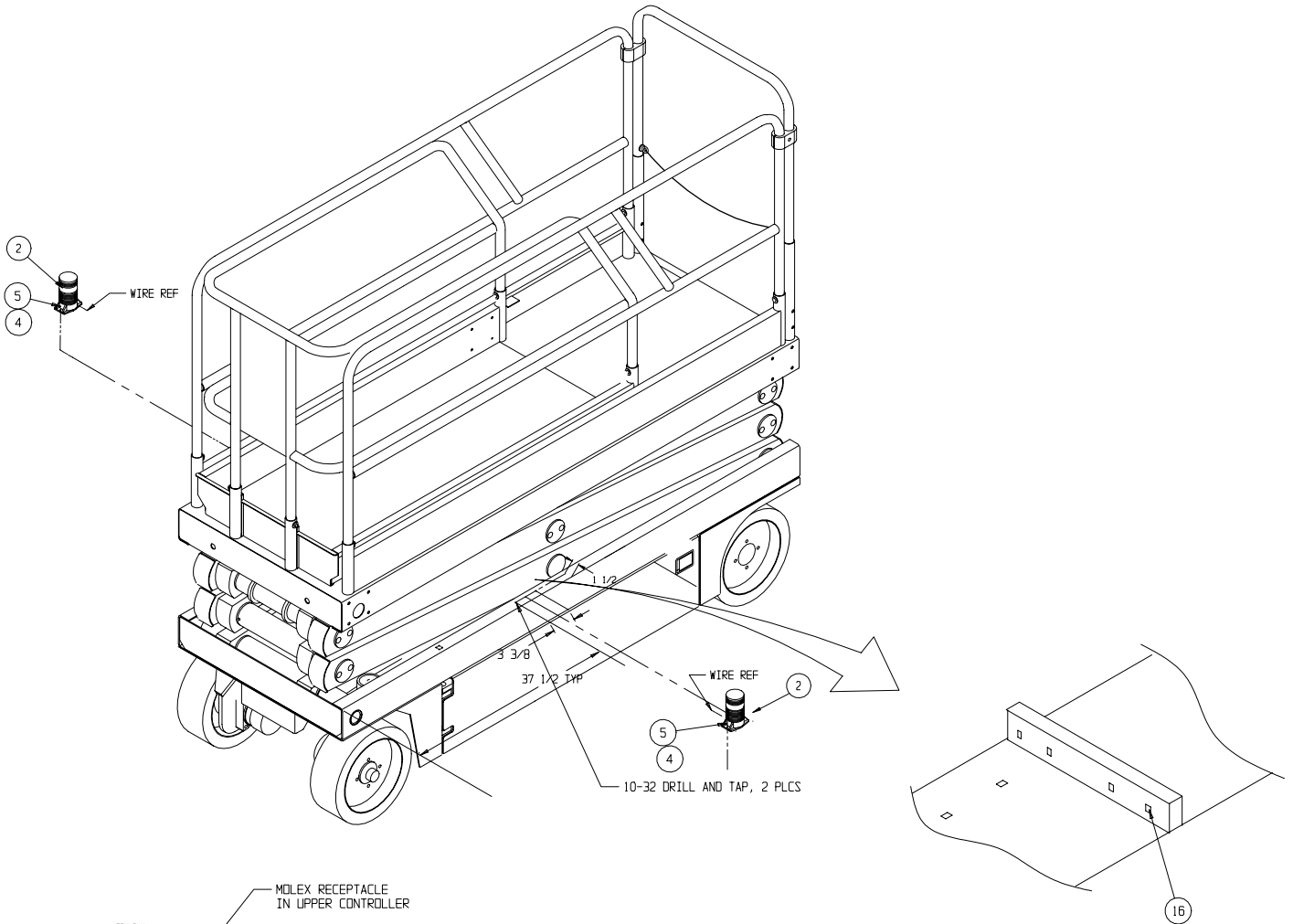
ITEM	PART	DESCRIPTION	QTY
5	X31N 029495-099	WIRE, 14GA 3 COND.	65 FT.
6	011240-004	WASHER 1/4" STD FLAT	4
7	029961-000	INLET PLUG, HUBBELL #5278C	1
8	029961-001	SEAL, INLET PLUG	1
10	011252-006	SCREW HHC 1/4-20 UNC X 3/4	2
11	011248-004	NUT HEX ESNA 1/4-20 UNC	2



Flashing Amber Light Option

066611-030

ITEM	PART	DESCRIPTION	QTY	ITEM	PART	DESCRIPTION	QTY
2	012848-014	BEACON	2	11	029620-003	CONNECTOR, BUTT 12-10 GA, (YELLOW)	3
4	011238-002	WASHER, SPLIT LOCK #10	4	13	029496-099	CABLE 16 AWG X 2 COND	12 FT.
5	011826-008	SCREW, #10-32 UNF RD MACHINE X 1 LG	4	14	029601-020	CONN 1/4 F PUSH 12-10 AWG	1
8	029931-003	CONN 1/4 F PUSH 16-14 AWG	5	15	014914-001	CONN 1/4 M PUSH 16-14 AWG	5
10	029452-099	WIRE, 16 AWG COPPER BLACK	2 FT.	16	013283-002	CABLE TIE	6



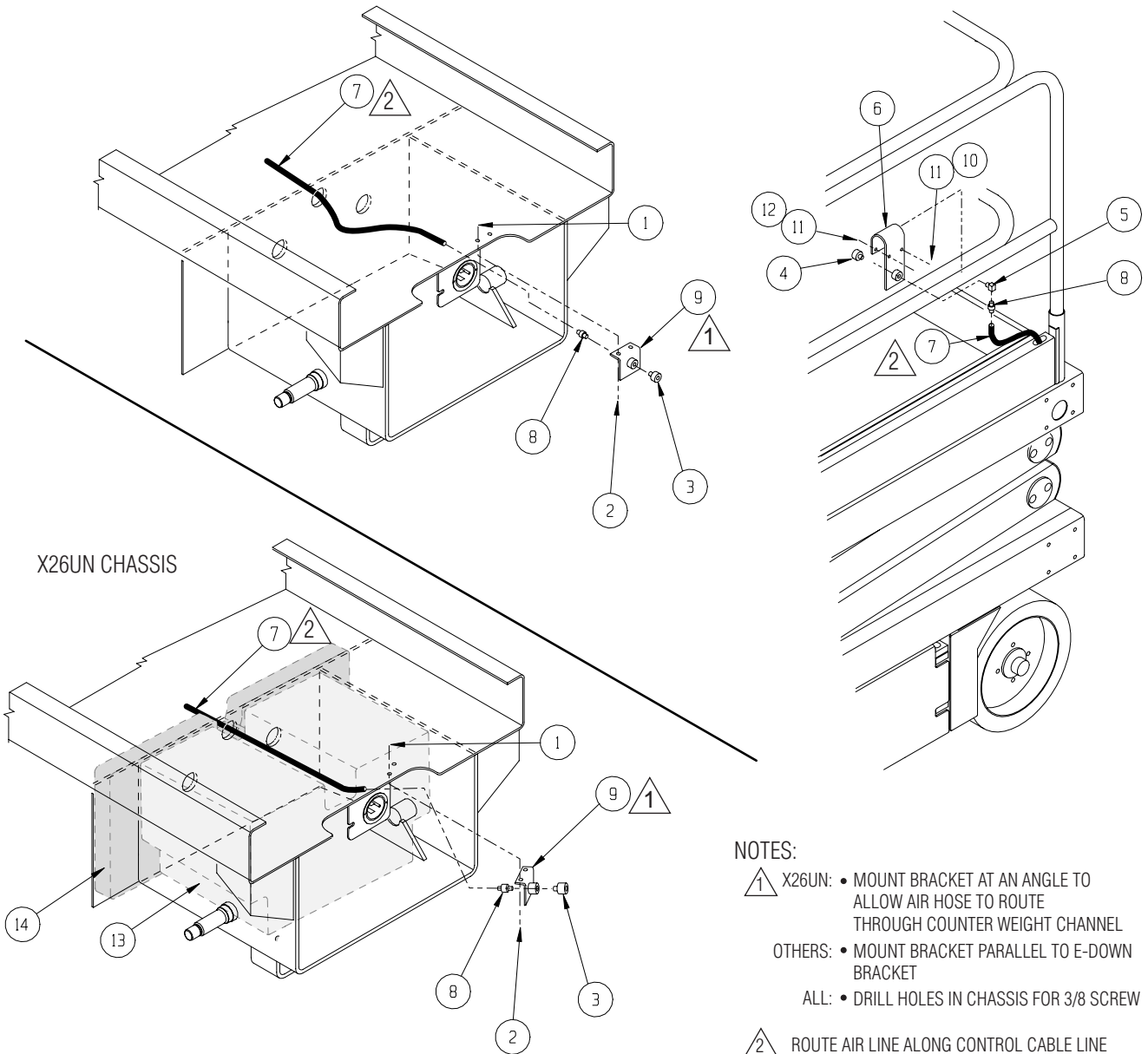
WIRING DIAGRAM

Air to Platform Option

066629-000

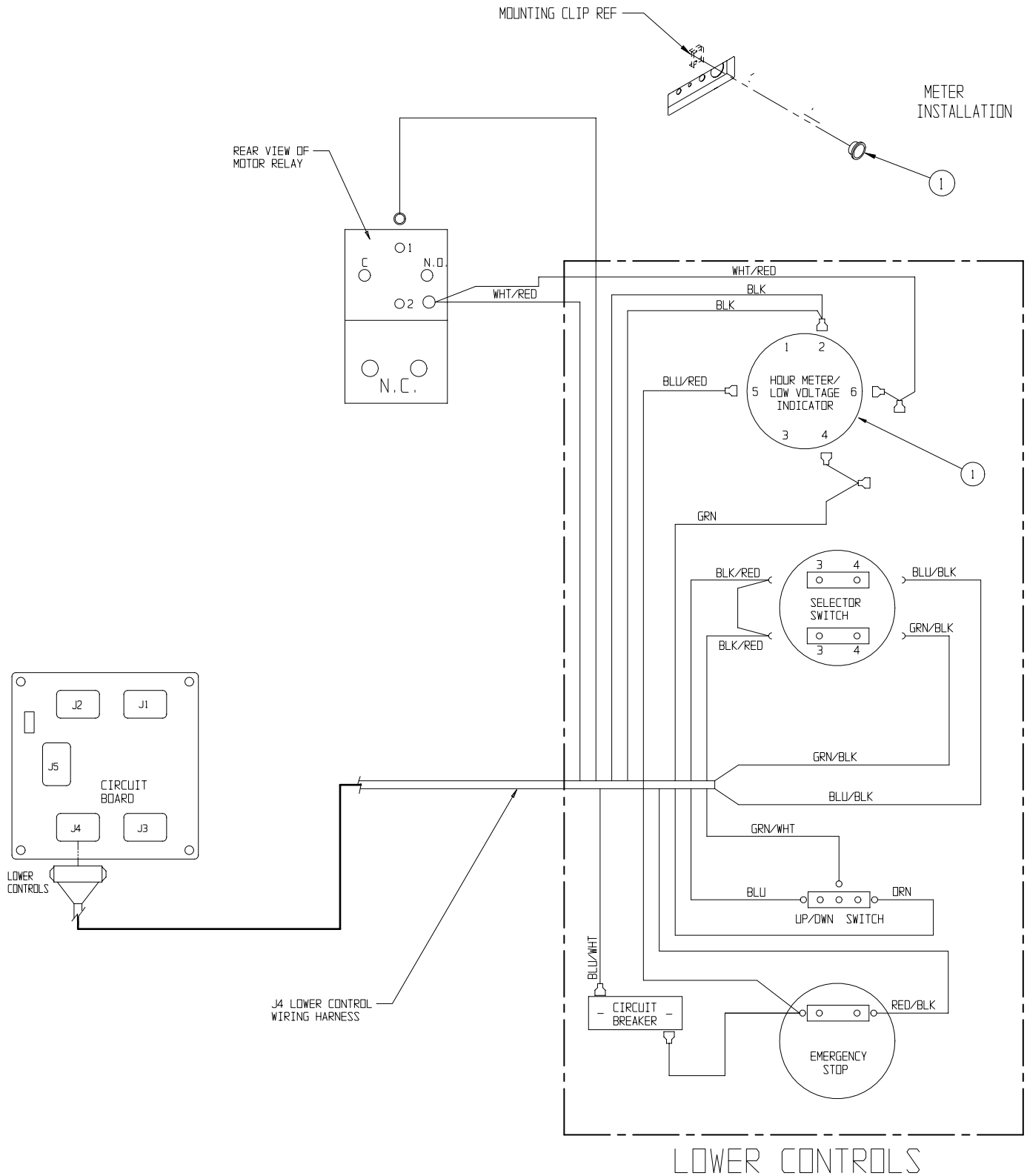
ITEM	PART	DESCRIPTION	QTY
1	011249-003	LOCK NUT ESNA HEX #10-32	2
2	011826-008	SCREW RD.HD. MACH #10-32	2
3	012728-000	COUPLING M AIR	1
4	012729-003	COUPLING M AIR	1
5	011917-007	FITTING 90 6MP-6FP	1
6	030719-002	AIR BACKET WELDMENT	1
7	015770-099	HOSE 3/8 SYNFLX 3600-06	50 FT.

ITEM	PART	DESCRIPTION	QTY
8	064274-002	FITTING HOSE	2
9	063191-000	BRACKET	1
10	011254-016	SCREW HHC GRD5 3/8-16UNC X 2	2
11	011240-006	WASHER 3/8 STD FLAT	4
12	011248-006	NUT HEX ESNA 3/8-16	2
13	066866-000	COUNTERWEIGHT CASTING	REF
14	066865-100	COUNTERWEIGHT - REAR BULKHEAD	REF



Hour Meter/Low Voltage Indicator Option 066613-020

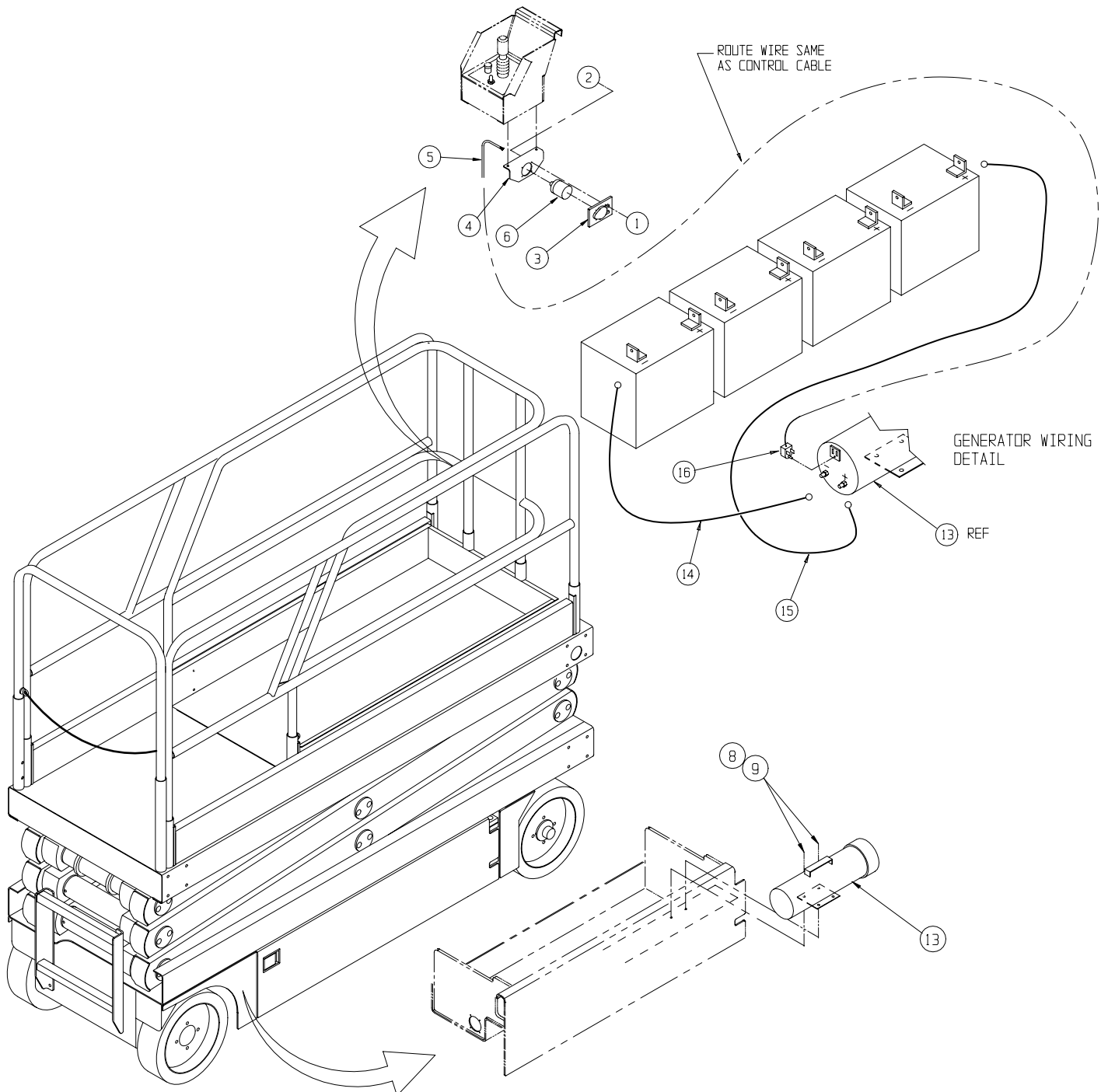
ITEM	PART	DESCRIPTION	QTY
1	029959-000	HR/LOW VOLTAGE INDOCATOR	1



Generator Option 066615-000

ITEM	PART	DESCRIPTION	QTY
1	011715-006	SCREW, RD. HD. #6-32 X 3/4 LG.	4
2	011248-047	NUT, ESNA #6-32	4
3	08942-001	OUTLET	1
4	066505-000	BRACKET	1
5	029495-099	WIRE, 14GA 3 COND.	50 FT.
6	029961-001	SEAL, INLET PLUG	1

ITEM	PART	DESCRIPTION	QTY
8	011248-004	NUT 1/4-20 UNC	2
9	011252-008	SCREW HHC 1/4-20 X 1	2
13	026461-000	GENERATOR	1
14	064195-044	CABLE ASSY (NEG) 44"	1
15	064195-024	CABLE ASSY (POS) 24"	1
16	029938-000	THREE PRONG PLUG - 90	1

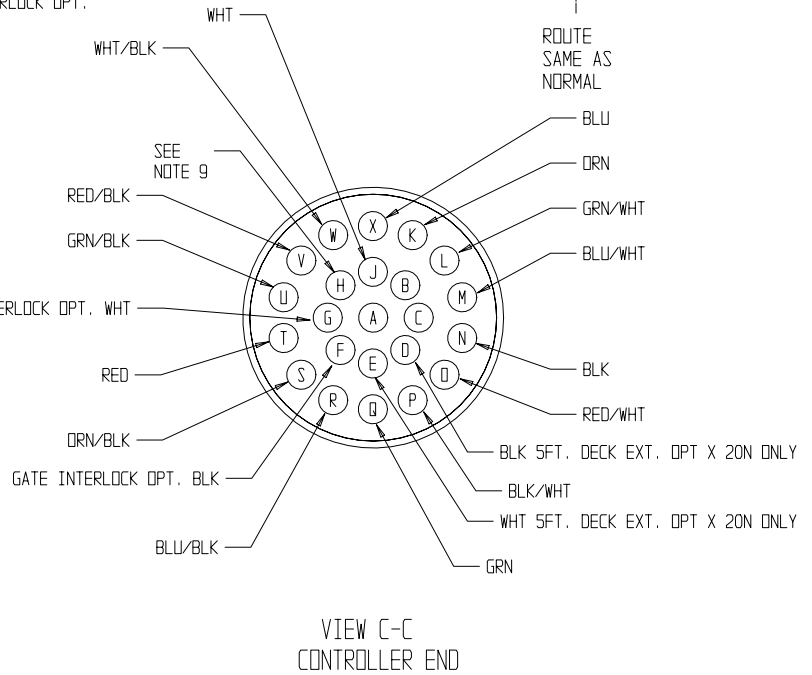
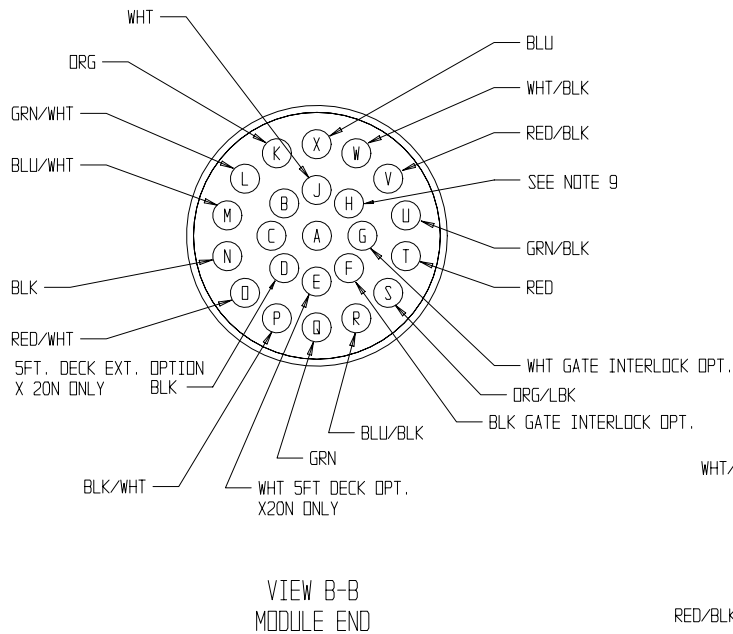


Removable Controller Option 061898-001

ITEM	PART	DESCRIPTION	QTY
1	028800-003	PLUG CONNECTOR (FEMALE)	1
2	028800-004	PIN CONTACT (MALE)	15
3	028800-015	PLUG SEALING	16
4	028800-016	RECEPTACLE CONNECTOR W/ CLAMP (MALE)	1
5	028800-005	SOCKET CONTACT (FEMALE)	15

NOTES

- CUT OFF CONTROL CABLE 14 INCHES BELOW STRAIN RELIEF ON CONTROLLER.
- CUT OUTER CABEL COVER OF LINKAGE CABEL BACK APPROXIMATELY 1-1/2 INCH AND STRIP APPROXIMATELY 1/4 INCH OF EACH END.
- CRIMP SOCKETS (28800-005) ONTO WIRE ENDS AND INSERT INTO CONNECTOR (28800-016). REF. VIEW B-B.
- CUT OUTER CABEL COVER OF CONTROLLER END BACK APPROXIMATELY 1-1/2 INCH AND STRIP APPROXIMATELY 1/4 INCH OF EACH END.
- SLIDE BOOT AND CLAMP ONTO CABLE.
- CRIMP PINS (28800-004) ONTO WIRE ENDS AND INSERT INTO CONNECTOR (28800-003). REF. VIEW C-C.
- CLAMP BOOT TO CONNECTOR.
- CONNECT CONTROLLER AND TEST MACHINE FOR PROPER FUNCTION.
- USE TERMINAL " H " FOR HORN OPTION OR IF AUX WIRE IS REQUIRED.

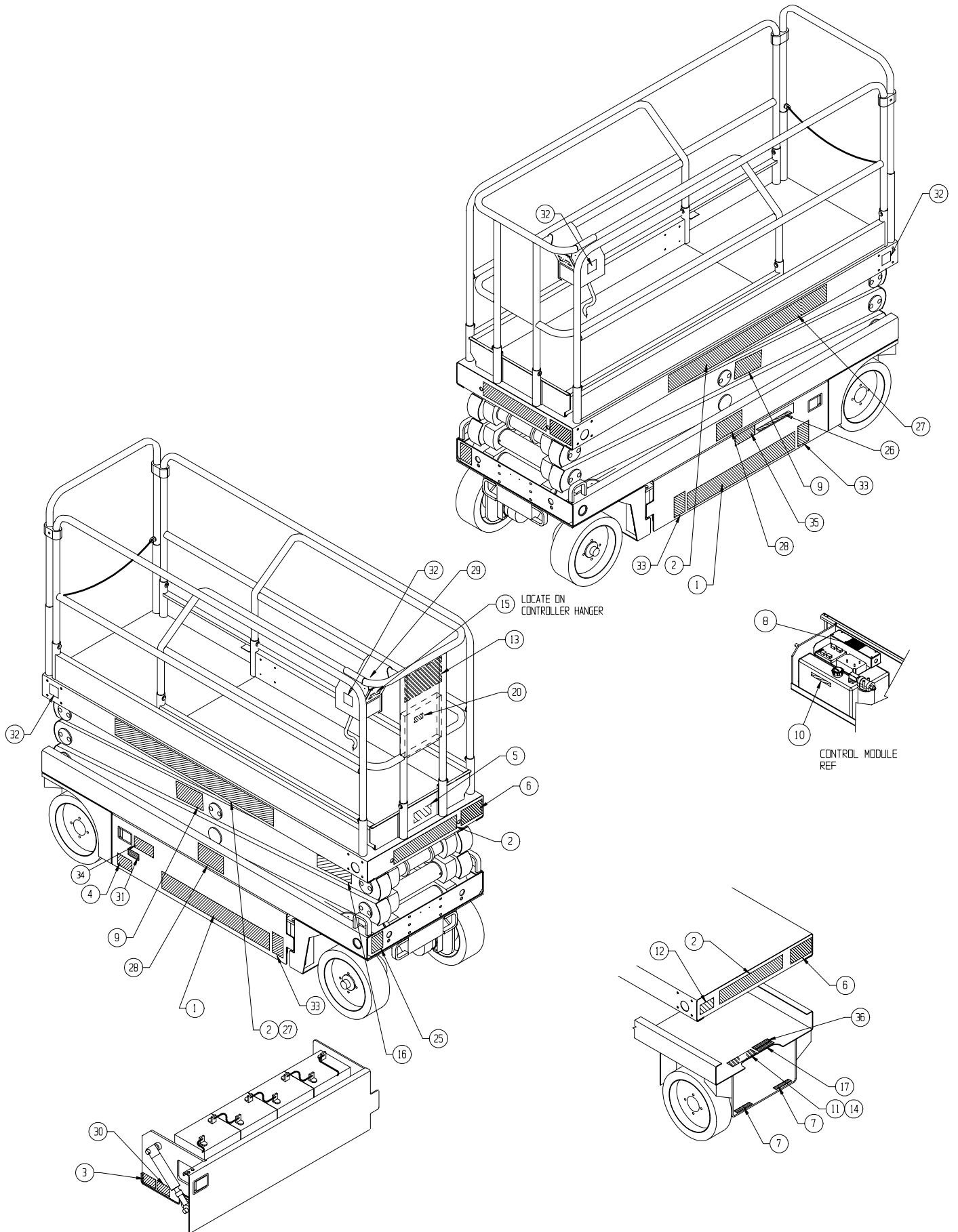


NOTES:

Label Kit – X20N

114005-000

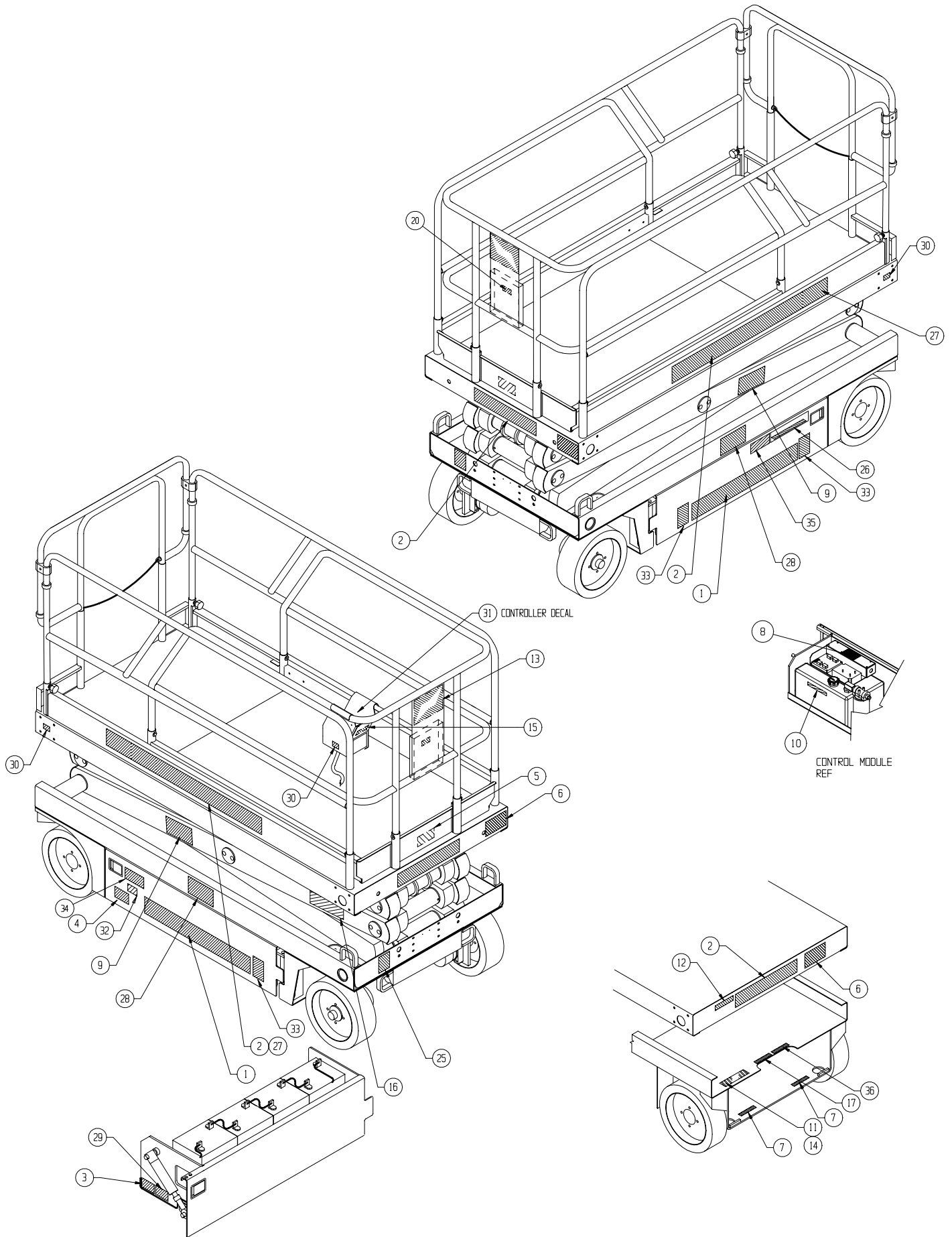
ITEM	PART	DESCRIPTION	QTY	ITEM	PART	DESCRIPTION	QTY
1	061683-006	LABEL UPRIGHT	2	16	066561-000	LABEL SAFETY STAND	1
2	061683-004	LABEL UPRIGHT	4	17	066558-000	LABEL EMER LOWER PULL HANDLE	1
3	005221-000	LABEL MAINTAIN BATTERY	1	20	010076-001	LABEL INSTRUCTIONS	1
4	066552-000	LABEL HYDR GAS	1	25	066556-000	LABEL WARNING (COLLISION)	1
5	101251-000	LABEL MAX LOAD DECK EXT	1	26	066559-000	LABEL LOWER CONTROLS	1
6	101250-002	LABEL MAX LOAD PLATFORM - 750 LBS	2	27	061684-018	LABEL X 20N	2
7	014222-003-99	LABEL FORK LIFT HERE	2	28	061684-016	LABEL X	2
8	066555-000	LABEL LIMIT SWITCHES	1	29	101222-005	LABEL CONTROLLER	1
9	066553-000	LABEL WARNING	2	30	062562-001	LABEL - BATTERIES	1
10	060197-000	LABEL HYDRAULIC FLUID	1	31	066522-000	LABEL - BATTERY CHARGER	1
11	061205-005	LABEL NAME PLATE	1	32	064444-000	LABEL - USA	4
12	061220-002	LABEL ANSI	1	33	066556-001	LABEL - WARNING	3
13	066550-000	LABEL DANGER	1	34	107051-000	LABEL BATTERY DISCONNECT	1
14	065368-000	TACK	4	35	101252-005	LABEL MAX WHEEL LOAD	1
15	066554-000	LABEL READ INSTRUCTIONS	1	36	068639-000	POWER TO PLATFORM	1



Label Kit – X20W

114015-000

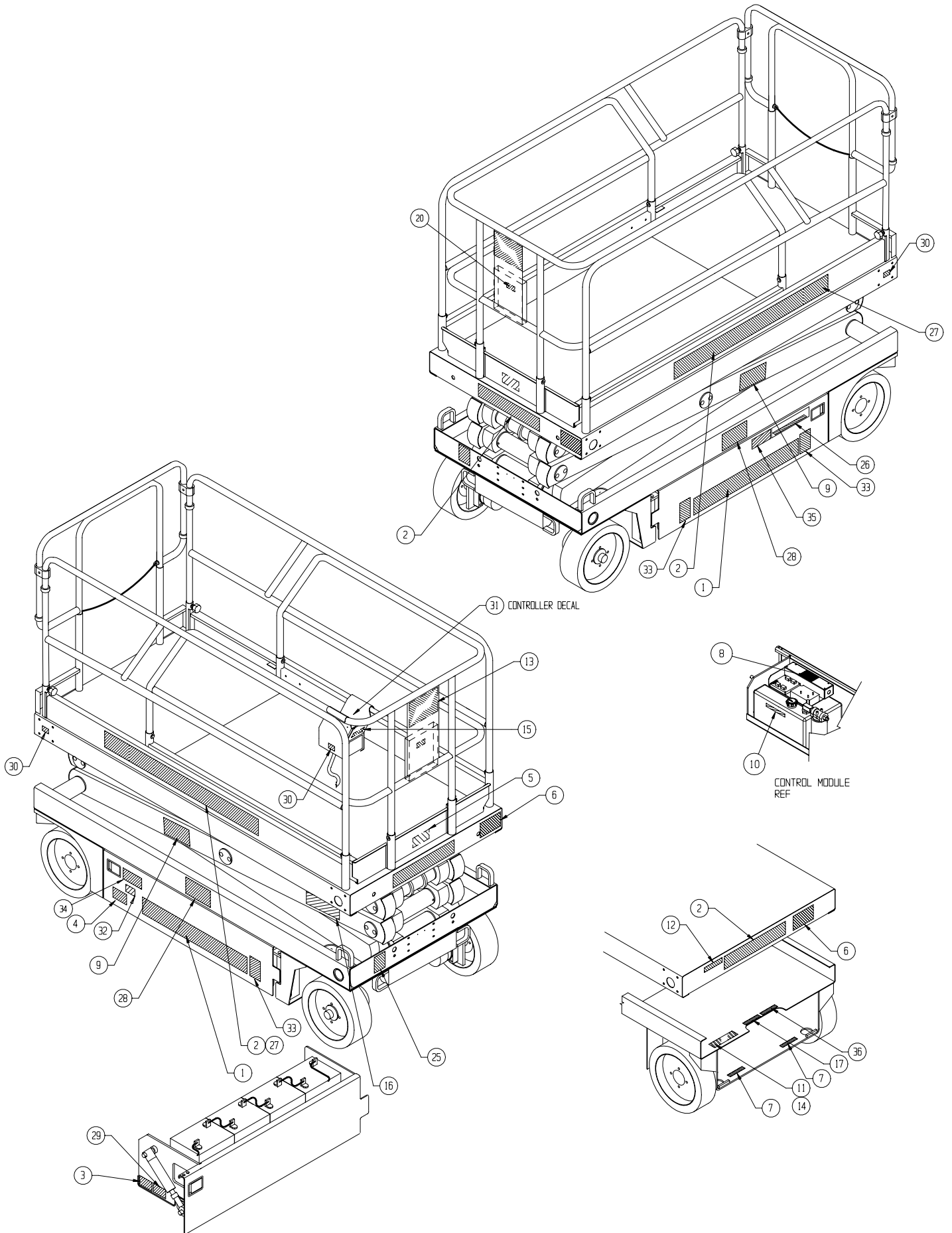
ITEM	PART	DESCRIPTION	QTY	ITEM	PART	DESCRIPTION	QTY
1	061683-006	LABEL UPRIGHT	2	16	066561-000	LABEL SAFETY STAND	1
2	061683-004	LABEL UPRIGHT	4	17	066558-000	LABEL EMER LOWER PULL HANDLE	1
3	005221-000	LABEL MAINTAIN BATTERY	1	20	010076-001	LABEL INSTRUCTIONS	1
4	066552-000	LABEL HYDR GAS	1	25	066556-000	LABEL WARNING (COLLISION)	1
5	101251-000	LABEL MAX LOAD DECK EXTENSION	1	26	066559-000	LABEL LOWER CONTROLS	1
6	101250-003	LABEL MAX LOAD PLATFORM	2	27	061684-019	LABEL X 20 W	2
7	014222-003-99	LABEL FORK LIFT HERE	2	28	061684-016	LABEL X	2
8	066555-000	LABEL LIMIT SWITCHES	1	29	062562-001	LABEL DANGER	1
9	066553-000	LABEL WARNING	2	30	064444-000	LABEL USA	4
10	060197-000	LABEL HYDRAULIC FLUID	1	31	101222-005	LABEL CONTROLLER	1
11	061205-005	LABEL NAME PLATE	1	32	066522-000	LABEL BATTERY CHARGER	1
12	061220-002	LABEL ANSI	1	33	066556-001	LABEL - WARNING	3
13	066550-000	LABEL DANGER	1	34	107051-000	LABEL BATTERY DISCONNECT	1
14	065368-000	TACK	4	35	101252-004	LABEL MAX WHEEL LOAD	1
15	066554-000	LABEL READ INSTRUCTIONS	1	36	068639-000	POWER TO PLATFORM	1



Label Kit – X26N

114025-000

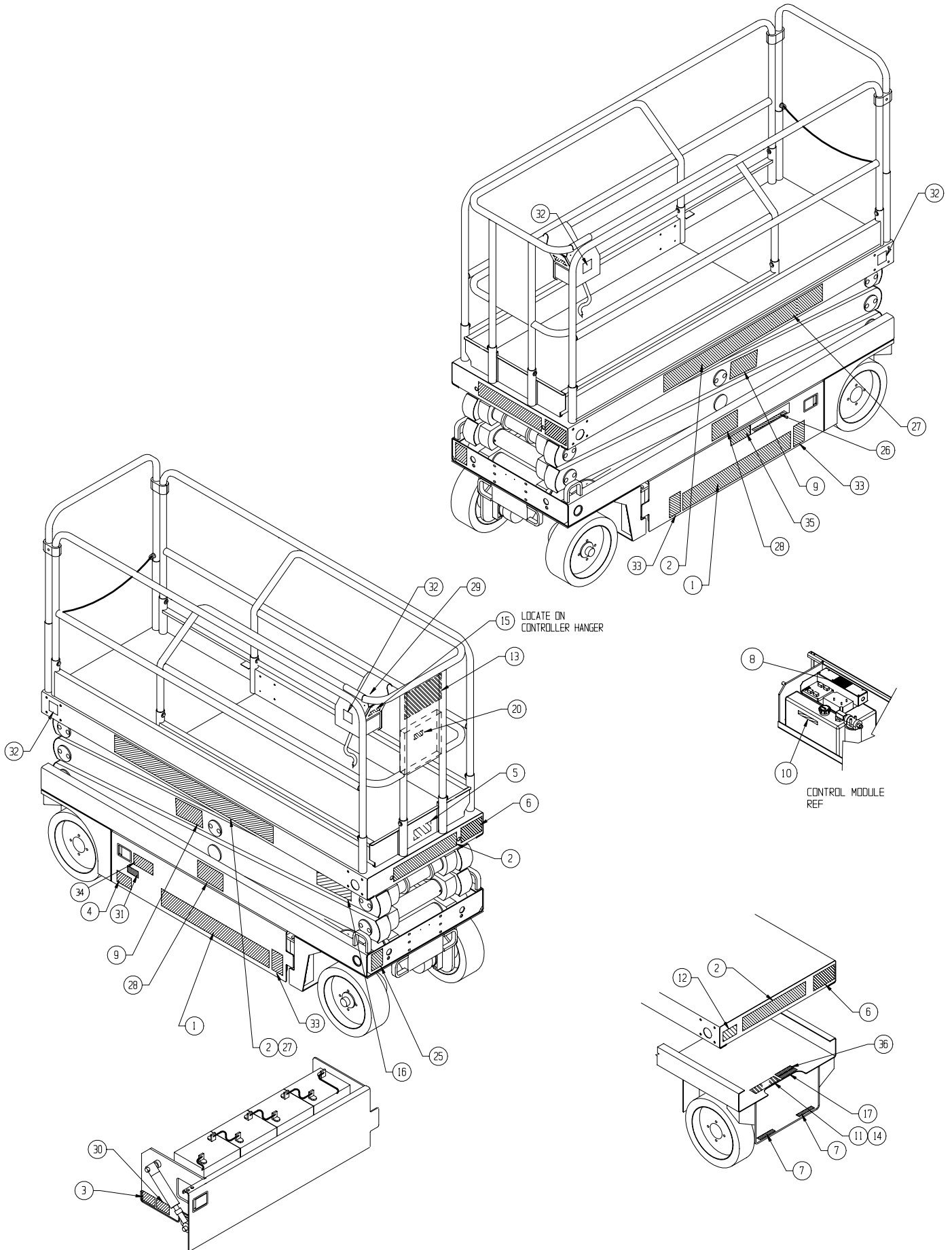
ITEM	PART	DESCRIPTION	QTY	ITEM	PART	DESCRIPTION	QTY
1	061683-006	LABEL UPRIGHT	2	16	066561-000	LABEL SAFETY STAND	1
2	061683-004	LABEL UPRIGHT	4	17	066558-000	LABEL EMER LOWER PULL HANDLE	1
3	005221-000	LABEL MAINTAIN BATTERY	1	20	010076-001	LABEL INSTRUCTIONS	1
4	066552-000	LABEL HYDR GAS	1	25	066556-000	LABEL WARNING (COLLISION)	1
5	101251-000	LABEL MAX LOAD DECK EXTENSION	1	26	066559-000	LABEL LOWER CONTROLS	1
6	101250-004	LABEL MAX LOAD PLATFORM	2	27	061684-020	LABEL X 26 N	2
7	014222-003-99	LABEL FORK LIFT HERE	2	28	061684-016	LABEL X	2
8	066555-000	LABEL LIMIT SWITCHES	1	29	062562-001	LABEL DANGER	1
9	066553-000	LABEL WARNING	2	30	064444-000	LABEL USA	4
10	060197-000	LABEL HYDRAULIC FLUID	1	31	101222-005	LABEL CONTROLLER	1
11	061205-005	LABEL NAME PLATE	1	32	066522-000	LABEL BATTERY CHARGER	1
12	061220-002	LABEL ANSI	1	33	066556-001	LABEL - WARNING	3
13	066550-000	LABEL DANGER	1	34	107051-000	LABEL BATTERY DISCONNECT	1
14	065368-000	TACK	4	35	101252-005	LABEL MAX WHEEL LOAD	1
15	066554-000	LABEL READ INSTRUCTIONS	1	36	068639-000	POWER TO PLATFORM	1



Label Kit – X26UN

114035-000

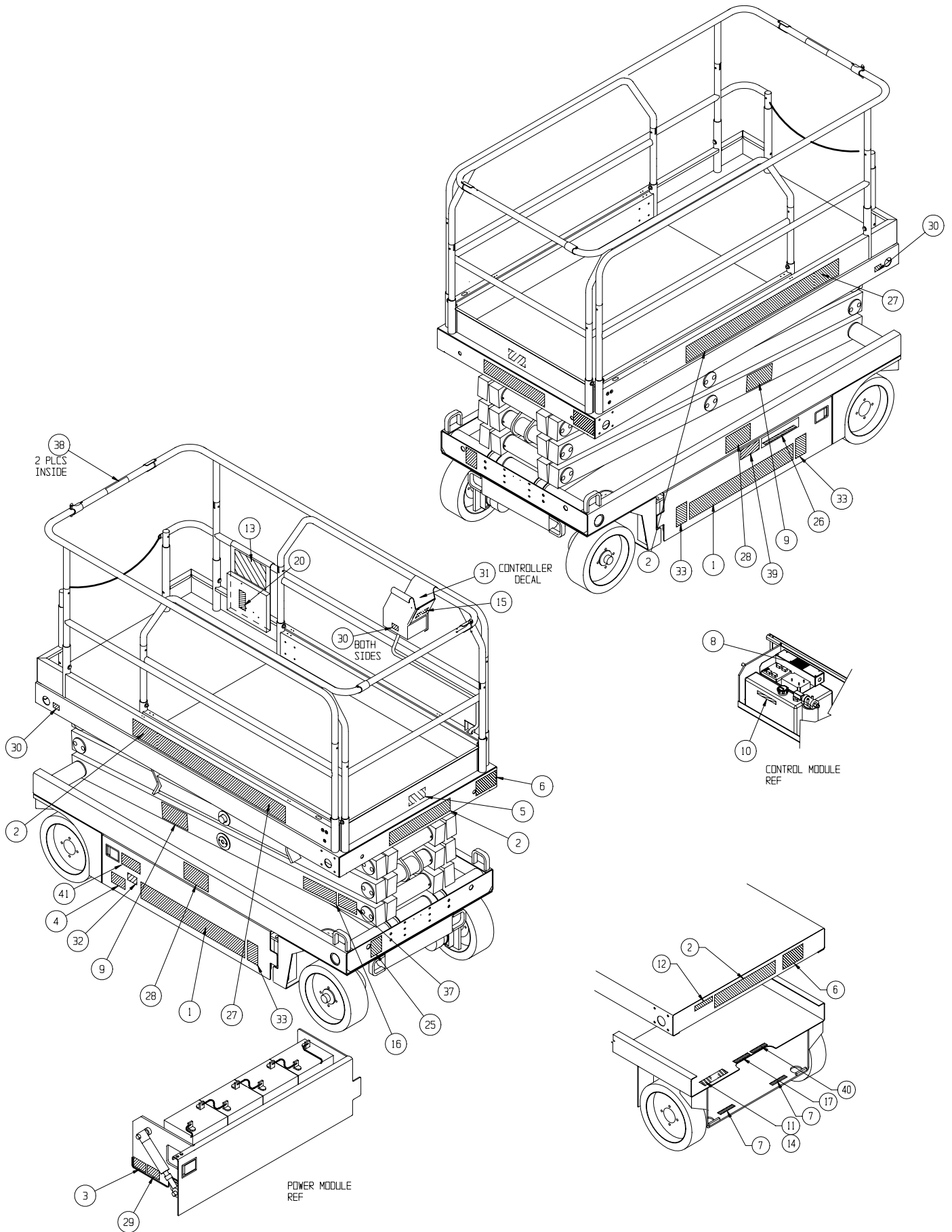
ITEM	PART	DESCRIPTION	QTY	ITEM	PART	DESCRIPTION	QTY
1	061683-006	LABEL UPRIGHT	2	16	066561-000	LABEL SAFETY STAND	1
2	061683-004	LABEL UPRIGHT	4	17	066558-000	LABEL EMER LOWER PULL HANDLE	1
3	005221-000	LABEL MAINTAIN BATTERY	1	20	010076-001	LABEL INSTRUCTIONS	1
4	066552-000	LABEL HYDR GAS	1	25	066556-000	LABEL WARNING (COLLISION)	1
5	101251-000	LABEL MAX LOAD DECK EXT	1	26	066559-000	LABEL LOWER CONTROLS	1
6	101250-000	LABEL MAX LOAD PLATFORM - 500 LBS	2	27	114060-000	LABEL X 26 Ultra-N	2
7	014222-003-99	LABEL FORK LIFT HERE	2	28	061684-016	LABEL X	2
8	066555-000	LABEL LIMIT SWITCHES	1	29	101222-005	LABEL CONTROLLER	1
9	066553-000	LABEL WARNING	2	30	062562-001	LABEL - BATTERIES	1
10	060197-000	LABEL HYDRAULIC FLUID	1	31	066522-000	LABEL - BATTERY CHARGER	1
11	061205-005	LABEL NAME PLATE	1	32	064444-000	LABEL - USA	4
12	061220-002	LABEL ANSI	1	33	066556-001	LABEL - WARNING	3
13	066550-000	LABEL DANGER	1	34	107051-000	LABEL BATTERY DISCONNECT	1
14	065368-000	TACK	4	35	101252-005	LABEL MAX WHEEL LOAD	1
15	066554-000	LABEL READ INSTRUCTIONS	1	36	068639-000	POWER TO PLATFORM	1



Label Kit – X31N

114045-000

ITEM	PART	DESCRIPTION	QTY	ITEM	PART	DESCRIPTION	QTY
1	061683-006	LABEL UPRIGHT	2	17	066558-002	LABEL EMER LOWER	1
2	061683-004	LABEL UPRIGHT	4	20	010076-001	LABEL INSTRUCTIONS	1
3	005221-000	LABEL MANTAIN BATTERY	1	25	066556-000	LABEL WARNING (COLLISION)	1
4	066552-000	LABEL HYDR GAS	1	26	066559-000	LABEL LOWER CONTROLS	1
5	101251-000	LABEL MAX LOAD DECK EXT	1	27	061684-025	LABEL X 31 N	2
6	101250-005	LABEL MAX LOAD PLATFORM	2	28	061684-016	LABEL X	2
7	14222-003-99	LABEL FORK LIFT HERE	2	29	062562-001	LABEL DANGER	1
8	066555-000	LABEL LIMIT SWITCHES	1	30	064444-000	LABEL USA	4
9	066553-000	LABEL WARNING	2	31	101222-005	LABEL CONTROLLER	1
10	060197-000	LABEL HYDRAULIC FLUID	1	32	066522-000	LABEL BATTERY CHARGER	1
11	061205-005	LABEL NAME PLATE	1	33	066556-001	LABEL - WARNING	3
12	061220-002	LABEL ANSI	1	37	066561-003	LABEL CAUTION	1
13	066550-000	LABEL DANGER	1	38	061787-001	LABEL DANGER GUARDRAIL	2
14	065368-000	TACK	4	39	101252-006	LABEL MAX WHEEL LOAD	1
15	066554-000	LABEL READ INSTRUCTIONS	1	40	068639-000	LABEL POWER TO PLATFORM	1
16	066561-002	LABEL SAFETY STAND	1	41	107051-000	LABEL BATTERY DISCONNECT	1



NOTES:

UpRight

Call Toll Free in U.S.A.
1-800-926-LIFT

UpRight, Inc.

801 South Pine Street
Madera, California 93637

TEL: 559-662-3900

FAX: 559-673-6184

PARTS: 1-888-UR-PARTS

PARTS FAX: 1-800-669-9884

UpRight

Call Toll Free in U.S.A.

1-800-926-LIFT

P/N 114112-000
09-02

UpRight

Unit S1, Park West Industrial Park
Friel Avenue
Nangor Road
Dublin 12, Ireland

TEL: +353 1 620 9300

FAX: +353 1 620 9301